

**EFR 9180-B**

**600 - 1000 HP Turbo**

EFR SERIES



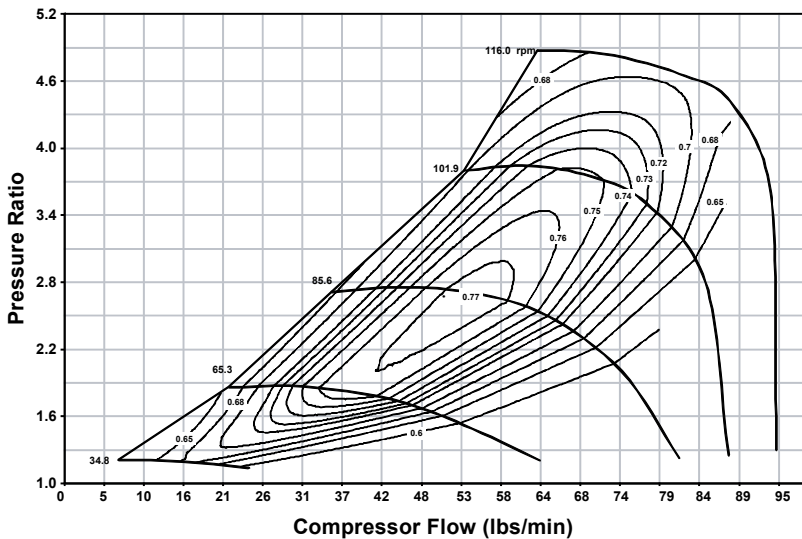
**Key Turbo Features**

- Gamma-Ti turbine wheel
- Dual ceramic ball bearing assembly with metal cage
- Stainless steel turbine housing
- Large internal wastegate
- Standard T3 mounting flange

**Not Included with Turbo Assemblies:**

- Speed sensor
- Turbine outlet V-Band
- Turbine inlet gasket
- Oil drain gasket or drain port fitting

**COMPRESSOR MAP**

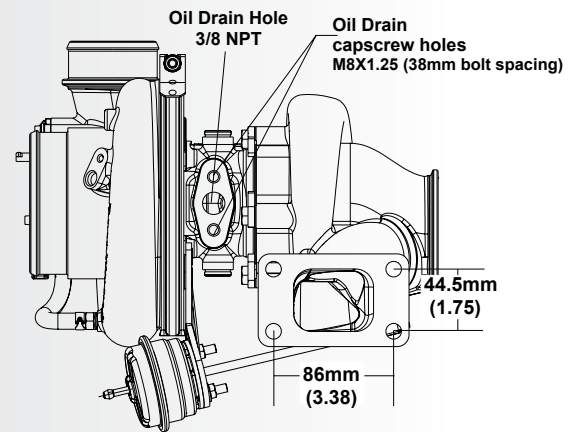
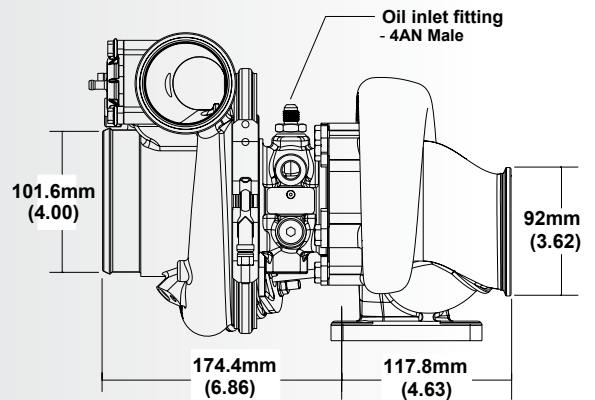
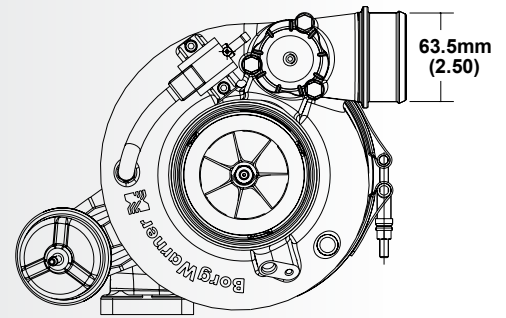


**TURBINE HOUSING OPTIONS**

Turbine Housing Part Number	A/R	Inlet Flange Shape	Housing Config
12801008002	0.83	T3	Single Scroll WG
12801019009	0.92	T4	Twin Scroll WG
12801019001	1.05	T4	Twin Scroll Non-WG
12801008006	1.45	T4	Twin Scroll Non-WG

Turbo Part #	Turbo Frame Size	Super Core Part #	Comp. Wheel Outer Dia. (mm)	Comp. Wheel Inducer Dia.	Turbine Wheel Outer Dia.	Turbo A/R	Inlet Flange Config
179358	B2	179356	91	68	80	.83	T3

**TURBO FRAME DIMENSIONS**



**SUPER CORE CONFIGURATION**

The following parts are not included as part of the super-core assembly: turbine housing, assembly clamp plate hardware, wastegate parts.