

ONE KEY

CONVENIENT SECURITY!


















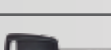
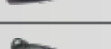
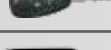





2019



BOLT[®]

BREAKTHROUGH ONE-KEY LOCK TECHNOLOGY

	5/8" RECEIVER LOCK	P - 4
	1/2" RECEIVER LOCK	P - 4
	COLLAR - KING PIN LOCKING SYSTEM	P - 5
	OFF VEHICLE COUPLER LOCK	P - 6
	COUPLER PIN LOCK	P - 7
	LOCKING RECOVERY HOOK	P - 8
	PADLOCK	P - 9
	CABLE LOCK	P - 10
	TOOLBOX LATCH RETRO FIT KIT	P - 11
	BOLT CYLINDER	P - 12
	BOLT CYLINDER NUT	P - 12
	GM TAILGATE HANDLE	P - 12
	JEEP SPARE TIRE LOCK	P - 13
	JEEP HOOD LOCK	P - 14
	J-MOUNT	P - 15
	GM EARLY	P - 16
	GM LATE	P - 17
	GM CENTER CUT	P - 18
	DODGE/ JEEP/ RAM	P - 19
	JEEP CENTER CUT	P - 20
	FORD	P - 21
	FORD SIDE CUT	P - 22
	TOYOTA	P - 23
	NISSAN	P - 23



JEEP SPARE TIRE LOCK

RECEIVER LOCK



JEEP HOOD LOCK



CABLE LOCK

PADLOCK

J-MOUNT

RECEIVER LOCK

- Stainless Steel Pin for Durability
- Weather Proof
- Auto Return Spring Locks Automatically when Key is Removed
- Double Ball Bearing Locking-Mechanism
- Plate Tumbler Sidebar to Prevent Picking and Bumping
- Stainless Steel Lock Shutter to Keep Out Dirt and Moisture
- Limited Lifetime Warranty



5/8" PIN FITS 2.5" and 3" SQUARE RECEIVERS

Note: All dimensions are in inches



5/8" RECEIVER LOCK

Part Number	Description
7018448	5/8" Receiver Lock Chrysler
7032290	5/8" Receiver Lock Jeep Center Cut
7018447	5/8" Receiver Lock Ford
7023585	5/8" Receiver Lock Ford Side Cut
7018445	5/8" Receiver Lock GM Early Model (GM-A)
7018446	5/8" Receiver Lock GM Late Model (GM-B)
7023582	5/8" Receiver Lock GM Center Cut
7023583	5/8" Receiver Lock Nissan
7023584	5/8" Receiver Lock Toyota

5/8" Diameter Stainless Steel Pins for Class III, IV & V Receivers

1/2" RECEIVER LOCK

Part Number	Description
7019344	1/2" Receiver Lock Chrysler
7032293	1/2" Receiver Lock Jeep Center Cut
7019343	1/2" Receiver Lock Ford
7023630	1/2" Receiver Lock Ford Side Cut
7019341	1/2" Receiver Lock GM Early Model (GM-A)
7019342	1/2" Receiver Lock GM Late Model (GM-B)
7023627	1/2" Receiver Lock GM Center Cut
7023628	1/2" Receiver Lock Nissan
7023629	1/2" Receiver Lock Toyota

1/2" Diameter Stainless Steel Pins for Class I + II Receivers (1.5" Square Receiver)

** The BOLT 5/8" Receiver Lock is compatible with the Ford Super Duty 3" hitch. Size variations have been observed with a select number of hitches, please contact BOLT Locks if you experience any issues with fit. **

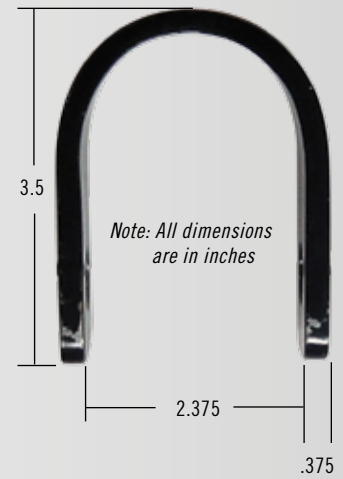
COLLAR - KINGPIN LOCKING SYSTEM

- Secures your Fifth Wheel King Pin
- Visible Off-Vehicle Theft Deterrent
- Powder Coated, Hardened Steel Collar Resists Corrosion
- Heavy Duty Collar Resists Tampering
- Works with any BOLT 5/8" Receiver Lock
- Limited Lifetime Warranty

Part Number	Description
7032039	Collar - Kingpin Locking System



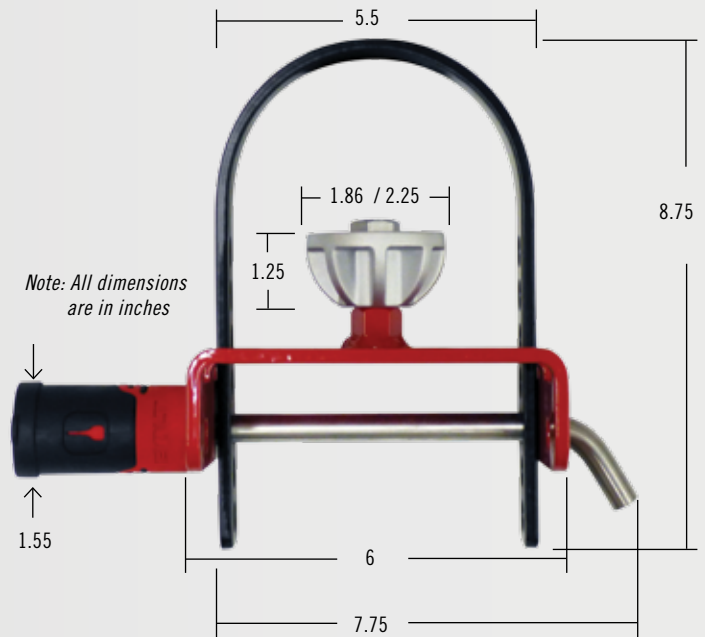
* Receiver Lock sold separately



OFF-VEHICLE COUPLER LOCK

- Works with 1 7/8", 2" and 2 5/16" Couplers
- Hardened Steel Hardware for Extra Security
- Maximum Protection for Unattended Trailers
- Corrosion Resistant
- Plate Tumbler Sidebar to Prevent Picking and Bumping
- Limited Lifetime Warranty
- Powder Coated in Red for Visible Theft Deterrent

Part Number	Description
7032492	Off-Vehicle Coupler Lock Chrysler
7032497	Off-Vehicle Coupler Lock Jeep Center Cut
7032491	Off-Vehicle Coupler Lock Ford
7032496	Off-Vehicle Coupler Lock Ford Side Cut
7032489	Off-Vehicle Coupler Lock GM Early Model (GM-A)
7032490	Off-Vehicle Coupler Lock GM Late Model (GM-B)
7032493	Off-Vehicle Coupler Lock GM Center Cut
7032494	Off-Vehicle Coupler Lock Nissan
7032495	Off-Vehicle Coupler Lock Toyota

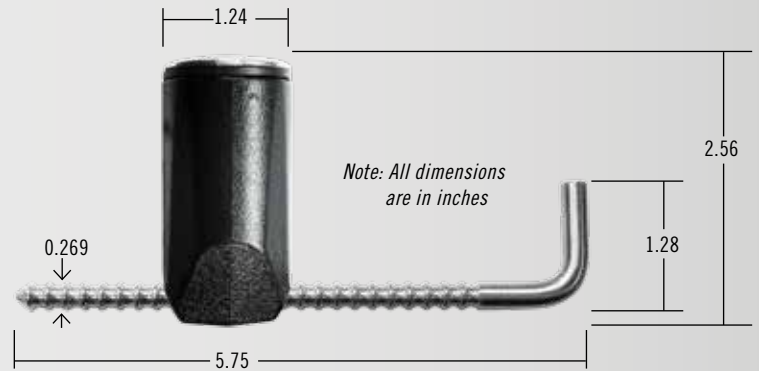


COUPLER PIN LOCK

- Stainless Steel Pin for Durability
- Fits Couplers from 1/2" to 3 3/8" and any Size in Between
- Lock Slides Back and Forth Along Pin for Ease of Use
- 1/8" Incremental Adjustments Allows for Snug Fit
- Stainless Steel Lock Shutter to Keep Out Dirt and Moisture
- Plate Tumbler Sidebar to Prevent Picking and Bumping
- Weather Proof
- Limited Lifetime Warranty



Part Number	Description
7025286	Coupler Lock Chrysler
7032299	Coupler Lock Jeep Center Cut
7025285	Coupler Lock Ford
7025290	Coupler Lock Ford Side Cut
7025283	Coupler Lock GM Early Model (GM-A)
7025284	Coupler Lock GM Late Model (GM-B)
7025287	Coupler Lock GM Center Cut
7025288	Coupler Lock Nissan
7025289	Coupler Lock Toyota



LOCKING RECOVERY HOOK

- Provides for Safe and Secure Recovery Ability
- Rated at 10,000 lbs
- Hook can Swivel 160 Degrees
- Made of Aircraft Grade Aluminum
- Secure onto all Standard 7/8" Bumper Tabs, Winches, and Recovery Ropes
- Stainless Steel Lock Shutter to Keep out Dirt and Moisture
- Limited Lifetime Warranty



Part Number	Description
7037894	Locking Recovery Hook Chrysler
7037900	Locking Recovery Hook Jeep Center Cut
7037893	Locking Recovery Hook Ford
7037898	Locking Recovery Hook Ford Side Cut
7037892	Locking Recovery Hook GM Early Model (GM-A)
7037896	Locking Recovery Hook GM Late Model (GM-B)
7037897	Locking Recovery Hook GM Center Cut
7037899	Locking Recovery Hook Nissan
7037895	Locking Recovery Hook Toyota



PADLOCK

- 2" Chrome Plated 5/16" Dia. Hardened Steel Shackle
- Weather Proof
- Double Ball Bearing Locking Mechanism
- Plate Tumbler Sidebar to Prevent Picking and Bumping
- Stainless Steel Lock Shutter to Keep Out Dirt and Moisture
- Limited Lifetime Warranty

Part Number	Description
7018520	Padlock Chrysler
7032288	Padlock Jeep Center Cut
7018519	Padlock Ford
7023540	Padlock Ford Side Cut
7018517	Padlock GM Early Model (GM-A)
7018518	Padlock GM Late Model (GM-B)
¹ 7023537	Padlock GM Center Cut *
7023538	Padlock Nissan *
7023539	Padlock Toyota *



Designed to Work with Deeze Padlock Toolbox



CABLE LOCK

- 6' Long 1/4" Black Vinyl Coated Coiled Cable
- Weather Proof
- Auto Return Spring Locks Automatically when Key is Removed
- Double Ball Bearing Locking-Mechanism
- Plate Tumbler Sidebar to Prevent Picking and Bumping
- Stainless Steel Lock Shutter to Keep Out Dirt and Moisture
- Limited Lifetime Warranty

Part Number	Description
7018452	6' Cable Lock Chrysler
7032295	6' Cable Lock Jeep Center Cut
7018451	6' Cable Lock Ford
7023722	6' Cable Lock Ford Side Cut
7018449	6' Cable Lock GM Early Model (GM-A)
7018450	6' Cable Lock GM Late Model (GM-B)
7023719	6' Cable Lock GM Center Cut
7023720	6' Cable Lock Nissan
7023721	6' Cable Lock Toyota



Note: All dimensions are in inches

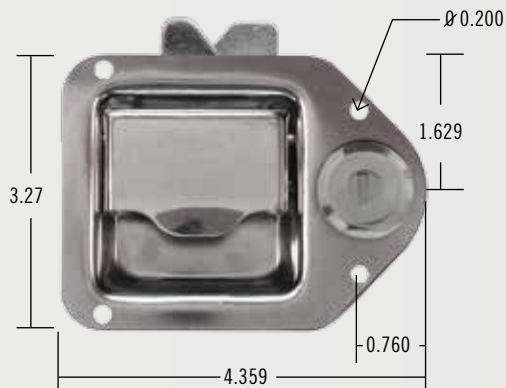


TOOLBOX LATCH RETRO FIT KIT

- Original Factory Handle with Included BOLT Cylinder
- Weather Proof
- Plate Tumbler Sidebar to Prevent Picking and Bumping
- Stainless Steel Lock Shutter to Keep Out Dirt and Moisture
- Limited Lifetime Warranty



WORKS WITH DEEZEE, UWS AND OTHER LEADING MAKERS OF TOOLBOXES



Note: All dimensions are in inches



Part Number	Description
7022699	Toolbox Latch Chrysler
7022698	Toolbox Latch Ford
7023550	Toolbox Latch Ford Side Cut
7022696	Toolbox Latch GM Early Model (GM-A)
7022697	Toolbox Latch GM Late Model (GM-B)
7023547	Toolbox Latch GM Center Cut
7023548	Toolbox Latch Nissan
7023549	Toolbox Latch Toyota

BOLT CYLINDER

- Automotive Grade Quality
- Weather Proof
- Plate Tumbler Sidebar to Prevent Picking and Bumping
- Stainless Steel Lock Shutter to Keep Out Dirt and Moisture
- Limited Lifetime Warranty

Part Number	Description
692916	BOLT Cylinder Chrysler
692917	BOLT Cylinder Ford
7025636	BOLT Cylinder Ford Side Cut
692918	BOLT Cylinder GM Early Model (GM-A)
692915	BOLT Cylinder GM Late Model (GM-B)
7023480	BOLT Cylinder GM Center Cut *
7023481	BOLT Cylinder Nissan *
7023482	BOLT Cylinder Toyota *



CYLINDER RETAINING NUT

Part Number	Description
4306752	Retaining Nut



GM TAILGATE HANDLE

- Original Factory Handle
- Included BOLT Cylinder
- Weather Proof
- Plate Tumbler Sidebar to Prevent Picking and Bumping
- Stainless Steel Lock Shutter to Keep Out Dirt and Moisture
- Limited Lifetime Warranty
- Official GM Licensed Product



Part Number	Description
5922987	GM Tailgate Handle (includes lock cylinder)
709231	Tailgate Lock Cylinder



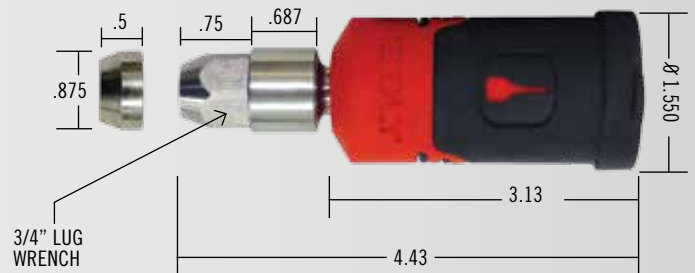
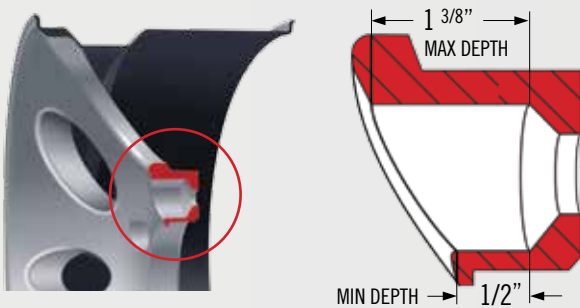
16TM001
General Motors Trademarks are used under license
to STRATTEC Security Corporation.

2007-2013 CHEVROLET SILVERADO
2007-2014 CHEVROLET SILVERADO HD
2007-2013 GMC SIERRA
2007-2014 GMC SIERRA HD

JEEP SPARE TIRE LOCK

- Fits 1997-2018 Jeep TJ's & JK's
- Replaces One Lug Nut on Spare Wheel
- Weather Proof
- Double Ball Bearing Locking-Mechanism
- Plate Tumbler Sidebar to Prevent Picking and Bumping
- Stainless Steel Lock Shutter to Keep Out Dirt and Moisture
- Auto Return Spring Locks Automatically When Key is Removed
- Limited Lifetime Warranty

Part Number	Description
5922986	Jeep Spare Tire Lock



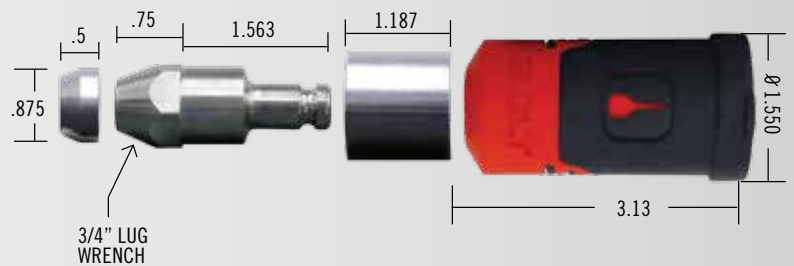
Note: All dimensions are in inches



JEEP JL SPARE TIRE LOCK

- Fits 2018+ Jeep JL's
- Replaces One Lug Nut on Spare Wheel
- Weather Proof
- Double Ball Bearing Locking-Mechanism
- Plate Tumbler Sidebar to Prevent Picking and Bumping
- Stainless Steel Lock Shutter to Keep Out Dirt and Moisture
- Auto Return Spring Locks Automatically When Key is Removed
- Limited Lifetime Warranty

Part Number	Description
7032301	Jeep JL Spare Tire Lock

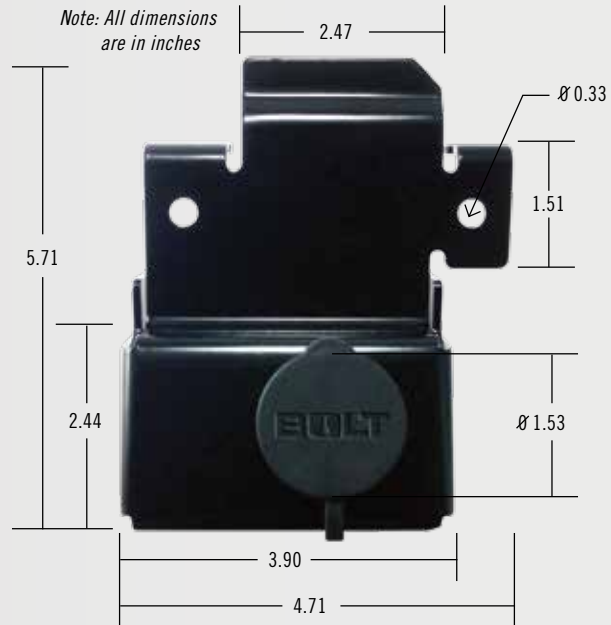


Note: All dimensions are in inches



JK HOOD LOCK

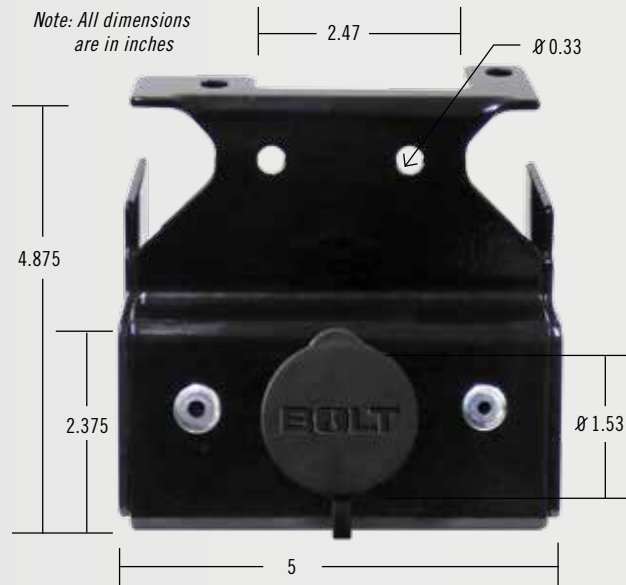
- Fits 1997-2018 Jeep JK's
- Rivets into Existing Holes
- Secures Underhood Items from Theft
- Plate Tumbler Sidebar to Prevent Picking and Bumping
- Stainless Steel Lock Shutter to Keep Out Dirt and Moisture
- Limited Lifetime Warranty



Part Number	Description
7026128	JK Hood Lock

JL HOOD LOCK

- Fits 2018+ Jeep JL's
- Rivets into Existing Holes
- Comes with replacement insert
- Secures Underhood Items from Theft
- Plate Tumbler Sidebar to Prevent Picking and Bumping
- Stainless Steel Lock Shutter to Keep Out Dirt and Moisture
- Limited Lifetime Warranty

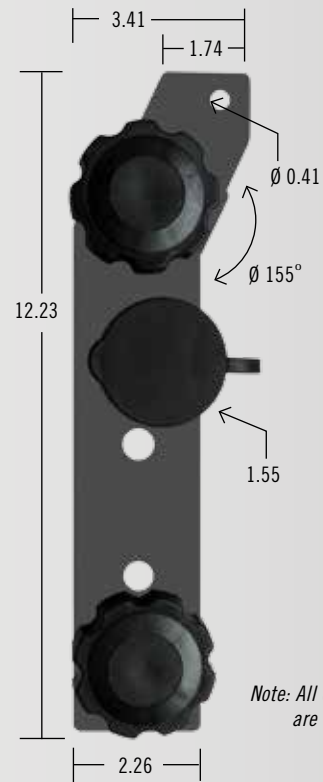


Part Number	Description
7032303	JL Hood Lock

J-MOUNT

- Fits 1997-2018 Jeep TJ's & JK's
- Secure Your High Lift Jack With Your Jeep Key
- High Lift Jack Held Securely in Place With 2 Knobs
- Easy to Remove and Mount Your High Lift Jack
- Auto Return Spring Locks Automatically When Key is Removed
- Plate Tumbler Sidebar to Prevent Picking and Bumping
- Easy to Install, Bolts into Existing Holes No Drilling Required!
- Weather Proof
- Limited Lifetime Warranty

Part Number	Description
7028648	J-Mount - Driver Side, Black
7028649	J-Mount - Passenger Side, Black



MAKE	MODEL	YEAR	MAKE	MODEL	YEAR
BUICK	Century	1998 - 2005	CHEVROLET	Astro	1996 - 2005
	LeSabre	2000 - 2005		Avalanche	2002 - 2006
	Park Avenue	1997 - 2005		Corvette	1998 - 2004
	Ranier	2004 - 2007		Express Van	1996 - 2007
	Regal	1998 - 2004		Impala	2000 - 2005
	Rendezvous	2001 - 2007		Kodiak	2003 - 2005
	Riviera	1995 - 1999		Monte Carlo	2000 - 2005
	Skylark	1994 - 1999		S10 Blazer & Pickup	1995 - 2005
	Terraza	2005 - 2007		SSR	2005 - 2006
CADILLAC	CTS	2003 - 2007		Silverado	1995 - 2006
	Deville	2000 - 2005		Silverado Classic	1995 - 2009
	Escalade	1999 - 2005		Suburban	1995 - 2006
	Seville	1997 - 2004		Tahoe	1995 - 2006
	STS	2004 - 2007		Trailblazer	2002 - 2009
	XLR	2006		Uplander	2005 - 2009
OLDSMOBILE	Achieva	1994 - 1999	Venture Van	1999 - 2005	
	Alero	1999 - 2004	Envoy	2002 - 2009	
	Aurora	1995 - 2003	Jimmy	1995 - 2005	
	Bravada	1996 - 2005	Safari	1995 - 2005	
	Cutlass	1997 - 1999	Savana Van	1996 - 2007	
	Intrigue	1998 - 2002	Sierra	1995 - 2006	
	Silhouette	1997 - 2004	Sierra Classic	1995 - 2009	
	PONTIAC	Aztek	2001 - 2006	Sonoma	1995 - 2005
Bonneville		2000 - 2005	Top Kick	2003 - 2005	
Grand Am		1994 - 2006	Yukon	1995 - 2006	
Grand Prix		1997 - 2003	HUMMER	H2	2003 - 2007
Montana		1999 - 2006		Isuzu Ascender	2003 - 2007
Sunfire		1995 - 2005		Isuzu Hombre	1996 - 2000
SV6		2007 - 2008	OTHER	Saturn Relay	2005 - 2007
Transport		1997 - 1998			

Part Number	BOLT Product
7019341	1/2" Receiver
7018445	5/8" Receiver
7018449	Cable Lock
7025283	Coupler Pin Lock
692918	Lock Cylinder
7032892	Locking Recovery Hook
7032489	Off-Vehicle Coupler Lock
7018517	Padlock
7022696	Toolbox Latch



GM LATE VEHICLE APPLICATIONS

MAKE	MODEL	YEAR	MAKE	MODEL	YEAR
BUICK	Allure	2005	CHEVROLET	Avalanche	2007 - 2013
	Enclave	2007 - 2017		Cobalt	2005 - 2010
	Lacrosse	2005 - 2009		Corvette	2005 - 2013
	Lucerne	2005 - 2011		Equinox	2007 - 2009
CADILLAC	CTS	2008 - 2013		Express Van	2008 - 2014
	DTS	2005 - 2011		HHR	2006 - 2011
	Escalade	2006 - 2014		Impala	2006 - 2013
	SRX	2005 - 2013		Malibu	2005 - 2013
PONTIAC	G5	2007 - 2010		Monte Carlo	2006 - 2009
	G6	2005 - 2010		Silverado	2007 - 2013
	Grand Prix	2006 - 2008	Silverado HD	2007 - 2014	
	Pursuit	2006 - 2010	Suburban	2006 - 2014	
	Solstice	2006 - 2010	Tahoe	2006 - 2014	
	Torrent	2007 - 2010	Traverse	2009 - 2016	
SATURN	Aura	2007 - 2010	GMC	Acadia	2007 - 2016
	Ion	2003 - 2007		Savana Van	2008 - 2014
	Outlook	2007 - 2010		Sierra	2007 - 2013
	Sky	2007 - 2010		Sierra HD	2007 - 2014
	Vue	2007		Yukon	2006 - 2014
			HUMMER	H2	2008 - 2009



Part Number	BOLT Product
7019342	1/2" Receiver
7018446	5/8" Receiver
7018450	Cable Lock
7025284	Coupler Pin Lock
692915	Lock Cylinder
7037896	Locking Recovery Hook
7032490	Off-Vehicle Coupler Lock
7018518	Padlock
5922987	GM Tailgate Handle <i>(Includes Lock Cylinder)</i>
709231	Tailgate Lock Cylinder
7022697	Toolbox Latch

MAKE	MODEL	YEAR
BUICK	Allure	2010 - 2012
	Enclave	2018 - 2019
	Envision	2017 - 2019
	Encore	2014 - 2019
	Cascada	2017 - 2019
	LaCrosse	2010 - 2019
	Regal	2011 - 2017
	Verano	2012 - 2017
CADILLAC	ATS	2013 - 2019
	CT6	2016 - 2019
	CTS	2014 - 2019
	ELR	2014 - 2017
	Escalade	2015 - 2019
	SRX	2014 - 2017
	XTS	2016 - 2019
GMC	Acadia	2017 - 2019
	Canyon *	2015 - 2019
	Savana Van	2015 - 2019
	Sierra	2014 - 2019
	Sierra HD	2015 - 2019
	Terrain	2010 - 2019
	Yukon	2015 - 2019

MAKE	MODEL	YEAR
CHEVROLET	Camaro	2010 - 2019
	Colorado *	2015 - 2019
	Corvette	2014 - 2019
	Cruze	2011 - 2019
	Equinox	2010 - 2019
	Express Van	2015 - 2019
	Impala	2014 - 2019
	Malibu	2014 - 2019
	Silverado	2014 - 2019
	Silverado HD	2015 - 2019
	Sonic	2012 - 2017
	Suburban	2015 - 2019
	Tahoe	2015 - 2019
	Traverse	2017 - 2019
	Volt	2011 - 2019



Part Number	BOLT Product
7023627	1/2" Receiver
7023582	5/8" Receiver
7023719	Cable Lock
7025287	Coupler Pin Lock
7023480	Lock Cylinder
7037897	Locking Recovery Hook
7032493	Off-Vehicle Coupler Lock
* 7023537	Padlock
7023547	Toolbox Latch



* To Ensure Proper Compatibility on the Padlocks Look For Packaging That States "Now Works With 2015 + Chevrolet Colorado, GMC Canyon."

MAKE	MODEL	YEAR	MAKE	MODEL	YEAR
CHRYSLER	200	2012 - 2014	DODGE	Avenger	2007 - 2014
	300 (All)	1999 - 2019		Caliber	2006 - 2012
	Aspen	2007 - 2009		Caravan, Grand Caravan	1991 - 2019
	Cirrus	1995 - 2005		Challenger	2009 - 2019
	Concorde	1993 - 2003		Charger	2005 - 2019
	LHS	1994 - 2003		Dakota	1990 - 2012
	Pacifica	2004 - 2019		Dart	1990 - 2017
	Prowler	1997 - 2002		Durango	1998 - 2019
	PT Cruiser	2001 - 2011		Dynasty	1990 - 1993
	Sebring	1996 - 2011		Intrepid	1993 - 2004
	Town and Country Van	1991 - 2016		Journey	2009 - 2019
	Voyager	2001 - 2004		Magnum	2005 - 2008
	JEEP	Cherokee		1991 - 2019	Neon
Comanche		1991 - 1993	Nitro	2007 - 2011	
Commander		2005 - 2010	Stratus	1995 - 2005	
Compass		2007 - 2017	Viper Coupe	1998 - 2000	
Grand Cherokee		1992 - 2019	Viper	1993 - 2013	
Liberty		2002 - 2014	International	2006 - 2018	
Patriot		2007 - 2017	Mitsubishi Raider	2006 - 2009	
RAM	Wrangler	1991 - 2018	Sterling	1990 - 2013	
	Ram Charger	1990 - 1993	Volvo VN Series	2005 - 2013	
	Ram Pickup, Chassis	1990 - 2019	Freightliner	1997 - 2018	
	Ram Van	1990 - 2018			
	Ram CV Tradesman	2012 - 2015			
			HEAVY TRUCK		



Part Number	BOLT Product
7019344	1/2" Receiver
7018448	5/8" Receiver
7018452	Cable Lock
7025286	Coupler Pin Lock
7028648	J-Mount - Driver Side, Black (1997+)
7028649	J-Mount - Passenger Side, Black (1997+)
5922986	Jeep Spare Tire Lock (1997 +)
7026128	JK Hood Lock (2007 +)
692916	Lock Cylinder
7037894	Locking Recovery Hook
7032492	Off-Vehicle Coupler Lock
7018520	Padlock
7022699	Toolbox Latch

MAKE	MODEL	YEAR
FIAT	500	2011 - 2019
	500L	2013 - 2019
	500X	2016 - 2019
JEEP	Renegade	2015 - 2018
	Compass	2018 - 2019
	Wrangler JL	2018 - 2019

MAKE	MODEL	YEAR
RAM	Promaster	2014 - 2019
	Promaster City	2014 - 2019
ALFA ROMEO	Stelvio	2017 - 2018
	Giulia	2016 - 2018

Part Number	BOLT Product
7032293	1/2" Receiver
7032290	5/8" Receiver
7032295	Cable Lock
7032299	Coupler Pin Lock
7032303	JL Hood Lock
7032301	JL Spare Tire Lock
7037900	Locking Recovery Hook
7032497	Off-Vehicle Coupler Lock
7032288	Padlock



FORD VEHICLE APPLICATIONS

MAKE	MODEL	YEAR	MAKE	MODEL	YEAR
FORD	Bronco	1996 - 1999	MERCURY	Grand Marquis	1998 - 2011
	Econoline Van/Chassis	1996 - 2019		Mariner	2005 - 2011
	Edge	2007 - 2015		Milan	2005 - 2011
	Escape	2001 - 2012		Montego	2005 - 2007
	Excursion	2000 - 2006		Monterey	2004 - 2007
	Expedition	1997 - 2017		Mountaineer	1997 - 2011
	Explorer	1996 - 2015		Sable	1996 - 2010
	Explorer Sport Trac	2001 - 2011		Blackwood	2002
	Flex	2009 - 2017		LS	2000 - 2006
	Freestar	2004 - 2008		Mark LT	2005 - 2014
	Freestyle	2004 - 2007	MKS	2008 - 2016	
	F-150 Pickup	1996 - 2014	MKT	2011 - 2019	
	F-Series Super Duty	1996 - 2016	MKX	2006 - 2015	
	Fusion	2005 - 2013	MKZ	2007 - 2016	
	Mustang	1996 - 2014	Navigator	1998 - 2017	
	Ranger	1995 - 2012	Town Car	1998 - 2012	
Taurus	1997 - 2016	Mazda B-Series Pickup	1996 - 2009		
			Mazda Tribute	2001 - 2009	
			MAZDA		



Part Number	BOLT Product
7019343	1/2" Receiver
7018447	5/8" Receiver
7018451	Cable Lock
7025285	Coupler Pin Lock
692917	Lock Cylinder
7037893	Locking Recovery Hook
7032491	Off-Vehicle Coupler Lock
7018519	Padlock
7022698	Toolbox Latch



MAKE	MODEL	YEAR
FORD	C-Max	2015 - 2019
	Edge *	2016 - 2019
	Escape	2013 - 2019
	Expedition	2018 - 2019
	Explorer *	2016 - 2019
	Fiesta	2011 - 2019
	F-150 Pickup *	2015 - 2019
	F-Series Super Duty	2017 - 2019
	Focus	2011 - 2019
	Fusion *	2014 - 2019
	Mustang *	2015 - 2019
	Transit	2015 - 2019
	Transit Connect	2015 - 2019

MAKE	MODEL	YEAR
LINCOLN	MKC *	2015 - 2019
	MKX *	2016 - 2019
	MKZ	2017 - 2019
LAND ROVER	Navigator	2018 - 2019
	Evoque	2012 - 2016
	LR2	2007 - 2012
	LR3	2005 - 2009
	LR4	2010 - 2016
	Range Rover	2007 - 2016
	Range Rover Sport	2007 - 2016

Part Number	BOLT Product
7023630	1/2" Receiver
7023585	5/8" Receiver
7023722	Cable Lock
7025290	Coupler Pin Lock
7025636	Lock Cylinder
7037898	Locking Recovery Hook
7032496	Off-Vehicle Coupler Lock
7023540	Padlock
7023550	Toolbox Latch



* For Proper Coding of Push Button Start Vehicles, Please Use the Glovebox Key To Program Your BOLT Lock.



TOYOTA VEHICLE APPLICATIONS

MAKE

MODEL

YEAR

TOYOTA

4-Runner *	1996 - 2018
Avalon	1995 - 2012
Camry	1992 - 2017
Celica	1994 - 2003
Corolla *	1993 - 2019
FJ Cruiser	2006 - 2014
Highlander *	2001 - 2019
Landcruiser	1998 - 2007
Matrix	2003 - 2014
Prius	2001 - 2014
RAV-4 *	1996 - 2018

MAKE

MODEL

YEAR

TOYOTA

Sequoia	2001 - 2019
Sienna	1998 - 2019
Solara	1999 - 2009
T100	1993 - 1998
Tacoma (All) *	1995 - 2016
Tacoma (SR/SR5 models ONLY) *	2017 - 2019
Tundra	2000 - 2019
Venza	2009 - 2016
Yaris	2007 - 2018
tC	2005 - 2013

SCION



Part Number	BOLT Product
7023629	1/2" Receiver
7023584	5/8" Receiver
7023721	Cable Lock
7025289	Coupler Pin Lock
7023482	Lock Cylinder
7037895	Locking Recovery Hook
7032495	Off-Vehicle Coupler Lock
7023539	Padlock
7023549	Toolbox Latch

NISSAN VEHICLE APPLICATIONS

MAKE

MODEL

YEAR

NISSAN

350Z	2003 - 2009
Altima	1999 - 2018
Armada	2004 - 2017
Cube	2009 - 2017
Frontier P/Up	1998 - 2019
Juke	2011 - 2018
Maxima	2000 - 2019
Murano	2003 - 2019

MAKE

MODEL

YEAR

NISSAN

Pathfinder	1996 - 2019
Quest	2004 - 2018
Rogue	2008 - 2019
Sentra	2000 - 2018
Titan	2004 - 2019
Versa	2007 - 2018
X-Terra	2002 - 2015



Part Number	BOLT Product
7023628	1/2" Receiver
7023583	5/8" Receiver
7023720	Cable Lock
7025288	Coupler Pin Lock
7023481	Lock Cylinder
7037899	Locking Recovery Hook
7032494	Off-Vehicle Coupler Lock
7023538	Padlock
7023548	Toolbox Latch