



**BX1915 Installation Instructions  
1984-90 Dodge Caravan  
1984-90 Plymouth Voyager**

**NOTE: SOFT COLOR KEY BUMPERS (FACIA)**

If the van is equipped with a soft color key bumper (all plastic versus the bright metal design on most models), the bumper must be notched in five places to clear the baseplate. When the installation is complete, the baseplate sits behind the bumper with the tow bar attachment tabs and safety cable tabs protruding through the slots cut into the bumper. It takes a little patience but can result in a very neat installation. The integrity of the bumper remains. The sketch shows the approximate location of the tabs for bumper notching. The first step is to mark the slot cuts. Then remove the bumper. The baseplate is temporarily positioned with the bumper off to verify the slot cuts and mark the lower center cut. Note, the convenience links do not fully extend. To accommodate the safety cable connection, the "quick link" can be left on the tab or the slot cut wider.

1. Read the General Instruction Sheet included with this baseplate.
2. The baseplate mounts to the front underside of the vehicle using ten bolts for the 84-86 models and using seven bolts for the 87 and later.
3. Remove the front turn signal assemblies. They are held in by four screws, two near the headlight and two in the grill. The light sockets remove from the assembly with a quarter turn.
4. Remove the plastic stone shield which extends into the wheel well on each side of the car. These shields will uncover a hole in the front outside of the frame rail which will be used later.
5. Remove the two nuts and straps behind each end of the front bumper which hold the plastic bumper ends to the body.
6. Remove the four bolts which hold the bumper brackets to the frame and remove the bumper.
7. The Tinnerman type fasteners, that the bumper bracket bolts were screwed into, must be removed and replaced with the nut plates provided. The fasteners have a locking ring in the front center which is bent slightly inward to hold the fastener in place, this ring must be bent out so the fastener can be slid off the sheet metal.
8. Insert a square nut plate through the slot in the sheet metal on each side of the car and position it with the plate against the back side of the sheet metal where the lower Tinnerman type fastener was.
9. With the large side up, place a rectangular nut plate in the engine compartment against the back side of the sheet metal where the two upper fasteners were.
10. With a helper, hold the bumper in place and position the upper brackets on front of the bumper brackets. Hand start the 7/16" bolts provided with lock washers, through the upper bracket, bumper bracket, sheet metal, and into the nut plates. Use Loctite or a similar product on all bolts. Do not yet fully tighten.
11. Loosely attach the baseplate to the upper brackets using 1/2" bolts with lock washers.

**Automatic**

## 84-86 MODELS

12. The lower brackets attach to the bottom of the baseplate with the remaining 1/2" bolts and lock washers and attach to the car using the bolts which fasten the front motor mount to the frame. This must be done one side at a time to avoid moving the motor mount location.
13. Remove the two nuts and one bolt from one side only of the front motor mount.
14. Position a lower bracket over the exposed bolt ends and hand start the bolt and nuts just removed.
15. Loosely attach the lower bracket to the baseplate.
16. Tighten the nuts and bolt holding the lower bracket and motor mount to the frame.
17. Repeat procedure for second lower bracket.

## 87 AND LATER MODELS

18. The lower brackets attach to the bottom of the baseplate with the remaining 1/2" bolts and lock washers and attaches to the car using the nuts and bolts which fasten the front motor mount to the frame.
19. Hold the lower bracket in position to locate the correct nuts and bolts, then remove the front center bolt and the two rearward nuts from the motor mount which attach it to the frame.
20. Position the lower bracket on the motor mount studs and hand start the nuts and bolts previously removed.
21. Loosely attach the lower bracket to the baseplate.

## ALL MODELS

22. When all bolts align, tighten securely.
23. Replace the plastic stone shields.
24. Replace the turn signal assemblies.
25. The dimensional variations between otherwise identical cars can be considerable. While the location and size of the holes in the baseplate were designed to facilitate easy installation, it may be necessary to file a hole slightly to allow a bolt to clear.
26. Install the tow bar and safety cables according to the instructions included in their packages.
27. Do not substitute other devices if the pin and clip are lost.
28. DEALER OR INSTALLER: BE CERTAIN THE USER RECEIVES THE INSTRUCTION SHEET.

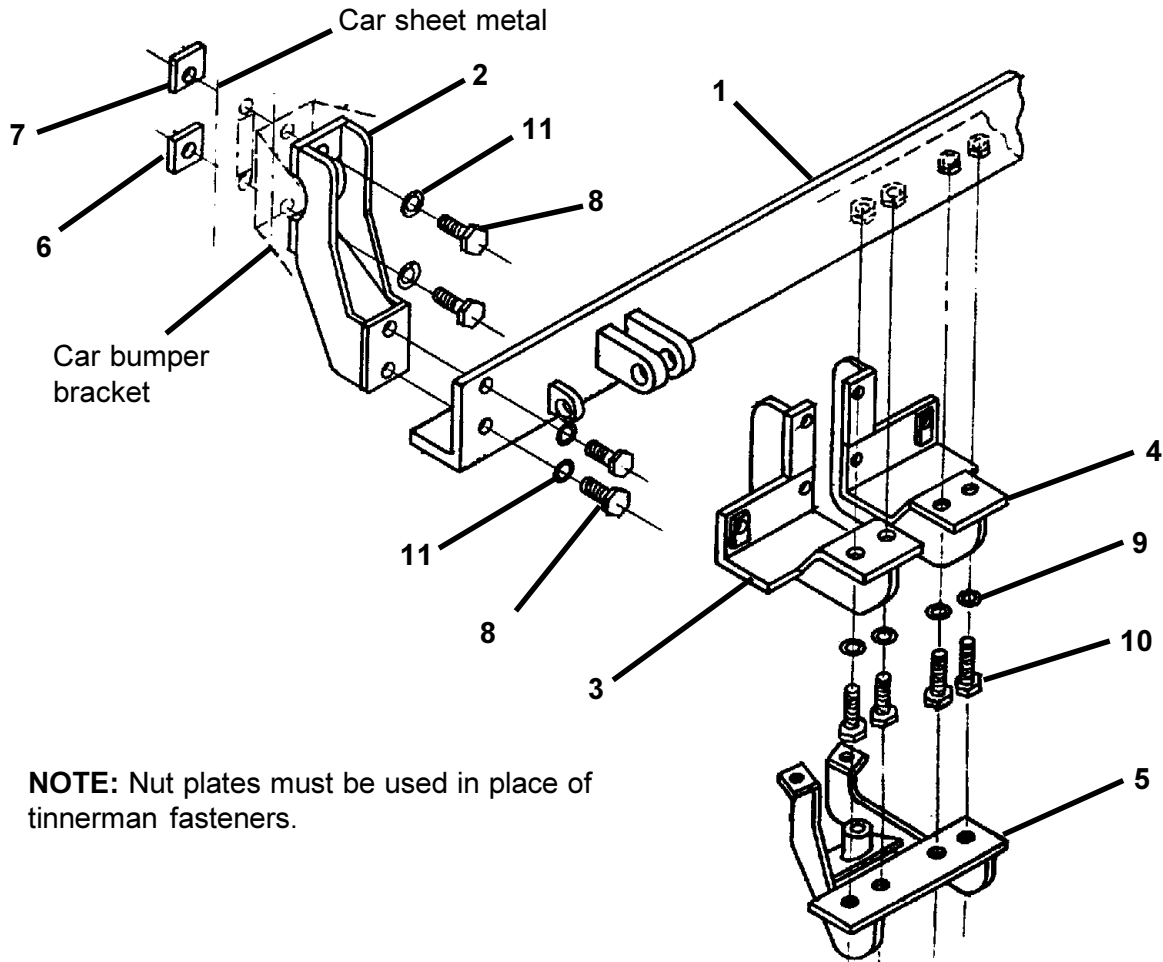
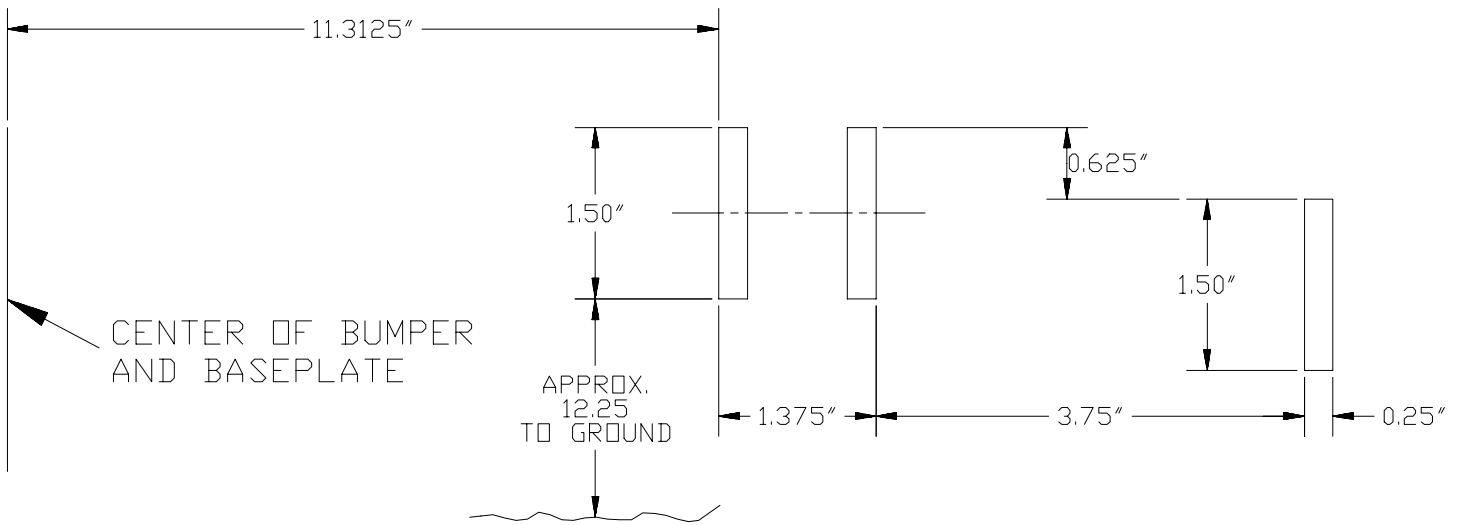
### Tools Required

3/4 Socket	3/8 Socket	5/8 Socket
11mm Socket	15mm Socket	Torx T-15 Screwdriver or 3/32 Allen Wrench

### Parts List

Ref. No.	Qty.	Part No.	Description
1	1	61-3641	Baseplate, BX1915
2	2	61-3638	Upper bracket
3	1	61-3639	'84-'86 Lower bracket, Right
4	1	61-3640	'84-'86 Lower bracket, Left
5	1	61-3517	'87 And Later Lower Bracket
6	2	61-4082	Square Nut Plate
7	2	61-4083	Rectangular Nut Plate
8	4	201-0447	7/16-18 x 1 3/4 Bolt
9	4	203-0011	7/16 Lock Washer
10	8	201-0051	1/2-13 x 1 1/2 Bolt
11	8	203-0012	1/2 Lock Washer

BASEPLATE TAB PATTERN (FRONT VIEW - DRIVERS SIDE)



**NOTE:** Nut plates must be used in place of tinnerman fasteners.