



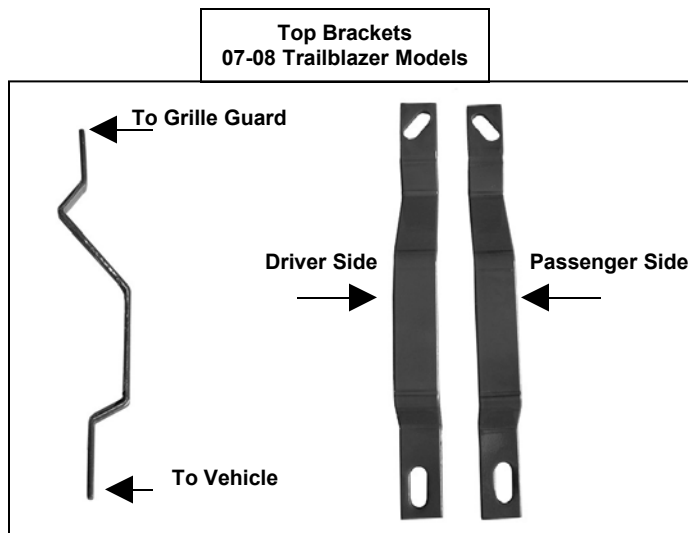
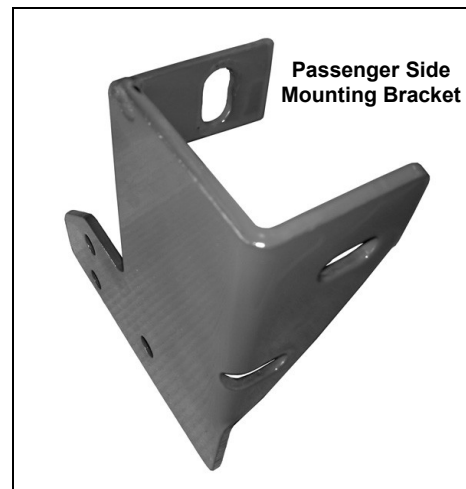
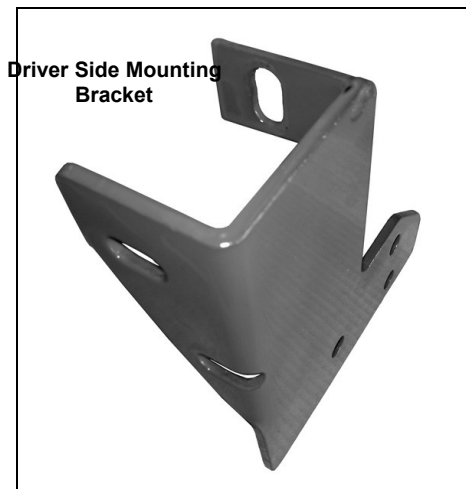
INSTALLATION INSTRUCTIONS

PART#: 17GK26SS\17GK26A
CHEVY TRAILBLAZER 02-08 GRILL GUARD



PARTS LIST:

1	Grille Guard	4	10-1.50mm x 30mm Hex Head Bolts
1	Driver/Left Mounting Bracket	4	10mm Nylock Nuts
1	Passenger/Right Mounting Bracket	8	10mm ID x 30mm OD x 2.5mm Flat Washers
1	Driver/Left 07-08 Models Top Bracket	2	8-1.25mm x 30mm Hex Head Bolts
1	Passenger/Right 07-08 Models Top Bracket	2	8mm Nylock Nuts
2	02-06 Models Top Brackets	4	8mm ID x 24mm OD x 2mm Fender Washers
6	12-1.75mm x 35mm Hex Head Bolts	2	6-1.00mm x 20mm Allen Bolts
6	12mm Nylock nuts	2	6mm Nylock Nuts
12	12mm ID x 36mm OD x 3mm Flat Washers	4	6mm ID x 18mm OD x 1.6mm Flat Washers



PROCEDURE:

1. **REMOVE CONTENTS FROM BOX. VERIFY ALL PARTS ARE PRESENT. READ INSTRUCTIONS CAREFULLY BEFORE STARTING INSTALLATION.**
2. **NOTE:** The factory bottom bumper air dam must be permanently removed or optional cutting required to install this Grille Guard. **If you are removing**, use a flat screw driver to remove one push type fasteners on each side; then gently pull air dam towards the front of the vehicle to unfasten clips. **If you are cutting**, remove air dam and set on clean working area. Measure both sides 22" around the air dam from the outside towards the inside and cut a 1/2" gap. **WARNING!** Do not cut the air dam all the way through; leave at least 1/4" on the top where the clips are; then re-install it back to the vehicle (**Figure 1**).
3. Locate the three factory holes and a clip with bolt on the driver's side body mount channel (**Figure 2**). Remove the factory nut clip with bolt from vehicle.
4. Position driver side Mounting Bracket into body mount channel. **NOTE:** "U" shaped mounting tabs of the Bracket should be facing the outside of the vehicle. Partially mount the front end of the "U" shaped mounting tab to body mount channel where you previously removed the factory bolt with nut clip using the included (1) 8mm x 30mm Hex Head Bolts, (2) 8mm Fender

Washers, and (1) 8mm Nylock Nut. Attach rear end of the “U” shaped mounting tab using the included (2) 10mm x 30mm Hex Head Bolts, (2) 10mm Nylock Nuts, and (4) 10mm Flat Washers **(Figure 3)**.

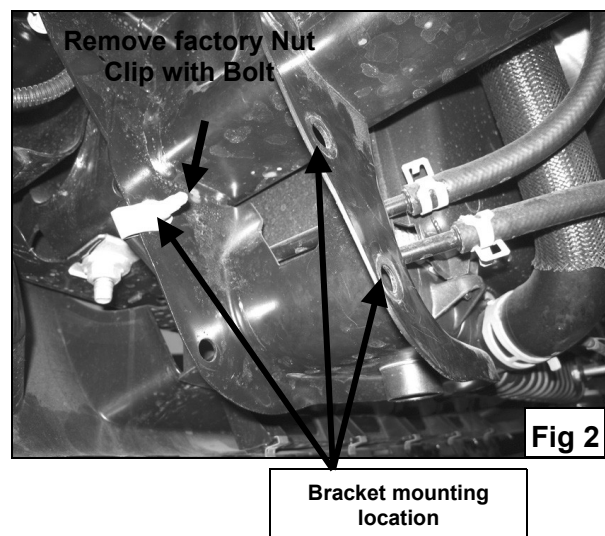
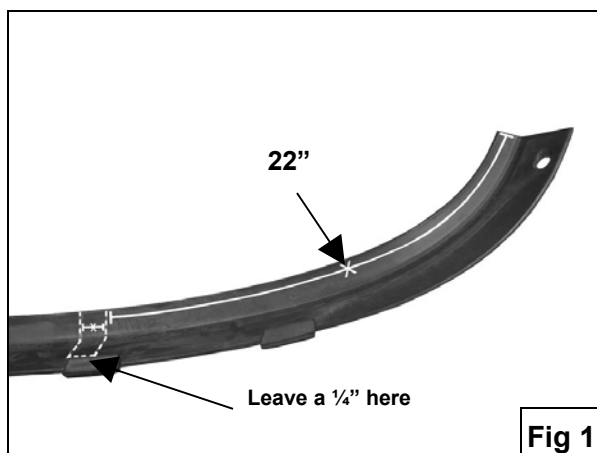
5. Repeat steps 3 & 4 for passenger side Mounting Bracket.
6. Open the hood and remove the four screws across the top of the factory grille shell **(Figure 4)**. Once you have removed the screws, gently pull on the grille shell just enough to gain access to remove the factory bolt on each side of the bottom grille shell support **(Figure 5)**.
WARNING! Do not pull too much on the factory grille shell or damage to the grille shell may occur.
7. Insert Top Bracket in an angle through factory grille shell until you reach the mounting location on the bottom grille shell support, and then straighten it **(Figure 6 & 7)**. Use the factory bolt removed in step 6 to attach Top Bracket to vehicle. Repeat this step for passenger side Top Bracket.
8. With help position the Grille Guard on the inner side of Mounting Brackets and attach it using the included (6) 12mm x 35mm Hex Head Bolts, (6) 12mm Nylock Nuts, and (12) 12mm Flat Washers **(Figure 8)**. Do not tighten at this time. **NOTE:** When positioning the Grille Guard, make sure that the Top Brackets are under the Grille Guard’s light bar.
9. From underneath of Grille Guard’s light bar, attach Top Brackets using the included (2) 6mm x 20mm Allen Bolts, (2) 6mm Nylock Nuts, and (4) 6mm Flat Washers **(Figure 9)**.
10. Adjust Grille Guard properly, and then tighten all hardware at this time.
11. Re-install the upper section of the grille shell back to the vehicle using the factory hardware.
12. Do periodic inspections to the installation to make sure that all hardware is secure and tight.

To protect your investment, wax this product after installing. Regular waxing is recommended to add a protective layer over the finish. Do not use any type of polish or wax that may contain abrasives that could damage the finish.

For stainless steel: Aluminum polish may be used to polish small scratches and scuffs on the finish. Mild soap may be used also to clean the Sidebar.

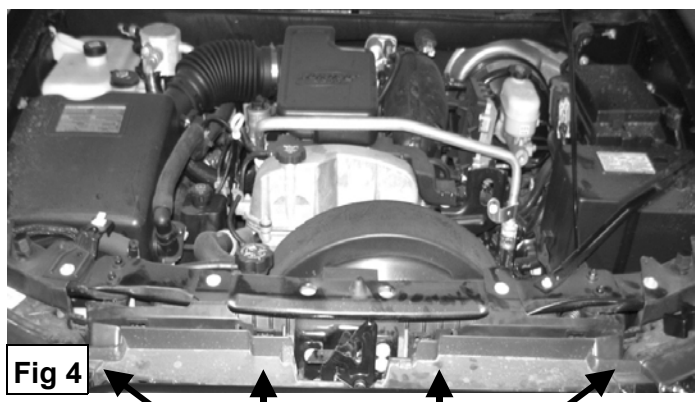
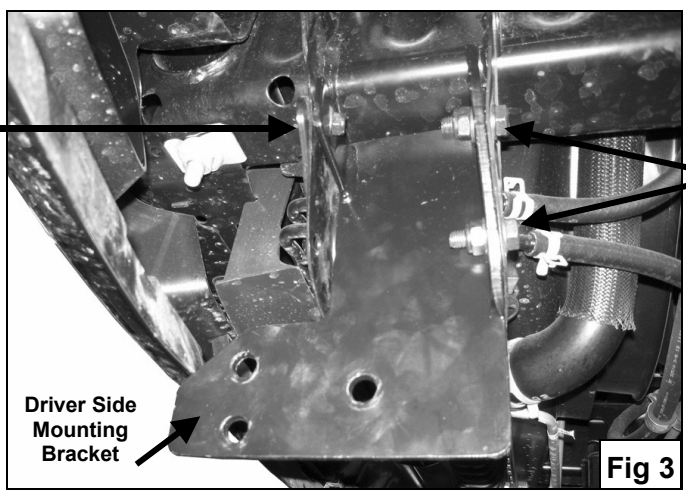
For gloss black finishes: Mild soap may be used to clean the Sidebar.

(Driver Side Installation Shown)

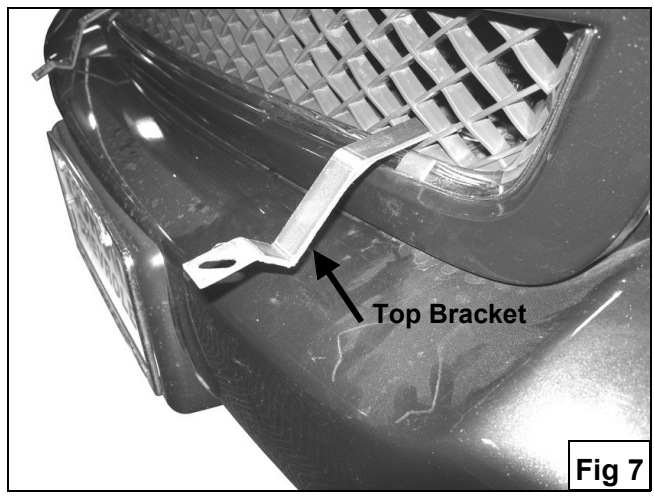
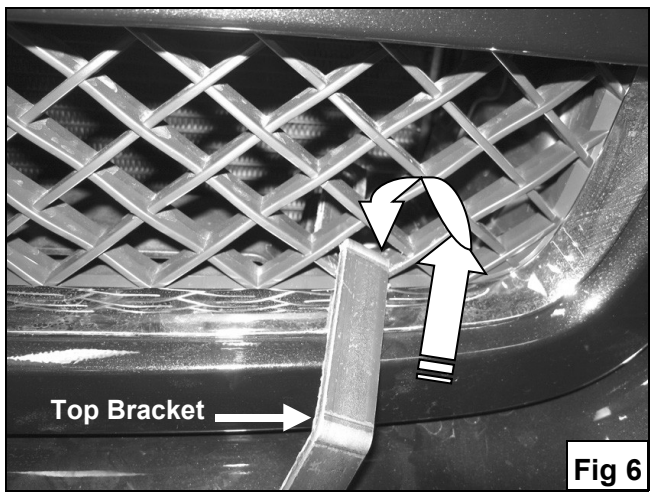
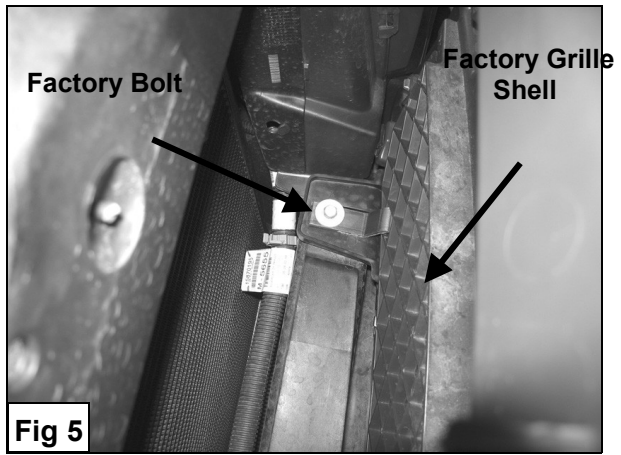


8mm x 30mm Hex Bolt
8mm Nylock Nut
8mm Fender Washers

10mm x 30mm Hex Bolt
10mm Nylock Nut
10mm Flat Washers



Remove the four factory screws from across the grille shell's top



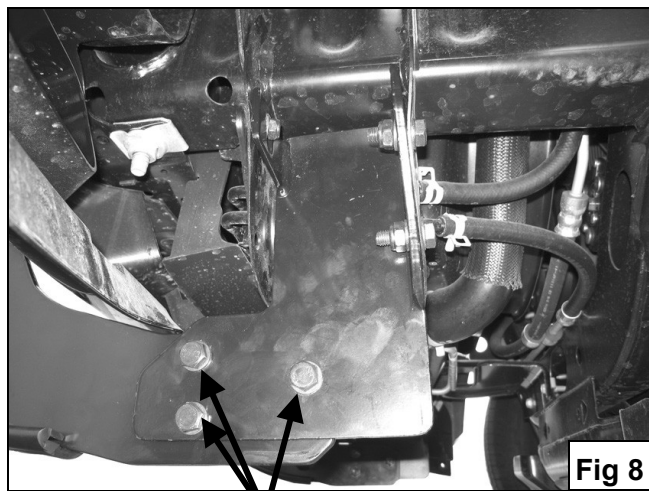


Fig 8

12mm x 35mm Hex Bolts
12mm Nylock Nuts
12mm Flat Washers



Fig 9

6mm x 20mm Allen Bolts
6mm Nylock Nuts
6mm Flat Washers