



## INSTALLATION INSTRUCTIONS

**PART #17GD26A/17GD26SS**

**2002-08 GMC ENVOY 2/4WD**

### **PARTS LIST**

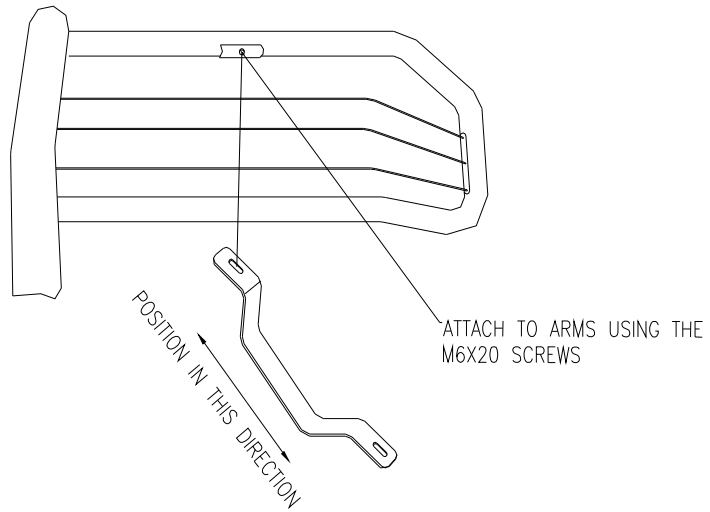
2-FRAME <a href="#">MOUNTING BRACKETS</a>	2-TOP MOUNTING BRACETS
6-M12×30 HEX BOLTS	4-M10×25 HEX BOLTS
6-M12 HEX NUTS	4-M10 HEX NUTS
12-φ12 FLAT WASHERS	10-φ10 FLAT WASHERS
2-M8×25HEX BOLTS	2-M6×20 SCREWS
2- M8×25 HEX BOLTS	2-M6 HEX NUTS
4-M8 HEX NUTS	

### **INSTALLING THE FRAME MOUNTING BRACKETS**

1. REMOVE FACTORY BOTTOM PLASTIC BALANCE UNDERNEATH VEHICLE
2. ATTACH THE PASSENGER SIDE ASSEMBLY, REMOVE THE FACTORY BOLT ON THE FRAME CHANNEL, AND ONCE THE BOLT IS REMOVED ALIGN THE PASSENGER SIDE BRACKET WITH THE THREE MATCHING HOLES IN THE FRAME CHANNEL AS SHOWN IN ILLUSTRATION. ATTACH USING THE M10×25 HEX BOLTS ,M10 HEX NUTS ANDφ10 FLAT WASHERS,M8×25 HEX BOLTS AND M8 HEX NUTS.
3. ATTACH THE FRONT BAR ASSEMBLY TO THE INNER SIDE OF THE LOWER BRACKETS USING THE M12×30 HEX BOLTS ,M12 HEX NUTS ANDφ12 FLAT WASHERS.
4. INTALL TOP SUPPORT BRACKETS-OPEN HOOD TO EXPOSE EXISTING HOLES LOCATE HOLES AND LINE-UP SUPPORT BRACKETS,ALIGN AS SHOWN IN ILLUSTRATION.ATTACH USING THE M8×20 HEX BOLTS AND M8 HEX NUTS .ALIGN THE OTHER END OF TOP SUPPORT BRACKET TO THE ARMS OF THE FRONT BAR ATTACHING USING M6×10 SCREWS AHD M6 HEX NUTS
5. TO RE-ATTACH THE FACTORY BOTTOM PLASTIC BALANCE USE A UTILITY KNIFE AND CAREFULLY CUT SLOTS IN THE PLASTIC BALANCE TO FIT AROUND THE FRAME MOUNTING BRACKETS OR REMOVE AND DISCARD.
6. ALIGN THE FRONT BAR ASSEMBLY WITH THE FRONT OF THE VEHICLE AND TIGHTER ALL FASTENERS.

---

## TOP MOUNTING BRACKET ASSIMBLY



---

## PASSENGER ASSEMBLY

