



# **INSTALLATION INSTRUCTIONS**

**PART#:17A150500MSS\17A150500MA  
MODULAR GRILL GUARD FOR HONDA CRV 07-08**

QTY	DESCRIPTION
1	guard, center section
1	brush guard, left side
1	brush guard, right side
1	wire guard insert, left side
1	wire guard insert, right side
1	lower support bracket-left
1	lower support bracket-right
1	hardware kit
1	hood bar

**NOTE:** Please read this information before assembling. Check components received with components listed above. **NO DRILLING REQUIRED.** Complete step by step instruction sheets will be found on the following pages.

- 1<sup>st</sup>. Stage, mounting of guard to vehicle.
- 2<sup>nd</sup>. stage, attaching brush guards to center section.
- 3<sup>rd</sup>. stage, attaching hood bar.
- 4<sup>th</sup>. stage, attaching wire head light guards.

**IMPORTANT:** To obtain correct installation, we recommend you to follow these step by step instructions carefully.

Illustrations are for reference only, styles vary with application. Please review the instruction sheet before proceeding to assemble product.

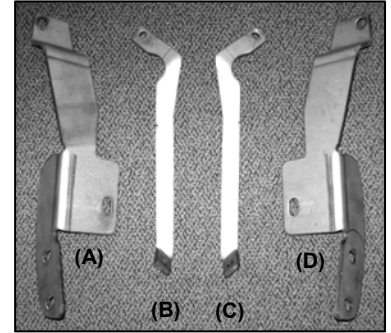
Please take care when assembling and installing this product to protect the finish and your investment. To protect your investment, wax this product after installing. Regular waxing is recommended. Do not use any type of polish or wax that contains abrasive that could damage the finish.

# INSTALLATION INSTRUCTIONS

## 1<sup>ST</sup> STAGE

**PARTS LIST:**

1	Grille Guard	2	10-1.50mm x 25mm Hex Head Bolts
1	Passenger Side Mounting Bracket (A)	8	10mm Flat Washers
1	Driver Side Mounting Bracket (D)	4	10mm Nylock Nuts
1	Passenger Side Top Bracket (B)	2	10mm Nut Plates
1	Driver Side Top Bracket (C)	2	10-1.50mm x 35mm Hex Head Bolts
2	8-1.25mm x 25mm Hex Head Bolts	4	12-1.75mm x 30mm Hex Head Bolts
4	8mm ID x 24mm OD x 2mm Flat Washers	8	12mm Flat Washers
2	8mm Nylock Nut	4	12mm Nylock Nuts
		2	10-1.50mm x 25mm Allen Bolts



**PROCEDURE:**

- 1. REMOVE CONTENTS FROM BOX. VERIFY ALL PARTS ARE PRESENT. READ INSTRUCTIONS CAREFULLY.**
- Using a flat screwdriver carefully remove all fasteners from factory plastic shroud on top and underneath the vehicle. On the bottom there are (4) on the front and (3) on each side by the fender. On the top there are (7) fasteners.
- Remove bottom plastic shroud and place it on a working area. Using a hack saw carefully cut the marked area shown in Figure 1.
- Re-install the bottom factory plastic shroud with original fasteners. **NOTE:** Do not install the two fasteners shown in Figure 1.
- Slide Passenger Side Mounting Bracket through the previously cut out slot on the plastic shroud and position bracket to its mounting location (Figure 2). **NOTE:** Rear hole on the Mounting Brackets should line up with the holes on the plastic shroud as well.
- Install the rear of the Passenger Side Mounting Bracket to existing hole on the sub-frame with the included (1) 10-1.50mm x 25mm Hex Head Bolt, (1) 10mm Nylock Nut, and (2) 10mm Flat Washers(Figure 2). Do not tighten hardware at this time.
- Install the front of the Passenger Side Mounting Bracket to the existing hole on the factory bumper with the included (1) 10-1.50mm x 35mm Hex Head Bolt, (1) 10mm Flat Washer, and (1) 10mm Nut Plate (Figure 2). Do not tighten hardware at this time. **IMPORTANT: Before you thread Bolt into Nut Plate, make sure you measure the bolt. The bolt should measure no more than 40mm / 1 9/16". If the bolt is longer than 40mm / 1 9/16", contact your local retailer. Do not attempt to install the bolt if it is longer than 40mm / 1 9/16", doing so will cause damage the radiator.**
- Repeat steps 5-7 for driver side Mounting Bracket.
- Locate the passenger side Top Bracket and slide it through top section of factory grille shell.
- Install the inner side on the Top Bracket to the existing hole on the radiator support with the included (1) 8-1.25mm x 25mm Hex Head Bolt, (1) 8mm Nylock Nut, and (2) 8mm Flat Washers (Figure 3 & 4). Do not tighten hardware at this time.
- Repeat step 9 &10 for Driver Side Top Bracket.
- With help position Grille Guard on the inner side of the Mounting Brackets. Attach Grille Guard to Mounting Brackets with the included (4) 12-1.75mm x 30mm Hex Head Bolts, (4) 12mm Nylock Nuts, and (8) 12mm Flat Washers (Figure 2). Do not tighten hardware at this time.
- Align hole on the passenger side Top Bracket with hole on the Grille Guard plate. Attach Top Bracket to Grille Guard plate with the included (1) 10-1.50mm x 25mm Allen Bolt, (1) 10mm Flat Washer, and (1) 10mm Lock Nut. Repeat this step for driver side. Do not tighten hardware at this time.
- Level and adjust Grille Guard then tighten all hardware at this time.
- Do periodic inspections to the installation to make sure that all hardware is secure and tight.

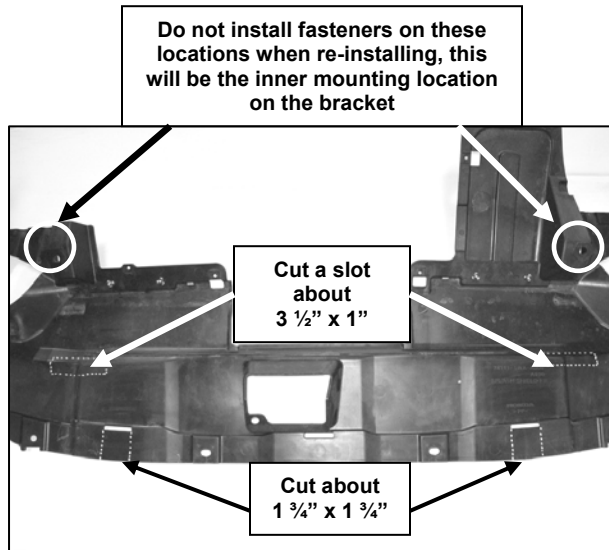


Figure 1

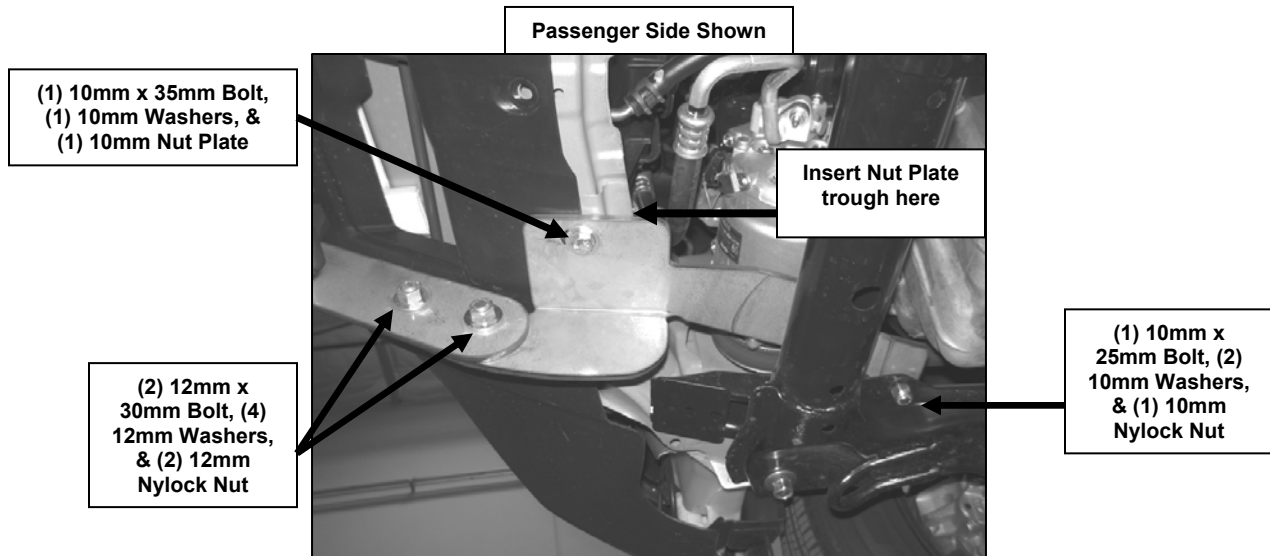


Figure 2

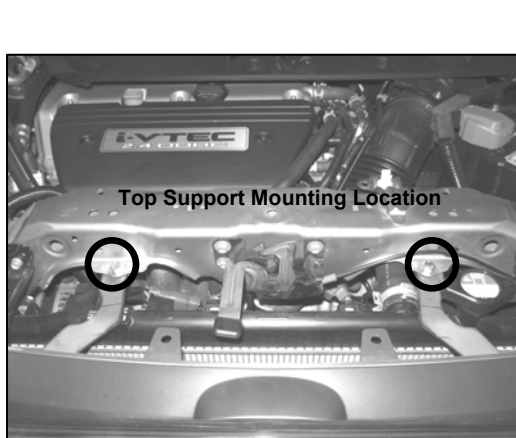


Figure 3

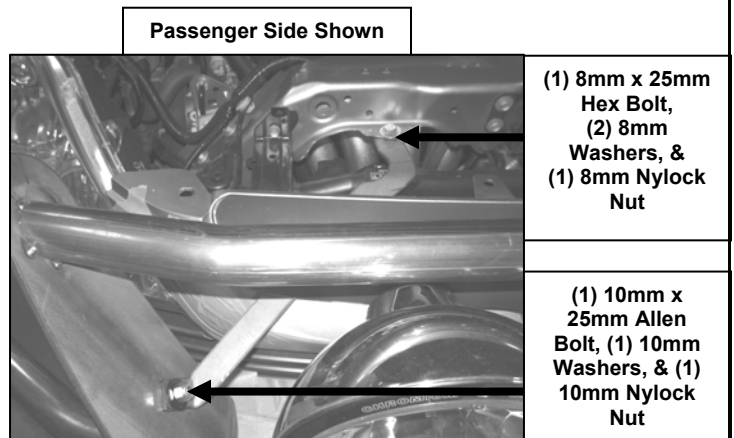


Figure 4

# INSTALLATION INSTRUCTION

## 2<sup>nd</sup> STAGE

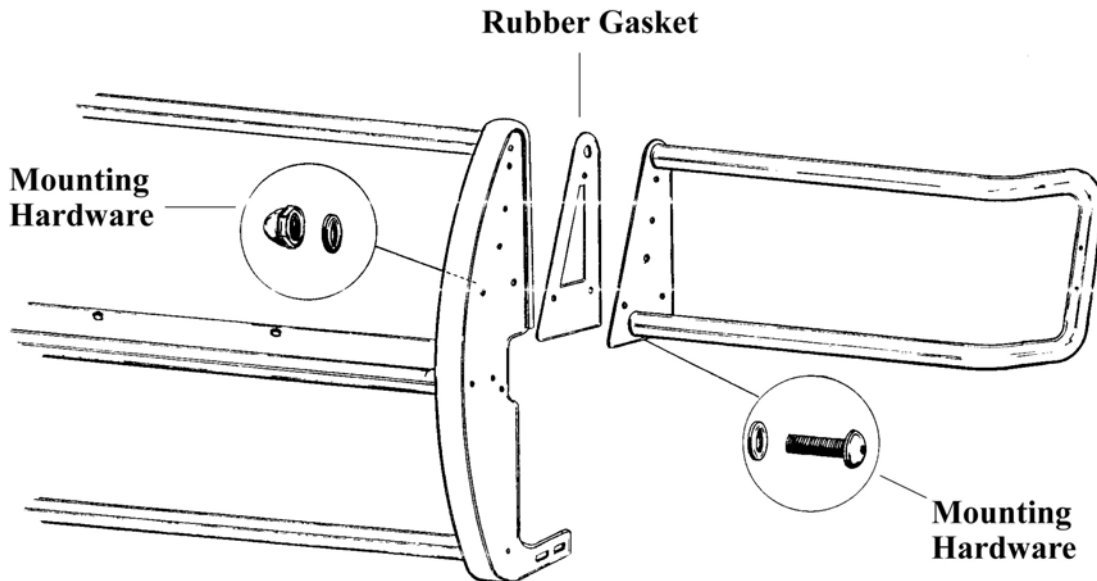
Step One: Locate hardware. Check contents with the hardware listed below.

QTY	DESCRIPTION
6	M8-1.25 x 20 button head bolts, stainless steel
6	M8-1.25 acorn nuts, stainless steel
12	M8 flat washers, stainless steel
2	rubber gaskets

Step Two: Securing brush guards to center section. Locate the following item's listed below.

QTY	DESCRIPTION
1	brush guard, left side
1	brush guard, right side

Assemble the brush guards to the center section of the guard as shown in illustration below. Use the hardware from step one to secure the parts together. Be sure to fully tighten all hardware at this time. Proceed ahead to stage four of the instruction sheet.



# INSTALLATION INSTRUCTION

## 3<sup>rd</sup> STAGE

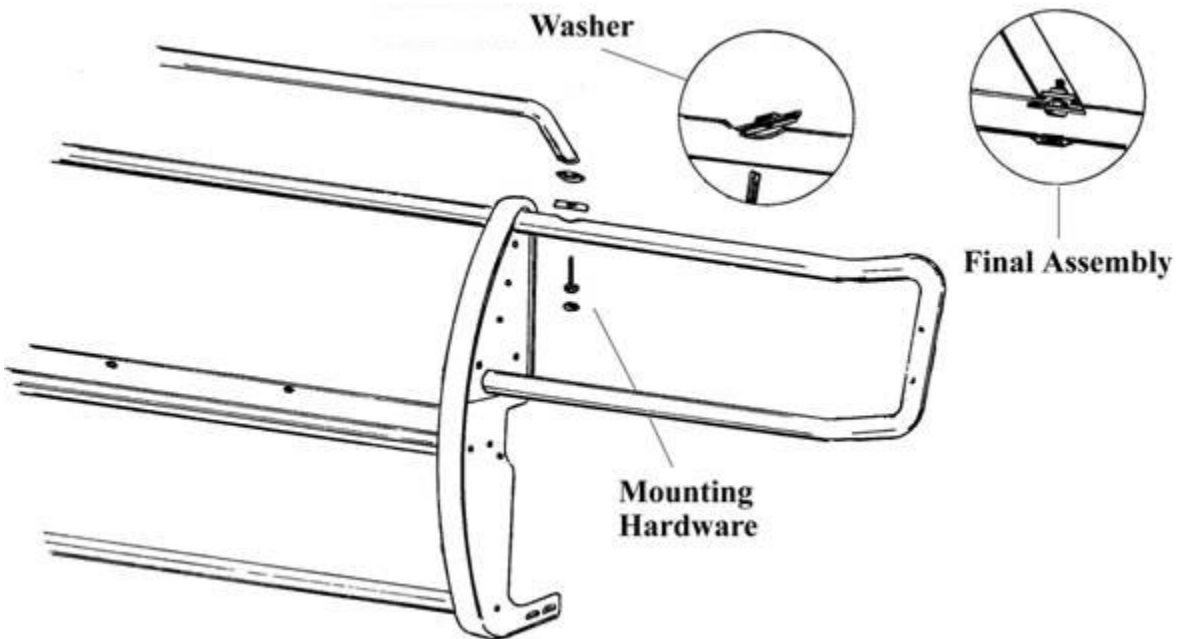
Step One: Locate hardware. Check contents with the hardware listed below.

QTY	DESCRIPTION
2	M6-1.00 x 25mm Button Head Bolt, stainless steel
2	rubber gaskets (may not be included)
2	plastic plugs (may not be included)

Step Two: Securing hood bar to brush guards. Locate the following item listed below.

QTY	DESCRIPTION
1	hood bar

Using the hardware from step one apply loctite (not included) on thread to part numbers M6 screw, secure the hood bar to the brush guards as shown in the illustration below. Fully tighten all hardware, then seal the exposed holes with the plastic plugs. Fasten each end before fully tightening the hardware. Proceed ahead to stage four of the instruction sheet.



# INSTALLATION INSTRUCTION

## 4<sup>th</sup> STAGE

Step One: Locate hardware. Check contents with the hardware listed below.

QTY	DESCRIPTION
8	M6-1.00 x 25mm button head bolts, stainless steel
4	M6-1.00 acorn nuts, stainless steel
12	M6 flat washers, stainless steel
4	rubber gaskets

Step Two: Securing wire insert to brush guards. Locate the following item's listed below.

QTY	DESCRIPTION
2	wire guard insert, left & right side

Attach one rubber gasket to each end of the wire guard. Peel the paper backing off the rubber gasket. Place the gasket on the end of the bracket and press firmly till the gasket is secured in place.

Position the wire insert on the driver's side of the vehicle. Align the two holes in the bracket with the two holes in the brush guard as shown in illustration below. Using the hardware listed in step one, secure the wire insert to the brush guard. Be sure to fasten both ends before fully tightening hardware. Repeat this procedure on the opposite side of the vehicle. Be sure to use all hardware supplied and tighten all bolts.

