





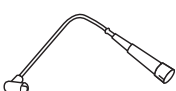

# Ignition Leads / Connectors





automechanika  
greendirectory




**ZE ZEF**

**C**

**Copper Cable**  
**Power Cable**



**ZLE ZL**

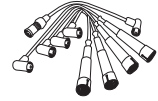
**ZLE ZL WOA**


**VESO VES**

**G GS GWS**


**Technical report**

ZE/ZEF



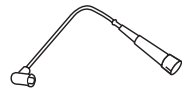
C



Copper Cable



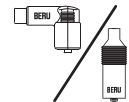
Power Cable



ZLE/ZL/WOA



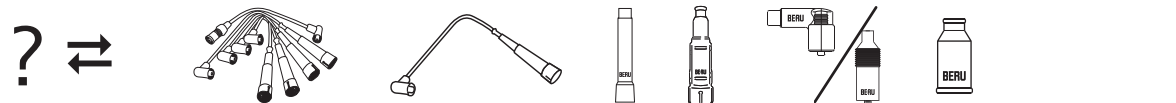
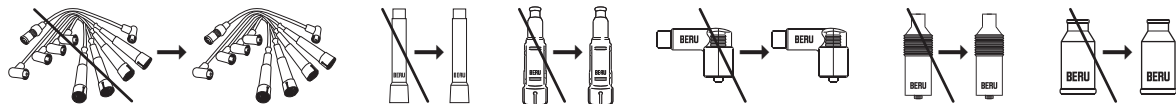
VESO/VES



G/GS/GWS



ZSA





kW



**ZEF 1608** 0 300 891 608

**CHEVROLET**

AVEO 1.2	53	03.06-
KALOS 1.2	53	03.05-
MATIZ 1.0	47-49	03.05-
DAEWOO		
KALOS 1.2	53	04.03-
MATIZ 1.0	47	01.03-

**ZEF 1609** 0 300 891 609

**DAEWOO**

KALOS 1.4 16V	69	04.03-
CHEVROLET		
AVEO 1.4	69-74	03.06-
KALOS 1.4 16V	69	03.05-

**ZEF 1625** 0 300 891 625

**VOLVO**

S40 I 1.6	80	09.99-12.03
S40 I 1.8	90	09.99-12.03
S40 I 1.9 T4	147	09.99-07.00
S40 I 2.0	100-147	09.99-12.03
V40 1.6	80	09.99-06.04
V40 1.8	90	09.99-06.04
V40 1.9 T4	147	09.99-07.00
V40 2.0 T	118-147	09.99-07.00

**ZEF 1627** 0 300 891 627

**DACIA**

SANDERO 1.6	64	09.09-
-------------	----	--------

**ZEF 1628** 0 300 891 628

**FORD**

FOCUS, Kombi 1.4 16V	55	10.98-11.04
FOCUS, Kombi 1.6 16V	74	10.98-11.04
FOCUS II 1.6	74	11.04-

**ZEF 1629** 0 300 891 629

**AUDI**

A1 1.2 TFSI	63	05.10-
A3 1.2 TSI	77	04.10-

**SEAT**

ALTEA 1.2 TSI	77	04.10-
ALTEA XL 1.2 TSI	77	04.10-
IBIZA V 1.2 TSI	77	09.10-
LEON 1.2 TSI	77	02.10-

**SKODA**

FABIA, Combi 1.2 TSI	63-77	03.10-
OCTAVIA, Combi 1.2 TSI	77	02.10-
ROOMSTER 1.2 TSI	63-77	03.10-
YETI 1.2 TSI	77	09.09-

**VW AG**

CADDY III 1.2 TSI	63-77	09.10-
GOLF PLUS 1.2 TSI	63-77	05.10-
GOLF V 1.2 TSI	77	08.09-
JETTA IV 1.2 TSI	77	02.11-
POLO 1.2 TSI	77	11.09-
TOURAN 1.2 TSI	77	05.10-

## PowerCable



<b>R 422-037</b>	0 302 100 422	Ford
<b>R 423-042</b>	0 302 100 423	Ford
<b>R 424-022</b>	0 302 100 424	Ford
<b>R 425-047</b>	0 302 100 425	Ford



kW



**GS 39** 0 010 020 039

**OPEL**

ASTRA G 1.4 16V	66	02.98-01.05
ASTRA G 1.6 16V	74	02.98-01.05
CORSA C 1.4	66	09.00-
MERIVA 1.6 16V	74	05.03-05.10
VECTRA B 1.6 i 16V	74	10.95-07.02
VECTRA C 1.6 16V	74	06.04-
ZAFIRA 1.6	69	01.06-
ZAFIRA 1.6 CNG	71	09.01-06.05
ZAFIRA 1.6 16V	74	04.99-06.05

**VAUXHALL**

ASTRA Mk IV (G) 1.4 16V	66	02.98-
ASTRA Mk IV (G) 1.6 16V	74	02.98-
CORSA Mk III (C) 1.4 16V	66	09.00-
VECTRA (B) 1.6 i 16V	74	08.95-10.01
ZAFIRA Mk I (A) 1.6 16V	74	04.99-

## Application

Only some of the vehicles manufactured prior to 1970 are taken into consideration in the following applications.

All the vehicles are available online in the Product Finder in the **Electronic BERU Catalog on CD (order no. 5 000 004 018)** or on the TecDoc CD, which you can order.

---

# How to find the right ignition lead for your car



Car Model	Year	Power (kW)	Year Range	Engine	Lead Part No.	Lead Type	Lead Length	Lead Color	Lead Material	Lead Features			
1.6 i	1.6	55	11.95-05.98	1F	ZEF 561	CU	C 11	VA 117 B	VA 115 E	VA 115 D	VA 115 C	VA 115 B	
1.6 i	1.6	55	11.95-05.98	AEE	ZEF 562	CU	C 30	VA 118 B	VA 115 E	VA 115 C	VA 116 B	VA 116 A	
<b>LEON</b>													
1.4 16V	1.4	55	11.99-	AHW/AXP/APE	ZEF 990	CU	○	●	VA 121 A	VA 121 A	VA 121 B	VA 121 C	
1.6	1.6	74	11.99-	AEH/AKL	ZEF 989	CU	○	●	VA 127 A	VA 127 A	VA 127 B	VA 127 C	
1.6	1.6	75	09.05-	BSF/BSE	ZEF 1117	CU	○	●	VA 127 A	VA 127 A	VA 127 B	VA 127 C	
1.6 16 V	1.6	77	09.00-	AUS/AZD	ZEF 990	CU	○	●	VA 127 A	VA 127 A	VA 127 B	VA 127 C	
1.8 20V	1.8	92	11.99-	AGN/APG	ZEF 991	CU	○	●	VA 124 A	VA 124 A	VA 124 B	VA 124 C	
<b>MALAGA</b>													
1.2	1.2	44	05.85-12.93	021 A 1000	ZEF 768	R	C 7	R 19	R 6	R 1	R 1	R 3	
1.2	1.2	47	11.84-12.93		ZEF 768	R	C 7	R 19	R 6	R 1	R 1	R 3	
1.2 i	1.2	52	12.89-12.93	021 C 1000	ZEF 768	R	C 7	R 19	R 6	R 1	R 1	R 3	
1.5	1.5	63	05.85-12.93	021 A 2000	ZEF 768	R	C 7	R 19	R 6	R 1	R 1	R 3	
1.5 i KAT	1.5	66	10.86-12.93	021 A 2000/021 C 2000/021 D 2000	ZEF 768	R	C 7	R 19	R 6	R 1	R 1	R 3	
<b>MARBELLA</b>													
0.8	0.8	25	08.86-12.93	08 NCA	ZEF 771	R	C 20	R 18	R 4	R 3	R 1	R 1	
0.9	0.9	29	01.87-12.91	09 NCA	ZEF 771	R	C 20	R 18	R 4	R 3	R 1	R 1	
0.9	0.9	29	01.92-12.93	09 NCA	ZEF 771	R	C 22	●	R 57	R 57	R 57	R 57	
0.9 KAT	0.9	29	01.90-12.91	09 NCB	ZEF 771	R	C 20	R 18	R 4	R 3	R 1	R 1	
0.9 KAT	0.9	29	01.92-11.96	09 NCB	ZEF 771	R	C 22	●	R 57	R 57	R 57	R 57	
0.9 KAT	0.9	30	11.96-10.98	08 NCB	ZEF 771	R	C 22	●	R 57	R 57	R 57	R 57	
0.9	0.9	32	07.97-10.98	08 NCB	ZEF 771	R	C 22	●	R 57	R 57	R 57	R 57	
<b>RONDA</b>													
1.2	1.2	44	10.84-12.86	021 A 1000	ZEF 561	R	○	R 5	R 3	R 1	R 6	R 9	
1.2	1.2	47	08.83-05.85	021 A 1000/124 B6.000	ZEF 561	R	○	R 5	R 3	R 1	R 6	R 9	
1.5	1.5	63	07.84-12.86	021 A 2000	ZEF 561	R	○	R 5	R 3	R 1	R 6	R 9	
1.6	1.6	68	08.83-05.85	022 A 000/138 AR 6000	ZEF 771	R	C 20	R 18	R 4	R 3	R 3	R 1	
<b>TERRA</b>													
0.9	0.9	29	02.87-12.91	09 NCA	ZEF 766	R	C 13	R 35	R 22	R 23	R 7	R 27	
0.9	0.9	29	01.92-12.96	09 NCA	ZEF 1044	R	C 22	●	R 57	R 58	R 145	R 30	
0.9 KAT	0.9	29	02.92-12.94	09 NCB	ZEF 1044	R	C 22	●	R 57	R 58	R 145	R 30	
<b>TOLEDO I</b>													
1.6 i	1.6	52	05.91-12.93	1F	ZEF 561	CU	○	●	VA 117 B	VA 115 E	VA 115 D	VA 115 C	VA 115 B
1.6 i	1.6	54	05.91-03.99	1F/ABN/EZ	ZEF 561	CU	○	●	VA 117 B	VA 115 E	VA 115 D	VA 115 C	VA 115 B
1.6 i	1.6	55	01.93-03.99	1F	ZEF 561	CU	○	●	VA 117 B	VA 115 E	VA 115 D	VA 115 C	VA 115 B
1.6 i	1.6	74	11.96-03.99	AFT	ZEF 1180	CU	○	●	VA 117 B	VA 123 D	VA 123 C	VA 123 B	VA 123 A
1.8 i	1.8	65	05.91-12.96	RP	ZEF 561	CU	○	●	VA 117 B	VA 115 E	VA 115 D	VA 115 C	VA 115 B
1.8 i	1.8	66	11.93-12.96	ADZ	ZEF 717	CU	○	●	VA 118 C	VA 115 D	VA 115 C	VA 115 B	VA 115 A
1.8 i	1.8	66	11.93-12.96	ABS	ZEF 1149	CU	○	●	VA 118 C	VA 116 D	VA 116 C	VA 116 B	VA 116 A
1.8 16V	1.8	92	05.91-03.99		ZEF 1148	CU	○	●	VA 117 A	VA 122 D	VA 122 C	VA 122 B	VA 122 A





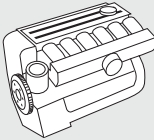


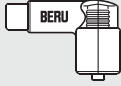
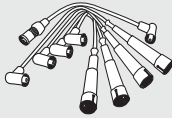





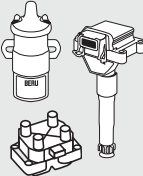










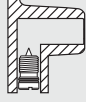





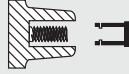






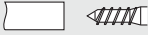

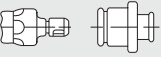

VA 121 A  
VA 127 A  
VA 127 A

R 206  
R 206  
R 206

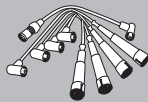
ZEF 561  
ZEF 1180  
ZEF 561

C 11  
C 11  
C 11

	Capacity		Spark Plug Connectors
	Year		Partially Screened Spark Plug Connectors
	Engine type		Straight ignition distributor connector
	Cylinder		90° angled ignition distributor connector
	Ignition Lead Sets		Outer sheath/core material
	Ignition lead type		SAE – Spark plugs
	C Ignition Lead Sets		M4 – Spark plugs
	Ignition coils		SAE – Distributor caps/ignition coils
	Distributor caps		M4 – Distributor caps/ignition coils
	Spark plugs		DIN – Distributor caps/ignition coils

	<p>5 mm – Distributor caps/Ignition coils</p>		<p>Locating sleeve – Ignition leads/Connectors</p>
	<p>Saw tooth – Distributor caps/Ignition coils</p>		<p>Plunging point – Ignition leads/Connectors</p>
	<p>Compression spring</p>		<p>M3 – Ignition leads/Connectors</p>
	<p>Across flats</p>		<p>SAE – Ignition leads/Connectors</p>
	<p>Water-proof on left side</p>		<p>M4 – Ignition leads/Connectors</p>
	<p>Water-proof on right side</p>		<p>M4 – Ignition leads/Connectors</p>
	<p>Water-proof on both sides</p>		<p>DIN – Ignition leads/Connectors</p>
	<p>Saw tooth – Ignition leads/Connectors</p>		<p>Saw tooth + Centring sleeve – Ignition leads/Connectors</p>
	<p>Wood screw – Ignition leads/Connectors</p>		<p>Moulded Parts for Water Protection</p>
	<p>Ratchet bolt – Ignition leads/Connectors</p>		<p>Inside diameter</p>





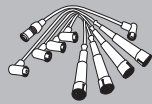
<b>ZE 115</b>	0 300 811 720
<b>ZE 116</b>	0 300 811 653
<b>ZE 566</b>	0 300 890 094
<b>ZE 575</b>	0 300 890 121
<b>ZE 586</b>	0 300 890 179
<b>ZE 590</b>	0 300 890 220
<b>ZE 715</b>	0 300 890 104
<b>ZE 719</b>	0 300 890 115
<b>ZE 721</b>	0 300 890 117
<b>ZE 732</b>	0 300 890 140
<b>ZE 738</b>	0 300 890 154
<b>ZE 744</b>	0 300 890 183
<b>ZE 745</b>	0 300 890 186
<b>ZE 746</b>	0 300 890 188
<b>ZE 751</b>	0 300 890 228
<b>ZE 755</b>	0 300 890 215
<b>ZE 757</b>	0 300 890 219
<b>ZE 765</b>	0 300 890 709
<b>ZE 905</b>	0 300 890 076
<b>ZE 906</b>	0 300 890 109
<b>ZE 907</b>	0 300 890 132
<b>ZE 1200</b>	0 300 890 270
<b>ZEF 295</b>	0 300 890 295
<b>ZEF 298</b>	0 300 890 708
<b>ZEF 303</b>	0 300 890 303
<b>ZEF 304</b>	0 300 890 304
<b>ZEF 309</b>	0 300 890 309
<b>ZEF 362</b>	0 300 890 362
<b>ZEF 363</b>	0 300 890 363
<b>ZEF 364</b>	0 300 890 364
<b>ZEF 404</b>	0 300 890 404
<b>ZEF 405</b>	0 300 890 405
<b>ZEF 406</b>	0 300 890 406
<b>ZEF 408</b>	0 300 890 408
<b>ZEF 425</b>	0 300 890 425
<b>ZEF 432</b>	0 300 890 432
<b>ZEF 435</b>	0 300 890 435
<b>ZEF 437</b>	0 300 890 437
<b>ZEF 444</b>	0 300 890 444
<b>ZEF 445</b>	0 300 890 445
<b>ZEF 454</b>	0 300 890 454
<b>ZEF 463</b>	0 300 890 463
<b>ZEF 464</b>	0 300 890 464
<b>ZEF 465</b>	0 300 890 465
<b>ZEF 466</b>	0 300 890 466
<b>ZEF 467</b>	0 300 890 467
<b>ZEF 470</b>	0 300 890 470
<b>ZEF 471</b>	0 300 890 471
<b>ZEF 472</b>	0 300 890 472
<b>ZEF 473</b>	0 300 890 473
<b>ZEF 476</b>	0 300 890 476
<b>ZEF 487</b>	0 300 890 487
<b>ZEF 493</b>	0 300 890 493
<b>ZEF 501</b>	0 300 890 501
<b>ZEF 515</b>	0 300 890 515
<b>ZEF 516</b>	0 300 890 516
<b>ZEF 518</b>	0 300 890 518
<b>ZEF 520</b>	0 300 890 520
<b>ZEF 558</b>	0 300 890 558
<b>ZEF 561</b>	0 300 890 561
<b>ZEF 562</b>	0 300 890 562
<b>ZEF 566</b>	0 300 890 566
<b>ZEF 567</b>	0 300 890 567
<b>ZEF 568</b>	0 300 890 568



<b>ZEF 569</b>	0 300 890 569
<b>ZEF 570</b>	0 300 890 570
<b>ZEF 571</b>	0 300 890 571
<b>ZEF 572</b>	0 300 890 572
<b>ZEF 573</b>	0 300 890 573
<b>ZEF 574</b>	0 300 890 574
<b>ZEF 575</b>	0 300 890 575
<b>ZEF 576</b>	0 300 890 576
<b>ZEF 577</b>	0 300 890 577
<b>ZEF 578</b>	0 300 890 578
<b>ZEF 579</b>	0 300 890 579
<b>ZEF 580</b>	0 300 890 580
<b>ZEF 581</b>	0 300 890 581
<b>ZEF 582</b>	0 300 890 582
<b>ZEF 583</b>	0 300 890 583
<b>ZEF 584</b>	0 300 890 584
<b>ZEF 585</b>	0 300 890 585
<b>ZEF 586</b>	0 300 890 586
<b>ZEF 597</b>	0 300 890 597
<b>ZEF 598</b>	0 300 890 598
<b>ZEF 601</b>	0 300 890 601
<b>ZEF 607</b>	0 300 890 607
<b>ZEF 608</b>	0 300 890 608
<b>ZEF 610</b>	0 300 890 610
<b>ZEF 611<sup>2</sup></b>	0 300 890 611
<b>ZEF 612</b>	0 300 890 612
<b>ZEF 627</b>	0 300 890 627
<b>ZEF 634</b>	0 300 890 634
<b>ZEF 635</b>	0 300 890 635
<b>ZEF 641</b>	0 300 890 641
<b>ZEF 642</b>	0 300 890 642
<b>ZEF 665</b>	0 300 890 665
<b>ZEF 670</b>	0 300 890 670
<b>ZEF 672</b>	0 300 890 672
<b>ZEF 707</b>	0 300 890 707
<b>ZEF 716</b>	0 300 890 716
<b>ZEF 717</b>	0 300 890 717
<b>ZEF 719</b>	0 300 890 719
<b>ZEF 720</b>	0 300 890 720
<b>ZEF 722</b>	0 300 890 722
<b>ZEF 724</b>	0 300 890 724
<b>ZEF 725</b>	0 300 890 725
<b>ZEF 726</b>	0 300 890 726
<b>ZEF 727</b>	0 300 890 727
<b>ZEF 728</b>	0 300 890 728
<b>ZEF 729</b>	0 300 890 729
<b>ZEF 730</b>	0 300 890 730
<b>ZEF 731</b>	0 300 890 731
<b>ZEF 732</b>	0 300 890 732
<b>ZEF 733</b>	0 300 890 733
<b>ZEF 734</b>	0 300 890 734
<b>ZEF 735</b>	0 300 890 735
<b>ZEF 736</b>	0 300 890 736
<b>ZEF 737</b>	0 300 890 737
<b>ZEF 738</b>	0 300 890 738
<b>ZEF 739</b>	0 300 890 739
<b>ZEF 740</b>	0 300 890 740
<b>ZEF 741</b>	0 300 890 741
<b>ZEF 742</b>	0 300 890 742
<b>ZEF 743</b>	0 300 890 743
<b>ZEF 744</b>	0 300 890 744
<b>ZEF 745</b>	0 300 890 745
<b>ZEF 746</b>	0 300 890 746
<b>ZEF 751</b>	0 300 890 751



<b>ZEF 752</b>	0 300 890 752
<b>ZEF 755</b>	0 300 890 755
<b>ZEF 756</b>	0 300 890 756
<b>ZEF 757</b>	0 300 890 757
<b>ZEF 758</b>	0 300 890 758
<b>ZEF 759</b>	0 300 890 759
<b>ZEF 760</b>	0 300 890 760
<b>ZEF 761</b>	0 300 890 761
<b>ZEF 762</b>	0 300 890 762
<b>ZEF 763</b>	0 300 890 763
<b>ZEF 765</b>	0 300 890 765
<b>ZEF 766</b>	0 300 890 766
<b>ZEF 767</b>	0 300 890 767
<b>ZEF 768</b>	0 300 890 768
<b>ZEF 769</b>	0 300 890 769
<b>ZEF 770</b>	0 300 890 770
<b>ZEF 771</b>	0 300 890 771
<b>ZEF 772</b>	0 300 890 772
<b>ZEF 773</b>	0 300 890 773
<b>ZEF 775</b>	0 300 890 775
<b>ZEF 776</b>	0 300 890 776
<b>ZEF 777</b>	0 300 890 777
<b>ZEF 778</b>	0 300 890 778
<b>ZEF 779</b>	0 300 890 779
<b>ZEF 780</b>	0 300 890 780
<b>ZEF 781</b>	0 300 890 781
<b>ZEF 783</b>	0 300 890 783
<b>ZEF 784</b>	0 300 890 784
<b>ZEF 785</b>	0 300 890 785
<b>ZEF 786</b>	0 300 890 786
<b>ZEF 787</b>	0 300 890 787
<b>ZEF 788</b>	0 300 890 788
<b>ZEF 789</b>	0 300 890 789
<b>ZEF 790</b>	0 300 890 790
<b>ZEF 791</b>	0 300 890 791
<b>ZEF 792</b>	0 300 890 792
<b>ZEF 793</b>	0 300 890 793
<b>ZEF 795</b>	0 300 890 795
<b>ZEF 796</b>	0 300 890 796
<b>ZEF 797</b>	0 300 890 797
<b>ZEF 798</b>	0 300 890 798
<b>ZEF 799</b>	0 300 890 799
<b>ZEF 800</b>	0 300 890 800
<b>ZEF 801</b>	0 300 890 801
<b>ZEF 802</b>	0 300 890 802
<b>ZEF 803</b>	0 300 890 803
<b>ZEF 804</b>	0 300 890 804
<b>ZEF 809</b>	0 300 890 809
<b>ZEF 810</b>	0 300 890 810
<b>ZEF 811</b>	0 300 890 811
<b>ZEF 812</b>	0 300 890 812
<b>ZEF 813</b>	0 300 890 813
<b>ZEF 814</b>	0 300 890 814
<b>ZEF 824</b>	0 300 890 824
<b>ZEF 825</b>	0 300 890 825
<b>ZEF 826</b>	0 300 890 826
<b>ZEF 827</b>	0 300 890 827
<b>ZEF 828</b>	0 300 890 828
<b>ZEF 829</b>	0 300 890 829
<b>ZEF 830</b>	0 300 890 830
<b>ZEF 831</b>	0 300 890 831
<b>ZEF 832</b>	0 300 890 832
<b>ZEF 834</b>	0 300 890 834
<b>ZEF 835</b>	0 300 890 835



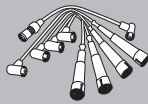
<b>ZEF 836</b>	0 300 890 836
<b>ZEF 837</b>	0 300 890 837
<b>ZEF 838</b>	0 300 890 838
<b>ZEF 839</b>	0 300 890 839
<b>ZEF 840</b>	0 300 890 840
<b>ZEF 842</b>	0 300 890 842
<b>ZEF 843</b>	0 300 890 843
<b>ZEF 844</b>	0 300 890 844
<b>ZEF 845</b>	0 300 890 845
<b>ZEF 846</b>	0 300 890 846
<b>ZEF 847</b>	0 300 890 847
<b>ZEF 848</b>	0 300 890 848
<b>ZEF 849</b>	0 300 890 849
<b>ZEF 850</b>	0 300 890 850
<b>ZEF 851</b>	0 300 890 851
<b>ZEF 852</b>	0 300 890 852
<b>ZEF 853</b>	0 300 890 853
<b>ZEF 854</b>	0 300 890 854
<b>ZEF 855</b>	0 300 890 855
<b>ZEF 856</b>	0 300 890 856
<b>ZEF 858</b>	0 300 890 858
<b>ZEF 859</b>	0 300 890 859
<b>ZEF 860</b>	0 300 890 860
<b>ZEF 861</b>	0 300 890 861
<b>ZEF 862</b>	0 300 890 862
<b>ZEF 863</b>	0 300 890 863
<b>ZEF 864</b>	0 300 890 864
<b>ZEF 865</b>	0 300 890 865
<b>ZEF 866</b>	0 300 890 866
<b>ZEF 867</b>	0 300 890 867
<b>ZEF 868</b>	0 300 890 868
<b>ZEF 869</b>	0 300 890 869
<b>ZEF 870</b>	0 300 890 870
<b>ZEF 871</b>	0 300 890 871
<b>ZEF 872</b>	0 300 890 872
<b>ZEF 873</b>	0 300 890 873
<b>ZEF 874</b>	0 300 890 874
<b>ZEF 875</b>	0 300 890 875
<b>ZEF 876</b>	0 300 890 876
<b>ZEF 877</b>	0 300 890 877
<b>ZEF 878</b>	0 300 890 878
<b>ZEF 879</b>	0 300 890 879
<b>ZEF 880</b>	0 300 890 880
<b>ZEF 881</b>	0 300 890 881
<b>ZEF 882</b>	0 300 890 882
<b>ZEF 883</b>	0 300 890 883
<b>ZEF 884</b>	0 300 890 884
<b>ZEF 885</b>	0 300 890 885
<b>ZEF 886</b>	0 300 890 886
<b>ZEF 887</b>	0 300 890 887
<b>ZEF 888</b>	0 300 890 888
<b>ZEF 889</b>	0 300 890 889
<b>ZEF 890</b>	0 300 890 890
<b>ZEF 891</b>	0 300 890 891
<b>ZEF 892</b>	0 300 890 892
<b>ZEF 893</b>	0 300 890 893
<b>ZEF 894</b>	0 300 890 894
<b>ZEF 895</b>	0 300 890 895
<b>ZEF 896</b>	0 300 890 896
<b>ZEF 898</b>	0 300 890 898
<b>ZEF 899</b>	0 300 890 899
<b>ZEF 900</b>	0 300 890 900
<b>ZEF 901</b>	0 300 890 901
<b>ZEF 903</b>	0 300 890 903



<b>ZEF 904</b>	0 300 890 904
<b>ZEF 905</b>	0 300 890 905
<b>ZEF 906</b>	0 300 890 906
<b>ZEF 907</b>	0 300 890 907
<b>ZEF 908</b>	0 300 890 908
<b>ZEF 909</b>	0 300 890 909
<b>ZEF 910</b>	0 300 890 910
<b>ZEF 911</b>	0 300 890 911
<b>ZEF 912</b>	0 300 890 912
<b>ZEF 913</b>	0 300 890 913
<b>ZEF 914</b>	0 300 890 914
<b>ZEF 915</b>	0 300 890 915
<b>ZEF 916</b>	0 300 890 916
<b>ZEF 917</b>	0 300 890 917
<b>ZEF 918</b>	0 300 890 918
<b>ZEF 919</b>	0 300 890 919
<b>ZEF 920</b>	0 300 890 920
<b>ZEF 921</b>	0 300 890 921
<b>ZEF 922</b>	0 300 890 922
<b>ZEF 923</b>	0 300 890 923
<b>ZEF 924</b>	0 300 890 924
<b>ZEF 925</b>	0 300 890 925
<b>ZEF 926</b>	0 300 890 926
<b>ZEF 927</b>	0 300 890 927
<b>ZEF 928</b>	0 300 890 928
<b>ZEF 929</b>	0 300 890 929
<b>ZEF 930</b>	0 300 890 930
<b>ZEF 931</b>	0 300 890 931
<b>ZEF 932</b>	0 300 890 932
<b>ZEF 933</b>	0 300 890 933
<b>ZEF 934</b>	0 300 890 934
<b>ZEF 936</b>	0 300 890 936
<b>ZEF 937</b>	0 300 890 937
<b>ZEF 938</b>	0 300 890 938
<b>ZEF 939</b>	0 300 890 939
<b>ZEF 940</b>	0 300 890 940
<b>ZEF 941</b>	0 300 890 941
<b>ZEF 942</b>	0 300 890 942
<b>ZEF 943</b>	0 300 890 943
<b>ZEF 944</b>	0 300 890 944
<b>ZEF 945</b>	0 300 890 945
<b>ZEF 946</b>	0 300 890 946
<b>ZEF 947</b>	0 300 890 947
<b>ZEF 948</b>	0 300 890 948
<b>ZEF 949</b>	0 300 890 949
<b>ZEF 950</b>	0 300 890 950
<b>ZEF 951</b>	0 300 890 951
<b>ZEF 952</b>	0 300 890 952
<b>ZEF 953</b>	0 300 890 953
<b>ZEF 954</b>	0 300 890 954
<b>ZEF 957</b>	0 300 890 957
<b>ZEF 958</b>	0 300 890 958
<b>ZEF 959</b>	0 300 890 959
<b>ZEF 960</b>	0 300 890 960
<b>ZEF 963</b>	0 300 890 963
<b>ZEF 964</b>	0 300 890 964
<b>ZEF 965</b>	0 300 890 965
<b>ZEF 966</b>	0 300 890 966
<b>ZEF 967</b>	0 300 890 967
<b>ZEF 968</b>	0 300 890 968
<b>ZEF 969</b>	0 300 890 969
<b>ZEF 970</b>	0 300 890 970
<b>ZEF 971</b>	0 300 890 971
<b>ZEF 972</b>	0 300 890 972



<b>ZEF 973</b>	0 300 890 973
<b>ZEF 978</b>	0 300 890 978
<b>ZEF 979</b>	0 300 890 979
<b>ZEF 980</b>	0 300 890 980
<b>ZEF 981</b>	0 300 890 981
<b>ZEF 982</b>	0 300 890 982
<b>ZEF 983</b>	0 300 890 983
<b>ZEF 984</b>	0 300 890 984
<b>ZEF 985</b>	0 300 890 985
<b>ZEF 987</b>	0 300 890 987
<b>ZEF 988</b>	0 300 890 988
<b>ZEF 989</b>	0 300 890 989
<b>ZEF 990</b>	0 300 890 990
<b>ZEF 991</b>	0 300 890 991
<b>ZEF 992</b>	0 300 890 992
<b>ZEF 993</b>	0 300 890 993
<b>ZEF 994</b>	0 300 890 994
<b>ZEF 995</b>	0 300 890 995
<b>ZEF 996</b>	0 300 890 996
<b>ZEF 997</b>	0 300 890 997
<b>ZEF 998</b>	0 300 890 998
<b>ZEF 1000</b>	0 300 891 000
<b>ZEF 1001</b>	0 300 891 001
<b>ZEF 1002</b>	0 300 891 002
<b>ZEF 1003</b>	0 300 891 003
<b>ZEF 1004</b>	0 300 891 004
<b>ZEF 1005</b>	0 300 891 005
<b>ZEF 1006</b>	0 300 891 006
<b>ZEF 1007</b>	0 300 891 007
<b>ZEF 1009</b>	0 300 891 009
<b>ZEF 1011</b>	0 300 891 011
<b>ZEF 1012</b>	0 300 891 012
<b>ZEF 1014</b>	0 300 891 014
<b>ZEF 1015</b>	0 300 891 015
<b>ZEF 1016</b>	0 300 891 016
<b>ZEF 1017</b>	0 300 891 017
<b>ZEF 1019</b>	0 300 891 019
<b>ZEF 1020</b>	0 300 891 020
<b>ZEF 1021</b>	0 300 891 021
<b>ZEF 1022</b>	0 300 891 022
<b>ZEF 1023</b>	0 300 891 023
<b>ZEF 1024</b>	0 300 891 024
<b>ZEF 1025</b>	0 300 891 025
<b>ZEF 1026</b>	0 300 891 026
<b>ZEF 1027</b>	0 300 891 027
<b>ZEF 1028</b>	0 300 891 028
<b>ZEF 1029</b>	0 300 891 029
<b>ZEF 1030</b>	0 300 891 030
<b>ZEF 1032</b>	0 300 891 032
<b>ZEF 1033</b>	0 300 891 033
<b>ZEF 1036</b>	0 300 891 036
<b>ZEF 1037</b>	0 300 891 037
<b>ZEF 1040</b>	0 300 891 040
<b>ZEF 1041</b>	0 300 891 041
<b>ZEF 1042</b>	0 300 891 042
<b>ZEF 1043</b>	0 300 891 043
<b>ZEF 1044</b>	0 300 891 044
<b>ZEF 1045</b>	0 300 891 045
<b>ZEF 1046</b>	0 300 891 046
<b>ZEF 1047</b>	0 300 891 047
<b>ZEF 1048</b>	0 300 891 048
<b>ZEF 1049</b>	0 300 891 049
<b>ZEF 1050</b>	0 300 891 050
<b>ZEF 1052</b>	0 300 891 052



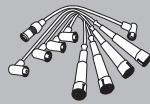
<b>ZEF 1053</b>	0 300 891 053
<b>ZEF 1054</b>	0 300 891 054
<b>ZEF 1055</b>	0 300 891 055
<b>ZEF 1056</b>	0 300 891 056
<b>ZEF 1057</b>	0 300 891 057
<b>ZEF 1058</b>	0 300 891 058
<b>ZEF 1059</b>	0 300 891 059
<b>ZEF 1060</b>	0 300 891 060
<b>ZEF 1061</b>	0 300 891 061
<b>ZEF 1062</b>	0 300 891 062
<b>ZEF 1064</b>	0 300 891 064
<b>ZEF 1065</b>	0 300 891 065
<b>ZEF 1066</b>	0 300 891 066
<b>ZEF 1067</b>	0 300 891 067
<b>ZEF 1068</b>	0 300 891 068
<b>ZEF 1069</b>	0 300 891 069
<b>ZEF 1070</b>	0 300 891 070
<b>ZEF 1071</b>	0 300 891 071
<b>ZEF 1072</b>	0 300 891 072
<b>ZEF 1073</b>	0 300 891 073
<b>ZEF 1074</b>	0 300 891 074
<b>ZEF 1076</b>	0 300 891 076
<b>ZEF 1077</b>	0 300 891 077
<b>ZEF 1078</b>	0 300 891 078
<b>ZEF 1079</b>	0 300 891 079
<b>ZEF 1081</b>	0 300 891 081
<b>ZEF 1082</b>	0 300 891 082
<b>ZEF 1083</b>	0 300 891 083
<b>ZEF 1084</b>	0 300 891 084
<b>ZEF 1085</b>	0 300 891 085
<b>ZEF 1087</b>	0 300 891 087
<b>ZEF 1090</b>	0 300 891 090
<b>ZEF 1091</b>	0 300 891 091
<b>ZEF 1092</b>	0 300 891 092
<b>ZEF 1093</b>	0 300 891 093
<b>ZEF 1094</b>	0 300 891 094
<b>ZEF 1095</b>	0 300 891 095
<b>ZEF 1097</b>	0 300 891 097
<b>ZEF 1098</b>	0 300 891 098
<b>ZEF 1099</b>	0 300 891 099
<b>ZEF 1100</b>	0 300 891 100
<b>ZEF 1101</b>	0 300 891 101
<b>ZEF 1102</b>	0 300 891 102
<b>ZEF 1103</b>	0 300 891 103
<b>ZEF 1104</b>	0 300 891 104
<b>ZEF 1105</b>	0 300 891 105
<b>ZEF 1107</b>	0 300 891 107
<b>ZEF 1108</b>	0 300 891 108
<b>ZEF 1109</b>	0 300 891 109
<b>ZEF 1110</b>	0 300 891 110
<b>ZEF 1111</b>	0 300 891 111
<b>ZEF 1113</b>	0 300 891 113
<b>ZEF 1114</b>	0 300 891 114
<b>ZEF 1115</b>	0 300 891 115
<b>ZEF 1117</b>	0 300 891 117
<b>ZEF 1118</b>	0 300 891 118
<b>ZEF 1119</b>	0 300 891 119
<b>ZEF 1120</b>	0 300 891 120
<b>ZEF 1121</b>	0 300 891 121
<b>ZEF 1122</b>	0 300 891 122
<b>ZEF 1123</b>	0 300 891 123
<b>ZEF 1124</b>	0 300 891 124
<b>ZEF 1125</b>	0 300 891 125
<b>ZEF 1127</b>	0 300 891 127



<b>ZEF 1128</b>	0 300 891 128
<b>ZEF 1129</b>	0 300 891 129
<b>ZEF 1130</b>	0 300 891 130
<b>ZEF 1131</b>	0 300 891 131
<b>ZEF 1133</b>	0 300 891 133
<b>ZEF 1134</b>	0 300 891 134
<b>ZEF 1135</b>	0 300 891 135
<b>ZEF 1136</b>	0 300 891 136
<b>ZEF 1137</b>	0 300 891 137
<b>ZEF 1140</b>	0 300 891 140
<b>ZEF 1142</b>	0 300 891 142
<b>ZEF 1143</b>	0 300 891 143
<b>ZEF 1144</b>	0 300 891 144
<b>ZEF 1147</b>	0 300 891 147
<b>ZEF 1148</b>	0 300 891 148
<b>ZEF 1149</b>	0 300 891 149
<b>ZEF 1150</b>	0 300 891 150
<b>ZEF 1151</b>	0 300 891 151
<b>ZEF 1152</b>	0 300 891 152
<b>ZEF 1153</b>	0 300 891 153
<b>ZEF 1154</b>	0 300 891 154
<b>ZEF 1155</b>	0 300 891 155
<b>ZEF 1156</b>	0 300 891 156
<b>ZEF 1157</b>	0 300 891 157
<b>ZEF 1158</b>	0 300 891 158
<b>ZEF 1159</b>	0 300 891 159
<b>ZEF 1160</b>	0 300 891 160
<b>ZEF 1161</b>	0 300 891 161
<b>ZEF 1162</b>	0 300 891 162
<b>ZEF 1163</b>	0 300 891 163
<b>ZEF 1164</b>	0 300 891 164
<b>ZEF 1165</b>	0 300 891 165
<b>ZEF 1166</b>	0 300 891 166
<b>ZEF 1168</b>	0 300 891 168
<b>ZEF 1169</b>	0 300 891 169
<b>ZEF 1170</b>	0 300 891 170
<b>ZEF 1171</b>	0 300 891 171
<b>ZEF 1172</b>	0 300 891 172
<b>ZEF 1173</b>	0 300 891 173
<b>ZEF 1174</b>	0 300 891 174
<b>ZEF 1175</b>	0 300 891 175
<b>ZEF 1176</b>	0 300 891 176
<b>ZEF 1177</b>	0 300 891 177
<b>ZEF 1178</b>	0 300 891 178
<b>ZEF 1180</b>	0 300 891 180
<b>ZEF 1181</b>	0 300 891 181
<b>ZEF 1182</b>	0 300 891 182
<b>ZEF 1183</b>	0 300 891 183
<b>ZEF 1184</b>	0 300 891 184
<b>ZEF 1185</b>	0 300 891 185
<b>ZEF 1186</b>	0 300 891 186
<b>ZEF 1187</b>	0 300 891 187
<b>ZEF 1188</b>	0 300 891 188
<b>ZEF 1189</b>	0 300 891 189
<b>ZEF 1190</b>	0 300 891 190
<b>ZEF 1191</b>	0 300 891 191
<b>ZEF 1192</b>	0 300 891 192
<b>ZEF 1193</b>	0 300 891 193
<b>ZEF 1194</b>	0 300 891 194
<b>ZEF 1195</b>	0 300 891 195
<b>ZEF 1196</b>	0 300 891 196
<b>ZEF 1197</b>	0 300 891 197
<b>ZEF 1198</b>	0 300 891 198
<b>ZEF 1199</b>	0 300 891 199



<b>ZEF 1200</b>	0 300 891 200
<b>ZEF 1201</b>	0 300 891 201
<b>ZEF 1203</b>	0 300 891 203
<b>ZEF 1204</b>	0 300 891 204
<b>ZEF 1206</b>	0 300 891 206
<b>ZEF 1209</b>	0 300 891 209
<b>ZEF 1210</b>	0 300 891 210
<b>ZEF 1211</b>	0 300 891 211
<b>ZEF 1212</b>	0 300 891 212
<b>ZEF 1214</b>	0 300 891 214
<b>ZEF 1215</b>	0 300 891 215
<b>ZEF 1219</b>	0 300 891 219
<b>ZEF 1220</b>	0 300 891 220
<b>ZEF 1222</b>	0 300 891 222
<b>ZEF 1223</b>	0 300 891 223
<b>ZEF 1224</b>	0 300 891 224
<b>ZEF 1226</b>	0 300 891 226
<b>ZEF 1227</b>	0 300 891 227
<b>ZEF 1228</b>	0 300 891 228
<b>ZEF 1229</b>	0 300 891 229
<b>ZEF 1230</b>	0 300 891 230
<b>ZEF 1231</b>	0 300 891 231
<b>ZEF 1232</b>	0 300 891 232
<b>ZEF 1233</b>	0 300 891 233
<b>ZEF 1235</b>	0 300 891 235
<b>ZEF 1236</b>	0 300 891 236
<b>ZEF 1238</b>	0 300 891 238
<b>ZEF 1239</b>	0 300 891 239
<b>ZEF 1245</b>	0 300 891 245
<b>ZEF 1246</b>	0 300 891 246
<b>ZEF 1251</b>	0 300 891 251
<b>ZEF 1252</b>	0 300 891 252
<b>ZEF 1253</b>	0 300 891 253
<b>ZEF 1254</b>	0 300 891 254
<b>ZEF 1255</b>	0 300 891 255
<b>ZEF 1256</b>	0 300 891 256
<b>ZEF 1260</b>	0 300 891 260
<b>ZEF 1261</b>	0 300 891 261
<b>ZEF 1262</b>	0 300 891 262
<b>ZEF 1264</b>	0 300 891 264
<b>ZEF 1269</b>	0 300 891 269
<b>ZEF 1270</b>	0 300 891 270
<b>ZEF 1271</b>	0 300 891 271
<b>ZEF 1272</b>	0 300 891 272
<b>ZEF 1297</b>	0 300 891 297
<b>ZEF 1299</b>	0 300 891 299
<b>ZEF 1300</b>	0 300 891 300
<b>ZEF 1301</b>	0 300 891 301
<b>ZEF 1302</b>	0 300 891 302
<b>ZEF 1304</b>	0 300 891 304
<b>ZEF 1305</b>	0 300 891 305
<b>ZEF 1308</b>	0 300 891 308
<b>ZEF 1309</b>	0 300 891 309
<b>ZEF 1313</b>	0 300 891 313
<b>ZEF 1314</b>	0 300 891 314
<b>ZEF 1316</b>	0 300 891 316
<b>ZEF 1322</b>	0 300 891 322
<b>ZEF 1324</b>	0 300 891 324
<b>ZEF 1325</b>	0 300 891 325
<b>ZEF 1327</b>	0 300 891 327
<b>ZEF 1328</b>	0 300 891 328
<b>ZEF 1338</b>	0 300 891 338
<b>ZEF 1340</b>	0 300 891 340
<b>ZEF 1348</b>	0 300 891 348



<b>ZEF 1353</b>	0 300 891 353
<b>ZEF 1360</b>	0 300 891 360
<b>ZEF 1363</b>	0 300 891 363
<b>ZEF 1365</b>	0 300 891 365
<b>ZEF 1367</b>	0 300 891 367
<b>ZEF 1368</b>	0 300 891 368
<b>ZEF 1370</b>	0 300 891 370
<b>ZEF 1371</b>	0 300 891 371
<b>ZEF 1372</b>	0 300 891 372
<b>ZEF 1373</b>	0 300 891 373
<b>ZEF 1375</b>	0 300 891 375
<b>ZEF 1376</b>	0 300 891 376
<b>ZEF 1377</b>	0 300 891 377
<b>ZEF 1378</b>	0 300 891 378
<b>ZEF 1380</b>	0 300 891 380
<b>ZEF 1382</b>	0 300 891 382
<b>ZEF 1384</b>	0 300 891 384
<b>ZEF 1385</b>	0 300 891 385
<b>ZEF 1387</b>	0 300 891 387
<b>ZEF 1388</b>	0 300 891 388
<b>ZEF 1390</b>	0 300 891 390
<b>ZEF 1391</b>	0 300 891 391
<b>ZEF 1392</b>	0 300 891 392
<b>ZEF 1395</b>	0 300 891 395
<b>ZEF 1397</b>	0 300 891 397
<b>ZEF 1399</b>	0 300 891 399
<b>ZEF 1402</b>	0 300 891 402
<b>ZEF 1409</b>	0 300 891 409
<b>ZEF 1412</b>	0 300 891 412
<b>ZEF 1442</b>	0 300 891 442
<b>ZEF 1449</b>	0 300 891 449
<b>ZEF 1450</b>	0 300 891 450
<b>ZEF 1455</b>	0 300 891 455
<b>ZEF 1475</b>	0 300 891 475
<b>ZEF 1477</b>	0 300 891 477
<b>ZEF 1478</b>	0 300 891 478
<b>ZEF 1479</b>	0 300 891 479
<b>ZEF 1480</b>	0 300 891 480
<b>ZEF 1488</b>	0 300 891 488
<b>ZEF 1496</b>	0 300 891 496
<b>ZEF 1497</b>	0 300 891 497
<b>ZEF 1503</b>	0 300 891 503
<b>ZEF 1504</b>	0 300 891 504
<b>ZEF 1505</b>	0 300 891 505
<b>ZEF 1509</b>	0 300 891 509
<b>ZEF 1515</b>	0 300 891 515
<b>ZEF 1519</b>	0 300 891 519
<b>ZEF 1520</b>	0 300 891 520
<b>ZEF 1528</b>	0 300 891 528
<b>ZEF 1529</b>	0 300 891 529
<b>ZEF 1530</b>	0 300 891 530
<b>ZEF 1539</b>	0 300 891 539
<b>ZEF 1540</b>	0 300 891 540
<b>ZEF 1545</b>	0 300 891 545
<b>ZEF 1546</b>	0 300 891 546
<b>ZEF 1549</b>	0 300 891 549
<b>ZEF 1556</b>	0 300 891 556
<b>ZEF 1557</b>	0 300 891 557
<b>ZEF 1561</b>	0 300 891 561
<b>ZEF 1572</b>	0 300 891 572
<b>ZEF 1596</b>	0 300 891 596
<b>ZEF 1597</b>	0 300 891 597
<b>ZEF 1598</b>	0 300 891 598
<b>ZEF 1602</b>	0 300 891 602



<b>ZEF 1604</b>	0 300 891 604
<b>ZEF 1608</b>	0 300 891 608
<b>ZEF 1609</b>	0 300 891 609
<b>ZEF 1612</b>	0 300 891 612
<b>ZEF 1617</b>	0 300 891 617
<b>ZEF 1625</b>	0 300 891 625
<b>ZEF 1627</b>	0 300 891 627
<b>ZEF 1628</b>	0 300 891 628
<b>ZEF 1629</b>	0 300 891 629
<b>ZEF 1633</b>	0 300 891 633
<b>ZEF 1634</b>	0 300 891 634

**7mm PVC schwarz<sup>200</sup>**

0 300 800 002

**7mm Silikon rot<sup>202</sup>**

0 300 800 021

**7mm Silicon schwarz<sup>200</sup>**

0 300 800 023

**7mm Silicon blau<sup>203</sup>**

0 300 800 030

**7mm Silikon schwarz<sup>200</sup>**

0 300 800 046



<b>ZE 101</b>	0 300 820 047
<b>ZE 105</b>	0 300 820 183

## Copper Cable

<b>B 100 A</b>	0 300 811 370
<b>B 100 B</b>	0 300 811 371
<b>B 100 C</b>	0 300 811 372
<b>B 100 D</b>	0 300 811 373
<b>B 100 E</b>	0 300 811 374
<b>B 101 A</b>	0 300 811 366
<b>B 101 B</b>	0 300 811 367
<b>B 101 C</b>	0 300 811 368
<b>B 101 D</b>	0 300 811 369
<b>B 102 A</b>	0 300 811 362
<b>B 102 B</b>	0 300 811 363
<b>B 102 C</b>	0 300 811 364
<b>B 102 D</b>	0 300 811 365
<b>B 103 A</b>	0 300 811 358
<b>B 103 B</b>	0 300 811 359
<b>B 103 C</b>	0 300 811 360
<b>B 103 D</b>	0 300 811 361
<b>B 104 A</b>	0 300 811 354
<b>B 104 B</b>	0 300 811 355
<b>B 104 C</b>	0 300 811 356
<b>B 104 D</b>	0 300 811 357
<b>B 105 A</b>	0 300 811 375
<b>B 105 B</b>	0 300 811 376
<b>B 106 A</b>	0 300 811 350
<b>B 107 A</b>	0 300 811 352
<b>B 108 A</b>	0 300 811 351
<b>B 109 A</b>	0 300 811 353
<b>B 110 A</b>	0 300 811 916
<b>B 110 B</b>	0 300 811 917
<b>B 110 C</b>	0 300 811 918
<b>B 110 D</b>	0 300 811 919
<b>B 111 A</b>	0 300 811 920
<b>B 111 B</b>	0 300 811 921
<b>B 112 A</b>	0 300 811 995
<b>B 112 B</b>	0 300 811 996
<b>B 113 A</b>	0 300 812 055
<b>B 114 A</b>	0 300 812 057
<b>B 115 A</b>	0 300 812 058
<b>B 115 B</b>	0 300 812 059
<b>GF 100 A</b>	0 300 811 786
<b>GF 100 B</b>	0 300 811 787
<b>GF 100 C</b>	0 300 811 788
<b>GF 100 D</b>	0 300 811 789
<b>GF 100 E</b>	0 300 811 790
<b>GF 101 A</b>	0 300 811 791
<b>GF 101 B</b>	0 300 811 792
<b>GF 102 A</b>	0 300 811 793
<b>GF 102 B</b>	0 300 811 794
<b>GF 102 C</b>	0 300 811 795
<b>GF 102 D</b>	0 300 811 796
<b>GF 103 A</b>	0 300 811 797
<b>GF 104 A</b>	0 300 811 798
<b>GF 105 A</b>	0 300 811 799
<b>GF 105 B</b>	0 300 811 800
<b>GF 106 A</b>	0 300 811 904
<b>GF 106 B</b>	0 300 811 905
<b>GF 106 C</b>	0 300 811 906
<b>GF 107 A</b>	0 300 811 907
<b>GF 107 B</b>	0 300 811 908
<b>GF 107 C</b>	0 300 811 909
<b>GF 108 A</b>	0 300 811 910
<b>GF 108 B</b>	0 300 811 911
<b>GF 108 C</b>	0 300 811 912
<b>GF 109 A</b>	0 300 811 913

## Copper Cable

<b>GF 110 A</b>	0 300 811 933
<b>GF 110 B</b>	0 300 811 934
<b>GF 110 C</b>	0 300 811 935
<b>GF 111 A</b>	0 300 811 981
<b>GF 111 B</b>	0 300 811 982
<b>GF 111 C</b>	0 300 811 983
<b>GF 111 D</b>	0 300 811 984
<b>GF 112 A</b>	0 300 811 987
<b>GF 112 B</b>	0 300 811 988
<b>M 106 A</b>	0 300 811 377
<b>M 106 B</b>	0 300 811 378
<b>M 106 C</b>	0 300 811 379
<b>M 106 E</b>	0 300 811 381
<b>M 107 A</b>	0 300 811 382
<b>M 107 B</b>	0 300 811 383
<b>M 107 C</b>	0 300 811 384
<b>M 107 D</b>	0 300 811 385
<b>M 108 A</b>	0 300 811 386
<b>M 108 B</b>	0 300 811 387
<b>M 108 C</b>	0 300 811 388
<b>M 108 D</b>	0 300 811 389
<b>M 108 E</b>	0 300 811 390
<b>M 109 A</b>	0 300 811 391
<b>M 109 B</b>	0 300 811 392
<b>M 109 C</b>	0 300 811 393
<b>M 109 D</b>	0 300 811 394
<b>M 109 E</b>	0 300 811 395
<b>M 110 A</b>	0 300 811 396
<b>M 110 B</b>	0 300 811 397
<b>M 110 C</b>	0 300 811 398
<b>M 110 D</b>	0 300 811 399
<b>M 110 E</b>	0 300 811 400
<b>M 110 F</b>	0 300 811 401
<b>M 110 G</b>	0 300 811 402
<b>M 111 A</b>	0 300 811 403
<b>M 111 B</b>	0 300 811 404
<b>M 111 C</b>	0 300 811 405
<b>M 112 A</b>	0 300 811 406
<b>M 113 A</b>	0 300 811 407
<b>M 113 B</b>	0 300 811 408
<b>M 114 A</b>	0 300 811 409
<b>M 114 B</b>	0 300 811 410
<b>M 114 C</b>	0 300 811 411
<b>M 114 D</b>	0 300 811 412
<b>M 114 E</b>	0 300 811 413
<b>M 115 A</b>	0 300 811 596
<b>M 115 B</b>	0 300 811 597
<b>M 116 A</b>	0 300 811 598
<b>M 116 B</b>	0 300 811 599
<b>M 118 A</b>	0 300 811 447
<b>M 118 B</b>	0 300 811 446
<b>M 119 A</b>	0 300 812 000
<b>M 119 B</b>	0 300 812 001
<b>M 119 C</b>	0 300 812 002
<b>M 119 D</b>	0 300 812 003
<b>M 119 E</b>	0 300 812 004
<b>M 120 A</b>	0 300 812 048
<b>M 120 B</b>	0 300 812 049
<b>M 120 C</b>	0 300 812 119
<b>M 120 D</b>	0 300 812 120
<b>M 121 A</b>	0 300 812 084
<b>M 121 B</b>	0 300 812 085
<b>OP 100 A</b>	0 300 811 771
<b>OP 100 B</b>	0 300 811 772

## Copper Cable

<b>OP 100 C</b>	0 300 811 773
<b>OP 100 D</b>	0 300 811 774
<b>OP 101 A</b>	0 300 811 775
<b>OP 101 B</b>	0 300 811 776
<b>OP 101 C</b>	0 300 811 777
<b>OP 101 D</b>	0 300 811 778
<b>OP 102 A</b>	0 300 811 779
<b>OP 103 A</b>	0 300 811 780
<b>VA 115 A</b>	0 300 811 480
<b>VA 115 B</b>	0 300 811 481
<b>VA 115 C</b>	0 300 811 482
<b>VA 115 D</b>	0 300 811 483
<b>VA 115 E</b>	0 300 811 484
<b>VA 116 A</b>	0 300 811 485
<b>VA 116 B</b>	0 300 811 486
<b>VA 116 C</b>	0 300 811 487
<b>VA 116 D</b>	0 300 811 488
<b>VA 116 E</b>	0 300 811 489
<b>VA 117 A</b>	0 300 811 490
<b>VA 117 B</b>	0 300 811 491
<b>VA 118 A</b>	0 300 811 492
<b>VA 118 B</b>	0 300 811 493
<b>VA 118 C</b>	0 300 811 494
<b>VA 119 A</b>	0 300 811 713
<b>VA 119 B</b>	0 300 811 715
<b>VA 119 C</b>	0 300 811 716
<b>VA 120 A</b>	0 300 811 717
<b>VA 120 B</b>	0 300 811 718
<b>VA 120 C</b>	0 300 811 719
<b>VA 120 D</b>	0 300 811 975
<b>VA 120 E</b>	0 300 811 976
<b>VA 121 A</b>	0 300 811 764
<b>VA 121 B</b>	0 300 811 765
<b>VA 121 C</b>	0 300 811 766
<b>VA 122 A</b>	0 300 811 782
<b>VA 122 B</b>	0 300 811 783
<b>VA 122 C</b>	0 300 811 784
<b>VA 122 D</b>	0 300 811 785
<b>VA 123 A</b>	0 300 811 801
<b>VA 123 B</b>	0 300 811 802
<b>VA 123 C</b>	0 300 811 803
<b>VA 123 D</b>	0 300 811 804
<b>VA 124 A</b>	0 300 811 859
<b>VA 124 B</b>	0 300 811 860
<b>VA 125 A</b>	0 300 811 861
<b>VA 125 B</b>	0 300 811 862
<b>VA 125 C</b>	0 300 811 863
<b>VA 126 A</b>	0 300 811 897
<b>VA 126 B</b>	0 300 811 898
<b>VA 126 C</b>	0 300 811 899
<b>VA 126 D</b>	0 300 811 900
<b>VA 127 A</b>	0 300 811 901
<b>VA 127 B</b>	0 300 811 902
<b>VA 127 C</b>	0 300 811 903
<b>VA 127 D</b>	0 300 812 072
<b>VA 128 A</b>	0 300 811 928
<b>VA 128 B</b>	0 300 811 977
<b>VA 128 C</b>	0 300 811 978
<b>VA 128 D</b>	0 300 811 979
<b>VA 128 E</b>	0 300 811 980
<b>VA 129 A</b>	0 300 811 929
<b>VA 129 B</b>	0 300 811 930
<b>VA 129 C</b>	0 300 811 931
<b>VA 129 D</b>	0 300 811 932

## CopperCable

<b>VA 130 A</b>	0 300 811 922
<b>VA 130 B</b>	0 300 811 923
<b>VA 130 C</b>	0 300 811 924
<b>VA 132 A</b>	0 300 811 948
<b>VA 132 B</b>	0 300 811 949
<b>VA 132 C</b>	0 300 811 950
<b>VA 132 D</b>	0 300 811 951
<b>VA 133 A</b>	0 300 811 960
<b>VA 133 B</b>	0 300 811 961
<b>VA 133 C</b>	0 300 811 962
<b>VA 133 D</b>	0 300 811 963
<b>VA 134 A</b>	0 300 811 964
<b>VA 134 B</b>	0 300 811 965
<b>VA 134 C</b>	0 300 811 966
<b>VA 134 D</b>	0 300 811 967
<b>VA 135 A</b>	0 300 811 968
<b>VA 135 B</b>	0 300 811 969
<b>VA 135 C</b>	0 300 811 970
<b>VA 136 A</b>	0 300 811 971
<b>VA 136 B</b>	0 300 811 972
<b>VA 137 A</b>	0 300 811 973
<b>VA 137 B</b>	0 300 811 974
<b>VA 138 A</b>	0 300 811 994

## Power Cable

<b>R 1-060</b>	0 302 101 060
<b>R 2-040</b>	0 302 103 040
<b>R 4-040</b>	0 302 101 040
<b>R 3-050</b>	0 302 101 050
<b>R 5-050</b>	0 302 103 050
<b>R 6-070</b>	0 302 101 070
<b>R 7-030</b>	0 302 101 030
<b>R 8-060</b>	0 302 104 060
<b>R 9-080</b>	0 302 101 080
<b>R 10-030</b>	0 302 103 030
<b>R 11-070</b>	0 302 104 070
<b>R 12-050</b>	0 302 104 050
<b>R 13-080</b>	0 302 104 080
<b>R 14-030</b>	0 302 104 030
<b>R 15-065</b>	0 302 113 065
<b>R 16-040</b>	0 302 104 040
<b>R 17-055</b>	0 302 113 055
<b>R 18-060</b>	0 302 103 060
<b>R 19-045</b>	0 302 113 045
<b>R 20-105</b>	0 302 113 105
<b>R 21-030</b>	0 302 102 030
<b>R 22-060</b>	0 302 102 060
<b>R 23-050</b>	0 302 102 050
<b>R 24-070</b>	0 302 103 070
<b>R 25-050</b>	0 302 109 050
<b>R 26-060</b>	0 302 109 060
<b>R 27-040</b>	0 302 102 040
<b>R 28-090</b>	0 302 104 090
<b>R 29-090</b>	0 302 101 090
<b>R 30-080</b>	0 302 100 076
<b>R 31-070</b>	0 302 109 070
<b>R 32-075</b>	0 302 113 075
<b>R 33-080</b>	0 302 109 080
<b>R 34-040</b>	0 302 100 061
<b>R 35-060</b>	0 302 100 062
<b>R 36-080</b>	0 302 100 077
<b>R 37-070</b>	0 302 107 070
<b>R 38-050</b>	0 302 107 050
<b>R 39-060</b>	0 302 107 060
<b>R 40-070</b>	0 302 102 070
<b>R 41-043</b>	0 302 107 043
<b>R 42-060</b>	0 302 112 060
<b>R 43-090</b>	0 302 103 090
<b>R 44-070</b>	0 302 112 070
<b>R 45-080</b>	0 302 112 080
<b>R 46-100</b>	0 302 101 100
<b>R 47-100</b>	0 302 104 100
<b>R 48-040</b>	0 302 100 063
<b>R 49-060</b>	0 302 100 064
<b>R 50-080</b>	0 302 100 065
<b>R 51-090</b>	0 302 102 090
<b>R 52-090</b>	0 302 107 090
<b>R 53-050</b>	0 302 112 050
<b>R 54-110</b>	0 302 100 078
<b>R 55-028</b>	0 302 105 028
<b>R 56-035</b>	0 302 100 066
<b>R 57-045</b>	0 302 100 067
<b>R 58-055</b>	0 302 100 068
<b>R 59-030</b>	0 302 107 030
<b>R 60-065</b>	0 302 100 069
<b>R 61-040</b>	0 302 100 070
<b>R 62-070</b>	0 302 110 070
<b>R 63-080</b>	0 302 110 080
<b>R 64-040</b>	0 302 100 071

## Power Cable

<b>R 65-110</b>	0 302 107 110
<b>R 68-065</b>	0 302 100 072
<b>R 69-090</b>	0 302 100 073
<b>R 70-050</b>	0 302 110 050
<b>R 71-030</b>	0 302 100 074
<b>R 72-050</b>	0 302 100 079
<b>R 73-060</b>	0 302 100 080
<b>R 80-076</b>	0 302 111 100
<b>R 80-076 S</b>	0 302 100 224
<b>R 81-065</b>	0 302 111 101
<b>R 81-065 S</b>	0 302 100 225
<b>R 82-086</b>	0 302 111 102
<b>R 82-086 S</b>	0 302 100 226
<b>R 83-050</b>	0 302 111 103
<b>R 83-050 S</b>	0 302 100 227
<b>R 84-060</b>	0 302 111 104
<b>R 84-060 S</b>	0 302 100 228
<b>R 85-070</b>	0 302 111 105
<b>R 85-070 S</b>	0 302 100 229
<b>R 86-060</b>	0 302 100 001
<b>R 86-060 S</b>	0 302 100 230
<b>R 87-080</b>	0 302 100 002
<b>R 87-080 S</b>	0 302 100 231
<b>R 88-060</b>	0 302 100 003
<b>R 88-060 S</b>	0 302 100 232
<b>R 89-070</b>	0 302 100 004
<b>R 89-070 S</b>	0 302 100 233
<b>R 90-080</b>	0 302 100 005
<b>R 90-080 S</b>	0 302 100 234
<b>R 91-050</b>	0 302 100 006
<b>R 92-060</b>	0 302 100 007
<b>R 93-100</b>	0 302 100 008
<b>R 93-100 S</b>	0 302 100 235
<b>R 94-030</b>	0 302 100 009
<b>R 94-030 S</b>	0 302 100 236
<b>R 95-050</b>	0 302 100 010
<b>R 95-050 S</b>	0 302 100 237
<b>R 96-040</b>	0 302 100 011
<b>R 96-040 S</b>	0 302 100 238
<b>R 97-050</b>	0 302 100 012
<b>R 97-050 S</b>	0 302 100 239
<b>R 99-070</b>	0 302 100 014
<b>R 99-070 S</b>	0 302 100 240
<b>R 100-080</b>	0 302 100 015
<b>R 100-080 S</b>	0 302 100 241
<b>R 101-090</b>	0 302 100 016
<b>R 102-100</b>	0 302 100 017
<b>R 103-030</b>	0 302 100 018
<b>R 104-040</b>	0 302 100 019
<b>R 104-040 S</b>	0 302 100 334
<b>R 105-050</b>	0 302 100 020
<b>R 105-050 S</b>	0 302 100 335
<b>R 106-070</b>	0 302 100 021
<b>R 108-030</b>	0 302 100 023
<b>R 108-030 S</b>	0 302 100 242
<b>R 109-070</b>	0 302 100 024
<b>R 109-070 S</b>	0 302 100 243
<b>R 110-100</b>	0 302 100 025
<b>R 110-100 S</b>	0 302 100 244
<b>R 111-030</b>	0 302 100 026
<b>R 111-030 S</b>	0 302 100 245
<b>R 112-040</b>	0 302 100 027
<b>R 112-040 S</b>	0 302 100 246
<b>R 113-050</b>	0 302 100 028

## Power Cable

<b>R 113-050 S</b>	0 302 100 247
<b>R 114-060</b>	0 302 100 029
<b>R 114-060 S</b>	0 302 100 336
<b>R 115-070</b>	0 302 100 030
<b>R 115-070 S</b>	0 302 100 337
<b>R 116-040</b>	0 302 100 031
<b>R 117-050</b>	0 302 100 032
<b>R 118-060</b>	0 302 100 033
<b>R 119-070</b>	0 302 100 034
<b>R 120-090</b>	0 302 100 035
<b>R 121-110</b>	0 302 100 036
<b>R 122-140</b>	0 302 100 075
<b>R 123-085</b>	0 302 100 038
<b>R 123-085 S</b>	0 302 100 248
<b>R 124-060</b>	0 302 100 039
<b>R 125-065</b>	0 302 100 040
<b>R 126-083</b>	0 302 100 041
<b>R 127-078</b>	0 302 100 042
<b>R 128-055</b>	0 302 100 043
<b>R 129-070</b>	0 302 100 044
<b>R 132-065</b>	0 302 100 047
<b>R 133-080</b>	0 302 100 048
<b>R 137-045</b>	0 302 100 052
<b>R 138-060</b>	0 302 100 053
<b>R 139-045</b>	0 302 100 054
<b>R 140-060</b>	0 302 100 055
<b>R 141-080</b>	0 302 100 056
<b>R 142-055</b>	0 302 100 057
<b>R 143-070</b>	0 302 100 058
<b>R 144-040</b>	0 302 100 059
<b>R 145-055</b>	0 302 100 060
<b>R 150-020</b>	0 302 100 085
<b>R 150-020 S</b>	0 302 100 249
<b>R 151-032</b>	0 302 100 086
<b>R 151-032 S</b>	0 302 100 250
<b>R 152-043</b>	0 302 100 087
<b>R 152-043 S</b>	0 302 100 251
<b>R 153-053</b>	0 302 100 088
<b>R 153-053 S</b>	0 302 100 252
<b>R 154-065</b>	0 302 100 089
<b>R 154-065 S</b>	0 302 100 253
<b>R 155-035</b>	0 302 100 090
<b>R 155-035 S</b>	0 302 100 254
<b>R 156-045</b>	0 302 100 091
<b>R 156-045 S</b>	0 302 100 255
<b>R 157-055</b>	0 302 100 092
<b>R 157-055 S</b>	0 302 100 256
<b>R 158-065</b>	0 302 100 093
<b>R 158-065 S</b>	0 302 100 257
<b>R 159-032</b>	0 302 100 094
<b>R 159-032 S</b>	0 302 100 258
<b>R 160-055</b>	0 302 100 095
<b>R 160-055 S</b>	0 302 100 259
<b>R 161-040</b>	0 302 100 096
<b>R 161-040 S</b>	0 302 100 260
<b>R 162-060</b>	0 302 100 097
<b>R 162-060 S</b>	0 302 100 261
<b>R 163-020</b>	0 302 100 098
<b>R 163-020 S</b>	0 302 100 262
<b>R 164-030</b>	0 302 100 099
<b>R 164-030 S</b>	0 302 100 263
<b>R 165-035</b>	0 302 100 100
<b>R 165-035 S</b>	0 302 100 264
<b>R 166-045</b>	0 302 100 101

## PowerCable

<b>R 166-045 S</b>	0 302 100 265
<b>R 167-055</b>	0 302 100 102
<b>R 167-055 S</b>	0 302 100 266
<b>R 168-060</b>	0 302 100 103
<b>R 168-060 S</b>	0 302 100 267
<b>R 169-070</b>	0 302 100 104
<b>R 169-070 S</b>	0 302 100 268
<b>R 170-095</b>	0 302 100 105
<b>R 171-068</b>	0 302 100 106
<b>R 172-056</b>	0 302 100 107
<b>R 173-049</b>	0 302 100 108
<b>R 174-039</b>	0 302 100 109
<b>R 175-060</b>	0 302 100 110
<b>R 176-042</b>	0 302 100 111
<b>R 177-016</b>	0 302 100 112
<b>R 178-060</b>	0 302 100 113
<b>R 179-068</b>	0 302 100 114
<b>R 180-080</b>	0 302 100 115
<b>R 181-045</b>	0 302 100 116
<b>R 182-065</b>	0 302 100 117
<b>R 183-037</b>	0 302 100 118
<b>R 184-058</b>	0 302 100 119
<b>R 185-063</b>	0 302 100 120
<b>R 186-045</b>	0 302 100 121
<b>R 187-028</b>	0 302 100 122
<b>R 188-040</b>	0 302 100 123
<b>R 189-065</b>	0 302 100 124
<b>R 190-056</b>	0 302 100 125
<b>R 191-042</b>	0 302 100 126
<b>R 192-071</b>	0 302 100 127
<b>R 193-048</b>	0 302 100 128
<b>R 194-066</b>	0 302 100 129
<b>R 195-050</b>	0 302 100 130
<b>R 196-038</b>	0 302 100 131
<b>R 197-047</b>	0 302 100 132
<b>R 198-090</b>	0 302 100 133
<b>R 199-053</b>	0 302 100 134
<b>R 200-062</b>	0 302 100 135
<b>R 201-070</b>	0 302 100 136
<b>R 202-037</b>	0 302 100 137
<b>R 203-067</b>	0 302 100 138
<b>R 204-057</b>	0 302 100 139
<b>R 205-038</b>	0 302 100 140
<b>R 206-024</b>	0 302 100 141
<b>R 207-038</b>	0 302 100 142
<b>R 208-046</b>	0 302 100 143
<b>R 209-052</b>	0 302 100 144
<b>R 210-040</b>	0 302 100 145
<b>R 210-040 S</b>	0 302 100 269
<b>R 211-040</b>	0 302 100 146
<b>R 211-040 S</b>	0 302 100 270
<b>R 212-062</b>	0 302 100 147
<b>R 212-062 S</b>	0 302 100 271
<b>R 213-030</b>	0 302 100 148
<b>R 213-030 S</b>	0 302 100 273
<b>R 214-027</b>	0 302 100 149
<b>R 214-027 S</b>	0 302 100 272
<b>R 215-040</b>	0 302 100 150
<b>R 215-040 S</b>	0 302 100 274
<b>R 216-052</b>	0 302 100 151
<b>R 216-052 S</b>	0 302 100 275
<b>R 217-062</b>	0 302 100 152
<b>R 217-062 S</b>	0 302 100 276
<b>R 218-070</b>	0 302 100 153

## PowerCable

<b>R 218-070 S</b>	0 302 100 277
<b>R 219-080</b>	0 302 100 154
<b>R 219-080 S</b>	0 302 100 278
<b>R 220-035</b>	0 302 100 155
<b>R 220-035 S</b>	0 302 100 279
<b>R 221-050</b>	0 302 100 156
<b>R 221-050 S</b>	0 302 100 280
<b>R 222-060</b>	0 302 100 157
<b>R 222-060 S</b>	0 302 100 281
<b>R 223-060</b>	0 302 100 158
<b>R 224-077</b>	0 302 100 159
<b>R 225-068</b>	0 302 100 160
<b>R 226-060</b>	0 302 100 161
<b>R 227-070</b>	0 302 100 162
<b>R 228-038</b>	0 302 100 163
<b>R 229-052</b>	0 302 100 164
<b>R 230-048</b>	0 302 100 165
<b>R 231-035</b>	0 302 100 166
<b>R 232-029</b>	0 302 100 167
<b>R 233-047</b>	0 302 100 168
<b>R 234-075</b>	0 302 100 169
<b>R 235-025</b>	0 302 100 170
<b>R 236-035</b>	0 302 100 171
<b>R 237-045</b>	0 302 100 172
<b>R 238-050</b>	0 302 100 173
<b>R 239-020</b>	0 302 100 174
<b>R 240-030</b>	0 302 100 175
<b>R 241-045</b>	0 302 100 176
<b>R 242-020</b>	0 302 100 177
<b>R 243-025</b>	0 302 100 178
<b>R 244-040</b>	0 302 100 179
<b>R 245-043</b>	0 302 100 180
<b>R 246-053</b>	0 302 100 181
<b>R 247-063</b>	0 302 100 182
<b>R 248-073</b>	0 302 100 183
<b>R 249-066</b>	0 302 100 184
<b>R 250-075</b>	0 302 100 185
<b>R 251-085</b>	0 302 100 186
<b>R 252-095</b>	0 302 100 187
<b>R 253-100</b>	0 302 100 188
<b>R 254-045</b>	0 302 100 189
<b>R 255-050</b>	0 302 100 190
<b>R 256-065</b>	0 302 100 191
<b>R 257-080</b>	0 302 100 192
<b>R 258-040</b>	0 302 100 193
<b>R 259-055</b>	0 302 100 194
<b>R 260-070</b>	0 302 100 195
<b>R 261-036</b>	0 302 100 196
<b>R 262-058</b>	0 302 100 197
<b>R 263-070</b>	0 302 100 198
<b>R 264-024</b>	0 302 100 199
<b>R 265-040</b>	0 302 100 200
<b>R 266-025</b>	0 302 100 201
<b>R 267-040</b>	0 302 100 202
<b>R 268-055</b>	0 302 100 203
<b>R 269-065</b>	0 302 100 204
<b>R 270-040</b>	0 302 100 205
<b>R 271-047</b>	0 302 100 206
<b>R 272-058</b>	0 302 100 207
<b>R 273-068</b>	0 302 100 208
<b>R 274-030</b>	0 302 100 209
<b>R 275-040</b>	0 302 100 210
<b>R 276-057</b>	0 302 100 211
<b>R 277-030</b>	0 302 100 212

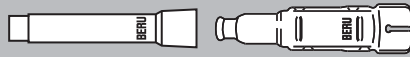
## PowerCable

<b>R 278-040</b>	0 302 100 213
<b>R 279-053</b>	0 302 100 214
<b>R 280-057</b>	0 302 100 215
<b>R 281-063</b>	0 302 100 216
<b>R 282-032</b>	0 302 100 217
<b>R 283-046</b>	0 302 100 218
<b>R 284-060</b>	0 302 100 219
<b>R 285-040</b>	0 302 100 220
<b>R 286-058</b>	0 302 100 221
<b>R 289-033</b>	0 302 100 282
<b>R 290-040</b>	0 302 100 283
<b>R 293-030</b>	0 302 100 286
<b>R 294-040</b>	0 302 100 287
<b>R 295-060</b>	0 302 100 288
<b>R 296-065</b>	0 302 100 289
<b>R 297-045</b>	0 302 100 290
<b>R 298-070</b>	0 302 100 291
<b>R 299-057</b>	0 302 100 292
<b>R 301-044</b>	0 302 100 294
<b>R 302-030</b>	0 302 100 295
<b>R 303-023</b>	0 302 100 296
<b>R 304-015</b>	0 302 100 297
<b>R 308-030</b>	0 302 100 301
<b>R 309-038</b>	0 302 100 302
<b>R 310-045</b>	0 302 100 303
<b>R 311-051</b>	0 302 100 304
<b>R 312-038</b>	0 302 100 305
<b>R 313-045</b>	0 302 100 306
<b>R 314-052</b>	0 302 100 307
<b>R 315-030</b>	0 302 100 308
<b>R 316-045</b>	0 302 100 309
<b>R 317-055</b>	0 302 100 310
<b>R 318-027</b>	0 302 100 311
<b>R 319-045</b>	0 302 100 312
<b>R 320-056</b>	0 302 100 313
<b>R 321-060</b>	0 302 100 314
<b>R 322-070</b>	0 302 100 315
<b>R 323-082</b>	0 302 100 316
<b>R 324-092</b>	0 302 100 317
<b>R 325-050</b>	0 302 100 318
<b>R 326-060</b>	0 302 100 319
<b>R 327-083</b>	0 302 100 320
<b>R 328-060</b>	0 302 100 321
<b>R 329-032</b>	0 302 100 322
<b>R 330-043</b>	0 302 100 323
<b>R 331-065</b>	0 302 100 324
<b>R 332-025</b>	0 302 100 325
<b>R 333-038</b>	0 302 100 326
<b>R 334-045</b>	0 302 100 327
<b>R 335-050</b>	0 302 100 328
<b>R 336-060</b>	0 302 100 329
<b>R 337-015</b>	0 302 100 330
<b>R 338-030</b>	0 302 100 331
<b>R 339-030</b>	0 302 100 332
<b>R 340-040</b>	0 302 100 333
<b>R 341-035</b>	0 302 100 338
<b>R 342-044</b>	0 302 100 339
<b>R 343-059</b>	0 302 100 340
<b>R 344-064</b>	0 302 100 341
<b>R 345-031</b>	0 302 100 342
<b>R 346-039</b>	0 302 100 343
<b>R 347-059</b>	0 302 100 344
<b>R 348-040</b>	0 302 100 345
<b>R 349-076</b>	0 302 100 346



## Power Cable

<b>R 350-082</b>	0 302 100 347
<b>R 351-088</b>	0 302 100 348
<b>R 352-093</b>	0 302 100 349
<b>R 353-018</b>	0 302 100 350
<b>R 354-030</b>	0 302 100 351
<b>R 355-040</b>	0 302 100 352
<b>R 358-032</b>	0 302 100 355
<b>R 359-040</b>	0 302 100 356
<b>R 360-058</b>	0 302 100 357
<b>R 361-065</b>	0 302 100 358
<b>R 362-046</b>	0 302 100 359
<b>R 363-065</b>	0 302 100 360
<b>R 375-062</b>	0 302 100 372
<b>R 387-055</b>	0 302 100 384
<b>R 388-060</b>	0 302 100 385
<b>R 389-072</b>	0 302 100 386
<b>R 390-084</b>	0 302 100 387
<b>R 391-037</b>	0 302 100 388
<b>R 392-011</b>	0 302 100 389
<b>R 393-025</b>	0 302 100 390
<b>R 394-034</b>	0 302 100 391
<b>R 395-043</b>	0 302 100 392
<b>R 400-032</b>	0 302 100 398
<b>R 401-038</b>	0 302 100 399
<b>R 402-023</b>	0 302 100 400
<b>R 403-036</b>	0 302 100 401
<b>R 404-044</b>	0 302 100 402
<b>R 413-071</b>	0 302 100 411
<b>R 414-040</b>	0 302 100 412
<b>R 415-056</b>	0 302 100 413
<b>R 416-023</b>	0 302 100 414
<b>R 417-024</b>	0 302 100 415
<b>R 422-037</b>	0 302 100 422
<b>R 423-042</b>	0 302 100 423
<b>R 424-022</b>	0 302 100 424
<b>R 425-047</b>	0 302 100 425



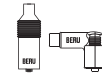
<b>C 1</b>	0 900 301 041
<b>C 2</b>	0 900 301 042
<b>C 3</b>	0 900 301 043
<b>C 4</b>	0 900 301 044
<b>C 5</b>	0 900 301 045
<b>C 6</b>	0 900 301 046
<b>C 7</b>	0 900 301 047
<b>C 8</b>	0 900 301 048
<b>C 9</b>	0 900 301 049
<b>C 10</b>	0 900 301 050
<b>C 11</b>	0 900 301 051
<b>C 12</b>	0 900 301 052
<b>C 13</b>	0 900 301 053
<b>C 14</b>	0 900 301 054
<b>C 15</b>	0 900 301 055
<b>C 16</b>	0 900 301 056
<b>C 17</b>	0 900 301 057
<b>C 18</b>	0 900 301 058
<b>C 19</b>	0 900 301 059
<b>C 20</b>	0 900 301 060
<b>C 21</b>	0 900 301 061
<b>C 22</b>	0 900 301 062
<b>C 23</b>	0 900 301 063
<b>C 24</b>	0 900 301 064
<b>C 25</b>	0 900 301 065
<b>C 26</b>	0 900 301 066
<b>C 27</b>	0 900 301 067
<b>C 28</b>	0 900 301 068
<b>C 29</b>	0 900 301 069
<b>C 30</b>	0 900 301 070
<b>C 31</b>	0 900 301 078
<b>C 32</b>	0 900 301 079
<b>C 33</b>	0 900 301 080
<b>C 34</b>	0 900 301 083
<b>C 35</b>	0 900 301 084
<b>C 36</b>	0 900 301 085
<b>C 37</b>	0 900 301 086
<b>C 38</b>	0 900 301 087
<b>C 39</b>	0 900 301 088
<b>C 40</b>	0 900 301 089
<b>C 41</b>	0 900 301 090
<b>C 42</b>	0 900 301 091



<b>BA 4/14/5</b>	0 300 071 002
<b>BEL 4/5</b>	0 300 031 002
<b>BELO 6/1</b>	0 300 111 101
<b>BELO 6/3</b>	0 300 121 101
<b>C 4/570</b>	0 300 001 003
<b>C 6</b>	0 300 102 001
<b>C 6 A</b>	0 300 102 002
<b>CK 4</b>	0 300 005 001
<b>HE 1</b>	0 300 611 001
<b>O 4</b>	0 300 201 002
<b>O 4 F</b>	0 300 201 001
<b>O 4 S</b>	0 300 204 103
<b>O 6</b>	0 300 301 001
<b>OA 4/18</b>	0 300 251 004
<b>OE 4/1</b>	0 300 211 001
<b>OE 6/1</b>	0 300 311 002



<b>WBA 4/14/5</b>	0 300 071 101
<b>WBAK 4/14</b>	0 300 055 103
<b>WBAK 4/14/5</b>	0 300 075 101
<b>WO 4 P</b>	0 300 202 101
<b>WOA 4/14</b>	0 300 251 101
<b>WOA 4/14 H</b>	0 300 253 101
<b>WOA 6/14/5 AL</b>	0 300 373 301
<b>ZL 005</b>	0 300 102 302
<b>ZL 104</b>	0 300 302 102
<b>ZL 105</b>	0 300 302 103
<b>ZLE 004/3</b>	0 300 012 002
<b>ZLE 107/1</b>	0 300 071 107
<b>ZLE 120</b>	0 300 062 101
<b>ZLE 121</b>	0 300 062 102
<b>ZLE 130</b>	0 300 052 103
<b>ZLE 134</b>	0 300 072 106
<b>ZLE 135</b>	0 300 152 106
<b>ZLE 159</b>	0 300 352 108
<b>ZLE 166</b>	0 300 032 107
<b>ZLE 168</b>	0 300 332 105
<b>ZLE 171</b>	0 300 312 102
<b>ZLE 175</b>	0 300 112 101
<b>ZLE 177</b>	0 300 152 105
<b>ZLE 184</b>	0 300 332 108
<b>ZLE 185</b>	0 300 132 104
<b>ZLE 190</b>	0 300 332 109
<b>ZLE 197</b>	0 300 332 112
<b>ZLE 200</b>	0 300 312 108
<b>ZLE 205</b>	0 300 072 110
<b>ZLE 212</b>	0 300 172 107
<b>ZLE 225</b>	0 300 362 105
<b>ZLE 226</b>	0 300 172 108
<b>ZLE 227</b>	0 300 362 106
<b>ZLE 232</b>	0 300 122 115
<b>ZLE 233</b>	0 300 122 116
<b>ZLE 234</b>	0 300 122 111
<b>ZLE 239</b>	0 300 032 106
<b>ZLE 245</b>	0 300 122 302
<b>ZLE 247</b>	0 300 122 113
<b>ZLE 248</b>	0 300 332 137
<b>ZLE 249</b>	0 300 332 138
<b>ZLE 250</b>	0 300 174 104
<b>ZLE 251</b>	0 300 174 105
<b>ZLE 252</b>	0 300 174 106
<b>ZLE 255</b>	0 300 122 114
<b>ZLE 263</b>	0 300 322 119
<b>ZLE 264</b>	0 300 322 120
<b>ZLE 265</b>	0 300 322 121
<b>ZLE 266</b>	0 300 322 122
<b>ZLE 267</b>	0 300 322 123
<b>ZLE 268</b>	0 300 322 124
<b>ZLE 269</b>	0 300 322 125
<b>ZLE 270</b>	0 300 322 126
<b>ZLE 276</b>	0 300 122 117
<b>ZLE 277</b>	0 300 122 118
<b>ZLE 278</b>	0 300 122 119
<b>ZLE 288</b>	0 300 122 122
<b>ZLE 301</b>	0 300 252 302
<b>ZLE 303</b>	0 300 371 303



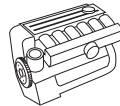
<b>GO 3</b>	0 300 504 110
<b>VES 102</b>	0 300 413 108
<b>VES 105</b>	0 300 413 111
<b>VES 106</b>	0 300 413 112
<b>VES 107</b>	0 300 413 113
<b>VES 108</b>	0 300 413 114
<b>VES 111</b>	0 300 413 117
<b>VES 114</b>	0 300 413 120
<b>VES 115</b>	0 300 413 123
<b>VES 408</b>	0 300 413 408
<b>VESO 105</b>	0 300 513 105
<b>VESO 111</b>	0 300 513 114
<b>VESO 112</b>	0 300 513 116
<b>VESO 113</b>	0 300 513 113
<b>VESO 116</b>	0 300 513 119
<b>VESO 117</b>	0 300 513 140
<b>VESO 118</b>	0 300 513 141
<b>VESO 119</b>	0 300 513 122
<b>VESO 120</b>	0 300 513 124
<b>VESO 121</b>	0 300 513 125
<b>VESO 124</b>	0 300 513 129
<b>VESO 126</b>	0 300 513 142
<b>VESO 127</b>	0 300 513 132
<b>VESO 128</b>	0 300 513 133
<b>VESO 134</b>	0 300 513 144
<b>VS 106</b>	0 300 404 107
<b>VS 107</b>	0 300 404 108
<b>VSO 103</b>	0 300 504 101
<b>VSO 105</b>	0 300 504 103
<b>WVES 1</b>	0 300 413 101



<b>G 1 N</b>	0 010 110 001
<b>G 1 PK</b>	0 010 300 002
<b>G 1 PL</b>	0 010 300 003
<b>G 1 S</b>	0 010 120 003
<b>G 2 P</b>	0 010 100 001
<b>G 3 P 5</b>	0 010 100 002
<b>G 3 P 7</b>	0 010 100 003
<b>G 3 S</b>	0 010 120 004
<b>G 4 P 7</b>	0 010 100 006
<b>G S 7</b>	0 010 320 002
<b>GS 15</b>	0 010 020 015
<b>GS 16</b>	0 010 320 016
<b>GS 17</b>	0 010 020 022
<b>GS 21</b>	0 010 020 021
<b>GS 28</b>	0 010 020 028
<b>GS 29</b>	0 010 020 029
<b>GS 30</b>	0 010 020 016
<b>GS 39</b>	0 010 020 039
<b>GW 11</b>	0 010 310 005
<b>GWS 7</b>	0 010 020 006
<b>GWS 9</b>	0 010 020 007



kW



## ALFA ROMEO

6					
2.5 i.e.	2,5	116	04.79-06.84	AR 01928	6
<b>33</b>					
1.2	1,2	50	06.83-12.89	AR 30585	4
1.3	1,3	55	06.83-12.89	AR 30502/AR 30586	4
1.3	1,3	58	05.83-12.89		4
1.3	1,3	63	10.84-12.89	AR 30168/AR 30587	4
1.3 i.e.	1,3	66	05.83-12.89	AR 30520	4
1.4 i.e.	1,4	65	06.91-09.94	AR 30753/AR 30755	4
1.4 i.e.	1,4	66	06.91-09.94	AR 30753/AR 30755	4
1.5, 4x4	1,5	62	06.83-12.85	AR 30143/AR 30504	4
1.5, 4x4	1,5	66	06.83-12.86	AR 30520	4
1.5, 4x4	1,5	70	09.91-12.93	AR 30182	4
1.5 i.e.	1,5	71	01.90-09.94	AR 30751	4
1.5 i.e.	1,5	74	07.90-08.91	AR 30750	4
1.5, 4x4	1,5	75	07.86-12.89	AR 30588	4
1.5, 4x4	1,5	77	09.86-12.89	AR 30146/AR 30588	4
1.5, 4x4	1,5	77	01.90-04.93		4
1.5 QV	1,5	77	06.84-12.89	AR 30146/AR 30508/AR 30588	4
1.7 i.e.,4x4	1,7	77	09.88-12.89	AR 30558	4
1.7 i.e.,4x4	1,7	77	04.92-09.94	AR 30737 A	4
1.7 i.e.,4x4	1,7	79	01.90-03.92	AR 30736/AR 30737	4
1.7 i.e.,4x4	1,7	79	01.90-03.92	AR 30736/AR 30737	4
1.7 16V, 4x4	1,7	95	01.90-09.94	AR 30747	4
1.7 16V, 4x4	1,7	97	01.90-09.94	AR 30747	4
<b>33 Sport Wagon</b>					
1.4 i.e.	1,4	65	06.91-12.91	AR 30755	4
1.4 i.e.	1,4	66	01.92-09.94	AR 30755	4
1.4 i.e., 4x4	1,4	66	06.91-12.91	AR 30587/AR 30755	4
1.4 i.e., 4x4	1,4	66	01.92-09.94	AR 30587/AR 30755	4
1.5, 4x4	1,5	66	09.84-12.86	AR 30520	4
1.5 i.e.	1,5	71	01.90-09.94	AR 30751	4
1.5, 4x4	1,5	75	12.86-12.89	AR 30588	4
1.5, 4x4	1,5	77	12.86-12.89	AR 30146/AR 30508/AR 30588	4
1.7 i.e., 4x4	1,7	77	09.88-12.89	AR 30558	4
1.7 i.e., 4x4	1,7	77	04.92-09.94	AR 30737	4
1.7 i.e., 4x4	1,7	79	01.90-03.92	AR 30736/AR 30737	4
1.7 i.e., 4x4	1,7	79	01.90-03.92	AR 30736/AR 30737	4
1.7 16V, 4x4	1,7	95	01.90-09.94	AR 30747	4
1.7 16V, 4x4	1,7	97	01.90-09.94	AR 30747	4
<b>75</b>					
1.6	1,6	76	01.88-09.89	AR 061...	4
1.6	1,6	81	01.88-09.89	AR 06100	4
1.6	1,6	81	05.89-02.92	AR 61101	4
1.8	1,8	88	09.88-02.92	AR 06168/AR 61102	4
1.8	1,8	90	08.89-02.92	AR 61201	4
1.8 Turbo	1,8	110	01.88-02.92	AR 06134	4
1.8 Turbo i.e.	1,8	114	01.88-01.90	AR 06158	4
2.0	2,0	94	05.85-10.88	AR 06212	4
2.0 T.S.	2,0	107	01.87-02.92	AR 06166/AR 06224	4
2.0 T.S.	2,0	109	05.85-02.92	AR 06224	4
3.0 V6	3,0	136	01.87-12.90	AR 06120	6
3.0 V6 KAT	3,0	136	01.87-02.92	AR 06124	6
3.0 V6	3,0	141	02.90-02.92	AR 61503	6
<b>145</b>					
1.4 i.e.	1,4	66	07.94-12.96	AR 33501	4
1.4 i.e. 16V T.S.	1,4	76	12.96-01.01	AR 33503/AR 38501	4
1.6 i.e.	1,6	76	10.94-12.96	AR 33201 → Mot.Nr. 0005650/ A 0066506	4
1.6 i.e.	1,6	76	10.94-12.96	AR 33201 Mot.Nr. 0005651/ A 0066507 →	4
1.6 i.e. 16V T.S.	1,6	88	12.96-01.01	AR 38201/AR 67601	4
1.7 i.e. 16V	1,7	95	10.94-12.96	AR 33401	4
1.8 i.e. 16V	1,8	106	03.98-01.01	AR 32201	4



= DIN



= M4

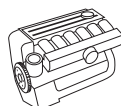


= SAE





kW



## ALFA ROMEO

<b>145</b>					
2.0 16V T.S.	2,0	110	10.95-01.01	AR 67204	4
2.0 16V Quadrifoglio	2,0	114	03.98-01.01	AR 32301	4
<b>146</b>					
1.4 i.e.	1,4	66	12.94-12.96	AR 33501	4
1.4 i.e. 16V T.S.	1,4	76	02.99-01.01	AR 33503/AR 38501	4
1.6 i.e.	1,6	76	10.94-12.96	AR 33201	4
1.6 i.e. 16V T.S.	1,6	88	12.96-01.01	AR 38201/AR 67601	4
1.7 i.e. 16V	1,7	95	12.94-12.96	AR 33401	4
1.8 i.e. 16V T.S.	1,8	106	02.99-01.01	AR 32201	4
2.0 16V T.S.	2,0	110	10.95-01.01	AR 67204	4
2.0 16V Quadrifoglio	2,0	114	02.99-01.01	AR 32301	4
<b>147</b>					
1.6 16V T.SPARK ECO	1,6	76	01.01-	AR 37203	4
1.6 16V T.SPARK	1,6	88	01.01-	AR 32104	4
2.0 16V T.SPARK	2,0	110	01.01-	AR 32310	4
<b>155</b>					
1.7 T.S.	1,7	85	04.93-04.96	AR 67105	4
1.7 T.S. 16V	1,7	103	05.96-12.97	AR 67106	4
1.8 T.S.	1,8	77	02.92-12.97	AR 67402	4
1.8 T.S. Sport	1,8	93	01.92-12.96	AR 67101/AR 67102	4
1.8 T.S.	1,8	95	02.92-06.93	AR 67101	4
2.0 T.S.	2,0	104	02.92-02.95	AR 67202	4
2.0 T.S.	2,0	106	02.92-04.93	AR 67201	4
2.0 T.S. 16V	2,0	110	03.95-12.97	AR 67204	4
2.0 16V Turbo Q4	2,0	137	01.92-12.97	AR 67203	4
2.0 16V Turbo Q4	2,0	140	01.92-12.97	AR 67203	4
2.5 V6	2,5	120	10.92-12.97	AR 67302/AR 67303	6
2.5 V6	2,5	121	02.92-09.96	AR 67301	6
<b>156</b>					
1.6 16V T.SPARK	1,6	88	09.97-09.05	AR 32102/AR 32103/AR 32104/AR 67601	4
1.8 16V T.SPARK	1,8	103	10.00-09.05	AR 32205	4
1.8 16V T.SPARK	1,8	106	09.97-10.00	AR 32201	4
2.0 16V T.SPARK	2,0	110	10.00-03.02	AR 32310	4
2.0 16V T.SPARK	2,0	114	09.97-10.00	AR 32301	4
<b>156 Sportwagon</b>					
1.6 16V T.SPARK	1,6	88	05.00-05.06	AR 32102/AR 32103/AR 32104/AR 67601	4
1.8 16V T.SPARK	1,8	103	10.00-05.06	AR 32205	4
2.0 16V T.SPARK	2,0	110	10.00-03.02	AR 32310	4
<b>164</b>					
2.0 T.S.	2,0	105	06.87-09.92	AR 06416	4
2.0 T.S.	2,0	106	09.92-09.98	AR 64103	4
2.0 T.S.	2,0	109	06.87-12.90	AR 06420	4
2.0 Turbo	2,0	128	01.88-12.92	AR 06476	4
2.0 V6 Turbo	2,0	148	09.92-09.98	AR 64102	6
2.0 V6 Turbo	2,0	150	03.91-09.92	AR 64101	6
2.5 V6	2,5	120	09.92-09.98	AR 66201	6
3.0 V6	3,0	132	09.92-12.92	AR 64305/AR 66303	6
3.0 V6	3,0	135	06.87-09.92	AR 06412	6
3.0 V6	3,0	141	06.87-09.92	AR 06410	6
3.0 i.e. QV	3,0	147	09.90-09.92	AR 06430/AR 64301	6
<b>166</b>					
2.0 T.Spark	2,0	110	10.00-	AR 36301	4
2.0 T.Spark	2,0	114	09.98-10.00	AR 34103	4
<b>ALFASUD</b>					
1.2	1,2	46	06.72-09.84	AR 30102	4
1.2 ti	1,2	50	11.73-09.84	AR 30104	4
1.3	1,3	50	01.78-02.80	AR 30180	4
1.3 Super	1,3	51	01.79-09.84	AR 30160	4
1.3 SC/ti Super	1,3	55	09.77-09.84	AR 30164	4
1.3 ti	1,3	55	09.77-09.84	AR 30184	4
1.3 ti	1,3	63	03.80-12.84	AR 30168	4



= DIN



= M4

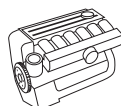


= SAE





kW


**ALFA ROMEO**
**ALFASUD**

1.5 ti	1,5	61	01.79-09.84	AR 30124	4
1.5 ti	1,5	70	03.80-12.84	AR 30128	4
1.5 ti Sprint	1,5	77	01.83-12.84	AR 30146	4

**ALFASUD Giardinetta**

1.2	1,2	46	01.78-12.81	AR 30102	4
1.3	1,3	51	03.80-12.81	AR 30160	4

**ALFASUD Sprint**

1.3	1,3	55	09.76-12.81	AR 30184	4
1.4	1,4	63	07.79-12.89	AR 30168	4
1.5	1,5	61	05.78-12.81	AR 30124	4
1.5	1,5	70	07.79-01.87	AR 30128	4
1.5	1,5	77	01.83-12.87	AR 30146	4
1.7 i.e.	1,7	77	10.87-12.89	AR 30558	4
1.7	1,7	87	03.87-12.89	AR 30550	4

**ALFETTA**

1.6	1,6	79	01.75-12.84	AR 01600	4
1.8	1,8	85	07.74-12.77	AR 01608 X	4
1.8	1,8	89	10.79-12.84	AR 01608	4
1.8	1,8	90	10.79-12.84	AR 01678	4
2.0	2,0	89	03.77-02.80	AR 01623	4
2.0	2,0	97	07.78-12.84	AR 01655/AR 01713/AR 10520	4

**ALFETTA GT**

1.6	1,6	79	01.76-09.82	AR 01600	4
1.8	1,8	85	01.74-12.76	AR 01608 X	4
1.8	1,8	89	01.74-12.76	AR 01608	4
2.0	2,0	89	07.78-01.86	AR 01623	4
2.0	2,0	96	06.77-12.84	AR 01655	4

**ARNA**

1.2	1,2	44	01.85-12.86	AR 31000	4
1.2	1,2	50	01.85-12.86	AR 30500	4
1.3 TI	1,3	63	03.83-12.86	AR 30168/AR 31010	4
1.5	1,5	70	01.85-12.86	AR 30182	4

**GIULIETTA**

1.3	1,3	66	10.77-06.83	AR 01644	4
1.6	1,6	79	10.77-04.85	AR 01600	4
1.8	1,8	90	04.79-04.85	AR 01678	4
2.0	2,0	96	06.80-04.85	AR 01655/AR 11671	4
2.0 Turbo	2,0	125	07.83-06.84	AR 01699	4

**GTV**

1.8 16V	1,8	106	05.98-	AR 32201	4
2.0 T.SPARK 16V	2,0	110	06.95-	AR 16201/AR 32310	4
2.0 T.SPARK 16V	2,0	114	05.98-08.00	AR 32301	4
2.0 V6 Turbo	2,0	148	06.95-	AR 16202	6

**SPIDER**

1600	1,6	79	01.90-12.93	AR 01563	4
2000	2,0	85	08.86-12.90	AR 01544	4
2000	2,0	88	01.90-12.93	AR 01588	4
2000	2,0	92	08.86-12.90	AR 00515	4
2000 Veloce	2,0	93	01.77-12.93	AR 00515/AR 01590	4
1.8 16V	1,8	106	05.98-04.05	AR 32201	4
2.0 T.SPARK 16V	2,0	110	06.95-04.05	AR 16201/AR 32310	4
2.0 T.SPARK 16V	2,0	114	05.98-08.00	AR 32301	4

**ARO**
**10**

1,4	1,4	46	06.84-	IAP 810-R-99	4
-----	-----	----	--------	--------------	---

**ASIAM**
**ROCSTA**

1.8 i 4x4	1,8	57	06.93-		4
-----------	-----	----	--------	--	---

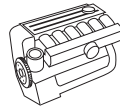








kW



<b>AUDI</b>					
<b>A1</b>					
1.2 TFSI	1,2	63	05.10-	CBZA	4
<b>A2</b>					
1.4	1,4	55	02.00-	AUA	4
<b>A3</b>					
1.2 TSI	1,2	77	04.10-	CBZB	4
1.6	1,6	74	09.96-08.00	AEH/AKL/APF	4
1.6	1,6	75	08.00-	AVU	4
1.6	1,6	75	08.00-	BFQ	4
1.6	1,6	75	05.03-	BGU	4
1.8	1,8	92	09.96-08.00	AGN → Fgst.Nr. 8L-V-140 000	4
1.8	1,8	92	09.00-	AGN Fgst.Nr. 8L-V-140 001 →	4
1.8	1,8	92	09.96-	APG	4
1.8 quattro	1,8	92	08.98-	AGN → Fgst.Nr. 8L-V-140 000	4
1.8 quattro	1,8	92	08.98-	AGN Fgst.Nr. 8L-V-140 001 →	4
<b>A3 Sportback</b>					
1.2 TSI	1,2	77	04.10-	CBZB	4
1.6	1,6	75	09.04-	BGU	4
<b>A4, Avant</b>					
1.6	1,6	74	01.95-07.00	ADP	4
1.6	1,6	74	01.95-07.00	AHL/ANA/ARM	4
1.6	1,6	75	07.00-12.04	ALZ	4
1.8, quattro	1,8	92	01.95-09.01	ADR/APT/ARG/AVW	4
2.4 quattro	2,4	120	08.97-09.01	APZ	6
2.4, quattro	2,4	121	03.97-09.01	AML, APS	6
2.4, quattro	2,4	121	03.97-09.01	AGA, ALF, ARJ	6
2.4	2,4	125	09.01-12.04	BDV	6
2.6, quattro	2,6	110	01.95-07.97	ABC	6
2.6, quattro	2,6	110	07.97-09.01	ABC	6
2.8, quattro	2,8	128	01.95-07.97	AAH	6
2.8, quattro	2,8	142	10.96-09.01	AMX, APR, AQD	6
2.8, quattro	2,8	142	10.96-09.01	ACK, ALG	6
<b>A4 Cabriolet</b>					
2.4	2,4	125	04.02-	BDV	6
<b>A6, Avant</b>					
1.8	1,8	92	12.95-02.97	ADR	4
2.0	2,0	74	06.94-12.97	AAE	4
2.0	2,0	85	06.94-12.97	ABK	4
2.0 16V, quattro	2,0	103	06.94-12.97	ACE	4
2.4	2,4	100	07.98-01.05	ALW	6
2.4	2,4	100	07.98-01.05	ARN	6
2.4	2,4	115	02.97-01.05	APC	6
2.4, quattro	2,4	120	02.97-01.05	APZ	6
2.4, quattro	2,4	121	02.97-01.05	AML, APS	6
2.4, quattro	2,4	121	02.97-01.05	AGA, ALF, ARJ	6
2.4, quattro	2,4	125	08.01-01.05	BDV	6
2.6	2,6	102	06.94-02.97	ACZ	6
2.6, quattro	2,6	110	06.94-12.97	ABC	6
2.8, quattro	2,8	128	03.94-12.97	AAH/AEJ	6
2.8	2,8	132	10.97-07.98	AGE	6
2.8, quattro	2,8	142	12.95-02.97	ACK	6
2.8, quattro	2,8	142	02.97-01.05	ACK, ALG	6
2.8, quattro	2,8	142	02.97-01.05	AMX, APR, AQD	6
S6 4.2 quattro	4,2	213	06.94-12.97	AEC	8
<b>A8</b>					
2.8, quattro	2,8	120	07.95-03.96	AEJ	6
2.8, quattro	2,8	128	03.94-03.96	AAH	6
2.8, quattro	2,8	142	04.96-09.02	AMX, APR, AQD	6
2.8, quattro	2,8	142	04.96-09.02	ACK, ALG	6
<b>CABRIOLET</b>					
2.0 E	2,0	85	01.93-07.98	ABK	4
2.0 16V	2,0	103	06.95-07.96	ACE	4



= DIN



= M4

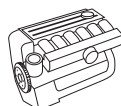


= SAE





kW



<b>AUDI</b>					
<b>CABRIOLET</b>					
2.3 E	2,3	98	05.91-07.94	NG	5
2.6	2,6	102	05.95-08.00	ACZ	6
2.6	2,6	110	06.93-08.00	ABC	6
2.8	2,8	128	11.92-08.00	AAH	6
<b>COUPÉ</b>					
1.8 GT	1,8	65	04.86-10.88	SF	4
1.8 GT	1,8	66	09.82-10.88	DS/JV	4
1.8 GT	1,8	68	01.85-07.88	JN	4
1.8 GT	1,8	79	08.86-10.87	PV	4
1.8 GT	1,8	82	08.86-10.88	DZ	4
1.8	1,8	82	08.89-07.91	DZ	4
1.9	1,9	85	08.80-07.83	WN	5
2.0	2,0	85	08.84-07.86	HP/JS	5
2.0	2,0	85	05.89-12.96	AAD/ABK	4
2.0 16 V	2,0	101	01.92-07.92	6A	4
2.0 16 V	2,0	103	08.92-12.96	ACE	4
2.1 GT	2,1	96	09.82-08.84	KE/KL	5
2.2 GT	2,2	85	08.84-10.87	KX	5
2.2, quattro	2,2	88	08.85-10.88	JT	5
2.2, quattro	2,2	100	10.84-07.91	KV	5
2.2 GT	2,2	100	09.84-10.88	KV	5
S2 quattro	2,2	162	09.90-09.92	3B	5
2.3, quattro	2,3	98	03.90-12.96	NG	5
2.3, quattro	2,3	100	01.87-07.94	NG	5
2.3 20V, quattro	2,3	123	05.90-07.91	7A	5
2.3 20V, quattro	2,3	125	11.88-07.91	7A	5
2.6, quattro	2,6	110	08.92-12.96	ABC	6
2.8, quattro	2,8	128	08.91-12.96	AAH	6
<b>QUATTRO</b>					
2.1 Turbo	2,1	147	07.80-07.84	GV/WR	5
2.1 20V Turbo	2,1	225	05.84-07.87	KW	5
2.2 Turbo	2,2	147	08.87-07.89	1B/MB	5
<b>V8</b>					
3.6 quattro	3,6	180	04.93-02.94	PT	8
3.6 quattro	3,6	184	10.88-02.94	PT	8
4.2 quattro	4,2	206	10.91-02.94	ABH	8
<b>50</b>					
0.8	0,8	25	01.76-07.78	HE	4
1.1	1,1	37	08.74-07.78	HB	4
1.1	1,1	44	08.74-07.77	HC	4
1.3	1,3	43	01.77-07.78	HJ	4
1.3	1,3	44	08.77-07.78	HH	4
<b>60, Variant</b>					
1.5	1,5	40	10.68-09.73		4
<b>75, Variant</b>					
1.7	1,7	55	09.68-09.73		4
<b>80, Avant</b>					
1.3	1,3	40	05.72-07.78	ZA	4
1.3	1,3	40	09.78-07.81	FY	4
1.3	1,3	44	05.72-07.78	ZF	4
1.3	1,3	44	09.78-07.84	EP	4
1.3	1,3	44	08.84-07.86	EP	4
1.5	1,5	55	05.72-08.75	YJ/ZB	4
1.5	1,5	63	05.72-07.76	ZC	4
1.6	1,6	51	08.78-07.81	YT/YY	4
1.6	1,6	51	08.87-09.91	PP	4
1.6	1,6	52	09.91-12.94	ABM	4
1.6	1,6	54	02.86-07.86	SA	4
1.6	1,6	55	09.75-07.78	YN	4
1.6	1,6	55	08.78-07.84	DT	4
1.6	1,6	55	08.84-07.86	DT	4



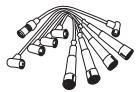
= DIN



= M4



= SAE



Copper Cable  
Power Cable

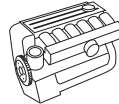


Zyl./Cyl./Cil.

			1	2	3	4	5	6	7	8	
<b>ZEF 612</b>	<b>CU</b>	○	VA 117 B	VA 116 E	VA 116 D	VA 116 D	VA 116 C	VA 116 B	●	●	●
<b>ZE 765</b>	<b>CU</b>	○	●	VA 133 A	VA 133 C	VA 133 D	VA 133 A	VA 133 B	VA 133 D	●	●
<b>ZE 765</b>	<b>CU</b>	○	●	VA 133 A	VA 133 C	VA 133 D	VA 133 A	VA 133 B	VA 133 D	●	●
<b>ZE 765</b>	<b>CU</b>	○	●	VA 133 A	VA 133 C	VA 133 D	VA 133 A	VA 133 B	VA 133 D	●	●
<b>ZEF 561</b>	<b>CU</b>	<b>C 11</b>	VA 117 B	VA 115 E	VA 115 D	VA 115 C	VA 115 B	●	●	●	●
○	<b>CU</b>	○	VA 118 A	VA 116 E	VA 116 E	VA 116 E	VA 116 C	●	●	●	●
○	<b>CU</b>	○	VA 118 A	VA 116 E	VA 116 E	VA 116 E	VA 116 C	●	●	●	●
○	<b>CU</b>	○	VA 118 A	VA 116 E	VA 116 E	VA 116 E	VA 116 C	●	●	●	●
<b>ZEF 561</b>	<b>CU</b>	<b>C 11</b>	VA 117 B	VA 115 E	VA 115 D	VA 115 C	VA 115 B	●	●	●	●
<b>ZEF 404</b>	<b>CU</b>	○	<b>R 10</b>	<b>R 11</b>	<b>R 8</b>	<b>R 8</b>	<b>R 12</b>	<b>R 16</b>	●	●	●
<b>ZEF 612</b>	<b>CU</b>	○	VA 117 B	VA 116 E	VA 116 D	VA 116 D	VA 116 C	VA 116 B	●	●	●
<b>ZEF 561</b>	<b>CU</b>	<b>C 11</b>	VA 117 B	VA 115 E	VA 115 D	VA 115 C	VA 115 B	●	●	●	●
<b>ZEF 1171</b>	<b>CU</b>	○	●	VA 135 B	VA 136 B	VA 135 A	VA 136 A	●	●	●	●
<b>ZEF 1174</b>	<b>CU</b>	○	VA 118 B	VA 135 C	VA 136 B	VA 135 B	VA 136 B	●	●	●	●
<b>ZEF 464</b>	<b>CU</b>	○	○	○	○	○	○	○	●	●	●
<b>ZEF 612</b>	<b>CU</b>	○	VA 117 B	VA 116 E	VA 116 D	VA 116 D	VA 116 C	VA 116 B	●	●	●
<b>ZEF 612</b>	<b>CU</b>	○	VA 117 B	VA 116 E	VA 116 D	VA 116 D	VA 116 C	VA 116 B	●	●	●
<b>ZEF 612</b>	<b>CU</b>	○	VA 117 B	VA 116 E	VA 116 D	VA 116 D	VA 116 C	VA 116 B	●	●	●
<b>ZEF 612</b>	<b>CU</b>	○	VA 117 B	VA 116 E	VA 116 D	VA 116 D	VA 116 C	VA 116 B	●	●	●
<b>ZEF 1127</b>	<b>CU</b>	○	○	○	○	○	○	○	●	●	●
<b>ZEF 612</b>	<b>CU</b>	○	VA 117 B	VA 116 E	VA 116 D	VA 116 D	VA 116 C	VA 116 B	●	●	●
<b>ZEF 612</b>	<b>CU</b>	○	VA 117 B	VA 116 E	VA 116 D	VA 116 D	VA 116 C	VA 116 B	●	●	●
<b>ZEF 1195</b>	<b>CU</b>	○	VA 117 A	VA 122 D	VA 122 D	VA 122 C	VA 122 B	VA 122 A	●	●	●
<b>ZEF 1195</b>	<b>CU</b>	○	VA 117 A	VA 122 D	VA 122 D	VA 122 C	VA 122 B	VA 122 A	●	●	●
<b>ZE 765</b>	<b>CU</b>	○	●	VA 133 A	VA 133 C	VA 133 D	VA 133 A	VA 133 B	VA 133 D	●	●
<b>ZE 765</b>	<b>CU</b>	○	●	VA 133 A	VA 133 C	VA 133 D	VA 133 A	VA 133 B	VA 133 D	●	●
<b>ZEF 404</b>	<b>CU</b>	○	<b>R 10</b>	<b>R 11</b>	<b>R 8</b>	<b>R 8</b>	<b>R 12</b>	<b>R 16</b>	●	●	●
<b>ZEF 612</b>	<b>CU</b>	○	VA 117 B	VA 116 E	VA 116 D	VA 116 D	VA 116 C	VA 116 B	●	●	●
○	<b>CU</b>	○	VA 117 A	VA 116 E	VA 116 E	VA 116 E	VA 116 C	VA 116 C	●	●	●
<b>ZEF 1177</b>	<b>CU</b>	○	○	○	○	○	○	○	○	○	○
<b>ZEF 1177</b>	<b>CU</b>	○	○	○	○	○	○	○	○	○	○
<b>ZEF 1177</b>	<b>CU</b>	○	○	○	○	○	○	○	○	○	○
<b>ZEF 432</b>	<b>CU</b>	○	<b>R 18</b>	<b>R 11</b>	<b>R 8</b>	<b>R 8</b>	<b>R 12</b>	●	●	●	●
<b>ZEF 432</b>	<b>CU</b>	○	<b>R 18</b>	<b>R 11</b>	<b>R 8</b>	<b>R 8</b>	<b>R 12</b>	●	●	●	●
<b>ZEF 432</b>	<b>CU</b>	○	<b>R 18</b>	<b>R 11</b>	<b>R 8</b>	<b>R 8</b>	<b>R 12</b>	●	●	●	●
<b>ZEF 432</b>	<b>CU</b>	○	<b>R 18</b>	<b>R 11</b>	<b>R 8</b>	<b>R 8</b>	<b>R 12</b>	●	●	●	●
<b>ZEF 432</b>	<b>CU</b>	○	<b>R 18</b>	<b>R 11</b>	<b>R 8</b>	<b>R 8</b>	<b>R 12</b>	●	●	●	●
<b>ZEF 772</b>	<b>R</b>	<b>C 18</b>	<b>R 24</b>	<b>R 13</b>	<b>R 13</b>	<b>R 11</b>	<b>R 11</b>	●	●	●	●
<b>ZEF 772</b>	<b>R</b>	<b>C 18</b>	<b>R 24</b>	<b>R 13</b>	<b>R 13</b>	<b>R 11</b>	<b>R 11</b>	●	●	●	●
<b>ZEF 432</b>	<b>CU</b>	○	<b>R 18</b>	<b>R 11</b>	<b>R 8</b>	<b>R 8</b>	<b>R 12</b>	●	●	●	●
<b>ZEF 432</b>	<b>CU</b>	○	<b>R 18</b>	<b>R 11</b>	<b>R 8</b>	<b>R 8</b>	<b>R 12</b>	●	●	●	●
<b>ZEF 432</b>	<b>CU</b>	○	<b>R 18</b>	<b>R 11</b>	<b>R 8</b>	<b>R 8</b>	<b>R 12</b>	●	●	●	●
<b>ZEF 432</b>	<b>CU</b>	○	<b>R 18</b>	<b>R 11</b>	<b>R 8</b>	<b>R 8</b>	<b>R 12</b>	●	●	●	●
<b>ZEF 561</b>	<b>CU</b>	<b>C 11</b>	VA 117 B	VA 115 E	VA 115 D	VA 115 C	VA 115 B	●	●	●	●
<b>ZEF 432</b>	<b>CU</b>	○	<b>R 18</b>	<b>R 11</b>	<b>R 8</b>	<b>R 8</b>	<b>R 12</b>	●	●	●	●
<b>ZEF 432</b>	<b>CU</b>	○	<b>R 18</b>	<b>R 11</b>	<b>R 8</b>	<b>R 8</b>	<b>R 12</b>	●	●	●	●
<b>ZEF 432</b>	<b>CU</b>	○	<b>R 18</b>	<b>R 11</b>	<b>R 8</b>	<b>R 8</b>	<b>R 12</b>	●	●	●	●
<b>ZEF 561</b>	<b>CU</b>	<b>C 11</b>	VA 117 B	VA 115 E	VA 115 D	VA 115 C	VA 115 B	●	●	●	●
<b>ZEF 561</b>	<b>CU</b>	<b>C 11</b>	VA 117 B	VA 115 E	VA 115 D	VA 115 C	VA 115 B	●	●	●	●
<b>ZEF 561</b>	<b>CU</b>	<b>C 11</b>	VA 117 B	VA 115 E	VA 115 D	VA 115 C	VA 115 B	●	●	●	●
<b>ZEF 432</b>	<b>CU</b>	○	<b>R 18</b>	<b>R 11</b>	<b>R 8</b>	<b>R 8</b>	<b>R 12</b>	●	●	●	●
<b>ZEF 432</b>	<b>CU</b>	○	<b>R 18</b>	<b>R 11</b>	<b>R 8</b>	<b>R 8</b>	<b>R 12</b>	●	●	●	●
<b>ZEF 561</b>	<b>CU</b>	<b>C 11</b>	VA 117 B	VA 115 E	VA 115 D	VA 115 C	VA 115 B	●	●	●	●



kW



<b>AUDI</b>					
<b>80, Avant</b>					
1.6	1,6	55	09.86-08.91	RN	4
1.6	1,6	63	09.75-02.83	YP	4
1.6 E	1,6	74	06.93-01.96	ADA	4
1.6 GT	1,6	74	09.73-07.76	XX	4
1.6 GTE	1,6	81	01.76-07.78	YS	4
1.6 GLE	1,6	81	01.79-12.86	YZ	4
1.8	1,8	55	10.86-01.90	RU	4
1.8, S, quattro	1,8	65	09.86-07.90	SF	4
1.8	1,8	66	08.84-08.86	DS	4
1.8 CC quattro	1,8	66	08.84-08.86	NE	4
1.8 S, quattro	1,8	66	09.86-09.91	JN/NE/PM	4
1.8, quattro	1,8	68	01.85-08.86	JN	4
1.8 GTE, quattro	1,8	81	08.85-07.86	PV	4
1.8 E, quattro	1,8	82	09.86-08.91	DZ	4
1.8 GTE, quattro	1,8	82	08.84-08.86	DZ	4
1.8, quattro	1,8	83	09.86-08.90	SD	4
1.9 CD-5S	1,9	85	09.81-07.83	WN	5
2.0	2,0	66	09.91-01.96	ABT	4
2.0	2,0	82	10.90-08.91	AAD	4
2.0 quattro	2,0	82	10.90-08.91	3A	4
2.0 E, quattro	2,0	83	08.88-09.90	3A	4
2.0 quattro	2,0	85	10.90-08.91	AAD	4
2.0, quattro	2,0	85	10.83-09.84	JS/HP	5
2.0 E	2,0	85	09.91-05.94	ABK	4
2.0 E quattro	2,0	85	06.94-12.94	ABK	4
2.0 E 16V, quattro	2,0	101	03.90-08.91	6A	4
2.0 E 16V, quattro	2,0	103	04.92-07.95	ACE	4
2.2	2,1	85	10.80-07.83	WE	5
2.2 quattro	2,1	96	08.82-07.84	KL	5
2.2 quattro	2,1	100	08.82-07.84	KK	5
2.3 E, quattro	2,3	98	09.91-12.94	NG	5
2.6, quattro	2,6	110	06.92-01.96	ABC	6
2.8, quattro	2,8	128	09.91-01.96	AAH	6
<b>90</b>					
1.8 Super	1,8	66	10.66-11.71		4
2.0	2,0	83	03.86-03.87	SK	5
2.0	2,0	85	10.84-03.87	HP/JS	5
2.0	2,0	85	07.88-09.91	PS	5
2.0 20 V, quattro	2,0	118	08.88-09.91	NM	5
2.2	2,2	85	01.85-03.87	KX	5
2.2 E quattro	2,2	88	08.85-03.87	JT	5
2.2	2,2	100	10.84-03.87	HY/KV	5
2.2 E, quattro	2,2	100	11.84-07.91	KV	5
2.3 E, quattro	2,3	98	04.87-09.91	NG	5
2.3 E 20V, quattro	2,3	123	04.90-09.91	7A	5
2.3 E 20V, quattro	2,3	125	06.88-09.91	7A	5
<b>100, Avant</b>					
1.6	1,6	63	01.75-07.76	YM	4
1.6	1,6	63	08.76-07.82	YV	4
1.8	1,8	55	08.84-12.87	DR/RS	4
1.8	1,8	63	09.71-07.74	ZU	4
1.8	1,8	65	02.86-07.90	SH	4
1.8 quattro	1,8	65	08.86-07.90	SH	4
1.8	1,8	66	08.84-07.89	DS/JW /NP	4
1.8 KAT	1,8	66	03.85-11.90	4B/PH	4
1.8 quattro	1,8	66	10.84-07.88	JW /NP	4
1.8 quattro KAT	1,8	66	08.85-10.90	4B/PH	4
1.8 LS	1,8	74	10.70-07.76	ZZ	4
1.9	1,9	74	08.80-01.83	WH	5
1.9	1,9	74	02.83-07.84	WH	5
1.9 GL	1,9	82	09.71-07.76	ZJ	4



= DIN



= M4

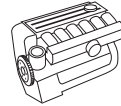


= SAE



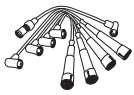


kW

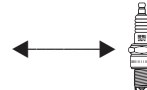


<b>AUDI</b>					
<b>100, Avant</b>					
2.0, E	2,0	74	12.90-06.94	AAE	4
2.0	2,0	83	09.86-11.87	SL	5
2.0	2,0	85	06.76-08.78	WA	4
2.0	2,0	85	08.84-12.87	KP	5
2.0 E	2,0	85	01.85-12.87	KP	5
2.0, E KAT	2,0	85	01.88-11.90	RT	5
2.0 E, quattro	2,0	85	12.90-06.94	AAD/ABK	4
2.0 E 16V	2,0	101	01.92-06.94	ACE	4
2.0 E 16V, quattro	2,0	103	07.92-06.94	ACE	4
2.1	2,1	85	10.77-07.82	WB/WE	5
2.1	2,1	100	03.77-07.82	WC/WG	5
2.1	2,1	100	08.82-07.84	WC	5
2.2	2,2	85	10.84-09.86	KZ	5
2.2 E quattro	2,2	88	08.85-07.86	PX	5
2.2, KAT	2,2	101	08.84-11.90	KU	5
2.2 quattro, KAT	2,2	101	08.84-11.90	KU	5
2.2, E, Turbo, quattro	2,2	121	08.86-11.90	MC	5
2.3, E, quattro	2,3	98	01.90-11.90		5
2.3 E, quattro	2,3	98	12.90-06.94	AAR	5
2.3	2,3	100	08.86-11.90	NF	5
2.3 E, quattro	2,3	100	08.86-11.90	NF	5
2.6	2,6	102	07.93-06.94	ACZ	6
2.6, quattro	2,6	110	03.92-06.94	ABC	6
2.8 E, quattro	2,8	128	12.90-06.94	AAH	6
S4 V8 quattro	4,2	206	10.92-06.94	ABH	8
S4 V8 quattro	4,2	213	03.94-06.94	AEC	8
<b>100 Coupe</b>					
1.9	1,9	82	01.70-12.76	ZJ	4
1.9	1,9	85	07.70-07.71	ZP	4
<b>200, Avant</b>					
2.1 5 E	2,1	100	10.79-09.82	WC	5
2.1 5 E	2,1	100	08.83-07.84	WC	5
2.1 5 T	2,1	125	10.79-08.82	WJ	5
2.1 Turbo, quattro	2,1	134	08.84-01.88	KG	5
2.2	2,2	101	08.84-07.85	KU	5
2.2 Turbo, quattro	2,2	121	09.83-12.91	MC	5
2.2 Turbo	2,2	140	02.88-12.90	2B	5
2.2 Turbo, quattro	2,2	147	02.88-12.90	1B	5
2.2 20V Turbo quattro	2,2	162	07.89-12.90	3B	5
2.3	2,3	100	11.86-09.91	NF	5
<b>AUSTIN</b>					
<b>1000-Series MK II</b>					
1300	1,3	39	01.70-12.74		4
1300 GT	1,3	50	01.70-12.74		4
<b>ALLEGRO</b>					
1.1	1,1	33	05.73-10.81	10 H	4
1.3	1,3	40	05.73-03.82	12 H	4
<b>AMBASSADOR</b>					
1.7	1,7	62	03.82-02.84		4
2.0	2,0	69	03.82-10.84		4
2.0	2,0	75	03.82-		4
<b>MAESTRO</b>					
1.3	1,3	46	03.83-08.85	12 H /12 H999AA/12 HC32	4
1.3 LS	1,3	49	03.83-08.90	12 H	4
1.6	1,6	59	03.83-12.83	16 H956AK	4
1.6	1,6	59	01.84-10.84	16 H956AK	4
1.6 Mayfair HLS	1,6	61	03.83-12.83	16 HC37	4
1.6 Mayfair HLS	1,6	61	01.84-08.90	16 HC37	4
1.6 MG	1,6	72	03.83-12.83	16 HA03AL	4
1.6 MG	1,6	72	01.84-08.85	16 HA03AL	4





Copper Cable  
Power Cable



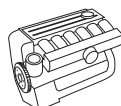
Zyl./Cyl./Cil.

			1	2	3	4	5	6	7	8	
ZEF 1198	CU	○	VA 118 C	VA 115 D	VA 115 D	VA 115 D	VA 115 D	●	●	●	●
ZEF 612	CU	○	VA 117 B	VA 116 E	VA 116 D	VA 116 D	VA 116 C	VA 116 B	●	●	●
ZEF 432	CU	○	R 18	R 11	R 8	R 8	R 12	●	●	●	●
ZEF 612	CU	○	VA 117 B	VA 116 E	VA 116 D	VA 116 D	VA 116 C	VA 116 B	●	●	●
ZEF 612	CU	○	VA 117 B	VA 116 E	VA 116 D	VA 116 D	VA 116 C	VA 116 B	●	●	●
ZEF 612	CU	○	VA 117 B	VA 116 E	VA 116 D	VA 116 D	VA 116 C	VA 116 B	●	●	●
ZEF 1194	CU	○	VA 118 B	VA 115 D	VA 115 D	VA 115 D	VA 115 D	●	●	●	●
ZEF 1172	CU	○	VA 137 B	VA 135 C	VA 136 B	VA 136 B	VA 136 B	VA 136 A	●	●	●
ZEF 1172	CU	○	VA 137 B	VA 135 C	VA 136 B	VA 136 B	VA 136 B	VA 136 A	●	●	●
ZEF 404	CU	○	R 10	R 11	R 8	R 8	R 12	R 16	●	●	●
ZEF 404	CU	○	R 10	R 11	R 8	R 8	R 12	R 16	●	●	●
ZEF 404	CU	○	R 10	R 11	R 8	R 8	R 12	R 16	●	●	●
ZEF 612	CU	○	VA 117 B	VA 116 E	VA 116 D	VA 116 D	VA 116 C	VA 116 B	●	●	●
ZEF 612	CU	○	VA 117 B	VA 116 E	VA 116 D	VA 116 D	VA 116 C	VA 116 B	●	●	●
ZEF 612	CU	○	VA 117 B	VA 116 E	VA 116 D	VA 116 D	VA 116 C	VA 116 B	●	●	●
ZEF 612	CU	○	VA 117 B	VA 116 E	VA 116 D	VA 116 D	VA 116 C	VA 116 B	●	●	●
ZEF 612	CU	○	VA 117 B	VA 116 E	VA 116 D	VA 116 D	VA 116 C	VA 116 B	●	●	●
ZEF 612	CU	○	VA 117 B	VA 116 E	VA 116 D	VA 116 D	VA 116 C	VA 116 B	●	●	●
ZEF 612	CU	○	VA 117 B	VA 116 E	VA 116 D	VA 116 D	VA 116 C	VA 116 B	●	●	●
ZEF 612	CU	○	VA 117 B	VA 116 E	VA 116 D	VA 116 D	VA 116 C	VA 116 B	●	●	●
ZEF 612	CU	○	VA 117 B	VA 116 E	VA 116 D	VA 116 D	VA 116 C	VA 116 B	●	●	●
ZE 765	CU	○	●	VA 133 A	VA 133 C	VA 133 D	VA 133 A	VA 133 B	VA 133 D	●	●
ZE 765	CU	○	●	VA 133 A	VA 133 C	VA 133 D	VA 133 A	VA 133 B	VA 133 D	●	●
ZE 765	CU	○	●	VA 133 A	VA 133 C	VA 133 D	VA 133 A	VA 133 B	VA 133 D	●	●
ZEF 1177	CU	○	○	○	○	○	○	○	○	○	○
ZEF 1177	CU	○	○	○	○	○	○	○	○	○	○
ZEF 432	CU	○	R 18	R 11	R 8	R 8	R 12	●	●	●	●
ZEF 432	CU	○	R 18	R 11	R 8	R 8	R 12	●	●	●	●
ZEF 404	CU	○	R 10	R 11	R 8	R 8	R 12	R 16	●	●	●
ZEF 404	CU	○	R 10	R 11	R 8	R 8	R 12	R 16	●	●	●
ZEF 404	CU	○	R 10	R 11	R 8	R 8	R 12	R 16	●	●	●
ZEF 612	CU	○	VA 117 B	VA 116 E	VA 116 D	VA 116 D	VA 116 C	VA 116 B	●	●	●
ZEF 612	CU	○	VA 117 B	VA 116 E	VA 116 D	VA 116 D	VA 116 C	VA 116 B	●	●	●
ZEF 612	CU	○	VA 117 B	VA 116 E	VA 116 D	VA 116 D	VA 116 C	VA 116 B	●	●	●
○	CU	○	VA 117 A	VA 116 E	VA 116 E	VA 116 E	VA 116 C	VA 116 C	●	●	●
○	CU	○	VA 117 A	VA 116 E	VA 116 E	VA 116 E	VA 116 C	VA 116 C	●	●	●
ZEF 1127	CU	○	○	○	○	○	○	○	○	○	○
ZEF 612	CU	○	VA 117 B	VA 116 E	VA 116 D	VA 116 D	VA 116 C	VA 116 B	●	●	●
○	R	○	R 5	R 8	R 12	R 12	R 14	●	●	●	●
○	R	○	R 5	R 8	R 12	R 12	R 14	●	●	●	●
○	R	○	R 34	R 21	R 21	R 21	R 21	●	●	●	●
○	R	○	R 34	R 21	R 21	R 21	R 21	●	●	●	●
ZEF 758	R	C 6	R 19	R 3	R 4	R 4	R 4	●	●	●	●
ZEF 758	R	C 6	R 19	R 3	R 4	R 4	R 4	●	●	●	●
ZEF 758	R	C 6	R 19	R 3	R 4	R 4	R 4	●	●	●	●
○	R	○	R 34	R 21	R 21	R 21	R 21	●	●	●	●
○	R	○	R 34	R 21	R 21	R 21	R 21	●	●	●	●
○	R	○	R 34	R 21	R 21	R 27	R 27	●	●	●	●
ZEF 770	R	○	R 35	R 27	R 23	R 22	R 40	●	●	●	●
○	R	○	R 34	R 21	R 21	R 27	R 27	●	●	●	●
ZEF 770	R	○	R 35	R 27	R 23	R 22	R 40	●	●	●	●
○	R	○	R 34	R 21	R 21	R 27	R 27	●	●	●	●
ZEF 770	R	○	R 35	R 27	R 23	R 22	R 40	●	●	●	●





kW


**AUSTIN**
**MAESTRO**

1.6 MG	1,6	73	03.83-12.83	16 HA35AL	4
1.6 MG	1,6	73	01.84-08.90	16 HA35AL	4
2.0 EFi	2,0	83	10.84-08.90	20 HA50AA/20 HC51AA/20 HC81	4

**MAXI**

1500	1,5	50	04.69-07.80		4
1750	1,8	53	04.69-10.80	17 H	4
1750 HL	1,8	66	10.72-10.80		4

**METRO**

1.0	1,0	30	10.80-12.89		4
1.0	1,0	30	01.90-04.90		4
1.0	1,0	33	10.80-12.89	99 H	4
1.0	1,0	33	01.90-04.90	99 H	4
1.0 Surf HLE	1,0	35	10.80-12.89	99 HA65P	4
1.0 Surf HLE	1,0	35	01.90-04.90	99 HA65P	4
1.3 L,HLE,S	1,3	44	10.80-12.89	12 H	4

**MINI MK I**

1000	1,0	29	10.67-09.84	99 H	4
1000 Mayfair	1,0	31	08.82-06.93	99 H997P/99 HA53P/99 HC20P	4
1275 GT	1,3	39	10.69-08.80		4

**MONTEGO**

1.6 LS	1,6	61	10.84-08.88	16 HC37	4
1.6 LS,HL	1,6	61	04.84-08.88	16 HC37	4
2.0	2,0	74	04.84-08.88	20 H/20 HSC	4
2.0 HLI	2,0	83	10.84-08.88	20 H	4
2.0 Mayfair	2,0	83	04.84-08.88	20 H(EFI)	4
2.0 Turbo	2,0	110	04.84-08.88	20 HC85	4

**PRINCESS**

1800 HL	1,8	60	04.76-09.78	18 H	4
2200 HLS	2,3	81	04.76-09.78	22 H	6

**AUTOBIANCHI**
**A 112**

0.9 Junior	0,9	31	07.75-12.85	A112A 5.000/A112B2.000	4
0.9	0,9	32	10.69-12.72	A112A 5.000	4
0.9	0,9	33	01.76-12.78		4
0.9 E	0,9	34	01.73-12.77		4
1.0 E,Elite,LX	1,0	35	11.77-12.85	A112B1.000	4
1.0 Abarth	1,0	43	09.71-12.75	A112A1.000	4
1.0 Abarth	1,0	51	01.74-12.84	A112A2.000	4

**BMW**
**02 (E10)**

1502 1.6	1,6	55	01.75-07.77	M 10 B 16	4
----------	-----	----	-------------	-----------	---

**3 (E21)**

315	1,6	55	03.81-03.84	M 10 B 16	4
316	1,6	66	08.75-08.80	M 10 B 16	4
316	1,8	66	09.80-08.82	M 10 B 18	4
318	1,8	72	08.75-08.80	M 10 B 18	4
318 i	1,8	77	09.80-08.82	M 10 B 18 (K-Jetronic)	4
320/6	2,0	90	09.77-08.80	M 20 B 20	6
320/6	2,0	90	09.77-08.80	M 20 B 20	6
320/6	2,0	90	09.80-08.82	M 20 B 20	6
323 i	2,3	105	01.78-08.80	M 20 B 23 (K-Jetronic)	6
323 i	2,3	105	09.80-08.82	M 20 B 23 (K-Jetronic)	6

**3 (E30)**

315	1,6	55	09.82-10.83	M 10 B 16	4
316	1,8	66	09.82-12.87	M 10 B 18	4
316 (Ecotronic)	1,8	66	09.83-12.90	M 10 B 18	4
316 i	1,6	73	09.87-08.88	M 40 B 16 (Kat.)	4
316 i	1,6	73	09.88-06.91	M 40 B 16 (Kat.)	4



= DIN



= M4



= SAE



Copper Cable  
Power Cable

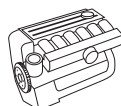


Zyl./Cyl./Cil.

				1	2	3	4	5	6	7	8
○	R	○	R 34	R 21	R 21	R 27	R 27	●	●	●	●
<b>ZEF 770</b>	R	○	R 35	R 27	R 23	R 22	R 40	●	●	●	●
<b>ZEF 770</b>	R	○	R 35	R 27	R 23	R 22	R 40	●	●	●	●
○	R	○	R 34	R 21	R 27	R 27	R 23	●	●	●	●
○	R	○	R 34	R 21	R 27	R 27	R 23	●	●	●	●
○	R	○	R 34	R 21	R 27	R 27	R 23	●	●	●	●
○	R	○	R 34	R 21	R 21	R 21	R 23	●	●	●	●
○	R	○	R 35	R 22	R 22	R 23	R 23	●	●	●	●
○	R	○	R 34	R 21	R 21	R 21	R 23	●	●	●	●
○	R	○	R 35	R 22	R 22	R 23	R 23	●	●	●	●
○	R	○	R 34	R 21	R 21	R 21	R 23	●	●	●	●
○	R	○	R 35	R 22	R 22	R 23	R 23	●	●	●	●
○	R	○	R 34	R 21	R 21	R 21	R 23	●	●	●	●
○	R	○	R 34	R 21	R 21	R 27	R 27	●	●	●	●
○	R	○	R 34	R 21	R 21	R 27	R 27	●	●	●	●
○	R	○	R 34	R 21	R 21	R 27	R 27	●	●	●	●
<b>ZEF 770</b>	R	○	R 35	R 27	R 23	R 22	R 40	●	●	●	●
<b>ZEF 770</b>	R	○	R 35	R 27	R 23	R 22	R 40	●	●	●	●
<b>ZEF 770</b>	R	○	R 35	R 27	R 23	R 22	R 40	●	●	●	●
<b>ZEF 770</b>	R	○	R 35	R 27	R 23	R 22	R 40	●	●	●	●
<b>ZEF 770</b>	R	○	R 35	R 27	R 23	R 22	R 40	●	●	●	●
<b>ZEF 770</b>	R	○	R 35	R 27	R 23	R 22	R 40	●	●	●	●
○	R	○	R 34	R 21	R 21	R 21	R 21	●	●	●	●
○	R	○	R 34	R 21	R 21	R 27	R 23	R 23	R 22	●	●
<b>ZEF 766</b>	R	<b>C 13</b>	R 35	R 22	R 23	R 27	R 27	●	●	●	●
<b>ZEF 766</b>	R	<b>C 13</b>	R 35	R 22	R 23	R 27	R 27	●	●	●	●
<b>ZEF 766</b>	R	<b>C 13</b>	R 35	R 22	R 23	R 27	R 27	●	●	●	●
<b>ZEF 766</b>	R	<b>C 13</b>	R 35	R 22	R 23	R 27	R 27	●	●	●	●
<b>ZEF 766</b>	R	<b>C 13</b>	R 35	R 22	R 23	R 27	R 27	●	●	●	●
<b>ZEF 766</b>	R	<b>C 13</b>	R 35	R 22	R 23	R 27	R 27	●	●	●	●
<b>ZEF 766</b>	R	<b>C 13</b>	R 35	R 22	R 23	R 27	R 27	●	●	●	●
<b>ZEF 773</b>	R	<b>C 18</b>	R 5	R 11	R 11	R 13	R 13	●	●	●	●
<b>ZE 575</b>	<b>CU</b>	○	B 107 A	B 104 A	B 104 A	B 104 A	B 104 A	●	●	●	●
<b>ZEF 405</b>	<b>CU</b>	○	R 24	B 103 B	B 103 B	B 103 C	B 103 C	●	●	●	●
<b>ZEF 467</b>	<b>CU</b>	○	B 107 A	B 104 A	B 104 A	B 104 A	B 104 B	●	●	●	●
<b>ZEF 405</b>	<b>CU</b>	○	R 24	B 103 B	B 103 B	B 103 C	B 103 C	●	●	●	●
<b>ZE 575</b>	<b>CU</b>	○	B 107 A	B 104 A	B 104 A	B 104 A	B 104 A	●	●	●	●
<b>ZEF 425</b>	<b>CU</b>	○	○	○	○	○	○	○	○	●	●
<b>ZEF 493</b>	<b>CU</b>	○	○	○	○	○	○	○	○	●	●
<b>ZE 738</b>	<b>CU</b>	○	B 107 A	B 104 B	B 104 C	B 104 C	B 104 C	B 104 D	B 104 D	●	●
<b>ZEF 493</b>	<b>CU</b>	○	○	○	○	○	○	○	○	●	●
<b>ZE 738</b>	<b>CU</b>	○	B 107 A	B 104 B	B 104 C	B 104 C	B 104 C	B 104 D	B 104 D	●	●
<b>ZE 575</b>	<b>CU</b>	○	B 107 A	B 104 A	B 104 A	B 104 A	B 104 A	●	●	●	●
<b>ZE 575</b>	<b>CU</b>	○	B 107 A	B 104 A	B 104 A	B 104 A	B 104 A	●	●	●	●
<b>ZE 575</b>	<b>CU</b>	○	B 107 A	B 104 A	B 104 A	B 104 A	B 104 A	●	●	●	●
<b>ZE 575</b>	<b>CU</b>	○	B 107 A	B 104 A	B 104 A	B 104 A	B 104 A	●	●	●	●
<b>ZEF 607</b>	<b>CU</b>	○	B 106 A	B 102 A	B 102 B	B 102 C	B 115 A/ B 102 D <sup>16</sup>	●	●	●	●



kW

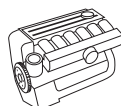


<b>BMW</b>					
<b>3 (E30)</b>					
316 i	1,6	75	07.88-06.91	M 40 B 16	4
316 i 1.8	1,8	75	08.87-08.88	M 10 B 18 (L-Jetronic,Kat.)	4
318 i	1,8	75	12.84-08.88	M 10 B 18 (L-Jetronic)/M 10 B 18 (L-Jetronic,Kat.)	4
318 i	1,8	77	09.82-08.87	M 10 B 18 (K-Jetronic)	4
318 i	1,8	83	09.87-06.91	M 40 B 18 (Kat.)	4
318 i	1,8	85	09.87-06.91	M 40 B 18	4
318 is	1,8	100	09.89-08.91	M 42 B 18	4
320 i	2,0	92	09.82-12.85	M 20 B 20 (L-Jetronic)	6
320 i	2,0	95	12.85-08.88	M 20 B 20 (L-Jetronic)	6
320 i	2,0	95	09.88-06.91	M 20 B 20 (L-Jetronic)	6
323 i	2,3	102	09.82-08.83	M 20 B 23 (L-Jetronic)	6
323 i	2,3	110	09.83-08.86	M 20 B 23 (L-Jetronic)	6
325 e 2.7	2,7	90	10.83-11.86	M 20 B 27 (Kat)	6
325 e 2.7	2,7	90	12.86-12.88	M 20 B 27 (Kat)	6
325 e 2.7	2,7	95	01.85-11.86	M 20 B 27	6
325 e 2.7	2,7	95	12.86-08.87	M 20 B 27	6
325 i	2,5	125	12.86-06.91	M 20 B 25 (Kat.)	6
325 i	2,5	126	09.83-11.89	M 20 B 25	6
325 i X	2,5	125	12.86-08.91	M 20 B 25 (Kat.)	6
325 i X	2,5	126	03.86-12.87	M 20 B 25	6
M3 2.3	2,3	143	07.86-06.91	S 14 B 23 (Kat)	4
M3 2.3	2,3	147	02.87-05.89	S 14 B 23	4
M3 2.3	2,3	158	06.89-06.91	S 14 B 23 (Kat)	4
M3 EVO I 2.3	2,3	162	10.88-10.90	S 14 B 23 (EVO I)	4
M3 EVO II 2.5	2,5	175	01.90-01.92	S 14 B 25 (EVO II)	4
<b>3 (E36)</b>					
316 i	1,6	73	09.90-09.93	M 40 B 16 (Kat.)	4
316 i	1,6	75	09.90-09.93	M 40 B 16	4
316 i	1,6	75	07.93-02.98	M 43 B 16	4
318 i	1,8	83	12.90-10.93	M 40 B 18 (Kat.)	4
318 i	1,8	85	10.93-02.98	M 43 B 18	4
318 is	1,8	103	03.93-09.97	M 42 B 18	4
318 is	1,9	103	09.95-02.98	M 44 B 19	4
<b>3 (E46)</b>					
316 i	1,6	77	04.00-02.05	M 43 B 16	4
316 i	1,8	85	02.02-02.05	N 42 B 18	4
316 i	1,9	77	09.98-02.05	M43164E3	4
318 i	1,9	87	02.98-09.01	M 43 B 19	4
318 i	2,0	105	09.01-02.05	N 42 B 20	4
<b>3 Cabriolet (E30)</b>					
318 i	1,8	83	09.90-10.93	M 40 B 18 (Kat.)	4
320 i	2,0	95	04.86-08.88	M 20 B 20 (Motronic,Kat.)	6
320 i	2,0	95	09.88-10.93	M 20 B 20 (Motronic,Kat.)	6
325 i	2,5	125	09.87-10.93	M 20 B 25 (Kat.)	6
325 i	2,5	126	12.85-12.87	M 20 B 25	6

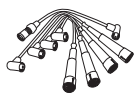




kW



<b>BMW</b>					
<b>3 Cabriolet (E30)</b>					
M3 2.3	2,3	143	06.88-06.91	S 14 B 23 (Kat)	4
<b>3 Cabriolet (E36)</b>					
318 i	1,8	85	01.94-04.99	M 43 B 18	4
<b>3 Cabriolet (E46)</b>					
318 Ci	2,0	105	09.01-	N 42 B 20	4
<b>3 Compact (E36)</b>					
316 g	1,6	75	12.95-08.00		4
316 i	1,6	75	03.94-08.00	M 43 B 16	4
316 i	1,9	77	12.98-08.00	M43164E3	4
318 ti	1,8	103	11.94-08.95	M 42 B 18	4
318 ti	1,9	103	07.95-08.00	M 44 B 19	4
<b>3 Compact (E46)</b>					
316 ti	1,8	85	06.01-	N 42 B 18	4
318 ti	2,0	105	09.01-02.05	N 42 B 20	4
<b>3 Coupe (E36)</b>					
316 i	1,6	75	09.93-04.99	M 43 B 16	4
318 is	1,8	103	08.93-10.95	M 42 B 18	4
318 is	1,9	103	09.95-04.99	M 44 B 19	4
<b>3 Coupe (E46)</b>					
316 Ci	1,6	77	04.00-	M 43 B 16	4
318 Ci	1,9	87	11.99-09.01	M 43 B 19	4
318 Ci	2,0	105	09.01-	N 42 B 20	4
<b>3 Touring (E30)</b>					
316 i	1,6	73	09.91-08.93	M 40 B 16 (Kat.)	4
318 i	1,8	83	04.89-06.94	M 40 B 18 (Kat.)	4
320 i	2,0	95	12.85-08.88	M 20 B 20 (L-Jetronic)/M 20 B 20 (Motronic,Kat.)	6
320 i	2,0	95	09.88-06.91	M 20 B 20 (L-Jetronic)/M 20 B 20 (Motronic,Kat.)	6
325 i	2,5	125	07.87-03.93	M 20 B 25 (Kat.)	6
325 i X	2,5	125	06.88-10.93	M 20 B 25 (Kat.)	6
<b>3 Touring (E36)</b>					
316 i	1,6	75	01.96-10.99	M 43 B 16	4
318 i	1,8	85	07.95-10.99	M 43 B 18	4
<b>3 Touring (E46)</b>					
316 i	1,8	85	03.02-	N 42 B 18	4
318 i	1,9	87	10.99-09.01	M 43 B 19	4
318 i	2,0	105	09.01-02.05	N 42 B 20	4
<b>5 (E12)</b>					
518	1,8	66	07.74-05.81	M 10 B 18	4
520	2,0	85	08.72-08.77	M 10 B 20 (Strombergvergaser)	4
520 i	2,0	92	10.75-05.77	M 10 B 20 (K-Jetronic)	4
520/6	2,0	90	09.77-05.81	M 20 B 20	6
525	2,5	110	08.76-05.81	M 30 B 25	6
<b>5 (E28)</b>					
520 i	2,0	92	06.81-12.86	M 20 B 20 (K-Jetronic)/M 20 B 20 (L-Jetronic)	6
520 i	2,0	92	01.87-12.87	M 20 B 20 (K-Jetronic)/M 20 B 20 (L-Jetronic)	6
520 i	2,0	95	08.85-12.86	M 20 B 20 (Motronic,Kat.)	6
520 i	2,0	95	01.87-12.87	M 20 B 20 (Motronic,Kat.)	6
525 e 2.7	2,7	90	09.81-12.86	M 20 B 27 (Kat)	6
525 e 2.7	2,7	90	01.87-12.87	M 20 B 27 (Kat)	6
525 e 2.7	2,7	92	05.83-12.86	M 20 B 27	6
525 e 2.7	2,7	92	01.87-12.87	M 20 B 27	6



Copper Cable  
Power Cable

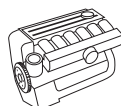


Zyl./Cyl./Cil.

				1	2	3	4	5	6	7	8
<b>ZEF 1399</b>	<b>CU</b>	○	○	○	○	○	○	●	●	●	●
<b>ZEF 1338</b>	<b>CU</b>	○	●	B 112 A	B 112 A	B 112 B	B 112 B	●	●	●	●
<b>ZEF 1338</b>	<b>CU</b>	○	●	B 112 A	B 112 A	B 112 B	B 112 B	●	●	●	●
<b>ZEF 1183</b>	<b>CU</b>	○	●	B 111 A	B 111 A	B 111 B	B 111 B	●	●	●	●
<b>ZEF 1183</b>	<b>CU</b>	○	●	B 111 A	B 111 A	B 111 B	B 111 B	●	●	●	●
<b>ZEF 1338</b>	<b>CU</b>	○	●	B 112 A	B 112 A	B 112 B	B 112 B	●	●	●	●
<b>ZEF 1182</b>	<b>CU</b>	○	●	B 110 D	B 110 B	B 110 A	B 110 C	●	●	●	●
<b>ZEF 1182</b>	<b>CU</b>	○	●	B 110 D	B 110 B	B 110 A	B 110 C	●	●	●	●
<b>ZEF 1338</b>	<b>CU</b>	○	●	B 112 A	B 112 A	B 112 B	B 112 B	●	●	●	●
<b>ZEF 1338</b>	<b>CU</b>	○	●	B 112 A	B 112 A	B 112 B	B 112 B	●	●	●	●
<b>ZEF 1183</b>	<b>CU</b>	○	●	B 111 A	B 111 A	B 111 B	B 111 B	●	●	●	●
<b>ZEF 1182</b>	<b>CU</b>	○	●	B 110 D	B 110 B	B 110 A	B 110 C	●	●	●	●
<b>ZEF 1182</b>	<b>CU</b>	○	●	B 110 D	B 110 B	B 110 A	B 110 C	●	●	●	●
<b>ZEF 1338</b>	<b>CU</b>	○	●	B 112 A	B 112 A	B 112 B	B 112 B	●	●	●	●
<b>ZEF 1338</b>	<b>CU</b>	○	●	B 112 A	B 112 A	B 112 B	B 112 B	●	●	●	●
<b>ZEF 1338</b>	<b>CU</b>	○	●	B 112 A	B 112 A	B 112 B	B 112 B	●	●	●	●
<b>ZEF 610</b>	<b>CU</b>	○	B 106 A	B 102 A	B 102 B	B 102 C	B 115 A/ B 102 D <sup>16</sup>	●	●	●	●
<b>ZEF 607</b>	<b>CU</b>	○	B 106 A	B 102 A	B 102 B	B 102 C	B 115 A/ B 102 D <sup>16</sup>	●	●	●	●
<b>ZE 738</b>	<b>CU</b>	○	B 107 A	B 104 B	B 104 B	B 104 C	B 104 C	B 104 C	B 104 D	●	●
<b>ZE 757</b>	<b>CU</b>	○	B 108 A	B 101 A	B 101 A	B 101 B	B 101 C	B 101 D	B 114 A/ B 101 D <sup>16</sup>	●	●
<b>ZE 757</b>	<b>CU</b>	○	B 108 A	B 101 A	B 101 A	B 101 B	B 101 C	B 101 D	B 114 A/ B 101 D <sup>16</sup>	●	●
<b>ZE 757</b>	<b>CU</b>	○	B 108 A	B 101 A	B 101 A	B 101 B	B 101 C	B 101 D	B 114 A/ B 101 D <sup>16</sup>	●	●
<b>ZEF 1183</b>	<b>CU</b>	○	●	B 111 A	B 111 A	B 111 B	B 111 B	●	●	●	●
<b>ZEF 1338</b>	<b>CU</b>	○	●	B 112 A	B 112 A	B 112 B	B 112 B	●	●	●	●
<b>ZEF 1338</b>	<b>CU</b>	○	●	B 112 A	B 112 A	B 112 B	B 112 B	●	●	●	●
<b>ZEF 1338</b>	<b>CU</b>	○	●	B 112 A	B 112 A	B 112 B	B 112 B	●	●	●	●
<b>ZEF 1338</b>	<b>CU</b>	○	●	B 112 A	B 112 A	B 112 B	B 112 B	●	●	●	●
<b>ZEF 467</b>	<b>CU</b>	○	B 107 A	B 104 A	B 104 A	B 104 A	B 104 B	●	●	●	●
<b>ZEF 405</b>	<b>CU</b>	○	<b>R 24</b>	B 103 B	B 103 B	B 103 C	B 103 C	●	●	●	●
<b>ZEF 467</b>	<b>CU</b>	○	B 107 A	B 104 A	B 104 A	B 104 A	B 104 B	●	●	●	●
<b>ZEF 493</b>	<b>CU</b>	○	○	○	○	○	○	○	○	●	●
○	<b>R</b>	○	<b>R 2</b>	<b>R 118</b>	<b>R 120</b>	<b>R 120</b>	<b>R 120</b>	<b>R 121</b>	<b>R 121</b>	●	●
<b>ZE 738</b>	<b>CU</b>	○	B 107 A	B 104 B	B 104 B	B 104 C	B 104 C	B 104 C	B 104 D	●	●
○	<b>CU</b>	○	B 108 A	B 101 A	B 101 A	B 101 B	B 101 B	B 101 D	B 101 D	●	●
<b>ZE 738</b>	<b>CU</b>	○	B 107 A	B 104 B	B 104 B	B 104 C	B 104 C	B 104 C	B 104 D	●	●
○	<b>CU</b>	○	B 108 A	B 101 A	B 101 A	B 101 B	B 101 B	B 101 D	B 101 D	●	●
<b>ZE 719</b>	<b>CU</b>	○	B 108 A	B 101 A	B 101 B	B 101 B	B 101 C	B 101 D	B 101 D	●	●
<b>ZE 757</b>	<b>CU</b>	○	B 108 A	B 101 A	B 101 A	B 101 B	B 101 C	B 101 D	B 114 A/ B 101 D <sup>16</sup>	●	●
<b>ZE 719</b>	<b>CU</b>	○	B 108 A	B 101 A	B 101 B	B 101 B	B 101 C	B 101 D	B 101 D	●	●
<b>ZE 757</b>	<b>CU</b>	○	B 108 A	B 101 A	B 101 A	B 101 B	B 101 C	B 101 D	B 114 A/ B 101 D <sup>16</sup>	●	●



kW



<b>BMW</b>					
<b>5 (E28)</b>					
525 e 2.7	2,7	95	12.84-12.86	M 20 B 27	6
525 e 2.7	2,7	95	01.87-12.87	M 20 B 27	6
525 i	2,5	110	06.81-12.87	M 30 B 25	6
528 i	2,8	135	06.81-12.87	M 30 B 28	6
535 i, M 535 i	3,5	136	01.85-12.87	M 30 B 35 (Motronic,Kat.)	6
535 i, M 535 i	3,5	141	01.85-12.87	M 30 B 35 (Motronic)	6
535 i, M535 i	3,5	160	01.85-12.87	M 30 B 35 (Motronic)	6
<b>5 (E34)</b>					
518 i	1,8	83	08.89-12.91	M 40 B 18 (Kat.)	4
518 i	1,8	83	01.92-04.94	M 40 B 18 (Kat.)	4
518 i	1,8	85	08.89-04.94	M 43 B 18	4
518 i	1,8	85	05.94-09.95	M 43 B 18	4
520 i	2,0	95	01.88-08.91	M 20 B 20 (Motronic,Kat.)	6
525 i	2,5	125	01.88-08.88	M 20 B 25 (Kat.)	6
525 i	2,5	125	09.88-08.91	M 20 B 25 (Kat.)	6
530 i	3,0	138	01.88-08.91	M 30 B 30 (Kat.)	6
535 i	3,5	155	01.88-09.95	M 30 B 35	6
<b>5 Touring (E34)</b>					
518 g	1,8	85	11.95-06.96	M 43 B 18	4
518 i	1,8	83	03.93-09.94	M 40 B 18 (Kat.)	4
518 i	1,8	85	09.94-01.97	M 43 B 18	4
<b>6 (E24)</b>					
628 Csi	2,8	135	09.79-08.87	M 30 B 28	6
630 CS	3,0	135	04.76-08.79	M 30 B 30	6
630 CS	3,0	136	04.76-08.79	M 30 B 30	6
633 CSi	3,2	145	07.79-12.83	M 30 B 32	6
633 CSi	3,2	145	01.84-08.84	M 30 B 32	6
635 CSi	3,5	136	01.85-05.89	M 30 B 35 (Kat)	6
635 CSi	3,5	141	04.85-09.90		6
635 CSi	3,5	155	08.87-05.89	M 30 B 35	6
635 CSi	3,5	160	06.78-12.83	M 30 B 35	6
635 CSi	3,5	160	01.84-08.88	M 30 B 35	6
<b>7 (E23)</b>					
728	2,8	125	05.77-07.78	M 30 B 28	6
728 i	2,8	135	07.78-08.86	M 30 B 28	6
730	3,0	135	05.77-08.79	M 30 B 30	6
732 i/733 i	3,2	145	05.77-12.83	M 30 B 32/M 30 B 32	6
732 i/733 i	3,2	145	01.84-08.86	M 30 B 32/M 30 B 32	6
735 i	3,5	160	09.80-12.83	M 30 B 35	6
735 i	3,5	160	01.84-08.86	M 30 B 35	6
745 i	3,2	185	04.80-04.83	M 30 B 32	6
<b>7 (E32)</b>					
730 i,iL	3,0	138	12.86-01.88	M 30 B 30 (Kat.)	6
730 i,iL	3,0	138	02.88-09.94	M 30 B 30 (Kat.)	6
730 i,iL	3,0	145	12.86-01.88	M 30 B 30	6
730 i,iL	3,0	145	02.88-09.94	M 30 B 30	6
735 i,iL	3,5	155	09.86-01.88	M 30 B 35	6
735 i,iL	3,5	155	02.88-09.92	M 30 B 35	6
735 i,iL	3,5	162	09.86-12.87	M 30 B 35	6
750 i,iL V12	5,0	220	09.87-09.94	M 70 B 50	12
<b>8 (E31)</b>					
850 i,Ci	5,0	220	04.90-10.94	M 70 B 50	12
850 Ci	5,4	240	09.94-12.99	M 73 B 54	12
850 CSi	5,6	280	12.94-12.96	M 70 B 56	12








kW



<b>BMW</b>					
<b>Z3</b>					
1.8	1,8	85	10.95-10.98	M 43 B 18	4
1.9	1,9	85	01.99-	M43194E1	4
1.9	1,9	87	07.98-	M 43 B 19/M43194E1	4
1.9	1,9	103	10.95-03.99	M 44 B 19	4
<b>BMW </b>					
<b>F 650 GS</b>					
650 GS	0,65	25	03.00-	-	1
650 GS	0,65	37	03.00-	-	1
<b>R 850 C</b>					
850 C	0,85	25-52	01.94-12.00	-	2
<b>R 850 GS</b>					
850 GS	0,85	25-52	01.94-12.00		2
<b>R 850 R</b>					
850 R	0,85	25-52	01.94-12.00		2
<b>R 850 RT</b>					
850 RT	0,85	25-52	01.94-12.00		2
<b>R 1100 GS</b>					
1100 GS	1,1	59-72	01.92-12.00		2
<b>R 1100 R</b>					
1100 R	1,1	59-72	01.92-12.00		2
<b>R 1100 RS</b>					
1100 RS	1,1	59-72	01.92-12.00		2
<b>R 1100 RT</b>					
1100 RT	1,1	59-72	01.92-12.00		2
<b>R 1100 S</b>					
1100 S	1,1	59-72	01.92-12.00		2
<b>R 1150 GS</b>					
1150 GS	1,15	63	01.98-12.00		2
<b>R 1200 C</b>					
1200 C	1,2	45	01.96-		2
<b>CHEVROLET</b>					
<b>AVEO</b>					
1.2	1,2	53	03.06-	F12S3	4
1.4	1,4	69	03.06-	F14D3	4
1.4	1,4	74	04.08-	F14D4	4
<b>KALOS</b>					
1.2	1,2	53	03.05-	B12S1	4
1.4 16V	1,4	69	03.05-	F14D3	4
<b>MATIZ</b>					
1.0	1,0	47	03.05-	B10S	4
1.0	1,0	49	03.05-	B10S1	4
<b>CHRYSLER</b>					
<b>CROSSFIRE</b>					
3.2	3,2	160	07.03-	EGX	6
<b>CROSSFIRE Roadster</b>					
3.2	3199	160	05.04-	EGX	6
<b>LE BARON</b>					
3.0 i V6	3,0	105	01.90-12.94	6V	6
<b>LE BARON Cabriolet</b>					
3.0 i V6	3,0	105	01.90-12.96	6G72	6
<b>NEON</b>					
1.8 16V	1,8	85	09.97-08.99		4
<b>NEON</b>					
2.0 16V	2,0	98	05.94-08.99	420H	4
<b>NEW YORKER</b>					
3.5 i 24V	3,5	155	04.93-09.98	F01	6
<b>PT CRUISER</b>					
2.0	2,0	104	06.00-	ECC	4



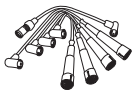
= DIN



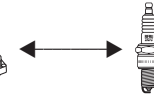
= M4



= SAE



Copper Cable  
Power Cable

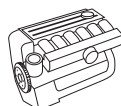


Zyl./Cyl./Cil.

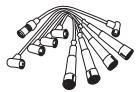
				1	2	3	4	5	6	7	8
<b>ZEF 1338</b>	<b>CU</b>	○	●	B 112 A	B 112 A	B 112 B	B 112 B	●	●	●	●
<b>ZEF 1338</b>	<b>CU</b>	○	●	B 112 A	B 112 A	B 112 B	B 112 B	●	●	●	●
<b>ZEF 1338</b>	<b>CU</b>	○	●	B 112 A	B 112 A	B 112 B	B 112 B	●	●	●	●
<b>ZEF 1182</b>	<b>CU</b>	○	●	B 110 D	B 110 B	B 110 A	B 110 C	●	●	●	●
●	<b>CU</b>	○	ZE 115	●	●	●	●	●	●	●	●
●	<b>CU</b>	○	ZE 115	●	●	●	●	●	●	●	●
●	<b>CU</b>	○	●	ZE 116	ZE 116	●	●	●	●	●	●
●	<b>CU</b>	○	●	ZE 116	ZE 116	●	●	●	●	●	●
●	<b>CU</b>	○	●	ZE 116	ZE 116	●	●	●	●	●	●
●	<b>CU</b>	○	●	ZE 116	ZE 116	●	●	●	●	●	●
●	<b>CU</b>	○	●	ZE 116	ZE 116	●	●	●	●	●	●
●	<b>CU</b>	○	●	ZE 116	ZE 116	●	●	●	●	●	●
●	<b>CU</b>	○	●	ZE 116	ZE 116	●	●	●	●	●	●
●	<b>CU</b>	○	●	ZE 116	ZE 116	●	●	●	●	●	●
●	<b>CU</b>	○	●	ZE 116	ZE 116	●	●	●	●	●	●
●	<b>CU</b>	○	●	ZE 116	ZE 116	●	●	●	●	●	●
●	<b>CU</b>	○	●	ZE 116	ZE 116	●	●	●	●	●	●
<b>ZEF 1608</b>	<b>R</b>	○	●	○	○	○	○	●	●	●	●
<b>ZEF 1609</b>	<b>R</b>	○	●	○	○	○	○	●	●	●	●
<b>ZEF 1609</b>	<b>R</b>	○	●	○	○	○	○	●	●	●	●
<b>ZEF 1608</b>	<b>R</b>	○	●	○	○	○	○	●	●	●	●
<b>ZEF 1609</b>	<b>R</b>	○	●	○	○	○	○	●	●	●	●
<b>ZEF 1608</b>	<b>R</b>	○	●	○	○	○	○	●	●	●	●
<b>ZEF 1608</b>	<b>R</b>	○	●	○	○	○	○	●	●	●	●
<b>ZEF 1442</b>	<b>CU</b>	○	●	2x M 120 A	2x M 120 A	2x M 120 A	2x M 120 A	2x M 120 A	2x M 120 A	●	●
<b>ZEF 1442</b>	<b>CU</b>	○	●	2x M 120 A	2x M 120 A	2x M 120 A	2x M 120 A	2x M 120 A	2x M 120 A	●	●
○	<b>R</b>	○	<b>R 5</b>	<b>R 8</b>	<b>R 8</b>	<b>R 11</b>	<b>R 11</b>	<b>R 12</b>	<b>R 13</b>	●	●
○	<b>R</b>	○	<b>R 5</b>	<b>R 8</b>	<b>R 8</b>	<b>R 11</b>	<b>R 11</b>	<b>R 12</b>	<b>R 13</b>	●	●
<b>ZEF 1227</b>	<b>R</b>	○	●	○	○	○	○	●	●	●	●
<b>ZEF 1227</b>	<b>R</b>	○	●	○	○	○	○	●	●	●	●
<b>ZEF 1409</b>	<b>R</b>	○	○	○	○	○	○	○	○	●	●
<b>ZEF 1327</b>	<b>R</b>	○	●	○	○	○	○	●	●	●	●



kW



<b>CHRYSLER</b>					
<b>PT CRUISER</b>					
2.4	2,4	110	06.00-	EDZ	4
<b>SARATOGA</b>					
3.0	3,0	105	09.89-12.95	6G72	6
<b>VOYAGER I</b>					
3.3 i, AWD	3,3	110	08.90-09.95	EGA	6
3.3 i, AWD	3,3	120	08.90-09.95	R00	6
<b>VOYAGER II</b>					
2.4 i	2,4	111	01.95-03.01	B00	4
3.3 i	3,3	116	01.95-03.01	R00	6
3.8 i, AWD	3,8	122	01.95-03.01	L00	6
3.8 i, AWD	3,8	131	01.95-03.01		6
<b>VOYAGER III</b>					
3.3, AWD	3301	128	02.00-	EGA	6
3.8, AWD	3778	160	02.00-		6
<b>CITROËN</b>					
<b>2 CV</b>					
4	0,5	17	01.70-12.75	A79/1 (AYA2)	2
6	0,6	18	09.75-06.81	M28/1 (AK2)	2
6	0,6	20	08.79-12.82	A06/664	2
6	0,6	20	01.83-07.90	A06/664	2
6	0,6	21	02.70-12.82	A06/635/A06/664	2
6	0,6	21	01.83-10.85	A06/635/A06/664	2
<b>AMI, Break</b>					
6	0,6	24	03.69-07.69	M28 (AM2)	2
8	0,6	24	07.69-12.77	M28 (AM2)	2
<b>AX</b>					
1.3 Sport	1,3	70	04.87-12.88	M4A	4
1.4 GTi	1,4	66	01.92-12.96	KFY (TU3FJ2)	4
1.4 GTi	1,4	69	01.92-12.96	KFZ (TU3FJ2)	4
10 E	1,0	30	12.86-12.88	C3A	4
10	1,0	32	09.86-06.92	C1A	4
10	1,0	33	07.86-12.91	CDY (TU9M)	4
10	1,0	33	01.92-12.98	CDY (TU9M)	4
10	1,0	37	07.92-12.92	CDZ (TU9M)	4
10	1,0	37	01.93-12.98	CDZ (TU9M)	4
11	1,1	40	12.86-04.94	H1B	4
11 KAT	1,1	40	09.88-12.89	HAZ (TU1CP)	4
11 4x4	1,1	40	06.91-07.92	H1A	4
11	1,1	44	10.89-12.91	H1B/HDZ (TU1M)	4
11	1,1	44	01.92-12.97	H1B/HDZ (TU1M)	4
14	1,4	44	12.86-12.88	KAY (TU3CP)	4
14	1,4	49	06.88-12.89	K1F	4
14, 4x4	1,4	55	04.87-12.92	KDX (TU3M/Z)/KDY (TU3FM)/KDY (TU3M)/ KDZ (TU3M/Z)	4
14, 4x4	1,4	55	01.93-04.97	KDX (TU3M/Z)/KDY (TU3FM)/KDY (TU3M)/ KDZ (TU3M/Z)	4
14	1,4	62	01.88-12.92	K2A/K2B	4
<b>AXEL</b>					
11	1,1	42	01.84-03.91	G11/631	4
11	1,1	45	01.84-03.91		4
<b>BERLINGO</b>					
1.1 i	1,1	44	07.96-	HDZ (TU1M)/HFX (TU1JP)	4
1.4 i	1,4	55	07.96-	KFW (TU3JP)/KFX (TU3JP)	4
1.8 i	1,8	66	05.97-	LFX (XU7JB)	4
<b>BX, Break</b>					
14 E	1,4	45	10.82-12.84	150A	4
14 E	1,4	45	01.85-06.88	150A	4
14	1,4	47	01.89-12.89	K1H (TU3A)	4
14 E	1,4	49	09.85-02.93	150F	4
14 E	1,4	52	04.83-12.84	150C	4



Copper Cable  
Power Cable

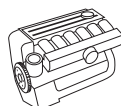


Zyl./Cyl./Cil.

				1	2	3	4	5	6	7	8
<b>ZEF 1327</b>	<b>R</b>	○	●	○	○	○	○	●	●	●	●
○	<b>R</b>	○	<b>R 5</b>	<b>R 116</b>	<b>R 116</b>	<b>R 117</b>	<b>R 117</b>	<b>R 118</b>	<b>R 118</b>	●	●
<b>ZEF 1409</b>	<b>R</b>	○	○	○	○	○	○	○	○	●	●
<b>ZEF 1409</b>	<b>R</b>	○	○	○	○	○	○	○	○	●	●
<b>ZEF 1340</b>	<b>R</b>	○	○	○	○	○	○	●	●	●	●
<b>ZEF 1409</b>	<b>R</b>	○	○	○	○	○	○	○	○	●	●
<b>ZEF 1409</b>	<b>R</b>	○	○	○	○	○	○	○	○	●	●
<b>ZEF 1409</b>	<b>R</b>	○	○	○	○	○	○	○	○	●	●
<b>ZEF 1545</b>	<b>R</b>	○	●	○	○	○	○	○	○	●	●
<b>ZEF 1545</b>	<b>R</b>	○	●	○	○	○	○	○	○	●	●
<b>ZEF 742</b>	<b>R</b>	<b>C 5</b>	●	<b>R 26</b>	<b>R 26</b>	●	●	●	●	●	●
<b>ZEF 739</b>	<b>R</b>	<b>C 5</b>	●	<b>R 25</b>	<b>R 26</b>	●	●	●	●	●	●
<b>ZEF 739</b>	<b>R</b>	<b>C 5</b>	●	<b>R 25</b>	<b>R 26</b>	●	●	●	●	●	●
<b>ZEF 742</b>	<b>R</b>	<b>C 5</b>	●	<b>R 26</b>	<b>R 26</b>	●	●	●	●	●	●
<b>ZEF 739</b>	<b>R</b>	<b>C 5</b>	●	<b>R 25</b>	<b>R 26</b>	●	●	●	●	●	●
<b>ZEF 742</b>	<b>R</b>	<b>C 5</b>	●	<b>R 26</b>	<b>R 26</b>	●	●	●	●	●	●
<b>ZEF 739</b>	<b>R</b>	<b>C 5</b>	●	<b>R 25</b>	<b>R 26</b>	●	●	●	●	●	●
<b>ZEF 739</b>	<b>R</b>	<b>C 5</b>	●	<b>R 25</b>	<b>R 26</b>	●	●	●	●	●	●
<b>ZEF 756</b>	<b>R</b>	<b>C 2</b>	<b>R 111 (S)</b>	<b>R 128</b>	<b>R 128</b>	<b>R 129</b>	<b>R 129</b>	●	●	●	●
<b>ZEF 813</b>	<b>R</b>	<b>C 23</b>	●	<b>R 144</b>	<b>R 144</b>	<b>R 145</b>	<b>R 145</b>	●	●	●	●
<b>ZEF 813</b>	<b>R</b>	<b>C 23</b>	●	<b>R 144</b>	<b>R 144</b>	<b>R 145</b>	<b>R 145</b>	●	●	●	●
<b>ZEF 756</b>	<b>R</b>	<b>C 2</b>	<b>R 111 (S)</b>	<b>R 128</b>	<b>R 128</b>	<b>R 129</b>	<b>R 129</b>	●	●	●	●
<b>ZEF 756</b>	<b>R</b>	<b>C 2</b>	<b>R 111 (S)</b>	<b>R 128</b>	<b>R 128</b>	<b>R 129</b>	<b>R 129</b>	●	●	●	●
<b>ZEF 756</b>	<b>R</b>	<b>C 2</b>	<b>R 111 (S)</b>	<b>R 128</b>	<b>R 128</b>	<b>R 129</b>	<b>R 129</b>	●	●	●	●
<b>ZEF 756</b>	<b>R</b>	<b>C 2</b>	<b>R 111 (S)</b>	<b>R 128</b>	<b>R 128</b>	<b>R 129</b>	<b>R 129</b>	●	●	●	●
<b>ZEF 756</b>	<b>R</b>	<b>C 2</b>	<b>R 111 (S)</b>	<b>R 128</b>	<b>R 128</b>	<b>R 129</b>	<b>R 129</b>	●	●	●	●
<b>ZEF 756</b>	<b>R</b>	<b>C 2</b>	<b>R 111 (S)</b>	<b>R 128</b>	<b>R 128</b>	<b>R 129</b>	<b>R 129</b>	●	●	●	●
<b>ZEF 756</b>	<b>R</b>	<b>C 2</b>	<b>R 111 (S)</b>	<b>R 128</b>	<b>R 128</b>	<b>R 129</b>	<b>R 129</b>	●	●	●	●
<b>ZEF 756</b>	<b>R</b>	<b>C 2</b>	<b>R 111 (S)</b>	<b>R 128</b>	<b>R 128</b>	<b>R 129</b>	<b>R 129</b>	●	●	●	●
<b>ZEF 813</b>	<b>R</b>	<b>C 23</b>	●	<b>R 144</b>	<b>R 144</b>	<b>R 145</b>	<b>R 145</b>	●	●	●	●
<b>ZEF 756</b>	<b>R</b>	<b>C 2</b>	<b>R 111 (S)</b>	<b>R 128</b>	<b>R 128</b>	<b>R 129</b>	<b>R 129</b>	●	●	●	●
<b>ZEF 740</b>	<b>R</b>	○	<b>R 5</b>	<b>R 116</b>	<b>R 119</b>	<b>R 121</b>	<b>R 122</b>	●	●	●	●
<b>ZEF 740</b>	<b>R</b>	○	<b>R 5</b>	<b>R 116</b>	<b>R 119</b>	<b>R 121</b>	<b>R 122</b>	●	●	●	●
<b>ZEF 813</b>	<b>R</b>	<b>C 23</b>	●	<b>R 144</b>	<b>R 144</b>	<b>R 145</b>	<b>R 145</b>	●	●	●	●
<b>ZEF 813</b>	<b>R</b>	<b>C 23</b>	●	<b>R 144</b>	<b>R 144</b>	<b>R 145</b>	<b>R 145</b>	●	●	●	●
<b>ZEF 793</b>	<b>R</b>	<b>C 24</b>	●	<b>R 142</b>	<b>R 142</b>	<b>R 143</b>	<b>R 143</b>	●	●	●	●
<b>ZEF 763</b>	<b>R</b>	<b>C 1</b>	<b>R 18</b>	<b>R 133</b>	<b>R 133</b>	<b>R 132</b>	<b>R 132</b>	●	●	●	●
<b>ZEF 756</b>	<b>R</b>	<b>C 2</b>	<b>R 111 (S)</b>	<b>R 128</b>	<b>R 128</b>	<b>R 129</b>	<b>R 129</b>	●	●	●	●
<b>ZEF 756</b>	<b>R</b>	<b>C 2</b>	<b>R 111 (S)</b>	<b>R 128</b>	<b>R 128</b>	<b>R 129</b>	<b>R 129</b>	●	●	●	●
<b>ZEF 756</b>	<b>R</b>	<b>C 2</b>	<b>R 111 (S)</b>	<b>R 128</b>	<b>R 128</b>	<b>R 129</b>	<b>R 129</b>	●	●	●	●
<b>ZEF 763</b>	<b>R</b>	<b>C 1</b>	<b>R 18</b>	<b>R 133</b>	<b>R 133</b>	<b>R 132</b>	<b>R 132</b>	●	●	●	●



kw



<b>CITROËN</b>					
<b>BX, Break</b>					
14 E	1,4	52	01.85-07.89	150C	4
14 E	1,4	53	04.83-03.88	150C	4
14 E	1,4	53	04.88-02.93	150C	4
14	1,4	55	01.89-02.93	KDY (TU3M)	4
14 E	1,4	59	10.85-05.89		4
16	1,6	53	09.87-03.88	B1E (XU51C)	4
16	1,6	53	04.88-02.93	B1E (XU51C)	4
16	1,6	53	09.88-12.94	B1E (XU51C)	4
16	1,6	64	07.85-04.88	171D	4
16	1,6	64	05.88-02.93	171D	4
16	1,6	65	05.89-12.94	BDY (XU5M)/BDZ (XU5M)	4
16 E	1,6	65	05.89-02.93	BDY (XU5M)/BDZ (XU5M)	4
16	1,6	66	10.82-06.88	171A/171B/171C	4
16	1,6	76	03.86-02.93	180Z	4
19	1,9	70	09.86-11.89	D2C (XU92C)	4
19	1,9	75	07.86-05.89	159A	4
19 E	1,9	80	06.88-02.93	DDZ (XU9M)	4
19 E 4x4	1,9	80	04.89-02.93	D2F	4
19 Gti, 4x4	1,9	88	06.88-02.93	DKZ (XU9JA)	4
19 GTi	1,9	90	07.86-02.93	D6A (XU9J2)	4
19 GTi 16V	1,9	108	03.88-02.93	DFW (XU9J4)	4
19 GTi 16V	1,9	116	09.87-12.88	D6C (XU9J4)	4
<b>C3</b>					
1.1 i	1,1	44	02.02-	HFX (TU1JP)	4
1.4 i Bivalent	1,4	54	02.02-	KFV (TU3JP)	4
1.6 16V	1,6	80	02.02-	NFU (TU5JP4)	4
<b>C3 Pluriel</b>					
1.6	1,6	80	05.03-	NFU (TU5JP4)	4
<b>C15</b>					
1.1	1,1	35	10.84-07.88	109K/E1A	4
1.1 i	1,1	44	07.88-12.96	HDZ (TU1M)	4
1.4	1,4	49	08.88-12.96	K1H (TU3A)	4
<b>C25</b>					
1.8 E	1,8	51	07.87-02.94	169 (XM7T)	4
2.0 E	2,0	58	09.81-12.84	170A (XN1T)/170B (XN1T)	4
<b>CX I, Break</b>					
2000	2,0	78	06.79-08.85	829 A5	4
2400 GTi	2,4	94	06.77-06.83	M23-622	4
2400 GTi	2,4	96	06.77-06.82	M23-622	4
<b>CX II, Break</b>					
20	2,0	78	08.85-08.86	829 A5	4
20 RE	2,0	78	08.85-12.92	829 A5	4
22 TRS	2,2	83	07.85-12.92	J6T A500	4
25 TRi	2,5	100	08.85-12.92	M25-659	4
<b>DYANE</b>					
6	0,6	21	08.80-10.84	M28 (AM2)	2
6	0,6	24	05.72-12.80	M28/1 (AK2)	2
<b>EVASION</b>					
2.0	2,0	89	06.94-07.02	RFU (XU10J2/C)	4
2.0 Turbo C.T.	2,0	108	06.94-07.02	RGX (XU10J2TE)	4
<b>GS, Break</b>					
1.1	1,1	40	09.77-06.80	G11/631	4
1.1	1,1	42	09.77-07.81	G11/631	4
A Spezial	1,1	42	07.80-05.82	G11/631	4
A 1.3	1,3	48	09.79-07.86	G13/625/G13/646	4
<b>JUMPER</b>					
2.0 , 4x4	2,0	80	03.94-04.02	RFW (XU10J2U)	4
<b>JUMPY</b>					
1.6	1,6	58	10.95-	1580 SPI/220 A2.000	4
<b>LNA</b>					
0.6	0,6	25	07.82-04.85	V06 644	2



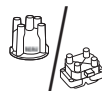
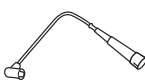
= DIN

= M4

= SAE



Copper Cable  
Power Cable



Zyl./Cyl./Cil.

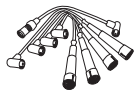
				1	2	3	4	5	6	7	8
ZEF 756	R	C 2	R 111 (S)	R 128	R 128	R 129	R 129	●	●	●	●
ZEF 788	R	C 9	R 18	R 39	R 37	R 52	R 52	●	●	●	●
ZEF 790	R	C 21	R 115 (S)	R 325	R 326	R 326	R 327	●	●	●	●
ZEF 756	R	C 2	R 111 (S)	R 128	R 128	R 129	R 129	●	●	●	●
ZEF 756	R	C 2	R 111 (S)	R 128	R 128	R 129	R 129	●	●	●	●
ZEF 745	R	C 9	R 34	R 38	R 39	R 37	R 52	●	●	●	●
ZEF 790	R	C 21	R 115 (S)	R 325	R 326	R 326	R 327	●	●	●	●
ZEF 788	R	C 9	R 18	R 39	R 37	R 52	R 52	●	●	●	●
ZEF 745	R	C 9	R 34	R 38	R 39	R 37	R 52	●	●	●	●
ZEF 790	R	C 21	R 115 (S)	R 325	R 326	R 326	R 327	●	●	●	●
ZEF 790	R	C 21	R 115 (S)	R 325	R 326	R 327	R 326	●	●	●	●
ZEF 790	R	C 21	R 115 (S)	R 325	R 326	R 326	R 327	●	●	●	●
ZEF 743	R	○	R 18	R 39	R 37	R 52	R 52	●	●	●	●
ZEF 745	R	C 9	R 34	R 38	R 39	R 37	R 52	●	●	●	●
ZEF 788	R	C 9	R 18	R 39	R 37	R 52	R 52	●	●	●	●
○	R	○	R 2	R 3	R 1	R 8	R 13	●	●	●	●
ZEF 790	R	C 21	R 115 (S)	R 325	R 326	R 326	R 327	●	●	●	●
○	R	○	R 5	R 8	R 12	R 12	R 14	●	●	●	●
ZEF 788	R	C 9	R 18	R 39	R 37	R 52	R 52	●	●	●	●
○	R	○	R 117	R 53	R 42	R 42	R 44	●	●	●	●
ZEF 1256	R	○	○	○	○	○	○	●	●	●	●
ZEF 1256	R	○	○	○	○	○	○	●	●	●	●
ZEF 795	R	C 23	●	R 144	R 144	R 145	R 145	●	●	●	●
ZEF 795	R	C 23	●	R 144	R 144	R 145	R 145	●	●	●	●
ZEF 795	R	C 23	●	R 144	R 144	R 145	R 145	●	●	●	●
ZEF 795	R	C 23	●	R 144	R 144	R 145	R 145	●	●	●	●
ZEF 763	R	C 1	R 18	R 133	R 133	R 132	R 132	●	●	●	●
ZEF 756	R	C 2	R 111 (S)	R 128	R 128	R 129	R 129	●	●	●	●
ZEF 756	R	C 2	R 111 (S)	R 128	R 128	R 129	R 129	●	●	●	●
ZEF 755	R	○	R 18	R 3	R 6	R 9	R 29	●	●	●	●
ZEF 751	R	○	R 17	R 48	R 49	R 49	R 50	●	●	●	●
ZEF 744	R	○	R 18	R 61	R 61	R 61	R 70	●	●	●	●
○	R	○	R 54	R 12	R 8	R 13	R 28	●	●	●	●
○	R	○	R 54	R 12	R 8	R 13	R 28	●	●	●	●
○	R	○	R 24	R 24	R 24	R 70	R 70	●	●	●	●
○	R	○	R 24	R 61	R 61	R 70	R 70	●	●	●	●
ZEF 744	R	○	R 18	R 61	R 61	R 61	R 70	●	●	●	●
ZEF 744	R	○	R 18	R 61	R 61	R 61	R 70	●	●	●	●
ZEF 739	R	C 5	●	R 25	R 26	●	●	●	●	●	●
ZEF 739	R	C 5	●	R 25	R 26	●	●	●	●	●	●
ZEF 1044	R	C 22	●	R 57	R 58	R 60	R 30	●	●	●	●
ZEF 1044	R	C 22	●	R 57	R 58	R 60	R 30	●	●	●	●
ZEF 740	R	○	R 5	R 116	R 119	R 121	R 122	●	●	●	●
ZEF 740	R	○	R 5	R 116	R 119	R 121	R 122	●	●	●	●
ZEF 740	R	○	R 5	R 116	R 119	R 121	R 122	●	●	●	●
ZEF 740	R	○	R 5	R 116	R 119	R 121	R 122	●	●	●	●
ZEF 793	R	C 24	●	R 142	R 142	R 143	R 143	●	●	●	●
ZEF 793	R	C 24	●	R 142	R 142	R 143	R 143	●	●	●	●
○	R	○	●	R 113 (S)	R 69	●	●	●	●	●	●



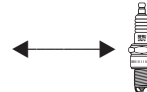
kw



<b>CITROËN</b>					
<b>LNA</b>					
0.6	0,6	26	11.78-07.82	V06 630	2
1.1	1,1	37	07.82-04.85	109/5E	4
<b>SAXO</b>					
1.0 X	1,0	33	05.96-	CDZ (TU9M)	4
1.1 X,SX	1,1	40	05.96-	HDZ (TU1M)	4
1.1 X,SX	1,1	44	05.96-	HDZ (TU1M)/HFX (TU1JP)	4
1.4 VTS	1,4	55	05.96-	KFW (TU3JP)/KFX (TU3JP)	4
1.6 VTL,VTR	1,6	65	05.96-	NFZ (TU5JP)	4
<b>VISA</b>					
0.6	0,6	24	07.82-03.91	V06/665	2
0.6	0,6	25	09.78-06.88	V06 630/V06 644	2
11 E	1,1	35	01.83-06.88	109K	4
11 E	1,1	37	07.82-03.91	109/5F	4
11 E	1,1	42	09.78-03.91	109/5	4
14	1,4	44	07.84-03.91	150D (XY7)	4
14 GT	1,4	58	03.82-03.91	150B (XY8)	4
16 GTI	1,6	76	01.85-06.86	180A (XU5J)	4
II Super X	1,2	47	07.80-06.82	129/5	4
<b>VISA Cabriolet</b>					
11 RE	1,1	37	03.83-10.88	109/5F	4
<b>XANTIA, Break</b>					
1.6 i	1,6	65	03.93-01.98	BFZ (XU5JP)	4
1.8 i	1,8	66	04.97-01.98	LFX (XU7JB)	4
1.8 i	1,8	74	03.93-01.98	LFZ (XU7JP)	4
1.8 i 16V	1,8	81	06.95-01.98	LFY (XU7JP4)	4
2.0 i	2,0	89	03.93-01.98	RFX (XU10J2C)	4
2.0 i 16V	2,0	97	06.95-01.98	RFV (XU10J4R)	4
2.0 Turbo	2,0	108	06.95-01.98	RGX (XU10J2TE)	4
2.0 i 16V	2,0	110	06.94-01.98	RFT (XU10J4/Z)	4
2.0 i 16V	2,0	112	03.93-01.98	RFY (XU10J4/Z)	4
<b>XM, Break</b>					
2.0 i	2,0	79	11.91-04.94	XU102C	4
2.0 i	2,0	89	05.89-06.94	RFZ (XU10J2)	4
2.0 i 16V	2,0	97	05.94-10.00	RFV (XU10J4R)	4
2.0 Turbo	2,0	104	09.92-06.94	RGY (XU10J2TE/Z)	4
2.0 Turbo	2,0	108	05.94-10.00	RGX (XU10J2TE)	4
3.0 V6	3,0	123	05.89-10.00	SFZ (ZPJ/Z)/UFZ (ZPJ/Z)	6
<b>XSARA, Break</b>					
1.4 i	1,4	55	04.97-03.05	KFW (TU3JP)/KFX (TU3JP)	4
1.8 i	1,8	66	04.97-09.00	LFX (XU7JB)	4
1.8 i Aut.	1,8	74	04.97-09.00	LFZ (XU7JP)	4
1.8 i 16V	1,8	81	10.97-09.00	LFY (XU7JP4)	4
<b>XSARA Coupe</b>					
1.4 i	1,4	55	03.98-03.05	KFW (TU3JP)/KFX (TU3JP)	4
1.8 i	1,8	66	02.98-09.00	LFX (XU7JB)	4
1.8 i 16V	1,8	81	02.98-09.00	LFY (XU7JP4)	4
<b>ZX, Break</b>					
1.1	1,1	44	03.91-06.97	HDZ (TU1M)	4
1.4	1,4	55	03.91-06.97	KDZ (TU3M/Z)	4
1.4 i	1,4	55	07.94-06.97	KDX (TU3M/Z)/KDZ (TU3M/Z)/KFX (TU3JP)	4
1.4 i	1,4	55	07.94-10.97	KDY (TU3M)/KFX (TU3JP)	4
1.6 i	1,6	65	03.91-10.97	BDY (XU5M)/BFZ (XU5JP)	4
1.8 i	1,8	74	07.92-10.97	LFZ (XU7JP)	4
1.8 i 16V	1,8	81	01.96-02.98	LFY (XU7JP4)	4
1.9 i	1,9	88	03.91-06.97	DKZ (XU9JA)	4
2.0 i	2,0	89	07.92-06.97	RFX (XU10J2C)	4
2.0 i 16V	2,0	110	06.94-06.97	RFT (XU10J4/Z)	4
2.0 i 16V	2,0	112	07.92-10.94	RFT (XU10J4/Z)/RFY (XU10J4/Z)	4



Copper Cable  
Power Cable



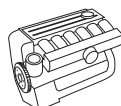
Zyl./Cyl./Cil.

				1	2	3	4	5	6	7	8
○	R	○	●	R 113 (S)	R 69	●	●	●	●	●	●
<b>ZEF 763</b>	R	<b>C 1</b>	R 18	R 133	R 133	R 132	R 132	●	●	●	●
<b>ZEF 813</b>	R	<b>C 23</b>	●	R 144	R 144	R 145	R 145	●	●	●	●
<b>ZEF 813</b>	R	<b>C 23</b>	●	R 144	R 144	R 145	R 145	●	●	●	●
<b>ZEF 813</b>	R	<b>C 23</b>	●	R 144	R 144	R 145	R 145	●	●	●	●
<b>ZEF 813</b>	R	<b>C 23</b>	●	R 144	R 144	R 145	R 145	●	●	●	●
<b>ZEF 813</b>	R	<b>C 23</b>	●	R 144	R 144	R 145	R 145	●	●	●	●
<b>ZEF 741</b>	R	○	●	R 112 (S)	R 113 (S)	●	●	●	●	●	●
<b>ZEF 741</b>	R	○	●	R 112 (S)	R 113 (S)	●	●	●	●	●	●
○	R	○	R 5	R 132	R 133	R 133	R 133	●	●	●	●
○	R	○	R 5	R 132	R 133	R 133	R 133	●	●	●	●
○	R	○	R 2	R 39	R 39	R 52	R 65	●	●	●	●
○	R	○	R 5	R 132	R 133	R 133	R 133	●	●	●	●
○	R	○	R 5	R 132	R 133	R 133	R 133	●	●	●	●
○	R	○	R 18	R 39	R 37	R 52	R 52	●	●	●	●
○	R	○	R 2	R 39	R 39	R 52	R 65	●	●	●	●
○	R	○	R 2	R 39	R 39	R 52	R 65	●	●	●	●
<b>ZEF 793</b>	R	<b>C 24</b>	●	R 142	R 142	R 143	R 143	●	●	●	●
<b>ZEF 793</b>	R	<b>C 24</b>	●	R 142	R 142	R 143	R 143	●	●	●	●
<b>ZEF 793</b>	R	<b>C 24</b>	●	R 142	R 142	R 143	R 143	●	●	●	●
<b>ZEF 793</b>	R	<b>C 24</b>	●	R 142	R 142	R 143	R 143	●	●	●	●
<b>ZEF 1044</b>	R	<b>C 22</b>	●	R 57	R 58	R 60	R 30	●	●	●	●
<b>ZEF 1044</b>	R	<b>C 22</b>	●	R 57	R 58	R 60	R 30	●	●	●	●
<b>ZEF 1044</b>	R	<b>C 22</b>	●	R 57	R 58	R 60	R 30	●	●	●	●
<b>ZEF 1044</b>	R	<b>C 22</b>	●	R 57	R 58	R 60	R 30	●	●	●	●
<b>ZEF 1044</b>	R	<b>C 22</b>	●	R 57	R 58	R 60	R 30	●	●	●	●
<b>ZEF 792</b>	R	○	R 44	R 53	R 42	R 44	R 45	●	●	●	●
<b>ZEF 792</b>	R	○	R 44	R 53	R 42	R 44	R 45	●	●	●	●
<b>ZEF 1044</b>	R	<b>C 22</b>	●	R 57	R 58	R 60	R 30	●	●	●	●
<b>ZEF 1044</b>	R	<b>C 22</b>	●	R 57	R 58	R 60	R 30	●	●	●	●
<b>ZEF 1044</b>	R	<b>C 22</b>	●	R 57	R 58	R 60	R 30	●	●	●	●
<b>ZEF 1164</b>	R	○	○	○	○	○	○	○	○	●	●
<b>ZEF 813</b>	R	<b>C 23</b>	●	R 144	R 144	R 145	R 145	●	●	●	●
<b>ZEF 793</b>	R	<b>C 24</b>	●	R 142	R 142	R 143	R 143	●	●	●	●
<b>ZEF 793</b>	R	<b>C 24</b>	●	R 142	R 142	R 143	R 143	●	●	●	●
<b>ZEF 793</b>	R	<b>C 24</b>	●	R 142	R 142	R 143	R 143	●	●	●	●
<b>ZEF 813</b>	R	<b>C 23</b>	●	R 144	R 144	R 145	R 145	●	●	●	●
<b>ZEF 793</b>	R	<b>C 24</b>	●	R 142	R 142	R 143	R 143	●	●	●	●
<b>ZEF 793</b>	R	<b>C 24</b>	●	R 142	R 142	R 143	R 143	●	●	●	●
<b>ZEF 756</b>	R	<b>C 2</b>	R 111 (S)	R 128	R 128	R 129	R 129	●	●	●	●
<b>ZEF 756</b>	R	<b>C 2</b>	R 111 (S)	R 128	R 128	R 129	R 129	●	●	●	●
<b>ZEF 813</b>	R	<b>C 23</b>	●	R 144	R 144	R 145	R 145	●	●	●	●
<b>ZEF 813</b>	R	<b>C 23</b>	●	R 144	R 144	R 145	R 145	●	●	●	●
<b>ZEF 793</b>	R	<b>C 24</b>	●	R 142	R 142	R 143	R 143	●	●	●	●
<b>ZEF 793</b>	R	<b>C 24</b>	●	R 142	R 142	R 143	R 143	●	●	●	●
<b>ZEF 793</b>	R	<b>C 24</b>	●	R 142	R 142	R 143	R 143	●	●	●	●
<b>ZEF 793</b>	R	<b>C 24</b>	●	R 142	R 142	R 143	R 143	●	●	●	●
<b>ZEF 1044</b>	R	<b>C 22</b>	●	R 57	R 58	R 60	R 30	●	●	●	●
<b>ZEF 1044</b>	R	<b>C 22</b>	●	R 57	R 58	R 60	R 30	●	●	●	●
<b>ZEF 1044</b>	R	<b>C 22</b>	●	R 57	R 58	R 60	R 30	●	●	●	●





kW

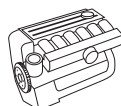


<b>DACIA</b>					
<b>1300</b>					
1.3	1,3	40	01.81-05.83	810-02/-99	
<b>1310</b>					
1.3	1,3	40	05.83-	810-02/-99	4
<b>1300 Kombi</b>					
1.3	1,3	40	01.81-05.83		4
<b>1310 Kombi</b>					
1.3	1,3	40	05.83-		4
<b>LOGAN, Kombi</b>					
1.4	1,4	55	09.04-	K7J 710	4
1.6	1,6	64	09.04-	K7M 710	4
<b>SANDERO</b>					
1.6	1,6	64	09.09-	K7M 710	4
<b>DAEWOO</b>					
<b>ESPERO</b>					
1.5 16V	1,5	66	02.95-06.99	A15MF	4
1.8	1,8	66	02.95-09.99	C18LE	4
1.8	1,8	70	02.95-06.99	C18LE	4
2.0	2,0	77	02.95-06.99	C20LE	4
<b>KALOS</b>					
1.2	1,2	53	04.03-	B12S1	4
1.4	1,4	61	09.02-		4
1.4 16V	1,4	69	04.03-		4
1.4 16V	1,4	69	04.03-	F14D3	4
<b>LACETTI</b>					
1.4	1,4	70	02.04-		4
1.8	1,8	90	02.04-		4
<b>LANOS</b>					
1.4	1,4	55	05.97-	A14SMS	4
1.5	1,5	63	05.97-	A15SMS	4
1.6 16V	1,6	78	05.97-	A16DMS	4
<b>LEGANZA</b>					
2.0 16V	2,0	98	06.97-12.02	X20SED	4
<b>MATIZ</b>					
0.8	0,8	38	09.98-12.01	F8CV	3
1.0	1,0	47	01.03-	B10S	4
<b>NEXIA</b>					
1.5	1,5	44	08.96-08.97	G15MF	4
1.5	1,5	52	02.95-08.97	G15MF	4
1.5	1,5	55	02.95-08.97	G15MF	4
1.4	1,5	55	05.97-	A14SMS	4
1.5	1,5	63	05.97-	A15SMS	4
1.5 16V	1,5	66	02.95-08.97	A15MF	4
1.6 16V	1,6	78	05.97-	A16DMS	4
<b>NUBIRA</b>					
1.6 16V	1,6	78	05.97-	A16DMS	4
2.0 16V	2,0	98	05.97-	X20SED	4
<b>REZZO</b>					
2.0	2,0	94	09.00-		4
<b>DAF</b>					
<b>55, Coupe, Kombi</b>					
1.1	1,1	33	10.67-09.72	DBB 110E	4
1.1 MARATHON	1,1	40	12.71-09.72		4
<b>66 Coupe, Kombi</b>					
1.1	1,1	35	10.72-08.75		4
1.1 MARATHON	1,1	40	10.72-08.75		4
1300 MARATHON	1,3	42	09.73-08.75	B13,0S	4





kW



## DAIHATSU

### APPLAUSE I

1.6 16V, 4WD

1,6 77 06.89-07.97 HD-E 4

### CHARADE I

1.0

1,0 37 10.77-02.81 CB 20 3

1.0

1,0 38 02.81-02.83 CB 20/CB 22 3

### CHARADE II

1.0

1,0 38 10.83-03.87 CB 20/CB 22 3

### CHARADE III

1.0 Turbo

1,0 50 03.87-10.90 CB 61 3

1.0

1,0 38 03.87-10.90 CB 23 3

1.0 GTi

1,0 74 03.87-12.92 CB 80 T 3

1.3 i 4WD

1,3 66 06.88-12.92 HCE 4

1.3 i, 4WD

1,3 66 12.92-01.93 HCE 4

### CHARADE IV

1.5 16V

1,5 66 08.94- HEE/HEEG 4

1.6 GTi

1,6 77 03.93- HD-E 4

### CHARMANT

1.3

1,3 48 11.81-07.87 4K 4

1.6

1,6 55 12.81-09.84 2T 4

### CUORE I

0.6

0,6 22 08.82-09.85 AD 10 2

### CUORE II

0.8

0,8 29 11.89-12.90 ED 10 3

0.8, 4 WD

0,8 32 09.85-06.90 ED 10 3

### CUORE III

0.8

0,8 30 10.90-07.92 ED 10 K 3

0.8

0,8 30 08.92-12.94 ED 10 K 3

### CUORE IV

0.8

0,8 32 01.95-11.96 ED 20 3

### FEROZA

1.6 16V

1,6 63 10.88- HDC 4

1.6 i 16V

1,6 70 10.88- HD-E 4

### GRAN MOVE

1.5 16V

1,5 66 10.96-07.98 HEEG 4

### MOVE

0.8

0,8 31 10.96- 3

### ROCKY

2.0

2,0 65 02.85-04.93 3Y 4

### TAFT

1.6, 4x4

1,6 49 09.76-02.85 12R 4

## FIAT

### 124

1600 Special T

1,6 70 01.73-07.75 4

### 124 Coupe

1600

1,6 74 11.71-10.73 4

1600

1,6 81 04.70-10.73 4

1600 Sport

1,6 80 08.72-12.75 132 AC.000 4

1800 Sport

1,8 87 01.73-02.76 4

### 124 Spider

1600 Sport BS1

1,6 74 11.69-08.73 132 AC.000 4

1600 Sport BS1

1,6 80 01.69-12.74 132 AC.000 4

2000 Europa

2,0 77 03.82-09.85 132 C3.031 4

### 126

600

0,6 17 09.72-06.77 126 A.000 2

650 FSM

0,65 17 07.77-09.87 126 A1.000/126 A1.048 2

650 Pers.Accensione

0,65 17 07.77-09.87 126 A1.000/126 A1.048 2

700 BIS

0,7 19 09.87-06.91 126 A2.000/126 A2.048 2

### 127

0.9

0,9 29 06.71-05.83 100 GL.048 4

0.9

0,9 33 06.71-05.83 100 GL.000 4

1.0

1,0 37 04.77-12.86 127 A.000 4



= DIN



= M4



= SAE



Copper Cable  
Power Cable

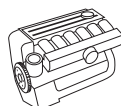


Zyl./Cyl./Cil.

				1	2	3	4	5	6	7	8
<b>ZEF 825</b>	<b>R</b>	○	○	○	○	○	○	●	●	●	●
○	<b>R</b>	○	<b>R 5</b>	<b>R 28</b>	<b>R 13</b>	<b>R 13</b>	●	●	●	●	●
○	<b>R</b>	○	<b>R 5</b>	<b>R 28</b>	<b>R 13</b>	<b>R 13</b>	●	●	●	●	●
○	<b>R</b>	○	<b>R 5</b>	<b>R 28</b>	<b>R 13</b>	<b>R 13</b>	●	●	●	●	●
<b>ZEF 827</b>	<b>R</b>	○	○	○	○	○	●	●	●	●	●
○	<b>R</b>	○	<b>R 5</b>	<b>R 11</b>	<b>R 11</b>	<b>R 8</b>	●	●	●	●	●
<b>ZEF 827</b>	<b>R</b>	○	○	○	○	○	●	●	●	●	●
<b>ZEF 826</b>	<b>R</b>	○	○	○	○	○	○	●	●	●	●
<b>ZEF 831</b>	<b>R</b>	○	○	○	○	○	○	●	●	●	●
<b>ZEF 826</b>	<b>R</b>	○	○	○	○	○	○	●	●	●	●
<b>ZEF 831</b>	<b>R</b>	○	○	○	○	○	○	●	●	●	●
<b>ZEF 796</b>	<b>R</b>	<b>C 3</b>	<b>R 18</b>	<b>R 4</b>	<b>R 4</b>	<b>R 4</b>	<b>R 4</b>	●	●	●	●
<b>ZEF 828</b>	<b>R</b>	○	○	○	○	○	○	●	●	●	●
<b>ZEF 832</b>	<b>R</b>	○	<b>R 18</b>	<b>R 8</b>	<b>R 8</b>	●	●	●	●	●	●
<b>ZEF 829</b>	<b>R</b>	○	○	○	○	○	●	●	●	●	●
<b>ZEF 829</b>	<b>R</b>	○	○	○	○	○	●	●	●	●	●
<b>ZEF 829</b>	<b>R</b>	○	○	○	○	○	●	●	●	●	●
<b>ZEF 768</b>	<b>R</b>	<b>C 7</b>	<b>R 19</b>	<b>R 6</b>	<b>R 1</b>	<b>R 1</b>	●	●	●	●	●
<b>ZEF 829</b>	<b>R</b>	○	○	○	○	○	●	●	●	●	●
<b>ZEF 830</b>	<b>R</b>	○	○	○	○	○	○	●	●	●	●
<b>ZEF 830</b>	<b>R</b>	○	○	○	○	○	○	●	●	●	●
<b>ZEF 831</b>	<b>R</b>	○	○	○	○	○	○	●	●	●	●
<b>ZEF 829</b>	<b>R</b>	○	○	○	○	○	●	●	●	●	●
<b>ZEF 932</b>	<b>R</b>	○	○	○	○	○	○	●	●	●	●
<b>ZEF 769</b>	<b>R</b>	<b>C 18</b>	<b>R 5</b>	<b>R 28</b>	<b>R 13</b>	<b>R 13</b>	<b>R 11</b>	●	●	●	●
<b>ZEF 766</b>	<b>R</b>	<b>C 13</b>	<b>R 35</b>	<b>R 22</b>	<b>R 23</b>	<b>R 27</b>	<b>R 27</b>	●	●	●	●
○	<b>R</b>	○	<b>R 19</b>	<b>R 3</b>	<b>R 1</b>	<b>R 1</b>	<b>R 9</b>	●	●	●	●
○	<b>R</b>	○	<b>R 19</b>	<b>R 3</b>	<b>R 1</b>	<b>R 1</b>	<b>R 9</b>	●	●	●	●
○	<b>R</b>	○	<b>R 19</b>	<b>R 3</b>	<b>R 1</b>	<b>R 1</b>	<b>R 9</b>	●	●	●	●
○	<b>R</b>	○	<b>R 19</b>	<b>R 3</b>	<b>R 1</b>	<b>R 1</b>	<b>R 9</b>	●	●	●	●
<b>ZEF 766</b>	<b>R</b>	<b>C 13</b>	<b>R 35</b>	<b>R 22</b>	<b>R 23</b>	<b>R 27</b>	<b>R 27</b>	●	●	●	●
<b>ZEF 766</b>	<b>R</b>	<b>C 13</b>	<b>R 35</b>	<b>R 22</b>	<b>R 23</b>	<b>R 27</b>	<b>R 27</b>	●	●	●	●
○	<b>R</b>	○	<b>R 17</b>	<b>R 1</b>	<b>R 1</b>	<b>R 6</b>	<b>R 9</b>	●	●	●	●
<b>ZEF 978</b>	<b>R</b>	○	<b>R 19</b>	<b>R 1</b>	<b>R 6</b>	●	●	●	●	●	●
<b>ZEF 981</b>	<b>R</b>	○	○	<b>R 9</b>	<b>R 29</b>	●	●	●	●	●	●
<b>ZEF 978</b>	<b>R</b>	○	<b>R 19</b>	<b>R 1</b>	<b>R 6</b>	●	●	●	●	●	●
<b>ZEF 979</b>	<b>R</b>	○	○	○	○	●	●	●	●	●	●
<b>ZEF 762</b>	<b>R</b>	○	<b>R 32</b>	<b>R 6</b>	<b>R 8</b>	<b>R 8</b>	<b>R 8</b>	●	●	●	●
<b>ZEF 762</b>	<b>R</b>	○	<b>R 32</b>	<b>R 6</b>	<b>R 8</b>	<b>R 8</b>	<b>R 8</b>	●	●	●	●
<b>ZEF 1009</b>	<b>R</b>	○	<b>R 32</b>	<b>R 7</b>	<b>R 7</b>	<b>R 4</b>	<b>R 3</b>	●	●	●	●



kW



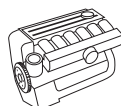
<b>FIAT</b>					
<b>127</b>					
1.0 Sport	1,0	51	07.78-02.82	127 A1.000	4
<b>130, Coupé</b>					
3.2	3,2	121	12.71-03.78	130B.000	6
<b>131</b>					
1.3 Mirafiori	1,3	40	10.74-09.81	131 A6.000	4
1.3 Mirafiori	1,3	48	10.74-12.82		4
1.3 Super Mirafiori	1,3	57	03.78-12.80	131 B.000	4
1.4 Mirafiori	1,4	51	11.80-01.84	131 C.000/131 C1.000	4
1.4 Super Mirafiori	1,4	55	04.81-12.83	131 C1.000	4
1.6	1,6	55	10.74-09.81	131 A1.000	4
1.6	1,6	63	11.76-12.84	131 C2.000	4
1.6 Super	1,6	71	03.78-01.84	131 C3.000	4
1.6 Super Mirafiori	1,6	72	03.79-03.82	131 B1.000	4
2.0 Super	2,0	83	01.81-12.84	131 C4.000	4
2.0 Racing	2,0	85	06.78-12.81	131 B2.000	4
2.0 Abarth Rally	2,0	103	01.76-07.80		4
<b>131 Familiare/Panorama</b>					
1.3 Mirafiori	1,3	40	03.75-12.78	131 A6.000	4
1.3 Mirafiori	1,3	48	03.75-03.82		4
1.4 Mirafiori	1,4	51	11.81-01.84	131 C.000/131 C1.000	4
1.6 CL	1,6	55	03.75-12.78	131 A1.000	4
1.6	1,6	63	11.80-04.85	131 C2.000	4
1.6 Super	1,6	72	12.79-12.81	131 C3.000	4
2.0 Super	2,0	83	01.81-12.84	131 C4.000	4
<b>132</b>					
1.6	1,6	65	05.77-09.82		4
1.6	1,6	66	03.77-12.81	132 C6.000	4
1.6	1,6	72	04.72-01.76	132 C.000	4
1.6	1,6	72	01.76-12.82	132 C.000	4
2.0	2,0	82	05.77-06.81	132 C2.000	4
2.0 i.e.	2,0	90	01.80-12.82	132 C3.000	4
<b>238-SERIE</b>					
1.4	1,4	38	06.76-06.82	131 AZ 000/131 BZ 0C0/131 FZ	4
<b>242-SERIE</b>					
1.6	1,6	46	10.75-07.82	124 B3.000	4
<b>500, Kombi</b>					
0.5	0,5	11	01.57-12.61		2
0.5	0,5	11	01.60-12.66	120.000	2
0.5	0,5	13	01.65-12.75	110 F.000/120.000	2
0.6	0,6	13	05.73-01.76		2
<b>850</b>					
0.8	0,8	25	07.64-10.72		4
0.8	0,8	27	07.64-10.72		4
<b>900 T/E</b>					
0.9	0,9	26	01.78-01.86	100 GF 000	4
<b>ARGENTA</b>					
1600	1,6	72	04.81-12.85	132 D.000	4
2000	2,0	83	06.78-12.85	132 C2.000/132 D1.000	4
2000 i.e.	2,0	90	06.81-07.86	132 C3.000	4
2000 Volumex	2,0	99	06.84-07.85		4
<b>BRAVA</b>					
1.2 16V 80	1,3	59	10.00-10.01	188 A5.000	4
1.2 16V 80	1,3	60	12.98-10.00	182 B2.000	4
1.4	1,4	55	10.95-10.01	182 A5.000	4
1.4 12 V	1,4	59	10.95-10.01	182 A3.000	4
1.6 16V	1,6	66	10.95-10.01	182 A6.000	4
1.6 16V	1,6	76	02.96-10.01	182 A4.000	4
<b>BRAVO</b>					
1.2 16V 80	1,3	59	10.00-10.01	188 A5.000	4
1.2 16V 80	1,3	60	12.98-10.00	182 B2.000	4
1.4	1,4	55	10.95-10.01	182 A5.000	4







kW



<b>FIAT</b>					
<b>BRAVO</b>					
1.4	1,4	59	10.95-10.01	182 A3.000	4
1.6 16V	1,6	66	10.95-10.01	182 A6.000	4
1.6 16V	1,6	76	03.96-10.01	182 A4.000	4
<b>CINQUECENTO</b>					
0.7 i	0,7	22	07.94-01.98	170 A.046	2
0.7	0,7	23	12.91-01.96	170 A.000	2
0.9 i.e. S	0,9	29	07.91-01.98	1170 A1.000/1170 A1.046	4
0.9	0,9	30	07.91-12.93	170 A1.000	4
0.9 i.e.	0,9	30	07.91-12.93	170 A1.046	4
1.1 Sporting	1,1	40	10.94-01.98	176 B2.000	4
<b>COUPE</b>					
2.0 16V	2,0	102	11.93-08.96	836 A3.000	4
2.0 16V Turbo	2,0	140	11.93-08.96	175 A1.000	4
2.0 16V Turbo	2,0	140	11.93-08.96	175 A1.000	4
<b>CROMA</b>					
1600	1,6	61	12.85-12.90	154 A.048	4
2000 CHT	2,0	66	12.85-02.89	154 A1.000	4
2000 i.e.	2,0	83	03.86-09.90	834 B.048	4
2000 i.e.	2,0	85	10.87-08.96	154 C3.046/834 B.146	4
2000 i.e.	2,0	88	03.87-09.92	834 B.000/154 C3.000	4
2000 16V	2,0	101	08.92-08.96	154 E1.000	4
2000 i.e. Turbo	2,0	110	06.87-08.96	154 C4.046/834 C.146	4
2000 i.e. Turbo	2,0	111	11.86-11.88	834 C.146	4
2000 i.e. Turbo	2,0	114	12.85-06.90	154 A2.000	4
<b>DOBLO</b>					
1.2	1,3	48	03.01-	223 A5.000	4
1.4	1,4	57	10.05-	350 A1.000	4
<b>DUCATO</b>					
1.8	1,8	49	01.82-10.88	169 B	4
2.0	2,0	55	07.85-08.90	170 B	4
2.0	2,0	58	01.82-08.90	XN 1T	4
2.0	2,0	62	08.88-03.94	170 D	4
2.0, 4x4	2,0	80	03.94-04.02	RFW	4
2.0	2,0	81	04.02-	RFL	4
<b>DUNA, Weekend</b>					
1.1	1,1	43	01.87-12.91	146 A6.000	4
1.3	1,3	49	01.87-12.91	146 A5.000	4
<b>FIORINO</b>					
1.1	1,1	40	12.87-04.88	146 A9.000	4
1.3	1,3	49	12.87-08.93		4
1.3	1,3	49	10.93-12.94	146 A5.000	4
1.4 i.e	1,4	49	09.93-	146 C5.000/146 D5.000	4
1.5	1,5	55	01.88-08.93	149 C1.000	4
1.5 i.e	1,5	55	05.88-12.93	149 C1.000	4
1.6 i.e	1,6	55	10.93-05.95	146 D6.000	4
<b>GRANDE PUNTO</b>					
1.2	1,2	57	10.05-	199 A4.000	4
1.4	1,4	57	10.05-	350 A1.000	4
<b>MAREA, Weekend</b>					
1.2 16V	1,3	60	10.98-	182 B2.000	4
1.4 80 12V	1,4	59	09.96-	182 A3.000	4
1.6 100 16V	1,6	76	09.96-	182 A4.000	4
1.6 100 16V Bipower	1,6	76	04.99-	185 A3.000/186 A4.000	4
<b>MULTIPLA</b>					
1.6 16V Blupower	1,6	70	04.99-	186 A3.000	4
1.6 16V Blupower	1,6	70	04.02-	182 B6.000	4
1.6 16V	1,6	76	04.99-	182 A4.000	4
1.6 16V Bipower	1,6	76	04.99-	186 A4.000	4
1.6 16V Bipower	1,6	76	10.01-		4
<b>PALIO, Weekend</b>					
1.2	1,3	54	04.96-02.01	178 B5.000 → Mot.Nr. 7672018	4





Copper Cable  
Power Cable



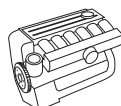
Zyl./Cyl./Cil.

				1	2	3	4	5	6	7	8
ZEF 968	R	○	●	GF 110 C	GF 110 C	GF 110 B	GF 110 A	●	●	●	●
ZEF 983	R	○	●	R 238	R 237	R 236	R 235	●	●	●	●
ZEF 983	R	○	●	R 238	R 237	R 236	R 235	●	●	●	●
ZEF 1014	R	○	●	R 21	R 21	●	●	●	●	●	●
ZEF 1014	R	○	●	R 21	R 21	●	●	●	●	●	●
ZEF 1015	R	○	●	R 265	R 265	R 265	R 264	●	●	●	●
ZEF 1015	R	○	●	R 265	R 265	R 265	R 264	●	●	●	●
ZEF 1015	R	○	●	R 265	R 265	R 265	R 264	●	●	●	●
ZEF 787	R	C 34	●	R 8	R 12	R 16	R 14	●	●	●	●
ZEF 1028	R	○	○	○	○	○	○	●	●	●	●
ZEF 1064	R	○	○	○	○	○	○	●	●	●	●
ZEF 1016	R	○	●	○	○	○	○	●	●	●	●
ZEF 1055	R	C 15	R 18	R 12	R 12	R 8	R 11	●	●	●	●
ZEF 1055	R	C 15	R 18	R 12	R 12	R 8	R 11	●	●	●	●
ZEF 1055	R	C 15	R 18	R 12	R 12	R 8	R 11	●	●	●	●
ZEF 1055	R	C 15	R 18	R 12	R 12	R 8	R 11	●	●	●	●
ZEF 1055	R	C 15	R 18	R 12	R 12	R 8	R 11	●	●	●	●
ZEF 1026	R	○	●	GF 107 A	GF 107 A	GF 107 B	GF 107 C	●	●	●	●
ZEF 775	R	C 7	R 18	R 3	R 1	R 1	R 6	●	●	●	●
ZEF 775	R	C 7	R 18	R 3	R 1	R 1	R 6	●	●	●	●
ZEF 1055	R	C 15	R 18	R 12	R 12	R 8	R 11	●	●	●	●
ZEF 1477	R	○	●	○	○	○	○	●	●	●	●
ZEF 1598	R	○	●	○	○	○	○	●	●	●	●
ZEF 1049	R	○	○	○	○	○	○	●	●	●	●
ZEF 1067	R	○	○	○	○	○	○	●	●	●	●
ZEF 1050	R	○	○	○	○	○	○	●	●	●	●
ZEF 1206	R	○	○	○	○	○	○	●	●	●	●
ZEF 793	R	C 24	●	R 142	R 142	R 143	R 143	●	●	●	●
ZEF 793	R	C 24	●	R 142	R 142	R 143	R 143	●	●	●	●
ZEF 1057	R	C 6	R 19	R 7	R 4	R 4	R 4	●	●	●	●
ZEF 1057	R	C 6	R 19	R 7	R 4	R 4	R 4	●	●	●	●
ZEF 1057	R	C 6	R 19	R 7	R 4	R 4	R 4	●	●	●	●
ZEF 1057	R	C 6	R 19	R 7	R 4	R 4	R 4	●	●	●	●
ZEF 1071	R	○	R 35	R 281	R 280	R 265	R 265	●	●	●	●
ZEF 766	R	C 13	R 35	R 22	R 23	R 27	R 27	●	●	●	●
ZEF 1057	R	C 6	R 19	R 7	R 4	R 4	R 4	●	●	●	●
ZEF 1071	R	○	R 35	R 281	R 280	R 265	R 265	●	●	●	●
ZEF 1598	R	○	●	○	○	○	○	●	●	●	●
ZEF 1598	R	○	●	○	○	○	○	●	●	●	●
ZEF 1201	R	○	●	R 284	R 283	R 282	R 282	●	●	●	●
ZEF 968	R	○	●	GF 110 C	GF 110 C	GF 110 B	GF 110 A	●	●	●	●
ZEF 983	R	○	●	R 238	R 237	R 236	R 235	●	●	●	●
ZEF 983	R	○	●	R 238	R 237	R 236	R 235	●	●	●	●
ZEF 983	R	○	●	R 238	R 237	R 236	R 235	●	●	●	●
ZEF 983	R	○	●	R 238	R 237	R 236	R 235	●	●	●	●
ZEF 983	R	○	●	R 238	R 237	R 236	R 235	●	●	●	●
ZEF 983	R	○	●	R 238	R 237	R 236	R 235	●	●	●	●
ZEF 1066	R	○	●	R 276	R 276	R 275	R 274	●	●	●	●





kW



<b>FIAT</b>					
<b>PALIO, Weekend</b>					
1.2	1,3	54	06.98-	178 E2.000	4
1.6 16V	1,6	74	04.96-02.01	178 B3.000	4
1.6 16V	1,6	76	02.01-	182 B6.000	4
<b>PANDA</b>					
650	0,65	22	01.82-12.85	141 A.000	2
750	0,75	25	01.86-01.95	156 A4.000	4
750	0,75	25	01.86-01.95	156 A4.000	4
750	0,75	25	01.95-12.97	156 A4.048	4
750	0,75	25	01.95-12.97	156 A4.048	4
750 Fire	0,75	25	01.86-07.92	141 B.000	4
750 Young	0,75	25	01.86-07.92	141 B.000	4
800	0,9	25	02.81-12.85		4
900	0,9	29	04.92-12.96	1170 A1.046	4
900	0,9	33	01.84-06.94	100 GL3.000/146 A.000	4
950	1,0	35	09.82-08.83	A 112 B1.054	4
950 4x4	1,0	35	09.83-12.86	A 112 B1.054	4
1000, 4x4	1,0	32	01.86-02.92	156 A2.100/156 A3.100	4
1000 4x4	1,0	33	05.86-12.94	141 C2.000/156 A2.246	4
1000 i.e. KAT	1,0	33	10.87-08.98	141 C2.000/156 A2.246/Bosch-Inj.	4
1000 i.e. KAT	1,0	33	10.87-08.98	141 C2.000/156 A2.246/Weber-Inj.	4
1000 4x4	1,0	37	01.86-12.92	156 A3.000	4
1100	1,1	37	05.91-12.92	156 C.046	4
1100	1,1	37	01.93-12.99	156 C.046	4
1100 Trekking 4x4	1,1	37	10.91-07.04	156 C.046/Bosch-Inj.	4
1100 Trekking 4x4	1,1	37	10.91-07.04	156 C.046/Weber-Inj.	4
1100, 4x4	1,1	40	02.95-07.04	187 A1.000/176 B2.000	4
1.1	1,1	40	09.03-	187 A1.000	4
1.2, 4x4	1,3	44	09.03-	188 A4.000	4
<b>PUNTO</b>					
1.1	1,1	40	04.96-02.00	176 B2.000	4
1.2 Natural Power	1,3	44	09.03-	188 A4.000	4
55 1.1	1,1	40	09.93-09.99	176 A6.000/176 B2.000	4
60 1.2	1,3	43	01.94-09.99	176 A7.000	4
60 1.2	1,3	44	03.94-09.99	176 B1.000/176 B4.000	4
60 1.2	1,3	44	09.99-	188 A4.000	4
60 1.2	1,3	44	02.00-	188 A4.000	4
75 1.2	1,3	54	01.94-09.99	176 A8.000	4
80 1.2 16V	1,3	59	09.99-	188 A5.000	4
85 16V 1.2	1,3	63	04.97-09.99	176 B9.000	4
1.4 GT Turbo	1,4	96	09.96-09.99	176 B6.000	4
1.4 GT Turbo	1,4	98	01.94-09.96	176 A4.000	4
90 1.6	1,6	65	01.94-04.97	176 A9.000	4
<b>PUNTO Cabriolet</b>					
60 1.2	1,3	43	04.94-12.96	176 A7.000	4
60 1.2	1,3	44	05.95-06.00	176 B1.000/176 B4.000	4
85 16V 1.2	1,3	63	04.97-06.00	176 B9.000	4
90 1.6	1,6	65	04.94-04.97	176 A9.000	4
<b>REGATA</b>					
70 1.3	1,3	48	09.83-04.86	149 A3.000/149 A7.000	4
70 1.3	1,3	48	07.88-07.89	149 A3.000/149 A7.000	4
70 1.3 seconda serie	1,3	48	09.83-07.89	149 A3.000/149 A7.000	4
70 1.3 seconda serie	1,3	50	09.83-07.86	138 B2.000	4
75 1.5	1,5	55	12.83-12.87	138 B3.048/138 C3.048	4
75 i.e. 1.5	1,5	55	07.85-07.89	138 C2.048/149 C1.000	4
85 1.5	1,5	58	05.85-12.87	149 A5.000	4
85 1.6	1,6	60	10.83-06.90	149 A.000	4
85 Super 1.5	1,5	60	09.83-04.85	138 B3.000	4
100 Super 1.6	1,6	74	10.83-12.90	149 A2.000/149 A4.000	4
<b>REGATA Weekend</b>					
70 1.3	1,3	50	01.84-07.89	138 B2.000	4
70 1.3 seconda serie	1,3	50	01.84-07.89	138 B2.000	4



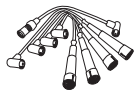
= DIN



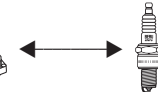
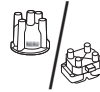
= M4



= SAE



Copper Cable  
Power Cable

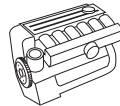


Zyl./Cyl./Cil.

				1	2	3	4	5	6	7	8
ZEF 1066	R	○	●	R 276	R 276	R 275	R 274	●	●	●	●
ZEF 983	R	○	●	R 238	R 237	R 236	R 235	●	●	●	●
ZEF 983	R	○	●	R 238	R 237	R 236	R 235	●	●	●	●
ZEF 980	R	○	●	R 22	R 22	●	●	●	●	●	●
ZEF 777	R	C 31	R 12	R 26	R 26	R 25	R 25	●	●	●	●
ZEF 1058	R	○	R 35	R 1	R 3	R 3	R 4	●	●	●	●
ZEF 777	R	C 31	R 12	R 26	R 26	R 25	R 25	●	●	●	●
ZEF 1058	R	○	R 35	R 1	R 3	R 3	R 4	●	●	●	●
ZEF 777	R	C 31	R 12	R 25	R 25	R 26	R 26	●	●	●	●
ZEF 1058	R	○	R 35	R 1	R 3	R 3	R 4	●	●	●	●
ZEF 777	R	C 31	R 5	R 16	R 12	R 12	R 8	●	●	●	●
ZEF 1015	R	○	●	R 265	R 265	R 265	R 264	●	●	●	●
ZEF 771	R	C 20	R 35	R 22	R 23	R 27	R 27	●	●	●	●
ZEF 777	R	C 31	R 12	R 26	R 26	R 25	R 25	●	●	●	●
ZEF 762	R	○	R 32	R 6	R 8	R 8	R 8	●	●	●	●
ZEF 777	R	C 31	R 12	R 25	R 25	R 26	R 26	●	●	●	●
ZEF 777	R	C 31	R 12	R 26	R 26	R 25	R 25	●	●	●	●
ZEF 777	R	C 31	R 12	R 26	R 26	R 25	R 25	●	●	●	●
ZEF 785	R	○	●	R 274	R 279	R 279	R 278	●	●	●	●
ZEF 1052	R	○	R 5	R 16	R 12	R 12	R 8	●	●	●	●
○	R	○	R 47	R 25	R 25	R 26	R 33	●	●	●	●
ZEF 785	R	○	●	R 274	R 279	R 279	R 278	●	●	●	●
ZEF 777	R	C 31	R 12	R 26	R 26	R 25	R 25	●	●	●	●
ZEF 785	R	○	●	R 274	R 279	R 279	R 278	●	●	●	●
ZEF 1072	R	○	R 46	R 25	R 25	R 26	R 31	●	●	●	●
ZEF 787	R	C 34	●	R 263	R 262	R 262	R 261	●	●	●	●
ZEF 787	R	C 34	●	R 263	R 262	R 262	R 261	●	●	●	●
ZEF 787	R	C 34	●	R 263	R 262	R 262	R 261	●	●	●	●
ZEF 787	R	C 34	●	R 263	R 262	R 262	R 261	●	●	●	●
ZEF 787	R	C 34	●	R 263	R 262	R 262	R 261	●	●	●	●
ZEF 787	R	C 34	●	R 263	R 262	R 262	R 261	●	●	●	●
ZEF 787	R	C 34	●	R 263	R 262	R 262	R 261	●	●	●	●
ZEF 1201	R	○	●	R 284	R 283	R 282	R 282	●	●	●	●
ZEF 1181	R	○	●	R 301	R 302	R 303	R 304	●	●	●	●
ZEF 1017	CU	○	●	R 259	R 259	R 258	R 258	●	●	●	●
ZEF 1017	CU	○	●	R 259	R 259	R 258	R 258	●	●	●	●
ZEF 1017	CU	○	●	R 259	R 259	R 258	R 258	●	●	●	●
ZEF 1011	R	○	R 17	R 9	R 9	R 9	R 29	●	●	●	●
ZEF 1048	R	○	R 17	R 3	R 4	R 7	R 7	●	●	●	●
ZEF 1056	R	○	○	○	○	○	○	●	●	●	●
ZEF 1056	R	○	○	○	○	○	○	●	●	●	●
ZEF 1048	R	○	R 17	R 3	R 4	R 7	R 7	●	●	●	●
ZEF 1048	R	○	R 17	R 3	R 4	R 7	R 7	●	●	●	●
ZEF 1048	R	○	R 17	R 3	R 4	R 7	R 7	●	●	●	●
ZEF 1048	R	○	R 17	R 3	R 4	R 7	R 7	●	●	●	●
ZEF 1048	R	○	R 17	R 3	R 4	R 7	R 7	●	●	●	●
ZEF 1048	R	○	R 17	R 3	R 4	R 7	R 7	●	●	●	●
○	R	○	R 20	R 6	R 1	R 3	R 3	●	●	●	●
ZEF 779	R	C 32	R 35	R 21	R 27	R 23	R 22	●	●	●	●
ZEF 1056	R	○	○	○	○	○	○	●	●	●	●



kW



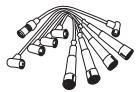
<b>FIAT</b>					
<b>REGATA Weekend</b>					
75 1.5	1,5	55	09.84-07.89	138 B3.048/138 C3.048	4
75 1.5 i.e. KAT	1,5	55	12.86-07.89	138 C2.048	4
85 1.5	1,5	60	01.84-04.89		4
<b>RITMO I</b>					
65 1.3	1,3	48	01.78-09.82	138 A1.000	4
75 1.3	1,3	55	01.81-09.82	138 A3.000	4
75 1.5	1,5	55	01.78-10.82	138 A2.000/138 C3.048	4
75 i.e. 1.5	1,5	55	10.85-12.85	138 C2.048/149 C1.000	4
75 i.e. 1.5	1,5	55	01.86-05.87	138 C2.048/149 C1.000	4
85 1.5	1,5	63	01.81-09.82	138 A4.000	4
105 Sport 1.6	1,6	77	05.81-12.82	138 AR.000	4
<b>RITMO II</b>					
60 1.1	1,1	40	10.82-10.85	138 B.000/138 B1.000/138 C1.000	4
60 1.1	1,1	43	04.85-12.87	146 A4.048	4
70 1.3	1,3	50	01.83-04.85	138 B2.000	4
75 1.5 KAT	1,5	55	09.85-12.88	138 C2.048/149 C1.000	4
85 1.5	1,5	60	01.83-12.87	138 B3.000	4
105 1.6	1,6	77	01.86-12.87	138 AR.000	4
130 TC Abarth 2.0	2,0	96	04.83-12.87	138 AR2.000	4
<b>RITMO Bertone Cabriolet</b>					
85 1.5	1,5	60	03.83-12.86	138 B3.000	4
85 1.5	1,5	63	01.80-07.89	138 A4.000	4
100 1.6	1,6	74	10.85-12.87	138 AR.048	4
<b>Scudo</b>					
1.6	1,6	58	02.96-	220 A2.000	4
<b>SEICENTO</b>					
0.9	0,9	29	01.98-	1170 A1.046	4
1.1	1,1	40	01.98-	176 B2.000	4
1.1	1,1	40	01.98-	187 A1.000	4
<b>STRADA</b>					
1.2	1,3	54	06.99-	178 B5.000	4
<b>TEMPRA</b>					
1.4 i.e.	1,4	51	03.92-08.96	160 A1.046/836 A4.000	4
1.6 i.e.	1,6	55	06.92-08.96	159 A3.048/835 C1.000	4
1.6 i.e.	1,6	55	06.92-08.96	159 A3.048/835 C1.000	4
1.6 i.e.	1,6	55	10.92-03.93	159 A3.048	4
1.6 i.e.	1,6	55	04.93-08.96	159 A3.048	4
1.6 i.e.	1,6	55	06.92-08.96	159 A3.048/835 C1.000	4
1.6 i.e.	1,6	57	06.90-07.92	159 A3.046	4
1.6 i.e.	1,6	57	06.90-07.92	159 A3.046	4
1.6	1,6	63	03.90-04.93	159 A3.000	4
1.6 i.e.	1,6	63	06.94-08.96	159 B9.000	4
1.6 i.e.	1,6	66	06.94-08.96	159 B9.000	4
1.8 i.e.	1,8	66	09.93-08.96	835 C4.000	4
1.8 i.e.	1,8	74	10.94-08.96	836 A5.000	4
1.8 i.e.	1,8	76	09.93-08.96	835 C2.000	4
1.8 i.e.	1,8	77	03.92-08.96	159 A4.046	4
2.0 i.e., 4x4	2,0	83	10.90-09.93	159 A6.046	4
2.0 i.e., 4x4	2,0	83	10.93-03.95	159 A6.046	4
<b>TIPO</b>					
1.1	1,1	41	01.88-10.91	160 A3.000	4
1.4	1,4	52	07.87-12.89	160 A1.000/160 A1.048	4
1.4 i.e.	1,4	51	05.89-04.95	836 A4.000/160 A1.046 → Mot.Nr. 8503995	4
1.4 i.e.	1,4	51	05.89-04.95	836 A4.000/160 A1.046 Mot.Nr. 8503996 →	4
1.6 i.e.	1,6	55	10.92-04.95	159 A3.048/835 C1.000	4
1.6 i.e.	1,6	55	10.92-04.95	159 A3.048/835 C1.000	4
1.6 i.e.	1,6	55	10.92-04.95	159 A3.048/835 C1.000	4
1.6 i.e.	1,6	57	07.90-01.93	159 A3.046	4
1.6 i.e.	1,6	57	07.90-01.93	159 A3.046	4



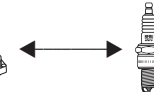
= DIN

= M4

= SAE



Copper Cable  
Power Cable

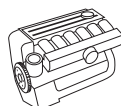


Zyl./Cyl./Cil.

				1	2	3	4	5	6	7	8
ZEF 1048	R	○	R 17	R 3	R 4	R 7	R 7	●	●	●	●
ZEF 1048	R	○	R 17	R 3	R 4	R 7	R 7	●	●	●	●
ZEF 1048	R	○	R 17	R 3	R 4	R 7	R 7	●	●	●	●
ZEF 766	R	C 13	R 35	R 22	R 23	R 27	R 27	●	●	●	●
○	R	○	R 19	R 1	R 3	R 4	R 7	●	●	●	●
○	R	○	R 19	R 7	R 4	R 3	R 1	●	●	●	●
○	R	○	R 19	R 1	R 3	R 4	R 7	●	●	●	●
ZEF 779	R	C 32	R 35	R 22	R 23	R 27	R 21	●	●	●	●
○	R	○	R 17	R 7	R 4	R 3	R 1	●	●	●	●
○	R	○	R 17	R 6	R 1	R 3	R 3	●	●	●	●
○	R	○	R 24	R 13	R 13	R 11	R 11	●	●	●	●
ZEF 779	R	C 32	R 35	R 22	R 23	R 27	R 21	●	●	●	●
ZEF 766	R	C 13	R 35	R 22	R 23	R 27	R 27	●	●	●	●
ZEF 779	R	C 32	R 35	R 21	R 27	R 23	R 22	●	●	●	●
○	R	○	R 17	R 7	R 4	R 3	R 1	●	●	●	●
○	R	○	R 17	R 6	R 1	R 3	R 3	●	●	●	●
ZEF 775	R	C 7	R 18	R 6	R 1	R 3	R 3	●	●	●	●
○	R	○	R 17	R 7	R 4	R 3	R 1	●	●	●	●
○	R	○	R 17	R 7	R 4	R 3	R 1	●	●	●	●
ZEF 771	R	C 20	R 35	R 22	R 23	R 27	R 27	●	●	●	●
ZEF 967	CU	○	●	GF 111 A	GF 111 B	GF 111 C	GF 111 D	●	●	●	●
ZEF 1015	R	○	●	R 265	R 265	R 265	R 264	●	●	●	●
○	R	○	●	R 276	R 276	R 275	R 274	●	●	●	●
ZEF 787	R	C 34	●	R 263	R 262	R 262	R 261	●	●	●	●
ZEF 787	R	C 34	●	R 263	R 262	R 262	R 261	●	●	●	●
ZEF 776	R	○	R 2	R 7	R 4	R 3	R 1	●	●	●	●
ZEF 1012	R	○	R 10	R 269	R 268	R 265	R 264	●	●	●	●
ZEF 1023 <sup>16</sup>	R	○	R 34	R 40	R 22	R 23	R 27	●	●	●	●
ZEF 1061	R	○	R 34	R 21	R 27	R 12	R 8	●	●	●	●
ZEF 1017	CU	○	●	R 259	R 259	R 258	R 258	●	●	●	●
ZEF 967	CU	○	●	GF 111 A	GF 111 B	GF 111 C	GF 111 D	●	●	●	●
ZEF 1012	R	○	R 10	R 269	R 268	R 265	R 264	●	●	●	●
ZEF 1023 <sup>16</sup>	R	○	R 34	R 40	R 22	R 23	R 27	●	●	●	●
ZEF 1023	R	○	R 34	R 40	R 22	R 23	R 27	●	●	●	●
ZEF 967	CU	○	●	GF 111 A	GF 111 B	GF 111 C	GF 111 D	●	●	●	●
ZEF 967	CU	○	●	GF 111 A	GF 111 B	GF 111 C	GF 111 D	●	●	●	●
ZEF 1020	R	○	●	R 279	R 278	R 261	R 277	●	●	●	●
ZEF 1020	R	○	●	R 279	R 278	R 261	R 277	●	●	●	●
ZEF 1020	R	○	●	R 279	R 278	R 261	R 277	●	●	●	●
ZEF 1019	R	○	R 10	R 265	R 265	R 280	R 281	●	●	●	●
ZEF 1019	R	○	R 10	R 265	R 265	R 280	R 281	●	●	●	●
ZEF 776	R	○	R 2	R 13	R 13	R 8	R 16	●	●	●	●
ZEF 1060	R	C 19	R 16	R 25	R 25	R 26	R 31	●	●	●	●
ZEF 779	R	C 32	R 35	R 21	R 27	R 23	R 22	●	●	●	●
ZEF 1023	R	○	R 34	R 40	R 22	R 23	R 27	●	●	●	●
ZEF 1012	R	○	R 10	R 269	R 268	R 265	R 264	●	●	●	●
ZEF 967	CU	○	●	GF 111 A	GF 111 B	GF 111 C	GF 111 D	●	●	●	●
ZEF 1012	R	○	R 34	R 40	R 22	R 23	R 27	●	●	●	●
ZEF 1023 <sup>16</sup>	R	○	R 10	R 269	R 268	R 265	R 264	●	●	●	●
ZEF 1012	R	○	R 34	R 40	R 22	R 23	R 27	●	●	●	●
ZEF 1023 <sup>16</sup>	R	○	R 10	R 269	R 268	R 265	R 264	●	●	●	●



kW



<b>FIAT</b>					
<b>TIPO</b>					
1.6	1,6	61	01.88-10.91	160 A2.000	4
1.6 i.e. A/C	1,6	66	02.88-05.91	149 C2.046 → Mot.Nr. 7647601, 8327193	4
1.8 i.e.	1,8	66	09.93-04.95	835 C4.000	4
1.8 i.e.	1,8	66	09.93-04.95	835 C4.000	4
1.8 i.e.	1,8	76	04.93-04.95	835 C2.000	4
1.8 i.e.	1,8	77	10.90-06.93	159 A4.046	4
1.8 i.e.16V Sport	1,8	100	11.89-06.92	160 A5.000	4
2.0 i.e.	2,0	80	06.90-03.92	159 A5.046	4
2.0 i.e.	2,0	83	03.90-04.95	159 A6.046	4
2.0 i.e. 16V Sport	2,0	102	03.93-04.95	836 A3.000	4
2.0 16V	2,0	107	07.91-04.95	160 A8.046	4
<b>ULYSSE</b>					
1.8	1,8	73	05.97-08.02	LFW	4
2.0	2,0	89	06.94-08.02	RFU (XU10J2C)	4
2.0 Turbo	2,0	108	06.94-08.02	RGX (XU10J2CTE)	4
<b>UNO</b>					
0,9 Energy Saving (I)	0,9	33	01.83-04.85	146...	4
1.1 (con copribobina) (I)	1,1	41	01.83-03.94	138B...	4
1.1 Selecta (I)	1,1	43	01.90-	146A...	4
1.3 Turbo i.e.	1,3	73	01.87-12.87	146 A2.146	4
1.3 Turbo i.e.	1,3	74	09.89-03.91	146 A2.246	4
1.3 Turbo i.e.	1,3	77	04.85-08.89	146 A2.000	4
1.4 Turbo i.e.	1,4	82	09.89-09.93	146 A8.046	4
<b>UNO 45</b>					
0.9	0,9	33	03.83-04.85	146 A.000/146 A.1000	4
0.9	0,9	33	09.89-12.92	146 A.000/146 A.1000	4
1.0	1,0	32	06.86-12.93	156 A2.048/156 A2.100	4
1.0 i.e	1,0	33	04.84-12.94	156 A2.246	4
<b>UNO 50</b>					
1.1	1,1	37	01.86-12.89	146 A4.044	4
1.1	1,1	37	01.90-12.93	156 C.046	4
1.1 i.e	1,1	36	06.92-12.93	146 C3.000	4
<b>UNO 55</b>					
1.1	1,1	40	01.83-08.89	138 B.000	4
<b>UNO 60</b>					
1.1	1,1	43	05.85-08.89	146 A4.048	4
1.1 Selecta	1,1	43	05.85-08.89	146 A4.048	4
<b>UNO 70</b>					
1.3	1,3	48	05.85-08.89	149 A7.000	4
1.3	1,3	50	01.83-04.85	138 B2.000	4
1.4 i.e.	1,4	51	09.89-12.93	160 A1.046	4
<b>UNO 75</b>					
1.5 i.e	1,5	55	10.85-12.93	138 C2.048/149 C1.000	4
<b>X 1/9</b>					
1.5 Five Speed	1,5	63	11.78-12.89	138 AS.000	4
<b>FORD</b>					
<b>CAPRI</b>					
1300	1,3	37	12.68-12.72		4
2300	2,3	79	01.72-02.74		6
2300	2,3	92	01.72-02.74		6
2600	2,6	92	01.72-02.74	UY	6
<b>CAPRI II</b>					
1.3	1,3	40	02.74-08.77	J1E	4
1.6	1,6	50	09.74-12.77	LAC	4
1.6	1,6	53	02.74-12.77	LCE	4
1.6	1,6	65	02.74-12.77	LEC	4
2.0	2,0	66	04.76-12.77	NWN/NYL	6
2.3	2,3	79	02.74-12.77	YYE	6
3.0	3,0	101	02.74-12.77	HYF	6



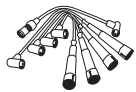
= DIN



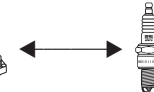
= M4



= SAE



Copper Cable  
Power Cable

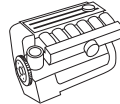


Zyl./Cyl./Cil.

				1	2	3	4	5	6	7	8
ZEF 1012	R	○	R 10	R 269	R 268	R 265	R 264	●	●	●	●
ZEF 722	CU	○	R 34	R 269	R 268	R 265	R 265	●	●	●	●
ZEF 1012	R	○	R 34	R 40	R 22	R 23	R 27	●	●	●	●
ZEF 1023 <sup>16</sup>	R	○	R 10	R 269	R 268	R 265	R 264	●	●	●	●
ZEF 1020	R	○	●	R 279	R 278	R 277	R 261	●	●	●	●
○	R	○	GF 109 A	R 273	R 273	R 272	R 271	●	●	●	●
ZEF 1065	R	○	○	○	○	○	○	●	●	●	●
○	R	○	GF 109 A	R 273	R 273	R 272	R 271	●	●	●	●
○	R	○	GF 109 A	R 273	R 273	R 272	R 271	●	●	●	●
ZEF 1028	R	○	○	○	○	○	○	●	●	●	●
○	R	○	GF 109 A	R 273	R 273	R 272	R 271	●	●	●	●
ZEF 1044	R	C 22	●	R 57	R 58	R 60	R 30	●	●	●	●
ZEF 1044	R	C 22	●	R 57	R 58	R 60	R 30	●	●	●	●
ZEF 1044	R	C 22	●	R 57	R 58	R 60	R 30	●	●	●	●
ZEF 1046	R	○	R 17	R 3	R 1	R 1	R 1	●	●	●	●
ZEF 1045	R	○	R 17	R 7	R 4	R 3	R 3	●	●	●	●
ZEF 1062	R	○	●	R 267	R 268	R 268	R 270	●	●	●	●
ZEF 1047	R	C 32	R 32	R 21	R 27	R 22	R 22	●	●	●	●
ZEF 1047	R	C 32	R 32	R 21	R 27	R 22	R 22	●	●	●	●
ZEF 1047	R	C 32	R 32	R 21	R 27	R 22	R 22	●	●	●	●
ZEF 1068	R	○	R 18	R 21	R 21	R 27	R 22	●	●	●	●
ZEF 766	R	C 13	R 35	R 22	R 23	R 27	R 27	●	●	●	●
ZEF 1070	R	C 20	R 18	R 3	R 3	R 4	R 4	●	●	●	●
ZEF 777	R	C 31	R 12	R 25	R 25	R 26	R 26	●	●	●	●
ZEF 777	R	C 31	R 12	R 25	R 25	R 26	R 26	●	●	●	●
ZEF 777	R	C 31	R 12	R 25	R 25	R 26	R 26	●	●	●	●
ZEF 777	R	C 31	R 12	R 25	R 25	R 26	R 26	●	●	●	●
ZEF 777	R	C 31	R 12	R 25	R 25	R 26	R 26	●	●	●	●
ZEF 777	R	C 31	R 12	R 25	R 25	R 26	R 26	●	●	●	●
ZEF 771	R	C 20	R 35	R 22	R 23	R 27	R 27	●	●	●	●
ZEF 1053	R	○	R 32	R 7	R 4	R 4	R 3	●	●	●	●
ZEF 1059	R	○	R 43	R 7	R 7	R 7	R 7	●	●	●	●
ZEF 779	R	C 32	R 35	R 21	R 27	R 23	R 22	●	●	●	●
ZEF 1054	R	○	R 32	R 4	R 4	R 4	R 3	●	●	●	●
ZEF 1069	R	○	R 34	R 269	R 268	R 265	R 265	●	●	●	●
ZEF 1069	R	○	R 34	R 269	R 268	R 265	R 265	●	●	●	●
○	R	○	R 19	R 3	R 1	R 1	R 6	●	●	●	●
○	R	○	R 2	R 1	R 1	R 3	R 3	●	●	●	●
○	R	○	R 18	R 11	R 8	R 12	R 11	R 12	R 12	●	●
○	R	○	R 18	R 11	R 8	R 12	R 11	R 12	R 12	●	●
○	R	○	R 18	R 11	R 8	R 12	R 11	R 12	R 12	●	●
○	R	○	R 2	R 1	R 1	R 6	R 9	●	●	●	●
○	R	○	R 2	R 1	R 1	R 6	R 9	●	●	●	●
○	R	○	R 2	R 1	R 1	R 6	R 9	●	●	●	●
○	R	○	R 2	R 1	R 1	R 6	R 9	●	●	●	●
○	R	○	R 18	R 11	R 8	R 12	R 11	R 12	R 12	●	●
○	R	○	R 18	R 11	R 8	R 12	R 11	R 12	R 12	●	●
○	R	○	R 24	R 12	R 12	R 8	R 8	R 11	R 8	●	●



kW



<b>FORD</b>					
<b>CAPRI III</b>					
1.6	1,6	54	01.78-04.87	LCN	4
2.0	2,0	74	01.78-12.85	NEN/OHC TL 20 H	4
2.8 Super	2,8	118	01.81-04.87	PRN	6
<b>CONSUL, Coupe, Turnier</b>					
2000	2,0	73	01.72-12.75		4
2300	2,3	79	01.72-12.75		6
<b>COUGAR</b>					
2.0 16V	2,0	96	08.98-12.01	EDBA/EDBB/EDBC/EDBD	4
<b>ESCORT '86 Express</b>					
1.1	1,1	37	05.86-07.90	GSG	4
1.3	1,3	44	02.86-07.90	JBB/JLA/JLB	4
1.3	1,3	46	07.88-07.90	JBA	4
1.4 i	1,4	54	02.86-07.90	F6B/F6D/FUC	4
<b>ESCORT '91 Express</b>					
1.3	1,3	46	07.90-12.94	JBD	4
1.4	1,4	52	07.90-12.94	F6F/F6G	4
<b>ESCORT '95 Express</b>					
1.4	1,4	54	01.95-	F4B	4
<b>ESCORT CLASSIC, Turnier</b>					
1.6 16V	1,6	66	10.98-07.00	L1E	4
<b>ESCORT I, Kombi</b>					
1100	1,1	29	06.68-06.71		4
1100	1,1	32	01.68-02.76	G1	4
1100	1,1	33	06.68-06.71		4
1100	1,1	35	06.68-02.76		4
1300	1,3	38	06.68-06.71		4
1300	1,3	40	09.73-02.76	J1F	4
1300	1,3	42	06.70-02.76	J2	4
1300 GT	1,3	47	06.68-06.71		4
1300	1,3	53	06.70-02.76	J3D	4
<b>ESCORT II, Kombi</b>					
1.1	1,1	32	04.75-08.80		4
1.1	1,1	34	06.75-08.80	G1	4
1.1	1,1	35	12.74-08.80	G2	4
1.3	1,3	40	12.74-07.81	J1F	4
1.3	1,3	42	12.74-08.80	J2	4
1.3	1,3	44	03.79-08.80	J2	4
1.3	1,3	51	12.74-08.80	J3	4
1.6 RS	1,6	62	12.74-08.80	LC	4
2.0 RS Heckantrieb	2,0	80	08.75-08.80	NE	4
<b>ESCORT III, Kombi</b>					
1.1	1,1	37	08.83-12.85	GSE	4
<b>ESCORT III (GAA)</b>					
1.1	1,1	40	09.80-08.83	GMA/GLB	4
1.1	1,1	43	09.80-08.83	GPA	4
<b>ESCORT III, Kombi</b>					
1.3	1,3	51	09.80-12.85	JPA	4
1.6	1,6	58	09.80-12.85	LP1/LPA	4
1.6	1,6	71	09.80-10.82	LUA	4
1.6 XR3i	1,6	77	10.82-12.85	LR1/LRA	4
1.6 RS Turbo	1,6	97	11.84-12.85	LNA	4
<b>ESCORT III Cabriolet</b>					
1.3	1,3	51	09.83-12.85	JPA	4
1.6	1,6	58	09.83-12.85	LP1/LPA	4
1.6 i	1,6	77	09.83-12.85	LR1/LRA	4
<b>ESCORT IV, Kombi</b>					
1.1	1,1	37	10.85-09.90	GSG	4
1.3	1,3	44	01.86-07.90	JLA/JBB/JLB	4
1.3	1,3	46	07.88-10.90	JBA	4
1.4	1,4	51	10.85-10.90	FUAA	4
1.4	1,4	54	01.86-07.90	F6D/F6B/FUC	4



= DIN



= M4



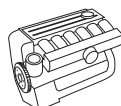
= SAE







kW

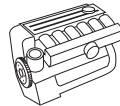


<b>FORD</b>					
<b>ESCORT IV, Kombi</b>					
1.4	1,4	55	01.86-07.90	FUA	4
1.6	1,6	65	04.89-07.90	LUG	4
1.6 i	1,6	66	01.86-05.90	L4B	4
1.6 i	1,6	75	08.89-07.90	LJB	4
1.6 XR3i	1,6	77	01.86-08.89	LRB/LR2	4
1.6 Turbo RS	1,6	97	01.86-07.90	LNB	4
<b>ESCORT IV Cabriolet</b>					
1.4	1,4	54	01.86-07.90	F6D/F6B/FUC	4
1.4	1,4	55	01.86-07.90	FUA	4
1.6 i	1,6	66	01.86-07.90	L4B	4
1.6 i	1,6	75	08.89-07.90	LJB	4
1.6 XR3i	1,6	77	01.86-07.90	LR2/LRB	4
<b>ESCORT V, Kombi</b>					
1.3	1,3	44	07.90-09.92	J4B/J6A	4
1.4	1,4	52	07.90-02.91	F6F/F6G	4
1.4	1,4	52	03.91-09.92	F6F/F6G	4
1.6	1,6	66	07.90-08.92	LUJ/LUK	4
1.6	1,6	77	07.90-12.92	LJF	4
1.8 16V XR3i	1,8	77	02.92-12.92	RDA	4
1.8 16V XR3i	1,8	96	02.92-12.92	ROB	4
<b>ESCORT V Cabriolet</b>					
1.4	1,4	52	07.90-02.91	F6F/F6G	4
1.4	1,4	52	03.91-12.92	F6F/F6G	4
1.6	1,6	77	07.90-12.92	LJF	4
1.8 16V XR3i	1,8	77	02.92-12.92	RDA	4
1.8 16V XR3i	1,8	96	02.92-12.92	ROB	4
<b>ESCORT VI, Kombi</b>					
1.3	1,3	44	09.92-01.95	J4B/J6A	4
1.4	1,4	52	09.92-01.95	F6F/F6G	4
1.4	1,4	55	08.93-02.99	F4B	4
1.4	1,4	55	01.94-02.99	FUH	4
1.6 i 16V	1,6	65	01.94-01.95	L1H	4
1.6 i 16V	1,6	66	09.92-01.95	L1E/L1K	4
1.8 i 16V	1,8	77	09.92-01.95	RDA	4
1.8 XR3i 16V 4x4	1,8	77	08.93-01.95	RDA	4
1.8 i 16V	1,8	77	09.92-01.95	RDA	4
1.8 i 16V	1,8	96	02.93-01.95	ROB	4
1.8 XR3i 16V 4x4	1,8	96	08.93-01.95	ROB	4
<b>ESCORT VI Cabriolet</b>					
1.4	1,4	52	12.92-04.94	F6F/F6G	4
1.4 i	1,4	55	07.93-01.95	F4B	4
1.6 i 16V	1,6	65	02.94-01.95	L1H	4
1.6 16V XR3i	1,6	66	12.92-01.95	L1E	4
1.8 16V XR3i	1,8	77	12.92-01.95		4
1.8 16V XR3i	1,8	96	12.92-01.95	ROB	4
<b>ESCORT VII, Kombi</b>					
1.3	1,3	44	01.95-02.99	J4B/J6A	4
1.4	1,4	55	01.95-02.99	F4B	4
1.6 i 16V	1,6	65	01.95-08.95	L1H	4
1.6 16V, 4x4	1,6	66	01.95-02.99	L1E	4
1.6 i 16V	1,6	66	01.95-02.99	L1K	4
1.8 16V	1,8	77	01.95-08.95	RDA	4
1.8 16V	1,8	85	01.95-02.99	RKC	4
<b>ESCORT VII Cabriolet</b>					
1.4	1,4	55	02.95-08.98	F4B	4
1.6 16V XR3i	1,6	65	02.95-12.96	L1H	4
1.6 16V XR3i	1,6	66	02.95-09.99	L1E	4
1.8 16V XR3i	1,8	77	02.95-08.98		4
1.8 16V XR3i	1,8	85	10.95-08.98	RKC	4
1.8 16V XR3i	1,8	96	02.95-08.00	ROB	4





kW



## FORD

### FIESTA Courier

1.3	1,3	44	09.91-02.96	J6B	4
1.3	1,3	44	02.96-08.98	J4C	4
1.3	1,3	44	09.98-	J4C	4

### FIESTA I

0.9	0,9	29	05.76-08.83	TKA/TKW	4
0.9	0,9	33	05.76-08.83	TLA	4
1.0	0,9	29	10.77-11.86		4
1.0	0,9	33	08.83-11.89		4
1.1	1,1	39	05.76-11.86	GLA	4
1.1	1,1	40	02.81-08.83	GLW	4
1.3	1,3	49	08.77-08.83	J3E	4
1.6 XR2	1,6	62	08.81-08.83	L3E	4

### FIESTA II

1.0	0,9	33	09.83-02.89	TKB	4
1.1	1,1	36	05.86-02.89	GSH	4
1.1	1,1	37	09.83-02.89	GLC/GSF	4
1.3	1,3	51	09.83-01.87	JPC	4
1.4	1,4	52	10.86-02.89	F6A/F6C	4
1.4	1,4	54	02.87-02.89	FUD	4
1.4	1,4	55	10.85-02.89	FUB	4
1.4	1,4	55	03.89-11.89	FUB	4
1.6 XR2	1,6	70	03.84-02.89	LUD	4
1.6 XR2	1,6	71	04.84-02.89	LUB	4

### FIESTA III

1.1	1,1	37	03.89-12.95	G6A	4
1.1	1,1	40	03.89-12.95	GUD/GUE	4
1.3 KAT	1,3	44	05.91-12.95	J6B	4
1.3	1,3	44	06.91-12.92	JBC	4
1.4	1,4	52	03.89-12.95	F6E	4
1.4	1,4	52	03.89-12.95	F6E	4
1.4, KAT	1,4	54	03.89-12.95	FUG/FUJ/F4A	4
1.6	1,6	65	01.89-01.94	LUH	4
1.6 i 16V	1,6	65	01.94-12.95	L1G	4
1.6 XR2i	1,6	76	03.89-03.93	LJD	4
1.8 16V	1,8	77	02.92-12.95	RDB	4
1.8 XR2i 16V	1,8	96	02.92-12.95	RQC	4

### FIESTA IV

1.25 i 16V	1,3	55	08.95-04.98	DHA/DHB/DHC/DHD/DHE/DHF/DHG	4
1.25 i 16V	1,3	55	05.98-01.02	DHA/DHB/DHC/DHD/DHE/DHF/DHG	4
1.3 i	1,3	37	08.95-08.98	JJA/JJC/JJE/JJJ/JJK/JJM	4
1.3 i	1,3	37	09.98-01.02	JJA/JJC/JJE/JJJ/JJK/JJM	4
1.3 i	1,3	44	08.95-08.98	J4C/J4J/J4L/J4Q/J4R/J4T	4
1.3 i	1,3	44	09.98-01.02	J4C/J4J/J4L/J4Q/J4R/J4T	4
1.4 i 16V	1,4	66	04.96-01.02	FHA/FHE	4
1.6 16V Sport	1,6	76	02.00-01.02	L1T/L1V	4

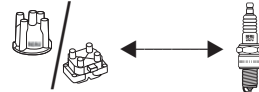
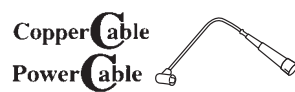
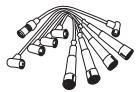
### FIESTA V

1.25 16V	1,3	51	03.03-	M7JA/M7JB	4
1.25 16V	1,3	55	05.02-	FUJA/FUJB	4
1.3	1,3	44	11.01-	BAJA	4
1.3	1,3	51	11.01-	A9A, A9B	4
1.4 16V	1,4	59	11.01-	FXJA/FXJB	4
1.6 16V	1,6	74	11.01-	FYJA	4

### FOCUS, Kombi

1.4 16V	1,4	55	10.98-11.04	FXDA/FXDB/FXDC/FXDD	4
1.4 16V	1,4	55	10.98-11.04	FXDA/FXDD/FXDC/FXDB	4
1.6 16V	1,6	74	10.98-11.04	FYDA/FYDB/FYDC/FYDD	4
1.6 16V	1,6	74	10.98-11.04	FYDH/FYDa/FYDB/FYDD/FYDC	4
1.8 16V	1,8	85	10.98-11.04	EYDB/EYDC/EYDD/EYDE/EYDF	4
2.0 16V	2,0	96	10.98-11.04	EDDB/EDDC/EDDD/EDDF	4
2.0 ST170	2,0	127	03.02-11.04		4
2.0 RS	2,0	158	10.02-11.04		4



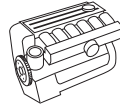


Zyl./Cyl./Cil.

				1	2	3	4	5	6	7	8
ZEF 783	R	C 17	●	R 125	R 125	R 126	R 127	●	●	●	●
ZEF 783	R	C 17	●	R 125	R 125	R 126	R 127	●	●	●	●
ZEF 1475	R	○	●	R 349	R 350	R 351	R 352	●	●	●	●
ZEF 810	R	○	R 18	R 118	R 118	R 119	R 120	●	●	●	●
ZEF 810	R	○	R 18	R 118	R 118	R 119	R 120	●	●	●	●
ZEF 810	R	○	R 18	R 118	R 118	R 119	R 120	●	●	●	●
ZEF 810	R	○	R 18	R 118	R 118	R 119	R 120	●	●	●	●
ZEF 810	R	○	R 18	R 118	R 118	R 119	R 120	●	●	●	●
ZEF 810	R	○	R 18	R 118	R 118	R 119	R 120	●	●	●	●
○	R	○	R 10	R 6	R 1	R 3	R 3	●	●	●	●
ZEF 811	R	C 4	R 18	R 118	R 118	R 119	R 120	●	●	●	●
ZEF 810	R	○	R 18	R 118	R 118	R 119	R 120	●	●	●	●
ZEF 810	R	○	R 18	R 118	R 118	R 119	R 120	●	●	●	●
ZEF 810	R	○	R 18	R 118	R 118	R 119	R 120	●	●	●	●
○	R	○	R 18	R 1	R 6	R 6	R 9	●	●	●	●
ZEF 811	R	C 4	R 18	R 118	R 118	R 119	R 120	●	●	●	●
ZEF 811	R	C 4	R 18	R 118	R 118	R 119	R 120	●	●	●	●
ZEF 811	R	C 4	R 18	R 118	R 118	R 119	R 120	●	●	●	●
ZEF 784	R	C 17	●	R 124	R 124	R 125	R 126	●	●	●	●
ZEF 811	R	C 4	R 18	R 118	R 118	R 119	R 120	●	●	●	●
ZEF 811	R	C 4	R 18	R 118	R 118	R 119	R 120	●	●	●	●
ZEF 783	R	C 17	●	R 125	R 125	R 126	R 127	●	●	●	●
ZEF 783	R	C 17	●	R 125	R 125	R 126	R 127	●	●	●	●
ZEF 783	R	C 17	●	R 125	R 125	R 126	R 127	●	●	●	●
ZEF 783	R	C 17	●	R 125	R 125	R 126	R 127	●	●	●	●
ZEF 784	R	C 17	●	R 124	R 124	R 125	R 126	●	●	●	●
ZEF 811	R	C 4	R 18	R 118	R 118	R 119	R 120	●	●	●	●
ZEF 784	R	C 17	●	R 124	R 124	R 125	R 126	●	●	●	●
ZEF 781	R	○	●	R 257	R 256	R 255	R 254	●	●	●	●
ZEF 719	R	C 35	●	R 209	R 208	R 207	R 206	●	●	●	●
ZEF 781	R	○	●	R 257	R 256	R 255	R 254	●	●	●	●
ZEF 719	R	C 35	●	R 209	R 208	R 207	R 206	●	●	●	●
ZEF 719	R	C 35	●	R 209	R 208	R 207	R 206	●	●	●	●
ZEF 1173	R	○	●	○	○	○	○	●	●	●	●
ZEF 1115	R	○	●	R 241	R 241	R 240	R 239	●	●	●	●
ZEF 1178	R	○	●	R 250	R 251	R 252	R 253	●	●	●	●
ZEF 1475	R	○	●	R 349	R 350	R 351	R 352	●	●	●	●
ZEF 1178	R	○	●	R 250	R 251	R 252	R 253	●	●	●	●
ZEF 1475	R	○	●	R 349	R 350	R 351	R 352	●	●	●	●
ZEF 719	R	C 35	●	R 209	R 208	R 207	R 206	●	●	●	●
ZEF 719	R	C 35	●	R 209	R 208	R 207	R 206	●	●	●	●
ZEF 1549	R	○	●	R 404	R 403	R 402	R 402	●	●	●	●
ZEF 1549	R	○	●	R 404	R 403	R 402	R 402	●	●	●	●
ZEF 1633	R	○	●	R 425	R 423	R 422	R 424	●	●	●	●
ZEF 1633	R	○	●	R 425	R 423	R 422	R 424	●	●	●	●
ZEF 1549	R	○	●	R 404	R 403	R 402	R 402	●	●	●	●
ZEF 1549	R	○	●	R 404	R 403	R 402	R 402	●	●	●	●
ZEF 1114	R	○	●	R 244	R 244	R 243	R 242	●	●	●	●
ZEF 1628	R	○	●	○	○	○	○	●	●	●	●
ZEF 1115	R	○	●	R 241	R 241	R 240	R 239	●	●	●	●
ZEF 1628	R	○	●	○	○	○	○	●	●	●	●
ZEF 1115	R	○	●	R 241	R 241	R 240	R 239	●	●	●	●
ZEF 1115	R	○	●	R 241	R 241	R 240	R 239	●	●	●	●
ZEF 1115	R	○	●	R 241	R 241	R 240	R 239	●	●	●	●
ZEF 1115	R	○	●	R 241	R 241	R 240	R 239	●	●	●	●



kw



<b>FORD</b>					
<b>FOCUS II</b>					
1.6	1,6	74	11.04-	SHDA/HWDB/HWDA	4
<b>FUSION</b>					
1.25	1,3	55	08.04-	FUJA/FUJB	4
1.4	1,4	59	08.02-	FXJA/FXJB	4
1.6	1,6	74	08.02-	FYJA	4
<b>GALAXY</b>					
2.0 i	2,0	85	11.95-12.04	NSE	4
2.0 i	2,0	85	11.95-12.04	ZVSA	4
2.3	2,3	103	04.00-02.06	E5SB	4
2.3 16V	2,3	107	01.97-03.00	E5SA/Y5B	4
2.3 16V	2,3	107	04.00-12.04	E5SA/Y5B	4
2.8 i V6, 4x4	2,8	128	11.95-04.00	AAA/AMY	6
<b>GRANADA, Kombi</b>					
2.0	2,0	66	08.77-08.85	NYP	6
2.0	2,0	74	08.79-08.85	NEP	4
2.0	2,0	77	08.81-08.85	NEK	4
2.3	2,3	79	01.75-08.77	YYH	6
2.3	2,3	82	06.81-08.85	YYU	6
2.3	2,3	84	06.79-08.85	YYP	6
2.8	2,8	97	06.81-08.85	PYU	6
2.8	2,8	99	08.77-08.85	PYA	6
3.0	3,0	101	01.72-02.76		6
2.8 i	2,8	108	08.77-08.85	PRD	6
2.8 i	2,8	110	10.82-08.85	PRC	6
2.8 i	2,8	118	08.77-08.81	PRB	6
<b>GRANADA Coupe</b>					
3.0	2993	101	01.72-02.76		6
<b>KA</b>					
1.3 i	1,3	36	06.98-09.98	JJD/JJF/JJG/JJH/JJL	4
1.3 i	1,3	37	09.96-08.98	JJB	4
1.3 i	1,3	37	09.98-	JJB	4
1.3 i	1,3	44	09.96-08.98	BAA/J4D/J4K/J4M/J4N/J4P/J4S	4
1.3 i	1,3	44	09.98-	BAA/J4D/J4K/J4M/J4N/J4P/J4S	4
1.3, 1.3 i	1,3	44-51	08.02-	A9A, A9B, BAA	4
<b>MAVERICK</b>					
2.0 16V	2,0	91	02.01-		4
2.4 i	2,4	85	09.96-04.98	KA-24	4
2.4 i	2,4	87	09.96-04.98	KA-24	4
2.4 i	2,4	91	02.93-08.96	KA24-E	4
<b>MONDEO I, Kombi</b>					
1.6 i 16V	1,6	65	07.94-08.96	L1J	4
1.6 i 16V	1,6	66	02.93-08.96	L1F	4
1.8 i 16V	1,8	82	01.94-08.96	RKB	4
1.8 i 16V, 4x4	1,8	85	02.93-08.96	RKA	4
2.0 i 16V, 4x4	2,0	97	01.93-08.96		4
2.0 i 16V, 4x4	2,0	100	04.93-08.96	NGA	4
<b>MONDEO II, Kombi</b>					
1.6 i	1,6	66	09.96-08.98	L1J	4
1.6 i	1,6	66	09.98-11.00	L1J	4
1.6 i 16V	1,6	70	05.98-08.98	L1L/L1N/L1Q	4
1.6 i 16V	1,6	70	09.98-11.00	L1L/L1N/L1Q	4
1.8 i	1,8	85	09.96-08.98	RKB/RKF/RKH/RKJ/RKK	4
1.8 i	1,8	85	09.98-11.00	RKB/RKF/RKH/RKJ/RKK	4
2.0 i	2,0	96	09.96-08.98	NGA/NGB/NGC/NGD	4
2.0 i	2,0	96	09.98-11.00	NGA/NGB/NGC/NGD	4
<b>MONDEO III</b>					
1.8 16V	1,8	81	11.00-	CGBA/CGBB	4
1.8 16V	1,8	92	11.00-	CHBA/CHBB	4
2.0 16V	2,0	107	11.00-	CJBA/CJBB	4
<b>ORION I</b>					
1.3	1,3	51	07.83-03.86	JPA	4



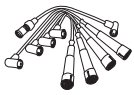
= DIN



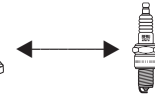
= M4



= SAE



Copper Cable  
Power Cable

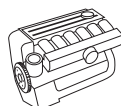


Zyl./Cyl./Cil.

				1	2	3	4	5	6	7	8
ZEF 1628	R	○	●	○	○	○	○	●	●	●	●
ZEF 1549	R	○	●	R 404	R 403	R 402	R 402	●	●	●	●
ZEF 1549	R	○	●	R 404	R 403	R 402	R 402	●	●	●	●
ZEF 1549	R	○	●	R 404	R 403	R 402	R 402	●	●	●	●
ZEF 1226	R	○	●	R 390	R 389	R 388	R 387	●	●	●	●
ZEF 1597	R	○	●	R 413	R 413	R 415	R 414	●	●	●	●
ZEF 1596	R	○	●	○	○	○	○	●	●	●	●
ZEF 1253	R	○	●	R 337	●	R 338	●	●	●	●	●
ZEF 1226	R	○	●	R 390	R 389	R 388	R 387	●	●	●	●
ZEF 1260	CU	○	●	VA 132 D	VA 132 C	VA 132 C	VA 132 B	VA 132 B	VA 132 A	●	●
○	R	○	R 24	R 23	R 23	R 22	R 22	R 40	R 40	●	●
○	R	○	R 5	R 1	R 1	R 6	R 9	●	●	●	●
○	R	○	R 5	R 1	R 1	R 6	R 9	●	●	●	●
○	R	○	R 24	R 23	R 23	R 22	R 22	R 40	R 40	●	●
○	R	○	R 10	R 12	R 12	R 12	R 8	R 8	R 8	●	●
○	R	○	R 10	R 12	R 12	R 12	R 8	R 8	R 8	●	●
○	R	○	R 10	R 12	R 12	R 12	R 8	R 8	R 8	●	●
○	R	○	R 10	R 12	R 12	R 12	R 8	R 8	R 8	●	●
○	R	○	R 24	R 23	R 23	R 22	R 22	R 40	R 40	●	●
○	R	○	R 10	R 12	R 12	R 12	R 8	R 8	R 8	●	●
○	R	○	R 10	R 12	R 12	R 12	R 8	R 8	R 8	●	●
○	R	○	R 10	R 12	R 12	R 12	R 8	R 8	R 8	●	●
○	R	○	R 24	R 23		R 22	R 22	R 40	R 40	●	●
ZEF 1178	R	○	●	R 250	R 251	R 252	R 253	●	●	●	●
ZEF 1178	R	○	●	R 250	R 251	R 252	R 253	●	●	●	●
ZEF 1475	R	○	●	R 349	R 350	R 351	R 352	●	●	●	●
ZEF 1178	R	○	●	R 250	R 251	R 252	R 253	●	●	●	●
ZEF 1475	R	○	●	R 349	R 350	R 351	R 352	●	●	●	●
ZEF 1634	R	○	●	R 423	R 422	R 422	R 424	●	●	●	●
ZEF 1115	R	○	●	R 241	R 241	R 240	R 239	●	●	●	●
ZEF 1210	R	○	○	○	○	○	○	●	●	●	●
ZEF 1210	R	○	○	○	○	○	○	●	●	●	●
ZEF 899	R	○	○	○	○	○	○	●	●	●	●
ZEF 719	R	C 35	●	R 209	R 208	R 207	R 206	●	●	●	●
ZEF 719	R	C 35	●	R 209	R 208	R 207	R 206	●	●	●	●
ZEF 719	R	C 35	●	R 209	R 208	R 207	R 206	●	●	●	●
ZEF 719	R	C 35	●	R 209	R 208	R 207	R 206	●	●	●	●
ZEF 719	R	C 35	●	R 209	R 208	R 207	R 206	●	●	●	●
ZEF 719	R	C 35	●	R 209	R 208	R 207	R 206	●	●	●	●
ZEF 719	R	C 35	●	R 209	R 208	R 207	R 206	●	●	●	●
ZEF 1115	R	○	●	R 241	R 241	R 240	R 239	●	●	●	●
ZEF 1115	R	○	●	R 241	R 241	R 240	R 239	●	●	●	●
ZEF 719	R	C 35	●	R 209	R 208	R 207	R 206	●	●	●	●
ZEF 1115	R	○	●	R 241	R 241	R 240	R 239	●	●	●	●
ZEF 719	R	C 35	●	R 209	R 208	R 207	R 206	●	●	●	●
ZEF 1115	R	○	●	R 241	R 241	R 240	R 239	●	●	●	●
ZEF 719	R	C 35	●	R 209	R 208	R 207	R 206	●	●	●	●
ZEF 1115	R	○	●	R 241	R 241	R 240	R 239	●	●	●	●
ZEF 1539	R	○	●	R 395	R 394	R 393	R 392	●	●	●	●
ZEF 1539	R	○	●	R 395	R 394	R 393	R 392	●	●	●	●
ZEF 1539	R	○	●	R 395	R 394	R 393	R 392	●	●	●	●
ZEF 811	R	C 4	R 18	R 118	R 118	R 119	R 120	●	●	●	●



kW



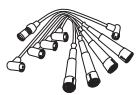
<b>FORD</b>					
<b>ORION I</b>					
1.6	1,6	58	07.83-03.86	LP1/LPA	4
1.6 i	1,6	77	07.83-03.86	LR1/LRA	4
<b>ORION II</b>					
1.3	1,3	44	12.85-12.89	JBB/JLA/JLB	4
1.3	1,3	44	01.90-07.90	JBB/JLA/JLB	4
1.4	1,4	52	03.86-07.90		4
1.4	1,4	54	01.86-07.90	FUC	4
1.4 KAT	1,4	54	02.87-07.90	F6B/F6D	4
1.4	1,4	55	12.85-07.90	FUA	4
1.6 i KAT	1,6	66	03.86-07.90	L4B	4
1.6	1,6	66	12.85-07.90	LUC	4
1.6 i	1,6	77	03.86-07.90	LRB	4
<b>ORION III</b>					
1.3	1,3	44	07.90-12.93	J4B/J6A	4
1.4	1,4	52	07.90-12.93	F6F/F6G	4
1.6 i 16V	1,6	66	07.92-12.93	L1E/L1K	4
1.6 i	1,6	77	07.90-09.92	LJF	4
1.8 i 16V	1,8	77	02.92-12.93	RDA	4
1.8 i 16V	1,8	96	01.92-12.93	ROB	4
<b>PUMA</b>					
1.4 16V	1,4	66	11.97-04.98	FHD/FHF	4
1.4 16V	1,4	66	05.98-10.00	FHD/FHF	4
1.7 16V	1,7	92	03.97-04.98	MHA/MHB	4
1.7 16V	1,7	92	05.98-	MHA/MHB	4
<b>SCORPIO I, Kombi</b>					
1.8	1,8	66	04.85-12.85	REC (SAE)	4
1.8	1,8	66	01.86-12.89	REC (DIN)	4
1.8	1,8	66	01.90-02.92	REC (DIN)	4
2.0 i	2,0	74	10.85-12.85	NRC (SAE)	4
2.0 i	2,0	74	01.86-12.89	NRC (DIN)	4
2.0 i	2,0	74	01.90-12.90	NRC (DIN)	4
2.0	2,0	77	04.85-12.85	N8D/NEL (SAE)	4
2.0	2,0	77	01.86-08.89	N8D/NEL (DIN)	4
2.0 i	2,0	85	04.85-12.85	NRA/NRI (SAE)	4
2.0 i	2,0	85	01.86-12.89	NRA/NRI (DIN)	4
2.0 i	2,0	85	01.90-09.94	NRA/NRI	4
2.0 i	2,0	85	09.91-09.94	N9F	4
2.0 i	2,0	88	05.89-09.94	N9D	4
2.4 i, KAT	2,4	92	10.88-09.94	ARD/ARD V6 EFI HC	6
2.4 i	2,4	96	09.86-09.88	ARC	6
2.8 i, 4x4	2,8	110	10.85-11.86	PRE	6
2.8 i, 4x4	2,8	110	10.85-11.86	PRE	6
2.9 i, 4x4	2,9	107	09.86-09.94	BRD/BRE/BRF (SAE)	6
2.9 i, 4x4	2,9	107	09.86-12.94	BRD/BRE/BRF (DIN)	6
2.9 i, 4x4, KAT	2,9	107	10.87-09.94	BRE	6
2.9 i, 4x4	2,9	110	09.86-09.94	BRC	6
<b>SCORPIO II, Kombi</b>					
2.0 i	2,0	85	10.94-08.98	NSD	4
2.0 i 16V	2,0	100	10.94-08.98	N3A	4
2.3 i 16V	2,3	108	06.96-08.98	Y5A	4
2.3 i 16V	2,3	108	06.96-08.98	Y5A	4
<b>SIERRA, Kombi</b>					
1.3	1,3	44	08.82-12.86	JCT	4
1.6	1,6	53	01.88-02.93	LSF	4
1.6	1,6	55	08.82-12.86	LCS/LCT/LSD	4
1.6	1,6	55	01.87-07.90	LSE	4
1.6	1,6	55	08.90-02.93	LSE	4
1.6 i	1,6	59	01.91-02.93	L6B	4
1.8	1,8	59	10.87-05.88	REF	4
1.8	1,8	59	10.87-05.88	RED	4
1.8	1,8	64	05.88-02.93	R2C/R6A	4



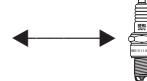
= DIN

= M4

= SAE



Copper Cable  
Power Cable



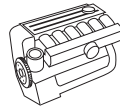
Zyl./Cyl./Cil.

				1	2	3	4	5	6	7	8
ZEF 811	R	C 4	R 18	R 118	R 118	R 119	R 120	●	●	●	●
ZEF 811	R	C 4	R 18	R 118	R 118	R 119	R 120	●	●	●	●
ZEF 810	R	○	R 18	R 118	R 118	R 119	R 120	●	●	●	●
ZEF 783	R	C 17	●	R 125	R 125	R 126	R 127	●	●	●	●
ZEF 811	R	C 4	R 18	R 118	R 118	R 119	R 120	●	●	●	●
ZEF 784	R	C 17	●	R 124	R 124	R 125	R 126	●	●	●	●
ZEF 811	R	C 4	R 18	R 118	R 118	R 119	R 120	●	●	●	●
ZEF 811	R	C 4	R 18	R 118	R 118	R 119	R 120	●	●	●	●
ZEF 811	R	C 4	R 18	R 118	R 118	R 119	R 120	●	●	●	●
ZEF 784	R	C 17	●	R 124	R 124	R 125	R 126	●	●	●	●
ZEF 811	R	C 4	R 18	R 118	R 118	R 119	R 120	●	●	●	●
ZEF 783	R	C 17	●	R 125	R 125	R 126	R 127	●	●	●	●
ZEF 784	R	C 17	●	R 124	R 124	R 125	R 126	●	●	●	●
ZEF 719	R	C 35	●	R 209	R 208	R 207	R 206	●	●	●	●
ZEF 781	R	○	●	R 257	R 256	R 255	R 254	●	●	●	●
ZEF 719	R	C 35	●	R 209	R 208	R 207	R 206	●	●	●	●
ZEF 719	R	C 35	●	R 209	R 208	R 207	R 206	●	●	●	●
ZEF 1173	R	○	●	○	○	○	○	●	●	●	●
○	R	○	●	R 244	R 244	R 243	R 243	●	●	●	●
ZEF 1173	R	○	●	○	○	○	○	●	●	●	●
○	R	○	●	R 244	R 244	R 243	R 243	●	●	●	●
ZEF 1264	R	○	R 22	R 45	R 44	R 42	R 42	●	●	●	●
○	R	○	R 249	R 124	R 125	R 127	R 126	●	●	●	●
ZEF 809	R	○	R 249	R 245	R 246	R 247	R 248	●	●	●	●
ZEF 1264	R	○	R 22	R 45	R 44	R 42	R 42	●	●	●	●
○	R	○	R 249	R 118	R 119	R 119	R 120	●	●	●	●
ZEF 809	R	○	R 249	R 245	R 246	R 247	R 248	●	●	●	●
ZEF 1264	R	○	R 22	R 45	R 44	R 42	R 42	●	●	●	●
○	R	○	R 249	R 118	R 119	R 119	R 120	●	●	●	●
ZEF 1264	R	○	R 22	R 45	R 44	R 42	R 42	●	●	●	●
○	R	○	R 249	R 118	R 119	R 119	R 120	●	●	●	●
ZEF 809	R	○	R 249	R 245	R 246	R 247	R 248	●	●	●	●
ZEF 809	R	○	R 249	R 245	R 246	R 247	R 248	●	●	●	●
ZEF 809	R	○	R 249	R 245	R 246	R 247	R 248	●	●	●	●
ZEF 1214	R	○	○	○	○	○	○	○	○	●	●
ZEF 1214	R	○	○	○	○	○	○	○	○	●	●
○	R	○	R 19	R 117	R 117	R 118	R 119	R 119	R 120	●	●
○	R	○	R 6	R 53	R 42	R 42	R 44	R 44	R 45	●	●
○	R	○	R 6	R 53	R 42	R 42	R 44	R 44	R 45	●	●
ZEF 1214	R	○	○	○	○	○	○	○	○	●	●
○	R	○	R 6	R 53	R 42	R 42	R 44	R 44	R 45	●	●
○	R	○	R 6	R 53	R 42	R 42	R 44	R 44	R 45	●	●
ZEF 1131	R	○	○	○	○	○	○	●	●	●	●
ZEF 1131	R	○	○	○	○	○	○	●	●	●	●
ZEF 1131	R	○	○	○	○	○	○	●	●	●	●
ZEF 1253	R	○	●	○	○	○	○	●	●	●	●
○	R	○	R 5	R 118	R 118	R 119	R 120	●	●	●	●
○	R	○	R 249	R 124	R 125	R 126	R 127	●	●	●	●
○	R	○	R 249	R 124	R 125	R 127	R 126	●	●	●	●
○	R	○	R 5	R 1	R 1	R 9	R 9	●	●	●	●
○	R	○	R 249	R 124	R 125	R 127	R 126	●	●	●	●
○	R	○	●	R 125	R 125	R 127	R 170	●	●	●	●
ZEF 1211	R	○	○	○	○	○	○	●	●	●	●
ZEF 1264	R	○	R 22	R 42	R 42	R 44	R 45	●	●	●	●
○	R	○	R 22	R 53	R 42	R 42	R 45	●	●	●	●





kw



## FORD

### SIERRA, Kombi

1.8	1,8	66	10.84-12.85	REB	4
1.8	1,8	66	01.86-12.86	REB	4
1.8	1,8	66	01.87-05.88	R2A/RED	4
2.0	2,0	66	08.82-10.84	NYT	6
2.0 i	2,0	74	01.87-02.93	NE5/NEJ	4
2.0 i KAT	2,0	74	01.87-02.93	N4B	4
2.0	2,0	74	10.85-12.86	NRD (DIN)	4
2.0	2,0	74	10.85-12.86	NRD (SAE)	4
2.0	2,0	77	08.82-12.85	NET	4
2.0	2,0	77	01.86-12.86	NET	4
2.0	2,0	77	01.87-02.93	N8C/NES	4
2.0	2,0	85	03.85-12.85	NR2/NRB	4
2.0 i	2,0	85	01.86-12.86	NR2/NRB	4
2.0 i	2,0	85	01.87-12.89	N4A/N4I	4
2.0 i	2,0	85	01.90-02.93	N4A/N4I	4
2.0 i DOHC	2,0	85	12.91-02.93	N9E	4
2.0 i, 4x4	2,0	88	05.89-02.93	N9C	4
2.0, 4x4	2,0	88	01.90-02.93	N9C	4
2.3	2,3	84	08.82-12.86	YYT	6
2.8 XR4i	2,8	105	08.82-12.86	PR6 (DIN)	6
2.8 XR4i	2,8	105	08.82-12.86	PR6 (SAE)	6
2.8 XR4i	2,8	110	08.82-12.86	PRT (DIN)	6
2.8 XR4i	2,8	110	08.82-12.86	PRT (SAE)	6
2.8 i XR 4x4	2,8	110	01.87-08.88	PRG (DIN)	6
2.8 i XR 4x4	2,8	110	01.87-08.88	PRG (SAE)	6

### TAUNUS, Turnier

1.3	1,3	40	05.75-07.79	JAC	4
1.6	1,6	50	05.75-07.79	LAD	4
1.6	1,6	53	05.75-07.79	LCJ	4
2.0	2,0	66	05.75-07.79	NYR	6

### TAUNUS '80, Turnier

1.3	1,3	43	07.79-07.82	JCC	4
1.6	1,6	51	07.79-07.82	LAR	4
1.6	1,6	54	07.79-07.82	LCJ	4
2.0	2,0	66	07.79-07.82	NWR	6
2.0	2,0	74	07.79-07.82	NER	4
2.3	2,3	84	07.79-07.82	YYR	6

### TRANSIT

1.5 900	1,5	44	11.65-05.73		4
1.5 1000	1,5	44	12.68-05.73		4
1.5 1100	1,5	44	11.65-07.71		4
1.6	1,6	46	12.85-01.89	LAT	4
1.6	1,6	48	12.77-10.86	4RB	4
1.7	1,7	48	01.71-05.73		4
1.7 900	1,7	48	02.71-06.71		4
1.7 1000	1,7	48	01.71-05.73		4
1.7 1300	1,7	48	01.66-07.73		4
1.7 1300 Feuerw.	1,7	48	11.65-05.73		4
1.7 FT 100	1,7	48	04.71-03.78	EY	4
2.0	2,0	43	12.77-07.82	4RC	4
2.0	2,0	55	11.77-10.86	4RC	4
2.0	2,0	57	11.77-10.86	4RC	4
2.0	2,0	57	09.85-09.92	NAT/NAV	4
2.0	2,0	57	11.85-09.92	N6T	4
2.0	2,0	66	09.91-06.94	NBA	4
2.0	2,0	72	09.91-08.94	NCA	4
2.0 i	2,0	72	09.91-07.94	NCA	4
2.0	2,0	84	09.95-03.00	NSF/NSG	4



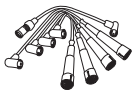
= DIN



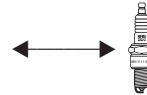
= M4



= SAE



Copper Cable  
Power Cable

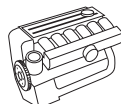


Zyl./Cyl./Cil.

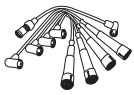
			1	2	3	4	5	6	7	8	
ZEF 1264	R	○	R 22	R 42	R 42	R 44	R 45	●	●	●	●
○	R	○	R 249	R 124	R 125	R 127	R 126	●	●	●	●
○	R	○	R 5	R 118	R 118	R 119	R 120	●	●	●	●
○	R	○	R 24	R 116	R 117	R 117	R 118	R 119	R 119	●	●
○	R	○	R 5	R 118	R 118	R 119	R 120	●	●	●	●
○	R	○	R 5	R 118	R 118	R 119	R 120	●	●	●	●
○	R	○	R 5	R 118	R 118	R 119	R 120	●	●	●	●
○	R	○	R 23	R 42	R 42	R 44	R 45	●	●	●	●
ZEF 1264	R	○	R 22	R 42	R 42	R 44	R 45	●	●	●	●
○	R	○	R 249	R 124	R 125	R 127	R 126	●	●	●	●
ZEF 809	R	○	R 249	R 245	R 246	R 247	R 248	●	●	●	●
ZEF 1264	R	○	R 22	R 42	R 42	R 44	R 45	●	●	●	●
○	R	○	R 249	R 124	R 125	R 127	R 126	●	●	●	●
○	R	○	R 249	R 124	R 125	R 127	R 126	●	●	●	●
ZEF 809	R	○	R 249	R 245	R 246	R 247	R 248	●	●	●	●
ZEF 1131	R	○	○	○	○	○	○	●	●	●	●
ZEF 809	R	○	R 249	R 245	R 246	R 247	R 248	●	●	●	●
ZEF 1212	R	○	R 249	R 247	R 246	R 245	R 245	●	●	●	●
○	R	○	R 24	R 116	R 116	R 116	R 118	R 118	R 118	●	●
○	R	○	R 24	R 116	R 116	R 116	R 118	R 118	R 118	●	●
○	R	○	R 6	R 53	R 53	R 53	R 44	R 44	R 45	●	●
○	R	○	R 24	R 116	R 116	R 116	R 118	R 118	R 118	●	●
○	R	○	R 6	R 53	R 53	R 53	R 44	R 44	R 45	●	●
○	R	○	R 24	R 116	R 116	R 116	R 118	R 118	R 118	●	●
○	R	○	R 6	R 53	R 53	R 53	R 44	R 44	R 45	●	●
○	R	○	R 2	R 1	R 1	R 3	R 3	●	●	●	●
○	R	○	R 2	R 118	R 118	R 119	R 120	●	●	●	●
○	R	○	R 2	R 118	R 118	R 119	R 120	●	●	●	●
○	R	○	R 5	R 23	R 22	R 22	R 22	R 40	R 40	●	●
○	R	○	R 2	R 1	R 1	R 3	R 3	●	●	●	●
○	R	○	R 2	R 118	R 118	R 119	R 120	●	●	●	●
○	R	○	R 2	R 118	R 118	R 119	R 120	●	●	●	●
○	R	○	R 5	R 23	R 22	R 22	R 22	R 40	R 40	●	●
○	R	○	R 2	R 118	R 118	R 119	R 120	●	●	●	●
○	R	○	R 5	R 12	R 12	R 12	R 8	R 8	R 8	●	●
ZEF 810	R	○	R 18	R 118	R 118	R 119	R 120	●	●	●	●
ZEF 810	R	○	R 18	R 118	R 118	R 119	R 120	●	●	●	●
ZEF 810	R	○	R 18	R 118	R 118	R 119	R 120	●	●	●	●
○	R	○	R 5	R 1	R 1	R 6	R 9	●	●	●	●
○	R	○	R 249	R 124	R 125	R 127	R 126	●	●	●	●
ZEF 810	R	○	R 18	R 118	R 118	R 119	R 120	●	●	●	●
ZEF 810	R	○	R 18	R 118	R 118	R 119	R 120	●	●	●	●
ZEF 810	R	○	R 18	R 118	R 118	R 119	R 120	●	●	●	●
ZEF 810	R	○	R 18	R 118	R 118	R 119	R 120	●	●	●	●
ZEF 810	R	○	R 18	R 118	R 118	R 119	R 120	●	●	●	●
ZEF 810	R	○	R 18	R 118	R 118	R 119	R 120	●	●	●	●
ZEF 810	R	○	R 18	R 118	R 118	R 119	R 120	●	●	●	●
ZEF 810	R	○	R 18	R 118	R 118	R 119	R 120	●	●	●	●
○	R	○	R 249	R 124	R 125	R 127	R 126	●	●	●	●
○	R	○	R 249	R 124	R 125	R 127	R 126	●	●	●	●
○	R	○	R 249	R 124	R 125	R 127	R 126	●	●	●	●
○	R	○	R 35	R 118	R 119	R 120	R 120	●	●	●	●
○	R	○	R 35	R 118	R 119	R 120	R 120	●	●	●	●
○	R	○	R 249	R 124	R 125	R 127	R 126	●	●	●	●
○	R	○	R 249	R 124	R 125	R 127	R 126	●	●	●	●
○	R	○	R 249	R 124	R 125	R 127	R 126	●	●	●	●
ZEF 1131	R	○	○	○	○	○	○	●	●	●	●



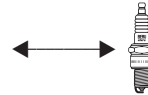
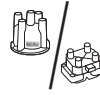
kW



<b>FORD (USA)</b>					
<b>EXPLORER</b>					
4.0 V6	4,0	115	01.96-		6
4.0 V6	4,0	121	01.96-		6
<b>PROBE I</b>					
2.2 GT	2,2	108	08.88-12.92		4
<b>PROBE II</b>					
2.0 16V	2,0	85	10.93-03.98	FS	4
2.5 V6 24V	2,5	120	12.94-03.98	KL	6
<b>FSO</b>					
<b>125P, Kombi</b>					
1.3	1,3	47	10.67-12.83	116 C 076	4
1.5	1,5	55	10.67-12.83	115 C 076	4
<b>POLONEZ I</b>					
1.5	1,5	55	10.77-12.83	AA	4
1.5	1,5	60	01.78-12.83		4
<b>GEO</b>					
<b>METRO</b>					
1.0	1,0	41	01.98-12.98	3L <6>	3
<b>METRO Cabriolet</b>					
1.0	1,0	41	01.98-12.98	3L <6>	3
<b>PRIZM</b>					
1.8	1,8	-	02.98-06.99	8L	4
1.8	1,8	-	07.99-	8L	4
<b>HONDA</b>					
<b>ACCORD I</b>					
1.6 L/EX	1,6	59	01.78-09.83	EG/EL	4
1.6 L/EX Hatchback	1,6	59	01.79-09.83	EL	4
<b>ACCORD II</b>					
1.6 EX	1,6	65	09.83-10.85	EZ	4
1.8 EX, Hatchback	1,8	74	09.83-10.85	ET1	4
<b>ACCORD III</b>					
1.6 L	1,6	65	11.85-12.89	A16A1	4
1.6 L, Aerodeck	1,6	65	11.85-12.89		4
2.0 EX, Aerodeck	2,0	75	10.87-12.89	A20A1	4
2.0 EX, Aerodeck	2,0	76	11.85-12.89	A20A1	4
2.0 EX, Aerodeck	2,0	78	11.85-05.89	A20A2	4
2.0 Exi	2,0	85	01.86-12.89	A20A3	4
2.0 Exi, Aerodeck	2,0	90	11.85-12.87	A20A4	4
2.0 i 16V	2,0	98	10.87-12.89	B20A8	4
2.0 i 16V	2,0	101	01.87-12.87	B20A2	4
<b>ACCORD IV</b>					
2.0 16V	2,0	66	01.90-03.93	F20A6	4
2.0 16V	2,0	81	01.90-03.93	F20A2	4
2.0 i 16V	2,0	98	01.90-03.93	F20A8	4
2.0 i 16V Aerodeck	2,0	98	03.93-12.93	F20Z3	4
2.0 i 16V Coupé	2,0	98	01.92-09.93	F20A7	4
2.2 i 16V Automatik	2,2	108	01.90-03.93	F22A3	4
2.2 i 16V	2,2	110	01.90-03.93	F22A3	4
2.2 i 16V Aerodeck	2,2	110	01.91-12.93	F22A7	4
<b>ACCORD V</b>					
2.0 i	2,0	85	03.93-01.96	F20Z2	4
2.0 i S	2,0	96	03.93-01.96	F20Z1	4
2.0 i LS 16V Aerodeck	2,0	100	09.93-02.98	F20B3	4
2.2 i ES Aerodeck	2,2	110	09.93-12.94	F22B5	4
2.2 i ES Aerodeck	2,2	110	01.95-02.98	F22B5 VTEC	4
2.2 i ES Coupé	2,2	110	09.93-12.94	F22B5	4
2.2 i ES Coupé	2,2	110	01.95-02.98	F22B5 VTEC	4
2.3 i SR	2,3	116	03.93-01.96	H23A3	4



Copper Cable  
Power Cable

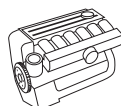


Zyl./Cyl./Cil.

				1	2	3	4	5	6	7	8
ZEF 1215	R	○	○	○	○	○	○	○	○	●	●
ZEF 1215	R	○	○	○	○	○	○	○	○	●	●
ZEF 811	R	<b>C 4</b>	R 18	R 116	R 118	R 119	R 120	●	●	●	●
○	R	○	R 5	R 119	R 118	R 117	R 116	●	●	●	●
ZEF 1375	R	○	○	○	○	○	○	○	○	●	●
ZEF 769	R	<b>C 18</b>	R 5	R 28	R 13	R 13	R 11	●	●	●	●
ZEF 769	R	<b>C 18</b>	R 5	R 28	R 13	R 13	R 11	●	●	●	●
ZEF 769	R	<b>C 18</b>	R 5	R 28	R 13	R 13	R 11	●	●	●	●
ZEF 769	R	<b>C 18</b>	R 5	R 28	R 13	R 13	R 11	●	●	●	●
ZEF 1269	R	○	○	○	○	○	●	●	●	●	●
ZEF 1269	R	○	○	○	○	○	●	●	●	●	●
ZEF 1271	R	○	○	○	○	○	○	●	●	●	●
ZEF 1270	R	○	○	○	○	○	○	●	●	●	●
ZEF 772	R	<b>C 18</b>	R 24	R 13	R 13	R 11	R 11	●	●	●	●
ZEF 772	R	<b>C 18</b>	R 24	R 13	R 13	R 11	R 11	●	●	●	●
ZEF 772	R	<b>C 18</b>	R 24	R 13	R 13	R 11	R 11	●	●	●	●
○	R	○	R 5	R 8	R 8	R 13	R 13	●	●	●	●
○	R	○	R 2	R 12	R 12	R 11	R 11	●	●	●	●
○	R	○	R 2	R 12	R 12	R 11	R 11	●	●	●	●
ZEF 772	R	<b>C 18</b>	R 24	R 13	R 13	R 11	R 11	●	●	●	●
ZEF 772	R	<b>C 18</b>	R 24	R 13	R 13	R 11	R 11	●	●	●	●
○	R	○	R 2	R 12	R 12	R 11	R 11	●	●	●	●
ZEF 772	R	<b>C 18</b>	R 24	R 13	R 13	R 11	R 11	●	●	●	●
○	R	○	R 2	R 12	R 12	R 11	R 11	●	●	●	●
ZEF 837	R	○	○	○	○	○	○	●	●	●	●
ZEF 837	R	○	○	○	○	○	○	●	●	●	●
ZEF 836	R	○	●	R 171	R 172	R 172	R 174	●	●	●	●
ZEF 836	R	○	●	R 171	R 172	R 172	R 174	●	●	●	●
ZEF 836	R	○	●	R 171	R 172	R 172	R 174	●	●	●	●
ZEF 1005	R	○	●	○	○	○	○	●	●	●	●
ZEF 836	R	○	●	R 171	R 172	R 172	R 174	●	●	●	●
ZEF 836	R	○	●	R 171	R 172	R 172	R 174	●	●	●	●
ZEF 836	R	○	●	R 171	R 172	R 172	R 174	●	●	●	●
ZEF 836	R	○	●	R 171	R 172	R 172	R 174	●	●	●	●
ZEF 836	R	○	●	R 171	R 172	R 172	R 174	●	●	●	●
ZEF 838	R	○	●	○	○	○	○	●	●	●	●
ZEF 836	R	○	●	R 171	R 172	R 172	R 174	●	●	●	●
ZEF 838	R	○	●	○	○	○	○	●	●	●	●
ZEF 836	R	○	●	R 171	R 172	R 172	R 174	●	●	●	●



kW



## HONDA

### ACCORD VI

1.9 i	1,9	85	02.96-10.98	F18A3	4
2.0 i LS	2,0	96	02.96-10.98	F20Z1	4
2.2 i VTEC	2,2	110	02.96-10.98	F22Z2	4

### ACCORD VII

1.8 i, Hatchback	1,9	100	10.98-12.02	F18B2	4
2.0 i	2,0	108	10.98-01.01	F20B6	4
2.0 i 16V Coupé	2,0	108	02.98-06.03	F20B5	4
2.2 Type-R	2,2	156	02.99-12.02	H22A7	4
3.0 V6 24V Coupé	3,0	147	02.98-06.03	J30A1	6

### CIVIC I

1.5, 4WD Shuttle	1,5	63	10.83-10.87	EW2	4
------------------	-----	----	-------------	-----	---

### CIVIC II

1.2, Hatchback	1,2	40	01.84-10.87	D12B1/ZA2	4
1.3, Hatchback	1,3	52	10.83-10.87	EV2	4
1.5 GL, Hatchback	1,5	63	10.83-10.87	EW2	4
1.5 i 16V Shuttle	1,5	69	10.87-11.91	D15B2	4
1.6 i 16V 4WD Shuttle	1,6	80	11.87-09.91	D16A6	4
1.6 i 16V 4WD Shuttle	1,6	81	01.88-02.95	D16A6	4

### CIVIC III

1.3 Hatchback	1,3	55	10.87-12.89	D13B1	4
1.3 16 V Hatchback	1,3	55	09.89-09.91	D13B2	4
1.4 L, Hatchback	1,4	66	10.87-12.89	D14A1	4
1.5 i 16V	1,5	66	10.87-09.91	D15B2	4
1.5 i 16V Hatchback	1,5	66	10.88-09.91	D15B2	4
1.5 i 16V, Hatchback	1,5	69	10.87-09.91	D15B2	4
1.6 i 16V, 4x4, Hatchback	1,6	80	11.87-09.91	D16A6	4
1.6 i 16V, Hatchback	1,6	81	10.87-09.91	D16Z2	4
1.6 i 16V Vtec Hatchback	1,6	110	10.89-09.91	B16A1	4

### CIVIC IV

1.3 16V Hatchback	1,3	55	10.91-11.95	D13B2	4
1.4 i Fastback	1,4	55	09.95-01.97	D14A5	4
1.4 i Fastback	1,4	66	09.94-01.97	D14A2	4
1.5 i Vtec-E Fastback	1,5	66	09.94-01.97	D15Z3	4
1.5 i 16V, Hatchback	1,5	69	10.91-11.95	D15B2	4
1.5 i 16V, Hatchback	1,5	69	10.91-11.95	D15Z1	4
1.5 i LSi Coupé	1,5	74	01.94-11.95	D15B7	4
1.6 i Coupé	1,6	77	01.94-11.95	D16Y7	4
1.6 i Fastback	1,6	83	09.94-01.97	D16Y3	4
1.6 16V Vtec	1,6	92	10.91-11.95	D16Z6/D16Z7	4
1.6 i Vtec Coupe	1,6	92	01.94-03.96	D16Y6/D16Z9	4
1.6 16V Vtec Hatchback	1,6	92	10.91-11.95	D16Z6	4
1.6 i Vtec Fastback	1,6	93	09.94-01.97	D16Y2	4
1.6 Vti 16V, Hatchback	1,6	118	10.91-11.95	B16A2	4

### CIVIC V

1.4 16V, Aerodeck, Fastback	1,4	55	01.97-02.01	D14A7	4
1.4 i, Hatchback	1,4	55	11.95-02.01	D14A3	4
1.4 i, S, Hatchback	1,4	66	11.95-02.01	D14A4	4
1.4 16V Aerodeck, Fastback	1,4	66	01.97-02.01	D14A8	4
1.5 i, Hatchback	1,5	84	11.95-02.01	D15Z8	4
1.5 16V, Aerodeck, Fastback	1,5	84	01.97-02.01	D15Z8	4
1.6 i Coupé	1,6	77	03.96-03.00	D16Y7	4
1.6 16V Aerodeck	1,6	85	04.98-02.01	D16B2	4
1.6 16V Fastback	1,6	85	01.97-02.01	D16B2	4
1.6 i Vtec	1,6	92	11.95-02.01	D16Y6/D16Y8	4
1.6 Vti, Hatchback	1,6	118	11.95-02.01	B16A2	4
1.8 16V Aerodeck	1,8	124	04.98-02.01	B18C4	4

### CONCERTO

1.4	1,4	66	08.89-10.91	D14A1/D14A8	4
1.5 i 16V	1,5	66	08.89-03.95	D15B2	4
1.6 i 16V	1,6	82	08.89-03.95	D16Z2	4
1.6 i 16V	1,6	90	08.89-03.95	D16A8	4



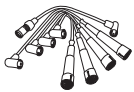
= DIN



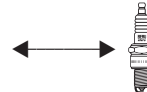
= M4



= SAE



Copper Cable  
Power Cable

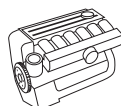


Zyl./Cyl./Cil.

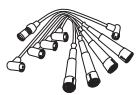
				1	2	3	4	5	6	7	8
ZEF 836	R	○	●	R 171	R 172	R 172	R 174	●	●	●	●
ZEF 836	R	○	●	R 171	R 172	R 172	R 174	●	●	●	●
ZEF 1324	R	○	●	○	○	○	○	●	●	●	●
ZEF 836	R	○	●	R 171	R 172	R 172	R 174	●	●	●	●
ZEF 1097	R	○	●	○	○	○	○	●	●	●	●
ZEF 838	R	○	●	○	○	○	○	●	●	●	●
ZEF 838	R	○	●	○	○	○	○	●	●	●	●
ZEF 1098	R	○	●	○	○	○	○	○	○	●	●
ZEF 775	R	C 7	R 18	R 6	R 1	R 3	R 3	●	●	●	●
ZEF 773	R	C 18	R 5	R 11	R 11	R 13	R 13	●	●	●	●
ZEF 773	R	C 18	R 5	R 11	R 11	R 13	R 13	●	●	●	●
ZEF 775	R	C 7	R 18	R 6	R 1	R 3	R 3	●	●	●	●
ZEF 839	R	○	●	R 174	R 173	R 172	R 171	●	●	●	●
ZEF 839	R	○	●	R 174	R 173	R 172	R 171	●	●	●	●
ZEF 839	R	○	●	R 174	R 173	R 172	R 171	●	●	●	●
ZEF 839	R	○	●	R 174	R 173	R 172	R 171	●	●	●	●
ZEF 839	R	○	●	R 174	R 173	R 172	R 171	●	●	●	●
ZEF 839	R	○	●	R 174	R 173	R 172	R 171	●	●	●	●
ZEF 839	R	○	●	R 174	R 173	R 172	R 171	●	●	●	●
ZEF 839	R	○	●	R 174	R 173	R 172	R 171	●	●	●	●
ZEF 839	R	○	●	R 174	R 173	R 172	R 171	●	●	●	●
ZEF 842	R	○	●	○	○	○	○	●	●	●	●
ZEF 839	R	○	●	R 174	R 173	R 172	R 171	●	●	●	●
ZEF 839	R	○	●	R 174	R 173	R 172	R 171	●	●	●	●
ZEF 839	R	○	●	R 174	R 173	R 172	R 171	●	●	●	●
ZEF 840	R	○	●	R 175	R 175	R 176	R 176	●	●	●	●
ZEF 839	R	○	●	R 174	R 173	R 172	R 171	●	●	●	●
ZEF 840	R	○	●	R 175	R 175	R 176	R 176	●	●	●	●
ZEF 839	R	○	●	R 174	R 173	R 172	R 171	●	●	●	●
ZEF 840	R	○	●	R 175	R 175	R 176	R 176	●	●	●	●
ZEF 839	R	○	●	R 174	R 173	R 172	R 171	●	●	●	●
ZEF 840	R	○	●	R 175	R 175	R 176	R 176	●	●	●	●
ZEF 1099	R	○	●	○	○	○	○	●	●	●	●
ZEF 840	R	○	●	R 175	R 175	R 176	R 176	●	●	●	●
ZEF 840	R	○	●	R 175	R 175	R 176	R 176	●	●	●	●
ZEF 840	R	○	●	R 175	R 175	R 176	R 176	●	●	●	●
ZEF 1099	R	○	●	○	○	○	○	●	●	●	●
ZEF 840	R	○	●	R 175	R 175	R 176	R 176	●	●	●	●
ZEF 1099	R	○	●	○	○	○	○	●	●	●	●
ZEF 840	R	○	●	R 175	R 175	R 176	R 176	●	●	●	●
ZEF 1099	R	○	●	○	○	○	○	●	●	●	●
ZEF 842	R	○	●	○	○	○	○	●	●	●	●
ZEF 1100	R	○	●	○	○	○	○	●	●	●	●
ZEF 839	R	○	●	R 171	R 171	R 173	R 174	●	●	●	●
ZEF 839	R	○	●	R 171	R 171	R 173	R 174	●	●	●	●
ZEF 839	R	○	●	R 171	R 171	R 173	R 174	●	●	●	●
ZEF 843	R	○	●	○	○	○	○	●	●	●	●



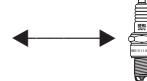
kW



<b>HONDA</b>					
<b>CR-V I</b>					
2.0 16V	2,0	94	06.97-01.99	B20B	4
<b>CRX I</b>					
1.5 i	1,5	74	10.83-11.86	EW3	4
1.6 i 16V	1,6	92	03.86-10.87	ZC1	4
<b>CRX II</b>					
1.6 i 16V	1,6	91	10.87-02.92	D16Z5	4
1.6 i 16V	1,6	96	10.87-12.89	D16A9	4
1.6 i 16V Vtec	1,6	110	10.89-02.92	B16A1	4
<b>CRX III</b>					
1.6 ESi	1,6	92	03.92-12.98	D16Z6	4
1.6 i Vti	1,6	118	03.92-12.98	B16A2	4
<b>HR-V</b>					
1.6 16V	1,6	77	03.99-	D16W1	4
1.6 16V 4WD	1,6	77	03.99-	D16W1	4
1.6 16V 4WD	1,6	91	10.99-	D16W5	4
<b>INTEGRA</b>					
1.8 Type-R	1,8	140	11.97-10.01	B18C6	4
<b>JAZZ</b>					
45 1.2	1,2	33	02.84-10.86	ER2	4
55 1.2	1,2	40	09.84-10.86	ER4	4
56 1.2	1,2	41	10.83-10.86	ER1	4
<b>LEGEND I</b>					
2.5 i	2,5	110	01.86-12.87	C25A1	6
2.5 i	2,5	127	02.87-06.88	C25A2	6
2.7 i 24V	2,7	124	01.88-12.90	C27A1	6
<b>LEGEND I Coupe</b>					
2.7 i 24V	2,7	124	10.87-12.90	C27A1	6
<b>LOGO</b>					
1.3	1,3	48	03.99-03.02	D13B7	4
<b>PRELUDE I Coupe</b>					
1.6 Coupé	1,6	59	11.78-10.82	EL/EL14	4
<b>PRELUDE II</b>					
1.8 EX	1,8	74	11.85-04.87	ET3/ET4	4
1.8 EX	1,8	77	11.83-04.87	ET2/ET3	4
<b>PRELUDE III</b>					
2.0 i EX 16V	2,0	101	04.86-12.87	B20A1	4
2.0 i EX 16V	2,0	101	04.86-12.87	B20A1	4
2.0 i EX 16V KAT	2,0	101	04.87-01.92	B20A5	4
2.0 i EX 16V	2,0	103	04.90-01.92	B20A9	4
2.0 i EX 16V	2,0	110	10.87-12.90	B20A7	4
<b>PRELUDE IV</b>					
2.0 i 16V	2,0	98	02.92-09.96	F20A4	4
2.2 i 16V Vtec	2,2	136	02.93-09.96	H22A2	4
2.3 i 16V	2,3	118	02.92-09.96	H23A2	4
<b>PRELUDE V</b>					
2.0 16V	2,0	98	10.96-12.99	F20A4	4
<b>QUINTET</b>					
1.6 EX	1,6	59	02.80-12.84	EL	4
<b>SHUTTLE</b>					
2.2 16V	2,2	110	10.94-02.98	F22B8	4
2.3 16V	2,3	110	01.98-05.01	F23A7	4
<b>HYUNDAI</b>					
<b>ACCENT</b>					
1.3	1,3	44	10.94-01.00	G4EH	4
1.3	1,3	55	10.94-01.00	G4EH	4
1.3	1,3	55	01.00-	G4E-A	4
1.3 i 12V	1,3	62	10.94-01.00	G4EH	4
1.3	1,3	63	01.00-	G4E-A	4
1.5 i 12V	1,5	65	10.94-01.00	G4EK SOHC	4
1.5 i 12V	1,5	65	10.94-01.00	G4EK DOHC	4



Copper Cable  
Power Cable



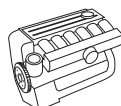
Zyl./Cyl./Cil.

				1	2	3	4	5	6	7	8
ZEF 1081	R	○	●	○	○	○	○	●	●	●	●
ZEF 775	R	<b>C 7</b>	R 18	R 6	R 1	R 3	R 3	●	●	●	●
ZEF 1003	R	○	●	○	○	○	○	●	●	●	●
ZEF 1003	R	○	●	○	○	○	○	●	●	●	●
ZEF 1004	R	○	●	○	○	○	○	●	●	●	●
ZEF 1081	R	○	●	○	○	○	○	●	●	●	●
ZEF 840	R	○	●	R 175	R 175	R 176	R 176	●	●	●	●
ZEF 1325	R	○	●	○	○	○	○	●	●	●	●
ZEF 840	R	○	●	R 175	R 175	R 176	R 176	●	●	●	●
ZEF 840	R	○	●	R 175	R 175	R 176	R 176	●	●	●	●
ZEF 840	R	○	●	R 175	R 175	R 176	R 176	●	●	●	●
ZEF 1322	R	○	●	○	○	○	○	●	●	●	●
ZEF 772	R	<b>C 18</b>	R 24	R 13	R 13	R 11	R 11	●	●	●	●
ZEF 772	R	<b>C 18</b>	R 24	R 13	R 13	R 11	R 11	●	●	●	●
ZEF 772	R	<b>C 18</b>	R 24	R 13	R 13	R 11	R 11	●	●	●	●
ZEF 844	R	○	○	○	○	○	○	○	○	●	●
ZEF 844	R	○	○	○	○	○	○	○	○	●	●
ZEF 844	R	○	○	○	○	○	○	○	○	●	●
ZEF 844	R	○	○	○	○	○	○	○	○	●	●
ZEF 840	R	○	●	R 175	R 175	R 176	R 176	●	●	●	●
ZEF 772	R	<b>C 18</b>	R 24	R 13	R 13	R 11	R 11	●	●	●	●
ZEF 775	R	<b>C 7</b>	R 18	R 6	R 1	R 3	R 3	●	●	●	●
ZEF 775	R	<b>C 7</b>	R 18	R 6	R 1	R 3	R 3	●	●	●	●
ZEF 779	R	<b>C 32</b>	R 35	R 21	R 27	R 23	R 22	●	●	●	●
ZEF 846	R	○	○	○	○	○	○	●	●	●	●
ZEF 847	R	○	○	○	○	○	○	●	●	●	●
ZEF 847	R	○	○	○	○	○	○	●	●	●	●
ZEF 847	R	○	○	○	○	○	○	●	●	●	●
ZEF 836	R	○	●	R 171	R 172	R 172	R 174	●	●	●	●
ZEF 845	R	○	●	○	○	○	○	●	●	●	●
ZEF 836	R	○	●	R 171	R 172	R 172	R 174	●	●	●	●
ZEF 1297	R	○	○	○	○	○	○	●	●	●	●
ZEF 772	R	<b>C 18</b>	R 24	R 13	R 13	R 11	R 11	●	●	●	●
ZEF 836	R	○	●	R 171	R 172	R 172	R 174	●	●	●	●
ZEF 838	R	○	●	○	○	○	○	●	●	●	●
ZEF 1135	R	○	●	○	○	○	○	●	●	●	●
ZEF 1135	R	○	●	○	○	○	○	●	●	●	●
ZEF 1135	R	○	●	○	○	○	○	●	●	●	●
ZEF 1135	R	○	●	○	○	○	○	●	●	●	●
ZEF 1519	R	○	●	○	○	○	○	●	●	●	●
ZEF 1135	R	○	●	○	○	○	○	●	●	●	●
ZEF 1136	R	○	●	○	○	○	○	●	●	●	●





kW

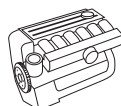


<b>HYUNDAI</b>					
<b>ACCENT</b>					
1.5	1,5	66	01.00-	G4EB	4
1.5 i 16V	1,5	73	12.95-01.00		4
1.5	1,5	75	09.00-	G4EC-G	4
<b>ATOS</b>					
1.0 i	1,0	40	02.98-02.02	G4HC	4
1.0 i	1,0	43	03.01-	G4HC-E	4
<b>ATOS PRIME</b>					
1.0 i	1,0	43	03.01-	G4HC-E	4
<b>COUPÉ</b>					
1.6 i 16V	1,6	84	12.96-04.02	4G61	4
2.0 16V	2,0	102	08.96-04.02	G4GF	4
2.0	2,0	102	03.02-	G4GC-G	4
2.7 V6	2,7	123	03.02-	G6BA-G	6
<b>ELANTRA</b>					
1.6	1,6	79	06.00-	G4ED-G	4
<b>GETZ</b>					
1.1	1,1	46	09.02-	G4HD	4
1.3	1,3	60	09.02-	G4E-A	4
1.6	1,6	77	09.02-	G4ED-G	4
<b>H100</b>					
2.4	2,4	90	07.93-03.00	G4CS	4
<b>LANTRA I</b>					
1.5 i.e.	1,5	63	10.90-11.95	G4DJ	4
1.5 i.e.	1,5	63	10.90-11.95	G15B	4
1.6 i.e. 16V	1,6	78	10.90-11.95	G4CR	4
1.6 i.e. 16V	1,6	84	10.90-11.95	G4CR	4
1.8 i.e. 16V	1,8	93	10.90-11.95	G4CN	4
<b>LANTRA II</b>					
1.6 i	1,6	66	11.95-09.00	G4GR	4
1.6 16V	1,6	84	11.95-09.00	4G61	4
1.8 16V	1,8	94	11.95-09.00	G4GM	4
2.0 16V	2,0	102	08.96-09.00	G4GF	4
<b>MATRIX</b>					
1.6	1,6	76	06.01-	G4ED-G	4
1.8	1,8	90	06.01-	G4GB-G	4
<b>PONY</b>					
1.3	1,3	50	10.85-09.89	G13B	4
1.5	1,5	53	10.85-01.95	G4DJ	4
1.5	1,5	53	10.85-01.95	G15B	4
1.5 i	1,5	61	10.89-01.95	G4DJ	4
1.5 i	1,5	61	10.89-01.95	G15B	4
1.5 i	1,5	62	10.89-01.95	G4DJ	4
1.5 i	1,5	62	10.89-01.95	G15B	4
<b>PONY/EXCEL</b>					
1.5	1,5	53	01.90-01.95	G4DJ	4
1.5	1,5	53	01.90-01.95	G15B	4
1.5 i	1,5	61	01.90-01.95	G4DJ	4
1.5 i	1,5	61	01.90-01.95	G15B	4
1.5 i	1,5	62	01.90-01.95	G4DJ	4
1.5 i	1,5	62	01.90-01.95	G15B	4
<b>S COUPE</b>					
1.5 i	1,5	62	02.90-05.96	G4DJ	4
1.5 i	1,5	62	02.90-05.96	G15B	4
1.5 i	1,5	65	04.92-05.96	G4EK	4
1.5 i Turbo	1,5	85	04.91-05.96	G4EK-TC	4
<b>SANTA FÉ</b>					
2.4 16V 4x4	2,4	100	02.01-	G4JS-G	4
2.7 V6 4x4	2,7	127	02.01-	G6BA-G	6
<b>SONATA I</b>					
2.0 i	2,0	80	01.91-10.93	G4CP-U	4
2.0 i 16V	2,0	96	01.91-10.93	G4CP-D	4

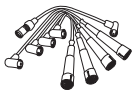




kW



<b>HYUNDAI</b>					
<b>SONATA I</b>					
2.4 i	2,4	83	09.88-08.91		4
3.0 i V6	3,0	107	01.91-10.93	G6AT	6
<b>SONATA II</b>					
2.0 i	2,0	77	06.94-08.96	G4CP	4
2.0 i 16V	2,0	92	06.96-06.98	G4CP-DM	4
2.0 i 16V	2,0	102	05.93-06.98	G4CP-D	4
3.0 i V6	3,0	107	05.93-06.98	G6AT	6
<b>SONATA III</b>					
2.0 16V	2,0	100	06.98-10.01	G4JP-G	4
2.4 16V	2,4	105	03.98-10.01		4
<b>SONATA IV</b>					
2.7 V6	2,7	127	10.01-11.04	G6BA-G	6
<b>STAREX</b>					
2.4, 4WD	2,4	82	06.97-		4
<b>STELLAR</b>					
1.4	1,4	50	10.83-08.86		4
1.6	1,6	56	10.83-12.91		4
<b>INNOCENTI</b>					
<b>MINI</b>					
1.0	1,0	35	05.74-02.82	BLM C 99 H	4
<b>ISUZU</b>					
<b>PICK UP</b>					
1.6-2.0	1,6-2,0	58-59	01.82-12.85	G200Z/G161Z	4
3.1	3,1	-	01.90-12.95	-	6
<b>RODEO</b>					
2.2	2,2	-	01.99-	X22SE	6
3.1	3,1	-	01.90-12.92	-	6
3.2	3,2	-	01.93-12.98	V6D1	6
<b>TROOPER</b>					
2.0	2,0	60	02.81-12.86	G200Z	4
2.3	2,3	66	11.85-07.87	4ZD1	4
2.6 i	2,6	85	10.87-12.91	4ZE1	4
3.2	3,2	130	08.91-12.91		6
3.2	3,2	130	01.92-07.98		6
<b>JEEP</b>					
<b>CHEROKEE</b>					
2.5 i	2,5	90	12.91-	EPE/HX	4
4.0 i	4,0	136	01.88-	ERH	6
<b>KIA</b>					
<b>CLARUS, Kombi</b>					
1.8 i 16V	1,8	85	07.96-	T8	4
2.0 i 16V	2,0	98	07.96-	FE	4
<b>PRIDE</b>					
1.3 16V	1,3	44	01.90-	B3	4
1.3 16V	1,3	47	10.96-	B3	4
1.3 16V	1,3	53	01.90-	B3	4
<b>RIO, Kombi</b>					
1.3	1,3	55	08.00-02.05		4
1.3	1,3	60	08.00-02.05		4
<b>SEPHIA</b>					
1.5 i 16V	1,5	59	02.96-	B5	4
1.6 i	1,6	59	09.93-12.94	B6	4
1.6 i	1,6	59	01.95-	B6	4
1.8 i 16V	1,8	82	01.95-		4
<b>SPORTAGE</b>					
2.0 i 4WD	2,0	70	04.94-08.99	FE	4
2.0 i 16V 4WD	2,0	94	04.94-	FE	4



Copper Cable  
Power Cable

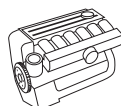


Zyl./Cyl./Cil.

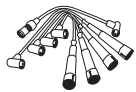
				1	2	3	4	5	6	7	8
ZEF 849	R	○	R 188	R 178	R 178	R 180	R 180	●	●	●	●
ZEF 853	R	○	R 10	R 116	R 116	R 116	R 116	R 117	R 118	●	●
ZEF 1144	R	○	R 177	R 178	R 179	R 179	R 180	●	●	●	●
ZEF 851	R	○	●	R 203	R 203	R 204	R 205	●	●	●	●
ZEF 851	R	○	●	R 203	R 203	R 204	R 205	●	●	●	●
ZEF 853	R	○	R 10	R 116	R 116	R 116	R 116	R 117	R 118	●	●
ZEF 850	R	○	●	○	○	○	○	●	●	●	●
ZEF 850	R	○	●	○	○	○	○	●	●	●	●
ZEF 1272	R	○	●	○	○	○	○	○	○	●	●
ZEF 1101	R	○	R 177	R 178	R 179	R 179	R 180	●	●	●	●
ZEF 769	R	C 18	R 5	R 28	R 13	R 13	R 11	●	●	●	●
ZEF 769	R	C 18	R 5	R 28	R 13	R 13	R 11	●	●	●	●
ZEF 796	R	C 3	R 18	R 4	R 4	R 4	R 4	●	●	●	●
ZEF 854	R	○	○	○	○	○	○	●	●	●	●
ZEF 1299	R	○	○	○	○	○	○	○	○	●	●
ZEF 1309	R	○	●	○	○	○	○	○	○	●	●
ZEF 1299	R	○	○	○	○	○	○	○	○	●	●
ZEF 1302	R	○	●	○	○	○	○	○	○	●	●
ZEF 854	R	○	○	○	○	○	○	●	●	●	●
ZEF 772	R	C 18	R 2	R 6	R 6	R 9	R 9	●	●	●	●
ZEF 772	R	C 18	R 2	R 6	R 6	R 9	R 9	●	●	●	●
ZEF 855	R	○	●	○	○	○	○	○	○	●	●
ZEF 1301	R	○	●	○	○	○	○	○	○	●	●
○	R	○	R 112 (S)	R 53	R 53	R 53	R 53	●	●	●	●
○	R	○	R 111 (S)	R 53	R 53	R 53	R 53	R 53	R 42	●	●
ZEF 1140	R	○	●	○	○	○	○	●	●	●	●
ZEF 1143	R	○	○	○	○	○	○	●	●	●	●
ZEF 776	R	○	R 2	R 13	R 13	R 8	R 16	●	●	●	●
ZEF 776	R	○	R 2	R 13	R 13	R 8	R 16	●	●	●	●
ZEF 776	R	○	R 2	R 13	R 13	R 8	R 16	●	●	●	●
ZEF 1076	R	○	●	○	○	○	○	●	●	●	●
ZEF 1076	R	○	●	○	○	○	○	●	●	●	●
ZEF 856	R	C 4	R 5	R 182	R 182	R 181	R 181	●	●	●	●
ZEF 858	R	○	●	○	○	○	○	●	●	●	●
ZEF 856	R	C 4	R 5	R 182	R 182	R 181	R 181	●	●	●	●
ZEF 1140	R	○	●	○	○	○	○	●	●	●	●
ZEF 1095	R	○	●	○	○	○	○	●	●	●	●
ZEF 858	R	○	●	○	○	○	○	●	●	●	●



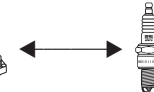
kW



<b>LADA</b>					
<b>1200-1500 Kombi</b>					
1200	1,2	44	09.73-08.84	BA3 2101	4
1500	1,5	54	09.73-06.85	BA3 2103	4
<b>1200-1600</b>					
1200 L/S	1,2	44	01.70-06.86	BA3 2101	4
1300	1,3	51	08.74-08.84	BA3 2105	4
1500	1,5	55	09.72-08.84	BA3 2103	4
<b>NIVA</b>					
1600	1,6	54	01.87-03.95	BA3 2121	4
1600	1,6	56	12.76-03.80	BA3 2121	4
1600	1,6	56	04.80-12.87	BA3 2121	4
1700 i	1,7	59	06.96-	BA3 21214	4
<b>NOVA, Kombi</b>					
1200 Junior/L	1,2	44	09.81-	BA3 2101	4
1300 Spezial/L	1,3	48	05.81-	BA3 2105	4
1300	1,3	48	09.85-12.90	BA3 2105	4
1500	1,5	49	08.94-	BA3 2103 (Kat)	4
1500, Special	1,5	55	03.85-	BA3 2103	4
1700	1,7	62	08.94-		4
<b>SAMARA</b>					
1100	1,1	39	02.88-12.94	BA3 21081	4
1100	1,1	43	02.96-	BA3 21081 (Kat)	4
1300	1,3	45	09.91-	BA3 2108 (Kat)	4
1300	1,3	46	01.88-		4
1300	1,3	48	01.86-12.94	BA3 2108	4
1300	1,3	50	02.96-	BA3 21115	4
1500	1,5	50	09.91-	BA3 21083 (Kat)	4
1500	1,5	52	02.95-	BA3 2111	4
1500	1,5	53	01.88-	BA3 21083	4
<b>SAMARA FORMA</b>					
1300	1,3	45	01.93-	BA3 2108	4
1300	1,3	48	05.89-07.97	BA3 2108	4
1500	1,5	52	11.94-	BA3 2111	4
1500	1,5	53	09.91-	BA3 21083	4
<b>TOSCANA</b>					
1500 (VAZ2107)	1,5	55	09.83-02.93	BA3 2103	4
<b>LANCIA</b>					
<b>A 112</b>					
0.9 Junior	0,9	29	03.81-06.86	A112 A.000/A112 A5.000/A112 B2.000	4
1.0 LX	1,0	35	03.84-12.86	A112 B1.000	4
1.0 Abarth	1,0	51	03.78-02.84	A112 A2.000	4
<b>BETA</b>					
1600	1,6	74	08.73-07.82	828 B.000	4
<b>BETA H.P.E</b>					
2000	2,0	85	04.79-09.84	828 B1.000	4
2000	2,0	88	05.76-05.78	828 B1.000	4
2000 i.e.	2,0	90	05.81-09.84	828 B4.000	4
2000 Volumex	2,0	99	07.83-09.84		4
<b>BETA Coupe</b>					
1300	1,4	62	12.81-12.84	828 D3.000	4
1600	1,6	74	04.76-12.84	828 B.000	4
2000	2,0	85	01.81-12.84		4
2000	2,0	88	04.76-12.84	828 B1.000	4
2000 i.e.	2,0	90	12.81-12.84		4
2000 VX	2,0	99	07.83-12.84		4
<b>BETA Spider</b>					
2000	2,0	85	04.79-10.86	828 B1.000	4
2000	2,0	88	05.76-11.79	828 B1.000	4
<b>DEDRA</b>					
1.6 i.e.	1,6	55	04.93-07.99	835 C1.000	4
1.6 i.e.	1,6	57	08.89-03.93	835 A1.046	4



Copper Cable  
Power Cable

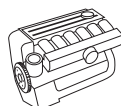


Zyl./Cyl./Cil.

				1	2	3	4	5	6	7	8
○	<b>R</b>	○	R 18	R 1	R 3	R 3	R 4	●	●	●	●
○	<b>R</b>	○	R 15	R 1	R 3	R 3	R 4	●	●	●	●
○	<b>R</b>	○	R 5	R 8	R 12	R 12	R 14	●	●	●	●
○	<b>R</b>	○	R 15	R 1	R 3	R 3	R 4	●	●	●	●
○	<b>R</b>	○	R 5	R 8	R 12	R 12	R 14	●	●	●	●
○	<b>R</b>	○	R 5	R 8	R 12	R 12	R 14	●	●	●	●
○	<b>R</b>	○	R 18	R 4	R 3	R 3	R 1	●	●	●	●
○	<b>R</b>	○	R 5	R 8	R 12	R 12	R 14	●	●	●	●
○	<b>R</b>	○	R 18	R 3	R 1	R 1	R 6	●	●	●	●
○	<b>R</b>	○	R 18	R 1	R 3	R 3	R 4	●	●	●	●
○	<b>R</b>	○	R 18	R 1	R 3	R 3	R 4	●	●	●	●
○	<b>R</b>	○	R 5	R 8	R 12	R 12	R 14	●	●	●	●
○	<b>R</b>	○	R 5	R 8	R 12	R 12	R 14	●	●	●	●
○	<b>R</b>	○	R 5	R 8	R 12	R 12	R 14	●	●	●	●
○	<b>R</b>	○	R 10	R 12	R 12	R 12	R 11	●	●	●	●
○	<b>R</b>	○	R 18	R 117	R 118	R 119	R 120	●	●	●	●
○	<b>R</b>	○	R 10	R 12	R 8	R 8	R 11	●	●	●	●
○	<b>R</b>	○	R 10	R 12	R 8	R 8	R 11	●	●	●	●
○	<b>R</b>	○	R 10	R 12	R 8	R 8	R 11	●	●	●	●
○	<b>R</b>	○	R 5	R 8	R 12	R 12	R 14	●	●	●	●
○	<b>R</b>	○	R 10	R 12	R 8	R 8	R 11	●	●	●	●
○	<b>R</b>	○	R 18	R 117	R 118	R 119	R 120	●	●	●	●
○	<b>R</b>	○	R 10	R 12	R 8	R 8	R 11	●	●	●	●
○	<b>R</b>	○	R 18	R 117	R 118	R 119	R 120	●	●	●	●
○	<b>R</b>	○	R 10	R 12	R 8	R 8	R 11	●	●	●	●
○	<b>R</b>	○	R 5	R 1	R 3	R 3	R 4	●	●	●	●
<b>ZEF 766</b>	<b>R</b>	<b>C 13</b>	R 35	R 22	R 23	R 27	R 27	●	●	●	●
<b>ZEF 766</b>	<b>R</b>	<b>C 13</b>	R 35	R 22	R 23	R 27	R 27	●	●	●	●
<b>ZEF 766</b>	<b>R</b>	<b>C 13</b>	R 35	R 22	R 23	R 27	R 27	●	●	●	●
○	<b>R</b>	○	R 2	R 3	R 1	R 6	R 9	●	●	●	●
○	<b>R</b>	○	R 2	R 3	R 1	R 6	R 9	●	●	●	●
○	<b>R</b>	○	R 2	R 3	R 1	R 6	R 9	●	●	●	●
○	<b>R</b>	○	R 2	R 3	R 1	R 6	R 9	●	●	●	●
○	<b>R</b>	○	R 2	R 3	R 1	R 6	R 9	●	●	●	●
○	<b>R</b>	○	R 2	R 3	R 1	R 6	R 9	●	●	●	●
○	<b>R</b>	○	R 2	R 3	R 1	R 6	R 9	●	●	●	●
○	<b>R</b>	○	R 2	R 3	R 1	R 6	R 9	●	●	●	●
○	<b>R</b>	○	R 2	R 3	R 1	R 6	R 9	●	●	●	●
○	<b>R</b>	○	R 2	R 3	R 1	R 6	R 9	●	●	●	●
<b>ZEF 786</b>	<b>R</b>	○	●	R 260	R 259	R 259	R 258	●	●	●	●
<b>ZEF 1023</b>	<b>R</b>	○	R 34	R 40	R 22	R 23	R 27	●	●	●	●



kW


**LANCIA**
**DEDRA**

1.6 LE KAT	1,6	66	07.94-07.99	159 B9.000	4
1.6 16V	1,6	76	01.96-07.99	182 A4.000	4
1.8 i.e.	1,8	74	07.94-07.99	836 A5.000	4
1.8 i.e.	1,8	77	09.89-07.99	835 A2.046	4
1.8 16V LE	1,8	83	03.96-07.99	182 A2.000	4
2.0 i.e.	2,0	83	09.89-07.99	835 A5.046	4
2.0 i.e.	2,0	83	09.89-07.99	835 A5.046	4
2.0 16V, Integrale	2,0	102	07.94-07.99	836 A3.000	4
2.0 i.e. Turbo	2,0	119	04.91-07.99	835 A8.046	4
2.0 HF Integrale	2,0	124	11.90-07.94	835 A7.046	4

**DELTA I**

1.3	1,3	55	09.79-12.82	831 A2.000/831 B.000	4
1.3	1,3	55	01.83-08.92	831 A2.000/831 B.000	4
1.3	1,3	58	09.83-08.92	-	4
1.5	1,5	63	09.79-12.82	831 A1.000/831 B1.000	4
1.5	1,5	63	01.83-12.92	831 A1.000/831 B1.000	4
1.6 GT i.e.	1,6	66	05.87-08.92	149 C2.000	4
1.6 GT i.e.	1,6	80	08.86-08.88	831 B7.000	4
1.6 HF Turbo	1,6	96	10.83-12.86	831 A7.000	4
1.6 HF Turbo	1,6	97	04.87-03.89	831 B7.046	4
1.6 HF Turbo	1,6	103	08.86-08.88	831 B3.000	4
2.0 HF Integrale	2,0	130	03.89-12.92	831 C5.046	4
2.0 16V HF Integrale	2,0	144	03.89-09.91	831 D5.000	4
2.0 16V Evo (centrlina) (I)	2,0	151	01.91-12.94	831 ...	4
2.0 16V HF Evo Integrale	2,0	155	06.93-01.94	831 E5.000/831 E5.046	4

**DELTA II**

1.4 i.e.	1,4	51	10.94-08.99	160 A1.046/836 A4.000	4
1.4 i.e.	1,4	51	10.94-08.99	160 A1.046/836 A4.000	4
1.6 i.e.	1,6	55	06.93-08.99	835 C1.000	4
1.6 i.e.	1,6	66	03.96-08.99	182 A6.000	4
1.6 i.e. 16V	1,6	76	01.96-08.99	182 A4.000	4
1.8 i.e.	1,8	66	07.94-08.99	835 C4.000/836 A6.000/836 C4.000	4
1.8 i.e.	1,8	76	06.93-08.99	835 C2.000	4
1.8 i.e. 16V	1,8	83	03.96-08.99	182 A2.000	4
2.0 16V	2,0	102	06.93-08.99	836 A3.000	4
2.0 16V Turbo	2,0	137	06.93-08.99	836 A2.000	4

**GAMMA**

2500, Coupé	2,5	103	08.81-04.84	830 A.000/830 A4.000	4
-------------	-----	-----	-------------	----------------------	---

**KAPPA, Coupé**

2.0 16V Turbo	2,0	151	02.95-10.01	838 A4.000	4
---------------	-----	-----	-------------	------------	---

**LYBRA**

1.6 16V	1,6	76	07.99-	182 A4.000/182 B6.000	4
---------	-----	----	--------	-----------------------	---

**MUSA**

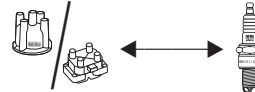
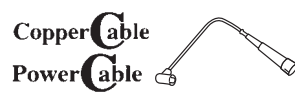
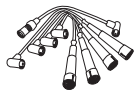
1.4	1,4	57	09.05-	350 A1.000	4
-----	-----	----	--------	------------	---

**PRISMA**

1.5	1,5	55	09.85-02.92	138 C2.048/831 B1.048	4
1.5	1,5	59	08.86-02.92	831 B1.000	4
1.6 i.e. Super	1,6	66	05.87-12.89	149 C2.000	4
1.6	1,6	77	12.82-04.86	831 A4.000	4
1.6 i.e.	1,6	80	05.86-12.89	831 B7.000	4
2.0 i.e. 4WD	2,0	85	04.86-12.89	831 B4.000	4

**THEMA**

2000 i.e.	2,0	83	03.86-09.88	834 B.048	4
2000 i.e.	2,0	85	09.87-05.92	834 B.146	4
2000 i.e.	2,0	88	11.84-09.88	834 B.000	4
2000 i.e. 16V	2,0	104	02.89-05.92	834 B2.246	4
2000 i.e. Turbo	2,0	110	07.86-05.90	834 C.146	4
2000 16V	2,0	112	08.92-12.93	834 F1.000	4
2000 i.e. Turbo	2,0	122	11.84-12.87	834 C.000	4
2000 i.e. 16V Turbo	2,0	130	04.89-05.92	834 C1.246	4
2000 16V Turbo	2,0	133	12.88-06.90	834 C1.000	4



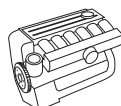
Zyl./Cyl./Cil.

				1	2	3	4	5	6	7	8
ZEF 786	R	○	●	R 260	R 259	R 259	R 258	●	●	●	●
ZEF 786	R	○	●	R 260	R 259	R 259	R 258	●	●	●	●
ZEF 1020	R	○	●	R 279	R 278	R 261	R 277	●	●	●	●
○	R	○	GF 109 A	R 273	R 273	R 272	R 271	●	●	●	●
ZEF 1020	R	○	●	R 279	R 278	R 261	R 277	●	●	●	●
ZEF 1029	R	○	○	○	○	○	○	●	●	●	●
ZEF 1020	R	○	●	R 279	R 278	R 261	R 277	●	●	●	●
ZEF 1209	R	○	○	○	○	○	○	●	●	●	●
ZEF 1024	R	C 7	R 34	R 6	R 1	R 3	R3	●	●	●	●
ZEF 1024	R	C 7	R 34	R 6	R 1	R 3	R3	●	●	●	●
ZEF 982	R	C 13	R 17	R 1	R 1	R 6	R 9	●	●	●	●
ZEF 771	R	C 20	R 35	R 22	R 23	R 27	R 27	●	●	●	●
ZEF 1074	R	○	○	○	○	○	○	●	●	●	●
ZEF 982	R	C 13	R 17	R 1	R 1	R 6	R 9	●	●	●	●
ZEF 771	R	C 20	R 35	R 22	R 23	R 27	R 27	●	●	●	●
○	R	○	GF 109 A	R 273	R 273	R 272	R 271	●	●	●	●
○	R	○	GF 109 A	R 273	R 273	R 272	R 271	●	●	●	●
ZEF 1073	R	○	R 18	R 6	R 1	R 3	R 3	●	●	●	●
ZEF 1073	R	○	R 18	R 6	R 1	R 3	R 3	●	●	●	●
ZEF 1073	R	○	R 18	R 6	R 1	R 3	R 3	●	●	●	●
ZEF 1027	R	○	○	○	○	○	○	●	●	●	●
ZEF 1030	R	○	●	○	○	○	○	●	●	●	●
ZEF 1079	R	○	○	○	○	○	○	●	●	●	●
ZEF 1078	R	○	R 2	R 3	R 1	R 1	R 6	●	●	●	●
ZEF 1012	R	○	R 34	R 40	R 22	R 23	R 27	●	●	●	●
ZEF 1023 <sup>16</sup>	R	○	R 34	R 40	R 22	R 23	R 27	●	●	●	●
ZEF 967	CU	○	●	GF 111 A	GF 111 B	GF 111 C	GF 111 D	●	●	●	●
ZEF 983	R	○	●	R 238	R 237	R 236	R 235	●	●	●	●
ZEF 967	CU	○	●	GF 111 A	GF 111 B	GF 111 C	GF 111 D	●	●	●	●
ZEF 1020	R	○	●	R 279	R 278	R 261	R 277	●	●	●	●
ZEF 1044	R	C 22	●	R 57	R 58	R 60	R 30	●	●	●	●
ZEF 1020	R	○	●	R 279	R 278	R 261	R 277	●	●	●	●
ZEF 1209	R	○	○	○	○	○	○	●	●	●	●
ZEF 1027	R	○	○	○	○	○	○	●	●	●	●
○	R	○	R 19	R 117	R 117	R 121	R 121	●	●	●	●
ZEF 1170	CU	○	●	GF 107 A	GF 107 A	GF 107 B	GF 107 C	●	●	●	●
ZEF 983	R	○	●	R 238	R 237	R 236	R 235	●	●	●	●
ZEF 1598	R	○	●	○	○	○	○	●	●	●	●
ZEF 771	R	C 20	R 35	R 22	R 23	R 27	R 27	●	●	●	●
ZEF 771	R	C 20	R 35	R 22	R 23	R 27	R 27	●	●	●	●
ZEF 771	R	C 20	R 35	R 22	R 23	R 27	R 27	●	●	●	●
ZEF 1073	R	○	R 18	R 6	R 1	R 3	R 3	●	●	●	●
ZEF 771	R	C 20	R 35	R 22	R 23	R 27	R 27	●	●	●	●
ZEF 1073	R	○	R 18	R 6	R 1	R 3	R 3	●	●	●	●
ZEF 1021	R	○	R 18	R 11	R 8	R 12	R 16	●	●	●	●
ZEF 1021	R	○	R 18	R 11	R 8	R 12	R 16	●	●	●	●
ZEF 1021	R	○	R 18	R 11	R 8	R 12	R 16	●	●	●	●
ZEF 1025	R	○	○	○	○	○	○	●	●	●	●
ZEF 1170	CU	○	●	GF 107 A	GF 107 A	GF 107 B	GF 107 C	●	●	●	●
ZEF 1025	R	○	○	○	○	○	○	●	●	●	●
ZEF 1022	R	○	R 18	R 16	R 12	R 8	R 11	●	●	●	●
ZEF 1030	R	○	○	○	○	○	○	●	●	●	●
ZEF 1030	R	○	○	○	○	○	○	●	●	●	●





kW



<b>LANCIA</b>					
<b>THEMA</b>					
2000 16V Turbo	2,0	148	10.92-07.94	834 F2.000	4
2000 16V Turbo	2,0	148	10.92-07.94	834 F2.000	4
2850 V6 i.e.	2,8	108	06.88-12.89	834 E.146	6
2850 V6 i.e.	2,8	110	11.84-09.88	834 E.000	6
<b>TREVI</b>					
2000 i.e.	2,0	90	05.80-01.87	828 B4.000	4
2000 Volumex	2,0	99	08.83-05.85	828 B7.000	4
<b>Y</b>					
1.1	1,1	40	11.95-09.03	176 B2.000	4
1.2	1,3	44	03.96-09.03	188 A4.000/840 A3.000	4
1.2 16V	1,3	59	10.00-09.03	188 A5.000	4
1.2 16V	1,3	63	04.97-09.03	176 B9.000	4
1.4 12V	1,4	55	03.96-09.03	840 A4.000	4
1.4 12V	1,4	59	10.96-09.03	840 A2.000	4
<b>Y10</b>					
1.0 Fire	1,0	32	06.85-12.85	156 A 2.100	4
1.0 Fire	1,0	32	01.86-06.91	156 A 2.100	4
1.0 Fire, 4WD	1,0	32	01.86-02.89	156 A 2.100	4
1.0 Fire KAT	1,0	33	10.87-02.92	156 A2.246	4
1.0 Fire	1,0	41	03.85-07.89	156 .....	4
1.0 Turbo	1,0	62	03.85-02.89	156 A 1.000	4
1.1 i.e. Fire, 4WD	1,1	37	07.89-12.91	156 C.046	4
1.1 i.e. Fire, 4WD	1,1	37	01.92-09.95	156 C.046	4
1.1 Avenue, 4WD	1,1	40	01.95-12.95	176 B2.000	4
1.3 i.e. Fire	1,3	53	02.89-09.92	146 A 5.046/156 B.000	4
1.3 i.e. Fire	1,3	56	11.87-05.93	156 B.000	4
<b>YPSILON</b>					
1.2	1,3	44	10.03-	188 A4.000	4
<b>ZETA</b>					
2.0 Turbo	2,0	108	05.95-09.02	RGX	4
<b>LANDROVER</b>					
<b>88/109</b>					
2.3	2,3	51	09.63-12.86		4
<b>90/110</b>					
2.5	2,5	62	09.85-12.89		4
2.5	2,5	62	01.90-07.90		4
<b>DISCOVERY II</b>					
3.9 V8	4,0	134	06.94-11.98	36 D/35 D	8
<b>RANGE ROVER I</b>					
3.5 Vogue	3,5	93	08.81-09.90	11 D	8
3.9 KAT	4,0	127	11.88-07.94	37 D/38 D	8
<b>LEXUS</b>					
<b>ES</b>					
300	3,0	138	09.91-12.97	3VZ-FE	6
<b>LS</b>					
400	4,0	180	12.89-12.94	1UZ-FE	8
<b>MAZDA</b>					
<b>121 I</b>					
1.1	1,1	42	10.87-10.90	B1/B116	4
1.3	1,3	40	04.89-10.90	B3	4
1.3	1,3	44	10.87-10.90	B3	4
<b>121 II</b>					
1.3 16V	1,3	39	11.90-03.96	B3 (16V)	4
1.3 16V	1,3	53	11.90-03.96	B3 (16V)	4
<b>121 III</b>					
1.25	1,3	55	03.96-04.98	DHG/DHF	4
1.25	1,3	55	05.98-	DHG/DHF	4
1.3	1,3	37	03.96-		4



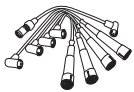
= DIN



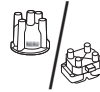
= M4



= SAE



Copper Cable  
Power Cable

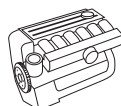


Zyl./Cyl./Cil.

				1	2	3	4	5	6	7	8
ZEF 1025	R	○	○	○	○	○	○	●	●	●	●
ZEF 1170	CU	○	●	GF 107 A	GF 107 A	GF 107 B	GF 107 C	●	●	●	●
ZEF 1077	R	○	○	○	○	○	○	○	○	●	●
ZEF 1077	R	○	○	○	○	○	○	○	○	●	●
○	R	○	R 2	R 3	R 1	R 6	R 9	●	●	●	●
○	R	○	R 2	R 3	R 1	R 6	R 9	●	●	●	●
ZEF 787	R	C 34	●	R 276	R 276	R 275	R 274	●	●	●	●
ZEF 787	R	C 34	●	R 276	R 276	R 275	R 274	●	●	●	●
ZEF 1201	R	○	●	R 284	R 283	R 282	R 282	●	●	●	●
ZEF 1181	R	○	●	R 301	R 302	R 303	R 304	●	●	●	●
ZEF 968	R	○	●	GF 110 C	GF 110 C	GF 110 B	GF 110 A	●	●	●	●
ZEF 968	R	○	●	GF 110 C	GF 110 C	GF 110 B	GF 110 A	●	●	●	●
ZEF 796	R	C 3	R 18	R 4	R 4	R 4	R 4	●	●	●	●
ZEF 777	R	C 31	R 12	R 25	R 25	R 26	R 26	●	●	●	●
ZEF 777	R	C 31	R 12	R 25	R 25	R 26	R 26	●	●	●	●
ZEF 777	R	C 31	R 12	R 25	R 25	R 26	R 26	●	●	●	●
ZEF 1041	R	C 6	R 19	R 4	R 7	R 7	R 4	●	●	●	●
ZEF 796	R	C 3	R 18	R 4	R 4	R 4	R 4	●	●	●	●
ZEF 777	R	C 31	R 12	R 25	R 25	R 26	R 26	●	●	●	●
ZEF 720	CU	○	●	GF 105 B	GF 105 B	GF 105 A	GF 105 A	●	●	●	●
ZEF 720	CU	○	●	GF 105 B	GF 105 B	GF 105 A	GF 105 A	●	●	●	●
ZEF 1043	R	○	●	○	○	○	○	●	●	●	●
ZEF 1042	R	○	R 36	R 7	R 4	R 4	R 4	●	●	●	●
ZEF 1477	R	○	●	○	○	○	○	●	●	●	●
ZEF 1044	R	C 22	●	R 57	R 58	R 60	R 30	●	●	●	●
○	R	○	R 5	R 21	R 21	R 21	R 21	●	●	●	●
○	R	○	R 2	R 21	R 21	R 21	R 21	●	●	●	●
○	R	○	R 19	R 21	R 21	R 21	R 21	●	●	●	●
○	R	○	R 24	R 1	R 1	R 1	R 1	R 13	R 13	R 13	R 47
○	R	○	R 15	R 117	R 119	R 118	R 119	R 118	R 119	R 118	R 120
○	R	○	R 15	R 117	R 119	R 118	R 119	R 118	R 119	R 118	R 120
ZEF 942	R	○	○	○	○	○	○	○	○	●	●
ZEF 943	R	○	○	○	○	○	○	○	○	○	○
○	R	○	R 2	R 12	R 8	R 11	R 13	●	●	●	●
○	R	○	R 2	R 12	R 8	R 11	R 13	●	●	●	●
○	R	○	R 2	R 12	R 8	R 11	R 13	●	●	●	●
ZEF 773	R	C 18	R 5	R 11	R 11	R 13	R 13	●	●	●	●
ZEF 773	R	C 18	R 5	R 11	R 11	R 13	R 13	●	●	●	●
ZEF 1173	R	○	●	○	○	○	○	●	●	●	●
ZEF 1115	R	○	●	R 241	R 241	R 240	R 239	●	●	●	●
ZEF 1178	R	○	●	R 250	R 251	R 252	R 253	●	●	●	●



kW



## MAZDA

### 121 III

1.3	1,3	37	03.96-		4
1.3	1,3	44	03.96-		4
1.3	1,3	44	03.96-		4
1.3	1,3	55	03.96-	DHA	4
1.3	1,3	55	03.96-	ZF	4

### 2

1.25	1,3	55	04.03-	FUJA	4
1.4	1,4	59	04.03-	FXJA	4
1.6	1,6	74	04.03-	FYJA	4

### 323 I, Hatchback

1.0	1,0	33	06.77-05.80	P/PC	4
1.3	1,3	44	01.77-05.80	T/TC	4
1.4	1,4	51	05.78-05.80	U/UC	4
1.5	1,5	52	04.82-12.85	D5	4

### 323 II, Hatchback

1.1	1,1	40	11.80-10.85	E1	4
1.3	1,3	44	11.80-12.84	E3	4
1.3	1,3	44	01.85-10.85	E3	4
1.5	1,5	55	05.81-12.85	E5	4
1.5	1,5	63	11.80-12.83	E5	4
1.5	1,5	65	03.82-09.86	E5	4

### 323 III, Hatchback

1.3	1,3	44	08.85-05.89	E3	4
1.5	1,5	54	09.87-10.89	B5	4
1.5	1,5	55	08.85-05.89	E5	4
1.5	1,5	55	05.86-05.89	B50/B53	4
1.6 GT	1,6	63	11.86-08.87	B6	4
1.6 GT	1,6	63	09.87-10.89	B6	4
1.6, 4x4	1,6	63	09.86-10.95	B65M /B6E	4
1.6 GT	1,6	77	08.85-12.85	B6	4
1.6 GT	1,6	77	01.86-12.88	B6	4
1.6 GT Turbo, 4WD	1,6	103	10.85-11.91	B6	4
1.6 GT Turbo, 4WD	1,6	110	08.87-10.89		4

### 323 C IV

1.3	1,3	49	09.89-07.94	B3E	4
1.3 16V	1,3	54	09.89-07.94		4
1.6	1,6	62	09.89-06.91	B6E	4
1.6 16V	1,6	65	03.91-10.94	B6	4
1.8 16V 4WD	1,8	76	11.91-12.93	BP	4

### 323 C V

1.3 16V	1,3	54	08.94-09.98	B3 (16V)	4
1.5 16V	1,5	65	08.94-09.98	Z5-DE	4
1.8 16V	1,8	84	08.94-09.98	BP-ZE	4

### 323 F IV

1.6	1,6	62	09.89-06.91	B6E	4
1.6 16V	1,6	65	03.91-10.94	B6	4
1.8 16V, 4WD	1,8	76	08.89-07.94	BP	4
1.8 16V GT	1,8	94	08.89-07.94	BP (DOHC)	4

### 323 F V

1.5 16V	1,5	65	07.94-09.98	Z5-DE	4
1.8 16V	1,8	84	08.94-09.98	BP-ZE	4
2.0 24V	2,0	106	08.94-09.98	KF	6

### 323 F VI

1.4	1,3	53	01.01-05.04	B3 (16V)	4
1.4 16V	1,3	54	09.98-01.01	B3 ME	4
1.5 16V	1,5	65	09.98-01.01	Z5	4
1.9 16V	1,8	84	09.98-01.01		4

### 323 P V

1.3 16V	1,3	54	10.96-	B3 (16V)	4
1.3 16V	1,3	54	10.96-	B3 (16V)	4
1.5 16V	1,5	65	10.96-	Z5-DE	4



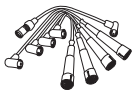
= DIN



= M4



= SAE



Copper Cable  
Power Cable

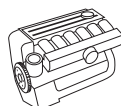


Zyl./Cyl./Cil.

				1	2	3	4	5	6	7	8
ZEF 1475	R	○	●	R 349	R 350	R 351	R 352	●	●	●	●
ZEF 1178	R	○	●	R 250	R 251	R 252	R 253	●	●	●	●
ZEF 1475	R	○	●	R 349	R 350	R 351	R 352	●	●	●	●
ZEF 861	R	○	●	○	○	○	○	●	●	●	●
ZEF 860	R	○	●	○	○	○	○	●	●	●	●
ZEF 1549	R	○	●	R 404	R 403	R 402	R 402	●	●	●	●
ZEF 1549	R	○	●	R 404	R 403	R 402	R 402	●	●	●	●
ZEF 1549	R	○	●	R 404	R 403	R 402	R 402	●	●	●	●
○	R	○	R 5	R 6	R 6	R 9	R 29	●	●	●	●
○	R	○	R 5	R 6	R 6	R 9	R 29	●	●	●	●
○	R	○	R 5	R 6	R 6	R 9	R 29	●	●	●	●
○	R	○	R 5	R 12	R 8	R 11	R 13	●	●	●	●
ZEF 773	R	C 18	R 5	R 11	R 11	R 13	R 13	●	●	●	●
ZEF 773	R	C 18	R 5	R 11	R 11	R 13	R 13	●	●	●	●
ZEF 775	R	C 7	R 18	R 6	R 1	R 3	R 3	●	●	●	●
ZEF 773	R	C 18	R 5	R 11	R 11	R 13	R 13	●	●	●	●
ZEF 773	R	C 18	R 5	R 11	R 11	R 13	R 13	●	●	●	●
ZEF 773	R	C 18	R 5	R 11	R 11	R 13	R 13	●	●	●	●
ZEF 775	R	C 7	R 18	R 6	R 1	R 3	R 3	●	●	●	●
ZEF 775	R	C 7	R 18	R 6	R 1	R 3	R 3	●	●	●	●
ZEF 862	R	○	●	R 184	R 184	R 183	R 183	●	●	●	●
ZEF 775	R	C 7	R 18	R 6	R 1	R 3	R 3	●	●	●	●
ZEF 863	R	○	○	○	○	○	○	●	●	●	●
ZEF 775	R	C 7	R 18	R 6	R 1	R 3	R 3	●	●	●	●
ZEF 856	R	C 4	R 5	R 182	R 182	R 181	R 181	●	●	●	●
ZEF 775	R	C 7	R 18	R 6	R 1	R 3	R 3	●	●	●	●
ZEF 863	R	○	○	○	○	○	○	●	●	●	●
ZEF 863	R	○	○	○	○	○	○	●	●	●	●
ZEF 863	R	○	○	○	○	○	○	●	●	●	●
ZEF 856	R	C 4	R 5	R 182	R 182	R 181	R 181	●	●	●	●
ZEF 856	R	C 4	R 5	R 182	R 182	R 181	R 181	●	●	●	●
ZEF 856	R	C 4	R 5	R 182	R 182	R 181	R 181	●	●	●	●
ZEF 856	R	C 4	R 5	R 182	R 182	R 181	R 181	●	●	●	●
ZEF 856	R	C 4	R 5	R 182	R 182	R 181	R 181	●	●	●	●
ZEF 856	R	C 4	R 5	R 182	R 182	R 181	R 181	●	●	●	●
ZEF 1166	R	○	●	R 286	R 286	R 285	R 285	●	●	●	●
ZEF 862	R	○	●	R 184	R 184	R 183	R 183	●	●	●	●
ZEF 856	R	C 4	R 5	R 182	R 182	R 181	R 181	●	●	●	●
ZEF 856	R	C 4	R 5	R 182	R 182	R 181	R 181	●	●	●	●
ZEF 856	R	C 4	R 5	R 182	R 182	R 181	R 181	●	●	●	●
ZEF 869	R	○	●	○	○	○	○	●	●	●	●
ZEF 1166	R	○	●	R 286	R 286	R 285	R 285	●	●	●	●
ZEF 862	R	○	●	R 184	R 184	R 183	R 183	●	●	●	●
ZEF 864	R	○	○	○	○	○	○	○	○	●	●
ZEF 1373	R	○	●	R 363	R 363	R 362	R 362	●	●	●	●
ZEF 1373	R	○	●	R 363	R 363	R 362	R 362	●	●	●	●
ZEF 1228	R	○	●	R 348	●	R 348	●	●	●	●	●
ZEF 1102	R	○	●	○	○	○	○	●	●	●	●
ZEF 856	R	C 4	R 5	R 182	R 182	R 181	R 181	●	●	●	●
ZEF 1373	R	○	●	R 363	R 363	R 362	R 362	●	●	●	●
ZEF 1166	R	○	●	R 286	R 286	R 285	R 285	●	●	●	●



kW



<b>MAZDA</b>					
<b>323 P VI</b>					
1.4 16V	1,3	54	09.98-	B3 ME	4
1.5 16V	1,5	65	09.98-	Z5	4
<b>323 S IV</b>					
1.3	1,3	49	09.89-06.91	B383 /B3E	4
1.3 16V	1,3	54	04.91-07.94	B3 (16V)	4
1.6	1,6	62	09.89-06.91	B6E	4
1.6 16V	1,6	65	08.89-10.94	B6	4
1.8 16V, 4WD	1,8	76	08.89-07.94	BP52	4
<b>323 S V</b>					
1.3 16V	1,3	54	08.94-09.98	B3 (16V)	4
1.5 16V	1,5	65	08.94-09.98	Z5-DE	4
1.8 16V	1,8	84	08.94-09.98	BP-ZE	4
<b>323 S VI</b>					
1.4	1,3	53	01.01-05.04	B3 (16V)	4
1.4 16V	1,3	54	09.98-01.01	B3 ME	4
1.5 16V	1,5	65	09.98-01.01	Z 5	4
1.9 16V	1,8	84	09.98-		4
<b>6, Hatchback</b>					
1.8	1,8	88	08.02-	L813	4
2.0	2,0	104	08.02-	LF17/LF18	4
<b>626 I</b>					
1.6	1,6	55	05.79-05.82	H6/N/NA	4
2.0	2,0	66	05.79-05.82	HE3/M/MA	4
<b>626 II, Hatchback</b>					
1.6	1,6	59	11.82-09.87	F6	4
2.0	2,0	74	03.83-09.87	FE	4
2.0	2,0	88	01.86-09.87	FE	4
<b>626 III, Coupe, Hatchback</b>					
1.8	1,8	65	09.87-05.92	F8	4
2.0	2,0	66	09.87-10.90	FE (Kat)	4
2.0 12V	2,0	79	09.87-05.92	FE (12V)	4
2.2 12V, 4WD	2,2	85	11.87-07.91	F2	4
2.0 16V	2,0	103	11.87-05.92	FE (Kat, 16V)	4
2.0 i	2,0	110	11.94-09.97		4
<b>626 III Station Wagon</b>					
1.8	1,8	65	01.88-03.92	F8	4
2.0	2,0	66	10.88-09.97	FE	4
2.2 12V, 4WD	2,2	85	05.91-11.92	F2L1/F2	4
2.0 16V	2,0	103	01.88-03.92	FE (Kat, 16V)	4
2.0 i	2,0	110	11.94-09.97		4
<b>626 IV, Hatchback</b>					
1.8 i	1,8	66	08.94-04.97		4
1.8 i	1,8	77	08.91-04.97	FP	4
2.0 i, 4WD	2,0	85	04.92-04.97	FS	4
2.5 24V	2,5	120	08.94-04.97	KL	6
2.5 24V	2,5	121	01.92-04.97	KL	6
<b>626 V, Hatchback</b>					
1.8	1,8	66	05.97-01.00		4
1.9	1,9	66	05.97-12.99		4
2.0	2,0	85	05.97-	FS	4
<b>626 V Station Wagon</b>					
1.9	1,9	66	02.98-01.00		4
2.0	2,0	85	02.98-10.02	FS	4
<b>929 III</b>					
2.0	2,0	85	06.87-12.88	FE/FEFA	4
2.2 12V	2,2	85	01.88-04.89	F2 /F21/F2E	4
2.2 i	2,2	100	05.87-12.88	F2-EGI	4
3.0	3,0	140	06.87-06.91	JE	6
<b>B-SERIE</b>					
2.6 12V 4WD	2,6	90	06.99-	JK26	4



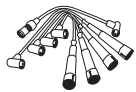
= DIN



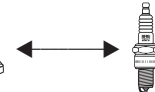
= M4



= SAE



Copper Cable  
Power Cable

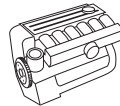


Zyl./Cyl./Cil.

				1	2	3	4	5	6	7	8
ZEF 1373	R	○	●	R 363	R 363	R 362	R 362	●	●	●	●
ZEF 1228	R	○	●	R 348	●	R 348	●	●	●	●	●
ZEF 856	R	C 4	R 5	R 182	R 182	R 181	R 181	●	●	●	●
ZEF 856	R	C 4	R 5	R 182	R 182	R 181	R 181	●	●	●	●
ZEF 856	R	C 4	R 5	R 182	R 182	R 181	R 181	●	●	●	●
ZEF 856	R	C 4	R 5	R 182	R 182	R 181	R 181	●	●	●	●
ZEF 856	R	C 4	R 5	R 182	R 182	R 181	R 181	●	●	●	●
ZEF 856	R	C 4	R 5	R 182	R 182	R 181	R 181	●	●	●	●
ZEF 1166	R	○	●	R 286	R 286	R 285	R 285	●	●	●	●
ZEF 862	R	○	●	R 184	R 184	R 183	R 183	●	●	●	●
ZEF 1373	R	○	●	R 363	R 363	R 362	R 362	●	●	●	●
ZEF 1373	R	○	●	R 363	R 363	R 362	R 362	●	●	●	●
ZEF 1228	R	○	●	R 348	●	R 348	●	●	●	●	●
ZEF 1102	R	○	●	○	○	○	○	●	●	●	●
ZEF 1540	R	○	○	○	○	○	○	●	●	●	●
ZEF 1540	R	○	○	○	○	○	○	●	●	●	●
ZEF 765	R	C 15	R 18	R 11	R 8	R 8	R 12	●	●	●	●
ZEF 775	R	C 7	R 18	R 6	R 1	R 3	R 3	●	●	●	●
ZEF 775	R	C 7	R 18	R 6	R 1	R 3	R 3	●	●	●	●
ZEF 775	R	C 7	R 18	R 6	R 1	R 3	R 3	●	●	●	●
ZEF 775	R	C 7	R 18	R 6	R 1	R 3	R 3	●	●	●	●
ZEF 1001	R	○	R 24	R 12	R 8	R 11	R 13	●	●	●	●
ZEF 1001	R	○	R 24	R 12	R 8	R 11	R 13	●	●	●	●
ZEF 865	R	○	R 188	R 181	R 181	R 182	R 182	●	●	●	●
ZEF 866	R	○	○	○	○	○	○	●	●	●	●
ZEF 866	R	○	○	○	○	○	○	●	●	●	●
ZEF 1001	R	○	R 24	R 12	R 8	R 11	R 13	●	●	●	●
ZEF 1001	R	○	R 24	R 12	R 8	R 11	R 13	●	●	●	●
ZEF 866	R	○	○	○	○	○	○	●	●	●	●
ZEF 866	R	○	○	○	○	○	○	●	●	●	●
ZEF 1001	R	○	R 24	R 12	R 8	R 11	R 13	●	●	●	●
ZEF 859	R	○	●	R 296	R 296	R 297	R 297	●	●	●	●
ZEF 859	R	○	●	R 296	R 296	R 297	R 297	●	●	●	●
ZEF 859	R	○	●	R 296	R 296	R 297	R 297	●	●	●	●
ZEF 1375	R	○	○	○	○	○	○	○	○	●	●
ZEF 1375	R	○	○	○	○	○	○	○	○	●	●
ZEF 1252	R	○	●	○	○	○	○	●	●	●	●
ZEF 1252	R	○	●	○	○	○	○	●	●	●	●
ZEF 1252	R	○	●	○	○	○	○	●	●	●	●
ZEF 1252	R	○	●	○	○	○	○	●	●	●	●
ZEF 1252	R	○	●	○	○	○	○	●	●	●	●
ZEF 865	R	○	R 188	R 181	R 181	R 182	R 182	●	●	●	●
ZEF 865	R	○	R 188	R 181	R 181	R 182	R 182	●	●	●	●
ZEF 865	R	○	R 188	R 181	R 181	R 182	R 182	●	●	●	●
ZEF 867	R	○	R 18	R 12	R 12	R 8	R 11	R 28	R 28	●	●
ZEF 865	R	○	R 188	R 181	R 181	R 182	R 182	●	●	●	●



kW



## MAZDA

Model	Cylinder	Power (kW)	Year Range	Part Number	Quantity
<b>DEMIO</b>					
1.3 16V	1,3	46	08.98-		4
1.3 16V	1,3	53	08.98-04.00	B3 (16V)	4
1.5 16V	1,5	55	04.00-	B5	4
<b>E 2000,2200</b>					
2.0	2,0	60	03.91-05.94	FE60/FE61	4
2.0	2,0	70	06.94-	FE (Kat)	4
<b>MPV I</b>					
3.0 i V6	3,0	109	05.96-09.99	JE	6
3.0 i V6	3,0	113	03.95-09.99	JE	6
<b>MX-3</b>					
1.6 i	1,6	65	07.91-	B69	4
1.6 i	1,6	79	01.94-	B6D	4
1.8 i V6	1,8	95	01.94-	K838	6
1.8 i V6	1,8	98	01.92-01.94	K819	6
<b>MX-5 I</b>					
1.6	1,6	66	01.95-04.98		4
1.6	1,6	66	01.95-04.98		4
1.6	1,6	85	05.90-01.94	B64F	4
<b>MX-5 II</b>					
1.8	1,8	96	02.94-04.98	BPF1	4
<b>MX-5 II</b>					
1.6 16V	1,6	81	05.98-10.05		4
1.8 16V	1,8	103	05.98-10.05	BP-ZE	4
<b>MX-6</b>					
2.0	2,0	85	02.92-	FS	4
2.5 i 24V	2,5	120	08.94-	KL	6
2.5 24V	2,5	121	02.92-	KL	6
<b>RX 7 I</b>					
1.2 Wankel	1,2	77	05.79-08.79	12AN2	2
1.2 Wankel	1,2	83	03.84-03.86	12AN2	2
1.2 Wankel	1,2	85	01.81-03.84	12AN2	2
<b>RX 7 II</b>					
1.3 Wankel	1,3	110	11.85-04.89	RE13B	2
1.3 Turbo	1,3	133	06.87-11.89	RE13B	2
1.3 Turbo	1,3	147	03.89-12.91	RE13B	2
<b>TRIBUTE</b>					
2.0, 4WD	2,0	91	03.00-		4
<b>XEDOS 6</b>					
1.6 16V	1,6	79	06.94-	B6	4
1.6 16V	1,6	83	08.92-05.94	B69	4
<b>XEDOS 9</b>					
2.0 24V	2,0	105	08.93-01.00	KF	6
2.3 24V	2,3	155	02.95-01.00	KJ -ZEM	6
2.5 24V	2,5	123	07.93-07.00	KL	6

## MERCEDES

Model	Cylinder	Power (kW)	Year Range	Part Number	Quantity
<b>A-KLASSE (W169)</b>					
A 150	1,5	70	09.04-	M 266.920	4
A 170	1,7	85	09.04-	M 266.940	4
A 200	2,0	100	09.04-	M 266.960	4
<b>B-KLASSE (W245)</b>					
B 150	1,5	70	03.05-	M 266.920	4
B 170	1,7	85	03.05-	M 266.940	4
B 200	2,0	100	03.05-	M 266.960	4
<b>C-KLASSE (W202)</b>					
C 180, T (S202)	1,8	89	11.94-08.95	M 111.921	4
C 180, T (S202)	1,8	89	09.95-05.00	M 111.921	4
C 180, T (S202)	1,8	90	03.93-08.95	M 111.920	4
C 180, T (S202)	1,8	90	09.95-05.00	M 111.921	4



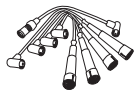
= DIN



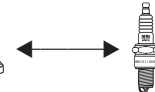
= M4



= SAE



Copper Cable  
Power Cable



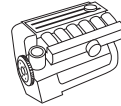
Zyl./Cyl./Cil.

				1	2	3	4	5	6	7	8
ZEF 1103	R	○	●	○	○	○	○	●	●	●	●
ZEF 1103	R	○	●	○	○	○	○	●	●	●	●
ZEF 901	R	○	●	○	○	○	○	●	●	●	●
ZEF 1368	R	○	●	○	○	○	○	●	●	●	●
ZEF 1368	R	○	●	○	○	○	○	●	●	●	●
ZEF 873	R	○	○	○	○	○	○	○	○	●	●
ZEF 873	R	○	○	○	○	○	○	○	○	●	●
ZEF 869	R	○	●	○	○	○	○	●	●	●	●
ZEF 1166	R	○	●	R 286	R 286	R 285	R 285	●	●	●	●
ZEF 1002	R	○	●	○	○	○	○	○	○	●	●
ZEF 1002	R	○	●	○	○	○	○	○	○	●	●
ZEF 860	R	○	●	○	○	○	○	●	●	●	●
ZEF 1360	R	○	●	R 355	R 354	R 353	R 353	●	●	●	●
ZEF 1360	R	○	●	R 355	R 354	R 353	R 353	●	●	●	●
ZEF 1360	R	○	●	R 355	R 354	R 353	R 353	●	●	●	●
ZEF 1360	R	○	●	R 355	R 354	R 353	R 353	●	●	●	●
ZEF 870	R	○	●	○	○	○	○	●	●	●	●
ZEF 859	R	○	●	R 296	R 296	R 297	R 297	●	●	●	●
ZEF 1375	R	○	○	○	○	○	○	○	○	●	●
ZEF 1375	R	○	○	○	○	○	○	○	○	●	●
○	R	○	2x R 24	2x R 11	2x R 8	●	●	●	●	●	●
○	R	○	2x R 24	2x R 11	2x R 8	●	●	●	●	●	●
○	R	○	2x R 24	2x R 11	2x R 8	●	●	●	●	●	●
○	R	○	2x R 24	2x R 11	2x R 8	●	●	●	●	●	●
○	R	○	2x R 24	2x R 11	2x R 8	●	●	●	●	●	●
○	R	○	2x R 24	2x R 11	2x R 8	●	●	●	●	●	●
ZEF 1115	R	○	●	R 241	R 241	R 240	R 239	●	●	●	●
ZEF 871	R	○	○	○	○	○	○	●	●	●	●
ZEF 871	R	○	○	○	○	○	○	●	●	●	●
ZEF 1375	R	○	○	○	○	○	○	○	○	●	●
ZEF 1375	R	○	○	○	○	○	○	○	○	●	●
ZEF 1375	R	○	○	○	○	○	○	○	○	●	●
ZEF 1556	CU	○	●	M 120 D	M 120 D	M 120 D	M 120 C	●	●	●	●
ZEF 1556	CU	○	●	M 120 D	M 120 D	M 120 D	M 120 C	●	●	●	●
ZEF 1556	CU	○	●	M 120 D	M 120 D	M 120 D	M 120 C	●	●	●	●
ZEF 1556	CU	○	●	M 120 D	M 120 D	M 120 D	M 120 C	●	●	●	●
ZEF 1556	CU	○	●	M 120 D	M 120 D	M 120 D	M 120 C	●	●	●	●
ZEF 1556	CU	○	●	M 120 D	M 120 D	M 120 D	M 120 C	●	●	●	●
ZEF 642	CU	○	●	M 118 A	M 118 A	M 118 B	M 118 B	●	●	●	●
ZEF 988/ ZEF 1515 <sup>16</sup>	CU	○	●	M 116 A	●	M 116 A	●	●	●	●	●
ZEF 642	CU	○	●	M 118 A	M 118 A	M 118 B	M 118 B	●	●	●	●
ZEF 988/ ZEF 1515 <sup>16</sup>	CU	○	●	M 116 A	●	M 116 A	●	●	●	●	●





kW



## MERCEDES

### C-KLASSE (W202)

C 200, T (S202)	2,0	100	01.94-08.95	M 111.941	4
C 200, T (S202)	2,0	100	09.95-05.00	M 111.945	4
C 200 Kompressor, T (S202)	2,0	132	10.95-05.00	M 111.944	4
C 200 Kompressor, T (S202)	2,0	141	11.96-03.01	M 111.944	4
C 220, T (S202)	2,2	110	03.93-08.95	M 111.961	4
C 220, T (S202)	2,2	110	09.95-05.00	M 111.961	4
C 220, T (S202)	2,3	110	06.96-06.98	M 111.974	4
C 230 Kompressor, T (S202)	2,3	142	10.95-05.00	M 111.975	4
C 240, T (S202)	2,4	125	06.97-03.01	M 112.910	6
C 280, T (S202)	2,8	142	05.93-08.95	M 104.941	6
C 280, T (S202)	2,8	142	09.95-05.00	M 104.941	6

### C 280, T (S202)

C 280, T (S202)	2,8	145	06.97-03.01	M 112.920	6
-----------------	-----	-----	-------------	-----------	---

### C-KLASSE (W203)

C 240, T (S202)	2,6	125	05.00-	M 112.912	6
C 240, T 4-matic (S203)	2,6	125	07.02-	M 112.916	6
C 320, T (S203)	3,2	160	05.00-	M 112.946	6
C 320 4-matic, T (S203)	3,2	160	07.02-	M 112.953	6
C 32 AMG Kompressor, T (S203)	3,2	260	02.01-	M 112.961	6

### CL-KLASSE (CL203)

C 320 Sportcuopé	3,2	160	09.02-	M 112.946	6
------------------	-----	-----	--------	-----------	---

### CLK (C208)

200, Cabriolet	2,0	100	06.97-06.02	M 111.941	4
200, Cabriolet	2,0	100	06.97-06.02	M 111.945	4
200 Kompressor, Cabriolet	2,0	141	06.97-06.00	M 111.944	4
230 Kompressor, Cabriolet	2,3	142	06.97-06.00	M 111.973/M 111.975	4
320, Cabriolet	3,2	160	06.97-06.02	M 112.940	6
430, Cabriolet	4,3	205	07.98-06.02	M 113.943	8
55 AMG, Cabriolet	5,5	255	08.99-06.02	M 113.981/M 113.984	8

### CLK (C209)

240, Cabriolet	2,6	125	06.02-	M 112.912	6
320, Cabriolet	3,2	160	06.02-	M 112.955	6
500, Cabriolet	5,0	225	06.02-	M 113.968	8

### E-KLASSE (W124)

E 200, Cabriolet, Coupé, T(S124)	2,0	100	06.93-08.95	M 111.940	4
E 200, Cabriolet, Coupé, T(S124)	2,0	100	09.95-03.98	M 111.940	4
E 220, Cabriolet, Coupé, T(S124)	2,2	110	06.93-08.95	M 111.960	4
E 220, Cabriolet, Coupé, T(S124)	2,2	110	09.95-03.98	M 111.960	4
E 280, T (S124)	2,8	142	06.93-08.95	M 104.942	6
E 280, T (S124)	2,8	142	09.95-06.96	M 104.942	6
E 280, T (S124)	2,8	145	06.93-08.95	M 104.942	6
E 280, T (S124)	2,8	145	09.95-06.96	M 104.942	6
E 300, T 4-matic, T (S124)	3,0	132	06.93-08.95	M 103.985	6
E 300, T 4-matic, T (S124)	3,0	132	09.95-06.96	M 103.985	6
E 320, Cabriolet, Coupé, T(S124)	3,2	162	06.93-08.95	M 104.992/M 104.995	6
E 320, Cabriolet, Coupé, T(S124)	3,2	162	09.95-03.98	M 104.992/M 104.995	6
E 36 AMG, Cabriolet, Coupé, T(S124)	3,6	200	05.94-08.95	M 104.992 (AMG 3.6)	6
E 36 AMG, Cabriolet, Coupé, T(S124)	3,6	200	09.95-03.98	M 104.992 (AMG 3.6)	6
E 420, T (S124)	4,2	205	06.93-06.95	M 119.975	8
E 500, T (S124)	5,0	235	06.93-06.95	M 119.974	8



= DIN



= M4

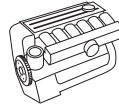


= SAE





kW



## MERCEDES

### E-KLASSE (W210)

E 200, T (S210)	2,0	100	06.95-08.00	M 111.942	4
E 200 Kompressor, T (S210)	2,0	137	06.97-03.02	M 111.947	4
E 230, T (S210)	2,3	110	06.96-06.97	M 111.970	4
E 240, T (S210)	2,4	125	06.97-03.03	M 112.911	6
E 240, T (S210)	2,6	125	08.00-03.03	M 112.914	6
E 280, T (S210)	2,8	142	01.96-06.97	M 104.945	6
E 280, T (S210)	2,8	150	12.96-03.02	M 112.921	6
E 280, T 4-matic (S210)	2,8	150	12.96-03.02	M 112.921	6
E 320, T (S210)	3,2	162	06.95-08.95	M 104.992	6
E 320, T (S210)	3,2	162	09.95-06.97	M 104.992	6
E 320, T (S210)	3,2	165	12.96-03.03	M 112.941	6
E 320, T 4-matic, T (S210)	3,2	165	12.96-03.03	M 112.941	6
E 420, T (S210)	4,2	205	01.96-06.97	M 119.985	8
E 430, T (S210)	4,3	205	06.97-03.03	M 113.940	8
E 430, T 4-matic, T (S210)	4,3	205	05.99-03.03	M 113.940	8

### E-KLASSE (W211)

E 240, T (S211)	2,6	130	03.02-	M 112.913/M 112.917	6
E 240, T 4-matic (S211)	2,6	130	03.03-	M 112.917	6
E 320, T (S211)	3,2	165	03.02-	M 112.949	6
E 320, T 4-matic (S211)	3,2	165	07.03-	M 112.954	6
E 500, T (S211)	5,0	225	03.02-	M 113.967	8
E 55 AMG Kompressor, T (S211)	5,5	350	10.02-	M 113.990	8

### G-KLASSE (W460)

230 G	2,3	66	03.79-03.82	M 115.973	4
230 GE	2,3	90	05.87-08.92	M 102.979/M 102.987	4
230 GE	2,3	92	09.85-08.89	M 102.981/M 102.987	4
280 GE	2,8	110	08.84-08.89	M 110.994	6
280 GE	2,8	115	11.79-08.89	M 110.994	6

### G-KLASSE (W461)

230 GE	2,3	90	02.93-	M 102.979	4
230 GE	2,3	92	06.93-	M 102.996/M 102.997	4

### G-KLASSE (W463)

230 GE	2,3	93	06.90-06.93	M 102.989	4
300 GE	3,0	125	09.89-	M 103.987	6
300 GE	3,0	128	06.90-	M 103.987	6
G 320	3,2	155	09.94-08.95	M 104.996	6
G 320	3,2	155	09.95-12.97	M 104.996	6

G 320	3,2	158	07.97-	M 112.945	6
G 500	5,0	218	04.98-	M 113.962	8

### M-KLASSE (W163)

ML 230	2,3	110	02.98-06.05	M 111.977	4
ML 320	3,2	160	02.98-08.02	M 112.942	6

ML 350	3,8	180	08.02-06.05	M 112.970	6
ML 430	4,3	200	02.98-06.05	M 113.942	8
ML 500	5,0	215	09.01-06.05	M 113.964/M 113.965	8
ML 55 AMG	5,5	255	02.00-06.05	M 113.981	8

### S-KLASSE (W108, W109)

250 S	2,5	96	01.66-12.69	M 108.920	6
250 SE	2,5	110	01.66-12.67	M 129.980	6
280 S	2,8	103	10.67-07.72	M 130.920	6
280 SE,SEL	2,8	118	01.68-08.72	M 130.980	6
300 SEL	2,8	118	01.68-08.72	M 130.981	6

### S-KLASSE (W116)

280 S	2,8	115	11.77-07.80	M 110.922	6
280 S	2,8	118	11.77-07.80	M 110.922	6
280 SE,SEL	2,8	130	11.77-07.80	M 110.985	6
280 SE,SEL	2,8	136	11.77-07.80	M 110.983/M 110.985	6



= DIN



= M4

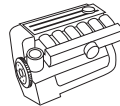


= SAE





kw



## MERCEDES

### S-KLASSE (W116)

350 SE,SEL	3,5	143	03.76-03.80	M 116.985	8
350 SE,SEL	3,5	147	08.72-01.73	M 116.983	8
350 SE,SEL	3,5	147	02.73-02.76	M 116.983	8
350 SE,SEL	3,5	151	03.76-03.80	M 116.985	8
450 SE,SEL	4,5	160	12.75-04.80	M 117.985/M 117.986	8
450 SE,SEL	4,5	165	01.73-04.80	M 117.983/M 117.986	8
450 SEL 6.9	6,9	210	07.75-03.80	M 100.985	8

### S-KLASSE (W126)

260 SE	2,6	118	09.85-06.91	M 103.941	6
260 SE	2,6	122	09.85-06.91	M 103.941	6
280 S	2,8	115	12.79-08.81	M 110.924/M 110.926	6
280 S	2,8	115	09.81-07.85	M 110.924/M 110.926	6
280 SE,SEL	2,8	136	10.79-08.81	M 110.987/M 110.989	6
280 SE,SEL	2,8	136	09.81-07.85	M 110.987/M 110.989	6
300 SE,SEL	3,0	132	01.86-06.91	M 103.981	6
300 SE,SEL	3,0	138	09.85-12.89	M 103.981	6
380 SE,SEC,SEL	3,8	150	12.79-08.85	M 116.963	8
380 SE,SEL	3,8	160	12.85-12.86	M 116.961	8
420 SE,SEC,SEL	4,2	150	10.85-06.91	M 116.965	8
420 SE,SEC,SEL	4,2	160	10.85-12.87	M 116.965	8
420 SE,SEC,SEL	4,2	165	10.85-06.91	M 116.965	8
420 SE,SEL	4,2	170	10.85-12.87	M 116.965	8
500 SE,SEC,SEL	5,0	164	09.85-06.91	M 117.965	8
500 SE,SEC,SEL	5,0	170	12.79-08.85	M 117.961/M 117.963	8
500 SE,SEL	5,0	177	12.79-08.85	M 117.961/M 117.963	8
500 SE,SEC,SEL	5,0	180	09.85-06.91	M 117.965	8
500 SE,SEC,SEL, KAT	5,0	185	09.87-06.91	M 117.965	8
500 SE,SEC,SEL	5,0	195	09.85-06.91	M 117.965	8
560 SE,SEC,SEL	5,6	178	10.85-06.91	M 117.968	8
560 SE,SEC,SEL	5,6	200	10.85-12.87	M 117.968	8
560 SE,SEC,SEL	5,6	205	10.85-06.91	M 117.968	8
560 SE,SEC,SEL	5,6	220	10.85-06.91	M 117.968	8

### S-KLASSE (W140)

S 280	2,8	142	02.93-08.95	M 104.944	6
S 280	2,8	142	09.95-10.98	M 104.944	6
300 SE 2.8	2,8	145	01.93-08.95	M 104.944	6
300 SE 2.8	2,8	145	09.95-10.98	M 104.944	6

300 SE,SEL/S320	3,2	170	03.91-10.98	M 104.990/M 104.994	6
400 SE,SEL/S420	4,2	210	02.91-10.98	M 119.971	8
CL 420 Coupé	4,2	205	01.93-10.98	M 119.971	8
S 420, SEC/CL	4,2	205	01.93-10.98	M 119.971	8
500 SE,SEL	5,0	240	02.91-10.98	M 119.970	8
CL 500 Coupé	5,0	235	01.93-10.98	M 119.970	8
S 500, SEC	5,0	235	01.93-10.98	M 119.970	8
600 SE,SEL	6,0	300	04.91-12.92	M 120.980	12
CL 600 Coupé	6,0	290	01.93-10.98	M 120.980	12
S 600, SEC	6,0	290	01.93-10.98	M 120.980	12

### S-KLASSE (W215)

500 SEC	5,0	225	03.99-	M 113.960	8
CL 500 Coupé	5,0	225	03.99-03.06	M 113.960	8

### S-KLASSE (W220)

S 280	2,8	150	10.98-08.05	M 112.922	6
S 320	3,2	165	10.98-08.05	M 112.944	6
S 350	3,8	180	09.02-08.05	M 112.972	6
S 350 4-matic	3,8	180	06.03-08.05	M 112.975	6
S 430	4,3	205	10.98-08.05	M 113.941	8
S 430 4-matic	4,3	205	09.02-08.05	M 113.948	8
S 500	5,0	225	10.98-08.05	M 113.960	8
S 500 4-matic	5,0	225	09.02-08.05	M 113.966	8



= DIN



= M4

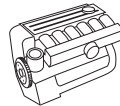


= SAE





kW



## MERCEDES

### SL (R107)

280 SL	2,8	130	06.76-03.80	M 110.982/M 110.986/M 110.990	6
280 SL	2,8	130	04.80-09.81	M 110.982/M 110.986/M 110.990	6
280 SL	2,8	136	08.74-03.80	M 110.982/M 110.986/M 110.990	6
280 SL	2,8	136	04.80-08.81	M 110.982/M 110.986/M 110.990	6
280 SL	2,8	136	09.81-07.85	M 110.982/M 110.986/M 110.990	6
300 SL	3,0	132	09.85-08.89	M 103.982 (DIN)	6
300 SL	3,0	132	09.85-08.89	M 103.982 (M4)	6
300 SL	3,0	138	09.85-08.89	M 103.982 (DIN)	6
300 SL	3,0	138	09.85-08.89	M 103.982 (M4)	6
350 SL	3,5	143	05.71-02.76	M 116.982/M 116.984	8
350 SL	3,5	143	03.76-02.80	M 116.982/M 116.984	8
380 SL	3,8	150	09.80-08.85	M 116.962	8
380 SL	3,8	160	09.80-08.81	M 116.960	8
450 SL	4,5	160	09.75-10.80	M 117.982/M 117.985	8
500 SL	5,0	164	01.86-08.89	M 117.964	8
500 SL	5,0	170	05.80-12.85	M 117.960	8

### SL (R129)

280	2,8	142	08.93-08.95	M 104.943	6
280	2,8	142	09.95-10.01	M 104.943	6
280	2,8	150	05.98-10.01	M 112.923/M 112.925	6
300 SL	3,0	140	03.89-08.93	M 103.984	6
300 SL-24	3,0	170	03.89-07.93	M 104.981	6
320	3,2	165	05.98-10.01	M 112.943	6
320	3,2	170	09.93-08.95	M 104.991	6
320	3,2	170	09.95-10.01	M 104.991	6
500	5,0	225	05.98-10.01	M 113.961	8
500	5,0	235	09.92-10.01	M 119.972	8
500 SL	5,0	240	09.89-08.92	M 119.960/M 119.972	8
600	6,0	290	07.92-10.01	M 120.981/M 120.983	12

### SL (R230)

350	3,8	180	03.03-	M 112.973	6
500	5,0	225	10.01-	M 113.963	8

### SL Coupe (C107)

280 SLC	2,8	130	06.76-03.80	M 110.982/M 110.986/M 110.990	6
280 SLC	2,8	130	04.80-09.81	M 110.982/M 110.986/M 110.990	6
280 SLC	2,8	136	08.74-03.80	M 110.982/M 110.986/M 110.990	6
280 SLC	2,8	136	04.80-09.81	M 110.982/M 110.986/M 110.990	6
350 SLC	3,5	143	03.76-02.80	M 116.982/M 116.984	8
350 SLC	3,5	147	01.72-01.73	M 116.982/M 116.984	8
350 SLC	3,5	147	02.73-02.76	M 116.982/M 116.984	8
380 SLC	3,8	160	07.80-08.81	M 116.960	8
450 SLC	4,5	160	09.75-08.79	M 117.982/M 117.985	8
450 SLC	4,5	165	01.73-09.74	M 117.982/M 117.985	8
450 SLC	4,5	165	10.74-11.75	M 117.982/M 117.985	8
450 SLC 5.0	5,0	177	06.78-02.80	M 117.960	8

### SLK (R170)

200	2,0	100	09.96-03.00	M 111.946	4
200 Kompressor	2,0	120	03.00-	M 111.958	4
200 Kompressor	2,0	141	10.96-03.00	M 111.943	4
230 Kompressor	2,3	142	09.96-03.00	M 111.973	4
320	3,2	160	03.00-04.04	M 112.947	6
32 AMG Kompressor	3,2	260	03.01-04.04	M 112.960	6

### SPRINTER

214	2,3	105	02.95-	M 111.979/M 111.984	4
214 NGT	2,3	92	04.00-		4



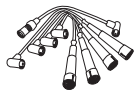
= DIN



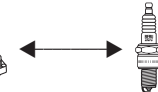
= M4



= SAE



Copper Cable  
Power Cable



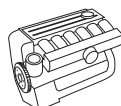
Zyl./Cyl./Cil.

				1	2	3	4	5	6	7	8
ZEF 487	CU	○	M 111 B	M 108 B	M 108 B	M 108 C	M 108 C	M 108 D	M 108 E	●	●
ZEF 470	CU	○	M 111 A	M 108 B	M 108 C	M 108 C	M 108 C	M 108 D	M 108 E	●	●
ZEF 487	CU	○	M 111 B	M 108 B	M 108 B	M 108 C	M 108 C	M 108 D	M 108 E	●	●
ZEF 470	CU	○	M 111 A	M 108 B	M 108 C	M 108 C	M 108 C	M 108 D	M 108 E	●	●
ZEF 501	CU	○	M 106 C	M 109 B	M 109 C	M 109 D	M 109 D	M 109 E	M 109 E	●	●
ZEF 454	CU	○	M 112 A	M 110 A	M 110 A	M 110 D	M 110 D	M 110 D	M 110 D	●	●
ZEF 558	CU	○	M 106 B	M 107 D	M 107 D	M 107 A	M 107 A	M 107 B	M 107 C	●	●
ZEF 454	CU	○	M 112 A	M 110 A	M 110 A	M 110 D	M 110 D	M 110 D	M 110 D	●	●
ZEF 558	CU	○	M 106 B	M 107 D	M 107 D	M 107 A	M 107 A	M 107 B	M 107 C	●	●
ZEF 406	CU	○	M 112 A	M 110 E	M 110 E	M 110 F	M 110 F	M 110 F	M 110 F	M 110 F	M 110 F
ZEF 472	CU	○	M 111 A	M 108 C	M 108 C	M 108 C	M 108 C	M 108 C	M 108 C	M 108 D	M 108 D
ZEF 463	CU	○	M 111 C	M 108 C	M 108 C	M 108 D	M 108 D	M 108 D	M 108 D	M 108 D	M 108 D
ZEF 463	CU	○	M 111 C	M 108 C	M 108 C	M 108 D	M 108 D	M 108 D	M 108 D	M 108 D	M 108 D
ZEF 471	CU	○	M 111 A	M 108 C	M 108 C	M 108 C	M 108 C	M 108 C	M 108 C	M 108 C	M 108 C
ZEF 566	CU	○	M 106 C	M 109 C	M 109 C	M 109 C	M 109 C	M 109 C	M 109 C	M 109 E	M 109 E
ZEF 463	CU	○	M 111 C	M 108 C	M 108 C	M 108 D	M 108 D	M 108 D	M 108 D	M 108 D	M 108 D
ZEF 641	CU	○	●	○	●	○	●	○	●	●	●
ZEF 987/ ZEF 1449 <sup>16</sup>	CU	○	●	M 116 B	●	M 116 A	●	M 116 B	●	●	●
ZEF 1442	CU	○	●	2x M 120 A	2x M 120 A	2x M 120 A	2x M 120 A	2x M 120 A	2x M 120 A	●	●
ZEF 558	CU	○	M 106 B	M 107 D	M 107 D	M 107 A	M 107 A	M 107 B	M 107 C	●	●
ZEF 597	CU	○	M 106 B	M 114 D	M 114 E	M 114 E	M 114 D	M 114 C	M 114 C	●	●
ZEF 1442	CU	○	●	2x M 120 A	2x M 120 A	2x M 120 A	2x M 120 A	2x M 120 A	2x M 120 A	●	●
ZEF 641	CU	○	●	○	●	○	●	○	●	●	●
ZEF 987/ZEF 1449 <sup>16</sup>	CU	○	●	M 116 B	●	M 116 A	●	M 116 B	●	●	●
ZEF 1488	CU	○	●	M 120 A/B	M 120 A/B	2x M 120 A	2x M 120 A	M 120 A/B	2x M 120 A	2x M 120 A	2x M 120 A
ZEF 598	CU	○	M 106 D/E	M 114 A	M 114 B	M 114 A	M 114 A	M 114 B	M 114 B	M 114 A	M 114 A
ZEF 598	CU	○	M 106 D/E	M 114 A	M 114 B	M 114 A	M 114 A	M 114 B	M 114 B	M 114 A	M 114 A
ZEF 634	CU	○	○	○	○	○	○	○	○	○	○
ZEF 1442	CU	○	●	2x M 120 A	2x M 120 A	2x M 120 A	2x M 120 A	2x M 120 A	2x M 120 A	●	●
ZEF 1488	CU	○	●	M 120 A/B	M 120 A/B	2x M 120 A	2x M 120 A	M 120 A/B	2x M 120 A	2x M 120 A	2x M 120 A
ZEF 487	CU	○	M 111 B	M 108 B	M 108 B	M 108 C	M 108 C	M 108 D	M 108 E	●	●
ZEF 470	CU	○	M 111 A	M 108 B	M 108 C	M 108 C	M 108 C	M 108 D	M 108 E	●	●
ZEF 487	CU	○	M 111 B	M 108 B	M 108 B	M 108 C	M 108 C	M 108 D	M 108 E	●	●
ZEF 470	CU	○	M 111 A	M 108 B	M 108 C	M 108 C	M 108 C	M 108 D	M 108 E	●	●
ZEF 472	CU	○	M 111 A	M 108 C	M 108 C	M 108 C	M 108 C	M 108 C	M 108 C	M 108 D	M 108 D
ZEF 406	CU	○	M 112 A	M 110 E	M 110 E	M 110 F	M 110 F	M 110 F	M 110 F	M 110 F	M 110 F
ZEF 472	CU	○	M 111 A	M 108 C	M 108 C	M 108 C	M 108 C	M 108 C	M 108 C	M 108 D	M 108 D
ZEF 463	CU	○	M 111 C	M 108 C	M 108 C	M 108 D	M 108 D	M 108 D	M 108 D	M 108 D	M 108 D
ZEF 471	CU	○	M 111 A	M 108 C	M 108 C	M 108 C	M 108 C	M 108 C	M 108 C	M 108 C	M 108 C
ZEF 406	CU	○	M 112 A	M 110 E	M 110 E	M 110 F	M 110 F	M 110 F	M 110 F	M 110 F	M 110 F
ZEF 472	CU	○	M 111 A	M 108 C	M 108 C	M 108 C	M 108 C	M 108 C	M 108 C	M 108 D	M 108 D
ZEF 463	CU	○	M 111 C	M 108 C	M 108 C	M 108 D	M 108 D	M 108 D	M 108 D	M 108 D	M 108 D
ZEF 988/ ZEF 1515 <sup>16</sup>	CU	○	●	M 116 A	●	M 116 A	●	●	●	●	●
ZEF 1412	CU	○	●	M 116 A	●	M 116 A	●	●	●	●	●
ZEF 988/ ZEF 1515 <sup>16</sup>	CU	○	●	M 116 A	●	M 116 A	●	●	●	●	●
ZEF 988/ ZEF 1515 <sup>16</sup>	CU	○	●	M 116 A	●	M 116 A	●	●	●	●	●
ZEF 1442	CU	○	●	2x M 120 A	2x M 120 A	2x M 120 A	2x M 120 A	2x M 120 A	2x M 120 A	●	●
ZEF 1442	CU	○	●	2x M 120 A	2x M 120 A	2x M 120 A	2x M 120 A	2x M 120 A	2x M 120 A	●	●
ZEF 988/ ZEF 1515 <sup>16</sup>	CU	○	●	M 116 A	●	M 116 A	●	●	●	●	●
ZEF 1412	CU	○	●	M 116 A	●	M 116 A	●	●	●	●	●





kW



## MERCEDES

### SPRINTER

314	2,3	105	02.95-05.06	M 111.979/M 111.984	4
314 NGT	2,3	92	04.00-05.06		4
414, 4x4	2,3	105	02.96-05.06	M 111.979/M 111.984	4

### VITO

113	2,0	95	02.96-	M 111.948	4
114	2,3	105	12.96-07.03	M 111.978	4

### V-KLASSE

V 200	2,0	95	02.97-07.03	M 111.948	4
V 230	2,3	105	10.96-07.03	M 111.978	4
V 280	2,8	128	08.97-07.03	M 104.900	6

### (W111)

220 B	2,2	70	01.61-08.65	M 180.940	6
220 SB	2,2	81	01.61-08.65	M 180.941	6
220 SEB, Coupé	2,2	88	01.61-12.65	M 127.982/M 127.984	6
230 S	2,3	88	07.65-01.68	M 180.947/M 180.950	6
250 SE, Coupé	2,5	110	01.65-12.67	M 129.980/M 129.981	6
280 SE, Coupé	2,8	118	01.67-12.71	M 130.980/M 130.984	6

### /8 (W114)

230.6	2,3	88	01.68-11.76	M 180.954	6
250/8	2,5	85	01.68-08.72	M 114.920	6
250/8, Coupé	2,5	96	07.68-08.72	M 114.920	6
250/8 CE	2,5	110	04.69-04.72	M 114.980	6
250/8, C, Coupé 2.8	2,8	96	06.72-11.76	M 130.923	6
280/8, C, Coupé	2,8	118	06.72-11.76	M 110.921	6
280/8 E	2,8	136	06.72-11.76	M 110.981	6
280/8 CE	2,8	136	06.72-01.77	M 110.981	6

### /8 (W115)

200/8	2,0	63	01.68-01.77	M 115.923/M 115.926	4
200	2,0	70	01.70-01.77	M 115.923/M 115.926	4
230.4	2,3	81	08.73-12.76	M 115.951	4

### 190 (W201)

E 1.8	1,8	80	04.90-08.93	M 102.910	4
2.0	2,0	66	10.82-10.84	M 102.921	4
2.0	2,0	75	01.86-05.90	M 102.924	4
2.0	2,0	77	09.84-05.90	M 102.924	4
E 2.0	2,0	83	02.85-12.86	M 102.961/M 102.962	4
E 2.0	2,0	85	02.85-12.86	M 102.962	4
E 2.0	2,0	87	01.85-08.93	M 102.962	4
E 2.0	2,0	90	10.82-06.93	M 102.961/M 102.962	4
E 2.0	2,0	93	10.82-06.93		4
E 2.3	2,3	97	09.86-08.91	M 102.985	4
E 2.3	2,3	100	10.86-08.93	M 102.985	4
E 2.3-16	2,3	125	09.85-12.87	M 102.983	4
E 2.3-16	2,3	130	09.85-08.88	M 102.983	4
E 2.3-16	2,3	136	04.84-01.87	M 102.983	4
E 2.5-16	2,5	143	03.89-08.93	M 102.991	4
E 2.5-16	2,5	150	09.88-08.93	M 102.990	4
E 2.5 Evolution II	2,5	173	05.90-08.93	M 102.992	4
E 2.6	2,6	118	09.86-11.92	M 103.942	6
E 2.6	2,6	122	09.86-12.89	M 103.942	6

### (W123)

200, T (S123)	2,0	62	02.76-08.77	M 115.938/M 115.939	4
200, T (S123)	2,0	62	09.77-08.80	M 115.938/M 115.939	4
200, T (S123)	2,0	69	02.76-08.77	M 115.938/M 115.939	4
200, T (S123)	2,0	69	09.77-08.80	M 115.938/M 115.939	4



= DIN



= M4

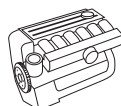


= SAE





kw



## MERCEDES

### (W123)

200, T (S123)	2,0	74	06.80-11.85	M 102.939	4
200, T (S123)	2,0	80	06.80-11.85	M 102.920	4
230, C, T (S123)	2,3	80	02.76-03.81	M 115.954	4
230 E, CE, TE (S123)	2,3	100	04.80-12.85	M 102.980	4
250, T (S123)	2,5	95	02.76-10.77	M 123.921	6
250, T (S123)	2,5	95	11.77-10.79	M 123.921	6
250, T (W123)	2,5	103	09.81-07.85	M 123.921	6
280, C	2,8	115	02.76-08.81	M 110.923	6
280 E, CE	2,8	130	08.76-08.81	M 110.988	6
280 E, CE, TE (S123)	2,8	136	02.76-08.81	M 110.984/M 110.988	6
280 E, CE, TE (S123)	2,8	136	09.81-11.85	M 110.984/M 110.988	6

### (W124)

200, T (S124)	2,0	75	01.86-05.90	M 102.922	4
200, T (S124)	2,0	77	01.86-05.90	M 102.922	4
200, T (S124)	2,0	80	12.85-05.90	M 102.922	4
200 E, TE (S124)	2,0	87	09.88-08.92	M 102.963	4
200 E, TE (S124)	2,0	90	09.88-12.89	M 102.963	4
200 E, TE (S124)	2,0	100	10.92-05.93	M 111.940	4
220 E,CE, TE (S124)	2,2	110	10.92-06.93	M 111.960	4
220 E,CE, TE (S124)	2,2	110	10.92-05.93	M 111.960	4
230 E, CE, TE (S124), KAT	2,3	97	12.84-06.93	M 102.982	4
230 E, CE, TE (S124)	2,3	100	01.85-06.93	M 102.982	4
260 E, TE, 4-matic (S124)	2,6	118	09.85-08.92	M 103.940	6
260 E, TE, 4-matic (S124)	2,6	122	09.85-12.89	M 103.940	6
280 E, TE (S124)	2,8	145	10.92-06.93	M 104.942	6
300 E, CE, TE, 4-matic (S124)	3,0	132	08.85-08.92	M 103.983	6
300 E, CE, TE, 4-matic (S124)	3,0	138	01.85-08.92	M 103.980/983	6
300 E, CE, TE-24 (S124)	3,0	162	09.88-09.92	M 104.980	6
300 CE-24 Cabriolet	3,0	162	04.92-06.93	M 104.980	6
320 E, CE, TE (S124)	3,2	162	10.92-06.93	M 104.992	6
400 E 4.2	4,2	205	10.92-06.93	M 119.975	8
500 E	5,0	240	01.91-06.93	M 119.974	8

## MG

<b>MGF</b>					
1.8 i 16V	1,8	88	03.95-03.02	18 K4F	4

## MINI

<b>MINI</b>					
One	1,6	66	06.01-	W10B16A	4
Cooper	1,6	85	06.01-	W10B16A	4
Cooper S	1,6	120	03.02-	W11B16A	4

## MITSUBISHI

<b>3000 GT</b>					
3.0 i 24V 4x4	3,0	210	06.92-08.99	6G72	6

<b>CARISMA</b>					
1.6	1,6	66	08.96-06.06	4G92	4
1.6	1,6	70	12.98-06.06		4
1.6	1,6	73	05.97-06.06	4G92	4
1.8	1,8	85	07.95-12.96	4G93	4
1.8	1,8	85	01.97-06.06	4G93	4
1.8 16V	1,8	103	07.95-12.97	4G93	4

<b>CARISMA S</b>					
1.6	1,6	70	12.98-		4

<b>CELESTE</b>					
1.6 ST	1,6	54	01.77-06.81	4G32	4
2.0 GSR	2,0	66	10.75-06.81	4G52	4
2.0 GSR	2,0	71	01.77-06.81		4
2.0 GSR	2,0	77	01.79-06.81	4G52	4



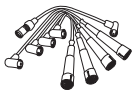
= DIN



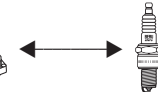
= M4



= SAE



Copper Cable  
Power Cable

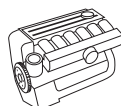


Zyl./Cyl./Cil.

				1	2	3	4	5	6	7	8
ZEF 466	CU	C 29	M 106 A	M 107 A	M 107 B	M 107 B	M 107 C	●	●	●	●
ZEF 466	CU	C 29	M 106 A	M 107 A	M 107 B	M 107 B	M 107 C	●	●	●	●
○	CU	○	M 111 A	M 108 A	M 108 A	M 108 B	M 108 B	●	●	●	●
ZEF 466	CU	C 29	M 106 A	M 107 A	M 107 B	M 107 B	M 107 C	●	●	●	●
ZEF 465	CU	○	○	○	○	○	○	○	○	●	●
ZEF 473	CU	○	M 111 A	M 108 A	M 108 A	M 108 B	M 108 B	M 108 C	M 108 C	●	●
ZEF 473	CU	○	M 111 A	M 108 A	M 108 A	M 108 B	M 108 B	M 108 C	M 108 C	●	●
ZEF 437	CU	○	M 111 B	M 108 B	M 108 B	M 108 C	M 108 C	M 108 D	M 108 D	●	●
ZEF 437	CU	○	M 111 B	M 108 B	M 108 B	M 108 C	M 108 C	M 108 D	M 108 D	●	●
ZEF 437	CU	○	M 111 B	M 108 B	M 108 B	M 108 C	M 108 C	M 108 D	M 108 D	●	●
ZEF 501	CU	○	M 106 C	M 109 A	M 109 B	M 109 C	M 109 C	M 109 D	M 109 E	●	●
ZEF 466	CU	C 29	M 106 A	M 107 A	M 107 B	M 107 B	M 107 C	●	●	●	●
ZEF 466	CU	C 29	M 106 A	M 107 A	M 107 B	M 107 B	M 107 C	●	●	●	●
ZEF 466	CU	C 29	M 106 A	M 107 A	M 107 B	M 107 B	M 107 C	●	●	●	●
ZEF 466	CU	C 29	M 106 A	M 107 A	M 107 B	M 107 B	M 107 C	●	●	●	●
ZEF 466	CU	C 29	M 106 A	M 107 A	M 107 B	M 107 B	M 107 C	●	●	●	●
ZEF 642	CU	○	●	M 118 A	M 118 A	M 118 B	M 118 B	●	●	●	●
ZEF 466	CU	C 29	M 106 A	M 107 A	M 107 B	M 107 B	M 107 C	●	●	●	●
ZEF 642	CU	○	●	M 118 A	M 118 A	M 118 B	M 118 B	●	●	●	●
ZEF 466	CU	C 29	M 106 A	M 107 A	M 107 B	M 107 B	M 107 C	●	●	●	●
ZEF 466	CU	C 29	M 106 A	M 107 A	M 107 B	M 107 B	M 107 C	●	●	●	●
ZEF 558	CU	○	M 106 B	M 107 D	M 107 D	M 107 A	M 107 A	M 107 B	M 107 C	●	●
ZEF 558	CU	○	M 106 B	M 107 D	M 107 D	M 107 A	M 107 A	M 107 B	M 107 C	●	●
ZEF 558	CU	○	M 106 B	M 107 D	M 107 D	M 107 A	M 107 A	M 107 B	M 107 C	●	●
ZEF 597	CU	○	M 106 B	M 114 D	M 114 E	M 114 E	M 114 D	M 114 C	M 114 C	●	●
ZEF 597	CU	○	M 106 B	M 114 D	M 114 E	M 114 E	M 114 D	M 114 C	M 114 C	●	●
ZEF 597	CU	○	M 106 B	M 114 D	M 114 E	M 114 E	M 114 D	M 114 C	M 114 C	●	●
ZEF 635	CU	○	M 106 C/E	M 114 A	M 114 B	M 114 A	M 114 A	M 114 B	M 114 B	M 114 A	M 114 A
ZEF 635	CU	○	M 106 C/E	M 114 A	M 114 B	M 114 A	M 114 A	M 114 B	M 114 B	M 114 A	M 114 A
ZEF 1397	R	○	○	○	○	○	○	●	●	●	●
ZEF 1480	R	○	●	○	○	○	○	●	●	●	●
ZEF 1480	R	○	●	○	○	○	○	●	●	●	●
ZEF 1480	R	○	●	○	○	○	○	●	●	●	●
ZEF 888	R	○	●	○	○	○	○	○	○	●	●
ZEF 874	R	○	●	R 185	R 185	R 186	R 186	●	●	●	●
ZEF 874	R	○	●	R 185	R 185	R 186	R 186	●	●	●	●
ZEF 874	R	○	●	R 185	R 185	R 186	R 186	●	●	●	●
○	R	○	●	R 185	R 186	R 186	R 187	●	●	●	●
ZEF 1082	R	○	●	●	○	●	○	●	●	●	●
○	R	○	●	R 185	R 186	R 186	R 187	●	●	●	●
ZEF 874	R	○	●	R 185	R 185	R 186	R 186	●	●	●	●
○	R	○	R 5	R 119	R 120	R 120	R 120	●	●	●	●
○	R	○	R 17	R 119	R 120	R 120	R 121	●	●	●	●
○	R	○	R 17	R 119	R 120	R 120	R 121	●	●	●	●
○	R	○	R 17	R 119	R 120	R 120	R 121	●	●	●	●



kW

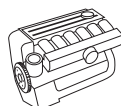


<b>MITSUBISHI</b>					
<b>COLT I</b>					
1.2 GL	1,2	40	12.78-01.84	4G11	4
1.4 GLX,GT	1,4	51	05.79-01.84	4G12	4
<b>COLT II</b>					
1.2 EL,GL	1,2	44	09.86-04.88	4G16	4
1.5 GLX	1,5	51	09.85-04.88	G15B	4
1.5 GLX	1,5	55	09.84-04.88	4G15	4
1.6 Turbo ECi	1,6	92	02.84-04.88	4G32 T/C	4
<b>COLT III</b>					
1.3 GL	1,3	44	04.88-12.89	4G13	4
1.3	1,3	51	04.88-12.89		4
1.3 12V	1,3	55	07.90-05.92	4G13	4
1.5 GLXi	1,5	62	04.88-12.89	4G15	4
1.5 GLXi	1,5	62	01.90-05.92	4G15	4
1.5 KAT	1,5	66	07.90-05.92	4G15	4
1.6 GTi 16V	1,6	91	04.88-05.90	4G61	4
1.8 GTi 16V	1,8	100	06.90-05.92	4G67	4
<b>COLT IV</b>					
1.3 GLi 12V	1,3	55	04.92-04.96	4G13	4
1.6 GLXi 16V	1,6	83	04.92-04.96	4G92	4
1.8 GTi 16V	1,8	103	04.92-04.96	4G93	4
<b>COLT V</b>					
1.3 GL,GLX	1,3	55	05.96-03.98		4
1.3 GL,GLX	1,3	55	04.98-09.00	4G13	4
1.3	1,3	60	09.00-07.05		4
<b>CORDIA</b>					
1.6 GSL	1,6	55	10.82-12.86	4G32	4
1.6 Turbo	1,6	84	10.82-05.85	4G32 T	4
1.6 Turbo	1,6	85	07.83-05.85	4G32 T	4
1.8 GSL	1,8	66	10.86-12.86	4G37	4
1.8 Turbo ECi	1,8	100	10.84-12.86	4G62 T	4
<b>ECLIPSE I</b>					
2.0 i 16V, 4x4	2,0	110	04.91-11.95	4G63	4
<b>ECLIPSE II</b>					
2.0 GS 16V	2,0	107	12.95-04.99		4
<b>GALANT I</b>					
2.0 GLX	2,0	63	01.77-08.80	4G52	4
2.0, GLX	2,0	72	01.79-08.80	4G52	4
<b>GALANT II</b>					
1.6 GLX	1,6	55	09.80-05.84	4G32	4
1.6 GLX	1,6	55	09.80-05.84	4G32	4
2.0 GLS, GLX	2,0	75	09.80-05.84	4G63	4
2.0 Turbo Eci	2,0	125	05.82-05.84	4G63 T	4
<b>GALANT III</b>					
1.6 GLX	1,6	55	06.84-12.87	4G32	4
2.0 GLS	2,0	75	06.84-12.87	4G63	4
2.0 Turbo ECi	2,0	110	06.84-05.85	4G63 T	4
2.4 GLS	2,4	82	07.85-12.87	G64B	4
<b>GALANT IV</b>					
1.8	1,8	63	11.87-08.90	4G37	4
1.8	1,8	66	11.87-10.92	4G37	4
2.0	2,0	80	11.87-03.89	4G63	4
2.0, 4x4	2,0	80	04.89-10.92	4G63	4
2.0 GTi 16V	2,0	106	11.87-12.92	4G63	4
2.0 GTi 16V	2,0	107	11.88-10.92	4G63	4
<b>GALANT V</b>					
1.8	1,8	85	02.94-08.96	4G93	4
1.8 GLSi	1,8	93	11.92-08.96	4G93 (GDI)	4
2.0 GLSi, 4x4	2,0	101	11.92-08.96	4G63	4
2.0 V6-24	2,0	110	11.92-08.96	6A12	6
2.5 V6-24 4x4	2,5	125	11.92-08.96	6G73	6





kW



<b>MITSUBISHI</b>					
<b>GALANT VI</b>					
2.0	2,0	100	09.96-09.00		4
2.4 GDI	2,4	110	02.99-09.00		4
2.5 V6 24V	2,5	120	04.97-09.00	6A13	6
<b>GALLOPER</b>					
3.0 V6	3,0	104	01.94-12.98	G6AT	6
3.0 V6	3,0	104	02.99-	G6AT	6
<b>L 300</b>					
1.6	1,6	51	04.83-04.94	4G32	4
2.0, 4WD	2,0	65	12.86-12.93	4G63	4
2.0, 4WD	2,0	65	01.94-	4G63	4
2.0, 4WD	2,0	66	11.86-12.93	4G63	4
2.0, 4WD	2,0	66	01.94-	4G63	4
2.4, 4WD	2,4	82	11.90-	4G64	4
<b>LANCER I</b>					
1.2	1,2	40	01.80-12.81	4G11	4
1.4 GLX	1,4	50	09.79-02.83	4G12	4
2.0 Turbo ECi	2,0	125	03.81-02.83	4G32 T	4
<b>LANCER F II</b>					
1.2 GLX	1,2	40	03.83-01.84	4G11	4
1.4 GLX	1,4	51	03.83-01.84	4G12	4
<b>LANCER III</b>					
1.2	1,2	44	08.86-04.88	4G16	4
1.5, GLX	1,5	51	06.85-08.89	G15B	4
1.5, GLX	1,5	55	06.86-04.88	4G15	4
1.5	1,5	61	09.88-05.90	4G15	4
1.5 12V	1,5	66	09.90-12.91	4G15	4
1.8, 4x4	1,8	61	01.87-08.89	G37B	4
1.8, 4x4	1,8	63	03.89-12.90	4G37	4
1.8, 4x4	1,8	66	01.87-12.87	4G37	4
1.8, 4x4	1,8	69	08.90-06.92	4G37	4
<b>LANCER IV</b>					
1.3	1,3	44	04.88-05.92	4G13	4
1.3	1,3	51	08.88-05.92	G13B	4
1.3 12V	1,3	55	01.91-11.92	4G13	4
1.5	1,5	62	04.88-05.90	4G15	4
1.5 12V	1,5	66	05.89-05.90	4G15	4
1.6 GLi 16V	1,6	83	06.92-05.94	4G92	4
1.8 GLXi 4x4	1,8	71	09.89-06.92	4G37	4
1.8 GTi 16V	1,8	100	11.89-05.92	4G67	4
1.8 GTi 16V	1,8	103	06.92-12.93	4G93	4
<b>LANCER V</b>					
1.3	1,3	55	06.92-12.92	4G13	4
1.3	1,3	55	04.98-	4G13	4
1.6	1,6	66	02.94-		4
1.6 16V, GLXi, 4WD	1,6	83	06.92-03.98	4G92	4
1.6 16V, GLXi, 4WD	1,6	83	04.98-	4G92	4
<b>LANCER VI</b>					
1.3 12V GL, GLX	1,3	55	12.95-03.98	4G92	4
1.3 12V GL, GLX	1,3	55	04.98-08.03	4G13	4
<b>PAJERO I</b>					
2.6	2,6	76	01.83-11.90	4G54	4
3.0 V6	3,0	104	11.88-11.90	6G72	6
<b>PAJERO II</b>					
3.0 V6	3,0	110	12.90-12.93	6G72	6
3.0 V6 24V	3,0	133	06.94-05.97	6G72	6
3.5 V6 24V	3,5	153	06.94-04.00		6
<b>PAJERO PININ</b>					
1.8	1,8	84	11.01-		4
1.8 GDI	1,8	88	10.99-		4
<b>SAPORO I</b>					
1.6 SL, GL	1,6	55	04.78-07.80	4G32	4



= DIN



= M4



= SAE



Copper Cable  
Power Cable



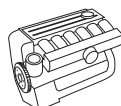
Zyl./Cyl./Cil.

				1	2	3	4	5	6	7	8
ZEF 1082	R	○	●	●	○	●	○	●	●	●	●
ZEF 1082	R	○	●	●	○	●	○	●	●	●	●
ZEF 1087	R	○	●	○	○	○	○	○	○	●	●
ZEF 885	R	○	○	○	○	○	○	○	○	●	●
ZEF 853	R	○	R 10	R 116	R 116	R 116	R 116	R 117	R 118	●	●
ZEF 868	R	○	○	○	○	○	○	●	●	●	●
ZEF 882	R	○	○	○	○	○	○	●	●	●	●
ZEF 887	R	○	●	○	○	○	○	●	●	●	●
ZEF 882	R	○	○	○	○	○	○	●	●	●	●
ZEF 887	R	○	●	○	○	○	○	●	●	●	●
ZEF 882	R	○	○	○	○	○	○	●	●	●	●
ZEF 1372	R	○	○	○	○	○	○	●	●	●	●
○	R	○	R 5	R 11	R 13	R 13	R 46	●	●	●	●
ZEF 882	R	○	○	○	○	○	○	●	●	●	●
ZEF 1372	R	○	○	○	○	○	○	●	●	●	●
○	R	○	R 5	R 11	R 13	R 13	R 46	●	●	●	●
ZEF 1372	R	○	○	○	○	○	○	●	●	●	●
ZEF 882	R	○	○	○	○	○	○	●	●	●	●
ZEF 1372	R	○	○	○	○	○	○	●	●	●	●
ZEF 1372	R	○	○	○	○	○	○	●	●	●	●
ZEF 1372	R	○	○	○	○	○	○	●	●	●	●
ZEF 876	R	○	●	●	○	●	○	●	●	●	●
ZEF 882	R	○	○	○	○	○	○	●	●	●	●
ZEF 882	R	○	○	○	○	○	○	●	●	●	●
ZEF 882	R	○	○	○	○	○	○	●	●	●	●
ZEF 771	R	C 20	R 35	R 22	R 23	R 27	R 27	●	●	●	●
ZEF 771	R	C 20	R 35	R 22	R 23	R 27	R 27	●	●	●	●
ZEF 875	R	C 15	R 5	R 3	R 1	R 1	R 6	●	●	●	●
ZEF 1372	R	○	○	○	○	○	○	●	●	●	●
ZEF 1372	R	○	○	○	○	○	○	●	●	●	●
ZEF 874	R	○	●	R 185	R 185	R 186	R 186	●	●	●	●
ZEF 882	R	○	○	○	○	○	○	●	●	●	●
ZEF 877	R	○	●	○	○	○	○	●	●	●	●
ZEF 878	R	○	●	○	○	○	○	●	●	●	●
ZEF 875	R	C 15	R 5	R 3	R 1	R 1	R 6	●	●	●	●
ZEF 1104	R	○	●	○	○	○	○	●	●	●	●
ZEF 874	R	○	●	R 185	R 185	R 186	R 186	●	●	●	●
○	R	○	●	R 185	R 186	R 186	R 187	●	●	●	●
ZEF 1107	R	○	●	○	○	○	○	●	●	●	●
ZEF 875	R	C 15	R 5	R 3	R 1	R 1	R 6	●	●	●	●
ZEF 1104	R	○	●	○	○	○	○	●	●	●	●
ZEF 883	R	○	R 5	R 47	R 8	R 11	R 28	●	●	●	●
ZEF 1387	R	○	R 10	R 12	R 12	R 8	R 73	R 73	R 73	●	●
ZEF 1387	R	○	R 10	R 12	R 12	R 8	R 73	R 73	R 73	●	●
ZEF 1328	R	○	○	○	○	○	○	○	○	●	●
ZEF 886	R	○	●	●	○	●	○	●	○	●	●
ZEF 1082	R	○	●	●	○	●	○	●	●	●	●
ZEF 1082	R	○	●	●	○	●	○	●	●	●	●
○	R	○	R 5	R 118	R 119	R 120	R 120	●	●	●	●





kW



<b>MITSUBISHI</b>					
<b>SAPORO I</b>					
2.0	2,0	66	04.78-07.80	4G52	4
2.0	2,0	72	04.78-07.80	4G52	4
2.0	2,0	79	01.79-07.80	4G52	4
<b>SAPORO II</b>					
2.0 GSL	2,0	75	08.80-08.83	4G63	4
2.0 GSR	2,0	82	08.80-09.84	4G63	4
2.0 Turbo ECi	2,0	125	08.82-08.83	4G63 T	4
<b>SAPORO III</b>					
2.4	2,4	91	06.87-08.90	4G64	4
<b>SIGMA</b>					
3.0 V6	3,0	125	01.93-07.96	6G72	6
3.0 V6	3,0	130	12.90-07.96	6G72	6
3.0 V6	3,0	151	12.90-07.96	6G72	6
<b>SPACE GEAR</b>					
2.0 16V	2,0	83	08.96-05.00	4G63	4
2.0 16V	2,0	85	05.95-05.00	4G63	4
2.4 i, 4x4	2,4	97	05.95-05.00	4G64	4
<b>SPACE RUNNER</b>					
1.8, 4x4	1,8	85	06.96-08.99	4G93	4
1.8, 4x4	1,8	90	10.91-08.99	4G93	4
2.4 GDI	2,4	110	08.99-	4G64 (GDI)	4
<b>SPACE WAGON</b>					
1.8, GLX, 4x4	1,8	66	01.84-12.88	4G37	4
1.8, 4x4	1,8	90	10.91-10.98	4G93	4
2.0 GLX, 4x4	2,0	62	06.86-05.88	G63B	4
2.0 GLXi, 4x4	2,0	74	06.88-04.91	4G63	4
2.0 4x4	2,0	75	03.85-04.91	4G63	4
2.0 GLXi, 4x4	2,0	98	10.92-12.96	4G63	4
2.0 GLXi, 4x4	2,0	98	01.97-10.98	4G63	4
2.4 GDI, 4x4	2,4	110	10.98-	4G64	4
<b>STARION</b>					
2.0 Turbo ECi	2,0	125	06.82-12.85	4G63 T	4
2.0 Turbo ECi	2,0	132	05.85-08.87	4G63 T/C	4
2.6 Turbo ECi	2,6	114	09.87-06.90	G54 B T/C	4
<b>TREDIA</b>					
1.4 GLX	1,4	51	10.82-08.85	4G12	4
1.6 GLS	1,6	55	09.82-10.87	4G32	4
1.6 Turbo	1,6	84	09.82-05.85	4G32 T	4
1.6 Turbo	1,6	85	09.82-07.84	4G32 T	4
1.8 GLS	1,8	66	08.84-07.86	4G37	4
<b>MOSKVITCH</b>					
<b>407</b>					
1.4	1360	33	01.65-		4
<b>NISSAN</b>					
<b>100 NX</b>					
1.6	1,6	66	03.90-10.94	GA16DS	4
1.6 SR	1,6	75	09.93-10.94	GA16DE	4
2.0 GTI	2,0	105	03.91-10.94	SR20DE	4
<b>280 ZX,ZXT</b>					
2.8	2753	103	10.78-06.83	L28E	6
2.8	2753	108	02.80-09.82	L28E	6
2.8	2753	110	01.82-02.84	L28E	6
<b>300 ZX</b>					
3.0	3,0	125	01.84-12.87	VG30E	6
3.0 Turbo	3,0	149	05.87-10.90	VG30ET	6
3.0 Turbo	3,0	168	04.84-10.90		6
<b>ALMERA I, Hatchback (N15)</b>					
1.4 GX,LX	1,4	55	09.95-07.00	GA14DE	4
1.4	1,4	64	09.95-07.00	GA14DE	4



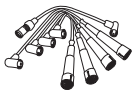
= DIN



= M4



= SAE



Copper Cable  
Power Cable

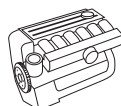


Zyl./Cyl./Cil.

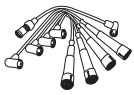
				1	2	3	4	5	6	7	8
○	R	○	R 5	R 119	R 120	R 120	R 121	●	●	●	●
○	R	○	R 5	R 119	R 120	R 120	R 121	●	●	●	●
○	R	○	R 5	R 119	R 120	R 120	R 121	●	●	●	●
○	R	○	R 5	R 119	R 120	R 120	R 121	●	●	●	●
○	R	○	R 5	R 119	R 120	R 120	R 121	●	●	●	●
○	R	○	R 5	R 119	R 120	R 120	R 121	●	●	●	●
<b>ZEF 882</b>	R	○	○	○	○	○	○	●	●	●	●
<b>ZEF 884</b>	R	○	○	○	○	○	○	○	○	●	●
<b>ZEF 884</b>	R	○	○	○	○	○	○	○	○	●	●
<b>ZEF 884</b>	R	○	○	○	○	○	○	○	○	●	●
<b>ZEF 1371</b>	R	○	●	○	○	○	○	●	●	●	●
<b>ZEF 1371</b>	R	○	●	○	○	○	○	●	●	●	●
<b>ZEF 1371</b>	R	○	●	○	○	○	○	●	●	●	●
<b>ZEF 874</b>	R	○	●	R 185	R 185	R 186	R 186	●	●	●	●
<b>ZEF 874</b>	R	○	●	R 185	R 185	R 186	R 186	●	●	●	●
<b>ZEF 1082</b>	R	○	●	●	○	●	○	●	●	●	●
<b>ZEF 769</b>	R	<b>C 18</b>	R 5	R 28	R 13	R 13	R 11	●	●	●	●
○	R	○	●	R 185	R 186	R 186	R 187	●	●	●	●
<b>ZEF 1371</b>	R	○	●	○	○	○	○	●	●	●	●
<b>ZEF 882</b>	R	○	○	○	○	○	○	●	●	●	●
<b>ZEF 1371</b>	R	○	●	○	○	○	○	●	●	●	●
<b>ZEF 874</b>	R	○	●	R 185	R 185	R 186	R 186	●	●	●	●
<b>ZEF 1082</b>	R	○	●	●	○	●	○	●	●	●	●
<b>ZEF 1082</b>	R	○	●	●	○	●	○	●	●	●	●
○	R	○	R 5	R 11	R 28	R 28	R 47	●	●	●	●
○	R	○	R 5	R 11	R 28	R 28	R 47	●	●	●	●
○	R	○	R 5	R 8	R 11	R 11	R 13	●	●	●	●
<b>ZEF 769</b>	R	<b>C 18</b>	R 5	R 28	R 13	R 13	R 11	●	●	●	●
<b>ZEF 769</b>	R	<b>C 18</b>	R 5	R 28	R 13	R 13	R 11	●	●	●	●
○	R	○	R 18	R 4	R 3	R 1	R 6	●	●	●	●
○	R	○	R 18	R 4	R 3	R 1	R 6	●	●	●	●
○	R	○	R 18	R 119	R 119	R 120	R 120	●	●	●	●
○	R	○	R 2	R 6	R 6	R 6	R 6	●	●	●	●
<b>ZEF 890</b>	R	○	R 34	R 191	R 191	R 190	R 189	●	●	●	●
<b>ZEF 889</b>	R	○	●	R 189	R 190	R 191	R 191	●	●	●	●
<b>ZEF 891</b>	R	○	●	R 331	R 331	R 330	R 329	●	●	●	●
○	R	○	R 10	R 8	R 11	R 13	R 13	R 47	R 47	●	●
○	R	○	R 10	R 8	R 11	R 13	R 13	R 47	R 47	●	●
○	R	○	R 10	R 8	R 11	R 13	R 13	R 47	R 47	●	●
<b>ZEF 892</b>	R	○	○	○	○	○	○	○	○	●	●
<b>ZEF 892</b>	R	○	○	○	○	○	○	○	○	●	●
<b>ZEF 892</b>	R	○	○	○	○	○	○	○	○	●	●
<b>ZEF 889</b>	R	○	●	R 189	R 190	R 191	R 191	●	●	●	●
<b>ZEF 889</b>	R	○	●	R 189	R 190	R 191	R 191	●	●	●	●



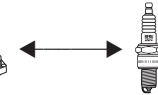
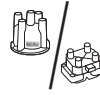
kW



<b>NISSAN</b>					
<b>ALMERA I, Hatchback (N15)</b>					
1.6 SR,SLX	1,6	66	09.95-07.00	GA16DE	4
1.6	1,6	73	09.95-07.00	GA16DE	4
2.0 GTi	2,0	105	07.96-03.00	SR20DE	4
<b>BLUEBIRD (910)</b>					
1.8	1,8	65	01.80-12.83	L18S	4
<b>BLUEBIRD (T72, T12)</b>					
2.0	2,0	75	12.85-12.87	CA20S	4
2.0 i	2,0	77	12.85-12.90	CA20E	4
<b>BLUEBIRD (U11)</b>					
2.0 i	2,0	77	04.84-01.88	CA20E	4
<b>BLUEBIRD Coupe (910)</b>					
1.8	1,8	66	01.80-05.84	L18T	4
<b>BLUEBIRD Hatchback (T72, T12)</b>					
2.0	2,0	75	12.85-12.87	CA20S	4
2.0 i	2,0	77	12.85-12.90	CA20E	4
<b>BLUEBIRD Station Wagon (WU11)</b>					
2.0	2,0	75	04.86-09.90	CA20S	4
2.0 i	2,0	77	04.87-12.90	CA20E	4
<b>BLUEBIRD Traveller (W910)</b>					
1.8	1,8	65	01.80-05.84	L18S	4
<b>CHERRY (N12)</b>					
1.3	1,3	44	05.82-10.86	E13	4
1.5	1,5	55	11.83-01.84	E15S	4
<b>CHERRY Coupe (N10)</b>					
1.2	1,2	38	08.78-07.81	A12	4
1.3	1,3	44	08.81-09.82	E13	4
<b>CHERRY Hatchback (N10)</b>					
1.2	1,2	38	08.78-07.81	A12	4
1.3	1,3	44	08.81-09.82	E13	4
<b>CHERRY Traveller (VN10)</b>					
1.2	1,2	38	10.78-07.81	A12	4
1.3	1,3	44	09.81-12.83	E13	4
<b>LAUREL</b>					
2.4	2,4	83	01.81-01.84	L24	6
2.4	2,4	88	09.83-12.85	L24	6
<b>MAXIMA</b>					
3.0 i	3,0	125	10.88-06.94	VG30E	6
<b>MICRA (K10)</b>					
1.0	1,0	37	12.82-12.89	MA10S	4
1.0	1,0	40	12.82-05.89	MA10S	4
1.2	1,2	40	07.86-07.92	MA12S	4
1.2	1,2	44	07.86-07.92	MA12S	4
<b>MICRA (K11)</b>					
1.0 i 16V	1,0	40	08.92-09.00	CG10DE	4
1.3 i 16V	1,3	55	08.92-09.00	CG13DE	4
<b>PATROL Hardtop (K160)</b>					
2.8	2,8	88	07.80-08.88	L28	6
2.8	2,8	89	07.80-08.88	L28	6
<b>PATROL Station Wagon (W160)</b>					
2.8	2,8	88	07.80-08.88	L28	6
<b>PICK UP (D21)</b>					
2.4 i 12V	2,4	91	04.92-09.95	KA24E	4
2.4 i 12V	2,4	91	10.95-02.98	KA24E	4
2.4 i 12V 4WD	2,4	93	04.92-09.95	KA24E	4
2.4 i 12V 4WD	2,4	93	10.95-02.98	KA24E	4
<b>PICK UP (D22)</b>					
2.4 i, 4WD	2,4	88	02.98-	KA24E	4
<b>PRAIRIE (M10, NM10)</b>					
1.5 S	1,5	55	01.84-12.87	E15S	4



Copper Cable  
Power Cable

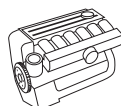


Zyl./Cyl./Cil.

				1	2	3	4	5	6	7	8
ZEF 889	R	○	●	R 189	R 190	R 191	R 191	●	●	●	●
ZEF 889	R	○	●	R 189	R 190	R 191	R 191	●	●	●	●
ZEF 891	R	○	●	R 331	R 331	R 330	R 329	●	●	●	●
ZEF 773	R	C 18	R 2	R 11	R 11	R 13	R 13	●	●	●	●
○	R	○	R 2	R 117	R 117	R 119	R 119	●	●	●	●
○	R	○	R 2	R 117	R 117	R 119	R 119	●	●	●	●
○	R	○	R 2/R 5	R 11/R 8	R 8/R 8	R 16/R 12	R 16/R 14	●	●	●	●
○	R	○	R 2/R 5	R 11/R 8	R 12/R 11	R 12/R 13	R 14/R 13	●	●	●	●
○	R	○	R 2	R 117	R 117	R 119	R 119	●	●	●	●
○	R	○	R 2/R 2	R 117/ R 117	R 117/ R 117	R 119/ R 119	R 119/ R 119	●	●	●	●
○	R	○	R 5	R 8	R 12	R 12	R 14	●	●	●	●
○	R	○	R 188/ R 188	R 8/R 11	R 8/R 8	R 16/R 12	R 14/R 16	●	●	●	●
○	R	○	R 5	R 8	R 12	R 12	R 14	●	●	●	●
○	R	○	R 5	R 8	R 12	R 12	R 14	●	●	●	●
○	R	○	R 2	R 11	R 8	R 12	R 16	●	●	●	●
○	R	○	R 5/R 10	R 8/R 13	R 12/R 13	R 12/R 13	R 14/R 13	●	●	●	●
○	R	○	R 5	R 8	R 12	R 12	R 14	●	●	●	●
○	R	○	R 5/R 10	R 8/R 13	R 12/R 13	R 12/R 13	R 14/R 13	●	●	●	●
○	R	○	R 5	R 8	R 12	R 12	R 14	●	●	●	●
○	R	○	R 2	R 11	R 11	R 13	R 13	R 28	R 28	●	●
○	R	○	R 2	R 11	R 11	R 13	R 13	R 28	R 28	●	●
ZEF 893	R	○	○	○	○	○	○	○	○	●	●
○	R	○	R 188	R 11	R 8	R 12	R 16	●	●	●	●
ZEF 894	R	○	R 188	R 192	R 192	R 193	R 193	●	●	●	●
ZEF 894	R	○	R 188	R 192	R 192	R 193	R 193	●	●	●	●
ZEF 894	R	○	R 188	R 192	R 192	R 193	R 193	●	●	●	●
ZEF 895	R	○	●	R 190	R 190	R 191	R 191	●	●	●	●
ZEF 895	R	○	●	R 190	R 190	R 191	R 191	●	●	●	●
○	R	○	R 18	R 11	R 13	R 13	R 28	R 28	R 28	●	●
○	R	○	R 18	R 11	R 13	R 13	R 28	R 28	R 28	●	●
○	R	○	R 18	R 11	R 13	R 13	R 28	R 28	R 28	●	●
ZEF 899	R	○	○	○	○	○	○	●	●	●	●
ZEF 1210	R	○	●	○	○	○	○	●	●	●	●
ZEF 899	R	○	○	○	○	○	○	●	●	●	●
ZEF 1210	R	○	●	○	○	○	○	●	●	●	●
ZEF 1210	R	○	●	○	○	○	○	●	●	●	●
ZEF 773	R	C 18	R 2	R 11	R 11	R 13	R 13	●	●	●	●



kw



## NISSAN

### PRAIRIE (M10, NM10)

1.8 SGL	1,8	65	07.83-12.85	CA18S	4
1.8 SGL	1,8	66	05.85-10.87	CA18S	4

### PRAIRIE PRO (M11)

2.4 i	2,4	98	04.92-07.94	KA24E	4
2.4 i, 4x4	2,4	98	04.92-07.94	KA24E	4

### PRIMERA (P10)

1.6	1,6	66	06.90-01.96	GA16DS	4
1.6	1,6	75	06.93-01.96	GA16DE	4
2.0 16V	2,0	85	06.90-01.96	SR20DI (SPI)	4
2.0 16V 4x4	2,0	85	04.91-06.96	SR20DI (SPI)	4
2.0 i	2,0	92	01.95-06.96	SR20DE	4
2.0 GT	2,0	110	06.90-01.96	SR20DE EGI Kat.	4

### PRIMERA (P11)

1.6 16V	1,6	66	09.96-12.01	GA16DE	4
1.6 16V	1,6	73	09.96-10.00	GA16DE	4
2.0 16V	2,0	85	09.96-12.01	SR20De	4
2.0 16V	2,0	96	09.96-12.01		4
2.0 16V	2,0	103	08.99-12.01	SR20DE	4
2.0 16V	2,0	110	09.96-12.01	SR20DE EGI Kat.	4

### PRIMERA Hatchback (P10)

1.6	1,6	66	06.90-01.96	GA16DS	4
1.6	1,6	75	06.93-01.96	GA16DE	4
2.0 16V, 4x4	2,0	85	06.90-01.96	SR20DI (SPI)	4
2.0 i	2,0	92	01.95-06.96		4

### PRIMERA Hatchback (P11)

1.6 16V	1,6	66	09.96-07.02	GA16DE	4
1.6 16V	1,6	73	09.96-07.02	GA16DE	4
2.0 16V	2,0	85	09.96-07.02	SR20DI (SPI)	4
2.0 16V	2,0	96	09.96-07.02	SR20DE (MPI)	4
2.0 16V	2,0	103	08.99-07.02	SR20DE	4
2.0 16V	2,0	110	09.96-07.02	SR20DE EGI Kat.	4

### PRIMERA Traveller (W10)

1.6 i	1,6	66	07.90-05.93	GA16DE/GA16DS	4
1.6 i	1,6	75	03.94-03.98	GA16DE	4
2.0 i	2,0	85	07.90-03.98	SR20DI (SPI)	4

### PRIMERA Traveller (WP11)

1.6 16V	1,6	66	04.98-12.01	GA16DE	4
1.6 16V	1,6	73	04.98-12.01	GA16DE	4
2.0 16V	2,0	85	04.98-12.01	SR20DI (SPI)	4
2.0 16V	2,0	103	08.99-12.01	SR20DE	4

### STANZA (T11)

1.6	1,6	60	08.81-12.85	CA16S	4
1.8 SGL	1,8	66	03.83-12.85	CA18S	4

### STANZA Hatchback (T11)

1.6	1,6	60	08.81-12.85	CA16S	4
1.8	1,8	65	08.81-12.85	CA18/CA18S	4
1.8	1,8	66	08.81-12.85	CA18S	4

### SUNNY (140Y, 150Y)

1.5	1,5	51	06.79-02.82	A15	4
-----	-----	----	-------------	-----	---

### SUNNY Traveller (140Y, 150Y)

1.5	1,5	51	06.79-02.82	A15	4
-----	-----	----	-------------	-----	---

### SUNNY II (N13)

1.3	1,3	44	07.86-10.91	E13S	4
1.6 i	1,6	54	06.86-10.90	E16i	4
1.6 i 12V	1,6	66	10.88-06.91	GA16i	4
1.6 GTI 16V	1,6	81	02.87-10.88	CA16D	4

### SUNNY II Coupe (B12)

1.6 i	1,6	54	06.86-05.89	E16i	4
1.6 i 12V	1,6	66	10.88-06.91	GA16i	4
1.6 GTI 16V	1,6	81	05.87-05.89	CA16D	4



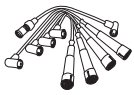
= DIN



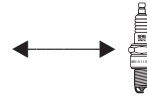
= M4



= SAE



Copper Cable  
Power Cable

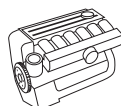


Zyl./Cyl./Cil.

				1	2	3	4	5	6	7	8
ZEF 773	R	C 18	R 2	R 11	R 11	R 13	R 13	●	●	●	●
ZEF 773	R	C 18	R 2	R 11	R 11	R 13	R 13	●	●	●	●
ZEF 899	R	○	○	○	○	○	○	●	●	●	●
ZEF 899	R	○	○	○	○	○	○	●	●	●	●
ZEF 890	R	○	R 34	R 191	R 191	R 190	R 189	●	●	●	●
ZEF 890	R	○	R 34	R 191	R 191	R 190	R 189	●	●	●	●
ZEF 896	R	○	○	○	○	○	○	●	●	●	●
ZEF 896	R	○	○	○	○	○	○	●	●	●	●
ZEF 896	R	○	○	○	○	○	○	●	●	●	●
ZEF 896	R	○	○	○	○	○	○	●	●	●	●
ZEF 1377	R	○	●	R 361	R 360	R 359	R 358	●	●	●	●
ZEF 1377	R	○	●	R 361	R 360	R 359	R 358	●	●	●	●
ZEF 891	R	○	●	R 331	R 331	R 330	R 329	●	●	●	●
ZEF 891	R	○	●	R 331	R 331	R 330	R 329	●	●	●	●
ZEF 891	R	○	●	R 331	R 331	R 330	R 329	●	●	●	●
ZEF 891	R	○	●	R 331	R 331	R 330	R 329	●	●	●	●
ZEF 890	R	○	R 34	R 189	R 190	R 191	R 191	●	●	●	●
ZEF 890	R	○	R 34	R 191	R 191	R 190	R 189	●	●	●	●
ZEF 896	R	○	○	○	○	○	○	●	●	●	●
ZEF 896	R	○	○	○	○	○	○	●	●	●	●
ZEF 1377	R	○	●	R 361	R 360	R 359	R 358	●	●	●	●
ZEF 1377	R	○	●	R 361	R 360	R 359	R 358	●	●	●	●
ZEF 891	R	○	●	R 331	R 331	R 330	R 329	●	●	●	●
ZEF 891	R	○	●	R 331	R 331	R 330	R 329	●	●	●	●
ZEF 891	R	○	●	R 331	R 331	R 330	R 329	●	●	●	●
ZEF 891	R	○	●	R 331	R 331	R 330	R 329	●	●	●	●
ZEF 890	R	○	R 188	R 189	R 190	R 191	R 191	●	●	●	●
ZEF 890	R	○	R 188	R 189	R 190	R 191	R 191	●	●	●	●
ZEF 896	R	○	○	○	○	○	○	●	●	●	●
ZEF 1377	R	○	●	R 361	R 360	R 359	R 358	●	●	●	●
ZEF 1377	R	○	●	R 361	R 360	R 359	R 358	●	●	●	●
ZEF 891	R	○	●	R 331	R 331	R 330	R 329	●	●	●	●
ZEF 891	R	○	●	R 331	R 331	R 330	R 329	●	●	●	●
ZEF 773	R	C 18	R 5	R 11	R 11	R 13	R 13	●	●	●	●
ZEF 773	R	C 18	R 5	R 11	R 11	R 13	R 13	●	●	●	●
ZEF 773	R	C 18	R 5	R 11	R 11	R 13	R 13	●	●	●	●
ZEF 773	R	C 18	R 5	R 11	R 11	R 13	R 13	●	●	●	●
ZEF 773	R	C 18	R 5	R 11	R 11	R 13	R 13	●	●	●	●
ZEF 898	R	○	○	○	○	○	○	●	●	●	●
ZEF 898	R	○	○	○	○	○	○	●	●	●	●
ZEF 894	R	○	R 188	R 192	R 192	R 193	R 193	●	●	●	●
ZEF 824	R	○	R 2	R 16	R 12	R 8	R 13	●	●	●	●
ZEF 1378	R	○	○	○	○	○	○	●	●	●	●
ZEF 1378	R	○	○	○	○	○	○	●	●	●	●
○	R	○	R 2	R 16	R 12	R 8	R 13	●	●	●	●
ZEF 1378	R	○	○	○	○	○	○	●	●	●	●
ZEF 1378	R	○	○	○	○	○	○	●	●	●	●



kw



<b>NISSAN</b>					
<b>SUNNY II Hatchback (N13)</b>					
1.6 i	1,6	54	06.86-10.90	E16i	4
1.6 i 12V	1,6	66	06.86-10.90	GA16i	4
1.6 GTI 16V	1,6	81	06.87-05.89	CA16D	4
<b>SUNNY II Traveller (B12)</b>					
1.6 i, 4x4	1,6	54	06.86-05.89	E16i	4
1.6 i 12V, 4x4	1,6	66	10.88-06.91	GA16i	4
<b>SUNNY III (N14)</b>					
1.4 i	1,4	55	10.90-09.92	GA14DE /GA14DS	4
1.4 i	1,4	55	10.92-05.95	GA14DE /GA14DS	4
1.6 i	1,6	66	10.90-05.95	GA16DE/GA16DEL/GA16DS	4
1.6 i 16V	1,6	75	10.92-05.95	GA16DE	4
<b>SUNNY III Hatchback (N14)</b>					
1.4 i	1,4	55	10.90-09.92	GA14DE /GA14DS	4
1.4 i	1,4	55	10.92-05.95	GA14DE /GA14DS	4
1.6 i	1,6	66	10.90-05.95	GA16DE/GA16DEL/GA16DS	4
1.6 i 16V, 4x4	1,6	75	10.92-05.95	GA16DE	4
2.0 GTI 16V	2,0	105	10.90-05.95	SR20DE	4
2.0 GTI-R 4x4	2,0	162	10.90-05.95	SR20DET	4
<b>SUNNY III Liftback (N14)</b>					
1.4 i	1,4	55	10.90-09.92	GA14DE /GA14DS	4
1.4 i	1,4	55	10.92-05.95	GA14DE /GA14DS	4
1.6 i	1,6	66	10.90-05.95	GA16DE/GA16DEL/GA16DS	4
1.6 i 16V	1,6	75	10.92-05.95	GA16DE	4
<b>SUNNY III Traveller (Y10)</b>					
1.6 i	1,6	66	06.91-09.92	GA16DE/GA16DS	4
1.6 i 16V 4x4	1,6	75	10.92-03.00	GA16DE	4
<b>TERRANO I (WD21)</b>					
3.0 i 4WD	3,0	109	01.90-12.95	VG30E	6
<b>TERRANO II (R20)</b>					
2.4 4WD	2,4	85	05.96-01.02	KA24E	4
2.4 4WD	2,4	87	05.96-	KA24E	4
2.4 i 12V 4WD	2,4	91	02.93-06.96	KA24E	4
<b>VANETTE (KC120)</b>					
1.5	1,5	51	01.83-12.87	A15	4
<b>OPEL</b>					
<b>ASCONA A</b>					
1.2 S	1,2	44	04.72-08.75	12 S	4
1.6 N	1,6	44	03.75-08.75	16 N	4
1.6 N	1,6	50	10.70-02.75	16 N	4
1.6 S	1,6	55	03.75-08.75	16 S	4
1.6 S	1,6	59	10.70-02.75	16 S	4
1.9 SR	1,9	65	03.75-08.75	19 S	4
1.9 SR	1,9	66	03.71-02.75	19 S	4
<b>ASCONA B</b>					
1.2	1,2	40	08.76-02.79	12 N	4
1.2 S	1,2	44	09.75-02.79	12 S	4
1.3 N	1,3	44	03.79-08.81	13 N	4
1.3 S	1,3	55	08.79-08.81	13 S	4
1.6 N	1,6	44	09.75-08.81	16 N	4
1.6 S	1,6	55	09.75-08.81	16 S	4
1.9 N	1,9	55	08.76-08.81	19 N	4
1.9 S	1,9	66	09.75-08.81	19 S	4
2.0 N	2,0	66	08.77-08.81	20 N	4
2.0 S	2,0	74	08.77-08.81	20 S	4
2.0 E	2,0	81	08.79-08.81	20 E	4
<b>ASCONA C</b>					
1.3 N	1,3	44	09.81-08.86	13 N → Mot.Nr. 879421 (DIN)	4
1.3 N	1,3	44	09.81-08.86	13 N Mot.Nr. 879422 → (SAE)	4
1.3 S	1,3	55	09.81-08.88	13 S → Mot.Nr. 885918 (DIN)	4
1.3 S	1,3	55	09.81-08.88	13 S Mot.Nr. 885919 → (SAE)	4



= DIN



= M4



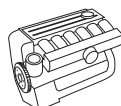
= SAE







kw



<b>OPEL</b>					
<b>ASCONA C</b>					
1.6	1,6	55	09.81-09.87	16 N	4
1.6 i	1,6	55	09.87-08.88	E 16 NZ	4
1.6 i KAT	1,6	55	09.86-08.88	C 16 LZ/C 16 NZ	4
1.6	1,6	60	09.86-08.88	16 SV	4
1.6 S	1,6	66	09.81-08.86	16 SH	4
1.8	1,8	62	09.87-08.88	E 18 NV	4
1.8 E	1,8	74	01.85-08.86	C 18 NE/S 18 NV	4
1.8 i	1,8	85	09.82-08.86	18 E	4
2.0 i	2,0	74	08.87-08.88	C 20 NEF	4
2.0 i	2,0	85	09.86-08.88	20 NE	4
2.0 i KAT	2,0	85	09.86-08.88	C 20 NE	4
2.0 i GT	2,0	95	03.87-08.88	20 SEH	4
<b>ASTRA F, Cabriolet, Caravan</b>					
1.4 i	1,4	44	09.91-07.95	C 14 NZ → Mot.Nr.19241623.	4
1.4 i	1,4	44	08.95-09.98	C 14 NZ Mot.Nr.19241624 →.	4
1.4 Si	1,4	60	03.92-07.95	C 14 SE → Mot.Nr. 02T14052	4
1.4 Si	1,4	60	03.92-07.95	C 14 SE Mot.Nr. 02T14053 → Mot.Nr 02V57974	4
1.4 Si	1,4	60	03.92-07.95	C 14 SE Mot.Nr. Mot.Nr 02V57975 → 02BD0921	4
1.4 Si	1,4	60	08.95-09.98	C 14 SE Mot.Nr. 02BD0922 →	4
1.4 i 16V	1,4	66	01.96-03.01	X 14 XE	4
1.6 i	1,6	52	05.93-07.95	X 16 SZ → Mot.Nr. 02BE6166	4
1.6 i	1,6	52	08.95-07.96	X 16 SZ Mot.Nr. 02BE6167 →	4
1.6 i	1,6	55	09.91-08.94	C 16 NZ → Mot.Nr. 02V65825	4
1.6 i	1,6	55	03.92-08.94	C 16 NZ Mot.Nr. 02V65826 → 02BE6166	4
1.6 i	1,6	55	03.92-08.94	C 16 NZ Mot.Nr. 02BE6167 →	4
1.6 i	1,6	55	08.96-09.98	X 16 SZR	4
1.6 Si	1,6	74	05.92-12.94	C 16 SE Mot.Nr. 02V65826 →	4
1.6 i 16V	1,6	74	08.94-09.98	X 16 XEL	4
1.8 i	1,8	66	09.91-07.95	C 18 NZ → Mot.Nr. 14349311	4
1.8 i	1,8	66	08.95-09.98	C 18 NZ Mot.Nr. 14349312 →	4
1.8 i 16V	1,8	85	11.94-02.96	C 18 XEL/X 18 XE	4
1.8 i 16V	1,8	92	06.93-02.96	C 18 XE	4
2.0 i	2,0	85	03.92-07.95	C 20 NE → Mot.Nr. 14672353	4
2.0 i	2,0	85	08.95-09.98	C 20 NE Mot.Nr. 146723354 → Ch. R2-8/ 999999	4
2.0 i	2,0	85	08.95-09.98	C 20 NE Mot.Nr. Ch. S2-8/000001 →	4
2.0 i 16V	2,0	100	02.94-09.98	X 20 XEV	4
2.0 i 16V	2,0	110	03.93-01.98	C 20 XE → Mot.Nr. 14002934	4
2.0 i 16V	2,0	110	03.93-01.98	C 20 XE Mot.Nr. 14002935 →	4
<b>ASTRA F CLASSIC, Caravan</b>					
1.6 i	1,6	55	01.98-01.05	X 16 SZR	4
1.6 i 16V	1,6	74	01.98-01.05	X 16 XEL	4
<b>ASTRA F, Cabriolet</b>					
2.0 GSI 16V	2,0	110	09.91-01.98	C 20 XE → Mot.Nr. 14002934	4
2.0 GSI 16V	2,0	110	09.91-01.98	C 20 XE Mot.Nr. 14002935 →	4
<b>ASTRA G, Caravan</b>					
1.4 16V	1,4	66	02.98-	X 14 XE	4
1.6	1,6	55	02.98-09.00	X 16 SZR	4
1.6	1,6	62	09.00-	Z 16 SE	4
2.0 16V	2,0	100	02.98-	X 20 XEV	4
<b>CALIBRA A</b>					
2.0 i, 4x4	2,0	85	06.90-07.94	C 20 NE → Mot.Nr. 14672352	4
2.0 i, 4x4	2,0	85	08.94-07.95	C 20 NE Mot.Nr.14672353 - Ch. RR1/R9	4
2.0 i, 4x4	2,0	85	08.95-07.97	C 20 NE Mot.Nr. Ch. S1/S9 →	4
2.0 i 16V, 4x4	2,0	100	02.94-07.97	X 20 XEV	4
2.0 i 16V, 4x4	2,0	110	06.90-04.92	C 20 XE	4
2.0 i 16V, 4x4	2,0	110	06.90-02.94	C 20 XE	4
2.0 i 16V, 4x4	2,0	110	06.90-02.94	C 20 XE	4
2.0 i Turbo 4x4	2,0	150	03.92-07.97	C 20 LET	4



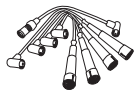
= DIN



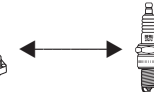
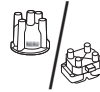
= M4



= SAE



Copper Cable  
Power Cable

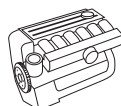


Zyl./Cyl./Cil.

			1	2	3	4	5	6	7	8	
ZEF 572	R	○	R 17	R 6	R 6	R 3	R 1	●	●	●	●
ZEF 578	R	○	R 113 (S)	R 85 (S)	R 84 (S)	R 84 (S)	R 112 (S)	●	●	●	●
ZEF 578	R	○	R 113 (S)	R 85 (S)	R 84 (S)	R 84 (S)	R 112 (S)	●	●	●	●
ZEF 578	R	○	R 113 (S)	R 85 (S)	R 84 (S)	R 84 (S)	R 112 (S)	●	●	●	●
ZEF 572	R	○	R 17	R 6	R 6	R 1	R 3	●	●	●	●
ZEF 576	R	○	R 15	R 82 (S)	R 82 (S)	R 81 (S)	R 4	●	●	●	●
ZEF 575	R	C 28	R 17	R 82 (S)	R 80 (S)	R 81 (S)	R 3	●	●	●	●
ZEF 575	R	C 28	R 17	R 82 (S)	R 80 (S)	R 81 (S)	R 3	●	●	●	●
ZEF 576	R	○	R 15	R 82 (S)	R 82 (S)	R 81 (S)	R 4	●	●	●	●
ZEF 576	R	○	R 15	R 82 (S)	R 82 (S)	R 81 (S)	R 4	●	●	●	●
ZEF 576	R	○	R 15	R 82 (S)	R 82 (S)	R 81 (S)	R 4	●	●	●	●
ZEF 576	R	○	R 15	R 82 (S)	R 82 (S)	R 81 (S)	R 4	●	●	●	●
ZEF 1118	R	○	R 95 (S)	R 169 (S)	R 168 (S)	R 166 (S)	R 165 (S)	●	●	●	●
ZEF 995	R	○	R 95 (S)	R 154 (S)	R 154 (S)	R 153 (S)	R 152 (S)	●	●	●	●
ZEF 1118	R	○	R 95 (S)	R 169 (S)	R 168 (S)	R 166 (S)	R 165 (S)	●	●	●	●
ZEF 994	R	○	●	R 166 (S)	R 165 (S)	R 164 (S)	R 163 (S)	●	●	●	●
ZEF 994	R	○	●	R 166 (S)	R 165 (S)	R 164 (S)	R 163 (S)	●	●	●	●
ZEF 725	R	○	●	R 153 (S)	R 153 (S)	R 152 (S)	R 151 (S)	●	●	●	●
ZEF 1160	R	○	●	R 222 (S)	R 221 (S)	R 221 (S)	R 220 (S)	●	●	●	●
ZEF 994	R	○	●	R 166 (S)	R 165 (S)	R 164 (S)	R 163 (S)	●	●	●	●
ZEF 725	R	○	●	R 153 (S)	R 153 (S)	R 152 (S)	R 151 (S)	●	●	●	●
ZEF 581	R	○	R 112 (S)	R 123 (S)	R 85 (S)	R 84 (S)	R 112 (S)	●	●	●	●
ZEF 992	R	○	R 113 (S)	R 212 (S)	R 212 (S)	R 211 (S)	R 211 (S)	●	●	●	●
ZEF 724	R	○	R 112 (S)	R 158 (S)	R 157 (S)	R 156 (S)	R 155 (S)	●	●	●	●
ZEF 725	R	○	●	R 153 (S)	R 153 (S)	R 152 (S)	R 151 (S)	●	●	●	●
ZEF 994	R	○	●	R 166 (S)	R 165 (S)	R 164 (S)	R 163 (S)	●	●	●	●
ZEF 1159	R	○	●	R 222 (S)	R 222 (S)	R 221 (S)	R 220 (S)	●	●	●	●
ZEF 665	R	C 27	R 95 (S)	R 90 (S)	R 90 (S)	R 88 (S)	R 88 (S)	●	●	●	●
ZEF 1120	R	○	R 95 (S)	R 162 (S)	R 167 (S)	R 161 (S)	R 165 (S)	●	●	●	●
ZEF 672	R	○	●	R 216 (S)	R 215 (S)	R 214 (S)	R 214 (S)	●	●	●	●
ZEF 672	R	○	●	R 216 (S)	R 215 (S)	R 214 (S)	R 214 (S)	●	●	●	●
ZEF 665	R	C 27	R 95 (S)	R 90 (S)	R 90 (S)	R 88 (S)	R 88 (S)	●	●	●	●
ZEF 1120	R	○	R 95 (S)	R 162 (S)	R 167 (S)	R 161 (S)	R 165 (S)	●	●	●	●
ZEF 998	R	○	R 95 (S)	R 154 (S)	R 160 (S)	R 152 (S)	R 159 (S)	●	●	●	●
ZEF 672	R	○	●	R 216 (S)	R 215 (S)	R 214 (S)	R 214 (S)	●	●	●	●
ZEF 568	R	○	OP 103 A	OP 101 D	OP 101 C	OP 101 B	OP 101 A	●	●	●	●
ZEF 1157	R	○	●	OP 101 D	OP 101 C	OP 101 C	OP 101 B	●	●	●	●
ZEF 725	R	○	●	R 153 (S)	R 153 (S)	R 152 (S)	R 151 (S)	●	●	●	●
ZEF 1160	R	○	●	R 222 (S)	R 221 (S)	R 221 (S)	R 220 (S)	●	●	●	●
ZEF 568	R	○	OP 103 A	OP 101 D	OP 101 C	OP 101 B	OP 101 A	●	●	●	●
ZEF 1157	R	○	●	OP 101 D	OP 101 C	OP 101 C	OP 101 B	●	●	●	●
ZEF 1160	R	○	●	R 222 (S)	R 221 (S)	R 221 (S)	R 220 (S)	●	●	●	●
ZEF 1161	R	○	●	R 153 (S)	R 153 (S)	R 152 (S)	R 151 (S)	●	●	●	●
ZEF 725	R	○	●	R 153 (S)	R 153 (S)	R 152 (S)	R 151 (S)	●	●	●	●
ZEF 1153	R	○	●	R 216 (S)	R 214 (S)	R 214 (S)	R 214 (S)	●	●	●	●
ZEF 580	R	C 27	R 94 (S)	R 87 (S)	R 87 (S)	R 86 (S)	R 96 (S)	●	●	●	●
ZEF 993	R	○	R 94 (S)	R 168 (S)	R 162 (S)	R 161 (S)	R 165 (S)	●	●	●	●
ZEF 997	R	○	R 94 (S)	R 154 (S)	R 160 (S)	R 152 (S)	R 159 (S)	●	●	●	●
ZEF 672	R	○	●	R 216 (S)	R 215 (S)	R 214 (S)	R 214 (S)	●	●	●	●
ZEF 568	R	○	OP 103 A	OP 101 D	OP 101 C	OP 101 B	OP 101 A	●	●	●	●
ZEF 1158	R	○	OP 102 A	OP 100 D	OP 100 C	OP 100 B	OP 100 A	●	●	●	●
ZEF 672	R	○	●	R 216 (S)	R 215 (S)	R 214 (S)	R 214 (S)	●	●	●	●
ZEF 568	R	○	OP 103 A	OP 101 D	OP 101 C	OP 101 B	OP 101 A	●	●	●	●



kw



<b>OPEL</b>					
<b>CALIBRA A</b>					
2.5 i V6	2,5	125	04.93-07.97	C 25 XE/X 25 XE	6
<b>CAMPO</b>					
2.3, 4x4	2,3	69	08.91-08.94	4 ZD1	4
2.3, 4x4	2,3	72	08.94-09.96	23 P	4
<b>COMBO</b>					
1.2	1,2	33	07.94-10.01	C 12 NZ	4
1.2	1,2	33	07.94-10.01	X 12 SZ → Mot.Nr. 02BD0921	4
1.2	1,2	33	07.94-10.01	X 12 SZ Mot.Nr. 02BD0922 →	4
1.4	1,4	44	07.94-10.01	C 14 NZ	4
1.4	1,4	44	07.94-10.01	X 14 SZ	4
1.4	1,4	60	07.94-10.01	C 14 SE → Mot.Nr. 02T14052	4
1.4	1,4	60	07.94-10.01	C 14 SE Mot.Nr. 02T14053 →	4
<b>COMMODORE B, Coupe</b>					
2.5	2,5	85	01.72-07.78	25 S	6
2.5 GS	2,5	96	01.72-08.75	25 H	6
2.8 GS	2,8	103	03.75-07.78	28 HC	6
2.8 GS	2,8	104	01.72-07.78	28 HC	6
2.8 GS/E	2,8	114	03.75-07.78	28 HC	6
2.8 GS/E	2,8	118	07.72-02.75	28 E/28 EC	6
<b>COMMODORE C, Caravan</b>					
2.5 S	2,5	85	08.78-12.82	25 S	6
2.5 E	2,5	96	05.81-12.82	25 E	6
<b>CORSA A</b>					
1.0	1,0	33	09.82-03.93	10 S	4
1.2	1,2	33	01.85-10.87	12 NC, E 12 GV	4
1.2	1,2	33	03.87-10.89	E 12 GV	4
1.2 i	1,2	33	09.89-03.93	C 12 NZ	4
1.2 N	1,2	38	01.90-03.93	12 NV	4
1.2, S	1,2	40	09.82-03.93	12 ST	4
1.3	1,3	44	09.85-10.89	13 NB	4
1.3 i	1,3	44	09.86-09.90	C 13 N	4
1.3, S	1,3	51	09.82-10.89	13 SB	4
1.4 i	1,4	44	01.90-03.93	C 14 NZ	4
1.4 S	1,4	53	01.90-03.93	14 NV	4
1.4 Si	1,4	60	09.91-03.93	C 14 SE → Mot.Nr. 02T14052	4
1.4 Si	1,4	60	09.91-03.93	C 14 SE Mot.Nr. 02T14053 →	4
1.6 GSI	1,6	72	09.89-03.93	C 16 SEI	4
1.6 GSI	1,6	74	05.88-03.92	E 16 SE Mot.Nr. →K4000000	4
1.6 GSI	1,6	74	05.88-03.92	E 16 SE Mot.Nr. K4000000 - 02E88109	4
1.6 GSI	1,6	74	05.88-03.92	E 16 SE Mot.Nr. 02E88110 →	4
1.6 GSI KAT	1,6	74	02.92-03.93	C 16 SE	4
<b>CORSA B</b>					
1.2 i	1,2	33	03.93-07.95	C 12 NZ	4
1.2 i	1,2	33	08.95-09.00	C 12 NZ	4
1.2 i	1,2	33	03.93-07.95	X 12 SZ	4
1.2 i	1,2	33	08.95-09.00	X 12 SZ	4
1.4 i	1,4	44	03.93-07.95	C 14 NZ	4
1.4 i	1,4	44	08.95-09.00	C 14 NZ	4
1.4 i	1,4	44	03.93-09.00	X 14 SZ	4
1.4 Si	1,4	60	03.93-07.95	C 14 SE	4
1.4 Si	1,4	60	08.95-09.00	C 14 SE	4
1.4 i 16V	1,4	63	08.97-09.00	C 14 SEL	4
1.4 i 16V	1,4	66	09.94-09.00	X 14 XE	4
1.6 i 16V	1,6	74	08.97-09.00	C 16 SEL	4
1.6 i 16V	1,6	78	09.94-09.00	X 16 XE	4
1.6 GSI 16V	1,6	80	03.93-09.00	C 16 XE → Mot.Nr. 20C71331	4
1.6 GSI 16V	1,6	80	03.93-09.00	C 16 XE Mot.Nr. 20C71332 →	4
<b>DIPLOMAT B</b>					
2.8 E	2,8	121	03.69-02.75	28 E	6
<b>FRONTERA A</b>					
2.2 i	2,2	100	03.95-10.98	X 22 XE	4



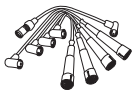
= DIN



= M4



= SAE



Copper Cable  
Power Cable

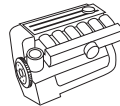


Zyl./Cyl./Cil.

				1	2	3	4	5	6	7	8
ZEF 1154	R	○	●	R 217 (S)	R 217 (S)	R 217 (S)	R 216 (S)	R 216 (S)	R 215 (S)	●	●
ZEF 1133	R	○	○	○	○	○	○	●	●	●	●
ZEF 1134	R	○	○	○	○	○	○	●	●	●	●
ZEF 726	R	○	R 94 (S)	R 169 (S)	R 169 (S)	R 167 (S)	R 166 (S)	●	●	●	●
ZEF 994	R	○	●	R 166 (S)	R 165 (S)	R 164 (S)	R 163 (S)	●	●	●	●
ZEF 725	R	○	●	R 153 (S)	R 153 (S)	R 152 (S)	R 151 (S)	●	●	●	●
ZEF 726	R	○	R 94 (S)	R 169 (S)	R 169 (S)	R 167 (S)	R 166 (S)	●	●	●	●
ZEF 725	R	○	●	R 153 (S)	R 153 (S)	R 152 (S)	R 151 (S)	●	●	●	●
ZEF 726	R	○	R 94 (S)	R 169 (S)	R 169 (S)	R 167 (S)	R 166 (S)	●	●	●	●
ZEF 994	R	○	●	R 166 (S)	R 165 (S)	R 164 (S)	R 163 (S)	●	●	●	●
ZEF 627	R	○	R 5	R 29	R 6	R 6	R 1	R 4	R 7	●	●
ZEF 627	R	○	R 5	R 29	R 6	R 6	R 1	R 4	R 7	●	●
ZEF 627	R	○	R 5	R 29	R 6	R 6	R 1	R 4	R 7	●	●
ZEF 627	R	○	R 5	R 29	R 6	R 6	R 1	R 4	R 7	●	●
ZEF 627	R	○	R 5	R 29	R 6	R 6	R 1	R 4	R 7	●	●
ZEF 627	R	○	R 5	R 29	R 6	R 6	R 1	R 4	R 7	●	●
ZEF 627	R	○	R 5	R 29	R 6	R 6	R 1	R 4	R 7	●	●
ZEF 627	R	○	R 5	R 29	R 6	R 6	R 1	R 4	R 7	●	●
ZEF 570	R	C 13	R 43	R 6	R 6	R 1	R 1	●	●	●	●
ZEF 570	R	C 13	R 43	R 6	R 6	R 1	R 1	●	●	●	●
ZEF 1118	R	○	R 95 (S)	R 169 (S)	R 168 (S)	R 166 (S)	R 165 (S)	●	●	●	●
ZEF 726	R	○	R 94 (S)	R 169 (S)	R 169 (S)	R 167 (S)	R 166 (S)	●	●	●	●
ZEF 573	R	○	R 115 (S)	R 114 (S)	R 113 (S)	R 113 (S)	R 111 (S)	●	●	●	●
ZEF 573	R	○	R 115 (S)	R 114 (S)	R 113 (S)	R 113 (S)	R 111 (S)	●	●	●	●
ZEF 573	R	○	R 115 (S)	R 114 (S)	R 113 (S)	R 113 (S)	R 111 (S)	●	●	●	●
ZEF 573	R	○	R 115 (S)	R 114 (S)	R 113 (S)	R 113 (S)	R 111 (S)	●	●	●	●
ZEF 573	R	○	R 115 (S)	R 114 (S)	R 113 (S)	R 113 (S)	R 111 (S)	●	●	●	●
ZEF 726	R	○	R 94 (S)	R 169 (S)	R 169 (S)	R 167 (S)	R 166 (S)	●	●	●	●
ZEF 726	R	○	R 94 (S)	R 169 (S)	R 169 (S)	R 167 (S)	R 166 (S)	●	●	●	●
ZEF 726	R	○	R 94 (S)	R 169 (S)	R 169 (S)	R 167 (S)	R 166 (S)	●	●	●	●
ZEF 994	R	○	●	R 166 (S)	R 165 (S)	R 164 (S)	R 163 (S)	●	●	●	●
ZEF 1090	R	○	R 94 (S)	R 80 (S)	R 80 (S)	R 80 (S)	R 81 (S)	●	●	●	●
○	R	○	R 19	R 82 (S)	R 80 (S)	R 81 (S)	R 81 (S)	●	●	●	●
ZEF 1090	R	○	R 94 (S)	R 80 (S)	R 80 (S)	R 80 (S)	R 81 (S)	●	●	●	●
○	R	○	R 94 (S)	R 90 (S)	R 90 (S)	R 166 (S)	R 88 (S)	●	●	●	●
ZEF 1119	R	○	R 94 (S)	R 166 (S)	R 165 (S)	R 164 (S)	R 163 (S)	●	●	●	●
ZEF 726	R	○	R 94 (S)	R 169 (S)	R 169 (S)	R 167 (S)	R 166 (S)	●	●	●	●
ZEF 727	R	○	R 94 (S)	R 154 (S)	R 154 (S)	R 153 (S)	R 152 (S)	●	●	●	●
ZEF 994	R	○	●	R 166 (S)	R 165 (S)	R 164 (S)	R 163 (S)	●	●	●	●
ZEF 725	R	○	●	R 153 (S)	R 153 (S)	R 152 (S)	R 151 (S)	●	●	●	●
ZEF 726	R	○	R 94 (S)	R 169 (S)	R 169 (S)	R 167 (S)	R 166 (S)	●	●	●	●
ZEF 727	R	○	R 94 (S)	R 154 (S)	R 154 (S)	R 153 (S)	R 152 (S)	●	●	●	●
ZEF 725	R	○	●	R 153 (S)	R 153 (S)	R 152 (S)	R 151 (S)	●	●	●	●
ZEF 994	R	○	●	R 166 (S)	R 165 (S)	R 164 (S)	R 163 (S)	●	●	●	●
ZEF 725	R	○	●	R 153 (S)	R 153 (S)	R 152 (S)	R 151 (S)	●	●	●	●
ZEF 1160	R	○	●	R 222 (S)	R 221 (S)	R 221 (S)	R 220 (S)	●	●	●	●
ZEF 1160	R	○	●	R 222 (S)	R 221 (S)	R 221 (S)	R 220 (S)	●	●	●	●
ZEF 1160	R	○	●	R 222 (S)	R 221 (S)	R 221 (S)	R 220 (S)	●	●	●	●
ZEF 1160	R	○	●	R 222 (S)	R 221 (S)	R 221 (S)	R 220 (S)	●	●	●	●
ZEF 1160	R	○	●	R 222 (S)	R 221 (S)	R 221 (S)	R 220 (S)	●	●	●	●
ZEF 568	R	○	OP 103 A	OP 101 D	OP 101 C	OP 101 B	OP 101 A	●	●	●	●
ZEF 627	R	○	R 5	R 29	R 6	R 6	R 1	R 4	R 7	●	●
ZEF 1155	R	○	●	R 218 (S)	R 218 (S)	R 216 (S)	R 215 (S)	●	●	●	●



kW



<b>OPEL</b>					
<b>FRONTERA A</b>					
2.4 i	2,4	92	03.92-10.98	C 24 NE	4
<b>FRONTERA A Sport</b>					
2.0 i	2,0	85	03.92-07.95	C 20 NE	4
2.0 i	2,0	85	08.95-10.98	C 20 NE	4
2.0 i	2,0	85	03.92-10.98	X 20 SE	4
<b>FRONTERA B</b>					
2.2 i	2,2	100	10.98-	X 22 SE/Y 22 SE	4
<b>KADETT A, Coupe, Caravan</b>					
1.0	1,0	29	09.62-08.65	10 N	4
1.0 S	1,0	35	09.62-08.65	10 S	4
<b>KADETT B, Coupe, Caravan</b>					
1.1	1,1	33	09.65-07.71	11 N	4
1.1	1,1	37	08.71-08.73	11 N	4
1.1	1,1	40	09.65-07.71	11 S	4
1.1, SR	1,1	44	11.66-07.71	11 SR	4
1.2, S	1,2	44	08.71-08.73	12 S	4
1.9	1,9	66	08.67-08.73	19 S	4
<b>KADETT C City</b>					
1.0	1,0	29	05.75-07.79	10 N	4
1.2	1,2	38	05.75-04.77	12 N	4
1.2	1,2	40	07.76-07.79	12 N	4
1.2 S	1,2	44	08.73-07.79	12 S	4
1.6 S	1,6	55	05.77-07.79	16 S	4
<b>KADETT C, Coupe, Caravan</b>					
1.0	1,0	29	01.74-07.79	10 N	4
1.2	1,2	38	08.73-04.77	12 N	4
1.2	1,2	40	08.73-07.79	12 N	4
1.2 S	1,2	44	08.73-07.79	12 S	4
1.6 S	1,6	55	05.77-07.79	16 S	4
1.9 GT/E	1,9	77	09.75-07.77	19 E	4
2.0 E Rallye	2,0	81	08.77-07.79	20 E	4
2.0 GT/E	2,0	85	08.77-07.79	20 EH	4
<b>KADETT D, Caravan</b>					
1.2	1,2	39	08.79-07.82	12 N	4
1.2	1,2	40	08.82-08.84	12 ST	4
1.2 S	1,2	44	08.79-08.84	12 S	4
1.3 N	1,3	44	08.79-08.84	13 N → Mot.Nr. 879421	4
1.3 N	1,3	44	08.79-08.84	13 N Mot.Nr. 879422	4
1.3 S	1,3	55	08.79-08.84	13 S → Mot.Nr. 885918	4
1.3 S	1,3	55	08.79-08.84	13 S Mot.Nr. 885919 →	4
1.6 S	1,6	66	09.81-08.84	16 SH	4
1.8 GT/E	1,8	85	02.83-08.84	18 E	4
<b>KADETT E, Cabriolet, Caravan</b>					
1.2	1,2	40	09.84-07.86	12 SC	4
1.3 N	1,3	44	09.84-08.91	13 N/13 NB	4
1.3 i KAT	1,3	44	09.85-08.91	C 13 N	4
1.3 S	1,3	55	09.84-02.93	13 S	4
1.4 i	1,4	44	01.90-08.91	C 14 NZ	4
1.4 S	1,4	55	01.90-08.91	14 NV	4
1.6 i	1,6	55	09.86-02.93	E 16 NZ → Mot.Nr. 02V65825	4
1.6 i	1,6	55	09.86-02.93	E 16 NZ Mot.Nr. 02V65826 →	4
1.6 i KAT	1,6	55	09.86-02.93	C 16 LZ/C 16 NZ → Mot.Nr. 02V65825	4
1.6 i KAT	1,6	55	09.86-02.93	C 16 LZ/C 16 NZ Mot.Nr. 02V65826 →	4
1.6 S	1,6	60	09.86-02.93	16 SV → Mot.Nr. 02E85672	4
1.6 S	1,6	60	09.86-02.93	16 SV Mot.Nr. 02E85673 →	4
1.6 S	1,6	66	09.84-08.86	16 SH	4
1.8 S	1,8	62	09.87-08.91	E 18 NV (DIN)	4
1.8 S	1,8	62	09.87-08.91	E 18 NV (DIN/M4)	4
1.8 S	1,8	62	09.87-08.91	E 18 NV (SAE)	4
1.8 S	1,8	62	09.87-08.91	E 18 NV (M4)	4
1.8 i	1,8	66	06.85-08.91	C 18 NT	4



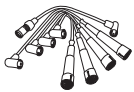
= DIN



= M4



= SAE



Copper Cable  
Power Cable

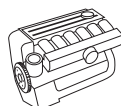


Zyl./Cyl./Cil.

			1	2	3	4	5	6	7	8	
ZEF 1382	R	○	R 94 (S)	R 96 (S)	R 97 (S)	R 99 (S)	R 100 (S)	●	●	●	●
ZEF 584	R	○	R 93 (S)	R 87 (S)	R 87 (S)	R 86 (S)	R 96 (S)	●	●	●	●
ZEF 1121	R	○	R 93 (S)	R 162 (S)	R 167 (S)	R 161 (S)	R 165 (S)	●	●	●	●
ZEF 1162	R	○	○	○	○	○	○	●	●	●	●
ZEF 1155	R	○	●	R 218 (S)	R 218 (S)	R 216 (S)	R 215 (S)	●	●	●	●
ZEF 769	R	C 18	R 5	R 28	R 13	R 13	R 11	●	●	●	●
ZEF 769	R	C 18	R 5	R 28	R 13	R 13	R 11	●	●	●	●
ZEF 769	R	C 18	R 5	R 28	R 13	R 13	R 11	●	●	●	●
ZEF 769	R	C 18	R 5	R 28	R 13	R 13	R 11	●	●	●	●
ZEF 769	R	C 18	R 5	R 28	R 13	R 13	R 11	●	●	●	●
ZEF 769	R	C 18	R 5	R 28	R 13	R 13	R 11	●	●	●	●
○	R	○	R 24	R 1	R 1	R 6	R 6	●	●	●	●
○	R	○	R 24	R 1	R 1	R 6	R 6	●	●	●	●
○	R	○	R 24	R 1	R 1	R 6	R 6	●	●	●	●
○	R	○	R 24	R 1	R 1	R 6	R 6	●	●	●	●
ZEF 571	R	C 7	R 19	R 6	R 1	R 3	R 4	●	●	●	●
○	R	○	R 24	R 1	R 1	R 6	R 6	●	●	●	●
○	R	○	R 24	R 1	R 1	R 6	R 6	●	●	●	●
○	R	○	R 24	R 1	R 1	R 6	R 6	●	●	●	●
ZEF 571	R	C 7	R 19	R 6	R 1	R 3	R 4	●	●	●	●
ZEF 571	R	C 7	R 19	R 6	R 1	R 3	R 4	●	●	●	●
ZEF 571	R	C 7	R 19	R 6	R 1	R 3	R 4	●	●	●	●
ZEF 571	R	C 7	R 19	R 6	R 1	R 3	R 4	●	●	●	●
ZEF 570	R	C 13	R 43	R 6	R 6	R 1	R 1	●	●	●	●
ZEF 578	R	○	R 113 (S)	R 85 (S)	R 84 (S)	R 84 (S)	R 112 (S)	●	●	●	●
ZEF 570	R	C 13	R 43	R 6	R 6	R 1	R 1	●	●	●	●
ZEF 571	R	C 7	R 19	R 6	R 1	R 3	R 4	●	●	●	●
ZEF 578	R	○	R 113 (S)	R 85 (S)	R 84 (S)	R 84 (S)	R 112 (S)	●	●	●	●
ZEF 571	R	C 7	R 19	R 6	R 1	R 3	R 4	●	●	●	●
ZEF 578	R	○	R 113 (S)	R 85 (S)	R 84 (S)	R 84 (S)	R 112 (S)	●	●	●	●
ZEF 572	R	○	R 17	R 6	R 6	R 1	R 3	●	●	●	●
ZEF 575	R	C 28	R 17	R 82 (S)	R 80 (S)	R 81 (S)	R 3	●	●	●	●
ZEF 570	R	C 13	R 43	R 6	R 6	R 1	R 1	●	●	●	●
ZEF 574	R	○	R 112 (S)	R 115 (S)	R 114 (S)	R 113 (S)	R 113 (S)	●	●	●	●
ZEF 574	R	○	R 112 (S)	R 115 (S)	R 114 (S)	R 113 (S)	R 113 (S)	●	●	●	●
ZEF 574	R	○	R 112 (S)	R 115 (S)	R 114 (S)	R 113 (S)	R 113 (S)	●	●	●	●
ZEF 1118	R	○	R 95 (S)	R 169 (S)	R 168 (S)	R 166 (S)	R 165 (S)	●	●	●	●
ZEF 1118	R	○	R 95 (S)	R 169 (S)	R 168 (S)	R 166 (S)	R 165 (S)	●	●	●	●
ZEF 578	R	○	R 113 (S)	R 85 (S)	R 84 (S)	R 84 (S)	R 112 (S)	●	●	●	●
ZEF 992	R	○	R 113 (S)	R 212 (S)	R 212 (S)	R 211 (S)	R 211 (S)	●	●	●	●
ZEF 578	R	○	R 113 (S)	R 85 (S)	R 84 (S)	R 84 (S)	R 112 (S)	●	●	●	●
ZEF 992	R	○	R 113 (S)	R 212 (S)	R 212 (S)	R 211 (S)	R 211 (S)	●	●	●	●
ZEF 578	R	○	R 113 (S)	R 85 (S)	R 84 (S)	R 84 (S)	R 112 (S)	●	●	●	●
ZEF 1118	R	○	R 95 (S)	R 169 (S)	R 168 (S)	R 166 (S)	R 165 (S)	●	●	●	●
ZEF 572	R	○	R 17	R 6	R 6	R 1	R 3	●	●	●	●
ZEF 576	R	○	R 15	R 82 (S)	R 82 (S)	R 81 (S)	R 4	●	●	●	●
ZEF 582	R	○	R 109 (S)	R 82 (S)	R 82 (S)	R 81 (S)	R 81 (S)	●	●	●	●
ZEF 665	R	C 27	R 95 (S)	R 90 (S)	R 90 (S)	R 88 (S)	R 88 (S)	●	●	●	●
ZEF 1120	R	○	R 95 (S)	R 162 (S)	R 167 (S)	R 161 (S)	R 165 (S)	●	●	●	●
ZEF 575	R	C 28	R 17	R 82 (S)	R 80 (S)	R 81 (S)	R 3	●	●	●	●



kw



<b>OPEL</b>					
<b>KADETT E, Cabriolet, Caravan</b>					
1.8 i	1,8	66	06.85-08.91	C 18 NZ → Mot.Nr. 14349310	4
1.8 i	1,8	66	06.85-08.91	C 18 NZ Mot.Nr. 14349311 →	4
1.8 i	1,8	74	10.85-08.86	C 18 NE	4
1.8 i	1,8	85	09.84-08.86	18 E	4
2.0 i	2,0	85	10.86-02.93	20 NE (DIN)	4
2.0 i	2,0	85	10.86-02.93	20 NE (DIN/M4)	4
2.0 i	2,0	85	10.86-02.93	20 NE (SAE)	4
2.0 i	2,0	85	10.86-02.93	20 NE (M4)	4
2.0 i KAT	2,0	85	10.86-02.93	C 20 NE (DIN)	4
2.0 i KAT	2,0	85	10.86-02.93	C 20 NE (DIN/M4)	4
2.0 i KAT	2,0	85	10.86-02.93	C 20 NE (SAE)	4
2.0 i KAT	2,0	85	10.86-02.93	C 20 NE (M4)	4
<b>KADETT E, Cabriolet GSI</b>					
1.8 GSI	1,8	85	09.84-08.86	18 E	4
2.0 GSI	2,0	85	10.86-02.93	20 NE (DIN)	4
2.0 GSI	2,0	85	10.86-02.93	20 NE (DIN/M4)	4
2.0 GSI	2,0	85	10.86-02.93	20 NE (SAE)	4
2.0 GSI	2,0	85	10.86-02.93	20 NE (M4)	4
2.0 GSI KAT	2,0	85	09.86-08.91	C 20 NE (DIN)	4
2.0 GSI KAT	2,0	85	09.86-08.91	C 20 NE (DIN/M4)	4
2.0 GSI KAT	2,0	85	09.86-08.91	C 20 NE (SAE)	4
2.0 GSI KAT	2,0	85	09.86-08.91	C 20 NE (M4)	4
2.0 GSI	2,0	95	09.86-08.91	20 SEH (DIN)	4
2.0 GSI	2,0	95	09.86-08.91	20 SEH (DIN/M4)	4
2.0 GSI 16V	2,0	110	03.88-08.91	20 XEJ	4
2.0 GSI 16V KAT	2,0	110	03.88-08.91	C 20 XE	4
<b>MANTA A</b>					
1.6	1,6	44	02.75-08.75	16 N	4
1.6	1,6	50	09.70-08.75	16 N	4
1.6	1,6	55	02.75-08.75	16 S	4
1.6 S	1,6	59	09.70-08.75	16 S	4
1.9 S	1,9	65	09.70-08.75	19 S	4
1.9 S	1,9	66	09.70-08.75	19 S	4
1.9 GT/E	1,9	77	02.74-08.75	19 E	4
<b>MANTA B</b>					
1.2 S	1,2	44	09.75-02.79	12 S	4
1.3 N	1,3	44	03.79-12.80	13 N	4
1.3 S	1,3	55	08.81-08.86	13 S (DIN)	4
1.3 S	1,3	55	08.81-08.86	13 S (SAE)	4
1.6 N	1,6	44	09.75-12.80	16 N	4
1.6 S	1,6	55	09.75-12.81	16 S	4
1.8 S	1,8	66	07.82-08.87	18 S	4
1.9 N	1,9	55	08.76-12.81	19 N	4
1.9 S	1,9	66	09.75-12.80	19 S	4
1.9 E	1,9	77	09.75-08.77	19 E	4
2.0	2,0	66	08.77-12.80	20 N	4
2.0 S	2,0	74	08.77-08.84	20 S	4
2.0 E	2,0	81	08.77-08.88	20 E	4
<b>MONTEREY A</b>					
3.2	3,2	130	06.92-07.98	6VD1	6
<b>MONZA A</b>					
2.0 E	2,0	85	03.83-10.84	H 20 E	4
2.2 E	2,2	85	11.84-08.86	22 E	4
2.5 E	2,5	100	05.81-08.86	H 25 E Motor-Nr. 29350 →	6
2.5 E	2,5	103	06.84-08.86	25 E Motor-Nr. 29350 →	6
2.8	2,8	103	02.78-04.81	28 H Motor-Nr. 29350 →	6
3.0	3,0	110	04.78-07.82	30 H Motor-Nr. 5874 →	6
3.0 GSE	3,0	115	09.85-08.86	C 30 LE Motor-Nr. 23852 →	6
3.0 GSE	3,0	132	02.78-08.86	30 E Motor-Nr. 23852 →	6
<b>OMEGA A, Caravan</b>					
1.8 N	1,8	60	09.86-08.87	18 NV → Mot.Nr. Ch. K1000098	4



= DIN



= M4



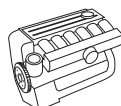
= SAE







kw



OPEL					
OMEGA A, Caravan					
1.8 N	1,8	60	09.86-08.87	Mot.Nr. Ch. K1000099 → Mot.Nr. 1814258179	4
1.8 N	1,8	60	09.86-08.87	18 NV Mot.Nr. 1814258180 → Mot.Nr. Ch. L1204907	4
1.8 N	1,8	60	09.86-08.87	18 NV Mot.Nr. Ch. L1204908 →	4
1.8	1,8	65	09.87-03.94	E 18 NVR → Mot.Nr. Ch. K1000098	4
1.8	1,8	65	09.87-03.94	E 18 NVR Mot.Nr. Ch. K1000099 → Mot.Nr. 1814258179	4
1.8	1,8	65	09.87-03.94	E 18 NVR Mot.Nr. 1814258180 → Mot.Nr. Ch. L1204907	4
1.8	1,8	65	09.87-03.94	E 18 NVR Mot.Nr. Ch. L1204908	4
1.8 S	1,8	66	09.86-03.94	18 SV → Mot.Nr. Ch. K1000098	4
1.8 S	1,8	66	09.86-03.94	18 SV Mot.Nr. Ch. K1000099 → Mot.Nr. 1814258179	4
1.8 S	1,8	66	09.86-03.94	18 SV Mot.Nr. 1814258180 → Mot.Nr. Ch. L1204907	4
1.8 S	1,8	66	09.86-03.94	18 SV Mot.Nr. Ch. L1204908 →	4
1.8	1,8	85	09.86-03.94	18 SEH → Mot.Nr. Ch. K1000098	4
1.8	1,8	85	09.86-03.94	18 SEH Mot.Nr. Ch. K1000099 → Mot.Nr. 1814258179	4
1.8	1,8	85	09.86-03.94	18 SEH Mot.Nr. 1814258180 → Mot.Nr. Ch. L1204907	4
1.8	1,8	85	09.86-03.94	18 SEH Mot.Nr. Ch. L1204908 →	4
2.0	2,0	73	09.90-03.94	C 20 NEJ → Mot.Nr. Ch. K1000098	4
2.0	2,0	73	09.90-03.94	C 20 NEJ Mot.Nr. Ch.K1000099 → Mot.Nr. 2014180385	4
2.0	2,0	73	09.90-03.94	C 20 NEJ Mot.Nr. 2014180386 → Mot.Nr. 2014312950	4
2.0	2,0	73	09.90-03.94	C 20 NEJ Mot.Nr. 2014312951 →	4
2.0	2,0	74	09.90-03.94	C 20 NEF → Mot.Nr. Ch. K1000098	4
2.0	2,0	74	09.90-03.94	C 20 NEF Mot.Nr. Ch.K1000099 → Mot.Nr. 2014180385	4
2.0	2,0	74	09.90-03.94	C 20 NEF Mot.Nr. 2014180386 → Mot.Nr. 2014312950	4
2.0	2,0	74	09.90-03.94	C 20 NEF Mot.Nr. 2014312951 →	4
2.0 i	2,0	85	09.86-03.94	C 20 NE → Mot.Nr. Ch. K1000098	4
2.0 i	2,0	85	09.86-03.94	C 20 NEF Mot.Nr. Ch.K1000099 → Mot.Nr. 2014180385	4
2.0 i	2,0	85	09.86-03.94	C 20 NEF Mot.Nr. 2014180386 → Mot.Nr. 2014312950	4
2.0 i	2,0	85	09.86-03.94	C 20 NEF Mot.Nr. 2014312951 →	4
2.0	2,0	90	09.86-03.94	20 SE → Mot.Nr. Ch. K1000098	4
2.0	2,0	90	09.86-03.94	20 SE Mot.Nr. Ch.K1000099 → Mot.Nr. 2014180385	4
2.0	2,0	90	09.86-03.94	20 SE Mot.Nr. 2014180386 → Mot.Nr. 2014312950	4
2.0	2,0	90	09.86-03.94	20 SE Mot.Nr. 2014312951 →	4
2.4 i	2,4	92	09.88-03.94	C 24 NE Mot.Nr. 036314 →	4
2.6 i	2,6	110	09.90-03.94	C 26 NE	6
3.0 (3000)	3,0	115	03.87-12.87	C 30 LE → Mot.Nr. Ch.K1000098	6
3.0 (3000)	3,0	115	03.87-12.87	C 30 LE Motor-Nr. Ch.K1000099 →	6
3.0 (3000)	3,0	130	03.87-09.90	30 NE → Mot.Nr. Ch.K1000098	6
3.0 (3000)	3,0	130	03.87-09.90	30 NE Mot.Nr. Ch.K1000099 → Mot.Nr. 01026690	6
3.0 (3000)	3,0	130	03.87-09.90	30 NE Mot.Nr. 01026691 →	6
3.0 (3000) KAT	3,0	130	03.88-03.94	C 30 NE → Mot.Nr. Ch.K1000098	6
3.0 (3000) KAT	3,0	130	03.88-03.94	C 30 NE Mot.Nr. Ch.K1000099 → Mot.Nr. 01026690	6
3.0 (3000) KAT	3,0	130	03.88-03.94	C 30 NE Mot.Nr. 01026691 →	6
3.0 24V (3000)	3,0	147	09.89-03.94	C 30 SEJ	6
3.0 24V (3000)	3,0	150	09.89-03.94	C 30 SE	6



= DIN



= M4

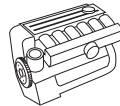


= SAE





kw



## OPEL

### OMEGA B, Caravan

2.0	2,0	85	03.94-09.99	X 20 SE	4
2.0 16V	2,0	100	03.94-09.99	X 20 XEV	4
2.5 V6	2,5	125	03.94-09.00	X 25 XE	6
3.0 V6	3,0	155	04.94-02.01	X 30 XE	6

### REKORD D, Caravan, Coupé

1.7	1,7	44	03.75-08.77	17 N	4
1.7	1,7	49	01.72-02.75	17 N	4
1.7 S	1,7	61	01.72-02.75	17 S	4
1.9	1,9	55	03.75-08.77	19 N	4
1.9	1,9	66	03.75-08.77	19 SH	4
1.9 S	1,9	71	01.72-02.75	19 SH	4
2.0	2,0	74	09.75-08.77	20 S	4

### REKORD E, Caravan

1.7	1,7	44	09.77-10.82	17 N	4
1.8	1,8	55	11.82-08.86	18 N	4
1.8 E	1,8	74	05.85-08.86	C 18 NV	4
1.8 S	1,8	66	11.82-08.86	18 S	4
1.9	1,9	55	09.77-10.82	19 N	4
2.0	2,0	66	09.77-10.82	20 N	4
2.0 E	2,0	81	09.77-10.84	20 E	4
2.0 S	2,0	74	08.77-08.86	20 S	4
2.2 E	2,2	85	11.84-08.86	22 E	4

### SENATOR A

2.0 E	2,0	85	03.83-10.84	H 20 E	4
2.2 E	2,2	85	11.84-08.87	22 E	4
2.5 E	2,5	100	01.83-08.84	H 25 E	6
2.5 E	2,5	103	09.84-08.87	25 E	6
2.8	2,8	103	02.78-04.81	28 H Mot.Nr. 29350 →	6
3.0	3,0	110	04.78-07.82	30 H Mot.Nr. 5874 →	6
3.0	3,0	115	09.85-08.87	C 30 LE Mot.Nr. 23582 →	6
3.0 E	3,0	132	02.78-12.86	30 E Mot.Nr. 23852 →	6

### SENATOR B

2.6 i	2,6	110	09.90-09.93	C 26 NE	6
3.0	3,0	115	09.87-09.93	C 30 LE → Mot.Nr. Ch.K1000098	6
3.0	3,0	115	09.87-09.93	C 30 LE Mot.Nr. Ch.K1000099 → Mot.Nr. 026690	6
3.0	3,0	115	09.87-09.93	C 30 LE Mot.Nr. 0266991 →	6
3.0	3,0	130	01.88-09.90	30 NE → Mot.Nr. Ch.K1000098	6
3.0	3,0	130	01.88-09.90	30 NE Mot.Nr. Ch.K1000099 → Mot.Nr. 026690	6
3.0	3,0	130	01.88-09.90	30 NE Mot.Nr. 0266991 →	6
3.0 i KAT	3,0	130	01.88-09.93	C 30 NE Mot.Nr. Ch.K1000099 → Mot.Nr. 026690	6
3.0 i KAT	3,0	130	01.88-09.93	C 30 NE Mot.Nr. 0266991 →	6
3.0 24V	3,0	150	09.89-09.93	C 30 SE	6

### SINTRA

2.2 i 16V	2,2	104	11.96-04.99	X 22 XE	4
3.0 i 24V	3,0	148	11.96-04.99	X 30 XE	6

### TIGRA

1.4 16V	1,4	63	08.97-12.00	X 14 XE	4
1.4 16V	1,4	66	07.94-12.00	X 14 XE	4
1.6 16V	1,6	74	08.97-08.98	C 16 SEL	4
1.6 16V	1,6	78	07.94-08.98	X 16 XE	4

### VECTRA A

1.6 i	1,6	52	09.93-11.95	X 16 SZ	4
1.6 i	1,6	52	09.93-11.95	X 16 SZ	4
1.6 i	1,6	55	09.88-10.90	E 16 NZ (SAE)	4
1.6 i	1,6	55	09.88-10.90	E 16 NZ (SAE)	4
1.6 i	1,6	55	09.88-10.90	E 16 NZ (SAE)	4
1.6 i KAT	1,6	55	09.88-11.95	C 16 NZ2/C 16 NZ (SAE)	4
1.6 i KAT	1,6	55	09.88-11.95	C 16 NZ (SAE)	4



= DIN



= M4

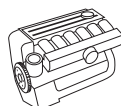


= SAE

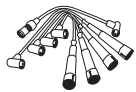




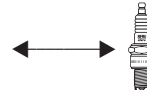
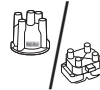
kw



<b>OPEL</b>					
<b>VECTRA A</b>					
1.6 i KAT	1,6	55	09.88-11.95	C 16 NZ2/C 16 NZ (M4)	4
1.6 i KAT	1,6	55	09.88-11.95	C 16 NZ2/C 16 NZ	4
1.6	1,6	60	09.88-05.93	16 SV → Mot.Nr. 02E85672	4
1.6	1,6	60	09.88-05.93	16 SV Mot.Nr. 02E85673 →	4
1.8 S, 4x4	1,8	65	09.88-07.89	E 18 NVR → Mot.Nr. 14258179	4
1.8 S, 4x4	1,8	65	09.88-07.89	E 18 NVR Mot.Nr. 14258180 → Mot.Nr. 14349310	4
1.8 S, 4x4	1,8	65	09.88-07.89	E 18 NVR Mot.Nr. 14349311 → Mot.Nr. Ch.R1/R5/R7	4
1.8 S, 4x4	1,8	65	09.88-07.89	E 18 NVR Mot.Nr. Ch.S1/S5/S7 →	4
1.8 S	1,8	66	09.89-10.90	18 SV → Mot.Nr. 14258179	4
1.8 S	1,8	66	09.89-10.90	18 SV Mot.Nr. 14258180 → 14275381	4
1.8 S	1,8	66	09.89-10.90	18 SV Mot.Nr. 14275382 → Ch.R1/R5/R7	4
1.8 S	1,8	66	09.89-10.90	18 SV Mot.Nr. Ch.S1/S5/S7 →	4
1.8 i KAT	1,8	66	03.90-11.95	C 18 NZ Mot.Nr. 141802386 → Mot.Nr. 14349310	4
1.8 i KAT	1,8	66	03.90-11.95	C 18 NZ Mot.Nr. 14349311 → Mot.Nr. Ch.R1/R5/R7	4
1.8 i KAT	1,8	66	03.90-11.95	C 18 NZ Mot.Nr. Ch.S1/S5/S7 →	4
2.0 i, 4x4	2,0	85	09.88-10.90	20 NE → Mot.Nr. 14258179	4
2.0 i, 4x4	2,0	85	09.88-10.90	20 NE Mot.Nr. 14258180 → Mot.Nr. 14672352	4
2.0 i, 4x4	2,0	85	09.88-10.90	20 NE Mot.Nr. 14672353 → Mot.Nr. Ch.R1/R5/R7	4
2.0 i, 4x4	2,0	85	09.88-10.90	20 NE Mot.Nr. Ch.S1/S5/S7 →	4
2.0 i, 4x4, KAT	2,0	85	01.89-11.95	C 20 NE → Mot.Nr. 14258179	4
2.0 i, 4x4, KAT	2,0	85	01.89-11.95	C 20 NE Mot.Nr. 14258180 → Mot.Nr. 14672352	4
2.0 i, 4x4, KAT	2,0	85	01.89-11.95	C 20 NE Mot.Nr. 14672353 → Mot.Nr. Ch.R1/R5/R7	4
2.0 i, 4x4, KAT	2,0	85	01.89-11.95	C 20 NE Mot.Nr. Ch.S1/S5/S7 →	4
2.0 i, 4x4	2,0	95	09.88-09.92	20 SEH → Mot.Nr. 14180385	4
2.0 i, 4x4	2,0	95	09.88-09.92	20 SEH Mot.Nr. 14180386 →	4
2.0 i 16V, 4x4	2,0	100	06.94-11.95	X 20 XEV	4
2000 16V, 4x4	2,0	110	01.89-10.90	20 XEJ	4
2.0 i Turbo 4x4	2,0	150	06.94-11.95	C 20 LET	4
2000/GT 16V, 4x4 KAT	2,0	110	02.90-11.95	C 20 XE	4
2000/GT 16V, 4x4 KAT	2,0	110	02.90-11.95	C 20 XE	4
2000/GT 16V, 4x4 KAT	2,0	110	02.90-11.95	C 20 XE	4
2.5 V6	2,5	125	02.93-11.95	C 25 XE	6
<b>VECTRA B, Caravan</b>					
1.6 i	1,6	55	10.95-04.02	X 16 SZR	4
1.6 i 16V	1,6	74	10.95-04.02	X 16 XEL	4
1.8 i 16V	1,8	85	10.95-09.00	X 18 XE/X 18 XE1	4
2.0 i 16V	2,0	100	10.95-09.00	X 20 XEV/C 20 SEL	4
2.5 i V6	2,5	125	10.95-09.00	X 25 XE	6
<b>ZAFIRA</b>					
1.6 CNG	1,6	71	09.01-	Z 16 YNG	4
<b>PEUGEOT</b>					
<b>104, Coupe</b>					
0.9	0,9	33	10.79-10.83	108 (XV5)	4
0.9	0,9	34	09.78-10.79	108 (XV3)	4
1.0	1	32	09.83-06.88	108C (XV8)	4
1.1	1,1	37	08.79-06.88	109F (XW7)	4
1.1	1,1	42	09.78-06.83	109 (XW3)	4
1.1	1,1	49	09.78-06.80	121 (XW3S)	4
1.2	1,2	42	08.79-06.83	129 (XZ5), 109 (XW3)	4
1.4	1,4	53	08.79-06.84	150 (XY6B)	4
<b>106 i</b>					
1.0	1	33	09.91-04.96	CDY (TU9M)	4



Copper Cable  
Power Cable

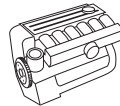


Zyl./Cyl./Cil.

				1	2	3	4	5	6	7	8
ZEF 997	R	○	R 94 (S)	R 154 (S)	R 160 (S)	R 152 (S)	R 159 (S)	●	●	●	●
ZEF 1123	R	○	R 111 (S)	R 85 (S)	R 84 (S)	R 83 (S)	R 83 (S)	●	●	●	●
ZEF 578	R	○	R 113 (S)	R 85 (S)	R 84 (S)	R 84 (S)	R 112 (S)	●	●	●	●
ZEF 726	R	○	R 94 (S)	R 169 (S)	R 169 (S)	R 167 (S)	R 166 (S)	●	●	●	●
ZEF 1092	R	○	R 108 (S)	R 82 (S)	R 82 (S)	R 81 (S)	R 4	●	●	●	●
ZEF 580	R	<b>C 27</b>	R 94 (S)	R 87 (S)	R 87 (S)	R 86 (S)	R 96 (S)	●	●	●	●
ZEF 993	R	○	R 94 (S)	R 168 (S)	R 162 (S)	R 161 (S)	R 165 (S)	●	●	●	●
ZEF 997	R	○	R 94 (S)	R 154 (S)	R 160 (S)	R 152 (S)	R 159 (S)	●	●	●	●
ZEF 1092	R	○	R 108 (S)	R 82 (S)	R 82 (S)	R 81 (S)	R 4	●	●	●	●
ZEF 580	R	<b>C 27</b>	R 94 (S)	R 87 (S)	R 87 (S)	R 86 (S)	R 96 (S)	●	●	●	●
ZEF 993	R	○	R 94 (S)	R 168 (S)	R 162 (S)	R 161 (S)	R 165 (S)	●	●	●	●
ZEF 997	R	○	R 94 (S)	R 154 (S)	R 160 (S)	R 152 (S)	R 159 (S)	●	●	●	●
ZEF 580	R	<b>C 27</b>	R 94 (S)	R 87 (S)	R 87 (S)	R 86 (S)	R 96 (S)	●	●	●	●
ZEF 993	R	○	R 94 (S)	R 168 (S)	R 162 (S)	R 161 (S)	R 165 (S)	●	●	●	●
ZEF 997	R	○	R 94 (S)	R 154 (S)	R 160 (S)	R 152 (S)	R 159 (S)	●	●	●	●
ZEF 580	R	<b>C 27</b>	R 94 (S)	R 87 (S)	R 87 (S)	R 86 (S)	R 96 (S)	●	●	●	●
ZEF 993	R	○	R 94 (S)	R 168 (S)	R 162 (S)	R 161 (S)	R 165 (S)	●	●	●	●
ZEF 997	R	○	R 94 (S)	R 154 (S)	R 160 (S)	R 152 (S)	R 159 (S)	●	●	●	●
ZEF 1092	R	○	R 108 (S)	R 82 (S)	R 82 (S)	R 81 (S)	R 4	●	●	●	●
ZEF 580	R	<b>C 27</b>	R 94 (S)	R 87 (S)	R 87 (S)	R 86 (S)	R 96 (S)	●	●	●	●
ZEF 993	R	○	R 94 (S)	R 168 (S)	R 162 (S)	R 161 (S)	R 165 (S)	●	●	●	●
ZEF 997	R	○	R 94 (S)	R 154 (S)	R 160 (S)	R 152 (S)	R 159 (S)	●	●	●	●
ZEF 1093	R	○	R 108 (S)	R 82 (S)	R 82 (S)	R 81 (S)	R 81 (S)	●	●	●	●
ZEF 580	R	<b>C 27</b>	R 94 (S)	R 87 (S)	R 87 (S)	R 86 (S)	R 96 (S)	●	●	●	●
ZEF 672	R	○	●	R 216 (S)	R 215 (S)	R 214 (S)	R 214 (S)	●	●	●	●
ZEF 568	R	○	OP 103 A	OP 101 D	OP 101 C	OP 101 B	OP 101 A	●	●	●	●
ZEF 568	R	○	OP 103 A	OP 101 D	OP 101 C	OP 101 B	OP 101 A	●	●	●	●
ZEF 568	R	○	OP 103 A	OP 101 D	OP 101 C	OP 101 B	OP 101 A	●	●	●	●
ZEF 1158	R	○	OP 102 A	OP 100 D	OP 100 C	OP 100 B	OP 100 A	●	●	●	●
ZEF 672	R	○	●	R 216 (S)	R 215 (S)	R 214 (S)	R 214 (S)	●	●	●	●
ZEF 1154	R	○	●	R 217 (S)	R 217 (S)	R 217 (S)	R 216 (S)	R 216 (S)	R 215 (S)	●	●
ZEF 725	R	○	●	R 153 (S)	R 153 (S)	R 152 (S)	R 151 (S)	●	●	●	●
ZEF 1160	R	○	●	R 222 (S)	R 221 (S)	R 221 (S)	R 220 (S)	●	●	●	●
ZEF 672	R	○	●	R 216 (S)	R 215 (S)	R 214 (S)	R 214 (S)	●	●	●	●
ZEF 672	R	○	●	R 216 (S)	R 215 (S)	R 214 (S)	R 214 (S)	●	●	●	●
ZEF 1235	R	○	●	R 219 (S)	R 217 (S)	R 218 (S)	R 215 (S)	R 216 (S)	R 215 (S)	●	●
ZEF 725	R	○	●	R 153 (S)	R 153 (S)	R 152 (S)	R 151 (S)	●	●	●	●
ZEF 763	R	<b>C 1</b>	R 18	R 133	R 133	R 132	R 132	●	●	●	●
ZEF 763	R	<b>C 1</b>	R 18	R 133	R 133	R 132	R 132	●	●	●	●
ZEF 763	R	<b>C 1</b>	R 18	R 133	R 133	R 132	R 132	●	●	●	●
ZEF 763	R	<b>C 1</b>	R 18	R 133	R 133	R 132	R 132	●	●	●	●
ZEF 763	R	<b>C 1</b>	R 18	R 133	R 133	R 132	R 132	●	●	●	●
ZEF 763	R	<b>C 1</b>	R 18	R 133	R 133	R 132	R 132	●	●	●	●
ZEF 763	R	<b>C 1</b>	R 18	R 133	R 133	R 132	R 132	●	●	●	●
ZEF 763	R	<b>C 1</b>	R 18	R 133	R 133	R 132	R 132	●	●	●	●
ZEF 756	R	<b>C 2</b>	R 111 (S)	R 128	R 128	R 129	R 129	●	●	●	●



kw



## PEUGEOT

Model	Cylinders	Power (kw)	Year Range	Engine Code	Valves
<b>106 I</b>					
1.0	1	33	09.91-04.96	CDY (TU9M)	4
1.1	1,1	44	09.91-12.92	HDZ (TU1M)	4
1.1	1,1	44	01.93-04.96	HDZ (TU1M)	4
1.3	1,3	72	10.93-04.96	TU2J2	4
1.4	1,4	55	09.91-04.96	KDX (TU3MC)/KDY (TU3M)	4
1.4	1,4	69	09.91-04.96	KFZ (TU3J2/Z)	4
1.6	1,6	65	06.93-04.96	NFZ (TU5JP)	4
1.6	1,6	76	01.94-04.96	NFY (TU5J2)	4
<b>106 II</b>					
1.0 i	1	37	01.97-	CDZ (TU9M)	4
1.1 i	1,1	40	01.97-	HDY (TU1M)	4
1.1 i	1,1	44	05.96-	HDZ (TU1M)/HFX (TU1JP)	4
1.4 i	1,4	55	05.96-	KFW (TU3JP)/KFX (TU3JP)	4
1.6 i	1,6	65	05.96-	NFZ (TU5JP)	4
1.6 i	1,6	74	05.96-	NFW (TU5J2)/NFY (TU5J2)	4
<b>205 I</b>					
1.0	1	33	02.83-10.87	108C (XV8)	4
1.1	1,1	36	02.83-10.87	109N (XW7)	4
1.1	1,1	37	02.83-10.87	109F (XW7)	4
1.4	1,4	44	02.83-10.87	150D (XY7)/150G (XY7)	4
1.4	1,4	58	10.85-10.87	150H (XY8)	4
1.4	1,4	59	02.83-10.87	150B (XY8)	4
1.6	1,6	53	03.87-10.87	B1E (XU51C)	4
1.6	1,6	55	01.87-10.87	B1A (XU51C)	4
1.9 GTI KAT	1,9	94	10.86-10.87	D6B (XU9JA)	4
<b>205 I Cabriolet</b>					
1.1 CJ	1,1	44	10.89-12.94	HDZ (TU1M)	4
1.4 CJ	1,4	44	03.88-05.89	150D (XY7)/150G (XY7)	4
1.4 CJ KAT	1,4	44	01.89-09.93	KAY (TU3CP)	4
1.4 CJ	1,4	49	03.89-12.94	K1D (TU3A)	4
1.4 CJ	1,4	55	05.91-12.94	KDY (TU3M)/KDZ (TU3M)	4
1.4 CT	1,4	58	04.86-12.88	150B (XY8)/150H (XY8)	4
1.6 CJ	1,6	65	08.92-12.94	BDY (XU5M3Z)	4
1.6 CTI	1,6	76	04.86-10.90	180A (XU5J)/180Z (XU5J)	4
1.9 CTI	1,9	75	10.87-12.94	DFZ (XU9J1)	4
1.9 CTI	1,9	75	10.87-12.94	DFZ (XU9J1)	4
<b>205 II</b>					
1.0	1	33	10.87-09.98	TU9	4
1.1	1,1	36	10.87-10.90	109N (XW7)	4
1.1	1,1	40	10.87-10.90	H1B (TU1)	4
1.1	1,1	44	07.89-09.98	HDZ (TU1M)	4
1.4	1,4	44	10.87-05.89	150D (XY7)/150G (XY7)	4
1.4	1,4	44	10.87-05.89	150D (XY7)/150G (XY7)	4
1.4 KAT	1,4	44	08.87-09.93	KAY (TU3CP)	4
1.4	1,4	49	10.87-10.90	K1D (TU3A)	4
1.4	1,4	55	07.88-09.98	KDY (TU3M)/KDZ (TU3M)/KFX (TU3JP)	4
1.4	1,4	58	07.88-05.89	150B (XY8)/150H (XY8)	4
1.4	1,4	62	06.87-12.89	K2B (TU3S)	4
1.6	1,6	53	10.87-09.98	B1E (XU51C) (BOSCH)	4
1.6	1,6	53	10.87-09.98	B1E (XU51C) (DUCELLIER)	4
1.6 Aut.	1,6	65	05.90-09.98	BDY (XU5M2Z)/BDY (XU5M3Z)	4
1.6 GTI	1,6	76	10.87-12.89	180A (XU5J)/180Z (XU5J)	4
1.9 GTI	1,9	75	10.87-05.89	D2A (XU92C)	4
1.9 GTI KAT	1,9	75	10.87-07.94	DFZ (XU9J1)	4
1.9 GTI KAT	1,9	75	10.87-07.94	DFZ (XU9J1)	4
1.9 GTI	1,9	88	10.87-10.94	DKZ (XU9JAZ)	4
1.9 GTI	1,9	94	10.87-09.98	D6B (XU9JA, G-Kat)	4
<b>206 SW</b>					
1.1	1,1	44	07.02-	HFX (TU1JP)	4
<b>305 I, Break</b>					
1.3	1,3	44	10.82-08.86	118 (XL5)	4



= DIN



= M4



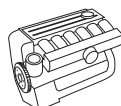
= SAE







kW


**PEUGEOT**
**305 I, Break**

1.5	1,5	50	09.85-07.90	142 (XR5A)	4
1.5	1,5	54	08.80-09.82	142 (XR5)	4
1.5	1,5	54	10.82-08.86	142 (XR5)	4

**305 II, Break**

1.3	1,3	44	10.82-08.85	118 (XL5)	4
1.5	1,5	50	09.85-07.90	142 (XR5A)	4
1.5	1,5	54	10.82-08.86	142 (XR5)	4
1.9	1,9	72	01.87-12.88	DFZ (XU9J1)	4
1.9	1,9	75	10.82-08.85	159 (XU9S)	4

**306, Break**

1.1	1,1	44	06.94-	HDZ (TU1M)	4
1.4	1,4	55	05.93-	KDX (TU3MC)	4
1.4 SL	1,4	55	06.94-	KFW (TU3JP)/KFX (TU3JP)	4
1.4	1,4	55	03.97-	KFW (TU3JP)/KFX (TU3JP)	4
1.6 SR	1,6	65	06.94-10.00	NFZ (TU5JP)	4
1.8 ST	1,8	74	06.94-	LFZ (XU7JP)	4
1.8 16V	1,8	81	03.97-	LFY (XU7JP4)	4
2.0 ST	2,0	89	07.94-	RFX (XU10J2)	4
2.0 XSi	2,0	89	05.93-	RFX (XU10J2)	4
2.0, 16V	2,0	97	03.97-	RFV (XU10J4R)	4

**306 Cabriolet**

1.6	1,6	65	04.96-10.00	NFZ (TU5JP)	4
1.8	1,8	74	03.94-	LFZ (XU7JP)	4
1.8 16V	1,8	81	07.00-	LFY (XU7JP4)	4
2.0	2,0	89	03.94-	RFX (XU10J2)	4
2.0 16V	2,0	97	03.97-	RFV (XU10J4R)	4

**309 I**

1.1	1,1	40	10.85-12.88	E1	4
1.1	1,1	40	01.89-07.89	E1	4
1.3	1,3	47	10.85-12.88	G1A	4
1.3	1,3	47	01.89-07.89	G1A	4
1.4	1,4	49	03.89-07.89	K1D (TU3A)	4
1.4	1,4	55	03.89-07.89	KDY (TU3M)/KDZ (TU3M)	4
1.6	1,6	55	10.85-12.88	B1A (XU51C)	4
1.6	1,6	69	04.86-07.89		4
1.6	1,6	76	11.85-09.88	180Z (XU5J)/B6B (XU5J)	4
1.9	1,9	72	03.86-07.89	DFZ (XU9J1)	4
1.9	1,9	72	03.86-07.89	DFZ (XU9J1)	4
1.9	1,9	80	07.88-07.89	DDZ (XU9M)	4
1.9 GTI	1,9	88	07.88-07.89	DKZ (XU9JAZ)	4
1.9 GTI	1,9	94	10.86-07.89	D6B (XU9JA, G-Kat)	4

**309 II**

1.1	1,1	44	08.90-12.93	HDZ (TU1M)	4
1.4	1,4	49	07.90-12.93	K1D (TU3A)	4
1.4	1,4	55	07.89-12.92	KDY (TU3M)/KDZ (TU3M)	4
1.4	1,4	55	01.93-12.93	KDY (TU3M)/KDZ (TU3M)	4
1.6	1,6	65	07.89-12.93	BDY (XU5M2Z)/BDY (XU5M3Z) /BDZ (XU5M)	4
1.6	1,6	68	07.89-12.93	B2A (XU52C/K)	4
1.6	1,6	69	07.89-12.93		4
1.9	1,9	72	08.89-12.93	DFZ (XU9J1)	4
1.9	1,9	72	08.89-12.93	DFZ (XU9J1)	4
1.9	1,9	80	10.90-12.93	DDZ (XU9M)	4
1.9	1,9	80	10.90-12.93	DDZ (XU9M)	4
1.9 GTI	1,9	88	07.89-12.93	DKZ (XU9JAZ)	4
1.9 GTI 16V	1,9	108	10.90-12.93	DFW (XU9J4Z)	4
1.9 GTI 16V	1,9	116	08.89-07.90	D6C (XU9J4)	4

**404**

1.6	1,6	48	04.63-12.71		4
1.6 GT	1,6	50	07.71-12.71	XC6	4
1.6	1,6	54	11.67-12.71	XC6	4



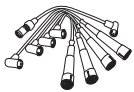
= DIN



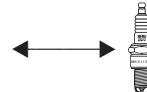
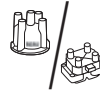
= M4



= SAE



Copper Cable  
Power Cable

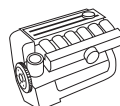


Zyl./Cyl./Cil.

				1	2	3	4	5	6	7	8
○	R	○	R 19	R 59	R 41	R 41	R 39	●	●	●	●
○	R	○	R 19	R 59	R 41	R 41	R 39	●	●	●	●
○	R	○	R 19	R 59	R 41	R 41	R 39	●	●	●	●
<b>ZEF 746</b>	R	○	R 19	R 59	R 41	R 38	R 39	●	●	●	●
○	R	○	R 19	R 59	R 41	R 41	R 39	●	●	●	●
<b>ZEF 746</b>	R	○	R 19	R 59	R 41	R 38	R 39	●	●	●	●
<b>ZEF 788</b>	R	<b>C 9</b>	R 18	R 39	R 37	R 52	R 52	●	●	●	●
<b>ZEF 788</b>	R	<b>C 9</b>	R 18	R 39	R 37	R 52	R 52	●	●	●	●
<b>ZEF 795</b>	R	<b>C 23</b>	●	R 144	R 144	R 145	R 145	●	●	●	●
<b>ZEF 795</b>	R	<b>C 23</b>	●	R 144	R 144	R 145	R 145	●	●	●	●
<b>ZEF 813</b>	R	<b>C 23</b>	●	R 144	R 144	R 145	R 145	●	●	●	●
<b>ZEF 1044</b>	R	<b>C 22</b>	●	R 57	R 58	R 145	R 30	●	●	●	●
<b>ZEF 813</b>	R	<b>C 23</b>	●	R 144	R 144	R 145	R 145	●	●	●	●
<b>ZEF 793</b>	R	<b>C 24</b>	●	R 142	R 142	R 143	R 143	●	●	●	●
<b>ZEF 793</b>	R	<b>C 24</b>	●	R 142	R 142	R 143	R 143	●	●	●	●
<b>ZEF 1044</b>	R	<b>C 22</b>	●	R 57	R 58	R 145	R 30	●	●	●	●
<b>ZEF 1044</b>	R	<b>C 22</b>	●	R 57	R 58	R 145	R 30	●	●	●	●
<b>ZEF 1044</b>	R	<b>C 22</b>	●	R 57	R 58	R 145	R 30	●	●	●	●
<b>ZEF 813</b>	R	<b>C 23</b>	●	R 144	R 144	R 145	R 145	●	●	●	●
<b>ZEF 793</b>	R	<b>C 24</b>	●	R 142	R 142	R 143	R 143	●	●	●	●
<b>ZEF 793</b>	R	<b>C 24</b>	●	R 142	R 142	R 143	R 143	●	●	●	●
<b>ZEF 1044</b>	R	<b>C 22</b>	●	R 57	R 58	R 145	R 30	●	●	●	●
<b>ZEF 1044</b>	R	<b>C 22</b>	●	R 57	R 58	R 145	R 30	●	●	●	●
<b>ZEF 762</b>	R	○	R 32	R 6	R 8	R 8	R 8	●	●	●	●
<b>ZEF 791</b>	R	<b>C 13</b>	R 22	R 1	R 1	R 1	R 1	●	●	●	●
<b>ZEF 762</b>	R	○	R 32	R 6	R 8	R 8	R 8	●	●	●	●
<b>ZEF 791</b>	R	<b>C 13</b>	R 22	R 1	R 1	R 1	R 1	●	●	●	●
<b>ZEF 756</b>	R	<b>C 2</b>	R 111 (S)	R 128	R 128	R 129	R 129	●	●	●	●
<b>ZEF 756</b>	R	<b>C 2</b>	R 111 (S)	R 128	R 128	R 129	R 129	●	●	●	●
<b>ZEF 788</b>	R	<b>C 9</b>	R 18	R 39	R 37	R 52	R 52	●	●	●	●
<b>ZEF 790</b>	R	<b>C 21</b>	R 115 (S)	R 325	R 326	R 326	R 327	●	●	●	●
<b>ZEF 788</b>	R	<b>C 9</b>	R 18	R 39	R 37	R 52	R 52	●	●	●	●
<b>ZEF 788</b>	R	<b>C 9</b>	R 18	R 39	R 37	R 52	R 52	●	●	●	●
<b>ZEF 790</b>	R	<b>C 21</b>	R 115 (S)	R 325	R 326	R 326	R 327	●	●	●	●
<b>ZEF 790</b>	R	<b>C 21</b>	R 115 (S)	R 325	R 326	R 326	R 327	●	●	●	●
<b>ZEF 789</b>	R	○	R 69	R 321	R 322	R 323	R 324	●	●	●	●
<b>ZEF 789</b>	R	○	R 69	R 321	R 322	R 323	R 324	●	●	●	●
<b>ZEF 756</b>	R	<b>C 2</b>	R 111 (S)	R 128	R 128	R 129	R 129	●	●	●	●
<b>ZEF 756</b>	R	<b>C 2</b>	R 111 (S)	R 128	R 128	R 129	R 129	●	●	●	●
<b>ZEF 756</b>	R	<b>C 2</b>	R 111 (S)	R 128	R 128	R 129	R 129	●	●	●	●
<b>ZEF 795</b>	R	<b>C 23</b>	●	R 144	R 144	R 145	R 145	●	●	●	●
<b>ZEF 793</b>	R	<b>C 24</b>	●	R 142	R 142	R 143	R 143	●	●	●	●
<b>ZEF 790</b>	R	<b>C 21</b>	R 115 (S)	R 325	R 326	R 326	R 327	●	●	●	●
<b>ZEF 790</b>	R	<b>C 21</b>	R 115 (S)	R 325	R 326	R 326	R 327	●	●	●	●
<b>ZEF 788</b>	R	<b>C 9</b>	R 18	R 39	R 37	R 52	R 52	●	●	●	●
<b>ZEF 790</b>	R	<b>C 21</b>	R 115 (S)	R 325	R 326	R 326	R 327	●	●	●	●
<b>ZEF 789</b>	R	○	R 69	R 321	R 322	R 323	R 324	●	●	●	●
<b>ZEF 1256</b>	R	○	○	○	○	○	○	●	●	●	●
<b>ZEF 1256</b>	R	○	○	○	○	○	○	●	●	●	●
<b>ZEF 751</b>	R	○	R 17	R 48	R 49	R 49	R 50	●	●	●	●
<b>ZEF 751</b>	R	○	R 17	R 48	R 49	R 49	R 50	●	●	●	●
<b>ZEF 751</b>	R	○	R 17	R 48	R 49	R 49	R 50	●	●	●	●



kW



<b>PEUGEOT</b>					
<b>404 Cabriolet</b>					
1.6	1,6	59	04.63-12.68		4
<b>405 I, Break</b>					
1.6	1,6	53	07.87-12.92	B1E (XU51C)	4
1.6	1,6	53	07.87-12.92	B1E (XU51C)	4
1.6	1,6	55	07.87-06.88	B1E (XU51C)/BAZ (XU5CP)	4
1.6	1,6	55	10.88-08.92	BAZ (XU5CP)	4
1.6	1,6	65	07.87-12.92	BDY (XU5M2Z)/BDZ (XU5M)	4
1.6	1,6	66	10.89-12.92	BDZ (XU5M)	4
1.9	1,9	70	07.87-12.92	D2C (XU92C, U-Kat)	4
1.9 Injection	1,9	77	07.87-01.89	DFZ (XU9J1)	4
1.9 Injection	1,9	77	02.89-12.92	DFZ (XU9J1)	4
1.9, 4x4	1,9	80	07.88-12.92	DDZ (XU9M)	4
1.9	1,9	88	07.88-12.92	DKZ (XU9JAZ)	4
1.9 Sport MI-16, 4x4	1,9	108	04.88-12.92	DFW (XU9J4Z)	4
1.9 Sport MI-16	1,9	116	07.87-11.91	D6C (XU9J4)	4
<b>405 II, Break</b>					
1.6	1,6	65	08.92-10.95	BDY (XU5M2Z)/BDY (XU5M3Z) /BDZ (XU5M)/BFZ (XU5JP)	4
1.8	1,8	74	08.92-10.96	LFZ (XU7JP)	4
2.0	2,0	89	08.92-10.95	RFX (XU10J2)	4
2.0 4x4	2,0	89	08.92-10.95	RFX (XU10J2)	4
<b>406, Break</b>					
1.6	1,6	65	11.95-05.04	BFZ (XU5JP)	4
1.8	1,8	66	05.97-05.04	LFX (XU7JB)	4
1.8 16V	1,8	81	11.95-10.00	LFY (XU7JP4)	4
2.0 16V	2,0	97	11.95-05.04	RFV (XU10J4R)	4
2.0 Turbo	2,0	108	04.96-05.04	RGX (XU10J2TE)	4
<b>406 Coupe</b>					
2.0 16V	2,0	97	03.97-	RFV (XU10J4R)	4
<b>504, Break</b>					
2.0	2	68	04.71-12.78	XN1	4
2.0	2	71	03.71-12.78	106 (XN1)	4
<b>505, Break</b>					
2.0	2	69	08.83-12.85	106 (XN1)	4
2.0	2	71	11.80-12.85	106 (XN1)	4
2.0	2	72	09.85-09.91	106E (XN1A)	4
2.0 TI,STI	2,0	81	08.79-10.86	829 (ZEJ)	4
2.2	2,2	84	03.86-12.93	851X (ZDJL)	4
2.2	2,2	85	05.81-10.84	851 (ZDJ)	4
2.2 GTI	2,2	90	08.83-12.93	851B (ZDJL)	4
<b>604</b>					
2.7 TI,STI	2,7	106	08.77-05.83	140 (ZMJ)	6
<b>605</b>					
2.0	2,0	89	06.89-09.90	RFZ (XU10J2Z)	4
3.0	3	123	10.89-09.99	UFZ (ZPJ)	6
<b>806</b>					
2.0	2,0	89	06.94-08.02	RFU (XU10J2)	4
2.0 16V	2,0	97	05.98-09.00	RFV (XU10J4R)	4
2.0 Turbo	2,0	108	06.94-08.02	RGX (XU10J2TE)	4
<b>BOXER</b>					
2.0 i, 4x4	2,0	80	03.94-04.02	RFW (XU10J2)	4
<b>J5</b>					
2.0	2	55	09.81-09.90	170B (XN1T)	4
<b>PARTNER</b>					
1.1	1,1	44	06.96-	HDZ (TU1M)/HFX (TU1JP)	4
1.4	1,4	55	06.96-	KFW (TU3JP)/KFX (TU3JP)	4
1.8	1,8	66	05.97-	LFX (XU7JB)	4
<b>PORSCHE</b>					
<b>356, Coupe</b>					
C 1600	1,6	55	01.63-12.65		4



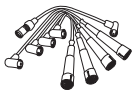
= DIN



= M4



= SAE



Copper Cable  
Power Cable

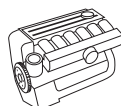


Zyl./Cyl./Cil.

				1	2	3	4	5	6	7	8
ZEF 751	R	○	R 17	R 48	R 49	R 49	R 50	●	●	●	●
ZEF 788	R	C 9	R 18	R 39	R 37	R 52	R 52	●	●	●	●
ZEF 790	R	C 21	R 115 (S)	R 325	R 326	R 326	R 327	●	●	●	●
ZEF 788	R	C 9	R 18	R 39	R 37	R 52	R 52	●	●	●	●
ZEF 790	R	C 21	R 115 (S)	R 325	R 326	R 326	R 327	●	●	●	●
ZEF 790	R	C 21	R 115 (S)	R 325	R 326	R 326	R 327	●	●	●	●
ZEF 790	R	C 21	R 115 (S)	R 325	R 326	R 326	R 327	●	●	●	●
ZEF 790	R	C 21	R 115 (S)	R 325	R 326	R 326	R 327	●	●	●	●
ZEF 788	R	C 9	R 18	R 39	R 37	R 52	R 52	●	●	●	●
ZEF 790	R	C 21	R 115 (S)	R 325	R 326	R 326	R 327	●	●	●	●
ZEF 790	R	C 21	R 115 (S)	R 325	R 326	R 326	R 327	●	●	●	●
ZEF 1392	R	○	-	R 325	R 326	R 327	R 327	●	●	●	●
ZEF 1256	R	○	○	○	○	○	○	●	●	●	●
ZEF 1256	R	○	○	○	○	○	○	●	●	●	●
ZEF 793	R	C 24	●	R 142	R 142	R 143	R 143	●	●	●	●
ZEF 793	R	C 24	●	R 142	R 142	R 143	R 143	●	●	●	●
ZEF 1044	R	C 22	●	R 57	R 58	R 145	R 30	●	●	●	●
ZEF 1044	R	C 22	●	R 57	R 58	R 145	R 30	●	●	●	●
ZEF 793	R	C 24	●	R 142	R 142	R 143	R 143	●	●	●	●
ZEF 793	R	C 24	●	R 142	R 142	R 143	R 143	●	●	●	●
ZEF 793	R	C 24	●	R 142	R 142	R 143	R 143	●	●	●	●
ZEF 1044	R	C 22	●	R 57	R 58	R 145	R 30	●	●	●	●
ZEF 1044	R	C 22	●	R 57	R 58	R 145	R 30	●	●	●	●
ZEF 1044	R	C 22	●	R 57	R 58	R 145	R 30	●	●	●	●
○	R	○	R 17	R 48	R 49	R 49	R 50	●	●	●	●
○	R	○	R 17	R 48	R 49	R 49	R 50	●	●	●	●
○	R	○	R 2	R 70	R 70	R 70	R 70	●	●	●	●
○	R	○	R 35	R 48	R 48	R 48	R 49	●	●	●	●
ZEF 755	R	○	R 18	R 3	R 6	R 9	R 29	●	●	●	●
ZEF 761	R	○	R 5	R 62	R 62	R 70	R 61	●	●	●	●
ZEF 761	R	○	R 5	R 62	R 62	R 70	R 61	●	●	●	●
ZEF 761	R	○	R 5	R 62	R 62	R 70	R 61	●	●	●	●
ZEF 761	R	○	R 5	R 62	R 62	R 70	R 61	●	●	●	●
○	R	○	R 18	R 16	R 12	R 8	R 8	R 8	R 11	●	●
ZEF 792	R	○	R 44	R 53	R 42	R 44	R 45	●	●	●	●
ZEF 1164	R	○	○	○	○	○	○	○	○	●	●
ZEF 1044	R	C 22	●	R 57	R 58	R 145	R 30	●	●	●	●
ZEF 1044	R	C 22	●	R 57	R 58	R 145	R 30	●	●	●	●
ZEF 1044	R	C 22	●	R 57	R 58	R 145	R 30	●	●	●	●
ZEF 793	R	C 24	●	R 142	R 142	R 143	R 143	●	●	●	●
ZEF 1067	R	○	○	○	○	○	○	●	●	●	●
ZEF 813	R	C 23	●	R 144	R 144	R 145	R 145	●	●	●	●
ZEF 813	R	C 23	●	R 144	R 144	R 145	R 145	●	●	●	●
ZEF 793	R	C 24	●	R 142	R 142	R 143	R 143	●	●	●	●
ZEF 303	CU	○	○	○	○	○	○	●	●	●	●



kW



## PORSCHE

### 356, Coupe

B 1600 Super 90	1,6	66	01.59-12.63		4
-----------------	-----	----	-------------	--	---

C 1600 SC	1,6	70	01.63-12.65		4
-----------	-----	----	-------------	--	---

### 911

2.7	2,7	110	09.73-08.75		6
-----	-----	-----	-------------	--	---

2.7	2,7	121	09.75-06.77		6
-----	-----	-----	-------------	--	---

2.7 S Carrera	2,7	129	08.73-01.76	911.42/911.47/911.93/911.98	6
---------------	-----	-----	-------------	-----------------------------	---

3.0 SC Carrera	3,0	132	07.77-06.80	930.03/13	6
----------------	-----	-----	-------------	-----------	---

3.0 SC Carrera	3,0	138	09.79-06.80		6
----------------	-----	-----	-------------	--	---

3.0 SC	3,0	150	08.82-07.83		6
--------	-----	-----	-------------	--	---

3.2	3,2	160	08.86-08.89	930.25	6
-----	-----	-----	-------------	--------	---

3.2 (CH)	3,2	170	01.87-12.89	930.26	6
----------	-----	-----	-------------	--------	---

3.2 SC Carrera	3,2	170	08.83-12.84	930.20	6
----------------	-----	-----	-------------	--------	---

3.2 SC Carrera	3,2	170	01.85-12.85	930.20	6
----------------	-----	-----	-------------	--------	---

3.2 SC Carrera	3,2	170	01.86-12.86	930.20	6
----------------	-----	-----	-------------	--------	---

3.2 SC Carrera	3,2	170	01.87-08.89	930.20	6
----------------	-----	-----	-------------	--------	---

3.3 SC Turbo	3,3	221	09.77-06.87	930.60/930.66	6
--------------	-----	-----	-------------	---------------	---

3.3 Turbo	3,3	221	06.86-08.89	930.66	6
-----------	-----	-----	-------------	--------	---

3.3 Turbo S	3,3	243	09.86-11.90	930.60	6
-------------	-----	-----	-------------	--------	---

### 911 (964)

3.6 Carrera	3,6	184	07.89-09.93	M 64.01/M 64.02	6
-------------	-----	-----	-------------	-----------------	---

3.6 Carrera 4	3,6	184	12.88-09.93	M 64.01	6
---------------	-----	-----	-------------	---------	---

3.6 Turbo	3,6	265	01.93-09.93	M 64.50	6
-----------	-----	-----	-------------	---------	---

### 911 (993)

3.6 Carrera	3,6	200	10.93-08.95	M 64.05/M 64.06/M 64.07/M 64.08	6
-------------	-----	-----	-------------	---------------------------------	---

3.6 Carrera 4	3,6	200	07.94-08.95	M 64.05/M 64.07	6
---------------	-----	-----	-------------	-----------------	---

### 911 Cabriolet

3.0 SC	3,0	150	08.82-07.83		6
--------	-----	-----	-------------	--	---

3.1 SC Carrera	3,1	152	10.84-08.89	930.21	6
----------------	-----	-----	-------------	--------	---

3.1 Carrera Speedster	3,1	160	08.86-08.89	930.25	6
-----------------------	-----	-----	-------------	--------	---

3.1 SC Carrera	3,1	170	01.84-08.84	930.20	6
----------------	-----	-----	-------------	--------	---

3.1 Carrera Speedster	3,1	170	08.86-12.86	930.20	6
-----------------------	-----	-----	-------------	--------	---

3.1 Carrera Speedster	3,1	170	01.87-08.89	930.20	6
-----------------------	-----	-----	-------------	--------	---

### 911 Cabriolet (964)

3.6 Carrera 4	3,6	184	05.89-05.94	M 64.01	6
---------------	-----	-----	-------------	---------	---

3.6 Carrera	3,6	184	07.89-05.94	M 64.01/M 64.02	6
-------------	-----	-----	-------------	-----------------	---

### 911 Cabriolet (993)

3.6 Carrera	3,6	200	07.94-08.95	M 64.05/M 64.06/M 64.07/M 64.08	6
-------------	-----	-----	-------------	---------------------------------	---

3.6 Carrera 4	3,6	200	07.94-08.95	M 64.05/M 64.07	6
---------------	-----	-----	-------------	-----------------	---

### 911 Targa

2.7	2,7	110	09.73-08.75		6
-----	-----	-----	-------------	--	---

2.7	2,7	121	09.75-06.77		6
-----	-----	-----	-------------	--	---

2.7 S	2,7	129	08.73-01.76	911.42/911.47/911.93/911.98	6
-------	-----	-----	-------------	-----------------------------	---

3.0 SC Carrera	3,0	132	07.77-06.80	930.03/13	6
----------------	-----	-----	-------------	-----------	---

3.0 SC Carrera	3,0	138	09.79-06.80		6
----------------	-----	-----	-------------	--	---

### 912

1.6	1,6	66	01.65-12.69		4
-----	-----	----	-------------	--	---

### 912 Targa

1.6	1,6	66	03.65-02.70		4
-----	-----	----	-------------	--	---

### 914

1.7	1,7	59	01.69-12.73	W	4
-----	-----	----	-------------	---	---

1.8	1,8	63	08.73-02.76	AN	4
-----	-----	----	-------------	----	---

2.0	2,0	74	01.72-12.75	GB	4
-----	-----	----	-------------	----	---

/6 2.0	2,0	81	11.69-12.73	901.36/901.37	6
--------	-----	----	-------------	---------------	---

### 924

2.0	2,0	92	11.75-08.89	XJ	4
-----	-----	----	-------------	----	---

2.0 Turbo	2,0	125	11.78-06.80	M 31.01	4
-----------	-----	-----	-------------	---------	---

2.0 Turbo	2,0	130	06.80-10.86	M 31.03	4
-----------	-----	-----	-------------	---------	---

2.5 S	2,5	120	10.81-12.84	M 44.01/M 44.03	4
-------	-----	-----	-------------	-----------------	---

### 928

4.4	4,4	177	09.77-08.82		8
-----	-----	-----	-------------	--	---

4.6 S	4,6	221	09.79-07.83	M 28.11/M 28.12	8
-------	-----	-----	-------------	-----------------	---



= DIN



= M4

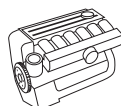


= SAE





kW



## PORSCHE

### 928

4.6 S	4,6	228	08.83-12.84	M 28.21/M 28.22	8
4.6 S	4,6	228	01.85-07.86	M 28.21/M 28.22	8
4.9 S,S4	4,9	235	06.86-12.86	M 28.41/M 28.42	8
4.9 S,S4	4,9	235	01.87-07.91	M 28.41/M 28.42	8
5.0 S4 KAT	4,9	235	08.86-07.91	M 28.41/M 28.42	8
5.0 GT	4,9	243	01.89-07.91	M 28.47	8

### 944

2.5	2,5	110	01.85-07.87	M 44.02/M 44.04/M 44.07/M 44.08	4
2.5	2,5	118	08.87-12.90	M 44.05/M 44.09/M 44.10	4
2.5	2,5	120	06.81-07.87	M 44.01/M 44.03/M 44.05/M 44.06	4
2.5 S	2,5	140	08.86-07.88	M 44.40	4
2.5 Turbo	2,5	162	08.85-07.88	M 44.50/M 44.51	4
2.5 Turbo	2,5	184	09.87-07.91	M 44.52	4
2.7	2,7	121	11.88-08.89	M 44.11/M 44.12	4
3.0 S2	3	155	12.88-07.91	M 44.41	4

### 944 Cabriolet

3.0 S2	3	155	12.88-07.91	M 44.41	4
--------	---	-----	-------------	---------	---

### 968

3.0	3	176	06.91-11.95	M 44.43/M 44.44	4
-----	---	-----	-------------	-----------------	---

### 968 Cabriolet

3.0	3	176	06.91-11.95	M 44.43/M 44.44	4
-----	---	-----	-------------	-----------------	---

## PROTON

### PERSONA 400

415 GLi/GLSi	1,5	66	01.94-	4G15	4
--------------	-----	----	--------	------	---

## PUCH

### G-MODELL (W 463)

G 500	5,0	218	04.98-	M 113.962	8
-------	-----	-----	--------	-----------	---

## RENAULT

### CLIO I

1.2	1,2	40	01.91-01.96	E7F 706	4
1.2	1,2	40	01.91-01.96	D7F 730	4
1.2	1,2	40	01.96-09.98	D7F 730	4
1.2	1,2	40	01.96-12.96	C3G 720	4
1.2	1,2	43	05.90-09.98	E7F 750/E7F 700/E7F 708	4
1.2	1,2	43	01.96-09.98	D7F 730	4
1.2	1,2	44	01.91-09.98	E7F 750	4
1.4	1,4	58	01.91-09.98	E7J 719 /E7J 718/E7J 754	4
1.4	1,4	59	01.91-09.98	E6J-E7J	4
1.8	1,8	65	08.94-09.98	F3P 710 /F3P 714	4
1.8	1,8	65	08.94-09.98	F3P 710 /F3P 714	4
1.8	1,8	66	08.94-09.98	F3P 754/F3P 755	4
1.8	1,8	66	08.94-09.98	F3P 754/F3P 755	4
1.8	1,8	70	04.94-09.98		4
1.8	1,8	70	04.94-09.98		4
1.8 Rsi	1,8	79	08.95-09.98	F3P 758	4
1.8 Rsi	1,8	79	08.95-09.98	F3P 758	4
1.8 Rsi	1,8	80	08.94-08.95	F3P 712	4
1.8 16V	1,8	99	08.91-06.94	F7P 722	4
2.0 Williams	2,0	108	01.94-09.98	F7R 700	4

### CLIO II

1.1	1,1	43	09.98-10.99	D7F 722/D7F 720	4
1.2	1,2	43	09.98-09.99	D7F 710/D7F 720/D7F 726	4
1.2	1,2	43	10.99-06.01	D7F	4
1.4	1,4	55	09.98-	E7J 780	4
1.6	1,6	66	09.98-	K7M 744/K7M 745	4

### CLIO III

1.2 16 V	1,2	55	06.05-	D4F	4
2.0 Sport	2,0	124-132	02.00-	F4R 730/738	4



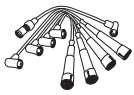
= DIN



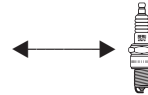
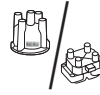
= M4



= SAE



Copper Cable  
Power Cable



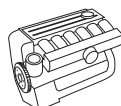
Zyl./Cyl./Cil.

				1	2	3	4	5	6	7	8
<b>ZE 905</b>	<b>CU</b>	○	○	○	○	○	○	○	○	○	○
<b>ZE 906</b>	<b>CU</b>	○	○	○	○	○	○	○	○	○	○
<b>ZE 907</b>	<b>CU</b>	○	○	○	○	○	○	○	○	○	○
<b>ZEF 586</b>	<b>R</b>	○	○	○	○	○	○	○	○	○	○
<b>ZEF 586</b>	<b>R</b>	○	○	○	○	○	○	○	○	○	○
<b>ZEF 586</b>	<b>R</b>	○	○	○	○	○	○	○	○	○	○
<b>ZE 566</b>	<b>CU</b>	○	○	○	○	○	○	●	●	●	●
<b>ZE 566</b>	<b>CU</b>	○	○	○	○	○	○	●	●	●	●
<b>ZE 566</b>	<b>CU</b>	○	○	○	○	○	○	●	●	●	●
<b>ZE 586</b>	<b>CU</b>	○	○	○	○	○	○	●	●	●	●
<b>ZE 566</b>	<b>CU</b>	○	○	○	○	○	○	●	●	●	●
<b>ZE 566</b>	<b>CU</b>	○	○	○	○	○	○	●	●	●	●
<b>ZE 566</b>	<b>CU</b>	○	○	○	○	○	○	●	●	●	●
<b>ZE 586</b>	<b>CU</b>	○	○	○	○	○	○	●	●	●	●
<b>ZE 586</b>	<b>CU</b>	○	○	○	○	○	○	●	●	●	●
<b>ZE 586</b>	<b>CU</b>	○	○	○	○	○	○	●	●	●	●
<b>ZEF 1363</b>	<b>CU</b>	○	○	○	○	○	○	●	●	●	●
<b>ZEF 1363</b>	<b>CU</b>	○	○	○	○	○	○	●	●	●	●
<b>ZEF 773</b>	<b>R</b>	<b>C 18</b>	<b>R 2</b>	<b>R 11</b>	<b>R 11</b>	<b>R 13</b>	<b>R 13</b>	●	●	●	●
<b>ZEF 1488</b>	<b>CU</b>	○	●	M 120 A/B	M 120 A/B	M 120 A/A	M 120 A/A	M 120 A/B	M 120 A/A	M 120 A/A	M 120 A/A
<b>ZEF 735</b>	<b>R</b>	<b>C 12</b>	<b>R 112 (S)</b>	<b>R 53</b>	<b>R 53</b>	<b>R 44</b>	<b>R 44</b>	●	●	●	●
<b>ZEF 1186</b>	<b>R</b>	<b>C 40</b>	●	<b>R 336</b>	<b>R 334</b>	<b>R 334</b>	<b>R 335</b>	●	●	●	●
<b>ZEF 1186</b>	<b>R</b>	<b>C 40</b>	●	<b>R 336</b>	<b>R 334</b>	<b>R 334</b>	<b>R 335</b>	●	●	●	●
<b>ZEF 1455</b>	<b>R</b>	○	●	○	○	○	○	●	●	●	●
<b>ZEF 735</b>	<b>R</b>	<b>C 12</b>	<b>R 112 (S)</b>	<b>R 53</b>	<b>R 53</b>	<b>R 44</b>	<b>R 44</b>	●	●	●	●
<b>ZEF 1186</b>	<b>R</b>	<b>C 40</b>	●	<b>R 336</b>	<b>R 334</b>	<b>R 334</b>	<b>R 335</b>	●	●	●	●
<b>ZEF 735</b>	<b>R</b>	<b>C 12</b>	<b>R 112 (S)</b>	<b>R 53</b>	<b>R 53</b>	<b>R 44</b>	<b>R 44</b>	●	●	●	●
<b>ZEF 735</b>	<b>R</b>	<b>C 12</b>	<b>R 112 (S)</b>	<b>R 53</b>	<b>R 53</b>	<b>R 44</b>	<b>R 44</b>	●	●	●	●
<b>ZEF 729</b>	<b>R</b>	○	<b>R 339</b>	<b>R 318</b>	<b>R 319</b>	<b>R 319</b>	<b>R 320</b>	●	●	●	●
<b>ZEF 1455</b>	<b>R</b>	○	●	○	○	○	○	●	●	●	●
<b>ZEF 729</b>	<b>R</b>	○	<b>R 339</b>	<b>R 318</b>	<b>R 319</b>	<b>R 319</b>	<b>R 320</b>	●	●	●	●
<b>ZEF 1455</b>	<b>R</b>	○	●	○	○	○	○	●	●	●	●
<b>ZEF 729</b>	<b>R</b>	○	<b>R 339</b>	<b>R 318</b>	<b>R 319</b>	<b>R 319</b>	<b>R 320</b>	●	●	●	●
<b>ZEF 1455</b>	<b>R</b>	○	●	○	○	○	○	●	●	●	●
<b>ZEF 729</b>	<b>R</b>	○	<b>R 339</b>	<b>R 318</b>	<b>R 319</b>	<b>R 319</b>	<b>R 320</b>	●	●	●	●
<b>ZEF 1455</b>	<b>R</b>	○	●	○	○	○	○	●	●	●	●
<b>ZEF 729</b>	<b>R</b>	○	<b>R 339</b>	<b>R 318</b>	<b>R 319</b>	<b>R 319</b>	<b>R 320</b>	●	●	●	●
<b>ZEF 1163</b>	<b>R</b>	○	<b>R 339</b>	<b>R 293</b>	<b>R 294</b>	<b>R 295</b>	<b>R 295</b>	●	●	●	●
<b>ZEF 1163</b>	<b>R</b>	○	<b>R 339</b>	<b>R 293</b>	<b>R 294</b>	<b>R 295</b>	<b>R 295</b>	●	●	●	●
<b>ZEF 1186</b>	<b>R</b>	<b>C 40</b>	●	<b>R 336</b>	<b>R 334</b>	<b>R 334</b>	<b>R 335</b>	●	●	●	●
<b>ZEF 1186</b>	<b>R</b>	<b>C 40</b>	●	<b>R 336</b>	<b>R 334</b>	<b>R 334</b>	<b>R 335</b>	●	●	●	●
<b>ZEF 1602</b>	<b>R</b>	○	●	○	○	○	○	●	●	●	●
<b>ZEF 1094</b>	<b>R</b>	<b>C 37</b>	●	<b>R 229</b>	<b>R 228</b>	<b>R 228</b>	<b>R 228</b>	●	●	●	●
<b>ZEF 1094</b>	<b>R</b>	<b>C 37</b>	●	<b>R 229</b>	<b>R 228</b>	<b>R 228</b>	<b>R 228</b>	●	●	●	●
<b>ZEF 1604</b>	<b>R</b>	○	●	○	○	○	○	●	●	●	●
<b>ZEF 1612</b>	<b>R</b>	○	●	○	○	○	○	●	●	●	●

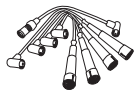




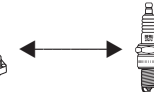
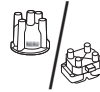
kW



<b>RENAULT</b>					
<b>ESPACE I</b>					
2.0	2,0	74	01.88-12.90	J6R 734	4
2.0	2,0	80	07.84-12.90	J6R 234/J6R 236	4
2.0 i	2,0	87	01.89-12.90	J7R 760	4
2.0 i	2,0	87	01.89-12.90	J7R 760	4
2.0 i Quadra	2,0	87	03.88-12.90	J7R 760	4
2.0 i Quadra	2,0	87	01.91-12.92	J7R 760	4
2.2	2,2	79	07.86-12.90	J7T 770	4
2.2 Quadra	2,2	79	01.88-12.90	J7T 770	4
<b>ESPACE II</b>					
2.0	2,0	76	01.91-10.96	J7R 768	4
2.2, 4x4	2,2	79	01.91-12.96	J7T 772/J7T 773/J7T 776	4
2.8 V6	2,8	110	01.91-10.96	Z7W	6
<b>ESPACE III</b>					
2.0	2,0	84	11.96-10.00	F3R 728/F3R 729/F3R 742/F3R 768/F3R 769	4
2.0	2,0	84	11.96-10.00	F3R 728/F3R 729/F3R 742/F3R 768/F3R 769 (SAE)	4
<b>ESTAFETTE</b>					
1.3	1,3	29	08.69-12.81		4
<b>FUEGO</b>					
1.4 TL/GTL	1,4	47	02.80-10.85	847 720	4
1.6 TS/GTS	1,6	71	10.80-10.85	843 723/843 724/A6M 725/A6M 726	4
2.0 TX/GTX	2,0	81	10.80-10.85	829 710/J6R 710/J6R 712/J6R 713/ J6R 715/J6R 726	4
<b>KANGOO</b>					
1.2	1,2	43	03.98-09.99	D7F 710/D7F 720/D7F 722/D7F 726/ D7F 744/D7F 746	4
1.2	1,2	43	10.99-06.01	D7F	4
1.2 16 V	1,2	55	06.08-	D4F	4
1.4	1,4	55	03.98-08.98	E7J 634/E7J 635/K7J 701/K7J700	4
1.4	1,4	55	09.98-	E7J 780	4
<b>KANGOO Rapid</b>					
1.2	1,2	43	03.98-09.99	D7F 710/D7F 720/D7F 722/D7F 726/ D7F 744/D7F 746	4
1.4	1,4	55	03.98-	E7J 634/E7J 635/E7J 780/K7J 701	4
<b>LAGUNA</b>					
1.8	1,8	66	08.95-03.01	F3P 678	4
1.8	1,8	66	08.95-03.01	F3P 670	4
1.8	1,8	66	08.95-03.01	F3P 670 (SAE)	4
1.8	1,8	66	11.93-03.01	F3P 724	4
1.8	1,8	66	11.93-03.01	F3P 720	4
1.8	1,8	69	08.95-03.01	F3P 720	4
1.8	1,8	69	08.95-03.01	F3P 724	4
2.0	2,0	80	03.99-03.01	F3R	4
2.0	2,0	80	03.99-03.01	F3R (SAE)	4
2.0	2,0	83	11.93-03.01	F3R 722/F3R 723	4
2.0 16V	2,0	102	06.95-03.01	N7Q 700/N7Q 704	4
<b>LAGUNA Grandtour</b>					
1.8	1,8	66	09.95-03.01	F3P 670/F3P 678	4
1.8	1,8	66	09.95-03.01	F3P670	4
1.8	1,8	66	09.95-03.01	F3P670 (SAE)	4
1.8	1,8	69	09.95-03.01	F3P 720/F3P 724	4
2.0	2,0	83	09.95-03.01	F3R 722/F3R 723	4
2.0 16V	2,0	102	09.95-03.01	N7Q 700/N7Q 704	4
<b>MEGANE Cabriolet</b>					
1.6 e	1,6	66	10.96-03.97	K7M 702/K7M 703	4
1.6 e	1,6	66	04.97-06.98	K7M 702/K7M 703	4
1.6 e	1,6	66	07.98-03.99	K7M 702/K7M 703	4
2.0 i	2,0	80	03.99-	F3R 791/F3R 796	4
2.0 i	2,0	80	03.99-	F3R 791/F3R 796 (SAE)	4
2.0	2,0	84	04.97-	F3R 750	4
2.0	2,0	84	04.97-	F3R 750 (SAE)	4



Copper Cable  
Power Cable

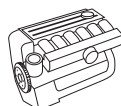


Zyl./Cyl./Cil.

				1	2	3	4	5	6	7	8
ZEF 798	R	○	R 22	R 61	R 61	R 70	R 62	●	●	●	●
ZEF 798	R	○	R 22	R 61	R 61	R 70	R 62	●	●	●	●
ZEF 798	R	○	R 22	R 61	R 61	R 70	R 62	●	●	●	●
ZEF 798	R	○	R 22	R 61	R 61	R 70	R 62	●	●	●	●
ZEF 798	R	○	R 22	R 61	R 61	R 70	R 62	●	●	●	●
ZEF 800	R	C 16	○	○	○	○	○	●	●	●	●
ZEF 798	R	○	R 22	R 61	R 61	R 70	R 62	●	●	●	●
ZEF 798	R	○	R 22	R 61	R 61	R 70	R 62	●	●	●	●
ZEF 800	R	C 16	○	○	○	○	○	●	●	●	●
ZEF 800	R	C 16	○	○	○	○	○	●	●	●	●
ZEF 1165	R	○	○	○	○	○	○	○	○	●	●
ZEF 1185	R	C 42	●	R 290	R 289	R 289	R 289	●	●	●	●
ZEF 1251	R	○	●	○	○	○	○	●	●	●	●
ZEF 796	R	C 3	R 18	R 4	R 4	R 4	R 4	●	●	●	●
○	R	○	R 18	R 48	R 48	R 48	R 48	●	●	●	●
○	R	○	R 5	R 4	R 4	R 4	R 4	●	●	●	●
ZEF 761	R	○	R 5	R 62	R 62	R 70	R 61	●	●	●	●
ZEF 1186	R	C 40	●	R 336	R 334	R 334	R 335	●	●	●	●
ZEF 1602	R	○	●	○	○	○	○	●	●	●	●
ZEF 1604	R	○	●	○	○	○	○	●	●	●	●
ZEF 735	R	C 12	R 112 (S)	R 53	R 53	R 44	R 44	●	●	●	●
ZEF 1094	R	C 37	●	R 229	R 228	R 228	R 228	●	●	●	●
ZEF 1186	R	C 40	●	R 336	R 334	R 334	R 335	●	●	●	●
ZEF 1094	R	C 37	●	R 229	R 228	R 228	R 228	●	●	●	●
ZEF 731	R	C 36	●	R 315	R 316	R 316	R 317	●	●	●	●
ZEF 1185	R	C 42	●	R 290	R 289	R 289	R 289	●	●	●	●
ZEF 1251	R	○	●	○	○	○	○	●	●	●	●
○	R	○	R 69	R 137	R 137	R 137	R 138	●	●	●	●
ZEF 731	R	C 36	●	R 315	R 316	R 316	R 317	●	●	●	●
ZEF 731	R	C 36	●	R 315	R 316	R 316	R 317	●	●	●	●
ZEF 799	R	○	●	R 137	R 137	R 138	R 138	●	●	●	●
ZEF 1185	R	C 42	●	R 290	R 289	R 289	R 289	●	●	●	●
ZEF 1251	R	○	●	○	○	○	○	●	●	●	●
ZEF 731	R	C 36	●	R 315	R 316	R 316	R 317	●	●	●	●
ZEF 1232	R	C 41	●	R 333	R 332	R 332	R 333	●	●	●	●
ZEF 731	R	C 36	●	R 315	R 316	R 316	R 317	●	●	●	●
ZEF 1185	R	C 42	●	R 290	R 289	R 289	R 289	●	●	●	●
ZEF 1251	R	○	●	○	○	○	○	●	●	●	●
ZEF 731	R	C 36	●	R 315	R 316	R 316	R 317	●	●	●	●
ZEF 1232	R	C 41	●	R 333	R 332	R 332	R 333	●	●	●	●
ZEF 1113	R	C 39	●	R 234	R 234	R 234	R 233	●	●	●	●
ZEF 1094	R	C 37	●	R 229	R 228	R 228	R 228	●	●	●	●
ZEF 1128	R	C 38	●	R 230	R 231	R 232	R 232	●	●	●	●
ZEF 1185	R	C 42	●	R 290	R 289	R 289	R 289	●	●	●	●
ZEF 1251	R	○	●	○	○	○	○	●	●	●	●
ZEF 1185	R	C 42	●	R 290	R 289	R 289	R 289	●	●	●	●
ZEF 1251	R	○	●	○	○	○	○	●	●	●	●



kW



## RENAULT

### MEGANE Classic

1.4	1,4	55	09.96-	E7J 626/E7J 764	4
1.6 e	1,6	66	09.96-03.97	K7M 702/K7M 703/K7M 790	4
1.6 e	1,6	66	04.97-06.98	K7M 702/K7M 703/K7M 790	4
1.6 e	1,6	66	07.98-03.99	K7M 702/K7M 703/K7M 790	4
1.6 i	1,6	55	09.96-03.97	K7M 720	4
1.6 i	1,6	55	04.97-06.98	K7M 720	4
1.6 i	1,6	55	07.98-03.99	K7M 720	4
2.0 i	2,0	80	03.99-	F3R (M4)	4
2.0 i	2,0	80	03.99-	F3R (SAE)	4
2.0 i	2,0	84	09.96-	F3R 750/F3R 751 (M4)	4
2.0 i	2,0	84	09.96-	F3R 750/F3R 751 (SAE)	4

### MEGANE Coach

1.6 e	1,6	66	09.96-03.97	K7M 702/K7M 703	4
1.6 e	1,6	66	04.97-06.98	K7M 702/K7M 703	4
1.6 e	1,6	66	07.98-03.99	K7M 702/K7M 703	4
2.0 i	2,0	80	03.99-	F3R (M4)	4
2.0 i	2,0	80	03.99-	F3R (SAE)	4
2.0 i	2,0	84	03.96-08.96	F3R 750/F3R 751 (M4)	4
2.0 i	2,0	84	09.96-	F3R 750/F3R 751 (SAE)	4

### MEGANE Grandtour

1.4 e	1,4	55	03.99-	E7J 626	4
1.6 e	1,6	66	03.99-	K7M 702/K7M 703	4

### MEGANE I

1.4 e	1,4	55	01.96-	E7J 626/E7J 764	4
1.4 Eco	1,4	52	01.96-03.99	E7J 624	4
1.6 i	1,6	55	09.96-03.97	K7M 720	4
1.6 i	1,6	55	04.97-06.98	K7M 720	4
1.6 i	1,6	55	07.98-03.99	K7M 720	4
1.6 e	1,6	66	09.96-03.97	K7M 702/K7M 703/K7M 790	4
1.6 e	1,6	66	04.97-06.98	K7M 702/K7M 703/K7M 790	4
1.6 e	1,6	66	07.98-03.99	K7M 702/K7M 703/K7M 790	4
2.0 i	2,0	80	03.99-	F3R (M4)	4
2.0 i	2,0	80	03.99-	F3R (SAE)	4
2.0 i	2,0	84	01.96-	F3R 750/F3R 751 (M4)	4
2.0 i	2,0	84	01.96-	F3R 750/F3R 751 (SAE)	4

### MEGANE Scenic

1.4 i	1,4	55	01.97-09.99	E7J 764	4
1.6 i	1,6	55	09.96-03.97	K7M 720	4
1.6 i	1,6	55	04.97-06.98	K7M 720	4
1.6 i	1,6	55	07.98-03.99	K7M 720	4
1.6 e	1,6	66	09.96-03.97	K7M 702/K7M 703	4
1.6 e	1,6	66	04.97-06.98	K7M 702/K7M 703	4
1.6 e	1,6	66	07.98-03.99	K7M 702/K7M 703	4
2.0 i	2,0	80	01.99-09.99	F3R 796 (M4)	4
2.0 i	2,0	80	01.99-09.99	F3R 796 (SAE)	4
2.0 i	2,0	84	01.97-09.99	F3R 750/F3R 751 (M4)	4
2.0 i	2,0	84	01.97-09.99	F3R 750/F3R 751 (SAE)	4

### R 4

0.8	0,8	19	10.62-09.83	800/800 705	4
0.8	0,8	21	10.83-12.85	800 705/B1B 707	4
0.8	0,8	21	01.86-10.88	800 705/B1B 707	4
0.8	0,8	25	10.83-12.85	800 01	4
0.8	0,8	25	01.86-10.88	800 01	4
1.1	1,1	25	10.83-12.85	688 712/C1E 714/C1E 719	4
1.1	1,1	25	01.86-10.88	688 712/C1E 714/C1E 719	4
1.1	1,1	26	07.82-12.85	C1E 718/C1E 719	4
1.1	1,1	26	01.86-05.89	C1E 718/C1E 719	4

### R 5

0.8	0,8	26	10.72-08.84	800 710	4
0.8	0,8	27	01.82-12.84	800 710	4
1.0	1,0	32	01.72-12.85	689 710	4



= DIN



= M4

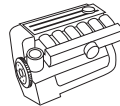


= SAE





kW



## RENAULT

<b>R 5</b>					
1.1	1,1	33	09.80-12.85	688 713/C1E 726	4
1.3	1,3	31	09.76-09.79	810 726	4
1.3	1,3	32	03.76-08.82	810 726	4
1.3	1,3	33	06.79-09.84	810 719	4
1.3 Automatik	1,3	40	06.79-09.84	810 729	4
1.3	1,3	47	09.75-09.84	810 725	4
1.4 Alpine Turbo	1,4	79	10.81-01.85	840 726/C6J 750	4
<b>R 5 SUPER 5</b>					
1.0	1,0	30	10.84-10.88	C1C 700	4
1.1	1,1	33	01.86-03.95	C1E 750/C1E 752/C1E 756/C1E 760	4
1.1	1,1	34	10.84-10.88	C1E 750/C1E 752/C1E 754	4
1.2	1,2	40	01.87-08.90	C1G 702/C1G 720/C1G 722	4
1.4	1,4	43	10.84-06.88	C1J 768/C1J 780	4
1.4 KAT	1,4	43	10.85-12.96	C3J 700/C3J 702/C3J 760	4
1.4 KAT	1,4	43	10.85-12.96	C3J 700/C3J 702/C3J 760	4
1.4	1,4	44	06.87-08.90	C2J 784	4
1.4	1,4	44	06.87-08.90	C2J 784	4
1.4	1,4	49	06.87-07.89	C2J 782	4
1.4	1,4	49	06.87-07.89	C2J 782	4
1.4	1,4	52	10.84-07.89	C2J 700/C2J 780/C2J 781/C2J 788/ C2J 789/C2J 798	4
1.4	1,4	52	10.84-07.89	C2J 700/C2J 780/C2J 781/C2J 788/ C2J 789/C2J 798	4
1.4 Turbo	1,4	88	04.85-08.90	C1J 782/C1J 784/C1J 788	4
1.7	1,7	54	01.88-03.95	F3N 716 /F3N 717	4
1.7	1,7	64	06.87-03.95	F2N 740/F2N 742	4
1.7 i	1,7	69	01.88-08.91	F3N 702/F3N 722	4
<b>R 6</b>					
0.8	0,8	25	10.69-04.80		4
1.1	1,1	33	08.70-08.80		4
1.1	1,1	35	07.71-04.80		4
<b>R 8</b>					
1.1	1,1	33	11.62-10.72		4
<b>R 9</b>					
1.1	1,1	35	09.81-05.87	C1E 715/C1E 720	4
1.2	1,2	40	09.85-12.88	C1G 700/C1G 710	4
1.4	1,4	44	12.81-12.88	C1J 715/C1J 792/C1J 796/C2J 730	4
1.4	1,4	44	12.81-12.88	C1J 715/C1J 792/C1J 796/C2J 730	4
1.4	1,4	49	09.85-12.88	C2J 720/C2J 766/C2J 767/C2J 768	4
1.4	1,4	49	09.85-12.88	C2J 720/C2J 766/C2J 767/C2J 768	4
1.4 Automatik	1,4	50	09.81-12.85	C2J 718/C2J 757	4
1.4 Automatik	1,4	50	09.81-12.85	C2J 718/C2J 757	4
1.4	1,4	53	09.81-12.85	C2J 717/C2J 755	4
1.4	1,4	53	09.81-12.85	C2J 717/C2J 755	4
1.4 Turbo	1,4	77	04.84-12.86	C1J 760/C1J 764	4
1.4 Turbo	1,4	77	04.84-12.86	C1J 760/C1J 764	4
1.4 Turbo	1,4	85	12.86-12.89	C1J 760/C1J 764	4
1.4 Turbo	1,4	85	12.86-12.89	C1J 760/C1J 764	4
1.7	1,7	55	10.86-12.88	F2N 730	4
1.7	1,7	59	09.84-12.88	F2N 700/F2N 704	4
1.7	1,7	65	10.86-12.88	F2N 708/F2N 710/F2N 798	4
<b>R 10</b>					
1.1	1,1	33	05.66-10.72		4
1.3	1,3	35	07.69-10.72		4
<b>R 11</b>					
1.1	1,1	35	03.83-06.86	C1E 715/C1E 720	4
1.2	1,2	40	10.84-12.88	C1G 700/C1G 710	4
1.4	1,4	44	03.83-12.88	C1J 715/C2J 730	4
1.4	1,4	49	03.83-12.88	C2J 720/C2J 766/C2J 767/C2J 768	4
1.4	1,4	49	03.83-12.88	C2J 720/C2J 766/C2J 767/C2J 768	4
1.4	1,4	50	03.83-12.85	C2J 718/C2J 757	4



= DIN



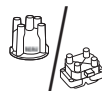
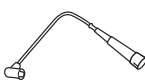
= M4



= SAE



Copper Cable  
Power Cable

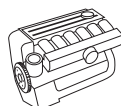


Zyl./Cyl./Cil.

				1	2	3	4	5	6	7	8
ZEF 759	R	C 6	R 35	R 4	R 4	R 7	R 7	●	●	●	●
ZEF 759	R	C 6	R 35	R 4	R 4	R 7	R 7	●	●	●	●
ZEF 759	R	C 6	R 35	R 4	R 4	R 7	R 7	●	●	●	●
ZEF 759	R	C 6	R 35	R 4	R 4	R 7	R 7	●	●	●	●
ZEF 759	R	C 6	R 35	R 4	R 4	R 7	R 7	●	●	●	●
ZEF 759	R	C 6	R 35	R 4	R 4	R 7	R 7	●	●	●	●
○	R	○	R 18	R 48	R 48	R 48	R 48	●	●	●	●
ZEF 796	R	C 3	R 18	R 4	R 4	R 4	R 4	●	●	●	●
ZEF 796	R	C 3	R 18	R 4	R 4	R 4	R 4	●	●	●	●
ZEF 796	R	C 3	R 18	R 4	R 4	R 4	R 4	●	●	●	●
ZEF 797	R	C 8	R 22	R 4	R 4	R 4	R 4	●	●	●	●
ZEF 797	R	C 8	R 22	R 4	R 4	R 4	R 4	●	●	●	●
○	R	○	R 22	R 3	R 4	R 4	R 4	●	●	●	●
ZEF 1391	R	○	R 53	R 53	R 53	R 44	R 44	●	●	●	●
○	R	○	R 22	R 3	R 4	R 4	R 4	●	●	●	●
ZEF 1391	R	○	R 53	R 53	R 53	R 44	R 44	●	●	●	●
○	R	○	R 22	R 3	R 4	R 4	R 4	●	●	●	●
ZEF 1391	R	○	R 53	R 53	R 53	R 44	R 44	●	●	●	●
○	R	○	R 22	R 3	R 4	R 4	R 4	●	●	●	●
ZEF 1391	R	○	R 53	R 53	R 53	R 44	R 44	●	●	●	●
ZEF 797	R	C 8	R 22	R 4	R 4	R 4	R 4	●	●	●	●
ZEF 733	R	C 14	R 340	R 137	R 138	R 138	R 138	●	●	●	●
ZEF 733	R	C 14	R 340	R 137	R 138	R 138	R 138	●	●	●	●
ZEF 733	R	C 14	R 340	R 137	R 138	R 138	R 138	●	●	●	●
ZEF 758	R	C 6	R 19	R 3	R 4	R 4	R 4	●	●	●	●
ZEF 758	R	C 6	R 19	R 3	R 4	R 4	R 4	●	●	●	●
ZEF 758	R	C 6	R 19	R 3	R 4	R 4	R 4	●	●	●	●
ZEF 796	R	C 3	R 18	R 4	R 4	R 4	R 4	●	●	●	●
ZEF 796	R	C 3	R 18	R 4	R 4	R 4	R 4	●	●	●	●
ZEF 734	R	C 10	R 43	R 4	R 4	R 4	R 4	●	●	●	●
ZEF 796	R	C 3	R 18	R 4	R 4	R 4	R 4	●	●	●	●
ZEF 734	R	C 10	R 43	R 4	R 4	R 4	R 4	●	●	●	●
ZEF 796	R	C 3	R 18	R 4	R 4	R 4	R 4	●	●	●	●
ZEF 734	R	C 10	R 43	R 4	R 4	R 4	R 4	●	●	●	●
ZEF 796	R	C 3	R 18	R 4	R 4	R 4	R 4	●	●	●	●
ZEF 734	R	C 10	R 43	R 4	R 4	R 4	R 4	●	●	●	●
ZEF 796	R	C 3	R 18	R 4	R 4	R 4	R 4	●	●	●	●
ZEF 734	R	C 10	R 43	R 4	R 4	R 4	R 4	●	●	●	●
ZEF 796	R	C 3	R 18	R 4	R 4	R 4	R 4	●	●	●	●
ZEF 799	R	○	●	R 137	R 137	R 138	R 138	●	●	●	●
ZEF 799	R	○	●	R 137	R 137	R 138	R 138	●	●	●	●
ZEF 799	R	○	●	R 137	R 137	R 138	R 138	●	●	●	●
ZEF 758	R	C 6	R 19	R 3	R 4	R 4	R 4	●	●	●	●
ZEF 758	R	C 6	R 19	R 3	R 4	R 4	R 4	●	●	●	●
ZEF 734	R	C 10	R 43	R 4	R 4	R 4	R 4	●	●	●	●
ZEF 734	R	C 10	R 43	R 4	R 4	R 4	R 4	●	●	●	●
ZEF 796	R	C 3	R 18	R 4	R 4	R 4	R 4	●	●	●	●
ZEF 734	R	C 10	R 43	R 4	R 4	R 4	R 4	●	●	●	●
ZEF 796	R	C 3	R 18	R 4	R 4	R 4	R 4	●	●	●	●



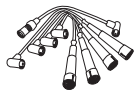
kW



## RENAULT

RENAULT					
<b>R 11</b>					
1.4	1,4	50	03.83-12.85	C2J 718/C2J 757	4
1.4	1,4	53	05.83-12.85	C2J 717/C2J 755	4
1.4	1,4	53	05.83-12.85	C2J 717/C2J 755	4
1.4 Turbo	1,4	77	04.84-12.86	C1J 760/C1J 764	4
1.4 Turbo	1,4	85	10.86-12.88	C1J 770/C1J 782	4
1.7	1,7	54	10.86-12.88	F2N 730	4
1.7	1,7	59	10.83-12.87	F2N 700/F2N 704	4
1.7	1,7	64	06.87-12.88	F2N 732/F2N 742	4
1.7	1,7	65	10.86-12.88	F2N 708/F2N 710/F2N 798	4
<b>R 12, Variable</b>					
1.3	1,3	37	07.75-04.80	810-02	4
1.3	1,3	40	10.69-08.80	810-02/97	4
1.3	1,3	44	08.72-08.80	810-06	4
<b>R 14</b>					
1.2	1,2	42	05.76-01.80	129	4
1.2	1,2	43	01.80-12.83	129	4
1.4	1,4	44	12.81-12.83	X5J	4
1.4	1,4	52	09.79-06.83	150	4
<b>R 15</b>					
1.3	1,3	44	03.72-10.80		4
<b>R 16</b>					
1.6 TL	1,6	40	07.75-08.80	821	4
1.6 TL	1,6	48	01.71-08.80	821	4
1.6 TS	1,6	61	09.68-08.80	807	4
1.6 TX	1,6	68	06.74-08.80	843	4
<b>R 18, Variable</b>					
1.4	1,4	47	04.78-12.79	847 720/847 722	4
1.6	1,6	54	04.82-07.86	841 717/A2M 723	4
1.6	1,6	58	04.78-09.82	841 725/841 726	4
1.6 Turbo	1,6	92	10.82-07.86	A5L 717/A5L 718	4
2.0	2,0	77	05.82-07.86	J6R 716	4
<b>R 19 I</b>					
1.4	1,4	43	01.89-04.92	C3J 710	4
1.4	1,4	43	01.89-04.92	C3J 710	4
1.4	1,4	43	01.89-12.89	C2J 772	4
1.4	1,4	43	01.89-12.89	C2J 772	4
1.7	1,7	55-68	01.89-12.90	F2N	4
1.7	1,7	54	09.88-04.92	F3N 740/F3N 741	4
1.7	1,7	66	09.88-04.92	F3N 742/F3N 743	4
1.8 16V	1,8	99	06.89-04.92	F7P 704	4
<b>R 19 I Cabriolet</b>					
1.7	1,7	70	07.91-04.92	F3N 742/F3N 743	4
1.8 16V	1,8	101	07.91-04.92	F7P 704	4
<b>R 19 I Chamade</b>					
1.4	1,4	43	07.88-04.92	C2J 772/C3J 710	4
1.4	1,4	43	07.88-04.92	C2J 772/C3J 710	4
1.7	1,7	54	10.89-04.92	F3N 740/F3N 741	4
1.7	1,7	66	07.88-04.92	F3N 742/F3N 743	4
1.8 16V	1,8	99	10.89-04.92	F7P 704	4
<b>R 19 II</b>					
1.4	1,4	43	04.92-12.95	C3J 710	4
1.4	1,4	43	04.92-12.95	C3J 710	4
1.4	1,4	55	01.92-12.95	E7J 742	4
1.7	1,7	54	04.92-12.95	F3N 740/F3N 741	4
1.8	1,8	65	04.92-12.95	F3P 706/F3P 707/F3P 708/F3P 760	4
1.8	1,8	66	04.92-12.95	F3P 706/F3P 760	4
1.8	1,8	79	05.94-12.95	F3P 682/F3P 765	4
1.8	1,8	81	04.92-05.94	F3P 700	4
1.8 16V	1,8	99	04.92-12.95	F7P 704	4
<b>R 19 II Cabriolet</b>					
1.7	1,7	66	04.92-09.93	F3N 742/F3N 743	4





Copper Cable  
Power Cable



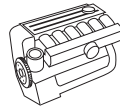
Zyl./Cyl./Cil.

				1	2	3	4	5	6	7	8
ZEF 796	R	C 3	R 18	R 4	R 4	R 4	R 4	●	●	●	●
ZEF 734	R	C 10	R 43	R 4	R 4	R 4	R 4	●	●	●	●
ZEF 796	R	C 3	R 18	R 4	R 4	R 4	R 4	●	●	●	●
ZEF 734	R	C 10	R 43	R 4	R 4	R 4	R 4	●	●	●	●
ZEF 734	R	C 10	R 43	R 4	R 4	R 4	R 4	●	●	●	●
ZEF 799	R	○	●	R 137	R 137	R 138	R 138	●	●	●	●
ZEF 799	R	○	●	R 137	R 137	R 138	R 138	●	●	●	●
ZEF 799	R	○	●	R 137	R 137	R 138	R 138	●	●	●	●
ZEF 799	R	○	●	R 137	R 137	R 138	R 138	●	●	●	●
ZEF 758	R	C 6	R 19	R 3	R 4	R 4	R 4	●	●	●	●
ZEF 758	R	C 6	R 19	R 3	R 4	R 4	R 4	●	●	●	●
ZEF 758	R	C 6	R 19	R 3	R 4	R 4	R 4	●	●	●	●
ZEF 763	R	C 1	R 18	R 133	R 133	R 132	R 132	●	●	●	●
ZEF 763	R	C 1	R 18	R 133	R 133	R 132	R 132	●	●	●	●
ZEF 763	R	C 1	R 18	R 133	R 133	R 132	R 132	●	●	●	●
ZEF 763	R	C 1	R 18	R 133	R 133	R 132	R 132	●	●	●	●
ZEF 758	R	C 6	R 19	R 3	R 4	R 4	R 4	●	●	●	●
ZEF 758	R	C 6	R 19	R 3	R 4	R 4	R 4	●	●	●	●
ZEF 758	R	C 6	R 19	R 3	R 4	R 4	R 4	●	●	●	●
○	R	○	R 18	R 48	R 48	R 48	R 48	●	●	●	●
○	R	○	R 18	R 48	R 48	R 48	R 48	●	●	●	●
ZEF 760	R	○	R 19	R 4	R 4	R 70	R 7	●	●	●	●
ZEF 796	R	C 3	R 18	R 4	R 4	R 4	R 4	●	●	●	●
ZEF 796	R	C 3	R 18	R 4	R 4	R 4	R 4	●	●	●	●
ZEF 760	R	○	R 19	R 4	R 4	R 70	R 7	●	●	●	●
ZEF 761	R	○	R 5	R 62	R 62	R 70	R 61	●	●	●	●
○	R	○	R 22	R 3	R 4	R 4	R 4	●	●	●	●
ZEF 1391	R	○	R 53	R 53	R 53	R 44	R 44	●	●	●	●
○	R	○	R 22	R 3	R 4	R 4	R 4	●	●	●	●
ZEF 1391	R	○	R 53	R 53	R 53	R 44	R 44	●	●	●	●
ZEF 814	R	C 14	R 113 (S)	R 137	R 137	R 138	R 138	●	●	●	●
ZEF 733	R	C 14	R 340	R 137	R 138	R 138	R 138	●	●	●	●
ZEF 738	R	C 25	R 112 (S)	R 71	R 72	R 72	R 73	●	●	●	●
ZEF 1163	R	○	R 339	R 293	R 294	R 295	R 295	●	●	●	●
ZEF 738	R	C 25	R 112 (S)	R 71	R 72	R 72	R 73	●	●	●	●
ZEF 1163	R	○	R 339	R 293	R 294	R 295	R 295	●	●	●	●
○	R	○	R 22	R 3	R 4	R 4	R 4	●	●	●	●
ZEF 1391	R	○	R 53	R 53	R 53	R 44	R 44	●	●	●	●
ZEF 733	R	C 14	R 340	R 137	R 138	R 138	R 138	●	●	●	●
ZEF 738	R	C 25	R 112 (S)	R 71	R 72	R 72	R 73	●	●	●	●
ZEF 1163	R	○	R 339	R 293	R 294	R 295	R 295	●	●	●	●
○	R	○	R 22	R 3	R 4	R 4	R 4	●	●	●	●
ZEF 1391	R	○	R 53	R 53	R 53	R 44	R 44	●	●	●	●
ZEF 735	R	C 12	R 112 (S)	R 53	R 53	R 44	R 44	●	●	●	●
ZEF 799	R	○	●	R 137	R 137	R 138	R 138	●	●	●	●
ZEF 729	R	○	R 339	R 318	R 319	R 319	R 320	●	●	●	●
ZEF 729	R	○	R 339	R 318	R 319	R 319	R 320	●	●	●	●
ZEF 729	R	○	R 339	R 318	R 319	R 319	R 320	●	●	●	●
ZEF 729	R	○	R 339	R 318	R 319	R 319	R 320	●	●	●	●
ZEF 1163	R	○	R 339	R 293	R 294	R 295	R 295	●	●	●	●
ZEF 738	R	C 25	R 112 (S)	R 71	R 72	R 72	R 73	●	●	●	●





kW



## RENAULT

### R 19 II Cabriolet

1.8	1,8	65	04.92-06.96	F3P 704/F3P 705/F3P 706/F3P 707/ F3P 708/F3P 760	4
1.8	1,8	66	09.93-06.96	F3P 706/F3P 760	4
1.8	1,8	79	07.94-06.96	F3P 682/F3P 764/F3P 765	4
1.8 16V	1,8	99	04.92-06.96	F7P 704	4

### R 19 II Chamade

1.4	1,4	43	04.92-12.95	C3J 710	4
1.4	1,4	43	04.92-12.95	C3J 710	4
1.4	1,4	55	11.93-12.95	E7J 742	4
1.7	1,7	54	04.92-12.95	F3N 740/F3N 741	4
1.7	1,7	66	04.92-12.95	F3N 743/F3N 742	4
1.8	1,8	65	04.92-12.95	F3P 704/F3P 705/F3P 706/F3P 707/ F3P 708/F3P 760	4
1.8	1,8	66	04.92-12.95	F3P 706/F3P 760	4
1.8	1,8	79	05.94-12.95	F3P 682	4
1.8	1,8	81	04.92-05.94	F3P 700	4
1.8 16V	1,8	99	04.92-12.95	F7P 704	4

### R 20

2.0	2,0	76	10.80-12.83	829 702/829 703	4
2.0	2,0	80	10.77-10.80	829 700/829 701	4
2.2	2,2	85	10.80-12.83	851 700	4

### R 21, Kombi

1.7	1,7	54	05.88-12.90	F3N 726	4
1.7, KAT	1,7	54	01.91-06.93	F3N 726	4
1.7	1,7	54	06.86-12.89	F2N 750	4
1.7	1,7	55	06.86-03.93	F2N 712	4
1.7	1,7	64	06.87-04.89	F2N 752	4
1.7	1,7	65	10.86-03.93	F2N 710	4
1.7	1,7	66	09.89-12.90	F3N 722/F3N 723	4
1.7	1,7	66	01.91-06.94	F3N 722/F3N 723	4
1.7	1,7	69	06.86-02.94	F3N 723/F3N 722	4
2.0	2,0	85	06.86-12.88	J7R 750/J7R 751	4
2.0, 4x4	2,0	99	09.90-10.92	J7R 740	4
2.0, 4x4	2,0	99	09.90-06.94	J7R 740	4
2.0 Turbo	2,0	119	02.90-10.92	J7R 756	4
2.0 Turbo	2,0	129	04.87-07.89	J7R 752	4
2.0 Turbo 4x4	2,0	129	08.89-10.93	J7R 752	4
2.2, 4x4	2,2	79	06.86-06.94	J7T 754/J7T 755	4

### R 25

2.0	2,0	74	04.84-12.92	J6R 706/J6R 707/J6R 760/J6R 762/J6R 763	4
2.0 12V	2,0	99	06.89-12.92	J7R 726	4
2.2	2,2	76	11.85-03.89		4
2.2	2,2	79	09.86-12.92	J7T 708/J7T 732 /J7T 733	4
2.2	2,2	89	04.84-12.89	J7T 706/J7T 707/J7T 714/J7T 715	4
2.2	2,2	91	04.84-12.89	J7T 730/J7T 731	4
2.8 V6 Injection	2,8	110	06.87-12.92	Z7W 706/Z7W 707/Z7W 709	6
2.8 V6	2,8	115	06.87-02.90	Z7W 700	6

### RAPID Kasten

1.1	1,1	33	07.85-04.95	C1E 750/C1E 752/C1E 754/C1E 760/ C1E 762/C1E 792	4
1.1	1,1	33	07.85-04.95	C1E 750/C1E 752/C1E 754/C1E 760/ C1E 762/C1E 792	4
1.1	1,1	33	06.87-09.91	C1E 756	4
1.1	1,1	33	06.87-09.91	C1E 756	4
1.2	1,2	40	09.91-03.98	C3G 710/C3G 712	4
1.4	1,4	43	07.85-08.91	C1J 768/C1J 780	4
1.4	1,4	43	07.85-08.91	C1J 768/C1J 780	4
1.4 KAT	1,4	43	08.88-03.98	C3J 700/C3J 702/C3J 760/C3J 762	4
1.4 KAT	1,4	43	08.88-03.98	C3J 700/C3J 702/C3J 760/C3J 762	4
1.4	1,4	43	07.85-08.91	C1J 768/C1J 780	4
1.4	1,4	44	03.86-08.91	C2J 784	4



= DIN



= M4



= SAE



Copper Cable  
Power Cable

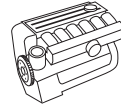


Zyl./Cyl./Cil.

				1	2	3	4	5	6	7	8
ZEF 729	R	○	R 339	R 318	R 319	R 319	R 320	●	●	●	●
ZEF 729	R	○	R 339	R 318	R 319	R 319	R 320	●	●	●	●
ZEF 729	R	○	R 339	R 318	R 319	R 319	R 320	●	●	●	●
ZEF 1163	R	○	R 339	R 293	R 294	R 295	R 295	●	●	●	●
○	R	○	R 22	R 3	R 4	R 4	R 4	●	●	●	●
ZEF 1391	R	○	R 53	R 53	R 53	R 44	R 44	●	●	●	●
ZEF 735	R	C 12	R 112 (S)	R 53	R 53	R 44	R 44	●	●	●	●
ZEF 799	R	○	●	R 137	R 137	R 138	R 138	●	●	●	●
ZEF 738	R	C 25	R 112 (S)	R 71	R 72	R 72	R 73	●	●	●	●
ZEF 729	R	○	R 339	R 318	R 319	R 319	R 320	●	●	●	●
ZEF 729	R	○	R 339	R 318	R 319	R 319	R 320	●	●	●	●
ZEF 729	R	○	R 339	R 318	R 319	R 319	R 320	●	●	●	●
ZEF 1163	R	○	R 339	R 293	R 294	R 295	R 295	●	●	●	●
ZEF 761	R	○	R 5	R 62	R 62	R 70	R 61	●	●	●	●
ZEF 761	R	○	R 5	R 62	R 62	R 70	R 61	●	●	●	●
ZEF 761	R	○	R 5	R 62	R 62	R 70	R 61	●	●	●	●
ZEF 732	R	○	R 113 (S)	R 71	R 72	R 72	R 73	●	●	●	●
ZEF 730	R	○	R 114 (S)	R 137	R 138	R 72	R 73	●	●	●	●
ZEF 733	R	C 14	R 340	R 137	R 137	R 138	R 138	●	●	●	●
ZEF 733	R	C 14	R 340	R 137	R 137	R 138	R 138	●	●	●	●
ZEF 733	R	C 14	R 340	R 137	R 137	R 138	R 138	●	●	●	●
ZEF 733	R	C 14	R 340	R 137	R 137	R 138	R 138	●	●	●	●
ZEF 732	R	○	R 113 (S)	R 71	R 72	R 72	R 73	●	●	●	●
ZEF 730	R	○	R 114 (S)	R 137	R 138	R 72	R 73	●	●	●	●
ZEF 732	R	○	R 113 (S)	R 71	R 72	R 72	R 73	●	●	●	●
ZEF 800	R	C 16	○	○	○	○	○	●	●	●	●
ZEF 736	R	C 26	R 340	R 64	R 64	R 68	R 68	●	●	●	●
ZEF 800	R	C 16	○	○	○	○	○	●	●	●	●
ZEF 736	R	C 26	R 340	R 64	R 64	R 68	R 68	●	●	●	●
ZEF 800	R	C 16	○	○	○	○	○	●	●	●	●
ZEF 798	R	○	R 22	R 61	R 61	R 70	R 62	●	●	●	●
ZEF 800	R	C 16	○	○	○	○	○	●	●	●	●
ZEF 800	R	C 16	○	○	○	○	○	●	●	●	●
ZEF 800	R	C 16	○	○	○	○	○	●	●	●	●
ZEF 800	R	C 16	○	○	○	○	○	●	●	●	●
ZEF 1165	R	○	R 32	R 4	R 4	R 4	R 1	R 1	R 1	●	●
ZEF 1165	R	○	R 32	R 4	R 4	R 4	R 1	R 1	R 1	●	●
ZEF 734	R	C 10	R 43	R 4	R 4	R 4	R 4	●	●	●	●
ZEF 796	R	C 3	R 18	R 4	R 4	R 4	R 4	●	●	●	●
ZEF 734	R	C 10	R 43	R 4	R 4	R 4	R 4	●	●	●	●
ZEF 796	R	C 3	R 18	R 4	R 4	R 4	R 4	●	●	●	●
ZEF 1395	R	○	○	○	○	○	○	●	●	●	●
○	R	○	R 22	R 3	R 4	R 4	R 4	●	●	●	●
ZEF 1391	R	○	R 53	R 53	R 53	R 44	R 44	●	●	●	●
○	R	○	R 22	R 3	R 4	R 4	R 4	●	●	●	●
ZEF 1391	R	○	R 53	R 53	R 53	R 44	R 44	●	●	●	●
ZEF 1391	R	○	R 53	R 53	R 53	R 44	R 44	●	●	●	●
○	R	○	R 22	R 3	R 4	R 4	R 4	●	●	●	●



kW



## RENAULT

### RAPID Kasten

1.4	1,4	44	03.86-08.91	C2J 784	4
1.4	1,4	55	09.91-03.98	E7J 720/E7J 724/E7J 726/E7J 773	4
1.4	1,4	58	01.94-03.98	E7J 728	4

### SAFRANE I

2.2	2,2	79	04.92-07.96	J7T 762	4
2.2	2,2	101	04.92-07.96	J7T 760/J7T 761	4
3.0 V6, 4x4	3,0	123	12.92-07.96	Z7X 721/Z7X 722/Z7X 723	6

### SAFRANE II

2.0 16V	2,0	100	07.96-12.00	N7Q 710/N7Q 711	4
2.5 20V	2,0	121	07.96-12.00	N7U 700/N7U 701	5
3.0 V6	3,0	123	07.96-12.00	Z7X 721/Z7X 722/Z7X 723	6

### TRAFIC

1.7	1,7	50	06.86-04.89	F1N 724	4
1.7	1,7	50	05.89-08.94	F1N 724	4
2.0, 4x4	2,0	59	06.86-08.90	J5R 716/J5R 722/J5R 726	4
2.0	2,0	59	03.80-10.97	J5R 726	4
2.2, 4x4	2,2	70	05.89-06.94	J7T 780	4
2.2, 4x4	2,2	74	06.94-10.97	J7T 600	4

### TWINGO

1.2	1,2	40	03.93-10.96	C3G 700/C3G 702	4
1.2	1,2	40	05.96-11.99	D7F 700/D7F 701	4
1.2	1,2	43	05.96-11.99	D7F 700/D7F 701/D7F 702/D7F 703/D7F 704	4
1.2	1,2	43	12.99-06.01	D7F	4

## ROVER

<b>25</b>					
1.4 16V	1,4	62	10.99-	14 K4M	4
1.4 16V	1,4	76	10.99-	14 K4F	4
1.6 16V	1,6	80	10.99-	16 K4F	4

<b>45</b>					
1.4	1,4	76	02.00-	14 K4F	4
1.6	1,6	80	02.00-	16 K4F	4

<b>75</b>					
1.8	1,8	88	02.99-	K 1.8	4
2.0 V6	2,0	110	02.99-	20 K4F	6
2.5 V6	2,5	129	02.99-10.01	KV 6	6

<b>100</b>					
111	1,1	44	04.94-	11 K2D	4
114	1,4	55	04.94-	14 K2A/14 K2D	4
114 S/L/GTA	1,4	55	03.90-12.98	14 K2A/14 K2D	4

<b>200</b>					
213 S	1,3	54	09.85-09.89	EV 2	4
214 Si	1,4	76	11.95-03.00	14 K4F	4
216	1,6	61	03.85-09.89	16 H	4
216 Vitesse	1,6	75	03.85-09.89	16 H	4
216 Si	1,6	82	11.95-03.00	16 K4F	4

<b>400</b>					
414 Si	1,4	76	05.95-03.00	14 K4F	4
416 Si	1,6	82	05.95-03.00	16 K4F	4
416 Si	1,6	83	05.95-03.00	D 16 Y2	4
420 Si Lux	2,0	100	12.95-03.00	20 T4H	4

<b>400 Tourer</b>					
1.6 i	1,6	82	05.94-11.98		4

<b>600</b>					
618 i/Si	1,9	85	03.96-02.99	F 18 A3	4
620 i	2,0	85	08.93-06.96	F 20 Z2	4
620 Si	2,0	96	08.93-02.99	F 20 Z1	4

<b>2000-3500</b>					
2300	2,3	88	09.77-10.86		6
2600	2,6	99	09.77-10.82	12 C/13 C	6
2600 S	2,6	93	10.82-10.86	12 C/13 C	6



= DIN



= M4



= SAE



Copper Cable  
Power Cable

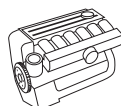


Zyl./Cyl./Cil.

				1	2	3	4	5	6	7	8
ZEF 1391	R	○	R 53	R 53	R 53	R 44	R 44	●	●	●	●
ZEF 735	R	C 12	R 112 (S)	R 53	R 53	R 44	R 44	●	●	●	●
ZEF 735	R	C 12	R 112 (S)	R 53	R 53	R 44	R 44	●	●	●	●
ZEF 728	R	C 26	R 115 (S)	R 64	R 64	R 68	R 68	●	●	●	●
ZEF 737	R	○	○	○	○	○	○	●	●	●	●
ZEF 1388	R	○	○	○	○	○	○	○	○	●	●
ZEF 1232	R	C 41	●	R 333	R 332	R 332	R 333	●	●	●	●
ZEF 1231	CU	○	○	○	○	○	○	○	●	●	●
ZEF 1388	R	○	○	○	○	○	○	○	○	●	●
ZEF 799	R	○	●	R 137	R 137	R 138	R 138	●	●	●	●
ZEF 799	R	○	●	R 137	R 137	R 138	R 138	●	●	●	●
ZEF 800	R	C 16	○	○	○	○	○	●	●	●	●
ZEF 800	R	C 16	○	○	○	○	○	●	●	●	●
ZEF 800	R	C 16	○	○	○	○	○	●	●	●	●
ZEF 800	R	C 16	○	○	○	○	○	●	●	●	●
ZEF 797	R	C 8	R 22	R 4	R 4	R 4	R 4	●	●	●	●
ZEF 1186	R	C 40	●	R 336	R 334	R 334	R 335	●	●	●	●
ZEF 1186	R	C 40	●	R 336	R 334	R 334	R 335	●	●	●	●
ZEF 1602	R	○	●	○	○	○	○	●	●	●	●
ZEF 1397	R	○	○	○	○	○	○	●	●	●	●
ZEF 1397	R	○	○	○	○	○	○	●	●	●	●
ZEF 1397	R	○	○	○	○	○	○	●	●	●	●
ZEF 1397	R	○	○	○	○	○	○	●	●	●	●
ZEF 1397	R	○	○	○	○	○	○	●	●	●	●
ZEF 1203	R	○	●	○	○	○	○	●	●	●	●
ZEF 1204	R	○	●	○	●	○	●	○	●	●	●
ZEF 1204	R	○	●	○	●	○	●	○	●	●	●
ZEF 1390	R	○	○	○	○	○	○	●	●	●	●
ZEF 1390	R	○	○	○	○	○	○	●	●	●	●
ZEF 1390	R	○	○	○	○	○	○	●	●	●	●
ZEF 811	R	C 4	R 18	R 16	R 118	R 119	R 120	●	●	●	●
ZEF 1397	R	○	○	○	○	○	○	●	●	●	●
○	R	○	R 2	R 21	R 27	R 23	R 22	●	●	●	●
○	R	○	R 2	R 21	R 27	R 23	R 22	●	●	●	●
ZEF 1397	R	○	○	○	○	○	○	●	●	●	●
ZEF 1397	R	○	○	○	○	○	○	●	●	●	●
ZEF 1397	R	○	○	○	○	○	○	●	●	●	●
ZEF 1505	R	○	●	○	○	○	○	●	●	●	●
ZEF 840	R	○	●	○	○	○	○	●	●	●	●
ZEF 836	R	○	●	○	○	○	○	●	●	●	●
ZEF 836	R	○	●	○	○	○	○	●	●	●	●
ZEF 836	R	○	●	○	○	○	○	●	●	●	●
○	R	○	R 5	R 11	R 11	R 13	R 28	R 47	R 47	●	●
○	R	○	R 5	R 11	R 11	R 13	R 28	R 47	R 47	●	●
○	R	○	R 5	R 11	R 11	R 13	R 28	R 47	R 47	●	●



kW



## ROVER

### 800

820	2,0	74	10.88-10.91		4
820 SE/SI	2,0	88	10.86-12.91	20 HS	4
820e	2,0	88	10.86-10.91	20 HS	4
820 SI	2,0	98	10.88-12.91	20 HD M 16	4
820 I/SI	2,0	100	01.92-02.99	20 T4H	4
820 I/SI	2,0	100	01.92-02.99	20 T4H	4
820 16 V I/SI	2,0	103	10.86-10.88	20 HD	4

### COUPE

1.6 16 V	1,6	82	03.96-11.99		4
----------	-----	----	-------------	--	---

### MINI MK I

1000	1,0	30	01.92-06.93	99 HD 81	4
------	-----	----	-------------	----------	---

## SAAB

### 90

2.0	2,0	74	08.84-08.87	B 20 I	4
-----	-----	----	-------------	--------	---

### 95 Station Wagon

1.5 V4	1,5	48	10.65-12.75	Ford V4	4
--------	-----	----	-------------	---------	---

### 96

1.5 V4	1,5	48	10.65-10.75	Ford V4	4
--------	-----	----	-------------	---------	---

### 99

2.0 GL	2,0	74	09.74-12.84	B 20 C/B 20 I	4
--------	-----	----	-------------	---------------	---

### 99 Combi Coupe

2.0	2,0	79	03.76-05.78		4
-----	-----	----	-------------	--	---

2.0 Turbo	2,0	107	10.77-06.80		4
-----------	-----	-----	-------------	--	---

### 900 I

2.0 c	2,0	74	07.82-12.88	B 20/B201XC	4
-------	-----	----	-------------	-------------	---

2.0 c	2,0	79	11.80-08.84	B20T/BT 20	4
-------	-----	----	-------------	------------	---

2.0 i	2,0	81	09.85-08.90	B201	4
-------	-----	----	-------------	------	---

2.0 i	2,0	85	11.80-08.90	B201XI/BI 20	4
-------	-----	----	-------------	--------------	---

2.0 -16	2,0	93	01.89-12.93	B202I	4
---------	-----	----	-------------	-------	---

2.0 Turbo	2,0	107	10.86-12.91	B201XL	4
-----------	-----	-----	-------------	--------	---

2.0 S Turbo-16	2,0	104	07.91-12.93	B202S	4
----------------	-----	-----	-------------	-------	---

2.0 Turbo	2,0	107	10.80-07.85	B201S	4
-----------	-----	-----	-------------	-------	---

2.0 S Turbo-16	2,0	107	01.92-12.93	B202S	4
----------------	-----	-----	-------------	-------	---

2.0 Turbo-16	2,0	118	11.85-12.93	B202XL	4
--------------	-----	-----	-------------	--------	---

2.0 Turbo-16 S	2,0	129	01.84-12.88	B202XL	4
----------------	-----	-----	-------------	--------	---

2.0 Turbo-16 S KAT	2,0	129	01.89-12.93	B202XL	4
--------------------	-----	-----	-------------	--------	---

2.1 -16	2,1	100	08.90-12.93	B212I	4
---------	-----	-----	-------------	-------	---

2.1 -16	2,1	100	08.90-12.93	B212I	4
---------	-----	-----	-------------	-------	---

### 900 I Cabriolet

2.0 -16	2,0	93	01.90-06.94	B202I	4
---------	-----	----	-------------	-------	---

2.0 S Turbo-16	2,0	104	09.91-06.94	B202S	4
----------------	-----	-----	-------------	-------	---

2.0 Turbo-16	2,0	118	11.86-06.94	B202XL	4
--------------	-----	-----	-------------	--------	---

2.0 Turbo-16 S	2,0	129	11.86-06.94	B202XL	4
----------------	-----	-----	-------------	--------	---

2.1 -16	2,0	100	08.90-06.94	B212I	4
---------	-----	-----	-------------	-------	---

2.1 -16	2,0	100	08.90-06.94	B212I	4
---------	-----	-----	-------------	-------	---

### 900 I Combi Coupe

2.0 c	2,0	74	09.79-12.88	B 20/B201XC	4
-------	-----	----	-------------	-------------	---

2.0 c	2,0	79	09.78-08.84	B20T/BT 20	4
-------	-----	----	-------------	------------	---

2.0 i	2,0	81	09.85-08.90	B201	4
-------	-----	----	-------------	------	---

2.0 i	2,0	85	11.80-12.88	B201XI	4
-------	-----	----	-------------	--------	---

2.0 -16	2,0	93	01.89-08.92	B202I	4
---------	-----	----	-------------	-------	---

2.0 S Turbo-16	2,0	104	09.91-07.93	B202S	4
----------------	-----	-----	-------------	-------	---

2.0 Turbo	2,0	107	09.78-07.85	B201S/BSI 20	4
-----------	-----	-----	-------------	--------------	---

2.0 Turbo-16	2,0	118	11.85-06.94	B202XL	4
--------------	-----	-----	-------------	--------	---

2.0 Turbo-16 S KAT	2,0	125	01.89-12.93	B202XL	4
--------------------	-----	-----	-------------	--------	---

2.0 Turbo-16 S	2,0	129	02.84-12.88	B202XL	4
----------------	-----	-----	-------------	--------	---

2.0 Turbo-16	2,0	132	01.93-06.94	B202L	4
--------------	-----	-----	-------------	-------	---

2.1 -16	2,0	100	09.90-07.93	B212I	4
---------	-----	-----	-------------	-------	---

2.1 -16	2,0	100	09.90-07.93	B212I	4
---------	-----	-----	-------------	-------	---



= DIN



= M4

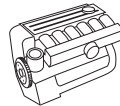


= SAE





kW



## SAAB

Model	Cylinder	Power (kW)	Year Range	Part Number	Quantity
<b>900 II</b>					
2.0 i	2,0	96	08.94-02.98	B204I	4
2.0 i	2,0	96	08.94-02.98	B204I	4
2.0 -16 Turbo	2,0	136	07.93-02.98	B204L	4
2.0 -16 Turbo	2,0	136	07.93-02.98	B204L	4
2.3 -16	2,3	110	07.93-02.98	B234I	4
2.3 -16	2,3	110	07.93-02.98	B234I	4
2.5 -24 V6	2,5	125	07.94-02.98	B258I	6
<b>900 II Cabriolet</b>					
2.0 i	2,0	96	12.93-02.98	B204I	4
2.0 i	2,0	96	12.93-02.98	B204I	4
2.0 -16 Turbo	2,0	136	12.93-02.98	B204L	4
2.0 -16 Turbo	2,0	136	12.93-02.98	B204L	4
2.3 -16	2,3	110	12.93-02.98	B234I	4
2.3 -16	2,3	110	12.93-02.98	B234I	4
2.5 -24 V6	2,5	125	07.94-02.98	B258I	6
<b>900 II Coupe</b>					
2.0 i	2,0	96	08.94-02.98	B204I	4
2.0 i	2,0	96	08.94-02.98	B204I	4
2.0 i	2,0	98	07.93-07.94	B206I	4
2.0 i	2,0	98	07.93-07.94	B206I	4
2.0 -16 Turbo	2,0	136	12.93-02.98	B204L	4
2.0 -16 Turbo	2,0	136	12.93-02.98	B204L	4
2.3 -16	2,3	110	12.93-02.98	B234I	4
2.3 -16	2,3	110	12.93-02.98	B234I	4
2.5 -24 V6	2,5	125	07.94-02.98	B258I	6
<b>9000</b>					
2.0 -16	2,0	92	12.85-12.88	B202XI (Kat)	4
2.0 -16	2,0	94	12.85-08.88	B202XI	4
2.0 -16	2,0	94	01.89-01.93	B202I	4
2.0 -16 CS	2,0	94	01.89-12.98	B202I	4
2.0 -16 CD	2,0	96	09.93-12.98	B204I	4
2.0 -16 CS	2,0	96	09.93-12.98	B204I	4
2.0 -16 CD	2,0	110	09.93-12.98	B204E	4
2.0 -16 CD	2,0	110	09.93-12.98	B204E	4
2.0 -16 ND Turbo	2,0	110	09.93-12.98	B204E	4
2.0 -16 Turbo	2,0	118	05.88-08.93	B202XL	4
2.0 -16 Turbo	2,0	118	09.84-08.93	B202XL	4
2.0 -16 Turbo CD	2,0	120	09.88-08.93	B202XL	4
2.0 -16 Turbo CD	2,0	120	09.88-08.93	B202XL	4
2.0 -16 Turbo	2,0	127	06.89-12.92	B202	4
2.0 -16 Turbo	2,0	127	06.89-12.92	B202	4
2.0 -16 Turbo CS	2,0	136	09.88-12.98	B202L	4
2.0 -16 Turbo CS	2,0	136	09.88-12.98	B202L	4
2.3 -16 CD	2,3	107	08.89-12.98	B234I	4
2.3 -16 CD	2,3	107	08.89-12.98	B234I	4
2.3 -16 CS	2,3	107	09.89-12.98	B234I	4
2.3 -16 CS	2,3	107	09.89-12.98	B234I	4
2.3 -16 CDE	2,3	108	09.93-12.98	B234I	4
2.3 -16 CDE	2,3	108	09.93-12.98	B234I	4
2.3 -16 Turbo	2,3	143	09.90-08.93	B234L	4
2.3 -16 Turbo	2,3	143	09.90-08.93	B234L	4
2.3 -16 CD Turbo	2,3	147	07.90-12.98	B234L	4
2.3 -16 CD Turbo	2,3	147	07.90-12.98	B234L	4
2.3 -16 Turbo CSE	2,3	147	09.93-12.98	B234L	4
2.3 -16 Turbo CSE	2,3	147	09.93-12.98	B234L	4
2.3 -16 Aero CS	2,3	162	02.93-12.98	B234R	4
2.3 -16 Aero CS	2,3	162	02.93-12.98	B234R	4
2.3 -16 Aero CS	2,3	165	02.93-12.98	B234R	4
2.3 -16 Aero CS	2,3	165	02.93-12.98	B234R	4
3.0 -24 V6 CD/CDE	3,0	155	07.94-12.98	B308I	6



= DIN



= M4



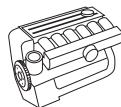
= SAE







kW



<b>SAAB</b>					
<b>9-3</b>					
2.0 i	2,0	96	02.98-09.02	B204I	4
<b>9-3 Cabriolet</b>					
2.0 i	2,0	96	02.98-08.03	B204I	4
<b>SEAT</b>					
<b>133</b>					
0.8	0,8	25	05.74-11.79	DG	4
<b>600 D</b>					
0.8	0,8	17	09.63-04.70		4
<b>ALHAMBRA</b>					
2.0 i	2,0	85	04.96-	ATM	4
2.0 i	2,0	85	04.96-	ADY	4
<b>ALTEA</b>					
1.2 TSI	1,2	77	04.10-	CBZB	4
1.6	1,6	75	03.04-	BGU/BSF/BSE	4
<b>ALTEA XL</b>					
1.2 TSI	1,2	77	04.10-	CBZB	4
<b>AROSA</b>					
1.0	1,0	37	05.97-06.04	AER/ALL	4
1.0	1,0	37	05.97-06.04	ALD, ANV	4
1.0	1,0	37	05.97-06.04	AUC	4
1.4	1,4	44	05.97-06.04	AEX	4
1.4	1,4	44	05.97-06.04	AKV, APQ	4
1.4 16V	1,4	74	01.00-06.04	AUB	4
<b>CORDOBA</b>					
1.0	1,0	37	06.99-10.02	ANV/ALD/AUC	4
1.0 i	1,0	37	09.96-06.99	AER	4
1.4 i	1,4	44	06.94-06.99	AEX, AKV	4
1.4 i	1,4	44	06.94-06.99	ABD	4
1.4	1,4	44	06.99-10.02	ANW	4
1.4 16V	1,4	55	05.00-10.02	APE	4
1.4 i 16V	1,4	74	09.96-06.99	AFH	4
1.4 16V	1,4	74	02.00-10.02	AUB	4
1.6 i	1,6	55	02.93-06.99	ABU	4
1.6 i	1,6	55	02.93-06.99	AEE, ALM	4
1.6 i	1,6	55	05.94-06.99	1F	4
1.6	1,6	55	06.99-10.02	ALM	4
1.6 i	1,6	74	07.96-06.99	AFT	4
1.6	1,6	74	06.99-10.02	AKL/APF/AEH	4
1.8 i	1,8	66	02.93-06.99	ADZ	4
1.8 i	1,8	66	02.93-06.99	ABS	4
1.8 i 16V	1,8	95	10.93-08.96	ADL	4
2.0 i	2,0	85	02.93-06.99	2E	4
2.0	2,0	85	09.02-	AZL/BBX	4
2.0 i 16V	2,0	110	08.96-06.99	ABF	4
<b>CORDOBA, Vario</b>					
1.0	1,0	37	06.99-10.02	ALD/ANV/AUC	4
1.4 i	1,4	44	09.96-06.99	AEX/AKV/ANX/APQ	4
1.4	1,4	44	06.99-10.02	ANW	4
1.4 16V	1,4	55	06.99-10.02	APE/AUA	4
1.4 16V	1,4	74	02.00-10.02	AUB	4
1.6 i	1,6	55	09.96-06.99	ALM/AEE	4
1.6 i	1,6	55	05.97-06.99	1F	4
1.6	1,6	55	06.99-	ALM	4
1.6 i	1,6	74	09.96-06.99	AFT	4
1.6	1,6	74	06.99-10.02	AEH/AKL/APF	4
<b>FURA</b>					
0.9	0,9	29	03.84-12.86	100 GL 7000	4
<b>IBIZA I</b>					
0.9	0,9	29	08.90-12.91	09 NCA/146 A 000	4
0.9	0,9	29	01.92-05.93	09 NCA/146 A 000	4



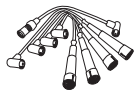
= DIN



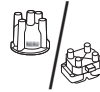
= M4



= SAE



Copper Cable  
Power Cable

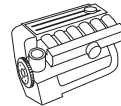


Zyl./Cyl./Cil.

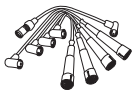
				1	2	3	4	5	6	7	8
ZEF 1168	R	○	○	○	○	○	○	●	●	●	●
ZEF 1168	R	○	○	○	○	○	○	●	●	●	●
ZEF 769	R	C 18	R 5	R 28	R 13	R 13	R 11	●	●	●	●
ZEF 767	R	C 7	R 18	R 1	R 3	R 3	R 4	●	●	●	●
ZEF 1117	CU	○	●	VA 127 A	VA 127 A	VA 127 B	VA 127 C	●	●	●	●
ZEF 1224	CU	○	●	VA 127 A	VA 127 A	VA 127 B	VA 127 C	●	●	●	●
ZEF 1629	CU	○	●	○	○	○	○	●	●	●	●
ZEF 1117	CU	○	●	VA 127 A	VA 127 A	VA 127 B	VA 127 C	●	●	●	●
ZEF 1629	CU	○	●	○	○	○	○	●	●	●	●
ZEF 1189	CU	○	VA 117 A	VA 116 E	VA 116 C	VA 116 B	VA 116 A	●	●	●	●
ZEF 1184	CU	○	●	VA 125 C	VA 125 B	VA 125 A	VA 125 A	●	●	●	●
ZEF 1255	CU	○	●	VA 130 C	VA 130 B	VA 130 A	VA 130 A	●	●	●	●
ZEF 562	CU	C 30	VA 118 C	VA 116 D	VA 116 C	VA 116 B	VA 116 A	●	●	●	●
ZEF 716	CU	C 30	VA 118 C	VA 116 D	VA 116 C	VA 116 C	VA 116 B	●	●	●	●
ZEF 990	CU	○	●	VA 121 A	VA 121 A	VA 121 B	VA 121 C	●	●	●	●
ZEF 1184	CU	○	●	VA 125 C	VA 125 B	VA 125 A	VA 125 A	●	●	●	●
ZEF 1189	CU	○	VA 117 A	VA 116 E	VA 116 C	VA 116 B	VA 116 A	●	●	●	●
ZEF 716	CU	C 30	VA 118 C	VA 116 D	VA 116 C	VA 116 C	VA 116 B	●	●	●	●
ZEF 1150	CU	○	VA 118 C	VA 116 E	VA 116 E	VA 116 B	VA 116 B	●	●	●	●
ZEF 1255	CU	○	●	VA 130 C	VA 130 B	VA 130 A	VA 130 A	●	●	●	●
ZEF 990	CU	○	●	VA 121 A	VA 121 A	VA 121 B	VA 121 C	●	●	●	●
ZEF 1187	CU	○	VA 117 A	VA 126 D	VA 126 C	VA 126 B	VA 126 A	●	●	●	●
ZEF 990	CU	○	●	VA 121 A	VA 121 A	VA 121 B	VA 121 C	●	●	●	●
ZEF 561	CU	C 11	VA 117 B	VA 115 E	VA 115 D	VA 115 C	VA 115 B	●	●	●	●
ZEF 562	CU	C 30	VA 118 C	VA 116 D	VA 116 C	VA 116 B	VA 116 A	●	●	●	●
ZEF 561	CU	C 11	VA 118 C	VA 115 A	VA 115 B	VA 115 C	VA 115 D	●	●	●	●
ZEF 562	CU	C 30	VA 118 C	VA 116 D	VA 116 C	VA 116 B	VA 116 A	●	●	●	●
ZEF 1180	CU	○	VA 117 B	VA 123 D	VA 123 C	VA 123 B	VA 123 A	●	●	●	●
ZEF 989	CU	○	●	VA 127 A	VA 127 A	VA 127 B	VA 127 C	●	●	●	●
ZEF 717	CU	○	VA 118 C	VA 115 D	VA 115 C	VA 115 B	VA 115 A	●	●	●	●
ZEF 1149	CU	C 30	VA 118 C	VA 116 D	VA 116 C	VA 116 B	VA 116 B	●	●	●	●
ZEF 1148	CU	○	VA 117 A	VA 122 D	VA 122 D	VA 122 C	VA 122 C	●	●	●	●
ZEF 432	CU	○	R 18	R 11	R 8	R 8	R 12	●	●	●	●
ZEF 1117	CU	○	●	VA 127 A	VA 127 A	VA 127 B	VA 127 C	●	●	●	●
ZEF 1148	CU	○	VA 117 A	VA 122 D	VA 122 D	VA 122 C	VA 122 C	●	●	●	●
ZEF 1184	CU	○	●	VA 125 C	VA 125 B	VA 125 A	VA 125 A	●	●	●	●
ZEF 716	CU	C 30	VA 118 C	VA 116 D	VA 116 C	VA 116 C	VA 116 B	●	●	●	●
ZEF 1255	CU	○	●	VA 130 C	VA 130 B	VA 130 A	VA 130 A	●	●	●	●
ZEF 990	CU	○	●	VA 121 A	VA 121 A	VA 121 B	VA 121 C	●	●	●	●
ZEF 990	CU	○	●	VA 121 A	VA 121 A	VA 121 B	VA 121 C	●	●	●	●
ZEF 562	CU	C 30	VA 118 C	VA 116 D	VA 116 C	VA 116 B	VA 116 A	●	●	●	●
ZEF 561	CU	C 11	VA 118 C	VA 115 D	VA 115 C	VA 115 B	VA 115 A	●	●	●	●
ZEF 562	CU	C 30	VA 118 C	VA 116 D	VA 116 C	VA 116 B	VA 116 A	●	●	●	●
ZEF 1180	CU	○	VA 117 B	VA 123 D	VA 123 C	VA 123 B	VA 123 A	●	●	●	●
ZEF 989	CU	○	●	VA 127 A	VA 127 A	VA 127 B	VA 127 C	●	●	●	●
ZEF 766	R	C 13	R 35	R 22	R 23	R 7	R 27	●	●	●	●
○	R	○	R 15	R 4	R 4	R 3	R 1	●	●	●	●
○	R	○	R 19	R 56	R 57	R 57	R 58	●	●	●	●



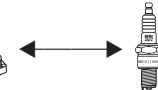
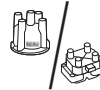
kW



SEAT					
<b>IBIZA I</b>					
0.9	0,9	32	08.86-12.91	146 A 000	4
0.9	0,9	32	01.92-05.93	146 A 000	4
1.2	1,2	44	11.84-12.91	021 A 1000	4
1.2	1,2	44	01.92-12.93	021 A 1000	4
1.2	1,2	47	11.84-12.91		4
1.2	1,2	47	01.92-12.93		4
1.2 i	1,2	52	01.89-03.91	021 C.1000	4
1.2 i	1,2	52	04.91-05.93	021 C.1000	4
1.5	1,5	63	11.84-05.93	021 A 2000	4
1.5 i	1,5	65	10.86-05.93	021 D.2000	4
1.5 i KAT	1,5	66	10.86-05.93	021 C.2000	4
1.5 i	1,5	74	10.86-12.91	021 B.2000	4
1.5 i	1,5	74	01.92-05.93	021 B.2000	4
1.7	1,7	72	01.91-05.93	021 A.3000	4
1.7	1,7	76	01.91-05.93	021 B.3000	4
<b>IBIZA II</b>					
1.0	1,0	33	03.93-09.96	AAU	4
1.0 i	1,0	37	09.96-08.99	AER	4
1.3 i	1,3	40	03.93-08.99	AAV	4
1.4 i	1,4	44	09.93-08.99	AEX, AKV	4
1.4 i	1,4	44	09.93-08.99	ABD	4
1.4 i 16V	1,4	74	09.96-08.99	AFH	4
1.6 i	1,6	55	09.94-06.99	1F	4
1.6 i	1,6	55	03.93-08.99	ABU	4
1.6 i	1,6	55	03.93-08.99	AEE/ALM	4
1.6 i	1,6	74	04.96-08.99	AFT	4
1.8 i	1,8	66	03.93-08.99	ADZ	4
1.8 i	1,8	66	03.93-08.99	ABS	4
1.8 i 16V	1,8	95	11.93-08.96	ADL	4
2.0 i	2,0	85	03.93-08.99	2E/AGG	4
2.0 i 16V	2,0	110	08.96-08.99	ABF	4
<b>IBIZA III</b>					
1.0	1,0	37	08.99-02.02	ALD/ANV/AUC	4
1.4	1,4	44	08.99-02.02	ANW	4
1.4 16V	1,4	55	05.00-02.02	APE	4
1.4 16V	1,4	74	06.00-02.02	AUB	4
1.6	1,6	55	08.99-02.02	ALM	4
1.6	1,6	74	08.99-02.02	AKL/APF/AEH/AUR	4
<b>IBIZA IV</b>					
1.4 16V	1,4	74	02.02-	AUB	4
<b>IBIZA V</b>					
1.2 TSI	1,2	77	09.10-	CBZB	4
<b>IBIZA V SPORTCOUPE</b>					
1.2 TSI	1,2	77	09.10-	CBZB	4
<b>IBIZA V ST</b>					
1.2 TSI	1,2	77	09.10-	CBZB	4
<b>INCA</b>					
1.4 i	1,4	44	11.95-	AEX/AKV/APQ/AUD	4
1.6 i	1,6	55	11.95-05.98	1F	4
1.6 i	1,6	55	11.95-05.98	AEE	4
<b>LEON</b>					
1.2 TSI	1,2	77	09.10-	CBZB	4
1.4 16V	1,4	55	11.99-	AHW/AXP/APE	4
1.6	1,6	74	11.99-	AEH/AKL	4
1.6	1,6	75	09.05-	BSF/BSE	4
1.6 16 V	1,6	77	09.00-	AUS/AZD	4
1.8 20V	1,8	92	11.99-	AGN/APG	4
<b>MALAGA</b>					
1.2	1,2	44	05.85-12.93	021 A 1000	4
1.2	1,2	47	11.84-12.93		4
1.2 i	1,2	52	12.89-12.93	021 C.1000	4



Copper Cable  
Power Cable

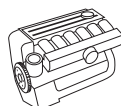


Zyl./Cyl./Cil.

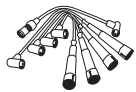
				1	2	3	4	5	6	7	8
○	R	○	R 15	R 4	R 4	R 3	R 1	●	●	●	●
○	R	○	R 19	R 56	R 57	R 57	R 58	●	●	●	●
○	R	○	R 2	R 3	R 1	R 1	R 6	●	●	●	●
○	R	○	R 19	R 57	R 58	R 60	R 30	●	●	●	●
○	R	○	R 2	R 3	R 1	R 1	R 6	●	●	●	●
○	R	○	R 19	R 57	R 58	R 60	R 30	●	●	●	●
○	R	○	R 2	R 11	R 8	R 8	R 16	●	●	●	●
○	R	○	R 95 (S)	R 57	R 58	R 60	R 30	●	●	●	●
○	R	○	R 2	R 3	R 1	R 6	R 9	●	●	●	●
○	R	○	R 2	R 3	R 1	R 6	R 9	●	●	●	●
○	R	○	R 2	R 3	R 1	R 6	R 9	●	●	●	●
○	R	○	R 2	R 1	R 1	R 6	R 4	●	●	●	●
○	R	○	R 95 (S)	R 57	R 58	R 60	R 30	●	●	●	●
ZEF 432	CU	○	R 18	R 11	R 11	R 11	R 11	●	●	●	●
○	R	○	R 19	R 57	R 58	R 60	R 30	●	●	●	●
ZEF 716	CU	C 30	VA 118 C	VA 116 D	VA 116 C	VA 116 C	VA 116 B	●	●	●	●
ZEF 1189	CU	○	VA 117 A	VA 116 E	VA 116 C	VA 116 B	VA 116 A	●	●	●	●
ZEF 716	CU	C 30	VA 118 C	VA 116 D	VA 116 C	VA 116 C	VA 116 B	●	●	●	●
ZEF 716	CU	C 30	VA 118 C	VA 116 D	VA 116 C	VA 116 C	VA 116 B	●	●	●	●
ZEF 1150	CU	○	VA 118 C	VA 116 E	VA 116 E	VA 116 B	VA 116 B	●	●	●	●
ZEF 1187	CU	○	VA 117 A	VA 126 D	VA 126 C	VA 126 B	VA 126 A	●	●	●	●
ZEF 561	CU	C 11	VA 117 B	VA 115 E	VA 115 D	VA 115 C	VA 115 B	●	●	●	●
ZEF 561	CU	C 11	VA 117 B	VA 115 E	VA 115 D	VA 115 C	VA 115 B	●	●	●	●
ZEF 562	CU	C 30	VA 118 C	VA 116 D	VA 116 C	VA 116 B	VA 116 A	●	●	●	●
ZEF 1180	CU	○	VA 117 B	VA 123 D	VA 123 C	VA 123 B	VA 123 A	●	●	●	●
ZEF 717	CU	○	VA 118 C	VA 115 D	VA 115 C	VA 115 B	VA 115 A	●	●	●	●
ZEF 1149	CU	C 30	VA 118 C	VA 116 D	VA 116 C	VA 116 B	VA 116 B	●	●	●	●
ZEF 1148	CU	○	VA 117 A	VA 122 D	VA 122 D	VA 122 C	VA 122 C	●	●	●	●
○	CU	○	VA 118 C	VA 116 B	VA 116 B	VA 116 B	VA 116 B	●	●	●	●
ZEF 1148	CU	○	VA 117 A	VA 122 D	VA 122 D	VA 122 C	VA 122 C	●	●	●	●
ZEF 1184	CU	○	●	VA 125 C	VA 125 B	VA 125 A	VA 125 A	●	●	●	●
ZEF 1255	CU	○	●	VA 130 C	VA 130 B	VA 130 A	VA 130 A	●	●	●	●
ZEF 990	CU	○	●	VA 121 A	VA 121 A	VA 121 B	VA 121 C	●	●	●	●
ZEF 990	CU	○	●	VA 121 A	VA 121 A	VA 121 B	VA 121 C	●	●	●	●
ZEF 562	CU	C 30	VA 118 C	VA 116 D	VA 116 C	VA 116 B	VA 116 A	●	●	●	●
ZEF 989	CU	○	●	VA 127 A	VA 127 A	VA 127 B	VA 127 C	●	●	●	●
ZEF 990	CU	○	●	VA 121 A	VA 121 A	VA 121 B	VA 121 C	●	●	●	●
ZEF 1629	CU	○	●	○	○	○	○	●	●	●	●
ZEF 1629	CU	○	●	○	○	○	○	●	●	●	●
ZEF 1629	CU	○	●	○	○	○	○	●	●	●	●
ZEF 716	CU	C 30	VA 118 C	VA 116 D	VA 116 C	VA 116 C	VA 116 B	●	●	●	●
ZEF 561	CU	C 11	VA 117 B	VA 115 E	VA 115 D	VA 115 C	VA 115 B	●	●	●	●
ZEF 562	CU	C 30	VA 118 C	VA 116 D	VA 116 C	VA 116 B	VA 116 A	●	●	●	●
ZEF 1629	CU	○	●	○	○	○	○	●	●	●	●
ZEF 990	CU	○	●	VA 121 A	VA 121 A	VA 121 B	VA 121 C	●	●	●	●
ZEF 989	CU	○	●	VA 127 A	VA 127 A	VA 127 B	VA 127 C	●	●	●	●
ZEF 1117	CU	○	●	VA 127 A	VA 127 A	VA 127 B	VA 127 C	●	●	●	●
ZEF 990	CU	○	●	VA 121 A	VA 121 A	VA 121 B	VA 121 C	●	●	●	●
ZEF 991	CU	○	●	VA 124 B	VA 124 A	VA 124 A	VA 124 A	●	●	●	●
ZEF 768	R	C 7	R 19	R 6	R 1	R 1	R 3	●	●	●	●
ZEF 768	R	C 7	R 19	R 6	R 1	R 1	R 3	●	●	●	●
ZEF 768	R	C 7	R 19	R 6	R 1	R 1	R 3	●	●	●	●



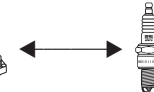
kW



<b>SEAT</b>					
<b>MALAGA</b>					
1.5	1,5	63	05.85-12.93	021 A 2000	4
1.5 i KAT	1,5	66	10.86-12.93	021 A 2000/021 C.2000/021 D.2000	4
<b>MARBELLA</b>					
0.8	0,8	25	08.86-12.93	08 NCA	4
0.9	0,9	29	01.87-12.91	09 NCA	4
0.9	0,9	29	01.92-12.93	09 NCA	4
0.9 KAT	0,9	29	01.90-12.91	09 NCB	4
0.9 KAT	0,9	29	01.92-11.96	09 NCB	4
0.9 KAT	0,9	30	11.96-10.98	08 NCB	4
0.9	0,9	32	07.97-10.98	08 NCB	4
<b>RONDA</b>					
1.2	1,2	44	10.84-12.86	021 A 1000	4
1.2	1,2	47	08.83-05.85	021 A 1000/124 B6.000	4
1.5	1,5	63	09.84-12.86	021 A 2000	4
1.6	1,6	68	08.83-09.85	022 A 000/138 AR 6000	4
<b>TERRA</b>					
0.9	0,9	29	02.87-12.91	09 NCA	4
0.9	0,9	29	01.92-12.96	09 NCA	4
0.9 KAT	0,9	29	02.92-12.94	09 NCB	4
<b>TOLEDO I</b>					
1.6 i	1,6	52	05.91-12.93	1F	4
1.6 i	1,6	54	05.91-03.99	1F/ABN/EZ	4
1.6 i	1,6	55	01.93-03.99	1F	4
1.6 i	1,6	74	11.96-03.99	AFT	4
1.8 i	1,8	65	05.91-12.96	RP	4
1.8 i	1,8	66	11.93-12.96	ADZ	4
1.8 i	1,8	66	11.93-12.96	ABS	4
1.8 16V	1,8	92	05.91-03.99	PL	4
1.8 16V	1,8	98	05.91-03.99	KR	4
2.0 i	2,0	85	05.91-03.99	2E/AGG	4
2.0 i 16V	2,0	110	11.93-03.99	ABF	4
<b>TOLEDO II</b>					
1.4 16V	1,4	55	07.99-05.06	AHW/AXP	4
1.6	1,6	74	04.99-09.00	AEH/AKL	4
1.6 16V	1,6	77	09.00-05.06	AUS/AZD	4
1.8 20V	1,8	92	04.99-05.06	AGN/APG	4
2.3 V5	2,3	110	04.99-05.01	AGZ	5
<b>TOLEDO III</b>					
1.6	1,6	75	10.04-	BGU/BSF/BSE	4
<b>SKODA</b>					
<b>100</b>					
1.0	1	29	01.70-12.77	OHV	4
1.0	1	31	01.70-12.77	OHV	4
<b>105,120</b>					
1.0 105 S,L,GL	1	33	08.76-08.83	742,10	4
1.0 105 S,L	1	34	08.76-12.90	742,10	4
1.2 120 L	1,2	38	08.76-12.90		4
1.2 120 LS	1,2	43	08.76-12.90	742,12 X	4
<b>110</b>					
1.1 L	1,1	33	12.69-03.82		4
1.1 L	1,1	35	12.69-03.82		4
1.1 LS	1,1	38	07.70-03.82	OHV	4
<b>110 Coupe</b>					
1.1 R	1,1	38	07.70-03.82	OHV	4
<b>FABIA, Kombi</b>					
1.2 TSI	1,2	63-77	03.10-	CBZA/CBZB	4
1.4 16V	1,4	55	12.99-	AUA/BBY	4
1.4 16V	1,4	74	12.99-	AUB	4
2.0	2,0	85	12.99-	AQY	4



Copper Cable  
Power Cable

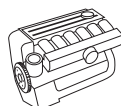


Zyl./Cyl./Cil.

				1	2	3	4	5	6	7	8
<b>ZEF 768</b>	<b>R</b>	<b>C 7</b>	R 19	R 6	R 1	R 1	R 3	●	●	●	●
<b>ZEF 768</b>	<b>R</b>	<b>C 7</b>	R 19	R 6	R 1	R 1	R 3	●	●	●	●
<b>ZEF 771</b>	<b>R</b>	<b>C 20</b>	R 18	R 4	R 3	R 3	R 1	●	●	●	●
<b>ZEF 771</b>	<b>R</b>	<b>C 20</b>	R 18	R 4	R 3	R 3	R 1	●	●	●	●
<b>ZEF 1044</b>	<b>R</b>	<b>C 22</b>	●	R 57	R 58	R 145	R 30	●	●	●	●
<b>ZEF 771</b>	<b>R</b>	<b>C 20</b>	R 18	R 4	R 3	R 3	R 1	●	●	●	●
<b>ZEF 1044</b>	<b>R</b>	<b>C 22</b>	●	R 57	R 58	R 145	R 30	●	●	●	●
<b>ZEF 1044</b>	<b>R</b>	<b>C 22</b>	●	R 57	R 58	R 145	R 30	●	●	●	●
<b>ZEF 1044</b>	<b>R</b>	<b>C 22</b>	●	R 57	R 58	R 145	R 30	●	●	●	●
○	<b>R</b>	○	R 5	R 3	R 1	R 6	R 9	●	●	●	●
○	<b>R</b>	○	R 5	R 3	R 1	R 6	R 9	●	●	●	●
○	<b>R</b>	○	R 5	R 3	R 1	R 6	R 9	●	●	●	●
<b>ZEF 771</b>	<b>R</b>	<b>C 20</b>	R 18	R 4	R 3	R 3	R 1	●	●	●	●
<b>ZEF 766</b>	<b>R</b>	<b>C 13</b>	R 35	R 22	R 23	R 7	R 27	●	●	●	●
<b>ZEF 1044</b>	<b>R</b>	<b>C 22</b>	●	R 57	R 58	R 145	R 30	●	●	●	●
<b>ZEF 1044</b>	<b>R</b>	<b>C 22</b>	●	R 57	R 58	R 145	R 30	●	●	●	●
<b>ZEF 561</b>	<b>CU</b>	<b>C 11</b>	VA 117 B	VA 115 E	VA 115 D	VA 115 C	VA 115 B	●	●	●	●
<b>ZEF 561</b>	<b>CU</b>	<b>C 11</b>	VA 117 B	VA 115 E	VA 115 D	VA 115 C	VA 115 B	●	●	●	●
<b>ZEF 561</b>	<b>CU</b>	<b>C 11</b>	VA 117 B	VA 115 E	VA 115 D	VA 115 C	VA 115 B	●	●	●	●
<b>ZEF 1180</b>	<b>CU</b>	○	VA 117 B	VA 123 D	VA 123 C	VA 123 B	VA 123 A	●	●	●	●
<b>ZEF 561</b>	<b>CU</b>	<b>C 11</b>	VA 117 B	VA 115 E	VA 115 D	VA 115 C	VA 115 B	●	●	●	●
<b>ZEF 717</b>	<b>CU</b>	○	VA 118 C	VA 115 D	VA 115 C	VA 115 B	VA 115 A	●	●	●	●
<b>ZEF 1149</b>	<b>CU</b>	<b>C 30</b>	VA 118 C	VA 116 D	VA 116 C	VA 116 B	VA 116 B	●	●	●	●
<b>ZEF 1148</b>	<b>CU</b>	○	VA 117 A	VA 122 D	VA 122 D	VA 122 C	VA 122 C	●	●	●	●
<b>ZEF 1148</b>	<b>CU</b>	○	VA 117 A	VA 122 D	VA 122 D	VA 122 C	VA 122 C	●	●	●	●
○	<b>CU</b>	○	VA 118 C	VA 116 B	VA 116 B	VA 116 B	VA 116 B	●	●	●	●
<b>ZEF 1148</b>	<b>CU</b>	○	VA 117 A	VA 122 D	VA 122 D	VA 122 C	VA 122 C	●	●	●	●
<b>ZEF 990</b>	<b>CU</b>	○	●	VA 121 A	VA 121 A	VA 121 B	VA 121 C	●	●	●	●
<b>ZEF 989</b>	<b>CU</b>	○	●	VA 127 A	VA 127 A	VA 127 B	VA 127 C	●	●	●	●
<b>ZEF 990</b>	<b>CU</b>	○	●	VA 121 A	VA 121 A	VA 121 B	VA 121 C	●	●	●	●
<b>ZEF 991</b>	<b>CU</b>	○	●	VA 124 B	VA 124 A	VA 124 A	VA 124 A	●	●	●	●
<b>ZEF 1230</b>	<b>CU</b>	○	●	VA 125 C	VA 129 D	VA 129 C	VA 129 C	VA 125 A	●	●	●
<b>ZEF 1117</b>	<b>CU</b>	○	●	VA 127 A	VA 127 A	VA 127 B	VA 127 C	●	●	●	●
○	<b>R</b>	○	R 19	R 7	R 4	R 3	R 1	●	●	●	●
○	<b>R</b>	○	R 19	R 7	R 4	R 3	R 1	●	●	●	●
○	<b>R</b>	○	R 19	R 7	R 4	R 3	R 1	●	●	●	●
○	<b>R</b>	○	R 19	R 7	R 4	R 3	R 1	●	●	●	●
○	<b>R</b>	○	R 19	R 7	R 4	R 3	R 1	●	●	●	●
○	<b>R</b>	○	R 19	R 7	R 4	R 3	R 1	●	●	●	●
○	<b>R</b>	○	R 19	R 7	R 4	R 3	R 1	●	●	●	●
○	<b>R</b>	○	R 19	R 7	R 4	R 3	R 1	●	●	●	●
<b>ZEF 1629</b>	<b>CU</b>	○	●	○	○	○	○	●	●	●	●
<b>ZEF 990</b>	<b>CU</b>	○	●	VA 121 A	VA 121 A	VA 121 B	VA 121 C	●	●	●	●
<b>ZEF 990</b>	<b>CU</b>	○	●	VA 121 A	VA 121 A	VA 121 B	VA 121 C	●	●	●	●
<b>ZEF 1117</b>	<b>CU</b>	○	●	VA 127 A	VA 127 A	VA 127 B	VA 127 C	●	●	●	●



kW


**SKODA**
**FAVORIT**

1.3 135 X,LX,GLX	1,3	40	01.90-06.93	781.135E	4
1.3 135	1,3	42	12.91-09.94	781.135	4
1.3 135L	1,3	43	05.89-09.94		4
1.3 135	1,3	43	12.91-09.94	781.135	4
1.3 135	1,3	44	10.90-09.94	781.135	4
1.3 135	1,3	45	10.90-09.94	136 L	4
1.3	1,3	50	01.94-09.94	136B	4

**FAVORIT Forman**

1.3	1,3	40	09.91-06.95	781.135E	4
1.3	1,3	44	12.91-06.95	781.135	4
1.3	1,3	45	08.91-06.95	OHC	4
1.3	1,3	50	01.94-06.95	136B	4

**FAVORIT Pick-up**

1.3	1,3	40	10.94-06.97	135B	4
1.3	1,3	42	12.92-06.97	781.135	4
1.3	1,3	50	10.94-06.97	136B	4

**FELICIA I**

1.3	1,3	40	10.94-03.98	135B/AMG	4
1.3	1,3	50	10.94-03.98	136B/AMH	4
1.6 LX	1,6	55	08.95-03.98	AEE	4

**FELICIA I Kombi**

1.3 LX	1,3	40	08.95-07.96	135B/AMG	4
1.3 LX	1,3	40	08.96-03.98	135B/AMG	4
1.3 LXI	1,3	50	08.95-07.96	136B/AMH	4
1.3 LXI	1,3	50	08.96-03.98	136B/AMH	4
1.6 GLX	1,6	55	08.95-03.98	AEE	4

**FELICIA I Fun**

1.3	1,3	40	06.97-	135B/135M	4
1.3	1,3	50	06.97-	136B/136M	4
1.6	1,6	55	06.97-	AEE	4

**FELICIA II, Kombi**

1.3	1,3	40	01.98-06.01	AMG	4
1.3	1,3	50	01.98-06.01	AMH	4
1.6	1,6	55	01.98-06.01	AEE	4

**OCTAVIA, Kombi**

1.2 TSI	1,2	77	02.10-	CBZB	4
1.4	1,4	55	09.00-	AXP	4
1.6	1,6	55	09.96-09.00	AEE	4
1.6	1,6	74	02.97-	AEH/AKL	4
1.6	1,6	75	11.00-	AVU	4
1.6	1,6	75	06.04-	BGU	4
1.8 20V	1,8	92	04.97-	AGN	4
2.0, 4x4	2,0	85	04.99-	APK/AZH/AQY	4
2.0 4x4	2,0	85	05.01-	AEG	4

**RAPID**

1.3	1,3	43	09.84-12.90	135/8	4
1.3	1,3	45	03.85-08.88	742,13	4

**ROOMSTER**

1.2 TSI	1,2	63-77	03.10-	CBZA/CBZB	4
---------	-----	-------	--------	-----------	---

**SUPERB**

2.0	2,0	85	02.02-	AZM	4
2.8 V6	2,8	142	02.02-	AMX	6

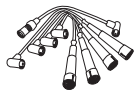
**YETI**

1.2 TSI	1,2	77	09.09-	CBZB	4
---------	-----	----	--------	------	---

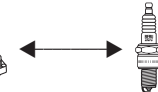
**SMART**
**CABRIO**

0.6	0,6	40	03.00-01.04	M 160 E6AL B03	3
0.6	0,6	45	01.01-01.04	M 160 E6AL B05	3
0.7	0,7	45	01.03-01.04		3





Copper Cable  
Power Cable



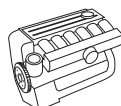
Zyl./Cyl./Cil.

				1	2	3	4	5	6	7	8
ZEF 765	R	C 15	R 18	R 11	R 8	R 8	R 12	●	●	●	●
ZEF 765	R	C 15	R 18	R 11	R 8	R 8	R 12	●	●	●	●
ZEF 765	R	C 15	R 18	R 11	R 8	R 8	R 12	●	●	●	●
ZEF 765	R	C 15	R 18	R 11	R 8	R 8	R 12	●	●	●	●
ZEF 765	R	C 15	R 18	R 11	R 8	R 8	R 12	●	●	●	●
ZEF 765	R	C 15	R 18	R 11	R 8	R 8	R 12	●	●	●	●
ZEF 812	R	○	○	○	○	○	○	●	●	●	●
ZEF 765	R	C 15	R 18	R 11	R 8	R 8	R 12	●	●	●	●
ZEF 765	R	C 15	R 18	R 11	R 8	R 8	R 12	●	●	●	●
ZEF 765	R	C 15	R 18	R 11	R 8	R 8	R 12	●	●	●	●
ZEF 812	R	○	○	○	○	○	○	●	●	●	●
ZEF 812	R	○	○	○	○	○	○	●	●	●	●
ZEF 765	R	C 15	R 18	R 11	R 8	R 8	R 12	●	●	●	●
ZEF 812	R	○	○	○	○	○	○	●	●	●	●
ZEF 812	R	○	○	○	○	○	○	●	●	●	●
ZEF 812	R	○	○	○	○	○	○	●	●	●	●
ZEF 562	CU	C 30	VA 118 C	VA 116 D	VA 116 C	VA 116 B	VA 116 A	●	●	●	●
ZEF 812	R	○	○	○	○	○	○	●	●	●	●
○	R	○	R 10	R 14	R 16	R 12	R 8	●	●	●	●
ZEF 812	R	○	○	○	○	○	○	●	●	●	●
○	R	○	R 10	R 14	R 16	R 12	R 8	●	●	●	●
ZEF 562	CU	C 30	VA 118 C	VA 116 D	VA 116 C	VA 116 B	VA 116 A	●	●	●	●
ZEF 812	R	○	○	○	○	○	○	●	●	●	●
ZEF 812	R	○	○	○	○	○	○	●	●	●	●
ZEF 562	CU	C 30	VA 118 C	VA 116 D	VA 116 C	VA 116 B	VA 116 A	●	●	●	●
ZEF 812	R	○	○	○	○	○	○	●	●	●	●
ZEF 812	R	○	○	○	○	○	○	●	●	●	●
ZEF 716	CU	C 30	VA 118 C	VA 116 D	VA 116 C	VA 116 B	VA 116 B	●	●	●	●
ZEF 1629	CU	○	●	○	○	○	○	●	●	●	●
ZEF 990	CU	○	●	VA 121 A	VA 121 A	VA 121 B	VA 121 C	●	●	●	●
ZEF 562	CU	C 30	VA 118 C	VA 116 D	VA 116 C	VA 116 B	VA 116 A	●	●	●	●
ZEF 989	CU	○	●	VA 127 A	VA 127 A	VA 127 B	VA 127 C	●	●	●	●
ZEF 1224	CU	○	●	VA 127 A	VA 127 A	VA 127 B	VA 127 C	●	●	●	●
ZEF 1224	CU	○	●	VA 127 A	VA 127 A	VA 127 B	VA 127 C	●	●	●	●
ZEF 991	CU	○	●	VA 124 B	VA 124 A	VA 124 A	VA 124 A	●	●	●	●
ZEF 1117	CU	○	●	VA 127 A	VA 127 A	VA 127 B	VA 127 C	●	●	●	●
ZEF 1496	CU	○	●	VA 127 A	VA 127 B	VA 127 C	VA 127 D	●	●	●	●
○	R	○	R 5	R 16	R 12	R 12	R 8	●	●	●	●
○	R	○	R 5	R 16	R 12	R 12	R 8	●	●	●	●
ZEF 1629	CU	○	●	○	○	○	○	●	●	●	●
ZEF 1117	CU	○	●	VA 127 A	VA 127 A	VA 127 B	VA 127 C	●	●	●	●
ZEF 1219	CU	○	●	VA 120 E	VA 120 E	VA 120 D	VA 120 E	VA 120 D	VA 120 D	●	●
ZEF 1629	CU	○	●	○	○	○	○	●	●	●	●
ZEF 1479	CU	○	●	M 121 A/B	M 121 A/B	M 121 A/B	●	●	●	●	●
ZEF 1479	CU	○	●	M 121 A/B	M 121 A/B	M 121 A/B	●	●	●	●	●
ZEF 1479	CU	○	●	M 121 A/B	M 121 A/B	M 121 A/B	●	●	●	●	●





kW



## SMART

### CITY-COUPE

0.6	0,6	33	07.98-01.04	M 160 E6AL B04	3
0.6	0,6	40	07.98-01.04	M 160 E6AL B03	3
0.6	0,6	45	01.01-12.02	M 160 E6AL B05	3
0.7	0,7	37	01.03-01.04		3
0.7	0,7	45	01.03-01.04		3

### CROSSBLADE

0.6	0,6	52	06.02-		3
-----	-----	----	--------	--	---

### ROADSTER

0.7	698	45	04.03-		3
-----	-----	----	--------	--	---

## SUBARU

### 1800 XT COUPE

Turbo 4WD	1,8	88	01.88-12.90	EA82	4
Turbo 4WD	1,8	96	01.87-12.90	EA82	4
Turbo 4WD	1,8	100	11.84-12.90	EA82	4

### FORESTER

2.0	2,0	90	08.97-05.98	EJ20	4
2.0	2,0	90	06.98-09.02	EJ20	4
2.0	2,0	92	06.98-09.02	EJ20	4
2.0	2,0	92	09.02-	EJ20	4
2.0 S Turbo	2,0	125	06.98-04.01	EJ20	4

### IMPREZA

1.6 i, 4WD	1,6	66	08.92-12.00	EJ16	4
1.8 i 4WD	1,8	76	08.92-12.00	EJ18/EJ18E	4
2.0 i 4WD	2,0	85	10.95-12.00	EJ20	4
2.0	2,0	92	12.00-	EJ20	4
2.0 Turbo GT 4WD	2,0	155	09.96-07.98	EJ20 (Turbo)	4
2.0 Turbo GT 4WD	2,0	160	06.98-12.00		4

### IMPREZA Coupe

1.6, 4WD	1,6	66	12.96-12.00	EJ16	4
2.0 4WD	2,0	85	12.95-12.00	EJ20	4
2.0 Turbo 4WD	2,0	155	12.96-12.00	EJ20G	4

### IMPREZA Station Wagon

1.6 i 4WD	1,6	66	08.92-12.00	EJ16	4
1.8 i 4WD	1,8	76	08.92-12.00	EJ18	4
2.0	2,0	92	12.00-	EJ20	4
2.0 i Turbo 4WD	2,0	155	09.96-07.98	EJ20 (Turbo)	4
2.0 Turbo GT 4WD	2,0	160	06.98-12.00		4

### JUSTY I

1000, 4WD	1,0	37	05.87-10.95	EF10	3
1000, 4WD	1,0	40	11.84-06.89	EF10	3
1200, 4WD	1,2	49	05.87-05.91	EF12	3
1200 4WD	1,2	50	10.86-12.90	EF12	3
1200 4WD	1,2	55	10.90-12.94	EF12	3

### JUSTY II

1.3 GX 4x4	1,3	50	10.95-	EF13	4
1.3 4x4	1,3	63	04.01-	G13BB	4

### LEGACY I, Station Wagon

1800 4WD	1,8	76	01.89-07.94	EJ18 SPI	4
2000 4WD	2,0	85	09.91-07.94	EJ20 EMPI	4
2200 Super 4WD	2,2	100	01.89-07.94	EJ22 EMPI	4

### LEGACY II, Station Wagon

2.0 i	2,0	85	09.94-11.98	EJ20 EMPI	4
2.0 i 4WD	2,0	85	09.94-11.98	EJ20	4
2.2 i 4WD	2,2	94	09.94-04.96	EJ22 EMPI	4
2.2 i 4WD	2,2	94	05.96-11.98	EJ22 EMPI	4
2.5 i 4WD	2,5	110	06.96-11.98	EJ25D	4

### LEGACY III, Station Wagon

2.0	2,0	92	12.98-	EJ20	4
2.5	2,5	115	12.98-	EJ25	4



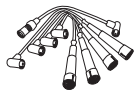
= DIN



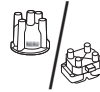
= M4



= SAE



Copper Cable  
Power Cable

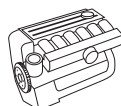


Zyl./Cyl./Cil.

				1	2	3	4	5	6	7	8
ZEF 1479	CU	○	●	M 121 A/B	M 121 A/B	M 121 A/B	●	●	●	●	●
ZEF 1479	CU	○	●	M 121 A/B	M 121 A/B	M 121 A/B	●	●	●	●	●
ZEF 1479	CU	○	●	M 121 A/B	M 121 A/B	M 121 A/B	●	●	●	●	●
ZEF 1479	CU	○	●	M 121 A/B	M 121 A/B	M 121 A/B	●	●	●	●	●
ZEF 1479	CU	○	●	M 121 A/B	M 121 A/B	M 121 A/B	●	●	●	●	●
ZEF 1479	CU	○	●	M 121 A/B	M 121 A/B	M 121 A/B	●	●	●	●	●
ZEF 1479	CU	○	●	M 121 A/B	M 121 A/B	M 121 A/B	●	●	●	●	●
ZEF 1479	CU	○	●	M 121 A/B	M 121 A/B	M 121 A/B	●	●	●	●	●
ZEF 1239	R	○	○	○	○	○	○	●	●	●	●
ZEF 1239	R	○	○	○	○	○	○	●	●	●	●
ZEF 1239	R	○	○	○	○	○	○	●	●	●	●
ZEF 1108	R	○	○	○	○	○	○	●	●	●	●
ZEF 1497	R	○	○	○	○	○	○	●	●	●	●
ZEF 1497	R	○	○	○	○	○	○	●	●	●	●
ZEF 1561	R	○	●	○	○	○	○	●	●	●	●
ZEF 1528	R	○	○	○	○	○	○	●	●	●	●
ZEF 906	R	○	○	○	○	○	○	●	●	●	●
ZEF 906	R	○	○	○	○	○	○	●	●	●	●
ZEF 906	R	○	○	○	○	○	○	●	●	●	●
ZEF 1561	R	○	●	○	○	○	○	●	●	●	●
ZEF 1245	R	○	○	○	○	○	○	●	●	●	●
ZEF 1528	R	○	○	○	○	○	○	●	●	●	●
ZEF 906	R	○	○	○	○	○	○	●	●	●	●
ZEF 906	R	○	○	○	○	○	○	●	●	●	●
ZEF 1245	R	○	○	○	○	○	○	●	●	●	●
ZEF 906	R	○	○	○	○	○	○	●	●	●	●
ZEF 906	R	○	○	○	○	○	○	●	●	●	●
ZEF 1561	R	○	●	○	○	○	○	●	●	●	●
ZEF 1245	R	○	○	○	○	○	○	●	●	●	●
ZEF 1528	R	○	○	○	○	○	○	●	●	●	●
○	R	○	R 5	R 14	R 16	R 12	●	●	●	●	●
○	R	○	R 5	R 14	R 16	R 12	●	●	●	●	●
ZEF 1385	R	○	○	○	○	○	●	●	●	●	●
ZEF 1385	R	○	○	○	○	○	●	●	●	●	●
○	R	○	R 18	R 14	R 12	R 12	●	●	●	●	●
ZEF 901	R	○	●	○	○	○	○	●	●	●	●
ZEF 1147	R	○	●	○	○	○	○	●	●	●	●
ZEF 903	R	○	○	○	○	○	○	●	●	●	●
○	R	○	●	R 119	R 119	R 119	R 119	●	●	●	●
ZEF 904	R	○	○	○	○	○	○	●	●	●	●
ZEF 906	R	○	○	○	○	○	○	●	●	●	●
ZEF 906	R	○	○	○	○	○	○	●	●	●	●
ZEF 904	R	○	○	○	○	○	○	●	●	●	●
ZEF 905	R	○	○	○	○	○	○	●	●	●	●
ZEF 1246	R	○	○	○	○	○	○	●	●	●	●
ZEF 1561	R	○	●	○	○	○	○	●	●	●	●
ZEF 1561	R	○	●	○	○	○	○	●	●	●	●



kW



## SUBARU

### LEONE I, Station Wagon

1.6	1,6	63	03.79-10.84	EA71	4
1.6	1,6	63	03.79-10.84	EA71	4

### LEONE II

1.6	1,6	55	11.84-12.85	EA71	4
1.6	1,6	55	01.86-09.91	EA71	4

### LEONE II, Station Wagon

1.8 4WD	1,8	66	11.84-12.90	EA82	4
1.8 Super Turbo 4WD	1,8	100	11.84-12.90	EA82	4

### LIBERO

1.0 4WD	1,0	37	01.83-12.87	EF10	3
1.2 4WD	1,2	38	05.93-02.00	EF12	3
1.2 i 4WD	1,2	40	05.93-02.00	EF12	3

### OUTBACK

2.5	2,5	115	10.00-		4
-----	-----	-----	--------	--	---

### VIVIO

660 4WD	0,7	32	03.92-10.95	EN07E	4
---------	-----	----	-------------	-------	---

## SUZUKI

### ALTO I

0.8	0,8	29	06.82-12.85	F8B	3
-----	-----	----	-------------	-----	---

### ALTO II

0.8	0,8	29	01.86-11.93	F8B	3
-----	-----	----	-------------	-----	---

### ALTO III

1.0	1	39	01.97-06.02	G10B	4
1.0	1	43	01.00-	G10B	4

### BALENO, Kombi

1.3	1,3	52	09.96-01.99	G13BA	4
1.3	1,3	52	09.96-	G13BA	4
1.3 i 16V	1,3	63	07.95-01.99	G13B, BB	4
1.3 i 16V	1,3	63	07.95-	G13B, BB	4
1.6 i 16V	1,6	72	07.95-01.99	G16B	4
1.6 i 16V	1,6	72	07.95-	G16B	4
1.6 i 16V 4x4	1,6	72	07.95-01.99	G16B	4
1.6 i 16V 4x4	1,6	72	07.95-	G16B	4

### CAPPUCINO

0.7	0,7	47	02.92-08.95	F6A	3
-----	-----	----	-------------	-----	---

### CARRY Kasten

0.8	0,8	27	11.80-10.85	F8A	4
-----	-----	----	-------------	-----	---

### JIMNY

1.3 16V, 4WD	1,3	59	09.98-	G13BB	4
--------------	-----	----	--------	-------	---

### LJ 80

0.8	0,8	29	01.80-01.84	F8A	4
-----	-----	----	-------------	-----	---

### SAMURAI

1.0	1,0	33	11.88-	F10A	4
1.3	1,3	44	11.88-	G13A	4
1.3	1,3	47	11.88-	G13A	4
1.3	1,3	51	11.88-12.93	G13BA	4
1.3	1,3	51	01.94-	G13BA	4

### SJ 410

1.0	1	33	09.81-12.88	F10A	4
-----	---	----	-------------	------	---

### SJ 410 Cabrio

1.0	1	33	09.81-12.88	F10A	4
-----	---	----	-------------	------	---

### SJ 413

1.3	1,3	44	08.86-08.90	G13A	4
1.3	1,3	47	09.84-12.88	G13A	4

### SUPER CARRY

1.0	1	30	09.94-03.99	F10A	4
1.0	1	31	10.92-03.99	F10A	4

### SWIFT I

1.0	1	37	10.83-03.89	G10/G10A	3
1.3	1,3	47	08.86-03.89	G13A	4



= DIN



= M4



= SAE



Copper Cable  
Power Cable

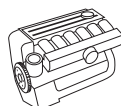


Zyl./Cyl./Cil.

				1	2	3	4	5	6	7	8
ZEF 907	R	○	○	○	○	○	○	●	●	●	●
ZEF 908	R	○	○	○	○	○	○	●	●	●	●
ZEF 907	R	○	○	○	○	○	○	●	●	●	●
ZEF 908	R	○	○	○	○	○	○	●	●	●	●
ZEF 907	R	○	○	○	○	○	○	●	●	●	●
○	R	○	R 10	R 14	R 12	R 47	R 47	●	●	●	●
ZEF 1109	R	○	R 43	R 12	R 12	R 16	●	●	●	●	●
ZEF 1109	R	○	R 43	R 12	R 12	R 16	●	●	●	●	●
ZEF 1109	R	○	R 43	R 12	R 12	R 16	●	●	●	●	●
ZEF 1561	R	○	●	○	○	○	○	●	●	●	●
ZEF 765	R	C 15	R 18	R 11	R 8	R 8	R 12	●	●	●	●
○	R	○	R 2	R 1	R 1	R 1	●	●	●	●	●
○	R	○	R 2	R 1	R 1	R 1	●	●	●	●	●
ZEF 909	R	○	R 249	R 263	R 263	R 279	R 279	●	●	●	●
ZEF 909	R	○	R 249	R 263	R 263	R 279	R 279	●	●	●	●
ZEF 910	R	○	○	○	○	○	○	●	●	●	●
ZEF 916	R	○	●	○	○	○	○	●	●	●	●
ZEF 910	R	○	○	○	○	○	○	●	●	●	●
ZEF 916	R	○	●	○	○	○	○	●	●	●	●
ZEF 910	R	○	○	○	○	○	○	●	●	●	●
ZEF 916	R	○	●	○	○	○	○	●	●	●	●
ZEF 910	R	○	○	○	○	○	○	●	●	●	●
ZEF 916	R	○	●	○	○	○	○	●	●	●	●
ZEF 1083	R	○	○	○	○	○	●	●	●	●	●
ZEF 769	R	C 18	R 5	R 28	R 13	R 13	R 11	●	●	●	●
ZEF 1147	R	○	●	○	○	○	○	●	●	●	●
ZEF 778	R	C 6	R 2	R 16	R 16	R 8	R 8	●	●	●	●
○	R	○	R 2	R 3	R 1	R 1	R 6	●	●	●	●
○	R	○	R 10	R 12	R 12	R 8	R 11	●	●	●	●
○	R	○	R 10	R 12	R 12	R 8	R 11	●	●	●	●
ZEF 913	R	○	R 18	R 118	R 118	R 118	R 118	●	●	●	●
ZEF 914	R	○	○	○	○	○	○	●	●	●	●
ZEF 909	R	○	R 249	R 263	R 263	R 279	R 279	●	●	●	●
ZEF 909	R	○	R 249	R 263	R 263	R 279	R 279	●	●	●	●
ZEF 909	R	○	R 249	R 263	R 263	R 279	R 279	●	●	●	●
ZEF 909	R	○	R 249	R 263	R 263	R 279	R 279	●	●	●	●
ZEF 769	R	C 18	R 5	R 28	R 13	R 13	R 11	●	●	●	●
ZEF 769	R	C 18	R 5	R 28	R 13	R 13	R 11	●	●	●	●
○	R	○	R 18	R 11	R 11	R 11	●	●	●	●	●
ZEF 909	R	○	R 249	R 263	R 263	R 279	R 279	●	●	●	●

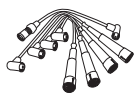


kW



<b>SUZUKI</b>					
<b>SWIFT I</b>					
1.3	1,3	50	10.84-03.89	G13A	4
1.3	1,3	54	10.84-03.89	G13A	4
1.3 GTi/GXi	1,3	74	08.86-03.89	G13B	4
<b>SWIFT II</b>					
1.0	1,0	37	03.89-05.01	G10A	3
1.0 i	1,0	39	09.91-05.01	G10A	3
1.0 i	1,0	40	03.89-12.91	G10A	3
1.3	1,3	50	03.89-05.01	G13A	4
1.3	1,3	52	03.89-12.91	G13A	4
1.3 GTi	1,3	74	03.89-05.01	G13B	4
1.6 i, 4WD	1,6	68	01.90-05.01	G16B	4
1.6 i, 4WD	1,6	68	01.90-05.01	G16B	4
1.6, 4WD	1,6	70	11.89-12.91	G16B	4
1.6, 4WD	1,6	70	11.89-12.91	G16B	4
<b>SWIFT II Cabriolet</b>					
1.3	1,3	50	09.91-	G13B	4
<b>VITARA</b>					
1.6	1,6	59	07.88-01.95	G16A	4
1.6	1,6	60	07.88-12.91	G16A	4
1.6 16V	1,6	71	02.91-12.94	G16B	4
<b>VITARA Cabrio</b>					
1.6	1,6	59	07.88-01.95	G16A	4
1.6 16V	1,6	71	01.95-03.98	G16B	4
<b>WAGON R+</b>					
1.0	1	48	02.98-05.00		4
1.2, 4WD	1,2	51	02.98-05.00		4
1.3, 4WD	1,3	56	05.00-	G13BB	4
<b>X-90</b>					
1.6 i 16V, 4x4	1,6	71	09.95-	G16B	4
<b>TALBOT</b>					
<b>HORIZON</b>					
1.1	1,1	40	01.79-09.84	E1B	4
1.3	1,3	40	09.81-06.86	2G1-BTC	4
1.3	1,3	43	09.78-09.84	2G1-BTC	4
1.4	1,4	48	02.82-09.84	2Y1B	4
1.4	1,4	51	07.79-06.86	2Y1	4
1.4	1,4	61	07.79-06.86	2Y2/Y2	4
1.6	1,6	66	07.82-06.86	6J2A/J2A	4
<b>RANCHO</b>					
1.4	1,4	59	01.77-07.84	X3Y2	4
<b>SAMBA</b>					
0.9	0,9	31	01.81-12.85	5C1(XV5)/5C1(XV8)	4
1.1	1,1	37	01.81-06.86	XW7	4
1.4	1,4	53	01.81-06.86	XY7/XY8	4
<b>SAMBA Cabriolet</b>					
1.4	1,4	58	01.81-06.86	XY8	4
<b>SIMCA 1000</b>					
1.3 Rallye 2	1,3	63	10.76-09.77		4
<b>Simca 1307</b>					
1.3	1,3	40	01.78-08.81	6G1D	4
<b>Simca 1308</b>					
1.4	1,4	55	11.78-08.80	6Y2/6Y2D	4
1.4	1,4	63	11.78-08.81	6Y2	4
<b>Simca 1510</b>					
1.6	1,6	66	07.81-06.82	6J2A	4
<b>SOLARA</b>					
1.3	1,3	40	02.80-07.86	6G1D/VP	4
1.6	1,6	51	07.82-04.84	J1B	4
1.6	1,6	54	09.81-10.84	6J1	4
1.6	1,6	65	02.80-06.81	6J2/J1/J2	4





Copper Cable  
Power Cable

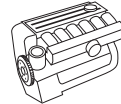


Zyl./Cyl./Cil.

				1	2	3	4	5	6	7	8
ZEF 909	R	○	R 249	R 263	R 263	R 279	R 279	●	●	●	●
ZEF 912	R	○	○	○	○	○	○	●	●	●	●
ZEF 912	R	○	○	○	○	○	○	●	●	●	●
○	R	○	R 18	R 11	R 11	R 11	●	●	●	●	●
○	R	○	R 18	R 11	R 11	R 11	●	●	●	●	●
○	R	○	R 18	R 11	R 11	R 11	●	●	●	●	●
ZEF 909	R	○	R 249	R 263	R 263	R 279	R 279	●	●	●	●
ZEF 909	R	○	R 249	R 263	R 263	R 279	R 279	●	●	●	●
ZEF 912	R	○	○	○	○	○	○	●	●	●	●
ZEF 915	R	○	○	○	○	○	○	●	●	●	●
ZEF 916	R	○	●	○	○	○	○	●	●	●	●
ZEF 915	R	○	○	○	○	○	○	●	●	●	●
ZEF 916	R	○	●	○	○	○	○	●	●	●	●
ZEF 909	R	○	R 249	R 263	R 263	R 279	R 279	●	●	●	●
ZEF 913	R	○	R 18	R 118	R 118	R 118	R 118	●	●	●	●
ZEF 913	R	○	R 18	R 118	R 118	R 118	R 118	●	●	●	●
ZEF 915	R	○	○	○	○	○	○	●	●	●	●
ZEF 913	R	○	R 18	R 118	R 118	R 118	R 118	●	●	●	●
ZEF 915	R	○	○	○	○	○	○	●	●	●	●
ZEF 1529	R	○	●	○	○	○	○	●	●	●	●
ZEF 1529	R	○	●	○	○	○	○	●	●	●	●
ZEF 1147	R	○	●	○	○	○	○	●	●	●	●
ZEF 915	R	○	○	○	○	○	○	●	●	●	●
○	R	○	R 43	R 3	R 1	R 1	R 6	●	●	●	●
○	R	○	R 43	R 3	R 1	R 1	R 6	●	●	●	●
○	R	○	R 43	R 3	R 1	R 1	R 6	●	●	●	●
ZEF 762	R	○	R 32	R 6	R 8	R 8	R 8	●	●	●	●
○	R	○	R 43	R 3	R 1	R 1	R 6	●	●	●	●
○	R	○	R 43	R 3	R 1	R 1	R 6	●	●	●	●
○	R	○	R 43	R 3	R 1	R 1	R 6	●	●	●	●
○	R	○	R 43	R 3	R 1	R 1	R 6	●	●	●	●
○	R	○	R 43	R 3	R 1	R 1	R 6	●	●	●	●
○	R	○	R 10	R 3	R 1	R 1	R 6	●	●	●	●
○	R	○	R 10	R 3	R 1	R 1	R 6	●	●	●	●
○	R	○	R 10	R 3	R 1	R 1	R 6	●	●	●	●
○	R	○	R 10	R 3	R 1	R 1	R 6	●	●	●	●
○	R	○	R 18	R 1	R 3	R 125	R 125	●	●	●	●
○	R	○	R 24	R 3	R 1	R 1	R 6	●	●	●	●
○	R	○	R 24	R 3	R 1	R 1	R 6	●	●	●	●
○	R	○	R 24	R 3	R 1	R 1	R 6	●	●	●	●
○	R	○	R 24	R 3	R 1	R 1	R 6	●	●	●	●
○	R	○	R 43	R 3	R 1	R 1	R 1	●	●	●	●
○	R	○	R 43	R 3	R 1	R 1	R 1	●	●	●	●
○	R	○	R 43	R 3	R 1	R 1	R 1	●	●	●	●
○	R	○	R 43	R 3	R 1	R 1	R 1	●	●	●	●



kW



## TALBOT

### SOLARA

1.6	1,6	66	09.81-07.86	J1B	4
-----	-----	----	-------------	-----	---

### TAGORA

2.1	2,1	85	06.80-12.83	5N2	4
-----	-----	----	-------------	-----	---

## TOYOTA

### 4 RUNNER

2.4	2,4	82	08.87-03.96	22REC	4
-----	-----	----	-------------	-------	---

2.7 i	2,7	112	11.95-07.96	3RZ-FE	4
-------	-----	-----	-------------	--------	---

3.0 V6	3,0	105	07.90-11.95	3VZ-E	6
--------	-----	-----	-------------	-------	---

3.4 i	3,4	136	11.95-	5VZ-FE	6
-------	-----	-----	--------	--------	---

### AVENSIS, Liftback, Station Wagon

1.6	1,6	74	09.97-10.00	4A-FE	4
-----	-----	----	-------------	-------	---

1.6	1,6	74	09.97-10.00	4A-FE	4
-----	-----	----	-------------	-------	---

1.6	1,6	81	09.97-10.00	4A-FE	4
-----	-----	----	-------------	-------	---

1.6	1,6	81	09.97-10.00	4A-FE	4
-----	-----	----	-------------	-------	---

1.8	1,8	81	09.97-10.00	7A-FE	4
-----	-----	----	-------------	-------	---

2.0	2,0	94	09.97-10.00	3S-FE	4
-----	-----	----	-------------	-------	---

### CAMRY, Liftback, Station Wagon

1.8 i	1,8	66	10.86-08.88	1S-L	4
-------	-----	----	-------------	------	---

2.0	2,0	73	04.86-01.88	2S-E/2S-ELC	4
-----	-----	----	-------------	-------------	---

2.0 GLI	2,0	79	03.83-10.86	2S-EL	4
---------	-----	----	-------------	-------	---

2.2	2,2	96	08.96-11.01	5S-FE	4
-----	-----	----	-------------	-------	---

2.2	2,2	100	06.91-08.96	5S-FE	4
-----	-----	-----	-------------	-------	---

2.5 V6 GXI	2,5	118	02.88-05.91	2VZ-FE	6
------------	-----	-----	-------------	--------	---

3.0	3,0	138	06.91-08.96	3VZ-FE	6
-----	-----	-----	-------------	--------	---

### CARINA

1.6	1,6	55	02.76-03.78	2T	4
-----	-----	----	-------------	----	---

1.6	1,6	55	01.78-09.83	2T	4
-----	-----	----	-------------	----	---

1.6	1,6	58	05.73-03.78		4
-----	-----	----	-------------	--	---

1.6	1,6	63	10.75-03.78	2TB	4
-----	-----	----	-------------	-----	---

1.8	1,8	57	01.78-05.83	3T/3T-C	4
-----	-----	----	-------------	---------	---

1.8	1,8	63	01.82-12.84	3T	4
-----	-----	----	-------------	----	---

### CARINA Station Wagon

1.6	1,6	54	03.81-01.82	2T	4
-----	-----	----	-------------	----	---

1.6	1,6	55	04.78-09.83	2T	4
-----	-----	----	-------------	----	---

1.8	1,8	57	08.82-12.82		4
-----	-----	----	-------------	--	---

### CARINA E

1.6	1,6	73	12.93-09.97	4A-FE	4
-----	-----	----	-------------	-------	---

1.6	1,6	73	01.95-09.97	4A-FE	4
-----	-----	----	-------------	-------	---

1.6 16V	1,6	78	10.95-09.97	4A-FE	4
---------	-----	----	-------------	-------	---

1.6	1,6	78	10.95-09.97	4A-FE	4
-----	-----	----	-------------	-------	---

1.6 GLI	1,6	79	04.92-09.97	4A-FE	4
---------	-----	----	-------------	-------	---

1.6	1,6	85	12.93-09.97	4A-FE	4
-----	-----	----	-------------	-------	---

1.8 i 16V	1,8	79	01.95-09.97	7A-FE	4
-----------	-----	----	-------------	-------	---

2.0 i	2,0	93	12.93-09.97		4
-------	-----	----	-------------	--	---

2.0	2,0	98	01.93-09.97	3S-FE	4
-----	-----	----	-------------	-------	---

2.0 GLI	2,0	98	04.92-09.97	3S-FE	4
---------	-----	----	-------------	-------	---

### CARINA E Sportswagon

1.6 i	1,6	73	02.95-09.97	4A-FE	4
-------	-----	----	-------------	-------	---

1.6 GLI	1,6	79	01.93-09.97	4A-FE	4
---------	-----	----	-------------	-------	---

1.8 i	1,8	79	02.95-09.97	7A-FE	4
-------	-----	----	-------------	-------	---

2.0 i	2,0	93	05.95-09.97	3S-FE	4
-------	-----	----	-------------	-------	---

2.0 GLI	2,0	98	01.93-09.97	3S-FE	4
---------	-----	----	-------------	-------	---

### CARINA II

1.6	1,6	55	08.86-11.87	4A-LC	4
-----	-----	----	-------------	-------	---

1.6	1,6	62	10.83-11.87	4A-L	4
-----	-----	----	-------------	------	---

1.6	1,6	63	10.86-11.87	4A-L	4
-----	-----	----	-------------	------	---

1.6	1,6	66	12.87-08.90	4A-F	4
-----	-----	----	-------------	------	---

1.6	1,6	72	12.87-03.92	4A-FE	4
-----	-----	----	-------------	-------	---

1.6	1,6	75	12.87-03.92	4A-FE	4
-----	-----	----	-------------	-------	---

1.8 GLI	1,8	74	08.85-11.87	1S-L	4
---------	-----	----	-------------	------	---



= DIN



= M4



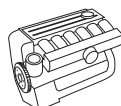
= SAE







kW



<b>TOYOTA</b>					
<b>CARINA II Station Wagon</b>					
1.6	1,6	66	12.87-12.89	4A-F	4
1.6	1,6	72	12.87-10.89	4A-FE	4
1.6	1,6	75	12.87-10.89	4A-FE	4
<b>CELICA</b>					
1.6 LT	1,6	55	02.76-03.78	2T	4
1.6	1,6	63	04.86-02.90	4A-L	4
1.6 GT 16V	1,6	91	04.86-08.89	4A-GEL	4
1.8 i 16V	1,8	85	11.93-11.99	7A-FE	4
1.8 16V VT-i	1,8	105	11.99-	1ZZ-FE	4
1.8 16V TS	1,8	141	11.99-	2ZZ-GE	4
2.0 GT	2,0	90	02.78-08.83	18R-G	4
2.0	2,0	110	01.87-08.90	3S-GEL	4
2.0 i 16V	2,0	129	03.94-11.99	3S-GE	4
2.0 i Turbo 4WD	2,0	178	02.94-11.99	3S-GTE	4
<b>CELICA Cabriolet</b>					
2.0 GT	2,0	110	10.86-08.90	3S-GEL	4
2.0 GTi	2,0	115	05.91-01.94	3S-GE	4
<b>CELICA Coupe</b>					
1.6 LT	1,6	55	02.79-07.83	2TB	4
1.6 STi	1,6	77	10.89-01.94	4A-FE	4
1.6 STi	1,6	77	10.89-01.94	4A-FE	4
1.6	1,6	91	12.83-10.86	4A-GE	4
2.0	2	88	01.82-07.85	18R-G	4
2.0 GTi	2,0	115	03.90-01.94	3S-GE	4
2.0 Turbo 4x4	2,0	136	03.88-08.90	3S-GTE	4
2.0 Turbo 4WD	2,0	150	03.90-01.94	3S-GTE	4
2.0 Turbo 4WD	2,0	153	10.91-01.94	3S-GTE	4
<b>CELICA Liftback</b>					
1.6	1,6	63	04.86-02.90	4A-L	4
1.6 GT	1,6	85	08.87-08.89	4A-GELC	4
1.6 GT 16V	1,6	91	09.85-08.89	4A-GEL	4
2.0 GT	2,0	103	09.85-08.89	3S-GELC	4
2.0 GT	2,0	110	08.85-08.89	3S-GEL	4
<b>CELICA SUPRA</b>					
2.8 i	2,8	125	05.82-12.85	5M-GE	6
<b>COROLLA</b>					
1.2	1,2	40	08.74-12.80	3K-H	4
1.2	1,2	43	10.72-06.77	3K-H	4
1.3	1,3	44	09.79-12.80	4K	4
1.3	1,3	55	10.84-08.87	2E-L/2E-LC	4
1.3 i	1,3	55	08.87-12.92	2E/2E-E	4
1.3 XLI	1,3	55	09.95-04.97	4E-FE	4
1.3 XLI 16V	1,3	65	07.92-09.95	4E-FE	4
1.4	1,4	63	04.97-02.00	4E-FE	4
1.6	1,6	53	08.85-08.87	4A-LC	4
1.6	1,6	54	12.85-05.88	4A-LC	4
1.6	1,6	55	10.82-09.83	2T	4
1.6	1,6	62	06.83-08.87	4A-L	4
1.6	1,6	66	08.87-12.89	4A-F	4
1.6 Aut.	1,6	79	04.97-02.00	4A-FE	4
1.6	1,6	81	04.97-02.00	4A-FE	4
1.6 Si	1,6	84	09.95-04.97	4A-FE	4
<b>COROLLA Combi</b>					
1.2	1,2	40	07.75-01.80	3K-H	4
<b>COROLLA Compact</b>					
1.3 XLI	1,3	55	09.95-04.97	4E-FE	4
1.3	1,3	55	08.87-12.89	2E	4
1.3 i	1,3	55	06.89-04.92	2E-E	4
1.3 XLI 16V	1,3	65	07.92-09.95	4E-FE	4
1.4	1,4	63	04.97-02.00	4E-FE	4
1.4	1,4	63	04.97-02.00	4E-FE	4



= DIN



= M4



= SAE



Copper Cable  
Power Cable

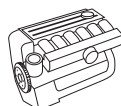


Zyl./Cyl./Cil.

				1	2	3	4	5	6	7	8
ZEF 920	R	○	●	○	○	○	○	●	●	●	●
ZEF 921	R	○	○	○	○	○	○	●	●	●	●
ZEF 921	R	○	○	○	○	○	○	●	●	●	●
ZEF 922	R	○	R 17	R 117	R 117	R 118	R 119	●	●	●	●
ZEF 965	R	○	●	○	○	○	○	●	●	●	●
ZEF 927	R	○	○	○	○	○	○	●	●	●	●
ZEF 923	R	○	●	○	○	○	○	●	●	●	●
ZEF 1300	R	○	●	○	○	○	○	●	●	●	●
ZEF 1300	R	○	●	○	○	○	○	●	●	●	●
ZEF 796	R	C 3	R 18	R 4	R 4	R 4	R 4	●	●	●	●
ZEF 930	R	○	○	○	○	○	○	●	●	●	●
ZEF 1000	R	○	○	○	○	○	○	●	●	●	●
ZEF 1084	R	○	○	○	○	○	○	●	●	●	●
ZEF 928	R	○	○	○	○	○	○	●	●	●	●
ZEF 929	R	○	○	○	○	○	○	●	●	●	●
ZEF 922	R	○	R 17	R 117	R 117	R 118	R 119	●	●	●	●
ZEF 921	R	○	○	○	○	○	○	●	●	●	●
ZEF 936	R	○	●	R 341	R 342	R 343	R 344	●	●	●	●
ZEF 927	R	○	○	○	○	○	○	●	●	●	●
ZEF 926	R	○	R 17	R 4	R 3	R 1	R 6	●	●	●	●
ZEF 930	R	○	○	○	○	○	○	●	●	●	●
ZEF 930	R	○	○	○	○	○	○	●	●	●	●
ZEF 1085	R	○	○	○	○	○	○	●	●	●	●
ZEF 1085	R	○	○	○	○	○	○	●	●	●	●
ZEF 965	R	○	●	○	○	○	○	●	●	●	●
ZEF 927	R	○	○	○	○	○	○	●	●	●	●
ZEF 927	R	○	○	○	○	○	○	●	●	●	●
ZEF 928	R	○	○	○	○	○	○	●	●	●	●
ZEF 928	R	○	○	○	○	○	○	●	●	●	●
ZEF 937	R	○	○	○	○	○	○	○	○	●	●
ZEF 932	R	○	○	○	○	○	○	●	●	●	●
ZEF 932	R	○	○	○	○	○	○	●	●	●	●
ZEF 932	R	○	○	○	○	○	○	●	●	●	●
ZEF 933	R	○	●	R 194	R 195	R 195	R 196	●	●	●	●
ZEF 933	R	○	●	R 194	R 195	R 195	R 196	●	●	●	●
ZEF 934	R	○	●	○	○	○	○	●	●	●	●
ZEF 934	R	○	●	○	○	○	○	●	●	●	●
ZEF 1111	R	○	●	○	○	○	○	●	●	●	●
ZEF 965	R	○	●	○	○	○	○	●	●	●	●
ZEF 965	R	○	●	○	○	○	○	●	●	●	●
ZEF 922	R	○	R 17	R 117	R 117	R 118	R 119	●	●	●	●
ZEF 965	R	○	●	○	○	○	○	●	●	●	●
ZEF 920	R	○	●	○	○	○	○	●	●	●	●
ZEF 923	R	○	●	○	○	○	○	●	●	●	●
ZEF 923	R	○	●	○	○	○	○	●	●	●	●
ZEF 923	R	○	●	○	○	○	○	●	●	●	●
ZEF 932	R	○	○	○	○	○	○	●	●	●	●
ZEF 934	R	○	●	○	○	○	○	●	●	●	●
ZEF 933	R	○	●	R 194	R 195	R 195	R 196	●	●	●	●
ZEF 933	R	○	●	R 194	R 195	R 195	R 196	●	●	●	●
ZEF 934	R	○	●	○	○	○	○	●	●	●	●
ZEF 934	R	○	●	○	○	○	○	●	●	●	●
ZEF 1111	R	○	●	○	○	○	○	●	●	●	●



kW



<b>TOYOTA</b>					
<b>COROLLA Compact</b>					
1.6	1,6	66	08.87-04.92	4A-F	4
1.6	1,6	77	08.89-04.92	4A-FE	4
1.6 Aut.	1,6	79	04.97-02.00	4A-FE	4
1.6	1,6	81	04.97-02.00	4A-FE	4
1.6 Si	1,6	84	07.92-04.97	4A-FE	4
1.6 Gti	1,6	85	08.87-04.92	4A-GE	4
<b>COROLLA Coupe</b>					
1.2	1,2	40	07.75-01.80	3K-H	4
1.6 16V	1,6	85	12.85-04.87	4A-GEC	4
1.6 GT 16V	1,6	91	08.83-07.87	4A-GE	4
<b>COROLLA FX Compact</b>					
1.3	1,3	55	08.85-08.87	2E-L	4
1.6 GT 16V	1,6	89	08.85-08.87	4A-GEL	4
<b>COROLLA Liftback</b>					
1.2	1,2	40	09.76-01.80	3K-H	4
1.3	1,3	44	09.79-12.80	4K	4
1.3	1,3	55	01.85-08.87	2E-L/2E-LC	4
1.3 i	1,3	55	08.87-04.92	2E/2E-E	4
1.3 XLI	1,3	65	07.92-04.97	4E-FE	4
1.3 i	1,3	66	08.87-04.92	4A-F	4
1.3 i	1,3	77	08.89-04.92	4A-FE	4
1.4	1,4	63	04.97-02.00	4E-FE	4
1.6	1,6	54	09.76-07.81	2T	4
1.6	1,6	54	08.85-08.87	4A-LC	4
1.6	1,6	55	09.79-05.83	2T	4
1.6	1,6	62	09.76-01.80	2TB	4
1.6	1,6	62	06.83-08.87	4A-L	4
1.6	1,6	63	09.79-07.81	2TB	4
1.6	1,6	63	07.85-05.88		4
1.6	1,6	66	08.87-04.92	4A-F	4
1.6	1,6	77	08.89-04.92	4A-FE	4
1.6 Aut.	1,6	79	04.97-02.00	4A-FE	4
1.6	1,6	81	04.97-02.00	4A-FE	4
1.6 GLI	1,6	84	07.92-04.97	4A-FE	4
1.6 GTI	1,6	92	07.87-06.93	4A-GE	4
<b>COROLLA Station Wagon</b>					
1.3	1,3	44	12.79-01.82	4K-C	4
1.3	1,3	48	02.82-08.87	4K	4
1.3	1,3	55	12.87-12.89	2E	4
1.3 i	1,3	55	06.89-06.92	2E-E	4
1.6	1,6	66	02.88-05.92	4A-F	4
1.6 XLI 4x4	1,6	77	08.88-06.92	4A-FE	4
<b>COROLLA Verso</b>					
1.8 VWT-i	1,8	99	01.02-05.04	1ZZ-FE	4
<b>COROLLA Wagon</b>					
1.3 XLI	1,3	55	09.95-04.97	4E-FE	4
1.3 XLI 16V	1,3	65	07.92-09.95	4E-FE	4
1.4	1,4	63	04.97-02.00	4E-FE	4
1.6 Aut.	1,6	79	04.97-02.00	4A-FE	4
1.6	1,6	81	04.97-02.00	4A-FE	4
1.6 Si	1,6	84	07.92-04.97	4A-FE	4
1.8 16V 4WD	1,8	81	09.95-01.02	7A-FE	4
<b>CORONA, Liftback</b>					
1.8	1,8	63	06.79-01.81	3T	4
2.0	2	65	01.76-05.79	18R	4
2.0 Mark II	2	65	12.75-10.77	18R	4
<b>CRESSIDA, Station Wagon</b>					
2.0	2,0	66	07.77-07.81	18R	4
<b>CROWN, Station Wagon</b>					
2.8 SI	2,8	107	04.80-07.83	5M/5M-E	6



= DIN



= M4



= SAE



Copper Cable  
Power Cable

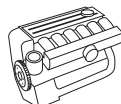


Zyl./Cyl./Cil.

				1	2	3	4	5	6	7	8
ZEF 920	R	○	●	○	○	○	○	●	●	●	●
ZEF 920	R	○	●	○	○	○	○	●	●	●	●
ZEF 923	R	○	●	○	○	○	○	●	●	●	●
ZEF 923	R	○	●	○	○	○	○	●	●	●	●
ZEF 923	R	○	●	○	○	○	○	●	●	●	●
ZEF 927	R	○	○	○	○	○	○	●	●	●	●
ZEF 932	R	○	○	○	○	○	○	●	●	●	●
ZEF 927	R	○	○	○	○	○	○	●	●	●	●
ZEF 927	R	○	○	○	○	○	○	●	●	●	●
ZEF 933	R	○	●	R 194	R 195	R 195	R 196	●	●	●	●
ZEF 927	R	○	○	○	○	○	○	●	●	●	●
ZEF 932	R	○	○	○	○	○	○	●	●	●	●
ZEF 932	R	○	○	○	○	○	○	●	●	●	●
ZEF 933	R	○	●	R 194	R 195	R 195	R 196	●	●	●	●
ZEF 933	R	○	●	R 194	R 195	R 195	R 196	●	●	●	●
ZEF 934	R	○	●	○	○	○	○	●	●	●	●
ZEF 920	R	○	●	○	○	○	○	●	●	●	●
ZEF 920	R	○	●	○	○	○	○	●	●	●	●
ZEF 1111	R	○	●	○	○	○	○	●	●	●	●
ZEF 922	R	○	R 17	R 117	R 117	R 118	R 119	●	●	●	●
ZEF 965	R	○	●	○	○	○	○	●	●	●	●
ZEF 922	R	○	R 17	R 117	R 117	R 118	R 119	●	●	●	●
ZEF 922	R	○	R 17	R 117	R 117	R 118	R 119	●	●	●	●
ZEF 965	R	○	●	○	○	○	○	●	●	●	●
ZEF 922	R	○	R 17	R 117	R 117	R 118	R 119	●	●	●	●
ZEF 965	R	○	●	○	○	○	○	●	●	●	●
ZEF 920	R	○	●	○	○	○	○	●	●	●	●
ZEF 920	R	○	●	○	○	○	○	●	●	●	●
ZEF 923	R	○	●	○	○	○	○	●	●	●	●
ZEF 923	R	○	●	○	○	○	○	●	●	●	●
ZEF 923	R	○	●	○	○	○	○	●	●	●	●
ZEF 1304	R	○	○	○	○	○	○	●	●	●	●
ZEF 932	R	○	○	○	○	○	○	●	●	●	●
ZEF 932	R	○	○	○	○	○	○	●	●	●	●
ZEF 933	R	○	●	R 194	R 195	R 195	R 196	●	●	●	●
ZEF 933	R	○	●	R 194	R 195	R 195	R 196	●	●	●	●
ZEF 920	R	○	●	○	○	○	○	●	●	●	●
ZEF 920	R	○	●	○	○	○	○	●	●	●	●
ZEF 1300	R	○	●	○	○	○	○	●	●	●	●
ZEF 934	R	○	●	○	○	○	○	●	●	●	●
ZEF 934	R	○	●	○	○	○	○	●	●	●	●
ZEF 1111	R	○	●	○	○	○	○	●	●	●	●
ZEF 923	R	○	●	○	○	○	○	●	●	●	●
ZEF 923	R	○	●	○	○	○	○	●	●	●	●
ZEF 923	R	○	●	○	○	○	○	●	●	●	●
ZEF 923	R	○	●	○	○	○	○	●	●	●	●
ZEF 922	R	○	R 17	R 117	R 117	R 118	R 119	●	●	●	●
ZEF 796	R	C 3	R 18	R 4	R 4	R 4	R 4	●	●	●	●
ZEF 796	R	C 3	R 18	R 4	R 4	R 4	R 4	●	●	●	●
ZEF 734	R	C 10	R 43	R 4	R 4	R 4	R 4	●	●	●	●
○	R	○	R 2	R 1	R 1	R 9	R 9	R 9	R 46	●	●

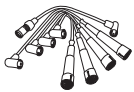


kW

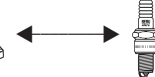
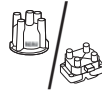


<b>TOYOTA</b>					
<b>HIACE I</b>					
1.6	1,6	49	01.79-12.84	12R	4
<b>HIACE II</b>					
1.8	1,8	58	03.83-11.89	2Y	4
2.0	2,0	65	01.85-08.89	3Y	4
<b>HIACE III</b>					
2.0	2,0	74	08.89-08.95	1RZ	4
2.4, 4WD	2,4	88	08.93-08.95	2RZ-E	4
<b>HIACE IV</b>					
2.4	2,4	85	08.95-04.98	2RZ-E	4
<b>HILUX Pick-up</b>					
1.8	1,8	61	08.88-12.89	2Y	4
1.8	1,8	61	01.90-07.94	2Y	4
2.0	2,0	65	01.84-12.86	3Y	4
2.4 i 4WD	2,4	84	08.92-	22R	4
<b>LAND CRUISER</b>					
2.4	2,4	77	08.88-08.90	22R	4
2.4	2,4	81	11.84-07.88	22R	4
2.4	2,4	81	08.88-08.90	22R	4
2.4	2,4	84	12.88-12.96	22RE	4
4.0	4,0	115	08.87-12.89	3F-E	6
4.2	4,2	88	10.81-01.88	2F	6
<b>LAND CRUISER 80</b>					
4.5 24V	4,5	151	08.92-12.97	1FZ-FE	6
<b>LAND CRUISER 90</b>					
3.4 i 24V	3,4	131	04.96-	5VZ-FE	6
<b>LITEACE</b>					
1.3	1,3	42	10.79-10.86	4K/4K-C	4
1.5	1,5	51	10.85-08.89	5K	4
1.5	1,5	52	07.89-12.90	5K	4
1.5	1,5	52	01.91-01.92	5K	4
<b>MODELL F</b>					
1.8 De Luxe	1,8	58	11.82-08.84	2Y/2Y-C	4
2.0 Super	2,0	65	08.84-08.88	3Y/3Y-C	4
2.0	2,0	66	08.88-01.90	3Y	4
2.2	2,2	72	08.87-01.90	4Y-EC	4
<b>MR 2</b>					
1.6 16V	1,6	85	05.86-06.90	4A-GELC	4
1.6 16V	1,6	91	11.84-06.90	4A-GEL	4
1.8 16V VT-i	1,8	103	04.00-	1ZZ-FE	4
2.0 16V	2,0	88	12.89-08.92	3S-FE	4
2.0 16V	2,0	115	12.89-10.93	3S-GE	4
2.0 16V	2,0	115	11.93-05.00	3S-GE	4
2.0 16V	2,0	129	12.89-10.93	3S-GE	4
2.0 16V	2,0	129	11.93-05.00	3S-GE	4
<b>PASEO, Cabriolet</b>					
1.5 16V	1,5	66	08.95-07.99	5E-FE	4
<b>PICNIC</b>					
2.0 16V	2,0	94	05.96-	3S-FE	4
<b>PREVIA</b>					
2.4, 4WD	2,4	97	05.90-08.00	2TZ-FE	4
<b>RAV 4 I</b>					
2.0 16V	2,0	95	06.94-06.00	3S-FE	4
<b>RAV 4 I Cabrio</b>					
2.0 16V	2,0	94	12.97-06.00	3S-FE	4
<b>RAV 4 II</b>					
1.8 VVTi	1,8	92	02.01-	1ZZ-FE	4
<b>STARLET</b>					
1.0	1	33	11.74-09.84	2K	4
1.0	1,0	40	10.84-12.89	1E-L	4
1.0	1,0	40	12.89-12.92	1E	4
1.2 S	1,2	39	10.78-08.82	3K-H	4





Copper Cable  
Power Cable

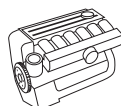


Zyl./Cyl./Cil.

				1	2	3	4	5	6	7	8
ZEF 957	R	○	R 19	R 21	R 21	R 21	R 27	●	●	●	●
ZEF 932	R	○	○	○	○	○	○	●	●	●	●
ZEF 932	R	○	○	○	○	○	○	●	●	●	●
ZEF 959	R	○	●	○	○	○	○	●	●	●	●
ZEF 960	R	○	●	○	○	○	○	●	●	●	●
ZEF 960	R	○	●	○	○	○	○	●	●	●	●
ZEF 932	R	○	○	○	○	○	○	●	●	●	●
ZEF 958	R	○	●	○	○	○	○	●	●	●	●
ZEF 958	R	○	●	○	○	○	○	●	●	●	●
ZEF 1353	R	○	○	○	○	○	○	●	●	●	●
ZEF 1314	R	○	○	○	○	○	○	●	●	●	●
ZEF 939	R	○	○	○	○	○	○	●	●	●	●
ZEF 1314	R	○	○	○	○	○	○	●	●	●	●
ZEF 865	R	○	R 188	R 181	R 181	R 182	R 182	●	●	●	●
ZEF 1313	R	○	○	○	○	○	○	○	○	●	●
ZEF 938	R	○	○	○	○	○	○	○	○	●	●
ZEF 941	R	○	○	○	○	○	○	○	○	●	●
ZEF 941	R	○	○	○	○	○	○	○	○	●	●
ZEF 932	R	○	○	○	○	○	○	●	●	●	●
ZEF 932	R	○	○	○	○	○	○	●	●	●	●
ZEF 932	R	○	○	○	○	○	○	●	●	●	●
ZEF 963	R	○	○	○	○	○	○	●	●	●	●
ZEF 964	R	○	●	○	○	○	○	●	●	●	●
ZEF 964	R	○	●	○	○	○	○	●	●	●	●
ZEF 964	R	○	●	○	○	○	○	●	●	●	●
ZEF 964	R	○	●	○	○	○	○	●	●	●	●
ZEF 927	R	○	○	○	○	○	○	●	●	●	●
ZEF 927	R	○	○	○	○	○	○	●	●	●	●
ZEF 1300	R	○	●	○	○	○	○	●	●	●	●
ZEF 945	R	○	○	○	○	○	○	●	●	●	●
ZEF 944	R	○	○	○	○	○	○	●	●	●	●
ZEF 931	R	○	○	○	○	○	○	●	●	●	●
ZEF 931	R	○	○	○	○	○	○	●	●	●	●
ZEF 944	R	○	○	○	○	○	○	●	●	●	●
ZEF 946	R	○	●	○	○	○	○	●	●	●	●
ZEF 947	R	○	●	○	○	○	○	●	●	●	●
ZEF 948	R	○	○	○	○	○	○	●	●	●	●
ZEF 949	R	○	●	○	○	○	○	●	●	●	●
ZEF 949	R	○	●	○	○	○	○	●	●	●	●
ZEF 1300	R	○	●	○	○	○	○	●	●	●	●
○	R	○	R 5	R 55	R 55	R 55	R 55	●	●	●	●
ZEF 950	R	○	R 18	R 194	R 195	R 195	R 195	●	●	●	●
ZEF 951	R	○	●	R 345	R 346	R 347	R 375	●	●	●	●
ZEF 932	R	○	○	○	○	○	○	●	●	●	●



kw



<b>TOYOTA</b>					
<b>STARLET</b>					
1.3 S	1,3	48	08.82-09.84	4K	4
1.3	1,3	55	10.84-12.89	2E-LC	4
1.3 12V KAT	1,3	55	12.89-12.90	2E-E	4
1.3 12V KAT	1,3	55	01.91-03.96	2E-E	4
1.3	1,3	55	04.96-03.99	4E-FE	4
<b>SUPRA</b>					
3.0 24V	3,0	150	01.86-08.88	7M-GE	6
3.0 Turbo	3,0	173	08.88-05.93	7M-GTE	6
3.0 Turbo	3,0	175	08.88-05.93	7M-GTE	6
<b>TERCEL</b>					
1.3	1,3	48	03.79-01.88	2A	4
1.5 4WD	1,5	50	05.86-01.88	3A-C	4
<b>TRIUMPH</b>					
<b>ACCLAIM</b>					
1.3	1,3	51	01.82-12.85	EJ	4
<b>SPITFIRE</b>					
1500	1,5	51	01.75-01.80	FM11	4
<b>VAUXHALL</b>					
<b>ASTRA CC</b>					
1.2 S	1,2	44	02.82-08.84	12 S (SAE)	4
1.2 S	1,2	44	02.82-08.84	12 S (DIN)	4
1.3 S	1,3	55	09.79-08.84	13 S (SAE)	4
1.3 S	1,3	55	09.79-08.84	13 S (DIN)	4
1.6 S	1,6	66	09.81-08.86	16 SH	4
<b>ASTRA Estate</b>					
1.3 S	1,3	55	09.79-08.84	13 S (SAE)	4
1.3 S	1,3	55	09.79-08.84	13 S (DIN)	4
1.6 S	1,6	66	09.81-08.86	16 SH	4
<b>ASTRA Mk II Belmont</b>					
1.3	1,3	55	09.85-08.91	13 S	4
1.6	1,6	66	09.85-01.88	16 SH	4
1.6	1,6	66	02.88-01.89	16 SH	4
1.6	1,6	66	02.89-08.91	16 SH	4
1.8 i	1,8	85	09.85-01.88	18 E/18 SE	4
1.8 i	1,8	85	02.88-08.91	18 E/18 SE	4
<b>ASTRA Mk II CC</b>					
1.3	1,3	55	09.84-08.91	13 S	4
1.4 S	1,4	55	01.90-08.91	14 NV	4
1.6	1,6	60	09.84-12.87	16 SV	4
1.6	1,6	60	01.88-01.89	16 SV	4
1.6	1,6	60	02.89-08.91	16 SV	4
<b>ASTRA Mk II Convertible</b>					
1.6 i	1,6	55	01.91-08.93	E 16 NZ → Mot.Nr. 02V65825	4
1.6 i	1,6	55	01.91-08.93	E 16 NZ Mot.Nr. 02V65826 →	4
1.6 i KAT	1,6	55	10.87-02.93	C 16 LZ/C 16 NZ → Mot.Nr. 02V65825	4
1.6 i KAT	1,6	55	10.87-02.93	C 16 LZ/C 16 NZ Mot.Nr. 02V65826 →	4
1.6 i	1,6	60	01.87-12.91	16 SV → Mot.Nr. 02EB5672	4
1.6 i	1,6	60	01.87-12.91	16 SV Mot.Nr. 02EB5673 →	4
2.0 i	2,0	85	01.87-12.91	20 NE (DIN)	4
2.0 i	2,0	85	01.87-12.91	20 NE (DIN/M4)	4
2.0 i	2,0	85	01.87-12.91	20 NE (M4)	4
2.0 i	2,0	85	01.87-12.91	20 NE (M4)	4
2.0 i KAT	2,0	85	01.91-08.93	C 20 NE (DIN)	4
2.0 i KAT	2,0	85	01.91-08.93	C 20 NE (DIN/M4)	4
2.0 i KAT	2,0	85	01.91-08.93	C 20 NE (M4)	4
2.0 i KAT	2,0	85	01.91-08.93	C 20 NE (M4)	4
<b>ASTRA Mk II Estate</b>					
1.3	1,3	55	09.84-08.91	13 S	4
1.4 S	1,4	55	01.89-08.91	14 NV	4



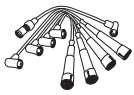
= DIN



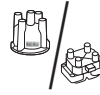
= M4



= SAE



Copper Cable  
Power Cable



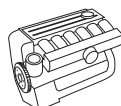
Zyl./Cyl./Cil.

				1	2	3	4	5	6	7	8
ZEF 932	R	○	○	○	○	○	○	●	●	●	●
ZEF 933	R	○	●	R 194	R 195	R 195	R 196	●	●	●	●
ZEF 933	R	○	●	R 194	R 195	R 195	R 196	●	●	●	●
ZEF 951	R	○	●	R 345	R 346	R 347	R 375	●	●	●	●
ZEF 952	R	○	●	○	○	○	○	●	●	●	●
ZEF 953	R	○	○	○	○	○	○	○	○	●	●
ZEF 954	R	○	○	○	○	○	○	○	○	●	●
ZEF 954	R	○	○	○	○	○	○	○	○	●	●
ZEF 778	R	<b>C 6</b>	R 2	R 16	R 16	R 8	R 8	●	●	●	●
○	R	○	R 24	R 14	R 14	R 16	R 12	●	●	●	●
○	R	○	R 18	R 8	R 8	R 8	R 11	●	●	●	●
○	R	○	R 2	R 14	R 14	R 14	R 14	●	●	●	●
○	R	○	R 25	R 114 (S)	R 114 (S)	R 113 (S)	R 113 (S)	●	●	●	●
○	R	○	R 24	R 1	R 1	R 3	R 3	●	●	●	●
○	R	○	R 25	R 114 (S)	R 114 (S)	R 113 (S)	R 113 (S)	●	●	●	●
○	R	○	R 24	R 1	R 1	R 3	R 3	●	●	●	●
○	R	○	R 15	R 3	R 1	R 1	R 1	●	●	●	●
○	R	○	R 25	R 114 (S)	R 114 (S)	R 113 (S)	R 113 (S)	●	●	●	●
○	R	○	R 24	R 1	R 1	R 3	R 3	●	●	●	●
○	R	○	R 15	R 3	R 1	R 1	R 1	●	●	●	●
○	R	○	R 25	R 114 (S)	R 114 (S)	R 113 (S)	R 113 (S)	●	●	●	●
○	R	○	R 15	R 4	R 6	R 9	R 9	●	●	●	●
○	R	○	R 112 (S)	R 85 (S)	R 85 (S)	R 83 (S)	R 83 (S)	●	●	●	●
○	R	○	R 95 (S)	R 90 (S)	R 89 (S)	R 88 (S)	R 104 (S)	●	●	●	●
○	R	○	R 24	R 82 (S)	R 82 (S)	R 81 (S)	R 4	●	●	●	●
○	R	○	R 95 (S)	R 87 (S)	R 87 (S)	R 86 (S)	R 96 (S)	●	●	●	●
○	R	○	R 25	R 114 (S)	R 114 (S)	R 113 (S)	R 113 (S)	●	●	●	●
○	R	○	R 95 (S)	R 90 (S)	R 89 (S)	R 88 (S)	R 104 (S)	●	●	●	●
○	R	○	R 15	R 3	R 1	R 1	R 1	●	●	●	●
○	R	○	R 112 (S)	R 85 (S)	R 85 (S)	R 83 (S)	R 83 (S)	●	●	●	●
○	R	○	R 95 (S)	R 90 (S)	R 89 (S)	R 88 (S)	R 104 (S)	●	●	●	●
ZEF 578	R	○	R 113 (S)	R 85 (S)	R 84 (S)	R 84 (S)	R 112 (S)	●	●	●	●
ZEF 992	R	○	R 113 (S)	R 212 (S)	R 212 (S)	R 211 (S)	R 211 (S)	●	●	●	●
ZEF 578	R	○	R 113 (S)	R 85 (S)	R 84 (S)	R 84 (S)	R 112 (S)	●	●	●	●
ZEF 992	R	○	R 113 (S)	R 212 (S)	R 212 (S)	R 211 (S)	R 211 (S)	●	●	●	●
ZEF 578	R	○	R 113 (S)	R 85 (S)	R 84 (S)	R 84 (S)	R 112 (S)	●	●	●	●
ZEF 1118	R	○	R 95 (S)	R 169 (S)	R 168 (S)	R 166 (S)	R 165 (S)	●	●	●	●
ZEF 576	R	○	R 15	R 82 (S)	R 82 (S)	R 81 (S)	R 4	●	●	●	●
ZEF 582	R	○	R 109 (S)	R 82 (S)	R 82 (S)	R 81 (S)	R 81 (S)	●	●	●	●
ZEF 665	R	<b>C 27</b>	R 95 (S)	R 90 (S)	R 90 (S)	R 88 (S)	R 88 (S)	●	●	●	●
ZEF 1120	R	○	R 95 (S)	R 162 (S)	R 167 (S)	R 161 (S)	R 165 (S)	●	●	●	●
ZEF 576	R	○	R 15	R 82 (S)	R 82 (S)	R 81 (S)	R 4	●	●	●	●
ZEF 582	R	○	R 109 (S)	R 82 (S)	R 82 (S)	R 81 (S)	R 81 (S)	●	●	●	●
ZEF 665	R	<b>C 27</b>	R 95 (S)	R 90 (S)	R 90 (S)	R 88 (S)	R 88 (S)	●	●	●	●
ZEF 1120	R	○	R 95 (S)	R 162 (S)	R 167 (S)	R 161 (S)	R 165 (S)	●	●	●	●
○	R	○	R 95 (S)	R 90 (S)	R 89 (S)	R 88 (S)	R 104 (S)	●	●	●	●
○	R	○	R 95 (S)	R 90 (S)	R 89 (S)	R 88 (S)	R 104 (S)	●	●	●	●





kw



VAUXHALL					
<b>ASTRA Mk II Estate</b>					
1.6	1,6	60	09.84-08.91	16 SV (M4)	4
1.6	1,6	60	09.84-08.91	16 SV (DIN)	4
1.6	1,6	60	09.84-08.91	16 SV (SAE)	4
<b>ASTRA Mk III</b>					
1.4 i	1,4	44	09.91-01.93	C 14 NZ	4
1.4 i	1,4	44	02.93-09.98	C 14 NZ	4
1.4 i	1,4	60	03.92-01.93	C 14 SE	4
1.4 i	1,4	60	02.93-09.98	C 14 SE	4
1.4 i 16V	1,4	66	02.96-09.98	X 14 XE	4
<b>ASTRA Mk III CC</b>					
1.4 i	1,4	44	09.91-01.93	C 14 NZ	4
1.4 i	1,4	44	02.93-02.98	C 14 NZ	4
1.4 S	1,4	55	09.91-01.93	14 NV	4
1.4 S	1,4	55	02.93-02.98	14 NV	4
1.4 i	1,4	60	03.92-01.93	C 14 SE	4
1.4 i	1,4	60	02.93-02.98	C 14 SE	4
1.4 i 16V	1,4	66	02.96-02.98	X 14 XE	4
1.6 i	1,6	52	07.94-02.98	X 16 SZ	4
1.6 i	1,6	55	09.91-02.98	C 16 NZ/E 16 NZ	4
<b>ASTRA Mk III Convertible</b>					
1.4 i 16V	1,4	66	04.96-02.98	X 14 XE	4
1.6 i	1,6	52	03.93-08.96	X 16 SZ	4
1.6 i	1,6	55	01.96-03.01	X 16 SZR	4
<b>ASTRA Mk III Estate</b>					
1.4 i	1,4	44	09.91-02.98	C 14 NZ	4
1.4 S	1,4	55	09.91-02.98	14 NV	4
1.4 i 16V	1,4	66	02.96-01.98	X 14 XE	4
1.6 i	1,6	52	07.94-02.98	X 16 SZ	4
1.6 i	1,6	55	09.91-02.98	C 16 NZ/E 16 NZ	4
<b>ASTRA Mk IV</b>					
1.4 16V	1,4	66	09.98-	X 14 XE	4
1.6	1,6	62	09.00-	Z 16 SE	4
<b>ASTRA Mk IV CC</b>					
1.4 16V	1,4	66	02.98-	X 14 XE	4
1.6	1,6	62	09.00-	Z 16 SE	4
<b>ASTRA Mk IV Estate</b>					
1.4 16V	1,4	66	02.98-	X 14 XE	4
1.6	1,6	62	09.00-	Z 16 SE	4
<b>ASTRAVAN Mk IV</b>					
1.6 i	1,6	62	09.00-	Z 16 SE	4
<b>BRAVA Pick-up</b>					
2.3 4x4	2,3	69	06.90-08.94	4 ZD1	4
<b>CARLTON Mk II</b>					
1.8 S	1,8	65	12.82-08.86	18 S	4
2.0 S	2,0	74	10.78-08.86	C 20 NEJ	4
2.0 i	2,0	81	01.83-12.84	20 E	4
2.2 i	2,2	85	11.84-08.86	22 E	4
<b>CARLTON Mk II Estate</b>					
1.8 S	1,8	66	11.82-08.86	18 S	4
2.0 S	2,0	74	01.82-08.86	C 20 NEJ	4
2.2 i	2,2	85	11.84-08.86	22 E	4
<b>CARLTON Mk III</b>					
1.8	1,8	65	09.87-03.94	E 18 NVR	4
1.8 S	1,8	66	09.86-03.94	18 SV	4
1.8 i	1,8	85	09.86-03.94	18 SEH	4
2.0 i	2,0	90	09.86-12.89	20 SE	4
3.0 3000	3,0	130	03.87-12.88	30 NE	6
<b>CARLTON Mk III Estate</b>					
1.8	1,8	65	09.87-12.89	E 18 NVR	4
1.8 i	1,8	85	09.86-03.94	18 SEH	4
2.0 i	2,0	90	09.86-03.94	20 SE	4



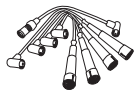
= DIN



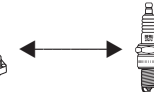
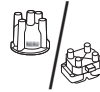
= M4



= SAE



Copper Cable  
Power Cable

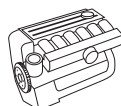


Zyl./Cyl./Cil.

				1	2	3	4	5	6	7	8
○	R	○	R 95 (S)	R 90 (S)	R 89 (S)	R 88 (S)	R 104 (S)	●	●	●	●
○	R	○	R 112 (S)	R 3	R 1	R 1	R 1	●	●	●	●
○	R	○	R 15	R 85 (S)	R 85 (S)	R 83 (S)	R 83 (S)	●	●	●	●
○	R	○	R 95 (S)	R 90 (S)	R 89 (S)	R 88 (S)	R 104 (S)	●	●	●	●
○	R	○	R 95 (S)	R 88 (S)	R 88 (S)	R 88 (S)	R 103 (S)	●	●	●	●
○	R	○	R 95 (S)	R 90 (S)	R 89 (S)	R 88 (S)	R 104 (S)	●	●	●	●
○	R	○	R 95 (S)	R 88 (S)	R 88 (S)	R 88 (S)	R 103 (S)	●	●	●	●
<b>ZEF 1160</b>	R	○	●	R 222 (S)	R 221 (S)	R 221 (S)	R 220 (S)	●	●	●	●
○	R	○	R 95 (S)	R 90 (S)	R 89 (S)	R 88 (S)	R 104 (S)	●	●	●	●
○	R	○	R 95 (S)	R 88 (S)	R 88 (S)	R 88 (S)	R 103 (S)	●	●	●	●
○	R	○	R 95 (S)	R 90 (S)	R 89 (S)	R 88 (S)	R 104 (S)	●	●	●	●
○	R	○	R 95 (S)	R 88 (S)	R 88 (S)	R 88 (S)	R 103 (S)	●	●	●	●
<b>ZEF 1160</b>	R	○	●	R 222 (S)	R 221 (S)	R 221 (S)	R 220 (S)	●	●	●	●
○	R	○	●	R 88 (S)	R 88 (S)	R 88 (S)	R 103	●	●	●	●
○	R	○	R 112 (S)	R 85 (S)	R 85 (S)	R 83 (S)	R 83 (S)	●	●	●	●
<b>ZEF 1160</b>	R	○	●	R 222 (S)	R 221 (S)	R 221 (S)	R 220 (S)	●	●	●	●
○	R	○	●	R 88 (S)	R 88 (S)	R 88 (S)	R 103	●	●	●	●
○	R	○	R 112 (S)	R 85 (S)	R 85 (S)	R 83 (S)	R 83 (S)	●	●	●	●
○	R	○	R 95 (S)	R 90 (S)	R 89 (S)	R 88 (S)	R 104 (S)	●	●	●	●
○	R	○	R 95 (S)	R 90 (S)	R 89 (S)	R 88 (S)	R 104 (S)	●	●	●	●
<b>ZEF 1160</b>	R	○	●	R 222 (S)	R 221 (S)	R 221 (S)	R 220 (S)	●	●	●	●
○	R	○	●	R 88 (S)	R 88 (S)	R 88 (S)	R 103	●	●	●	●
○	R	○	R 112 (S)	R 85 (S)	R 85 (S)	R 83 (S)	R 83 (S)	●	●	●	●
<b>ZEF 1160</b>	R	○	●	R 222 (S)	R 221 (S)	R 221 (S)	R 220 (S)	●	●	●	●
<b>ZEF 725</b>	R	○	●	R 153 (S)	R 153 (S)	R 152 (S)	R 151 (S)	●	●	●	●
<b>ZEF 1160</b>	R	○	●	R 222 (S)	R 221 (S)	R 221 (S)	R 220 (S)	●	●	●	●
<b>ZEF 725</b>	R	○	●	R 153 (S)	R 153 (S)	R 152 (S)	R 151 (S)	●	●	●	●
<b>ZEF 1160</b>	R	○	●	R 222 (S)	R 221 (S)	R 221 (S)	R 220 (S)	●	●	●	●
<b>ZEF 725</b>	R	○	●	R 153 (S)	R 153 (S)	R 152 (S)	R 151 (S)	●	●	●	●
<b>ZEF 725</b>	R	○	●	R 153 (S)	R 153 (S)	R 152 (S)	R 151 (S)	●	●	●	●
○	R	○	R 18	R 9	R 9	R 1	R 1	●	●	●	●
○	R	○	R 19	R 7	R 4	R 3	R 1	●	●	●	●
○	R	○	R 19	R 7	R 4	R 3	R 1	●	●	●	●
<b>ZEF 571</b>	R	<b>C 7</b>	R 19	R 6	R 1	R 3	R 4	●	●	●	●
○	R	○	R 19	R 7	R 4	R 3	R 1	●	●	●	●
○	R	○	R 19	R 7	R 4	R 3	R 1	●	●	●	●
○	R	○	R 19	R 7	R 4	R 3	R 1	●	●	●	●
○	R	○	R 20	R 82 (S)	R 82 (S)	R 80 (S)	R 4	●	●	●	●
○	R	○	R 20	R 82 (S)	R 82 (S)	R 80 (S)	R 4	●	●	●	●
○	R	○	R 20	R 82 (S)	R 82 (S)	R 80 (S)	R 4	●	●	●	●
○	R	○	R 20	R 82 (S)	R 82 (S)	R 80 (S)	R 4	●	●	●	●
○	R	○	R 18	R 9	R 6	R 1	R 3	R 4	R 7	●	●
○	R	○	R 20	R 82 (S)	R 82 (S)	R 80 (S)	R 4	●	●	●	●
○	R	○	R 20	R 82 (S)	R 82 (S)	R 80 (S)	R 4	●	●	●	●
○	R	○	R 20	R 82 (S)	R 82 (S)	R 80 (S)	R 4	●	●	●	●



kW



<b>VAUXHALL</b>					
<b>CAVALIER</b>					
1.3	1,3	44	08.77-08.81	13 N	4
<b>CAVALIER Mk II</b>					
1.3 S	1,3	55	09.81-08.88	13 S	4
1.3 S	1,3	55	09.81-08.88	13 S	4
1.6 S	1,6	66	09.81-08.88	16 SH	4
1.8 i	1,8	82	09.81-01.87	18 SE	4
1.8 i	1,8	82	02.87-08.88	18 SE	4
2.0 i	2,0	85	09.86-08.88	20 NE	4
<b>CAVALIER Mk II Estate</b>					
1.3 S	1,3	55	09.81-08.88	13 S	4
1.3 S	1,3	55	09.81-08.88	13 S	4
1.6	1,6	66	10.83-08.88	16 SH	4
1.8 i	1,8	82	09.81-12.85	18 E/18 SE	4
1.8 i	1,8	82	01.86-08.86	18 E/18 SE	4
<b>CAVALIER Mk III</b>					
1.4 S	1,4	55	09.88-12.89	14 NV	4
1.6 i	1,6	52	09.93-11.95	X 16 SZ	4
1.6	1,6	60	09.88-12.92	16 SV	4
1.6	1,6	60	01.93-05.93	16 SV	4
1.8	1,8	66	09.88-10.92	18 SV/C 18 NZ	4
2.0 i, 4x4	2,0	85	09.88-10.90	20 NE	4
2.0 Sri, 4x4	2,0	95	09.88-09.92	20 SEH	4
<b>CORSA</b>					
1.4 i	1,4	44	03.93-09.00	C 14 NZ/X 14 SZ	4
1.4 i	1,4	44	03.93-09.00	C 14 NZ/X 14 SZ	4
1.4 i 16V	1,4	66	09.94-09.00	X 14 XE	4
<b>CORSA Convertible</b>					
1.4 i 16V	1,4	66	01.98-	X 14 XE	4
<b>FRONTERA Sport</b>					
2.0 i	2,0	85	03.92-10.98	C 20 NE → Mot.Nr. 14672353	4
2.0 i	2,0	85	03.92-10.98	C 20 NE Mot.Nr. 14672354 →	4
2.0 i	2,0	85	03.92-10.98	X 20 SE	4
<b>MAGNUM</b>					
1.8	1,8	65	01.73-01.81		4
2.3	2,3	81	01.73-01.81		4
<b>MAGNUM Coupe</b>					
2.3	2,3	81	01.73-10.75		4
<b>MAGNUM Estate</b>					
1.8	1,8	57	01.73-10.77		4
1.8	1,8	65	01.73-01.81		4
2.3	2,3	81	01.73-01.81		4
<b>MONTEREY</b>					
3.2	3,2	130	06.92-07.98	6VD1	6
<b>NOVA CC</b>					
1.0	1,0	33	05.83-03.93	10 S	4
1.2 S	1,2	40	05.83-02.90	12 ST	4
1.3 S	1,3	51	05.83-10.89	13 SB	4
1.4 S	1,4	55	01.90-03.93	14 NV	4
1.6 GSI	1,6	74	05.88-12.89	E 16 SE	4
<b>OMEGA</b>					
2.0	2,0	85	03.94-09.99	X 20 SE	4
2.5 V6	2,5	125	03.94-09.00	X 25 XE	6
<b>OMEGA Estate</b>					
2.0	2,0	85	03.94-09.99	X 20 SE	4
2.5 V6	2,5	125	03.94-09.00	X 25 XE	6
<b>SINTRA</b>					
2.2 i 16 V	2,2	104	11.96-04.99	X 22 XE	4
<b>TIGRA</b>					
1.4 16V	1,4	66	07.94-08.99	X 14 XE	4



= DIN



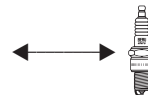
= M4



= SAE



Copper Cable  
Power Cable

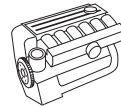


Zyl./Cyl./Cil.

				1	2	3	4	5	6	7	8
○	R	○	R 10	R 3	R 3	R 1	R 1	●	●	●	●
○	R	○	R 25	R 114 (S)	R 114 (S)	R 113 (S)	R 113 (S)	●	●	●	●
○	R	○	R 10	R 1	R 1	R 3	R 3	●	●	●	●
○	R	○	R 17	R 3	R 3	R 1	R 1	●	●	●	●
○	R	○	R 5	R 11	R 11	R 8	R 12	●	●	●	●
○	R	○	R 24	R 82 (S)	R 82 (S)	R 81 (S)	R 16	●	●	●	●
○	R	○	R 24	R 82 (S)	R 82 (S)	R 81 (S)	R 16	●	●	●	●
○	R	○	R 25	R 114 (S)	R 114 (S)	R 113 (S)	R 113 (S)	●	●	●	●
○	R	○	R 10	R 1	R 1	R 3	R 3	●	●	●	●
○	R	○	R 17	R 3	R 3	R 1	R 1	●	●	●	●
○	R	○	R 5	R 11	R 11	R 8	R 12	●	●	●	●
○	R	○	R 24	R 82 (S)	R 82 (S)	R 81 (S)	R 16	●	●	●	●
○	R	○	R 4	R 82 (S)	R 82 (S)	R 81 (S)	R 12	●	●	●	●
○	R	○	R 95 (S)	R 87 (S)	R 87 (S)	R 86 (S)	R 96 (S)	●	●	●	●
○	R	○	R 112 (S)	R 85 (S)	R 85 (S)	R 83 (S)	R 83 (S)	●	●	●	●
○	R	○	R 94 (S)	R 90 (S)	R 89 (S)	R 88 (S)	R 104 (S)	●	●	●	●
○	R	○	R 94 (S)	R 87 (S)	R 87 (S)	R 86 (S)	R 96 (S)	●	●	●	●
○	R	○	R 94 (S)	R 87 (S)	R 87 (S)	R 86 (S)	R 96 (S)	●	●	●	●
○	R	○	R 94 (S)	R 87 (S)	R 87 (S)	R 86 (S)	R 96 (S)	●	●	●	●
<b>ZEF 725</b>	R	○	●	R 153 (S)	R 153 (S)	R 152 (S)	R 151 (S)	●	●	●	●
<b>ZEF 726</b>	R	○	R 94 (S)	R 169 (S)	R 169 (S)	R 167 (S)	R 166 (S)	●	●	●	●
<b>ZEF 1160</b>	R	○	●	R 222 (S)	R 221 (S)	R 221 (S)	R 220 (S)	●	●	●	●
<b>ZEF 1160</b>	R	○	●	R 222 (S)	R 221 (S)	R 221 (S)	R 220 (S)	●	●	●	●
<b>ZEF 584</b>	R	○	R 93 (S)	R 87 (S)	R 87 (S)	R 86 (S)	R 96 (S)	●	●	●	●
<b>ZEF 1121</b>	R	○	R 93 (S)	R 162 (S)	R 167 (S)	R 161 (S)	R 165 (S)	●	●	●	●
<b>ZEF 1162</b>	R	○	○	○	○	○	○	●	●	●	●
○	R	○	R 5	R 1	R 1	R 6	R 6	●	●	●	●
○	R	○	R 5	R 1	R 1	R 6	R 6	●	●	●	●
○	R	○	R 5	R 1	R 1	R 6	R 6	●	●	●	●
○	R	○	R 5	R 1	R 1	R 6	R 6	●	●	●	●
○	R	○	R 5	R 1	R 1	R 6	R 6	●	●	●	●
<b>ZEF 855</b>	R	○	●	○	○	○	○	○	○	●	●
○	R	○	R 17	R 3	R 3	R 6	R 6	●	●	●	●
○	R	○	R 25	R 114 (S)	R 114 (S)	R 113 (S)	R 113 (S)	●	●	●	●
○	R	○	R 25	R 114 (S)	R 114 (S)	R 113 (S)	R 113 (S)	●	●	●	●
○	R	○	R 94 (S)	R 89 (S)	R 90 (S)	R 88 (S)	R 104 (S)	●	●	●	●
○	R	○	R 2	R 82 (S)	R 82 (S)	R 81 (S)	R 81 (S)	●	●	●	●
<b>ZEF 1124</b>	R	○	●	R 153 (S)	R 153 (S)	R 152 (S)	R 151 (S)	●	●	●	●
<b>ZEF 1152</b>	R	○	●	R 219 (S)	R 218 (S)	R 217 (S)	R 216 (S)	R 215 (S)	R 215 (S)	●	●
<b>ZEF 1124</b>	R	○	●	R 153 (S)	R 153 (S)	R 152 (S)	R 151 (S)	●	●	●	●
<b>ZEF 1152</b>	R	○	●	R 219 (S)	R 218 (S)	R 217 (S)	R 216 (S)	R 215 (S)	R 215 (S)	●	●
<b>ZEF 672</b>	R	○	●	R 216 (S)	R 215 (S)	R 214 (S)	R 214 (S)	●	●	●	●
<b>ZEF 1160</b>	R	○	●	R 222 (S)	R 221 (S)	R 221 (S)	R 220 (S)	●	●	●	●



kW



## VOLVO

### 66, Kombi

DL 1.1	1,1	33	01.72-12.75	B 11	4
DL 1.1	1,1	33	01.76-08.78	B 11	4
GL 1.3	1,3	42	08.75-12.95	B 130	4
GL 1.3	1,3	42	01.76-08.78	B 130	4

### 240, Kombi

2.0	2,0	66	08.76-07.79	B 19 A, B 20	4
2.0	2,0	76	08.84-07.85	B 200 K	4
2.1	2,1	71	08.74-07.75	B 21 A	4
2.1	2,1	74	08.75-07.80	B 21 A	4
2.1	2,1	79	08.80-07.84	B 21 A	4
2.1 (P245)	2,1	80	08.80-07.84	B 21 F	4
2.1	2,1	90	08.74-07.80	B 21 E	4
2.1 Turbo	2,1	114	08.80-07.84	B 21 ET	4
2.1 Turbo	2,1	114	08.80-07.84	B 21 ET	4
2.3	2,3	81	08.84-07.86	B 230 A	4
2.3	2,3	82	08.80-07.84	B 23 A	4
2.3	2,3	83	08.86-07.87	B 230 F	4
2.3	2,3	83	08.86-07.87	B 230 F	4
2.3 i KAT	2,3	85	08.86-07.93	B 23 F/B 230 F	4
2.3 i KAT	2,3	85	08.86-07.93	B 23 F/B 230 F	4
2.3	2,3	96	08.83-07.85	B 230 E	4
2.3	2,3	98	08.84-12.89	B 23 E	4
2.3	2,3	100	08.80-07.83	B 23 E	4

### 260

2.8	2,8	95	08.80-07.82	B 28 A	6
2.8	2,8	114	08.80-07.82	B 28 E	6

### 260 Kombi

2.8	2,8	114	08.80-07.82	B 28 F	6
-----	-----	-----	-------------	--------	---

### 340-360

1.4	1,4	46	08.82-08.85	B 14.3 E	4
1.4	1,4	47	08.79-07.83	B 14.3 E	4
1.4	1,4	50	08.86-12.88	B 14.4 S	4
1.4	1,4	51	08.75-07.83	B 14.4 S	4
1.4	1,4	51	08.87-07.88	B 14.4 S	4
1.4	1,4	52	08.83-07.86	B 14.4 S	4
1.4	1,4	53	08.83-07.86	B 14.4 S	4
1.7	1,7	59	08.85-07.91	B 17 2 K	4
2.0	2,0	65	08.80-07.84	B 19 A	4
2.0	2,0	66	08.82-07.84	B 19 A	4
2.0	2,0	68	08.83-07.84	B 19 A	4
2.0	2,0	70	08.80-07.83	B 19 A/B 200 K	4
2.0	2,0	75	08.84-07.87	B 200 K	4
2.0	2,0	75	08.87-07.90	B 200 K	4
2.0	2,0	77	08.84-07.87	B 200 K	4
2.0	2,0	80	08.88-07.89	B 200 F	4
2.0	2,0	81	08.87-07.88	B 200 F	4
2.0	2,0	82	08.86-07.88	B 200 E/B 200 F	4
2.0	2,0	83	08.82-07.84	B 19 E	4
2.0	2,0	85	08.82-07.84	B 19 E	4
2.0	2,0	85	08.84-07.86	B 200 E	4
2.0	2,0	85	08.84-07.86	B 200 E	4
2.0	2,0	87	08.84-07.86	B 200 E	4
2.0	2,0	87	08.84-07.86	B 200 E	4

### 440 K

1.8	1,8	66	08.91-07.96	B 18 U	4
1.8	1,8	66	09.95-12.96		4

### 460 L

1.7	1,7	75	08.89-07.92	B 18 EP	4
-----	-----	----	-------------	---------	---

### 480 E

1.7	1,7	75	08.89-07.96	B 18 EP	4
-----	-----	----	-------------	---------	---



= DIN



= M4



= SAE



Copper Cable  
Power Cable

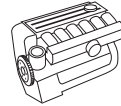


Zyl./Cyl./Cil.

				1	2	3	4	5	6	7	8
ZEF 771	R	C 20	R 35	R 22	R 23	R 27	R 27	●	●	●	●
ZEF 796	R	C 3	R 18	R 4	R 4	R 4	R 4	●	●	●	●
ZEF 771	R	C 20	R 35	R 22	R 23	R 27	R 27	●	●	●	●
ZEF 796	R	C 3	R 18	R 4	R 4	R 4	R 4	●	●	●	●
ZEF 1190	R	○	○	○	○	○	○	●	●	●	●
ZEF 1191	R	○	○	○	○	○	○	●	●	●	●
ZEF 1190	R	○	○	○	○	○	○	●	●	●	●
ZEF 1190	R	○	○	○	○	○	○	●	●	●	●
ZEF 1190	R	○	○	○	○	○	○	●	●	●	●
ZEF 1190	R	○	○	○	○	○	○	●	●	●	●
ZEF 1190	R	○	○	○	○	○	○	●	●	●	●
ZEF 1190	R	○	○	○	○	○	○	●	●	●	●
ZEF 1190	R	○	○	○	○	○	○	●	●	●	●
ZEF 1191	R	○	○	○	○	○	○	●	●	●	●
ZEF 1190	R	○	○	○	○	○	○	●	●	●	●
ZEF 1190	R	○	○	○	○	○	○	●	●	●	●
ZEF 1190	R	○	○	○	○	○	○	●	●	●	●
ZEF 1190	R	○	○	○	○	○	○	●	●	●	●
ZEF 1190	R	○	○	○	○	○	○	●	●	●	●
ZEF 1190	R	○	○	○	○	○	○	●	●	●	●
ZEF 518	R	○	○	○	○	○	○	○	○	●	●
ZEF 518	R	○	○	○	○	○	○	○	○	●	●
ZEF 518	R	○	○	○	○	○	○	○	○	●	●
ZEF 797	R	C 8	R 22	R 4	R 4	R 4	R 4	●	●	●	●
ZEF 797	R	C 8	R 22	R 4	R 4	R 4	R 4	●	●	●	●
ZEF 797	R	C 8	R 22	R 4	R 4	R 4	R 4	●	●	●	●
ZEF 797	R	C 8	R 22	R 4	R 4	R 4	R 4	●	●	●	●
ZEF 797	R	C 8	R 22	R 4	R 4	R 4	R 4	●	●	●	●
ZEF 797	R	C 8	R 22	R 4	R 4	R 4	R 4	●	●	●	●
○	R	○	R 69	R 137	R 137	R 137	R 138	●	●	●	●
ZEF 1190	R	○	○	○	○	○	○	●	●	●	●
○	R	○	R 51	R 118	R 118	R 118	R 119	●	●	●	●
ZEF 1190	R	○	○	○	○	○	○	●	●	●	●
ZEF 1190	R	○	○	○	○	○	○	●	●	●	●
ZEF 1191	R	○	○	○	○	○	○	●	●	●	●
ZEF 1192	R	○	R 22	R 117	R 118	R 119	R 120	●	●	●	●
ZEF 1191	R	○	○	○	○	○	○	●	●	●	●
ZEF 1192	R	○	R 22	R 117	R 118	R 119	R 120	●	●	●	●
ZEF 1192	R	○	R 22	R 117	R 118	R 119	R 120	●	●	●	●
ZEF 1191	R	○	○	○	○	○	○	●	●	●	●
ZEF 1190	R	○	○	○	○	○	○	●	●	●	●
ZEF 1190	R	○	○	○	○	○	○	●	●	●	●
○	R	○	R 51	R 118	R 118	R 118	R 119	●	●	●	●
ZEF 1191	R	○	○	○	○	○	○	●	●	●	●
○	R	○	R 51	R 118	R 118	R 118	R 119	●	●	●	●
ZEF 1191	R	○	○	○	○	○	○	●	●	●	●
ZEF 732	R	○	○	○	○	○	○	●	●	●	●
ZEF 732	R	○	○	○	○	○	○	●	●	●	●
ZEF 732	R	○	○	○	○	○	○	●	●	●	●
ZEF 732	R	○	○	○	○	○	○	●	●	●	●



kW



## VOLVO

### 740, Kombi

2.0	2,0	82	08.89-07.91	B 200 F	4
2.3	2,3	83	08.85-12.86	B 230 F	4
2.3	2,3	83	01.87-12.89	B 230 F	4
2.3	2,3	84	08.84-07.87	B 23 A/B 230 F	4
2.3	2,3	84	08.87-07.90	B 23 A/B 230 F	4
2.3	2,3	84	01.87-07.90	B 230 K	4
2.3	2,3	85	08.87-12.90	B 230 F	4
2.3	2,3	86	01.87-07.88	B 230 K	4
2.3	2,3	95	08.83-07.84	B 23 E	4
2.3	2,3	96	01.87-07.88	B 230 E	4
2.3	2,3	111	08.88-12.90	B 234 F	4
2.3	2,3	114	08.88-12.90	B 234 F	4
2.3 Turbo	2,3	115	01.87-07.89	B 230 FT	4
2.3	2,3	117	08.87-07.89	B 234 F	4
2.3 Turbo	2,3	121	08.89-07.90	B 230 FT	4
2.3 Turbo	2,3	121	08.89-07.90	B 230 GT	4
2.3 Turbo	2,3	134	01.87-07.88	B 230 ET	4

### 760, Kombi

2.3 Turbo	2,3	127	08.82-07.84	B 23 ET	4
2.3 Turbo	2,3	134	08.84-10.88	B 230 ET	4
2.8	2,8	95	01.82-12.87	B 28 A	6
2.8	2,8	105	05.86-08.91	B 280 F	6
2.8	2,8	115	08.81-07.86	B 28 E/B 280 E	6

### 850, Kombi

2.0	2,0	93	08.94-12.96	B 5202 S	5
2.0	2,0	105	06.91-12.96	B 5204 F	5
2.0 Turbo	2,0	155	08.93-12.96	B 5204 FT/B 5204 T	5
2.3 T5	2,3	166	09.94-07.96	B 5234 FT	5
2.3 T5-R	2,3	184	03.96-12.96	B 5234 T4	5
2.5	2,5	103	06.91-07.94	B 5252	5
2.5	2,5	106	08.94-12.96	B 5252 S	5
2.5	2,5	125	08.91-12.96	B 5254 S	5
2.5, AWD	2,5	142	04.96-12.96	B 5254 T	5

### 940, Kombi

2.0	2,0	82	01.92-07.94	B 200 F	4
2.3	2,3	85	08.92-07.94	B 230 FD	4
2.3	2,3	96	08.90-12.94	B 230 FB/B 230 G	4
2.3	2,3	114	08.90-07.91	B 234 F /B 234 G	4
2.3 Turbo	2,3	121	08.90-07.94	B 230 FT	4
2.3 Turbo	2,3	140	08.91-07.93	B 230 FT+	4

### 940 II, Kombi

2.3	2,3	85	08.94-07.95	B 230 FD	4
2.3	2,3	96	08.94-10.98	B 230 FB	4
2.3 ti	2,3	99	01.95-10.98	B 230 FK	4
2.3 Turbo	2,3	121	08.94-10.98	B 230 FT	4
2.3 Turbo	2,3	126	08.95-10.98	B 230 FT	4

### C70 Cabriolet

2.0	2,0	132	03.98-	B 5204 T2	5
2.0 T	2,0	166	03.98-	B 5204 T3	5
2.3 T-5	2,3	176	03.98-08.98	B 5234 T3	5
2.5 T	2,5	142	03.98-08.98	B 5244 T/B 5254 T	5

### C70 Coupe

2.0	2,0	132	03.97-09.02	B 5204 T2	5
2.0 T	2,0	166	03.97-09.02	B 5204 T3	5
2.3 T-5	2,3	176	03.97-07.98	B 5234 T3	5
2.5 T	2,5	142	03.97-07.98	B 5244 T/B 5254 T	5

### S40 I

1.6	1,6	77	09.95-08.99	B 4164 S	4
1.6	1,6	80	03.99-08.99	B 4164 S2	4
1.6	1,6	80	09.99-12.03	B 4164 S2	4
1.8	1,8	85	07.95-08.99	B 4184 S/B 4184 S3	4



= DIN



= M4



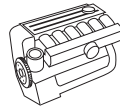
= SAE







kW



## VOLVO

<b>S40 I</b>					
1.8	1,8	90	03.99-08.99	B 4184 S2/B 4184 S9	4
1.8	1,8	90	09.99-12.03	B 4184 S2/B 4184 S9	4
1.9 T4	1,9	147	05.97-08.99	B 4194 T/B 4194 T2	4
1.9 T4	1,9	147	09.99-07.00	B 4194 T/B 4194 T2	4
2.0	2,0	100	07.95-08.99	B 4204 S/B 4204 S2	4
2.0	2,0	100	09.99-12.03	B 4204 S2/B 4204 S	4
2.0	2,0	103	07.95-08.99	B 4204 S	4
2.0 T	2,0	118	10.97-08.99	B 4204 T	4
2.0 T	2,0	118	09.99-07.00	B 4204 T	4
2.0 T	2,0	120	06.01-12.03	B 4204 T3	4
2.0 T4	2,0	147	07.00-12.03	B 4204 T5	4
<b>S70</b>					
2.0	2,0	93	01.97-11.00	B 5202 S	5
2.0	2,0	105	01.97-11.00		5
2.0	2,0	132	01.97-11.00	B 5204 T2	5
2.0 Turbo	2,0	155	01.97-11.00	B 5204 T	5
2.0 Turbo	2,0	166	01.97-11.00	B 5204 T3	5
2.3 T-5	2,3	176	01.97-11.00	B 5234 T3	5
2.3 Turbo	2,3	184	01.97-11.00	B 5234 FT+	5
2.4	2,4	125	01.97-11.00	B 5254 S	5
2.4 Turbo	2,4	142	01.97-11.00	B 5244 T/B 5254 T	5
2.5	2,5	106	01.97-11.00	B 5252 S	5
<b>V40 Kombi</b>					
1.6	1,6	77	12.95-08.99	B 4164 S	4
1.6	1,6	80	03.99-08.99	B 4164 S2	4
1.6	1,6	80	09.99-06.04	B 4164 S2	4
1.8	1,8	85	07.95-08.99	B 4184 S/B 4184 S3	4
1.8	1,8	90	03.99-08.99	B 4184 S2/B 4184 S9	4
1.8	1,8	90	09.99-06.04	B 4184 S2/B 4184 S9	4
1.9 T4	1,9	147	05.97-08.99	B 4194 T	4
1.9 T4	1,9	147	09.99-07.00	B 4194 T	4
2.0	2,0	100	07.95-08.99	B 4204 S	4
2.0	2,0	103	07.95-08.99	B 4204 S	4
2.0 T	2,0	118	10.97-08.99	B 4204 T	4
2.0 T	2,0	118	09.99-07.00	B 4204 T	4
2.0 T	2,0	120	06.01-06.04	B 4204 T3	4
2.0 T	2,0	121	07.99-06.01	B 4204 T2	4
<b>V70 I Kombi</b>					
2.0	2,0	93	01.97-03.00	B 5202 S	5
2.0	2,0	105	01.97-08.98		5
2.0	2,0	132	01.97-08.98	B 5204 T2	5
2.0 Turbo	2,0	155	01.97-03.00	B 5204 T	5
2.0 Turbo	2,0	166	01.97-03.00	B 5204 T3	5
2.0 Turbo AWD	2,0	166	01.97-03.00	B 5204 T3	5
2.3 T-5	2,3	176	01.97-03.00	B 5234 T3	5
2.3 T-5 AWD	2,3	176	01.97-03.00	B 5234 T3	5
2.3 Turbo	2,3	184	01.97-03.00	B 5234 FT+	5
2.3 T AWD	2,3	184	04.97-03.00	B 5234 FT+	5
2.4	2,4	125	01.97-05.00	B 5254 S	5
2.4 Turbo	2,4	142	01.97-03.00	B 5244 T/B 5254 T	5
2.5	2,5	106	01.97-03.00	B 5252 S	5
2.5 Bifuel	2,5	106	10.98-08.99	GB 5252 S	5
2.5 Turbo AWD	2,5	142	01.97-05.00	B 5244 T/B 5254 T	5
2.5 AWD	2,5	195	03.99-03.00		5

## VW AG

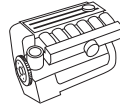
<b>181</b>					
1.6	1,6	32	08.70-03.73	AG	4
1.6	1,6	35	03.73-02.79	AL/AM	4







kw



## VW AG

### BORA, Kombi

1.4 16V	1,4	55	03.00-05.05	AHW, AKQ, APE, AXP	4
1.6	1,6	74	10.98-05.05	AEH, AKL, APF	4
1.6	1,6	75	08.00-05.05	AVU/BFQ	4
1.6 16V	1,6	77	05.00-05.05	ATN, AUS, AZD	4
1.8	1,8	92	02.99-10.00	AGN	4
2.0	2,0	85	10.98-05.05	AQY, APK, AZH	4
2.0	2,0	85	10.98-05.05	AZG, AZJ	4
2.0 4motion	2,0	85	04.00-05.05	AZH	4
2.0 4motion	2,0	85	04.00-05.05	AZJ	4
2.3 V5	2,3	110	10.98-12.98	AGZ	5
2.3 V5	2,3	110	01.99-10.00	AGZ	5
2.3 V5 4motion	2,3	110	12.98-10.00	AGZ	5
2.8 V6 4motion	2,8	150	03.99-05.05	AQP/AUE/BDE	6

### CADDY I

1.5	1,5	51	08.82-07.83	JB	4
1.6	1,6	55	08.84-07.92	EM/EW	4
1.8	1,8	70	08.85-07.92	JH	4

### CADDY II

60 1.4	1,4	44	11.95-01.04	AEX/APQ/AUD	4
75 1.6	1,6	55	11.95-05.97	1F	4
75 1.6	1,6	55	11.95-12.00	AEE	4

### CADDY III

1.2 TSI	1,2	63-77	09.10-	CBZA/CBZB	4
---------	-----	-------	--------	-----------	---

### CORRADO

1.8 16V	1,8	100	04.89-07.92	KR	4
1.8 G60	1,8	118	09.88-09.93	PG	4
2.0 i	2,0	85	04.93-12.95	2E/ADY	4
2.0 i 16V	2,0	100	08.91-12.95	9A	4
2.9 VR6	2,9	140	08.91-12.95	ABV	6

### DERBY

0.9	0,9	29	02.77-09.81	HA	4
1.0	1	29	10.81-07.84	GL	4
1.0	1	29	08.84-12.84	GL	4
1.0	1	33	08.81-07.84	HZ	4
1.0	1	33	08.84-12.84	HZ	4
1.1	1,1	37	02.77-07.83	HB	4
1.3	1,3	40	08.83-07.84	HK	4
1.3	1,3	40	08.84-12.84	HK	4
1.3	1,3	44	02.77-07.83	HH	4
1.3	1,3	55	09.82-07.84	GK	4
1.3	1,3	55	08.84-12.84	GK	4

### FOX

1.4	1,4	55	04.05-	BKR	4
-----	-----	----	--------	-----	---

### GOLF I

1.1	1,1	37	04.74-07.83	FA/GG	4
1.1	1,1	38	01.81-07.83	FJ	4
1.1	1,1	44	01.81-07.83	HC	4
1.3	1,3	44	08.79-07.83	GF	4
1.5	1,5	51	04.74-12.75	FH	4
1.5	1,5	51	08.77-07.83	JB	4
1.6	1,6	55	08.75-02.84	FN/FP/EM	4
1.6 GTI	1,6	81	08.76-07.82	EG	4
1.8 GTI	1,8	82	08.82-12.83	DX	4

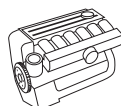
### GOLF I Cabriolet

1.5	1,5	51	01.79-11.83	JB	4
1.6	1,6	53	04.86-02.90	RE	4
1.6	1,6	55	08.83-07.84	EW	4
1.6	1,6	55	08.84-04.92	EW	4
1.6	1,6	81	08.79-07.82	EG	4
1.8	1,8	66	08.83-07.84	EX	4
1.8	1,8	66	08.84-09.92	EX	4





kW



## VW AG

### GOLF I Cabriolet

1.8	1,8	70	08.83-07.84	JH	4
1.8	1,8	70	08.84-04.93	JH	4
1.8	1,8	72	08.89-03.93	2H	4
1.8	1,8	82	08.82-07.84	DX/EV/PB	4
1.8	1,8	82	08.84-12.89	DX/EV/PB	4

### GOLF II

1.0	1	33	11.83-07.84	GN	4
1.0	1	33	08.84-08.85	GN	4
1.0	1	37	08.85-10.91	HZ	4
1.3	1,3	40	08.83-07.84	HK/MH	4
1.3	1,3	40	08.84-06.87	HK/MH	4
1.3 KAT	1,3	40	06.86-12.92	MH	4
1.3 KAT	1,3	40	06.86-12.92	2G ; NZ	4
1.3	1,3	44	08.83-07.84	GT	4
1.3	1,3	44	08.84-10.86	GT	4
1.6	1,6	51	10.86-12.92	PN	4
1.6	1,6	53	02.86-10.91	RF	4
1.6	1,6	55	08.83-07.84	HM/ABN/EZ	4
1.6	1,6	55	08.84-08.91	HM/ABN/EZ	4
1.8	1,8	62	08.86-01.90	RH	4
1.8 Syncro	1,8	66	02.86-07.91	GU/GX	4
1.8 i KAT	1,8	66	08.87-10.91	GX/RP	4
1.8	1,8	66	08.84-10.91	GU/GX/HV	4
1.8 i Syncro KAT	1,8	66	08.87-10.91	RP	4
1.8 Syncro	1,8	72	08.88-07.91	1P	4
1.8 GTI KAT	1,8	79	01.87-10.91	PF	4
1.8 GTI	1,8	79	08.85-10.87	RD	4
1.8 GTI	1,8	82	08.83-07.84	DX/EV/GZ/PB	4
1.8 GTI	1,8	82	08.84-10.91	DX/EV/GZ/PB	4
1.8 GTI 16V	1,8	95	02.86-10.91	PL	4
1.8 GTI G60	1,8	118	04.90-07.91	PG	4
1.8 GTI G60 Syncro	1,8	118	08.88-07.91	1H/PG	4

### GOLF III, Variant

1.4	1,4	40	11.91-07.95	AEX	4
1.4	1,4	40	11.91-07.95	ABD	4
1.4	1,4	44	10.91-08.97	AEX	4
1.4	1,4	44	10.91-08.97	ABD	4
1.6	1,6	55	09.92-08.97	ABU/AEA/AEE	4
1.6	1,6	74	07.95-08.97	AEK/AFT/AKS	4
1.6	1,6	74	07.95-08.97	AFT/AKS	4
1.6	1,6	74	07.95-08.97	AEK	4
1.8	1,8	55	11.91-08.97	AAM	4
1.8	1,8	55	07.93-04.99	ANN	4
1.8	1,8	66	11.91-04.99	ABS	4
1.8	1,8	66	11.91-04.99	ADZ	4
1.8 Syncro	1,8	66	01.93-08.97	ABS	4
1.8 Syncro	1,8	66	01.93-04.99	ADZ	4
2.0	2,0	85	11.91-09.94	2E	4
2.0	2,0	85	10.94-08.97	ADY , AGG	4
2.0 Syncro	2,0	85	08.95-04.99	AGG	4
2.0 GTI 16V	2,0	110	08.92-08.97	ABF	4
2.8 VR6	2,8	128	01.92-12.93	AAA	6
2.8 VR6	2,8	128	01.94-08.97	AAA	6
2.9 VR6, Syncro	2,9	140	10.94-08.97	ABV	6

### GOLF III Cabriolet

1.6	1,6	74	10.94-05.98	AKS	4
1.6	1,6	74	10.94-05.98	AFT	4
1.6	1,6	74	10.94-05.98	AEK	4
1.8	1,8	55	07.93-05.98	AAM	4
1.8	1,8	66	07.93-05.98	ABS	4
1.8	1,8	66	07.93-05.98	ADZ	4



= DIN



= M4

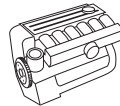


= SAE





kW



## VW AG

### GOLF III Cabriolet

2.0	2,0	85	07.93-09.94	2E	4
2.0	2,0	85	10.94-05.98	ADY , AGG	4

### GOLF IV, Variant

1.4 16V	1,4	55	08.97-06.05	AHW/AKQ/APE/AXP	4
1.6	1,6	74	08.97-02.00	AEH/AKL/APF	4
1.6	1,6	75	08.00-06.05	AVU/BFQ	4
1.6 16V	1,6	77	02.00-06.05	AUS, AZD, ATN	4
1.8	1,8	92	08.97-10.02	AGN	4
1.8 4motion	1,8	92	05.98-10.00	AGN	4
2.0	2,0	85	07.98-06.05	APK/AQY	4
2.0	2,0	85	07.98-06.05	AZG	4
2.0	2,0	85	07.98-06.05	AZJ	4
2.0 4motion	2,0	85	10.00-06.05	AZH	4
2.0 4motion	2,0	85	10.00-06.05	AZJ	4
2.0 Bi-Fuel	2,0	85	02.02-	BEH	4
2.3 V5	2,3	110	08.97-09.98	AGZ	5
2.3 V5	2,3	110	10.98-10.00	AGZ	5
2.3 V5	2,3	110	08.97-12.98	AGZ	5
2.3 V5	2,3	110	01.99-10.00	AGZ	5
2.3 V5 4motion	2,3	110	12.98-10.00	AGZ	5
2.8 V6 4motion	2,8	150	03.99-06.05	AQP/AUE/BDE	6

### GOLF IV Cabriolet

1.6	1,6	74	06.98-06.02	AFT/AKS	4
1.6	1,6	74	06.98-06.02	AFT/AKS	4
1.8	1,8	55	06.98-06.02	AAM	4
1.8	1,8	55	06.98-06.02	ANN	4
1.8	1,8	66	06.98-06.02	ANP	4
1.8	1,8	66	06.98-06.02	ADZ	4
2.0	2,0	85	06.98-06.02	AGG/AKR/ATU/AWF/AWG	4

### GOLF V

1.6	1,6	75	01.04-	BGU/BSF/BSE	4
-----	-----	----	--------	-------------	---

### GOLF VI, Variant

1.2 TSI	1,2	77	08.09-	CBZB	4
---------	-----	----	--------	------	---

### GOLF PLUS

1.2 TSI	1,2	63-77	11.09-	CBZA/CBZB	4
1.6	1,6	75	05.05-	BSF/BSE	4

### ILTIS

1.7	1,7	55	03.79-12.88	WL/YX	4
-----	-----	----	-------------	-------	---

### JETTA I

1.1	1,1	37	08.79-12.83	GG/FA	4
1.3	1,3	44	08.79-02.84	GF	4
1.5	1,5	51	08.79-02.84	JB	4
1.6	1,6	63	08.80-02.84	FR	4
1.6 GLI	1,6	81	08.78-07.82	EG	4
1.8	1,8	82	08.82-02.84	JJ/DX	4

### JETTA II

1.3	1,3	40	01.84-07.84	HK/MH	4
1.3	1,3	40	08.84-06.87	HK/MH	4
1.3 KAT	1,3	40	06.87-12.91	2G/MH/NZ	4
1.3	1,3	44	01.84-10.86	GT	4
1.6	1,6	51	10.86-10.91	PN	4
1.6	1,6	53	03.86-10.91	RF	4
1.6	1,6	55	01.84-07.84	HM/ABN/EZ	4
1.6	1,6	55	08.84-07.92	HM/ABN/EZ	4
1.8	1,8	62	08.86-01.90	RH	4
1.8	1,8	66	08.84-10.91	GU/GX/HV	4
1.8 KAT	1,8	66	08.87-10.91	GX/RP	4
1.8 Syncro	1,8	66	08.87-12.88	RP	4
1.8 Syncro	1,8	72	08.88-07.91	1P	4
1.8	1,8	79	08.85-10.87	RD	4
1.8 KAT	1,8	79	01.87-10.91	PF	4



= DIN



= M4



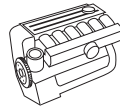
= SAE







kW



## VW AG

### JETTA II

1.8	1,8	82	01.84-07.84	EV/GZ/PB	4
1.8	1,8	82	08.84-10.91	EV/GZ/PB	4
1.8 16V	1,8	95	08.86-10.91	PL	4
1.8 16V	1,8	102	06.87-12.89	KR	4

### JETTA III

1.6	1,6	75	10.05-	BSF/BSE	4
-----	-----	----	--------	---------	---

### JETTA IV

1.2 TSI	1,2	77	02.11-	CBZB	4
---------	-----	----	--------	------	---

### K 70

1.6	1,6	55	08.70-07.71	DB	4
1.6	1,6	66	08.70-10.74	DA	4
1.8	1,8	74	08.73-10.74	DC	4

### KAEFER

1.1 (Brezel)	1,1	18	04.49-12.53		4
1.2	1,2	22	01.54-07.65		4
1200 1.2	1,2	25	01.60-12.85	D	4
1300 1.3	1,3	27	08.65-07.70	E	4
1300 1.3	1,3	29	01.65-07.70	F	4
1300 1.3	1,3	32	01.70-01.73	AB	4
1302 1.2	1,2	25	08.69-08.72	D	4
1302 1.3	1,3	29	08.70-07.75	AC	4
1302 1.3	1,3	32	08.70-08.72	AB	4
1302 1.6	1,6	35	07.71-07.74	AE/AH/AK	4
1302 1.6	1,6	37	01.70-08.72	AD	4
1303 1.2	1,2	25	07.72-02.76	D	4
1303 1.3	1,3	32	08.72-07.75	AB/AR	4
1303 1.6	1,6	35	08.72-12.79	AD	4
1303 LS,S 1.6	1,6	37	08.72-12.79	AD/AJ/AS	4
1500 1.5	1,5	32	08.66-11.73	H	4
1500 1.6	1,6	37	07.70-01.73	AD	4
1600 (Mexico)	1,6	34	05.73-09.92	AF	4

### KAEFER Cabriolet

Karmann 1.3	1,3	29	07.64-07.70	F	4
1302 1.3	1,3	29	08.70-07.74	AC	4
1302 1.6	1,6	34	08.70-07.74	AF	4
1302 1.6	1,6	37	07.70-06.79	AD	4
1303 1.2	1,2	25	04.75-12.79	D	4
1303 1.3	1,3	32	07.70-03.81	AB	4
1303 1.6	1,6	35	08.70-07.74	AE/AH/AK	4
1303 1.6	1,6	37	07.70-06.79	AD	4
1500 1.5	1,5	32	01.66-12.70	H	4
1500 1.6	1,6	35	07.69-07.70	B	4

### LUPO

1.0	1,0	37	09.98-07.05	AER/ALL	4
1.0	1,0	37	09.98-07.05	ALD, ANV	4
1.0	1,0	37	09.98-07.05	AUC	4
1.4	1,4	44	10.00-07.05	AUD	4
1.4 16V	1,4	55	09.98-07.05	AHW, AKQ, APE	4
1.4 16V	1,4	74	08.99-07.05	AFK/AUB	4

### NEW BEETLE

1.6	1,6	74	10.99-09.00	AWH	4
1.6	1,6	75	09.00-	AYD	4
2.0	2,0	85	01.98-	AQY, APK, AEG	4
2.0	2,0	85	01.98-	AZG	4

### NEW BEETLE Cabriolet

1.6	1,6	75	01.03-	BFS	4
2.0	2,0	85	01.03-	AZJ	4

### PASSAT, Variant

1.3	1,3	40	05.73-07.83	FY	4
1.3	1,3	44	05.73-01.78	ZF	4
1.3	1,3	44	08.80-07.84	FZ	4



= DIN



= M4

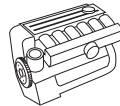


= SAE





kw

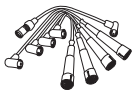


## VW AG

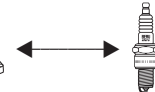
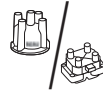
### PASSAT, Variant

1.3	1,3	44	08.84-07.86	FZ	4
1.5	1,5	55	07.73-12.75	YJ/ZB	4
1.5	1,5	63	05.73-12.75	ZC	4
1.6	1,6	51	08.87-03.88	PP	4
1.6	1,6	53	01.85-03.88	RF /RL	4
1.6	1,6	53	02.88-09.91	1F/EZ	4
1.6	1,6	55	02.76-07.84	WV/YN	4
1.6	1,6	55	08.84-03.88	WV/YN	4
1.6	1,6	55	01.85-03.88	DT	4
1.6	1,6	55	02.88-12.88	EZ	4
1.6	1,6	63	08.75-02.83	YP	4
1.6	1,6	74	10.94-08.96	AFT	4
1.6	1,6	74	10.94-08.96	AEK	4
1.6	1,6	74	10.96-11.00	ADP	4
1.6	1,6	74	10.96-11.00	AHL,ANA ,ARM	4
1.6	1,6	75	11.00-05.05	ALZ	4
1.6	1,6	75	05.05-	BSF/BSE	4
1.6 i	1,6	81	06.78-07.80	YS	4
1.8	1,8	55	08.90-08.96	AAM	4
1.8	1,8	64	05.86-03.88	RM	4
1.8	1,8	66	01.83-07.84	DS/JN	4
1.8	1,8	66	08.84-03.88	DS/JN	4
1.8 Syncro	1,8	66	01.86-03.88	DS/JN	4
1.8	1,8	66	02.88-05.97	RP	4
1.8	1,8	66	02.88-05.97	ADZ	4
1.8	1,8	66	02.88-05.97	ABS	4
1.8	1,8	79	04.88-07.93	PF	4
1.8	1,8	82	12.83-07.84	DZ	4
1.8	1,8	82	08.84-03.88	DZ	4
1.8	1,8	82	04.88-07.92	PB	4
1.8	1,8	92	10.96-11.00	ADR/APT/ARG	4
1.8 Syncro/4motion	1,8	92	10.96-11.00	ADR/APT/ARG	4
1.8 16V	1,8	100	04.88-12.89	KR	4
1.8 G60 Syncro	1,8	118	08.88-08.96	PG	4
1.9	1,9	85	01.81-07.83	WN	5
2.0	2,0	85	08.83-07.84	HP/JS	5
2.0	2,0	85	08.84-03.88	HP/JS	5
2.0 Syncro	2,0	85	05.84-03.88	JS	5
2.0 Syncro	2,0	85	05.84-03.88	JS	5
2.0	2,0	85	02.90-09.94	2E	4
2.0 Syncro	2,0	85	10.90-09.94	2E	4
2.0	2,0	85	11.00-05.05	AZM	4
2.0 4motion	2,0	85	11.00-05.05	AZM	4
2.0 16V	2,0	100	08.88-09.93	9A	4
2.0 16V	2,0	110	01.94-08.96	ABF	4
2.2	2,2	85	01.85-03.88	KX	5
2.2	2,2	100	01.85-03.88	KV	5
2.2 Syncro	2,2	88	08.85-03.88	JT	5
2.3 VR5	2,3	110	10.96-11.00	AGZ	5
2.3 VR5 Syncro/4motion	2,3	110	10.97-11.00	AGZ	5
2.8 VR6	2,8	128	06.91-03.96	AAA	6
2.8 VR6	2,8	128	04.96-08.96	AAA	6
2.8 V6	2,8	132	05.97-09.99	AGE	6
2.8 V6	2,8	142	08.96-11.00	APR, AOD	6
2.8 V6	2,8	142	08.96-11.00	ACK	6
2.8 V6 Syncro/4motion	2,8	142	10.96-11.00	APR, AOD	6
2.8 V6 Syncro/4motion	2,8	142	10.96-11.00	ACK	6
2.8 4motion	2,8	142	11.00-05.05	AMX/ATQ	6
2.9 VR6 Syncro	2,9	135	01.94-05.97	ABV	6
<b>POLO, Variant</b>					
0.9	0,9	29	09.75-09.81	HA	4





Copper Cable  
Power Cable

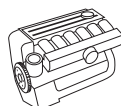


Zyl./Cyl./Cil.

				1	2	3	4	5	6	7	8
ZEF 1149	CU	C 30	VA 118 C	VA 116 D	VA 116 C	VA 116 B	VA 116 B	●	●	●	●
ZEF 432	CU	○	R 18	R 11	R 8	R 8	R 12	●	●	●	●
ZEF 432	CU	○	R 18	R 11	R 8	R 8	R 12	●	●	●	●
ZEF 1149	CU	C 30	VA 118 C	VA 116 D	VA 116 C	VA 116 B	VA 116 B	●	●	●	●
ZEF 561	CU	C 11	VA 117 B	VA 115 E	VA 115 D	VA 115 C	VA 115 B	●	●	●	●
ZEF 561	CU	C 11	VA 117 B	VA 115 E	VA 115 D	VA 115 C	VA 115 B	●	●	●	●
ZEF 432	CU	○	R 18	R 11	R 8	R 8	R 12	●	●	●	●
ZEF 561	CU	C 11	VA 117 B	VA 115 E	VA 115 D	VA 115 C	VA 115 B	●	●	●	●
ZEF 561	CU	C 11	VA 117 B	VA 115 E	VA 115 D	VA 115 C	VA 115 B	●	●	●	●
ZEF 561	CU	C 11	VA 117 B	VA 115 E	VA 115 D	VA 115 C	VA 115 B	●	●	●	●
ZEF 432	CU	○	R 18	R 11	R 8	R 8	R 12	●	●	●	●
ZEF 1180	CU	○	VA 117 B	VA 123 D	VA 123 C	VA 123 B	VA 123 A	●	●	●	●
ZEF 1199	CU	○	VA 118 C	VA 128 A	VA 128 A	VA 128 A	VA 128 A	●	●	●	●
ZEF 1223	CU	○	VA 118 A	VA 128 A	VA 128 C	VA 128 D	VA 128 E	●	●	●	●
ZEF 1224	CU	○	●	VA 127 A	VA 127 A	VA 127 B	VA 127 C	●	●	●	●
ZEF 1224	CU	○	●	VA 127 A	VA 127 A	VA 127 B	VA 127 C	●	●	●	●
ZEF 1224	CU	○	●	VA 127 A	VA 127 A	VA 127 B	VA 127 C	●	●	●	●
ZEF 432	CU	○	R 18	R 11	R 8	R 8	R 12	●	●	●	●
ZEF 1557	CU	○	VA 118 C	VA 115 D	VA 115 C	VA 115 B	VA 115 A	●	●	●	●
ZEF 561	CU	C 11	VA 117 B	VA 115 E	VA 115 D	VA 115 C	VA 115 B	●	●	●	●
ZEF 432	CU	○	R 18	R 11	R 8	R 8	R 12	●	●	●	●
ZEF 561	CU	C 11	VA 117 B	VA 115 E	VA 115 D	VA 115 C	VA 115 B	●	●	●	●
ZEF 561	CU	C 11	VA 117 B	VA 115 E	VA 115 D	VA 115 C	VA 115 B	●	●	●	●
ZEF 561	CU	C 11	VA 117 B	VA 115 E	VA 115 D	VA 115 C	VA 115 B	●	●	●	●
ZEF 717	CU	○	VA 118 C	VA 115 D	VA 115 C	VA 115 B	VA 115 A	●	●	●	●
ZEF 1149	CU	C 30	VA 118 C	VA 116 D	VA 116 C	VA 116 B	VA 116 B	●	●	●	●
ZEF 561	CU	C 11	VA 117 B	VA 115 E	VA 115 D	VA 115 C	VA 115 B	●	●	●	●
ZEF 432	CU	○	R 18	R 11	R 8	R 8	R 12	●	●	●	●
ZEF 561	CU	C 11	VA 117 B	VA 115 E	VA 115 D	VA 115 C	VA 115 B	●	●	●	●
ZEF 561	CU	C 11	VA 117 B	VA 115 E	VA 115 D	VA 115 C	VA 115 B	●	●	●	●
ZEF 1367	CU	○	●	VA 138 A	●	VA 138 A	●	●	●	●	●
ZEF 1367	CU	○	●	VA 138 A	●	VA 138 A	●	●	●	●	●
ZEF 1148	CU	○	VA 117 A	VA 122 D	VA 122 D	VA 122 C	VA 122 C	●	●	●	●
ZEF 561	CU	C 11	VA 117 B	VA 115 E	VA 115 D	VA 115 C	VA 115 B	●	●	●	●
ZEF 404	CU	○	R 10	R 11	R 8	R 8	R 12	R 16	●	●	●
ZEF 404	CU	○	R 10	R 11	R 8	R 8	R 12	R 16	●	●	●
ZEF 612	CU	○	VA 117 B	VA 116 E	VA 116 D	VA 116 D	VA 116 C	VA 116 B	●	●	●
ZEF 404	CU	○	R 10	R 11	R 8	R 8	R 12	R 16	●	●	●
ZEF 612	CU	○	VA 117 B	VA 116 E	VA 116 D	VA 116 D	VA 116 C	VA 116 B	●	●	●
ZEF 1149	CU	C 30	VA 118 C	VA 116 D	VA 116 C	VA 116 B	VA 116 B	●	●	●	●
ZEF 1149	CU	C 30	VA 118 C	VA 116 D	VA 116 C	VA 116 B	VA 116 B	●	●	●	●
ZEF 1224	CU	○	●	VA 127 A	VA 127 A	VA 127 B	VA 127 C	●	●	●	●
ZEF 1224	CU	○	●	VA 127 A	VA 127 A	VA 127 B	VA 127 C	●	●	●	●
ZEF 567	CU	○	VA 117 B	VA 122 B	VA 122 B	VA 122 C	VA 122 D	●	●	●	●
ZEF 1148	CU	○	VA 117 A	VA 122 D	VA 122 D	VA 122 C	VA 122 C	●	●	●	●
ZEF 612	CU	○	VA 117 B	VA 116 E	VA 116 D	VA 116 D	VA 116 C	VA 116 B	●	●	●
ZEF 612	CU	○	VA 117 B	VA 116 E	VA 116 D	VA 116 D	VA 116 C	VA 116 B	●	●	●
ZEF 612	CU	○	VA 117 B	VA 116 E	VA 116 D	VA 116 D	VA 116 C	VA 116 B	●	●	●
ZEF 1196	CU	○	●	○	○	○	○	○	●	●	●
ZEF 1196	CU	○	●	○	○	○	○	○	●	●	●
ZEF 298	CU	○	VA 117 B	VA 134 D	VA 134 C	VA 134 C	VA 134 B	VA 134 B	VA 134 A	●	●
ZEF 1260	CU	○	●	VA 132 D	VA 132 C	VA 132 C	VA 132 B	VA 132 B	VA 132 A	●	●
ZEF 1219	CU	○	●	VA 120 E	VA 120 E	VA 120 D	VA 120 E	VA 120 D	VA 120 D	●	●
ZE 765	CU	○	●	VA 133 A	VA 133 C	VA 133 D	VA 133 A	VA 133 B	VA 133 D	●	●
ZEF 1219	CU	○	●	VA 120 E	VA 120 E	VA 120 D	VA 120 E	VA 120 D	VA 120 D	●	●
ZE 765	CU	○	●	VA 133 A	VA 133 C	VA 133 D	VA 133 A	VA 133 B	VA 133 D	●	●
ZEF 1219	CU	○	●	VA 120 E	VA 120 E	VA 120 D	VA 120 E	VA 120 D	VA 120 D	●	●
ZEF 1219	CU	○	●	VA 120 E	VA 120 E	VA 120 D	VA 120 E	VA 120 D	VA 120 D	●	●
ZEF 298	CU	○	VA 117 B	VA 134 D	VA 134 C	VA 134 C	VA 134 B	VA 134 B	VA 134 A	●	●
ZEF 432	CU	○	R 18	R 11	R 8	R 8	R 12	●	●	●	●



kW



## VW AG

### POLO, Variant

0.9	0,9	29	10.81-12.81	HA	4
1.0	1,0	29	10.81-07.84	GL	4
1.0	1,0	29	08.84-10.86	GL	4
1.0	1,0	33	08.85-01.92	HZ	4
1.0	1,0	33	04.93-	AAU	4
1.0 KAT	1,0	33	08.89-09.94	AAK, ACM	4
1.0 KAT	1,0	33	08.89-09.94	AAU	4
1.0	1,0	37	10.99-09.01	ALD	4
1.0	1,0	37	10.99-09.01	AUC	4
1.1	1,1	37	03.75-09.81	HB	4
1.1	1,1	37	10.81-09.89	HB	4
1.1	1,1	44	03.75-09.81	HC	4
1.2 TSI	1,2	77	11.09-	CBZB	4
1.3	1,3	40	08.83-07.84	HK/MH	4
1.3	1,3	40	08.84-07.88	HK/MH	4
1.3 KAT	1,3	40	07.87-09.94	2G/AAV/MH/NZ	4
1.3	1,3	40	04.93-	AAV	4
1.3	1,3	44	12.76-07.83	HH	4
1.3	1,3	55	09.82-07.84	GK	4
1.3	1,3	55	08.84-09.89	GK	4
1.3 KAT	1,3	55	10.89-03.91	3F	4
1.4	1,4	44	05.98-12.99	AEX/APQ	4
1.4	1,4	44	10.99-09.01	AUD	4
1.4 16V	1,4	55	10.99-09.01	AHW/APE	4
1.4 16V	1,4	55	10.01-01.02	AUA	4
1.4 16V	1,4	74	10.99-09.01	AFK/AUB	4
1.4 16V	1,4	74	10.99-09.01	AFK/AUB	4
1.4 16V	1,4	74	10.01-	AUB	4
1.6	1,6	55	05.97-09.01	ALM/AEE	4
1.6	1,6	74	05.97-09.01	AEH, AKL, APF, AUR	4
1.6	1,6	74	05.97-09.01	AFT	4
1.8	1,8	66	05.97-09.01	ADZ	4
45 1.0	1,0	33	10.94-09.96	AEV	4
50 1.0	1,0	37	09.96-10.99	AER/ALL	4
55 1.3	1,3	40	10.94-07.95	ADX	4
55 1.4	1,4	40	08.95-10.99	AEX	4
60 1.4	1,4	44	07.95-10.99	AEX/AKV/APQ	4
75 1.6	1,6	55	10.94-10.99	AEA/AEE/AHS	4
100 1.4 16V	1,4	74	04.96-10.99	AFH	4
120 1.6 16V GTI	1,6	88	09.98-10.99	AJV	4

### POLO CLASSIC

1.0	1	29	01.85-10.86	GL	4
1.0	1	33	01.85-09.94	AAK/AAU/HZ	4
1.3	1,3	40	01.85-07.87	HK/MH	4
1.3 KAT	1,3	40	07.87-09.94	MH/NZ	4
60 1.4	1,4	44	12.95-09.01	AEX, APQ	4
60 1.4	1,4	44	12.95-09.01	ANW/AUD	4
75 1.4 16V	1,4	55	10.99-09.01	APE/AUA	4
75 1.6	1,6	55	11.95-09.01	AEE/ALM	4
75 1.6	1,6	55	11.95-09.97	1F	4
90 1.8	1,8	66	01.97-09.01	ADZ	4
100 1.6	1,6	74	12.95-09.01	AEH/AKL/APF/AUR	4
100 1.6	1,6	74	12.95-09.01	AFT	4

### POLO Coupé

1.0	1	29	05.82-07.84	GL	4
1.0	1	29	08.84-10.86	GL	4
1.0	1	33	08.85-01.92	HZ	4
1.0 KAT	1	33	08.89-09.94	AAK, ACM	4
1.0 KAT	1	33	08.89-09.94	AAU	4
1.1	1,1	37	10.81-07.83	HB	4
1.3	1,3	40	08.83-07.84	HK/MH	4



= DIN



= M4

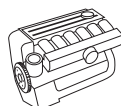


= SAE





kW



<b>VW AG</b>					
<b>POLO Coupé</b>					
1.3	1,3	40	08.84-06.87	HK/MH	4
1.3 KAT	1,3	40	07.87-08.94	2G/AAV/MH/NZ	4
1.3	1,3	44	10.81-07.83	HH	4
1.3	1,3	55	09.82-07.84	GK	4
1.3	1,3	55	08.84-09.89	GK	4
1.3 KAT	1,3	55	10.89-09.94	3F	4
1.3 G40	1,3	83	08.90-09.94	PY	4
1.3 G40	1,3	85	01.87-08.90	PY	4
<b>SANTANA</b>					
1.3	1,3	44	08.81-07.83	FZ	4
1.6	1,6	55	08.81-07.84	WV	4
1.6	1,6	55	08.84-12.84	WV	4
1.6	1,6	63	08.81-12.82	YP	4
1.8	1,8	66	01.83-07.84	DS	4
1.8	1,8	66	08.84-12.84	DS	4
1.9	1,9	85	08.81-07.83	WN	5
2.0	2,0	85	08.83-07.84	HP/JS	5
2.0	2,0	85	08.84-12.84	HP/JS	5
<b>SCIROCCO</b>					
1.1	1,1	37	04.74-07.79	FA	4
1.3	1,3	44	08.79-12.83	GF	4
1.5	1,5	51	02.74-12.75	FH	4
1.5	1,5	51	08.77-12.83	JB	4
1.5	1,5	55	02.74-08.75	YJ/ZB	4
1.5	1,5	63	02.74-12.77	ZC	4
1.6	1,6	53	04.86-07.90	RE	4
1.6	1,6	55	08.75-07.77	FN/FP	4
1.6	1,6	55	01.83-07.84	EW	4
1.6	1,6	55	08.84-12.89	EW	4
1.6	1,6	63	08.75-04.84	FR	4
1.6	1,6	81	06.76-07.82	EG	4
1.8	1,8	66	08.83-07.84	EX	4
1.8	1,8	66	08.84-07.92	EX	4
1.8	1,8	70	11.85-07.92	JH	4
1.8	1,8	82	08.82-07.84	DX/EV/PB	4
1.8	1,8	82	08.84-12.89	DX/EV/PB	4
1.8 16V	1,8	95	03.86-07.92	PL	4
1.8 16V	1,8	102	10.85-07.89	KR	4
<b>SHARAN</b>					
2.0	2,0	85	09.95-	ADY	4
2.0	2,0	85	09.95-	ATM	4
2.8 VR6	2,8	128	09.95-04.00	AAA/AMY	6
2.8 VR6	2,8	128	09.95-04.00	AAA/AMY	6
2.8 VR6 Syncro	2,8	128	11.96-04.00	AAA/AMY	6
2.8 VR6 Syncro	2,8	128	11.96-04.00	AAA/AMY	6
2.8 V6 24V, 4motion	2,8	150	04.00-	AYL	6
<b>TOURAN</b>					
1.2 TSI	1,2	77	05.10-	CBZB	4
1.6	1,6	75	07.03-	BGU	4
<b>VENTO</b>					
1.4	1,4	40	11.91-07.95	ABD/AEX	4
1.4	1,4	44	11.91-07.95	AEX/ABD	4
1.6	1,6	55	09.92-09.98	AEE	4
1.6	1,6	55	09.92-09.98	ABU	4
1.6	1,6	55	09.92-09.98	AEA	4
1.6	1,6	74	10.94-09.98	AFT	4
1.6	1,6	74	10.94-09.98	AEK	4
1.8	1,8	55	11.91-09.98	AAM	4
1.8	1,8	66	11.91-09.98	ADZ	4
1.8	1,8	66	11.91-09.98	ABS	4
2.0	2,0	85	11.91-09.94	2E	4



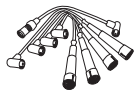
= DIN



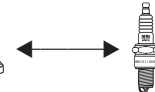
= M4



= SAE



Copper Cable  
Power Cable



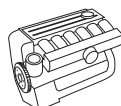
Zyl./Cyl./Cil.

			1	2	3	4	5	6	7	8	
ZEF 1149	CU	C 30	VA 118 C	VA 116 D	VA 116 C	VA 116 B	VA 116 B	●	●	●	●
ZEF 1149	CU	C 30	VA 118 C	VA 116 D	VA 116 C	VA 116 B	VA 116 B	●	●	●	●
ZEF 432	CU	○	R 18	R 11	R 8	R 8	R 12	●	●	●	●
ZEF 432	CU	○	R 18	R 11	R 8	R 8	R 12	●	●	●	●
ZEF 1149	CU	C 30	VA 118 C	VA 116 D	VA 116 C	VA 116 B	VA 116 B	●	●	●	●
ZEF 1149	CU	C 30	VA 118 C	VA 116 D	VA 116 C	VA 116 B	VA 116 B	●	●	●	●
ZEF 1149	CU	C 30	VA 118 C	VA 116 D	VA 116 C	VA 116 B	VA 116 B	●	●	●	●
ZEF 1149	CU	C 30	VA 118 C	VA 116 D	VA 116 C	VA 116 B	VA 116 B	●	●	●	●
ZEF 432	CU	○	R 18	R 11	R 8	R 8	R 12	●	●	●	●
ZEF 432	CU	○	R 18	R 11	R 8	R 8	R 12	●	●	●	●
ZEF 562	CU	C 30	VA 118 C	VA 116 D	VA 116 C	VA 116 B	VA 116 A	●	●	●	●
ZEF 432	CU	○	R 18	R 11	R 8	R 8	R 12	●	●	●	●
ZEF 432	CU	○	R 18	R 11	R 8	R 8	R 12	●	●	●	●
ZEF 561	CU	C 11	VA 117 B	VA 115 E	VA 115 D	VA 115 C	VA 115 B	●	●	●	●
ZEF 404	CU	○	R 10	R 11	R 8	R 8	R 12	R 16	●	●	●
ZEF 404	CU	○	R 10	R 11	R 8	R 8	R 12	R 16	●	●	●
ZEF 612	CU	○	VA 117 B	VA 116 E	VA 116 D	VA 116 D	VA 116 C	VA 116 B	●	●	●
ZEF 432	CU	○	R 18	R 11	R 8	R 8	R 12	●	●	●	●
ZEF 432	CU	○	R 18	R 11	R 8	R 8	R 12	●	●	●	●
ZEF 432	CU	○	R 18	R 11	R 8	R 8	R 12	●	●	●	●
ZEF 432	CU	○	R 18	R 11	R 8	R 8	R 12	●	●	●	●
ZEF 432	CU	○	R 18	R 11	R 8	R 8	R 12	●	●	●	●
ZEF 561	CU	C 11	VA 117 B	VA 115 E	VA 115 D	VA 115 C	VA 115 B	●	●	●	●
ZEF 432	CU	○	R 18	R 11	R 8	R 8	R 12	●	●	●	●
ZEF 432	CU	○	R 18	R 11	R 8	R 8	R 12	●	●	●	●
ZEF 561	CU	C 11	VA 117 B	VA 115 E	VA 115 D	VA 115 C	VA 115 B	●	●	●	●
ZEF 432	CU	○	R 18	R 11	R 8	R 8	R 12	●	●	●	●
ZEF 432	CU	○	R 18	R 11	R 8	R 8	R 12	●	●	●	●
ZEF 432	CU	○	R 18	R 11	R 8	R 8	R 12	●	●	●	●
ZEF 561	CU	C 11	VA 117 B	VA 115 E	VA 115 D	VA 115 C	VA 115 B	●	●	●	●
ZEF 561	CU	C 11	VA 117 B	VA 115 E	VA 115 D	VA 115 C	VA 115 B	●	●	●	●
ZEF 432	CU	○	R 18	R 11	R 8	R 8	R 12	●	●	●	●
ZEF 561	CU	C 11	VA 117 B	VA 115 E	VA 115 D	VA 115 C	VA 115 B	●	●	●	●
ZEF 1148	CU	○	VA 117 A	VA 122 D	VA 122 D	VA 122 C	VA 122 C	●	●	●	●
ZEF 1148	CU	○	VA 117 A	VA 122 D	VA 122 D	VA 122 C	VA 122 C	●	●	●	●
ZEF 1222	CU	○	VA 118 C	VA 128 B	VA 128 C	VA 128 D	VA 128 E	●	●	●	●
ZEF 1224	CU	○	●	VA 127 A	VA 127 A	VA 127 B	VA 127 C	●	●	●	●
ZEF 298	CU	○	VA 117 B	VA 134 D	VA 134 C	VA 134 C	VA 134 B	VA 134 B	VA 134 A	●	●
ZEF 1260	CU	○	●	VA 132 D	VA 132 C	VA 132 C	VA 132 B	VA 132 B	VA 132 A	●	●
ZEF 298	CU	○	VA 117 B	VA 134 D	VA 134 C	VA 134 C	VA 134 B	VA 134 B	VA 134 A	●	●
ZEF 1260	CU	○	●	VA 132 D	VA 132 C	VA 132 C	VA 132 B	VA 132 B	VA 132 A	●	●
ZEF 1233	CU	○	●	VA 129 D	VA 129 C	VA 129 C	VA 129 B	VA 129 B	VA 129 A	●	●
ZEF 1629	CU	○	●	○	○	○	○	●	●	●	●
ZEF 1224	CU	○	●	VA 127 A	VA 127 A	VA 127 B	VA 127 C	●	●	●	●
ZEF 1149	CU	C 30	VA 118 C	VA 116 D	VA 116 C	VA 116 B	VA 116 B	●	●	●	●
ZEF 1149	CU	C 30	VA 118 C	VA 116 D	VA 116 C	VA 116 B	VA 116 B	●	●	●	●
ZEF 716	CU	C 30	VA 118 C	VA 116 D	VA 116 C	VA 116 C	VA 116 B	●	●	●	●
ZEF 1149	CU	C 30	VA 118 C	VA 116 D	VA 116 C	VA 116 B	VA 116 B	●	●	●	●
ZEF 1478	CU	○	VA 117 B	VA 116 D	VA 116 C	VA 116 B	VA 116 B	●	●	●	●
ZEF 1180	CU	○	VA 117 B	VA 123 D	VA 123 C	VA 123 B	VA 123 A	●	●	●	●
ZEF 1199	CU	○	VA 118 C	VA 128 A	VA 128 A	VA 128 A	VA 128 A	●	●	●	●
ZEF 1557	CU	○	VA 118 C	VA 115 D	VA 115 C	VA 115 B	VA 115 A	●	●	●	●
ZEF 717	CU	○	VA 118 C	VA 115 D	VA 115 C	VA 115 B	VA 115 A	●	●	●	●
ZEF 1149	CU	C 30	VA 118 C	VA 116 D	VA 116 C	VA 116 B	VA 116 B	●	●	●	●
ZEF 1149	CU	C 30	VA 118 C	VA 116 D	VA 116 C	VA 116 B	VA 116 B	●	●	●	●





kW



## VW AG

### VENTO

2.0	2,0	85	07.94-09.98	ADY , AGG, AKR	4
2.8 VR6	2,8	128	01.92-12.93	AAA	6
2.8 VR6	2,8	128	01.94-09.98	AAA	6



### LT 28 I

2.0	2,0	55	04.75-09.83	CH	4
2.4	2,4	66	01.84-07.92	DL	6
2.4 i	2,4	69	08.89-06.96	1E	6

### LT 28-35 I

2.0	2,0	55	04.75-09.83	CH	4
2.4	2,4	66	01.84-07.92	DL	6
2.4 i	2,4	69	03.94-06.96	1E	6

### LT 40-55 I

2.0	2,0	55	04.75-09.83	CH	4
2.4	2,4	66	07.84-07.92	DL	6
2.4 4WD	2,4	66	07.84-07.92	DL	6

### TRANSPORTER T1

1.1	1,1	18	01.50-12.62		4
1.2	1,2	25	01.50-07.67		4
1.5	1,5	32	11.62-10.70		4
1.6	1,6	35	06.66-12.68		4

### TRANSPORTER T2

1.6	1,6	34	08.67-07.70	AF	4
1.6	1,6	37	08.68-07.79	AD/AH/AS	4
2.0	2,0	51	08.75-07.79	CJ/GD/GE	4

### TRANSPORTER T3

1.6	1,6	37	05.79-12.82	CT	4
1.9	1,9	44	08.82-07.84	DF	4
1.9	1,9	44	08.84-07.92	DF	4
1.9	1,9	57	08.82-07.84	DG	4
1.9	1,9	57	08.84-07.92	DG	4
1.9 Syncro	1,9	57	11.84-07.92	DG	4
1.9	1,9	61	01.83-07.84	DH	4
1.9	1,9	61	08.84-02.89	DH	4
1.9	1,9	66	08.83-07.84	GW	4
1.9	1,9	66	08.84-02.89	GW	4
2.0	2,0	51	05.79-07.84	CU/CV	4
2.0	2,0	51	08.84-04.86	CU/CV	4
2.1	2,1	64	10.86-07.92	SR	4
2.1 Syncro	2,1	64	10.86-07.92	SR	4
2.1 i	2,1	68	07.89-07.92	SS	4
2.1	2,1	70	08.85-07.92	MV	4
2.1 Syncro	2,1	70	08.85-07.92	MV	4
2.1	2,1	82	08.85-07.92	DJ	4
2.1 Syncro	2,1	82	01.86-07.92	DJ	4

### TRANSPORTER T4

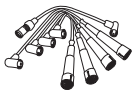
1.8	1,8	49	12.90-07.92	PD	4
2.0	2	62	09.90-12.90	AAC	4
2.0	2	62	01.91-12.93	AAC	4
2.5	2,5	81	11.90-04.03	AAF, ACU	5
2.5 Syncro	2,5	81	11.92-04.03	AAF, ACU	5
2.5	2,5	85	08.96-04.03	AET	5
2.5 Syncro	2,5	85	07.96-04.03	AET	5
2.8 VR 6	2,8	103	11.95-04.00	AES	6

## WARTBURG

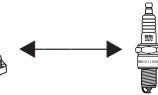
### 353

1.0	1,0	33	06.66-04.69	353,18	3
1.0	1,0	37	04.69-08.88	353,18	3
1.3	1,3	43	09.88-05.91	4V07,2/7,5GRF	4





Copper Cable  
Power Cable

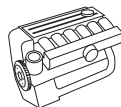


Zyl./Cyl./Cil.

			1	2	3	4	5	6	7	8	
<b>ZEF 561</b>	<b>CU</b>	<b>C 11</b>	VA 117 B	VA 115 E	VA 115 D	VA 115 C	VA 115 B	●	●	●	●
<b>ZEF 298</b>	<b>CU</b>	○	VA 117 B	VA 134 D	VA 134 C	VA 134 C	VA 134 B	VA 134 B	VA 134 A	●	●
<b>ZEF 1260</b>	<b>CU</b>	○	●	VA 132 D	VA 132 C	VA 132 C	VA 132 B	VA 132 B	VA 132 A	●	●
○	<b>R</b>	○	<b>R 2</b>	<b>R 9</b>	<b>R 9</b>	<b>R 29</b>	<b>R 46</b>	●	●	●	●
○	<b>CU</b>	○	VA 117 A	VA 115 E	VA 115 E	VA 115 D	VA 115 B	VA 115 B	VA 115 B	●	●
○	<b>CU</b>	○	VA 117 A	VA 116 D	VA 116 D	VA 116 C	VA 116 A	VA 116 A	VA 116 A	●	●
○	<b>R</b>	○	<b>R 2</b>	<b>R 9</b>	<b>R 9</b>	<b>R 29</b>	<b>R 46</b>	●	●	●	●
○	<b>CU</b>	○	VA 117 A	VA 115 E	VA 115 E	VA 115 D	VA 115 B	VA 115 B	VA 115 B	●	●
○	<b>CU</b>	○	VA 117 A	VA 116 D	VA 116 D	VA 116 C	VA 116 A	VA 116 A	VA 116 A	●	●
○	<b>R</b>	○	<b>R 2</b>	<b>R 9</b>	<b>R 9</b>	<b>R 29</b>	<b>R 46</b>	●	●	●	●
○	<b>CU</b>	○	VA 117 A	VA 115 E	VA 115 E	VA 115 D	VA 115 B	VA 115 B	VA 115 B	●	●
○	<b>CU</b>	○	VA 117 A	VA 115 E	VA 115 E	VA 115 D	VA 115 B	VA 115 B	VA 115 B	●	●
<b>ZEF 304</b>	<b>CU</b>	○	<b>R 10</b>	<b>R 3</b>	<b>R 3</b>	<b>R 9</b>	<b>R 9</b>	●	●	●	●
<b>ZEF 304</b>	<b>CU</b>	○	<b>R 10</b>	<b>R 3</b>	<b>R 3</b>	<b>R 9</b>	<b>R 9</b>	●	●	●	●
<b>ZEF 304</b>	<b>CU</b>	○	<b>R 10</b>	<b>R 3</b>	<b>R 3</b>	<b>R 9</b>	<b>R 9</b>	●	●	●	●
<b>ZEF 304</b>	<b>CU</b>	○	<b>R 10</b>	<b>R 3</b>	<b>R 3</b>	<b>R 9</b>	<b>R 9</b>	●	●	●	●
<b>ZEF 304</b>	<b>CU</b>	○	<b>R 10</b>	<b>R 3</b>	<b>R 3</b>	<b>R 9</b>	<b>R 9</b>	●	●	●	●
○	<b>R</b>	○	<b>R 10</b>	<b>R 1</b>	<b>R 1</b>	<b>R 9</b>	<b>R 9</b>	●	●	●	●
<b>ZEF 432</b>	<b>CU</b>	○	<b>R 18</b>	<b>R 11</b>	<b>R 8</b>	<b>R 8</b>	<b>R 12</b>	●	●	●	●
○	<b>R</b>	○	<b>R 10</b>	<b>R 1</b>	<b>R 1</b>	<b>R 9</b>	<b>R 9</b>	●	●	●	●
<b>ZEF 432</b>	<b>CU</b>	○	<b>R 18</b>	<b>R 11</b>	<b>R 8</b>	<b>R 8</b>	<b>R 12</b>	●	●	●	●
○	<b>R</b>	○	<b>R 10</b>	<b>R 1</b>	<b>R 1</b>	<b>R 9</b>	<b>R 9</b>	●	●	●	●
<b>ZEF 432</b>	<b>CU</b>	○	<b>R 18</b>	<b>R 11</b>	<b>R 8</b>	<b>R 8</b>	<b>R 12</b>	●	●	●	●
<b>ZEF 1478</b>	<b>CU</b>	○	VA 117 B	VA 116 D	VA 116 C	VA 116 B	VA 116 B	●	●	●	●
<b>ZEF 432</b>	<b>CU</b>	○	<b>R 18</b>	<b>R 11</b>	<b>R 8</b>	<b>R 8</b>	<b>R 12</b>	●	●	●	●
<b>ZEF 520</b>	<b>CU</b>	○	VA 118 C	VA 116 D	VA 116 D	VA 116 C	VA 116 C	●	●	●	●
<b>ZEF 520</b>	<b>CU</b>	○	VA 118 C	VA 116 D	VA 116 D	VA 116 C	VA 116 C	●	●	●	●
<b>ZEF 432</b>	<b>CU</b>	○	<b>R 18</b>	<b>R 11</b>	<b>R 8</b>	<b>R 8</b>	<b>R 12</b>	●	●	●	●
<b>ZEF 1478</b>	<b>CU</b>	○	VA 117 B	VA 116 D	VA 116 C	VA 116 B	VA 116 B	●	●	●	●
<b>ZEF 432</b>	<b>CU</b>	○	<b>R 18</b>	<b>R 11</b>	<b>R 8</b>	<b>R 8</b>	<b>R 12</b>	●	●	●	●
<b>ZEF 1478</b>	<b>CU</b>	○	VA 117 B	VA 116 D	VA 116 C	VA 116 B	VA 116 B	●	●	●	●
<b>ZEF 432</b>	<b>CU</b>	○	<b>R 18</b>	<b>R 11</b>	<b>R 8</b>	<b>R 8</b>	<b>R 12</b>	●	●	●	●
<b>ZEF 520</b>	<b>CU</b>	○	VA 118 C	VA 116 D	VA 116 D	VA 116 C	VA 116 C	●	●	●	●
<b>ZEF 1478</b>	<b>CU</b>	○	VA 117 B	VA 116 D	VA 116 C	VA 116 B	VA 116 B	●	●	●	●
<b>ZEF 1478</b>	<b>CU</b>	○	VA 117 B	VA 116 D	VA 116 C	VA 116 B	VA 116 B	●	●	●	●
○	<b>CU</b>	○	VA 117 B	VA 116 E	VA 116 C	VA 116 B	VA 116 B	●	●	●	●
<b>ZEF 520</b>	<b>CU</b>	○	VA 118 C	VA 116 D	VA 116 D	VA 116 C	VA 116 C	●	●	●	●
<b>ZEF 520</b>	<b>CU</b>	○	VA 118 C	VA 116 D	VA 116 D	VA 116 C	VA 116 C	●	●	●	●
<b>ZEF 520</b>	<b>CU</b>	○	VA 118 C	VA 116 D	VA 116 D	VA 116 C	VA 116 C	●	●	●	●
<b>ZEF 520</b>	<b>CU</b>	○	VA 118 C	VA 116 D	VA 116 D	VA 116 C	VA 116 C	●	●	●	●
<b>ZEF 562</b>	<b>CU</b>	<b>C 30</b>	VA 118 C	VA 116 D	VA 116 C	VA 116 B	VA 116 A	●	●	●	●
<b>ZEF 1149</b>	<b>CU</b>	<b>C 30</b>	VA 118 C	VA 116 D	VA 116 C	VA 116 B	VA 116 B	●	●	●	●
<b>ZEF 1198</b>	<b>CU</b>	○	VA 118 C	VA 115 D	VA 115 D	VA 115 D	VA 115 D	●	●	●	●
<b>ZEF 707</b>	<b>CU</b>	○	○	○	○	○	○	○	○	●	●
<b>ZEF 707</b>	<b>CU</b>	○	○	○	○	○	○	○	○	●	●
<b>ZEF 707</b>	<b>CU</b>	○	○	○	○	○	○	○	○	●	●
<b>ZEF 707</b>	<b>CU</b>	○	○	○	○	○	○	○	○	●	●
<b>ZEF 1197</b>	<b>CU</b>	○	●	○	○	○	○	○	○	●	●
○	<b>R</b>	○	●	<b>R 4</b>	<b>R 4</b>	<b>R 3</b>	●	●	●	●	●
○	<b>R</b>	○	●	<b>R 4</b>	<b>R 4</b>	<b>R 3</b>	●	●	●	●	●
<b>ZEF 561</b>	<b>CU</b>	<b>C 11</b>	VA 118 C	VA 116 D	VA 116 C	VA 116 C	VA 116 B	●	●	●	●



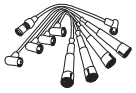
kW



## WARTBURG

### 353 Tourist

1.0	1,0	33	10.67-04.69		3
1.0	1,0	37	04.69-01.89	353,18	3
1.3	1,3	43	02.89-05.91	4V07,2/7,5GRF	4



**Copper Cable**  
**Power Cable**

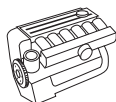


Zyl./Cyl./Cil.

				1	2	3	4	5	6	7	8
○	<b>R</b>	○	●	<b>R 4</b>	<b>R 4</b>	<b>R 3</b>	●	●	●	●	●
○	<b>R</b>	○	●	<b>R 4</b>	<b>R 4</b>	<b>R 3</b>	●	●	●	●	●
<b>ZEF 561</b>	<b>CU</b>	<b>C 11</b>	VA 118 C	VA 116 D	VA 116 C	VA 116 C	VA 116 B	●	●	●	●



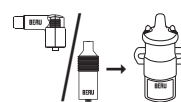
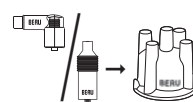
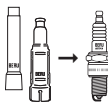
kW



Zyl.

Cyl.

Cil.



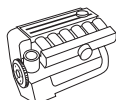
## ALFA ROMEO

Model	Power (kW)	Year Range	Engine Code	Cyl.	Zyl.	Cyl.	Cil.	Oil Filter	Oil Can	Oil Can	Oil Can
<b>Alfa 6</b>											
2.5, i.e	2,5	110-118	01.79-12.86	019.28	6			VESO 105	WVES 1	VESO 105	WVES 1
<b>Alfa 33</b>											
1.2	1,2	46-57	01.83-08.91	AR 305.00, 305.85, 307.43	4	ZLE 166		VESO 105	WVES 1	VESO 105	WVES 1
1.2	1,2	46-57	09.91-03.94	8VMPI	4	ZLE 166		VESO 105	WVES 1	VESO 105	WVES 1
1.3	1,3	55	01.83-12.89	AR 30586/AR 30502	4	ZLE 166		VESO 105	WVES 1	VESO 105	WVES 1
1.3	1,3	58	01.83-12.89		4	ZLE 166		VESO 105	WVES 1	VESO 105	WVES 1
1.3	1,3	63	01.83-12.89	AR 30168/AR 30587	4	ZLE 166		VESO 105	WVES 1	VESO 105	WVES 1
1.3 Boxer 4C, Quadr. Oro	1,3	63-66	01.83-12.89	307..	4	ZLE 166		VESO 105	WVES 1	VESO 105	WVES 1
1.3i.e Europa	1,3	66	01.83-12.89	307.53	4	ZLE 166		VESO 105	WVES 1	VESO 105	WVES 1
1.4i.e	1,4	65-66	06.91-09.94	AR 30755/AR 30753	4	ZLE 166		VESO 105	WVES 1	VESO 105	WVES 1
1.5	1,5	62-75	05.93-12.93	AR 30143, 30182, 30588, 30504, 30520	4	ZLE 166		VESO 105	WVES 1	VESO 105	WVES 1
1.5i.e Europa	1,5	77	01.90-04.93		4	ZLE 166		VESO 105	WVES 1	VESO 105	WVES 1
1.7	1,7	67-79	01.86-12.91		4	ZLE 166		VESO 105	WVES 1	VESO 105	WVES 1
1.7 16V	1,7	95-97	01.91-03.94	307.47	4	ZLE 166		VESO 105	WVES 1	VESO 105	WVES 1
1.7i.e	1,7	77-79	09.88-09.94	AR 30558, 30736, 30737	4	ZLE 166		VESO 105	WVES 1	VESO 105	WVES 1
1.7 QV	1,7	84	03.88-12.89	AR 30550	4	ZLE 166		VESO 105	WVES 1	VESO 105	WVES 1
1.7 16V	1,7	95-97	01.90-09.94	AR 30747	4	ZLE 166		VESO 105	WVES 1	VESO 105	WVES 1
<b>Alfa 75</b>											
1.6	1,6	81	05.85-02.92	AR 06100, 61101	4	ZLE 166		VESO 105	WVES 1	VESO 105	WVES 1
1.8,i.e	2	85-90	09.85-02.92	AR 06168, 06202, 61102, 61201	4	ZLE 166		VESO 105	WVES 1	VESO 105	WVES 1
1.8 Turbo	1,8	110-114	09.86-02.92	AR 06134, 06158	4	ZLE 166		VESO 105	WVES 1	VESO 105	WVES 1
2.0	2,0	94	01.85-10.88	AR 06212	4	ZLE 166		VESO 105	WVES 1	VESO 105	WVES 1
2.0 Twin Spark	2,0	107-109	01.85-02.92	AR 061, 062	4	ZLE 166		VESO 105	WVES 1	VESO 105	WVES 1
2.5 V6	2,5	115	05.85-08.86	AR 01911/AR 01646	6	ZLE 166		VESO 105	WVES 1	VESO 105	WVES 1
3.0 V6	3,0	133-141	01.87-02.92	AR 06120, 061124, 61503	6	ZLE 166		VESO 105	WVES 1	VESO 105	WVES 1
<b>Alfa 90</b>											
1.8/2.0i.e	1,8/ 2,0	85-94	10.84-07.87	AR 06202, 01713, 06212	4	ZLE 166		VESO 105	WVES 1	VESO 105	WVES 1
2.5 i.e. V6	2,5	110	10.84-07.87	AR 01911/AR 01646	6	ZLE 166		VESO 105	WVES 1	VESO 105	WVES 1
<b>Alfa 145</b>											
1.4i.e	1,4	66	07.94-12.96	AR 33.501	4	ZLE 166		VESO 105	WVES 1	VESO 105	WVES 1
1.4 i.e. 16V T.S.	1,4	76	02.99-01-01	AR 33503/AR 38501	4	ZLE 288	●				ZLE 288
1.6i.e	1,6	76	10.94-12.96	AR 33.201	4	ZLE 166		VESO 105	WVES 1	VESO 105	WVES 1
1.6 i.e. 16V T.S.	1,6	88	02.99-01.01	AR 67601/AR 38201	4	ZLE 288	●				ZLE 288
1.7i.e 16V	1,7	95	10.94-12.96	AR 33.401	4	ZLE 166		VESO 105	WVES 1	VESO 105	WVES 1
1.8 i.e. 16V	1,8	106	02.99-01.01	AR 32201	4	ZLE 288	●				ZLE 288
2.0 16V T.S.	2,0	110	10.95-01.01	AR 67204	4	ZLE 288	●				ZLE 288
2.0 16V Quadrifoglio	2,0	114	03.98-01.01	AR 32301	4	ZLE 288	●				ZLE 288
<b>Alfa 146</b>											
1.4i.e	1,4	68	01.95-01.01	AR 33.501	4	▲					
1.4 i.e. 16V T.S.	1,4	76	02.99-01.01	AR 33503/AR 38501	4	ZLE 288	●				ZLE 288
1.6i.e	1,6	78	01.95-01.01	AR 33.201	4	▲					
1.6 i.e. 16V T.S.	1,6	88	02.99-01.01	AR 67601/AR 38201	4	ZLE 288	●				ZLE 288
1.7i.e 16V	1,7	96	12.94-01.01	AR 33.401	4	▲					
1.8 i.e. 16V T.S.	1,8	106	02.99-01.01	AR 32201	4	ZLE 288	●				ZLE 288
2.0 16V T.S.	2,0	110	10.95-01.01	AR 67204	4	ZLE 288	●				ZLE 288
2.0 16V Quadrifoglio	2,0	114	02.99-01.01	AR 32301	4	ZLE 288	●				ZLE 288
<b>Alfa 155</b>											
1.8i.e Twin Spark	1,8	95	01.92-06.93	AR 67.101	4	▲					
1.8i.e T.S (acc. stat.)	1,8	100	01.94-09.97	AR 67.106	4	▲					
2.0i.e 16V Q4 Turbo	2,0	140	01.92-04.96	AR 67.203	4	▲					
2.0i.e T.S (acc. stat.)	2,0	104	01.94-09.97	AR 67.201/202	4	▲					
2.0i.e Twin Spark	2,0	104-106	01.92-02.95	AR 67...	4	▲					
2.5 V6	2,5	120-121	02.92-12.97	AR 67.301/302/303	6	ZLE 175	▲			▲	





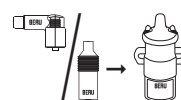
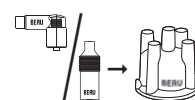
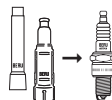
kw



Zyl.

Cyl.

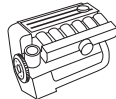
Cil.



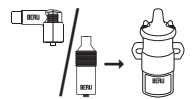
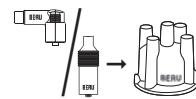
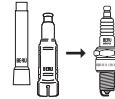
AUDI														
<b>A 2</b>														
1.4	1,4	55	02.00-08.05	AUA	4	<b>ZLE 248</b>	●						<b>VESO 134</b>	
<b>A 3</b>														
1.8 20V	1,8	92	09.96-03.03	AGN/APG	4	<b>ZLE 249</b>	●							<b>VES 115</b>
1.8 T 20V	1,8	110	12.96-07.98	AEB/AGU	4	<b>ZLE 276</b>	●							<b>ZLE 276</b>
<b>A 4</b>														
1.6	1,6	74	06.94-07.00	ADP	4	<b>ZLE 226</b>		<b>VESO 116</b>	<b>VES 105</b>	<b>VESO 116</b>				<b>VES 105</b>
1.8, quattro	1,8	85	04.95-11.00	AFY	4	<b>ZLE 276</b>	●							<b>ZLE 276</b>
1.8, quattro	1,8	92	01.95-11.00	AVV/ADR/APT/ARG	4	<b>ZLE 276</b>	●							<b>ZLE 276</b>
1.8 T 20V quattro	1,8	110	01.95-11.00	AEB, ANB, APU, ARK	4	<b>ZLE 276</b>	●							<b>ZLE 276</b>
1.8 Turbo, quattro	1,8	132	10.97-11.00	AJL	4	<b>ZLE 276</b>	●							<b>ZLE 276</b>
2.7 S4 quattro	2,7	195	09.97-11.00	AGB	6	<b>ZLE 276</b>	●							<b>ZLE 276</b>
2.8	2,8	128-142	06.94-11.00	AAH, AFC	6	<b>ZLE 212</b>	●							<b>VES 106</b>
2.8	2,8	128-142	06.94-11.00	ACK, ALG	6	<b>ZLE 249</b>	●							
<b>A 6</b>														
1.8	1,8	92	12.95-02.97	ADR	4	<b>ZLE 276</b>	●							<b>ZLE 276</b>
1.8 20V	1,8	110	01.97-01.05	AEB, ANB, APU, ARK	4	<b>ZLE 276</b>	●							<b>ZLE 276</b>
1.8 Turbo, quattro	1,8	132	12.97-01.05	AJL	4	<b>ZLE 276</b>	●							<b>ZLE 276</b>
2.0 16V, quattro	2,0	103	06.94-02.97	ACE	4	<b>ZLE 168</b>		<b>VESO 126</b>		<b>VESO 128</b>				
2.2 S6 Turbo quattro, - Avant	2,2	169	06.94-02.97	AAN	5	<b>ZLE 233</b>	●							<b>ZLE 233</b>
2.6	2,6	102-110	06.94-02.97	ACZ, ABC	6	<b>ZLE 212</b>	●							<b>VES 106</b>
2.7 T, quattro	2,7	169	12.97-01.05	AJK	6	<b>ZLE 276</b>	●							<b>ZLE 276</b>
2.7 T quattro	2,7	184	08.01-01.05	ARE	6	<b>ZLE 276</b>	●							<b>ZLE 276</b>
2.8	2,8	120-142	06.94-02.97	ACK, AEJ, AFC	6	<b>ZLE 212</b>	●							<b>VES 106</b>
<b>A 8</b>														
2.8	2,8	120-128	06.94-09.02	AEJ, AAH	6	<b>ZLE 212</b>	●							<b>VES 106</b>
3.7, quattro	3,7	169	07.95-12.98	AKJ/AEW	8	<b>ZLE 277</b>	●							<b>ZLE 277</b>
4.2 quattro	4,2	180	03.94-07.96	AEM, Fg.Nr. 4D-T-000221→	8	<b>ZLE 277</b>	●							<b>ZLE 277</b>
4.2	4,2	180-220	06.94-09.02	ABZ, AEM, AKG	8	<b>ZLE 277</b>	●							<b>ZLE 277</b>
4.2 quattro	4,2	220	05.95-11.98	ABZ, AKG, Fg.Nr. 4D-T-000221→	8	<b>ZLE 277</b>	●							<b>ZLE 277</b>
S 8 quattro	4,2	250	07.96-06.99	AHC/AKH Fgst.Nr. 4D-T-000 221 →	8	<b>ZLE 276</b>	●							<b>ZLE 276</b>
<b>ALLROAD</b>														
2.7 T quattro	2,7	184	05.00-08.05	ARE	6	<b>ZLE 276</b>	●							<b>ZLE 276</b>
<b>50</b>														
0.8	0,8	25	01.76-07.78	HE	4	<b>ZLE 107/1</b>		<b>VESO 105</b>	<b>WVES 1</b>	<b>VESO 105</b>				<b>WVES 1</b>
1.1	1,1	37-44	07.74-07.78	HB, HD, HC	4	<b>ZLE 107/1</b>		<b>VESO 105</b>	<b>WVES 1</b>	<b>VESO 105</b>				<b>WVES 1</b>
1.3	1,3	43-44	01.77-07.78	HH, HJ	4	<b>ZLE 107/1</b>		<b>VESO 105</b>	<b>WVES 1</b>	<b>VESO 105</b>				<b>WVES 1</b>
<b>60</b>														
1.3	1,3	40	01.64-12.72		4	<b>ZLE 107/1</b>		<b>VESO 105</b>	<b>WVES 1</b>	<b>VESO 105</b>				<b>WVES 1</b>
1.5	1,5	40	10.69-09.73		4	<b>ZLE 107/1</b>		<b>VESO 105</b>	<b>WVES 1</b>	<b>VESO 105</b>				<b>WVES 1</b>
<b>70</b>														
1.5	1,5	55	01.64-12.72		4	<b>ZLE 107/1</b>		<b>VESO 105</b>	<b>WVES 1</b>	<b>VESO 105</b>				<b>WVES 1</b>
<b>75</b>														
1.7 L	1,7	55	09.68-09.73		4	<b>ZLE 107/1</b>		<b>VESO 105</b>	<b>WVES 1</b>	<b>VESO 105</b>				<b>WVES 1</b>
<b>80</b>														
1.3-1.7	1,3	40-63	01.64-05.72		4	<b>ZLE 107/1</b>		<b>VESO 105</b>	<b>WVES 1</b>	<b>VESO 105</b>				<b>WVES 1</b>
1.3	1,3	40-44	05.72-07.84	EP, FY, ZA, ZF	4	<b>ZLE 107/1</b>		<b>VESO 105</b>	<b>WVES 1</b>	<b>VESO 105</b>				<b>WVES 1</b>
1.3	1,3	44	08.84-12.86	EP	4	<b>ZLE 205</b>		<b>VESO 116</b>	<b>VES 105</b>	<b>VESO 116</b>				<b>VES 105</b>
1.4	1,4	48	01.87-12.88	SE	4	<b>ZLE 205</b>		<b>VESO 116</b>	<b>VES 105</b>	<b>VESO 116</b>				<b>VES 105</b>
1.5	1,5	55-63	05.72-07.76	YJ, ZB, ZC	4	<b>ZLE 107/1</b>		<b>VESO 105</b>	<b>WVES 1</b>	<b>VESO 105</b>				<b>WVES 1</b>
1.6	1,6	51	08.78-07.81	YT/YY	4	<b>ZLE 107/1</b>		<b>VESO 105</b>	<b>WVES 1</b>	<b>VESO 105</b>				<b>WVES 1</b>
1.6	1,6	51	08.87-09.91	PP (Kat),	4	<b>ZLE 205</b>		<b>VESO 116</b>	<b>VES 105</b>	<b>VESO 116</b>				<b>VES 105</b>
1.6	1,6	51	08.84-12.86	DT, DTA	4	<b>ZLE 205</b>		<b>VESO 116</b>	<b>VES 105</b>	<b>VESO 116</b>				<b>VES 105</b>
1.6	1,6	52	09.91-12.94	ABM	4	<b>ZLE 205</b>		<b>VESO 116</b>	<b>VES 105</b>	<b>VESO 116</b>				<b>VES 105</b>
1.6	1,6	54	02.86-07.86	SA	4	<b>ZLE 205</b>		<b>VESO 116</b>	<b>VES 105</b>	<b>VESO 116</b>				<b>VES 105</b>
1.6	1,6	55	09.75-07.78	YN	4	<b>ZLE 107/1</b>		<b>VESO 105</b>	<b>WVES 1</b>	<b>VESO 105</b>				<b>WVES 1</b>
1.6	1,6	55	08.78-07.84	DT	4	<b>ZLE 107/1</b>		<b>VESO 105</b>	<b>WVES 1</b>	<b>VESO 105</b>				<b>WVES 1</b>
1.6	1,6	55	08.84-08.91	DT, RN	4	<b>ZLE 205</b>		<b>VESO 116</b>	<b>VES 105</b>	<b>VESO 116</b>				<b>VES 105</b>



kw



Zyl.  
Cyl.  
Cil.



**AUDI**

**80**

1.6	1,6	63	09.75–02.83	YP	4	ZLE 107/1	VESO 105	WVES 1	VESO 105	WVES 1
1.6 E	1,6	74	06.93–12.94	ADA	4	ZLE 205	VESO 116	VES 105	VESO 116	VES 105
1.6 GT	1,6	74	09.73–07.76	XX	4	ZLE 107/1	VESO 105	WVES 1	VESO 105	WVES 1
1.6 GTE	1,6	81	01.76–07.78	YS	4	ZLE 107/1	VESO 105	WVES 1	VESO 105	WVES 1
1.6 GLE	1,6	81	01.79–07.84	YZ	4	ZLE 107/1	VESO 105	WVES 1	VESO 105	WVES 1
1.6 GLE	1,6	81	08.84–12.86	YZ	4	ZLE 205	VESO 116	VES 105	VESO 116	VES 105
1.8	1,8	55	10.86–01.90	RU	4	ZLE 205	VESO 116	VES 105	VESO 116	VES 105
1.8, S, quattro	1,8	65	02.86–12.90	SF	4	ZLE 205	VESO 116	VES 105	VESO 116	VES 105
1.8 CC, CD	1,8	66	08.84–12.88	JV	4	ZLE 205	VESO 116	VES 105	VESO 116	VES 105
1.8, CC, quattroatt	1,8	66–68	01.83–07.84	DS, JN	4	ZLE 107/1	VESO 105	WVES 1	VESO 105	WVES 1
1.8	1,8	66–68	08.84–10.91	DS, NE, PM, JN	4	ZLE 205	VESO 116	VES 105	VESO 116	VES 105
1.8 GTE	1,8	81	08.84–12.86	PV	4	ZLE 205	VESO 116	VES 105	VESO 116	VES 105
1.8, quattro	1,8	81	08.84–12.86	PV	4	ZLE 205	VESO 116	VES 105	VESO 116	VES 105
1.8 E, GTE, quattro	1,8	82	08.84–08.91	DZ	4	ZLE 205	VESO 116	VES 105	VESO 116	VES 105
1.8, quattro	1,8	83	09.86–08.90	SD	4	ZLE 205	VESO 116	VES 105	VESO 116	VES 105
1.9	1,9	83	01.86–12.88	SD	4	ZLE 205	VESO 116	VES 105	VESO 116	VES 105
2.0	2,0	66	01.91–12.94	ABT	4	ZLE 205	VESO 116	VES 105	VESO 116	VES 105
2.0 E	2,0	82–83	01.88–08.91	3A	4	ZLE 205	VESO 116	VES 105	VESO 116	VES 105
2.0 E	2,0	82–85	01.90–09.91	AAD	4	ZLE 205	VESO 116	VES 105	VESO 116	VES 105
2.0, quattro	2,0	85	10.83–09.84	JS/HP	5	ZLE 107/1	VESO 105	WVES 1	VESO 105	WVES 1
2.0 E, quattro	2,0	85	09.91–12.94	ABK	4	ZLE 205	VESO 116	VES 105	VESO 116	VES 105
2.0 16V, quattro	2,0	101–103	01.90–12.94	ACE, 6A	4	ZLE 168	VESO 126		VESO 128	
2.2	2,2	85	10.80–07.83	WE	5	ZLE 107/1	VESO 105	WVES 1	VESO 105	WVES 1
2.2 quattro	2,2	100	08.82–07.84	KK	5	ZLE 107/1	VESO 105	WVES 1	VESO 105	WVES 1
2.2 S2 quattro	2,2	169	02.93–12.94	ABY	5	ZLE 233	●			ZLE 233
2.2 RS2 quattro Avant	2,2	232	03.94–05.95	ADU	5	ZLE 233	●			ZLE 233
2.3 E, quattro	2,3	98	09.91–12.94	NG	5	ZLE 205	VESO 116	VES 105	VESO 116	VES 105
2.6 E	2,6	106–110	07.92–12.94	ABC, ACZ	6	ZLE 212	●			VES 106
2.8 E	2,8	128	01.91–12.94	AAH	6	ZLE 212	●			VES 106

**90**

1.6	1,6	53	02.86–07.86	SA	4	ZLE 205	VESO 116	VES 105	VESO 116	VES 105
1.8	1,8	66	01.64–12.72		4	ZLE 107/1	VESO 105	WVES 1	VESO 105	WVES 1
2.0	2,0	83–85	01.86–12.91	SK (Kat),PS (Kat)	5	ZLE 205	VESO 116	VES 105	VESO 116	VES 105
2.0	2,0	85	10.84–03.87	HP, JS	4	ZLE 205	VESO 116	VES 105	VESO 116	VES 105
2.0	2,0	85	08.90–12.91	AAD	4	ZLE 205	VESO 116	VES 105	VESO 116	VES 105
2.0 20 V, quattro	2,0	118	08.89–07.91	NM	5	ZLE 197	VESO 116	VES 105	VESO 116	VES 105
2.2	2,2	85	01.85–03.87	KX	5	ZLE 205	VESO 116	VES 105	VESO 116	VES 105
2.2 E quattro	2,2	88	08.85–03.87	JT	5	ZLE 205	VESO 116	VES 105	VESO 116	VES 105
2.2 E	2,2	100	08.84–09.91	HY, KV	5	ZLE 205	VESO 116	VES 105	VESO 116	VES 105
2.3 E	2,3	98–100	04.87–09.91	NG	5	ZLE 205	VESO 116	VES 105	VESO 116	VES 105
2.3 quattro	2,3	98–100	04.87–09.91	NG	5	ZLE 205	VESO 116	VES 105	VESO 116	VES 105
2.3, E, 20V, quattro	2,3	123–125	06.88–09.91	7A	5	ZLE 197	VESO 116	VES 105	VESO 116	VES 105

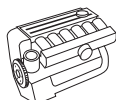
**100**

1.6	1,6	63	01.75–07.82	YM, YV	4	ZLE 107/1	VESO 105	WVES 1	VESO 105	WVES 1
1.8	1,8	55	08.82–07.84	RS/DR	4	ZLE 107/1	VESO 105	WVES 1	VESO 105	WVES 1
1.8	1,8	55	08.84–12.87	RS/DR	4	ZLE 205	VESO 116	VES 105	VESO 116	VES 105
1.8	1,8	59	11.68–11.71		4	ZLE 107/1	VESO 105	WVES 1	VESO 105	WVES 1
1.8	1,8	63	09.71–07.74	ZU	4	ZLE 107/1	VESO 105	WVES 1	VESO 105	WVES 1
1.8, quattro	1,8	65	08.86–07.90	SH	4	ZLE 205	VESO 116	VES 105	VESO 116	VES 105
1.8	1,8	66	11.68–11.71	ZX	4	ZLE 107/1	VESO 105	WVES 1	VESO 105	WVES 1
1.8	1,8	66	11.68–	ZX	4	ZLE 107/1	VESO 105	WVES 1	VESO 105	WVES 1
1.8 E, quattro	1,8	66	01.88–12.90	4B	4	ZLE 205	VESO 116	VES 105	VESO 116	VES 105
1.8 quattro	1,8	66	01.85–12.86	PH	4	ZLE 205	VESO 116	VES 105	VESO 116	VES 105
1.8, quattro	1,8	66	10.84–07.88	JW /NP	4	ZLE 205	VESO 116	VES 105	VESO 116	VES 105
1.8 LS	1,8	74	10.70–07.76	ZZ	4	ZLE 205	VESO 116	VES 105	VESO 116	VES 105
1.9	1,9	74	08.80–07.82	WH	5	WBA 4/14/5	VESO 105	WVES 1	VESO 105	WVES 1
1.9, GL	1,9	82	01.70–12.76	ZJ	4	ZLE 107/1	VESO 105	WVES 1	VESO 105	WVES 1
1.9	1,9	85	07.70–07.71	ZP	4	ZLE 107/1	VESO 105	WVES 1	VESO 105	WVES 1
2.0i	2,0	81	01.86–12.87	SL (Kat)	5	ZLE 205	VESO 116	VES 105	VESO 116	VES 105
2.0	2,0	83	08.86–11.87	SL	5	ZLE 205	VESO 116	VES 105	VESO 116	VES 105
2.0	2,0	85	06.76–08.78	WA	4	WBA 4/14/5	VESO 105	WVES 1	VESO 105	WVES 1

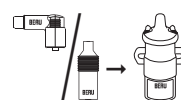
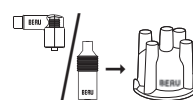
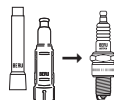




kW



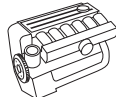
Zyl.  
Cyl.  
Cil.



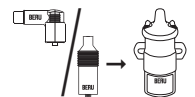
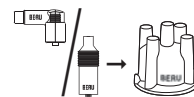
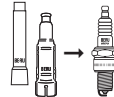
AUDI										
<b>100</b>										
2.0 E	2,0	85	01.88-12.90	RT (Kat)	5	ZLE 205	VESO 116	VES 105	VESO 116	VES 105
2.0 E	2,0	85	01.91-12.93	AAD	4	ZLE 205	VESO 116	VES 105	VESO 116	VES 105
2.0i	2,0	85	08.84-12.87	KP	4	ZLE 205	VESO 116	VES 105	VESO 116	VES 105
2.1	2,1	85	10.77-07.82	WE/WB	5	ZLE 107/1	VESO 105	WVES 1	VESO 105	WVES 1
2.1	2,1	100	03.77-07.82	WG	5	WBA 4/14/5	VESO 105	WVES 1	VESO 105	WVES 1
2.1	2,1	100	08.82-07.84	WC	5	ZLE 107/1	VESO 105	WVES 1	VESO 105	WVES 1
2.1	2,1	121	08.84-12.87	KW	5	ZLE 205	VESO 116	VES 105	VESO 116	VES 105
2.2	2,2	79	03.77-07.84	WU	5	ZLE 107/1	VESO 105	WVES 1	VESO 105	WVES 1
2.2	2,2	85	10.84-09.86	KZ	5	ZLE 205	VESO 116	VES 105	VESO 116	VES 105
2.2 E quattro	2,2	88	08.85-07.86	PX	5	ZLE 205	VESO 116	VES 105	VESO 116	VES 105
2.2, quattro, KAT	2,2	101	08.84-11.90	KU	5	ZLE 205	VESO 116	VES 105	VESO 116	VES 105
2.2 E, Turbo, quattro	2,2	121	08.85-11.90	MC	5	ZLE 205	VESO 116	VES 105	VESO 116	VES 105
2.2 S4 Turbo quattro, - Avant	2,2	169	09.91-06.94	AAN	5	ZLE 233	●			ZLE 233
2.2 E Quattro Sport	2,2	235	05.84-07.86	KW	5	ZLE 205	VESO 116	VES 105	VESO 116	VES 105
2.3 E, quattro	2,3	98-100	01.86-07.94	AAR, NF	5	ZLE 205	VESO 116	VES 105	VESO 116	VES 105
2.3 Quattro	2,3	101	08.84-11.90	KU, KV	5	ZLE 205	VESO 116	VES 105	VESO 116	VES 105
2.3 Quattro 20V	2,3	162	01.89-12.91	RR	5	ZLE 197	VESO 116	VES 105	VESO 116	VES 105
2.6 E, quattro	2,6	102-110	03.92-06.94	ABC, ACZ	6	ZLE 212	VESO 116	VES 105	VESO 116	VES 105
2.8 E, quattro	2,8	128	12.90-07.94	AAH	6	ZLE 212	VESO 116	VES 105	VESO 116	VES 105
<b>200</b>										
2.2	2,2	100-125	01.79-07.84	KH,WC,WJ,WS	5	ZLE 107/1	VESO 105	WVES 1	VESO 105	WVES 1
2.2	2,2	101	08.84-12.85	KU, KV	5	ZLE 205	VESO 116	VES 105	VESO 116	VES 105
2.2 Quattro	2,2	121	08.84-12.90	MC (Kat)	5	ZLE 205	VESO 116	VES 105	VESO 116	VES 105
2.2 Quattro	2,2	134	08.84-12.87	JY, KG	5	ZLE 205	VESO 116	VES 105	VESO 116	VES 105
2.2 Turbo Quattro	2,2	121	01.87-12.88	MC (Kat)	5	ZLE 205	VESO 116	VES 105	VESO 116	VES 105
2.3 Turbo	2,3	147	02.88-12.90	1B, 2B	5	ZLE 205	VESO 116	VES 105	VESO 116	VES 105
2.3 20V Quattro Turbo	2,3	162	03.89-12.90	3B	5	ZLE 197	VESO 116	VES 105	VESO 116	VES 105
<b>5000</b>										
2.2	2,2	79	08.82-08.84	WU	5	ZLE 107/1	VESO 105	WVES 1	VESO 105	WVES 1
<b>Coupé</b>										
1.8 GT	1,8	65	04.86-10.88	SF	4	ZLE 205	VESO 116	VES 105	VESO 116	VES 105
1.8	1,8	66	08.84-12.88	DS, JV, JN	4	ZLE 205	VESO 116	VES 105	VESO 116	VES 105
1.8	1,8	79-81	01.86-12.88	PV	4	ZLE 205	VESO 116	VES 105	VESO 116	VES 105
1.8	1,8	82	01.86-12.88	DZ	4	ZLE 205	VESO 116	VES 105	VESO 116	VES 105
1.9	1,9	85	08.80-07.83	WN	5	ZLE 205	VESO 116	VES 105	VESO 116	VES 105
2.0	2,0	85	09.83-07.84	JS/HP	5	ZLE 107/1	VESO 105	WVES 1	VESO 105	WVES 1
2.0	2,0	85	08.84-12.86	HP	5	ZLE 205	VESO 116	VES 105	VESO 116	VES 105
2.0	2,0	85	08.84-12.86	JS	5	ZLE 205	VESO 116	VES 105	VESO 116	VES 105
2.0	2,0	85	05.89-12.96	3A, AAD, ABK	4	ZLE 205	VESO 116	VES 105	VESO 116	VES 105
2.0 16V	2,0	101	01.92-12.95	ACE, 6A	4	ZLE 168	VESO 126		VESO 128	
2.0 20V	2,0	118	08.89-07.91	NM	5	ZLE 197	VESO 116	VES 105	VESO 116	VES 105
2.2	2,2	100	01.86-12.88	HY	5	ZLE 205	VESO 116	VES 105	VESO 116	VES 105
2.2	2,2	100	01.88-12.91	KV	5	ZLE 205	VESO 116	VES 105	VESO 116	VES 105
2.2 5E	2,2	96	09.81-07.84	KE	5	ZLE 107/1	VESO 105	WVES 1	VESO 105	WVES 1
2.2 5E, GT	2,2	100	08.84-07.91	KV	5	ZLE 205	VESO 116	VES 105	VESO 116	VES 105
2.2 S2 quattro	2,2	169	10.92-12.96	ABY	5	ZLE 233	●			ZLE 233
2.3	2,3	98-100	01.88-06.94	NG	5	ZLE 205	VESO 116	VES 105	VESO 116	VES 105
2.3 20V, quattro	2,3	125	11.88-07.91	7A	5	ZLE 168	VESO 116	VES 105	VESO 116	VES 105
2.3 S2 quattro	2,3	162	09.90-09.92	3B	5	ZLE 205	VESO 116	VES 105	VESO 116	VES 105
2.3 S2 quattro	2,3	169	10.92-12.96	ABY	5	ZLE 233	●			ZLE 233
2.8	2,8	128	01.91-12.95	AAH	6	ZLE 212	●			VES 106
<b>Coupé Quattro</b>										
2.2	2,2	88	08.84-12.88	JT	5	ZLE 205	VESO 116	VES 105	VESO 116	VES 105
2.2	2,2	100	08.84-12.91	HY	5	ZLE 205	VESO 116	VES 105	VESO 116	VES 105
2.2	2,2	100	12.84-10.88	KV	5	ZLE 205	VESO 116	VES 105	VESO 116	VES 105
2.3	2,3	98-100	08.86-07.94	NG	5	ZLE 205	VESO 116	VES 105	VESO 116	VES 105
2.3 20V	2,3	125	11.88-07.91	7A	5	ZLE 197	VESO 116	VES 105	VESO 116	VES 105
2.3 S2	2,3	162	09.90-09.92	3B	5	ZLE 197	VESO 116	VES 105	VESO 116	VES 105
<b>Quattro</b>										
2.2	2,2	147	11.80-07.84	GV, WR	5	ZLE 107/1	VESO 105	WVES 1	VESO 105	WVES 1



kW



Zyl.  
Cyl.  
Cil.



**AUDI**

**Quattro**

2.2, Turbo	2,2	147	08.84-07.87	GV, WR	5	<b>ZLE 205</b>	<b>VESO 116</b>	<b>VES 105</b>	<b>VESO 116</b>	<b>VES 105</b>
2.2 Turbo	2,2	147	08.87-07.89	MB/1B	5	<b>ZLE 205</b>	<b>VESO 116</b>	<b>VES 105</b>	<b>VESO 116</b>	<b>VES 105</b>
2.2 20V	2,2	162	08.89-07.91	RR	5	<b>ZLE 205</b>	<b>VESO 116</b>	<b>VES 105</b>	<b>VESO 116</b>	<b>VES 105</b>
<b>TT (8N3)</b>										
1.8 T	1781	132	10.98-	AJQ	4	<b>ZLE 276</b>	●			<b>ZLE 276</b>
<b>V8</b>										
3.6 quattro	3,6	180	04.93-02.94	PT	8	<b>ZLE 197</b>	<b>VESO 117</b>			<b>VESO 128</b>
3.6	3,6	184	10.88-02.94	PT	8	<b>ZLE 197</b>	<b>VESO 117</b>			<b>VESO 128</b>
4.2	4,2	206	10.91-12.93	ABH	8	<b>ZLE 197</b>	<b>VESO 117</b>			<b>VESO 128</b>

**AUSTIN → ROVER**

**AUTOBIANCHI → LANCIA**

**BEDFORD (GB)**

**Blitz**

1.8	1,8	49	08.69-10.87	N18Z	4			<b>WVES 1</b>		<b>WVES 1</b>
2.3	2,3	58	01.74-12.75		4			<b>WVES 1</b>		<b>WVES 1</b>
C, CD, CF			01.70-12.75		4			<b>WVES 1</b>		<b>WVES 1</b>
E, ED, EF			01.70-12.75		4			<b>WVES 1</b>		<b>WVES 1</b>
Ha Van Beagle Estate			01.71-12.75		4			<b>WVES 1</b>		<b>WVES 1</b>

**BMW**

**1500**

1.5	1,5	59	01.63-12.73	M 10 B 15	4	<b>ZLE 166</b>		<b>WVES 1</b>		<b>WVES 1</b>
-----	-----	----	-------------	-----------	---	----------------	--	---------------	--	---------------

**1502**

1.5	1,5	55	01.75-07.77	M 10 B 16	4	<b>ZLE 166</b>		<b>WVES 1</b>		<b>WVES 1</b>
-----	-----	----	-------------	-----------	---	----------------	--	---------------	--	---------------

**1500-2000**

1.6	1,6	61	04.64-04.68	M 10 B 16	4			<b>WVES 1</b>		<b>WVES 1</b>
-----	-----	----	-------------	-----------	---	--	--	---------------	--	---------------

**1600/1602**

1.6	1,6	63-77	01.63-12.73	M 10 B 16	4	<b>ZLE 166</b>		<b>WVES 1</b>		<b>WVES 1</b>
-----	-----	-------	-------------	-----------	---	----------------	--	---------------	--	---------------

**1800/1802**

1.8	1,8	66	01.63-12.73	M 10 B 18	4	<b>ZLE 166</b>		<b>WVES 1</b>		<b>WVES 1</b>
-----	-----	----	-------------	-----------	---	----------------	--	---------------	--	---------------

**2000 -2002**

2.0	2,0	74-125	01.63-12.73	M 10 B 20	4	<b>ZLE 166</b>		<b>WVES 1</b>		<b>WVES 1</b>
-----	-----	--------	-------------	-----------	---	----------------	--	---------------	--	---------------

**2500/2800/3000**

2.5-3.0	2,5-3,0	110-147	10.68-04.77	M 30 B ..	6	<b>ZLE 166</b>		<b>WVES 1</b>		<b>WVES 1</b>
---------	---------	---------	-------------	-----------	---	----------------	--	---------------	--	---------------

**315**

E 21 (27kV)	1,5	55	02.81-07.83	M 10	4	<b>ZLE 166</b>		<b>WVES 1</b>		<b>WVES 1</b>
-------------	-----	----	-------------	------	---	----------------	--	---------------	--	---------------

**316**

E 21 (27kV)	1,6	66	08.75-08.80	M 10 B 16	4	<b>ZLE 166</b>		<b>WVES 1</b>		<b>WVES 1</b>
-------------	-----	----	-------------	-----------	---	----------------	--	---------------	--	---------------

E 21 (27kV)	1,6	66	09.80-08.82	M 10	4	<b>ZLE 166</b>	<b>VESO 111</b>		<b>VESO 111</b>	
-------------	-----	----	-------------	------	---	----------------	-----------------	--	-----------------	--

E 30 (27kV)	1,6	66	11.82-08.87	M 10 B 16	4	<b>ZLE 166</b>		<b>WVES 1</b>		<b>WVES 1</b>
-------------	-----	----	-------------	-----------	---	----------------	--	---------------	--	---------------

i E 30 (27kV)	1,6	73-75	09.87-08.88	M 10 B 16	4	<b>ZLE 166</b>	<b>VESO 111</b>		<b>VESO 111</b>	
---------------	-----	-------	-------------	-----------	---	----------------	-----------------	--	-----------------	--

i E 30 (30kV)	1,6	73-75	09.88-11.90	M 40 B 18	4	<b>ZLE 185</b>	<b>VESO 117</b>		<b>VESO 117</b>	
---------------	-----	-------	-------------	-----------	---	----------------	-----------------	--	-----------------	--

i E 30 (30kV)	1,6	75	09.91-06.94	M 40 B 16	4	<b>ZLE 185</b>	<b>VESO 117</b>		<b>VESO 117</b>	
---------------	-----	----	-------------	-----------	---	----------------	-----------------	--	-----------------	--

i E 36 (30kV)	1,6	73	12.90-08.93	M 40	4	<b>ZLE 185</b>	<b>VESO 117</b>		<b>VESO 117</b>	
---------------	-----	----	-------------	------	---	----------------	-----------------	--	-----------------	--

i E 36	1,6	73-75	09.93-02.98	M 43 B 16	4	<b>ZLE 185</b>	<b>VESO 117</b>		<b>VESO 117</b>	
--------	-----	-------	-------------	-----------	---	----------------	-----------------	--	-----------------	--

**318**

E 21	1,8	72	08.75-08.80	M 10 B 18 (32/32 DIDTA)	4	<b>ZLE 166</b>		<b>WVES 1</b>		<b>WVES 1</b>
------	-----	----	-------------	----------------------------	---	----------------	--	---------------	--	---------------

i E 21 (27kV)	1,8	72-75	09.80-08.82	M 10	4	<b>ZLE 166</b>	<b>VESO 111</b>		<b>VESO 111</b>	
---------------	-----	-------	-------------	------	---	----------------	-----------------	--	-----------------	--

i E 30 (27kV)	1,8	75-77	09.84-08.87	M 10 B 18	4	<b>ZLE 166</b>	<b>VESO 111</b>		<b>VESO 111</b>	
---------------	-----	-------	-------------	-----------	---	----------------	-----------------	--	-----------------	--

i E 30 (30kV)	1,8	83-85	09.87-11.90	M 40 B 18	4	<b>ZLE 185</b>	<b>VESO 117</b>		<b>VESO 117</b>	
---------------	-----	-------	-------------	-----------	---	----------------	-----------------	--	-----------------	--

i E 30 Touring (30kV)	1,8	83-85	04.89-12.93	M 40 B 18	4	<b>ZLE 185</b>	<b>VESO 117</b>		<b>VESO 117</b>	
-----------------------	-----	-------	-------------	-----------	---	----------------	-----------------	--	-----------------	--

is E 30	1,8	100	09.88-08.91	M 42 B 18	4	<b>ZLE 190</b>	●		<b>VESO 117</b>	
---------	-----	-----	-------------	-----------	---	----------------	---	--	-----------------	--

i E 36 (30kV)	1,8	83-85	12.90-08.93	M 40	4	<b>ZLE 185</b>	<b>VESO 117</b>		<b>VESO 117</b>	
---------------	-----	-------	-------------	------	---	----------------	-----------------	--	-----------------	--

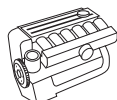
i E 36	1,8	85	12.90-08.93	M 43 B 18	4	<b>ZLE 185</b>	<b>VESO 117</b>		<b>VESO 117</b>	
--------	-----	----	-------------	-----------	---	----------------	-----------------	--	-----------------	--

iS 16V (E 36)	1,8	100	09.89-08.91	M 42 B 18	4	<b>ZLE 232</b>	●			<b>ZLE 232</b>
---------------	-----	-----	-------------	-----------	---	----------------	---	--	--	----------------

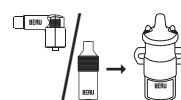
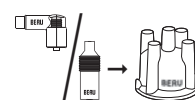
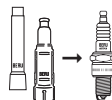
is E 36	1,8	100-103	09.91-08.93	M 42 B 18	4	<b>ZLE 190</b>	●		<b>VESO 117</b>	
---------	-----	---------	-------------	-----------	---	----------------	---	--	-----------------	--



kW



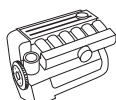
Zyl.  
Cyl.  
Cil.



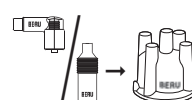
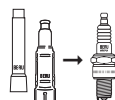
BMW												
<b>318</b>												
iS (E 36)	1,8	103	03.93-09.93	M 42 B 18	4	<b>ZLE 232</b>	●					<b>ZLE 232</b>
<b>320</b>												
/4 E 21	2,0	80	08.75-08.77	M 10 B 20 (DIDTA 32/32)	4	<b>ZLE 166</b>		<b>VESO 105</b>	<b>WVES 1</b>	<b>VESO 105</b>	<b>WVES 1</b>	
/6 E 21	2,0	90	09.77-08.80	M 20	6	<b>ZLE 166</b>		<b>VESO 111</b>		<b>VESO 111</b>		
/6 E 21	2,0	90	09.77-08.80	M 20	6	<b>ZLE 166</b>		<b>VESO 105</b>	<b>WVES 1</b>	<b>VESO 105</b>	<b>WVES 1</b>	
/6 E 21 (27kV)	2,0	90	09.80-10.82	M 20	6	<b>ZLE 166</b>		<b>VESO 111</b>		<b>VESO 111</b>		
/4 E 21	2,0	92	08.75-08.82	M 10 B 20 (K-Jetronic)	4	<b>ZLE 166</b>		<b>VESO 105</b>	<b>WVES 1</b>	<b>VESO 105</b>	<b>WVES 1</b>	
i E 30 (27kV)	2,0	92-95	09.82-12.86	M 20 B 20	6	<b>ZLE 166</b>		<b>VESO 111</b>		<b>VESO 111</b>		
i E 30 (30kV)	2,0	92-95	12.85-10.93	M 20 B 20 (L-Jetronic)/M 20 B 20 (Motronic,Kat.)	6	<b>ZLE 166</b>		<b>VESO 118</b>		<b>VESO 117</b>		
i (E 36)	2,0	110	09.90-09.00	M 50 B 20	6	<b>ZLE 232</b>	●					<b>ZLE 232</b>
i (E 46)	2,0	125	09.00-02.05	M54226S1	6	<b>ZLE 232</b>	●					<b>ZLE 232</b>
<b>323</b>												
i E 21	2,3	105	01.76-08.80	M 20	6	<b>ZLE 166</b>		<b>VESO 111</b>		<b>VESO 111</b>		
i E 21 (27kV)	2,3	105	09.80-08.82	M 20	6	<b>ZLE 166</b>		<b>VESO 118</b>		<b>VESO 118</b>		
i E 30 (27kV)	2,3	102-110	09.82-08.86	M 20	6	<b>ZLE 166</b>		<b>VESO 118</b>		<b>VESO 118</b>		
i E 30 (30kV)	2,3	102-110	09.86-12.87	M 20	6	<b>ZLE 166</b>		<b>VESO 118</b>		<b>VESO 118</b>		
Ci E 46	2,3	125	04.99-09.00	M 52 B 25 (Vanos)	6	<b>ZLE 232</b>	●					<b>ZLE 232</b>
<b>325</b>												
i,iC,iX E 30 (30kV)	2,5	125	09.85-11.90	M 20 B 25	6	<b>ZLE 166</b>			<b>VES 106</b>	<b>VESO 117</b>		
e E 30	2,7	90	02.85-11.86	M 20 B 27	6	<b>ZLE 166</b>			<b>VES 106</b>	<b>VESO 117</b>		
e E 30 (27kV)	2,7	90	12.86-09.90	M 20 B 27	6	<b>ZLE 166</b>			<b>VES 106</b>	<b>VESO 117</b>		
e E 30 (27kV)	2,7	95	01.85-08.87	M 20 B 27	6	<b>ZLE 166</b>			<b>VES 106</b>	<b>VESO 117</b>		
i E 30	2,5	125	12.86-06.91	M 20 B 25 (Kat.)	6	<b>ZLE 166</b>			<b>VES 106</b>	<b>VESO 117</b>		
i E 30	2,5	126	09.85-11.89	M 20 B 25	6	<b>ZLE 166</b>			<b>VES 106</b>	<b>VESO 117</b>		
iX E 30	2,5	126	03.86-12.87	M 20 B 25	6	<b>ZLE 166</b>			<b>VES 106</b>	<b>VESO 117</b>		
i E 36	2,5	141	12.90-12.97	M 50 B 20	6	<b>ZLE 232</b>	●					<b>ZLE 232</b>
i E 36	2,5	141	09.90-09.95	M 50 B 25	6	<b>ZLE 232</b>	●					<b>ZLE 232</b>
Ci, i, xi E 46	2,5	141	09.00-09.02	M54256S5	6	<b>ZLE 232</b>	●					<b>ZLE 232</b>
<b>328</b>												
Ci, i, E 46	2,8	142	04.99-06.00	M 52 B 28	6	<b>ZLE 232</b>	●					<b>ZLE 232</b>
<b>330</b>												
Ci, i, xi E 46	3,0	170	06.00-09.02	M54306S3	6	<b>ZLE 232</b>	●					<b>ZLE 232</b>
<b>518</b>												
E 12	1,8	66	07.74-05.81	M 10 B 18	4	<b>ZLE 004/3</b>		<b>VESO 105</b>	<b>WVES 1</b>			<b>WVES 1</b>
E 12	1,8	66	08.75-03.81	M 20	4	<b>ZLE 166</b>		<b>VESO 105</b>	<b>WVES 1</b>			<b>WVES 1</b>
i E 28	1,8	66	09.80-06.81	M 20	4	<b>ZLE 166</b>		<b>VESO 118</b>		<b>VESO 118</b>		
i E 28 (27kV)	1,8	90	07.81-12.87	M 10	4	<b>ZLE 166</b>		<b>VESO 118</b>		<b>VESO 118</b>		
i E 34 (30kV)	1,8	83-85	09.89-09.95	M 40 B 18 (Kat.)	4	<b>ZLE 185</b>			<b>VES 106</b>	<b>VESO 117</b>		
i E 34	1,8	85	08.89-05.90	M 43 B 18	4	<b>ZLE 185</b>			<b>VES 106</b>	<b>VESO 117</b>		
i E 34	1,8	83-85	09.93-08.96	M 43	4	<b>ZLE 185</b>			<b>VES 106</b>	<b>VESO 117</b>		
<b>520</b>												
/4 E 12	2,0	85	08.72-08.77	M 10 B 20	4	<b>ZLE 166</b>		<b>VESO 105</b>	<b>WVES 1</b>			<b>WVES 1</b>
/6 E 12	2,0	90	09.77-06.81	M 20	6	<b>ZLE 147</b>		<b>VESO 111</b>		<b>VESO 111</b>		
E 12	2,0	90	01.72-12.78	M 20	6	<b>ZLE 166</b>		<b>VESO 105</b>	<b>WVES 1</b>			<b>WVES 1</b>
i E 12	2,0	90	10.75-06.81	M 20	6	<b>ZLE 166</b>		<b>VESO 111</b>		<b>VESO 111</b>		
i E 12	2,0	92	10.75-05.77	M 10 B 20 (K-Jetronic)	4			<b>VESO 108</b>		<b>VESO 108</b>		
i E 12	2,0	96	09.72-10.75	M 10 B 20/M 10 B 20 (Schäfer-Inj.)	4			<b>VESO 108</b>		<b>VESO 108</b>		
i E 28 (27kV)	2,0	90-95	04.81-12.86	M 20 B 20	6	<b>ZLE 147</b>		<b>VESO 111</b>		<b>VESO 111</b>		
i E 28 (30kV)	2,0	90-95	01.87-11.87	M 20 B 20	6	<b>ZLE 185</b>			<b>VES 106</b>	<b>VESO 117</b>		
i E 28 (30kV)	2,0	95	08.85-12.87	M 20 B 20 (Motronic,Kat.)	6	<b>ZLE 166</b>		<b>VESO 118</b>		<b>VESO 118</b>		
i E 34	2,0	95	01.88-04.90	M 20 B 20	6	<b>ZLE 185</b>			<b>VES 106</b>	<b>VESO 117</b>		
i E 34 24V	2,0	95	01.88-04.90	M 20 B 20 (Motronic,Kat.)	6	<b>ZLE 166</b>			<b>VES 106</b>	<b>VESO 117</b>		
i E 34 24V	2,0	110	09.89-01.97	M 50 B 20	6	<b>ZLE 232</b>	●					<b>ZLE 232</b>
i E 39	2,0	125	09.00-09.02	M 54 B 22	6	<b>ZLE 232</b>	●					<b>ZLE 232</b>



kW



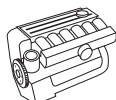
Zyl.  
Cyl.  
Cil.



BMW										
<b>525</b>										
e E 28	2,7	90	09.81-12.87	M 20 B 27 (Kat)	6	ZLE 166		VES 106		VESO 117
e E 28	2,7	92	05.83-12.87	M 20 B 27	6	ZLE 166		VES 106		VESO 117
e E 28	2,7	95	12.84-12.87	M 20 B 27	6	ZLE 166		VES 106		VESO 117
i E 28 (27kV)	2,5	110	06.81-08.82	M 20 B 25	6	ZLE 166	VESO 105	WVES 1		WVES 1
i E 28 (27kV)	2,5	110	09.82-12.87	M 20 B 25	6	ZLE 166	VESO 119			VESO 119
e E 28	2,7	90-95	10.84-12.86	M 20 B 27	6	ZLE 166		VES 106		VESO 117
e E 28 (30kV)	2,7	90-95	01.87-12.88	M 20 B 27	6	ZLE 166		VES 106		VESO 117
i E 34	2,5	125	09.88-08.91	M 20 B 25 (Kat.)	6	ZLE 166		VES 106		VESO 117
iX E 34 24V	2,5	141	09.89-12.95	M 50/52 B 25	6	ZLE 232	●			ZLE 232
iX E 39	2,5	141	09.00-09.02	M54256S5	6	ZLE 232	●			ZLE 232
<b>528</b>										
i E 12	2,0	130	09.75-06.81	M 30	6	ZLE 166	VESO 105	WVES 1		WVES 1
i E 28	2,8	135	09.77-06.81	M 30	6	ZLE 166	VESO 105	WVES 1		WVES 1
i E 28 (27kV)	2,8	135	06.81-08.84	M 86	6	ZLE 147	VESO 111			VESO 111
i E 28 (27 kV)	2,8	135	09.84-12.87	M 86	6	ZLE 166	VESO 119			VESO 119
<b>530</b>										
i E 34 (30kV)	3,0	138	03.88-05.92	M 30 B 35	6	ZLE 166		VES 106		VESO 117
i E 34 V8	3,0	160	06.92-09.95	M 60 B 30...	8	ZLE 232	●			ZLE 232
i E 39	3,0	170	09.00-09.02	M54306S3	6	ZLE 232	●			ZLE 232
<b>535</b>										
i E 28 (30kV)	3,4	136-150	01.81-12.84	M 30	6	ZLE 166		VES 106		VESO 117
i E 28 (30kV)	3,5	136-150	01.85-12.87	M 30 B 35	6	ZLE 166		VES 106		VESO 117
E 28	3,5	160	01.85-12.87	M 30 B 35 (Motronic,10:1)	6	ZLE 166		VES 106		VESO 117
i E 34 (30kV)	3,5	155	01.88-04.93	M 30 B 35	6	ZLE 185		VES 106		VESO 117
i E 34	3,5	155	01.88-09.95	M 30 B 35 (Motronic,9:1,Kat.)	6	ZLE 166		VES 106		VESO 117
i E 39	3,5	180	04.99-06.03	M 62 B (35 8 S2)	8	ZLE 232	●			ZLE 232
<b>540</b>										
i E 34 V8	4,0	210	10.92-03.96	M 60 B 40	8	ZLE 232	●			ZLE 232
i E 39	4,4	210	04.96-09.00	M 62 B 44	8	ZLE 232	●			ZLE 232
<b>628</b>										
CSi, Si (27kV)	2,8	135	09.79-09.84	M 86, M 30	6	ZLE 166	VESO 105	WVES 1		WVES 1
CSi E 24	2,8	135	09.84-08.87	M 30	6	ZLE 166	VESO 119			VESO 119
<b>630</b>										
E 24 (27kV)	3,0	136	04.76-08.79	M 30	6	ZLE 166	VESO 105	WVES 1		WVES 1
<b>633</b>										
CSi E 24	3,2	147	04.76-08.79	M 569, M 30	6	ZLE 166	VESO 105	WVES 1		WVES 1
CSi E 24	3,2	147	09.79-04.82	M 86, M 30	6	ZLE 166		VES 106		VESO 117
<b>635</b>										
CSi E 24	3,5	136	01.85-05.89	M 30 B 35 (Motronic,8:1,Kat.)	6	ZLE 166		VES 106		VESO 117
CSi E 24	3,5	141	04.85-09.90		6	ZLE 166		VES 106		VESO 117
CSi E 24	3,5	155	08.87-08.89	M 30 B 35 (Motronic,9:1,Kat.)	6	ZLE 166		VES 106		VESO 117
CSi E 24 (27 kV)	3,5	160	06.78-08.80	M 30 B 35	6	ZLE 166	VESO 105	WVES 1		WVES 1
CSi E 24 (27kV)	3,5	160	09.80-12.83	M 30 B 35	6	ZLE 166		VES 106		VESO 117
CSi E 24 (30kV)	3,5	160	01.84-05.89	M 30 B 35	6	ZLE 166		VES 106		VESO 117
<b>728</b>										
E 23	2,8	125-135	05.77-08.86	M 30 B 28	6	ZLE 166	VESO 105	WVES 1		WVES 1
i E 23	2,8	135	05.81-08.84	M 30	6	ZLE 147	VESO 112			VESO 116
i E 23 (27kV)	2,8	135	09.84-08.86	M 30	6	ZLE 166	VESO 119			VESO 108
<b>730</b>										
E 23	3,0	135	05.77-07.78	M 30 B 30	6	ZLE 166	VESO 105	WVES 1		WVES 1
E 23	3,0	135	08.78-08.79	M 30 B 30	6	ZLE 166	VESO 105	WVES 1		WVES 1
i E 32 (30kV)	3,0	136-145	09.86-01.88	M 30 B 30	6	ZLE 185		VES 106		VESO 117
i E 32 (30kV)	3,0	136-145	02.88-05.92	M 30 B 30	6	ZLE 185		VES 106		VESO 117
i, iL (E 32)	3,0	138	12.86-09.94	M 30 B 30 (Kat.)	6	ZLE 166	VESO 117			VESO 117
i, iL (E 32)	3,0	145	12.86-09.94	M 30 B 30	6	ZLE 166	VESO 117			VESO 117
i, iL (E 32)	3,0	160	06.92-05.94	M 60 B 30	8	ZLE 232	●			ZLE 232
i E 38	3,0	155-160	06.94-12.96	M 60 B 30	8	ZLE 232	●			ZLE 232



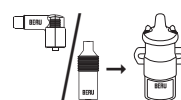
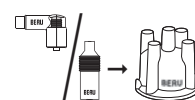
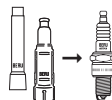
kW



Zyl.

Cyl.

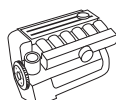
Cil.



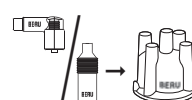
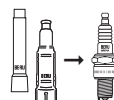
Model	Power (kW)	Year Range	Engine	Cyl.	ZLE	VESO	WVES	
<b>BMW</b>								
<b>732</b>								
i E 23 (30kV)	3,2	145	01.84-08.86	M 30 B 32	6	ZLE 166	VES 106 VESO 117	
<b>733</b>								
i E 23	3,2	131	05.77-08.79	M 30	6	ZLE 166	VESO 105 WVES 1 WVES 1	
<b>735</b>								
i E 23	3,5	136	01.85-08.86	M 30 B 35 (Motronic,8:1,Kat.)	6	ZLE 166	VESO 117 VESO 118	
i E 23	3,5	141	04.85-03.86	M 30 B 35 (Motronic)	6	ZLE 166	VESO 117 VESO 118	
i E 23	3,5	160	07.79-08.80	M 30 B 35 (Motronic,10:1)/ M 30 B 35 (Motronic,9.3:1)	6	ZLE 166	VESO 105 WVES 1 WVES 1	
i E 23 (27kV)	3,5	160	09.80-12.83	M 30 B 35 (Motronic,10:1)/ M 30 B 35 (Motronic,9.3:1)	6	ZLE 166	VESO 118 VESO 117	
i E 23 (30kV)	3,5	160	01.84-08.86	M 30 B 35 (Motronic,10:1)/ M 30 B 35 (Motronic,9.3:1)	6	ZLE 166	VESO 118 VESO 117	
i E 32 (30kV)	3,5	155-162	09.86-01.88	M 30 B 35	6	ZLE 166	VESO 117 VESO 117	
i E 32 (30kV)	3,5	155-162	02.88-03.94	M 30 B 35	6	ZLE 166	VESO 117 VESO 117	
<b>740</b>								
i, iL (E 32)	4,0	210	04.92-09.94	M 60 B 40	8	ZLE 232	ZLE 232	
i E 38	4,0	210	06.94-06.96	M 60 B 40	8	ZLE 232	ZLE 232	
<b>745</b>								
i E 23	3,2/ 3,4	185	04.80-04.83	M 30 B 34	6	ZLE 004/3	VESO 117 VESO 117	
i E 23	3,2/ 3,4	185	05.83-08.86	M 30	6	ZLE 004/3	VESO 117 VESO 117	
<b>750</b>								
i E 32 (30kV)	5,0	220	09.87-11.94	M 70 B 50	12	ZLE 179	VESO 117 VESO 117	
i E 38	5,4	240	12.94-11.01	M 73 B 54	12	ZLE 185	VESO 117 VESO 117	
<b>840</b>								
E 31	4,0	210	02.93-02.96	M 60 B 40	8	ZLE 232	ZLE 232	
Ci E 31	4,4	210	01.96-12.99	M 62 B 44	8	ZLE 232	ZLE 232	
<b>850</b>								
Ci E 31 (30kV)	5,0	220	04.90-11.94	M 70	12	ZLE 179	VESO 117 VESO 117	
Ci E 31	5,4	240	12.94-12.99	M 73 B 54	12	ZLE 185	VESO 117 VESO 117	
<b>M 1</b>								
24V	3,5	204	05.79-08.81	M 88	6	ZLE 264	VESO 117 VESO 117	
<b>M 3</b>								
E 30 (4 Ventiler) (30kV)	2,3	143-158	02.87-06.91	S 14 B 23	6	ZLE 184	VESO 117 VESO 117	
E 30 EVO I	2,3	162	10.88-10.90	S 14 B 23 (EVO I)	4	ZLE 184	VESO 117 VESO 117	
E 30 EVO II	2,5	175	01.90-01.92	S 14 B 25 (EVO II)	4	ZLE 184	VESO 117 VESO 117	
<b>M 5</b>								
E 28, E 34	3,5	191-232	10.84-09.88	S 38	6	ZLE 184	VESO 117 VESO 117	
E 34 (30kV)	3,5	232	10.88-05.92	S 38 4Vent, (Kat)	6	ZLE 184	VESO 117 VESO 117	
(E39)	5,0	294	10.98-06.03	S 38 B 49	8	ZLE 232	ZLE 232	
<b>M 535</b>								
E 28 (30 kV)	3,5	136	04.80-12.88	M 30 B 35	6	ZLE 147	VESO 112 VESO 112	
E 28	3,5	136	01.85-12.87	M 30 B 35 (Motronic,8:1,Kat.)	6	ZLE 166	VES 106 VESO 117	
E 28	3,5	141	01.85-12.87	M 30 B 35 (Motronic)	6	ZLE 166	VES 106 VESO 117	
E 28	3,5	160	01.85-12.87	M 30 B 35 (Motronic,10:1)	6	ZLE 166	VES 106 VESO 117	
<b>M 635</b>								
CSi (E 24)	3,5	191-211	04.84-05.89	S 38 4-Vent	6	ZLE 004/3	VESO 117 VESO 117	
<b>X5</b>								
i (E 53)	3.0 i	163	05.00-10.02	M54306S3	6	ZLE 232	ZLE 232	
i (E 53)	4.4 i	210	05.00-09.03	M 62 B 44	8	ZLE 232	ZLE 232	
is (E 53)	4.6 is	255	02.02-09.03	M67468S1	8	ZLE 232	ZLE 232	



kW



Zyl.  
Cyl.  
Cil.



### BMW

#### Z 1

2.5	2,5	125	11.88–06.91	M 20 B 25	6	<b>ZLE 166</b>	<b>VESO 117</b>	<b>VESO 117</b>
-----	-----	-----	-------------	-----------	---	----------------	-----------------	-----------------

#### Z 3

1.8	1,8	85	10.95–10.98	M 43 B 18	4	<b>ZLE 185</b>	<b>VESO 117</b>	<b>VESO 117</b>
2.0	1991	110	04.99–01.03	M 52 B (20 6 S4)	6	<b>ZLE 232</b>	●	<b>ZLE 232</b>
2.0	1991	110	04.99–	M 52 B (20 6 S4)	6	<b>ZLE 232</b>	●	<b>ZLE 232</b>
3.0	2979	170	06.00–	M54306S3	6	<b>ZLE 232</b>	●	<b>ZLE 232</b>

### CITROËN

#### 2 CV

0.4/0.6	0,4/ 0,6	18	01.83–12.90	A 79/1	2		▲	▲
0.6 3 CV	0,6	21	01.70–12.82	A06	2		▲	▲
6 0.6	0,6	18–21	01.83–07.90	AZ	2		▲	▲

#### Acadiane

0.6	0,6	21–23	01.83–12.87	M28/1	2		▲	▲
-----	-----	-------	-------------	-------	---	--	---	---

#### Ami

0.6 6	0,6	24	01.69–12.78	M28	2		▲	▲
0.6 8	0,6	24	01.69–12.78	AM2	2		▲	▲

#### Axel

1.1	1,1	42	01.82–12.90	G11	4	▲		
1.2	1,2	45	01.82–12.90	T 13	4	▲		

#### BX 11

1.1	1,1		01.82–12.84	XY8	4	▲		
-----	-----	--	-------------	-----	---	---	--	--

#### BX 14

1.4	1,4	44–53	01.82–12.84	XY6	4	▲		
1.4 E	1,4	45	10.82–06.88	150A	4	<b>ZLE 107/1</b>	▲	▲
1.4 E	1,4	49	09.85–02.93	150F	4	<b>ZLE 107/1</b>	▲	▲
1.4 E	1,4	52	04.83–07.89	150C	4	<b>ZLE 107/1</b>	▲	▲
1.4 E	1,4	53	04.83–02.93	150C	4	<b>ZLE 107/1</b>	▲	▲
1.4	1,4	55	01.89_02.93	KDZ (TU3M/Z)/ KDY (TU3M)	4	<b>ZLE 107/1</b>	▲	▲

#### BX 15

1.5, i	1,5	55	01.87–03.88	XU5	4	▲		
--------	-----	----	-------------	-----	---	---	--	--

#### BX 16

1.6	1,6	53	01.87–02.93	B1E (XU51C)	4		▲	▲
1.6	1,6	55	09.88–02.93	XU5	4	▲		
1.6	1,6	64	07.85–02.93	171D	4	<b>ZLE 107/1</b>	▲	▲
1.6 E	1,6	65	05.89–02.93	BDY (XU5M)/ BDZ (XU5M)	4	<b>ZLE 107/1</b>	▲	▲
1.6	1,6	66	10.82–06.88	171B/171A/171C	4	<b>ZLE 107/1</b>	▲	▲
1.6	1,6	68	10.82–08.84	XU52C	4	<b>ZLE 107/1</b>	▲	▲
1.6 RS, S, TRS	1,6	69	01.82–12.86	XU5	4	▲		
1.6	1,6	76	03.86–02.93	180Z	4	<b>ZLE 107/1</b>	▲	▲

#### BX 19

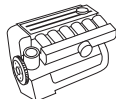
1.9	1,9	70	09.86–11.89	D2C (XU92C)	4	<b>ZLE 107/1</b>	▲	▲
1.9	1,9	75	07.86–05.89	159A	4	<b>ZLE 107/1</b>	▲	▲
1.9 GT, TRS	1,9	77	01.82–12.86	XU9	4	▲		
1.9 E	1,9	80	06.88–02.93	DDZ (XU9M)	4	<b>ZLE 107/1</b>	▲	▲
1.9 GTi	1,9	88	06.88–02.93	DKZ (XU9JA)	4	<b>ZLE 107/1</b>	▲	▲
1.9 GTi	1,9	90	07.86–12.93	D6A (XU9J2)	4	<b>ZLE 107/1</b>	▲	▲
1.9 GTi	1,9	90	01.85–12.88	XU9	4	▲		
1.9 Sport	1,9	93–95	07.85–07.86	XU92C	4	▲		
1.9, i	1,9	77–79	07.86–05.89	XU	4	▲		

#### CX

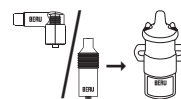
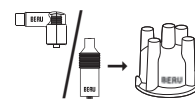
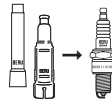
2.0	2,0	77–78	01.74–12.79	829A	4	▲		
2.0 Athena, Reflex	2,0	78	01.79–12.82	829A	4	▲		
2.0 Prestige, Comfort	2,0	77–78	07.79–06.82	829A	4	▲		
2.0 RE, TRE	2,0	77–78	01.85–12.89	829A	4	▲		
2.2	2,2	83–85	01.74–12.79	J6TA	4	▲		
2.2	2,2	83–85	01.79–12.92	J6TA	4	▲		
2.2 TRS	2,2	83–85	01.85–12.89	J6TA	4	▲		



kW



Zyl.  
Cyl.  
Cil.



## CITROËN

Model	Power (kW)	Year Range	Engine	Cyl.	Oil	Oil	Oil	Oil
<b>CX</b>								
2.4	2,4	94-96	01.74-12.79 M23	4	▲			
2.4 GTi, Prestige	2,4	94-96	01.77-12.83 M23-622	4	ZLE 107/1	▲		▲
2.5	2,5	101-124	01.84-12.89 EN5L/T	4	▲			
<b>CX II</b>								
22 TRS	2,2	83	07.85-12.92 J6T A500	4	ZLE 107/1	▲		▲
<b>Dyane</b>								
0.4	0,4	22	01.68-12.82 A79/1	2		▲		▲
0.6	0,6	24	01.68-12.82 M28	2		▲		▲
<b>LN</b>								
0.6/0.7	0,6/ 0,7	21-22	01.76-12.79 M28	2		▲		▲
<b>LNA</b>								
0.6/0.7	0,6/ 0,7	21-22	01.76-12.79 M28	2		▲		▲
0.65 Athlet	0,65	21-22	01.79-06.86 V 06/630, V 06/644	2		▲		▲
0.9/1.1/1.4	0,9/ 1,1/ 1,4		01.78-12.86 XY6..., 109/5E	4	ZLE 107/1	▲		▲
<b>Mehari</b>								
0.6	0,6	21-22	01.68-12.82 M28	2		▲		▲
0.6	0,6	21-22	01.83-12.87 M 28/1	2		▲		▲
<b>Visa</b>								
0.7 Base, Club, Spezial	0,7	25	01.78-12.86 V06/644	2		▲		▲
0.9-1.4 GT, Leader, Super, Super X	0,9- 1,4	32-58	01.78-12.85 XV, XW, XY	4	▲			
1.0	1,0	32-37	01.83-12.91 XV, XY, XW	4	▲			
1.0 E	1,0	32	01.85-03.91 108/5C	4	▲			
1.1	1,1	36-42	03.83-03.95 109/5L../5P../5X	4	▲			
1.1	1,1	37-42	07.82-03.91 XV, XY, XW	4	▲			
1.1 E, RE	1,1	35-37	01.83-03.91 109/5K, 109/5F	4	▲			
1.4	1,4	37-42	01.83-12.91 XV, XY, XW	4	▲			
1.4 GT, TS, TRS	1,4	44-58	07.83-03.91 150/5Z, 150B, 150D, KAZ, KZA	4	▲			
1.6 GTi	1,6	76	01.85-03.91 180A, 150B, 150D	4	ZLE 107/1	▲		▲
1.9 GTi	1,9	85	01.85-12.90 XU5JA, XU9J	4	▲			
<b>Visa 2</b>								
1.0 E	1,0	35-37	01.85-03.91 108/5C	4	▲			
<b>Xantia</b>								
2.0 i 16V, Break	2,0	97	06.95-01.98 RFV (XU10J4R)	4	▲			
<b>XM</b>								
2.0 i 16V, Break	2,0	97	05.94-10.00 RFV (XU10J4R)	4	▲			

## DAEWOO

Model	Power (kW)	Year Range	Engine	Cyl.	Oil	Oil	Oil	Oil
<b>KORANDO</b>								
3.2	3199	156	01.99-	M 104.995	6	ZLE 234/ ZLE 245		VS 107

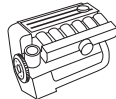
## DAF → VOLVO

## FIAT

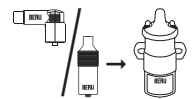
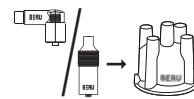
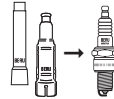
Model	Power (kW)	Year Range	Engine	Cyl.	Oil	Oil	Oil	Oil
<b>500</b>								
0.5 D, F	0,5	11-13	01.57-01.76 110F	2		VESO 105	WVES 1	VESO 105 WVES 1
0.5 L, R	0,5	11-13	01.57-01.76 120.000	2		VESO 105	WVES 1	VESO 105 WVES 1
<b>850</b>								
0.8	0,8	25-27	01.63-12.73	4		VESO 105	WVES 1	VESO 105 WVES 1
<b>900</b>								
0.9	0,9	33	01.77-12.87 100 GF.000	4		VESO 105	WVES 1	VESO 105 WVES 1
<b>124</b>								
1.6-2.0 Berlina, Spezial	1,6- 2,0		01.66-12.75	4		VESO 105	WVES 1	VESO 105 WVES 1
1.6-2.0 Coupé	1,6- 2,0		01.66-12.75	4		VESO 105	WVES 1	VESO 105 WVES 1



kw



Zyl.  
Cyl.  
Cil.



**FIAT**

**124 Spider**

1500 Sport	1,5	66	01.66-12.72		4	ZLE 107/1	▲		▲		
1600 Sport	1,6	74	11.69-08.73	132 AC.000	4	ZLE 107/1	▲		▲		
1600 Sport	1,6	80	01.69-12.74	132 AC.000	4	ZLE 107/1	▲		▲		
1800 Sport	1,8	87	01.72-12.77		4	ZLE 107/1	▲		▲		
2000 Sport	2,0	77	06.79-04.85	131 AB..	4						

**125**

125 Berlina, Spezial			01.70-12.75		4		VESO 105	WVES 1	VESO 105	WVES 1	
----------------------	--	--	-------------	--	---	--	----------	--------	----------	--------	--

**126**

0.65 Berlina, Personal	0,65	17-19	01.74-12.89	650	2		VESO 105	WVES 1	VESO 105	WVES 1	
0.65 Capricialotta	0,65	17-19	01.73-09.87		2	ZLE 107/1	VESO 105	WVES 1	VESO 105	WVES 1	
0.65 FSM	0,65	17-18	01.87-09.87	126..	2	ZLE 107/1	VESO 105	WVES 1	VESO 105	WVES 1	
0.7 BIS	0,7	19	09.87-06.96	126..	2	ZLE 107/1	VESO 105	WVES 1	VESO 105	WVES 1	

**127**

0.9 CL 900 Berlina, Special	0,9	29-33	01.71-12.80	M 020-AA	4	ZLE 107/1	VESO 105	WVES 1	VESO 105	WVES 1	
1.0 CL, Rustica	1,05	37	01.71-12.86	127 A..	4	ZLE 107/1	VESO 105	WVES 1	VESO 105	WVES 1	
1.0 Sport	1,0	51	01.75-12.84		4	ZLE 107/1	VESO 105	WVES 1	VESO 105	WVES 1	
1.3 Sport	1,3	55	12.81-05.83	127 A3.000	4	ZLE 107/1	VESO 105	WVES 1	VESO 105	WVES 1	

**128**

1.1	1,1	33	02.75-09.81	128 A.048	4	ZLE 107/1	VESO 105	WVES 1	VESO 105	WVES 1	
1.1	1,1	40	03.69-12.84	128 A.000	4	ZLE 107/1	VESO 105	WVES 1	VESO 105	WVES 1	
1.3 Sport	1,3	44	08.74-12.84	128 A1.000	4	ZLE 107/1	VESO 105	WVES 1	VESO 105	WVES 1	

**128 Coupe**

1.3 Berlinetta, Coupé	1,3	54	06.75-12.79	128 AC.000	4	ZLE 107/1	VESO 105	WVES 1	VESO 105	WVES 1	
-----------------------	-----	----	-------------	------------	---	-----------	----------	--------	----------	--------	--

**130**

3.2	3,2	121	01.71-12.77		6		VESO 105	WVES 1	VESO 105	WVES 1	
-----	-----	-----	-------------	--	---	--	----------	--------	----------	--------	--

**131**

1.3 Mirafiori	1297	40	10.74-09.81	131 A6.000	4	ZLE 107/1	VESO 105	WVES 1	VESO 105	WVES 1	
1.3 Super Mirafiori	1297	57	03.78-12.80	131 B.000	4	ZLE 107/1	VESO 105	WVES 1	VESO 105	WVES 1	
1.4 Mirafiori	1367	51	11.80-01.84	131 C1.000/131 C.000	4	ZLE 107/1	VESO 105	WVES 1	VESO 105	WVES 1	
1.6	1,6	55	10.74-09.81	131 A1.000	4	ZLE 107/1	VESO 105	WVES 1	VESO 105	WVES 1	
1.6	1,6	63	11.76-12.84	131 C2.000	4	ZLE 107/1	VESO 105	WVES 1	VESO 105	WVES 1	
1.6 Super	1,6	71	03.78-01.84	131 C3.000	4	ZLE 107/1	VESO 105	WVES 1	VESO 105	WVES 1	
2.0 Super	2,0	83	01.81-12.84	131 C4.000	4	ZLE 107/1	VESO 105	WVES 1	VESO 105	WVES 1	
2.0 Racing	2,0	85	06.78-12.81	131 B2.000	4	ZLE 107/1	VESO 105	WVES 1	VESO 105	WVES 1	

**132**

1.6 GL, GLS	1,6		01.72-12.82	C.000	4		VESO 105	WVES 1	VESO 105	WVES 1	
2.0 A.C., Spider Europa	2,0	82	01.75-12.82	132 C2.000	4	ZLE 107/1	VESO 105	WVES 1	VESO 105	WVES 1	

**133**

alle Modelle			01.75-12.82		4		VESO 105	WVES 1	VESO 105	WVES 1	
--------------	--	--	-------------	--	---	--	----------	--------	----------	--------	--

**238**

1.4	1,4	38	01.70-12.82	131 AZ, BZ	4	▲					
-----	-----	----	-------------	------------	---	---	--	--	--	--	--

**242**

2.5	2,5	46	01.73-12.82		4	▲					
-----	-----	----	-------------	--	---	---	--	--	--	--	--

**Argenta**

1.6	1,6	72	06.81-11.85	132..	4	▲					
2.0	2,0	83-90	06.81-11.85	132..	4	▲					
2.0i.e	2,0	90-100	06.81-11.85	132...	4	▲					

**Brava/Bravo**

1.4 12V	1,4	55-59	10.95-10.01	182A5.000	4	▲					
1.6 16V	1,6	66-76	10.95-10.01	182A6.000	4	▲					
2.0 20V	2,0	108	10.95-10.01	182A1.000	5		●				

**Cinquecento**

0.7 ED	0,7	23	07.91-01.98	170A000	2	▲					
0.9	0,9	29	01.92-01.98	170A1.046	4	▲					
1.1 Sporting	1,1	40	01.94-01.98	176B2.000	4	▲					

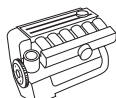
**Coupé**

2.0 16V	2,0	104	01.93-01.98	836A3.000	4	▲					
2.0 20V	2,0	108	03.96-04.98	182A1.000	5		●				
2.0 16V Turbo	2,0	140	04.94-09.96	175A1.000	4	▲					

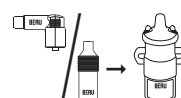
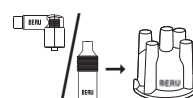
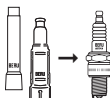




kW



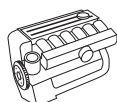
Zyl.  
Cyl.  
Cil.



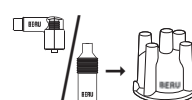
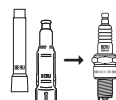
FIAT										
<b>Croma</b>										
1.6	1,6	61	12.85-06.90	CHT 154..	4	▲				
2.0, i CHT	2,0	66-72	01.85-06.90	154A1.000	4	▲				
2.0 16V	2,0	101	01.91-08.96	154E..	4					
2.0i.e Turbo	2,0	114	12.85-12.89	DOHC 154..	4	▲				
2000 CHT	2,0	66	12.85-02.89	154 A1.000	4	ZLE 107/1	▲		▲	
2000 i.e.	2,0	83	03.86-09.90	834 B.048	4	ZLE 107/1	▲		▲	
2000 i.e.	2,0	85	10.87-08.96	154 C3.046/834 B.146	4	ZLE 107/1	▲		▲	
2000 i.e.	2,0	88	03.87-09.92	834 B.000/154 C3.000	4	ZLE 107/1	▲		▲	
2000 i.e. Turbo	2,0	110	06.87-08.96	154 C4.046/834 C.146	4	ZLE 107/1	▲		▲	
2000 i.e. Turbo	2,0	111	11.86-11.88	834 C.146	4	ZLE 107/1	▲		▲	
2000 i.e. Turbo	2,0	114	12.85-06.90	154 A2.000	4	ZLE 107/1	▲		▲	
<b>Ducato</b>										
1.8	1,8	51	09.81-12.82	XM7T	4	▲				
2.0	2,0	62	01.82-03.94	XN1TA	4	▲				
2.0	2,0	58	01.83-01.90	XN1T	4	▲				
<b>Fiorino</b>										
0.9	0,9	29	01.77-03.81	127...	4		VESO 105	WVES 1	VESO 105	WVES 1
1.05	1,05	37	12.87-08.93	146A9..	4		VESO 105	WVES 1	VESO 105	WVES 1
1.1	1,1	40	01.77-03.81	146...	4		VESO 105	WVES 1	VESO 105	WVES 1
<b>Marea</b>										
1.6 16V	1,6	76	09.96-01.01	182A4.000	4	▲				
1.8 16V	1,8	83	09.96-01.01	182A2.000	4	▲				
2.0 20V	2,0	108	09.96-01.01	182A1.000	5		●			
<b>Panda</b>										
750	0,7	25	01.86-07.92	141 B.000	4	ZLE 107/1	▲		▲	
800	0,8	25	02.81-12.85		4	ZLE 107/1	▲		▲	
900	0,9	33	10.80-06.94	146 A.000/ 100 GL3.000	4	ZLE 107/1	▲		▲	
1000	1,0	32	01.86-04.92	156 A2.100	4	ZLE 107/1	▲		▲	
1000 4x4	1,0	32	01.86-07.89	156 A3.100/ 156 A2.100	4	ZLE 107/1	▲		▲	
1000 4x4	1,0	33	05.86-12.94	141 C2.000/ 156 A2.246	4	ZLE 107/1	▲		▲	
1000 i.e. KAT	1,0	33	10.87-08.98	141 C2.000/ 156 A2.246	4	ZLE 107/1	▲		▲	
1000 4x4	1,0	37	01.86-12.92	156 A3.000	4	ZLE 107/1	▲		▲	
30	0,7	22	03.80-12.85	141 AE	2	OE 6/1	VESO 105	WVES 1	VESO 105	WVES 1
34	0,8	25	09.81-12.85	M 020BS	4	▲				
45	0,9	33	02.81-12.85	146A, 147A	4	▲				
48	1,0	36	04.83-12.85	A 112B1..	4	▲				
<b>Punto</b>										
55	1,1	40	08.93-09.99	176A6..	4	▲				
55 6-Speed	1,1	40	08.93-09.99	176A..	4	▲				
55 SX	1,1	40	08.93-09.99	176A..	4	▲				
60	1,2	44	08.93-09.99	176A..	4	▲				
75	1,2	55	08.93-09.99	176A8.000	4	▲				
90, Cabrio	1,6	65	01.94-04.97	176A9.000	4	▲				
GT Turbo	1,4	98	11.93-09.96	176A4.000	4	▲				
<b>Regata</b>										
70 (prima seria)	1,3	48-50	01.83-06.85	138B	4	▲				
70, S	1,3	48-50	01.82-04.85	146..	4	▲				
75 (prima seria)	1,5	55	01.83-12.87	138...,149...	4	▲				
85 (prima seria)	1,5	58-61	01.83-12.87	138...,149...	4	▲				
85, S	1,5	58-61	05.85-12.89	149A..	4	▲				
85, S	1,5	58-61	01.82-04.85	149..	4	▲				
100 S	1,6	74	09.83-12.84	2ACT	4	▲				
100 S	1,6	74	01.85-06.90	149A2.000	4	▲				
100 S i.e	1,6	74	01.83-12.87	149C..	4	▲				
E.S	1,3	48	09.83-12.87	149A..	4	▲				
<b>Ritmo I</b>										
60	1,0	44	09.78-09.82	127 A6.000	4	ZLE 107/1	▲		▲	



kW



Zyl.  
Cyl.  
Cil.



### FIAT

#### Ritmo I

60	1,1	44	01.78-12.81	138..	4	▲				
65	1,3	48	07.78-09.82	138B, 138AE	4	ZLE 107/1	▲			▲
70 S	1,3	50	01.81-09.82	138B2	4	▲				
75	1,3	55	01.81-09.82	138 A3.000	4	ZLE 107/1	▲			▲
75	1,5	55	01.78-10.82	138 C3.048/ 138 A2.000	4	ZLE 107/1	▲			▲
85	1,5	63	01.81-09.82	138 A4.000	4	ZLE 107/1	▲			▲
105 Sport	1,6	77	05.81-12.82	138 AR.000	4	ZLE 107/1	▲			▲

#### Ritmo II

60	1,1	40	10.82-10.85	138 C1.000/138 B.000/ 138 B1.000	4	ZLE 107/1	▲			▲
60 CL	1,1	43-44	01.86-12.87	146A4.000	4	ZLE 107/1	▲			▲
60 ES	1,1	41	10.82-12.85	138B	4	▲				
60 S	1,1	41	10.82-03.85	138..	4	▲				
70	1,3	50	01.83-04.85	138 B2.000	4	ZLE 107/1	▲			▲
75 S	1,5	55	01.82-12.85	138..	4	▲				
75, i.e	1,5	55	01.86-12.88	138..,149..	4	▲				
75 i.e	1,5	55	01.82-09.85	138..	4	▲				
75 i.e.	1,5	55	10.85-05.87	149 C1.000/ 138 C2.048	4	ZLE 107/1	▲			▲
85, i.e	1,5	60	01.82-12.87	138 B3.000	4	ZLE 107/1	▲			▲
100 S, Cabrio	1,6	74	01.86-12.88	149..	4	▲				
105 TC	1,6	77	05.81-12.83	138..	4	▲				
130 TC	2,0	96	04.83-12.87	138..	4	▲				

#### Strada

60, 65, 70, 75, 85	1,1- 1,5	43-60	01.79-12.85	138...,146...,149...	4	▲				
60, 70, 85	1,1- 1,5	43-60	01.86-12.88	138...,146...,149...	4	▲				
105 TC, 130 TC	1,6/ 2,0	77-96	01.81-08.82	138..	4	▲				

#### Tempra

1.4, i.e	1,4	51	03.92-08.96	160A1.046	4	▲				
1.6 SX	1,6	55	03.92-08.96	159...	4	▲				
1.8i	1,8	76-80	01.90-12.93	159...	4	▲				
2.0i	2,0	85	02.90-09.93	159...	4	▲				

#### Tipo

1.1 Fire	1,1	41	01.88-10.91	160..	4	▲				
1.4, i.e	1,4	51-52	01.88-03.93	160A...	4	▲				
1.6	1,6	60	01.88-10.91	160..	4	▲				
1.8i.e 16V	1,8	100	06.89-05.90	160A5...	4	▲				
1.8i.e GT, SX, SLX	1,8	77-80	01.90-06.93	139A4..	4	▲				
2.0i.e	2,0	83	03.90-04.95	159..	4	▲				

#### Ulysee

2.0i	2,0	89	01.94-08.02	XU10J2C	4	▲				
2.0 Turbo	2,0	108	01.94-08.02	XU10J2CTE	4	▲				

#### Uno 45

0.9 S, Sting	0,9	33	01.83-09.92	146A	4	▲				
--------------	-----	----	-------------	------	---	---	--	--	--	--

#### Uno 55

1.1	1,1	40	01.83-04.85	138B..	4	▲				
-----	-----	----	-------------	--------	---	---	--	--	--	--

#### Uno 60

1.1 SL, SLX	1,1	43	01.85-08.89	146..	4	▲				
-------------	-----	----	-------------	-------	---	---	--	--	--	--

#### Uno 70

1.3	1,3	48	01.83-12.86	149..	4	▲				
1.3	1,3	48	01.86-12.92	149..	4	▲				

#### Uno 75

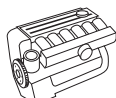
1.5i.e Fire	1,5	55	01.85-12.91	138.., 149..	4	▲				
-------------	-----	----	-------------	--------------	---	---	--	--	--	--

#### X 1/9

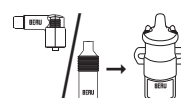
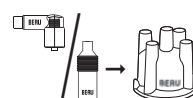
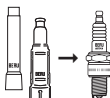
1.3	1,3	58	11.78-12.89	138A5	4	▲				
1.5	1,5	63	11.78-12.89	138A5..	4	▲				
1.5i.e	1,5	63	11.78-12.89	138A5..	4	▲				



kW



Zyl.  
Cyl.  
Cil.



## FORD

### Consul

1700	1,7	48	01.72-12.75		4	<b>ZLE 303</b>	▲		▲	
1700	1,7	55	01.72-12.75		4	<b>ZLE 303</b>	▲		▲	
2000	2,0	60	01.72-12.74		4	<b>ZLE 303</b>	▲		▲	

### Escort

1.1	1,1	32-40	01.68-01.75	OHV	4	▲				
1.3	1,3	40-51	01.68-01.75	OHV	4	▲				

### Galaxy

2.8 VR 6	2,8	128	05.95-08.97	AAA	6	<b>ZLE 250</b>	●		<b>VESO 134</b>	
2.8 VR6	2,8	128	09.97-04.00	AAA	6	<b>ZLE 251</b>	●		<b>VESO 134</b>	

### Taurus

1.3	1,3	43	01.76-08.82	JCC	4		<b>VESO 105</b>	<b>WVES 1</b>	<b>VESO 105</b>	<b>WVES 1</b>
1.6	1,6	50-62	01.75-08.82	LAD, LCJ OHC	4		<b>VESO 105</b>	<b>WVES 1</b>	<b>VESO 105</b>	<b>WVES 1</b>
2.0	2,0	66	01.79-08.82	OHC TL 20 H	4		<b>VESO 105</b>	<b>WVES 1</b>	<b>VESO 105</b>	<b>WVES 1</b>
2.0	2,0	74	01.75-08.82	NER	6		<b>VESO 105</b>	<b>WVES 1</b>	<b>VESO 105</b>	<b>WVES 1</b>
2.3	2,3	79-84	01.79-08.82	HC	6		<b>VESO 105</b>	<b>WVES 1</b>	<b>VESO 105</b>	<b>WVES 1</b>

## HONDA

### Accord

1.6	1,6	59	01.73-10.84	EL	4	▲				
1.6	1,6	65	11.84-12.86	A16A1	4	▲				
1.8	1,8	72	09.83-10.85	ET1	4	▲				
2.0 16V Aerodeck	2,0	75-90	01.86-12.89	A20A1,2,3,4	4	▲				
2.0, i	2,0	78-90	01.84-12.89	A20A2, A20A4	4	▲				

### Civic

1.5i CRX	1,5	74-81	01.85-10.87	EW	4	▲				
----------	-----	-------	-------------	----	---	---	--	--	--	--

## HYUNDAI

### Pony

1.2	1,2	59	01.75-09.86	Mitsubishi	4	▲				
1.4	1,4	68	01.75-09.89	Mitsubishi	4	▲				

### S Coupé

1.5 12V Turbo	1,5	84	01.90-04.02	4G15	4	▲				
1.5, i	1,5	63	01.89-08.94	G4DJ	4	▲				

### Sonata

2.4i	2,4	82	09.89-10.93	4G64	4	▲				
------	-----	----	-------------	------	---	---	--	--	--	--

### Stellar

1.4	1,4	50	09.83-12.88	G32B	4	▲				
1.6	1,6	55-74	09.83-12.88	G32B, 4G32	4	▲				
2.0	2,0	67	10.85-12.87	4G63	4	▲				

## INNOCENTI

### Mini

90	1,0	36	05.74-02.82	BLMC 99H	4		<b>VESO 105</b>	<b>WVES 1</b>	<b>VESO 105</b>	<b>WVES 1</b>
120	1,3	48	08.74-02.82	BLMC 99H	4		<b>VESO 105</b>	<b>WVES 1</b>	<b>VESO 105</b>	<b>WVES 1</b>
500	0,5	23	01.67-08.79		3		<b>VESO 105</b>	<b>WVES 1</b>	<b>VESO 105</b>	<b>WVES 1</b>
650	0,6	23	11.84-04.86	Daihatsu AD	2		<b>VESO 105</b>	<b>WVES 1</b>	<b>VESO 105</b>	<b>WVES 1</b>
990	0,9	38	05.86-12.90	Daihatsu Z670	3		<b>VESO 105</b>	<b>WVES 1</b>	<b>VESO 105</b>	<b>WVES 1</b>

## LADA

### 1200

1.2	1,2	44	01.70-08.81	BA3 2101	4	<b>ZLE 107/1</b>	<b>VESO 105</b>	<b>WVES 1</b>	<b>VESO 105</b>	<b>WVES 1</b>
-----	-----	----	-------------	----------	---	------------------	-----------------	---------------	-----------------	---------------

### 1300

1.3	1,3	51	01.70-08.84	BA3 2105	4	<b>ZLE 107/1</b>	<b>VESO 105</b>	<b>WVES 1</b>	<b>VESO 105</b>	<b>WVES 1</b>
-----	-----	----	-------------	----------	---	------------------	-----------------	---------------	-----------------	---------------

### 1500

1.5	1,5	55-57	09.72-08.84	BA3 2103	4	<b>ZLE 107/1</b>	<b>VESO 105</b>	<b>WVES 1</b>	<b>VESO 105</b>	<b>WVES 1</b>
-----	-----	-------	-------------	----------	---	------------------	-----------------	---------------	-----------------	---------------

### 1600

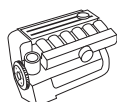
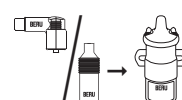
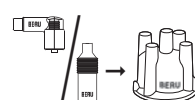
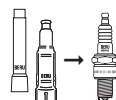
1.6	1,6	57	09.72-08.84	VAZ 2106	4		<b>VESO 105</b>	<b>WVES 1</b>	<b>VESO 105</b>	<b>WVES 1</b>
-----	-----	----	-------------	----------	---	--	-----------------	---------------	-----------------	---------------

### Niva

1.6	1,6	54	01.87-03.95	BA3 2121	4	<b>ZLE 107/1</b>	<b>VESO 105</b>	<b>WVES 1</b>	<b>VESO 105</b>	<b>WVES 1</b>
1.6	1,6	56	12.76-12.87	BA3 2121	4	<b>ZLE 107/1</b>	<b>VESO 105</b>	<b>WVES 1</b>	<b>VESO 105</b>	<b>WVES 1</b>
1.6 4x4	1,6	58	12.76-12.93	2121	4		<b>VESO 105</b>	<b>WVES 1</b>	<b>VESO 105</b>	<b>WVES 1</b>



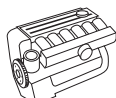
kW


 Zyl.  
Cyl.  
Cil.


<b>LADA</b>										
<b>Nova</b>										
1.2	1,2	44-49	05.81-12.93	BA3 2101	4		VESO 105	WVES 1	VESO 105	WVES 1
1.3	1,3	48-53	05.81-12.93	BA3 2105	4		VESO 105	WVES 1	VESO 105	WVES 1
1.4	1,4	55-56	09.86-12.93	2104, 2105	4		VESO 105	WVES 1	VESO 105	WVES 1
1.5	1,5	55	03.85-12.93	21043, 21053	4		VESO 105	WVES 1	VESO 105	WVES 1
1.6	1,6	57-62	05.81-12.93	2107	4		VESO 105	WVES 1	VESO 105	WVES 1
<b>Riva</b>										
1.3	1,3	49	01.72-12.84	21056	4		VESO 105	WVES 1	VESO 105	WVES 1
1.6	1,6	63	01.77-12.93	21062	4		VESO 105	WVES 1	VESO 105	WVES 1
<b>Samara</b>										
1.1, Fun, Van	1,1	39-53	01.86-12.94	BA3 21081	4	ZLE 107/1	▲		▲	
1.3, Fun, Van	1,3	39-53	01.86-07.97	BA3 2108 (KAT)	4	ZLE 107/1	▲		▲	
1.5, Fun, Van	1,5	39-55	01.86-12.96	BA3 21083 (KAT)	4	ZLE 107/1	▲		▲	
<b>Toscana</b>										
1.4	1,4	55	01.86-12.94	2107	4	ZLE 107/1	▲		▲	
1.5	2	55	09.83-02.93	BA3 2103	4	ZLE 107/1	▲		▲	
<b>LANCIA</b>										
<b>A 111</b>										
1.4	1,4	51	08.69-11.72	Fiat BLC.000	4		VESO 105	WVES 1	VESO 105	WVES 1
<b>Beta</b>										
alle Modelle			01.73-12.84		4	▲				
<b>Dedra</b>										
1.6i.e	1,6	55	04.93-07.99	835 C1.000	4	ZLE 107/1	▲		▲	
1.6i.e	1,6	57	08.89-03.93	835 A1.046	4	ZLE 107/1	▲		▲	
1.6i.e	1,6	63-66	01.89-07.99	835 A1..	4	ZLE 107/1	▲		▲	
1.8i.e	1,8	77-96	01.89-07.99	835 A2	4	ZLE 107/1	▲		▲	
2.0i.e	2,0	83-133	01.90-07.99	835 A..	4	ZLE 107/1	▲		▲	
2.0i.e Turbo	2,0	119-121	01.89-07.99	835 AS..	4	ZLE 107/1	▲		▲	
<b>Delta I</b>										
1.3	1,3	55-58	01.83-08.92	831 A2.000/831 B.000	4	ZLE 107/1	▲		▲	
1.3i.e	1,3		01.82-12.92		4	▲				
1.5	1,5	59-63	09.79-12.92	831 A1.000/ 831 B1.000	4	ZLE 107/1	▲		▲	
1.6 HF Turbo	1,6	96-103	06.83-08.92	831 B..	4	ZLE 107/1	▲		▲	
1.6 GT i.e.	1,6	66	05.87-08.92	149 C2.000	4	ZLE 107/1	▲		▲	
1.6i.e SPI GT	1,6	66-80	01.86-12.92	831 B..	4	ZLE 107/1	▲		▲	
1.6 GT	1,6	77	11.82-04.86	831 A4.000	4	ZLE 107/1	▲		▲	
1.6 HF Turbo )	1,6	97	04.87-03.89	831 B7.046	4	ZLE 107/1	▲		▲	
1.6i.e Turbo	1,6	96-103	06.83-08.92	831 B..	4	ZLE 107/1	▲		▲	
<b>Delta II</b>										
1.6 i.e.	1,6	55	06.93-08.99	835 C1.000	4	ZLE 107/1	▲		▲	
<b>Gamma</b>										
alle Modelle			01.76-12.84	830A...	4	▲				
<b>Prisma</b>										
1.3	1,3	58	01.83-02.92		4	▲				
1.3	1,3	58	12.82-04.86	831 A2..	4	OE 6/1	VESO 105	WVES 1	VESO 105	WVES 1
1.3	1,3	58	05.86-12.88	831 B..	4	▲				
1.5	1,5	59	08.86-02.92		4	▲				
1.5	1,5	63	12.82-04.86	831 A1.000	4	ZLE 107/1	▲		▲	
1.5	1,5	59	05.86-12.89	831 B1..	4	▲				
1.6	1,6	66-77	01.83-12.89	149 C2.000, 831A4.000	4	ZLE 107/1	▲		▲	
1.6i.e	1,6	80	05.86-12.89	831 B7..	4	▲				
2.0	2,0	85	04.86-12.89	831 B4.000	4	ZLE 107/1	▲		▲	
<b>Thema</b>										
2000 i.e.	2,0	83	03.86-09.88	834 B.048	4	ZLE 107/1	▲		▲	
2000 i.e.	2,0	85	09.87-05.92	834 B.146	4	ZLE 107/1	▲		▲	
2000 i.e.Turbo	2,0	110	07.86-05.90	834 C.146	4	ZLE 107/1	▲		▲	
3000 V6	3,0	126	08.92-07.94	834 F.000	6	ZLE 175	▲		▲	
<b>Trevi</b>										
1.6 HPE	1,6	74	01.82-12.85	828...	4	▲				



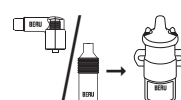
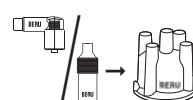
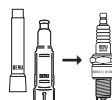
kW



Zyl.

Cyl.

Cil.



## LANCIA

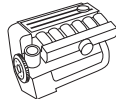
<b>Trevi</b>									
2.0 HPE	2,0	90-99	01.82-12.85	828B4...	4	▲			
<b>Y 10</b>									
1.0	1,0	32-37	03.85-12.85	156A...	4	▲			
1.0	1,0	32-37	01.89-12.92	156A	4	▲			
1.0 Fire 4WD	1,0	32-37	01.86-02.96	156A...	4	ZLE 107/1	▲		▲
1.0i.e LX	1,0	32-37	01.86-02.96	156A...	4	▲			
1.0 Touring	1,05	38-41	03.85-02.96	A 156..	4	▲			
1.1 Fire 4WD	1,1	37-43	01.86-02.96	156..	4	ZLE 107/1	▲		▲
1.1 Turbo	1,1	63	01.85-12.88	156 A..	4	▲			
1.3i.e GT	1,3	53	02.89-12.92	146 A 5.046	4	ZLE 107/1	▲		▲
1.3 i.e. Fire	1,3	53	02.89-12.95	156 B.000	4	ZLE 107/1	▲		▲
1.3i.e GT	1,3	57	01.89-02.96	156 B..	4	▲			

## MAZDA

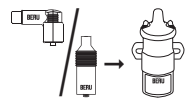
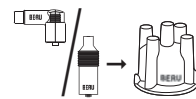
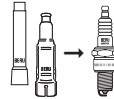
<b>121</b>									
1.3	1,3	40-44	01.85-12.87	B3	4	▲			
1.3	1,3	40-44	10.87-10.90	B3	4	▲			
<b>121 II</b>									
1.3 16V	1,3	39	11.90-03.96	B3 (16V)	4	ZLE 107/1	▲		▲
1.3 16V	1,3	53	11.90-03.96	B3 (16V)	4	ZLE 107/1	▲		▲
<b>323</b>									
1.1	1,1	40-41	01.77-05.80		4	▲			
1.1	1,1	40-41	06.80-06.82	E1	4	▲			
1.1	1,1	40-41	07.82-10.85	E1	4	▲			
1.1	1,1	40	09.85-10.89	E1	4	ZLE 107/1	▲		▲
1.3	1,3	44	01.77-05.80	T/TC	4	ZLE 107/1	▲		▲
1.3	1,3	44	06.80-06.82	E3	4	▲			
1.3	1,3	44	07.82-12.84	E3	4	▲			
1.3	1,3	44	01.85-05.89	E3	4	ZLE 107/1	▲		▲
1.3	1,3	49	09.89-07.94	B3E	4	ZLE 107/1	▲		▲
1.3	1,3	49	09.89-06.91	B3E/B383	4	ZLE 107/1	▲		▲
1.3 16V	1,3	54	04.91-07.94	B3 (16V)	4	ZLE 107/1	▲		▲
1.4	1,4	44	01.77-12.80		4	▲			
1.4	1,4	44	12.82-12.85		4	▲			
1.4	1,4	51	05.78-05.80	U/UC	4	ZLE 107/1	▲		▲
1.5	1,5	54	09.87-10.89	B5	4	ZLE 107/1	▲		▲
1.5	1,5	55	06.80-06.82	E5	4	▲			
1.5	1,5	55	07.82-10.85	E5	4	▲			
1.5	1,5	55	08.85-05.89	E5	4	ZLE 107/1	▲		▲
1.5	1,5	65	03.82-09.86	E5	4	ZLE 107/1	▲		▲
1.8i	1,8	69-103	01.89-12.94	BP	4	ZLE 107/1	▲		▲
<b>616</b>									
1.6	1,6	55	01.71-12.79	NA	4	▲			
1.8	1,8	74	01.71-12.79	FE	4	▲			
<b>626</b>									
1.6	1,6	55	01.78-10.82	N-H6, M-HE3	4	▲			
1.6	1,6	55	05.79-05.82	H6/NA/N	4	ZLE 107/1	▲		▲
1.6 Coupé	1,6	59	09.82-06.87	F6	4	ZLE 107/1	▲		▲
1.6 LX	1,6	59	01.86-07.91	F6	4	▲			
1.8	1,8	73	01.78-10.82	H8	4	▲			
1.8	1,8	74	11.82-12.86	F8	4	▲			
1.8	1,8	66	01.87-12.90	F8	4	▲			
2.0	2,0	66	05.79-05.82	HE3/MA/M	4	ZLE 107/1	▲		▲
2.0 Coupé	2,0	74	02.83-06.87	FE	4	ZLE 107/1	▲		▲
2.0 GLX	2,0	66	01.86-12.90	FE	4	▲			
2.0i	2,0	66	01.87-12.90	FE	4	▲			
2.0	2,0	88	01.86-09.87	FE	4	ZLE 107/1	▲		▲
<b>818</b>									
1.3	1,3	44	01.71-12.77	FC	4	▲			
1.5	1,5	55	01.75-12.77	NA	4	▲			



kW



Zyl.  
Cyl.  
Cil.



**MAZDA**

**929**

1.6	1,6	53	01.74-12.77	NA	4	▲				
1.6	1,6	53	01.78-12.83	NA	4	▲				
1.8	1,8	69-78	01.74-12.77	VC	4	▲				
1.8	1,8	69-78	01.78-12.83	VC	4	▲				
2.0	2,0	66	05.79-12.87	HEE/MA/M	4	ZLE 107/1	▲		▲	
2.0i	2,0	74-81	01.78-09.83	HE	4	▲				
2.0, i	2,0	74-81	10.83-02.87	FE	4	▲				
2.0i	2,0	85	03.87-12.91	FE, FEA	4	▲				

**Pickup**

1.0-2.0	1,0- 2,0	33-78	01.71-12.78	NA, PC, VC	4	▲				
2.0	2,0	85	01.81-10.87	FE	4	▲				

**MERCEDES**

**C 180 (Typ 202)**

1.8	1,8	89	11.94-05.00	M 111.921	4	ZLE 234/ ZLE 245				VS 107
1.8	1,8	90	03.93-08.95	M 111.920	4	ZLE 225	●			VS 106
1.8	1,8	90	09.95-05.00	M 111.920, 921	4	ZLE 234/ ZLE 245				VS 107

**C 180 (Typ 203)**

2.0	2,0	95	10.00-05.02		4	GS 17	●			GS 17
-----	-----	----	-------------	--	---	-------	---	--	--	-------

**C 200 (Typ 202)**

2.0	2,0	100	03.93-08.95	M 111.941	4	ZLE 234/ ZLE 245				VS 107
2.0	2,0	100	01.94-05.00	M 111.941	4	ZLE 225	●			VS 106
2.0	2,0	100	01.94-05.00	M 111.945	4	ZLE 234/ ZLE 245				VS 107
2.0 Kompressor	2,0	132	10.95-05.00	M 111.944	4	ZLE 234/ ZLE 245				VS 107
2.0 Kompressor	2,0	141	11.96-05.00	M 111.944	4	ZLE 234/ ZLE 245				VS 107

**C 200 (Typ 203)**

2.0 Kompressor	2,0	120	05.00-05.02	M 111.955	4	GS 17	●			GS 17
----------------	-----	-----	-------------	-----------	---	-------	---	--	--	-------

**C 220 (Typ 202)**

2.2	2,2	110	03.93-08.95	M 111.961	4	ZLE 234/ ZLE 245				VS 107
2.2	2,2	110	09.95-05.00	M 111.961	4	ZLE 225	●			VS 106

**C 230 (Typ 202)**

2.3	2,3	110-143	05.93-05.00	M 111.975/974	4	ZLE 234/ ZLE 245				VS 107
-----	-----	---------	-------------	---------------	---	------------------	--	--	--	--------

**C 280 (Typ 202)**

2.8	2,8	142	03.93-08.95	M 104.941	6	ZLE 234/ ZLE 245				VS 107
2.8	2,8	142	09.95-05.00	M 104.941	6	ZLE 234/ ZLE 245				VS 107

**C 36 AMG (Typ 202)**

3.6	3,6	206	05.94-05.00	M 104.941 (AMG 3.6)	6	ZLE 234/ ZLE 245				VS 107
-----	-----	-----	-------------	---------------------	---	------------------	--	--	--	--------

**C 230 (Typ 203)**

2.3 Kompressor	2,3	145	03.01-05.02	M 111.983	4	GS 17	●			GS 17
----------------	-----	-----	-------------	-----------	---	-------	---	--	--	-------

**CL 600 (Typ 215)**

S-Klasse Coupé (C215)	5,5	368	09.02-03.06	M 275.950	12	GS 30	●			GS 30
-----------------------	-----	-----	-------------	-----------	----	-------	---	--	--	-------

**CL 600 (Typ 216)**

S-Klasse Coupé (C216)	5,5	380	05.06-	M 275.953	12	GS 30	●			GS 30
-----------------------	-----	-----	--------	-----------	----	-------	---	--	--	-------

**CL 65 AMG (Typ 215)**

S-Klasse Coupé (C215)	6,0	450	09.03-03.06	M 275.980	12	GS 30	●			GS 30
-----------------------	-----	-----	-------------	-----------	----	-------	---	--	--	-------

**CL 65 AMG (Typ 216)**

S-Klasse Coupé (C216)	6,0	450	10.06-	M 275.982	12	GS 30	●			GS 30
-----------------------	-----	-----	--------	-----------	----	-------	---	--	--	-------

**CLK (Typ 208)**

2.0	2,0	100	06.97-06.02	M 111.945	4	ZLE 234/ ZLE 245				VS 107
2.0	2,0	100	06.97-06.02	M 111.941	4	ZLE 225	●			VS 106
2.0 Kompressor	2,0	141	06.97-06.02	M 111.944	4	ZLE 234/ ZLE 245				VS 107
2.3 Kompressor	2,3	142	06.97-06.02	M 111.975/M 111.973	4	ZLE 234/ ZLE 245				VS 107
2.3 Kompressor	2,3	145	06.00-06.02		4	GS 17	●			GS 17
2.3 Kompressor	2,3	145	06.00-06.02		4	GS 17	●			GS 17

**CLK (Typ 209)**

1.8 CGI	1,8	125	09.02-	M 271	4	GS 21	●			GS 21
---------	-----	-----	--------	-------	---	-------	---	--	--	-------

**E 200 (Typ 124)**

2.0 CE, E, TE	2,0	100	05.93-06.96	M 111.940	4	ZLE 234/ ZLE 245				VS 107
---------------	-----	-----	-------------	-----------	---	------------------	--	--	--	--------

**E 200 (Typ 210)**

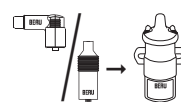
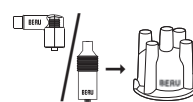
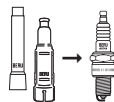
2.0 CE, E, TE	2,0	100	06.95-03.02	M 111.942	4	ZLE 234/ ZLE 245				VS 107
---------------	-----	-----	-------------	-----------	---	------------------	--	--	--	--------



kW



Zyl.  
Cyl.  
Cil.

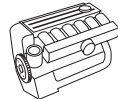


## MERCEDES

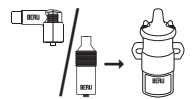
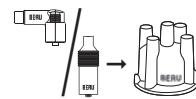
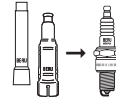
<b>E 200 (Typ 210)</b>													
2.0 Kompressor	2,0	137	06.97-03.02	M 111.947	4	<b>ZLE 234/ ZLE 245</b>							<b>VS 107</b>
<b>E 200 (Typ 211)</b>													
2.0 CGI	2,0	125	11.02-	M 271	4	<b>GS 21</b>	●						<b>GS 21</b>
<b>E 220 (Typ 124)</b>													
2.2 CE, E, Cabrio, Coupé	2,2	110	05.93-06.97	M 111.960	4	<b>ZLE 234/ ZLE 245</b>							<b>VS 107</b>
<b>E 230 (Typ 210)</b>													
2.3	2,3	110	06.95-06.97	M 111.970	4	<b>ZLE 234/ ZLE 245</b>							<b>VS 107</b>
<b>E 280 (Typ 124)</b>													
2.8 E, TE	2,8	142	05.93-05.96	M 104.942	6	<b>ZLE 225/ZLE 247</b>							<b>VS 107</b>
<b>E 280 (Typ 210)</b>													
2.8	2,8	142	03.95-06.97	M 104.945	6	<b>ZLE 225/ZLE 247</b>							<b>VS 107</b>
<b>E 300 (Typ 124)</b>													
3.0	3,0	132-138	05.93-08.95	M 103.985	6	<b>ZLE 225/ZLE 247</b>							<b>VS 107</b>
<b>E 320 (Typ 124)</b>													
3.2	3,2	162	05.93-06.97	M 104.992	6	<b>ZLE 225/ZLE 247</b>							<b>VS 107</b>
<b>E 320 (Typ 210)</b>													
3.2	3,2	165	06.95-08.95	M 104.995	6	<b>ZLE 225/ZLE 247</b>							<b>VS 107</b>
3.2	3,2	162-165	09.95-03.02	M 104.995	6	<b>ZLE 225/ZLE 247</b>							<b>VS 107</b>
<b>E 400 (Typ 124)</b>													
4.0	4,0	205	07.93-06.95	M 119.975	8	<b>ZLE 225</b>		<b>VSO 103</b>			<b>VSO 105</b>		
<b>E 420 (Typ 124)</b>													
4.2	4,2	205	07.93-06.95	M 119.975	8	<b>ZLE 225</b>		<b>VSO 103</b>			<b>VSO 105</b>		
<b>E 500 (Typ 124)</b>													
4.2	4,2	235	05.93-06.95	M 119.974	8	<b>ZLE 225</b>				<b>VS 107</b>			<b>VS 107</b>
<b>G 230 (Typ 460)</b>													
2.3 G	2,3	66	03.79-07.93	M 115.973	4	<b>ZLE 121</b>		<b>VSO 105</b>			<b>GO 3</b>		
2.3 GE	2,3	90	05.87-08.93	M 102.979/M 102.987	4	<b>ZLE 135</b>		<b>VSO 103</b>			<b>VSO 105</b>		
2.3 GE	2,3	92	04.82-08.82	M 102.987/M 102.981	4	<b>ZLE 135</b>		<b>VSO 103</b>			<b>VSO 105</b>		
<b>G 280 (Typ 460)</b>													
2.8 GE	2,8	110	08.84-08.89	M 110.994	6	<b>ZLE 135</b>		<b>VSO 103</b>			<b>VSO 105</b>		
2.8 GE	2,8	115	11.79-08.81	M 110.994	6	<b>ZLE 121</b>		<b>VSO 103</b>			<b>GO 3</b>		
2.8 GE	2,8	115	09.81-08.89	M 110.994	6	<b>ZLE 121</b>		<b>VSO 105</b>			<b>GO 3</b>		
<b>G 230 (Typ 461)</b>													
2.3 GE	2,3	90	02.93-07.93	M 102.979	4	<b>ZLE 135</b>		<b>VSO 103</b>			<b>VSO 105</b>		
2.3 GE	2,3	92	06.93-07.93	M 102.996/M 102.997	4	<b>ZLE 135</b>		<b>VSO 103</b>			<b>VSO 105</b>		
<b>G 230 (Typ 463)</b>													
2.3 GE	2,3	93	06.90-10.94	M 102.989	4	<b>ZLE 135</b>		<b>VSO 103</b>			<b>VSO 105</b>		
<b>G 300 (Typ 463)</b>													
3.0 GE	3,0	125	06.90-	M 103.987	6	<b>ZLE 135</b>		<b>VSO 103</b>			<b>VSO 105</b>		
3.0 GE	3,0	128	06.90-	M 103.987	6	<b>ZLE 135</b>		<b>VSO 103</b>			<b>VSO 105</b>		
3.0	3,0	125	08.93-10.94	M 104.987	6	<b>ZLE 245</b>		<b>VSO 103</b>			<b>VSO 105</b>	<b>VS 107</b>	
<b>G 320 (Typ 463)</b>													
3.2	3,2	155	09.94-12.97	M 104.996	6	<b>ZLE 225/ZLE 247</b>							<b>VS 107</b>
<b>G 500 (Typ 463)</b>													
5.0	5,0	169	08.93-10.94	M 117.965	8	<b>ZLE 121</b>		<b>VSO 105</b>			<b>VSO 103</b>		
<b>ML 230 (Typ 163)</b>													
2.3	2,3	110	02.98-06.05	M 111.977	4	<b>ZLE 234/ ZLE 245</b>							<b>VS 107</b>
<b>S 280 (Typ 140)</b>													
2.8	2,8	142-145	05.93-10.98	M 104.944	6	<b>ZLE 225/ZLE 247</b>							<b>VS 107</b>
<b>S 320 (Typ 140)</b>													
3.2	3,2	170	05.93-10.98	M 104.990/994	6	<b>ZLE 225/ZLE 247</b>							<b>VS 107</b>
<b>S 400, 420 (Typ 140)</b>													
4.2	4,2	210	02.91-10.98	M 119.971/981	8	<b>ZLE 225</b>				<b>VS 107</b>	<b>VS 107</b>	<b>VS 107</b>	
<b>S 420 (Typ 140)</b>													
4.2	4,2	205	01.93-10.98	M 119.971	8	<b>ZLE 225</b>		<b>VSO 103</b>			<b>VSO 105</b>		
<b>S 500 (Typ 140)</b>													
5.0	5,0	235	01.93-10.98	M 119.970/M 119.980	8	<b>ZLE 225</b>		<b>VSO 103</b>			<b>VSO 105</b>		
5.0	5,0	240	05.93-10.98	M 119.970	8	<b>ZLE 225</b>		<b>VSO 103</b>			<b>VSO 105</b>		
<b>S 600 (Typ 140)</b>													
6,0	6,0	290	01.93-06.93	M 120.982/M 120.980	12	<b>ZLE 227</b>		<b>VSO 103</b>			<b>VSO 105</b>		
6,0	6,0	300	05.93-10.98	M 120.982/M 120.980	12	<b>ZLE 227</b>		<b>VSO 103</b>			<b>VSO 105</b>		



kW



Zyl.  
Cyl.  
Cil.



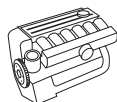
**MERCEDES**

<b>S 600 (Typ 220)</b>													
S-Klasse (W220)	5,5	368	09.02–08.05	M 275.950	12	<b>GS 30</b>	●						<b>GS 30</b>
<b>S 600 (Typ 221)</b>													
S-Klasse (W221)	5,5	380	12.05–	M 275.953	12	<b>GS 30</b>	●						<b>GS 30</b>
<b>S 65 AMG (Typ 220)</b>													
S-Klasse (W220)	6,0	450	03.04–08.05	M 275.980	12	<b>GS 30</b>	●						<b>GS 30</b>
<b>S 65 AMG (Typ 221)</b>													
S-Klasse (W221)	6,0	450	12.05–	M 275.982	12	<b>GS 30</b>	●						<b>GS 30</b>
<b>SL 280 (Typ 129)</b>													
2.8	2,8	142	05.93–10.01	M 104.943	6	<b>ZLE 225/ZLE 247</b>							<b>VS 107</b>
<b>SL 300 (Typ 129)</b>													
3.0	3,0	140	03.89–08.93	M 103.984	6	<b>ZLE 135</b>	<b>VSO 103</b>						<b>VS 106</b>
<b>SL 300-24 (Typ 129)</b>													
3.0	3,0	170	03.89–07.93	M 104.981	6	<b>ZLE 225</b>		<b>VS 107</b>					<b>VS 107</b>
<b>SL 320 (Typ 129)</b>													
3.2	3,2	170	05.93–10.01	M 104.991	6	<b>ZLE 225/ZLE 247</b>							<b>VS 107</b>
<b>SL 500 (Typ 129)</b>													
5.0	5,0	240	05.93–10.01	M 119.982/M 119.972	8	<b>ZLE 225</b>	<b>VSO 103</b>						<b>VSO 105</b>
<b>SL 600 (Typ 129)</b>													
6.0	6,0	300	05.93–10.01	M 120.983/M 120.981	12	<b>ZLE 227</b>	<b>VSO 103</b>						<b>VSO 105</b>
<b>SL 600 (Typ 230)</b>													
SL (R230)	5,5	368	04.03–	M 275.951	12	<b>GS 30</b>	●						<b>GS 30</b>
<b>SL 65 AMG (Typ 230)</b>													
SL (R230)	6,0	450	03.04–	M 275.981	12	<b>GS 30</b>	●						<b>GS 30</b>
<b>SLK 200 (Typ 170)</b>													
2.0	2,0	100	09.96–03.00	M 111.946	4	<b>ZLE 234/ ZLE 245</b>							<b>VS 107</b>
2.0 Kompressor	2,0	120	03.00–	M 111.958	4	<b>GS 17</b>	●						<b>GS 17</b>
2.0 Kompressor	2,0	141	10.96–03.00	M 111.943	4	<b>ZLE 234/ ZLE 245</b>							<b>VS 107</b>
<b>SLK 230 (Typ 170)</b>													
2.3 Kompressor	2,3	142	09.96–03.00	M 111.973	4	<b>ZLE 234/ ZLE 245</b>							<b>VS 107</b>
2.3 Kompressor	2,3	145	03.00–	M 111.983	4	<b>GS 17</b>	●						<b>GS 17</b>
<b>V 200 (Typ 638)</b>													
2.0	2,0	95	02.97–07.03	M 111.948	4	<b>ZLE 234/ ZLE 245</b>							<b>VS 107</b>
<b>V 230 (Typ 638)</b>													
2.3	2,3	105	10.96–07.03	M 111.978	4	<b>ZLE 234/ ZLE 245</b>							<b>VS 107</b>
<b>190 (Typ 201)</b>													
1.8, E	1,8	80	12.82–08.93	M 102.910	4	<b>ZLE 135</b>	<b>VSO 103</b>						<b>VSO 105</b>
2.0, E	2,0	66–93	12.82–08.93	M 102.921/924/961/ 962	4	<b>ZLE 135</b>	<b>VSO 103</b>						<b>VSO 105</b>
2.3 E	2,3	97–100	09.86–08.93	M 102.985	4	<b>ZLE 135</b>	<b>VSO 103</b>						<b>VSO 105</b>
2.3 E 16V	2,3	125–136	04.84–08.88	M 102.983	4	<b>ZLE 159</b>	<b>VSO 103</b>						<b>VSO 105</b>
2.5 E 16V	2,5	143–173	09.88–08.93	M 102.990/991/992	4	<b>ZLE 159</b>	<b>VSO 103</b>						<b>VSO 105</b>
2.6 E	2,6	118–122	09.86–08.93	M 103.942	6	<b>ZLE 135</b>	<b>VSO 103</b>						<b>VSO 105</b>
<b>200 (Typ 110)</b>													
2.0	2,0	61	07.65–02–68	M 121.940	4	<b>ZLE 120</b>	<b>VESO 105</b>	<b>WVES 1</b>					<b>VESO 105</b> <b>WVES 1</b>
2.0	2,0	70	07.65–02–68	M 115.926	4	<b>ZLE 120</b>	<b>VESO 105</b>	<b>WVES 1</b>					<b>VESO 105</b> <b>WVES 1</b>
<b>200/8 (Typ 115)</b>													
2.0	2,0	63–70	01.68–01.77	M 115.923/M 115.926	4	<b>ZLE 120</b>	<b>VESO 105</b>	<b>WVES 1</b>					<b>VESO 105</b> <b>WVES 1</b>
<b>200 (Typ 123)</b>													
2.0	2,0	62	02.76–08.77	M 115.938/M 115.939	4	<b>ZLE 120</b>	<b>VESO 105</b>	<b>WVES 1</b>					<b>VESO 105</b> <b>WVES 1</b>
2.0	2,0	62	09.77–08.80	M 115.938/M 115.939	4	<b>ZLE 121</b>	<b>GO 3 H</b>						<b>VESO 105</b> <b>WVES 1</b>
2.0	2,0	69	01.76–08.77	M 115	4	<b>ZLE 120</b>	<b>VESO 105</b>	<b>WVES 1</b>					<b>VESO 105</b> <b>WVES 1</b>
2.0	2,0	69	09.77–08.80	M 115	4	<b>ZLE 121</b>	<b>GO 3 H</b>						<b>VESO 105</b> <b>WVES 1</b>
2.0	2,0	74–80	06.80–12.85	M 102.920/922/939/ M 115.938/939	4	<b>ZLE 135</b>	<b>VSO 103</b>						<b>VSO 105</b>
<b>200 (Typ 124)</b>													
2.0	2,0	75–80	12.84–06.93	M 102.922	4	<b>ZLE 135</b>	<b>VSO 103</b>						<b>VSO 105</b>
2.0 E	2,0	87–90	09.88–08.92	M 102.963	4	<b>ZLE 135</b>	<b>VSO 103</b>						<b>VSO 105</b>
2.0 E 16V	2,0	100	10.92–06.93	M 111.940	4	<b>ZLE 135</b>	<b>VSO 103</b>						<b>VSO 105</b>
<b>220/8 (Typ 115)</b>													
2.2	2,2	66	01.68–07.73	M 115.924	4	<b>ZLE 120</b>	<b>VESO 105</b>	<b>WVES 1</b>					<b>VESO 105</b> <b>WVES 1</b>
2.2	2,2	77	01.68–07.73	M 115.920	4	<b>ZLE 120</b>	<b>VESO 105</b>	<b>WVES 1</b>					<b>VESO 105</b> <b>WVES 1</b>

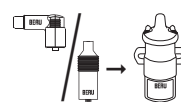
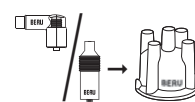
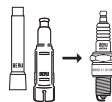




kW



Zyl.  
Cyl.  
Cil.

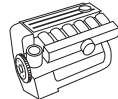


## MERCEDES

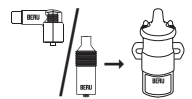
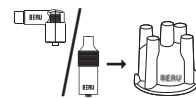
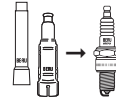
<b>220 (Typ 124)</b>										
2.2 E	2,2	110	10.92-06.93	M 111.960	4	<b>ZLE 135</b>	<b>VSO 103</b>		<b>VSO 105</b>	
<b>230 (Typ 110)</b>										
2.3	2,3	77	07.65-02.68	M 180.945/M 180.949	6	<b>ZLE 120</b>	<b>VESO 105</b>	<b>WVES 1</b>	<b>VESO 105</b>	<b>WVES 1</b>
2.3	2,3	88	06.66-12.67	M 180.950	6	<b>ZLE 120</b>	<b>VESO 105</b>	<b>WVES 1</b>	<b>VESO 105</b>	<b>WVES 1</b>
<b>230 (Typ 111)</b>										
2.3 S	2,3	88	07.65-01.68	M 180.950/M 180.947	6	<b>BE 4/1</b>	<b>VESO 105</b>	<b>WVES 1</b>	<b>VESO 105</b>	<b>WVES 1</b>
<b>230/6 (Typ 114)</b>										
2.3	2,3	88	01.68-12.76	M 180.954	6	<b>ZLE 120</b>	<b>VESO 105</b>	<b>WVES 1</b>	<b>VESO 105</b>	<b>WVES 1</b>
<b>230 CE (Typ 123)</b>										
2.3 CE	2,3	100	08.80-12.85	M 102.980	4	<b>ZLE 135</b>	<b>VSO 103</b>		<b>VSO 105</b>	
<b>230 (Typ 123)</b>										
2.3 E	2,3	100	08.80-12.85	M 102.980	4	<b>ZLE 135</b>	<b>VSO 103</b>		<b>VSO 105</b>	
2.3 E	2,3	80	09.77-03.81	M 115.954	4	<b>ZLE 121</b>	<b>GO 3 H</b>		<b>VESO 105</b>	<b>WVES 1</b>
2.3 E	2,3	100	04.80-12.85	M 102.980	4	<b>ZLE 135</b>	<b>VSO 103</b>		<b>VSO 105</b>	
<b>230 CE (Typ 124)</b>										
2.3 CE	2,3	97-100	01.85-06.93	M 102.982	4	<b>ZLE 135</b>	<b>VSO 103</b>		<b>VSO 105</b>	
<b>230 (Typ 124)</b>										
2.3 E	2,3	97-100	01.85-06.93	M 102.982	4	<b>ZLE 135</b>	<b>VSO 103</b>		<b>VSO 105</b>	
<b>230 (Typ 460)</b>										
2.3 G	2,3	66	03.79-03.82	M 115.973	4	<b>ZLE 121</b>	<b>GO 3 H</b>		<b>VESO 105</b>	<b>WVES 1</b>
2.3 GE	2,3	90-92	01.81-10.92	M 102.981/987	4	<b>ZLE 135</b>	<b>VSO 103</b>		<b>VSO 105</b>	
<b>230 (Typ 463)</b>										
2.3 GE	2,3	93	09.89-08.93	M 102.989	4	<b>ZLE 135</b>	<b>VSO 103</b>		<b>VSO 105</b>	
<b>230/4 (Typ 115)</b>										
2.3	2,3	81	08.73-12.76	M 115.951	4	<b>ZLE 120</b>	<b>VESO 105</b>	<b>WVES 1</b>	<b>VESO 105</b>	<b>WVES 1</b>
<b>250 (Typ 114)</b>										
2.5	2,5	85-96	01.68-08.72	M 114.920	6	<b>ZLE 120</b>	<b>VESO 105</b>	<b>WVES 1</b>	<b>VESO 105</b>	<b>WVES 1</b>
2.5 C	2,5	85-96	11.74-11.76	M 130	6	<b>ZLE 120</b>	<b>GO 3 H</b>		<b>VESO 105</b>	<b>WVES 1</b>
2.5 C, E	2,5	85-96	11.74-11.76	M 114	6	<b>ZLE 120</b>	<b>VESO 105</b>	<b>WVES 1</b>	<b>VESO 105</b>	<b>WVES 1</b>
2.8	2,8	96	06.72-11.76	M 130.923	6	<b>ZLE 120</b>	<b>VESO 105</b>	<b>WVES 1</b>	<b>VESO 105</b>	<b>WVES 1</b>
<b>250 (Typ 123)</b>										
2.5	2,5	95-103	01.76-10.77	M 123	6	<b>ZLE 120</b>	<b>VESO 105</b>	<b>WVES 1</b>	<b>VESO 105</b>	<b>WVES 1</b>
2.5	2,5	95-103	11.77-07.85	M 123.920/921	6	<b>ZLE 121</b>	<b>GO 3 H</b>		<b>VESO 105</b>	<b>WVES 1</b>
<b>260 (Typ 124)</b>										
2.6 E	2,6	118-122	09.85-08.92	M 103.940/943	6	<b>ZLE 135</b>	<b>VSO 103</b>		<b>VS 106</b>	
<b>260 (Typ 126)</b>										
2.6 SE, SEL	2,6	118-122	09.85-06.93	M 103.941	6	<b>ZLE 135</b>	<b>VSO 103</b>		<b>VSO 105</b>	
<b>280 (Typ 107)</b>										
2.8 SL/SLC	2,8	130-136	10.76-08.81	M 110.982/986/990	6	<b>ZLE 121</b>	<b>GO 3 H</b>		<b>VESO 105</b>	<b>WVES 1</b>
2.8 SL/SLC	2,8	130-136	09.81-07.85	M 110.982/986/990	6	<b>ZLE 121</b>	<b>GO 3 H</b>		<b>VSO 105</b>	
<b>280 (Typ 108)</b>										
2.8 SE,SEL 3.5	3,5	147	03.71-08.72	M 116.980	8	<b>ZLE 120</b>	<b>VESO 105</b>		<b>VESO 105</b>	
<b>300 (Typ 109)</b>										
3.0 SEL 3.5	3,5	147	01.70-07.72	M 116.981	8	<b>ZLE 120</b>	<b>VESO 105</b>		<b>VESO 105</b>	
<b>280 (Typ 114)</b>										
2.8 C, E, S, SE	2,8	118-136	06.72-02.77	M 110	6	<b>ZLE 121</b>	<b>GO 3 H</b>		<b>VESO 105</b>	<b>WVES 1</b>
<b>280 (Typ 116)</b>										
2.8 S, SE, SEL	2,8	115-136	11.77-08.80	M 110.922/985	6	<b>ZLE 121</b>	<b>VSO 103</b>		<b>VSO 105</b>	
3.5 SEC	3,5	143-151	08.72-07.80	M 116.983/985/993	8	<b>ZLE 121</b>	<b>GO 3 H</b>		<b>VESO 105</b>	<b>WVES 1</b>
<b>280 (Typ 123)</b>										
2.8 E, C, CE, TE	2,8	115-136	01.76-08.81	M 110.923	6	<b>ZLE 121</b>	<b>GO 3 H</b>		<b>VESO 105</b>	<b>WVES 1</b>
2.8 C, CE, E, TE	2,8	130-136	09.81-11.85	M 110.984/988	6	<b>ZLE 121</b>	<b>VSO 103</b>		<b>VSO 105</b>	
<b>280 (Typ 124)</b>										
2.8 E	2,8	145	10.92-06.93	M 104.942	6	<b>ZLE 225</b>	<b>VSO 103</b>			<b>VS 107</b>
<b>280 (Typ 126)</b>										
2.8 S, SE, SEL	2,8	115-136	10.79-08.81	M 110	6	<b>ZLE 121</b>	<b>GO 3 H</b>		<b>VESO 105</b>	<b>WVES 1</b>
2.8 S, SE, SEL	2,8	115-136	09.81-11.85	M 110	6	<b>ZLE 121</b>	<b>VSO 103</b>		<b>VSO 105</b>	
<b>280 (Typ 460)</b>										
2.8 GE	2,8	110	02.79-08.89	M 110.994	6	<b>ZLE 121</b>	<b>GO 3 H</b>		<b>VESO 105</b>	<b>WVES 1</b>
2.8 GE	2,8	110	11.79-08.89	M 110.994	6	<b>ZLE 121</b>	<b>VSO 103</b>		<b>VSO 105</b>	



kW



Zyl.  
Cyl.  
Cil.



**MERCEDES**

**300 (Typ 107)**

3.0 SL	3,0	132-138	09.85-08.89	M 103.982	6	ZLE 135	VESO 105	WVES 1	VESO 105	WVES 1
3.0 SL	3,0	132-138	09.85-08.89	M 103.982	6	ZLE 135	VSO 103		VSO 105	

**300 (Typ 124)**

3.0 CE, E, TE	3,0	132-138	09.85-06.93	M 103.980/983/985	6	ZLE 135	VSO 103			VS 106
3.0 CE, E, TE-24	3,0	162	09.88-08.92	M 104.980	6	ZLE 245	VSO 103		VSO 105	VS 107

**300 (Typ 126)**

3.0 SE, SEL	3,0	132-138	01.86-06.91	M 103.981	6	ZLE 121	VSO 103		VSO 105	
-------------	-----	---------	-------------	-----------	---	---------	---------	--	---------	--

**300 (Typ 129)**

3.0 SL	3,0	140	03.89-06.93	M 103.984	6	ZLE 135	VSO 103		VSO 105	
3.0 SL-24	3,0	170	03.89-06.93	M 104.981	6	ZLE 225		VS 107		VS 107

**300 (Typ 140)**

2.8-3.2 SE, SEL	2,8-3,2	145-170	03.91-06.93	M 104.990/992	6	ZLE 225		VS 107		VS 107
-----------------	---------	---------	-------------	---------------	---	---------	--	--------	--	--------

**300 (Typ 463)**

3.0 GE	3,0	125	09.89-08.93	M 103.987	6	ZLE 135	VSO 103		VSO 105	
--------	-----	-----	-------------	-----------	---	---------	---------	--	---------	--

**320 (Typ 140)**

3.2 S, SE, SEL	3,2	170	11.92-06.93	M 104.990	6	ZLE 225		VS 107		VS 107
----------------	-----	-----	-------------	-----------	---	---------	--	--------	--	--------

**350 (Typ 107)**

3.5 SL, SLC	3,5	143-144	10.71-01.73	M 116 DIN*	8	WBAK 4/14/5	VESO 105	WVES 1	VESO 105	WVES 1
3.5 SL, SLC	3,5	143-144	02.73-02.80	M 116 M4*	8	WBAK 4/14/5	GO 3 H		VESO 105	WVES 1

**350 (Typ 116)**

3.5 SE, SEL	3,5	143-151	10.71-01.73	M 116 DIN*	8	WBAK 4/14/5	VESO 105	WVES 1	VESO 105	WVES 1
3.5 SE, SEL	3,5	143-151	02.73-02.80	M 116 M4*	8	WBAK 4/14/5	GO 3 H		VESO 105	WVES 1

**380 (Typ 107)**

3.8 SL, SLC	3,8	150	09.80-08.85	M 116.962	8	WBAK 4/14/5	GO 3 H		VESO 105	WVES 1
3.8 SL, SLC	3,8	160	09.80-08.81	M 116.960	8	WBAK 4/14/5	GO 3 H		VESO 105	WVES 1

**380 (Typ 126)**

3.8 SE, SEC, SEL	3,8	120-160	01.80-12.86	M 116.961/963	8	ZLE 121	GO 3 H		VESO 105	WVES 1
------------------	-----	---------	-------------	---------------	---	---------	--------	--	----------	--------

**400 (Typ 124)**

4.2 E	4,2	205	10.92-06.93	M 119.975	8	ZLE 225	VSO 103		VSO 105	
-------	-----	-----	-------------	-----------	---	---------	---------	--	---------	--

**400 (Typ 140)**

4.2 SE, SEL	4,2	210	02.91-06.93	M 119.971	8	ZLE 225		VS 107		VS 107
-------------	-----	-----	-------------	-----------	---	---------	--	--------	--	--------

**420 (Typ 126)**

4.2 SE, SEC, SEL	4,2	150-170	09.85-06.91	M 116.965	8	ZLE 121	VSO 103		VSO 105	
------------------	-----	---------	-------------	-----------	---	---------	---------	--	---------	--

**420 (Typ 107)**

4.2 SL, SLC	4,2	150-160	01.86-08.89	M 116.964	8	ZLE 121	VSO 103		VSO 105	
-------------	-----	---------	-------------	-----------	---	---------	---------	--	---------	--

**450 (Typ 107)**

4.5 SL, SLC	4,5	160-165	01.73-04.80	M 117.982/985	8	WBAK 4/14/5	VESO 105	WVES 1	VESO 105	WVES 1
4.5 SL, SLC	4,5	160-165	01.73-10.80	M 117.982/986	8	WBAK 4/14/5	GO 3 H		VESO 105	WVES 1

**450 (Typ 116)**

4.5 SE, SEL	4,5	160-165	01.73-04.80	M 117.983/986	8	WBAK 4/14/5	VESO 105	WVES 1	VESO 105	WVES 1
4.5 SE, SEL	4,5	160-165	01.73-04.80	M 117.983/986	8	WBAK 4/14/5	GO 3 H		VESO 105	WVES 1
4.5 SEL 6.9	6,9	210	07.75-03.80	M 100.985	8	WBAK 4/14/5	GO 3 H		VESO 105	WVES 1

**500 (Typ 107)**

5.0 SL, SLC	5,0	164-180	03.80-08.89	M 117.960/962/964	8	WBAK 4/14/5	GO 3 H		VESO 105	WVES 1
-------------	-----	---------	-------------	-------------------	---	-------------	--------	--	----------	--------

**500 (Typ 124)**

5.0 E	5,0	235-240	10.90-06.93	M 119.972/974	8	ZLE 225	VSO 103		VSO 105	
5.0 E AMG	6,0	275	01.92-06.93		8	ZLE 225	VSO 103		VSO 105	

**500 (Typ 126)**

5.0 SE, SEC, SEL	5,0	164-195	01.80-08.85	M 117.961/963	8	WBAK 4/14/5	GO 3 H		VESO 105	WVES 1
5.0 SE, SEC, SEL	5,0	164-195	09.85-06.91	M 117.965	8	ZLE 121	VSO 103		VSO 105	
5.0 SE, SEC, SEL	5,0		09.85-06.91	M 117.961/963	8	ZLE 121	VSO 103		VSO 105	

**500 (Typ 129)**

5.0 SL	5,0	235	03.89-06.93	M 119.960/972	8	ZLE 225	VSO 103		VSO 105	
--------	-----	-----	-------------	---------------	---	---------	---------	--	---------	--

**500 (Typ 140)**

5.0 SE, SEC, SEL	5,0	235-240	02.91-06.93	M 119.970/972	8	ZLE 225	VSO 103		VSO 105	
------------------	-----	---------	-------------	---------------	---	---------	---------	--	---------	--

**560 (Typ 126)**

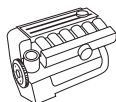
5.6 SE, SEC, SEL	5,6	178-220	10.85-06.91	M 117.968	8	ZLE 121	VSO 103		VSO 105	
------------------	-----	---------	-------------	-----------	---	---------	---------	--	---------	--

**600 (Typ 100)**

6.0	6,3	162-184	12.65-07.81	M 100.980/982	12	ZLE 120	VESO 105	WVES 1	VESO 105	WVES 1
-----	-----	---------	-------------	---------------	----	---------	----------	--------	----------	--------



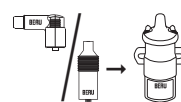
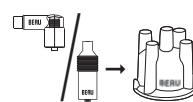
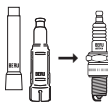
kW



Zyl.

Cyl.

Cil.



## MERCEDES

### 600 (Typ 129)

6.0 SL 6,0 290 10.92-06.93 M 120.981 12 **ZLE 227** **VSO 103** **VSO 105**

### 600 (Typ 140)

6.0 SE, SEC, SEL 6,0 290-300 04.91-06.93 M 120.980 12 **ZLE 227** **VSO 103** **VSO 105**



### 208

208 2,3 62 05.77-08.82 M 115.955 4 **ZLE 121** **GO 3 H** **VESO 105** **WVES 1**

### 210

210 2,3 70-77 08.82- M 102.942/945 4 **ZLE 121** **VSO 103** **VSO 105**

### L 206

L 206 1,6 39 01.72-02.73 Austin 4 **ZLE 120** **VESO 105** **WVES 1** **VESO 105** **WVES 1**

### L 207

L 207 1,8 51 03.73-07.77 Austin 4 **ZLE 120** **VESO 105** **WVES 1** **VESO 105** **WVES 1**

### L 306

L 306 1,6 39 01.72-02.73 Austin 4 **ZLE 120** **VESO 105** **WVES 1** **VESO 105** **WVES 1**

### L 307

L 307 1,8 51 03.73-07.77 Austin 4 **ZLE 120** **VESO 105** **WVES 1** **VESO 105** **WVES 1**

### L 308

L 308 2,3 62 05.77-03.79 M 115 4 **ZLE 120** **VESO 105** **WVES 1** **VESO 105** **WVES 1**

L 308 2,3 62 04.79-08.82 M 115 4 **ZLE 121** **GO 3 H** **VESO 105** **WVES 1**

### L 310

L 310 2,3 70-77 08.82- M 102 4 **ZLE 121** **VSO 103** **VSO 105**

### L 408 G

L 408 G 2,2 55-63 01.68-12.74 M 115 4 **ZLE 120** **VESO 105** **WVES 1** **VESO 105** **WVES 1**

### L 409

L 409 2,3 66 01.75-08.82 M 115 4 **ZLE 120** **VESO 105** **WVES 1** **VESO 105** **WVES 1**

### L 410

L 410 2,3 70 08.82-12.88 M 102 4 **ZLE 135** **VSO 103** **VSO 105**

### LF 408 G

LF 408 G 2,2 55-63 01.68-12.74 M 115 4 **ZLE 120** **VESO 105** **WVES 1** **VESO 105** **WVES 1**

### LK 409

LK 409 2,3 66 01.75-08.82 M 115 4 **ZLE 120** **VESO 105** **WVES 1** **VESO 105** **WVES 1**

### O 309

O 309 2,3 70 08.82-02.89 M 102 4 **ZLE 135** **VSO 103** **VSO 105**

### O 309 B

O 309 B 2,2-2,3 55-66 01.68-08.82 M 115 4 **ZLE 120** **VESO 105** **WVES 1** **VESO 105** **WVES 1**

## SPRINTER (901, 902)

214 2,3 105 02.95-05.06 M 111.979/M 111.984 4 **ZLE 234/ ZLE 245** **VS 107**

## SPRINTER (903)

314 2,3 105 02.95-05.06 M 111.979/M 111.984 4 **ZLE 234/ ZLE 245** **VS 107**

## SPRINTER (904)

414 2,3 105 02.96-05.06 M 111.979/M 111.984 4 **ZLE 234/ ZLE 245** **VS 107**

## T1 (601)

208 2,3 63 05.77-08.82 M 115.972/M 115.955 4 **ZLE 121** **GO 3** **VSO 105**

210 2,3 70 07.82-01.90 M 102.942 4 **ZLE 121** **VSO 103** **VSO 105**

210 2,3 77 05.89-02.96 M 102.945 4 **ZLE 121** **VSO 103** **VSO 105**

## VITO (638)

113 2,0 95 02.96-07.03 M 111.948 4 **ZLE 234/ ZLE 245** **VS 107**

114 2,3 100-105 12.96-07.03 M 111.978 4 **ZLE 234/ ZLE 245** **VS 107**

## MITSUBISHI

### Celeste

1.4 1,4 44 01.75-12.79 4G33 4 ▲

1.6 1,6 54 01.77-12.81 4G32 4 **ZLE 107/1** ▲ ▲

2.0 2,0 66-77 01.75-12.81 4G52 4 ▲

### Colt I

1.2 GL 1,2 40 12.78-01.84 4G11 4 **ZLE 107/1** ▲ ▲

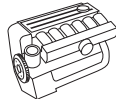
1.3 1,3 49-55 11.83-08.90 4G13 4 ▲

1.4 GLX,GT 1,4 51 05.79-01.84 4 G 12 4 **ZLE 107/1** ▲ ▲

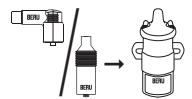
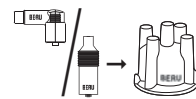
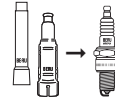
1.4 1,4 52 01.79-12.84 4G12 4 ▲



kW



Zyl.  
Cyl.  
Cil.



**MITSUBISHI**

**Colt I**

1.4 Turbo	1,4	77	09.81-01.84	4 G 12 T	4	ZLE 107/1	▲		▲
-----------	-----	----	-------------	----------	---	-----------	---	--	---

**Colt II**

1.2	1,2	44	11.83-12.90	4G16	4	▲			
1.2	1,2	40-44	01.85-12.87	AG11, AG12	4	▲			
1.2 EL, GL	1,2	40	02.84-09.86	4G16	4	ZLE 107/1	▲		▲
1.2 EL, GL	1,2	44	09.86-04.88	4G16	4	ZLE 107/1	▲		▲
1.4	1,4	52	01.85-12.87	AG11, AG12	4	▲			
1.5 GLX	1,5	51	09.85-04.88	G15B	4	ZLE 107/1	▲		▲
1.5	1,5	55	01.84-12.90	4G15	4	ZLE 107/1	▲		▲
1.5i	1,5	62	01.83-12.89	4G15	4	▲			
1.6, Turbo	1,6	92	11.83-04.88	4G32T	4	▲			
1.6i	1,6	91-100	01.83-12.89	4G61	4	▲			
1.6 Turbo Eci	1,6	92	02.84-04.88	4G32T/C	4	ZLE 107/1	▲		▲

**Colt III**

1.5 GLXi	1,5	62	04.88-05.92	4G15	4	ZLE 107/1	▲		▲
1.5 KAT	1,5	66	07.90-05.92	4G15	4	ZLE 107/1	▲		▲

**Cordia**

1.6 GSL	1,6	55	10.82-12.86	4G32	4	ZLE 107/1	▲		▲
1.6 Turbo	1,6	84	10.82-05.85	4G32 T	4	ZLE 107/1	▲		▲
1.6 Turbo	1,6	85	07.83-05.85	4G32 T	4	ZLE 107/1	▲		▲
1.8 GSL	1,8	66	09.86-10.86	4G37	4	ZLE 107/1	▲		▲
1.8 Turbo	2,0	100	09.84-10.84	4G62 T	4	ZLE 107/1	▲		▲

**Galant**

1.6 GLX	1,6	55	01.82-12.83	4G32	4	ZLE 107/1	▲		▲
1.6	1,6	55	01.84-12.89	4G32	4	▲			
1.8	1,8	63-66	01.90-10.92	4G37	4	ZLE 107/1	▲		▲
1.8i	1,8	85	04.93-03.97	4G93	4	▲			
1.6	1,6	55	01.77-08.80	4G32	4	ZLE 107/1	▲		▲
2.0 GLX	2,0	63	01.77-08.80	4G52	4	ZLE 107/1	▲		▲
2.0 GLS	2,0	66	06.86-12.87	G63B	4	ZLE 107/1	▲		▲
2.0	2,0	71	01.79-04.80	4G52	4	▲			
2.0	2,0	72	01.79-08.80	4G52	4	ZLE 107/1	▲		▲
2.0 GLS	2,0	75	05.80-12.87	4G63	4	ZLE 107/1	▲		▲
2.0i	2,0	80	03.88-12.93	4G63/4G63B	4	ZLE 107/1	▲		▲
2.0i	2,0	85	01.94-12.99	4G93	4	▲			
2.0 GLSi	2,0	100	04.97-12.99	4G63	4	▲			
2.0i 16V	2,0	101	11.92-11.97	4G63	4	▲			
2.0 GTi 4WD	2,0	107	09.88-03.93	4G63	4	▲			
2.0i Turbo	2,0	110-125	01.82-05.85	4G63T	4	ZLE 107/1	▲		▲
2.0i	2,0	110	04.93-03.97	4G63	6	▲			
2.4i	2,4	82	07.85-02.88	G64B	4	ZLE 107/1	▲		▲
2.5i	2,5	125	04.93-03.97	6G73	6	▲			
2.5i	2,5	120	04.97-09.00	6A13	6	▲			
2.5i 24V 4WD	2,5	125	01.91-03.97	6G73	6	▲			

**L 200**

1.6	1,6	55-62	01.78-12.86	4G13	4	▲			
2.0	2,0	64-110	01.85-12.86	4G63	4	▲			

**L 300**

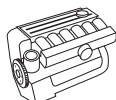
2.0	2,0	64-66	01.78-12.93	4G63	4	▲			
2.4	2,4	80-82	01.85-12.94	4G64	4	▲			

**Lancer**

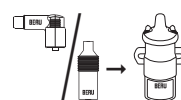
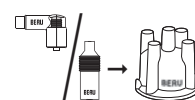
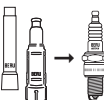
1.2	1,2	40	01.73-12.77	4G	4	▲			
1.2	1,2	41	01.78-12.83	4G	4	▲			
1.2	1,2	44	01.84-12.89	4G12, 4G15, 4G16	4	▲			
1.4	1,4	44	01.73-12.77	4G33	4	▲			
1.4	1,4	51-52	01.78-10.83	4G1	4	▲			
1.5	1,5	51-55	09.83-08.89	4G12, 4G15, 4G16	4	▲			
1.6	1,6	62	01.73-12.83	4G32	4	▲			
1.6	1,6	62	01.81-12.89	4G32T	4	▲			
1.6i	1,6	62	11.83-12.89	4G12, 4G15, 4G16	4	▲			
1.6i	1,6	83	01.96-12.00	4G92	4	▲			



kW



Zyl.  
Cyl.  
Cil.



## MITSUBISHI

### Lancer

1.6 16V GTi	1,6	91-100	01.87-05.90	4G61	4	▲			
1.8i	1,8	61-62	06.85-05.90	G37B	4	▲			
1.8i, 4WD	1,8	71	01.88-06.92	4G37	4	▲			
1.8 16V GTi	1,8	100-103	01.87-06.92	4G67,4G93	4	▲			
1.8i	1,8	100	11.89-05.92	4G67	4	▲			
2.0 Turbo	2,0	125	03.81-10.83	4G63T	4	▲			

### Mirage

1.5	1,5	64	01.85-12.89		4	▲			
1.6 Turbo	1,6	88	01.85-12.90		4	▲			

### Pajero

2.3	2,3	82	01.84-12.90	4G64	4	▲			
2.4i	2,4	82	01.83-12.89	4G64	4	▲			
2.6	2,6	76	12.82-12.90	4G54	4	▲			
3.0	3,0	104	11.88-11.90	4G72	6	▲			
3.0i	3,0	110	12.90-04.00	6G72	6	▲			
3.5i 24V	3,5	153	11.93-04.00	6G74	6	▲			

### Sapporo

1.6	1,6	55	01.78-07.80	4G32	4	ZLE 107/1	▲		▲
2.0	2,0	66	04.78-07.80	4G52	4	ZLE 107/1	▲		▲
2.0	2,0	72-79	04.78-07.80	4G52	4	ZLE 107/1	▲		▲
2.0	2,0	75-83	01.79-11.84	4G63	4	ZLE 107/1	▲		▲
2.0 Turbo ECi	2,0	125	08.82-08.83	4 G 63 T (ECI)	4	ZLE 107/1	▲		▲
2.4	2,4	91-95	01.86-12.90	4G64	4	▲			

### Space Wagon

1.8	1,8	66	01.83-04.91	4G37	4	▲			
1.8i 16V	1,8	85-90	01.90-12.96	4G93	4	▲			
2.0	2,0	62-69	01.85-12.91	G63B	4	▲			
2.0i	2,0	74-75	01.85-12.92	G63B, 4G63	4	▲			
2.0i 16V	2,0	98	06.92-10.98	4G63	4	▲			

### Starion

2.0, Turbo	2,0	110-132	01.82-12.89	4G63	4	▲			
2.6 Turbo	2,6	108-114	06.86-12.90	G54B	4	▲			

### Tredia

1.4	1,4	50-51	10.82-12.86	4G12, 4G32	4	▲			
1.6	1,6	55	10.82-12.86	4G12, 4G32	4	▲			
1.6 Turbo	1,6	84-88	10.82-12.85	4G32T	4	▲			
1.8	1,8	66-77	08.84-07.86	4G37	4	▲			

## MORRIS → ROVER

### MOSKVITCH

#### 407, 408, Cavalier 1500

1.4-1.5	1,4-1,5	33-55	01.65-12.75		4	▲			
---------	---------	-------	-------------	--	---	---	--	--	--

## NISSAN

### Bluebird

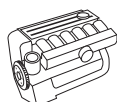
1.6 (160B)	1,6	62-66	01.71-12.79	L16	4	▲			
1.6	1,6	62-66	01.80-12.90	L 16	4	▲			
1.8	1,8	65	01.80-12.93	L18S	4	ZLE 107/1	▲		▲
1.8 (180B)	1,8	66-99	01.71-12.79	L18, CA18	4	▲			
1.8	1,8	66-99	01.80-12.90	L18,CA18	4	▲			
1.8 Turbo	1,8	88-100	01.84-12.91	CA18	4	▲			
2.0	2,0	75	01.80-12.90	L20	4	▲			
2.0 i	2,0	77	01.84-01.88	CA20E	4	ZLE 107/1	▲		▲

### Cherry

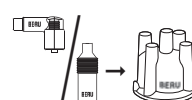
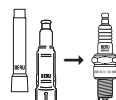
1.0 100A, 120A	1,0	32	01.71-12.76	E10	4	▲			
1.0 Europé	1,0	37	01.81-12.84	E10	4	▲			
1.0 F-II	1,0	32	01.76-12.80	E10	4	▲			
1.2	1,2	38	09.78-02.82	E10	4	▲			
1.2 100A, 120A	1,2	38	01.71-12.76	A12	4	▲			



kw



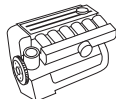
Zyl.  
Cyl.  
Cil.



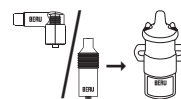
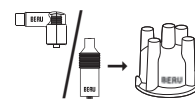
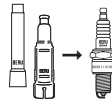
NISSAN										
<b>Cherry</b>										
1.2	1,2	38	10.78-07.81	A12	4	ZLE 107/1	▲		▲	
1.2 Europé	1,2	38	01.84-12.86	E10	4	▲				
1.2 F-II	1,2	38	01.76-12.80	E10	4	▲				
1.3	1,3	44	01.79-10.86	E13	4	ZLE 107/1	▲		▲	
1.3	1,3	44-49	05.82-12.86	E13	4	▲				
1.3 Europé	1,3	44	01.81-12.84	E13	4	▲				
1.4 Europé	1,4	59	01.84-12.86	A14S	4	▲				
1.5	1,5	51	05.82-05.86	E15	4	▲				
1.5 Europé	1,5	51	01.81-12.84	E15	4	▲				
1.5	1,5	55	11.83-10.86	E15S	4	ZLE 107/1	▲		▲	
1.5i Turbo	1,5	77	01.84-12.86	N12	4	▲				
1.6	1,6	51	01.82-12.86	E16	4	▲				
<b>Homer</b>										
2.0	2,0	55	01.75-12.80	E20	4	▲				
<b>Laurel</b>										
2.0	2,0	71	01.73-12.85	L20	4	▲				
2.4	2,4	83-94	01.79-12.85	L24	6	▲				
<b>Micra</b>										
1.0 K 10	1,0	37-40	12.82-11.88	MA 10	4	▲				
1.0 16V	1,0	40	08.92-09.00	CG10DE	4	▲				
1.0i	1,0	37-40	12.82-12.89	MA10	4	▲				
1.2	1,2	40	01.85-12.92	MA12	4	▲				
1.3i 16V	1,3	55	08.92-09.00	CG13DE	4	▲				
<b>Patrol</b>										
2.8	2,8	88	01.79-12.88	L12	6	▲				
4.2	4,2	118-125	01.78-12.88	TB42	6	▲				
<b>Prairie</b>										
1.5	1,5	51	01.83-09.88	E15S	4	▲				
1.8	1,8	66	07.83-09.88	CA18S	4	▲				
2.0	2,0	72	10.88-12.92	CA20E	4	▲				
2.4i	2,4	98	09.92-07.94	KA24E	4	▲				
<b>Santana</b>										
1.8 Gi	1,8	74	08.84-01.87	JN	4	ZLE 205	VESO 116	VES 105	VESO 116	VES 105
2.0 Xi 5	2,0	81-118	02.87-	HP, JS	5	ZLE 205	VESO 116	VES 105	VESO 116	VES 105
<b>Silvia</b>										
1.8 180 SX	1,8		01.83-09.88	L18E	4	▲				
1.8 Turbo	1,8	90	01.83-01.89	CA18ET	4	▲				
2.0i	2,0	107	08.83-09.88	FJ20E	4	▲				
<b>Stanza</b>										
1.6	1,6	60	01.81-03.86	CA OHC	4	▲				
1.8	1,8	65	01.81-03.86	CA OHC	4	▲				
<b>Sunny</b>										
1.2 120Y	1,2	38	01.73-12.77	B210	4	▲				
1.2 120Y	1,2	38	01.78-02.82	B310	4	▲				
1.3	1,3	44	03.82-12.90	E 13	4	▲				
1.4	1,4	55	01.88-03.91	GA-14S	4	▲				
1.4 140Y	1,4	49	01.78-02.82	B310	4	▲				
1.4 16V 4WD	1,4	55	01.90-05.95	GA14OS	4	▲				
1.4i	1,4	55	01.93-12.95	GA14DE	4	▲				
1.4i 16V	1,4	55	04.91-05.95	GA14	4	▲				
1.5 140 Y	1,5	49	01.78-02.82	B310	4	▲				
1.5	1,5	51-56	01.81-12.83	A15	4	▲				
1.5	1,5	51-55	03.82-08.90	E 15	4	▲				
1.6i	1,6	66	01.88-12.90	GA 16 DOHC	4	▲				
1.6i 16V	1,6	81	01.91-12.95	GA16DE	4	▲				
2.0 16V GTi	2,0	105	10.90-05.95	SR20DE	4	▲				
2.0i 16V GT 4WD	2,0	105	10.90-05.95	SR20DET	4	▲				
<b>Violet</b>										
1.4	1,4	55	01.73-10.81	A14	4	▲				
1.6	1,6	66	01.73-10.81	L16	4	▲				



kW



Zyl.  
Cyl.  
Cil.

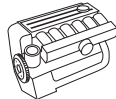


NSU										
<b>1000</b>										
1,0 C	1.0	29	08.63-12.72		4	WBA 4/14/5	▲			
<b>1200</b>										
1,2 C	1.2	40	09.69-11.71		4	WBA 4/14/5	▲			
<b>TT</b>										
1.2	1.2	48	07.65-11.71		4	WBA 4/14/5	▲			
<b>TTS</b>										
1.0	1.0	52	01.70-11.71		4	WBA 4/14/5	▲			
<b>PRINZ</b>										
1000	1.0	29	09.69-03.74		4	WBA 4/14/5	▲			
1200	1.2	48	09.69-03.74		4	WBA 4/14/5	▲			

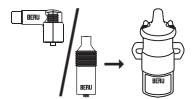
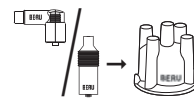
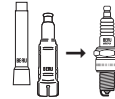
OPEL										
<b>Admiral</b>										
2.8	2,8	95-107	09.65-02.75	28E, H, S	6	ZLE 137	VESO 105	WVES 1	VESO 105	WVES 1
2.8	2,8	95-107	03.75-01.78	28E, H, S	6	ZLE 137	VESO 105	WVES 1	VESO 105	WVES 1
<b>Ascona A</b>										
1.2	1,2	44	04.72-08.75	12S	4	ZLE 317		WVES 1		WVES 1
1.6	1,6	44	03.75-08.75	16N	4	ZLE 317		WVES 1		WVES 1
1.6	1,6	50	10.70-02.75	16N	4	ZLE 317		WVES 1		WVES 1
1.6	1,6	55	03.75-08.75	16S	4	ZLE 317		WVES 1		WVES 1
1.6	1,6	59	10.70-02.75	16S	4	ZLE 317		WVES 1		WVES 1
1.9	1,9	65	03.75-08.75	19S	4	ZLE 317		WVES 1		WVES 1
1.9	1,9	66	03.71-02.75	19S	4	ZLE 317		WVES 1		WVES 1
<b>Ascona B</b>										
1.2	1,2	40	08.76-02.79	12N,S	4	ZLE 317		WVES 1		WVES 1
1.2 S	1,2	44	09.75-02.79	12 S	4	ZLE 317		WVES 1		WVES 1
1.3	1,3	44	03.79-08.81	13N	4	ZLE 317		WVES 1		WVES 1
1.3	1,3	55	08.79-08.81	13S	4	ZLE 317		WVES 1		WVES 1
1.6	1,6	44	09.75-08.81	16N	4	ZLE 317		WVES 1		WVES 1
1.6	1,6	55	09.75-08.81	16S	4	ZLE 317		WVES 1		WVES 1
1.9	1,9	55	08.76-08.81	19N	4	ZLE 317		WVES 1		WVES 1
1.9	1,9	66	09.75-08.81	19S	4	ZLE 317		WVES 1		WVES 1
2.0	2,0	66	08.77-08.81	20N	4	ZLE 317		WVES 1		WVES 1
2.0	2,0	74	08.77-08.81	20S	4	ZLE 317		WVES 1		WVES 1
2.0	2,0	81	08.79-08.81	20E	4	ZLE 317		WVES 1		WVES 1
<b>Ascona C</b>										
1.3	1,3	44	09.81-08.86	13N	4	ZLE 317		WVES 1		WVES 1
1.3	1,3	55	09.81-08.88	13S	4	ZLE 317		WVES 1		WVES 1
1.6	1,6	55	09.81-08.88	16N	4	ZLE 317		WVES 1		WVES 1
1.6	1,6	66	09.81-08.86	16SH	4	ZLE 317		WVES 1		WVES 1
1.6i	1,6	55	09.86-08.88	C16LZ, C16NZ	4	ZLE 317		WVES 1		WVES 1
1.6i	1,6	55	09.87-08.88	E16NZ	4	ZLE 317		WVES 1		WVES 1
1.8	1,8	62	09.87-08.88	E18NV,S, 18NV	4	ZLE 317		WVES 1		WVES 1
1.8	1,8	74	01.85-08.86	C18NE	4	ZLE 317		WVES 1		WVES 1
1.8i	1,8	85	09.82-08.86	18E, 18SE	4	ZLE 317		WVES 1		WVES 1
2.0i	2,0	74	08.87-08.88	C20NEF	4	ZLE 317		WVES 1		WVES 1
2.0i	2,0	85	09.86-08.88	C20NE	4	ZLE 317		WVES 1		WVES 1
2.0i	2,0	85	09.86-08.88	20NE	4	ZLE 317		WVES 1		WVES 1
2.0i GT	2,0	95	03.87-08.88	20SEH	4	ZLE 317		WVES 1		WVES 1
<b>Astra F</b>										
1.4i	1,4	44	09.91-01.98	14NV, C14NZ	4	ZL 005		GS 15 +		GS 15 +
								0 901 300 199,....200		0 901 300 199,....200
1.4i	1,4	60	03.92-01.98	14SE, C14SE	4	ZL 005		GS 15 +		GS 15 +
								0 901 300 199,....200		0 901 300 199,....200
1.4i 16V	1,4	66	01.96-01.98	X14XE	4	ZL 105		GS 15 +		GS 15 +
								0 901 300 199,....200		0 901 300 199,....200
1.6i	1,6	52	03.93-07.96	X16SZ	4	ZL 105		GS 15 +		GS 15 +
								0 901 300 199,....200		0 901 300 199,....200
1.6i	1,6	55	03.92-01.98	C16NZ	4	ZL 005		GS 15 +		GS 15 +
								0 901 300 199,....200		0 901 300 199,....200



kw



Zyl.  
Cyl.  
Cil.



**OPEL**

**Astra F**

1.6i	1,6	55	01.96-01.98	X16SZR	4	ZL 005	GS 15 + 0 901 300 199,...200	GS 15 + 0 901 300 199,...200
1.6 Si	1,6	74	05.92-12.94	C16SE	4	ZL 105	GS 15 + 0 901 300 199,...200	GS 15 + 901 300 199,...200
1.6i 16V	1,6	74	08.94-01.98	X16XEL	4	ZL 105	GS 15 + 0 901 300 199,...200	GS 15 + 0 901 300 199,...200
1.8i	1,8	66	09.91-01.98	C18NZ	4	ZL 005	GS 15 + 0 901 300 199,...200	GS 15 + 0 901 300 199,...200
1.8i 16V	1,8	85	11.94-02.96	C18XEL	4	ZL 104	GS 15 + 0 901 300 199,...200	GS 15 + 0 901 300 199,...200
1.8i 16V	1,8	85	03.96-01.98	X18XE	4	ZL 104	GS 16 + 0 901 300 911,...912	GS 16 + 0 901 300 911,...912
1.8i 16V	1,8	92	06.93-10.94	C18XE	4	ZL 104	GS 16 + 0 901 300 911,...912	GS 16 + 0 901 300 911,...912
2.0i	2,0	85	09.91-01.98	C20NE	4	▲	GS 16 + 0 901 300 911,...912	GS 16 + 0 901 300 911,...912
2.0i 16V	2,0	100	02.95-09.98	X20XEV	4	ZL 104	GS 16 + 0 901 300 911,...912	GS 16 + 0 901 300 911,...912
2.0 GSi 16V	2,0	110	09.91-12.93	C20XE	4	ZLE 200	VESO 120 VES 114	VESO 120 VES 114

**Calibra A**

2.0i	2,0	85	06.90-07.97	C20NE	4	▲	GS 16 + 0 901 300 911,...912	GS 16 + 0 901 300 911,...912
2.0i 16V	2,0	100	02.94-07.97	X20XEV	4	▲	VESO 124	VESO 124
2.0i 16V	2,0	110	06.90-02.94	C20XE → Mot.Nr. 14028514	4	ZLE 200	VESO 124	VESO 120 VES 114
2.0i 16V	2,0	110	06.90-02.94	C20XE Mot.Nr. 14028515 →	4	ZLE 200	VESO 120 VES 114	VESO 120 VES 114
2.0i 16V Turbo	2,0	150	03.92-07.97	C20LET	4	ZLE 200	VESO 124	VESO 124
2.5i V6	2,5	125	04.93-07.97	C25XE	6	ZL 104	GS 16 + 0 901 300 911,...912	GS 16 + 0 901 300 911,...912

**Commodore B**

2.5	2,5	85	01.72-07.78	25S	6	ZLE 317	WVES 1	WVES 1
2.5 GS	2,5	96	01.72-08.75	25H	6	ZLE 317	WVES 1	WVES 1
2.8 GS, GS/E	2,8	103-114	01.72-07.78	28HC	4	ZLE 317	WVES 1	WVES 1
2.8 GS/E	2,8	118	07.72-02.75	28E, 28EC	6	ZLE 317	WVES 1	WVES 1

**Commodore C**

2.5	2,5	85	12.80-12.82	25S	6	ZLE 317	WVES 1	WVES 1
2.5	2,5	96	12.80-12.82	25E	6	ZLE 317	WVES 1	WVES 1

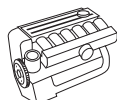
**Corsa A**

1.0	1,0	33	09.82-03.93	10S	4	ZLE 317	VESO 105 WVES 1	VESO 105 WVES 1
1.2	1,2	33	01.85-10.87	12NC, E12GV	4	ZLE 317	VESO 105 WVES 1	VESO 105 WVES 1
1.2	1,2	38	01.90-03.93	12NV	4	ZLE 317	VESO 105 WVES 1	VESO 105 WVES 1
1.2i	1,2	33	03.87-10.89	E12GV	4	ZLE 317	VESO 105 WVES 1	VESO 105 WVES 1
1.2i	1,2	33	09.89-03.93	C12NZ	4	ZL 005	GS 15 + 0 901 300 199,...200	GS 15 + 0 901 300 199,...200
1.2	1,2	40	09.82-02.90	12S, 12ST	4	ZLE 317	GS 15 + 0 901 300 199,...200	GS 15 + 0 901 300 199,...200
1.3i	1,3	44	09.85-10.87	13NB	4	ZLE 317	GS 15 + 0 901 300 199,...200	GS 15 + 0 901 300 199,...200
1.3i	1,3	44	09.89-03.93	C13N	4	ZLE 317	GS 15 + 0 901 300 199,...200	GS 15 + 0 901 300 199,...200
1.3	1,3	51	09.82-10.89	13S, 13SB	4	ZLE 317	GS 15 + 0 901 300 199,...200	GS 15 + 0 901 300 199,...200
1.4i	1,4	44	01.90-03.93	C14NZ	4	ZL 005	GS 15 + 0 901 300 199,...200	GS 15 + 0 901 300 199,...200
1.4	1,4	53	01.90-03.93	14NV	4	ZL 005	GS 15 + 0 901 300 199,...200	GS 15 + 0 901 300 199,...200
1.4i	1,4	60	09.91-03.93	C14SE	4	ZL 005	GS 15 + 0 901 300 199,...200	GS 15 + 0 901 300 199,...200
1.6 GSi	1,6	72	09.89-03.93	C16SEI	4	ZL 005	GS 15 + 0 901 300 199,...200	GS 15 + 0 901 300 199,...200

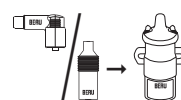
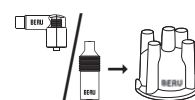
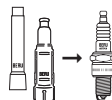




kw



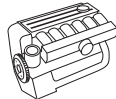
Zyl.  
Cyl.  
Cil.



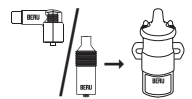
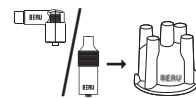
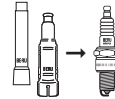
OPEL									
<b>Corsa A</b>									
1.6 GSi	1,6	74	05.88-03.93	E16SE	4	ZL 005	GS 15 + 0 901 300 199,....200	GS 15 + 0 901 300 199,....200	
1.6 GSi	1,6	74	02.92-03.93	C16SE	4	ZL 005	GS 15 + 0 901 300 199,....200	GS 15 + 0 901 300 199,....200	
<b>Corsa B</b>									
1.0i 12V	1,0	40	11.96-09.00	X10XE	3	ZL 105	GS 15 + 0 901 300 199,....200	GS 15 + 0 901 300 199,....200	
1.2i	1,2	33	03.93-09.00	12NZ, C12NZ	4	ZL 005	GS 15 + 0 901 300 199,....200	GS 15 + 0 901 300 199,....200	
1.2i	1,2	33	03.93-09.00	X12SZ	4	▲			
1.4i	1,4	40	11.96-10.01	X14SX	4	▲			
1.4i	1,4	44	03.93-06.94	C14NZ	4	ZL 005	GS 15 + 0 901 300 199,....200	GS 15 + 0 901 300 199,....200	
1.4i	1,4	60	03.93-09.00	C14SE	4	▲			
1.4 i 16V	1,4	63	08.97-09.00	C 14 SEL	4	ZL 105	GS 15 + 0 901 300 199,....200	GS 15 + 0 901 300 199,....200	
1.4i 16V	1,4	66	09.94-09.00	X14XE	4	ZL 105	GS 15 + 0 901 300 199,....200	GS 15 + 0 901 300 199,....200	
1.6 i 16V	1,6	74	08.97-09.00	C 16 SEL	4	ZL 105	GS 15 + 0 901 300 199,....200	GS 15 + 0 901 300 199,....200	
1.6i 16V	1,6	78	09.94-09.00	X16XE	4	ZL 105	GS 15 + 0 901 300 199,....200	GS 15 + 0 901 300 199,....200	
1.6 GSi 16V	1,6	80	03.93-09.00	C16XE	4	ZL 105	GS 15 + 0 901 300 199,....200	GS 15 + 0 901 300 199,....200	
<b>Diplomat B</b>									
2.8	2,8	121	03.69-01.78	28E, 28H	4	ZLE 137	VESO 105	WVES 1	VESO 105 WVES 1
<b>Frontera A</b>									
2.2 i	2,2	100	03.95-10.98	X 22 XE	4	ZL 104	GS 16 + 0 901 300 911,....912	GS 16 + 0 901 300 911,....912	
<b>Kadett A</b>									
-			01.62-12.65		4	ZLE 137	VESO 105	WVES 1	VESO 105 WVES 1
<b>Kadett B</b>									
1.1/1.2	1,1/ 1,2	29-33	01.66-07.73		4	ZLE 137	VESO 105	WVES 1	VESO 105 WVES 1
<b>Kadett C</b>									
1.0	1,0	29	01.74-07.79	10N	4	ZLE 317	VESO 105	WVES 1	VESO 105 WVES 1
1.2	1,2	38	08.73-04.77	12N	4	ZLE 317	VESO 105	WVES 1	VESO 105 WVES 1
1.2	1,2	40	08.73-07.79	12N	4	ZLE 317	VESO 105	WVES 1	VESO 105 WVES 1
1.2	1,2	44	08.73-07.79	12S	4	ZLE 317	VESO 105	WVES 1	VESO 105 WVES 1
1.6	1,6	55	05.77-07.79	16S	4	ZLE 317	VESO 105	WVES 1	VESO 105 WVES 1
1.9i Coupé GT/E	1,9	77	09.75-07.77	19E	4	ZLE 317	VESO 105	WVES 1	VESO 105 WVES 1
2.0i Coupé GT/E	2,0	85	08.77-07.79	20EH	4	ZLE 317	VESO 105	WVES 1	VESO 105 WVES 1
2.0i Coupé Rally	2,0	81	08.77-07.79	20E	4	ZLE 317	VESO 105	WVES 1	VESO 105 WVES 1
<b>Kadett D</b>									
1.0	1,0	29	08.79-07.82	10N	4	ZL 302	▲		▲
1.0	1,0	37	08.79-07.82	10S	4	ZL 302	▲		▲
1.2	1,2	39	08.79-07.82	12N	4	ZL 302	▲		▲
1.2	1,2	40	08.82-08.84	12ST	4	ZL 302	▲		▲
1.2	1,2	44	08.79-08.84	12S	4	ZL 302	▲		▲
1.3	1,3	44	08.79-08.84	13N	4	ZL 302	▲		▲
1.3	1,3	44	08.79-08.84	13N	4	ZL 302	▲		▲
1.3	1,3	55	08.79-08.84	13S	4	ZL 302	▲		▲
1.3	1,3	55	08.79-08.84	13S	4	ZL 302	▲		▲
1.6	1,6	66	09.81-08.84	16SH	4	ZL 302	▲		▲
1.8 GT/E	1,8	85	02.83-08.84	18E	4	ZL 302	▲		▲
<b>Kadett E</b>									
1.2	1,2	40	09.84-07.86	12S, ST	4	ZL 302	▲		▲
1.3	1,3	40	09.84-07.86	12SC	4	ZL 302	▲		▲
1.3	1,3	44	09.84-08.91	13N, 13NB	4	ZL 302	▲		▲
1.3i	1,3	44	09.85-08.91	C13N	4	ZL 302	▲		▲
1.3	1,3	55	09.84-02.93	13S	4	ZL 302	▲		▲



kw



Zyl.  
Cyl.  
Cil.



**OPEL**

**Kadett E**

1.4i	1,4	44	01.90-08.91	C14NZ	4	ZL 005	GS 15 + 0 901 300 199,...200		GS 15 + 0 901 300 199,...200	
1.4	1,4	55	01.90-08.91	14NV	4	ZL 005	GS 15 + 0 901 300 199,...200		GS 15 + 0 901 300 199,...200	
1.6	1,6	60	09.86-02.93	16 SV	4	ZL 005	▲		▲	
1.6	1,6	66	09.84-08.86	16S, 16SH	4	ZL 302	▲		▲	
1.6i	1,6	55	09.86-02.93	E16NZ	4	ZL 005	▲		▲	
1.6i	1,6	55	10.87-02.93	C16NZ, C16LZ	4	ZL 005	GS 15 + 0 901 300 199,...200		GS 15 + 0 901 300 199,...200	
1.8	1,8	62	09.89-08.91	18SE	4	ZL 005	GS 15 + 0 901 300 199,...200		GS 15 + 0 901 300 199,...200	
1.8	1,8	62	09.87-08.91	E18 NV, S18NV	4	ZL 005	GS 15 + 0 901 300 199,...200		GS 15 + 0 901 300 199,...200	
1.8i	1,8	66	06.85-08.91	C18NT	4	ZL 005	▲		▲	
1.8i	1,8	66	06.85-08.91	C18NZ	4	ZL 005	GS 15 + 0 901 300 199,...200		GS 15 + 0 901 300 199,...200	
1.8i	1,8	74	10.85-08.86	C18NE	4	ZL 005	▲		▲	
1.8 GSi	1,8	85	09.84-08.86	18E	4	ZL 005	▲		▲	
2.0i	2,0	85	10.86-02.93	C20NE	4	ZL 005	GS 15 + 0 901 300 199,...200		GS 15 + 0 901 300 199,...200	
2.0 GSi	2,0	85	09.86-08.91	20NE	4	ZL 005	GS 15 + 0 901 300 199,...200		GS 15 + 0 901 300 199,...200	
2.0i	2,0	95	09.86-08.91	20SEH, SER	4	ZL 005	▲		▲	
2.0 16V GSi	2,0	110	03.88-08.91	C20XE	4	ZLE 200	VESO 120	VES 114	VESO 120	VES 114
2.0 16V GSi	2,0	110	03.88-08.91	20XEJ	4	ZLE 200	VESO 120	VES 114	VESO 120	VES 114

**Manta A**

1.2	1,2	44	04.72-08.75	12S	4	ZLE 137	VESO 105	WVES 1	VESO 105	WVES 1
1.6	1,6	44-50	09.70-08.75	16N	4	ZLE 137	VESO 105	WVES 1	VESO 105	WVES 1
1.9	1,9	65-66	09.70-08.75	19S	4	ZLE 137	VESO 105	WVES 1	VESO 105	WVES 1
1.9 GT/E	1,9	77	02.74-08.75	19E	4	ZLE 137	VESO 105	WVES 1	VESO 105	WVES 1

**Manta B**

1.2	1,2	44	09.75-02.79	12S	4	ZLE 317	VESO 105	WVES 1	VESO 105	WVES 1
1.3	1,3	44	03.79-12.80	13N	4	ZLE 317	VESO 105	WVES 1	VESO 105	WVES 1
1.3	1,3	55	08.79-08.86	13S	4	ZLE 317	VESO 105	WVES 1	VESO 105	WVES 1
1.3	1,3	55	08.79-08.86	13S	4	ZLE 317	VESO 105	WVES 1	VESO 105	WVES 1
1.6	1,6	44-55	09.75-12.81	16N, 16S	4	ZLE 317	VESO 105	WVES 1	VESO 105	WVES 1
1.8	1,8	66	07.82-08.87	18S	4	ZLE 317	VESO 105	WVES 1	VESO 105	WVES 1
1.9	1,9	55-77	09.75-12.81	19N,S,E	4	ZLE 317	VESO 105	WVES 1	VESO 105	WVES 1
2.0	2,0	66-74	08.77-08.84	20N,S	4	ZLE 317	VESO 105	WVES 1	VESO 105	WVES 1
2.0i	2,0	81	08.77-08.88	20E	4	ZLE 317	VESO 105	WVES 1	VESO 105	WVES 1

**Monterey**

3.2	3,2	130	06.92-07.98	6VD1	4		GS 16 + 0 901 300 911,...912		GS 16 + 0 901 300 911,...912	
-----	-----	-----	-------------	------	---	--	---------------------------------	--	---------------------------------	--

**Monza A**

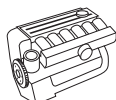
2.0i	2,0	85	03.83-10.84	H 20 E	4	ZLE 317	VESO 105	WVES 1	VESO 105	WVES 1
2.2i	2,2	85	11.84-08.86	22 E	4	ZLE 317	VESO 105	WVES 1	VESO 105	WVES 1
2.5i	2,5	100-103	05.81-08.86	H 25 E	6	ZLE 317	VESO 105	WVES 1	VESO 105	WVES 1
2.8	2,8	103	02.78-04.81	28 H	6	ZLE 317	VESO 105	WVES 1	VESO 105	WVES 1
3.0	3,0	110	04.78-07.82	30 H	6	ZLE 317	VESO 105	WVES 1	VESO 105	WVES 1
3.0	3,0	115-132	02.78-08.86	C 30 LE, 30 E	6	ZLE 317	VESO 105	WVES 1	VESO 105	WVES 1

**Omega A**

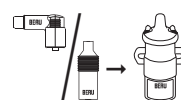
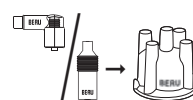
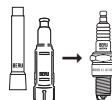
1.8	1,8	60	09.86-08.87	18 NV	4	ZL 005	VESO 105	WVES 1	VESO 105	WVES 1
1.8	1,8	60	09.86-08.87	18 NV	4	ZL 005	VESO 105	WVES 1	GS 15 + 0 901 300 199,...200	
1.8	1,8	60	09.86-08.87	18 NV	4	ZL 005	GS 15 + 0 901 300 199,...200		GS 15 + 0 901 300 199,...200	
1.8	1,8	65-66	09.86-03.94	E18NVR, S18NV	4	ZL 005	VESO 105	WVES 1	VESO 105	WVES 1
1.8	1,8	65-66	09.86-03.94	E18NVR, S18NV, 18SV	4	ZL 005	VESO 105	WVES 1	GS 15 + 0 901 300 199,...200	
1.8	1,8	65-66	09.86-03.94	E18NVR, S18NV, 18 SV	4	ZL 005	GS 15 + 0 901 300 199,...200		GS 15 + 0 901 300 199,...200	



kw



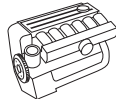
Zyl.  
Cyl.  
Cil.



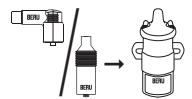
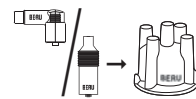
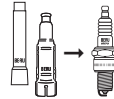
OPEL										
Omega A										
1.8	1,8	85	09.86-03.94	18SEH	4	ZL 005	VESO 105	WVES 1	VESO 105	WVES 1
1.8	1,8	85	09.86-03.94	18SEH	4	ZL 005	VESO 105	WVES 1	GS 15 + 0 901 300 199,....200	
1.8	1,8	85	09.86-03.94	18SEH	4	ZL 005	GS 15 + 0 901 300 199,....200		GS 15 + 901 300 199,....200	
2.0	2,0	73-74	09.90-03.94	C20 NEF,NEJ	4	ZL 005	VESO 105	WVES 1	VESO 105	WVES 1
2.0	2,0	73-74	09.90-03.94	C20NEF, NEJ	4	ZL 105	VESO 105	WVES 1	GS 15 + 0 901 300 199,....200	
2.0	2,0	73-74	09.90-03.94	C20 NEF, NEJ	4	ZL 005	GS 15 + 0 901 300 199,....200		GS 15 + 0 901 300 199,....200	
2.0	2,0	85-90	09.86-03.94	C20 NE, 20SE	4	ZL 005	VESO 105	WVES 1	VESO 105	WVES 1
2.0	2,0	85-90	09.86-03.94	C20NE, 20SE	4	ZL 005	VESO 105	WVES 1	GS 15 + 0 901 300 199,....200	
2.0	2,0		09.86-03.94	C20 NE, 20SE	4	ZL 005	GS 15 + 0 901 300 199,....200		GS 15 + 0 901 300 199,....200	
2.4	2,4	92	09.88-03.94	C24NE	4	▲				
2.6	2,6	110	09.90-03.94	C26NE	6	▲				
3.0	3,0	115	03.87-12.87	C30LE	6	▲				
3.0	3,0	115-130	03.87-09.90	30NE, C30NE	6	▲				
3.0 24V	3,0	147-150	09.89-03.94	C30SE, C30SEJ	6	▲				
Omega B										
2.0	2,0	85	03.94-12.00	20SE, X20SE	4	ZL 104	GS 16 + 0 901 300 911,....912		GS 16 + 0 901 300 911,....912	
2.0 16V	2,0	100	03.94-09.99	X20XEV	4	▲				
2.5	2,5	125	03.94-09.00	X25XE	6	ZL 104	GS 16 + 0 901 300 911,....912		GS 16 + 0 901 300 911,....912	
3.0 V6	3,0	155	04.94-02.01	X30XE	6	ZL 104	GS 16 + 0 901 300 911,....912		GS 16 + 0 901 300 911,....912	
Rekord D										
1.7	1,7	44-61	01.72-08.77	17N,S	4	ZLE 317	VESO 105	WVES 1	VESO 105	WVES 1
1.9	1,9	55-71	01.72-08.77	19N,SH	4	ZLE 317	VESO 105	WVES 1	VESO 105	WVES 1
2.0	2,0	74	09.75-08.77	20S	4	ZLE 317	VESO 105	WVES 1	VESO 105	WVES 1
Rekord E										
1.7	1,7	44	09.77-10.82	17N	4	ZLE 317	VESO 105	WVES 1	VESO 105	WVES 1
1.8	1,8	55-74	11.82-05.85	18N,S, C18NV	4	ZLE 317	VESO 105	WVES 1	VESO 105	WVES 1
1.9	1,9	55	09.77-10.82	19N	4	ZLE 317	VESO 105	WVES 1	VESO 105	WVES 1
2.0	2,0	66-81	08.77-08.86	20E,N,S	4	ZLE 317	VESO 105	WVES 1	VESO 105	WVES 1
2.2	2,2	85	11.84-08.86	22E	4	ZLE 317	VESO 105	WVES 1	VESO 105	WVES 1
Senator A										
2.0/2.2	2,0/ 2,2	85	03.83-08.87	H20E, 22E	4	ZLE 317	VESO 105	WVES 1	VESO 105	WVES 1
2.5	2,5	100-103	01.83-08.87	H25E, 25E	6	ZLE 317	VESO 105	WVES 1	VESO 105	WVES 1
2.8	2,8	103	02.78-04.81	28H	6	ZLE 317	VESO 105	WVES 1	VESO 105	WVES 1
3.0	3,0	110	04.78-07.82	30H	6	ZLE 317	VESO 105	WVES 1	VESO 105	WVES 1
3.0	3,0	115-132	02.78-08.87	C30LE, 30E	6	ZLE 317	VESO 105	WVES 1	VESO 105	WVES 1
Senator B										
2.5	2,5	103	09.87-12.89	25NE CIH	6	ZLE 317	VESO 105	WVES 1	VESO 105	WVES 1
2.5	2,5	103	09.87-12.89	25NE CIH	6	ZLE 317	GS 15+ 0 901 300 199,....200		GS 15+ 0 901 300 199,....200	
2.6	2,6	110	09.90-09.93	C26NE	6	ZLE 317	GS 15+ 0 901 300 199,....200		GS 15+ 0 901 300 199,....200	
3.0	3,0	115	09.87-09.93	C30LE	6	ZLE 317	VESO 105	WVES 1	VESO 105	WVES 1
3.0	3,0	115	09.87-09.93	C30LE	6	ZLE 317	GS 15+ 0 901 300 199,....200		GS 15+ 0 901 300 199,....200	
3.0	3,0	130	01.88-09.90	C 30 NE, 30 NE	6	ZLE 317	VESO 105	WVES 1	VESO 105	WVES 1
3.0	3,0	130	01.88-09.90	C30NE, 30NE	6	ZLE 317	GS 15+ 0 901 300 199,....200		GS 15+ 0 901 300 199,....200	
3.0 24V	3,0	150	09.89-09.93	C30SE	6	▲				
Tigra										
1.4 16V	1,4	63	08.97-12.00	X14XE	4	ZL 105	GS 15+ 0 901 300 199,....200		GS 15+ 0 901 300 199,....200	



kW



Zyl.  
Cyl.  
Cil.



### OPEL

#### Tigra

1.4 16V	1,4	66	07.94-12.99	X14XE	4	ZL 105	GS 15+	GS 15+
							0 901 300 199,...200	0 901 300 199,...200
1.6 16V	1,6	74	08.97-08-98	C16SEL	4	ZL 105	GS 15+	GS 15+
							0 901 300 199,...200	0 901 300 199,...200
1.6 16V	1,6	78	07.94-12.99	X16XE	4	ZL 105	GS 15+	GS 15+
							0 901 300 199,...200	0 901 300 199,...200

#### Vectra A

1.6	1,6	55	09.88-07.94	C16NZ, E16NZ	4	ZL 005	▲	▲
1.4	1,4	55	09.93-11.95	14NV	4	ZL 005	GS 15+	GS 15+
							0 901 300 199,...200	0 901 300 199,...200
1.6	1,6	52	09.93-11.95	X16SZ	4	▲		
1.6	1,6	55	09.88-07.94	C16NZ, E16NZ	4	ZL 005	▲	▲
1.6	1,6	60	09.88-05.93	16SV	4	ZL 005	▲	▲
1.6	1,6	60	09.88-05.93	16SV	4	ZL 005	GS 15+	GS 15+
							0 901 300 199,...200	0 901 300 199,...200
1.8	1,8	65	09.88-07.89	E18NVR	4	ZL 005	VESO 105 WVES 1	VESO 105 WVES 1
1.8	1,8	65	09.88-07.89	E18NVR	4	ZL 005	GS 15+	GS 15+
							0 901 300 199,...200	0 901 300 199,...200
1.8	1,8	66	09.88-10.90	18SV	4	ZL 005	VESO 105 WVES 1	VESO 105 WVES 1
1.8	1,8	66	09.88-10.90	18SV	4	ZL 005	GS 15+	GS 15+
							0 901 300 199,...200	0 901 300 199,...200
1.8	1,8	66	03.90-11.95	C18NZ	4	▲		
2.0	2,0	85	09.88-10.90	20NE	4	ZL 005	VESO 105 WVES 1	VESO 105 WVES 1
2.0	2,0	85	09.88-10.90	20NE	4	ZL 005	GS 15+	GS 15+
							0 901 300 199,...200	0 901 300 199,...200
2.0	2,0	85	09.88-12.93	C20NE	4	ZL 005	VESO 105 WVES 1	VESO 105 WVES 1
2.0	2,0	85	09.88-12.93	C20NE	4	ZL 005	GS 15+	GS 15+
							0 901 300 199,...200	0 901 300 199,...200
2.0	2,0	95	09.88-09.92	20SEH	4	ZL 005	VESO 105 WVES 1	VESO 105 WVES 1
2.0	2,0	95	09.88-09.92	20SEH	4	ZL 005	GS 15+	GS 15+
							0 901 300 199,...200	0 901 300 199,...200
2.0 16V	2,0	100	06.94-11.95	X20XEV	4	ZL 105	VESO 124	VESO 124
2.0 GT 16V	2,0	110	01.89-06.94	20XEJ	4	ZLE 200	VESO 124	VESO 124
2.0 16V	2,0	110	02.90-11.95	20XE, C20XE	4	ZLE 200	VESO 120 VES 114	VESO 120 VES 114
2.0 i Turbo, 4x4	2,0	150	06.94-11.95	C 20 LET	4	ZLE 200	VESO 120 VES 114	VESO 120 VES 114
2.5 V6	2,5	125	02.93-11.95	C 25 XE	6	ZL 104	GS 16+	GS 16+
							0 901 300 911,...912	0 901 300 911,...912

#### Vectra B

1.6	1,6	55	10.95-04.02	X16SZR	4	▲		
1.6 16V	1,6	74	10.95-04.02	X16XEL	4	ZL 105	GS 15+	GS 15+
							0 901 300 199,...200	0 901 300 199,...200
1.8 16V	1,8	85	10.95-04.02	X18XE	4	ZL 105	GS 15+	GS 15+
							0 901 300 199,...200	0 901 300 199,...200
2.0	2,0	80	10.95-04.02	20NEJ	4	ZL 104	GS 16+	GS 16+
							0 901 300 911,...912	0 901 300 911,...912
2.0 16V	2,0	100	10.95-09.00	X20XEV	4	ZL 105	GS 15+	GS 15+
							0 901 300 199,...200	0 901 300 199,...200
2.5 V6	2,5	125	10.95-04.02	X25XE	6	ZL 104	GS 16+	GS 16+
							0 901 300 911,...912	0 901 300 911,...912

### PEUGEOT

#### 406

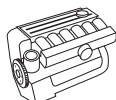
1.8 16V	1,8	81	11.95-10.00	LFY (XU7JP4)	4	▲		
1.8 16V Break	1,8	81	10.96-10.00	LFY (XU7JP4)	4	▲		
2.0	2,0	97	11.95-00.00	RFV (XU10J4R)	4	▲		
2.0 16V Break	2,0	97	10.96-00.00	RFV (XU10J4R)	4	▲		
2.0 16V Coupe	2,0	97	03.97-00.00	RFV (XU10J4R)	4	▲		

#### 605

2.0 16V	2,0	97	07.94-09.99	RFV (XU10J4R)	4	▲		
---------	-----	----	-------------	---------------	---	---	--	--



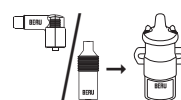
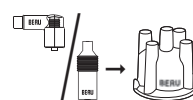
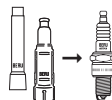
kW



Zyl.

Cyl.

Cil.



## PININFARINA

### SPIDEREUROPA

2000	2,0	76	11.84-11.85	132 C3.031	4	ZLE 107/1	▲		▲	
2000 Volumex	2,0	99	06.83-11.95	232R14	4	ZLE 107/1	▲		▲	

## PORSCHE

### 356

1,1-1,5	1,1-1,5	29-51	01.50-12.55		4		VESO 105	WVES 1	VESO 105	WVES 1
A 1500 GS Carrera	1,5	74-81	01.55-12.61		4		VESO 105	WVES 1	VESO 105	WVES 1
1.6	1,6	44-66	01.59-12.65	616/1/2/7/15	4	BELO 6/1	VESO 105	WVES 1	VESO 105	WVES 1

### 356 A

A 1600, S, GS Carrera	1,6	44-85	01.55-12.59		4		VESO 105	WVES 1	VESO 105	WVES 1
-----------------------	-----	-------	-------------	--	---	--	----------	--------	----------	--------

### 356 B

B 1600-2000, Super 75, GS Carrera2	1,6-2,0	44-103	01.59-12.63		4		VESO 105	WVES 1	VESO 105	WVES 1
------------------------------------	---------	--------	-------------	--	---	--	----------	--------	----------	--------

### 356 C

C 1600-2000, SC, GS Carrera2	1,6-2,0	55-103	01.63-12.65		4		VESO 105	WVES 1	VESO 105	WVES 1
------------------------------	---------	--------	-------------	--	---	--	----------	--------	----------	--------

### 911

2,7, S Carrera	2,7	110-129	09.73-06.77	911...,911.98/911.42/911.47/911.93	6	BELO 6/1	VESO 105	WVES 1	VESO 105	WVES 1
3.0 SC, Carrera	3,0	138-150	07.77-07.83	930.03/13	6	ZLE 267	VSO 103		VSO 105	
3.2, SC Carrera	3,2	152-170	09.83-12.89	930...	6	ZLE 267	VSO 103		VSO 105	
3.3 Turbo	3,3	221	01.78-12.83	930.60	6	ZLE 267	VSO 103		VSO 105	
3.3 Turbo, Coupé	3,3	235	08.90-09.93	M 30.69	6	ZLE 267	VSO 103		VESO 120	
3.4, Carrera (Typ 996)	3,4	221	06.97-12.01	M 96.01, M 96.02	6	ZLE 278	●			ZLE 278
3.6 Carrera, Carrera 4	3,6	184	12.88-09.93	M 64.01/02	6	ZLE 265	VSO 103		VESO 120	
3.6, Carrera 2+4	3,6	184	12.88-09.93	M 64.01/02	6	ZLE 266	VSO 105		VSO 105	
3.6 Carrera, Carrera 4	3,6	200	10.93-08.95	M 64.05/06	6	ZLE 265	VSO 103		VESO 120	
3.6 (996) Carrera, Carrera 4	3,6	235	10.01-08.05	M 96.03	6	ZLE 255	●			ZLE 255
3.6 (996) Carrera 4S	3,6	254	02.03-07.04		6	ZLE 255	●			ZLE 255
3.6 Turbo	3,6	265	02.93-09.93	M 64.50, M 64.60	6	ZLE 266	VSO 103		VESO 120	
3.6 (996) GT 3	3,6	265	03.99-08.03	M 96.76	6	ZLE 255	●			ZLE 255
3.6 (996) GT 3	3,6	280	03.03-08.05		6	ZLE 255	●			ZLE 255
3.6 (996) Turbo 4	3,6	309	06.00-08.05	M 96.70	6	ZLE 255	●			ZLE 255
3.6 (996) Turbo 4S	3,6	331	02.03-08.05		6	ZLE 255	●			ZLE 255
3.6 (996) GT2	3,6	340	04.01-08.05		6	ZLE 255	●			ZLE 255
3.6 (996) GT2	3,6	355	10.03-08.05		6	ZLE 255	●			ZLE 255

### 911 Cabriolet

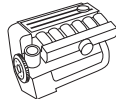
3.0 SC	3,0	150	08.82-07.83		6	ZLE 267	VSO 103		VSO 105	
3.1 SC Carrera	3,1	152	10.84-08.89	930.21	6	ZLE 267	VSO 103		VSO 105	
3.1 Carrera Speedster	3,1	160	08.86-08.89	930.25	6	ZLE 267	VSO 103		VSO 105	
3.1 SC Carrera	3,1	170	01.84-08.84	930.20	6	ZLE 267	VSO 103		VSO 105	
3.1 Carrera Speedster	3,1	170	01.87-08.89	930.20	6	ZLE 267	VSO 103		VSO 105	
3.6 (964) Carrera	3,6	184	07.89-05.94	M 64.01/M 64.02	6	ZLE 265	VSO 103		VESO 120	
3.6 (964) Carrera 4	3,6	184	05.89-06.94	M 64.01	6	ZLE 265	VSO 103		VESO 120	
3.6 (993) Carrera	3,6	200	07.94-08.95	M 64.05/M 64.07/M 64.08/M 64.06	6	ZLE 265	VSO 103		VESO 120	
3.6 (993) Carrera 4	3,6	200	07.94-08.95	M 64.05/M 64.07	6	ZLE 265	VSO 103		VESO 120	
3.4 (996) Carrera	3,6	221	02.98-09.01	M 96.01/M 96.04	6	ZLE 278	●			ZLE 278
3.4 (996) Carrera 4	3,6	221	02.98-09.01	M 96.02/M 96.04	6	ZLE 255	●			ZLE 255
3.6 (996) Carrera	3,6	235	10.01-08.05	M 96.03	6	ZLE 255	●			ZLE 255
3.6 (996) Carrera 4	3,6	235	10.01-08.05	M 96.03	6	ZLE 255	●			ZLE 255
3.6 (996) Carrera 4S	3,6	254	06.02-07.04		6	ZLE 255	●			ZLE 255
3.6 (996) Carrera S	3,6	254	06.02-07.04		6	ZLE 255	●			ZLE 255
3.6 (996) Turbo 4	3,6	309	10.03-08.05		6	ZLE 255	●			ZLE 255
3.6 (996) Turbo 4S	3,6	331	10.03-08.05		6	ZLE 255	●			ZLE 255

### 911 Targa

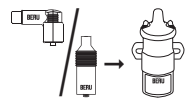
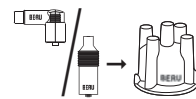
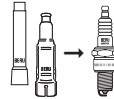
2.7	2,7	110	09.73-08.75	911...	6	BELO 6/1	VESO 105	WVES 1	VESO 105	WVES 1
2.7	2,7	121	09.75-06.77	911...	6	BELO 6/1	VESO 105	WVES 1	VESO 105	WVES 1



kW



Zyl.  
Cyl.  
Cil.



**PORSCHE**

**911 Targa**

2.7 S	2.7	129	08.73-01.76	911.98/911.42/911.47/ 911.93	6	<b>BELO 6/1</b>	<b>VESO 105</b>	<b>WVES 1</b>	<b>VESO 105</b>	<b>WVES 1</b>
3.0 SC Carrera	3,0	132	07.77-06.80	930.03/13	6	<b>ZLE 267</b>	<b>VSO 103</b>		<b>VSO 105</b>	
3.0 SC Carrera	3,0	138	07.77-06.80		6	<b>ZLE 267</b>	<b>VSO 103</b>		<b>VSO 105</b>	
3.0 SC Carrera	3,0	147	09.75-06.77		6	<b>ZLE 267</b>	<b>VSO 103</b>		<b>VSO 105</b>	
3.6 (996)	3,6	235	12.01-08.05	M 96.03	6	<b>ZLE 255</b>	●			<b>ZLE 255</b>

**912, Targa**

1.6	1,6	66	04.65-02.70	912...	4	<b>BELO 6/1</b>	<b>VESO 105</b>	<b>WVES 1</b>	<b>VESO 105</b>	<b>WVES 1</b>
<b>914</b>										
/4	1,7- 2,0	59-74	01.69-02.76	W, AN, GB	4		<b>VESO 105</b>	<b>WVES 1</b>	<b>VESO 105</b>	<b>WVES 1</b>
/6	2,0	81	11.69-12.73	901.36/901.37	6		<b>VESO 105</b>	<b>WVES 1</b>	<b>VESO 105</b>	<b>WVES 1</b>

**924**

2.0	2,0	85-92	11.75-12.79	XK, XJ	4	<b>ZLE 134</b>	<b>VESO 105</b>	<b>WVES 1</b>	<b>VESO 105</b>	<b>WVES 1</b>
2.0	2,0	85-92	01.80-12.84	XK, XJ	4	<b>ZLE 134</b>	<b>VESO 105</b>	<b>WVES 1</b>	<b>VESO 105</b>	<b>WVES 1</b>
2.0 GT, Turbo	2,0	125	11.78-06.80	M 31.01	4	<b>ZLE 205</b>	<b>VESO 116</b>	<b>VES 105</b>	<b>VESO 116</b>	<b>VES 105</b>
2.5 S	2,5	110-118	09.85-07.88	M 44	6	<b>ZLE 263</b>		<b>VSO 103</b>		<b>VSO 103</b>

**928**

4.5-4.7	4,5- 4,7	169-228	01.80-12.84	M 28	8	<b>ZLE 263</b>	<b>VESO 120</b>			<b>VSO 105</b>
4.5-4.7	4,5- 4,7	169-228	01.85-08.89	M 28	8	<b>ZLE 263</b>		<b>VSO 103</b>		<b>VSO 105</b>
5.0 (4-Ventiler)	5,0	221-235	01.85-07.91	M 28.41,42	8	<b>ZLE 264</b>	<b>VESO 120</b>		<b>VSO 105</b>	
5.0 GT	5,0	243	01.89-07.91	M 28.47	8	<b>ZLE 264</b>	<b>VESO 121</b>		<b>VESO 121</b>	
5.4 GTS	5,4	257	08.91-11.95	M 28.49/M 28.50	8	<b>ZLE 264</b>	<b>VESO 121</b>		<b>VESO 121</b>	

**944**

2.5	2,5	110	01.85-07.87	M 44.08/M 44.02/ M 44.07/M 44.04	4	<b>ZLE 263</b>		<b>VSO 103</b>	▲	
2.5	2,5	118	08.87-12.90	M 44.05/M 44.09/ M 44.10	4	<b>ZLE 263</b>		<b>VSO 103</b>	▲	
2.5	2,5	120	06.81-07.87	M 44.03/M 44.05/ M 44.01/M 44.06	4	<b>ZLE 263</b>		<b>VSO 103</b>	▲	
2.5 S	2,5	140	08.86-07.88	M 44.40	4	<b>ZLE 264</b>	▲		▲	
2.5 Turbo	2,5	162-184	08.85-07.91	M 44.50/51/52	4	<b>ZLE 263</b>		<b>VSO 103</b>	▲	
2.5, S (4-Ventiler)	2,5	184	01.88-12.88	M 44	4	<b>ZLE 264</b>	<b>VESO 120</b>		<b>VSO 105</b>	
2.5, S (4-Ventiler)	2,5	184	01.89-09.91	M 44	4	<b>ZLE 264</b>		<b>VES 114</b>	<b>VSO 105</b>	
2.7	2,7	121	11.88-08.89	M 44.11/12	4	<b>ZLE 263</b>	▲		▲	
3.0 S2	3,0	155	12.88-07.91	M 44.41	4	<b>ZLE 264</b>	▲		▲	

**959**

2.8	2,8	330	01.86-04.91	959.50	6	<b>ZLE 264</b>	<b>VESO 120</b>		<b>VSO 105</b>	
-----	-----	-----	-------------	--------	---	----------------	-----------------	--	----------------	--

**Boxster**

2.5	2,5	150	09.96-08.99	M 96.20	6	<b>ZLE 278</b>	●			<b>ZLE 278</b>
2.7	2,7	162	08.99-07.02	M 96.22	6	<b>ZLE 255</b>	●			<b>ZLE 255</b>
2.7	2,7	168	07.02-10.04	M 96.23	6	<b>ZLE 255</b>	●			<b>ZLE 255</b>
S 3.2	3,2	185	08.99-07.02	M 96.21	6	<b>ZLE 255</b>	●			<b>ZLE 255</b>
S 3,2	3,2	191	07.02-10.04	M 96.24	6	<b>ZLE 255</b>	●			<b>ZLE 255</b>
S 3.2	3,2	196	01.04-10.04		6	<b>ZLE 255</b>	●			<b>ZLE 255</b>

**Cayenne**

S	4,5	250	09.02-		8	<b>GS 28</b>	●			<b>GS 28</b>
Turbo	4,5	331	09.02-		8	<b>GS 28</b>	●			<b>GS 28</b>

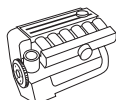
**RENAULT**

**Clio**

1.4 16V	1,4	70	10.99-08.00	K4J 712, K4J 713	4	<b>GS 29</b>	●			<b>GS 29</b>
1.4 16V	1,4	72	08.00-	K4J 700, K4J 712, K4J 713	4	<b>GS 29</b>	●			<b>GS 29</b>
2.0 16V Sport	2	124	02.00-	F4R 730	4	<b>GS 29</b>	●			<b>GS 29</b>
<b>Laguna</b>										
1.8 16V	1,8	88	04.98-03.01	F4P 760	4	<b>GS 29</b>	●			<b>GS 29</b>
1.8 16V	1,8	88	03.01-	F4P 770, F4P 773	4	<b>GS 29</b>	●			<b>GS 29</b>



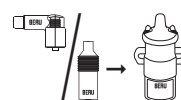
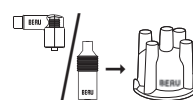
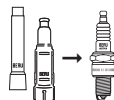
kW



Zyl.

Cyl.

Cil.



## RENAULT

### Megane

1.4 16V	1,4	70	03.99-	K4J 714, K4J 750	4	<b>GS 29</b>	●			<b>GS 29</b>
1.8 16V	1,8	85	01.01-	F4P 720, F4P 722	4	<b>GS 29</b>	●			<b>GS 29</b>

## ROVER

1300 MK II	1,3	39	01.70-12.74		4	<b>ZLE 107/1</b>	<b>VESO 105</b>	<b>WVES 1</b>	<b>VESO 105</b>	<b>WVES 1</b>
1300 GT MK II	1,3	50	01.70-12.74		4	<b>ZLE 107/1</b>	<b>VESO 105</b>	<b>WVES 1</b>	<b>VESO 105</b>	<b>WVES 1</b>
2300	2,3	92	01.76-12.86		6	▲				
2600 SDI	2,6	93-102	01.76-12.86		6	▲				
<b>Allegrò</b>										
1.0	1,0	33	01.73-12.80	10H	4	<b>OE 6/1</b>	<b>VESO 105</b>	<b>WVES 1</b>	<b>VESO 105</b>	<b>WVES 1</b>
1.1	1,1	33	01.73-12.80	10H	4	<b>OE 6/1</b>	<b>VESO 105</b>	<b>WVES 1</b>	<b>VESO 105</b>	<b>WVES 1</b>
1.1	1,1	33	12.80-10.81	10H	4	<b>ZLE 107/1</b>	<b>VESO 105</b>	<b>WVES 1</b>	<b>VESO 105</b>	<b>WVES 1</b>
1.3	1,3	40	01.73-12.80	12H	4	<b>OE 6/1</b>	<b>VESO 105</b>	<b>WVES 1</b>	<b>VESO 105</b>	<b>WVES 1</b>
<b>Austin</b>										
1.1	1,1	33	01.63-12.76	A-Plus	4	▲				
1.3	1,3	40-46	01.63-12.76	A-Plus	4	▲				
1.8	1,8	63-67	01.63-12.76		4	▲				
<b>Land Rover</b>										
2.3	2,3	50-55	01.68-12.85		4	▲				
2.5	2,5	62	01.80-12.90		4					
2.6	2,6	68	01.67-12.80		6	▲				
3.5	3,5	103	01.79-12.90	V8	8					
<b>Marina</b>										
1.3 MK I, MK II	1,3	44	01.71-12.80		4	<b>OE 6/1</b>	<b>VESO 105</b>	<b>WVES 1</b>	<b>VESO 105</b>	<b>WVES 1</b>
1.8 MK I, MK II	1,8	59-68	01.71-12.80		4	▲				
<b>Maxi</b>										
1.5 MK I, MK II	1,5	50	01.69-12.81		4	▲				
1.7 MK I, MK II	1,7	53-66	01.69-12.81		4	▲				
<b>Range Rover</b>										
3.5	3,5	93	01.70-09.90		8	▲				
3.9	3,9	127	01.70-08.94		8	▲				

## SAAB

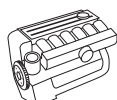
<b>95</b>										
1.5	1,5	48	01.64-12.71	Ford V4 HC	4	<b>BE 6/10</b>	<b>VESO 105</b>	<b>WVES 1</b>	<b>VESO 105</b>	<b>WVES 1</b>
<b>96</b>										
1.5	1,5	48	01.64-12.71	Ford V4 HC	4	<b>BE 6/10</b>	<b>VESO 105</b>	<b>WVES 1</b>	<b>VESO 105</b>	<b>WVES 1</b>
<b>99</b>										
1.7	1,7		01.72-12.75		4	▲				
2.0	2,0	79	01.75-12.80	B20	4	▲				
2.0	2,0	63-74	01.70-12.74	B20	4	▲				
2.0 Turbo	2,0	107	10.77-08.80	B20	4	▲				
<b>900</b>										
2.0	2,0	73-79	01.78-12.80	B20	4	▲				
2.0 16V Turbo	2,0	104-129	01.84-08.93	B202	4	▲				
2.0 Turbo	2,0	107	01.73-12.79	B201S	4	▲				
2.0i	2,0	81-87	09.80-08.90	B201	4	▲				
2.0i Turbo 8V	2,0	107	08.78-08.84	B201S	4	▲				
<b>900 II</b>										
2.5 -24 V6	2,5	125	07.93-02.98	B258I	6	<b>ZL 104</b>		<b>GS 16+</b>		<b>GS 16+</b>
							<b>0 901 300 911,....912</b>		<b>0 901 300 911,....912</b>	

## SEAT

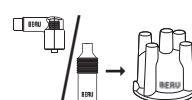
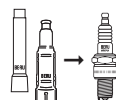
<b>124</b>										
1.2-1.4	1,2-1,4	44-55	01.71-07.75		4		<b>VESO 105</b>	<b>WVES 1</b>	<b>VESO 105</b>	<b>WVES 1</b>
1.2-1.4 Coupé	1,2-1,4	44-55	01.71-12.82		4		<b>VESO 105</b>	<b>WVES 1</b>	<b>VESO 105</b>	<b>WVES 1</b>
<b>127</b>										
0.9	0,9	31-33	01.73-12.81	127...	4		<b>VESO 105</b>	<b>WVES 1</b>	<b>VESO 105</b>	<b>WVES 1</b>
1.0	1,0	38	01.73-12.81	127...	4		<b>VESO 105</b>	<b>WVES 1</b>	<b>VESO 105</b>	<b>WVES 1</b>



kw



Zyl.  
Cyl.  
Cil.

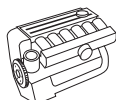


SEAT												
<b>128</b>												
1.2	1,2	33	01.71-12.80	128...	4		<b>VESO 105</b>	<b>WVES 1</b>	<b>VESO 105</b>	<b>WVES 1</b>		
1.4	1,4	55	01.71-12.80	128...	4		<b>VESO 105</b>	<b>WVES 1</b>	<b>VESO 105</b>	<b>WVES 1</b>		
<b>131</b>												
1.2-1.4	1,2-1,4	33-55	01.71-12.80	131...	4	▲						
<b>132</b>												
1.6-2.0	1,6-2,0	65-82	01.71-12.82	132...	4		<b>VESO 105</b>	<b>WVES 1</b>	<b>VESO 105</b>	<b>WVES 1</b>		
<b>Alhambra</b>												
2.0 i	2,0	85	04.96-	ADY	4	<b>ZLE 250</b>	●				<b>VES 105</b>	
2.8 VR6	2,8	128	05.95-08.97	AAA	6	<b>ZLE 250</b>	●			<b>VESO 134</b>		
2.8 VR6	2,8	128	09.97-06.00	AAA	6	<b>ZLE 251</b>	●			<b>VESO 134</b>		
<b>Cordoba</b>												
1.4i	1,4	44	05.93-06.99	ABD	4	<b>ZLE 205</b>	<b>VESO 116</b>	<b>VES 105</b>	<b>VESO 116</b>	<b>VES 105</b>		
1.6i	1,6	55	05.93-06.99	ABU	4	<b>ZLE 205</b>	<b>VESO 116</b>	<b>VES 105</b>	<b>VESO 116</b>	<b>VES 105</b>		
1.8 16V	1,8	95	05.93-06.99	ADL	4	<b>ZLE 168</b>	<b>VESO 116</b>	<b>VES 105</b>	<b>VESO 116</b>	<b>VES 105</b>		
1.8i	1,8	66	05.93-06.99	ABS	4	<b>ZLE 205</b>	<b>VESO 116</b>	<b>VES 105</b>	<b>VESO 116</b>	<b>VES 105</b>		
2.0i	2,0	85	05.93-06.99	2E	4	<b>ZLE 205</b>	<b>VESO 116</b>	<b>VES 105</b>	<b>VESO 116</b>	<b>VES 105</b>		
2.0i 16V	2,0	110	06.96-06.00	ABF	4	<b>ZLE 168</b>	<b>VESO 116</b>	<b>VES 105</b>	<b>VESO 116</b>	<b>VES 105</b>		
<b>Ibiza</b>												
1.05	1,05	33	02.93-09.96	AAU	4	<b>ZLE 205</b>	<b>VESO 116</b>	<b>VES 105</b>	<b>VESO 116</b>	<b>VES 105</b>		
1.2, i	1,2	44-51	01.92-12.93	O21A...	4	<b>ZLE 205</b>	<b>VESO 116</b>	<b>VES 105</b>	<b>VESO 116</b>	<b>VES 105</b>		
1.3	1,3	40	05.93-08.99	2G	4	<b>ZLE 205</b>	<b>VESO 116</b>	<b>VES 105</b>	<b>VESO 116</b>	<b>VES 105</b>		
1.3i	1,3	40	05.93-08.99	AAV	4	<b>ZLE 205</b>	<b>VESO 116</b>	<b>VES 105</b>	<b>VESO 116</b>	<b>VES 105</b>		
1.4	1,4	44	02.93-08.99	AEX	4	<b>ZLE 205</b>	<b>VESO 116</b>	<b>VES 105</b>	<b>VESO 116</b>	<b>VES 105</b>		
1.4 16V	1,4	74	02.02-	AUB	4	<b>ZLE 248</b>	●			<b>VESO 134</b>		
1.5i	1,5	74	01.88-12.93	O21A...	4	<b>ZLE 205</b>	<b>VESO 116</b>	<b>VES 105</b>	<b>VESO 116</b>	<b>VES 105</b>		
1.6i	1,6	55	05.93-08.99	ABU	4	<b>ZLE 205</b>	<b>VESO 116</b>	<b>VES 105</b>	<b>VESO 116</b>	<b>VES 105</b>		
1.8i	1,8	66	05.93-08.99	ABS	4	<b>ZLE 205</b>	<b>VESO 116</b>	<b>VES 105</b>	<b>VESO 116</b>	<b>VES 105</b>		
2.0i	2,0	85	01.93-08.99	2E	4	<b>ZLE 205</b>	<b>VESO 116</b>	<b>VES 105</b>	<b>VESO 116</b>	<b>VES 105</b>		
<b>Inca</b>												
1.6 i	1,6	55	11.95-05.98	1F	4	<b>ZLE 205</b>	<b>VESO 116</b>	<b>VES 105</b>	<b>VESO 116</b>	<b>VES 105</b>		
<b>Leon</b>												
1.4 16V	1,4	55	11.99-	AHW/AXP/APE	4	<b>ZLE 248</b>	●			<b>VESO 134</b>		
1.6 16 V	1,6	77	09.00-	AUS	4	<b>ZLE 248</b>	●			<b>VESO 134</b>		
1.8 20V	1,8	92	11.99-08.02	AGN	4	<b>ZLE 249</b>	●				<b>VES 115</b>	
1.8 20V T 4	1,8	132	11.99-	AJQ	4	<b>ZLE 276</b>	●				<b>ZLE 276</b>	
<b>Toledo</b>												
1.6, i	1,6	52	05.91-12.93	1F	4	<b>ZLE 205</b>	<b>VESO 116</b>	<b>VES 105</b>	<b>VESO 116</b>	<b>VES 105</b>		
1.6, i	1,6	54	05.91-03.99	EZ/ABN/1F	4	<b>ZLE 205</b>	<b>VESO 116</b>	<b>VES 105</b>	<b>VESO 116</b>	<b>VES 105</b>		
1.6, i	1,6	55	01.91-03.99	ABN, EZ, 1F	4	<b>ZLE 205</b>	<b>VESO 116</b>	<b>VES 105</b>	<b>VESO 116</b>	<b>VES 105</b>		
1.8, i	1,8	66	01.91-12.96	RP, ABS, ADZ	4	<b>ZLE 205</b>	<b>VESO 116</b>	<b>VES 105</b>	<b>VESO 116</b>	<b>VES 105</b>		
1.6 16V	1,8	77	09.00-05.06	AUS	4	<b>ZLE 248</b>	●			<b>VESO 134</b>		
1.8 16V	1,8	92-98	01.91-03.99	PL, KR	4	<b>ZLE 168</b>	<b>VESO 116</b>	<b>VES 105</b>	<b>VESO 116</b>	<b>VES 105</b>		
1.8 20V	1,8	92	04.99-12.02	AGN	4	<b>ZLE 249</b>	●				<b>VES 115</b>	
2.0, i	2,0	85	01.91-03.99	AGG, 2E	4	<b>ZLE 205</b>	<b>VESO 116</b>	<b>VES 105</b>	<b>VESO 116</b>	<b>VES 105</b>		
2.0 16V	2,0	110	11.93-03.99	ABF	4	<b>ZLE 168</b>	<b>VESO 116</b>	<b>VES 105</b>	<b>VESO 116</b>	<b>VES 105</b>		
2.3 V5	2,3	110	04.99-05.01	AGZ	5	<b>ZLE 252</b>	●			<b>VESO 134</b>		
<b>SKODA</b>												
<b>100 - 130</b>												
105 S, L, Estelle	1,0	34	01.77-03.82		4	▲						
110 L, LS, R	1,1	35-38	01.77-03.82		4	▲						
120	1,2	37-43	01.77-03.82		4	▲						
130	1,3	43-46	01.77-03.82		4	▲						
<b>Fabia</b>												
1.4 16V	1,4	55	12.99-	AUA	4	<b>ZLE 248</b>	●			<b>VESO 134</b>		
1.4 16V	1,4	55	05.00-	BBY/BKY	4	<b>ZLE 248</b>	●			<b>VESO 134</b>		
1.4 16V	1,4	74	12.99-	BBZ/AUB	4	<b>ZLE 248</b>	●			<b>VESO 134</b>		
<b>Felicia</b>												
1.3	1,3	40-50	10.94-	135BMM	4	<b>ZLE 205</b>	<b>VESO 116</b>	<b>VES 105</b>	<b>VESO 116</b>	<b>VES 105</b>		





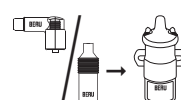
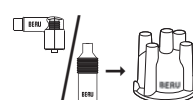
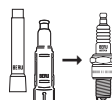
kW



Zyl.

Cyl.

Cil.



## SKODA

### Felicia

1.6	1,6	55	08.95-	AEE	4	<b>ZLE 205</b>	<b>VESO 116</b>	<b>VES 105</b>	<b>VESO 116</b>	<b>VES 105</b>
-----	-----	----	--------	-----	---	----------------	-----------------	----------------	-----------------	----------------

### Forman

1.3	1,3	40-50	01.93-	135B, 136B	4	<b>ZLE 205</b>	<b>VESO 116</b>	<b>VES 105</b>	<b>VESO 116</b>	<b>VES 105</b>
-----	-----	-------	--------	------------	---	----------------	-----------------	----------------	-----------------	----------------

### Octavia

1.8 20V	1,8	92	09.96-	AGN	4	<b>ZLE 249</b>	●			<b>VES 115</b>
---------	-----	----	--------	-----	---	----------------	---	--	--	----------------

1.8 T	1,8	110	08.97-	AGU	4	<b>ZLE 276</b>	●			<b>ZLE 276</b>
-------	-----	-----	--------	-----	---	----------------	---	--	--	----------------

2.0 4x4	2,0	85	05.01-	AZH/AZJ/AQY/AEG	4	<b>ZLE 250</b>	●		<b>VESO 134</b>	
---------	-----	----	--------	-----------------	---	----------------	---	--	-----------------	--

### Pick-up

1.3	1,3	40-46	01.93-	135B, 136B	4	<b>ZLE 205</b>	<b>VESO 116</b>	<b>VES 105</b>	<b>VESO 116</b>	<b>VES 105</b>
-----	-----	-------	--------	------------	---	----------------	-----------------	----------------	-----------------	----------------

## SSANGYONG

### Musso

2.0	2,0	93	10.96-	E20	4	<b>ZLE 234/ ZLE 245</b>				<b>VS 107</b>
-----	-----	----	--------	-----	---	-------------------------	--	--	--	---------------

2.3	2,3	103	10.96-	M 111.970	4	<b>ZLE 234/ ZLE 245</b>				<b>VS 107</b>
-----	-----	-----	--------	-----------	---	-------------------------	--	--	--	---------------

2.3	2,3	110	04.03-		4	<b>ZLE 234/ ZLE 245</b>				<b>VS 107</b>
-----	-----	-----	--------	--	---	-------------------------	--	--	--	---------------

3.2	3,2	162	06.96-	M 104.992	6	<b>ZLE 234/ ZLE 245</b>				<b>VS 107</b>
-----	-----	-----	--------	-----------	---	-------------------------	--	--	--	---------------

## TOYOTA

### Corona

1.8	1,8	63	01.79-12.80	3T	4	▲				
-----	-----	----	-------------	----	---	---	--	--	--	--

2.0	2,0	65	01.70-12.78	18R	4	▲				
-----	-----	----	-------------	-----	---	---	--	--	--	--

### Cressida

2.0	2,0	65	01.77-07.82	18R	4	▲				
-----	-----	----	-------------	-----	---	---	--	--	--	--

2.0	2,0	80-92	08.82-12.85	1GE	4	▲				
-----	-----	-------	-------------	-----	---	---	--	--	--	--

### Land Cruiser

4.2	4,2	88	05.75-08.80	2F	6	▲				
-----	-----	----	-------------	----	---	---	--	--	--	--

4.3	4,3	88	01.74-07.80	2F	6	▲				
-----	-----	----	-------------	----	---	---	--	--	--	--

4.3	4,3	88	08.80-	2F	6	▲				
-----	-----	----	--------	----	---	---	--	--	--	--

### Tercel

1.3	1,3	48-55	01.79-12.81	2A.2E	4	▲				
-----	-----	-------	-------------	-------	---	---	--	--	--	--

1.3	1,3	48-55	01.82-12.85	2A-2E	4	▲				
-----	-----	-------	-------------	-------	---	---	--	--	--	--

1.5	1,5	50	01.83-12.88	3AC	4	▲				
-----	-----	----	-------------	-----	---	---	--	--	--	--

1.5 4WD	1,5	50	01.85-12.88	3AC	4	▲				
---------	-----	----	-------------	-----	---	---	--	--	--	--

## TRABANT

### P 601

0.6	0,6	19	07.66-04.90	P65/66/P63/64	2	<b>ZLE 205</b>	<b>VESO 116</b>	<b>VES 105</b>	<b>VESO 116</b>	<b>VES 105</b>
-----	-----	----	-------------	---------------	---	----------------	-----------------	----------------	-----------------	----------------

## TRIUMPH → ROVER

## VAUXHALL

### Astra

1.2	1,2	40-44	01.82-12.84	12S OHC	4	<b>ZL 302</b>	<b>VESO 105</b>	<b>WVES 1</b>	<b>VESO 105</b>	<b>WVES 1</b>
-----	-----	-------	-------------	---------	---	---------------	-----------------	---------------	-----------------	---------------

1.2/1.3	1,2/ 1,3	44-55	01.79-12.84	12S, 13S	4	<b>ZL 302</b>	<b>VESO 105</b>	<b>WVES 1</b>	<b>VESO 105</b>	<b>WVES 1</b>
---------	-------------	-------	-------------	----------	---	---------------	-----------------	---------------	-----------------	---------------

1.3	1,3	55	01.80-12.84	13S	4	<b>ZL 302</b>	▲		▲	
-----	-----	----	-------------	-----	---	---------------	---	--	---	--

1.3 MK II	1,3	44	01.86-08.91	13 NB	4	<b>ZL 302</b>	<b>VESO 105</b>	<b>WVES 1</b>	<b>VESO 105</b>	<b>WVES 1</b>
-----------	-----	----	-------------	-------	---	---------------	-----------------	---------------	-----------------	---------------

1.6	1,6	66	01.82-08.86	16SH	4	<b>ZL 302</b>	<b>VESO 105</b>	<b>WVES 1</b>	<b>VESO 105</b>	<b>WVES 1</b>
-----	-----	----	-------------	------	---	---------------	-----------------	---------------	-----------------	---------------

### Carlton

1.7	1,7	44	01.78-12.81	17N	4	<b>ZLE 137</b>	<b>VESO 105</b>	<b>WVES 1</b>	<b>VESO 105</b>	<b>WVES 1</b>
-----	-----	----	-------------	-----	---	----------------	-----------------	---------------	-----------------	---------------

1.8	1,8	66	01.78-12.81	18S	4	<b>ZL 302</b>	<b>VESO 105</b>	<b>WVES 1</b>	<b>VESO 105</b>	<b>WVES 1</b>
-----	-----	----	-------------	-----	---	---------------	-----------------	---------------	-----------------	---------------

1.9	1,9	52-55	01.78-12.81	19N	4	<b>ZL 302</b>	<b>VESO 105</b>	<b>WVES 1</b>	<b>VESO 105</b>	<b>WVES 1</b>
-----	-----	-------	-------------	-----	---	---------------	-----------------	---------------	-----------------	---------------

2.0	2,0	74	01.78-12.81	20S	4	<b>ZL 302</b>	<b>VESO 105</b>	<b>WVES 1</b>	<b>VESO 105</b>	<b>WVES 1</b>
-----	-----	----	-------------	-----	---	---------------	-----------------	---------------	-----------------	---------------

2.0 i	2,0	81	01.83-12.84	20 E	4	<b>ZLE 317</b>	<b>VESO 105</b>	<b>WVES 1</b>	<b>VESO 105</b>	<b>WVES 1</b>
-------	-----	----	-------------	------	---	----------------	-----------------	---------------	-----------------	---------------

### Cavalier

1.2	1,2	33-40	01.75-12.82	12N,S	4	<b>ZLE 317</b>	<b>VESO 105</b>	<b>WVES 1</b>	<b>VESO 105</b>	<b>WVES 1</b>
-----	-----	-------	-------------	-------	---	----------------	-----------------	---------------	-----------------	---------------

1.6	1,6	66	01.77-12.81	C16NZ	4	<b>ZLE 317</b>	<b>VESO 105</b>	<b>WVES 1</b>	<b>VESO 105</b>	<b>WVES 1</b>
-----	-----	----	-------------	-------	---	----------------	-----------------	---------------	-----------------	---------------

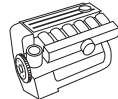
2.0	2,0	85	01.78-12.81	20E	4	<b>ZLE 317</b>	<b>VESO 105</b>	<b>WVES 1</b>	<b>VESO 105</b>	<b>WVES 1</b>
-----	-----	----	-------------	-----	---	----------------	-----------------	---------------	-----------------	---------------

### Chevette

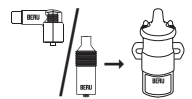
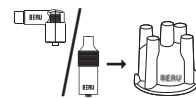
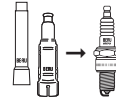
1.3	1,3	42	01.75-12.84	OHV	4	<b>ZL 302</b>	<b>VESO 105</b>	<b>WVES 1</b>	<b>VESO 105</b>	<b>WVES 1</b>
-----	-----	----	-------------	-----	---	---------------	-----------------	---------------	-----------------	---------------



kw



Zyl.  
Cyl.  
Cil.



### VAUXHALL

#### Corsa

1.4 i 16V	1,4	66	09.94-09.00	X 14 XE	4	ZL 105	GS 15+	GS 15+
							0 901 300 199,...200	0 901 300 199,...200

#### Omega

2.0	2,0	85	03.94-09.99	X 20 SE	4	ZL 104	GS 16+	GS 16+
							0 901 300 911,...912	0 901 300 911,...912
2.5 V6	2,5	125	03.94-09.00	X 25 XE	6	ZL 104	GS 16+	GS 16+
							0 901 300 911,...912	0 901 300 911,...912

#### Senator

2.5	2,5	103	01.84-12.90	25 NE	6	ZLE 317	VESO 105	WVES 1	VESO 105	WVES 1
3.0	3,0	115-130	01.84-12.90	C 30 NE	6	ZLE 317	VESO 105	WVES 1	VESO 105	WVES 1

#### Tigra

1.4 16V	1,4	66	07.94-	X 14 XE	4	ZL 105	GS 15+	GS 15+
							0 901 300 199,...200	0 901 300 199,...200
1.6 16V	1,6	78	07.94-	X 16 XE	4	ZL 105	GS 15+	GS 15+
							0 901 300 199,...200	0 901 300 199,...200

### VOLVO

#### 55

1.1	1,1	33-40	01.72-12.76	DDB110E	4	ZLE 107/1	VESO 105	VESO 105
1.3	1,3	42	01.72-12.76	B130S	4	ZLE 107/1	VESO 105	VESO 105

#### 66

1.1	1,1	33-40	01.72-12.76	DDB110E	4	ZLE 107/1	VESO 105	VESO 105
1.1 DL, GL	1,1	33-40	01.76-12.80	DDB110E	4		VESO 105	VESO 105
1.3	1,3	42	01.72-12.76	B130S	4	ZLE 107/1	VESO 105	VESO 105
1.3 DL, GL	1,3	42	01.76-12.80	B130S	4		VESO 105	VESO 105

#### 240

2.0	2,0	72-76	01.81-12.84	B200	4		VESO 105	VESO 105
2.1 Turbo	2,1	114	01.81-12.85	B21ET	4		VESO 105	VESO 105
2.3	2,3	78-85	01.85-12.92	B230E	4	ZLE 205	VESO 112	VESO 112
2.3	2,3	78-85	01.85-12.92	B230F, B230K	4	ZLE 205	VESO 112	VESO 112
2.3	2,3	78-103	01.81-12.84	B230	4	ZLE 205	VESO 112	VESO 112
2.3 GLT, Break	2,3	83-85	01.75-12.76	B20	4	ZLE 205	VESO 112	VESO 112

#### 260

2.7	2,7	103	01.74-12.80	B27	6		VESO 105	VESO 105
2.8	2,8	95-114	01.71-07.82	B28E,F	6		VESO 105	VESO 105

#### 340

1.4	1,4	47-53	01.84-12.90	B14	4	ZLE 205	VESO 112	VESO 112
1.7	1,7	61	01.84-12.90	F2N	4	ZLE 205	VESO 112	VESO 112
1.7	1,7	61	01.84-12.90	B172	4	ZLE 205	VESO 112	VESO 112

#### 343

1.4	1,4	52	08.79-07.84	B142	4	ZLE 205	VESO 112	VESO 112
2.0	2,0	70	01.81-12.83	B19A	4	ZLE 205	VESO 112	VESO 112

#### 345

1.4 DL, GL, L	1,4	46-51	01.79-12.83	B142E	4	ZLE 205	VESO 112	VESO 112
2.0	2,0	68	01.81-12.83	B19A	4	ZLE 205	VESO 112	VESO 112

#### 360

2.0	2,0	80-86	01.85-12.87	B200E	4	ZLE 205	VESO 112	VESO 112
2.0	2,0	75-80	01.85-07.89	B200A, B200F	4	ZLE 205	VESO 112	VESO 112
2.0	2,0	65-86	01.80-12.85	B19A, B19E	4	ZLE 205	VESO 112	VESO 112

### VW AG

#### 181

1.5-1.6	1,5-1,6	32-35	09.69-02.79	H, AG, AL, AM	4		VESO 105	WVES 1	VESO 105	WVES 1
---------	---------	-------	-------------	---------------	---	--	----------	--------	----------	--------

#### 411, 412

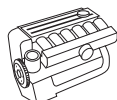
1.7-1.8	1,7-1,8	50-63	01.68-12.74	AN,AT,W,V, Z	4		VESO 105	WVES 1	VESO 105	WVES 1
---------	---------	-------	-------------	--------------	---	--	----------	--------	----------	--------

#### Bora

1.4 16V	1,4	55	03.00-05.05	AHW/AXP/APE/AKQ	4	ZLE 248	●	VESO 134
1.6 16V	1,6	77	03.00-05.05	ATN	4	ZLE 248	●	VESO 134
1.6 16V	1,6	77	03.00-05.05	AUS	4	ZLE 248	●	VESO 134



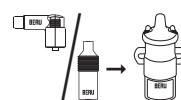
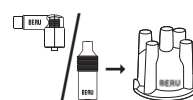
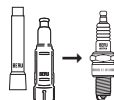
kw



Zyl.

Cyl.

Cil.

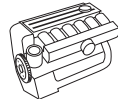


## VW AG

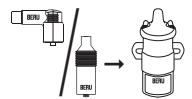
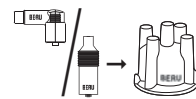
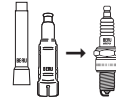
<b>Bora</b>										
1.8 20V, 4motion	1,8	92	10.98-10.00	AGN	4	<b>ZLE 249</b>	●			<b>VES 115</b>
2.3 VR5	2,3	110	09.98-12.99	AGZ	5	<b>ZLE 252</b>	●		<b>VESO 134</b>	
2.0	2.0	85	10.98-05.05	APK/AZH/AZJ/AQY/AZG	4	<b>ZLE 250</b>	●		<b>VESO 134</b>	
2.3 V5	2,3	110	10.98-10.00	AGZ	5	<b>ZLE 252</b>	●		<b>VESO 134</b>	
<b>Caddy</b>										
1.5	1,5	51	01.82-07.83	JB	4	<b>ZLE 107/1</b>		<b>VESO 105</b>	<b>WVES 1</b>	<b>VESO 105</b> <b>WVES 1</b>
1.6	1,6	55	08.83-07.84	HN	4	<b>ZLE 107/1</b>		<b>VESO 105</b>	<b>WVES 1</b>	<b>VESO 105</b> <b>WVES 1</b>
1.6	1,6	55	08.84-07.92	EW, HN	4	<b>ZLE 205</b>		<b>VESO 116</b>	<b>VES 105</b>	<b>VESO 116</b> <b>VES 105</b>
1.8i	1,8	70	08.85-07.92	JH	4	<b>ZLE 205</b>		<b>VESO 116</b>	<b>VES 105</b>	<b>VESO 116</b> <b>VES 105</b>
<b>Corrado</b>										
1.8 G 60	1,8	118	09.88-09.93	PG	4	<b>ZLE 205</b>		<b>VESO 116</b>	<b>VES 105</b>	<b>VESO 116</b> <b>VES 105</b>
2.0 i	2,0	85	04.93-12.95	ADY/2E	4	<b>ZLE 205</b>		<b>VESO 116</b>	<b>VES 105</b>	<b>VESO 116</b> <b>VES 105</b>
2.0 16V	2,0	100	08.91-12.95	9A	4	<b>ZLE 168</b>		<b>VESO 116</b>	<b>VES 105</b>	<b>VESO 116</b> <b>VES 105</b>
<b>Derby</b>										
0.9	0,9	29	02.77-09.81	HA	4	<b>ZLE 107/1</b>		<b>VESO 105</b>	<b>WVES 1</b>	<b>VESO 105</b> <b>WVES 1</b>
1.05	1,05	29	08.81-07.84	GL	4	<b>ZLE 107/1</b>		<b>VESO 105</b>	<b>WVES 1</b>	<b>VESO 105</b> <b>WVES 1</b>
1.05	1,05	29	08.84-10.86	GL	4	<b>ZLE 205</b>		<b>VESO 116</b>	<b>VES 105</b>	<b>VESO 116</b> <b>VES 105</b>
1.0	1,0	33	08.81-07.84	HZ	4	<b>ZLE 107/1</b>		<b>VESO 105</b>	<b>WVES 1</b>	<b>VESO 105</b> <b>WVES 1</b>
1.05	1,05	33	08.84-10.91	HZ	4	<b>ZLE 205</b>		<b>VESO 116</b>	<b>VES 105</b>	<b>VESO 116</b> <b>VES 105</b>
1.1	1,1	37	04.75-07.84	HB, HD	4	<b>ZLE 107/1</b>		<b>VESO 105</b>	<b>WVES 1</b>	<b>VESO 105</b> <b>WVES 1</b>
1.3	1,3	40	08.81-07.84	MH/HK	4	<b>ZLE 107/1</b>		<b>VESO 105</b>	<b>WVES 1</b>	<b>VESO 105</b> <b>WVES 1</b>
1.3	1,3	40	08.84-07.85	MH/HK	4	<b>ZLE 205</b>		<b>VESO 116</b>	<b>VES 105</b>	<b>VESO 116</b> <b>VES 105</b>
1.3	1,3	44	08.84-10.86	GT	4	<b>ZLE 205</b>		<b>VESO 116</b>	<b>VES 105</b>	<b>VESO 116</b> <b>VES 105</b>
1.3	1,3	44	02.77-09.81	HH	4	<b>ZLE 107/1</b>		<b>VESO 105</b>	<b>WVES 1</b>	<b>VESO 105</b> <b>WVES 1</b>
1.3	1,3	55	01.77-07.84	GK, HJ, HW	4	<b>ZLE 107/1</b>		<b>VESO 105</b>	<b>WVES 1</b>	<b>VESO 105</b> <b>WVES 1</b>
1.3	1,3	55	08.84-12.88	GK	4	<b>ZLE 205</b>		<b>VESO 116</b>	<b>VES 105</b>	<b>VESO 116</b> <b>VES 105</b>
<b>Golf I</b>										
1.1	1,1	37-44	09.79-07.84	GG, FA, FJ, HC	4	<b>ZLE 107/1</b>		<b>VESO 105</b>	<b>WVES 1</b>	<b>VESO 105</b> <b>WVES 1</b>
1.3	1,3	44	08.79-07.84	GF, GS	4	<b>ZLE 107/1</b>		<b>VESO 105</b>	<b>WVES 1</b>	<b>VESO 105</b> <b>WVES 1</b>
1.5	1,5	48-51	08.77-07.84	GH, JB	4	<b>ZLE 107/1</b>		<b>VESO 105</b>	<b>WVES 1</b>	<b>VESO 105</b> <b>WVES 1</b>
1.5	1,5	51	04.74-12.75	FH	4	<b>ZLE 107/1</b>		<b>VESO 105</b>	<b>WVES 1</b>	<b>VESO 105</b> <b>WVES 1</b>
1.6	1,6	51-81	08.75-07.84	FP, FN, EG, EM	4	<b>ZLE 107/1</b>		<b>VESO 105</b>	<b>WVES 1</b>	<b>VESO 105</b> <b>WVES 1</b>
1.8 GTI	1,8	82	08.82-07.84	DX, JJ	4	<b>ZLE 107/1</b>		<b>VESO 105</b>	<b>WVES 1</b>	<b>VESO 105</b> <b>WVES 1</b>
1.8 GTI	1,8	82	08.84-12.93	DX, JJ	4	<b>ZLE 205</b>		<b>VESO 116</b>	<b>VES 105</b>	<b>VESO 116</b> <b>VES 105</b>
<b>Golf II</b>										
1,05	1,05	33	11.83-07.84	GN	4	<b>ZLE 107/1</b>		<b>VESO 105</b>	<b>WVES 1</b>	<b>VESO 105</b> <b>WVES 1</b>
1,05	1,05	33	08.84-08.85	GN	4	<b>ZLE 205</b>		<b>VESO 116</b>	<b>VES 105</b>	<b>VESO 116</b> <b>VES 105</b>
1,05	1,05	37	08.85-10.91	HZ	4	<b>ZLE 205</b>		<b>VESO 116</b>	<b>VES 105</b>	<b>VESO 116</b> <b>VES 105</b>
1,3	1,3	37	08.85-12.87	NU	4	<b>ZLE 205</b>		<b>VESO 116</b>	<b>VES 105</b>	<b>VESO 116</b> <b>VES 105</b>
1,3	1,3	40	08.84-07.85	HK	4	<b>ZLE 205</b>		<b>VESO 116</b>	<b>VES 105</b>	<b>VESO 116</b> <b>VES 105</b>
1,3	1,3	40	08.85-12.88	MH	4	<b>ZLE 205</b>		<b>VESO 116</b>	<b>VES 105</b>	<b>VESO 116</b> <b>VES 105</b>
1,3	1,3	40	08.87-07.92	NZ	4	<b>ZLE 205</b>		<b>VESO 116</b>	<b>VES 105</b>	<b>VESO 116</b> <b>VES 105</b>
1,3 Cabriolet	1,3	40	08.84-07.86	HK	4	<b>ZLE 205</b>		<b>VESO 116</b>	<b>VES 105</b>	<b>VESO 116</b> <b>VES 105</b>
1,3 KAT	1,3	40	06.86-12.92	NZ/2G/MH	4	<b>ZLE 205</b>		<b>VESO 116</b>	<b>VES 105</b>	<b>VESO 116</b> <b>VES 105</b>
1,6	1,3	43	08.83-10.86	GT	4	<b>ZLE 205</b>		<b>VESO 116</b>	<b>VES 105</b>	<b>VESO 116</b> <b>VES 105</b>
1,3	1,3	44	08.83-07.84	GT	4	<b>ZLE 107/1</b>		<b>VESO 105</b>	<b>WVES 1</b>	<b>VESO 105</b> <b>WVES 1</b>
1,3	1,3	44	08.84-10.86	GT	4	<b>ZLE 205</b>		<b>VESO 116</b>	<b>VES 105</b>	<b>VESO 116</b> <b>VES 105</b>
1,6	1,6	51	10.86-12.92	PN	4	<b>ZLE 205</b>		<b>VESO 116</b>	<b>VES 105</b>	<b>VESO 116</b> <b>VES 105</b>
1,6	1,6	53-55	08.84-12.92	EZ, EZA	4	<b>ZLE 205</b>		<b>VESO 116</b>	<b>VES 105</b>	<b>VESO 116</b> <b>VES 105</b>
1,6	1,6	53-55	08.84-07.91	RF, EZ	4	<b>ZLE 205</b>		<b>VESO 116</b>	<b>VES 105</b>	<b>VESO 116</b> <b>VES 105</b>
1,6	1,6	55	07.84-07.88	HM	4	<b>ZLE 205</b>		<b>VESO 116</b>	<b>VES 105</b>	<b>VESO 116</b> <b>VES 105</b>
1,6 Cabriolet	1,6	53	04.86-07.90	RE	4	<b>ZLE 205</b>		<b>VESO 116</b>	<b>VES 105</b>	<b>VESO 116</b> <b>VES 105</b>
1,6 Cabriolet	1,6	55	08.84-12.86	EW, EWA, HN	4	<b>ZLE 205</b>		<b>VESO 116</b>	<b>VES 105</b>	<b>VESO 116</b> <b>VES 105</b>
1,6	1595	55	08.83-07.84	HM/ABN/EZ	4	<b>ZLE 107/1</b>		<b>VESO 105</b>	<b>WVES 1</b>	<b>VESO 105</b> <b>WVES 1</b>
1,6	1595	55	08.84-07.92	HM/ABN/EZ	4	<b>ZLE 205</b>		<b>VESO 116</b>	<b>VES 105</b>	<b>VESO 116</b> <b>VES 105</b>
1,8	1,8	62	08.86-07.90	RH	4	<b>ZLE 205</b>		<b>VESO 116</b>	<b>VES 105</b>	<b>VESO 116</b> <b>VES 105</b>
1,8	1,8	66	04.84-07.87	HV	4	<b>ZLE 205</b>		<b>VESO 116</b>	<b>VES 105</b>	<b>VESO 116</b> <b>VES 105</b>
1,8	1,8	66	11.85-07.88	GX, RP	4	<b>ZLE 205</b>		<b>VESO 116</b>	<b>VES 105</b>	<b>VESO 116</b> <b>VES 105</b>
1,8	1,8	66	08.84-10.91	GX/GU/HV	4	<b>ZLE 205</b>		<b>VESO 116</b>	<b>VES 105</b>	<b>VESO 116</b> <b>VES 105</b>
1,8 i KAT	1,8	66	08.87-10.91	GX/RP	4	<b>ZLE 205</b>		<b>VESO 116</b>	<b>VES 105</b>	<b>VESO 116</b> <b>VES 105</b>
1,8 Cabriolet	1,8	66	08.84-12.92	EX	4	<b>ZLE 205</b>		<b>VESO 116</b>	<b>VES 105</b>	<b>VESO 116</b> <b>VES 105</b>



kW



Zyl.  
Cyl.  
Cil.



**VW AG**

**Golf II**

1.8 Cabriolet	1,8	74	08.89-08.93	2H	4	ZLE 205	VESO 116	VES 105	VESO 116	VES 105
1.8 GTI	1,8	79	08.85-10.87	RD	4	ZLE 205	VESO 116	VES 105	VESO 116	VES 105
1.8 GTI KAT	1,8	79	01.87-10.91	PF	4	ZLE 205	VESO 116	VES 105	VESO 116	VES 105
1.8 GTi	1,8	82	08.83-07.84	EV/GZ/PB/DX	4	ZLE 107/1	VESO 105	WVES 1	VESO 105	WVES 1
1.8 GTi	1,8	82	08.84-07.87	EV/GZ/PB/DX	4	ZLE 205	VESO 116	VES 105	VESO 116	VES 105
1.8 Cabriolet	1,8	82	08.84-08.93	DX, KT	4	ZLE 205	VESO 116	VES 105	VESO 116	VES 105
1.8 16V	1,8	95-102	10.85-09.92	PL, KR	4	ZLE 168	VESO 116	VES 105	VESO 116	VES 105
1.8 G 60 Rally	1,8	118	04.89-07.91	1H	4	ZLE 205	VESO 116	VES 105	VESO 116	VES 105
1.8 G 60 Rally, Syncro	1,8	118	01.90-07.91	1H	4	ZLE 205	VESO 116	VES 105	VESO 116	VES 105
1.8 GTi	1,8	79	08.85-07.88	RD, RG	4	ZLE 205	VESO 116	VES 105	VESO 116	VES 105

**Golf III**

1.4	1,4	40-44	11.91-08.97	AEX/ABD	4	ZLE 205	VESO 116	VES 105	VESO 116	VES 105
1.6	1,6	74	10.94-12.95	AEK, AFT	4	ZLE 250	VESO 116	VES 105	VESO 116	VES 105
1.6	1,6	40	09.92-09.94	ABU	4	ZLE 205	VESO 116	VES 105	VESO 116	VES 105
1.8	1,8	55-66	10.91-08.97	AAM, ABS	4	ZLE 205	VESO 116	VES 105	VESO 116	VES 105
2.0	2,0	85	10.91-09.94	ADY/AKR/2E/AGG	4	ZLE 205	VESO 116	VES 105	VESO 116	VES 105
2.0 16V	2,0	110	10.92-08.97	ABF	4	ZLE 168	VESO 116	VES 105	VESO 116	VES 105
2.8 VR6	2,8	128	01.94-08.97	AAA, Fg-Nr. F1H-PB060 001→, F1H-PW480 001 →	6	ZLE 251	●			VESO 134
2.8/2.9 VR6	2,8/ 2,9	128-142	10.91-12.93	AAA/ABV	6	ZLE 250	●			VESO 134
2.8/2.9 VR6	2,8/ 2,9	128-142	01.94-08.97	AAA	6	ZLE 251	●			VESO 134
2.8/2.9 VR6	2,8/ 2,9	128-142	01.94-08.97	ABV	6	ZLE 250	●			VESO 134

**Golf IV**

1.4 16V	1,4	55	09.97-06.05	AHW/AXP/BCA/APE/ AKQ	4	ZLE 248	●			VESO 134
1.6 8V	1,6	74	09.97-09.03	AKL/APF/AEH	4	ZLE 249	●			VESO 134 VES 115
1.6 16V	1,6	77	02.00-06.05	ATN	4	ZLE 248	●			VESO 134
1.6 16V	1,6	77	02.00-06.05	AUS	4	ZLE 248	●			VESO 134
1.8 20V, 4motion	1,8	92	09.97-06.05	AGN	4	ZLE 249	●			VESO 134 VES 115
1.8 20V	1,8	110	12.96-06.05	AGU	4	ZLE 276	●			ZLE 276
2.0 16V	2,0	85	06.98-09.03	AGG	4	ZLE 248	●			VESO 134
2.0	2,0	85	07.98-06.05	APK/AZJ/AQY/AZG, AZH	4	ZLE 250	●			VESO 134
2.3 VR5	2,3	110	10.97-10.00	AGZ	5	ZLE 252	●			VESO 134

**Ittis**

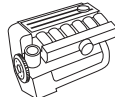
1.7	1,7	55	01.79-07.84	YX	4	ZLE 107/1	VESO 105			VESO 105
1.7	1,7	55	08.84-12.88	YX	4	ZLE 205	VESO 116	VES 105	VESO 116	VES 105

**Jetta**

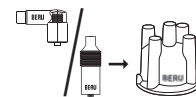
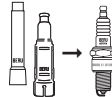
1.1	1,1	37	08.79-07.84	GG/FA	4	ZLE 107/1	VESO 105			VESO 105
1.3	1,3	37-44	08.79-07.84	GF, GS, HW	4	ZLE 107/1	VESO 105			VESO 105
1.3	1,3	40	08.84-07.85	HK	4	ZLE 205	VESO 116	VES 105	VESO 116	VES 105
1.3	1,3	40	01.89-09.91	2G	4	ZLE 205	VESO 116	VES 105	VESO 116	VES 105
1.3i, KAT	1,3	40	08.85-09.91	NZ, MH	4	ZLE 205	VESO 116	VES 105	VESO 116	VES 105
1.3	1,3	44	01.84-07.84	GT	4	ZLE 107/1	VESO 105			VESO 105
1.3	1,3	44	08.84-10.86	GT	4	ZLE 205	VESO 116	VES 105	VESO 116	VES 105
1.5	1,5	48-51	08.77-07.84	GH, JB	4	ZLE 107/1	VESO 105			VESO 105
1.6	1,6	51-55	08.84-12.92	HM, HN, ABN, EZ, EZA, PN, RF	4	ZLE 205	VESO 116	VES 105	VESO 116	VES 105
1.6, GLI	1,6	55-81	08.75-07.84	FR, EG, EJ, EN, EM, HN	4	ZLE 107/1	VESO 105			VESO 105
1.8	1,8	62	08.86-07.90	RH	4	ZLE 205	VESO 116	VES 105	VESO 116	VES 105
1.8	1,8	66	07.84-10.91	HV, GU	4	ZLE 205	VESO 116	VES 105	VESO 116	VES 105
1.8	1,8	66	01.84-10.87	GX	4	ZLE 205	VESO 116	VES 105	VESO 116	VES 105
1.8 KAT	1,8	66	08.87-10.91	GX/RP	4	ZLE 205	VESO 116	VES 105	VESO 116	VES 105
1.8	1,8	66	11.91-08.94	ABS	4	ZLE 205	VESO 116	VES 105	VESO 116	VES 105
1.8 Syncro	1,8	66	11.85-10.91	GU	4	ZLE 205	VESO 116	VES 105	VESO 116	VES 105
1.8i	1,8	66	01.88-10.91	RP	4	ZLE 205	VESO 116	VES 105	VESO 116	VES 105
1.8i	1,8	72	08.88-07.91	1P	4	ZLE 205	VESO 116	VES 105	VESO 116	VES 105



kw



Zyl.  
Cyl.  
Cil.

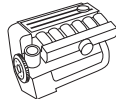


## VW AG

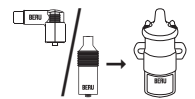
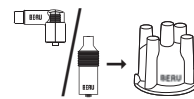
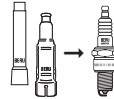
Model	Year	Power (kw)	Year Range	Engine Code	Cyl.	ZLE	VESO	VES	VESO	VES
<b>Jetta</b>										
1.8	1,8	77	01.87-12.88	RV	4	ZLE 205	VESO 116	VES 105	VESO 116	VES 105
1.8, KAT.	1,8	79	03.87-10.91	PF	4	ZLE 205	VESO 116	VES 105	VESO 116	VES 105
1.8i	1,8	79	08.85-07.88	RD, RG	4	ZLE 205	VESO 116	VES 105	VESO 116	VES 105
1.8	1,8	82	03.87-10.91	PB	4	ZLE 205	VESO 116	VES 105	VESO 116	VES 105
1.8	1,8	82	08.82-07.84	DX, JJ	4	ZLE 107/1	VESO 105		VESO 105	
1.8	1,8	82	08.82-07.84	EV/GZ/PB	4	ZLE 107/1	VESO 105		VESO 105	
1.8i	1,8	82	08.84-07.87	EV/GZ/PB	4	ZLE 205	VESO 116	VES 105	VESO 116	VES 105
1.8 16V	1,8	95-102	08.86-09.92	PL, KR	4	ZLE 168	VESO 116	VES 105	VESO 116	VES 105
1.8 G 60	1,8	118	04.90-07.91	PG	4	ZLE 205	VESO 116	VES 105	VESO 116	VES 105
<b>K 70</b>										
1.6	1,6	55-66	08.70-02.75	DA, DB	4	ZLE 107/1	VESO 105		VESO 105	
1.8	1,8	74	05.73-02.75	DC	4	ZLE 107/1	VESO 105		VESO 105	
<b>Karmann Ghia</b>										
1.2-1.6	1,2-1,6	22-37	01.60-01.74	AB,AD,AJ,AS,D,F,E,H	4		VESO 105		VESO 105	
<b>Käfer</b>										
1.1-1.6	1,1-1,6	18-37	04.49-12.85	AB,AC,AD,AE,AH,AJ,AK,AR,AS,D,F,E,H	4		VESO 105		VESO 105	
<b>Lupo</b>										
1.4 16V	1,4	55	09.98-07.05	AHW/APE/AKQ/AUA	4	ZLE 248	●		VESO 134	
<b>New Beetle</b>										
2.0	2,0	85	01.98-	APK/AQY/AEG/BEV/AZG	4	ZLE 250	●		VESO 134	
2.0 Cabriolet	2,0	85	01.03-	AZJ/BEV/BDC/BGD	4	ZLE 250	●		VESO 134	
<b>Passat</b>										
1.3	1,3	40-44	05.72-07.84	ZA, ZF, FY, FZ	4	ZLE 107/1	VESO 105		VESO 105	
1.3	1,3	44	08.84-04.88	EP, FZ	4	ZLE 205	VESO 116	VES 105	VESO 116	VES 105
1.5	1,5	55-63	05.72-07.84	YJ, ZB, ZC, ZF	4	ZLE 107/1	VESO 105		VESO 105	
1.6	1,6	51	08.87-03.88	PP	4	ZLE 205	VESO 116	VES 105	VESO 116	VES 105
1.6	1,6	51-55	09.75-07.84	YN, YT, YU, YY	4	ZLE 107/1	VESO 105		VESO 105	
1.6	1,6	51-55	08.84-07.87	DT, DTA	4	ZLE 205	VESO 116	VES 105	VESO 116	VES 105
1.6	1,6	53-55	02.76-07.84	FS, WV, WVA	4	ZLE 107/1	VESO 105		VESO 105	
1.6	1,6	55	08.80-07.84	WV/YN	4	ZLE 107/1	VESO 105		VESO 105	
1.6	1,6	55	08.84-03.88	WV/YN	4	ZLE 205	VESO 116	VES 105	VESO 116	VES 105
1.6	1,6	53	02.86-04.88	RL	4	ZLE 205	VESO 116	VES 105	VESO 116	VES 105
1.6	1,6	53-55	04.88-09.91	RF, EZ	4	ZLE 205	VESO 116	VES 105	VESO 116	VES 105
1.6	1,6	55	08.88-07.90	1F	4	ZLE 205	VESO 116	VES 105	VESO 116	VES 105
1.6	1,6	63	09.75-07.84	YG, YH, YK, YP	4	ZLE 107/1	VESO 105		VESO 105	
1.6	1,6	74	10.94-08.96	AEK/AFT	4	ZLE 205	VESO 116	VES 105	VESO 116	VES 105
1.8	1,8	55	10.91-09.94	AAM, ABS	4	ZLE 205	VESO 116	VES 105	VESO 116	VES 105
1.8	1,8	64	02.86-04.88	RM	4	ZLE 205	VESO 116	VES 105	VESO 116	VES 105
1.8	1,8	66	01.83-07.84	DS, JV, JN	4	ZLE 107/1	VESO 105		VESO 105	
1.8	1,8	66	08.84-07.88	DS, JV, JN	4	ZLE 205	VESO 116	VES 105	VESO 116	VES 105
1.8	1,8	66	07.84-08.96	RP/ADZ/ABS	4	ZLE 205	VESO 116	VES 105	VESO 116	VES 105
1.8	1,8	79-82	04.88-07.92	PF, PB	4	ZLE 205	VESO 116	VES 105	VESO 116	VES 105
1.8	1,8	82	01.83-07.84	DZ	4	ZLE 107/1	VESO 105		VESO 105	
1.8	1,8	82	07.84-03.88	DZ	4	ZLE 107/1	VESO 105		VESO 105	
1.8	1,8	92	10.96-11.00	ADR/APT/ARG	4	ZLE 276	●			ZLE 276
1.8 16V	1,8	102	04.88-09.92	PL, KR	4	ZLE 168	VESO 116	VES 105	VESO 116	VES 105
1.8 20V	1,8	110	05.97-12.98	AEB	4	ZLE 276	●			ZLE 276
1.8 G 60 Syncro	1,8	118	09.89-04.93	PG	4	ZLE 205	VESO 116	VES 105	VESO 116	VES 105
1.9	1,9	85	01.81-07.83	WN	5	ZLE 107/1	VESO 105		VESO 105	
2.0	2,0	79	03.95-08.96	AEP	4	ZLE 205	VESO 116	VES 105	VESO 116	VES 105
2.0	2,0	85	08.83-03.88	JS, HP	5	ZLE 107/1	VESO 105		VESO 105	
2.0	2,0	85	08.84-04.88	JS,HP	5	ZLE 205	VESO 116	VES 105	VESO 116	VES 105
2.0	2,0	85	02.90-08.96	ADY/2E/AGG	4	ZLE 205	VESO 116	VES 105	VESO 116	VES 105
2.0 16V	2,0	110	01.94-09.96	ABF	4	ZLE 168	VESO 116	VES 105	VESO 116	VES 105
2.0 16V	2,0	100	08.88-09.93	9A	4	ZLE 168	VESO 116	VES 105	VESO 116	VES 105
2.2	2,2	85	03.77-07.84	WE	5	ZLE 107/1	VESO 105		VESO 105	
2.2	2,2	85	08.85-03.88	KX	5	ZLE 205	VESO 116	VES 105	VESO 116	VES 105
2.2i Syncro	2,2	88	08.85-07.88	JT	5	ZLE 205	VESO 116	VES 105	VESO 116	VES 105
2.2i	2,2	100	08.84-03.88	HY, KV	5	ZLE 205	VESO 116	VES 105	VESO 116	VES 105



kW



Zyl.  
Cyl.  
Cil.



**VW AG**

**Passat**

2.3 VR5	2,3	110	10.96-11.00	AGZ	5	<b>ZLE 252</b>	●		<b>VESO 134</b>
2.8 VR6	2,8	128	01.94-05.97	AAA, Fg-Nr. F1H-PB060 001→, F1H-PW480 001 →	6	<b>ZLE 251</b>	●		<b>VESO 134</b>
2.8/2.9 VR6	2,8/ 2,9	128-142	10.91-12.93	AAA, ABV, ACK	6	<b>ZLE 250</b>	●		<b>VESO 112</b>
2.8/2.9 VR6	2,8/ 2,9	128-142	01.94-08.97	AAA, ABV, ACK	6	<b>ZLE 250</b>	●		<b>VESO 134</b>
2.8/2.9 VR6	2,8/ 2,9	128-142	09.97-11.00	AAA, ABV, ACK	6	<b>ZLE 251</b>	●		<b>VESO 134</b>

**Polo**

0.9	0,9	29	04.75-07.84	HA	4	<b>ZLE 107/1</b>		<b>VESO 105</b>	<b>VESO 105</b>
1.0	1,0	37	09.96-10.99	AER/ALL	4	<b>ZLE 205</b>		<b>VESO 116</b>	<b>VES 105</b> <b>VESO 116</b> <b>VES 105</b>
1.05	1,05	29	10.81-07.84	GL	4	<b>ZLE 107/1</b>		<b>VESO 105</b>	<b>VESO 105</b>
1.05	1,05	29	08.84-10.86	GL	4	<b>ZLE 205</b>		<b>VESO 116</b>	<b>VES 105</b> <b>VESO 116</b> <b>VES 105</b>
1.05	1,05	33	08.85-01.92	HZ	4	<b>ZLE 205</b>		<b>VESO 116</b>	<b>VES 105</b> <b>VESO 116</b> <b>VES 105</b>
1.05	1,05	33	01.85-09.94	AAU, AAK, ACM	4	<b>ZLE 205</b>		<b>VESO 116</b>	<b>VES 105</b> <b>VESO 116</b> <b>VES 105</b>
1.05, KAT.	1,05	33	10.94-09.96	AEV	4	<b>ZLE 205</b>		<b>VESO 116</b>	<b>VES 105</b> <b>VESO 116</b> <b>VES 105</b>
1.1	1,1	37-44	04.75-07.84	HB,HC,HD	4	<b>ZLE 107/1</b>		<b>VESO 105</b>	<b>VESO 105</b>
1.1	1,1	37-44	08.84-09.89	HB,HC,HD	4	<b>ZLE 205</b>		<b>VESO 116</b>	<b>VES 105</b> <b>VESO 116</b> <b>VES 105</b>
1.3	1,3	37-44	01.77-07.84	HJ, HW	4	<b>ZLE 107/1</b>		<b>VESO 105</b>	<b>VESO 105</b>
1.3	1,3	40	08.83-07.84	MH/HK	4	<b>ZLE 107/1</b>		<b>VESO 105</b>	<b>VESO 105</b>
1.3	1,3	40	08.84-07.88	MH/HK	4	<b>ZLE 205</b>		<b>VESO 116</b>	<b>VES 105</b> <b>VESO 116</b> <b>VES 105</b>
1.3	1,3	40	01.91-07.94	AAV	4	<b>ZLE 205</b>		<b>VESO 116</b>	<b>VES 105</b> <b>VESO 116</b> <b>VES 105</b>
1.3	1,3	40	01.89-09.94	NZ/2G/MH/AAV	4	<b>ZLE 205</b>		<b>VESO 116</b>	<b>VES 105</b> <b>VESO 116</b> <b>VES 105</b>
1.3	1,3	40	05.87-12.92	NZ	4	<b>ZLE 205</b>		<b>VESO 116</b>	<b>VES 105</b> <b>VESO 116</b> <b>VES 105</b>
1.3	1,3	40	10.94-07.95	ADX	4	<b>ZLE 205</b>		<b>VESO 116</b>	<b>VES 105</b> <b>VESO 116</b> <b>VES 105</b>
1.3	1,3	43	08.84-12.88	GT	4	<b>ZLE 205</b>		<b>VESO 116</b>	<b>VES 105</b> <b>VESO 116</b> <b>VES 105</b>
1.3	1,3	44	12.76-07.83	HH	4	<b>ZLE 107/1</b>		<b>VESO 105</b>	<b>VESO 105</b>
1.3	1,3	55	10.89-09.94	3F	4	<b>ZLE 205</b>		<b>VESO 116</b>	<b>VES 105</b> <b>VESO 116</b> <b>VES 105</b>
1.3	1,3	55	07.84-07.90	GK	4	<b>ZLE 205</b>		<b>VESO 116</b>	<b>VES 105</b> <b>VESO 116</b> <b>VES 105</b>
1.3 GT	1,3	85	01.87-09.94	PY	4	<b>ZLE 205</b>		<b>VESO 116</b>	<b>VES 105</b> <b>VESO 116</b> <b>VES 105</b>
1.4	1,4	40	08.95-10.99	AEX	4	<b>ZLE 205</b>		<b>VESO 116</b>	<b>VES 105</b> <b>VESO 116</b> <b>VES 105</b>
1.4	1,4	44	08.95-10.99	AEX	4	<b>ZLE 205</b>		<b>VESO 116</b>	<b>VES 105</b> <b>VESO 116</b> <b>VES 105</b>
1.4	1,4	44	07.95-09.01	AKV/ANW/AKK/ANX/ APQ/AUD	4	<b>ZLE 205</b>		<b>VESO 116</b>	<b>VES 105</b> <b>VESO 116</b> <b>VES 105</b>
1.4 16V	1,4	55	10.01-	AUA	4	<b>ZLE 248</b>	●		<b>VESO 134</b>
1.4 16V	1,4	74	04.96-10.99	AFH	4			<b>VESO 128</b>	<b>VESO 116</b>
1.6	1,6	55	10.94-10.99	AEA	4	<b>ZLE 205</b>		<b>VESO 116</b>	<b>VES 105</b> <b>VESO 116</b> <b>VES 105</b>
1.6	1,6	55	07.95-10.99	1F,AEE	4	<b>ZLE 205</b>		<b>VESO 116</b>	<b>VES 105</b> <b>VESO 116</b> <b>VES 105</b>
1.6	1,6	55	10.94-09.01	AHS/ALM	4	<b>ZLE 205</b>		<b>VESO 116</b>	<b>VES 105</b> <b>VESO 116</b> <b>VES 105</b>
1.6	1,6	74	11.95-10.99	AFT	4	<b>ZLE 250</b>		<b>VESO 116</b>	<b>VES 105</b> <b>VESO 116</b> <b>VES 105</b>
1.6	1,6	74	12.95-09.01	AKL/APF/AEH/AUR	4	<b>ZLE 205</b>		<b>VESO 116</b>	<b>VES 105</b> <b>VESO 116</b> <b>VES 105</b>

**Santana**

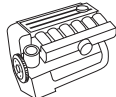
1.3	1,3	44	08.84-04.88	EP	4	<b>ZLE 205</b>		<b>VESO 116</b>	<b>VES 105</b> <b>VESO 116</b> <b>VES 105</b>
1.3	1,3	40-44	01.78-07.84	FY, FZ	4	<b>ZLE 107/1</b>		<b>VESO 105</b>	<b>VESO 105</b>
1.6	1,6	55	08.79-07.84	WP,WV,WVA,WY	4	<b>ZLE 107/1</b>		<b>VESO 105</b>	<b>VESO 105</b>
1.6	1,6	55	08.84-07.87	DT, WV	4	<b>ZLE 205</b>		<b>VESO 116</b>	<b>VES 105</b> <b>VESO 116</b> <b>VES 105</b>
1.6	1,6	63	08.81-12.82	YP	4	<b>ZLE 107/1</b>		<b>VESO 105</b>	<b>VESO 105</b>
1.8	1,8	66	01.83-07.84	DS	4	<b>ZLE 107/1</b>		<b>VESO 105</b>	<b>VESO 105</b>
1.8	1,8	66	08.84-04.88	DS,JV	4	<b>ZLE 205</b>		<b>VESO 116</b>	<b>VES 105</b> <b>VESO 116</b> <b>VES 105</b>
1.8i	1,8	66	08.84-04.88	JN	4	<b>ZLE 205</b>		<b>VESO 116</b>	<b>VES 105</b> <b>VESO 116</b> <b>VES 105</b>
1.9	1,9	85	08.81-07.83	WN	5	<b>ZLE 107/1</b>		<b>VESO 105</b>	<b>VESO 105</b>
2.0i	2,0	85	03.77-07.84	WE, HP, JS	5	<b>ZLE 107/1</b>		<b>VESO 105</b>	<b>VESO 105</b>
2.0i	2,0	85	08.84-12.84	WE, HP, JS	5	<b>ZLE 205</b>		<b>VESO 116</b>	<b>VES 105</b> <b>VESO 116</b> <b>VES 105</b>
2.2	2,2	85	08.84-04.88	HP, JS	5	<b>ZLE 205</b>		<b>VESO 116</b>	<b>VES 105</b> <b>VESO 116</b> <b>VES 105</b>

**Scirocco**

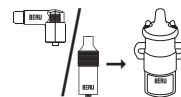
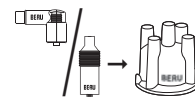
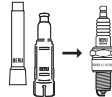
1.1	1,1	37-38	04.74-07.79	FA, FJ	4	<b>ZLE 107/1</b>		<b>VESO 105</b>	<b>VESO 105</b>
1.3	1,3	40-44	08.79-07.84	GF, GT, HK	4	<b>ZLE 107/1</b>		<b>VESO 105</b>	<b>VESO 105</b>
1.5	1,5	51-63	02.74-07.84	FH, JB, YJ, ZB, ZC	4	<b>ZLE 107/1</b>		<b>VESO 105</b>	<b>VESO 105</b>
1.6	1,6	51-55	08.75-07.84	EW, FN, FP	4	<b>ZLE 107/1</b>		<b>VESO 105</b>	<b>VESO 105</b>



kW



Zyl.  
Cyl.  
Cil.



## VW AG

### Scirocco

1.6	1,6	51-55	08.84-07.91	EW, HN, RE	4	ZLE 205	VESO 116	VES 105	VESO 116	VES 105
1.6	1,6	60-81	08.75-07.84	EE,EF,EG,EJ,FR	4	ZLE 107/1	VESO 105		VESO 105	
1.7	1,7	57	08.80-07.84	EN	4	ZLE 107/1	VESO 105		VESO 105	
1.8	1,8	66-82	08.83-07.84	EX, JH, JJ	4	ZLE 107/1	VESO 105		VESO 105	
1.8	1,8	66-82	08.84-07.92	EX, JH, JJ	4	ZLE 205	VESO 116	VES 105	VESO 116	VES 105
1.8	1,8	70-82	08.84-07.92	JH, JJ	4	ZLE 205	VESO 116	VES 105	VESO 116	VES 105
1.8	1,8	82	08.82-07.84	EV/JJ/PB/DX	4	ZLE 107/1	VESO 105		VESO 105	
1.8	1,8	82	08.84-07.92	EV/JJ/PB/DX	4	ZLE 205	VESO 116	VES 105	VESO 116	VES 105
1.8 16V	1,8	95-102	10.85-09.92	PL, KR	4	ZLE 168	VESO 116	VES 105	VESO 116	VES 105

### Sharan

1.8 T 20V	1,8	110	09.97-	AJH	4	ZLE 276	●			ZLE 276
2.8 VR6	2,8	128	09.95-08.97	AAA	6	ZLE 250	●		VESO 134	
2.8 VR6	2,8	128	09.97-04.00	AAA, Fg-Nr. F1H-PB060 001→, F1H-PW480 001 →	6	ZLE 251	●		VESO 134	
2.8 VR6	2,8	128	11.96-04.00	AMY	6	ZLE 251	●		VESO 134	

### Vento

1.4	1,4	40	11.91-09.98	AEX/ABD	4	ZLE 205	VESO 116	VES 105	VESO 116	VES 105
1.4	1,4	44	11.91-09.98	AEX/ABD	4	ZLE 205	VESO 116	VES 105	VESO 116	VES 105
1.6	1,6	55	09.92-09.94	ABU	4	ZLE 205	VESO 116	VES 105	VESO 116	VES 105
1.6	1,6	55	10.94-09.98	AEA, AEE	4	ZLE 205	VESO 116	VES 105	VESO 116	VES 105
1.6	1,6	74	10.94-09.98	AEK, AFT	4	ZLE 205	VESO 116	VES 105	VESO 116	VES 105
1.8	1,8	55	10.91-09.98	AAM, ABS	4	ZLE 205	VESO 116	VES 105	VESO 116	VES 105
1.8	1,8	66	11.91-09.98	ACC, ADZ	4	ZLE 205	VESO 116	VES 105	VESO 116	VES 105
2.0	2,0	79-85	10.94-09.98	AEP	4	ZLE 205	VESO 116	VES 105	VESO 116	VES 105
2.0	2,0	85	10.91-09.94	2E	4	ZLE 205	VESO 116	VES 105	VESO 116	VES 105
2.0	2,0	85	07.94-09.98	ADY/AKR/2E/AGG	4	ZLE 205	VESO 116	VES 105	VESO 116	VES 105
2.0 16V	2,0	110	10.92-09.98	ABF	4	ZLE 168	VESO 116	VES 105	VESO 116	VES 105
2.8 VR6	2,8	128	01.94-09.98	AAA, Fg-Nr. F1H-PB060 001→, F1H-PW480 001 →	6	ZLE 251	●		VESO 134	
2.8 VR6	2,8	128	10.91-12.93	AAA	6	ZLE 250	●		VESO 134	
2.8 VR6	2,8	128	01.94-08.97	AAA	6	ZLE 251	●		VESO 134	



### Bus

1.9	1,9	44-57	08.84-07.92	DF,DG,SP	4	ZLE 205	VESO 116	VES 105	VESO 116	VES 105
1.9	1,9	63-66	08.84-12.85	DH,GW	4	ZLE 205	VESO 116	VES 105	VESO 116	VES 105
2.1	2,1	82	08.85-07.92	DJ	4	ZLE 205	VESO 116	VES 105	VESO 116	VES 105

### California

1.8 T IV	1,8	48-49	12.90-07.92	PD	4	ZLE 205	VESO 116	VES 105	VESO 116	VES 105
2.0 T IV	2,0	62-64	09.90-12.93	AAC	4	ZLE 205	VESO 116	VES 105	VESO 116	VES 105
2.5 T IV	2,5	80-81	09.90-12.93	AAF	5	ZLE 205	VESO 116	VES 105	VESO 116	VES 105

### Caravelle

1.8 T IV	1,8	48-49	12.90-07.92	PD	4	ZLE 205	VESO 116	VES 105	VESO 116	VES 105
2.0 T IV	2,0	62-64	09.90-12.93	AAC	4	ZLE 205	VESO 116	VES 105	VESO 116	VES 105
2.5 T IV	2,5	80-81	11.90-12.93	AAF	5	ZLE 205	VESO 116	VES 105	VESO 116	VES 105

### LT

2.4 28/31/35	2,4	62-70	12.82-07.84	DL,HS	6	ZLE 107/1	VESO 105		VESO 105	
2.4 28/31/35	2,4	62-70	08.84-07.92	DL,HS,1E	6	ZLE 205	VESO 116	VES 105	VESO 116	VES 105
2.4 40-55	2,4	62-70	12.82-07.84	DL,HS	6	ZLE 107/1	VESO 105		VESO 105	
2.4 40-55	2,4	62-70	08.84-07.92	DL,HS,1E	6	ZLE 205	VESO 116	VES 105	VESO 116	VES 105

### Multivan

1.8 T IV	1,8	48-49	12.90-07.92	PD	4	ZLE 205	VESO 116	VES 105	VESO 116	VES 105
2.0 T IV	2,0	62-64	09.90-12.93	AAC	4	ZLE 205	VESO 116	VES 105	VESO 116	VES 105
2.5 T IV	2,5	80-81	11.90-12.93	AAF	4	ZLE 205	VESO 116	VES 105	VESO 116	VES 105

### TARO

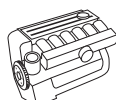
1.8	1,8	61	04.89-09.94	2Y	4	ZLE 205	VESO 116	VES 105	VESO 116	VES 105
-----	-----	----	-------------	----	---	---------	----------	---------	----------	---------

### Transporter

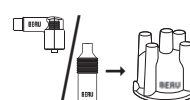
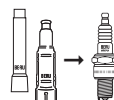
1.1-1.6	1,1-1,6	18-35	01.54-07.67	AB,AD,AJ,AS,D,E,F,H	4	ZLE 107/1	VESO 105		VESO 105	
---------	---------	-------	-------------	---------------------	---	-----------	----------	--	----------	--



kw



Zyl.  
Cyl.  
Cil.



### VW AG



#### Transporter

1.6 Typ II	1,6	34-37	08.67-07.84	AD,AF,AH,AS	4	ZLE 107/1	VESO 105		VESO 105	
1.7 Typ II	1,7	49	08.71-10.73	CA/CB	4	ZLE 107/1	VESO 105		VESO 105	
1.8 Typ II	1,8	50	11.73-07.75	AP	4	ZLE 107/1	VESO 105		VESO 105	
1.9 Typ II	1,9	44-57	08.84-07.92	DF, DG, SP	4	ZLE 205	VESO 116	VES 105	VESO 116	VESO 105
1.9 Typ II	1,9	44-57	05.79-07.84	DF, DG	4	ZLE 107/1	VESO 105		VESO 105	
1.9 Typ II	1,9	44-57	08.84-07.85	DF, DG, SP	4	ZLE 205	VESO 116	VES 105	VESO 116	VESO 105
1.9 Typ II	1,9	66	08.84-07.85	DH, GW	4	ZLE 205	VESO 116	VES 105	VESO 116	VESO 105
2.0 Typ II	2,0	51	08.75-07.84	CJ, CU, CV, GD, GE	4	ZLE 107/1	VESO 105		VESO 105	
2.0 Typ II	2,0	51	08.84-07.85	CJ, CU, CV, GD, GE	4	ZLE 205	VESO 116	VES 105	VESO 116	VESO 105
2.1 Typ II	2,1	82	08.85-07.92	DJ	4	ZLE 205	VESO 116	VES 105	VESO 116	VESO 105
1.6 Typ III	1,6	37	05.79-12.82	CT	4	ZLE 107/1	VESO 105		VESO 105	
1.9 Typ III	1,9	44	08.82-07.84	DF	4	ZLE 107/1	VESO 105		VESO 105	
1.9 Typ III	1,9	57	08.82-07.84	DG	4	ZLE 107/1	VESO 105		VESO 105	
1.9 Typ III	1,9	57	08.84-07.92	DG	4	ZLE 205	VESO 116	VES 105	VESO 116	VESO 105
1.9 Typ III	1,9	61	01.83-07.84	DH	4	ZLE 107/1	VESO 105		VESO 105	
1.9 Typ III	1,9	61	08.84-07.85	DH	4	ZLE 205	VESO 116	VES 105	VESO 116	VESO 105
1.9 Typ III	1,9	66	08.83-07.84	GW	4	ZLE 107/1	VESO 105		VESO 105	
1.9 Typ III	1,9	66	08.84-07.85	GW	4	ZLE 205	VESO 116	VES 105	VESO 116	VESO 105
2.0 Typ III	2,0	51	05.79-12.82	CV/CU	4	ZLE 107/1	VESO 105		VESO 105	
2.1 Typ III	2,1	64	10.86-07.92	SR	4	ZLE 205	VESO 116	VES 105	VESO 116	VESO 105
2.1 i Typ III	2,1	68	07.89-07.92	SS	4	ZLE 205	VESO 116	VES 105	VESO 116	VESO 105
2.1 Typ III	2,1	70	08.85-07.92	MV	4	ZLE 205	VESO 116	VES 105	VESO 116	VESO 105
2.1 KAT Typ III	2,1	70	06.89-07.92	MV	4	ZLE 205	VESO 116	VES 105	VESO 116	VESO 105
2.1 Typ III	2,1	82	08.85-07.92	DJ	4	ZLE 205	VESO 116	VES 105	VESO 116	VESO 105
1.8 Typ IV	1,8	49	12.90-07.92	PD	4	ZLE 205	VESO 116	VES 105	VESO 116	VESO 105
2.0 Typ IV	2,0	62-64	09.90-12.93	AAC	4	ZLE 205	VESO 116	VES 105	VESO 116	VESO 105
2.5 Typ IV	2,5	80-81	11.90-12.93	AAF	4	ZLE 205	VESO 116	VES 105	VESO 116	VESO 105

### WARTBURG

#### Wartburg

1.0	1,0	33-37	07.66-04.69	353,18	3	OA 4/18	VESO 105		VESO 105	
1.0	1,0	33-37	05.69-06.71	353,18	3	WOA 4/14	VESO 105		VESO 105	
1.3	1,3	43	09.88-05.91	Mot. VW	4	ZLE 205	VESO 116	VES 105	VESO 116	VESO 105



*Safety with the right after-market ignition cables.*



*European automobile manufacturers incorporate three ignition cable technologies in their motor vehicles: either resistor ignition leads with wire-wound resistors in the cable, carbon suppressed cable or ignition leads with a copper core where the suppression resistor is incorporated within the connectors. Faulty ignition leads can damage catalytic converters. Therefore when replacing leads you should recommend to your customers ignition cables from BERU: in particular BERU CopperCable for copper ignition leads, BERU Po-werCable for resistor ignition leads. Only these quality cables guarantee ignition cycle precision, optimum engine performance and low fuel consumption – reflecting the quality of original equipment.*

### **Complex high voltage systems**

Modern gasoline-powered motor vehicles are equipped today with a variety of electronically-controlled components, a high voltage ignition system and of course, with a high performance three-way catalyst. Such a complex system requires highly developed components. For example, it could not be possible to achieve optimum combustion or to protect the catalyst against afterburning with a conventional ignition system. It could also not be possible to prevent interference with the electronics, which would endanger the safety and the health of drivers and passengers, for example, with the failure of the ABS or the airbag.

The ignition lead is an important element of the high voltage ignition system. It must transmit the ignition energy from the ignition coil to the spark plug with as little loss as possible, whereby the following requirements are to be fulfilled:

- high breakdown resistance
- secure radio interference suppression
- ability to resist high temperatures
- high mechanical strength
- extreme resistance to the effects of salt water, oil, petrol and acids



Three types of ignition leads are used by the automobile manufacturers worldwide:

Type	Internal conductor of the ignition cable	Noise suppression resistance	
		Connector	Cable
Copper ignition lead	Copper core	1-5 k $\Omega$	-
Active resistance ignition lead	Carbon	-	15-25 k $\Omega$ /m
Reactance or reactive ignition lead	Ferrite waded silicone wrapped with resistance wire	-	5,6 k $\Omega$ /m 9,8 k $\Omega$ /m

**BERU offers all three types of ignition leads:**

- **Copper ignition leads (CopperCable, ignition wire sets)** for vehicles from Audi, BMW, Mercedes, Porsche, Seat and Volkswagen, which are originally equipped with high-quality copper ignition leads.
- **Active resistance ignition leads (ignition lead sets)** especially produced for Ford and Vauxhall (OPEL) vehicles.
- **Inductive resistance ignition leads/reactance ignition leads (PowerCable)**, as fitted as standard on French, Italian and Japanese vehicles.

For the customer, this means:

- **secure high voltage lines for functionally secure electronics in ABS, airbags, alarm systems and other important devices;**
- **interference-free radio and radio, telephone reception.**

Various cable and quality classes are defined for ignition leads in the DIN-ISO 3808 international Standard.

Class	Thermal endurance at		Insulation
	Heat ageing (3.000 hours)	Thermal overload (1 hour)	
B	105°C	120°C	PVC
C	120°C	155°C	ETP, Hypalon
D	155°C	180°C	EVA
E	180°C	220°C	Silikon/Silicon
F	220°C	250°C	Silikon/Silicon

The requirements on the insulation material to be used with respect to flame resistance, tensile strength, resistance to oil and gasoline, and especially temperature resistance are decisive for its classification in a certain class.

As motors become more and more powerful and compact, temperatures up to 200°C occur in the engine compartment today. Electronic ignition systems produce high voltages up to 40,000 Volts. Ignition leads of Class C and D, which could still satisfy the requirements a few years ago, are no longer adequate. The automobile manufacturers require more and more Class F ignition leads which withstand temperatures up to 220°C and resist breakdown up to 40,000 Volts. These high quality silicon leads also ensure low energy loss, resistance against vibration, optimum protection against water, oil, gasoline and thereby a long life-time.

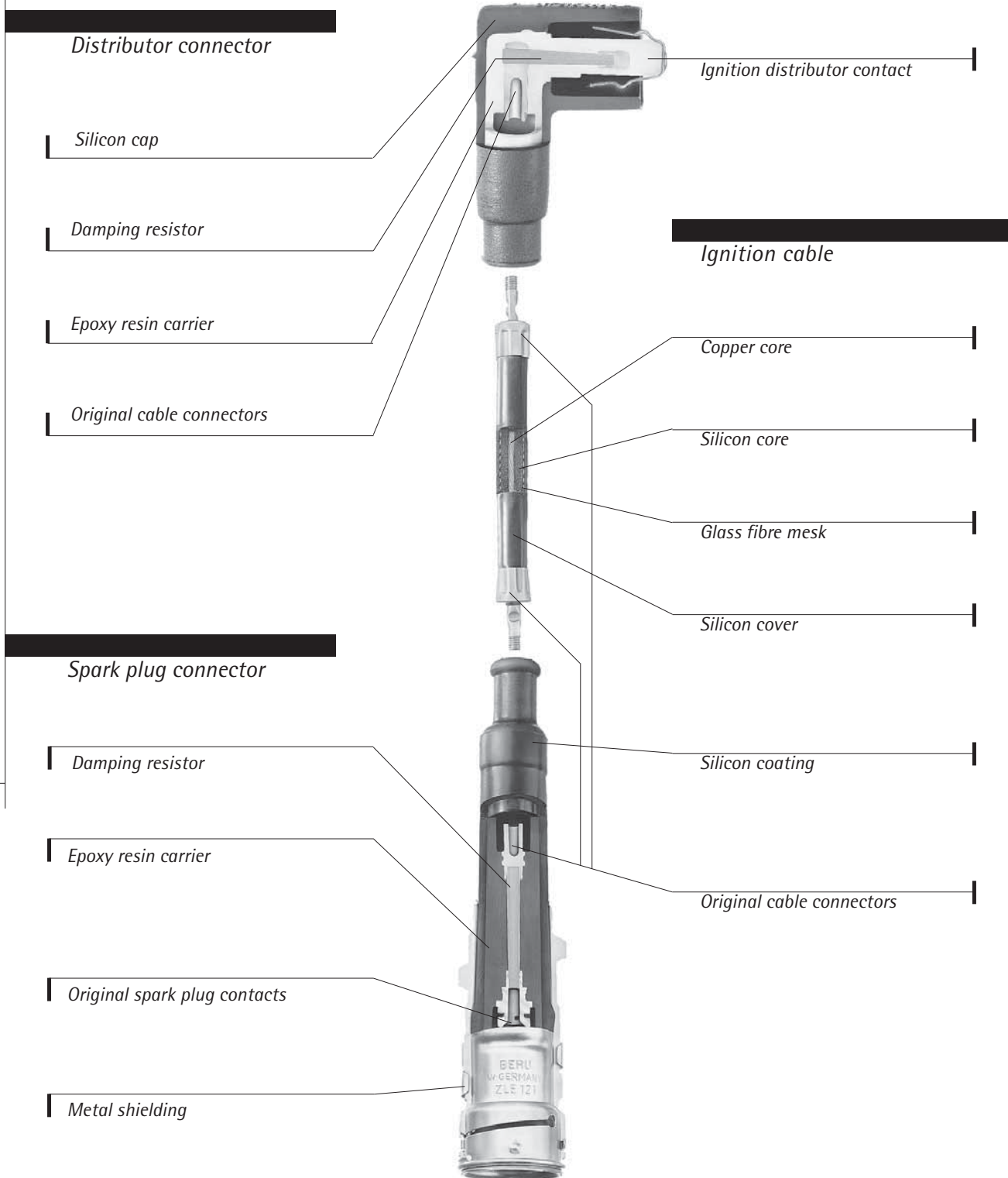
The CopperCable and PowerCable individual ignition lead programs therefore contain only silicon ignition leads of Class F. The vehicle-specific sets correspond to the quality class approved by the automobile manufacturer.

# CopperCable

Klasse/Class

F (DIN ISO 3808)

Copper individual ignition cables for nearly all models from Audi, BMW, Mercedes-Benz, Seat and Volkswagen. CopperCables correspond to the original version.

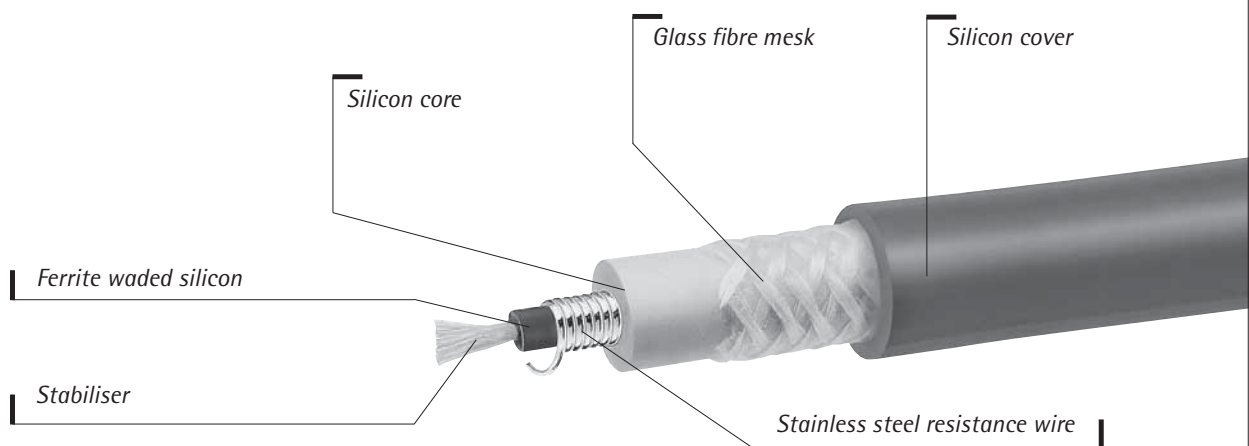
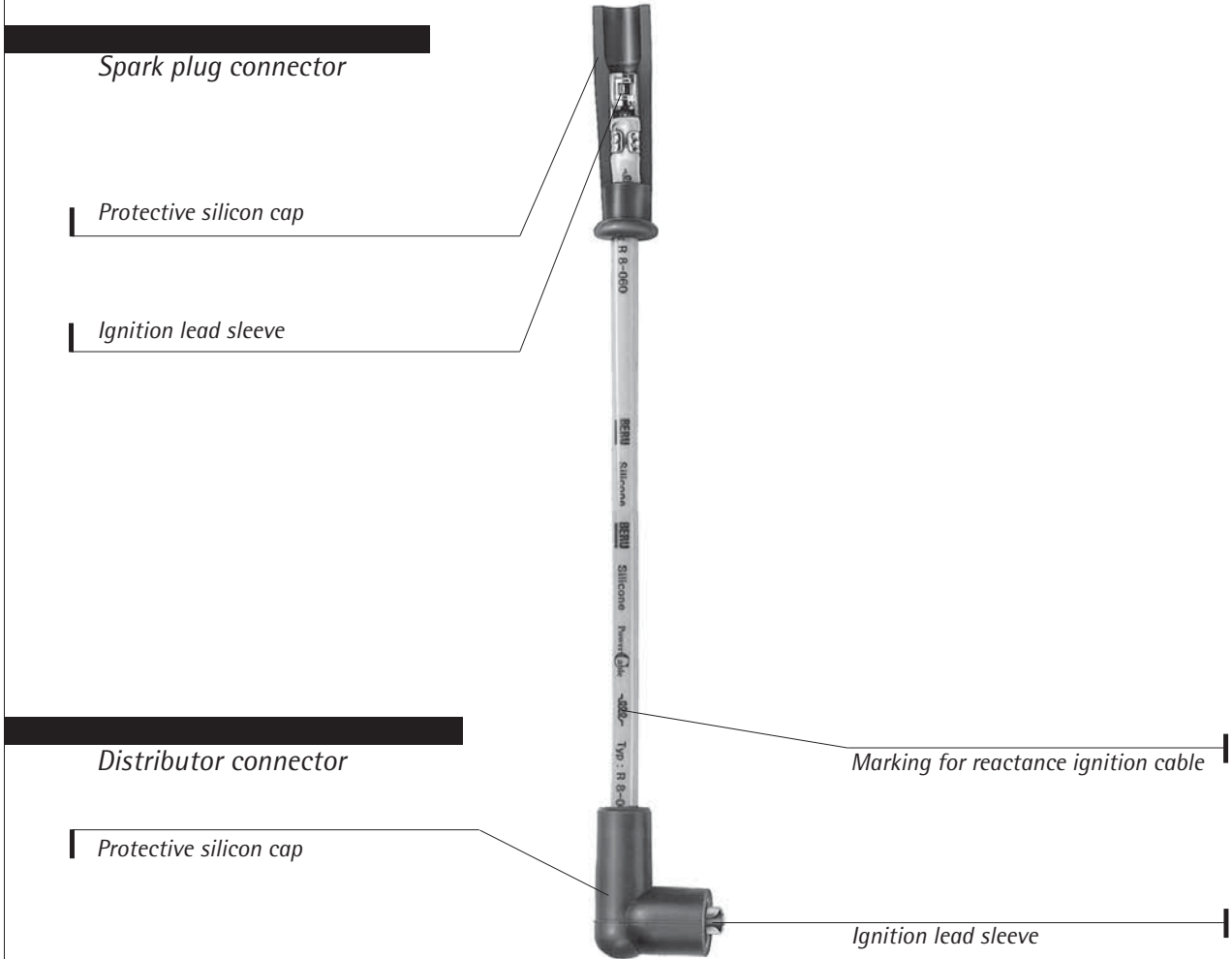


# PowerCable

Klasse/Class

F (DIN ISO 3808)

Resistor individual ignition cables for vehicles with resistor ignition technology (reactive 5.6 k $\Omega$ /m / 9,8 k $\Omega$ /m).



# CarbonCable

Klasse/Class

F (DIN ISO 3808)

For vehicles with active resistance ignition leads (15–25 k $\Omega$ /m).

Spark plug connector

Protective silicon cap

Ignition lead sleeve

Distributor connector

Protective silicon cap

Ignition lead sleeve

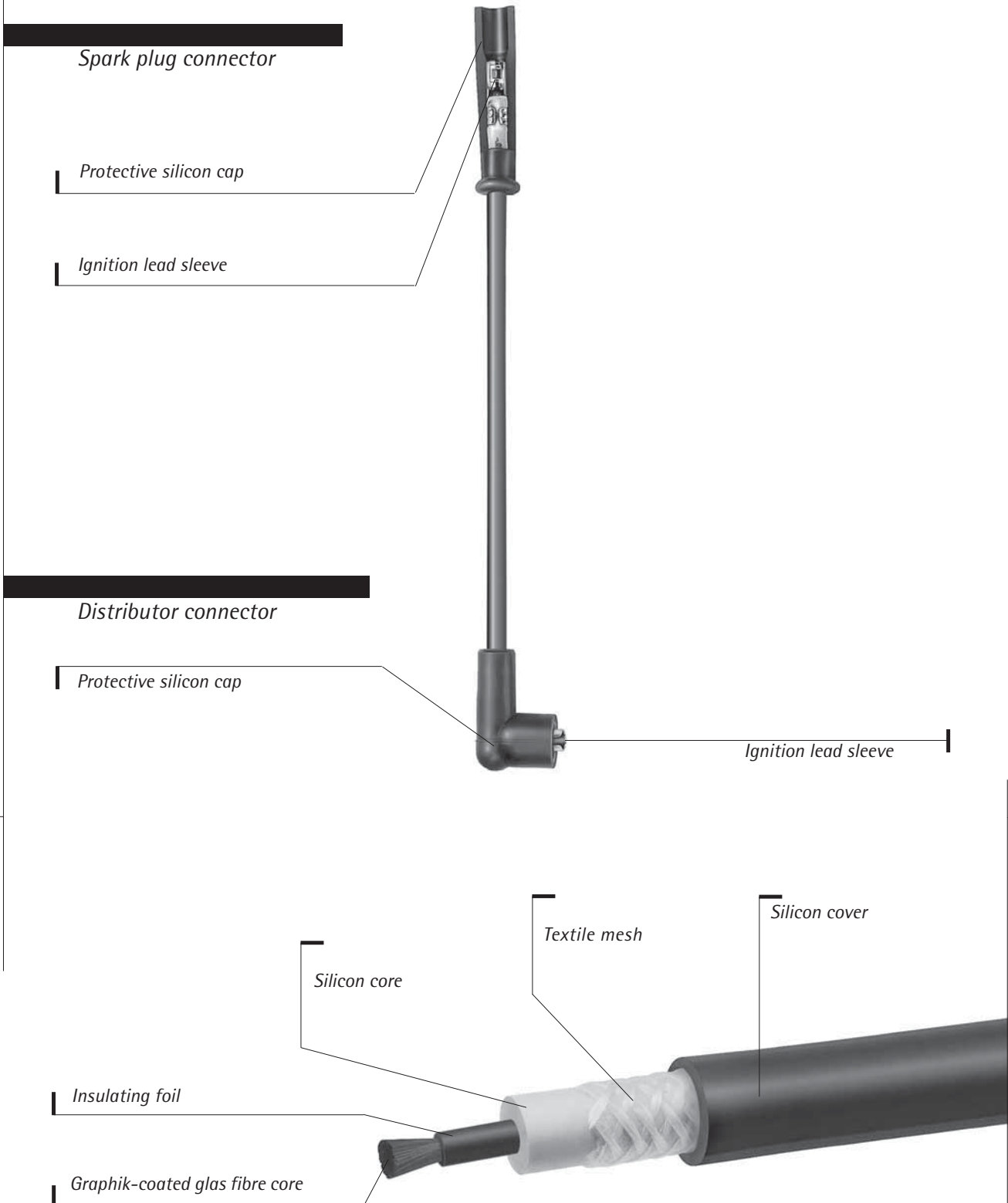
Silicon core

Textile mesh

Silicon cover

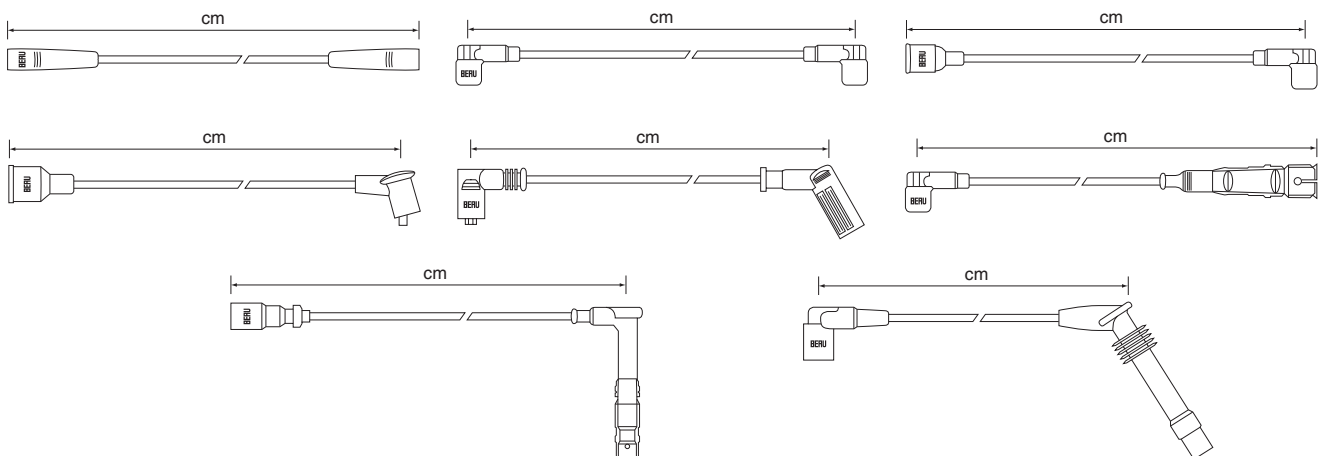
Insulating foil

Graphik-coated glas fibre core

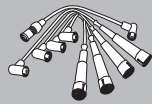


# Length of individual leads

The length of the individual leads was determined on the basis of the drawings shown below. The length may vary on account of temperature fluctuations. For this reason, the specified figures are without guarantee.







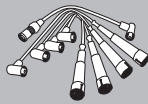
<b>ZE 115</b>	0 300 811 720
<b>ZE 116</b>	0 300 811 653
<b>ZE 566</b>	0 300 890 094
<b>ZE 575</b>	0 300 890 121
<b>ZE 586</b>	0 300 890 179
<b>ZE 590</b>	0 300 890 220
<b>ZE 715</b>	0 300 890 104
<b>ZE 719</b>	0 300 890 115
<b>ZE 721</b>	0 300 890 117
<b>ZE 732</b>	0 300 890 140
<b>ZE 738</b>	0 300 890 154
<b>ZE 744</b>	0 300 890 183
<b>ZE 745</b>	0 300 890 186
<b>ZE 746</b>	0 300 890 188
<b>ZE 751</b>	0 300 890 228
<b>ZE 755</b>	0 300 890 215
<b>ZE 757</b>	0 300 890 219
<b>ZE 765</b>	0 300 890 709
<b>ZE 905</b>	0 300 890 076
<b>ZE 906</b>	0 300 890 109
<b>ZE 907</b>	0 300 890 132
<b>ZE 1200</b>	0 300 890 270
<b>ZEF 295</b>	0 300 890 295
<b>ZEF 298</b>	0 300 890 708
<b>ZEF 303</b>	0 300 890 303
<b>ZEF 304</b>	0 300 890 304
<b>ZEF 309</b>	0 300 890 309
<b>ZEF 362</b>	0 300 890 362
<b>ZEF 363</b>	0 300 890 363
<b>ZEF 364</b>	0 300 890 364
<b>ZEF 404</b>	0 300 890 404
<b>ZEF 405</b>	0 300 890 405
<b>ZEF 406</b>	0 300 890 406
<b>ZEF 408</b>	0 300 890 408
<b>ZEF 425</b>	0 300 890 425
<b>ZEF 432</b>	0 300 890 432
<b>ZEF 435</b>	0 300 890 435
<b>ZEF 437</b>	0 300 890 437
<b>ZEF 444</b>	0 300 890 444
<b>ZEF 445</b>	0 300 890 445
<b>ZEF 454</b>	0 300 890 454
<b>ZEF 463</b>	0 300 890 463
<b>ZEF 464</b>	0 300 890 464
<b>ZEF 465</b>	0 300 890 465
<b>ZEF 466</b>	0 300 890 466
<b>ZEF 467</b>	0 300 890 467
<b>ZEF 470</b>	0 300 890 470
<b>ZEF 471</b>	0 300 890 471
<b>ZEF 472</b>	0 300 890 472
<b>ZEF 473</b>	0 300 890 473
<b>ZEF 476</b>	0 300 890 476
<b>ZEF 487</b>	0 300 890 487
<b>ZEF 493</b>	0 300 890 493
<b>ZEF 501</b>	0 300 890 501
<b>ZEF 515</b>	0 300 890 515
<b>ZEF 516</b>	0 300 890 516
<b>ZEF 518</b>	0 300 890 518
<b>ZEF 520</b>	0 300 890 520
<b>ZEF 558</b>	0 300 890 558
<b>ZEF 561</b>	0 300 890 561
<b>ZEF 562</b>	0 300 890 562
<b>ZEF 566</b>	0 300 890 566
<b>ZEF 567</b>	0 300 890 567
<b>ZEF 568</b>	0 300 890 568



<b>ZEF 569</b>	0 300 890 569
<b>ZEF 570</b>	0 300 890 570
<b>ZEF 571</b>	0 300 890 571
<b>ZEF 572</b>	0 300 890 572
<b>ZEF 573</b>	0 300 890 573
<b>ZEF 574</b>	0 300 890 574
<b>ZEF 575</b>	0 300 890 575
<b>ZEF 576</b>	0 300 890 576
<b>ZEF 577</b>	0 300 890 577
<b>ZEF 578</b>	0 300 890 578
<b>ZEF 579</b>	0 300 890 579
<b>ZEF 580</b>	0 300 890 580
<b>ZEF 581</b>	0 300 890 581
<b>ZEF 582</b>	0 300 890 582
<b>ZEF 583</b>	0 300 890 583
<b>ZEF 584</b>	0 300 890 584
<b>ZEF 585</b>	0 300 890 585
<b>ZEF 586</b>	0 300 890 586
<b>ZEF 597</b>	0 300 890 597
<b>ZEF 598</b>	0 300 890 598
<b>ZEF 601</b>	0 300 890 601
<b>ZEF 607</b>	0 300 890 607
<b>ZEF 608</b>	0 300 890 608
<b>ZEF 610</b>	0 300 890 610
<b>ZEF 611<sup>2</sup></b>	0 300 890 611
<b>ZEF 612</b>	0 300 890 612
<b>ZEF 627</b>	0 300 890 627
<b>ZEF 634</b>	0 300 890 634
<b>ZEF 635</b>	0 300 890 635
<b>ZEF 641</b>	0 300 890 641
<b>ZEF 642</b>	0 300 890 642
<b>ZEF 665</b>	0 300 890 665
<b>ZEF 670</b>	0 300 890 670
<b>ZEF 672</b>	0 300 890 672
<b>ZEF 707</b>	0 300 890 707
<b>ZEF 716</b>	0 300 890 716
<b>ZEF 717</b>	0 300 890 717
<b>ZEF 719</b>	0 300 890 719
<b>ZEF 720</b>	0 300 890 720
<b>ZEF 722</b>	0 300 890 722
<b>ZEF 724</b>	0 300 890 724
<b>ZEF 725</b>	0 300 890 725
<b>ZEF 726</b>	0 300 890 726
<b>ZEF 727</b>	0 300 890 727
<b>ZEF 728</b>	0 300 890 728
<b>ZEF 729</b>	0 300 890 729
<b>ZEF 730</b>	0 300 890 730
<b>ZEF 731</b>	0 300 890 731
<b>ZEF 732</b>	0 300 890 732
<b>ZEF 733</b>	0 300 890 733
<b>ZEF 734</b>	0 300 890 734
<b>ZEF 735</b>	0 300 890 735
<b>ZEF 736</b>	0 300 890 736
<b>ZEF 737</b>	0 300 890 737
<b>ZEF 738</b>	0 300 890 738
<b>ZEF 739</b>	0 300 890 739
<b>ZEF 740</b>	0 300 890 740
<b>ZEF 741</b>	0 300 890 741
<b>ZEF 742</b>	0 300 890 742
<b>ZEF 743</b>	0 300 890 743
<b>ZEF 744</b>	0 300 890 744
<b>ZEF 745</b>	0 300 890 745
<b>ZEF 746</b>	0 300 890 746
<b>ZEF 751</b>	0 300 890 751



<b>ZEF 752</b>	0 300 890 752
<b>ZEF 755</b>	0 300 890 755
<b>ZEF 756</b>	0 300 890 756
<b>ZEF 757</b>	0 300 890 757
<b>ZEF 758</b>	0 300 890 758
<b>ZEF 759</b>	0 300 890 759
<b>ZEF 760</b>	0 300 890 760
<b>ZEF 761</b>	0 300 890 761
<b>ZEF 762</b>	0 300 890 762
<b>ZEF 763</b>	0 300 890 763
<b>ZEF 765</b>	0 300 890 765
<b>ZEF 766</b>	0 300 890 766
<b>ZEF 767</b>	0 300 890 767
<b>ZEF 768</b>	0 300 890 768
<b>ZEF 769</b>	0 300 890 769
<b>ZEF 770</b>	0 300 890 770
<b>ZEF 771</b>	0 300 890 771
<b>ZEF 772</b>	0 300 890 772
<b>ZEF 773</b>	0 300 890 773
<b>ZEF 775</b>	0 300 890 775
<b>ZEF 776</b>	0 300 890 776
<b>ZEF 777</b>	0 300 890 777
<b>ZEF 778</b>	0 300 890 778
<b>ZEF 779</b>	0 300 890 779
<b>ZEF 780</b>	0 300 890 780
<b>ZEF 781</b>	0 300 890 781
<b>ZEF 783</b>	0 300 890 783
<b>ZEF 784</b>	0 300 890 784
<b>ZEF 785</b>	0 300 890 785
<b>ZEF 786</b>	0 300 890 786
<b>ZEF 787</b>	0 300 890 787
<b>ZEF 788</b>	0 300 890 788
<b>ZEF 789</b>	0 300 890 789
<b>ZEF 790</b>	0 300 890 790
<b>ZEF 791</b>	0 300 890 791
<b>ZEF 792</b>	0 300 890 792
<b>ZEF 793</b>	0 300 890 793
<b>ZEF 795</b>	0 300 890 795
<b>ZEF 796</b>	0 300 890 796
<b>ZEF 797</b>	0 300 890 797
<b>ZEF 798</b>	0 300 890 798
<b>ZEF 799</b>	0 300 890 799
<b>ZEF 800</b>	0 300 890 800
<b>ZEF 801</b>	0 300 890 801
<b>ZEF 802</b>	0 300 890 802
<b>ZEF 803</b>	0 300 890 803
<b>ZEF 804</b>	0 300 890 804
<b>ZEF 809</b>	0 300 890 809
<b>ZEF 810</b>	0 300 890 810
<b>ZEF 811</b>	0 300 890 811
<b>ZEF 812</b>	0 300 890 812
<b>ZEF 813</b>	0 300 890 813
<b>ZEF 814</b>	0 300 890 814
<b>ZEF 824</b>	0 300 890 824
<b>ZEF 825</b>	0 300 890 825
<b>ZEF 826</b>	0 300 890 826
<b>ZEF 827</b>	0 300 890 827
<b>ZEF 828</b>	0 300 890 828
<b>ZEF 829</b>	0 300 890 829
<b>ZEF 830</b>	0 300 890 830
<b>ZEF 831</b>	0 300 890 831
<b>ZEF 832</b>	0 300 890 832
<b>ZEF 834</b>	0 300 890 834
<b>ZEF 835</b>	0 300 890 835



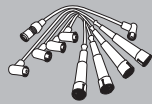
<b>ZEF 836</b>	0 300 890 836
<b>ZEF 837</b>	0 300 890 837
<b>ZEF 838</b>	0 300 890 838
<b>ZEF 839</b>	0 300 890 839
<b>ZEF 840</b>	0 300 890 840
<b>ZEF 842</b>	0 300 890 842
<b>ZEF 843</b>	0 300 890 843
<b>ZEF 844</b>	0 300 890 844
<b>ZEF 845</b>	0 300 890 845
<b>ZEF 846</b>	0 300 890 846
<b>ZEF 847</b>	0 300 890 847
<b>ZEF 848</b>	0 300 890 848
<b>ZEF 849</b>	0 300 890 849
<b>ZEF 850</b>	0 300 890 850
<b>ZEF 851</b>	0 300 890 851
<b>ZEF 852</b>	0 300 890 852
<b>ZEF 853</b>	0 300 890 853
<b>ZEF 854</b>	0 300 890 854
<b>ZEF 855</b>	0 300 890 855
<b>ZEF 856</b>	0 300 890 856
<b>ZEF 858</b>	0 300 890 858
<b>ZEF 859</b>	0 300 890 859
<b>ZEF 860</b>	0 300 890 860
<b>ZEF 861</b>	0 300 890 861
<b>ZEF 862</b>	0 300 890 862
<b>ZEF 863</b>	0 300 890 863
<b>ZEF 864</b>	0 300 890 864
<b>ZEF 865</b>	0 300 890 865
<b>ZEF 866</b>	0 300 890 866
<b>ZEF 867</b>	0 300 890 867
<b>ZEF 868</b>	0 300 890 868
<b>ZEF 869</b>	0 300 890 869
<b>ZEF 870</b>	0 300 890 870
<b>ZEF 871</b>	0 300 890 871
<b>ZEF 872</b>	0 300 890 872
<b>ZEF 873</b>	0 300 890 873
<b>ZEF 874</b>	0 300 890 874
<b>ZEF 875</b>	0 300 890 875
<b>ZEF 876</b>	0 300 890 876
<b>ZEF 877</b>	0 300 890 877
<b>ZEF 878</b>	0 300 890 878
<b>ZEF 879</b>	0 300 890 879
<b>ZEF 880</b>	0 300 890 880
<b>ZEF 881</b>	0 300 890 881
<b>ZEF 882</b>	0 300 890 882
<b>ZEF 883</b>	0 300 890 883
<b>ZEF 884</b>	0 300 890 884
<b>ZEF 885</b>	0 300 890 885
<b>ZEF 886</b>	0 300 890 886
<b>ZEF 887</b>	0 300 890 887
<b>ZEF 888</b>	0 300 890 888
<b>ZEF 889</b>	0 300 890 889
<b>ZEF 890</b>	0 300 890 890
<b>ZEF 891</b>	0 300 890 891
<b>ZEF 892</b>	0 300 890 892
<b>ZEF 893</b>	0 300 890 893
<b>ZEF 894</b>	0 300 890 894
<b>ZEF 895</b>	0 300 890 895
<b>ZEF 896</b>	0 300 890 896
<b>ZEF 898</b>	0 300 890 898
<b>ZEF 899</b>	0 300 890 899
<b>ZEF 900</b>	0 300 890 900
<b>ZEF 901</b>	0 300 890 901
<b>ZEF 903</b>	0 300 890 903



<b>ZEF 904</b>	0 300 890 904
<b>ZEF 905</b>	0 300 890 905
<b>ZEF 906</b>	0 300 890 906
<b>ZEF 907</b>	0 300 890 907
<b>ZEF 908</b>	0 300 890 908
<b>ZEF 909</b>	0 300 890 909
<b>ZEF 910</b>	0 300 890 910
<b>ZEF 911</b>	0 300 890 911
<b>ZEF 912</b>	0 300 890 912
<b>ZEF 913</b>	0 300 890 913
<b>ZEF 914</b>	0 300 890 914
<b>ZEF 915</b>	0 300 890 915
<b>ZEF 916</b>	0 300 890 916
<b>ZEF 917</b>	0 300 890 917
<b>ZEF 918</b>	0 300 890 918
<b>ZEF 919</b>	0 300 890 919
<b>ZEF 920</b>	0 300 890 920
<b>ZEF 921</b>	0 300 890 921
<b>ZEF 922</b>	0 300 890 922
<b>ZEF 923</b>	0 300 890 923
<b>ZEF 924</b>	0 300 890 924
<b>ZEF 925</b>	0 300 890 925
<b>ZEF 926</b>	0 300 890 926
<b>ZEF 927</b>	0 300 890 927
<b>ZEF 928</b>	0 300 890 928
<b>ZEF 929</b>	0 300 890 929
<b>ZEF 930</b>	0 300 890 930
<b>ZEF 931</b>	0 300 890 931
<b>ZEF 932</b>	0 300 890 932
<b>ZEF 933</b>	0 300 890 933
<b>ZEF 934</b>	0 300 890 934
<b>ZEF 936</b>	0 300 890 936
<b>ZEF 937</b>	0 300 890 937
<b>ZEF 938</b>	0 300 890 938
<b>ZEF 939</b>	0 300 890 939
<b>ZEF 940</b>	0 300 890 940
<b>ZEF 941</b>	0 300 890 941
<b>ZEF 942</b>	0 300 890 942
<b>ZEF 943</b>	0 300 890 943
<b>ZEF 944</b>	0 300 890 944
<b>ZEF 945</b>	0 300 890 945
<b>ZEF 946</b>	0 300 890 946
<b>ZEF 947</b>	0 300 890 947
<b>ZEF 948</b>	0 300 890 948
<b>ZEF 949</b>	0 300 890 949
<b>ZEF 950</b>	0 300 890 950
<b>ZEF 951</b>	0 300 890 951
<b>ZEF 952</b>	0 300 890 952
<b>ZEF 953</b>	0 300 890 953
<b>ZEF 954</b>	0 300 890 954
<b>ZEF 957</b>	0 300 890 957
<b>ZEF 958</b>	0 300 890 958
<b>ZEF 959</b>	0 300 890 959
<b>ZEF 960</b>	0 300 890 960
<b>ZEF 963</b>	0 300 890 963
<b>ZEF 964</b>	0 300 890 964
<b>ZEF 965</b>	0 300 890 965
<b>ZEF 966</b>	0 300 890 966
<b>ZEF 967</b>	0 300 890 967
<b>ZEF 968</b>	0 300 890 968
<b>ZEF 969</b>	0 300 890 969
<b>ZEF 970</b>	0 300 890 970
<b>ZEF 971</b>	0 300 890 971
<b>ZEF 972</b>	0 300 890 972



<b>ZEF 973</b>	0 300 890 973
<b>ZEF 978</b>	0 300 890 978
<b>ZEF 979</b>	0 300 890 979
<b>ZEF 980</b>	0 300 890 980
<b>ZEF 981</b>	0 300 890 981
<b>ZEF 982</b>	0 300 890 982
<b>ZEF 983</b>	0 300 890 983
<b>ZEF 984</b>	0 300 890 984
<b>ZEF 985</b>	0 300 890 985
<b>ZEF 987</b>	0 300 890 987
<b>ZEF 988</b>	0 300 890 988
<b>ZEF 989</b>	0 300 890 989
<b>ZEF 990</b>	0 300 890 990
<b>ZEF 991</b>	0 300 890 991
<b>ZEF 992</b>	0 300 890 992
<b>ZEF 993</b>	0 300 890 993
<b>ZEF 994</b>	0 300 890 994
<b>ZEF 995</b>	0 300 890 995
<b>ZEF 996</b>	0 300 890 996
<b>ZEF 997</b>	0 300 890 997
<b>ZEF 998</b>	0 300 890 998
<b>ZEF 1000</b>	0 300 891 000
<b>ZEF 1001</b>	0 300 891 001
<b>ZEF 1002</b>	0 300 891 002
<b>ZEF 1003</b>	0 300 891 003
<b>ZEF 1004</b>	0 300 891 004
<b>ZEF 1005</b>	0 300 891 005
<b>ZEF 1006</b>	0 300 891 006
<b>ZEF 1007</b>	0 300 891 007
<b>ZEF 1009</b>	0 300 891 009
<b>ZEF 1011</b>	0 300 891 011
<b>ZEF 1012</b>	0 300 891 012
<b>ZEF 1014</b>	0 300 891 014
<b>ZEF 1015</b>	0 300 891 015
<b>ZEF 1016</b>	0 300 891 016
<b>ZEF 1017</b>	0 300 891 017
<b>ZEF 1019</b>	0 300 891 019
<b>ZEF 1020</b>	0 300 891 020
<b>ZEF 1021</b>	0 300 891 021
<b>ZEF 1022</b>	0 300 891 022
<b>ZEF 1023</b>	0 300 891 023
<b>ZEF 1024</b>	0 300 891 024
<b>ZEF 1025</b>	0 300 891 025
<b>ZEF 1026</b>	0 300 891 026
<b>ZEF 1027</b>	0 300 891 027
<b>ZEF 1028</b>	0 300 891 028
<b>ZEF 1029</b>	0 300 891 029
<b>ZEF 1030</b>	0 300 891 030
<b>ZEF 1032</b>	0 300 891 032
<b>ZEF 1033</b>	0 300 891 033
<b>ZEF 1036</b>	0 300 891 036
<b>ZEF 1037</b>	0 300 891 037
<b>ZEF 1040</b>	0 300 891 040
<b>ZEF 1041</b>	0 300 891 041
<b>ZEF 1042</b>	0 300 891 042
<b>ZEF 1043</b>	0 300 891 043
<b>ZEF 1044</b>	0 300 891 044
<b>ZEF 1045</b>	0 300 891 045
<b>ZEF 1046</b>	0 300 891 046
<b>ZEF 1047</b>	0 300 891 047
<b>ZEF 1048</b>	0 300 891 048
<b>ZEF 1049</b>	0 300 891 049
<b>ZEF 1050</b>	0 300 891 050
<b>ZEF 1052</b>	0 300 891 052



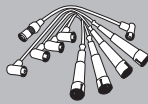
<b>ZEF 1053</b>	0 300 891 053
<b>ZEF 1054</b>	0 300 891 054
<b>ZEF 1055</b>	0 300 891 055
<b>ZEF 1056</b>	0 300 891 056
<b>ZEF 1057</b>	0 300 891 057
<b>ZEF 1058</b>	0 300 891 058
<b>ZEF 1059</b>	0 300 891 059
<b>ZEF 1060</b>	0 300 891 060
<b>ZEF 1061</b>	0 300 891 061
<b>ZEF 1062</b>	0 300 891 062
<b>ZEF 1064</b>	0 300 891 064
<b>ZEF 1065</b>	0 300 891 065
<b>ZEF 1066</b>	0 300 891 066
<b>ZEF 1067</b>	0 300 891 067
<b>ZEF 1068</b>	0 300 891 068
<b>ZEF 1069</b>	0 300 891 069
<b>ZEF 1070</b>	0 300 891 070
<b>ZEF 1071</b>	0 300 891 071
<b>ZEF 1072</b>	0 300 891 072
<b>ZEF 1073</b>	0 300 891 073
<b>ZEF 1074</b>	0 300 891 074
<b>ZEF 1076</b>	0 300 891 076
<b>ZEF 1077</b>	0 300 891 077
<b>ZEF 1078</b>	0 300 891 078
<b>ZEF 1079</b>	0 300 891 079
<b>ZEF 1081</b>	0 300 891 081
<b>ZEF 1082</b>	0 300 891 082
<b>ZEF 1083</b>	0 300 891 083
<b>ZEF 1084</b>	0 300 891 084
<b>ZEF 1085</b>	0 300 891 085
<b>ZEF 1087</b>	0 300 891 087
<b>ZEF 1090</b>	0 300 891 090
<b>ZEF 1091</b>	0 300 891 091
<b>ZEF 1092</b>	0 300 891 092
<b>ZEF 1093</b>	0 300 891 093
<b>ZEF 1094</b>	0 300 891 094
<b>ZEF 1095</b>	0 300 891 095
<b>ZEF 1097</b>	0 300 891 097
<b>ZEF 1098</b>	0 300 891 098
<b>ZEF 1099</b>	0 300 891 099
<b>ZEF 1100</b>	0 300 891 100
<b>ZEF 1101</b>	0 300 891 101
<b>ZEF 1102</b>	0 300 891 102
<b>ZEF 1103</b>	0 300 891 103
<b>ZEF 1104</b>	0 300 891 104
<b>ZEF 1105</b>	0 300 891 105
<b>ZEF 1107</b>	0 300 891 107
<b>ZEF 1108</b>	0 300 891 108
<b>ZEF 1109</b>	0 300 891 109
<b>ZEF 1110</b>	0 300 891 110
<b>ZEF 1111</b>	0 300 891 111
<b>ZEF 1113</b>	0 300 891 113
<b>ZEF 1114</b>	0 300 891 114
<b>ZEF 1115</b>	0 300 891 115
<b>ZEF 1117</b>	0 300 891 117
<b>ZEF 1118</b>	0 300 891 118
<b>ZEF 1119</b>	0 300 891 119
<b>ZEF 1120</b>	0 300 891 120
<b>ZEF 1121</b>	0 300 891 121
<b>ZEF 1122</b>	0 300 891 122
<b>ZEF 1123</b>	0 300 891 123
<b>ZEF 1124</b>	0 300 891 124
<b>ZEF 1125</b>	0 300 891 125
<b>ZEF 1127</b>	0 300 891 127



<b>ZEF 1128</b>	0 300 891 128
<b>ZEF 1129</b>	0 300 891 129
<b>ZEF 1130</b>	0 300 891 130
<b>ZEF 1131</b>	0 300 891 131
<b>ZEF 1133</b>	0 300 891 133
<b>ZEF 1134</b>	0 300 891 134
<b>ZEF 1135</b>	0 300 891 135
<b>ZEF 1136</b>	0 300 891 136
<b>ZEF 1137</b>	0 300 891 137
<b>ZEF 1140</b>	0 300 891 140
<b>ZEF 1142</b>	0 300 891 142
<b>ZEF 1143</b>	0 300 891 143
<b>ZEF 1144</b>	0 300 891 144
<b>ZEF 1147</b>	0 300 891 147
<b>ZEF 1148</b>	0 300 891 148
<b>ZEF 1149</b>	0 300 891 149
<b>ZEF 1150</b>	0 300 891 150
<b>ZEF 1151</b>	0 300 891 151
<b>ZEF 1152</b>	0 300 891 152
<b>ZEF 1153</b>	0 300 891 153
<b>ZEF 1154</b>	0 300 891 154
<b>ZEF 1155</b>	0 300 891 155
<b>ZEF 1156</b>	0 300 891 156
<b>ZEF 1157</b>	0 300 891 157
<b>ZEF 1158</b>	0 300 891 158
<b>ZEF 1159</b>	0 300 891 159
<b>ZEF 1160</b>	0 300 891 160
<b>ZEF 1161</b>	0 300 891 161
<b>ZEF 1162</b>	0 300 891 162
<b>ZEF 1163</b>	0 300 891 163
<b>ZEF 1164</b>	0 300 891 164
<b>ZEF 1165</b>	0 300 891 165
<b>ZEF 1166</b>	0 300 891 166
<b>ZEF 1168</b>	0 300 891 168
<b>ZEF 1169</b>	0 300 891 169
<b>ZEF 1170</b>	0 300 891 170
<b>ZEF 1171</b>	0 300 891 171
<b>ZEF 1172</b>	0 300 891 172
<b>ZEF 1173</b>	0 300 891 173
<b>ZEF 1174</b>	0 300 891 174
<b>ZEF 1175</b>	0 300 891 175
<b>ZEF 1176</b>	0 300 891 176
<b>ZEF 1177</b>	0 300 891 177
<b>ZEF 1178</b>	0 300 891 178
<b>ZEF 1180</b>	0 300 891 180
<b>ZEF 1181</b>	0 300 891 181
<b>ZEF 1182</b>	0 300 891 182
<b>ZEF 1183</b>	0 300 891 183
<b>ZEF 1184</b>	0 300 891 184
<b>ZEF 1185</b>	0 300 891 185
<b>ZEF 1186</b>	0 300 891 186
<b>ZEF 1187</b>	0 300 891 187
<b>ZEF 1188</b>	0 300 891 188
<b>ZEF 1189</b>	0 300 891 189
<b>ZEF 1190</b>	0 300 891 190
<b>ZEF 1191</b>	0 300 891 191
<b>ZEF 1192</b>	0 300 891 192
<b>ZEF 1193</b>	0 300 891 193
<b>ZEF 1194</b>	0 300 891 194
<b>ZEF 1195</b>	0 300 891 195
<b>ZEF 1196</b>	0 300 891 196
<b>ZEF 1197</b>	0 300 891 197
<b>ZEF 1198</b>	0 300 891 198
<b>ZEF 1199</b>	0 300 891 199



<b>ZEF 1200</b>	0 300 891 200
<b>ZEF 1201</b>	0 300 891 201
<b>ZEF 1203</b>	0 300 891 203
<b>ZEF 1204</b>	0 300 891 204
<b>ZEF 1206</b>	0 300 891 206
<b>ZEF 1209</b>	0 300 891 209
<b>ZEF 1210</b>	0 300 891 210
<b>ZEF 1211</b>	0 300 891 211
<b>ZEF 1212</b>	0 300 891 212
<b>ZEF 1214</b>	0 300 891 214
<b>ZEF 1215</b>	0 300 891 215
<b>ZEF 1219</b>	0 300 891 219
<b>ZEF 1220</b>	0 300 891 220
<b>ZEF 1222</b>	0 300 891 222
<b>ZEF 1223</b>	0 300 891 223
<b>ZEF 1224</b>	0 300 891 224
<b>ZEF 1226</b>	0 300 891 226
<b>ZEF 1227</b>	0 300 891 227
<b>ZEF 1228</b>	0 300 891 228
<b>ZEF 1229</b>	0 300 891 229
<b>ZEF 1230</b>	0 300 891 230
<b>ZEF 1231</b>	0 300 891 231
<b>ZEF 1232</b>	0 300 891 232
<b>ZEF 1233</b>	0 300 891 233
<b>ZEF 1235</b>	0 300 891 235
<b>ZEF 1236</b>	0 300 891 236
<b>ZEF 1238</b>	0 300 891 238
<b>ZEF 1239</b>	0 300 891 239
<b>ZEF 1245</b>	0 300 891 245
<b>ZEF 1246</b>	0 300 891 246
<b>ZEF 1251</b>	0 300 891 251
<b>ZEF 1252</b>	0 300 891 252
<b>ZEF 1253</b>	0 300 891 253
<b>ZEF 1254</b>	0 300 891 254
<b>ZEF 1255</b>	0 300 891 255
<b>ZEF 1256</b>	0 300 891 256
<b>ZEF 1260</b>	0 300 891 260
<b>ZEF 1261</b>	0 300 891 261
<b>ZEF 1262</b>	0 300 891 262
<b>ZEF 1264</b>	0 300 891 264
<b>ZEF 1269</b>	0 300 891 269
<b>ZEF 1270</b>	0 300 891 270
<b>ZEF 1271</b>	0 300 891 271
<b>ZEF 1272</b>	0 300 891 272
<b>ZEF 1297</b>	0 300 891 297
<b>ZEF 1299</b>	0 300 891 299
<b>ZEF 1300</b>	0 300 891 300
<b>ZEF 1301</b>	0 300 891 301
<b>ZEF 1302</b>	0 300 891 302
<b>ZEF 1304</b>	0 300 891 304
<b>ZEF 1305</b>	0 300 891 305
<b>ZEF 1308</b>	0 300 891 308
<b>ZEF 1309</b>	0 300 891 309
<b>ZEF 1313</b>	0 300 891 313
<b>ZEF 1314</b>	0 300 891 314
<b>ZEF 1316</b>	0 300 891 316
<b>ZEF 1322</b>	0 300 891 322
<b>ZEF 1324</b>	0 300 891 324
<b>ZEF 1325</b>	0 300 891 325
<b>ZEF 1327</b>	0 300 891 327
<b>ZEF 1328</b>	0 300 891 328
<b>ZEF 1338</b>	0 300 891 338
<b>ZEF 1340</b>	0 300 891 340
<b>ZEF 1348</b>	0 300 891 348



<b>ZEF 1353</b>	0 300 891 353
<b>ZEF 1360</b>	0 300 891 360
<b>ZEF 1363</b>	0 300 891 363
<b>ZEF 1365</b>	0 300 891 365
<b>ZEF 1367</b>	0 300 891 367
<b>ZEF 1368</b>	0 300 891 368
<b>ZEF 1370</b>	0 300 891 370
<b>ZEF 1371</b>	0 300 891 371
<b>ZEF 1372</b>	0 300 891 372
<b>ZEF 1373</b>	0 300 891 373
<b>ZEF 1375</b>	0 300 891 375
<b>ZEF 1376</b>	0 300 891 376
<b>ZEF 1377</b>	0 300 891 377
<b>ZEF 1378</b>	0 300 891 378
<b>ZEF 1380</b>	0 300 891 380
<b>ZEF 1382</b>	0 300 891 382
<b>ZEF 1384</b>	0 300 891 384
<b>ZEF 1385</b>	0 300 891 385
<b>ZEF 1387</b>	0 300 891 387
<b>ZEF 1388</b>	0 300 891 388
<b>ZEF 1390</b>	0 300 891 390
<b>ZEF 1391</b>	0 300 891 391
<b>ZEF 1392</b>	0 300 891 392
<b>ZEF 1395</b>	0 300 891 395
<b>ZEF 1397</b>	0 300 891 397
<b>ZEF 1399</b>	0 300 891 399
<b>ZEF 1402</b>	0 300 891 402
<b>ZEF 1409</b>	0 300 891 409
<b>ZEF 1412</b>	0 300 891 412
<b>ZEF 1442</b>	0 300 891 442
<b>ZEF 1449</b>	0 300 891 449
<b>ZEF 1450</b>	0 300 891 450
<b>ZEF 1455</b>	0 300 891 455
<b>ZEF 1475</b>	0 300 891 475
<b>ZEF 1477</b>	0 300 891 477
<b>ZEF 1478</b>	0 300 891 478
<b>ZEF 1479</b>	0 300 891 479
<b>ZEF 1480</b>	0 300 891 480
<b>ZEF 1488</b>	0 300 891 488
<b>ZEF 1496</b>	0 300 891 496
<b>ZEF 1497</b>	0 300 891 497
<b>ZEF 1503</b>	0 300 891 503
<b>ZEF 1504</b>	0 300 891 504
<b>ZEF 1505</b>	0 300 891 505
<b>ZEF 1509</b>	0 300 891 509
<b>ZEF 1515</b>	0 300 891 515
<b>ZEF 1519</b>	0 300 891 519
<b>ZEF 1520</b>	0 300 891 520
<b>ZEF 1528</b>	0 300 891 528
<b>ZEF 1529</b>	0 300 891 529
<b>ZEF 1530</b>	0 300 891 530
<b>ZEF 1539</b>	0 300 891 539
<b>ZEF 1540</b>	0 300 891 540
<b>ZEF 1545</b>	0 300 891 545
<b>ZEF 1546</b>	0 300 891 546
<b>ZEF 1549</b>	0 300 891 549
<b>ZEF 1556</b>	0 300 891 556
<b>ZEF 1557</b>	0 300 891 557
<b>ZEF 1561</b>	0 300 891 561
<b>ZEF 1572</b>	0 300 891 572
<b>ZEF 1596</b>	0 300 891 596
<b>ZEF 1597</b>	0 300 891 597
<b>ZEF 1598</b>	0 300 891 598
<b>ZEF 1602</b>	0 300 891 602



<b>ZEF 1604</b>	0 300 891 604
<b>ZEF 1608</b>	0 300 891 608
<b>ZEF 1609</b>	0 300 891 609
<b>ZEF 1612</b>	0 300 891 612
<b>ZEF 1617</b>	0 300 891 617
<b>ZEF 1625</b>	0 300 891 625
<b>ZEF 1627</b>	0 300 891 627
<b>ZEF 1628</b>	0 300 891 628
<b>ZEF 1629</b>	0 300 891 629
<b>ZEF 1633</b>	0 300 891 633
<b>ZEF 1634</b>	0 300 891 634



<b>7mm PVC schwarz<sup>200</sup></b>	0 300 800 002
<b>7mm Silikon rot<sup>202</sup></b>	0 300 800 021
<b>7mm Silicon schwarz<sup>200</sup></b>	0 300 800 023
<b>7mm Silicon blau<sup>203</sup></b>	0 300 800 030
<b>7mm Silikon schwarz<sup>200</sup></b>	0 300 800 046



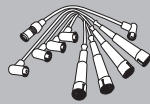
<b>ZE 101</b>	0 300 820 047
<b>ZE 105</b>	0 300 820 183



0 300 811 653	<b>ZE 116</b>
0 300 811 720	<b>ZE 115</b>
0 300 890 076	<b>ZE 905</b>
0 300 890 094	<b>ZE 566</b>
0 300 890 104	<b>ZE 715</b>
0 300 890 109	<b>ZE 906</b>
0 300 890 115	<b>ZE 719</b>
0 300 890 117	<b>ZE 721</b>
0 300 890 121	<b>ZE 575</b>
0 300 890 132	<b>ZE 907</b>
0 300 890 140	<b>ZE 732</b>
0 300 890 154	<b>ZE 738</b>
0 300 890 179	<b>ZE 586</b>
0 300 890 183	<b>ZE 744</b>
0 300 890 186	<b>ZE 745</b>
0 300 890 188	<b>ZE 746</b>
0 300 890 215	<b>ZE 755</b>
0 300 890 219	<b>ZE 757</b>
0 300 890 220	<b>ZE 590</b>
0 300 890 228	<b>ZE 751</b>
0 300 890 270	<b>ZE 1200</b>
0 300 890 295	<b>ZEF 295</b>
0 300 890 303	<b>ZEF 303</b>
0 300 890 304	<b>ZEF 304</b>
0 300 890 309	<b>ZEF 309</b>
0 300 890 362	<b>ZEF 362</b>
0 300 890 363	<b>ZEF 363</b>
0 300 890 364	<b>ZEF 364</b>
0 300 890 404	<b>ZEF 404</b>
0 300 890 405	<b>ZEF 405</b>



0 300 890 406	<b>ZEF 406</b>
0 300 890 408	<b>ZEF 408</b>
0 300 890 425	<b>ZEF 425</b>
0 300 890 432	<b>ZEF 432</b>
0 300 890 435	<b>ZEF 435</b>
0 300 890 437	<b>ZEF 437</b>
0 300 890 444	<b>ZEF 444</b>
0 300 890 445	<b>ZEF 445</b>
0 300 890 454	<b>ZEF 454</b>
0 300 890 463	<b>ZEF 463</b>
0 300 890 464	<b>ZEF 464</b>
0 300 890 465	<b>ZEF 465</b>
0 300 890 466	<b>ZEF 466</b>
0 300 890 467	<b>ZEF 467</b>
0 300 890 470	<b>ZEF 470</b>
0 300 890 471	<b>ZEF 471</b>
0 300 890 472	<b>ZEF 472</b>
0 300 890 473	<b>ZEF 473</b>
0 300 890 476	<b>ZEF 476</b>
0 300 890 487	<b>ZEF 487</b>
0 300 890 493	<b>ZEF 493</b>
0 300 890 501	<b>ZEF 501</b>
0 300 890 515	<b>ZEF 515</b>
0 300 890 516	<b>ZEF 516</b>
0 300 890 518	<b>ZEF 518</b>
0 300 890 520	<b>ZEF 520</b>
0 300 890 558	<b>ZEF 558</b>
0 300 890 561	<b>ZEF 561</b>
0 300 890 562	<b>ZEF 562</b>
0 300 890 566	<b>ZEF 566</b>
0 300 890 567	<b>ZEF 567</b>
0 300 890 568	<b>ZEF 568</b>
0 300 890 569	<b>ZEF 569</b>
0 300 890 570	<b>ZEF 570</b>
0 300 890 571	<b>ZEF 571</b>
0 300 890 572	<b>ZEF 572</b>
0 300 890 573	<b>ZEF 573</b>
0 300 890 574	<b>ZEF 574</b>
0 300 890 575	<b>ZEF 575</b>
0 300 890 576	<b>ZEF 576</b>
0 300 890 577	<b>ZEF 577</b>
0 300 890 578	<b>ZEF 578</b>
0 300 890 579	<b>ZEF 579</b>
0 300 890 580	<b>ZEF 580</b>
0 300 890 581	<b>ZEF 581</b>
0 300 890 582	<b>ZEF 582</b>
0 300 890 583	<b>ZEF 583</b>
0 300 890 584	<b>ZEF 584</b>
0 300 890 585	<b>ZEF 585</b>
0 300 890 586	<b>ZEF 586</b>
0 300 890 597	<b>ZEF 597</b>
0 300 890 598	<b>ZEF 598</b>
0 300 890 601	<b>ZEF 601</b>
0 300 890 607	<b>ZEF 607</b>
0 300 890 608	<b>ZEF 608</b>
0 300 890 610	<b>ZEF 610</b>
0 300 890 611	<b>ZEF 611<sup>2</sup></b>
0 300 890 612	<b>ZEF 612</b>
0 300 890 627	<b>ZEF 627</b>
0 300 890 634	<b>ZEF 634</b>
0 300 890 635	<b>ZEF 635</b>
0 300 890 641	<b>ZEF 641</b>
0 300 890 642	<b>ZEF 642</b>
0 300 890 665	<b>ZEF 665</b>



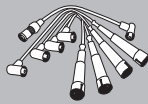
0 300 890 670	<b>ZEF 670</b>
0 300 890 672	<b>ZEF 672</b>
0 300 890 707	<b>ZEF 707</b>
0 300 890 708	<b>ZEF 298</b>
0 300 890 709	<b>ZE 765</b>
0 300 890 716	<b>ZEF 716</b>
0 300 890 717	<b>ZEF 717</b>
0 300 890 719	<b>ZEF 719</b>
0 300 890 720	<b>ZEF 720</b>
0 300 890 722	<b>ZEF 722</b>
0 300 890 724	<b>ZEF 724</b>
0 300 890 725	<b>ZEF 725</b>
0 300 890 726	<b>ZEF 726</b>
0 300 890 727	<b>ZEF 727</b>
0 300 890 728	<b>ZEF 728</b>
0 300 890 729	<b>ZEF 729</b>
0 300 890 730	<b>ZEF 730</b>
0 300 890 731	<b>ZEF 731</b>
0 300 890 732	<b>ZEF 732</b>
0 300 890 733	<b>ZEF 733</b>
0 300 890 734	<b>ZEF 734</b>
0 300 890 735	<b>ZEF 735</b>
0 300 890 736	<b>ZEF 736</b>
0 300 890 737	<b>ZEF 737</b>
0 300 890 738	<b>ZEF 738</b>
0 300 890 739	<b>ZEF 739</b>
0 300 890 740	<b>ZEF 740</b>
0 300 890 741	<b>ZEF 741</b>
0 300 890 742	<b>ZEF 742</b>
0 300 890 743	<b>ZEF 743</b>
0 300 890 744	<b>ZEF 744</b>
0 300 890 745	<b>ZEF 745</b>
0 300 890 746	<b>ZEF 746</b>
0 300 890 751	<b>ZEF 751</b>
0 300 890 752	<b>ZEF 752</b>
0 300 890 755	<b>ZEF 755</b>
0 300 890 756	<b>ZEF 756</b>
0 300 890 757	<b>ZEF 757</b>
0 300 890 758	<b>ZEF 758</b>
0 300 890 759	<b>ZEF 759</b>
0 300 890 760	<b>ZEF 760</b>
0 300 890 761	<b>ZEF 761</b>
0 300 890 762	<b>ZEF 762</b>
0 300 890 763	<b>ZEF 763</b>
0 300 890 765	<b>ZEF 765</b>
0 300 890 766	<b>ZEF 766</b>
0 300 890 767	<b>ZEF 767</b>
0 300 890 768	<b>ZEF 768</b>
0 300 890 769	<b>ZEF 769</b>
0 300 890 770	<b>ZEF 770</b>
0 300 890 771	<b>ZEF 771</b>
0 300 890 772	<b>ZEF 772</b>
0 300 890 773	<b>ZEF 773</b>
0 300 890 775	<b>ZEF 775</b>
0 300 890 776	<b>ZEF 776</b>
0 300 890 777	<b>ZEF 777</b>
0 300 890 778	<b>ZEF 778</b>
0 300 890 779	<b>ZEF 779</b>
0 300 890 780	<b>ZEF 780</b>
0 300 890 781	<b>ZEF 781</b>
0 300 890 783	<b>ZEF 783</b>
0 300 890 784	<b>ZEF 784</b>
0 300 890 785	<b>ZEF 785</b>
0 300 890 786	<b>ZEF 786</b>



0 300 890 787	<b>ZEF 787</b>
0 300 890 788	<b>ZEF 788</b>
0 300 890 789	<b>ZEF 789</b>
0 300 890 790	<b>ZEF 790</b>
0 300 890 791	<b>ZEF 791</b>
0 300 890 792	<b>ZEF 792</b>
0 300 890 793	<b>ZEF 793</b>
0 300 890 795	<b>ZEF 795</b>
0 300 890 796	<b>ZEF 796</b>
0 300 890 797	<b>ZEF 797</b>
0 300 890 798	<b>ZEF 798</b>
0 300 890 799	<b>ZEF 799</b>
0 300 890 800	<b>ZEF 800</b>
0 300 890 801	<b>ZEF 801</b>
0 300 890 802	<b>ZEF 802</b>
0 300 890 803	<b>ZEF 803</b>
0 300 890 804	<b>ZEF 804</b>
0 300 890 809	<b>ZEF 809</b>
0 300 890 810	<b>ZEF 810</b>
0 300 890 811	<b>ZEF 811</b>
0 300 890 812	<b>ZEF 812</b>
0 300 890 813	<b>ZEF 813</b>
0 300 890 814	<b>ZEF 814</b>
0 300 890 824	<b>ZEF 824</b>
0 300 890 825	<b>ZEF 825</b>
0 300 890 826	<b>ZEF 826</b>
0 300 890 827	<b>ZEF 827</b>
0 300 890 828	<b>ZEF 828</b>
0 300 890 829	<b>ZEF 829</b>
0 300 890 830	<b>ZEF 830</b>
0 300 890 831	<b>ZEF 831</b>
0 300 890 832	<b>ZEF 832</b>
0 300 890 834	<b>ZEF 834</b>
0 300 890 835	<b>ZEF 835</b>
0 300 890 836	<b>ZEF 836</b>
0 300 890 837	<b>ZEF 837</b>
0 300 890 838	<b>ZEF 838</b>
0 300 890 839	<b>ZEF 839</b>
0 300 890 840	<b>ZEF 840</b>
0 300 890 842	<b>ZEF 842</b>
0 300 890 843	<b>ZEF 843</b>
0 300 890 844	<b>ZEF 844</b>
0 300 890 845	<b>ZEF 845</b>
0 300 890 846	<b>ZEF 846</b>
0 300 890 847	<b>ZEF 847</b>
0 300 890 848	<b>ZEF 848</b>
0 300 890 849	<b>ZEF 849</b>
0 300 890 850	<b>ZEF 850</b>
0 300 890 851	<b>ZEF 851</b>
0 300 890 852	<b>ZEF 852</b>
0 300 890 853	<b>ZEF 853</b>
0 300 890 854	<b>ZEF 854</b>
0 300 890 855	<b>ZEF 855</b>
0 300 890 856	<b>ZEF 856</b>
0 300 890 858	<b>ZEF 858</b>
0 300 890 859	<b>ZEF 859</b>
0 300 890 860	<b>ZEF 860</b>
0 300 890 861	<b>ZEF 861</b>
0 300 890 862	<b>ZEF 862</b>
0 300 890 863	<b>ZEF 863</b>
0 300 890 864	<b>ZEF 864</b>
0 300 890 865	<b>ZEF 865</b>
0 300 890 866	<b>ZEF 866</b>
0 300 890 867	<b>ZEF 867</b>



0 300 890 868	<b>ZEF 868</b>
0 300 890 869	<b>ZEF 869</b>
0 300 890 870	<b>ZEF 870</b>
0 300 890 871	<b>ZEF 871</b>
0 300 890 872	<b>ZEF 872</b>
0 300 890 873	<b>ZEF 873</b>
0 300 890 874	<b>ZEF 874</b>
0 300 890 875	<b>ZEF 875</b>
0 300 890 876	<b>ZEF 876</b>
0 300 890 877	<b>ZEF 877</b>
0 300 890 878	<b>ZEF 878</b>
0 300 890 879	<b>ZEF 879</b>
0 300 890 880	<b>ZEF 880</b>
0 300 890 881	<b>ZEF 881</b>
0 300 890 882	<b>ZEF 882</b>
0 300 890 883	<b>ZEF 883</b>
0 300 890 884	<b>ZEF 884</b>
0 300 890 885	<b>ZEF 885</b>
0 300 890 886	<b>ZEF 886</b>
0 300 890 887	<b>ZEF 887</b>
0 300 890 888	<b>ZEF 888</b>
0 300 890 889	<b>ZEF 889</b>
0 300 890 890	<b>ZEF 890</b>
0 300 890 891	<b>ZEF 891</b>
0 300 890 892	<b>ZEF 892</b>
0 300 890 893	<b>ZEF 893</b>
0 300 890 894	<b>ZEF 894</b>
0 300 890 895	<b>ZEF 895</b>
0 300 890 896	<b>ZEF 896</b>
0 300 890 898	<b>ZEF 898</b>
0 300 890 899	<b>ZEF 899</b>
0 300 890 900	<b>ZEF 900</b>
0 300 890 901	<b>ZEF 901</b>
0 300 890 903	<b>ZEF 903</b>
0 300 890 904	<b>ZEF 904</b>
0 300 890 905	<b>ZEF 905</b>
0 300 890 906	<b>ZEF 906</b>
0 300 890 907	<b>ZEF 907</b>
0 300 890 908	<b>ZEF 908</b>
0 300 890 909	<b>ZEF 909</b>
0 300 890 910	<b>ZEF 910</b>
0 300 890 911	<b>ZEF 911</b>
0 300 890 912	<b>ZEF 912</b>
0 300 890 913	<b>ZEF 913</b>
0 300 890 914	<b>ZEF 914</b>
0 300 890 915	<b>ZEF 915</b>
0 300 890 916	<b>ZEF 916</b>
0 300 890 917	<b>ZEF 917</b>
0 300 890 918	<b>ZEF 918</b>
0 300 890 919	<b>ZEF 919</b>
0 300 890 920	<b>ZEF 920</b>
0 300 890 921	<b>ZEF 921</b>
0 300 890 922	<b>ZEF 922</b>
0 300 890 923	<b>ZEF 923</b>
0 300 890 924	<b>ZEF 924</b>
0 300 890 925	<b>ZEF 925</b>
0 300 890 926	<b>ZEF 926</b>
0 300 890 927	<b>ZEF 927</b>
0 300 890 928	<b>ZEF 928</b>
0 300 890 929	<b>ZEF 929</b>
0 300 890 930	<b>ZEF 930</b>
0 300 890 931	<b>ZEF 931</b>
0 300 890 932	<b>ZEF 932</b>
0 300 890 933	<b>ZEF 933</b>



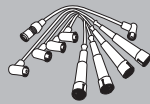
0 300 890 934	<b>ZEF 934</b>
0 300 890 936	<b>ZEF 936</b>
0 300 890 937	<b>ZEF 937</b>
0 300 890 938	<b>ZEF 938</b>
0 300 890 939	<b>ZEF 939</b>
0 300 890 940	<b>ZEF 940</b>
0 300 890 941	<b>ZEF 941</b>
0 300 890 942	<b>ZEF 942</b>
0 300 890 943	<b>ZEF 943</b>
0 300 890 944	<b>ZEF 944</b>
0 300 890 945	<b>ZEF 945</b>
0 300 890 946	<b>ZEF 946</b>
0 300 890 947	<b>ZEF 947</b>
0 300 890 948	<b>ZEF 948</b>
0 300 890 949	<b>ZEF 949</b>
0 300 890 950	<b>ZEF 950</b>
0 300 890 951	<b>ZEF 951</b>
0 300 890 952	<b>ZEF 952</b>
0 300 890 953	<b>ZEF 953</b>
0 300 890 954	<b>ZEF 954</b>
0 300 890 957	<b>ZEF 957</b>
0 300 890 958	<b>ZEF 958</b>
0 300 890 959	<b>ZEF 959</b>
0 300 890 960	<b>ZEF 960</b>
0 300 890 963	<b>ZEF 963</b>
0 300 890 964	<b>ZEF 964</b>
0 300 890 965	<b>ZEF 965</b>
0 300 890 966	<b>ZEF 966</b>
0 300 890 967	<b>ZEF 967</b>
0 300 890 968	<b>ZEF 968</b>
0 300 890 969	<b>ZEF 969</b>
0 300 890 970	<b>ZEF 970</b>
0 300 890 971	<b>ZEF 971</b>
0 300 890 972	<b>ZEF 972</b>
0 300 890 973	<b>ZEF 973</b>
0 300 890 978	<b>ZEF 978</b>
0 300 890 979	<b>ZEF 979</b>
0 300 890 980	<b>ZEF 980</b>
0 300 890 981	<b>ZEF 981</b>
0 300 890 982	<b>ZEF 982</b>
0 300 890 983	<b>ZEF 983</b>
0 300 890 984	<b>ZEF 984</b>
0 300 890 985	<b>ZEF 985</b>
0 300 890 987	<b>ZEF 987</b>
0 300 890 988	<b>ZEF 988</b>
0 300 890 989	<b>ZEF 989</b>
0 300 890 990	<b>ZEF 990</b>
0 300 890 991	<b>ZEF 991</b>
0 300 890 992	<b>ZEF 992</b>
0 300 890 993	<b>ZEF 993</b>
0 300 890 994	<b>ZEF 994</b>
0 300 890 995	<b>ZEF 995</b>
0 300 890 996	<b>ZEF 996</b>
0 300 890 997	<b>ZEF 997</b>
0 300 890 998	<b>ZEF 998</b>
0 300 891 000	<b>ZEF 1000</b>
0 300 891 001	<b>ZEF 1001</b>
0 300 891 002	<b>ZEF 1002</b>
0 300 891 003	<b>ZEF 1003</b>
0 300 891 004	<b>ZEF 1004</b>
0 300 891 005	<b>ZEF 1005</b>
0 300 891 006	<b>ZEF 1006</b>
0 300 891 007	<b>ZEF 1007</b>
0 300 891 009	<b>ZEF 1009</b>



0 300 891 011	<b>ZEF 1011</b>
0 300 891 012	<b>ZEF 1012</b>
0 300 891 014	<b>ZEF 1014</b>
0 300 891 015	<b>ZEF 1015</b>
0 300 891 016	<b>ZEF 1016</b>
0 300 891 017	<b>ZEF 1017</b>
0 300 891 019	<b>ZEF 1019</b>
0 300 891 020	<b>ZEF 1020</b>
0 300 891 021	<b>ZEF 1021</b>
0 300 891 022	<b>ZEF 1022</b>
0 300 891 023	<b>ZEF 1023</b>
0 300 891 024	<b>ZEF 1024</b>
0 300 891 025	<b>ZEF 1025</b>
0 300 891 026	<b>ZEF 1026</b>
0 300 891 027	<b>ZEF 1027</b>
0 300 891 028	<b>ZEF 1028</b>
0 300 891 029	<b>ZEF 1029</b>
0 300 891 030	<b>ZEF 1030</b>
0 300 891 032	<b>ZEF 1032</b>
0 300 891 033	<b>ZEF 1033</b>
0 300 891 036	<b>ZEF 1036</b>
0 300 891 037	<b>ZEF 1037</b>
0 300 891 040	<b>ZEF 1040</b>
0 300 891 041	<b>ZEF 1041</b>
0 300 891 042	<b>ZEF 1042</b>
0 300 891 043	<b>ZEF 1043</b>
0 300 891 044	<b>ZEF 1044</b>
0 300 891 045	<b>ZEF 1045</b>
0 300 891 046	<b>ZEF 1046</b>
0 300 891 047	<b>ZEF 1047</b>
0 300 891 048	<b>ZEF 1048</b>
0 300 891 049	<b>ZEF 1049</b>
0 300 891 050	<b>ZEF 1050</b>
0 300 891 052	<b>ZEF 1052</b>
0 300 891 053	<b>ZEF 1053</b>
0 300 891 054	<b>ZEF 1054</b>
0 300 891 055	<b>ZEF 1055</b>
0 300 891 056	<b>ZEF 1056</b>
0 300 891 057	<b>ZEF 1057</b>
0 300 891 058	<b>ZEF 1058</b>
0 300 891 059	<b>ZEF 1059</b>
0 300 891 060	<b>ZEF 1060</b>
0 300 891 061	<b>ZEF 1061</b>
0 300 891 062	<b>ZEF 1062</b>
0 300 891 064	<b>ZEF 1064</b>
0 300 891 065	<b>ZEF 1065</b>
0 300 891 066	<b>ZEF 1066</b>
0 300 891 067	<b>ZEF 1067</b>
0 300 891 068	<b>ZEF 1068</b>
0 300 891 069	<b>ZEF 1069</b>
0 300 891 070	<b>ZEF 1070</b>
0 300 891 071	<b>ZEF 1071</b>
0 300 891 072	<b>ZEF 1072</b>
0 300 891 073	<b>ZEF 1073</b>
0 300 891 074	<b>ZEF 1074</b>
0 300 891 076	<b>ZEF 1076</b>
0 300 891 077	<b>ZEF 1077</b>
0 300 891 078	<b>ZEF 1078</b>
0 300 891 079	<b>ZEF 1079</b>
0 300 891 081	<b>ZEF 1081</b>
0 300 891 082	<b>ZEF 1082</b>
0 300 891 083	<b>ZEF 1083</b>
0 300 891 084	<b>ZEF 1084</b>
0 300 891 085	<b>ZEF 1085</b>



0 300 891 087	<b>ZEF 1087</b>
0 300 891 090	<b>ZEF 1090</b>
0 300 891 091	<b>ZEF 1091</b>
0 300 891 092	<b>ZEF 1092</b>
0 300 891 093	<b>ZEF 1093</b>
0 300 891 094	<b>ZEF 1094</b>
0 300 891 095	<b>ZEF 1095</b>
0 300 891 097	<b>ZEF 1097</b>
0 300 891 098	<b>ZEF 1098</b>
0 300 891 099	<b>ZEF 1099</b>
0 300 891 100	<b>ZEF 1100</b>
0 300 891 101	<b>ZEF 1101</b>
0 300 891 102	<b>ZEF 1102</b>
0 300 891 103	<b>ZEF 1103</b>
0 300 891 104	<b>ZEF 1104</b>
0 300 891 105	<b>ZEF 1105</b>
0 300 891 107	<b>ZEF 1107</b>
0 300 891 108	<b>ZEF 1108</b>
0 300 891 109	<b>ZEF 1109</b>
0 300 891 110	<b>ZEF 1110</b>
0 300 891 111	<b>ZEF 1111</b>
0 300 891 113	<b>ZEF 1113</b>
0 300 891 114	<b>ZEF 1114</b>
0 300 891 115	<b>ZEF 1115</b>
0 300 891 117	<b>ZEF 1117</b>
0 300 891 118	<b>ZEF 1118</b>
0 300 891 119	<b>ZEF 1119</b>
0 300 891 120	<b>ZEF 1120</b>
0 300 891 121	<b>ZEF 1121</b>
0 300 891 122	<b>ZEF 1122</b>
0 300 891 123	<b>ZEF 1123</b>
0 300 891 124	<b>ZEF 1124</b>
0 300 891 125	<b>ZEF 1125</b>
0 300 891 127	<b>ZEF 1127</b>
0 300 891 128	<b>ZEF 1128</b>
0 300 891 129	<b>ZEF 1129</b>
0 300 891 130	<b>ZEF 1130</b>
0 300 891 131	<b>ZEF 1131</b>
0 300 891 133	<b>ZEF 1133</b>
0 300 891 134	<b>ZEF 1134</b>
0 300 891 135	<b>ZEF 1135</b>
0 300 891 136	<b>ZEF 1136</b>
0 300 891 137	<b>ZEF 1137</b>
0 300 891 140	<b>ZEF 1140</b>
0 300 891 142	<b>ZEF 1142</b>
0 300 891 143	<b>ZEF 1143</b>
0 300 891 144	<b>ZEF 1144</b>
0 300 891 147	<b>ZEF 1147</b>
0 300 891 148	<b>ZEF 1148</b>
0 300 891 149	<b>ZEF 1149</b>
0 300 891 150	<b>ZEF 1150</b>
0 300 891 151	<b>ZEF 1151</b>
0 300 891 152	<b>ZEF 1152</b>
0 300 891 153	<b>ZEF 1153</b>
0 300 891 154	<b>ZEF 1154</b>
0 300 891 155	<b>ZEF 1155</b>
0 300 891 156	<b>ZEF 1156</b>
0 300 891 157	<b>ZEF 1157</b>
0 300 891 158	<b>ZEF 1158</b>
0 300 891 159	<b>ZEF 1159</b>
0 300 891 160	<b>ZEF 1160</b>
0 300 891 161	<b>ZEF 1161</b>
0 300 891 162	<b>ZEF 1162</b>
0 300 891 163	<b>ZEF 1163</b>



0 300 891 164	<b>ZEF 1164</b>
0 300 891 165	<b>ZEF 1165</b>
0 300 891 166	<b>ZEF 1166</b>
0 300 891 168	<b>ZEF 1168</b>
0 300 891 169	<b>ZEF 1169</b>
0 300 891 170	<b>ZEF 1170</b>
0 300 891 171	<b>ZEF 1171</b>
0 300 891 172	<b>ZEF 1172</b>
0 300 891 173	<b>ZEF 1173</b>
0 300 891 174	<b>ZEF 1174</b>
0 300 891 175	<b>ZEF 1175</b>
0 300 891 176	<b>ZEF 1176</b>
0 300 891 177	<b>ZEF 1177</b>
0 300 891 178	<b>ZEF 1178</b>
0 300 891 180	<b>ZEF 1180</b>
0 300 891 181	<b>ZEF 1181</b>
0 300 891 182	<b>ZEF 1182</b>
0 300 891 183	<b>ZEF 1183</b>
0 300 891 184	<b>ZEF 1184</b>
0 300 891 185	<b>ZEF 1185</b>
0 300 891 186	<b>ZEF 1186</b>
0 300 891 187	<b>ZEF 1187</b>
0 300 891 188	<b>ZEF 1188</b>
0 300 891 189	<b>ZEF 1189</b>
0 300 891 190	<b>ZEF 1190</b>
0 300 891 191	<b>ZEF 1191</b>
0 300 891 192	<b>ZEF 1192</b>
0 300 891 193	<b>ZEF 1193</b>
0 300 891 194	<b>ZEF 1194</b>
0 300 891 195	<b>ZEF 1195</b>
0 300 891 196	<b>ZEF 1196</b>
0 300 891 197	<b>ZEF 1197</b>
0 300 891 198	<b>ZEF 1198</b>
0 300 891 199	<b>ZEF 1199</b>
0 300 891 200	<b>ZEF 1200</b>
0 300 891 201	<b>ZEF 1201</b>
0 300 891 203	<b>ZEF 1203</b>
0 300 891 204	<b>ZEF 1204</b>
0 300 891 206	<b>ZEF 1206</b>
0 300 891 209	<b>ZEF 1209</b>
0 300 891 210	<b>ZEF 1210</b>
0 300 891 211	<b>ZEF 1211</b>
0 300 891 212	<b>ZEF 1212</b>
0 300 891 214	<b>ZEF 1214</b>
0 300 891 215	<b>ZEF 1215</b>
0 300 891 219	<b>ZEF 1219</b>
0 300 891 220	<b>ZEF 1220</b>
0 300 891 222	<b>ZEF 1222</b>
0 300 891 223	<b>ZEF 1223</b>
0 300 891 224	<b>ZEF 1224</b>
0 300 891 226	<b>ZEF 1226</b>
0 300 891 227	<b>ZEF 1227</b>
0 300 891 228	<b>ZEF 1228</b>
0 300 891 229	<b>ZEF 1229</b>
0 300 891 230	<b>ZEF 1230</b>
0 300 891 231	<b>ZEF 1231</b>
0 300 891 232	<b>ZEF 1232</b>
0 300 891 233	<b>ZEF 1233</b>
0 300 891 235	<b>ZEF 1235</b>
0 300 891 236	<b>ZEF 1236</b>
0 300 891 238	<b>ZEF 1238</b>
0 300 891 239	<b>ZEF 1239</b>
0 300 891 245	<b>ZEF 1245</b>
0 300 891 246	<b>ZEF 1246</b>



0 300 891 251	<b>ZEF 1251</b>
0 300 891 252	<b>ZEF 1252</b>
0 300 891 253	<b>ZEF 1253</b>
0 300 891 254	<b>ZEF 1254</b>
0 300 891 255	<b>ZEF 1255</b>
0 300 891 256	<b>ZEF 1256</b>
0 300 891 260	<b>ZEF 1260</b>
0 300 891 261	<b>ZEF 1261</b>
0 300 891 262	<b>ZEF 1262</b>
0 300 891 264	<b>ZEF 1264</b>
0 300 891 269	<b>ZEF 1269</b>
0 300 891 270	<b>ZEF 1270</b>
0 300 891 271	<b>ZEF 1271</b>
0 300 891 272	<b>ZEF 1272</b>
0 300 891 297	<b>ZEF 1297</b>
0 300 891 299	<b>ZEF 1299</b>
0 300 891 300	<b>ZEF 1300</b>
0 300 891 301	<b>ZEF 1301</b>
0 300 891 302	<b>ZEF 1302</b>
0 300 891 304	<b>ZEF 1304</b>
0 300 891 305	<b>ZEF 1305</b>
0 300 891 308	<b>ZEF 1308</b>
0 300 891 309	<b>ZEF 1309</b>
0 300 891 313	<b>ZEF 1313</b>
0 300 891 314	<b>ZEF 1314</b>
0 300 891 316	<b>ZEF 1316</b>
0 300 891 322	<b>ZEF 1322</b>
0 300 891 324	<b>ZEF 1324</b>
0 300 891 325	<b>ZEF 1325</b>
0 300 891 327	<b>ZEF 1327</b>
0 300 891 328	<b>ZEF 1328</b>
0 300 891 338	<b>ZEF 1338</b>
0 300 891 340	<b>ZEF 1340</b>
0 300 891 348	<b>ZEF 1348</b>
0 300 891 353	<b>ZEF 1353</b>
0 300 891 360	<b>ZEF 1360</b>
0 300 891 363	<b>ZEF 1363</b>
0 300 891 365	<b>ZEF 1365</b>
0 300 891 367	<b>ZEF 1367</b>
0 300 891 368	<b>ZEF 1368</b>
0 300 891 370	<b>ZEF 1370</b>
0 300 891 371	<b>ZEF 1371</b>
0 300 891 372	<b>ZEF 1372</b>
0 300 891 373	<b>ZEF 1373</b>
0 300 891 375	<b>ZEF 1375</b>
0 300 891 376	<b>ZEF 1376</b>
0 300 891 377	<b>ZEF 1377</b>
0 300 891 378	<b>ZEF 1378</b>
0 300 891 380	<b>ZEF 1380</b>
0 300 891 382	<b>ZEF 1382</b>
0 300 891 384	<b>ZEF 1384</b>
0 300 891 385	<b>ZEF 1385</b>
0 300 891 387	<b>ZEF 1387</b>
0 300 891 388	<b>ZEF 1388</b>
0 300 891 390	<b>ZEF 1390</b>
0 300 891 391	<b>ZEF 1391</b>
0 300 891 392	<b>ZEF 1392</b>
0 300 891 395	<b>ZEF 1395</b>
0 300 891 397	<b>ZEF 1397</b>
0 300 891 399	<b>ZEF 1399</b>
0 300 891 402	<b>ZEF 1402</b>
0 300 891 409	<b>ZEF 1409</b>
0 300 891 412	<b>ZEF 1412</b>
0 300 891 442	<b>ZEF 1442</b>



0 300 891 449	<b>ZEF 1449</b>
0 300 891 450	<b>ZEF 1450</b>
0 300 891 455	<b>ZEF 1455</b>
0 300 891 475	<b>ZEF 1475</b>
0 300 891 477	<b>ZEF 1477</b>
0 300 891 478	<b>ZEF 1478</b>
0 300 891 479	<b>ZEF 1479</b>
0 300 891 480	<b>ZEF 1480</b>
0 300 891 488	<b>ZEF 1488</b>
0 300 891 496	<b>ZEF 1496</b>
0 300 891 497	<b>ZEF 1497</b>
0 300 891 503	<b>ZEF 1503</b>
0 300 891 504	<b>ZEF 1504</b>
0 300 891 505	<b>ZEF 1505</b>
0 300 891 509	<b>ZEF 1509</b>
0 300 891 515	<b>ZEF 1515</b>
0 300 891 519	<b>ZEF 1519</b>
0 300 891 520	<b>ZEF 1520</b>
0 300 891 528	<b>ZEF 1528</b>
0 300 891 529	<b>ZEF 1529</b>
0 300 891 530	<b>ZEF 1530</b>
0 300 891 539	<b>ZEF 1539</b>
0 300 891 540	<b>ZEF 1540</b>
0 300 891 545	<b>ZEF 1545</b>
0 300 891 546	<b>ZEF 1546</b>
0 300 891 549	<b>ZEF 1549</b>
0 300 891 556	<b>ZEF 1556</b>
0 300 891 557	<b>ZEF 1557</b>
0 300 891 561	<b>ZEF 1561</b>
0 300 891 572	<b>ZEF 1572</b>
0 300 891 596	<b>ZEF 1596</b>
0 300 891 597	<b>ZEF 1597</b>
0 300 891 598	<b>ZEF 1598</b>
0 300 891 602	<b>ZEF 1602</b>
0 300 891 604	<b>ZEF 1604</b>
0 300 891 608	<b>ZEF 1608</b>
0 300 891 609	<b>ZEF 1609</b>
0 300 891 612	<b>ZEF 1612</b>
0 300 891 617	<b>ZEF 1617</b>
0 300 891 625	<b>ZEF 1625</b>
0 300 891 627	<b>ZEF 1627</b>
0 300 891 628	<b>ZEF 1628</b>
0 300 891 629	<b>ZEF 1629</b>
0 300 891 633	<b>ZEF 1633</b>
0 300 891 634	<b>ZEF 1634</b>

**7mm PVC schwarz<sup>200</sup>**

0 300 800 002

**7mm Silikon rot<sup>202</sup>**

0 300 800 021

**7mm Silicon schwarz<sup>200</sup>**

0 300 800 023

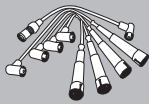
**7mm Silicon blau<sup>203</sup>**

0 300 800 030

**7mm Silikon schwarz<sup>200</sup>**

0 300 800 046

0 300 820 047 **ZE 101**0 300 820 183 **ZE 105**



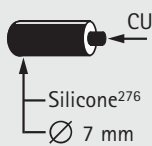
**ZE 115** 0 300 811 720



35



1



ZS 030 - 0 040 100 030

**BMW** F 650 GS

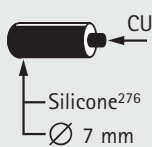
**ZE 116** 0 300 811 653



69



2



ZS 224 - 0 040 100 224

**BMW** R 850/1100/1150/1200

**ZE 566** 0 300 890 094

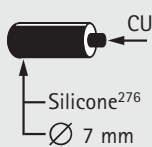


28

38  
47  
64  
72



4



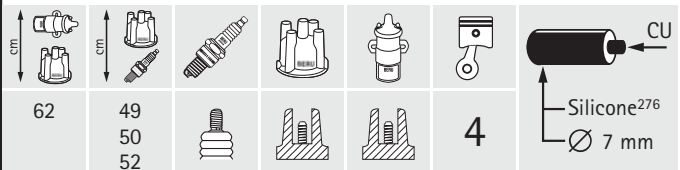
**PORSCHE**

944 2,5	110 kW	01.85-07.87
944 2,5	118 kW	08.87-12.90
944 2,5	120 kW	06.81-07.87
944 2,7	121 kW	11.88-08.89

**PORSCHE**

944 2,5 Turbo	162 kW	08.85-07.88
944 2,5 Turbo	184 kW	09.87-07.91

**ZE 575** 0 300 890 121

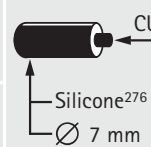


62

49  
50  
52  
61



4



**BMW**

315 (E21)	55 kW	03.81-03.84
318 (E21)	77 kW	09.80-08.82
316 (E30)	55 kW	09.82-10.83
316 (E30) 1,8	66 kW	09.82-12.90
316 (E30)	73 kW	09.87-08.88
318 (E30)	75-77 kW	09.82-08.88

**ZE 586** 0 300 890 179

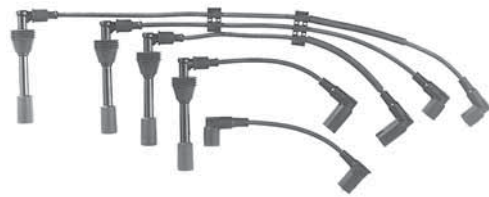
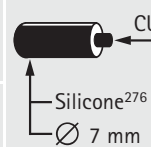


23

26  
42  
51  
70



4



**PORSCHE**

944 2,5 S	140 kW	08.86-07.88
944 3,0 S2	155 kW	12.88-07.91





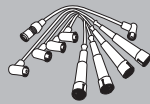












**BERU**

**ZEF 435**

0 300 890 435



**MERCEDES**

200/8 (W114) 63 kW 01.68-01.77  
200, T (W123) 62-69 kW 02.76-08.77

**ZEF 437**

0 300 890 437



**MERCEDES**

280 (W123) 115-136 kW 02.76-08.81

**ZEF 444**

0 300 890 444



2,5 m - Universal<sup>265</sup>



**ZEF 445**

0 300 890 445



4,5 m - Universal<sup>265</sup>



**ZEF 454**

0 300 890 454

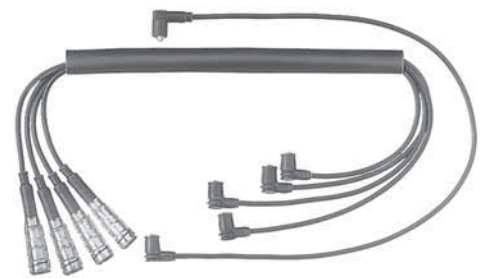


**MERCEDES**

300 SL (R107) 132-138 kW 09.85-08.89

**ZEF 463**

0 300 890 463

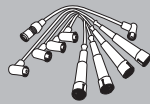


**MERCEDES**

450 SLC 5.0 (C107) 177 kW 06.78-02.80  
380 SL (R107) 150-160 kW 09.80-08.85  
500 SL (R107) 170 kW 05.80-12.85  
380 SE,SEC,SEL (W126) 150-160 kW 12.79-12.86  
500 SE,SEC,SEL (W126) 170-177 kW 12.79-08.85







**ZEF 471** 0 300 890 471

							
77	84					8	 Silicone <sup>276</sup> Ø 7 mm



**MERCEDES**

450 SL;SLC (R107)	160 kW	09.75-10.80
-------------------	--------	-------------

**ZEF 472** 0 300 890 472

							
77	84					8	 Silicone <sup>276</sup> Ø 7 mm



**MERCEDES**

350 SE,SEL (W116)	143-151 kW	02.73-03.80
450 SE,SEL (W116)	160-165 kW	01.73-04.80
350 SL (R107)	143 kW	03.76-02.80
350 SLC (C107)	143-147 kW	02.73-02.80
450 SLC (C107)	165 kW	10.74-11.75

**ZEF 473** 0 300 890 473

							
80	45					6	 Silicone <sup>276</sup> Ø 7 mm



**ZEF 473** 0 300 890 473

**MERCEDES**

300 SEL (W108, W109)	118 kW	01.68-08.72
280/8 (W114)	118-136 kW	06.72-11.76
250, T (W123)	95-103 kW	11.77-07.85


**ZEF 476** 0 300 890 476

							
						4	 PVC Ø 7 mm

2,5 m - Universal transparent<sup>262</sup>



**ZEF 487** 0 300 890 487

							
58	60					6	 Silicone <sup>276</sup> Ø 7 mm



**MERCEDES**

280 SL, SLC (R107)	130-136 kW	08.74-03.80
--------------------	------------	-------------







**ZEF 567** 0 300 890 567

54	49				4	CU Silicone <sup>276</sup> Ø 7 mm



<b>VW AG</b>			
PASSAT 2,0 16V	100 kW	08.88-09.93	

**ZEF 568** 0 300 890 568

59	19				4	R Silicone <sup>276</sup> Ø 7 mm



<b>OPEL</b>			
ASTRA F 2,0 GSI 16V	110 kW	09.91-01.98	
CALIBRA A 2,0i 16V	110-150 kW	06.90-07.97	
CORSA B 1,6 GSI 16V	80 kW	03.93-09.00	
VECTRA A 2,0	110-150 kW	02.90-11.95	

**ZEF 569** 0 300 890 569

42	35				6	R Silicone <sup>276</sup> Ø 7 mm



**ZEF 569** 0 300 890 569

<b>OPEL</b>			
OMEGA A 3,0 24V	147-150 kW	09.89-03.94	
SENATOR B 3,0 24V	150 kW	09.89-09.93	

**ZEF 570** 0 300 890 570

77	53				4	R Silicone <sup>276</sup> Ø 7 mm



<b>OPEL</b>			
CORSA A 1,0-1,2	33 kW	09.82-03.93	
KADETT D 1,2	39-44 kW	08.79-07.86	
KADETT E 1,2	40 kW	09.84-	

**ZEF 571** 0 300 890 571

51	40				4	R Silicone <sup>276</sup> Ø 7 mm

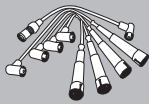


<b>OPEL</b>			
ASCONA A 1,6-1,9	44-66 kW	10.70-08.75	
ASCONA B 1,3-2,0	44-81 kW	09.75-08.81	
ASCONA C 1,3	44-55 kW	09.81-08.88	
KADETT C 1,6-2,0	55-85 kW	09.75-07.79	
KADETT D 1,3	44-55 kW	08.79-08.84	
MANTA A 1,6-1,9	44-77 kW	09.70-08.75	
MANTA B 1,3-2,0	44-81 kW	09.75-08.86	
MONZA A 2,0-2,2	85 kW	03.83-08.86	
REKORD D 1,07-2,0	44-71 kW	01.72-08.77	
REKORD E 1,7-2,2	44-85 kW	09.77-08.86	
SENATOR A 2,0-2,2	85 kW	03.83-08.87	
<b>VAUXHALL</b>			
CARLTON Mk II 2,0	81 kW	01.83-12.84	









**MERCEDES**

300 SE,SEL/S320 (W140)	170 kW	03.91-10.98
300 SL-24 (R129)	170 kW	03.89-07.93

**ZEF 598** 0 300 890 598

73	84				8	Silicone <sup>276</sup> Ø 7 mm
108	87					
	93					
	94					
	96					
	100					
	100					
	108					

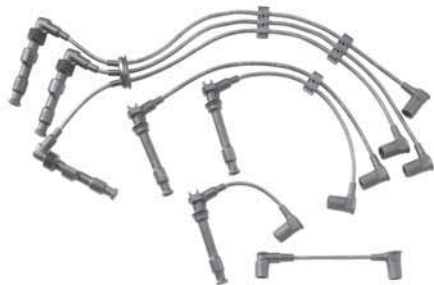


**MERCEDES**

500 SL (R129)	235-240 kW	09.89-10.01
---------------	------------	-------------

**ZEF 601** 0 300 890 601

16	19				6	Silicone <sup>276</sup> Ø 7 mm
21	40					
	53					
	72					
	74					
	76					
	105					
	107					
	115					
	117					
	125					
	127					



**PORSCHE**

911 (993) 3,6 Carrera, Carrera 4	200 kW	10.93-08.95
----------------------------------	--------	-------------

**ZEF 607** 0 300 890 607

72	36				4	Silicone <sup>276</sup> Ø 7 mm
	45					
	57					
	65					



**ZEF 607** 0 300 890 607

**BMW**

316 i (E30)	73-75 kW	09.88-06.91
318 i (E30)	83-85 kW	09.87-06.91
316 i (E36)	75 kW	09.90-09.93

**ZEF 608** 0 300 890 608

72	36				4	Silicone <sup>276</sup> Ø 7 mm
	45					
	57					
	65					



**BMW**

518 i (E34)	83 kW	01.92-04.94
-------------	-------	-------------

**ZEF 610** 0 300 890 610

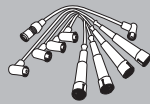
54	36				4	Silicone <sup>276</sup> Ø 7 mm
	45					
	57					
	65					




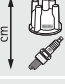





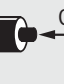



**BMW**

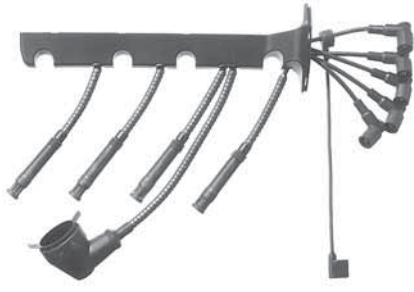
316 i (E30)	73 kW	09.91-08.93
318 i (E36)	83 kW	12.90-10.93





**ZEF 611<sup>2</sup>** 0 300 890 610/611

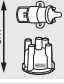
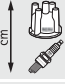









								CU
54	36 45 57 65				4	Silicone <sup>276</sup> Ø 7 mm		



**BMW**

316 i (E36)	73 kW	09.90-09.93
518 i (E34)	83 kW	08.89-12.91

**ZEF 612** 0 300 890 612

								CU
63	49 55 64 67 81				5	Silicone <sup>276</sup> Ø 7 mm		





**AUDI**

80 2,3	98 kW	09.91-12.94
90 2,0-2,3	83-100 kW	10.84-09.91
100 2,0-2,3	83-121 kW	08.84-06.94
200 2,1-2,3	100-134 kW	08.84-09.91
CABRIOLET 2,3	98 kW	05.91-07.94
COUPE 2,0-2,3	85-100 kW	08.84-12.96

**VW AG**

PASSAT 2,0-2,2	85-100 kW	08.84-03.88
SANTANA 2,0	85 kW	08.84-12.84

**ZEF 627** 0 300 890 627

								R
40	30 43 55 60 70 80				6	Silicone <sup>276</sup> Ø 7 mm		



**OPEL**

COMMODORE B 2,5	85-96 kW	01.72-07.78
COMMODORE B 2,8	103-118 kW	01.72-07.78
COMMODORE C 2,5	85-96 kW	08.78-12.82
DIPLOMAT B 2,8	121 kW	03.69-02.75
MONZA A 2,5	100-103 kW	05.81-08.86
MONZA A 2,8	103 kW	02.78-04.81
MONZA A 3,0	110-132 kW	04.78-08.86
OMEGA A 3,0	115-130 kW	03.87-03.94
SENATOR A 2,5	100-103 kW	01.83-08.87
SENATOR A 2,8	103 kW	02.78-04.81
SENATOR A 3,0	110-132 kW	04.78-08.87
SENATOR B 3,0	115-130 kW	09.87-09.93

**ZEF 634** 0 300 890 634

								CU
63 63	49 53 55 66 71 74 74 83 89 91 96 106				12	Silicone <sup>276</sup> Ø 7 mm		

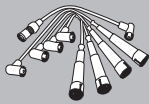


**MERCEDES**

S 600, SEC (W140)	290 kW	01.93-10.98
600 SE,SEL (W140)	300 kW	04.91-12.92
600 SL (R129)	290 kW	07.92-10.01







## ZEF 717 0 300 890 717

						
60	30					
	40					
	50					
	60					



### SEAT

CORDOBA 1,8	66 kW	02.93-06.99
IBIZA II 1,8	66 kW	03.93-08.99
TOLEDO I 1,8	66 kW	11.93-12.96

### VW AG

GOLF III 1,8	66 kW	11.91-06.02
PASSAT 1,8	66 kW	02.88-05.97
POLO 1,8	66 kW	01.97-09.01
VENTO 1,8	66 kW	11.91-09.98

## ZEF 719 0 300 890 719

						
	24					
	38					
	46					
	52					



### FORD

ESCORT V 1,8 16V XR3i	77-96 kW	02.92-12.92
ESCORT VI 1,6-1,8	66-96 kW	12.92-01.95
ESCORT VII 1,6-1,8	65-85 kW	02.95-08.00
FIESTA III 1,6-1,8	65-96 kW	02.92-12.95
FIESTA IV 1,4-1,6	66-76 kW	04.96-01.02
MONDEO I, II 1,6-2,0 16V	65-100 kW	02.93-08.98
ORION III 1,6-1,8 16V	66-96 kW	07.92-12.93

## ZEF 720 0 300 890 720

						
	29					
	39					
	56					
	62					



### LANCIA

Y10 1,1	37-40 kW	01.92-12.95
---------	----------	-------------

## ZEF 722 0 300 890 722

						
30	31					
	39					
	59					
	62					



### FIAT

TIPO 1,6i.e A/C	66 kW	02.88-05.91
-----------------	-------	-------------

## ZEF 724 0 300 890 724

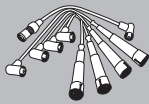
						
40	43					
	49					
	65					
	71					



### OPEL

ASTRA F 1,6i	55 kW	03.92-08.94
--------------	-------	-------------





**ZEF 730** 0 300 890 730

						
63	33				4	Silicone <sup>276</sup> Ø 7 mm



**RENAULT**

R 21 1,7	54-66 kW	01.91-06.93
----------	----------	-------------

**ZEF 731** 0 300 890 731

						
90	29				4	Silicone <sup>276</sup> Ø 7 mm



**RENAULT**

LAGUNA, Grandtour 1,8-2,0	66-83 kW	11.93-03.01
---------------------------	----------	-------------

**ZEF 732** 0 300 890 732

						
50	25				4	Silicone <sup>276</sup> Ø 7 mm



**RENAULT**

R 21 1,7	54-69 kW	05.88-12.90
----------	----------	-------------

**VOLVO**

440 K 1,8	66 kW	08.91-07.96
480 E, L 1,7	75 kW	08.89-07.96

**ZEF 733** 0 300 890 733

						
50	43				4	Silicone <sup>276</sup> Ø 7 mm



**RENAULT**

R 5 SUPER 5 1,7	54-69 kW	06.87-03.95
R 19 I, Chamade 1,7	54 kW	10.89-04.92
R 21, Kombi 1,7	54-65 kW	06.86-03.93

**ZEF 734** 0 300 890 734

						
83	33				4	Silicone <sup>276</sup> Ø 7 mm



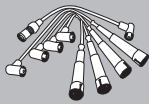
**RENAULT**

R 9 1,4	49-85 kW	09.81-12.88
R 11 1,2-1,4	35-85 kW	03.83-12.88
RAPID 1,1	33 kW	07.85-04.95

**TOYOTA**

CRESSIDA 2,0	66 kW	07.77-07.81
--------------	-------	-------------





**ZEF 740** 0 300 890 740

						
40	35 70 110 130				4	Silicone <sup>276</sup> Ø 7 mm



**CITROËN**

AXEL 11	42-45 kW	01.84-03.91
GS 1,1	40-48 kW	09.77-07.86

**ZEF 741** 0 300 890 741

						
	45 55				2	Silicone <sup>276</sup> Ø 7 mm



**CITROËN**

VISA 0,6	24-25 kW	09.78-03.91
----------	----------	-------------

**ZEF 742** 0 300 890 742

						
	55 55				2	Silicone <sup>276</sup> Ø 7 mm



**CITROËN**

2 CV 0,5-0,6	17-21 kW	01.70-10.85
--------------	----------	-------------

**ZEF 743** 0 300 890 743

						
40	45 55 60 80				4	Silicone <sup>276</sup> Ø 7 mm



**CITROËN**

BX 1,6	66 kW	10.82-06.88
--------	-------	-------------

**ZEF 744** 0 300 890 744

						
65	30 30 45 50				4	Silicone <sup>276</sup> Ø 7 mm



**CITROËN**

CX I 2,0	78 kW	06.79-08.85
CX II 2,2-2,5	83-100 kW	07.85-12.92

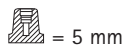
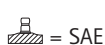
**ZEF 745** 0 300 890 745

						
40	45 55 60 80				4	Silicone <sup>276</sup> Ø 7 mm



**CITROËN**

BX 1,6	53-76 kW	07.85-02.93
--------	----------	-------------

















**KIA**  
PRIDE 1,3 16V 44-53 kW 01.90-

**ZEF 777** 0 300 890 777

 50	 37 43 57 65				 4	 Silicone <sup>276</sup> Ø 7 mm
-----------------------------------------------------------------------------------------	-----------------------------------------------------------------------------------------------------------	-----------------------------------------------------------------------------------	-----------------------------------------------------------------------------------	-----------------------------------------------------------------------------------	----------------------------------------------------------------------------------------	------------------------------------------------------------------------------------------------------------------------



**FIAT**

PANDA 750-1100	25-37 kW	01.86-07.04
UNO 45 1,0	32-33 kW	04.84-12.94
UNO 50 1,1	36-37 kW	01.86-12.93

**LANCI**

Y10 1,0-1,1	32-37 kW	01.86-06.91
-------------	----------	-------------

**ZEF 778** 0 300 890 778

 53	 43 43 43 53				 4	 Silicone <sup>276</sup> Ø 7 mm
-------------------------------------------------------------------------------------------	-------------------------------------------------------------------------------------------------------------	-------------------------------------------------------------------------------------	-------------------------------------------------------------------------------------	-------------------------------------------------------------------------------------	------------------------------------------------------------------------------------------	--------------------------------------------------------------------------------------------------------------------------



**SUZUKI**  
LJ 80 0,8 29 kW 01.80-01.84

**TOYOTA**  
TERCEL 1,3 48 kW 03.79-01.88

**ZEF 779** 0 300 890 779

 85	 28 30 44 52				 4	 Silicone <sup>276</sup> Ø 7 mm
-----------------------------------------------------------------------------------------	-----------------------------------------------------------------------------------------------------------	------------------------------------------------------------------------------------	-------------------------------------------------------------------------------------	-------------------------------------------------------------------------------------	------------------------------------------------------------------------------------------	--------------------------------------------------------------------------------------------------------------------------



**FIAT**

REGATA 70 1,3	50 kW	01.84-07.89
RITMO I 75i.e 1,5	55 kW	01.86-05.87
RITMO II 60 1,1	43 kW	04.85-12.87
RITMO II 75 1,5	55 kW	09.85-12.88
TIPO 1,4	52 kW	07.87-12.89
UNO 70	48 kW	05.85-08.89

**HONDA**

PRELUDE III 2,0	101 kW	04.86-12.87
-----------------	--------	-------------

**ZEF 780** 0 300 890 780

 55	 55 65 65 78				 4	 Silicone <sup>276</sup> Ø 7 mm
-------------------------------------------------------------------------------------------	-------------------------------------------------------------------------------------------------------------	--------------------------------------------------------------------------------------	---------------------------------------------------------------------------------------	---------------------------------------------------------------------------------------	--------------------------------------------------------------------------------------------	----------------------------------------------------------------------------------------------------------------------------



**MITSUBISHI**  
CORDIA 1,6 55-85 kW 10.82-12.86

**SAAB**  
99 2,0, Turbo 79-107 kW 03.76-06.80





## ZEF 786 0 300 890 786



### LANCIA

DEDRA 1,6 55-76 kW 04.93-07.99

## ZEF 787 0 300 890 787



### FIAT

CINQUECENTO 1,1 Sporting 40 kW 10.94-01.98  
 PANDA 1,1-1,2 40-44 kW 09.03-  
 PUNTO 1,1-1,3 40-54 kW 04.96-  
 PUNTO 1.2 Natural Power 44 kW 09.03-  
 SEICENTO 1,1 40 kW 01.98-  
 STRADA 1,2 54 kW 06.99-

### LANCIA

Y 1,1-1,3 40-44 kW 11.95-09.03

## ZEF 788 0 300 890 788



### CITROËN

BX 1,4-1,9 53-88 kW 04.83-12.94

### PEUGEOT

205 I 1,6 53-55 kW 03.87-10.87  
 205 II 1,6-1,9 53-75 kW 10.87-07.94  
 305 II 1,9 72-75 kW 10.82-12.88  
 309 I 1,6 55-76 kW 10.85-12.88  
 309 I 1,9 72 kW 03.86-07.89  
 309 II 1,9 72-80 kW 08.89-12.93  
 405 I 1,6-1,9 53-77 kW 07.87-12.92

## ZEF 789 0 300 890 789

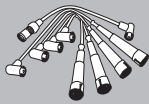


### PEUGEOT

205 I 1,9 GTI 94 kW 10.86-10.87  
 205 II 1,9 GTI 88-94 kW 10.87-10.94  
 309 I 1,9 GTI 88-94 kW 07.88-07.89  
 309 II 1,9 GTI 88 kW 07.89-12.93







**ZEF 796** 0 300 890 796

						
61	34				4	Silicone <sup>276</sup> Ø 7 mm



<b>DAIHATSU</b>		
CHARMANT 1,3	48 kW	11.81-07.87
<b>INNOCENTI</b>		
MINI 1,0-1,3	35-47 kW	05.74-02.82
<b>LANCIA</b>		
Y10 1,0 Fire, Turbo	32-62 kW	06.85-02.89
<b>RENAULT</b>		
ESTAFETTE 1,3	29 kW	08.69-12.81
R 5 SUPER 5 1,0-1,1	30-34 kW	10.84-10.88
R 9 1,1-1,4	35-85 kW	09.81-12.89
R 11 1,4	44-53 kW	03.83-12.88
R 18 1,6	54-58 kW	04.78-07.86
RAPID 1,1	33 kW	07.85-04.95
<b>TOYOTA</b>		
CELICA 2,0 GT	90 kW	02.78-08.83
CORONA 2,0	65 kW	12.75-05.79
<b>VOLVO</b>		
66 1,1-1,3	33-42 kW	01.76-08.78

**ZEF 797** 0 300 890 797

						
57	33				4	Silicone <sup>276</sup> Ø 7 mm



<b>RENAULT</b>		
R 5 SUPER 5 1,2-1,4	40-88 kW	04.85-08.90
TWINGO 1,2	40 kW	03.93-10.96
<b>VOLVO</b>		
340-360 1,4	46-53 kW	08.79-07.88

**ZEF 798** 0 300 890 798

						
55	34				4	Silicone <sup>276</sup> Ø 7 mm



<b>RENAULT</b>		
ESPACE I 2,0-2,2	74-87 kW	07.84-12.90
R 21 2,0	129 kW	08.89-10.93
R 25 2,0	74 kW	04.84-12.92

**ZEF 799** 0 300 890 799

						
86	30				4	Silicone <sup>276</sup> Ø 7 mm

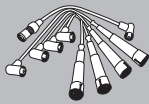


<b>RENAULT</b>		
LAGUNA 1,8	69 kW	08.95-03.01
R 9 1,7	55-65 kW	09.84-12.88
R 11 1,7	54-65 kW	10.83-12.88
R 19 II 1,7	54 kW	04.92-12.95
TRAFIC 1,7	50 kW	06.86-08.94









**ZEF 827** 0 300 890 827

						
44	67 75 75				3	Silicone <sup>276</sup> Ø 7 mm



**DAIHATSU**  
CHARADE III 1,0 50-74 kW 03.87-10.90

**ZEF 830** 0 300 890 830

						
48	26 36 47 57				4	Silicone <sup>276</sup> Ø 7 mm



**DAIHATSU**  
FEROZA 1,6 16V 63-70 kW 10.88-

**ZEF 828** 0 300 890 828

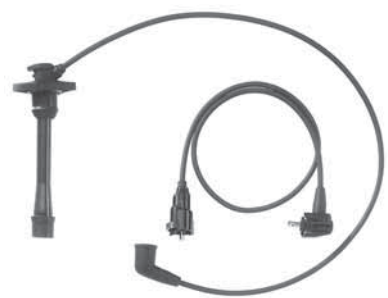
						
43	47 52 73 83				4	Hypalone <sup>277</sup> Ø 7 mm



**DAIHATSU**  
CHARMANT 1,6 55 kW 12.81-09.84

**ZEF 831** 0 300 890 831

						
67	35 44 59 67				4	Hypalone <sup>277</sup> Ø 7 mm



**DAIHATSU**  
CHARADE III 1,3i 66 kW 12.92-01.93  
CHARADE IV 1,6 Gti 77 kW 03.93-  
GRAN MOVE 1,5 16V 66 kW 10.96-07.98

**ZEF 829** 0 300 890 829

						
39	50 57 70				3	Hypalone <sup>277</sup> Ø 5 mm



**DAIHATSU**  
CUORE II 0,8 29-32 kW 09.85-12.90  
CUORE III 0,8 30 kW 10.90-07.92  
CUORE IV 0,8 32 kW 01.95-11.96  
MOVE 0,8 31 kW 10.96-

**ZEF 832** 0 300 890 832

						
69	58 58				2	Hypalone <sup>277</sup> Ø 7 mm

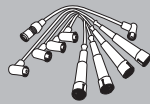


**DAIHATSU**  
CUORE I 0,6 22 kW 08.82-09.85









**BERU**

**ZEF 845** 0 300 890 845



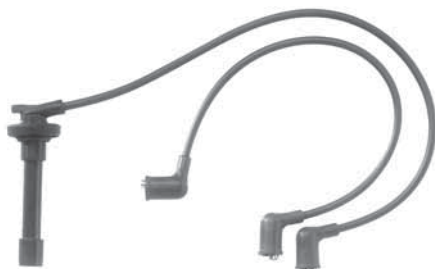
**HONDA**  
PRELUDE IV 2,2 16V 136 kW 02.93-09.96

**ZEF 848** 0 300 890 848



**HYUNDAI**  
S COUPE 1,5i, Turbo 65 kW 04.91-05.96

**ZEF 846** 0 300 890 846



**HONDA**  
PRELUDE III 2,0i 16V 101 kW 04.86-12.87

**ZEF 849** 0 300 890 849



**HYUNDAI**  
H100 2,4 90 kW 07.93-03.00  
LANTRA I 1,5i.e 63 kW 10.90-11.95  
PONY 1,5 53-62 kW 10.85-01.95  
PONY/EXCEL 1,5 53-62 kW 01.90-01.95  
S COUPE 1,5i, Turbo 62-85 kW 02.90-05.96  
SONATA I 2,4i 83 kW 09.88-08.91

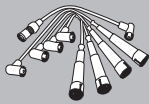
**ZEF 847** 0 300 890 847



**HONDA**  
PRELUDE III 2,0 16V 101-110 kW 04.87-01.92







**ZEF 861** 0 300 890 861

							R
65	69	81	87			4	Hypalone <sup>277</sup> Ø 7 mm



**MAZDA**  
121 III 1,3 55 kW 03.96-

**ZEF 862** 0 300 890 862

							R
35	40	46	61			4	Hypalone <sup>277</sup> Ø 7 mm



**MAZDA**  
323 III 1,5 55 kW 08.85-05.89  
323 C V 1,8 16V 84 kW 08.94-09.98  
323 F V 1,8 16V 84 kW 08.94-09.98  
323 S V 1,8 16V 84 kW 08.94-09.98

**ZEF 863** 0 300 890 863

							R
68	35	40	46	61		4	Hypalone <sup>277</sup> Ø 7 mm



**ZEF 863** 0 300 890 863

**MAZDA**  
323 III 1,6 GT 63-77 kW 11.86-12.88  
323 III 1,6 GT Turbo 103-110 kW 10.85-11.91

**ZEF 864** 0 300 890 864

							R
45	51	59	100	100	122	6	Hypalone <sup>277</sup> Ø 7 mm



**MAZDA**  
323 F V 2,0 24V 106 kW 08.94-09.98

**ZEF 865** 0 300 890 865

							R
42	38	54	63	73		4	Hypalone <sup>277</sup> Ø 7 mm



**MAZDA**  
626 III 2,0 12V 79 kW 09.87-05.92  
929 III 2,0-2,2 85-100 kW 06.87-04.89  
B-SERIE 2,6 12V 90 kW 06.99-

**TOYOTA**  
LAND CRUISER 2,4 84 kW 12.88-12.96









→ **ZEF 882** 0 300 890 882

**MITSUBISHI**

COLT II 1,6 Turbo	92 kW	02.84-04.88
COLT III 1,5 GLXi	62 kW	04.88-12.89
GALANT III 1,6-2,0	55-75 kW	06.84-12.87
GALANT IV 1,8-2,0	66-80 kW	11.87-10.92
L 300 2,0-2,4	65-82 kW	12.86-12.93
LANCER I 2,0 Turbo	125 kW	03.81-02.83
LANCER III 1,5-1,8	51-69 kW	06.85-06.92
LANCER IV 1,8 GLXi	71 kW	09.89-06.92
SAPORO III 2,4	91 kW	06.87-08.90
SPACE WAGON 2,0 GLXi	74 kW	06.88-04.91

**ZEF 883** 0 300 890 883

							4	 Hypalone <sup>277</sup> Ø 7 mm
47	59							
	78							
	84							
	88							



**MITSUBISHI**

PAJERO I 2,6	76 kW	01.83-11.90
--------------	-------	-------------

**ZEF 884** 0 300 890 884

							6	 Hypalone <sup>277</sup> Ø 7 mm
29	39							
	46							
	48							
	53							
	58							
	63							



**MITSUBISHI**

SIGMA 3,0 V6	125-151 kW	12.90-07.96
--------------	------------	-------------

**ZEF 885** 0 300 890 885

							6	 Hypalone <sup>277</sup> Ø 7 mm
	40							
	45							
	53							
	53							



**MITSUBISHI**

GALLOPER 3,0 V6	104 kW	01.94-12.98
-----------------	--------	-------------

**ZEF 886** 0 300 890 886

							6	 Hypalone <sup>277</sup> Ø 7 mm
	85							
	94							
	108							



**MITSUBISHI**

PAJERO II 3,5 V6 24V	153 kW	06.94-04.00
----------------------	--------	-------------

**ZEF 887** 0 300 890 887

							4	 Hypalone <sup>277</sup> Ø 7 mm
	46							
	63							
	66							
	71							

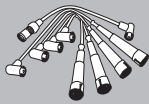


**MITSUBISHI**

L 300 2,0	65-66 kW	01.94-
COLT III 1,6 Gti 16V	91 kW	04.88-05.90







→ **ZEF 893** 0 300 890 893

**NISSAN**

MAXIMA 3,0i 125 kW 10.88-06.94

**ZEF 894** 0 300 890 894

						
37	40				4	Hypalone <sup>277</sup> ∅ 7 mm
	50					
	65					
	75					



**NISSAN**

MICRA (K10) 1,0-1,2 40-44 kW 12.82-07.92  
SUNNY II (N13) 1,3 44 kW 07.86-10.91

**ZEF 895** 0 300 890 895

						
	45				4	Hypalone <sup>277</sup> ∅ 7 mm
	59					
	64					
	64					



**NISSAN**

MICRA (K11) 1,0-1,3 40-55 kW 08.92-09.00

**ZEF 896** 0 300 890 896

						
23	33				4	Hypalone <sup>277</sup> ∅ 7 mm
	42					
	60					
	65					



**NISSAN**

PRIMERA (P10) 2,0 16V 85-110 kW 06.90-01.96  
SUNNY III (N14) 2,0 Gti 16V 105-162 kW 10.90-05.95

**ZEF 898** 0 300 890 898

						
68	51				4	Hypalone <sup>277</sup> ∅ 7 mm
	51					
	51					
	51					



**NISSAN**

SUNNY (140Y, 150Y) 1,5 51 kW 06.79-02.82  
VANETTE (KC120) 1,5 51 kW 01.83-12.87

**ZEF 899** 0 300 890 899

						
70	38				4	Hypalone <sup>277</sup> ∅ 7 mm
	53					
	61					
	73					



**FORD**

MAVERICK 2,4i 91 kW 02.93-08.96

**NISSAN**

PICK UP (D21) 2,4i 12V 91-93 kW 04.92-09.95  
PRAIRIE PRO (M11) 2,4i 98 kW 04.92-07.94  
TERRANO II (R20) 2,4 85-91 kW 05.96-01.02

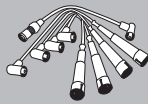
















**ZEF 929** 0 300 890 929

							
26	29				4	Hypalone <sup>277</sup> Ø 7 mm	



**TOYOTA**

CELICA Cabriolet 2,0 Gti 115 kW 05.91-01.94

**ZEF 930** 0 300 890 930

							
25	32				4	Hypalone <sup>277</sup> Ø 7 mm	



**TOYOTA**

CELICA 2,0 110-136 kW 01.87-01.94

**ZEF 931** 0 300 890 931

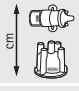




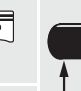

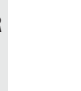



							
30	34				4	Hypalone <sup>277</sup> Ø 7 mm	



**TOYOTA**

MR 2 2,0 16V 115-129 kW 11.93-05.00

**ZEF 932** 0 300 890 932

							
70	35				4	Hypalone <sup>277</sup> Ø 7 mm	



**DAIHATSU**

ROCKY 2,0 65 kW 02.85-04.93

**TOYOTA**

COROLLA 1,2-1,3	40-48 kW	08.74-08.87
HIACE II 1,8-2,0	58-65 kW	03.83-11.89
HILUX Pick-up 1,8	61 kW	08.88-12.89
LITEACE 1,3-1,5	42-52 kW	10.79-12.90
STARLET 1,0-1,3	33-48 kW	11.74-09.84

**ZEF 933** 0 300 890 933

							
	44				4	Hypalone <sup>277</sup> Ø 7 mm	

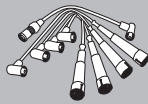


**TOYOTA**

COROLLA 1,3	55 kW	10.84-06.92
STARLET 1,3	55 kW	10.84-12.89
STARLET 1,3 12V KAT	55 kW	12.89-12.90







**ZEF 941** 0 300 890 941

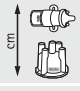
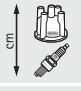





							
44	40 49 71 74 94 104				6	Hypalone <sup>277</sup> Ø 5 mm	



**TOYOTA**

LAND CRUISER 90 3,4 24V	131 kW	04.96-
LAND CRUISER 80 4,5 24V	151 kW	08.92-12.97

**ZEF 944** 0 300 890 944

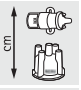
							
29	36 38 41 53				4	Hypalone <sup>277</sup> Ø 5 mm	



**TOYOTA**

MR 2 2,0 16V	115-129 kW	12.89-05.00
--------------	------------	-------------

**ZEF 942** 0 300 890 942









							
49	39 52 62 69 86 102				6	Hypalone <sup>277</sup> Ø 5 mm	



**LEXUS**

300 ES 3,0	138 kW	09.91-12.97
------------	--------	-------------

**ZEF 945** 0 300 890 945

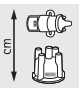



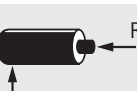



							
31	35 49 51 61				4	Hypalone <sup>277</sup> Ø 5 mm	

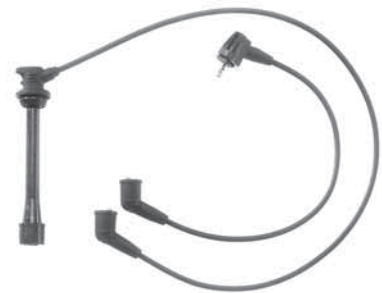


**TOYOTA**

MR 2 2,0 16V	88 kW	12.89-08.92
--------------	-------	-------------

**ZEF 943** 0 300 890 943

							
36	28 34 66 68 81 83 94 94				8	Hypalone <sup>277</sup> Ø 5 mm	



**LEXUS**

400 LS 4,0	180 kW	12.89-12.94
------------	--------	-------------

**ZEF 946** 0 300 890 946

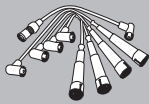
							
	37 47 57 65				4	Hypalone <sup>277</sup> Ø 5 mm	



**TOYOTA**

PASEO, Cabriolet 1,5 16V	66 kW	08.95-07.99
--------------------------	-------	-------------

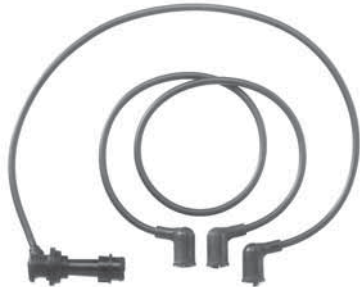




**ZEF 953**

0 300 890 953

							
87	41				6	 Hypalone <sup>277</sup> Ø 7 mm	



**TOYOTA**

SUPRA 3,0 24V 150 kW 01.86-08.88

**ZEF 958**

0 300 890 958

							
28	32				4	 Hypalone <sup>277</sup> Ø 7 mm	



**TOYOTA**

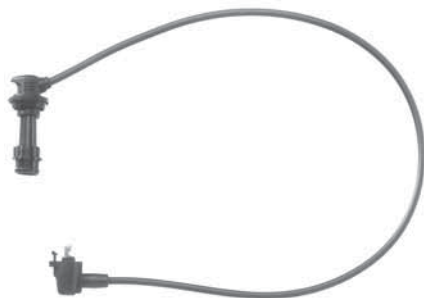
HILUX Pick-up 1,8-2,0 61-65 kW 01.90-07.94

**ZEF 954**

0 300 890 954

							
31	55				6	 Hypalone <sup>277</sup> Ø 7 mm	

74  
85  
98  
104



**TOYOTA**

SUPRA 3,0 Turbo 173-175 kW 09.87-05.93

**ZEF 959**

0 300 890 959

							
59	64				4	 Hypalone <sup>277</sup> Ø 7 mm	

75  
80



**TOYOTA**

HIACE III 2,0 74 kW 08.89-08.95

**ZEF 957**

0 300 890 957

							
40	28				4	 Silicone <sup>276</sup> Ø 7 mm	

28  
29  
34



**TOYOTA**

HIACE I 1,6 49 kW 01.79-12.84

**ZEF 960**

0 300 890 960

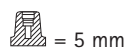
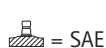
							
61	61				4	 Hypalone <sup>277</sup> Ø 5 mm	

72  
80

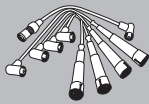


**TOYOTA**

HIACE III 2,4 88 kW 08.93-08.95  
HIACE IV 2,4 85 kW 08.95-04.98







→ **ZEF 968** 0 300 890 968

**FIAT**

BRAVA 1,4	55-59 kW	10.95-10.01
BRAVO 1,2-1,4	55-59 kW	10.95-10.01
MAREA, Weekend 1,4 12V	59 kW	09.96-

**LANCIA**

Y 1,4 12V	55-59 kW	03.96-09.03
-----------	----------	-------------

**ZEF 969** 0 300 890 969

							CU
45	58	63	87			4	Ø 7 mm



**ALFA ROMEO**

33 1,7i.e	77-79 kW	09.88-03.92
145 1,6i.e	76 kW	10.94-12.96
146 1,6i.e	76 kW	10.94-12.96

**ZEF 970** 0 300 890 970

							CU
61	48	58	58	63	65	74	75
112	58					4	Ø 7 mm



**ALFA ROMEO**

164 2,0 T.S	105-109 kW	06.87-09.92
-------------	------------	-------------

**ZEF 971** 0 300 890 971

							CU
43	43	45	55	58	61	64	70



**ALFA ROMEO**

155 1,7 T.S	103 kW	05.96-12.97
155 2,0 T.S	104-110 kW	02.92-12.97

**ZEF 972** 0 300 890 972

							CU
74	79	79	86			4	Ø 7 mm



**ALFA ROMEO**

145 1,7i.e	95 kW	10.94-12.96
146 1,7i.e	95 kW	12.94-12.96

**ZEF 973** 0 300 890 973

							CU
54	54	58	58	61	61	63	63



**ALFA ROMEO**

155 1,7-1,8	77-95 kW	02.92-12.97
-------------	----------	-------------



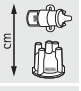




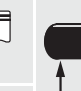
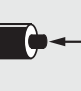











**ZEF 993** 0 300 890 993

						
25	35 35 56 57				4	Silicone <sup>276</sup> Ø 7 mm



**OPEL**

CALIBRA A 2,0	85 kW	08.94-07.95
VECTRA A 1,8	65-66 kW	09.88-11.95
VECTRA A 2,0	85 kW	09.88-11.95

**ZEF 994** 0 300 890 994

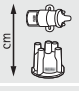




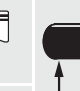



						
	20 30 35 45				4	Silicone <sup>276</sup> Ø 7 mm



**OPEL**

ASTRA F, Cabriolet, Caravan	60 kW	03.92-07.95
ASTRA F, Cabriolet, Caravan	52-74 kW	05.92-07.95
COMBO 1,2	33 kW	07.94-10.01
COMBO 1,4	60 kW	07.94-10.01
CORSA A 1,4	60 kW	09.91-03.93
CORSA B 1,2	33 kW	03.93-07.95
CORSA B 1,4	60 kW	03.93-07.95
VECTRA A 1,6	52 kW	09.93-11.95

**ZEF 995** 0 300 890 995

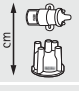




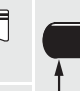
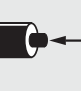



						
40	40 45 60 70				4	Silicone <sup>276</sup> Ø 7 mm



**OPEL**

ASTRA F 1,4	44 kW	08.95-09.98
-------------	-------	-------------

**ZEF 996** 0 300 890 996

						
27	35 41 60 63				4	Silicone <sup>276</sup> Ø 7 mm



**OPEL**

VECTRA A 1,6	55 kW	09.88-11.95
--------------	-------	-------------

**ZEF 997** 0 300 890 997

						
25	35 35 55 58				4	Silicone <sup>276</sup> Ø 7 mm



**OPEL**

CALIBRA A 2,0	85 kW	08.95-07.97
VECTRA A 1,6-2,0	55-85 kW	09.88-11.95

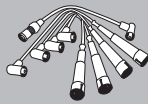












**ALFA ROMEO**

SPIDER 1,6-2,0 79-93 kW 01.77-12.93

**ZEF 1033** 0 300 891 033

							CU Silicone <sup>276</sup> Ø 7 mm
54	44				4		

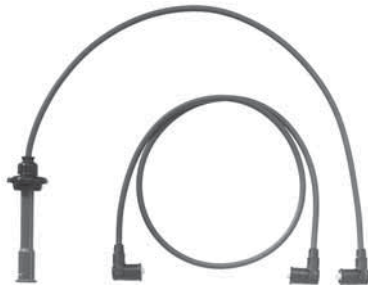


**ALFA ROMEO**

33 1,4-1,7 65-79 kW 06.84-09.94  
GIULIETTA 2,0 Turbo 125 kW 07.83-06.84

**ZEF 1036** 0 300 891 036

							R Hypalone <sup>277</sup> Ø 7 mm
52	50				6		



**ALFA ROMEO**

164 3,0 V6 132-147 kW 06.87-12.92

**ZEF 1037** 0 300 891 037

							R Hypalone <sup>277</sup> Ø 7 mm
109	47				6		



**ALFA ROMEO**

75 3,0 V6 136-141 kW 01.87-02.92

**ZEF 1040** 0 300 891 040

							CU Silicone <sup>276</sup> Ø 7 mm
					4		



**ALFA ROMEO**

164 2,0 T.S 106 kW 09.92-09.98

**ZEF 1041** 0 300 891 041

							R Hypalone <sup>277</sup> Ø 7 mm
45	30						



**LANCIA**

Y10 1,0 Fire 41 kW 03.85-07.89

**ZEF 1042** 0 300 891 042

							R Hypalone <sup>277</sup> Ø 7 mm
68	31				4		

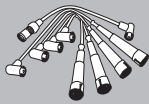


**LANCIA**

Y10 1,3i,e Fire 56 kW 11.87-05.93







**ZEF 1048** 0 300 891 048

						
51	27 30 40 51				4	Hypalone <sup>277</sup> Ø 7 mm



**FIAT**

REGATA 75 1,3-1,5	48-55 kW	12.83-07.89
REGATA 85 1,5-1,6	58-60 kW	10.83-06.90
REGATA 85 Super 1,5	60 kW	09.83-04.85

**ZEF 1052** 0 300 891 052

						
33	36 42 55 60				4	Hypalone <sup>277</sup> Ø 7 mm



**FIAT**

PANDA 1000	37 kW	01.86-12.92
------------	-------	-------------

**ZEF 1049** 0 300 891 049

						
52	38 53 53 71				4	Hypalone <sup>277</sup> Ø 7 mm



**FIAT**

DUCATO 1,8	49 kW	01.82-10.88
------------	-------	-------------

**ZEF 1053** 0 300 891 053

						
74	30 33 39 48				4	Hypalone <sup>277</sup> Ø 7 mm



**FIAT**

UNO 60 1,1	43 kW	05.85-08.89
------------	-------	-------------

**ZEF 1050** 0 300 891 050

						
44	41 53 65 80				4	Hypalone <sup>277</sup> Ø 7 mm



**FIAT**

DUCATO 2,0	58 kW	01.82-08.90
------------	-------	-------------

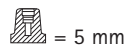
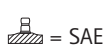
**ZEF 1054** 0 300 891 054

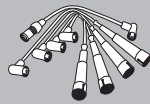
						
58	28 34 40 53				4	Hypalone <sup>277</sup> Ø 7 mm



**FIAT**

UNO 70 1,3	50 kW	01.83-04.85
------------	-------	-------------





**BERU**

**ZEF 1055** 0 300 891 055

								
52	47					4	Hypalone <sup>277</sup>	Ø 7 mm



**FIAT**

CROMA 1600-2000 61-114 kW 12.85-08.96

**ZEF 1058** 0 300 891 058

								
44	38					4	Hypalone <sup>277</sup>	Ø 7 mm



**FIAT**

PANDA 750, Young 25 kW 01.86-12.97

**ZEF 1056** 0 300 891 056

								
51	22					4	Hypalone <sup>277</sup>	Ø 7 mm



**FIAT**

REGATA 70 1.3 seconda serie 48-50 kW 09.83-07.89

**ZEF 1059** 0 300 891 059

								
72	30					4	Hypalone <sup>277</sup>	Ø 7 mm



**FIAT**

UNO 60 1,1 Selecta 43 kW 05.85-08.89

**ZEF 1057** 0 300 891 057

								
43	31					4	Hypalone <sup>277</sup>	Ø 7 mm



**FIAT**

DUNA, Weekend 1,1 43 kW 01.87-12.91  
 DUNA, Weekend 1,3 49 kW 01.87-12.91  
 FIORINO 1,1-1,5 40-55 kW 12.87-12.94

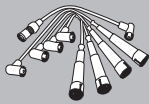
**ZEF 1060** 0 300 891 060

								
33	40					4	Hypalone <sup>277</sup>	Ø 7 mm



**FIAT**

TIPO 1,1 41 kW 01.88-10.91



**ZEF 1061** 0 300 891 061

							
32	30 38 60 66				4		Hypalone <sup>277</sup> Ø 7 mm



**FIAT**  
TEMPRA 1,6i,e 55 kW 10.92-03.93

**ZEF 1065** 0 300 891 065

							
22	41 54 57 66				4		Hypalone <sup>277</sup> Ø 7 mm



**FIAT**  
TIPO 1,8i.e 16V Sport 100 kW 11.89-06.92

**ZEF 1062** 0 300 891 062

							
41	29 32 47 53				4		Hypalone <sup>277</sup> Ø 7 mm



**FIAT**  
UNO 1,1 Selecta (I) 43 kW 01.90-

**ZEF 1066** 0 300 891 066

							
	27 35 54 56				4		Hypalone <sup>277</sup> Ø 7 mm



**FIAT**  
PALIO 1,2 54 kW 04.96-02.01

**ZEF 1064** 0 300 891 064

							
25	48 58 64 72				4		Hypalone <sup>277</sup> Ø 7 mm



**FIAT**  
COUPE 2,0 16V Turbo 140 kW 11.93-08.96

**ZEF 1067** 0 300 891 067

							
91	45 60 70 85				4		Hypalone <sup>277</sup> Ø 7 mm

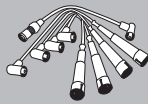


**FIAT**  
DUCATO 2,0 55 kW 07.85-08.90  
**PEUGEOT**  
J5 2,0 55 kW 09.81-09.90









**ZEF 1090** 0 300 891 090

							R
40	52 62 72 79				4	Silicone <sup>276</sup>	Ø 7 mm



**OPEL**  
CORSA A 1,6 GSI 72-74 kW 09.89-03.93

**ZEF 1093** 0 300 891 093

							R
32	52 66 78 78				4	Hypalone <sup>277</sup>	Ø 7 mm



**OPEL**  
VECTRA A 2,0i 95 kW 09.88-09.92

**ZEF 1091** 0 300 891 091

							R
40	32 40 57 60 73 83				6	Silicone <sup>276</sup>	Ø 7 mm



**OPEL**  
OMEGA A 3,0 115-130 kW 03.87-03.94  
SENATOR B 3,0 115-130 kW 09.87-09.93

**ZEF 1094** 0 300 891 094

							R
	29 30 35 50				4	Hypalone <sup>277</sup>	Ø 7 mm



**RENAULT**  
CLIO II 1,4-1,6 55-66 kW 09.98-  
KANGOO 1,4 55 kW 09.98-  
MEGANE I 1,6 55-66 kW 04.97-06.98  
MEGANE Coach 1,6 66 kW 04.97-06.98  
MEGANE Classic 1,6 55-66 kW 04.97-06.98  
MEGANE Scenic 1,6 55-66 kW 04.97-06.98

**ZEF 1092** 0 300 891 092

							R
32	40 66 90 90				4	Silicone <sup>276</sup>	Ø 7 mm



**OPEL**  
VECTRA A 1,8 65-66 kW 09.88-10.90  
VECTRA A 2,0 85 kW 09.88-11.95











## FORD

COUGAR 2,0 16V	96 kW	08.98-12.01
FIESTA IV 1,25 16V	55 kW	05.98-01.02
FOCUS 1,6-2,0	74-127 kW	10.98-11.04
MAVERICK 2,0 16V	91 kW	02.01-
MONDEO II 1,6-2,0	66-96 kW	09.98-11.00

## MAZDA

121 III 1,25	55 kW	05.98-
TRIBUTE 2,0	91 kW	03.00-

## ZEF 1117 0 300 891 117

27	48	60	64		4	 Silicone <sup>276</sup> Ø 7 mm



## AUDI

A3 1,6	75 kW	05.03-
A3 Sportback 1,6	75 kW	09.04-

## SEAT

ALHAMBRA 2,0	85 kW	04.96-
ALTEA 1,6	75 kW	03.04-
CORDOBA 2,0	85 kW	09.02-
LEON 1,6	75 kW	09.05-
TOLEDO III 1,6	75 kW	10.04-

## SKODA

FABIA 2,0	85 kW	12.99-
OCTAVIA 2,0	85 kW	04.99-
SUPERB 2,0	85 kW	02.02-

## VW AG

BORA 2,0	85 kW	10.98-05.05
GOLF IV 2,0	85 kW	07.98-06.05
NEW BEETLE 2,0	85 kW	01.98-

## ZEF 1118 0 300 891 118

40	34	43	57	71	4	 Silicone <sup>276</sup> Ø 7 mm



## OPEL

ASTRA F 1,4	44-60 kW	09.91-07.95
CORSA A 1,2	33 kW	03.87-10.89

## OPEL

KADETT E 1,4	44-55 kW	01.90-08.91
KADETT E 1,6	60 kW	09.86-02.93

## VAUXHALL

ASTRA Mk II Convertible 1,6	60 kW	01.87-12.91
-----------------------------	-------	-------------

## ZEF 1119 0 300 891 119

32	18	28	34	44	4	 Silicone <sup>276</sup> Ø 7 mm



## OPEL

CORSA A 1,6 GSI	74 kW	02.92-03.93
-----------------	-------	-------------

## ZEF 1120 0 300 891 120

50	32	32	53	53	4	 Silicone <sup>276</sup> Ø 7 mm



## OPEL

ASTRA F 1,8-2,0	66-85 kW	08.95-09.98
KADETT E 1,8-2,0	62-85 kW	06.85-02.93

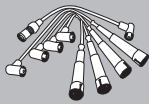
## VAUXHALL

ASTRA Mk II Convertible 2,0	85 kW	01.87-12.91
-----------------------------	-------	-------------









→ **ZEF 1137** 0 300 891 137

**DAEWOO**

ESPERO 1,5 16V	66 kW	02.95-06.99
NEXIA 1,5 16V	66 kW	02.95-08.97

**ZEF 1140** 0 300 891 140

							R
20	27				4	Hypalone <sup>277</sup>	Ø 7 mm



**KIA**

CLARUS 1,8i 16V	85 kW	07.96-
SEPHIA 1,8i 16V	82 kW	01.95-

**ZEF 1142** 0 300 891 142

							R
30	36	45	51		4	Hypalone <sup>277</sup>	Ø 7 mm



**DAEWOO**

KALOS 1,4	61 kW	09.02-
LANOS 1,4-1,5	55-63 kW	05.97-
NEXIA 1,4-1,5	55-63 kW	05.97-

**ZEF 1143** 0 300 891 143

							R	
54	39	42	47	61		4	Hypalone <sup>277</sup>	Ø 7 mm



**KIA**

CLARUS 2,0 16V	98 kW	07.96-
----------------	-------	--------

**ZEF 1144** 0 300 891 144

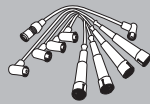
							R	
14	55	66	66	81		4	Hypalone <sup>277</sup>	Ø 7 mm



**HYUNDAI**

LANTRA I 1,5i.e	63 kW	10.90-11.95
LANTRA I 1,8i.e	93 kW	10.90-11.95
PONY/EXCEL 1,5	53-62 kW	10.85-01.95
S COUPE 1,5i	62-65 kW	02.90-05.96
SONATA I 2,0i	80 kW	01.91-10.93
SONATA II 2,0i	77 kW	06.94-08.96





**BERU**

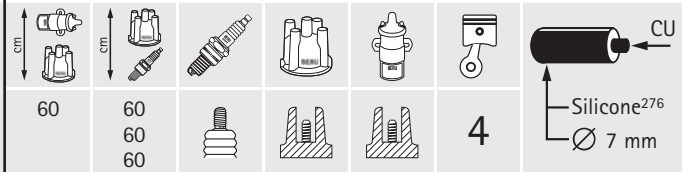
**ZEF 1147** 0 300 891 147



**SUZUKI**

Wagon R+ 1,3	56 kW	05.00-
JIMNY 1,3 16V	59 kW	09.98-
<b>SUBARU</b>		
JUSTY II 1,3	63 kW	04.01-

**ZEF 1149** 0 300 891 149



**SEAT**

CORDOBA 1,8	66 kW	02.93-06.99
IBIZA II 1,8	66 kW	03.93-08.99
TOLEDO I 1,8	66 kW	11.93-12.96

**VW AG**

DERBY 1,0-1,3	29-55 kW	08.84-12.84
GOLF II 1,0-1,8	37-118 kW	08.85-12.92
GOLF III 1,8-2,0	55-85 kW	11.91-04.99
GOLF IV 1,8	55 kW	06.98-06.02
JETTA II 1,3	40-44 kW	08.84-12.91
PASSAT 1,3-2,0	44-85 kW	08.84-09.94
POLO 1,0-1,3	29-55 kW	08.84-08.94
TRANSPORTER T4 2,0	62 kW	09.90-12.90
VENTO 1,4-2,0	40-85 kW	11.91-09.98

**ZEF 1148** 0 300 891 148



**SEAT**

CORDOBA 1,8-2,0	95-110 kW	10.93-06.99
IBIZA II 1,8-2,0	95-110 kW	11.93-08.99
TOLEDO I 1,8-2,0	92-110 kW	05.91-03.99

**VW AG**

CORRADO 1,8-2,0	100 kW	04.89-12.95
GOLF III 2,0 Gti 16V	110 kW	08.92-08.97
JETTA II 1,8	102 kW	06.87-12.89
PASSAT 1,8-2,0	95-110 kW	04.88-08.96
SCIROCCO 1,8 16V	95-102 kW	10.85-07.92

**ZEF 1150** 0 300 891 150

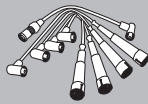


**SEAT**

CORDOBA 1,4	44 kW	06.94-06.99
IBIZA II 1,4	44 kW	09.93-08.99


**VW AG**

GOLF III 1,4	40-44 kW	11.91-08.97
--------------	----------	-------------



**ZEF 1151** 0 300 891 151

58	28				4	CU Silicone <sup>276</sup> Ø 7 mm
	41					
	52					
	63					




**VW AG**

GOLF III 2,0 GTI (USA)	85 kW	01.93-12.97
JETTA 2,0 (USA)	85 kW	10.92-
PASSAT 2,0 (USA)	85 kW	01.95-12.97

**ZEF 1152** 0 300 891 152

	34				6	R Silicone <sup>276</sup> Ø 7 mm
	40					
	55					
	55					
	65					
	80					



**OPEL**


OMEGA B 2,5-3,0 V6	125-155 kW	03.94-02.01
SINTRA 3,0i 24V	148 kW	11.96-04.99

**VAUXHALL**

OMEGA 2,5 V6	125 kW	03.94-09.00
--------------	--------	-------------

**ZEF 1153** 0 300 891 153

	20				4	R Silicone <sup>276</sup> Ø 7 mm
	25					
	40					
	45					




**OPEL**

ASTRA G 2,0 16V	100 kW	02.98-
-----------------	--------	--------

**ZEF 1154** 0 300 891 154

	33				6	R Silicone <sup>276</sup> Ø 7 mm
	50					
	50					
	55					
	65					
	65					




**OPEL**

CALIBRA A 2,5i V6	125 kW	04.93-07.97
VECTRA A 2,5 V6	125 kW	02.93-11.95

**ZEF 1155** 0 300 891 155

	40				4	R Silicone <sup>276</sup> Ø 7 mm
	50					
	65					
	70					




**OPEL**

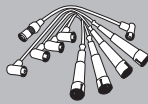
FRONTERA A 2,2	100 kW	03.95-10.98
FRONTERA B 2,2	100 kW	10.98-

**ZEF 1156** 0 300 891 156

	45				4	R Silicone <sup>276</sup> Ø 7 mm
	20					
	35					
	40					
	55					







**ZEF 1162** 0 300 891 162

								R Silicone <sup>276</sup> Ø 7 mm
62	70	72	82					

<b>OPEL</b>		
FRONTERA A Sport 2,0	85 kW	03.92-10.98
<b>VAUXHALL</b>		
FRONTERA Sport 2,0	85 kW	03.92-10.98

**ZEF 1164** 0 300 891 164

								R Silicone <sup>276</sup> Ø 7 mm
39	33	59	61	83	92	95		

<b>CITROËN</b>		
XM 3,0 V6	123 kW	05.89-10.00
<b>PEUGEOT</b>		
605 3,0	123 kW	10.89-09.99

**ZEF 1163** 0 300 891 163

								R Hypalone <sup>277</sup> Ø 7 mm
30	29	39	54	57				

<b>RENAULT</b>		
CLIO I 1,8 16V	99 kW	08.91-06.94
CLIO I 2,0 Williams	108 kW	01.94-09.98
R 19 I 1,8 16V	99 kW	06.89-04.92
R 19 I Chamade 1,8 16V	99 kW	10.89-04.92
R 19 II 1,8 16v	99 kW	04.92-12.95
R 19 II Chamade 1,8 16V	99 kW	04.92-12.95

**ZEF 1165** 0 300 891 165

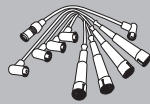
								R Silicone <sup>276</sup> Ø 7 mm
45	52	65	73	85	100	160		

<b>RENAULT</b>		
ESPACE II 2,8 V6	110 kW	01.91-10.96
R 25 2,8 V6	110-115 kW	06.87-12.92

**ZEF 1166** 0 300 891 166

								R Hypalone <sup>277</sup> Ø 7 mm
	36	40	54	59				

<b>MAZDA</b>		
323 C-P V 1,5 16V	65 kW	08.94-09.98

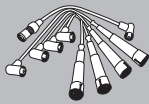


**MAZDA**

MX-3 1,6 79 kW 01.94-

**ZEF 1168** 0 300 891 168

--	--	--	--	--	--	--	--	--	--	--	--	--	--	--	--	--	--	--	--	--	--	--	--	--	--	--	--	--	--	--	--	--	--	--	--	--	--	--	--	--	--	--	--	--	--	--	--	--	--	--	--	--	--	--	--	--	--	--	--	--	--	--	--	--	--	--	--	--	--	--	--	--	--	--	--	--	--	--	--	--	--	--	--	--	--	--	--	--	--	--	--	--	--	--	--	--	--	--	--	--	--	--	--	--	--	--	--	--	--	--	--	--	--	--	--	--	--	--	--	--	--	--	--	--	--	--	--	--	--	--	--	--	--	--	--	--	--	--	--	--	--	--	--	--	--	--	--	--	--	--	--	--	--	--	--	--	--	--	--	--	--	--	--	--	--	--	--	--	--	--	--	--	--	--	--	--	--	--	--	--	--	--	--	--	--	--	--	--	--	--	--	--	--	--	--	--	--	--	--	--	--	--	--	--	--	--	--	--	--	--	--	--	--	--	--	--	--	--	--	--	--	--	--	--	--	--	--	--	--	--	--	--	--	--	--	--	--	--	--	--	--	--	--	--	--	--	--	--	--	--	--	--	--	--	--	--	--	--	--	--	--	--	--	--	--	--	--	--	--	--	--	--	--	--	--	--	--	--	--	--	--	--	--	--	--	--	--	--	--	--	--	--	--	--	--	--	--	--	--	--	--	--	--	--	--	--	--	--	--	--	--	--	--	--	--	--	--	--	--	--	--	--	--	--	--	--	--	--	--	--	--	--	--	--	--	--	--	--	--	--	--	--	--	--	--	--	--	--	--	--	--	--	--	--	--	--	--	--	--	--	--	--	--	--	--	--	--	--	--	--	--	--	--	--	--	--	--	--	--	--	--	--	--	--	--	--	--	--	--	--	--	--	--	--	--	--	--	--	--	--	--	--	--	--	--	--	--	--	--	--	--	--	--	--	--	--	--	--	--	--	--	--	--	--	--	--	--	--	--	--	--	--	--	--	--	--	--	--	--	--	--	--	--	--	--	--	--	--	--	--	--	--	--	--	--	--	--	--	--	--	--	--	--	--	--	--	--	--	--	--	--	--	--	--	--	--	--	--	--	--	--	--	--	--	--	--	--	--	--	--	--	--	--	--	--	--	--	--	--	--	--	--	--	--	--	--	--	--	--	--	--	--	--	--	--	--	--	--	--	--	--	--	--	--	--	--	--	--	--	--	--	--	--	--	--	--	--	--	--	--	--	--	--	--	--	--	--	--	--	--	--	--	--	--	--	--	--	--	--	--	--	--	--	--	--	--	--	--	--	--	--	--	--	--	--	--	--	--	--	--	--	--	--	--	--	--	--	--	--	--	--	--	--	--	--	--	--	--	--	--	--	--	--	--	--	--	--	--	--	--	--	--	--	--	--	--	--	--	--	--	--	--	--	--	--	--	--	--	--	--	--	--	--	--	--	--	--	--	--	--	--	--	--	--	--	--	--	--	--	--	--	--	--	--	--	--	--	--	--	--	--	--	--	--	--	--	--	--	--	--	--	--



**ZEF 1173** 0 300 891 173

22	26				4	Ø 8 mm
39	45					



**FORD**

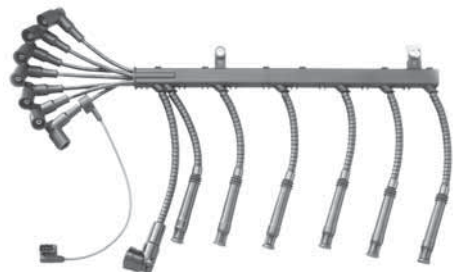
FIESTA IV 1,25i	55 kW	08.95-04.98
PUMA 1,4-1,7	66-92 kW	11.97-04.98
<b>MAZDA</b>		
121 III 1,25i	55 kW	03.96-04.98

**AUDI**

A3 1,8	92 kW	09.96-08.00
--------	-------	-------------

**ZEF 1176** 0 300 891 176

50	32				12	Ø 7 mm
50	34					
	39					
	41					
	46					
	50					
	59					
	60					
	63					
	67					
	71					
	74					



**BMW**

850 i,Ci 5,0-5,6	220-280 kW	04.90-12.99
------------------	------------	-------------

**ZEF 1177** 0 300 891 177

36	77				4	Ø 7 mm
	84					
	84					
	96					



25	22				8	Ø 7 mm
	22					
	46					
	52					
	79					
	83					
	85					
	91					



**AUDI**

80 2,0	103 kW	04.92-07.95
CABRIOLET 2,0	103 kW	06.95-07.96
COUPE 2,0	103 kW	08.92-12.96

**AUDI**

V8 3,6-4,2	180-184 kW	10.88-02.94
100 S4 V8 4,2	206-213 kW	10.92-06.94
A6 S6 4,2	213 kW	06.94-12.97

**ZEF 1175** 0 300 891 175

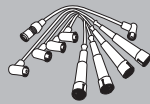
59	59				4	Ø 7 mm
67	76					



**ZEF 1178** 0 300 891 178

	76				4	Ø 8 mm
	85					
	92					
	100					





→ **ZEF 1178** 0 300 891 178

**FORD**

FIESTA IV 1,3	37-44 kW	08.95-08.98
KA 1,3	36-44 kW	09.96-09.98

**MAZDA**

121 III 1,3	37-44 kW	03.96-
-------------	----------	--------

**ZEF 1180** 0 300 891 180

--	--	--	--	--	--	--	--	--	--	--	--	--	--	--	--	--	--	--	--	--	--	--	--	--	--	--	--	--	--	--	--	--	--	--	--	--	--	--	--	--	--	--	--	--	--	--	--	--	--	--	--	--	--	--	--	--	--	--	--	--	--	--	--	--	--	--	--	--	--	--	--	--	--	--	--	--	--	--	--	--	--	--	--	--	--	--	--	--	--	--	--	--	--	--	--	--	--	--	--	--	--	--	--	--	--	--	--	--	--	--	--	--	--	--	--	--	--	--	--	--	--	--	--	--	--	--	--	--	--	--	--	--	--	--	--	--	--	--	--	--	--	--	--	--	--	--	--	--	--	--	--	--	--	--	--	--	--	--	--	--	--	--	--	--	--	--	--	--	--	--	--	--	--	--	--	--	--	--	--	--	--	--	--	--	--	--	--	--	--	--	--	--	--	--	--	--	--	--	--	--	--	--	--	--	--	--	--	--	--	--	--	--	--	--	--	--	--	--	--	--	--	--	--	--	--	--	--	--	--	--	--	--	--	--	--	--	--	--	--	--	--	--	--	--	--	--	--	--	--	--	--	--	--	--	--	--	--	--	--	--	--	--	--	--	--	--	--	--	--	--	--	--	--	--	--	--	--	--	--	--	--	--	--	--	--	--	--	--	--	--	--	--	--	--	--	--	--	--	--	--	--	--	--	--	--	--	--	--	--	--	--	--	--	--	--	--	--	--	--	--	--	--	--	--	--	--	--	--	--	--	--	--	--	--	--	--	--	--	--	--	--	--	--	--	--	--	--	--	--	--	--	--	--	--	--	--	--	--	--	--	--	--	--	--	--	--	--	--	--	--	--	--	--	--	--	--	--	--	--	--	--	--	--	--	--	--	--	--	--	--	--	--	--	--	--	--	--	--	--	--	--	--	--	--	--	--	--	--	--	--	--	--	--	--	--	--	--	--	--	--	--	--	--	--	--	--	--	--	--	--	--	--	--	--	--	--	--	--	--	--	--	--	--	--	--	--	--	--	--	--	--	--	--	--	--	--	--	--	--	--	--	--	--	--	--	--	--	--	--	--	--	--	--	--	--	--	--	--	--	--	--	--	--	--	--	--	--	--	--	--	--	--	--	--	--	--	--	--	--	--	--	--	--	--	--	--	--	--	--	--	--	--	--	--	--	--	--	--	--	--	--	--	--	--	--	--	--	--	--	--	--	--	--	--	--	--	--	--	--	--	--	--	--	--	--	--	--	--	--	--	--	--	--	--	--	--	--	--	--	--	--	--	--	--	--	--	--	--	--	--	--	--	--	--	--	--	--	--	--	--	--	--	--	--	--	--	--	--	--	--	--	--	--	--	--	--	--	--	--	--	--	--	--	--	--	--	--	--	--	--	--	--	--	--	--	--	--	--	--	--	--	--	--	--	--	--	--	--	--	--	--	--	--	--	--	--	--	--	--	--	--	--	--	--	--	--	--	--	--	--	--	--	--	--	--	--



**VW AG**

Lupo 1,0	37 kW	09.98-07.05
Polo 1,0	37 kW	10.99-09.01

**ZEF 1185** 0 300 891 185

29	29	29	39		4	Silicone <sup>276</sup> Ø 7 mm



**RENAULT**

ESPACE III 2,0	84 kW	11.96-10.00
LAGUNA 1,8-2,0	66-80 kW	08.95-03.01
LAGUNA Grandtour 1,6	66 kW	09.95-03.01
MEGANE I 2,0	80-84 kW	01.96-
MEGANE Classic 2,0	80-84 kW	09.96-
MEGANE Coach 2,0	80-84 kW	03.96-
MEGANE Scenic 2,0	80-84 kW	01.97-09.99

**ZEF 1186** 0 300 891 186

40	45	50	59		4	Silicone <sup>276</sup> Ø 7 mm



**RENAULT**

CLIO I 1,2	40-43 kW	01.91-09.98
CLIO II 1,1-1,2	43 kW	09.98-10.99
KANGOO 1,2	43 kW	03.98-09.99
TWINGO 1,2	40-43 kW	05.96-11.99

**ZEF 1187** 0 300 891 187

40	35	40	45	55	4	Silicone <sup>276</sup> Ø 7 mm



**SEAT**

CORDOBA 1,4	74 kW	09.96-06.99
IBIZA II 1,4	74 kW	09.96-08.99

**VW AG**

POLO 1,4	74 kW	04.96-09.01
----------	-------	-------------

**ZEF 1188** 0 300 891 188

	85	105	110	115	4	Silicone <sup>276</sup> Ø 7 mm



**BMW**

318 is (E30)	100 kW	09.89-08.91
--------------	--------	-------------

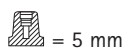
**ZEF 1189** 0 300 891 189

38	40	50	60	80	4	Silicone <sup>276</sup> Ø 7 mm



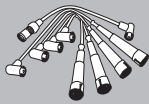
**SEAT**

AROSA 1,0	37 kW	05.97-06.04
-----------	-------	-------------









**ZEF 1194** 0 300 891 194

							CU
37	60				4	Silicone <sup>276</sup>	∅ 7 mm



**AUDI**

80 2,0	85 kW	06.94-12.94
100 2,0	85 kW	12.90-06.94
A6 2,0	74-85 kW	06.94-12.97
CABRIOLET 2,0	85 kW	01.93-07.98

**ZEF 1195** 0 300 891 195

							CU
40	45				5	Silicone <sup>276</sup>	∅ 7 mm



**AUDI**

90 2,0-2,3	118-125 kW	08.88-09.91
COUPE 2,3	123-125 kW	11.88-07.91

**ZEF 1196** 0 300 891 196

							CU
	57				5	Silicone <sup>276</sup>	∅ 7 mm



**ZEF 1196** 0 300 891 196

**VW AG**

GOLF IV 2,3	110 kW	08.97-09.98
PASSAT 2,3	110 kW	10.96-11.00

**ZEF 1197** 0 300 891 197

							CU
	52				6	Silicone <sup>276</sup>	∅ 7 mm



**VW AG**

TRANSPORTER T4 2,8 VR6	103 kW	11.95-04.00
------------------------	--------	-------------

**ZEF 1198** 0 300 891 198

							CU
76	60				4	Silicone <sup>276</sup>	∅ 7 mm



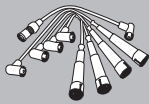
**AUDI**

80 1,6	74 kW	06.93-01.96
100 2,0	74 kW	12.90-06.94

**VW AG**

TRANSPORTER T4 2,0	62 kW	01.91-12.93
--------------------	-------	-------------





**ZEF 1206** 0 300 891 206

							
90	38				4	Hypalone <sup>277</sup>	Ø 7 mm



**FIAT**  
DUCATO 2,0 62 kW 08.88-03.94

**ZEF 1209** 0 300 891 209

							
30	40				4	Silicone <sup>276</sup>	Ø 7 mm



**FIAT**  
COUPE 2,0 16V 102 kW 11.93-08.96  
TIPO 2,0 16V 102 kW 03.93-04.95  
**LANCIA**  
DEDRA 2,0 16V 102 kW 07.94-07.99  
DELTA II 2,0 16V 102 kW 06.93-08.99

**ZEF 1210** 0 300 891 210

							
	27				4	Silicone <sup>276</sup>	Ø 7 mm



**ZEF 1210** 0 300 891 210

**FORD**  
MAVERICK 2,4 85-87 kW 09.96-04.98  
**NISSAN**  
PICK UP 2,4 88-93 kW 02.98-

**ZEF 1211** 0 300 891 211

							
	75				4	Silicone <sup>276</sup>	Ø 8 mm



**FORD**  
SIERRA 1,8 59 kW 10.87-05.88

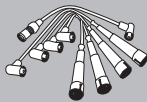
**ZEF 1212** 0 300 891 212

							
	34				4	Hypalone <sup>277</sup>	Ø 8 mm



**FORD**  
SIERRA 2,0 88 kW 01.90-02.93





**ZEF 1223** 0 300 891 223

30	70						CU Silicone <sup>276</sup> Ø 7 mm



<b>AUDI</b>			
A4 1,6	74 kW	01.95-07.00	
<b>VW AG</b>			
PASSAT 1,6	74 kW	10.96-11.00	

**ZEF 1224** 0 300 891 224

	29						CU Silicone <sup>276</sup> Ø 7 mm



<b>AUDI</b>			
A3 1,6	75 kW	08.00-	
A4 1,6	74-75 kW	01.95-12.04	
<b>SEAT</b>			
ALHAMBRA 2,0	85 kW	04.96-	
<b>SKODA</b>			
OCTAVIA 1,6	75 kW	11.00-	
<b>VW AG</b>			
BORA 1,6	75 kW	08.00-05.05	
GOLF IV 1,6	75 kW	08.00-06.05	
GOLF V 1,6	75 kW	01.04-	
GOLF V PLUS 1,6	75 kW	05.05-	
JETTA III 1,6	75 kW	10.05-	
NEW BEETLE 1,6	75 kW	09.00-	
PASSAT 1,6-2,0	74-85 kW	10.96-05.05	
SHARAN 2,0	85 kW	09.95-	
TOURAN 1,6	75 kW	07.03-	

**ZEF 1226** 0 300 891 226

	55						R Hypalone <sup>277</sup> Ø 7 mm



<b>FORD</b>			
GALAXY 2,0-2,3	85-107 kW	11.95-12.04	

**ZEF 1227** 0 300 891 227

	18						R Hypalone <sup>277</sup> Ø 7 mm



<b>CHRYSLER</b>			
NEON 1,8-2,0	85-98 kW	05.94-08.99	

**ZEF 1228** 0 300 891 228

	32						R Hypalone <sup>277</sup> Ø 5 mm



<b>MAZDA</b>			
323 F VI 1,5 16v	65 kW	09.98-01.01	
323 P VI 1,5 16V	65 kW	09.98-	
323 S VI 1,5 16V	65 kW	09.98-01.01	





**ZEF 1235** 0 300 891 235

35					6	Hypalone <sup>277</sup> Ø 7 mm
40						
55						
55						
65						
80						



**OPEL**

VECTRA B 2,5i V6 125 kW 10.95-09.00

**SAAB**

900 II 2,5-24 V6 125 kW 07.94-02.98  
9000 3,0-24 V6 155 kW 07.94-12.98

**ZEF 1236** 0 300 891 236

85	50				6	Silicone <sup>276</sup> Ø 7 mm
	55					
	60					
	75					
	85					
	90					



**BMW**

520 i (E34) 95 kW 01.88-08.91  
525 i (E34) 125 kW 09.88-08.91

**ZEF 1238** 0 300 891 238

32	35				4	Hypalone <sup>277</sup> Ø 7 mm
	43					
	83					
	93					



**SUBARU**

LOYALE (USA) 1,8 88-100 kW 05.90-08.94

**ZEF 1239** 0 300 891 239

30	35				4	Hypalone <sup>277</sup> Ø 7 mm
	37					
	110					
	122					



**SUBARU**

1800 XT COUPE 1,8 Turbo 88-100 kW 11.84-12.90

**ZEF 1245** 0 300 891 245

	65				4	Hypalone <sup>277</sup> Ø 7 mm
	65					
	75					
	75					



**SUBARU**

IMPREZA 2,0 155 kW 09.96-07.98

**ZEF 1246** 0 300 891 246

	60				4	Hypalone <sup>277</sup> Ø 7 mm
	60					
	65					
	65					



**SUBARU**

LEGACY II 2,5i 110 kW 06.96-11.98



= SAE



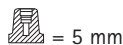
= M4



= SAE



= Sägezahn<sup>270</sup>



= 5 mm



= DIN

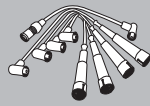












**BERU**

**ZEF 1309** 0 300 891 309



**ISUZU**

RODEO 2,2 - 01.99-

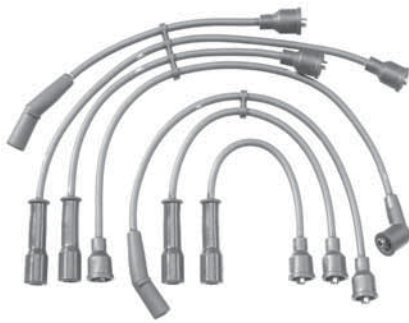
**ZEF 1316** 0 300 891 316



**TOYOTA**

4 RUNNER 3,4i 136 kW 11.95-

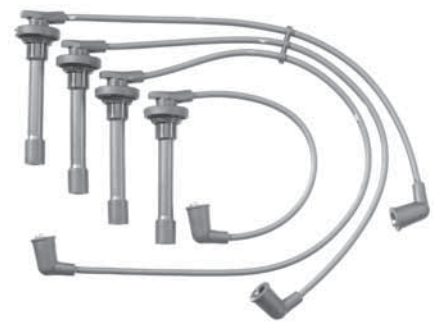
**ZEF 1313** 0 300 891 313



**TOYOTA**

LAND CRUISER 4,0 115 kW 08.87-12.89

**ZEF 1322** 0 300 891 322



**HONDA**

INTEGRA 1,8 140 kW 11.97-10.01

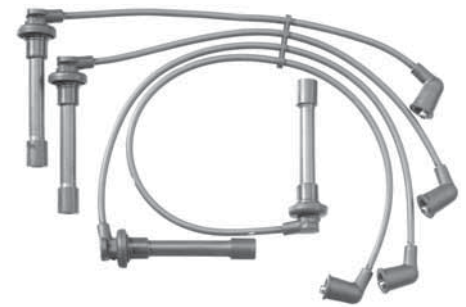
**ZEF 1314** 0 300 891 314



**TOYOTA**

LAND CRUISER 2,4 77-81 kW 08.88-08.90

**ZEF 1324** 0 300 891 324



**HONDA**

ACCORD VI 2,2i 110 kW 02.96-10.98

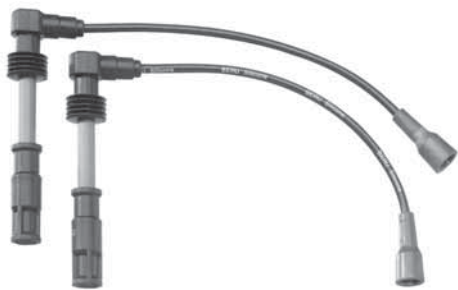






**ZEF 1367** 0 300 891 367

30	30				4		CU



**AUDI**

A4 1,8	92 kW	01.95-09.01
A6 1,8	92 kW	12.95-02.97
<b>VW AG</b>		
PASSAT 1,8	92 kW	10.96-11.00

**ZEF 1368** 0 300 891 368

													R
40	53	55	70				4					Hypalone <sup>277</sup>	R



**MAZDA**

E 2000,2200 2,0	60-70 kW	03.91-
-----------------	----------	--------

**ZEF 1370** 0 300 891 370

																R
57	36	39	50	55				4							Hypalone <sup>277</sup>	R



**ZEF 1370** 0 300 891 370

**TOYOTA**

AVENSIS 1,6	74-81 kW	09.97-10.00
CARINA E 1,6	73-79 kW	01.95-09.97
CARINA E Sportswagon 1,8i	79 kW	02.95-09.97

**ZEF 1371** 0 300 891 371

																R
22	30	40	45	55											Hypalone <sup>277</sup>	R



**MITSUBISHI**

SPACE WAGON 2,0	62-75 kW	03.85-04.91
SPACE GEAR 2,0	83-85 kW	05.95-05.00
SPACE GEAR 2,4	97 kW	05.95-05.00

**ZEF 1372** 0 300 891 372

																R
32	55	64	67	74											Hypalone <sup>277</sup>	R



**MITSUBISHI**

COLT II 1,2-1,5	44-55 kW	09.84-04.88
COLT III 1,3-1,5	44-66 kW	04.88-12.89
LANCER F II 1,2 GLX	40 kW	03.83-01.84
LANCER I 1,2	40 kW	01.80-12.81
LANCER III 1,2-1,5	44-66 kW	08.86-12.91
LANCER IV 1,5	62-66 kW	04.88-05.90











**ROVER**

25 1,4 16V	62-76 kW	10.99-
25 1,6 16V	80 kW	10.99-
45 1,4-1,6	76-80 kW	02.00-
414 Si 1,4	76 kW	05.95-03.00
416 Si 1,6	82 kW	05.95-03.00
416 Si 1,6	83 kW	05.95-03.00
COUPE 1,6 16V	82 kW	03.96-11.99

**ZEF 1399** 0 300 891 399

81	26 36 45 56				4	Silicone <sup>276</sup> Ø 7 mm

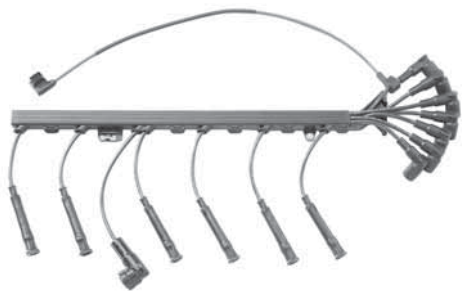


**BMW**

M3 2.3 (E30)	143-158 kW	07.86-06.91
M3 EVO I 2.3 (E30)	162 kW	10.88-10.90
M3 EVO II 2.5 (E30)	175 kW	01.90-01.92

**ZEF 1402** 0 300 891 402

79	46 55 63 75 84 93				6	Silicone <sup>276</sup> Ø 7 mm



**BMW**

535 i, M 535 i (E28)	136-160 kW	01.85-12.87
525 i (E34)	125 kW	01.88-08.88
730 i,iL (E32)	138-145 kW	02.88-09.94
735 i,iL (E32)	155 kW	02.88-09.92

**ZEF 1409** 0 300 891 409

52	35 50 50 50 67 67				6	Hypalone <sup>277</sup> Ø 7 mm



**CHRYSLER**

NEW YORKER 3,5i 24V	155 kW	04.93-09.98
VOYAGER I 3,3i	110-120 kW	08.90-09.95
VOYAGER II 3,3i	116 kW	01.95-03.01
VOYAGER II 3,8i	122-131 kW	01.95-03.01

**ZEF 1412** 0 300 891 412

	48 48				4	Silicone <sup>276</sup> Ø 7 mm



**MERCEDES**

E 200 Kompressor, T (W210)	137 kW	06.97-03.02
E 230, T (W210)	110 kW	06.96-06.97
ML 230 (W163)	110 kW	02.98-06.05
SLK 200 Kompressor (R170)	120 kW	03.00-
SPRINTER 214 NGT 2,3	92 kW	04.00-
SPRINTER 314 NGT 2,3	92 kW	04.00-05.06









**ZEF 1503** 0 300 891 503

37	42				4	← Silicone <sup>276</sup> ← Ø 7 mm
50	64					



**ROVER**

820 I/SI 2,0 100 kW 01.92-02.99

**ZEF 1504** 0 300 891 504

53	37				4	← Silicone <sup>276</sup> ← Ø 7 mm
	50					
	52					
	64					



**ROVER**

820 2,0 74-100 kW 10.86-02.99

**ZEF 1505** 0 300 891 505

	60				4	← Silicone <sup>276</sup> ← Ø 7 mm
	72					
	83					
	90					



**ROVER**

420 Si Lux 2,0 100 kW 12.95-03.00

**ZEF 1509** 0 300 891 509

	18				4	← Hypalone <sup>277</sup> ← Ø 7 mm
	25					
	35					
	48					



**DAEWOO**

LEGANZA 2,0 16V 98 kW 06.97-12.02

NUBIRA 2,0 16V 98 kW 05.97-

REZZO 2,0 16V 94 kW 09.00-

**ZEF 1515** 0 300 891 515

	48				4	← Silicone <sup>276</sup> ← Ø 7 mm
	48					



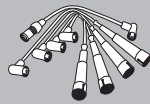
**MERCEDES**

C 180, T (W202)	89-90 kW	09.95-05.00
C 200 Kompressor, T (W202)	132-141 kW	10.95-03.01
C 200, T (W202)	100 kW	09.95-05.00
C 220, T (W202)	110 kW	09.95-05.00
C 230 Kompressor, T (W202)	142 kW	10.95-05.00
200, Kompressor (C208)	100-141 kW	06.97-06.00
230 Kompressor (C208)	142 kW	06.97-06.00
E 200, Cabriolet, Coupé, T(W124)	100 kW	09.95-03.98
E 220, Cabriolet, Coupé, T(W124)	110 kW	09.95-03.98
E 200, T (W210)	100 kW	06.95-08.00
SLK 200 (R170)	100 kW	09.96-03.00
SLK 200 Kompressor (R170)	141 kW	10.96-03.00
SLK 230 Kompressor (R170)	142 kW	09.96-03.00
Sprinter 214, 314, 414	105 kW	02.95-
VITO 113, 114 2,0-2,3	95-105 kW	02.96-
V 200	95 kW	02.97-07.03
V 230	105 kW	10.96-07.03









**ZEF 1557** 0 300 891 557

							
60	60					4	Silicone <sup>276</sup> Ø 7 mm



**VW AG**

GOLF III 1,8	55 kW	11.91-05.98
GOLF IV 1,8	55 kW	06.98-06.02
PASSAT 1,8	55 kW	08.90-08.96
VENTO 1,8	55 kW	11.91-09.98

**ZEF 1561** 0 300 891 561



							
	24					4	Hypalone <sup>277</sup> Ø 7 mm
	27						
	39						
	39						



**SUBARU**

FORESTER 2,0	92 kW	09.02-
IMPREZA 2,0	92 kW	12.00-
LEGACY III 2,0-2,5	92-115 kW	12.98-
OUTBACK 2,5	115 kW	10.00-

**ZEF 1572** 0 300 891 572

							
	43					3	Silicone <sup>276</sup> Ø 7 mm
	49						
	66						
	74						



**VW AG**

FOX 1,4	55 kW	04.05-
---------	-------	--------

**ZEF 1596** 0 300 891 596

							
	33					4	Silicone <sup>276</sup> Ø 7 mm
	36						
	50						
	52						



**FORD**

GALAXY 2,3	103 kW	04.00-02.06
------------	--------	-------------

**ZEF 1597** 0 300 891 597

							
	22					4	Silicone <sup>276</sup> Ø 7 mm
	34						
	38						
	48						

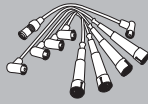


**FORD**

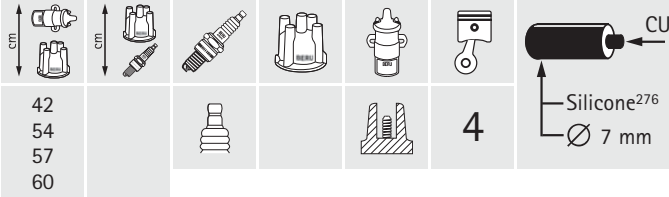
GALAXY 2,0i	85 kW	11.95-12.04
-------------	-------	-------------







**ZEF 1629** 0 300 891 629



**AUDI**

A1 1,2	63	05.10-
A3, A3 Sportback 1,2	77	04.10-

**SEAT**

ALTEA, ALTEA XL 1,2	77	04.10-
IBIZA V, IBIZA V SPORTCOUPE, LEON 1,2	77	09.10-

**SKODA**

FABIA Kombi, ROOMSTER 1,2	63-77	03.10-
OCTAVIA Kombi 1,2	77	02.10-
YETI 1,2	77	09.09-

**VW AG**

CADDY III 1,2	63-77	09.10-
GOLF VI, Variant 1,2	77	08.09-
GOLF PLUS 1,2	63-77	11.09-
JETTA IV 1,2	77	02.11-
POLO, Variant 1,2	77	11.09-
TOURAN 1,2	77	05.10-

★ **ZEF 1634** 0 300 891 634



**FORD**

FIESTA V 1,3	44-51 kW	11.01-
--------------	----------	--------

**ZEF 1633** 0 300 891 633



**FORD**

KA 1,3	51 kW	08.02-
--------	-------	--------

**ALFA ROMEO**

ZEF 801, ZEF 802, ZEF 803, ZEF 804, ZEF 969, ZEF 970, ZEF 971, ZEF 972, ZEF 973, ZEF 984, ZEF 985, ZEF 1006, ZEF 1007, ZEF 1032, ZEF 1033, ZEF 1036, ZEF 1037, ZEF 1040, ZEF 1125, ZEF 1254, ZEF 1348, ZEF 1365

**ARO**

ZEF 758

**ASIAM**

ZEF 824

**AUDI**

ZE 765, ZEF 404, ZEF 432, ZEF 464, ZEF 561, ZEF 612, ZEF 772, ZEF 989, ZEF 990, ZEF 991, ZEF 1117, ZEF 1127, ZEF 1171, ZEF 1172, ZEF 1174, ZEF 1175, ZEF 1177, ZEF 1194, ZEF 1195, ZEF 1198, ZEF 1219, ZEF 1223, ZEF 1224, ZEF 1367, ZEF 1496, ZEF 1629

**AUSTIN**

ZEF 758, ZEF 770

**AUTOBIANCHI**

ZEF 766

**BMW**

ZE 575, ZE 719, ZE 721, ZE 738, ZE 755, ZE 757, ZE 1200, ZEF 405, ZEF 425, ZEF 467, ZEF 493, ZEF 607, ZEF 608, ZEF 609, ZEF 610, ZEF 611, ZEF 773, ZEF 1176, ZEF 1182, ZEF 1183, ZEF 1188, ZEF 1236, ZEF 1338, ZEF 1399, ZEF 1402

**CHEVROLET**

ZEF 1608, ZEF 1609

**CHRYSLER**

ZEF 1227, ZEF 1327, ZEF 1340, ZEF 1409, ZEF 1442, ZEF 1545

**CITROËN**

ZEF 739, ZEF 740, ZEF 741, ZEF 742, ZEF 743, ZEF 744, ZEF 745, ZEF 751, ZEF 755, ZEF 756, ZEF 763, ZEF 788, ZEF 790, ZEF 792, ZEF 793, ZEF 795, ZEF 813, ZEF 1044, ZEF 1164, ZEF 1256

**DACIA**

ZEF 765, ZEF 1546, ZEF 1627

**DAEWOO**

ZEF 672, ZEF 834, ZEF 835, ZEF 1105, ZEF 1129, ZEF 1137, ZEF 1142, ZEF 1509

**DAF**

ZEF 771

**DAIHATSU**

ZEF 768, ZEF 769, ZEF 796, ZEF 825, ZEF 826, ZEF 827, ZEF 828, ZEF 829, ZEF 830, ZEF 831, ZEF 832, ZEF 932

**FIAT**

ZEF 722, ZEF 762, ZEF 766, ZEF 767, ZEF 769, ZEF 771, ZEF 775, ZEF 776, ZEF 777, ZEF 779, ZEF 785, ZEF 787, ZEF 793, ZEF 967, ZEF 968, ZEF 978, ZEF 979, ZEF 980, ZEF 981, ZEF 983, ZEF 1009, ZEF 1011, ZEF 1012, ZEF 1014, ZEF 1015, ZEF 1016, ZEF 1017, ZEF 1019, ZEF 1020, ZEF 1023, ZEF 1026, ZEF 1028, ZEF 1044, ZEF 1045, ZEF 1046, ZEF 1047, ZEF 1048, ZEF 1049, ZEF 1050, ZEF 1052, ZEF 1053, ZEF 1054, ZEF 1055, ZEF 1056, ZEF 1057, ZEF 1058, ZEF 1059, ZEF 1060, ZEF 1061, ZEF 1062, ZEF 1064, ZEF 1065, ZEF 1066, ZEF 1067, ZEF 1068, ZEF 1069, ZEF 1071, ZEF 1072, ZEF 1181, ZEF 1201, ZEF 1206, ZEF 1209, ZEF 1477, ZEF 1598

**FORD**

ZEF 719, ZEF 781, ZEF 783, ZEF 784, ZEF 809, ZEF 810, ZEF 811, ZEF 899, ZEF 1114, ZEF 1115, ZEF 1131, ZEF 1173, ZEF 1178, ZEF 1210, ZEF 1211, ZEF 1212, ZEF 1214, ZEF 1226, ZEF 1253, ZEF 1260, ZEF 1264, ZEF 1475, ZEF 1539, ZEF 1549, ZEF 1596, ZEF 1597, ZEF 1628, ZEF 1633, ZEF 1634

**FORD (USA)**

ZEF 811, ZEF 1215, ZEF 1375

**FSO**

ZEF 769

**GEO**

ZEF 1269, ZEF 1270, ZEF 1271

**HONDA**

ZEF 772, ZEF 773, ZEF 775, ZEF 779, ZEF 836, ZEF 837, ZEF 838, ZEF 839, ZEF 840, ZEF 841, ZEF 842, ZEF 843, ZEF 844, ZEF 845, ZEF 846, ZEF 847, ZEF 1003, ZEF 1004, ZEF 1005, ZEF 1081, ZEF 1097, ZEF 1098, ZEF 1099, ZEF 1100, ZEF 1297, ZEF 1322, ZEF 1324, ZEF 1325

**HYUNDAI**

ZEF 769, ZEF 848, ZEF 849, ZEF 850, ZEF 851, ZEF 852, ZEF 853, ZEF 1101, ZEF 1130, ZEF 1135, ZEF 1136, ZEF 1144, ZEF 1272, ZEF 1519, ZEF 1520, ZEF 1530

**INNOCENTI**

ZEF 796

**ISUZU**

ZEF 772, ZEF 854, ZEF 855, ZEF 1299, ZEF 1301, ZEF 1302, ZEF 1309

**KIA**

ZEF 776, ZEF 856, ZEF 858, ZEF 1076, ZEF 1095, ZEF 1140, ZEF 1143

**LANCIA**

ZEF 720, ZEF 766, ZEF 771, ZEF 777, ZEF 786, ZEF 787, ZEF 796, ZEF 967, ZEF 968, ZEF 982, ZEF 983, ZEF 1012, ZEF 1020, ZEF 1021, ZEF 1022, ZEF 1023, ZEF 1024, ZEF 1025, ZEF 1027, ZEF 1029, ZEF 1030, ZEF 1041, ZEF 1042, ZEF 1043, ZEF 1044, ZEF 1073, ZEF 1074, ZEF 1077, ZEF 1078, ZEF 1079, ZEF 1170, ZEF 1181, ZEF 1201, ZEF 1209, ZEF 1477, ZEF 1598

**LEXUS**

ZEF 942, ZEF 943

**MAZDA**

ZEF 765, ZEF 773, ZEF 775, ZEF 856, ZEF 859, ZEF 860, ZEF 861, ZEF 862, ZEF 863, ZEF 864, ZEF 865, ZEF 866, ZEF 867, ZEF 869, ZEF 870, ZEF 871, ZEF 872, ZEF 873, ZEF 901, ZEF 1001, ZEF 1002, ZEF 1103, ZEF 1115, ZEF 1166, ZEF 1173, ZEF 1178, ZEF 1228, ZEF 1252, ZEF 1360, ZEF 1368, ZEF 1373, ZEF 1375, ZEF 1475, ZEF 1540, ZEF 1549

**MERCEDES**

ZEF 362, ZEF 363, ZEF 364, ZEF 406, ZEF 435, ZEF 437, ZEF 454, ZEF 463, ZEF 465, ZEF 466, ZEF 470, ZEF 471, ZEF 472, ZEF 473, ZEF 487, ZEF 501, ZEF 558, ZEF 566, ZEF 585, ZEF 597, ZEF 598, ZEF 634, ZEF 635, ZEF 641, ZEF 642, ZEF 987, ZEF 988, ZEF 1380, ZEF 1412, ZEF 1442, ZEF 1449, ZEF 1488, ZEF 1515, ZEF 1556, ZEF 1617

**MG**

ZEF 1397

**MINI**

ZEF 1480

**MITSUBISHI**

ZEF 769, ZEF 771, ZEF 780, ZEF 853, ZEF 868, ZEF 874, ZEF 875, ZEF 876, ZEF 877, ZEF 878, ZEF 879, ZEF 880, ZEF 881, ZEF 882, ZEF 883, ZEF 884, ZEF 885, ZEF 886, ZEF 887, ZEF 888, ZEF 1082, ZEF 1087, ZEF 1104, ZEF 1107, ZEF 1328, ZEF 1371, ZEF 1372, ZEF 1376, ZEF 1387

**NISSAN**

ZEF 773, ZEF 775, ZEF 824, ZEF 889, ZEF 890, ZEF 891, ZEF 892, ZEF 893, ZEF 894, ZEF 895, ZEF 896, ZEF 898, ZEF 899, ZEF 900, ZEF 1210, ZEF 1377, ZEF 1378

**OPEL**

ZEF 568, ZEF 569, ZEF 570, ZEF 571, ZEF 572, ZEF 573, ZEF 574, ZEF 575, ZEF 576, ZEF 577, ZEF 578, ZEF 579, ZEF 580, ZEF 581, ZEF 582, ZEF 583, ZEF 584, ZEF 627, ZEF 665, ZEF 672, ZEF 724, ZEF 725, ZEF 726, ZEF 727, ZEF 769, ZEF 855, ZEF 992, ZEF 993, ZEF 994, ZEF 995, ZEF 996, ZEF 997, ZEF 998, ZEF 1090, ZEF 1091, ZEF 1092, ZEF 1093, ZEF 1093, ZEF 1118, ZEF 1119, ZEF 1120, ZEF 1121, ZEF 1122, ZEF 1123, ZEF 1124, ZEF 1133, ZEF 1134, ZEF 1152, ZEF 1153, ZEF 1154, ZEF 1155, ZEF 1156, ZEF 1157, ZEF 1158, ZEF 1159, ZEF 1160, ZEF 1161, ZEF 1162, ZEF 1235, ZEF 1382, ZEF 1384

**PEUGEOT**

ZEF 746, ZEF 751, ZEF 752, ZEF 755, ZEF 756, ZEF 761, ZEF 762, ZEF 763, ZEF 788, ZEF 789, ZEF 790, ZEF 791, ZEF 792, ZEF 793, ZEF 795, ZEF 813, ZEF 1044, ZEF 1067, ZEF 1164, ZEF 1256, ZEF 1392

**PORSCHE**

ZE 566, ZE 586, ZE 590, ZE 715, ZE 732, ZE 744, ZE 745, ZE 746, ZE 751, ZE 905, ZE 906, ZE 907, ZEF 295, ZEF 303, ZEF 309, ZEF 408, ZEF 586, ZEF 601, ZEF 1363

**PROTON**

ZEF 773



**PUCH**

ZEF 1488

**RENAULT**

ZEF 728, ZEF 729, ZEF 730, ZEF 731, ZEF 732, ZEF 733, ZEF 734, ZEF 735, ZEF 736, ZEF 737, ZEF 738, ZEF 757, ZEF 758, ZEF 759, ZEF 760, ZEF 761, ZEF 763, ZEF 796, ZEF 797, ZEF 798, ZEF 799, ZEF 800, ZEF 814, ZEF 1094, ZEF 1113, ZEF 1128, ZEF 1163, ZEF 1165, ZEF 1185, ZEF 1186, ZEF 1231, ZEF 1232, ZEF 1251, ZEF 1388, ZEF 1391, ZEF 1395, ZEF 1455, ZEF 1602, ZEF 1604, ZEF 1612

**ROVER**

ZEF 811, ZEF 836, ZEF 840, ZEF 1203, ZEF 1204, ZEF 1390, ZEF 1397, ZEF 1503, ZEF 1504, ZEF 1505

**SAAB**

ZEF 780, ZEF 1168, ZEF 1169, ZEF 1200, ZEF 1235

**SEAT**

ZEF 432, ZEF 561, ZEF 562, ZEF 716, ZEF 717, ZEF 766, ZEF 767, ZEF 768, ZEF 769, ZEF 771, ZEF 989, ZEF 990, ZEF 991, ZEF 1044, ZEF 1117, ZEF 1148, ZEF 1149, ZEF 1150, ZEF 1180, ZEF 1184, ZEF 1187, ZEF 1189, ZEF 1222, ZEF 1230, ZEF 1255, ZEF 1629

**SKODA**

ZEF 562, ZEF 716, ZEF 765, ZEF 812, ZEF 989, ZEF 990, ZEF 991, ZEF 1117, ZEF 1219, ZEF 1224, ZEF 1496, ZEF 1629

**SMART**

ZEF 1479

**SUBARU**

ZEF 765, ZEF 901, ZEF 903, ZEF 904, ZEF 905, ZEF 906, ZEF 907, ZEF 908, ZEF 1108, ZEF 1109, ZEF 1147, ZEF 1239, ZEF 1245, ZEF 1246, ZEF 1385, ZEF 1497, ZEF 1528, ZEF 1561

**SUZUKI**

ZEF 769, ZEF 778, ZEF 909, ZEF 910, ZEF 912, ZEF 913, ZEF 914, ZEF 915, ZEF 916, ZEF 1083, ZEF 1147, ZEF 1529

**TALBOT**

ZEF 762

**TOYOTA**

ZEF 734, ZEF 778, ZEF 796, ZEF 865, ZEF 911, ZEF 917, ZEF 918, ZEF 919, ZEF 920, ZEF 921, ZEF 922, ZEF 923, ZEF 924, ZEF 925, ZEF 926, ZEF 927, ZEF 928, ZEF 929, ZEF 930, ZEF 931, ZEF 932, ZEF 933, ZEF 934, ZEF 936, ZEF 937, ZEF 938, ZEF 939, ZEF 940, ZEF 941, ZEF 944, ZEF 945, ZEF 946, ZEF 947, ZEF 948, ZEF 949, ZEF 950, ZEF 951, ZEF 952, ZEF 953, ZEF 954, ZEF 957, ZEF 958, ZEF 959, ZEF 960, ZEF 963, ZEF 964, ZEF 965, ZEF 966, ZEF 1000, ZEF 1084, ZEF 1085, ZEF 1110, ZEF 1111, ZEF 1300, ZEF 1304, ZEF 1305, ZEF 1308, ZEF 1313, ZEF 1314, ZEF 1316, ZEF 1353, ZEF 1370

**VAUXHALL**

ZEF 571, ZEF 576, ZEF 578, ZEF 582, ZEF 584, ZEF 665, ZEF 672, ZEF 725, ZEF 726, ZEF 855, ZEF 992, ZEF 1118, ZEF 1120, ZEF 1121, ZEF 1124, ZEF 1152, ZEF 1160, ZEF 1162

**VOLVO**

ZEF 518, ZEF 732, ZEF 771, ZEF 796, ZEF 797, ZEF 968, ZEF 1190, ZEF 1191, ZEF 1192, ZEF 1193, ZEF 1231, ZEF 1232, ZEF 1261, ZEF 1262, ZEF 1625

**VW AG**

ZE 765, ZEF 298, ZEF 304, ZEF 404, ZEF 432, ZEF 520, ZEF 561, ZEF 562, ZEF 567, ZEF 612, ZEF 707, ZEF 716, ZEF 717, ZEF 989, ZEF 990, ZEF 991, ZEF 1117, ZEF 1148, ZEF 1149, ZEF 1150, ZEF 1180, ZEF 1184, ZEF 1187, ZEF 1189, ZEF 1196, ZEF 1197, ZEF 1198, ZEF 1219, ZEF 1222, ZEF 1223, ZEF 1224, ZEF 1229, ZEF 1230, ZEF 1233, ZEF 1255, ZEF 1260, ZEF 1367, ZEF 1478, ZEF 1496, ZEF 1557, ZEF 1572, ZEF 1629

**WARTBURG**

ZEF 561

C ignition lead sets, packed in full blister for self service

Klasse/Class

F (DIN ISO 3808)

C sets are PowerCable and CopperCable individual ignition leads, packaged for self-service in plastic blister packaging. Applications in vehicles with large numbers of registrations in Europe guarantee high turn over rates. The short numbering system makes it easier for the car driver to make the right choice.





## C 1 0 900 301 041



### CITROËN

BX 1,4	45-52 kW	10.82-12.84
C15 1,1	35 kW	10.84-07.88
LNA 1,1	37 kW	07.82-04.85
<b>PEUGEOT</b>		
104 0,9-1,4	33-53 kW	09.78-06.88
205 I 1,0-1,4	33-59 kW	02.83-10.87
205 II 1,1-1,4	36-44 kW	10.87-09.93
<b>RENAULT</b>		
R 14 1,2-1,4	42-52 kW	05.76-12.83

## C 2 0 900 301 042



### CITROËN

AX 1,0-1,4	32-70 kW	09.86-04.94
BX 1,4	45-59 kW	01.85-02.93
C15 1,1-1,4	44-49 kW	07.88-12.96
ZX 1,1-1,4	44-55 kW	03.91-06.97
<b>PEUGEOT</b>		
106 I 1,0-1,4	33-55 kW	09.91-04.96
205 I 1,1-1,4	44-55 kW	01.89-12.94
205 II 1,0-1,4	33-62 kW	06.87-09.98
309 I 1,4	49-55 kW	03.89-07.89
309 II 1,1-1,4	44-55 kW	07.89-12.93

## C 3 0 900 301 043



### DAIHATSU

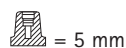
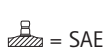
CHARMANT 1,3	48 kW	11.81-07.87
<b>INNOCENTI</b>		
MINI 1,0-1,3	35-47 kW	05.74-02.82
<b>LANCIA</b>		
Y10 1,0 Fire, Turbo	32-62 kW	06.85-02.89
<b>OPEL</b>		
MANTA B 1,8	66 kW	07.82-08.87
REKORD E 1,8	55-74 kW	11.82-08.86
<b>RENAULT</b>		
ESTAFETTE 1,3	29 kW	08.69-12.81
R 5 SUPER 5 1,0-1,1	30-34 kW	10.84-03.95
R 9 1,1-1,4	35-85 kW	09.81-12.89
R 11 1,4	44-53 kW	03.83-12.88
R 18 1,6	54-58 kW	04.78-07.86
RAPID 1,1	33 kW	07.85-04.95
<b>TOYOTA</b>		
CELICA 2,0 GT	90 kW	02.78-08.83
CORONA 2,0	65 kW	12.75-05.79
<b>VOLVO</b>		
66 1,1-1,3	33-42 kW	01.76-08.78

## C 4 0 900 301 044



### FORD

ESCORT '86 Express 1,4	54 kW	02.86-07.90
ESCORT III 1,6	77 kW	10.82-12.85
ESCORT IV 1,4-1,6	51-77 kW	10.85-10.90
ESCORT V 1,4	52 kW	07.90-02.91
FIESTA I 1,6 XR2	62 kW	08.81-08.83
FIESTA II 1,4-1,6 XR2	52-71 kW	03.84-02.89
FIESTA III 1,4	52 kW	03.89-12.95







## C 8 0 900 301 048



### RENAULT

R 5 SUPER 5 1,2-1,4, Turbo	40-88 kW	10.84-08.90
TWINGO 1,2	40 kW	03.93-10.96
<b>VOLVO</b>		
340-360 1,4	46-53 kW	08.79-07.88

## C 10 0 900 301 050



### RENAULT

R 9 1,4, Turbo	44-85 kW	09.81-12.89
R 11 1,1-1,4, Turbo	35-85 kW	03.83-12.88
RAPID 1,1	33 kW	07.85-04.95
<b>TOYOTA</b>		
CRESSIDA 2,0	66 kW	07.77-07.81

## C 9 0 900 301 049



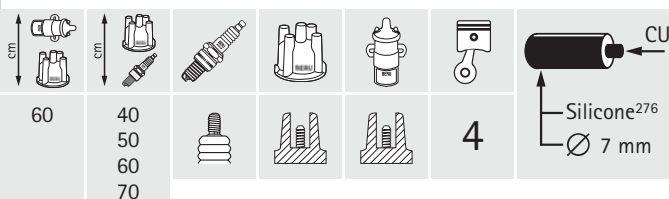
### CITROËN

BX 1,4-1,9	53-88 kW	04.83-02.93
------------	----------	-------------

### PEUGEOT

205 I 1,6	53-55 kW	01.87-10.87
205 II 1,6-1,9	53-76 kW	10.87-09.98
305 II 1,9	72-75 kW	10.82-12.88
309 I 1,6-1,9	55-72 kW	10.85-07.89
309 II 1,9	72-80 kW	08.89-12.93
405 I 1,6-1,9	53-77 kW	07.87-12.92

## C 11 0 900 301 051



### AUDI

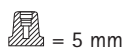
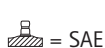
80 1,3-2,0	44-85 kW	08.84-12.94
COUPE 1,8-2,0	65-85 kW	04.86-12.96

### SEAT

CORDOBA 1,6i	55 kW	02.93-06.99
IBIZA II 1,6i	55 kW	03.93-08.99
INCA 1,6i	55 kW	11.95-05.98
TOLEDO I 1,6-1,8	52-65 kW	05.91-03.99

### VW AG

CADDY I 1,6-1,8	55-70 kW	08.84-07.92
CADDY II 75 1,6	55 kW	11.95-05.97
CORRADO 1,8-2,0	85-118 kW	09.88-12.95
GOLF I 1,6-1,8	53-82 kW	08.84-04.93
GOLF II 1,0-1,8	33-82 kW	08.84-10.91
GOLF III 1,8-2,0	66-85 kW	01.93-04.99
GOLF IV 1,8-2,0	66-85 kW	06.98-06.02
JETTA II 1,6-1,8	51-82 kW	08.84-10.91
PASSAT 1,6-1,8	53-118 kW	08.84-05.97
POLO 75 1,6	55 kW	11.95-09.97
SANTANA 1,8	66 kW	08.84-12.84
SCIROCCO 1,6-1,8	53-82 kW	08.84-07.92
VENTO 2,0	85 kW	07.94-09.98

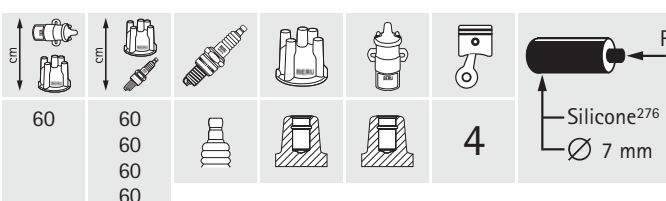


**BERU****WARTBURG**

353 1,3 43 kW 09.88-05.91

**C 12** 0 900 301 052**RENAULT**

CLIO I 1,2-1,4	40-59 kW	05.90-09.98
KANGOO 1,4	55 kW	03.98-08.98
MEGANE I 1,4	52-55 kW	01.96-03.99
MEGANE Classic 1,4	55 kW	09.96-
MEGANE Scenic 1,4	55 kW	01.97-09.99
R 19 II 1,4	55 kW	01.92-12.95
R 19 II Chamade 1,4	55 kW	11.93-12.95
RAPID 1,4	55-58 kW	09.91-03.98

**C 13** 0 900 301 053**AUTOBIANCHI**

A 112 0,9-1,0 Abarth 32-51 kW 10.69-12.85

**FIAT**

124 1,6	70 kW	01.73-07.75
124 Spider 1,6	74-80 kW	11.69-12.74
131 1,3-2,0	40-103 kW	10.74-04.85
FIORINO 1,5	55 kW	01.88-08.93
RITMO I 65 1,3	48 kW	01.78-09.82
RITMO II 70 1,3	50 kW	01.83-04.85
UNO 45 0,9	33 kW	03.83-04.85

**LANCIA**

A 112 0,9-1,0 Abarth	29-51 kW	03.78-12.86
DELTA I 1,3-1,5	55-63 kW	09.79-12.82

**OPEL**

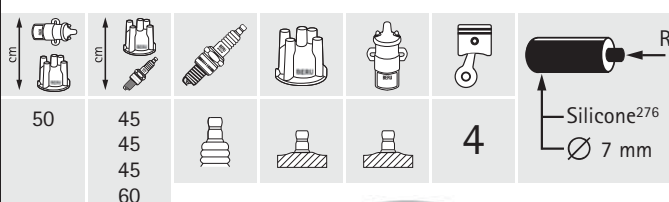
CORSA A 1,0-1,2	33 kW	09.82-03.93
KADETT D 1,2	39-44 kW	08.79-07.82
KADETT E 1,2	40 kW	09.84-07.86

**PEUGEOT**

309 I 1,1-1,3 40-47 kW 01.89-07.89

**SEAT**

FURA 0,9	29 kW	03.84-12.86
TERRA 0,9	29 kW	02.87-12.91

**C 14** 0 900 301 054**RENAULT**

R 5 SUPER 5	54-69 kW	01.88-03.95
R 19 I 1,7	55-68 kW	09.88-04.92
R 19 I Chamade 1,7	54 kW	10.89-04.92
R 21 1,7	54-65 kW	06.86-03.93

**C 15** 0 900 301 055**DACIA**

1300 1,3	40 kW	01.81-05.83
1310 1,3	40 kW	05.83-

**FIAT**

CROMA 1,6-2,0 61-114 kW 12.85-08.96

**MAZDA**

626 I 106 55 kW 05.79-05.82

**MITSUBISHI**

COLT III 1,3 12V	55 kW	07.90-05.92
COLT III 1,5 GLXi	62 kW	01.90-05.92
COLT IV 1,3 Gli 12V	55 kW	04.92-04.96
LANCER IV 1,3 12V	55 kW	01.91-11.92
LANCER V 1,3	55 kW	06.92-12.92
LANCER VI 1,3 12V	55 kW	12.95-03.98

**SKODA**

FAVORIT 1,3 42-45 kW 05.89-06.97

**SUBARU**

VIVIO 0,7 32 kW 03.92-10.95



**C 16** 0 900 301 056



**RENAULT**

ESPACE I 2,0i	87 kW	01.91-12.92
ESPACE II 2,0-2,2	76-79 kW	01.91-10.96
R 21 2,0-2,2	79-129 kW	06.86-06.94
R 25 2,0-2,2	76-99 kW	04.84-12.92
TRAFIC 2,0-2,2	59-74 kW	03.80-10.97

**C 17** 0 900 301 057



**FORD**

ESCORT '86 Express 1,3	44-46 kW	02.86-07.90
ESCORT '91 Express 1,3-1,4	46-52 kW	07.90-12.94
ESCORT '95 Express 1,4	54 kW	01.95-
ESCORT IV 1,3	44-46 kW	01.86-07.90
ESCORT V 1,3-1,4	44-52 kW	07.90-09.92
ESCORT VI 1,3-1,4	44-55 kW	09.92-02.99
ESCORT VII 1,3-1,4	44-55 kW	01.95-02.99
FIESTA Courier 1,3	44 kW	09.91-08.98
FIESTA II 1,4	55 kW	03.89-11.89
FIESTA III 1,1-1,4	37-54 kW	03.89-12.95
ORION II 1,3-1,6	44-66 kW	12.85-07.90
ORION III 1,3-1,4	44-52 kW	07.90-12.93

**C 18** 0 900 301 058



**AUDI**

60 1,5	40 kW	10.68-09.73
75 1,7	55 kW	09.68-09.73
90 1,8 Super	66 kW	10.66-11.71

**BMW**

1502 1.6	55 kW	01.75-07.77
----------	-------	-------------

**DAIHATSU**

TAFT	49 kW	09.76-02.85
------	-------	-------------

**FIAT**

900 T/E 0,9	26 kW	01.78-01.86
-------------	-------	-------------

**FSO**

125P 1,3-1,5	47 kW	10.67-12.83
POLONEZ I 1,5	55-60 kW	10.77-12.83

**HONDA**

ACCORD I 1,6	59 kW	01.78-09.83
ACCORD II 1,6	65 kW	09.83-10.85
ACCORD III 2,0	75 kW	11.85-12.89
CIVIC II 1,2 -1,3	40-52 kW	10.83-10.87
JAZZ 1,2	33-41 kW	02.84-10.86
PRELUDE I Coupe 1,6	59 kW	11.78-10.82
QUINTET 1,6	59 kW	02.80-12.84

**HYUNDAI**

STELLAR 1,4-1,6	50-56 kW	10.83-08.86
-----------------	----------	-------------

**ISUZU**

TROOPER 2,3-2,6i	66 kW	11.85-12.91
------------------	-------	-------------

**MAZDA**

121 II 1,3 16V	39-53 kW	11.90-03.96
323 II 1,1-1,5	40-65 kW	11.80-09.86

**MITSUBISHI**

CORDIA 1,6	55-85 kW	10.82-12.86
GALANT IV 1,8	63 kW	11.87-08.90
SPACE WAGON 1,8	66 kW	01.84-12.88
TREDIA 1,4-1,6	51-55 kW	10.82-10.87

**NISSAN**

BLUEBIRD (910) 1,8	65 kW	01.80-12.83
PRAIRIE (M10, NM10) 1,5-1,8	55-66 kW	07.83-12.87
STANZA (T11)	60 kW	08.81-12.85
STANZA (T11)	66 kW	03.83-12.85
STANZA Hatchback (T11) 1,6-1,8	60-66 kW	08.81-12.85
STANZA Hatchback (T11) 1,8	65-66 kW	08.81-12.85

**OPEL**

KADETT A 1,0	29-35 kW	09.62-08.65
KADETT B 1,1-1,9	33-66 kW	09.65-08.73

**PROTON**

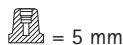
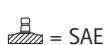
415 GLi/GLSi 1,5	66 kW	01.94-
------------------	-------	--------

**SAAB**

99 2,0, Turbo	79-107 kW	03.76-06.80
---------------	-----------	-------------

**SEAT**

133 0,8	25 kW	05.74-11.79
---------	-------	-------------



**SUZUKI**

CARRY Kasten 0,8	27 kW	11.80-10.85
SUPER CARRY 1,0	30-31 kW	10.92-03.99

**C 19** 0 900 301 059**FIAT**

TIPO 1,1	41 kW	01.88-10.91
----------	-------	-------------

**C 20** 0 900 301 060**DAF**

55 1,1	33-40 kW	10.67-09.72
66 1,1-1,3	35-42 kW	10.72-08.75

**FIAT**

242-SERIE 1,6	46 kW	10.75-07.82
PANDA 900	33 kW	01.84-06.94
RITMO 100 1,6	74 kW	10.85-12.87
UNO 55 1,1	40 kW	01.83-08.89

**LANCIA**

DELTA I 1,3-1,5	55-63 kW	01.83-08.92
PRISMA 1,5-1,6	55-80 kW	09.85-02.92

**MITSUBISHI**

LANCER IV 1,3	44-51 kW	04.88-05.92
---------------	----------	-------------

**SEAT**

MARBELLA 0,8-0,9	25-29 kW	08.86-12.93
RONDA 1,6	68 kW	08.83-09.85

**VOLVO**

66 1,1- 1,3	33-42 kW	01.72-12.75
-------------	----------	-------------

**C 21** 0 900 301 061**CITROËN**

BX 1,4-1,9	53-80 kW	04.88-12.94
------------	----------	-------------

**PEUGEOT**

205 II 1,6	53 kW	10.87-09.98
309 I 1,6-1,9	69-80 kW	04.86-07.89
309 II 1,6-1,9	68-80 kW	07.89-12.93
405 I 1,6-1,9	53-80 kW	07.87-12.92

**C 22** 0 900 301 062**CITROËN**

EVASION 2,0, Turbo	89-108 kW	06.94-07.02
XANTIA 2,0i 16V, Turbo	89-108 kW	03.93-01.98
XM 2,0i 16V, Turbo	97-108 kW	09.92-10.00
ZX 2,0 16V	89-112 kW	07.92-06.97

**FIAT**

ULYSSE 1,8-2,0, Turbo	73-108 kW	06.94-08.02
-----------------------	-----------	-------------

**LANCIA**

DELTA II 1,8	76 kW	06.93-08.99
ZETA 2,0 Turbo	108 kW	05.95-09.02

**PEUGEOT**

306 1,4-2,0	55-97 kW	05.93-
405 II 2,0	89 kW	08.92-10.95
406 2,0 16V, Turbo Coupe	97-108 kW	11.95-05.04
806 2,0 16V, Turbo Coupe	89-108 kW	06.94-08.02

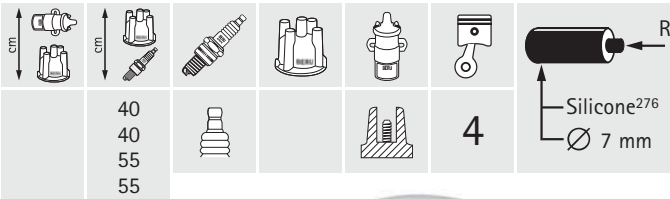
**SEAT**

MARBELLA 0,9	29-32 kW	01.92-10.98
TERRA 0,9	29 kW	01.92-12.96





## C 23 0 900 301 063



### CITROËN

AX 1,0-1,4	33-66 kW	01.92-12.98
BERLINGO 1,1-1,4	44-55 kW	07.96-
C3 1,1-1,6	44-80 kW	02.02-
SAXO 1,0-1,6	33-65 kW	05.96-
XSARA 1,4	55 kW	04.97-03.05
ZX 1,4	55 kW	07.94-06.97

### PEUGEOT

106 I 1,0-1,6	33-76 kW	09.91-04.96
106 II 1,0-1,6	37-74 kW	05.96-
206 SW 1,1	44 kW	07.02-
306 1,1-1,6	44-65 kW	04.96-10.00
309 II 1,4	55 kW	01.93-12.93
PARTNER 1,1-1,4	44-55 kW	06.96-

## C 24 0 900 301 064



### CITROËN

BERLINGO 1,8i	66 kW	05.97-
JUMPER 2,0	80 kW	03.94-04.02
JUMPY 1,6	58 kW	10.95-
XANTIA 1,6-1,8	65-81 kW	03.93-01.98
XSARA 1,8	66-81 kW	10.97-09.00
ZX 1,6-1,9	65-88 kW	03.91-10.97

### FIAT

DUCATO 2,0	80-81 kW	03.94-
------------	----------	--------

### PEUGEOT

205 I 1,6-1,9	65-75 kW	10.87-12.94
205 II 1,6-1,9	65-75 kW	10.87-09.98
306	74-81 kW	03.94-
309 II 1,6	65 kW	07.89-12.93
405 II 1,6-1,8	65-74 kW	08.92-10.95

## PEUGEOT

406 1,6-1,8	65-81 kW	11.95-05.04
BOXER 2,0	80 kW	03.94-04.02
PARTNER 1,8	66 kW	05.97-

## C 25 0 900 301 065



### RENAULT

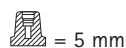
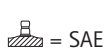
R 19 I 1,7	66 kW	09.88-04.92
R 19 I Chamade 1,7	66 kW	07.88-04.92
R 19 II Chamade 1,7	66 kW	04.92-12.95

## C 26 0 900 301 066



### RENAULT

R 21 2,0, Turbo	99-119 kW	09.90-10.92
SAFRANE I 2,2	79 kW	04.92-07.96

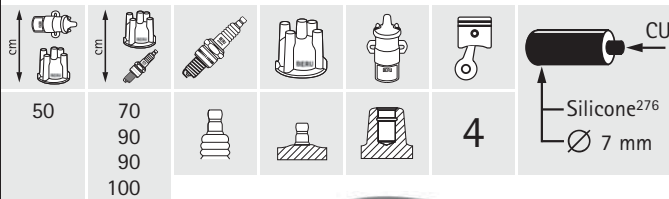


**C 27** 0 900 301 067**OPEL**

ASTRA F 1,8-2,0	66-85 kW	09.91-07.95
CALIBRA A 2,0	85 kW	06.90-07.94
KADETT E 1,8-2,0	62-85 kW	10.86-02.93
VECTRA A 1,8-2,0	66-95 kW	09.88-11.95
<b>VAUXHALL</b>		
ASTRA Mk II Convertible 2,0	85 kW	01.87-12.91

**C 28** 0 900 301 068**OPEL**

ASCONA C 1,8	74-85 kW	01.85-08.86
KADETT D 1,8 GT/E	85 kW	02.83-08.84
KADETT E 1,8, GSI	66-85 kW	06.85-08.91

**C 29** 0 900 301 069**MERCEDES**

190 (W201) 1,8-2,3	66-100 kW	10.82-08.93
200, T (W123)	74-80 kW	06.80-11.85
230 E, CE, TE (W123)	100 kW	04.80-12.85
200 E, TE (W124)	75-90 kW	12.85-08.92
220 E, CE, TE (W124)	110 kW	10.92-06.93
230 E, CE, TE (W124), KAT	97-100 kW	12.84-06.93
230 GE (W460)	90-92 kW	09.85-08.92
230 GE (W461)	90-92 kW	02.93-
230 GE (W463)	93 kW	06.90-06.93

**C 30** 0 900 301 070**SEAT**

AROSA 1,4	44 kW	05.97-06.04
CORDOBA 1,4-1,8	44-66 kW	06.94-10.02
IBIZA II 1,0-1,8	33-66 kW	03.93-08.99
IBIZA III 1,6	55 kW	08.99-02.02
INCA 1,4-1,6	44-55 kW	11.95-
TOLEDO I 1,8	6 kW <sub>6</sub>	11.93-12.96

**SKODA**

FELICIA I 1,6 LX	55 kW	08.95-03.98
FELICIA II 1,6	55 kW	01.98-06.01
OCTAVIA 1,6	55 kW	09.96-09.00

**VW AG**

CADDY II 1,4-1,6	44-55 kW	11.95-01.04
DERBY 1,0-1,3	29-55 kW	08.84-12.84
GOLF II 1,0-1,8	37-118 kW	08.84-10.91
GOLF III 1,4-2,0	40-85 kW	11.91-04.99
GOLF IV 1,8	55 kW	06.98-06.02
JETTA II 1,3	40-44 kW	08.84-12.91
PASSAT 1,3-2,0	44-85 kW	08.84-09.94



**C 35** 0 900 301 084**FORD**

ESCORT CLASSIC 1,6	66 kW	10.98-07.00
ESCORT V 1,8 16V XR3i	77-96 kW	02.92-12.92
ESCORT VI 1,6-1,8 16V XR3i	77-96 kW	12.92-01.95
ESCORT VII 1,6-1,8 16V XR3i	66-96 kW	01.95-08.00
FIESTA III 1,6-1,8	96 kW	02.92-12.95
FIESTA IV 1,4-1,6	66-76 kW	04.96-01.02
MONDEO I 1,6-2,0 16V	65-100 kW	01.93-08.96
MONDEO II 1,6-2,0 16V	66-85 kW	09.96-08.98
ORION III 1,6-1,8 16V	66-96 kW	01.92-12.93

**C 37** 0 900 301 086**RENAULT**

CLIO II 1,4-1,6	55-66 kW	09.98-
KANGOO 1,4	55 kW	09.98-
KANGOO Rapid 1,4	55 kW	03.98-
MEGANE I 1,6	55-66 kW	04.97-06.98
MEGANE Classic 1,6	55-66 kW	04.97-06.98
MEGANE Coach 1,6	66 kW	04.97-06.98
MEGANE Scenic 1,6	55-66 kW	04.97-06.98

**C 36** 0 900 301 085**RENAULT**

LAGUNA 1,8-2,0	66-83 kW	11.93-03.01
LAGUNA Grandtour 1,8-2,0	66-83 kW	09.95-03.01

**C 38** 0 900 301 087**RENAULT**

MEGANE I 1,6	55-66 kW	07.98-03.99
MEGANE Classic 1,6	55-66 kW	07.98-03.99
MEGANE Coach 1,6	66 kW	07.98-03.99
MEGANE Grandtour 1,04-1,6	55-66 kW	03.99-
MEGANE Scenic 1,6	55-66 kW	07.98-03.99



## C 39 0 900 301 088



### RENAULT

MEGANE I 1,6	55-66 kW	09.96-03.97
MEGANE Classic 1,6	55-66 kW	09.96-03.97
MEGANE Coach 1,6	66 kW	09.96-03.97
MEGANE Scenic 1,6	55-66 kW	09.96-03.97

## C 41 0 900 301 090



### RENAULT

LAGUNA 2,0 16V	102 kW	06.95-03.01
LAGUNA Grandtour 2,0 16V	102 kW	09.95-03.01
SAFRANE II 2,0 16V	100 kW	07.96-12.00

### VOLVO

S40 I 1,6-2,0	77-147 kW	07.95-08.99
V40 1,6-2,0	77-147 kW	07.95-08.99

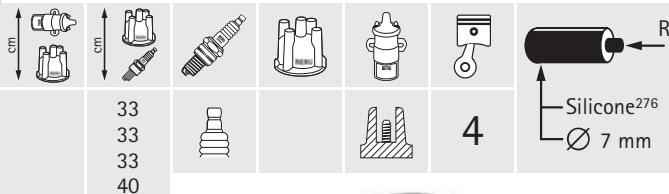
## C 40 0 900 301 089



### RENAULT

CLIO I 1,2	40-43 kW	01.91-09.98
CLIO II 1,1-1,2	43 kW	09.98-10.99
KANGOO 1,2	43 kW	03.98-09.99
KANGOO Rapid 1,2	43 kW	03.98-09.99
TWINGO 1,2	40-43 kW	05.96-11.99

## C 42 0 900 301 091



### RENAULT

ESPACE III 2,0	84 kW	11.96-10.00
LAGUNA 1,8-2,0	66-80 kW	08.95-03.01
LAGUNA Grandtour 1,8	66 kW	09.95-03.01
MEGANE Classic 2,0	80-84 kW	01.97-09.99
MEGANE Coach 2,0	80-84 kW	01.97-09.99
MEGANE I 2,0	80-84 kW	01.97-09.99
MEGANE Scenic 2,0	80-84 kW	01.97-09.99

**ALFA ROMEO**

C 33

**ARO**

C 6

**AUDI**

C 6, C 11, C 15, C 18

**BMW**

C 18, C 28

**CITROEN**

C 1, C 2, C 5, C 9, C 13, C 21, C 22, C 23, C 24

**DACIA**

C 15

**DAIHATSU**

C 3, C 7, C 18

**FIAT**

C 3, C 6, C 7, C 13, C 15, C 18, C 20, C 22, C 24, C 31, C 32, C 34

**FORD**

C 4, C 13, C 15, C 17, C 18, C 35

**FSO/FSM**

C 7

**HONDA**

C 4, C 7, C 18, C 32

**HYUNDAI**

C 18

**INNOCENTI**

C 3, C 7, C 15

**ISUZU**

C 3, C 6, C 13, C 18

**KIA**

C 4

**LADA**

C 4, C 7, C 13, C 15, C 18

**LANCIA**

C 3, C 6, C 7, C 13, C 18, C 20, C 22, C 31, C 34

**MAZDA**

C 4, C 7, C 13, C 15, C 18

**MEGA**

C 23

**MERCEDES**

C 29

**MITSUBISHI**

C 4, C 7C 15, C 18

**NISSAN**

C 3, C 4, C 6, C 7, C 13, C 15, C 18, C 20

---

**OPEL**

C 3, C 7, C 12, C 13, C 18, C 27

**PEUGEOT**

C 1, C 2, C 7, C 9, C 13, C 21, C 22, C 23, C 24

**POLSKI**

C 18

**PROTON**

C 15, C 18

**RENAULT**

C 1, C 3, C 6, C 8, C 10, C 12, C 14, C 16, C 18, C 25, C 26, C 36, C 37, C 40, C 41, C 42

**ROVER**

C 3, C 4, C 6, C 7, C 15, C 18

**SAAB**

C 4, C 18, C 20

**SEAT**

C 7, C 11, C 15, C 18, C 20, C 22, C 30

**SKODA**

C 7, C 15, C 30

**SUBARU**

C 7, C 15

**SUZUKI**

C 6, C 7, C 15, C 18

**TALBOT**

C 1, C 6, C 18

**TOYOTA**

C 3, C 4, C 6, C 7, 10, C 18

**VAUXHALL**

C 7, C 13, C 27

**VOLKSWAGEN**

C 7, C 11, C 15, C 30

**VOLVO**

C 3, C 4, C 8, C 10, C 14, C 20, C 41

**WARTBURG**

C 30

**ZASTAVA**

C 15, C 20

## Copper Cable

<b>B 100 A</b>	0 300 811 370
<b>B 100 B</b>	0 300 811 371
<b>B 100 C</b>	0 300 811 372
<b>B 100 D</b>	0 300 811 373
<b>B 100 E</b>	0 300 811 374
<b>B 101 A</b>	0 300 811 366
<b>B 101 B</b>	0 300 811 367
<b>B 101 C</b>	0 300 811 368
<b>B 101 D</b>	0 300 811 369
<b>B 102 A</b>	0 300 811 362
<b>B 102 B</b>	0 300 811 363
<b>B 102 C</b>	0 300 811 364
<b>B 102 D</b>	0 300 811 365
<b>B 103 A</b>	0 300 811 358
<b>B 103 B</b>	0 300 811 359
<b>B 103 C</b>	0 300 811 360
<b>B 103 D</b>	0 300 811 361
<b>B 104 A</b>	0 300 811 354
<b>B 104 B</b>	0 300 811 355
<b>B 104 C</b>	0 300 811 356
<b>B 104 D</b>	0 300 811 357
<b>B 105 A</b>	0 300 811 375
<b>B 105 B</b>	0 300 811 376
<b>B 106 A</b>	0 300 811 350
<b>B 107 A</b>	0 300 811 352
<b>B 108 A</b>	0 300 811 351
<b>B 109 A</b>	0 300 811 353
<b>B 110 A</b>	0 300 811 916
<b>B 110 B</b>	0 300 811 917
<b>B 110 C</b>	0 300 811 918
<b>B 110 D</b>	0 300 811 919
<b>B 111 A</b>	0 300 811 920
<b>B 111 B</b>	0 300 811 921
<b>B 112 A</b>	0 300 811 995
<b>B 112 B</b>	0 300 811 996
<b>B 113 A</b>	0 300 812 055
<b>B 114 A</b>	0 300 812 057
<b>B 115 A</b>	0 300 812 058
<b>B 115 B</b>	0 300 812 059
<b>GF 100 A</b>	0 300 811 786
<b>GF 100 B</b>	0 300 811 787
<b>GF 100 C</b>	0 300 811 788
<b>GF 100 D</b>	0 300 811 789
<b>GF 100 E</b>	0 300 811 790
<b>GF 101 A</b>	0 300 811 791
<b>GF 101 B</b>	0 300 811 792
<b>GF 102 A</b>	0 300 811 793
<b>GF 102 B</b>	0 300 811 794
<b>GF 102 C</b>	0 300 811 795
<b>GF 102 D</b>	0 300 811 796
<b>GF 103 A</b>	0 300 811 797
<b>GF 104 A</b>	0 300 811 798
<b>GF 105 A</b>	0 300 811 799
<b>GF 105 B</b>	0 300 811 800
<b>GF 106 A</b>	0 300 811 904
<b>GF 106 B</b>	0 300 811 905
<b>GF 106 C</b>	0 300 811 906
<b>GF 107 A</b>	0 300 811 907
<b>GF 107 B</b>	0 300 811 908
<b>GF 107 C</b>	0 300 811 909
<b>GF 108 A</b>	0 300 811 910
<b>GF 108 B</b>	0 300 811 911
<b>GF 108 C</b>	0 300 811 912
<b>GF 109 A</b>	0 300 811 913

## Copper Cable

<b>GF 110 A</b>	0 300 811 933
<b>GF 110 B</b>	0 300 811 934
<b>GF 110 C</b>	0 300 811 935
<b>GF 111 A</b>	0 300 811 981
<b>GF 111 B</b>	0 300 811 982
<b>GF 111 C</b>	0 300 811 983
<b>GF 111 D</b>	0 300 811 984
<b>GF 112 A</b>	0 300 811 987
<b>GF 112 B</b>	0 300 811 988
<b>M 106 A</b>	0 300 811 377
<b>M 106 B</b>	0 300 811 378
<b>M 106 C</b>	0 300 811 379
<b>M 106 E</b>	0 300 811 381
<b>M 107 A</b>	0 300 811 382
<b>M 107 B</b>	0 300 811 383
<b>M 107 C</b>	0 300 811 384
<b>M 107 D</b>	0 300 811 385
<b>M 108 A</b>	0 300 811 386
<b>M 108 B</b>	0 300 811 387
<b>M 108 C</b>	0 300 811 388
<b>M 108 D</b>	0 300 811 389
<b>M 108 E</b>	0 300 811 390
<b>M 109 A</b>	0 300 811 391
<b>M 109 B</b>	0 300 811 392
<b>M 109 C</b>	0 300 811 393
<b>M 109 D</b>	0 300 811 394
<b>M 109 E</b>	0 300 811 395
<b>M 110 A</b>	0 300 811 396
<b>M 110 B</b>	0 300 811 397
<b>M 110 C</b>	0 300 811 398
<b>M 110 D</b>	0 300 811 399
<b>M 110 E</b>	0 300 811 400
<b>M 110 F</b>	0 300 811 401
<b>M 110 G</b>	0 300 811 402
<b>M 111 A</b>	0 300 811 403
<b>M 111 B</b>	0 300 811 404
<b>M 111 C</b>	0 300 811 405
<b>M 112 A</b>	0 300 811 406
<b>M 113 A</b>	0 300 811 407
<b>M 113 B</b>	0 300 811 408
<b>M 114 A</b>	0 300 811 409
<b>M 114 B</b>	0 300 811 410
<b>M 114 C</b>	0 300 811 411
<b>M 114 D</b>	0 300 811 412
<b>M 114 E</b>	0 300 811 413
<b>M 115 A</b>	0 300 811 596
<b>M 115 B</b>	0 300 811 597
<b>M 116 A</b>	0 300 811 598
<b>M 116 B</b>	0 300 811 599
<b>M 118 A</b>	0 300 811 447
<b>M 118 B</b>	0 300 811 446
<b>M 119 A</b>	0 300 812 000
<b>M 119 B</b>	0 300 812 001
<b>M 119 C</b>	0 300 812 002
<b>M 119 D</b>	0 300 812 003
<b>M 119 E</b>	0 300 812 004
<b>M 120 A</b>	0 300 812 048
<b>M 120 B</b>	0 300 812 049
<b>M 120 C</b>	0 300 812 119
<b>M 120 D</b>	0 300 812 120
<b>M 121 A</b>	0 300 812 084
<b>M 121 B</b>	0 300 812 085
<b>OP 100 A</b>	0 300 811 771
<b>OP 100 B</b>	0 300 811 772

## Copper Cable

<b>OP 100 C</b>	0 300 811 773
<b>OP 100 D</b>	0 300 811 774
<b>OP 101 A</b>	0 300 811 775
<b>OP 101 B</b>	0 300 811 776
<b>OP 101 C</b>	0 300 811 777
<b>OP 101 D</b>	0 300 811 778
<b>OP 102 A</b>	0 300 811 779
<b>OP 103 A</b>	0 300 811 780
<b>VA 115 A</b>	0 300 811 480
<b>VA 115 B</b>	0 300 811 481
<b>VA 115 C</b>	0 300 811 482
<b>VA 115 D</b>	0 300 811 483
<b>VA 115 E</b>	0 300 811 484
<b>VA 116 A</b>	0 300 811 485
<b>VA 116 B</b>	0 300 811 486
<b>VA 116 C</b>	0 300 811 487
<b>VA 116 D</b>	0 300 811 488
<b>VA 116 E</b>	0 300 811 489
<b>VA 117 A</b>	0 300 811 490
<b>VA 117 B</b>	0 300 811 491
<b>VA 118 A</b>	0 300 811 492
<b>VA 118 B</b>	0 300 811 493
<b>VA 118 C</b>	0 300 811 494
<b>VA 119 A</b>	0 300 811 713
<b>VA 119 B</b>	0 300 811 715
<b>VA 119 C</b>	0 300 811 716
<b>VA 120 A</b>	0 300 811 717
<b>VA 120 B</b>	0 300 811 718
<b>VA 120 C</b>	0 300 811 719
<b>VA 120 D</b>	0 300 811 975
<b>VA 120 E</b>	0 300 811 976
<b>VA 121 A</b>	0 300 811 764
<b>VA 121 B</b>	0 300 811 765
<b>VA 121 C</b>	0 300 811 766
<b>VA 122 A</b>	0 300 811 782
<b>VA 122 B</b>	0 300 811 783
<b>VA 122 C</b>	0 300 811 784
<b>VA 122 D</b>	0 300 811 785
<b>VA 123 A</b>	0 300 811 801
<b>VA 123 B</b>	0 300 811 802
<b>VA 123 C</b>	0 300 811 803
<b>VA 123 D</b>	0 300 811 804
<b>VA 124 A</b>	0 300 811 859
<b>VA 124 B</b>	0 300 811 860
<b>VA 125 A</b>	0 300 811 861
<b>VA 125 B</b>	0 300 811 862
<b>VA 125 C</b>	0 300 811 863
<b>VA 126 A</b>	0 300 811 897
<b>VA 126 B</b>	0 300 811 898
<b>VA 126 C</b>	0 300 811 899
<b>VA 126 D</b>	0 300 811 900
<b>VA 127 A</b>	0 300 811 901
<b>VA 127 B</b>	0 300 811 902
<b>VA 127 C</b>	0 300 811 903
<b>VA 127 D</b>	0 300 812 072
<b>VA 128 A</b>	0 300 811 928
<b>VA 128 B</b>	0 300 811 977
<b>VA 128 C</b>	0 300 811 978
<b>VA 128 D</b>	0 300 811 979
<b>VA 128 E</b>	0 300 811 980
<b>VA 129 A</b>	0 300 811 929
<b>VA 129 B</b>	0 300 811 930
<b>VA 129 C</b>	0 300 811 931
<b>VA 129 D</b>	0 300 811 932



## Copper Cable

<b>VA 130 A</b>	0 300 811 922
<b>VA 130 B</b>	0 300 811 923
<b>VA 130 C</b>	0 300 811 924
<b>VA 132 A</b>	0 300 811 948
<b>VA 132 B</b>	0 300 811 949
<b>VA 132 C</b>	0 300 811 950
<b>VA 132 D</b>	0 300 811 951
<b>VA 133 A</b>	0 300 811 960
<b>VA 133 B</b>	0 300 811 961
<b>VA 133 C</b>	0 300 811 962
<b>VA 133 D</b>	0 300 811 963
<b>VA 134 A</b>	0 300 811 964
<b>VA 134 B</b>	0 300 811 965
<b>VA 134 C</b>	0 300 811 966
<b>VA 134 D</b>	0 300 811 967
<b>VA 135 A</b>	0 300 811 968
<b>VA 135 B</b>	0 300 811 969
<b>VA 135 C</b>	0 300 811 970
<b>VA 136 A</b>	0 300 811 971
<b>VA 136 B</b>	0 300 811 972
<b>VA 137 A</b>	0 300 811 973
<b>VA 137 B</b>	0 300 811 974
<b>VA 138 A</b>	0 300 811 994

## Power Cable

<b>R 1-060</b>	0 302 101 060
<b>R 2-040</b>	0 302 103 040
<b>R 4-040</b>	0 302 101 040
<b>R 3-050</b>	0 302 101 050
<b>R 5-050</b>	0 302 103 050
<b>R 6-070</b>	0 302 101 070
<b>R 7-030</b>	0 302 101 030
<b>R 8-060</b>	0 302 104 060
<b>R 9-080</b>	0 302 101 080
<b>R 10-030</b>	0 302 103 030
<b>R 11-070</b>	0 302 104 070
<b>R 12-050</b>	0 302 104 050
<b>R 13-080</b>	0 302 104 080
<b>R 14-030</b>	0 302 104 030
<b>R 15-065</b>	0 302 113 065
<b>R 16-040</b>	0 302 104 040
<b>R 17-055</b>	0 302 113 055
<b>R 18-060</b>	0 302 103 060
<b>R 19-045</b>	0 302 113 045
<b>R 20-105</b>	0 302 113 105
<b>R 21-030</b>	0 302 102 030
<b>R 22-060</b>	0 302 102 060
<b>R 23-050</b>	0 302 102 050
<b>R 24-070</b>	0 302 103 070
<b>R 25-050</b>	0 302 109 050
<b>R 26-060</b>	0 302 109 060
<b>R 27-040</b>	0 302 102 040
<b>R 28-090</b>	0 302 104 090
<b>R 29-090</b>	0 302 101 090
<b>R 30-080</b>	0 302 100 076
<b>R 31-070</b>	0 302 109 070
<b>R 32-075</b>	0 302 113 075
<b>R 33-080</b>	0 302 109 080
<b>R 34-040</b>	0 302 100 061
<b>R 35-060</b>	0 302 100 062
<b>R 36-080</b>	0 302 100 077
<b>R 37-070</b>	0 302 107 070
<b>R 38-050</b>	0 302 107 050
<b>R 39-060</b>	0 302 107 060
<b>R 40-070</b>	0 302 102 070
<b>R 41-043</b>	0 302 107 043
<b>R 42-060</b>	0 302 112 060
<b>R 43-090</b>	0 302 103 090
<b>R 44-070</b>	0 302 112 070
<b>R 45-080</b>	0 302 112 080
<b>R 46-100</b>	0 302 101 100
<b>R 47-100</b>	0 302 104 100
<b>R 48-040</b>	0 302 100 063
<b>R 49-060</b>	0 302 100 064
<b>R 50-080</b>	0 302 100 065
<b>R 51-090</b>	0 302 102 090
<b>R 52-090</b>	0 302 107 090
<b>R 53-050</b>	0 302 112 050
<b>R 54-110</b>	0 302 100 078
<b>R 55-028</b>	0 302 105 028
<b>R 56-035</b>	0 302 100 066
<b>R 57-045</b>	0 302 100 067
<b>R 58-055</b>	0 302 100 068
<b>R 59-030</b>	0 302 107 030
<b>R 60-065</b>	0 302 100 069
<b>R 61-040</b>	0 302 100 070
<b>R 62-070</b>	0 302 110 070
<b>R 63-080</b>	0 302 110 080
<b>R 64-040</b>	0 302 100 071

## Power Cable

<b>R 65-110</b>	0 302 107 110
<b>R 68-065</b>	0 302 100 072
<b>R 69-090</b>	0 302 100 073
<b>R 70-050</b>	0 302 110 050
<b>R 71-030</b>	0 302 100 074
<b>R 72-050</b>	0 302 100 079
<b>R 73-060</b>	0 302 100 080
<b>R 80-076</b>	0 302 111 100
<b>R 80-076 S</b>	0 302 100 224
<b>R 81-065</b>	0 302 111 101
<b>R 81-065 S</b>	0 302 100 225
<b>R 82-086</b>	0 302 111 102
<b>R 82-086 S</b>	0 302 100 226
<b>R 83-050</b>	0 302 111 103
<b>R 83-050 S</b>	0 302 100 227
<b>R 84-060</b>	0 302 111 104
<b>R 84-060 S</b>	0 302 100 228
<b>R 85-070</b>	0 302 111 105
<b>R 85-070 S</b>	0 302 100 229
<b>R 86-060</b>	0 302 100 001
<b>R 86-060 S</b>	0 302 100 230
<b>R 87-080</b>	0 302 100 002
<b>R 87-080 S</b>	0 302 100 231
<b>R 88-060</b>	0 302 100 003
<b>R 88-060 S</b>	0 302 100 232
<b>R 89-070</b>	0 302 100 004
<b>R 89-070 S</b>	0 302 100 233
<b>R 90-080</b>	0 302 100 005
<b>R 90-080 S</b>	0 302 100 234
<b>R 91-050</b>	0 302 100 006
<b>R 92-060</b>	0 302 100 007
<b>R 93-100</b>	0 302 100 008
<b>R 93-100 S</b>	0 302 100 235
<b>R 94-030</b>	0 302 100 009
<b>R 94-030 S</b>	0 302 100 236
<b>R 95-050</b>	0 302 100 010
<b>R 95-050 S</b>	0 302 100 237
<b>R 96-040</b>	0 302 100 011
<b>R 96-040 S</b>	0 302 100 238
<b>R 97-050</b>	0 302 100 012
<b>R 97-050 S</b>	0 302 100 239
<b>R 99-070</b>	0 302 100 014
<b>R 99-070 S</b>	0 302 100 240
<b>R 100-080</b>	0 302 100 015
<b>R 100-080 S</b>	0 302 100 241
<b>R 101-090</b>	0 302 100 016
<b>R 102-100</b>	0 302 100 017
<b>R 103-030</b>	0 302 100 018
<b>R 104-040</b>	0 302 100 019
<b>R 104-040 S</b>	0 302 100 334
<b>R 105-050</b>	0 302 100 020
<b>R 105-050 S</b>	0 302 100 335
<b>R 106-070</b>	0 302 100 021
<b>R 108-030</b>	0 302 100 023
<b>R 108-030 S</b>	0 302 100 242
<b>R 109-070</b>	0 302 100 024
<b>R 109-070 S</b>	0 302 100 243
<b>R 110-100</b>	0 302 100 025
<b>R 110-100 S</b>	0 302 100 244
<b>R 111-030</b>	0 302 100 026
<b>R 111-030 S</b>	0 302 100 245
<b>R 112-040</b>	0 302 100 027
<b>R 112-040 S</b>	0 302 100 246
<b>R 113-050</b>	0 302 100 028

## Power Cable

<b>R 113-050 S</b>	0 302 100 247	
<b>R 114-060</b>	0 302 100 029	
<b>R 114-060 S</b>	0 302 100 336	
<b>R 115-070</b>	0 302 100 030	
<b>R 115-070 S</b>	0 302 100 337	
<b>R 116-040</b>	0 302 100 031	
<b>R 117-050</b>	0 302 100 032	
<b>R 118-060</b>	0 302 100 033	
<b>R 119-070</b>	0 302 100 034	
<b>R 120-090</b>	0 302 100 035	
<b>R 121-110</b>	0 302 100 036	
<b>R 122-140</b>	0 302 100 075	
<b>R 123-085</b>	0 302 100 038	
<b>R 123-085 S</b>	0 302 100 248	
<b>R 124-060</b>	0 302 100 039	
<b>R 125-065</b>	0 302 100 040	
<b>R 126-083</b>	0 302 100 041	
<b>R 127-078</b>	0 302 100 042	
<b>R 128-055</b>	0 302 100 043	
<b>R 129-070</b>	0 302 100 044	
<b>R 132-065</b>	0 302 100 047	
<b>R 133-080</b>	0 302 100 048	
<b>R 137-045</b>	0 302 100 052	
<b>R 138-060</b>	0 302 100 053	
<b>R 139-045</b>	0 302 100 054	
<b>R 140-060</b>	0 302 100 055	
<b>R 141-080</b>	0 302 100 056	
<b>R 142-055</b>	0 302 100 057	
<b>R 143-070</b>	0 302 100 058	
<b>R 144-040</b>	0 302 100 059	
<b>R 145-055</b>	0 302 100 060	
<b>R 150-020</b>	0 302 100 085	
<b>R 150-020 S</b>	0 302 100 249	
<b>R 151-032</b>	0 302 100 086	
<b>R 151-032 S</b>	0 302 100 250	
<b>R 152-043</b>	0 302 100 087	
<b>R 152-043 S</b>	0 302 100 251	
<b>R 153-053</b>	0 302 100 088	
<b>R 153-053 S</b>	0 302 100 252	
<b>R 154-065</b>	0 302 100 089	
<b>R 154-065 S</b>	0 302 100 253	
<b>R 155-035</b>	0 302 100 090	
<b>R 155-035 S</b>	0 302 100 254	
<b>R 156-045</b>	0 302 100 091	
<b>R 156-045 S</b>	0 302 100 255	
<b>R 157-055</b>	0 302 100 092	
<b>R 157-055 S</b>	0 302 100 256	
<b>R 158-065</b>	0 302 100 093	
<b>R 158-065 S</b>	0 302 100 257	
<b>R 159-032</b>	0 302 100 094	
<b>R 159-032 S</b>	0 302 100 258	
<b>R 160-055</b>	0 302 100 095	
<b>R 160-055 S</b>	0 302 100 259	
<b>R 161-040</b>	0 302 100 096	
<b>R 161-040 S</b>	0 302 100 260	
<b>R 162-060</b>	0 302 100 097	
<b>R 162-060 S</b>	0 302 100 261	
<b>R 163-020</b>	0 302 100 098	
<b>R 163-020 S</b>	0 302 100 262	
<b>R 164-030</b>	0 302 100 099	
<b>R 164-030 S</b>	0 302 100 263	
<b>R 165-035</b>	0 302 100 100	
<b>R 165-035 S</b>	0 302 100 264	
<b>R 166-045</b>	0 302 100 101	

## Power Cable

<b>R 166-045 S</b>	0 302 100 265	
<b>R 167-055</b>	0 302 100 102	
<b>R 167-055 S</b>	0 302 100 266	
<b>R 168-060</b>	0 302 100 103	
<b>R 168-060 S</b>	0 302 100 267	
<b>R 169-070</b>	0 302 100 104	
<b>R 169-070 S</b>	0 302 100 268	
<b>R 170-095</b>	0 302 100 105	
<b>R 171-068</b>	0 302 100 106	
<b>R 172-056</b>	0 302 100 107	
<b>R 173-049</b>	0 302 100 108	
<b>R 174-039</b>	0 302 100 109	
<b>R 175-060</b>	0 302 100 110	
<b>R 176-042</b>	0 302 100 111	
<b>R 177-016</b>	0 302 100 112	
<b>R 178-060</b>	0 302 100 113	
<b>R 179-068</b>	0 302 100 114	
<b>R 180-080</b>	0 302 100 115	
<b>R 181-045</b>	0 302 100 116	
<b>R 182-065</b>	0 302 100 117	
<b>R 183-037</b>	0 302 100 118	
<b>R 184-058</b>	0 302 100 119	
<b>R 185-063</b>	0 302 100 120	
<b>R 186-045</b>	0 302 100 121	
<b>R 187-028</b>	0 302 100 122	
<b>R 188-040</b>	0 302 100 123	
<b>R 189-065</b>	0 302 100 124	
<b>R 190-056</b>	0 302 100 125	
<b>R 191-042</b>	0 302 100 126	
<b>R 192-071</b>	0 302 100 127	
<b>R 193-048</b>	0 302 100 128	
<b>R 194-066</b>	0 302 100 129	
<b>R 195-050</b>	0 302 100 130	
<b>R 196-038</b>	0 302 100 131	
<b>R 197-047</b>	0 302 100 132	
<b>R 198-090</b>	0 302 100 133	
<b>R 199-053</b>	0 302 100 134	
<b>R 200-062</b>	0 302 100 135	
<b>R 201-070</b>	0 302 100 136	
<b>R 202-037</b>	0 302 100 137	
<b>R 203-067</b>	0 302 100 138	
<b>R 204-057</b>	0 302 100 139	
<b>R 205-038</b>	0 302 100 140	
<b>R 206-024</b>	0 302 100 141	
<b>R 207-038</b>	0 302 100 142	
<b>R 208-046</b>	0 302 100 143	
<b>R 209-052</b>	0 302 100 144	
<b>R 210-040</b>	0 302 100 145	
<b>R 210-040 S</b>	0 302 100 269	
<b>R 211-040</b>	0 302 100 146	
<b>R 211-040 S</b>	0 302 100 270	
<b>R 212-062</b>	0 302 100 147	
<b>R 212-062 S</b>	0 302 100 271	
<b>R 213-030</b>	0 302 100 148	
<b>R 213-030 S</b>	0 302 100 273	
<b>R 214-027</b>	0 302 100 149	
<b>R 214-027 S</b>	0 302 100 272	
<b>R 215-040</b>	0 302 100 150	
<b>R 215-040 S</b>	0 302 100 274	
<b>R 216-052</b>	0 302 100 151	
<b>R 216-052 S</b>	0 302 100 275	
<b>R 217-062</b>	0 302 100 152	
<b>R 217-062 S</b>	0 302 100 276	
<b>R 218-070</b>	0 302 100 153	

## Power Cable

<b>R 218-070 S</b>	0 302 100 277	
<b>R 219-080</b>	0 302 100 154	
<b>R 219-080 S</b>	0 302 100 278	
<b>R 220-035</b>	0 302 100 155	
<b>R 220-035 S</b>	0 302 100 279	
<b>R 221-050</b>	0 302 100 156	
<b>R 221-050 S</b>	0 302 100 280	
<b>R 222-060</b>	0 302 100 157	
<b>R 222-060 S</b>	0 302 100 281	
<b>R 223-060</b>	0 302 100 158	
<b>R 224-077</b>	0 302 100 159	
<b>R 225-068</b>	0 302 100 160	
<b>R 226-060</b>	0 302 100 161	
<b>R 227-070</b>	0 302 100 162	
<b>R 228-038</b>	0 302 100 163	
<b>R 229-052</b>	0 302 100 164	
<b>R 230-048</b>	0 302 100 165	
<b>R 231-035</b>	0 302 100 166	
<b>R 232-029</b>	0 302 100 167	
<b>R 233-047</b>	0 302 100 168	
<b>R 234-075</b>	0 302 100 169	
<b>R 235-025</b>	0 302 100 170	
<b>R 236-035</b>	0 302 100 171	
<b>R 237-045</b>	0 302 100 172	
<b>R 238-050</b>	0 302 100 173	
<b>R 239-020</b>	0 302 100 174	
<b>R 240-030</b>	0 302 100 175	
<b>R 241-045</b>	0 302 100 176	
<b>R 242-020</b>	0 302 100 177	
<b>R 243-025</b>	0 302 100 178	
<b>R 244-040</b>	0 302 100 179	
<b>R 245-043</b>	0 302 100 180	
<b>R 246-053</b>	0 302 100 181	
<b>R 247-063</b>	0 302 100 182	
<b>R 248-073</b>	0 302 100 183	
<b>R 249-066</b>	0 302 100 184	
<b>R 250-075</b>	0 302 100 185	
<b>R 251-085</b>	0 302 100 186	
<b>R 252-095</b>	0 302 100 187	
<b>R 253-100</b>	0 302 100 188	
<b>R 254-045</b>	0 302 100 189	
<b>R 255-050</b>	0 302 100 190	
<b>R 256-065</b>	0 302 100 191	
<b>R 257-080</b>	0 302 100 192	
<b>R 258-040</b>	0 302 100 193	
<b>R 259-055</b>	0 302 100 194	
<b>R 260-070</b>	0 302 100 195	
<b>R 261-036</b>	0 302 100 196	
<b>R 262-058</b>	0 302 100 197	
<b>R 263-070</b>	0 302 100 198	
<b>R 264-024</b>	0 302 100 199	
<b>R 265-040</b>	0 302 100 200	
<b>R 266-025</b>	0 302 100 201	
<b>R 267-040</b>	0 302 100 202	
<b>R 268-055</b>	0 302 100 203	
<b>R 269-065</b>	0 302 100 204	
<b>R 270-040</b>	0 302 100 205	
<b>R 271-047</b>	0 302 100 206	
<b>R 272-058</b>	0 302 100 207	
<b>R 273-068</b>	0 302 100 208	
<b>R 274-030</b>	0 302 100 209	
<b>R 275-040</b>	0 302 100 210	
<b>R 276-057</b>	0 302 100 211	
<b>R 277-030</b>	0 302 100 212	

## Power Cable

<b>R 278-040</b>	0 302 100 213	
<b>R 279-053</b>	0 302 100 214	
<b>R 280-057</b>	0 302 100 215	
<b>R 281-063</b>	0 302 100 216	
<b>R 282-032</b>	0 302 100 217	
<b>R 283-046</b>	0 302 100 218	
<b>R 284-060</b>	0 302 100 219	
<b>R 285-040</b>	0 302 100 220	
<b>R 286-058</b>	0 302 100 221	
<b>R 289-033</b>	0 302 100 282	
<b>R 290-040</b>	0 302 100 283	
<b>R 293-030</b>	0 302 100 286	
<b>R 294-040</b>	0 302 100 287	
<b>R 295-060</b>	0 302 100 288	
<b>R 296-065</b>	0 302 100 289	
<b>R 297-045</b>	0 302 100 290	
<b>R 298-070</b>	0 302 100 291	
<b>R 299-057</b>	0 302 100 292	
<b>R 301-044</b>	0 302 100 294	
<b>R 302-030</b>	0 302 100 295	
<b>R 303-023</b>	0 302 100 296	
<b>R 304-015</b>	0 302 100 297	
<b>R 308-030</b>	0 302 100 301	
<b>R 309-038</b>	0 302 100 302	
<b>R 310-045</b>	0 302 100 303	
<b>R 311-051</b>	0 302 100 304	
<b>R 312-038</b>	0 302 100 305	
<b>R 313-045</b>	0 302 100 306	
<b>R 314-052</b>	0 302 100 307	
<b>R 315-030</b>	0 302 100 308	
<b>R 316-045</b>	0 302 100 309	
<b>R 317-055</b>	0 302 100 310	
<b>R 318-027</b>	0 302 100 311	
<b>R 319-045</b>	0 302 100 312	
<b>R 320-056</b>	0 302 100 313	
<b>R 321-060</b>	0 302 100 314	
<b>R 322-070</b>	0 302 100 315	
<b>R 323-082</b>	0 302 100 316	
<b>R 324-092</b>	0 302 100 317	
<b>R 325-050</b>	0 302 100 318	
<b>R 326-060</b>	0 302 100 319	
<b>R 327-083</b>	0 302 100 320	
<b>R 328-060</b>	0 302 100 321	
<b>R 329-032</b>	0 302 100 322	
<b>R 330-043</b>	0 302 100 323	
<b>R 331-065</b>	0 302 100 324	
<b>R 332-025</b>	0 302 100 325	
<b>R 333-038</b>	0 302 100 326	
<b>R 334-045</b>	0 302 100 327	
<b>R 335-050</b>	0 302 100 328	
<b>R 336-060</b>	0 302 100 329	
<b>R 337-015</b>	0 302 100 330	
<b>R 338-030</b>	0 302 100 331	
<b>R 339-030</b>	0 302 100 332	
<b>R 340-040</b>	0 302 100 333	
<b>R 341-035</b>	0 302 100 338	
<b>R 342-044</b>	0 302 100 339	
<b>R 343-059</b>	0 302 100 340	
<b>R 344-064</b>	0 302 100 341	
<b>R 345-031</b>	0 302 100 342	
<b>R 346-039</b>	0 302 100 343	
<b>R 347-059</b>	0 302 100 344	
<b>R 348-040</b>	0 302 100 345	
<b>R 349-076</b>	0 302 100 346	

## Power Cable

<b>R 350-082</b>	0 302 100 347	
<b>R 351-088</b>	0 302 100 348	
<b>R 352-093</b>	0 302 100 349	
<b>R 353-018</b>	0 302 100 350	
<b>R 354-030</b>	0 302 100 351	
<b>R 355-040</b>	0 302 100 352	
<b>R 358-032</b>	0 302 100 355	
<b>R 359-040</b>	0 302 100 356	
<b>R 360-058</b>	0 302 100 357	
<b>R 361-065</b>	0 302 100 358	
<b>R 362-046</b>	0 302 100 359	
<b>R 363-065</b>	0 302 100 360	
<b>R 375-062</b>	0 302 100 372	
<b>R 387-055</b>	0 302 100 384	
<b>R 388-060</b>	0 302 100 385	
<b>R 389-072</b>	0 302 100 386	
<b>R 390-084</b>	0 302 100 387	
<b>R 391-037</b>	0 302 100 388	
<b>R 392-011</b>	0 302 100 389	
<b>R 393-025</b>	0 302 100 390	
<b>R 394-034</b>	0 302 100 391	
<b>R 395-043</b>	0 302 100 392	
<b>R 400-032</b>	0 302 100 398	
<b>R 401-038</b>	0 302 100 399	
<b>R 402-023</b>	0 302 100 400	
<b>R 403-036</b>	0 302 100 401	
<b>R 404-044</b>	0 302 100 402	
<b>R 413-071</b>	0 302 100 411	
<b>R 414-040</b>	0 302 100 412	
<b>R 415-056</b>	0 302 100 413	
<b>R 416-023</b>	0 302 100 414	
<b>R 417-024</b>	0 302 100 415	
<b>R 422-037</b>	0 302 100 422	
<b>R 423-042</b>	0 302 100 423	
<b>R 424-022</b>	0 302 100 424	
<b>R 425-047</b>	0 302 100 425	

## Copper Cable

0 300 811 350	<b>B 106 A</b>	
0 300 811 351	<b>B 108 A</b>	
0 300 811 352	<b>B 107 A</b>	
0 300 811 353	<b>B 109 A</b>	
0 300 811 354	<b>B 104 A</b>	
0 300 811 355	<b>B 104 B</b>	
0 300 811 356	<b>B 104 C</b>	
0 300 811 357	<b>B 104 D</b>	
0 300 811 358	<b>B 103 A</b>	
0 300 811 359	<b>B 103 B</b>	
0 300 811 360	<b>B 103 C</b>	
0 300 811 361	<b>B 103 D</b>	
0 300 811 362	<b>B 102 A</b>	
0 300 811 363	<b>B 102 B</b>	
0 300 811 364	<b>B 102 C</b>	
0 300 811 365	<b>B 102 D</b>	
0 300 811 366	<b>B 101 A</b>	
0 300 811 367	<b>B 101 B</b>	
0 300 811 368	<b>B 101 C</b>	
0 300 811 369	<b>B 101 D</b>	
0 300 811 370	<b>B 100 A</b>	
0 300 811 371	<b>B 100 B</b>	
0 300 811 372	<b>B 100 C</b>	
0 300 811 373	<b>B 100 D</b>	
0 300 811 374	<b>B 100 E</b>	
0 300 811 375	<b>B 105 A</b>	
0 300 811 376	<b>B 105 B</b>	
0 300 811 377	<b>M 106 A</b>	
0 300 811 378	<b>M 106 B</b>	
0 300 811 379	<b>M 106 C</b>	
0 300 811 380	<b>M 106 D</b>	
0 300 811 381	<b>M 106 E</b>	
0 300 811 382	<b>M 107 A</b>	
0 300 811 383	<b>M 107 B</b>	
0 300 811 384	<b>M 107 C</b>	
0 300 811 385	<b>M 107 D</b>	
0 300 811 386	<b>M 108 A</b>	
0 300 811 387	<b>M 108 B</b>	
0 300 811 388	<b>M 108 C</b>	
0 300 811 389	<b>M 108 D</b>	
0 300 811 390	<b>M 108 E</b>	
0 300 811 391	<b>M 109 A</b>	
0 300 811 392	<b>M 109 B</b>	
0 300 811 393	<b>M 109 C</b>	
0 300 811 394	<b>M 109 D</b>	
0 300 811 395	<b>M 109 E</b>	
0 300 811 396	<b>M 110 A</b>	
0 300 811 397	<b>M 110 B</b>	
0 300 811 398	<b>M 110 C</b>	
0 300 811 399	<b>M 110 D</b>	
0 300 811 400	<b>M 110 E</b>	
0 300 811 401	<b>M 110 F</b>	
0 300 811 402	<b>M 110 G</b>	
0 300 811 403	<b>M 111 A</b>	
0 300 811 404	<b>M 111 B</b>	
0 300 811 405	<b>M 111 C</b>	
0 300 811 406	<b>M 112 A</b>	
0 300 811 407	<b>M 113 A</b>	
0 300 811 408	<b>M 113 B</b>	
0 300 811 409	<b>M 114 A</b>	
0 300 811 410	<b>M 114 B</b>	
0 300 811 411	<b>M 114 C</b>	
0 300 811 412	<b>M 114 D</b>	
0 300 811 413	<b>M 114 E</b>	

## Copper Cable

0 300 811 446	<b>M 118 B</b>	
0 300 811 447	<b>M 118 A</b>	
0 300 811 480	<b>VA 115 A</b>	
0 300 811 481	<b>VA 115 B</b>	
0 300 811 482	<b>VA 115 C</b>	
0 300 811 483	<b>VA 115 D</b>	
0 300 811 484	<b>VA 115 E</b>	
0 300 811 485	<b>VA 116 A</b>	
0 300 811 486	<b>VA 116 B</b>	
0 300 811 487	<b>VA 116 C</b>	
0 300 811 488	<b>VA 116 D</b>	
0 300 811 489	<b>VA 116 E</b>	
0 300 811 490	<b>VA 117 A</b>	
0 300 811 491	<b>VA 117 B</b>	
0 300 811 492	<b>VA 118 A</b>	
0 300 811 493	<b>VA 118 B</b>	
0 300 811 494	<b>VA 118 C</b>	
0 300 811 596	<b>M 115 A</b>	
0 300 811 597	<b>M 115 B</b>	
0 300 811 598	<b>M 116 A</b>	
0 300 811 599	<b>M 116 B</b>	
0 300 811 713	<b>VA 119 A</b>	
0 300 811 715	<b>VA 119 B</b>	
0 300 811 716	<b>VA 119 C</b>	
0 300 811 717	<b>VA 120 A</b>	
0 300 811 718	<b>VA 120 B</b>	
0 300 811 719	<b>VA 120 C</b>	
0 300 811 764	<b>VA 121 A</b>	
0 300 811 765	<b>VA 121 B</b>	
0 300 811 766	<b>VA 121 C</b>	
0 300 811 771	<b>OP 100 A</b>	
0 300 811 772	<b>OP 100 B</b>	
0 300 811 773	<b>OP 100 C</b>	
0 300 811 774	<b>OP 100 D</b>	
0 300 811 775	<b>OP 101 A</b>	
0 300 811 776	<b>OP 101 B</b>	
0 300 811 777	<b>OP 101 C</b>	
0 300 811 778	<b>OP 101 D</b>	
0 300 811 779	<b>OP 102 A</b>	
0 300 811 780	<b>OP 103 A</b>	
0 300 811 782	<b>VA 122 A</b>	
0 300 811 783	<b>VA 122 B</b>	
0 300 811 784	<b>VA 122 C</b>	
0 300 811 785	<b>VA 122 D</b>	
0 300 811 786	<b>GF 100 A</b>	
0 300 811 787	<b>GF 100 B</b>	
0 300 811 788	<b>GF 100 C</b>	
0 300 811 789	<b>GF 100 D</b>	
0 300 811 790	<b>GF 100 E</b>	
0 300 811 791	<b>GF 101 A</b>	
0 300 811 792	<b>GF 101 B</b>	
0 300 811 793	<b>GF 102 A</b>	
0 300 811 794	<b>GF 102 B</b>	
0 300 811 795	<b>GF 102 C</b>	
0 300 811 796	<b>GF 102 D</b>	
0 300 811 797	<b>GF 103 A</b>	
0 300 811 798	<b>GF 104 A</b>	
0 300 811 799	<b>GF 105 A</b>	
0 300 811 800	<b>GF 105 B</b>	
0 300 811 801	<b>VA 123 A</b>	
0 300 811 802	<b>VA 123 B</b>	
0 300 811 803	<b>VA 123 C</b>	
0 300 811 804	<b>VA 123 D</b>	
0 300 811 859	<b>VA 124 A</b>	

## Copper Cable

0 300 811 860	<b>VA 124 B</b>	
0 300 811 861	<b>VA 125 A</b>	
0 300 811 862	<b>VA 125 B</b>	
0 300 811 863	<b>VA 125 C</b>	
0 300 811 897	<b>VA 126 A</b>	
0 300 811 898	<b>VA 126 B</b>	
0 300 811 899	<b>VA 126 C</b>	
0 300 811 900	<b>VA 126 D</b>	
0 300 811 901	<b>VA 127 A</b>	
0 300 811 902	<b>VA 127 B</b>	
0 300 811 903	<b>VA 127 C</b>	
0 300 811 904	<b>GF 106 A</b>	
0 300 811 905	<b>GF 106 B</b>	
0 300 811 906	<b>GF 106 C</b>	
0 300 811 907	<b>GF 107 A</b>	
0 300 811 908	<b>GF 107 B</b>	
0 300 811 909	<b>GF 107 C</b>	
0 300 811 910	<b>GF 108 A</b>	
0 300 811 911	<b>GF 108 B</b>	
0 300 811 912	<b>GF 108 C</b>	
0 300 811 913	<b>GF 109 A</b>	
0 300 811 916	<b>B 110 A</b>	
0 300 811 917	<b>B 110 B</b>	
0 300 811 918	<b>B 110 C</b>	
0 300 811 919	<b>B 110 D</b>	
0 300 811 920	<b>B 111 A</b>	
0 300 811 921	<b>B 111 B</b>	
0 300 811 922	<b>VA 130 A</b>	
0 300 811 923	<b>VA 130 B</b>	
0 300 811 924	<b>VA 130 C</b>	
0 300 811 928	<b>VA 128 A</b>	
0 300 811 929	<b>VA 129 A</b>	
0 300 811 930	<b>VA 129 B</b>	
0 300 811 931	<b>VA 129 C</b>	
0 300 811 932	<b>VA 129 D</b>	
0 300 811 933	<b>GF 110 A</b>	
0 300 811 934	<b>GF 110 B</b>	
0 300 811 935	<b>GF 110 C</b>	
0 300 811 948	<b>VA 132 A</b>	
0 300 811 949	<b>VA 132 B</b>	
0 300 811 950	<b>VA 132 C</b>	
0 300 811 951	<b>VA 132 D</b>	
0 300 811 960	<b>VA 133 A</b>	
0 300 811 961	<b>VA 133 B</b>	
0 300 811 962	<b>VA 133 C</b>	
0 300 811 963	<b>VA 133 D</b>	
0 300 811 964	<b>VA 134 A</b>	
0 300 811 965	<b>VA 134 B</b>	
0 300 811 966	<b>VA 134 C</b>	
0 300 811 967	<b>VA 134 D</b>	
0 300 811 968	<b>VA 135 A</b>	
0 300 811 969	<b>VA 135 B</b>	
0 300 811 970	<b>VA 135 C</b>	
0 300 811 971	<b>VA 136 A</b>	
0 300 811 972	<b>VA 136 B</b>	
0 300 811 973	<b>VA 137 A</b>	
0 300 811 974	<b>VA 137 B</b>	
0 300 811 975	<b>VA 120 D</b>	
0 300 811 976	<b>VA 120 E</b>	
0 300 811 977	<b>VA 128 B</b>	
0 300 811 978	<b>VA 128 C</b>	
0 300 811 979	<b>VA 128 D</b>	
0 300 811 980	<b>VA 128 E</b>	
0 300 811 981	<b>GF 111 A</b>	

## Copper Cable

0 300 811 982	<b>GF 111 B</b>	
0 300 811 983	<b>GF 111 C</b>	
0 300 811 984	<b>GF 111 D</b>	
0 300 811 987	<b>GF 112 A</b>	
0 300 811 988	<b>GF 112 B</b>	
0 300 811 994	<b>VA 138 A</b>	
0 300 811 995	<b>B 112 A</b>	
0 300 811 996	<b>B 112 B</b>	
0 300 812 000	<b>M 119 A</b>	
0 300 812 001	<b>M 119 B</b>	
0 300 812 002	<b>M 119 C</b>	
0 300 812 003	<b>M 119 D</b>	
0 300 812 004	<b>M 119 E</b>	
0 300 812 048	<b>M 120 A</b>	
0 300 812 049	<b>M 120 B</b>	
0 300 812 055	<b>B 113 A</b>	
0 300 812 057	<b>B 114 A</b>	
0 300 812 058	<b>B 115 A</b>	
0 300 812 059	<b>B 115 B</b>	
0 300 812 072	<b>VA 127 D</b>	
0 300 812 084	<b>M 121 A</b>	
0 300 812 085	<b>M 121 B</b>	
0 300 812 119	<b>M 120 C</b>	
0 300 812 120	<b>M 120 D</b>	

## Power Cable

0 302 100 001	<b>R 86-060</b>	
0 302 100 002	<b>R 87-080</b>	
0 302 100 003	<b>R 88-060</b>	
0 302 100 004	<b>R 89-070</b>	
0 302 100 005	<b>R 90-080</b>	
0 302 100 006	<b>R 91-050</b>	
0 302 100 007	<b>R 92-060</b>	
0 302 100 008	<b>R 93-100</b>	
0 302 100 009	<b>R 94-030</b>	
0 302 100 010	<b>R 95-050</b>	
0 302 100 011	<b>R 96-040</b>	
0 302 100 012	<b>R 97-050</b>	
0 302 100 013	<b>R 98-060</b>	
0 302 100 014	<b>R 99-070</b>	
0 302 100 015	<b>R 100-080</b>	
0 302 100 016	<b>R 101-090</b>	
0 302 100 017	<b>R 102-100</b>	
0 302 100 018	<b>R 103-030</b>	
0 302 100 019	<b>R 104-040</b>	
0 302 100 020	<b>R 105-050</b>	
0 302 100 021	<b>R 106-070</b>	
0 302 100 023	<b>R 108-030</b>	
0 302 100 024	<b>R 109-070</b>	
0 302 100 025	<b>R 110-100</b>	
0 302 100 026	<b>R 111-030</b>	
0 302 100 027	<b>R 112-040</b>	
0 302 100 028	<b>R 113-050</b>	
0 302 100 029	<b>R 114-060</b>	
0 302 100 030	<b>R 115-070</b>	
0 302 100 031	<b>R 116-040</b>	
0 302 100 032	<b>R 117-050</b>	
0 302 100 033	<b>R 118-060</b>	
0 302 100 034	<b>R 119-070</b>	
0 302 100 035	<b>R 120-090</b>	
0 302 100 036	<b>R 121-110</b>	
0 302 100 038	<b>R 123-085</b>	
0 302 100 039	<b>R 124-060</b>	
0 302 100 040	<b>R 125-065</b>	
0 302 100 041	<b>R 126-083</b>	
0 302 100 042	<b>R 127-078</b>	
0 302 100 043	<b>R 128-055</b>	
0 302 100 044	<b>R 129-070</b>	
0 302 100 047	<b>R 132-065</b>	
0 302 100 048	<b>R 133-080</b>	
0 302 100 052	<b>R 137-045</b>	
0 302 100 053	<b>R 138-060</b>	
0 302 100 054	<b>R 139-045</b>	
0 302 100 055	<b>R 140-060</b>	
0 302 100 056	<b>R 141-080</b>	
0 302 100 057	<b>R 142-055</b>	
0 302 100 058	<b>R 143-070</b>	
0 302 100 059	<b>R 144-040</b>	
0 302 100 060	<b>R 145-055</b>	
0 302 100 061	<b>R 34-040</b>	
0 302 100 062	<b>R 35-060</b>	
0 302 100 063	<b>R 48-040</b>	
0 302 100 064	<b>R 49-060</b>	
0 302 100 065	<b>R 50-080</b>	
0 302 100 066	<b>R 56-035</b>	
0 302 100 067	<b>R 57-045</b>	
0 302 100 068	<b>R 58-055</b>	
0 302 100 069	<b>R 60-065</b>	
0 302 100 070	<b>R 61-040</b>	
0 302 100 071	<b>R 64-040</b>	

## Power Cable

0 302 100 072	<b>R 68-065</b>	
0 302 100 073	<b>R 69-090</b>	
0 302 100 074	<b>R 71-030</b>	
0 302 100 075	<b>R 122-140</b>	
0 302 100 076	<b>R 30-080</b>	
0 302 100 077	<b>R 36-080</b>	
0 302 100 078	<b>R 54-110</b>	
0 302 100 079	<b>R 72-050</b>	
0 302 100 080	<b>R 73-060</b>	
0 302 100 085	<b>R 150-020</b>	
0 302 100 086	<b>R 151-032</b>	
0 302 100 087	<b>R 152-043</b>	
0 302 100 088	<b>R 153-053</b>	
0 302 100 089	<b>R 154-065</b>	
0 302 100 090	<b>R 155-035</b>	
0 302 100 091	<b>R 156-045</b>	
0 302 100 092	<b>R 157-055</b>	
0 302 100 093	<b>R 158-065</b>	
0 302 100 094	<b>R 159-032</b>	
0 302 100 095	<b>R 160-055</b>	
0 302 100 096	<b>R 161-040</b>	
0 302 100 097	<b>R 162-060</b>	
0 302 100 098	<b>R 163-020</b>	
0 302 100 099	<b>R 164-030</b>	
0 302 100 100	<b>R 165-035</b>	
0 302 100 101	<b>R 166-045</b>	
0 302 100 102	<b>R 167-055</b>	
0 302 100 103	<b>R 168-060</b>	
0 302 100 104	<b>R 169-070</b>	
0 302 100 105	<b>R 170-095</b>	
0 302 100 106	<b>R 171-068</b>	
0 302 100 107	<b>R 172-056</b>	
0 302 100 108	<b>R 173-049</b>	
0 302 100 109	<b>R 174-039</b>	
0 302 100 110	<b>R 175-060</b>	
0 302 100 111	<b>R 176-042</b>	
0 302 100 112	<b>R 177-016</b>	
0 302 100 113	<b>R 178-060</b>	
0 302 100 114	<b>R 179-068</b>	
0 302 100 115	<b>R 180-080</b>	
0 302 100 116	<b>R 181-045</b>	
0 302 100 117	<b>R 182-065</b>	
0 302 100 118	<b>R 183-037</b>	
0 302 100 119	<b>R 184-058</b>	
0 302 100 120	<b>R 185-063</b>	
0 302 100 121	<b>R 186-045</b>	
0 302 100 122	<b>R 187-028</b>	
0 302 100 123	<b>R 188-040</b>	
0 302 100 124	<b>R 189-065</b>	
0 302 100 125	<b>R 190-056</b>	
0 302 100 126	<b>R 191-042</b>	
0 302 100 127	<b>R 192-071</b>	
0 302 100 128	<b>R 193-048</b>	
0 302 100 129	<b>R 194-066</b>	
0 302 100 130	<b>R 195-050</b>	
0 302 100 131	<b>R 196-038</b>	
0 302 100 132	<b>R 197-047</b>	
0 302 100 133	<b>R 198-090</b>	
0 302 100 134	<b>R 199-053</b>	
0 302 100 135	<b>R 200-062</b>	
0 302 100 136	<b>R 201-070</b>	
0 302 100 137	<b>R 202-037</b>	
0 302 100 138	<b>R 203-067</b>	
0 302 100 139	<b>R 204-057</b>	

## Power Cable

0 302 100 140	<b>R 205-038</b>	
0 302 100 141	<b>R 206-024</b>	
0 302 100 142	<b>R 207-038</b>	
0 302 100 143	<b>R 208-046</b>	
0 302 100 144	<b>R 209-052</b>	
0 302 100 145	<b>R 210-040</b>	
0 302 100 146	<b>R 211-040</b>	
0 302 100 147	<b>R 212-062</b>	
0 302 100 148	<b>R 213-030</b>	
0 302 100 149	<b>R 214-027</b>	
0 302 100 150	<b>R 215-040</b>	
0 302 100 151	<b>R 216-052</b>	
0 302 100 152	<b>R 217-062</b>	
0 302 100 153	<b>R 218-070</b>	
0 302 100 154	<b>R 219-080</b>	
0 302 100 155	<b>R 220-035</b>	
0 302 100 156	<b>R 221-050</b>	
0 302 100 157	<b>R 222-060</b>	
0 302 100 158	<b>R 223-060</b>	
0 302 100 159	<b>R 224-077</b>	
0 302 100 160	<b>R 225-068</b>	
0 302 100 161	<b>R 226-060</b>	
0 302 100 162	<b>R 227-070</b>	
0 302 100 163	<b>R 228-038</b>	
0 302 100 164	<b>R 229-052</b>	
0 302 100 165	<b>R 230-048</b>	
0 302 100 166	<b>R 231-035</b>	
0 302 100 167	<b>R 232-029</b>	
0 302 100 168	<b>R 233-047</b>	
0 302 100 169	<b>R 234-075</b>	
0 302 100 170	<b>R 235-025</b>	
0 302 100 171	<b>R 236-035</b>	
0 302 100 172	<b>R 237-045</b>	
0 302 100 173	<b>R 238-050</b>	
0 302 100 174	<b>R 239-020</b>	
0 302 100 175	<b>R 240-030</b>	
0 302 100 176	<b>R 241-045</b>	
0 302 100 177	<b>R 242-020</b>	
0 302 100 178	<b>R 243-025</b>	
0 302 100 179	<b>R 244-040</b>	
0 302 100 180	<b>R 245-043</b>	
0 302 100 181	<b>R 246-053</b>	
0 302 100 182	<b>R 247-063</b>	
0 302 100 183	<b>R 248-073</b>	
0 302 100 184	<b>R 249-066</b>	
0 302 100 185	<b>R 250-075</b>	
0 302 100 186	<b>R 251-085</b>	
0 302 100 187	<b>R 252-095</b>	
0 302 100 188	<b>R 253-100</b>	
0 302 100 189	<b>R 254-045</b>	
0 302 100 190	<b>R 255-050</b>	
0 302 100 191	<b>R 256-065</b>	
0 302 100 192	<b>R 257-080</b>	
0 302 100 193	<b>R 258-040</b>	
0 302 100 194	<b>R 259-055</b>	
0 302 100 195	<b>R 260-070</b>	
0 302 100 196	<b>R 261-036</b>	
0 302 100 197	<b>R 262-058</b>	
0 302 100 198	<b>R 263-070</b>	
0 302 100 199	<b>R 264-024</b>	
0 302 100 200	<b>R 265-040</b>	
0 302 100 201	<b>R 266-025</b>	
0 302 100 202	<b>R 267-040</b>	
0 302 100 203	<b>R 268-055</b>	

## Power Cable

0 302 100 204	<b>R 269-065</b>	
0 302 100 205	<b>R 270-040</b>	
0 302 100 206	<b>R 271-047</b>	
0 302 100 207	<b>R 272-058</b>	
0 302 100 208	<b>R 273-068</b>	
0 302 100 209	<b>R 274-030</b>	
0 302 100 210	<b>R 275-040</b>	
0 302 100 211	<b>R 276-057</b>	
0 302 100 212	<b>R 277-030</b>	
0 302 100 213	<b>R 278-040</b>	
0 302 100 214	<b>R 279-053</b>	
0 302 100 215	<b>R 280-057</b>	
0 302 100 216	<b>R 281-063</b>	
0 302 100 217	<b>R 282-032</b>	
0 302 100 218	<b>R 283-046</b>	
0 302 100 219	<b>R 284-060</b>	
0 302 100 220	<b>R 285-040</b>	
0 302 100 221	<b>R 286-058</b>	
0 302 100 224	<b>R 80-076 S</b>	
0 302 100 225	<b>R 81-065 S</b>	
0 302 100 226	<b>R 82-086 S</b>	
0 302 100 227	<b>R 83-050 S</b>	
0 302 100 228	<b>R 84-060 S</b>	
0 302 100 229	<b>R 85-070 S</b>	
0 302 100 230	<b>R 86-060 S</b>	
0 302 100 231	<b>R 87-080 S</b>	
0 302 100 232	<b>R 88-060 S</b>	
0 302 100 233	<b>R 89-070 S</b>	
0 302 100 234	<b>R 90-080 S</b>	
0 302 100 235	<b>R 93-100 S</b>	
0 302 100 236	<b>R 94-030 S</b>	
0 302 100 237	<b>R 95-050 S</b>	
0 302 100 238	<b>R 96-040 S</b>	
0 302 100 239	<b>R 97-050 S</b>	
0 302 100 240	<b>R 99-070 S</b>	
0 302 100 241	<b>R 100-080 S</b>	
0 302 100 242	<b>R 108-030 S</b>	
0 302 100 243	<b>R 109-070 S</b>	
0 302 100 244	<b>R 110-100 S</b>	
0 302 100 245	<b>R 111-030 S</b>	
0 302 100 246	<b>R 112-040 S</b>	
0 302 100 247	<b>R 113-050 S</b>	
0 302 100 248	<b>R 123-085 S</b>	
0 302 100 249	<b>R 150-020 S</b>	
0 302 100 250	<b>R 151-032 S</b>	
0 302 100 251	<b>R 152-043 S</b>	
0 302 100 252	<b>R 153-053 S</b>	
0 302 100 253	<b>R 154-065 S</b>	
0 302 100 254	<b>R 155-035 S</b>	
0 302 100 255	<b>R 156-045 S</b>	
0 302 100 256	<b>R 157-055 S</b>	
0 302 100 257	<b>R 158-065 S</b>	
0 302 100 258	<b>R 159-032 S</b>	
0 302 100 259	<b>R 160-055 S</b>	
0 302 100 260	<b>R 161-040 S</b>	
0 302 100 261	<b>R 162-060 S</b>	
0 302 100 262	<b>R 163-020 S</b>	
0 302 100 263	<b>R 164-030 S</b>	
0 302 100 264	<b>R 165-035 S</b>	
0 302 100 265	<b>R 166-045 S</b>	
0 302 100 266	<b>R 167-055 S</b>	
0 302 100 267	<b>R 168-060 S</b>	
0 302 100 268	<b>R 169-070 S</b>	
0 302 100 269	<b>R 210-040 S</b>	

## Power Cable

0 302 100 270	<b>R 211-040 S</b>	
0 302 100 271	<b>R 212-062 S</b>	
0 302 100 272	<b>R 214-027 S</b>	
0 302 100 273	<b>R 213-030 S</b>	
0 302 100 274	<b>R 215-040 S</b>	
0 302 100 275	<b>R 216-052 S</b>	
0 302 100 276	<b>R 217-062 S</b>	
0 302 100 277	<b>R 218-070 S</b>	
0 302 100 278	<b>R 219-080 S</b>	
0 302 100 279	<b>R 220-035 S</b>	
0 302 100 280	<b>R 221-050 S</b>	
0 302 100 281	<b>R 222-060 S</b>	
0 302 100 282	<b>R 289-033</b>	
0 302 100 283	<b>R 290-040</b>	
0 302 100 286	<b>R 293-030</b>	
0 302 100 287	<b>R 294-040</b>	
0 302 100 288	<b>R 295-060</b>	
0 302 100 289	<b>R 296-065</b>	
0 302 100 290	<b>R 297-045</b>	
0 302 100 291	<b>R 298-070</b>	
0 302 100 292	<b>R 299-057</b>	
0 302 100 294	<b>R 301-044</b>	
0 302 100 295	<b>R 302-030</b>	
0 302 100 296	<b>R 303-023</b>	
0 302 100 297	<b>R 304-015</b>	
0 302 100 301	<b>R 308-030</b>	
0 302 100 302	<b>R 309-038</b>	
0 302 100 303	<b>R 310-045</b>	
0 302 100 304	<b>R 311-051</b>	
0 302 100 305	<b>R 312-038</b>	
0 302 100 306	<b>R 313-045</b>	
0 302 100 307	<b>R 314-052</b>	
0 302 100 308	<b>R 315-030</b>	
0 302 100 309	<b>R 316-045</b>	
0 302 100 310	<b>R 317-055</b>	
0 302 100 311	<b>R 318-027</b>	
0 302 100 312	<b>R 319-045</b>	
0 302 100 313	<b>R 320-056</b>	
0 302 100 314	<b>R 321-060</b>	
0 302 100 315	<b>R 322-070</b>	
0 302 100 316	<b>R 323-082</b>	
0 302 100 317	<b>R 324-092</b>	
0 302 100 318	<b>R 325-050</b>	
0 302 100 319	<b>R 326-060</b>	
0 302 100 320	<b>R 327-083</b>	
0 302 100 321	<b>R 328-060</b>	
0 302 100 322	<b>R 329-032</b>	
0 302 100 323	<b>R 330-043</b>	
0 302 100 324	<b>R 331-065</b>	
0 302 100 325	<b>R 332-025</b>	
0 302 100 326	<b>R 333-038</b>	
0 302 100 327	<b>R 334-045</b>	
0 302 100 328	<b>R 335-050</b>	
0 302 100 329	<b>R 336-060</b>	
0 302 100 330	<b>R 337-015</b>	
0 302 100 331	<b>R 338-030</b>	
0 302 100 332	<b>R 339-030</b>	
0 302 100 333	<b>R 340-040</b>	
0 302 100 334	<b>R 104-040 S</b>	
0 302 100 335	<b>R 105-050 S</b>	
0 302 100 336	<b>R 114-060 S</b>	
0 302 100 337	<b>R 115-070 S</b>	
0 302 100 338	<b>R 341-035</b>	
0 302 100 339	<b>R 342-044</b>	

## Power Cable

0 302 100 340	<b>R 343-059</b>	
0 302 100 341	<b>R 344-064</b>	
0 302 100 342	<b>R 345-031</b>	
0 302 100 343	<b>R 346-039</b>	
0 302 100 344	<b>R 347-059</b>	
0 302 100 345	<b>R 348-040</b>	
0 302 100 346	<b>R 349-076</b>	
0 302 100 347	<b>R 350-082</b>	
0 302 100 348	<b>R 351-088</b>	
0 302 100 349	<b>R 352-093</b>	
0 302 100 350	<b>R 353-018</b>	
0 302 100 351	<b>R 354-030</b>	
0 302 100 352	<b>R 355-040</b>	
0 302 100 355	<b>R 358-032</b>	
0 302 100 356	<b>R 359-040</b>	
0 302 100 357	<b>R 360-058</b>	
0 302 100 358	<b>R 361-065</b>	
0 302 100 359	<b>R 362-046</b>	
0 302 100 360	<b>R 363-065</b>	
0 302 100 372	<b>R 375-062</b>	
0 302 100 384	<b>R 387-055</b>	
0 302 100 385	<b>R 388-060</b>	
0 302 100 386	<b>R 389-072</b>	
0 302 100 387	<b>R 390-084</b>	
0 302 100 388	<b>R 391-037</b>	
0 302 100 389	<b>R 392-011</b>	
0 302 100 390	<b>R 393-025</b>	
0 302 100 391	<b>R 394-034</b>	
0 302 100 392	<b>R 395-043</b>	
0 302 100 398	<b>R 400-032</b>	
0 302 100 399	<b>R 401-038</b>	
0 302 100 400	<b>R 402-023</b>	
0 302 100 401	<b>R 403-036</b>	
0 302 100 402	<b>R 404-044</b>	
0 302 100 411	<b>R 413-071</b>	
0 302 100 412	<b>R 414-040</b>	
0 302 100 413	<b>R 415-056</b>	
0 302 100 414	<b>R 416-023</b>	
0 302 100 415	<b>R 417-024</b>	
0 302 100 422	<b>R 422-037</b>	
0 302 100 423	<b>R 423-042</b>	
0 302 100 424	<b>R 424-022</b>	
0 302 100 425	<b>R 425-047</b>	
0 302 101 030	<b>R 7-030</b>	
0 302 101 040	<b>R 4-040</b>	
0 302 101 050	<b>R 3-050</b>	
0 302 101 060	<b>R 1-060</b>	
0 302 101 070	<b>R 6-070</b>	
0 302 101 080	<b>R 9-080</b>	
0 302 101 090	<b>R 29-090</b>	
0 302 101 100	<b>R 46-100</b>	
0 302 102 030	<b>R 21-030</b>	
0 302 102 040	<b>R 27-040</b>	
0 302 102 050	<b>R 23-050</b>	
0 302 102 060	<b>R 22-060</b>	
0 302 102 070	<b>R 40-070</b>	
0 302 102 090	<b>R 51-090</b>	
0 302 103 030	<b>R 10-030</b>	
0 302 103 040	<b>R 2-040</b>	
0 302 103 050	<b>R 5-050</b>	
0 302 103 060	<b>R 18-060</b>	
0 302 103 070	<b>R 24-070</b>	
0 302 103 090	<b>R 43-090</b>	
0 302 104 030	<b>R 14-030</b>	

## Power Cable

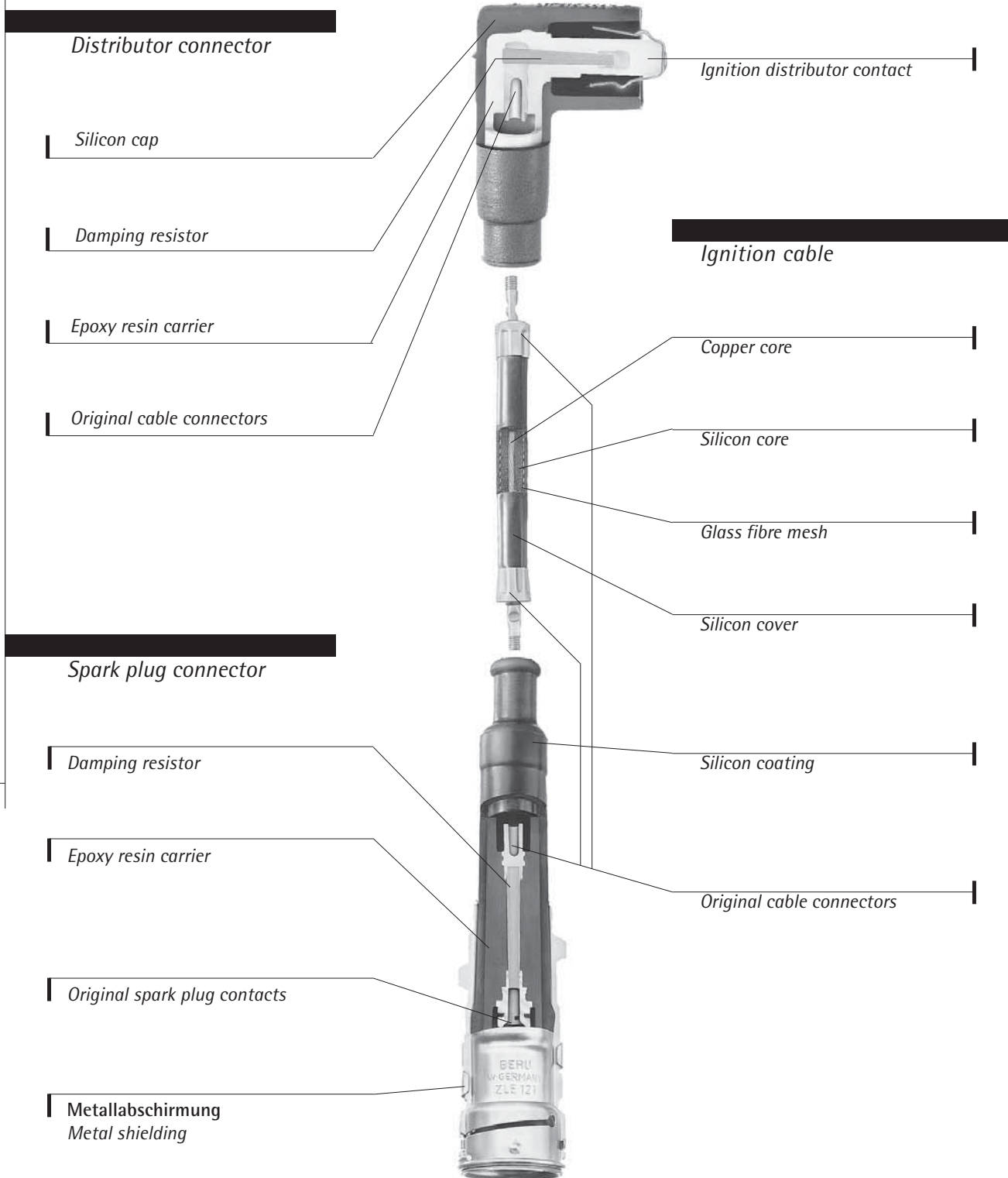
0 302 104 040	<b>R 16-040</b>	
0 302 104 050	<b>R 12-050</b>	
0 302 104 060	<b>R 8-060</b>	
0 302 104 070	<b>R 11-070</b>	
0 302 104 080	<b>R 13-080</b>	
0 302 104 090	<b>R 28-090</b>	
0 302 104 100	<b>R 47-100</b>	
0 302 105 028	<b>R 55-028</b>	
0 302 107 030	<b>R 59-030</b>	
0 302 107 043	<b>R 41-043</b>	
0 302 107 050	<b>R 38-050</b>	
0 302 107 060	<b>R 39-060</b>	
0 302 107 070	<b>R 37-070</b>	
0 302 107 090	<b>R 52-090</b>	
0 302 107 110	<b>R 65-110</b>	
0 302 109 050	<b>R 25-050</b>	
0 302 109 060	<b>R 26-060</b>	
0 302 109 070	<b>R 31-070</b>	
0 302 109 080	<b>R 33-080</b>	
0 302 110 050	<b>R 70-050</b>	
0 302 110 070	<b>R 62-070</b>	
0 302 110 080	<b>R 63-080</b>	
0 302 111 100	<b>R 80-076</b>	
0 302 111 101	<b>R 81-065</b>	
0 302 111 102	<b>R 82-086</b>	
0 302 111 103	<b>R 83-050</b>	
0 302 111 104	<b>R 84-060</b>	
0 302 111 105	<b>R 85-070</b>	
0 302 112 050	<b>R 53-050</b>	
0 302 112 060	<b>R 42-060</b>	
0 302 112 070	<b>R 44-070</b>	
0 302 112 080	<b>R 45-080</b>	
0 302 113 045	<b>R 19-045</b>	
0 302 113 055	<b>R 17-055</b>	
0 302 113 065	<b>R 15-065</b>	
0 302 113 075	<b>R 32-075</b>	
0 302 113 105	<b>R 20-105</b>	

# CopperCable

Klasse/Class

F (DIN ISO 3808)

Copper individual ignition cables for nearly all models from Alfa Romeo, Audi, BMW, Fiat, Lancia, Mercedes-Benz, Opel, Seat and Volkswagen. CopperCables correspond to the original version.





## BMW Connector Systems

*Tip when installing in BMW with pulse timer for the 4 or 6 cylinder versions*

*On 4 cylinder engines an induction timer is fitted to the ignition cable of the 4th cylinder, on 6 cylinder engines this is fitted to the ignition cable of the 6th cylinder.*

*When replacing cables, save the time-consuming and costly work of refining on ignition cable with a built-in pulse timer. Your customer will be grateful to you for the roughly forty Euros he saves.*



**1** Just remove the defective cable only.



**2** Unscrew the ignition distributor plug on the new CopperCable (spray with installation oil).



**3** Drill 8 mm hole on the pulse timer (turn drill by hand).










**4** The ignition cable with the M3 connection can now be pushed through the pulse timer.

















**5** Now lubricate the ignition cable with installation oil.

















**6** Finally, screw on the ignition distributor connector of the CopperCable.








				
			cm	
<b>B 100 A</b>	0 300 811 370	45		
<b>B 100 B</b>	0 300 811 371	63		
<b>B 100 C</b>	0 300 811 372	75		
<b>B 100 D</b>	0 300 811 373	84		
<b>B 100 E</b>	0 300 811 374	93		








				
			cm	
<b>B 104 A</b>	0 300 811 354	61		
<b>B 104 B</b>	0 300 811 355	95		
<b>B 104 C</b>	0 300 811 356	123		
<b>B 104 D</b>	0 300 811 357	133		








				
			cm	
<b>B 101 A</b>	0 300 811 366	56		
<b>B 101 B</b>	0 300 811 367	76		
<b>B 101 C</b>	0 300 811 368	85		
<b>B 101 D</b>	0 300 811 369	92		

				
			cm	
<b>B 105 A</b>	0 300 811 375	115		
<b>B 105 B</b>	0 300 811 376	84		

				
			cm	
<b>B 102 A</b>	0 300 811 362	35		
<b>B 102 B</b>	0 300 811 363	45		
<b>B 102 C</b>	0 300 811 364	56		
<b>B 102 D</b>	0 300 811 365	65		

				
			cm	
<b>B 106 A</b>	0 300 811 350	79		

				
			cm	
<b>B 103 A</b>	0 300 811 358	50		
<b>B 103 B</b>	0 300 811 359	65		
<b>B 103 C</b>	0 300 811 360	80		
<b>B 103 D</b>	0 300 811 361	95		

				
			cm	
<b>B 107 A</b>	0 300 811 352	72		

			 cm	

**B 108 A**      0 300 811 351      68

			 cm	

**B 112 A**      0 300 811 995      37  
**B 112 B**      0 300 811 996      44

			 cm	

**B 109 A**      0 300 811 353      60

			 cm	

**B 113 A**      0 300 812 055      93  
**B 114 A**      0 300 812 057      92  
**B 115 A**      0 300 812 058      65  
**B 115 B**      0 300 812 059      55

			 cm	

**B 110 A**      0 300 811 916      75  
**B 110 B**      0 300 811 917      90  
**B 110 C**      0 300 811 918      95  
**B 110 D**      0 300 811 919      105

			 cm	

**GF 100 A**      0 300 811 786      48  
**GF 100 B**      0 300 811 787      58  
**GF 100 C**      0 300 811 788      68  
**GF 100 D**      0 300 811 789      75  
**GF 100 E**      0 300 811 790      88

			 cm	

**B 111 A**      0 300 811 920      30  
**B 111 B**      0 300 811 921      37

			 cm	

**GF 101 A**      0 300 811 791      63  
**GF 101 B**      0 300 811 792      120

			cm	
<b>GF 102 A</b>	0 300 811 793	55		
<b>GF 102 B</b>	0 300 811 794	65		
<b>GF 102 C</b>	0 300 811 795	75		
<b>GF 102 D</b>	0 300 811 796	85		

			cm	
<b>GF 107 A</b>	0 300 811 907	36		
<b>GF 107 B</b>	0 300 811 908	52		
<b>GF 107 C</b>	0 300 811 909	65		

			cm	
<b>GF 103 A</b>	0 300 811 797	55		

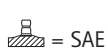
			cm	
<b>GF 108 A</b>	0 300 811 910	55		
<b>GF 108 B</b>	0 300 811 911	60		
<b>GF 108 C</b>	0 300 811 912	70		

			cm	
<b>GF 105 A</b>	0 300 811 799	37		
<b>GF 105 B</b>	0 300 811 800	65		

			cm	
<b>GF 109 A</b>	0 300 811 913	28		

			cm	
<b>GF 106 A</b>	0 300 811 904	45		
<b>GF 106 B</b>	0 300 811 905	55		
<b>GF 106 C</b>	0 300 811 906	65		

			cm	
<b>GF 110 A</b>	0 300 811 933	33		
<b>GF 110 B</b>	0 300 811 934	47		
<b>GF 110 C</b>	0 300 811 935	60		



			cm	
<b>GF 111 A</b>	0 300 811 981	35		
<b>GF 111 B</b>	0 300 811 982	46		
<b>GF 111 C</b>	0 300 811 983	65		
<b>GF 111 D</b>	0 300 811 984	73		

			cm	
<b>M 108 A</b>	0 300 811 386	48		
<b>M 108 B</b>	0 300 811 387	71		
<b>M 108 C</b>	0 300 811 388	96		
<b>M 108 D</b>	0 300 811 389	107		
<b>M 108 E</b>	0 300 811 390	122		

			cm	
<b>GF 112 A</b>	0 300 811 987	15		
<b>GF 112 B</b>	0 300 811 988	34		






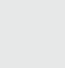


			cm	
<b>M 109 A</b>	0 300 811 391	58		
<b>M 109 B</b>	0 300 811 392	68		
<b>M 109 C</b>	0 300 811 393	85		
<b>M 109 D</b>	0 300 811 394	96		
<b>M 109 E</b>	0 300 811 395	108		








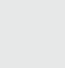
			cm	
<b>M 106 A</b>	0 300 811 377	46		
<b>M 106 B</b>	0 300 811 378	95		
<b>M 106 C</b>	0 300 811 379	60		
<b>M 106 E</b>	0 300 811 381	111		








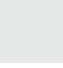
			cm	
<b>M 110 A</b>	0 300 811 396	48		
<b>M 110 B</b>	0 300 811 397	56		
<b>M 110 C</b>	0 300 811 398	65		
<b>M 110 D</b>	0 300 811 399	77		
<b>M 110 E</b>	0 300 811 400	87		
<b>M 110 F</b>	0 300 811 401	100		
<b>M 110 G</b>	0 300 811 402	122		








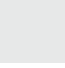
			cm	
<b>M 107 A</b>	0 300 811 382	72		
<b>M 107 B</b>	0 300 811 383	88		
<b>M 107 C</b>	0 300 811 384	100		
<b>M 107 D</b>	0 300 811 385	55		








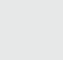
			cm	
<b>M 111 A</b>	0 300 811 403	80		
<b>M 111 B</b>	0 300 811 404	56		
<b>M 111 C</b>	0 300 811 405	91		








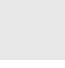
				
			cm	
<b>M 112 A</b>	0 300 811 406	80		








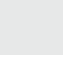
				
			cm	
<b>M 116 A</b>	0 300 811 598	48		
<b>M 116 B</b>	0 300 811 599	69		








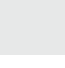
				
			cm	
<b>M 113 A</b>	0 300 811 407	43		
<b>M 113 B</b>	0 300 811 408	62		

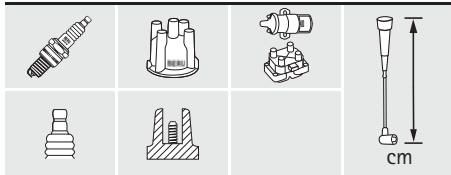
				
			cm	
<b>M 118 A</b>	0 300 811 447	45		
<b>M 118 B</b>	0 300 811 446	50		

				
			cm	
<b>M 114 A</b>	0 300 811 409	100		
<b>M 114 B</b>	0 300 811 410	91		
<b>M 114 C</b>	0 300 811 411	72		
<b>M 114 D</b>	0 300 811 412	58		
<b>M 114 E</b>	0 300 811 413	43		

				
			cm	
<b>M 119 A</b>	0 300 812 000	53		
<b>M 119 B</b>	0 300 812 001	73		
<b>M 119 C</b>	0 300 812 002	90		
<b>M 119 D</b>	0 300 812 003	96		
<b>M 119 E</b>	0 300 812 004	110		

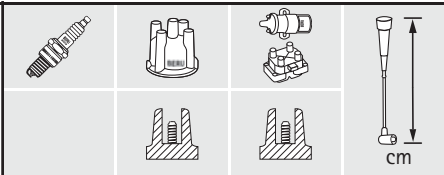
				
			cm	
<b>M 115 A</b>	0 300 811 596	59		
<b>M 115 B</b>	0 300 811 597	64		

				
			cm	
<b>M 120 A</b>	0 300 812 048	27		
<b>M 120 B</b>	0 300 812 049	32		
<b>M 120 C</b>	0 300 812 119	36		
<b>M 120 D</b>	0 300 812 120	34		



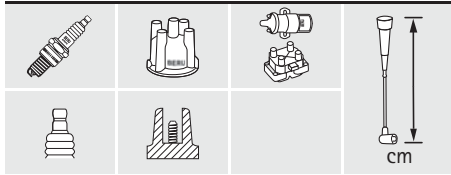
**M 121 A** 0 300 812 084  
**M 121 B** 0 300 812 085

23  
47



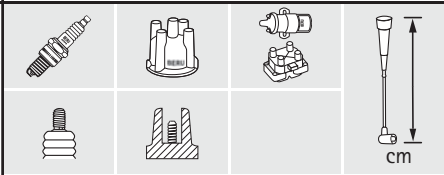
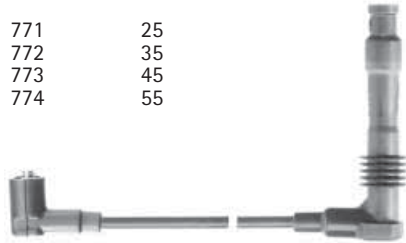
**OP 103 A** 0 300 811 780

50



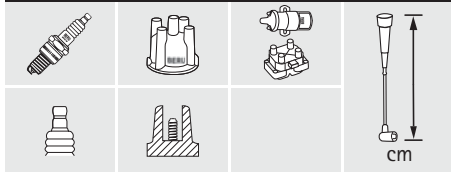
**OP 100 A** 0 300 811 771  
**OP 100 B** 0 300 811 772  
**OP 100 C** 0 300 811 773  
**OP 100 D** 0 300 811 774

25  
35  
45  
55



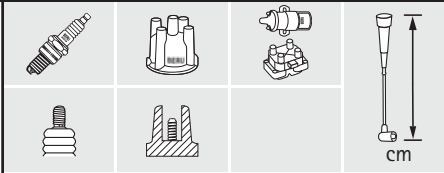
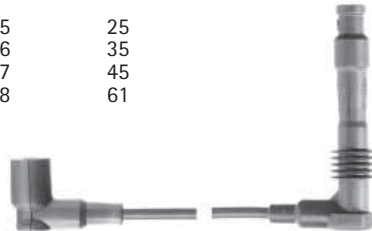
**VA 115 A** 0 300 811 480  
**VA 115 B** 0 300 811 481  
**VA 115 C** 0 300 811 482  
**VA 115 D** 0 300 811 483  
**VA 115 E** 0 300 811 484

30  
40  
50  
60  
70



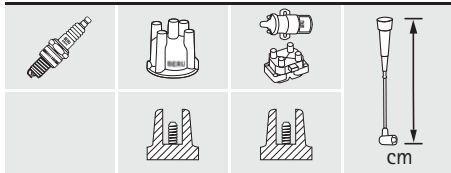
**OP 101 A** 0 300 811 775  
**OP 101 B** 0 300 811 776  
**OP 101 C** 0 300 811 777  
**OP 101 D** 0 300 811 778

25  
35  
45  
61



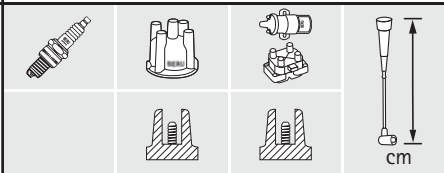
**VA 116 A** 0 300 811 485  
**VA 116 B** 0 300 811 486  
**VA 116 C** 0 300 811 487  
**VA 116 D** 0 300 811 488  
**VA 116 E** 0 300 811 489

40  
50  
60  
70  
80



**OP 102 A** 0 300 811 779






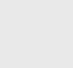


30








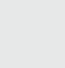





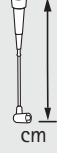
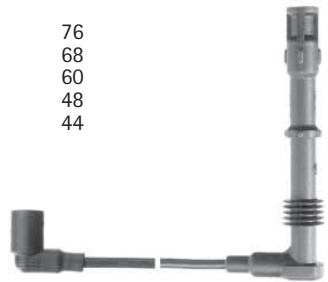


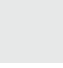
**VA 117 A** 0 300 811 490  
**VA 117 B** 0 300 811 491








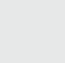
40  
60








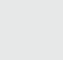









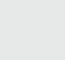
				
			cm	
<b>VA 118 A</b>	0 300 811 492	30		
<b>VA 118 B</b>	0 300 811 493	40		
<b>VA 118 C</b>	0 300 811 494	60		





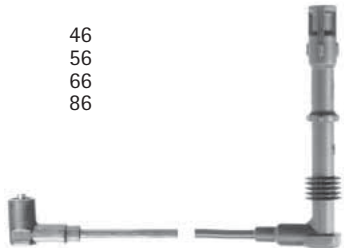


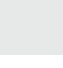
				
			cm	
<b>VA 123 A</b>	0 300 811 801	32		
<b>VA 123 B</b>	0 300 811 802	42		
<b>VA 123 C</b>	0 300 811 803	55		
<b>VA 123 D</b>	0 300 811 804	65		





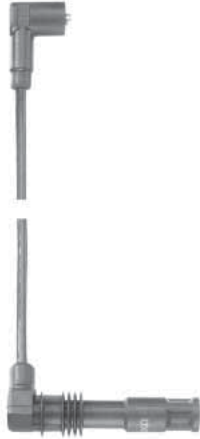


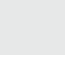
				
			cm	
<b>VA 120 A</b>	0 300 811 717	76		
<b>VA 120 B</b>	0 300 811 718	68		
<b>VA 120 C</b>	0 300 811 719	60		
<b>VA 120 D</b>	0 300 811 975	48		
<b>VA 120 E</b>	0 300 811 976	44		

				
			cm	
<b>VA 124 A</b>	0 300 811 859	76		
<b>VA 124 B</b>	0 300 811 860	82		

				
			cm	
<b>VA 121 A</b>	0 300 811 764	48		
<b>VA 121 B</b>	0 300 811 765	35		
<b>VA 121 C</b>	0 300 811 766	28		

				
			cm	
<b>VA 125 A</b>	0 300 811 861	66		
<b>VA 125 B</b>	0 300 811 862	74		
<b>VA 125 C</b>	0 300 811 863	89		

				
			cm	
<b>VA 122 A</b>	0 300 811 782	46		
<b>VA 122 B</b>	0 300 811 783	56		
<b>VA 122 C</b>	0 300 811 784	66		
<b>VA 122 D</b>	0 300 811 785	86		

				
			cm	
<b>VA 126 A</b>	0 300 811 897	55		
<b>VA 126 B</b>	0 300 811 898	45		
<b>VA 126 C</b>	0 300 811 899	40		
<b>VA 126 D</b>	0 300 811 900	35		



<b>VA 127 A</b>	0 300 811 901	66		
<b>VA 127 B</b>	0 300 811 902	47		
<b>VA 127 C</b>	0 300 811 903	27		
<b>VA 127 D</b>	0 300 812 072	78		

<b>VA 132 A</b>	0 300 811 948	58		
<b>VA 132 B</b>	0 300 811 949	71		
<b>VA 132 C</b>	0 300 811 950	87		
<b>VA 132 D</b>	0 300 811 951	98		

<b>VA 128 A</b>	0 300 811 928	70		
<b>VA 128 B</b>	0 300 811 977	60		
<b>VA 128 C</b>	0 300 811 978	50		
<b>VA 128 D</b>	0 300 811 979	40		
<b>VA 128 E</b>	0 300 811 980	30		








<b>VA 133 A</b>	0 300 811 960	33		
<b>VA 133 B</b>	0 300 811 961	45		
<b>VA 133 C</b>	0 300 811 962	55		
<b>VA 133 D</b>	0 300 811 963	66		








<b>VA 129 A</b>	0 300 811 929	54		
<b>VA 129 B</b>	0 300 811 930	65		
<b>VA 129 C</b>	0 300 811 931	78		
<b>VA 129 D</b>	0 300 811 932	90		








<b>VA 134 A</b>	0 300 811 964	55		
<b>VA 134 B</b>	0 300 811 965	70		
<b>VA 134 C</b>	0 300 811 966	85		
<b>VA 134 D</b>	0 300 811 967	100		

<b>VA 130 A</b>	0 300 811 922	60		
<b>VA 130 B</b>	0 300 811 923	66		
<b>VA 130 C</b>	0 300 811 924	86		

<b>VA 135 A</b>	0 300 811 968	56		
<b>VA 135 B</b>	0 300 811 969	83		
<b>VA 135 C</b>	0 300 811 970	96		

			 cm	
				
<b>VA 136 A</b>	0 300 811 971	62		
<b>VA 136 B</b>	0 300 811 972	84		

			 cm	
				
<b>VA 137 A</b>	0 300 811 973	30		
<b>VA 137 B</b>	0 300 811 974	50		

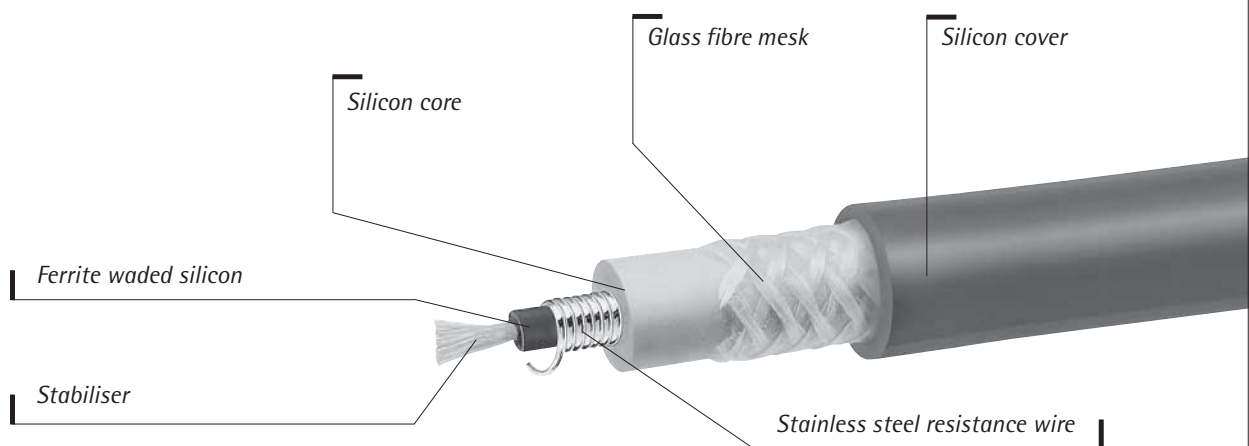
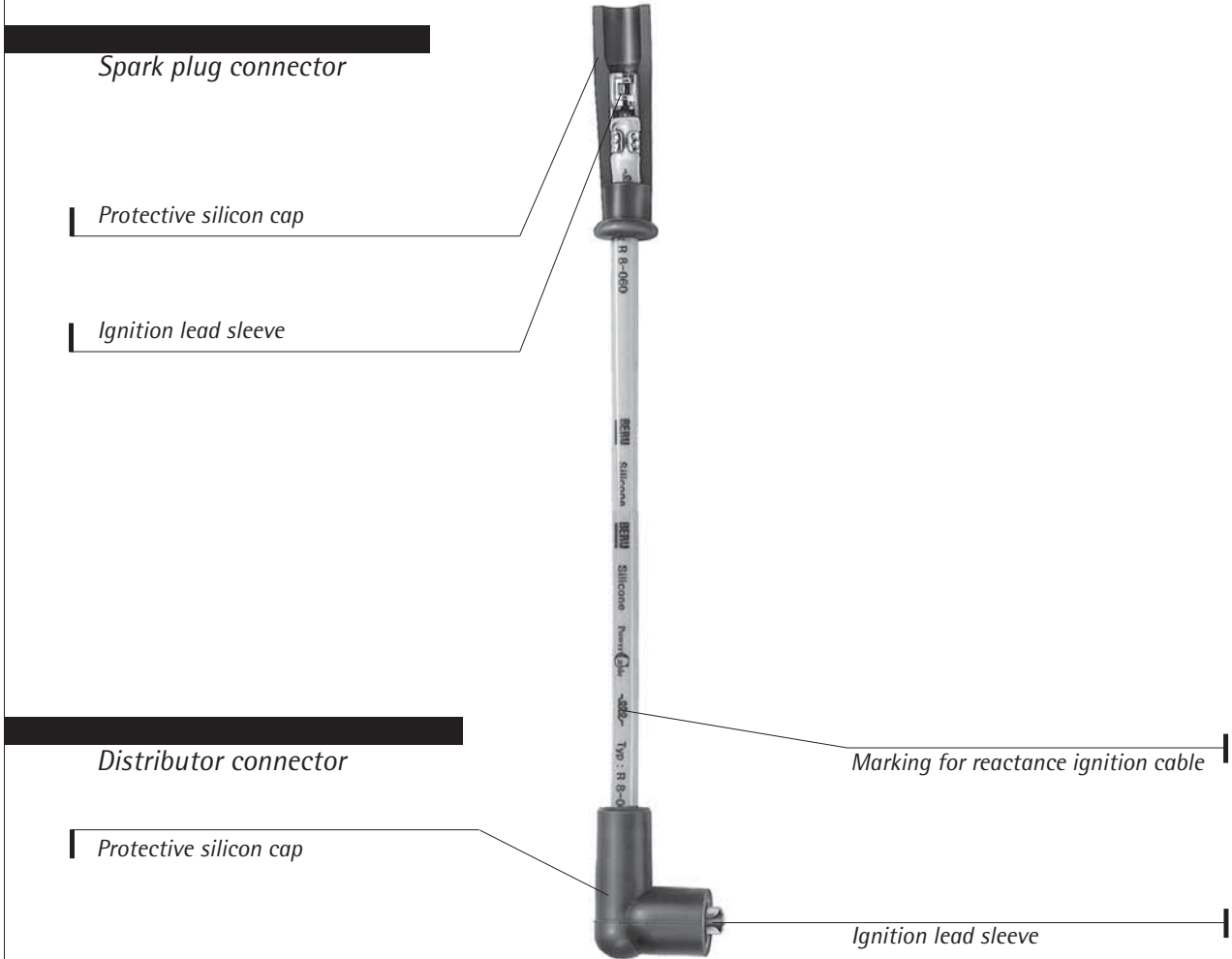
			 cm	
				
<b>VA 138 A</b>	0 300 811 994	30		




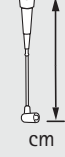



# PowerCable








Klasse/Class




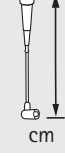

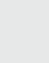


F (DIN ISO 3808)








Resistor individual ignition cables for vehicles with resistor ignition technology  
(reactive 5.6 k $\Omega$ /m / 9,8 k $\Omega$ /m).




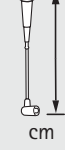












				
			cm	
<b>R 7</b>	0 302 101 030		30	
<b>R 4</b>	0 302 101 040		40	
<b>R 3</b>	0 302 101 050		50	
<b>R 1</b>	0 302 101 060		60	
<b>R 6</b>	0 302 101 070		70	
<b>R 9</b>	0 302 101 080		80	
<b>R 29</b>	0 302 101 090		90	
<b>R 46</b>	0 302 101 100		100	




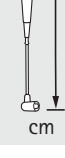



				
			cm	
<b>R 21</b>	0 302 102 030		30	
<b>R 27</b>	0 302 102 040		40	
<b>R 23</b>	0 302 102 050		50	
<b>R 22</b>	0 302 102 060		60	
<b>R 40</b>	0 302 102 070		70	
<b>R 51</b>	0 302 102 090		90	







				
			cm	
<b>R 10</b>	0 302 103 030		30	
<b>R 2</b>	0 302 103 040		40	
<b>R 5</b>	0 302 103 050		50	
<b>R 18</b>	0 302 103 060		60	
<b>R 24</b>	0 302 103 070		70	
<b>R 43</b>	0 302 103 090		90	
<b>R 54</b>	0 302 100 078		110	

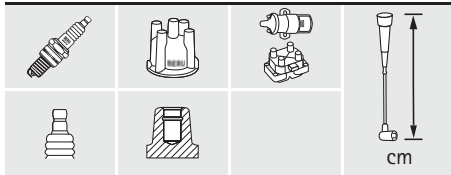
				
			cm	
<b>R 25</b>	0 302 109 050		50	
<b>R 26</b>	0 302 109 060		60	
<b>R 31</b>	0 302 109 070		70	
<b>R 33</b>	0 302 109 080		80	

				
			cm	
<b>R 14</b>	0 302 104 030		30	
<b>R 16</b>	0 302 104 040		40	
<b>R 12</b>	0 302 104 050		50	
<b>R 8</b>	0 302 104 060		60	
<b>R 11</b>	0 302 104 070		70	
<b>R 13</b>	0 302 104 080		80	
<b>R 28</b>	0 302 104 090		90	
<b>R 47</b>	0 302 104 100		100	

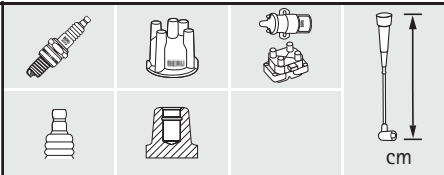
				
			cm	
<b>R 34</b>	0 302 100 061		40	
<b>R 35</b>	0 302 100 062		60	
<b>R 36</b>	0 302 100 077		80	

				
			cm	
<b>R 19</b>	0 302 113 045		45	
<b>R 17</b>	0 302 113 055		55	
<b>R 15</b>	0 302 113 065		65	
<b>R 32</b>	0 302 113 075		75	
<b>R 20</b>	0 302 113 105		105	

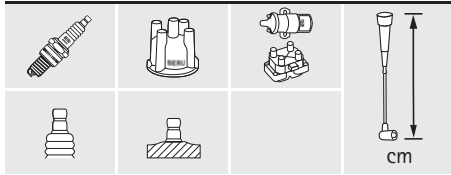
				
			cm	
<b>R 56</b>	0 302 100 066		35	
<b>R 57</b>	0 302 100 067		45	
<b>R 58</b>	0 302 100 068		55	
<b>R 60</b>	0 302 100 069		65	
<b>R 30</b>	0 302 100 076		80	



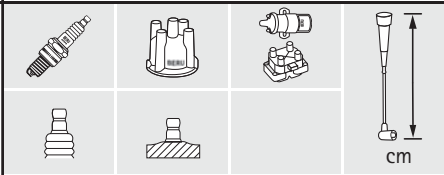
<b>R 59</b>	0 302 107 030	30
<b>R 41</b>	0 302 107 043	43
<b>R 38</b>	0 302 107 050	50
<b>R 39</b>	0 302 107 060	60
<b>R 37</b>	0 302 107 070	70
<b>R 52</b>	0 302 107 090	90
<b>R 65</b>	0 302 107 110	110



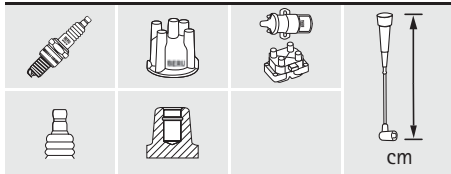
<b>R 61</b>	0 302 100 070	40
<b>R 70</b>	0 302 110 050	50
<b>R 62</b>	0 302 110 070	70
<b>R 63</b>	0 302 110 080	80



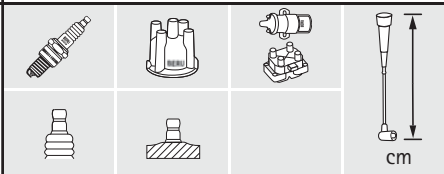
<b>R 53</b>	0 302 112 050	50
<b>R 42</b>	0 302 112 060	60
<b>R 44</b>	0 302 112 070	70
<b>R 45</b>	0 302 112 080	80



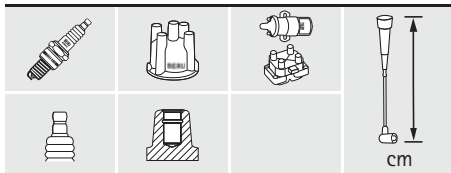
<b>R 64</b>	0 302 100 071	40
<b>R 68</b>	0 302 100 072	65



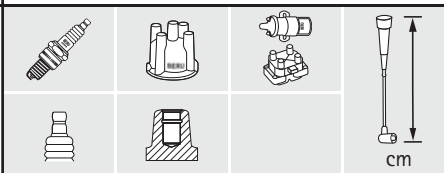
<b>R 48</b>	0 302 100 063	40
<b>R 49</b>	0 302 100 064	60
<b>R 50</b>	0 302 100 065	80



<b>R 71</b>	0 302 100 074	30
<b>R 72</b>	0 302 100 079	50
<b>R 73</b>	0 302 100 080	60

















<b>R 55</b>	0 302 105 028	28
-------------	---------------	----

















<b>R 81</b>	0 302 111 101	65
<b>R 81 S</b>	0 302 100 225	65
<b>R 80</b>	0 302 111 100	76
<b>R 80 S</b>	0 302 100 224	76
<b>R 82</b>	0 302 111 102	86
<b>R 82 S</b>	0 302 100 226	86

















				
			cm	
<b>R 83</b>	0 302 111 103		50	
<b>R 83 S</b>	0 302 100 227		50	
<b>R 84</b>	0 302 111 104		60	
<b>R 84 S</b>	0 302 100 228		60	
<b>R 85</b>	0 302 111 105		70	
<b>R 85 S</b>	0 302 100 229		70	
<b>R 123</b>	0 302 100 038		85	
<b>R 123 S</b>	0 302 100 248		85	








				
			cm	
<b>R 94</b>	0 302 100 009		30	
<b>R 94 S</b>	0 302 100 236		30	
<b>R 95</b>	0 302 100 010		50	
<b>R 95 S</b>	0 302 100 237		50	








				
			cm	
<b>R 86</b>	0 302 100 001		60	
<b>R 86 S</b>	0 302 100 230		60	
<b>R 87</b>	0 302 100 002		80	
<b>R 87 S</b>	0 302 100 231		80	

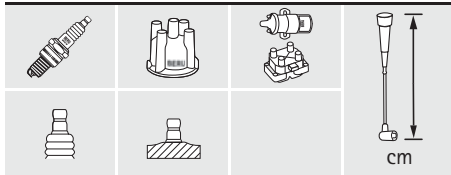
				
			cm	
<b>R 96</b>	0 302 100 011		40	
<b>R 96 S</b>	0 302 100 238		40	
<b>R 97</b>	0 302 100 012		50	
<b>R 97 S</b>	0 302 100 239		50	
<b>R 99</b>	0 302 100 014		70	
<b>R 99 S</b>	0 302 100 240		70	
<b>R 100</b>	0 302 100 015		80	
<b>R 100 S</b>	0 302 100 241		80	
<b>R 101</b>	0 302 100 016		90	
<b>R 102</b>	0 302 100 017		100	

				
			cm	
<b>R 88</b>	0 302 100 003		60	
<b>R 88 S</b>	0 302 100 232		60	
<b>R 89</b>	0 302 100 004		70	
<b>R 89 S</b>	0 302 100 233		70	
<b>R 90</b>	0 302 100 005		80	
<b>R 90 S</b>	0 302 100 234		80	

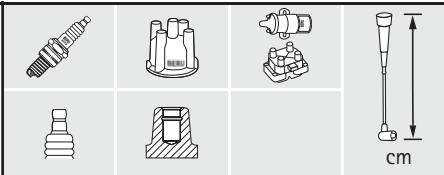
				
			cm	
<b>R 103</b>	0 302 100 018		30	
<b>R 104</b>	0 302 100 019		40	
<b>R 104 S</b>	0 302 100 334		40	
<b>R 105</b>	0 302 100 020		50	
<b>R 105 S</b>	0 302 100 335		50	
<b>R 106</b>	0 302 100 021		70	

				
			cm	
<b>R 91</b>	0 302 100 006		50	
<b>R 92</b>	0 302 100 007		60	
<b>R 93</b>	0 302 100 008		100	
<b>R 93 S</b>	0 302 100 235		100	

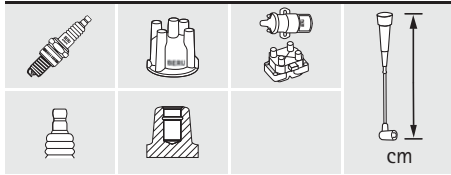
				
			cm	
<b>R 108</b>	0 302 100 023		30	
<b>R 108 S</b>	0 302 100 242		30	
<b>R 210</b>	0 302 100 145		40	
<b>R 210 S</b>	0 302 100 269		40	
<b>R 109</b>	0 302 100 024		70	
<b>R 109 S</b>	0 302 100 243		70	
<b>R 110</b>	0 302 100 025		100	
<b>R 110 S</b>	0 302 100 244		100	



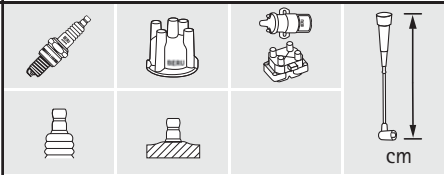
<b>R 111</b>	0 302 100 026	30
<b>R 111 S</b>	0 302 100 245	30
<b>R 112</b>	0 302 100 027	40
<b>R 112 S</b>	0 302 100 246	40
<b>R 113</b>	0 302 100 028	50
<b>R 113 S</b>	0 302 100 247	50
<b>R 114</b>	0 302 100 029	60
<b>R 114 S</b>	0 302 100 336	60
<b>R 115</b>	0 302 100 030	70
<b>R 115 S</b>	0 302 100 337	70
<b>R 69</b>	0 302 100 073	90



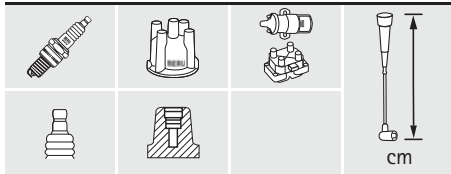
<b>R 132</b>	0 302 100 047	65
<b>R 133</b>	0 302 100 048	80



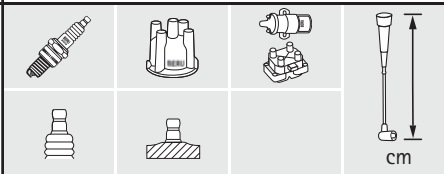
<b>R 116</b>	0 302 100 031	40
<b>R 117</b>	0 302 100 032	50
<b>R 118</b>	0 302 100 033	60
<b>R 119</b>	0 302 100 034	70
<b>R 120</b>	0 302 100 035	90
<b>R 121</b>	0 302 100 036	110
<b>R 122</b>	0 302 100 075	140



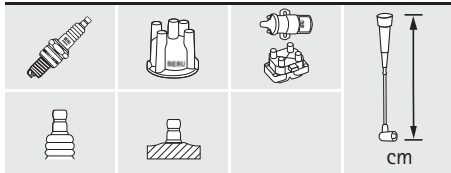
<b>R 137</b>	0 302 100 052	45
<b>R 138</b>	0 302 100 053	60



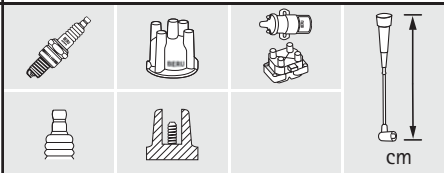
<b>R 124</b>	0 302 100 039	60
<b>R 125</b>	0 302 100 040	65
<b>R 127</b>	0 302 100 042	78
<b>R 126</b>	0 302 100 041	83
<b>R 170</b>	0 302 100 105	95



<b>R 139</b>	0 302 100 054	45
<b>R 140</b>	0 302 100 055	60
<b>R 141</b>	0 302 100 056	80










<b>R 128</b>	0 302 100 043	55
<b>R 129</b>	0 302 100 044	70




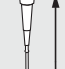












<b>R 142</b>	0 302 100 057	55
<b>R 143</b>	0 302 100 058	70

















				
			cm	
<b>R 144</b>	0 302 100 059	40		
<b>R 145</b>	0 302 100 060	55		




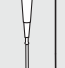



				
			cm	
<b>R 161</b>	0 302 100 096	40		
<b>R 161 S</b>	0 302 100 260	40		
<b>R 162</b>	0 302 100 097	60		
<b>R 162 S</b>	0 302 100 261	60		








				
			cm	
<b>R 150</b>	0 302 100 085	20		
<b>R 150 S</b>	0 302 100 249	20		
<b>R 151</b>	0 302 100 086	32		
<b>R 151 S</b>	0 302 100 250	32		
<b>R 152</b>	0 302 100 087	43		
<b>R 152 S</b>	0 302 100 251	43		
<b>R 153</b>	0 302 100 088	53		
<b>R 153 S</b>	0 302 100 252	53		
<b>R 154</b>	0 302 100 089	65		
<b>R 154 S</b>	0 302 100 253	65		

				
			cm	
<b>R 163</b>	0 302 100 098	20		
<b>R 163 S</b>	0 302 100 262	20		
<b>R 164</b>	0 302 100 099	30		
<b>R 164 S</b>	0 302 100 263	30		
<b>R 165</b>	0 302 100 100	35		
<b>R 165 S</b>	0 302 100 264	35		
<b>R 166</b>	0 302 100 101	45		
<b>R 166 S</b>	0 302 100 265	45		
<b>R 167</b>	0 302 100 102	55		
<b>R 167 S</b>	0 302 100 266	55		
<b>R 168</b>	0 302 100 103	60		
<b>R 168 S</b>	0 302 100 267	60		
<b>R 169</b>	0 302 100 104	70		
<b>R 169 S</b>	0 302 100 268	70		

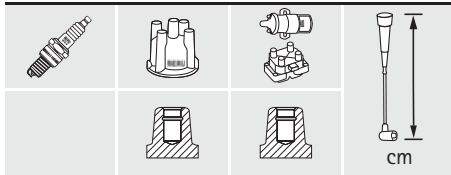
				
			cm	
<b>R 155</b>	0 302 100 090	35		
<b>R 155 S</b>	0 302 100 254	35		
<b>R 156</b>	0 302 100 091	45		
<b>R 156 S</b>	0 302 100 255	45		
<b>R 157</b>	0 302 100 092	55		
<b>R 157 S</b>	0 302 100 256	55		
<b>R 158</b>	0 302 100 093	65		
<b>R 158 S</b>	0 302 100 257	65		

				
			cm	
<b>R 174</b>	0 302 100 109	39		
<b>R 173</b>	0 302 100 108	49		
<b>R 172</b>	0 302 100 107	56		
<b>R 171</b>	0 302 100 106	68		

				
			cm	
<b>R 159</b>	0 302 100 094	32		
<b>R 159 S</b>	0 302 100 258	32		
<b>R 160</b>	0 302 100 095	55		
<b>R 160 S</b>	0 302 100 259	55		

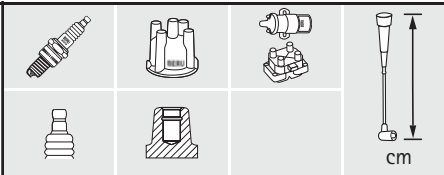
				
			cm	
<b>R 176</b>	0 302 100 111	42		
<b>R 175</b>	0 302 100 110	60		





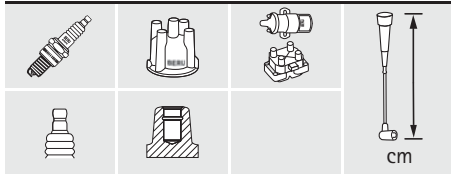
**R 177** 0 302 100 112  
**R 188** 0 302 100 123

16  
40



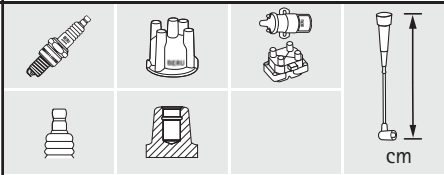
**R 187** 0 302 100 122  
**R 186** 0 302 100 121  
**R 185** 0 302 100 120

28  
45  
63



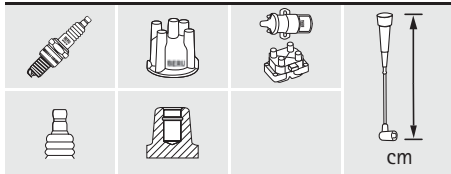
**R 178** 0 302 100 113  
**R 179** 0 302 100 114  
**R 180** 0 302 100 115

60  
68  
80



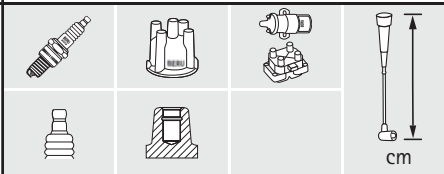
**R 191** 0 302 100 126  
**R 190** 0 302 100 125  
**R 189** 0 302 100 124

42  
56  
65



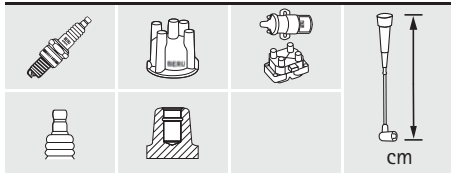
**R 181** 0 302 100 116  
**R 182** 0 302 100 117

45  
65



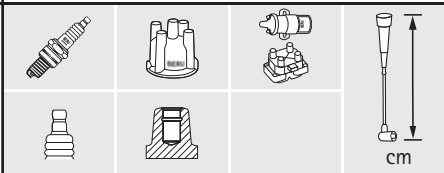
**R 193** 0 302 100 128  
**R 192** 0 302 100 127

48  
71



**R 183** 0 302 100 118  
**R 184** 0 302 100 119




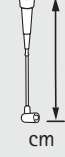



37  
58













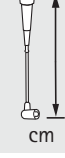



**R 194** 0 302 100 129








66




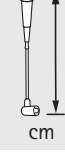












				
			cm	
<b>R 196</b>	0 302 100 131	38		
<b>R 195</b>	0 302 100 130	50		




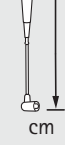



				
			cm	
<b>R 205</b>	0 302 100 140	38		
<b>R 204</b>	0 302 100 139	57		
<b>R 203</b>	0 302 100 138	67		








				
			cm	
<b>R 197</b>	0 302 100 132	47		
<b>R 202</b>	0 302 100 137	37		

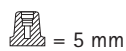
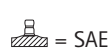
				
			cm	
<b>R 206</b>	0 302 100 141	24		
<b>R 207</b>	0 302 100 142	38		
<b>R 208</b>	0 302 100 143	46		
<b>R 209</b>	0 302 100 144	52		

				
			cm	
<b>R 199</b>	0 302 100 134	53		
<b>R 201</b>	0 302 100 136	70		
<b>R 198</b>	0 302 100 133	90		




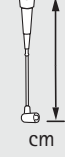



				
			cm	
<b>R 211</b>	0 302 100 146	40		
<b>R 211 S</b>	0 302 100 270	40		
<b>R 212</b>	0 302 100 147	62		
<b>R 212 S</b>	0 302 100 271	62		








				
			cm	
<b>R 200</b>	0 302 100 135	62		




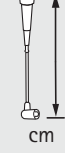



				
			cm	
<b>R 213</b>	0 302 100 148	30		
<b>R 213 S</b>	0 302 100 273	30		




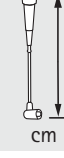
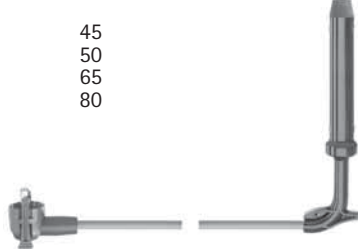







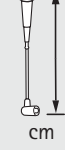








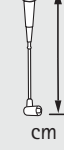



				
			cm	
<b>R 239</b>	0 302 100 174		20	
<b>R 240</b>	0 302 100 175		30	
<b>R 241</b>	0 302 100 176		45	
<b>R 391</b>	0 302 100 388		37	




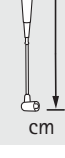



				
			cm	
<b>R 250</b>	0 302 100 185		75	
<b>R 251</b>	0 302 100 186		85	
<b>R 252</b>	0 302 100 187		95	
<b>R 253</b>	0 302 100 188		100	




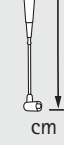



				
			cm	
<b>R 242</b>	0 302 100 177		20	
<b>R 243</b>	0 302 100 178		25	
<b>R 244</b>	0 302 100 179		40	

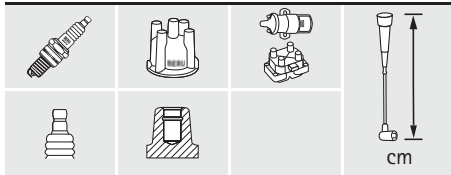
				
			cm	
<b>R 254</b>	0 302 100 189		45	
<b>R 255</b>	0 302 100 190		50	
<b>R 256</b>	0 302 100 191		65	
<b>R 257</b>	0 302 100 192		80	

				
			cm	
<b>R 245</b>	0 302 100 180		43	
<b>R 246</b>	0 302 100 181		53	
<b>R 247</b>	0 302 100 182		63	
<b>R 248</b>	0 302 100 183		73	

				
			cm	
<b>R 258</b>	0 302 100 193		40	
<b>R 259</b>	0 302 100 194		55	
<b>R 260</b>	0 302 100 195		70	

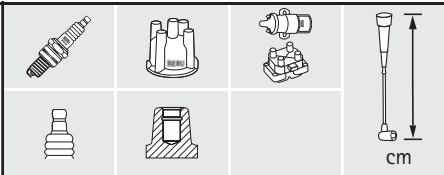
				
			cm	
<b>R 249</b>	0 302 100 184		66	

				
			cm	
<b>R 277</b>	0 302 100 212		30	
<b>R 261</b>	0 302 100 196		36	
<b>R 278</b>	0 302 100 213		40	
<b>R 279</b>	0 302 100 214		53	
<b>R 262</b>	0 302 100 197		58	
<b>R 263</b>	0 302 100 198		70	



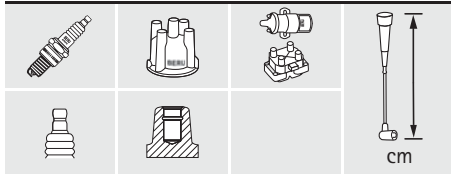
**R 264** 0 302 100 199  
**R 265** 0 302 100 200

24  
40



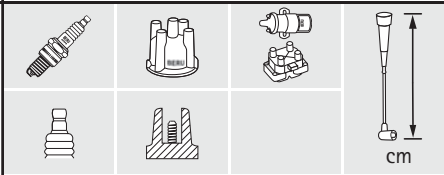
**R 280** 0 302 100 215  
**R 281** 0 302 100 216

57  
63



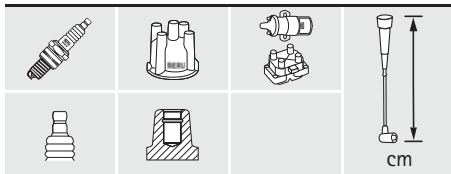
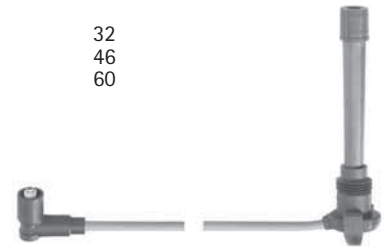
**R 266** 0 302 100 201  
**R 267** 0 302 100 202  
**R 268** 0 302 100 203  
**R 269** 0 302 100 204

25  
40  
55  
65



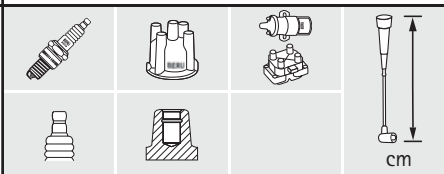
**R 282** 0 302 100 217  
**R 283** 0 302 100 218  
**R 284** 0 302 100 219

32  
46  
60



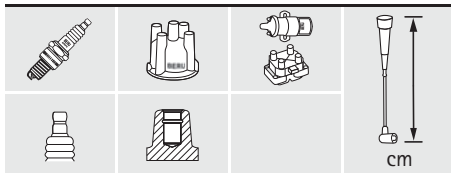
**R 270** 0 302 100 205  
**R 271** 0 302 100 206  
**R 272** 0 302 100 207  
**R 273** 0 302 100 208

40  
47  
58  
68



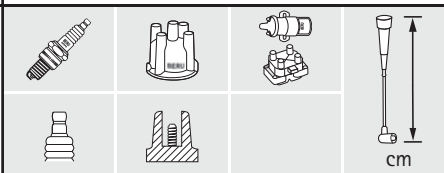
**R 285 S** 0 302 100 220  
**R 286 S** 0 302 100 221

40  
58



**R 274** 0 302 100 209  
**R 275** 0 302 100 210  
**R 276** 0 302 100 211








30  
40  
57

















**R 289** 0 302 100 282  
**R 290** 0 302 100 283








33  
40

















				
			cm	
<b>R 293</b>	0 302 100 286	30		
<b>R 294</b>	0 302 100 287	40		
<b>R 295</b>	0 302 100 288	60		








				
			cm	
<b>R 308</b>	0 302 100 301	30		




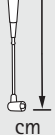



				
			cm	
<b>R 296</b>	0 302 100 289	65		
<b>R 297</b>	0 302 100 290	45		

				
			cm	
<b>R 309</b>	0 302 100 302	38		
<b>R 310</b>	0 302 100 303	45		
<b>R 311</b>	0 302 100 304	51		

				
			cm	
<b>R 299</b>	0 302 100 292	57		
<b>R 298</b>	0 302 100 291	70		

				
			cm	
<b>R 312</b>	0 302 100 305	38		
<b>R 313</b>	0 302 100 306	45		
<b>R 314</b>	0 302 100 307	52		

				
			cm	
<b>R 304</b>	0 302 100 297	15		
<b>R 303</b>	0 302 100 296	23		
<b>R 302</b>	0 302 100 295	30		
<b>R 301</b>	0 302 100 294	44		

				
			cm	
<b>R 315</b>	0 302 100 308	30		
<b>R 316</b>	0 302 100 309	45		
<b>R 317</b>	0 302 100 310	55		

			 cm	
<b>R 318</b>	0 302 100 311	27		
<b>R 319</b>	0 302 100 312	45		
<b>R 320</b>	0 302 100 313	56		

			 cm	
<b>R 332</b>	0 302 100 325	25		
<b>R 333</b>	0 302 100 326	38		

			 cm	
<b>R 321</b>	0 302 100 314	60		
<b>R 322</b>	0 302 100 315	70		
<b>R 323</b>	0 302 100 316	82		
<b>R 324</b>	0 302 100 317	92		




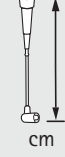



			 cm	
<b>R 334</b>	0 302 100 327	45		
<b>R 335</b>	0 302 100 328	50		
<b>R 336</b>	0 302 100 329	60		








			 cm	
<b>R 325</b>	0 302 100 318	50		
<b>R 326</b>	0 302 100 319	65		
<b>R 327</b>	0 302 100 320	83		




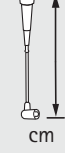



			 cm	
<b>R 337</b>	0 302 100 330	15		
<b>R 338</b>	0 302 100 331	30		




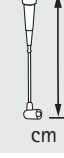



			 cm	
<b>R 329</b>	0 302 100 322	32		
<b>R 330</b>	0 302 100 323	43		
<b>R 331</b>	0 302 100 324	65		




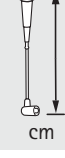



			 cm	
<b>R 339</b>	0 302 100 332	30		




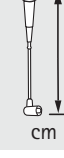



				
			cm	
<b>R 340</b>	0 302 100 333		40	

				
			cm	
<b>R 348</b>	0 302 100 345		40	




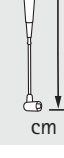



				
			cm	
<b>R 341</b>	0 302 100 338		35	
<b>R 342</b>	0 302 100 339		44	
<b>R 343</b>	0 302 100 340		59	
<b>R 344</b>	0 302 100 341		64	

				
			cm	
<b>R 349</b>	0 302 100 346		76	
<b>R 350</b>	0 302 100 347		82	
<b>R 351</b>	0 302 100 348		88	
<b>R 352</b>	0 302 100 349		93	






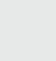







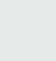







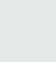







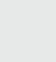







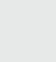
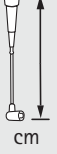






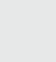
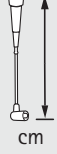






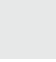







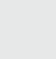


				
			cm	
<b>R 345</b>	0 302 100 342		31	
<b>R 346</b>	0 302 100 343		39	
<b>R 347</b>	0 302 100 344		59	

				
			cm	
<b>R 353</b>	0 302 100 350		18	
<b>R 354</b>	0 302 100 351		30	
<b>R 355</b>	0 302 100 352		40	

				
			cm	
<b>R 375</b>	0 302 100 372		62	

				
			cm	
<b>R 358</b>	0 302 100 355		32	
<b>R 359</b>	0 302 100 356		40	
<b>R 360</b>	0 302 100 357		58	
<b>R 361</b>	0 302 100 358		65	



 	 	 	 cm		 	 	 	 cm	
<b>R 362</b> <b>R 363</b>	0 302 100 359 0 302 100 360	46 65			<b>R 402</b> <b>R 403</b> <b>R 404</b>	0 302 100 400 0 302 100 401 0 302 100 402	23 36 44		★
 	 	 	 cm		 	 	 	 cm	
<b>R 387</b> <b>R 388</b> <b>R 389</b> <b>R 390</b>	0 302 100 384 0 302 100 385 0 302 100 386 0 302 100 387	55 60 72 84			<b>R 422</b> <b>R 423</b> <b>R 424</b> <b>R 425</b>	0 302 100 422 0 302 100 423 0 302 100 424 0 302 100 425	37 42 22 47		★
 	 	 	 cm		 	 	 	 cm	
<b>R 392</b> <b>R 393</b> <b>R 394</b> <b>R 395</b>	0 302 100 389 0 302 100 390 0 302 100 391 0 302 100 392	11 25 34 43			<b>R 413</b> <b>R 414</b> <b>R 415</b>	0 302 100 411 0 302 100 412 0 302 100 413	71 40 56		★
 	 	 	 cm		 	 	 	 cm	
<b>R 400</b> <b>R 401</b>	0 302 100 398 0 302 100 399	32 38		★	<b>R 416</b>	0 302 100 414	23		★



cm

**R 417**

0 302 100 415

24



**ALFA ROMEO**

GF 100 A, GF 100 B, GF 100 C, GF 100 D, GF 100 E, GF 101 A, GF 101 B, GF 102 A, GF 102 B, GF 102 C, GF 102 D, GF 103 A, GF 106 A, GF 106 B, GF 106 C, GF 108 A, GF 108 B, GF 108 C, GF 112 A, GF 112 B, **R 15, R 32, R 34, R 35, R 116, R 117, R 118, R 119, R 120, R 224, R 225, R 298, R 299**

**ARO**

**R 3, R 4, R 19**

**AUDI**

**R 8, R 10, R 11, R 12, R 13, R 16, R 18, R 24**, VA 115 B, VA 115 C, VA 115 D, VA 115 E, VA 116 B, VA 116 C, VA 116 D, VA 116 E, VA 117 A, VA 117 B, VA 118 A, VA 118 B, VA 118 C, VA 120 A, VA 120 B, VA 120 C, VA 120 D, VA 120 E, VA 121 A, VA 121 B, VA 121 C, VA 122 A, VA 122 B, VA 122 C, VA 122 D, VA 124 A, VA 124 B, VA 127 A, VA 127 B, VA 127 C, VA 127 D, VA 128 A, VA 128 C, VA 128 D, VA 128 E, VA 133 A, VA 133 B, VA 133 C, VA 133 D, VA 135 A, VA 135 B, VA 135 C, VA 136 A, VA 136 B, VA 137 A, VA 137 B, VA 138 A

**AUSTIN**

**R 3, R 4, R 5, R 8, R 12, R 14, R 19, R 21, R 22, R 23, R 27, R 34, R 35, R 40**

**AUTOBIANCHI**

**R 22, R 23, R 27, R 35**

**BMW**

**R 2, R 5, R 11, R 13, R 24, R 118, R 120, R 121**, B 100 A, B 100 B, B 100 C, B 100 D, B 100 E, B 101 A, B 101 B, B 101 C, B 101 D, B 102 A, B 102 B, B 102 C, B 102 D, B 103 A, B 103 B, B 103 C, B 103 D, B 104 A, B 104 B, B 104 C, B 104 D, B 105 A, B 105 B, B 106 A, B 107 A, B 108 A, B 109 A, B 110 A, B 110 B, B 110 C, B 110 D, B 111 A, B 111 B, B 111 C, B 111 D, B 112 A, B 112 B, B 113 A, B 114 A, B 115 A, B 115 B

**CHRYSLER**

**R 5, R 8, R 11, R 12, R 116, R 117, R 118**, M 120 A

**CITROËN**

**R 1, R 2, R 3, R 5, R 6, R 8, R 9, R 12, R 13, R 14, R 17, R 18, R 24, R 25, R 26, R 28, R 29, R 30, R 34, R 37, R 38, R 39, R 42, R 44, R 45, R 48, R 49, R 50, R 52, R 53, R 54, R 57, R 58, R 60, R 61, R 65, R 69, R 70, R 111 (S), R 112 (S), R 113 (S), R 115 (S), R 116, R 117, R 119, R 121, R 122, R 128, R 129, R 132, R 133, R 142, R 143, R 144, R 145, R 325, R 326, R 327**

**DACIA**

**R 8, R 11, R 12, R 18, R 401, R 406**

**DAEWOO**

**R 3, R 5, R 195, R 197, R 198, R 199, R 200, R 201, R 202, R 214 (S), R 215 (S), R 216 (S), R 308, R 309, R 310, R 311, R 312, R 313, R 314**

**DAF**

**R 22, R 23, R 27, R 35**

**DAIHATSU**

**R 1, R 4, R 5, R 6, R 8, R 11, R 13, R 18, R 19, R 28**

**FIAT**

GF 107 A, GF 107 B, GF 107 C, GF 109 A, GF 110 A, GF 110 B, GF 110 C, GF 111 A, GF 111 B, GF 111 C, GF 111 D, **R 1, R 2, R 3, R 4, R 5, R 6, R 7, R 8, R 9, R 10, R 11, R 12, R 13, R 14, R 15, R 16, R 17, R 18, R 19, R 20, R 21, R 22, R 23, R 24, R 25, R 26, R 27, R 28, R 29, R 30, R 31, R 32, R 33, R 34, R 35, R 40, R 43, R 46, R 47, R 57, R 58, R 60, R 142, R 143, R 235, R 236, R 237, R 238, R 258, R 259, R 261, R 262, R 263, R 264, R 265, R 268, R 269, R 270, R 271, R 272, R 273, R 274, R 275, R 276, R 277, R 278, R 279, R 280, R 281, R 282, R 283, R 284, R 301, R 302, R 303, R 304, R 416, R 417**

**FORD**

**R 1, R 2, R 3, R 5, R 6, R 8, R 9, R 10, R 11, R 12, R 18, R 19, R 22, R 23, R 24, R 35, R 40, R 42, R 44, R 45, R 53, R 116, R 117, R 118, R 119, R 120, R 124, R 125, R 126, R 127, R 170, R 206, R 207, R 208, R 209, R 239, R 240, R 241, R 242, R 243, R 244, R 245, R 246, R 247, R 248, R 249, R 250, R 251, R 252, R 253, R 254, R 255, R 256, R 257, R 337, R 338, R 349, R 350, R 351, R 352, R 388, R 389, R 390, R 391, R 392, R 393, R 394, R 395, R 402, R 403, R 404, R 413, R 414, R 415, R 422, R 423, R 424, R 425**, VA 132 A, VA 132 B, VA 132 C, VA 132 D

**FORD (USA)**

**R 5, R 18, R 116, R 117, R 118, R 119, R 120**

**FSO**

**R 5, R 11, R 13, R 28**

**HONDA**

**R 1, R 2, R 3, R 5, R 6, R 8, R 11, R 12, R 13, R 18, R 21, R 22, R 23, R 24, R 27, R 35, R 171, R 172, R 173, R 174, R 175, R 176**

**HYUNDAI**

**R 5, R 10, R 11, R 13, R 28, R 116, R 117, R 118, R 177, R 178, R 179, R 180, R 188, R 203, R 204, R 205**

**INNOCENTI**

**R 4, R 18**

**ISUZU**

**R 2, R 6, R 9**

**JEEP**

**R 53, R 112 (S)**

**KIA**

**R 2, R 8, R 13, R 16, R 181, R 182**

**LADA**

**R 1, R 3, R 4, R 5, R 6, R 8, R 10, R 11, R 12, R 14, R 15, R 18, R 117, R 118, R 119, R 120**

**LANCIA**

GF 105 A, GF 105 B, GF 107 A, GF 107 B, GF 107 C, GF 109 A, GF 110 A, GF 110 B, GF 110 C, GF 111 A, GF 111 B, GF 111 C, GF 111 D, **R 1, R 2, R 3, R 4, R 6, R 7, R 8, R 9, R 11, R 12, R 16, R 17, R 18, R 19, R 22, R 23, R 25, R 26, R 27, R 30, R 34, R 35, R 36, R 40, R 57, R 58, R 60, R 117, R 121, R 235, R 236, R 237, R 238, R 258, R 259, R 260, R 261, R 271, R 272, R 273, R 274, R 275, R 276, R 277, R 278, R 279, R 282, R 283, R 284, R 301, R 302, R 303, R 304, R 416, R 417**

**LANDROVER**

**R 1, R 2, R 5, R 13, R 15, R 19, R 21, R 24, R 47, R 117, R 118, R 119, R 120**

**MAZDA**

**R 1, R 2, R 3, R 5, R 6, R 8, R 9, R 11, R 12, R 13, R 18, R 24, R 28, R 29, R 181, R 182, R 183, R 184, R 188, R 239, R 240, R 241, R 250, R 251, R 252, R 253, R 285, R 286, R 296, R 297, R 348, R 349, R 350, R 351, R 352, R 353, R 354, R 355, R 362, R 363, R 391, R 402, R 403, R 404**

**MERCEDES**

M 106 A, M 106 B, M 106 C, M 106 D, M 106 E, M 107 A, M 107 B, M 107 C, M 107 D, M 108 A, M 108 B, M 108 C, M 108 D, M 108 E, M 109 A, M 109 B, M 109 C, M 109 D, M 109 E, M 110 A, M 110 B, M 110 C, M 110 D, M 110 E, M 110 F, M 111 A, M 111 B, M 111 C, M 112 A, M 113 A, M 113 B, M 114 A, M 114 B, M 114 C, M 114 D, M 114 E, M 116 A, M 116 B, M 118 A, M 118 B, M 119 A, M 119 B, M 119 C, M 119 D, M 119 E, M 120 A, M 120 B, M 120 C, M 120 D, M 121 A, M 121 B

**MITSUBISHI**

**R 1, R 3, R 4, R 5, R 6, R 8, R 10, R 11, R 12, R 13, R 17, R 18, R 22, R 23, R 24, R 27, R 28, R 35, R 46, R 47, R 73, R 116, R 117, R 118, R 119, R 120, R 121, R 185, R 186, R 187**

**MOSKVITCH**

**R 2, R 6**

**NISSAN**

**R 1, R 2, R 3, R 5, R 6, R 8, R 10, R 11, R 12, R 13, R 14, R 16, R 18, R 28, R 34, R 47, R 117, R 119, R 188, R 189, R 190, R 191, R 192, R 193, R 329, R 330, R 331, R 358, R 359, R 360, R 361**

**OPEL**

OP 100 A, OP 100 B, OP 100 C, OP 100 D, OP 101 A, OP 101 B, OP 101 C, OP 101 D, OP 102 A, OP 103 A, **R 1, R 3, R 4, R 5, R 6, R 7, R 11, R 13, R 15, R 17, R 19, R 20, R 24, R 28, R 29, R 43, R 80 (S), R 81 (S), R 82 (S), R 83 (S), R 84 (S), R 85 (S), R 86 (S), R 87 (S), R 88 (S), R 90 (S), R 91, R 92, R 93 (S), R 94 (S), R 95 (S), R 96 (S), R 97 (S), R 99 (S), R 100, R 101, R 102, R 103, R 105, R 106, R 108 (S), R 109 (S), R 110 (S), R 111 (S), R 112 (S), R 113 (S), R 114 (S), R 115 (S), R 123 (S), R 151 (S), R 152 (S), R 153 (S), R 154 (S), R 155 (S), R 156 (S), R 157 (S), R 158 (S), R 159 (S), R 160 (S), R 161 (S), R 162 (S), R 163 (S), R 164 (S), R 165 (S), R 166 (S), R 167 (S), R 168 (S), R 169 (S), R 210 (S), R 211 (S), R 212 (S), R 213, R 214 (S), R 215 (S), R 216 (S), R 217 (S), R 218 (S), R 219 (S), R 220 (S), R 221 (S), R 222 (S).**

**PEUGEOT**

**R 1, R 2, R 3, R 5, R 6, R 8, R 9, R 11, R 12, R 16, R 17, R 18, R 19, R 22, R 29, R 30, R 32, R 35, R 37, R 38, R 39, R 41, R 42, R 44, R 45, R 48, R 49, R 50, R 52, R 53, R 57, R 58, R 59, R 61, R 62, R 69, R 70, R 111 (S), R 115 (S), R 128, R 129, R 132, R 133, R 142, R 143, R 144, R 145, R 321, R 322, R 323, R 324, R 325, R 326, R 327**

**PROTON**

**R 2, R 11, R 13**

**PUCH**

M 120 A, M 120 B

**RENAULT**

**R 1, R 3, R 4, R 5, R 7, R 18, R 19, R 22, R 32, R 35, R 43, R 44, R 48, R 53, R 61, R 62, R 64, R 68, R 69, R 70, R 71, R 72, R 73, R 112 (S), R 113 (S), R 114 (S), R 115 (S), R 132, R 133, R 137, R 138, R 228, R 229, R 230, R 231, R 232, R 233, R 234, R 289, R 290, R 293, R 294, R 295, R 315, R 316, R 317, R 318, R 319, R 320, R 332, R 333, R 334, R 335, R 336, R 339, R 340, R 400, R 401**

**ROVER**

**R 2, R 5, R 8, R 11, R 12, R 13, R 16, R 18, R 21, R 22, R 23, R 27, R 28, R 47, R 118, R 119, R 120**

**SAAB**

**R 5, R 10, R 11, R 12, R 13, R 23, R 27, R 116, R 117, R 118, R 119, R 120**

**SEAT**

**R 1, R 2, R 3, R 4, R 5, R 6, R 7, R 8, R 9, R 11, R 12, R 13, R 15, R 16, R 18, R 19, R 22, R 23, R 27, R 28, R 30, R 35, R 56, R 57, R 58, R 60, R 95, R 145, VA 115 A, VA 115 B, VA 115 C, VA 115 D, VA 115 E, VA 116 A, VA 116 B, VA 116 C, VA 116 D, VA 116 E, VA 117 A, VA 117 B, VA 118 C, VA 121 A, VA 121 B, VA 121 C, VA 122 C, VA 122 D, VA 123 A, VA 123 B, VA 123 C, VA 123 D, VA 124 A, VA 124 B, VA 125 A, VA 125 B, VA 125 C, VA 126 A, VA 126 B, VA 126 C, VA 126 D, VA 127 A, VA 127 B, VA 127 C, VA 128 B, VA 128 C, VA 128 D, VA 128 E, VA 129 B, VA 129 C, VA 130 A, VA 130 B, VA 130 C.**

**SKODA**

**R 1, R 3, R 4, R 5, R 7, R 8, R 10, R 11, R 12, R 14, R 16, R 18, R 19, VA 116 A, , VA 116 B, VA 116 C, VA 116 D, VA 118 C, VA 120 D, VA 120 E, VA 121 A, VA 121 B, VA 121 C, VA 124 A, VA 124 B, VA 127 A, VA 127 B, VA 127 C, VA 127 D**

**SMART**

**M 121 A, M 121 B,**

**SUBARU**

**R 5, R 8, R 10, R 11, R 12, R 14, R 16, R 18, R 43, R 47, R 119**

**SUZUKI**

**R 1, R 2, R 3, R 5, R 6, R 8, R 10, R 11, R 12, R 13, R 16, R 18, R 28, R 118, R 249, R 263, R 279**

**TALBOT**

**R 1, R 3, R 5, R 6, R 8, R 9, R 10, R 18, R 24, R 29, R 32, R 43, R 46, R 125**

**TOYOTA**

**R 1, R 2, R 3, R 4, R 6, R 8, R 9, R 12, R 14, R 16, R 17, R 18, R 19, R 21, R 24, R 27, R 43, R 46, R 116, R 117, R 118, R 119, R 181, R 182, R 188, R 194, R 195, R 196, R 341, R 342, R 343, R 344, R 345, R 346, R 347, R 375**

**TRIUMPH**

**R 2, R 8, R 11, R 14, R 18**

**VAUXHALL**

**R 1, R 2, R 3, R 4, R 5, R 6, R 7, R 8, R 9, R 10, R 11, R 12, R 15, R 16, R 17, R 18, R 19, R 20, R 24, R 25, R 80 (S), R 81 (S), R 82 (S), R 83 (S), R 84 (S), R 85 (S), R 86 (S), R 87 (S), R 88 (S), R 89 (S), R 90 (S), R 93 (S), R 94 (S), R 95 (S), R 96 (S), R 103 (S), R 104 (S), R 109 (S), R 112 (S), R 113 (S), R 114 (S), R 151 (S), R 152 (S), R 153, R 161 (S), R 162 (S), R 165 (S), R 166 (S), R 167 (S), R 168 (S), R 169 (S), R 211 (S), R 212 (S), R 214 (S), R 215 (S), R 216 (S), R 217 (S), R 218 (S), R 219 (S), R 220 (S), R 221 (S), R 222 (S).**

**VOLVO**

**GF 110 A, GF 110 B GF 110 C, R 4, R 18, R 22, R 23, R 27, R 35, R 51, R 69, R 117, R 118, R 119, R 120, R 137, R 138, R 332, R 333**

**VW AG**

**R 1, R 2, R 3, R 5, R 8, R 9, R 10, R 11, R 12, R 14, R 16, R 18, R 29, R 46, VA 115 A, VA 115 B, VA 115 C, VA 115 D, VA 115 E, VA 116 A, VA 116 B, VA 116 C, VA 116 D, VA 116 E, VA 117 A, VA 117 B, VA 118 A, VA 118 C, VA 120 D, VA 120 E, VA 121 A, VA 121 B, VA 121 C, VA 122 B, VA 122 C, VA 122 D, VA 123 A, VA 123 B, VA 123 C, VA 123 D, VA 124 A, VA 124 B, VA 125 A, VA 125 B, VA 125 C, VA 126 A, VA 126 B, VA 126 C, VA 126 D, VA 127 A, VA 127 B, VA 127 C, VA 127 D, VA 128 A, VA 128 B, VA 128 C, VA 128 D, VA 128 E, VA 129 A, VA 129 B, VA 129 C, VA 129 D, VA 130 A, VA 130 B, VA 130 C, VA 132 A, VA 132 B, VA 132 C, VA 132 D, VA 133 A, VA 133 C, VA 133 D, VA 134 A, VA 134 B, VA 134 C, VA 134 D, VA 138 A.**

**WARTBURG**

**R 3, R 4, VA 116 B, VA 116 C, VA 116 D, VA 118 C**

# Copper Cable

# Power Cable

*With our flexible stand system, you can assemble your assortment individually.*

■ *Mobile sales stand with one-sided display for 80 types of ignition leads or two-sided display for 160 types of ignition leads (sales stand without ignition leads)*

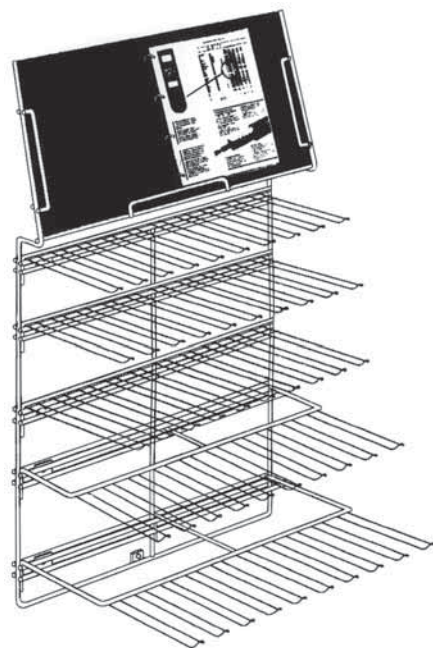
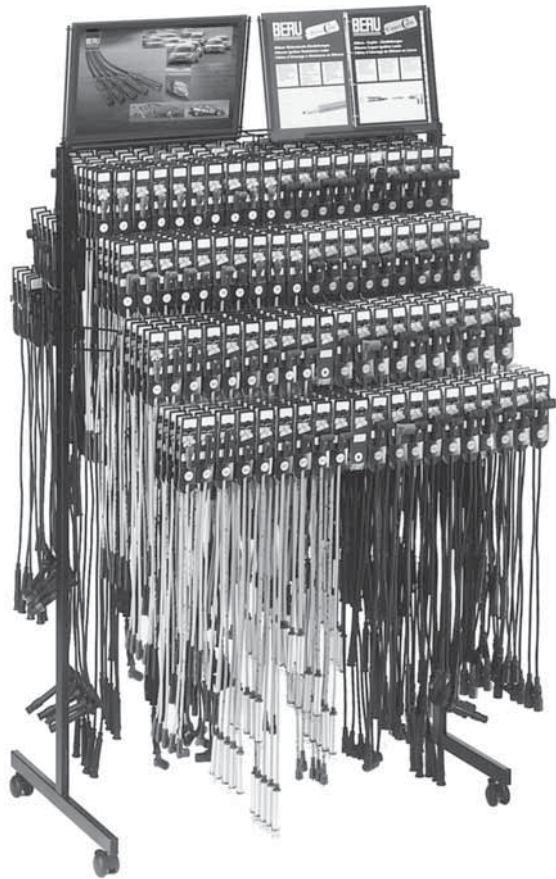
*Ref.-No. 5 300 010 006*

■ *Sales stand for 50 types of ignition leads (sales stand without ignition leads)*

*Ref.-No. 5 300 010 010*

■ *Sales stand (extension) for further 50 types of ignition leads (sales stand without ignition leads)*

*Ref.-No. 5 300 010 011*



## Universal ignition leads

	Type/Ref.-No.	Material	←m→	Application
1	ZE 101 0300820047	PVC	100 cm	Universal ignition lead with spark plug connector (watertight). For all vehicles.
2	ZE 105 0300820183	PVC	100 cm	Universal ignition lead with suppressed spark plug connector (watertight) for all vehicles with SAE connection on spark plugs.



1



2

## Assortment for workshop/Connection Pieces for leads

### Installation systems for professionals

*The special workshop kit illustrated*













*contains:*

■ Pliers ■ Mounting aid ■ Ratchet sleeves  
■ Sawtooth sleeves ■ M3 threaded sleeves  
■ SAE-90°-sleeves/straight ■ DIN distributor  
sleeves ■ Waterproof caps ■ Grease for  
spark plug adaptors ■ Detailed instructions  
for use.

*With this selection, ignition cables can be  
installed in accordance with all the usual  
methods currently employed. This means  
that, for the first time, workshops can now  
use the same installation techniques as are  
commonly employed in series production  
by motor manufacturers today. As a result,  
repairs or replacements of complete sets of  
ignition cables can in future be carried out  
both proficiently and, especially, more  
reliably.*




Ref. No.  
0 890 300 003

Type	Ref.-No.	Content/Piec.
	0 890 300 001	1
Crimping tool ZAZ 3		
	0 890 300 002	1
Mounting aid EFS 7		
	0 901 300 001	20
Ratchet sleeves		
	0 901 300 002	25
Sawtooth sleeves		
	0 901 300 003	20
M3 Threaded sleeves		
	0 901 300 007	20
SAE Ignition cable sleeves 90°		
	0 901 300 004	20
SAE Ignition cable sleeves straight		
	0 901 300 025	20
DIN Ignition distributor sleeves		
	0 010 300 002	10
Waterproof cap G 1 PK		
Wasserschutzkappe GW 11	0 010 310 005	10
Waterproof cap GW 11		
Wasserschutzkappe GS 7	0 010 320 002	10
Waterproof cap GS 7		
Zündkerzen-Steckerfett ZKF 01	0 890 300 029	1
Grease for spark plug adaptors ZKF 01		



Ignition cables

F (DIN ISO 3808)

Ref.-No.	Material	← m →	Application
1 0300800023	Silikon schwarz be- druckt/ printed in black	25 m ø 7 mm	
0300800021	rot/red		
1 0300800030	Silikon blue 5,6 kΩ/m	25 m including 100 pcs. contact sleeves (0 901 300 010)	The ferroflex ignition cable used here comprises a silicone jacket, silicone core, resistor carrier and wound special steel wire. Temperature resistant, precise resistance values, interference suppression to suit the function and high tensile strength meets all standards expected from modern ignition cables.
2 0300800002	PVC schwarz/ black	50 m ø 7 mm	The cable, made of copper for dependable ignition, is high voltage-proof up to 25,000 V and temperature-resistant up to 80 °C.
		1 mm <sup>2</sup>	
3 0901300010			Ignition lead sleeves for PowerCable 100 pieces a bag.

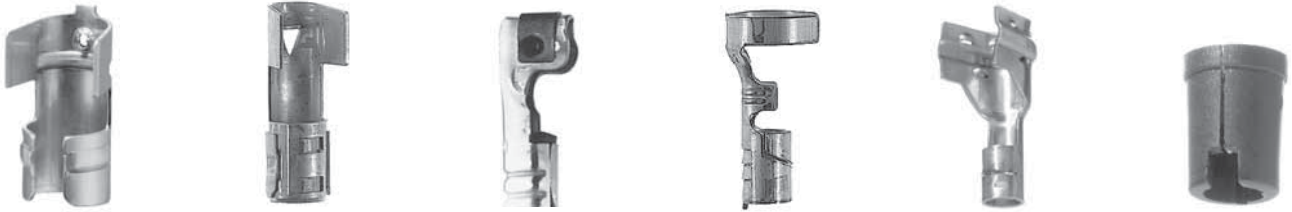


1

2

3

## Ignition lead sleeves



1

2

3

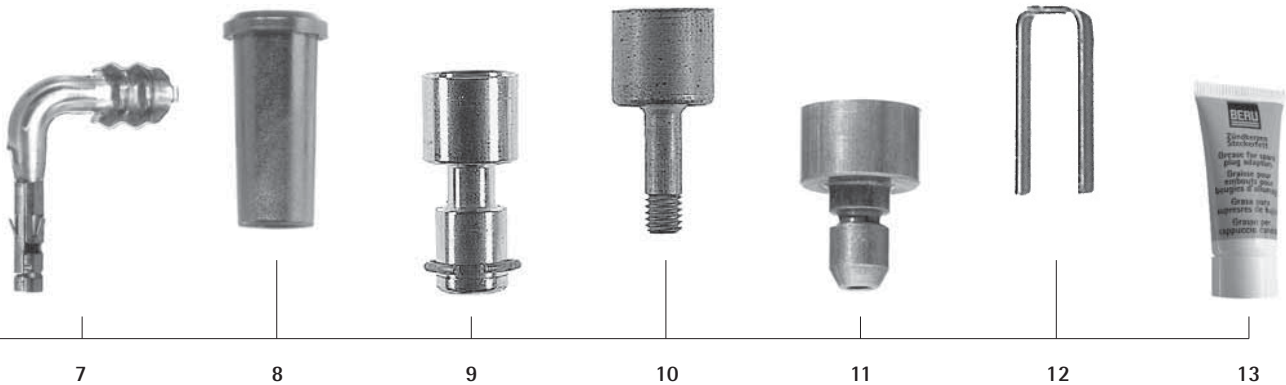
4

5

6

	Type/Ref.-No.	Connection	Assembly	Material	Application
1	0 901 300 025	DIN sleeve	crimping with ZAZ 3	brass	Distributor and ignition coil connection
2	0 901 300 004	SAE-sleeve	crimping with ZAZ 3	brass	spark plug, distributor cap and ignition coil connection
3	0 901 300 007	SAE-sleeve, 90°	crimping with ZAZ 3	steel	spark plug, distributor cap and ignition coil connection
4	0 901 300 002	saw-tooththread	crimping with ZAZ 3	brass	VW/Audi Spark plug, distributor cap and ignition coil connection VW/Audi
5	0 901 300 199	saw-tooththread	crimping with ZAZ 3	brass	Distributor cap and ignition coil connection Opel
6	0 901 300 200	Centring sleeve	crimping with ZAZ 3	PETP	Ignition cables for Opel with sawtooth sleeve

## Ignition lead sleeves



	Type/Ref.-No.	Connection	Assembly	Material	Application
7	0 901 300 911	saw-tooththread, 90°	crimping with ZAZ 3	brass	Distributor cap and ignition coil connection Opel
8	0 901 300 912	Centring sleeve		PETP	Ignition cables for Opel with sawtooth sleeve, 90°
9	0 901 300 001	ratchet sleeve	crimping with ZAZ 3	brass	Ignition leads BMW
10	0 901 300 003	M3 thread sleeve	crimping with ZAZ 3	brass	Ignition leads Mercedes
11	0 901 300 198	ratchet sleeve	crimping with ZAZ 4	brass	Sparking plug and ignition coil plug connectors in latching sleeve technology, Audi/VW
12	0 901 300 010				Contact sleeve for sleeves for PowerCable, 100 pieces a
13	0 890 300 029	10 gr. tube	Grease for spark plug adaptors		Apply thin coat to neck of spark plug, fit connector. Prevents water intake. Ensures 100% electrical insulation.

## Crimping tool and mounting aid

Type/Ref.-No.	Material	mm ↔	Application
ZAZ 3	Pincers made of tool steel	325	Fixing of sleeves at ignition leads
0 890 300 001	Handle insulation shells made of PVC		
0 890 300 019			Replacement spring for ZAZ 3 pliers
EFS 7	Tool steel, handle insulation made of PVC	130	Quick and exact fixing of ratchet sleeve-adaptors
0 890 300 002			



ZAZ 3



EFS 7

**BERU supplies the automobile industry** with important quantities of spark plug connectors, distributor connectors and ignition leads. The connector is fixed at the ignition lead by means of saw-tooth-thread sleeves, ratchet sleeves and M 3-thread sleeves. For repairing or replacing BERU has developed a very useful tool, which assures that the sleeves can be fixed at ignition leads under original mounting conditions:

### The BERU crimping tool ZAZ 3 with mounting aid EFS 7.

The striking advantages are:

- The pressure force which is most important for a correct connection, is achieved quickly and easily.
- This is the only way to achieve the specified tensile strength.
- This is the only way to use the connectors in original equipment quality.
- This is the only way to do the repair without any problems and directly at the motor. The cable set has not to be replaced.

The mounting aid EFS 7 is especially necessary for ignition leads with ratchet sleeves in order to assure a quick and exact fixing at the connection.

All BERU mounting aids ZAZ 3 are sold with operating instructions.

## Anti-marten beads

### *Epoxy resin beads to prevent gnaw damage by martens*

*Give your ignition cables 100 % protection against gnaw damage using BERU epoxy resin beads. Application of the anti-marten beads is quick and easy. The wire set remains in the vehicle. Only the spark plug connector has to be removed. Then simply slide the beads along the ignition cable allowing enough space for the spark plug connector to be attached again.*

*The inside diameter of the BERU anti-marten beads fits all types of cables currently available on the market (also 8 mm ignition cables). BMW wire sets with undetachable connector are the only exception. For these vehicles, BERU offers complete wire sets with anti-marten beads.*

**Pack size: 250 beads, Ref.-No. 0 901 300 006**

*Enough for approx. 1,6 m. 2 packs are required for the wire set of a standard-class car.*





<b>BA 4/14/5</b>	0 300 071 002	534
<b>BEL 4/5</b>	0 300 031 002	534
<b>BELO 6/1</b>	0 300 111 101	534
<b>BELO 6/3</b>	0 300 121 101	534
<b>C 4/570</b>	0 300 001 003	534
<b>C 6</b>	0 300 102 001	534
<b>C 6 A</b>	0 300 102 002	534
<b>CK 4</b>	0 300 005 001	534
<b>HE 1</b>	0 300 611 001	534
<b>O 4</b>	0 300 201 002	535
<b>O 4 F</b>	0 300 201 001	535
<b>O 4 S</b>	0 300 204 103	535
<b>O 6</b>	0 300 301 001	535
<b>OA 4/18</b>	0 300 251 004	535
<b>OE 4/1</b>	0 300 211 001	535
<b>OE 6/1</b>	0 300 311 002	535
<b>WBA 4/14/5</b>	0 300 071 101	536
<b>WBAK 4/14</b>	0 300 055 103	536
<b>WBAK 4/14/5</b>	0 300 075 101	536
<b>WO 4 P</b>	0 300 202 101	536
<b>WOA 4/14</b>	0 300 251 101	536
<b>WOA 4/14 H</b>	0 300 253 101	536
<b>WOA 6/14/5 AL</b>	0 300 373 301	536
<b>ZL 005</b>	0 300 102 302	536
<b>ZL 104</b>	0 300 302 102	537
<b>ZL 105</b>	0 300 302 103	537
<b>ZLE 004/3</b>	0 300 012 002	537
<b>ZLE 107/1</b>	0 300 071 107	537
<b>ZLE 120</b>	0 300 062 101	537
<b>ZLE 121</b>	0 300 062 102	537
<b>ZLE 130</b>	0 300 052 103	537
<b>ZLE 134</b>	0 300 072 106	537
<b>ZLE 135</b>	0 300 152 106	538
<b>ZLE 159</b>	0 300 352 108	538
<b>ZLE 166</b>	0 300 032 107	538
<b>ZLE 168</b>	0 300 332 105	538
<b>ZLE 171</b>	0 300 312 102	538
<b>ZLE 175</b>	0 300 112 101	538
<b>ZLE 177</b>	0 300 152 105	538
<b>ZLE 184</b>	0 300 332 108	538
<b>ZLE 185</b>	0 300 132 104	539
<b>ZLE 190</b>	0 300 332 109	539
<b>ZLE 197</b>	0 300 332 112	539
<b>ZLE 200</b>	0 300 312 108	539
<b>ZLE 205</b>	0 300 072 110	539
<b>ZLE 212</b>	0 300 172 107	539
<b>ZLE 225</b>	0 300 362 105	539
<b>ZLE 226</b>	0 300 172 108	539
<b>ZLE 227</b>	0 300 362 106	540
<b>ZLE 232</b>	0 300 122 115	540
<b>ZLE 233</b>	0 300 122 116	540
<b>ZLE 234</b>	0 300 122 111	540
<b>ZLE 239</b>	0 300 032 106	540
<b>ZLE 245</b>	0 300 122 302	540
<b>ZLE 247</b>	0 300 122 113	540
<b>ZLE 248</b>	0 300 332 137	540
<b>ZLE 249</b>	0 300 332 138	541
<b>ZLE 250</b>	0 300 174 104	541
<b>ZLE 251</b>	0 300 174 105	541
<b>ZLE 252</b>	0 300 174 106	541
<b>ZLE 255</b>	0 300 122 114	541
<b>ZLE 263</b>	0 300 322 119	541
<b>ZLE 264</b>	0 300 322 120	541
<b>ZLE 265</b>	0 300 322 121	541



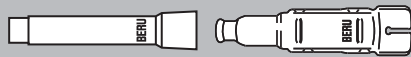
<b>ZLE 266</b>	0 300 322 122	542
<b>ZLE 267</b>	0 300 322 123	542
<b>ZLE 268</b>	0 300 322 124	542
<b>ZLE 269</b>	0 300 322 125	542
<b>ZLE 270</b>	0 300 322 126	542
<b>ZLE 276</b>	0 300 122 117	542
<b>ZLE 277</b>	0 300 122 118	542
<b>ZLE 278</b>	0 300 122 119	542
<b>ZLE 288</b>	0 300 122 122	543
<b>ZLE 301</b>	0 300 252 302	543
<b>ZLE 303</b>	0 300 371 303	543



<b>GO 3</b>	0 300 504 110	544
<b>VES 102</b>	0 300 413 108	544
<b>VES 105</b>	0 300 413 111	544
<b>VES 106</b>	0 300 413 112	544
<b>VES 107</b>	0 300 413 113	544
<b>VES 108</b>	0 300 413 114	544
<b>VES 111</b>	0 300 413 117	544
<b>VES 114</b>	0 300 413 120	544
<b>VES 115</b>	0 300 413 123	545
<b>VES 408</b>	0 300 413 408	545
<b>VESO 105</b>	0 300 513 105	545
<b>VESO 111</b>	0 300 513 114	545
<b>VESO 112</b>	0 300 513 116	545
<b>VESO 113</b>	0 300 513 113	545
<b>VESO 116</b>	0 300 513 119	545
<b>VESO 117</b>	0 300 513 140	545
<b>VESO 118</b>	0 300 513 141	546
<b>VESO 119</b>	0 300 513 122	546
<b>VESO 120</b>	0 300 513 124	546
<b>VESO 121</b>	0 300 513 125	546
<b>VESO 124</b>	0 300 513 129	546
<b>VESO 126</b>	0 300 513 142	546
<b>VESO 127</b>	0 300 513 132	546
<b>VESO 128</b>	0 300 513 133	546
<b>VESO 134</b>	0 300 513 144	547
<b>VS 106</b>	0 300 404 107	547
<b>VS 107</b>	0 300 404 108	547
<b>VSO 103</b>	0 300 504 101	547
<b>VSO 105</b>	0 300 504 103	547
<b>WVES 1</b>	0 300 413 101	547



<b>G 1 N</b>	0 010 110 001	548
<b>G 1 PK</b>	0 010 300 002	548
<b>G 1 PL</b>	0 010 300 003	548
<b>G 1 S</b>	0 010 120 003	548
<b>G 2 P</b>	0 010 100 001	548
<b>G 3 P 5</b>	0 010 100 002	548
<b>G 3 P 7</b>	0 010 100 003	548
<b>G 3 S</b>	0 010 120 004	548
<b>G 4 P 7</b>	0 010 100 006	549
<b>GS 7</b>	0 010 320 002	549
<b>GS 15</b>	0 010 020 015	549
<b>GS 16</b>	0 010 320 016	549
<b>GS 17</b>	0 010 020 022	549
<b>GS 21</b>	0 010 020 021	549
<b>GS 28</b>	0 010 020 028	549
<b>GS 29</b>	0 010 020 029	549
<b>GS 30</b>	0 010 020 016	550
<b>GS 39</b>	0 010 020 039	550
<b>GW 11</b>	0 010 310 005	550
<b>GWS 7</b>	0 010 020 006	550
<b>GWS 9</b>	0 010 020 007	550



0 300 001 003	<b>C 4/570</b>	534
0 300 005 001	<b>CK 4</b>	534
0 300 012 002	<b>ZLE 004/3</b>	537
0 300 031 002	<b>BEL 4/5</b>	534
0 300 032 106	<b>ZLE 239</b>	540
0 300 032 107	<b>ZLE 166</b>	538
0 300 052 103	<b>ZLE 130</b>	537
0 300 055 103	<b>WBAK 4/14</b>	536
0 300 062 101	<b>ZLE 120</b>	537
0 300 062 102	<b>ZLE 121</b>	537
0 300 071 002	<b>BA 4/14/5</b>	534
0 300 071 101	<b>WBA 4/14/5</b>	536
0 300 071 107	<b>ZLE 107/1</b>	537
0 300 072 106	<b>ZLE 134</b>	537
0 300 072 110	<b>ZLE 205</b>	539
0 300 075 101	<b>WBAK 4/14/5</b>	536
0 300 102 001	<b>C 6</b>	534
0 300 102 002	<b>C 6 A</b>	534
0 300 102 302	<b>ZL 005</b>	536
0 300 111 101	<b>BELO 6/1</b>	534
0 300 112 101	<b>ZLE 175</b>	538
0 300 121 101	<b>BELO 6/3</b>	534
0 300 122 111	<b>ZLE 234</b>	540
0 300 122 113	<b>ZLE 247</b>	540
0 300 122 114	<b>ZLE 255</b>	541
0 300 122 115	<b>ZLE 232</b>	540
0 300 122 116	<b>ZLE 233</b>	540
0 300 122 117	<b>ZLE 276</b>	542
0 300 122 118	<b>ZLE 277</b>	542
0 300 122 119	<b>ZLE 278</b>	542
0 300 122 122	<b>ZLE 288</b>	543
0 300 122 302	<b>ZLE 245</b>	540
0 300 132 104	<b>ZLE 185</b>	539
0 300 152 105	<b>ZLE 177</b>	538
0 300 152 106	<b>ZLE 135</b>	538
0 300 172 107	<b>ZLE 212</b>	539
0 300 172 108	<b>ZLE 226</b>	539
0 300 174 104	<b>ZLE 250</b>	541
0 300 174 105	<b>ZLE 251</b>	541
0 300 174 106	<b>ZLE 252</b>	541
0 300 201 001	<b>O 4 F</b>	535
0 300 201 002	<b>O 4</b>	535
0 300 202 101	<b>WO 4 P</b>	536
0 300 204 103	<b>O 4 S</b>	535
0 300 211 001	<b>OE 4/1</b>	535
0 300 251 004	<b>OA 4/18</b>	535
0 300 251 101	<b>WOA 4/14</b>	536
0 300 252 302	<b>ZLE 301</b>	543
0 300 253 101	<b>WOA 4/14 H</b>	536
0 300 272 302	<b>ZLE 302</b>	543
0 300 301 001	<b>O 6</b>	535
0 300 302 102	<b>ZL 104</b>	537
0 300 302 103	<b>ZL 105</b>	537
0 300 311 002	<b>OE 6/1</b>	535
0 300 312 102	<b>ZLE 171</b>	538
0 300 312 108	<b>ZLE 200</b>	539
0 300 322 119	<b>ZLE 263</b>	541
0 300 322 120	<b>ZLE 264</b>	541
0 300 322 121	<b>ZLE 265</b>	541
0 300 322 122	<b>ZLE 266</b>	542
0 300 322 123	<b>ZLE 267</b>	542
0 300 322 124	<b>ZLE 268</b>	542
0 300 322 125	<b>ZLE 269</b>	542
0 300 322 126	<b>ZLE 270</b>	542



0 300 332 105	<b>ZLE 168</b>	538
0 300 332 108	<b>ZLE 184</b>	538
0 300 332 109	<b>ZLE 190</b>	539
0 300 332 112	<b>ZLE 197</b>	539
0 300 332 137	<b>ZLE 248</b>	540
0 300 332 138	<b>ZLE 249</b>	541
0 300 352 108	<b>ZLE 159</b>	538
0 300 362 105	<b>ZLE 225</b>	539
0 300 362 106	<b>ZLE 227</b>	540
0 300 371 303	<b>ZLE 303</b>	543
0 300 373 301	<b>WOA 6/14/5 AL</b>	536
0 300 611 001	<b>HE 1</b>	534



0 300 404 107	<b>VS 106</b>	547
0 300 404 108	<b>VS 107</b>	547
0 300 413 101	<b>WVES 1</b>	547
0 300 413 108	<b>VES 102</b>	544
0 300 413 111	<b>VES 105</b>	544
0 300 413 112	<b>VES 106</b>	544
0 300 413 113	<b>VES 107</b>	544
0 300 413 114	<b>VES 108</b>	544
0 300 413 117	<b>VES 111</b>	544
0 300 413 120	<b>VES 114</b>	544
0 300 413 123	<b>VES 115</b>	545
0 300 413 408	<b>VES 408</b>	545
0 300 504 101	<b>VSO 103</b>	547
0 300 504 103	<b>VSO 105</b>	547
0 300 504 110	<b>GO 3</b>	544
0 300 513 105	<b>VESO 105</b>	545
0 300 513 113	<b>VESO 113</b>	545
0 300 513 114	<b>VESO 111</b>	545
0 300 513 116	<b>VESO 112</b>	545
0 300 513 119	<b>VESO 116</b>	545
0 300 513 122	<b>VESO 119</b>	546
0 300 513 124	<b>VESO 120</b>	546
0 300 513 125	<b>VESO 121</b>	546
0 300 513 129	<b>VESO 124</b>	546
0 300 513 132	<b>VESO 127</b>	546
0 300 513 133	<b>VESO 128</b>	546
0 300 513 140	<b>VESO 117</b>	545
0 300 513 141	<b>VESO 118</b>	546
0 300 513 142	<b>VESO 126</b>	546
0 300 513 144	<b>VESO 134</b>	547



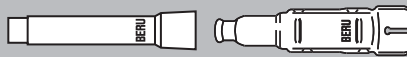
0 010 020 006	<b>GWS 7</b>	550
0 010 020 007	<b>GWS 9</b>	550
0 010 020 015	<b>GS 15</b>	549
0 010 020 016	<b>GS 30</b>	550
0 010 020 021	<b>GS 21</b>	549
0 010 020 022	<b>GS 17</b>	549
0 010 020 028	<b>GS 28</b>	549
0 010 020 029	<b>GS 29</b>	549
0 010 020 039	<b>GS 39</b>	550
0 010 100 001	<b>G 2 P</b>	548
0 010 100 002	<b>G 3 P 5</b>	548
0 010 100 003	<b>G 3 P 7</b>	548
0 010 100 006	<b>G 4 P 7</b>	549
0 010 110 001	<b>G 1 N</b>	548
0 010 120 003	<b>G 1 S</b>	548
0 010 120 004	<b>G 3 S</b>	548
0 010 300 002	<b>G 1 PK</b>	548
0 010 300 003	<b>G 1 PL</b>	548
0 010 310 005	<b>GW 11</b>	550
0 010 320 002	<b>GS 7</b>	549
0 010 320 016	<b>GS 16</b>	549

*The quality is in the detail.*

40,000 volts, temperatures up to 250°C, vibrations, salt water, road dust, cleaning agents... these are just a few of the continuous demands to which connectors are subject day-in, day-out. So a BERU branded quality connector is totally waterproof, resistant to corrosion and vibration stress, its reliable contact system is a special feature. BERU connectors are manufactured to original equipment quality.







**BA 4/14/5**

0 300 071 002



BMW, Fiat, Mercedes-Benz, Opel, VW

		EP	$\longleftrightarrow$ 87 mm	$\Omega$ 5.000			21 mm
$\varnothing$ 7 mm		G3P7, G2P	$\longleftrightarrow$ optional <sup>264</sup>				

**C 4/570**

0 300 001 003



Universal<sup>265</sup>

		PF	$\longleftrightarrow$ 50 mm	$\Omega$			
$\varnothing$ 7 mm		G3P7, G2P	$\longleftrightarrow$ optional <sup>264</sup>	GWS7			

**BEL 4/5**

0 300 031 002



BMW, Peugeot, Porsche, VW

		PF	$\longleftrightarrow$ 110 mm	$\Omega$ 5.000			
$\varnothing$ 7 mm		G3P7, G2P	$\longleftrightarrow$ optional <sup>264</sup>	GWS7			

**C 6 (Kupplung<sup>281</sup>)**

0 300 102 001



universal<sup>281</sup>

		EP	$\longleftrightarrow$ 48 mm	$\Omega$			
$\varnothing$ 7 mm					$\varnothing$ 7 mm		

**C 6 A (Kupplung<sup>281</sup>)**

0 300 102 002



**BELO 6/1**

0 300 111 101



Porsche

		PF/ PVC	$\longleftrightarrow$ 130 mm	$\Omega$ 1.400			
$\varnothing$ 7 mm							

**CK 4**

0 300 005 001



Universal<sup>265</sup>

		KER	$\longleftrightarrow$ 50 mm	$\Omega$			
$\varnothing$ 7 mm		G 1 S	$\longleftrightarrow$ optional <sup>264</sup>	GWS7, GWS9			

**BELO 6/3**

0 300 121 101



Porsche, VW

		PF/ PVC	$\longleftrightarrow$ 130 mm	$\Omega$ 3.000			
$\varnothing$ 7 mm							

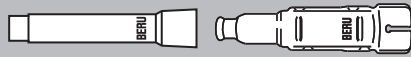
**HE 1 (Entstörmuffe<sup>152</sup>)**

0 300 611 001



Universal<sup>265</sup>

		EP	$\longleftrightarrow$ 55 mm	$\Omega$ 1.000			
$\varnothing$ 7 mm					$\varnothing$ 7 mm		



**O 4**

0 300 201 002



Universal<sup>265</sup>

	PF	$\longleftrightarrow$ 33 mm	$\Omega$	
$\varnothing$ 7 mm		G 3 P 7 $\longleftrightarrow$ optional <sup>264</sup> GWS 7		

**OA 4/18**

0 300 251 004



Universal<sup>265</sup>

	PETP	$\longleftrightarrow$ 59 mm	$\Omega$ 1.000		
$\varnothing$ 7 mm		G3P7, G2P $\longleftrightarrow$ optional <sup>264</sup>			

**O 4 F** (ersetzt<sup>263</sup> O 4F - 0 300 201 005)

0 300 201 001



Universal mit Reduzierhülse<sup>266</sup> ( $\varnothing$  5/7 mm)

	PF	$\longleftrightarrow$ 36 mm	$\Omega$	
$\varnothing$ 5/7 mm		G 3 P 7 $\longleftrightarrow$ optional <sup>264</sup> GWS 7		

**OE 4/1** (ersetzt<sup>263</sup> OE 4/10, 0 300 241 001)

0 300 211 001



Universal<sup>265</sup>

	PETP	$\longleftrightarrow$ 37 mm	$\Omega$ 1.000	
$\varnothing$ 7 mm		G3P7, G2P $\longleftrightarrow$ optional <sup>264</sup> GWS 7		

**O 4 S**

0 300 204 103



Universal<sup>265</sup>

	VMQ	$\longleftrightarrow$ 21 mm	$\Omega$	
$\varnothing$ 7 mm		$\longleftrightarrow$		

**OE 4/5** (Auslauf-type<sup>149</sup>, Ersatz<sup>227</sup> OE 4/1, 0 300 211 001)

0 300 231 001



Universal<sup>265</sup>

	PETP	$\longleftrightarrow$ 55 mm	$\Omega$ 5.000	
$\varnothing$ 7 mm		G3P7, G2P $\longleftrightarrow$ optional <sup>264</sup> GWS 7		

**O 6**

0 300 301 001



Universal<sup>265</sup>

	PF	$\longleftrightarrow$ 40 mm	$\Omega$	
$\varnothing$ 7 mm		$\longleftrightarrow$		

**OE 6/1**

0 300 311 002



Universal<sup>265</sup>

	PETP	$\longleftrightarrow$ 37 mm	$\Omega$ 1.000	
$\varnothing$ 7 mm		G3P7, G2P $\longleftrightarrow$ optional <sup>264</sup> GWS 7		



**WBA 4/14/5**

0 300 071 101



Audi

		EP	$\longleftrightarrow$ 104 mm	$\Omega$ 5.000		 21 mm
$\varnothing$ 7 mm		$\longleftrightarrow$				

**WOA 4/14** (ersetzt<sup>263</sup> OA 4/14, 0 300 251 006)

0 300 251 101



		PETP	$\longleftrightarrow$ 59 mm	$\Omega$ 1.000		 21 mm
$\varnothing$ 7 mm		$\longleftrightarrow$				

**WBAK 4/14**

0 300 055 103



Mercedes-Benz

	KER/ VMQ	$\longleftrightarrow$ 128 mm	$\Omega$ 1.000		 21 mm
$\varnothing$ 7 mm		$\longleftrightarrow$			

**WOA 4/14 H** (ersetzt<sup>263</sup> OA 4/14/5, 0 300 271 001, OA 4/14 S, 0 300 251 003)

0 300 253 101



Universal<sup>265</sup>

	PETP	$\longleftrightarrow$ 59 mm	$\Omega$ 1.000		 21 mm
$\varnothing$ 5/7 mm		$\longleftrightarrow$			

**WBAK 4/14/5**

0 300 075 101



Audi, Mercedes-Benz

	KER/ VMQ	$\longleftrightarrow$ 128 mm	$\Omega$ 5.000		 21 mm
$\varnothing$ 7 mm		$\longleftrightarrow$			

**WOA 6/14/5 AL**

0 300 373 301



Ford, Peugeot MTC

	PETP	$\longleftrightarrow$ 59 mm	$\Omega$ 5.000		 21 mm
$\varnothing$ 7 mm		$\longleftrightarrow$			

**WO 4 P**

0 300 202 101



		EP	$\longleftrightarrow$ 41 mm	$\Omega$	
$\varnothing$ 7 mm		$\longleftrightarrow$			

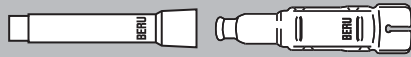
**ZL 005** (Steckerhülse<sup>268</sup>)

0 300 102 302



Opel -

		$\longleftrightarrow$ 110 mm	$\Omega$		 21 mm
$\varnothing$ 7 mm		$\longleftrightarrow$			



### ZL 104

0 300 302 102



Opel

	EP/ VMQ	↔ 115 mm	Ω	
∅ 7 mm		↔		

### ZLE 120

0 300 062 101



Mercedes-Benz

	EP/ VMQ	↔ 103 mm	Ω 1.000		 21 mm
∅ 7 mm		↔			

### ZL 105 (ersetzt<sup>263</sup> ZL 103, 0 300 302 101)

0 300 302 103



Opel

	EP/ VMQ	↔ 130 mm	Ω	
∅ 7 mm		↔		

### ZLE 121

0 300 062 102



Mercedes-Benz

	EP/ VMQ	↔ 128 mm	Ω 1.000		 21 mm
∅ 7 mm		↔			

### ZLE 004/3

0 300 012 002



BMW

	EP	↔ 114 mm	Ω 1.000	
∅ 7 mm	G1N, G2P	↔ optional <sup>264</sup>		

### ZLE 130

0 300 052 103



Audi, Volkswagen

	EP/ VMQ	↔ 128 mm	Ω 1.000		 21 mm
∅ 7 mm		↔			

### ZLE 107/1

0 300 071 107



Universal<sup>265</sup>

	EP/ VMQ	↔ 113 mm	Ω 5.000		 21 mm
∅ 7 mm		↔			

### ZLE 134

0 300 072 106



Universal<sup>265</sup>

	PF/ VMQ	↔ 128 mm	Ω 5.000		 21 mm
∅ 7 mm		↔			



**ZLE 135** (ersetzt<sup>263</sup> 0 300 152 101)  
0 300 152 106



Mercedes-Benz 000 156 54 10, 000 156 57 10

	EP/ VMQ	$\longleftrightarrow$ 132 mm	$\Omega$ 1.000		 16 mm
$\varnothing$ 7 mm		$\longleftrightarrow$			

**ZLE 171**  
0 300 312 102



Universal<sup>265</sup>

	EP/ VMQ	$\longleftrightarrow$ 120 mm	$\Omega$ 1.000		
$\varnothing$ 7 mm		$\longleftrightarrow$			

**ZLE 159**  
0 300 352 108



Mercedes-Benz 230E - 4 Zyl. (16V), M 102, W 201 / 000 156 61 10

	EP/ VMQ	$\longleftrightarrow$ 142 mm	$\Omega$ 1.000		 16 mm
$\varnothing$ 7 mm		$\longleftrightarrow$			

**ZLE 175**  
0 300 112 101



Universal<sup>265</sup>

	EP/ VMQ	$\longleftrightarrow$ 123 mm	$\Omega$ 1.000		
$\varnothing$ 7 mm		$\longleftrightarrow$			

**ZLE 166** (ersetzt<sup>263</sup> 0 300 032 102)  
0 300 032 107



BMW

	EP/ VMQ	$\longleftrightarrow$ 118 mm	$\Omega$ 5.000		
$\varnothing$ 7 mm		$\longleftrightarrow$			

**ZLE 177**  
0 300 152 105



Universal<sup>265</sup>

	EP/ VMQ	$\longleftrightarrow$ 132 mm	$\Omega$ 1.000		 16 mm
$\varnothing$ 7 mm		$\longleftrightarrow$			

**ZLE 168**  
0 300 332 105



Audi, VW (16V)

	EP/ VMQ	$\longleftrightarrow$ 175 mm	$\Omega$ 5.000		
$\varnothing$ 7 mm		$\longleftrightarrow$			

**ZLE 184** (ersetzt<sup>263</sup> ZLE 162, 0 300 332 104)  
0 300 332 108



BMW M3

	EP/ VMQ	$\longleftrightarrow$ 188 mm	$\Omega$ 5.000		
$\varnothing$ 7 mm		$\longleftrightarrow$			



**BERU**

**ZLE 185** (ersetzt<sup>263</sup> ZLE 179, 0 300 135 101)  
0 300 132 104



BMW 12 12 1 715 335, 12 12 1 710 673

	EP/ VMQ	↔ 122 mm	Ω 5.000	
∅ 7 mm		↔ 		

**ZLE 205** (ersetzt<sup>263</sup> ZLE 118/3, 0 300 072 105)  
0 300 072 110



Audi, VW

	EP/ VMQ	↔ 113 mm	Ω 5.000		
∅ 7 mm		↔ 			

**ZLE 190**  
0 300 332 109



BMW

	EP/ VMQ	↔ 140 mm	Ω 1.000	
∅ 7 mm		↔ 		

**ZLE 212**  
0 300 172 107



Audi (V6)/VW 078 035 225

	EP/ VMQ	↔ 147 mm	Ω 5.000		
∅ 7 mm		↔ 			

**ZLE 197**  
0 300 332 112



Audi

	EP/ VMQ	↔ 152 mm	Ω 5.000	
∅ 7 mm		↔ 		

**ZLE 225** (ersetzt<sup>263</sup> 0 300 362 102)  
0 300 362 105



Mercedes-Benz - 6, 8 Zyl., M 104/111/119

	EP/ VMQ	↔ 141 mm	Ω 2.000		
∅ 7 mm		↔ 			

**ZLE 200**  
0 300 312 108



Opel (16V)

	EP/ VMQ	↔ 124 mm	Ω 1.000	
∅ 7 mm		↔ 		

**ZLE 226**  
0 300 172 108



VW (VR6), VW 021 035 255E

	EP/ VMQ	↔ 110 mm	Ω 5.000		
∅ 7 mm		↔ 			



**ZLE 227**  
0 300 362 106



Mercedes-Benz - 12 Zyl.

	EP/ VMQ	$\longleftrightarrow$ 168 mm	$\Omega$ 2.000		 16 mm
		$\longleftrightarrow$			

**ZLE 239** (ersetzt<sup>263</sup> ZLE 230, 0 300 032 105)  
0 300 032 106



Universal, VW (Mexico) 043 0354 255

	EP/ VMQ	$\longleftrightarrow$ 100 mm	$\Omega$ 5.000		
		$\longleftrightarrow$			

**ZLE 232** (Entstörstecker für Einzelzündspulen)<sup>279</sup>  
0 300 122 115



ZS 014, 0 040 100 014  
BMW 12 12 1 730 521, 12 13 9 067 831

	EP/ VMQ	$\longleftrightarrow$ 117 mm	$\Omega$ 2.000		
		$\longleftrightarrow$			

**ZLE 245**  
0 300 122 302



Mercedes-Benz M 104/111  
Mercedes-Benz 000 156 7110, 000 156 72 10

	EP/ VMQ	$\longleftrightarrow$ 140 mm	$\Omega$ 2.000		
		$\longleftrightarrow$			

**ZLE 233** (Entstörstecker für Einzelzündspulen)<sup>279</sup>  
0 300 122 116



ZS 043, 0 040 100 043  
Audi/VW 034 905 447

	EP/ VMQ	$\longleftrightarrow$ 122 mm	$\Omega$ 5.000		
		$\longleftrightarrow$			

**ZLE 247** (Entstörstecker für Einzelzündspulen)<sup>279</sup>  
0 300 122 113



Bosch 0 221 504 001 (Mercedes-Benz 000 158 72 03) /  
Mercedes-Benz M 149.985, 000 159 41 42

	EP/ VMQ	$\longleftrightarrow$ 106 mm	$\Omega$ 2.000		
		$\longleftrightarrow$			

**ZLE 234** (Entstörstecker für Einzelzündspulen)<sup>279</sup>  
0 300 122 111



ZS 295 - 0040 100 295, ZS 340 - 0040 100 340  
 Bosch 0 221 506 444 (Mercedes-Benz 000 150 02 80) /  
MB 000 158 70 03, 000 159 36 42, 000 159 36 42

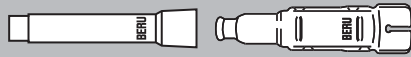
	EP/ VMQ	$\longleftrightarrow$ 113 mm	$\Omega$ 2.000		
		$\longleftrightarrow$			

**ZLE 248**  
0 300 332 137



VW Golf IV (AKQ, AHW), VW 036 035 255 K

	EP/ VMQ	$\longleftrightarrow$ 121 mm	$\Omega$ 5.000		
		$\longleftrightarrow$			



**BERU**

**ZLE 249**

0 300 332 138



Audi/VW 06 A 035 255 A

	EP/ VMQ	$\longleftrightarrow$ 157 mm	$\Omega$ 5.000	
$\varnothing$ 7 mm		$\longleftrightarrow$		

**ZLE 255** (Entstörstecker für Einzelzündspulen<sup>279</sup>)

0 300 122 114



ZS 036, 0 040 100 036  
Porsche 996 602 105 00

	EP/ VMQ	$\longleftrightarrow$ 117 mm	$\Omega$ 2000	
$\varnothing$ 7 mm		$\longleftrightarrow$		

**ZLE 250** (ersetzt<sup>263</sup> ZLE 246, 0 300 172 110)

0 300 174 104



Audi/VW 06A 035 255 C

	EP/ VMQ	$\longleftrightarrow$ 104 mm	$\Omega$ 5.000			16 mm
$\varnothing$ 7 mm		$\longleftrightarrow$				

**ZLE 263** (ersetzt<sup>263</sup> BEO 6/3, 0 300 322 101)

0 300 322 119



Porsche 928 690 105 03

	EP	$\longleftrightarrow$ 77 mm	$\Omega$ 3.000	
$\varnothing$ 7 mm		$\longleftrightarrow$		

**ZLE 251**

0 300 174 105



VW 030 035 255 A

	EP/ VMQ	$\longleftrightarrow$ 112 mm	$\Omega$ 5.000			16 mm
$\varnothing$ 7 mm		$\longleftrightarrow$				

**ZLE 264** (ersetzt<sup>263</sup> ZLE 154, 0 300 322 104)

0 300 322 120



Porsche 928 602 311 00

	EP	$\longleftrightarrow$ 160 mm	$\Omega$ 3.000	
$\varnothing$ 7 mm		$\longleftrightarrow$		

**ZLE 252**

0 300 174 106



Seat, VW 071 035 255 A

	EP/ VMQ	$\longleftrightarrow$ 112 mm	$\Omega$ 5.000			16 mm
$\varnothing$ 7 mm		$\longleftrightarrow$				

**ZLE 265** (ersetzt<sup>263</sup> ZLE 198, 0 300 322 108)

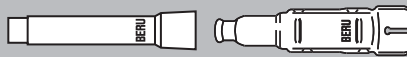
0 300 322 121



Porsche 911 602 313 00

	EP/ VMQ	$\longleftrightarrow$ 158 mm	$\Omega$ 3.000	
$\varnothing$ 7 mm		$\longleftrightarrow$		





**ZLE 266** (ersetzt<sup>263</sup> ZLE 199, 0 300 322 109)  
0 300 322 122



Porsche 911 602 314 00

	EP/ VMQ	$\longleftrightarrow$ 158 mm	$\Omega$ 3.000	
$\varnothing$ 7 mm		$\longleftrightarrow$		

**ZLE 270** (ersetzt<sup>263</sup> ZLE 231, 0 300 322 116)  
0 300 322 126



Porsche 993 602 313 00, 993 602 318 00

	EP/ VMQ	$\longleftrightarrow$ 150 mm	$\Omega$ 3.000	
$\varnothing$ 7 mm		$\longleftrightarrow$		

**ZLE 267** (ersetzt<sup>263</sup> ZLE 189, 0 300 322 110)  
0 300 322 123



Porsche 911 602 315 00, 911 609 311 00, 911 609 312 00

	EP	$\longleftrightarrow$ 145 mm	$\Omega$ 3.000	
$\varnothing$ 7 mm		$\longleftrightarrow$		

**ZLE 276** (Entstörstecker für Einzelzündspulen<sup>279</sup>)  
0 300 122 117



ZS 016, 0 040 100 016  
Audi, VW 058 905 447 C

	EP/ VMQ	$\longleftrightarrow$ 112 mm	$\Omega$ 2.000	
		$\longleftrightarrow$		

**ZLE 268** (ersetzt<sup>263</sup> ZLE 218, 0 300 322 113)  
0 300 322 124



Porsche 964 602 313 00

	EP/ VMQ	$\longleftrightarrow$ 158 mm	$\Omega$ 3.000	
$\varnothing$ 7 mm		$\longleftrightarrow$		

**ZLE 277** (Entstörstecker für Einzelzündspulen<sup>279</sup>)  
0 300 122 118



ZS017, 0 040 100 017  
Audi, VW 077 905 447 A

	EP/ VMQ	$\longleftrightarrow$ 133 mm	$\Omega$ 2.000	
		$\longleftrightarrow$		

**ZLE 269** (ersetzt<sup>263</sup> ZLE 219, 0 300 322 114)  
0 300 322 125



Porsche 964 602 314 00

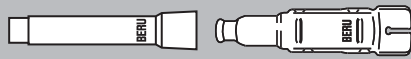
	EP/ VMQ	$\longleftrightarrow$ 158 mm	$\Omega$ 3.000	
$\varnothing$ 7 mm		$\longleftrightarrow$		

**ZLE 278** (Entstörstecker für Einzelzündspulen<sup>279</sup>)  
0 300 122 119



ZS 031, 0 040 100 031  
Porsche 996 602 103 01


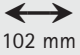

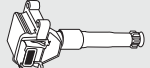


	EP/ VMQ	$\longleftrightarrow$ 117 mm	$\Omega$ 2.000	
		$\longleftrightarrow$		



**ZLE 288**  
0 300 122 122






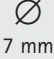



⚙️ ZS 309, 0 040 100 309  
Alfa Romeo 717 137 19

 = M5	UP/ Silikon	 102 mm	$\Omega$ 2.000	
				

**ZLE 301**  
0 300 252 302




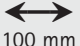





Honda

	EP	 98 mm	$\Omega$ 1.000	 17,5 mm
 7 mm				

**ZLE 302**  
0 300 272 302




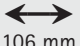





Opel

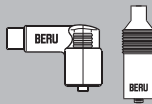
	EP	 100 mm	$\Omega$ 5.000	 21 mm
 7 mm				

**ZLE 303**  
0 300 371 303



Ford, Fiat, Lada, Lancia, Renault, Honda, Talbot

	EP	 106 mm	$\Omega$ 5.000	 21 mm
 7 mm				



**GO 3**

0 300 504 110



Mercedes-Benz

	VMQ	$\leftrightarrow$	$\Omega$	
$\varnothing$ 7 mm		$\leftrightarrow$		

**VES 107**

0 300 413 113



BMW (27kV)

	PP/ VMQ	66 mm	$\Omega$	
$\varnothing$ 7 mm		$\leftrightarrow$	1.000	

**VES 102**

0 300 413 108



BMW (27kV)

	PP/ VMQ	65 mm	$\Omega$	
$\varnothing$ 7 mm		$\leftrightarrow$	1.000	

**VES 108**

0 300 413 114



BMW (27kV)

	PP/ VMQ	66 mm	$\Omega$	
$\varnothing$ 7 mm		$\leftrightarrow$	1.000	

**VES 105**

0 300 413 111



Audi, VW

	PP/ VMQ	65 mm	$\Omega$	
$\varnothing$ 7 mm		$\leftrightarrow$	1.000	

**VES 111**

0 300 413 117



Opel 16V (27kV)

	PP/ VMQ	65 mm	$\Omega$	
$\varnothing$ 7 mm		$\leftrightarrow$	1.000	

**VES 106** (ersetzt<sup>263</sup> VES 113, 0 300 413 119)

0 300 413 112



Audi, BMW (30kV), VW 078 035 281

	PP/ VMQ	80 mm	$\Omega$	
$\varnothing$ 7 mm		$\leftrightarrow$	1.000	

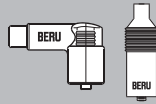
**VES 114**

0 300 413 120



Opel (30kV)

	PP/ VMQ	80 mm	$\Omega$	
$\varnothing$ 7 mm		$\leftrightarrow$	1.000	



**VES 115**  
0 300 413 123



ZSE 003, 0 040 402 003  
Audi, Skoda, VW

	PP/ VMQ	62,5 mm ↔	Ω 1.000	
∅ 7 mm 		↔		

**VESO 112**  
0 300 513 116



BMW (27kV)

	PP/ VMQ	36 mm ↔	Ω 1.000	
∅ 7 mm 		↔		

**VES 408 (Auslauftype<sup>149</sup>)**  
0 300 413 408



Ford, Universal<sup>265</sup>

	PP/ CSM	47 mm ↔	Ω 1.000	
∅ 		↔		

**VESO 113**  
0 300 513 113



Porsche (27kV)

	PP/ VMQ	36 mm ↔	Ω 1.000	
∅ 7 mm 		↔		

**VESO 105 (ersetzt<sup>263</sup> VESO 108, 0 300 513 108)**  
0 300 513 105



Audi, BMW, VW

	PP/ CSM	36 mm ↔	Ω 1.000	
∅ 7 mm 		↔		

**VESO 116**  
0 300 513 119



Audi, VW

	PET/ VMQ	36 mm ↔	Ω 1.000	
∅ 7 mm 		↔		

**VESO 111**  
0 300 513 114



BMW (27kV)

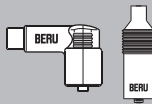
	PP/VMQ (blau <sup>203</sup> )	36 mm ↔	Ω 1.000	
∅ 7 mm 		↔		

**VESO 117 (ersetzt<sup>263</sup> VESO 129, 0 300 513 134)**  
0 300 513 140



BMW (30kV)

	PP/ VMQ	41 mm ↔	Ω 1.000	
∅ 7 mm 		↔		



**VESO 118**

0 300 513 141



BMW (27kV)

	PP/ VMQ	36 mm ↔	$\Omega$ 1.000	
$\varnothing$ 7 mm				

**VESO 124**

0 300 513 129



Opel (16V)

	PP/ VMQ	56 mm ↔	$\Omega$ 1.000	
$\varnothing$ 7 mm				

**VESO 119**

0 300 513 122



BMW (27kV)

	PP/ VMQ	36 mm ↔	$\Omega$ 1.000	
$\varnothing$ 7 mm				

**VESO 126**

0 300 513 142



Audi/VW 077 035 281 B

	PP/ VMQ	55 mm ↔	$\Omega$ 1.000	
$\varnothing$ 7 mm				

**VESO 120**

0 300 513 124



Porsche (30kV)

	PP/ VMQ	41 mm ↔	$\Omega$ 1.000	
$\varnothing$ 7 mm				

**VESO 127**

0 300 513 132



BMW 1 311 601

	PP/ VMQ	42 mm ↔	$\Omega$ 1.000	
$\varnothing$ 7 mm				

**VESO 121**

0 300 513 125



Porsche (30kV)

	PET/ VMQ	56 mm ↔	$\Omega$ 1.000	
$\varnothing$ 7 mm				

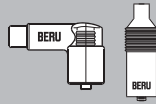
**VESO 128**

0 300 513 133



Audi/VW

	PP/ VMQ	40 mm ↔	$\Omega$ 1.000	
$\varnothing$ 7 mm				



**VESO 134**  
0 300 513 144



VW 06A 035 281A, Audi/VW (VR6-Motor)

	VMQ	38 mm	$\Omega$ 1.000	
$\varnothing$ 7 mm				

**VSO 105**  
0 300 504 103



Mercedes-Benz, Porsche

	VMQ	48 mm	$\Omega$	
$\varnothing$ 7 mm				

**VS 106**  
0 300 404 107



Mercedes-Benz, 4 Zyl., M 111, 000 159 37 42

	VMQ	73 mm	$\Omega$	
$\varnothing$ 7 mm				

**WVES 1**  
0 300 413 101



Universal<sup>265</sup>

	PP/ PVC	47 mm	$\Omega$ 1.000	
$\varnothing$ 7 mm				

**VS 107**  
0 300 404 108



Mercedes-Benz, 6 Zyl., M 104, 000 159 38 42

	VMQ	58 mm	$\Omega$	
$\varnothing$ 7 mm				

**VSO 103**  
0 300 504 101



Mercedes-Benz, Porsche

	VMQ	45 mm	$\Omega$	
$\varnothing$ 7 mm				

**G 1 N**

0 010 110 001



$\varnothing$ 7 mm	CSM	40 mm ↔	$\varnothing$ 13 mm	

**G 2 P**

0 010 100 001



$\varnothing$ 7 mm	PVC	48 mm ↔	$\varnothing$ 13 mm	

**G 1 PK**

0 010 300 002



$\varnothing$ 5/7 mm	PVC	32 mm ↔	$\varnothing$ 15 mm	

**G 3 P 5**

0 010 100 002



$\varnothing$ 5 mm	PVC	25 mm ↔	$\varnothing$ 13 mm	

**G 1 PL**

0 010 300 003



$\varnothing$ 5/7 mm	PVC	50 mm ↔	$\varnothing$ 15 mm	

**G 3 P 7**

0 010 100 003



$\varnothing$ 7 mm	PVC	25 mm ↔	$\varnothing$ 13 mm	

**G 1 S**

0 010 120 003



$\varnothing$ 7 mm	VMQ	38 mm ↔	$\varnothing$ 13 mm	

**G 3 S**

0 010 120 004



$\varnothing$ 7 mm	VMQ	88,5 mm ↔	$\varnothing$ 10 mm	

**GS 4 P 7**

0 010 100 006



$\varnothing$ 7 mm	PVC	30 mm ↔	$\varnothing$ 11 mm	

**GS 17**

0 010 020 022



ZS 041, 0 040 100 041  
Mercedes Benz A 000 159 49 42

	VMQ	95 mm ↔		

**GS 7**

0 010 320 002



$\varnothing$ 7 mm	VMQ	67 mm ↔	$\varnothing$ 10 mm	

**GS 21**

0 010 020 021



ZS 053, 0 040 100 053  
Mercedes

	VMQ	55 mm ↔		

**GS 15 (Schutzkappe<sup>269</sup>)**

0 010 020 015



Opel- 0 901 300 199 0 901 300 200

	VMQ	57 mm ↔	$\varnothing$ 18 mm	
$\varnothing$ 7 mm				

**GS 28**

0 010 020 028



ZSE 012, 0 040 102 012  
Porsche

	VMQ	55 mm ↔		

**GS 16 (Schutzkappe<sup>269</sup>)**

0 010 320 016



Opel- 0 901 300 911 0 901 300 912

$\varnothing$ 7 mm	VMQ	52 mm ↔	$\varnothing$ 18 mm	

**GS 29**

0 010 020 029



ZS 052, 0 040 100 052  
Renault

	VMQ	53 mm ↔		



**GS 30**

0 010 020 016



Mercedes 12-Zylinder

	VMQ	49 mm		

**GWS 9**

0 010 020 007



	VMQ	27 mm		

**GS 39**

0 010 020 039



ZS 259, 0 040 100 259 Opel

	VMQ	49 mm		

**GW 11**

0 010 310 005



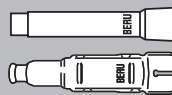
$\varnothing$ 7 mm	EPDM	47 mm	$\varnothing$ 10 mm	

**GWS 7**

0 010 020 006



	VMQ	14 mm	$\varnothing$ 18 mm	

**BERU****ALFA ROMEO**

VESO 105, WVES 1, ZLE 166, ZLE 288

**AUDI**

VES 105, VES 106, VESO 105, VESO 116, VESO 117, VESO 126, VESO 128, WVES 1, ZLE 107/1, ZLE 168, ZLE 197, ZLE 205, ZLE 212, ZLE 226, ZLE 233, ZLE 249, ZLE 276, ZLE 277

**AUSTIN → ROVER****AUTOBIANCHI → LANCIA****BEDFORD (GB)**

WVES 1

**BMW**

VES 106, VES 108, VESO 105, VESO 111, VESO 112, VESO 116, VESO 117, VESO 118, VESO 119, WVES 1, ZLE 166, ZLE 179, ZLE 185, ZLE 190, ZLE 232, ZLE 264

**DAF → VOLVO****FIAT**

OE 6/1, VESO 105, WVES 1

**FORD**

VESO 105, VESO 134, WVES 1, ZLE 250, ZLE 251

**INNOCENTI**

VESO 105, WVES 1

**LADA**

VESO 105, WVES 1

**LANCIA**

OE 6/1, VESO 105, WVES 1

**MERCEDES**

GO 3 H, GS 17, GS 21, VESO 105, VS 106, VS 107, VSO 103, VSO 105, WBAK 4/14/5, WVES 1, ZLE 120, ZLE 121, ZLE 135, ZLE 225, ZLE 227, ZLE 234, ZLE 245, ZLE 247

**MORRIS → ROVER****NISSAN**

VES 105, VESO 116, ZLE 205

**OPEL**

GS 15 + 0 901 300 199/200, GS 16 + 0 901 300 911/912, GS 39, VES 114, VESO 105, VESO 120, WVES 1, ZL 005, ZL 104, ZL 105, ZLE 200

**PORSCHE**

BELO 6/1, GS 28, VES 114, VESO 105, VESO 120, VSO 103, VSO 105, WVES 1, ZLE 134, ZLE 205, ZLE 255, ZLE 263, ZLE 264, ZLE 265, ZLE 266, ZLE 267, ZLE 278

**RENAULT**

GS 29

**ROVER**

OE 6/1, VESO 105, WVES 1

**SAAB**

VESO 105, WVES 1

**SEAT**

VES 105, VES 115, VESO 105, VESO 116, VESO 134, WVES 1, ZLE 168, ZLE 205, ZLE 249, ZLE 250, ZLE 251

**SKODA**

VES 105, VES 115, VESO 116, ZLE 205, ZLE 249

**TRIUMPH → ROVER****VAUXHALL**

ZL 302, VESO 105, WVES 1

**VOLKSWAGEN**

VES 105, VES 115, VESO 105, VESO 112, VESO 116, VESO 128, VESO 134, WVES 1, ZLE 107/1, ZLE 168, ZLE 205, ZLE 226, ZLE 248, ZLE 249, ZLE 250, ZLE 251, ZLE 252, ZLE 276

**VOLVO**

VESO 105, VESO 112, ZLE 107/1, ZLE 205

**WARTBURG**

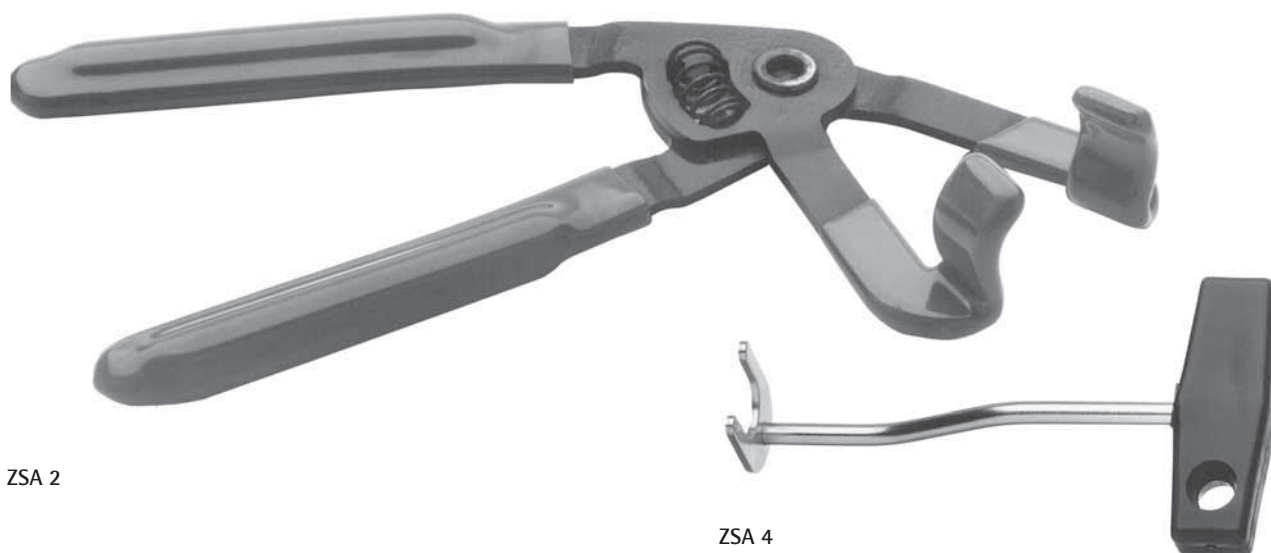
OA 4/18, VES 105, VESO 105, VESO 116, WOA 4/14, ZLE 205

## Puller tools for spark plug adapters

The problem is wellknown: the engine is hot, the spark plug adapter is of difficult access – and the spark plug must be changed now.

If the adapter is pulled by the cable, the latter may be torn-off. Pulling the adapter off with unproper pincers will often damage the adapter or the plug, or both.

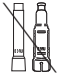
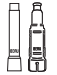
The solution offered by BERU: special pincers, enabling to remove the adapters in an easy and proper way.

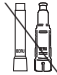
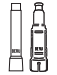



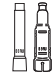
ZSA 2

ZSA 4

Type/Ref.-No.	← mm →	Material	Application
<b>ZSA 2</b>			
0 890 300 008	280	Puller collet for spark plug adaptors	Easy and technical pulling-off of spark plug adapters
<b>ZSA 4</b>			
0 890 300 014	160	Puller tool for spark plug adaptors	For multi-valve engines which have adaptors located deep in the cylinder head.
<b>ZKF 01</b>			
0 890 300 029	10 gr. Tube 10 gr. tube	Grease for spark plug adaptors	Always grease the spark-plug connector (inner) when changing spark plugs.

	→	
BA 4/14		ZLE 130
BA 4/18		-
BA 6/14/5		WBA 4/14/5
BAL 4/14/5 P		-
BE 4/1		-
BE 4/1 P		-
BE 4/5		-
BE 4/10		-
BE 6/1		-
BE 6/5		-
BE 6/10		-
BEL 4/1		-
BELO 6/3		BELO 6/1
BELO 6/3-2		ZLE 267
BELO 6/3		ZLE 263
DBAL 4/14/5 P		-
EP 10		-
EP 6/10		-
EP 6/5		-
EPS 10		-
EPS 5		-
G 2 S		G 1 PL
GW 10		GW 11
HOW		-
OA 4/14		WOA 4/14 H
OA 4/14 S		WOA 4/14 H
OA 4/14/5		WOA 4/14 H
OA 4/14/5 P1		-
OA 4/18/5		OA 4/18
OA 6/14/5		WOA 6/14/5 AL
OE 4/10		OE 4/1
OE 6/10		OE 6/1
OE 6/5		OE 6/1
P 2		0 901 300 025
P 2 S		-
VES 1		WVES 1
VES 112		VES 107
VES 113		VES 106
VES 1K		WVES 1
VES 401		VES 405
VES 402		-
VES 403		VES 405
VES 5		WVES 1
VESO 108		VESO 105
VESO 109		VESO 111
VESO 110		VESO 111
VESO 114		VESO 117
VESO 117		VESO 117
VESO 118		VESO 118
VESO 122		VESO 117
VESO 125		VESO 111
VESO 129		VESO 117
VESO 131		VESO 112
VESO 1A		VESO 105
VESO 1K		VESO 105
VESO 401		-
VESO 5A		VESO 105
VESO H 1		VESO 113
VS 103		-
VSO 104		VSO 103
VSO 106		VSO 105
VSO 107		-
WBA 6/14/5		WBA 4/15/5
WBA 6/14/5 AL		WBA 4/14/5

	→	
WBEB 4/1		ZLE 175
WHE 1		-
WHE 10		-
WOA 4/14/5		WOA 4/14
WOA 4/14P		WOA 4/14
WOA 6/14/5		WOA 6/14/5 AL
WOA 6/14/5 P		WOA 6/14/5 AL
WVES 5		WVES 1
WVES P1		WVES 1
ZL 103		ZL 105
ZL 301		ZL 302
ZL 302		-
ZLE 005		-
ZLE 006/1		BEL 4/1
ZLE 007		ZLE 303
ZLE 009		ZLE 004/3
ZLE 104/3		ZLE 239
ZLE 105		ZLE 134
ZLE 107/2		ZLE 121
ZLE 107/3		ZLE 205
ZLE 114		-
ZLE 115/1		-
ZLE 117/3		ZLE 239
ZLE 118/2		WBAK 4/14/5
ZLE 118/3		ZLE 205
ZLE 119		-
ZLE 128		ZLE 167
ZLE 131		ZLE 107/1
ZLE 137		-
ZLE 139		-
ZLE 147		-
ZLE 148		ZLE 267
ZLE 154		ZLE 264
ZLE 161		ZLE 189
ZLE 165		ZLE 179
ZLE 167		ZLE 166
ZLE 174		ZLE 219
ZLE 178		ZLE 135
ZLE 179		ZLE 185
ZLE 189		ZLE 267
ZLE 192		-
ZLE 193		ZLE 208
ZLE 198		ZLE 265
ZLE 199		ZLE 266
ZLE 204		ZLE 225
ZLE 205		ZLE 205
ZLE 206		-
ZLE 207		-
ZLE 208		-
ZLE 210		-
ZLE 218		ZLE 268
ZLE 219		ZLE 269
ZLE 222		-
ZLE 225		ZLE 225
ZLE 226		ZLE 226
ZLE 230		ZLE 239
ZLE 231		ZLE 270
ZLE 232		ZLE 232
ZLE 233		ZLE 233
ZLE 234		ZLE 234
ZLE 242		ZLE 185
ZLE 246		ZLE 250
ZLE 247		ZLE 247
ZLE 255		ZLE 255

	→	
ZLE 276		ZLE 276
ZLE 277		ZLE 277
ZLE 304		ZLE 303
ZLE 305		ZLE 141
ZLE 307		-
ZLE 311		-
ZLE 312		ZLE 303
ZLE 313		ZLE 307
ZLE 314		-
ZLE 315		-
ZLE 317		-



R 98-060		R 99-070
R 409-037		R 422-037
R 410-042		R 423-042
R 411-022		R 424-022
R 412-047		R 425-047
ZE 002		ZEF 1363
ZE 107		-
ZE 108		-
ZE 112		-
ZE 113		-
ZE 1201		-
ZE 404		-
ZE 566/1		ZE 566
ZE 566/2		ZE 566
ZE 566/3		ZE 566
ZE 566/4		ZE 566
ZE 566/5		ZE 566
ZE 568		-
ZE 580		ZEF 607
ZE 581		-
ZE 587		ZEF 1399
ZE 592		-
ZE 598 mit Marderschutz <sup>275</sup>		ZEF 607 ohne Marderschutz <sup>155</sup>
ZE 599		ZEF 611
ZE 708		ZE 746
ZE 718		-
ZE 723		ZE 738
ZE 727		ZEF 1401
ZE 731		ZE 744
ZE 733		-
ZE 747		ZE 757
ZE 748		-
ZE 750		ZE 755
ZE 756		ZE 721
ZE 759		ZEF 1402
ZE 760		-
ZE 763		ZEF 1402
ZE 764		-
ZE 765		ZE 765
ZE 905/1		ZE 905
ZE 905/2		ZE 905
ZE 905/3		ZE 905
ZE 905/4		ZE 905
ZE 905/5		ZE 905
ZE 905/6		ZE 905
ZE 905/7		ZE 905
ZE 905/8		ZE 905



ZE 905/9	ZE 905
ZE 909	ZEF 586
ZE 909-9	ZEF 586
ZE 910	-
ZE 1201	-
ZEF 276	-
ZEF 281	ZEF 298
ZEF 286	ZEF 1171
ZEF 290	ZEF 1172
ZEF 298	ZEF 298
ZEF 310	-
ZEF 349	ZEF 444
ZEF 351	-
ZEF 352	-
ZEF 355	ZEF 561
ZEF 365	ZEF 444
ZEF 388	ZEF 515
ZEF 393	ZEF 515
ZEF 395	ZEF 432
ZEF 397	ZEF 432
ZEF 398	ZEF 432
ZEF 400	-
ZEF 401	-
ZEF 402	ZEF 406
ZEF 403	ZEF 612
ZEF 410	ZEF 515
ZEF 426	ZEF 467
ZEF 428	ZEF 303
ZEF 436	ZEF 473
ZEF 446	-
ZEF 453	ZEF 444
ZEF 460	-
ZEF 474	ZEF 515



ZEF 475	-
ZEF 479	ZEF 493
ZEF 484	-
ZEF 486	ZEF 405
ZEF 489	-
ZEF 490	ZE 759
ZEF 491	ZEF 444
ZEF 495	-
ZEF 503	ZEF 395
ZEF 505	ZEF 467
ZEF 510	ZEF 425
ZEF 511	ZEF 425
ZEF 512	ZEF 467
ZEF 513	ZEF 493
ZEF 514	ZEF 467
ZEF 516	ZEF 445
ZEF 517	ZEF 493
ZEF 519	ZEF 574
ZEF 521	ZE 575
ZEF 522	ZEF 572
ZEF 523	ZEF 571
ZEF 524	ZEF 579
ZEF 526	-
ZEF 527	-
ZEF 528	ZEF 501
ZEF 530	ZE 746
ZEF 531	ZEF 515
ZEF 532	ZEF 515
ZEF 535	ZEF 493
ZEF 536	ZEF 470
ZEF 537	ZEF 472
ZEF 538	ZE 575
ZEF 595	-



ZEF 609	-
ZEF 626	ZEF 1118
ZEF 633	-
ZEF 721	-
ZEF 754	-
ZEF 774	-
ZEF 782	ZEF 719
ZEF 805	-
ZEF 806	-
ZEF 841	ZEF 839
ZEF 956	-
ZEF 986	-
ZEF 1008	ZEF 762
ZEF 1010	ZEF 772
ZEF 1013	ZEF 773
ZEF 1031	-
ZEF 1034	ZEF 804
ZEF 1035	ZEF 1033
ZEF 1038	ZEF 1125
ZEF 1051	ZEF 771
ZEF 1063	ZEF 785
ZEF 1075	-
ZEF 1080	ZEF 793
ZEF 1132	ZEF 720
ZEF 1218	-
ZEF 1219	ZEF 1219
ZEF 1234	-
ZEF 1306	-
ZEF 1401	-
ZEF 1443	ZEF 1488
ZEF 1483	-
ZEF 1542	ZEF 1633
ZEF 1543	ZEF 1634

OE	→	AM	OE	→	AM	OE	→	AM
0 010 020 019		0 010 020 022	0 300 251 007		0 300 253 101	0 300 513 104		0 300 513 114
0 010 310 004		0 010 310 005	0 300 252 114		-	0 300 513 109		0 300 513 114
0 010 330 003		0 010 300 003	0 300 252 301		0 300 251 101	0 300 513 110		0 300 513 140
0 300 000 001		-	0 300 252 303		-	0 300 513 117		0 300 513 140
0 300 011 103		0 300 112 101	0 300 252 307		-	0 300 513 120		0 300 513 140
0 300 012 001		0 300 011 001	0 300 252 308		-	0 300 513 121		0 300 513 141
0 300 012 004		0 300 011 006	0 300 271 001		0 300 253 101	0 300 513 126		0 300 513 114
0 300 012 102		0 300 032 106	0 300 271 002		0 300 251 004	0 300 513 130		0 300 513 140
0 300 012 103		0 300 032 106	0 300 271 101		0 300 251 101	0 300 513 131		0 300 513 142
0 300 032 002		0 300 012 002	0 300 272 001		-	0 300 513 134		0 300 513 140
0 300 032 003		-	0 300 272 102		-	0 300 513 136		0 300 513 116
0 300 032 102		0 300 032 107	0 300 272 305		-	0 300 513 139		0 300 513 144
0 300 032 105		0 300 032 106	0 300 302 101		0 300 302 103	0 300 513 401		-
0 300 035 101		0 300 032 103	0 300 302 301		0 300 302 303	0 300 553 102		0 300 513 105
0 300 035 103		0 300 135 101	0 300 311 004		-	0 300 602 101		-
0 300 041 001		0 300 011 001	0 300 322 101		0 300 322 119	0 300 612 101		-
0 300 041 002		-	0 300 322 103		0 300 322 123	0 300 642 101		-
0 300 041 003		-	0 300 322 104		0 300 322 120	0 300 810 176		0 300 890 076
0 300 051 001		0 300 052 103	0 300 322 105		0 300 322 122	0 300 810 213		0 300 890 076
0 300 052 101		-	0 300 322 108		0 300 322 123	0 300 810 214		0 300 890 076
0 300 052 104		0 300 071 107	0 300 322 109		0 300 322 124	0 300 810 215		0 300 890 076
0 300 071 105		0 300 072 106	0 300 322 110		0 300 322 123	0 300 810 216		0 300 890 076
0 300 071 113		0 300 072 110	0 300 322 113		0 300 322 124	0 300 810 217		0 300 890 076
0 300 072 105		0 300 072 110	0 300 322 114		0 300 322 125	0 300 810 218		0 300 890 076
0 300 072 108		0 300 072 110	0 300 322 116		0 300 322 126	0 300 810 219		0 300 890 076
0 300 075 105		0 300 075 101	0 300 331 001		0 300 311 002	0 300 810 220		0 300 890 076
0 300 075 107		-	0 300 332 001		0 300 371 303	0 300 810 243		0 300 890 094
0 300 121 101		0 300 111 101	0 300 332 110		-	0 300 810 244		0 300 890 094
0 300 121 102		0 300 322 123	0 300 332 114		-	0 300 810 245		0 300 890 094
0 300 122 102		0 300 122 115	0 300 332 115		-	0 300 810 246		0 300 890 094
0 300 122 103		0 300 122 116	0 300 332 121		-	0 300 810 247		0 300 890 094
0 300 122 105		0 300 122 111	0 300 332 131		0 300 332 138	0 300 810 448		0 300 890 188
0 300 122 106		0 300 122 117	0 300 332 132		0 300 332 137	0 300 810 651		-
0 300 122 108		0 300 122 113	0 300 332 301		-	0 300 810 850		-
0 300 122 109		0 300 122 118	0 300 334 104		0 300 334 102	0 300 810 919		0 300 890 586
0 300 122 110		0 300 122 119	0 300 341 001		0 300 311 002	0 300 811 581		0 300 811 492
0 300 122 112		0 300 122 114	0 300 352 103		0 300 352 108	0 300 811 713		0 300 811 901
0 300 122 301		0 300 122 302	0 300 352 105		0 300 362 105	0 300 811 715		0 300 811 902
0 300 131 002		-	0 300 353 001		-	0 300 811 716		0 300 811 903
0 300 132 101		0 300 132 104	0 300 362 102		0 300 362 105	0 300 812 017		0 300 811 385
0 300 135 101		0 300 132 104	0 300 362 103		0 300 362 106	0 300 812 018		0 300 811 382
0 300 135 102		0 300 132 104	0 300 371 101		0 300 373 301	0 300 812 019		0 300 811 383
0 300 135 103		-	0 300 372 101		-	0 300 812 020		0 300 811 384
0 300 141 002		-	0 300 372 301		0 300 373 301	0 300 820 736		-
0 300 151 301		0 300 371 303	0 300 372 302		0 300 372 304	0 300 820 757		-
0 300 152 101		0 300 152 106	0 300 374 102		-	0 300 890 095		-
0 300 171 001		0 300 071 101	0 300 404 103		-	0 300 890 105		0 300 890 104
0 300 171 100		0 300 071 101	0 300 404 105		0 300 404 107	0 300 890 106		0 300 890 104
0 300 171 101		0 300 071 101	0 300 404 106		0 300 404 108	0 300 890 108		-
0 300 171 304		0 300 371 303	0 300 413 001		0 300 413 101	0 300 890 119		0 300 890 154
0 300 172 103		0 300 152 106	0 300 413 102		0 300 413 101	0 300 890 137		0 300 890 183
0 300 172 104		0 300 172 107	0 300 413 118		0 300 413 113	0 300 890 149		0 300 890 607
0 300 172 105		0 300 172 108	0 300 413 119		0 300 413 112	0 300 890 150		-
0 300 172 109		0 300 172 110	0 300 413 401		-	0 300 890 153		-
0 300 172 110		0 300 174 104	0 300 413 403		-	0 300 890 155		0 300 890 188
0 300 172 301		-	0 300 433 101		0 300 413 101	0 300 890 156		0 300 890 188
0 300 174 101		0 300 174 104	0 300 433 402		-	0 300 890 177		0 300 890 586
0 300 174 102		0 300 174 105	0 300 503 105		-	0 300 890 178		0 300 890 586
0 300 174 103		0 300 174 106	0 300 504 102		0 300 504 101	0 300 890 191		0 300 890 219
0 300 201 005		0 300 201 001	0 300 504 104		0 300 504 103	0 300 890 192		-
0 300 204 102		0 300 204 103	0 300 511 101		0 300 513 105	0 300 890 194		0 300 890 215
0 300 241 012		0 300 211 001	0 300 511 103		0 300 513 113	0 300 890 196		-
0 300 251 003		0 300 253 101	0 300 513 102		0 300 513 105	0 300 890 209		0 300 891 399
0 300 251 006		0 300 253 101	0 300 513 103		0 300 504 103	0 300 890 216		0 300 890 117

OE	→	AM	OE	→	AM	OE	→	AM
0 300 890 234		0 300 891 402	0 300 890 453		0 300 890 444	0 300 890 538		0 300 890 121
0 300 890 239		-	0 300 890 460		-	0 300 890 595		-
0 300 890 240		-	0 300 890 474		0 300 890 515	0 300 890 626		0 300 891 118
0 300 890 252		0 300 891 402	0 300 890 475		-	0 300 890 633		-
0 300 890 257		-	0 300 890 479		0 300 890 493	0 300 890 721		-
0 300 890 260		0 300 890 607	0 300 890 484		-	0 300 890 754		-
0 300 890 261		0 300 890 611	0 300 890 486		0 300 890 405	0 300 890 774		-
0 300 890 262		-	0 300 890 489		-	0 300 890 782		0 300 890 719
0 300 890 265		0 300 890 709	0 300 890 490		0 300 890 234	0 300 890 805		-
0 300 890 276		-	0 300 890 491		0 300 890 444	0 300 890 806		-
0 300 890 281		0 300 890 708	0 300 890 495		-	0 300 890 841		0 300 890 839
0 300 890 284		0 300 891 363	0 300 890 503		-	0 300 891 008		0 300 890 762
0 300 890 286		0 300 891 171	0 300 890 505		0 300 890 467	0 300 891 010		0 300 890 772
0 300 890 290		0 300 891 172	0 300 890 510		0 300 890 425	0 300 891 013		0 300 890 773
0 300 890 298		0 300 890 708	0 300 890 511		0 300 890 425	0 300 891 034		0 300 890 804
0 300 890 310		-	0 300 890 512		0 300 890 467	0 300 891 035		0 300 891 033
0 300 890 349		0 300 890 444	0 300 890 513		0 300 890 493	0 300 891 038		0 300 891 125
0 300 890 355		0 300 890 561	0 300 890 514		0 300 890 467	0 300 891 051		0 300 890 771
0 300 890 365		0 300 890 444	0 300 890 517		0 300 890 493	0 300 891 063		0 300 890 785
0 300 890 388		0 300 890 515	0 300 890 519		0 300 890 574	0 300 891 075		-
0 300 890 393		0 300 890 515	0 300 890 521		0 300 890 121	0 300 891 080		0 300 890 793
0 300 890 395		0 300 890 432	0 300 890 522		0 300 890 572	0 300 891 132		0 300 890 720
0 300 890 397		0 300 890 432	0 300 890 523		0 300 890 571	0 300 891 225		0 300 891 219
0 300 890 398		0 300 890 432	0 300 890 524		0 300 890 579	0 300 891 443		0 300 891 488
0 300 890 400		-	0 300 890 526		-	0 901 300 005		-
0 300 890 401		-	0 300 890 527		-	0 901 300 085		-
0 300 890 402		0 300 890 406	0 300 890 528		0 300 890 501	2 303 590 361		0 010 020 028
0 300 890 403		0 300 890 612	0 300 890 531		0 300 890 515	2 303 590 382		0 010 020 029
0 300 890 410		0 300 890 515	0 300 890 532		0 300 890 515	2 308 550 001		-
0 300 890 426		0 300 890 467	0 300 890 535		0 300 890 473	2 308 550 003		-
0 300 890 428		0 300 890 303	0 300 890 536		0 300 890 470	2 908 650 056		0 901 300 198
0 300 890 436		0 300 890 473	0 300 890 537		0 300 890 472			

**GB****USA****Important note**

This comparison list is only an aid. Refer to the current BERU application lists to find the binding product. Reverse conversion from BERU to types from other manufacturers is not permitted. No liability claims can be derived from an incorrect conversion.

---



AGRIA	BERU
0.2978	OA 4/18
0.2979	WOA 4/14 H
030 000	O 4
1137 03000	O 4

ALFA ROMEO	BERU
19532 05090 00 00	ZLE 175
46400418	ZEF 1254
4646919	GF 112 B
4646919	ZEF 1348
4646920	GF 112 A
4646920	ZEF 1348
46755606	ZEF 1348
60537826	GF 103 A
60504232	ZEF 801
60504325	ZEF 801
60504823	ZEF 801
60513445	ZEF 970
60513446	ZEF 970
60534855	ZEF 1037
60537826	ZEF 1033
60537945	ZEF 1033
60537946	ZEF 1033
60538409	ZEF 1033
60546489	ZEF 1032
60548306	ZEF 1032
60566481	ZEF 973
60566483	ZEF 973
60569350	ZEF 1036
60569351	ZEF 1036
60569352	ZEF 1036
60573030	ZEF 1037
60584128	ZEF 801
60584129	ZEF 801
60584129	R 225-068
60584130	ZEF 801
60584130	R 224-077
60590964	ZEF 971
60597355	ZEF 972
60597907	ZEF 969
60597908	ZEF 969
60597941	ZEF 969
60597942	ZEF 969
60597943	ZEF 972
60600766	ZEF 971
60800515	ZEF 1007
60808240	ZEF 1036
71713719	ZLE 288

AUTOJUNION	BERU
8801 369 01 02 000	C 4-570

BMW	BERU
1 309 930.2	ZLE 184
1 311 601	VESO 127
1 363 327	O 901 300 002
1 708 556.2	ZLE 185
12 12 1 247 361	ZEF 1183
12 12 1 247 362	B 111 A
12 12 1 247 363	B 111 A
12 12 1 247 364	B 111 B
12 12 1 247 365	B 111 B
12 12 1 247 512	ZEF 1182
12 12 1 247 513	ZEF 1182
12 12 1 247 523	B 110 D

BMW	BERU
12 12 1 247 524	B 110 B
12 12 1 247 525	B 110 A
12 12 1 247 526	B 110 C
12 12 1 266 699	ZLE 004/3
12 12 1 266 704	ZLE 004/3
12 12 1 266 705	ZEF 493
12 12 1 266 706	ZEF 493
12 12 1 270 550	ZE 727
12 12 1 271 673	VESO 111
12 12 1 272 170	ZEF 493
12 12 1 274 660	ZLE 167
12 12 1 277 632	ZEF 467
12 12 1 277 635	VESO 111
12 12 1 279 517	ZLE 004/3
12 12 1 279 550	ZE 727
12 12 1 279 567	VES 105
12 12 1 279 624	VESO 112
12 12 1 279 626	VES 102
12 12 1 279 658	VESO 111
12 12 1 286 088	VESO 117
12 12 1 289 821	ZLE 166
12 12 1 289 823	ZLE 166
12 12 1 289 825	VESO 117
12 12 1 289 827	VESO 117
12 12 1 289 829	VES 106
12 12 1 289 831	VES 106
12 12 1 289 833	VES 108
12 12 1 289 835	VES 108
12 12 1 289 837	VESO 118
12 12 1 289 841	VESO 119
12 12 1 310 008	ZEF 1399
12 12 1 311 735	ZEF 1399
12 12 1 311 803	ZEF 1399
12 12 1 316 688	ZEF 1399
12 12 1 342 641	ZE 116
12 12 1 355 180	ZEF 467
12 12 1 355 254	VESO 105
12 12 1 359 991	ZE 759
12 12 1 359 991	ZEF 1402
12 12 1 360 154	Silikon Meterware rot/schwarz <sup>157</sup>
12 12 1 360 154	Silikon Meterware rot/schwarz <sup>157</sup>
12 12 1 360 603	ZEF 405
12 12 1 361 218	ZEF 425
12 12 1 362 989	ZE 759
12 12 1 362 989	ZEF 1402
12 12 1 363 327	O 901 300 002
12 12 1 705 623	ZE 738
12 12 1 705 656	O 901 300 001
12 12 1 705 697	ZE 575
12 12 1 705 714	ZE 719
12 12 1 705 716	ZE 727
12 12 1 705 718	ZE 721
12 12 1 709 206	B 112 A
12 12 1 709 207	B 112 A
12 12 1 709 208	B 112 B
12 12 1 709 209	B 112 B
12 12 1 709 344	B 112 A
12 12 1 709 345	B 112 B
12 12 1 709 348	B 112 B
12 12 1 710 549	ZLE 185
12 12 1 710 591	ZE 738
12 12 1 710 707	ZLE 185
12 12 1 714 154	ZE 757
12 12 1 715 335	ZLE 185
12 12 1 715 357	B 112 A
12 12 1 715 360	B 112 B

BMW	BERU
12 12 1 716 939	ZE 755
12 12 1 717 206	ZE 755
12 12 1 717 375	B 114 A
12 12 1 717 646	ZEF 607
12 12 1 719 987	B 113 A
12 12 1 720 154	ZE 757
12 12 1 720 529	ZE 757
12 12 1 720 530	ZEF 1236
12 12 1 721 775	B 115 B
12 12 1 722 253	ZE 759
12 12 1 722 253	ZEF 1402
12 12 1 725 039	ZE 1200
12 12 1 725 040	ZE 1200
12 12 1 726 037	ZEF 1236
12 12 1 727 686	ZEF 607 ohne Marderschutz <sup>155</sup>
12 12 1 727 840	ZEF 1188
12 12 1 727 855	ZEF 610
12 12 1 727 928	ZEF 611
12 12 1 730 521	ZLE 232
12 12 1 733 006	ZEF 1176
12 12 1 733 020	ZEF 1176
12 12 1 733 220	ZE 1200
12 12 1 733 221	ZE 1200
12 12 1 734 098	ZEF 611
12 12 1 734 139	B 115 A
12 12 1 734 532	ZEF 608
12 12 1 734 533	ZEF 609
12 12 8 036 770	BA 4/14/5
12 13 1 730 521	ZLE 232
12 13 9 067 831	ZLE 232
12 21 2 161 3	ZLE 190
12 34 6 572 2	ZE 115
12 77 6 34	ZLE 166
17 15 2 56	ZEF 1338
17 15 2 560 2	ZEF 1338
21 21 2 776 33	ZLE 166

BOMAG	BERU
057 431 41	O 4

BOSCH	BERU
0 356 002 001	C 4-570
0 356 030 027	ZLE 227
0 356 050 001	O 4
0 356 050 009	O 4 S
0 356 050 010	O 4 S
0 356 100 030	BEL 4/5
0 356 100 031	ZLE 205
0 356 100 037	ZLE 175
0 356 100 040	ZLE 147
0 356 100 041	ZLE 166
0 356 100 100	ZLE 234
0 356 100 104	ZLE 276
0 356 100 107	ZLE 288
0 356 100 114	ZLE 168
0 356 150 005	OE 4/1
0 356 150 007	OE 6/1
0 356 150 009	OE 6/10
0 356 150 022	ZLE 245
0 356 150 023	ZLE 245
0 356 200 006	WVES 1
0 356 200 007	WVES 1
0 356 200 010	VES 405
0 356 200 013	VES 105
0 356 200 015	VS 106

BOSCH	BERU
0 356 200 800	WVES 1
0 356 250 010	VESO 105
0 356 250 014	VESO 105
0 356 250 015	VESO 105
0 356 250 019	VESO 108
0 356 250 021	VESO 105
0 356 250 026	VESO 111
0 356 250 027	VSO 103
0 356 250 029	VSO 105
0 356 250 031	VESO 112
0 356 250 033	VESO 116
0 356 250 035	VESO 127
0 356 301 003	BA 4/14/5
0 356 301 005	WBA 4/14/5
0 356 301 008	ZLE 107/1
0 356 301 009	BA 4/14/5
0 356 301 009	ZLE 107/1
0 356 301 010	WBA 4/14/5
0 356 301 011	WBA 4/14/5
0 356 301 014	ZLE 121
0 356 301 017	ZLE 205
0 356 301 022	ZLE 120
0 356 301 022	WBA 4/14/5
0 356 301 023	ZLE 121
0 356 301 026	DBAL 4/14/5 P
0 356 301 026	ZLE 134
0 356 301 026	ZLE 205
0 356 301 028	ZLE 135
0 356 301 031	DBAL 4/14/5 P
0 356 301 031	ZLE 134
0 356 301 031	ZLE 205
0 356 301 036	ZLE 205
0 356 351 009	WOA 4/14
0 356 351 010	WOA 4/14
0 356 351 020	WOA 4/14
0 356 351 024	WOA 4/14
0 356 351 025	WOA 4/14
0 356 351 026	WOA 4/14
0 356 351 027	WOA 4/14
0 356 351 028	OA 4/18
0 356 351 031	WOA 4/14
0 356 351 032	WOA 4/14
0 356 351 033	OE 6/1
0 356 351 036	ZLE 303
0 356 351 040	ZLE 137
0 356 351 042	WOA 4/14
0 356 351 043	OE 6/1
0 356 351 047	ZL 302
0 356 351 048	WOA 4/14
0 356 351 051	ZLE 225
0 356 351 803	WOA 4/14
0 356 352 024	WOA 4/14
0 356 500 003	HE 1
0 356 901 821	ZEF 607
0 356 904 041	VA 117 B
0 356 904 058	M 106 C
0 356 904 060	VA 118 A
0 356 904 061	VA 118 B
0 356 904 062	VA 118 C
0 356 904 063	B 106 A
0 356 904 064	M 106 B
0 356 904 065	B 108 A
0 356 904 066	B 109 A
0 356 904 067	M 106 A
0 356 904 068	VA 117 B
0 356 904 069	B 107 A
0 356 904 070	VA 117 A
0 356 904 071	M 106 E

BOSCH	BERU
0 356 904 072	M 111 A
0 356 904 073	M 111 A
0 356 904 074	M 111 C
0 356 904 075	M 112 A
0 356 911 001	WBA 4/14/5
0 356 911 004	WBA 4/14/5
0 356 912 804	ZEF 972
0 356 912 805	ZEF 984
0 356 912 807	ZEF 984
0 356 912 810	ZEF 970
0 356 912 811	ZEF 970
0 356 912 820	ZEF 985
0 356 912 821	ZEF 985
0 356 912 823	ZEF 1036
0 356 912 824	ZEF 1036
0 356 912 825	ZEF 985
0 356 912 826	ZEF 973
0 356 912 827	ZEF 973
0 356 912 828	ZEF 802
0 356 912 829	ZEF 1026
0 356 912 832	GF 106 C
0 356 912 833	GF 106 B
0 356 912 834	GF 106 C
0 356 912 835	GF 106 A
0 356 912 839	ZEF 1036
0 356 912 841	ZEF 1032
0 356 912 842	ZEF 1040
0 356 912 843	ZEF 1040
0 356 912 844	ZEF 985
0 356 912 845	ZEF 1017
0 356 912 846	ZEF 1017
0 356 912 858	VA 138 A
0 356 912 860	ZEF 1348
0 356 912 862	ZEF 1348
0 356 912 867	GF 108 B
0 356 912 868	GF 108 C
0 356 912 869	GF 108 A
0 356 912 870	R 299-057
0 356 912 874	ZEF 466
0 356 912 881	ZEF 968
0 356 912 882	VA 115 E
0 356 912 883	VA 115 D
0 356 912 884	VA 115 C
0 356 912 885	VA 115 B
0 356 912 886	VA 116 E
0 356 912 887	VA 116 D
0 356 912 888	VA 116 C
0 356 912 889	VA 116 B
0 356 912 890	VA 116 D
0 356 912 892	B 100 A
0 356 912 893	B 100 B
0 356 912 894	B 100 C
0 356 912 895	B 100 D
0 356 912 896	B 100 E
0 356 912 897	B 101 A
0 356 912 898	B 101 B
0 356 912 899	B 101 C
0 356 912 900	B 101 D
0 356 912 901	B 102 A
0 356 912 902	B 102 B
0 356 912 903	B 102 C
0 356 912 904	B 102 D
0 356 912 905	M 107 D
0 356 912 906	M 107 A
0 356 912 907	M 107 B
0 356 912 908	M 107 C
0 356 912 909	M 108 A
0 356 912 910	M 108 B

BOSCH	BERU
0 356 912 911	M 108 C
0 356 912 912	M 108 D
0 356 912 913	M 108 E
0 356 912 914	M 109 A
0 356 912 915	M 109 B
0 356 912 916	M 109 C
0 356 912 917	M 109 D
0 356 912 918	M 109 E
0 356 912 919	M 110 A
0 356 912 920	M 110 B
0 356 912 921	M 110 C
0 356 912 922	M 110 D
0 356 912 923	M 110 E
0 356 912 924	M 110 F
0 356 912 925	M 110 G
0 356 912 927	M 114 A
0 356 912 928	M 114 B
0 356 912 929	M 114 C
0 356 912 930	M 114 C
0 356 912 931	M 114 D
0 356 912 932	M 114 E
0 356 912 933	B 103 A
0 356 912 934	B 103 B
0 356 912 935	B 103 C
0 356 912 936	B 103 D
0 356 912 937	B 104 A
0 356 912 938	B 104 B
0 356 912 939	B 104 C
0 356 912 940	B 104 D
0 356 912 943	VA 115 A
0 356 912 944	VA 116 A
0 356 912 945	VA 116 A
0 356 912 946	ZEF 985
0 356 912 947	ZEF 985
0 356 912 965	M 121 A
0 356 912 967	M 121 B
0 356 912 981	ZEF 1348
0 356 912 983	M 115 A
0 356 913 011	M 120 D
0 356 913 017	M 120 D
0 356 913 019	M 120 C
0 986 356 000	R 14-030
0 986 356 002	R 16-040
0 986 356 004	R 12-050
0 986 356 006	R 8-060
0 986 356 008	R 11-070
0 986 356 010	R 13-080
0 986 356 012	R 28-090
0 986 356 013	R 47-100
0 986 356 015	R 7-030
0 986 356 017	R 7-030
0 986 356 019	R 4-040
0 986 356 021	R 3-050
0 986 356 023	R 1-060
0 986 356 025	R 6-070
0 986 356 027	R 9-080
0 986 356 029	R 29-090
0 986 356 032	R 21-030
0 986 356 033	R 27-040
0 986 356 034	R 23-050
0 986 356 035	R 22-060
0 986 356 038	R 10-030
0 986 356 040	R 2-040
0 986 356 042	R 5-050
0 986 356 044	R 18-060
0 986 356 046	R 24-070
0 986 356 049	R 43-090
0 986 356 055	R 25-050

BOSCH	BERU
0 986 356 056	R 25-050
0 986 356 057	R 26-060
0 986 356 058	R 31-070
0 986 356 059	R 1-060
0 986 356 060	R 9-080
0 986 356 061	R 53-050
0 986 356 062	R 53-050
0 986 356 063	R 42-060
0 986 356 064	R 45-080
0 986 356 074	R 39-060
0 986 356 076	R 52-090
0 986 356 078	R 86-060
0 986 356 078	R 86-060 S
0 986 356 080	R 87-080
0 986 356 080	R 87-080 S
0 986 356 081	R 81-065 S
0 986 356 081	R 81-065
0 986 356 082	R 80-076 S
0 986 356 082	R 80-076
0 986 356 083	R 82-086 S
0 986 356 083	R 82-086
0 986 356 084	R 85-070 S
0 986 356 084	R 85-070
0 986 356 085	R 83-050 S
0 986 356 085	R 83-050
0 986 356 086	R 88-060
0 986 356 086	R 88-060 S
0 986 356 087	R 88-060
0 986 356 087	R 88-060 S
0 986 356 088	R 90-080
0 986 356 088	R 90-080 S
0 986 356 089	R 94-030
0 986 356 089	R 94-030 S
0 986 356 090	R 95-050
0 986 356 090	R 95-050 S
0 986 356 091	R 95-050
0 986 356 091	R 95-050 S
0 986 356 093	R 8-060
0 986 356 094	R 11-070
0 986 356 095	R 13-080
0 986 356 096	R 10-030
0 986 356 097	R 19-045
0 986 356 098	R 5-050
0 986 356 099	R 18-060
0 986 356 100	R 24-070
0 986 356 101	R 43-090
0 986 356 102	R 124-060
0 986 356 103	R 126-083
0 986 356 106	R 125-065
0 986 356 107	R 127-078
0 986 356 111	R 120-090
0 986 356 112	R 119-070
0 986 356 113	R 118-060
0 986 356 114	R 117-050
0 986 356 115	R 94-030
0 986 356 119	R 1-060
0 986 356 120	R 9-080
0 986 356 121	R 53-050
0 986 356 122	R 42-060
0 986 356 123	R 45-080
0 986 356 124	R 23-050
0 986 356 125	R 22-060
0 986 356 126	R 26-060
0 986 356 128	R 56-035
0 986 356 129	R 57-045
0 986 356 130	R 58-055
0 986 356 131	R 60-065
0 986 356 132	R 30-080

BOSCH	BERU
0 986 356 137	R 170-095
0 986 356 138	R 170-095
0 986 356 146	R 206-024
0 986 356 147	R 207-038
0 986 356 148	R 209-052
0 986 356 149	R 62-070
0 986 356 160	R 81-065
0 986 356 162	R 103-030
0 986 356 163	R 104-040
0 986 356 164	R 96-040
0 986 356 165	R 97-050
0 986 356 167	R 100-080
0 986 356 170	R 191-042
0 986 356 172	R 189-065
0 986 356 180	R 215-040
0 986 356 181	R 216-052
0 986 356 186	R 8-060
0 986 356 187	R 11-070
0 986 356 188	R 13-080
0 986 356 190	R 95-050
0 986 356 251	R 152-043 S
0 986 356 252	R 152-043 S
0 986 356 308	ZEF 990
0 986 356 323	ZE 757
0 986 356 326	ZE 757
0 986 356 509	ZEF 763
0 986 356 511	ZEF 742
0 986 356 512	ZEF 978
0 986 356 513	ZEF 981
0 986 356 514	ZEF 979
0 986 356 700	ZEF 783
0 986 356 702	ZEF 894
0 986 356 703	ZEF 890
0 986 356 704	ZEF 800
0 986 356 705	ZEF 895
0 986 356 706	ZEF 811
0 986 356 707	ZEF 1040
0 986 356 709	ZEF 1030
0 986 356 710	ZEF 769
0 986 356 712	ZEF 1048
0 986 356 715	ZEF 731
0 986 356 716	ZEF 906
0 986 356 717	ZEF 1015
0 986 356 718	ZEF 1023
0 986 356 719	ZEF 765
0 986 356 720	ZEF 1200
0 986 356 721	ZEF 836
0 986 356 722	ZEF 1120
0 986 356 723	ZEF 1119
0 986 356 725	ZEF 788
0 986 356 727	ZEF 1044
0 986 356 728	ZEF 830
0 986 356 729	ZEF 569
0 986 356 731	ZEF 1397
0 986 356 732	ZEF 909
0 986 356 734	ZEF 775
0 986 356 735	ZEF 856
0 986 356 737	ZEF 771
0 986 356 738	ZEF 1017
0 986 356 739	ZEF 835
0 986 356 741	ZEF 572
0 986 356 743	ZEF 736
0 986 356 744	ZEF 799
0 986 356 746	ZEF 568
0 986 356 747	ZEF 726
0 986 356 748	ZEF 1397
0 986 356 749	ZEF 762
0 986 356 751	ZEF 1256

BOSCH	BERU
0 986 356 752	ZEF 1014
0 986 356 754	ZEF 787
0 986 356 756	ZEF 915
0 986 356 757	ZEF 1017
0 986 356 758	ZEF 1001
0 986 356 761	ZEF 771
0 986 356 762	ZEF 914
0 986 356 766	ZEF 826
0 986 356 767	ZEF 793
0 986 356 769	ZEF 752
0 986 356 772	ZEF 772
0 986 356 773	ZEF 1190
0 986 356 774	ZEF 810
0 986 356 775	ZEF 1158
0 986 356 776	ZEF 836
0 986 356 778	ZEF 1160
0 986 356 780	ZEF 773
0 986 356 781	ZEF 745
0 986 356 782	ZEF 851
0 986 356 783	ZEF 1214
0 986 356 785	ZEF 771
0 986 356 786	ZEF 1073
0 986 356 787	ZEF 983
0 986 356 789	ZEF 773
0 986 356 791	ZEF 1065
0 986 356 792	ZEF 779
0 986 356 793	ZEF 836
0 986 356 795	ZEF 1050
0 986 356 796	ZEF 1119
0 986 356 797	ZEF 770
0 986 356 798	ZEF 1391
0 986 356 799	ZEF 896
0 986 356 800	ZEF 577
0 986 356 801	ZEF 993
0 986 356 802	ZEF 1131
0 986 356 803	ZEF 790
0 986 356 805	ZEF 719
0 986 356 808	ZEF 672
0 986 356 809	ZEF 1155
0 986 356 812	ZEF 775
0 986 356 813	ZEF 852
0 986 356 814	ZEF 1384
0 986 356 815	ZEF 865
0 986 356 817	ZEF 1232
0 986 356 818	ZEF 968
0 986 356 820	ZEF 790
0 986 356 821	ZEF 891
0 986 356 822	ZEF 732
0 986 356 824	ZEF 733
0 986 356 825	ZEF 756
0 986 356 826	ZEF 572
0 986 356 827	ZEF 739
0 986 356 830	ZEF 756
0 986 356 835	ZEF 1032
0 986 356 836	ZEF 722
0 986 356 837	ZEF 859
0 986 356 838	ZEF 849
0 986 356 839	ZEF 773
0 986 356 841	ZEF 909
0 986 356 845	ZEF 1163
0 986 356 847	ZEF 1261
0 986 356 849	ZEF 811
0 986 356 850	ZEF 577
0 986 356 851	ZEF 790
0 986 356 853	ZEF 777
0 986 356 853	ZEF 1052
0 986 356 854	ZEF 793
0 986 356 855	ZEF 913

BOSCH	BERU
0 986 356 855	ZEF 1380
0 986 356 856	ZEF 1033
0 986 356 857	ZEF 1047
0 986 356 859	ZEF 856
0 986 356 861	ZEF 1019
0 986 356 862	ZEF 570
0 986 356 863	ZEF 789
0 986 356 864	ZEF 1382
0 986 356 866	ZEF 1190
0 986 356 869	ZEF 1024
0 986 356 871	ZEF 866
0 986 356 873	ZEF 1264
0 986 356 874	ZEF 1055
0 986 356 875	ZEF 1057
0 986 356 878	ZEF 1006
0 986 356 879	ZEF 1214
0 986 356 880	ZEF 810
0 986 356 883	ZEF 729
0 986 356 884	ZEF 1137
0 986 356 886	ZEF 573
0 986 356 887	ZEF 784
0 986 356 888	ZEF 735
0 986 356 889	ZEF 813
0 986 356 890	ZEF 1191
0 986 356 891	ZEF 844
0 986 356 892	ZEF 1025
0 986 356 898	ZEF 848
0 986 356 922	ZEF 937
0 986 356 923	ZEF 1111
0 986 356 924	ZEF 941
0 986 356 925	ZEF 918
0 986 356 926	ZEF 919
0 986 356 927	ZEF 936
0 986 356 928	ZEF 927
0 986 356 929	ZEF 1084
0 986 356 930	ZEF 920
0 986 356 931	ZEF 933
0 986 356 932	ZEF 925
0 986 356 934	ZEF 938
0 986 356 936	ZEF 911
0 986 356 937	ZEF 922
0 986 356 938	ZEF 928
0 986 356 939	ZEF 930
0 986 356 940	ZEF 796
0 986 356 941	ZEF 965
0 986 356 942	ZEF 950
0 986 356 943	ZEF 932
0 986 356 944	ZEF 1000
0 986 356 945	ZEF 927
0 986 356 950	ZEF 948
0 986 356 951	ZEF 930
0 986 356 952	ZEF 778
0 986 356 953	ZEF 920
0 986 356 954	ZEF 932
0 986 356 956	ZEF 953
0 986 356 957	ZEF 1110
0 986 356 961	ZEF 1113
0 986 356 963	ZEF 773
0 986 356 964	ZEF 1165
0 986 356 965	ZEF 1165
0 986 356 966	ZEF 864
0 986 356 967	ZEF 1185
0 986 356 989	ZEF 1136
0 986 357 050	ZEF 1152
0 986 357 140	ZEF 1264
0 986 357 210	ZEF 1251
0 986 357 238	ZEF 1625
0 986 357 271	ZEF 1539

BOSCH	BERU
0 986 357 709	M 118 B
0 986 357 710	M 118 A
1 230 522 003	G 1 N
1 230 522 007	G 2 P
1 230 522 011	G 1 PK
1 230 522 014	G 1 PK
1 230 522 018	G 1 S
1 230 522 019	G 1 S
1 230 522 029	G 1 PK
1 299 999 002	R 5/7
1 350 588 015	G 1 PK
1 354 464 312	GF 102 C
1 354 489 085	ZLE 232
1 354 489 200	ZLE 166
1 354 503 301	VESO 117
1 354 503 303	VESO 118
1 354 503 306	VESO 127
3 350 524 001	GWS 7
3 350 524 005	GWS 9
3 350 524 006	GWS 7
8 780 499 002	O 901 300 002
4119	ZEF 780
42 MD	M 115 A
45 MS	M 118 B
50 MS	M 118 A
A 100	R 47-100
A 30	R 14-030
A 40	R 16-040
A 50	R 12-050
A 60	R 8-060
A 70	R 11-070
A 80	R 13-080
A 90	R 28-090
B 20	R 7-030
B 30	R 7-030
B 40	R 4-040
B 50	R 3-050
B 60	R 1-060
B 70	R 6-070
B 80	R 9-080
B 271	ZEF 1539
B 855	ZEF 913
B 90	R 29-090
D 50	R 25-050
D 60	R 26-060
D 70	R 31-070
EM/W 1/11	OE 4/1
EM/WB 1 (20/2)	VESO 105
EM/WFG 5/1	BA 4/14/5
F 30	R 21-030
F 40	R 27-040
F 50	R 23-050
F 60	R 22-060
FA 60	R 8-060
FA 70	R 11-070
FA 80	R 13-080
FB 30	R 10-030
FB 40	R 19-045
FB 50	R 5-050
FB 60	R 18-060
FB 70	R 24-070
FB 90	R 43-090
FC 60	R 124-060
FC 80	R 126-083
FD 65	R 125-065
FD 75	R 127-078
FH 60	R 1-060
FH 80	R 9-080

BOSCH	BERU
FI 50	R 53-050
FI 60	R 42-060
FI 80	R 45-080
FL 50	R 23-050
FL 60	R 22-060
FM 60	R 26-060
G 60	R 1-060
G 80	R 9-080
H 40	R 53-050
H 50	R 53-050
H 60	R 42-060
H 80	R 45-080
ICS 8	ZEF 464
KEA 7/7 Z	O 4
KEEA 4 J 1 Z	C 4-570
N 60	R 39-060
N 90	R 52-090
OA 60	R 86-060
OA 60	R 86-060 S
OA 80	R 87-080
OA 80	R 87-080 S
OB 70	R 81-065 S
OB 70	R 81-065
OB 80	R 80-076 S
OB 80	R 80-076
OB 90	R 82-086 S
OB 90	R 82-086
OC 50	R 83-050 S
OC 50	R 83-050
OC 70	R 85-070 S
OC 70	R 85-070
OD 50	R 88-060
OD 50	R 88-060 S
OD 60	R 88-060
OD 60	R 88-060 S
OD 80	R 90-080
OD 80	R 90-080 S
OF 30	R 94-030
OF 30	R 94-030 S
OF 40	R 95-050
OF 40	R 95-050 S
OF 50	R 95-050
OF 50	R 95-050 S
Y 30	R 10-030
Y 40	R 2-040
Y 50	R 5-050
Y 60	R 18-060
Y 70	R 24-070
Y 90	R 43-090
ZU 40	R 152-043 S
ZU 45	R 152-043 S

BOUGICORD	BERU
1412	ZEF 728
1413	ZEF 729
1416	ZEF 730
1417	ZEF 1165
1420	ZEF 731
1431	ZEF 1185
2421	ZEF 732
2425	ZEF 733
2451	ZEF 734
2456	ZEF 735
2457	ZEF 1128
2476	ZEF 1163
2496	ZEF 737
2497	ZEF 738

BOUGICORD	BERU
3104	ZEF 739
3114	ZEF 740
3140	ZEF 741
3175	ZEF 744
3192	ZEF 745
3317	ZEF 751
3373	ZEF 752
3374	ZEF 746
3379	ZEF 788
3395	ZEF 755
3398	ZEF 756
3413	ZEF 757
3414	ZEF 758
3418	ZEF 759
3462	ZEF 760
3466	ZEF 761
3519	ZEF 762
3545	ZEF 763
4003	ZEF 765
4004	ZEF 766
4006	ZEF 767
4008	ZEF 769
4010	ZEF 444
4017	ZEF 770
4020	ZEF 771
4021	ZEF 772
4027	ZEF 773
4039	ZEF 444
4055	ZEF 444
4056	ZEF 444
4060	ZEF 775
4061	ZEF 776
4081	ZEF 777
4086	ZEF 1190
4089	ZEF 932
4100	ZEF 1151
4102	ZEF 1149
4103	ZEF 612
4110	ZEF 466
4111	ZEF 558
4112	ZEF 726
4113	ZEF 1149
4114	ZEF 501
4115	ZEF 470
4116	ZEF 444
4116	ZEF 778
4118	ZEF 779
4121	ZEF 1264
4122	ZEF 573
4123	ZEF 570
4124	ZEF 1174
4125	ZEF 612
4126	ZEF 834
4128	ZEF 835
4147	ZEF 781
4149	ZEF 783
4150	ZEF 784
4152	ZEF 726
4153	ZEF 786
4154	ZEF 567
4155	ZEF 1148
4156	ZEF 568
4158	ZEF 787
4159	ZEF 1017
4161	ZEF 1065
4162	ZEF 968
4165	ZE 590
4166	ZEF 408

BOUGICORD	BERU
4204	ZEF 1181
4205	ZEF 1187
4206	ZEF 1201
4207	ZEF 990
4303	ZEF 788
4304	ZEF 789
4310	ZEF 790
4313	ZEF 791
4319	ZEF 1164
4331	ZEF 793
4334	ZEF 795
4404	ZEF 796
4405	ZEF 797
4474	ZEF 799
4486	ZEF 800
4504	ZEF 444
4526	ZEF 444
6101	ZEF 836
6103	ZEF 842
6104	ZEF 840
6201	ZEF 801
6202	ZEF 802
6203	ZEF 803
6204	ZEF 804
6307	ZEF 921
6462	ZEF 1232
6469	ZEF 1231
6812	ZEF 895
7136	ZEF 882
7140	ZEF 903
7141	ZEF 958
7145	ZEF 862
7146	ZEF 863
7151	ZEF 864
7153	ZEF 298
7154	ZEF 585
7155	ZEF 466
7160	ZEF 470
7162	ZEF 406
7164	ZEF 463
7165	ZEF 1137
7168	ZEF 558
7170	ZEF 888
7171	ZEF 874
7172	ZEF 878
7176	ZEF 893
7176	ZEF 1026
7179	ZEF 927
7182	ZEF 953
7184	ZEF 930
7185	ZEF 931
7186	ZEF 918
7187	ZEF 954
7188	ZEF 920
7190	ZEF 931
7192	ZEF 917
7194	ZEF 1085
7195	ZEF 911
7196	ZEF 927
7199	ZEF 943
7200	ZEF 942
7201	ZEF 941
7205	ZEF 844
7211	ZEF 1269
7214	ZEF 1397
7217	ZEF 809
7218	ZEF 810
7219	ZEF 811

BOUGICORD	BERU
7240	ZEF 1194
7241	ZEF 580
7242	ZEF 432
7243	ZEF 432
7244	ZEF 432
7245	ZEF 1149
7255	ZEF 1057
7260	ZEF 1170
7266	ZEF 773
7273	ZEF 1028
7283	ZEF 1012
7284	ZEF 967
7292	ZEF 873
7296	ZEF 766
7416	ZEF 1348
7418	ZEF 719
7419	ZEF 1114
7420	ZEF 1251
7421	ZEF 1117
7423	ZEF 991

BREMI	BERU
10046	0 901 300 003
10047/10	0 901 300 004
10047/21	0 901 300 007
10194	EFS 7
10200 P 1	ZLE 137
10200 P 5	ZLE 137
10203/1	ZLE 205
10204/1	ZLE 166
10204/5	ZLE 166
10205/1	VES 105
10206 VW 1	VESO 116
10206 W 1 B	VESO 111
10206 W1 H	GO 3
10206 WA 1	VESO 118
10210/5	ZLE 134
10212/1	OE 4/1
10212/5	OE 4/5
10213/1	OE 6/1
10213/10	OE 6/10
10213/5	OE 6/1
10214/5	WBAK 4/14/5
10215	WO 4 P
10216	O 6
10218/5	ZLE 205
10219 P 5	ZLE 303
10221 VW 1	VESO 105
10221 W 1	VESO 105
10221 W 5	VESO 105
10221/1	VES 405
10223/1	WVES 1
10223/5	WVES 1
10229 W 2	GWS 7
10233/1	ZLE 107/1
10238/1	WOA 4/14
10239/5	WOA 6/14/5 AL
10242/1	OA 4/18
10244/5	WOA 6/14/5 AL
10245 P 5	WOA 6/14/5 AL
10245/1	WOA 4/14
10246 H 1	WOA 6/14/5 AL
10246/5	WOA 6/14/5 AL
10247/1	ZLE 120
10280	O 6
10286 P 5	ZLE 205

BREMI	BERU
10287 P 5	ZLE 303
10288/1	ZLE 120
10288/5	ZLE 107/1
10290 W 1	VES 405
10290 W 5	VES 405
10290/1	VES 405
10290/5	VES 405
10291/1	VES 405
10292 P 5	ZLE 302
10293	ZL 302
10293 P 5	ZLE 303
10293 P 6	GWS 7
10295/5	WBAK 4/14/5
10298 P 1	ZLE 166
104/56	VA 134 A
104/62	VA 134 B
104/70	VA 134 B
104/76	VA 134 C
104/86	VA 134 C
104/90	VA 134 D
104/98	VA 134 D
10630	G 1 S
10635	G 3 P 7
10636	G 2 P
10651	GS 7
10652	GW 11
109/65	GF 101 A
110/30	VA 115 A
110/35	VA 115 B
110/40	VA 115 B
110/50	VA 115 C
110/60	VA 115 D
110/70	VA 115 E
111/40	VA 116 A
111/50	VA 116 B
111/54	VA 116 C
111/55	VA 116 C
111/60	VA 116 C
111/70	VA 116 D
111/80	VA 116 E
113/45	VA 122 A
113/50	VA 122 B
113/60	VA 122 B
113/65	VA 122 C
113/80	VA 122 D
113/85	VA 122 D
114/40	VA 117 A
114/47	VA 117 B
114/50	VA 117 B
114/60	VA 117 B
115/30	VA 118 A
115/40	VA 118 B
115/60	VA 118 C
117/60	VA 118 C
118/35	VA 133 A
118/45	VA 133 B
118/55	VA 133 C
120/50	B 103 A
120/55	B 103 B
120/65	B 103 C
120/80	B 103 C
120/90	B 103 D
120/95	B 103 D
121/105	B 104 C
121/110	B 104 C
121/120	B 104 D
121/130	B 104 D
121/45	B 104 A

BREMI	BERU
121/50	B 104 A
121/60	B 104 A
121/60	B 104 B
121/75	B 104 B
121/85	B 104 B
121/95	B 104 C
122/50	B 101 A
122/55	B 101 A
122/60	B 101 B
122/70	B 101 C
122/75	B 101 C
122/80	B 101 D
122/85	B 101 D
122/90	B 101 D
123/45	B 100 A
123/50	B 100 B
123/55	B 100 B
123/60	B 100 C
123/75	B 100 D
123/80	B 100 D
123/85	B 100 D
123/90	B 100 D
124/090	B 113 A
124/90	B 100 E
	ohne Geber <sup>154</sup>
125/090	B 114 A
125/90	B 101 D
126/35	B 102 A
126/45	B 102 B
126/55	B 102 C
126/65	B 102 D
127/065	B 115 A
127/65	B 102 D
	ohne Geber <sup>154</sup>
128/065	B 115 B
128/65	B 102 D
129/30	B 109 A
130/65	B 107 A
130/75	B 107 A
131/60	B 108 A
131/75	B 106 A
132/75	B 106 A
132/80	B 106 A
13200/6	0 901 300 002
13203/1	ZLE 205
13206/13	0 901 300 001
13207 A 1	VES 108
13207/1	VES 102
13208 A 1	VESO 119
13208/1	VESO 112
13210/1	VESO 117
13211 A 1	VES 114
13211/1	VES 106
13213/5	ZLE 166
13216/5	ZLE 205
13220/5	ZLE 166
13222	VSO 103
13226/5	ZLE 185
13229/1	ZLE 135
13237/5	ZLE 205
13240/5	ZLE 168
13246/5	ZLE 190
13248	VSO 105
13250/1	ZLE 159
13255	VSO 103
13256/1	VSO 105
13257/1	VESO 120
13258/1	VESO 124

BREMI	BERU
13261 A 1	VES 106
13262 A 5	ZLE 212
13270A1	VESO 128
13272 A 5	ZLE 226
13280	ZL 105
13280/1	ZLE 200
13297 A 5	ZLE 250
13299 A 5	ZLE 249
13303/2	ZLE 245
13306	ZL 104
13307	ZLE 250
13309 A 5	ZLE 248
13338 A 5	ZLE 205
134/80	B 106 A
135/105	B 105 A
135/110	B 105 A
135/115	B 105 A
135/80	B 105 B
135/90	B 105 B
13551	VS 107
13552 A 1	VESO 134
13555 A 1	VES 115
136/31	B 112 A
136/33	B 112 A
136/34	B 112 A
136/35	B 112 B
136/37	B 112 A
136/40	B 112 B
136/44	B 112 B
137/27	B 111 A
137/30	B 111 A
137/32	B 111 B
137/37	B 111 B
138/75	B 107 A
139/90	B 100 E
150/100	M 107 C
150/40	M 107 D
150/50	M 107 A
150/65	M 107 A
150/70	M 107 B
150/80	M 107 C
150/85	M 107 C
150/95	M 107 C
151/100	M 108 D
151/110	M 108 E
151/120	M 108 E
151/55	M 108 B
151/60	M 108 B
151/70	M 108 C
151/80	M 108 C
151/85	M 108 C
151/90	M 108 D
152/30	M 108 A
152/50	M 108 B
156/45	M 114 E
156/65	M 114 C
157/100	M 109 E
157/105	M 109 E
157/55	M 109 B
157/65	M 109 C
157/80	M 109 D
157/85	M 109 D
157/90	M 109 E
157/95	M 109 E
158/100	M 111 C
158/60	M 111 A
159/100	M 106 B
159/115	M 106 E

BREMI	BERU
159/50	M 106 A
159/55	M 106 C
159/60	M 106 C
159/80	M 106 B
160/60	M 111 B
160/70	M 111 A
160/80	M 111 A
162/27	VA 127 C
162/45	VA 127 B
162/61	VA 127 A
162/66	VA 127 A
163/80	M 111 A
164/100	M 114 A
164/105	M 114 A
164/35	M 114 E
164/45	M 114 E
164/55	M 114 D
164/60	M 114 D
164/70	M 114 C
164/75	M 114 C
164/80	M 114 C
164/90	M 114 B
166/33	M 116 A
166/41	M 115 A
166/47	M 115 B
166/53	M 116 B
167/37	M 115 A
167/40	M 115 B
167/45	M 115 B
167/49	M 115 B
169/33	VA 126 D
169/37	VA 126 C
169/45	VA 126 B
169/53	VA 126 A
170/30	VA 118 A
171/40	VA 128 D
171/50	VA 128 C
171/60	VA 128 B
171/70	VA 128 A
172/33	GF 110 A
172/47	GF 110 B
172/55	GF 110 C
172/58	GF 110 C
173/30	GF 107 A
173/36	GF 107 A
173/51	GF 107 B
173/62	GF 107 C
174/050	GF 100 A
174/060	GF 100 B
174/070	GF 100 C
174/75	GF 100 D
174/85	GF 100 E
175/50	GF 108 A
175/55	GF 108 A
175/60	GF 108 B
175/70	GF 108 C
176/105	B 110 D
176/75	B 110 A
176/90	B 110 B
176/95	B 110 C
177/24	GF 109 A
177/25	GF 109 A
177/28	GF 109 A
178/32	GF 105 A
178/42	GF 105 A
178/60	GF 105 B
178/65	GF 105 B
180/20	OP 100 A

BREMI	BERU
180/30	OP 100 B
180/40	OP 100 C
180/50	OP 100 D
180/52	OP 100 D
181/30	OP 101 A
181/40	OP 101 C
181/50	OP 101 D
182/30	R 94-030
182/30	R 94-030 S
184/40	R 95-050
184/40	R 95-050 S
186/30	GF 111 A
186/45	GF 111 B
186/55	GF 111 C
186/65	GF 111 D
187/45	M 118 A
187/50	M 118 B
188/96	VA 135 C
188A85	VA 135 B
189/84	VA 136 B
190/45	VA 119 B
190/46	VA 127 B
191/59	VA 120 C
191/66	VA 120 B
191/75	VA 120 A
192/54	VA 132 A
192/68	VA 132 B
192/69	VA 132 B
192/85	VA 132 C
192/86	VA 132 C
192/98	VA 132 D
195/30	VA 123 A
195/40	VA 123 B
195/55	VA 123 C
195/65	VA 123 D
196/42	VA 120 E
196/44	VA 120 E
196/47	VA 120 D
196/48	VA 120 D
197E27	M 120 A
198/74	VA 124 A
198/75	VA 124 A
198/76	VA 124 A
198/82	VA 124 B
199R59	VA 130 A
199R66	VA 130 B
199R77	VA 130 C
199R80	VA 130 C
1A02/61	VA 125 A
1A02/70	VA 125 B
1A02F59	VA 125 A
1A02F85	VA 125 C
1A10/100	VA 129 D
1A10/72	VA 129 B
1A10/85	VA 129 C
1A10/88	VA 129 C
1A10E58	VA 129 A
1A10E73	VA 129 B
1A13/26	VA 121 C
1A13/33	VA 121 B
1A13/43	VA 121 A
1A13/47	VA 121 A
1A13E43	VA 121 A
1A13E47	VA 121 A
1A22/46	VA 127 B
1A25/52	M 119 A
1A25/70	M 119 B
1A25-89	M 119 C

BREMI	BERU
1A25E108	M 119 E
1A25E110	M 119 E
1A25E95	M 119 D
1A32E78	VA 127 D
200/26	VA 121 C
200/33	VA 121 B
200/47	VA 121 A
201/43	GF 106 A
201/55	GF 106 B
201/68	GF 106 C
202/52	GF 103 A
203/200	ZEF 1338
205 E 200	ZEF 1229
205 F 200	ZEF 1230
205/200	ZEF 1196
206 F 200	ZEF 1117
206 M 200	ZEF 1224
206 N 200	ZEF 1496
206 P 200	ZEF 1224
210	ZEF 672
210 E 47	VA 127 B
210 E 59	VA 127 A
210/26	VA 127 C
210/63	VA 127 A
212 F 200	ZEF 1260
212/14	GF 112 A
212/33	GF 112 B
220 G 200	ZEF 990
220 H 200	ZEF 990
221 E 200	ZEF 1224
221 F 200	ZEF 1224
221 H 200	ZEF 1224
221/200	ZEF 1224
222 D 200	ZEF 1175
222 G 200	ZEF 991
223 E 200	ZEF 989
223 H2 00	ZEF 989
225	ZEF 597
225	ZEF 987
226	ZEF 641
226	ZEF 987
227	ZEF 642
229 AB 200	ZEF 1380
229 K 200	ZEF 1197
231 J 100	ZEF 1189
233/200	ZEF 1219
236	ZEF 1194
237	ZEF 634
251	ZE 765
252	ZEF 1171
253	ZEF 1177
255	ZEF 1127
256	ZEF 1195
257	ZEF 470
258	ZEF 466
259	ZEF 487
260	ZEF 501
260 M 200	ZEF 1117
261	ZEF 471
262	ZEF 472
263	ZEF 558
264	ZEF 598
266	ZEF 635
267	ZEF 1149
267	ZEF 1478
270	ZEF 562
270	ZEF 1149
271	ZEF 562

BREMI	BERU
271	ZEF 1149
280	ZEF 597
281/100	ZEF 1182
287/200	ZEF 1183
295	ZEF 1150
296	ZEF 1149
296 B	ZEF 1557
299	ZEF 520
300/102	ZEF 803
300/143	ZEF 467
300/150	ZEF 425
300/176	ZEF 777
300/201	ZEF 672
300/210	ZEF 1157
300/290	ZEF 772
300/296	ZEF 1022
300/373	ZEF 571
300/373	ZEF 572
300/374	ZEF 570
300/375	ZEF 571
300/377	ZEF 572
300/378	ZEF 579
300/379	ZEF 570
300/380	ZEF 573
300/381	ZEF 574
300/381	ZEF 578
300/382	ZEF 627
300/386	ZEF 583
300/387	ZEF 584
300/388	ZEF 1122
300/389	ZEF 1384
300/390	ZEF 726
300/391	ZEF 580
300/392	ZEF 1093
300/393	ZEF 665
300/395	ZEF 1386
300/396	ZEF 1382
300/397	ZEF 582
300/398	ZEF 1118
300/399	ZEF 578
300/409	ZEF 1376
300/427	ZEF 1158
300/436	ZEF 894
300/445	ZEF 824
300/501	ZEF 992
300/521	ZEF 576
300/528	ZEF 575
300/529	ZEF 578
300/530	ZEF 577
300/587	ZEF 1385
300/629	ZEF 789
300/629	ZEF 1392
300/644	ZEF 772
300/649	ZEF 993
300/651	ZEF 726
300/652	ZEF 1118
300/665	ZEF 1120
300/667	ZEF 665
300/673	ZEF 1160
300/674	ZEF 1152
300/675	ZEF 672
300/676	ZEF 851
300/678	ZEF 994
300/679	ZEF 997
300/680	ZEF 996
300/681	ZEF 727
300/686	ZEF 1090
300/687	ZEF 998

BREMI	BERU
300/688	ZEF 1124
300/689	ZEF 1154
300/690	ZEF 1159
300/691	ZEF 994
300/692	ZEF 724
300/694	ZEF 995
300/696	ZEF 1095
300/698	ZEF 1140
300/700	ZEF 1135
300/701	ZEF 850
300/702	ZEF 1144
300/703	ZEF 851
300/703	ZEF 1144
300/704	ZEF 874
300/705	ZEF 1104
300/707	ZEF 1144
300/711	ZEF 1166
300/713	ZEF 1155
300/715	ZEF 1360
300/716	ZEF 862
300/720	ZEF 1235
300/723	ZEF 1137
300/729	ZEF 1390
300/730	ZEF 871
300/731	ZEF 1397
300/733	ZEF 1505
300/738	ZEF 906
300/746	ZEF 1503
300/748	ZEF 874
300/751	ZEF 878
300/754	ZEF 1372
300/758	ZEF 1142
300/759	ZEF 1509
300/766	ZEF 725
300/771	ZEF 1409
300/774	ZEF 1092
300/781	ZEF 1504
300/788	ZEF 574
300/790	ZEF 1378
300/869	ZEF 578
300/877	ZEF 1123
300/885	ZEF 569
300/887	ZEF 1091
300/912	ZEF 913
300/913	ZEF 776
300/919	ZEF 581
300/920	ZEF 1118
300/923	ZEF 994
300/977	ZEF 852
310/110	R 46-100
310/188	ZEF 930
310/30	R 7-030
310/40	R 4-040
310/50	R 3-050
310/60	R 1-060
310/70	R 6-070
310/80	R 9-080
310/90	R 29-090
311/100	R 47-100
311/30	R 14-030
311/40	R 16-040
311/50	R 12-050
311/60	R 8-060
311/70	R 11-070
311/80	R 13-080
311/90	R 28-090
312/30	R 21-030
312/40	R 27-040

BREMI	BERU
312/50	R 23-050
312/60	R 22-060
312/70	R 40-070
312/90	R 51-090
313/30	R 111-030
313/30	R 111-030 S
313/40	R 112-040
313/40	R 112-040 S
313/50	R 113-050
313/50	R 113-050 S
313/60	R 114-060
313/70	R 115-070
314/110	R 20-105
314/30	R 10-030
314/40	R 2-040
314/50	R 5-050
314/50	R 19-045
314/50	R 17-055
314/60	R 18-060
314/70	R 24-070
314/70	R 15-065
314/90	R 43-090
315/30	R 111-030
315/30	R 111-030 S
315/30	R 25-050
315/50	R 25-050
315/60	R 26-060
315/70	R 31-070
315/80	R 33-080
317/30	R 55-028
318/65	R 81-065 S
318/65	R 81-065
318/70	R 80-076
318/75	R 80-076 S
318/75	R 80-076
318/85	R 82-086 S
318/85	R 82-086
319/40	R 83-050 S
319/40	R 83-050
319/50	R 83-050 S
319/50	R 83-050
319/60	R 84-060 S
319/60	R 84-060
319/70	R 85-070 S
319/70	R 85-070
319/80	R 123-085
319/80	R 123-085 S
320/100	R 65-110
320/110	R 65-110
320/30	R 59-030
320/40	R 41-043
320/60	R 39-060
320/80	R 52-090
321/30	R 7-030
321/40	R 4-040
321/60	R 1-060
321/80	R 9-080
322/50	R 70-050
322/70	R 62-070
322/90	R 63-080
323/110	R 121-110
323/40	R 116-040
323/50	R 117-050
323/60	R 118-060
323/70	R 119-070
323/80	R 13-080
323/90	R 120-090
324/50	R 53-050



BREMI	BERU
324/60	R 42-060
324/70	R 44-070
324/80	R 45-080
326/40	R 181-045
326/45	R 181-045
326/60	R 182-065
326/65	R 182-065
328/60	R 86-060
328/60	R 86-060 S
328/80	R 87-080
328/80	R 87-080 S
329/25	R 164-030
329/40	R 166-045
329/46	R 166-045
329/60	R 88-060
329/60	R 88-060 S
329/70	R 89-070
329/70	R 89-070 S
329/80	R 90-080
329/80	R 90-080 S
347/38	R 205-038
347/57	R 204-057
347/61	R 203-067
347/67	R 203-067
349/57	R 178-060
349/65	R 179-068
349/67	R 179-068
349/77	R 180-080
350/100	R 93-100
350/100	R 93-100 S
350/50	R 91-050
350/60	R 92-060
351/30	R 94-030
351/30	R 94-030 S
351/41	R 95-050
351/41	R 95-050 S
351/50	R 95-050
351/50	R 95-050 S
351/60	R 99-070
353/100	R 102-100
353/40	R 96-040
353/40	R 96-040 S
353/50	R 97-050
353/50	R 97-050 S
353/70	R 99-070
353/70	R 99-070 S
353/80	R 100-080
353/80	R 100-080 S
353/90	R 101-090
354/30	R 103-030
354/40	R 104-040
354/50	R 105-050
354/70	R 106-070
355/100	R 110-100
355/100	R 110-100 S
355/30	R 108-030
355/30	R 108-030 S
355/70	R 109-070
355/70	R 109-070 S
358/26	R 111-030
358/26	R 210-040
358/26	R 111-030 S
358/26	R 210-040 S
369/40	R 161-040
369/40	R 161-040 S
369/60	R 162-060
369/60	R 162-060 S
370/20	R 163-020

BREMI	BERU
370/20	R 163-020 S
370/27	R 164-030 S
370/30	R 164-030
370/30	R 164-030 S
370/35	R 165-035
370/35	R 165-035 S
370/40	R 166-045
370/44	R 166-045
370/44	R 166-045 S
370/45	R 166-045
370/45	R 166-045 S
370/50	R 167-055
370/50	R 167-055 S
370/56	R 162-060 S
370/59	R 168-060
370/59	R 168-060 S
370/60	R 168-060
370/60	R 168-060 S
370/66	R 169-070
370/66	R 169-070 S
370/67	R 169-070
370/67	R 169-070 S
370/68	R 169-070
370/68	R 169-070 S
370/69	R 169-070
370/69	R 169-070 S
370/70	R 169-070
370/70	R 169-070 S
373/40	R 211-040
373/40	R 211-040 S
373/62	R 212-062
373/62	R 212-062 S
375/33	R 155-035 S
375/35	R 155-035
375/35	R 155-035 S
375/40	R 156-045 S
375/45	R 156-045
375/45	R 156-045 S
375/55	R 157-055
375/55	R 157-055 S
375/56	R 158-065 S
375/62	R 158-065 S
375/65	R 158-065
375/65	R 158-065 S
379/18	R 150-020
379/18	R 150-020 S
379/27	R 151-032
379/32	R 151-032
379/32	R 151-032 S
379/34	R 152-043 S
379/35	R 152-043
379/39	R 152-043 S
379/43	R 152-043
379/53	R 153-053
379/57	R 154-065
379/57	R 154-065 S
379/65	R 154-065
380/32	R 159-032
380/32	R 159-032 S
380/54	R 160-055
380/55	R 160-055
380/55	R 160-055 S
381/18	R 214-027
381/18	R 214-027
381/24	R 213-030 S
381/24	R 213-030 S
381/36	R 215-040
381/36	R 215-040 S

BREMI	BERU
381/44	R 216-052
381/52	R 216-052
381/52	R 216-052 S
381/63	R 217-062
381/63	R 217-062 S
381/65	R 218-070
381/65	R 218-070 S
381/77	R 219-080
381/77	R 219-080 S
385/40	R 213-030
385/40	R 214-027 S
386/25	R 187-028
386/40	R 186-045
386/45	R 186-045
386/60	R 185-063
396/16	R 177-016
397/32	R 183-037
397/37	R 183-037
397/49	R 184-058
397-E54	R 184-058
3A00/104	ZEF 875
3A00/109	ZEF 868
3A00/116	ZEF 1371
3A00/119	ZEF 1379
3A00/131	ZEF 1368
3A00/139	ZEF 1245
3A00/140	ZEF 1528
3A00/155	ZEF 1387
3A00/156	ZEF 1328
3A00/162	ZEF 1561
3A00/166	ZEF 1327
3A00/172	ZEF 1497
3A00/184	ZEF 1634
3A00/185	ZEF 1545
3A00/186	ZEF 1530
3A35/48	ZEF 915
3A46E57	R 221-050 S
3A47E57	R 222-060
3A47E57	R 222-060 S
3A48E45	R 220-035
3A48E45	R 220-035 S
3A49E31	R 222-060 S
403	ZEF 566
403/31	R 285-040
403/49	R 286-058
403E35	R 285-040
403E52	R 286-058
404	ZEF 463
408/18	R 353-018
408/26	R 354-030
408/36	R 355-040
426	ZEF 568
426/53	R 199-053
426/62	R 201-070
426/70	R 201-070
426/90	R 198-090
427/58	R 200-062
428	ZEF 568
428/37	R 202-037
428/47	R 197-047
429	ZEF 582
430	ZEF 585
447	ZEF 612
449A200	ZEF 298
464/100	ZEF 610
473/100	ZEF 567
481	ZEF 561
489/32	R 308-030

BREMI	BERU
490/38	R 309-038
490/46	R 310-045
490/51	R 311-051
491/36	R 312-038
491/46	R 313-045
491/52	R 314-052
500/105	ZEF 923
500/106	ZEF 1304
500/111	ZEF 934
500/116	ZEF 936
500/128	ZEF 1305
500/129	○
503A100	ZEF 608
503A100	ZEF 611
517/100	ZEF 1236
522	ZEF 558
534	ZEF 472
538/100	ZE 757
552L100	ZEF 1176
552R100	ZEF 1176
560	ZEF 501
561	ZEF 487
569-100	ZEF 607
571/100	ZE 755
571A100	ZEF 1402
573/100	ZEF 1188
583/100	ZE 757
600/103	ZEF 732
600/104	ZEF 735
600/110	ZEF 756
600/115	ZEF 1256
600/118	ZEF 813
600/123	ZEF 1231
600/124	ZEF 1193
600/131	ZEF 798
600/138	ZEF 793
600/139	ZEF 792
600/142	ZEF 1261
600/143	ZEF 1044
600/145	ZEF 1191
600/151	ZEF 1388
600/157	ZEF 752
600/179	ZEF 788
600/180	ZEF 790
600/182	ZEF 786
600/186	ZEF 1391
600/196	ZEF 1232
600/200	ZEF 1251
600/205	ZEF 1186
600/207	ZEF 799
600/212	ZEF 1169
600/213	ZEF 1200
600/214	ZEF 1169
600/217	ZEF 787
600/220	ZEF 789
600/222	ZEF 1254
600/225	ZEF 889
600/227	ZEF 891
600/228	ZEF 840
600/230	ZEF 836
600/231	ZEF 836
600/232	ZEF 838
600/234	ZEF 840
600/236	ZEF 1325
600/239	ZEF 859
600/240	ZEF 863
600/241	ZEF 1001
600/243	ZEF 899

BREMI	BERU
600/250	ZEF 895
600/251	ZEF 1168
600/253	ZEF 889
600/256	ZEF 1002
600/257	ZEF 896
600/259	ZEF 1016
600/259	ZEF 1209
600/262	ZEF 1015
600/263	ZEF 773
600/263	ZEF 1029
600/266	ZEF 722
600/266	ZEF 1062
600/267	ZEF 1069
600/268	ZEF 1012
600/269	ZEF 1061
600/281	ZEF 1190
600/282	ZEF 1262
600/283	ZEF 1262
600/290	ZEF 1192
600/298	ZEF 1370
600/299	ZEF 869
600/303	ZEF 1375
600/305	ZEF 801
600/314	ZEF 1014
600/323	ZEF 1206
600/326	ZEF 1395
600/330	ZEF 1099
600/349	ZEF 721
600/350	ZEF 1048
600/356	ZEF 1057
600/363	ZEF 899
600/365	ZEF 1377
600/371	ZEF 910
600/379	ZEF 938
600/397	ZEF 866
600/409	ZEF 783
600/427	ZEF 1181
600/428	ZEF 1201
600/433	ZEF 1168
600/443	ZEF 1373
600/447	ZEF 1340
600/454	ZEF 1044
600/468	ZEF 1308
600/475	ZEF 1313
600/478	ZEF 1480
600/481	ZEF 1519
600/482	ZEF 1520
600/486	ZEF 1272
600/496	ZEF 1542
613/30	R 111-030
616/45	R 297-045
616/60	R 296-065
617/45	R 297-045
617/60	R 296-065
625/25	R 315-030
625/30	R 316-045
625/35	R 316-045
625/40	R 316-045
625/50	R 317-055
626	ZEF 304
626 T	ZEF 304
627/40	R 34-040
631/40	R 142-055
632/45	R 128-055
632/55	R 128-055
632/60	R 129-070
632/70	R 129-070
633/25	R 318-027

BREMI	BERU
633/40	R 319-045
633/45	R 319-045
633/55	R 320-056
638/25	R 339-030
638/38	R 340-040
641/1	O 901 300 005
641/1	O 901 300 025
644/55	R 295-060
644/60	R 295-060
645/30	R 293-030
645/40	R 294-040
649/35	R 53-050
649/40	R 53-050
652/27	R 277-030
652/34	R 278-040
652/37	R 278-040
652/44	R 279-053
652/51	R 279-053
655/36	R 173-049
655/41	R 173-049
655/56	R 172-056
655/62	R 171-068
663	ZEF 444
666/35	R 144-040
666/40	R 144-040
666/50	R 145-055
667/55	R 321-060
667/70	R 322-070
667/83	R 323-082
667/90	R 324-092
668/45	R 325-050
668/57	R 326-060
668/80	R 327-083
669/066	R 225-068
669/075	R 224-077
669/57	R 328-060
670/28	R 274-030
670/40	R 275-040
670/55	R 276-057
670/57	R 276-057
671	ZEF 444
679/56	R 299-057
679/68	R 298-070
685/37	R 137-045
685/51	R 138-060
685/55	R 138-060
698	ZEF 445
699	ZEF 444
699 K	ZEF 476
699/60	R 60-065
699/80	R 30-080
6A19/31	R 358-032
6A19/40	R 359-040
6A19/65	R 361-065
6A19E56	R 360-058
6A29/27	R 232-029
6A29/31	R 231-035
6A29/37	R 231-035
6A29/51	R 230-048
6A49/28	R 282-032
6A49/32	R 282-032
6A49/46	R 283-046
6A49/60	R 284-060
6A57E46	R 362-046
6A57E65	R 363-065
705	ZEF 405
708/68	R 11-070
708/70	R 11-070

BREMI	BERU
709	ZEF 425
717/28	R 329-032
717/37	R 330-043
717/60	R 331-065
718/41	R 191-042
718/56	R 190-056
718/65	R 189-065
722/30	R 261-036
722/36	R 261-036
722/50	R 262-058
722/51	R 262-058
722/56	R 262-058
722/58	R 262-058
722/65	R 263-070
722/70	R 263-070
723/20	R 264-024
723/24	R 264-024
723/31	R 265-040
723/35	R 265-040
723/38	R 265-040
723/40	R 265-040
723/57	R 268-055
723/57	R 280-057
723/63	R 269-065
723/63	R 281-063
724	ZEF 465
724/23	R 266-025
724/31	R 267-040
724/33	R 267-040
724/38	R 267-040
724/40	R 267-040
724/47	R 268-055
724/52	R 268-055
724/54	R 268-055
724/63	R 269-065
725/28	R 270-040
725/31	R 270-040
725/40	R 270-040
725/45	R 271-047
725/47	R 271-047
725/50	R 272-058
725/53	R 272-058
725/58	R 272-058
725/60	R 273-068
725/65	R 273-068
725/68	R 273-068
726/25	R 235-025
726/35	R 236-035
726/45	R 237-045
726/50	R 238-050
728/30	R 34-040
728/60	R 223-060
729/27	R 10-030
729/88	R 43-090
730/39	R 196-038
730/50	R 195-050
731/66	R 194-066
733/44	R 233-047
733/58	R 223-060
733/70	R 234-075
735/35	R 258-040
735/40	R 258-040
735/52	R 259-055
735/68	R 260-070
737/31	R 191-042
737/35	R 191-042
737/56	R 190-056
739/39	R 174-039

BREMI	BERU
739/45	R 173-049
739/56	R 172-056
739/60	R 171-068
739/68	R 171-068
740/38	R 176-042
740/42	R 176-042
740/56	R 175-060
740/60	R 175-060
747 E 75	R 36-080
749E32	R 188-040
759/40	R 334-045
759/44	R 334-045
759/50	R 335-050
759/59	R 336-060
760/22	R 332-025
760/35	R 333-038
773/31	R 289-033
773/40	R 290-040
778 RA	ZEF 432
782/41	B 104 B
782/42	B 102 C
782/43	B 104 A
782/44	B 104 A
784 A 100	ZE 738
784 A 41	B 103 D
784 A 43	B 104 C
784 A 44	B 104 C
784 A 45	B 104 D
792	ZEF 435
793	ZEF 466
793/2	M 107 B
793/3	M 107 B
793/4	M 107 C
794	ZEF 454
795	ZEF 473
797	ZEF 470
800/175	ZEF 1475
800/179	ZEF 1178
800/198	ZEF 1226
800/199	ZEF 809
800/202	ZEF 1214
800/203	ZEF 1131
800/210	ZEF 781
800/210	ZEF 784
800/211	ZEF 1178
800/212	ZEF 1131
800/213	ZEF 719
800/215	ZEF 1173
800/217	ZEF 1212
800/259	ZEF 1264
810/70	R 6-070
812/60	R 22-060
813/15	R 206-024
813/30	R 207-038
813/40	R 208-046
813/45	R 209-052
814/45	R 5-050
814/50	R 5-050
814/70	R 24-070
816/100	R 253-100
816/75	R 250-075
816E85	R 251-085
816E95	R 252-095
817/52	R 387-055
817/59	R 388-060
817/72	R 389-072
817/84	R 390-084
818/45	R 254-045

BREMI	BERU
818/50	R 255-050
818/65	R 256-065
818/78	R 257-080
820E50	R 249-066
823/40	R 117-050
823/50	R 117-050
823/60	R 118-060
823/70	R 119-070
823/90	R 120-090
855816	ZAZ 3 Sortiment <sup>159</sup>
860/100	R 170-095
860/60	R 124-060
860/65	R 125-065
860/75	R 127-078
860/76	R 127-078
860/80	R 127-078
860/85	R 126-083
876/43	R 245-043
876/53	R 246-053
876/63	R 247-063
876/73	R 248-073
884/37	R 2-040
884/50	R 5-050
893/44	R 124-060
893/53	R 124-060
893/69	R 127-078
893/80	R 126-083
898/14	R 242-020
898/18	R 243-025
898/32	R 244-040
898/37	R 244-040
8A10/55	R 118-060
8A10/60	R 118-060
8A10/73	R 119-070
8A10/80	R 120-090
8A13/61	R 118-060
8A13/70	R 119-070
8A13E66	R 119-070
8A13E76	R 120-090
8A16/78	R 349-076
8A16/84	R 350-082
8A16/90	R 351-088
8A16/93	R 352-093
904	ZEF 972
912	ZEF 1348
913	ZEF 985
919	ZEF 707
922	ZEF 983
923/100	ZEF 716
924	ZEF 717
925	ZEF 717
926	ZEF 984
927	ZEF 984
928	ZEF 1033
931	ZEF 1198
932	ZEF 1132
933	ZEF 1442
939C200	ZEF 1255
954	ZEF 1148
955	ZEF 969
957	ZEF 1026
959	ZEF 1180
962	ZEF 1199
963	ZEF 1180
964	ZEF 1222
968G100	ZEF 990
974/200	ZEF 1338
975	ZEF 1172

BERMI	BERU
977	ZEF 1187
978	ZEF 562
979	ZEF 968
983	ZEF 988
990	ZEF 1198
992	ZEF 1148
993	ZEF 1174
994	ZEF 1017
998	ZEF 1223
9A04	ZEF 1488
9A09	ZEF 1127
9A16	ZEF 1412
9A300208	ZEF 1629

CHAMPION	BERU
CL13M-140	R 46-100
CL1A-30	R 14-030
CL1B-30	R 21-030
CL1C-30	R 10-030
CL1M-30	R 7-030
CL2A-40	R 16-040
CL2B-40	R 27-040
CL2C-40	R 2-040
CL2M-40	R 4-040
CL4A-50	R 12-050
CL4B-50	R 23-050
CL4C-50	R 5-050
CL4H-50	R 53-050
CL4M-50	R 3-050
CL5A-60	R 8-060
CL5B-60	R 22-060
CL5C-60	R 18-060
CL5H-60	R 42-060
CL5M-60	R 1-060
CL5N-60	R 26-060
CL6A-70	R 11-070
CL6H-70	R 44-070
CL6M-70	R 6-070
CL6N-70	R 31-070
CL7A-80	R 13-080
CL7B-80	R 40-070
CL7C-80	R 24-070
CL7H-80	R 45-080
CL7M-80	R 9-080
CL7N-80	R 33-080
CL8A-90	R 28-090
CL8M-90	R 29-090
L 02-30	R 21-030
L 02-40	R 27-040
L 02-50	R 23-050
L 02-60	R 22-060
L 02-80	R 40-070
L 04-30	R 10-030
L 04-40	R 2-040
L 04-50	R 5-050
L 04-60	R 18-060
L 04-80	R 24-070
L 07-30	R 14-030
L 07-40	R 16-040
L 07-50	R 12-050
L 07-60	R 8-060
L 07-70	R 11-070
L 07-80	R 13-080
L 07-90	R 28-090
L 11-30	R 7-030
L 11-40	R 4-040
L 11-50	R 3-050

CHAMPION	BERU
L 11-60	R 1-060
L 11-70	R 6-070
L 11-80	R 9-080
L 11-90	R 29-090
L 12-60	R 26-060
L 12-70	R 31-070
L 12-80	R 33-080
L 13-50	R 53-050
L 13-60	R 42-060
L 13-70	R 44-070
L 13-80	R 45-080
L 14-140	R 46-100
L 14-60	R 118-060
L 14-80	R 120-090
L 14-90	R 120-090
L14-100	R 121-110
LK 03-035	B 112 B
LK 03-30	B 112 A
LS 01	ZEF 765
LS 03	ZE 575
LS 04	ZEF 801
LS 08	ZEF 766
LS 09	ZEF 810
LS 103	ZEF 1118
LS 104	ZEF 1390
LS 11	ZEF 570
LS 113	ZEF 804
LS 12	ZEF 772
LS 123	ZEF 731
LS 13	ZEF 766
LS 130	ZEF 915
LS 135	ZEF 720
LS 14	ZEF 811
LS 141	ZEF 849
LS 16	ZEF 578
LS 173	ZEF 983
LS 175	ZEF 968
LS 18	ZEF 726
LS 20	ZEF 777
LS 200	ZEF 567
LS 201	ZEF 561
LS 204	ZEF 562
LS 205	ZEF 561
LS 21	ZEF 796
LS 211	ZE 599
LS 214	ZE 575
LS 219	ZEF 466
LS 220	ZEF 1189
LS 221	ZEF 561
LS 23	ZEF 851
LS 26	ZEF 781
LS 27	ZEF 784
LS 28	ZEF 783
LS 31	ZEF 839
LS 32	ZEF 843
LS 35	ZEF 571
LS 36	ZEF 1118
LS 40	ZEF 734
LS 42	ZEF 742
LS 44	ZEF 745
LS 47	ZEF 797
LS 48	ZEF 756
LS 50	ZEF 790
LS 51	ZEF 745
LS 52	ZEF 788
LS 53	ZEF 789
LS 71	ZEF 735
LS 72	ZEF 889

CHAMPION	BERU
LS 73	ZEF 719
LS 76	ZEF 1057
LS 77	ZEF 796
LS 79	ZEF 779
LS 80	ZEF 769
LS 81	ZEF 1023
LS 82	ZEF 762
LS 83	ZEF 771
LS 84	ZEF 766
LS 86	ZEF 405
LS 87	ZEF 740
LS 88	ZEF 732
LS 89	ZEF 791
LS 91	ZEF 726
LS 92	ZEF 994
LS 93	ZEF 729
LS 94	ZEF 1160
LS 97	ZEF 813
LS 98	ZEF 793
LS 99	ZEF 787

CHEVROLET	BERU
96 288 956	ZEF 1608
96 497 773	ZEF 1609

CHRYSLER	BERU
04883233	ZEF 1227
05018394 AA	ZEF 1327
05019593 AA	ZEF 1545

CITROEN	BERU
5967H2	ZEF 1164
9153775680	ZEF 756
95659598	ZEF 790

DACIA	BERU
82 00 506 297	ZEF 1546
82 000 943 801	ZEF 1627

DAEWOO	BERU
92 060 980	ZEF 835
96 190 263	ZEF 1509
96 211 948	ZEF 1129
96 256 433	ZEF 1105
96 305 387	ZEF 1142
9A 418 150 B	ZEF 1142
NP 1149	ZEF 1137
NP 1332	ZEF 834

DAF	BERU
744449	VESO 105

DAIHATSU	BERU
19901-87183	ZEF 826
19901-87186-000	ZEF 830
19901-87188	ZEF 825
19901-87189	ZEF 825
19901-87A81	ZEF 825
19901-87B84	ZEF 829

DAIHATSU	BERU
19901-87B87	ZEF 829
90919-21287	ZEF 828

DODUCO	BERU
3577 7110 01 20	ZLE 245
7030	ZLE 107/1
7075	ZLE 302
7081	G 2 P
7084	G 3 P 7
7091	ZLE 230
7110	ZLE 245
7120	ZLE 303
7820	WVES 1
7831	VESO 105

DOWAL	BERU
23 344	ZEF 304
23 379	ZEF 561
23 396	ZEF 362
23 411	ZEF 309
23 412	ZEF 444
23 643	ZEF 445
23 655	ZEF 408
23 656	ZEF 405
23 798	ZEF 467
24 045	ZEF 493
EBERSPÄCHER	BERU
0 300 20	O 4 S
20 6001 50 00 00	O 4 S

FACET	BERU
4.9582	VA 127 A
4.9583	VA 127 B
4.9584	VA 127 C
4.9614	ZEF 1539
4.9720	ZEF 1572
4.9809	ZEF 1561
4508	ZEF 445
45224	ZEF 445
47059	ZEF 1625

FIAT	BERU
1462110080	ZEF 793
4371000	ZEF 1009
4457181	ZEF 1046
46413088	ZEF 983
46425912	ZEF 1181
46474814	ZEF 1201
46749624	ZEF 1477
55195775	ZEF 1598
55195776	ZEF 1598
55195776	R 416-023
55195777	R 417-024
5888327	ZEF 766
5888332	ZEF 1046
5888334	ZEF 1009
5890298	ZEF 980
5892302	ZEF 1206
60306039	R 328-060
60507489	ZLE 175
60513073	ZEF 1036
60513107	VESO 121
60513445	ZEF 970
60513446	ZEF 970

FIAT	BERU
60534745	ZEF 1006
60534746	ZEF 1006
60534855	ZEF 1037
60537826	GF 103 A
60537945	GF 106 C
60537946	GF 106 B
60538002	GF 102 C
60538002	ZEF 984
60538003	GF 102 C
60538003	ZEF 984
60538409	GF 102 C
60548306	ZEF 1032
60564150	ZEF 985
60564151	ZEF 985
60567866	ZEF 985
60568852	GF 101 A
60568852	ZEF 984
60573030	ZEF 1037
60573733	ZEF 985
60584943	ZEF 985
60590964	ZEF 971
60597907	GF 108 B
60597908	GF 108 C
60597941	GF 108 A
60597942	GF 108 A
60597943	GF 100 D
60598355	GF 100 D
60600766	ZEF 971
60606036	R 225-068
60606037	R 224-077
60606038	R 225-068
60808240	ZEF 1036
6917237080	ZEF 1044
72163585	ZEF 444
72210585	ZEF 444
72385585	ZEF 444
7522465	ZEF 1046
7540530	ZEF 981
7552294	ZEF 771
7590061	ZEF 1043
7596897	R 263-070
7597209	R 7-030
7597343	R 19-045
7597720	ZEF 1057
7597743	R 21-030
7597831	ZEF 721
7598077	ZEF 1045
7598077	ZEF 1053
7604095	ZEF 1209
7604227	ZEF 779
7604563	R 34-040
7604907	ZEF 771
7604907	R 17-055
7604977	ZEF 1058
7605119	ZEF 1062
7605191	ZEF 1069
7609395	ZEF 1054
7609396	R 268-055
7610918	R 17-055
7613158	R 5-050
7613942	ZEF 722
7619338	ZEF 979
7625943	ZEF 1025
7626751	ZEF 1047
7633960	R 18-060
7637165	R 43-090
7637166	ZEF 1060
7640245	ZEF 1055

FIAT	BERU
7652684	ZEF 773
7661948	ZEF 1027
7663681	ZEF 1065
7667281	ZEF 1065
7677783	ZEF 1061
7691327	ZEF 721
7691421	R 10-030
7694366	ZEF 1015
7703530	ZEF 1014
7716092	ZEF 1012
7730973	GF 109 A
7731887	GF 109 A
7731888	GF 109 A
7732522	ZEF 1019
7733566	ZEF 1125
7735100	ZEF 1017
7735397	ZEF 967
7742689	ZEF 1016
7749930	GF 109 A
7757024	R 266-025
7760523	ZEF 968
7775810	ZEF 1076
7776121	R 35-060
7776810	ZEF 787
7785350	ZEF 786
7787458	ZEF 1020
7791456	ZEF 1029
82201709	OE 4/1
9606715880	ZEF 1077
9617237080	ZEF 1044

FORD	BERU
1 477 631	WOA 6/14/5 AL
1 477 632	ZLE 181
1 547 010	ZLE 303
1004427	ZEF 1173
1004430	ZEF 1173
1004431	ZEF 1173
1004432	ZEF 1173
1006346	R 208-046
1006347	R 207-038
1006348	R 209-052
1006349	R 206-024
1012436	ZEF 719
1014578	ZEF 1215
1016833	ZEF 1215
1018119	R 251-085
1018131	R 252-095
1027283	ZEF 1212
1039557	ZEF 1215
1039558	ZEF 1215
1039559	ZEF 1215
10395650	ZEF 1215
1063615	ZEF 719
1063621	ZEF 784
1071985	R 243-025
1071985	R 244-040
1071986	R 242-020
1071987	R 244-040
1071988	R 242-020
1089980	R 349-076
1095589	R 350-082
1095591	R 351-088
1095592	R 352-093
1111215	R 415-045
1111216	R 413-071

FORD	BERU
1111218	R 415-056
1111219	R 413-071
1111221	R 414-040
1119840	R 392-011
1119841	R 393-025
1119842	R 394-034
1119843	R 395-043
1212115	R 425-047
1214216	ZEF 1634
1319060	R 422-037
1319062	R 423-042
1319063	R 424-022
1335369	ZEF 1549
1335369	R 403-036
1335371	ZEF 1549
1335371	R 402-023
1335374	ZEF 1549
1335374	R 404-044
1335377	ZEF 1549
1335377	R 402-023
1502365-68	ZEF 1628
165972	ZEF 1214
1960395	ZEF 1210
1960397	ZEF 1210
1961701	ZEF 1210
1961702	ZEF 1210
425 840	OE 6/1
441 894	VESO 105
444 999	VESO 105
6025175	ZLE 303
6181474	ZEF 1214
6181478	ZEF 1214
6186107	ZEF 809
6190350	ZEF 1214
6190351	ZEF 1214
6198909	ZEF 1214
6534756	R 246-053
6534757	R 247-063
6534758	R 245-043
6534759	R 248-073
6592244	ZEF 784
6592244	R 256-065
6592245	ZEF 784
6592245	R 255-050
6592246	ZEF 784
6592246	R 257-080
6592247	ZEF 784
6592247	R 254-045
6596257	R 241-045
6596258	R 240-030
6596259	R 241-045
6596260	R 239-020
6772377	ZEF 1211
6828806	R 338-030
6828807	R 337-015
7053862	ZEF 1131
7053863	R 387-055
7053866	ZEF 1131
7053867	R 388-060
7262796	ZEF 1131
7262797	R 389-072
7262798	ZEF 1131
7262799	R 390-084
7388354	R 250-075
7388355	R 253-100
88 BB 12A012 AA	VES 408

GEO	BERU
91172600	ZEF 1269
94856810	ZEF 1271
94859004	ZEF 1270

HANOMAG	BERU
184 010 512 1	VESO 105

HELLA	BERU
8JZ 002 176-001	OE 4/1
8JZ 002 176-021	OE 4/10
8JZ 003 454-011	OE 6/1
8JZ 003 458-011	WOA 6/14/5 AL
8KA 722 186-001	R 7-030
8KA 722 186-011	R 4-040
8KA 722 186-021	R 3-050
8KA 722 186-031	R 1-060
8KA 722 186-041	R 6-070
8KA 722 186-051	R 9-080
8KA 722 186-061	R 29-090
8KA 722 187-001	R 10-030
8KA 722 187-011	R 2-040
8KA 722 187-021	R 5-050
8KA 722 187-031	R 18-060
8KA 722 187-041	R 24-070
8KA 722 188-001	R 14-030
8KA 722 188-011	R 16-040
8KA 722 188-021	R 12-050
8KA 722 188-031	R 8-060
8KA 722 188-041	R 11-070
8KA 722 188-051	R 13-080
8KA 722 188-061	R 28-090
8KA 722 189-001	R 55-028
8KA 722 190-001	R 25-050
8KA 722 191-001	R 27-040
8KA 722 192-001	R 42-060
8KA 722 192-011	R 45-080
8KA 722 197-011	R 19-045
8KA 722 197-021	R 17-055
8KA 722 197-031	R 15-065
A 30	R 7-030
A 40	R 4-040
A 50	R 3-050
A 70	R 6-070
A 80	R 9-080
A 90	R 29-090
C 30	R 10-030
C 40	R 2-040
C 50	R 5-050
C 60	R 18-060
C 70	R 24-070
D 30	R 14-030
D 40	R 16-040
D 50	R 12-050
D 60	R 8-060
D 70	R 11-070
D 80	R 13-080
D 90	R 28-090
E 28	R 55-028
H 50	R 25-050
J 40	R 27-040
K 60	R 42-060
K 80	R 45-080
R 45	R 19-045
R 55	R 17-055

HELLA	BERU
R 65	R 15-065

HENSCHEL	BERU
970 800	C 4-570

HONDA	BERU
32700-P1J-E01	ZEF 1099
32700-P5M-003	ZEF 1297
32700-PAA-A020	ZEF 1324
32700-POA-A00	ZEF 838
32700-POD-000	ZEF 836
32700-POH-A00	ZEF 1097
32700-PTO-000	ZEF 846
32700-PTO-000	ZEF 836
32700-TPO-000	ZEF 836
32701-PTO-000	R 171-068
32701-PTO-G00	ZEF 836
32702-PTO-000	R 172-056
32703-PTO-000	R 173-049
32704-PTO-000	R 174-039
32720-P8A-A02	ZEF 1098
32720-PH7-661	ZEF 844
32722-P03-000	ZEF 840
32722-P07-000	ZEF 840
32722-P1K-E01	ZEF 839
32722-P2A-003	ZEF 840
32722-P2A-J00	ZEF 840
32722-P30-000	ZEF 1325
32722-P72-003	ZEF 1100
32722-P72-003	ZEF 1322
32722-PH7-661	ZEF 844
32722-PJ5-600	ZEF 837
32722-PK2-621	ZEF 847
32722-PM1-B01	ZEF 839
32722-PM6-B00	ZEF 839
32722-PM7-B00	ZEF 843
32722-PM7-B01	ZEF 1003
32722-PR3-003	ZEF 842
32730-P5M-A01	ZEF 1297

HYUNDAI	BERU
27420-32850	ZEF 1101
27430-32570	ZEF 1101
27440-32570	ZEF 1101
27450-24590	ZEF 1101
27501-02A00	ZEF 1130
27501-02D00	ZEF 1135
27501-02H00	ZEF 1530
27501-22A00	ZEF 1144
27501-22B00	ZEF 1135
27501-22B10	ZEF 1519
27501-23A00	ZEF 850
27501-24B10	ZEF 849
27501-24B20	ZEF 852
27501-24C10	ZEF 849
27501-26A00	ZEF 1136
27501-26C00	ZEF 1136
27501-26D00	ZEF 1136
27501-32C00	ZEF 854
27501-33A00	ZEF 851
27501-35B00	ZEF 853
27501-35C00	ZEF 853
27501-37A00	ZEF 1272
27501-37B00	ZEF 1485

ISUZU	BERU
8-12073-926	ZEF 1299
8-92062-771-774	ZEF 1309
8-97109-063	ZEF 1301
8-97164-006-0	ZEF 1302

KHD	BERU
117 7421	WBA 4/14/5

KIA	BERU
OK 011-18-140 C	ZEF 1095
OK 201 18 140	ZEF 856
OK 201 18 150 A	ZEF 856
OK 247 18 160 A	ZEF 1140
OK 247 18 180 A	ZEF 1140
OK 9A 418 140 B	ZEF 1143
OK 9A 418 150 B	ZEF 1143

KREIDLER	BERU
B 150 206	WOA 4/14

LANCIA	BERU
46425912	ZEF 1181
7325934	ZEF 1030
7590061	ZEF 1043
7596561	ZEF 1021
7597210	ZEF 1041
7597343	ZEF 1042
7604095	ZEF 1028
7608770	ZEF 1027
7625943	ZEF 1025
7640245	ZEF 1022
7661948	ZEF 1027
7742005	ZEF 720
7791456	ZEF 1029
82201709	OE 4/1
9606715880	ZEF 1077

LUCAS	BERU
DHB 101	R 46-100
DHB 103	R 20-105
DHB 111	R 121-110
DHB 112	R 7-030
DHB 116	R 4-040
DHB 120	R 3-050
DHB 124	R 1-060
DHB 128	R 6-070
DHB 132	R 9-080
DHB 136	R 29-090
DHB 140	R 46-100
DHB 212	R 21-030
DHB 216	R 27-040
DHB 220	R 23-050
DHB 224	R 22-060
DHB 228	R 40-070
DHB 236	R 51-090
DHB 312	R 10-030
DHB 316	R 2-040
DHB 320	R 5-050
DHB 324	R 18-060
DHB 328	R 24-070
DHB 336	R 43-090
DHB 412	R 14-030

LUCAS	BERU
DHB 416	R 16-040
DHB 420	R 12-050
DHB 424	R 8-060
DHB 428	R 11-070
DHB 432	R 13-080
DHB 436	R 28-090
DHB 440	R 47-100
DHB 701	R 41-043
DHB 703	R 39-060
DHB 706	R 52-090
DHB 708	R 65-110
DHB 734	R 25-050
DHB 735	R 26-060
DHB 736	R 31-070
DHB 737	R 33-080
DHB 742	R 70-050
DHB 744	R 62-070
DHB 745	R 63-080
DHB 792	R 53-050
DHB 793	R 42-060
DHB 794	R 44-070
DHB 795	R 45-080
DHB 916	R 19-045
DHB 920	R 17-055
DHB 924	R 15-065
DHB 931	R 10-030
DHB 933	R 10-030
DHB 934	R 21-030
DHB 940	R 20-105
DHB 941	R 4-040
DHB 943	R 19-045
DHB 951	R 5-050
DHB 953	R 17-055
DHB 957	R 25-050
DHB 961	R 18-060
DHB 963	R 15-065
DHB 967	R 26-060
DHB 971	R 24-070
DHB 973	R 24-070
DHB 977	R 31-070
DHB 981	R 9-080
DHB 987	R 33-080
DHB 991	R 29-090
DHB 993	R 43-090

MAN	BERU
07 91614 0062	C 4-570
51 25435 0056	ZLE 004/3
51 25435 0056	ZLE 166
51 25435 0057	VESO 112
81 25435 6001	O 4

MAZDA	BERU
1E0 5 18 160 B	ZEF 1540
1E0 5 18 170 B	ZEF 1540
1E0 5 18 190 B	ZEF 1540
8 BBG 18 140	ZEF 862
8 BGA 18 140	ZEF 1001
8 BS 3 18 140 A	ZEF 1368
83M 5 18 140	ZEF 856
8AB 2 18 140	ZEF 863
8B6P 18 140T	ZEF 864
8BBS 18 140	ZEF 869
8BL3 18 140	ZEF 873
B31 R 18 140	ZEF 1103

MAZDA	BERU
B33 G 18 140 A	ZEF 1373
B3M 5 18 T 51	R 182-065
B3M 5 18 T 52	R 182-065
B3M 5 18 T 53	R 181-045
B3M 5 18 T 54	R 181-045
B61P 18 140 C	ZEF 1360
B69F 18 140 A	ZEF 863
B69F 18 140 C	ZEF 871
B6BF 18 140	ZEF 862
B6BF 18 140A	ZEF 862
B6BF 18 T 51	R 184-058
B6BF 18 T 52	R 184-058
B6BF 18 T 53	R 183-037
B6BF 18 T 54	R 183-037
BPE 8 18 140 A	ZEF 870
BPE 8 18 140 P	ZEF 871
F 267 18 140 B	ZEF 1368
FP 39 18 140	ZEF 1102
FSD 7 18 140B	ZEF 1252
KF 33 18 140 D	ZEF 864
Z 501 18 140 A	ZEF 1166
ZE 25 18 140	ZEF 1002
ZE 28 18 140	ZEF 1375
ZE 30 18 140	ZEF 872
ZE 31 18 140	ZEF 864
ZE 97 18 140	ZEF 872
ZL 01 18 160 A	R 348-040
ZL 01 18 160 B	R 348-040
ZX 06 18 140	ZEF 867
ZX 09 18 140	ZEF 865
ZX 14 18 140	ZEF 866
ZX 16 18 140	ZEF 865
ZX 16 18 140	ZEF 1001
ZX 18 18 140	ZEF 856
ZX 18 18 140	ZEF 863
ZX 19 18 140	ZEF 856
ZX 19 18 140	ZEF 869
ZX 29 18 140	ZEF 859

MERCEDES-BENZ	BERU
000 156 06 24	BA 4/14/5
000 156 07 24	BA 4/14/5
000 156 15 10	OE 4/1
000 156 28 10	WBA 4/14/5
000 156 30 10	WBA 4/14/5
000 156 34 10	ZLE 120
000 156 34 10	WBA 4/14/5
000 156 40 10	WBA 4/14/5
000 156 41 10	WBAK 4/14/5
000 156 45 10	VESO 105
000 156 49 10	ZLE 120
000 156 49 10	WBA 4/14/5
000 156 50 10	ZLE 121
000 156 51 10	ZLE 121
000 156 52 10	ZLE 120
000 156 52 10	WBA 4/14/5
000 156 54 10	ZLE 135
000 156 57 10	ZLE 135
000 156 59 10	WBAK 4/14
000 156 61 10	ZLE 159
000 156 66 10	ZLE 227
000 156 67 10	ZLE 225
000 156 68 10	ZLE 225
000 156 71 10	ZLE 245
000 156 72 10	ZLE 245
000 156 75 10	ZLE 245

MERCEDES-BENZ	BERU
000 159 00 80	GS 30
000 159 41 42	ZLE 247
000 159 14 38	0 901 300 003
000 159 15 85	G 1 PK
000 159 20 85	G 4 P 7
000 159 28 42	VSO 103
000 159 29 42	VSO 105
000 159 32 85	G 1 N
000 159 33 42	VS 106
000 159 34 42	VESO 127
000 159 35 42	ZLE 234
000 159 36 42	ZLE 234
000 159 37 42	VS 106
000 159 38 42	VS 107
000 159 49 42	GS 17
000 159 96 18	M 119 E
000 159 97 18	M 119 C
000 159 98 18	M 119 E
000 159 99 18	M 119 B
001 159 00 18	M 119 D
001 159 01 18	M 119 A
102 150 19 18	ZEF 466
102 150 20 18	ZEF 466
102 150 21 18	ZEF 466
102 150 28 18	ZEF 466
102 150 29 18	ZEF 466
102 150 53 18	M 107 D
102 150 54 18	M 107 A
102 150 55 18	M 107 B
102 150 56 18	M 107 C
110 150 40 18	ZEF 487
110 150 63 18	ZEF 501
110 150 69 18	ZEF 501
110 150 70 18	ZEF 501
110 150 71 18	ZEF 501
110 150 72 18	ZEF 501
110 150 73 18	ZEF 501
110 150 74 18	ZEF 501
112 150 01 18	ZEF 1442
112 150 02 18	ZEF 1442
112 150 03 18	ZEF 1488
112 150 04 18	ZEF 1488
114 150 00 18	ZEF 364
116 150 00 18	ZEF 406
116 150 01 18	ZEF 472
116 150 12 19	ZEF 463
116 150 13 19	ZEF 463
116 150 46 18	ZEF 406
130 150 00 18	ZEF 454
180 150 29 18	ZEF 465
266 150 02 18	ZEF 1556
266 150 06 18	ZEF 1556
266 150 07 18	ZEF 1556
A 000 156 75 10	ZLE 245
A 000 159 00 80	GS 30
A 000 159 35 42	ZLE 234
A 000 159 36 42	ZLE 234
A 000 159 41 42	ZLE 247
A 000 159 48 42	GS 21
A 000 159 49 42	GS 17
A 000 159 96 18	M 119 E
A 000 159 97 18	M 119 C
A 000 159 98 18	M 119 E
A 000 159 99 18	M 119 B
A 001 159 00 18	M 119 D
A 001 159 01 18	M 119 A
A 112 150 01 18	ZEF 1442
A 112 150 02 18	ZEF 1442

MERCEDES-BENZ	BERU
A 112 150 03 18	ZEF 1488
A 112 150 04 18	ZEF 1488
A 266 150 02 18	ZEF 1556
A 266 150 06 18	ZEF 1556
A 266 150 07 18	ZEF 1556
A 906 150 01 18	ZEF 1617
Q 4 15 00 34	ZEF 1449

MINI	BERU
12 12 7 513 032 - 035	ZEF 1480

MITSUBISHI	BERU
MD 023742	ZEF 883
MD 030936	ZEF 882
MD 080566	ZEF 882
MD 080570	ZEF 881
MD 134754	ZEF 876
MD 134754	ZEF 877
MD 139120	ZEF 882
(ohne ZVZS)	
MD 156560	ZEF 880
MD 195228	ZEF 877
MD 311208	ZEF 886
MD 331260	ZEF 880
MD 332110	ZEF 1107
MD 332343	ZEF 1104
MD 334027	R 185-063
MD 334028	R 186-045
MD 334029	R 186-045
MD 334030	R 187-028
MD 334031	ZEF 874
MD 334041	ZEF 878
MD 975309	ZEF 1371
MD 976524	ZEF 1328
MD 997313	ZEF 1372
MD 997318	ZEF 882
MD 997319	ZEF 882
MD 997328	ZEF 882
MD 997378	ZEF 868
MD 997387	ZEF 882
MD 997422	ZEF 877
MD 997423	ZEF 875
MD 997424 (incl. ZVZS)	ZEF 882
MD 997426 (incl. ZVZS)	ZEF 882
MD 997506	ZEF 882
MD 997506	ZEF 885
MD 997523 (incl. ZVZS)	ZEF 882
MD 997668	ZEF 884

MWM	BERU
6 0690 36 1 1101	O 4
6 0690 76 4 0401	C 4-570
6 0690 76 4 0404	ZLE 004/3

NGK	BERU
0579	ZEF 1338
0737	ZEF 987
0784	ZEF 1384
0790	ZEF 1386
0791	ZEF 1382
0850	ZEF 789
0889	ZEF 1390
0890	ZEF 1397

NGK	BERU
0944	ZEF 298
0945	ZEF 567
101043	GF 106 A
101055	GF 106 B
101068	GF 106 C
102052	GF 103 A
112014	GF 112 A
112033	GF 112 B
204070	VA 134 B
210030	VA 115 A
210040	VA 115 B
210050	VA 115 C
210060	VA 115 D
210070	VA 115 E
211040	VA 116 A
211050	VA 116 B
211060	VA 116 C
211070	VA 116 D
211080	VA 116 E
213080	VA 122 D
214040	VA 117 A
214050	VA 117 B
214060	VA 117 B
215030	VA 118 A
215040	VA 118 B
215060	VA 118 C
218035	VA 133 A
218045	VA 133 B
218055	VA 133 C
218065	VA 133 D
220050	B 103 A
220065	B 103 C
220080	B 103 C
221050	B 104 A
221055	B 101 A
221060	B 104 A
221085	B 104 B
221095	B 104 B
221095	B 104 C
221105	B 104 C
221120	B 104 C
221120	B 104 D
221130	B 104 D
222050	B 101 A
222060	B 101 B
222070	B 101 C
222075	B 101 C
222080	B 101 D
222085	B 101 D
222090	B 101 D
223045	B 100 A
223050	B 100 B
223055	B 100 B
223060	B 100 C
223075	B 100 D
223080	B 100 D
223085	B 100 D
225090	B 101 D
226035	B 102 A
226035	B 102 B
226045	B 102 C
226055	B 102 D
227065	B 102 D
228065	B 102 D
229030	B 109 A
230065	B 107 A
230075	B 107 A
231060	B 108 A



NGK	BERU
232075	B 106 A
232080	B 106 A
234080	B 106 A
235080	B 105 B
235105	B 105 A
235110	B 105 A
235115	B 105 A
236031	B 112 A
236033	B 112 A
236035	B 112 B
236040	B 112 B
237027	B 111 A
237030	B 111 A
237032	B 111 B
237037	B 111 B
238075	B 107 A
239090	B 100 E
250040	M 107 D
250050	M 107 A
250070	M 107 B
250080	M 107 B
250085	M 107 C
251060	M 108 B
251070	M 108 B
251085	M 108 C
251090	M 108 C
251100	M 108 D
251110	M 108 E
251120	M 108 E
252030	M 108 A
252050	M 108 B
256045	M 114 E
256065	M 114 C
257055	M 109 B
257065	M 109 C
257090	M 109 D
257100	M 109 E
257105	M 109 E
258100	M 111 C
259050	M 106 A
259055	M 106 C
259060	M 106 C
259065	M 106 D
259100	M 106 B
259115	M 106 E
260060	M 111 B
260070	M 111 A
260080	M 111 A
262027	VA 127 C
262045	VA 127 B
262061	VA 127 A
262066	VA 127 A
263080	M 111 A
264035	M 114 E
264045	M 114 E
264055	M 114 D
264060	M 114 D
264070	M 114 C
264075	M 114 C
264080	M 114 B
264090	M 114 B
264100	M 114 A
264105	M 114 A
266033	M 116 A
266041	M 115 A
266047	M 115 B
266053	M 116 B
269033	VA 126 D

NGK	BERU
269037	VA 126 C
269045	VA 126 B
269053	VA 126 A
271060	VA 128 B
271070	VA 128 A
272033	GF 110 A
272047	GF 110 B
272055	GF 110 C
272058	GF 110 C
273030	GF 107 A
273036	GF 107 A
273051	GF 107 B
273062	GF 107 C
275050	GF 108 A
275055	GF 108 A
275060	GF 108 B
275070	GF 108 C
276075	B 110 A
276090	B 110 B
276095	B 110 C
276105	B 110 D
278032	GF 105 A
278042	GF 105 A
278060	GF 105 B
278065	GF 105 B
287045	M 118 A
287050	M 118 B
290027	VA 127 C
290045	VA 127 B
290066	VA 127 A
292054	VA 132 A
292068	VA 132 B
292069	VA 132 B
292085	VA 132 C
292086	VA 132 C
292098	VA 132 D
295030	VA 123 A
295040	VA 123 B
295055	VA 123 C
296042	VA 120 E
296044	VA 120 E
296047	VA 120 D
296048	VA 120 D
389032	R 308-030
390038	R 309-038
390046	R 310-045
390051	R 311-051
391036	R 312-038
391046	R 313-045
391052	R 314-052
410 060	R 1-060
410 070	R 6-070
410 090	R 29-090
410030	R 7-030
410040	R 4-040
410050	R 3-050
410080	R 9-080
411030	R 14-030
411040	R 16-040
411050	R 12-050
411060	R 8-060
411070	R 11-070
411080	R 13-080
411090	R 28-090
411100	R 47-100
413040	R 112-040
413040	R 113-050
413040	R 112-040 S

NGK	BERU
413040	R 113-050 S
414030	R 10-030
414040	R 2-040
414050	R 19-045
414050	R 17-055
414060	R 18-060
414070	R 24-070
418050	R 81-065
418060	R 81-065
418070	R 80-076
418075	R 80-076
419050	R 83-050
419070	R 85-070
419080	R 123-085
423040	R 116-040
423050	R 117-050
423060	R 118-060
423070	R 119-070
423080	R 13-080
423090	R 120-090
423110	R 121-110
424050	R 53-050
424060	R 42-060
428060	R 86-060
428080	R 87-080
429040	R 166-045 S
429060	R 88-060
429080	R 90-080
44017	R 22-060
450100	R 93-100 S
451030	R 94-030
451041	R 95-050
451041	R 95-050 S
451050	R 95-050
453040	R 96-040
453050	R 97-050
453070	R 99-070
453080	R 100-080
453090	R 101-090
454050	R 105-050
469040	R 161-040 S
469060	R 162-060 S
470035	R 165-035
470035	R 165-035 S
470040	R 166-045
470040	R 214-027
470040	R 213-030 S
470044	R 166-045
470044	R 166-045 S
470050	R 167-055
470059	R 168-060
470059	R 168-060 S
470060	R 168-060
470066	R 169-070
470066	R 169-070 S
470070	R 169-070
473 056	R 212-062
479 027	R 151-032
479034	R 152-043
479034	R 152-043 S
479043	R 153-053
479043	R 153-053 S
479057	R 154-065
479057	R 154-065 S
479065	R 154-065
479065	R 154-065 S
486040	R 186-045
486060	R 185-063

NGK	BERU
510 060	R 1-060
510 070	R 6-070
510 090	R 29-090
512060	R 22-060
513-015	R 206-024
513-030	R 207-038
513-040	R 208-046
513-045	R 209-052
516100	R 253-100
518045	R 254-045
518050	R 255-050
518065	R 256-065
518078	R 257-080
593080	R 126-083
598014	R 242-020
598018	R 243-025
598032	R 244-040
598037	R 244-040
617028	R 329-032
617037	R 330-043
617065	R 331-065
623040	R 265-040
624040	R 267-040
633 058	R 223-060
633 070	R 234-075
637 052	R 190-056
659040	R 334-045
659044	R 334-045
659050	R 335-050
659059	R 336-060
660022	R 332-025
660035	R 333-038
709 060	R 22-060
713030	R 111-030
717045	R 297-045
717060	R 296-065
725025	R 315-030
725030	R 316-045
725040	R 316-045
725050	R 317-055
727040	R 34-040
731040	R 142-055
733025	R 318-027
733040	R 319-045
733045	R 319-045
733055	R 320-056
738 038	R 340-040
744055	R 295-060
744060	R 295-060
745030	R 293-030
745040	R 294-040
766040	R 144-040
766050	R 145-055
769057	R 328-060
785 051	R 138-060
799060	R 60-065
799080	R 30-080
8047	ZEF 776
8200	ZEF 1168
820104	VA 130 B
820105	VA 130 C
820106	VA 130 C
820108	VA 130 A
820206	M 119 A
820207	M 119 B
820208	M 119 C
8206	ZEF 771
8206	ZEF 1029

NGK	BERU
8251	ZEF 1395
8474	ZEF 840
8487	ZEF 1391
8516	ZEF 838
8556	ZEF 809
8571	ZEF 781
9296	ZEF 1372
9464	ZEF 824
9478	ZEF 1378
9856	ZEF 1360
9859	ZEF 1002
9874	ZEF 1375
9920	ZEF 869
9922	ZEF 863
RC-AD 201	ZEF 1175
RC-AD 202	ZEF 561
RC-AD 202	ZEF 1194
RC-AD 204	ZE 765
RC-AD 205	ZEF 1172
RC-AD 206	ZEF 1177
RC-AD 207	ZEF 1127
RC-AD 208	ZEF 1195
RC-AD 210	ZEF 561
RC-AD 211	ZEF 520
RC-AD 211	ZEF 612
RC-AD 212	ZEF 404
RC-AD 215	ZEF 1223
RC-AD 218	ZEF 561
RC-AD 218	ZEF 1219
RC-AD 219	ZEF 1198
RC-AR 201	ZEF 1037
RC-AR 203	ZEF 969
RC-AR 205	ZEF 1007
RC-AR 401	ZEF 801
RC-AR 404	ZEF 803
RC-AR 404	ZEF 1006
RC-AR 404	ZEF 1031
RC-AR 410	ZEF 803
RC-AR 412	ZEF 801
RC-AR 601	ZEF 1254
RC-AR 602	ZEF 804
RC-AR 903	ZEF 1348
RC-AR 904	ZEF 985
RC-AR 908	ZEF 971
RC-AR 908	ZEF 983
RC-AR 909	ZEF 984
RC-AR 910	ZEF 984
RC-AR 911	ZEF 1033
RC-AR 912	ZEF 1036
RC-AR 913	ZEF 970
RC-AR 972	ZEF 972
RC-BW 205	ZEF 1182
RC-BW 208	ZEF 1183
RC-BW 210	ZEF 610
RC-BW 210	ZEF 611
RC-BW 213	ZEF 608
RC-BW 213	ZEF 611
RC-BW 214	ZEF 1236
RC-BW 215	ZE 721
RC-BW 217	ZEF 1402
RC-BW 218	ZE 757
RC-BW 219	ZE 727
RC-BW 220	ZE 1200
RC-BW 220	ZEF 1176
RC-BW 221	ZE 1200
RC-BW 221	ZEF 1176
RC-BW 222	ZEF 607
RC-BW 223	ZE 755

NGK	BERU
RC-BW 224	ZEF 759
RC-BW 225	ZEF 1188
RC-BW 227	ZE 757
RC-BW 228	ZEF 405
RC-BW 229	ZEF 493
RC-BW 230	ZE 719
RC-BW 231	ZE 575
RC-BW 232	ZE 738
RC-BW 233	ZE 727
RC-BW 235	ZEF 1338
RC-CR 305	ZEF 1409
RC-CR 601	ZEF 793
RC-CR 604	ZEF 1392
RC-CR 604	ZEF 790
RC-CR 606	ZEF 1340
RC-CT 601	ZEF 756
RC-CT 402	ZEF 739
RC-CT 412	ZEF 1164
RC-CT 611	ZEF 743
RC-CT 615	ZEF 795
RC-CT 615	ZEF 813
RC-DE 23	ZEF 825
RC-DW 301	ZEF 1142
RC-DW 302	ZEF 1129
RC-DW 304	ZEF 1105
RC-DW 401	ZEF 835
RC-DW 401	ZEF 834
RC-DW 402	ZEF 835
RC-DW 403	ZEF 835
RC-DW 403	ZEF 1137
RC-FD 504	ZEF 1212
RC-FD 509	ZEF 811
RC-FD 520	ZEF 1264
RC-FD 521	ZEF 1264
RC-FD 531	ZEF 719
RC-FD 537	ZEF 784
RC-FD 544	ZEF 861
RC-FD 544	ZEF 1178
RC-FD 545	ZEF 1131
RC-FD 546	ZEF 719
RC-FD 548	ZEF 860
RC-FD 804	ZEF 810
RC-FD 807	ZEF 1114
RC-FD 808	ZEF 1116
RC-FD 808	ZEF 1115
RC-FD 816	ZEF 1226
RC-FD 817	ZEF 809
RC-FD 819	ZEF 1131
RC-FD 826	ZEF 781
RC-FD 830	ZEF 1214
RC-FT 201	ZEF 968
RC-FT 202	ZEF 1017
RC-FT 203	ZEF 967
RC-FT 204	ZEF 1132
RC-FT 407	ZEF 777
RC-FT 414	ZEF 980
RC-FT 428	ZEF 979
RC-FT 429	ZEF 1057
RC-FT 442	ZEF 981
RC-FT 444	ZEF 848
RC-FT 444	ZEF 1135
RC-FT 446	ZEF 1057
RC-FT 601	ZEF 787
RC-FT 601	ZEF 1076
RC-FT 603	ZEF 1028
RC-FT 603	ZEF 1016
RC-FT 603	ZEF 1209
RC-FT 604	ZEF 1015

NGK	BERU
RC-FT 605	ZEF 773
RC-FT 605	ZEF 1024
RC-FT 605	ZEF 771
RC-FT 605	ZEF 1029
RC-FT 608	ZEF 1059
RC-FT 608	ZEF 1069
RC-FT 609	ZEF 722
RC-FT 610	ZEF 1061
RC-FT 618	ZEF 1025
RC-FT 619	ZEF 1206
RC-FT 620	ZEF 1014
RC-FT 621	ZEF 721
RC-FT 621	ZEF 1132
RC-FT 622	ZEF 1057
RC-FT 623	ZEF 983
RC-FT 628	ZEF 786
RC-FT 631	ZEF 1055
RC-FT 632	ZEF 1181
RC-FT 633	ZEF 1201
RC-FT 635	ZEF 1047
RC-FT 636	ZEF 779
RC-HD 403	ZEF 852
RC-HD 404	ZEF 853
RC-HD 407	ZEF 850
RC-HD 408	ZEF 849
RC-HD 408	ZEF 850
RC-HD 409	ZEF 851
RC-HD 409	ZEF 1144
RC-HD 410	ZEF 849
RC-HE 53	ZEF 839
RC-HE 57	ZEF 836
RC-HE 57	ZEF 846
RC-HE 71	ZEF 839
RC-HE 73	ZEF 840
RC-HE 75	ZEF 838
RC-HE 76	ZEF 840
RC-HE 80	ZEF 1005
RC-HE 81	ZEF 1003
RC-KA 401	ZEF 856
RC-KA 402	ZEF 776
RC-KA 402	ZEF 856
RC-KA 404	ZEF 858
RC-KA 405	ZEF 1140
RC-LC 604	ZEF 1023
RC-LC 609	ZEF 1056
RC-LC 611	ZEF 773
RC-LC 616	ZEF 1043
RC-MB 201	ZEF 641
RC-MB 202	ZEF 641
RC-MB 202	ZEF 987
RC-MB 203	ZEF 642
RC-MB 205	ZEF 634
RC-MB 206	ZEF 470
RC-MB 207	ZEF 466
RC-MB 208	ZEF 487
RC-MB 209	ZEF 501
RC-MB 210	ZEF 471
RC-MB 211	ZEF 558
RC-MB 212	ZEF 598
RC-MB 213	ZEF 635
RC-MB 214	ZEF 597
RC-MB 215	ZEF 566
RC-MB 216	ZEF 463
RC-MB 217	ZEF 585
RC-MB 219	ZEF 473
RC-MB 222	ZEF 988
RC-MB 222	ZEF 1412
RC-ME 54	ZEF 1372

NGK	BERU
RC-ME 59	ZEF 874
RC-ME 59	ZEF 882
RC-ME 61	ZEF 884
RC-ME 64	ZEF 877
RC-NE 08	ZEF 889
RC-NX 07	ZEF 891
RC-NX 07	ZEF 896
RC-NX 71	ZEF 824
RC-NX 89	ZEF 1378
RC-NX 93	ZEF 900
RC-OP 201	ZEF 672
RC-OP 201	ZEF 1157
RC-OP 202	ZEF 568
RC-OP 203	ZEF 1156
RC-OP 203	ZEF 1158
RC-OP 204	ZEF 568
RC-OP 205	ZEF 568
RC-OP 304	R 220-035
RC-OP 304	R 221-050
RC-OP 304	R 222-060
RC-OP 304	R 220-035 S
RC-OP 304	R 221-050 S
RC-OP 304	R 222-060 S
RC-OP 402	ZEF 571
RC-OP 403	ZEF 570
RC-OP 404	ZEF 571
RC-OP 406	ZEF 572
RC-OP 407	ZEF 579
RC-OP 408	ZEF 573
RC-OP 409	ZEF 574
RC-OP 410	ZEF 627
RC-OP 410	ZEF 1122
RC-OP 411	ZEF 583
RC-OP 412	ZEF 584
RC-OP 412	ZEF 1121
RC-OP 414	ZEF 1384
RC-OP 415	ZEF 1118
RC-OP 416	ZEF 580
RC-OP 418	ZEF 665
RC-OP 419	ZEF 1118
RC-OP 420	ZEF 1386
RC-OP 421	ZEF 1382
RC-OP 422	ZEF 582
RC-OP 423	ZEF 1118
RC-OP 424	ZEF 578
RC-OP 425	ZEF 992
RC-OP 426	ZEF 576
RC-OP 427	ZEF 575
RC-OP 428	ZEF 578
RC-OP 429	ZEF 577
RC-OP 430	ZEF 993
RC-OP 431	ZEF 993
RC-OP 432	ZEF 726
RC-OP 433	ZEF 1118
RC-OP 434	ZEF 994
RC-OP 435	ZEF 672
RC-OP 436	ZEF 1120
RC-OP 437	ZEF 665
RC-OP 438	ZEF 1160
RC-OP 439	ZEF 1152
RC-OP 440	ZEF 672
RC-OP 441	ZEF 725
RC-OP 441	ZEF 994
RC-OP 442	ZEF 997
RC-OP 443	ZEF 996
RC-OP 444	ZEF 727
RC-OP 447	ZEF 1090
RC-OP 448	ZEF 998

NGK	BERU
RC-OP 449	ZEF 1124
RC-OP 450	ZEF 1152
RC-OP 452	ZEF 994
RC-OP 453	ZEF 724
RC-OP 454	ZEF 1118
RC-OP 454	ZEF 995
RC-OP 455	ZEF 578
RC-OP 456	ZEF 1123
RC-OP 457	ZEF 1092
RC-OP 459	ZEF 1091
RC-OP 463	ZEF 581
RC-OP 463	ZEF 994
RC-OP 465	ZEF 1155
RC-OP 466	ZEF 569
RC-OP 480	ZEF 1154
RC-PG 601	ZEF 788
RC-PG 602	ZEF 1256
RC-PG 604	ZEF 752
RC-PG 605	ZEF 791
RC-PG 608	ZEF 755
RC-PG 610	ZEF 1044
RC-PG 611	ZEF 792
RC-PG 612	ZEF 746
RC-PG 615	ZEF 789
RC-RN 601	ZEF 1251
RC-RN 603	ZEF 1186
RC-RN 606	ZEF 1185
RC-RN 609	ZEF 1395
RC-RN 619	ZEF 798
RC-RN 619	ZEF 800
RC-RN 620	ZEF 797
RC-RN 620	ZEF 1391
RC-RN 623	ZEF 731
RC-RN 627	ZEF 730
RC-RN 637	ZEF 735
RC-RN 640	ZEF 757
RC-RN 645	ZEF 1163
RC-RN 646	ZEF 728
RC-RN 648	ZEF 734
RC-RN 652	ZEF 1113
RC-RN 654	ZEF 1165
RC-RN 655	ZEF 729
RC-RN 658	ZEF 1094
RC-RN 658	ZEF 1128
RC-RV 304	ZEF 775
RC-RV 322	ZEF 1040
RC-RV 413	ZEF 1390
RC-RV 414	ZEF 1390
RC-RV 415	ZEF 1397
RC-RV 605	ZEF 844
RC-SB 488	ZEF 1235
RC-SB 601	ZEF 780
RC-SB 604	ZEF 1169
RC-SB 605	ZEF 1168
RC-SE 77	ZEF 776
RC-ST 201	ZEF 1150
RC-ST 203	ZEF 1073
RC-ST 403	ZEF 1073
RC-ST 406	ZEF 768
RC-ST 901	ZEF 1255
RC-TE 24	ZEF 921
RC-TE 41	ZEF 923
RC-TE 42	ZEF 919
RC-TE 43	ZEF 917
RC-TE 87	ZEF 932
RC-TE 93	ZEF 956
RC-TE87	ZEF 828
RC-TX 03	ZEF 956

NGK	BERU
RC-TX 05	ZEF 964
RC-TX 06	ZEF 928
RC-TX 08	ZEF 954
RC-TX 14	ZEF 1000
RC-VL 601	ZEF 1191
RC-VL 605	ZEF 1231
RC-VL 606	ZEF 1193
RC-VL 609	ZEF 732
RC-VL 613	ZEF 485
RC-VL 616	ZEF 799
RC-VW 201	ZEF 298
RC-VW 201	ZEF 1260
RC-VW 202	ZEF 1224
RC-VW 203	ZEF 989
RC-VW 204	ZEF 1197
RC-VW 206	ZEF 1149
RC-VW 207	ZEF 561
RC-VW 208	ZEF 561
RC-VW 208	ZEF 1149
RC-VW 210	ZEF 520
RC-VW 210	ZEF 1149
RC-VW 213	ZEF 298
RC-VW 214	ZEF 567
RC-VW 215	ZEF 561
RC-VW 216	ZEF 561
RC-VW 216	ZEF 562
RC-VW 217	ZEF 304
RC-VW 218	ZEF 432
RC-VW 220	ZEF 1198
RC-VW 225	ZEF 1180
RC-VW 227	ZEF 1199
RC-VW 228	ZEF 1199
RC-VW 229	ZEF 1180
RC-VW 230	ZEF 1222
RC-VW 232	ZEF 1187
RC-VW 233	ZEF 1189
RC-VW 234	ZEF 1196
RC-VW 235	ZEF 1229
RC-VW 236	ZEF 991
RC-VW 239	ZEF 1148
RC-VW 242	ZEF 1189
RC-VW 902	ZEF 707
RC-VW 903	ZEF 716
RC-VW 910	ZEF 990
RC-VW 912	ZEF 1199
RC-ZE 07	ZEF 856
RC-ZE 08	ZEF 863
RC-ZE 11	ZEF 856
RC-ZE 21	ZEF 1360
RC-ZE 25	ZEF 1002
RC-ZE 28	ZEF 1375
RC-ZE 31	ZEF 864
RC-ZE 36	ZEF 869
RC-ZE 37	ZEF 862
RC-ZX 15	ZEF 866
RC-ZX 16	ZEF 1001
RC-ZX 18	ZEF 869
RC-ZX 19	ZEF 863
RC-ZX 29	ZEF 859

NIPPARTS	BERU
J5381001	ZEF 894
J5381002	ZEF 895
J5382008	ZEF 936
J5382048	ZEF 930
J5383000	ZEF 856
J5383005	ZEF 862

NIPPARTS	BERU
J5383008	ZEF 859
J5383009	ZEF 865
J5383021	ZEF 859
J5383026	ZEF 1252
J5384018	ZEF 1098
J5386005	ZEF 829
J5386011	ZEF 768
J5387004	ZEF 1108
J5387009	ZEF 1108
J5387011	ZEF 1561
J5387019	ZEF 1497
J5388013	ZEF 1529

NISSAN	BERU
22440-2F200	ZEF 1483
22440-2J210	ZEF 891
22440-57Y10	ZEF 889
22440-73C10	ZEF 889
22440-86J10	ZEF 1377
22440-99B05	ZEF 895
22450-05A85	ZEF 898
22450-05B121	R 188-040
22450-16B27	ZEF 894
22450-19B27	ZEF 894
22450-64A25	ZEF 1378
22450-65E25	ZEF 899
22450-71J26	ZEF 890
22450-74Y26	ZEF 890
22450-88G25	ZEF 900
22450-89J26	ZEF 896
22450-G1625	ZEF 898
22451/11B10-22B10	R 192-071
22452/11B10-22B10	R 192-071
22453/11B10-22B10	R 193-048
22454/11B10-22B10	R 193-048
24450-23P25	ZEF 892
24450-85E25	ZEF 893

NSU	BERU
10 90 70	O 4
16 17 00 501	WOA 4/14
16 17 00 507	WOA 4/14
48 17 00 504	WOA 4/14
67 81 00 528	VESO 105
98 61 21 7127	VESO 105
98 61 21 8132	OE 6/1

OPEL	BERU
12 82 000	R 166-045
12 82 000	R 166-045 S
12 82 001	R 165-035
12 82 001	R 165-035 S
12 82 011	R 112-040
12 82 011	R 112-040 S
12 82 012	R 82-086 S
12 82 012	R 82-086
12 82 019	R 83-050 S
12 82 019	R 83-050
12 82 020	R 83-050 S
12 82 020	R 83-050
12 82 031	R 85-070 S
12 82 031	R 85-070
12 82 032	R 84-060 S
12 82 032	R 84-060

OPEL	BERU
12 82 033	R 83-050 S
12 82 033	R 83-050
12 82 034	R 83-050 S
12 82 034	R 83-050
12 82 035	R 113-050
12 82 035	R 113-050 S
12 82 038	R 108-030
12 82 038	R 108-030 S
12 82 044	R 94-030
12 82 044	R 94-030 S
12 82 045	R 95-050
12 82 045	R 95-050 S
12 82 046	R 96-040
12 82 046	R 96-040 S
12 82 047	R 89-070
12 82 047	R 89-070 S
12 82 049	ZEF 1382
12 82 050	R 43-090
12 82 066	R 90-080
12 82 066	R 90-080 S
12 82 072	R 164-030
12 82 072	R 164-030 S
12 82 073	R 163-020
12 82 073	R 163-020 S
12 82 076	R 90-080
12 82 076	R 90-080 S
12 82 077	OP 101 D
12 82 078	OP 101 C
12 82 080	R 155-035
12 82 080	R 155-035 S
12 82 083	R 212-062
12 82 083	R 212-062 S
12 82 087	R 161-040
12 82 087	R 161-040 S
12 82 088	R 162-060
12 82 088	R 162-060 S
12 82 089	R 169-070
12 82 089	R 169-070 S
12 82 090	R 169-070
12 82 090	R 169-070 S
12 82 091	R 167-055
12 82 091	R 167-055 S
12 82 092	R 157-055
12 82 092	R 211-040
12 82 092	R 157-055 S
12 82 092	R 211-040 S
12 82 093	R 155-035
12 82 093	R 155-035 S
12 82 093	R 211-040 S
12 82 094	R 212-062
12 82 094	R 212-062 S
12 82 095	ZEF 1119
12 82 103	R 167-055
12 82 103	R 167-055 S
12 82 110	R 215-040
12 82 110	R 215-040 S
12 82 113	R 214-027
12 82 113	R 214-027 S
12 82 115	R 214-027
12 82 115	R 214-027 S
12 82 116	R 216-052
12 82 116	R 216-052 S
12 82 117	R 168-060
12 82 117	R 168-060 S
12 82 119	R 152-043
12 82 119	R 152-043 S
12 82 120	R 153-053
12 82 120	R 153-053 S

OPEL	BERU
12 82 121	R 159-032
12 82 121	R 159-032 S
12 82 122	R 160-055
12 82 122	R 160-055 S
12 82 124	R 160-055
12 82 125	R 151-032
12 82 125	R 155-035
12 82 125	R 151-032 S
12 82 125	R 155-035 S
12 82 126	R 156-045
12 82 126	R 156-045 S
12 82 127	R 151-032
12 82 127	R 151-032 S
12 82 128	R 150-020
12 82 128	R 150-020 S
12 82 129	R 158-065
12 82 129	R 158-065 S
12 82 130	R 152-043
12 82 130	R 152-043 S
12 82 131	R 154-065
12 82 131	R 154-065 S
12 82 133	R 151-032
12 82 133	R 151-032 S
12 82 134	R 154-065
12 82 134	R 154-065 S
12 82 135	R 154-065
12 82 135	R 154-065 S
12 82 137	R 218-070
12 82 137	R 218-070 S
12 82 138	R 217-062
12 82 141	R 152-043
12 82 141	R 152-043 S
12 82 142	ZEF 1162
12 82 143	ZEF 1162
12 82 144	ZEF 1162
12 82 145	ZEF 1162
12 82 153	ZEF 1160
12 82 153	R 222-060
12 82 153	R 222-060 S
12 82 154	ZEF 1160
12 82 155	ZEF 1160
12 82 155	R 221-050
12 82 155	R 221-050 S
12 82 156	ZEF 1160
12 82 156	R 220-035
12 82 156	R 220-035 S
12 82 163	ZEF 1161
12 82 164	ZEF 1161
12 82 165	ZEF 1161
12 82 166	ZEF 1161
12 82 407	R 111-030
12 82 407	R 111-030 S
12 82 411	OP 100 D
12 82 413	OP 100 A
12 82 414	OP 100 B
12 82 415	OP 100 C
12 82 416	R 109-070
12 82 416	R 109-070 S
12 82 417	R 210-040
12 82 417	R 210-040 S
12 82 419	R 99-070
12 82 419	R 99-070 S
12 82 420	R 97-050
12 82 420	R 97-050 S
12 82 422	R 100-080
12 82 422	R 110-100
12 82 422	R 100-080 S
12 82 422	R 110-100 S

OPEL	BERU
12 82 423	OP 101 A
12 82 424	OP 101 B
12 82 425	OP 101 C
12 82 426	OP 101 D
12 82 427	R 93-100
12 82 427	R 93-100 S
12 82 434	R 91-050
12 82 436	R 87-080
12 82 436	R 87-080 S
12 82 438	R 86-060
12 82 438	R 86-060 S
12 82 446	R 88-060
12 82 446	R 88-060 S
12 82 578	R 80-076 S
12 82 578	R 80-076
12 82 579	R 80-076 S
12 82 579	R 80-076
12 82 580	R 80-076 S
12 82 580	R 80-076
12 82 581	R 81-065 S
12 82 581	R 81-065
12 82 583	R 213-030
12 82 583	R 213-030 S
12 82 827	ZL 302
16 12 001	ZEF 1153
16 12 004	GS 39
16 12 095	ZEF 1119
16 12 400	ZEF 571
16 12 429	ZEF 571
16 12 430	ZEF 627
16 12 434	ZEF 570
16 12 436	ZEF 571
16 12 444	ZEF 572
16 12 447	ZEF 579
16 12 458	ZEF 573
16 12 459	ZEF 574
16 12 462	ZEF 575
16 12 473	ZEF 576
16 12 474	ZEF 577
16 12 476	ZEF 627
16 12 477	ZEF 578
16 12 479	ZEF 578
16 12 482	ZEF 582
16 12 483	ZEF 1091
16 12 484	ZEF 1090
16 12 485	ZEF 583
16 12 497	ZEF 584
16 12 501	ZEF 1092
16 12 503	ZEF 1093
16 12 505	ZEF 568
16 12 506	ZEF 1158
16 12 507	ZEF 568
16 12 508	ZEF 1122
16 12 509	ZEF 1118
16 12 523	ZEF 581
16 12 525	ZEF 1384
16 12 527	ZEF 581
16 12 531	ZEF 584
16 12 533	ZEF 1118
16 12 536	ZEF 580
16 12 537	ZEF 580
16 12 541	ZEF 1118
16 12 542	ZEF 581
16 12 545	ZEF 581
16 12 551	ZEF 665
16 12 552	ZEF 1157
16 12 554	ZEF 992
16 12 555	ZEF 1123







OPEL	BERU
16 12 556	ZEF 1118
16 12 557	ZEF 726
16 12 558	ZEF 993
16 12 559	ZEF 1120
16 12 560	ZEF 1121
16 12 561	ZEF 1159
16 12 585	ZEF 569
16 12 592	ZEF 994
16 12 597	ZEF 1124
16 12 598	ZEF 672
16 12 602	ZEF 1154
16 12 603	ZEF 1152
16 12 605	ZEF 1154
16 12 606	ZEF 727
16 12 607	ZEF 995
16 12 608	ZEF 725
16 12 609	ZEF 724
16 12 610	ZEF 996
16 12 611	ZEF 997
16 12 612	ZEF 998
16 12 619	ZEF 1152
16 12 622	ZEF 1235
16 12 623	ZEF 1235
16 12 639	ZEF 727
16 12 648	ZEF 855
16 12 651	ZEF 994
17 76 285	BA 4/14/5
17 76 295	BA 4/14/5
17 84 378	BA 4/14/5
17 84 382	WOA 4/14
17 84 387	ZLE 303
17 84 388	ZLE 317
43 00 014	ZEF 1134
43 01 718	ZEF 1133
90 008 241	ZEF 574
90 392 649	ZEF 1384



PEUGEOT	BERU
5963.18	GS 32
5967 E5	ZEF 790
5967 H2	ZEF 1164
5967 H5	ZEF 790
5967 K4	ZEF 790
5967 K9	ZEF 789
5967 L0	ZEF 793
5967 L7	ZEF 793
5967.C3	ZEF 788
5967.J7	ZEF 752
5967.K6	ZEF 756
5967.K7	ZEF 788
5967.L3	ZEF 1044
5967.L5	ZEF 813
5967.L6	ZEF 1044
5967.L8	ZEF 1044
5967.L9	ZEF 813
5967.N1	ZEF 1044
5967.N6	ZEF 813
1171 348 700	WOA 6/14/5 AL
7910 027 751	VES 405
9608 885 180	ZEF 1044
9609 493 380	ZEF 793

PORSCHE	BERU
1 764 609 301 00	ZLE 004/3
112 035 281	WVES 1

PORSCHE	BERU
186 660 203 200	VESO 105
186 660 203 300	VESO 105
477 998 031	ZEF 408
616 109 981 10	VESO 105
901 609 061 00	ZEF 309
901 609 100 00	ZEF 309
901 609 306 00	BELO 6/1
901 609 309 000	BELO 6/3
911 602 315 00	ZLE 267
911 603 311 00	ZLE 267
911 609 309 00	ZLE 267
911 609 310 00	0 901 300 003
911 609 311 00	ZLE 267
911 609 312 00	ZLE 267
928 602 040 00	ZEF 586
928 602 055 00	ZEF 586
928 602 056 00	ZEF 586
928 602 131 00	VSO 105
928 602 311 00	ZLE 264
928 602 557 01	VSO 103
928 690 105 03	ZLE 263
944 602 006 01	ZEF 1363
944 602 006 02	ZEF 1363
944 609 131 00	VSO 105
944 609 133 00	VSO 103
964 602 313 00	ZLE 268
964 602 314 00	ZLE 269
965 602 003 00	ZEF 295
965 602 016 00	ZEF 295
965 602 017 00	ZEF 295
965 602 037 00	ZEF 295
993 602 313 00	ZLE 270
993 602 318 00	ZLE 270
993.602.012	ZEF 601
993.602.014	ZEF 601
996 602 103 01	ZLE 278
996.602.105.00	ZLE 255

PUCH	BERU
325 152 0061	G 3 P 7
350 252 0071	G 3 P 5

PVL	BERU
027	ZEF 304
031 S	ZEF 309
060 B	ZEF 405
061 B	ZEF 404
067 SL	ZEF 561
072	ZEF 364
121 R	ZEF 432
124	ZEF 408
125 	ZEF 470
126 	ZEF 406
126 	ZEF 472
158	ZE 738
159	ZE 575
160	ZE 759
160	ZEF 1402
161	ZEF 425
162	ZEF 467
164 	ZEF 493
164 	ZEF 493
165	ZE 727
165	○
166 	ZEF 467

PVL	BERU
167	ZEF 493
168	ZE 727
168	○
169	ZE 719
172	ZEF 485
180	ZEF 435
182	ZEF 437
183 	ZEF 454
183 	ZEF 473
184	ZEF 465
185	ZEF 466
186	ZEF 463
207	ZEF 487
20873	ZEF 518
210	ZE 575
211	ZEF 520
214	ZEF 558
215	ZE 721
220 R	ZEF 432
221	ZEF 561
229	ZE 757
230	ZE 757
231	ZEF 1399
235	ZE 755
236	ZE 721
255	ZE 1200
256	ZE 1200
258	ZE 757
259	ZE 757
262	ZE 1200
263	ZE 1200
401102	OE 4/1
401150	ZLE 166
402109	VESO 116
403004	G 2 P
502	ZEF 445
70875	ZEF 574

RENAULT	BERU
74 31 275 284	ZEF 1232
74 31 335 874	ZEF 1231
74 39 135 700	ZEF 1231
77 00 100 447	ZEF 1455
77 00 106 221	ZEF 1185
77 00 107 662	ZEF 1186
77 00 114 549	ZEF 1602
77 00 260 501	ZEF 1388
77 00 273 226	ZEF 1094
77 00 273 826	ZEF 1128
77 00 720 781	ZEF 736
77 00 720 783	ZEF 800
77 00 742 835	ZEF 735
77 00 742 837	ZEF 1163
77 00 749 521	ZEF 797
77 00 850 309	ZEF 732
77 00 850 795	ZEF 1395
77 00 851 994	ZEF 729
77 00 854 824	ZEF 763
77 00 855 768	ZEF 799
77 00 856 896	ZEF 1165
77 00 857 980	ZEF 729
77 00 857 981	ZEF 729
77 00 866 923	ZEF 1113
77 00 873 186	ZEF 799
77 00 874 109	ZEF 1186
77 00 874 564	ZEF 1251
77 01 381 927	ZLE 303

RENAULT	BERU
82 00 334 440	ZEF 1612
82 00 506 297	ZEF 1546
82 00 713 680	ZEF 1604

ROTAX	BERU
984 400	0 4 S

ROVER	BERU
GHT 265	ZEF 1504
GHT 283	ZEF 1505
GHT 284	ZEF 1397
GHT 285	ZEF 1503
GHT 287	ZEF 1390
GHT 291	ZEF 1203
GHT 294	ZEF 1204

SAAB	BERU
850757	VESO 105
8817314	ZEF 1169
8817520	ZEF 1169
8821951	ZEF 1235
9321910	ZEF 1168
9337346	ZEF 1200

SMART	BERU
0002576V002000000	ZEF 1479
002576V002	ZEF 1479

STEYR	BERU
050 520 52	0 4
254 352 00 50	WOA 4/14
350 352 00 50	WOA 4/14
364 152 60 50	0 4
368 162 80 50	0 4 S
700 209 10 10	WVES 1
902 074 3	0 4 S
902 078 7	0 4

SUBARU	BERU
22450-453KA002	ZEF 1109
22451AA120	ZEF 1246
22451AA543	ZEF 1245
22451AA580	ZEF 1246
22451AA620	ZEF 1246
22451-AA630	ZEF 1108
22451-AA640	ZEF 1108
22451-AA720	ZEF 1561
22451-AA730	ZEF 1561
22451AA793	ZEF 1528
22451-AA800	ZEF 1561
22451-AA810	ZEF 1561
22451AA822	ZEF 1528
22452AA150	ZEF 1245
22452AA682	ZEF 1528
33705-51G10	ZEF 901
SOA 430Q111	ZEF 1238
SOA 430Q112	ZEF 1239
SOA 430Q114	ZEF 1385

SUZUKI	BERU
2714	ZEF 916
33700-82011	ZEF 776

SUZUKI	BERU
33705-51G10	ZEF 909
33705-57B21	ZEF 910
33705-57B21	ZEF 915
33705-60E00	ZEF 1379
33705-60G20	ZEF 910
33705-63B10	ZEF 909
33705-64B10	ZEF 912
33705-66D00	ZEF 1147
33705-71C20	ZEF 916
33705-75F03	ZEF 1529
33705-80X51	ZEF 909
33705-83020	ZEF 913
33705-83020	ZEF 914
33706-83X50	ZEF 909

TOYOTA	BERU
19037-62010	ZEF 1316
19037-75010	ZEF 1305
6307	ZEF 1370
90080-91127	ZEF 1110
90919-211489	ZEF 948
90919-21259	ZEF 932
90919-21322	ZEF 938
90919-21324	ZEF 937
90919-21342	ZEF 932
90919-21370	ZEF 930
90919-21373	ZEF 927
90919-21384	ZEF 953
90919-21395	ZEF 927
90919-21400	ZEF 930
90919-21401	ZEF 927
90919-21431	ZEF 1308
90919-21451	ZEF 1313
90919-21460	ZEF 950
90919-21463	ZEF 1304
90919-21468	ZEF 930
90919-21473	ZEF 1000
90919-21486	ZEF 945
90919-21494	ZEF 931
90919-21519	ZEF 919
90919-21524	ZEF 929
90919-21524	ZEF 1085
90919-21525	ZEF 929
90919-21537	ZEF 944
90919-21541	ZEF 936
90919-21553	ZEF 1353
90919-21563	ZEF 942
90919-21577	ZEF 1000
90919-21577	ZEF 1084
90919-21578	ZEF 931
90919-21591	ZEF 925
90919-21597	ZEF 942
90919-22105	ZEF 965
90919-22113	ZEF 966
90919-22132	ZEF 964
90919-22133	ZEF 956
90919-22140	ZEF 966
90919-22147	ZEF 965
90919-22168	ZEF 933
90919-22209	ZEF 1314
90919-22211	ZEF 920
90919-22243	ZEF 954
90919-22262	ZEF 943
90919-22273	ZEF 959
90919-22285	ZEF 921
90919-22319	ZEF 917

TOYOTA	BERU
90919-22325	ZEF 934
90919-22327	ZEF 923
90919-22329	ZEF 951
90919-22370	ZEF 924
90919-22370	ZEF 949
90919-22373	ZEF 946
90919-22373	ZEF 952
90919-22379	ZEF 943
90919-22386	ZEF 1111
90919-22387	○
90919-22393	ZEF 1300
90919-22400	ZEF 1111
90998-99002	ZEF 1370

TRISCAN	BERU
8860 16011	ZEF 1539

VOLVO	BERU
1275284	ZEF 1232
1275603	ZEF 1625
1306696-4	ZEF 1190
1335874-2	ZEF 1231
1336352	ZLE 004/3
1367224	ZEF 1261
238155	OE 6/1
239222	OE 6/1
239222	OE 6/10
239962	OE 4/1
241850	OE 4/1
269135	VESO 105
269136	VESO 105
270800-6	ZEF 1190
270880	ZEF 1261
270898-0	ZEF 1190
271483-0	ZEF 1193
272193/3203926	ZEF 1191
272193-4	ZEF 1190
272194/3203926	ZEF 1192
275681	ZEF 485
275681-5	ZEF 485
283129	WBA 4/14/5
3531277-6	ZEF 1193
461384	WVES 1
674702	VESO 105
854927	O 4
9135546-1	ZEF 1231
9135700-4	ZEF 1231
9146403-2	ZEF 1231
9445258-8	ZEF 1231

VW AG	BERU
021 035 255 E	ZLE 226
021 905 409	ZEF 298
021 905 409 AA	ZEF 1197
021 905 409 B	ZEF 298
021 905 409 G	ZEF 1197
021 905 409 K	ZEF 1197
021 905 409 M	ZEF 1197
022 905 430 F	VA 129 D
022 905 430 G	VA 129 C
022 905 430 H	VA 129 C
022 905 430 J	VA 129 B
022 905 430 K	VA 129 B
022 905 430 L	VA 129 A
027 905 447	ZLE 168

VW AG	BERU
028 905 447	WBA 4/14/5
030 035 255 A	ZLE 251
030 905 423 A	O 901 300 002
030 905 430 E	ZEF 1189
030 905 430 F	ZEF 1189
030 905 430 G	ZEF 1189
030 905 430 H	ZEF 1189
030 905 430 J	VA 125 C
030 905 430 K	VA 125 B
030 905 430 L	VA 125 A
030 905 430 M	VA 125 A
030 905 430 N	VA 130 C
030 905 430 N	ZEF 1255
030 905 430 P	VA 130 B
030 905 430 P	ZEF 1255
030 905 430 Q	VA 130 A
030 905 430 Q	ZEF 1255
030 905 430 R	VA 130 A
030 905 430 R	ZEF 1255
030 905 431 5	VA 126 A
030 905 433 5	VA 126 B
030 905 435 5	VA 126 D
030 905 437 5	VA 126 D
032 035 255	ZLE 205
032 905 430 E	VA 116 D
032 905 430 F	VA 116 C
032 905 430 G	VA 116 B
032 905 430 H	VA 116 A
032 905 430 K	ZEF 1572
032 905 430 L	ZEF 1572
032 905 430 M	ZEF 1572
032 905 430 N	ZEF 1572
034 035 281	VESO 128
034 905 447	ZLE 233
034 905 483 G	ZEF 1195
036 035 255	ZLE 205
036 035 255 A	ZLE 205
036 035 255 E	ZLE 205
036 035 255 J	ZLE 205
036 035 255 K	ZLE 248
036 035 281	VESO 105
036 035 281 A	VESO 116
036 905 423	O 901 300 002
036 905 430 AB	VA 121 A
036 905 430 AC	VA 121 A
036 905 430 AD	VA 121 B
036 905 430 AE	VA 121 C
036 905 430 H	VA 121 A
036 905 430 J	VA 121 C
036 905 430 K	VA 121 B
036 905 430 L	VA 121 C
036 905 430 M	VA 121 C
036 905 430 N	VA 121 C
036 905 430 P	VA 121 B
036 905 430 Q	VA 121 A
036 905 431 F	WBA 4/14/5
036 905 483 G	ZEF 990
037 035 255	ZLE 250
037 905 409 B	ZEF 1148
037 905 409 D	ZEF 1222
037 905 483 C	ZEF 1180
03F 905 430 D	ZEF 1629
03F 905 430 E	ZEF 1629
03F 905 430 F	ZEF 1629
03F 905 430 G	ZEF 1629
042 035 255 A	ZLE 107/1
043 035 255	ZLE 239
052 035 281	VES 105

VW AG	BERU
052 905 445	WVES 1
053 905 431	ZEF 1172
053 905 433	ZEF 1172
053 905 481 C	ZEF 1171
056 998 031 A	ZEF 432
058 905 409 A	VA 138 A
058 905 447 C	ZLE 276
058 905 455	VESO 105
059 998 031	ZEF 561
063 905 431 A	VA 127 A
063 905 435 A	VA 127 B
063 905 437 A	VA 127 C
06A 035 255 A	ZLE 249
06A 035 255 C	ZLE 250
06A 035 281	VESO 115
06A 035 281 A	VESO 134
06A 905 405 N	ZEF 1496
06A 905 409 A	ZEF 989
06A 905 409 D	ZEF 1175
06A 905 409 E	ZEF 989
06A 905 409 F	ZEF 1117
06A 905 409 G	ZEF 991
06A 905 409 M	ZEF 1224
06A 905 430 AA	VA 127 C
06A 905 430 AC	VA 127 A
06A 905 430 AD	VA 127 B
06A 905 430 AE	VA 127 C
06A 905 430 AF	VA 127 A
06A 905 430 AH	VA 127 A
06A 905 430 AJ	VA 127 A
06A 905 430 AK	VA 127 D
06A 905 430 AL	VA 127 A
06A 905 430 AM	VA 127 B
06A 905 430 AN	VA 127 C
06A 905 430 AP	VA 127 B
06A 905 430 AQ	VA 127 C
06A 905 430 D	VA 127 A
06A 905 430 E	VA 127 A
06A 905 430 G	VA 127 C
06A 905 430 H	VA 127 A
06A 905 430 J	VA 127 A
06A 905 430 K	VA 127 B
06A 905 430 L	VA 127 C
06A 905 430 M	VA 124 B
06A 905 430 N	VA 124 A
06A 905 430 P	VA 124 A
06A 905 430 Q	VA 124 A
06A 905 430 R	VA 127 A
06A 905 430 S	VA 127 A
06A 905 430 T	VA 127 B
06A 905 F	VA 127 B

VW AG	BERU
06B 905 431 A	ZEF 1224
06B 905 433 A	ZEF 1224
06B 905 435 A	ZEF 1224
06B 905 437 A	ZEF 1224
071 035 255 A	ZLE 252
071 905 255 A	ZLE 252
071 905 409 C	ZEF 1196
071 905 409 D	ZEF 1229
071 905 409 E	ZEF 1229
071 905 409 F	ZEF 1229
071 905 409 G	ZEF 1196
071 905 409 J	ZEF 1196
071 998 031	ZEF 520
077 035 281 A	VESO 117
077 035 281 B	VESO 126
077 905 447	ZLE 197
077 905 447 A	ZLE 277
078 035 225	ZLE 212
078 035 255	ZLE 212
078 035 281	VES 106
078 905 401	ZE 765
078 905 531 A	ZE 765
078 905 531 B	VA 120 E
078 905 532 A	ZE 765
078 905 532 B	VA 120 E
078 905 533 A	ZE 765
078 905 533 B	VA 120 D
078 905 534 A	ZE 765
078 905 534 B	VA 120 E
078 905 535 A	ZE 765
078 905 535 B	VA 120 D
078 905 536 A	ZE 765
078 905 536 B	VA 120 D
111 905 445	C 4-570
111 998 031	ZEF 304
111 998 031 A	ZEF 304
122 035 281	WVES 1
171 998 031 B	ZEF 432
1HM 998 031	ZEF 1151(USA)
239 962	OE 4/1
241 850	OE 4/1
311 905 447	BA 4/14/5
321 998 031	ZEF 432
321 998 031 A	ZEF 432
431 998 031	ZEF 404
437 998 031 B	ZEF 612
477 998 031	ZEF 408
701 998 031 A	ZEF 1220
701 998 031 S	ZEF 1234
803 998 031	ZEF 561
N 100 502 05	ZEF 1557

VW AG	BERU
N 100 525 05	VA 115 D
N 100 527 05	ZEF 1234
N 100 527 06	ZEF 1234
N 100 528 08	VA 116 C
N 100 528 09	VA 115 E
N 100 528 15	VA 116 C
N 100 529 06	ZEF 1148
N 100 529 07	VA 117 B
N 100 529 07	ZEF 1557
N 101 902 02	ZEF 1127
N 101 902 03	ZEF 1127
N 101 902 04	ZEF 1127
N 101 902 05	ZEF 1127
N 101 903 02	ZEF 1127
N 102 044 02	ZEF 1223
N 102 383 01	ZEF 1171
N 102 385 02	ZEF 1172
N 102 436 07	VA 128 A
N 102 436 11	ZEF 1223
N 102 669 01	ZEF 1172
N 103 164 01	VA 123 A
N 103 164 02	VA 123 A
N 103 164 03	VA 123 B
N 103 164 04	VA 123 D
N 103 166 01	VA 123 C
N 104 185 01	VA 126 D
N 104 185 02	VA 126 C
N 104 185 03	VA 126 B
N 104 185 04	VA 126 A
N 104 187 04	VA 120 C
N 104 187 05	VA 120 C
N 104 187 06	VA 120 A
N 104 187 08	VA 120 B
N 104 188 01	VA 127 C
N 104 188 06	VA 127 B
N 104 188 08	VA 127 A
N 104 529 11	ZEF 1187
N 907 680 01	VA 132 D
N 907 680 02	VA 132 C
N 907 680 03	VA 132 C
N 907 680 04	VA 132 B
N 907 680 05	VA 132 B
N 907 680 06	VA 132 A

ZUENDAPP	BERU
221 07 104	O 4
265 07 900	WOA 4/14
265 07 901	WOA 4/14
280 07 134	WOA 6/14/5 AL
284 07 901	WOA 4/14



- not applicable
- not available
- 16 alternatively
- 21 On request
- 100 New in catalogue
- 112 Cross reference list
- 149 Phasing out type
- 150 Silicone sold by the metre, black
- 151 Ignition lead (PVC, black, 7mm)
- 152 Interference-suppression sleeve
- 153 With guide
- 154 Without sensor
- 155 Without marten repeller
- 156 PVC ignition lead (50 m)
- 157 Silicone sold by the metre, red/black
- 158 Transparent, special
- 159 ZAZ 3 line
- 160 Removable screw-on connector – see page 417, fitting tip for BMW
- 161 Ignition lead (silicone, red, 7mm)
- 162 Compression spring
- 163 twin-plug ignition
- 198 Product ranges according to manufacturer
- 200 black
- 201 ignition cable also available in black
- 202 red
- 203 blue
- 209 complete with resistance ignition cables
- 210 in preparation
- 227 Replacement
- 238 Recoding bought-in parts → BERU
- 255 Ignition leads
- 257 Locating sleeve
- 258 Centring sleeve
- 260 See application, ignition lead sets
- 261 Individual ignition coil system
- 262 Universal, transparent
- 263 Replaced
- 264 Optional
- 265 Universal
- 266 Universal with reducing sleeve
- 267 Heat resistant connectors
- 268 Connector sleeve
- 269 Protective cap
- 270 Saw tooth
- 271 Ratchet bolt
- 272 Wood screw
- 273 Copper
- 274 Resistance
- 275 With protection against martens
- 276 Silicon
- 277 Hypalon
- 278 PVC
- 279 Interference suppression connector for single coils
- 280 Steam cleaner
- 281 Coupling
- 283 OE Connectors → AM Connectors