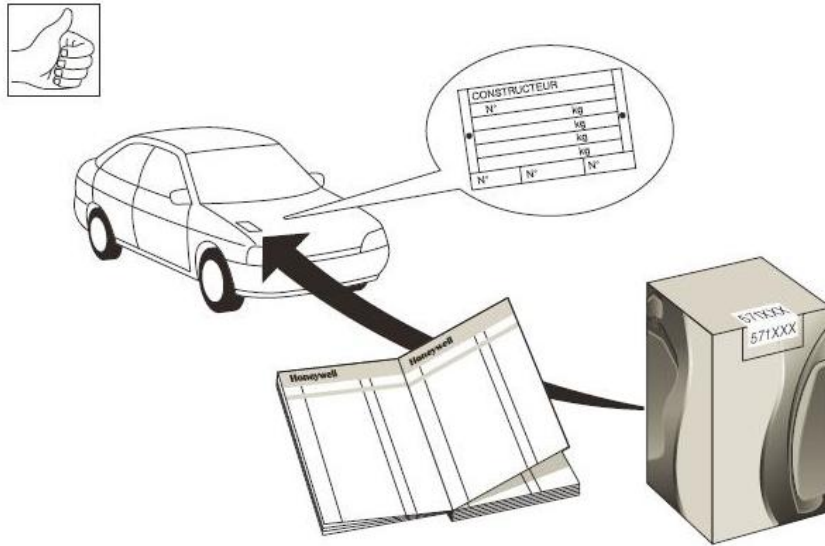
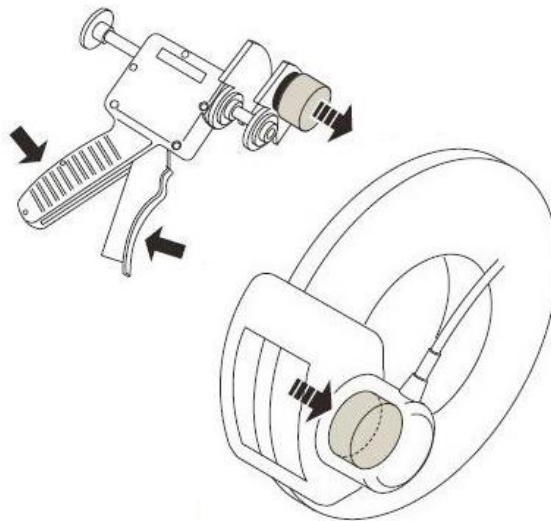


Step – by – Step Instructions

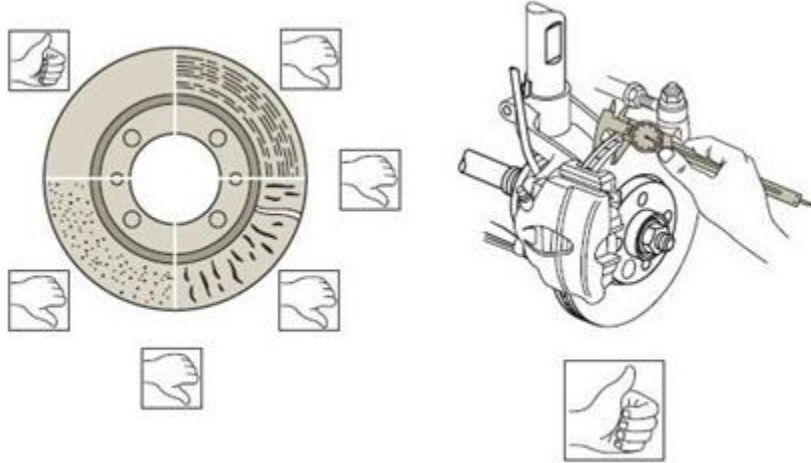
Step # 1 - Choose the right [brake pads](#)



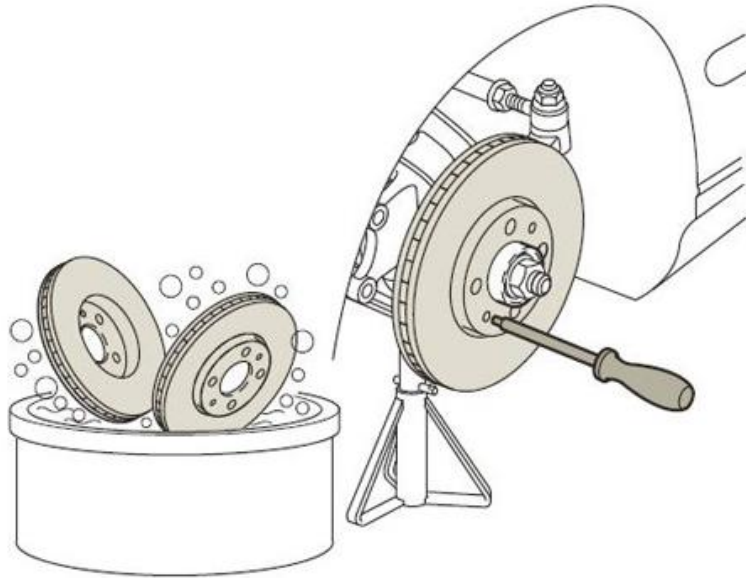
Step # 2 - Push the piston back from the caliper



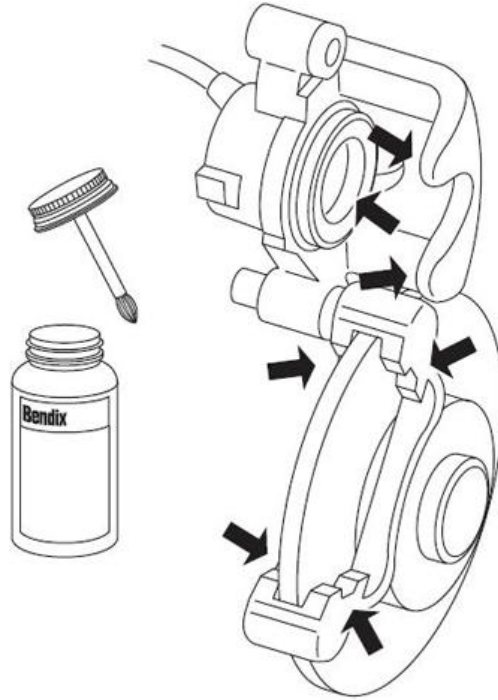
Step # 3- Determine if rotors need to be replaced



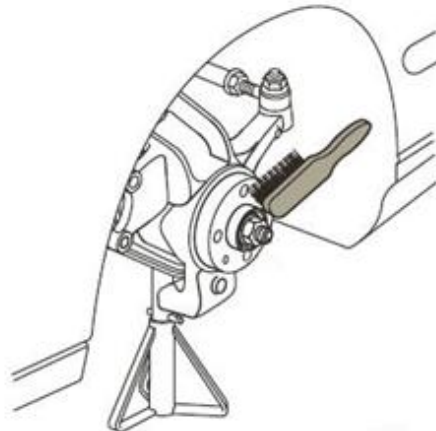
Step # 4 - Wash and dry the rotors



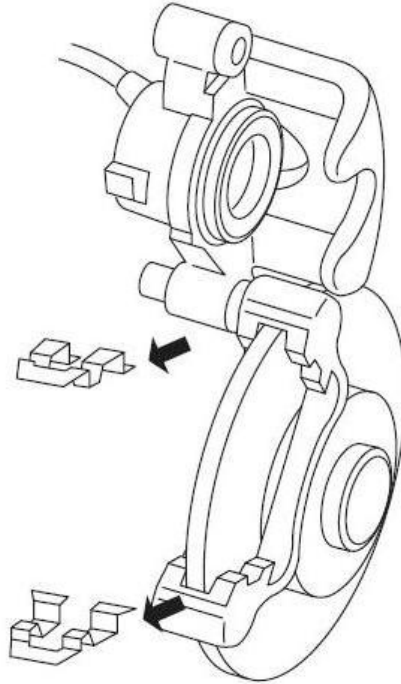
Step # 5 - Clean and lubricate caliper sliding surfaces



Step # 6 - Clean the hub and ABS components



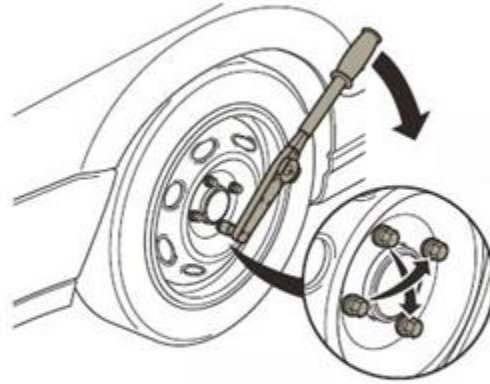
Step # 7 - Replace brake hardware



Step # 8 - Check brake fluid levels and color



Step # 9 - Tighten lug nuts



Step # 10 - Perform a proper break-in

