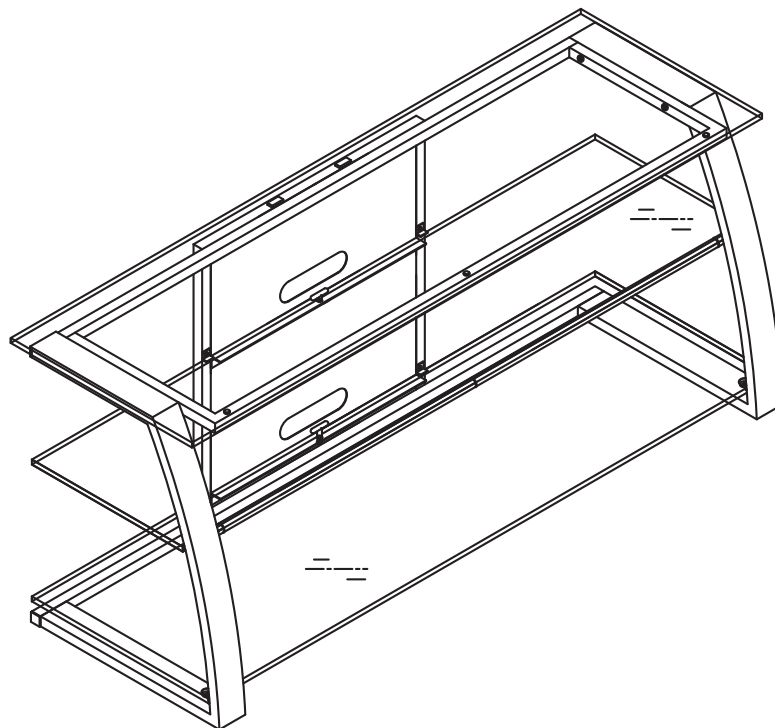




PVS4206HG

AUDIO/VIDEO TELEVISION SYSTEM



ASSEMBLY INSTRUCTIONS



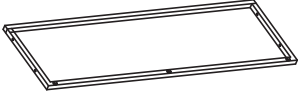


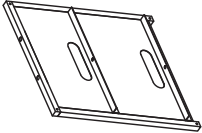
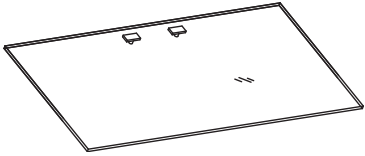
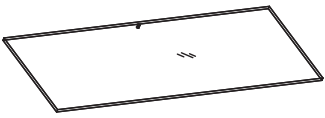
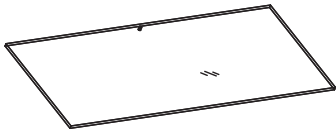
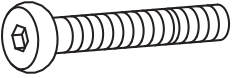
FOR YOUR SAFETY, PLEASE FOLLOW THESE PRECAUTIONS:

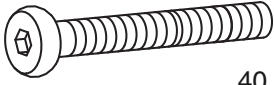
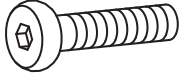

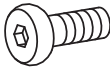
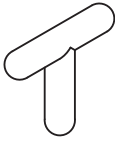

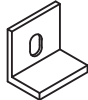





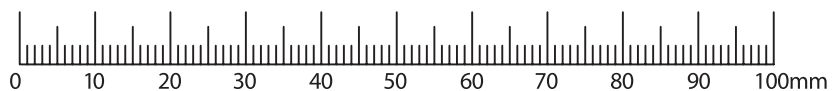
- ! DO NOT PLACE ITEMS ON THE SHELVES WHICH EXCEED THE MAXIMUM WEIGHT LIMITS OF 125 LBS. FOR TOP SHELF, 50 LBS. FOR THE MIDDLE SHELF, AND 75 LBS. FOR THE BOTTOM SHELF. ALWAYS PLACE THE HEAVIEST COMPONENTS ON THE BOTTOM SHELF.
- ! ALWAYS REMOVE THE TV AND OTHER EQUIPMENT FROM THE FURNITURE PRIOR TO MOVING THE ASSEMBLED UNIT.
- ! DO NOT MOVE THE ASSEMBLED FURNITURE AFTER THE GLASS SHELVES HAVE BEEN INSTALLED, AND/OR WHEN THERE IS EQUIPMENT LOCATED ON THE FURNITURE AS THIS MAY CAUSE THE SHELVES AND OTHER ITEMS TO BECOME UNSECURED AND FALL.
- ! WHEN IN USE, THIS FURNITURE MUST BE PLACED ON A FLAT, SOLID AND LEVEL SURFACE.
- ! DO NOT LEAN ON THE TV WHEN IT IS ON THE TV STAND.
- ! DO NOT CLIMB OR STEP ON THE STAND.
- ! DO NOT BANG INTO OR PLACE YOUR OWN WEIGHT ON THE GLASS SHELVES.

Bell'O International Corp. will not be responsible for failure to assemble as directed or for the improper assembly, use or handling of this stand.

PARTS LIST

#	Part	Quantity
M1		1
M2		1
M3		1
M4		1
M5		1
M6		1
M7		1
M8		1
M9		1
M10	 35 mm	8

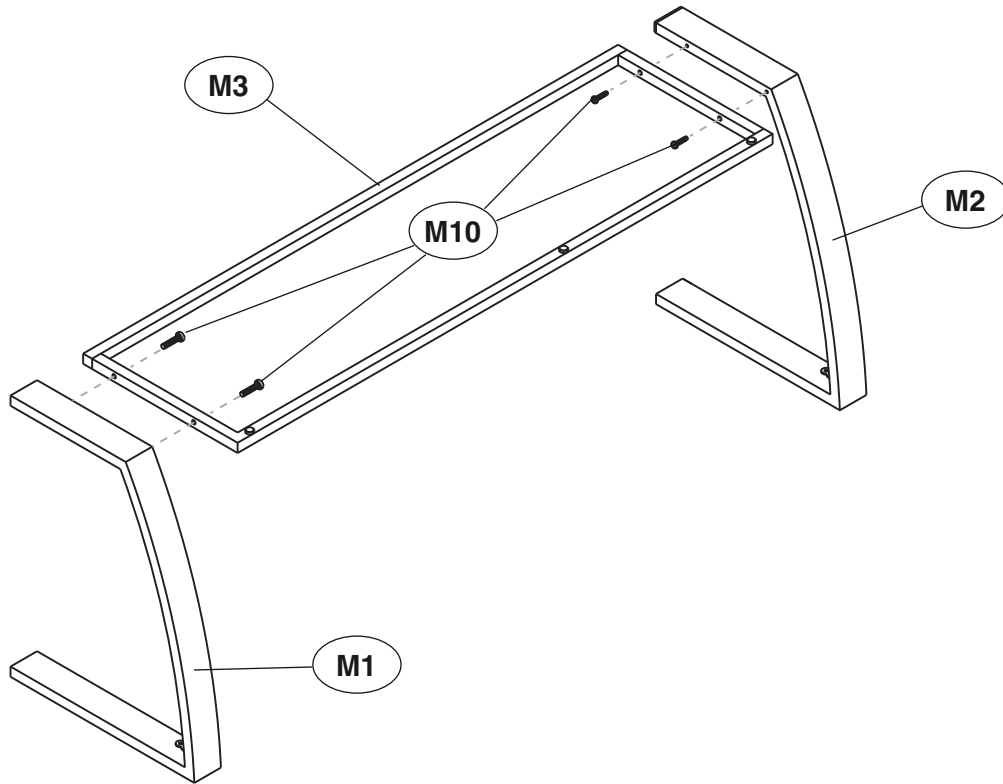
#	Part	Quantity
M11	 40 mm	4
M12	 25 mm	2
M13		3
M14	 15 mm	2
M15		2
M16		2
M17		4
M18		4
M19		1
M20		1



ASSEMBLY INSTRUCTIONS

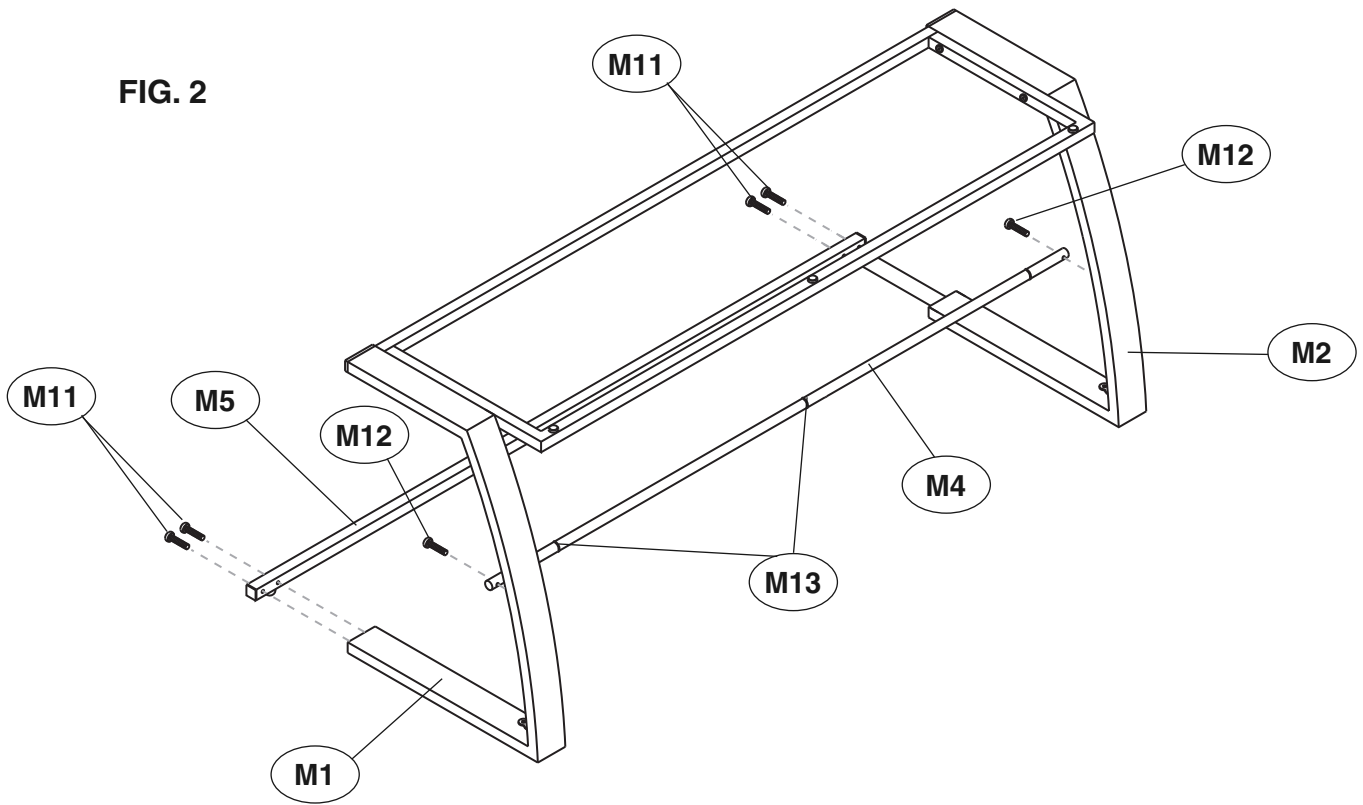
NOTE: 2 PEOPLE ARE RECOMMENDED TO ASSEMBLE THIS FURNITURE. TO AVOID DAMAGE DURING ASSEMBLY, IT SHOULD BE ASSEMBLED ON A SOFT SURFACE.

FIG. 1



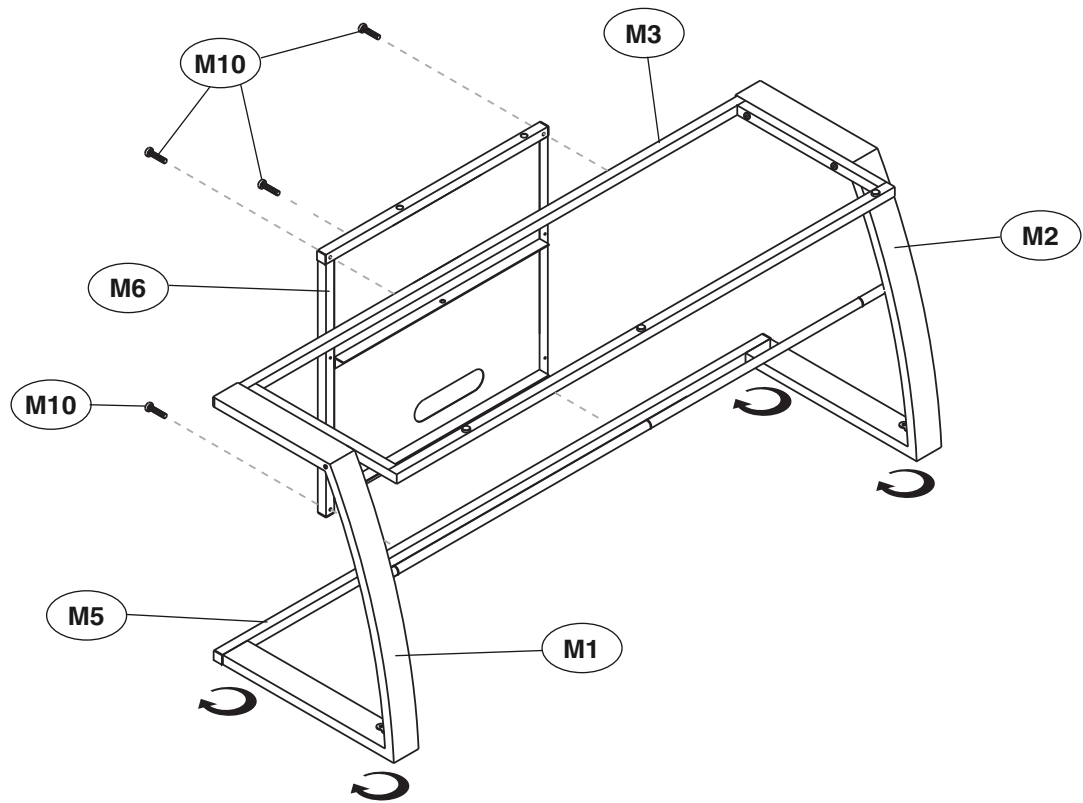
1. **ATTACH** the Top Shelf Support Frame (M3) to the Left Leg (M1) and to the Right Leg (M2) as shown using four 35 mm Bolts (M10).

FIG. 2



2. **ATTACH** the Rear Stabilizing Bar (M5) to the Left Leg (M1) and to the Right Leg (M2) using four 40 mm Bolts (M11) as shown. Tighten fully.
3. **PLACE** three Rubber Shelf Rings (M13), evenly spaced, on the Middle Shelf Support Bar (M4).
4. **ATTACH** the Middle Shelf Support Bar (M4) to the Left Leg (M1) and to the Right Leg (M2) using two 25 mm Bolts (M12) as shown. Tighten fully.

FIG. 3

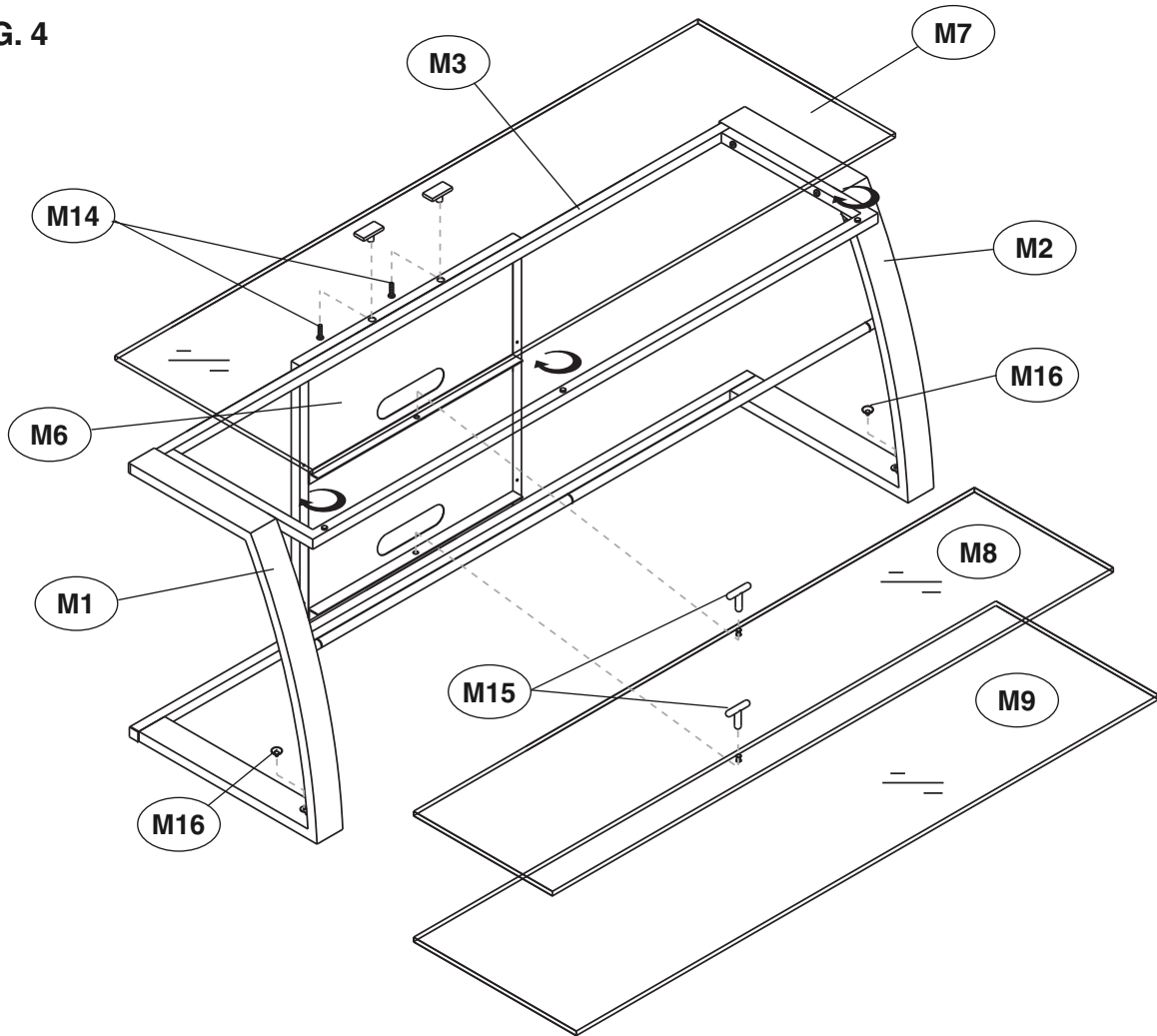


5. **ATTACH** the Rear CMS® (Cable Management System) Post (M6) to the Rear Stabilizing Bar (M5) and to the Top Shelf Support Frame (M3) as shown using four 35 mm Bolts (M10). Tighten all fully.

6. Carefully **MOVE** the stand to the location it will occupy before attempting to add the Glass Shelves.

NOTE: The stand **MUST** be on a flat surface and level before adding the Glass Shelves or any components. There are leveling feet under the Left and Right Legs (M1 & M2) and Rear Stabilizing Bar (M5). **TURN** to adjust to ensure the stand is level.

FIG. 4



7. **INSERT** two Suction Pads (M16) into the holes at the base of the Left and Right Leg (M1 & M2).

8. Carefully **PLACE** the Bottom Glass Shelf (M9) down onto the lowest support lip on the Rear CMS® Post (M6) and make sure it is securely placed on both Suction Pads (M16). **SECURE** the Bottom Glass Shelf into place with a Plastic T-Pin (M15).

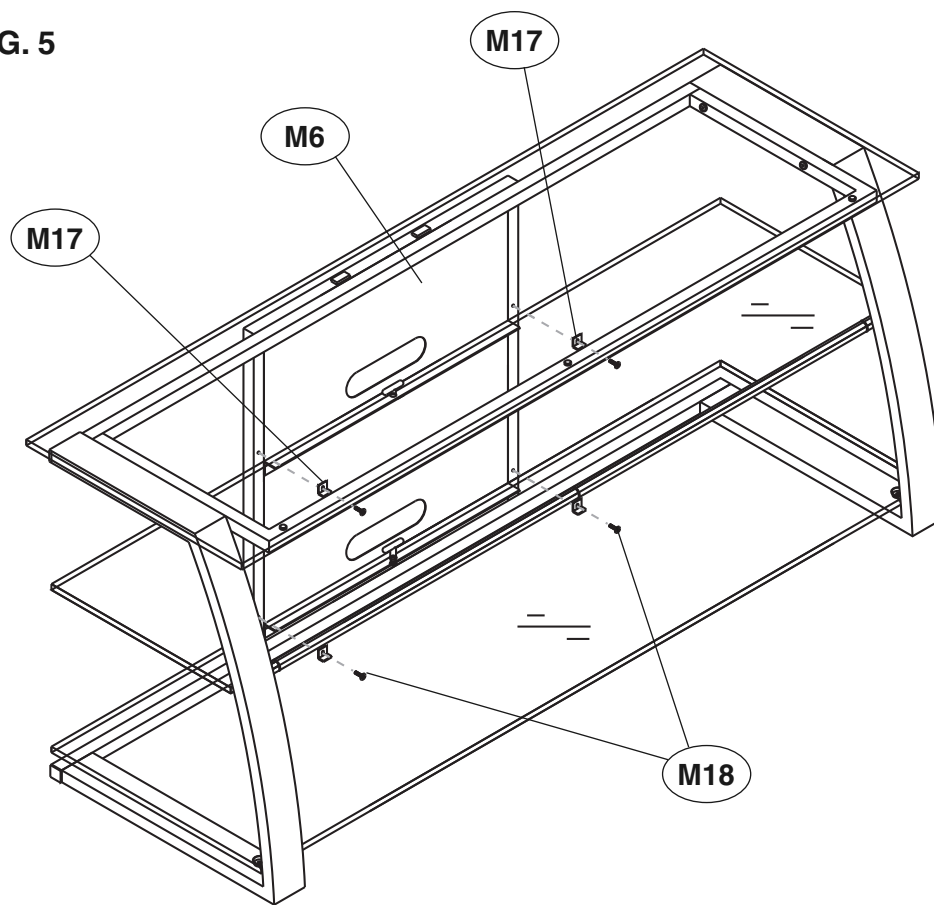
9. Carefully **PLACE** the Middle Glass Shelf (M8) down onto the upper support lip on the Rear CMS® Post (M6) and make sure it is securely placed on the Middle Shelf Support Bar (M4). **SECURE** the Middle Glass Shelf into place with a Plastic T-Pin (M15).

NOTE: The Plastic T-Pins (M15) will help to keep the shelf in the correct position and help to prevent accidental movement of the Shelves. They are **NOT** intended to **LOCK** the Shelves into place. Always remove the Glass Shelves and all other items before attempting to move the stand.

10. Carefully **ATTACH** the Top Glass Shelf (M7) to the stand assembly and **SECURE** the Shelf using two 15 mm Bolts (M14) as shown.
Be careful not to overtighten.

NOTE: The Top Glass Shelf (M7) **MUST** be level before attempting to place a TV or components on it. There are leveling pads along the front edge of the Top Shelf Support Frame (M3). **TURN** the leveling pads to ensure the Top Glass Shelf is well supported and level.

FIG. 5



11. For each lower Glass Shelf, **INSTALL** the L-Brackets (M17) as shown above using the Small Screws (M18).
Make sure the L-Brackets are above the Glass Shelves.