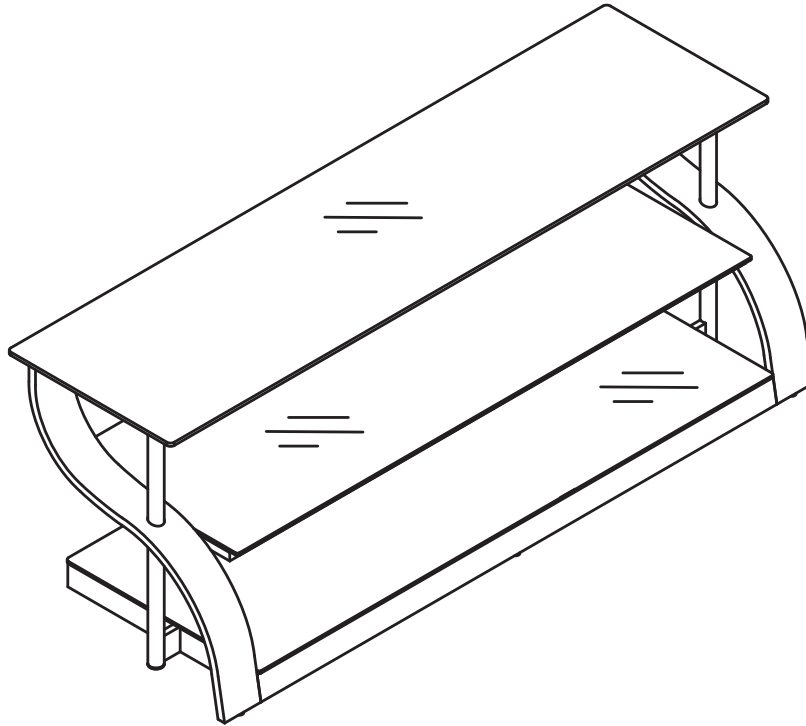




ASSEMBLY INSTRUCTIONS



CW342

FLAT PANEL AUDIO/VIDEO SYSTEM

FOR YOUR SAFETY, PLEASE FOLLOW THESE PRECAUTIONS:



! DO NOT PLACE ITEMS ON THE SHELVES WHICH EXCEED THE MAXIMUM WEIGHT LIMITS OF 125 LBS. FOR TOP SHELF, 50 LBS. FOR THE MIDDLE SHELF, AND 75 LBS. FOR THE BOTTOM SHELF. ALWAYS PLACE THE HEAVIEST COMPONENTS ON THE BOTTOM SHELF.

! ALWAYS REMOVE THE TV AND OTHER EQUIPMENT FROM THE FURNITURE PRIOR TO MOVING THE ASSEMBLED UNIT.

! BE CAREFUL WHEN MOVING THE ASSEMBLED FURNITURE AFTER THE GLASS SHELVES HAVE BEEN INSTALLED, AND/OR WHEN THERE IS EQUIPMENT LOCATED ON THE FURNITURE AS THIS MAY CAUSE THE SHELVES AND OTHER ITEMS TO BECOME UNSECURED AND FALL.

! WHEN IN USE, THIS FURNITURE MUST BE PLACED ON A FLAT, SOLID AND LEVEL SURFACE.

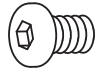
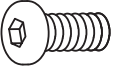
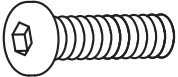

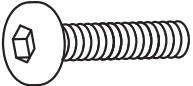

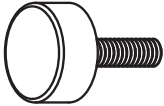

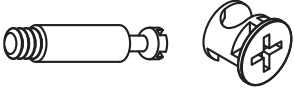


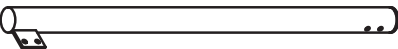
! DO NOT LEAN ON THE TV WHEN IT IS ON THE TV STAND.

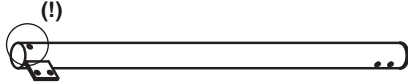

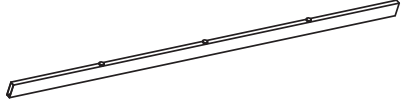

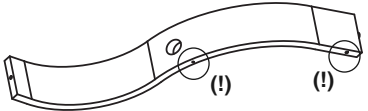
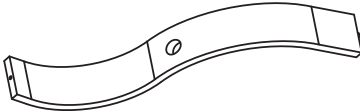
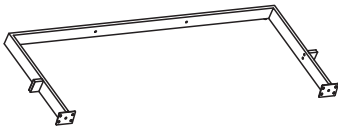
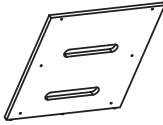

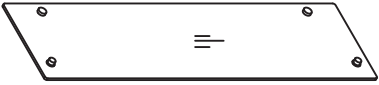
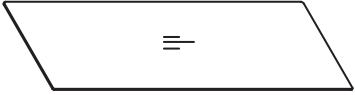

! DO NOT CLIMB OR STEP ON THE STAND.

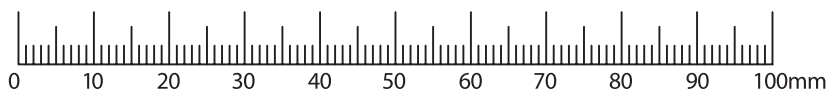
! DO NOT BANG INTO OR PLACE YOUR OWN WEIGHT ON THE GLASS SHELVES.

Bell'O International Corp. will not be responsible for failure to assemble as directed or for the improper assembly, use or handling of this stand.

PARTS LIST

#	Part	Quantity
DSYF1	 10 mm	4
DSYF2	 12 mm	12
DSYF3	 28 mm	8
DSYF4	 70 mm	4
DSYF5	 35 mm	2
DSYF6	 19 mm	2
DSYF7	 2	2
DSYF8	 12 mm	12
DSYF9	 2	2
DSYF10	 12 mm	2
DSYF11	 1	1
DSYF12	 1	1

#	Part	Quantity
DSYF13	 1	1
DSYF14	 1	1
DSYF15	 1	1
DSYF16	 1	1
DSYF17	 1	1
DSYF18	 1	1
DSYF19	 1	1
DSYF20	 1	1
DSYF21	 1	1
DSYF22	 1	1
DSYF23	 1	1
DSYF24	 1	1



ASSEMBLY INSTRUCTIONS

NOTE: 2 PEOPLE ARE RECOMMENDED TO ASSEMBLE THIS FURNITURE. TO AVOID DAMAGE DURING ASSEMBLY, IT SHOULD BE ASSEMBLED ON A SOFT SURFACE.

1. On a very SOFT and flat surface, **CAREFULLY LAY** the two curved Wood Sides (DSYF17, DSYF18) face down and approximately 65 inches apart from one another.

Note (!): Pay close attention to the position of each Wood Side in regards to its Part Number, and position as shown in Fig. 1. The holes in the side edges of each panel should face toward the center of the stand.

2. **ATTACH** the Bottom Wood Frame (DSYF16) as shown using two sets of Cam Pins with Cam Locks (DSYF9). **SCREW** the Cam Pins into the prethreaded holes in the curved Wood Sides (DSYF17, DSYF18). **INSERT** the Cam Locks into the large holes in the Bottom Wood Frame with the openings facing the Cam Pins. **INSERT** the Cam Pins into the Cam Locks and turn Locks to tighten.

3. **ATTACH** the Top Shelf Rear Support Bar (DSYF14) to the curved Wood Sides (DSYF17, DSYF18) using four 12 mm Screws (DSYF2) as shown.

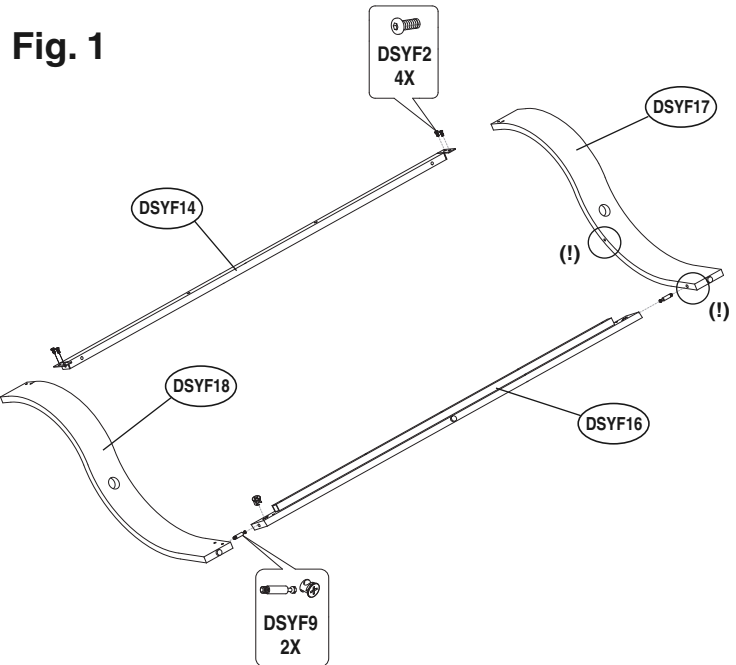
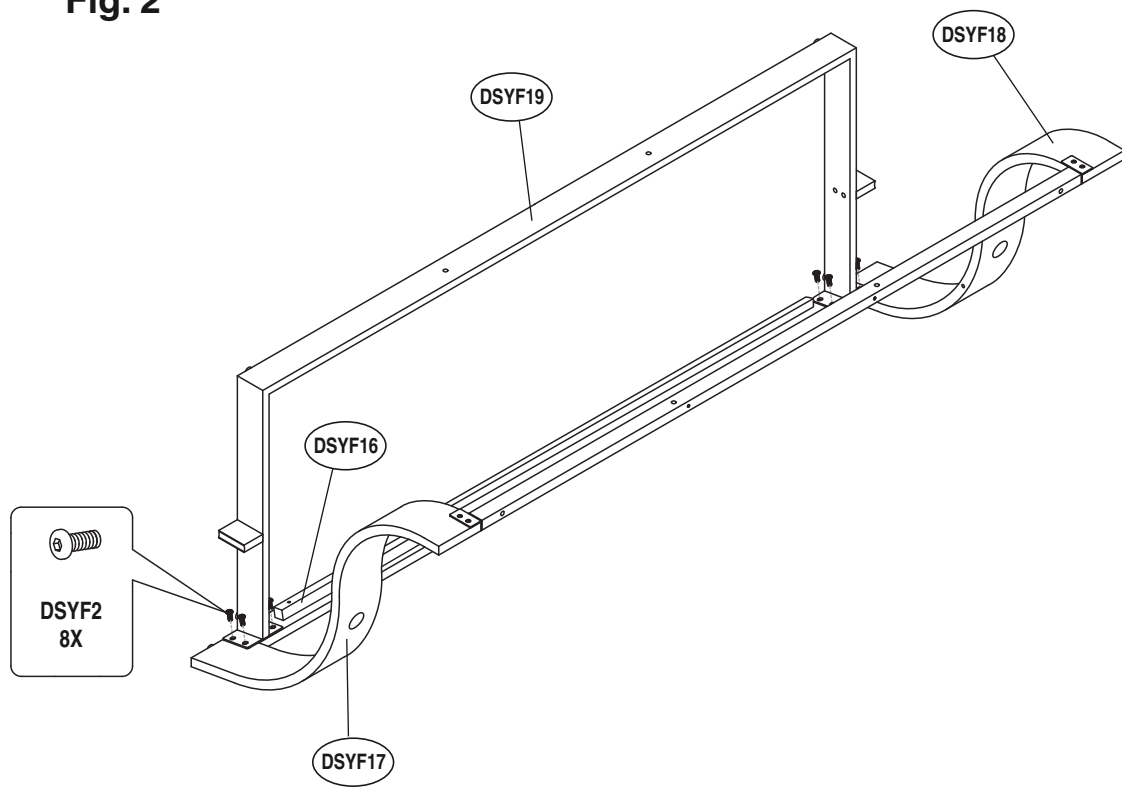
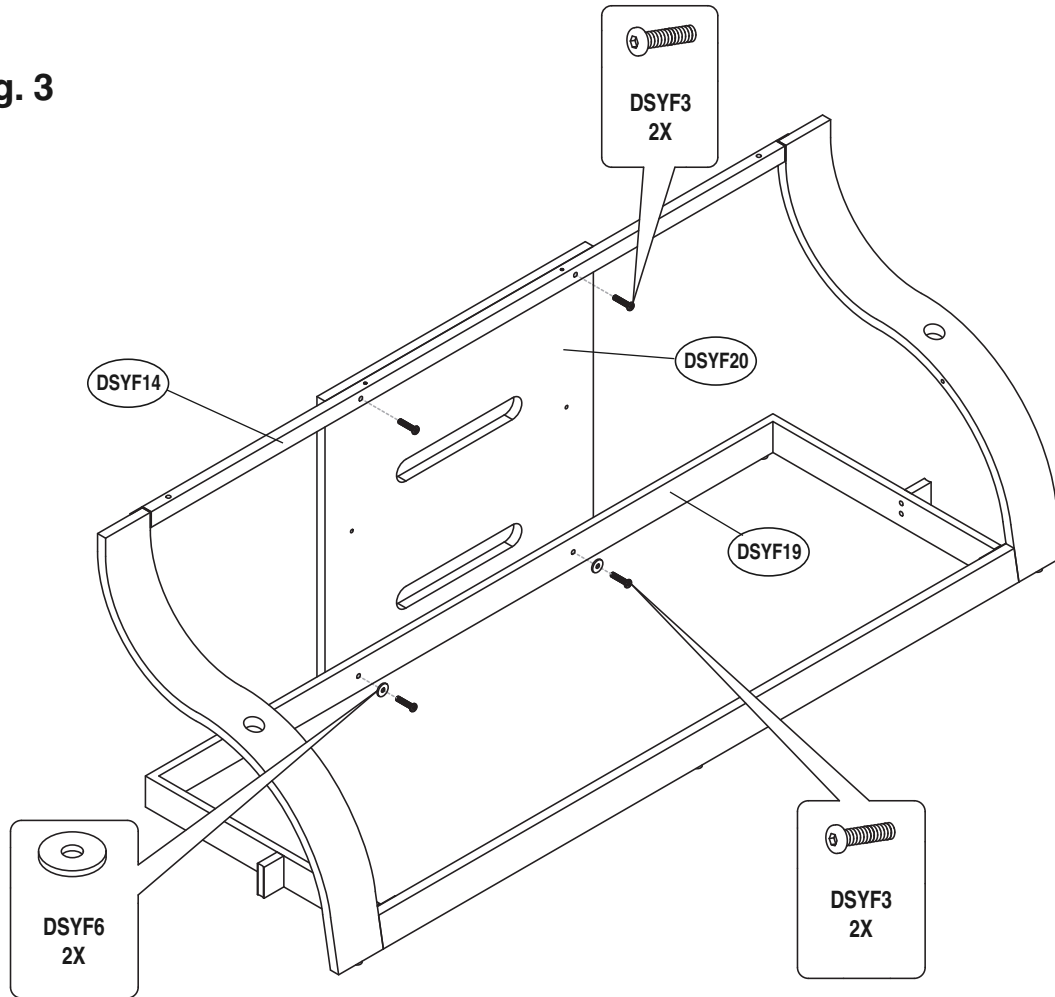


Fig. 2



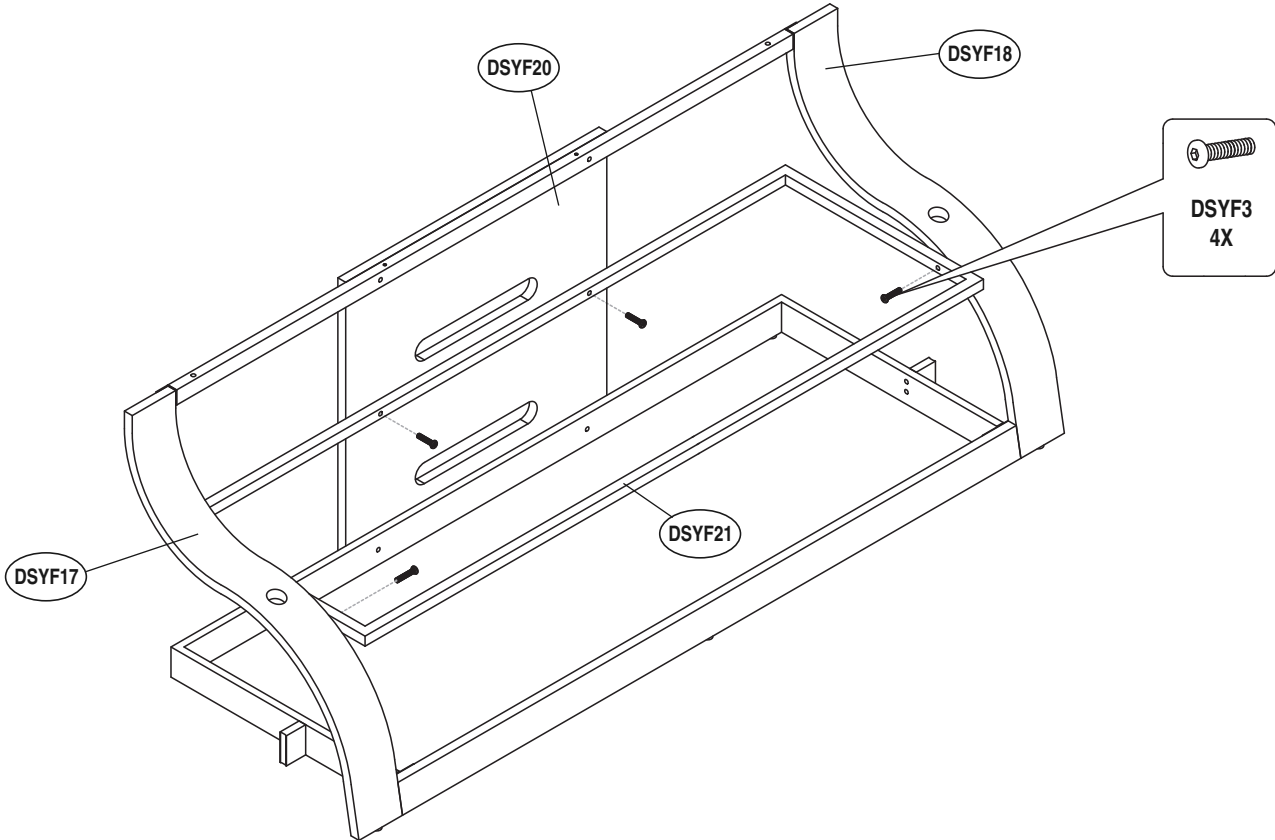
4. With the help of an assistant to support the curved Wood Sides (DSYF17, DSYF18), carefully **ATTACH** the Bottom Shelf Support Frame (DSYF19) to the back side of the Bottom Wood Frame (DSYF16) as shown using eight 12 mm Screws (DSYF2).

Fig. 3



5. With the Bottom Shelf Support Frame (DSYF19) laying flat on the floor, **ATTACH** the CMS[®] (Cable Management System) Post (DSYF20) to the Top Shelf Rear Support Bar (DSYF14) using two 28 mm Screws (DSYF3). **Do not yet tighten fully.**
6. **SECURE** the CMS[®] (Cable Management System) Post (DSYF20) to the Bottom Shelf Support Frame (DSYF19) using two Washers (DSYF6) and two 28 mm Screws (DSYF3). **Now tighten all Screws fully.**

Fig. 4



7. **ATTACH** the Middle Shelf Support Frame (DSYF21) to the CMS® (Cable Management System) Post (DSYF20) and to the curved Wood Sides (DSYF17, DSYF18) using four 28 mm Screws (DSYF3) as shown above. **Tighten Screws fully.**

8. Carefully **SLIDE** the Left and Right Side Poles (DSYF12, DSYF13) into the holes in the curved Wood Sides (DSYF17, DSYF18).

Note (!): Pay close attention to the position of each Side Pole in regards to its Part Number, and position as shown above. The holes in the top flaps of each Pole should face the **REAR** of the stand.

9. **INSERT** the top flaps of the Left and Right Side Poles (DSYF12, DSYF13) into the Top Shelf Front Support Bar (DSYF15) and **SECURE** as shown using four 10 mm Screws (DSYF1).

10. **SECURE** the Left and Right Side Poles (DSYF12, DSYF13) to the Bottom Shelf Support Frame (DSYF19) as shown using four 70 mm Bolts (DSYF4).

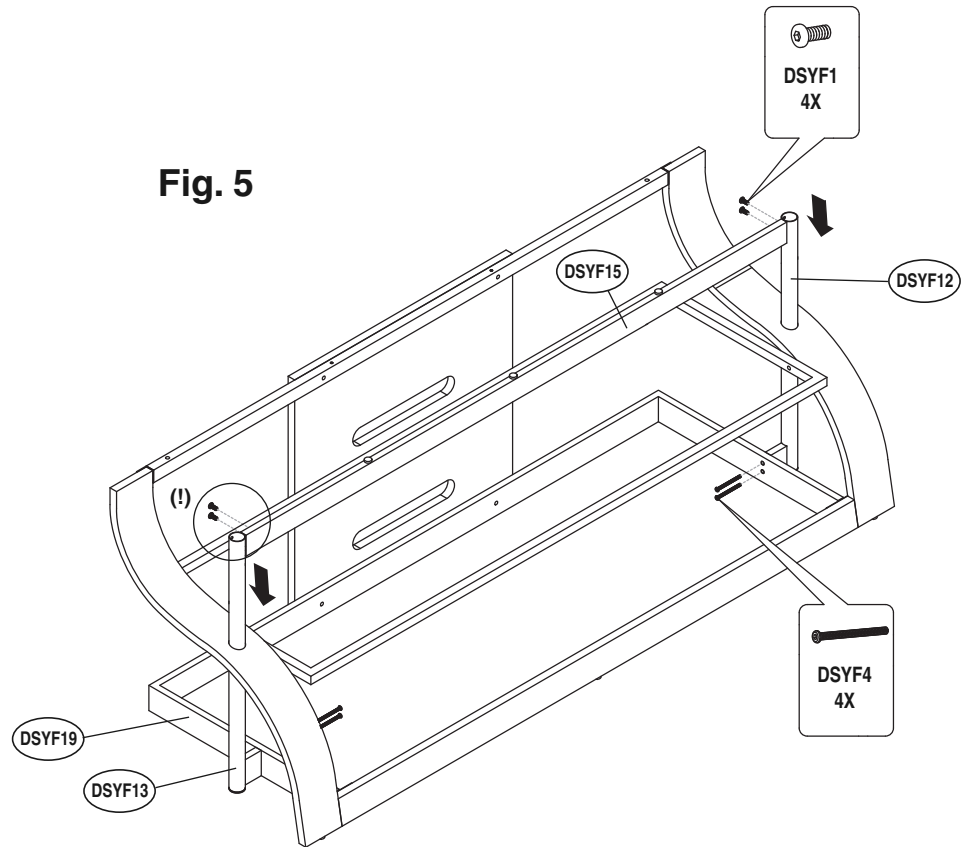
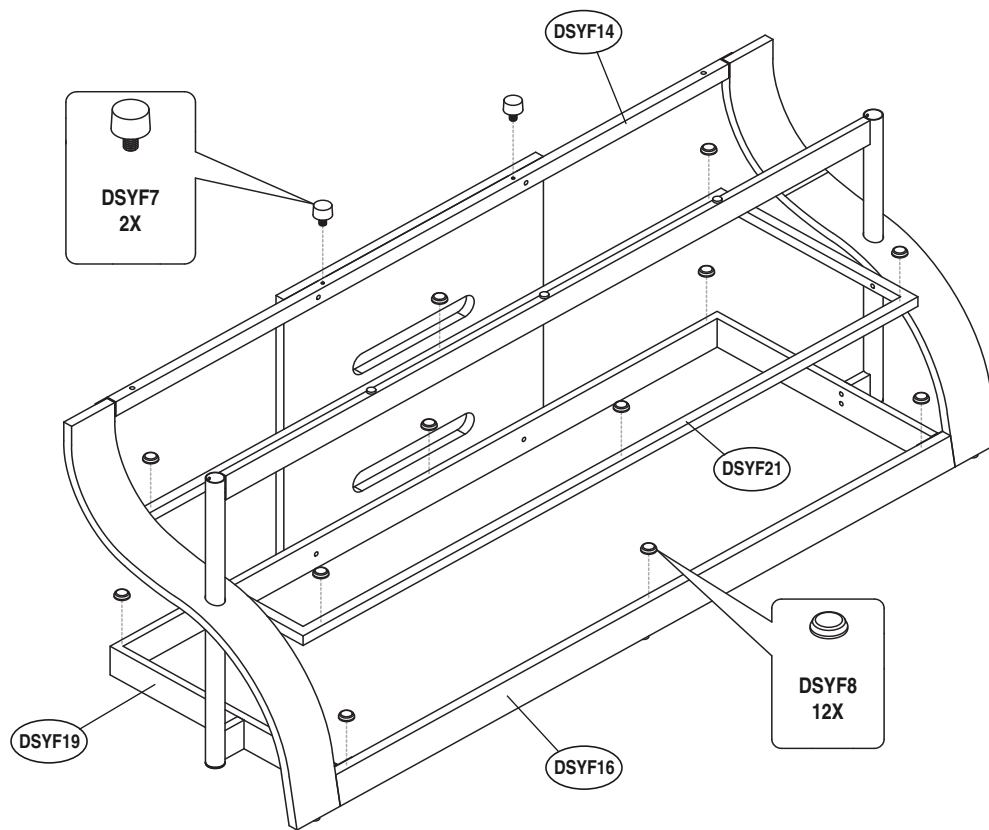
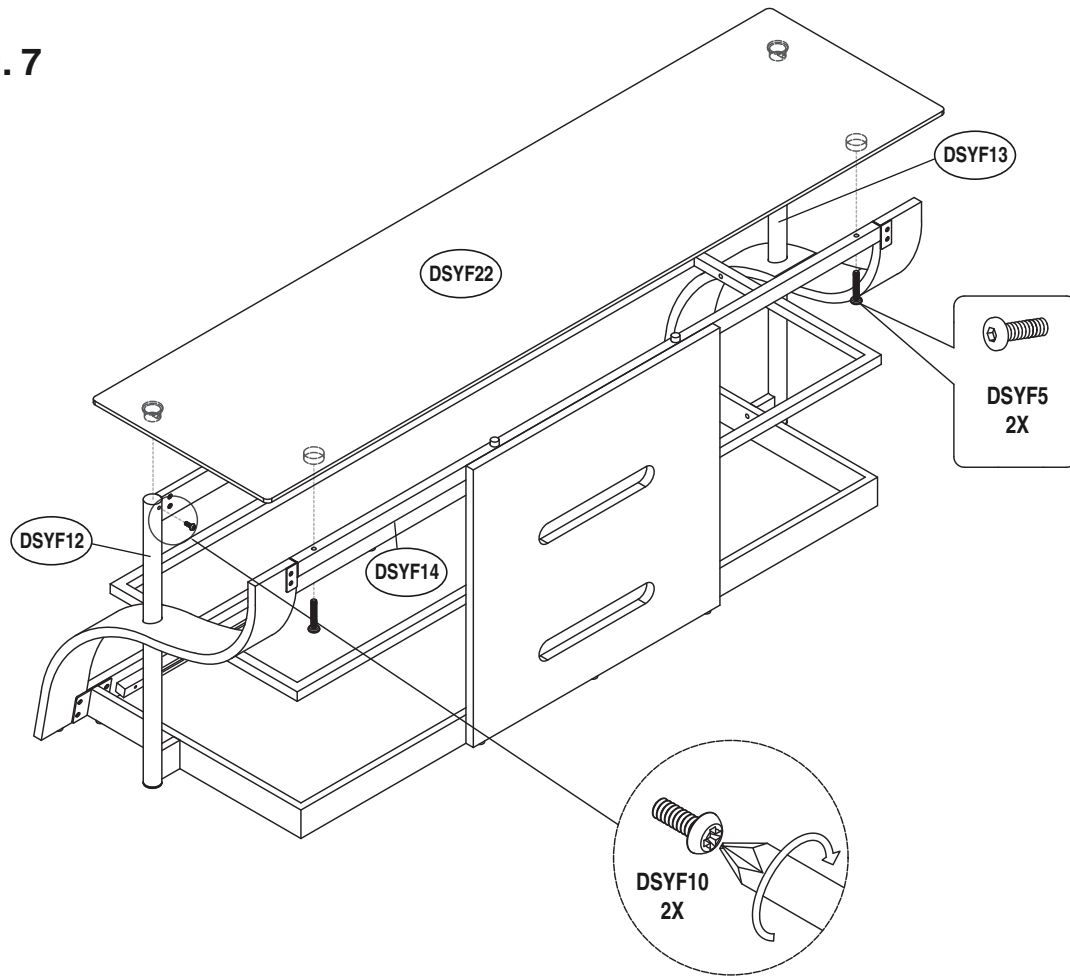


Fig. 6



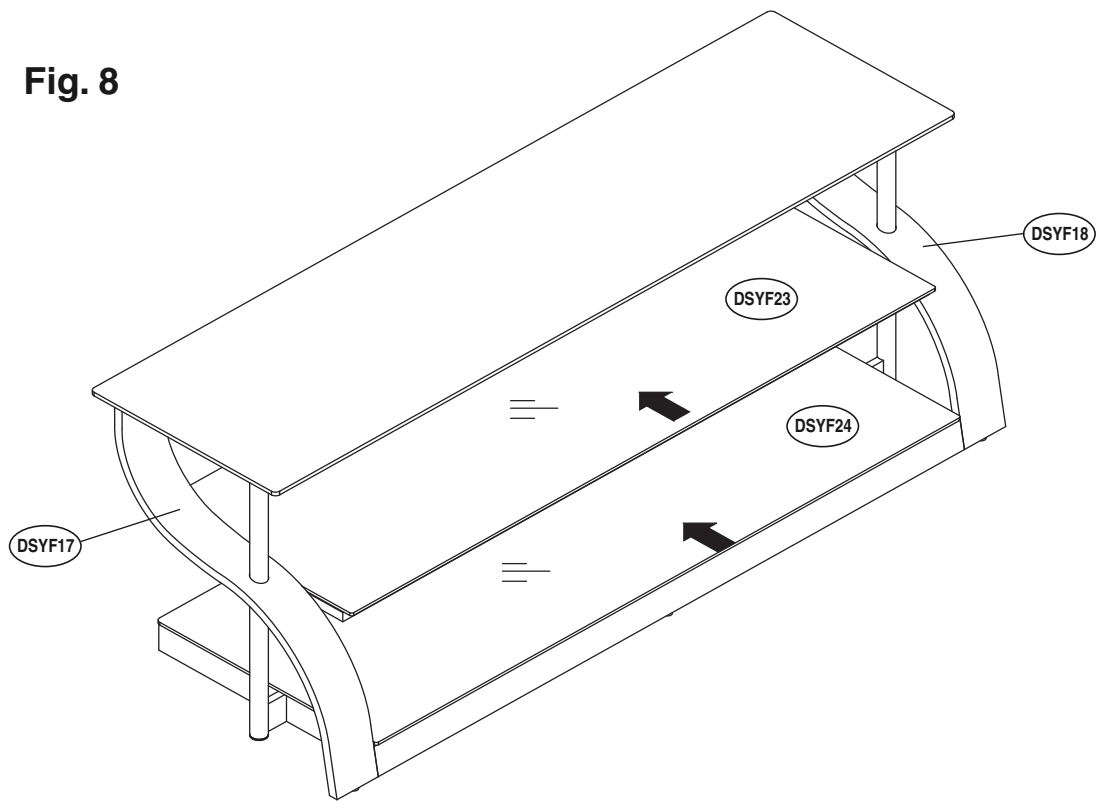
11. **SCREW** the Top Shelf Spacers (DSYF7) into the holes in the center of the Top Shelf Rear Support Bar (DSYF14) as shown. **Be sure to FULLY insert the Spacers.**
12. **PLACE** six Glass Pads (DSYF8) along the top edge of the Bottom Shelf Support Frame (DSYF19) and Bottom Wood Frame (DSYF16) as shown.
13. **PLACE** six more Glass Pads (DSYF8) along the top edge of the Middle Shelf Support Frame (DSYF21) as shown.

Fig. 7



14. With the help of an assistant, **CAREFULLY PLACE** the Top Glass Shelf (DSYF22) onto the stand assembly as shown. **SECURE** the Top Shelf using two 35 mm Screws (DSYF5) as shown from beneath the Top Shelf Rear Support Bar (DSYF14) and into the Shelf Discs on the underside of the Shelf. **Be careful not to over tighten Screws.**
15. **SECURE** the front of the Top Glass Shelf (DSYF22) to the tops of the Left and Right Side Poles (DSYF12, DSYF13) using one 12 mm Bolt (DSYF10) for each Pole as shown.

Fig. 8



16. Taking extreme caution not to damage the Wood Sides (DSYF17, DSYF18), **CAREFULLY PLACE** the Bottom Glass Shelf (DSYF24) onto the Glass Pads (DSYF8) on the Bottom Shelf Support Frame (DSYF19).
17. Taking extreme caution not to damage the Wood Sides (DSYF17, DSYF18), **CAREFULLY PLACE** the Middle Glass Shelf (DSYF23) onto the Glass Pads (DSYF8) on the Middle Shelf Support Frame (DSYF21).

NOTE (!): Make sure the CW342 is on a flat and level surface, and that all Glass Shelves are secure and level before attempting to place any components on the TV stand.