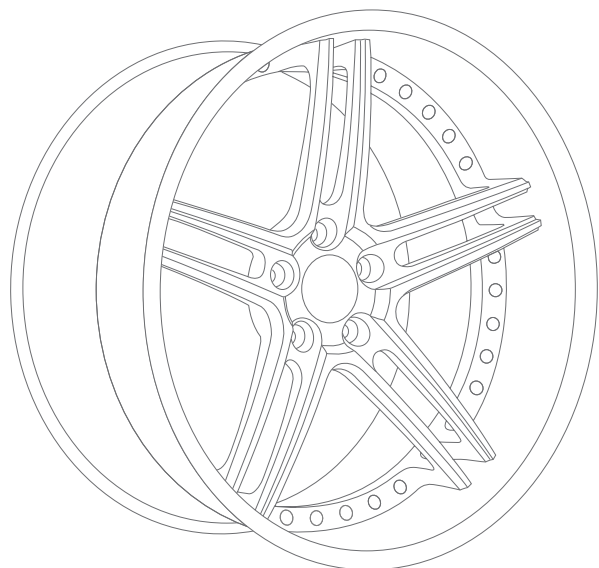


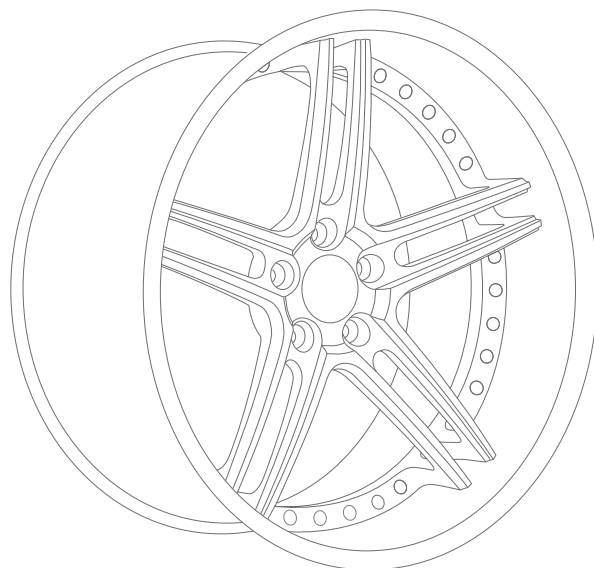
WHEELS

PAINTING GUIDE

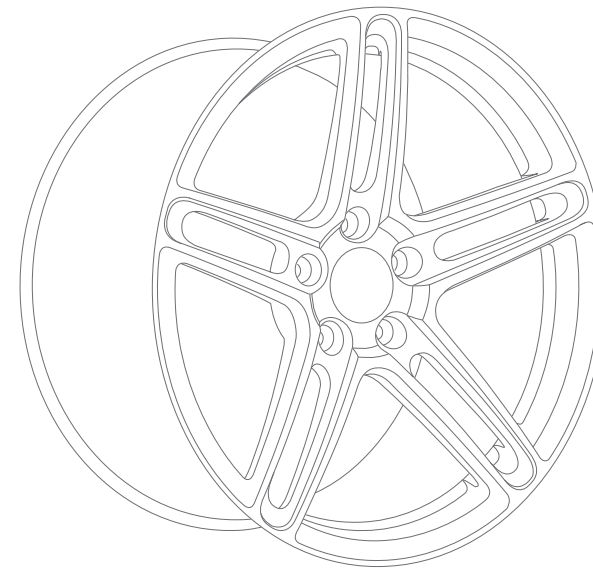
3-Piece



2-Piece



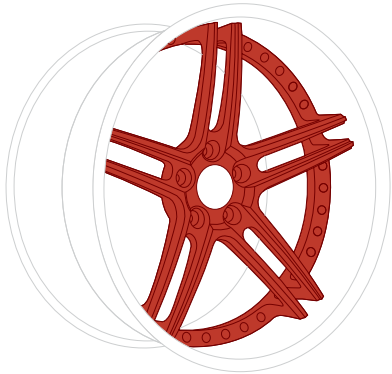
Monoblock



3-PIECE CONFIGURATION

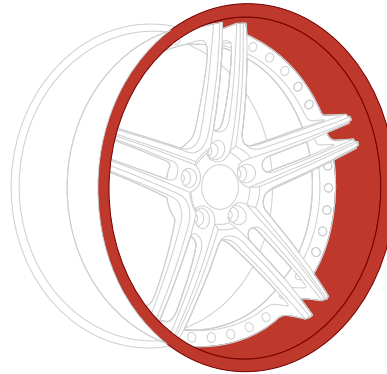
Available colors

Center



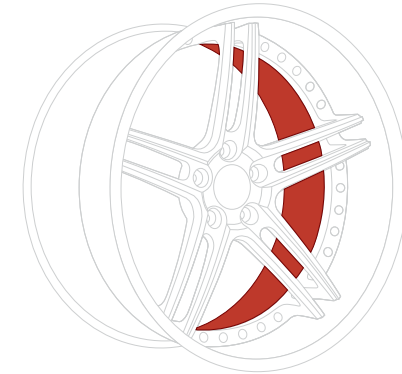
- Black
- Chrome
- Brushed
- Gunmetal
- Custom:
 - One custom color
 - Black and chrome
 - Chrome and custom color
 - 2 custom colors
 - 2 colors with chrome
 - 3 colors, no chrome
 - Carbon fiber or wood grain

Outer/Lip



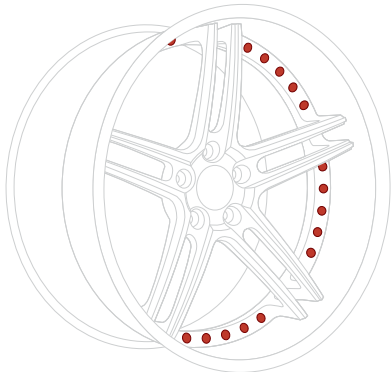
- Black
- Chrome
- Polished
- Custom:
 - One custom color
 - Carbon fiber or wood grain

Inner



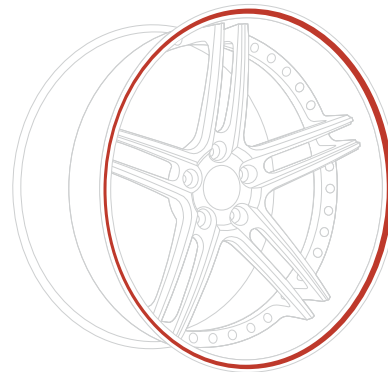
- Black
- Raw
- Custom

Bolts



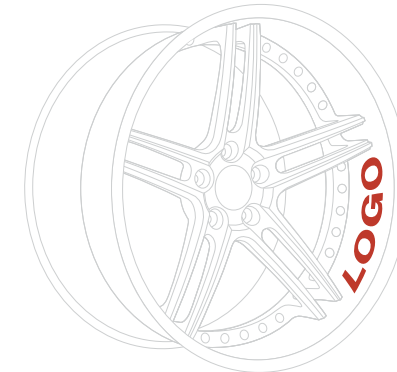
- Black
- Chrome
- Custom

Pinstripe



- Custom
- None

Logo

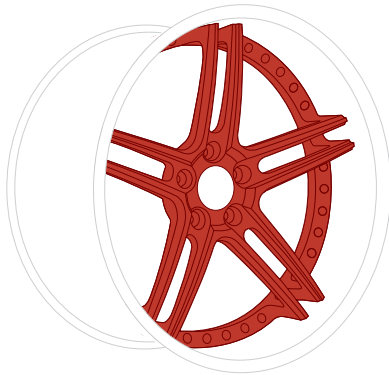


- Custom
- None

2-PIECE CONFIGURATION

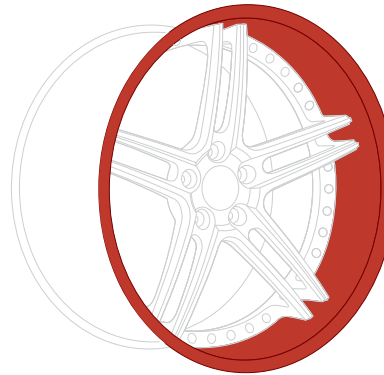
Available colors

Center



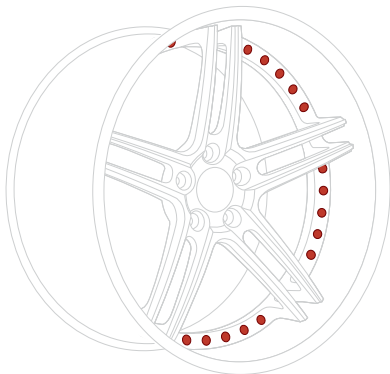
- Black
- Chrome
- Brushed
- Gunmetal
- Custom:
 - One custom color
 - Black and chrome
 - Chrome and custom color
 - 2 custom colors
 - 2 colors with chrome
 - 3 colors, no chrome
 - Carbon fiber or wood grain

Lip



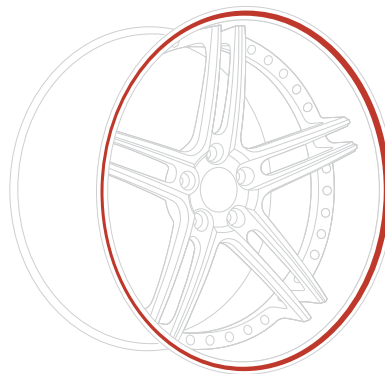
- Black
- Chrome
- Polished
- Custom:
 - One custom color
 - Carbon fiber or wood grain

Bolts



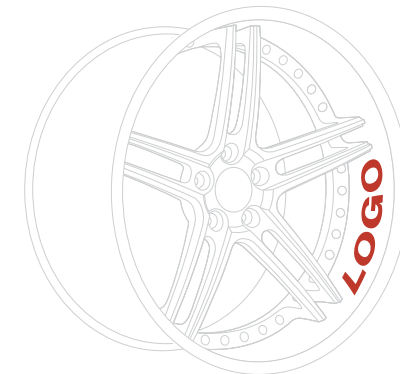
- Black
- Chrome
- Custom

Pinstripe



- Custom
- None

Logo

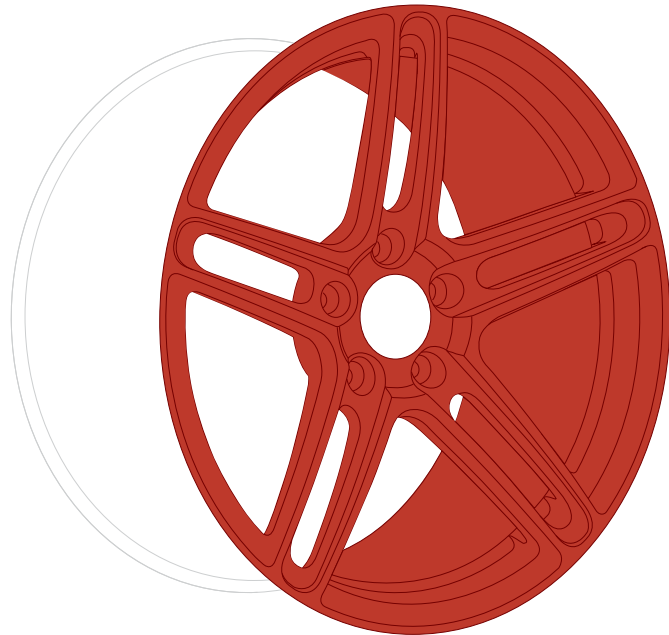


- Custom
- None

MONOBLOCK CONFIGURATION

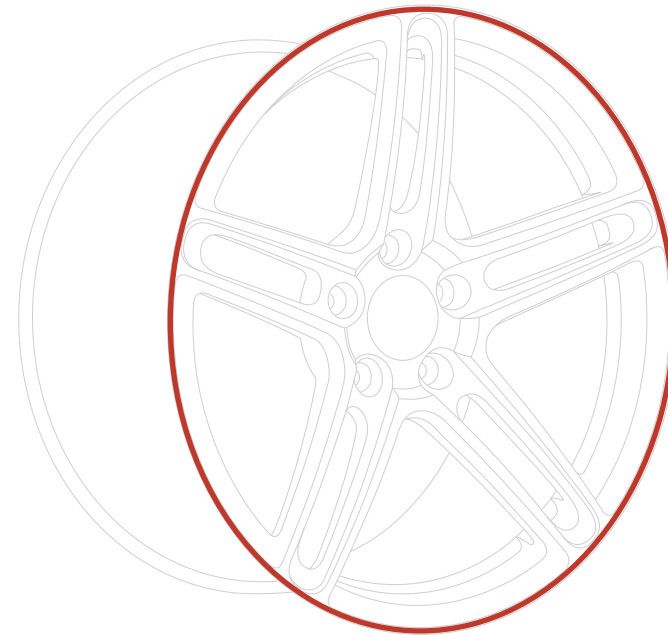
Available colors

Wheel finish



- Black
- Chrome
- Brushed
- Gunmetal
- Custom:
 - One custom color
 - Black and chrome
 - Chrome and custom color
 - 2 custom colors
 - 2 colors with chrome
 - 3 colors, no chrome

Pinstripe



- Custom
- None