



# **INSTALLATION INSTRUCTIONS**

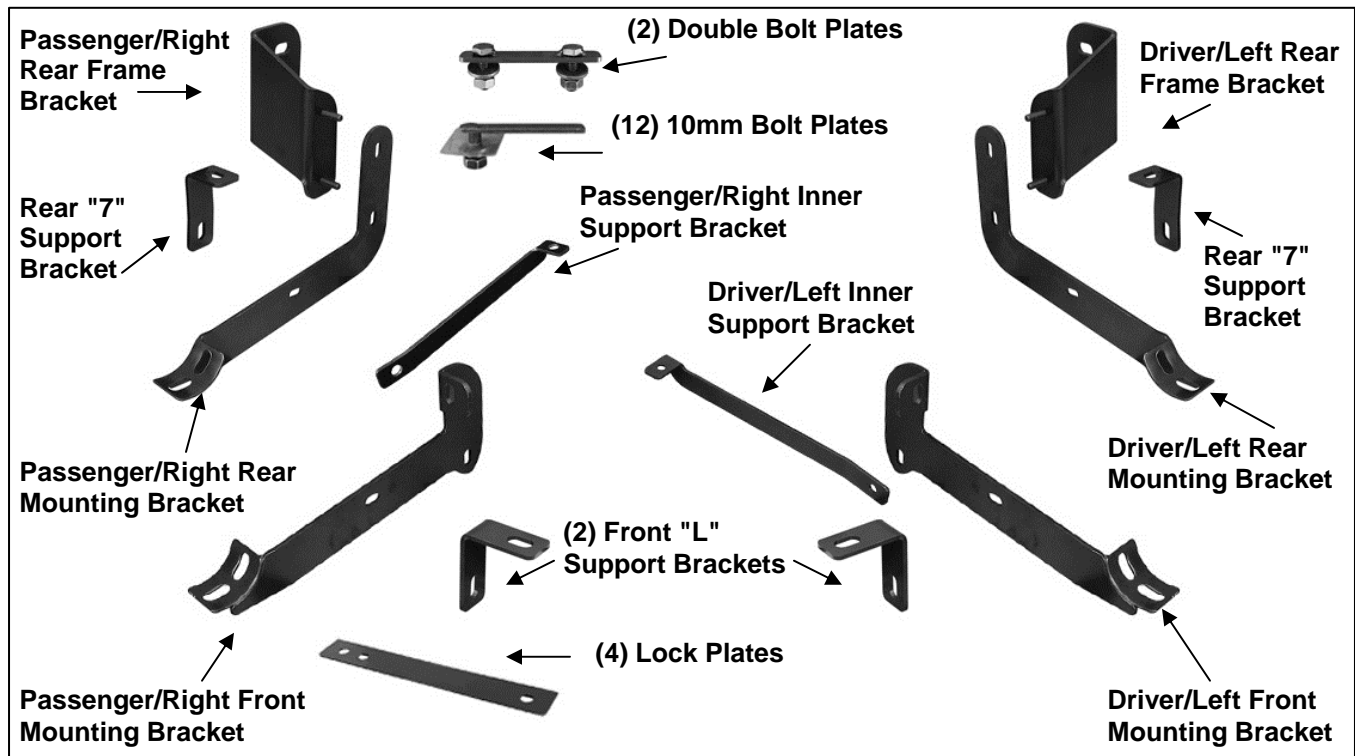
**SIDEBARS**

**2013 NISSAN PATHFINDER**

**PART# 209013/209013-2**

**Parts List:**

1	Driver/Left Sidebar	2	10mm Double Bolt Plates
1	Passenger/Right Sidebar	12	10mm Bolt Plates
1	Driver/Left Front Mounting Bracket	12	10mm Plastic Retainers
1	Passenger/Right Front Mounting Bracket	12	10mm x 27mm x 3mm Flat Washers
1	Driver/Left Inner Front Support Bracket	16	10mm Lock Washers
1	Passenger/Right Inner Front Support Bracket	16	10mm Hex Nuts
2	Front Outer Support Brackets	6	8-1.25mm x 30mm Hex Bolts
1	Driver/Left Rear Frame Bracket	8	8-1.25mm x 25mm Hex Bolts
1	Passenger/Right Rear Frame Bracket	16	8mm x 28mm OD x 3mm Large Flat Washers
1	Driver/Left Rear Mounting Bracket	8	8mm x 24mm x 2mm STD Flat Washers
1	Passenger/Right Rear Mounting Bracket	18	8mm Lock Washers
2	Rear Outer Support Brackets	10	8mm Hex Nuts
4	Locking Plates		



**PROCEDURE:**

- REMOVE CONTENTS FROM BOX. VERIFY ALL PARTS ARE PRESENT. READ INSTRUCTIONS CAREFULLY.**
- Start installation on the driver side of the vehicle. Locate and remove the (2) rubber plugs in the bottom of the outer frame channel closest to the front wheel opening, **(Figure 1)**.
- Select (2) 10mm Bolt Plates and (2) 10mm Plastic Retainers, **(Figure 2A)**. Partially thread the Retainers onto the Bolt Plates. **NOTE:** The Plastic Retainer is designed to help hold the Bolt Plate in place during Bracket installation.
- Insert (1) Bolt Plate into the first-forward hole with the plate pointed toward the rear of the vehicle, **(Figure 2B)**. Thread the Plastic Retainer down tight against the body panel. Repeat to install the next Bolt Plate into the second hole with the Plate pointed toward the front of the vehicle, **(Figure 3)**. **IMPORTANT:** The Plates on the (2) Bolt Plates must be pointed toward each other.

5. Select (1) Lock Plate, **(Figure 3)**. Slide the Lock Plate over the (2) Bolt Plates with the bent side toward the pinch weld. Attach the Lock Plate to the rear Bolt Plate only with (1) 10mm Flat Washer, (1) 10mm Lock Washer and (1) 10mm Hex Nut, **(Figure 4)**. Tighten the Hex Nut at this time.
6. Locate the round hole in the back of the outer frame channel directly behind the previously installed Bolt Plates, **(Figure 5B)**. Remove the rubber plug. Select (1) 10mm Bolt Plate and (1) 10mm Plastic Retainer, **(Figure 5A)**. Partially thread the Retainer onto the Bolt Plate. Insert the Bolt Plate into the hole and tighten the Retainer as previously described.

**IMPORTANT:** Mounting areas may be covered with undercoating. Scrape excess undercoating from body panel at all mounting locations. Brackets must mount flat against body panels.

7. Select (1) Front "L" Support Bracket, **(Figure 6)**. Attach the shorter leg on the Support Bracket to the front Bolt Plate with (1) 10mm Flat Washer, (1) 10mm Lock Washer and (1) 10mm Hex Nut, **(Figures 7 & 8)**. Leave hardware loose at this time.
8. Select the driver side Front Mounting Bracket. Attach the Bracket to the Bolt Plate in the back of the frame channel first with (1) 10mm Flat Washer, (1) 10mm Lock Washer and (1) 10mm Hex Nut, **(Figure 7)**. Attach the Mounting Bracket to the back of the "L" Support Bracket with (1) 8mm x 30mm Hex Bolt, (2) 8mm x 28mm Large Flat Washers, (1) 8mm Lock Washer and (1) 8mm Hex Nut, **(Figures 7 & 8)**. Do not tighten hardware at this time.
9. Next, locate the factory holes in the bottom of the inner frame channel directly behind the tie down loop where frame is joined together. Determine the correct factory hole to use:  
**Driver side installation:** Use the factory hole closest to the loop, **(Figure 9B)**.  
**Passenger side installation:** Use the 2nd factory hole back from the loop, **(Figure 10)**.
10. Select (1) 10mm Bolt Plate and (1) 10mm Plastic Retainer, **(Figure 9A)**. Partially thread the Retainer onto the Bolt Plate. Insert the Bolt Plate into the correct factory hole in the frame channel as identified in **Step 9, (Figures 9B & 10)**. **IMPORTANT:** The driver side and passenger side Front Inner Support Brackets do not install in the same manner.
11. Select the correct Inner Front Support Bracket, **(Figure 11)**. Attach the 90-degree bent end of the Support Bracket to the Bolt Plate in the frame channel with (1) 10mm Flat Washer, (1) 10mm Lock Washer and (1) 10mm Hex Nut, **(Figure 12)**. Bolt the outer end of the Support Bracket to the front Mounting Bracket with (1) 8mm x 30mm Hex Bolt, (2) 8mm x 28mm Large Flat Washers, (1) 8mm Lock Washer and (1) 8mm Hex Nut, **(Figure 12)**. Do not tighten hardware at this time.  
**Attach the driver side** inner Support Bracket to the **front** of the Front Mounting Bracket, **(Figure 12)**.  
**Attach the passenger side** Inner Support Bracket to the **back** of the Front Mounting Bracket, **(Figure 10)**.
12. Move to the rear mounting location in front of the driver side rear tire opening. Locate the large oval and the round holes in the inner body panel in front of the rear tire, **(Figure 13)**. Select (1) 10mm Double Bolt Plate and (1) 10mm Plastic Retainer, **(Figure 14A)**. Insert the Bolt Plate into the oval hole and up and out of the smaller round hole above it. Thread the Plastic Retainer onto the Bolt Plate in the round hole only, **(Figure 14B)**.
13. Locate the last (2) round holes along the floor panel, **(Figure 14B)**. Repeat **Steps 2 – 5** to install the (2) Bolt Plates and Lock Plate, **(Figures 15 & 16)**. **NOTE:** Attach the Lock Plate to the front Bolt Plate only with (1) 10mm Flat Washer, (1) 10mm Lock Washer and (1) 10mm Hex Nut, **(Figure 16)**. Tighten the Hex Nut at this time.
14. Select the driver side rear Frame Bracket. Attach the Frame Bracket to the Double Bolt Plate with (2) 10mm Flat Washers, (2) 10mm Lock Washers and (2) 10mm Hex Nuts, **(Figures 17 & 18)**. Do not tighten hardware at this time. Next, attach the driver side Rear Mounting Bracket to the front of the Frame Bracket with (2) 8mm Large Flat Washers, (2) 8mm Lock Washers and (2) 8mm Hex Nuts, **(Figure 19)**. Do not tighten hardware at this time.
15. Select the driver side "7" Rear Support Bracket, **(Figures 6 & 17)**. Attach the Support Bracket to the rear Bolt Plate with (1) 10mm Flat Washer, (1) 10mm Lock Washer and (1) 10mm Hex Nut, **(Figures 17 & 19)**. Do not tighten hardware. Line up the hole in the Rear Bracket with the "7" Rear Support Bracket. Bolt the Mounting Bracket to the front of the "7" Bracket with (1) 8mm x 30mm Hex Bolt, (2) 8mm x 28mm Large Flat Washers, (1) 8mm Lock Washer and (1) 8mm Hex Nut, **(Figure 19)**. Do not tighten hardware at this time.

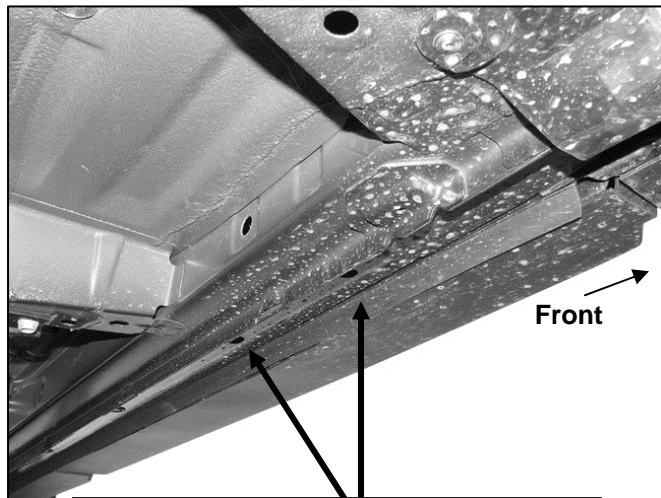
16. Select the driver/left Sidebar. Carefully place the Sidebar in position on top of the Brackets. Line up the threaded holes in the Sidebar with the slots in the Brackets. Bolt the Sidebar to the Brackets with (4) 8mm x 25mm Hex Bolts, (4) 8mm Lock Washers and (4) 8mm x 24mm STD Flat Washers, (**Figure 20**). Do not tighten hardware at this time.
17. Adjust and level the Sidebar and tighten all hardware.
18. Repeat **Steps 2 – 17** for passenger Sidebar installation.
19. Do periodic inspections to the installation to make sure that all hardware is secure and tight.

**To protect your investment**, wax this product after installing. Regular waxing is recommended to add a protective layer over the finish. Do not use any type of polish or wax that may contain abrasives that could damage the finish.

**For stainless steel:** Aluminum polish may be used to polish small scratches and scuffs on the finish. Mild soap may be used also to clean the Sidebar.

**For gloss black finishes:** Mild soap may be used to clean the Sidebar.

### Driver Side Installation Pictured



(Fig 1) Driver side front mounting location pictured from below. Remove (3) rubber plugs from factory holes

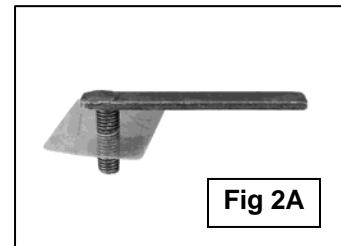


Fig 2A

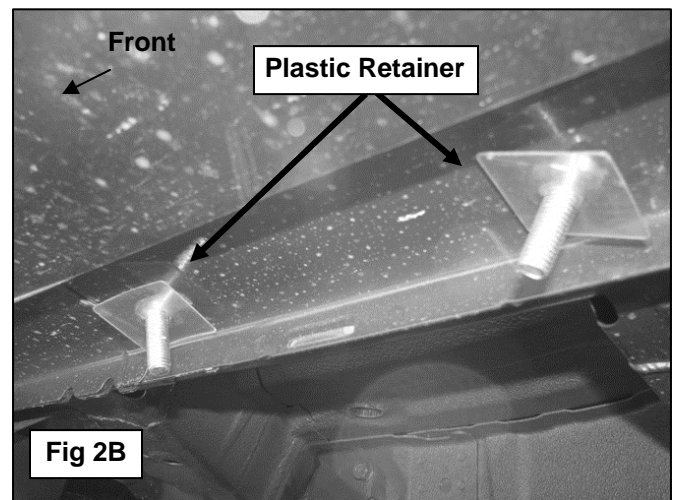


Fig 2B

10mm Flat Washer  
10mm Lock Washer  
10mm Hex Nut

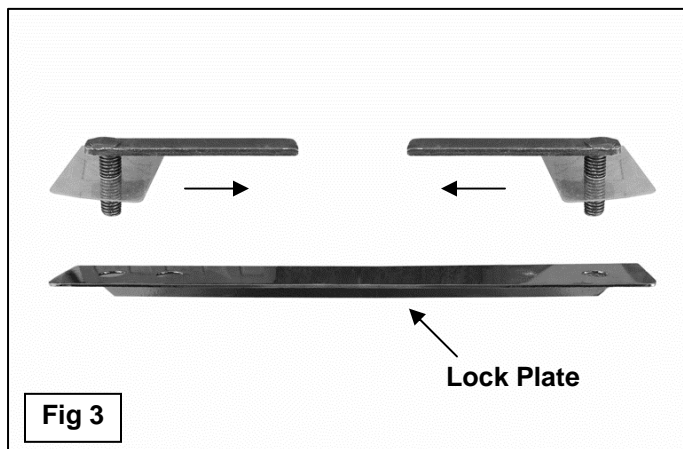


Fig 3

Lock Plate

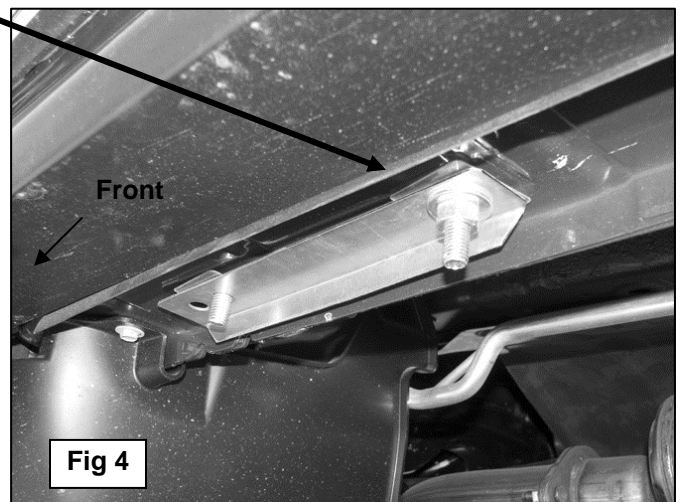
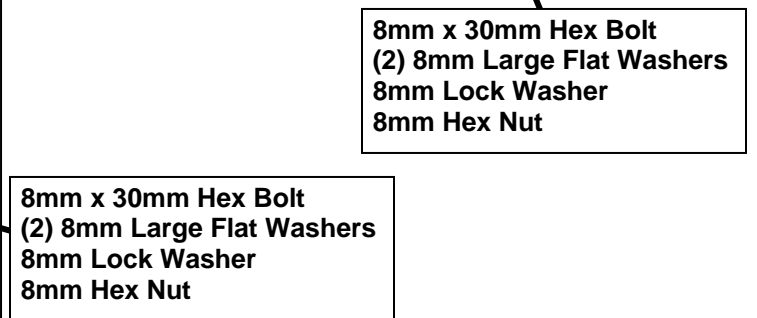
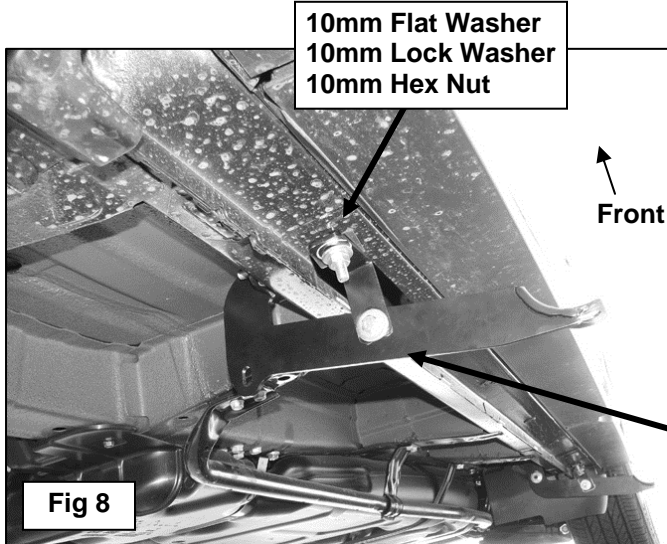
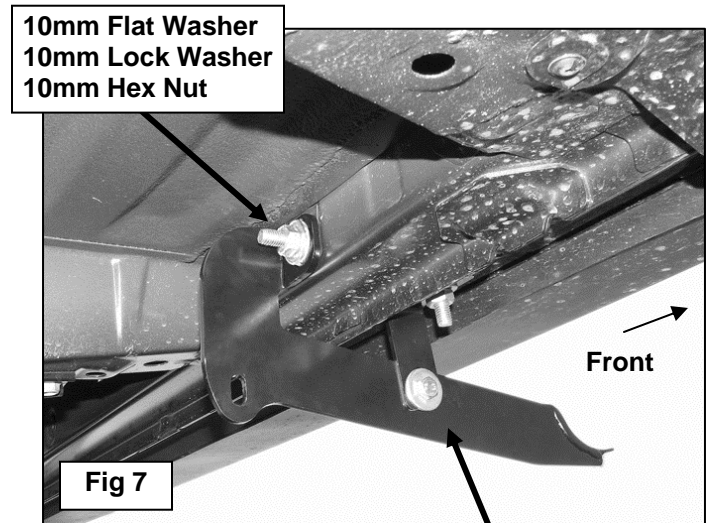
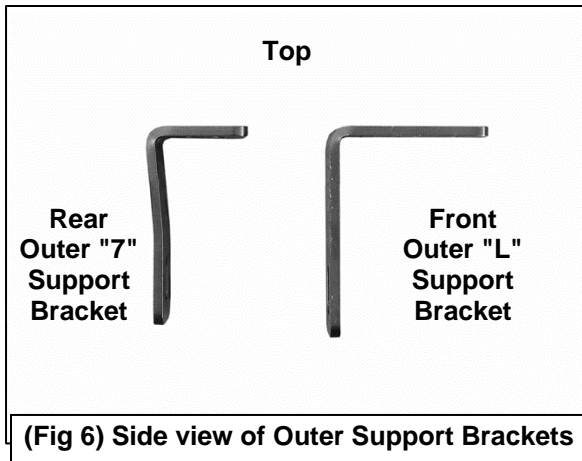
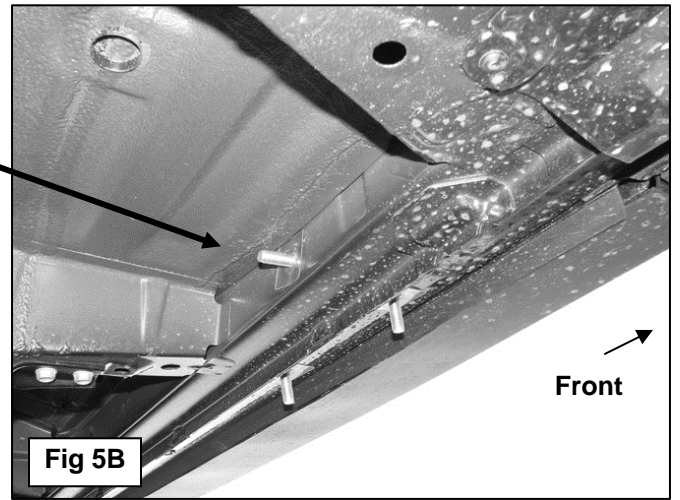
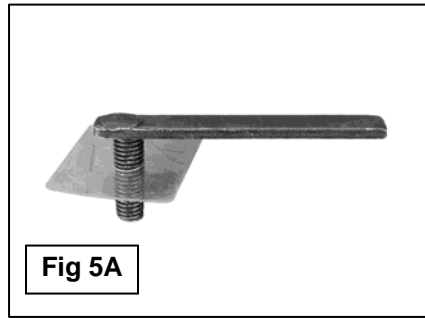
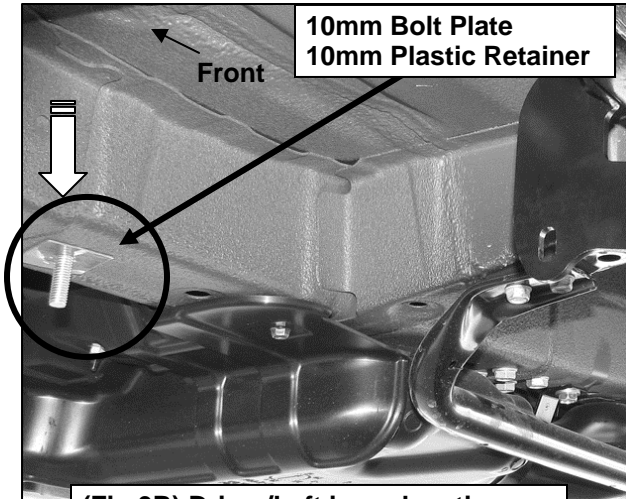


Fig 4

### Driver Side Installation Pictured



### Driver Side Installation Pictured



10mm Bolt Plate  
10mm Plastic Retainer

Front

(Fig 9B) Driver/Left inner location pictured. Install Bolt Plate in forward hole closest to tie down loop

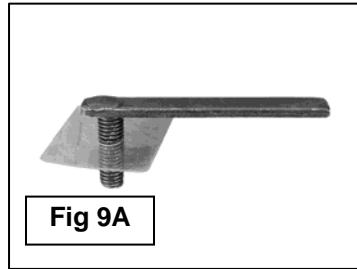
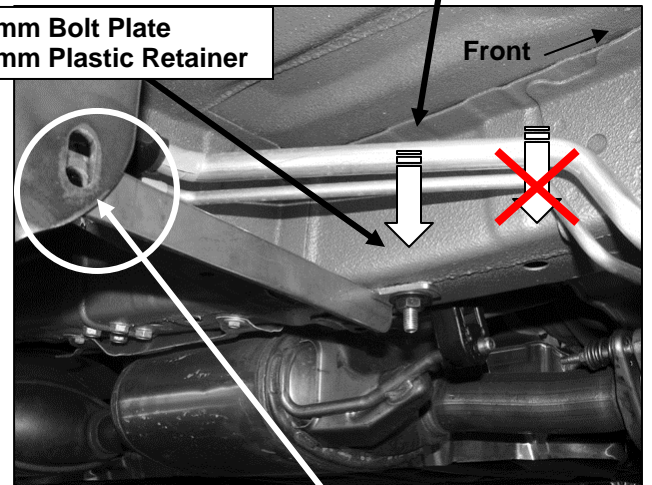


Fig 9A

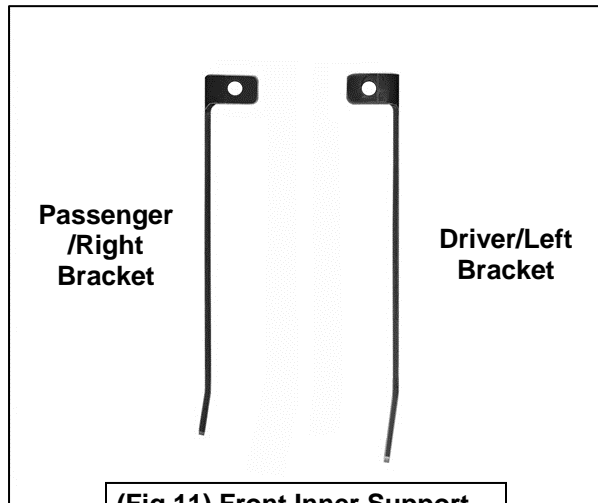
Passenger/right inner location pictured. Install Bolt Plate in 2nd hole behind tie down loop

10mm Bolt Plate  
10mm Plastic Retainer



Front

(Fig 10) Passenger/Right inner location pictured. Bolt Support Bracket to back side of Front Bracket

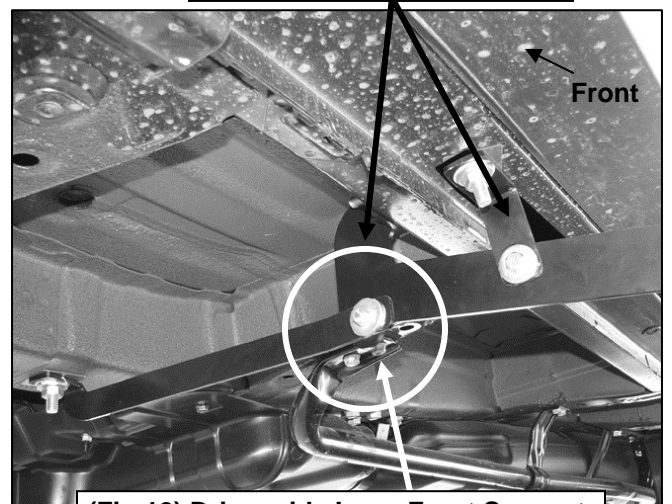


Passenger /Right Bracket

Driver/Left Bracket

(Fig 11) Front Inner Support Brackets pictured from above

8mm x 30mm Hex Bolt  
(2) 8mm Large Flat Washers  
8mm Lock Washer  
8mm Hex Nut



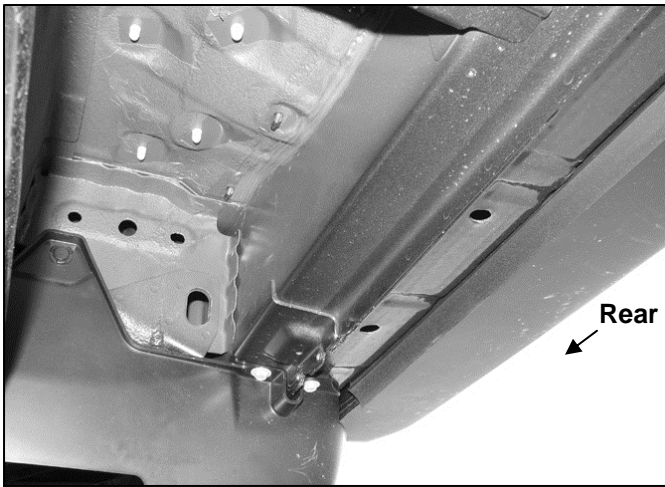
Front

(Fig 12) Driver side Inner Front Support Bracket pictured. Bolt Support Bracket to front of Front Bracket

10mm Flat Washer  
10mm Lock Washer  
10mm Hex Nut



### Driver Side Installation Pictured



(Fig 13) Driver side rear mounting location pictured

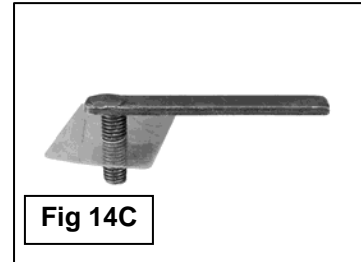


Fig 14C

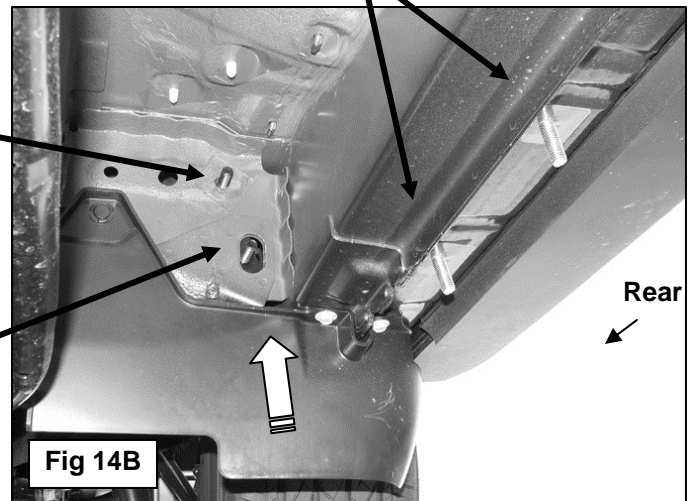


Fig 14B

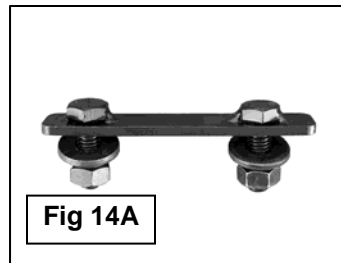


Fig 14A

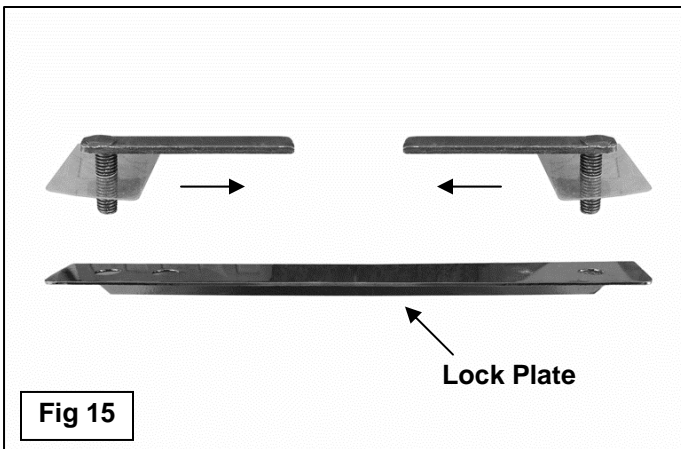


Fig 15

- 10mm Flat Washer
- 10mm Lock Washer
- 10mm Hex Nut

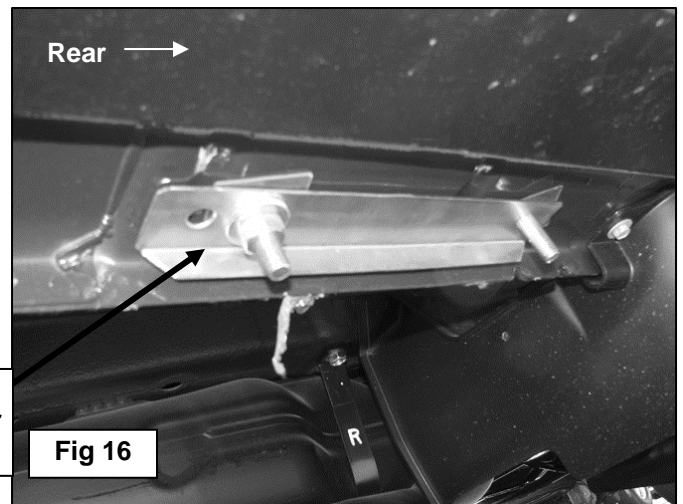
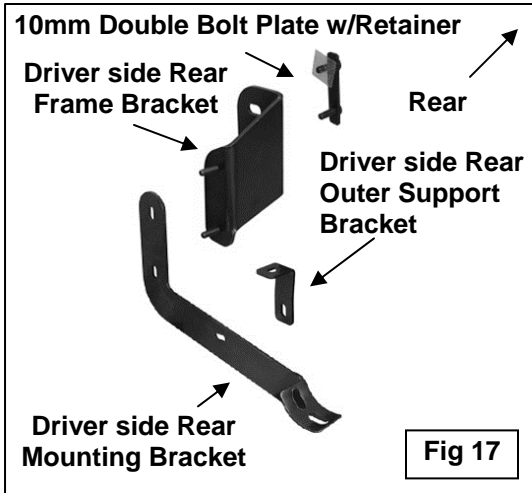
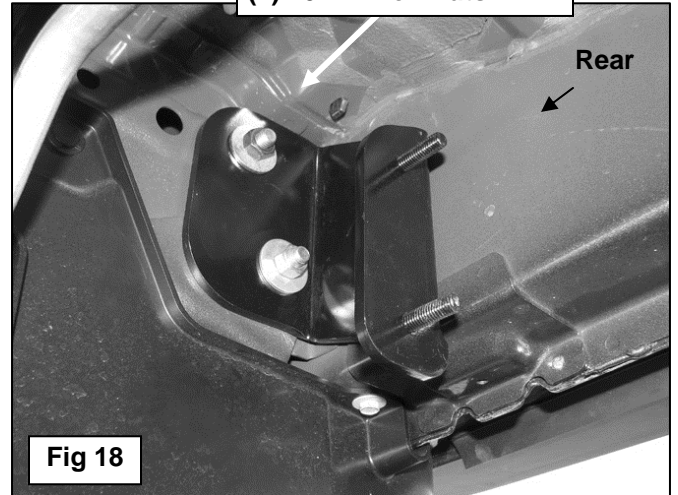


Fig 16

**Driver Side Installation Pictured**

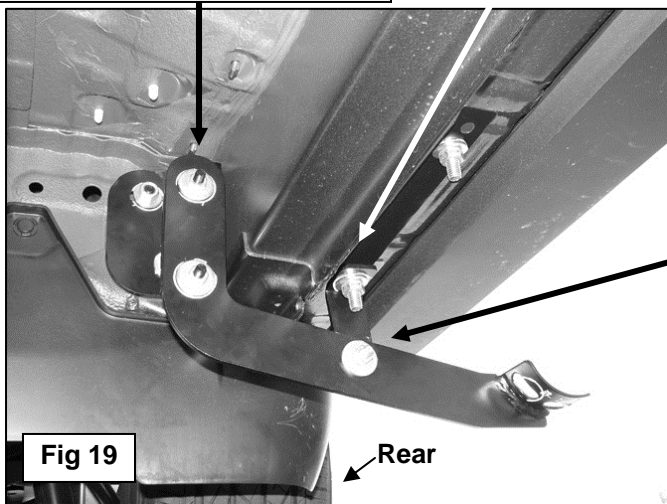


- 10mm Double Bolt Plate
- 10mm Plastic Retainer
- (2) 10mm Flat Washers
- (2) 10mm Lock Washers
- (2) 10mm Hex Nuts

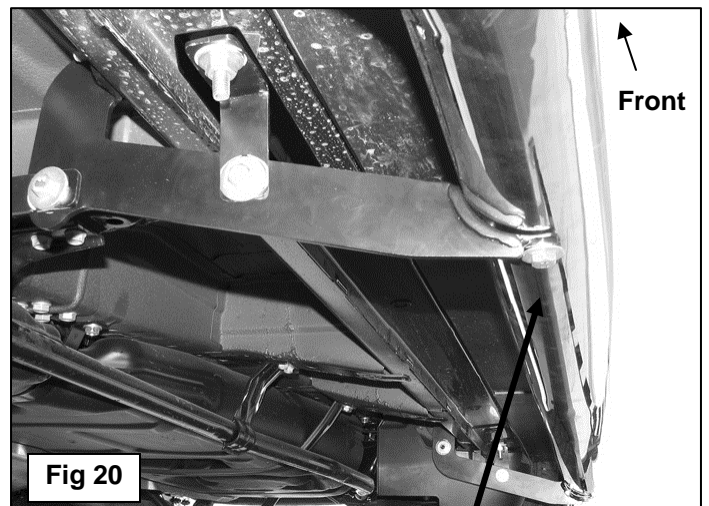


- (2) 8mm Large Flat Washers
- (2) 8mm Lock Washers
- (2) 8mm Hex Nuts

- 10mm Flat Washer
- 10mm Lock Washer
- 10mm Hex Nut



- 8mm x 30mm Hex Bolt
- (2) 8mm Large Flat Washers
- 8mm Lock Washer
- 8mm Hex Nut



- 8mm x 25mm Hex Bolts
- 8mm x 24mm STD Flat Washers
- 8mm Lock Washers



**Complete Installation**