

SOLENOID VALVE

180103 Solenoid Valve (12V)

ITEM #	QTY	DESCRIPTION	PART #	NOTES
01	1	DUST FILTER		
02	1	TOP NUT	540238	
03	1	O-RING		
04	1	COIL		1
05	1	VALVE STEM		
06	1	O-RING		
07	1	PLUNGER		
08	1	NIPPLE (1/8" to 1/8" BSPT)	170501	2
09	1	VALVE BODY		
10	1	PUSH-IN FITTING (5mm to 1/8" BSPP)	170201	2

Specs:

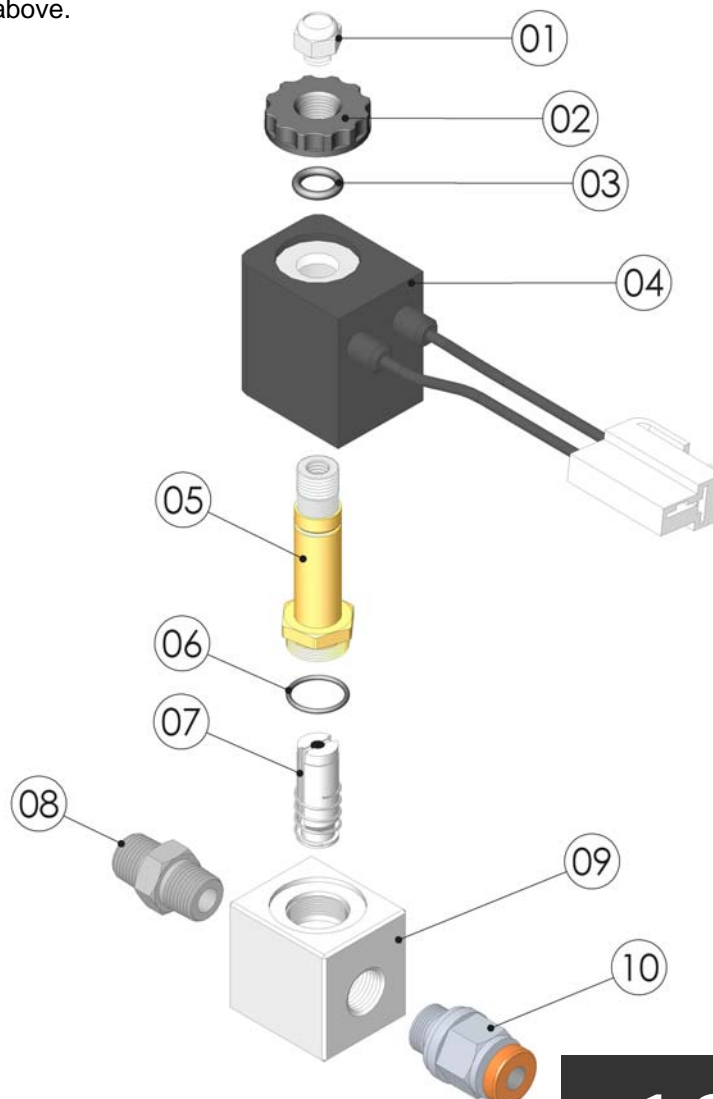
Pressure 0-10 Bar (145psi)
Voltage 12V/5W

Notes:

- 1 Do not apply power to the solenoid with the coil removed as this could cause permanent damage to the coil.
- 2 Not supplied with 180103 Solenoid Valve (12V)

One of the features of this solenoid is that it can be easily serviced. The procedure for dismantling the solenoid valve is as follows:

1. Unscrew and remove the Dust Filter (01), Top Nut (02), O-Ring (03) and Coil (04).
2. Unscrew the Valve Stem (05) from the Valve Body (09).
3. Remove the Plunger (07) from the Valve Stem.
4. The valve can now be cleaned and serviced, making sure the bottom of the plunger and its seat in the body are in good condition.
5. Reassemble as above.



180103

