



Aluminum Tank Industries, Inc.

ALUMINUM REFUELING TANKS



optional



ATITANK has been issued a **Special Permit** from the U.S. Department Of Transportation for our Refueling Tanks. Our tanks can be used for gasoline, diesel, kerosene, aviation fuel, and methanol. Refueling tanks can also be used in state and commercial applications.

- 25 standard tank and tank/toolbox combos to choose from.
- Made from HD .125 Diamond Plate Aluminum
- Manufactured in the United States of America
- *1 Year Warranty
- Custom tank and toolbox specialists

Page#	Page Content
1....	Refueling Tank Overview
2....	Table of Contents
3....	Refueling Tank Accessories
	L SHAPE TANKS
4....	TTL50- L shape 47 gallon refueling tank
5....	TTL80- L shape 80 gallon refueling tank
6....	TTL95- L shape 95 gallon refueling tank
7....	TTL100- L shape 100 gallon refueling tank
	SQUARE / RECTANGLE TANKS
8....	TTR38- Rectangle 38 gallon refueling tank
9....	TTR46- Rectangle 46 gallon refueling tank
10....	TTR50- Rectangle 50 gallon refueling tank
11....	TTR51- Rectangle 51 gallon refueling tank
12....	TTR55- Rectangle 55 gallon refueling tank
13....	TTR77- Rectangle 77 gallon refueling tank
14....	TTR110- Rectangle 110 gallon refueling tank
	TANK / TOOLBOX COMBOS
15....	TTL50CB- 47 gallon L shape with toolbox
16....	TTR65CB- 65 gallon rectangle with toolbox
17....	TTL95CB- 95 gallon L shape with toolbox
	WEDGE TANKS
18....	TTW60- 60 gallon wedge shape tank
	SPLIT TANKS
19....	TTR72S- 36/36 gallon rectangle split tank
20....	TTL85S- 42/42 gallon L shape split tank



Aluminum Tank Industries, Inc.

REFUELING TANK OPTIONS AND ACCESSORIES

Part #	Pumps
BS-M150S-MU	GPI – 12v 15 gpm fuel transfer pump – Manual Nozzle
BS-M150S-AU	GPI – 12v 15 gpm fuel transfer pump – Automatic Nozzle
BS-EZ8	GPI – 12v 8 gpm fuel transfer pump – Manual Nozzle
BS-HP90	GPI – Economy hand pump – 8 ft hose
BS-HP100-UL	GPI – Deluxe <i>Dual Flo</i> hand pump



Part #	Pump Accessories
BS-FM200-G6N	GPI - Mechanical fuel meter w/ strainer – 4 digit display
BS-FK	GPI - Filter kit - cast iron adapter-10 micron filter- nipple
BS-RF	GPI- Replacement filter 10 micron particulate (filter only)
BS-AN	Automatic shut off nozzle (nozzle only)



Part #	Tank Accessories
TTCAP	Vented lockable refueling tank cap w/ base
BS-RTCAP	Vented lockable replacement tank cap – NO base
BS-FLG	Rochester mechanical fluid level gauge

Tank Add-ons

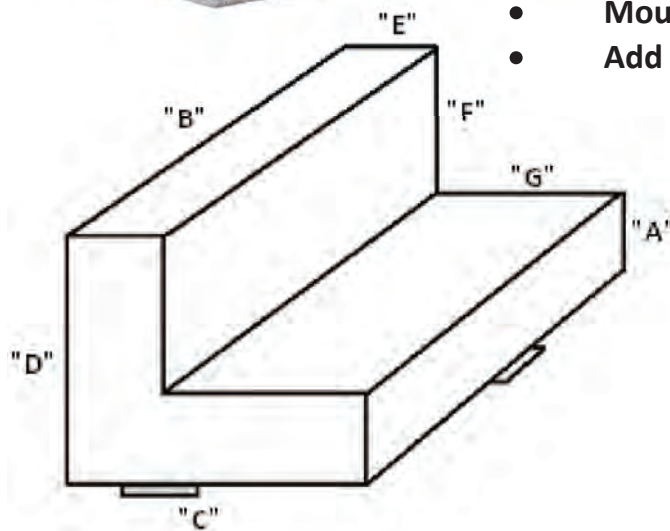
- Powder Coat
- Additional npt fittings
- Notch out for pump





Aluminum Tank Industries, Inc.

47 Gallon Refueling Tank



- Mounting tabs extend out 1-1/2"
- Add 2-1/2" for cap height

Part #	"A"	"B"	"C"	"D"	"E"	"F"	"G"	Gallons
TTL50	8"	36 1/4"	30"	19"	8"	11"	22"	47

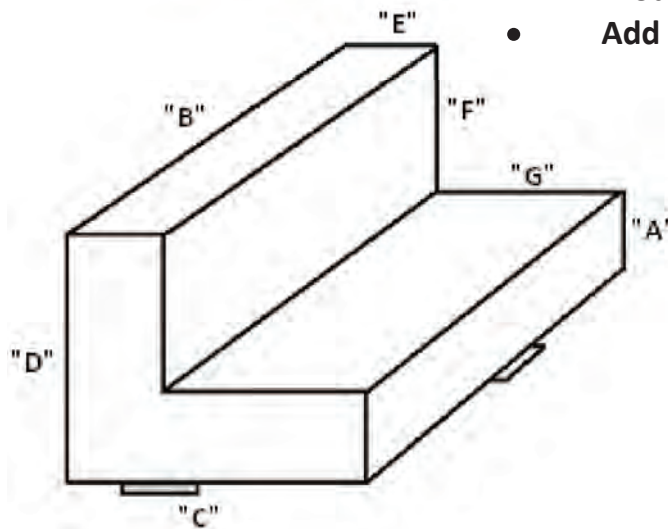


Aluminum Tank Industries, Inc.

80 Gallon Refueling Tank



- Mounting tabs extend out 1-1/2"
- Add 2-1/2" for cap height

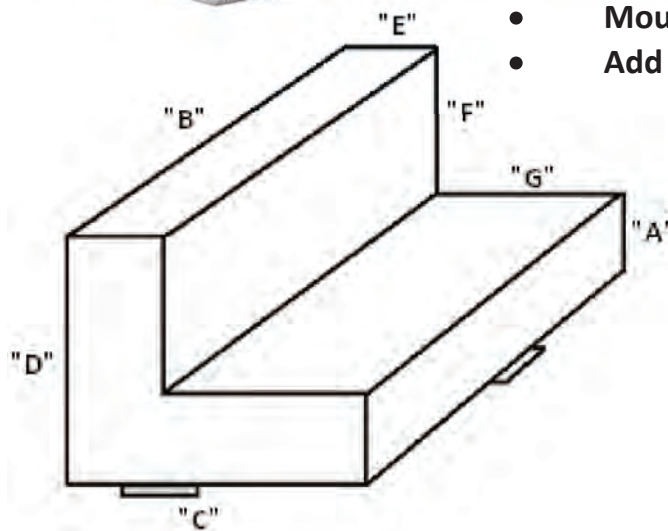


Part #	"A"	"B"	"C"	"D"	"E"	"F"	"G"	Gallons
TTL80	9 1/2"	48 1/2"	28"	26"	8"	16 1/2"	20"	80



Aluminum Tank Industries, Inc.

95 Gallon Refueling Tank



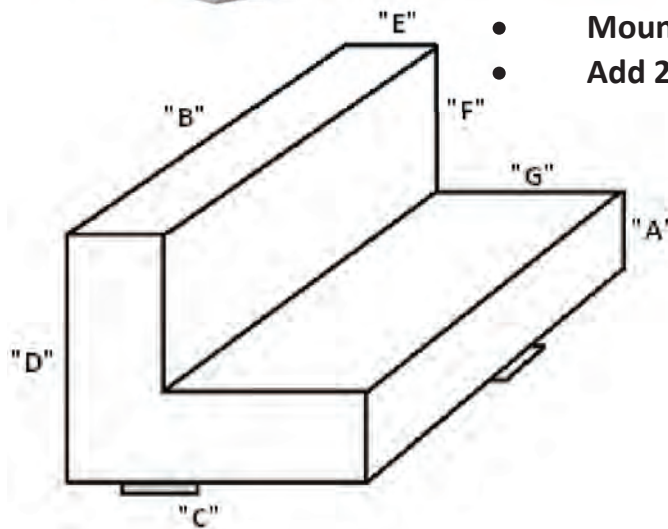
- Mounting tabs extend out 1-1/2"
- Add 2-1/2" for cap height

Part #	"A"	"B"	"C"	"D"	"E"	"F"	"G"	Gallons
TTL95	9"	48 1/2"	33"	26"	11"	17"	22"	95



Aluminum Tank Industries, Inc.

100 Gallon Refueling Tank



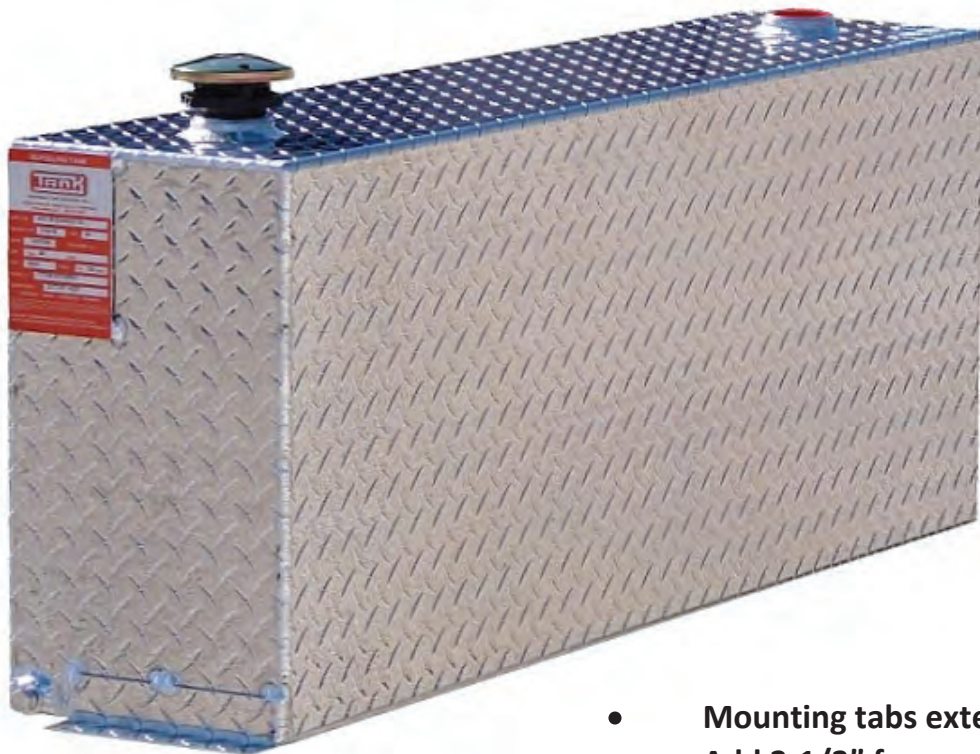
- Mounting tabs extend out 1-1/2"
- Add 2-1/2" for cap height

Part #	"A"	"B"	"C"	"D"	"E"	"F"	"G"	Gallons
TTL100	9"	60"	31"	24"	9"	15"	22"	100

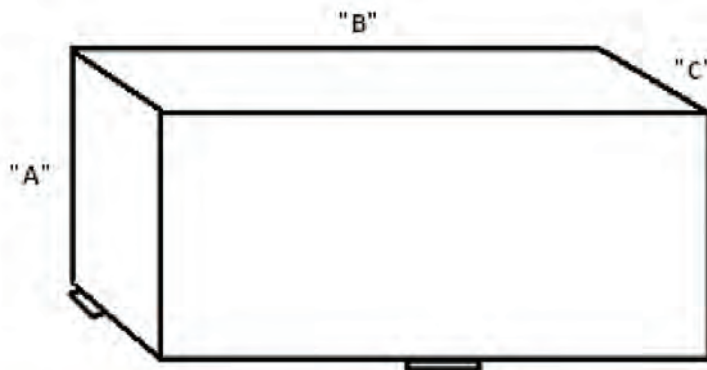


Aluminum Tank Industries, Inc.

38 Gallon Refueling Tank



- Mounting tabs extend out 1-1/2"
- Add 2-1/2" for cap height



Part #	"A"	"B"	"C"	"D"	"E"	"F"	"G"	Gallons
TTR38	19"	48 1/2"	11"					38

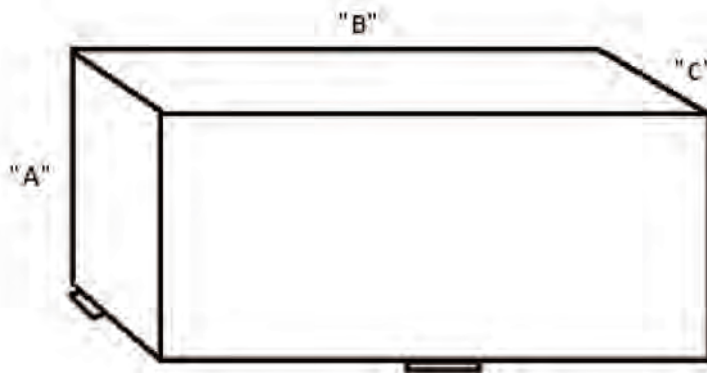


Aluminum Tank Industries, Inc.

46 Gallon Refueling Tank



- Mounting tabs extend out 1-1/2"
- Add 2-1/2" for cap height



Part #	"A"	"B"	"C"	"D"	"E"	"F"	"G"	Gallons
TTR46	16 1/2"	57"	12"					46

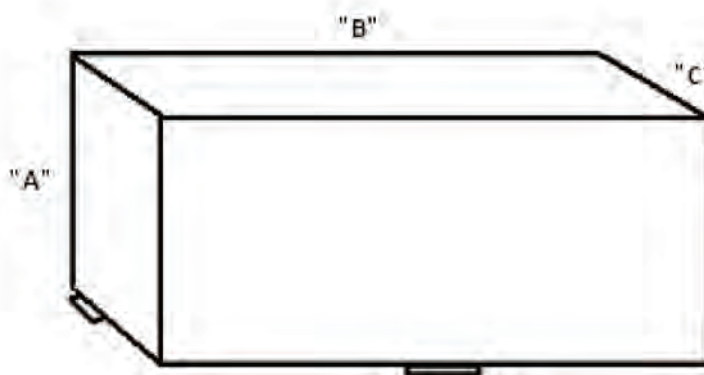


Aluminum Tank Industries, Inc.

50 Gallon Refueling Tank



- Mounting tabs extend out 1-1/2"
- Add 2-1/2" for cap height



Part #	"A"	"B"	"C"	"D"	"E"	"F"	"G"	Gallons
TTR50	19"	36 1/4"	19"					50

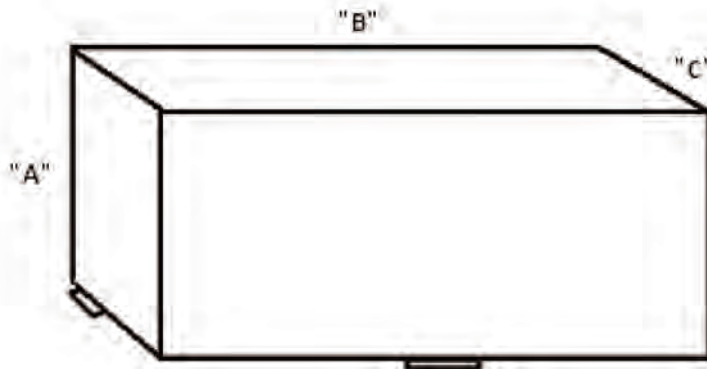


Aluminum Tank Industries, Inc.

51 Gallon Refueling Tank



- Mounting tabs extend out 1-1/2"
- Add 2-1/2" for cap height



TTR51 is 55" across bottom - Sides of tank taper in at bottom

Part #	"A"	"B"	"C"	"D"	"E"	"F"	"G"	Gallons
TTR51	24"	60"	9"					51

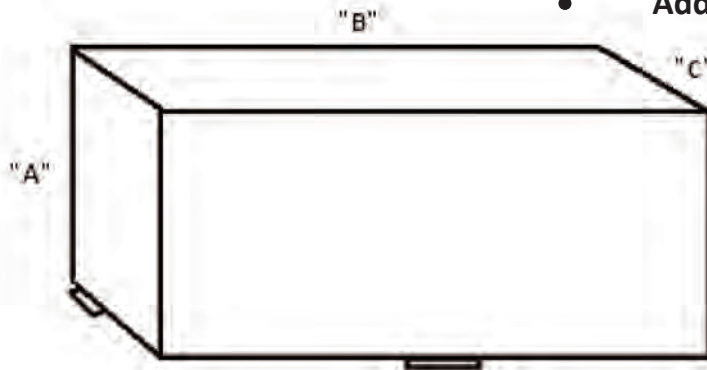


Aluminum Tank Industries, Inc.

55 Gallon Refueling Tank



- Mounting tabs extend out 1-1/2"
- Add 2-1/2" for cap height

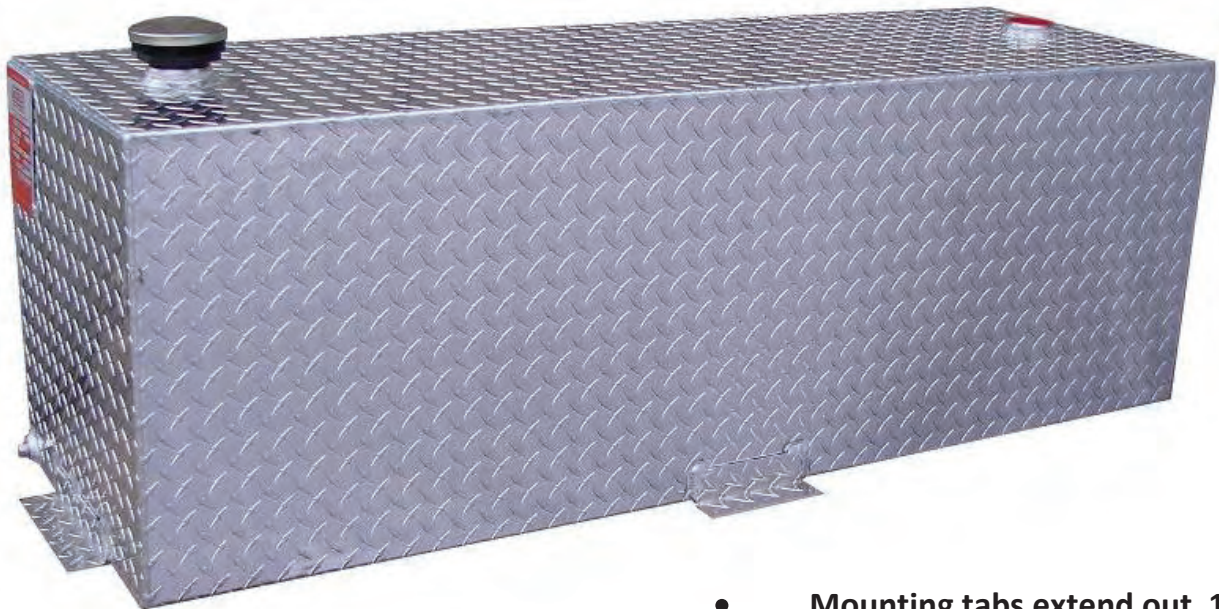


Part #	"A"	"B"	"C"	"D"	"E"	"F"	"G"	Gallons
TTR55	24"	24 1/4"	24"					55

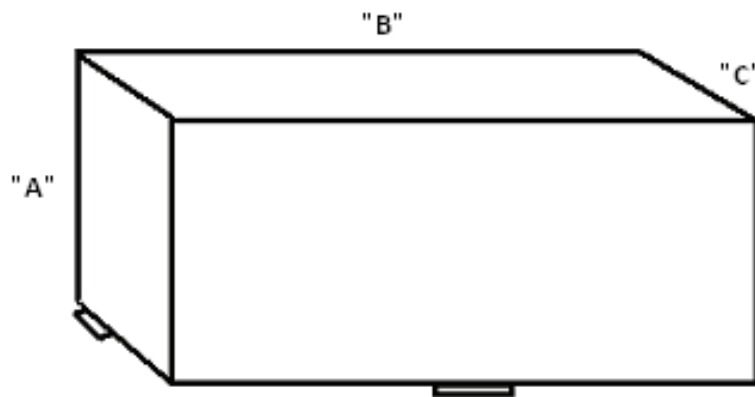


Aluminum Tank Industries, Inc.

77 Gallon Refueling Tank



- Mounting tabs extend out 1-1/2"
- Add 2-1/2" for cap height



Part #	"A"	"B"	"C"	"D"	"E"	"F"	"G"	Gallons
TTR77	19"	57"	18"					77

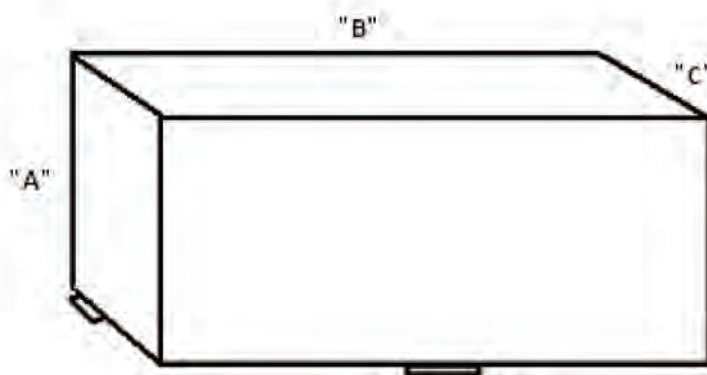


Aluminum Tank Industries, Inc.

110 Gallon Refueling Tank



- Mounting tabs extend out 1-1/2"
- Add 2-1/2" for cap height



Part #	"A"	"B"	"C"	"D"	"E"	"F"	"G"	Gallons
TTR110	24"	48 1/2"	24"					110

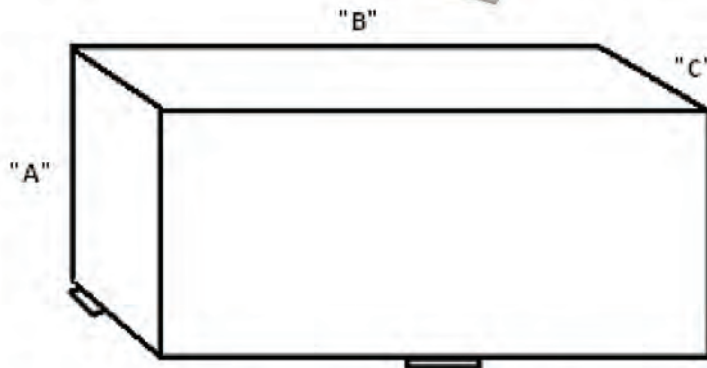


Aluminum Tank Industries, Inc.

47 Gallon Refueling Tank/Toolbox Combo



- Mounting tabs extend out 1-1/2"
- Add 2-1/2" for cap height



Part #	"A"	"B"	"C"	"D"	"E"	"F"	"G"	Gallons
TTL50CB	19"	36 1/4"	30"	Toolbox is 36" x 22" x 11"				47

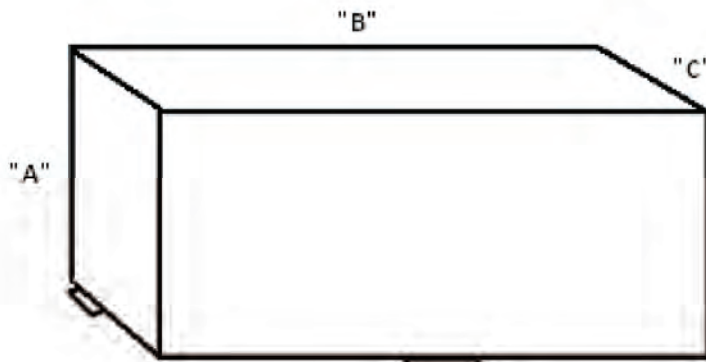


Aluminum Tank Industries, Inc.

65 Gallon Refueling Tank/Toolbox Combo



- Mounting tabs extend out 1-1/2"
- Add 2-1/2" for cap height



TTR65CB is 54" across the bottom - Sides of tank taper in at bottom

Part #	"A"	"B"	"C"	"D"	"E"	"F"	"G"	Gallons
TTR65CB	19"	60"	21"	Toolbox is 47" x 21" x 6"				65

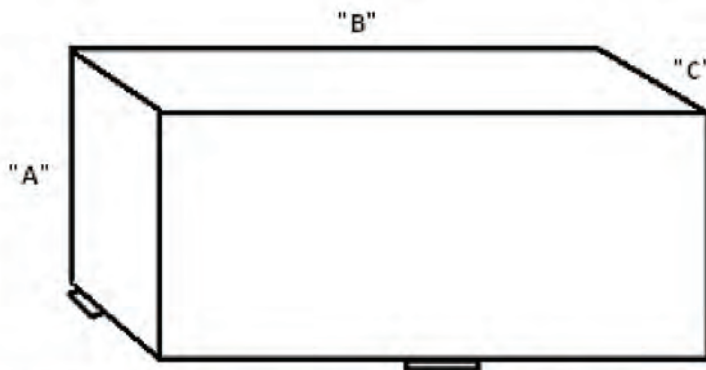


Aluminum Tank Industries, Inc.

95 Gallon Refueling Tank/Toolbox Combo



- Mounting tabs extend out 1-1/2"
- Add 2-1/2" for cap height

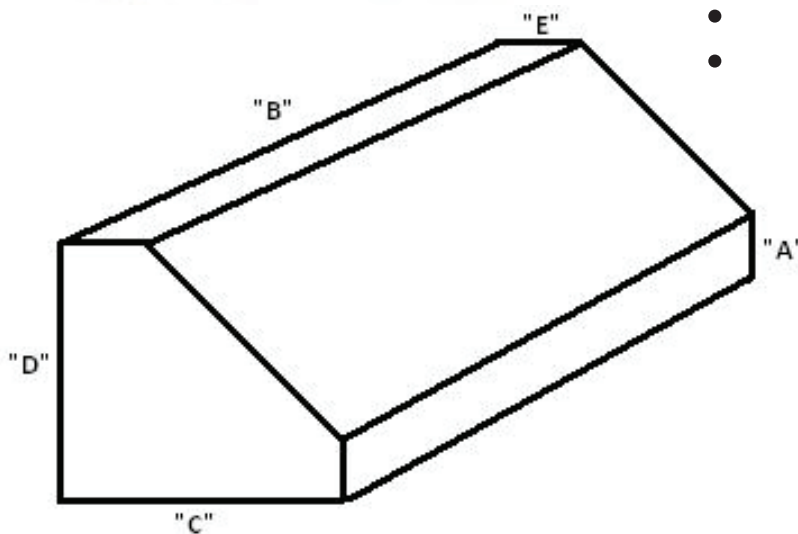


Part #	"A"	"B"	"C"	"D"	"E"	"F"	"G"	Gallons
TTL95CB	26"	48 1/2"	33"	Toolbox is 48" x 22" x 17"				95



Aluminum Tank Industries, Inc.

60 Gallon Wedge Refueling Tank



- Mounting tabs extend out 1-1/2"
- Add 2-1/2" for cap height

Part #	"A"	"B"	"C"	"D"	"E"	"F"	"G"	Gallons
TTW60	4"	56"	20"	18"	6"			60

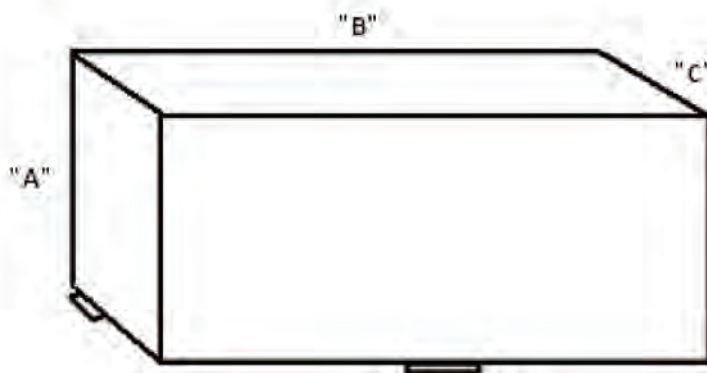


Aluminum Tank Industries, Inc.

72 Gallon Split Refueling Tank



- Mounting tabs extend out 1-1/2"
- Add 2-1/2" for cap height

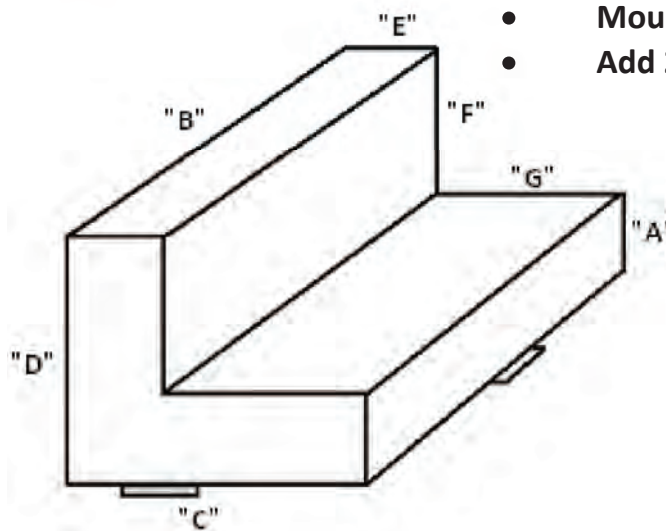


Part #	"A"	"B"	"C"	"D"	"E"	"F"	"G"	Gallons
TTR72S	18"	57"	18"					36/36



Aluminum Tank Industries, Inc.

85 Gallon Split Refueling Tank



- Mounting tabs extend out 1-1/2"
- Add 2-1/2" for cap height

Part #	"A"	"B"	"C"	"D"	"E"	"F"	"G"	Gallons
TTL85S	9"	57"	30"	24"	9"	15"	21"	42/42