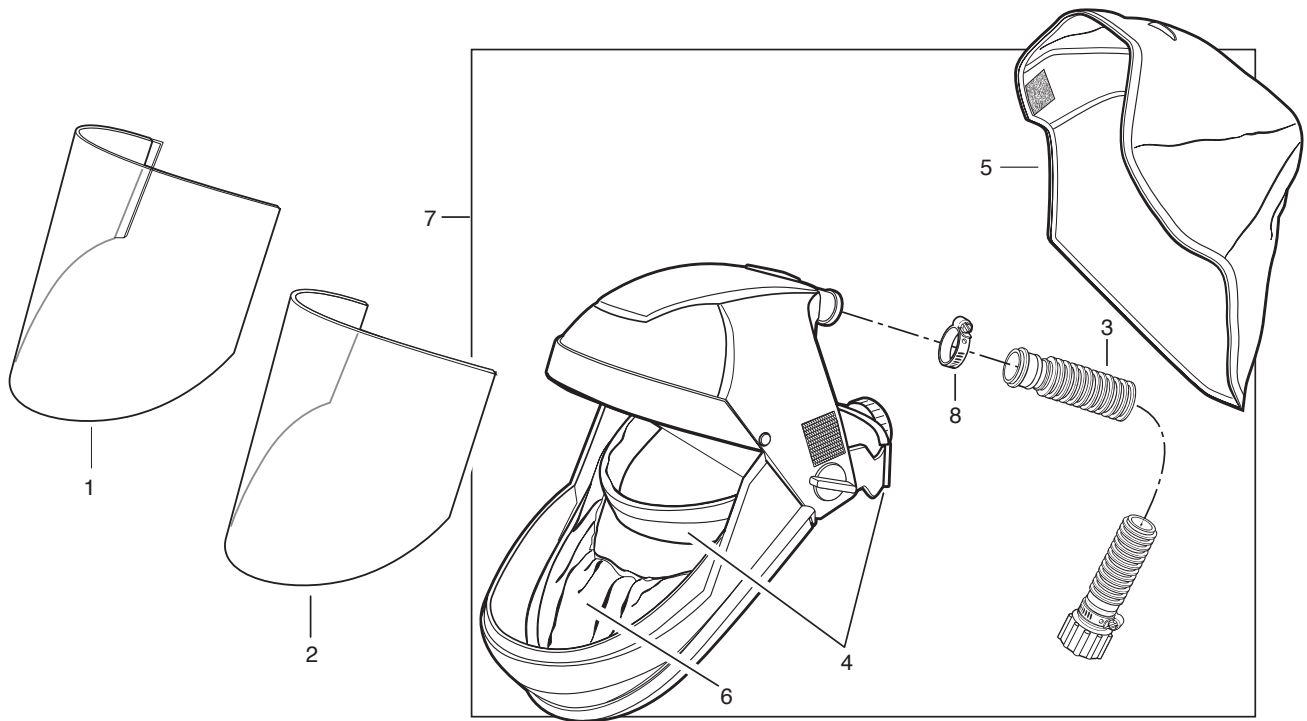
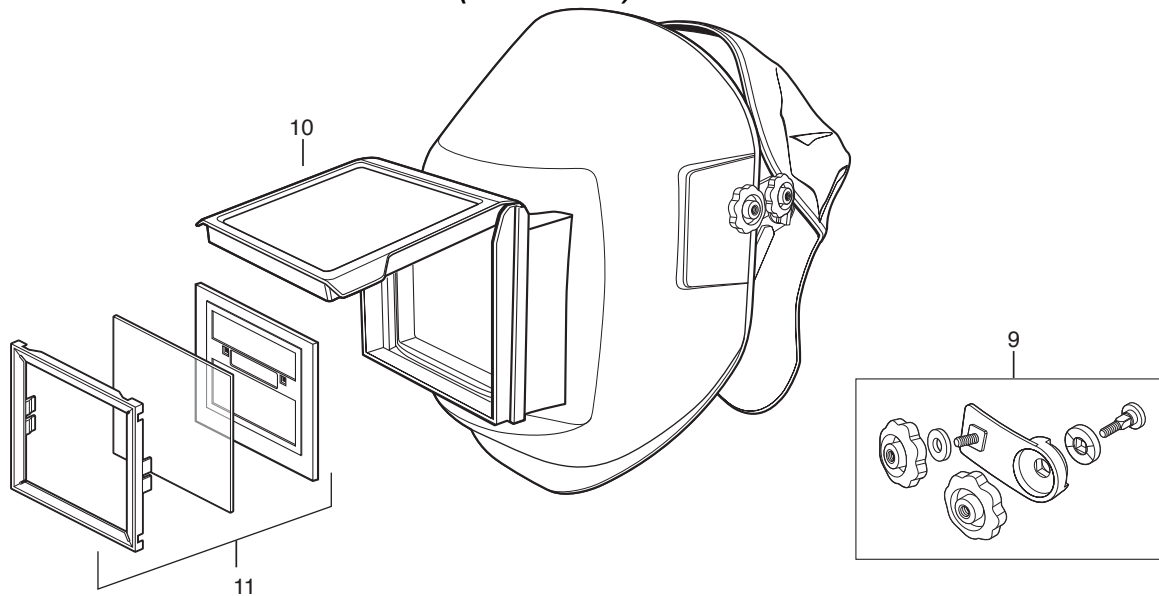


ECONOMY SUPPLIED AIR SHIELD (9903) SUPPLIED AIR SHIELD and WELDING HELMET (9903-W)



Supplied Air Shield and Welding Helmet (9903-W)
(Includes 1-8)



| Key | Part # | Description | Key | Part # | Description | Key | Part # | Description |
|-----|---------------|---|-----|-----------|--|-----|---------|--|
| | 9903 | Economy Supplied Air Shield | 6 | 9903-05 | Chin Guard | 10 | 9903-33 | Lens Kit, includes Shade 10 Filter and Cover Plate |
| | 9903-W | Supplied Air Shield and Welding Helmet | 7 | 9903-10 | Shield Assembly (Includes 2, 4, 5 and 6) | 11 | 9903-35 | Variable Shade 9-12 Auto Darkening Filters (sold separately) |
| 1 | 9903-25 | Peel-Offs (Pkg. 10) | 8 | 9903-01AC | Clamp, Downtube | | | |
| 2 | 9903-09L | Lens | 9 | 9903-16 | Attachment Kit, includes Retainer Knobs, 2 Knob Grommets, 2 Retaining Key Washers, 1 Universal Adaptor (left), 1 Universal Adaptor (right) | | | |
| 3 | 9903-01A | Breathing Tube | | | | | | |
| 4 | 9903-03 | Ratchet Suspension Assy. | | | | | | |
| 5 | 9903-04 | Head Cover | | | | | | |