

# ALL AMERICAN BILLET

Proudly Made  
In The U.S.A.

CATALOG 17-2



# INDEX

## NEW PRODUCTS

3

<b>Front Drive Systems</b>	<b>4-29</b>
Chevy Big Block	16-17
Chevy LS 1,2,3,6 & 7	8-9
Chevy LS Non-A/C	10-11
Chevy LS Vortech Supercharger	14-15
Chevy LSX	12-13
Chevy Small Block	5-7
Chrysler Small Block	26-27
Ford 351 Cleveland	24-25
Ford Big Block	22-23
Ford FE	20-21
Ford Small Block	18-19
HEMI 6.1	28-29

## Interior Accessories

38-53

Door/Window Crank Handles	38-39
Dimmer Switch Covers	40
Visor Clips	41
Door Pullstrap Covers	41
Knobs & Handles	41-43
Shift Knobs & Handles	42-43
Cup Holders	44
Door Lock Knobs	45
Steering Wheels	46
Steering Columns	47
Column Drops	48-49
Tach & Gauge Cups	50-51
Dashes	52-53

## Front Drive Accessories

30-33

Air Conditioners	31
Alternators	31
Power Steering Pumps & Access.	32
Power Steering Reservoirs	33
Radiator Overflow Tanks	33
Water Pumps	30

## Exterior Accessories

54-57

Door Jamb Vents	54
Gas Doors	54
Sider Marker Bezels	54
Tail Light Bezels	54
Door Props	55
Tall Gate Latches	55
Trailing Arms	57
Wiper Deletes	55
Washers & Washer Kits	56-57

## Engine Accessories

34-37

AC/Heater Bulkheads	34
Air Cleaner Nuts	35
Compressor Air Filters	36
Fuel Block Offs	35
Oil Breathers	36
Spark Plug Wire Looms/holders	37

# NEW PRODUCTS

DON'T SEE A SPECIFIC PRODUCT OR FITMENT FOR AN ITEM YOU'RE LOOKING FOR? LET US KNOW! WE LOVE HEARING FROM YOU AS WELL AS BRINGING NEW ITEMS TO THE INDUSTRY!

WE OFFER MOST OF OUR BILLET PRODUCTS IN MACHINED, POLISHED, BLACK ANODIZED AND OUR EXCLUSIVE "SILVERLINE" FINISHES. LOOKING FOR A PARTICULAR PRODUCT IN A FINISH YOU DON'T SEE? WE CAN OFFER CUSTOM FINISHES AT ADDITIONAL COST.

## ALL AMERICAN **BILLET** NEW PRODUCTS



PAGE 43

**3 PC. COLUMN KIT**



PAGE 57

**REAR TRAILING ARMS**

SEE BACK COVER FOR DETAILS



PAGE 36

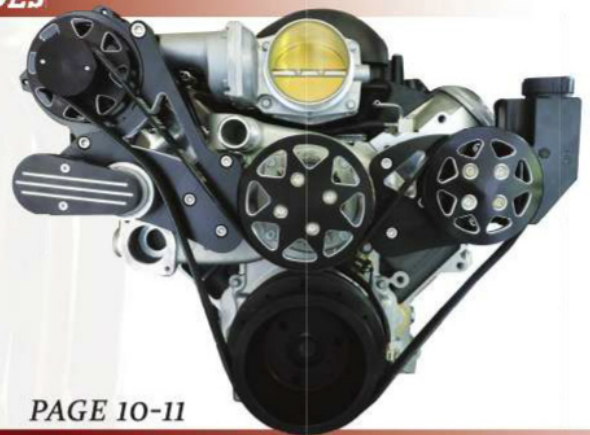
**COMPRESSOR AIR FILTER**

**BILLET HOOD HINGES**



PAGE 40

**UNIVERSAL SHIFT KNOBS**

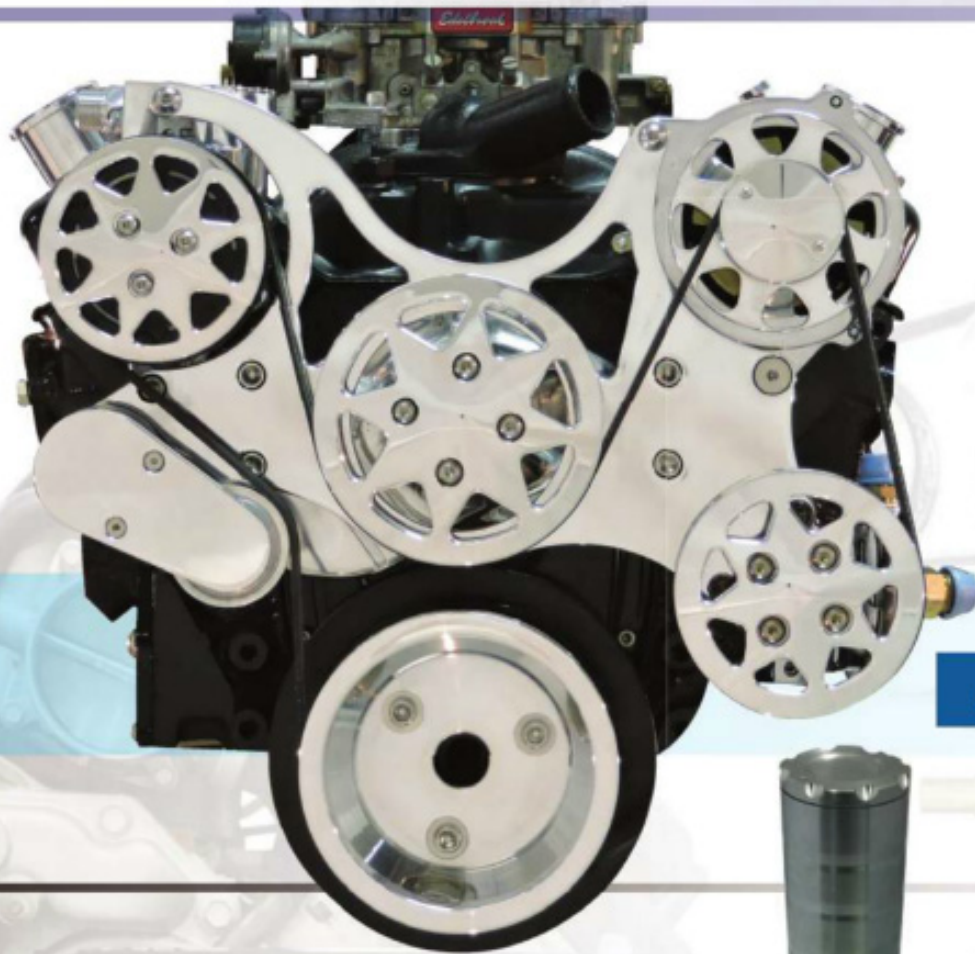


PAGE 10-11

**LS NON AC + POWER STEERING**

# FRONT DRIVE SYSTEMS

All American Billet Serpentine Kits are a great way to clean up any engine compartment. Our kits come standard with Tuff Stuff Performance Accessories and are made in the U.S.A. Brackets are made from 6061-T6 aluminum, and come in Machine Finish, Polished, "Silverline" & "Silverline Supreme" Series.



Power Steering Equipped Kits Include Remote Reservoir, Bracket & Hardware

For kit with Remote Reservoir (Remote Reservoir is standard)

Example: **FDS-SBC-151**

For kit with an On-Board Reservoir substitute (5) in item number for (0)

Example: **FDS-SBC-151**



**ALL AMERICAN BILLET SERPENTINE KITS INCLUDE:**  
REVERSE ROTATION WATER PUMP  
TENSIONER WITH COVER  
6061-T6 ALUMINUM PULLEYS  
GATES SERPENTINE BELT  
STAINLESS STEEL HARDWARE  
LEFT OFFSET CS130 - 160 AMP, 1 WIRE ALTERNATOR  
PEANUT STYLE A/C COMPRESSOR (IF A/C KIT) (SANDEN SD7B10 STYLE)  
TYPE II POWER STEERING PUMP (1200 PSI, 3GPM RATING) (IF PS KIT)  
POWER STEERING RESERVOIR (REMOTE OR ON-BOARD)

*(See individual listings as some kits may have additional parts - Timing Cover, Idler Pulleys, Harmonic Balancer etc...)*



# Polished Serpentine Kits - SMALL BLOCK CHEVY

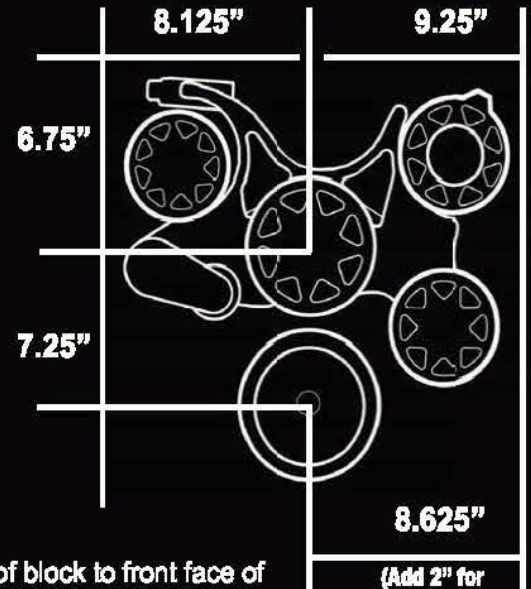


MADE IN THE  
**U.S.A.**



## Polished Kits include:

- Polished Corvette Style "SuperCool" Short Water Pump
- Polished 160 Amp, 1 wire alternator
- Polished 6061-T6 Aluminum Pulleys
- Polished 6061-T6 Brackets
- Tensioner with Polished Aluminum Cover
- Gates 6-Groove Belt & Stainless Steel Hardware
- Polished Peanut Style A/C Compressor (if A/C kit)
- Polished Power Steering Reservoir (if PS kit)
- Polished aluminum Type II Power Steering Pump (if PS Kit)



- From front of block to front face of
- AC cover: 7.5"
  - alternator pulley: 6.625"
  - water pump pulley: 6.5"
  - crank pulley: 6.25"
  - power steering pulley: 6.5"



**Polished - With A/C  
With Power Steering  
FDS-SBC-101**



**Polished - With A/C  
No Power Steering  
FDS-SBC-102**



**Polished - No A/C  
With Power Steering  
FDS-SBC-103**

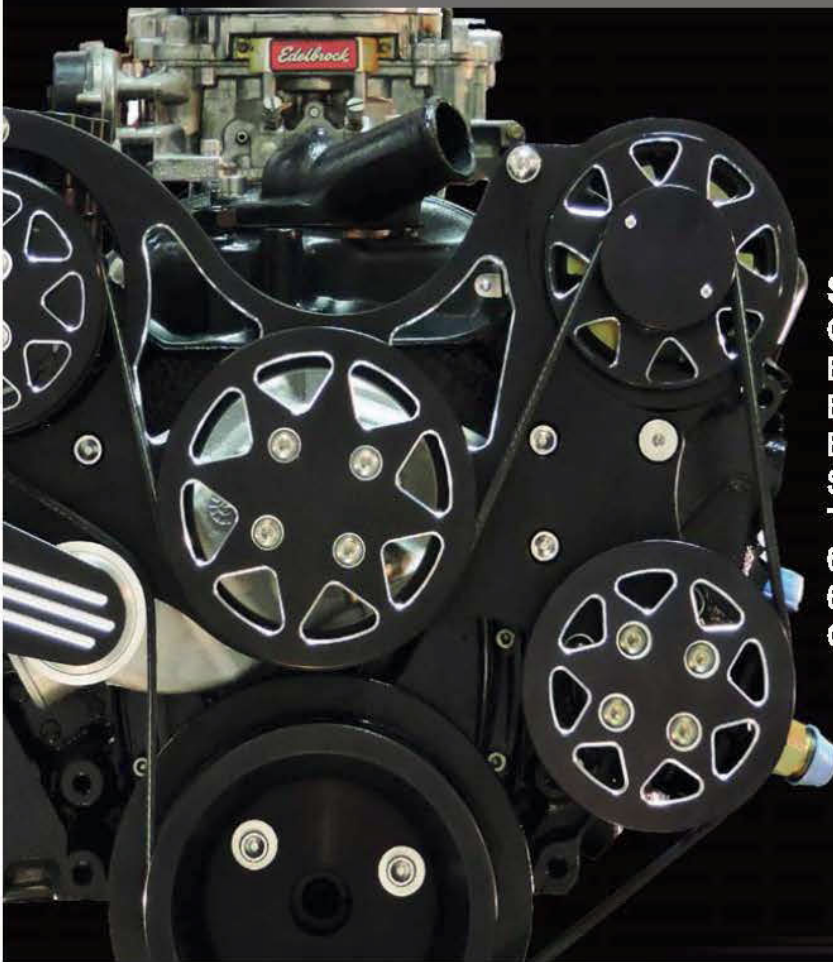


**Polished - No A/C  
No Power Steering  
FDS-SBC-104**

### \*FITMENT NOTES\*

*Requires factory timing cover for short water pump  
85-91 Corvette factory application on water pump*

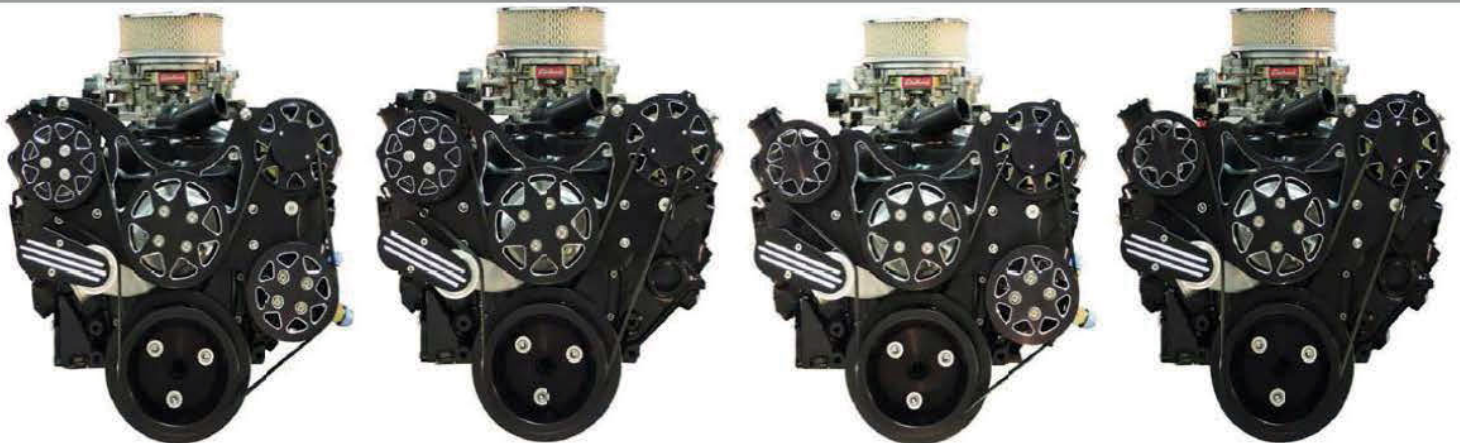
Silverline Series Kits were designed to give any engine that aggressive black style highlighted by machined finished areas for a truly standout look



### Silverline Series Kits include:

- Corvette Style "SuperCool" Short Water Pump As Cast
- Black 160 Amp, 1 wire alternator
- Black Peanut Style A/C Compressor (if A/C kit)
- Black Aluminum Type II Power Steering Pump (if PS Kit)
- Silverline Series Power Steering Reservoir (if PS kit)
- Tensioner with Silverline Series Aluminum Cover
- 6061-T6 Silverline Series Aluminum Pulleys
- 6061-T6 Silverline Series Brackets
- Gates 6-Groove Belt & Stainless Steel Hardware

MADE IN THE  
**U.S.A.**



**Silverline Series - With A/C  
With Power Steering  
FDS-SBC-201**

**Silverline Series - With A/C  
No Power Steering  
FDS-SBC-202**

**Silverline Series - No A/C  
With Power Steering  
FDS-SBC-203**

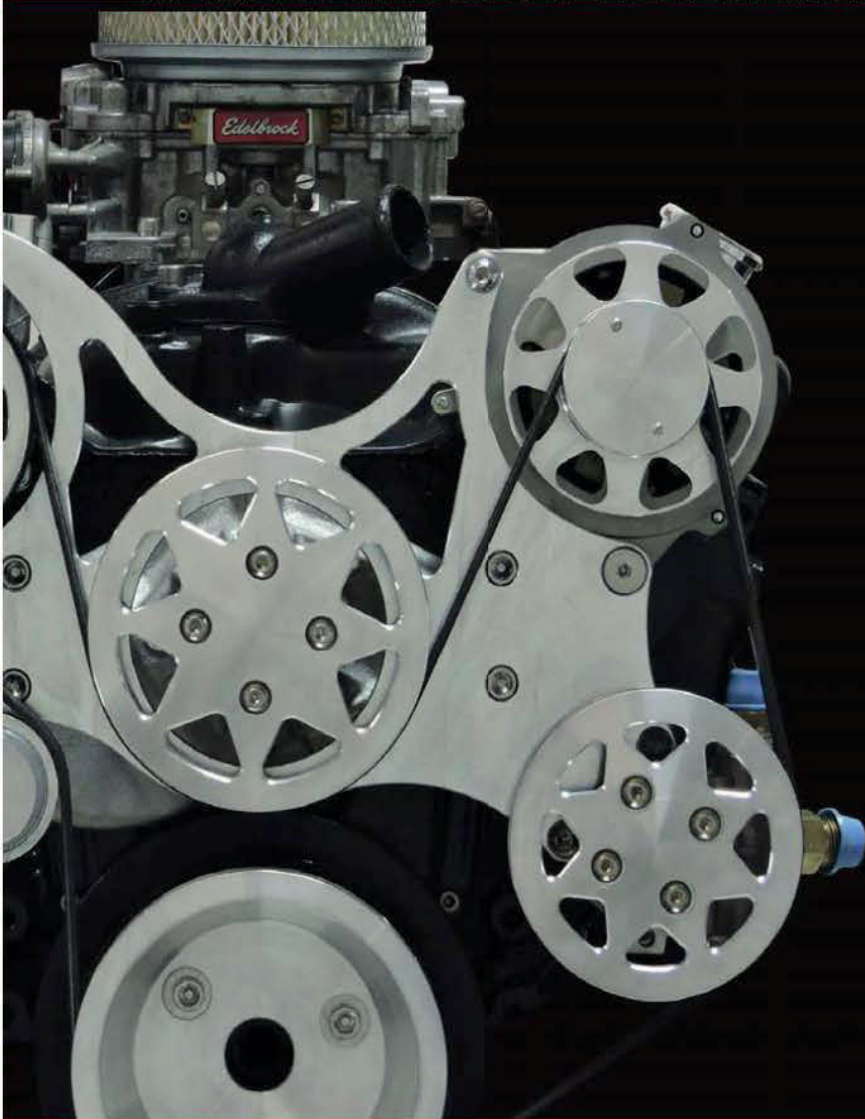
**Silverline Series - No A/C  
No Power Steering  
FDS-SBC-204**

### \*FITMENT NOTES\*

*Requires factory timing cover for short water pump  
85-91 Corvette factory application on water pump*

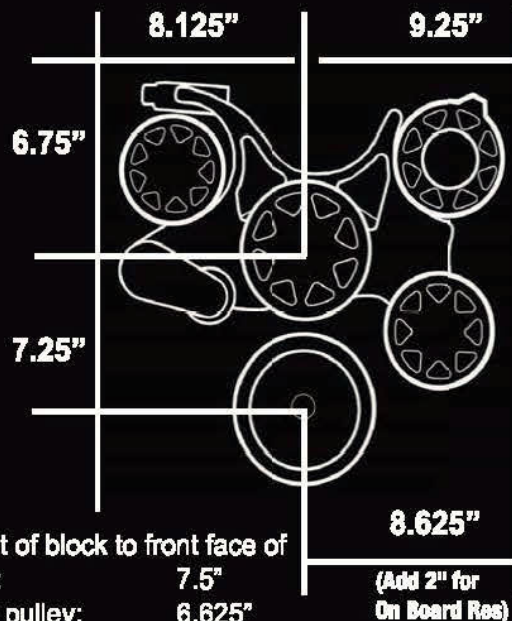
# MACHINED SERPENTINE KITS - SMALL BLOCK CHEVY

**A CLASSIC MACHINED ALUMINUM FINISH**



## Machine Finish Kits include:

- Corvette Style "SuperCool" Short Water Pump As Cast
- 160 Amp, 1 wire alternator As Cast
- Peanut Style A/C Compressor (if A/C kit)
- Aluminum Type II Power Steering Pump (if PS Kit)
- Power Steering Reservoir (if PS kit)
- Tensioner with Aluminum Cover
- 6061-T6 Aluminum Pulleys
- Gates 6-Groove Belt & Stainless Steel Hardware
- 6061-T6 Brackets



- From front of block to front face of
- AC cover: 7.5"
  - alternator pulley: 6.625"
  - water pump pulley: 6.5"
  - crank pulley: 6.25"
  - power steering pulley: 6.5"



**Machined - With A/C  
With Power Steering  
FDS-SBC-301**



**Machined - With A/C  
No Power Steering  
FDS-SBC-302**



**Machined - No A/C  
With Power Steering  
FDS-SBC-303**



**Machined - No A/C  
No Power Steering  
FDS-SBC-304**

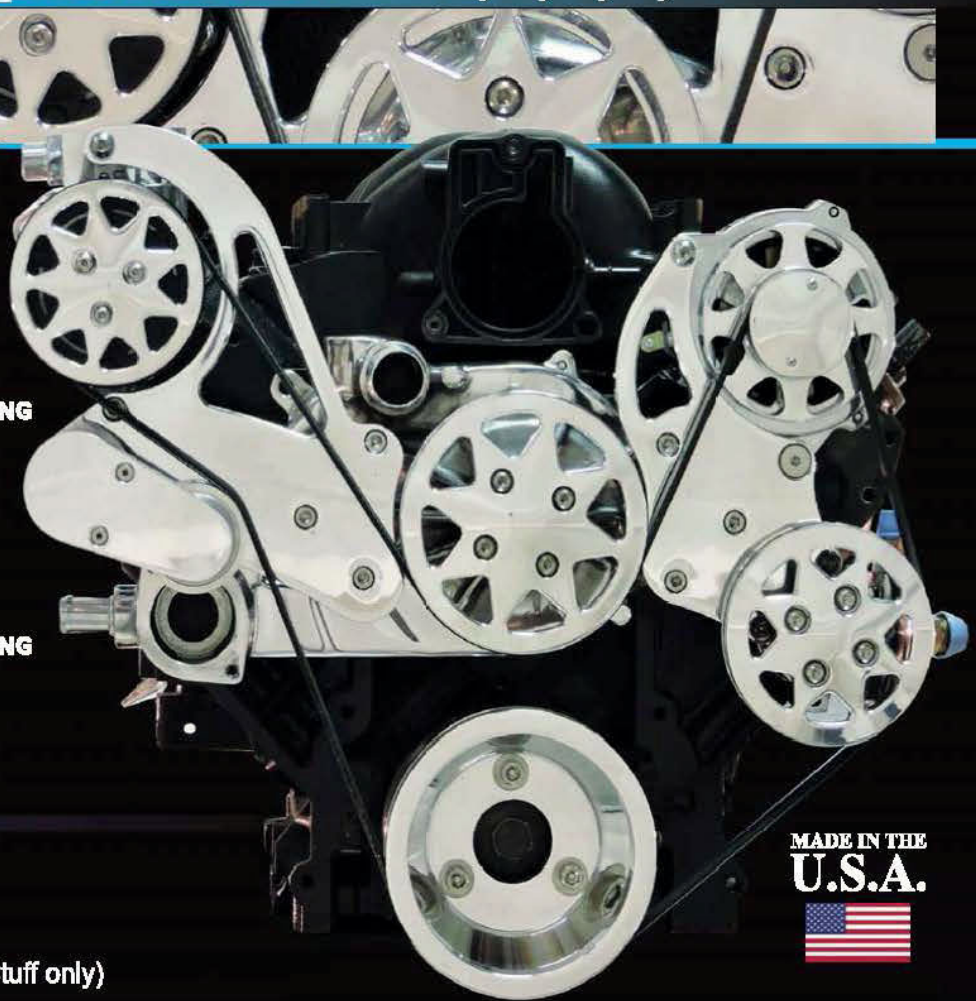
### \*FITMENT NOTES\*

*Requires factory timing cover for short water pump  
85-91 Corvette factory application on water pump*

# POLISHED Serpentine Kits- LS1, 2, 3, 6, & LS7

KIT WITH TUFF STUFF WATER PUMP  
**POLISHED - WITH A/C & POWER STEERING**  
 FDS-LS-101  
 FDS-LS7-101

KIT WITH EDELBROCK WATER PUMP  
**POLISHED - WITH A/C & POWER STEERING**  
 FDS-LS-101-E  
 FDS-LS7-101-E



**MADE IN THE  
 U.S.A.**

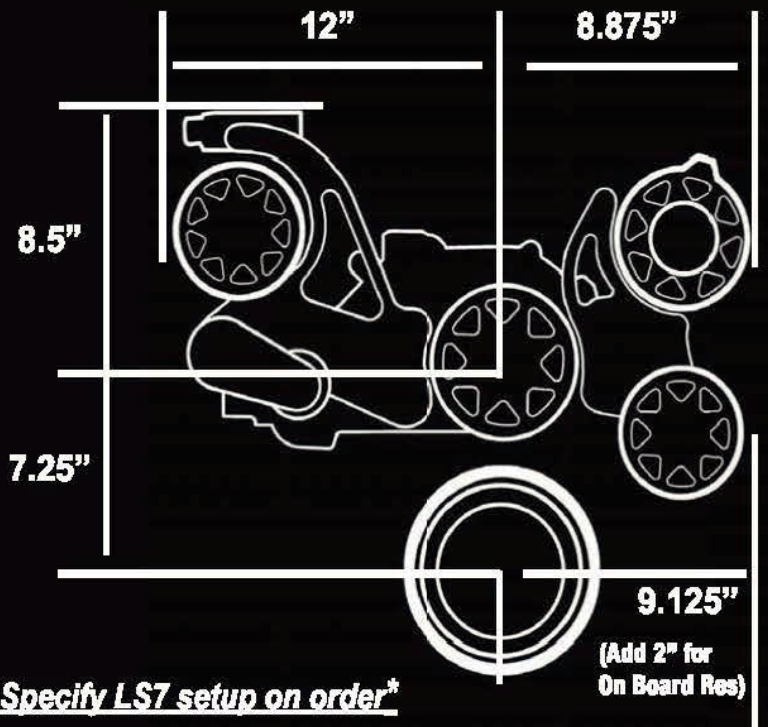


## Polished Kits include:

- Aluminum Water Pump (Polished in Tuff Stuff only)
- Polished 160 Amp, 1 wire alternator
- Gates 6-Groove Belt & Stainless Steel Hardware
- Polished Peanut Style A/C Compressor (if A/C kit)
- Polished aluminum Type II Power Steering Pump (if PS Kit)
- Polished Power Steering Reservoir (if PS kit)
- Tensioner with Polished Aluminum Cover
- Polished 6061-T6 Aluminum Pulleys
- Fluidampr Harmonic Balancer
- Polished 6061-T6 Brackets

## From front of block to face of

- |                           |               |
|---------------------------|---------------|
| <b>AC Cover:</b>          | <b>7.5"</b>   |
| <b>Alt Pulley:</b>        | <b>6.75"</b>  |
| <b>Water Pump Pulley:</b> | <b>6.625"</b> |
| <b>Crank Pulley:</b>      | <b>6.5"</b>   |
| <b>PS Pulley:</b>         | <b>6.625</b>  |



## \*FITMENT NOTES\*

**\*LS7 setup varies from other versions - LS7 - Specify LS7 setup on order\***

*ECM tuning required*

*Requires 2004 and later two piece design thermostat not included in kit (GM PN 12600172 includes seal and thermostat)*

*Fits all Gen III and Gen IV LS style engines - LS1, LS2, LS3, LS6, LS7, L92, L99, LQ4, LQ9, LY6, L76, LSx....etc*

*(Does not fit with VVT - engine can be adapted to work with setup)*



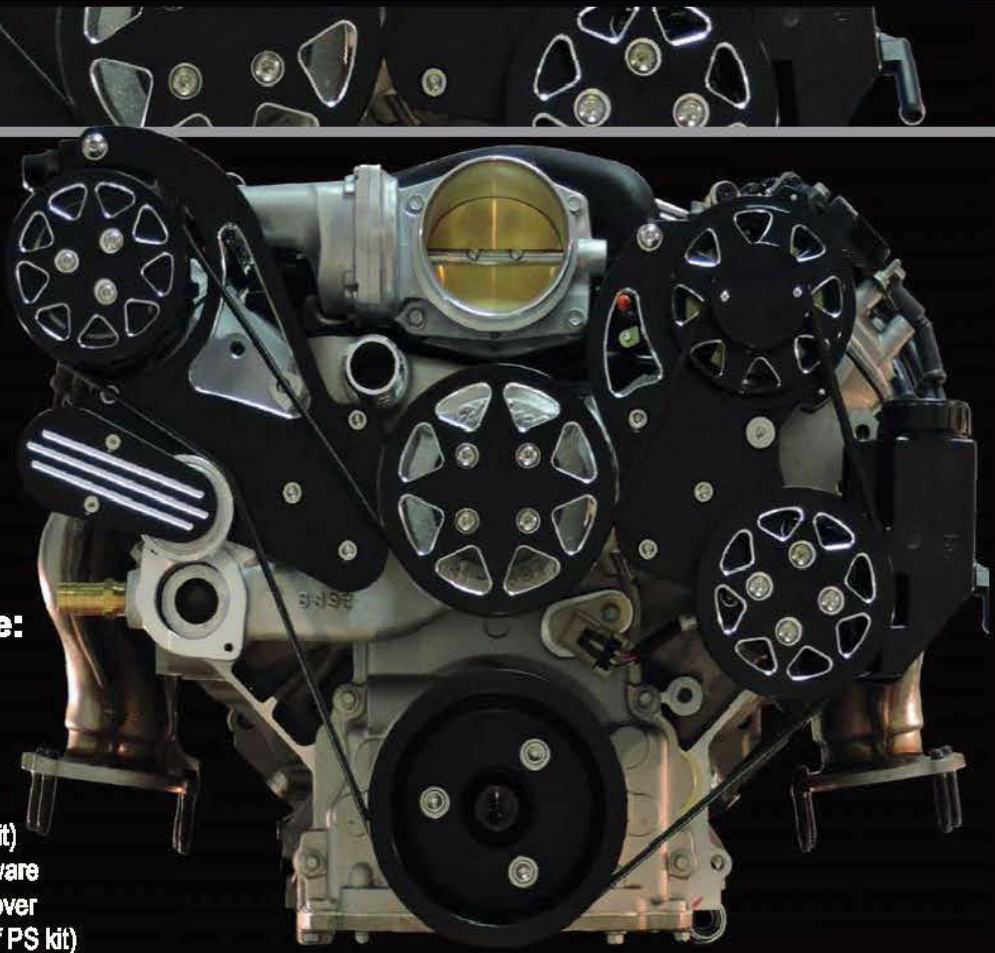
Silverline Series Kits were designed to give any engine that aggressive black style highlighted by machined finished areas for a truly standout look

MADE IN THE  
**U.S.A.**



### Silverline Series Kits include:

- Aluminum Water Pump
- Black 160 Amp, 1 wire alternator
- Fluidampr Harmonic Balancer
- 6061-T6 Silverline Series Brackets
- 6061-T6 Silverline Series Aluminum Pulleys
- Black Peanut Style A/C Compressor (if A/C kit)
- Gates 6-Groove Belt & Stainless Steel Hardware
- Tensioner with Silverline Series Aluminum Cover
- Silverline Series Power Steering Reservoir (if PS kit)
- Black Aluminum Type II Power Steering Pump (if PS Kit)



### KIT WITH TUFF STUFF WATER PUMP

"SILVERLINE" - WITH A/C & POWER STEERING

FDS-LS-201

FDS-LS7-201

### KIT WITH EDELBROCK WATER PUMP

"SILVERLINE" - WITH A/C & POWER STEERING

FDS-LS-201-E

FDS-LS7-201-E

## MACHINED SERPENTINE KITS - LS1, 2, 3, 6 & LS7

A CLASSIC MACHINED ALUMINUM FINISH

MACHINE FINISH KITS INCLUDE ALL COMPONENTS LISTED ABOVE (ACCESSORIES ARE INCLUDED IN CAST)

### KIT WITH TUFF STUFF WATER PUMP

MACHINED - WITH A/C & POWER STEERING

FDS-LS-301

FDS-LS7-301

### KIT WITH EDELBROCK WATER PUMP

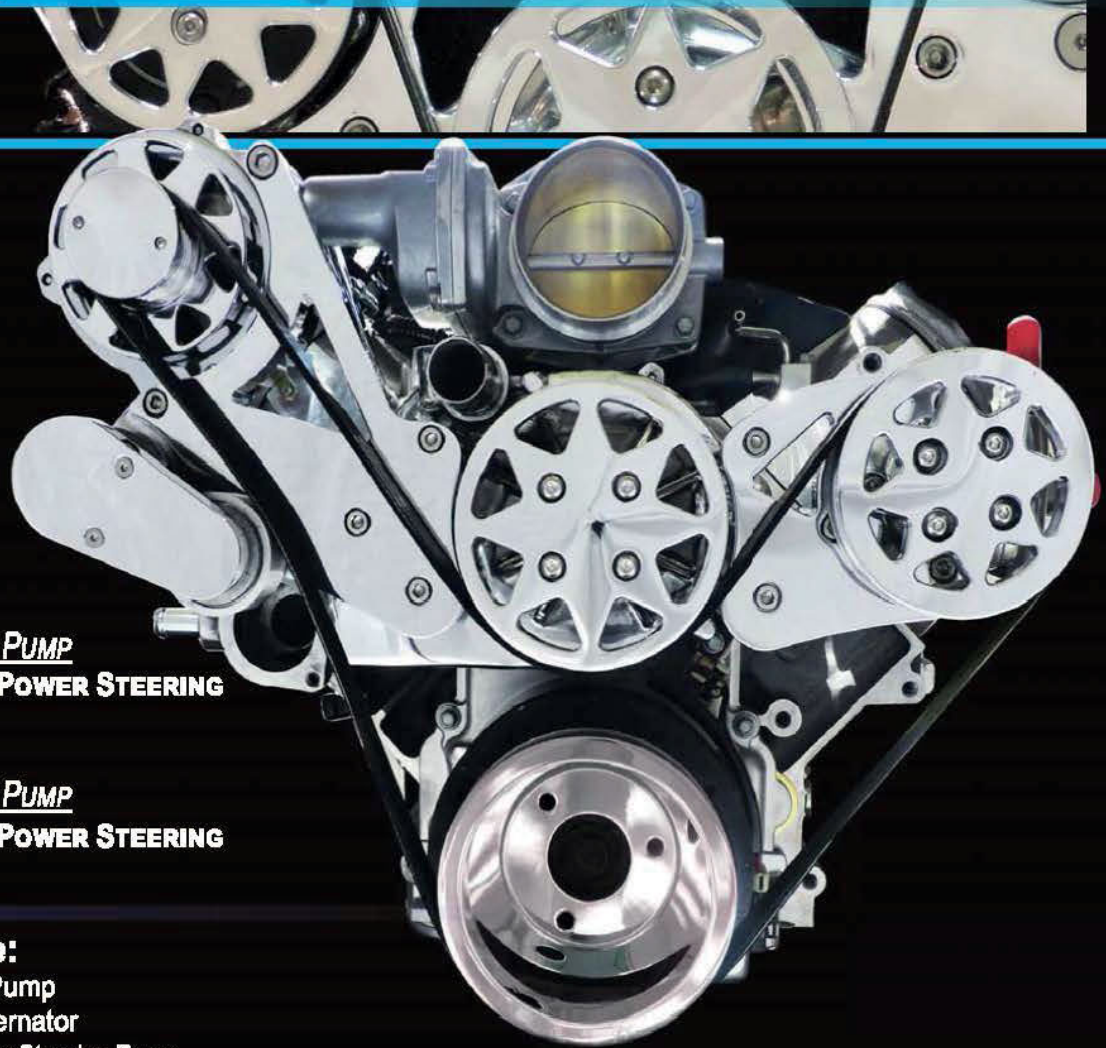
MACHINED - WITH A/C & POWER STEERING

FDS-LS-301-E

FDS-LS7-301-E

# POLISHED Serpentine Kits- LS - No AC & with Power Steering

MADE IN THE  
**U.S.A.**



**KIT WITH TUFF STUFF WATER PUMP**  
**POLISHED - NO AC & WITH POWER STEERING**  
**FDS-LS-103**

**KIT WITH EDELBROCK WATER PUMP**  
**POLISHED - NO AC & WITH POWER STEERING**  
**FDS-LS-103-E**

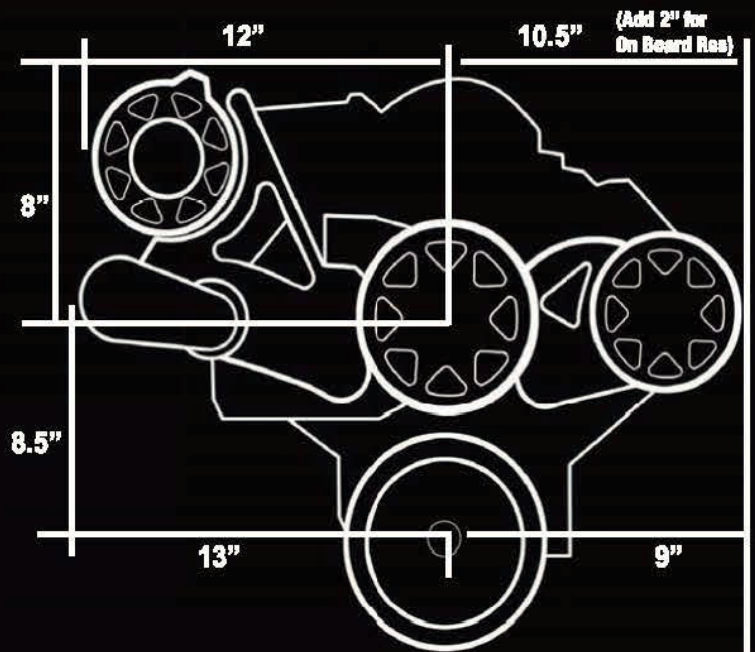
## Polished Kits include:

- Aluminum Edelbrock Water Pump
- Polished 160 Amp, 1 wire alternator
- Polished aluminum Type II Power Steering Pump
- Polished Power Steering Reservoir
- Tensioner with Polished Aluminum Cover
- Polished 6061-T6 Aluminum Pulleys
- Fluidampr Harmonic Balancer
- Polished 6061-T6 Brackets
- Gates 6-Groove Belt
- Stainless Steel Hardware

## From front of block to face of

<b>AC Cover:</b>	<b>7.5"</b>
<b>Alt Pulley:</b>	<b>6.75"</b>
<b>Water Pump Pulley:</b>	<b>6.625"</b>
<b>Crank Pulley:</b>	<b>6.5"</b>
<b>PS Pulley:</b>	<b>6.625"</b>

**NEW PRODUCT!**



## \*FITMENT NOTES\*

*ECM tuning required*

*Requires 2004 and later two piece design thermostat not included in kit (GM PN 12600172 includes seal and thermostat)*

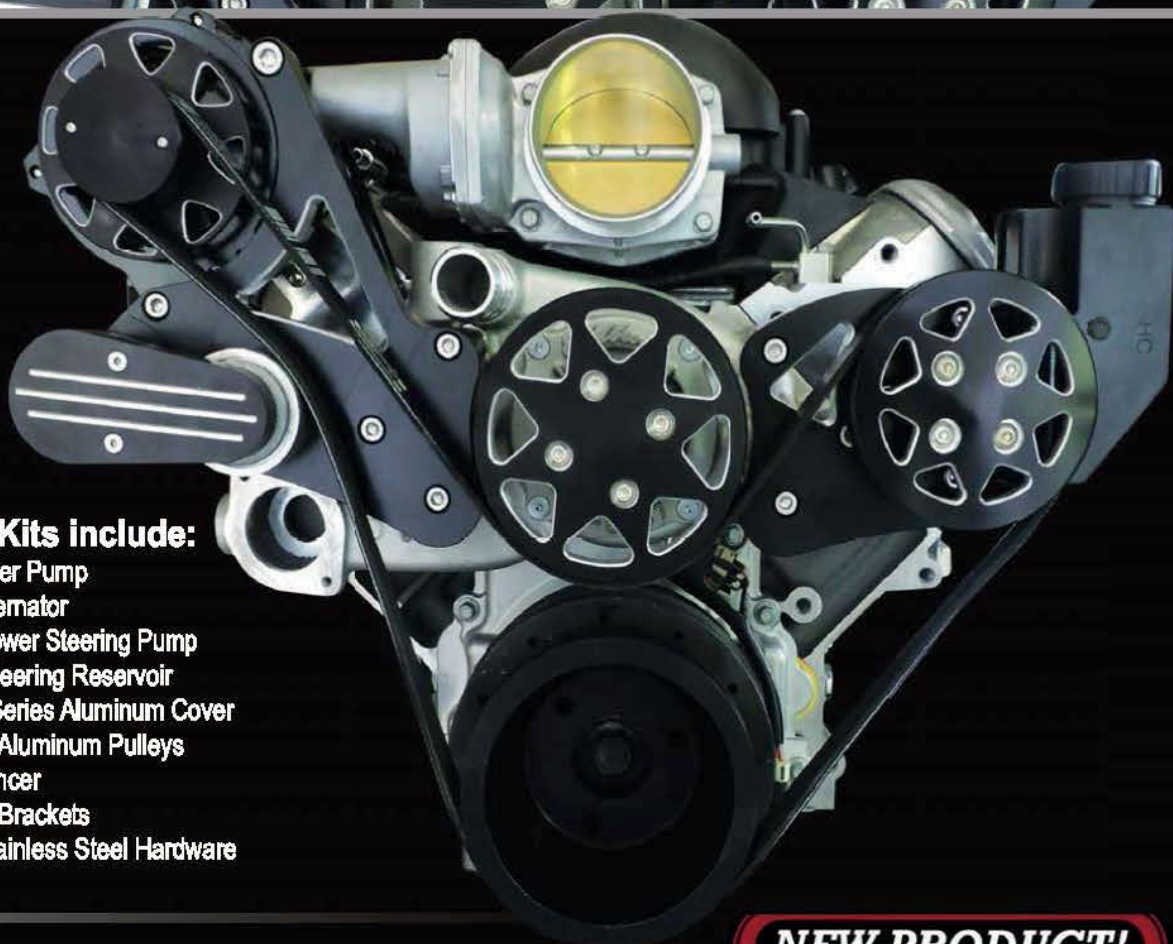
*Fits all Gen III and Gen IV LS style engines - LS1, LS2, LS3, LS6, LS7, L92, L99, LQ4, LQ9, LY6, L76, LSx....etc*

*(Does not fit with VVT - engine can be adapted to work with setup)*

STYLISH BLACK ANODIZED WITH MACHINED AREAS

Silverline Series Kits were designed to give any engine that aggressive black style highlighted by machined finished areas for a truly standout look

MADE IN THE  
U.S.A.



### Silverline Series Kits include:

Aluminum Edelbrock Water Pump  
Black 160 Amp, 1 wire alternator  
Black Aluminum Type II Power Steering Pump  
Silverline Series Power Steering Reservoir  
Tensioner with Silverline Series Aluminum Cover  
6061-T6 Silverline Series Aluminum Pulleys  
Fluidampr Harmonic Balancer  
6061-T6 Silverline Series Brackets  
Gates 6-Groove Belt & Stainless Steel Hardware

**NEW PRODUCT!**

KIT WITH TUFF STUFF WATER PUMP  
**POLISHED - NO AC & WITH POWER STEERING**  
FDS-LS-203

KIT WITH EDELBROCK WATER PUMP  
**"SILVERLINE" - NO AC & WITH POWER STEERING**  
FDS-LS-203-E

## MACHINED SERPENTINE KITS - LS - NO AC & WITH POWER STEERING

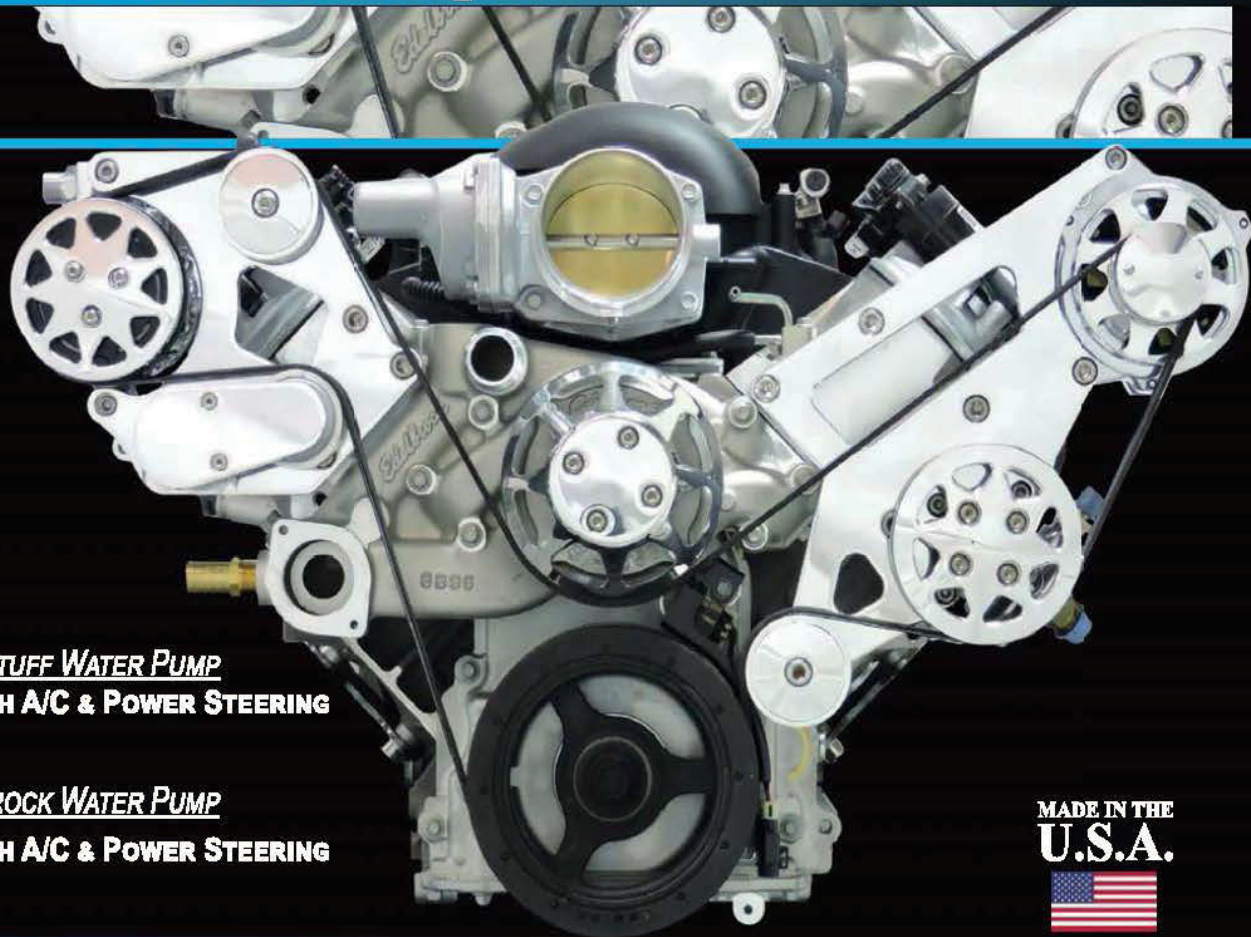
A CLASSIC MACHINED ALUMINUM FINISH

MACHINE FINISH KITS INCLUDE ALL COMPONENTS LISTED ABOVE (ACCESSORIES ARE INCLUDED IN CAST)

KIT WITH TUFF STUFF WATER PUMP  
**POLISHED - NO AC & WITH POWER STEERING**  
FDS-LS-303

KIT WITH EDELBROCK WATER PUMP  
**MACHINED - NO AC & WITH POWER STEERING**  
FDS-LS-303-E

# POLISHED Serpentine Kits- LS X



**KIT WITH TUFF STUFF WATER PUMP**  
**POLISHED - WITH A/C & POWER STEERING**  
**FDS-LSX-101**

**KIT WITH EDELBROCK WATER PUMP**  
**POLISHED - WITH A/C & POWER STEERING**  
**FDS-LSX-101-E**

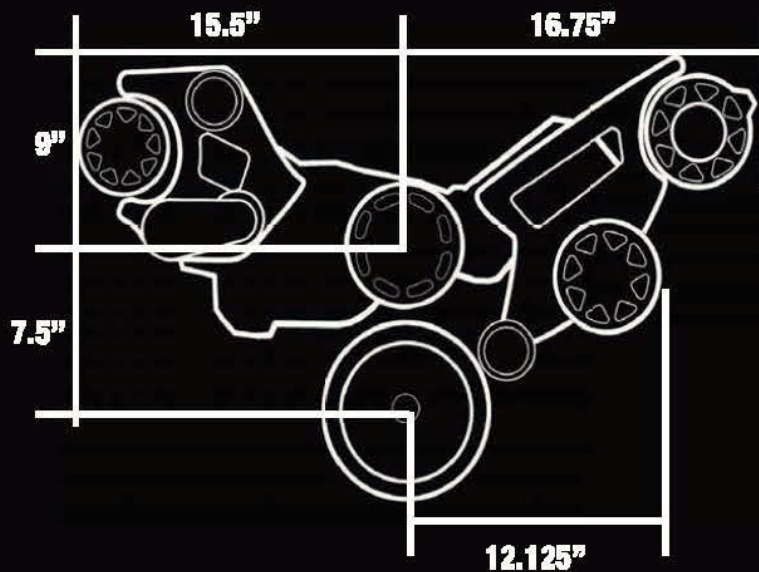


## Polished Kits include:

- Aluminum Water Pump (Polished in Tuff Stuff only)
- Polished 160 Amp, 1 wire alternator
- Polished Peanut Style A/C Compressor (if A/C kit)
- Polished aluminum Type II Power Steering Pump (if PS Kit)
- Polished Power Steering Reservoir (if PS kit)
- Tensioner with Polished Aluminum Cover
- Polished 6061-T6 Aluminum Pulleys
- Polished 6061-T6 Brackets
- Gates 6-Groove Belt & Stainless Steel Hardware

## Forward from Timing Mounting Surface to Front Face of:

<b>Crank Pulley:</b>	<b>4.125"</b>
<b>Water Pump:</b>	<b>6.625"</b>
<b>AC Cover:</b>	<b>5.125"</b>
<b>Power Steering:</b>	<b>4.5"</b>
<b>Alt Pulley:</b>	<b>4.25"</b>

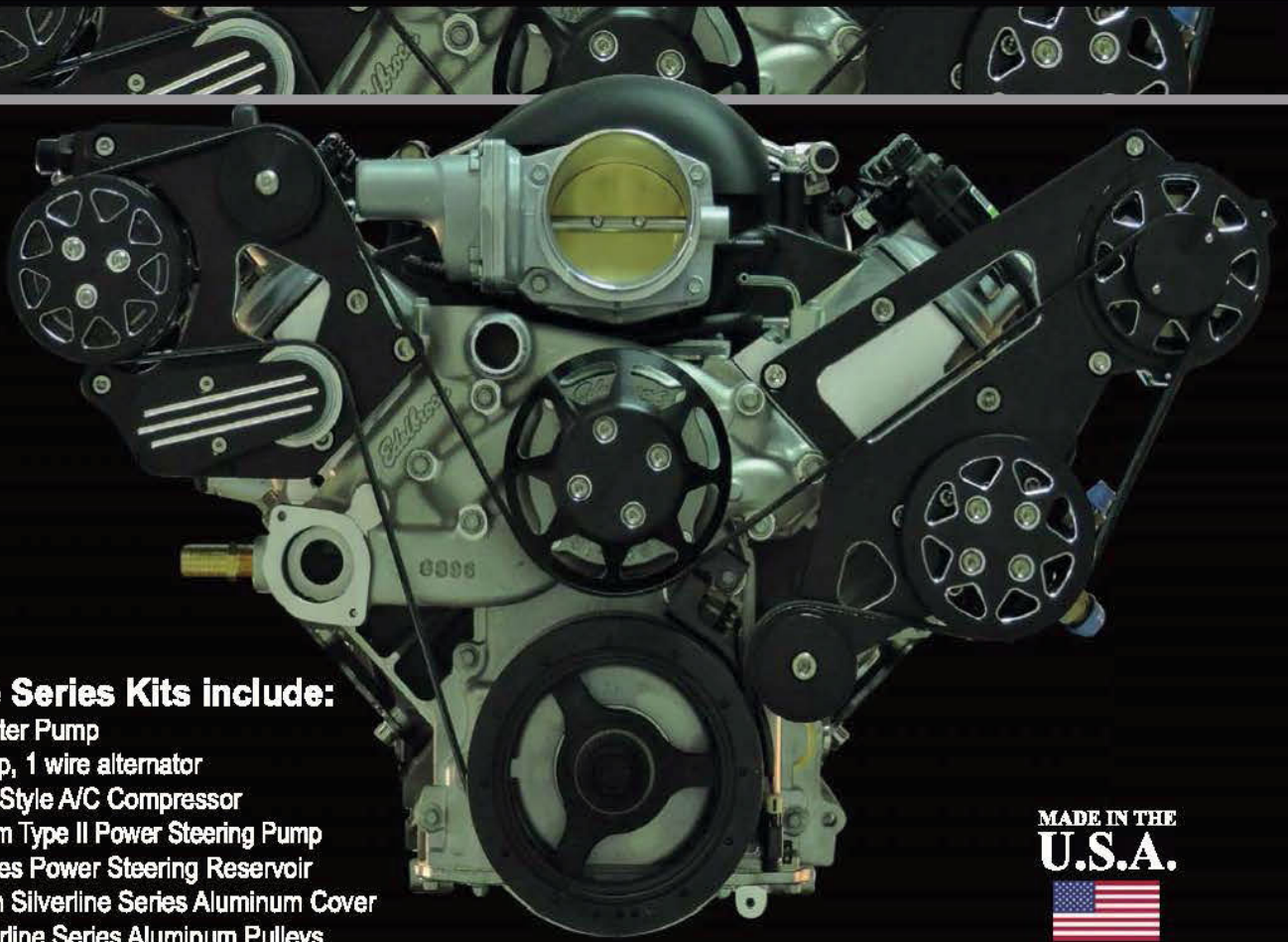


## \*FITMENT NOTES\*

ECM tuning required - Requires 2004 and later two piece design thermostat not included in kit  
 (GM PN 12600172 includes seal and thermostat)

Fits all Gen III and Gen IV LS style engines (requires 1997-2013 Corvette balancer spacing or aftermarket equivalent)  
 - LS1, LS2, LS3, LS6, LS7, L92, L99, LQ4, LQ9, LY6, L76, LSX....etc  
 (Does not fit with VVT - engine can be adapted to work with setup)

Silverline Series Kits were designed to give any engine that aggressive black style highlighted by machined finished areas for a truly standout look



### Silverline Series Kits include:

Aluminum Water Pump  
Black 160 Amp, 1 wire alternator  
Black Peanut Style A/C Compressor  
Black Aluminum Type II Power Steering Pump  
Silverline Series Power Steering Reservoir  
Tensioner with Silverline Series Aluminum Cover  
6061-T6 Silverline Series Aluminum Pulleys  
6061-T6 Silverline Series Brackets  
Gates 6-Groove Belt & Stainless Steel Hardware

MADE IN THE  
U.S.A.



#### KIT WITH TUFF STUFF WATER PUMP

"SILVERLINE" - WITH A/C & POWER STEERING  
FDS-LSX-201

#### KIT WITH EDELBROCK WATER PUMP

"SILVERLINE" - WITH A/C & POWER STEERING  
FDS-LSX-201-E

## MACHINED SERPENTINE KITS - LS X

A CLASSIC MACHINED ALUMINUM FINISH

MACHINE FINISH KITS INCLUDE ALL COMPONENTS LISTED ABOVE (ACCESSORIES ARE INCLUDED IN CAST)

#### KIT WITH TUFF STUFF WATER PUMP

MACHINED - WITH A/C & POWER STEERING  
FDS-LSX-301

#### KIT WITH EDELBROCK WATER PUMP

MACHINED - WITH A/C & POWER STEERING  
FDS-LSX-301-E

# POLISHED Serpentine Kits- LS VORTECH SUPER CHARGER

(LS Vortech SC setup varies from other LS versions)



MADE IN THE  
**U.S.A.**



**KIT WITH EDELBROCK WATER PUMP**  
**POLISHED - WITH A/C & POWER STEERING**  
**FDS-LSV-101**

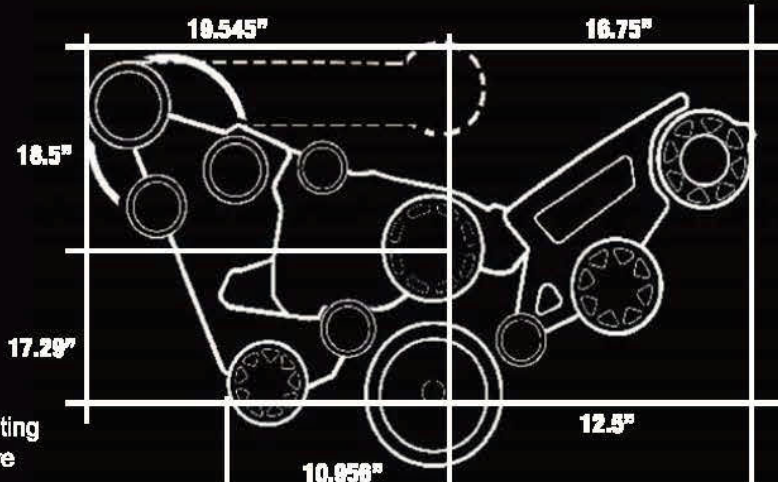
**NEW PRODUCT!**

## Polished Kits include:

Mandrel bent aluminum discharge tube w/ clamps & silicone sleeves  
Edelbrock Aluminum Water Pump  
160 Amp, 1 wire alternator  
Peanut Style A/C Compressor  
Aluminum Type II PS Pump  
Power Steering Reservoir  
Aluminum Pulleys & Brackets  
Gates 6-Groove Belt  
High-grade mounting hardware  
V-3 SI supercharger with 3.60" 10-rib pulley  
(CW rotation, curved discharge, passenger side mount)  
Supercharger drive assembly  
Integrated manual belt tensioner with sealed bearing  
tensioner pulley and 10-rib belt  
Billet aluminum 10-rib supercharger crank pulley  
with hard anodize finish (6" diameter)  
Crank pulley spacer- (compatible with the SUM-C2501  
serpentine drive Supercharger air inlet filter)  
Vortech Maxflow Race Bypass Valve with filter  
Aluminum mounting bracket provide rigid supercharger mounting  
Includes all necessary silicone couplers, clamps and hardware

Forward from Timing Mount Face:

Crank Pulley:	6.175"
Water Pump:	6.625"
AC Cover:	5.125"
Power Steering:	4.5"
Air Pulley:	4.25"
Lower Idler:	4.25"
Upper Idler:	4.125"



## \*FITMENT NOTES\*

Fits all Gen III and Gen IV LS style engines LS1, LS2, LS3, LS6, LS7, L92, L99, LQ4, LQ9, LY6, L76, LSx.....etc  
(Does not fit with VVT - engine can be adapted to work with setup)

Supplied pulley ratio will produce approximately 8-10 psi @ 6000 RPM on a typical LS1, LS2

Horsepower gains (dependent on engine size) 30-75+ %

Designed for vehicles equipped with fuel injected Chevrolet engines using LS1, LS2 style intake manifold

Silverline Series Kits were designed to give any engine that aggressive black style highlighted by machined finished areas for a truly standout look

MADE IN THE  
U.S.A.



## Silverline Series Kits include:

- Supercharger drive assembly
- Edelbrock Aluminum Water Pump
- Black 160 Amp, 1 wire alternator
- Black Peanut Style A/C Compressor
- Aluminum Type II PS Pump
- Power Steering Reservoir
- Silverline Series Pulleys & Brackets
- Gates 6-Groove Belt
- High-grade mounting hardware
- V-3 Si supercharger with 3.60" 10-rib pulley  
(CW rotation, curved discharge, passenger side mount)
- Mandrel bent aluminum discharge tube w/ clamps & silicone sleeves
- Integrated manual belt tensioner with sealed bearing
- tensioner Silverline Series pulley and 10-rib belt
- Black Billet aluminum 10-rib supercharger crank pulley  
with hard anodize finish (6" diameter)
- Crank pulley spacer- (compatible with the SUM-C2501  
serpentine drive Supercharger air inlet filter)
- Vortech Maxflow Race Bypass Valve with filter
- Aluminum mounting bracket provide rigid supercharger mounting
- Includes all necessary silicone couplers, clamps and hardware

### KIT WITH EDELBROCK WATER PUMP

"SILVERLINE" - WITH A/C & POWER STEERING  
FDS-LSV-201

**NEW PRODUCT!**

### \*LSV SuperCharger Requirements-All Versions\*

- Engine calibration
- New Thermostat (2004-later two piece design)
- Straight Style Thermostat Housing (ex. Mr Gasket P/N - 2671)
- 1/2" NPT 45 degree heater hose fitting
- Fuel system - Fuel Lines (-6 or larger)
- Fuel Pressure Regulator (Boost reference style)
- Fuel Pump (340lph or larger)
- Fuel Injectors (42lbs or larger)
- Fuel Filter (capable to handle higher flow)
- 3/8" NPT 90 degree heater hose fitting
- 1/2" NPT 45 degree heater hose fitting

## MACHINED SERPENTINE KITS - LS VORTECH SUPERCHARGER

A CLASSIC MACHINED ALUMINUM FINISH

MACHINE FINISH KITS INCLUDE ALL COMPONENTS LISTED ABOVE (ACCESSORIES ARE INCLUDED IN CAST)

### KIT WITH EDELBROCK WATER PUMP

MACHINED - WITH A/C & POWER STEERING  
FDS-LSV-301

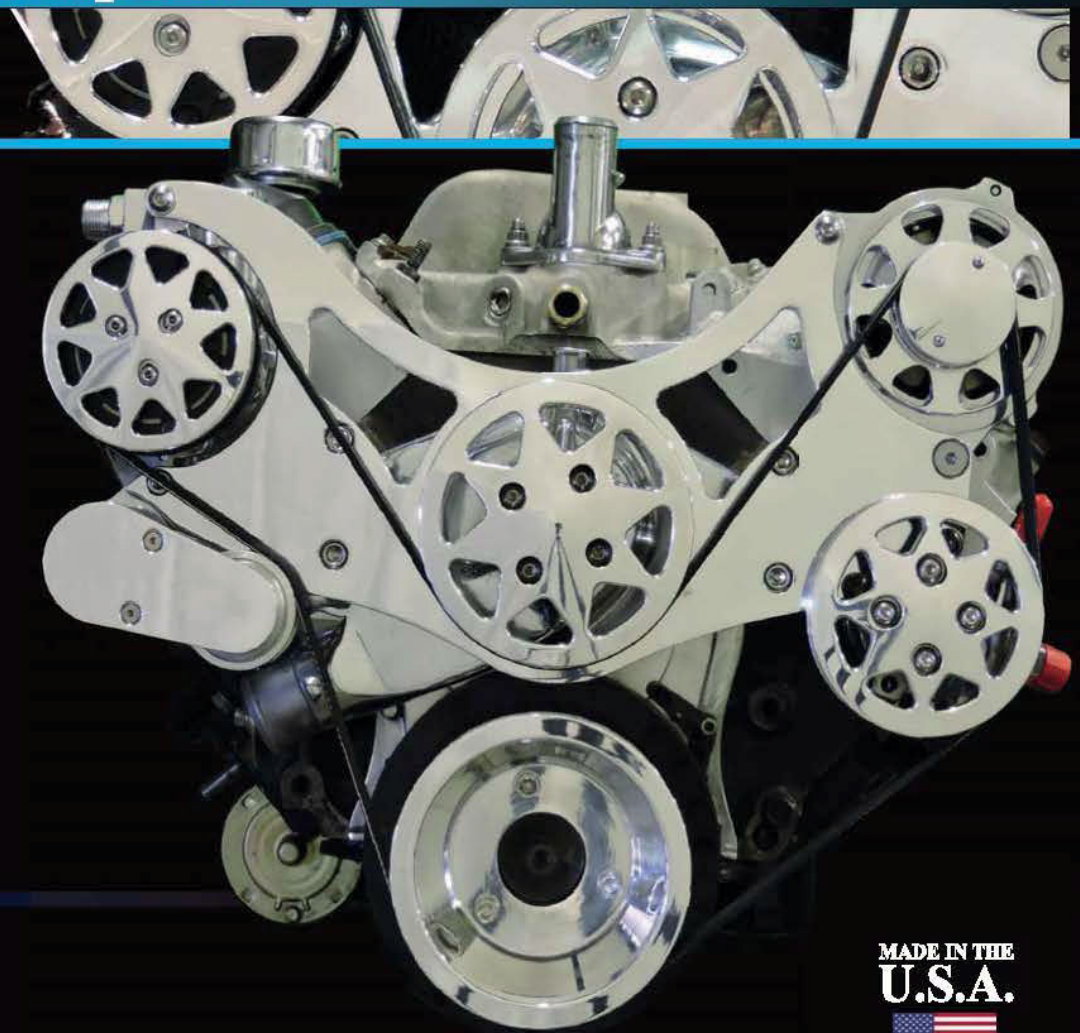
# POLISHED Serpentine Kits- BIG BLOCK CHEVY

**Polished - With A/C  
With Power Steering  
FDS-BBC-101**

**Polished - With A/C  
No Power Steering  
FDS-BBC-102**

**Polished - No A/C  
With Power Steering  
FDS-BBC-103**

**Polished - No A/C  
No Power Steering  
FDS-BBC-104**



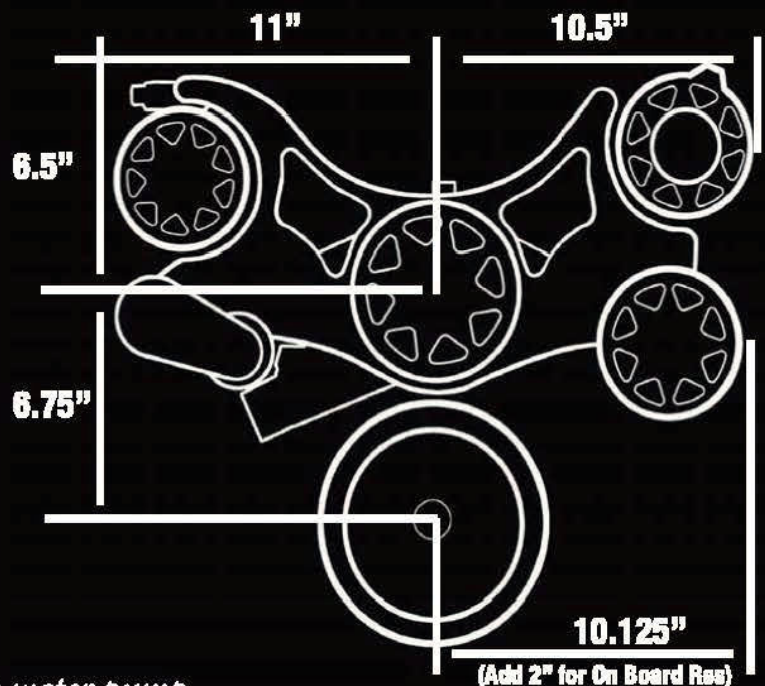
## Polished Kits include:

- Polished Aluminum Water Pump
- Polished 160 Amp, 1 wire alternator
- Polished Peanut Style A/C Compressor (if A/C kit)
- Polished aluminum Type II Power Steering Pump (if PS Kit)
- Polished Power Steering Reservoir (if PS kit)
- Gates 6-Groove Belt & Stainless Steel Hardware
- Tensioner with Polished Aluminum Cover
- Polished 6061-T6 Aluminum Pulleys
- Polished 6061-T6 Brackets

## From front of block to face of:

<b>Crank Pulley:</b>	<b>4.125"</b>
<b>AC Cover:</b>	<b>7.25"</b>
<b>Alt Pulley:</b>	<b>6.3125"</b>
<b>Water Pump Pulley:</b>	<b>6.375"</b>
<b>Crank Pulley:</b>	<b>6.25"</b>
<b>PS Pulley:</b>	<b>6.375"</b>

MADE IN THE  
U.S.A.



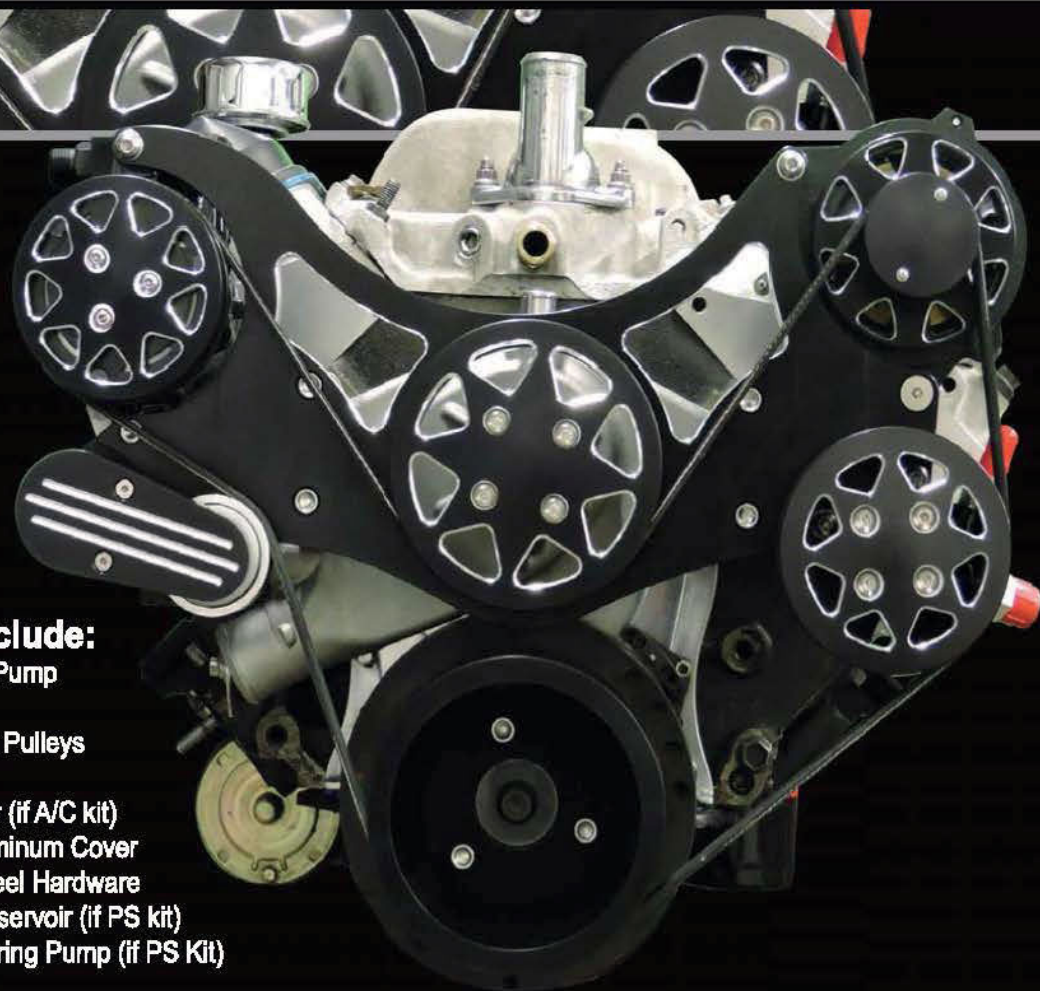
## \*FITMENT NOTES\*

*Note 65-72 factory Big Block short fitment on water pump*



Silverline Series Kits were designed to give any engine that aggressive black style highlighted by machined finished areas for a truly standout look

MADE IN THE  
U.S.A.



### Silverline Series Kits include:

- Aluminum Reverse Rotation Water Pump
- Black 160 Amp, 1 wire alternator
- 6061-T6 Silverline Series Aluminum Pulleys
- 6061-T6 Silverline Series Brackets
- Black Peanut Style A/C Compressor (if A/C kit)
- Tensioner with Silverline Series Aluminum Cover
- Gates 6-Groove Belt & Stainless Steel Hardware
- Silverline Series Power Steering Reservoir (if PS kit)
- Black Aluminum Type II Power Steering Pump (if PS Kit)

**Silverline Series - With A/C  
With Power Steering**  
FDS-BBC-201

**Silverline Series - With A/C  
No Power Steering**  
FDS-BBC-202

**Silverline Series - No A/C  
With Power Steering**  
FDS-BBC-203

**Silverline Series - No A/C  
No Power Steering**  
FDS-BBC-204

## MACHINED SERPENTINE KITS - BIG BLOCK CHEVY

A CLASSIC MACHINED ALUMINUM FINISH

MACHINE FINISH KITS INCLUDE ALL COMPONENTS LISTED ABOVE (ACCESSORIES ARE INCLUDED IN CAST)

**Machined - With A/C  
With Power Steering**  
FDS-BBC-301

**Machined - With A/C  
No Power Steering**  
FDS-BBC-302

**Machined - No A/C  
With Power Steering**  
FDS-BBC-303

**Machined - No A/C  
No Power Steering**  
FDS-BBC-304

# POLISHED Serpentine Kits- SMALL BLOCK FORD

**Polished - With A/C  
With Power Steering  
FDS-SBF-101**

**Polished - With A/C  
No Power Steering  
FDS-SBF-102**

**Polished - No A/C  
With Power Steering  
FDS-SBF-103**

**Polished - No A/C  
No Power Steering  
FDS-SBF-104**



## Polished Kits include:

- Aluminum Timing Cover
- Polished 160 Amp, 1 wire alternator
- Polished Aluminum Reverse Rotation Water Pump
- Polished Peanut Style A/C Compressor (if A/C kit)
- Polished aluminum Type II Power Steering Pump (if PS Kit)
- Polished Power Steering Reservoir (if PS kit)
- Tensioner with Polished Aluminum Cover
- Polished 6061-T6 Aluminum Pulleys
- Polished 6061-T6 Brackets
- Gates 6-Groove Belt & Stainless Steel Hardware

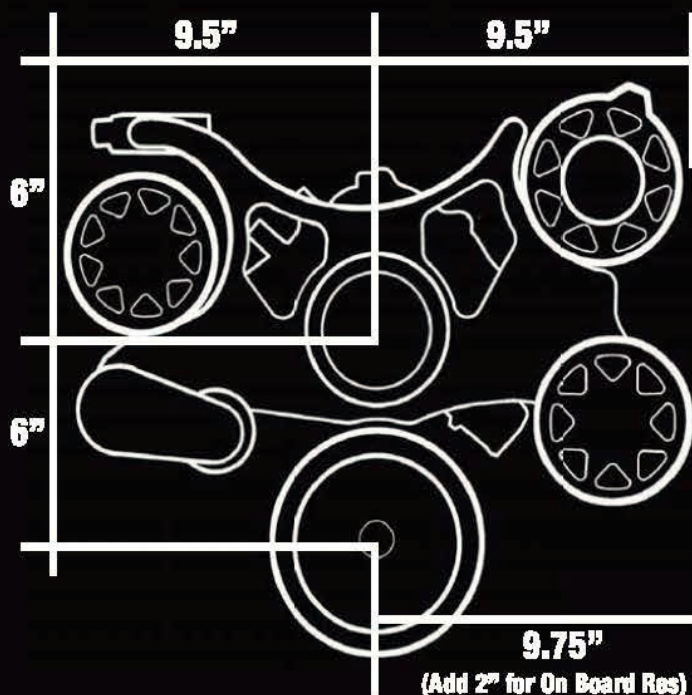


## From front of block to front face of:

- AC cover: 8.25"
- alternator pulley: 7.625"
- water pump pulley: 8.625"
- water pump pulley: 8.625"
- crank pulley: 7.25"
- power steering pulley: 7.625"

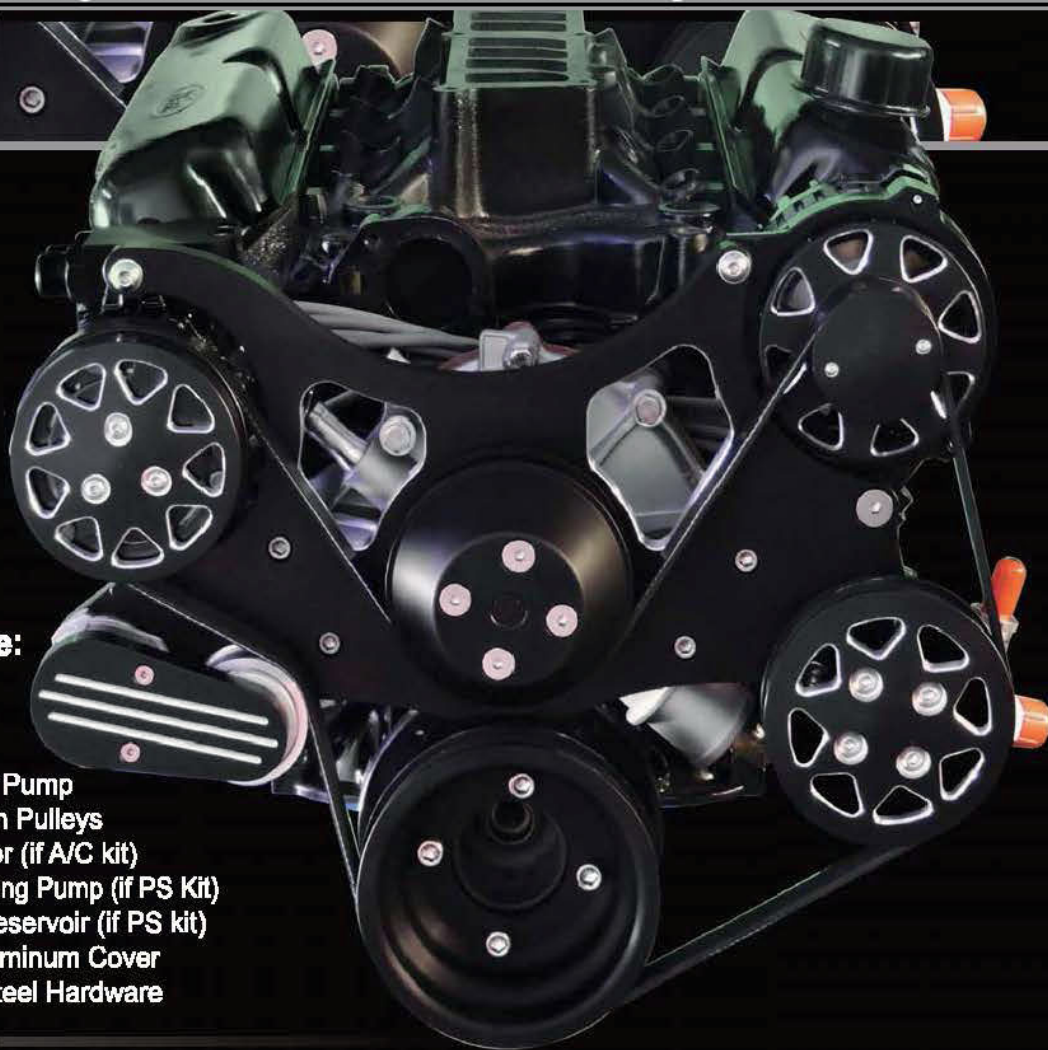
### \*FITMENT NOTES\*

- Includes timing cover (MUST USE)*
- 90 degree thermostat housing recommended*
- Note 86-91 Mustang water pump fitment*
- Requires 4 bolt 6.4" diameter, 3.950" length crank damper*
- Retains mechanical fuel pump (includes block off)*
- Retains dipstick provision in timing cover (includes block off)*



Silverline Series Kits were designed to give any engine that aggressive black style highlighted by machined finished areas for a truly standout look

MADE IN THE  
U.S.A.



### Silverline Series Kits include:

- Aluminum Timing Cover
- Black 160 Amp, 1 wire alternator
- 6061-T6 Silverline Series Brackets
- Aluminum Reverse Rotation Water Pump
- 6061-T6 Silverline Series Aluminum Pulleys
- Black Peanut Style A/C Compressor (if A/C kit)
- Black Aluminum Type II Power Steering Pump (if PS Kit)
- Silverline Series Power Steering Reservoir (if PS kit)
- Tensioner with Silverline Series Aluminum Cover
- Gates 6-Groove Belt & Stainless Steel Hardware

**Silverline Series - With A/C  
With Power Steering**  
FDS-SBF-201

**Silverline Series - With A/C  
No Power Steering**  
FDS-SBF-202

**Silverline Series - No A/C  
With Power Steering**  
FDS-SBF-203

**Silverline Series - No A/C  
No Power Steering**  
FDS-SBF-204

## MACHINED SERPENTINE KITS - SMALL BLOCK FORD

A CLASSIC MACHINED ALUMINUM FINISH

MACHINE FINISH KITS INCLUDE ALL COMPONENTS LISTED ABOVE (ACCESSORIES ARE INCLUDED IN CAST)

**Machined - With A/C  
With Power Steering**  
FDS-SBF-301

**Machined - With A/C  
No Power Steering**  
FDS-SBF-302

**Machined - No A/C  
With Power Steering**  
FDS-SBF-303

**Machined - No A/C  
No Power Steering**  
FDS-SBF-304

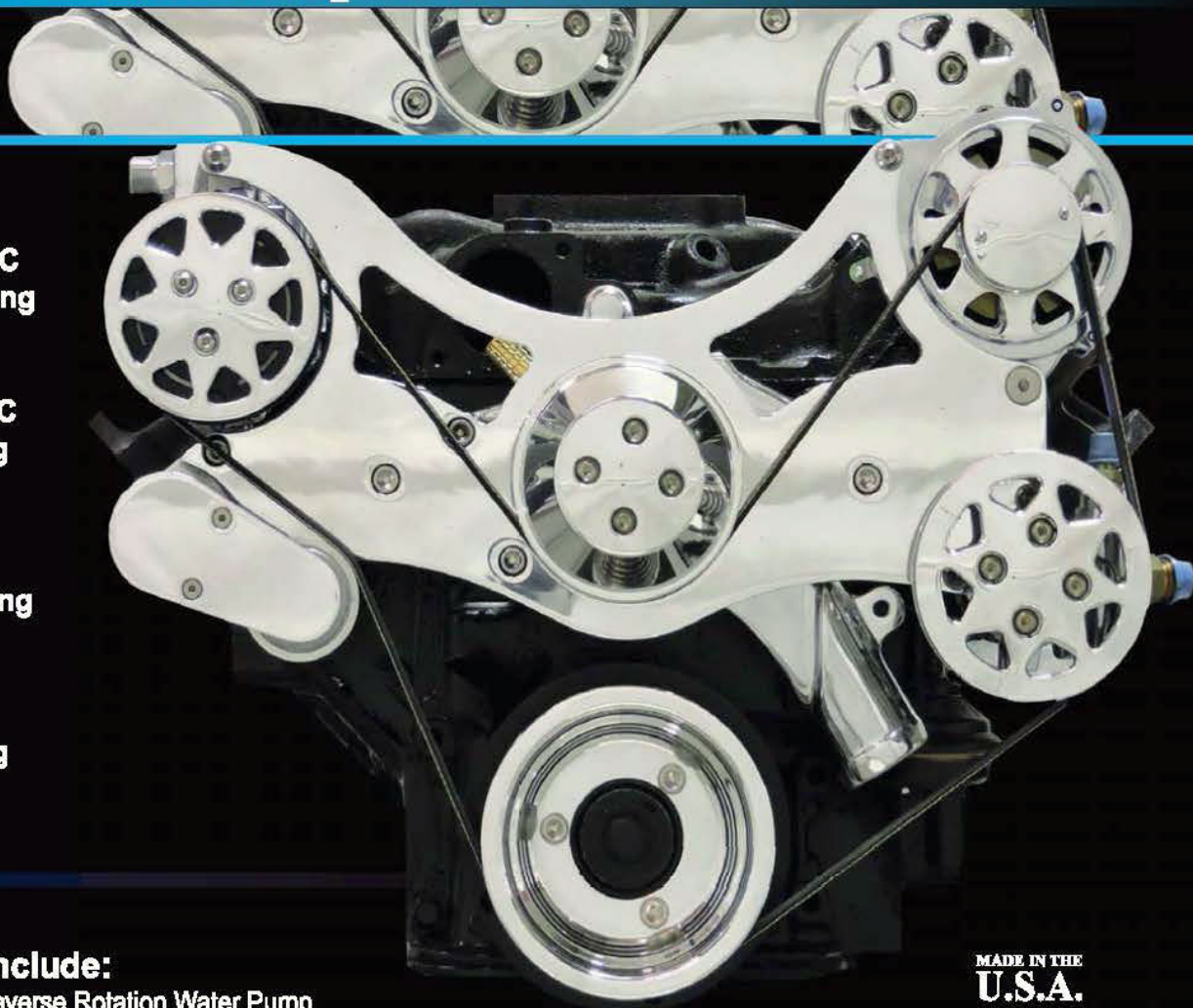
# POLISHED Serpentine Kits- FORD FE

**Polished - With A/C  
With Power Steering  
FDS-FE-101**

**Polished - With A/C  
No Power Steering  
FDS-FE-102**

**Polished - No A/C  
With Power Steering  
FDS-FE-103**

**Polished - No A/C  
No Power Steering  
FDS-FE-104**



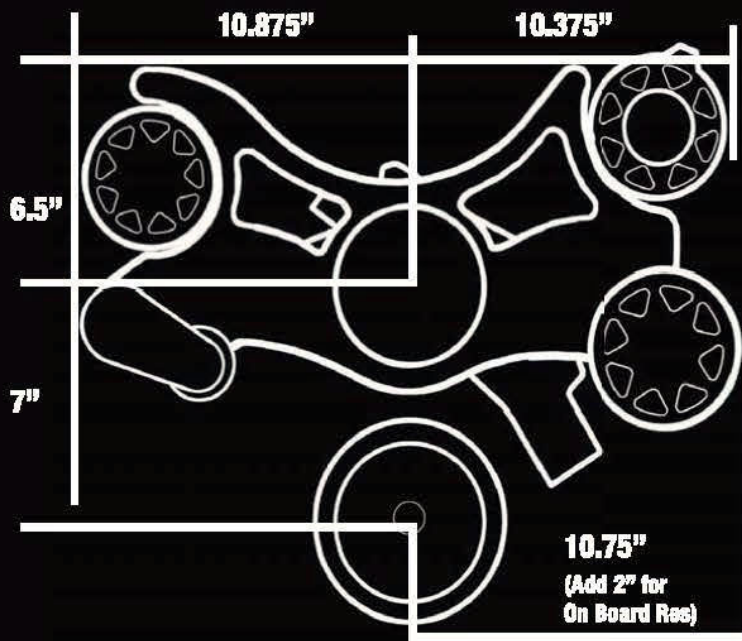
MADE IN THE  
U.S.A.  


## Polished Kits include:

- Polished Aluminum Reverse Rotation Water Pump
- Polished 160 Amp, 1 wire alternator
- Polished Peanut Style A/C Compressor (if A/C kit)
- Polished aluminum Type II Power Steering Pump (if PS Kit)
- Polished Power Steering Reservoir (if PS kit)
- Tensioner with Polished Aluminum Cover
- Polished 6061-T6 Aluminum Pulleys
- Polished 6061-T6 Brackets
- Gates 6-Groove Belt & Stainless Steel Hardware

## From water pump mounting surface to front face of:

AC cover:	8"
alternator pulley:	7.125"
water pump pulley:	8.125"
crank pulley:	7.125"
power steering pulley:	7.25"



## \*FITMENT NOTES\*

*Fits 1965-1976 390ci/427ci/428ci Ford FE based engines  
Requires later style FE crank damper (not included in kit)*

Silverline Series Kits were designed to give any engine that aggressive black style highlighted by machined finished areas for a truly standout look

MADE IN THE  
**U.S.A.**



### Silverline Series Kits include:

Aluminum Reverse Rotation Water Pump  
Black 160 Amp, 1 wire alternator  
Black Peanut Style A/C Compressor (if A/C kit)  
Black Aluminum Type II Power Steering Pump (if PS Kit)  
Silverline Series Power Steering Reservoir (if PS kit)  
Tensioner with Silverline Series Aluminum Cover  
6061-T6 Silverline Series Aluminum Pulleys  
6061-T6 Silverline Series Brackets  
Gates 6-Groove Belt & Stainless Steel Hardware

Silverline Series - With A/C  
With Power Steering  
FDS-FE-201

Silverline Series - With A/C  
No Power Steering  
FDS-FE-202

Silverline Series - No A/C  
With Power Steering  
FDS-FE-203

Silverline Series - No A/C  
No Power Steering  
FDS-FE-204

## MACHINED SERPENTINE KITS - FORD FE

A CLASSIC MACHINED ALUMINUM FINISH

MACHINE FINISH KITS INCLUDE ALL COMPONENTS LISTED ABOVE (ACCESSORIES ARE INCLUDED IN CAST)

Machined - With A/C  
With Power Steering  
FDS-FE-301

Machined - With A/C  
No Power Steering  
FDS-FE-302

Machined - No A/C  
With Power Steering  
FDS-FE-303

Machined - No A/C  
No Power Steering  
FDS-FE-304

# POLISHED Serpentine Kits- BIG BLOCK FORD

**Polished - With A/C  
With Power Steering  
FDS-BBF-101**

**Polished - With A/C  
No Power Steering  
FDS-BBF-102**

**Polished - No A/C  
With Power Steering  
FDS-BBF-103**

**Polished - No A/C  
No Power Steering  
FDS-BBF-104**



## Polished Kits include:

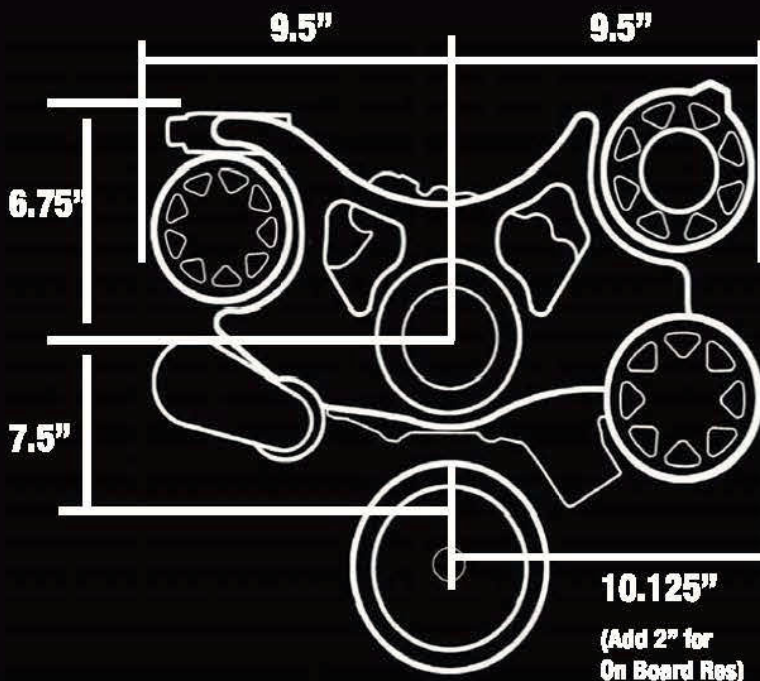
- Cast Iron Reverse Rotation Water Pump
- Ford Racing water pump backing plate
- Polished 160 Amp, 1 wire alternator
- Polished 6061-T6 Brackets
- Polished 6061-T6 Aluminum Pulleys
- Tensioner with Polished Aluminum Cover
- Gates 6-Groove Belt & Stainless Steel Hardware
- Polished Peanut Style A/C Compressor (if A/C kit)
- Polished Power Steering Reservoir (if PS kit)
- Polished aluminum Type II Power Steering Pump (if PS Kit)

MADE IN THE  
**U.S.A.**



## From front of block to front face of:

<b>A/C Cover:</b>	<b>8.375"</b>
<b>Alt Pulley:</b>	<b>7.25"</b>
<b>Water Pump Pulley:</b>	<b>8.5"</b>
<b>Crank Pulley:</b>	<b>7.125"</b>
<b>PS Pulley:</b>	<b>7.5"</b>



## \*FITMENT NOTES\*

- Reverse rotation, high flow Chrome water pump*
- Includes Ford Racing water pump backing plate*
- Retains mechanical fuel pump*
- Retains dipstick in timing cover*
- Requires factory dimensions crank damper*

**10.125"**  
(Add 2" for  
On Board Res)

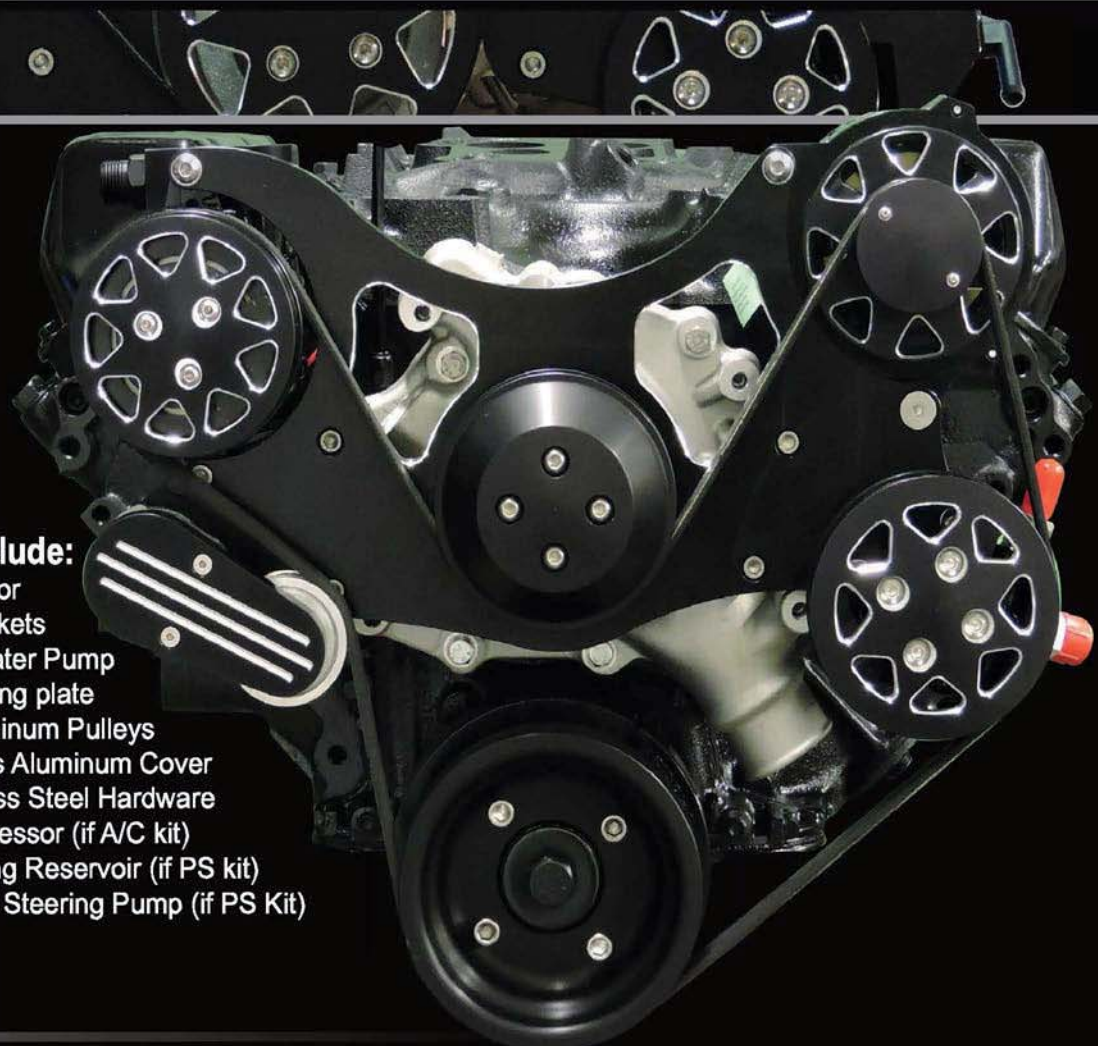
Silverline Series Kits were designed to give any engine that aggressive black style highlighted by machined finished areas for a truly standout look

MADE IN THE  
U.S.A.



### Silverline Series Kits include:

Black 160 Amp, 1 wire alternator  
6061-T6 Silverline Series Brackets  
Cast Iron Reverse Rotation Water Pump  
Ford Racing water pump backing plate  
6061-T6 Silverline Series Aluminum Pulleys  
Tensioner with Silverline Series Aluminum Cover  
Gates 6-Groove Belt & Stainless Steel Hardware  
Black Peanut Style A/C Compressor (if A/C kit)  
Silverline Series Power Steering Reservoir (if PS kit)  
Black Aluminum Type II Power Steering Pump (if PS Kit)



Silverline Series - With A/C  
With Power Steering  
FDS-BBF-201

Silverline Series - With A/C  
No Power Steering  
FDS-BBF-202

Silverline Series - No A/C  
With Power Steering  
FDS-BBF-203

Silverline Series - No A/C  
No Power Steering  
FDS-BBF-204

## MACHINED SERPENTINE KITS - BIG BLOCK FORD

A CLASSIC MACHINED ALUMINUM FINISH



MACHINE FINISH KITS INCLUDE ALL COMPONENTS LISTED ABOVE (ACCESSORIES ARE INCLUDED IN CAST)

Machined - With A/C  
With Power Steering  
FDS-BBF-301

Machined - With A/C  
No Power Steering  
FDS-BBF-302

Machined - No A/C  
With Power Steering  
FDS-BBF-303

Machined - No A/C  
No Power Steering  
FDS-BBF-304

# POLISHED Serpentine Kits- 351 CLEVELAND

MADE IN THE  
**U.S.A.**



**Polished - With A/C  
With Power Steering**  
FDS-351-101

5

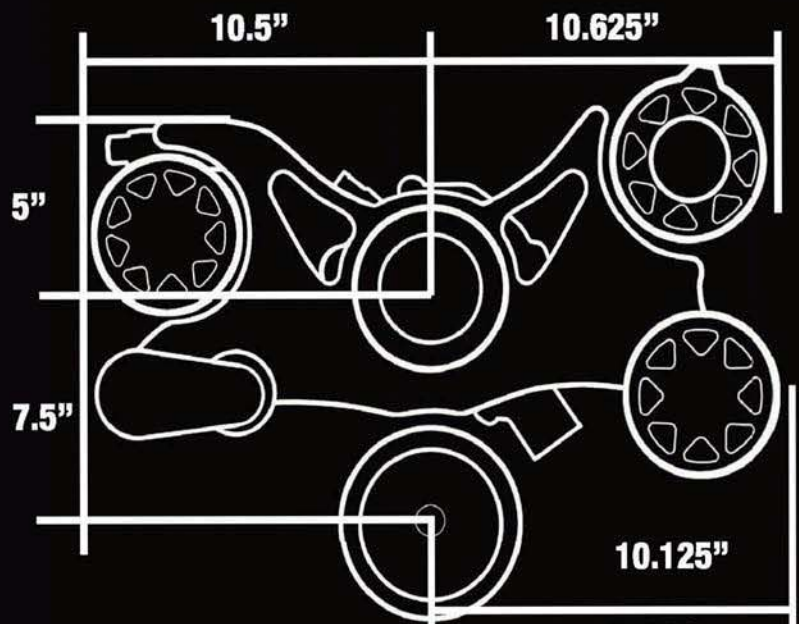


## Polished Kits include:

- Cast Reverse Rotation Water Pump
- Polished 160 Amp, 1 wire alternator
- Polished Peanut Style A/C Compressor (if A/C kit)
- Polished aluminum Type II Power Steering Pump (if PS Kit)
- Polished Power Steering Reservoir (if PS kit)
- Tensioner with Polished Aluminum Cover
- Polished 6061-T6 Aluminum Pulleys
- Polished 6061-T6 Brackets
- Gates 6-Groove Belt & Stainless Steel Hardware

From front of block to front face of

AC cover:	8"
Alt pulley:	8"
Water pump pulley:	8.5"
Crank pulley:	7.25"
PS pulley:	7.25"
Tensioner:	8"



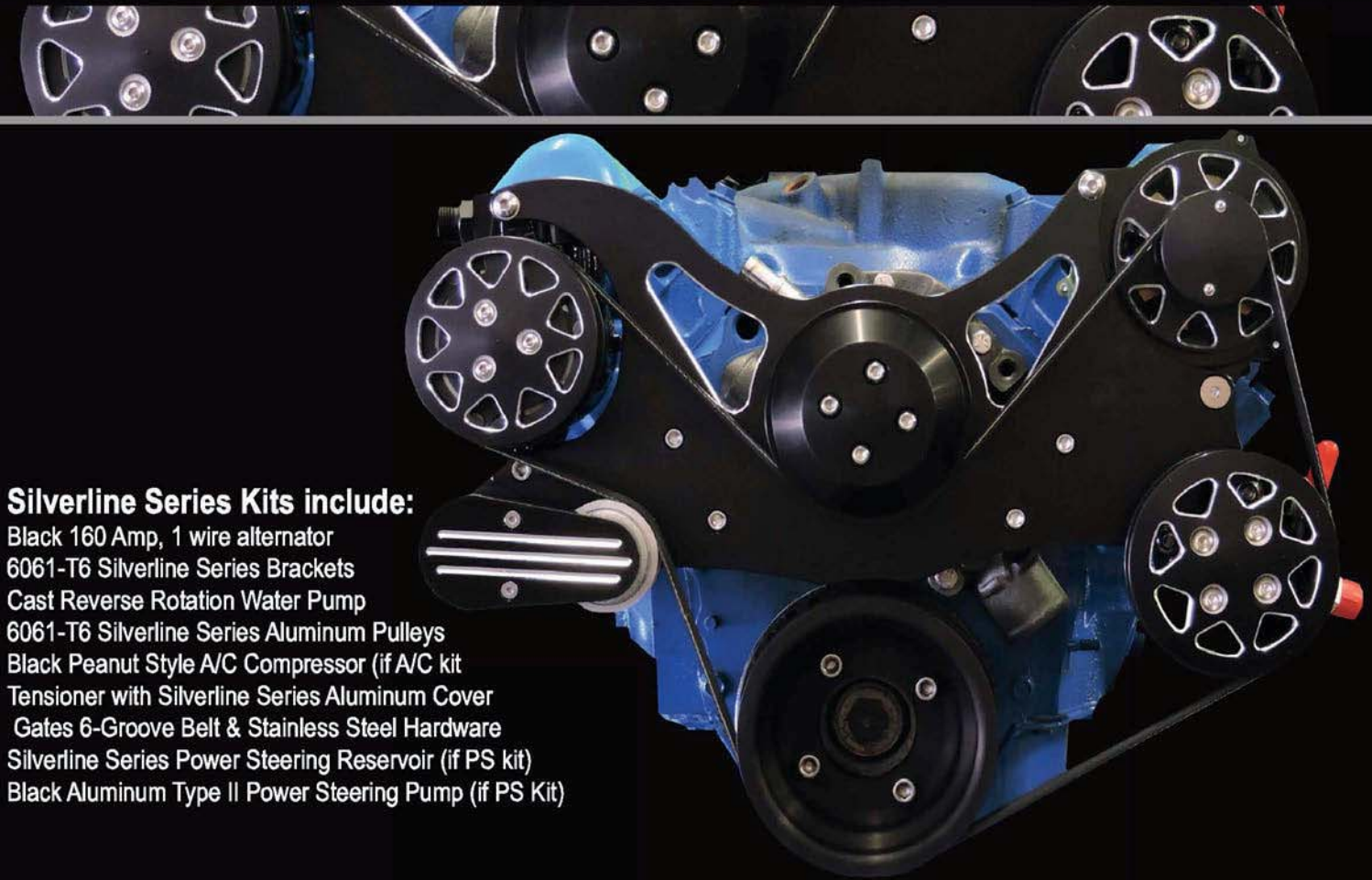
(Add 2" for  
On Board Res)

### \*FITMENT NOTES\*

*Fits 70-82 351C/M and 400M  
Retains factory dipstick location*



Silverline Series Kits were designed to give any engine that aggressive black style highlighted by machined finished areas for a truly standout look



### Silverline Series Kits include:

- Black 160 Amp, 1 wire alternator
- 6061-T6 Silverline Series Brackets
- Cast Reverse Rotation Water Pump
- 6061-T6 Silverline Series Aluminum Pulleys
- Black Peanut Style A/C Compressor (if A/C kit)
- Tensioner with Silverline Series Aluminum Cover
- Gates 6-Groove Belt & Stainless Steel Hardware
- Silverline Series Power Steering Reservoir (if PS kit)
- Black Aluminum Type II Power Steering Pump (if PS Kit)

MADE IN THE  
U.S.A.



**Silverline Series - With A/C & With Power Steering**  
FDS-351-201

## MACHINED SERPENTINE KITS - 351 CLEVELAND

A CLASSIC MACHINED ALUMINUM FINISH



*MACHINE FINISH KITS INCLUDE ALL COMPONENTS LISTED ABOVE (ACCESSORIES ARE INCLUDED IN CAST)*

**Machined - With A/C & With Power Steering**  
FDS-351-301

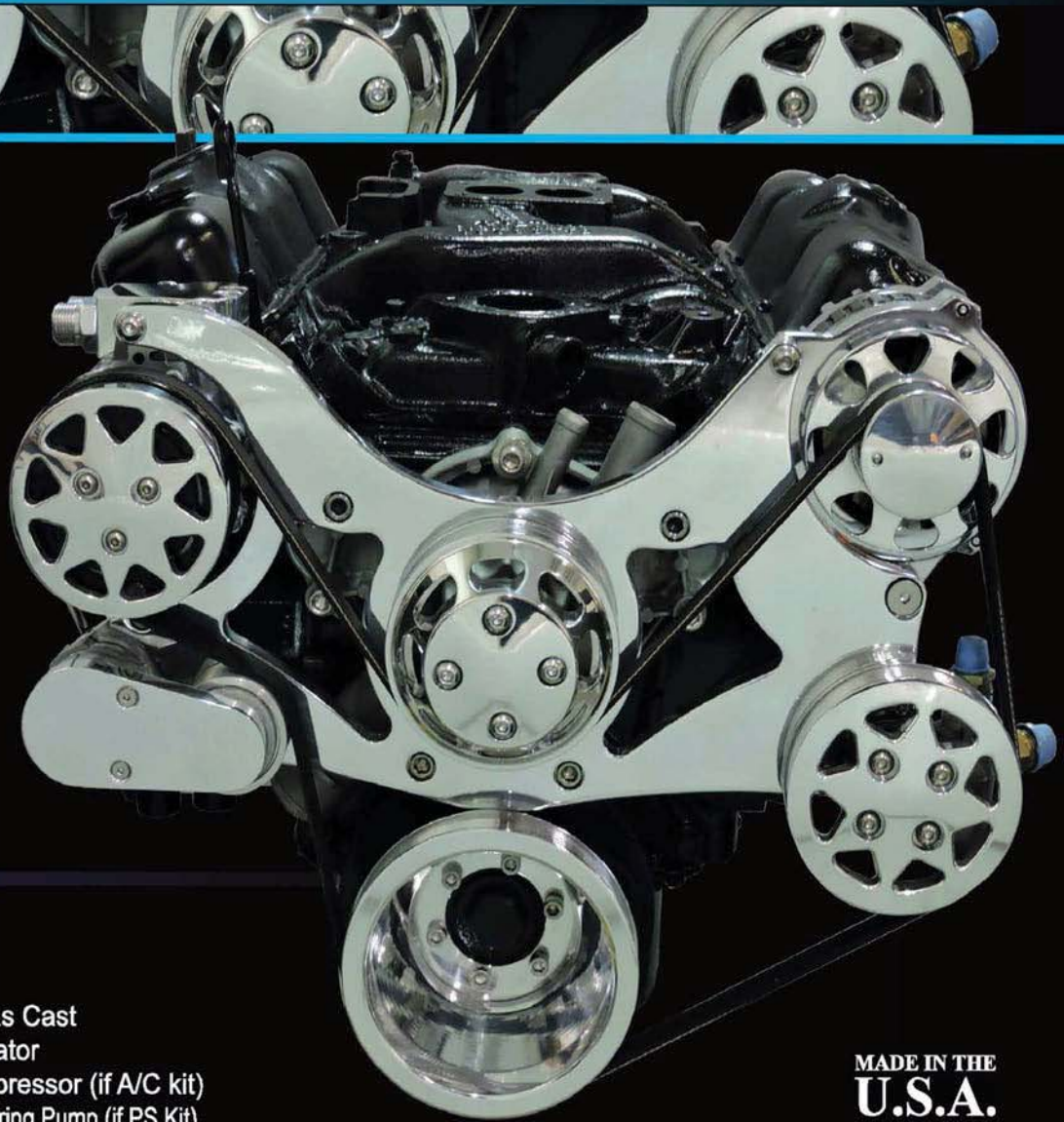
# POLISHED Serpentine Kits- CHRYSLER SMALL BLOCK

**Polished - With A/C  
With Power Steering**  
FDS-318-101

**Polished - With A/C  
No Power Steering**  
FDS-318-102

**Polished - No A/C  
With Power Steering**  
FDS-318-103

**Polished - No A/C  
No Power Steering**  
FDS-318-104



## Polished Kits include:

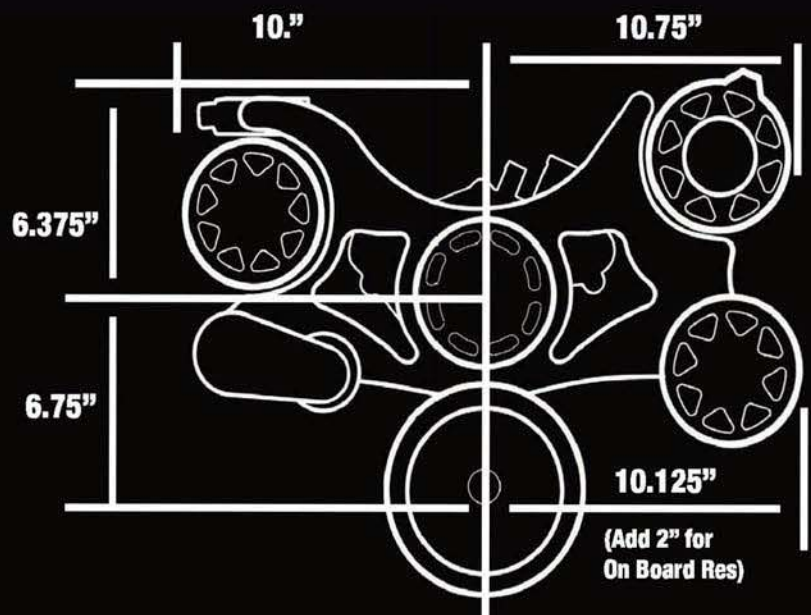
Reverse Rotation Water Pump as Cast  
Polished 160 Amp, 1 wire alternator  
Polished Peanut Style A/C Compressor (if A/C kit)  
Polished aluminum Type II Power Steering Pump (if PS Kit)  
Polished Power Steering Reservoir (if PS kit)  
Tensioner with Polished Aluminum Cover  
Polished 6061-T6 Aluminum Pulleys  
Polished 6061-T6 Brackets  
Gates 6-Groove Belt & Stainless Steel Hardware

MADE IN THE  
**U.S.A.**



## From front of Block to front face of:

<b>A/C Cover:</b>	<b>8"</b>
<b>Alt Pulley:</b>	<b>7.125"</b>
<b>Water Pump Pulley:</b>	<b>8.5"</b>
<b>Crank Pulley:</b>	<b>7.125"</b>
<b>PS Pulley:</b>	<b>7.5"</b>



## \*FITMENT NOTES\*

*Fits 1970-91 318/340/360 LA engines*  
*Retains mechanical fuel pump*

**10.125"**  
(Add 2" for  
On Board Res)

Silverline Series Kits were designed to give any engine that aggressive black style highlighted by machined finished areas for a truly standout look

MADE IN THE  
**U.S.A.**



### Silverline Series Kits include:

- Black 160 Amp, 1 wire alternator
- 6061-T6 Silverline Series Brackets
- Reverse Rotation Water Pump as Cast
- 6061-T6 Silverline Series Aluminum Pulleys
- Tensioner with Silverline Series Aluminum Cover
- Gates 6-Groove Belt & Stainless Steel Hardware
- Black Peanut Style A/C Compressor (if A/C kit)
- Black Aluminum Type II Power Steering Pump (if PS Kit)
- Silverline Series Power Steering Reservoir (if PS kit)



**Silverline Series - With A/C  
With Power Steering**  
FDS-318-201

**Silverline Series - With A/C  
No Power Steering**  
FDS-318-202

**Silverline Series - No A/C  
With Power Steering**  
FDS-318-203

**Silverline Series - No A/C  
No Power Steering**  
FDS-318-204

## MACHINED SERPENTINE KITS - CHRYSLER SMALL BLOCK

A CLASSIC MACHINED ALUMINUM FINISH



MACHINE FINISH KITS INCLUDE ALL COMPONENTS LISTED ABOVE (ACCESSORIES ARE INCLUDED IN CAST)

**Machined - With A/C  
With Power Steering**  
FDS-318-301

**Machined - With A/C  
No Power Steering**  
FDS-318-302

**Machined - No A/C  
With Power Steering**  
FDS-318-303

**Machined - No A/C  
No Power Steering**  
FDS-318-304

# POLISHED Serpentine Kits- HEMI 6.1

MADE IN THE  
**U.S.A.**



**Polished - With A/C  
With Power Steering  
FDS-HEMI-101**

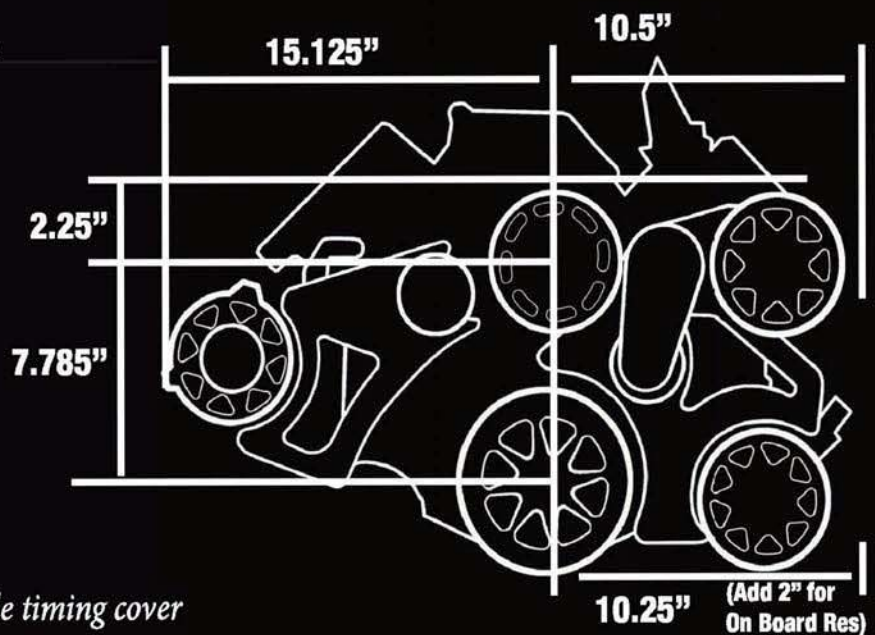


## Polished Kits include:

- Aluminum Reverse Rotation Water Pump
- Polished 160 Amp, 1 wire alternator
- Polished Peanut Style A/C Compressor (if A/C kit)
- Polished aluminum Type II Power Steering Pump (if PS Kit)
- Polished Power Steering Reservoir (if PS kit)
- Tensioner with Polished Aluminum Cover
- Polished 6061-T6 Aluminum Pulleys
- Polished 6061-T6 Brackets
- Gates 6-Groove Belt & Stainless Steel Hardware

## From front of Block to front face of:

- A/C Cover:** 6.75"
- Alt Pulley:** 5.625"
- Water Pump Pulley:** 6.625"
- Crank Pulley:** 5.75"
- PS Pulley:** 6"

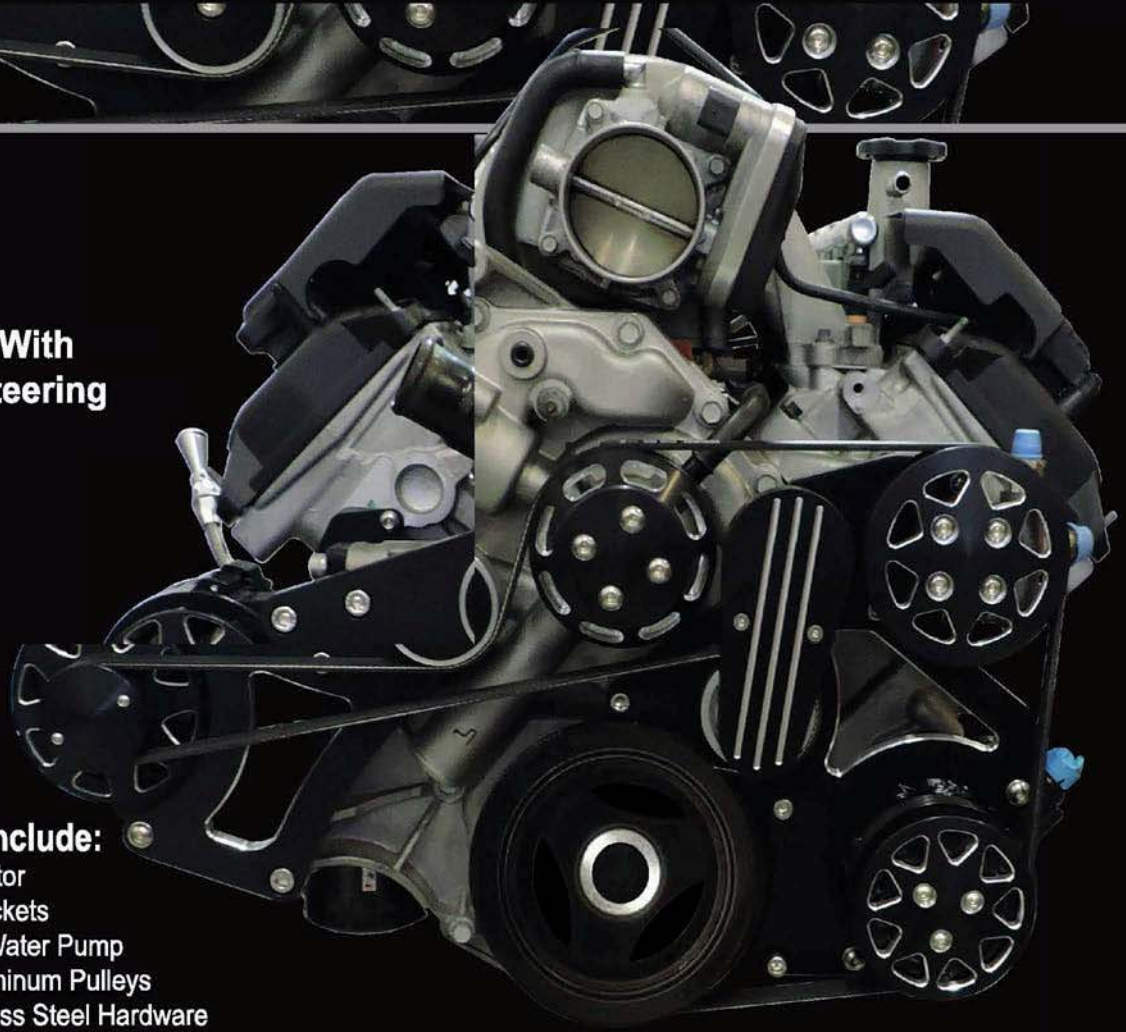


### \*FITMENT NOTES\*

*Fits 2005-2014 5.7L/6.1L Hemi with car style timing cover  
Includes EGR block off and gasket  
ECM tuning required*

Silverline Series Kits were designed to give any engine that aggressive black style highlighted by machined finished areas for a truly standout look

**“Silverline Series” - With  
A/C & With Power Steering  
FDS-HEMI-201**



**Silverline Series Kits include:**

- Black 160 Amp, 1 wire alternator
- 6061-T6 Silverline Series Brackets
- Aluminum Reverse Rotation Water Pump
- 6061-T6 Silverline Series Aluminum Pulleys
- Gates 6-Groove Belt & Stainless Steel Hardware
- Black Peanut Style A/C Compressor (if A/C kit)
- Black Aluminum Type II Power Steering Pump (if PS Kit)
- Silverline Series Power Steering Reservoir (if PS kit)
- Tensioner with Silverline Series Aluminum Cover

MADE IN THE  
**U.S.A.**



## MACHINED SERPENTINE KITS - HEMI 6.1

A CLASSIC MACHINED ALUMINUM FINISH



*MACHINE FINISH KITS INCLUDE ALL COMPONENTS LISTED ABOVE (ACCESSORIES ARE INCLUDED IN CAST)*

**Machined - With A/C & With Power Steering  
FDS-HEMI-301**

# FRONT DRIVE ACCESSORIES

## SERPENTINE SYSTEM REVERSE ROTATION WATER PUMPS

Small Block Chevy Aluminum  
As Cast 1635N  
Polished 1635ND



Chevy LS 1, 2, 3 & 6 Aluminum  
As Cast 1310C  
Polished 1310B



Big Block Chevy Aluminum  
As Cast 1495ACREV  
Polished 1495ABREV



Small Block Ford Aluminum  
As Cast CWP-645  
Polished CWP-645-P



Big Block Ford Cast Iron 429/460 w/ Billet Impeller  
As Cast 1470N



# AIR CONDITIONING & ALTERNATORS



Peanut Style Air Conditioning Compressor  
Utilizes R134A refrigerant  
6 Groove pulley

4517NC6G	As Cast
4517NB6G	Polished
4517NC6GBLACK	Black



## Air Conditioning Hose Kits

Braided stainless steel A/C hose kit includes (1) #10 straight w/ service port, (1) #10 90 degree, (1) #8 straight w/ service port, (1) #8 45 degree, (3) #6 90 degree, and (1) #6 45 degree female o-ring fittings. ALL FITTINGS STAINLESS STEEL!  
343120

Braided stainless steel A/C hose kit includes (2) #10 90 degree (1 w/ service port), (1) #8 90 degree w/ service port, (1) #8 45 degree, (3) #6 90 degree, and (1) #6 45 degree female o-ring fittings. ALL FITTINGS STAINLESS STEEL!  
343100

## Heater Hose Kits

Stock GM intake heater hose kit. Kit includes (2) #10 long drop 90 degree fittings, (1) 90 degree 1/2" NPT x -8 male AN and (1) straight 1/2" NPT x -8 male AN adapter.  
ALL FITTINGS STAINLESS STEEL!  
343200



343120

## GM CS130 Style Alternators 160 AMP, 1-wire



7861M	As Cast
7861MP	Polished
7861MABLK	Black



*(Fan not included - But is available upon request for an additional charge)*

# FRONT DRIVE ACCESSORIES

## POWER STEERING PUMPS & ACCESSORIES



GM Type II - As Cast  
Includes press on pulley hub  
**6175AL-2AB**



GM Type II - Chrome  
Includes press on pulley hub  
**6175ALP-2AB**



GM Type II - Black  
Includes press on pulley hub  
**6175ALB-2AB**

For an **ON-BOARD RESERVOIR** - 1) On Board Power Steering Pump 2) Remote Reservoir 90 Degree Fitting 3) Banjo Bolt 4) (optional) Power Steering Hose Kit (Below)

**\*FITMENT NOTE\***

**ON-BOARD RESERVOIR REQUIRES POWER STEERING PUMP WITH SLIP ON FITTING**



**6175ARES**

Type II Plastic Reservoir with Cap & Mounting Clips  
(On-Board Power Steering Pump)

**NEW PRODUCT!**



**131263**

Field Attachable Banjo Fitting for -6  
Teflon Pressure Hose



**131362**

Banjo Bolt & Sealing Washers for 5/8-18 or  
16mm-1.5mm Thread Pitch -

For a **REMOTE RESERVOIR** - 1) Power Steering Hose Kit 2) Remote Reservoir Hose Kit & 3) 90 Degree Fitting are needed to complete steering plumbing.  
4) (optional) Mustang II Low Pressure Fitting (See Notes Below)

### Power Steering Hose Kits

1 piece cast aluminum Ford rack to GM pump  
**131101**

'65-'79 GM gearbox to GM pump  
**131151**

1980 & Later GM rack or gear box to GM pump  
**131171**

**131101**  
or  
**131151**  
or  
**131171**



(Not Pictured)

Remote Reservoir Hose Kit w/ 3/8" pipe return hose/fitting  
**131106**



90 Degree Fitting  
**131910**

Mustang II Low Pressure Fitting  
For use with Mustang II rack & pinion  
**131199**



Too much flow in the power steering system can cause a "twitchy" feeling and also cavitation issues. If you are using our FDS with a Mustang II style rack and pinion, GM G Body steering boxes and some aftermarket steering boxes, you need a flow control valve. (**Mustang II Low Pressure Fitting**) This fitting will reduce flow from 3 GPM to approximately 2 GPM



## POWER STEERING RESERVOIRS

All American Billet power steering reservoirs are machined from 6061-T6 billet aluminum and come in machined, "Silverline", black anodized & polished. Includes reservoir, bracket and mounting hardware.

- PSR-P Power Steering Reservoir Polished
- PSR-SL Power Steering Reservoir "Silverline"
- PSR-M Power Steering Reservoir Machined
- PSR-B Power Steering Reservoir Black Anodized



## RADIATOR OVERFLOW TANKS

All American Billet radiator overflow tanks were designed to match the unique design of our power steering remote reservoirs. They are machined from 6061-T6 billet aluminum and come in polished, "Silverline", or machined finish. Includes tank, (2) brackets and mounting hardware.

- ROFT-10 10", Machine Finish
- ROFT-12 12", Machine Finish
- ROFT-14 14", Machine Finish

- ROFT-10-P 10", Polished
- ROFT-12-P 12", Polished
- ROFT-14-P 14", Polished

- ROFT-10-SL 10", Silverline
- ROFT-12-SL 12", Silverline
- ROFT-14-SL 14", Silverline

- ROFT-10-B 10" Black Anodized
- ROFT-12-B 12" Black Anodized
- ROFT-14-B 14" Black Anodized



### Fluid Capacities

- 10" holds 16 oz.
- 12" holds 20 oz.
- 14" holds 24 oz.

# ENGINE ACCESSORIES

## AC/HEATER BULKHEADS

All American Billet A/C and heat bulkheads are made from 6061-T6 aluminum and come in highly polished, "Silverline" or machined finish. Fittings included are #6 x 5/8-18; #8 x 3/4-16; and #10 x 7/8-14.

Includes (2) #8 fittings

- 4100 Heat bulkhead, 2 fitting oval, Machined finish
- 4100-P Heat bulkhead, 2 fitting oval, Polished
- 4100-SL Heat bulkhead, 2 fitting oval, "Silverline"



4100

Includes (1) #6 and (1) #10 fitting

- 4101 A/C bulkhead, 2 fitting oval, Machined finish
- 4101-P A/C bulkhead, 2 fitting oval, Polished
- 4101-SL A/C bulkhead, 2 fitting oval, "Silverline"



4101

Includes (1) #6 and (1) #10 fitting and (2) #8 fittings

- 4102 A/C & heat, 4 fitting inline, Machined finish
- 4102-P A/C & heat, 4 fitting inline, Polished
- 4102-SL A/C & heat, 4 fitting inline, "Silverline"
- 4103 A/C & heat, 4 fitting square/oval, Machined finish
- 4103-P A/C & heat, 4 fitting square/oval, Polished
- 4103-SL A/C & heat, 4 fitting square/oval, "Silverline"
- 4104 A/C & heat, 4 fitting square pointed, Machined finish
- 4104-P A/C & heat, 4 fitting square pointed, Polished
- 4104-SL A/C & heat, 4 fitting square pointed, "Silverline"
- 4105 A/C & heat, 4 fitting flat oval, Machined finish
- 4105-P A/C & heat, 4 fitting flat oval, Polished
- 4105-SL A/C & heat, 4 fitting flat oval, "Silverline"
- 4106 A/C & heat, 4 fitting triangle, Machined finish
- 4106-P A/C & heat, 4 fitting triangle, Polished
- 4106-SL A/C & heat, 4 fitting triangle, "Silverline"
- 4107 A/C & heat, 4 fitting triangle oval, Machined finish
- 4107-P A/C & heat, 4 fitting triangle oval, Polished
- 4107-SL A/C & heat, 4 fitting triangle oval, "Silverline"



4102

Includes (1) #6 and (1) #10 fitting

- 4108 A/C bulkhead, 2 fitting inline, Machined finish
- 4108-P A/C bulkhead, 2 fitting inline, Polished
- 4108-SL A/C bulkhead, 2 fitting inline, "Silverline"



4103

Includes (2) #8 fittings

- 4109 Heat bulkhead, 2 fitting inline, Machined finish
- 4109-P Heat bulkhead, 2 fitting inline, Polished
- 4109-SL Heat bulkhead, 2 fitting inline, "Silverline"



4104



4105



4106



4107



4108



4109

# AIR CLEANER NUTS

All American Billet air cleaner nuts are machined from 6061-T6 billet aluminum and come in 3 styles: Standard, 1" diameter bullet and the 1.25" diameter bullet for that aggressive 2" tall stance. Thread pitch is 1/4-20 and they are available in machined finish, polished, and our exclusive **"Silverline Series"**.

- ACNB100 Air Cleaner Nut - Bullet 1" dia., Machine Finish
- ACNB100-P Air Cleaner Nut - Bullet 1" dia., Polished
- ACNB125 Air Cleaner Nut - Bullet 1.25" dia., Machine Finish
- ACNB125-P Air Cleaner Nut - Bullet 1.25" dia., Polished
- ACNS125-P Air Cleaner Nut - Standard, Polished



High quality billet machine parts featuring a smooth black anodized finish with bold machine-finish grooves giving it an aggressive look!

- ACNB100-BG Air Cleaner Nut - Bullet 1" dia., **"Silverline Series"**
- ACNB125-BG Air Cleaner Nut - Bullet 1.25" dia., **"Silverline Series"**

# FUEL BLOCK OFFS

All American Billet fuel block off covers are machined from 6061-T6 billet aluminum and are polished to a mirror finish. Available in plain or ball milled design.



Now Available in



- FBOCBC-P Fuel Block Off, Small Block Chevy, Plain, Polished
- FBOCBCBM-P Fuel Block Off, Small Block Chevy, Ball Milled, Polished
- FBOCBC-BG Fuel Block Off, Small Block Chevy, "Silverline Series"
- FBOBBC-P Fuel Block Off, Big Block Chevy, Plain, Polished
- FBOBBCBM-P Fuel Block Off, Big Block Chevy, Ball Milled, Polished
- FBOBBC-BG Fuel Block Off, Big Block Chevy, "Silverline Series"
- FBOFORD-P Fuel Block Off, Ford, Plain, Polished
- FBOFORDBM-P Fuel Block Off, Ford, Ball Milled, Polished
- FBOFORD-BG Fuel Block Off, Ford, "Silverline Series"

# ENGINE ACCESSORIES

## OIL BREATHERS

All American Billet oil breathers are machined from 6061-T6 billet aluminum and are polished to a mirror finish or available in our exclusive "Silverline" series. Available in ribbed or ball milled design.



RIBBED

BALL MILLED

### STANDARD

BOR-P	Breather, Oil, Ribbed - Polished
BOBM-P	Breather, Oil, Ball Milled - Polished
BOR-BG	Breather, Oil, Ribbed <b>"Silverline Series"</b>
BOBM-BG	Breather, Oil, Ball Milled <b>"Silverline Series"</b>

### WITH REPLACEABLE PCV VALVE

BOR-PCV-P	Breather, Oil, PCV Ribbed - Polished
BOBM-PCV-P	Breather, Oil, PCV Ball Milled - Polished
BOR-PCV-BG	Breather, Oil, PCV Ribbed <b>"Silverline Series"</b>
BOBM-PCV-BG	Breather, Oil, PCV Ball Milled <b>"Silverline Series"</b>

## COMPRESSOR AIR FILTERS

Our filters will take your airbag setup to another level. Made from 6061-T6 aluminum and available in 3 finishes, machined, polished and our exclusive Silverline Series. Fitting is 3/8" NPT.

CAF	Compressor Air Filter, Machined
CAF-P	Compressor Air Filter, Polished
CAF-SL	Compressor Air Filter, <b>"Silverline Series"</b>



**NEW PRODUCT!**



# SPARK PLUG WIRE LOOMS

Machined from 6061-T6 aluminum, these Spark Plug Wire Looms will dress up any engine compartment. Designed for 8 & 8.5mm wires. Comes with adjustable brackets and hardware. Sold in pairs. (Does **not** fit GM center bolt cylinder heads)



SPWL-B Spark Plug Wire Loom - Ball Milled & Black Anodized  
SPWL-P Spark Plug Wire Loom - Ball Milled & Polished



SPWL-BG Spark Plug Wire Loom **"Silverline Series"** (pr)

# SPARK PLUG WIRE SEPARATORS



All American Billet spark plug wire separators are machined from 6061-T6 billet aluminum and are polished to a mirror finish. Sold individually to meet your needs. Fits 8 and 8.5 MM wires.

SPWS2-P Spark Plug Wire Separators, 2 Wire, Polished  
SPWS3-P Spark Plug Wire Separators, 3 Wire, Polished  
SPWS4-P Spark Plug Wire Separators, 4 Wire, Polished

# INTERIOR ACCESSORIES

## BILLET INTERIOR DOOR HANDLES & WINDOW CRANKS

High quality, American Made and machined from 6061-T6 Aluminum, these handles will dress up any interior. Three highly polished styles to choose from: Ball Milled; Single Cutout and Dual Cutout. Steel inserts with 3 set screws for adjustable installation.



### DOOR HANDLES

- DH-BM-P Door Handle - Ball Milled - Polished (pr)
- DH-SC-P Door Handle - Single Cutout - Polished (pr)
- DH-DC-P Door Handle - Dual Cutout - Polished (pr)

### WINDOW CRANKS

- WC-BM-P Window Crank - Ball Milled - Polished (pr)
- WC-SC-P Window Crank - Single Cutout - Polished (pr)
- WC-DC-P Window Crank - Dual Cutout - Polished (pr)



### DOOR HANDLES

- DH-BM-BG Door Handle - Ball Milled - "Silverline Series" (pr)
- DH-SC-BG Door Handle - Single Cutout - "Silverline Series" (pr)
- DH-DC-BG Door Handle - Dual Cutout - "Silverline Series" (pr)

### WINDOW CRANKS

- WC-BM-BG Window Crank - Ball Milled - "Silverline Series" (pr)
- WC-SC-BG Window Crank - Single Cutout - "Silverline Series" (pr)
- WC-DC-BG Window Crank - Dual Cutout - "Silverline Series" (pr)

# BILLET SHORT WINDOW CRANKS

High quality, American Made and machined from 6061-T6 Aluminum, these handles will dress up any interior. Three styles to choose from: Ball Milled; Single Cutout; and Dual Cutout. Steel inserts with 3 set screws for adjustable installation. Measure 3.25" long.



## SHORT WINDOW CRANKS

- WCS-BM-P Short Window Crank - Ball Milled, Polished (pr)
- WCS-SC-P Short Window Crank - Single Cutout, Polished (pr)
- WCS-DC-P Short Window Crank - Dual Cutout, Polished (pr)



## SILVERLINE SHORT WINDOW CRANKS

- WCS-BM-SL Short Window Crank - Ball Milled, Silverline (pr)
- WCS-SC-SL Short Window Crank - Single Cutout, Silverline (pr)
- WCS-DC-SL Short Window Crank - Dual Cutout, Silverline (pr)

## \*FITMENT NOTE\*

## DOOR HANDLE & WINDOW CRANKS

**NOTE:** When ordering your Window Cranks/Door Handles please specify which insert (Spline) that is needed for installation. We offer 3 unique fitments.

- |   |                            |
|---|----------------------------|
| 1. GM up to 1948 (7/16" round spline) Add a (-1) to part #                            | Example: <b>WC-DC-BG-1</b> |
| 2. GM/Ford 1949 and Later (1/2" round spline) Add (-2) to part #                      | Example: <b>WC-DC-BG-2</b> |
| 3. Ford cars to 1948 and Ford Trucks to 1952 (3/8" square spline). Add (-3) to part # | Example: <b>WC-DC-BG-3</b> |

All American Billet Door Handles and Window Cranks are manufactured with high quality steel inserts and are engineered with 3 set screws for maximum strength and durability. Our inserts are then black oxidized for even more protection.



# INTERIOR ACCESSORIES

## DIMMER SWITCH COVERS

High quality, American Made and machined from 6061-T6 Aluminum, these covers dress up the stock dimmer switch. Easy installation and removal for show or driving. Comes with set screw. Inside diameter is approx. 13/16".



- DSC Dimmer Switch Cover - Machined Finish
- DSC-P Dimmer Switch Cover - Polished
- DSC-B Dimmer Switch Cover - Black Anodized
- DSC-BG Dimmer Switch Cover - "Silverline"

- DSCR Dimmer Switch Cover, Ribbed - Machined Finish
- DSCR-P Dimmer Switch Cover, Ribbed - Polished
- DSCR-B Dimmer Switch Cover, Ribbed - Black Anodized
- DSCR-BG Dimmer Switch Cover, Ribbed - "Silverline"

## DASH KNOBS

Machined from 6061 aluminum these dash knobs come in polished, "Silverline" and machined finish. Short shaft is 1/4" and long shafts are 7/16" and fit 11/64" rod. Set screw included.



LONG/RADIO

SHORT



STANDARD

### SHORT (67-72)

- DKS Dash Knob - Short - Machined
- DKS-P Dash Knob - Short - Polished
- DKS-B Dash Knob - Short - Black Anodized
- DKS-BG Dash Knob - Short - "Silverline Series"

### RADIO (67-72)

- DKR Dash Knob - Radio - Machined
- DKR-P Dash Knob - Radio - Polished
- DKR-B Dash Knob - Radio - Black Anodized
- DKR-BG Dash Knob - Radio - "Silverline Series"

### LONG (67-72)

- DKL Dash Knob - Long - Machined
- DKL-P Dash Knob - Long - Polished
- DKL-B Dash Knob - Long - Black Anodized
- DKL-BG Dash Knob - Long - "Silverline Series"

### NEW PRODUCT!

### UNIVERSAL - (1/4" INSIDE DIAMETER)

- DKZ25 Dash Knob - Long - Machined
- DKZ25-P Dash Knob - Long - Polished
- DKZ25-B Dash Knob - Long - Black Anodized
- DKZ25-SL Dash Knob - Long - "Silverline Series"



## BILLET DOOR PULL STRAP COVERS

'81-'91 Silverado/Sierra. Replace your cheap plastic broken covers once and for all! Made from 6061-T6 billet aluminum. (Requires 4)

- DPSC81-91 SS-P Polished
- DPSC81-91 SS-B Black



All American Billet Visor Hooks are machined from 6061-T6 aluminum, these hooks are made to last and look great. No more cracked, faded or broken visor hooks. Available for '67-'72 Chevy trucks.

## VISOR HOOKS

- VH01 Visor Hook, (pr) - Machine Finish
- VH01-P Visor Hook, (pr) - Polished
- VH01-B Visor Hook, (pr) - Black Anodized



Machined from 6061-T6 Aluminum our Emergency Brake Release Handles are made to last and look great. No more cracked, faded or broken handles. Available in Machined, Polished, Black Anodized and "Silverline Series"

## EMERGENCY BRAKE HANDLES

Available for:

- 69-'74 Chevy/GMC trucks
- 1968-1972 Chevrolet Full Size Passenger Cars
- 1967-1981 Camaro
- 1968-1972 Chevy El Camino
- 1966-1974 Nova
- (or any application that requires a 1/4-20" thread.)

- HEB Emergency Brake Handle
- HEB-B Emergency Brake Handle - Black Anodized
- HEB-P Emergency Brake Handle - Polished
- HEB-SL Emergency Brake Handle - "BRAKE RELEASE"



Available for: 73-87' Chevy/GMC Trucks

- HEB7387 Emergency Brake Handle
- HEB7387-B Emergency Brake Handle - Black Anodized
- HEB7387-P Emergency Brake Handle - Polished
- HEB7387-SL Emergency Brake Handle - "BRAKE RELEASE"



## BILLET FORD ASH TRAY HANDLES

'68-'72 Trucks. Replace your cheap plastic broken knob once and for all! Made from 6061-T6 billet aluminum and available in machined finish, polished, or black anodized.

- HFAT68-72T Machine Finish
- HFAT68-72T-P Polished
- HFAT68-72T-B BlackAnodized

## BILLET CHEVY ASH TRAY HANDLES

- HAT-6466-C10 Machine Finish
- HAT-6466-C10-P Polished
- HAT-6466-C10-B Black Anodized



**NEW PRODUCT!**

64-66 Chevy Trucks

- HAT-6063-C10 Machine Finish
- HAT-6063-C10-P Polished
- HAT-6063-C10-B Black Anodized

60-63 Chevy Trucks



**NEW PRODUCT!**

# INTERIOR ACCESSORIES

## SHIFT KNOBS

Machined from 6061-T6 Aluminum, these Shift Knobs are made to last and look great. No more cracked, faded or broken knobs. Available for '67 - '72 Chevy trucks or any application that has a 5/16" diameter. Set screw included.



ROUND HEAD

- SKRH Shift Knob - Round Head
- SKRH-B Shift Knob - Round Head - Black Anodized
- SKRH-P Shift Knob - Round Head - Polished
- SKRH-BG Shift Knob - Round Head "Silverline Series"



FLAT HEAD

- SKFH Shift Knob - Flat Head
- SKFH-B Shift Knob - Flat Head - Black Anodized
- SKFH-P Shift Knob - Flat Head - Polished
- SKFH-BG Shift Knob - Flat Head "Silverline Series"

## SMALL SHIFT KNOBS

Machined from 6061-T6 Aluminum, these Shift Knobs have a smaller profile and are made to last and look great. No more cracked, faded or broken knobs. Available for '67 - '72 Chevy trucks or any application that has a 5/16" diameter. Set screw included.



- SKS Shift Knob - Small- Machine Finish
- SKS-P Shift Knob - Small- Polished
- SKS-B Shift Knob - Small- Black Anodized
- SKS-BG Shift Knob - Small "Silverline Series"



# SHIFT HANDLES

Machined from 6061-T6 Aluminum, these Shift handles are made to last and look great. Comes in machine finish, polished, black anodized and "Silverline Series". Shift Knob is included.

**\*FITMENT NOTE\*** Available for various models/years. Please specify fitment:

- ① '67 - '72 Chevy trucks
- ② '73 - '94 GM vehicles
- ③ 99-06 Chevy/GMC Fullsize Trucks  
98-05 Chevy/GMC S-10, Sonoma, Blazer, Jimmy, Astro, Safari



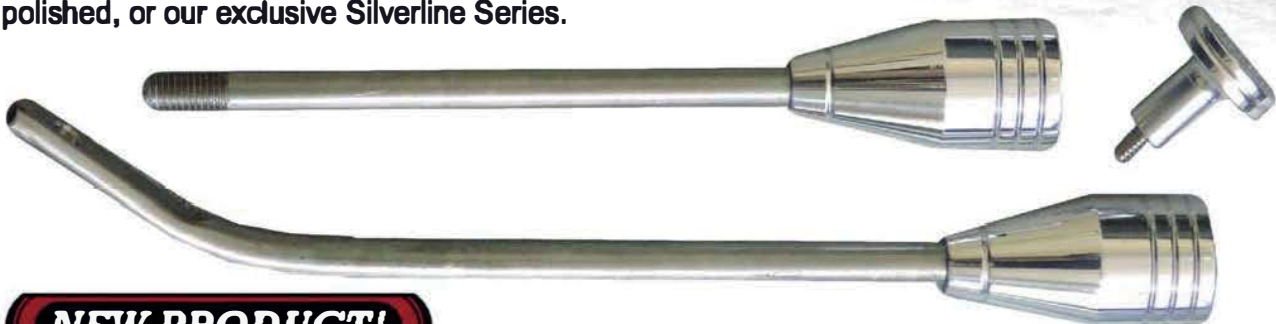
- SH Shift Handle - Machine Finish
- SH-P Shift Handle - Polished
- SH-BG Shift Handle "Silverline Series"

Now Available In



This 3 piece billet kit includes the turn signal lever, tilt wheel lever, and emergency flasher knob. Perfect compliment for our already popular billet shift knobs. Available in machined finish, polished, or our exclusive Silverline Series.

# 3 PC COLUMN KIT



## NEW PRODUCT!

### 3-PIECE KIT

- CKCT 3-piece Column Kit, Machined
- CKCT-P 3-piece Column Kit, Polished
- CKCT-SL 3-piece Column Kit, "Silverline Series"

### TURN SIGNAL HANDLE ONLY

- TSH Turn Signal Handle, Machined
- TSH-P Turn Signal Handle, Polished
- TSH-SL Turn Signal Handle, "Silverline Series"



# INTERIOR ACCESSORIES

## BILLET CUP HOLDERS

Our award winning cup holders are designed to be installed in the dash or under the dash. Simply push in and the spring loaded cup holder ejects and is ready to be used.

When not being used, it is simply pushed back in and is out of the way. Made from 6061-T6 billet aluminum and available in machine finish, polished and black. Cup hole is 3" diameter.

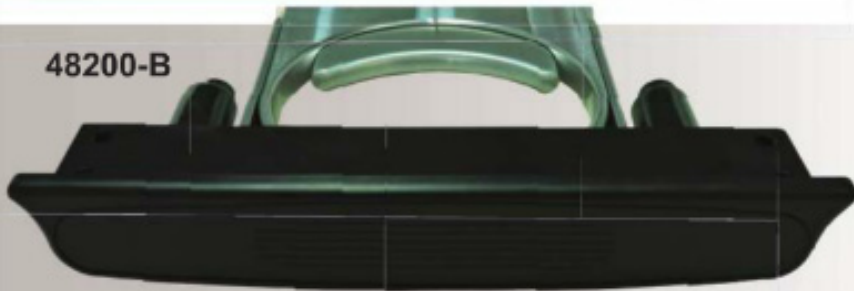
48100-P



48200-P



48200-B



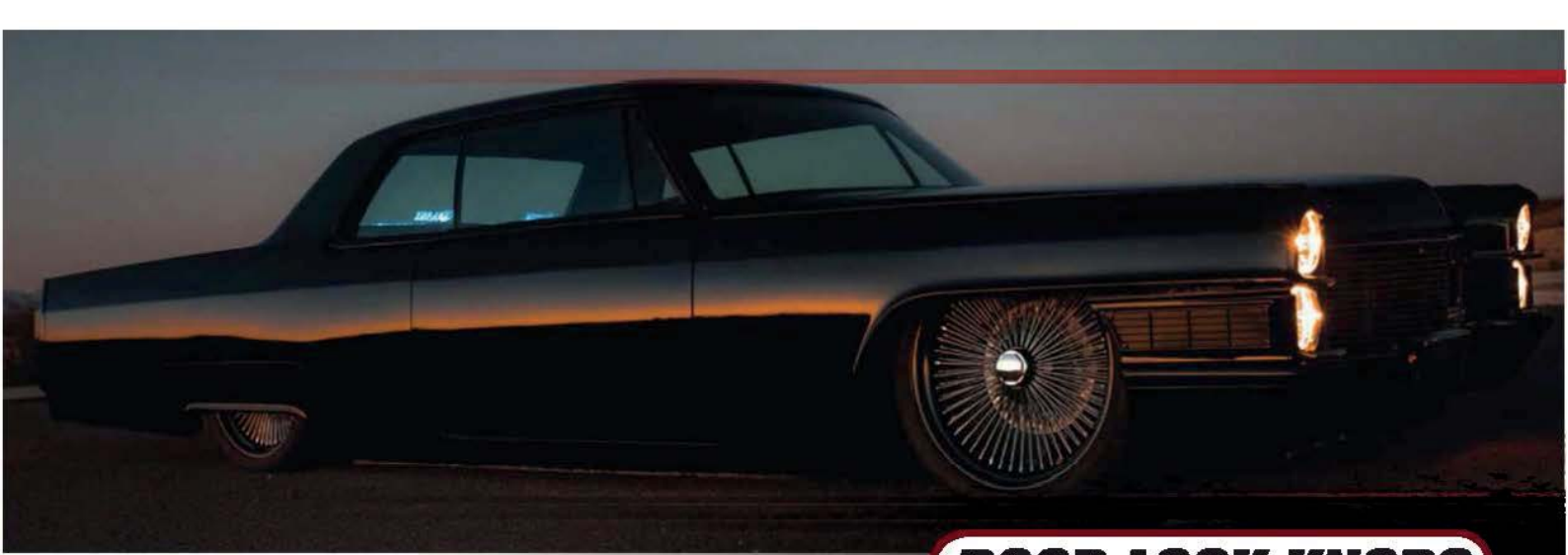
Now Available in black Anodized



3 TIME WINNER  
**SEMA GLOBAL MEDIA AWARDS**  
MEMBER



- |         |  |
|---------|--|
| 48100   | Cup Holder, In-Dash, Machine finish    |
| 48100-P | Cup Holder, In-Dash, Polished Face     |
| 48100-B | Cup Holder, In-Dash, Black Face        |
| 48200   | Cup Holder, Under Dash, Machine finish |
| 48200-P | Cup Holder, Under Dash, Polished Face  |
| 48200-B | Cup Holder, Under Dash, Black Face     |



# DOOR LOCK KNOBS

Machined from 6061-T6 aluminum, these door lock knobs are made to last and look great. No more cracked, faded or broken knobs. Available for '67 - '72 Chevy trucks or any application that requires a 10-24 thread. Sold in pairs.



STEPPED



**NEW PRODUCT!**



ROUND HEAD



**NEW PRODUCT!**

Now Available In



- |          |   |
|----------|---|
| DLKS     | Door Lock Knobs - Stepped                                 |
| DLKS-B   | Door Lock Knobs - Stepped - Black Anodized                |
| DLKS-P   | Door Lock Knobs - Stepped - Polished                      |
| DLKS-BG  | Door Lock Knobs - Stepped - <b>"Silverline Series"</b>    |
| DLKRH    | Door Lock Knobs - Round Head                              |
| DLKRH-B  | Door Lock Knobs - Round Head - Black Anodized             |
| DLKRH-P  | Door Lock Knobs - Round Head - Polished                   |
| DLKRH-BG | Door Lock Knobs - Round Head - <b>"Silverline Series"</b> |

CLASSIC



**NEW PRODUCT!**

- |        |   |
|--------|---|
| DLK    | Door Lock Knobs                             |
| DLK-B  | Door Lock Knobs - Black Anodized            |
| DLK-G  | Door Lock Knobs - Machine finish w/ Grooves |
| DLK-PG | Door Lock Knobs - Polished w/ Grooves       |
| DLK-P  | Door Lock Knobs - Polished                  |
| DLK-BG | Door Lock Knobs <b>"Silverline Series"</b>  |

# INTERIOR ACCESSORIES

## STEERING WHEELS

### 14" Flat Billet Steering Wheels - Wrap Your Own

These billet steering wheels are made from 6061-T6 billet aluminum and designed to be custom finished in leather wrap, paint or whatever you desire.

Available in Classic 3 hole per spoke or Banjo Style in machine finish or polished.

*Call for wrap information  
(wrap not included)*

**Machined Finish  
Polished**

### 3 HOLE

- |          |   |
|----------|---|
| 4501-3   | Steering Wheel, Aluminum Wrap-your-own Flat 14" Classic, Machine finish |
| 4501-3-P | Steering Wheel, Aluminum Wrap-your-own Flat 14" Classic, Polished       |
| 4502-3   | Steering Wheel, Aluminum Wrap-your-own Flat 14" Banjo, Machine finish   |
| 4502-3-P | Steering Wheel, Aluminum Wrap-your-own Flat 14" Banjo, Polished         |

### 9 HOLE

- |          |   |
|----------|---|
| 4501-9   | Steering Wheel, Aluminum Wrap-your-own Flat 14" Classic, Machine finish |
| 4501-9-P | Steering Wheel, Aluminum Wrap-your-own Flat 14" Classic, Polished       |
| 4502-9   | Steering Wheel, Aluminum Wrap-your-own Flat 14" Banjo, Machine finish   |
| 4502-9-P | Steering Wheel, Aluminum Wrap-your-own Flat 14" Banjo, Polished         |

## Steering Wheel Center Caps

These billet center caps are designed for All American Billet and Lecarra style steering wheels. Adapts to 3 on 1-3/4" Bolt Circle. They are made from 6061-T6 billet aluminum and are available in machine finish or polished.

- |        |   |
|--------|---|
| 4510   | Center Caps for Lecarra Style Steering Wheels, Machine finish |
| 4510-P | Center Caps for Lecarra Style Steering Wheels, Polished       |

## Steering Wheel Covers

All American Billet Steering Wheel Covers are the finest, most luxurious steering wheel covers available anywhere. Handcrafted in California in 15 colors, they are the perfect upgrade for our billet steering wheels.

**SWC**

Add the color code below to the part number.

Black - 01 Brown - 03 Tan - 04 Blue - 12 Grey - 14 Red - 15 Burgundy - 16 White - 17 Sand - 18 Charcoal - 19 Yellow - 31 Cobalt - 35 Oak - 36 Sea Blue - 37 Green - 38



# STEERING COLUMNS



## Classic Bell Style Steering Column

Our columns are designed for a simple and clean look. The tubes are made from 1-3/4" 6061-T6 and the shafts are 3/4" mild steel with 36 spline. Made to accept any 3-bolt steering wheel. Available in 28" 30" 32" and 34" lengths in machine finish or fully polished.

420028CB

## Standard Steering Column

These columns are identical to our Classic Roadster Style but come with a modern looking upper sleeve cone.

420028



- 420028 Steering column, 28" Standard, Machine finish
- 420028-P Steering column, 28" Standard, Polished
- 420030 Steering column, 30" Standard, Machine finish
- 420030-P Steering column, 30" Standard, Polished
- 420032 Steering column, 32" Standard, Machine finish
- 420032-P Steering column, 32" Standard, Polished
- 420034 Steering column, 34" Standard, Machine finish
- 420034-P Steering column, 34" Standard, Polished
- 420028CB Steering column, 28" Classic Bell Style, Machine finish
- 420028CB-P Steering column, 28" Classic Bell Style, Polished
- 420030CB Steering column, 30" Classic Bell Style, Machine finish
- 420030CB-P Steering column, 30" Classic Bell Style, Polished
- 420032CB Steering column, 32" Classic Bell Style, Machine finish
- 420032CB-P Steering column, 32" Classic Bell Style, Polished
- 420034CB Steering column, 34" Classic Bell Style, Machine finish
- 420034CB-P Steering column, 34" Classic Bell Style, Polished



Machined Finish  
Polished

44225-P



440200-P

# COLUMN FLOOR MOUNTS

## Column Floor Mounts

Our column floor mounts are made from 6060-T6 billet aluminum and come in various sizes for just about any application. The inside collar slips over the column and pivots to accommodate the angle of the floor. Available in machine finish or polished.

### STANDARD

- 44175 Floor Mount 1-3/4" diameter, Machine finish
- 44175-P Floor Mount 1-3/4" diameter, Polished
- 44200 Floor Mount 2" diameter, Machine finish
- 44200-P Floor Mount 2" diameter, Polished
- 44225 Floor Mount 2-1/4" diameter, Machine finish
- 44225-P Floor Mount 2-1/4" diameter, Polished

### ZERO CLEARANCE

- 440200 Floor Mount 2" diameter, Machine finish
- 440200-P Floor Mount 2" diameter, Polished
- 440225 Floor Mount 2-1/4" diameter, Machine finish
- 440225-P Floor Mount 2-1/4" diameter, Polished

# INTERIOR ACCESSORIES

## COLUMN DROPS

Column drops are made from 6060-T6 billet aluminum and are available in three styles: solid; open window; and closed window. They come in various column diameter and drop lengths to fit just about any application. The swivel easily adapts to different column and dash angles. Available in machine finish, polished and black.



**4320061-P**



**4320053-P**

Now Available in Black Anodized



**4320053-B**

### Solid Column Drops

### Machine Finish

### Polished

### Black

Column Drop 1-3/4" diameter x 2" drop	4317521	4317521-P	4317521-B
Column Drop 1-3/4" diameter x 3" drop	4317531	4317531-P	4317531-B
Column Drop 1-3/4" diameter x 4" drop	4317541	4317541-P	4317541-B
Column Drop 1-3/4" diameter x 5" drop	4317551	4317551-P	4317551-B
Column Drop 1-3/4" diameter x 6" drop	4317561	4317561-P	4317561-B
Column Drop 1-3/4" diameter x 7" drop	4317571	4317571-P	4317571-B
Column Drop 2" diameter x 2" drop	4320021	4320021-P	4320021-B
Column Drop 2" diameter x 3" drop	4320031	4320031-P	4320031-B
Column Drop 2" diameter x 4" drop	4320041	4320041-P	4320041-B
Column Drop 2" diameter x 5" drop	4320051	4320051-P	4320051-B
Column Drop 2" diameter x 6" drop	4320061	4320061-P	4320061-B
Column Drop 2" diameter x 7" drop	4320071	4320071-P	4320071-B
Column Drop 2-1/4" diameter x 2" drop	4322521	4322521-P	4322521-B
Column Drop 2-1/4" diameter x 3" drop	4322531	4322531-P	4322531-B
Column Drop 2-1/4" diameter x 4" drop	4322541	4322541-P	4322541-B
Column Drop 2-1/4" diameter x 5" drop	4322551	4322551-P	4322551-B
Column Drop 2-1/4" diameter x 6" drop	4322561	4322561-P	4322561-B
Column Drop 2-1/4" diameter x 7" drop	4322571	4322571-P	4322571-B
Column Drop 2-3/8" diameter x 3" drop	43237531	43237531-P	43237531-B
Column Drop 2-3/8" diameter x 4" drop	43237541	43237541-P	43237541-B
Column Drop 2-3/8" diameter x 5" drop	43237551	43237551-P	43237551-B



## Open Window Column Drops

### Machine Finish

### Polished

### Black

Column Drop 1-3/4" diameter x 3" drop	4317532	4317532-P	4317532-B
Column Drop 1-3/4" diameter x 4" drop	4317542	4317542-P	4317542-B
Column Drop 1-3/4" diameter x 5" drop	4317552	4317552-P	4317552-B
Column Drop 1-3/4" diameter x 6" drop	4317562	4317562-P	4317562-B
Column Drop 1-3/4" diameter x 7" drop	4317572	4317572-P	4317572-B
Column Drop 2" diameter x 3" drop	4320032	4320032-P	4320032-B
Column Drop 2" diameter x 4" drop	4320042	4320042-P	4320042-B
Column Drop 2" diameter x 5" drop	4320052	4320052-P	4320052-B
Column Drop 2" diameter x 6" drop	4320062	4320062-P	4320062-B
Column Drop 2" diameter x 7" drop	4320072	4320072-P	4320072-B
Column Drop 2-1/4" diameter x 3" drop	4322532	4322532-P	4322532-B
Column Drop 2-1/4" diameter x 4" drop	4322542	4322542-P	4322542-B
Column Drop 2-1/4" diameter x 5" drop	4322552	4322552-P	4322552-B
Column Drop 2-1/4" diameter x 6" drop	4322562	4322562-P	4322562-B
Column Drop 2-1/4" diameter x 7" drop	4322572	4322572-P	4322572-B
Column Drop 2-3/8" diameter x 3" drop	43237532	43237532-P	43237532-B
Column Drop 2-3/8" diameter x 4" drop	43237542	43237542-P	43237542-B
Column Drop 2-3/8" diameter x 5" drop	43237552	43237552-P	43237552-B

## Closed Window Column Drops

### Machine Finish

### Polished

### Black

Column Drop 1-3/4" diameter x 3" drop	4317533	4317533-P	4317533-B
Column Drop 1-3/4" diameter x 4" drop	4317543	4317543-P	4317543-B
Column Drop 1-3/4" diameter x 5" drop	4317553	4317553-P	4317553-B
Column Drop 1-3/4" diameter x 6" drop	4317563	4317563-P	4317563-B
Column Drop 1-3/4" diameter x 7" drop	4317573	4317573-P	4317573-B
Column Drop 2" diameter x 3" drop	4320033	4320033-P	4320033-B
Column Drop 2" diameter x 4" drop	4320043	4320043-P	4320043-B
Column Drop 2" diameter x 5" drop	4320053	4320053-P	4320053-B
Column Drop 2" diameter x 6" drop	4320063	4320063-P	4320063-B
Column Drop 2" diameter x 7" drop	4320073	4320073-P	4320073-B
Column Drop 2-1/4" diameter x 3" drop	4322533	4322533-P	4322533-B
Column Drop 2-1/4" diameter x 4" drop	4322543	4322543-P	4322543-B
Column Drop 2-1/4" diameter x 5" drop	4322553	4322553-P	4322553-B
Column Drop 2-1/4" diameter x 6" drop	4322563	4322563-P	4322563-B
Column Drop 2-1/4" diameter x 7" drop	4322573	4322573-P	4322573-B
Column Drop 2-3/8" diameter x 3" drop	43237533	43237533-P	43237533-B
Column Drop 2-3/8" diameter x 4" drop	43237543	43237543-P	43237543-B
Column Drop 2-3/8" diameter x 5" drop	43237553	43237553-P	43237553-B



4322532-P



# INTERIOR ACCESSORIES

## TACH CUPS

Made from 6061-T6 billet aluminum these tach cups include a billet bracket that fits various columns and tachs. Available in machined, black anodized or polished.

### VDO

- |           |   |
|-----------|---|
| 461752    | Tach Cup w/ 1-3/4" column bracket, Machined |
| 461752-P  | Tach Cup w/ 1-3/4" column bracket, Polished |
| 462002    | Tach Cup w/ 2" column bracket, Machined     |
| 462002-P  | Tach Cup w/ 2" column bracket, Polished     |
| 4623752   | Tach Cup w/ 2-3/8" column bracket, Machined |
| 4623752-P | Tach Cup w/ 2-3/8" column bracket, Polished |



**461752**

(Gauge Not Included)

Now Available in Black! (Substitute "B" for "P")

### CLASSIC INSTRUMENTS

- |           |   |
|-----------|---|
| 461755    | Tach Cup w/ 1-3/4" column bracket, Machined |
| 461755-P  | Tach Cup w/ 1-3/4" column bracket, Polished |
| 462005    | Tach Cup w/ 2" column bracket, Machined     |
| 462005-P  | Tach Cup w/ 2" column bracket, Polished     |
| 4623755   | Tach Cup w/ 2-3/8" column bracket, Machined |
| 4623755-P | Tach Cup w/ 2-3/8" column bracket, Polished |

### STEWART WARNER

- |           |   |
|-----------|---|
| 461751    | Tach Cup w/ 1-3/4" column bracket, Machined |
| 461751-P  | Tach Cup w/ 1-3/4" column bracket, Polished |
| 462001    | Tach Cup w/ 2" column bracket, Machined     |
| 462001-P  | Tach Cup w/ 2" column bracket, Polished     |
| 4623751   | Tach Cup w/ 2-3/8" column bracket, Machined |
| 4623751-P | Tach Cup w/ 2-3/8" column bracket, Polished |

### AUTO METER

- |           |   |
|-----------|---|
| 461754    | Tach Cup w/ 1-3/4" column bracket, Machined |
| 461754-P  | Tach Cup w/ 1-3/4" column bracket, Polished |
| 462004    | Tach Cup w/ 2" column bracket, Machined     |
| 462004-P  | Tach Cup w/ 2" column bracket, Polished     |
| 4623754   | Tach Cup w/ 2-3/8" column bracket, Machined |
| 4623754-P | Tach Cup w/ 2-3/8" column bracket, Polished |

### MOON

- |           |   |
|-----------|---|
| 461753    | Tach Cup w/ 1-3/4" column bracket, Machined |
| 461753-P  | Tach Cup w/ 1-3/4" column bracket, Polished |
| 462003    | Tach Cup w/ 2" column bracket, Machined     |
| 462003-P  | Tach Cup w/ 2" column bracket, Polished     |
| 4623753   | Tach Cup w/ 2-3/8" column bracket, Machined |
| 4623753-P | Tach Cup w/ 2-3/8" column bracket, Polished |



## Single Gauge Holder

These bullet style gauge holders are made from 6061-T6 billet aluminum and using our billet bracket mount to various sized columns. Available in machine finished, black anodized or polished.

Now Available in  
Black Anodized



**4702-P**  
(Gauge Not Included)



**47200-P**

- |         |  |
|---------|--|
| 4701    | Gauge Holder, Single gauge, short, Machine finish      |
| 4701-P  | Gauge Holder, Single gauge, short, Polished            |
| 4701-B  | Gauge Holder, Single gauge, short, Black Anodized      |
| 4702    | Gauge Holder, Single gauge, long, Machine finish       |
| 4702-P  | Gauge Holder, Single gauge, long, Polished             |
| 4702-B  | Gauge Holder, Single gauge, long, Black Anodized       |
| 47150   | Gauge Holder Bracket for 1-1/2" column, Machine Finish |
| 47150-P | Gauge Holder Bracket for 1-1/2" column, Polished       |
| 47150-B | Gauge Holder Bracket for 1-1/2" column, Black Anodized |
| 47175   | Gauge Holder Bracket for 1-3/4" column, Machine Finish |
| 47175-P | Gauge Holder Bracket for 1-3/4" column, Polished       |
| 47175-B | Gauge Holder Bracket for 1-3/4" column, Black Anodized |
| 47200   | Gauge Holder Bracket for 2" column, Machine Finish     |
| 47200-P | Gauge Holder Bracket for 2" column, Polished           |
| 47200-B | Gauge Holder Bracket for 2" column, Black Anodized     |
| 47225   | Gauge Holder Bracket for 2-1/4" column, Machine Finish |
| 47225-P | Gauge Holder Bracket for 2-1/4" column, Polished       |
| 47225-B | Gauge Holder Bracket for 2-1/4" column, Black Anodized |



# INTERIOR ACCESSORIES

## DASH PANELS

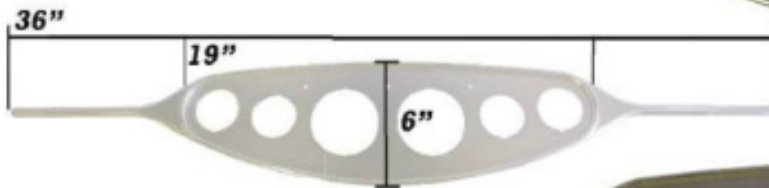
### Billet Instrument Panel

Add class to your flat dash with these billet aluminum gauge panels. Made from 6061-T6 billet aluminum and available in 5 or 6 gauge designs. Insert can be custom finished to match your paint or interior. Available in machine finish or polished.



48005

CONTAINS (1) 3-1/8" & (4) 2-1/16" HOLES



CONTAINS (2) 3-1/8" & (4) 2-1/16" HOLES



48006

- 48005 Instrument Panel, 5 Gauge w/ insert, Machine finish
- 48005-P Instrument Panel, 5 Gauge w/ insert, Polished
- 48006 Instrument Panel, 6 Gauge w/ insert, Machine finish
- 48006-P Instrument Panel, 6 Gauge w/ insert, Polished

### '32 Ford Dash/Gauge Panel

Polished with ball milled design and three holes. Center hole is approx. 4-3/4" diameter and two outer holes are approx. 2" diameter. MT32POLB



### '32 Ford Dash/Gauge Panel

Anodized with ball milled design and two gauge holes. Holes are approx. 3-1/2" diameter. MT60ANB



### '32 Ford Dash/Gauge Panel

Anodized, plain face and two gauge holes. Holes are approx. 3-1/2" diameter. Made from 6061 billet aluminum these panels will add class and style to your hot rod.

MT60ANP



### '32 Ford Dash/Gauge Panel

Anodized, plain face and five gauge holes. Large center hole is approx. 3-1/2" and other four holes are approx. 2" diameter. Made from 6061 billet aluminum these panels will add class and style to your hot rod.

MT61ANP

### '33 Ford Dash/Gauge Panel

Holes are approx. 3-1/2" diameter.

MT62RB Machine finish, balled milled face & 2 gauge holes.

MT62ANB Anodized, balled milled face & 2 gauge holes



### '33 Ford Dash/Gauge Panel

Center hole is approx. 3-1/2" diameter and four other holes are approx. 2" diameter.

MT63RB Machine finish, balled milled face & 5 gauge holes.

MT63ANB Anodized, balled milled face & 5 gauge holes

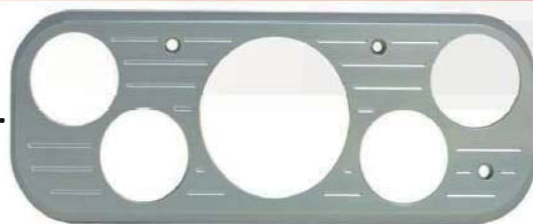
MT63ANP Anodized, plain face & 5 gauge holes

### '37 GMC Dash/Gauge Panel

Anodized, ball milled face and five gauge holes.

Center hole is approx. 3-1/2" diameter and four other holes are approx. 2" diameter.

MT67ANB



### '37 GMC Dash/Gauge Panel

Anodized, plain face and three gauge holes.

Holes are approx. 3-1/2" diameter.

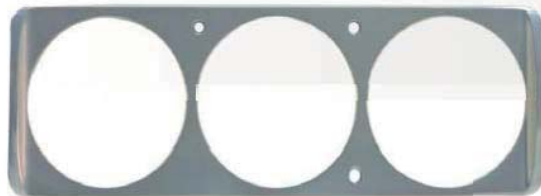
MT68ANP

### '37 Chevy Dash/Gauge Panel

Anodized, plain face and three gauge holes.

Holes are approx. 3-1/2" diameter.

MT69ANP



### '53 Ford Dash/Gauge Panel

Machine finish, ball milled face and two gauge holes.

Holes are approx. 3-1/2" diameter.

MT73RP

# EXTERIOR ACCESSORIES

## CHEVY TRUCK SIDE MARKER LIGHT BEZELS

Add style to your truck with these All American Billet side marker light bezels. Our bezels are machined from 6061-T6 Aluminum, are made to last and look great and available in polished and black anodized finishes. Available for '68 - '72 Chevy trucks. Sold in pairs. (Lens is **NOT** included.)

- |           |  |
|-----------|--|
| BSML-P    | Bezel, Side Marker Light, Polished, Pair             |
| BSML-B    | Bezel, Side Marker Light, Black Anodized, Pair       |
| BSML-DW-P | Bezel, Dual Window Side Marker Light, Polished, Pair |
| BSML-DW-B | Bezel, Dual Side Marker Light, Black Anodized, Pair  |



## CHEVY TRUCK TAIL LIGHT BEZELS



### 67-'72 Chevy Trucks

Add style to your truck with these All American Billet taillight bezels. They are machined from 6061-T6 aluminum and come in Machined Finish, Polished or Black anodized. Made in the U.S.A. to last and look great! Sold in pairs.

- |                 |                                |
|-----------------|--------------------------------|
| BTL-6772-C10    | Tailgate Bezel, Machined       |
| BTL-6772-C10-P  | Tailgate Bezel, Polished       |
| BTL-6772-C10 -B | Tailgate Bezel, Black Anodized |

**NEW PRODUCT!**

## BILLET GAS DOORS

These gas doors are made from 6061-T6 aluminum and are available in a variety of finishes to add class to any vehicle. Comes with stainless steel mounting hardware.

- |        |                                      |
|--------|--------------------------------------|
| DGS    | Billet Gas Door, Machined            |
| DGS-P  | Billet Gas Door, Polished            |
| DGS-BG | Billet Gas Door, "Silverline Series" |



**NEW PRODUCT!**

## CHEVY TRUCK DOOR JAMB VENTS

Dress up the door pillar of your truck with these All American Billet door jamb vents.

Machined from 6061-T6 aluminum these vents are made to last and look great Available for '58- Fleetside trucks, '71 - '72 Chevy trucks, Chevelle & 70-92 Camaro, available in polished and our exclusive "Silverline Series" Sold individually.

- |        |  |
|--------|--|
| DJV-P  | Door Jamb Vent, Polished, ea.            |
| DJV-BG | Door Jamb Vent, "Silverline Series", ea. |



# EXTERIOR ACCESSORIES

## '58-'66 GM FLEETSIDE TRUCKS BILLET TAILGATE LATCH KIT



**NEW PRODUCT!**

1958-66 GM Fleetside Trucks - Get rid of those ugly chains that ruin your paint! The All American Billet Tailgate Latch assembly includes everything needed to convert your truck to a more modern latch assembly. Kit is manufactured with 6061 aluminum cup and handle and stainless steel brackets. Includes hardware and assembly instructions.

- TGL Tailgate Latch assembly for original tailgates - Machined
- TGLA Tailgate Latch assembly for aftermarket tailgates - Machined
- TGL-P Tailgate Latch assembly for original tailgates - Polished
- TGLA-P Tailgate Latch assembly for aftermarket tailgates - Polished



## WINDSHIELD WIPER POST COVERS

High quality, American Made and machined from 6061-T6 Aluminum, these covers dress up the post when you do not want to run wipers. Easy installation and removal for show or driving. Each pair includes two set screw sizes to fit most size post.



- WWPCS Wiper Post Cover, Machine Finish, (pr)
- WWPCS-P Wiper Post Cover, Polished, (pr)
- WWPCB Wiper Post Cover, Bullet, Machine Finish, (pr)
- WWPCB-P Wiper Post Cover, Bullet, Polished, (pr)
- WWPCB-BG Wiper Post Cover, Bullet, "Silverline Series" (pr)

### Large Post Covers

Large post covers measure with an inside diameter approx. 11/16" and approx 3/4" deep.

Small post covers measure with an inside diameter is approx. 9/16" and approx. 5/8" deep.



### Small Post Covers

- WWPC1 Wiper Post Cover, Machine Finish, small, (pr)
- WWPC1-P Wiper Post Cover, Polished, small, (pr)
- WWPCB1 Wiper Post Cover, Bullet, Machine Finish, small, (pr)
- WWPCB1-P Wiper Post Cover, Bullet, Polished, small (pr)
- WWPCB1-BG Wiper Post Cover, Bullet, "Silverline Series" small (pr)

## DOOR PROPS

All American Billet Door props are machined from 6061-T6 aluminum. These door props are made to allow spectators to "look but not touch" your interior. They will hold your door open approx. 12" and are easy to install and remove. They are made to work with most post and bear claw latch assemblies.

- DP-P Door Prop - Polished
- DP-B Door Prop - Black Anodized



**NEW PRODUCT!**

# EXTERIOR ACCESSORIES

## FENDER WASHERS

All American Billet fender washers are machined from 6061-T6 billet aluminum. These washers are used to add class and to protect your finish. Sold with stainless steel hardware or sold individually to meet your needs.



**WF101**  
Washer, Fender 1" O.D.

WF101-1 w/ 10-24 x 1" SS Bolt

Our fender washers are available in a variety of finishes.  
(Blue & Red finishes may require an additional lead time)

Also Available In our Exclusive



**MACHINED**



**POLISHED**



**SILVERLINE SERIES POLISHED BLACK**



**WF102**  
Washer, Fender 1" O.D.

WF102-1 w/ 5116-18 x 1" SS Bolt



**RED ANODIZED**



**POLISHED RED**



**BLUE ANODIZED**



**WF103**  
washer, Fender 1 1/8" O.D.

WF103-1 w/ 3/8-16 x 1" SS Bolt



**WF104**  
washer, Fender 3/4" O.D.

WF104-1 w/ 5116-18 x 1" SS Bolt



**WF105**  
Washer, Fender 1 1/16" O.D.

WF105-1 w/ 114-20 x 1" SS Bolt



**WF106**  
Washer, Fender 9/16" O.D.

WF106-1 w/ 10-24 x 1" SS Bolt

### New **LARGER** Diameter Billet Fender Washers



**WF107**  
Washer, Fender 2-1/4" O.D.  
WF107-1 w/ 7/16-14 x 1-3/4" L SS Bol



**WF108**  
Washer, Fender 1-1/2" O.D.  
WF108-1 w/ 3/8-16 x 1-1/2" L SS Bolt



**WF109**  
Washer, Fender 2" O.D.  
WF109-1 w/ 7/16-14 x 1-3/4" LSS Bolt



**110**  
Washer, Fender 1" O.D.  
WF110-1 w/ 1/4-20 x 1" SS Bolt



Convenient kits with washers and bolts neatly organized so they are available when needed. Easy to re-order to keep the kit fully stocked.



## FENDER WASHER KITS

- Machined from 6061-T6 billet aluminum
- Stainless steel hardware included
- Neatly organized in divided PVC storage case

### 120 PC SET!

#### Kit Includes:

- (10) WF101 Washer, Fender 1" O.D.
- (10) 10-24 x 1" SS Bolt
- (10) WF102 Washer, Fender 1" O.D.
- (10) 5/16-18 x 1" SS Bolt
- (10) WF103 Washer, Fender 7/8" O.D.
- (10) 3/8-16 x 1" SS Bolt
- (10) WF104 Washer, Fender 3/4" O.D.
- (10) 5/16-18 x 1" SS Bolt
- (10) WF105 Washer, Fender 11/16" O.D.
- (10) 1/4-20 x 1" SS Bolt
- (10) WF106 Washer, Fender 9/16" O.D.
- (10) 10-24 x 1" SS Bolt

#### ALSO AVAILABLE IN THESE FINISHES!

Pollished Blue/Black/Red \$214.95  
Anodized Blue/Red \$186.95

WF-KIT1  
WF-KIT1-SL

Machined Washers  
"Silverline Washers"



*All American Billet front suspensions are COMING SOON. Front control arms machined from 6061-T6 aluminum. Kits include upper and lower billet control arms, ball joints, crossmember, and hardware. Stay tuned!*

## '60-'72 CHEVY TRUCK REAR TRAILING ARMS

Get rid of those rusty and weak stock trailing arms and add style to your truck with these billet trailing arms. Arms are made from 6061-T6 billet aluminum and weigh approx. 20 lbs less than stock (per set). Includes 2 trailing arms, steel brackets, grade 8 hardware, spacers, new polyurethane bushings and instructions. Coilovers sold separately. Using 14" coilovers, drops the rear end approx. 4".

### 1960-62

TACT6062

'60-'62 Chevy Truck Trailing Arm Kit

### 1963-72

TACT6372

'63-'72 Chevy Truck Trailing Arm Kit



### NEW PRODUCT!

AS-655

15" Coilover Shock w/ hardware, bushings & sleeves (5/8")

AS-651

14" Coilover Shock w/ hardware, bushings & sleeves (5/8")

AS-656

13" Coilover Shock w/ hardware, bushings & sleeves (5/8")

09-550BI

Coilover Spring, 550 lbs./in. rate, 9" length, 2.5" I.D, Black, Pair

10-300BI

Coilover Spring, 300 lbs./in. rate, 10" length, 2.5" I.D, Black, Pair

ALL AMERICAN  
**BILLET**

57

Check out the collection of replacement engine parts we offer.