

ACDelco®

Steering (Remanufactured)

Catalogue: Issue 1.2



Suits Most Makes Most Models

ACDelco®



Steering (Remanufactured) Catalogue

issue 1.2 - contents

PRODUCT DETAILS

Steering (Remanufactured) Features & Benefits	3
-----------------------------------------------	---

HELPFUL HINTS

Steering (Remanufactured) Removal & Installation Tips	4
Steering (Remanufactured) Trouble Shooting	8
Steering (Remanufactured) Steering System Noise Identification	10

APPLICATION LISTS

Steering (Remanufactured) Application List	11
Abbreviations	17

NUMERICAL LISTS

Power Steering - Racks	18
Power Steering - Boxes	23
Power Steering - Pumps	24

NEW SERVICE PARTS

Tie Rod End	27
Tie Rod & Inner Ball Joint Assembly	27
Seal Kit	28
Power Steering System Filter	28



Steering (Remanufactured) features & benefits

ACDelco Power Steering Racks, Boxes and Pumps are remanufactured not reconditioned, and each part endures a mandatory quality check and is fitted with the latest refinements.

FEATURES & BENEFITS

- / ACDelco Remanufactured Steering Pumps and Steering Racks are fully remanufactured and thoroughly tested to meet the OE manufacturers specification.
- / All designated high risk parts are replaced with new parts whether worn or not.
- / All electronic controlled steering racks come fitted with new solenoids/switches.
- / Critical pump applications are supplied with a power steering return hose.
- / Only genuine OE components are used in the remanufacturing process.
- / Each steering gear must pass a minimum of five separate tests to attain the ACDelco Remanufacturing Standard.

ACDELCO REMANUFACTURING MEANS

- / Gears are completely dismantled.
- / All tie rods, boots and seals are discarded.
- / All teflon seals are removed and discarded.
- / The pinion and valve assembly is dismantled and rebalanced.
- / The housing and rack and piston are checked for cracks and discarded if cracks are detected.
- / Gears are rebuilt to OE specification.
- / All bent and damaged components are discarded.
- / All teflon seals, tie rods and boots are replaced with new genuine OE standard quality components.
- / If the pinion shows excessive wear, pitting or is cracked it is replaced.
- / Each gear is tested for leaking, attainment of correct pressure between chambers, returnability and elimination of light/heavy sensation.



Steering (Remanufactured) removal & installation tips

These tips are intended only to provide assistance to suitably qualified and trained technicians, and should not be attempted by unqualified and untrained persons.

BLEEDING POWER STEERING SYSTEMS

1. Fill reservoir to cold level.
2. Start engine and run for one to two seconds to circulate fluid.
3. Top up reservoir.
4. Repeat step 2 and 3 until reservoir remains full.
5. With engine idling turn the steering wheel from left lock to right lock several times lightly touching full lock on either side.
6. Stop engine and top up reservoir.

AIR BAGS

Caution: If the vehicle is fitted with an SRS (air bag), a steering wheel clamp must be fitted to the steering wheel in the straight ahead position (and the ignition key removed as an added measure to engage the steering lock) locking the steering column. If this procedure is not carried out and the steering wheel is spun while the steering rack is removed, the clock spring on the upper end of the steering column will be destroyed, causing non-deployment of the air bag! (Refer to vehicle service manual).

Speed sensitive power steering - resetting the body control module (BCM) Commodore/Calais/Statesman 10/91 - Speed sensitive power steering provides the driver with maximum assistance at low speeds and gradually reduces the assistance as the vehicle speed increases. When a steering rack is replaced or the wiring loom disconnected, you will need to reset the BCM to restore the steering back to normal operating conditions.

Follow this simple procedure to reset the BCM:

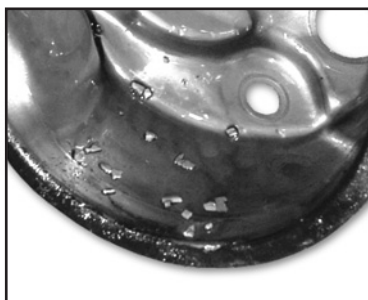
- a) Switch the ignition off.
- b) Remove fuse for approx. 3 seconds. (Located in engine compartment relay housing).
- c) Refit the fuse, the BCM should click.
- d) The vehicle indicators or interior lighting will flash to indicate resetting has been successful.

Please Note:

Speed sensing steering racks contain a plastic damper which over time deteriorates and crumbles, spreading contaminates throughout the system. It is highly recommended that when a speed sensitive rack is replaced, that the steering pump is also replaced and all lines flushed to get rid of any contaminates.



Old and New Damper



Contaminated Power Steering Pump Housing



Blocked Modulating Valve

ACDelco Remanufactured Speed Sensitive Steering Racks have all springs and dampers replaced as a matter of course, the valve is retrimmed and a new modulating valve is fitted.



Steering (Remanufactured)

removal & installation tips (continued)

The vehicle should now have full power assistance.

BCM FUSE IDENTIFICATION

VP Calais & Statesman	Fuse F21
VR to VS Calais & Statesman	Fuse F23
VT to VX Calais & Statesman	Fuse F31

Note: When either of the Power Steering units are replaced you should always inspect the rack modulating valve and the pump flow control valve as it is common for broken pieces of the upper pinion damper to become lodged in either or both of these components which may cause the system to malfunction. The symptoms are intermittent, partial or total loss of power assistance.

POWER RACKS WITH ALUMINIUM PINION HOUSINGS

When connecting the hose barrel nuts to any die-cast rack housing, extreme care must be taken not to cross thread or over tighten, as this will damage the housing and cannot be repaired. It could also include a penalty of your core deposit as in most instances the housing is not available as a separate component, and replacement costs are substantial. Most racks use a nitrile seal on the hose connection so it's not necessary to over tighten the barrel nut to obtain a good seal. As a general rule it is best to start barrel nuts with your fingers then torque fittings to no greater than 25 Nm.

COMMODORE VL-VE & FALCON/FAIRLANE EA-EL VARIABLE RATIO POWER STEERING RACKS

Prior to installing check the following:

- / Upper strut bearings and mounting places (for wear or binding).
- / Bottom ball joints.
- / Outer tie rod ends.
- / Intermediate shaft.
- / Steering column.

Note: All ACDelco Racks are both static and dynamic performance tested. Any binding in the above areas will increase the steering effort above working conditions.

INSTALLATION

- / Fit tie rod end lock nuts. (Count the number of turns when removing from old unit).
- / Fit tie rod ends. (If in any doubt about the condition of the old tie rod ends replace with new).
- / Centralize rack assembly and steering wheel spoke before placing rack in position on cross member and connecting intermediate shaft.
- / Connect hoses to rack. DO NOT over tighten barrel nuts and ALWAYS replace seals. New seals are supplied with ACDelco Exchange Units.

Note: while hoses are disconnected from the rack, care should be taken to prevent any dirt from entering the system as this will cause the pump flow control valve to stick which in turn will lead to lack of assistance at idle.



Steering (Remanufactured)

removal & installation tips (continued)

- / Connect tie rod ends to the steering arms making sure that the split pins are re-inserted in the castellated nuts.
- / Fill the reservoir with fluid and bleed according to manufacturers instructions. To avoid aerating the fluid DO NOT rev the engine during the start up and bleeding procedure. If the fluid does become aerated, switch the engine off and leave the vehicle stand for an hour to allow the aeration to dissipate.
- / Reset the toe-in to manufacturers specifications and recheck the system for oil leaks.

Warning: Do not turn the steering wheel without the motor running as this can dislodge inner rack seals causing fluid to leak into the boots.

POWER STEERING HOSES

Not all worn hoses can be detected from an outward inspection, as they deteriorate from the inside out. Steel braided hoses can create groaning noises and vibrations at lock. OE manufacturers use nylon braided rubber hose to absorb the pulses in the fluid that cause vibration. Most OE hoses also have an internally fitted vibration damper to prevent pulsation.

Unless the vehicle is a late model or has low kilometres travelled, all hoses should be replaced.

Hoses fitted to vehicles up to the early 80's used brass or aluminium olives in the connecting fittings to seal the joint, and there after using Teflon seal or nitrile o' ring seal. It is important that the seals are replaced whenever the connected fittings are disturbed. When fitting new seals, always smear them with hydraulic fluid to ensure that they are not damaged during installation. Do not over tighten the connecting fitting, as this will damage the new seal and cause leaking at the joint.

POWER STEERING FLUID

All car manufacturers have a specified fluid used for each of their steering systems, which have been developed to their own durability test specifications. A majority of other oil companies will market an equivalent fluid claiming to meet the same specification; however they do not meet the same quality assurance standards. Use of any other type of fluid could result in permanent damage being done to the system. **Note:** Always refer to original manufacturer's specifications for the correct fluid to be used.

OIL CONTAMINATION

Contaminated fluid will cause premature failure of replacement units. Always flush the system thoroughly and fit a return line filter wherever possible. **Note that ACDelco Remanufactured Steering Racks come with a filter to minimize failure due to contamination of the steering fluid. It is essential that this filter is fitted to the system, failure to do so could void the product warranty.**

POWER STEERING PUMPS

Power steering pumps generate the hydraulic pressure needed to operate the steering rack and are designed to provide maximum assistance at engine idle. The Saginaw pump is now the most common pump used on Ford and GM passenger vehicles and there are two basic types of these pumps.

INTEGRAL RESERVOIR

The integral reservoir type is encased in a metal canister with an o'ring. Care must be taken not to lever against the canister when tightening the drive belt, as this is likely to damage the canister and create a fluid leak between the canister and the pump body.



Steering (Remanufactured)

removal & installation tips (continued)

HOLDEN EXTERNAL RESERVOIR VH-VK (6 CYL)

The VH to VK 6 cyl pump has an external reservoir mounted on the inner skirt of the mudguard and connected by a suction line to the pump body using a banjo type fitting. This fitting was prone to leaking which allows the pump to suck air and aerate the fluid. When the fluid is aerated the pump becomes noisy in operation and the rack can also become jerky. It is essential that the copper washers on the VK (located on either side of the banjo fitting) are replaced whenever the banjo fitting is removed.

HOLDEN EXTERNAL RESERVOIR VN-VR

When refitting this pump, be sure to replace the reservoir o'ring with the new o'ring supplied with each pump. Because of high under bonnet temperatures on this vehicle, the o'ring becomes brittle which allows the pump to suck air causing the fluid to aerate. This makes the pump either noisy in operation and can cause the steering to become jerky or will convulse fluid out from the reservoir.

HOLDEN EXTERNAL RESERVOIR VS-VY

This pump is connected to an external reservoir with the suction hose sliding over a metal tube and retained using a spring clamp. The connection between tube and hose is prone to weeping oil and can also suck air-causing fluid to aerate or convulse from the reservoir. When fitting any new pump, both suction hose and clamps should be replaced.

NISSAN PINTARA / SKYLINE

This pump is an external reservoir pump. It has a strainer inside the reservoir on top of the return pipe, which can become blocked causing excessive backpressure in the system. Whenever the pump is replaced the strainer should be removed and cleaned. A retaining clip is on top of the strainer, which needs to be removed before the strainer can be then cleaned.

MITSUBISHI MAGNA TM-TP

This pump is also an external reservoir pump and is prone to sucking air around the supply hose fittings. Before replacing a pump, which is noisy, check that the hose is not damaged and the connections on each end of the hose are properly sealed.



Steering (Remanufactured) trouble shooting

POOR RETURN OF STEERING WHEEL

- / Steering column friction - align column.
- / Steering linkage or ball joints binding - replace.
- / Steering gear adjustments too tight - adjust to specs.
- / Excessive internal leakage in steering gear - replace steering gear.
- / Steering gear to column not aligned - align column.
- / Tyres under inflated - inflate to specified pressure.
- / Steering column coupling binding - adjust or replace.
- / Improper front wheel alignment - align to specs.

STEERING WHEEL JERKS WHEN TURNING

- / Low fluid level - fill as required.
- / Loose belt at pump - tighten.
- / Engine idle too slow - adjust idle speed / check idle up switch if applicable.
- / Air in system - check all sealing connections between pump and reservoir.
- / Low pump pressure - pressure check / replace pump.
- / Steering linkage hitting obstruction - correct clearance.

OCCASIONAL INCREASE IN EFFORT WHEN TURNING THE STEERING WHEEL FAST

- / Low fluid level - fill as required.
- / Pump drive belt loose or glazed - adjust or replace.
- / Internal leakage in steering system - check pump pressure / replace pump or steering rack.

EXCESSIVE STEERING WHEEL RETURN OR LOOSE STEERING

- / Worn or damaged steering linkage or wheel bearings - replace as necessary.
- / Worn or damaged rack bar or pinion - replace steering gear.
- / Loose steering gear mounting - tighten bolts to specs.
- / Improper high point adjustment of steering gear - check and adjust to specs.
- / Steering column coupling loose - tighten to specs.
- / Air mixed with fluid - check all sealing connections between pump and reservoir.

HEAVY STEERING

- / Excessive internal leakage - pressure check and replace steering gear / pump.
- / Low pump output - pressure check - or restriction in system - remove restriction.
- / Loose pump belt - tighten.
- / Low fluid level in reservoir - check for leaks, fill as required.
- / Sticking flow control valve - replace pump.
- / Tyres under inflated - inflate to specified pressure.
- / Steering linkage binding from lack of lubrication - lubricate.
- / Steering column binding - replace worn parts and align.
- / Steering gear adjusted too tight - adjust to specs.
- / Body control module not operating - reset BCM refer to speed sensitive power steering in fitting tips.
- / Obstructed modulating valve or broken wiring loom - clean or replace valve assembly.

If these tips fail to address the symptom please contact a power steering specialist.

Steering (Remanufactured) trouble shooting (continued)

EXCESSIVELY LIGHT STEERING "DRIVING ON A KNIFE EDGE"

- / Loose control valve torsion pin or torsion bar - replace rack and pinion.

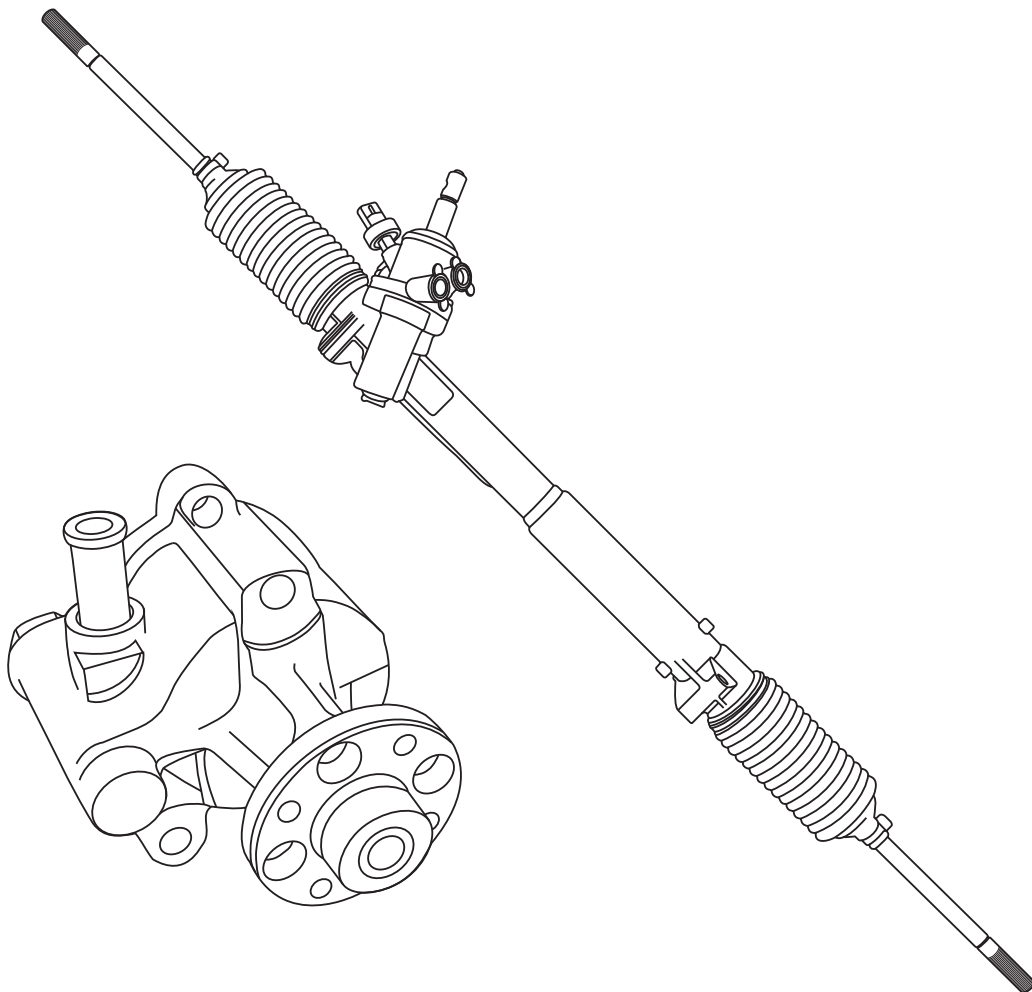
CAR PULLS TO ONE SIDE

- / Low or under inflated tyre pressure - inflate to manufacturer's specs.
- / Front end out of alignment - align front end to specs.
- / Steering gear control valve worn - replace steering gear.
- / Steering linkage or wheel bearings worn - replace as necessary.

SHUDDER WHEN PARKING

- / Upper strut bearings binding - replace as required.
- / Worn or incorrect rack preload - adjust to specs.
- / Outer tie rod ends or bottom ball joints binding - replace as required.
- / Bottom ball joints binding - replace as required.
- / Low or under inflated tyre pressure - inflate to manufacturers specs.

If these tips fail to address the symptom please contact a power steering specialist.





Steering (Remanufactured)

steering system noise identification

RATTLE

- / Pressure hose touching other parts of the car - adjust or secure.
- / Loose pump pulley nut - replace nut, tighten to specs.
- / Loose pump or gear mountings - tighten bolts to specs.
- / Steering linkage looseness - replace if necessary.
- / Improper high point adjustment of steering gear - adjust to specs.

REPETITIVE THUMPING NOISE

- / Loose steering column or column connections - adjust or replace.
- / Free play in worm and piston assembly - centralise steering gear or replace as necessary.
- / Steering gear operating off centre - centralise steering gear.
- / Worn steering gear - replace as necessary.

KNOCKING NOISE

- / Worn or damaged rack bar or pinion - replace steering gear.
- / Improper high point adjustment of steering gear - check and adjust to specs.
- / Loose rack mountings - replace retaining nuts/tighten to specs.

GEAR SQUAWK SOUND

- / Cut dampener o'ring on spool valve - replace steering gear.
- / Incorrect fluid used in steering system - flush system using manufacturers specified fluid.
- / Dry steering stops - lubricate contact surfaces.

FLUID CONVULSING FROM RESERVOIR

- / Poor connection between pump and reservoir - replace hose or o'ring.

HISSING

There is some hissing noise in all power steering systems. This sound is most noticeable during slow speed parking, and when the steering wheel reaches the end of its travel. There is no relationship between this noise and the performance of the power steering system.

Note: Do not replace the power steering gear or pump unless the hiss sound is extremely obnoxious.

A replacement steering gear should have only a slight hiss sound.

GROAN

- / Low fluid level - fill as required.
- / Aerated fluid - check all sealing connections between pump and reservoir.

GROWL

- / Restriction in steering gear or hose - remove restriction.
- / Low fluid level - fill as required.
- / Scored pump pressure plate, thrust plate or worn rotor - replace pump.

BELT SQUEAL OR CHIRP

- / Loose or grazed belt - adjust or replace.

PUMP SWISH SOUND

- / Pump flow control valve defective - replace pump.

If these tips fail to address the symptom please contact a power steering specialist.



Steering (Remanufactured)

application listing

Information in this application listing section has been compiled from data published from Original Equipment Manufacturers and other parties. This data may change from time to time and ACDelco is unable to warrant the accuracy of this data and does not accept responsibility for loss or damage of any kind caused as a result of such data being inaccurate.

MAKE AND MODEL	YEAR	POWER RACK & PINION	POWER STEERING BOXES	POWER STEERING PUMPS
BMW				
E30 320i, 325E, 325i	Feb90-Jun91	ACS1265		
DAEWOO				
Espero	Mar95-On	ACS1218		
Lanos	Lanos	Oct97-Mar 02	ACS1256	
Nubira	Nubira		ACS1257	
DAIHATSU				
Terios	5DR Wagon	Feb97-Dec 01	ACS1285	
FORD				
Corsair	UA FWD	1990-1992	ACS1678	
Falcon, Fairmont, Fairlane, LTD	EA, NA, DA (14 mm Tie Rod)	1988-Sep89	ACS1669	ACP1828
	EA, NA, DA (16 mm Tie Rod)	Oct89-Jun91	ACS1679	ACP1828
	EB, NC, ND (6cyl)	Jul91-Jul93	ACS1697	ACP1828
	EB, NC, DC (8 cyl) with No Solenoid	Jul91-Aug94	ACS1693	
	ED, NC, DC (6 cyl)	Jul93-Aug94	ACS1697	ACP1828
	ED, NC, DC (8 cyl) with No Solenoid	Jul93-Aug94	ACS1693	
	ED, XR8 (8 cyl) with No Solenoid	Jul93-Aug94	ACS1694	
	EF, XR6	Aug-94-On	ACS1612	ACP1830
	EF (Except XR6)	Aug-96-On	ACS1613	ACP1830
	EF, XR8 (8 cyl) with No Solenoid	Aug-94-On	ACS1630	
	NF, DF (6 cyl)	Feb95-On	ACS1612	ACP1830
	NF, DF (8 cyl) with No Solenoid	Feb95-On	ACS1630	
	EL, Futura, XR6, Fairmont (6 cyl)	Sep96-On	ACS1607	ACP1830
	EL, NL, DL (6 cyl) Variatronic	Sep96-On	ACS1632	ACP1830
	EL, NL, DL (8 cyl) Variatronic	Sep96-On	ACS1634	
	Fairmont, XR8 (8 cyl)	Sep96-On	ACS1633	
	AU Falcon (6 cyl)	Aug98-On	ACS1682	ACP1830
	AU Falcon (8 cyl)	Aug98-On	ACS1683	ACP1831
	AU Fairmont (6 cyl)	Aug98-On	ACS1684	ACP1830
	AU Fairmont (8 cyl)	Aug98-On	ACS1688	ACP1831
	AU Fairlane/LTD (6 cyl)	Aug98-On	ACS1689	ACP1830
	AU Fairlane/LTD (8 cyl)	Aug98-On	ACS1690	ACP1831
	BA (6 cyl)	Oct03-On	ACS1247	ACP1863
	BA (8 cyl)	Oct03-On	ACS1248	
	XF UTE & P'VAN	Mar84-Jan93		ACP1827
	XG Utility & P'van [LONG REACH]	Feb93-Feb96		ACP1833
	XH XR6 Utility & P'van	Up to Aug96	ACS1612	ACP1830
XH Utility & P'van [LONG REACH] (30mm Pinion)	Mar96-On	ACS1614	ACP1830	
XH Utility & P'van [LONG REACH] (60mm Pinion)	Aug96-On	ACS1615	ACP1830	
RTV Ute (6 cyl)	Jul03-On	ACS1245		
RTV Ute (8 cyl)	Jul03-On	ACS1246		

MAKE AND MODEL		YEAR	POWER RACK & PINION	POWER STEERING BOXES	POWER STEERING PUMPS
FORD (Continued)					
Festiva	WB - WF	1993-Nov95	ACS1636		
Laser / Meteor	KA, KB, GA, GB	1981-Apr84	ACS1645		
	KB, GB	May84-Sep85	ACS1645		
	KC, GC	Oct85-Sep87	ACS1646		
	KE (Excluding 3 Speed Auto)	Oct87-Feb90	ACS1646		
	KE (3 Speed Auto)	Oct87-Feb90	ACS1646		
	KE 4WD	Oct87-Feb90	ACS1626		
	KF, KH 1600cc (Excluding 4WD)	Jan90-Jul94	ACS1654		
	KF, KH 1800cc (Excluding 4WD)		ACS1654		
	KF, KH with 4WD		ACS1658		
	KJ 1600cc & 1800cc (Excluding 4WD)	Apr94-On	ACS1667		
	HN, KQ	Feb99-Feb04	ACS1272		
Mondeo	Mondeo	Aug96-On	ACS1639		
KA	TA/TB	Nov99-On	ACS1290		
Taurus	Taurus	1995-On	ACS1638		
Telstar	AR, AS, AT	1983-Oct87	ACS1660		
	AT (Not TX5)		ACS1650		
	AV Turbo Auto SS	1990-Jan92	ACS1216		
	AX 2WS	Jan92-Aug94	ACS1210		
Explorer	Explorer	1996-Aug97	ACS1637		
	UN, UP, UQ, US	Sep97-On	ACS1211		
Transit	Transit	All-On	ACS1606		
Econovan	All	May84-On	ACS1558		
HOLDEN					
Astra	LD	Jul 87-On	ACS1674		
Barina	SB	Apr94-On	ACS1219		
Commodore, Berlina, Calais	VB, VC (6 cyl & 8 cyl) **	1978-1981	ACS1609		ACP1814
	<i>** VB & VC Power Rack - Push top of rack forward when tightening mounting bolts to give coupling clearance.</i>				
	VH (6 cyl) 2850	1982-1985	ACS1609		ACP1820
	VH (6 cyl) 3300	1982-1985	ACS1609		ACP1814
	VK (6 cyl) 3300	1982-1985	ACS1609		ACP1820
	VH, VK, (8 cyl)	1982-1985	ACS1609		ACP1814
	VL (6 cyl) Side Entry Pump	1986-1988	ACS1642		ACP1835
	VL (6 cyl) Rear Entry Pump	1986-1988	ACS1642		ACP1836
	VL (8 cyl)	1986-Jul88	ACS1642		ACP1814
	VN (6 cyl)	Aug88-1991	ACS1668		ACP1837
	VN Series I (8 cyl)	Aug88-Sep90	ACS1668		ACP1838
	VN Series II (8 cyl)	Oct90-Sep91	ACS1668		ACP1839
	VP (6 cyl) exc. Variatronic	Sep91-Jul93	ACS1698		ACP1837
	VP (6 cyl) Variatronic	Sep91-Jul93	ACS1691		ACP1840
	VP (8 cyl) exc. Variatronic	Sep91-Jul93	ACS1698		ACP1839
	VP (8 cyl) Variatronic	Sep91-Jul93	ACS1691		ACP1841
	VR (6 cyl) exc. Variatronic	Jul93-Apr95	ACS1699		ACP1837
	VR (6 cyl) Variatronic	Jul93-Apr95	ACS1692		ACP1840
	VR, Series I (8 cyl) exc. Variatronic	Jul93-Apr95	ACS1699		ACP1839
	VR, Series I (8 cyl) Variatronic	Jul93-Apr95	ACS1692		ACP1841
	VS (6 cyl) with ABS & exc. Variatronic	Apr95-Sep97	ACS1699		ACP1844
	VS (6 cyl) with ABS & Variatronic	Apr95-Sep97	ACS1692		ACP1845
	VS (8 cyl) with ABS & exc. Variatronic	Apr95-Sep97	ACS1699		ACP1839
VS (8 cyl) with ABS & Variatronic	Apr95-Sep97	ACS1692		ACP1841	
VT Series I (6 cyl.) exc. Variatronic	Sep97-May99	ACS1617		ACP1844	
VT Series I (6 cyl) Variatronic	Sep97-May99	ACS1618		ACP1845	

MAKE AND MODEL	YEAR	POWER RACK & PINION	POWER STEERING BOXES	POWER STEERING PUMPS
HOLDEN (Continued)				
VT Series I (8 cyl.) exc. Variatronic	Sep97-May99	ACS1617		ACP1846
VT Series I (8 cyl) Variatronic	Sep97-May99	ACS1618		ACP1847
VT Series II (6 cyl) exc. Variatronic (up to L492504)	Jun99-12Aug99	ACS1651		ACP1844
VT Series II (6 cyl) exc. Variatronic (from L492505)	12Aug99-Sep00	ACS1203		ACP1844
VT Series II (6 cyl) Variatronic (up to L492504)	Jun99-12Aug99	ACS1661		ACP1845
VT Series II (6 cyl) Variatronic (from L492505)	12Aug99-Sep00	ACS1204		ACP1845
VT Series II (8 cyl) exc. Variatronic (up to L492504)	Jun99-12Aug99	ACS1651		ACP1846
VT Series II (8 cyl) exc. Variatronic (from L492505)	12Aug99-Sep00	ACS1203		ACP1848
VT Series II (8 cyl) Variatronic (up to L492504)	Jun99-12Aug99	ACS1661		ACP1847
VT Series II (8 cyl) Variatronic (from L492505)	12Aug99-Sep00	ACS1204		ACP1849
VX (6 cyl) exc. Variatronic	Sept00-Oct02	ACS1203		ACP1844
VX (6 cyl) Variatronic	Sept00-Oct02	ACS1204		ACP1845
VX (8 cyl) exc. Variatronic	Sept00-Oct02	ACS1203		ACP1848
VX (8 cyl) Variatronic	Sept00-Oct02	ACS1204		ACP1849
VY Commodore (6 cyl)	Oct02-Aug04	ACS1251		ACP1867
VY Commodore (8 cyl)	Oct02-Aug04	ACS1251		ACP1869
VY AWD models	Oct02-Aug04	ACS1282		ACP1848
VY Monaro (6 cyl) exc. HSV	Jan03-Aug04	ACS1281		ACP1844
VY Monaro (8 cyl) exc. HSV	Jan03-Aug04	ACS1281		ACP1848
VY Monaro HSV	Jan03-Aug04	ACS1251		ACP1848
VZ Commodore (6 cyl)	Aug04-On	ACS1283		ACP1809
VZ Commodore (8 cyl)	Up to 15 Aug05	ACS1283		ACP1809
	16 Aug05-On	ACS1283		ACP1866
VZ AWD (6 cyl)	Aug04-On	ACS1282		ACP1898
VZ AWD (8 cyl)	Up to 15Aug05	ACS1282		ACP1898
	16Aug05-On	ACS1282		ACP1899
VZ Monaro (6 cyl) exc. HSV	Aug04-On	ACS1291		ACP1898
VZ Monaro (8 cyl) exc. HSV	Up to 15Aug05	ACS1291		ACP1898
	16Aug05-On	ACS1291		ACP1899
VZ Monaro HSV	Up to 15Aug05	ACS1283		ACP1809
	16Aug05-On	ACS1283		ACP1866
Holden	HQ, HJ, HZ, WB (6 & 8 cyl)	1971-1984		ACP1814
Statesman / Caprice	HQ, HJ, HZ, WB (6 & 8 cyl)	1971-1984		ACP1814
	VQ Series I (6 cyl) exc. Variatronic	Mar90-Nov91	ACS1668	ACP1837
	VQ Series I (8 cyl) exc. Variatronic	Mar90-Sep90	ACS1668	ACP1838
	VQ Series I (8 cyl) exc. Variatronic	Oct90-Nov91	ACS1668	ACP1839
	VQ Series II (6 cyl) Variatronic	Dec91-Nov93	ACS1691	ACP1840
	VQ Series II (8 cyl) Variatronic	Dec91-Nov93	ACS1691	ACP1841
	VR (6 cyl) Variatronic	Dec93-Mar95	ACS1692	ACP1840
	VR (8 cyl) Variatronic	Dec93-Mar95	ACS1692	ACP1841
	VS (6 cyl) Variatronic	Mar95-Aug96	ACS1692	ACP1845
	VS (8 cyl) Variatronic	Mar95-Aug96	ACS1692	ACP1841
	WH (6 cyl) Variatronic	Jun99-Apr03	ACS1204	ACP1845
	WH (8 cyl) Variatronic	Jun99-Apr03	ACS1204	ACP1849
	WK (6 cyl) Not Variatronic	May03-Jul05	ACS1251	ACP1867
	WK (8 cyl) Not Variatronic	May03-Jul05	ACS1251	ACP1869
	WL (6 cyl) Not Variatronic	Aug05-On	ACS1283	ACP1809
	WL (8 cyl) Not Variatronic	Aug05-On	ACS1283	ACP1866
	Vectra	JR (UP TO W5052204) ZF 7891 974 135	Jun97-Aug98	ACS1220
JR (FROM W5052205) ZF 7891 974 104		Jun97-Aug98	ACS1188	
JS 4 cyl exc. HATCH (UP TO XL433507)		Aug88-Jul99	ACS1188	
JS 4 cyl exc. HATCH (FROM XL433508)		Aug88-Jul99	ACS1189	

MAKE AND MODEL		YEAR	POWER RACK & PINION	POWER STEERING BOXES	POWER STEERING PUMPS
HOLDEN (Continued)					
	JS V6 exc. HATCH	Aug88-Jul99	ACS1189		
	JS HATCH 4 cyl & V6 (UP TO W7178519)	Aug88-Jul99	ACS1188		
	JS HATCH 4 cyl & V6 (FROM W7178520)	Aug88-Jul99	ACS1189		
	JSII 4 cyl	Aug99-Dec03	ACS1189		
	JSII V6	Aug99-Dec03	ACS1189		
Rodeo	Rodeo	Jun 95-On		ACS1735	
HONDA					
Accord	Accord SM, SY, SZ	Oct81-Jan84	ACS1200		
	Accord	Jan86-Oct89	ACS1243		
	Accord 4th Gen.	Nov89-Sep93	ACS1249		
CRX 2DR	CRX 2DR	Jun92-Sep98	ACS1244		
CRV	CRV	Oct97-Dec01	ACS1255		
Integra	Integra DA3, 4, 9	1986-Sep89	ACS1201		
Prelude	Prelude 4WS Front Rack	1988-1991	ACS1202		
HYUNDAI					
Coupe	S Coupe	Mar90-Jun92	ACS1621		ACP1851
		Jul92-Apr95	ACS1621		ACP1852
	S Coupe standard	May96-On	ACS1622		ACP1853
	S Coupe with Speed Sensor	May96-On	ACS1623		ACP1854
Excel	Excel	Aug89-Jul94	ACS1621		ACP1851
		Jul94-On	ACS1620		ACP1850
Lantra	1600	Mar91-22Apr92	ACS1628		ACP1860
		22Apr92-15Jun92	ACS1629		ACP1860
	1800 Manual	Up to 10May94	ACS1629		ACP1860
	1800 Auto	Up to 10May93			ACP1860
	1800	10May93-3May94	ACS1662		ACP1861
		3May94-May95	ACS1662		ACP1862
	Sportswagon	May95-Oct99	ACS1267		
Lantra	May95-Oct99	ACS1250			
Sonata	4 Cyl	Feb89-Apr93			ACP1856
		Jul93-On	ACS1627		ACP1858
	6 Cyl	Feb89-Feb91			ACP1857
		Mar91-Apr93			ACP1857
		Jul93-On	ACS1627		
JEEP					
	Wrangler	Oct96-On		ACS1730	
KIA					
Mentor	All	Jun96-On	ACS1635		
LAND ROVER					
	Discovery & Defender	1993-On			ACP1865
LEXUS					
	ES300 VCV10R	Jun92-Sep96	ACS1269		
MAZDA					
121	All	1987-Sep90	ACS1616		
323	FWD Chassis No. 626030	Nov82-May85	ACS1645		
	2WD	May85-Apr87	ACS1646		
	2WD (Excluding 3 Speed Auto)	Apr87-Dec89	ACS1646		
	2WD (3 Speed Auto)	Apr87-Dec89	ACS1646		
	2WD 1600cc	Dec89-1993	ACS1654		
	2WD 1800cc	Dec89-1993	ACS1654		
	4WD	May85-Apr87	ACS1626		
	4WD	Apr87-Dec89	ACS1626		

MAKE AND MODEL		YEAR	POWER RACK & PINION	POWER STEERING BOXES	POWER STEERING PUMPS
MAZDA (Continued)					
323	4WD	Dec89-1993	ACS1658		
	1600cc	1994-On	ACS1667		
	1800cc	1994-On	ACS1671		
	2000cc	1994-On	ACS1672		
	BJ 1600cc and 1800cc	Sep98-On	ACS1272		
626	FWD RPM SENSITIVE	1983-Oct87	ACS1660		
	2WS Auto Turbo	Oct87-Sep88	ACS1644		
	GD (Non-Turbo)		ACS1650		
	Turbo Auto	Oct87-Dec91	ACS1216		
	Mazda 6	Feb03-On	ACS1273		
929	HBSHE, HBES (4 cyl)	Sep82-May87	ACS1213		
MX6	GD Turbo		ACS1644		
	2WS	Dec88-Nov91	ACS1216		
E Series Van	All	Feb84-Feb88		ACS1558	
MERCEDES					
	MB Class 100/140	Nov99-On	ACS1280		
MITSUBISHI					
Cordia	AA, AB, AC	Apr83-Jul89	ACS1600		
Galant	HG	1989-1990	ACS1659		
Lancer	CA (Sedan, Wagon, Coupe)	Jun05-May92	ACS1207		
	CC exc. Hatchback	Jun92-Jun96	ACS1643		
	CE		ACS1228		
Magna	TM, TN, TP	1985-Feb91	ACS1653		
	TR, TS (4 cyl)	Apr91-Jan96	ACS1673		
	TE - TJ	Apr94-On	ACS1681		
	TL - TW		ACS1229		
Pajero	NF, NG, NH,	Sep88-Apr91		ACS1742	
Verada	KR (6 cyl)	Jun91-On	ACS1673		
	KS (6 cyl)	Apr94-Oct96	ACS1673		
	KE - KJ (6 cyl)	Oct96-On	ACS1681		
	KL - KW		ACS1229		
Triton	MK 4WD	Oct96-On			ACS1770
NISSAN					
Bluebird	U13	Oct93-Dec97	ACS1254		
Maxima	J30	May90-On	ACS1258		
	A32	Nov94-On	ACS1605		
Patrol	GQ	Feb88-Jul93			ACS1780
		Aug93-Dec97			ACS1781
	GU	Oct97-On			ACS1756
Pintara	AD41	1986-May87	ACS1675		
	RWD	Jun87-1988	ACS1675		
	FWD	Nov89-Jul92	ACS1678		
Pulsar	N13 Imported Rack (Koyo)	Jul87-Jun89	ACS1680		
	N13 - AD44	May88-Nov90	ACS1674		
	N13 - AD55	Sep91-On	ACS1687		
	N14 - Q (Local Manufacture)	1987-Dec92	ACS1680		
	N14 Import & 2.0 Litre SSS Import	Aug91-Sep95	ACS1208		
	N15 - All	Oct95-On	ACS1657		
	EXA Imported Rack (Koyo)	Sep88-Sep91	ACS1640		
Skyline	R31	Jun86-On	ACS1675		
	R31 Japanese Rack	Jul86-Dec90	ACS1619		
Serena	C23	Feb94-Sep94	ACS1603		

MAKE AND MODEL		YEAR	POWER RACK & PINION	POWER STEERING BOXES	POWER STEERING PUMPS
NISSAN (Continued)					
300ZX	Z31 Series	1984-Oct89	ACS1601		ACP1802
	Z32 Series	Nov89-On	ACS1602		ACP1802
Navara	Petrol	Feb97-On			ACP1870
Pathfinder	Pathfinder	Jul92-Aug95		ACS1755	
Vannette/Nomad	Vannette / Nomad	May86-On		ACS1761	
RANGE ROVER					
Range Rover	3 Bolt Triangular Top Plate	1973-Feb87		ACS1720	
	4 Bolt Square Top Plate	Mar87-Dec90		ACS1721	
SAAB					
SAAB	900 CASTING NO. 7830511	1979-Jun90	ACS1222		
	900 CASTING NO. 26008156	Jun90-Jan94	ACS1223		
	900S RACK NO. 7836 974 197	1994-On	ACS1224		
	9000 CASTING NO. 7843129	1986-1989	ACS1225		
	9000 CASTING NO. 26004156	1990-Jan92	ACS1226		
SSANG YONG					
Musso	Musso		ACS1624		ACP1855
SUBARU					
Liberty	GX LX 2.2L 2&4WD, EJ 2.2 & EJ 2.0 - non turbo	Oct89-Oct93	ACS1665		
L-Series/Leone	DL GL Sedan & Wagon 1.8L 2 & 4WD Vortex Coupe FWD EA82 & 82T	Nov84-Dec94	ACS1664		
Subaru	4WD Sedan, Wagon, Coupe EA71 1.6L EA81 1.8L	1979-1984	ACS1663		
Brumby	4WD EA81	Nov81-1992	ACS1663		
Impreza	WRX	Jan93-Jun97	ACS1232		
		Jul97-On	ACS1230		
Outback	4WD	Jun97-Sep98	ACS1231		
SUZUKI					
Vitara	Vitara	Jan88-Apr97	ACS1725		
TOYOTA					
Avalon	MCX10R	Jul00-Mar06	ACS1264		
Camry	SV11	1983-Apr87	ACS1221		
	SV 20 / 21	Jan87-Jul89	ACS1677		ACP1880
	VZV21R V6 SS	Feb88-Jun91	ACS1266		
	SV 20 / 21	Aug89-Nov92	ACS1676		ACP1881
	SDV10 - 4 cyl WB (14" Wheels)	Feb93-Aug94	ACS1686		ACP1882
	VDV10 - 6 cyl WB (14" Wheels)	Feb93-Aug94	ACS1686		ACP1883
	VDV10 - 6 cyl WB (15" Wheels)	Feb93-Aug94	ACS1685		ACP1882
	SDV10 - 4 cyl WB (14" Wheels)	Aug94-Jul97	ACS1610		ACP1882
	VDV10 - 6 cyl WB (14" Wheels)	Aug94-Jul97	ACS1610		ACP1883
	VDV10 - 6 cyl WB (15" Wheels)	Aug94-Jul97	ACS1611		ACP1883
	SXV20 - 4 cyl (14" Wheels)	Jul97-On	ACS1648		
	MCV20 - 6 cyl (15" Wheels)	Jul97-Oct00	ACS1649		
	Celica	RA60, RA65	Aug81-Jul85	ACS1656	
SA63		Aug83-Aug84	ACS1261		
ST162		Aug86-Aug89	ACS1205		
ST164 & ST165		Oct89-Aug91	ACS1206		
ST184		Sep91-Nov93	ACS1242		
Corolla	AE80, AE82 without switch	1985-1989	ACS1670		
	AE80, AE82 with switch	1985-5/89	ACS1271		
	AE90, AE92 CS & CSX, AE93, AE94, AE95 - SX	Feb89-May91	ACS1696		
	AE112	Nov99-Nov01	ACS1209		
	216T / 350 / T	Apr94-On	ACS1604		
	AE92/93 SX & GT (With switch)	Aug89-Oct92	ACS1655		

MAKE AND MODEL		YEAR	POWER RACK & PINION	POWER STEERING BOXES	POWER STEERING PUMPS
TOYOTA (Continued)					
Corona	ST141, RT142	Jun83-Oct85	ACS1261		
Cressida	MX73	Nov85-Sep88	ACS1212		
	MX83	Oct88-Sep90	ACS1241		
	MX83R	Aug90-Jan/93	ACS1252		
Echo	Echo		ACS1263		
Lexen	VN	Jun89-Sep91	ACS1668		ACP1837
	VP exc. Variatronic	Sep91-Jun93	ACS1698		ACP1837
	VP Variatronic	Sep91-Jun93	ACS1691		ACP1840
	VR, VS exc. Variatronic	Jul93-On	ACS1699		ACP1837
	VR, VS Variatronic	Jul93-On	ACS1692		ACP1840
Prado	RZJ95 - 4 cyl	Jun96-On	ACS1652		
	VZJ95 - 6 cyl	Jun96-On	ACS1652		
Rav 4	3 Door	Apr94-On	ACS1647		
Tarago	YR22, CR21, CR22	May83-Aug88	ACS1215		
	TCR	May90-Nov99	ACS1270		
	ACR30R FWD	Jul00-On	ACS1262		
Hi - Ace	Petrol RXH & LH Series	Jul88-Aug95	ACS1631		
	Diesel	Aug89-Aug96	ACS1631		
Hilux	LN107, LN111, RN110	Aug88-Aug91		ACS1723	
Land Cruiser	FZJ75 PETROL	1993-Nov99		ACS1715	
	HZJ75 DIESEL	1993-Nov99		ACS1715	ACP1803
	FJ62	Nov84-1986		ACS1720	
	FJ75, FZJ75 4L	Feb90-Aug92		ACS1715	
	FJ75 4L, FZJ75.5L	Sep92-Nov92		ACS1715	
	FJ80 4L PETROL	Jun90-Sep92		ACS1717	
	FZJ80 4.5L PETROL	Oct92-Feb98		ACS1717	ACP1804
	VX SAHARA PETROL	1994-Feb98		ACS1724	ACP1804
	VX SAHARA DIESEL	1994-Feb98		ACS1724	ACP1803
	HJ60	Nov84-1986		ACS1720	
	HJ61 DIESEL TURBO	Oct85-Dec91		ACS1720	
	HJ75 4L DIESEL	Feb90-Aug92		ACS1715	ACP1803
	HJ75 4L, HZJ75 4.2L DIESEL	Sep92-Nov99		ACS1715	ACP1803
	HZJ75 4.2L DIESEL	Feb90-Aug92		ACS1715	ACP1803
	HZJ80, HDJ80 TURBO DIESEL	Jun90-Feb98		ACS1717	ACP1803
4 Runner	RN130, LN130, YN130, VZN130	Sep90-Aug91		ACS1723	



Steering (Remanufactured)

abbreviations

Asm	Assembly
Auto	Automatic
AWD	All Wheel Drive
BCM	Body Control Module
Boxes	Power Steering Boxes
cc	Cubic Centimetres
Cyl	Cylinders
Exc	Excluding

FWD	Front Wheel Drive
Gen	Generation
mm	Millimetres
OE	Original Equipment
P/No	Part Number
Pump	Power Steering Pump
P'Van	Panel Van
Rack/s	Power Steering Rack/s

RPM	Revolutions Per Minute
Specs	Specifications
Ute	Utility
2WS	Two Wheel Steer
4WS	Four Wheel Steer
4WD	Four Wheel Drive



Steering (Remanufactured)

numerical listing - power racks

Information in this application listing section has been compiled from data published from Original Equipment Manufacturers and other parties. This data may change from time to time and ACDelco is unable to warrant the accuracy of this data and does not accept responsibility for loss or damage of any kind caused as a result of such data being inaccurate.

PART NO	MAKE	MODEL	MODEL CODE NAME	YEAR
ACS1188	HOLDEN	Vectra	JR (FROM W5052205) ZF 7891 974 104	Jun97-Aug98
			JS 4 cyl exc. HATCH (UP TO XL433507)	Aug88-Jul99
			JS HATCH 4 cyl & V6 (UP TO W7178519)	Aug88-Jul99
ACS1189	HOLDEN	Vectra	JS 4cyl exc. HATCH (FROM XL433508)	Aug88-Jul99
			JS V6 exc. HATCH	Aug88-Jul99
			JS HATCH 4 cyl & V6 (FROM W7178520)	Aug88-Jul99
			JSII 4 cyl	Aug99-Dec03
			JSII V6	Aug99-Dec03
ACS1220	HOLDEN	Vectra	JR (UP TO W5052204) ZF 7891 974 135	Jun97-Aug98
ACS1200	HONDA	Accord	Accord SM, SY, SZ	Oct81-Jan84
ACS1201	HONDA	Integra	Integra DA3, 4, 9	1986-Sep89
ACS1202	HONDA	Prelude	Prelude 4WS Front Rack	1988-1991
ACS1203	HOLDEN	Commodore, Berlina, Calais	VT Series II (6 cyl) exc. Variatronic (from L492505)	12Aug99-Sep00
			VT Series II (8 cyl) exc. Variatronic (from L492505)	12Aug99-Sep00
			VX (6 cyl) exc. Variatronic	Sept00-Oct02
			VX (8 cyl) exc. Variatronic	Sept00-Oct02
ACS1204	HOLDEN	Commodore, Berlina, Calais	VT Series II (6 cyl) Variatronic (from L492505)	12Aug99-Sep00
			VT Series II (8 cyl) Variatronic (from L492505)	12Aug99-Sep00
			VX (6 cyl) Variatronic	Sept00-Oct02
			VX (8 cyl) Variatronic	Sept00-Oct02
		Statesman / Caprice	WH (6 cyl) Variatronic	Jun99-Apr03
			WH (8 cyl) Variatronic	Jun99-Apr03
ACS1205	TOYOTA	Celica	ST162	Aug86-Aug89
ACS1206	TOYOTA	Celica	ST164 & ST165	Oct89-Aug91
ACS1207	MITSUBISHI	Lancer	CA (Sedan, Wagon, Coupe)	Jun05-May92
ACS1208	NISSAN	Pulsar	N14 Import & 2.0 Litre SSS Import	Aug91-Sep95
ACS1209	TOYOTA	Corolla	AE112	Nov99-Nov01
ACS1210	FORD	Telstar	AX 2WS	Jan92-Aug94
ACS1211	FORD	Explorer	UN, UP, UQ, US	Sep97-On
ACS1212	TOYOTA	Cressida	MX73	Nov85-Sep88
ACS1213	MAZDA	929	HBSHE, HBES (4 cyl)	Sep82-May87
ACS1215	TOYOTA	Tarago	YR22, CR21, CR22	May83-Aug88
ACS1216	FORD	Telstar	AV Turbo Auto SS	1990-Jan92
	MAZDA	626	Turbo Auto SS	Oct87-Dec91
		MX6	2WS SS	Dec88-Nov91
ACS1218	DAEWOO	Espero		Mar95-On
ACS1219	HOLDEN	Barina	SB	Apr94-On
ACS1221	TOYOTA	Camry	SV11	1983-Apr87
ACS1222	SAAB	Saab	900 CASTING NO. 7830511	1979-Jun90
ACS1223	SAAB	Saab	900 CASTING NO. 26008156	Jun90-Jan94
ACS1224	SAAB	Saab	900S RACK NO. 7836 974 197	1994-On
ACS1225	SAAB	Saab	9000 CASTING NO. 7843129	1986-1989
ACS1226	SAAB	Saab	9000 CASTING NO. 26004156	1990-Jan92

PART NO	MAKE	MODEL	MODEL CODE NAME	YEAR
ACS1228	MITSUBISHI	Lancer	CE	
ACS1229	MITSUBISHI	Magna	TL - TW	
		Verada	KL - KW	
ACS1230	SUBARU	Impreza	WRX	Jul97-On
ACS1231	SUBARU	Outback	4WD	Jun97-Sep98
ACS1232	SUBARU	Impreza	WRX	Jan93-Jun97
ACS1241	TOYOTA	Cressida	MX83	Oct88-Sep90
ACS1242	TOYOTA	Celica	ST184	Sep91-Nov93
ACS1243	HONDA	Accord	Accord	Jan86-Oct89
ACS1244	HONDA	CRX 2DR	CRX 2DR	Jun92-Sep98
ACS1245	FORD	Falcon, Fairmont, Fairlane, LTD	RTV Ute (6 cyl)	Jul03-On
ACS1246	FORD	Falcon, Fairmont, Fairlane, LTD	RTV Ute (8 cyl)	Jul03-On
ACS1247	FORD	Falcon, Fairmont, Fairlane, LTD	BA (6 cyl)	Oct03-On
ACS1248	FORD	Falcon, Fairmont, Fairlane, LTD	BA (8 cyl)	Oct03-On
ACS1249	HONDA	Accord	Accord 4th Gen.	Nov89-Sep93
ACS1250	HYUNDAI	Lantra	Lantra	May95-Oct99
ACS1251	HOLDEN	Commodore, Berlina, Calais	VY Commodore (6 cyl)	Oct02-Aug04
			VY Commodore (8 cyl)	Oct02-Aug04
			VY Monaro HSV	Jan03-Aug04
		Statesman / Caprice	WK (6 cyl) Not Variatronic	May03-Jul05
			WK (8 cyl) Not Variatronic	May03-Jul05
ACS1252	TOYOTA	Cressida	MX83R	Aug90-Jan/93
ACS1254	NISSAN	Bluebird	U13	Oct93-Dec97
ACS1255	HONDA	CRV	CRV	Oct97-Dec01
ACS1256	DAEWOO	Lanos	Lanos	Oct 97-Mar 02
ACS1257	DAEWOO	Nubira	Nubira	
ACS1258	NISSAN	Maxima	J30	May90-On
ACS1260	TOYOTA	Camry	ACV 36 4 cyl	Aug02-On
			MCV36 V6	Aug02-On
ACS1261	TOYOTA	Celica	SA63	Aug83-Aug84
		Corona	ST141, RT142	Jun83-Oct85
ACS1262	TOYOTA	Tarago	ACR30R FWD	Jul00-On
ACS1263	TOYOTA	Echo	Echo	
ACS1264	TOYOTA	Avalon	MCX10R	Jul00-Mar06
ACS1265	BMW		E30 320i, 325E, 325i	Feb90-Jun91
ACS1266	TOYOTA	Camry	VZV21R V6 SS	Feb88-Jun91
ACS1267	HYUNDAI	Lantra	Sportswagon	May95-Oct99
ACS1269	LEXUS		ES300 VCV10R	Jun92-Sep96
ACS1270	TOYOTA	Tarago	TCR	May90-Nov99
ACS1271	TOYOTA	Corolla	AE80, AE82 with switch	1985-May89
ACS1272	FORD	Laser / Meteor	HN, KQ	Feb99-Feb04
	MAZDA	323	BJ 1600cc and 1800cc	Sep98-On
ACS1273	MAZDA	626	Mazda 6	Feb03-On
ACS1280	MERCEDES		MB Class 100/140	Nov99-On
ACS1281	HOLDEN	Commodore, Berlina, Calais	VY Monaro (6 cyl) exc. HSV	Jan03-Aug04
			VY Monaro (8 cyl) exc. HSV	Jan03-Aug04
ACS1282	HOLDEN	Commodore, Berlina, Calais	VY AWD models	Oct02-Aug04
			VZ AWD (6 cyl)	Aug04-On
			VZ AWD (8 cyl)	Up to Aug05
			VZ AWD (8 cyl)	Aug05-On
ACS1283	HOLDEN	Commodore, Berlina, Calais	VZ Commodore (6 cyl)	Aug04-On
			VZ Commodore (8 cyl)	Aug04-Aug05
			VZ Commodore (8 cyl)	Aug05-On
			VZ Monaro HSV	Up to Aug05
			VZ Monaro HSV	Aug05-On

PART NO	MAKE	MODEL	MODEL CODE NAME	YEAR
		Statesman / Caprice	WL (6 cyl) Not Variatronic	Aug05-On
			WL (8 cyl) Not Variatronic	Aug05-On
ACS1285	DAIHATSU	Terios	5DR Wagon	Feb97-Dec01
ACS1290	FORD	KA	TA/TB	Nov99-On
ACS1291	HOLDEN	Commodore, Berlina, Calais	VZ Monaro (6 cyl) exc. HSV	Aug04-On
			VZ Monaro (8 cyl) exc. HSV	up to Aug05
			VZ Monaro (8 cyl) exc. HSV	Aug05-On
ACS1600	MITSUBISHI	Cordia	AA, AB, AC	Apr83-Jul89
ACS1601	NISSAN	300ZX	Z31 Series	1984-Oct89
ACS1602	NISSAN	300ZX	Z32 Series	Nov89-On
ACS1603	NISSAN	Serena	C23	Feb94-Sep94
ACS1604	TOYOTA	Corolla	216T / 350 / T	Apr94-On
ACS1605	NISSAN	Maxima	A32	Nov94-On
ACS1606	FORD	Transit	Transit	All
ACS1607	FORD	Falcon, Fairmont, Fairlane, LTD	EL, Futura, XR6, Fairmont (6 cyl)	Sep96-On
ACS1609	HOLDEN	Commodore, Berlina, Calais	VB, VC (6 cyl & 8 cyl)	1978-1981
			VH (6 cyl) 2850	1982-1985
			VH (6 cyl) 3300	1982-1985
			VK (6 cyl) 3300	1982-1985
			VH, VK, (8 cyl)	1982-1985
ACS1610	TOYOTA	Camry	SDV10 - 4 cyl WB (14" Wheels)	Aug94-Jul97
			VDV10 - 6 cyl WB (14" Wheels)	Aug94-Jul97
ACS1611	TOYOTA	Camry	VDV10 - 6 cyl WB (15" Wheels)	Aug94-Jul97
ACS1612	FORD	Falcon, Fairmont, Fairlane, LTD	EF, XR6	Aug94-On
			NF, DF (6 cyl)	Feb95-On
			XH XR6 Utility & P'van	Up to Aug96
ACS1613	FORD	Falcon, Fairmont, Fairlane, LTD	EF (Except XR6)	Aug96-On
ACS1614	FORD	Falcon, Fairmont, Fairlane, LTD	XH Utility & P'van [LONG REACH] (30mm Pinion)	Mar96-On
ACS1615	FORD	Falcon, Fairmont, Fairlane, LTD	XH Utility & P'van [LONG REACH] (60mm Pinion)	Aug96-On
ACS1616	MAZDA	121	All	1987-Sep90
ACS1617	HOLDEN	Commodore, Berlina, Calais	VT Series I (6 cyl) exc. Variatronic	Sep97-May99
			VT Series I (8 cyl) exc. Variatronic	Sep97-May99
ACS1618	HOLDEN	Commodore, Berlina, Calais	VT Series I (6 cyl) Variatronic	Sep97-May99
			VT Series I (8 cyl) Variatronic	Sep97-May99
ACS1619	NISSAN	Skyline	R31 Japanese Rack	Jul86-Dec90
ACS1620	HYUNDAI	Excel	Excel	Jul94-On
ACS1621	HYUNDAI	Coupe	S Coupe	Mar90-Jun92
			S Coupe	Jul92-Apr95
		Excel	Excel	Aug89-Jul94
ACS1622	HYUNDAI	Coupe	S Coupe standard	May96-On
ACS1623	HYUNDAI	Coupe	S Coupe with Speed Sensor	May96-On
ACS1624	SSANG YONG	Musso	Musso	
ACS1626	FORD	Laser / Meteor	KE 4WD	Oct87-Feb90
	MAZDA	323	4WD	May85-Apr87
			4WD	Apr87-Dec89
ACS1627	HYUNDAI	Sonata	4 cyl	Jul93-On
			6 cyl	Jul93-On
ACS1628	HYUNDAI	Lantra	1600	Mar91-22Apr92
ACS1629	HYUNDAI	Lantra	1600	22Apr92-15Jun92
			1800 Manual	Up to 10May94
ACS1630	FORD	Falcon, Fairmont, Fairlane, LTD	EF, XR8 (8 cyl) with No Solenoid	Aug94-On
			NF, DF (8 cyl) with No Solenoid	Feb95-On
ACS1631	TOYOTA	Hi - Ace	Petrol RXH & LH Series	Jul88-Aug95
			Diesel	Aug89-Aug96
ACS1632	FORD	Falcon, Fairmont, Fairlane, LTD	EL, NL, DL (6 cyl) Variatronic	Sep96-On

PART NO	MAKE	MODEL	MODEL CODE NAME	YEAR
ACS1633	FORD	Falcon, Fairmont, Fairlane, LTD	Fairmont, XR8 (8 cyl)	Sep96-On
ACS1634	FORD	Falcon, Fairmont, Fairlane, LTD	EL, NL, DL (8 cyl) Variatronic	Sep96-On
ACS1635	KIA	Mentor	All	Jun96-On
ACS1636	FORD	Festiva	WB - WF	1993-Nov95
ACS1637	FORD	Explorer	Explorer	1996-Aug97
ACS1638	FORD	Taurus	Taurus	1995-On
ACS1639	FORD	Mondeo	Mondeo	Aug96-On
ACS1640	NISSAN	Pulsar	EXA Imported Rack (Koyo)	Sep88-Sep91
ACS1642	HOLDEN	Commodore, Berlina, Calais	VL (6 cyl) Side Entry Pump	1986-1988
			VL (6 cyl) Rear Entry Pump	1986-1988
			VL (8 cyl)	1986-Jul88
ACS1643	MITSUBISHI	Lancer	CC exc. Hatchback	Jun92-Jun96
ACS1644	MAZDA	626	2WS Auto Turbo	Oct87-Sep88
		MX6	GD Turbo	
ACS1645	FORD	Laser / Meteor	KA, KB, GA, GB	1981-Apr84
			KB, GB	May84-Sep85
	MAZDA	323	FWD Chassis No. 626030	Nov82-May85
ACS1646	FORD	Laser / Meteor	KC, GC	Oct85-Sep87
			KE (Excluding 3 Speed Auto)	Oct87-Feb90
			KE (3 Speed Auto)	Oct87-Feb90
	MAZDA	323	2WD	May85-Apr87
			2WD (Excluding 3 Speed Auto)	Apr87-Dec89
			2WD (3 Speed Auto)	Apr87-Dec89
ACS1647	TOYOTA	Rav 4	3 Door	Apr94-On
ACS1648	TOYOTA	Camry	SXV20 - 4 cyl (14" Wheels)	Jul97-On
ACS1649	TOYOTA	Camry	MCV20 - 6 cyl (15" Wheels)	Jul97 - Oct00
ACS1650	FORD	Telstar	AT (Not TX5)	
	MAZDA	626	GD (Non-Turbo)	
ACS1651	HOLDEN	Commodore, Berlina, Calais	VT Series II (6 cyl) exc. Variatronic (up to L492504)	Jun99-12Aug99
			VT Series II (8 cyl) exc. Variatronic (up to L492504)	Jun99-12Aug99
ACS1652	TOYOTA	Prado	RZJ95 - 4 cyl	Jun96-On
			VZJ95 - 6 cyl	Jun96-On
ACS1653	MITSUBISHI	Magna	TM, TN, TP	1985-Feb91
ACS1654	FORD	Laser / Meteor	KF, KH 1600cc (Excluding 4WD)	Jan90-Jul94
			KF, KH 1800cc (Excluding 4WD)	
	MAZDA	323	2WD 1600cc	Dec89-1993
			2WD 1800cc	Dec89-1993
ACS1655	TOYOTA	Corolla	AE92/93 SX & GT (With switch)	Aug89-Oct92
ACS1656	TOYOTA	Celica	RA60, RA65	Aug81-Jul85
ACS1657	NISSAN	Pulsar	N15 - All	Oct95-On
ACS1658	FORD	Laser / Meteor	KF, KH with 4WD	
	MAZDA	323	4WD	Dec89-1993
ACS1659	MITSUBISHI	Galant	HG	1989-1990
ACS1660	FORD	Telstar	AR, AS, AT	1983-Oct 87
	MAZDA	626	FWD RPM SENSITIVE	1983-Oct87
ACS1661	HOLDEN	Commodore, Berlina, Calais	VT Series II (6 cyl) Variatronic (up to L492504)	Jun99-12Aug99
			VT Series II (8 cyl) Variatronic (up to L492504)	Jun99-12Aug99
ACS1662	HYUNDAI	Lantra	1800	10May93-3May94
			1800	3May94-May95
ACS1663	SUBARU	SUBARU Brumby	4WD Sedan, Wagon, Coupe EA71 1.6L EA81 1.8L	1979-1984
			4WD EA81	Nov81-1992
ACS1664	SUBARU	L-Series/Leone	DL GL Sedan & Wagon 1.8L 2 & 4WD Vortex Coupe FWD EA82 & 82T	Nov84-Dec94
ACS1665	SUBARU	Liberty	GX LX 2.2L 2 & 4WD, EJ 2.2 & EJ 2.0 - non turbo	Oct89-Oct93
ACS1667	FORD	Laser / Meteor	KJ 1600cc & 1800cc (Excluding 4WD)	Apr94-On

PART NO	MAKE	MODEL	MODEL CODE NAME	YEAR
	MAZDA	323	1600cc	1994-On
ACS1668	HOLDEN	Commodore, Berlina, Calais	VN (6 cyl)	Aug88-1991
			VN Series I (8 cyl)	Aug88-Sep90
			VN Series II (8 cyl)	Oct90-Sep91
		Statesman / Caprice	VQ Series I (6 cyl) exc. Variatronic	Mar90-Nov91
			VQ Series I (8 cyl) exc. Variatronic	Mar90-Sep90
	VQ Series I (8 cyl) exc. Variatronic		Oct90-Nov91	
TOYOTA	Lexen	VN	Jun89-Sep91	
ACS1669	FORD	Falcon, Fairmont, Fairlane, LTD	EA, NA, DA (14mm Tie Rod)	1988-Sep89
ACS1670	TOYOTA	Corolla	AE80, AE82 without Swtich	1985-1989
ACS1671	MAZDA	323	1800cc	1994-On
ACS1672	MAZDA	323	2000cc	1994-On
ACS1673	MITSUBISHI	Magna	TR, TS (4 cyl)	Apr91-Jan96
		Verada	KR (6 cyl)	Jun91-On
			KS (6 cyl)	Apr94-Oct96
ACS1674	HOLDEN	Astra	LD	Jul87-On
	NISSAN	Pulsar	N13 - AD44	May88-Nov90
ACS1675	NISSAN	Pintara	AD41	1986-May87
			RWD	Jun87-1988
		Skyline	R31	Jun86-On
ACS1676	TOYOTA	Camry	SV 20 / 21	Aug89-Nov92
ACS1677	TOYOTA	Camry	SV 20 / 21	Jan87-Jul89
ACS1678	FORD	Corsair	UA F.W.D.	1990-1992
	NISSAN	Pintara	FWD	Nov89-Jul92
ACS1679	FORD	Falcon, Fairmont, Fairlane, LTD	EA, NA, DA (16mm Tie Rod)	Oct89-Jun91
ACS1680	NISSAN	Pulsar	N13 Imported Rack (Koyo)	Jul87-Jun89
			N14 - Q (Local Manufacture)	1987-Dec92
ACS1681	MITSUBISHI	Magna	TE - TJ	Apr94-On
		Verada	KE - KJ (6 cyl)	Oct96-On
ACS1682	FORD	Falcon, Fairmont, Fairlane, LTD	AU Falcon (6 cyl)	Aug98-On
ACS1683	FORD	Falcon, Fairmont, Fairlane, LTD	AU Falcon (8 cyl)	Aug98-On
ACS1684	FORD	Falcon, Fairmont, Fairlane, LTD	AU Fairmont (6 cyl)	Aug98-On
ACS1685	TOYOTA	Camry	VDV10 - 6 cyl WB (15" Wheels)	Feb93-Aug94
ACS1686	TOYOTA	Camry	SDV10 - 4 cyl WB (14" Wheels)	Feb93-Aug94
			VDV10 - 6 cyl WB (14" Wheels)	Feb93-Aug94
ACS1687	NISSAN	Pulsar	N13 - AD55	Sep91-On
ACS1688	FORD	Falcon, Fairmont, Fairlane, LTD	AU Fairmont (8 cyl)	Aug98-On
ACS1689	FORD	Falcon, Fairmont, Fairlane, LTD	AU Fairlane/LTD (6 cyl)	Aug98-On
ACS1690	FORD	Falcon, Fairmont, Fairlane, LTD	AU Fairlane/LTD (8 cyl)	Aug98-On
ACS1691	HOLDEN	Commodore, Berlina, Calais	VP (6 cyl) Variatronic	Sep91-Jul93
			VP (8 cyl) Variatronic	Sep91-Jul93
		Statesman / Caprice	VQ Series II (6 cyl) Variatronic	Dec91-Nov93
			VQ Series II (8 cyl) Variatronic	Dec91-Nov93
	TOYOTA	Lexen	VP Variatronic	Sep91-Jun93
ACS1692	HOLDEN	Commodore, Berlina, Calais	VR (6 cyl) Variatronic	Jul93-Apr95
			VR, Series I (8 cyl) Variatronic	Jul93-Apr95
			VS (6 cyl) with ABS & Variatronic	Apr95-Sep97
			VS (8 cyl) with ABS & Variatronic	Apr95-Sep97
		Statesman / Caprice	VR (6 cyl) Variatronic	Dec93-Mar95
			VR (8 cyl) Variatronic	Dec93-Mar95
			VS (6 cyl) Variatronic	Mar95-Aug96
			VS (8 cyl) Variatronic	Mar95-Aug96
	TOYOTA	Lexen	VR, VS Variatronic	Jul93-On
ACS1693	FORD	Falcon, Fairmont, Fairlane, LTD	EB, NC, DC (8 cyl) with No Solenoid	Jul91-Aug94
			ED, NC, DC (8 cyl) with No Solenoid	Jul93-Aug94

PART NO	MAKE	MODEL	MODEL CODE NAME	YEAR
ACS1694	FORD	Falcon, Fairmont, Fairlane, LTD	ED, XR8 (8 cyl) with No Solenoid	Jul93-Aug94
ACS1696	TOYOTA	Corolla	AE90, AE92 CS & CSX, AE93, AE94, AE95 - SX	Feb89-May91
ACS1697	FORD	Falcon, Fairmont, Fairlane, LTD	EB, NC, ND (6cyl)	Jul91-Jul93
			ED, NC, DC (6 cyl)	Jul93-Aug94
ACS1698	HOLDEN	Commodore, Berlina, Calais	VP (6 cyl) exc. Variatronic	Sep91-Jul93
			VP (8 cyl) exc. Variatronic	Sep91-Jul93
	TOYOTA	Lexen	VP exc. Variatronic	Sep91-Jun93
ACS1699	HOLDEN	Commodore, Berlina, Calais	VR (6 cyl) exc. Variatronic	Jul93-Apr95
			VR, Series I (8 cyl) exc. Variatronic	Jul93-Apr95
			VS (6 cyl) with ABS & exc. Variatronic	Apr95-Sep97
			VS (8 cyl) with ABS & exc. Variatronic	Apr95-Sep97
	TOYOTA	Lexen	VR, VS exc. Variatronic	Jul93-On



Steering (Remanufactured)

numerical listing - power boxes

Information in this application listing section has been compiled from data published from Original Equipment Manufacturers and other parties. This data may change from time to time and ACDelco is unable to warrant the accuracy of this data and does not accept responsibility for loss or damage of any kind caused as a result of such data being inaccurate.

PART NO	MAKE	MODEL	MODEL CODE NAME	YEAR
ACS1558	FORD	Econovan	All	May84-On
	MAZDA	E Series Van	All	Feb84-Feb88
ACS1715	TOYOTA	Land Cruiser	FZJ75 PETROL	1993-Nov99
			HZJ75 DIESEL	1993-Nov99
			FJ75, FZJ75 4L	Feb90-Aug92
			FJ75 4L, FZJ754.5L	Sep92-Nov92
			HJ75 4L DIESEL	Feb90-Aug92
			HJ75 4L, HZJ75 4.2L DIESEL	Sep92-Nov99
			HZJ75 4.2L DIESEL	Feb90-Aug92
ACS1717	TOYOTA	Land Cruiser	FJ80 4L PETROL	Jun90-Sep92
			FZJ80 4.5L PETROL	Oct92-Feb98
			HZJ80, HDJ80 TURBO DIESEL	Jun90-Feb98
ACS1720	RANGE ROVER	Range Rover	3 Bolt Triangular Top Plate	1973-Feb87
	TOYOTA	Land Cruiser	FJ62	Nov84-1986
			HJ60	Nov84-1986
			HJ61 DIESEL TURBO	Oct85-Dec91
ACS1721	RANGE ROVER	Range Rover	4 Bolt Square Top Plate	Mar87-Dec90
ACS1723	TOYOTA	Hilux	LN107, LN111, RN110	Aug88-Aug91
		4 Runner	RN130, LN130, YN130, VZN130	Sep90-Aug91
ACS1724	TOYOTA	Land Cruiser	VX SAHARA PETROL	1994-Feb98
			VX SAHARA DIESEL	1994-Feb98
ACS1725	SUZUKI	Vitara	Vitara	Jan88-Apr97
ACS1730	JEEP		WRANGLER	Oct96-On
ACS1735	HOLDEN	Rodeo	Rodeo	Jun95-On
ACS1742	MITSUBISHI	Pajero	NF, NG, NH,	Sep88-Apr91
ACS1755	NISSAN	Pathfinder	Pathfinder	Jul92-Aug95
ACS1756	NISSAN	Patrol	GU	Oct97-On
ACS1761	NISSAN	Vannette/Nomad	Vannette / Nomad	May86-On
ACS1770	MITSUBISHI	Triton	MK 4WD	Oct96-On
ACS1780	NISSAN	Patrol	GQ	Feb88-Jul93
ACS1781	NISSAN	Patrol	GQ	Aug93-Dec97



Steering (Remanufactured)

numerical listing - pumps

Information in this application listing section has been compiled from data published from Original Equipment Manufacturers and other parties. This data may change from time to time and ACDelco is unable to warrant the accuracy of this data and does not accept responsibility for loss or damage of any kind caused as a result of such data being inaccurate.

PART NO	MAKE	MODEL	MODEL CODE NAME	YEAR
ACP1802	NISSAN	300ZX	Z31 Series	1984-Oct89
			Z32 Series	Nov89-On
ACP1803	TOYOTA	Land Cruiser	HZJ75 DIESEL	1993-Nov99
			HJ75 4L DIESEL	Feb90-Aug92
			HJ75 4L, HZJ75 4.2L DIESEL	Sep92-Nov99
			HZJ75 4.2L DIESEL	Feb90-Aug92
			HZJ80, HDJ80 TURBO DIESEL	Jun90-Feb98
			VX SAHARA DIESEL	1994-Feb98
ACP1804	TOYOTA	Land Cruiser	FZJ80 4.5L PETROL	Oct92-Feb98
			VX SAHARA PETROL	1994-Feb98
ACP1809	HOLDEN	Commodore, Berlina, Calais	VZ Commodore (6 cyl)	Aug04-On
			VZ Commodore (8 cyl)	Up to 15Aug05
			VZ Monaro HSV	Up to 15Aug05
		Statesman / Caprice	WL (6 cyl) Not Variatronic	Aug05-On
ACP1814	HOLDEN	Commodore, Berlina, Calais	VB, VC (6 cyl & 8 cyl)	1978-1981
			VH (6 cyl) 3300	1982-1985
			VH, VK, (8 cyl)	1982-1985
			VL (8 cyl)	1986-Jul88
		Holden	HQ, HJ, HZ, WB (6 & 8 cyl)	1971-1984
		Statesman / Caprice	HQ, HJ, HZ, WB (6 & 8 cyl)	1971-1984
ACP1820	HOLDEN	Commodore, Berlina, Calais	VH (6 cyl) 2850	1982-1985
			VK (6 cyl) 3300	1982-1985
ACP1827	FORD	Falcon, Fairmont, Fairlane, LTD	XF UTE & P'VAN	Mar84-Jan93
ACP1828	FORD	Falcon, Fairmont, Fairlane, LTD	EA, NA, DA (14 mm Tie Rod)	1988-Sep89
			EA, NA, DA (16 mm Tie Rod)	Oct89-Jun91
			EB, NC, ND (6cyl)	Jul91-Jul93
			ED, NC, DC (6 cyl)	Jul93-Aug94
ACP1830	FORD	Falcon, Fairmont, Fairlane, LTD	EF, XR6	Aug94-On
			EF (Except XR6)	Aug96-On
			NF, DF (6 cyl)	Feb95-On
			EL, Futura, XR6, Fairmont (6 cyl)	Sep96-On
			EL, NL, DL (6 cyl) Variatronic	Sep96-On
			AU Falcon (6 cyl)	Aug98-On
			AU Fairmont (6 cyl)	Aug98-On
			AU Fairlane/LTD (6 cyl)	Aug98-On
			XH XR6 Utility & P'van	Up to Aug96
			XH Utility & P'van [LONG REACH] (30mm Pinion)	Mar96-On
			XH Utility & P'van [LONG REACH] (60mm Pinion)	Aug-96-On
ACP1831	FORD	Falcon, Fairmont, Fairlane, LTD	AU Falcon (8 cyl)	Aug98-On
			AU Fairmont (8 cyl)	Aug98-On
			AU Fairlane/LTD (8 cyl)	Aug98-On
ACP1833	FORD	Falcon, Fairmont, Fairlane, LTD	XG Utility & P'van [LONG REACH]	Feb93-Feb96
ACP1835	HOLDEN	Commodore, Berlina, Calais	VL (6 cyl) Side Entry Pump	1986-1988

PART NO	MAKE	MODEL	MODEL CODE NAME	YEAR
ACP1836	HOLDEN	Commodore, Berlina, Calais	VL (6 cyl) Rear Entry Pump	1986-1988
ACP1837	HOLDEN	Commodore, Berlina, Calais	VN (6 cyl)	Aug88-1991
			VP (6 cyl) exc. Variatronic	Sep91-Jul93
			VR (6 cyl) exc. Variatronic	Jul93-Apr95
	TOYOTA	Lexen	VQ Series I (6 cyl) exc. Variatronic	Mar90-Nov91
			VN	Jun89-Sep91
			VP exc. Variatronic	Sep91-Jun93
VR, VS exc. Variatronic	Jul93-On			
ACP1838	HOLDEN	Commodore, Berlina, Calais	VN Series I (8 cyl)	Aug88-Sep90
		Statesman / Caprice	VQ Series I (8 cyl) exc. Variatronic	Mar90-Sep90
ACP1839	HOLDEN	Commodore, Berlina, Calais	VN Series II (8 cyl)	Oct90-Sep91
			VP (8 cyl) exc. Variatronic	Sep91-Jul93
			VR, Series I (8 cyl) exc. Variatronic	Jul93-Apr95
			VS (8 cyl) with ABS & exc. Variatronic	Apr95-Sep97
		Statesman / Caprice	VQ Series I (8 cyl) exc. Variatronic	Oct90-Nov91
ACP1840	HOLDEN	Commodore, Berlina, Calais	VP (6 cyl) Variatronic	Sep91-Jul93
			VR (6 cyl) Variatronic	Jul93-Apr95
		Statesman / Caprice	VQ Series II (6 cyl) Variatronic	Dec91-Nov93
			VR (6 cyl) Variatronic	Dec93-Mar95
	TOYOTA	Lexen	VP Variatronic	Sep91-Jun93
VR, VS Variatronic			Jul93-On	
ACP1841	HOLDEN	Commodore, Berlina, Calais	VP (8 cyl) Variatronic	Sep91-Jul93
			VR, Series I (8 cyl) Variatronic	Jul93-Apr95
			VS (8 cyl) with ABS & Variatronic	Apr95-Sep97
		Statesman / Caprice	VQ Series II (8 cyl) Variatronic	Dec91-Nov93
			VR (8 cyl) Variatronic	Dec93-Mar95
			VS (8 cyl) Variatronic	Mar95-Aug96
ACP1844	HOLDEN	Commodore, Berlina, Calais	VS (6 cyl) with ABS & exc. Variatronic	Apr95-Sep97
			VT Series I (6 cyl.) exc. Variatronic	Sep97-May99
			VT Series II (6 cyl) exc. Variatronic (up to L492504)	Jun99-12Aug99
			VT Series II (6 cyl) exc. Variatronic (from L492505)	12Aug99-Sep00
			VX (6 cyl) exc. Variatronic	Sept00-Oct02
			VY Monaro (6 cyl) exc. HSV	Jan03-Aug04
ACP1845	HOLDEN	Commodore, Berlina, Calais	VS (6 cyl) with ABS & Variatronic	Apr95-Sep97
			VT Series I (6 cyl) Variatronic	Sep97-May99
			VT Series II (6 cyl) Variatronic (up to L492504)	Jun99-12Aug99
			VT Series II (6 cyl) Variatronic (from L492505)	12Aug99-Sep00
			VX (6 cyl) Variatronic	Sept00-Oct02
		Statesman / Caprice	VS (6 cyl) Variatronic	Mar95-Aug96
WH (6 cyl) Variatronic	Jun99-Apr03			
ACP1846	HOLDEN	Commodore, Berlina, Calais	VT Series I (8 cyl.) exc. Variatronic	Sep97-May99
			VT Series II (8 cyl) exc. Variatronic (up to L492504)	Jun99-12Aug99
ACP1847	HOLDEN	Commodore, Berlina, Calais	VT Series I (8 cyl) Variatronic	Sep97-May99
			VT Series II (8 cyl) Variatronic (up to L492504)	Jun99-12Aug99
ACP1848	HOLDEN	Commodore, Berlina, Calais	VT Series II (8 cyl) exc. Variatronic (from L492505)	12Aug99-Sep00
			VX (8 cyl) exc. Variatronic	Sept00-Oct02
			VY AWD models	Oct02-Aug04
			VY Monaro (8 cyl) exc. HSV	Jan03-Aug04
			VY Monaro HSV	Jan03-Aug04
ACP1849	HOLDEN	Commodore, Berlina, Calais	VT Series II (8 cyl) Variatronic (from L492505)	12Aug99-Sep00
			VX (8 cyl) Variatronic	Sept00-Oct02
		Statesman / Caprice	WH (8 cyl) Variatronic	Jun99-Apr03
ACP1850	HYUNDAI	Excel	Excel	Jul94-On
ACP1851	HYUNDAI	Coupe	S Coupe	Mar90-Jun92
		Excel	Excel	Aug89-Jul94

PART NO	MAKE	MODEL	MODEL CODE NAME	YEAR
ACP1852	HYUNDAI	Coupe	S Coupe	Jul92-Apr95
ACP1853	HYUNDAI	Coupe	S Coupe standard	May96-On
ACP1854	HYUNDAI	Coupe	S Coupe with Speed Sensor	May96-On
ACP1855	SSANG YONG	Musso	Musso	
ACP1856	HYUNDAI	Sonata	4 Cyl	Feb89-Apr93
ACP1857	HYUNDAI	Sonata	6 Cyl	Feb89-Feb91
			6 Cyl	Mar91-Apr93
ACP1858	HYUNDAI	Sonata	4 Cyl	Jul93-On
ACP1860	HYUNDAI	Lantra	1600	Mar91-22Apr92
			1600	22Apr92-15Jun92
			1800 Manual	Up to 10May94
			1800 Auto	Up to 10May93
ACP1861	HYUNDAI	Lantra	1800	10May93-3May94
ACP1862	HYUNDAI	Lantra	1800	3May94-May95
ACP1865	LAND ROVER	Discovery & Defender		1993-On
ACP1866	HOLDEN	Commodore, Berlina, Calais	VZ Commodore (8 cyl)	16Aug05-On
			VZ Monaro HSV	16Aug05-On
		Statesman / Caprice	WL (8 cyl) Not Variatronic	Aug05-On
ACP1867	HOLDEN	Commodore, Berlina, Calais	VY Commodore (6 cyl)	Oct02-Aug04
			Statesman / Caprice	WK (6 cyl) Not Variatronic
ACP1869	HOLDEN	Commodore, Berlina, Calais	VY Commodore (8 cyl)	Oct02-Aug04
			Statesman / Caprice	WK (8 cyl) Not Variatronic
ACP1870	NISSAN	Navara	Petrol	Feb97-On
ACP1880	TOYOTA	Camry	SV 20 / 21	Jan87-Jul89
ACP1881	TOYOTA	Camry	SV 20 / 21	Aug89-Nov92
ACP1882	TOYOTA	Camry	SDV10 - 4 cyl WB (14" Wheels)	Feb93-Aug94
			VDV10 - 6 cyl WB (15" Wheels)	Feb93-Aug94
			SDV10 - 4 cyl WB (14" Wheels)	Aug94-Jul97
ACP1883	TOYOTA	Camry	VDV10 - 6 cyl WB (14" Wheels)	Feb93-Aug94
			VDV10 - 6 cyl WB (14" Wheels)	Aug94-Jul97
			VDV10 - 6 cyl WB (15" Wheels)	Aug94-Jul97
ACP1898	HOLDEN	Commodore, Berlina, Calais	VZ AWD (6 cyl)	Aug04-On
			VZ AWD (8 cyl)	Up to 15Aug05
			VZ Monaro (6 cyl) exc. HSV	Aug04-On
			VZ Monaro (8 cyl) exc. HSV	Up to 15Aug05
ACP1899	HOLDEN	Commodore, Berlina, Calais	VZ AWD (8 cyl)	16Aug05-On
			VZ Monaro (8 cyl) exc. HSV	16Aug05-On

Steering

new service parts

In addition to our comprehensive range of steering assemblies we also offer a limited number of new service parts.

These premium quality parts are the same parts we use in the remanufacture of our steering gears, and in the case of the tie rod ends they are of the same specification as the genuine part.

TIE ROD END

ACDelco Part No.	OE Part No.	Suits ACDelco Asm.	Application*
ACE63	95710159 (92141222)	ACS1617 ACS1618 ACS1651 ACS1661 ACS1282	Holden VT series I, II (up to L492504), VY & VZ AWD
ACE65	95710160 (92143049)	ACS1203 ACS1204 ACS1251 ACS1281 ACS1283 ACS1291	Holden VT series II (from L492505), VX, VY & VZ (exc AWD)



Tie Rod End



Tie Rod & Inner Ball Joint Assembly

TIE ROD & INNER BALL JOINT ASSEMBLY

ACDelco Part No.	OE Part No.	Suits ACDelco Asm.	Application*
ACSR63	92140796	ACS1617 ACS1618 ACS1651 ACS1661	Holden VT series I & II (up to L492504)
ACSR65	92143047	ACS1203 ACS1204 ACS1251 ACS1281 ACS1283 ACS1291	Holden VT series II (from L492505), VX, VY & VZ (exc. AWD)
ACSR66	92147772	ACS1282	Holden VY & VZ AWD

*Refer application listing for applications and restrictions.



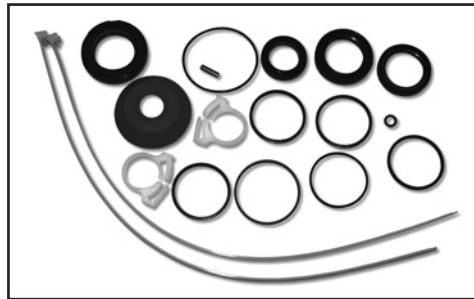
Steering

new service parts (continued)

SEAL KIT

ACDelco Part No.	OE Part No.	Suits ACDelco Asm.	Application*
ACSR488	92143488*	ACS1617	Holden VT series I (standard)
ACSR489	92143489*	ACS1203, ACS1251, ACS1281, ACS1282, ACS1283, ACS1291, ACS1651	Holden VTII, VX, VY, WK, VZ, WL (standard)

*Refer application listing for applications and restrictions.



Seal Kit

If we don't have the Rack, Pump or Box listed you need, please contact us, we are continually updating our listings, and may have it on hand.

POWER STEERING SYSTEM FILTER

All our Racks and Boxes are supplied with an inline magnetic and particle filter, this filter is supplied to help ensure your customer has trouble free service from our remanufactured steering components. To help ensure this for the life of the vehicle, we recommend that this filter is replaced every 12 months.

AC093

Filter, power steering system.



Power Steering System Filter



Transmission Fluid

use with confidence!

OE quality transmission fluid for passenger car and truck automatic transmissions calling for this specification.

FEATURES & BENEFITS

- / Excellent low temperature fluidity for smooth steering movement.
- / Protection against rust, corrosion, and wear.
- / Cleaner steering components by minimizing sludge and varnish deposits.
- / Compatible with all steering seal materials.



ACDelco Product Range:



Spark Plugs



Wipers



Chemicals



Batteries



Fuel Pumps



Belts



Oils & Fluids



Brake Pads



Disc Rotors



Shock Absorbers



Filters



Remanufactured Power Steering Pumps, Racks, Fluid Filters & Boxes



Remanufactured Engines



Remanufactured Cylinder Head Kits



Remanufactured Transmissions

ACDelco offers a comprehensive product range to suit Most Makes Most Models.

Suits Most Makes Most Models

ACDelco[®]

Learn more about replacement steering parts we have.