

# DISC ROTORS

Catalogue: Issue 4



**ACDelco**



# DISC ROTOR CATALOGUE

## issue 4 - contents

### PRODUCT INFORMATION

---

About ACDelco Disc Rotors (Features & Benefits)	4
---	---

### HELPFUL HINTS

---

Disc Rotor Fault Diagnosis	5
About DTV (Disk Thickness Variation)	6
Disc Rotor Minimum Thickness	7
Disc Rotor Replacement Tips	8
Installation of a New Disc Rotor	10

### APPLICATION LISTING

---

Disc Rotor Applications by Make & Model	12
Abbreviations	40

### DIMENSIONS & SPECIFICATIONS

---

Disc Rotor Dimensions & Specifications	41
--	----

### CROSS REFERENCE LISTINGS

---

BOSCH to ACDelco	49
DBA to ACDelco	50
RDA to ACDelco	51

### OTHER REFERENCES

---

ACDelco Online Product Catalogue	52
ACDelco Holden Trade Club	53
ACDelco Brake Fluid & ACDelco Brake Parts Cleaner	54
ACDelco Disc Brake Pads & ACDelco High Performance Brake Pads	55



# ABOUT ACDELCO

## disc rotors

ACDelco Disc Rotors are engineered to General Motor's strict design criteria and manufactured to the demanding TS 16949 quality standard in a QS9001/QS9000 rated facility.

A focus on high quality casting materials, tight machining tolerances and key design features, ensure that ACDelco Disc Rotors deliver consistent levels of performance and reliability.

All ACDelco Disc Rotors are balanced during the machining process to ensure optimum performance on initial fitment, and are engineered to minimise brake shudder, improve thermal efficiency and reduce brake noise.

### Features & Benefits

#### HIGH CARBON, GREY IRON COMPOSITION

- Low noise propensity.
- High thermal conductivity for fade and cracking resistance.
- Excellent high and low temperature mechanical strength.
- Wear resistance.

#### OPTIMISED ROTOR DESIGN

- Reduced rotor coning under high temperature.
- Improves thermal efficiency.

#### ADVANCED VENTILATION

- Optimal cooling behaviour without increased mass.
- Resistance to thermal judder.
- Low transient and permanent deformation.

#### PRECISE MACHINING TOLERANCES

- Minimises brake shudder.
- Extremely low DTV (Disc Thickness Variation).
- Very low levels of LRO (Lateral Runout).

#### MINIMUM THICKNESS DIMENSION'S

- Minimum Thickness dimension marked on outer edge.





# DISC ROTORS FAULT DIAGNOSIS

## helpful hints

### **THERMAL STRESS**

**Visual Evidence:**

- Cracking on the friction surfaces.

**Possible Cause:**

- Operation under extreme temperatures. Possible abuse.

**Solution:**

- Replace disc rotors

### **PULLING**

**Visual Evidence:**

- Rough grooved friction surface. Smearing of friction surface.

**Possible Cause:**

- Foreign material caught between pad and rotor surface.
- Poor quality disc pads.
- Brake caliper holding on.

**Solution:**

- Lightly machine friction surfaces or replace rotors if near minimum thickness.
- Check function of brake caliper.

### **SHUDDER/JUDDER**

**Visual Evidence:**

- Measured DTV and installed runout excessive.

**Possible Cause:**

- Poor quality disc rotor.
- Foreign material on hub mounting face.
- Brake caliper holding on.

**Solution:**

- Clean hub mounting face.
- Check wheel bearings and replace or readjust as required.
- Replace disc rotors if DTV excessive.
- Check function of brake caliper.

# ABOUT DTV

## disk thickness variation

### WHAT IS DTV?

Disc thickness variation (DTV) is where the rotor or disc varies in thickness as measured in the diagram.

### WHAT DOES IT CAUSE?

As the disc rotates through the caliper the variation in disc thickness results in a variation in braking pressure applied by the disc pads to the rotor. This variation in braking effort is translated to vibration that can be felt through the vehicle. (e.g. pedal pulsing, steering shimmy, floor pan vibration).

### HOW DOES IT OCCUR?

Uneven wear of the rotor during service. This means DTV often does not become apparent until 10,000 to 15,000 kms after disc machining or replacement. Poorly serviced calipers can accelerate the occurrence of DTV.

### HOW DO YOU MEASURE IT?

Measure the thickness of the rotor 25mm in front of the outer edge using a vernier caliper. This measurement should be taken at a minimum of 10 points around the circumference. There should be no greater than 0.1mm variance in any of the measurements.

### HOW DO YOU FIX IT?

Replace the rotor. Overhaul calipers and ensure slide pins move freely and piston seals are in good condition.

### TESTING & BEDDING-IN

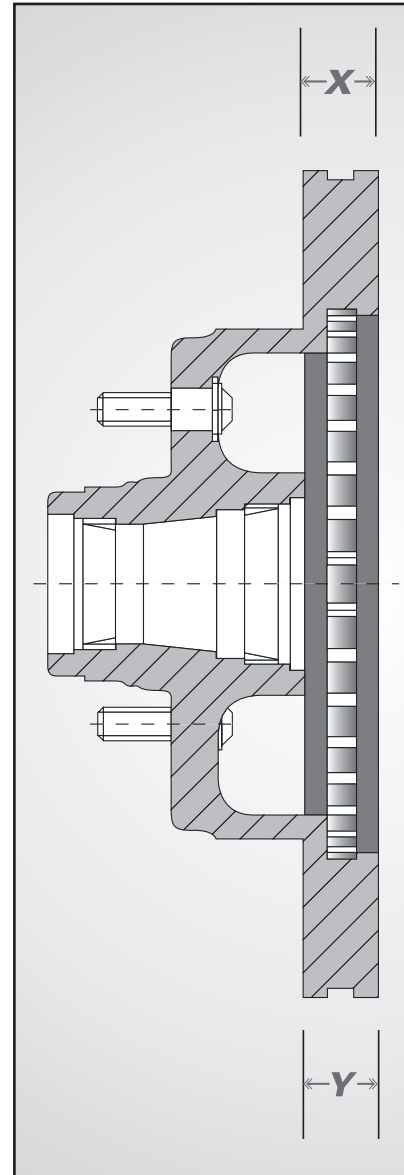
Road test the vehicle to ensure correct brake function.

**Note:** With new brake pads fitted proper pad "break in" is critical: Any time you perform a brake job, you should follow the manufacturer's recommended break in procedure.

As a guide (in a safe and controlled environment):

- Accelerate to 50 km/h.
- Apply the brakes using moderate to firm pedal effort, reducing speed to 5 km/h.
- Drive 200-300m accelerating to 50 km/h.
- Repeat 8 to 10 times.

Noting that excessive heating or hard use when new will cause brake pad glazing and will prevent proper break-in.





# DISC ROTOR

## minimum thickness

As with all safety related components which are subject to high rates of wear, disc rotors have a maximum safe life. The maximum life of a disc rotor is achieved when it reaches what we call the "minimum thickness".

Disc brake rotor minimum thickness (RMT) is the minimum safe working thickness of a rotor.

When a disc rotor reaches RMT it must be replaced. Choosing to ignore RMT is a safety risk. Continued use of disc rotors below RMT can lead to brake system failure.

The vehicle manufacturer during initial vehicle design determines RMT. Some aspects that are considered when determining RMT are:

### **HEAT ABSORPTION & DISSIPATION**

A brake systems function is to take in kinetic energy and transfer it into thermal energy. The driver creates this energy when he puts his foot on the brake pedal. The driver's foot force is boosted then converted into hydraulic pressure, which forces the piston to move inside the caliper. This piston movement forces the brake pads in contact with the spinning rotor. Friction between the brake pads and the disc rotor generates heat, which is dissipated by convection to the atmosphere.

As rotor thickness reduces, so does its ability to absorb and dissipate heat generated during braking. Once RMT has been reached the rotors ability to absorb and dissipate heat is reduced to such an extent that a significant reduction in braking capacity can result. This can be evident in premature fade and increased stopping distance.

### **CALIPER PISTON RETENTION**

As disc rotor and pad thickness reduces the caliper piston moves further out inside the caliper body. When RMT is reached with fully worn pads the pistons may lack support within the caliper bore. This can cause it to jam in the bore causing brake drag or lock.

Brake drag will cause excessive heat build up and possible fluid vaporisation. This will lead to system failure and increased stopping distance.

### **BRAKE PAD RETENTION**

Fully worn brake pads and RMT can allow in some caliper designs, for the pad backing plate to jam between the caliper anchor bracket and disc rotor. This will cause either brake drag or wheel lock up. Both concerns can result in vehicle instability.

### **BRAKE FLUID RETENTION**

It is also possible, under certain conditions when brake pads are fully worn and RMT is reached, for the caliper piston to cease forming a hydraulic seal. This will cause leakage, hydraulic system failure and increased stopping distance.

ACDelco recommends that disc rotors are measured as part of every brake service and replaced before they reach the specified "minimum thickness".

# DISC ROTOR

## replacement tips

The disc rotor is a very critical safety component. Regular wear checks are essential during the vehicle servicing. Always follow the vehicle manufacturer's service inspection guide lines.

Disc rotor thickness should not be less than the minimum thickness as cast or stamped into each rotor.

If there is uneven wear on both sides of the disc rotor this can indicate incorrect caliper installation, and the condition of the caliper should be checked before refitting.

Disc rotors should always be replaced in axle pairs, as mismatched rotors may affect vehicle handling characteristics during braking.

It is important to fit new brake pads to give the expected brake performance.

Full braking efficiency may not occur during excessive or high speed braking until the disc rotor and pads are bedded in - approximately 200-300 km from new.

ACDelco recommend new bearings, together with new high temperature bearing grease and new seals to obtain satisfactory operational smoothness and bearing life.

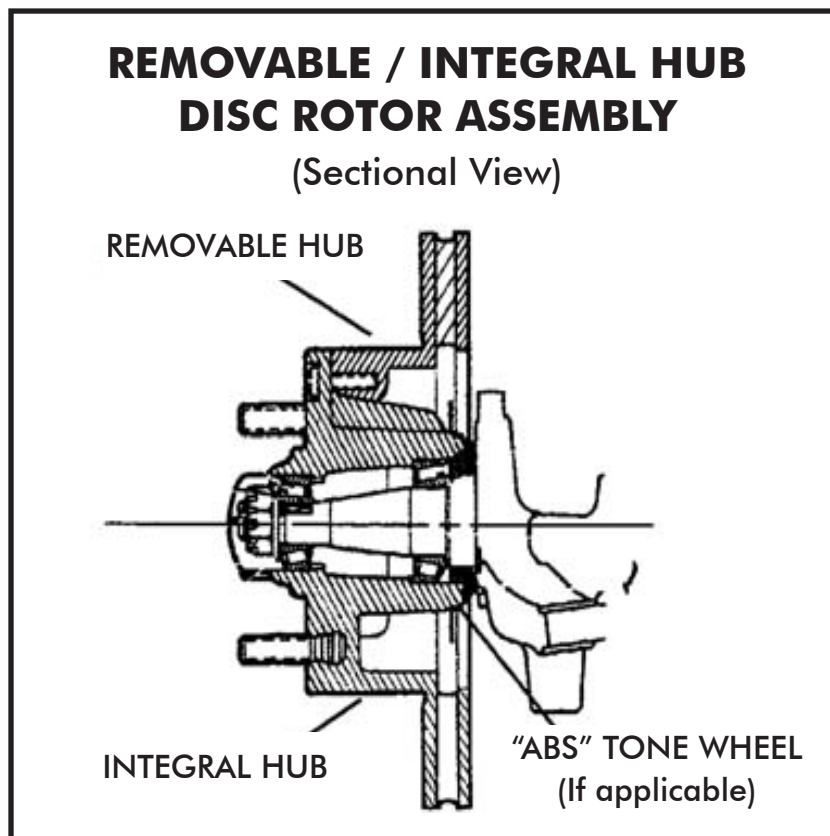


Figure 1

# DISC ROTOR

## replacement tips (continued)

### REMOVAL OF USED ROTOR

ACDelco recommends the use of appropriate safety equipment (safety glasses, gloves, etc.) when performing any brake servicing. The vehicle manufacturer's procedures should always be followed. As a guide:

1. Remove wheel nuts and wheel.
2. Remove the caliper anchor bolts. Pull the caliper away from the disc rotor. There is usually no need to disconnect the brake line but do not allow the full weight of the caliper to be supported by the brake line.
3. Remove grease cap.
4. Remove the split pin, castle nut, washer, inner bearing cap, and bearing. Remove the used disc rotor assembly.  
(refer fig 1 or fig 2 as appropriate)

**Note:** When removing and refitting rotors on ABS equipped vehicles, take care to prevent the pole ring striking the tip of the wheel speed sensor. The wheel speed sensor may

be damaged causing a fault to be logged in the ABS system.

5. If it is a removable hub type rotor, remove the hub from the disc rotor.

### ABS PRECAUTIONS

On ABS equipped vehicles ensure the rotor supplied has the same number of teeth on the pole ring as the rotor you have removed. Many new rotors don't come with pole rings, so it is important to carefully transfer the pole ring from the old rotors or fit new ones. Ensure the pole ring runout is within the manufacturer's specification after refitting.

**Note:** Fitting rotors with different numbers of teeth on the pole rings may cause a fault in the ABS system.

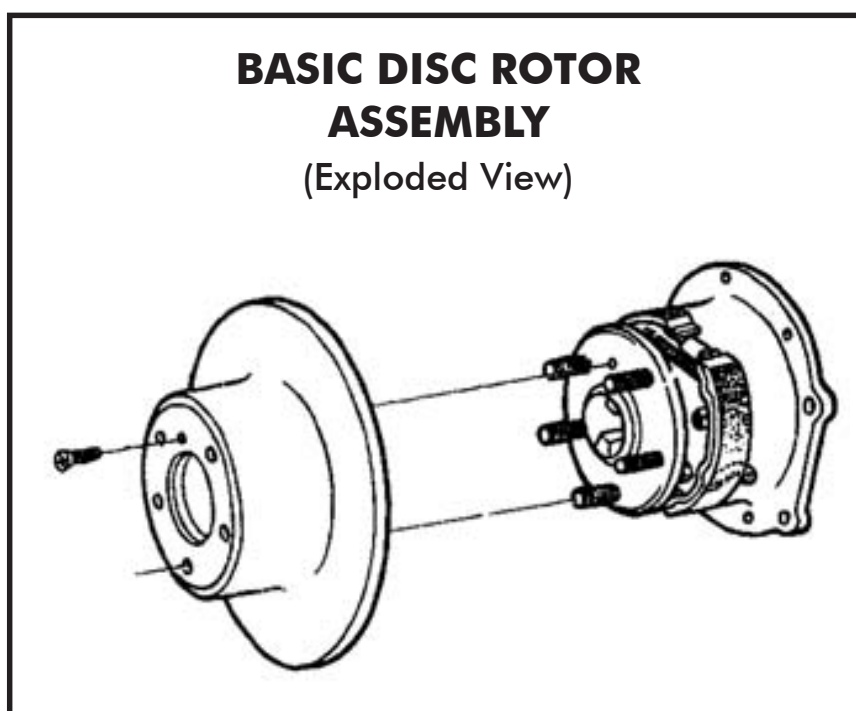


Figure 2



# INSTALLATION

## of a new disc rotor

Compare the disc rotors to the ones that have been removed to ensure they are correct. Some vehicles manufacturers make running changes to their braking systems, or the vehicle may have been modified, so they may have different size rotors fitted.

If the rotor is a removable hub type, clean the hub surface on which the rotor will be mounted. The assembly surface must be free from rust, flat and free from burrs. When tightening the hub bolts on this type of rotor ensure the bolts are tightened to the manufacturers recommended torque using the correct pattern. Over tightening of these bolts by using an impact gun will distort the new rotor, causing runout and in some cases the rotor will fracture.

The faces of the new rotor have a protective coating applied. Before installation clean; bearing caps, wheel stud thread, all machined surfaces and ABS pole ring (if applicable). Also ensure the hub is thoroughly clean before installation. It is recommended that you use an acetone or trichloroethylene based solvent. Using petrol or other types of cleaning products is not recommended as they will leave a residue of oil or wax affecting the braking performance.

**Note:** These cleaning fluids are usually highly flammable and harmful if vapours are inhaled for prolonged periods. Manufacturer's warnings should be strictly adhered to.

The vehicle manufacturer's procedures should always be followed. As a guide:

1. Install hub assembly into disc rotor using thread lock compound on bolts if required.
2. Grease inner bearing race and fit to hub.

Insert new inner bearing cap. Insert new grease seal.

3. Assemble the disc rotor assembly onto the stub axle.
4. If required install greased outer bearing assembly, washer and castle nut respectively. While rotating the rotor, tighten the castle nut to 30Nm to seat the bearings. Loosen the castle nut ½ turn then re-tighten to the vehicle manufacturer's specification.

**Note:** If the castle nut is too tight, rotor drag will be too high and bearings will wear excessively. If the castle nut is too loose, rotor will have high runout, bad pedal feel and possibly a knocking noise.

5. Insert split pin into position and bend back the pin to lock the castle nut. Install grease cap if required.
6. Runout test must be carried out and should not exceed 0.10mm. If runout exceeds this specification, remove the rotor from the hub rotate it to a different position and reinstall. If used bearings are used, runout specification may not be achievable depending on wear (refer fig 3).
7. Replace pads. Make room for the new pads by pushing the pistons down into the cylinder (taking care to push the piston into the bore squarely, and not to damage the piston or dust boots). This will cause the level of fluid in the master cylinder reservoir to rise. Anticipate this by siphoning out excess fluid using a clean hydrometer or syringe. If the vehicle is fitted with ABS, open the bleeder screw on the caliper and clamp off the brake hose before pushing the piston back.

# INSTALLATION

## of a new disc rotor (continued)

- 8.** Install caliper assembly ensuring anchor bolts are tightened to the correct specification.

**Note:** Inspect the calipers for correct operation. Sticking or binding calipers will cause the rotors to overheat and distort.

- 9.** Refit wheels and tighten wheel nuts to the manufacturer's recommended torque using the correct pattern

**Note:** Proper wheel nut torque cannot be stressed enough! Improper wheel nut torque will cause rotor deflection, this will cause, over time (approx 3,000 to 5,000 kms), disc thickness variation resulting in noise and brake pedal pulsation. Deflection may not manifest itself until mileage has accumulated on the vehicle. Always use a calibrated torque wrench and look up the proper wheel nut torque specification for the vehicle on which you are working.

- 10.** After fitting the new rotor, the brake pedal will need to be pumped several times to bring the disc pads into contact with the rotor.

**Note:** If the brake pedal is pushed to the floor on a vehicle where the master cylinder has not been overhauled or replaced, the

seals may be damaged from the dirt or scale that builds up at the end of the bore. To prevent damage to the master cylinder, only push the brake pedal to its normal travel distance when pumping the pedal after fitting new rotors.

- 11.** It may be necessary to bleed the hydraulic system if the pedal is too low or feels spongy.

- 12.** Road test the vehicle to ensure correct brake function.

**Note:** With new brake pads fitted proper pad "break in" is critical:

Any time you perform a brake job, you should follow the manufacturer's recommended break in procedure. As a guide (in a safe and controlled environment):

- Accelerate to 50 km/h.
- Apply the brakes using moderate to firm pedal effort, reducing speed to 5 km/h.
- Drive 200-300m accelerating to 50 km/h.
- Repeat 8 to 10 times.

Noting that excessive heating or hard use when new will cause brake pad glazing and will prevent proper break-in.

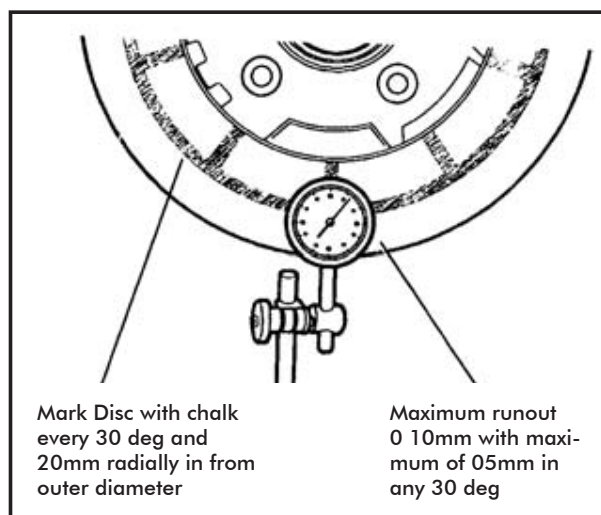


Figure 3



# DISC ROTOR

## application list

Information in this application listing section has been compiled from data published from Original Equipment Manufacturers and other parties. This data may change from time to time and ACDelco is unable to warrant the accuracy of this data and does not accept responsibility for loss or damage of any kind caused as a result of such data being inaccurate.

MAKE	MODEL	TYPE	YEAR	AXLE	PART NUMBER	TYPE	MIN THICKNESS MM
<b>ALFA</b>							
ALFA	159	2.4 LITRE, 3.2 LITRE, S/WAGON, SEDAN	06/2006 - 10/2009	FRONT	ACDR2221	SOLID	8.0
ALFA	BRERA	3.2 LITRE	06/2006 - 10/2009	FRONT	ACDR2221	SOLID	8.0
ALFA	SPIDER	2D CONVERTIBILE 3.2 LITRE	11/2006 - 10/2009	FRONT	ACDR2221	SOLID	8.0
<b>AUDI</b>							
AUDI	A3	1.6 LITRE	05/1997 - 04/2003	FRONT	ACDR800	VENTED	19.0
AUDI	A3	1.8 LITRE	05/1997 - 04/2003	FRONT	ACDR801	VENTED	19.0
AUDI	A3	4 CYL, MODEL 8P1, OPTION 1ZF,1ZM	05/2003 - 01/2009	FRONT	ACDR1193	VENTED	19.0
AUDI	A3	4 CYL, MODEL 8P1, OPTION 1ZE,1ZP	05/2003 - 01/2009	FRONT	ACDR1194	VENTED	22.0
AUDI	A3	4 CYL, MODEL 8P1, OPTION 1ZD,1LJ	05/2003 - 01/2009	FRONT	ACDR2806	VENTED	22.0
AUDI	A3	ALL MODELS	05/1997 - 04/2003	REAR	ACDR803	SOLID	7.0
AUDI	A3	4 CYL, ALL MODELS, W/ 255MM ROTOR	05/2003 - 01/2009	REAR	ACDR1195	SOLID	7.0
AUDI	A3	4 CYL, ALL MODELS, W/ 260MM ROTOR	05/2003 - 01/2009	REAR	ACDR1196	SOLID	10.0
AUDI	S3	1.8 LITRE	01/2001 - 06/2003	REAR	ACDR800	VENTED	19.0
AUDI	TT		05/1999 - 06/2006	REAR	ACDR803	SOLID	7.0
AUDI	TT	TT COUPE	11/1999 - 06/2006	REAR	ACDR803	SOLID	7.0
AUDI	TT	TT QUATTRO	10/1999 - 06/2006	REAR	ACDR800	VENTED	19.0
<b>BMW</b>							
BMW	3 SERIES	316I 1.6 LITRE, 1.9 LITRE, COMPACT, COUPE, E36, SEDAN	03/1995 - 09/2000	FRONT	ACDR978	SOLID	10.4
BMW	3 SERIES	316I COUPE, E36, SEDAN	03/1995 - 09/2000	REAR	ACDR983	SOLID	8.4
BMW	3 SERIES	316TI E46	10/2001 - 07/2005	FRONT	ACDR979	VENTED	20.4
BMW	3 SERIES	316TI E46	10/2001 - 07/2005	REAR	ACDR983	SOLID	8.4
BMW	3 SERIES	318I E36	04/1991 - 08/1999	FRONT	ACDR978	SOLID	10.4
BMW	3 SERIES	318I E46	09/1998 - 02/2003	FRONT	ACDR979	VENTED	20.4
BMW	3 SERIES	318I E36, E46	04/1991 - 02/2003	REAR	ACDR983	SOLID	8.4
BMW	3 SERIES	318IS E36	03/1991 - 10/1999	FRONT	ACDR979	VENTED	20.4
BMW	3 SERIES	318IS E36	03/1991 - 10/1999	REAR	ACDR983	SOLID	8.4
BMW	3 SERIES	318TI E36	05/1996 - 04/1999	FRONT	ACDR978	SOLID	10.4
BMW	3 SERIES	318TI E46	04/1999 - 02/2003	FRONT	ACDR979	VENTED	20.4
BMW	3 SERIES	318TI E46	03/2003 - 07/2005	FRONT	ACDR966	VENTED	20.0
BMW	3 SERIES	318TI E46	04/1999 - 02/2003	REAR	ACDR983	SOLID	8.4
BMW	3 SERIES	320CI COUPE, E46	01/2001 - 07/2006	FRONT	ACDR979	VENTED	20.4
BMW	3 SERIES	320CI COUPE, E46	01/2001 - 07/2006	REAR	ACDR980	VENTED	17.4
BMW	3 SERIES	320I E36, E46, STD BRAKE PACK	04/1991 - 02/2005	FRONT	ACDR979	VENTED	20.4
BMW	3 SERIES	320I E46, PREM BRAKE PACK	04/1998 - 02/2005	FRONT	ACDR966	VENTED	20.0
BMW	3 SERIES	320I E46	09/1998 - 02/2005	REAR	ACDR980	VENTED	17.4
BMW	3 SERIES	320I E36	04/1991 - 08/1998	REAR	ACDR983	SOLID	8.4
BMW	3 SERIES	323I E36	01/1996 - 10/2000	FRONT	ACDR979	VENTED	20.4
BMW	3 SERIES	323I E36, E46	01/1996 - 10/2000	REAR	ACDR980	VENTED	17.4

MAKE	MODEL	TYPE	YEAR	AXLE	PART NUMBER	TYPE	MIN THICKNESS MM
BMW	3 SERIES	325CI E46	10/2000 - 02/2007	FRONT	ACDR966	VENTED	20.0
BMW	3 SERIES	325I E36	12/1990 - 05/1995	FRONT	ACDR979	VENTED	20.4
BMW	3 SERIES	325I E46	10/2000 - 07/2005	FRONT	ACDR966	VENTED	20.0
BMW	3 SERIES	325I E36	01/1992 - 05/1995	REAR	ACDR983	SOLID	8.4
BMW	3 SERIES	325TI E46	03/2003 - 07/2005	FRONT	ACDR966	VENTED	20.0
BMW	3 SERIES	328CI E46	06/1999 - 09/2000	FRONT	ACDR966	VENTED	20.0
BMW	3 SERIES	328I E36	06/1995 - 09/2000	FRONT	ACDR979	VENTED	20.4
BMW	3 SERIES	328I E46	09/1998 - 10/2000	FRONT	ACDR966	VENTED	20.0
BMW	3 SERIES	328I COUPE, E36	06/1995 - 06/1999	REAR	ACDR980	VENTED	17.4
BMW	3 SERIES	328I CABRIOLET, E36, SEDAN	06/1995 - 09/2000	REAR	ACDR983	SOLID	8.4
BMW	X5	3.0D E53	03/2003 - 10/2006	FRONT	ACDR813	VENTED	28.4
BMW	X5	3.0D E53	03/2003 - 10/2006	REAR	ACDR814	SOLID	10.4
BMW	X5	3.0I E53	03/2001 - 03/2007	FRONT	ACDR813	VENTED	28.4
BMW	X5	3.0I E53	03/2001 - 03/2007	REAR	ACDR814	SOLID	10.4
BMW	X5	4.4I E53	09/2000 - 09/2003	FRONT	ACDR813	VENTED	28.4
BMW	X5	4.4I CHECK DIAMETER, E53	10/2003 - 10/2006	FRONT	ACDR813	VENTED	28.4
BMW	X5	4.4I E53	09/2000 - 10/2006	REAR	ACDR814	SOLID	10.4
BMW	Z3	Z3 (E36/E37) 2.2 LITRE, 2.8 LITRE	01/1997 - 12/2002	FRONT	ACDR979	VENTED	20.4
BMW	Z3	Z3 (E36/E37) 3 LITRE	09/2000 - 12/2002	FRONT	ACDR966	VENTED	20.0
BMW	Z4	2.5 (24V) E85	07/2003 - 03/2006	FRONT	ACDR979	VENTED	20.4
BMW	Z4	3.0 (24V) E85	07/2004 - 03/2006	FRONT	ACDR966	VENTED	20.0
<b>CHRYSLER</b>							
CHRYSLER	GRAND VOYAGER	RG	03/2001 - 03/2008	FRONT	ACDR776	VENTED	26.5
CHRYSLER	GRAND VOYAGER	RG	03/2001 - 03/2008	REAR	ACDR777	SOLID	11.3
CHRYSLER	SEBRING	JS 2.4 LITRE, 2.7 LITRE	06/2007 - 12/2009	FRONT	ACDR417	VENTED	22.4
CHRYSLER	SEBRING	JS 2.4 LITRE, 2.7 LITRE	06/2007 - 12/2009	FRONT	ACDR1581	VENTED	24.4
CHRYSLER	SEBRING	JS 2.4 LITRE, 2.7 LITRE	06/2007 - 12/2009	REAR	ACDR2209	SOLID	8.4
CHRYSLER	VOYAGER	GS	02/1997 - 04/2001	FRONT	ACDR177	VENTED	22.4
CHRYSLER	VOYAGER	RG	05/2001 - 03/2008	FRONT	ACDR776	VENTED	26.5
CHRYSLER	VOYAGER	RG	05/2001 - 03/2008	REAR	ACDR777	SOLID	11.3
<b>CITROEN</b>							
CITROEN	BERLINGO		06/2008 - 12/2009	FRONT	ACDR2275	VENTED	24.0
CITROEN	BERLINGO	DISC/DISC	01/2005 - 06/2008	REAR	ACDR1077	SOLID	8.0
CITROEN	C2	VTR	03/2004 - 06/2008	REAR	ACDR1077	SOLID	8.0
CITROEN	C2	VTS	07/2006 - 06/2008	REAR	ACDR1077	SOLID	8.0
CITROEN	C3	1.6 LITRE, CHECK DIAMETER	01/2005 - 12/2009	FRONT	ACDR2275	VENTED	24.0
CITROEN	C3	1.4 LITRE, 1.6 LITRE	12/2002 - 06/2008	REAR	ACDR1077	SOLID	8.0
CITROEN	C4	1.6 LITRE, ESP	10/2004 - 12/2009	FRONT	ACDR2275	VENTED	24.0
CITROEN	C4	2 LITRE	10/2004 - 12/2009	FRONT	ACDR1216	VENTED	24.0
CITROEN	C4	1.6 LITRE, 2 LITRE, TO VIN 10884	10/2004 - 06/2008	REAR	ACDR1138	SOLID	8.0
CITROEN	C5	2 LITRE	06/2001 - 01/2005	FRONT	ACDR2275	VENTED	24.0
CITROEN	XSARA	16 VALVE, 2 LITRE, FROM VIN 09065	08/1998 - 12/2004	FRONT	ACDR2275	VENTED	24.0
<b>DAEWOO</b>							
DAEWOO	1.5 I		07/1994 - 10/1995	FRONT	ACDR820	SOLID	9.7
DAEWOO	CIELO	GL MODEL	10/1995 - 06/1997	FRONT	ACDR820	SOLID	9.7
DAEWOO	CIELO	13" WHEEL, GL MODEL	10/1995 - 04/1998	FRONT	ACDR021	VENTED	17.0
DAEWOO	CIELO	14" WHEEL, GLX MODEL	10/1995 - 04/1998	FRONT	ACDR023	VENTED	22.0
DAEWOO	ESPERO	13" WHEEL	03/1995 - 07/1997	FRONT	ACDR021	VENTED	17.0

MAKE	MODEL	TYPE	YEAR	AXLE	PART NUMBER	TYPE	MIN THICKNESS MM
DAEWOO	ESPERO	14" WHEEL	03/1995 - 07/1997	FRONT	ACDR023	VENTED	22.0
DAEWOO	KALOS	T200	04/2003 - 12/2004	FRONT	ACDR2032	VENTED	18.0
DAEWOO	LACETTI	J200	10/2003 - 12/2004	FRONT	ACDR996	VENTED	22.0
DAEWOO	LACETTI	J200	10/2003 - 12/2004	REAR	ACDR1088	SOLID	8.5
DAEWOO	LANOS	1.5 LITRE	08/1997 - 12/2000	FRONT	ACDR820	SOLID	9.7
DAEWOO	LANOS	1.6 LITRE, 13" WHEEL	08/1997 - 12/2000	FRONT	ACDR021	VENTED	17.0
DAEWOO	LANOS	1.6 LITRE, 14" WHEEL	08/1997 - 12/2000	FRONT	ACDR023	VENTED	22.0
DAEWOO	LEGANZA		07/1997 - 01/2004	FRONT	ACDR892	VENTED	22.0
DAEWOO	NUBIRA		06/1997 - 05/2003	FRONT	ACDR894	VENTED	22.0
DAEWOO	NUBIRA		06/1997 - 05/2003	REAR	ACDR895	SOLID	8.0
<b>DAIHATSU</b>							
DAIHATSU	APPLAUSE	A101 1.6 LITRE, SEDAN	10/1989 - 01/1998	FRONT	ACDR295	VENTED	17.0
DAIHATSU	APPLAUSE	A101B 1.6 LITRE, SEDAN	01/1998 - 11/1999	FRONT	ACDR295	VENTED	17.0
DAIHATSU	CHARADE	G100	06/1987 - 01/1993	FRONT	ACDR295	VENTED	17.0
DAIHATSU	CHARADE	G102 SEDAN, SG MODEL	10/1988 - 07/1993	FRONT	ACDR295	VENTED	17.0
DAIHATSU	CHARADE	G200	06/1993 - 04/1996	FRONT	ACDR295	VENTED	17.0
DAIHATSU	CHARADE	G203	05/1996 - 06/2000	FRONT	ACDR295	VENTED	17.0
DAIHATSU	TERIOS	J100	07/1997 - 10/2000	FRONT	ACDR496	SOLID	15.0
DAIHATSU	TERIOS	J102	10/2000 - 10/2004	FRONT	ACDR496	SOLID	15.0
<b>DODGE</b>							
DODGE	AVENGER	2 LITRE, 2.4 LITRE, 2.7 LITRE	01/2008 - 12/2010	FRONT	ACDR1581	VENTED	24.4
DODGE	CALIBER	1.8 LITRE, 2 LITRE, 2.4 LITRE	08/2006 - 12/2011	FRONT	ACDR1581	VENTED	24.4
<b>EUNOS</b>							
EUNOS	EUNOS	30X	11/1993 - 12/1997	FRONT	ACDR533	VENTED	20.0
EUNOS	EUNOS	30X	12/1991 - 10/1993	REAR	ACDR534	SOLID	8.0
EUNOS	EUNOS	500	04/1994 - 09/1999	FRONT	ACDR950	VENTED	22.0
EUNOS	EUNOS	500	04/1994 - 09/1999	REAR	ACDR951	SOLID	8.0
<b>FORD</b>							
FORD	CAPRI (SOFT TOP)	SA/SC/SE NON TURBO, SOFT TOP	10/1989 - 07/1994	FRONT	ACDR930	VENTED	16.0
FORD	CORSAIR	UA HATCHBACK, SEDAN	11/1989 - 12/1992	FRONT	ACDR617	VENTED	20.0
FORD	COURIER/RAIDER	2 4X2, COMMERCIAL	06/1985 - 02/1992	FRONT	ACDR631	VENTED	18.0
FORD	COURIER/RAIDER	2.2 4X2, COMMERCIAL	06/1985 - 04/1996	FRONT	ACDR631	VENTED	18.0
FORD	COURIER/RAIDER	2.6 4X2, COMMERCIAL	10/1991 - 05/1996	FRONT	ACDR631	VENTED	18.0
FORD	COURIER/RAIDER	2.6 4X4, COMMERCIAL	05/1987 - 05/1996	FRONT	ACDR965	VENTED	20.0
FORD	COURIER/RAIDER	2.6 (RAIDER) 4X4, COMMERCIAL	08/1991 - 07/1997	FRONT	ACDR965	VENTED	20.0
FORD	COURIER/RAIDER	PD 4X4	05/1996 - 02/1999	FRONT	ACDR965	VENTED	20.0
FORD	COURIER/RAIDER	PD 4X2	05/1996 - 02/1999	FRONT	ACDR958	VENTED	22.0
FORD	COURIER/RAIDER	PE 4X4	02/1999 - 12/2002	FRONT	ACDR964	VENTED	22.0
FORD	COURIER/RAIDER	PE 4X2	02/1999 - 12/2002	FRONT	ACDR958	VENTED	22.0
FORD	COURIER/RAIDER	PG 4X4, W/ AUTO WH HUB	11/2002 - 07/2004	FRONT	ACDR2952	VENTED	26.0
FORD	COURIER/RAIDER	PG 4X4, W/O AUTO WH HUB	11/2002 - 07/2004	FRONT	ACDR964	VENTED	22.0
FORD	COURIER/RAIDER	PG 4X2	11/2002 - 07/2004	FRONT	ACDR958	VENTED	22.0
FORD	COURIER/RAIDER	PH 4X4	08/2004 - 12/2006	FRONT	ACDR964	VENTED	22.0
FORD	COURIER/RAIDER	PH 4X2	08/2004 - 12/2006	FRONT	ACDR958	VENTED	22.0
FORD	ECONOVAN/MAXI	1.8 STD BODY	04/1984 - 09/1985	FRONT	ACDR631	VENTED	18.0
FORD	ECONOVAN/MAXI	2 CAB CHASSIS, CREW CAB	04/1984 - 05/1997	FRONT	ACDR934	VENTED	18.0
FORD	ECONOVAN/MAXI	2 4X2, LONG BODY, STD BODY, VAN	04/1984 - 05/1992	FRONT	ACDR631	VENTED	18.0
FORD	ECONOVAN/MAXI	2.2 CAB CHASSIS	01/1990 - 05/1997	FRONT	ACDR934	VENTED	18.0

MAKE	MODEL	TYPE	YEAR	AXLE	PART NUMBER	TYPE	MIN THICKNESS MM
FORD	ECONOVAN/MAXI	2.2 LONG BODY, STD BODY	03/1984 - 12/1991	FRONT	ACDR631	VENTED	18.0
FORD	ECONOVAN/MAXI	JG CAB CHASSIS, LWB	01/1997 - 01/2000	FRONT	ACDR934	VENTED	18.0
FORD	ECONOVAN/MAXI	JG VAN	01/1997 - 01/2000	FRONT	ACDR958	VENTED	22.0
FORD	ECONOVAN/MAXI	JH SWB	01/2000 - 07/2006	FRONT	ACDR9741	VENTED	22.0
FORD	ESCAPE	BA	02/2001 - 03/2003	FRONT	ACDR957	VENTED	22.0
FORD	ESCAPE	ZA	04/2003 - 01/2004	FRONT	ACDR957	VENTED	22.0
FORD	ESCAPE	ZB	01/2004 - 05/2006	FRONT	ACDR957	VENTED	22.0
FORD	ESCAPE	ZC/ZD	06/2006 - 03/2008	FRONT	ACDR2560	VENTED	24.0
FORD	ESCAPE	ZC/ZD	06/2006 - 03/2008	REAR	ACDR2561	SOLID	11.0
FORD	EXPLORER	UN-UP ALL MODELS	10/1996 - 06/1999	FRONT	ACDR860	VENTED	24.5
FORD	EXPLORER	UN-UP ALL MODELS	10/1996 - 06/1999	REAR	ACDR861	SOLID	11.0
FORD	EXPLORER	UQ	06/1999 - 01/2000	FRONT	ACDR860	VENTED	24.5
FORD	EXPLORER	UQ	06/1999 - 01/2000	REAR	ACDR861	SOLID	11.0
FORD	EXPLORER	US	01/2000 - 10/2001	FRONT	ACDR860	VENTED	24.5
FORD	EXPLORER	US	01/2000 - 10/2001	REAR	ACDR861	SOLID	11.0
FORD	FAIRLANE/LTD	54J DISC/DISC, SEDAN	07/1973 - 06/1979	FRONT	ACDR107	VENTED	22.2
FORD	FAIRLANE/LTD	BA PBR CALIPER, STD BRAKE PACK	07/2003 - 09/2005	FRONT	ACDR504	VENTED	26.0
FORD	FAIRLANE/LTD	BA PBR CALIPER, STD BRAKE PACK	07/2003 - 09/2005	REAR	ACDR505	SOLID	14.5
FORD	FAIRLANE/LTD	BF PBR CALIPER, PREM BRAKE PACK	10/2005 - 10/2006	FRONT	ACDR2107	VENTED	26.0
FORD	FAIRLANE/LTD	BF PBR CALIPER, STD BRAKE PACK	10/2005 - 10/2006	FRONT	ACDR504	VENTED	26.0
FORD	FAIRLANE/LTD	BF PBR CALIPER, STD BRAKE PACK	10/2005 - 10/2006	REAR	ACDR505	SOLID	14.5
FORD	FAIRLANE/LTD	DA NON-ABS, SEDAN	03/1988 - 06/1991	FRONT	ACDR110B	VENTED	22.2
FORD	FAIRLANE/LTD	DA SEDAN	03/1988 - 06/1991	REAR	ACDR111B	SOLID	12.0
FORD	FAIRLANE/LTD	DC NON-ABS	07/1991 - 05/1992	FRONT	ACDR110B	VENTED	22.2
FORD	FAIRLANE/LTD	DC ABS, SEDAN	05/1992 - 02/1995	FRONT	ACDR130	VENTED	22.2
FORD	FAIRLANE/LTD	DC ABS, NON-ABS	07/1991 - 02/1995	REAR	ACDR111B	SOLID	12.0
FORD	FAIRLANE/LTD	DF ABS, SEDAN	03/1995 - 08/1996	FRONT	ACDR132	VENTED	22.0
FORD	FAIRLANE/LTD	DF SEDAN	03/1995 - 08/1996	REAR	ACDR133	SOLID	8.5
FORD	FAIRLANE/LTD	DL	09/1996 - 06/1999	FRONT	ACDR132	VENTED	22.0
FORD	FAIRLANE/LTD	DL	09/1996 - 06/1999	REAR	ACDR133	SOLID	8.5
FORD	FAIRLANE/LTD	DU ALL MODELS, SEDAN	04/2000 - 06/2001	FRONT	ACDR502	VENTED	25.6
FORD	FAIRLANE/LTD	DU ALL MODELS, SEDAN	09/1998 - 04/2000	FRONT	ACDR500	VENTED	21.0
FORD	FAIRLANE/LTD	DU ALL MODELS, SEDAN	04/2000 - 06/2001	REAR	ACDR503	SOLID	14.5
FORD	FAIRLANE/LTD	DU ALL MODELS, SEDAN	09/1998 - 04/2000	REAR	ACDR501	SOLID	8.5
FORD	FAIRLANE/LTD	FC SEDAN	06/1979 - 02/1982	FRONT	ACDR107	VENTED	22.2
FORD	FAIRLANE/LTD	FD SEDAN	03/1982 - 09/1984	FRONT	ACDR107	VENTED	22.2
FORD	FAIRLANE/LTD	FE SEDAN	10/1984 - 02/1988	FRONT	ACDR107	VENTED	22.2
FORD	FAIRLANE/LTD	FE SEDAN	10/1984 - 02/1988	REAR	ACDR109	VENTED	22.2
FORD	FAIRLANE/LTD	NA SEDAN	06/1988 - 06/1991	FRONT	ACDR110B	VENTED	22.2
FORD	FAIRLANE/LTD	NA 13 MM ROTOR, SEDAN	06/1988 - 06/1991	REAR	ACDR111B	SOLID	12.0
FORD	FAIRLANE/LTD	NA 15 MM ROTOR	06/1988 - 06/1991	REAR	ACDR111A	SOLID	14.0
FORD	FAIRLANE/LTD	NC NON-ABS	07/1991 - 05/1992	FRONT	ACDR110B	VENTED	22.2
FORD	FAIRLANE/LTD	NC ABS, SEDAN	05/1992 - 03/1995	FRONT	ACDR130	VENTED	22.2
FORD	FAIRLANE/LTD	NC ABS, NON-ABS	07/1991 - 03/1995	REAR	ACDR111B	SOLID	12.0
FORD	FAIRLANE/LTD	NF ABS, SEDAN	03/1995 - 08/1996	FRONT	ACDR132	VENTED	22.0
FORD	FAIRLANE/LTD	NF SEDAN	03/1995 - 08/1996	REAR	ACDR133	SOLID	8.5
FORD	FAIRLANE/LTD	NL	09/1996 - 02/1999	FRONT	ACDR132	VENTED	22.0
FORD	FAIRLANE/LTD	NL	09/1996 - 02/1999	REAR	ACDR133	SOLID	8.5

MAKE	MODEL	TYPE	YEAR	AXLE	PART NUMBER	TYPE	MIN THICKNESS MM
FORD	FAIRLANE/LTD	NU ALL MODELS, SEDAN	04/2000 - 06/2001	FRONT	ACDR502	VENTED	25.6
FORD	FAIRLANE/LTD	NU ALL MODELS, SEDAN	09/1998 - 04/2000	FRONT	ACDR500	VENTED	21.0
FORD	FAIRLANE/LTD	NU ALL MODELS, SEDAN	04/2000 - 06/2001	REAR	ACDR503	SOLID	14.5
FORD	FAIRLANE/LTD	NU ALL MODELS, SEDAN	09/1998 - 04/2000	REAR	ACDR501	SOLID	8.5
FORD	FAIRLANE/LTD	ZH SEDAN	05/1976 - 04/1979	FRONT	ACDR107	VENTED	22.2
FORD	FAIRLANE/LTD	ZJ DISC/DISC, DISC/DRUM	05/1979 - 02/1982	FRONT	ACDR107	VENTED	22.2
FORD	FAIRLANE/LTD	ZK SEDAN	03/1982 - 09/1984	FRONT	ACDR107	VENTED	22.2
FORD	FAIRLANE/LTD	ZK SEDAN	03/1982 - 09/1984	REAR	ACDR109	VENTED	22.2
FORD	FAIRLANE/LTD	ZL SEDAN	10/1984 - 05/1988	FRONT	ACDR107	VENTED	22.2
FORD	FAIRLANE/LTD	ZL SEDAN	10/1984 - 05/1988	REAR	ACDR109	VENTED	22.2
FORD	FALCON	AU ALL MODELS, S/WAGON, SEDAN	09/1998 - 04/2000	FRONT	ACDR500	VENTED	21.0
FORD	FALCON	AU ALL MODELS, S/WAGON, SEDAN	04/2000 - 09/2002	FRONT	ACDR502	VENTED	25.6
FORD	FALCON	AU ALL MODELS, S/WAGON, SEDAN	09/1998 - 04/2000	REAR	ACDR501	SOLID	8.5
FORD	FALCON	AU ALL MODELS, S/WAGON, SEDAN	04/2000 - 09/2002	REAR	ACDR503	SOLID	14.5
FORD	FALCON	BA ALL BODY TYPES, PBR CALIPER, STD BRAKE PACK	09/2002 - 09/2005	FRONT	ACDR504	VENTED	26.0
FORD	FALCON	BA ALL BODY TYPES, PBR CALIPER, STD BRAKE PACK	09/2002 - 09/2005	REAR	ACDR505	SOLID	14.5
FORD	FALCON	BF ALL BODY TYPES, PBR CALIPER, PREM BRAKE PACK	10/2005 - 04/2008	FRONT	ACDR2107	VENTED	26.0
FORD	FALCON	BF ALL BODY TYPES, INCL RTV UTE, PBR CALIPER	10/2005 - 04/2008	FRONT	ACDR504	VENTED	26.0
FORD	FALCON	BF ALL BODY TYPES, PBR CALIPER	10/2005 - 04/2008	REAR	ACDR505	SOLID	14.5
FORD	FALCON	BF ALL BODY TYPES, PREM BRAKE PACK	10/2005 - 04/2008	REAR	ACDR2108	VENTED	24.0
FORD	FALCON	EA S/WAGON, SEDAN	03/1988 - 06/1991	FRONT	ACDR110B	VENTED	22.2
FORD	FALCON	EA 13 MM ROTOR, S/WAGON, SEDAN	03/1988 - 06/1991	REAR	ACDR111B	SOLID	12.0
FORD	FALCON	EA 15 MM ROTOR, S/WAGON, SEDAN	03/1988 - 06/1991	REAR	ACDR111A	SOLID	14.0
FORD	FALCON	EB ALL ENGINES, NON-ABS	07/1991 - 07/1993	FRONT	ACDR110B	VENTED	22.2
FORD	FALCON	EB ABS, ALL ENGINES	04/1992 - 07/1993	FRONT	ACDR130	VENTED	22.2
FORD	FALCON	EB 13 MM ROTOR, ABS, NON-ABS	07/1991 - 07/1993	REAR	ACDR111B	SOLID	12.0
FORD	FALCON	ED ALL ENGINES, NON-ABS	08/1993 - 07/1994	FRONT	ACDR110B	VENTED	22.2
FORD	FALCON	ED ABS, ALL ENGINES	08/1993 - 07/1994	FRONT	ACDR130	VENTED	22.2
FORD	FALCON	ED 13 MM ROTOR, ABS, NON-ABS	08/1993 - 07/1994	REAR	ACDR111B	SOLID	12.0
FORD	FALCON	EF NON-ABS	08/1994 - 09/1996	FRONT	ACDR131	VENTED	22.0
FORD	FALCON	EF ABS, XR6 MODEL, XR8 MODEL	08/1994 - 09/1996	FRONT	ACDR132	VENTED	22.0
FORD	FALCON	EF ABS, NON-ABS	08/1994 - 07/1996	REAR	ACDR133	SOLID	8.5
FORD	FALCON	EL NON-ABS	09/1996 - 08/1998	FRONT	ACDR131	VENTED	22.0
FORD	FALCON	EL ABS	09/1996 - 08/1998	FRONT	ACDR132	VENTED	22.0
FORD	FALCON	EL	09/1996 - 08/1998	REAR	ACDR133	SOLID	8.5
FORD	FALCON	FG PBR CALIPER, PREM BRAKE PACK, SEDAN, UTE	05/2008 - 12/2010	FRONT	ACDR2107	VENTED	26.0
FORD	FALCON	FG PBR CALIPER, SEDAN, STD BRAKE PACK, UTE	05/2008 - 12/2010	FRONT	ACDR504	VENTED	26.0
FORD	FALCON	FG PBR CALIPER, SEDAN, STD BRAKE PACK	05/2008 - 12/2010	REAR	ACDR505	SOLID	14.5
FORD	FALCON	FG ALL BODY TYPES, PREM BRAKE PACK, W/328MM OD DISC	05/2008 - 12/2014	REAR	ACDR2108	VENTED	24.0
FORD	FALCON	XB DISC/DISC, DISC/DRUM	10/1975 - 07/1976	FRONT	ACDR107	VENTED	22.2
FORD	FALCON	XC DISC/DISC, DISC/DRUM	08/1976 - 02/1979	FRONT	ACDR107	VENTED	22.2
FORD	FALCON	XD ALL MODELS, DISC/DISC, DISC/DRUM	03/1979 - 02/1982	FRONT	ACDR107	VENTED	22.2
FORD	FALCON	XE DISC/DISC, DISC/DRUM	03/1982 - 09/1984	FRONT	ACDR107	VENTED	22.2
FORD	FALCON	XE ALL MODELS	03/1982 - 09/1984	REAR	ACDR109	VENTED	22.2
FORD	FALCON	XF (& UTE) DISC/DISC, DISC/DRUM	10/1984 - 02/1993	FRONT	ACDR107	VENTED	22.2
FORD	FALCON	XF (& UTE) S/WAGON, SEDAN	10/1984 - 02/1993	REAR	ACDR109	VENTED	22.2
FORD	FALCON	XG (UTE/VAN) P/VAN, UTE	03/1993 - 03/1996	FRONT	ACDR107	VENTED	22.2
FORD	FALCON	XG (UTE/VAN) P/VAN, UTE	03/1993 - 03/1996	REAR	ACDR111B	SOLID	12.0

MAKE	MODEL	TYPE	YEAR	AXLE	PART NUMBER	TYPE	MIN THICKNESS MM
FORD	FALCON	XH (UTE/VAN)	04/1996 - 06/1999	FRONT	ACDR132	VENTED	22.0
FORD	FALCON	XH (UTE/VAN)	04/1996 - 06/1999	REAR	ACDR111B	SOLID	12.0
FORD	FESTIVA	WB MAN TRANS	04/1994 - 12/1996	FRONT	ACDR530	VENTED	16.0
FORD	FESTIVA	WB AUTO TRANS	04/1994 - 12/1996	FRONT	ACDR532	VENTED	20.0
FORD	FESTIVA	WD MAN TRANS	01/1997 - 12/1997	FRONT	ACDR530	VENTED	16.0
FORD	FESTIVA	WD AUTO TRANS	01/1997 - 12/1997	FRONT	ACDR532	VENTED	20.0
FORD	FESTIVA	WF MAN TRANS	01/1998 - 12/2000	FRONT	ACDR530	VENTED	16.0
FORD	FESTIVA	WF AUTO TRANS	01/1998 - 12/2000	FRONT	ACDR532	VENTED	20.0
FORD	FIESTA	WP 1.6 LITRE	04/2004 - 10/2008	FRONT	ACDR2100	VENTED	20.0
FORD	FOCUS	LR EXCEPT ST170	09/2002 - 04/2005	FRONT	ACDR2100	VENTED	20.0
FORD	FOCUS	LR EXCEPT ST170	09/2002 - 04/2005	REAR	ACDR2109	SOLID	8.9
FORD	FOCUS	LS/LT HATCHBACK, NON TURBO, SEDAN	05/2005 - 03/2009	FRONT	ACDR2118	VENTED	23.0
FORD	FOCUS	LS/LT HATCHBACK, NON TURBO, SEDAN	05/2005 - 03/2009	REAR	ACDR2119	SOLID	9.0
FORD	FOCUS	LV NON TURBO	11/2008 - 12/2009	FRONT	ACDR2118	VENTED	23.0
FORD	FOCUS	LV NON TURBO	11/2008 - 12/2009	REAR	ACDR2119	SOLID	9.0
FORD	LASER	KA DISC/DRUM, HATCHBACK	03/1981 - 03/1983	FRONT	ACDR100	SOLID	10.0
FORD	LASER	KB DISC/DRUM, HATCHBACK	03/1983 - 10/1985	FRONT	ACDR100	SOLID	10.0
FORD	LASER	KC DISC/DISC, DISC/DRUM	10/1985 - 10/1987	FRONT	ACDR930	VENTED	16.0
FORD	LASER	KE DISC/DISC, DISC/DRUM, NON TURBO	10/1987 - 10/1990	FRONT	ACDR930	VENTED	16.0
FORD	LASER	KE2 S/WAGON	11/1990 - 10/1994	FRONT	ACDR930	VENTED	16.0
FORD	LASER	KF 1.6 LITRE, 3 SPEED A TRANS, 4 SPEED A TRANS	03/1990 - 08/1991	FRONT	ACDR532	VENTED	20.0
FORD	LASER	KF 1.8 LITRE, SOHC	03/1990 - 09/1991	FRONT	ACDR532	VENTED	20.0
FORD	LASER	KF 1.8 LITRE, DOHC, NON TURBO, TURBO	03/1990 - 09/1991	FRONT	ACDR533	VENTED	20.0
FORD	LASER	KF 1.6 LITRE, 5 SPEED M TRANS	03/1990 - 09/1991	FRONT	ACDR530	VENTED	16.0
FORD	LASER	KF 1.8 LITRE, 4X2, 4X4, DOHC	05/1991 - 09/1991	REAR	ACDR534	SOLID	8.0
FORD	LASER	KF 1.8 LITRE, SOHC	03/1990 - 09/1991	REAR	ACDR531	SOLID	8.0
FORD	LASER	KF 1.8 LITRE, 4X2, DOHC	03/1990 - 04/1991	REAR	ACDR534	SOLID	8.0
FORD	LASER	KH 1.8 LITRE, SOHC	10/1991 - 09/1994	FRONT	ACDR532	VENTED	20.0
FORD	LASER	KH 1.6 LITRE, 3 SPEED A TRANS, 4 SPEED A TRANS	10/1991 - 10/1994	FRONT	ACDR532	VENTED	20.0
FORD	LASER	KH 1.8 LITRE, DOHC, NON TURBO, TURBO	10/1991 - 10/1994	FRONT	ACDR533	VENTED	20.0
FORD	LASER	KH 1.6 LITRE, 5 SPEED M TRANS	10/1991 - 10/1994	FRONT	ACDR530	VENTED	16.0
FORD	LASER	KH 1.8 LITRE, DOHC, NON TURBO, TURBO	10/1991 - 09/1994	REAR	ACDR534	SOLID	8.0
FORD	LASER	KH 1.8 LITRE, SOHC	10/1991 - 10/1994	REAR	ACDR531	SOLID	8.0
FORD	LASER	KJ 1.6 LITRE, 1.8 LITRE	10/1994 - 07/1995	FRONT	ACDR533	VENTED	20.0
FORD	LASER	KJ EXCEPT 1.6 MAN	08/1995 - 03/1999	FRONT	ACDR533	VENTED	20.0
FORD	LASER	KJ	10/1994 - 03/1999	REAR	ACDR534	SOLID	8.0
FORD	LASER	KN 1.8 LITRE	03/1999 - 04/2001	FRONT	ACDR576	VENTED	22.0
FORD	LASER	KN 1.6 LITRE	03/1999 - 04/2001	FRONT	ACDR532	VENTED	20.0
FORD	LASER	KN GLXI MODEL	03/1999 - 04/2001	REAR	ACDR539	SOLID	8.0
FORD	LASER	KQ 2 LITRE	04/2001 - 08/2002	FRONT	ACDR950	VENTED	22.0
FORD	LASER	KQ 1.8 LITRE	04/2001 - 08/2002	FRONT	ACDR576	VENTED	22.0
FORD	LASER	KQ 1.6 LITRE	04/2001 - 08/2002	FRONT	ACDR532	VENTED	20.0
FORD	LASER	KQ 1.8 LITRE	04/2001 - 08/2002	REAR	ACDR539	SOLID	8.0
FORD	LASER	KQ 2 LITRE	04/2001 - 08/2002	REAR	ACDR951	SOLID	8.0
FORD	MAVERICK	Y60 ALL MODELS	02/1988 - 09/1993	FRONT	ACDR329	VENTED	18.0
FORD	MAVERICK	Y60 ALL MODELS	02/1988 - 09/1993	REAR	ACDR622	VENTED	16.0
FORD	METEOR	GA SEDAN	04/1982 - 05/1983	FRONT	ACDR100	SOLID	10.0
FORD	METEOR	GB SEDAN	05/1983 - 09/1985	FRONT	ACDR100	SOLID	10.0



MAKE	MODEL	TYPE	YEAR	AXLE	PART NUMBER	TYPE	MIN THICKNESS MM
FORD	METEOR	GC DISC/DISC, DISC/DRUM	10/1985 - 09/1987	FRONT	ACDR930	VENTED	16.0
FORD	MONDEO	HB/HC DISC/DISC	07/1995 - 12/1998	FRONT	ACDR850	VENTED	22.2
FORD	MONDEO	HD	01/1999 - 02/2000	FRONT	ACDR850	VENTED	22.2
FORD	MONDEO	HE	02/2000 - 12/2000	FRONT	ACDR850	VENTED	22.2
FORD	MONDEO	MA	10/2007 - 06/2009	FRONT	ACDR1202	VENTED	26.0
FORD	MONDEO	MA	10/2007 - 06/2009	REAR	ACDR1203	SOLID	9.0
FORD	MONDEO	MB 15.8mm Stud Holes	06/2009 - 10/2010	FRONT	ACDR1202	VENTED	26.0
FORD	MONDEO	MB	06/2009 - 10/2010	REAR	ACDR1203	SOLID	9.0
FORD	PROBE	ST/SU DISC/DISC	07/1994 - 02/1997	FRONT	ACDR950	VENTED	22.0
FORD	PROBE	ST/SU DISC/DISC	07/1994 - 02/1997	REAR	ACDR951	SOLID	8.0
FORD	RANGER	PJ 3 LITRE, 4X4, DIESEL	01/2007 - 06/2008	FRONT	ACDR2952	VENTED	26.0
FORD	RANGER	PJ 2.5 LITRE, 4X2, DIESEL	01/2007 - 06/2008	FRONT	ACDR958	VENTED	22.0
FORD	RANGER	PK 3 LITRE, 4X2, 4X4, XLT	01/2009 - 08/2011	FRONT	ACDR2952	VENTED	26.0
FORD	SIERRA	2 LITRE, 2.9 LITRE, ABS	04/1983 - 12/1992	REAR	ACDR2109	SOLID	8.9
FORD	SPECTRON	2	03/1986 - 04/1990	FRONT	ACDR631	VENTED	18.0
FORD	TELSTAR	AT ALL MODELS, DISC/DISC	10/1987 - 10/1989	FRONT	ACDR633	VENTED	22.0
FORD	TELSTAR	AV ALL MODELS, DISC/DISC	01/1990 - 01/1992	FRONT	ACDR633	VENTED	22.0
FORD	TELSTAR	AX ABS, DISC/DISC, HATCHBACK, NON-ABS, SEDAN	01/1992 - 08/1994	FRONT	ACDR950	VENTED	22.0
FORD	TELSTAR	AX ABS, DISC/DISC, HATCHBACK, NON-ABS, SEDAN	01/1992 - 08/1994	REAR	ACDR951	SOLID	8.0
FORD	TELSTAR	AY ABS, DISC/DISC, HATCHBACK, NON-ABS, SEDAN	08/1994 - 11/1996	FRONT	ACDR950	VENTED	22.0
FORD	TELSTAR	AY	08/1994 - 11/1996	REAR	ACDR951	SOLID	8.0
FORD	TERRITORY	SX 4X4, RWD	05/2004 - 09/2005	FRONT	ACDR2107	VENTED	26.0
FORD	TERRITORY	SX	05/2004 - 09/2005	REAR	ACDR2108	VENTED	24.0
FORD	TERRITORY	SY 4X4, NON TURBO, RWD	10/2005 - 05/2009	FRONT	ACDR2107	VENTED	26.0
FORD	TERRITORY	SY	10/2005 - 06/2008	REAR	ACDR2108	VENTED	24.0
FORD	TERRITORY	SZ	05/2011 - 05/2013	FRONT	ACDR2107	VENTED	26.0
FORD	TERRITORY	SZ	05/2011 - 05/2013	REAR	ACDR2108	VENTED	24.0
FORD	TRANSIT	VH	12/2000 - 04/2004	FRONT	ACDR871	VENTED	22.2
FORD	TRANSIT	VJ	05/2004 - 10/2006	FRONT	ACDR871	VENTED	22.2
FORD	TRANSIT	VM ABS, RWD	03/2006 - 12/2009	FRONT	ACDR1091	VENTED	25.0
<b>GREAT WALL</b>							
GREAT WALL	V240	2.4 DUAL CAB	07/2009 - 06/2010	FRONT	ACDR1344	VENTED	24.6
GREAT WALL	X200	4D 4X4 WAGON	06/2011 - 12/2012	FRONT	ACDR1344	VENTED	24.6
GREAT WALL	X240	2.4 4X4 WAGON	10/2009 - 06/2010	FRONT	ACDR1344	VENTED	24.6
<b>HOLDEN</b>							
HOLDEN	ADVENTRA	VY	10/2003 - 10/2004	FRONT	ACDR2050	VENTED	25.0
HOLDEN	ADVENTRA	VY	10/2003 - 09/2004	REAR	ACDR041	SOLID	13.9
HOLDEN	ADVENTRA	VZ	11/2004 - 03/2007	FRONT	ACDR2050	VENTED	25.0
HOLDEN	ADVENTRA	VZ	11/2004 - 03/2007	REAR	ACDR041	SOLID	13.9
HOLDEN	APOLLO	JM	03/1993 - 08/1995	FRONT	ACDR733	VENTED	26.0
HOLDEN	APOLLO	JM V6	03/1993 - 08/1995	FRONT	ACDR735	VENTED	26.0
HOLDEN	APOLLO	JM SEDAN, V6	03/1993 - 07/1995	REAR	ACDR736	SOLID	9.0
HOLDEN	APOLLO	JM 4 CYL	03/1993 - 08/1995	REAR	ACDR736	SOLID	9.0
HOLDEN	APOLLO	JP	09/1995 - 05/1997	FRONT	ACDR733	VENTED	26.0
HOLDEN	APOLLO	JP V6	09/1995 - 05/1997	FRONT	ACDR735	VENTED	26.0
HOLDEN	APOLLO	JP 4 CYL, SEDAN, V6	09/1995 - 05/1997	REAR	ACDR736	SOLID	9.0
HOLDEN	ASTRA	AH 1.8 LITRE, CD MODEL, CDX MODEL, CDXI MODEL	11/2004 - 12/2006	FRONT	ACDR815	VENTED	22.0
HOLDEN	ASTRA	AH CD MODEL, CDX MODEL	01/2007 - 12/2009	FRONT	ACDR815	VENTED	22.0

MAKE	MODEL	TYPE	YEAR	AXLE	PART NUMBER	TYPE	MIN THICKNESS MM
HOLDEN	ASTRA	AH CDTI MODEL, EXCEPT VXR, SRI MODEL	11/2004 - 12/2006	FRONT	ACDR1148	VENTED	22.0
HOLDEN	ASTRA	AH CDTI MODEL, SRI MODEL, SRI TURBO, TWIN TOP	01/2007 - 12/2009	FRONT	ACDR1148	VENTED	22.0
HOLDEN	ASTRA	AH CD MODEL, CDTI MODEL, CDX MODEL, CDXI MODEL	11/2004 - 12/2006	REAR	ACDR816	SOLID	8.0
HOLDEN	ASTRA	AH CD MODEL, CDTI MODEL, CDX MODEL, SRI MODEL, TWIN TOP	01/2007 - 12/2009	REAR	ACDR816	SOLID	8.0
HOLDEN	ASTRA	AH SRI MODEL, VXR	11/2004 - 12/2006	REAR	ACDR1163	SOLID	8.0
HOLDEN	ASTRA	AH SRI TURBO, VXR	01/2007 - 12/2009	REAR	ACDR1163	SOLID	8.0
HOLDEN	ASTRA	LD ALL MODELS	07/1987 - 07/1989	FRONT	ACDR603	VENTED	16.0
HOLDEN	ASTRA	TR 1.6 LITRE, CITY MODEL	09/1996 - 09/1998	FRONT	ACDR021	VENTED	17.0
HOLDEN	ASTRA	TR 1.8 LITRE, 2 LITRE	09/1996 - 09/1998	FRONT	ACDR023	VENTED	22.0
HOLDEN	ASTRA	TR GL MODEL, GSI MODEL	09/1996 - 09/1998	REAR	ACDR819	SOLID	8.0
HOLDEN	ASTRA	TS NON-ABS	09/1998 - 12/2005	FRONT	ACDR817	VENTED	21.0
HOLDEN	ASTRA	TS ABS	09/1998 - 02/2005	FRONT	ACDR815	VENTED	22.0
HOLDEN	ASTRA	TS 2 LITRE, SOFT TOP, SRI MODEL	05/2003 - 07/2004	FRONT	ACDR1148	VENTED	22.0
HOLDEN	ASTRA	TS NON-ABS	09/1998 - 12/2005	REAR	ACDR818	SOLID	8.0
HOLDEN	ASTRA	TS ABS	09/1998 - 02/2005	REAR	ACDR816	SOLID	8.0
HOLDEN	BARINA	MF DISC/DRUM, HATCHBACK	02/1989 - 09/1991	FRONT	ACDR022	VENTED	15.0
HOLDEN	BARINA	MH DISC/DRUM, HATCHBACK	10/1991 - 05/1994	FRONT	ACDR022	VENTED	15.0
HOLDEN	BARINA	SB 1.6 LITRE, GSI MODEL	04/1994 - 12/2000	FRONT	ACDR822	VENTED	17.0
HOLDEN	BARINA	SB 1.2 LITRE, 1.4 LITRE, JOY MODEL, SWING MODEL, UP TO S4999999	04/1994 - 11/1994	FRONT	ACDR820	SOLID	9.7
HOLDEN	BARINA	SB 1.2 LITRE, CITY MODEL	04/1994 - 12/2000	FRONT	ACDR820	SOLID	9.7
HOLDEN	BARINA	SB 1.4 LITRE, FROM T4000001, JOY MODEL, SWING MODEL	12/1994 - 12/2000	FRONT	ACDR021	VENTED	17.0
HOLDEN	BARINA	TK	12/2005 - 12/2009	FRONT	ACDR2032	VENTED	18.0
HOLDEN	BARINA	XC ALL MODELS	02/2001 - 02/2005	FRONT	ACDR847	VENTED	21.0
HOLDEN	BARINA	XC ALL MODELS	02/2001 - 02/2005	REAR	ACDR849	SOLID	8.0
HOLDEN	CALIBRA	YE COUPE, DISC/DISC	10/1991 - 07/1995	FRONT	ACDR023	VENTED	22.0
HOLDEN	CALIBRA	YE95 COUPE, DISC/DISC	08/1995 - 07/1998	FRONT	ACDR023	VENTED	22.0
HOLDEN	CAMIRA	JB 1.6 LITRE, ALL MODELS	08/1982 - 10/1984	FRONT	ACDR820	SOLID	9.7
HOLDEN	CAMIRA	JD 1.6 LITRE, ALL MODELS	11/1984 - 03/1987	FRONT	ACDR820	SOLID	9.7
HOLDEN	CAMIRA	JD 1.8 LITRE, ALL MODELS	11/1984 - 03/1987	FRONT	ACDR021	VENTED	17.0
HOLDEN	CAMIRA	JE 2 LITRE, ALL MODELS	04/1987 - 07/1989	FRONT	ACDR021	VENTED	17.0
HOLDEN	CAPTIVA	CG	10/2006 - 12/2009	FRONT	ACDR1105	VENTED	27.4
HOLDEN	CAPTIVA	CG	10/2006 - 12/2009	REAR	ACDR1104	VENTED	18.4
HOLDEN	COLORADO	RC STD SUSPENSION	07/2008 - 12/2009	FRONT	ACDR2839	VENTED	24.6
HOLDEN	COLORADO	RC HIGH RIDE SUSP	07/2008 - 12/2009	FRONT	ACDR2840	VENTED	25.6
HOLDEN	COMBO	SB 1.4 LITRE, FROM T4000001, JOY MODEL, SWING MODEL	12/1994 - 12/1998	FRONT	ACDR021	VENTED	17.0
HOLDEN	COMBO	XC	09/2002 - 09/2004	FRONT	ACDR847	VENTED	21.0
HOLDEN	COMBO	XC	05/2005 - 06/2008	FRONT	ACDR2036	VENTED	23.0
HOLDEN	COMBO	XC	09/2002 - 06/2008	REAR	ACDR2037	SOLID	8.0
HOLDEN	COMMODORE	VB 6 CYL, V8	11/1978 - 02/1980	FRONT	ACDR015	VENTED	20.0
HOLDEN	COMMODORE	VB ALL MODELS	11/1978 - 02/1980	REAR	ACDR016	SOLID	8.5
HOLDEN	COMMODORE	VC 6 CYL, V8	03/1980 - 09/1981	FRONT	ACDR015	VENTED	20.0
HOLDEN	COMMODORE	VC ALL MODELS	03/1980 - 09/1981	REAR	ACDR016	SOLID	8.5
HOLDEN	COMMODORE	VE ALL BODY TYPES, V8	09/2006 - 12/2009	FRONT	ACDR2028	VENTED	28.0
HOLDEN	COMMODORE	VE ALL BODY TYPES, V6	09/2006 - 12/2009	FRONT	ACDR2026	VENTED	28.0
HOLDEN	COMMODORE	VE ALL BODY TYPES, V6	09/2006 - 12/2009	REAR	ACDR2027	VENTED	20.0
HOLDEN	COMMODORE	VE ALL BODY TYPES, V8	09/2006 - 12/2009	REAR	ACDR2029	VENTED	20.0
HOLDEN	COMMODORE	VF V6	06/2013 - 12/2016	FRONT	ACDR2026	VENTED	28.0

MAKE	MODEL	TYPE	YEAR	AXLE	PART NUMBER	TYPE	MIN THICKNESS MM
HOLDEN	COMMODORE	VF V8	06/2013 - 12/2016	FRONT	ACDR2028	VENTED	28.0
HOLDEN	COMMODORE	VF V8	06/2013 - 12/2016	REAR	ACDR2029	VENTED	20.0
HOLDEN	COMMODORE	VF V6	06/2013 - 12/2016	REAR	ACDR2027	VENTED	20.0
HOLDEN	COMMODORE	VG (UTE) 14" WHEEL, V6	08/1990 - 01/1992	FRONT	ACDR015	VENTED	20.0
HOLDEN	COMMODORE	VG (UTE) 15" WHEEL, V6, V8	08/1990 - 01/1992	FRONT	ACDR017	VENTED	20.0
HOLDEN	COMMODORE	VG (UTE) V6, V8	08/1990 - 01/1992	REAR	ACDR016	SOLID	8.5
HOLDEN	COMMODORE	VH 6 CYL, V8	10/1981 - 03/1984	FRONT	ACDR015	VENTED	20.0
HOLDEN	COMMODORE	VH 6 CYL, V8	10/1981 - 03/1984	REAR	ACDR016	SOLID	8.5
HOLDEN	COMMODORE	VK 6 CYL, V8	03/1984 - 03/1986	FRONT	ACDR015	VENTED	20.0
HOLDEN	COMMODORE	VK ALL MODELS	03/1984 - 03/1986	REAR	ACDR016	SOLID	8.5
HOLDEN	COMMODORE	VL 14" WHEEL, 6 CYL, NON TURBO	03/1986 - 08/1988	FRONT	ACDR015	VENTED	20.0
HOLDEN	COMMODORE	VL 15" WHEEL, 6 CYL, TURBO, V8	03/1986 - 08/1988	FRONT	ACDR017	VENTED	20.0
HOLDEN	COMMODORE	VL ALL MODELS	03/1986 - 08/1988	REAR	ACDR016	SOLID	8.5
HOLDEN	COMMODORE	VN 15" WHEEL, FE2 SUSPENSION, V6, V8	08/1988 - 09/1991	FRONT	ACDR017	VENTED	20.0
HOLDEN	COMMODORE	VN 14" WHEEL, V6	08/1988 - 09/1991	FRONT	ACDR015	VENTED	20.0
HOLDEN	COMMODORE	VN ALL MODELS	08/1988 - 09/1991	REAR	ACDR016	SOLID	8.5
HOLDEN	COMMODORE	VP 14" WHEEL, FROM L569903 V6, NON-ABS	05/1992 - 09/1992	FRONT	ACDR025	VENTED	20.0
HOLDEN	COMMODORE	VP ABS, IRS, V8	01/1993 - 07/1993	FRONT	ACDR017	VENTED	20.0
HOLDEN	COMMODORE	VP NON-ABS, TO L570556 V8	10/1991 - 05/1992	FRONT	ACDR017	VENTED	20.0
HOLDEN	COMMODORE	VP 15" WHEEL, ABS, FROM L570557 V8, NON-ABS, V6	05/1992 - 07/1993	FRONT	ACDR027	VENTED	21.0
HOLDEN	COMMODORE	VP ABS, IRS, V6	01/1993 - 07/1993	FRONT	ACDR027	VENTED	21.0
HOLDEN	COMMODORE	VP NON-ABS, TO L569902 V6	10/1991 - 05/1992	FRONT	ACDR015	VENTED	20.0
HOLDEN	COMMODORE	VP IRS	10/1991 - 07/1993	REAR	ACDR026	SOLID	8.5
HOLDEN	COMMODORE	VP W/O IRS	10/1991 - 07/1993	REAR	ACDR016	SOLID	8.5
HOLDEN	COMMODORE	VR ALL MODELS	07/1993 - 04/1995	FRONT	ACDR035	VENTED	20.0
HOLDEN	COMMODORE	VR IRS	07/1993 - 04/1995	REAR	ACDR036	SOLID	8.5
HOLDEN	COMMODORE	VR W/O IRS	07/1993 - 04/1995	REAR	ACDR016	SOLID	8.5
HOLDEN	COMMODORE	VS V6, V8	04/1995 - 08/1997	FRONT	ACDR035	VENTED	20.0
HOLDEN	COMMODORE	VS IRS	04/1995 - 08/1997	REAR	ACDR036	SOLID	8.5
HOLDEN	COMMODORE	VS 5 HOLE STUD, W/O IRS	04/1995 - 08/1997	REAR	ACDR016	SOLID	8.5
HOLDEN	COMMODORE	VS 10 HOLE STUD, W/O IRS, Ten hole stud pattern	04/1995 - 08/1997	REAR	ACDR037	SOLID	8.5
HOLDEN	COMMODORE	VT	09/1997 - 04/2000	FRONT	ACDR040	VENTED	25.0
HOLDEN	COMMODORE	VT	09/1997 - 04/2000	REAR	ACDR041	SOLID	13.9
HOLDEN	COMMODORE	VU (UTE)	12/2000 - 09/2002	FRONT	ACDR040	VENTED	25.0
HOLDEN	COMMODORE	VU (UTE)	12/2000 - 09/2002	REAR	ACDR041	SOLID	13.9
HOLDEN	COMMODORE	VX	10/2000 - 09/2002	FRONT	ACDR040	VENTED	25.0
HOLDEN	COMMODORE	VX	10/2000 - 09/2002	REAR	ACDR041	SOLID	13.9
HOLDEN	COMMODORE	VY	09/2002 - 07/2004	FRONT	ACDR040	VENTED	25.0
HOLDEN	COMMODORE	VY	09/2002 - 07/2004	REAR	ACDR041	SOLID	13.9
HOLDEN	COMMODORE	VZ ALL BODY TYPES	08/2004 - 07/2006	FRONT	ACDR040	VENTED	25.0
HOLDEN	COMMODORE	VZ	08/2004 - 07/2006	REAR	ACDR041	SOLID	13.9
HOLDEN	CREWMAN	VY CROSS 6/8	09/2003 - 07/2004	FRONT	ACDR2050	VENTED	25.0
HOLDEN	CREWMAN	VY EXCEPT CROSS 6, EXCEPT CROSS 8	09/2003 - 07/2004	FRONT	ACDR040	VENTED	25.0
HOLDEN	CREWMAN	VY ALL MODELS	09/2003 - 07/2004	REAR	ACDR041	SOLID	13.9
HOLDEN	CREWMAN	VZ CROSS 6/8	08/2004 - 12/2005	FRONT	ACDR2050	VENTED	25.0
HOLDEN	CREWMAN	VZ EXCEPT CROSS 6, EXCEPT CROSS 8, EXCEPT SSZ	08/2004 - 12/2005	FRONT	ACDR040	VENTED	25.0
HOLDEN	CREWMAN	VZ ALL MODELS	08/2004 - 12/2005	REAR	ACDR041	SOLID	13.9
HOLDEN	CREWMAN CROSS 8	VY	12/2003 - 10/2004	FRONT	ACDR2050	VENTED	25.0

MAKE	MODEL	TYPE	YEAR	AXLE	PART NUMBER	TYPE	MIN THICKNESS MM
HOLDEN	CREWMAN CROSS 8	VY	12/2003 - 09/2004	REAR	ACDR041	SOLID	13.9
HOLDEN	CREWMAN CROSS 8	VZ	11/2004 - 07/2006	FRONT	ACDR2050	VENTED	25.0
HOLDEN	CREWMAN CROSS 8	VZ	11/2004 - 07/2006	REAR	ACDR041	SOLID	13.9
HOLDEN	CRUZE	JG, FRONT WITH 276MM ROTOR	05/2009 - 02/2011	FRONT	ACDR2012	VENTED	24.0
HOLDEN	CRUZE	JG, FRONT WITH 300MM ROTOR	05/2009 - 02/2011	FRONT	ACDR2014	VENTED	24.0
HOLDEN	CRUZE	JG, REAR WITH 268MM ROTOR	05/2009 - 02/2011	REAR	ACDR2013	SOLID	10.0
HOLDEN	CRUZE	JG, REAR WITH 292MM ROTOR	05/2009 - 02/2011	REAR	ACDR2015	SOLID	10.0
HOLDEN	CRUZE	JH, FRONT WITH 300MM ROTOR	03/2011 - ON	FRONT	ACDR2014	VENTED	24.0
HOLDEN	CRUZE	JH, FRONT WITH 276MM ROTOR	03/2011 - ON	FRONT	ACDR2012	VENTED	24.0
HOLDEN	CRUZE	JH, REAR WITH 292MM ROTOR	03/2011 - ON	REAR	ACDR2015	SOLID	10.0
HOLDEN	CRUZE	JH, REAR WITH 268MM ROTOR	03/2011 - ON	REAR	ACDR2013	SOLID	10.0
HOLDEN	CRUZE	YG	06/2002 - 06/2006	FRONT	ACDR523	VENTED	15.0
HOLDEN	EPICA	EP	09/2007 - 02/2011	FRONT	ACDR1200	VENTED	22.0
HOLDEN	EPICA	EP	09/2007 - 03/2011	REAR	ACDR1201	SOLID	10.0
HOLDEN	FRONTERA	UES	02/1999 - 08/2001	FRONT	ACDR840	VENTED	24.6
HOLDEN	FRONTERA	UES	02/1999 - 06/2004	REAR	ACDR841	VENTED	16.6
HOLDEN	FRONTERA	UT	10/1995 - 03/1999	FRONT	ACDR840	VENTED	24.6
HOLDEN	FRONTERA	UT	10/1995 - 03/1999	REAR	ACDR841	VENTED	16.6
HOLDEN	HOLDEN	HJ/HX/HZ DISC/DISC, DISC/DRUM	10/1974 - 12/1980	FRONT	ACDR014	VENTED	24.5
HOLDEN	HOLDEN	HQ ALL MODELS, DISC/DRUM	07/1971 - 09/1974	FRONT	ACDR014	VENTED	24.5
HOLDEN	HOLDEN	HQ/HJ/HX (1 TON) COMMERCIAL, DISC/DRUM	10/1974 - 09/1977	FRONT	ACDR014	VENTED	24.5
HOLDEN	HOLDEN	HZ (1 TON) COMMERCIAL, DISC/DRUM	10/1977 - 12/1980	FRONT	ACDR014	VENTED	24.5
HOLDEN	HOLDEN	WB (& STATESMAN) DISC/DISC, DISC/DRUM	05/1980 - 07/1985	FRONT	ACDR014	VENTED	24.5
HOLDEN	HOLDEN	WB (1 TON) COMMERCIAL, DISC/DRUM	04/1980 - 12/1985	FRONT	ACDR014	VENTED	24.5
HOLDEN	JACKAROO	U8 NON-ABS	02/1998 - 10/2004	FRONT	ACDR840	VENTED	24.6
HOLDEN	JACKAROO	U8 ABS	02/1998 - 10/2004	FRONT	ACDR842	VENTED	24.6
HOLDEN	JACKAROO	U8	02/1998 - 10/2004	REAR	ACDR841	VENTED	16.6
HOLDEN	JACKAROO	UBS (2.6 4ZE1) 4X4, COMMERCIAL, PETROL	07/1988 - 03/1992	FRONT	ACDR033	VENTED	20.6
HOLDEN	JACKAROO	UBS (2.8 4JB1) 4X4, COMMERCIAL, DIESEL, TURBO	07/1988 - 03/1992	FRONT	ACDR033	VENTED	20.6
HOLDEN	JACKAROO	UBS (3.1 4JG2) 4X4, COMMERCIAL, NON-ABS	04/1992 - 02/1998	FRONT	ACDR840	VENTED	24.6
HOLDEN	JACKAROO	UBS (3.1 4JG2) ABS	04/1992 - 02/1998	FRONT	ACDR842	VENTED	24.6
HOLDEN	JACKAROO	UBS (3.1 4JG2) 4X4, COMMERCIAL	04/1992 - 02/1998	REAR	ACDR841	VENTED	16.6
HOLDEN	JACKAROO	UBS (3.2 6VD1) 4X4, COMMERCIAL, NON-ABS	04/1992 - 02/1998	FRONT	ACDR840	VENTED	24.6
HOLDEN	JACKAROO	UBS (3.2 6VD1) ABS	04/1992 - 02/1998	FRONT	ACDR842	VENTED	24.6
HOLDEN	JACKAROO	UBS (3.2 6VD1) 4X4, COMMERCIAL	04/1992 - 02/1998	REAR	ACDR841	VENTED	16.6
HOLDEN	JACKAROO	UBS16 4X4, COMMERCIAL	04/1987 - 12/1988	FRONT	ACDR033	VENTED	20.6
HOLDEN	MONARO CV6	V2	12/2001 - 08/2003	FRONT	ACDR040	VENTED	25.0
HOLDEN	MONARO CV6	V2	12/2001 - 08/2003	REAR	ACDR041	SOLID	13.9
HOLDEN	MONARO CV8	V2	12/2001 - 09/2004	FRONT	ACDR040	VENTED	25.0
HOLDEN	MONARO CV8	V2	12/2001 - 09/2004	REAR	ACDR041	SOLID	13.9
HOLDEN	NOVA	LE 1.4 LITRE, 1.6 LITRE	08/1989 - 08/1991	FRONT	ACDR701	SOLID	12.5
HOLDEN	NOVA	LF 1.4 LITRE, 1.6 LITRE	08/1991 - 10/1994	FRONT	ACDR701	SOLID	12.5
HOLDEN	NOVA	LG 1.8 LITRE	10/1994 - 04/1997	REAR	ACDR710	SOLID	8.0
HOLDEN	RODEO	RA 4X2	03/2003 - 06/2008	FRONT	ACDR2839	VENTED	24.6
HOLDEN	RODEO	RA 4X2, 4X4, HIGH RIDE SUSP	03/2003 - 06/2008	FRONT	ACDR2840	VENTED	25.6
HOLDEN	RODEO	TF 4X2, 4X4, COMMERCIAL, DISC/DRUM, EXCEPT V6	07/1988 - 02/2003	FRONT	ACDR033	VENTED	20.6
HOLDEN	RODEO	TF 3.2 LITRE, PETROL	12/1997 - 02/2003	FRONT	ACDR840	VENTED	24.6
HOLDEN	STATESMAN	VQ NON-ABS	05/1992 - 02/1994	FRONT	ACDR025	VENTED	20.0

MAKE	MODEL	TYPE	YEAR	AXLE	PART NUMBER	TYPE	MIN THICKNESS MM
HOLDEN	STATESMAN	VQ ABS	05/1992 - 02/1994	FRONT	ACDR027	VENTED	21.0
HOLDEN	STATESMAN	VQ ABS, NON-ABS	03/1990 - 04/1992	FRONT	ACDR017	VENTED	20.0
HOLDEN	STATESMAN	VQ IRS, SEDAN	03/1990 - 02/1994	REAR	ACDR026	SOLID	8.5
HOLDEN	STATESMAN	VR ABS, SEDAN	03/1994 - 04/1995	FRONT	ACDR035	VENTED	20.0
HOLDEN	STATESMAN	VR ABS, IRS	03/1994 - 04/1995	REAR	ACDR036	SOLID	8.5
HOLDEN	STATESMAN	VS V6, V8	04/1995 - 06/1999	FRONT	ACDR035	VENTED	20.0
HOLDEN	STATESMAN	VS SEDAN	04/1995 - 06/1999	REAR	ACDR036	SOLID	8.5
HOLDEN	STATESMAN	WH	06/1999 - 04/2003	FRONT	ACDR040	VENTED	25.0
HOLDEN	STATESMAN	WH	06/1999 - 04/2003	REAR	ACDR041	SOLID	13.9
HOLDEN	STATESMAN	WK	05/2003 - 07/2004	FRONT	ACDR040	VENTED	25.0
HOLDEN	STATESMAN	WK	05/2003 - 07/2004	REAR	ACDR041	SOLID	13.9
HOLDEN	STATESMAN	WL	08/2004 - 01/2006	FRONT	ACDR040	VENTED	25.0
HOLDEN	STATESMAN	WL	08/2004 - 01/2006	REAR	ACDR041	SOLID	13.9
HOLDEN	STATESMAN	WM V8	08/2006 - 12/2009	FRONT	ACDR2028	VENTED	28.0
HOLDEN	STATESMAN	WM V6	08/2006 - 12/2009	FRONT	ACDR2026	VENTED	28.0
HOLDEN	STATESMAN	WM V8	08/2006 - 12/2009	REAR	ACDR2029	VENTED	20.0
HOLDEN	STATESMAN	WM V6	08/2006 - 12/2009	REAR	ACDR2027	VENTED	20.0
HOLDEN	TORANA/SUNBIRD	LX A9X MODEL	01/1977 - 03/1978	FRONT	ACDR014	VENTED	24.5
HOLDEN	VECTRA	JR	06/1997 - 08/1999	FRONT	ACDR825	VENTED	23.0
HOLDEN	VECTRA	JR	06/1997 - 08/1999	REAR	ACDR826	SOLID	8.0
HOLDEN	VECTRA	JS	08/1998 - 12/2002	FRONT	ACDR825	VENTED	23.0
HOLDEN	VECTRA	JS	08/1998 - 12/2002	REAR	ACDR826	SOLID	8.0
HOLDEN	VECTRA	ZC TO VIN 38047797, V6	03/2003 - 12/2006	FRONT	ACDR2817	VENTED	25.0
HOLDEN	VECTRA	ZC V6, VIN 38047798 ON	03/2003 - 12/2006	FRONT	ACDR2819	VENTED	25.0
HOLDEN	VECTRA	ZC 2.2 LITRE	03/2003 - 12/2006	FRONT	ACDR2820	VENTED	22.0
HOLDEN	VECTRA	ZC V6	03/2003 - 12/2006	REAR	ACDR2818	VENTED	18.0
HOLDEN	VECTRA	ZC 2.2 LITRE	03/2003 - 12/2006	REAR	ACDR1065	SOLID	10.0
HOLDEN	VIVA	JF	09/2005 - 05/2009	FRONT	ACDR996	VENTED	22.0
HOLDEN	VIVA	JF	09/2005 - 05/2009	REAR	ACDR1088	SOLID	8.5
HOLDEN	ZAFIRA	TT	06/2001 - 05/2006	FRONT	ACDR815	VENTED	22.0
HOLDEN	ZAFIRA	TT	06/2001 - 05/2006	REAR	ACDR816	SOLID	8.0
<b>HONDA</b>							
HONDA	ACCORD	CG1 (2997 J30A1) V6	12/1997 - 01/1999	FRONT	ACDR488	VENTED	21.0
HONDA	ACCORD	CG5 (2254 F23A1)	12/1997 - 04/1999	FRONT	ACDR1197	VENTED	21.5
HONDA	ACCORD	CL 2.4 (EURO)	06/2003 - 05/2008	FRONT	ACDR2510	VENTED	26.0
HONDA	ACCORD	CL 2.4 (EURO)	06/2003 - 05/2008	REAR	ACDR2511	SOLID	8.0
HONDA	ACCORD	CM 2.4	01/2003 - 05/2008	FRONT	ACDR488	VENTED	21.0
HONDA	ACCORD	CM 3.0 V6	01/2003 - 05/2008	FRONT	ACDR488	VENTED	21.0
HONDA	CIVIC	ED/EG (1493CC) EG MODEL, HATCHBACK, SEDAN	11/1991 - 09/1995	FRONT	ACDR473	VENTED	19.0
HONDA	CIVIC	EG (1343CC) BREEZE MODEL, HATCHBACK	10/1991 - 10/1993	FRONT	ACDR473	VENTED	19.0
HONDA	CIVIC	EG/EH/EJ/EK (1590CC) EG MODEL, EH MODEL, HATCHBACK, SEDAN	10/1991 - 09/1995	FRONT	ACDR473	VENTED	19.0
HONDA	CIVIC	EG/EH/EJ/EK (1590CC) SI MODEL, VTI MODEL	10/1991 - 09/1995	FRONT	ACDR474	VENTED	19.0
HONDA	CIVIC	EG/EH/EJ/EK (1590CC) EJ MODEL, EK MODEL, GLI MODEL	10/1995 - 01/2001	FRONT	ACDR474	VENTED	19.0
HONDA	CIVIC	EG/EH/EJ/EK (1590CC) EG MODEL, EH MODEL, HATCHBACK, SEDAN	10/1991 - 09/1995	REAR	ACDR475	SOLID	8.0
HONDA	CIVIC	EG/EH/EJ/EK (1590CC) EJ MODEL, EK MODEL, GLI MODEL	10/1995 - 01/2001	REAR	ACDR475	SOLID	8.0
HONDA	CIVIC	EK (VTI-R)	10/1995 - 03/1999	FRONT	ACDR474	VENTED	19.0
HONDA	CIVIC	EK (VTI-R)	10/1995 - 03/1999	REAR	ACDR475	SOLID	8.0

MAKE	MODEL	TYPE	YEAR	AXLE	PART NUMBER	TYPE	MIN THICKNESS MM
HONDA	CIVIC	ES (1.7)	02/2001 - 11/2005	FRONT	ACDR474	VENTED	19.0
HONDA	CIVIC	ES (1.7)	02/2001 - 11/2005	REAR	ACDR2502	SOLID	8.0
HONDA	CIVIC	EU (1.7)	02/2001 - 11/2005	FRONT	ACDR474	VENTED	19.0
HONDA	CIVIC	EU (1.7)	02/2001 - 11/2005	REAR	ACDR2502	SOLID	8.0
HONDA	CRV	2	09/1997 - 12/2001	FRONT	ACDR478	VENTED	21.0
HONDA	CRV	2.4 LITRE	01/2007 - 12/2013	FRONT	ACDR1322	VENTED	26.0
HONDA	CRV	2.4	02/2005 - 12/2009	FRONT	ACDR1759	VENTED	23.0
HONDA	CRV	2.4	12/2001 - 12/2004	FRONT	ACDR488	VENTED	21.0
HONDA	CRV	2.4 LITRE	01/2005 - 12/2013	REAR	ACDR1266	SOLID	8.0
HONDA	CRV	2.4	12/2001 - 12/2004	REAR	ACDR1361	SOLID	7.5
HONDA	CRX	1600 COUPE, VTEC ENG	06/1992 - 04/1996	FRONT	ACDR474	VENTED	19.0
HONDA	CRX	1600 COUPE, VTEC ENG	06/1992 - 05/1998	REAR	ACDR475	SOLID	8.0
HONDA	HRV		01/1999 - 07/2002	FRONT	ACDR478	VENTED	21.0
HONDA	INTEGRA	1.8 VTI-R MODEL	01/2000 - 07/2001	FRONT	ACDR478	VENTED	21.0
HONDA	INTEGRA	1.8 COUPE, EXCEPT VTI-R	06/1989 - 07/2001	FRONT	ACDR474	VENTED	19.0
HONDA	INTEGRA	1.8 COUPE, EXCEPT VTI-R	06/1989 - 07/2001	REAR	ACDR475	SOLID	8.0
HONDA	JAZZ	GD EXCEPT VTI	10/2002 - 03/2008	FRONT	ACDR2504	VENTED	19.0
HONDA	JAZZ	GD	10/2002 - 06/2008	REAR	ACDR1261	SOLID	8.0
HONDA	JAZZ	GE CHECK DIAMETER	08/2008 - 12/2009	FRONT	ACDR474	VENTED	19.0
HONDA	JAZZ	GE	08/2008 - 12/2009	FRONT	ACDR1260	VENTED	19.0
HONDA	LEGEND	3.2 COUPE, SEDAN	04/1991 - 04/1996	FRONT	ACDR478	VENTED	21.0
HONDA	ODYSSEY	2.2	06/1995 - 12/1997	FRONT	ACDR478	VENTED	21.0
HONDA	ODYSSEY	2.3	01/1998 - 04/2000	FRONT	ACDR478	VENTED	21.0
HONDA	ODYSSEY	2.3 V6	06/2004 - 12/2014	FRONT	ACDR2510	VENTED	26.0
HONDA	ODYSSEY	2.3	06/2004 - 12/2014	REAR	ACDR1266	SOLID	8.0
HONDA	ODYSSEY	2.4	06/2004 - 12/2009	FRONT	ACDR1759	VENTED	23.0
HONDA	PRELUDE	2.2	01/1997 - 11/1998	FRONT	ACDR478	VENTED	21.0
HONDA	S2000		07/2002 - 12/2005	FRONT	ACDR488	VENTED	21.0
<b>HYUNDAI</b>							
HYUNDAI	ACCENT	LC	06/2000 - 08/2003	FRONT	ACDR450	VENTED	17.7
HYUNDAI	ACCENT	LS	09/2003 - 04/2006	FRONT	ACDR450	VENTED	17.7
HYUNDAI	ACCENT	MC	05/2006 - 01/2010	FRONT	ACDR1131	VENTED	20.0
HYUNDAI	ACCENT	MC	05/2006 - 01/2010	REAR	ACDR1263	SOLID	8.4
HYUNDAI	COUPE	ALL MODELS	07/1996 - 08/1999	FRONT	ACDR453	VENTED	20.0
HYUNDAI	COUPE	2 LITRE	07/1996 - 08/1999	REAR	ACDR457	SOLID	8.0
HYUNDAI	ELANTRA	FC	10/2001 - 06/2004	FRONT	ACDR456	VENTED	22.4
HYUNDAI	ELANTRA	HD	10/2006 - 05/2011	FRONT	ACDR464	VENTED	24.0
HYUNDAI	ELANTRA	HD	10/2006 - 05/2011	REAR	ACDR458	SOLID	8.0
HYUNDAI	ELANTRA	MD	06/2011 - 12/2014	FRONT	ACDR1699	VENTED	21.0
HYUNDAI	ELANTRA	MD	06/2011 - 12/2014	REAR	ACDR1638	SOLID	8.0
HYUNDAI	ELANTRA	XD	10/2000 - 02/2007	FRONT	ACDR456	VENTED	22.4
HYUNDAI	ELANTRA	XD	10/2000 - 02/2007	REAR	ACDR457	SOLID	8.0
HYUNDAI	EXCEL	ALL ENGINES	02/1988 - 06/2000	FRONT	ACDR451	VENTED	17.7
HYUNDAI	GETZ	TB 1.3 LITRE	03/2003 - 12/2009	FRONT	ACDR2450	VENTED	17.0
HYUNDAI	GETZ	TB 1.5 LITRE, 1.6 LITRE	09/2002 - 12/2009	FRONT	ACDR2451	VENTED	17.0
HYUNDAI	GETZ	TB 1.6 LITRE	09/2005 - 12/2009	REAR	ACDR1263	SOLID	8.4
HYUNDAI	GRANDUER	GRANDEUR 3 LITRE	09/1999 - 01/2004	REAR	ACDR461	SOLID	8.4
HYUNDAI	i20	PB	06/2010 - 12/2014	FRONT	ACDR1131	VENTED	20.0
HYUNDAI	i20	PB	06/2010 - 12/2014	REAR	ACDR1263	SOLID	8.4

MAKE	MODEL	TYPE	YEAR	AXLE	PART NUMBER	TYPE	MIN THICKNESS MM
HYUNDAI	i30	FD	10/2007 - 04/2012	FRONT	ACDR468	VENTED	22.4
HYUNDAI	i30	FD	10/2007 - 04/2012	REAR	ACDR1182	SOLID	8.4
HYUNDAI	i30	GD 1.6 LITRE, 1.8 LITRE	05/2012 - 12/2014	FRONT	ACDR1699	VENTED	21.0
HYUNDAI	i30	GD CHECK DIAMETER	05/2012 - 01/2014	FRONT	ACDR2456	VENTED	26.0
HYUNDAI	i30	GD	05/2012 - 12/2014	REAR	ACDR1638	SOLID	8.0
HYUNDAI	i40	VF 300MM DIA BRAKE	06/2012 - 12/2014	FRONT	ACDR2456	VENTED	26.0
HYUNDAI	i45	YF	10/2010 - 12/2014	FRONT	ACDR2456	VENTED	26.0
HYUNDAI	ILOAD	TQV	02/2008 - 08/2012	FRONT	ACDR1183	VENTED	28.4
HYUNDAI	IX35	4X4	02/2010 - 10/2013	FRONT	ACDR2456	VENTED	26.0
HYUNDAI	IX35	4X2	02/2010 - 10/2013	FRONT	ACDR468	VENTED	22.4
HYUNDAI	IX35	4X2	02/2010 - 10/2013	REAR	ACDR1182	SOLID	8.4
HYUNDAI	IX35	4X4	02/2010 - 10/2013	REAR	ACDR465	SOLID	8.4
HYUNDAI	LANTRA	ALL MODELS	05/1998 - 02/1999	FRONT	ACDR456	VENTED	22.4
HYUNDAI	LANTRA	ALL MODELS	05/1991 - 05/1998	FRONT	ACDR453	VENTED	20.0
HYUNDAI	LANTRA		09/1995 - 02/1999	REAR	ACDR457	SOLID	8.0
HYUNDAI	LANTRA	SPORTSWAGON	05/1998 - 02/1999	FRONT	ACDR456	VENTED	22.4
HYUNDAI	LANTRA	SPORTSWAGON	02/1996 - 05/1998	FRONT	ACDR453	VENTED	20.0
HYUNDAI	LANTRA	SPORTSWAGON	02/1996 - 02/1999	REAR	ACDR457	SOLID	8.0
HYUNDAI	S COUPE	COUPE	07/1990 - 03/1996	FRONT	ACDR451	VENTED	17.7
HYUNDAI	S COUPE	SX/SFX COUPE	08/1996 - 08/1998	FRONT	ACDR453	VENTED	20.0
HYUNDAI	S COUPE	SX/SFX COUPE	07/1996 - 08/1998	REAR	ACDR457	SOLID	8.0
HYUNDAI	SANTA FE	CM 2.2 LITRE, 2.7 LITRE	08/2006 - 12/2009	FRONT	ACDR2462	VENTED	26.4
HYUNDAI	SANTA FE	CM 2.2 LITRE, 2.7 LITRE	08/2006 - 12/2009	REAR	ACDR2463	SOLID	8.4
HYUNDAI	SANTA FE	CM	01/2009 - 07/2012	REAR	ACDR1652	SOLID	9.4
HYUNDAI	SANTA FE	SM 4 CYL	09/2000 - 08/2006	FRONT	ACDR464	VENTED	24.0
HYUNDAI	SANTA FE	SM V6	09/2000 - 08/2006	FRONT	ACDR2452	VENTED	24.0
HYUNDAI	SANTA FE	SM GLS MODEL, V6	11/2000 - 08/2006	REAR	ACDR465	SOLID	8.4
HYUNDAI	SONATA	EF MODEL	08/1998 - 04/2001	FRONT	ACDR456	VENTED	22.4
HYUNDAI	SONATA	2.4 LITRE, 4 CYL, NF MODEL	06/2005 - 12/2009	FRONT	ACDR468	VENTED	22.4
HYUNDAI	SONATA	NF MODEL, V6	06/2005 - 12/2009	FRONT	ACDR2456	VENTED	26.0
HYUNDAI	SONATA	ALL MODELS	03/1989 - 08/1998	FRONT	ACDR452	VENTED	20.0
HYUNDAI	SONATA	EF MODEL	08/1998 - 04/2001	REAR	ACDR458	SOLID	8.0
HYUNDAI	SONATA	2.4 LITRE, 4 CYL, NF MODEL	06/2005 - 12/2009	REAR	ACDR461	SOLID	8.4
HYUNDAI	TERRACAN	2.9 LITRE, 3.5 LITRE	12/2001 - 12/2003	FRONT	ACDR466	VENTED	25.4
HYUNDAI	TIBURON		03/2002 - 03/2007	FRONT	ACDR468	VENTED	22.4
HYUNDAI	TRAJET	2.7 LITRE, V6	07/2000 - 03/2006	FRONT	ACDR464	VENTED	24.0
HYUNDAI	TRAJET	2.7 LITRE, V6	07/2000 - 03/2006	REAR	ACDR465	SOLID	8.4
HYUNDAI	VELOSTER	FS	02/2012 - 12/2014	FRONT	ACDR1699	VENTED	21.0
HYUNDAI	VELOSTER	FS	02/2012 - 12/2014	REAR	ACDR1638	SOLID	8.0
<b>JEEP</b>							
JEEP	CHEROKEE	KJ MODEL	09/2001 - 10/2004	FRONT	ACDR889	VENTED	26.0
JEEP	CHEROKEE	4DR WAGON, XJ MODEL	04/1994 - 12/2000	FRONT	ACDR096	VENTED	22.7
JEEP	COMPASS	2 LITRE, 2.4 LITRE	03/2007 - 12/2014	FRONT	ACDR1581	VENTED	24.4
JEEP	GRAND CHEROKEE	WG	11/2000 - 03/2005	FRONT	ACDR540	VENTED	24.5
JEEP	GRAND CHEROKEE	WG	11/2000 - 03/2005	REAR	ACDR541	SOLID	8.5
JEEP	GRAND CHEROKEE	WJ	07/1999 - 10/2000	FRONT	ACDR540	VENTED	24.5
JEEP	GRAND CHEROKEE	WJ	07/1999 - 10/2000	REAR	ACDR541	SOLID	8.5
JEEP	GRAND CHEROKEE	ZG	03/1996 - 12/1998	FRONT	ACDR096	VENTED	22.7

MAKE	MODEL	TYPE	YEAR	AXLE	PART NUMBER	TYPE	MIN THICKNESS MM
JEEP	PATRIOT	MK	08/2007 - 10/2009	FRONT	ACDR1581	VENTED	24.4
JEEP	PATRIOT	MK	11/2009 - 12/2014	FRONT	ACDR1581	VENTED	24.4
JEEP	WRANGLER		10/1996 - 06/1998	FRONT	ACDR096	VENTED	22.7
JEEP	WRANGLER	JK MODEL	03/2007 - 12/2009	FRONT	ACDR2536	VENTED	26.3
<b>KIA</b>							
KIA	CARNIVAL	TWIN PISTON	10/2000 - 11/2003	FRONT	ACDR878	VENTED	24.0
KIA	CERATO	LD	10/2004 - 06/2008	FRONT	ACDR2872	VENTED	24.0
KIA	CERATO	TD	09/2009 - 10/2013	FRONT	ACDR468	VENTED	22.4
KIA	CERATO	TD 2 LITRE	09/2009 - 10/2013	FRONT	ACDR6098	VENTED	24.4
KIA	CERATO	TD 2 LITRE	09/2009 - 10/2013	REAR	ACDR1640	SOLID	8.4
KIA	GRAND CARNIVAL	VQ 3.8 V6	11/2006 - 06/2009	FRONT	ACDR2871	VENTED	26.0
KIA	K2700	PU	04/2005 - 06/2008	FRONT	ACDR958	VENTED	22.0
KIA	MAGENTIS	MG	07/2006 - 03/2010	FRONT	ACDR468	VENTED	22.4
KIA	OPTIMA	TF 300MM DIA BRAKE	01/2011 - 12/2014	FRONT	ACDR2456	VENTED	26.0
KIA	PREGIO	3VRS	08/2002 - 06/2004	FRONT	ACDR2897	VENTED	24.0
KIA	PREGIO	CT	07/2004 - 04/2006	FRONT	ACDR2897	VENTED	24.0
KIA	RIO	BC CHECK HEIGHT	01/2003 - 06/2005	FRONT	ACDR1352	VENTED	21.4
KIA	RIO	BC	01/2003 - 02/2005	FRONT	ACDR1130	VENTED	22.0
KIA	RIO	BC	07/2000 - 12/2002	FRONT	ACDR2896	VENTED	20.0
KIA	RIO	JB	08/2005 - 02/2011	FRONT	ACDR1131	VENTED	20.0
KIA	RIO	JB	08/2005 - 02/2011	REAR	ACDR1351	SOLID	8.4
KIA	RONDO	UN	04/2008 - 10/2013	FRONT	ACDR468	VENTED	22.4
KIA	SORENTO	XM CHECK DIAMETER	11/2010 - 01/2016	FRONT	ACDR2462	VENTED	26.4
KIA	SORENTO	XM 2.2 LITRE, DIESEL	10/2009 - 12/2014	REAR	ACDR1652	SOLID	9.4
KIA	SOUL	AM 1.6 LITRE	04/2009 - 10/2013	FRONT	ACDR6098	VENTED	24.4
KIA	SOUL	AM	04/2009 - 10/2013	FRONT	ACDR468	VENTED	22.4
KIA	SPORTAGE	KM 2 LITRE	12/1996 - 06/2004	FRONT	ACDR876	VENTED	22.4
KIA	SPORTAGE	KM 2.7 LITRE	04/2005 - 08/2007	FRONT	ACDR468	VENTED	22.4
KIA	SPORTAGE	KM 2 LITRE	05/2007 - 05/2010	FRONT	ACDR2456	VENTED	26.0
KIA	SPORTAGE	KM 2.7 LITRE	04/2005 - 08/2007	REAR	ACDR465	SOLID	8.4
KIA	SPORTAGE	SL	08/2010 - 05/2013	FRONT	ACDR2456	VENTED	26.0
<b>LAND ROVER</b>							
LAND ROVER	DEFENDER	110	03/1992 - 03/1993	FRONT	ACDR087	SOLID	13.0
LAND ROVER	DEFENDER	110	03/1992 - 12/1998	REAR	ACDR088	SOLID	11.7
LAND ROVER	DEFENDER	130	11/1994 - 10/2004	REAR	ACDR088	SOLID	11.7
LAND ROVER	DISCOVERY	2.5	03/1999 - 10/2004	FRONT	ACDR528	VENTED	22.0
LAND ROVER	DISCOVERY	2.5 SOLID DISCS	03/1992 - 03/1999	FRONT	ACDR087	SOLID	13.0
LAND ROVER	DISCOVERY	2.5	03/1999 - 10/2004	REAR	ACDR093	SOLID	11.7
LAND ROVER	DISCOVERY	2.5	03/1992 - 03/1999	REAR	ACDR088	SOLID	11.7
LAND ROVER	DISCOVERY	3.5 SOLID DISCS	04/1991 - 10/1993	FRONT	ACDR087	SOLID	13.0
LAND ROVER	DISCOVERY	3.5	04/1991 - 10/1993	REAR	ACDR088	SOLID	11.7
LAND ROVER	DISCOVERY	3.9	03/1999 - 10/2004	FRONT	ACDR528	VENTED	22.0
LAND ROVER	DISCOVERY	3.9 SOLID DISCS	03/1992 - 03/1999	FRONT	ACDR087	SOLID	13.0
LAND ROVER	DISCOVERY	3.9	03/1999 - 10/2004	REAR	ACDR093	SOLID	11.7
LAND ROVER	DISCOVERY	3.9	03/1992 - 03/1999	REAR	ACDR088	SOLID	11.7
LAND ROVER	DISCOVERY	4	04/1997 - 06/2004	FRONT	ACDR528	VENTED	22.0
LAND ROVER	DISCOVERY	4	04/1997 - 06/2004	REAR	ACDR093	SOLID	11.7
LAND ROVER	DISCOVERY	DISCOVERY III 2.7 LITRE, 4 LITRE	04/2005 - 01/2008	FRONT	ACDR2090	VENTED	17.0
LAND ROVER	DISCOVERY	DISCOVERY III 2.7 LITRE, 4 LITRE	04/2005 - 01/2008	REAR	ACDR2091	SOLID	27.0



MAKE	MODEL	TYPE	YEAR	AXLE	PART NUMBER	TYPE	MIN THICKNESS MM
<b>LEXUS</b>							
LEXUS	ES300		06/1992 - 10/1996	FRONT	ACDR735	VENTED	26.0
LEXUS	ES300		07/2001 - 06/2008	FRONT	ACDR2730	VENTED	26.0
LEXUS	IS200		03/1999 - 04/2000	FRONT	ACDR778	VENTED	23.0
LEXUS	IS250		11/2005 - 06/2013	FRONT	ACDR2730	VENTED	26.0
LEXUS	IS250		11/2005 - 06/2013	REAR	ACDR2727	VENTED	8.5
LEXUS	LX470		05/1998 - 03/2008	FRONT	ACDR788	VENTED	30.0
LEXUS	LX470		05/1998 - 03/2008	REAR	ACDR789	VENTED	16.0
<b>MERCEDES BENZ</b>							
MERCEDES BENZ	C SERIES (W203)	C230 (W203) S/WAGON, SEDAN	10/2005 - 07/2007	REAR	ACDR2957	SOLID	9.0
<b>MAZDA</b>							
MAZDA	121	DB 1.3 LITRE	10/1990 - 10/1996	FRONT	ACDR525	SOLID	10.0
MAZDA	121	DB 1.5 LITRE	10/1990 - 10/1996	FRONT	ACDR530	VENTED	16.0
MAZDA	121	DW	10/1996 - 12/2002	FRONT	ACDR530	VENTED	16.0
MAZDA	323	BA	07/1994 - 09/1998	FRONT	ACDR533	VENTED	20.0
MAZDA	323	BA (ASTINA) 1.6 LITRE, 1.8 LITRE	07/1994 - 09/1998	FRONT	ACDR533	VENTED	20.0
MAZDA	323	BD (1.3) BD1031 MODEL, DISC/DRUM, HATCHBACK, SEDAN	10/1980 - 05/1986	FRONT	ACDR100	SOLID	10.0
MAZDA	323	BD (1.5) BD1051 MODEL, DISC/DRUM, HATCHBACK, SEDAN	10/1980 - 10/1985	FRONT	ACDR100	SOLID	10.0
MAZDA	323	BF (1.6) HATCHBACK, S/WAGON, SEDAN	10/1985 - 08/1989	FRONT	ACDR930	VENTED	16.0
MAZDA	323	BG (1.6) DISC/DISC, SEDAN	10/1989 - 08/1994	FRONT	ACDR532	VENTED	20.0
MAZDA	323	BG (1.6) SEDAN	10/1989 - 08/1994	REAR	ACDR531	SOLID	8.0
MAZDA	323	BG (1.8)(& ASTINA) DOHC	10/1989 - 08/1994	FRONT	ACDR533	VENTED	20.0
MAZDA	323	BG (1.8)(& ASTINA) SOHC	10/1989 - 08/1994	FRONT	ACDR532	VENTED	20.0
MAZDA	323	BG (1.8)(& ASTINA) DOHC, HATCHBACK, SEDAN	10/1989 - 08/1994	REAR	ACDR534	SOLID	8.0
MAZDA	323	BG (1.8)(& ASTINA) HATCHBACK, SEDAN, SOHC	10/1989 - 08/1994	REAR	ACDR531	SOLID	8.0
MAZDA	323	BJ 2 LITRE	02/2001 - 12/2003	FRONT	ACDR950	VENTED	22.0
MAZDA	323	BJ 1.8 LITRE	09/1998 - 12/2003	FRONT	ACDR576	VENTED	22.0
MAZDA	323	BJ 1.6 LITRE	09/1998 - 12/2003	FRONT	ACDR532	VENTED	20.0
MAZDA	323	BJ 1.8 LITRE, 2 LITRE	09/1998 - 12/2003	REAR	ACDR539	SOLID	8.0
MAZDA	626	2.0/2.2/DIESEL ABS, GD MODEL, NON-ABS	10/1987 - 12/1991	FRONT	ACDR633	VENTED	22.0
MAZDA	626	2.5 V6	01/1992 - 06/1997	FRONT	ACDR950	VENTED	22.0
MAZDA	626	2.5 V6	01/1992 - 06/1997	REAR	ACDR951	SOLID	8.0
MAZDA	626	ESTATE WAGON (2.2)	06/1988 - 05/1997	FRONT	ACDR633	VENTED	22.0
MAZDA	626	GE	01/1992 - 06/1997	FRONT	ACDR950	VENTED	22.0
MAZDA	626	GE	01/1992 - 06/1997	REAR	ACDR951	SOLID	8.0
MAZDA	626	GF	07/1997 - 08/2002	FRONT	ACDR950	VENTED	22.0
MAZDA	626	GF	07/1997 - 08/2002	REAR	ACDR951	SOLID	8.0
MAZDA	626	GW WAGON	01/1998 - 06/2002	FRONT	ACDR950	VENTED	22.0
MAZDA	626	GW WAGON	01/1998 - 06/2002	REAR	ACDR951	SOLID	8.0
MAZDA	B SERIES	B2000 COMMERCIAL	02/1985 - 12/1988	FRONT	ACDR631	VENTED	18.0
MAZDA	B SERIES	B2200 COMMERCIAL	02/1985 - 03/1996	FRONT	ACDR631	VENTED	18.0
MAZDA	B SERIES	B2500 4X4	02/1999 - 07/2004	FRONT	ACDR964	VENTED	22.0
MAZDA	B SERIES	B2500 4X2	02/1999 - 07/2004	FRONT	ACDR958	VENTED	22.0
MAZDA	B SERIES	B2500 4X4	04/1996 - 10/1998	FRONT	ACDR965	VENTED	20.0
MAZDA	B SERIES	B2500 4X4	04/1996 - 01/2002	FRONT	ACDR959	VENTED	26.0
MAZDA	B SERIES	B2600 4X4	02/1999 - 10/2004	FRONT	ACDR964	VENTED	22.0
MAZDA	B SERIES	B2600 4X2	02/1999 - 10/2004	FRONT	ACDR958	VENTED	22.0
MAZDA	B SERIES	B2600 4X2, COMMERCIAL	03/1987 - 03/1996	FRONT	ACDR631	VENTED	18.0

MAKE	MODEL	TYPE	YEAR	AXLE	PART NUMBER	TYPE	MIN THICKNESS MM
MAZDA	B SERIES	B2600 4X4, COMMERCIAL	03/1987 - 11/1998	FRONT	ACDR965	VENTED	20.0
MAZDA	B SERIES	B2600 4X4	04/1996 - 01/2002	FRONT	ACDR959	VENTED	26.0
MAZDA	BT50	B2500	11/2006 - 09/2009	FRONT	ACDR958	VENTED	22.0
MAZDA	BT50	B3000	11/2006 - 09/2009	FRONT	ACDR2952	VENTED	26.0
MAZDA	CX5	KE	11/2011 - 12/2015	FRONT	ACDR2016	VENTED	26.0
MAZDA	CX7		11/2006 - 12/2009	FRONT	ACDR1108	VENTED	26.0
MAZDA	CX7		11/2006 - 12/2009	REAR	ACDR1109	VENTED	16.0
MAZDA	CX9	3.7 LITRE, V6	12/2007 - 12/2014	FRONT	ACDR1625	VENTED	26.0
MAZDA	E SERIES	E1800 STD BODY, VAN	02/1984 - 10/1986	FRONT	ACDR631	VENTED	18.0
MAZDA	E SERIES	E1800 TRAVELLER BUS, COMMERCIAL, DISC/DRUM, SB40 MODEL, SB41 MODEL, SC37 MODEL, SC39 MODEL	06/1984 - 07/1986	FRONT	ACDR934	VENTED	18.0
MAZDA	E SERIES	E2000 PICK UP	02/1984 - 12/1990	FRONT	ACDR934	VENTED	18.0
MAZDA	E SERIES	E2000 LONG BODY, STD BODY, VAN	01/1984 - 05/1992	FRONT	ACDR631	VENTED	18.0
MAZDA	E SERIES	E2200 PICK UP	11/1986 - 12/1990	FRONT	ACDR934	VENTED	18.0
MAZDA	E SERIES	E2200 VAN	01/1984 - 05/1992	FRONT	ACDR631	VENTED	18.0
MAZDA	E SERIES	E2500 1500KG LOAD	08/1997 - 12/1998	FRONT	ACDR934	VENTED	18.0
MAZDA	E SERIES	E2500 1 TONNE LOAD	08/1997 - 12/1998	FRONT	ACDR958	VENTED	22.0
MAZDA	MAZDA 2	DE	09/2007 - 12/2009	FRONT	ACDR1218	VENTED	21.0
MAZDA	MAZDA 2	DY	12/2002 - 08/2007	FRONT	ACDR2958	VENTED	20.0
MAZDA	MAZDA 3	BK 2 LITRE, EXCEPT SP23	01/2004 - 12/2008	FRONT	ACDR2954	VENTED	23.0
MAZDA	MAZDA 3	BK SP23	01/2004 - 12/2008	FRONT	ACDR2956	VENTED	23.0
MAZDA	MAZDA 3	BK 2 LITRE, EXCEPT SP23	01/2004 - 12/2008	REAR	ACDR2955	SOLID	9.0
MAZDA	MAZDA 3	BK SP23	01/2004 - 12/2008	REAR	ACDR2957	SOLID	9.0
MAZDA	MAZDA 6	GG NON TURBO	08/2002 - 08/2007	FRONT	ACDR2950	VENTED	22.0
MAZDA	MAZDA 6	GG NON TURBO	08/2002 - 08/2007	REAR	ACDR2951	SOLID	8.0
MAZDA	MAZDA 6	GH	02/2008 - 12/2009	FRONT	ACDR2963	VENTED	23.0
MAZDA	MAZDA 6	GH	02/2008 - 12/2009	REAR	ACDR1267	SOLID	8.0
MAZDA	MAZDA 6	GJ	12/2012 - 12/2015	FRONT	ACDR2016	VENTED	26.0
MAZDA	MAZDA 6	GY WAGON	08/2002 - 06/2004	FRONT	ACDR1323	VENTED	23.0
MAZDA	MAZDA 6	GY WAGON	08/2002 - 06/2004	REAR	ACDR2951	SOLID	8.0
MAZDA	MX-5	NA	08/1989 - 09/1993	FRONT	ACDR530	VENTED	16.0
MAZDA	MX-5	NA	08/1989 - 09/1993	REAR	ACDR531	SOLID	8.0
MAZDA	MX-6	COUPE, DISC/DISC	11/1991 - 09/1997	FRONT	ACDR950	VENTED	22.0
MAZDA	MX-6		11/1991 - 09/1997	REAR	ACDR951	SOLID	8.0
MAZDA	MX-6	MX-6 (TURBO) COUPE, DISC/DISC	10/1987 - 10/1991	FRONT	ACDR633	VENTED	22.0
MAZDA	PREMACY	CP10 1.8 LITRE	02/2001 - 05/2002	FRONT	ACDR950	VENTED	22.0
MAZDA	PREMACY	CP10 2 LITRE	04/2002 - 06/2003	FRONT	ACDR2950	VENTED	22.0
MAZDA	PREMACY	CP10	04/2002 - 06/2003	REAR	ACDR951	SOLID	8.0
MAZDA	TRIBUTE	JMOYU	01/2001 - 01/2004	FRONT	ACDR957	VENTED	22.0
MAZDA	TRIBUTE	MY06	07/2006 - 01/2008	FRONT	ACDR2560	VENTED	24.0
MAZDA	TRIBUTE	MY06	07/2006 - 01/2008	REAR	ACDR2561	SOLID	11.0
<b>MINI</b>							
MINI	MINI COOPER	R50	03/2002 - 03/2007	FRONT	ACDR542	VENTED	20.4
MINI	MINI COOPER	R52 EXC JCW MODEL	01/2005 - 07/2008	FRONT	ACDR542	VENTED	20.4
MINI	MINI COOPER	R53 EXC JCW MODEL	09/2004 - 02/2007	FRONT	ACDR542	VENTED	20.4
<b>MITSUBISHI</b>							
MITSUBISHI	380	DB	10/2005 - 04/2008	FRONT	ACDR2206	VENTED	26.4
MITSUBISHI	380	DB	10/2005 - 04/2008	REAR	ACDR2207	VENTED	16.4
MITSUBISHI	ASX		07/2010 - 12/2014	FRONT	ACDR1581	VENTED	24.4

MAKE	MODEL	TYPE	YEAR	AXLE	PART NUMBER	TYPE	MIN THICKNESS MM
MITSUBISHI	CHALLENGER	PA ABS, NON-ABS	03/1998 - 03/2007	FRONT	ACDR663	VENTED	22.4
MITSUBISHI	CHALLENGER	PA ABS, NON-ABS, PETROL, V6	03/1998 - 03/2007	REAR	ACDR233	SOLID	16.4
MITSUBISHI	COLT	RG DISC/DRUM	09/2004 - 12/2008	FRONT	ACDR1224	VENTED	18.4
MITSUBISHI	EXPRESS	SJ 2.4 LITRE	10/1994 - 12/2009	FRONT	ACDR229	VENTED	20.4
MITSUBISHI	EXPRESS	SJ 2 LITRE, 2.5 LITRE	10/1994 - 12/2009	FRONT	ACDR230	VENTED	20.4
MITSUBISHI	EXPRESS	WA	09/1994 - 10/2004	FRONT	ACDR208	VENTED	22.4
MITSUBISHI	GALANT	HG 2 LITRE, 4 CYL, ALL CYL, DISC/DISC, FWD	05/1989 - 08/1990	FRONT	ACDR221	VENTED	22.4
MITSUBISHI	GRANDIS	BA 2 LITRE, 2.4 LITRE	03/2005 - 06/2010	FRONT	ACDR1581	VENTED	24.4
MITSUBISHI	L300	SF COMMERCIAL	10/1986 - 08/1990	FRONT	ACDR230	VENTED	20.4
MITSUBISHI	L300	SF 4X4, COMMERCIAL	10/1986 - 08/1990	FRONT	ACDR229	VENTED	20.4
MITSUBISHI	L300	SG COMMERCIAL	09/1990 - 08/1991	FRONT	ACDR230	VENTED	20.4
MITSUBISHI	L300	SG 4X4, COMMERCIAL	09/1990 - 08/1991	FRONT	ACDR229	VENTED	20.4
MITSUBISHI	L300	SH COMMERCIAL	09/1991 - 09/1994	FRONT	ACDR230	VENTED	20.4
MITSUBISHI	L300	SH 4X4, COMMERCIAL	09/1991 - 09/1994	FRONT	ACDR229	VENTED	20.4
MITSUBISHI	LANCER	CC 1.5 LITRE, 1.8 LITRE, S/WAGON, SEDAN	09/1992 - 07/1996	FRONT	ACDR413	VENTED	16.4
MITSUBISHI	LANCER	CC 1.8 LITRE, COUPE	10/1992 - 07/1996	FRONT	ACDR413	VENTED	16.4
MITSUBISHI	LANCER	CC 1.5 LITRE, COUPE	09/1992 - 07/1996	FRONT	ACDR408	SOLID	11.4
MITSUBISHI	LANCER	CE	07/1996 - 08/2002	FRONT	ACDR413	VENTED	16.4
MITSUBISHI	LANCER	CG 14" WHEEL	07/2002 - 09/2003	FRONT	ACDR414	VENTED	22.4
MITSUBISHI	LANCER	CH 15" WHEEL, 2 LITRE, VR-X MODEL	10/2003 - 07/2005	FRONT	ACDR2202	VENTED	24.4
MITSUBISHI	LANCER	CH 2.4 LITRE	08/2005 - 01/2007	FRONT	ACDR2202	VENTED	24.4
MITSUBISHI	LANCER	CH 14" WHEEL, 2 LITRE	10/2003 - 07/2005	FRONT	ACDR414	VENTED	22.4
MITSUBISHI	LANCER	CH 15" WHEEL, 2 LITRE, VR-X MODEL	10/2003 - 07/2005	REAR	ACDR2203	SOLID	8.4
MITSUBISHI	LANCER	CH 2.4 LITRE	08/2005 - 01/2007	REAR	ACDR2203	SOLID	8.4
MITSUBISHI	LANCER	CJ RALLIART MODEL	10/2007 - 12/2009	FRONT	ACDR417	VENTED	22.4
MITSUBISHI	LANCER	CJ EXCEPT RALLIART, EXCEPT VRX	10/2007 - 12/2009	FRONT	ACDR2201	VENTED	24.4
MITSUBISHI	LANCER	CJ RALLIART MODEL, VR-X MODEL	01/2007 - 12/2009	FRONT	ACDR1581	VENTED	24.4
MITSUBISHI	LANCER	CJ EXCEPT RALLIART, EXCEPT VRX	10/2007 - 12/2009	REAR	ACDR2209	SOLID	8.4
MITSUBISHI	MAGNA/VERADA	KE (VERADA)	10/1996 - 06/1997	FRONT	ACDR425	VENTED	22.4
MITSUBISHI	MAGNA/VERADA	KE (VERADA) SEDAN	10/1996 - 06/1997	REAR	ACDR426	SOLID	8.4
MITSUBISHI	MAGNA/VERADA	KF (VERADA)	06/1997 - 03/1999	FRONT	ACDR425	VENTED	22.4
MITSUBISHI	MAGNA/VERADA	KF (VERADA) SEDAN	06/1997 - 03/1999	REAR	ACDR426	SOLID	8.4
MITSUBISHI	MAGNA/VERADA	KJ (VERADA) AWD	08/2002 - 05/2003	FRONT	ACDR417	VENTED	22.4
MITSUBISHI	MAGNA/VERADA	KJ (VERADA) EXCEPT AWD	08/2000 - 05/2003	FRONT	ACDR425	VENTED	22.4
MITSUBISHI	MAGNA/VERADA	KJ (VERADA) EXCEPT AWD	08/2000 - 05/2003	REAR	ACDR426	SOLID	8.4
MITSUBISHI	MAGNA/VERADA	KL (VERADA) AWD	06/2003 - 09/2004	FRONT	ACDR417	VENTED	22.4
MITSUBISHI	MAGNA/VERADA	KL (VERADA) EXCEPT AWD	06/2003 - 09/2004	FRONT	ACDR425	VENTED	22.4
MITSUBISHI	MAGNA/VERADA	KL (VERADA) EXCEPT AWD	06/2003 - 09/2004	REAR	ACDR426	SOLID	8.4
MITSUBISHI	MAGNA/VERADA	KR (VERADA) NON-ABS, V6	07/1991 - 03/1994	REAR	ACDR422	SOLID	8.4
MITSUBISHI	MAGNA/VERADA	TE 4 CYL, V6	04/1996 - 06/1997	FRONT	ACDR425	VENTED	22.4
MITSUBISHI	MAGNA/VERADA	TE S/WAGON, SEDAN	04/1996 - 06/1997	REAR	ACDR426	SOLID	8.4
MITSUBISHI	MAGNA/VERADA	TF 2.4 LITRE, 3 LITRE	06/1997 - 03/1999	FRONT	ACDR425	VENTED	22.4
MITSUBISHI	MAGNA/VERADA	TF S/WAGON, SEDAN	06/1997 - 03/1999	REAR	ACDR426	SOLID	8.4
MITSUBISHI	MAGNA/VERADA	TH	03/1999 - 09/2000	FRONT	ACDR425	VENTED	22.4
MITSUBISHI	MAGNA/VERADA	TH	03/1999 - 09/2000	REAR	ACDR426	SOLID	8.4
MITSUBISHI	MAGNA/VERADA	TJ EXCEPT AWD	08/2000 - 05/2003	FRONT	ACDR425	VENTED	22.4
MITSUBISHI	MAGNA/VERADA	TJ EXCEPT AWD	08/2000 - 05/2003	REAR	ACDR426	SOLID	8.4
MITSUBISHI	MAGNA/VERADA	TL AWD	06/2003 - 09/2004	FRONT	ACDR417	VENTED	22.4

MAKE	MODEL	TYPE	YEAR	AXLE	PART NUMBER	TYPE	MIN THICKNESS MM
MITSUBISHI	MAGNA/VERADA	TL EXCEPT AWD	06/2003 - 09/2004	FRONT	ACDR425	VENTED	22.4
MITSUBISHI	MAGNA/VERADA	TL EXCEPT AWD	06/2003 - 09/2004	REAR	ACDR426	SOLID	8.4
MITSUBISHI	MAGNA/VERADA	TM ALL MODELS, DISC/DISC	04/1985 - 05/1987	FRONT	ACDR221	VENTED	22.4
MITSUBISHI	MAGNA/VERADA	TM SEDAN	04/1985 - 05/1987	REAR	ACDR222	SOLID	8.4
MITSUBISHI	MAGNA/VERADA	TN ALL MODELS, DISC/DISC	04/1987 - 05/1989	FRONT	ACDR221	VENTED	22.4
MITSUBISHI	MAGNA/VERADA	TN SEDAN	04/1987 - 05/1989	REAR	ACDR222	SOLID	8.4
MITSUBISHI	MAGNA/VERADA	TP ALL MODELS, DISC/DISC	06/1989 - 04/1992	FRONT	ACDR221	VENTED	22.4
MITSUBISHI	MAGNA/VERADA	TP SEDAN	06/1989 - 03/1991	REAR	ACDR222	SOLID	8.4
MITSUBISHI	MAGNA/VERADA	TR 4 CYL	04/1991 - 03/1994	FRONT	ACDR421	VENTED	22.4
MITSUBISHI	MAGNA/VERADA	TR ABS, V6	04/1993 - 03/1994	FRONT	ACDR425	VENTED	22.4
MITSUBISHI	MAGNA/VERADA	TR S/WAGON, SEDAN	04/1991 - 03/1994	REAR	ACDR422	SOLID	8.4
MITSUBISHI	MAGNA/VERADA	TS 2.6 LITRE, 4 CYL	03/1994 - 02/1997	FRONT	ACDR421	VENTED	22.4
MITSUBISHI	MAGNA/VERADA	TS NON-ABS	03/1994 - 02/1997	REAR	ACDR422	SOLID	8.4
MITSUBISHI	MIRAGE	CE	07/1996 - 08/2004	FRONT	ACDR413	VENTED	16.4
MITSUBISHI	OUTLANDER	ZE	02/2003 - 07/2004	FRONT	ACDR2201	VENTED	24.4
MITSUBISHI	OUTLANDER	ZF	08/2004 - 10/2006	FRONT	ACDR417	VENTED	22.4
MITSUBISHI	OUTLANDER	ZG	11/2006 - 06/2009	FRONT	ACDR1581	VENTED	24.4
MITSUBISHI	OUTLANDER	ZH	07/2009 - 12/2013	FRONT	ACDR1581	VENTED	24.4
MITSUBISHI	PAJERO	NE COMMERCIAL, LWB	10/1987 - 08/1988	FRONT	ACDR229	VENTED	20.4
MITSUBISHI	PAJERO	NF COMMERCIAL, LWB	08/1988 - 09/1989	FRONT	ACDR229	VENTED	20.4
MITSUBISHI	PAJERO	NG COMMERCIAL, LWB	09/1989 - 05/1991	FRONT	ACDR229	VENTED	20.4
MITSUBISHI	PAJERO	NH 2.6 LITRE, COMMERCIAL, LWB, SWB	05/1991 - 10/1993	FRONT	ACDR229	VENTED	20.4
MITSUBISHI	PAJERO	NH COMMERCIAL, LWB, SWB, V6	05/1991 - 09/1993	FRONT	ACDR234	VENTED	22.4
MITSUBISHI	PAJERO	NH 2.5 LITRE, COMMERCIAL, TURBO+INTERCOOL	05/1991 - 10/1993	FRONT	ACDR234	VENTED	22.4
MITSUBISHI	PAJERO	NH ABS, NON-ABS	05/1991 - 10/1993	REAR	ACDR233	SOLID	16.4
MITSUBISHI	PAJERO	NJ 2.8 LITRE, 3 LITRE, NON TURBO, TURBO, V6	11/1993 - 10/1996	FRONT	ACDR234	VENTED	22.4
MITSUBISHI	PAJERO	NJ 3.5 LITRE, V6	11/1993 - 10/1996	FRONT	ACDR236	VENTED	25.4
MITSUBISHI	PAJERO	NJ ABS, NON-ABS	11/1993 - 10/1996	REAR	ACDR233	SOLID	16.4
MITSUBISHI	PAJERO	NK 16" WHEEL	10/1996 - 07/1997	FRONT	ACDR237	VENTED	22.4
MITSUBISHI	PAJERO	NK 15" WHEEL	10/1996 - 07/1997	FRONT	ACDR234	VENTED	22.4
MITSUBISHI	PAJERO	NK 15" WHEEL, 3.5 LITRE, PETROL	10/1996 - 07/1997	FRONT	ACDR236	VENTED	25.4
MITSUBISHI	PAJERO	NK	10/1996 - 07/1997	REAR	ACDR233	SOLID	16.4
MITSUBISHI	PAJERO	NL 16" WHEEL	08/1997 - 12/2000	FRONT	ACDR237	VENTED	22.4
MITSUBISHI	PAJERO	NL 15" WHEEL, 2.8 LITRE, DIESEL	08/1997 - 12/2000	FRONT	ACDR234	VENTED	22.4
MITSUBISHI	PAJERO	NL 15" WHEEL, 3.5 LITRE, PETROL	08/1997 - 12/2000	FRONT	ACDR236	VENTED	25.4
MITSUBISHI	PAJERO	NL	08/1997 - 06/2000	REAR	ACDR233	SOLID	16.4
MITSUBISHI	PAJERO	NM	05/2000 - 10/2002	FRONT	ACDR660	VENTED	24.4
MITSUBISHI	PAJERO	NM	05/2000 - 10/2002	REAR	ACDR661	VENTED	20.4
MITSUBISHI	PAJERO	NP	11/2002 - 06/2006	FRONT	ACDR660	VENTED	24.4
MITSUBISHI	PAJERO	NP	11/2002 - 06/2006	REAR	ACDR661	VENTED	20.4
MITSUBISHI	PAJERO	NS ALL ENGINES	01/2006 - 01/2009	FRONT	ACDR2216	VENTED	26.0
MITSUBISHI	PAJERO	NS ALL ENGINES	01/2006 - 01/2009	REAR	ACDR2219	VENTED	16.0
MITSUBISHI	PAJERO	NT	12/2009 - 10/2011	FRONT	ACDR2216	VENTED	26.0
MITSUBISHI	PAJERO	NT	12/2009 - 10/2011	REAR	ACDR2219	VENTED	16.0
MITSUBISHI	PAJERO	NW	11/2011 - 12/2014	FRONT	ACDR2216	VENTED	26.0
MITSUBISHI	PAJERO	NW	11/2011 - 12/2014	REAR	ACDR2219	VENTED	16.0
MITSUBISHI	STARWAGON	SJ	10/1995 - 06/2001	FRONT	ACDR230	VENTED	20.4
MITSUBISHI	STARWAGON	WA	09/1994 - 05/2004	FRONT	ACDR208	VENTED	22.4

MAKE	MODEL	TYPE	YEAR	AXLE	PART NUMBER	TYPE	MIN THICKNESS MM
mitsubishi	TRITON	ME 4X4, COMMERCIAL	10/1986 - 07/1988	FRONT	ACDR229	VENTED	20.4
mitsubishi	TRITON	MF 4X4, COMMERCIAL	07/1988 - 09/1989	FRONT	ACDR229	VENTED	20.4
mitsubishi	TRITON	MG 4X4, COMMERCIAL	09/1989 - 09/1990	FRONT	ACDR229	VENTED	20.4
mitsubishi	TRITON	MH 4X4, COMMERCIAL	09/1990 - 08/1991	FRONT	ACDR229	VENTED	20.4
mitsubishi	TRITON	MJ 4X4, COMMERCIAL	08/1991 - 10/1996	FRONT	ACDR229	VENTED	20.4
mitsubishi	TRITON	MK 14" WHEEL, 4X2, EXCEPT 3.0 V6	10/1996 - 10/2004	FRONT	ACDR662	VENTED	22.4
mitsubishi	TRITON	MK 15" WHEEL, 4X2	10/1996 - 10/2004	FRONT	ACDR663	VENTED	22.4
mitsubishi	TRITON	MK 3 LITRE, 4X4	11/1996 - 10/2004	FRONT	ACDR663	VENTED	22.4
mitsubishi	TRITON	MK 16" WHEEL, GLS MODEL	09/2001 - 10/2004	FRONT	ACDR237	VENTED	22.4
mitsubishi	TRITON	ML 4X2, 4X4	07/2006 - 06/2009	FRONT	ACDR2208	VENTED	26.4
<b>NISSAN</b>							
NISSAN	180SX	RS13 2 LITRE	01/1991 - 12/1994	FRONT	ACDR919	VENTED	20.0
NISSAN	500/600/700 SERIES	720 4X4, COMMERCIAL	04/1983 - 12/1985	FRONT	ACDR621	VENTED	20.0
NISSAN	BLUEBIRD	U13 DISC/DISC	10/1993 - 12/1997	FRONT	ACDR903	VENTED	20.0
NISSAN	DUALIS	J10	12/2007 - 12/2009	FRONT	ACDR1220	VENTED	24.0
NISSAN	DUALIS	J10	12/2007 - 12/2009	REAR	ACDR1221	SOLID	14.0
NISSAN	MAXIMA	A32 (30J/30G/30GV)	11/1994 - 12/1999	FRONT	ACDR914	VENTED	24.0
NISSAN	MAXIMA	A32 (30J/30G/30GV)	11/1994 - 12/2000	REAR	ACDR915	SOLID	8.0
NISSAN	MAXIMA	A33	12/1999 - 11/2003	FRONT	ACDR914	VENTED	24.0
NISSAN	MAXIMA	A33	12/1999 - 11/2003	REAR	ACDR915	SOLID	8.0
NISSAN	NAVARA	D21 4X4, KA24, VG30E	06/1992 - 02/1997	FRONT	ACDR624	VENTED	24.0
NISSAN	NAVARA	D21 4X2, KA24, VG30E	06/1992 - 02/1997	FRONT	ACDR618	VENTED	24.0
NISSAN	NAVARA	D21 4X4, SD25, TD27, Z24	01/1986 - 02/1997	FRONT	ACDR621	VENTED	20.0
NISSAN	NAVARA	D21 4X2, SD25, TD25, Z20/Z24	01/1986 - 02/1997	FRONT	ACDR620	VENTED	20.0
NISSAN	NAVARA	D22 4X4, KA24DE, QD32	02/1997 - 04/2001	FRONT	ACDR624	VENTED	24.0
NISSAN	NAVARA	D22 4X2, KA24DE, KA24E	02/1997 - 10/2001	FRONT	ACDR618	VENTED	24.0
NISSAN	NAVARA	D22 4X2, DX MODEL, ST. MODEL	12/2001 - 01/2008	FRONT	ACDR618	VENTED	24.0
NISSAN	NAVARA	D22 DIESEL, TD27	02/1997 - 10/2001	FRONT	ACDR620	VENTED	20.0
NISSAN	NAVARA	D22 ST-R MODEL, STD MODEL	12/2001 - 01/2008	FRONT	ACDR629	VENTED	26.0
NISSAN	NAVARA	D40 KINGCAB, THAILAND BUILT	06/2008 - 08/2012	FRONT	ACDR1347	VENTED	26.0
NISSAN	NAVARA	D40 16" WHEEL	12/2005 - 08/2012	FRONT	ACDR2310	VENTED	26.0
NISSAN	NAVARA	D40 17" WHEEL, 550nm MODEL INCLUDED	12/2005 - 08/2012	FRONT	ACDR2312	VENTED	26.0
NISSAN	NAVARA	D40 DISC/DISC	12/2005 - 08/2012	REAR	ACDR2311	VENTED	16.0
NISSAN	PATHFINDER	D21 VG30E	10/1992 - 05/1995	FRONT	ACDR624	VENTED	24.0
NISSAN	PATHFINDER	D21 Z24	12/1986 - 09/1992	FRONT	ACDR621	VENTED	20.0
NISSAN	PATHFINDER	R50	11/1998 - 10/2002	FRONT	ACDR629	VENTED	26.0
NISSAN	PATHFINDER	R51 16" WHEEL	07/2005 - 12/2009	FRONT	ACDR2310	VENTED	26.0
NISSAN	PATHFINDER	R51 17" FRT WHEEL	07/2005 - 12/2009	FRONT	ACDR2312	VENTED	26.0
NISSAN	PATHFINDER	R51 16" WHEEL, 17" FRT WHEEL	07/2005 - 12/2009	REAR	ACDR2311	VENTED	16.0
NISSAN	PATROL	160 (MQ) COMMERCIAL, DISC/DRUM, NON TURBO, TURBO	01/1980 - 12/1987	FRONT	ACDR329	VENTED	18.0
NISSAN	PATROL	Y60 (GQ) 4X4, CARB, COMMERCIAL	01/1988 - 12/1997	FRONT	ACDR329	VENTED	18.0
NISSAN	PATROL	Y60 (GQ) 4X4, COMMERCIAL, EFI, TWIN PISTON	02/1992 - 03/1995	FRONT	ACDR623	VENTED	24.0
NISSAN	PATROL	Y60 (GQ) 4X4, COMMERCIAL	10/1991 - 03/1995	REAR	ACDR622	VENTED	16.0
NISSAN	PATROL	Y61 (GU) EXCEPT 4.8 CC	10/1997 - 04/2009	FRONT	ACDR625	VENTED	30.0
NISSAN	PATROL	Y61 (GU) EXCEPT 4.8 CC	10/1997 - 04/2009	REAR	ACDR622	VENTED	16.0
NISSAN	PINTARA	R31 DISC/DISC	06/1986 - 12/1990	FRONT	ACDR615	VENTED	20.0
NISSAN	PINTARA	R31 ALL MODELS	06/1986 - 12/1990	REAR	ACDR616	SOLID	9.4
NISSAN	PINTARA	U12 DISC/DISC, DISC/DRUM	11/1989 - 10/1992	FRONT	ACDR617	VENTED	20.0

MAKE	MODEL	TYPE	YEAR	AXLE	PART NUMBER	TYPE	MIN THICKNESS MM
NISSAN	PULSAR	KN13 (EXA) 1.8 LITRE	01/1988 - 10/1991	FRONT	ACDR628	VENTED	16.0
NISSAN	PULSAR	KN13 (EXA) 1.6 LITRE	02/1987 - 12/1987	FRONT	ACDR603	VENTED	16.0
NISSAN	PULSAR	N13 HATCHBACK, SEDAN	07/1987 - 09/1991	FRONT	ACDR603	VENTED	16.0
NISSAN	PULSAR	N14 1.6 LITRE	10/1991 - 09/1995	FRONT	ACDR628	VENTED	16.0
NISSAN	PULSAR	N15 1.6 LITRE	10/1995 - 12/2000	FRONT	ACDR899	VENTED	16.0
NISSAN	PULSAR	N16 SEDAN	07/2000 - 08/2003	FRONT	ACDR617	VENTED	20.0
NISSAN	PULSAR	N16 5D HATCHBACK	06/2001 - 10/2004	FRONT	ACDR919	VENTED	20.0
NISSAN	SILVIA	S13 (2.0) 2WS	01/1991 - 12/1994	FRONT	ACDR919	VENTED	20.0
NISSAN	SKYLINE	R31 EXCEPT GTS MOD	07/1986 - 12/1990	FRONT	ACDR615	VENTED	20.0
NISSAN	SKYLINE	R31 S/WAGON, SEDAN	07/1986 - 12/1990	REAR	ACDR616	SOLID	9.4
NISSAN	SKYLINE	R31 (GTS) SEDAN	03/1989 - 04/1991	REAR	ACDR616	SOLID	9.4
NISSAN	TERRANO	R20	03/1997 - 06/2000	FRONT	ACDR624	VENTED	24.0
NISSAN	URVAN	E24 COMMERCIAL	03/1987 - 09/1993	FRONT	ACDR618	VENTED	24.0
NISSAN	X-TRAIL	T30	10/2001 - 03/2007	FRONT	ACDR573	VENTED	26.0
NISSAN	X-TRAIL	T30	10/2001 - 03/2007	REAR	ACDR574	VENTED	14.0
NISSAN	X-TRAIL	T31	04/2007 - 12/2009	FRONT	ACDR1220	VENTED	24.0
NISSAN	X-TRAIL	T31	04/2007 - 12/2009	REAR	ACDR1221	SOLID	14.0
NISSAN	XFN	XFN (UTE) COMMERCIAL, UTE	07/1988 - 09/1991	FRONT	ACDR107	VENTED	22.2
NISSAN	Z/ZX SERIES	350Z (Z33) TOURING MODEL	02/2003 - 10/2005	REAR	ACDR574	VENTED	14.0
<b>PEUGEOT</b>							
PEUGEOT	207	WAWC	07/2007 - 12/2009	FRONT	ACDR2275	VENTED	24.0
PEUGEOT	307	1.6	12/2001 - 09/2005	FRONT	ACDR2275	VENTED	24.0
PEUGEOT	307	1.6 LUCAS CALIPER	12/2001 - 03/2007	REAR	ACDR1077	SOLID	8.0
PEUGEOT	307	1.6 BOSCH CALIPER	12/2001 - 03/2007	REAR	ACDR1138	SOLID	8.0
PEUGEOT	307	2 16 VALVE	01/2005 - 06/2008	FRONT	ACDR1216	VENTED	24.0
PEUGEOT	307	2 8 VALVE	12/2001 - 04/2003	FRONT	ACDR2275	VENTED	24.0
PEUGEOT	307	2 LUCAS CALIPER	12/2001 - 06/2008	REAR	ACDR1077	SOLID	8.0
PEUGEOT	307	2 BOSCH CALIPER	12/2001 - 06/2008	REAR	ACDR1138	SOLID	8.0
PEUGEOT	307	2.0 (HDI TURBO DIESEL) 16 VALVE	10/2005 - 06/2008	FRONT	ACDR1216	VENTED	24.0
PEUGEOT	307	2.0 (HDI TURBO DIESEL) 8 VALVE	12/2001 - 09/2005	FRONT	ACDR2275	VENTED	24.0
PEUGEOT	307	2.0 (HDI TURBO DIESEL) LUCAS CALIPER	12/2001 - 03/2007	REAR	ACDR1077	SOLID	8.0
PEUGEOT	307	2.0 (HDI TURBO DIESEL) BOSCH CALIPER	12/2001 - 03/2007	REAR	ACDR1138	SOLID	8.0
PEUGEOT	307	2.0 XSE	08/2002 - 03/2005	FRONT	ACDR2275	VENTED	24.0
PEUGEOT	307	2.0 XSE LUCAS CALIPER	08/2002 - 03/2007	REAR	ACDR1077	SOLID	8.0
PEUGEOT	307	2.0 XSE BOSCH CALIPER	08/2002 - 03/2007	REAR	ACDR1138	SOLID	8.0
PEUGEOT	307	2.0 XSI	03/2002 - 09/2005	FRONT	ACDR2275	VENTED	24.0
PEUGEOT	307	2.0 XSI LUCAS CALIPER	03/2002 - 09/2005	REAR	ACDR1077	SOLID	8.0
PEUGEOT	307	2.0 XSI BOSCH CALIPER	03/2002 - 09/2005	REAR	ACDR1138	SOLID	8.0
PEUGEOT	308	1.6 LITRE	09/2007 - 12/2009	FRONT	ACDR2275	VENTED	24.0
PEUGEOT	308	2 LITRE	09/2007 - 12/2009	FRONT	ACDR1216	VENTED	24.0
<b>PROTON</b>							
PROTON	M21	1.8 LITRE	10/1997 - 03/2000	FRONT	ACDR414	VENTED	22.4
PROTON	PERSONA	1.6 LITRE	11/1996 - 09/1999	FRONT	ACDR414	VENTED	22.4
PROTON	PERSONA	1.5 LITRE	11/1996 - 09/1998	FRONT	ACDR413	VENTED	16.4
PROTON	SATRIA	XLI MODEL	02/1997 - 03/2000	FRONT	ACDR414	VENTED	22.4
PROTON	SATRIA	GLI MODEL	02/1997 - 09/1999	FRONT	ACDR413	VENTED	16.4
PROTON	WIRA	1468CC 1.5 LITRE	05/1995 - 11/1996	FRONT	ACDR413	VENTED	16.4
PROTON	WIRA	1597CC	05/1995 - 11/1996	FRONT	ACDR414	VENTED	22.4

MAKE	MODEL	TYPE	YEAR	AXLE	PART NUMBER	TYPE	MIN THICKNESS MM
<b>RANGE ROVER</b>							
RANGE ROVER	RANGE ROVER	2.4 DSL TURBO SOLID DISCS	03/1987 - 07/1989	FRONT	ACDR087	SOLID	13.0
RANGE ROVER	RANGE ROVER	3.5 (V8) SOLID DISCS	01/1970 - 11/1985	FRONT	ACDR087	SOLID	13.0
RANGE ROVER	RANGE ROVER	3.5 (V8) SOLID DISCS	12/1985 - 07/1989	FRONT	ACDR087	SOLID	13.0
RANGE ROVER	RANGE ROVER	3.5 (V8) S/WAGON	01/1970 - 12/1989	REAR	ACDR088	SOLID	11.7
RANGE ROVER	RANGE ROVER	3.9 (V8) INCL CLASSIC	02/1989 - 03/1995	REAR	ACDR088	SOLID	11.7
RANGE ROVER	RANGE ROVER	4.0 (V8)	03/1995 - 03/2000	REAR	ACDR093	SOLID	11.7
RANGE ROVER	RANGE ROVER	4.6 (V8)	03/1995 - 03/2000	REAR	ACDR093	SOLID	11.7
<b>RENAULT</b>							
RENAULT	CLIO	X65 1.4 LITRE	07/2005 - 08/2008	FRONT	ACDR1117	VENTED	20.0
<b>SAAB</b>							
SAAB	9-3		06/1998 - 10/2002	FRONT	ACDR825	VENTED	23.0
SAAB	9-3	W/ 302MM ROTOR	02/2004 - 12/2009	FRONT	ACDR2817	VENTED	25.0
SAAB	9-3	W/ 314MM ROTOR	06/2004 - 12/2009	FRONT	ACDR2819	VENTED	25.0
SAAB	9-3	W/ 285MM ROTOR	02/2004 - 12/2009	FRONT	ACDR2820	VENTED	22.0
SAAB	9-3		06/1998 - 10/2002	REAR	ACDR826	SOLID	8.0
SAAB	9-5	W/ 288MM ROTOR	11/1997 - 01/2006	FRONT	ACDR825	VENTED	23.0
SAAB	9-5	W/ 308MM ROTOR	02/2000 - 06/2009	FRONT	ACDR1148	VENTED	22.0
SAAB	9-5	TO VIN X3025751	11/1997 - 12/2001	REAR	ACDR826	SOLID	8.0
SAAB	900		01/1997 - 06/1998	FRONT	ACDR825	VENTED	23.0
SAAB	900		01/1997 - 06/1998	REAR	ACDR826	SOLID	8.0
<b>SKODA</b>							
SKODA	OCTAVIA	2 LITRE	10/2007 - 06/2009	FRONT	ACDR2806	VENTED	22.0
<b>SUBARU</b>							
SUBARU	BRZ	2D COUPE	06/2012 - 01/2014	FRONT	ACDR650	VENTED	22.0
SUBARU	BRZ	2D COUPE	06/2012 - 01/2014	REAR	ACDR653	VENTED	16.0
SUBARU	FORESTER	ABS	08/2002 - 02/2008	FRONT	ACDR650	VENTED	22.0
SUBARU	FORESTER	ABS, NON-ABS	08/1997 - 07/2002	FRONT	ACDR648	VENTED	22.0
SUBARU	FORESTER		07/2003 - 02/2008	REAR	ACDR653	VENTED	16.0
SUBARU	FORESTER	ABS, NON-ABS	08/1997 - 06/2003	REAR	ACDR644	SOLID	8.5
SUBARU	FORESTER	2.5 LITRE, TURBO	03/2008 - 12/2009	REAR	ACDR1644	SOLID	8.5
SUBARU	IMPREZA	4X4	04/1993 - 12/1999	FRONT	ACDR642	VENTED	22.0
SUBARU	IMPREZA	GX MODEL, RV MODEL, RX MODEL	10/2001 - 12/2006	FRONT	ACDR648	VENTED	22.0
SUBARU	IMPREZA	HATCHBACK, S/WAGON, SEDAN	04/1993 - 12/2006	REAR	ACDR644	SOLID	8.5
SUBARU	IMPREZA	2 LITRE, 2.5 LITRE	01/2007 - 12/2009	REAR	ACDR1644	SOLID	8.5
SUBARU	IMPREZA	WRX STI MODEL	11/2004 - 01/2014	FRONT	ACDR1366	VENTED	28.0
SUBARU	IMPREZA	WRX STI MODEL	02/1999 - 09/2005	FRONT	ACDR650	VENTED	22.0
SUBARU	IMPREZA	WRX TURBO	02/1994 - 12/1998	FRONT	ACDR648	VENTED	22.0
SUBARU	IMPREZA	WRX W/ 4POT FRONT CAL	01/2001 - 09/2005	REAR	ACDR653	VENTED	16.0
SUBARU	IMPREZA	WRX TURBO	02/1994 - 12/1998	REAR	ACDR644	SOLID	8.5
SUBARU	IMPREZA	WRX 2.5 LITRE, TURBO	09/2007 - 12/2013	REAR	ACDR1644	SOLID	8.5
SUBARU	LIBERTY	14" WHEEL	10/1989 - 06/1994	FRONT	ACDR642	VENTED	22.0
SUBARU	LIBERTY	EXCEPT 2.5	06/1994 - 10/1998	FRONT	ACDR642	VENTED	22.0
SUBARU	LIBERTY	2 LITRE, 2.5 LITRE	11/1996 - 10/2004	FRONT	ACDR648	VENTED	22.0
SUBARU	LIBERTY	AND RX MODEL, GX MODEL, HERITAGE MODEL	10/1998 - 10/2004	REAR	ACDR657	SOLID	8.5
SUBARU	LIBERTY	14" WHEEL	10/1989 - 06/1994	REAR	ACDR644	SOLID	8.5
SUBARU	LIBERTY	EXCEPT 2.5	06/1994 - 10/1998	REAR	ACDR644	SOLID	8.5
SUBARU	LIBERTY	LIBERTY B4	08/2001 - 08/2003	FRONT	ACDR650	VENTED	22.0

MAKE	MODEL	TYPE	YEAR	AXLE	PART NUMBER	TYPE	MIN THICKNESS MM
SUBARU	LIBERTY	LIBERTY B4	08/2001 - 08/2003	REAR	ACDR653	VENTED	16.0
SUBARU	LIBERTY	LIBERTY GT	09/2003 - 07/2004	REAR	ACDR653	VENTED	16.0
SUBARU	OUTBACK		09/1996 - 10/2002	FRONT	ACDR648	VENTED	22.0
SUBARU	OUTBACK		10/1998 - 10/2002	REAR	ACDR657	SOLID	8.5
SUBARU	OUTBACK		09/1996 - 10/1998	REAR	ACDR644	SOLID	8.5
SUBARU	OUTBACK	2 LITRE, DIESEL, TURBO	09/2009 - 12/2014	REAR	ACDR1644	SOLID	8.5
SUBARU	OUTBACK	OUTBACK H6	10/2002 - 08/2003	FRONT	ACDR650	VENTED	22.0
SUBARU	OUTBACK	OUTBACK H6	09/2003 - 08/2006	FRONT	ACDR648	VENTED	22.0
SUBARU	OUTBACK	OUTBACK H6	10/2002 - 08/2006	REAR	ACDR657	SOLID	8.5
SUBARU	XV	GP 2 LITRE	01/2012 - 12/2014	REAR	ACDR1644	SOLID	8.5
<b>SUZUKI</b>							
SUZUKI	BALENO	1.6 LITRE	04/1995 - 11/2001	FRONT	ACDR519	VENTED	18.0
SUZUKI	GRAND VITARA	JT 4 CYL, V6	09/2005 - 12/2014	FRONT	ACDR1402	VENTED	23.0
SUZUKI	GRAND VITARA	JT 1.6 LITRE, 1.9 LITRE, 2 LITRE, 2.4 LITRE, 2.7 LITRE	09/2005 - 12/2014	REAR	ACDR1376	VENTED	14.0
SUZUKI	GRAND VITARA	SQ416(1.6)	02/2000 - 09/2002	FRONT	ACDR524	VENTED	15.0
SUZUKI	GRAND VITARA	SQ420(2.0) & SQ625(2.5) SWB	08/2001 - 07/2007	FRONT	ACDR524	VENTED	15.0
SUZUKI	GRAND VITARA	SQ420(2.0) & SQ625(2.5) LWB	08/2001 - 07/2007	FRONT	ACDR579	VENTED	20.0
SUZUKI	IGNIS	1.3 LITRE	10/2000 - 02/2005	FRONT	ACDR523	VENTED	15.0
SUZUKI	JIMNY		01/1999 - 06/2008	FRONT	ACDR513	SOLID	8.0
SUZUKI	SIERRA	SJ80	04/1996 - 12/1997	FRONT	ACDR513	SOLID	8.0
SUZUKI	SWIFT	CINO 1.3 LITRE	05/1994 - 05/2000	FRONT	ACDR022	VENTED	15.0
SUZUKI	SWIFT	RS415 / EZ DISC/DRUM	02/2005 - 12/2008	FRONT	ACDR1225	VENTED	18.0
SUZUKI	SWIFT	SF SF310 MODEL	01/1989 - 12/1994	FRONT	ACDR022	VENTED	15.0
SUZUKI	SX4		09/2007 - 12/2009	FRONT	ACDR1226	VENTED	20.0
SUZUKI	VITARA	SE416 4 CYL, SWB, TA01 MODEL, TD01 MODEL	07/1988 - 12/1998	FRONT	ACDR513	SOLID	8.0
SUZUKI	X90		04/1996 - 05/1998	FRONT	ACDR513	SOLID	8.0
<b>TOYOTA</b>							
TOYOTA	86	ZN6 GT MODEL	06/2012 - 01/2014	FRONT	ACDR648	VENTED	22.0
TOYOTA	86	ZN6 GTS MODEL	06/2012 - 01/2014	FRONT	ACDR650	VENTED	22.0
TOYOTA	86	ZN6 GTS MODEL	06/2012 - 01/2014	REAR	ACDR653	VENTED	16.0
TOYOTA	86	ZN6 2 LITRE	04/2012 - 01/2014	REAR	ACDR1644	SOLID	8.5
TOYOTA	AURION	ASV50 PBR CALIPER	10/2011 - 12/2014	REAR	ACDR1369	SOLID	8.5
TOYOTA	AURION	GSV40	10/2006 - 12/2009	FRONT	ACDR2709	VENTED	25.0
TOYOTA	AURION	GSV40	10/2006 - 02/2008	REAR	ACDR2707	SOLID	8.5
TOYOTA	AURION	GSV40	10/2011 - 12/2014	REAR	ACDR1369	SOLID	8.5
TOYOTA	AVALON	MCX10	07/2000 - 03/2006	FRONT	ACDR735	VENTED	26.0
TOYOTA	AVALON	MCX10	07/2000 - 09/2003	REAR	ACDR757	SOLID	8.0
TOYOTA	AVALON	MCX10	09/2003 - 03/2006	REAR	ACDR2707	SOLID	8.5
TOYOTA	AVENSIS VERSO	ACM20	12/2001 - 12/2002	FRONT	ACDR735	VENTED	26.0
TOYOTA	AVENSIS VERSO	ACM20	12/2002 - 10/2003	FRONT	ACDR735	VENTED	26.0
TOYOTA	AVENSIS VERSO	ACM21	10/2003 - 06/2009	FRONT	ACDR735	VENTED	26.0
TOYOTA	BUNDERA	RJ70/LJ70 COMMERCIAL	01/1985 - 12/1991	FRONT	ACDR154	SOLID	11.5
TOYOTA	CAMRY (& VIENTA)	ACV36 4 CYL	09/2002 - 06/2006	FRONT	ACDR735	VENTED	26.0
TOYOTA	CAMRY (& VIENTA)	ACV36 4 CYL	09/2002 - 06/2006	REAR	ACDR736	SOLID	9.0
TOYOTA	CAMRY (& VIENTA)	ACV36 CHECK DIAMETER	09/2002 - 06/2006	REAR	ACDR2707	SOLID	8.5
TOYOTA	CAMRY (& VIENTA)	ACV40	07/2006 - 12/2009	FRONT	ACDR2709	VENTED	25.0
TOYOTA	CAMRY (& VIENTA)	ACV40	07/2006 - 12/2009	REAR	ACDR2707	SOLID	8.5
TOYOTA	CAMRY (& VIENTA)	AHV40 2.4 LITRE, HYBRID ENGINE	01/2010 - 12/2014	REAR	ACDR1369	SOLID	8.5
TOYOTA	CAMRY (& VIENTA)	ASV50 2.5 LITRE, AUTO TRANS	01/2012 - 12/2014	REAR	ACDR1369	SOLID	8.5



MAKE	MODEL	TYPE	YEAR	AXLE	PART NUMBER	TYPE	MIN THICKNESS MM
TOYOTA	CAMRY (& VIENTA)	AVV50 2.5 LITRE, HYBRID ENGINE	01/2012 - 12/2014	REAR	ACDR1369	SOLID	8.5
TOYOTA	CAMRY (& VIENTA)	MCV20	08/1997 - 08/2002	FRONT	ACDR735	VENTED	26.0
TOYOTA	CAMRY (& VIENTA)	MCV20	08/1997 - 08/2002	REAR	ACDR736	SOLID	9.0
TOYOTA	CAMRY (& VIENTA)	MCV36	09/2002 - 06/2006	FRONT	ACDR735	VENTED	26.0
TOYOTA	CAMRY (& VIENTA)	MCV36	09/2002 - 06/2006	REAR	ACDR736	SOLID	9.0
TOYOTA	CAMRY (& VIENTA)	MCV36 CHECK DIAMETER	09/2002 - 06/2006	REAR	ACDR2707	SOLID	8.5
TOYOTA	CAMRY (& VIENTA)	SDV10	03/1993 - 08/1995	FRONT	ACDR733	VENTED	26.0
TOYOTA	CAMRY (& VIENTA)	SDV10 4 CYL	03/1993 - 08/1995	REAR	ACDR736	SOLID	9.0
TOYOTA	CAMRY (& VIENTA)	SXV10	04/1995 - 03/1998	FRONT	ACDR733	VENTED	26.0
TOYOTA	CAMRY (& VIENTA)	SXV10 SEDAN	04/1995 - 03/1998	REAR	ACDR736	SOLID	9.0
TOYOTA	CAMRY (& VIENTA)	SXV20	08/1997 - 08/2002	FRONT	ACDR733	VENTED	26.0
TOYOTA	CAMRY (& VIENTA)	SXV20	08/1997 - 08/2002	REAR	ACDR736	SOLID	9.0
TOYOTA	CAMRY (& VIENTA)	VCV10	08/1995 - 08/1997	FRONT	ACDR735	VENTED	26.0
TOYOTA	CAMRY (& VIENTA)	VCV10 SEDAN	08/1995 - 08/1997	REAR	ACDR736	SOLID	9.0
TOYOTA	CAMRY (& VIENTA)	VDV10 V6	03/1993 - 09/1995	FRONT	ACDR735	VENTED	26.0
TOYOTA	CAMRY (& VIENTA)	VDV10 SEDAN, V6	03/1993 - 09/1995	REAR	ACDR736	SOLID	9.0
TOYOTA	CELICA	ZZT231	11/1999 - 10/2004	REAR	ACDR563	SOLID	7.5
TOYOTA	COROLLA	AE102 DISC/DISC	09/1994 - 04/2000	REAR	ACDR710	SOLID	8.0
TOYOTA	COROLLA	AE112	10/1998 - 11/2001	REAR	ACDR710	SOLID	8.0
TOYOTA	COROLLA	AE80 HATCHBACK, SEDAN	04/1985 - 05/1989	FRONT	ACDR701	SOLID	12.5
TOYOTA	COROLLA	AE82 SOHC	04/1985 - 05/1989	FRONT	ACDR701	SOLID	12.5
TOYOTA	COROLLA	AE90 1.4 LITRE, HATCHBACK, SEDAN	06/1989 - 11/1992	FRONT	ACDR701	SOLID	12.5
TOYOTA	COROLLA	AE92 1.6 LITRE	06/1989 - 09/1994	FRONT	ACDR701	SOLID	12.5
TOYOTA	COROLLA	ZRE152	05/2007 - 12/2009	FRONT	ACDR1110	VENTED	23.0
TOYOTA	COROLLA	ZRE152	05/2007 - 12/2009	REAR	ACDR1111	SOLID	8.0
TOYOTA	COROLLA	ZRE153	06/2010 - 01/2014	FRONT	ACDR1110	VENTED	23.0
TOYOTA	COROLLA	ZRE153 CHECK DIAMETER	06/2010 - 01/2014	REAR	ACDR1111	SOLID	8.0
TOYOTA	COROLLA	ZZE122	12/2001 - 03/2007	FRONT	ACDR712	VENTED	23.0
TOYOTA	COROLLA	ZZE122	12/2001 - 02/2005	REAR	ACDR713	SOLID	8.0
TOYOTA	COROLLA	ZZE122 STH AFRICA	08/2002 - 02/2007	FRONT	ACDR712	VENTED	23.0
TOYOTA	COROLLA	ZZE122 STH AFRICA	08/2002 - 02/2007	REAR	ACDR1079	SOLID	8.0
TOYOTA	COROLLA	ZZE123	05/2003 - 04/2006	FRONT	ACDR759	VENTED	23.0
TOYOTA	COROLLA	ZZE123	05/2003 - 02/2005	REAR	ACDR713	SOLID	8.0
TOYOTA	DYNA	LH80 COMMERCIAL	11/1985 - 03/1988	FRONT	ACDR156	VENTED	24.0
TOYOTA	DYNA	LH80 COMMERCIAL	04/1988 - 04/1991	FRONT	ACDR156	VENTED	24.0
TOYOTA	DYNA	YH81 COMMERCIAL	11/1985 - 03/1988	FRONT	ACDR156	VENTED	24.0
TOYOTA	DYNA	YH81 COMMERCIAL	04/1988 - 10/1992	FRONT	ACDR156	VENTED	24.0
TOYOTA	DYNA	YY100	01/1995 - 09/2001	FRONT	ACDR156	VENTED	24.0
TOYOTA	ECHO	NCP10 ABS, NON-ABS	10/1999 - 02/2005	FRONT	ACDR723	VENTED	16.0
TOYOTA	ECHO	NCP12 ABS, NON-ABS	10/1999 - 02/2005	FRONT	ACDR723	VENTED	16.0
TOYOTA	ECHO	NCP13	03/2001 - 10/2005	FRONT	ACDR723	VENTED	16.0
TOYOTA	HIACE	KDH (200-223)	01/2005 - 12/2009	FRONT	ACDR1081	VENTED	26.0
TOYOTA	HIACE	LH (103/113/125) ALL MODELS	10/1989 - 09/2000	FRONT	ACDR766	VENTED	23.0
TOYOTA	HIACE	LH (50/60/70) ALL MODELS, COMMERCIAL	01/1983 - 12/1983	FRONT	ACDR156	VENTED	24.0
TOYOTA	HIACE	LH (51/61/71) ALL MODELS, COMMERCIAL	03/1984 - 12/1989	FRONT	ACDR156	VENTED	24.0
TOYOTA	HIACE	LH162/172	10/2000 - 10/2001	FRONT	ACDR767	VENTED	26.0
TOYOTA	HIACE	LH172	10/2000 - 02/2005	FRONT	ACDR767	VENTED	26.0
TOYOTA	HIACE	LH184	10/2000 - 02/2005	FRONT	ACDR767	VENTED	26.0

MAKE	MODEL	TYPE	YEAR	AXLE	PART NUMBER	TYPE	MIN THICKNESS MM
TOYOTA	HIACE	RCH12	10/1995 - 02/2005	FRONT	ACDR768	VENTED	26.0
TOYOTA	HIACE	RCH22	10/1999 - 02/2005	FRONT	ACDR768	VENTED	26.0
TOYOTA	HIACE	RZH (103/113/125) ALL MODELS	10/1989 - 02/2005	FRONT	ACDR766	VENTED	23.0
TOYOTA	HIACE	TRH (201-223)	01/2005 - 12/2009	FRONT	ACDR1081	VENTED	26.0
TOYOTA	HIACE	YH (50/51/61/71) ALL MODELS, COMMERCIAL	01/1983 - 12/1986	FRONT	ACDR156	VENTED	24.0
TOYOTA	HIACE	YH (53/63/73) ALL MODELS, COMMERCIAL	10/1986 - 03/1988	FRONT	ACDR156	VENTED	24.0
TOYOTA	HIACE	YH (53/63/73) ALL MODELS, COMMERCIAL	04/1988 - 10/1989	FRONT	ACDR156	VENTED	24.0
TOYOTA	HILUX/4 RUNNER	GGN15	03/2005 - 08/2008	FRONT	ACDR2715	VENTED	26.0
TOYOTA	HILUX/4 RUNNER	GGN15	08/2008 - 12/2009	FRONT	ACDR1270	VENTED	26.0
TOYOTA	HILUX/4 RUNNER	GGN25	03/2005 - 12/2009	FRONT	ACDR2714	VENTED	23.0
TOYOTA	HILUX/4 RUNNER	KUN16	03/2005 - 08/2008	FRONT	ACDR2715	VENTED	26.0
TOYOTA	HILUX/4 RUNNER	KUN16	08/2008 - 12/2009	FRONT	ACDR1270	VENTED	26.0
TOYOTA	HILUX/4 RUNNER	KUN26	03/2005 - 12/2009	FRONT	ACDR2714	VENTED	23.0
TOYOTA	HILUX/4 RUNNER	KZN165	12/1999 - 10/2004	FRONT	ACDR780	VENTED	18.0
TOYOTA	HILUX/4 RUNNER	LN (106/111) 4X4, COMMERCIAL, LN106 MODEL	10/1988 - 12/1997	FRONT	ACDR151	VENTED	19.0
TOYOTA	HILUX/4 RUNNER	LN (106/111) 4X4, COMMERCIAL, LN111 MODEL	10/1988 - 12/1997	FRONT	ACDR780	VENTED	18.0
TOYOTA	HILUX/4 RUNNER	LN (40/46) 4X4, COMMERCIAL, LN46 MODEL	11/1981 - 12/1983	FRONT	ACDR154	SOLID	11.5
TOYOTA	HILUX/4 RUNNER	LN (55/56/65) 4X4, COMMERCIAL, LN65 MODEL	11/1983 - 10/1988	FRONT	ACDR154	SOLID	11.5
TOYOTA	HILUX/4 RUNNER	LN (55/56/65) COMMERCIAL, LN55 MODEL, LN56 MODEL	11/1983 - 10/1988	FRONT	ACDR156	VENTED	24.0
TOYOTA	HILUX/4 RUNNER	LN (85/86) COMMERCIAL, LN85 MODEL, LN86 MODEL	10/1988 - 11/1997	FRONT	ACDR156	VENTED	24.0
TOYOTA	HILUX/4 RUNNER	LN107	01/1992 - 12/1997	FRONT	ACDR780	VENTED	18.0
TOYOTA	HILUX/4 RUNNER	LN130 4 RUNNER MODEL, 4X4, COMMERCIAL	10/1989 - 08/1991	FRONT	ACDR780	VENTED	18.0
TOYOTA	HILUX/4 RUNNER	LN130 4 RUNNER MODEL, 4X4, COMMERCIAL	09/1991 - 07/1996	FRONT	ACDR775	VENTED	23.0
TOYOTA	HILUX/4 RUNNER	LN147	11/1997 - 10/2004	FRONT	ACDR156	VENTED	24.0
TOYOTA	HILUX/4 RUNNER	LN167	11/1997 - 10/2004	FRONT	ACDR780	VENTED	18.0
TOYOTA	HILUX/4 RUNNER	LN172	01/1998 - 10/2004	FRONT	ACDR780	VENTED	18.0
TOYOTA	HILUX/4 RUNNER	LN60 4 RUNNER MODEL, 4X4, COMMERCIAL	07/1984 - 11/1985	FRONT	ACDR154	SOLID	11.5
TOYOTA	HILUX/4 RUNNER	LN61 4 RUNNER MODEL, 4X4, COMMERCIAL	11/1985 - 09/1989	FRONT	ACDR780	VENTED	18.0
TOYOTA	HILUX/4 RUNNER	RN (105/110/130) 4X4, COMMERCIAL, RN105 MODEL	10/1988 - 12/1997	FRONT	ACDR151	VENTED	19.0
TOYOTA	HILUX/4 RUNNER	RN (105/110/130) 4X4, COMMERCIAL, RN110 MODEL	10/1988 - 12/1997	FRONT	ACDR780	VENTED	18.0
TOYOTA	HILUX/4 RUNNER	RN (105/110/130) 4 RUNNER MODEL, COMMERCIAL, RN130 MODEL	10/1989 - 08/1991	FRONT	ACDR780	VENTED	18.0
TOYOTA	HILUX/4 RUNNER	RN (105/110/130) 4 RUNNER MODEL, COMMERCIAL, RN130 MODEL	09/1991 - 12/1994	FRONT	ACDR775	VENTED	23.0
TOYOTA	HILUX/4 RUNNER	RN (31/36/41/46) 4X4, COMMERCIAL, RN36 MODEL, RN46 MODEL	08/1980 - 12/1983	FRONT	ACDR154	SOLID	11.5
TOYOTA	HILUX/4 RUNNER	RN (85/90) COMMERCIAL, RN85 MODEL	10/1988 - 12/1997	FRONT	ACDR156	VENTED	24.0
TOYOTA	HILUX/4 RUNNER	RN106	01/1992 - 11/1997	FRONT	ACDR780	VENTED	18.0
TOYOTA	HILUX/4 RUNNER	RZN147	11/1997 - 10/2001	FRONT	ACDR156	VENTED	24.0
TOYOTA	HILUX/4 RUNNER	RZN149	11/1997 - 10/2004	FRONT	ACDR156	VENTED	24.0
TOYOTA	HILUX/4 RUNNER	RZN154	01/1998 - 10/2004	FRONT	ACDR156	VENTED	24.0
TOYOTA	HILUX/4 RUNNER	RZN169	11/1997 - 10/2002	FRONT	ACDR780	VENTED	18.0
TOYOTA	HILUX/4 RUNNER	RZN174	01/1998 - 10/2002	FRONT	ACDR780	VENTED	18.0
TOYOTA	HILUX/4 RUNNER	TGN16	03/2005 - 08/2008	FRONT	ACDR2715	VENTED	26.0
TOYOTA	HILUX/4 RUNNER	TGN16	08/2008 - 12/2009	FRONT	ACDR1270	VENTED	26.0
TOYOTA	HILUX/4 RUNNER	VZN130 4 RUNNER MODEL, COMMERCIAL	10/1990 - 08/1991	FRONT	ACDR780	VENTED	18.0
TOYOTA	HILUX/4 RUNNER	VZN130 4 RUNNER MODEL, COMMERCIAL	09/1991 - 07/1996	FRONT	ACDR775	VENTED	23.0
TOYOTA	HILUX/4 RUNNER	VZN167	11/2002 - 10/2004	FRONT	ACDR780	VENTED	18.0
TOYOTA	HILUX/4 RUNNER	YN (55/56) ALL MODELS, COMMERCIAL	11/1983 - 09/1988	FRONT	ACDR156	VENTED	24.0

MAKE	MODEL	TYPE	YEAR	AXLE	PART NUMBER	TYPE	MIN THICKNESS MM
TOYOTA	HILUX/4 RUNNER	YN (57/60/65) 4X4, COMMERCIAL, YN60 MODEL, YN65 MODEL	11/1983 - 12/1987	FRONT	ACDR154	SOLID	11.5
TOYOTA	HILUX/4 RUNNER	YN (63/67) 4X4, COMMERCIAL, YN67 MODEL	11/1985 - 05/1989	FRONT	ACDR154	SOLID	11.5
TOYOTA	HILUX/4 RUNNER	YN (63/67) 4 RUNNER MODEL, 4X4, COMMERCIAL, YN63 MODEL	11/1985 - 05/1989	FRONT	ACDR780	VENTED	18.0
TOYOTA	HILUX/4 RUNNER	YN130 4 RUNNER MODEL, COMMERCIAL, DISC/DRUM	10/1989 - 12/1990	FRONT	ACDR780	VENTED	18.0
TOYOTA	HILUX/4 RUNNER	YN58 4X2, COMMERCIAL	10/1987 - 12/1988	FRONT	ACDR156	VENTED	24.0
TOYOTA	HILUX/4 RUNNER	YN85 COMMERCIAL, DISC/DRUM	10/1988 - 11/1997	FRONT	ACDR156	VENTED	24.0
TOYOTA	KLUGER	GSU40R	05/2007 - 12/2009	FRONT	ACDR2734	VENTED	25.0
TOYOTA	KLUGER	GSU40R	05/2007 - 12/2009	REAR	ACDR2735	SOLID	8.5
TOYOTA	KLUGER	MCU28	11/2003 - 05/2007	FRONT	ACDR2730	VENTED	26.0
TOYOTA	KLUGER	MCU28	11/2003 - 05/2007	REAR	ACDR1063	SOLID	8.5
TOYOTA	LANDCRUISER	BJ (40/42) BJ42 MODEL	10/1980 - 12/1984	FRONT	ACDR151	VENTED	19.0
TOYOTA	LANDCRUISER	BJ (70/73) ALL MODELS, COMMERCIAL	01/1985 - 03/1990	FRONT	ACDR151	VENTED	19.0
TOYOTA	LANDCRUISER	BJ74 COMMERCIAL	03/1986 - 12/1990	FRONT	ACDR151	VENTED	19.0
TOYOTA	LANDCRUISER	FJ (40/45/55) FJ40 MODEL	10/1980 - 12/1984	FRONT	ACDR151	VENTED	19.0
TOYOTA	LANDCRUISER	FJ (60/62) ALL MODELS, COMMERCIAL	01/1981 - 04/1990	FRONT	ACDR151	VENTED	19.0
TOYOTA	LANDCRUISER	FJ (70/73/75) ALL MODELS, COMMERCIAL	01/1985 - 10/1992	FRONT	ACDR151	VENTED	19.0
TOYOTA	LANDCRUISER	FJ80 4 LITRE, COMMERCIAL	05/1990 - 10/1992	FRONT	ACDR782	VENTED	23.0
TOYOTA	LANDCRUISER	FJ80 COMMERCIAL	05/1990 - 10/1992	REAR	ACDR785	VENTED	16.0
TOYOTA	LANDCRUISER	FZJ (70/80) COMMERCIAL, FZJ70 MODEL	11/1992 - 05/1995	FRONT	ACDR151	VENTED	19.0
TOYOTA	LANDCRUISER	FZJ (70/80) COMMERCIAL, FZJ80 MODEL	11/1992 - 02/1998	FRONT	ACDR784	VENTED	30.0
TOYOTA	LANDCRUISER	FZJ (70/80) COMMERCIAL, FZJ70 MODEL	11/1992 - 05/1995	REAR	ACDR787	VENTED	16.0
TOYOTA	LANDCRUISER	FZJ (70/80) COMMERCIAL, FZJ80 MODEL	11/1992 - 02/1998	REAR	ACDR786	VENTED	16.0
TOYOTA	LANDCRUISER	FZJ105	03/1998 - 09/2002	FRONT	ACDR790	VENTED	30.0
TOYOTA	LANDCRUISER	FZJ105	03/1998 - 09/2002	REAR	ACDR791	VENTED	16.0
TOYOTA	LANDCRUISER	FZJ75 COMMERCIAL	11/1992 - 11/1999	FRONT	ACDR151	VENTED	19.0
TOYOTA	LANDCRUISER	FZJ75 COMMERCIAL	11/1992 - 11/1999	REAR	ACDR787	VENTED	16.0
TOYOTA	LANDCRUISER	FZJ78	10/1999 - 07/2001	FRONT	ACDR790	VENTED	30.0
TOYOTA	LANDCRUISER	FZJ79	10/1999 - 02/2007	FRONT	ACDR790	VENTED	30.0
TOYOTA	LANDCRUISER	GRJ120 (PRADO)	03/2003 - 10/2009	FRONT	ACDR2700	VENTED	26.0
TOYOTA	LANDCRUISER	GRJ120 (PRADO)	03/2003 - 10/2009	REAR	ACDR793	VENTED	16.0
TOYOTA	LANDCRUISER	GRJ150 (PRADO)	08/2009 - 06/2010	FRONT	ACDR2736	VENTED	29.0
TOYOTA	LANDCRUISER	HDJ100	10/2000 - 10/2004	FRONT	ACDR788	VENTED	30.0
TOYOTA	LANDCRUISER	HDJ100	10/2000 - 10/2004	REAR	ACDR789	VENTED	16.0
TOYOTA	LANDCRUISER	HDJ78	11/2001 - 10/2004	FRONT	ACDR790	VENTED	30.0
TOYOTA	LANDCRUISER	HDJ78	11/2001 - 10/2004	REAR	ACDR794	VENTED	16.0
TOYOTA	LANDCRUISER	HDJ79	11/2001 - 10/2004	FRONT	ACDR790	VENTED	30.0
TOYOTA	LANDCRUISER	HDJ79	11/2001 - 10/2004	REAR	ACDR794	VENTED	16.0
TOYOTA	LANDCRUISER	HDJ80 COMMERCIAL, DIESEL, TURBO	08/1992 - 02/1998	FRONT	ACDR784	VENTED	30.0
TOYOTA	LANDCRUISER	HDJ80 COMMERCIAL, DIESEL, TURBO	05/1990 - 07/1992	FRONT	ACDR782	VENTED	23.0
TOYOTA	LANDCRUISER	HDJ80 COMMERCIAL	05/1990 - 07/1992	REAR	ACDR785	VENTED	16.0
TOYOTA	LANDCRUISER	HDJ80 COMMERCIAL	08/1992 - 02/1998	REAR	ACDR786	VENTED	16.0
TOYOTA	LANDCRUISER	HJ (45/47) HJ47 MODEL	01/1983 - 12/1984	FRONT	ACDR151	VENTED	19.0
TOYOTA	LANDCRUISER	HJ (60/61/75) ALL MODELS, COMMERCIAL	11/1980 - 04/1990	FRONT	ACDR151	VENTED	19.0
TOYOTA	LANDCRUISER	HZJ (70/73/75) ALL MODELS, COMMERCIAL	03/1990 - 12/1999	FRONT	ACDR151	VENTED	19.0
TOYOTA	LANDCRUISER	HZJ (70/73/75) COMMERCIAL, HZJ70 MODEL, HZJ75 MODEL	08/1992 - 12/1999	REAR	ACDR787	VENTED	16.0
TOYOTA	LANDCRUISER	HZJ105	03/1998 - 10/2007	FRONT	ACDR790	VENTED	30.0
TOYOTA	LANDCRUISER	HZJ105	03/1998 - 10/2007	REAR	ACDR791	VENTED	16.0

MAKE	MODEL	TYPE	YEAR	AXLE	PART NUMBER	TYPE	MIN THICKNESS MM
TOYOTA	LANDCRUISER	HZJ78	10/1999 - 10/2004	FRONT	ACDR790	VENTED	30.0
TOYOTA	LANDCRUISER	HZJ78	10/1999 - 10/2004	REAR	ACDR794	VENTED	16.0
TOYOTA	LANDCRUISER	HZJ79	10/1999 - 10/2004	FRONT	ACDR790	VENTED	30.0
TOYOTA	LANDCRUISER	HZJ79	10/1999 - 10/2004	REAR	ACDR794	VENTED	16.0
TOYOTA	LANDCRUISER	HZJ80 COMMERCIAL, DIESEL	08/1992 - 02/1998	FRONT	ACDR784	VENTED	30.0
TOYOTA	LANDCRUISER	HZJ80 COMMERCIAL, DIESEL	04/1990 - 07/1992	FRONT	ACDR782	VENTED	23.0
TOYOTA	LANDCRUISER	HZJ80 COMMERCIAL	04/1990 - 07/1992	REAR	ACDR785	VENTED	16.0
TOYOTA	LANDCRUISER	HZJ80 COMMERCIAL	08/1992 - 02/1998	REAR	ACDR786	VENTED	16.0
TOYOTA	LANDCRUISER	KDJ120 (PRADO)	11/2006 - 10/2009	FRONT	ACDR2700	VENTED	26.0
TOYOTA	LANDCRUISER	KDJ120 (PRADO)	11/2006 - 10/2009	REAR	ACDR793	VENTED	16.0
TOYOTA	LANDCRUISER	KDJ150 (PRADO)	08/2009 - 06/2010	FRONT	ACDR2736	VENTED	29.0
TOYOTA	LANDCRUISER	KZJ120 (PRADO)	09/2002 - 02/2007	FRONT	ACDR2700	VENTED	26.0
TOYOTA	LANDCRUISER	KZJ120 (PRADO)	09/2002 - 02/2007	REAR	ACDR793	VENTED	16.0
TOYOTA	LANDCRUISER	KZJ95 (PRADO)	03/2000 - 02/2003	FRONT	ACDR792	VENTED	20.0
TOYOTA	LANDCRUISER	KZJ95 (PRADO)	03/2000 - 02/2003	REAR	ACDR793	VENTED	16.0
TOYOTA	LANDCRUISER	PZJ (70/73) ALL MODELS, COMMERCIAL	03/1990 - 02/1991	FRONT	ACDR151	VENTED	19.0
TOYOTA	LANDCRUISER	RZJ120 (PRADO)	03/2003 - 08/2004	FRONT	ACDR2700	VENTED	26.0
TOYOTA	LANDCRUISER	RZJ120 (PRADO)	03/2003 - 08/2004	REAR	ACDR793	VENTED	16.0
TOYOTA	LANDCRUISER	RZJ95 (PRADO)	07/1996 - 05/2002	FRONT	ACDR792	VENTED	20.0
TOYOTA	LANDCRUISER	RZJ95 (PRADO)	07/1996 - 05/2002	REAR	ACDR793	VENTED	16.0
TOYOTA	LANDCRUISER	UZJ100	03/1998 - 10/2004	FRONT	ACDR788	VENTED	30.0
TOYOTA	LANDCRUISER	UZJ100	03/1998 - 10/2004	REAR	ACDR789	VENTED	16.0
TOYOTA	LANDCRUISER	UZJ200	07/2008 - 12/2009	FRONT	ACDR2722	VENTED	29.0
TOYOTA	LANDCRUISER	UZJ200	07/2008 - 12/2009	REAR	ACDR2723	VENTED	16.0
TOYOTA	LANDCRUISER	VDJ200	07/2008 - 12/2009	FRONT	ACDR2722	VENTED	29.0
TOYOTA	LANDCRUISER	VDJ200	07/2008 - 12/2009	REAR	ACDR2723	VENTED	16.0
TOYOTA	LANDCRUISER	VDJ76	03/2007 - 12/2009	FRONT	ACDR790	VENTED	30.0
TOYOTA	LANDCRUISER	VDJ76	03/2007 - 12/2009	REAR	ACDR794	VENTED	16.0
TOYOTA	LANDCRUISER	VDJ78	03/2007 - 12/2009	FRONT	ACDR790	VENTED	30.0
TOYOTA	LANDCRUISER	VDJ78	03/2007 - 12/2009	REAR	ACDR794	VENTED	16.0
TOYOTA	LANDCRUISER	VDJ79	03/2007 - 12/2009	FRONT	ACDR790	VENTED	30.0
TOYOTA	LANDCRUISER	VDJ79	03/2007 - 12/2009	REAR	ACDR794	VENTED	16.0
TOYOTA	LANDCRUISER	VZJ95 (PRADO)	07/1996 - 02/2003	FRONT	ACDR792	VENTED	20.0
TOYOTA	LANDCRUISER	VZJ95 (PRADO)	07/1996 - 02/2003	REAR	ACDR793	VENTED	16.0
TOYOTA	LEXCEN	VN19/35 S/WAGON, SEDAN	09/1991 - 11/1991	FRONT	ACDR027	VENTED	21.0
TOYOTA	LEXCEN	VN19/35 S/WAGON, SEDAN	09/1989 - 08/1991	FRONT	ACDR015	VENTED	20.0
TOYOTA	LEXCEN	VN19/35 S/WAGON, SEDAN	09/1989 - 11/1991	REAR	ACDR016	SOLID	8.5
TOYOTA	LEXCEN	VP19/35 (& NEWPORT) NON-ABS	05/1992 - 07/1992	FRONT	ACDR027	VENTED	21.0
TOYOTA	LEXCEN	VP19/35 (& NEWPORT) 32 TEETH (ABS), W/O IRS	07/1992 - 08/1993	FRONT	ACDR027	VENTED	21.0
TOYOTA	LEXCEN	VP19/35 (& NEWPORT) 48 TEETH (ABS), IRS	07/1992 - 08/1993	FRONT	ACDR027	VENTED	21.0
TOYOTA	LEXCEN	VP19/35 (& NEWPORT) NON-ABS	08/1992 - 08/1993	FRONT	ACDR025	VENTED	20.0
TOYOTA	LEXCEN	VP19/35 (& NEWPORT) NON-ABS	11/1991 - 04/1992	FRONT	ACDR015	VENTED	20.0
TOYOTA	LEXCEN	VP19/35 (& NEWPORT) IRS	11/1991 - 08/1993	REAR	ACDR026	SOLID	8.5
TOYOTA	LEXCEN	VP19/35 (& NEWPORT) W/O IRS	11/1991 - 08/1993	REAR	ACDR016	SOLID	8.5
TOYOTA	LEXCEN	VR19/35 (& NEWPORT) ABS, NON-ABS	08/1993 - 04/1995	FRONT	ACDR035	VENTED	20.0
TOYOTA	LEXCEN	VR19/35 (& NEWPORT) IRS	08/1993 - 03/1995	REAR	ACDR036	SOLID	8.5
TOYOTA	LEXCEN	VR19/35 (& NEWPORT) W/O IRS	08/1993 - 03/1995	REAR	ACDR016	SOLID	8.5
TOYOTA	LEXCEN	VS19/35 (& NEWPORT) V6	05/1995 - 05/1997	FRONT	ACDR035	VENTED	20.0

MAKE	MODEL	TYPE	YEAR	AXLE	PART NUMBER	TYPE	MIN THICKNESS MM
TOYOTA	LEXCEN	VS19/35 (& NEWPORT) IRS	05/1995 - 12/1996	REAR	ACDR036	SOLID	8.5
TOYOTA	LEXCEN	VS19/35 (& NEWPORT) W/O IRS	05/1995 - 05/1997	REAR	ACDR016	SOLID	8.5
TOYOTA	LITEACE	CM (20/36) CM36 MODEL	08/1988 - 03/1992	FRONT	ACDR158	VENTED	19.0
TOYOTA	LITEACE	CM35	01/1986 - 03/1992	FRONT	ACDR158	VENTED	19.0
TOYOTA	LITEACE	KM (20/36) COMMERCIAL, KM36 MODEL	01/1986 - 03/1992	FRONT	ACDR158	VENTED	19.0
TOYOTA	LITEACE	YM (21/30/35) COMMERCIAL, YM30 MODEL, YM35 MODEL	01/1986 - 03/1992	FRONT	ACDR158	VENTED	19.0
TOYOTA	PRIUS	NHP10	03/2012 - 12/2014	FRONT	ACDR2718	VENTED	19.0
TOYOTA	PRIUS	NHW20R	08/2003 - 03/2009	FRONT	ACDR1090	VENTED	20.0
TOYOTA	PRIUS	NHW20R	08/2003 - 03/2009	REAR	ACDR563	SOLID	7.5
TOYOTA	PRIUS	NWH11R	10/2001 - 10/2003	FRONT	ACDR712	VENTED	23.0
TOYOTA	PRIUS	NWH11R	10/2001 - 10/2003	REAR	ACDR713	SOLID	8.0
TOYOTA	RAV 4	ACA20	07/2000 - 03/2003	FRONT	ACDR692	VENTED	23.0
TOYOTA	RAV 4	ACA20	07/2000 - 03/2003	REAR	ACDR693	SOLID	8.0
TOYOTA	RAV 4	ACA21	07/2000 - 09/2001	FRONT	ACDR692	VENTED	23.0
TOYOTA	RAV 4	ACA21	07/2000 - 09/2003	REAR	ACDR693	SOLID	8.0
TOYOTA	RAV 4	ACA22	10/2003 - 01/2006	FRONT	ACDR692	VENTED	23.0
TOYOTA	RAV 4	ACA22	10/2003 - 01/2006	REAR	ACDR693	SOLID	8.0
TOYOTA	RAV 4	ACA23	10/2003 - 01/2006	FRONT	ACDR692	VENTED	23.0
TOYOTA	RAV 4	ACA23	10/2003 - 01/2006	REAR	ACDR693	SOLID	8.0
TOYOTA	RAV 4	ACA33	11/2005 - 12/2009	FRONT	ACDR1222	VENTED	25.0
TOYOTA	RAV 4	ACA33	11/2005 - 12/2009	REAR	ACDR1223	SOLID	10.5
TOYOTA	RAV 4	GSA33	11/2005 - 12/2009	FRONT	ACDR1222	VENTED	25.0
TOYOTA	RAV 4	GSA33	11/2005 - 12/2009	REAR	ACDR1223	SOLID	10.5
TOYOTA	RAV 4	SXA10	07/1994 - 08/2000	FRONT	ACDR690	VENTED	16.0
TOYOTA	RAV 4	SXA10	07/1994 - 08/2000	REAR	ACDR691	SOLID	8.0
TOYOTA	RAV 4	SXA11	07/1995 - 09/2000	FRONT	ACDR690	VENTED	16.0
TOYOTA	RAV 4	SXA11	07/1995 - 09/2000	REAR	ACDR691	SOLID	8.0
TOYOTA	SUPRA	MA70 HATCHBACK	03/1986 - 09/1990	REAR	ACDR716	VENTED	17.0
TOYOTA	SUPRA	MA71 HATCHBACK	10/1988 - 04/1993	REAR	ACDR716	VENTED	17.0
TOYOTA	SURF	KZN130	08/1993 - 12/1997	FRONT	ACDR775	VENTED	23.0
TOYOTA	TARAGO	ACR30	06/2000 - 04/2003	FRONT	ACDR735	VENTED	26.0
TOYOTA	TARAGO	ACR30	04/2003 - 01/2006	FRONT	ACDR2730	VENTED	26.0
TOYOTA	TARAGO	ACR50	01/2006 - 06/2013	FRONT	ACDR2730	VENTED	26.0
TOYOTA	TARAGO	CR21 2DR WAGON, DISC/DRUM	01/1986 - 12/1988	FRONT	ACDR158	VENTED	19.0
TOYOTA	TARAGO	GSR50	01/2006 - 06/2013	FRONT	ACDR2730	VENTED	26.0
TOYOTA	TARAGO	TCR (10/11/20/21) DISC/DISC, NON-ABS, TCR10 MODEL, TCR11 MODEL, TCR21 MODEL	09/1990 - 08/2000	FRONT	ACDR761	VENTED	20.0
TOYOTA	TARAGO	TCR (10/11/20/21) TCR10 MODEL, TCR11 MODEL, TCR21 MODEL	09/1990 - 08/2000	REAR	ACDR716	VENTED	17.0
TOYOTA	TARAGO	YR (21/22/31) YR21 MODEL, YR22 MODEL	08/1985 - 01/1990	FRONT	ACDR158	VENTED	19.0
TOYOTA	YARIS	NCP130	11/2011 - 12/2014	FRONT	ACDR2718	VENTED	19.0
TOYOTA	YARIS	NCP131	11/2011 - 12/2014	FRONT	ACDR2718	VENTED	19.0
TOYOTA	YARIS	NCP90	11/2005 - 12/2009	FRONT	ACDR2718	VENTED	19.0
TOYOTA	YARIS	NCP91	11/2005 - 12/2009	FRONT	ACDR2718	VENTED	19.0
<b>VOLVO</b>							
VOLVO	240/242/244/245	ALL MODELS	03/1975 - 12/1991	REAR	ACDR381	SOLID	8.4
VOLVO	260/264/265	ALL MODELS	08/1975 - 03/1986	REAR	ACDR381	SOLID	8.4
VOLVO	740	SEDAN, W/O MULTILINK	09/1985 - 12/1991	REAR	ACDR381	SOLID	8.4
VOLVO	760	SEDAN, W/O MULTILINK	01/1984 - 12/1987	REAR	ACDR381	SOLID	8.4

MAKE	MODEL	TYPE	YEAR	AXLE	PART NUMBER	TYPE	MIN THICKNESS MM
<b>VW</b>							
VW	BEETLE (NEW)	1.6	01/2002 - 09/2005	FRONT	ACDR801	VENTED	19.0
VW	BEETLE (NEW)	1.6	01/2002 - 09/2005	REAR	ACDR803	SOLID	7.0
VW	BEETLE (NEW)	1.8 TURBO	09/2001 - 09/2005	REAR	ACDR803	SOLID	7.0
VW	BEETLE (NEW)	2	01/2000 - 09/2005	FRONT	ACDR801	VENTED	19.0
VW	BEETLE (NEW)	2	01/2000 - 09/2005	REAR	ACDR803	SOLID	7.0
VW	BORA	2	12/1999 - 09/2005	REAR	ACDR803	SOLID	7.0
VW	BORA	2.3 (V5) SOLID DISCS	12/1999 - 03/2007	REAR	ACDR803	SOLID	7.0
VW	BORA	2.3 (V5) VENTED DISCS	12/1999 - 03/2007	REAR	ACDR800	VENTED	19.0
VW	BORA V6 4 MOTION	2.8	06/2001 - 02/2005	REAR	ACDR800	VENTED	19.0
VW	CADDY		06/2006 - 06/2008	FRONT	ACDR1194	VENTED	22.0
VW	CADDY		06/2006 - 06/2008	REAR	ACDR1196	SOLID	10.0
VW	GOLF	GOLF (1.4 LITRE) 1ZM OPTION, DOHC, GT SPORT TSI, HATCHBACK	08/2007 - 09/2009	FRONT	ACDR1193	VENTED	19.0
VW	GOLF	GOLF (1.4 LITRE) 1ZF OPTION, DOHC, HATCHBACK, TSI MODEL	03/2009 - 12/2009	FRONT	ACDR1193	VENTED	19.0
VW	GOLF	GOLF (1.4 LITRE) 1ZE OPTION, 1ZP OPTION, DOHC, GT SPORT TSI, HATCHBACK	08/2007 - 09/2009	FRONT	ACDR1194	VENTED	22.0
VW	GOLF	GOLF (1.4 LITRE) 1ZE OPTION, 1ZP OPTION, DOHC, HATCHBACK, TSI MODEL	03/2009 - 12/2009	FRONT	ACDR1194	VENTED	22.0
VW	GOLF	GOLF (1.4 LITRE) 1LJ OPTION, 1ZD OPTION, DOHC, GT SPORT TSI, HATCHBACK	08/2007 - 09/2009	FRONT	ACDR2806	VENTED	22.0
VW	GOLF	GOLF (1.4 LITRE) 1LJ OPTION, 1LL OPTION, 1LV OPTION, 1ZD OPTION, DOHC, HATCHBACK, TSI MODEL	03/2009 - 12/2009	FRONT	ACDR2806	VENTED	22.0
VW	GOLF	GOLF (1.4 LITRE) 1KJ OPTION, DOHC, GT SPORT TSI, HATCHBACK	08/2007 - 09/2009	REAR	ACDR2807	SOLID	10.0
VW	GOLF	GOLF (1.4 LITRE) 1KV OPTION, 1KY OPTION, 1KZ OPTION, DOHC, HATCHBACK, TSI MODEL	03/2009 - 12/2009	REAR	ACDR2807	SOLID	10.0
VW	GOLF	GOLF (1.4 LITRE) 1KD OPTION, DOHC, HATCHBACK, TSI MODEL	03/2009 - 12/2009	REAR	ACDR1195	SOLID	7.0
VW	GOLF	GOLF (1.4 LITRE) 1KE OPTION, 1KF OPTION, DOHC, GT SPORT TSI, HATCHBACK	08/2007 - 09/2009	REAR	ACDR1196	SOLID	10.0
VW	GOLF	GOLF (1.6 LITRE) 1LQ OPTION, 1ZF OPTION, HATCHBACK, PETROL, SOHC	10/1998 - 07/2004	FRONT	ACDR800	VENTED	19.0
VW	GOLF	GOLF (1.6 LITRE) 1LQ OPTION, 1ZF OPTION, HATCHBACK, PETROL, SOHC	10/1998 - 07/2004	FRONT	ACDR801	VENTED	19.0
VW	GOLF	GOLF (1.6 LITRE) 1ZF OPTION, 1ZM OPTION, HATCHBACK, PETROL, SOHC	08/2004 - 02/2009	FRONT	ACDR1193	VENTED	19.0
VW	GOLF	GOLF (1.6 LITRE) 1ZF OPTION, DIESEL, DOHC, HATCHBACK	08/2009 - 12/2009	FRONT	ACDR1193	VENTED	19.0
VW	GOLF	GOLF (1.6 LITRE) 1ZE OPTION, 1ZP OPTION, HATCHBACK, PETROL, SOHC	08/2004 - 02/2009	FRONT	ACDR1194	VENTED	22.0
VW	GOLF	GOLF (1.6 LITRE) 1ZE OPTION, 1ZP OPTION, DIESEL, DOHC, HATCHBACK	08/2009 - 12/2009	FRONT	ACDR1194	VENTED	22.0
VW	GOLF	GOLF (1.6 LITRE) 1LJ OPTION, 1ZD OPTION, HATCHBACK, PETROL, SOHC	08/2004 - 02/2009	FRONT	ACDR2806	VENTED	22.0
VW	GOLF	GOLF (1.6 LITRE) ALL MODELS, HATCHBACK, PETROL, SOHC	10/1998 - 07/2004	REAR	ACDR803	SOLID	7.0
VW	GOLF	GOLF (1.6 LITRE) ALL MODELS, DIESEL, DOHC, HATCHBACK, PETROL, SOHC	08/2004 - 12/2009	REAR	ACDR1195	SOLID	7.0
VW	GOLF	GOLF (1.8 LITRE) CHECK DIAMETER, DOHC, GLE MODEL, HATCHBACK	10/1998 - 12/2000	FRONT	ACDR801	VENTED	19.0
VW	GOLF	GOLF (1.8 LITRE) DOHC, GLE MODEL, GTI MODEL, HATCHBACK	03/1999 - 07/2004	REAR	ACDR803	SOLID	7.0
VW	GOLF	GOLF (1.9 LITRE DSL) 1ZF OPTION, 1ZM OPTION, HATCHBACK, TDI MODEL	08/2004 - 02/2009	FRONT	ACDR1193	VENTED	19.0
VW	GOLF	GOLF (1.9 LITRE DSL) 1ZE OPTION, 1ZP OPTION, HATCHBACK, TDI MODEL	08/2004 - 02/2009	FRONT	ACDR1194	VENTED	22.0

MAKE	MODEL	TYPE	YEAR	AXLE	PART NUMBER	TYPE	MIN THICKNESS MM
VW	GOLF	GOLF (1.9 LITRE DSL) 1LJ OPTION, 1ZD OPTION, HATCHBACK, TDI MODEL	08/2004 - 02/2009	FRONT	ACDR2806	VENTED	22.0
VW	GOLF	GOLF (1.9 LITRE DSL)	08/2004 - 02/2009	REAR	ACDR1195	SOLID	7.0
VW	GOLF	GOLF (2 LITRE) GLE MODEL, HATCHBACK, SOHC	11/1999 - 12/2000	FRONT	ACDR801	VENTED	19.0
VW	GOLF	GOLF (2 LITRE) HATCHBACK, S MODEL, SE MODEL, SOHC	03/2002 - 05/2003	FRONT	ACDR801	VENTED	19.0
VW	GOLF	GOLF (2 LITRE) CABRIOLET, CHECK DIAMETER, GENERATION, SOHC, SPORT	06/2003 - 07/2004	FRONT	ACDR801	VENTED	19.0
VW	GOLF	GOLF (2 LITRE) 1ZF OPTION, 1ZM OPTION, DOHC, FSI MODEL, HATCHBACK, TDI MODEL	08/2004 - 02/2009	FRONT	ACDR1193	VENTED	19.0
VW	GOLF	GOLF (2 LITRE) 1ZE OPTION, 1ZP OPTION, DOHC, FSI MODEL, HATCHBACK, TDI MODEL	08/2004 - 06/2010	FRONT	ACDR1194	VENTED	22.0
VW	GOLF	GOLF (2 LITRE) 1ZE OPTION, 1ZP OPTION, DOHC, GTI MODEL, HATCHBACK	10/2009 - 06/2010	FRONT	ACDR1194	VENTED	22.0
VW	GOLF	GOLF (2 LITRE) 1LJ OPTION, 1ZD OPTION, DOHC, FSI MODEL, HATCHBACK, TDI MODEL	08/2004 - 02/2009	FRONT	ACDR2806	VENTED	22.0
VW	GOLF	GOLF (2 LITRE) 1LL OPTION, 1LV OPTION, DOHC, GTI MODEL, HATCHBACK	11/2006 - 09/2009	FRONT	ACDR2806	VENTED	22.0
VW	GOLF	GOLF (2 LITRE) 1LJ OPTION, 1LL OPTION, 1LV OPTION, 1ZD OPTION, DOHC, GTI MODEL, HATCHBACK	10/2009 - 06/2010	FRONT	ACDR2806	VENTED	22.0
VW	GOLF	GOLF (2 LITRE) 1LJ OPTION, 1LL OPTION, 1LV OPTION, 1ZD OPTION, DOHC, S/WAGON, TDI MODEL	11/2009 - 06/2010	FRONT	ACDR2806	VENTED	22.0
VW	GOLF	GOLF (2 LITRE) GLE MODEL, HATCHBACK, SOHC	11/1999 - 12/2000	REAR	ACDR803	SOLID	7.0
VW	GOLF	GOLF (2 LITRE) DOHC, HATCHBACK, S MODEL, SE MODEL	03/2002 - 05/2003	REAR	ACDR803	SOLID	7.0
VW	GOLF	GOLF (2 LITRE) GENERATION, HATCHBACK, SOHC, SPORT	06/2003 - 07/2004	REAR	ACDR803	SOLID	7.0
VW	GOLF	GOLF (2 LITRE) 1LL OPTION, 1LV OPTION, DOHC, GTI MODEL, HATCHBACK	11/2006 - 09/2009	REAR	ACDR2807	SOLID	10.0
VW	GOLF	GOLF (2 LITRE) 1LJ OPTION, 1LL OPTION, 1LV OPTION, 1ZD OPTION, 1ZE OPTION, 1ZP OPTION, DOHC, HATCHBACK, S/ WAGON, TDI MODEL	11/2009 - 06/2010	REAR	ACDR2807	SOLID	10.0
VW	GOLF	GOLF (2 LITRE) ALL MODELS, DOHC, FSI MODEL, HATCHBACK, TDI MODEL	08/2004 - 02/2009	REAR	ACDR1195	SOLID	7.0
VW	JETTA	2 LITRE, FSI MODEL, TDI MODEL	02/2006 - 01/2009	FRONT	ACDR1194	VENTED	22.0
VW	JETTA	2 LITRE, FSI MODEL, TDI MODEL	02/2006 - 01/2009	REAR	ACDR2807	SOLID	10.0
VW	PASSAT	2 TDI MODEL	03/2006 - 08/2008	FRONT	ACDR2806	VENTED	22.0
VW	PASSAT	4 MOTION	08/2000 - 07/2004	REAR	ACDR800	VENTED	19.0
VW	POLO	1.4 LITRE, 1.9 LITRE, STD BRAKE PACK	11/2001 - 10/2005	FRONT	ACDR800	VENTED	19.0
VW	POLO	1.4 LITRE, 1.9 LITRE	11/2001 - 10/2005	REAR	ACDR803	SOLID	7.0

# DISC ROTORS CATALOGUE

## abbreviations

<b>4X2</b>	2 Wheel Drive
<b>4X4</b>	4 Wheel Drive
<b>ABS</b>	Anti-Lock Braking System
<b>AUTO TRANS</b>	Automatic Transmission
<b>AWD</b>	All Wheel Drive
<b>CARB</b>	Carburettor
<b>DOHC</b>	Double Overhead Camshaft

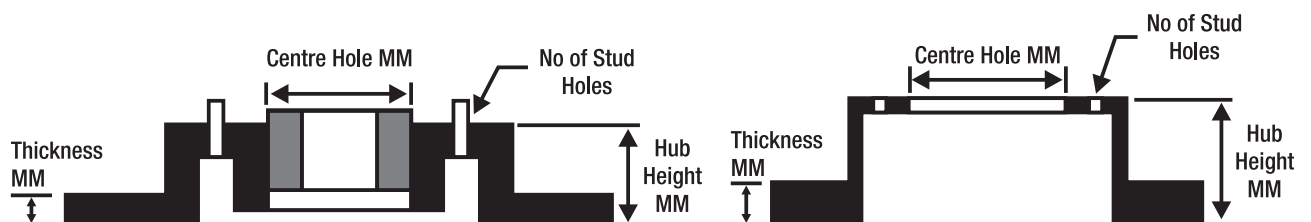
<b>IRS</b>	Independent Rear Suspension
<b>MAN TRANS</b>	Manual Transmission
<b>MM</b>	Millimeters
<b>OD</b>	Outside Diameter
<b>PREM</b>	Premium
<b>RWD</b>	Rear Wheel Drive
<b>S/WAGON</b>	Station Wagon

<b>SOHC</b>	Single Overhead Camshaft
<b>STD</b>	Standard
<b>VIN</b>	Vehicle Identification Number
<b>W/</b>	With
<b>W/O</b>	With Out

# DISC ROTOR

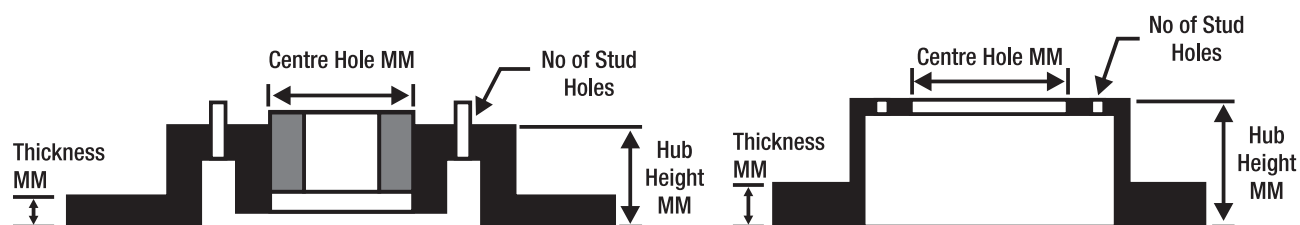
## dimensions & specifications

PART NUMBER	TYPE	OUTER DIAMETER MM	MIN THICKNESS MM	MAX THICKNESS MM	CENTRE HOLE DIAMETER MM	HUB HEIGHT MM	No OF BOLT HOLES	WEIGHT KG
ACDR014	Vented	276.0	24.5	25.4	Hub	72.0	6	11.0
ACDR015	Vented	271.0	20.0	22.0	Hub	82.0	5	10.0
ACDR016	Solid	278.0	8.5	10.5	70.0	83.0	5	5.5
ACDR017	Vented	289.0	20.0	22.0	Hub	82.0	5	11.0
ACDR021	Vented	236.0	17.0	20.0	60.0	41.1	4	4.0
ACDR022	Vented	231.0	15.0	17.0	64.0	50.0	4	3.5
ACDR023	Vented	256.0	22.0	24.0	60.0	41.0	4	5.0
ACDR025	Vented	272.0	20.0	23.0	Hub	82.0	5	10.1
ACDR026	Solid	279.0	8.5	10.5	70.0	67.0	5	5.0
ACDR027	Vented	289.0	21.0	22.9	38.3	98.0	5	10.5
ACDR033	Vented	257.0	20.6	22.0	88.0	36.0	6	5.4
ACDR035	Vented	289.0	20.0	22.8	70.0	83.0	5	5.7
ACDR036	Solid	279.0	8.5	10.4	70.0	86.0	5	5.5
ACDR037	Solid	279.0	8.5	10.7	70.0	83.0	10	5.2
ACDR040	Vented	295.9	25.0	28.0	71.5	52.8	5	9.0
ACDR041	Solid	286.0	13.9	16.0	70.0	78.6	5	7.0
ACDR087	Solid	298.0	13.0	14.0	101.6	70.0	5	7.4
ACDR088	Solid	290.0	11.7	12.7	101.0	61.0	5	6.5
ACDR093	Solid	304.0	11.7	12.7	70.1	62.8	5	6.0
ACDR096	Vented	280.0	22.7	24.0	72.0	81.0	5	5.0
ACDR100	Solid	228.0	10.0	11.0	75.0	31.0	4	3.0
ACDR1063	Solid	288.0	8.5	9.9	62.0	69.5	5	5.1
ACDR1065	Solid	278.0	10.0	12.0	65.0	41.5	5	4.4
ACDR107	Vented	287.0	22.2	24.0	Hub	75.0	5	11.0
ACDR1077	Solid	246.7	8.0	9.0	71.1	35.1	4	4.0
ACDR1079	Solid	257.0	8.0	9.0	55.0	55.8	4	4.0
ACDR1081	Vented	285.0	26.0	28.0	105.0	48.6	6	7.8
ACDR1088	Solid	257.8	8.5	10.5	60.0	57.5	4	4.8
ACDR109	Vented	287.0	22.2	24.0	70.5	62.0	5	7.0
ACDR1090	Vented	255.0	20.0	21.9	55.1	49.3	5	7.2
ACDR1091	Vented	300.0	25.0	28.0	93.0	54.4	5	4.0
ACDR1104	Vented	303.0	18.4	20.0	70.5	71.0	5	6.1
ACDR1105	Vented	296.0	27.4	29.0	70.7	51.6	5	9.0
ACDR1108	Vented	296.0	26.0	28.0	72.0	50.0	5	7.5
ACDR1109	Vented	302.0	16.0	18.0	72.0	56.8	5	6.4
ACDR110B	Vented	286.0	22.2	23.8	Hub	70.0	5	9.0
ACDR1110	Vented	275.0	23.0	24.9	55.0	49.3	5	6.3
ACDR1111	Solid	258.0	8.0	9.0	62.0	30.0	5	4.4
ACDR1117	Vented	260.0	20.0	22.0	68.0	43.0	5	5.4

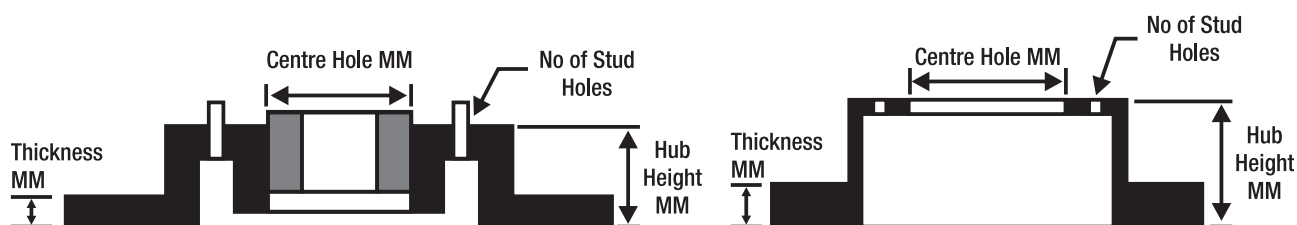




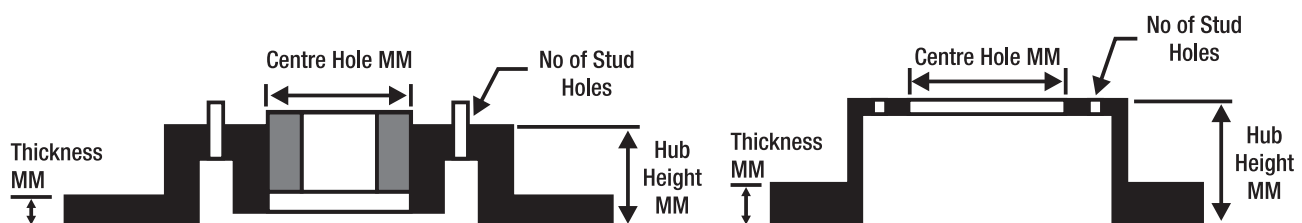
PART NUMBER	TYPE	OUTER DIAMETER MM	MIN THICKNESS MM	MAX THICKNESS MM	CENTRE HOLE DIAMETER MM	HUB HEIGHT MM	No OF BOLT HOLES	WEIGHT KG
ACDR111A	Solid	287.0	14.0	15.0	70.5	62.0	5	6.5
ACDR111B	Solid	287.0	12.0	13.0	70.5	61.0	5	6.5
ACDR1130	Vented	254.0	22.0	24.0	55.0	50.7	4	4.8
ACDR1131	Vented	256.0	20.0	22.0	62.0	46.9	4	5.1
ACDR1131	Vented	256.0	20.0	22.0	62.0	46.9	4	5.1
ACDR1138	Solid	248.8	8.0	9.0	59.9	67.2	4	4.0
ACDR1148	Vented	308.0	22.0	25.0	70.0	42.0	5	8.3
ACDR1163	Solid	278.0	8.0	10.0	65.5	42.0	5	4.0
ACDR1182	Solid	262.0	8.4	10.0	76.0	61.0	5	5.3
ACDR1183	Vented	300.0	28.4	30.0	96.2	52.5	6	9.2
ACDR1193	Vented	279.9	19.0	22.0	65.0	49.4	5	6.0
ACDR1194	Vented	288.0	22.0	25.0	65.0	49.5	5	7.3
ACDR1195	Solid	254.7	7.0	9.9	65.0	51.2	5	4.0
ACDR1196	Solid	259.8	10.0	11.9	65.0	48.4	5	4.5
ACDR1197	Vented	259.8	21.5	23.0	64.2	48.0	4	5.5
ACDR1200	Vented	278.0	22.0	24.0	60.0	47.0	4	6.8
ACDR1201	Solid	276.0	10.0	12.0	60.0	58.5	4	5.3
ACDR1202	Vented	300.0	26.0	28.0	63.5	52.0	5	8.5
ACDR1203	Solid	302.0	9.0	11.0	63.5	51.0	5	5.1
ACDR1216	Vented	301.5	24.0	26.0	66.0	34.1	4	8.4
ACDR1218	Vented	257.9	21.0	23.0	55.0	44.0	4	5.7
ACDR1220	Vented	296.0	24.0	26.0	68.0	43.9	5	7.3
ACDR1221	Solid	291.8	14.0	16.0	68.0	62.0	5	7.3
ACDR1222	Vented	296.0	25.0	28.0	62.0	49.3	5	7.4
ACDR1223	Solid	281.0	10.5	12.0	62.0	55.0	5	4.8
ACDR1224	Vented	256.0	18.4	20.0	64.0	45.0	4	4.6
ACDR1225	Vented	252.0	18.0	20.0	60.0	40.0	4	4.7
ACDR1226	Vented	280.0	20.0	22.0	62.0	47.0	5	5.6
ACDR1260	Vented	240.0	19.0	21.0	61.0	39.5	4	4.8
ACDR1261	Solid	239.0	8.0	9.0	61.0	47.6	4	3.0
ACDR1263	Solid	262.0	8.4	10.0	62.5	64.0	4	4.5
ACDR1266	Solid	304.5	8.0	9.0	64.0	60.8	5	5.3
ACDR1267	Solid	279.7	8.0	10.0	72.0	40.0	5	4.0
ACDR1270	Vented	275.0	26.0	28.0	62.0	59.0	5	7.0
ACDR130	Vented	287.0	22.2	24.0	Hub	70.0	5	6.0
ACDR131	Vented	287.0	22.0	25.0	Hub	70.0	5	10.5
ACDR132	Vented	287.0	22.0	25.0	Hub	70.0	5	10.5
ACDR1322	Vented	296.0	26.0	28.0	64.0	47.0	5	8.9
ACDR1323	Vented	282.8	23.0	25.0	72.0	48.5	5	7.7
ACDR133	Solid	299.0	8.5	10.5	71.0	56.5	5	6.0
ACDR1344	Vented	279.0	24.6	26.0	88.0	37.0	6	7.5
ACDR1347	Vented	296.0	26.0	28.0	68.0	53.2	6	8.3
ACDR1351	Solid	262.0	8.4	10.0	62.5	63.8	4	5.2
ACDR1352	Vented	280.0	21.4	23.0	69.0	44.4	5	5.0
ACDR1361	Solid	282.0	7.5	9.0	64.2	63.7	5	9.1
ACDR1366	Vented	326.0	28.0	30.0	58.0	52.7	5	10.0
ACDR1369	Solid	281.0	8.5	10.0	62.0	66.8	5	5.5
ACDR1376	Vented	308.0	14.0	16.0	62.0	57.0	5	8.0



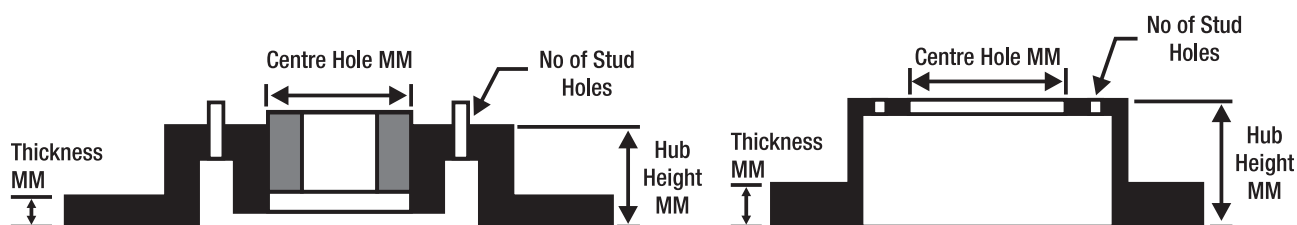
PART NUMBER	TYPE	OUTER DIAMETER MM	MIN THICKNESS MM	MAX THICKNESS MM	CENTRE HOLE DIAMETER MM	HUB HEIGHT MM	No OF BOLT HOLES	WEIGHT KG
ACDR1402	Vented	295.0	23.0	25.0	62.0	49.0	5	13.7
ACDR151	Vented	302.0	19.0	20.0	100.0	47.8	4	7.0
ACDR154	Solid	302.0	11.5	12.7	100.0	49.0	6	6.0
ACDR156	Vented	257.0	24.0	25.0	84.0	46.6	5	6.5
ACDR158	Vented	255.0	19.0	20.0	74.0	41.8	4	5.2
ACDR1581	Vented	294.0	24.4	26.0	69.0	46.0	5	14.4
ACDR1625	Vented	320.0	26.0	28.0	72.0	48.3	5	10.4
ACDR1638	Solid	262.0	8.0	10.0	76.2	46.0	5	7.8
ACDR1640	Solid	262.0	8.4	10.0	76.0	63.6	5	9.0
ACDR1644	Solid	285.8	8.5	10.0	58.0	63.4	5	5.0
ACDR1652	Solid	302.0	9.4	11.0	69.0	71.4	5	12.2
ACDR1699	Vented	280.0	21.0	23.0	69.0	45.0	5	12.7
ACDR1759	Vented	300.0	23.0	25.0	64.0	47.0	5	14.1
ACDR177	Vented	282.0	22.4	24.0	73.4	38.0	5	6.0
ACDR2012	Vented	276.0	24.0	26.0	60.0	46.0	5	6.7
ACDR2013	Solid	268.0	10.0	12.0	60.0	46.0	5	6.7
ACDR2014	Vented	300.0	24.0	26.0	70.0	46.0	5	5.4
ACDR2015	Solid	292.0	10.0	12.0	70.0	46.0	5	5.4
ACDR2016	Vented	297.0	26.0	28.0	68.0	51.5	5	8.0
ACDR2026	Vented	298.0	28.0	30.0	67.5	52.2	5	8.2
ACDR2027	Vented	302.0	20.0	22.0	67.4	56.0	5	7.2
ACDR2028	Vented	321.0	28.0	30.0	67.5	52.2	5	9.2
ACDR2029	Vented	324.0	20.0	22.0	67.4	56.1	5	8.3
ACDR2032	Vented	236.0	18.0	20.0	59.0	41.0	4	3.9
ACDR2036	Vented	285.0	23.0	25.0	60.0	42.3	4	5.0
ACDR2037	Solid	264.0	8.0	10.0	57.0	42.0	4	4.0
ACDR2050	Vented	302.0	25.0	28.0	71.5	45.0	5	7.2
ACDR208	Vented	254.0	22.4	24.0	87.0	39.0	5	5.0
ACDR2090	Vented	350.0	17.0	20.0	79.0	59.4	5	11.0
ACDR2091	Solid	317.0	27.0	30.0	79.0	62.0	5	8.0
ACDR2100	Vented	258.0	20.0	22.0	63.5	43.5	4	5.5
ACDR2107	Vented	322.0	26.0	28.0	71.0	68.0	5	10.3
ACDR2108	Vented	328.0	24.0	26.0	70.5	58.0	5	9.2
ACDR2109	Solid	253.0	8.9	10.0	63.5	33.0	4	3.3
ACDR2118	Vented	278.0	23.0	25.0	63.5	48.5	5	6.6
ACDR2119	Solid	265.0	9.0	11.0	63.5	41.0	5	4.1
ACDR2201	Vented	276.0	24.4	26.0	69.0	45.5	5	6.0
ACDR2202	Vented	276.0	24.4	26.0	69.0	45.5	5	6.0
ACDR2203	Solid	262.0	8.4	10.0	90.0	60.0	5	4.1
ACDR2206	Vented	294.0	26.4	28.0	69.0	46.0	5	7.2
ACDR2207	Vented	302.0	16.4	18.0	69.0	59.2	5	5.8
ACDR2208	Vented	295.0	26.4	28.0	94.0	46.5	6	7.1
ACDR2209	Solid	262.0	8.4	10.0	80.0	60.2	5	4.0
ACDR221	Vented	266.0	22.4	24.0	69.0	45.0	4	7.8
ACDR2216	Vented	332.0	26.0	28.0	94.0	56.7	6	10.0
ACDR2219	Vented	332.0	16.0	18.0	94.0	74.6	6	8.0
ACDR222	Solid	252.0	8.4	10.0	Hub	49.0	4	6.0
ACDR2221	Solid	303.0	8.0	10.0	68.0	39.6	5	4.5



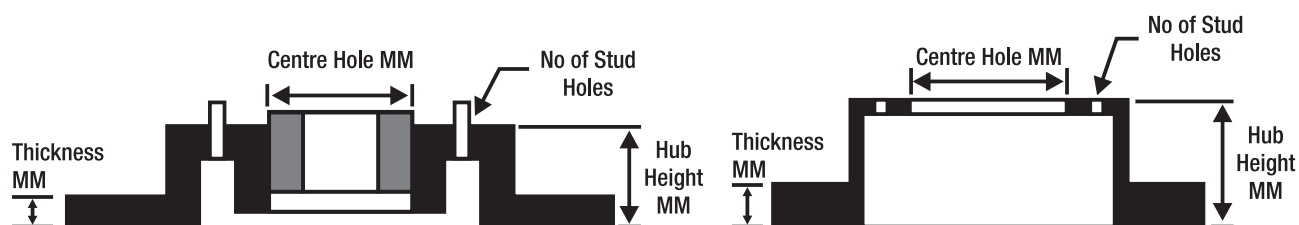
PART NUMBER	TYPE	OUTER DIAMETER MM	MIN THICKNESS MM	MAX THICKNESS MM	CENTRE HOLE DIAMETER MM	HUB HEIGHT MM	No OF BOLT HOLES	WEIGHT KG
ACDR2275	Vented	283.0	24.0	26.0	66.0	34.2	4	7.2
ACDR229	Vented	276.0	20.4	22.0	87.0	45.5	6	6.5
ACDR230	Vented	258.0	20.4	22.0	84.0	33.5	5	5.0
ACDR2310	Vented	295.6	26.0	28.0	68.0	38.3	6	7.9
ACDR2311	Vented	308.0	16.0	18.0	68.0	62.8	6	6.0
ACDR2312	Vented	320.0	26.0	28.0	68.0	38.5	6	9.1
ACDR233	Solid	315.0	16.4	18.0	108.0	84.0	6	8.6
ACDR234	Vented	276.0	22.4	24.0	87.0	45.0	6	6.5
ACDR236	Vented	276.0	25.4	27.0	87.0	45.3	6	7.0
ACDR237	Vented	314.0	22.4	24.0	87.0	45.5	6	7.0
ACDR2450	Vented	241.0	17.0	19.0	62.0	48.0	4	4.0
ACDR2451	Vented	256.0	17.0	19.0	69.0	48.0	4	5.0
ACDR2452	Vented	294.0	24.0	26.0	69.0	46.0	5	7.3
ACDR2456	Vented	300.0	26.0	28.0	69.0	47.5	5	8.5
ACDR2462	Vented	298.0	26.4	28.0	69.0	49.2	5	8.4
ACDR2463	Solid	302.0	8.4	11.0	69.0	71.5	5	6.4
ACDR2502	Solid	260.0	8.0	9.0	61.0	48.0	4	3.9
ACDR2504	Vented	240.0	19.0	21.0	61.0	39.0	4	4.0
ACDR2510	Vented	300.0	26.0	28.0	64.0	48.0	5	8.1
ACDR2511	Solid	260.0	8.0	9.0	64.0	49.0	5	3.8
ACDR2536	Vented	302.0	26.3	28.0	72.0	55.0	5	7.0
ACDR2560	Vented	302.6	24.0	26.0	72.0	47.0	5	8.0
ACDR2561	Solid	301.5	11.0	12.0	72.0	56.0	5	4.0
ACDR2700	Vented	338.0	26.0	28.0	108.0	68.0	6	9.4
ACDR2707	Solid	286.0	8.5	10.0	62.0	65.0	5	5.5
ACDR2709	Vented	296.0	25.0	28.0	62.0	49.3	5	8.9
ACDR2714	Vented	297.0	23.0	25.0	108.0	67.4	6	7.5
ACDR2715	Vented	255.0	26.0	28.0	62.0	58.6	5	5.8
ACDR2718	Vented	255.0	19.0	22.0	55.0	46.5	4	4.8
ACDR2722	Vented	340.0	29.0	32.0	112.0	83.3	5	10.4
ACDR2723	Vented	345.0	16.0	18.0	112.0	76.3	5	7.8
ACDR2727	Vented	291.0	8.5	10.0	62.0	61.5	5	4.8
ACDR2730	Vented	296.0	26.0	28.0	62.0	50.0	5	8.9
ACDR2734	Vented	328.0	25.0	28.0	62.0	49.5	5	9.1
ACDR2735	Solid	309.0	8.5	10.0	62.0	69.7	5	5.9
ACDR2736	Vented	337.9	29.0	32.0	108.0	68.4	6	10.0
ACDR2806	Vented	312.0	22.0	25.0	65.0	49.5	5	8.6
ACDR2807	Solid	285.8	10.0	12.0	65.0	48.3	5	5.6
ACDR2817	Vented	302.0	25.0	28.0	70.0	46.0	5	8.5
ACDR2818	Vented	292.0	18.0	20.0	66.0	42.0	5	5.2
ACDR2819	Vented	314.0	25.0	28.0	70.0	46.0	5	9.2
ACDR2820	Vented	285.0	22.0	25.0	70.0	43.0	5	6.8
ACDR2839	Vented	256.0	24.6	26.0	88.0	40.1	6	5.8
ACDR2840	Vented	280.0	25.6	27.0	88.0	40.5	6	7.0
ACDR2871	Vented	300.0	26.0	28.0	96.3	54.1	6	7.6
ACDR2872	Vented	275.0	24.0	26.0	69.0	47.5	4	6.7
ACDR2896	Vented	235.0	20.0	22.0	55.0	45.0	4	4.8
ACDR2897	Vented	258.0	24.0	26.0	87.0	57.0	6	7.3



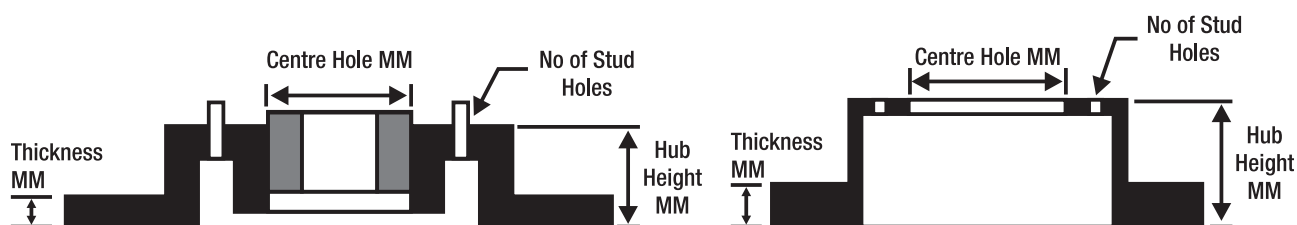
PART NUMBER	TYPE	OUTER DIAMETER MM	MIN THICKNESS MM	MAX THICKNESS MM	CENTRE HOLE DIAMETER MM	HUB HEIGHT MM	No OF BOLT HOLES	WEIGHT KG
ACDR295	Vented	234.0	17.0	18.0	56.0	47.0	4	4.0
ACDR2950	Vented	274.0	22.0	24.0	72.0	47.5	5	5.8
ACDR2951	Solid	280.0	8.0	10.0	72.0	40.0	5	8.7
ACDR2952	Vented	288.5	26.0	28.0	98.0	70.5	6	4.0
ACDR2954	Vented	278.0	23.0	25.0	72.0	49.0	5	7.2
ACDR2955	Solid	264.0	9.0	11.0	72.0	41.0	5	4.0
ACDR2956	Vented	300.0	23.0	25.0	72.0	49.0	5	8.0
ACDR2957	Solid	279.5	9.0	11.0	72.0	40.8	5	4.5
ACDR2958	Vented	258.0	20.0	22.0	55.0	43.5	4	5.3
ACDR2963	Vented	298.6	23.0	25.0	72.0	48.4	5	4.0
ACDR329	Vented	295.0	18.0	20.0	104.0	29.1	6	6.6
ACDR381	Solid	281.0	8.4	9.7	68.0	73.3	4	5.0
ACDR408	Solid	234.0	11.4	13.0	64.0	45.0	4	5.0
ACDR413	Vented	235.0	16.4	18.0	64.0	45.0	4	4.0
ACDR414	Vented	256.0	22.4	24.0	64.0	45.0	4	5.5
ACDR417	Vented	294.0	22.4	24.0	69.0	46.0	5	6.3
ACDR421	Vented	256.0	22.4	24.0	69.0	45.2	5	5.0
ACDR422	Solid	258.0	8.4	10.4	90.0	66.0	5	4.5
ACDR425	Vented	276.0	22.4	24.0	69.0	45.0	5	6.0
ACDR426	Solid	258.0	8.4	10.0	90.2	56.8	5	4.0
ACDR450	Vented	241.0	17.7	19.0	63.0	52.0	4	4.5
ACDR451	Vented	242.0	17.7	19.0	86.0	40.5	4	5.0
ACDR452	Vented	257.0	20.0	22.0	69.0	45.5	4	5.0
ACDR453	Vented	257.0	20.0	22.0	86.0	34.0	4	5.0
ACDR456	Vented	257.0	22.4	24.0	69.0	45.0	4	5.5
ACDR457	Solid	257.8	8.0	10.0	76.0	40.4	4	3.0
ACDR458	Solid	262.0	8.0	10.0	76.0	61.0	4	4.0
ACDR461	Solid	262.0	8.4	10.0	76.0	66.0	5	5.0
ACDR464	Vented	276.0	24.0	26.0	69.0	47.0	5	6.4
ACDR465	Solid	284.0	8.4	10.0	76.0	61.0	5	4.7
ACDR466	Vented	280.0	25.4	27.0	67.0	43.0	6	7.1
ACDR468	Vented	280.0	22.4	26.0	69.0	48.0	5	7.0
ACDR473	Vented	240.0	19.0	21.0	61.0	45.0	4	4.5
ACDR474	Vented	262.0	19.0	21.0	64.0	45.0	4	5.0
ACDR475	Solid	239.0	8.0	9.0	61.0	48.0	4	3.0
ACDR478	Vented	282.0	21.0	23.0	70.0	47.0	5	6.5
ACDR488	Vented	282.0	21.0	23.0	64.0	47.0	5	6.0
ACDR496	Solid	273.0	15.0	16.0	66.5	37.4	5	5.5
ACDR500	Vented	287.0	21.0	24.0	71.8	70.0	5	7.0
ACDR501	Solid	287.0	8.5	10.5	70.5	51.5	5	5.2
ACDR502	Vented	287.0	25.6	28.0	71.8	65.0	5	8.2
ACDR503	Solid	287.0	14.5	16.0	70.5	51.0	5	5.0
ACDR504	Vented	298.0	26.0	28.0	71.5	65.0	5	9.2
ACDR505	Solid	303.0	14.5	16.0	70.5	51.0	5	7.3
ACDR513	Solid	290.0	8.0	10.0	107.0	46.5	5	4.5
ACDR519	Vented	234.8	18.0	20.0	60.0	49.5	5	4.0
ACDR523	Vented	257.0	15.0	17.0	60.0	49.0	4	4.3
ACDR524	Vented	287.0	15.0	17.0	108.0	29.0	5	4.3



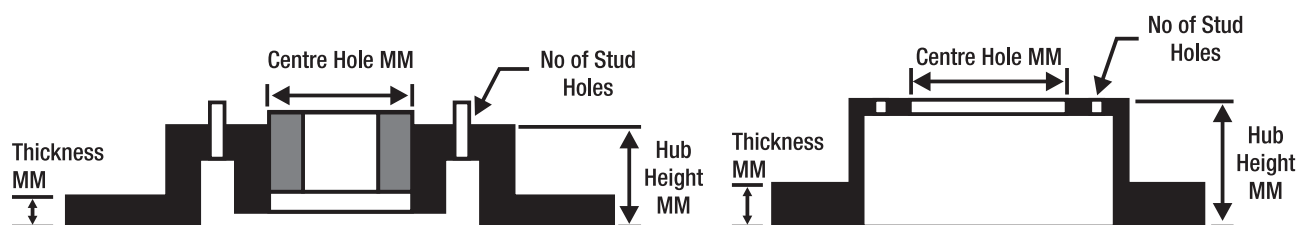
PART NUMBER	TYPE	OUTER DIAMETER MM	MIN THICKNESS MM	MAX THICKNESS MM	CENTRE HOLE DIAMETER MM	HUB HEIGHT MM	No OF BOLT HOLES	WEIGHT KG
ACDR525	Solid	235.0	10.0	12.0	55.0	45.0	4	5.0
ACDR528	Vented	297.0	22.0	25.0	70.0	91.5	5	9.0
ACDR530	Vented	235.0	16.0	18.0	55.0	45.5	4	3.0
ACDR531	Solid	231.0	8.0	9.0	55.0	35.0	4	3.0
ACDR532	Vented	235.0	20.0	22.0	55.0	45.5	4	4.2
ACDR533	Vented	257.0	20.0	22.0	55.0	45.5	4	5.0
ACDR534	Solid	250.5	8.0	9.0	55.0	34.5	4	3.0
ACDR539	Solid	261.0	8.0	10.0	55.1	40.0	4	4.0
ACDR540	Vented	305.0	24.5	26.0	72.0	64.0	5	8.0
ACDR541	Solid	305.0	8.5	10.0	72.0	75.5	5	6.0
ACDR542	Vented	276.0	20.4	22.0	64.0	44.0	4	5.8
ACDR563	Solid	269.0	7.5	9.0	55.0	55.7	5	4.0
ACDR573	Vented	280.0	26.0	28.0	68.0	49.0	5	7.5
ACDR574	Vented	292.0	14.0	16.0	68.0	62.0	5	5.4
ACDR576	Vented	258.0	22.0	24.0	55.0	47.0	4	5.8
ACDR579	Vented	310.0	20.0	22.0	108.0	29.0	5	6.0
ACDR603	Vented	240.0	16.0	18.0	61.0	45.5	4	4.0
ACDR6098	Vented	280.0	24.4	26.0	69.0	47.4	5	7.3
ACDR615	Vented	250.0	20.0	22.0	Hub	48.0	4	8.0
ACDR616	Solid	260.0	9.4	10.4	68.0	60.0	4	4.5
ACDR617	Vented	258.0	20.0	22.0	68.0	49.0	4	5.0
ACDR618	Vented	260.0	24.0	26.0	81.0	37.5	6	6.5
ACDR620	Vented	250.0	20.0	22.0	81.0	37.0	6	5.0
ACDR621	Vented	266.0	20.0	22.0	100.0	39.5	6	6.0
ACDR622	Vented	315.0	16.0	18.0	111.0	80.0	6	8.0
ACDR623	Vented	306.0	24.0	26.0	104.0	35.5	6	8.0
ACDR624	Vented	277.0	24.0	26.0	100.0	39.0	6	7.5
ACDR625	Vented	306.0	30.0	32.0	109.0	47.0	6	7.5
ACDR628	Vented	250.0	16.0	18.0	61.0	45.0	4	4.5
ACDR629	Vented	300.0	26.0	28.0	100.0	38.0	6	9.0
ACDR631	Vented	256.0	18.0	20.0	86.0	20.0	6	4.5
ACDR633	Vented	264.0	22.0	24.0	64.0	47.0	5	5.5
ACDR642	Vented	260.0	22.0	24.0	58.0	57.0	5	5.5
ACDR644	Solid	265.6	8.5	10.0	58.0	67.4	5	4.5
ACDR648	Vented	276.5	22.0	24.0	58.0	56.8	5	6.0
ACDR650	Vented	294.0	22.0	24.0	58.0	57.0	5	6.5
ACDR653	Vented	290.0	16.0	18.0	58.0	67.5	5	6.0
ACDR657	Solid	290.0	8.5	10.0	58.0	67.5	5	5.0
ACDR660	Vented	290.0	24.4	26.0	94.0	46.0	6	6.4
ACDR661	Vented	300.0	20.4	22.0	94.0	72.0	6	6.4
ACDR662	Vented	254.0	22.4	24.0	87.0	39.0	6	6.0
ACDR663	Vented	276.0	22.4	24.0	87.0	45.3	6	6.0
ACDR690	Vented	302.0	16.0	18.0	62.0	46.2	5	5.0
ACDR691	Solid	303.0	8.0	9.0	62.0	58.0	5	5.0
ACDR692	Vented	275.0	23.0	25.0	62.0	49.0	5	6.5
ACDR693	Solid	303.0	8.0	9.0	62.0	62.0	5	5.2
ACDR701	Solid	243.0	12.5	13.5	54.0	47.1	4	4.5
ACDR710	Solid	266.0	8.0	9.0	55.0	37.0	4	3.5



PART NUMBER	TYPE	OUTER DIAMETER MM	MIN THICKNESS MM	MAX THICKNESS MM	CENTRE HOLE DIAMETER MM	HUB HEIGHT MM	No OF BOLT HOLES	WEIGHT KG
ACDR712	Vented	255.0	23.0	25.0	55.0	49.5	4	5.2
ACDR713	Solid	269.0	8.0	9.0	55.0	56.0	4	3.7
ACDR716	Vented	291.0	17.0	18.0	60.0	68.5	5	6.0
ACDR723	Vented	235.0	16.0	18.0	55.0	43.0	4	4.0
ACDR733	Vented	255.0	26.0	28.0	62.0	49.0	5	6.5
ACDR735	Vented	275.0	26.0	28.0	62.0	49.0	5	7.0
ACDR736	Solid	269.0	9.0	10.0	62.0	65.0	5	4.5
ACDR757	Solid	291.0	8.0	9.0	62.0	65.5	5	5.0
ACDR759	Vented	275.0	23.0	25.0	55.0	50.0	4	7.0
ACDR761	Vented	279.0	20.0	21.5	62.3	51.7	5	6.5
ACDR766	Vented	255.0	23.0	25.0	84.0	46.5	5	6.0
ACDR767	Vented	285.0	26.0	28.0	84.0	46.0	5	8.0
ACDR768	Vented	285.0	26.0	28.0	84.0	46.0	6	8.0
ACDR775	Vented	291.0	23.0	25.0	100.0	66.0	6	7.0
ACDR776	Vented	302.0	26.5	28.0	73.4	39.0	5	7.7
ACDR777	Solid	290.0	11.3	12.5	72.0	56.0	5	3.7
ACDR778	Vented	255.0	23.0	25.0	74.0	42.0	4	5.5
ACDR780	Vented	289.0	18.0	20.0	100.0	64.6	6	6.5
ACDR782	Vented	286.0	23.0	25.0	105.1	58.2	6	7.0
ACDR784	Vented	311.0	30.0	32.0	105.0	58.2	6	9.0
ACDR785	Vented	312.0	16.0	18.0	106.0	103.0	6	7.5
ACDR786	Vented	335.0	16.0	18.0	106.0	103.0	6	8.5
ACDR787	Vented	312.0	16.0	18.0	106.0	68.0	6	6.5
ACDR788	Vented	312.0	30.0	32.0	115.0	71.0	5	9.0
ACDR789	Vented	330.0	16.0	18.0	110.0	103.0	5	8.0
ACDR790	Vented	322.0	30.0	32.0	115.0	65.0	5	8.5
ACDR791	Vented	335.0	16.0	18.0	110.0	103.0	5	7.5
ACDR792	Vented	319.0	20.0	22.0	108.0	70.0	6	6.5
ACDR793	Vented	312.0	16.0	18.0	106.0	68.0	6	6.0
ACDR794	Vented	312.0	16.0	18.0	110.0	102.5	5	7.5
ACDR800	Vented	256.0	19.0	22.0	65.0	36.5	5	6.0
ACDR801	Vented	280.0	19.0	22.0	65.0	36.5	5	7.0
ACDR803	Solid	232.0	7.0	9.0	65.0	39.3	5	7.0
ACDR813	Vented	332.0	28.4	30.0	75.0	62.0	5	11.2
ACDR814	Solid	324.0	10.4	12.0	75.0	79.8	5	4.0
ACDR815	Vented	280.0	22.0	25.0	70.0	42.0	5	6.5
ACDR816	Solid	264.0	8.0	10.0	65.0	42.0	5	3.5
ACDR817	Vented	256.0	21.0	24.0	60.0	41.0	4	5.0
ACDR818	Solid	240.0	8.0	10.0	57.0	42.0	4	3.0
ACDR819	Solid	260.0	8.0	10.0	57.0	69.2	4	4.0
ACDR820	Solid	236.0	9.7	12.0	60.0	41.0	4	4.0
ACDR822	Vented	255.0	17.0	20.0	60.0	41.0	4	5.0
ACDR825	Vented	288.0	23.0	25.0	70.0	44.0	5	5.0
ACDR826	Solid	286.0	8.0	10.0	65.0	69.2	5	5.0
ACDR840	Vented	280.0	24.6	26.0	88.0	36.0	6	7.5
ACDR841	Vented	313.0	16.6	18.0	101.0	80.6	6	7.0
ACDR842	Vented	280.0	24.6	26.0	88.0	36.0	6	7.0
ACDR847	Vented	260.0	21.0	24.0	60.0	41.2	4	5.0



PART NUMBER	TYPE	OUTER DIAMETER MM	MIN THICKNESS MM	MAX THICKNESS MM	CENTRE HOLE DIAMETER MM	HUB HEIGHT MM	No OF BOLT HOLES	WEIGHT KG
ACDR849	Solid	240.0	8.0	10.0	57.0	41.0	4	3.1
ACDR850	Vented	260.0	22.2	24.0	63.5	47.0	4	5.5
ACDR860	Vented	286.1	24.5	26.0	72.2	65.9	5	8.0
ACDR861	Solid	285.0	11.0	12.0	71.0	58.4	5	5.5
ACDR871	Vented	294.0	22.2	24.0	82.0	43.0	5	7.2
ACDR876	Vented	284.0	22.4	24.0	96.0	51.0	5	6.1
ACDR878	Vented	274.0	24.0	26.0	72.0	48.0	5	3.7
ACDR889	Vented	288.1	26.0	28.1	72.0	64.9	5	7.5
ACDR892	Vented	256.0	22.0	24.0	60.0	47.0	5	5.5
ACDR894	Vented	256.0	22.0	24.0	60.0	47.0	4	6.0
ACDR895	Solid	258.0	8.0	10.0	57.0	64.5	4	5.0
ACDR899	Vented	247.0	16.0	18.0	61.0	45.2	4	4.0
ACDR903	Vented	280.0	20.0	22.0	68.0	49.2	4	7.0
ACDR914	Vented	280.0	24.0	26.0	68.0	50.0	5	8.0
ACDR915	Solid	278.2	8.0	8.0	68.1	44.6	5	4.0
ACDR919	Vented	280.0	20.0	22.0	68.0	49.0	4	6.8
ACDR930	Vented	238.0	16.0	18.0	75.0	31.0	4	4.0
ACDR934	Vented	268.0	18.0	20.0	86.0	20.0	6	4.5
ACDR950	Vented	258.0	22.0	24.0	72.0	48.5	5	5.0
ACDR951	Solid	261.0	8.0	10.0	72.0	40.2	5	5.0
ACDR957	Vented	278.0	22.0	24.0	72.0	47.0	5	6.3
ACDR958	Vented	255.5	22.0	24.0	86.0	24.0	6	5.2
ACDR959	Vented	273.7	26.0	28.1	93.0	28.1	6	4.0
ACDR964	Vented	275.0	22.0	24.0	93.0	24.0	6	6.0
ACDR965	Vented	272.0	20.0	22.0	93.0	25.0	6	5.5
ACDR966	Vented	300.0	20.0	22.0	79.0	52.0	5	6.7
ACDR9741	Vented	255.5	22.0	24.0	72.0	59.0	5	5.0
ACDR978	Solid	286.0	10.4	12.0	79.0	51.7	5	5.0
ACDR979	Vented	286.0	20.4	22.0	79.0	51.6	5	7.0
ACDR980	Vented	276.0	17.4	19.0	75.0	60.0	5	5.0
ACDR983	Solid	280.0	8.4	10.0	75.0	60.1	5	5.0
ACDR996	Vented	255.0	22.0	23.8	60.0	47.0	4	12.7





# DISC ROTOR

## cross reference (BOSCH)

Bosch X Ref	ACDelco Part No	Bosch X Ref	ACDelco Part No	Bosch X Ref	ACDelco Part No	Bosch X Ref	ACDelco Part No	Bosch X Ref	ACDelco Part No	Bosch X Ref	ACDelco Part No
BD997	ACDR2806	CD1323	ACDR1323	PBR421	ACDR421	PBR625	ACDR625	PBR794	ACDR794	PBR2119	ACDR2119
BD1266	ACDR1266	CD1344	ACDR1344	PBR421	ACDR421	PBR628	ACDR628	PBR800	ACDR800	PBR2201	ACDR2201
BD1322	ACDR1322	CD1347	ACDR1347	PBR422	ACDR422	PBR629	ACDR629	PBR801	ACDR801	PBR2202	ACDR2202
BD1361	ACDR1361	CD1351	ACDR1351	PBR425	ACDR425	PBR631	ACDR631	PBR803	ACDR803	PBR2203	ACDR2203
BD1402	ACDR1402	CD1369	ACDR1369	PBR426	ACDR426	PBR633	ACDR633	PBR813	ACDR813	PBR2206	ACDR2206
BD1581	ACDR1581	PBR014	ACDR014	PBR450	ACDR450	PBR642	ACDR642	PBR815	ACDR815	PBR2207	ACDR2207
BD1625	ACDR1625	PBR015	ACDR015	PBR451	ACDR451	PBR644	ACDR644	PBR816	ACDR816	PBR2208	ACDR2208
BD1638	ACDR1638	PBR016	ACDR016	PBR452	ACDR452	PBR648	ACDR648	PBR817	ACDR817	PBR2216	ACDR2216
BD1640	ACDR1640	PBR017	ACDR017	PBR453	ACDR453	PBR650	ACDR650	PBR818	ACDR818	PBR2219	ACDR2219
BD1652	ACDR1652	PBR021	ACDR021	PBR456	ACDR456	PBR653	ACDR653	PBR819	ACDR819	PBR2275	ACDR2275
BD1699	ACDR1699	PBR022	ACDR022	PBR457	ACDR457	PBR657	ACDR657	PBR820	ACDR820	PBR2310	ACDR2310
BD1759	ACDR1759	PBR023	ACDR023	PBR458	ACDR458	PBR660	ACDR660	PBR822	ACDR822	PBR2311	ACDR2311
BD6098	ACDR6098	PBR025	ACDR025	PBR461	ACDR461	PBR661	ACDR661	PBR825	ACDR825	PBR2312	ACDR2312
CD1063	ACDR1063	PBR026	ACDR026	PBR464	ACDR464	PBR662	ACDR662	PBR826	ACDR826	PBR2450	ACDR2450
CD1065	ACDR1065	PBR027	ACDR027	PBR465	ACDR465	PBR663	ACDR663	PBR840	ACDR840	PBR2451	ACDR2451
CD1074	ACDR1074	PBR033	ACDR033	PBR466	ACDR466	PBR690	ACDR690	PBR841	ACDR841	PBR2452	ACDR2452
CD1079	ACDR1079	PBR035	ACDR035	PBR468	ACDR468	PBR691	ACDR691	PBR842	ACDR842	PBR2456	ACDR2456
CD1081	ACDR1081	PBR036	ACDR036	PBR468	ACDR1181	PBR692	ACDR692	PBR847	ACDR847	PBR2462	ACDR2462
CD1088	ACDR1088	PBR037	ACDR037	PBR473	ACDR473	PBR693	ACDR693	PBR849	ACDR849	PBR2463	ACDR2463
CD1090	ACDR1090	PBR040	ACDR040	PBR474	ACDR474	PBR697	ACDR697	PBR850	ACDR850	PBR2502	ACDR2502
CD1104	ACDR1104	PBR041	ACDR041	PBR475	ACDR475	PBR701	ACDR701	PBR861	ACDR861	PBR2504	ACDR2504
CD1105	ACDR1105	PBR087	ACDR087	PBR478	ACDR478	PBR709	ACDR709	PBR871	ACDR871	PBR2510	ACDR2510
CD1108	ACDR1108	PBR088	ACDR088	PBR488	ACDR488	PBR709	ACDR709	PBR876	ACDR876	PBR2511	ACDR2511
CD1109	ACDR1109	PBR096	ACDR096	PBR500	ACDR500	PBR710	ACDR710	PBR878	ACDR878	PBR2700	ACDR2700
CD1110	ACDR1110	PBR100	ACDR100	PBR501	ACDR501	PBR710	ACDR710	PBR892	ACDR892	PBR2707	ACDR2707
CD1111	ACDR1111	PBR107	ACDR107	PBR502	ACDR502	PBR711	ACDR711	PBR894	ACDR894	PBR2709	ACDR2709
CD1130	ACDR1130	PBR109	ACDR109	PBR503	ACDR503	PBR711	ACDR711	PBR899	ACDR899	PBR2710	ACDR2710
CD1131	ACDR1131	PBR110B	ACDR110B	PBR504	ACDR504	PBR712	ACDR712	PBR903	ACDR903	PBR2714	ACDR2714
CD1148	ACDR1148	PBR111A	ACDR111A	PBR505	ACDR505	PBR713	ACDR713	PBR914	ACDR914	PBR2715	ACDR2715
CD1163	ACDR1163	PBR111B	ACDR111B	PBR513	ACDR513	PBR716	ACDR716	PBR919	ACDR919	PBR2718	ACDR2718
CD1182	ACDR1182	PBR130	ACDR130	PBR523	ACDR523	PBR723	ACDR723	PBR930	ACDR930	PBR2722	ACDR2722
CD1183	ACDR1183	PBR131	ACDR131	PBR524	ACDR524	PBR730	ACDR730	PBR934	ACDR934	PBR2723	ACDR2723
CD1194	ACDR1194	PBR132	ACDR132/ ACDR134	PBR525	ACDR525	PBR733	ACDR733	PBR950	ACDR950	PBR2730	ACDR2730
CD1197	ACDR1197			PBR528	ACDR528	PBR735	ACDR735	PBR951	ACDR951	PBR2734	ACDR2734
CD1200	ACDR1200	PBR133	ACDR133	PBR530	ACDR530	PBR736	ACDR736	PBR957	ACDR957	PBR2735	ACDR2735
CD1201	ACDR1201	PBR151	ACDR151	PBR531	ACDR531	PBR748	ACDR748	PBR958	ACDR958	PBR2817	ACDR2817
CD1202	ACDR1202	PBR154	ACDR154	PBR532	ACDR532	PBR757	ACDR757	PBR964	ACDR964	PBR2818	ACDR2818
CD1203	ACDR1203	PBR156	ACDR156	PBR533	ACDR533	PBR759	ACDR759	PBR965	ACDR965	PBR2819	ACDR2819
CD1218	ACDR1218	PBR158	ACDR158	PBR534	ACDR534	PBR766	ACDR766	PBR966	ACDR966	PBR2820	ACDR2820
CD1220	ACDR1220	PBR177	ACDR177	PBR540	ACDR540	PBR767	ACDR767	PBR978	ACDR978	PBR2839	ACDR2839
CD1221	ACDR1221	PBR208	ACDR208	PBR541	ACDR541	PBR768	ACDR768	PBR979	ACDR979	PBR2840	ACDR2840
CD1222	ACDR1222	PBR221	ACDR221	PBR542	ACDR542	PBR775	ACDR775	PBR983	ACDR983	PBR2871	ACDR2871
CD1223	ACDR1223	PBR222	ACDR222	PBR573	ACDR573	PBR776	ACDR776	PBR996	ACDR996	PBR2872	ACDR2872
CD1224	ACDR1224	PBR229	ACDR229	PBR574	ACDR574	PBR777	ACDR777	PBR2026	ACDR2026	PBR2896	ACDR2896
CD1225	ACDR1225	PBR230	ACDR230	PBR576	ACDR576	PBR780	ACDR780	PBR2027	ACDR2027	PBR2950	ACDR2950
CD1226	ACDR1226	PBR233	ACDR233	PBR579	ACDR579	PBR782	ACDR782	PBR2028	ACDR2028	PBR2951	ACDR2951
CD1239	ACDR2012	PBR234	ACDR234	PBR603	ACDR603	PBR784	ACDR784	PBR2029	ACDR2029	PBR2952	ACDR2952
CD1240	ACDR2013	PBR236	ACDR236	PBR615	ACDR615	PBR785	ACDR785	PBR2032	ACDR2032	PBR2954	ACDR2954
CD1241	ACDR2014	PBR237	ACDR237	PBR616	ACDR616	PBR786	ACDR786	PBR2036	ACDR2036	PBR2955	ACDR2955
CD1242	ACDR2015	PBR295	ACDR295	PBR617	ACDR617	PBR787	ACDR787	PBR2037	ACDR2037	PBR2956	ACDR2956
CD1260	ACDR1260	PBR329	ACDR329	PBR618	ACDR618	PBR788	ACDR788	PBR2050	ACDR2050	PBR2957	ACDR2957
CD1261	ACDR1261	PBR381	ACDR381	PBR620	ACDR620	PBR789	ACDR789	PBR2100	ACDR2100	PBR2958	ACDR2958
CD1263	ACDR1263	PBR408	ACDR408	PBR621	ACDR621	PBR790	ACDR790	PBR2107	ACDR2107		
CD1266	ACDR1266	PBR413	ACDR413	PBR622	ACDR622	PBR791	ACDR791	PBR2108	ACDR2108		
CD1267	ACDR1267	PBR414	ACDR414	PBR623	ACDR623	PBR792	ACDR792	PBR2109	ACDR2109		
CD1270	ACDR1270	PBR417	ACDR417	PBR624	ACDR624	PBR793	ACDR793	PBR2118	ACDR2118		



# DISC ROTOR

## cross reference (DBA)

DBA X Ref	ACDelco Part No	DBA X Ref	ACDelco Part No	DBA X Ref	ACDelco Part No	DBA X Ref	ACDelco Part No	DBA X Ref	ACDelco Part No	DBA X Ref	ACDelco Part No
DBA014	ACDR014	DBA426	ACDR426	DBA625	ACDR625	DBA793	ACDR793	DBA2036	ACDR2036	DBA2562	ACDR1108
DBA015	ACDR015	DBA450	ACDR450	DBA628	ACDR628	DBA794	ACDR794	DBA2037	ACDR2037	DBA2563	ACDR1109
DBA016	ACDR016	DBA450	ACDR1263	DBA629	ACDR629	DBA800	ACDR800	DBA2038	ACDR1200	DBA2566	ACDR1625
DBA017	ACDR017	DBA451	ACDR451	DBA631	ACDR631	DBA801	ACDR801	DBA2039	ACDR1201	DBA2580	ACDR1402
DBA021	ACDR021	DBA452	ACDR452	DBA633	ACDR633	DBA803	ACDR803	DBA2040	ACDR1105	DBA2584	ACDR1225
DBA022	ACDR022	DBA453	ACDR453	DBA642	ACDR642	DBA813	ACDR813	DBA2043	ACDR1088	DBA2586	ACDR1226
DBA023	ACDR023	DBA456	ACDR456	DBA644	ACDR644	DBA815	ACDR815	DBA2050	ACDR2050	DBA2611	ACDR1266
DBA025	ACDR025	DBA457	ACDR457	DBA648	ACDR648	DBA815	ACDR1148	DBA2100	ACDR2100	DBA2700	ACDR2700
DBA026	ACDR026	DBA458	ACDR458	DBA650	ACDR650	DBA816	ACDR816	DBA2107	ACDR1074	DBA2703	ACDR1063
DBA027	ACDR027	DBA461	ACDR461	DBA653	ACDR653	DBA816	ACDR1163	DBA2107	ACDR2107	DBA2707	ACDR1369
DBA033	ACDR033	DBA464	ACDR464	DBA657	ACDR657	DBA817	ACDR817	DBA2108	ACDR2108	DBA2707	ACDR2707
DBA035	ACDR035	DBA465	ACDR465	DBA660	ACDR660	DBA818	ACDR818	DBA2109	ACDR2109	DBA2709	ACDR1222
DBA036	ACDR036	DBA466	ACDR466	DBA661	ACDR661	DBA819	ACDR819	DBA2118	ACDR2118	DBA2709	ACDR2709
DBA037	ACDR037	DBA468	ACDR468	DBA662	ACDR662	DBA820	ACDR820	DBA2119	ACDR2119	DBA2710	ACDR2710
DBA040	ACDR040	DBA468	ACDR1181	DBA663	ACDR663	DBA822	ACDR822	DBA2128	ACDR1202	DBA2714	ACDR2714
DBA041	ACDR041	DBA473	ACDR473	DBA690	ACDR690	DBA825	ACDR825	DBA2129	ACDR1203	DBA2715	ACDR2715
DBA087	ACDR087	DBA474	ACDR474	DBA691	ACDR691	DBA826	ACDR826	DBA2201	ACDR2201	DBA2718	ACDR2718
DBA088	ACDR088	DBA475	ACDR475	DBA692	ACDR692	DBA840	ACDR840	DBA2202	ACDR2202	DBA2719	ACDR1079
DBA096	ACDR096	DBA475	ACDR1261	DBA693	ACDR693	DBA841	ACDR841	DBA2203	ACDR2203	DBA2722	ACDR2722
DBA100	ACDR100	DBA478	ACDR478	DBA697	ACDR697	DBA842	ACDR842	DBA2206	ACDR2206	DBA2723	ACDR2723
DBA107	ACDR107	DBA488	ACDR488	DBA701	ACDR701	DBA847	ACDR847	DBA2207	ACDR2207	DBA2730	ACDR2730
DBA109	ACDR109	DBA488	ACDR1197	DBA709	ACDR709	DBA849	ACDR849	DBA2208	ACDR2208	DBA2732	ACDR1081
DBA110B	ACDR110B	DBA500	ACDR500	DBA709	ACDR709	DBA850	ACDR850	DBA2216	ACDR2216	DBA2734	ACDR2734
DBA111A	ACDR111A	DBA501	ACDR501	DBA710	ACDR710	DBA861	ACDR861	DBA2219	ACDR2219	DBA2735	ACDR2735
DBA111B	ACDR111B	DBA502	ACDR502	DBA710	ACDR710	DBA871	ACDR871	DBA2226	ACDR1224	DBA2738	ACDR1090
DBA130	ACDR130	DBA503	ACDR503	DBA711	ACDR711	DBA876	ACDR876	DBA2275	ACDR2275	DBA2740	ACDR1270
DBA131	ACDR131	DBA504	ACDR504	DBA711	ACDR711	DBA878	ACDR878	DBA2291	ACDR1344	DBA2742	ACDR1110
DBA132	ACDR132/ ACDR134	DBA505	ACDR505	DBA712	ACDR712	DBA892	ACDR892	DBA2310	ACDR1347	DBA2743	ACDR1111
DBA133	ACDR133	DBA513	ACDR513	DBA713	ACDR713	DBA894	ACDR894	DBA2310	ACDR2310	DBA2745	ACDR1223
DBA151	ACDR151	DBA523	ACDR523	DBA716	ACDR716	DBA899	ACDR899	DBA2311	ACDR2311	DBA2806	ACDR2806
DBA154	ACDR154	DBA524	ACDR524	DBA723	ACDR723	DBA903	ACDR903	DBA2312	ACDR2312	DBA2810	ACDR1194
DBA154	ACDR154	DBA525	ACDR525	DBA730	ACDR730	DBA914	ACDR914	DBA2316	ACDR1220	DBA2817	ACDR2817
DBA156	ACDR156	DBA528	ACDR528	DBA733	ACDR733	DBA919	ACDR919	DBA2331	ACDR1221	DBA2818	ACDR1065
DBA158	ACDR158	DBA530	ACDR530	DBA735	ACDR735	DBA930	ACDR930	DBA2422	ACDR1581	DBA2818	ACDR2818
DBA177	ACDR177	DBA531	ACDR531	DBA736	ACDR736	DBA934	ACDR934	DBA2450	ACDR2450	DBA2819	ACDR2819
DBA208	ACDR208	DBA532	ACDR532	DBA748	ACDR778	DBA950	ACDR950	DBA2451	ACDR2451	DBA2820	ACDR2820
DBA221	ACDR221	DBA533	ACDR533	DBA757	ACDR757	DBA951	ACDR951	DBA2452	ACDR2452	DBA2839	ACDR2839
DBA222	ACDR222	DBA534	ACDR534	DBA759	ACDR759	DBA957	ACDR957	DBA2456	ACDR2456	DBA2840	ACDR2840
DBA229	ACDR229	DBA540	ACDR540	DBA766	ACDR766	DBA958	ACDR958	DBA2459	ACDR1182	DBA2871	ACDR2871
DBA230	ACDR230	DBA541	ACDR541	DBA767	ACDR767	DBA964	ACDR964	DBA2459	ACDR1640	DBA2872	ACDR2872
DBA233	ACDR233	DBA542	ACDR542	DBA768	ACDR768	DBA965	ACDR965	DBA2459	ACDR6098	DBA2893	ACDR1130
DBA234	ACDR234	DBA573	ACDR573	DBA775	ACDR775	DBA966	ACDR966	DBA2460	ACDR1183	DBA2893	ACDR1131
DBA236	ACDR236	DBA574	ACDR574	DBA776	ACDR776	DBA978	ACDR978	DBA2462	ACDR2462	DBA2896	ACDR2896
DBA237	ACDR237	DBA576	ACDR576	DBA777	ACDR777	DBA979	ACDR979	DBA2463	ACDR1652	DBA2950	ACDR1323
DBA295	ACDR295	DBA579	ACDR579	DBA780	ACDR780	DBA983	ACDR983	DBA2463	ACDR2463	DBA2950	ACDR2950
DBA329	ACDR329	DBA603	ACDR603	DBA782	ACDR782	DBA996	ACDR996	DBA2464	ACDR1699	DBA2951	ACDR1267
DBA381	ACDR381	DBA615	ACDR615	DBA784	ACDR784	DBA2012	ACDR2012	DBA2479	ACDR1638	DBA2951	ACDR2951
DBA408	ACDR408	DBA616	ACDR616	DBA785	ACDR785	DBA2013	ACDR2013	DBA2500	ACDR1322	DBA2952	ACDR2952
DBA413	ACDR413	DBA617	ACDR617	DBA786	ACDR786	DBA2014	ACDR2014	DBA2500	ACDR1759	DBA2954	ACDR2954
DBA414	ACDR414	DBA618	ACDR618	DBA787	ACDR787	DBA2015	ACDR2015	DBA2502	ACDR2502	DBA2955	ACDR2955
DBA417	ACDR417	DBA620	ACDR620	DBA788	ACDR788	DBA2026	ACDR2026	DBA2503	ACDR1361	DBA2956	ACDR2956
DBA421	ACDR421	DBA621	ACDR621	DBA789	ACDR789	DBA2027	ACDR2027	DBA2504	ACDR1260	DBA2957	ACDR2957
DBA421	ACDR421	DBA622	ACDR622	DBA790	ACDR790	DBA2028	ACDR2028	DBA2504	ACDR2504	DBA2958	ACDR1218
DBA422	ACDR422	DBA623	ACDR623	DBA791	ACDR791	DBA2029	ACDR2029	DBA2510	ACDR2510	DBA2958	ACDR2958
DBA425	ACDR425	DBA624	ACDR624	DBA792	ACDR792	DBA2032	ACDR2032	DBA2511	ACDR2511	DBA2963	ACDR1266



# DISC ROTOR

## cross reference (RDA)

RDA X Ref	ACDelco Part No	RDA X Ref	ACDelco Part No	RDA X Ref	ACDelco Part No	RDA X Ref	ACDelco Part No	RDA X Ref	ACDelco Part No	RDA X Ref	ACDelco Part No
RDA11	ACDR820	RDA473	ACDR473	RDA786	ACDR786	RDA7535	ACDR847	RDA7680	ACDR767	RDA7908	ACDR1759
RDA14	ACDR014	RDA474	ACDR474	RDA787	ACDR787	RDA7536	ACDR819	RDA7684	ACDR2700	RDA7909	ACDR2820
RDA15	ACDR015	RDA475	ACDR475	RDA822	ACDR822	RDA7537	ACDR849	RDA7686	ACDR1222	RDA7932	ACDR2100
RDA15	ACDR025	RDA478	ACDR478	RDA840	ACDR840	RDA7539	ACDR825	RDA7686	ACDR2709	RDA7933	ACDR2109
RDA16	ACDR016	RDA500	ACDR500	RDA840	ACDR842	RDA7540	ACDR826	RDA7686	ACDR2710	RDA7934	ACDR2107
RDA17	ACDR017	RDA501	ACDR501	RDA841	ACDR841	RDA7541	ACDR815	RDA7686	ACDR2730	RDA7935	ACDR2108
RDA21	ACDR021	RDA502	ACDR502	RDA850	ACDR850	RDA7542	ACDR817	RDA7688	ACDR1063	RDA7936	ACDR2036
RDA22	ACDR022	RDA503	ACDR503	RDA899	ACDR899	RDA7543	ACDR816	RDA7708	ACDR2872	RDA7937	ACDR2037
RDA23	ACDR023	RDA504	ACDR504	RDA914	ACDR914	RDA7544	ACDR818	RDA7768	ACDR1223	RDA7938	ACDR2118
RDA26	ACDR026	RDA505	ACDR505	RDA930	ACDR930	RDA7546	ACDR2840	RDA7771	ACDR757	RDA7939	ACDR2119
RDA27	ACDR027	RDA513	ACDR513	RDA934	ACDR934	RDA7547	ACDR2817	RDA7772	ACDR2718	RDA7940	ACDR2206
RDA33	ACDR033	RDA524	ACDR524	RDA950	ACDR950	RDA7548	ACDR2819	RDA7774	ACDR692	RDA7941	ACDR2207
RDA35	ACDR035	RDA525	ACDR525	RDA951	ACDR951	RDA7549	ACDR2818	RDA7775	ACDR693	RDA7945	ACDR2954
RDA36	ACDR036	RDA530	ACDR530	RDA955	ACDR2950	RDA7550	ACDR657	RDA7776	ACDR697	RDA7946	ACDR2955
RDA37	ACDR037	RDA531	ACDR531	RDA965	ACDR965	RDA7556	ACDR653	RDA7779	ACDR712	RDA7947	ACDR2956
RDA40	ACDR040	RDA532	ACDR532	RDA978	ACDR978	RDA7564	ACDR576	RDA7780	ACDR713	RDA7948	ACDR2957
RDA41	ACDR041	RDA533	ACDR533	RDA979	ACDR979	RDA7568	ACDR957	RDA7782	ACDR2707	RDA7949	ACDR1267
RDA87	ACDR087	RDA534	ACDR534	RDA7005	ACDR528	RDA7580	ACDR958	RDA7783	ACDR1079	RDA7949	ACDR2951
RDA88	ACDR088	RDA603	ACDR603	RDA7062	ACDR983	RDA7585	ACDR861	RDA7784	ACDR759	RDA7950	ACDR1218
RDA96	ACDR096	RDA615	ACDR615	RDA7071	ACDR966	RDA7587	ACDR964	RDA7785	ACDR2715	RDA7950	ACDR2958
RDA100	ACDR100	RDA616	ACDR616	RDA7083	ACDR813	RDA7590	ACDR2511	RDA7786	ACDR2714	RDA7951	ACDR1323
RDA107	ACDR107	RDA617	ACDR617	RDA7093	ACDR1065	RDA7593	ACDR1197	RDA7789	ACDR1110	RDA7953	ACDR2952
RDA109	ACDR109	RDA618	ACDR618	RDA7196	ACDR800	RDA7594	ACDR488	RDA7820	ACDR1081	RDA7968	ACDR1090
RDA110B	ACDR110B	RDA620	ACDR620	RDA7197	ACDR801	RDA7604	ACDR2504	RDA7835	ACDR1225	RDA7970	ACDR1111
RDA111A	ACDR111A	RDA621	ACDR621	RDA7199	ACDR803	RDA7606	ACDR2510	RDA7841	ACDR540	RDA7972	ACDR1183
RDA111B	ACDR111B	RDA622	ACDR622	RDA7229	ACDR1266	RDA7614	ACDR579	RDA7842	ACDR541	RDA7975	ACDR2208
RDA130	ACDR130	RDA623	ACDR623	RDA7236	ACDR876	RDA7617	ACDR523	RDA7850	ACDR1266	RDA7978	ACDR2032
RDA131	ACDR131	RDA624	ACDR624	RDA7241	ACDR2896	RDA7620	ACDR408	RDA7855	ACDR1652	RDA7980	ACDR1402
RDA132	ACDR132/ ACDR134	RDA628	ACDR628	RDA7243	ACDR878	RDA7632	ACDR177	RDA7855	ACDR2463	RDA7981	ACDR2216
RDA133	ACDR133	RDA631	ACDR631	RDA7251	ACDR996	RDA7635	ACDR776	RDA7858	ACDR2722	RDA7983	ACDR2219
RDA151	ACDR151	RDA633	ACDR633	RDA7252	ACDR892	RDA7636	ACDR777	RDA7859	ACDR2723	RDA7990	ACDR1108
RDA154	ACDR154	RDA642	ACDR642	RDA7254	ACDR894	RDA7640	ACDR662	RDA7863	ACDR457	RDA7991	ACDR1109
RDA156	ACDR156	RDA644	ACDR644	RDA7256	ACDR1088	RDA7641	ACDR663	RDA7865	ACDR450	RDA8001	ACDR2312
RDA158	ACDR158	RDA648	ACDR648	RDA7320	ACDR871	RDA7642	ACDR237	RDA7867	ACDR461	RDA8002	ACDR2734
RDA208	ACDR208	RDA650	ACDR650	RDA7328	ACDR2275	RDA7643	ACDR660	RDA7869	ACDR2452	RDA8037	ACDR2014
RDA221	ACDR221	RDA690	ACDR690	RDA7345	ACDR1148	RDA7644	ACDR661	RDA7870	ACDR464	RDA8038	ACDR2015
RDA222	ACDR222	RDA701	ACDR701	RDA7352	ACDR542	RDA7646	ACDR2201	RDA7871	ACDR465	RDA8039	ACDR2012
RDA229	ACDR229	RDA709	ACDR709	RDA7386	ACDR1263	RDA7646	ACDR2202	RDA7872	ACDR456	RDA8040	ACDR2013
RDA230	ACDR230	RDA709	ACDR709	RDA7388	ACDR1270	RDA7647	ACDR414	RDA7873	ACDR466	RDA8052	ACDR1347
RDA233	ACDR233	RDA710	ACDR710	RDA7394	ACDR1226	RDA7648	ACDR2203	RDA7876	ACDR468	RDA8060	ACDR2462
RDA234	ACDR234	RDA710	ACDR710	RDA7403	ACDR1224	RDA7652	ACDR625	RDA7876	ACDR1181	RDA8080	ACDR1640
RDA236	ACDR236	RDA711	ACDR711	RDA7405	ACDR1131	RDA7655	ACDR629	RDA7876	ACDR6098	RDA8081	ACDR2735
RDA295	ACDR295	RDA711	ACDR711	RDA7415	ACDR2456	RDA7656	ACDR573	RDA7878	ACDR2450	RDA8084	ACDR1322
RDA329	ACDR329	RDA716	ACDR716	RDA7438	ACDR1163	RDA7657	ACDR574	RDA7879	ACDR2451	RDA8113	ACDR1369
RDA381	ACDR381	RDA730	ACDR730	RDA7441	ACDR1202	RDA7657	ACDR1221	RDA7880	ACDR1182	RDA8195	ACDR1699
RDA413	ACDR413	RDA733	ACDR733	RDA7476	ACDR1625	RDA7660	ACDR2310	RDA7882	ACDR1220	RDA8196	ACDR1638
RDA421	ACDR421	RDA735	ACDR735	RDA7481	ACDR1105	RDA7661	ACDR2311	RDA7895	ACDR1361		
RDA421	ACDR421	RDA736	ACDR736	RDA7485	ACDR1200	RDA7670	ACDR792	RDA7896	ACDR417		
RDA422	ACDR422	RDA748	ACDR778	RDA7487	ACDR1201	RDA7671	ACDR793	RDA7896	ACDR1581		
RDA425	ACDR425	RDA766	ACDR766	RDA7491	ACDR1203	RDA7672	ACDR788	RDA7900	ACDR2050		
RDA426	ACDR426	RDA775	ACDR775	RDA7498	ACDR1104	RDA7673	ACDR790	RDA7901	ACDR2026		
RDA451	ACDR451	RDA780	ACDR780	RDA7518	ACDR723	RDA7674	ACDR789	RDA7902	ACDR2027		
RDA452	ACDR452	RDA782	ACDR782	RDA7519	ACDR691	RDA7675	ACDR791	RDA7903	ACDR2839		
RDA453	ACDR453	RDA784	ACDR784	RDA7523	ACDR903	RDA7677	ACDR794	RDA7904	ACDR2028		
		RDA785	ACDR785	RDA7523	ACDR919	RDA7678	ACDR768	RDA7905	ACDR2029		

# ACDELCO

## Holden Trade Club

Find the latest application data specific to your vehicle by using the ACDelco Online Catalogue, exclusively available to Trade Club members.

Handy features include:

- **STANDARD SEARCH**
- **PART NUMBER SEARCH**
- **TRADE CLUB PRICING**
- **RESULT FILTER**
- **NEW VIN SEARCH**

**ACDELCO PARTS PRICES AND APPLICATIONS** Pick List: 0

Standard Search | VIN Search | Part Number Search | Vehicle Search Options

Make	Model	Year	Series	Chassis	Engine	Details
- Popular Makes	- Popular Models -	ALL	SHOW ALL		4164 cc, DIESEL, 1HZ I6 12v SOHC Diesel Inj [96KW]	00-10/07, 4D Wagon, 4WD, MT, [JAPAN]
TOYOTA	COROLLA	2014	FZJ78R	FZJ79		00-10/07, 4D Wagon, 4WD, MT, [JAPAN]
HOLDEN	LANDCRUISER	2013	GRJ120R	GRJ120		
FORD	HILUX	2012	GRJ200R	GRJ200		
MITSUBISHI	CAMRY	2011	HDJ100R	HDJ100		
NISSAN	RAV4	2010	HDJ78R	HDJ78		
MAZDA	YARIS	2009	HDJ79R	HDJ79		
HONDA	- All Models -	2008	HZJ105R	HZJ105		
HYUNDAI	4 RUNNER	2007	HZJ78R	HZJ78		
SUBARU	86	2006	HZJ79R	HZJ79		
- All Makes -	ALPHARD	2005	KDJ120R	KDJ120		
ABARTH	ALTEZZA	2004	KZJ120R	KZJ120		
AERO WILLYS	ARISTO	2003	UZJ100L	UZJ100		
ALFA ROMEO	AURION	2002	UZJ100R	UZJ100		
ASIA	AVAI ON	2001				

Selected Vehicle: TOYOTA LANDCRUISER HZJ105R HZJ105 2000-10/2007 4 Door Wagon 4164 cc, DIESEL, 1HZ I6 12v SOHC Diesel Inj (96KW) Hide Vehicle Selector

### HOLDEN TRADE CLUB

- Service Parts
- Filters & Oil
- Brakes
- Fuel System
- Ignition, Start & Charge
- Electrical
- Body Parts (Int & Ext)

**Oil Filter** **AC032** - 1 + Add to Cart

**Engine Oil** **Part Numbers Below**  
9.5L Cap.  
[Click for Pack Sizes \(3\)](#)

**Air Filter** **ACA103** - 1 + Add to Cart

**Fuel Filter** **ACF201** - 1 + Add to Cart

# **BRAKE CONSUMABLES**

## brake fluid & brake parts cleaner



### **ACDelco BRAKE FLUID GLOBAL DOT 4 - 500ml 92286932**

Brake fluid for hydraulic brake and clutch systems with a boiling point of at least 265°C and a wet boiling point of at least 175°C. Due to the low deep temperature viscosity this brake fluid is especially recommended for brake systems combined with ABS, TCS and ESP/DSC. ACDelco Global DOT 4 contains effective corrosion inhibitors and antioxidants.

#### **Benefits**

- Has high thermal stability.
- Features excellent corrosion protection for various metals.
- Leads to an appropriate swelling within the specification limits of natural rubber (NR), styrene-butadiene rubber (SBR) and EPDM rubber.



### **ACDelco BRAKE FLUID GLOBAL DOT 4 - 20 Litres 92286931**

Brake fluid for hydraulic brake and clutch systems with a boiling point of at least 265°C and a wet boiling point of at least 175°C. Due to the low deep temperature viscosity this brake fluid is especially recommended for brake systems combined with ABS, TCS and ESP/DSC. ACDelco Global DOT 4 contains effective corrosion inhibitors and antioxidants.

#### **Benefits**

- Has high thermal stability.
- Features excellent corrosion protection for various metals.
- Leads to an appropriate swelling within the specification limits of natural rubber (NR), styrene-butadiene rubber (SBR) and EPDM rubber.



### **ACDelco BRAKE PARTS CLEANER 88900163**

Oil, grease, grime, and brake fluid build up on brake component can cause improper operation.

#### **Benefits:**

- Removes soil, grease, grime and dust.
- Cleans disassembled brake parts.
- Also can be used for cleaning some electrical contacts, carburetor linkages, starters, alternators, electric motors.
- Dries without leaving residue.



# About ACDelco brake pads

ACDelco Disc Brake Pads are an ideal choice when it comes to quiet, confident braking.

ACDelco Disc Brake Pads provide drivers with confident braking over a wide range of operating temperatures and conditions. The ACDelco Disc Brake Pad range covers a wide range of vehicle applications and offers a longer wearing, low dust formulation with excellent stopping performance.

## Features & Benefits

- Every ACDelco Disc Brake Pad has been formulated to the vehicle's requirements to ensure safe and consistent stopping ability.
- ACDelco Disc Brake Pads provide optimum noise suppression and performance using unique formulations and combined with shims, slots and chamfers where needed.
- Each disc brake pad backing plate is protected by a premium powder coated finish, ensuring professional protection and appearance.
- The ACDelco Brake Pad compounds are selected to suit specific vehicle applications and the materials utilised are 100% asbestos free.
- ACDelco Disc Brake Pads friction levels are very stable across a broad range of operating temperatures.
- All ACDelco Brake Pads are designed to provide you optimum performance, durability and to create low levels of dust.



# high performance brake pads

For most drivers the range of ACDelco Brake Pads provide the right balance of stopping power, durability and value for money.

Now for those drivers looking for even more stopping power, ACDelco offers the 'High Performance' range of Brake Pads.

Designed to provide additional brake 'bite' with the use of a high friction rating pad material that has been tested and proven to provide exceptional stopping performance. They are ideal for performance and heavy duty applications, providing braking confidence in extreme conditions including emergency stopping and towing applications.

## Features & Benefits

- High performance friction material
- Consistent braking performance over extreme temperatures
- Designed for performance and heavy duty applications
- Provides braking confidence in extreme situations

## Stopping Distances from 100km/h.#



Note: Stopping distances calculated from dynamometer performance test and a constant line pressure of 5MPa. Stopping distances are dependent on many factors such as: Road surface, weather conditions, tyre condition (inflation pressures, wear, type of rubber compound), pedal effort (how hard you are pushing the pedal), front/rear brake balance (ABS & EBD have reduced this effect). Friction material - if the friction is lower or the material fades, the driver will need to press the pedal harder to compensate, if he is not able to do this, stopping distances will increase. For the graph above it is assumed that all the conditions are identical, the only change is to the friction material.



A word about this catalogue. We have tried to make this catalogue as comprehensive and factual as possible. However, since the time of printing some of the information you'll find here may have been updated. Also, some of the equipment shown or described through this catalogue may have been changed. Further, GM Holden Ltd ABN 84 006 893 232, reserves the right to make changes at any time without notice. No Holden Dealer or other person is authorised or permitted to give or make any statement, assertion or undertaking in relation to the quality, performance characteristics, descriptions or fitness for any purpose of any ACDelco product which is at variance with any written statement, assertion or undertaking on any of these subjects given or made by Holden in its published sales literature, and Holden does not accept any liability for any such unauthorised action.

Holden has authorised Dealers in many parts of Australia for the sale of service parts and the provision of service to owners of Holden's products. Every endeavour is made to ensure that such Dealers carry adequate stocks of service parts, but Holden doesn't make any promise other than that contained in the New Vehicle Warranty given by Holden that such parts or service facilities will be available at any specific location or at any particular time.

Express warranties offered for ACDelco products are subject to the conditions set out in all vehicle handbooks. Details also available from Holden on request. Copyright Holden.

**ACDelco**

Learn more about brake rotors we have.