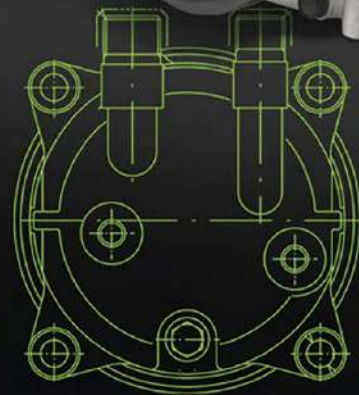
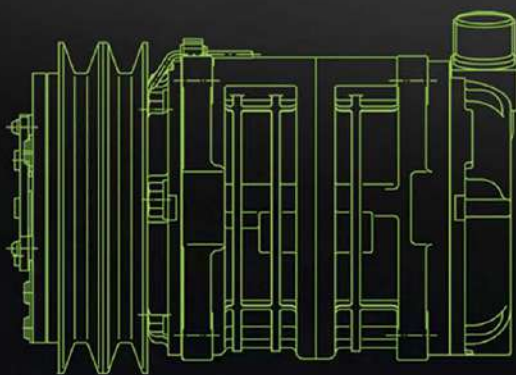


# HEAVY DUTY

## Compressors

The science of superior comfort

2017



# TM Series Application Guide

## How to use this guide:

Valeo makes it easy. Search specifications and interchange criteria according to unique TM Series Heavy Duty applications. Identify the correct compressor by product specifications in the following order:

Diameter Mount Groove Armature Plate Voltage Fitting/Port Terminal Oil Type Oil Amount

### TM 08/13/15/16



LIGHT TRUCK • COMMERCIAL VAN • REFRIGERATION • AGRICULTURE MACHINERY

### TM 21/31



RECREATIONAL VEHICLES • COMMERCIAL DELIVERY • SCHOOL BUS • HEAVY TRANSPORT

## Table of contents:

<b>TM Specifications</b>	3 - 12
<b>TM08 Specifications</b>	3
<b>TM13 Specifications</b>	4 - 5
<b>TM15 Specifications</b>	6 - 8
<b>TM16 Specifications</b>	9 - 11
<b>TM21 Specifications</b>	12
<b>TM31 Specifications</b>	12
<b>TM Technical Specifications</b>	13 - 14
<b>TM Competitive Interchange</b>	15 - 18
<b>TM ICE Interchange</b>	15
<b>TM Omega Interchange</b>	16
<b>TM Que Interchange</b>	17
<b>TM Seltec Interchange</b>	18



# TM08 Specifications

Valeo #	Seltec #	Diameter	Mount	Groove	Armature Plate	Voltage	Fitting/ Port	Terminal	Oil Type	Oil Amount
816016	435-52074	119	ALT	6GR	Leaf Spring	12V	Monolithic	Bullet	ZXL100	150
816022		119	ALT	6GR	3-eye	12V	Monolithic	Packard	ZXL100	150
816014	435-52031	119	EAR	4GR	3-eye	12V	Monolithic	Bullet	ZXL100	150
816015		119	EAR	6GR	Leaf Spring	12V	Monolithic	Bullet	ZXL100	150
816018		119	EAR	8GR	3-eye	12V	RH PAD	Bullet	ZXL100	150
816020		119	EAR	8GR	3-eye	12V	V ORG	Bullet	ZXL100	150
816021		119	EAR	8GR	Leaf Spring	12V	V ORG	Bullet	ZXL100	150
816023		119	EAR	6GR	3-eye	12V	V ORG	Bullet	ZXL100	150
816024		119	EAR	4GR	Leaf Spring	12V	Monolithic	Bullet	ZXL100	150
816025		119	EAR	8GR	3-eye	12V	Monolithic	Bullet	ZXL100	150
816026		119	EAR	6GR	Leaf Spring	12V	V ORG	Bullet	ZXL100	150
103-52076	488-42076	123	ALT	4GR	Leaf Spring	12V	Monolithic	Bullet	ZXL100	150
103-52080	488-42080	123	ALT	4GR	3-eye	12V	Monolithic	Bullet	ZXL100	150
103-52081	488-42081	123	ALT	6GR	3-eye	12V	Monolithic	Bullet	ZXL100	150
103-52087	488-42087	123	ALT	8GR	3-eye	12V	Monolithic	Bullet	ZXL100	150
103-52089	488-42089	123	ALT	4GR	3-eye	24V	Monolithic	Bullet	ZXL100	150
103-52002	435-52002	123	EAR	6GR	3-eye	12V	RH PAD	Bullet	ZXL100	150
816004	435-52004	123	EAR	6GR	3-eye	12V	H ORG	Bullet	ZXL100	150
103-52038	488-42038	123	EAR	6GR	3-eye	12V	Monolithic	Bullet	ZXL100	150
103-52084	488-42084	123	EAR	4GR	3-eye	24V	Monolithic	Bullet	ZXL100	150
103-52017	435-52017	125	ALT	2AG	Leaf Spring	12V	Monolithic	Packard	ZXL100	150
103-52070	488-42070	125	ALT	2AG	Leaf Spring	12V	Monolithic	Bullet	ZXL100	150
816005	435-52008	125	EAR	2AG	Leaf Spring	12V	H ORG	Bullet	ZXL100	150
103-52010	435-52010	125	EAR	2AG	Leaf Spring	12V	V ORG	Bullet	ZXL100	150
103-52033	488-42033	125	EAR	2AG	Leaf Spring	12V	Monolithic	Bullet	ZXL100	150
816017		125	EAR	2AG	Leaf Spring	12V	RH PAD	Deutsch	ZXL100	150
103-52072	488-42072	135	ALT	2AG	Leaf Spring	12V	Monolithic	Bullet	ZXL100	150
103-52083	488-42083	135	ALT	2AG	3-eye	12V	Monolithic	Bullet	ZXL100	150
103-52085	488-42085	135	ALT	2AG	3-eye	24V	Monolithic	Bullet	ZXL100	150
103-52015	488-42015	135	EAR	2AG	3-eye	24V	Monolithic	Bullet	ZXL100	150
103-52021	488-42021	135	EAR	2AG	3-eye	12V	Monolithic	Bullet	ZXL100	150
103-52210	435-52210	135	EAR	2AG	3-eye	12V	RH PAD	Bullet	ZXL100	150
816019		135	EAR	2AG	3-eye	12V	V ORG	Bullet	ZXL100	150

# TM13 Specifications



Valeo #	Seltec #	Diameter	Mount	Groove	Armature Plate	Voltage	Fitting/ Port	Terminal	Oil Type	Oil Amount
816061		119	DIR	6GR	3-eye	12V	H ORG	Weatherpack	ZXL100	150
816029	488-42314	119	EAR	6GR	Leaf Spring	12V	Monolithic	Bullet	ZXL100	150
816030	488-44014	119	EAR	8GR	3-eye	12V	H RLK	Bullet	ZXL100	150
816033	435-54320	119	EAR	8GR	Leaf Spring	12V	V ORG	Bullet	ZXL100	150
816034	435-54338	119	EAR	6GR	Leaf Spring	12V	V ORG	Bullet	ZXL100	150
816036		119	EAR	8GR	3-eye	12V	H ORG	Bullet	Oiless	Oiless
816038		119	EAR	8GR	3-eye	12V	V ORG	Bullet	Oiless	Oiless
816039		119	EAR	6GR	3-eye	12V	V ORG	Bullet	Oiless	Oiless
816040		119	EAR	8GR	Leaf Spring	12V	H ORG	Bullet	Oiless	Oiless
816041		119	EAR	8GR	3-eye	12V	RH PAD	Bullet	Oiless	Oiless
816045		119	EAR	8GR	Leaf Spring	12V	H ORG	Bullet	ZXL100	150
816047		119	EAR	8GR	Leaf Spring	12V	RH PAD	Bullet	Oiless	Oiless
816049		119	EAR	6GR	3-eye	12V	V ORG	Bullet	Oiless	Oiless
816050		119	EAR	8GR	Leaf Spring	12V	V ORG	Bullet	Oiless	Oiless
816056		119	EAR	6GR	Leaf Spring	12V	V ORG	Bullet	Oiless	Oiless
816057		119	EAR	8GR	Leaf Spring	12V	V ORG	Bullet	Oiless	Oiless
816058		119	EAR	4GR	Leaf Spring	12V	V ORG	Bullet	ZXL100	150
816060		119	EAR	8GR	Leaf Spring	12V	Monolithic	Bullet	ZXL100	Oiless
103-52114	488-42114	123	EAR	6GR	3-eye	12V	Monolithic	Bullet	ZXL100	150
103-52121	488-42121	123	EAR	8GR	3-eye	12V	Monolithic	Bullet	ZXL100	150
103-52141	488-42141	123	EAR	8GR	Leaf Spring	12V	Monolithic	Bullet	ZXL100	150
103-54038	488-44038	123	EAR	6GR	3-eye	12V	V ORG	Bullet	ZXL100	150
103-54039	488-44039	123	EAR	6GR	3-eye	12V	H ORG	Bullet	ZXL100	150
103-54120	435-54120	123	EAR	8GR	3-eye	12V	V ORG	Bullet	ZXL100	150
103-54122	435-54122	123	EAR	8GR	3-eye	12V	H ORG	Bullet	ZXL100	150
103-54123	435-54123	123	EAR	8GR	3-eye	24V	H ORG	Bullet	ZXL100	150
103-54218	435-54218	123	EAR	6GR	3-eye	12V	RH PAD	Bullet	ZXL100	150
103-54234	435-54234	123	EAR	8GR	3-eye	12V	RH PAD	Bullet	ZXL100	150
103-54236	435-54236	123	EAR	8GR	3-eye	24V	RH PAD	Bullet	ZXL100	150
103-54334	435-54334	123	EAR	8GR	Leaf Spring	12V	RH PAD	Bullet	ZXL100	150
103-54339	435-54339	123	EAR	6GR	Leaf Spring	12V	H ORG	Bullet	ZXL100	150
103-52120	488-42120	125	EAR	2AG	Leaf Spring	12V	Monolithic	Bullet	ZXL100	150
103-54041	488-44041	125	EAR	2AG	Leaf Spring	12V	H ORG	Bullet	ZXL100	150
103-54084		125	EAR	2AG	Leaf Spring	12V	H ORG	Packard	ZXL100	150
816027	488-42138	125	EAR	2AG	Leaf Spring	12V	CT PAD	Bullet	ZXL100	150
816032	435-54222	125	EAR	2AG	Leaf Spring	12V	RH PAD	Bullet	ZXL100	150
816055		125	EAR	2AG	LS	12V	V ORG	Bullet	ZXL100	150
103-52118	488-42118	126	EAR	SOH	Leaf Spring	12V	Monolithic	Bullet	ZXL100	150
103-54402		126	EAR	SOH	Leaf Spring	12V	V ORG	Bullet	ZXL100	150
816054		126	EAR	SOH	Leaf Spring	12V	H ORG	Bullet	ZXL100	150
103-52110	488-42110	135	EAR	2AG	3-eye	12V	Monolithic	Bullet	ZXL100	150
103-54010	488-44010	135	EAR	2AG	3-eye	12V	H RLK	Bullet	ZXL100	150
103-54070	488-44070	135	EAR	2AG	3-eye	12V	V ORG	Bullet	ZXL100	150
103-54071	435-54071	135	EAR	2AG	3-eye	24V	V ORG	Bullet	ZXL100	150
103-54074	435-54074	135	EAR	2AG	3-eye	24V	H ORG	Bullet	ZXL100	150
103-54082	435-54082	135	EAR	2AG	3-eye	12V	H ORG	Bullet	ZXL100	150
103-54210	435-54210	135	EAR	2AG	3-eye	12V	RH PAD	Bullet	ZXL100	150
103-54212	435-54212	135	EAR	2AG	3-eye	24V	RH PAD	Bullet	ZXL100	150
103-54370	435-54370	135	EAR	2AG	Leaf Spring	12V	V ORG	Bullet	ZXL100	150
103-54382	435-54382	135	EAR	2AG	Leaf Spring	12V	H ORG	Bullet	ZXL100	150





# TM13 Specifications

Valeo #	Seltec #	Diameter	Mount	Groove	Armature Plate	Voltage	Fitting/ Port	Terminal	Oil Type	Oil Amount
816028	488-42310	135	EAR	2AG	Leaf Spring	12V	Monolithic	Bullet	ZXL100	150
816035		135	EAR	2AG	Leaf Spring	12V	H ORG	Packard	ZXL100	150
816037	488-44041	135	EAR	2AG	3-eye	12V	V ORG	Bullet	Oiless	Oiless
816042		135	EAR	2AG	3-eye	12V	RH PAD	Bullet	Oiless	Oiless
816043	488-44082	135	EAR	2AG	3-eye	12V	H ORG	Bullet	Oiless	Oiless
816046		135	EAR	2AG	Leaf Spring	12V	RH PAD	Bullet	Oiless	Oiless
816048		135	EAR	2AG	3-eye	12V	V ORG	Bullet	Oiless	Oiless
816053		135	EAR	2AG	Leaf Spring	12V	V ORG	Bullet	Oiless	Oiless
816059		135	EAR	2AG	3-eye	12V	V RLK	Bullet	ZXL100	150
816031	435-54204	153	EAR	2AG	3-eye	12V	RH PAD	Bullet	ZXL100	150
816044		160	EAR	VGR	3-eye	12V	V ORG	Bullet	ZXL100	150
816051		160	EAR	VGR	3-eye	12V	V ORG	Bullet	Oiless	Oiless
816052		160	EAR	VGR	3-eye	12V	H ORG	Bullet	ZXL100	150

# TM15 Specifications



Valeo #	Seltec #	Diameter	Mount	Groove	Armature Plate	Voltage	Fitting/ Port	Terminal	Oil Type	Oil Amount
816090	435-55085	119	DIR	6GR	Leaf Spring	12V	RH PAD	Bullet	ZXL100	180
816092	435-55096	119	DIR	8GR	Leaf Spring	12V	RH PAD	Bullet	ZXL100	180
816107		119	DIR	6GR	Leaf Spring	12V	H ORG	Bullet	ZXL100	180
816108	435-55384	119	DIR	8GR	Leaf Spring	12V	H ORG	Bullet	ZXL100	180
816113		119	DIR	10GR	3-eye	12V	V ORG	Weatherpack	ZXL100	180
816064		119	EAR	8GR	3-eye	12V	RH PAD	Bullet	Oiless	Oiless
816065		119	EAR	8GR	Leaf Spring	12V	RH PAD	Bullet	ZXL100	150
816067		119	EAR	4GR	Leaf Spring	12V	H ORG	Bullet	Oiless	Oiless
816069		119	EAR	8GR	Leaf Spring	12V	V ORG	Bullet	Oiless	Oiless
816071		119	EAR	8GR	Leaf Spring	12V	V ORG	Bullet	Oiless	Oiless
816073		119	EAR	4GR	Leaf Spring	12V	V ORG	Bullet	ZXL100	150
816074		119	EAR	8GR	3-eye	12V	V ORG	Bullet	Oiless	Oiless
816080		119	EAR	8GR	3-eye	12V	H ORG	Bullet	Oiless	Oiless
816083	435-55097	119	EAR	6GR	3-eye	12V	H RLK	Bullet	ZXL100	150
816084		119	EAR	8GR	3-eye	12V	H ORG	Bullet	Oiless	Oiless
816087		119	EAR	4GR	Leaf Spring	12V	RH PAD	Bullet	ZXL100	150
816088		119	EAR	4GR	Leaf Spring	12V	RH PAD	Bullet	Oiless	Oiless
816089		119	EAR	8GR	3-eye	12V	RH PAD		Oiless	Oiless
816091		119	EAR	6GR	Leaf Spring	12V	RH PAD	Bullet	Oiless	Oiless
816093		119	EAR	8GR	Leaf Spring	12V	RH PAD	Bullet	Oiless	Oiless
816096		119	EAR	8GR	Leaf Spring	12V	Monolithic	Bullet	ZXL100	Oiless
816097		119	EAR	10GR	3-eye	12V	Monolithic	Bullet	ZXL100	150
816099		119	EAR	6GR	3-eye	12V	V ORG	Bullet	Oiless	Oiless
816100		119	EAR	6GR	3-eye	12V	V ORG	Bullet	Oiless	Oiless
816101		119	EAR	4GR	Leaf Spring	12V	V ORG	Bullet	Oiless	Oiless
816102	435-55319	119	EAR	6GR	Leaf Spring	12V	V ORG	Bullet	ZXL100	150
816103		119	EAR	6GR	Leaf Spring	12V	V ORG	Bullet	Oiless	Oiless
816104		119	EAR	8GR	3-eye	12V	H RLK	Bullet	Oiless	Oiless
816106		119	EAR	6GR	Leaf Spring	12V	H ORG	Bullet	Oiless	Oiless
816109		119	EAR	8GR	Leaf Spring	12V	H ORG	Bullet	Oiless	Oiless
816111		119	EAR	8GR	3-eye	12V	V ORG	Bullet	Oiless	Oiless
816112	435-55038	119	EAR	8GR	3-eye	12V	V ORG	Bullet	ZXL100	150
816117	488-25120	119	EAR	8GR	3-eye	12V	SV ORG	Bullet	Mineral	150
103-55082	435-55082	123	DIR	8GR	3-eye	12V	V ORG	Bullet	ZXL100	180
103-55083	435-55083	123	DIR	8GR	3-eye	24V	V ORG	Bullet	ZXL100	180
103-55084	488-45084	123	DIR	8GR	3-eye	12V	H ORG	Bullet	ZXL100	180
103-55088	488-45088	123	DIR	6GR	Leaf Spring	12V	V ORG	Bullet	ZXL100	180
103-55382	435-55382	123	DIR	8GR	Leaf Spring	12V	V ORG	Bullet	ZXL100	180
816001	488-25118	123	EAR	8GR	3-eye	12V	Monolithic	Bullet	Mineral	150
103-25121	488-25121	123	EAR	8GR	3-eye	12V	Monolithic	Bullet	Mineral	150
103-25122	488-25122	123	EAR	8GR	3-eye	12V	H ORG	Bullet	Mineral	150
103-25124	488-25124	123	EAR	8GR	3-eye	12V	V RLK	Bullet	Mineral	150
103-55019	435-55019	123	EAR	6GR	3-eye	12V	V ORG	Bullet	ZXL100	150
103-55032	435-55032	123	EAR	6GR	3-eye	24V	V ORG	Bullet	ZXL100	150
103-55047	435-55047	123	EAR	6GR	3-eye	12V	Monolithic	Bullet	ZXL100	150
103-55068	435-55068	123	EAR	6GR	3-eye	12V	H ORG	Bullet	ZXL100	150
103-55120	435-55120	123	EAR	8GR	3-eye	12V	V ORG	Bullet	ZXL100	150
103-55121	435-55121	123	EAR	8GR	3-eye	12V	Monolithic	Bullet	ZXL100	150
103-55122	435-55122	123	EAR	8GR	3-eye	12V	H ORG	Bullet	ZXL100	150
103-55123	435-55123	123	EAR	8GR	3-eye	24V	H ORG	Bullet	ZXL100	150



# TM15 Specifications

Valeo #	Seltec #	Diameter	Mount	Groove	Armature Plate	Voltage	Fitting/ Port	Terminal	Oil Type	Oil Amount
103-55124	435-55124	123	EAR	8GR	3-eye	12V	V RLK	Bullet	ZXL100	150
103-55125	435-55125	123	EAR	8GR	3-eye	24V	V ORG	Bullet	ZXL100	150
103-55126	435-55126	123	EAR	8GR	3-eye	12V	H RLK	Bullet	ZXL100	150
103-55128	435-55128	123	EAR	8GR	3-eye	12V	H ORG	Weatherpack	ZXL100	150
103-55129	435-55129	123	EAR	8GR	3-eye	24V	H RLK	Bullet	ZXL100	150
103-55131	435-55131	123	EAR	8GR	3-eye	24V	Monolithic	Bullet	ZXL100	150
103-55133	435-55133	123	EAR	4GR	3-eye	24V	V ORG	Bullet	ZXL100	150
103-55141	435-55141	123	EAR	8GR	Leaf Spring	12V	Monolithic	Bullet	ZXL100	150
103-55218	435-55218	123	EAR	6GR	3-eye	12V	RH PAD	Bullet	ZXL100	150
103-55225	435-55225	123	EAR	8GR	3-eye	24V	RH PAD	Bullet	ZXL100	150
103-55234	435-55234	123	EAR	8GR	3-eye	12V	RH PAD	Bullet	ZXL100	150
103-55236	435-55236	123	EAR	8GR	3-eye	24V	RH PAD	Bullet	ZXL100	150
103-55238	435-55238	123	EAR	6GR	Leaf Spring	12V	RH PAD	Bullet	ZXL100	150
103-55320	435-55320	123	EAR	8GR	Leaf Spring	12V	V ORG	Bullet	ZXL100	150
103-55322	435-55322	123	EAR	8GR	Leaf Spring	12V	H ORG	Bullet	ZXL100	150
103-55347	435-55347	123	EAR	6GR	Leaf Spring	12V	Monolithic	Bullet	ZXL100	150
103-55368	435-55368	123	EAR	6GR	Leaf Spring	12V	H ORG	Bullet	ZXL100	150
103-55399	435-55399	123	EAR	4GR	Leaf Spring	12V	H ORG	Bullet	ZXL100	150
700859		123	EAR	6GR	3-eye	24V	RH PAD	Bullet	ZXL100	150
816094		125	DIR	2AG	Leaf Spring	12V	RH PAD	Weatherpack	ZXL100	180
816110		125	DIR	2AG	Leaf Spring	12V	H ORG	Weatherpack	ZXL100	180
103-55018	435-55018	125	EAR	2AG	Leaf Spring	12V	V ORG	Bullet	ZXL100	150
103-55036	435-55036	125	EAR	2AG	Leaf Spring	12V	H ORG	Bullet	ZXL100	150
103-55043	435-55043	125	EAR	2AG	Leaf Spring	12V	Monolithic	Bullet	ZXL100	150
103-55075	435-55075	125	EAR	2AG	Leaf Spring	12V	H RLK	Bullet	ZXL100	150
700856	435-55220	125	EAR	2AG	Leaf Spring	24V	RH PAD	Bullet	ZXL100	150
103-55222	435-55222	125	EAR	2AG	Leaf Spring	12V	RH PAD	Bullet	ZXL100	150
816105	435-55009	125	EAR	2AG	Leaf Spring	12V	V ORG	Weatherpack	ZXL100	150
103-25063	488-25063	126	EAR	SOH	Leaf Spring	12V	SV ORG	Bullet	Mineral	150
103-55033	435-55033	126	EAR	SOH	Leaf Spring	12V	Monolithic	Bullet	ZXL100	150
103-55063	435-55063	126	EAR	SOH	Leaf Spring	12V	V ORG	Bullet	ZXL100	150
700861		126	EAR	SOH	Leaf Spring	12V	RH PAD	Bullet	ZXL100	150
700862		126	EAR	SOH	Leaf Spring	24V	RH PAD	Bullet	ZXL100	150
103-55090	435-55090	135	DIR	2AG	3-eye	24V	V ORG	Bullet	ZXL100	180
103-55092	435-55092	135	DIR	2AG	3-eye	12V	V ORG	Bullet	ZXL100	180
816062	435-55392	135	DIR	2AG	Leaf Spring	12V	V ORG	Bullet	ZXL100	180
103-25011	488-25011	135	EAR	2AG	3-eye	12V	SV ORG	Bullet	Mineral	150
103-25015	488-25015	135	EAR	2AG	3-eye	24V	SV ORG	Bullet	Mineral	150
103-25021	488-25021	135	EAR	2AG	3-eye	12V	Monolithic	Bullet	Mineral	150
103-25069	488-25069	135	EAR	2AG	3-eye	12V	SV ORG	Bullet	Mineral	150
816000	488-25077	135	EAR	2AG	3-eye	12V	SV ORG	Weatherpack	Mineral	150
103-55011	435-55011	135	EAR	2AG	3-eye	12V	V ORG	Bullet	ZXL100	150
103-55015	435-55015	135	EAR	2AG	3-eye	24V	V ORG	Bullet	ZXL100	150
103-55017	435-55017	135	EAR	2AG	3-eye	24V	H ORG	Bullet	ZXL100	150
103-55021	435-55021	135	EAR	2AG	3-eye	12V	Monolithic	Bullet	ZXL100	150
103-55029	435-55029	135	EAR	2AG	3-eye	24V	H RLK	Bullet	ZXL100	150
103-55030	435-55030	135	EAR	2AG	3-eye	12V	H ORG	Bullet	ZXL100	150
103-55039	435-55039	135	EAR	2AG	3-eye	12V	H RLK	Bullet	ZXL100	150
103-55056	435-55056	135	EAR	2AG	3-eye	24V	Monolithic	Bullet	ZXL100	150
103-55059	435-55059	135	EAR	2AG	3-eye	12V	H ORG	Weatherpack	ZXL100	150

# TM15 Specifications



Valeo #	Seltec #	Diameter	Mount	Groove	Armature Plate	Voltage	Fitting/ Port	Terminal	Oil Type	Oil Amount
103-55069	435-55069	135	EAR	2AG	3-eye	12V	V ORG	Bullet	ZXL100	150
103-55210	435-55210	135	EAR	2AG	3-eye	12V	RH PAD	Bullet	ZXL100	150
103-55212	435-55212	135	EAR	2AG	3-eye	24V	RH PAD	Bullet	ZXL100	150
103-55311	435-55311	135	EAR	2AG	Leaf Spring	12V	V ORG	Bullet	ZXL100	150
103-55315	435-55315	135	EAR	2AG	Leaf Spring	24V	V ORG	Bullet	ZXL100	150
103-55317	435-55317	135	EAR	2AG	Leaf Spring	24V	H ORG	Bullet	ZXL100	150
103-55321	435-55321	135	EAR	2AG	Leaf Spring	12V	Monolithic	Bullet	ZXL100	150
103-55330	435-55330	135	EAR	2AG	Leaf Spring	12V	H ORG	Bullet	ZXL100	150
103-55411		135	EAR	2AG	Leaf Spring	12V	RH PAD	Bullet	ZXL100	150
816063		135	EAR	2AG	Leaf Spring	12V	V ORG	Bullet	Oiless	Oiless
816066		135	EAR	2AG	3-eye	12V	RH PAD	Bullet	Oiless	Oiless
816068		135	EAR	2AG	3-eye	12V	V ORG	Bullet	Oiless	Oiless
816072	435-55077	135	EAR	2AG	3-eye	12V	V ORG	Weatherpack	ZXL100	150
816075	435-55023	135	EAR	2AG	3-eye	12V	V RLK	Bullet	ZXL100	150
816076	435-55339	135	EAR	2AG	Leaf Spring	12V	H RLK	Bullet	ZXL100	150
816077		135	EAR	2AG	3-eye	12V	H ORG	Bullet	Oiless	Oiless
816078	435-55323	135	EAR	2AG	Leaf Spring	12V	V RLK	Bullet	ZXL100	150
816079		135	EAR	2AG	3-eye	12V	V ORG	Bullet	Oiless	Oiless
816082		135	EAR	2AG	3-eye	12V	H RLK	Bullet	Oiless	Oiless
816095		135	EAR	2AG	Leaf Spring	12V	RH PAD	Bullet	Oiless	Oiless
816098	435-55071	135	EAR	2AG	3-eye	12V	Monolithic	Bullet	ZXL100	150
103-55204	435-55204	153	EAR	2AG	3-eye	12V	RH PAD	Bullet	ZXL100	150
816114	435-55140	153	EAR	2AG	3-eye	12V	Monolithic	Bullet	ZXL100	150
816115	435-55041	153	EAR	2AG	3-eye	12V	V ORG	Bullet	ZXL100	150
816118	435-55053	153	EAR	2AG	3-eye	12V	H RLK	Bullet	ZXL100	150
815995	435-55050	159	EAR	1BG	3-eye	12V	V ORG	Bullet	ZXL100	150
103-25057	488-25057	160	EAR	VGR	3-eye	24V	Monolithic	Bullet	Mineral	150
103-25065	488-25065	160	EAR	VGR	3-eye	12V	SV ORG	Bullet	Mineral	150
103-55035	435-55035	160	EAR	VGR	3-eye	12V	Monolithic	Bullet	ZXL100	150
103-55057	435-55057	160	EAR	VGR	3-eye	24V	Monolithic	Bullet	ZXL100	150
103-55061	435-55061	160	EAR	VGR	3-eye	24V	V ORG	Bullet	ZXL100	150
103-55065	435-55065	160	EAR	VGR	3-eye	12V	V ORG	Bullet	ZXL100	150
700860	435-55226	160	EAR	VGR	3-eye	12V	RH PAD	Bullet	ZXL100	150
103-55228	435-55228	160	EAR	VGR	3-eye	24V	RH PAD	Bullet	ZXL100	150
816081	435-55094	160	EAR	VGR	3-eye	12V	V RLK	Bullet	ZXL100	150
816116		160	EAR	VGR	3-eye	12V	H ORG	Bullet	ZXL100	150
816085			DIR				V ORG		ZXL100	180
816070			EAR				V ORG		ZXL100	150
816086			EAR				V ORG		ZXL100	150





# TM16 Specifications

Valeo #	Seltec #	Diameter	Mount	Groove	Armature Plate	Voltage	Fitting/ Port	Terminal	Oil Type	Oil Amount
816125		119	DIR	8GR	3-eye	12V	V ORG	Weatherpack	ZXL100	180
816126		119	DIR	8GR	3-eye	12V	H ORG	Bullet	ZXL100	180
816135		119	DIR	6GR	Leaf Spring	12V	V RLK	Bullet	ZXL100	180
816137		119	DIR	8GR	3-eye	12V	IV ORG	Weatherpack	ZXL100	180
816139		119	DIR	8GR	3-eye	12V	IV ORG	Bullet	ZXL100	180
816140		119	DIR	8GR	Leaf Spring	12V	V ORG	Bullet	ZXL100	180
816161		119	DIR	6GR	Leaf Spring	12V	H ORG	Bullet	ZXL100	180
816162		119	DIR	6GR	Leaf Spring	12V	RH PAD	Bullet	ZXL100	180
816164		119	DIR	6GR	Leaf Spring	12V	RH PAD	Bullet	Oiless	Oiless
816166		119	DIR	6GR	Leaf Spring	12V	V ORG	Bullet	Oiless	Oiless
816168		119	DIR	8GR	3-eye	12V	RH PAD	Weatherpack	ZXL100	180
816171		119	DIR	8GR	Leaf Spring	12V	RH PAD	Packard	ZXL100	180
816172		119	DIR	8GR	Leaf Spring	12V	H ORG	Packard	ZXL100	180
816173		119	DIR	8GR	3-eye	12V	RH PAD	Packard	ZXL100	180
816176		119	DIR	8GR	3-eye	12V	RH PAD	Bullet	Oiless	Oiless
816177		119	DIR	8GR	3-eye	12V	V RLK	Packard	ZXL100	180
816120	435-56068	119	EAR	6GR	3-eye	12V	H ORG	Bullet	ZXL100	180
816124	435-56141	119	EAR	8GR	Leaf Spring	12V	Monolithic	Bullet	ZXL100	180
816127	435-56313	119	EAR	8GR	3-eye	12V	H RLK	Weatherpack	ZXL100	180
816132		119	EAR	8GR	Leaf Spring	12V	H ORG	Packard	ZXL100	180
816133		119	EAR	8GR	Leaf Spring	12V	V ORG	Packard	ZXL100	180
816136		119	EAR	6GR	Leaf Spring	12V	V ORG	Bullet	ZXL100	180
816141		119	EAR	8GR	3-eye	12V	H ORG	Bullet	Oiless	Oiless
816143		119	EAR	8GR	3-eye	12V	V ORG	Bullet	Oiless	Oiless
816145		119	EAR	8GR	Leaf Spring	12V	H ORG	Bullet	Oiless	Oiless
816147		119	EAR	8GR	3-eye	12V	RH PAD	Bullet	Oiless	Oiless
816148		119	EAR	6GR	3-eye	12V	V ORG	Bullet	Oiless	Oiless
816150		119	EAR	8GR	3-eye	12V	H RLK	Bullet	Oiless	Oiless
816152		119	EAR	8GR	Leaf Spring	12V	RH PAD	Bullet	Oiless	Oiless
816155		119	EAR	8GR	3-eye	12V	SV ORG	Bullet	Oiless	Oiless
816158		119	EAR	6GR	3-eye	12V	V ORG	Bullet	Oiless	Oiless
816159		119	EAR	8GR	Leaf Spring	12V	V ORG	Bullet	Oiless	Oiless
816165		119	EAR	8GR	Leaf Spring	12V	T PAD	Packard	ZXL100	180
816167		119	EAR	6GR	Leaf Spring	12V	V ORG	Bullet	Oiless	Oiless
816169		119	EAR	8GR	Leaf Spring	12V	RH PAD	Bullet	ZXL100	180
816174		119	EAR	4GR	Leaf Spring	12V	V ORG	Bullet	Oiless	Oiless
103-56082		123	DIR	8GR	3-eye	12V	V ORG	Bullet	ZXL100	180
103-56282		123	DIR	8GR	3-eye	12V	RH PAD	Bullet	ZXL100	180
700879		123	DIR	10GR	3-eye	12V	RH PAD	Bullet	ZXL100	180
815997		123	DIR	10GR	3-eye	12V	IV ORG	Weatherpack	ZXL100	180
103-56403		123	DIR	8GR	Leaf Spring	12V	RH PAD	Weatherpack	ZXL100	180
103-56282		123	DIR	8GR	3-eye	12V	RH PAD	Bullet	ZXL100	180
815996		123	DIR	8GR	Leaf Spring	12V	V ORG	Packard	ZXL100	180
103-56019	435-56019	123	EAR	6GR	3-eye	12V	V ORG	Bullet	ZXL100	180
103-56032	435-56032	123	EAR	6GR	3-eye	24V	V ORG	Bullet	ZXL100	180
816006	435-56038	123	EAR	8GR	3-eye	12V	V ORG	Bullet	ZXL100	180
103-56047	435-56047	123	EAR	6GR	3-eye	12V	Monolithic	Bullet	ZXL100	180
103-56120	435-56120	123	EAR	8GR	3-eye	12V	V ORG	Bullet	ZXL100	180
103-56121	435-56121	123	EAR	8GR	3-eye	12V	Monolithic	Bullet	ZXL100	180
103-56122	435-56122	123	EAR	8GR	3-eye	12V	H ORG	Bullet	ZXL100	180

# TM16 Specifications



Valeo #	Seltec #	Diameter	Mount	Groove	Armature Plate	Voltage	Fitting/ Port	Terminal	Oil Type	Oil Amount
103-56123	435-56123	123	EAR	8GR	3-eye	24V	H ORG	Bullet	ZXL100	180
103-56124	435-56124	123	EAR	8GR	3-eye	12V	V RLK	Bullet	ZXL100	180
103-56125	435-56125	123	EAR	8GR	3-eye	24V	V ORG	Bullet	ZXL100	180
103-56126	435-56126	123	EAR	8GR	3-eye	12V	H RLK	Bullet	ZXL100	180
103-56129	435-56129	123	EAR	8GR	3-eye	24V	H RLK	Bullet	ZXL100	180
103-56134	435-56134	123	EAR	8GR	3-eye	12V	V ORG	Weatherpack	ZXL100	180
103-56202	435-56202	123	EAR	8GR	3-eye	12V	RH PAD	Bullet	ZXL100	180
103-56218	435-56218	123	EAR	6GR	3-eye	12V	RH PAD	Bullet	ZXL100	180
103-56220	435-56220	123	EAR	6GR	3-eye	24V	RH PAD	Bullet	ZXL100	180
815988	435-56225	123	EAR	8GR	3-eye	24V	RH PAD	Bullet	ZXL100	180
103-56234	435-56234	123	EAR	8GR	3-eye	12V	RH PAD	Bullet	ZXL100	180
103-56236	435-56236	123	EAR	8GR	3-eye	24V	RH PAD	Bullet	ZXL100	180
103-56320	435-56320	123	EAR	8GR	Leaf Spring	12V	V ORG	Bullet	ZXL100	180
103-56322	435-56322	123	EAR	8GR	Leaf Spring	12V	H ORG	Bullet	ZXL100	180
700851		123	EAR	10GR	3-eye	12V	RH PAD	Bullet	ZXL100	180
700858		123	EAR	10GR	3-eye	24V	RH PAD	Bullet	ZXL100	180
816175		125	DIR	2AG	Leaf Spring	12V	RH PAD	Weatherpack	ZXL100	180
103-56018	435-56018	125	EAR	2AG	Leaf Spring	12V	V ORG	Bullet	ZXL100	180
103-56036	435-56036	125	EAR	2AG	Leaf Spring	12V	H ORG	Bullet	ZXL100	180
103-56037	488-46037	125	EAR	2AG	Leaf Spring	24V	H ORG	Bullet	ZXL100	180
103-56043	435-56043	125	EAR	2AG	Leaf Spring	12V	Monolithic	Bullet	ZXL100	180
103-56074	435-56074	125	EAR	2AG	Leaf Spring	24V	V ORG	Bullet	ZXL100	180
103-56075	435-56075	125	EAR	2AG	Leaf Spring	12V	H RLK	Bullet	ZXL100	180
103-56222	435-56222	125	EAR	2AG	Leaf Spring	12V	RH PAD	Bullet	ZXL100	180
103-56238	435-56238	125	EAR	2AG	Leaf Spring	12V	RH PAD	Packard	ZXL100	180
103-56241	435-56241	125	EAR	2AG	Leaf Spring	24V	RH PAD	Bullet	ZXL100	180
815936		126	DIR	SOH	Leaf Spring	12V	RH PAD	Bullet	ZXL100	180
103-56033	435-56033	126	EAR	SOH	Leaf Spring	12V	Monolithic	Bullet	ZXL100	180
103-56063	435-56063	126	EAR	SOH	Leaf Spring	12V	V ORG	Bullet	ZXL100	180
103-56081	435-56081	126	EAR	SOH	Leaf Spring	12V	H ORG	Bullet	ZXL100	180
103-56083	435-56083	126	EAR	SOH	Leaf Spring	24V	H ORG	Bullet	ZXL100	180
103-56230	435-56230	126	EAR	SOH	Leaf Spring	12V	RH PAD	Bullet	ZXL100	180
103-56415		135	DIR	2AG	3-eye	12V	V ORG	Bullet	ZXL100	180
816134		135	DIR	2AG	Leaf Spring	12V	H ORG	Bullet	ZXL100	180
816138		135	DIR	2AG	3-eye	12V	RH PAD	Bullet	ZXL100	180
816156		135	DIR	2AG	Leaf Spring	12V	V ORG	Bullet	ZXL100	180
816163		135	DIR	2AG	Leaf Spring	12V	RH PAD	Weatherpack	ZXL100	180
816170		135	DIR	2AG	Leaf Spring	12V	V ORG	Bullet	ZXL100	180
103-56011	435-56011	135	EAR	2AG	3-eye	12V	V ORG	Bullet	ZXL100	180
103-56015	435-56015	135	EAR	2AG	3-eye	24V	V ORG	Bullet	ZXL100	180
103-56017	435-56017	135	EAR	2AG	3-eye	24V	H ORG	Bullet	ZXL100	180
103-56021	435-56021	135	EAR	2AG	3-eye	12V	Monolithic	Bullet	ZXL100	180
103-56023	435-56023	135	EAR	2AG	3-eye	12V	V RLK	Bullet	ZXL100	180
103-56028	435-56028	135	EAR	2AG	3-eye	12V	H RLK	Bullet	ZXL100	180
103-56029	435-56029	135	EAR	2AG	3-eye	24V	H RLK	Bullet	ZXL100	180
103-56030	435-56030	135	EAR	2AG	3-eye	12V	H ORG	Bullet	ZXL100	180
103-56056	435-56056	135	EAR	2AG	3-eye	24V	Monolithic	Bullet	ZXL100	180
103-56210	435-56210	135	EAR	2AG	3-eye	12V	RH PAD	Bullet	ZXL100	180
103-56212	435-56212	135	EAR	2AG	3-eye	24V	RH PAD	Bullet	ZXL100	180
103-56311		135	EAR	2AG	Leaf Spring	12V	V ORG	Bullet	ZXL100	180



# TM16 Specifications

Valeo #	Seltec #	Diameter	Mount	Groove	Armature Plate	Voltage	Fitting/ Port	Terminal	Oil Type	Oil Amount
103-56312		135	EAR	2AG	Leaf Spring	24V	RH PAD	Bullet	ZXL100	180
103-56315	435-56315	135	EAR	2AG	Leaf Spring	24V	V ORG	Bullet	ZXL100	180
103-56317	435-56317	135	EAR	2AG	Leaf Spring	24V	H ORG	Bullet	ZXL100	180
103-56356	435-56356	135	EAR	2AG	Leaf Spring	24V	Monolithic	Bullet	ZXL100	180
103-56405		135	EAR	2AG	Leaf Spring	12V	RH PAD	Bullet	ZXL100	180
816011		135	EAR	2AG	Leaf Spring	24V	V ORG	Bullet	Oil-less	Oiless
816012		135	EAR	2AG	Leaf Spring	24V	H ORG	Bullet	Oil-less	Oiless
816119	435-56059	135	EAR	2AG	3-eye	12V	H ORG	Weatherpack	ZXL100	180
816121	435-56069	135	EAR	2AG	3-eye	12V	V ORG	Bullet	ZXL100	180
816122	435-56077	135	EAR	2AG	3-eye	12V	V ORG	Weatherpack	ZXL100	180
816128	435-56321	135	EAR	2AG	Leaf Spring	12V	Monolithic	Bullet	ZXL100	180
816129	435-56330	135	EAR	2AG	Leaf Spring	12V	H ORG	Bullet	ZXL100	180
816130		135	EAR	2AG	Leaf Spring	12V	V ORG	Packard	ZXL100	180
816131		135	EAR	2AG	Leaf Spring	12V	H ORG	Packard	ZXL100	180
816142		135	EAR	2AG	3-eye	12V	V ORG	Bullet	Oiless	Oiless
816144		135	EAR	2AG	3-eye	12V	RH PAD	Bullet	Oiless	Oiless
816146		135	EAR	2AG	3-eye	12V	H ORG	Bullet	Oiless	Oiless
816149		135	EAR	2AG	3-eye	12V	H RLK	Bullet	Oiless	Oiless
816151		135	EAR	2AG	Leaf Spring	12V	RH PAD	Bullet	Oiless	Oiless
816157		135	EAR	2AG	3-eye	12V	V ORG	Bullet	Oiless	Oiless
816160		135	EAR	2AG	Leaf Spring	12V	V ORG	Bullet	Oiless	Oiless
816007	435-56041	153	EAR	2AG	3-eye	12V	V ORG	Bullet	ZXL100	180
816008	435-56045	153	EAR	2AG	3-eye	12V	H ORG	Bullet	ZXL100	180
815999	435-56048	153	EAR	2AG	3-eye	24V	H ORG	Bullet	ZXL100	180
103-56204	435-56204	153	EAR	2AG	3-eye	12V	RH PAD	Bullet	ZXL100	180
816009	435-56050	159	EAR	1BG	3-eye	12V	V ORG	Bullet	ZXL100	180
103-56054	435-56054	159	EAR	1BG	3-eye	12V	V RLK	Bullet	ZXL100	180
103-56055	435-56055	159	EAR	1BG	3-eye	24V	V ORG	Bullet	ZXL100	180
700880		160	DIR	VGR	3-eye	12V	RH PAD	Bullet	ZXL100	180
103-56035	435-56035	160	EAR	VGR	3-eye	12V	Monolithic	Bullet	ZXL100	180
103-56057	435-56057	160	EAR	VGR	3-eye	24V	Monolithic	Bullet	ZXL100	180
103-56061	435-56061	160	EAR	VGR	3-eye	24V	V ORG	Bullet	ZXL100	180
103-56065	435-56065	160	EAR	VGR	3-eye	12V	V ORG	Bullet	ZXL100	180
103-56226	435-56226	160	EAR	VGR	3-eye	12V	RH PAD	Bullet	ZXL100	180
816123	435-56094	160	EAR	VGR	3-eye	12V	V RLK	Bullet	ZXL100	180
816153		160	EAR	VGR	3-eye	12V	RH PAD	Bullet	Oiless	Oiless
816154		160	EAR	VGR	3-eye	12V	V ORG	Bullet	Oiless	Oiless

# TM21 Specifications



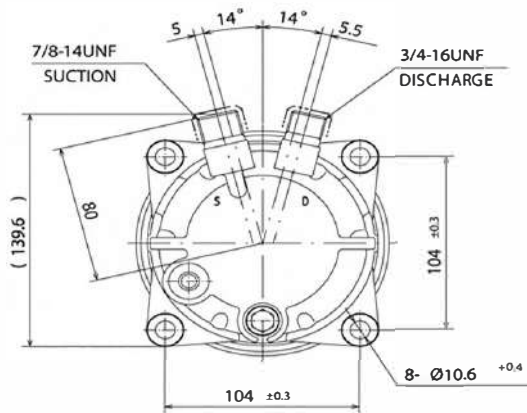
Valeo #	Seltec #	Diameter	Mount	Groove	Armature Plate	Voltage	Fitting/ Port	Terminal	Oil Type	Oil Amount
103-57394		127	DIR	8GR	3-eye	24V	RH PAD	Packard	ZXL100	180
815998		127	DIR	8GR	3-eye	12V	V ORG	Packard	ZXL100	180
700876		127	DIR	8GR	3-eye	24V	RH PAD	Bullet	ZXL100	180
103-67248	435-67248	127	DIR	8GR	3-eye	12V	RH PAD	Packard	ZXL100	180
103-67260	488-47245	127	DIR	8GR	3-eye	12V	RH PAD	Bullet	ZXL100	180
103-57244	488-47244	137	DIR	8GR	3-eye	12V	RH PAD	Bullet	ZXL100	180
103-57246	488-47246	137	DIR	8GR	3-eye	24V	RH PAD	Bullet	ZXL100	180
103-67256		137	DIR	6GR	3-eye	12V	RH PAD	Packard	ZXL100	180
103-67269		141	DIR	10GR	3-eye	12V	RH PAD	Packard	ZXL100	180
700877	488-47240	145	DIR	2AG	3-eye	12V	RH PAD	Bullet	ZXL100	180
103-57242	488-47242	145	DIR	2AG	3-eye	24V	RH PAD	Bullet	ZXL100	180
816010		145	DIR	2AG	3-eye	12V	H ORG	Packard	ZXL100	180
103-57251		150	DIR	1BG	3-eye	24V	RH PAD	Bullet	ZXL100	180
103-67220		150	DIR	1BG	3-eye	12V	RH PAD	Bullet	ZXL100	180
700878	488-47250	152	DIR	1AG	3-eye	12V	RH PAD	Deutsch	ZXL100	180

# TM31 Specifications

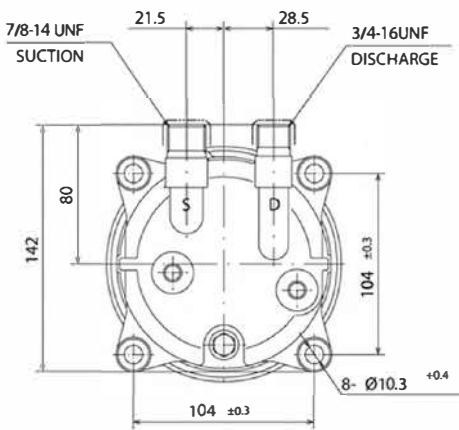
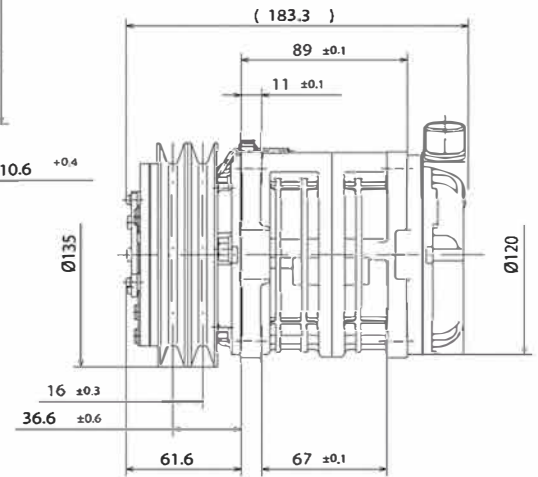
Valeo #	Seltec #	Diameter	Mount	Groove	Armature Plate	Voltage	Fitting/ Port	Terminal	Oil Type	Oil Amount
103-68540		152	DIR	8GR	5-eye	12V		Bullet	ZXL100	500
103-68550		152	DIR	8GR	5-eye	24V		Bullet	ZXL100	500
816013	488-46540	152	DIR	8GR	5-eye	12V		Bullet	ZXL100	500
103-68500		152.4	DIR	2AG	5-eye	12V		Bullet	ZXL100	500
103-68510		152.4	DIR	2AG	5-eye	24V		Bullet	ZXL100	500
103-68520		158	DIR	2BG	5-eye	12V		Bullet	ZXL100	500
103-68530		158	DIR	2BG	5-eye	24V		Bullet	ZXL100	500



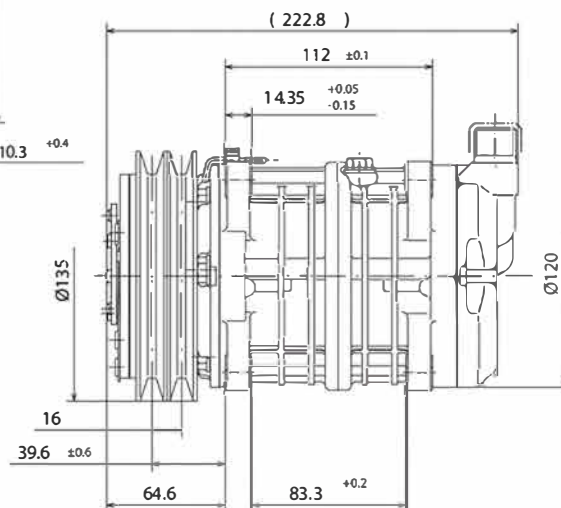
TECHNOLOGY	Heavy Duty Swash Plate
DISPLACEMENT	82cc / 5 in <sup>3</sup> per rev
NUMBER OF CYLINDERS	6 β double-headed pistons)
REVOLUTION RANGE	700-6000 rpm
DIRECTION OF ROTATION	Clockwise or counter clockwise (depending on clutch type)
BORE	36 mm (1.42 in)
STROKE	13.4 mm (0.53 in)
SHAFTSEAL	Lip seal type
REFRIGERANT	HFC-134 a
OIL (QUANTITY)	ZXL 100PG PAG OIL (150 cc/9 in <sup>3</sup> )
WEIGHT (w/o clutch)	4.1 kg /9 lbs
DIMENSIONS (w/o clutch) Length - Width - Height	168 - 124 - 145 (mm) 6.6 - 4.9 - 5.7 (in)
MOUNTING	Alternator or Ear



## TM08



## TM13/15/16

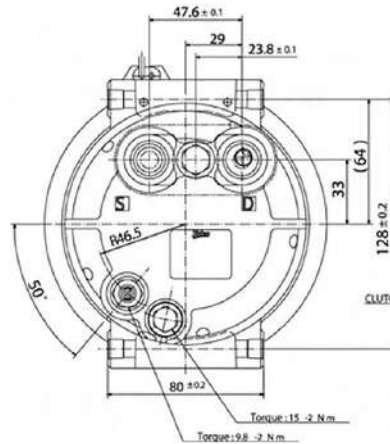


TECHNOLOGY	Heavy Duty Swash Plate
DISPLACEMENT	131 - 147 - 163 (cc/rev) 8 - 9 - 10 ( in <sup>3</sup> /rev)
NUMBER OF CYLINDERS	6 (3 double-headed pistons)
REVOLUTION RANGE	700-6000 rpm (maximum peak : 7000 rpm)
DIRECTION OF ROTATION	Clockwise or counter clockwise (depending on clutch type)
BORE	36 mm (1.42 in)
STROKE	21.4 - 24.0 - 26.7 (mm) 0.84 - 0.94 - 1.05 (in)
SHAFT SEAL	Lip seal type
LUBRICATION SYSTEM	Lubrication by gear pump
REFRIGERANT	HFC-134a
OIL (QUANTITY)	ZXL 100 PG PAG OIL (180 cc /11 in <sup>3</sup> )
WEIGHT(w/o clutch)	4.4 - 4.6 - 4.9 (kg) 9.7 - 10.1 - 10.8 (lbs)
DIMENSIONS (with clutch) Length - Width - Height	192/202/207 - 124 - 142 (mm) 7.6/8.0/8.2 - 4.9 - 5.6 (in)
MOUNTING	Direct (side or base)

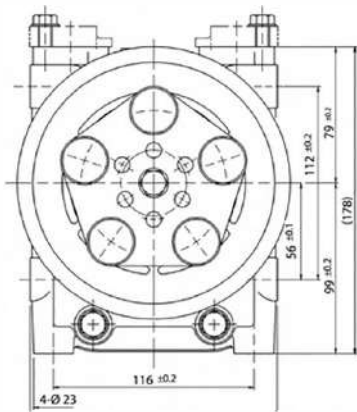
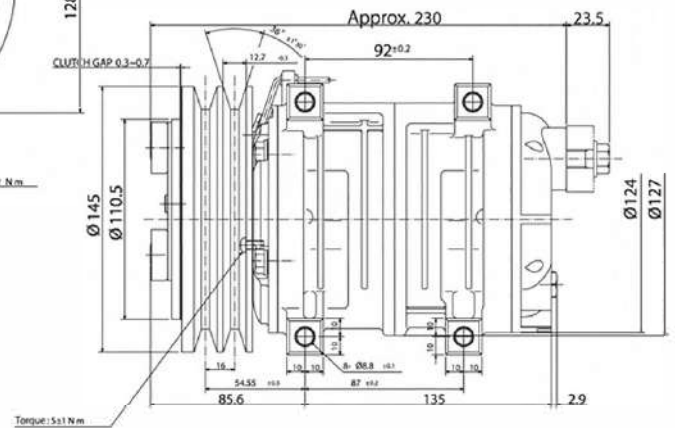
# Technical Specifications



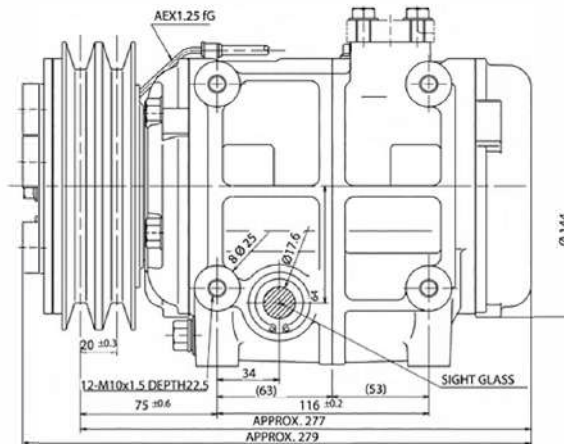
TECHNOLOGY	Heavy Duty Swash Plate
DISPLACEMENT	215cc / 13 in <sup>3</sup> per rev.
NUMBER OF CYLINDERS	10 (5 double-headed pistons)
REVOLUTION RANGE	700-6000 rpm
DIRECTION OF ROTATION	Clockwise or counter clockwise (depending on clutch type)
BORE	32 mm (1.26 in)
STROKE	26.7 mm (1.05 in)
SHAFT SEAL	Lip seal type
REFRIGERANT	HFC-134a
OIL (QUANTITY)	ZXL 100PG PAG OIL (180 cc/11 in <sup>3</sup> )
WEIGHT (w/o clutch)	5.1 kg /11.3 lbs
DIMENSIONS (w/o clutch) Length - Width - Height	199 - 127 - 148 (mm) 7.8 - 5 - 5.8 (in)
MOUNTING	Direct (side)



## TM21



## TM31



TECHNOLOGY	Heavy Duty Swash Plate
DISPLACEMENT	313 cc (19.1 in <sup>3</sup> ) per rev.
NUMBER OF CYLINDERS	10 (5 double-headed pistons)
REVOLUTION RANGE	700-6000 rpm (maximum peak : 7000 rpm)
DIRECTION OF ROTATION	Clockwise viewed from clutch
BORE	36 mm (1.42 in)
STROKE	30.7 mm (1.21 in)
SHAFT SEAL	Lip seal type
LUBRICATION SYSTEM	Lubrication by gear pump
REFRIGERANT	HFC-134a
OIL (QUANTITY)	ZXL 100 PG PAG OIL (500 cc /30.5 in <sup>3</sup> )
WEIGHT (w/o clutch)	9.5 kg/21 lbs
DIMENSIONS (with clutch) Length - Width - Height	278.5 - 143 - 178 (mm) 10.94 - 5.63 - 7 (in)
MOUNTING	Direct (side or base)



# TM ICE Interchange

ICE #	Valeo #	Model	ICE #	Valeo #	Model	ICE #	Valeo #	Model	ICE #	Valeo #	Model
2521121	103-25011	TM-15	2521233	103-56065	TM-16	2521322	816118	TM-15	2521503	816032	TM-13
2521122	103-25015	TM-15	2521235	103-56120	TM-16	2521323	103-55068	TM-15	2521504	103-54370	TM-13
2521123	103-25021	TM-15	2521236	103-56121	TM-16	2521324	103-55069	TM-15	2521505	103-54382	TM-13
2521128	103-25057	TM-15	2521237	816068	TM-15	2521325	816098	TM-15	2521509	816114	TM-15
2521129	103-25063	TM-15	2521237	103-56122	TM-16	2521328	816090	TM-15	2521510	103-55315	TM-15
2521130	103-25065	TM-15	2521238	103-56210	TM-16	2521329	816081	TM-15	2521511	103-55317	TM-15
2521132	816000	TM-15	2521239	103-56212	TM-16	2521330	816083	TM-15	2521512	103-55320	TM-15
2521133	103-25121	TM-15	2521241	816071	TM-15	2521332	103-55124	TM-15	2521520	103-56317	TM-16
2521135	103-52015	TM-08	2521242	816142	TM-16	2521333	103-55125	TM-15	2521522	103-56322	TM-16
2521136	103-52021	TM-08	2521247	816143	TM-16	2521334	103-55131	TM-15	2521523	816129	TM-16
2521137	103-52038	TM-08	2521248	816144	TM-16	2521335	103-55141	TM-15	2521524	816022	TM-08
2521138	103-52070	TM-08	2521250	103-56035	TM-16	2521336	103-55204	TM-15	2521526	103-55123	TM-15
2521139	103-52072	TM-08	2521251	103-52084	TM-08	2521337	103-55218	TM-15	2521539	103-56320	TM-16
2521142	103-52121	TM-13	2521255	103-55238	TM-15	2521338	816102	TM-15	2521540	103-56055	TM-16
2521143	816029	TM-13	2521256	103-52017	TM-08	2521339	103-55321	TM-15	2521541	816062	TM-15
2521144	103-54038	TM-13	2521257	103-52081	TM-08	2521340	103-55322	TM-15	2521542	816108	TM-15
2521145	103-54070	TM-13	2521258	103-52114	TM-13	2521341	816076	TM-15	2521543	103-55382	TM-15
2521147	103-54212	TM-13	2521261	103-52080	TM-08	2521342	103-55347	TM-15	2521544	103-55059	TM-15
2521148	103-54234	TM-13	2521266	103-55122	TM-15	2521343	103-55368	TM-15	2521546	816119	TM-16
2521149	103-54236	TM-13	2521267	816014	TM-08	2521344	103-56023	TM-16	2521548	103-55128	TM-15
2521150	816033	TM-13	2521269	103-52087	TM-08	2521346	103-56028	TM-16	2521549	103-25069	TM-15
2521151	816034	TM-13	2521270	103-52089	TM-08	2521346	816149	TM-16	2521552	103-56134	TM-16
2521152	103-55011	TM-15	2521271	103-54010	TM-13	2521347	103-56036	TM-16	2521561	816105	TM-15
2521153	103-55015	TM-15	2521272	816030	TM-13	2521348	816120	TM-16	2521562	103-57244	TM-21
2521154	103-55017	TM-15	2521273	103-54082	TM-13	2521349	816121	TM-16	2521563	103-57246	TM-21
2521155	103-55018	TM-15	2521273	816043	TM-13	2521350	103-56075	TM-16	2521564	700877	TM-21
2521156	103-55019	TM-15	2521274	103-54122	TM-13	2521352	103-56123	TM-16	2521565	103-57242	TM-21
2521157	103-55021	TM-15	2521275	816112	TM-15	2521353	103-56124	TM-16	2521569	816005	TM-08
2521158	103-55030	TM-15	2521276	816115	TM-15	2521354	103-56125	TM-16	2521572	816064	TM-15
2521159	103-55035	TM-15	2521278	815995	TM-15	2521355	103-56126	TM-16	2521576	103-55236	TM-15
2521160	103-55036	TM-15	2521280	103-55082	TM-15	2521356	103-56204	TM-16	2521579	103-56315	TM-16
2521161	103-55043	TM-15	2521281	103-55084	TM-15	2521357	103-56218	TM-16	2521589	816147	TM-16
2521162	103-55047	TM-15	2521282	103-55092	TM-15	2521358	103-56220	TM-16	2521594	103-56032	TM-16
2521163	103-55056	TM-15	2521283	103-56033	TM-16	2521359	816128	TM-16	2521595	103-56054	TM-16
2521164	103-55057	TM-15	2521284	816006	TM-16	2521360	816124	TM-16	2521600	103-56312	TM-16
2521165	103-55061	TM-15	2521285	816007	TM-16	2521361	700860	TM-15	2521601	103-56241	TM-16
2521166	103-55063	TM-15	2521286	816008	TM-16	2521361	103-55228	TM-15	2521602	816001	TM-15
2521167	103-55065	TM-15	2521287	816009	TM-16	2521367	816027	TM-13	2521607	700856	TM-15
2521168	103-55075	TM-15	2521288	103-56063	TM-16	2521374	103-55029	TM-15	2521608	103-56356	TM-16
2521170	103-55088	TM-15	2521289	103-56081	TM-16	2521387	103-55210	TM-15	2521609	103-56405	TM-16
2521171	103-55120	TM-15	2521291	103-54071	TM-13	2521388	103-52083	TM-08	2521612	816004	TM-08
2521172	103-55121	TM-15	2521292	103-54074	TM-13	2521445	103-56236	TM-16	2521613	103-52002	TM-08
2521173	103-55126	TM-15	2521294	103-55090	TM-15	2521446	103-54210	TM-13	2521617	103-52010	TM-08
2521175	103-55212	TM-15	2521295	815999	TM-16	2521449	103-52210	TM-08	2521620	816080	TM-15
2521176	103-55222	TM-15	2521296	103-56083	TM-16	2521453	103-55330	TM-15	2521621	816042	TM-13
2521178	103-55234	TM-15	2521297	816123	TM-16	2521454	816078	TM-15	2521635	816077	TM-15
2521180	103-56011	TM-16	2521299	103-56047	TM-16	2521455	103-55311	TM-15	2521641	103-56082	TM-16
2521181	103-56015	TM-16	2521301	816072	TM-15	2521456	103-56029	TM-16	2521643	816059	TM-13
2521182	103-56017	TM-16	2521302	103-54120	TM-13	2521457	816016	TM-08	2521644	816055	TM-13
2521183	103-56018	TM-16	2521303	103-52141	TM-13	2521459	816015	TM-08	2521653	816141	TM-16
2521184	103-56019	TM-16	2521305	103-52118	TM-13	2521460	103-54123	TM-13	2521657	103-67260	TM-21
2521185	103-56021	TM-16	2521306	103-52085	TM-08	2521461	816092	TM-15	2521672	103-56415	TM-16
2521186	103-56030	TM-16	2521307	103-52033	TM-08	2521462	103-55083	TM-15	2521677	816126	TM-16
2521187	103-56043	TM-16	2521308	103-52076	TM-08	2521463	103-55133	TM-15	2521686	816138	TM-16
2521189	103-56056	TM-16	2521309	103-52120	TM-13	2521466	815988	TM-16	2521687	103-56282	TM-16
2521201	103-56222	TM-16	2521310	103-54039	TM-13	2521467	103-56311	TM-16	2521697	816140	TM-16
2521204	103-56230	TM-16	2521311	816028	TM-13	2521468	103-56202	TM-16	2521712	103-54084	TM-13
2521206	103-56234	TM-16	2521312	103-54041	TM-13	2521471	103-56129	TM-16	2521713	816137	TM-16
2521208	103-56238	TM-16	2521313	103-54334	TM-13	2521472	816122	TM-16	2521724	816146	TM-16
2521213	816013	TM-13	2521314	103-54339	TM-13	2521473	103-55129	TM-15	2521729	816041	TM-13
2521226	816089	TM-15	2521316	816075	TM-15	2521474	103-55225	TM-15	2521730	103-67269	TM-21
2521230	103-56057	TM-16	2521319	103-55032	TM-15	2521480	103-56226	TM-16	2521744	816111	TM-15
2521232	816039	TM-13	2521319	816070	TM-15	2521497	103-52110	TM-13	2521748	816082	TM-15
2521232	103-56061	TM-16	2521320	103-55033	TM-15	2521499	816031	TM-13	2521759	103-55399	TM-15
2521233	816037	TM-13	2521321	103-55039	TM-15	2521501	103-54218	TM-13			



# TM Omega Interchange



Omega #	Valeo #	Model	Omega #	Valeo #	Model	Omega #	Valeo #	Model	Omega #	Valeo #	Model
10-46018	103-56018	TM-16	20-42118	103-52118	TM-13	20-45128	103-55128	TM-15	20-46218	103-56218	TM-16
20-10202	103-25021	TM-15	20-42120	103-52120	TM-13	20-45129	103-55129	TM-15	20-46222	103-56222	TM-16
20-10203	103-54370	TM-13	20-42121	103-52121	TM-13	20-45131	103-55131	TM-15	20-46226	103-56226	TM-16
20-10206	103-25011	TM-15	20-42138	816027	TM-13	20-45133	103-55133	TM-15	20-46230	103-56230	TM-16
20-10213	103-25121	TM-15	20-42310	816028	TM-13	20-45140	816114	TM-15	20-46234	103-56234	TM-16
20-10225	103-25124	TM-15	20-42314	816029	TM-13	20-45141	103-55141	TM-15	20-46236	103-56236	TM-16
20-10230	103-25063	TM-15	20-44010	103-54010	TM-13	20-45204	103-55204	TM-15	20-46238	103-56238	TM-16
20-10231	103-25065	TM-15	20-44014	816030	TM-13	20-45220	700856	TM-15	20-46241	103-56241	TM-16
20-10232	103-25069	TM-15	20-44038	103-54038	TM-13	20-45222	103-55222	TM-15	20-46282	103-56282	TM-16
20-10235	103-55015	TM-15	20-44039	103-54039	TM-13	20-45225	103-55225	TM-15	20-46311	103-56311	TM-16
20-10236-AM	103-55030	TM-15	20-44041	103-54041	TM-13	20-45226	700860	TM-15	20-46312	103-56312	TM-16
20-10244	103-52110	TM-13	20-44070	103-54070	TM-13	20-45228	103-55228	TM-15	20-46315	103-56315	TM-16
20-10245	103-52114	TM-13	20-44070-XD	816037	TM-13	20-45236	103-55236	TM-15	20-46320	103-56320	TM-16
20-10246	103-55011	TM-15	20-44071	103-54071	TM-13	20-45238	103-55238	TM-15	20-46321	816128	TM-16
20-10247	103-25122	TM-15	20-44074	103-54074	TM-13	20-45311	103-55311	TM-15	20-46322	103-56322	TM-16
20-10251	103-54082	TM-13	20-44120	103-54210	TM-13	20-45315	103-55315	TM-15	20-46323	103-56082	TM-16
20-10251-XD	816043	TM-13	20-44122	103-54122	TM-13	20-45320	103-55320	TM-15	20-46324	103-56082	TM-16
20-10257	103-55047	TM-15	20-44123	103-54123	TM-13	20-45322	103-55322	TM-15	20-46356	103-56356	TM-16
20-10258	103-55121	TM-15	20-44210	103-54120	TM-13	20-45323	816078	TM-15	20-46361	816133	TM-16
20-10259	103-55068	TM-15	20-44212	103-54212	TM-13	20-45330	103-55330	TM-15	20-46361	816136	TM-16
20-10260	103-55122	TM-15	20-44218	103-54218	TM-13	20-45347	103-55347	TM-15	20-46398	815936	TM-16
20-10261	816083	TM-15	20-44222	816032	TM-13	20-45423-XD	816095	TM-15	20-46410	700880	TM-16
20-10262	103-55126	TM-15	20-44224	103-54224	TM-13	20-45425-XD	816093	TM-15	20-46441-XD	816151	TM-16
20-10264	103-55234	TM-15	20-44234	103-54234	TM-13	20-45427-XD	816074	TM-15	20-46443-XD	816152	TM-16
20-10266	103-56121	TM-16	20-44235-XD	816041	TM-13	20-45452-XD	816089	TM-15	20-47240	700877	TM-21
20-10267	816120	TM-16	20-44236	103-54236	TM-13	20-46011	103-56011	TM-16	20-47242	103-57242	TM-21
20-10268	103-56122	TM-16	20-44320	816033	TM-13	20-46015	103-56015	TM-16	20-47244	103-57244	TM-21
20-10270	103-56126	TM-16	20-44334	103-54334	TM-13	20-46017	103-56017	TM-16	20-47246-AM	103-57246	TM-21
20-10273	103-55124	TM-15	20-44339	103-54339	TM-13	20-46019	103-56019	TM-16	20-47248	103-57394	TM-21
20-10274	103-55018	TM-15	20-44382	103-54382	TM-13	20-46021	103-56021	TM-16	20-47250	103-67220	TM-21
20-10275	103-55210	TM-15	20-44406-XD	816046	TM-13	20-46023	103-56023	TM-16	20-47251	103-57251	TM-21
20-10275-XD	816066	TM-15	20-44407-XD	816047	TM-13	20-46028	103-56028	TM-16	20-47252	700878	TM-21
20-10276	103-55212	TM-15	20-45011-XD	816068	TM-15	20-46028-XD	816149	TM-16	20-52004	816004	TM-08
20-10278	103-25015	TM-15	20-45017	103-55017	TM-15	20-46029	103-56029	TM-16	20-56400	700879	TM-16
20-10285	816117	TM-15	20-45019	103-55019	TM-15	20-46030	103-56030	TM-16	20-58001	816092	TM-15
20-10288	103-52141	TM-13	20-45021	103-55021	TM-15	20-46032	103-56032	TM-16	20-67238	816010	TM-21
20-10289	103-55321	TM-15	20-45023	816075	TM-15	20-46033	103-56033	TM-16	20-67256	103-67256	TM-21
20-10290	103-56057	TM-16	20-45029	103-55029	TM-15	20-46035	103-56035	TM-16	20-67269	103-67269	TM-21
20-10291	103-55238	TM-15	20-45029-XD	816077	TM-15	20-46036	103-56036	TM-16			
20-10294	103-55120	TM-15	20-45031	816070	TM-15	20-46037	103-56037	TM-16			
20-10295	103-55063	TM-15	20-45032	103-55032	TM-15	20-46041	816007	TM-16			
20-10298	816000	TM-15	20-45033	103-55033	TM-15	20-46043	103-56043	TM-16			
20-10356-XD	816064	TM-15	20-45035	103-55035	TM-15	20-46045	816008	TM-16			
20-11288	103-67248	TM-21	20-45036	103-55036	TM-15	20-46047	103-56047	TM-16			
20-11543	103-56415	TM-16	20-45038-XD	816111	TM-15	20-46050	816009	TM-16			
20-27245	103-67260	TM-21	20-45039	103-55039	TM-15	20-46054	103-56054	TM-16			
20-42002	103-52002	TM-08	20-45039-XD	816082	TM-15	20-46055	103-56055	TM-16			
20-42010	103-52010	TM-08	20-45043	103-55043	TM-15	20-46056	103-56056	TM-16			
20-42015	103-52015	TM-08	20-45056	103-55056	TM-15	20-46061	103-56061	TM-16			
20-42017	103-52017	TM-08	20-45057	103-55057	TM-15	20-46063	103-56063	TM-16			
20-42021	103-52021	TM-08	20-45059	103-55059	TM-15	20-46065	103-56065	TM-16			
20-42031	816014	TM-08	20-45061	103-55061	TM-15	20-46074	103-56074	TM-16			
20-42033	103-52033	TM-08	20-45065	103-55065	TM-15	20-46075	103-56075	TM-16			
20-42038	103-52038	TM-08	20-45069	103-55069	TM-15	20-46077	816122	TM-16			
20-42040	816015	TM-08	20-45075	103-55075	TM-15	20-46094	816123	TM-16			
20-42070	103-52070	TM-08	20-45077	816072	TM-15	20-46120	103-56120	TM-16			
20-42072	103-52072	TM-08	20-45082	103-55082	TM-15	20-46123	103-56123	TM-16			
20-42076	103-52076	TM-08	20-45083	103-55083	TM-15	20-46124	103-56124	TM-16			
20-42080	103-52080	TM-08	20-45084	103-55084	TM-15	20-46125	103-56125	TM-16			
20-42081	103-52081	TM-08	20-45088	103-55088	TM-15	20-46129	103-56129	TM-16			
20-42083	103-52083	TM-08	20-45090	103-55090	TM-15	20-46134	103-56134	TM-16			
20-42084	103-52084	TM-08	20-45092	103-55092	TM-15	20-46202	103-56202	TM-16			
20-42085	103-52085	TM-08	20-45120-XD	816071	TM-15	20-46204	103-56204	TM-16			
20-42087	103-52087	TM-08	20-45122-XD	816080	TM-15	20-46210	103-56210	TM-16			
20-42089	103-52089	TM-08	20-45123	103-55123	TM-15	20-46210-XD	816143	TM-16			
			20-45125	103-55125	TM-15	20-46212	103-56212	TM-16			





# TM Que Interchange

Que #	Valeo #	Model	Que #	Valeo #	Model	Que #	Valeo #	Model	Que #	Valeo #	Model
2521246	816154	TM-16	QP13-1501	103-54218	TM-13	QP15-1323	103-55068	TM-15	QP16-1232	103-56061	TM-16
2521496	816165	TM-16	QP13-1503	816032	TM-13	QP15-1324	103-55069	TM-15	QP16-1235	103-56120	TM-16
2521717	816155	TM-16	QP13-1504	103-54370	TM-13	QP15-1332	103-55124	TM-15	QP16-1236	103-56121	TM-16
QP08-1135	103-52015	TM-08	QP13-1505	103-54382	TM-13	QP15-1333	103-55125	TM-15	QP16-1237	103-56122	TM-16
QP08-1136	103-52021	TM-08	QP13-1712	103-54084	TM-13	QP15-1334	103-55131	TM-15	QP16-1238	103-56210	TM-16
QP08-1137	103-52038	TM-08	QP15-1152	103-55011	TM-15	QP15-1335	103-55141	TM-15	QP16-1239	103-56212	TM-16
QP08-1138	103-52070	TM-08	QP15-1153	103-55015	TM-15	QP15-1337	103-55218	TM-15	QP16-1299	103-56047	TM-16
QP08-1139	103-52072	TM-08	QP15-1154	103-55017	TM-15	QP15-1339	103-55321	TM-15	QP16-1344	103-56023	TM-16
QP08-1256	103-52017	TM-08	QP15-1155	103-55018	TM-15	QP15-1340	103-55322	TM-15	QP16-1346	103-56028	TM-16
QP08-1257	103-52081	TM-08	QP15-1156	103-55019	TM-15	QP15-1374	103-55029	TM-15	QP16-1347	103-56036	TM-16
QP08-1261	103-52080	TM-08	QP15-1157	103-55021	TM-15	QP15-1387	103-55210	TM-15	QP16-1350	103-56075	TM-16
QP08-1269	103-52087	TM-08	QP15-1158	103-55030	TM-15	QP15-1453	103-55330	TM-15	QP16-1353	103-56124	TM-16
QP08-1306	103-52085	TM-08	QP15-1160	103-55036	TM-15	QP15-1455	103-55311	TM-15	QP16-1355	103-56126	TM-16
QP08-1307	103-52033	TM-08	QP15-1161	103-55043	TM-15	QP15-1473	103-55129	TM-15	QP16-1357	103-56218	TM-16
QP08-1388	103-52083	TM-08	QP15-1162	103-55047	TM-15	QP15-1510	103-55315	TM-15	QP16-1358	103-56220	TM-16
QP13-1142	103-52121	TM-13	QP15-1163	103-55056	TM-15	QP15-1511	103-55317	TM-15	QP16-1445	103-56236	TM-16
QP13-1143	816029	TM-13	QP15-1165	103-55061	TM-15	QP15-1512	103-55320	TM-15	QP16-1456	103-56029	TM-16
QP13-1144	103-54038	TM-13	QP15-1166	103-55063	TM-15	QP15-1526	103-55123	TM-15	QP16-1471	103-56129	TM-16
QP13-1145	103-54070	TM-13	QP15-1167	103-55065	TM-15	QP15-1544	103-55059	TM-15	QP16-1520	103-56317	TM-16
QP13-1148	103-54234	TM-13	QP15-1168	103-55075	TM-15	QP15-1548	103-55128	TM-15	QP16-1522	103-56322	TM-16
QP13-1149	103-54236	TM-13	QP15-1170	103-55088	TM-15	QP15-1576	103-55236	TM-15	QP16-1579	103-56315	TM-16
QP13-1258	103-52114	TM-13	QP15-1171	103-55120	TM-15	QP15-1602	816001	TM-15	QP16-1594	103-56032	TM-16
QP13-1271	103-54010	TM-13	QP15-1172	103-55121	TM-15	QP15-1607	700856	TM-15	QP16-1600	103-56312	TM-16
QP13-1272	816030	TM-13	QP15-1173	103-55126	TM-15	QP16-1180	103-56011	TM-16	QP16-1601	103-56241	TM-16
QP13-1273	103-54082	TM-13	QP15-1175	103-55212	TM-15	QP16-1181	103-56015	TM-16	QP16-1608	103-56356	TM-16
QP13-1274	103-54122	TM-13	QP15-1176	103-55222	TM-15	QP16-1182	103-56017	TM-16	QP16-1609	103-56405	TM-16
QP13-1291	103-54071	TM-13	QP15-1178	103-55234	TM-15	QP16-1183	103-56018	TM-16	QP16-1641	103-56082	TM-16
QP13-1292	103-54074	TM-13	QP15-1255	103-55238	TM-15	QP16-1184	103-56019	TM-16	QP16-1672	103-56415	TM-16
QP13-1302	103-54120	TM-13	QP15-1266	103-55122	TM-15	QP16-1185	103-56021	TM-16	QP16-1687	103-56282	TM-16
QP13-1309	103-52120	TM-13	QP15-1280	103-55082	TM-15	QP16-1186	103-56030	TM-16	QP21-1562	103-57244	TM-21
QP13-1310	103-54039	TM-13	QP15-1281	103-55084	TM-15	QP16-1187	103-56043	TM-16	QP21-1563	103-57246	TM-21
QP13-1311	816028	TM-13	QP15-1282	103-55092	TM-15	QP16-1189	103-56056	TM-16	QP21-1564	700877	TM-21
QP13-1312	103-54041	TM-13	QP15-1294	103-55090	TM-15	QP16-1201	103-56222	TM-16	QP21-1565	103-57242	TM-21
QP13-1446	103-54210	TM-13	QP15-1319	103-55032	TM-15	QP16-1204	103-56230	TM-16	QP21-1657	103-67260	TM-21
QP13-1460	103-54123	TM-13	QP15-1321	103-55039	TM-15	QP16-1206	103-56234	TM-16	QP31-1213	816013	TM-31
QP13-1497	103-52110	TM-13									

# TM Seltec Interchange



Seltec #	Valeo #	Model	Seltec #	Valeo #	Model	Seltec #	Valeo #	Model	Seltec #	Valeo #	Model
435-52002	103-52002	TM-08	435-55096	816092	TM-15	435-56055	103-56055	TM-16	488-42070	103-52070	TM-08
435-52004	816004	TM-08	435-55097	816083	TM-15	435-56056	103-56056	TM-16	488-42072	103-52072	TM-08
435-52008	816005	TM-08	435-55120	103-55120	TM-15	435-56057	103-56057	TM-16	488-42076	103-52076	TM-08
435-52010	103-52010	TM-08	435-55121	103-55121	TM-15	435-56059	816119	TM-16	488-42080	103-52080	TM-08
435-52017	103-52017	TM-08	435-55122	103-55122	TM-15	435-56061	103-56061	TM-16	488-42081	103-52081	TM-08
435-52031	816014	TM-08	435-55123	103-55123	TM-15	435-56063	103-56063	TM-16	488-42083	103-52083	TM-08
435-52074	816016	TM-08	435-55124	103-55124	TM-15	435-56065	103-56065	TM-16	488-42084	103-52084	TM-08
435-52210	103-52210	TM-08	435-55125	103-55125	TM-15	435-56068	816120	TM-16	488-42085	103-52085	TM-08
435-54071	103-54071	TM-13	435-55126	103-55126	TM-15	435-56069	816121	TM-16	488-42087	103-52087	TM-08
435-54074	103-54074	TM-13	435-55128	103-55128	TM-15	435-56074	103-56074	TM-16	488-42089	103-52089	TM-08
435-54082	103-54082	TM-13	435-55129	103-55129	TM-15	435-56075	103-56075	TM-16	488-42110	103-52110	TM-13
435-54120	103-54120	TM-13	435-55131	103-55131	TM-15	435-56077	816122	TM-16	488-42114	103-52114	TM-13
435-54122	103-54122	TM-13	435-55133	103-55133	TM-15	435-56081	103-56081	TM-16	488-42118	103-52118	TM-13
435-54123	103-54123	TM-13	435-55140	816114	TM-15	435-56083	103-56083	TM-16	488-42120	103-52120	TM-13
435-54204	816031	TM-13	435-55141	103-55141	TM-15	435-56094	816123	TM-16	488-42121	103-52121	TM-13
435-54210	103-54210	TM-13	435-55204	103-55204	TM-15	435-56120	103-56120	TM-16	488-42138	816027	TM-13
435-54212	103-54212	TM-13	435-55210	103-55210	TM-15	435-56121	103-56121	TM-16	488-42141	103-52141	TM-13
435-54218	103-54218	TM-13	435-55212	103-55212	TM-15	435-56122	103-56122	TM-16	488-42310	816028	TM-13
435-54222	816032	TM-13	435-55218	103-55218	TM-15	435-56123	103-56123	TM-16	488-42314	816029	TM-13
435-54234	103-54234	TM-13	435-55220	700856	TM-15	435-56124	103-56124	TM-16	488-44010	103-54010	TM-13
435-54236	103-54236	TM-13	435-55222	103-55222	TM-15	435-56125	103-56125	TM-16	488-44014	816030	TM-13
435-54320	816033	TM-13	435-55225	103-55225	TM-15	435-56126	103-56126	TM-16	488-44038	103-54038	TM-13
435-54334	103-54334	TM-13	435-55226	700860	TM-15	435-56129	103-56129	TM-16	488-44039	103-54039	TM-13
435-54338	816034	TM-13	435-55228	103-55228	TM-15	435-56134	103-56134	TM-16	488-44041	816037	TM-13
435-54339	103-54339	TM-13	435-55234	103-55234	TM-15	435-56141	816124	TM-16	488-44041	103-54041	TM-13
435-54370	103-54370	TM-13	435-55236	103-55236	TM-15	435-56202	103-56202	TM-16	488-44070	103-54070	TM-13
435-54382	103-54382	TM-13	435-55238	103-55238	TM-15	435-56204	103-56204	TM-16	488-44082	816043	TM-13
435-55009	816105	TM-15	435-55311	103-55311	TM-15	435-56210	103-56210	TM-16	488-45084	103-55084	TM-15
435-55011	103-55011	TM-15	435-55315	103-55315	TM-15	435-56212	103-56212	TM-16	488-45088	103-55088	TM-15
435-55015	103-55015	TM-15	435-55317	103-55317	TM-15	435-56218	103-56218	TM-16	488-46037	103-56037	TM-16
435-55017	103-55017	TM-15	435-55319	816102	TM-15	435-56220	103-56220	TM-16	488-46540	816013	TM-31
435-55018	103-55018	TM-15	435-55320	103-55320	TM-15	435-56222	103-56222	TM-16	488-47240	700877	TM-21
435-55019	103-55019	TM-15	435-55321	103-55321	TM-15	435-56225	815988	TM-16	488-47242	103-57242	TM-21
435-55021	103-55021	TM-15	435-55322	103-55322	TM-15	435-56226	103-56226	TM-16	488-47244	103-57244	TM-21
435-55023	816075	TM-15	435-55323	816078	TM-15	435-56230	103-56230	TM-16	488-47245	103-67260	TM-21
435-55029	103-55029	TM-15	435-55330	103-55330	TM-15	435-56234	103-56234	TM-16	488-47246	103-57246	TM-21
435-55030	103-55030	TM-15	435-55339	816076	TM-15	435-56236	103-56236	TM-16	488-47250	700878	TM-21
435-55032	103-55032	TM-15	435-55347	103-55347	TM-15	435-56238	103-56238	TM-16			
435-55033	103-55033	TM-15	435-55368	103-55368	TM-15	435-56241	103-56241	TM-16			
435-55035	103-55035	TM-15	435-55382	103-55382	TM-15	435-56313	816127	TM-16			
435-55036	103-55036	TM-15	435-55384	816108	TM-15	435-56315	103-56315	TM-16			
435-55038	816112	TM-15	435-55392	816062	TM-15	435-56317	103-56317	TM-16			
435-55039	103-55039	TM-15	435-55399	103-55399	TM-15	435-56320	103-56320	TM-16			
435-55041	816115	TM-15	435-56011	103-56011	TM-16	435-56321	816128	TM-16			
435-55043	103-55043	TM-15	435-56015	103-56015	TM-16	435-56322	103-56322	TM-16			
435-55047	103-55047	TM-15	435-56017	103-56017	TM-16	435-56330	816129	TM-16			
435-55050	815995	TM-15	435-56018	103-56018	TM-16	435-56356	103-56356	TM-16			
435-55053	816118	TM-15	435-56019	103-56019	TM-16	435-67248	103-67248	TM-21			
435-55056	103-55056	TM-15	435-56021	103-56021	TM-16	488-25011	103-25011	TM-15			
435-55057	103-55057	TM-15	435-56023	103-56023	TM-16	488-25015	103-25015	TM-15			
435-55059	103-55059	TM-15	435-56028	103-56028	TM-16	488-25021	103-25021	TM-15			
435-55061	103-55061	TM-15	435-56029	103-56029	TM-16	488-25057	103-25057	TM-15			
435-55063	103-55063	TM-15	435-56030	103-56030	TM-16	488-25063	103-25063	TM-15			
435-55065	103-55065	TM-15	435-56032	103-56032	TM-16	488-25065	103-25065	TM-15			
435-55068	103-55068	TM-15	435-56033	103-56033	TM-16	488-25069	103-25069	TM-15			
435-55069	103-55069	TM-15	435-56035	103-56035	TM-16	488-25077	816000	TM-15			
435-55071	816098	TM-15	435-56036	103-56036	TM-16	488-25118	816001	TM-15			
435-55075	103-55075	TM-15	435-56038	816006	TM-16	488-25120	816117	TM-15			
435-55077	816072	TM-15	435-56041	816007	TM-16	488-25121	103-25121	TM-15			
435-55082	103-55082	TM-15	435-56043	103-56043	TM-16	488-25122	103-25122	TM-15			
435-55083	103-55083	TM-15	435-56045	816008	TM-16	488-25124	103-25124	TM-15			
435-55085	816090	TM-15	435-56047	103-56047	TM-16	488-42015	103-52015	TM-08			
435-55090	103-55090	TM-15	435-56048	815999	TM-16	488-42021	103-52021	TM-08			
435-55092	103-55092	TM-15	435-56050	816009	TM-16	488-42033	103-52033	TM-08			
435-55094	816081	TM-15	435-56054	103-56054	TM-16	488-42038	103-52038	TM-08			

Exceptional capability engineered for extreme conditions

## TM Series

The Valeo TM Series of compressors offer a wide range of both commercial vehicle and heavy duty applications. These parts are developed using only the highest quality components and latest technology. Valeo delivers optimal performance and efficiency under the harshest of conditions to meet the unique needs of today's Heavy Duty systems.



**TM08**

82cc

**TM13/15/16**

131cc/147cc/163cc

**TM21**

215cc

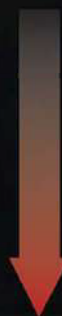
**TM31**

313cc



### High performance

Best cooling capacity & efficiency  
Optimized volumetric performance  
Reliable & Robust  
Light-weight & Compact design



### Low vibration and noise

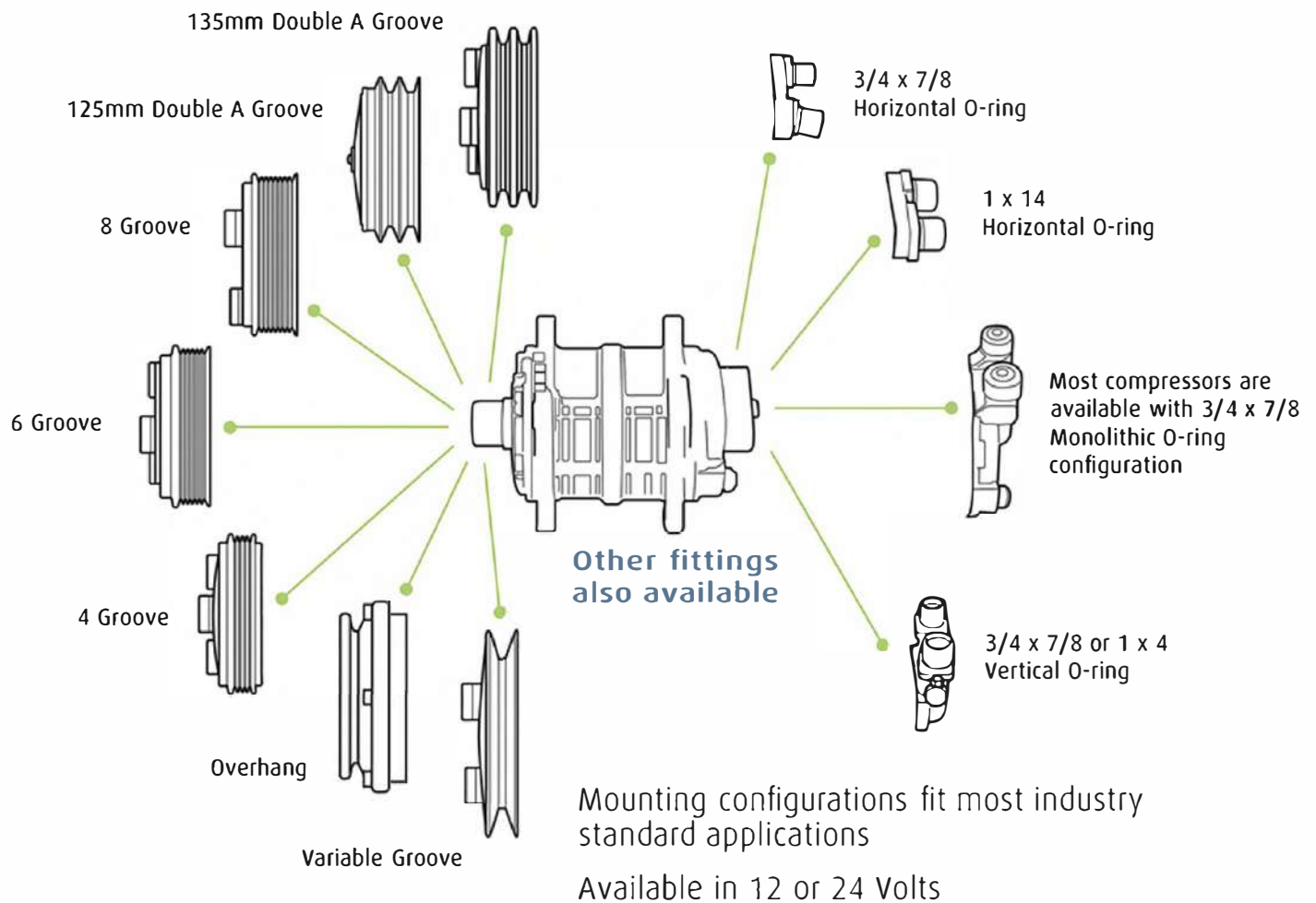
Balanced Swash Plate design to reduce vibration  
High precision piston coating enabling low clearance  
MoS<sub>2</sub> coated Swash Plate for low friction  
Smooth operation

Leading technology precision designed to fully adapt

# TM Series

In addition to demonstrating a superior standard of high performance and efficiency respected by major vehicle manufacturers worldwide, Valeo TM Series compressors are precision designed to integrate with a full range of unique Heavy Duty systems.

Manufacturing excellence that is guided by skilled automotive technology experts to deliver the right compressor for the right application, and the most reliable solution for absolute quality and dependability.

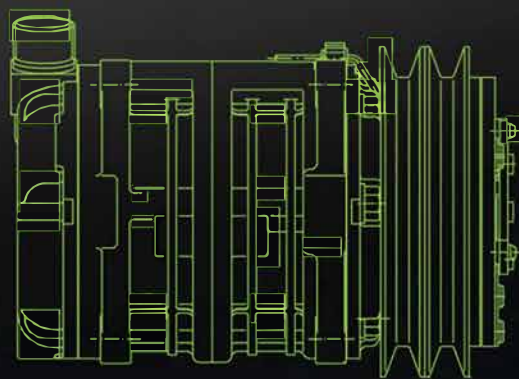
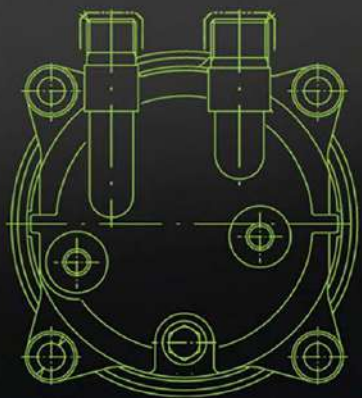






## Internationally known for global satisfaction

As one of the largest OE suppliers of compressors in the world, Valeo is a trusted name among most major vehicle manufacturers and Aftermarket industry professionals. Tested to the strictest of OE standards, Valeo combines its signature engineering and advanced technology to deliver unparalleled precision, performance and reliability.



valeo added value

Check out a selection of replacement A/C and heating parts in our online store.