



1932-34 FORD TRUCK & 1932 5 WINDOW COUPE
PRODUCT CATALOG



Get your parts. Build your passion.

MISSION STATEMENT

Here at United Pacific, we are dedicated to providing today's drivers with innovative and exciting products that deliver exceptional performance and value. Because United Pacific's continuing success depends on our customer's satisfaction, we constantly push our designers and engineers to upgrade our facilities and processes in order to bring products of superior quality and reliability to the market. We at United Pacific promise to continue our passionate pursuit to be the first in Quality, Innovation and Design.

QUALITY

With over 30 years of experience in the automotive aftermarket industry, United Pacific Industries understands the rigors and stresses that our products are subjected to on the road. It is our mission to provide our customers with products of superior quality and reliability. In achieving this goal, United Pacific only partners with manufacturing facilities that conforms to our quality control requirements and standards. Our manufacturing partners meet or exceed ISO-9001 requirements. In addition, United Pacific's manufacturing partners must be equipped on site to perform the following quality assurance tests and maintain a track record of consistent quality and low product failure rate.

- Aging Test
- Air Tight Test
- Dust Test
- Flux Test
- Photometric Test
- Pull Force Test
- Rain Test
- Salt Spray Test
- Shock Test
- Temperature Test
- Humidity Test
- Vibration Test

Furthermore, our internal quality control structure allows us to function as the final quality control station prior to shipping. With the assistance of 3D computer technology, United Pacific can adhere to strict quality control standards during prototype creation and the production process. Our engineers and technicians perform a battery of tests to ensure that our products meet the demands of today's drivers and our goal to be first in quality.



INNOVATION

Known as the leader in innovation, United Pacific is dedicated to be the first to bring new and exciting products to the market. United Pacific's global expertise allows us to search the globe for new ideas and concepts. Not only do we search the globe for new products, United Pacific invest a significant amount of resources into our own research and development efforts. With the assistance of advance 3D scanning technology, our engineers and designers can acquire accurate and precise data in seconds.

The 3D data allows United Pacific to verify designs, perform quality assurance tests, and reverse engineer with unprecedented speed and accuracy. Digital inspection contributes to the early detection of shape problems, provides rapid feedback on design, and eliminates unnecessary work in downstream processes. Our rapid prototyping facility permits us to have a concept-to-shelf time of less than 5 months. In addition, United Pacific's 3D printing capabilities permit our designers to have physical models of their design concepts in hours. The physical models allow our designers and marketing staff to evaluate and test the viability of different design ideas. Our rapid prototyping facility allow United Pacific to compress design cycles, improve manufacturing planning, shorten concept-to-shelf time, most importantly, generate new and innovative products.

DESIGN

Located near some of the nation's most progressive automotive design centers, United Pacific established the UP Design Studio in 2002 to consolidate our position as the design leader in the automotive industry. UP Design Studio utilizes the latest generation of computer aided design (CAD) and studio/graphic software. The design studio is equipped with the newest computers and rapid prototyping systems. In addition, UP Design Studio is staffed by graduates from the nation's most prestigious design colleges. Unlike our competitors, United Pacific's design and manufacturing capabilities mean that we carry more new and original items than our competitors. The establishment of the design studio will enable us to generate even more new products with significant shorter concept-to-shelf time. The reduction in development cost mean that we can develop products utilizing design based development processes. Design based product development allows United Pacific to create new product concepts based on designs incorporating driver demands and needs instead of economic considerations. United Pacific's emphasis on design distinguishes and positions us ahead of our competitors.



HOW TO ORDER

To order from United Pacific Industries, you must be an authorized dealer, distributor or OEM.



WARRANTY

With LED (Light Emitting Diodes) rated at 100,000 hours of operation and solid-state construction, United Pacific's LED lights are extremely reliable and durable. Purchase with confidence, United Pacific offers a complete line of LED lighting products with extended or limited lifetime warranties. Please see the warranty policy page for more details.

INVENTORY AND SHIPPING

United Pacific carries over 20,000 items in our California distribution center. No other company in the heavy duty trucking industry can match United Pacific in the variety and range of in-stock inventories. With an order fill rate of over 98.5%, United Pacific is the largest and most reliable supplier in the industry. Our shipping department ships 96.8% of all orders within 24 hours and 98.9% within 48 hours. United Pacific's vast inventory and prompt shipping has made United Pacific the only source for our customer's chrome and lighting needs.



HARD AT WORK FOR THE ENVIRONMENT



United Pacific
132,000 sq ft

Distribution Center
Long Beach, CA

100%

reduction in potable water used for landscaping

40%

reduction in total energy use due to high-efficiency mechanical and lighting systems

82%

of construction waste was diverted from landfills

LEED ACCOMPLISHMENTS

Sustainable Sites

- On-site bicycle storage, showers and changing areas for company employees.
- Preferred parking for low-emitting, fuel-efficient and carpool vehicles.
- Stormwater is infiltrated on-site and treated to remove contaminants to reduce environmental impact on local waterways.

Water Efficiency

- In addition to using reclaimed water, drought-tolerant plants and a high-efficiency irrigation system were installed to reduce the use of potable water for irrigation by 100%.

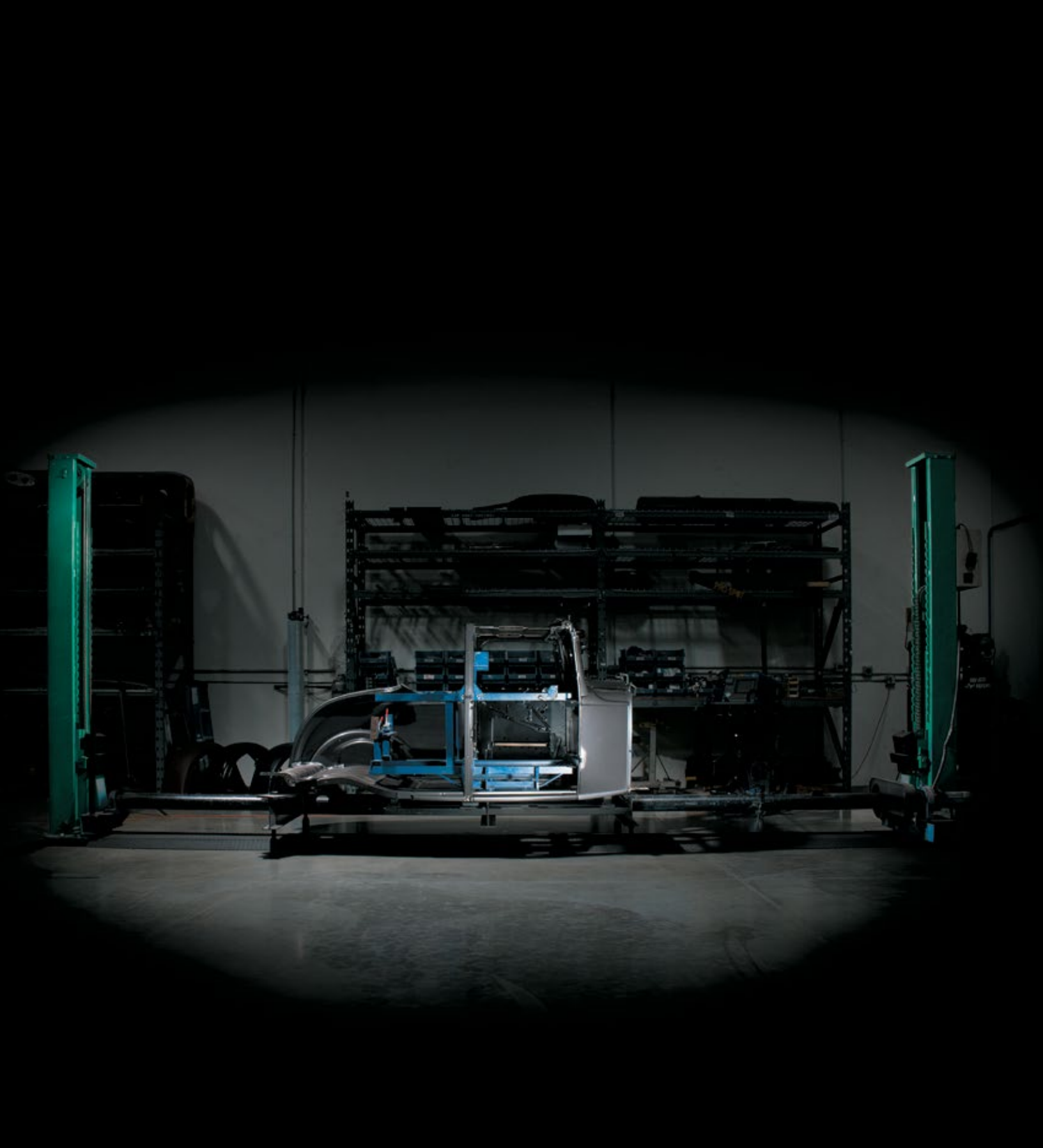
Energy and Atmosphere

- Efficient HVAC equipment and a lighting system with daylight controls reduces energy consumption by over 30%.
- Enhanced commission verifies that the building's energy and water-related systems are performing as intended by the initial design.

Indoor Environmental Quality

- Building ventilation systems was designed to provide enhanced levels of fresh outside air to building occupants.
- Interior finishes (plants, sealants, adhesives, coatings, carpet systems and composite wood) were selected with low levels of volatile organic compounds (VOCs) to reduce indoor air contamination.





United Pacific strives to provide classic parts market with innovative and exciting products that deliver exceptional performance and value. With our international background and expertise, we search the globe for the best and the most reliable products. However, as an American company, we believe and support the American way of life. Look for the "Assembled in USA" label on many of our products. Although the components are manufactured overseas, the products, bearing the "Assembled in USA" labels, are hand assembled with pride in the United States.



Designed, engineered, and assembled in USA.



TABLE OF CONTENTS

1932-34 FORD TRUCK

COMPLETE 1932 TRUCK BODY SHELL _____	9-10
DOORS AND DOOR PARTS _____	11-14
SUB-RAIL _____	15-16
COWL AND FIREWALL _____	17-18
ROOF AND CAB BACK _____	19-20
PILLARS AND STRUCTURE _____	21-22
GRILLE AND HOOD _____	23-24
FENDERS _____	25-26
BUMPERS AND BED FLOOR _____	27-28
1932 5 WINDOW COUPE _____	29-60
HEADLIGHTS AND TAIL LIGHTS _____	61-64
WARRANTY AND TERMS _____	65-68
INDEX _____	69

1932-34 FORD TRUCK



Quality, innovation and design

COMPLETE FORD TRUCK BODY SHELL

1932-34 FORD TRUCK





Starting your project with a new steel 1932 Ford truck cab body shell from United Pacific Industries is the best way to make your dream truck build a reality. We've created precision tooling that accurately reproduces every panel exactly like the original. Our philosophy from the beginning was to make it just the way it was! The new truck cab body shell is stock height and includes both doors with door latches and the rear cab hardwood inner structure. Firewall and dash sold separately. The body shell is black EDP coated to keep your new steel fresh and un-rusted. These are officially licensed Ford Restoration product, proudly assembled in Long Beach, California by skilled craftsmen. For freight and shipping crate, an additional fee may be charged. Will call in Long Beach, California is available with additional fee for pallet.

B21000-A Complete Ford Truck Cab Body Shell With working Cowl Vent

B21000-B Complete Ford Truck Cab Body Shell Without Cowl Vent

DOORS AND DOOR PARTS

1932-34 FORD TRUCK



DOORS

1932-34 Ford Truck steel door shells have both the outer skin and inner support. Every detail of the original door shells accept the original door latches, window regulators, window guides and glass, including holes for the door handles and door lock on R/H door. Door latches, hinges and window parts sold separately. Black EDP Coated. Sold individually.

B21015 Left Hand

B21016 Right Hand



DOOR HINGES

1932-34 Ford Truck Door Hinges. Precision cast stainless steel, fully machined and ready to install. These hinges retain the factory appearance while also providing long lasting flawless operation. Includes the upper door hinge with mirror mounting holes, and the lower door hinge. Comes complete with stainless hinge pins, hinge screws and countersunk washers. Sold as a set for one door.

B21010

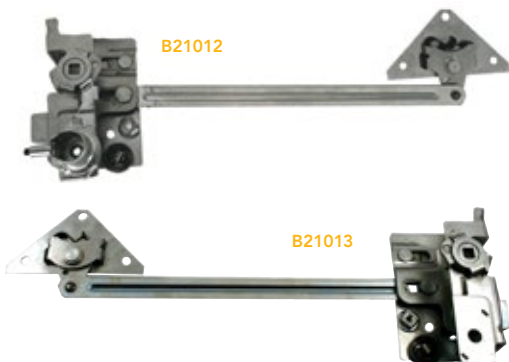


DOOR LATCHES

1932-34 Ford Truck Door Latches. Exact copy of the original door latch. Precision stampings with original design mechanism. Includes the inside door handle shaft remote (triangle plate) and remote rod. Right-hand latch has the receiver for the door lock cylinder. Mounting Hardware not included. Sold individually.

B21012 Right Hand

B21013 Left Hand



LEFT HAND DOOR LATCH WITH LOCK RECEIVER OPTION

1932-34 Ford Truck Left Hand Door Latch with Receiver Option. Includes a special tool for accurately locating the lock hole position on door skin. Also includes the inside door handle shaft remote (triangle plate) & rod. Key lock cylinder not included.

B21013WL



DOOR TOP ACCESS COVER

1932-34 Ford Truck Door Top Access Cover.

Exact reproduction of the original. Made of original heavy gauge steel. Sold individually.

B21015-1 Left Hand

B21016-1 Right Hand



DOOR ACCESS COVER

1932-34 Ford Truck Door Access Cover.

Heavy gauge steel, just like the original. Sold individually.

B21018



REMOTE LOCK DETENT SPRING & DOOR LATCH SPRING

1932-40 Ford Truck and Closed Car Steel Remote Lock Detent Spring & Door Latch Spring. Just like original. Sold individually.

B20012-DSP Remote Lock Detent Spring

B20012-LSP Door Latch Spring



INSIDE DOOR HANDLE SHAFT REMOTE RELAY TRIANGLE SET

1932-34 Ford Truck Inside Door Handle Shaft Remote Relay Triangle Set.

Heavy duty steel reproduction.

Includes LH and RH triangle plates with shafts, lock detent springs and attaching rivets & tension washers. Sold as 1 set.

B21012-TPS



DOOR WINDOW GUIDE CHANNEL

1932-34 Ford Truck Door Window Guide Channel. This is the removable window guide channel that runs through the door latch.

Sold Individually.

B21017



DOOR CHECK SET

1932-34 Ford Truck and Car Door Check Set.

Includes all stamped steel parts & rubber parts including the special rubber pad on the back of the door post. Set does both door.

B20018



ADJUSTABLE MALE DOVETAIL

1932-34 Ford Truck Male Dovetail.

Easily improve door alignment with 5 positions. Come with mounting screws.

Polished stainless steel. Sold as pair.

B20118



FEMALE DOVETAIL

1932-34 Ford Truck Female Dovetail.

Die cast spring-loaded wedges as original. Sold individually.

B20119 Gloss Black

B20119-SS Stainless



WINDOW CRANK HANDLE

1932-34 Ford Truck Window Crank Handle, beautifully die-cast and chrome plated as original. Includes mounting screws and lock washer. Matching polished stainless steel Escutcheon sold separately. Sold individually.

B20147



INSIDE DOOR HANDLE

1932-34 Ford Truck Inside Door Handle, beautifully die-cast and chrome plated as original. Includes mounting screws and lock washer. Matching polished stainless steel Escutcheon sold separately. Sold individually.

B20146



DOOR HANDLE ESCUTCHEON

1932-34 Ford Truck Door Handle Escutcheon. Exact as original. Polished Stainless steel. Sold individually.

B20148

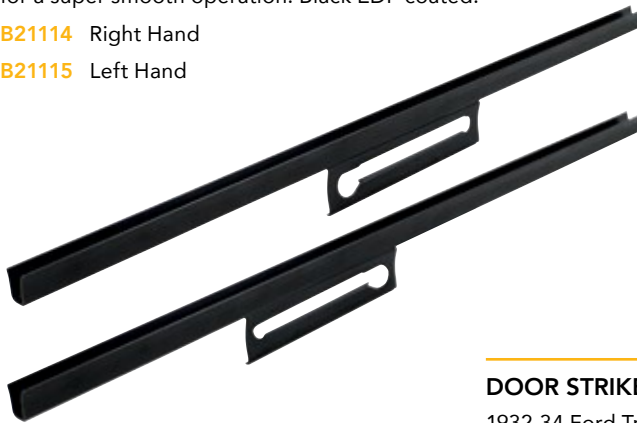


LOWER DOOR GLASS CHANNELS

1932-34 Ford Truck Lower Door Glass Channels. Made of hardened steel with the strength to hold the glass tightly. The regulator guide slide channel has the correct concave shape for a super smooth operation. Black EDP coated.

B21114 Right Hand

B21115 Left Hand



WINDOW REGULATORS

1932-34 Ford Truck and Car Window Regulator. Perfect fit! These regulators are the correct original 1932 design. Has correct hardened gearing, mounting standoffs & spring loaded guides for factory smooth operation.

B21112 Right Window Regulator

B21113 Left Window Regulator



DOOR STRIKER NUT PLATE KIT

1932-34 Ford Truck Door Striker Nut Plate Kit for repair of stripped striker plate threads. An exact replica of the original. Black EDP coated. Sold individually.

B20123-1



DOOR STRIKER PLATE

1932-34 Ford Truck and Closed Car Striker Plate. Excellent stainless steel reproduction of the original design. Has correct raised grip detail on back to prevent slipping. Natural stainless steel finish. Includes 12-24 Mounting Screws. Sold individually.

B20120



EXTERIOR MIRROR HEAD

1932-40 Ford Car & 1932-52 Truck Exterior Mirror Head, Polished Stainless Steel. Sold individually.

B21030-2 Mirror Head



SUB-RAIL
1932-34 FORD TRUCK



SUB-RAILS

1932 Ford Truck Sub-rails. Also fits 1933-34 Trucks with length modified at front. Excellent heavy 16 gauge stamped steel with all original detail. Features body mounting holes and rivet holes. Fuel tank with mounting holes as original.

Coated with United Pacific Classic-Coat® primer.

Sold individually.

B21022 Right Hand Rail

B21023 Left Hand Rail

SUB-RAIL CROSS CHANNELS

1932-34 Ford Truck Sub-rail Cross Channels. Heavy 16 gauge stamped steel with all original detail.

Features squared holes for carriage bolts, and rivet holes. Rear channel has 3 rectangular cut-outs for back rest support wood pieces.

Coated with United Pacific Classic-Coat® primer.

Sold individually.

B21024 Front

B21025 Rear

LOWER REAR DOOR POST BRACE

1932-34 Ford Truck Lower Rear Door Post Brace. Die Stamped with quality 19 gauge sheetmetal.

Features all of the rivet holes, just like the original. Coated with United Pacific Classic-Coat® primer.

Sold individually.

B21026 Lower Rear Door Brace



LOWER REAR "B" PILLAR TRIANGLE BRACE

1932-34 Ford Truck Lower Rear "B" Pillar Triangle Braces. Black EDP coated.

Sold as pair.

B21027



COWL AND FIREWALL

1932-34 FORD TRUCK

COWL TOP PANELS

1932-34 Ford Truck Full Cowl Top. Includes windshield opening flange. Cowl vent inner drain base sold separately. Coated with United Pacific Classic-Coat® weldable primer.

B21075 With Opening

B21076 Without Opening



COWL SIDE PANELS

1932-34 Ford Truck Full Cowl Side Panels. Include windshield pillar to factory seam.

Coated with United Pacific Classic-Coat® weldable primer.

B21077 Left Hand Cowl Side Panel

B21078 Right Hand Cowl Side Panel



COWL VENT

1932-34 Ford Truck Stamped Steel Cowl Vent components are available separately or as a complete set.

Coated with United Pacific Classic-Coat® weldable primer.

B20073 Cowl Vent Door

B20074 Complete Cowl Vent Assembly

B20074-1 Cowl Vent Hinge

B20074-2 Cowl Vent Ratchet

B20074-3 Cowl Vent Spring

B20074-4 Cowl Vent Inner Base

B20074-5 Cowl Vent Handle



B20074



B20073



B20074-1



B20074-4



B20074-2



B20074-3



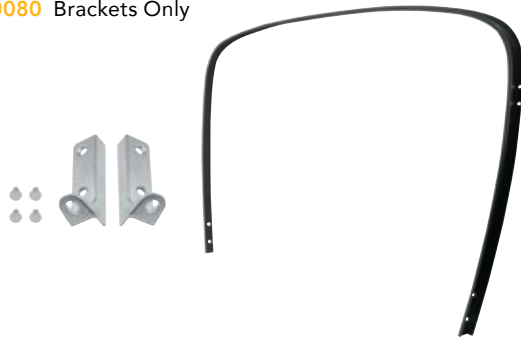
B20074-5

COWL BAND SET WITH MOUNTING BRACKETS

1932 Ford Truck and Car one piece Inner Cowl Support Band as original. Lower Cast Bracket include the special solid flat head rivet. Band is finished with United Pacific Classic-Coat weldable primer.

B20079 Cowl Band Set with Mounting Brackets

B20080 Brackets Only



COWL INNER BRACES A-PILLAR TO COWL

1932-34 Ford Truck Cowl Inner Braces.

Sold as pair.

B20213



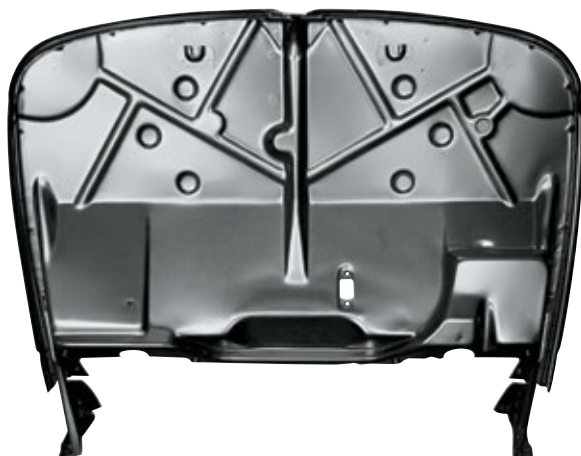
ORIGINAL STYLE FIREWALL

1932 Ford Truck and Car Firewall with all the original contours and detail. Stamped heavy gauge steel firewall with original holes and riveted feet. Includes support rod brackets riveted to firewall. 12-24 and 5/16-24 D-Nuts installed. Available with or without factory holes. Also available separately are the firewall feet to repair your original firewall. Black EDP coated.

B20089 Original Firewall without Holes

B20090 Original Firewall with Holes

B20091 Firewall Feet



ROOF AND CAB BACK

1932-34 FORD TRUCK



ROOF ASSEMBLY

1932 Ford Truck Roof Assembly, desirable version without rib. Also perfect fit on 1933-34 Truck.

Exact replica of original die stamped roof assembly. Includes visor with support, door header structure, structural ribs, and wiper mount. Black EDP coated.

B21052



CAB BACK

1932-33 Ford Truck Cab Back. Exact replica of original die stamped cab back. This will fit 1934 but does not have the 1934 large reveal on back. Black EDP coated.

B21051



DRIP RAILS

1932-34 Ford Truck Drip Rails.

These are exact reproductions of the original. Roll-formed from heavy gauge steel. Coated with United Pacific Classic-Coat® weldable primer. Sold as pair.

B21001



BACK WINDOW GARNISH

1932-34 Ford Truck Back Window Garnish Molding.

Die Stamped Steel exactly as original.

Black EDP coated.

B21044



PILLARS AND INNER STRUCTURE

1932-34 FORD TRUCK



DOOR POSTS, REINFORCEMENTS & COVERS

1932-34 Ford Truck Door Posts, Reinforcements & Covers. The most important part of the body structure is the door opening. These door posts and inner reinforcements are exactly as original for easy installation on your original body. The door jamb top covers are a perfect copy of the originals that are often missing or damaged on chopped bodies. Finished in United Pacific Classic-Coat® weldable primer.

DOOR JAMB UPPER COVERS

B21121 Upper Door Jamb Cover, Left

B21122 Upper Door Jamb Cover, Right

DOOR PILLARS

B21123 B-Pillar Striker Jamb, Left

B21124 B-Pillar Striker Jamb, Right

B21125 A-Pillar Main, Left

B21126 A-Pillar Main, Right

B21125-1 Slide Arm Pivot Bracket

INNER REINFORCEMENTS

B21027 Lower B-Pillar Reinforcement, Pair

B21129 Lower A-Pillar Reinforcement, Left

B20130 Lower A-Pillar Reinforcement, Right



INNER DASH SUPPORT BRACE

1932-34 Ford Truck Dash Inner Support Brace.

Heavy inner horizontal brace behind dash. Attaches to A-Pillars. Exactly as original with D-Nut thread inserts for dash mounting screws. Black EDP coated.

B21072

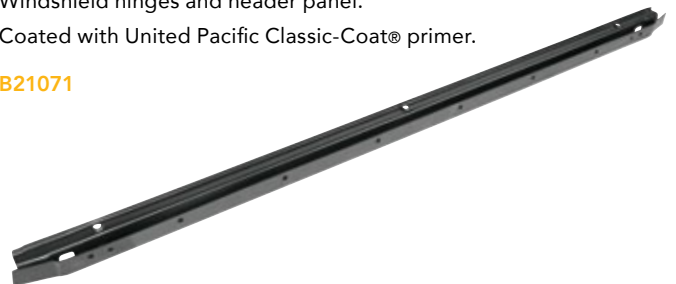


INNER HEADER SUPPORT

1932-34 Ford Truck Inner Header Support Brace.

Heavy stamped steel inner structure above windshield. Exactly as original, has "D"-nuts and threads for wiper motor. Windshield hinges and header panel. Coated with United Pacific Classic-Coat® primer.

B21071



GRILLE AND HOOD

1932-34 FORD TRUCK

RADIATOR GRILLE

1932 Ford Truck Radiator Grille. Die Stamped from one piece of steel as original. Has raised 1932 detail around radiator neck and emblem pad. Has the lower pan welded in place exactly as original. Fits all 1932 Trucks, and will fit passenger car if desired. Great looking upgrade for Model-A Hot Rods as well.

B21340 1932 Ford Car & Truck Radiator Grille Black EDP Coated

B21343 1932 Ford Car & Truck Radiator Grille Chrome Plated

B21341 1932 Ford Car & Truck Grille Lower Pan



RADIATOR SPLASH APRON

1932 Ford Truck and Car Radiator Splash Apron. Original style die stamped. Black Powder Coated.

B20322



25 LOUVER HOOD SIDES

1932 Ford Truck and Car 25 Louver Hood Sides. Die stamped exactly as original. Hood handles and latch clips sold separately. Black EDP coated.

B20350-3 Left Hand Hood Side

B20350-4 Right Hand Hood Side



HOOD HANDLE SET

1928-34 Ford Trucks and 1928-32 Ford Car Hood Handle Set. Die stamped exactly as original. Included mounting rivets. Available in black or polished stainless steel. Sold as pair.

B20359 Black Hood Handle

B20360 Stainless Steel Hood Handle



CENTER HOOD HINGE STRIP

1932-34 Ford Truck and Car Hood Hinge Strip. Polished stainless steel. Sold individually.

B20351 32" Long for 1932-34 Ford

B20352 33" Long for 1933-34 Ford

B20353 48" Extra Long For Custom Applications



HOOD RETAINERS

1932-34 Ford Truck Includes mounting hardware. Polished stainless steel. Sold individually.

B20355 Front Hood Retainer

B20356 Rear Hood Retainer



FENDERS
1932-34 FORD TRUCK



STEEL FRONT FENDERS

1932 Ford Truck and Car Steel Front Fenders. Die Stamped exactly as original with all mounting holes.

Fender edge bead with wire as original.

Black EDP Coated. Sold individually.

B20330 Front Fender Brace, Each

B20331 Front Fender Left side

B20332 Front Fender Right side



STEEL REAR FENDERS

1932-34 Ford Truck Steel Rear Fenders. Die Stamped exactly as original with all mounting holes. Fender edge bead with wire as original.

Black EDP Coated. Sold individually.

B21031 1932 Ford Truck Left Hand

B21032 1932 Ford Truck Right Hand

B21033 1933-34 Left Hand

B21034 1933-34 Right Hand



BUMPER AND BED FLOOR

1932-34 FORD TRUCK



CHROME BUMPER

1932 Ford Truck and Car Chrome Bumper. Heavy stamped spring steel and beautifully chrome plated as original. Includes two bumper end caps.

B20092



BUMPER END CAP

1932 Ford Truck and Car Bumper End Cap. Polished Stainless Steel. Sold individually.

B20301



BUMPER BOLT

1932 Ford Truck and Car Bumper Bolt. Includes stainless nut and lock washer. Polished Stainless Steel. Sold individually.

B20302



TRUCK BED FLOOR

1932 Ford Truck Bed Floor. Exact replica of original. Black EDP coated.

B21510





TABLE OF CONTENTS

1932 5 WINDOW FORD COUPE

COMPLETE 1932 5-WINDOW BODY SHELL _____	31-32
FENDERS _____	33-34
DOORS AND DOOR PARTS _____	35-38
FLOOR AND SUB-RAIL _____	39-40
HOOD AND COWL _____	41-42
FIREWALL _____	43-44
ROOF _____	45-46
DOOR PILLARS AND INNER STRUCTURE _____	47-48
BUMPERS AND SPREADER BARS _____	49-50
TRUNK AND REAR QUARTER _____	51-52
INTERIOR GARNISH MOLDINGS AND SUN VISOR _____	53-54
CLOSED CARD DASH _____	55-56
BACK WINDOW AND PACKAGE TRAY BRACE _____	57-58
SEAT AND INTERIOR WOOD _____	59-60
HEADLIGHTS AND TAIL LIGHTS _____	61-64
WARRANTY AND TERMS _____	65-68
INDEX _____	69

1932 FORD COUPE



Quality, innovation and design

COMPLETE 5-WINDOW BODY SHELL

1932 FORD COUPE





B20000-A



B20000-B



B20000-C



B20000-D



Starting your project with a new steel body shell from United Pacific Industries is the best way to make your dream hot rod a reality. We've created precision tooling that accurately reproduces every panel exactly like the original. Our philosophy from the beginning was to make it just the way it was! The new body shell is stock height and includes the hardwood inner structure, both doors with door latches and deck lid hinged as a trunk. Firewall and dash sold separately. The body shell is black EDP coated to keep your new steel fresh and un-rusted.

These are officially licensed Ford Restoration product, proudly assembled in Long Beach, California by skilled craftsmen.

For freight and shipping crate, an additional fee may be charged. Will call in Long Beach, California is available with additional fee for pallet

Available in 4 body styles:

B20000-A Original roof with cowl vent

B20000-B Solid roof with cowl vent

B20000-C Original roof with solid cowl

B20000-D Solid roof with solid cowl

FENDERS
1932 FORD COUPE



STEEL FRONT FENDERS

1932 Ford Car and Truck Steel Front Fenders. Die Stamped exactly as original with all mounting holes.

Fender edge bead with wire as original.

Black EDP Coated. Sold individually.

B20330 Front Fender Brace, Each

B20331 Front Fender Left side

B20332 Front Fender Right side



STEEL REAR FENDERS

1932 Ford 5-Window and Roadster Steel Rear Fenders. Die Stamped exactly as original with all mounting holes.

Fender edge bead with wire as original.

Black EDP Coated. Sold individually.

B20333 Rear Fender Left side

B20334 Rear Fender Right side



DOORS AND DOOR PARTS

1932 FORD COUPE



DOORS

1932 Ford 5-Window Coupe steel door shells have both the outer skin and inner support.

Every detail of the original door shells accept the original door latches, window regulators, window guides and glass.

Door skin has the holes for the door handle, and includes the two inner upholstery tack strips.

Door latches, hinges and window parts are sold separately.

Black EDP Coated. Sold individually.

B20015 Left Hand

B20016 Right Hand

DOOR SKIN

B20015-1 Left Hand

B20016-1 Right Hand



DOOR HINGES

1932 Ford Closed Car Door Hinges.

Fits 5-Window Coupe, Tudor, Fordor, Sport Coupe, B400 and Victoria.

Precision cast stainless steel, fully machined and ready to install. Set for one door includes the upper door hinge and the lower door hinge.

Comes complete with stainless hinge pins, hinge screws, countersunk washers and adjustable backing plates for door. Sold individually.

B20010



DOOR LATCHES

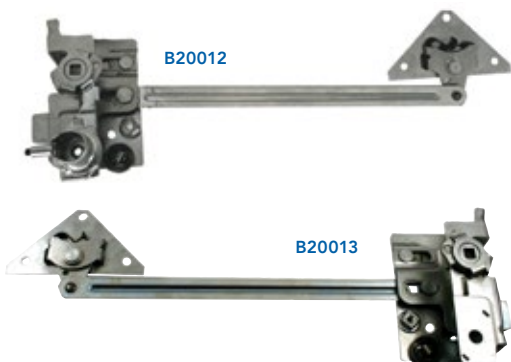
1932 Ford 5-Window Car Door Latches. Exact copy of the original door latch. Precision stampings with original design mechanism.

Includes the inside door handle shaft remote (triangle plate) and remote rod. Right-hand latch has the receiver for the door lock cylinder. Mounting Hardware not included.

Sold individually.

B20012 Right Hand

B20013 Left Hand



LEFT HAND DOOR LATCH WITH LOCK RECEIVER OPTION

1932 Ford 5-Window Coupe Left Hand Door Latch with Receiver Option. Includes a special tool for accurately locating the lock hole position on door skin. Also includes the inside door handle shaft remote (triangle plate) & rod. Key lock cylinder not included.

B20013WL



B20013WL
Includes Special Tool for Accurately Locating Lock Cylinder Hole Position on Door Skin

INSIDE WINDOW CRANK HANDLE

1932 Ford Closed Car Inside Window Crank Handle.
Beautifully die-cast and chrome plated.
Matching polished stainless steel Escutcheon sold separately.

B20134



INSIDE DOOR HANDLE

1932 Ford Closed Car Inside Door Handle.
Beautifully die-cast and chrome plated.
Matching polished stainless steel Escutcheon sold separately.

B20133



BACK WINDOW CRANK HANDLE AND ESCUTCHEON

1932 Ford 3 and 5 Window Coupe Back Window Crank Handle and Escutcheon. Fits all 1932 Ford passenger cars.

B20140 Window Crank Handle

B20137 Passenger Car Escutcheon



B20140



B20137

TRACK STRIPS

Steel Track Strips with wood insert.
Sold as set (2pcs per box) enough for one door.

B20014



EXTERIOR MIRROR HEAD

1932-40 Ford Car & 1932-52 Truck Exterior Mirror Head, Polished Stainless Steel.
Sold individually.

B21030-2 Mirror Head



INSIDE DOOR HANDLE SHAFT REMOTE RELAY TRIANGLE SET

1932 Ford Closed Car Inside Door Handle Shaft Remote Relay Triangle Set. Heavy duty steel reproduction. Includes LH and RH triangle plates with shafts, lock detent springs and attaching rivets & tension washers. Sold as 1 set.

B20012-TPS



REMOTE LOCK DETENT SPRING & DOOR LATCH SPRING

1932 Ford Closed Car Steel Remote Lock Detent Spring & Door Latch Spring. Just like original. Sold individually.

B20012-DSP Remote Lock Detent Spring

B20012-LSP Door Latch Spring



DOOR CHECK SET

1932 Ford Closed Car and Truck Door Check Set. Includes all stamped steel parts & rubber parts including the special rubber pad on the back of the door post. Set does both door.

B20018



ADJUSTABLE MALE DOVETAIL

1932 Ford Closed Car Adjustable Male Dovetail. Easily improve door alignment with 5 positions. Come with mounting screws. Polished stainless steel. Sold as pair.

B20118



FEMALE DOVETAIL

1932 Ford Closed Car Female Dovetail. Die cast spring-loaded wedges as original. Sold individually.

B20119 Black

B20119-SS Stainless



LOWER GLASS CHANNELS

1932 Ford Passenger Car Lower Glass Channels. Made of hardened steel with the strength to hold the glass tightly. The regulator guide slide channel has the correct concave shape for a super smooth operation. Black EDP coated.

1932 3 Window

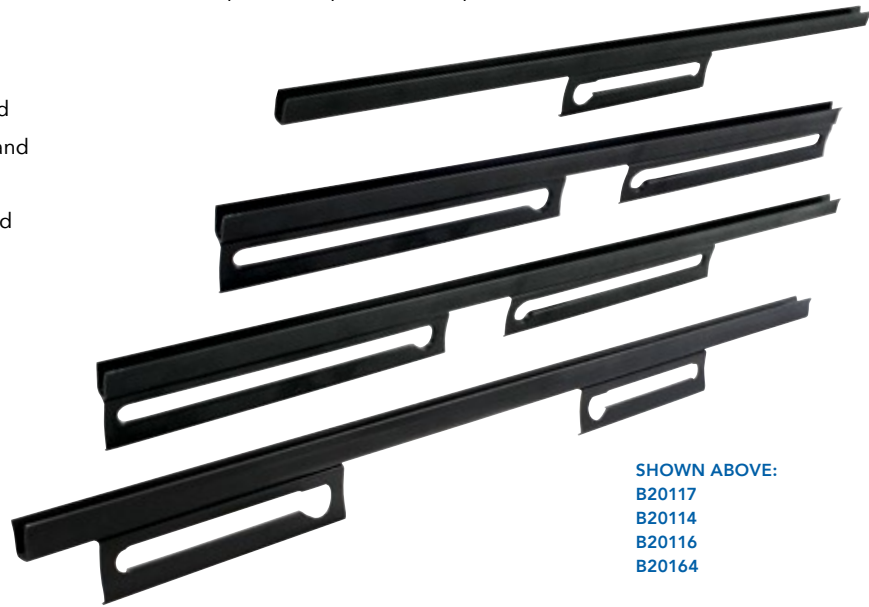
- B20164-E** Early 3 Window, Right Hand
- B20164** 3 Window Coupe, Right Hand
- B20165-E** Early 3 Window, Left Hand
- B20165** 3 Window Coupe, Left Hand

1932 5 Window & Forder

- B20114-E** Front Door
- B20117** Back Window

1932 Tudor Sedan

- B20115** Left Front Door
- B20116** Right Front Door
- B20162** Right Rear Quarter
- B20163** Left Rear Quarter



SHOWN ABOVE:
B20117
B20114
B20116
B20164

DOOR WINDOW GUIDE CHANNEL

1932 Ford Closed Car except 3-Window. Door Window Guide Channel. This is the removable window guide channel that runs through the door latch. Sold each.

B20017



WINDOW REGULATORS

1932 Ford Closed Car Window Regulators. Exact reproduction of the original design 1932 double gear regulator. Stamped from high strength steel gives smooth operation and long life. Assembled with proper mounting stand-offs for easy installation.

- B20112** Right Window Regulator
- B20113** Left Window Regulator



DOOR STRIKER NUT PLATE KIT

1932 Ford Closed Car Door Striker Nut Plate Kit for repair of stripped striker plate threads. An exact replica of the original. Black EDP coated. Sold individually.

B20123-1



DOOR STRIKER PLATE

1932-34 Ford Closed Car and Truck Striker Plate. Excellent stainless steel reproduction of the original design. Has correct raised grip detail on back to prevent slipping. Natural stainless steel finish. Includes 12-24 Mounting Screws.

B20120



FLOOR AND SUB-RAIL

1932 FORD COUPE

COMPLETE FLOOR SECTION

1932 Ford 5-Window Coupe Complete Floor Section. This complete floor assembly is precision welded on a 1932 frame jig. The all steel construction is made with the same material and thickness as the original floors and is a direct replacement. The floor is EDP coated to insure long lasting corrosion protection. Includes sub-rails, cross channels, seat pan, and rear floor section. Also Available without under seat pan.

B20019 With Under Seat Pan

B20019WOS Without Under Seat Pan



SUB-RAILS

1932 Ford 5-Window Coupe Sub-rails. Full length sub-rail comes complete with rocker panel and cross channel tabs attached. Also included is the lower "B" pillar triangle brace. This is the most complete replacement 5-Window sub-rail on the market. Black EDP coated. LH and RH sold separately.

B20022 Right Hand Rail

B20023 Left Hand Rail

B20022



B20023



Includes Lower "B"
Pillar Triangle Brace

STEEL REAR FLOOR

1932 Ford 5-Window Coupe and Roadster Steel Rear Floor. This is an exact reproduction of the original ready to weld to your 5-Window or Roadster body. Made of heavy gauge steel, coated with United Pacific Classic-Coat® primer. Floor access plate available separately.

B20020



FLOOR ACCESS PLATE

1932 Ford 5-Window Coupe and Roadster Floor Access Plate. Made of heavy gauge steel. Black EDP coated.

B20021



LOWER "B" PILLAR TRIANGLE BRACE

1932 Ford 5-Window Coupe Lower "B" Pillar Triangle Brace. Black EDP coated. Sold in pairs.

B20026



DOOR SILL PLATE SET

1932 Ford 5-Window Coupe Door Sill Plate Set. Super High Quality Chrome Plating on Steel Die Stamping. Fits 5-Window Coupe and Sport Coupe.

B20009C



FRONT AND REAR CROSS CHANNEL SET

1932 Ford 5-Window Coupe and Roadster Front and Rear Cross Channel Set. These die stamped floor channels connect the left-hand and right-hand sub-rails together. Channels include the 12-24 D-nuts for the seat pan, and the D-nuts for the seat track mounting. Black EDP coated. Sold as set.

B20024



UNDER SEAT FLOOR PAN

1932 Ford 5-Window Coupe and Roadster Under Seat Floor Pan. This heavy die stamped pan fits between the sub-rail cross channels. Stamping includes all original detail including screw holes. Black EDP coated. Also fits 3W, Roadster, and Cabriolet

B20025



INNER BRACES AT LOWER DOOR POST

1932 Ford 5-Window Coupe Inner Braces. Often overlooked, these factory braces fit inside the sub-rail cross channel & door post, proving needed strength to the structure. Sold in pairs.

B20027



SUB-RAIL EXTENSION PANELS

1932 Ford 5-Window Coupe Sub-rail Extension Panels. Heavy steel plates that fill-in the area between the end of the sub-rail and the rear quarter panel corner. Exact in every detail of original. Also fits roadster. Black EDP coated. Sold in pairs

B20215



HOOD AND COWL

1932 FORD COUPE

25 LOUVER HOOD SIDES

1932 Ford Car and Truck 25 Louver Hood Sides. Die stamped exactly as original. Hood handles and latch clips sold separately. Black EDP coated.

B20350-3 Left Hand Hood Side

B20350-4 Right Hand Hood Side



HOOD HANDLE SET

1928-32 Ford Car and 1928-34 Ford Truck Hood Handle Set. Die stamped exactly as original. Mounting rivets included. Available in black or polished stainless steel. Sold as pair.

B20359 Black Hood Handle Set of 2

B20360 Stainless Steel Hood Handle Set of 2



CENTER HOOD HINGE STRIP

1932-34 Ford Car and Truck Hood Hinge Strip. Polished stainless steel. Sold individually.

B20351 32" Long for 1932-34 Ford

B20352 33" Long for 1933-34 Ford

B20353 48" Extra Long For Custom Applications



HOOD RETAINERS

1933-36 Ford Car and 1932 Ford Truck Hood Retainers. Includes mounting hardware. Polished stainless steel. Sold individually.

B20355 Front Hood Retainer 1 Set

B20356 Rear Hood Retainer 1 Set



COWL VENT

1932 Ford Car Stamped steel Cowl Vent components are available separately or as a complete set.

Coated with United Pacific Classic-Coat® weldable primer.

B20073 Cowl Vent Door

B20074 Complete Cowl Vent Assembly

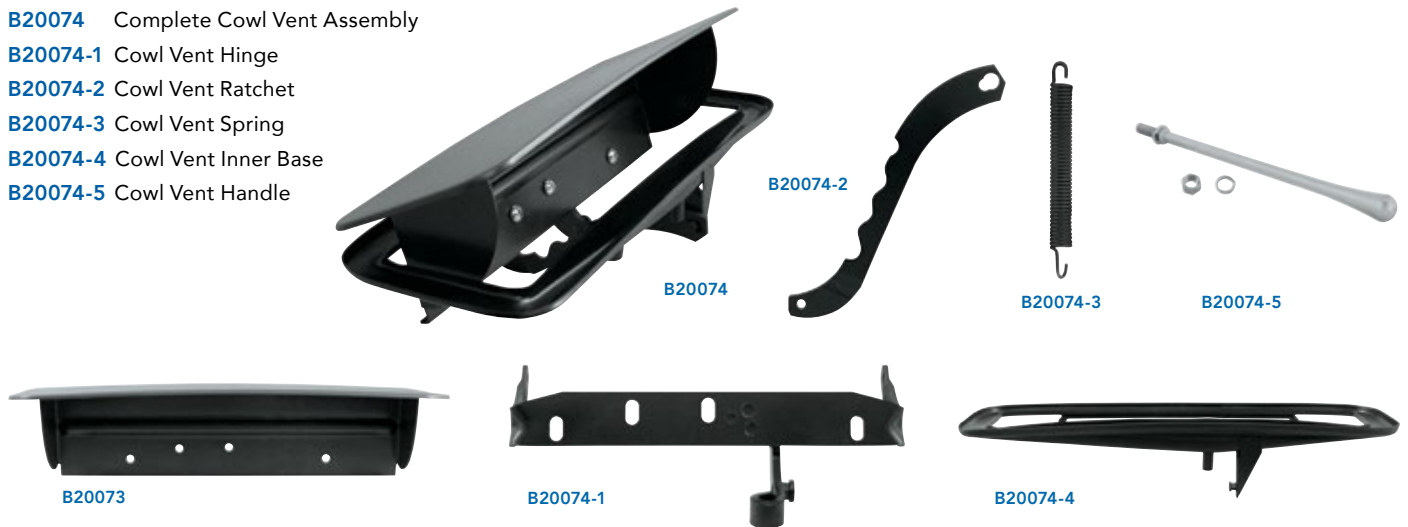
B20074-1 Cowl Vent Hinge

B20074-2 Cowl Vent Ratchet

B20074-3 Cowl Vent Spring

B20074-4 Cowl Vent Inner Base

B20074-5 Cowl Vent Handle



COWL TOP PANELS

1932 Ford 5-Window Coupe Full Cowl Top Panels. Includes windshield opening flange. Cowl vent inner drain base sold separately.

Coated with United Pacific Classic-Coat® weldable primer.

B20075 With Opening

B20076 Without Opening



COWL SIDE PANELS

1932 Ford 5-Window Coupe Full Cowl Side Panels. Include windshield pillar to factory seam. Coated with United Pacific Classic-Coat® weldable primer.

B20077 Left Hand Cowl Side Panel

B20078 Right Hand Cowl Side Panel



COWL INNER BRACE

1932 Ford Closed Car except 3-Window Cowl Inner Brace.

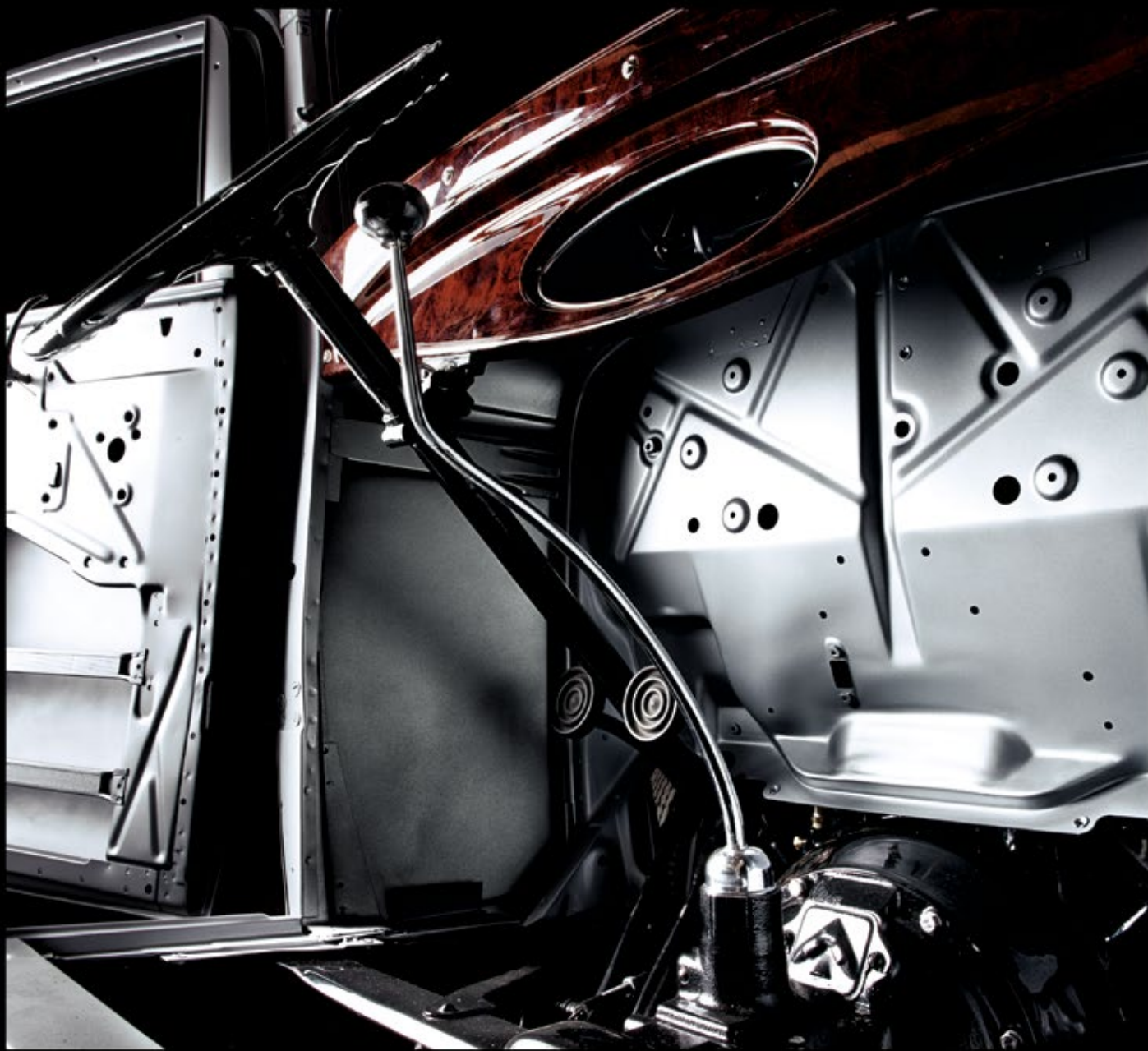
Exactly as original. Fits between A-Pillar and Cowl Hoop.

Black EDP coated. Sold in pairs.

B20213



FIREWALL
1932 FORD COUPE



ORIGINAL STYLE FIREWALL

1932 Ford Car and Truck Firewall with all the original contours and detail. Stamped heavy gauge steel firewall with original holes and riveted feet. 12-24 and 5/16-24 D-Nuts installed. Black EDP coated.

Available with or without factory holes. Also available separately are the firewall feet to repair your original firewall.

B20089 Original Firewall without Holes

B20090 Original Firewall with Holes

B20091 Firewall Feet



STEEL FRONT FLOORBOARD SET

1932 Ford Closed Car Floorboard Set. Very thick 14 gauge steel with contours to fit original firewall. Flanged edges replicate original wood thickness. Shifter holes and pedal holes are not cut so it can be used with various drivetrains. Unpainted Steel. Sold as set.

B20088

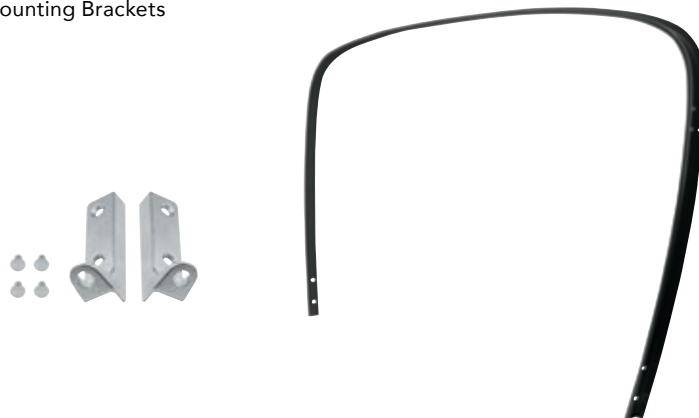


COWL BAND SET WITH MOUNTING BRACKETS

1932 Ford Car and Truck Super strong one piece Inner Cowl support Band as original. Lower cast bracket include the special solid flat head rivet. Band is finished with United Pacific Classic-Coat weldable primer.

B20079 Cowl Band Set with Mounting Brackets

B20080 Brackets Only



ROOF

1932 FORD COUPE

5-WINDOW COUPE ROOF

1932 Ford 5-Window Coupe Roof. Main roof stamping, from original windshield pillar joint to panel above deck lid. Has upper door jamb flange detail and recess for drip rails. Quarter window surrounds & drip rails are sold separately. Available with stock roof opening with all tack ridge detail, or available as solid roof for a "factory filled" look. Coated with United Pacific Classic-Coat® weldable primer.

B20050 Stock Roof Opening

B20051 Solid Roof



B20050



B20051

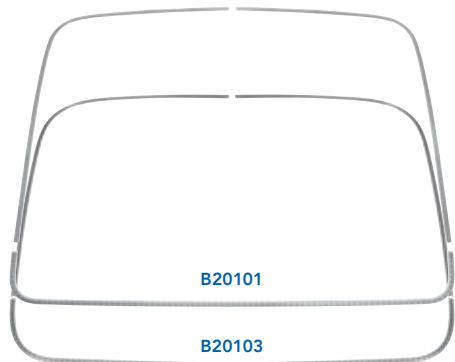
ROOF TACK STRIP

1932 Ford 5-Window Coupe Roof Tack Strip. Steel roll formed exactly as original, these are the only authentic 3 piece set on the market. Formed with all curves, ready to install on your 5-window or 3-window coupe, with extra length provided at joints to accommodate lengthened chopped roofs. Front section available separately for use on sedans, bulk 12 foot length available for custom applications.

B20101 5 Window

B20103 3 Window

B20101-12 12 Ft. Closed Car Roof Tack Strip



B20101

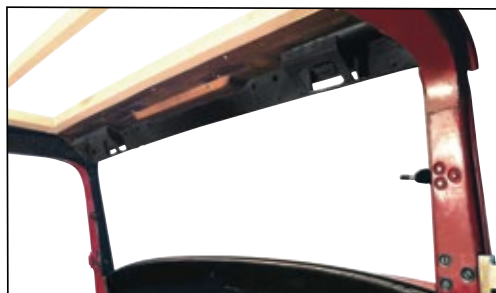
B20103



INNER HEADER SUPPORT

1932 Ford 5-Window Coupe Inner Header Support. Heavy stamped steel inner structure above windshield. Exactly as original, has "D"-nuts and threads for wiper motor. Windshield hinges and header panel. Coated with United Pacific Classic-Coat® primer.

B20071



QUARTER WINDOW SURROUNDS

1932 Ford 5-Window Coupe Quarter Window Surrounds. Stamped 18 gauge steel as original. Has all original window opening flanges. Coated with United Pacific Classic-Coat® weldable primer. Sold individually.

B20052 Right Hand

B20053 Left Hand



DRIP RAILS

1932 Ford 5-Window Coupe Window Drip Rails. These are exact reproductions of the original 1932 Ford 5-Window rain gutters. Roll-formed from heavy gauge steel. These are ready to weld into place. Coated with United Pacific Classic-Coat® weldable primer. Sold in pairs.

B20001 5 Window Drip Rails

B20001-12 12 Ft. Drip Rails



B20001

WINDSHIELD FRAME

1932 Ford Closed Car Windshield Frame. High quality roll-formed steel as original. Includes upper brackets, slide arm brackets & chrome corners.

B20007B Black EDP Coating

B20007C Chrome Plated



SLIDE ARM PIVOT BRACKET

1932 Ford Closed Car except 3-Window.

Slide Arm Pivot Bracket with Rivets.

B20125-1



WINDSHIELD SLIDE ARM BRACKETS & UPPER MOUNTING BRACKETS

1932 Ford Closed Car except 3-Window. Windshield Slide & Upper Mounting Brackets. Beautifully zinc plated. Sold in pairs.

B20108 Windshield Upper Mounting Brackets

B20109 Windshield Slide Arm Brackets



WINDSHIELD SLIDE ARMS

1932 Ford Car Windshield Slide Arms. Fits 5-Window, Tudor, Fordor, and Victoria. Heavy duty slide arms made in correct thickness as originals. Beautifully chrome plated. Sold in pairs.

B20008 Windshield Slide Arms

A8008 Slide Arm Nut, Sold as Pair



WINDSHIELD CORNER TRIM

1932 Ford Closed Car except 3-Window. Windshield Corner Trim.

Die Cast and Beautifully chrome plated. Sold in pairs.

B20110



WINDSHIELD HINGES

1932 Ford Closed Car except 3-Window. Perfect reproduction of the originals. Very heavy steel stampings with tight hinge for easy rattle-free windshield operation. Sold in pairs.

B20107



DOOR PILLARS AND INNER STRUCTURE

1932 FORD COUPE



DOOR POSTS, REINFORCEMENTS & COVERS

1932 Ford 5-Window Coupe Door Posts, Reinforcements & Covers. The most important part of the body structure is the door opening. These door posts and inner reinforcements are exactly as original for easy installation on your original body. The door jamb top covers are a perfect copy of the originals that are often missing or damaged on chopped bodies. Finished in United Pacific Classic-Coat® weldable primer.

- B20121** Upper Door Jamb Cover, Left
- B20122** Upper Door Jamb Cover, Right
- B20123** B-Pillar Striker Jamb, Left
- B20124** B-Pillar Striker Jamb, Right
- B20125** A-Pillar Door Hinge Jamb, Left
- B20126** A-Pillar Door Hinge Jamb, Right



B20121 LH
B20122 RH

INNER REINFORCEMENTS

- B20026** B-Pillar Triangle Brace, Sold in Pair
- B20127** A-Pillar Reinforcement Upper, Left
- B20128** A-Pillar Reinforcement Upper, Right
- B20129** A-Pillar Reinforcement Lower, Left
- B20130** A-Pillar Reinforcement Lower, Right



B20026

B20123 LH
B20124 RH

B20125 LH
B20126 RH

B20127 LH
B20128 RH

B20129 LH
B20130 RH

UPPER QUARTER WOOD BRACE

1932 Ford 5-Window Coupe Upper Quarter Wood Brace. These steel structural braces connect the top back unit wood to the top back of the upper door header wood. Black EDP coated. Note, upholstery shop will need to add tack strip or glue headliner to this brace as tack strip is not included.

- B20223** Upper Quarter Wood Brace, Left
- B20222** Upper Quarter Wood Brace, Right



B20223

B20222

QUARTER WINDOW DIAGONAL BRACE

1932 Ford 5-Window Coupe Quarter Window Diagonal Brace. Supports quarter window frame to lower B-pillar triangle brace. Finished with United Pacific Classic-Coat® weldable primer. Sold individually.

- B20210**



BUMPERS AND SPREADER BARS

1932 FORD COUPE



CHROME BUMPER

1932 Ford Car and Truck Chrome Bumper. Heavy stamped spring steel and beautifully chrome plated as original. Fits 32 Ford passenger car front and rear. Fits 32 Ford Truck front. Includes two bumper end caps.

B20092



REAR FRAME HORN COVER SET

1932 Ford Car Rear Frame Horn Cover Set. Die-stamped steel with interlocking hemmed construction as original, not spot welded like others. Fits 1932 Ford roadster, 5-window, 3-window, and Sport Coupe Black EDP coated. Sold as pair.

B20324 Rear Frame Horn Cover Set

B20325 Rubber Mounting Kit (sold separately)



BUMPER END CAP

1932 Ford Car and Truck Bumper End Cap. Polished Stainless Steel. Sold individually.

B20301



BUMPER BOLT

1932 Ford Car and Truck Bumper Bolt. Polished Stainless Steel. Includes stainless nut and lock washer. Sold individually

B20302



SPREADER BAR

1932 Ford Car and Truck Spreader Bar. Available for front and rear with a variety of LED options. Polished stainless steel. Stainless steel mounting bolts included.

F3201 Front Spreader Bar

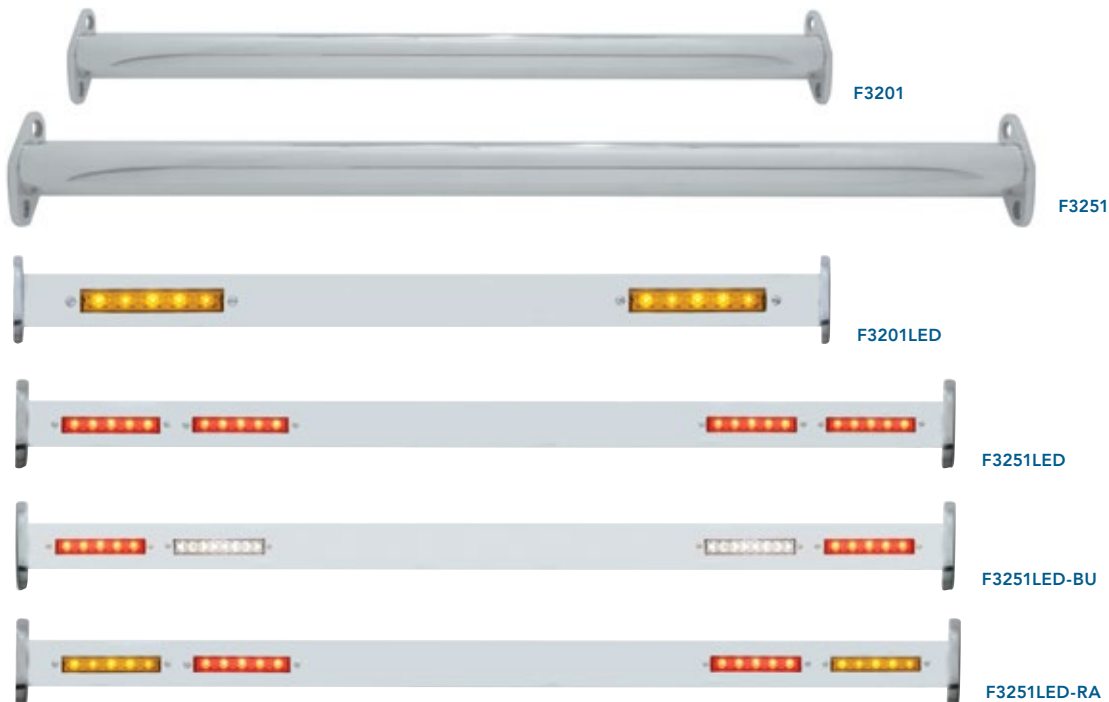
F3251 Rear Spreader Bar

F3201LED Front Spreader Bar with 10 Super Bright Amber LEDs & Amber Lens

F3251LED Rear Spreader Bar with 20 Super Bright Red LEDs & Red Lens

F3251LED-BU Rear Spreader Bar with 20 Super Bright LEDs & Red/White Lens

F3251LED-RA Rear Spreader Bar with 20 Super Bright LEDs & Red/Amber Lens



Stainless steel mounting bolts

TRUNK AND REAR QUARTER

1932 FORD COUPE

DECK LID

1932 Ford 5-Window Coupe and Roadster Deck Lid. Heavy stamped steel outer and inner skin hemmed on edges as original. Has "D" nuts and threads for trunk support arm and rumble seat hinges. Includes hinge pivot reinforcement plates. Coated with United Pacific Classic-Coat® weldable primer.

B20036



TRUNK HINGES

1932 Ford 5-Window Coupe and Roadster Trunk Hinges. The portion of the trunk hinge that is mounted to the body. Includes stainless steel 1/4-20 mounting screws, steel mounting blocks & trunk pivot pins. Fits all coupes & roadsters except 3W.

B20039



TRUNK HINGE PIVOT REINFORCEMENT PLATES

1932 Ford 5-Window Coupe and Roadster Trunk Hinge pivot Reinforcement Plates. Sold as pairs.

B20036-1



TRUNK LOWER RAIN GUTTER THROUGH SET

1932 Ford 5-Window Coupe and Roadster Trunk Lower Rain Gutter Through Set. These channels support the trunk latch striker plate and truck lid bumpers. Set includes the inner support channel that mounts the gutter to the panel below the deck lid. Black EDP coated. Sold as a set.

B20038



DECK LID SUPPORT ARM

1932 Ford Car Deck Lid Support Arm. Fits all closed cars and open cars with trunk lid. Polished stainless steel with stainless steel mounting hardware included.

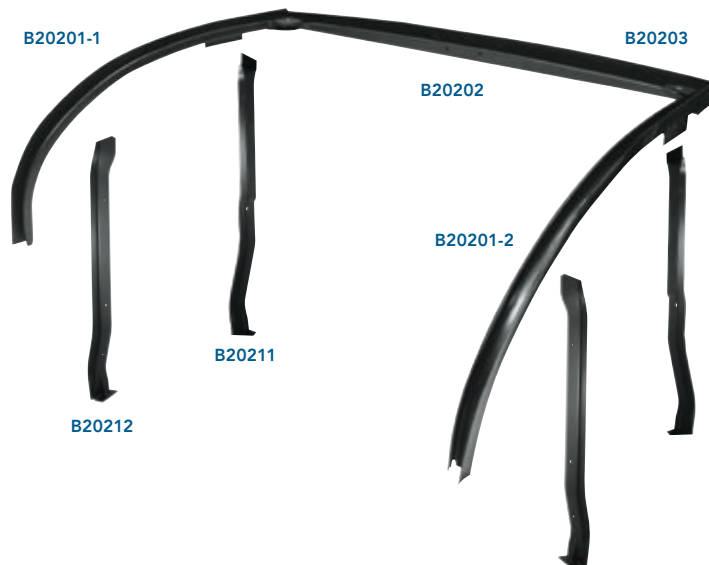
B20037



TRUNK RAIN GUTTER & SUPPORTS

1932 Ford 5-Window Coupe and Roadster Trunk Rain Gutter & Supports. Heavy stamped steel every detail exactly as original. Available as a 5 piece set, or individually. Trunk opening to floor braces support the rain gutters & quarter panels as original. Finished in United Pacific Classic-Coat® weldable primer.

- B20201** Complete 5 Pieces Set, Unwelded
- B20201-A** Complete 3 Pieces Set, Jig Welded
- B20201-1** Trunk Rain Gutter Set, Left
- B20201-2** Trunk Rain Gutter Set, Right
- B20202** Trunk Upper Center Rain Gutter
- B20203** Corner Reinforcement
- B20211** Front Long Braces, Sold As Pair
- B20212** Rear Short Braces, Sold As Pair



REAR QUARTER PANELS

1932 Ford 5-Window Coupe Rear Quarter Panel. Complete rear quarter panel from door opening to roof beltline flange with trunk opening and wheel well. Finished with United Pacific Classic-Coat® weldable prime.

B20033 Left Rear Quarter Panel

B20034 Right Rear Quarter Panel



ABOVE DECK LID FILLER

1932 Ford 5-Window Coupe Above Deck Lid Filler. Often cracked near the quarter panel joint. This filler panel fits above the deck lid and below the rear window. Assembled with inner support for rain gutter. Coated with United Pacific Classic-Coat® weldable primer.

B20032



REAR QUARTER POSTS

1932 Ford 5-Window Coupe Rear Quarter Posts. Heavy steel plates that support the rear of the quarter panel to floor, and provides mounting for the rear panel below the deck lid. Exact in every detail. Black EDP coated. Sold in pairs.

B20216



PANEL BELOW DECK LID

1932 Ford 5-Window Coupe Panel Below Deck Lid. Exact reproduction of the panel located below the trunk or rumble seat lid. Includes floor extension pan as well as upper & center brackets. It is made of the same heavy gauge steel as the originals.

B20035



INTERIOR GARNISH MOLDINGS AND SUN VISORS

1932 FORD COUPE



GARNISH MOLDINGS

Perfect in every detail including mounting screw holes, these garnish moldings are die stamped steel just as original. Available in black EDP coated, or chrome plated. RH and LH sold separately.

B20040CR Chrome Right Door Window

B20041CR Chrome Left Door Window

B20040 Black EDP Right Door Window

B20041 Black EDP Left Door Window

B20042CR Chrome Right Rear Quarter Window

B20043CR Chrome Left Rear Quarter Window

B20042 Black EDP Right Rear Quarter Window

B20043 Black EDP Left Rear Quarter Window

B20044CR Chrome Rear Window

B20044 Black EDP Rear Window



WINDSHIELD PILLAR POST TRIM

1932 Ford Car Windshield Pillar Post Trim.

Fits 5-Window, Tudor, Fordor, and Victoria.

Die stamped and fit perfectly. Black EDP coated.

Sold in pairs.

B20045



INTERIOR SUNVISOR ASSEMBLY

1932 Ford Closed Car Interior Sunvisor Assembly.

Need more info for description. Sold Individually.

B20151



INTERIOR HEADER PANEL

1932 Ford Car Interior Header Panel. Fits 5-Window, Tudor, Fordor, and Victoria. This panel is made to original specifications. Has all original holes, including threaded holes for sun visors.

Black EDP coated.

B20006



CLOSED CAR DASH

1932 FORD COUPE



CAR DASH

1932 Ford Car Dash the centerpiece of your interior. This super strong steel dash is actually thicker than the original, providing a solid mounting surface for your instruments, and has the original steering drop reinforcement. Available as original with the oval dash opening, or smooth, ready for your own custom gauges. Black EDP coated or woodgrain. Fits all closed cars except 3W and Pickup.

B20004 Original Style

B20004WG Original Style with Woodgrain

B20005 Hot Rod Style with Smooth Finishing



STAINLESS DASH OPENING TRIM

1932 Ford Car Stainless Dash Trim. Exact reproduction of the hard to find dash trim. Precision roll-formed like original. Polished stainless steel.

B20150



INNER DASH SUPPORT BRACE

1932 Ford Car Inner Dash Support Brace. Heavy inner horizontal brace behind dash. Attaches to A-Pillars. Exactly as original with D-Nut thread inserts for dash mounting screws. Fits all closed cars except 3W.

Black EDP coated.

B20072



BACK WINDOW AND PACKAGE TRAY BRACE

1932 FORD COUPE



REAR PACKAGE TRAY BRACE

1932 Ford 5-Window Coupe Rear Package Tray Brace. For increased legroom, we have designed a package tray brace that provides all the original structure & strength, yet allow the seat to move back 3-4 inches. Requires use of B20218 regulator plate. Black EDP coated.

B20217



BACK WINDOW REGULATOR PLATE

1932 Ford 5-Window Coupe Back Window Regulator Plate. Designed to work with the rear package tray brace B20217, this plate supports the back window regulator. Black EDP coated.

B20218



BACK WINDOW DRAIN PAN

1932 Ford 5-Window Coupe Back Window Drain Pan. Exact in every detail. Fits under the back window wood, this catches water that enters around the back window glass. Black EDP coated.

B20219



REAR ROLL-DOWN GLASS CHANNEL

1932 Ford 5-Window Coupe. Black EDP coated.

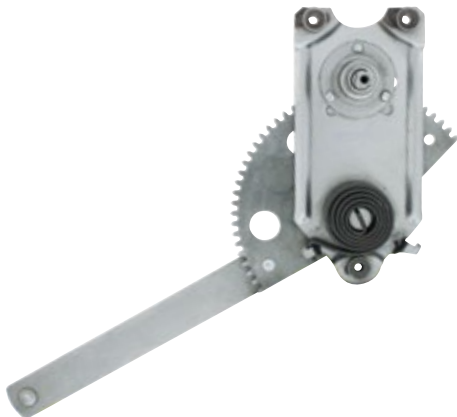
B20117



ROLL-DOWN BACK WINDOW REGULATOR

1932 Ford 5-Window Coupe. Stamped from high strength steel gives smooth operation and long life. Assembled with proper mounting stand-offs for easy installation.

B21112 Back Window Regulator



COMPLETE PACKAGE TRAY BRACE

B20217 Rear Package Tray Brace

B20218 Back Window Regulator Plate

B20219 Back Window Drain Pan



BACK WINDOW CRANK HANDLE AND ESCUTCHEON

1932 Ford 3 and 5 Window Coupe Back Window Crank Handle and Escutcheon. Fits all 1932 Ford passenger cars.

B20140 Window Crank Handle

B20137 Passenger Car Escutcheon



B20140



B20137

SEAT AND INTERIOR WOOD

1932 FORD COUPE

SEAT FRAME SET

1932 5-Window Coupe Seat Frame Set.

3 Piece heavy die stamped. Includes all original detail.

Black EDP coated.

B20401

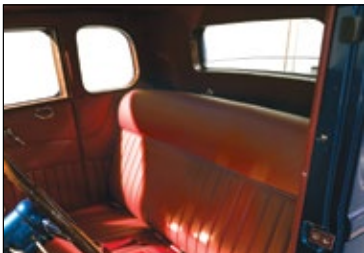


UPPER SEAT UPHOLSTERY RETAINER STRIP

1932 5-Window Coupe Upper Seat Upholstery Retainer Strip. Mounts on the rear of the upper seat back wood. Used to hold the seat upholstery and package tray filler upholstery in place.

Black EDP coated. Sold each.

B20409



SEAT ADJUSTMENT BRACKET

1932 Ford Closed Car Seat Adjustment Bracket. Heavy stamped steel. Fits 1932 5-Window, Sport Coupe, Cabriolet, Forder Sedan (Not 3-Window). Fits 1933-34 5-Window, Cabriolet, Forder Sedan. Black EDP coated. Sold individually.

B20403



SEAT ADJUSTMENT RATCHET

1932-34 Ford Passenger Car Seat Adjustment Ratchet. Heavy stamped steel. Sawtooth style. Black EDP coated.

B20405



SEAT COUNTERBALANCE SPRING

1932-34 Ford Coupe and Sedan Seat Counterbalance Spring. Fits 1932 5-Window, Sport Coupe, Cabriolet, Forder Sedan (Not 3-Window). Sold individually.

B20404



STEEL SEAT TRACK

1932 Ford Coupe and Fordor Steel Seat Track. Super heavy duty steel construction. Fits 1932 Ford Coupe, Forder Sedan. Fits L/H & R/H Side. Polished stainless steel. Sold individually.

B20407



SEAT ADJUSTMENT HANDLE

1932-34 Ford Coupe and Fordor Seat Adjustment Handle. Fits 1932 5-Window, Sport Coupe, Cabriolet, Forder Sedan (Not 3-Window). Includes set screw. Polished stainless steel. Sold individually.

B20406



ASH BODY HARDWOOD

1932 Ford 5-Window Coupe Ash Body Hardwood. Now you can replace your rotten body wood with new ash hardwood. Our precision made hardwood door posts, headers and window supports are made exactly as original. Quarter window surrounds feature the original doweled mortise & tenon construction.

- B20100** Top Wood Assembly
- B20100-1** Top Wood Assembly Side Brackets
- B20060** Door Post, Right
- B20061** Door Post, Left
- B20062** Door Header, Right
- B20063** Door Header, Left
- B20064** Quarter Window Frame, Right
- B20065** Quarter Window Frame, Left
- B20066** Windshield Header
- B20067** Back Window Unit
- B20068** Door Garnish Filler Blocks



HEADLIGHTS AND TAIL LIGHTS

1932 FORD COUPE



KING BEE HEADLIGHT

King Bee style complete headlight assembly. Shallower in profile, excellent for limited clearance installs. Due to limited spacing behind the light bulb, some 7" light bulb may not be applicable with the King Bee style headlight housing. Sold in pairs.

A5023HBS 7" Chrome Finished Headlight, H6024 Halogen Sealed Beam.

A5023 7" Chrome Finished Headlight, H4 Flat Halogen



A5023HBS



A5023

DIETZ HEADLIGHT

Dietz style complete headlight assembly. Oldest of old school, classic Dietz style headlights never go out of style. Classic tear-drop shaped housing designed to take most 7" headlight bulbs from United Pacific. Sold in pairs.

A5022HBS 7" Chrome Finished Headlight, H6024 Halogen Sealed Beam.

A5022BHS 7" Black Finished Headlight, H6024 Halogen Sealed Beam.

A5022SSB 7" Stainless Headlight, H6024 Halogen Sealed Beam.

A5022A 7" Chrome Finished Headlight, H4 Halogen.

A5022BH4 7" Black Finished Headlight, H4 Halogen.

A5022SSC 7" Stainless Headlight, H4 Halogen.



A5022HBS



A5022BHS



A5022SSB



A5022A



A5022BH4



A5022SSC

GUIDE HEADLIGHT

Guide style complete headlight assembly. Classic, versatile style headlights fashioned after the headlight assemblies made for "old school" cars and trucks from the Guide Lamp Company. Our faithful reproduction Guide style headlights come in either chrome, black, or stainless finish, each with optional top signals in Original Style or Vintage 682-C Series-2 Style Top Signal. Sold each.

32637 Gloss Black Powder Coated with Dual Function LED Top Signal Light and H6024 Halogen Sealed Beam Bulb.

32621 Chrome Plated with Dual Function LED Top Signal Light and H6024 Halogen Sealed Beam Bulb.

32605 Polished Stainless Steel with Dual Function LED Top Signal Light and H6024 Halogen Sealed Beam Bulb.

32639 Gloss Black Powder Coated with Dual Function LED Top Signal Light and Flat H4 Halogen Bulb.

32623 Chrome Plated with Dual Function LED Top Signal Light and Flat H4 Halogen Bulb.

32607 Polished Stainless Steel with Dual Function LED Top Signal Light and Flat H4 Halogen Bulb.



DROPPED HEADLIGHT BAR

1932 Ford Car and Truck Dropped Headlight Bar.
Highly polished stainless steel.

A6222



HIBOY HEADLIGHT STAND SET

Polished stainless steel. Includes pads and hardware.
Sold as set.

S1101



HEADLAMP CONDUIT SET WITH 5 WIRES

12 3/4" Long Braided Stainless Steel Conduit. Machined aluminum ends with 1/2-30 threaded mounting hardware. One end designed to fit original conduit hole on 1928-32 Ford radiator shells. Heavy 14 gauge wire for headlight power. 2 extra 16 gauge wires to power turn signals and parking lights. Sold in pairs.

S1105



HEADLIGHT BAR MOUNTING PADS AND MOUNTING BOLT

1932 Ford Car and Truck Headlight Bar Mounting Pads and polished stainless steel Mounting Bolt with nut and lockwasher.

A9028 Headlight Mounting Pads Sold as set.

A6229 Headlight Mounting Bolt Sold individually.



TAIL LIGHTS

A1060	1938-39 Ford Tail Light Assembly with Stainless Steel Rim and Red Glass Lens, 12 Volt.
A1060BD	1938-39 Ford Tail Light Assembly with Stainless Steel Rim and Red Glass Blue Dot Lens, 12 Volt.
A9009	1938-39 Ford Tail Light Rubber Mounting Pad for original glass lens tail light.
FTL383907	1938-39 Ford LED Flush Mount Tail Light with Chrome Bezel.
FTL383908	1938-39 Ford LED Flush Mount Tail Light with blue dot. Chrome Bezel.
FTL383903ZR	1938-39 Ford LED Flush Mount "Baby Zephyr" Tail Light.
FTL3839-1	1938-39 Ford Flush Mount LED Tail Light Rubber Mounting Pad.
A1021	1932 Ford Polished Stainless Steel Tail Light with Red Glass Lens, RH.
A1021BD	1932 Ford Polished Stainless Steel Tail Light with Blue Dot Glass Lens, RH.
A1022	1932 Ford Polished Stainless Steel Tail Light with Glass Lens, LH.
A1022BD	1932 Ford Polished Stainless Steel Tail Light with Blue Dot Glass Lens, LH.
FTL3201LED-AL	1932 Ford Polished Stainless Steel LED Tail Light, LH.
FTL3201LED-AR	1932 Ford Polished Stainless Steel LED Tail Light, RH.
A1035	1930-37 Ford Truck Tail Light Bracket, Fits LH and RH, Polished Stainless Steel.



A1060



A1060BD



A9009



FTL383907



FTL383908



FTL383903ZR



FTL3839-1



A1021



A1021BD



A1022



A1022BD



FTL3201LED-AL



FTL3201LED-AR



A1035



Get your parts. Build your passion.





Discover other custom and factory headlights on our website.