



PRODUCT BROCHURE

THE FINEST ROLL COVERS, TOOLBOXES & ACCESSORIES ON EARTH



SUPERIOR TRUCK COVERS

MISSION STATEMENT

Truck Covers USA is dedicated to building superior truck covers using tomorrow's technology and innovation while competing at today's prices. We insist on a highly trained staff, cutting edge design, state of the art materials and undivided attention to the smallest details. Our success is measured by customer satisfaction, and our decisions are driven by both consumer feedback and our passion for excellence.

OUR PRODUCT

Our signature product is The American Roll Cover. With 10 years in the industry and our strong commitment to quality, we have gained a reputation in the market for the very best in product and service to our customers. We accomplished this amazing feat by listening to customer feedback. Our covers have enhanced almost every imaginable truck bed, secured cargos worthy of a king's ransom and survive weather conditions impossible to reproduce in a lab. The feedback we received has been invaluable in creating a truck cover that will more than meet your needs. As a results-driven company, we listened, and we responded with a superior product!



2006 & 2009 SEMA AWARD WINNER

ABOUT TRUCK COVERS USA

Truck Covers USA strives to revolutionize the roll cover industry by blazing a new trail in product design, development and production. We are not in business to produce truck covers that represent the industry standard, we are in business to become the industry standard.



- PROTECTS CARGO FROM WEATHER & THEFT
- STRONG ENOUGH TO WITHSTAND +500LBS
- LIGHTWEIGHT DOUBLE-WALL ALUMINUM CONSTRUCTION
- TEXTURED POWDER COATING FOR SCRATCH RESISTANCE & ULTIMATE DURABILITY
- HIGH QUALITY & OEM GRADE MATERIALS
- ENHANCES THE APPEARANCE OF ANY TRUCK & IMPROVES GAS MILEAGE (7-10%)
- UNIQUE LOCKING SYSTEM - LOCKS AUTOMATICALLY EVERY 12 INCHES

PROUD TO BE A MEMBER OF SEMA, LTAA & PWA





PRODUCT

AMERICAN

ROLL COVER



FIT

The American Roll Cover is designed to expertly fit virtually every make and model of pickup truck sold today. Our roll cover has been uniquely engineered to adapt to roll bars, and accommodate both factory and aftermarket accessories. Simply stated, the American Roll Cover will fit your truck like a glove!

THE AMERICAN ROLL COVER IS THE TOUGHEST, BEST-LOOKING, RETRACTABLE ALUMINUM COVER AVAILABLE TODAY!



DURABILITY

The American Roll Cover is double wall constructed using strong, lightweight aluminum. The cover alone is able to support an incredible +500lbs! In an effort to reduce scratching, the cover is finished with an attractive and durable textured powder coating. Finally, a unique, flex-tube water drain system and wider side rail seals ensure that unfavorable weather conditions will not lead to rust, or mechanical problems. Our American Roll Cover is designed to increase the durability of your truck. We are so confident that we offer an unheard of 2-year warranty!

SECURITY

If you did not worry about protecting your cargo, you would not be carrying it with you. The American Roll Cover features a specialized locking system that keeps your load safe and your truck bed secure. Whether you are driving down the road, or browsing the shelves of the local hardware store, your cargo will be where you left it and in the condition you left it in.

CONVENIENCE

The American Roll Cover is cleverly designed to accommodate various cargo needs. The retractable cover is tension driven for ease of movement, and has an automatic stop and lock point every 12 inches. This means you have the option of an open truck bed, a closed truck bed, or a partially open truck bed to provide just the right amount of cargo coverage and security anytime.

FEATURES

AMERICAN ROLL COVER

BUILT ON EXPERIENCE

We took an already great truck cover and made it better! Our covers have been working for truck owners for over ten years. The American Roll Cover has been successful in all weather conditions, and has been used to protect every conceivable cargo. Your feedback has been invaluable during this process! Our innovative research and design team has been hard at work striving to make the best cover better. Redesigned for the discerning truck owner, driven by consumer feedback, made in the USA - the result is an evolution of perfection!

EASY TO INSTALL

Our roll cover is designed to install in 1 Hour or less. This will minimize down time in an effort to maximize production.



SECURE CLOSURE OF LOAD BODY

Worry free security! The secure locking system ensures that the cargo you leave in the truck bed will be in the truck bed when you need it.

STRONG, ROBUST STRUCTURE

Our designers wanted a cover that was strong enough to meet your needs. The result is a strong, yet lightweight, aluminum cover with double walled sections.



FEATURES

AMERICAN ROLL COVER

(CONT.)

MINIMAL SERVICING REQUIRED

Keep the cover clean and it will last - it's as simple as that!

SUPERIOR STYLE

Wait until you see our cover on your truck! The high quality, textured powder coating and low-profile lid gives our cover a 'notch above the rest' look.

EASY TO OPERATE

Save your efforts for the task at hand! The retractable cover is tension driven and expertly adjusted to allow for ease when opening and closing.

GSA Advantage!®





FEATURES

AMERICAN ROLL COVER

(CONT.)

TEXTURED POWDER COATED FINISH

Our textured powder coating makes our cover more scratch resistant than any other. Today's pickup trucks are stronger and more luxurious than they used to be. Our special finish is designed to add strength when you work and looks when you play.

WEATHER RESISTANT

While no one can claim to make a 100% waterproof retractable tonneau cover - our extra wide side rail seals and 4-way drainage system improve the weather seal between our cover and your truck bed like none other.

CANISTER LID

Like the cover sections, the lid is constructed of double sectioned, lightweight aluminum and finished with our textured powder coating. The result is a low-profile lid with unmatched strength and durability.

STRONGEST CANISTER

Our canister is constructed of heavy-duty galvanized sheet metal. It might be the smallest on the market (8x8 inches) but it's the strongest. The sides of the canister and mounting brackets are a one-piece construction that reduces flex, increases strength and cuts down on installation time.





FEATURES

AMERICAN

ROLL COVER

(CONT.)

LOCKS EVERY 12 INCHES

We know your truck cover needs are not always as simple as opened or closed. Our ingenious locking system provides an automatic stop and lock point every 12 inches!

BOTTOM LINE

The American Roll Cover is the toughest, best-looking, retractable aluminum cover available!



KEYLESS ENTRY - QUICK RELEASE HANDLE

Our Keyless Entry option provides very convenient access to your load. Remember, this is an add-on option and not standard equipment - so be sure to ask for it. Our Keyless Entry release handle enables you to open your cover simply by releasing your tailgate and pulling on the custom-made molded plastic handle. It gives you the keyless freedom you may demand from time to time. Customers asked - we responded!

2-YEAR WARRANTY

We wanted to show you how confident we are in our cover with our full 2-Year Warranty. You will not find this level of product confidence anywhere else.





PRODUCT AMERICAN WORK COVER

The American Work Cover, an industry first Toolbox & Roll Cover combination, combines two essential products to create the **ideal work truck combination** for **superior security, strength & style**. The American Work Cover enhances the look of any work truck and is the preferred choice of America's Finest Fleets!



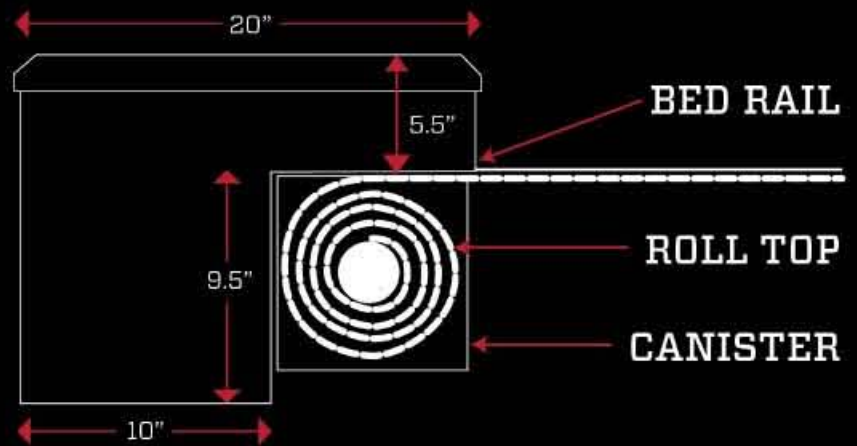
A TRUCK COVER THAT REALLY WORKS!

PRODUCT AMERICAN WORK COVER

(CONT.)

OPTIONS AVAILABLE AT ADDITIONAL COST:

- **Power Actuators**
- **Built-in American Cargo Light Strip/Shield**
- **Stainless Steel Trays**
(Black Trays are Standard)
- **Chrome Handles**



Power Actuator

Product features include not only the superior construction of the American Roll Cover itself, but a heavy-duty galvanized sheet metal sectioned toolbox; OEM grade locking mechanisms; 2 removable sliding trays; LED cargo lighting & remote locking options available.



PRODUCT AMERICAN RACK SYSTEMS

The Perfect Rack System Solution for your truck bed - Truck Covers USA introduces their **New Rack System using Yakima components** mounted right on top of either a new or existing Truck Covers USA Roll Cover!



THE PERFECT RACK SYSTEM SOLUTION FOR YOUR TRUCK BED

OPTIONS AVAILABLE

- Yakima Tracks Pre-Installed
- Yakima Tracks Pre-Cut For Self-Install
- Yakima Complete Rack System
 - Landing Pads
 - Control Towers
 - Lock Cores
 - Cargo Bars

PRODUCT AMERICAN RACK SYSTEMS

(CONT.)

NEW RACK SYSTEMS

Truck Covers USA offers Yakima tracks pre-installed on our side rails with any new Roll Cover unit. Customers with an existing Truck Covers USA roll cover who wish to incorporate this new & exciting cargo carrying option can purchase Yakima tracks pre-cut with installation hardware and instructions. Thereafter, you can "Plug & Play" with other Yakima components - all offered by Truck Covers USA like landing pads, control towers, cargo bars, and lock cores - building up the ultimate adventure vehicle for all your sports & hobby needs. Truck Covers USA offers this incredible Rack System; Rock-N-Roll by attaching almost any cargo carrying apparatus Yakima offers through Truck Covers USA. The adventure options are endless - Bikes, Boards, Skis - Work, Play & Pack the Pleasure with Truck Covers USA's New Rack Systems.



Pre-Installed Tracks



Complete Rack System w/optional Forklift & Fat Cat



A TIE DOWN THAT REALLY WORKS!

PRODUCT AMERICAN SNAP-LOC

The most versatile cargo control and restraint system ever made. Whatever your application, **this is the best system for you.** Whether you're tying down a motorcycle, ATV, boxes, furniture, lumber, equipment, ladders and more - American Snap-Loc products are the next generation of quality anchor points and strap systems that will change the way you secure cargo forever!



"The unique Loc-Down anchor point system for the American Snap-Loc gives you that 'E-track' port anywhere you need it, quickly and easily."

JUST A FEW OF THE POSSIBLE USES FOR GENUINE AMERICAN SNAP-LOC PRODUCTS:

- Pick-Up Truck Beds and Tailgates
- Flat Bed Truck Beds
- Service Body Trucks
- SUV & Van Roofs/Racks
- Trailers & RVs

A New Product Award Winner at SEMA 2006 - Truck Covers USA's American Snap-Loc products are a complete system to meet every cargo management need. The only cargo management system of its kind on the market. Available as follows:

Single Set - 16' Ratchet Strap and set of 2 Loc-Downs

Deluxe Set - 16' Ratchet Strap, set of 2 Loc-Downs and 2 D-Rings

Premium Set - Two 16' Ratchet Straps, 4 Loc-Downs and 1 Loc-Link

All items are also available separately.

PRODUCT AMERICAN SPRING STEP

**THE MOST ATTRACTIVE AND PRACTICAL
HITCH STEP ON THE MARKET**

The American Spring Step was designed to be appreciated and used by men and women alike. Pushed open or closed with the toe of your shoe, the patent pending over center spring system holds its position. The precision manufactured American Spring Step is brought to life with beautiful inserts, making it a must have for all. **Get yours today from TRUCK COVERS USA!**



SUPER STRONG : TESTED TO 600 LBS / BILLET AIRCRAFT ALUMINUM / UNIQUE, SIMPLE & STYLISH

**PREVENTING DUST, RAIN AND SNOW
FROM ENTERING YOUR TRUCK BED**

PRODUCT AMERICAN TAILGATE SEAL



The American Tailgate Seal has been engineered and designed to accommodate any model tailgate with a precise and snug fit. Conforms to fit any gap - large or small. **Provides added security from the elements** - preventing dust, rain and snow from entering your truck bed. Simple to install - just cut to size and adhere with the 3M Acrylic Plus Sealing Tape to secure. Get yours today from **TRUCK COVERS USA.**

THE **PREFERRED CLOTH** FOR YOUR
AMERICAN ROLL COVER

PRODUCT AMERICAN WONDER AUTO CLOTH



THROW AWAY THAT CHAMOIS AND MOVE
ON TO THE **AMERICAN WONDER AUTO CLOTH**

- Non-abrasive
- Super Absorbent
- Superior Durability
- Resistant to tearing
- Resistant to Grease
- Resistant to oils

WONDER AUTO SPONGE

HOLDS 5 TIMES ITS WEIGHT IN WATER!

The Ultimate Cloth for your ride! Super absorbent; machine washable; long-lasting. Holds 12 Times its weight in water. Lint-free; Scratch-free. **The finest cloth you will ever use.**

ELIMINATE THE WEIGHT
OFF YOUR TAILGATE

PRODUCT AMERICAN TAIL-MATE

STURDY CONSTRUCTION CAN SUPPORT **PAYLOADS OF UP TO 1,000LBS.**

Robust support beam can handle cargo up to 51 inches wide. Typically extends the bed length by more than 30 inches. Ideal for transporting lumber and other oversize materials. Can be installed with any Class 3 hitch receiver. Adjustable to fit most full size trucks, SUVs and Jeeps. Weighs less than 45lbs. Quick & easy to assemble. 2-piece construction makes it easy to store. The American Tailmate comes with all necessary hardware.



THE ULTIMATE

TRUCK BED ROLL COVER

For work or for play.

