



# INSTALLATION INSTRUCTIONS

<b>Product:</b>	<b>Front Bumper</b>
<b>Vehicle:</b>	<b>Toyota 4Runner 2014-2017</b>
Part No.	074ST17A86Z

**Read instructions fully before commencing fitment.**

**Left hand & Right hand components are determined as seated in the vehicle.**

**Check for (& remove) any build up in all captive nuts fitted to the Bumper.**

<b>Bolt tensions</b>	<b>Dia. (mm)</b>	<b>Nm</b>	<b>ft.lbs</b>	<b>Dia. (inch)</b>	<b>Nm</b>	<b>ft.lbs</b>
All bolt tensions are as follows unless otherwise specified.	5	5	4	1/4"	9	7
	6	9	7	5/16"	22	15
	8	22	16	3/8"	33	27
	10	44	32	7/16"	55	43
	12	77	57	1/2"	86	66

## Warranty

1. If any product or part of a product manufactured by TJM is found to be defective during a period of three (3) years after the date of purchase, TJM shall repair (at TJM's discretion) the defective product or part.
2. Any defect in a product distributed by TJM, but not manufactured by TJM, shall be dealt with in accordance with, and to the extent of, the warranty offered by the manufacturer of that product.
3. TJM does not warranty that the products manufactured by it comply with the laws of the place where those products are purchased or used. It is the sole responsibility of the purchaser to ascertain whether products being purchased, or the affixation of those products to any other object, comply with local laws.
4. Except to the extent described in this warranty, TJM shall not be liable for any other claims, including claims arising from incorrect fitment, product or vehicle modification, faulty design, the use of the product on any indirect special or consequential damage or injury to any person, company or other entity.
5. Modification or alteration to any product manufactured by TJM to enable fitment in conjunction with other vehicle accessories or modifications (e.g. lift kits) will void any warranty claims.



# INSTALLATION INSTRUCTIONS

**Product:**

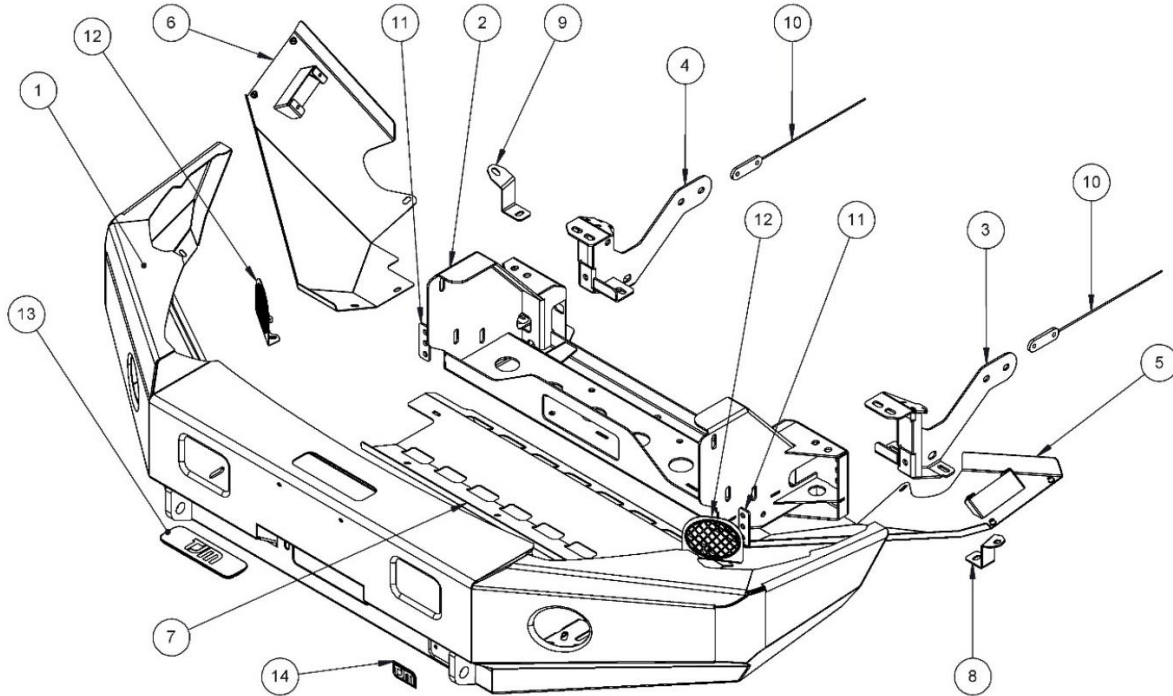
**Front Bumper**

**Vehicle:**

**Toyota 4Runner 2014-2017**

Part No.

074ST17A86Z



ITEM NO.	Description	Qty	Part Number
<b>074ST17A86Z PARTS LIST</b>			
1	T17 Front Bumper	1	F-12350
2	Chassis Mount / Winch Frame	1	F-12347
<b>FITTING KIT</b>			
3	Chassis Support Bracket LH	1	F-12791L
4	Chassis Support Bracket RH	1	F-12791R
5	Wing Guard LH	1	F-12450L
6	Wing Guard RH	1	F-12450R
7	Center Guard	1	F-3128
8	Wing Guard Bracket LH	1	F-12451L
9	Wing Guard Bracket RH	1	F-12451R
10	M10 Tapped Plate	2	89501
11	Washer Plate Three Hole	2	F-3318
12	Fog Light Grill Cover Plate	2	F-12820
13	Winch Slot Cover Plate	1	92106
14	TJM Sticker	1	K3550

ITEM NO.	Description	Qty	Part Number
<b>F-13073 BOLT KIT</b>			
N/A	M6 x 1.0 X 16mm Hex Bolt	4	K1232
N/A	M6 x 1.0 x 20mm Hex Bolt	15	K0550
N/A	M6 x 1.0 x 16mm Button Head	2	K1630
N/A	M6 x 12mm x 1.6mm Flat Washer SS	27	K1551
N/A	M6 Lock Washer	13	K0915
N/A	M6 Nyloc Nut	6	K0605
N/A	M6 Flange Nut	2	K3033
N/A	M8 x 1.25 x 20mm Hex Bolt	4	K0552
N/A	M8 x 24-32mm x 2mm Flat Washer	6	K0859
N/A	M8 Lock Washer	2	K0620
N/A	M8 x 1.25 Nyloc Nut	2	K0606
N/A	M10 x 1.25 x 30mm Hex Bolt	18	K0564
N/A	M10 x 30mm x 2.5mm Flat Washer	32	WSST-W13
N/A	M10 x 32-34mm x 2-3mm Flat washer	2	K0631
N/A	M10 Lock Washer	4	K0621
N/A	M10 x 1.25 Nyloc Nut	14	K3099
N/A	M12 x 1.25 x 30mm Hex Bolt	8	K0569
N/A	M12 x 32mm x 3mm Flat Washer	14	K0xxx
N/A	M12 Lock Washer	2	K0977
N/A	M12 x 1.25 Nyloc Nut	6	K1200
N/A	1/2 x 1 1/4 x 4mm Flat Washer	2	K0638



# INSTALLATION INSTRUCTIONS

**Product:**

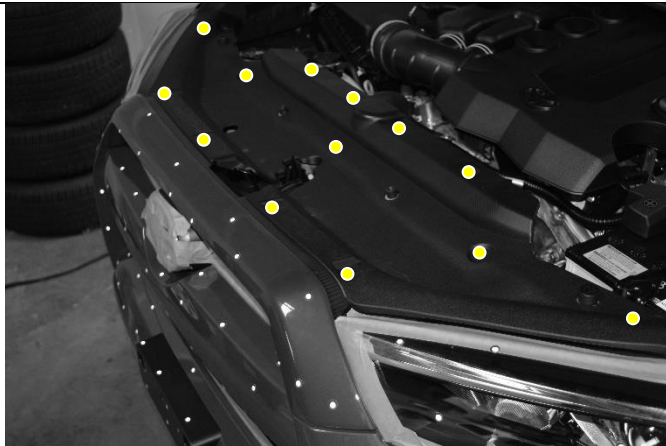
**Front Bumper**

**Vehicle:**

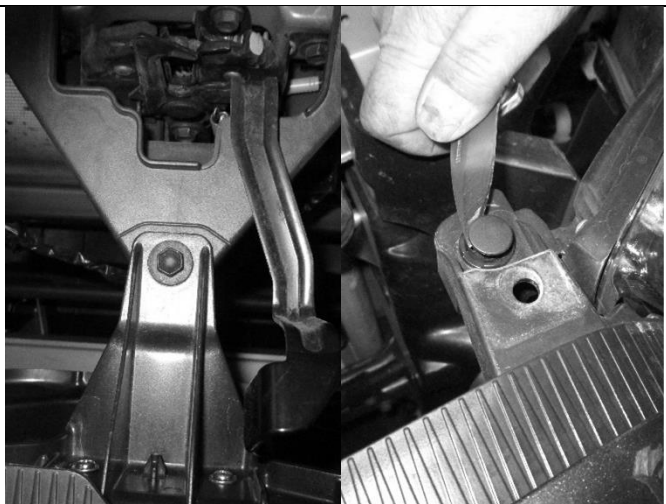
**Toyota 4Runner 2014-2017**

Part No.

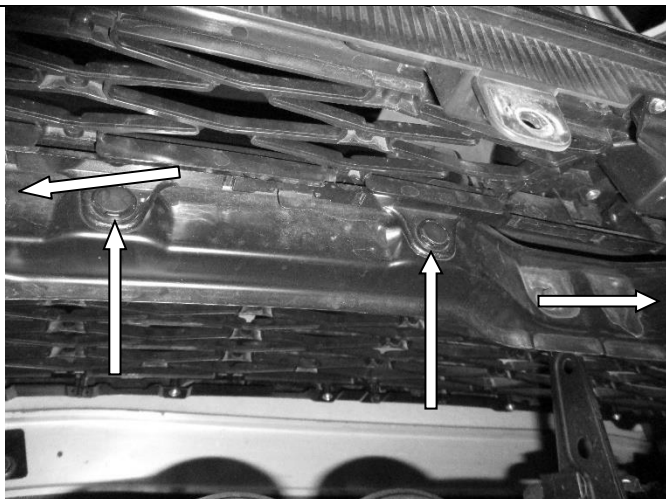
074ST17A86Z



1. Remove (& retain) the (13) pins securing the front plastic cover panel, then, remove (& retain) the front plastic cover panel. The pins can be removed by pushing in on the center, then pull the pin out.



2. Remove (& retain) the top screw securing the grille near the hood release.
3. Remove (& retain) the two clips on the top of the grille which secure it to the headlight.



4. Remove (& Retain) the four clips at the bottom of the upper grille.
5. Remove (& discard) the (8) screws along the underside of the bumper and the (2) screws and (1) clip attaching plastic guard to skid plate.
6. Disconnect the fog-light wires from the back of the fog-light.



# INSTALLATION INSTRUCTIONS

**Product:**

**Front Bumper**

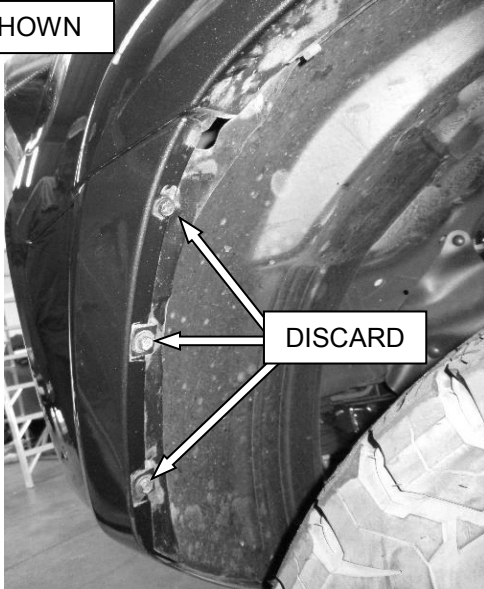
**Vehicle:**

**Toyota 4Runner 2014-2017**

Part No.

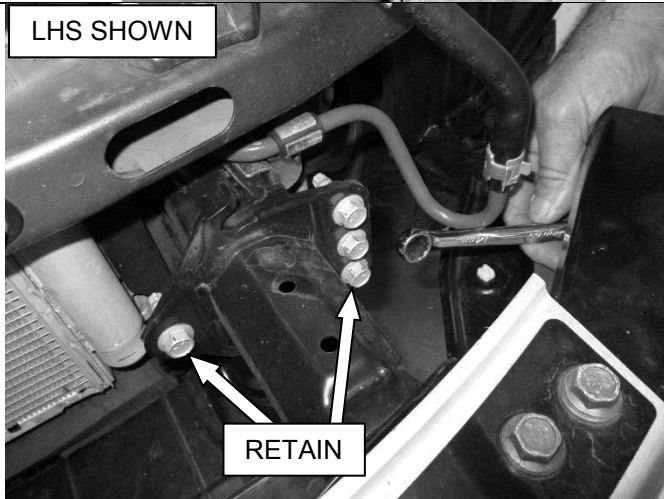
074ST17A86Z

LHS SHOWN

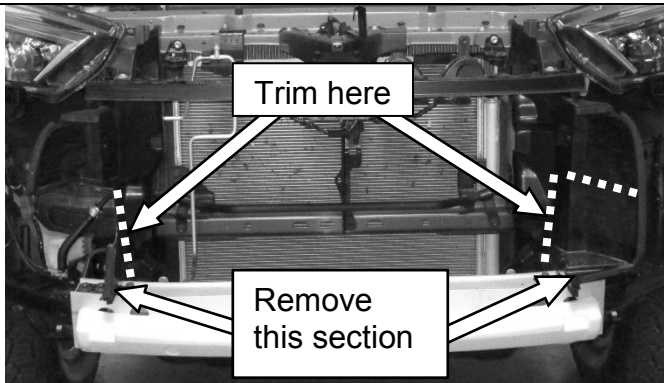


7. Remove (& discard) the three screws located inside the front edge of both wheel arches.
8. Carefully remove the Bumper and Grill together.

LHS SHOWN



9. Remove (& discard) the front intrusion beam & mounting brackets from the front of the chassis. Retaining the eight O.E. fasteners.



10. Trim the lower portion of the air guides. Remove any sharp edges caused from cutting.





# INSTALLATION INSTRUCTIONS

Product:

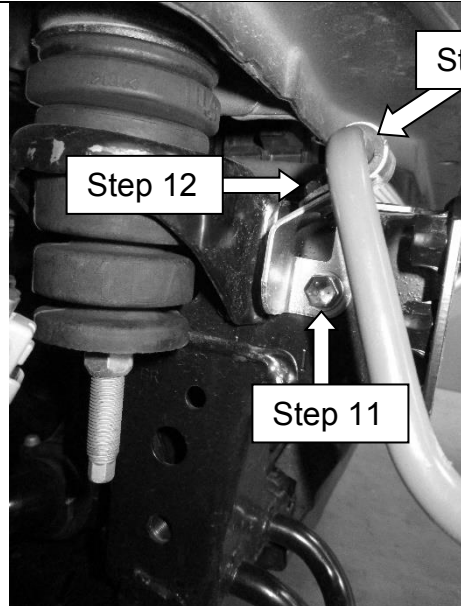
Front Bumper

Vehicle:

Toyota 4Runner 2014-2017

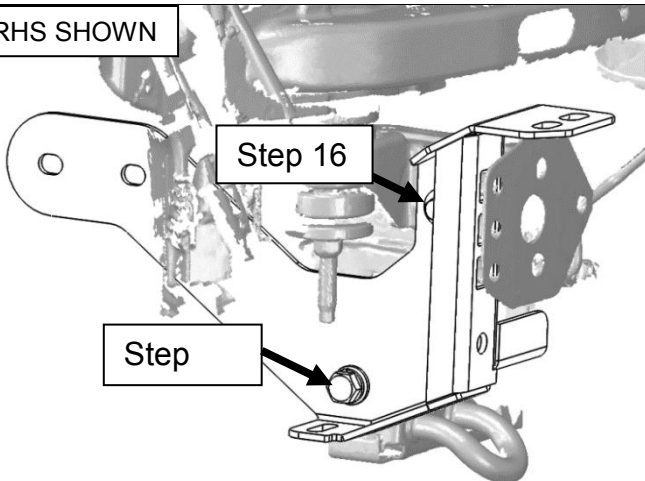
Part No.

074ST17A86Z



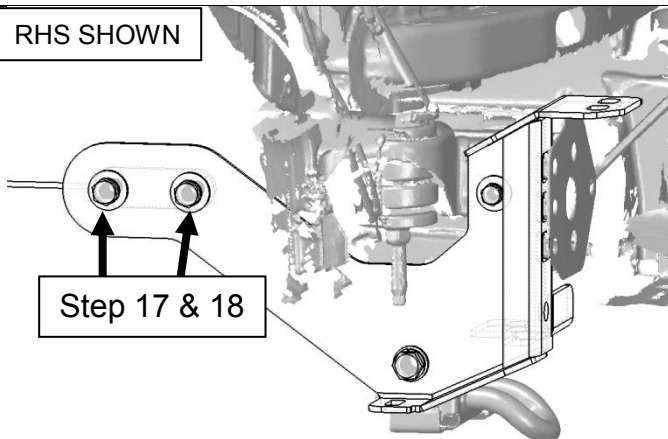
11. On the either side of the chassis, release the power steering lines by removing the screw securing it to the chassis.
12. Disassemble the O.E Power Steering Line Brackets and retain the O.E upper clamping bracket and pipe rubber sleeves for re-fitment at Step 21.
13. Discard the OE lower bracket.

RHS SHOWN



14. Slide the chassis support mount from directly in front.
15. Loosely fit a M12 x 1.25 x 30mm hex bolt (1), M12 spring washer (1) & M12 Flat Washer (1) in lower position.
16. Loosely fit an M8 x 1.25 x 20mm hex bolt (1), M8 spring washer (1) & M8 flat washer (1) in the upper forward chassis location.

RHS SHOWN



17. Insert the M10 tapped plate (89501) through the hole in the chassis rail, just behind the rear of the chassis support bracket, & align it with the rear-most hole in the chassis support bracket.
18. Loosely secure in place using M10 x 1.25 x 30mm hex bolts (2), M10 spring washers (2) & M10 x 30mm x 2.5mm Flat Washers (2).

***KDSS suspension models will only allow access to the rearmost hole in the chassis support bracket, which is sufficient fastening.***

19. Tighten fasteners only enough to fit mount against chassis but still allow movement.
20. Repeat steps 14 through to 19 for the opposite side.



# INSTALLATION INSTRUCTIONS

Product:

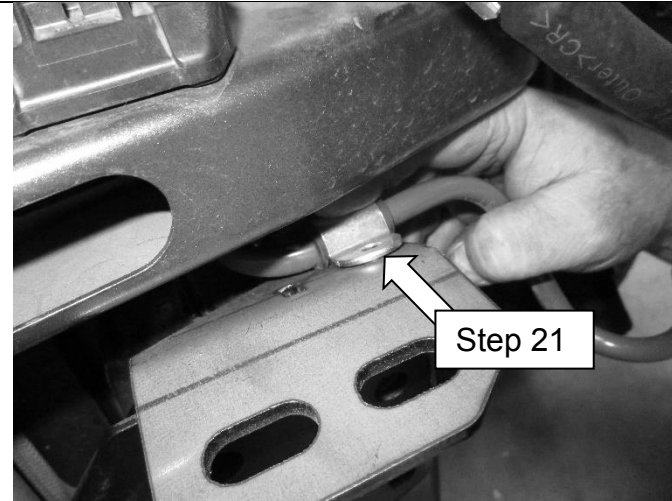
Front Bumper

Vehicle:

Toyota 4Runner 2014-2017

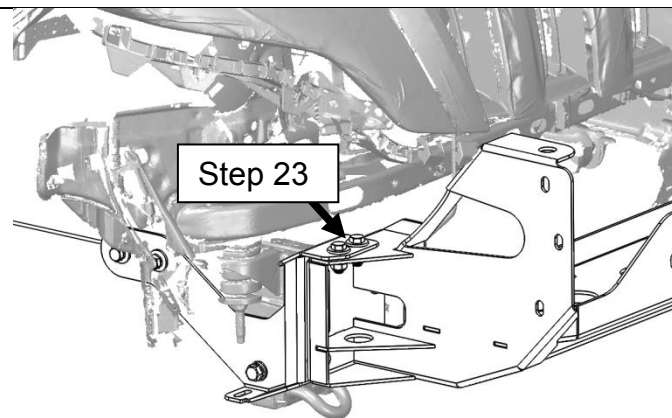
Part No.

074ST17A86Z



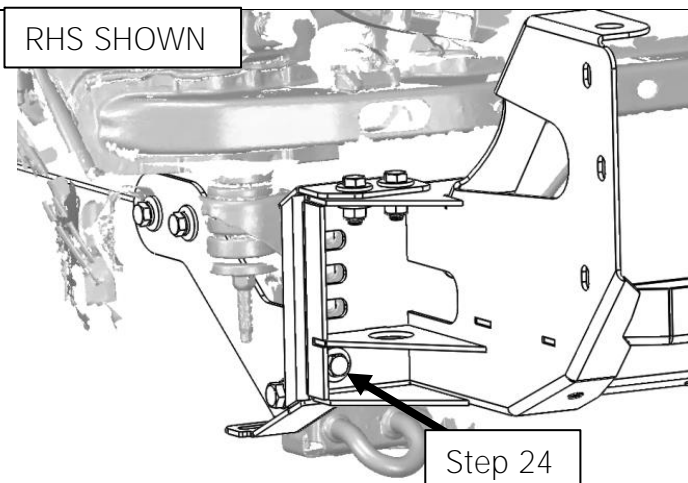
21. Using the pipe rubber sleeves removed in Step 12, position the sleeves around the pipes and secure the O.E upper clamping bracket to the chassis support bracket using a M6 x 1.0 x 20 hex head bolt, M6 x 12mm x 1.6mm Flat Washer SS and M6 flange nut. Repeat on opposite side.

**Ensure that there is no chaffing of the power steering lines with either vehicle or mounting components.**

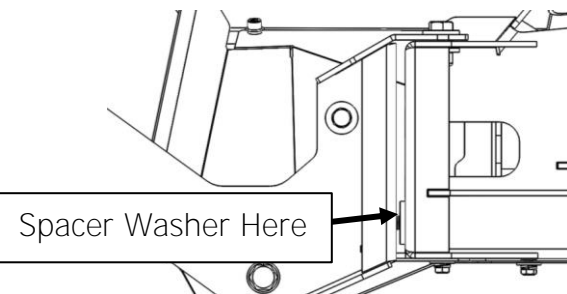


22. With assistance lift the chassis mount/winch frame into position.

23. Loosely fasten in the upper location on both sides using M10 x 1.25 x 30mm Hex Head Bolts (4), M10 x 30mm x 2.5mm Flat Washers (8) & M10 x 1.25 Nyloc Nuts (4).



24. Using a 1/2 x 1 1/4 x 4mm Flat Washer as a spacer between the mounts. Loosely fasten in the lower location on both sides using M10 x 1.25 x 30mm Hex Head Bolts (2), M10 x 30mm x 2.5mm Flat Washers (4) & M10 x 1.25 Nyloc Nuts (2)



NOTE: If the 4mm spacer washer is not fitted it will cause the mount, and potentially the chassis, to crack and fail. If it is not fitted the warranty for this product will be void.



# INSTALLATION INSTRUCTIONS

**Product:**

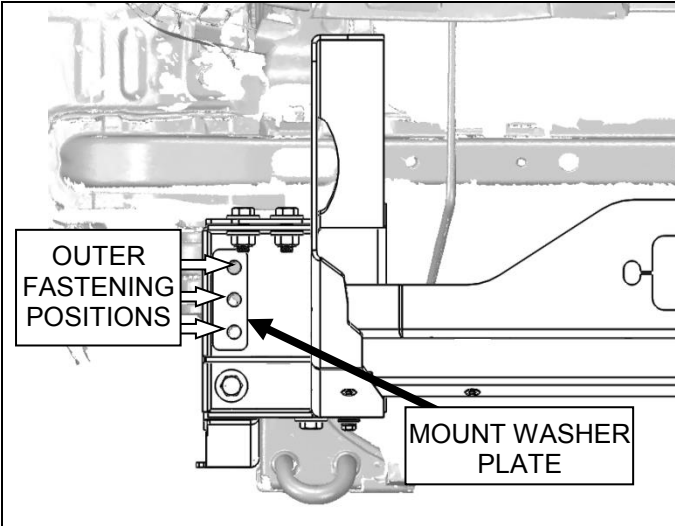
**Front Bumper**

**Vehicle:**

**Toyota 4Runner 2014-2017**

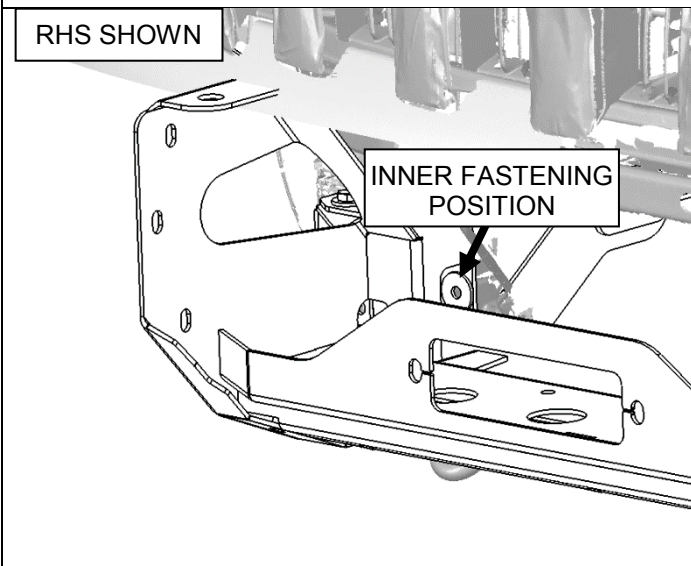
Part No.

074ST17A86Z

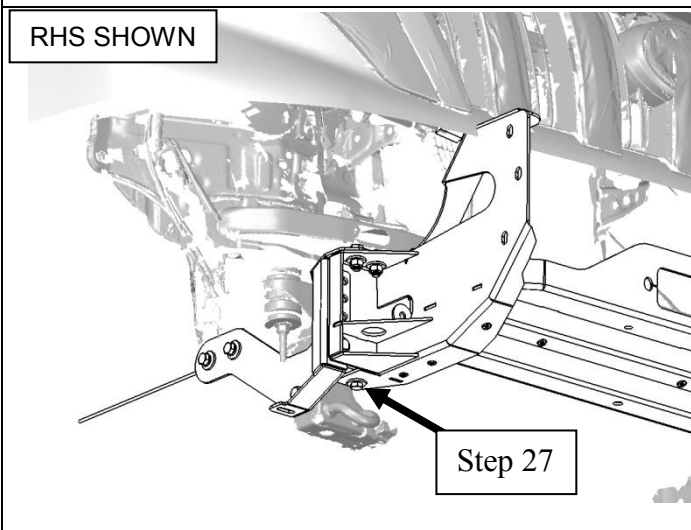


25. Fit three of the OE Fasteners from step 9. with the three-hole washer plate (1) into the captive nuts in the end of the chassis rail. (Washer plate can be rotated if more adjustment is required. Fit as shown initially)

Tighten only enough to ensure frame is against chassis end plates but still allow adjustment.



26. Loosely fit one of the OE Fasteners from step 9. with a M10 x 34mm x 3.0mm Flat washer to the inner fastening position.



27. Loosely fasten in the lower location shown using M10 x 1.25 x 30mm Hex Head Bolt (1), M10 x 30mm x 2.5mm Flat Washers (2) & M10 x 1.25 Nyloc Nuts (1).
28. Repeat steps 24 to 27 for the opposite side.
29. Check mount is centered to the chassis. Adjust if necessary.



# INSTALLATION INSTRUCTIONS

Product:

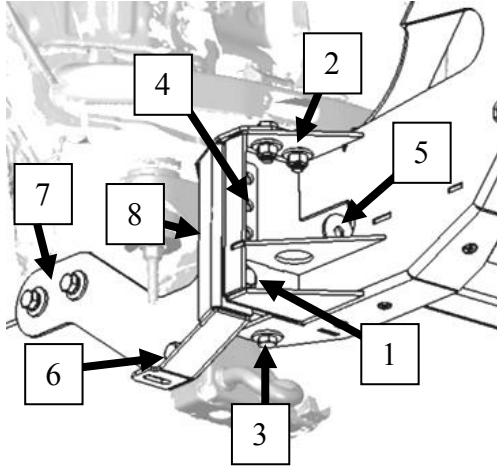
Front Bumper

Vehicle:

Toyota 4Runner 2014-2017

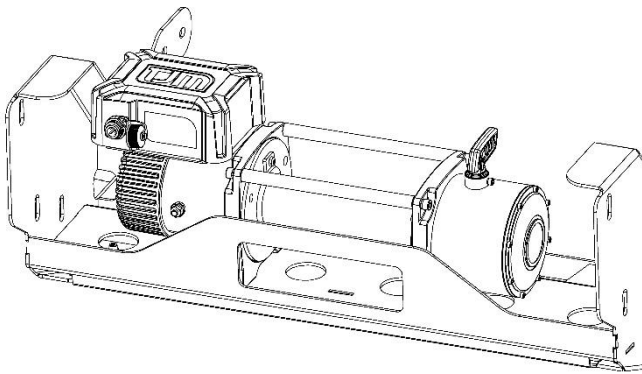
Part No.

074ST17A86Z



30. Tighten fasteners to specified torque in order shown.

- 1) M10 Hex Bolt, Lower front
- 2) Upper two M10 Hex Bolts
- 3) Underside M10 Hex Bolt
- 4) Three OE Fasteners in washer plate
- 5) OE Bolt inner fastening position
- 6) M12 Hex bolt near tie down point
- 7) M10 Hex bolts rear in chassis
- 8) M8 Hex Bolt in chassis side



***This step only applies if a winch is to be installed. If no winch is to be installed, please proceed to step 31.***

31. Referring to the winch fitting instructions, fit the winch to the winch frame & connect all of the wiring.



32. Remove plastic retainers from either side of vehicle.





# INSTALLATION INSTRUCTIONS

**Product:**

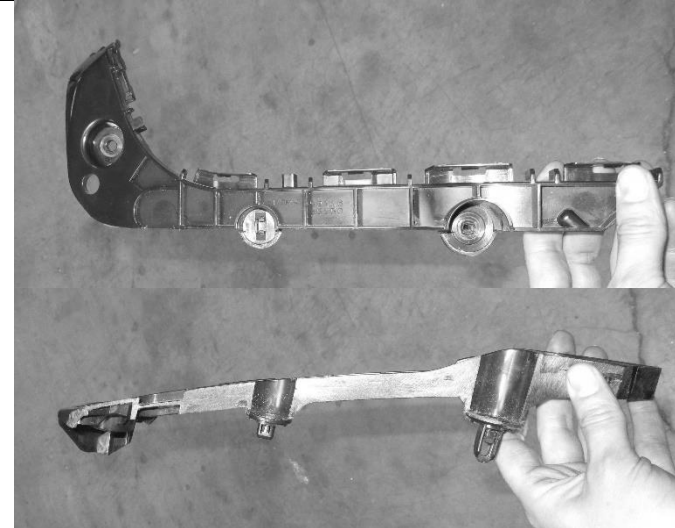
**Front Bumper**

**Vehicle:**

**Toyota 4Runner 2014-2017**

Part No.

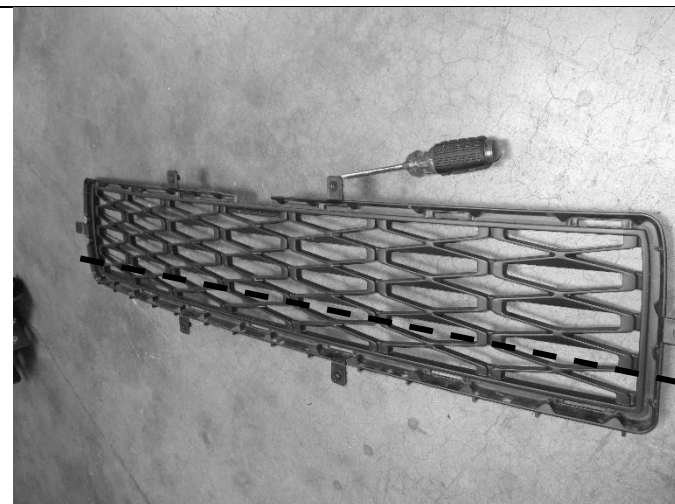
074ST17A86Z



33. Trim retainers along underside of rib as shown. Be sure to leave round base for screw and clip.



34. Re-install retainers to vehicle using hardware previously removed.



35. Remove grill from backside of bumper.

36. Trim bottom of grill where indicated.



# INSTALLATION INSTRUCTIONS

**Product:**

**Front Bumper**

**Vehicle:**

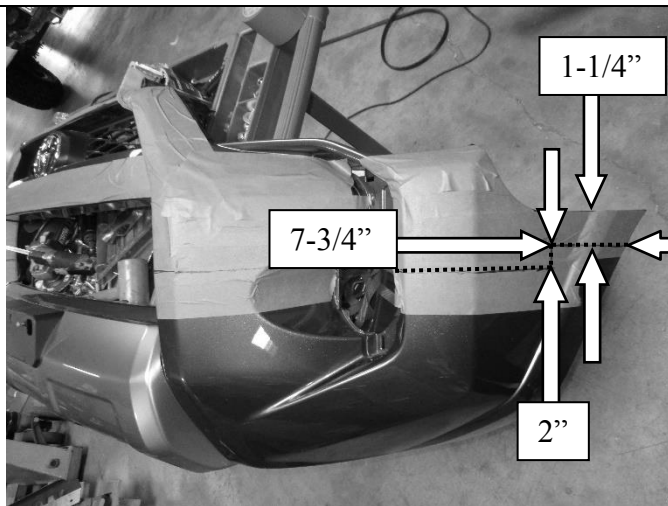
**Toyota 4Runner 2014-2017**

Part No.

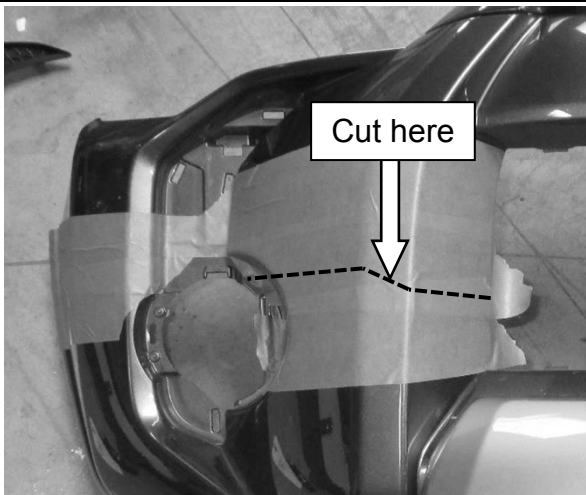
074ST17A86Z



37. Remove fog lights from back of bumper.
38. Remove fog light surround from bumper.
39. Trim fog light surround where indicated.



40. Mask bumper to protect while trimming.
41. Mark and cut bumper as shown. Be sure to radius inside corner. Continue cut into fog light hole.



42. Temporarily re-install grill in bumper and mark a line at bottom of cut grill. Remove grill and cut straight up to corner, then angle up to meet a line extended from cut from side.
43. Deburr all cut edges.
44. Re-install trimmed fog light surrounds and grill to bumper.
45. Re-install bumper to vehicle using hardware previously removed.
46. Re-install cover panel using hardware previously removed.



# INSTALLATION INSTRUCTIONS

Product:

Front Bumper

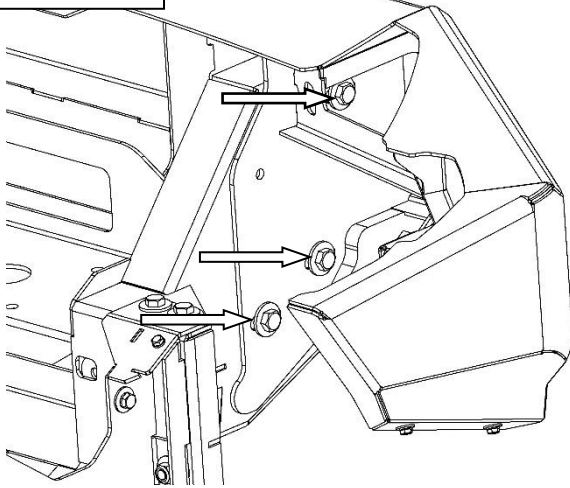
Vehicle:

Toyota 4Runner 2014-2017

Part No.

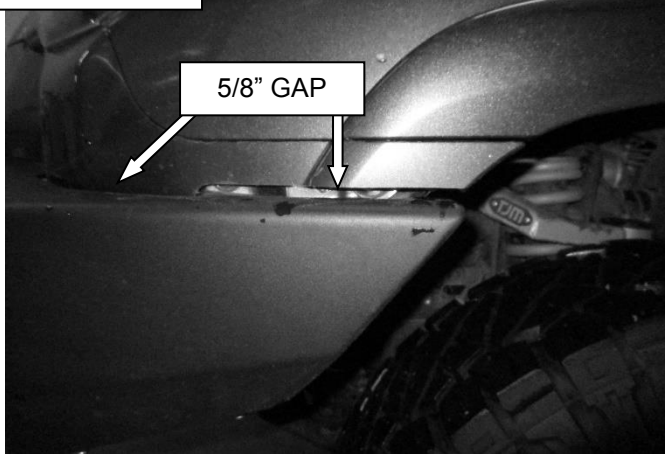
074ST17A86Z

RHS SHOWN



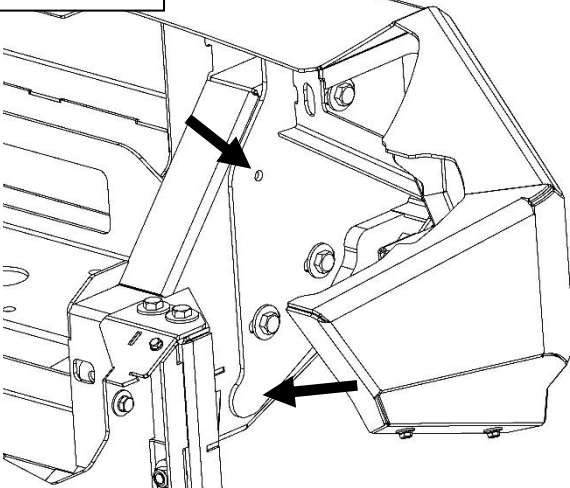
47. Using two people, carefully lift the Bumper onto the Chassis Mount & loosely secure it in place, at the indicated positions, using M12 x 1.25 x 30mm Hex Bolts (6), M12 x 32mm x 3mm Flat Washers (12), & M12 x 1.25 Nyloc Nuts (6).

LHS SHOWN



48. Adjust the position of the Bumper so that there is an even gap of **5/8"** between the top surface of the wing & the body, on both sides of the vehicle.
49. Then, tighten all of the fasteners to the appropriate torque settings.

RHS SHOWN



50. Using the indicated hole in the chassis mount as a template, drill a 10mm hole through the left hand & right hand ends of the mount frame. Drill from the outside-in on the top and the inside-out on the bottom. De-burr the holes & clean the area of any debris, then treat the raw exposed surfaces with a rust preventative.
51. Using M10 x 1.25 x 30mm hex bolts (4), M10 x 30mm x 2.5mm Flat Washers (8) & M10 Nyloc Nuts (4), pin the Bumper through the holes drilled in the previous step. Tighten to specified torque.



# INSTALLATION INSTRUCTIONS

**Product:**

**Front Bumper**

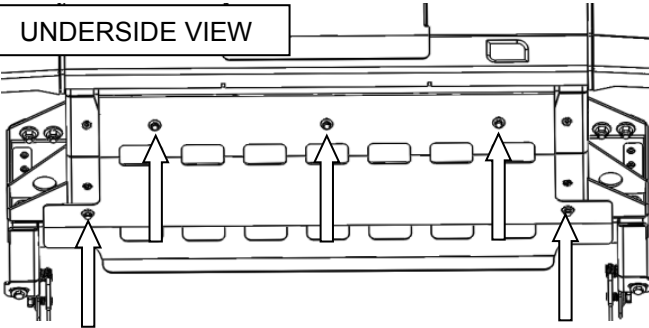
**Vehicle:**

**Toyota 4Runner 2014-2017**

Part No.

074ST17A86Z

## UNDERSIDE VIEW

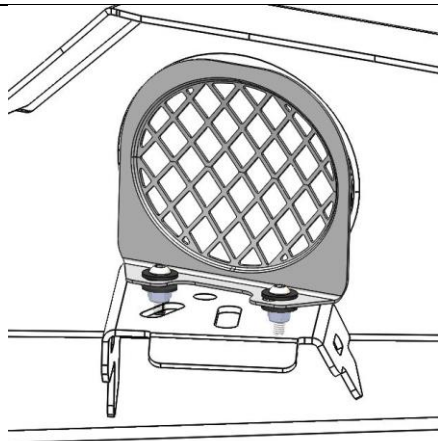


52. Install the Center Guard using M6 x 1.0 x 20mm hex bolts (5), M6 spring washers (5) & M6 x 12mm x 1.6mm Flat Washers SS (5). Tighten to specified torque.



**Remove  
this section**

53. Check the plastic wheel arch liner is fastened in its original position. (not pulled down)
54. Loosely fit the Under Wing Guards with a couple of fasteners.
55. Mark a line on the underside of the guard on the liner. As shown.
56. Remove the under wing guard and trim the wheel arch liner  $\frac{1}{4}$ " above the marked line.



57. If desired, install fog light cover grills using M6 x 1.0 x 16mm Hex Bolts (2 per side), M6 x 12 x 1.6mm Flat Washers SS (4 per side) & M6 x 1.0 Nyloc Nuts (2 per side).
58. Install fog lights to bracket using hardware supplied by lighting manufacturer (purchased separately).
59. Fog lights can be wired into the factory fog light wiring.





# INSTALLATION INSTRUCTIONS

Product:

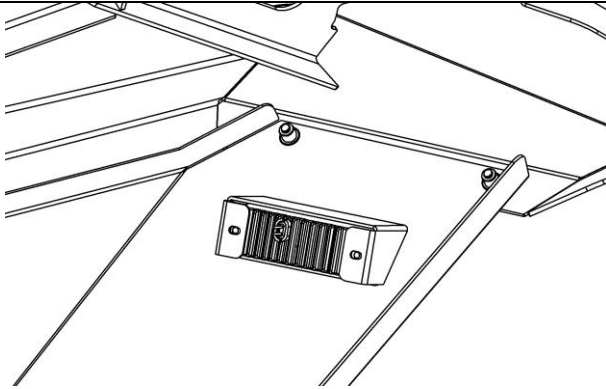
Front Bumper

Vehicle:

Toyota 4Runner 2014-2017

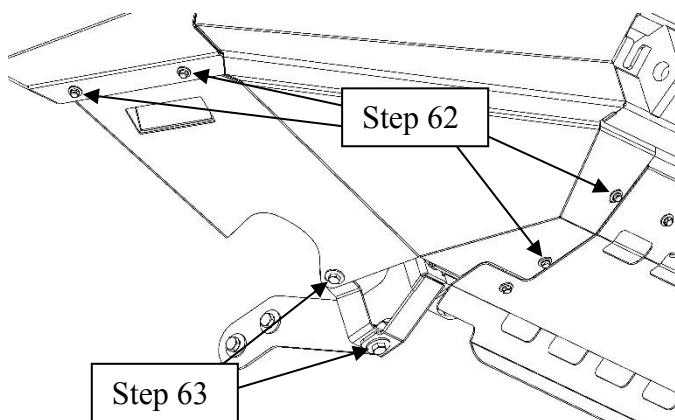
Part No.

074ST17A86Z



60. Install rock lights (**OPTIONAL, PART # 92465**) to mounting brackets as shown using hardware supplied with rock light kit.

RHS SHOWN



61. Refit the wing guard in position with inner fender inside the rear upward fold on the Under Wing Guard.
62. Loosely secure the Under Wing Guard at the indicated positions with M6 x 1.0 x 20mm hex bolts (4), M6 spring washers (4) & M6 x 12mm x 1.6mm Flat Washers SS (4).
63. Install Wing Guard Bracket using an M8 x 1.25 x 20mm Hex Bolt (1), M8 Flat Washer (2) & M8 x 1.25 Nyloc Nut (2) in the inner rear most position and an M10 x 1.25 x 30mm Hex Bolt (1), M10 Flat Washer (2) & M10 x 1.25 Nyloc Nut at frame bracket.
64. Tighten wing guard in position.
65. Repeat on opposite side.



# INSTALLATION INSTRUCTIONS

**Product:**

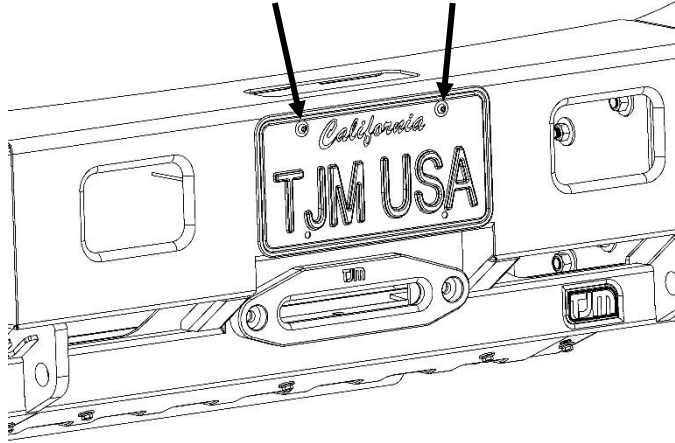
**Front Bumper**

**Vehicle:**

**Toyota 4Runner 2014-2017**

Part No.

074ST17A86Z



66. If winch previously installed, install fairlead using hardware provided with winch.
67. Using M6 x 1.0 x 16mm Button Head Bolts SS (2), M6 x 12mm x 1.6mm Flat Washers SS (4) & M6 x 1.0 Nyloc Nuts (2), secure the license-plate in place at the indicated locations.

68. Check that all wiring looms to the relevant components (i.e. lights, indicators etc) are connected.
69. Check the operation of the lights, winches, etc to ensure that they are functioning correctly.
70. Place the winch slot cover in place in the winch viewing hole.
71. Ensure that all fasteners are fully tightened to the appropriate torque settings & that, as a result of fitting the Bumper, no vehicle components are crushed or will chafe.