



INSTALLATION INSTRUCTIONS

Product:	Front Bumper
Vehicle:	Toyota 100 Series Land Cruiser 1998-2007
Part No.	074ST17A81Z

Read instructions fully before commencing fitment.

Left hand & Right hand components are determined as seated in the vehicle.

Check for (& remove) any build up in all captive nuts fitted to the Bumper.

Bolt torques	Dia. (mm)	Nm	ft.lbs	Dia. (inch)	Nm	ft.lbs
All bolt torques are as follows unless otherwise specified.	5	5	4	1/4"	9	7
	6	9	7	5/16"	22	15
	8	22	16	3/8"	33	27
	10	44	32	7/16"	55	43
	12	77	57	1/2"	86	66

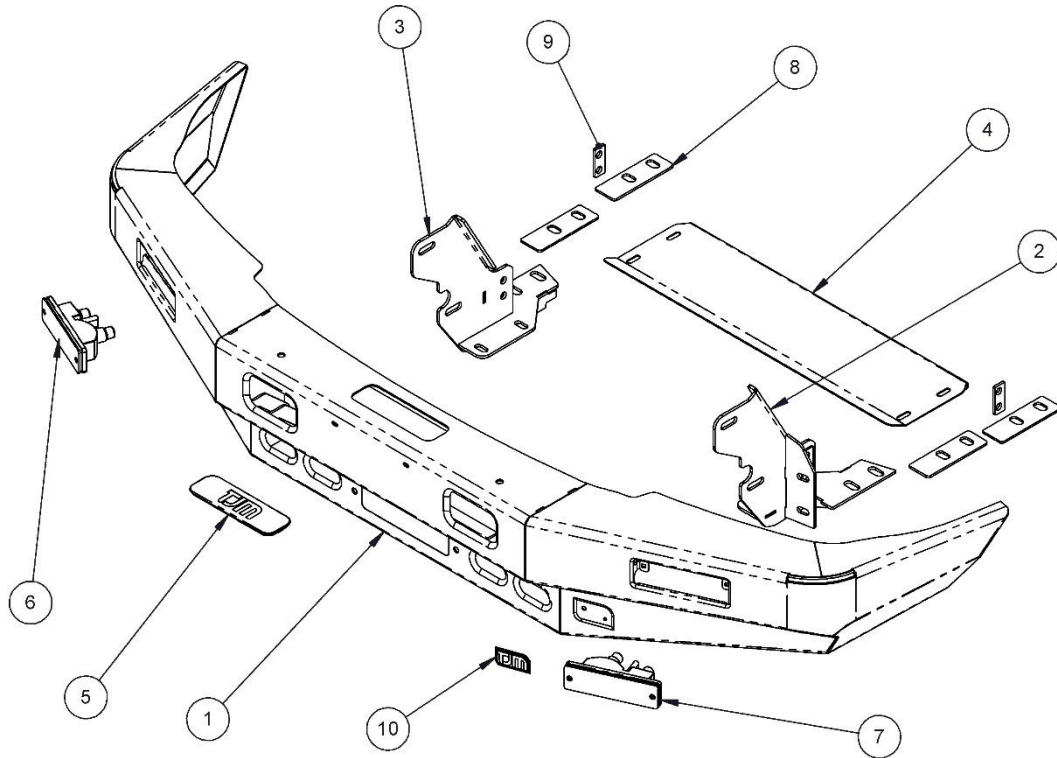
Warranty

1. If any product or part of a product manufactured by TJM is found to be defective during a period of three (3) years after the date of purchase, TJM shall repair (at TJM's discretion) the defective product or part.
2. Any defect in a product distributed by TJM, but not manufactured by TJM, shall be dealt with in accordance with, and to the extent of, the warranty offered by the manufacturer of that product.
3. TJM does not warranty that the products manufactured by it comply with the laws of the place where those products are purchased or used. It is the sole responsibility of the purchaser to ascertain whether products being purchased, or the affixation of those products to any other object, comply with local laws.
4. Except to the extent described in this warranty, TJM shall not be liable for any other claims, including claims arising from incorrect fitment, product or vehicle modification, faulty design, the use of the product on any indirect special or consequential damage or injury to any person, company or other entity.
5. Modification or alteration to any product manufactured by TJM to enable fitment in conjunction with other vehicle accessories or modifications (e.g. lift kits) will void any warranty claims.



INSTALLATION INSTRUCTIONS

Product:	Front Bumper
Vehicle:	Toyota 100 Series Land Cruiser 1998-2007
Part No.	074ST17A81Z



ITEM NO.	Description	Qty	Part Number
074ST17A81Z PARTS LIST			
1	T17 FPS	1	F-12916
2	Chassis Mount LH	1	F-12908L
3	Chassis Mount RH	1	F-12908R

FITTING KIT			
4	Center Guard	1	F-12914
5	Winch Slot Cover Plate	1	92106
6	Indicator / Park Light LH	1	90372
7	Indicator / Park Light RH	1	90373
8	Spacer Plate	4	F-12965
9	Spacer Plate	2	F-12966
FACTORY FITTED			
10	TJM Sticker	1	89501

ITEM NO.	Description	Qty	Part Number
F-13032 BOLT KIT			
N/A	M6 x 1.0 x 20mm Button Head - SS	2	K3218
N/A	M6 x 12mm x 1.6mm Flat Washer - SS	4	-
N/A	M6 x 1.0 Nyloc Nut	2	K1549
N/A	M8 x 1.25 x 25mm Hex Bolt	4	K0553
N/A	M8 x 24mm x 2.0mm Flat Washer	8	K0859
N/A	M8 Lock Washer	4	K0620
N/A	M8 x 1.25 Hex Nut	4	K0585
N/A	M10 x 1.25 x 25mm Hex Bolt	4	K0563
N/A	M10 x 1.25 x 40mm Hex Bolt	4	K0566
N/A	M10 x 20mm x 2mm Flat Washer	4	-
N/A	M10 x 30mm x 2.5mm Flat Washer	12	-
N/A	M10 Lock Washer	12	K0621
N/A	M10 x 1.25 Nut	8	K0579
N/A	M12 x 1.25 x 40mm Hex Bolt	4	K0571
N/A	M12 x 32mm x 4.0mm Flat Washer	8	K0638
N/A	M12 Lock Washer	4	K0977
N/A	M12 x 1.25 Hex Nut	4	K0581
N/A	M10 x 1.25 x 40mm Bolt on Plate	4	86606
N/A	Nylon Plug	4	K0665



INSTALLATION INSTRUCTIONS

Product:

Front Bumper

Vehicle:

Toyota 100 Series Land Cruiser 1998-2007

Part No.

074ST17A81Z

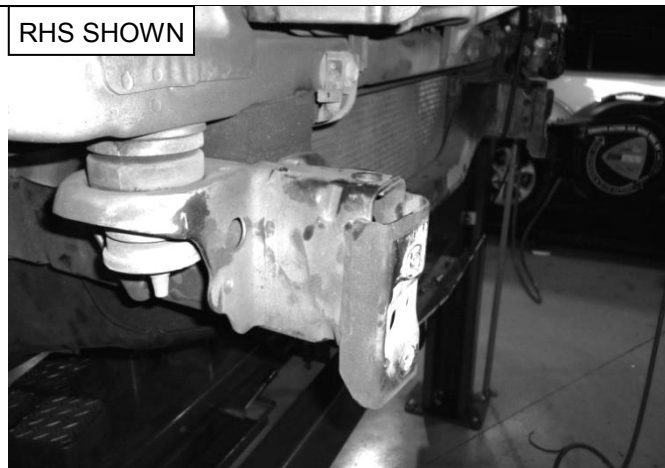


1. Disconnect fog light wires from back of fog lights.
2. From inside each front wheel arch, remove (& discard) the screws that are securing the top ends of the bumper in place.
3. Remove (& discard) the (6) screws securing bottom of bumper to intrusion beam.
4. Remove (& discard) bumper.



5. Remove foam packing from intrusion beam.
6. Remove the (4) bolts attaching intrusion beam and remove intrusion beam.

RHS SHOWN



7. Remove the tow hooks & shipping lugs from the bottom of each chassis rails (retaining the tow hooks & all of the fasteners whilst discarding the shipping lugs).



INSTALLATION INSTRUCTIONS

Product:

Front Bumper

Vehicle:

Toyota 100 Series Land Cruiser 1998-2007

Part No.

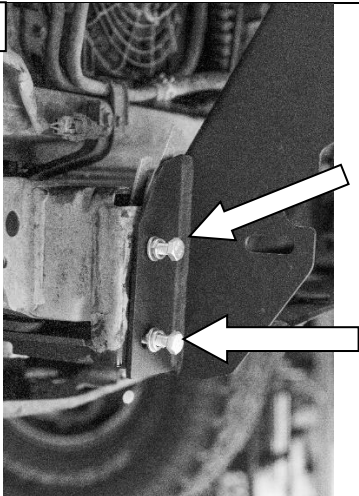
074ST17A81Z

8. As per the table below, route & splice the indicator/park **light's wiring to the vehicle**, then solder & seal the joins.

LED WIRING		
Ground	Parker	Indicator
White	Brown	Yellow

9. Using the wiring harness' supplied, install the fog-lights to the vehicle.
10. Check the operation of the indicator/park lights & also the fog-lights, then un-plug the light assemblies.
11. Repeat the previous 3 steps for the opposite side of the vehicle.

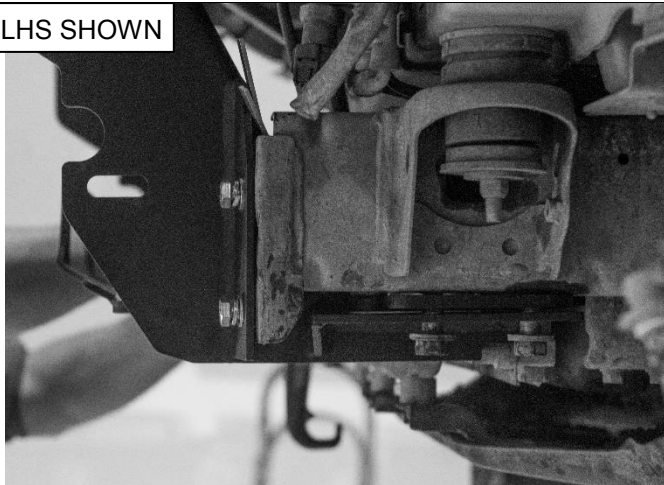
RHS SHOWN



If installing the optional 957MTT1781Z Winch Frame. Install it at this time. Refer to Winch Frame installation instructions.

12. Loosely install Chassis Mounts to frame using 10mm x 1.25 x 25mm Hex Bolts, 10mm (4) x 30mm x 2.5mm Flat Washers (4) & 10mm Lock Washers (4).

LHS SHOWN



13. Place tow hook in its original position and loosely attach with bolts previously removed. Install only original bolts on opposite side.

Note: If not installing a winch frame, you will need to insert (2) spacers (F-12965) between the Frame Mount and the frame on each side.



INSTALLATION INSTRUCTIONS

Product:

Front Bumper

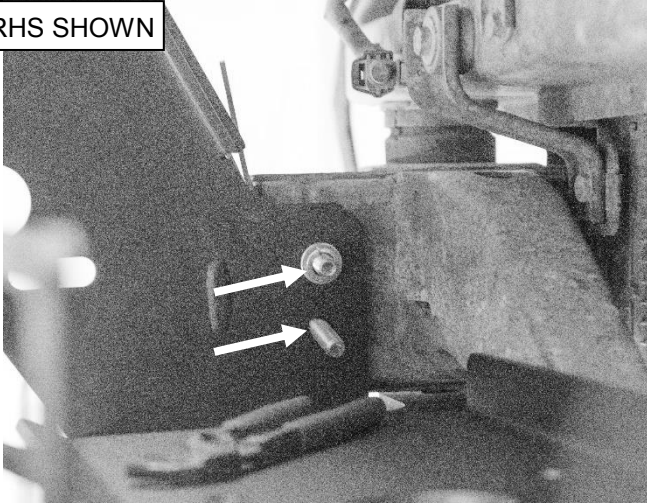
Vehicle:

Toyota 100 Series Land Cruiser 1998-2007

Part No.

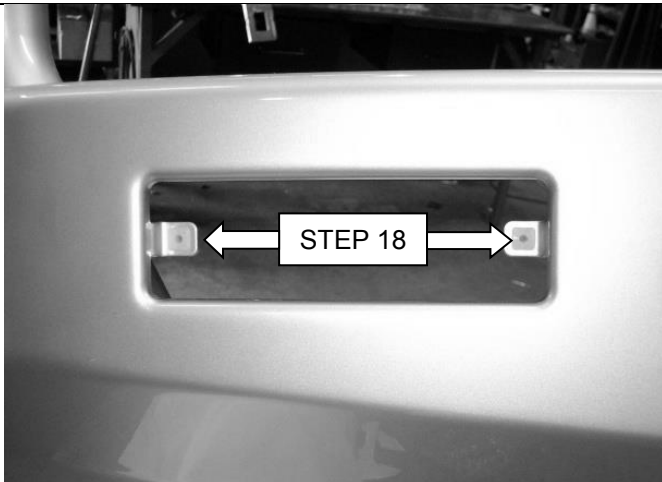
074ST17A81Z

RHS SHOWN



14. Install 10mm x 40mm Bolt on Plate (2) from inside frame on either side. Loosely attach using M10 x 20mm x 2mm Flat Washers, M10 Lock Washers & M10 x 1.25 Hex Nuts.

Note: Spacers (F-12966) are provided for side to side adjustment if needed.



15. Connect the indicator/park light assemblies to the previously connected loom and check for correct operation, then un-plug them.

16. Insert the nylon plugs supplied (K0665), into the square cut-outs for the indicator/park lights (as shown).



17. Install indicator/park lights in bumper as shown.



INSTALLATION INSTRUCTIONS

Product:

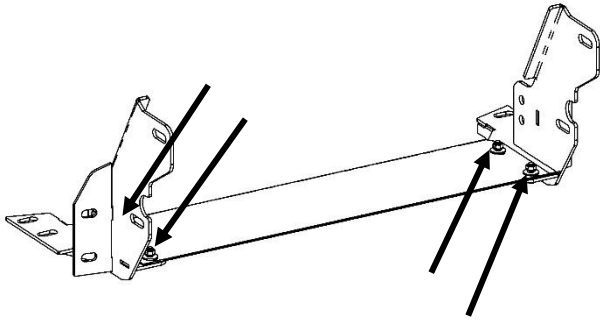
Front Bumper

Vehicle:

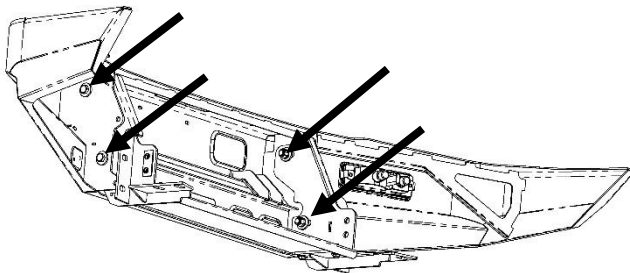
Toyota 100 Series Land Cruiser 1998-2007

Part No.

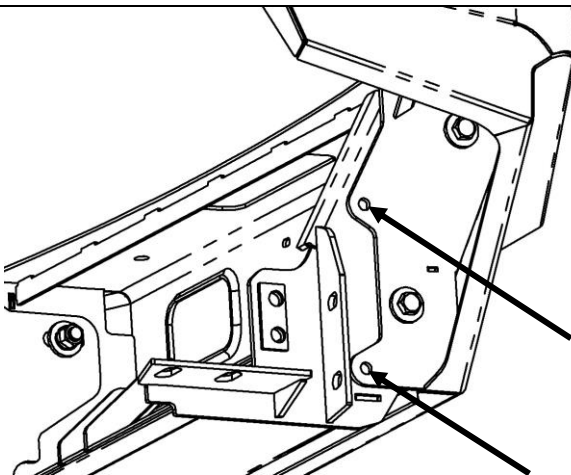
074ST17A81Z



18. Attach the Center Guard in place using M8 x 1.25 x 25mm hex bolts (4), M8 Lock Washers (4), M8 x 24mm x 2 mm Flat Washers (8) & M8 x 1.25 Hex Nuts. Tighten to specified torque.



19. Using two people, carefully lift the Bumper onto the Chassis Mounts & loosely secure it in place, at the indicated positions, using M12 x 1.25 x 40mm Hex Bolts (4), M12 x 32mm x 4mm Flat Washers (8), M12 Lock Washers & M12 x 1.25 Hex Nuts (4).
20. Adjust the position of the Bumper so that there is an even gap of 10mm between the top surface of the wing & the vehicle on both sides of the vehicle.
21. Then, tighten all of the fasteners to the appropriate torque settings.

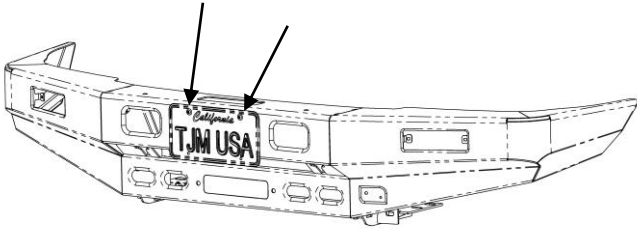


22. Using the indicated hole in the chassis mount as a template, drill a 10mm hole through the left hand & right hand ends of the mount frame. De-burr the holes & clean the area of any debris, then treat the raw exposed surfaces with a rust preventative.
23. Using M10 x 1.25 x 40mm hex bolts (4), M10 x 30mm x 2.5mm Flat Washers (8), M10 Lock Washers & M10 Hex Nuts (4), pin the Bumper through the holes drilled in the previous step. Tighten to specified torque.



INSTALLATION INSTRUCTIONS

Product:	Front Bumper
Vehicle:	Toyota 100 Series Land Cruiser 1998-2007
Part No.	074ST17A81Z

	<p>24. Using M6 x 1.0 x 20mm hex bolts (2), M6 x 12mm x 1.6mm flat washers (4) & M6 nyloc nuts (2), secure the number-plate in place at the indicated locations.</p>
	<p>25. Connect all wiring looms to the relevant components (i.e. lights, indicators etc).</p> <p>26. Check the operation of the lights, winches, etc to ensure that they are functioning correctly.</p> <p>27. Place the winch slot cover in place in the winch viewing hole.</p> <p>28. Ensure that all fasteners are fully tightened to the appropriate torque settings & that, as a result of fitting the Bumper, no vehicle components are crushed or will chafe.</p>
	<p>29. Run winch line through fairlead and install fairlead to Bumper using hardware supplied with fairlead.</p> <p>30. Install winch hook</p>