



TOWING AND TRAILERING

REESE **DRAW-TITE** **ROLA** **FULTON**
BULLDOG **TEKONSHA** **Wesbar** **Bargman**

PRODUCT CATALOG AND APPLICATION GUIDE



2019



Horizon Global is the #1 designer, manufacturer and distributor of a wide variety of high-quality, custom engineered towing, trailering, cargo management and other related accessory products in North America, Australia and Europe.



Bargman is the brand of choice in the **light-duty trailer and recreational vehicle markets**. With specialization in assemblies with multiple connections, varying wire lengths and mixed technologies, Bargman has become the RV industry's most widely known lights.



The BULLDOG line is characterized by unmatched strength, reliability, safety and value; count on BULLDOG to be Tough and Tested™. Gooseneck hitches, gooseneck couplers, jacks, trailer couplers and Wedge-Latch™ elements feature a high-strength, heavy-duty design that makes them the **toughest trailer components** available today.



Draw-Tite was born out of a passion for outstanding performance and has come to represent **one of the best custom-fit vehicle products** available today. Each hitch designed must pass rigorous tests to become Tested Tough™. Draw-Tite is the brand of choice for years of dependable service.



Fulton performs best when the weather is at its worst. When innovative design is combined with quality and value, the result is a brand that is the obvious choice for recreational and marine applications everywhere. The Fulton line of trailer jacks, winches, and couplers has become the **industry standard for light and medium-duty trailering**.



REESE brand has become a household name in the **heavy-duty towing** industry. From heavy duty fifth wheels and pin boxes to weight distribution systems to control sway, REESE's proven designs exceed industry standards, making it the brand of choice when performance is the expectation.



ROLA has been Australia's premier vehicle outfitter of **roof racks and cargo management** products. Born of necessity, the first ROLA roof rack was the invention of an avid Aussie windsurfer who wanted something quiet, durable, stylish and vehicle-friendly. From there ROLA grew, and its superior designs gained popularity quickly. Now available around the world, ROLA products are highly innovative and outback ready.



Tekonsha has evolved to become **a trusted name in towing safety**. The core product line consists of brake controllers, electrical wiring, trailer brakes, ModuLite® Modules and T-One® T-Connectors. Smooth, predictable stopping at all speeds has made the Tekonsha Prodigy®, Primus® and Voyager® trailer brake controls the best in class and most popular on the market.



Wesbar family of vehicle lighting and electrical products offers both incandescent and LED lighting for vehicles and trailers, plus an extensive line of 12 volt electrical connection products, Wesbar has continued to provide an **all-encompassing selection of options for agricultural, industrial, marine, recreation and utility manufacturers**.

RECEIVER HITCHES.....A

Receiver Hitches.....	A4-A14
Ultra Frame Receivers.....	A6-A7
Accessories.....	A9-A11
Application Guides.....	A12-A137

HITCH ACCESSORIES.....B

Hitch Balls.....	B6-B7
Ball Mounts.....	B8-B17
Pintle Hooks.....	B20-B22
Accessories.....	B18-B28

ELECTRICAL WIRING.....C

T-One Connectors.....	C8-C10
Modulite Power Modules.....	C11-C15
Connectors And Wiring.....	C16-C29
Electrical Accessories.....	C20-C39

BRAKE CONTROLS.....D

Electronic Trailer Brake Controls.....	D4-D8
Brake Control Accessories.....	D9
Brake Control Wiring.....	D9-D13

WEIGHT DISTRIBUTION.....E

Weight Distributing Information.....	E6-E7
Weight Distributing Systems.....	E8-E12
Sway Controls.....	E12-E13
Weight Distribution Accessories.....	E13-E15

FIFTH WHEEL HITCHES.....F

M5 series.....	F4-F6
elite series.....	F7-F9
Mounting Rails, Brackets.....	F10-F11, F19
Standard and Select SERIES.....	F11, F12-F15, F20-F21
Fifth wheel accessories.....	F17-F19

GOOSENECK HITCHES.....G

Gooseneck Coupler For Rvs.....	G4
Elite Gooseneck System.....	G5-G6
Above-Bed Gooseneck.....	G6-G8
Draw-Tite Gooseneck Systems.....	G7-G10
Gooseneck Hitch Accessories.....	G10

PIN BOXES.....H

Gooseneck Coupler For Rvs.....	H6
Pin Boxes.....	H7-H9
Oe Replacement Pin Boxes.....	H9
Pin Box Accessories.....	H10

CARGO MANAGEMENT.....I

Hitch Carriers.....	I4-I5
Organizers.....	I6
Bike Carriers.....	I7
Rooftop Carriers.....	I8-I9
Roof Racks.....	I11-I15
Truck Racks.....	I16
Accessories.....	I17-I19
Application Guide.....	I21-I31

CARGO SECURING.....J

Tie Downs.....	J4-J5
Recovery.....	J6
Storage Nets.....	J7
Loading R amps.....	J7

JACKS, COUPLERS, WINCHES.....K

Jacks.....	K4-K42
Winches.....	K44-K62
Couplers.....	K63-K74

VEHICLE ILLUMINATION.....L

Tail Lights.....	L4-L25
Auxiliary Lighting.....	L26-L27
Clearance / Side Marker Lights.....	L27-L42
Light Bars.....	L43-L44
Light Accessories.....	L45-L49

AGRICULTURAL.....M

Lighting.....	M4-M7
Wiring And Accessories.....	M8-M9
Couplers.....	M13-M20
Jacks.....	M10-M37
Accessories.....	M38-M42

TRAILER & VEHICLE ACCESS.....N

Breakaway Systems.....	N6-N9
Trailer Brake Parts.....	N10-N18
Wheel Protection.....	N21-N23
Trailer Accessories.....	N24-N29
Vehicle Accessories.....	N30-N31

MERCHANDISING.....O

Product Displays.....	O4-O8
Marketing Material.....	O9-O13

REPLACEMENT PARTS.....P

Weight Distributing Systems.....	P4-P7
Sway Control.....	P8
Fifth Wheel Hitches.....	P9-P14

TECHNICAL.....Q

Electrical Wiring.....	Q4-Q6
Brake Controls.....	Q7-Q11
Jacks.....	Q12-Q16
Power Winches.....	Q18-Q23
Lighting.....	Q24-Q31
Trailer Accessories.....	Q32-Q35
Tools And Testers.....	Q36-Q37

WARRANTIES.....R

INDEX.....S

DRIVEN TO DELIVER





Established in 1946, Draw-Tite® was born out of a passion for outstanding performance and has come to represent one of the best custom fit vehicle products available today.

RECEIVER HITCHES



RECEIVER HITCHES

- Hitch Selection Chart 4
- Class I and II 5
- Class III and IV 6
- Class V 6-8
- Motorhome 8
- Step Bumper Hitch 8
- Roll Pan Receiver 9
- Front Mounted 12-14

ULTRA FRAME RECEIVERS

- Ultra Frame Class V 6-7
- Ultra Frame Accessories 6-7
- Ultra Frame Weight Distribution 6-7

ACCESSORIES

- Combo Bars 9
- Installation Tools 10-11

APPLICATION GUIDES

- Front Mount Receivers 12-14
- All-In-One Application Guide 16-137

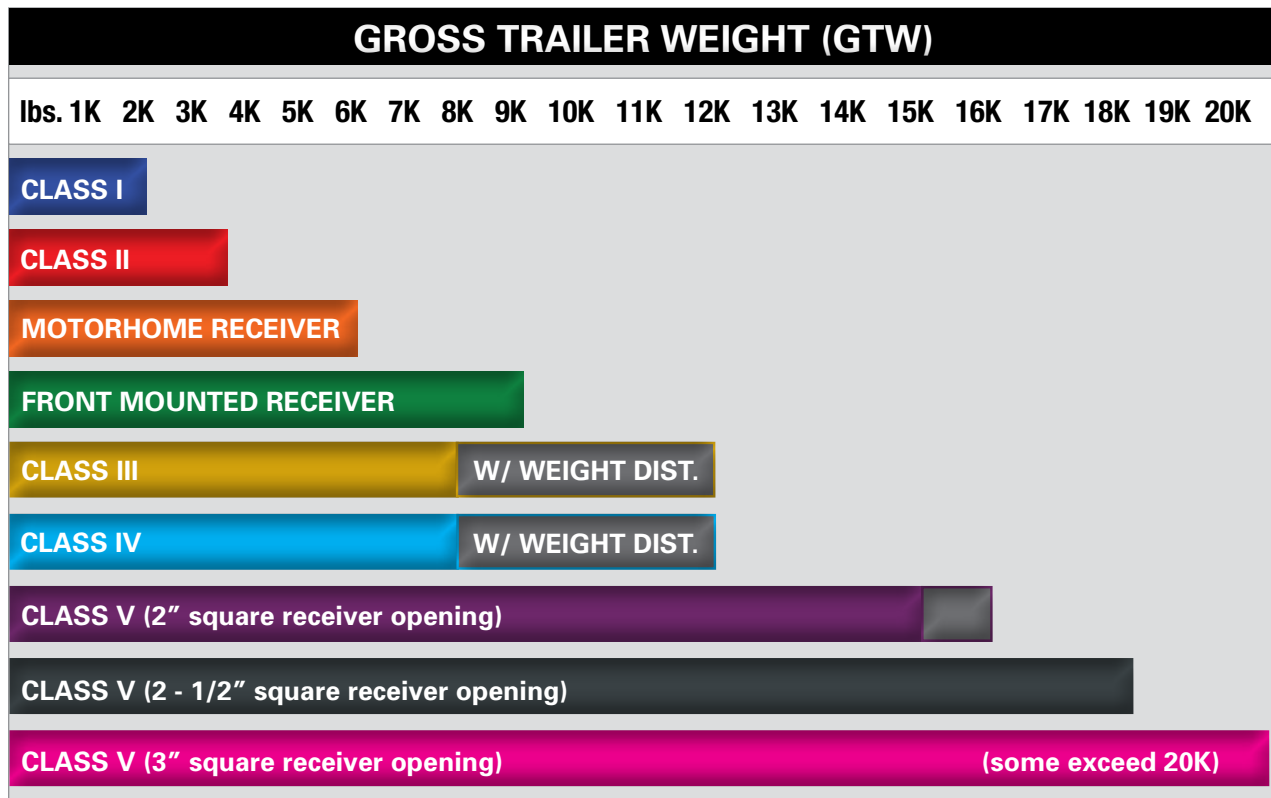
CUSTOM BUILT TRAILER HITCHES



- Top quality in every hitch and receiver we make
- Solid all-welded construction for maximum strength and safety
- Custom built according to manufacturer vehicle weight specifications and model year to ensure perfect fit and top towing performance
- All Draw-Tite® hitches meet and exceed V-5 and SAE J684 standards and are inspected for quality and workmanship
- Computer-aided design and fatigue stress testing ensure a strong design that will withstand road abuse within specified capacities
- Finish is black powder coat over E-coat (industry leading corrosion resistance)
- Backed by a nationwide Lifetime Limited Warranty

SELECTING THE RIGHT HITCH

- Determine the Gross Trailer Weight and Gross Tongue Weight of the trailer that you would like to tow. Check with the trailer manufacturer or if you are not sure, have it towed to a government inspection scale. Remember that the GTW should reflect a fully loaded trailer
- Consult your vehicle’s owner’s manual to determine if your vehicle is rated to safely tow your trailer
- Use the chart below to figure out the minimum “Class” of hitch that is required
- Consult a Draw-Tite® dealer to find out which hitches are available for your vehicle,



QUICK DEFINITIONS

- GTW = Gross Trailer Weight ... Weight of the trailer fully loaded
- TW = Tongue Weight ... Weight exerted by the trailer coupler on the hitch ball
- WC = Weight Carrying ... Tow rating capacity of a hitch without a weight distributing system
- WD = Weight Distributing ... Tow rating capacity of a hitch when using a weight distributing system



CLASS I SPORTFRAME™ HITCH

- 1-1/4-in square receiver tube opening
- Economical Class I receiver style hitch
- Removable drawbar, pin and clip sold separately
- Attaches to vehicle frame and/or bumper
- Black powder coat finish over E-coat

Part Number	Description	Gross Trailer Weight	Tongue Weight
Series 24xxx	Weight Carrying	Up to 2,000 lb.	Up to 200 lb.

CLASS II FRAME HITCH

- 1-1/4-in square receiver tube opening
- Receiver style hitch and receiver tube opening
- Removable drawbar, pin and clip sold separately
- Neat appearance and all frame attachments
- Black powder coat finish over E-coat

Part Number	Description	Gross Trailer Weight	Tongue Weight
Series 36xxx	Weight Carrying	Up to 3,500 lb.	Up to 350 lb.

CLASS I/II INVISI-HITCH™

- 1-1/4-in square receiver tube opening
- One piece construction for a stronger hitch and easier installation
- Attachment allows hitch to be affixed well under vehicle for minimum visibility when drawbar is removed
- Includes mounting hardware
- Removable drawbar, pin and clip sold separately
- Black powder coat finish over E-coat

Part Number	Description	Gross Trailer Weight	Tongue Weight
Series 285xx	Weight Carrying	Up to 3,500 lb.	Up to 350 lb.

DRAWBAR PROGRAM FROM DRAW-TITE®



- Draw-Tite® is proud to present the **Drawbar Program**. Over the years, customers have requested the option of purchasing the Class I and Class II hitch and drawbar separately. Now you can. Like the Receiver Plus Program, the **Drawbar Program offers specially priced drawbars with each Class I or Class II hitch sold.**

Please note: Discounted pricing is only available on one drawbar kit per hitch, and only when the two are purchased together.

- How to take part:
 1. Choose the correct Class I or Class II hitch part number for the vehicle application.
 2. Determine if you need a drawbar (Yes/No) **IF YES**, order as follows:
 Hitch (24824) + Drawbar (3594) = 248240 part number. Adding a "zero" to the end of the number will show that the two parts are being ordered together.
 If no drawbar is need, order the standard part number (24824).



Series 75xxx
2-in Square Receiver Tube Opening

CLASS III/IV SQUARE & ROUND TUBE MAX-FRAME™ HITCHES

- 2-in square receiver tube opening
- Max-Frame receivers are designed for customers with trucks, vans and sport utility vehicles
- All frame attachments
- Black powder coat finish over E-coat
- J-Pin ready
- 75xxx ball mounts #23 and #53 are available (Max-Frame Program)

Part Number	Description	Gross Trailer Weight	Tongue Weight
Series 75xxx	Weight Carrying	Up to 8,000 lb.	Up to 1,200 lb.
Series 75xxx	Weight Carrying	Up to 12,000 lb.	Up to 1,200 lb.



Series 41xxx
2-in Square Receiver Tube Opening

CLASS III/IV MAX-E-LOADER™ HITCH

- 2-in square receiver tube opening
- Max-E-Loader's long side bracket distributes the towing load over a greater portion of the vehicle frame
- All frame attachments
- J-Pin ready
- Black powder coat finish over E-coat

Part Number	Description	Gross Trailer Weight	Tongue Weight
Series 41xxx	Weight Carrying	Up to 6,000 lb.	Up to 600 lb.
Series 41xxx	Weight Carrying	Up to 12,000 lb.	Up to 1,200 lb.



Series 419xxx
2-in Square Receiver Tube Opening

CLASS V ULTRA FRAME™ HITCH

- 2-in square receiver tube opening
- Designed for Full-size trucks, vans and utility vehicles with full frames and heavy-duty suspensions
- Ideal for high tongue weight applications (Example: Toy Hauler)
- Strong, secure heavy-duty side bracket design
- All frame attachments
- J-Pin ready
- Black powder coat finish over E-coat
- Redesign of Ultra Frame receivers to include Cast Center Section
 - Rugged appearance
 - Cast steel material
 - Bigger chain loops
 - Tighter ball mount fit
 - Reinforced pin hole

Part Number	Description	Gross Trailer Weight	Tongue Weight
Series 419xx	Weight Carrying	Up to 15,000 lbs.	Up to 1,500 lbs.
Series 419xx	Weight Dist.	Up to 16,000 lbs.	Up to 1,600 lbs.
Series 419xx	Weight Carrying (w/cast center)	Up to 16,000 lbs.	Up to 2,400 lbs.
Series 419xx	Weight Dist. (w/cast center)	Up to 16,000 lbs.	Up to 1,600 lbs.



NOTE: Contact Customer Service for availability of new Cast Center Section part numbers



41990 - 44-in Cast Center Section

CLASS V (SERIES 419XX) WORK TRUCK HITCH

- Manufactured for service body & flat bed stake trucks
- Mix & match center section and side brackets
- Versatile for various makes and models
- Fabrication kit requires welding
- 41991 satisfies DOT SEC. 393 .86 (b) (1)t

Part Number	Description	Gross Trailer Weight	Tongue Weight
4916	Ultra Frame Receiver, Weld Together for Service Body Trucks, Long 16" Side Bracket	—	—
4907	Ultra Frame Receiver, Weld Together for Service Body Trucks, Short 7" Side Bracket Kit Only	—	—
41990	Ultra Frame Receiver, Weld Together for Service Body Trucks, 44" Crosstube Only	16,000 lbs.	1,600 lbs.
41990-07	Includes 41990 (44") and 4907	16,000 lbs.	1,600 lbs.
41990-16	Includes 41990 (44") and 4916	16,000 lbs.	1,600 lbs.
41991	Ultra Frame Receiver, Weld Together for Service Body Trucks, 62" Crosstube Only	16,000 lbs.	1,600 lbs.
41991-07	Includes 41991 (62") and 4907	16,000 lbs.	1,600 lbs.
41991-16	Includes 41991 (62") and 4916	16,000 lbs.	1,600 lbs.
58374	Ultra Frame Receiver End Caps	—	—

CLASS V (SERIES 455XX) HEAVY DUTY HITCH

- 2-1/2-in square receiver tube opening
- Designed for full-size long wheelbase trucks, vans and utility vehicles with full frames and heavy-duty suspensions
- Ideal for high tongue weight applications (Toy Hauler & Commercial)
- Strong, secure heavy-duty side bracket design
- Pin, clip and receiver tube cover included
- Black powder coat finish over E-coat
- Welded electrical bracket included

Part Number	Description	Gross Trailer Weight	Tongue Weight
Series 455xx	Weight Carrying	Up to 18,000 lbs.	Up to 2,000 lbs.
Series 455xx	Weight Dist.	Up to 18,000 lbs.	Up to 2,500 lbs.



Series 455xx
2-1/2-in Square Receiver Tube Opening

38023 - Class V Heavy Duty 3000
3-in Square Receiver Tube Opening



CLASS V (SERIES 38XXX) HEAVY DUTY 3000 - 20K HITCHES

- **Large 3-in** square receiver opening
- 20,000 lbs. wt. carry capacity; 3,000 lbs. tongue wt.
- Adjustable cross tube for proper height
- Two electrical plug and air brake hook up mounting locations for easy trailer attachments
- Air brake hook up locations
- Dual ball mount w/2" & 2-5/16" balls included
- Pin & clip included
- For frame widths from 33-1/2" to 34-1/2"
- Welds to frame of vehicle

Note: 38023 is 10" from bottom of frame to bottom of receiver tube

Note: 38211 is 14-1/2" from bottom of frame to bottom of receiver tube

Part Number	Description	Gross Trailer Weight	Tongue Weight
38023	Weight Carrying, Dual Ball Mount	Up to 20,000 lbs.	Up to 3,000 lbs.
38211	Weight Carrying, Dual Ball Mount	Up to 20,000 lbs.	Up to 3,000 lbs.



3-in Square Receiver Tube Opening

CLASS V (SERIES 38XXX) HEAVY DUTY 4000 - 25K HITCHES

- **Large 3-in** square receiver opening
- Rated for 25,000 lb weight carry capacity; 4,000 lb tongue weight
- Dual stacked receivers for proper height adjustment
- Two electrical plug and air brake hook up mounting locations for easy trailer attachments
- For frame widths from 34-in to 34-1/2-in
- Air brake fittings for easy trailer hookups
- Dual ball mount w/2-in & 2-5/16-in balls included
- Pin & clip included

Note: 38124 is 14-1/2" from bottom of frame to bottom of dual stacked receiver tube

Note: 38208 is 10-1/2" from bottom of frame to bottom of dual stacked receiver tube

Part Number	Description	Gross Trailer Weight	Tongue Weight
38124	Weight Carrying, Dual Ball Mount	Up to 25,000 lbs.	Up to 4,000 lbs.
38208	Weight Carrying, Dual Ball Mount	Up to 25,000 lbs.	Up to 4,000 lbs.



38208 - Class V Heavy Duty 4000
3-in Square Receiver Tube Opening



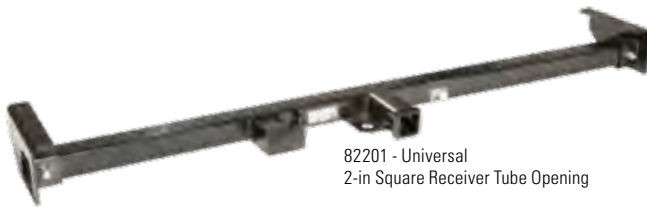


5350 - Multi-Fit
2-in Square Receiver Tube Opening

MULTI-FIT MOTORHOME HITCH

- 2-in receiver tube accepts all standard utility ball mounts, providing ball height adjustment for level towing
- Simple three-piece construction makes assembly and installation fast and easy
- Attachment hardware included
- Black powder coat finish over E-coat

Part Number	Description	Gross Trailer Weight	Tongue Weight
5350	Motorhome Hitch, Adjusts 24" - 46" Wide	5,000-6,000 lbs.	500-750 lbs.



82201 - Universal
2-in Square Receiver Tube Opening

UNIVERSAL MOTORHOME HITCH

- Frame brackets are adjustable

Part Number	Description	Gross Trailer Weight	Tongue Weight
82201	Motorhome Hitch, Adjusts 47" - 71" Wide	3,500 lbs.	300 lbs.



36010
2-in Square Receiver Tube Opening

MOTORHOME CLASS III HITCH

- Frame brackets are adjustable
- Ideal for Class A and Class C motorhomes

Part Number	Description	Gross Trailer Weight	Tongue Weight
36010	Motorhome Hitch, Adjusts up to 46" Wide	5,000 lbs.	500 lbs.

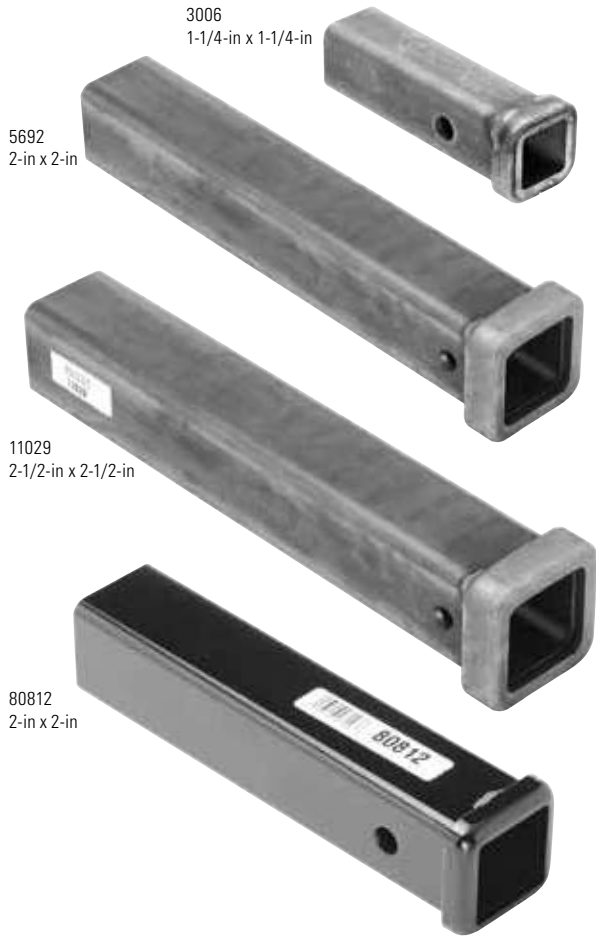


81378
Hardware
Included

STEP BUMPER HITCHES

- Do not exceed maximum GTW of bumper or hitch
- Not to be used with weight distributing systems
- May require modification or additional spacers for installation on late model pick-up

Part Number	Description
81378	Class II Step Bumper and Receiver Hitch, Not for use with Weight Distributing Equipment



COMBO BARS - UNPAINTED

- Designed for use in fabricating undercar receiver hitches
- Made of cold formed structural tubing
- Sized and punched to fit all common weight distributing hitch ball mounts or utility ball mounts

Part Number	Length	Diameter	Ring
2850	6"	2" X 2"	Standard
11081	8"	2" X 2"	Standard
2851	12"	2" X 2"	Standard
2898	18"	2" X 2"	Standard
2852	24"	2" X 2"	Standard
2853	36"	2" X 2"	Standard
2854	48"	2" X 2"	Standard
3006	6"	1-1/4" X 1-1/4"	Standard
5691	12"	2" X 2"	Cast
5692	18"	2" X 2"	Cast
11029	18"	2-1/2" X 2-1/2"	Cast

COMBO BARS - PAINTED

Part Number	Length	Diameter	Ring
80806	6"	2" x 2"	Standard
80812	12"	2" x 2"	Standard
80818	18"	2" x 2"	Standard



DRILL BITS AND HOLE SAWS

- Drill bits and hole saws are especially selected to best suit trailer hitch installations where drilling is required
- With 135° "split points" for easy starts on flat surfaces
- Made of high carbon, M-2 steel for maximum durability and minimum brittleness
- Bulk packaged

Part Number	Description	Overall Length	Flut Length
01932-003	3/8" Drill Bits (3 per poly bag)	5"	3-5/8"
01933-003	7/16" Drill Bits (3 per poly bag)	5-1/2"	4-1/16"
01934-003	1/2" Drill Bits (3 per poly bag)	6"	4-1/2"
1935	3/8", 7/16", 1/2" Drill Bits (1 set per poly bag)	—	—
1937	Hole Saw Arbor with pilot drill (1936) (1 per poly bag)	—	—
58381	3-1/2" Hole Saw (1 per poly bag)	—	—
1124	Hole Saw Arbor with pilot drill (58381) (1 per poly bag)	—	—
01938-003	1/4" Pilot Drill Bit (3 per poly bag)	—	—
4655	9/16" Drill Bit with 1/2" shank (1 per poly bag)	6-1/8"	3"
40109	3/8" Rotabroach hole cutting tool with pilot (1 per plastic tube)	—	—
40110	7/16" Rotabroach hole cutting tool with pilot (1 per plastic tube)	—	—
6810	1/2" Rotabroach hole cutting tool with pilot (1 per plastic tube)	—	—
6811	9/16" Rotabroach hole cutting tool with pilot (1 per plastic tube)	—	—



5481 / 5482 / 55392 / 55393

INSTALLATION TOOLS AND REPLACEMENT PARTS

Part Number	Description
5481	7/16" Wire Forms (20 pack)
5482	1/2" Wire Forms (20 pack)
55392	1/2" Wire Forms for Fishwiring Bolts in Frames (1 piece)
55393	3/8" Wire Forms (1 pack)
74342	Hitch Ball Wrench, Boxed End 1-1/8" and 1-1/2"
49803	Fastener Assortment (Carriage Bolts, Blocks, Etc.)
58530	Replacement Part, Rubber Bolt Cap for #75662, 87530 and 44603

LICENSE PLATE ADAPTER AND HOLDER

Part Number	Description
5443	License Plate Adapter
49802	Fold Down License Plate Holder



SPARE TIRE CARRIER

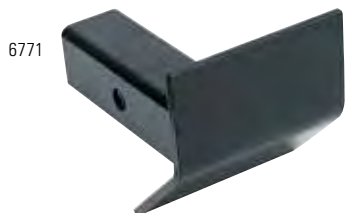
Part Number	Description
6715	Spare Tire Carrier, Universal Bolt Pattern

WORK STEP

Part Number	Description
6758	Work Step (For Rear Class III and IV Receivers)

RECEIVER TUBE SKID PLATE

Part Number	Description
6771	Receiver Tube Skid Plate



WINCH MOUNTING PLATE

Part Number	Description
6495	Winch Mounting Plate, Our front mounted receivers are rated for 9,000 lbs. line pull. This makes them ideal for use with BULLDOG® winches. We offer a winch adapter that connects the winch to the receiver. They accept most models of Superwinch, Ramsey and Warn. Will not fit with S-4500 Superwinch

FRONT MOUNTED RECEIVERS



Series 65xxx

FRONT MOUNTED (SERIES 65XXX) RECEIVERS

- 2-in square receiver tube opening
- Front mounted receivers offer a secure and useful attachment point
- All frame attachments
- J-Pin ready
- Ideal for use with winches and snow plows
- Black powder coat finish over E-coat

Part Number	Description	Line Pull	Tongue Weight
Series 65xxx	Weight Carrying	Up to 9,000 lbs.	Up to 500 lbs.

FRONT MOUNT RECEIVER APPLICATION GUIDE

MODEL / STYLE	YEAR	PC	PART NO.	FOOTNOTES	VERT LOAD	LINE PULL	IN
CHEVROLET							
Avalanche Except Z71	07-13	30	65052	0.GP.X	500	9,000	25
Blazer Full Size	92-94	21	65005	JU.JV	500	9,000	40
Blazer Downsize	95-05	24	65004	JW.JX.X	300	9,000	30
Blazer Trailblazer	99-01	24	65004	JW.JX.X	300	9,000	30
C1500 2 Dr. Regular & Extended Cabs	88-99	21	65005	JU.JV.KC	500	9,000	40
		46	65021	JV.KD.KE	500	9,000	30
C1500 4 Dr. Crew Cab	92-99	46	65021	JV.KD.KE	500	9,000	30
C2500 2 Dr. Regular & Extended Cabs	88-99	21	65005	JU.JV.KC	500	9,000	40
		46	65021	JV.KD.KE	500	9,000	30
C2500 4 Dr. Crew Cab	92-00	46	65021	JV.KD.KE	500	9,000	30
C3500 2 Dr. Regular & Extended Cabs	88-00	21	65005	JU.JV.KC	500	9,000	40
		46	65021	JV.KD.KE	500	9,000	30
C3500 4 Dr. Crew Cab	92-00	46	65021	JV.KD.KE	500	9,000	30
Colorado	15-16	23	65071	0.X	500	9,000	30
Express 1500 Inc. RV Cutaway	96-03	24	65016	X	500	9,000	35
Express 2500 Inc. RV Cutaway	96-03	24	65016	X	500	9,000	35
Express 3500 Inc. RV Cutaway	96-03	24	65016	X	500	9,000	35
K1500 2 Dr. Regular & Extended Cabs	88-99	21	65005	JU.JV.KC	500	9,000	40
K2500 2 Dr. Regular & Extended Cabs	88-99	21	65005	JU.JV.KC	500	9,000	40
K2500 4 Dr. Crew Cab	92-00	21	65005	JU.JV.KC	500	9,000	40
K3500 2 Dr. Regular & Extended Cabs	88-00	21	65005	JU.JV.KC	500	9,000	40
K3500 4 Dr. Crew Cab	92-00	21	65005	JU.JV.KC	500	9,000	40
S10	94-04	24	65004	JW.JX.X	300	9,000	30
Silverado 1500	99-07	47	65023		500	9,000	20
Silverado 1500	07-13	30	65052	0.GP.X	500	9,000	25
Silverado 1500	14-18	30	65064	0.GP.X,FE	500	9,000	25
Silverado 1500 HD	01-03	24	65028	HB	500	9,000	20
Silverado 1500 HD	05-07	24	65028	HB	500	9,000	20
Silverado 2500	99-04	24	65028	HB	500	9,000	20

MODEL / STYLE	YEAR	PC	PART NO.	FOOTNOTES	VERT LOAD	LINE PULL	IN
CHEVROLET							
Silverado 2500 HD	01-07	24	65028	HB	500	9,000	20
Silverado 2500 HD	07-10	22	65050	0.EP.GP.RZ	500	9,000	40
Silverado 2500 HD	11-14	20	65056†	0.EP.GP.RZ	500	9,000	45
		26	65068†	0.GP.EP	500	9,000	45
		24	65078	0.GP.EP	500	9,000	45
Silverado 2500 HD	15-16	26	65068†	0.GP.EP	500	9,000	35
Silverado 2500 HD	15-18	24	65078	0.GP.EP	500	9,000	35
Silverado 3500	01-07	24	65028	HB	500	9,000	20
Silverado 3500 HD	07-10	22	65050	0.EP.GP.RZ	500	9,000	40
Silverado 3500 HD	11-14	20	65056†	0.EP.GP.RZ	500	9,000	45
		26	65068†	0.GP.EP	500	9,000	45
		24	65078	0.GP.EP	500	9,000	45
Silverado 3500 HD	15-16	26	65068†	0.GP.EP	500	9,000	35
Silverado 3500 HD	15-17	24	65078	0.GP.EP	500	9,000	35
Suburban	15-18	30	65064	0.GP.X	500	9,000	25
Suburban 1500	00-06	47	65023		500	9,000	20
Suburban 1500 Except Z71	07-14	30	65052	0.GP.X	500	9,000	25
Suburban 2500	00-06	24	65028	HB	500	9,000	20
Suburban C1500	92-99	21	65005	JU.JV.KC	500	9,000	40
		46	65021	JV.KD	500	9,000	30
Suburban C2500	92-99	21	65005	JU.JV.KC	500	9,000	40
		46	65021	JV.KD	500	9,000	30
Suburban K1500	92-99	21	65005	JU.JV.KC	500	9,000	40
		46	65021	JV.KD	500	9,000	30
Suburban K2500	92-99	21	65005	JU.JV.KC	500	9,000	40
		46	65021	JV.KD	500	9,000	30
Tahoe	95-00	21	65005	JU.JV	500	9,000	40
Tahoe 1500 Series	00-06	47	65023		500	9,000	20
Tahoe Except Z71	07-14	30	65052	0.GP.X	500	9,000	25
Tahoe	15-18	30	65064	0.GP.X	500	9,000	25

FRONT MOUNT RECEIVER APPLICATION GUIDE

MODEL / STYLE	YEAR	PC	PART NO.	FOOTNOTES	VERT LOAD	LINE PULL	IN
JEEP							
Cherokee Downsize	84-01	23	65009	JV	300	9,000	30
Comanche	86-92	23	65009	JV	300	9,000	30
Grand Cherokee	93-98	53	65008	JV	300	9,000	25
Grand Wagoneer	93	53	65008	Ø,JV	300	9,000	25
TJ (Canada Only)	97-06	23	65048	Ø,X	300	9,000	25
Wagoneer	84-90	23	65009	JV	300	9,000	30
Wrangler	87-95	23	65048	Ø,X	300	9,000	25
Wrangler	97-06	23	65048	Ø,X	300	9,000	25
Wrangler Except Models with Adaptable Bumper Design	07-17	19	65069	Ø,EP,GP	500	9,000	40
YJ (Canada Only)	87-95	23	65048	Ø,X	300	9,000	25
LINCOLN							
Mark LT	06-08	22	65043	Ø	500	9,000	20
Mark LT (Mexico Only)	10-13	34	65061	Ø,GP,JV	500	9,000	30
Navigator	98-02	35	65025	Ø	500	9,000	20
MAZDA							
B2300	94-97	52	65017	Ø,JY	300	9,000	35
B2300	02-05	31	65024		500	9,000	35
B2500	01	31	65024		500	9,000	35
B3000	94-97	52	65017	Ø,JY	300	9,000	35
B3000	01-05	31	65024		500	9,000	35
B4000	94-97	52	65017	Ø,JY	300	9,000	35
B4000	01-05	31	65024		500	9,000	35
Navajo	91-94	52	65017	Ø,JY	300	9,000	35
MERCURY							
Mountaineer	02-05	32	65032		500	9,000	30
NISSAN							
Frontier	05-17	24	65075	Ø	500	9,000	35
Pathfinder	05-12	24	65075	Ø	500	9,000	35
Titan 4 WD Only	09-15	44	65065	RB,HM,KG,JW,AL	500	9,000	45
Titan Except Titan XD & 4 WD Models	17	30	65077	Ø,SV,GP,X	500	9,000	60
Titan XD	16	30	65072	Ø,EP	500	9,000	25
OLDSMOBILE							
Bravada	96-01	24	65004	JW,JXX	300	9,000	30
RAM							
1500	11-17	32	65062	EP,GP	500	9,000	35
2500	11-17	33	65063	Ø,GP,TY	500	9,000	30
2500 4 WD	11-12	35	65057	EP,GP,JW	500	9,000	40
3500	11-12	38	65060	EP,GP	500	9,000	30
3500	11-17	33	65063	Ø,GP,TY	500	9,000	30
SUZUKI							
Equator Sport & RMZ-4 Models	09-12	24	65075	Ø	500	9,000	35
TOYOTA							
4Runner Except Limited	14-17	34	65074	Ø,HM	500	9,000	20
Sequoia	01-07	30	65031		500	9,000	40
Tacoma	01-04	31	65041		500	9,000	30
Tacoma	05-17	52	65070	Ø,HM,KG	500	9,000	35
Tundra	00-06	30	65031		500	9,000	40

FOOTNOTES

- † Available while supplies last.
- AA Requires temporary removal of bumper during installation.
- AI Additional installation time may be required.
- AL Additional installation time required for vehicles equipped with load leveling compressor.
- EP Fascia trimming may be required.
- FE Fascia trimming may be required. Allow additional installation time.
- GP Hitch crosstube concealed behind bumper.
- HB Slight fascia deformation may occur on some models.
- HM Hitch crosstube is visible beneath bumper.
- JT 2WD models only.
- JU License plate relocation required to install hitch see 5443. (Sold separately)
- JV Rubber air deflector/fascia must be removed or trimmed to install hitch.
- JW 4WD models only.
- JX Requires factory tow hooks for installation on 2WD models.
- JY Extensive fascia cutting required on models w/fog lamp option.
- KB Diesel engine models only.
- KC Does not fit 2500/3500 2WD (C-Series) models w/8 lug wheels.
- KD Fits 2500/3500 2WD (C-Series) models w/8 lug wheels only.
- KE Does not fit 1988-91 4 Dr. Crew Cab models.
- KG Skid shield must be removed or modified if present.
- KI Optional OEM Fog Lights must be removed for receiver installation.
- Ø Uses all existing holes. No drilling required.
- RB Hitch installation can be made easier with a "cutter" type drill bit.
- RZ License plate holder relocation and/or modification required to install hitch (see #49802 or #5443 Sold separately).
- SV Trimming or removal of under body appearance panel may be required.
- TY Requires factory tow hooks for installation.
- X Minor fascia trimming required.

VEHICLE ELECTRICAL LOOK UP

- Options 1 through 4 offers users several different installation methods when utilizing 4-Flat wiring connectors

PC	T-ONE					TOW HARNESS					4-FLAT WIRING				REQ. 4 FLAT WIRING			BRAKE CONTROL HARNESS		
	T-ONE	FN	IN	AMP	CP	TOW HARN	FN	IN	AMP	CP	TYPE	ELEC	POS	CHOICE 1	CHOICE 2	6-WAY ADAPTER	7-WAY ADAPTER	7-WAY HARDWIRE	BRAKE CONTROL HARNESS	IN
ACURA																				
E5	118336	HG	5	2.1,5								B	PC3	119130	119178					
												B,E	PC3,4	119191	119148					
												B	PC3	119130	119178					
E18	118627	CH	45	2.1,5,6	X							B,E	PC1,2	119191	119148					
E5	118336	HG	5	2.1,5								B	PC3	119130	119178					
E5	118336	HG	5	2.1,5								B	SUV3	119130	119178	20320	20321	20224		
E11	118424	CH	20	2.1,4,2	X							B,E	SUV1,2	119191	119148	20320	20321	20224		
E11	118628	BN,CH	20	4,2,7,5	X							B,E	SUV3,4	119191	119148	20320	20321	20224		
E11	118500	CH	15	2.1,5,6	X							B,E	SUV1,2	119191	119148	20320	20321	20224		
E11	118500	CH	15	2.1,5,6	X							B,E	SUV1,2	119191	119148	20320	20321	20224		
E14	118569	CH	15	4,2,7,5	X							B,E	SUV1,2	119191	119148	20320	20321	20224		
E5	118336	HG	5	2.1,5								B	PC3	119130	119178					
												B	PC3	119130	119178					
E16	118626	CH	45	2.1,5,6	X							B,E	PC3,4	119191	119148	20320	20321	20224		
												B	PC3	119130	119178					
E5	118339	BN,HG	5	2.1,5								B	SUV5	119130	119178	20320	20321	20224		
E5	118336	HG	5	2.1,5								B	PC3	119130	119178					
												B	PC3	119130	119148					

13). T-ONE® PART NUMBERS

T-One® part numbers are for vehicle specific applications.

14). TOW HARNESS PART NUMBERS

OEM replacement harness part numbers are for vehicle specific applications with factory tow packages.

15). ELECTRICAL FOOTNOTES

Footnotes reference additional information pertinent to the installation and availability of a particular electrical harness. Footnotes are listed at the bottom of each right hand page.

16). AMPERAGE RATING

Amp Rating references the maximum number of amps the Electrical Product will hold for the tow vehicle.

Stop-Turn Lights - 2 Amps Each

Taillights - 1 Amp Each

Clearance and Marker Lights - 1/4 to 1/2 Amp Each

17). CIRCUIT PROTECTION

Tekonsha recommends circuit protection on vehicles with 3 wire systems for extra safety.

18). OEM CONNECTOR TYPE

Tow Harness Connector type references the type of connector. Example: 4-Flat.

19). HARDWIRE CHOICE 1

The ModuLite® with short circuit protector, adds integrated short circuit protection that safeguards itself and the tow vehicle against harmful electrical shorts and mis-wire situations.

20). HARDWIRE CHOICE 2

Easy do-it-yourself tow vehicle wiring kits.

21). 6-WAY ADAPTERS

Used to convert any trailer wiring component, T-One® or taillight converter with a 4-Flat car end connector to a 6-Way round connector.

22). 7-WAY ADAPTERS

Used to convert any trailer wiring component, T-One® or taillight converter with a 4-Flat car end connector to a 7-Way round connector.

23). 7-WAY HARDWIRE

Easy do-it-yourself tow vehicle 7-Way connector wiring kit.

24). BRAKE CONTROL HARNESSES

Brake control harnesses are vehicle specific and designed for quick, easy installation.

MODEL / STYLE	YEAR	TRAILER HITCHES									
		PC	REC TYPE	REC SIZE	PART #	NO DRILL	FOOTNOTES	OPTIONAL DRAWBAR	WC (LBS.)	WD (LBS.)	IN
ACURA											
CL 3.2	01-03	18	SQ1	1-1/4	24791	0	JR,HM	3592	200/2,000		15
GSX (Canada Only)	06-11	27	SQ1	1-1/4	24861	0	HM,JR,KH,SV	3593	200/2,000		30
EL (Canada Only)	97-01	29	SQ1	1-1/4	24677	0	HM	3593	200/2,000		15
ILX Except Hybrid	13-18	27	SQ1	1-1/4	24861	0	HM,JR,KH,SV	3593	200/2,000		35
Integra	94-01	22	SQ1	1-1/4	24589	0	HM	3593	200/2,000		40
MDX Except w/Full Size Spare Tire	01-06	31	SQ3	2	75599	0	GP,JR		350/3,500	500/5,000	30
MDX Except w/Full Size Spare Tire or w/Rear Sport Bumper Option	07-12	47	RT3	2	75614	0	CR,JR		400/4,000	500/5,000	35
MDX Except w/Full Size Spare Tire or w/Rear Sport Bumper Option	13-13	47	RT3	2	75614	0	CR,JR		400/4,000	500/5,000	35
MDX Except w/Full Size Spare Tire	14-18	37	SQ4	2	75225	0	TA,GP		900/6,000	900/8,000	20
RDX	07-09	22	SQ2	1-1/4	36427	0	GP	36061	300/3,500		15
		33	SQ3	2	75563	0	GP		400/4,000		30
RDX	10-12	19	SQ3	2	75784	0	GP		400/4,000		30
RDX	13-18	19	SQ3	2	75784	0	GP		400/4,000		30
RL 3.5	96-01	41	SQ2	1-1/4	36226		GP	36061	300/3,500		30
RL 3.5	02-04	41	SQ2	1-1/4	36226		GP	36061	300/3,500		30
RLX	14-17	46	SQ2	1-1/4	36541	0	DU,EP,GP,SV,TA	36071	300/3,500		60
RLX	18-18	46	SQ2	1-1/4	36541	0	DU,EP,GP,SV,TA	36071	300/3,500		60
RSX	02-06	20	SQ1	1-1/4	24719		TA,GP	3593	200/2,000		30
SLX	96-99	41	SQ3	2	75043		HM		500/5,000	750/7,500	40
TL 3.2	99-03	18	SQ1	1-1/4	24791	0	JR,HM	3592	200/2,000		15
TL	04-08	18	SQ1	1-1/4	24755		TA,GP	3594	200/2,000		35
TL	09-14	19	SQ1	1-1/4	24899	0	HM,JR,KH,SV	3593	200/2,000		45
TLX	15-18	29	SQ1	1-1/4	24942	0	DU,EP,GP,TA	3593	200/2,000		60
TSX 4 Dr. Sedan	06-08	25	SQ1	1-1/4	24768	0	HM,JR	3593	200/2,000		40
TSX 4 Dr. Sedan	09-14	19	SQ1	1-1/4	24899	0	HM,JR,KH,SV	3593	200/2,000		45
ZDX	10-13	27	SQ1	1-1/4	24854	0	GP,I	3590	200/2,000		25
ALFA ROMEO											
Stelvio Except Quadrifoglio	18-18	47	SQ3	2	76199	0	GP,DU,X,TA,TZ,TW		600/4,000		80
AUDI											
A3 Except Sportback e-tron	15-18	27	SQ1	1-1/4	24930	0	GP	3594	200/2,000		20
A4 4 Dr. Sedan	09-16	29	SQ1	1-1/4	24830†	0	EP,GP	3593	200/2,000		25
A4 4 Dr. Sedan	09-18	24	SQ1	1-1/4	24950	0	X,GP,SV	3593	200/2,000		25
A6 4 Dr. Sedan	05-11	25	SQ1	1-1/4	24836	0	HM,JR	3593	200/2,000		25
A6 Quattro Avant Wagon	06-10	25	SQ1	1-1/4	24836	0	HM,JR	3593	200/2,000		25
Q3	13-18	43	SQ3	2	75218	0	DU,EP,GP		450/4,500		50
Q5	11-12	37	SQ3	2	75940	0	DU,EP,GP,TA		750/5,000		60
Q5	13-17	37	SQ3	2	75940	0	DU,EP,GP,TA		750/5,000		60
Q5	18-18	34	SQ3	2	76183	0	GP,DU,X,TA,TZ,TW		750/5,000		90
Q7	07-16	45	SQ4	2	75950	0	AI,GP,X		750/7,500		70
Q7	17-18	34	SQ4	2	76076	0	X,DU,GP		770/7,700		60
SQ5	18-18	34	SQ3	2	76183	0	GP,DU,X,TA,TZ,TW		750/5,000		90
BMW											
320i	12-14	24	SQ1	1-1/4	24945	0	DU,GP,SV,KH	3593	200/2,000		50
320i	15-15	24	SQ1	1-1/4	24945	0	DU,GP,SV,KH	3593	200/2,000		50
320i	16-17	24	SQ1	1-1/4	24945	0	DU,GP,SV,KH	3593	200/2,000		50
320i	18-18										
320i xDrive	12-14	24	SQ1	1-1/4	24945	0	DU,GP,SV,KH	3593	200/2,000		50
320i xDrive	15-15	24	SQ1	1-1/4	24945	0	DU,GP,SV,KH	3593	200/2,000		50
320i xDrive	16-17	24	SQ1	1-1/4	24945	0	DU,GP,SV,KH	3593	200/2,000		50
328d	12-14	24	SQ1	1-1/4	24945	0	DU,GP,SV,KH	3593	200/2,000		50
328d	15-15	24	SQ1	1-1/4	24945	0	DU,GP,SV,KH	3593	200/2,000		50

- | | |
|--|--|
| <p>AI Additional installation time may be required.</p> <p>CR Fits with mini spare tire stowed under vehicle. Will not fit with full size spare.</p> <p>DU Fascia removal required.</p> <p>EP Fascia trimming may be required.</p> <p>GP Hitch crosstube concealed behind bumper.</p> <p>HM Hitch crosstube is visible beneath bumper.</p> <p>I Hitch is positioned further rearward to accommodate spare tire.</p> | <p>JR Exhaust must be temporarily lowered for installation.</p> <p>KH Minor heat shield modification may be required.</p> <p>SV Trimming or removal of under body appearance panel may be required.</p> <p>TA Trunk access required for hitch installation.</p> <p>TW Receiver hitch may limit hands-free liftgate sensor range</p> <p>TZ Requires replacement of the impact structure with hitch.</p> <p>X Minor fascia trimming required.</p> |
|--|--|

T-ONE					TOW HARNESS					4-FLAT WIRING				REQ. 4 FLAT WIRING		7-WAY HARDWIRE	BRAKE CONTROL HARNESS	IN		
PC	T-ONE	FN	IN	AMP	CP	TOW HARN	FN	IN	AMP	CP	TYPE	ELEC	POS	CHOICE 1	CHOICE 2				6-WAY ADAPTER	7-WAY ADAPTER
ACURA																				
E5	118336	HG	5	2.1,5								B	PC3	119130	119178					
												B,E	PC3.4	119191	119148					
												B	PC3	119130	119178					
E18	118627	CH	45	2.1,5,6	X							B,E	PC1.2	119191	119148					
E5	118336	HG	5	2.1,5								B	PC3	119130	119178					
E5	118336	HG	5	2.1,5								B	SUV3	119130	119178	20320	20321	20224		
E11	118424	CH	20	2.1,4,2	X							B,E	SUV1.2	119191	119148	20320	20321	20224		
E11	118424	CH	20	2.1,4,2	X							B,E	SUV1.2	119191	119148	20320	20321	20224	3028-P	5
E11	118628	BN,CH	20	4,2,7,5	X							B,E	SUV3,4	119191	119148	20320	20321	20224	3028-P	5
E11	118500	CH	15	2.1,5,6	X							B,E	SUV1.2	119191	119148	20320	20321	20224		
E11	118500	CH	15	2.1,5,6	X							B,E	SUV1.2	119191	119148	20320	20321	20224		
E14	118569	CH	15	4,2,7,5	X							B,E	SUV1.2	119191	119148	20320	20321	20224		
E5	118336	HG	5	2.1,5								B	PC3	119130	119178					
												B	PC3	119130	119178					
E16	118626	CH	45	2.1,5,6	X							B,E	PC3.4	119191	119148	20320	20321	20224		
												B	PC3	119130	119178					
E5	118339	BN,HG	5	2.1,5								B	SUV5	119130	119178	20320	20321	20224		
E5	118336	HG	5	2.1,5								B	PC3	119130	119178					
E10	118489	HG	10	2.1,7,5								B,E	PC3.4	119191	119148					
E19	118537	CH	45	2.1,5,6	X							B,E	PC3.4	119191	119148					
E18	118697	CH	45	5,7,5	X							B,E	PC1.2	119191	119148					
E11	118302	HG	10	2.1,4,2								B	PC3	119130	119178					
E14	118420	CG	15	2.1,5	X							B,E	PC3.4	119191	119148					
E13	118503	CH	30	2.1,5,6	X							B,E	SUV9	119191	119148					
ALFA ROMEO																				
												A,E	SUV1.2							
AUDI																				
												C,E	PC3.4	119191	119148					
												BTT	PC1.2	119251	119191					
												BTT	PC1.2	119192	119191					
												BT	PC1.2	119251	119191					
												BM	PC1.2	119251	119191					
												BT	SUV9	119251	119191					
												BT	SUV1.2	119251	119191	20320	20321	20224		
												A,E	SUV1.2	119191	119148	20320	20321	20224		
												A,E	SUV3	119191	119148	20320	20321	20224		
												B,E	SUV1.2	119191	119148	20320	20321	20224		
												B,E	SUV1.2	119191	119148					
												A,E	SUV3	119191	119148	20320	20321	20224		
BMW																				
												B,M	PC3.4	119251	119191					
												B,E	PC3.4	119191	119148					
E23	118713	CH,BN	45	4,2,7,5	X							B,E	PC3.4	119191	119148					
E23	118713	CH,BN	45	4,2,7,5	X							B,E	PC3.4							
												BM	PC3.4	119251	119191					
												B,E	PC3.4	119191	119148					
E23	118713	CH,BN	45	4,2,7,5	X							B,E	PC3.4	119191	119148					
												BM	PC3.4	119251	119191					
												B,E	PC3.4	119191	119148					

- A** 2 wire system.
- B** 3 wire system. Converter required.
- BM** Multiplexed wiring system. ModuLite® HD Plus or Ultra required.
- BN** Exterior mounted plug on some or all models. May require an aftermarket electrical mounting box or bracket. (Sold separately)
- BT** Shared Brake/Tail multiplexed wiring system. ModuLite® HD Plus or Ultra required.
- BTT** Shared Brake/Tail/Turn multiplexed wiring system. ModuLite® HD Plus or Ultra required.
- C** 2 or 3 wire system determine at installation.
- CG** T-One incorporates circuit protected taillight converter.
- CH** T-One is equipped with circuit protected ModuLite® module.
- E** ModuLite® required.
- HG** T-One incorporates taillight converter.
- M** Will fit with heavy-duty suspension.

- RT3** Round Tube Class III 2"
- SQ1** Square Tube Class I
- SQ2** Square Tube Class II
- SQ3** Square Tube Class III
- SQ4** Square Tube Class IV

MODEL / STYLE	YEAR	TRAILER HITCHES									
		PC	REC TYPE	REC SIZE	PART #	NO DRILL	FOOTNOTES	OPTIONAL DRAWBAR	WC (LBS.)	WD (LBS.)	IN
BMW (Continued)											
328d	16-16	24	SQ1	1-1/4	24945	0	DU,GP,SV,KH	3593	200/2,000		50
328d xDrive Sedan	12-14	24	SQ1	1-1/4	24945	0	DU,GP,SV,KH	3593	200/2,000		50
328d xDrive Sports Wagon	12-16	24	SQ1	1-1/4	24945	0	DU,GP,SV,KH	3593	200/2,000		50
328d xDrive Sedan	15-15	24	SQ1	1-1/4	24945	0	DU,GP,SV,KH	3593	200/2,000		50
328d xDrive Sedan	16-16	24	SQ1	1-1/4	24945	0	DU,GP,SV,KH	3593	200/2,000		50
328i Sedan	07-11	43	SQ1	1-1/4	24857	0	GP,SV	3593	200/2,000		45
328i Sedan	12-14	24	SQ1	1-1/4	24945	0	DU,GP,SV,KH	3593	200/2,000		50
328i Sedan	15-15	24	SQ1	1-1/4	24945	0	DU,GP,SV,KH	3593	200/2,000		50
328i Sedan	16-16	24	SQ1	1-1/4	24945	0	DU,GP,SV,KH	3593	200/2,000		50
328i GT xDrive	16-16										
328i xDrive Sedan	07-11	43	SQ1	1-1/4	24857	0	GP,SV	3593	200/2,000		45
328i xDrive	16-16										
328xi Sedan	07-08	43	SQ1	1-1/4	24857	0	GP,SV	3593	200/2,000		45
330e	16-16										
330i	16-16										
335i xDrive Sedan	12-14	24	SQ1	1-1/4	24945	0	DU,GP,SV,KH	3593	200/2,000		50
340i	16-16										
340i xDrive	16-16										
528i	15-16	32	SQ1	1-1/4	24936	0	GP,SV,TA,AA	3593	200/2,000		50
528i xDrive	15-16	32	SQ1	1-1/4	24936	0	GP,SV,TA,AA	3593	200/2,000		50
535d	15-16	32	SQ1	1-1/4	24936	0	GP,SV,TA,AA	3593	200/2,000		50
535d xDrive	15-16	32	SQ1	1-1/4	24936	0	GP,SV,TA,AA	3593	200/2,000		50
535i	15-16	32	SQ1	1-1/4	24936	0	GP,SV,TA,AA	3593	200/2,000		50
535i GT	15-17	32	SQ1	1-1/4	24936	0	GP,SV,TA,AA	3593	200/2,000		50
535i GT xDrive	15-17	32	SQ1	1-1/4	24936	0	GP,SV,TA,AA	3593	200/2,000		50
535i xDrive	15-16	32	SQ1	1-1/4	24936	0	GP,SV,TA,AA	3593	200/2,000		50
550i	15-16	32	SQ1	1-1/4	24936	0	GP,SV,TA,AA	3593	200/2,000		50
550i GT	15-15	32	SQ1	1-1/4	24936	0	GP,SV,TA,AA	3593	200/2,000		50
550i GT xDrive	15-16	32	SQ1	1-1/4	24936	0	GP,SV,TA,AA	3593	200/2,000		50
550i xDrive	15-16	32	SQ1	1-1/4	24936	0	GP,SV,TA,AA	3593	200/2,000		50
X1 w/Panoramic Moonroof	13-14	33	SQ3	2	75761	0	GP,JR		400/3,500	400/4,000	60
X1 w/Panoramic Moonroof	15-15	33	SQ3	2	75761	0	GP,JR		400/3,500	400/4,000	60
X1	16-17	25	SQ3	2	76018		GP,JR,DU,KH		675/4,500	675/4,500	40
X1	18-18	25	SQ3	2	76018		GP,JR,DU,KH		675/4,500	675/4,500	40
X2	18-18	35	SQ3	2	76200	0	GP,AA,TA		525/3,500		80
X3	04-10	25	SQ3	2	75371		AA,EP		350/3,500	400/4,000	100
X3	11-17	36	SQ3	2	75768	0	GP,SV		400/3,500	400/4,000	90
X3	11-18	36	SQ3	2	76226	0	DU,AA,GP,SV,TA		750/5,000		75
X5	00-06	28	SQ4	2	75492		AA,EP		600/6,000	600/6,000	60
X5 Except M Sport Package	07-17	51	SQ4	2	75600	0	AA,EP,GP		600/6,000	600/6,000	75
X5 Except M Sport Package	18-18										
BUICK											
Allure (Canada Only)	05-09	37	SQ2	1-1/4	36374		GP,JR	36061	300/3,500		30
Cascada	16-17	28	SQ1	1-1/4	24955	0	HM	3593	200/2,000		15
Century Sedan	97-05	24	SQ1	1-1/4	24659		TA,GP	3592	200/2,000		30
		37	SQ2	1-1/4	36374		GP,JR	36061	300/3,500		30
Enclave	08-12	19	RT3	2	75528	0	GP,JR,TN		750/5,000	750/7,500	25
Enclave w/Factory 7-Way	08-12										
Enclave	13-17	19	RT3	2	75528	0	GP,JR,TN		750/5,000	750/7,500	25
Enclave	18-19	30	SQ3	2	76184	0	DU,JR		750/5,000	750/5,000	75
Encore	13-16	25	RT2	1-1/4	36554	0	HM,JR	36061	300/3,500		40

AA Requires temporary removal of bumper during installation.
 DU Fascia removal required.
 EP Fascia trimming may be required.
 GP Hitch cross-tube concealed behind bumper.
 HM Hitch cross-tube is visible beneath bumper.

JR Exhaust must be temporarily lowered for installation.
 KH Minor heat shield modification may be required.
 SV Trimming or removal of under body appearance panel may be required.
 TA Trunk access required for hitch installation.
 TN Hitches produced before 07/09/12 are rated at 500/5000 WC & 500/5000 WD.

MODEL / STYLE	YEAR	TRAILER HITCHES									
		PC	REC TYPE	REC SIZE	PART #	NO DRILL	FOOTNOTES	OPTIONAL DRAWBAR	WC (LBS.)	WD (LBS.)	IN
BUICK (Continued)											
Encore	17-19	25	RT2	1-1/4	36554	0	HM, JR	36061	300/3,500		40
Envision	16-16	24	SQ3	2	76080	0	AA, DU, GP, TA		675/4,500		45
Envision	17-18	24	SQ3	2	76080	0	AA, DU, GP, TA		675/4,500		45
LaCrosse Except Super	05-09	37	SQ2	1-1/4	36374		GP, JR	36061	300/3,500		30
LaCrosse	10-13	49	SQ2	1-1/4	36522		HM	36061	300/3,500		25
LaCrosse	10-16	42	SQ2	1-1/4	36538	0	HM	36061	300/3,500		35
LaCrosse AWD	10-12	58	SQ2	1-1/4	36519†		†, HM	36061	300/3,500		25
LaCrosse FWD	10-12	58	SQ2	1-1/4	36519†	0	†, HM	36061	300/3,500		20
LaCrosse	14-14	47	SQ2	1-1/4	36546	0	HM	36061	300/3,500		30
LaCrosse	17-19	23	SQ2	1-1/4	36594†	0	GP, JR, AA, DU, X, TA	36071	300/3,500		80
		23	SQ2	1-1/4	36652	0	GP, JR, AA, DU, X, TA	36071	350/3,500		80
LeSabre FWD	97-99	43	SQ2	1-1/4	36216		GP, JR	36061	300/3,500		40
LeSabre	00-05	39	SQ2	1-1/4	36309		HM, JR	36063	300/3,500		30
Lucerne Except Super & Special Edition	06-09	39	SQ2	1-1/4	36309		HM, JR, KH	36063	300/3,500		30
Lucerne Super & Special Edition	08-09	25	SQ2	1-1/4	36502	0	HM, JR	36063	300/3,500		25
Lucerne	10-11	25	SQ2	1-1/4	36502	0	HM, JR	36063	300/3,500		25
Park Avenue	97-04	47	SQ2	1-1/4	36245		JR, GP	36061	300/3,500		40
Rainier w/Factory 7-Way	04-07										
Regal (App. starts with 97-1/2)	97-04	27	SQ1	1-1/4	24660	0	TA, GP	3594	200/2,000		20
		51	SQ2	1-1/4	36241		JR, GP	36065	300/3,500		35
Regal	11-13	42	SQ2	1-1/4	36538	0	HM	36061	300/3,500		35
Regal Except GS	11-13	58	SQ2	1-1/4	36519†	0	†, HM	36061	300/3,500		20
		49	SQ2	1-1/4	36522	0	HM	36061	300/3,500		20
Regal	14-17	42	SQ2	1-1/4	36538	0	HM	36061	300/3,500		35
Regal Sportback	18-19	23	SQ2	1-1/4	36652	0	GP, JR, AA, DU, X, TA	36071	350/3,500		80
Regal TourX	18-19	41	SQ2	1-1/4	36661	0	EP, GP, JR, KH	36071	350/3,500		30
Rendezvous	02-07	34	SQ2	1-1/4	36425		HM	36071	300/3,500		40
		33	SQ3	2	75138	0			350/3,500		55
		28	SQ3	2	75430		HM		350/3,500		40
Terraza	05-07	27	SQ2	1-1/4	36361		AL, GP, JR	36061	300/3,500		40
		22	SQ3	2	75278		AL, GP, JR		350/3,500	500/5,000	40
Verano Except Turbo or w/Dual Exhaust	12-17	18	SQ1	1-1/4	24882	0	AW, GP, JR, KH, QW	3593	200/2,000		40
CADILLAC											
ATS Except ATS-V	13-19	29	SQ1	1-1/4	24924	0	GP	3594	200/2,000		30
CTS	03-07	33	SQ1	1-1/4	24767		JR, TA, HM	3594	200/2,000		45
CTS 4 Dr. Sedan	08-13	33	SQ1	1-1/4	24767		JR, TA, HM	3594	200/2,000		45
CTS 4 Dr. Sedan	14-15	30	SQ1	1-1/4	24927		GP, JR, KH, TA	3593	200/2,000		60
CTS 4 Dr. Sedan, Except CTS-V	16-19	30	SQ1	1-1/4	24927		GP, JR, KH, TA	3593	200/2,000		60
CTS V	04-07	33	SQ1	1-1/4	24767		JR, TA, HM	3594	200/2,000		45
CTS V 4 Dr. Sedan	09-13	33	SQ1	1-1/4	24767		JR, TA, HM	3594	200/2,000		45
DeVille	97-99	50	SQ2	1-1/4	36267		JR, GP	36063	300/3,500		20
DeVille	00-05	33	SQ2	1-1/4	36287	0	GP	36071	300/3,500		20
DTS	06-11	33	SQ2	1-1/4	36287	0	GP	36071	300/3,500		20
Escalade	99-00	37	SQ3	2	75037		HM		500/5,000	750/7,500	30
		41	SQ4	2	41511		HM		600/6,000	1,000/10,000	30
Escalade	02-02	29	RT4	2	75725	0	CN, HM		900/6,000	1,000/10,000	15
Escalade w/Factory 7-Way	02-11										

† Available while supply lasts.

AA Requires temporary removal of bumper during installation.

AL Additional installation time required for vehicles equipped with load leveling compressor.

AW Will not fit Turbo models.

CN Requires OEM factory bumper for hitch installation.

DU Fascia removal required.

EP Fascia trimming may be required.

GP Hitch cross-tube concealed behind bumper.

HM Hitch cross-tube is visible beneath bumper.

JR Exhaust must be temporarily lowered for installation.

KH Minor heat shield modification may be required.

QW Will not fit vehicles with dual exhaust.

TA Trunk access required for hitch installation.

X Minor fascia trimming required.

T-ONE						TOW HARNESS						4-FLAT WIRING				REQ. 4 FLAT WIRING		7-WAY HARDWIRE	BRAKE CONTROL HARNESS	IN	
PC	T-ONE	FN	IN	AMP	CP	PC	TOW HARN	FN	IN	AMP	CP	TYPE	ELEC	POS	CHOICE 1	CHOICE 2	6-WAY ADAPTER				7-WAY ADAPTER
BUICK (Continued)																					
E16	118745	CH	45	4,2,7.5	X								B,E	SUV3,4							
E5	118725	BN	15	7.5	X								A	SUV5	119148	20252					
E7	118479		10	7.5									A	SUV5	119148	20252					
E18	118497	CH	45	2,1,5,6	X								B,E	PC3,4	119148	20252					
E18	118497	CH	45	2,1,5,6	X								B,E	PC1,2	119191	119148					
E18	118497	CH	45	2,1,5,6	X								B,E	PC3,4	119191	119148					
E18	118497	CH	45	2,1,5,6	X								B,E	PC1,2	119191	119148					
E18	118497	CH	45	2,1,5,6	X								B,E	PC1,2	119191	119148					
E15	118733	CH	45	5,7,5	X								A,E	PC3,4	119191	119148					
													A	PC3,4	119148	20252					
													A,E	PC3,4	119191	119148					
E5	118419		10	7.5									A	PC3,4	119148	20252					
E5	118419		10	7.5									A	PC3,4	119148	20252					
E5	118419		10	7.5									A	PC3,4	119148	20252					
													B	PC3,4	119130	119178					
						E8	118384 74682 8551511 85219	BN,RD RD RD RD	5 10 5	7.5		4-Flat Both 7-Way 7-Way	H	SUV6	119148	20252					
													A	PC3,4	119148	20252					
E18	118504	CH	45	2,1,5,6	X								A,E	PC3,4	119191	119148					
E18	118504	CH	45	2,1,5,6	X								A,E	PC1,2	119191	119148					
E18	118639	CH	45	2,1,5,6	X								B,E	PC3,4	119191	119148					
E16	118783	CH,BN	45	5,7,5	X								A,E	PC3,4							
E16	118783	CH,BN	45	5,7,5	X								A,E	PC3,4							
E10	118383	BN	20	7.5									A	SUV1,2	119148	20252	20320	20321	20224		
E10	118396	BN	15	7.5									A	SUV1,2	119148	20252	20320	20321	20224		
E17	118564	CH	45	2,1,5,6	X								B,E	PC3,4	119191	119148					
CADILLAC																					
E15	118580	CH	25	2,1,5,6	X								B,E	PC3,4	119191	119148					
E15	118440	CH	45	2,1,4,2	X								B,E	PC3,4	119191	119148					
E15	118466	CH	15	2,1,5,6	X								A,E	PC3,4	119191	119148					
E15	118645	CH	45	2,1,5,6	X								A,E	PC3,4	119191	119148					
E15	118645	CH	45	2,1,5,6	X								A,E	PC3,4	119191	119148					
E15	118440	CH	45	2,1,4,2	X								B,E	PC3,4	119191	119148					
													A,E	PC3,4	119191	119148					
													E	PC3,4	119191	119148					
													E	PC3,4	119191	119148					
E16	118535	CH	45	2,1,5,6	X								B,E	PC3,4	119191	119148					
E3	118319	BN	5	7.5									A	SUV7	119148	20252	20320	20321	20224		
						E8	118384 74682 8551511 85219	BN,RD RD RD RD	5 10 5	7.5		4-Flat Both 7-Way 7-Way	A	SUV6	119148	20252	20320	20321	20224	3025-P	5
													H	SUV6	119148	20252					

- A** 2 wire system.
- B** 3 wire system. Converter required.
- BN** Exterior mounted plug on some or all models. May require an aftermarket electrical mounting box or bracket. (Sold separately)
- C** 2 or 3 wire system determine at installation.

- CH** T-One is equipped with circuit protected ModuLite® module.
- E** ModuLite® required.
- H** 3 wire system with OEM standard 2 wire harness.
- RD** For vehicles equipped with factory tow package may require additional components or may be used as a replacement harness.

- RT2** Round Tube Class II 1-1/4"
- RT4** Round Tube Class IV 2"
- SQ1** Square Tube Class I
- SQ2** Square Tube Class II
- SQ3** Square Tube Class III
- SQ4** Square Tube Class IV

MODEL / STYLE	YEAR	TRAILER HITCHES									
		PC	REC TYPE	REC SIZE	PART #	NO DRILL	FOOTNOTES	OPTIONAL DRAWBAR	WC (LBS.)	WD (LBS.)	IN
CADILLAC (Continued)											
Escalade	03-06	35	SQ4	2	75172	0	CN		600/6,000	750/7,500	30
Escalade	07-14										
Escalade	15-16										
Escalade	17-18										
Escalade ESV	03-06	35	SQ4	2	75172	0	CN		600/6,000	750/7,500	30
Escalade ESV w/Factory 7-Way	03-11										
Escalade ESV w/Factory 7-Way	07-11										
Escalade EXT	02-02	29	RT4	2	75725	0	CN,HM		900/6,000	1,000/10,000	15
Escalade EXT w/Factory 7-Way	02-11										
Escalade EXT	03-06	35	SQ4	2	75172	0	CN		600/6,000	750/7,500	30
Seville	98-04	40	SQ2	1-1/4	36243	0	EP,GP,JR	36051	300/3,500		35
SRX Except w/Sport Package Fascia	04-09	58	RT3	2	75174	0	JR,KH		350/3,500	500/5,000	60
SRX	10-16	28	RT3	2	75682	0			400/4,000	500/5,000	15
STS	05-11	33	SQ1	1-1/4	24767		JR,TA,HM	3594	200/2,000		45
XT4	19-19										
XT5 Except Platinum	17-19	22	SQ3	2	76266	0	GP,JR,DU		675/4,500		80
XTS	13-19	23	SQ3	2	76022	0	GP		675/4,500	675/4,500	20
		42	SQ2	1-1/4	36538		HM	36061	300/3,500		35
		46	SQ2	1-1/4	36762†		HM	36061	300/3,500		30
CHEVROLET											
Astro Extended Body	90-05	33	SQ2	1-1/4	36197	0	CS,HM	36051	300/3,500		30
		34	SQ2	1-1/4	36198	0	CS,GP	36053	300/3,500		30
		33	SQ3	2	75122	0	CS,GP		300/3,500	600/6,000	30
		50	SQ3	2	37136		AF		500/5,000	600/6,000	65
Avalanche 1500	02-06	29	RT4	2	75725	0	CN,HM		900/6,000	1,000/10,000	15
Avalanche 1500 w/Factory 7-Way	02-11										
Avalanche 1500 w/Factory 7-Way	07-11										
Avalanche 2500	02-06	29	RT4	2	75725	0	CN,HM		900/6,000	1,000/10,000	15
Avalanche 2500 w/Factory 7-Way	02-11										
Avalanche 2500 w/Factory 7-Way	07-11										
Aveo 4 Dr. Sedan	04-05										
Aveo 5 Dr. Hatchback	04-11	20	SQ1	1-1/4	24741		GP	3593	200/2,000		30
Aveo 4 Dr. Sedan	06-06	23	SQ1	1-1/4	24810	0	HM,TA	3593	200/2,000		20
Aveo 4 Dr. Sedan	07-11	23	SQ1	1-1/4	24810	0	HM,TA	3593	200/2,000		20
Blazer Downsize	95-98	32	SQ2	1-1/4	36244	0	FP,GP,KK	36051	300/3,500		15
		21	RT3	2	75079	0	FP,KK,SD		400/4,000	600/6,000	15
Blazer Downsize	99-01	32	SQ2	1-1/4	36244	0	FP,GP,KK	36051	300/3,500		15
		21	RT3	2	75079	0	FP,KK,SD		400/4,000	600/6,000	15
Blazer Downsize, w/Factory 7-Way	99-01										
Blazer Downsize	02-05	32	SQ2	1-1/4	36244	0	FP,GP,KK	36051	300/3,500		15
		21	RT3	2	75079	0	FP,KK,SD		400/4,000	600/6,000	15
Blazer Trailblazer	99-01	32	SQ2	1-1/4	36244	0	FP,GP,KK	36051	300/3,500		15
		21	RT3	2	75079	0	FP,KK,SD		400/4,000	600/6,000	15

AF Hitch is ONLY rated for Weight Carrying at 3500 lbs. GTW / 350 lbs. TW and DO NOT use Weight Distribution Spring Bars for this Specific Vehicle. Except for long bed pickups.

CN Requires OEM factory bumper for hitch installation.

CS Will fit with full-size spare tire stowed under vehicle.

DU Fascia removal required.

EP Fascia trimming may be required.

FP Spare tire repositioning and/or modification of spare tire carrier may be required.

GP Hitch crosstube concealed behind bumper.

HM Hitch crosstube is visible beneath bumper.

JR Exhaust must be temporarily lowered for installation.

KH Minor heat shield modification may be required.

KK When installing on a vehicle originally equipped with an OEM hitch, OEM bumper brackets must be purchased and installed prior to new hitch installation.

SD Hitches produced before 07/21/06 are rated at 350/3500 WC.

TA Trunk access required for hitch installation.

T-ONE					TOW HARNESS					4-FLAT WIRING				REQ. 4 FLAT WIRING		7-WAY HARDWIRE	BRAKE CONTROL HARNESS	IN				
PC	T-ONE	FN	IN	AMP	CP	PC	TOW HARN	FN	IN	AMP	CP	TYPE	ELEC	POS	CHOICE 1				CHOICE 2	6-WAY ADAPTER	7-WAY ADAPTER	
CADILLAC (Continued)																						
						E8	118384	BN,RD	5	7.5		4-Flat	A	SUV6	119148	20252	20320	20321	20224	3015-P	5	
						E8	118384	BN,RD	5	7.5		4-Flat	H	SUV6	119148	20252						
						E8	118384	BN,RD	5	7.5		4-Flat	H	SUV6	119148	20252					3016-P	5
																					3016-P	5
						E8	118384	BN,RD	5	7.5		4-Flat	A	SUV6	119148	20252	20320	20321	20224	3015-P	5	
							74682	RD	10			Both	H	SUV6	119148	20252						
							8551511	RD				7-Way										
							85219	RD	5			7-Way										
						E8	118384	BN,RD	5	7.5		4-Flat	H	SUV6	119148	20252						
						E8	118384	BN,RD	5	7.5		4-Flat	A	SUV6	119148	20252	20320	20321	20224	3025-P	5	
							74682	RD	10			Both	H	SUV6	119148	20252						
							8551511	RD				7-Way										
							85219	RD	5			7-Way										
						E8	118384	BN,RD	5	7.5		4-Flat	A	SUV6	119148	20252	20320	20321	20224	3015-P	5	
													B,E	PC3,4	119191	119148						
													E	SUV3,4	119191	119148	20320	20321	20224			
						E3	118259	BN	5	7.5		4-Flat	E	SUV3,4	119191	119148	20320	20321	20224			
													E	PC3,4	119191	119148						
E3	118795	BN	15	5,7.5	X								A	SUV6								
E3	118720	BN	10			E9	118276	BN	10			7-Way	A	SUV6	119148	20252						
													A,E	PC3,4	119191	119148						
CHEVROLET																						
													A	SUV4	119148	20252	20320	20321	20224			
						E8	118384	BN,RD	5	7.5		4-Flat	A	SUV6	119148	20252	20320	20321	20224	3015-P	5	
							74682	RD	10			Both	H	SUV6	119148	20252						
							8551511	RD				7-Way										
							85219	RD	5			7-Way										
						E8	118384	BN,RD	5	7.5		4-Flat	H	SUV6	119148	20252						
						E8	118384	BN,RD	5	7.5		4-Flat	A	SUV6	119148	20252	20320	20321	20224	3015-P	5	
							74682	RD	10			Both	H	SUV6	119148	20252						
							8551511	RD				7-Way										
							85219	RD	5			7-Way										
						E8	118384	BN,RD	5	7.5		4-Flat	H	SUV6	119148	20252						
E13	118485	CG	15	2,1,7.5	X								B	PC3,4	119130	119178						
E13	118485	CG	15	2,1,7.5	X								B	PC3,4	119130	119178						
E13	118485	CG	15	2,1,7.5	X								B	PC3,4	119130	119178						
E12	118514		25	2,1,5	X								B	PC3,4	119130	119178						
													A	SUV7	119148	20252	20320	20321	20224			
						E8	118384	BN,RD	5	7.5		4-Flat	A	SUV7	119148	20252	20320	20321	20224			
							74682	RD	10			Both	A	SUV7	119148	20252						
							85219	RD	5			7-Way										
							8551511	RD				7-Way										
													A	SUV7	119148	20252	20320	20321	20224			
						E8	118384	BN,RD	5	7.5		4-Flat	A	SUV7	119148	20252	20320	20321	20224			

- A** 2 wire system.
- B** 3 wire system. Converter required.
- BN** Exterior mounted plug on some or all models. May require an aftermarket electrical mounting box or bracket. (Sold separately)
- CG** T-One incorporates circuit protected taillight converter.
- E** ModuLite® required.
- H** 3 wire system with OEM standard 2 wire harness.
- RD** For vehicles equipped with factory tow package may require additional components or may be used as a replacement harness.

- RT3** Round Tube Class III 2"
- RT4** Round Tube Class IV 2"
- SQ1** Square Tube Class I
- SQ2** Square Tube Class II
- SQ3** Square Tube Class III
- SQ4** Square Tube Class IV

MODEL / STYLE	YEAR	TRAILER HITCHES									
		PC	REC TYPE	REC SIZE	PART #	NO DRILL	FOOTNOTES	OPTIONAL DRAWBAR	WC (LBS.)	WD (LBS.)	IN
CHEVROLET (Continued)											
Blazer Trailblazer w/Factory 7-Way	99-01										
Bolt EV	17-19	20	SQ1	1-1/4	24956	Ø	GP,X	3593	200/2,000		20
C1500	88-99	49	RT3	2	37133				500/5,000	750/7,500	40
		35	SQ3	2	75033	Ø	HM,J		500/5,000	800/8,000	20
		25	SQ3	2	75099	Ø	GP		500/5,000	800/8,000	20
		30	SQ4	2	40050		HC		600/6,000	1,000/10,000	40
		44	SQ4	2	41524	Ø	GP		600/6,000	1,000/10,000	20
		38	SQ4	2	41525†	Ø	HM,J		600/6,000	1,000/10,000	20
		54	RT4	2	37130				700/7,000	1,200/12,000	40
		45	SQ5	2	41901		@,DB,GP,SN		1,000/10,000	1,300/13,000	30
C1500 w/10" Deep Drop Bumper	88-99	53	SQ4	2	41528	Ø	FS,J		600/6,000	1,000/10,000	20
C1500 w/Aftermarket Roll Pan	88-99	38	SQ3	2	41522		CO,HK		500/5,000	550/5,500	40
C2500 Regular & Extended Cabs	88-99	49	RT3	2	37133				500/5,000	750/7,500	40
		35	SQ3	2	75033	Ø	HM,J		500/5,000	800/8,000	20
		25	SQ3	2	75099	Ø	GP		500/5,000	800/8,000	20
		30	SQ4	2	40050		HC		600/6,000	1,000/10,000	40
		44	SQ4	2	41524	Ø	GP		600/6,000	1,000/10,000	20
		38	SQ4	2	41525†	Ø	HM,J		600/6,000	1,000/10,000	20
		54	RT4	2	37130				700/7,000	1,200/12,000	40
		59	SQ5	2-1/2	45506		#		1,200/12,000	1,700/14,000	45
C2500 Regular & Extended Cabs	88-00	45	SQ5	2	41901		@,DB,GP,SN		1,000/10,000	1,300/13,000	30
C2500 Regular & Extended Cabs, w/10" Deep Drop Bumper	88-99	53	SQ4	2	41528	Ø	FS,J		600/6,000	1,000/10,000	20
C2500 w/Aftermarket Roll Pan	88-99	38	SQ3	2	41522		CO,HK		500/5,000	550/5,500	40
C2500 Crew Cab	92-00	49	RT3	2	37133	Ø			500/5,000	750/7,500	40
		35	SQ3	2	75033	Ø	HM,J		500/5,000	800/8,000	20
		25	SQ3	2	75099	Ø	GP		500/5,000	800/8,000	20
		30	SQ4	2	40050		FS		600/6,000	1,000/10,000	40
		44	SQ4	2	41524	Ø	GP		600/6,000	1,000/10,000	20
		38	SQ4	2	41525†	Ø	HM,J		600/6,000	1,000/10,000	20
		54	RT4	2	37130				700/7,000	1,200/12,000	40
		45	SQ5	2	41901		@,DB,GP,SN		1,000/10,000	1,300/13,000	30
		59	SQ5	2-1/2	45506		#		1,200/12,000	1,700/14,000	45
C2500 Crew Cab w/10" Deep Drop Bumper	92-00	53	SQ4	2	41528	Ø	FS,J		600/6,000	1,000/10,000	20
C3500 Regular & Extended Cabs	88-00	49	RT3	2	37133				500/5,000	750/7,500	40
		35	SQ3	2	75033	Ø	HM,J		500/5,000	800/8,000	20
		25	SQ3	2	75099	Ø	GP		500/5,000	800/8,000	20
		30	SQ4	2	40050		HC		600/6,000	1,000/10,000	40
		44	SQ4	2	41524	Ø	GP		600/6,000	1,000/10,000	20
		38	SQ4	2	41525†	Ø	HM,J		600/6,000	1,000/10,000	20
		54	RT4	2	37130				700/7,000	1,200/12,000	40
		45	SQ5	2	41901		@,DB,GP,SN		1,000/10,000	1,300/13,000	30
		59	SQ5	2-1/2	45506		#		1,200/12,000	1,700/14,000	45
C3500 Regular & Extended Cabs, w/10" Deep Drop Bumper	88-00	53	SQ4	2	41528	Ø	FS,J		600/6,000	1,000/10,000	20
C3500 w/Aftermarket Roll Pan	88-00	38	SQ3	2	41522		CO,HK		500/5,000	550/5,500	40

Titan hitches require use of a 2-1/2" shank Titan ball mount.

@ Ultra Frame ball mount must be used to achieve maximum weight carrying rating.

CO Will not fit 8 ft. 2500/3500 Series with heavy-duty suspension or four door Crew Cab.

DB Will not fit 6 ft. bed pickups.

FS Includes 2 & 4 WD models with heavy duty suspension.

GP Hitch crosstube concealed behind bumper.

HC Will not fit with mini or full size tire stowed under vehicle.

HK Under vehicle spare tire stowage may be retained with installation of an aftermarket spare tire repositioner. Cutting of rollpan in license plate area required for receiver tube access. Does not fit with bumper.

HM Hitch crosstube is visible beneath bumper.

J Under vehicle spare tire stowage is retained.

SN Hitches produced before 04/28/08 are rated at 1000/10000 WC & 1200/12000 WD.

X Minor fascia trimming required.

T-ONE					TOW HARNESS					4-FLAT WIRING				REQ. 4 FLAT WIRING		7-WAY HARDWIRE	BRAKE CONTROL HARNESS	IN		
PC	T-ONE	FN	IN	AMP	CP	PC	TOW HARN	FN	IN	AMP	CP	TYPE	ELEC	POS	CHOICE 1				CHOICE 2	6-WAY ADAPTER
CHEVROLET (Continued)																				
							74682 85219 8551511	RD RD RD	10 5			Both 7-Way 7-Way	A	SUV7	119148	20252				
E3	118315	BN	5	7.5									B,E A	PU3	119191 119148	119148 20252	20320	20321	20224	
E3	118315	BN	5	7.5									A	PU3	119148	20252	20320	20321	20224	
E3	118315	BN	5	7.5									A	PU3	119148	20252	20320	20321	20224	
E3	118315	BN	5	7.5									A	PU3	119148	20252	20320	20321	20224	
E3	118315	BN	5	7.5									A	PU3	119148	20252	20320	20321	20224	
E3	118315	BN	5	7.5									A	PU3	119148	20252	20320	20321	20224	
E3	118315	BN	5	7.5									A	PU3	119148	20252	20320	20321	20224	
E3	118315	BN	5	7.5									A	PU3	119148	20252	20320	20321	20224	
E3	118315	BN	5	7.5									A	PU3	119148	20252	20320	20321	20224	
E3	118315	BN	5	7.5									A	PU3	119148	20252	20320	20321	20224	

A 2 wire system.
B 3 wire system. Converter required.
BN Exterior mounted plug on some or all models. May require an aftermarket electrical mounting box or bracket. (Sold separately)

E ModuLite® required.
RD For vehicles equipped with factory tow package may require additional components or may be used as a replacement harness.

RT3 Round Tube Class III 2"
RT4 Round Tube Class IV 2"
SQ1 Square Tube Class I
SQ3 Square Tube Class III
SQ4 Square Tube Class IV
SQ5 Square Tube Class V

MODEL / STYLE	YEAR	TRAILER HITCHES									
		PC	REC TYPE	REC SIZE	PART #	NO DRILL	FOOTNOTES	OPTIONAL DRAWBAR	WC (LBS.)	WD (LBS.)	IN
CHEVROLET (Continued)											
C3500 Crew Cab	92-00	49	RT3	2	37133	0			500/5,000	750/7,500	40
		35	SQ3	2	75033	0	HM,J		500/5,000	800/8,000	20
		25	SQ3	2	75099	0	GP		500/5,000	800/8,000	20
		44	SQ4	2	41524	0	GP		600/6,000	1,000/10,000	20
		38	SQ4	2	41525†	0	HM,J		600/6,000	1,000/10,000	20
		54	RT4	2	37130				700/7,000	1,200/12,000	40
		45	SQ5	2	41901		@,DB,GP,SN		1,000/10,000	1,300/13,000	30
		59	SQ5	2-1/2	45506		#	1,200/12,000	1,700/14,000	45	
C3500 Crew Cab w/10" Deep Drop Bumper	92-00	53	SQ4	2	41528	0	FS,J		600/6,000	1,000/10,000	20
Camaro Except Convertible & w/Dealer Installed Ground Effects	10-11	31	SQ1	1-1/4	24850	0	GP	3594	200/2,000		15
Camaro Except Convertible & w/Dealer Installed Ground Effects	12-15	31	SQ1	1-1/4	24850	0	GP	3594	200/2,000		15
Camaro	16-18	23	SQ1	1-1/4	24938	0	GP	3593	200/2,000		50
Captiva Sport	12-15	30	SQ3	2	75556	0	GP		400/4,000	400/4,000	15
Cavalier Except Z-24	95-99	31	SQ1	1-1/4	24733		GP,JR	3592	200/2,000		40
Cavalier	00-01	31	SQ1	1-1/4	24733		GP,JR	3592	200/2,000		40
Cavalier Except Z-24	02-02	31	SQ1	1-1/4	24733		GP,JR	3592	200/2,000		40
Cavalier Except LS Sport	03-05	31	SQ1	1-1/4	24733		GP,JR	3592	200/2,000		40
Cavalier LS Sport	03-05	39	SQ1	1-1/4	24613		JR,KH,GP	3592	200/2,000		40
Cavalier Z-24	95-99	39	SQ1	1-1/4	24613		JR,KH,GP	3592	200/2,000		40
Cavalier Z-24	02-02	39	SQ1	1-1/4	24613		JR,KH,GP	3592	200/2,000		40
Cavalier Z-24 (Canada Only)	03-05	39	SQ1	1-1/4	24613		JR,KH,GP	3592	200/2,000		40
City Express	15-17	31	RT3	2	75898	0	HM,JR,X		525/3,500		30
Cobalt 2 Dr., Except SS	05-10	20	SQ1	1-1/4	24745		JR,HM	3593	200/2,000		40
Cobalt 4 Dr., Except SS	05-10	20	SQ1	1-1/4	24745		JR,HM	3593	200/2,000		40
Cobalt Sport 2 Dr.	08-08	30	SQ1	1-1/4	24756		HM,JR	3594	200/2,000		25
Cobalt Sport 4 Dr.	08-08	30	SQ1	1-1/4	24756		HM,JR	3594	200/2,000		25
Cobalt SS 2 Dr.	05-10	30	SQ1	1-1/4	24756		HM,JR	3594	200/2,000		25
Cobalt SS 4 Dr.	05-10	30	SQ1	1-1/4	24756		HM,JR	3594	200/2,000		25
Colorado	04-12	23	SQ4	2	75607	0	CP,GP		600/6,000	750/7,500	25
Colorado w/Factory 7-Way	04-12										
Colorado	15-19	34	RT4	2	75948	0	HM,AA,V,SO,TZ		800/6,000	800/8,000	35
		30	SQ4	2	76004	0	HM,AA,V,SO,TZ		800/8,000	1,000/10,000	35
Cruze	11-15	18	SQ1	1-1/4	24882	0	GP	3593	200/2,000		15
Cruze (New Body Style)	16-19	18	SQ1	1-1/4	24943	0	GP,X,DU,TA	3593	200/2,000		80
Cruze Limited Only (Old Body Style)	16-16	18	SQ1	1-1/4	24882	0	GP	3593	200/2,000		15
Cruze Hatchback	17-19	18	SQ1	1-1/4	24951	0	GP,X,DU	3594	200/2,000		60
Equinox	05-06	18	SQ2	1-1/4	36408	0	HM	36051	300/3,500		25
		14	RT3	2	76028	0	HM		675/4,500	675/4,500	30
Equinox	07-09	18	SQ2	1-1/4	36408	0	HM	36051	300/3,500		25
		14	RT3	2	76028	0	HM		675/4,500	675/4,500	30
Equinox	10-17	18	SQ2	1-1/4	36408	0	HM	36051	300/3,500		25
		14	RT3	2	76028	0	HM		675/4,500	675/4,500	30
Equinox Diesel	18-19	30	SQ3	2	76217	0	AI,DU,JR,TZ,X		675/4,500	675/4,500	70
Equinox Except Premier or Models w/1.6L Diesel	18-19	22	SQ2	1-1/4	36642	0	JR,GP	36051	350/3,500		35
		23	SQ3	2	76419	0	JR		675/4,500	675/4,500	35
Equinox Premier, Except Models w/1.6L Diesel	18-19	22	SQ2	1-1/4	36642	0	JR,GP	36051	350/3,500		35
		23	SQ3	2	76419	0	JR		675/4,500	675/4,500	35
Equinox w/ Tow Prep Package	18-19										

- # Titan hitches require use of a 2-1/2" shank Titan ball mount.
- @ Ultra Frame ball mount must be used to achieve maximum weight carrying rating.
- AA Requires temporary removal of bumper during installation.
- AI Additional installation time may be required.
- CP Fits all models without factory installed receiver.
- DB Will not fit 6 ft. bed pickups.
- DU Fascia removal required.
- FS Includes 2 & 4 WD models with heavy duty suspension.
- GP Hitch crosstube concealed behind bumper.
- HM Hitch crosstube is visible beneath bumper.

- J Under vehicle spare tire storage is retained.
- JR Exhaust must be temporarily lowered for installation.
- KH Minor heat shield modification may be required.
- SN Hitches produced before 04/28/08 are rated at 1000/10000 WC & 1200/12000 WD.
- SO With this hitch installed the step bumper is no longer able to be used as a towing point.
- TA Trunk access required for hitch installation.
- TZ Requires replacement of the impact structure with hitch.
- V For vehicles with factory installed step bumpers only.
- X Minor fascia trimming required.

T-ONE					TOW HARNESS					4-FLAT WIRING				REQ. 4 FLAT WIRING		7-WAY HARDWIRE	BRAKE CONTROL HARNESS	IN	
PC	T-ONE	FN	IN	AMP	CP	PC	TOW HARN	FN	IN	AMP	CP	TYPE	ELEC	POS	CHOICE 1				CHOICE 2
CHEVROLET (Continued)																			
E3	118315	BN	5	7.5									A	PU3	119148	20252	20320	20321	20224
E3	118315	BN	5	7.5									A	PU3	119148	20252	20320	20321	20224
E17	118486	CH	15	2.1,5.6	X								A,E	PC1,2	119191	119148			
E16	118556	CH	25	2.1,5.6	X								A,E	PC1,2	119191	119148			
E17	118690	CH	45	4.2,7.5	X								A,E	PC1,2	119191	119148			
E19	118443	CH	45	2.1,4.2	X								B,E	SUV3,4	119191	119148	20320	20321	20224
													A	PC3,4	119148	20252			
													A	PC3,4	119148	20252			
													A	PC3,4	119148	20252			
													A	PC3,4	119148	20252			
													A	PC3,4	119148	20252			
													A	PC3,4	119148	20252			
													A	PC3,4	119148	20252			
E17	118597	CH	45	4.2,7.5	X								B,E	SUV3,4	119191	119148	20320	20321	
E5	118407	BN	15	7.5									A	PC1,2	119148	20252			
E8	118398	BN	10	7.5									A	PC1,2	119148	20252			
E5	118407	BN	15	7.5									A	PC1,2	119148	20252			
E8	118398	BN	10	7.5									A	PC1,2	119148	20252			
E5	118407	BN	15	7.5									A	PC1,2	119148	20252			
E8	118398	BN	10	7.5									A	PC1,2	119148	20252			
E10	118301	BN,CG	10	2.1,5	X	E8	118384	BN,RD	5	7.5		4-Flat	B	PU3	119130	119178	20320	20321	20224
							74682	RD	10			Both	H	PU3	119148	20252			
							851511	RD				7-Way							
							85219	RD	5			7-Way							
													A	PU3	119148	20252	20320	20321	20224
E19	118508	CH	45	2.1,5.6	X								B,E	PC3,4	119191	119148			
E14	118696	CH	45		X								A,E	PC3,4	119191	119148			
E19	118508	CH	45	2.1,5.6	X								B,E	PC3,4	119191	119148			
E23	118734	CH	45	5.7,5	X														
E8	118391	CG	10	2.1,5	X								B	SUV3	119130	119178	20320	20321	20224
E7	118432	CE	10	7.5									B	SUV1,2	119130	119178	20320	20321	20224
E16	118494	CH	45	2.1,5.6	X	E1	118264	RD	15	7.5		4-Flat	N	SUV1,2		119251	20320	20321	
E17	118750	CH,BN	45	4.2,7.5	X								BTT	SUV1,2					
E17	118750	CH,BN	45	4.2,7.5	X								BTT	SUV1,2					
E15	118759	CH,BN	45	5.7,5	X								A,E	SUV1,2					
						E6	118285	BN,CH	15	7.5		4-Flat	A	SUV5					

- A** 2 wire system.
- B** 3 wire system. Converter required.
- BN** Exterior mounted plug on some or all models. May require an aftermarket electrical mounting box or bracket. (Sold separately)
- BTT** Shared Brake/Tail/Turn multiplexed wiring system. ModuLite® HD Plus or Ultra required.
- CE** T-One includes fuse(s) & relay(s). Converter not required. Standard 2 wire system at factory tow plug.
- CG** T-One incorporates circuit protected taillight converter.
- CH** T-One is equipped with circuit protected ModuLite® module.
- E** ModuLite® required.
- H** 3 wire system with OEM standard 2 wire harness.
- N** DO NOT cut or splice vehicle wiring. Only use approved T-One or see auto dealer for trailer tow wiring kit.
- RD** For vehicles equipped with factory tow package may require additional components or may be used as a replacement harness.

- RT3** Round Tube Class III 2"
- RT4** Round Tube Class IV 2"
- SQ1** Square Tube Class I
- SQ2** Square Tube Class II
- SQ3** Square Tube Class III
- SQ4** Square Tube Class IV
- SQ5** Square Tube Class V

MODEL / STYLE	YEAR	TRAILER HITCHES									
		PC	REC TYPE	REC SIZE	PART #	NO DRILL	FOOTNOTES	OPTIONAL DRAWBAR	WC (LBS.)	WD (LBS.)	IN
CHEVROLET (Continued)											
Express 1500	96-99	34	SQ2	1-1/4	36206	0	HM	36053	300/3,500		15
		50	SQ3	2	37136		HM		500/5,000	600/6,000	30
		20	SQ3	2	75189	0	HM		500/5,000	750/7,500	15
		33	SQ4	2	41521	0	HM		600/6,000	1,000/10,000	15
		42	SQ5	2	41946		@,HM		1,500/10,000	1,300/13,000	35
Express 1500	00-02	34	SQ2	1-1/4	36206	0	HM	36053	300/3,500		15
		50	SQ3	2	37136		HM		500/5,000	600/6,000	30
		20	SQ3	2	75189	0	HM		500/5,000	750/7,500	15
		33	SQ4	2	41521	0	HM		600/6,000	1,000/10,000	15
		42	SQ5	2	41946		@,HM		1,500/10,000	1,300/13,000	35
Express 1500	03-03	34	SQ2	1-1/4	36206	0	HM	36053	300/3,500		15
		50	SQ3	2	37136		HM		500/5,000	600/6,000	30
		20	SQ3	2	75189	0	HM		500/5,000	750/7,500	15
		33	SQ4	2	41521	0	HM		600/6,000	1,000/10,000	15
		42	SQ5	2	41946		@,HM		1,500/10,000	1,300/13,000	35
Express 1500	04-14	34	SQ2	1-1/4	36206	0	HM	36053	300/3,500		15
		50	SQ3	2	37136		HM		500/5,000	600/6,000	30
		20	SQ3	2	75189	0	HM		500/5,000	750/7,500	15
		33	SQ4	2	41521	0	HM		600/6,000	1,000/10,000	15
		42	SQ5	2	41946		@,HM		1,500/10,000	1,300/13,000	35
Express 2500	96-99	34	SQ2	1-1/4	36206	0	HM	36053	300/3,500		15
		50	SQ3	2	37136		HM		500/5,000	600/6,000	30
		20	SQ3	2	75189	0	HM		500/5,000	750/7,500	15
		33	SQ4	2	41521	0	HM		600/6,000	1,000/10,000	15
		42	SQ5	2	41946		@,HM		1,500/10,000	1,300/13,000	35
52	SQ5	2-1/2	45507	0	#,HM	1,200/12,000	1,700/14,000	45			
Express 2500	00-02	34	SQ2	1-1/4	36206	0	HM	36053	300/3,500		15
		50	SQ3	2	37136		HM		500/5,000	600/6,000	30
		20	SQ3	2	75189	0	HM		500/5,000	750/7,500	15
		33	SQ4	2	41521	0	HM		600/6,000	1,000/10,000	15
		42	SQ5	2	41946		@,HM		1,500/10,000	1,300/13,000	35
52	SQ5	2-1/2	45507	0	#,HM	1,200/12,000	1,700/14,000	45			
Express 2500	03-03	34	SQ2	1-1/4	36206	0	HM	36053	300/3,500		15
		50	SQ3	2	37136		HM		500/5,000	600/6,000	30
		20	SQ3	2	75189	0	HM		500/5,000	750/7,500	15
		33	SQ4	2	41521	0	HM		600/6,000	1,000/10,000	15
		42	SQ5	2	41946		@,HM		1,500/10,000	1,300/13,000	35
52	SQ5	2-1/2	45507	0	#,HM	1,200/12,000	1,700/14,000	45			
Express 2500	04-17	34	SQ2	1-1/4	36206	0	HM	36053	300/3,500		15
		50	SQ3	2	37136		HM		500/5,000	600/6,000	30
		20	SQ3	2	75189	0	HM		500/5,000	750/7,500	15
		33	SQ4	2	41521	0	HM		600/6,000	1,000/10,000	15
		42	SQ5	2	41946		@,HM		1,500/10,000	1,300/13,000	35
52	SQ5	2-1/2	45507	0	#,HM	1,200/12,000	1,700/14,000	45			
Express 2500	18-18										
Express 3500	96-99	34	SQ2	1-1/4	36206	0	HM	36053	300/3,500		15
		50	SQ3	2	37136		HM		500/5,000	600/6,000	30
		20	SQ3	2	75189	0	HM		500/5,000	750/7,500	15
		33	SQ4	2	41521	0	HM		600/6,000	1,000/10,000	15
		42	SQ5	2	41946		@,HM		1,500/10,000	1,300/13,000	35
52	SQ5	2-1/2	45507	0	#,HM	1,200/12,000	1,700/14,000	45			

Titan hitches require use of a 2-1/2" shank Titan ball mount.
 @ Ultra Frame ball mount must be used to achieve maximum weight carrying rating.

HM Hitch cross tube is visible beneath bumper.

T-ONE					TOW HARNESS						4-FLAT WIRING				REQ. 4 FLAT WIRING		7-WAY HARDWIRE	BRAKE CONTROL HARNESS	IN
PC	T-ONE	FN	IN	AMP	CP	PC	TOW HARN	FN	IN	AMP	CP	TYPE	ELEC	POS	CHOICE 1	CHOICE 2			
CHEVROLET (Continued)																			
E8	118335	HG	10	2.1,5		E1	118240	RD	5	7.5		4-Flat	B	SUV3,4	119130	119178	20320	20321	20224
E8	118377	HG	10	2.1,5		E1	118240	RD	5	7.5		4-Flat	B	SUV3,4	119130	119178	20320	20321	20224
E5	118392		20	7.5		E1	118240	RD	5	7.5		4-Flat	A	SUV3,4	119148	20252	20320	20321	20224
E5	118392		20	7.5									A	SUV3,4	119148	20252	20320	20321	20224
E8	118335	HG	10	2.1,5		E1	118240	RD	5	7.5		4-Flat	B	SUV3,4	119130	119178	20320	20321	20224
E8	118377	HG	10	2.1,5		E1	118240	RD	5	7.5		4-Flat	B	SUV3,4	119130	119178	20320	20321	20224
E5	118392		20	7.5		E1	118240	RD	5	7.5		4-Flat	A	SUV3,4	119148	20252	20320	20321	20224
E5	118392		20	7.5									A	SUV3,4	119148	20252	20320	20321	20224
E5	118392		20	7.5									A	SUV3,4	119148	20252	20320	20321	20224
E8	118335	HG	10	2.1,5		E1	118240	RD	5	7.5		4-Flat	B	SUV3,4	119130	119178	20320	20321	20224

A 2 wire system.
B 3 wire system. Converter required.

HG T-One incorporates taillight converter.
RD For vehicles equipped with factory tow package may require additional components or may be used as a replacement harness.

SQ2 Square Tube Class II
SQ3 Square Tube Class III
SQ4 Square Tube Class IV
SQ5 Square Tube Class V

MODEL / STYLE	YEAR	TRAILER HITCHES									
		PC	REC TYPE	REC SIZE	PART #	NO DRILL	FOOTNOTES	OPTIONAL DRAWBAR	WC (LBS.)	WD (LBS.)	IN
CHEVROLET (Continued)											
Express 3500	00-02	34	SQ2	1-1/4	36206	0	HM	36053	300/3,500		15
		50	SQ3	2	37136		HM		500/5,000	600/6,000	30
		20	SQ3	2	75189	0	HM		500/5,000	750/7,500	15
		33	SQ4	2	41521	0	HM		600/6,000	1,000/10,000	15
		42	SQ5	2	41946		@,HM		1,500/10,000	1,300/13,000	35
		52	SQ5	2-1/2	45507	0	#,HM		1,200/12,000	1,700/14,000	45
Express 3500	03-03	34	SQ2	1-1/4	36206	0	HM	36053	300/3,500		15
		50	SQ3	2	37136		HM		500/5,000	600/6,000	30
		20	SQ3	2	75189	0	HM		500/5,000	750/7,500	15
		33	SQ4	2	41521	0	HM		600/6,000	1,000/10,000	15
		42	SQ5	2	41946		@,HM		1,500/10,000	1,300/13,000	35
		52	SQ5	2-1/2	45507	0	#,HM		1,200/12,000	1,700/14,000	45
Express 3500	04-17	34	SQ2	1-1/4	36206	0	HM	36053	300/3,500		15
		50	SQ3	2	37136		HM		500/5,000	600/6,000	30
		20	SQ3	2	75189	0	HM		500/5,000	750/7,500	15
		33	SQ4	2	41521	0	HM		600/6,000	1,000/10,000	15
		42	SQ5	2	41946		@,HM		1,500/10,000	1,300/13,000	35
		52	SQ5	2-1/2	45507	0	#,HM		1,200/12,000	1,700/14,000	45
Express 3500	18-18										
HHR	06-11	30	SQ1	1-1/4	24756		HM,JR	3594	200/2,000		25
HHR SS	08-10	30	SQ1	1-1/4	24756		EP,HM,JR	3594	200/2,000		35
Impala	00-05	25	SQ1	1-1/4	24681		GP	3590	200/2,000		20
		35	SQ2	1-1/4	36407	0	GP,JR	36061	300/3,500		30
Impala	06-13	35	SQ2	1-1/4	36407	0	GP,JR	36061	300/3,500		30
Impala Eco, Except Impala Limited	14-14	48	SQ2	1-1/4	36543	0	HM,X	36061	300/3,500		30
Impala Except Impala Limited	14-19	42	SQ2	1-1/4	36538		HM,FE	36061	300/3,500		35
Impala LS Except Impala Limited	14-14	48	SQ2	1-1/4	36543	0	HM,X	36061	300/3,500		30
Impala LT Except Impala Limited	14-14	48	SQ2	1-1/4	36543	0	HM,X	36061	300/3,500		30
		46	SQ2	1-1/4	36762†		HM,X	36061	300/3,500		40
Impala LTZ Except Impala Limited	14-14	48	SQ2	1-1/4	36543	0	HM,X	36061	300/3,500		30
		46	SQ2	1-1/4	36762†		HM,X	36061	300/3,500		40
K1500	88-99	49	RT3	2	37133				500/5,000	750/7,500	40
		35	SQ3	2	75033	0	HM,J		500/5,000	800/8,000	20
		25	SQ3	2	75099	0	GP		500/5,000	800/8,000	20
		44	SQ4	2	41524	0	GP		600/6,000	1,000/10,000	20
		38	SQ4	2	41525†	0	HM,J		600/6,000	1,000/10,000	20
		54	RT4	2	37130				700/7,000	1,200/12,000	40
		45	SQ5	2	41901		@,DB,GP,SN		1,000/10,000	1,300/13,000	30
K1500 w/10" Deep Drop Bumper	88-99	53	SQ4	2	41528	0	FS,J		600/6,000	1,000/10,000	20
K1500 w/Aftermarket Roll Pan	88-99	38	SQ3	2	41522		CO,HK		500/5,000	550/5,500	40
K2500 Regular & Extended Cabs	88-99	49	RT3	2	37133				500/5,000	750/7,500	40
		35	SQ3	2	75033	0	HM,J		500/5,000	800/8,000	20
		25	SQ3	2	75099	0	GP		500/5,000	800/8,000	20
		44	SQ4	2	41524	0	GP		600/6,000	1,000/10,000	20
		38	SQ4	2	41525†	0	HM,J		600/6,000	1,000/10,000	20
		54	RT4	2	37130				700/7,000	1,200/12,000	40
		59	SQ5	2-1/2	45506		#		1,200/12,000	1,700/14,000	45
K2500 Regular & Extended Cabs	88-00	45	SQ5	2	41901		@,DB,GP,SN		1,000/10,000	1,300/13,000	30
K2500 Regular & Extended Cabs, w/10" Deep Drop Bumper	88-99	53	SQ4	2	41528	0	FS,J		600/6,000	1,000/10,000	20
K2500 w/Aftermarket Roll Pan	88-99	38	SQ3	2	41522		CO,HK		500/5,000	550/5,500	40

Titan hitches require use of a 2-1/2" shank Titan ball mount.

@ Ultra Frame ball mount must be used to achieve maximum weight carrying rating.

CO Will not fit 8 ft. 2500/3500 Series with heavy-duty suspension or four door Crew Cab.

DB Will not fit 6 ft. bed pickups.

EP Fascia trimming may be required.

FE Fascia trimming may be required. Allow additional installation time.

FS Includes 2 & 4 WD models with heavy duty suspension.

GP Hitch cross-tube concealed behind bumper.

HK Under vehicle spare tire storage may be retained with installation of an aftermarket spare tire repositioner. Cutting of rollpan in license plate area required for receiver tube access. Does not fit with bumper.

HM Hitch cross-tube is visible beneath bumper.

J Under vehicle spare tire storage is retained.

JR Exhaust must be temporarily lowered for installation.

SN Hitches produced before 04/28/08 are rated at 1000/10000 WC & 1200/12000 WD.

X Minor fascia trimming required.

T-ONE					TOW HARNESS							4-FLAT WIRING				REQ. 4 FLAT WIRING		7-WAY HARDWIRE	BRAKE CONTROL HARNESS	IN
PC	T-ONE	FN	IN	AMP	CP	PC	TOW HARN	FN	IN	AMP	CP	TYPE	ELEC	POS	CHOICE 1	CHOICE 2	6-WAY ADAPTER			
CHEVROLET (Continued)																				
E8	118377	HG	10	2.1,5		E1	118240	RD	5	7.5		4-Flat	B	SUV3,4	119130	119178	20320	20321	20224	
E5	118392		20	7.5		E1	118240	RD	5	7.5		4-Flat	A	SUV3,4	119148	20252	20320	20321	20224	
E5	118392		20	7.5									A	SUV3,4	119148	20252	20320	20321	20224	
E5	118392		20	7.5									A	SUV3,4	119148	20252	20320	20321	20224	
E5	118407	BN	15	7.5									A	SUV3,4	119148	20252	20320	20321		
E5	118407	BN	15	7.5									A	SUV3,4	119148	20252	20320	20321		
E5	118512		25	7.5									A	PC3,4	119148	20252				
E5	118417	BN	10	7.5									A	PC2	119148	20252				
E14	118590		45	2.1,5,6	X								A,E	PC3,4	119191	119148				
E14	118590		45	2.1,5,6	X								A,E	PC3,4	119191	119148				
E14	118590		45	2.1,5,6	X								A,E	PC3,4	119191	119148				
E14	118590		45	2.1,5,6	X								A,E	PC3,4	119191	119148				
E3	118315	BN	5	7.5									A	PU3	119148	20252	20320	20321	20224	
E3	118315	BN	5	7.5									A	PU3	119148	20252	20320	20321	20224	
E3	118315	BN	5	7.5									A	PU3	119148	20252	20320	20321	20224	
E3	118315	BN	5	7.5									A	PU3	119148	20252	20320	20321	20224	
E3	118315	BN	5	7.5									A	PU3	119148	20252	20320	20321	20224	
E3	118315	BN	5	7.5									A	PU3	119148	20252	20320	20321	20224	

A 2 wire system.
B 3 wire system. Converter required.
BN Exterior mounted plug on some or all models. May require an aftermarket electrical mounting box or bracket. (Sold separately)

E ModuLite® required.
HG T-One incorporates taillight converter.
RD For vehicles equipped with factory tow package may require additional components or may be used as a replacement harness.

RT3 Round Tube Class III 2"
RT4 Round Tube Class IV 2"
SQ1 Square Tube Class I
SQ2 Square Tube Class II
SQ3 Square Tube Class III
SQ4 Square Tube Class IV
SQ5 Square Tube Class V

MODEL / STYLE	YEAR	TRAILER HITCHES									
		PC	REC TYPE	REC SIZE	PART #	NO DRILL	FOOTNOTES	OPTIONAL DRAWBAR	WC (LBS.)	WD (LBS.)	IN
CHEVROLET (Continued)											
K2500 Crew Cab	92-00	49	RT3	2	37133	0			500/5,000	750/7,500	40
		35	SQ3	2	75033	0	HM,J		500/5,000	800/8,000	20
		25	SQ3	2	75099	0	GP		500/5,000	800/8,000	20
		44	SQ4	2	41524	0	GP		600/6,000	1,000/10,000	20
		38	SQ4	2	41525†	0	HM,J		600/6,000	1,000/10,000	20
		54	RT4	2	37130				700/7,000	1,200/12,000	40
		45	SQ5	2	41901		@,DB,GP,SN		1,000/10,000	1,300/13,000	30
		59	SQ5	2-1/2	45506		#		1,200/12,000	1,700/14,000	45
K2500 Crew Cab w/10" Deep Drop Bumper	92-00	53	SQ4	2	41528	0	FS,J		600/6,000	1,000/10,000	20
K3500 Regular & Extended Cabs	88-00	49	RT3	2	37133				500/5,000	750/7,500	40
		35	SQ3	2	75033	0	HM,J		500/5,000	800/8,000	20
		44	SQ4	2	41524	0	GP		600/6,000	1,000/10,000	20
		38	SQ4	2	41525†	0	HM,J		600/6,000	1,000/10,000	20
		54	RT4	2	37130				700/7,000	1,200/12,000	40
		45	SQ5	2	41901		@,DB,GP,SN		1,000/10,000	1,300/13,000	30
		59	SQ5	2-1/2	45506		#		1,200/12,000	1,700/14,000	45
K3500 Regular & Extended Cabs, w/10" Deep Drop Bumper	88-00	53	SQ4	2	41528	0	FS,J		600/6,000	1,000/10,000	20
K3500 w/Aftermarket Roll Pan	88-00	38	SQ3	2	41522		CO,HK		500/5,000	550/5,500	40
K3500 Crew Cab	92-00	49	RT3	2	37133	0			500/5,000	750/7,500	40
		35	SQ3	2	75033	0	HM,J		500/5,000	800/8,000	20
		25	SQ3	2	75099	0	GP		500/5,000	800/8,000	20
		44	SQ4	2	41524	0	GP		600/6,000	1,000/10,000	20
		38	SQ4	2	41525†	0	HM,J		600/6,000	1,000/10,000	20
		54	RT4	2	37130				700/7,000	1,200/12,000	40
		45	SQ5	2	41901		@,DB,GP,SN		1,000/10,000	1,300/13,000	30
		59	SQ5	2-1/2	45506		#		1,200/12,000	1,700/14,000	45
K3500 Crew Cab w/10" Deep Drop Bumper	92-00	53	SQ4	2	41528	0	FS,J		600/6,000	1,000/10,000	20
Kodiak C4500 Cab & Chassis, w/34" Wide Frames	03-09	50	SQ5	2	41947		@		1,600/15,000	1,600/16,000	35
Kodiak C5500 Cab & Chassis, w/34" Wide Frames	03-09	50	SQ5	2	41947		@		1,600/15,000	1,600/16,000	35
Kodiak C6500 Cab & Chassis, w/34" Wide Frames	99-09	50	SQ5	2	41947		@		1,600/15,000	1,600/16,000	35
Kodiak C7500 Cab & Chassis, w/34" Wide Frames	99-09	50	SQ5	2	41947		@		1,600/15,000	1,600/16,000	35
Kodiak C8500 Cab & Chassis, w/34" Wide Frames	99-09	50	SQ5	2	41947		@		1,600/15,000	1,600/16,000	35
Lumina	95-00	23	SQ1	1-1/4	24628		AI,GP	3592	200/2,000		30
		48	SQ2	1-1/4	36193	0	JR,GP	36061	300/3,500		60
Malibu 4 Dr.	97-05	34	SQ1	1-1/4	24656	0	GP	3592	200/2,000		15
		41	SQ2	1-1/4	36233		GP	36061	300/3,500		20
Malibu 4 Dr.	04-07	43	SQ2	1-1/4	36317		JR,HM	36071	300/3,500		40
Malibu Except LTZ	08-12	24	SQ2	1-1/4	36479		GP,JR,RB	36065	300/3,500		45
Malibu (Canada Only)	13-13	49	SQ2	1-1/4	36522	0	HM	36061	300/3,500		20
Malibu Except LTZ & Canada Models	13-13	49	SQ2	1-1/4	36522	0	HM	36061	300/3,500		20
Malibu Except LTZ & Canada Models	13-15	42	SQ2	1-1/4	36538	0	HM	36061	300/3,500		35
Malibu Except Premier (New Body Style)	16-19	23	SQ2	1-1/4	36592†	0	GP,JR,EP,TA	36071	300/3,500		80
		23	SQ2	1-1/4	36652	0	GP,JR,AA,DU,X,TA	36071	350/3,500		80
Malibu Limited LTZ, Except Canada Models (Old Body Style)	16-16	42	SQ2	1-1/4	36538	0	HM	36061	300/3,500		35
Malibu Limited, Except LTZ & Canada Models (Old Body Style)	16-16	42	SQ2	1-1/4	36538	0	HM	36061	300/3,500		35
Malibu Premier (New Body Style)	16-19	23	SQ2	1-1/4	36592†	0	GP,JR,EP,TA	36071	300/3,500		80
		23	SQ2	1-1/4	36652	0	GP,JR,AA,DU,X,TA	36071	350/3,500		80
Malibu Classic LS	08-08	43	SQ2	1-1/4	36317		JR,HM	36071	300/3,500		40
Malibu Classic LT	08-08	43	SQ2	1-1/4	36317		JR,HM	36071	300/3,500		40
Malibu LTZ	08-12	24	SQ2	1-1/4	36479		GP,JR,RB	36065	300/3,500		45
Malibu LTZ Except Canada Models	13-13	49	SQ2	1-1/4	36522	0	HM	36061	300/3,500		20
Malibu LTZ Except Canada Models	14-15	42	SQ2	1-1/4	36538	0	HM	36061	300/3,500		35
Malibu Maxx LS	04-07	37	SQ2	1-1/4	36379		HM	36071	300/3,500		25

- # Titan hitches require use of a 2-1/2" shank Titan ball mount.
- @ Ultra Frame ball mount must be used to achieve maximum weight carrying rating.
- AA Requires temporary removal of bumper during installation.
- AI Additional installation time may be required.
- CB Will not fit 8 ft. 2500/3500 Series with heavy-duty suspension or four door Crew Cab.
- DB Will not fit 6 ft. bed pickups.
- DU Fascia removal required.
- EP Fascia trimming may be required.
- FS Includes 2 & 4 WD models with heavy duty suspension.

- GP Hitch cross-tube concealed behind bumper.
- HK Under vehicle spare tire storage may be retained with installation of an aftermarket spare tire repositioner. Cutting of rollpan in license plate area required for receiver tube access. Does not fit with bumper.
- HM Hitch cross-tube is visible beneath bumper.
- J Under vehicle spare tire storage is retained.
- JR Exhaust must be temporarily lowered for installation.
- RB Hitch installation can be made easier with a "cutter" type drill bit.
- SN Hitches produced before 04/28/08 are rated at 1000/10000 WC & 1200/12000 WD.
- TA Trunk access required for hitch installation.
- X Minor fascia trimming required.

T-ONE					TOW HARNESS					4-FLAT WIRING				REQ. 4 FLAT WIRING		7-WAY HARDWIRE	BRAKE CONTROL HARNESS	IN
PC	T-ONE	FN	IN	AMP	CP	TOW HARN	FN	IN	AMP	CP	TYPE	ELEC	POS	CHOICE 1	CHOICE 2			
CHEVROLET (Continued)																		
E3	118315	BN	5	7.5								A	PU3	119148	20252	20320	20321	20224
E3	118315	BN	5	7.5								A	PU3	119148	20252	20320	20321	20224
E3	118315	BN	5	7.5								A	PU3	119148	20252	20320	20321	20224
E3	118315	BN	5	7.5								A	PU3	119148	20252	20320	20321	20224
E3	118315	BN	5	7.5								A	PU3	119148	20252	20320	20321	20224
E3	118315	BN	5	7.5								A	PU3	119148	20252	20320	20321	20224
												A		119148	20252			
												A		119148	20252			
												A		119148	20252			
												A		119148	20252			
												A	PC3,4	119148	20252			
												B	PC3,4	119130	119178			
E7	118439	BN	15	7.5								A	PC3,4	119148	20252			
E7	118450	BN	10	7.5								A	PC1,2	119148	20252			
E18	118604	CH	45	4.2,7.5	X							BM	PC3,4	119251	119191			
E16	118576	CH	45	2.1,5.6	X							B,E	PC3,4	119191	119148			
E18	118604	CH	45	4.2,7.5	X							B,E	PC3,4	119191	119148			
E17	118689	CH	45	4.2,7.5	X							BTT	PC3,4	119251	119191			
E17	118602	CH	45	2.1,5.6	X							B,E	PC3,4	119191	119148			
E18	118604	CH	45	4.2,7.5	X							B,E	PC3,4	119191	119148			
E15	118740	CH	45	5.7.5	X							A,E	PC3,4	119251	119191			
E7	118439	BN	15	7.5								A	PC3,4	119148	20252			
E7	118439	BN	15	7.5								A	PC3,4	119148	20252			
												A,E	PC1,2	119191	119148			
E17	118602	CH	45	2.1,5.6	X							B,E	PC3,4	119191	119148			
E17	118602	CH	45	2.1,5.6	X							B,E	PC3,4	119191	119148			
E7	118439	BN	15	7.5								A	PC3,4	119148	20252			

A 2 wire system.
B 3 wire system. Converter required.
BM Multiplexed wiring system. ModuLite® HD Plus or Ultra required.
BN Exterior mounted plug on some or all models. May require an aftermarket electrical mounting box or bracket. (Sold separately)

BTT Shared Brake/Tail/Turn multiplexed wiring system. ModuLite® HD Plus or Ultra required.
CH T-One is equipped with circuit protected ModuLite® module.
E ModuLite® required.

RT3 Round Tube Class III 2"
RT4 Round Tube Class IV 2"
SQ1 Square Tube Class I
SQ2 Square Tube Class II
SQ3 Square Tube Class III
SQ4 Square Tube Class IV
SQ5 Square Tube Class V

MODEL / STYLE	YEAR	TRAILER HITCHES									
		PC	REC TYPE	REC SIZE	PART #	NO DRILL	FOOTNOTES	OPTIONAL DRAWBAR	WC (LBS.)	WD (LBS.)	IN
CHEVROLET (Continued)											
Malibu Maxx LT	04-07	37	SQ2	1-1/4	36379		HM	36071	300/3,500		25
Malibu SS 4 Dr.	06-07	43	SQ2	1-1/4	36317		JR,X,HM	36071	300/3,500		50
Monte Carlo	95-99	23	SQ1	1-1/4	24628		AI,GP	3592	200/2,000		30
		48	SQ2	1-1/4	36193	0	JR,GP	36061	300/3,500		60
Monte Carlo Except SS Sport Appearance Pkg.	00-05	45	SQ2	1-1/4	36292	0	JR,GP	36061	300/3,500		30
Monte Carlo Except SS Sport Appearance Pkg.	06-07	45	SQ2	1-1/4	36292	0	JR,GP	36061	300/3,500		30
Orlando (Canada Only)	12-13	27	SQ1	1-1/4	24881	0	HM,JR,KH	3593	200/2,000		35
Prizm	98-02	25	SQ1	1-1/4	24579		GP	3593	200/2,000		30
S10 w/Standard Bed & Step Bumper	85-97	34	SQ2	1-1/4	36248	0	GU,HM,RH	36071	300/3,500		35
		34	SQ3	2	75051	0	GP,GU		350/3,500	750/6,000	40
		50	SQ3	2	37136		CN,GU,SB		500/5,000	600/6,000	30
S10 w/Sportside Bed & Non-Towing Bumper	96-97	30	SQ3	2	75085	0	GP		350/3,500	750/6,000	40
S10	98-04	34	SQ2	1-1/4	36248	0	GU,RH,GP	36071	300/3,500		35
		30	SQ3	2	75085	0	GP		350/3,500	750/6,000	40
		50	SQ3	2	37136		AF,CN,GU,ST		500/5,000	600/6,000	30
S10	13-13	53	SQ3	2	75810	0	GP		600/4,000	771/7,710	30
Silverado 1500	99-02	49	RT3	2	37133	0	RO		500/5,000	750/7,500	25
		39	SQ4	2	41534	0	RO		600/6,000	1,200/12,000	20
		54	RT4	2	37130	0	RO		700/7,000	1,200/12,000	25
		30	RT4	2	75362	0	JL		900/6,000	900/8,000	15
		22	RT4	2	75521	0	JL,SZ		900/6,000	1,050/10,500	15
		50	SQ5	2	41932	0	@,HM,JL		1,200/12,000	1,400/14,000	20
Silverado 1500 w/Factory 7-Way	99-13										
Silverado 1500 (Classic)	03-07	49	RT3	2	37133	0			500/5,000	750/7,500	25
		39	SQ4	2	41534	0			600/6,000	1,200/12,000	20
		54	RT4	2	37130	0			700/7,000	1,200/12,000	25
		30	RT4	2	75362	0	JL		900/6,000	900/8,000	15
		22	RT4	2	75521	0	JL,SZ		900/6,000	1,050/10,500	15
		50	SQ5	2	41932	0	@,HM,JL		1,200/12,000	1,400/14,000	20
Silverado 1500	07-13	30	RT4	2	75362	0	JL		900/6,000	900/8,000	15
		22	RT4	2	75521	0	JL,SZ		900/6,000	1,050/10,500	15
Silverado 1500	14-18	33	RT4	2	75866	0	HM,JL		900/6,000	1,200/12,000	20
		25	SQ4	2	76016	0	GP,JL		900/6,000	1,000/10,000	25
Silverado 1500 HD	01-02	39	SQ4	2	41534	0			600/6,000	1,200/12,000	20
Silverado 1500 HD	01-03	49	RT3	2	37133	0			500/5,000	750/7,500	25
		54	RT4	2	37130	0			700/7,000	1,200/12,000	25
		30	RT4	2	75362	0	JL		900/6,000	900/8,000	15
		22	RT4	2	75521	0	JL,SZ		900/6,000	1,050/10,500	15
		50	SQ5	2	41932	0	@,HM,JL		1,200/12,000	1,400/14,000	20
Silverado 1500 HD w/Factory 7-Way	01-07										
Silverado 1500 HD (Classic)	03-03	39	SQ4	2	41534	0			600/6,000	1,200/12,000	20
Silverado 1500 HD (Classic)	05-07	49	RT3	2	37133	0			500/5,000	750/7,500	25
		39	SQ4	2	41534	0			600/6,000	1,200/12,000	20
		54	RT4	2	37130	0			700/7,000	1,200/12,000	25
		30	RT4	2	75362	0	JL		900/6,000	900/8,000	15
		22	RT4	2	75521	0	JL,SZ		900/6,000	1,050/10,500	15
		50	SQ5	2	41932	0	@,HM,JL		1,200/12,000	1,400/14,000	20

@ Ultra Frame ball mount must be used to achieve maximum weight carrying rating.
AF Hitch is ONLY rated for Weight Carrying at 3500 lbs. GTW / 350 lbs. TW and DO NOT use Weight Distribution Spring Bars for this Specific Vehicle. Except for long bed pickups.
AI Additional installation time may be required.
CN Requires OEM factory bumper for hitch installation.
GP Hitch crosstube concealed behind bumper.
GU Will not fit vehicles with factory or aftermarket lower Fascia/Rollpan or Tube Bumper.
HM Hitch crosstube is visible beneath bumper.
JL Installation requires OEM bumper and brackets.

JR Exhaust must be temporarily lowered for installation.
KH Minor heat shield modification may be required.
RH Optional drawbar #36051 required (Sold separately) except for models with ZR2 & Highrider package.
RO Will not fit Silverado SS.
SB Will not fit models with short bed.
ST Will not fit 2WD models with short bed.
SZ Hitches produced before 03/10/11 are rated at 600/6000 WC.
X Minor fascia trimming required.

T-ONE					TOW HARNESS						4-FLAT WIRING				REQ. 4 FLAT WIRING		7-WAY HARDWIRE	BRAKE CONTROL HARNESS	IN		
PC	T-ONE	FN	IN	AMP	CP	PC	TOW HARN	FN	IN	AMP	CP	TYPE	ELEC	POS	CHOICE 1	CHOICE 2				6-WAY ADAPTER	7-WAY ADAPTER
CHEVROLET (Continued)																					
E7	118439	BN	15	7.5									A	PC3,4	119148	20252					
E7	118439	BN	15	7.5									A	PC3,4	119148	20252					
													A	PC3,4	119148	20252					
													B	PC4	119130	119178					
													A	PC3,4	119148	20252					
E16	118565	CH	45	2,1,5,6	X								B,E	SUV3,4	119191	119148	20320	20321			
													B	PC3,4	119130	119178					
E3	118312	BN	5	7.5									A	PU3	119148	20252	20320	20321	20224		
E3	118312	BN	5	7.5									A	PU3	119148	20252	20320	20321	20224		
E4	118359	BN	5	7.5									A	PU3	119148	20252	20320	20321	20224		
													B,E	PU1,2	119191	119148	20320	20321			
						E8	118384	BN,RD	5	7.5		4-Flat	A	PU3	119148	20252	20320	20321	20224	3025-P	5
							74682	RD	10			Both	H	PU3	119148	20252					
							8551511	RD				7-Way									
							85219	RD	5			7-Way									
						E8	118384	BN,RD	5	7.5		4-Flat	A	PU3	119148	20252	20320	20321	20224	3015-P	5
E8	118384	BN	5	7.5									A	PU3	119148	20252	20320	20321	20224		
E8	118384		5	7.5									A	PU3	119148	20252	20320	20321	20224	3016-P	5
						E8	118384	BN,RD	5	7.5		4-Flat	A	PU3	119148	20252	20320	20321	20224	3025-P	5
						E8	118384	BN,RD	5	7.5		4-Flat	A	PU3	119148	20252	20320	20321	20224	3025-P	5
							85219	RD	5			7-Way	H	PU3	119148	20252					
							8551511	RD				7-Way									
							74682	RD	10			Both									
						E8	118384	BN,RD	5	7.5		4-Flat	A	PU3	119148	20252	20320	20321	20224	3015-P	5
						E8	118384	BN,RD	5	7.5		4-Flat	A	PU3	119148	20252	20320	20321	20224	3015-P	5

- A** 2 wire system.
- B** 3 wire system. Converter required.
- BN** Exterior mounted plug on some or all models. May require an aftermarket electrical mounting box or bracket. (Sold separately)
- CH** T-One is equipped with circuit protected ModuLite® module.
- E** ModuLite® required.
- H** 3 wire system with OEM standard 2 wire harness.
- RD** For vehicles equipped with factory tow package may require additional components or may be used as a replacement harness.

- RT3** Round Tube Class III 2"
- RT4** Round Tube Class IV 2"
- SQ1** Square Tube Class I
- SQ2** Square Tube Class II
- SQ3** Square Tube Class III
- SQ4** Square Tube Class IV
- SQ5** Square Tube Class V

MODEL / STYLE	YEAR	TRAILER HITCHES									
		PC	REC TYPE	REC SIZE	PART #	NO DRILL	FOOTNOTES	OPTIONAL DRAWBAR	WC (LBS.)	WD (LBS.)	IN
CHEVROLET (Continued)											
Silverado 2500	99-02	49	RT3	2	37133	0			500/5,000	750/7,500	25
		39	SQ4	2	41534	0			600/6,000	1,200/12,000	20
		54	RT4	2	37130	0			700/7,000	1,200/12,000	25
		30	RT4	2	75362	0	JL		900/6,000	900/8,000	15
		22	RT4	2	75521	0	JL,SZ		900/6,000	1,050/10,500	15
		50	SQ5	2	41932	0	@,HM,JL		1,200/12,000	1,400/14,000	20
		59	SQ5	2-1/2	45512	0	#		1,200/12,000	1,700/14,000	20
Silverado 2500 w/Factory 7-Way	99-04										
Silverado 2500	03-04	49	RT3	2	37133	0			500/5,000	750/7,500	25
		39	SQ4	2	41534	0			600/6,000	1,200/12,000	20
		54	RT4	2	37130	0			700/7,000	1,200/12,000	25
		30	RT4	2	75362	0	JL		900/6,000	900/8,000	15
		22	RT4	2	75521	0	JL,SZ		900/6,000	1,050/10,500	15
		50	SQ5	2	41932	0	@,HM,JL		1,200/12,000	1,400/14,000	20
		59	SQ5	2-1/2	45512	0	#		1,200/12,000	1,700/14,000	20
Silverado 2500 HD	01-02	46	SQ4	2	41544	0	HM,SA		600/6,000	1,200/12,000	20
		34	RT4	2	75550	0	CS,FS,JL,LT		600/6,000	1,100/11,000	20
		35	SQ5	2	41944	0	@,CS,FS,HM,LT		1,950/13,000	1,600/16,000	25
		58	SQ5	2-1/2	45517	0	#,CS,FS,LT		1,300/13,000	1,700/17,000	25
Silverado 2500 HD 8 ft. Bed	01-02	60	SQ5	2-1/2	45519	0	#,CS,FS,LT		2,000/18,000	2,500/18,000	25
Silverado 2500 HD w/Factory 7-Way	01-18										
Silverado 2500 HD (Classic)	03-07	46	SQ4	2	41544	0	HM,SA		600/6,000	1,200/12,000	20
		34	RT4	2	75550	0	CS,FS,JL,LT		600/6,000	1,100/11,000	20
		35	SQ5	2	41944	0	@,CS,FS,HM,LT		1,950/13,000	1,600/16,000	25
		58	SQ5	2-1/2	45517	0	#,CS,FS,LT		1,300/13,000	1,700/17,000	25
Silverado 2500 HD 8 ft. Bed (Classic)	03-07	60	SQ5	2-1/2	45519	0	#,CS,FS,LT		2,000/18,000	2,500/18,000	25
Silverado 2500 HD	07-10	34	RT4	2	75550	0	CS,FS,JL,LT		600/6,000	1,100/11,000	20
		35	SQ5	2	41944	0	@,CS,FS,HM,LT		1,950/13,000	1,600/16,000	25
		58	SQ5	2-1/2	45517	0	#,CS,FS,LT		1,300/13,000	1,700/17,000	25
Silverado 2500 HD 8 ft. Bed	07-10	60	SQ5	2-1/2	45519	0	#,CS,FS,LT		2,000/18,000	2,500/18,000	25
Silverado 2500 HD	11-14	43	SQ4	2	75707	0	CS,FS,GP,JL,LT		800/8,000	1,200/12,000	20
		50	SQ5	2	41942	0	@,CS,FS,GP,JL,KH,LT		1,500/15,000	1,600/16,000	20
		67	SQ5	2-1/2	45510	0	#,CS,FS,HM,JL,KH,LT		2,000/18,000	2,500/18,000	60
Silverado 2500 HD	15-19	42	SQ4	2	75906	0	HM,JL		1,200/8,000	1,200/12,000	30
		48	SQ5	2	41950	0	@,CS,FS,GP,JL,KH,LT		1,700/15,000	1,700/17,000	60
		57	SQ5	2-1/2	45511	0	#,HM		2,700/20,000	2,700/20,000	60
Silverado 3500	01-02	46	SQ4	2	41544	0	HM,SA		600/6,000	1,200/12,000	20
		34	RT4	2	75550	0	CS,FS,JL,LT		600/6,000	1,100/11,000	20
		35	SQ5	2	41944	0	@,CS,FS,HM,LT		1,950/13,000	1,600/16,000	25
		58	SQ5	2-1/2	45517	0	#,CS,FS,LT		1,300/13,000	1,700/17,000	25
		60	SQ5	2-1/2	45519	0	#,CS,FS,LT		2,000/18,000	2,500/18,000	25
Silverado 3500 Cab & Chassis, w/34" Wide Frames (Classic)	01-07	29	SQ5	2	41936		@		1,200/12,000		30
		50	SQ5	2	41938		@,CC		1,200/12,000	1,500/15,000	40
		50	SQ5	2	41947		@		1,600/15,000	1,600/16,000	35
Silverado 3500 w/Factory 7-Way	01-07										

- # Titan hitches require use of a 2-1/2" shank Titan ball mount.
- @ Ultra Frame ball mount must be used to achieve maximum weight carrying rating.
- CC Requires minimum of 19" from end of frame rail to spring shackle bracket.
- CS Will fit with full-size spare tire stowed under vehicle.
- FS Includes 2 & 4 WD models with heavy duty suspension.
- GP Hitch crosstube concealed behind bumper.

- HM Hitch crosstube is visible beneath bumper.
- JL Installation requires OEM bumper and brackets.
- KH Minor heat shield modification may be required.
- LT Requires removal of factory hitch if equipped.
- SA Requires drilling on 6 ft. bed models.
- SZ Hitches produced before 03/10/11 are rated at 600/6000 WC.

T-ONE					TOW HARNESS						4-FLAT WIRING				REQ. 4 FLAT WIRING		7-WAY HARDWIRE	BRAKE CONTROL HARNESS	IN		
PC	T-ONE	FN	IN	AMP	CP	PC	TOW HARN	FN	IN	AMP	CP	TYPE	ELEC	POS	CHOICE 1	CHOICE 2				6-WAY ADAPTER	7-WAY ADAPTER
CHEVROLET (Continued)																					
						E8	118384	BN,RD	5	7.5		4-Flat	A	PU3	119148	20252	20320	20321	20224	3025-P	5
							8551511 74682 85219	RD RD RD		10 5		7-Way Both 7-Way	H	PU3	119148	20252					
						E8	118384	BN,RD	5	7.5		4-Flat	A	PU3	119148	20252	20320	20321	20224	3015-P	5
						E8	118384	BN,RD	5	7.5		4-Flat	A	PU3	119148	20252	20320	20321	20224	3025-P	5
						E8	118384	BN,RD	5	7.5		4-Flat	A	PU3	119148	20252	20320	20321	20224	3025-P	5
							85219 8551511 74682	RD RD RD		5 10		7-Way 7-Way Both	H	PU3	119148	20252					
						E8	118384	BN,RD	5	7.5		4-Flat	A	PU3	119148	20252	20320	20321	20224	3015-P	5
E8	118384	BN	5	7.5		E8	118384	BN,RD	5	7.5		4-Flat	A	PU3	119148	20252	20320	20321	20224	3015-P	5
													A	PU3	119148	20252	20320	20321	20224		
E8	118384	BN	5	7.5									A	PU3	119148	20252	20320	20321	20224		
E8	118384	BN	5	7.5									A	PU3	119148	20252	20320	20321	20224		
E8	118384	BN	5	7.5									A	PU3	119148	20252	20320	20321	20224	3016-P	5
						E8	118384	BN,RD	5	7.5		4-Flat	A	PU3	119148	20252	20320	20321	20224	3025-P	5
													C	PU1,2	119191	119148	20320	20321	20224		
							74682 8551511 85219	RD RD RD		10 5		Both 7-Way 7-Way	H	PU3	119148	20252					

A 2 wire system.

BN Exterior mounted plug on some or all models. May require an aftermarket electrical mounting box or bracket. (Sold separately)

C 2 or 3 wire system determine at installation.

H 3 wire system with OEM standard 2 wire harness.

RD For vehicles equipped with factory tow package may require additional components or may be used as a replacement harness.

RT3 Round Tube Class III 2"

RT4 Round Tube Class IV 2"

SQ4 Square Tube Class IV

SQ5 Square Tube Class V

MODEL / STYLE	YEAR	TRAILER HITCHES									
		PC	REC TYPE	REC SIZE	PART #	NO DRILL	FOOTNOTES	OPTIONAL DRAWBAR	WC (LBS.)	WD (LBS.)	IN
CHEVROLET (Continued)											
Silverado 3500 (Classic)	03-07	46	SQ4	2	41544	0	HM,SA		600/6,000	1,200/12,000	20
		34	RT4	2	75550	0	CS,FS,JL,LT		600/6,000	1,100/11,000	20
		35	SQ5	2	41944	0	@,CS,FS,HM,LT		1,950/13,000	1,600/16,000	25
		58	SQ5	2-1/2	45517	0	#,CS,FS,LT		1,300/13,000	1,700/17,000	25
Silverado 3500 HD	07-10	60	SQ5	2-1/2	45519	0	#,CS,FS,LT		2,000/18,000	2,500/18,000	25
		34	RT4	2	75550	0	CS,FS,JL,LT		600/6,000	1,100/11,000	20
		35	SQ5	2	41944	0	@,CS,FS,HM,LT		1,950/13,000	1,600/16,000	25
		58	SQ5	2-1/2	45517	0	#,CS,FS,LT		1,300/13,000	1,700/17,000	25
Silverado 3500 HD Cab & Chassis, w/34" Wide Frames	07-17	60	SQ5	2-1/2	45519	0	#,CS,FS,LT		2,000/18,000	2,500/18,000	25
		29	SQ5	2	41936		@		1,200/12,000		30
		50	SQ5	2	41938		@,CC		1,200/12,000	1,500/15,000	40
Silverado 3500 HD w/Factory 7-Way	07-18	50	SQ5	2	41947		@		1,600/15,000	1,600/16,000	35
Silverado 3500 HD	11-14	43	SQ4	2	75707	0	CS,FS,GP,JL,LT		800/8,000	1,200/12,000	20
		50	SQ5	2	41942	0	@,CS,FS,GP,JL,KH,LT		1,500/15,000	1,600/16,000	20
		67	SQ5	2-1/2	45510		#,CS,FS,HM,JL,KH,LT		2,000/18,000	2,500/18,000	60
Silverado 3500 HD	15-17	42	SQ4	2	75906	0	HM,JL		1,200/8,000	1,200/12,000	30
		48	SQ5	2	41950	0	@,CS,FS,GP,JL,KH,LT		1,700/15,000	1,700/17,000	60
		57	SQ5	2-1/2	45511		#,HM		2,700/20,000	2,700/20,000	60
Sonic 4 Dr. Sedan	12-16	20	SQ1	1-1/4	24876	0	GP	3590	200/2,000		20
Sonic 5 Dr. Hatchback	12-16	25	SQ1	1-1/4	24878	0	HB,HM,JR	3590	200/2,000		20
Sonic 4 Dr. Sedan	17-17	20	SQ1	1-1/4	24876	0	GP	3590	200/2,000		20
Sonic 5 Dr. Hatchback	17-19	25	SQ1	1-1/4	24878	0	HB,HM,JR	3590	200/2,000		20
Spark Except w/Ground Effects	13-15	24	SQ1	1-1/4	24893		GP,JR	3594	200/2,000		25
Spark	16-16	18	SQ1	1-1/4	24941	0	DU,GP,X	3593	200/2,000		45
Spark	17-19	18	SQ1	1-1/4	24941	0	DU,GP,X	3593	200/2,000		45
Spark LT w/Ground Effects	13-15	24	SQ1	1-1/4	24894		GP,JR	3594	200/2,000		25
Suburban w/Factory 7-Way	00-11										
Suburban	07-11										
Suburban	15-17										
Suburban 1500 w/Amber Turn Signals	00-02	50	SQ3	2	37136				500/5,000	600/6,000	30
		29	RT4	2	75725	0	CN,HM		900/6,000	1,000/10,000	15
		30	SQ5	2	41930		@,CN,HM		1,000/10,000	1,200/12,000	35
Suburban 1500 w/Amber Turn Signals	03-06	50	SQ3	2	37136				500/5,000	600/6,000	30
		29	RT4	2	75725	0	CN,HM		900/6,000	1,000/10,000	15
		30	SQ5	2	41930		@,CN,HM		1,000/10,000	1,200/12,000	35
Suburban 2500 w/Amber Turn Signals	00-02	50	SQ3	2	37136				500/5,000	600/6,000	30
		29	RT4	2	75725	0	CN,HM		900/6,000	1,000/10,000	15
		30	SQ5	2	41930		@,CN,HM		1,000/10,000	1,200/12,000	35
		53	SQ5	2-1/2	45515		#		1,200/12,000	1,700/14,000	50
Suburban 2500 w/Amber Turn Signals	03-06	50	SQ3	2	37136				500/5,000	600/6,000	30
		29	RT4	2	75725	0	CN,HM		900/6,000	1,000/10,000	15
		30	SQ5	2	41930		@,CN,HM		1,000/10,000	1,200/12,000	35
Suburban C1500	92-99	37	SQ3	2	75037		HM		500/5,000	750/7,500	30
		41	SQ4	2	41511		HM		600/6,000	1,000/10,000	30
		50	SQ3	2	37136				500/5,000	600/6,000	30
Suburban C2500	92-99	37	SQ3	2	75037		HM		500/5,000	750/7,500	30
		41	SQ4	2	41511		HM		600/6,000	1,000/10,000	30
		50	SQ3	2	37136				500/5,000	600/6,000	30

Titan hitches require use of a 2-1/2" shank Titan ball mount.
 @ Ultra Frame ball mount must be used to achieve maximum weight carrying rating.
 CC Requires minimum of 19" from end of frame rail to spring shackle bracket.
 CN Requires OEM factory bumper for hitch installation.
 CS Will fit with full-size spare tire stowed under vehicle.
 DU Fascia removal required.
 FS Includes 2 & 4 WD models with heavy duty suspension.
 GP Hitch cross-tube concealed behind bumper.

HB Slight fascia deformation may occur on some models.
 HM Hitch cross-tube is visible beneath bumper.
 JL Installation requires OEM bumper and brackets.
 JR Exhaust must be temporarily lowered for installation.
 KH Minor heat shield modification may be required.
 LT Requires removal of factory hitch if equipped.
 SA Requires drilling on 6 ft. bed models.
 X Minor fascia trimming required.

T-ONE					TOW HARNESS					4-FLAT WIRING				REQ. 4 FLAT WIRING		7-WAY HARDWARE	BRAKE CONTROL HARNESS	IN				
PC	T-ONE	FN	IN	AMP	CP	PC	TOW HARN	FN	IN	AMP	CP	TYPE	ELEC	POS	CHOICE 1				CHOICE 2	6-WAY ADAPTER	7-WAY ADAPTER	
CHEVROLET (Continued)																						
						E8	118384	BN,RD	5	7.5		4-Flat	A	PU3	119148	20252	20320	20321	20224	3015-P	5	
E8	118384	BN	5	7.5									A	PU3	119148	20252	20320	20321	20224			
													C	PU1,2	119191	119148	20320	20321	20224			
							85219 8551511 74682	RD RD RD	5 10			7-Way 7-Way Both	A	PU3	119148	20252						
E8	118384	BN	5	7.5									A	PU3	119148	20252	20320	20321	20224			
E8	118384	BN	5	7.5									A	PU3	119148	20252	20320	20321	20224	3016-P	5	
E19	118640	CH	45	4.2,7.5	X								BT	PC3.4	119251	119191						
E19	118640	CH	45	4.2,7.5	X								BT	PC3.4	119251	119191						
E17	118755	CH	45	5.7.5	X								BT	PC3.4	119251	119191						
E17	118755	CH	45	5.7.5	X								BT	PC3.4	119251	119191						
E19	118575	CH	45	2.1,5.6	X								BM	PC3.4	119251	119191						
E18	118694	CH	45	4.2,7.5	X								BT	PC3.4	119251	119191						
													BT	PC3.4	119251	119191						
E19	118575	CH	45	2.1,5.6	X								BM	PC3.4	119251	119191						
							74682 8551511 85219	RD RD RD	10 5			Both 7-Way 7-Way	H	SUV6	119148	20252						
						E8	118384	BN,RD	5	7.5		4-Flat	H	SUV6	119148	20252						
																					3016-P	5
E8	118384	BN	5	7.5									A	SUV6	119148	20252	20320	20321	20224	3025-P	5	
E8	118384	BN	5	7.5									A	SUV6	119148	20252	20320	20321	20224	3015-P	5	
E8	118384	BN	5	7.5									A	SUV6	119148	20252	20320	20321	20224	3025-P	5	
E8	118384	BN	5	7.5									A	SUV6	119148	20252	20320	20321	20224	3015-P	5	
E3	118319	BN	5	7.5									A	SUV6	119148	20252	20320	20321	20224			
E3	118319	BN	5	7.5									A	SUV6	119148	20252	20320	20321	20224			

A 2 wire system.

BM Multiplexed wiring system. ModuLite® HD Plus or Ultra required.

BN Exterior mounted plug on some or all models. May require an aftermarket electrical mounting box or bracket. (Sold separately)

BT Shared Brake/Tail multiplexed wiring system. ModuLite® HD Plus or Ultra required.

C 2 or 3 wire system determine at installation.

CH T-One is equipped with circuit protected ModuLite® module.

H 3 wire system with OEM standard 2 wire harness.

RD For vehicles equipped with factory tow package may require additional components or may be used as a replacement harness.

RT4 Round Tube Class IV 2"

SQ1 Square Tube Class I

SQ3 Square Tube Class III

SQ4 Square Tube Class IV

SQ5 Square Tube Class V

MODEL / STYLE	YEAR	TRAILER HITCHES									
		PC	REC TYPE	REC SIZE	PART #	NO DRILL	FOOTNOTES	OPTIONAL DRAWBAR	WC (LBS.)	WD (LBS.)	IN
CHEVROLET (Continued)											
Suburban K1500	92-99	50	SQ3	2	37136				500/5,000	600/6,000	30
		37	SQ3	2	75037		HM		500/5,000	750/7,500	30
		41	SQ4	2	41511		HM		600/6,000	1,000/10,000	30
Suburban K2500	92-99	50	SQ3	2	37136				500/5,000	600/6,000	30
		37	SQ3	2	75037		HM		500/5,000	750/7,500	30
		41	SQ4	2	41511		HM		600/6,000	1,000/10,000	30
Tahoe	95-00	50	SQ3	2	37136				500/5,000	600/6,000	30
		37	SQ3	2	75037		HM		500/5,000	750/7,500	30
		41	SQ4	2	41511		HM		600/6,000	1,000/10,000	30
Tahoe w/Amber Turn Signals	00-02	50	SQ3	2	37136				500/5,000	600/6,000	30
		29	RT4	2	75725	0	CN,HM		900/6,000	1,000/10,000	15
Tahoe w/Factory 7-Way	00-11										
Tahoe w/Amber Turn Signals	03-06	50	SQ3	2	37136				500/5,000	600/6,000	30
		29	RT4	2	75725	0	CN,HM		900/6,000	1,000/10,000	15
Tahoe	07-11										
Tahoe	15-16										
Tracker	98-98	25	SQ1	1-1/4	24622	0	HM	3593	200/2,000		20
Tracker	99-04	29	SQ1	1-1/4	24673	0	HM	3591	200/2,000		15
		29	SQ3	2	41537	0	HM		350/3,500		15
TrailBlazer w/Factory 7-Way	02-09										
Traverse	09-12	19	RT3	2	75528	0	GP,JR,TN		750/5,000	750/7,500	25
Traverse w/Factory 7-Way	09-12										
Traverse	13-17	19	RT3	2	75528	0	GP,JR,TN		750/5,000	750/7,500	25
Traverse	18-19	30	SQ3	2	76184	0	DU,JR		750/5,000	750/5,000	75
Trax	13-16	25	RT2	1-1/4	36554	0	HM,JR	36061	300/3,500		40
Trax Except LS	17-19	25	RT2	1-1/4	36554	0	HM,JR	36061	300/3,500		40
Trax LS	17-19	25	RT2	1-1/4	36554	0	HM,JR	36061	300/3,500		40
Uplander	05-08	27	SQ2	1-1/4	36361		AL,GP,JR	36061	300/3,500		40
		22	SQ3	2	75278		AL,GP,JR		350/3,500	500/5,000	40
Uplander (Canada Only)	09-09	27	SQ2	1-1/4	36361		AL,GP,JR	36061	300/3,500		40
		22	SQ3	2	75278		AL,GP,JR		350/3,500	500/5,000	40
Venture	97-05	27	SQ1	1-1/4	24721		AL,GP,JR	3592	200/2,000		30
		27	SQ2	1-1/4	36361		AL,GP,JR	36061	300/3,500		40
		22	SQ3	2	75278		AL,GP,JR		350/3,500	500/5,000	40
Volt	16-19	18	SQ1		24947	0	GP,DU,SV,JR	3593	200/2,000		60
CHRYSLER											
200 4 Dr. Sedan	11-11	28	SQ1	1-1/4	24871	0	GP,JR	3594	200/2,000		15
200 Convertible	11-11	28	SQ1	1-1/4	24871	0	GP,JR	3594	200/2,000		15
200 4 Dr. Sedan	12-14	28	SQ1	1-1/4	24871	0	GP,JR	3594	200/2,000		15
200 Convertible	12-14	28	SQ1	1-1/4	24871	0	GP,JR	3594	200/2,000		15
200 4 Dr. Sedan	15-17	27	SQ1	1-1/4	24919	0	GP,SV	3593	200/2,000		20
300	05-07	27	SQ2	1-1/4	36548	0	HM	36061	300/3,500		30
		23	SQ3	2	76145	0	HM		675/4,500		30
300	08-10	27	SQ2	1-1/4	36548	0	HM	36061	300/3,500		30
		23	SQ3	2	76145	0	HM		675/4,500		30

AL Additional installation time required for vehicles equipped with load leveling compressor.
CN Requires OEM factory bumper for hitch installation.
DU Fascia removal required.
GP Hitch crosstube concealed behind bumper.

HM Hitch crosstube is visible beneath bumper.
JR Exhaust must be temporarily lowered for installation.
SV Trimming or removal of under body appearance panel may be required.
TN Hitches produced before 07/09/12 are rated at 500/5000 WC & 500/5000 WD.

T-ONE					TOW HARNESS					4-FLAT WIRING				REQ. 4 FLAT WIRING		7-WAY HARDWIRE	BRAKE CONTROL HARNESS	IN	
PC	T-ONE	FN	IN	AMP	CP	TOW HARN	FN	IN	AMP	CP	TYPE	ELEC	POS	CHOICE 1	CHOICE 2				6-WAY ADAPTER
CHEVROLET (Continued)																			
E3	118319	BN	5	7.5								A	SUV6	119148	20252	20320	20321	20224	
E3	118319	BN	5	7.5								A	SUV6	119148	20252	20320	20321	20224	
E3	118319	BN	5	7.5								A	SUV6	119148	20252	20320	20321	20224	
E8	118384	BN	5	7.5								A	SUV6	119148	20252	20320	20321	20224	3025-P 5
						74682	RD	10			Both	H	SUV6	119148	20252				
						8551511	RD				7-Way								
						85219	RD	5			7-Way								
E8	118384	BN	5	7.5								A	SUV6	119148	20252	20320	20321	20224	3015-P 5
						E8	118384	BN,RD	5	7.5	4-Flat	H	SUV6	119148	20252				
																			3016-P 5
E5	118372	HG	5	2.1,5								B	SUV1,2	119130	119178				
E5	118372	HG	5	2.1,5								B	SUV3	119130	119178	20320	20321	20224	
						E8	118384	BN,RD	5	7.5	4-Flat	H	SUV6	119148	20252				
							74682	RD	10		Both								
							8551511	RD			7-Way								
							85219	RD	5		7-Way								
							74682	RD	10		Both								
E7	118450	BN	10	7.5		E8	118384	BN,RD	5	7.5	4-Flat	N	SUV1,2		119251	20320	20321		3026-P 5
							8551511	RD			7-Way	N	SUV6		119251				
							85219	RD	5		7-Way								
							74682	RD	10		Both								
E10	118270	BN	20	7.5		E16	118271	BN	20		7-Way	B,E	SUV1,2	119191	119148	20320	20321	20224	3026-P 5
E4	118761	BN,CH	15	7.5	X	E9	118287	BN	15		7-Way	A	SUV5						
E16	118659	CH	45	4.2,7.5	X							B,E	SUV3,4	119191	119148	20320	20321		
E16	118751	CH	45	4.2,7.5	X							B,E	SUV3,4	119191	119148	20320	20321		
E16	118659	CH	45	4.2,7.5	X							B,E	SUV3,4	119191	119148	20320	20321		
E10	118396	BN	15	7.5								A	SUV1,2	119148	20252	20320	20321	20224	
E10	118396	BN	15	7.5								A	SUV1,2	119148	20252	20320	20321	20224	
E8	118355	HG	10	2.1,5								B	SUV3	119130	119178	20320	20321	20224	
E17	118726	CH,BN	45	5,7.5	X							B,E	PC1,2	119191	119148				
CHRYSLER																			
E18	118550	BN,CH	45	2.1,5,6	X							B,E	PC1,2	119191	119148				
E18	118550	BN,CH	45	2.1,5,6	X							B,E	PC1,2	119191	119148				
E17	118577	CH	45	2.1,5,6	X							N	PC1,2		119251				
E17	118577	CH	45	2.1,5,6	X							N	PC1,2		119251				
E15	118638	CH	45	2.1,5,6	X							A,E	PC3,4	119191	119148				
E7	118404		10	7.5								A	PC3,4	119148	20252				
E14	118406	CH	15	2.1,5,6	X							B,E	PC3,4	119191	119148				

- A** 2 wire system.
- B** 3 wire system. Converter required.
- BN** Exterior mounted plug on some or all models. May require an aftermarket electrical mounting box or bracket. (Sold separately)
- CH** T-One is equipped with circuit protected ModuLite® module.
- E** ModuLite® required.
- H** 3 wire system with OEM standard 2 wire harness.
- HG** T-One incorporates taillight converter.
- N** DO NOT cut or splice vehicle wiring. Only use approved T-One or see auto dealer for trailer tow wiring kit.
- RD** For vehicles equipped with factory tow package may require additional components or may be used as a replacement harness.

- RT2** Round Tube Class II 1-1/4"
- RT3** Round Tube Class III 2"
- RT4** Round Tube Class IV 2"
- SQ1** Square Tube Class I
- SQ2** Square Tube Class II
- SQ3** Square Tube Class III
- SQ4** Square Tube Class IV

MODEL / STYLE	YEAR	TRAILER HITCHES									
		PC	REC TYPE	REC SIZE	PART #	NO DRILL	FOOTNOTES	OPTIONAL DRAWBAR	WC (LBS.)	WD (LBS.)	IN
CHRYSLER (Continued)											
300	11-14	27	SQ2	1-1/4	36548	0	HM	36061	300/3,500		40
		23	SQ3	2	76145	0	HM				
300	15-19	27	SQ2	1-1/4	36548	0	HM	36061	300/3,500		30
		23	SQ3	2	76145	0	HM				
300 C	05-07										
300 C	11-14										
300M	99-01	37	SQ2	1-1/4	36275		HM,JR	36071	300/3,500		30
300M Except Special	02-04	37	SQ2	1-1/4	36275		HM,JR	36071	300/3,500		30
Aspen	07-08	18	SQ4	2	75162		AI		600/6,000	900/9,000	50
Aspen w/Factory 7-Way	07-08										
Aspen	09-09	18	SQ4	2	75162		AI		600/6,000	900/9,000	50
Aspen w/Factory 7-Way	09-09										
Cirrus	95-00	40	SQ2	1-1/4	36301		JR,HM	36061	300/3,500		60
Concorde	93-97	43	SQ2	1-1/4	36170		JR,TA,HM	36061	300/3,500		40
Concorde	98-01	42	SQ2	1-1/4	36270†		†,HM	36071	300/3,500		35
Concorde	02-02	36	SQ2	1-1/4	36274		JR,GP	36061	300/3,500		30
Concorde	03-04	36	SQ2	1-1/4	36274		JR,GP	36061	300/3,500		30
Intrepid (Canada Only)	93-97	43	SQ2	1-1/4	36170		JR,TA,HM	36061	300/3,500		40
Intrepid (Canada Only)	98-04	37	SQ2	1-1/4	36268		JR,HM	36053	300/3,500		30
LHS	94-97	43	SQ2	1-1/4	36170		JR,TA,HM	36063	300/3,500		40
LHS	99-99	36	SQ2	1-1/4	36274		JR,GP	36061	300/3,500		30
LHS	00-01	36	SQ2	1-1/4	36274		JR,GP	36061	300/3,500		30
Pacifica	04-08	37	RT3	2	75522	0	JR		350/3,500	500/5,000	45
Pacifica w/Factory 7-Way	04-08										
Pacifica Hybrid (Needs Conversion Kit: 76046SK)	17-19	26	RT2	1-1/4	36798	0	GP,JR,SV,KH,TW	36071	300/3,500		45
		28	RT3	2	76046	0	GP,JR,SV,KH,TW				
Pacifica Limited	17-19	26	RT2	1-1/4	36798	0	GP,JR,SV,KH,TW	36071	300/3,500		45
		28	RT3	2	76046	0	GP,JR,SV,KH,TW				
Pacifica LX	17-19	26	RT2	1-1/4	36798	0	GP,JR,SV,KH,TW	36071	300/3,500		45
		28	RT3	2	76046	0	GP,JR,SV,KH,TW				
Pacifica Touring	17-18	26	RT2	1-1/4	36798	0	GP,JR,SV,KH,TW	36071	300/3,500		45
		28	RT3	2	76046	0	GP,JR,SV,KH,TW				
Pacifica Touring L	17-19	26	RT2	1-1/4	36798	0	GP,JR,SV,KH,TW	36071	300/3,500		45
		28	RT3	2	76046	0	GP,JR,SV,KH,TW				
Pacifica Touring L Plus	17-19	26	RT2	1-1/4	36798	0	GP,JR,SV,KH,TW	36071	300/3,500		45
		28	RT3	2	76046	0	GP,JR,SV,KH,TW				
Pacifica Touring Plus	17-19	26	RT2	1-1/4	36798	0	GP,JR,SV,KH,TW	36071	300/3,500		45
		28	RT3	2	76046	0	GP,JR,SV,KH,TW				
PT Cruiser	01-04	31	SQ1	1-1/4	24759		JR,GP	3593	200/2,000		30
PT Cruiser	05-10	31	SQ1	1-1/4	24759		JR,GP	3593	200/2,000		30
PT Cruiser Convertible	05-09	31	SQ1	1-1/4	24759		JR,GP	3593	200/2,000		30
Sebring 4 Dr.	01-06	40	SQ2	1-1/4	36301		JR,HM	36061	300/3,500		60
Sebring Convertible	01-06	29	SQ1	1-1/4	24711		GP	3592	200/2,000		15
Sebring Convertible	07-10	28	SQ1	1-1/4	24871	0	GP,JR	3594	200/2,000		15
Sebring Except Convertible	07-10	28	SQ1	1-1/4	24871	0	GP,JR	3594	200/2,000		15
		31	SQ2	1-1/4	36448		GP,JR				
Town & Country	96-00	25	SQ1	1-1/4	24702†	0	HM	3593	200/2,000		30
		23	SQ2	1-1/4	36296	0	GP				
		30	RT3	2	75119						
		50	SQ3	2	37136						

† Available while supply lasts.
 AI Additional installation time may be required.
 GP Hitch crosstube concealed behind bumper.
 HM Hitch crosstube is visible beneath bumper.
 JR Exhaust must be temporarily lowered for installation.

KH Minor heat shield modification may be required.
 SV Trimming or removal of under body appearance panel may be required.
 TA Trunk access required for hitch installation.
 TW Receiver hitch may limit hands-free liftgate sensor range

T-ONE						TOW HARNESS						4-FLAT WIRING				REQ. 4 FLAT WIRING		7-WAY	BRAKE CONTROL HARNESS	IN	
PC	T-ONE	FN	IN	AMP	CP	PC	TOW HARN	FN	IN	AMP	CP	TYPE	ELEC	POS	CHOICE 1	CHOICE 2	6-WAY ADAPTER	7-WAY ADAPTER	7-WAY HARDWIRE	BRAKE CONTROL HARNESS	IN
CHRYSLER (Continued)																					
E16	118600	CH	25	2,1,5,6	X								N	PC3,4		119251					
E15	118658	CH	45	4,2,7,5	X								A,E	PC3,4	119191	119148					
E14	118406	CH	15	2,1,5,6	X								B,E	PC3,4	119191	119148					
E16	118600	CH	25	2,1,5,6	X								N	PC3,4							
E12	118364	BN,HG	15	2,1,5									B	PC1,2	119130	119178					
E12	118364	BN,HG	15	2,1,5									B	PC1,2	119130	119178					
E15	118390	BN,CH	45	2,1,5,6	X	E3	118381	BN,RD	5	7.5		4-Flat	B,E	SUV1,2	119191	119148	20320	20321	20224	3020-P	5
							20135	RD	10			Both	H	SUV6	119148	20252					
E15	118390	BN,CH	45	2,1,5,6	X	E8	118384	BN,RD	5	7.5		4-Flat	B,E	SUV1,2	119191	119148	20320	20321	20224	3020-P	5
							74682	RD	10			Both	H	SUV6	119148	20252					
							85219	RD	5			7-Way									
													B	PC3,4	119130	119178					
													B	PC3,4	119130	119178					
E12	118364	BN,HG	15	2,1,5									B	PC1,2	119130	119178					
E12	118364	BN,HG	15	2,1,5									B	PC1,2	119130	119178					
													B	PC1,2	119130	119178					
													B	PC3,4	119130	119178					
E12	118364	BN,HG	15	2,1,5									B	PC1,2	119130	119178					
													B	PC3,4	119130	119178					
E12	118364	BN,HG	15	2,1,5									B	PC3,4	119130	119178					
													B	PC3,4	119130	119178					
E17	118303	BN,CH	25	2,1,5,6	X	E3	118381	BN,RD	5	7.5		4-Flat	B,E	SUV1,2	119191	119148	20320	20321	20224		
							20135	RD	10			Both	H	SUV6	119148	20252					
E15	118712	CH,BN	45	4,2,7,5	X								A,E	SUV1,2	119191	119148					
E18	118723	CH,BN	45		X								A,E	SUV1,2	119191	119148					
E18	118723	CH,BN	45		X								A,E	SUV1,2	119191	119148					
E15	118712	CH,BN	45	4,2,7,5	X								A,E	SUV1,2	119191	119148					
E15	118712	CH,BN	45	4,2,7,5	X								A,E	SUV1,2	119191	119148					
E15	118712	CH,BN	45	4,2,7,5	X								A,E	SUV1,2	119191	119148					
E19	118462	BN,CH	45	2,1,4,2	X								B	SUV1,2	119130	119178					
E19	118462	BN,CH	45	2,1,4,2	X								B,E	SUV1,2	119191	119148	20320	20321			
													B,E	SUV1,2	119191	119148					
													B	PC3,4	119130	119178					
													B	PC3,4	119130	119178					
E19	118444	BN,CH	45	2,1,4,2	X								B,E	PC3,4	119191	119148					
E19	118444	BN,CH	45	2,1,4,2	X								B,E	PC3,4	119191	119148					
E10	118334	HG	20	2,1,5									B	SUV1,2	119130	119178	20320	20321	20224		

- A** 2 wire system.
- B** 3 wire system. Converter required.
- BN** Exterior mounted plug on some or all models. May require an aftermarket electrical mounting box or bracket. (Sold separately)
- CH** T-One is equipped with circuit protected ModuLite® module.
- E** ModuLite® required.
- H** 3 wire system with OEM standard 2 wire harness.
- HG** T-One incorporates taillight converter.
- N** DO NOT cut or splice vehicle wiring. Only use approved T-One or see auto dealer for trailer tow wiring kit.
- RD** For vehicles equipped with factory tow package may require additional components or may be used as a replacement harness.

- RT2** Round Tube Class II 1-1/4"
- RT3** Round Tube Class III 2"
- SQ1** Square Tube Class I
- SQ2** Square Tube Class II
- SQ3** Square Tube Class III
- SQ4** Square Tube Class IV

MODEL / STYLE	YEAR	TRAILER HITCHES									
		PC	REC TYPE	REC SIZE	PART #	NO DRILL	FOOTNOTES	OPTIONAL DRAWBAR	WC (LBS.)	WD (LBS.)	IN
CHRYSLER (Continued)											
Town & Country	01-03	25	SQ1	1-1/4	247021	0	HM	3593	200/2,000		30
		23	SQ2	1-1/4	36296	0	GP	36071	300/3,500		30
		30	RT3	2	75119	0			350/3,500	500/5,000	30
		50	SQ3	2	37136				500/5,000	600/6,000	40
Town & Country Except w/Stow & Go Seats	04-07	25	SQ1	1-1/4	247021	0	HM	3593	200/2,000		30
		23	SQ2	1-1/4	36296	0	GP	36071	300/3,500		30
		30	RT3	2	75119	0			350/3,500	500/5,000	30
		50	SQ3	2	37136				500/5,000	600/6,000	40
Town & Country w/Stow & Go Seats	05-07	45	SQ2	1-1/4	36320	0	HM	36071	300/3,500		25
		54	SQ3	2	75305	0			350/3,500	400/4,000	25
Town & Country	08-10	24	SQ2	1-1/4	36455	0	GP, JR	36061	300/3,500		20
		19	SQ3	2	75579	0	GP, JR		400/4,000	500/5,000	20
Town & Country	11-16	24	SQ2	1-1/4	36455	0	GP, JR	36061	300/3,500		20
		19	SQ3	2	75579	0	GP, JR		400/4,000	500/5,000	20
Voyager	01-03	25	SQ1	1-1/4	247021	0	HM	3593	200/2,000		30
		23	SQ2	1-1/4	36296	0	GP	36071	300/3,500		30
		30	RT3	2	75119	0			350/3,500	500/5,000	30
		50	SQ3	2	37136				500/5,000	600/6,000	40
DODGE											
Avenger	08-10	28	SQ1	1-1/4	24871	0	GP, JR	3594	200/2,000		15
		31	SQ2	1-1/4	36448		GP, JR	36065	300/3,500		30
Avenger	11-11	28	SQ1	1-1/4	24871	0	GP, JR	3594	200/2,000		15
Avenger	12-14	28	SQ1	1-1/4	24871	0	GP, JR	3594	200/2,000		15
Caliber	07-07	23	SQ1	1-1/4	24769	0	GP	3591	200/2,000		15
Caliber Except SRT-4	08-12	23	SQ1	1-1/4	24769	0	GP	3591	200/2,000		15
Caravan	96-00	25	SQ1	1-1/4	247021	0	HM	3593	200/2,000		30
		23	SQ2	1-1/4	36296	0	GP	36071	300/3,500		30
		30	RT3	2	75119				350/3,500	500/5,000	30
		50	SQ3	2	37136				500/5,000	600/6,000	40
Caravan	01-03	25	SQ1	1-1/4	247021	0	HM	3593	200/2,000		30
		23	SQ2	1-1/4	36296	0	GP	36071	300/3,500		30
		30	RT3	2	75119	0			350/3,500	500/5,000	30
		50	SQ3	2	37136				500/5,000	600/6,000	40
Caravan Except w/Stow & Go Seats	04-07	25	SQ1	1-1/4	247021	0	HM	3593	200/2,000		30
		23	SQ2	1-1/4	36296	0	GP	36071	300/3,500		30
		30	RT3	2	75119	0			350/3,500	500/5,000	30
		50	SQ3	2	37136				500/5,000	600/6,000	40
Challenger Except Models w/Quad Tip Exhaust	08-14	27	SQ2	1-1/4	36548	0	HM	36061	300/3,500		30
		23	SQ3	2	76145	0	HM		675/4,500		30
Challenger Except Models w/Quad Tip Exhaust	15-19	27	SQ2	1-1/4	36548	0	HM	36061	300/3,500		30
		23	SQ3	2	76145	0	HM		675/4,500		30
		23	SQ3	2	76145	0	HM		675/4,500		30
Charger	06-10	27	SQ2	1-1/4	36548	0	HM	36061	300/3,500		30
		23	SQ3	2	76145	0	HM		675/4,500		30
Charger	11-14	27	SQ2	1-1/4	36548	0	HM	36061	300/3,500		30
		23	SQ3	2	76145	0	HM		675/4,500		30
Charger	15-19	27	SQ2	1-1/4	36548	0	HM	36061	300/3,500		30
		23	SQ3	2	76145	0	HM		675/4,500		30
Dakota	97-99	50	SQ3	2	37136		CT, GU		500/5,000	600/6,000	35
		34	SQ3	2	75038		GU, GP		500/5,000	800/8,000	30
		31	SQ3	2	75073	0	GU, GP		500/5,000	750/7,500	15
Dakota	00-01	50	SQ3	2	37136		CT, GU		500/5,000	600/6,000	35
		34	SQ3	2	75038		GU, GP		500/5,000	800/8,000	30
		31	SQ3	2	75073	0	GU, GP		500/5,000	750/7,500	15

CT Will not fit long bed models after 1999.
 GP Hitch crosstube concealed behind bumper.
 GU Will not fit vehicles with factory or aftermarket lower Fascia/Rollpan or Tube Bumper.

HM Hitch crosstube is visible beneath bumper.
 JR Exhaust must be temporarily lowered for installation.

T-ONE					TOW HARNESS					4-FLAT WIRING				REQ. 4 FLAT WIRING		7-WAY HARDWIRE	BRAKE CONTROL HARNESS	IN	
PC	T-ONE	FN	IN	AMP	CP	TOW HARN	FN	IN	AMP	CP	TYPE	ELEC	POS	CHOICE 1	CHOICE 2				6-WAY ADAPTER
CHRYSLER (Continued)																			
E7	118376	HG	15	2.1,5								B	SUV1,2	119130	119178	20320	20321	20224	
E7	118300		20	7.5								A	SUV1,2	119148	20252	20320	20321	20224	
E7	118300		20	7.5								A	SUV1,2	119148	20252	20320	20321	20224	
E18	118552	CH	45	4.2,7.5	X							A,E	SUV1,2	119191	119148	20320	20321	20224	
E18	118534	BN,CH	45	4.2,7.5	X							C,E	SUV1,2	119191	119148	20320	20321	20224	
E7	118376	HG	15	2.1,5								B	SUV1,2	119130	119178	20320	20321	20224	
DODGE																			
E19	118445	BN,CH	45	2.1,4.2	X							A,E	PC1,2	119191	119148				
E18	118550	BN,CH	45	2.1,5.6	X							B,E	PC1,2	119191	119148				
E17	118577	CH	45	2.1,5.6	X							N	PC1,2		119251				
E18	118428	BN,CH	45	2.1,4.2	X							B,E	PC1,2	119191	119148				
E18	118552	CH	45	4.2,7.5	X							A,E	PC1,2	119191	119148	20320	20321	20224	
E10	118334	HG	20	2.1,5								B	SUV1,2	119130	119178	20320	20321	20224	
E7	118376	HG	15	2.1,5								B	SUV1,2	119130	119178	20320	20321	20224	
E7	118300		20	7.5								A	SUV1,2	119148	20252	20320	20321	20224	
E7	118404		10	7.5								A	PC3,4	119148	20252				
E16	118656	CH	45	4.2,7.5	X							A,E	PC3,4	119191	119148				
E7	118404		10	7.5								A	PC3,4	119148	20252				
E19	118560	CH	25	4.2,7.5	X							N	PC3,4		119251				
E15	118655	CH	45	4.2,7.5	X							A,E	PC3,4	119191	119148				
E7	118329	BN,HJ	5	7.5								A	PU3,4	119148	20252	20320	20321	20224	3020-P 5
E7	118329	BN,HJ	5	7.5		E3	118381	BN,RD	5	7.5	4-Flat	A	PU3,4	119148	20252	20320	20321	20224	3020-P 5

- A** 2 wire system.
- B** 3 wire system. Converter required.
- BN** Exterior mounted plug on some or all models. May require an aftermarket electrical mounting box or bracket. (Sold separately)
- C** 2 or 3 wire system determine at installation.
- CH** T-One is equipped with circuit protected ModuLite® module.
- E** ModuLite® required.
- HG** T-One incorporates taillight converter.
- HJ** Per Dodge owner's manual: If trailer is equipped with more than standard lighting (1 taillight per side) use of ModuLite® or dealer supplied harness is required.
- N** DO NOT cut or splice vehicle wiring. Only use approved T-One or see auto dealer for trailer tow wiring kit.
- RD** For vehicles equipped with factory tow package may require additional components or may be used as a replacement harness.

- RT3** Round Tube Class III 2"
- SQ1** Square Tube Class I
- SQ2** Square Tube Class II
- SQ3** Square Tube Class III

MODEL / STYLE	YEAR	TRAILER HITCHES									
		PC	REC TYPE	REC SIZE	PART #	NO DRILL	FOOTNOTES	OPTIONAL DRAWBAR	WC (LBS.)	WD (LBS.)	IN
DODGE (Continued)											
Dakota w/Factory 7-Way	00-09										
Dakota	02-03	34	SQ3	2	75038		GU,GP		500/5,000	800/8,000	30
		31	SQ3	2	75073	0	GU,GP		500/5,000	750/7,500	15
Dakota Except Quad Cab	02-03	50	SQ3	2	37136		CT,GU		500/5,000	600/6,000	35
Dakota	04-04	34	SQ3	2	75038		GU,GP		500/5,000	800/8,000	30
		31	SQ3	2	75073	0	GU,GP		500/5,000	750/7,500	15
Dakota Except Quad Cab	04-04	50	SQ3	2	37136		CT,GU		500/5,000	600/6,000	35
Dakota	05-09	27	SQ3	2	75251	0	HM		500/5,000	800/8,000	20
Dakota	10-10	27	SQ3	2	75251	0	HM		500/5,000	800/8,000	20
Dart	13-16	30	SQ1	1-1/4	24890	0	HM	3592	200/2,000		20
Durango	98-99	34	SQ3	2	75081	0	GP		500/5,000	750/7,500	15
Durango	00-03	34	SQ3	2	75081	0	GP		500/5,000	750/7,500	15
Durango w/Factory 7-Way	00-08										
Durango	04-06	18	SQ4	2	75162		AI		600/6,000	900/9,000	50
		39	RT4	2	75292	0			600/6,000	900/9,000	20
Durango	07-08	18	SQ4	2	75162		AI		600/6,000	900/9,000	50
Durango	09-09	18	SQ4	2	75162		AI		600/6,000	900/9,000	50
Durango w/Factory 7-Way	09-09										
Durango	11-13	25	RT4	2	75173	0	CS,HM		900/6,000	900/7,500	20
		31	SQ4	2	76196	0	DU,GP,JR,TZ		900/6,000	900/7,500	90
Durango	14-19	25	RT4	2	75173	0	CS,HM		900/6,000	900/7,500	20
		31	SQ4	2	76196	0	DU,GP,JR,TZ		900/6,000	900/7,500	90
Grand Caravan	96-00	25	SQ1	1-1/4	24702†	0	HM	3593	200/2,000		30
		23	SQ2	1-1/4	36296	0	GP	36071	300/3,500		30
		30	RT3	2	75119				350/3,500	500/5,000	30
		50	SQ3	2	37136				500/5,000	600/6,000	40
Grand Caravan	01-03	25	SQ1	1-1/4	24702†	0	HM	3593	200/2,000		30
		23	SQ2	1-1/4	36296	0	GP	36071	300/3,500		30
		30	RT3	2	75119	0			350/3,500	500/5,000	30
		50	SQ3	2	37136				500/5,000	600/6,000	40
Grand Caravan Except w/Stow & Go Seats	04-07	25	SQ1	1-1/4	24702†	0	HM	3593	200/2,000		30
		23	SQ2	1-1/4	36296	0	GP	36071	300/3,500		30
		30	RT3	2	75119	0			350/3,500	500/5,000	30
		50	SQ3	2	37136				500/5,000	600/6,000	40
Grand Caravan w/Stow & Go Seats	05-07	45	SQ2	1-1/4	36320	0	HM	36071	300/3,500		25
		54	SQ3	2	75305	0			350/3,500	400/4,000	25
Grand Caravan	08-10	24	SQ2	1-1/4	36455	0	GP,JR	36061	300/3,500		20
		19	SQ3	2	75579	0	GP,JR		400/4,000	500/5,000	20
Grand Caravan	11-18	24	SQ2	1-1/4	36455	0	GP,JR	36061	300/3,500		20
		19	SQ3	2	75579	0	GP,JR		400/4,000	500/5,000	20
Intrepid	93-97	43	SQ2	1-1/4	36170		JR,TA,HM	36061	300/3,500		40
Intrepid	98-04	37	SQ2	1-1/4	36268		JR,HM	36053	300/3,500		30
Journey	09-09	29	RT3	2	75648	0	HM,JR		400/4,000	400/4,000	25
		33	SQ3	2	76225	0	DU,FE,GP,JR,TZ		525/3,500		90
Journey	10-10	29	RT3	2	75648	0	HM,JR		400/4,000	400/4,000	25
		33	SQ3	2	76225	0	DU,FE,GP,JR,TZ		525/3,500		90
Journey w/LED Taillights	11-18	29	RT3	2	75648	0	HM,JR		400/4,000	400/4,000	25
		33	SQ3	2	76225	0	DU,FE,GP,JR,TZ		525/3,500		90
Journey Except w/LED Taillights	12-18	29	RT3	2	75648	0	HM,JR		400/4,000	400/4,000	25
		33	SQ3	2	76225	0	DU,FE,GP,JR,TZ		525/3,500		90
Magnum	05-08	27	SQ2	1-1/4	36548	0	HM	36061	300/3,500		30
		23	SQ3	2	76145	0	HM		675/4,500		30
Neon	00-05	42	SQ1	1-1/4	24701		GP,JR	3593	200/2,000		20

- | | |
|--|--|
| AI Additional installation time may be required. | GU Will not fit vehicles with factory or aftermarket lower Fascia/Rollpan or Tube Bumper. |
| CS Will fit with full-size spare tire stowed under vehicle. | HM Hitch crosstube is visible beneath bumper. |
| CT Will not fit long bed models after 1999. | JR Exhaust must be temporarily lowered for installation. |
| DU Fascia removal required. | TA Trunk access required for hitch installation. |
| FE Fascia trimming may be required. Allow additional installation time. | TZ Requires replacement of the impact structure with hitch. |
| GP Hitch crosstube concealed behind bumper. | |

T-ONE					TOW HARNESS					4-FLAT WIRING				REQ. 4 FLAT WIRING		7-WAY HARDWIRE	BRAKE CONTROL HARNESS	IN		
PC	T-ONE	FN	IN	AMP	CP	TOW HARN	FN	IN	AMP	CP	TYPE	ELEC	POS	CHOICE 1	CHOICE 2				6-WAY ADAPTER	7-WAY ADAPTER
DODGE (Continued)																				
E7	118329	BN,HJ	5	7.5		20135	RD	10			Both	A	PU3	119148	20252					
					E3	118381	BN,RD	5	7.5		4-Flat	A	PU3,4	119148	20252	20320	20321	20224	3020-P	5
E7	118329	BN,HJ	5	7.5		118381	BN,RD	5	7.5		4-Flat	A	PU3,4	119148	20252	20320	20321	20224	3020-P	5
E6	118323	BN,HJ	10	7.5		118381	BN,RD	5	7.5		4-Flat	A	PU1,2	119148	20252	20320	20321	20224	3020-P	5
E6	118323	BN,HJ	10	7.5		118381	BN,RD	5	7.5		4-Flat	A	PU1,2	119148	20252	20320	20321	20224	3020-P	5
E6	118323	BN,HJ	10	7.5								A	PU1,2	119148	20252	20320	20321	20224	3020-P	5
E16	118568		25	4.2,7.5	X							A,E	PC3,4	119191	119148					
E10	118334	BN,HG	20	2.1,5								B	SUV1,2	119130	119178	20320	20321	20224	3020-P	5
E10	118334	BN,HG	20	2.1,5		E3	118381	BN,RD	5	7.5	4-Flat	B	SUV1,2	119130	119178	20320	20321	20224	3020-P	5
E15	118390	BN,CH	45	2.1,5.6	X	20135	RD	10			Both	H	SUV6	119148	20252					
					E3	118381	BN,RD	5	7.5		4-Flat	B,E	SUV1,2	119191	119148	20320	20321	20224	3020-P	5
E15	118390	BN,CH	45	2.1,5.6	X	E3	118381	BN,RD	5	7.5	4-Flat	B,E	SUV1,2	119191	119148	20320	20321	20224	3020-P	5
E15	118390	BN,CH	45	2.1,5.6	X	E8	118384	BN,RD	5	7.5	4-Flat	B,E	SUV1,2	119191	119148	20320	20321	20224	3020-P	5
E18	118552	CH	45	4.2,7.5	X		74682	RD	10		Both	H	SUV6	119148	20252					
												A,E	SUV1,2	119191	119148	20320	20321	20224	3045-P	5
E16	118617	CH,BN	45	4.2,7.5	X							A,E	SUV1,2	119191	119148	20320	20321	20224	3045-P	5
E10	118334	HG	20	2.1,5								B	SUV1,2	119130	119178	20320	20321	20224		
E7	118376	HG	15	2.1,5								B	SUV1,2	119130	119178	20320	20321	20224		
E7	118300		20	7.5								A	SUV1,2	119148	20252	20320	20321	20224		
E7	118300		20	7.5								A	SUV1,2	119148	20252	20320	20321	20224		
E18	118552	CH	45	4.2,7.5	X							A,E	SUV1,2	119191	119148	20320	20321	20224		
E18	118534	BN,CH	45	4.2,7.5	X							C,E	SUV1,2	119191	119148	20320	20321	20224		
E12	118364	BN,HG	15	2.1,5								B	PC3,4	119130	119178					
E18	118474	CH	45	2.1,5.6	X							B	PC1,2	119130	119178					
E18	118474	CH	45	2.1,5.6	X							B,E	SUV1,2	119191	119148	20320	20321	20224		
E8	118495		10	7.5								A	SUV1,2	119148	20252	20320	20321	20224		
E17	118536	CH	45	4.2,7.5	X							BM	SUV1,2	119251	119191	20320	20321	20224		
E14	118567	CH	45	2.1,5.6	X							A,E	SUV1,2	119191	119148	20320	20321	20224		
E19	118402	BN,CH	45	2.1,5.6	X							B,E	PC1,2	119191	119148					
												A	PC3,4	119148	20252					

- A** 2 wire system.
- B** 3 wire system. Converter required.
- BM** Multiplexed wiring system. ModuLite® HD Plus or Ultra required.
- BN** Exterior mounted plug on some or all models. May require an aftermarket electrical mounting box or bracket. (Sold separately)
- C** 2 or 3 wire system determine at installation.
- CH** T-One is equipped with circuit protected ModuLite® module.

- E** ModuLite® required.
- H** 3 wire system with OEM standard 2 wire harness.
- HG** T-One incorporates taillight converter.
- HJ** Per Dodge owner's manual: If trailer is equipped with more than standard lighting (1 taillight per side) use of ModuLite® or dealer supplied harness is required.
- RD** For vehicles equipped with factory tow package may require additional components or may be used as a replacement harness.

- RT3** Round Tube Class III 2"
- RT4** Round Tube Class IV 2"
- SQ1** Square Tube Class I
- SQ2** Square Tube Class II
- SQ3** Square Tube Class III
- SQ4** Square Tube Class IV

MODEL / STYLE	YEAR	TRAILER HITCHES									
		PC	REC TYPE	REC SIZE	PART #	NO DRILL	FOOTNOTES	OPTIONAL DRAWBAR	WC (LBS.)	WD (LBS.)	IN
DODGE (Continued)											
Nitro	07-07	29	SQ3	2	75117	0	GP		500/5,000	600/6,000	20
Nitro	08-11	29	SQ3	2	75117	0	GP		500/5,000	600/6,000	20
Ram w/Factory 7-Way	00-01										
Ram 1500	95-01	49	RT3	2	37133		GU		500/5,000	750/7,500	40
		25	SQ3	2	75101	0			500/5,000	800/8,000	15
		30	SQ4	2	40050		CQ,G0,GX		600/6,000	1,000/10,000	40
		56	SQ4	2	41536	0			600/6,000	1,000/10,000	15
		54	RT4	2	37130		GU		700/7,000	1,200/12,000	40
		45	SQ5	2	41923	0	@,GP		1,200/12,000	1,400/14,000	35
Ram 1500 w/Deep Drop Bumper	95-01	29	SQ3	2	41504		CQ		500/5,000	1,000/10,000	40
Ram 1500 (Built Before 11/2002)	02-03	14	SQ3	2	75135	0	CP,DS,GU		500/5,000	1,000/10,000	15
Ram 1500 (Built Before 11/2002), w/Factory 7-Way	02-03										
Ram 1500 (Built After 11/2002)	03-03	11	SQ3	2	75151	0	CP,DS,GU		500/5,000	800/8,000	20
		46	SQ4	2	75420	0	CP,DY		600/6,000	1,000/10,000	25
		11	SQ4	2	75662	0	CP,DS		600/6,000	1,000/10,000	20
		37	SQ5	2	41929		@,DY,GP,KL,SG		1,200/12,000	1,500/15,000	35
		64	SQ5	2-1/2	45518		#,DY,KL,SB		1,200/12,000	1,700/14,000	35
Ram 1500 (Built After 11/2002) w/Factory 7-Way	03-03										
Ram 1500 Except Daytona/Hemi Sport Quad Cab/Ram Rumble Bee/SRT-10	04-05	11	SQ3	2	75151	0	CP,GU		500/5,000	800/8,000	20
		46	SQ4	2	75420	0	CP		600/6,000	1,000/10,000	25
		11	SQ4	2	75662	0	CP		600/6,000	1,000/10,000	20
		37	SQ5	2	41929		@,GP,KL,SG		1,200/12,000	1,500/15,000	35
		64	SQ5	2-1/2	45518		#,KL,SB		1,200/12,000	1,700/14,000	35
Ram 1500 Except Daytona/Hemi Sport Quad Cab/Ram Rumble Bee/SRT-10, w/Factory 7-Way	04-05										
Ram 1500	06-08	11	SQ3	2	75151	0	CP,GU		500/5,000	800/8,000	20
		46	SQ4	2	75420	0	CP		600/6,000	1,000/10,000	25
		11	SQ4	2	75662	0	CP		600/6,000	1,000/10,000	20
		37	SQ5	2	41929		@,GP,KL,SG		1,200/12,000	1,500/15,000	35
		64	SQ5	2-1/2	45518		#,KL,SB		1,200/12,000	1,700/14,000	35
Ram 1500 Except Mega Cab/SRT-10, w/Factory 7-Way	06-08										
Ram 1500	09-09	11	SQ4	2	75662	0	CP		600/6,000	1,000/10,000	20
Ram 1500 w/Factory 7-Way	09-10										
Ram 1500	10-10	11	SQ4	2	75662	0	CP		600/6,000	1,000/10,000	20
Ram 2500	95-98	50	SQ5	2-1/2	45505		#,HX		1,200/12,000	1,700/14,000	45
Ram 2500	95-02	49	RT3	2	37133		GU		500/5,000	750/7,500	40
		25	SQ3	2	75101	0			500/5,000	800/8,000	15
		30	SQ4	2	40050		CQ,G0,GX		600/6,000	1,000/10,000	40
		56	SQ4	2	41536	0			600/6,000	1,000/10,000	15
		54	RT4	2	37130		GU		700/7,000	1,200/12,000	40
		45	SQ5	2	41923	0	@,GP		1,200/12,000	1,400/14,000	35
Ram 2500 w/Deep Drop Bumper	95-02	29	SQ3	2	41504		CQ		500/5,000	1,000/10,000	40
Ram 2500	99-02	54	SQ5	2-1/2	45513		#		1,200/12,000	1,700/14,000	30
Ram 2500 w/Factory 7-Way	02-09										
Ram 2500	03-05	11	SQ3	2	75151	0	CP,GU		500/5,000	800/8,000	20
		46	SQ4	2	75420	0	CP,DY		600/6,000	1,000/10,000	25
		11	SQ4	2	75662	0	CP		600/6,000	1,000/10,000	20
		37	SQ5	2	41929		@,GP,KL,SG		1,200/12,000	1,500/15,000	35
		64	SQ5	2-1/2	45518		#,KL,SB		1,200/12,000	1,700/14,000	35
		66	SQ5	2-1/2	45509		#,AA,GH,HM,LT,SO,TO		2,000/18,000	2,500/18,000	95

- # Titan hitches require use of a 2-1/2" shank Titan ball mount.
- @ Ultra Frame ball mount must be used to achieve maximum weight carrying rating.
- AA Requires temporary removal of bumper during installation.
- CP Fits all models without factory installed receiver.
- CQ Will not fit with heavy duty suspension.
- DS Use DT #75151 On 1500 Models Built After 11/1/02. Use DT #75135 On 1500 Models Built Before 11/1/02.
- DY Use On 1500 Models Built After 11/1/02.
- GH Will not fit models with 34" wide frames.
- GO Requires hitch with packaging date code 2/15/94 or later.
- GP Hitch crosstube concealed behind bumper.
- GU Will not fit vehicles with factory or aftermarket lower Fascia/Rollpan or Tube Bumper.
- GX Requires fabrication of "L" bracket to reposition exhaust on '95 and later 6 ft. box models.
- HM Hitch crosstube is visible beneath bumper.
- HX Minor exhaust modification may be required.
- KL Hitch is designed to attach beneath the OEM hitch.
- LT Requires removal of factory hitch if equipped.
- SB Will not fit models with short bed.
- SG Hitches produced before 09/10/07 are rated at 1000/10000 WC & 1200/12000 WD.
- SD With this hitch installed the step bumper is no longer able to be used as a towing point.
- TO Will not fit models equipped Chassis Cab spring mount.

T-ONE						TOW HARNESS						4-FLAT WIRING				REQ. 4 FLAT WIRING		7-WAY HARDWIRE	BRAKE CONTROL HARNESS	IN
PC	T-ONE	FN	IN	AMP	CP	PC	TOW HARN	FN	IN	AMP	CP	TYPE	ELEC	POS	CHOICE 1	CHOICE 2	6-WAY ADAPTER			
DODGE (Continued)																				
E19	118554	BN,CH	45	4.2,7.5	X								B	SUV1,2	119130	119178	20320	20321	20224	
E19	118554	BN,CH	45	4.2,7.5	X								B,E	SUV1,2	119191	119148	20320	20321	20224	
							20135	RD	10			Both	H	PU3	119148	20252				
E7	118329	BN,HJ	5	7.5									A	PU3,4	119148	20252	20320	20321	20224	3020-P 5
E7	118329	BN,HJ	5	7.5									A	PU3,4	119148	20252	20320	20321	20224	3020-P 5
						E3	118381	BN,RD	5	7.5		4-Flat	A	PU3	119148	20252	20320	20321	20224	3020-P 5
							20135	RD	10			Both	H	PU3	119148	20252				
							118381	BN,RD	5	7.5		4-Flat	A	PU3	119148	20252	20320	20321	20224	3020-P 5
						E3	118381	BN,RD	5	7.5		4-Flat	A	PU3	119148	20252	20320	20321	20224	3020-P 5
							20135	RD	10			Both	H	PU3	119148	20252				
						E3	118381	BN,RD	5	7.5		4-Flat	A	PU3	119148	20252	20320	20321	20224	3020-P 5
							20135	RD	10			Both	H	PU3	119148	20252				
						E8	118384	BN,RD	5	7.5		4-Flat	A	PU3	119148	20252	20320	20321	20224	3020-P 5
							74682	RD	10			Both	A	PU3	119148	20252				
							85219	RD	5			7-Way	A	PU3	119148	20252				
						E8	118384	BN,RD	5	7.5		4-Flat	A	PU3	119148	20252	20320	20321	20224	3021-P 5
E7	118329	BN,HJ	5	7.5									A	PU3,4	119148	20252	20320	20321	20224	3020-P 5
E7	118329	BN,HJ	5	7.5									A	PU3,4	119148	20252	20320	20321	20224	3020-P 5
E7	118329	BN,HJ	5	7.5									A	PU3,4	119148	20252	20320	20321	20224	3020-P 5
E7	118329	BN,HJ	5	7.5									A	PU3,4	119148	20252	20320	20321	20224	3020-P 5
							20135	RD	10			Both	H	PU3	119148	20252				
						E3	118381	BN,RD	5	7.5		4-Flat	A	PU3	119148	20252	20320	20321	20224	3020-P 5

A 2 wire system.
B 3 wire system. Converter required.
BN Exterior mounted plug on some or all models. May require an aftermarket electrical mounting box or bracket. (Sold separately)
CH T-One is equipped with circuit protected ModuLite® module.
E ModuLite® required.
H 3 wire system with OEM standard 2 wire harness.
HJ Per Dodge owner's manual: If trailer is equipped with more than standard lighting (1 taillight per side) use of ModuLite® or dealer supplied harness is required.
RD For vehicles equipped with factory tow package may require additional components or may be used as a replacement harness.

RT3 Round Tube Class III 2"
RT4 Round Tube Class IV 2"
SQ3 Square Tube Class III
SQ4 Square Tube Class IV
SQ5 Square Tube Class V

MODEL / STYLE	YEAR	TRAILER HITCHES									
		PC	REC TYPE	REC SIZE	PART #	NO DRILL	FOOTNOTES	OPTIONAL DRAWBAR	WC (LBS.)	WD (LBS.)	IN
DODGE (Continued)											
Ram 2500	06-09	11	SQ3	2	75151	0	CP, GU		500/5,000	800/8,000	20
		46	SQ4	2	75420	0	CP		600/6,000	1,000/10,000	25
		11	SQ4	2	75662	0	CP		600/6,000	1,000/10,000	20
		37	SQ5	2	41929		@, GP, KL, SG		1,200/12,000	1,500/15,000	35
		66	SQ5	2-1/2	45509		#, AA, GH, HM, LT, SO, TO		2,000/18,000	2,500/18,000	95
Ram 2500 Except Mega Cab	06-09	64	SQ5	2-1/2	45518		#, KL, SB		1,200/12,000	1,700/14,000	35
Ram 2500	10-10	37	SQ5	2	41929		@, GP, KL, SG		1,200/12,000	1,500/15,000	35
		66	SQ5	2-1/2	45509		#, AA, GH, HM, LT, SO, TO		2,000/18,000	2,500/18,000	95
Ram 2500 Except Mega Cab	10-10	64	SQ5	2-1/2	45518		#, KL, SB		1,200/12,000	1,700/14,000	35
Ram 2500 w/Factory 7-Way	10-10										
Ram 3500	95-98	50	SQ5	2-1/2	45505		#, HX		1,200/12,000	1,700/14,000	45
Ram 3500	95-02	49	RT3	2	37133		GU		500/5,000	750/7,500	40
		25	SQ3	2	75101	0			500/5,000	800/8,000	15
		30	SQ4	2	40050		CQ, GO, GX		600/6,000	1,000/10,000	40
		56	SQ4	2	41536	0			600/6,000	1,000/10,000	15
		54	RT4	2	37130		GU		700/7,000	1,200/12,000	40
		45	SQ5	2	41923	0	@, GP		1,200/12,000	1,400/14,000	35
Ram 3500 w/Deep Drop Bumper	95-02	29	SQ3	2	41504		CQ		500/5,000	1,000/10,000	40
Ram 3500	99-02	54	SQ5	2-1/2	45513		#		1,200/12,000	1,700/14,000	30
Ram 3500 w/Factory 7-Way	02-09										
Ram 3500	03-05	11	SQ3	2	75151	0	CP, GU		500/5,000	800/8,000	20
		46	SQ4	2	75420	0	CP, DY		600/6,000	1,000/10,000	25
		11	SQ4	2	75662	0	CP		600/6,000	1,000/10,000	20
		37	SQ5	2	41929		@, GP, KL, SG		1,200/12,000	1,500/15,000	35
		64	SQ5	2-1/2	45518		#, KL, SB		1,200/12,000	1,700/14,000	35
		66	SQ5	2-1/2	45509		#, AA, GH, HM, LT, SO, TO		2,000/18,000	2,500/18,000	95
Ram 3500	06-09	11	SQ3	2	75151	0	CP, GU		500/5,000	800/8,000	20
		46	SQ4	2	75420	0	CP		600/6,000	1,000/10,000	25
		11	SQ4	2	75662	0	CP		600/6,000	1,000/10,000	20
		37	SQ5	2	41929		@, GP, KL, SG		1,200/12,000	1,500/15,000	35
		66	SQ5	2-1/2	45509		#, AA, GH, HM, LT, SO, TO		2,000/18,000	2,500/18,000	95
Ram 3500 Except Mega Cab	06-09	64	SQ5	2-1/2	45518		#, KL, SB		1,200/12,000	1,700/14,000	35
Ram 3500 Cab & Chassis, w/34" Wide Frames	07-10	29	SQ5	2	41936		@		1,200/12,000		30
		50	SQ5	2	41947		@		1,600/15,000	1,600/16,000	35
Ram 3500	10-10	37	SQ5	2	41929		@, GP, KL, SG		1,200/12,000	1,500/15,000	35
		66	SQ5	2-1/2	45509		#, AA, GH, HM, LT, SO, TO		2,000/18,000	2,500/18,000	95
Ram 3500 Except Mega Cab	10-10	64	SQ5	2-1/2	45518		#, KL, SB		1,200/12,000	1,700/14,000	35
Ram 3500 w/Factory 7-Way	10-10										
Ram 4500 Cab & Chassis, w/34" Wide Frames	08-10	29	SQ5	2	41936		@		1,200/12,000		30
		50	SQ5	2	41947		@		1,600/15,000	1,600/16,000	35
Ram 5500 Cab & Chassis, w/34" Wide Frames	08-10	29	SQ5	2	41936		@		1,200/12,000		30
		50	SQ5	2	41947		@		1,600/15,000	1,600/16,000	35
Sprinter 2500 w/41" Wide Frames, Except 118" Wheelbase & Factory Metal Step Platform	03-06	48	SQ3	2	75210	0	HM		500/5,000	750/7,500	20
Sprinter 2500 w/41" Wide Frames, Except 118" Wheelbase & Factory Metal Step Platform, w/Factory 7-Way	03-06										
Sprinter 2500 144" & 170" Wheelbase, Except w/Factory Step Bumper	07-09	53	SQ4	2	75549	0	HM, UL		600/6,000	750/7,500	20
Sprinter 2500 144" & 170" Wheelbase, Except w/Factory Step Bumper, w/Factory 7-Way	07-09										

- # Titan hitches require use of a 2-1/2" shank Titan ball mount.
- @ Ultra Frame ball mount must be used to achieve maximum weight carrying rating.
- AA Requires temporary removal of bumper during installation.
- CP Fits all models without factory installed receiver.
- CQ Will not fit with heavy duty suspension.
- DY Use On 1500 Models Built After 11/1/02.
- GH Will not fit models with 34" wide frames.
- GO Requires hitch with packaging date code 2/15/94 or later.
- GP Hitch crosstube concealed behind bumper.
- GU Will not fit vehicles with factory or aftermarket lower Fascia/Rollpan or Tube Bumper.
- GX Requires fabrication of "L" bracket to reposition exhaust on '95 and later 6 ft. box models.
- HM Hitch crosstube is visible beneath bumper.
- HX Minor exhaust modification may be required.
- KL Hitch is designed to attach beneath the OEM hitch.
- LT Requires removal of factory hitch if equipped.
- SB Will not fit models with short bed.
- SG Hitches produced before 09/10/07 are rated at 1000/10000 WC & 1200/12000 WD.
- SO With this hitch installed the step bumper is no longer able to be used as a towing point.
- TD Will not fit models equipped Chassis Cab spring mount.
- UL This hitch will not fit a Sprinter single or dual rear-wheel vehicle with a 30-3/8" wide frame measured outside of frame to outside of frame.

T-ONE					TOW HARNESS					4-FLAT WIRING				REQ. 4 FLAT WIRING		7-WAY HARDWIRE	BRAKE CONTROL HARNESS	IN			
PC	T-ONE	FN	IN	AMP	CP	PC	TOW HARN	FN	IN	AMP	CP	TYPE	ELEC	POS	CHOICE 1				CHOICE 2	6-WAY ADAPTER	7-WAY ADAPTER
DODGE (Continued)																					
						E3	118381	BN,RD	5	7.5		4-Flat	A	PU3	119148	20252	20320	20321	20224	3020-P	5
						E3	118381	BN,RD	5	7.5		4-Flat	A	PU3	119148	20252	20320	20321	20224	3020-P	5
						E8	118384	BN,RD	5	7.5		4-Flat	A	PU3	119148	20252	20320	20321	20224	3021-P	5
						E8	118384	BN,RD	5	7.5		4-Flat	A	PU3	119148	20252	20320	20321	20224	3021-P	5
							74682 85219	RD RD	10 5			Both 7-Way	A	PU3	119148	20252					
E7	118329	BN,HJ	5	7.5									A	PU3,4	119148	20252	20320	20321	20224	3020-P	5
E7	118329	BN,HJ	5	7.5									A	PU3,4	119148	20252	20320	20321	20224	3020-P	5
E7	118329	BN,HJ	5	7.5									A	PU3,4	119148	20252	20320	20321	20224	3020-P	5
E7	118329	BN,HJ	5	7.5									A	PU3,4	119148	20252	20320	20321	20224	3020-P	5
							20135	RD	10			Both	H	PU3	119148	20252					
						E3	118381	BN,RD	5	7.5		4-Flat	A	PU3	119148	20252	20320	20321	20224	3020-P	5
						E3	118381	BN,RD	5	7.5		4-Flat	A	PU3	119148	20252	20320	20321	20224	3020-P	5
													C	PU1,2	119191	119148	20320	20321	20224	3020-P	5
						E8	118384	BN,RD	5	7.5		4-Flat	A	PU3	119148	20252	20320	20321	20224	3021-P	5
						E8	118384	BN,RD	5	7.5		4-Flat	A	PU3	119148	20252	20320	20321	20224	3021-P	5
							74682 85219	RD RD	10 5			Both 7-Way	A	PU3	119148	20252					
													C	PU1,2	119191	119148	20320	20321	20224	3020-P	5
													C	PU1,2	119191	119148	20320	20321	20224	3020-P	5
						E3	118381	BN,RD	5	7.5		4-Flat	B,E	SUV3,4	119191	119148	20320	20321	20224		
							20135	RD	10			Both	H	SUV6							
E17	118650	CH	45	5,7.5	X	E3	118381	BN,RD	5	7.5		4-Flat	B,E	SUV1,2	119191	119148	20320	20321	20224		
							20135	RD	10			Both	H	SUV6	119148	20252					

- A** 2 wire system.
- B** 3 wire system. Converter required.
- BN** Exterior mounted plug on some or all models. May require an aftermarket electrical mounting box or bracket. (Sold separately)
- C** 2 or 3 wire system determine at installation.
- CH** T-One is equipped with circuit protected ModuLite® module.
- E** ModuLite® required.
- H** 3 wire system with OEM standard 2 wire harness.
- HJ** Per Dodge owner's manual: If trailer is equipped with more than standard lighting (1 taillight per side) use of ModuLite® or dealer supplied harness is required.
- RD** For vehicles equipped with factory tow package may require additional components or may be used as a replacement harness.

- RT3** Round Tube Class III 2"
- RT4** Round Tube Class IV 2"
- SQ3** Square Tube Class III
- SQ4** Square Tube Class IV
- SQ5** Square Tube Class V

MODEL / STYLE	YEAR	TRAILER HITCHES									
		PC	REC TYPE	REC SIZE	PART #	NO DRILL	FOOTNOTES	OPTIONAL DRAWBAR	WC (LBS.)	WD (LBS.)	IN
DODGE (Continued)											
Sprinter 2500 w/Factory Step Bumper Excluding Models w/30-3/8" Frame Width	07-09	52	SQ3	2	75601	0	HM		500/5,000	750/7,500	30
Sprinter 2500 w/Factory Step Bumper, w/Factory 7-Way	07-09										
Sprinter 3500 w/41" Wide Frames, Except 118" Wheelbase & Factory Metal Step Platform	03-06	48	SQ3	2	75210	0	HM		500/5,000	750/7,500	20
Sprinter 3500 w/41" Wide Frames, Except 118" Wheelbase & Factory Metal Step Platform, w/Factory 7-Way	03-06										
Sprinter 3500 144" & 170" Wheelbase, Except w/Factory Step Bumper	07-09	53	SQ4	2	75549	0	HM,UL		600/6,000	750/7,500	20
Sprinter 3500 144" & 170" Wheelbase, Except w/Factory Step Bumper, w/Factory 7-Way	07-09										
Sprinter 3500 w/Factory Step Bumper Excluding Models w/30-3/8" Frame Width	07-09	52	SQ3	2	75601	0	HM		500/5,000	750/7,500	30
Sprinter 3500 w/Factory Step Bumper, w/Factory 7-Way	07-09										
Stratus 4 Dr.	95-06	40	SQ2	1-1/4	36301		JR,HM	36061	300/3,500		60
Van, B1500	95-97	30	SQ3	2	75140	0	DH		500/5,000	1,000/10,000	30
Van, B1500 Except w/Factory Step Bumper	95-97	41	SQ3	2	75090	0	DH		500/5,000	750/7,500	20
		37	SQ4	2	41533	0	DH		600/6,000	1,000/10,000	20
Van, B1500	98-98	30	SQ3	2	75140	0			500/5,000	1,000/10,000	30
Van, B1500 Except w/Factory Step Bumper	98-98	41	SQ3	2	75090	0	BF		500/5,000	750/7,500	20
		37	SQ4	2	41533	0	BF		600/6,000	1,000/10,000	20
Van, B2500	95-97	30	SQ3	2	75140	0	DH		500/5,000	1,000/10,000	30
Van, B2500 Except w/Factory Step Bumper	95-97	41	SQ3	2	75090	0	DH		500/5,000	750/7,500	20
		37	SQ4	2	41533	0	DH		600/6,000	1,000/10,000	20
Van, B2500	98-98	30	SQ3	2	75140	0			500/5,000	1,000/10,000	30
Van, B2500 Except w/Factory Step Bumper	98-98	41	SQ3	2	75090	0	BF		500/5,000	750/7,500	20
		37	SQ4	2	41533	0	BF		600/6,000	1,000/10,000	20
Van, B3500	95-97	30	SQ3	2	75140	0	DH		500/5,000	1,000/10,000	30
Van, B3500 Except w/Factory Step Bumper	95-97	41	SQ3	2	75090	0	DH		500/5,000	750/7,500	20
		37	SQ4	2	41533	0	DH		600/6,000	1,000/10,000	20
Van, B3500	98-98	30	SQ3	2	75140	0			500/5,000	1,000/10,000	30
Van, B3500 Except w/Factory Step Bumper	98-98	41	SQ3	2	75090	0	BF		500/5,000	750/7,500	20
		37	SQ4	2	41533	0	BF		600/6,000	1,000/10,000	20
Van, Ram 1500	99-00	30	SQ3	2	75140	0			500/5,000	1,000/10,000	30
Van, Ram 1500 Except w/Factory Step Bumper	99-00	41	SQ3	2	75090	0	BF		500/5,000	750/7,500	20
		37	SQ4	2	41533	0	BF		600/6,000	1,000/10,000	20
Van, Ram 1500	01-03	30	SQ3	2	75140	0			500/5,000	1,000/10,000	30
Van, Ram 1500 Except w/Factory Step Bumper	01-03	41	SQ3	2	75090	0	BF		500/5,000	750/7,500	20
		37	SQ4	2	41533	0	BF		600/6,000	1,000/10,000	20
Van, Ram 1500 w/Factory 7-Way	01-03										
Van, Ram 2500	99-00	30	SQ3	2	75140	0			500/5,000	1,000/10,000	30
Van, Ram 2500 Except w/Factory Step Bumper	99-00	41	SQ3	2	75090	0	BF		500/5,000	750/7,500	20
		37	SQ4	2	41533	0	BF		600/6,000	1,000/10,000	20
Van, Ram 2500	01-03	30	SQ3	2	75140	0			500/5,000	1,000/10,000	30
Van, Ram 2500 Except w/Factory Step Bumper	01-03	41	SQ3	2	75090	0	BF		500/5,000	750/7,500	20
		37	SQ4	2	41533	0	BF		600/6,000	1,000/10,000	20
Van, Ram 2500 w/Factory 7-Way	01-03										
Van, Ram 3500	99-00	30	SQ3	2	75140	0			500/5,000	1,000/10,000	30
Van, Ram 3500 Except w/Factory Step Bumper	99-00	41	SQ3	2	75090	0	BF		500/5,000	750/7,500	20
		37	SQ4	2	41533	0	BF		600/6,000	1,000/10,000	20
Van, Ram 3500	01-03	30	SQ3	2	75140	0			500/5,000	1,000/10,000	30
Van, Ram 3500 Except w/Factory Step Bumper	01-03	41	SQ3	2	75090	0	BF		500/5,000	750/7,500	20
		37	SQ4	2	41533	0	BF		600/6,000	1,000/10,000	20

BF Requires standard bumper. Will not fit with step bumper.
DH Cannot be installed on 1987-97 vehicles with factory step bumpers unless step bumper and its mounting brackets are permanently removed and standard factory bumper is installed.
HM Hitch cross-tube is visible beneath bumper.

JR Exhaust must be temporarily lowered for installation.
UL This hitch will not fit a Sprinter single or dual rear-wheel vehicle with a 30-3/8" wide frame measured outside of frame to outside of frame.

T-ONE						TOW HARNESS						4-FLAT WIRING				REQ. 4 FLAT WIRING		7-WAY HARDWIRE	BRAKE CONTROL HARNESS	IN
PC	T-ONE	FN	IN	AMP	CP	PC	TOW HARN	FN	IN	AMP	CP	TYPE	ELEC	POS	CHOICE 1	CHOICE 2	6-WAY ADAPTER			
DODGE (Continued)																				
E17	118650	CH	45	5,7.5	X	E3	118381	BN,RD	5	7.5		4-Flat	B,E	SUV1,2	119191	119148	20320	20321	20224	
							20135	RD	10			Both	H	SUV6	119148	20252				
						E3	118381	BN,RD	5	7.5		4-Flat	B,E	SUV3,4	119191	119148	20320	20321	20224	
							20135	RD	10			Both	H	SUV6	119148	20252				
E17	118650	CH	45	5,7.5	X	E3	118381	BN,RD	5	7.5		4-Flat	B,E	SUV1,2	119191	119148	20320	20321	20224	
							20135	RD	10			Both	H	SUV6	119148	20252				
E17	118650	CH	45	5,7.5	X	E3	118381	BN,RD	5	7.5		4-Flat	B,E	SUV1,2	119191	119148	20320	20321	20224	
							20135	RD	10			Both	H	SUV6	119148	20252				
													B	PC3,4	119130	119178				
E1	118328	BN	5	7.5									A	SUV7	119148	20252	20320	20321	20224	
E1	118328	BN	5	7.5									A	SUV7	119148	20252	20320	20321	20224	
E1	118328	BN	5	7.5									A	SUV7	119148	20252	20320	20321	20224	
E1	118328	BN	5	7.5									A	SUV7	119148	20252	20320	20321	20224	
E1	118328	BN	5	7.5									A	SUV7	119148	20252	20320	20321	20224	
E1	118328	BN	5	7.5									A	SUV7	119148	20252	20320	20321	20224	
E1	118328	BN	5	7.5									A	SUV7	119148	20252	20320	20321	20224	
E1	118328	BN	5	7.5									A	SUV7	119148	20252	20320	20321	20224	
E1	118328	BN	5	7.5									A	SUV7	119148	20252	20320	20321	20224	
E1	118328	BN	5	7.5									A	SUV7	119148	20252	20320	20321	20224	
E1	118328	BN	5	7.5									A	SUV7	119148	20252	20320	20321	20224	
E1	118328	BN	5	7.5									A	SUV7	119148	20252	20320	20321	20224	
E1	118328	BN	5	7.5									A	SUV7	119148	20252	20320	20321	20224	
E1	118328	BN	5	7.5									A	SUV7	119148	20252	20320	20321	20224	
E1	118368	BN	5	7.5									A	SUV5	119148	20252	20320	20321	20224	
E1	118368	BN	5	7.5									A	SUV5	119148	20252	20320	20321	20224	
E3	118381	BN	5	7.5									A	SUV5	119148	20252	20320	20321	20224	
E3	118381	BN	5	7.5									A	SUV5	119148	20252	20320	20321	20224	
							20135	RD	10			Both	A	SUV5	119148	20252				
E1	118368	BN	5	7.5									A	SUV5	119148	20252	20320	20321	20224	
E1	118368	BN	5	7.5									A	SUV5	119148	20252	20320	20321	20224	
E3	118381	BN	5	7.5									A	SUV5	119148	20252	20320	20321	20224	
E3	118381	BN	5	7.5									A	SUV5	119148	20252	20320	20321	20224	
							20135	RD	10			Both	A	SUV5	119148	20252				
E1	118368	BN	5	7.5									A	SUV5	119148	20252	20320	20321	20224	
E1	118368	BN	5	7.5									A	SUV5	119148	20252	20320	20321	20224	
E3	118381	BN	5	7.5									A	SUV5	119148	20252	20320	20321	20224	
E3	118381	BN	5	7.5									A	SUV5	119148	20252	20320	20321	20224	

- A** 2 wire system.
- B** 3 wire system. Converter required.
- BN** Exterior mounted plug on some or all models. May require an aftermarket electrical mounting box or bracket. (Sold separately)
- CH** T-One is equipped with circuit protected ModuLite® module.
- E** ModuLite® required.
- H** 3 wire system with OEM standard 2 wire harness.
- RD** For vehicles equipped with factory tow package may require additional components or may be used as a replacement harness.

- SQ2** Square Tube Class II
- SQ3** Square Tube Class III
- SQ4** Square Tube Class IV

MODEL / STYLE	YEAR	TRAILER HITCHES									
		PC	REC TYPE	REC SIZE	PART #	NO DRILL	FOOTNOTES	OPTIONAL DRAWBAR	WC (LBS.)	WD (LBS.)	IN
DODGE (Continued)											
Van, Ram 3500 w/Factory 7-Way	01-03										
EAGLE											
Vision	93-97	43	SQ2	1-1/4	36170		JR,TA,HM	36061	300/3,500		40
FIAT											
500 Except Abarth	12-18	28	SQ1	1-1/4	24873	Ø	GP, JR	3593	200/2,000		30
500L	14-17	28	SQ1	1-1/4	24969		EP, SV	3593	200/2,000		45
500L	18-18	28	SQ1	1-1/4	24969		EP, SV	3593	200/2,000		45
500X	16-18	26	RT3	2	76019		HM		675/4,500		30
FORD											
Aerostar Extended Body	97-97	50	SQ3	2	37136				500/5,000	600/6,000	40
Aerostar Standard Body	97-97										40
C-MAX	13-18	29	SQ1	1-1/4	24896		GP, JR, KH	3593	200/2,000		25
Crown Victoria	92-97	36	SQ1	1-1/4	24526		CA, GP	3592	200/2,000		25
		39	SQ2	1-1/4	36116		CA, GP	36063	300/3,500		30
		38	SQ3	2	41116		CA, GP		350/3,500	750/6,000	30
Crown Victoria	98-09	36	SQ1	1-1/4	24526		CA, GP	3592	200/2,000		25
		39	SQ2	1-1/4	36116		CA, GP	36063	300/3,500		30
		38	SQ3	2	41116		CA, GP		350/3,500	750/6,000	30
E-150 Econoline	95-02	19	RT4	2	75703		CS, HM		600/6,000	1,000/10,000	20
		37	SQ5	2	41906		@, HM, HY		1,000/10,000	1,200/12,000	30
E-150 Econoline w/Factory 7-Way	97-02										
E-150 Econoline	00-02	35	SQ5	2	41926	Ø	@, HM		1,000/10,000	1,200/12,000	30
		41	SQ5	2	41945	Ø	@, HM		1,500/10,000	1,200/12,000	30
E-150 Econoline	03-07	19	RT4	2	75703		CS, HM		600/6,000	1,000/10,000	20
		37	SQ5	2	41906		@, HM, HY		1,000/10,000	1,200/12,000	30
		35	SQ5	2	41926	Ø	@, HM		1,000/10,000	1,200/12,000	30
		41	SQ5	2	41945	Ø	@, HM		1,500/10,000	1,200/12,000	30
E-150 Econoline w/Factory 7-Way	04-09										
E-150 Econoline	08-08	19	RT4	2	75703		CS, HM		600/6,000	1,000/10,000	20
		37	SQ5	2	41906		@, HM, HY		1,000/10,000	1,200/12,000	30
		35	SQ5	2	41926	Ø	@, HM		1,000/10,000	1,200/12,000	30
		41	SQ5	2	41945	Ø	@, HM		1,500/10,000	1,200/12,000	30
E-150 Econoline	09-14	19	RT4	2	75703	Ø	CS, HM		600/6,000	1,000/10,000	20
		37	SQ5	2	41906		@, HM, HY		1,000/10,000	1,200/12,000	30
		35	SQ5	2	41926	Ø	@, HM		1,000/10,000	1,200/12,000	30
		41	SQ5	2	41945	Ø	@, HM		1,500/10,000	1,200/12,000	30
E-150 Econoline w/Factory 4-Flat (Prepped Class I Towing Package)	09-12										
E-150 Econoline w/Factory 7-Way (Prepped Class II Towing Package)	09-12										
E-250 Econoline	95-02	19	RT4	2	75703		CS, HM		600/6,000	1,000/10,000	20
		37	SQ5	2	41906		@, HM, HY		1,000/10,000	1,200/12,000	30
E-250 Econoline w/Factory 7-Way	97-09										
E-250 Econoline	00-02	35	SQ5	2	41926	Ø	@, HM		1,000/10,000	1,200/12,000	30
		41	SQ5	2	41945	Ø	@, HM		1,500/10,000	1,200/12,000	30
E-250 Econoline	03-07	19	RT4	2	75703		CS, HM		600/6,000	1,000/10,000	20
		37	SQ5	2	41906		@, HM, HY		1,000/10,000	1,200/12,000	30
		35	SQ5	2	41926	Ø	@, HM		1,000/10,000	1,200/12,000	30
		41	SQ5	2	41945	Ø	@, HM		1,500/10,000	1,200/12,000	30

- @ Ultra Frame ball mount must be used to achieve maximum weight carrying rating.
- CA Models with dual exhaust require exhaust modification.
- CS Will fit with full-size spare tire stowed under vehicle.
- EP Fascia trimming may be required.
- GP Hitch cross-tube concealed behind bumper.
- HM Hitch cross-tube is visible beneath bumper.

- HY Ultra Frame ball mount DT #4283/HH #80125 cannot be used in rise position on vehicles with step bumpers.
- JR Exhaust must be temporarily lowered for installation.
- KH Minor heat shield modification may be required.
- SV Trimming or removal of under body appearance panel may be required.
- TA Trunk access required for hitch installation.

T-ONE					TOW HARNESS					4-FLAT WIRING				REQ. 4 FLAT WIRING		7-WAY HARDWARE	BRAKE CONTROL HARNESS	IN		
PC	T-ONE	FN	IN	AMP	CP	PC	TOW HARN	FN	IN	AMP	CP	TYPE	ELEC	POS	CHOICE 1				CHOICE 2	6-WAY ADAPTER
DODGE (Continued)																				
							20135	RD	10			Both	A	SUV5	119148	20252				
EAGLE																				
												B	PC3,4	119130	119178					
FIAT																				
E20	118546	CH	45	4.2,7.5	X								B,E	PC1,2	119191	119148				
E17	118772	CH	45	5,7.5	X								B,E	PC3,4	119191	119148				
E24	118693	CH	45	4.2,7.5	X								B,E	PC3,4	119191	119148				
													BT	SUV1,2	119251	119191				
FORD																				
E5	118344	BN	10	7.5									A	SUV1,2	119148	20252	20320	20321	20224	
E5	118344	BN	10	7.5									A	SUV1,2	119148	20252	20320	20321	20224	
													BM	PC1,2	119251	119191				
E9	118326		20	7.5									A,E	PC3,4	119191	119148	20320	20321	20224	
													B,E	PC3,4	119191	119148	20320	20321	20224	
E5	118344	BN	10	7.5									A	SUV1,2	119148	20252	20320	20321	20224	3035-P
							74682	RD	10			Both	A	SUV6	119148	20252				
							85219	RD	5			7-Way								
E5	118344	BN	10	7.5									A	SUV1,2	119148	20252	20320	20321	20224	3035-P
													A	SUV1,2	119148	20252	20320	20321	20224	3035-P
							85219	RD	5			7-Way	A	SUV6	119148	20252				
							74682	RD	10			Both								
E17	118551	CH	45	4.2,7.5	X								A,E	SUV1,2	119191	119148	20320	20321	20224	3035-P
E17	118551	CH	45	4.2,7.5	X								A,E	SUV1,2	119191	119148	20320	20321	20224	3034-P
						E3	118260	BN	10	7.5		4-Flat	A	SUV6	119148	20252				
						E14	118261	BN	10			7-Way	A	SUV6	119148	20252				
E5	118344	BN	10	7.5									A	SUV1,2	119148	20252	20320	20321	20224	3035-P
							74682	RD	10			Both	A	SUV6	119148	20252				
							85219	RD	5			7-Way								
E5	118344	BN	10	7.5									A	SUV1,2	119148	20252	20320	20321	20224	3035-P
													A	SUV1,2	119148	20252	20320	20321	20224	3035-P

A 2 wire system.
B 3 wire system. Converter required.
BM Multiplexed wiring system. ModuLite® HD Plus or Ultra required.
BN Exterior mounted plug on some or all models. May require an aftermarket electrical mounting box or bracket. (Sold separately)

BT Shared Brake/Tail multiplexed wiring system. ModuLite® HD Plus or Ultra required.
CH T-One is equipped with circuit protected ModuLite® module.
E ModuLite® required.
RD For vehicles equipped with factory tow package may require additional components or may be used as a replacement harness.

RT3 Round Tube Class III 2"
RT4 Round Tube Class IV 2"
SQ1 Square Tube Class I
SQ2 Square Tube Class II
SQ3 Square Tube Class III
SQ5 Square Tube Class V

MODEL / STYLE	YEAR	TRAILER HITCHES									
		PC	REC TYPE	REC SIZE	PART #	NO DRILL	FOOTNOTES	OPTIONAL DRAWBAR	WC (LBS.)	WD (LBS.)	IN
FORD (Continued)											
E-250 Econoline	08-08	19	RT4	2	75703		CS,HM		600/6,000	1,000/10,000	20
		37	SQ5	2	41906		@,HM,HY		1,000/10,000	1,200/12,000	30
		35	SQ5	2	41926	0	@,HM		1,000/10,000	1,200/12,000	30
		41	SQ5	2	41945	0	@,HM		1,500/10,000	1,200/12,000	30
E-250 Econoline	09-14	19	RT4	2	75703		CS,HM		600/6,000	1,000/10,000	20
		37	SQ5	2	41906		@,HM,HY		1,000/10,000	1,200/12,000	30
		35	SQ5	2	41926	0	@,HM		1,000/10,000	1,200/12,000	30
		41	SQ5	2	41945	0	@,HM		1,500/10,000	1,200/12,000	30
E-250 Econoline w/Factory 4-Flat (Prepped Class I Towing Package)	09-12										
E-250 Econoline w/Factory 7-Way (Prepped Class II Towing Package)	09-12										
E-350 Econoline	95-02	19	RT4	2	75703		CS,HM		600/6,000	1,000/10,000	20
		37	SQ5	2	41906		@,HM,HY		1,000/10,000	1,200/12,000	30
E-350 Econoline w/Factory 7-Way	97-02										
E-350 Econoline	00-02	35	SQ5	2	41926	0	@,HM		1,000/10,000	1,200/12,000	30
		41	SQ5	2	41945	0	@,HM		1,500/10,000	1,200/12,000	30
E-350 Econoline Super Duty	03-07	19	RT4	2	75703		CS,HM		600/6,000	1,000/10,000	20
		37	SQ5	2	41906		@,HM,HY		1,000/10,000	1,200/12,000	30
		35	SQ5	2	41926	0	@,HM		1,000/10,000	1,200/12,000	30
		41	SQ5	2	41945	0	@,HM		1,500/10,000	1,200/12,000	30
E-350 Econoline Super Duty w/Factory 7-Way	03-09										
E-350 Econoline Super Duty	08-08	19	RT4	2	75703		CS,HM		600/6,000	1,000/10,000	20
		37	SQ5	2	41906		@,HM,HY		1,000/10,000	1,200/12,000	30
		35	SQ5	2	41926	0	@,HM		1,000/10,000	1,200/12,000	30
		41	SQ5	2	41945	0	@,HM		1,500/10,000	1,200/12,000	30
E-350 Econoline Super Duty	09-14	19	RT4	2	75703		CS,HM		600/6,000	1,000/10,000	20
		37	SQ5	2	41906		@,HM,HY		1,000/10,000	1,200/12,000	30
		35	SQ5	2	41926	0	@,HM		1,000/10,000	1,200/12,000	30
		41	SQ5	2	41945	0	@,HM		1,500/10,000	1,200/12,000	30
E-350 Econoline Super Duty w/Factory 7-Way (Prepped Class II Towing Package)	09-12										
EcoSport	18-18	27	SQ2	1-1/4	36660	0	JR,GP,SV	36071	350/3,500		45
Edge Except Sport	07-10	33	SQ2	1-1/4	36447	0	GP,JR,KH	36051	300/3,500		45
		20	SQ3	2	75992		GP,KH,JR		400/4,000	400/4,000	55
Edge Sport	09-10	37	SQ3	2	75686	0	GP,JR,KH		350/3,500		45
Edge Except Sport	11-14	20	SQ3	2	75992		GP,KH,JR		400/4,000	400/4,000	55
Edge Sport	11-14	38	SQ3	2	75728	0	GP,JR,KH		525/3,500	525/4,000	45
Edge Except Sport & Titanium Models	15-19	28	RT3	2	75214	0	JR,HM,SV,TW		600/4,000	600/4,000	30
		35	SQ3	2	75234	0	GP,TA,SV,JR,TW		675/4,500	675/4,500	45
Edge Titanium and Sport Models Only	15-19	35	SQ3	2	75234	0	GP,TA,SV,JR,TW		675/4,500	675/4,500	45
Edge Titanium Model Only	15-15	28	RT3	2	75214	0	JR,HM,SV,TW		600/4,000	600/4,000	30
Escape	01-03	38	RT3	2	75118	0	HM,KH		350/3,500	500/5,000	35
		50	SQ3	2	37136		KH		500/5,000	600/6,000	60
Escape	04-04	38	RT3	2	75118	0	HM		350/3,500	500/5,000	35
		50	SQ3	2	37136				500/5,000	600/6,000	60
Escape	05-07	22	SQ2	1-1/4	36501		HM	36051	300/3,500		20
		34	RT3	2	75751	0	HM		675/4,500	675/5,250	25
Escape	08-12	22	SQ2	1-1/4	36501		HM	36051	300/3,500		20
		34	RT3	2	75751	0	HM		675/4,500	675/5,250	25

@ Ultra Frame ball mount must be used to achieve maximum weight carrying rating.
 CS Will fit with full-size spare tire stowed under vehicle.
 GP Hitch crosstube concealed behind bumper.
 HM Hitch crosstube is visible beneath bumper.
 HY Ultra Frame ball mount DT #4283/HH #80125 cannot be used in rise position on vehicles with step bumpers.

JR Exhaust must be temporarily lowered for installation.
 KH Minor heat shield modification may be required.
 SV Trimming or removal of under body appearance panel may be required.
 TA Trunk access required for hitch installation.
 TW Receiver hitch may limit hands-free liftgate sensor range

T-ONE						TOW HARNESS						4-FLAT WIRING				REQ. 4 FLAT WIRING		7-WAY HARDWARE	BRAKE CONTROL HARNESS	IN	
PC	T-ONE	FN	IN	AMP	CP	PC	TOW HARN	FN	IN	AMP	CP	TYPE	ELEC	POS	CHOICE 1	CHOICE 2	6-WAY ADAPTER				7-WAY ADAPTER
FORD (Continued)																					
E17	118551	CH	45	4,2,7,5	X								A,E	SUV1,2	119191	119148	20320	20321	20224	3035-P	5
E17	118551	CH	45	4,2,7,5	X								A,E	SUV1,2	119191	119148	20320	20321	20224	3034-P	20
						E3	118260	BN	10	7.5		4-Flat	A	SUV6	119148	20252					
						E14	118261	BN	10			7-Way	A	SUV6	119148	20252					
E5	118344	BN	10	7.5									A	SUV1,2	119148	20252	20320	20321	20224	3035-P	5
							74682 85219	RD RD	10 5			Both 7-Way	A	SUV6	119148	20252					
E5	118344	BN	10	7.5									A	SUV1,2	119148	20252	20320	20321	20224	3035-P	5
													A	SUV1,2	119148	20252	20320	20321	20224	3035-P	5
							74682 85219	RD RD	10 5			Both 7-Way	A	SUV6	119148	20252					
E17	118551	CH	45	4,2,7,5	X								A,E	SUV1,2	119191	119148	20320	20321	20224	3035-P	5
E17	118551	CH	45	4,2,7,5	X								A,E	SUV1,2	119191	119148	20320	20321	20224	3034-P	20
						E3	118260	BN	10	7.5		4-Flat	A	SUV6	119148	20252					
						E14	118261	BN	10			7-Way									
E17	118551	CH	45	4,2,7,5	X								N	SUV1,2		119251	20320	20321			
E17	118551	CH	45	4,2,7,5	X								N	SUV1,2		119251	20320	20321			
E21	118515	CH	45	4,2,7,5	X								N	SUV1,2		119251	20320	20321			
E21	118515	CH	45	4,2,7,5	X								N	SUV1,2		119251	20320	20321			
E16	118669	CH,BN	45	4,2,7,5	X								A,E	PC1,2	119191	119148					
E13	118677	CH,BN	45	4,2,7,5	X								B,E	SUV1,2	119191	119148					
E13	118677	CH,BN	45	4,2,7,5	X								B,E	SUV1,2	119191	119148					
E9	118343	HG,RW	10	2,1,5									B	SUV1,2	119130	119178	20320	20321	20224		
													B,E	SUV1,2	119191	119148	20320	20321	20224		
E17	118426	BN,CH	45	2,1,4,2	X								B,E	SUV1,2	119191	119148	20320	20321	20224		
E17	118551	CH	45	4,2,7,5	X	E1	118251	BN,QP,RD	5	7.5		4-Flat	A	SUV1,2	119148	20252	20320	20321	20224		

- A** 2 wire system.
- B** 3 wire system. Converter required.
- BN** Exterior mounted plug on some or all models. May require an aftermarket electrical mounting box or bracket. (Sold separately)
- CH** T-One is equipped with circuit protected Modulite® module.
- E** Modulite® required.

- HG** T-One incorporates taillight converter.
- N** DO NOT cut or splice vehicle wiring. Only use approved T-One or see auto dealer for trailer tow wiring kit.
- QP** Will not fit vehicles with backup sensors built into rear bumper.
- RD** For vehicles equipped with factory tow package may require additional components or may be used as a replacement harness.
- RW** On some models it may require an upgraded flasher or Modulite®.

- RT3** Round Tube Class III 2"
- RT4** Round Tube Class IV 2"
- SQ2** Square Tube Class II
- SQ3** Square Tube Class III
- SQ5** Square Tube Class V

MODEL / STYLE	YEAR	TRAILER HITCHES									
		PC	REC TYPE	REC SIZE	PART #	NO DRILL	FOOTNOTES	OPTIONAL DRAWBAR	WC (LBS.)	WD (LBS.)	IN
FORD (Continued)											
Escape	13-16	38	SQ2	1-1/4	36524	0	HM	36071	300/3,500		15
		38	SQ2	1-1/4	36529	0	GP,JR,KH	36071	300/3,500		20
		43	SQ3	2	75782	0	GP,JR,KH		525/3,500	525/5,000	60
		40	RT3	2	75758	0	HM		675/4,500	675/5,000	15
Escape	17-19	38	SQ2	1-1/4	36524	0	HM	36071	300/3,500		15
		38	SQ2	1-1/4	36529	0	GP,JR,KH	36071	300/3,500		60
		43	SQ3	2	75782	0	GP,JR,KH		525/3,500	525/5,000	60
		40	RT3	2	75758	0	HM		675/4,500	675/5,000	15
Excursion	00-03										
Excursion w/Factory 7-Way	00-05										
Expedition	97-02	42	SQ3	2	75071	0	GP		500/5,000	800/8,000	15
		41	SQ4	2	41527	0	GP		600/6,000	1,000/10,000	15
Expedition w/Factory 7-Way	97-11										
Expedition	03-03										
Expedition	13-13										
Expedition	15-17										
Explorer	95-00	32	SQ2	1-1/4	36246	0	HM	36051	300/3,500		15
		34	RT3	2	75083	0	JF,HM		500/5,000	600/6,000	15
		31	SQ3	2	75096	0	HM		500/5,000	750/7,500	15
Explorer w/Factory 7-Way	00-05										
Explorer 2 Dr. Sport	01-03	32	SQ2	1-1/4	36246	0	HM	36051	300/3,500		15
		34	RT3	2	75083	0	JF,HM		500/5,000	600/6,000	15
		31	SQ3	2	75096	0	HM		500/5,000	750/7,500	15
Explorer 4 Dr.	01-01	32	SQ2	1-1/4	36246	0	HM	36051	300/3,500		15
		34	RT3	2	75083	0	JF,HM		500/5,000	600/6,000	15
		31	SQ3	2	75096	0	HM		500/5,000	750/7,500	15
Explorer 4 Dr.	02-03	51	RT3	2	75132	0	HM,KL		500/5,000	800/8,000	20
Explorer 4 Dr.	04-05	51	RT3	2	75132	0	HM,KL		500/5,000	800/8,000	20
Explorer w/1-1/4" Receivers	06-10	39	RT3	2	75437	0	HM,KL		500/5,000	800/8,000	25
Explorer w/Factory 7-Way	06-14										
Explorer	11-18	19	SQ3	2	76034	0	HM,JR,L,TW		675/4,500	500/5,000	45
Explorer Sport Trac	01-01	32	RT3	2	75112	0	CS		500/5,000	600/6,000	15
Explorer Sport Trac	02-03	32	RT3	2	75112	0	CS		500/5,000	600/6,000	15
Explorer Sport Trac	04-05	32	RT3	2	75112	0	CS		500/5,000	600/6,000	15
Explorer Sport Trac w/Factory 7-Way	07-10										
F Super Duty Cab & Chassis, w/34" Wide Frames & 161" Wheelbase	89-97	30	SQ4	2	40050				600/6,000	1,000/10,000	40
F Super Duty Cab & Chassis, w/34" Wide Frames & 161" Wheelbase & w/Deep Drop Bumper	89-97	29	SQ3	2	41504		FP,K,M		500/5,000	1,000/10,000	40
F-150 Flareside	97-03	49	RT3	2	37133	0			500/5,000	750/7,500	25
		28	SQ3	2	75065	0	GP		500/5,000	800/8,000	30
		54	RT4	2	37130	0			700/7,000	1,200/12,000	25
		27	RT4	2	75740	0	FP,HM		900/6,000	1,000/10,000	20
		48	SQ5	2	41920		@,GP,SU		1,000/10,000	1,300/13,000	30

- @ Ultra Frame ball mount must be used to achieve maximum weight carrying rating.
- CS Will fit with full-size spare tire stowed under vehicle.
- FP Spare tire repositioning and/or modification of spare tire carrier may be required.
- GP Hitch cross-tube concealed behind bumper.
- HM Hitch cross-tube is visible beneath bumper.
- JF Will not fit with 16" spare tire.
- JR Exhaust must be temporarily lowered for installation.

- K Adapter kit (#1685) required with DT #41504/HH #87480/RS #37081 & RS #44143 for 1980 and later F-Series pickups.
- KH Minor heat shield modification may be required.
- KL Hitch is designed to attach beneath the OEM hitch.
- L Exhaust repositioning required.
- M Will fit with heavy-duty suspension.
- SU Hitches produced before 03/11/08 are rated at 1000/10000 WC & 1200/12000 WD.
- TW Receiver hitch may limit hands-free liftgate sensor range.

T-ONE						TOW HARNESS						4-FLAT WIRING				REQ. 4 FLAT WIRING		7-WAY HARDWARE	BRAKE CONTROL HARNESS	IN	
PC	T-ONE	FN	IN	AMP	CP	PC	TOW HARN	FN	IN	AMP	CP	TYPE	ELEC	POS	CHOICE 1	CHOICE 2	6-WAY ADAPTER				7-WAY ADAPTER
FORD (Continued)																					
E18	118566	BN,CH	45	4.2,7.5	X								B,E	SUV1,2	119191	119148	20320	20321	20224		
E17	118715	CH	45	4.2,7.5	X								B,E	SUV1,2	119191	119148					
E5	118344	BN	10	7.5									A	SUV1,2	119148	20252					
							85219 74682	RD RD	5 10			7-Way Both	A	SUV6	119148	20252				3035-P	5
E5	118344	BN	10	7.5									A	SUV1,2	119148	20252	20320	20321	20224	3035-P	5
							74682 85219	RD RD	10 5			Both 7-Way	A	SUV6	119148	20252					
						E5	118344	BN	10	7.5		4-Flat	A	SUV1,2	119148	20252					
													A	PU5					20224	3034-P	20
													A	PU5						3036-P	20
E16	118345	BN,CH	45	2.1,4.2		E2	118241	BN,RD	5	7.5		4-Flat	B,E	SUV1,2	119191	119148	20320	20321	20224		
							74682 85219	RD RD	10 5			Both 7-Way	A	SUV6	119148	20252					
E5	118344	BN	10	7.5									A	SUV1,2	119148	20252	20320	20321	20224		
E16	118345	BN,CH	45	2.1,4.2		E2	118241	BN,RD	5	7.5		4-Flat	B,E	SUV1,2	119191	119148	20320	20321	20224		
E5	118344	BN	10	7.5									A	SUV1,2	119148	20252	20320	20321	20224	3035-P	5
													A	SUV1,2	119148	20252	20320	20321	20224	3035-P	5
													B	SUV1,2	119130	119178	20320	20321	20224	3035-P	5
							74682 85219	RD RD	10 5			Both 7-Way	A	SUV6	119148	20252					
E11	118540	BN	5	7.5		E15	118272		20			7-Way	B,E	SUV3,4	119191	119148	20320	20321	20224	3035-P	5
													A	SUV1,2	119148	20252	20320	20321	20224		
E5	118344	BN	10	7.5									A	SUV1,2	119148	20252	20320	20321	20224		
													A	SUV1,2	119148	20252	20320	20321	20224		
							74682 85219	RD RD	10 5			Both 7-Way	A	SUV6	119148	20252				3035-P	5
													A	PU1,2	119148	20252	20320	20321	20224		
													A	PU1,2	119148	20252	20320	20321	20224		
E5	118344	BN	10	7.5		E19	118242	BN,RD	5			7-Way	A	PU1,2	119148	20252	20320	20321	20224	3035-P	5

A 2 wire system.
B 3 wire system. Converter required.
BN Exterior mounted plug on some or all models. May require an aftermarket electrical mounting box or bracket. (Sold separately)

CH T-One is equipped with circuit protected ModuLite® module.
E ModuLite® required.
RD For vehicles equipped with factory tow package may require additional components or may be used as a replacement harness.

RT3 Round Tube Class III 2"
RT4 Round Tube Class IV 2"
SQ2 Square Tube Class II
SQ3 Square Tube Class III
SQ4 Square Tube Class IV
SQ5 Square Tube Class V

MODEL / STYLE	YEAR	TRAILER HITCHES									
		PC	REC TYPE	REC SIZE	PART #	NO DRILL	FOOTNOTES	OPTIONAL DRAWBAR	WC (LBS.)	WD (LBS.)	IN
FORD (Continued)											
F-150 Styleside	97-03	49	RT3	2	37133	0			500/5,000	750/7,500	25
		28	SQ3	2	75065	0	GP		500/5,000	800/8,000	30
		54	RT4	2	37130	0			700/7,000	1,200/12,000	25
		27	RT4	2	75740	0	FP, HM		900/6,000	1,000/10,000	20
		48	SQ5	2	41920	0	@, GP, SU		1,000/10,000	1,300/13,000	30
F-150 w/Factory 7-Way	97-18										
F-150 SuperCrew	00-03	49	RT3	2	37133	0			500/5,000	750/7,500	25
		28	SQ3	2	75065	0	GP		500/5,000	800/8,000	30
		54	RT4	2	37130	0			700/7,000	1,200/12,000	25
		27	RT4	2	75740	0	FP, HM		900/6,000	1,000/10,000	20
		48	SQ5	2	41920	0	@, GP, SU		1,000/10,000	1,300/13,000	30
F-150 SuperCrew, w/Factory 7-Way	00-03										
F-150	04-04	49	RT3	2	37133	0	VB		500/5,000	750/7,500	45
		56	RT4	2	41549	0	HM, VB, KM		600/6,000	1,000/10,000	30
		50	RT4	2	75156	0	HM, VB, KM		600/6,000	800/8,000	30
F-150 SuperCrew, 5.5 ft. Bed, w/Factory 7-Way	04-05										
F-150	05-05	49	RT3	2	37133	0	VB		500/5,000	750/7,500	45
		56	RT4	2	41549	0	HM, VB, KM		600/6,000	1,000/10,000	30
		50	RT4	2	75156	0	HM, VB, KM		600/6,000	800/8,000	30
F-150	06-08	25	SQ4	2	75506	0	CP, HM		600/6,000	1,000/10,000	20
		37	SQ5	2	41933	0	@, CP, HM		1,200/12,000	1,400/14,000	20
F-150 SuperCrew, 5.5 & 6.5 ft. Beds, w/Factory 7-Way	06-18										
F-150	09-14	19	SQ4	2	75691	0	CP, GP		600/6,000	1,200/12,000	20
F-150	15-19	45	RT4	2	75216	0	HM, JL		900/6,000	1,200/12,000	30
		27	RT4	2	75938	0	HM, JL		900/6,000	800/8,000	30
		29	SQ4	2	76136	0	GP, FP		900/6,000	1,000/10,000	30
F-150 Heritage Flareside	04-04	49	RT3	2	37133	0			500/5,000	750/7,500	25
		28	SQ3	2	75065	0	GP		500/5,000	800/8,000	30
		54	RT4	2	37130	0			700/7,000	1,200/12,000	25
		27	RT4	2	75740	0	FP, HM		900/6,000	1,000/10,000	20
		48	SQ5	2	41920	0	@, GP, SU		1,000/10,000	1,300/13,000	30
F-150 Heritage Styleside	04-04	49	RT3	2	37133	0			500/5,000	750/7,500	25
		28	SQ3	2	75065	0	GP		500/5,000	800/8,000	30
		54	RT4	2	37130	0			700/7,000	1,200/12,000	25
		27	RT4	2	75740	0	FP, HM		900/6,000	1,000/10,000	20
		48	SQ5	2	41920	0	@, GP, SU		1,000/10,000	1,300/13,000	30
F-150 Heritage w/Factory 7-Way	04-04										
F-250 Heavy Duty	97-97	49	RT3	2	37133		GU		500/5,000	750/7,500	35
		34	SQ3	2	75038		GP		500/5,000	800/8,000	30
		30	SQ4	2	40050				600/6,000	1,000/10,000	40
		25	SQ4	2	41004		GP		600/6,000	1,000/10,000	30
		54	RT4	2	37130		GU		700/7,000	1,200/12,000	35
		45	SQ5	2	41904		@, GP, HD		1,000/10,000	1,200/12,000	30
		54	SQ5	2-1/2	45502		#, GU		1,200/12,000	1,700/14,000	45
F-250 Heavy Duty, w/Deep Drop Bumper	97-97	29	SQ3	2	41504		FP, KM		500/5,000	1,000/10,000	40

- # Titan hitches require use of a 2-1/2" shank Titan ball mount.
- @ Ultra Frame ball mount must be used to achieve maximum weight carrying rating.
- CP Fits all models without factory installed receiver.
- FP Spare tire repositioning and/or modification of spare tire carrier may be required.
- GP Hitch cross-tube concealed behind bumper.
- GU Will not fit vehicles with factory or aftermarket lower Fascia/Rollpan or Tube Bumper.
- HD Will not fit 6 ft. bed pickups except 6 ft. Super Cab.
- HM Hitch cross-tube is visible beneath bumper.
- JL Installation requires OEM bumper and brackets.
- K Adapter kit (#1685) required with DT #41504/HH #87480/RS #37081 & RS #44143 for 1980 and later F-Series pickups.
- KM Does not work with models originally equipped with OEM hitch.
- M Will fit with heavy-duty suspension.
- SU Hitches produced before 03/11/08 are rated at 1000/10000 WC & 1200/12000 WD.
- VB Will not fit vehicles with vibration damper installed at rear of frame on drivers side.

T-ONE					TOW HARNESS					4-FLAT WIRING				REQ. 4 FLAT WIRING		7-WAY HARDWIRE	BRAKE CONTROL HARNESS	IN			
PC	T-ONE	FN	IN	AMP	CP	PC	TOW HARN	FN	IN	AMP	CP	TYPE	ELEC	POS	CHOICE 1				CHOICE 2	6-WAY ADAPTER	7-WAY ADAPTER
FORD (Continued)																					
						E19	118242	BN,RD	5			7-Way	A	PU1,2	119148	20252	20320	20321	20224	3035-P	5
							74682 85219	RD RD	10 5			Both 7-Way	A	PU3	119148	20252					
E5	118344	BN	10	7.5		E19	118242	BN,RD	5			7-Way	A	PU1,2	119148	20252	20320	20321	20224	3035-P	5
							74682 85219	RD RD	10 5			Both 7-Way	A	PU3	119148	20252					
						E19	118247	BN,RD	5			7-Way	A	PU3	119148	20252	20320	20321	20224	3035-P	5
							74682 85219	RD RD	10 5			Both 7-Way	A	PU3	119148	20252					
													A	PU3	119148	20252	20320	20321	20224	3035-P	5
													A	PU3	119148	20252	20320	20321	20224	3035-P	5
							85219 74682	RD RD	5 10			7-Way Both	A	PU3	119148	20252					
													A	PU3	119148	20252	20320	20321	20224	3036-P	20
						E15	118283	BN	5			7-Way	A	PU3	119148	20252	20320	20321	20224	3036-P	20
E5	118344	BN	10	7.5		E19	118242	BN,RD	5			7-Way	A	PU1,2	119148	20252	20320	20321	20224	3035-P	5
						E19	118242	BN,RD	5			7-Way	A	PU1,2	119148	20252	20320	20321	20224	3035-P	5
							74682 85219	RD RD	10 5			Both 7-Way	A	PU3	119148	20252					
E4	118316	BN	5	7.5									A	PU3	119148	20252	20320	20321	20224	3035-P	5
E4	118316	BN	5	7.5									A	PU3	119148	20252	20320	20321	20224	3035-P	5

A 2 wire system.

BN Exterior mounted plug on some or all models. May require an aftermarket electrical mounting box or bracket. (Sold separately)

RD For vehicles equipped with factory tow package may require additional components or may be used as a replacement harness.

RT3 Round Tube Class III 2"

RT4 Round Tube Class IV 2"

SQ3 Square Tube Class III

SQ4 Square Tube Class IV

SQ5 Square Tube Class V

MODEL / STYLE	YEAR	TRAILER HITCHES									
		PC	REC TYPE	REC SIZE	PART #	NO DRILL	FOOTNOTES	OPTIONAL DRAWBAR	WC (LBS.)	WD (LBS.)	IN
FORD (Continued)											
F-250 Styleside	97-99	49	RT3	2	37133	0			500/5,000	750/7,500	25
		28	SQ3	2	75065	0	GP		500/5,000	800/8,000	30
		54	RT4	2	37130	0			700/7,000	1,200/12,000	25
		27	RT4	2	75740	0	FP, HM		900/6,000	1,000/10,000	20
		48	SQ5	2	41920	0	@, GP, SU		1,000/10,000	1,300/13,000	30
F-250 Styleside, w/Factory 7-Way	97-99										
F-250 Super Duty Except Cab & Chassis	99-01	49	RT3	2	37133				500/5,000	750/7,500	30
		54	RT4	2	37130				700/7,000	1,200/12,000	30
		27	RT4	2	75740	0	FP, HM		900/6,000	1,000/10,000	20
		51	SQ5	2	41922	0	@, GP		1,000/10,000	1,200/12,000	15
		55	SQ5	2	41931	0	@, HM, SH		1,200/12,000	1,500/15,000	30
		60	SQ5	2-1/2	45508	0	#, CS, EF, HM, LT, M		2,000/18,000	2,500/18,000	50
F-250 Super Duty Except Cab & Chassis, w/Factory 7-Way	99-16										
F-250 Super Duty w/Deep Drop Bumper	99-01	72	SQ5	2-1/2	45514	0	#		1,200/12,000	1,700/14,000	20
F-250 Super Duty w/Deep Drop Bumper, w/Factory 7-Way	99-04										
F-250 Super Duty Except Cab & Chassis	02-04	49	RT3	2	37133				500/5,000	750/7,500	30
		54	RT4	2	37130				700/7,000	1,200/12,000	30
		27	RT4	2	75740	0	FP, HM		900/6,000	1,000/10,000	20
		51	SQ5	2	41922	0	@, GP		1,000/10,000	1,200/12,000	15
		55	SQ5	2	41931	0	@, HM, SH		1,200/12,000	1,500/15,000	30
		60	SQ5	2-1/2	45508	0	#, CS, EF, HM, LT, M		2,000/18,000	2,500/18,000	50
F-250 Super Duty w/Deep Drop Bumper	02-04	72	SQ5	2-1/2	45514	0	#		1,200/12,000	1,700/14,000	20
F-250 Super Duty Except Cab & Chassis	05-07	27	RT4	2	75740	0	FP, HM		900/6,000	1,000/10,000	20
		55	SQ5	2	41931	0	@, EB, HM, SH		1,200/12,000	1,500/15,000	30
		60	SQ5	2-1/2	45508	0	#, CS, EF, HM, LT, M		2,000/18,000	2,500/18,000	50
F-250 Super Duty Except Cab & Chassis	08-16	55	SQ5	2	41931	0	@, EB, HM, SH		1,200/12,000	1,500/15,000	30
		60	SQ5	2-1/2	45508	0	#, CS, EF, HM, LT, M		2,000/18,000	2,500/18,000	50
F-250 Super Duty Except Cab & Chassis, w/Factory 7-Way	17-18										
F-350 Heavy Duty	97-97	49	RT3	2	37133		GU		500/5,000	750/7,500	35
		34	SQ3	2	75038		GP		500/5,000	800/8,000	30
		30	SQ4	2	40050				600/6,000	1,000/10,000	40
		25	SQ4	2	41004		GP		600/6,000	1,000/10,000	30
		54	RT4	2	37130		GU		700/7,000	1,200/12,000	35
		45	SQ5	2	41904		@, GP, HD		1,000/10,000	1,200/12,000	30
		54	SQ5	2-1/2	45502		#, GU		1,200/12,000	1,700/14,000	45
F-350 Heavy Duty, w/Deep Drop Bumper	97-97	29	SQ3	2	41504		FP, K, M		500/5,000	1,000/10,000	40
F-350 Super Duty Cab & Chassis, w/34" Wide Frames	99-00	30	SQ4	2	40050				600/6,000	1,000/10,000	40
		34	SQ4	2	41001		FP		600/6,000	1,000/10,000	40
		30	SQ4	2	41547				750/7,500	1,200/12,000	60
		50	SQ5	2	41938		@, CC		1,200/12,000	1,500/15,000	40
		50	SQ5	2	41947		@		1,600/15,000	1,600/16,000	35
		70	SQ5	2	41943		@		2,400/16,000	1,600/16,000	40
		65	SQ5	2-1/2	45516		#		1,200/12,000	1,700/14,000	60
F-350 Super Duty Cab & Chassis, w/34" Wide Frames & w/Deep Drop Bumper	99-00	29	SQ3	2	41504		FP, M		500/5,000	1,000/10,000	40

- # Titan hitches require use of a 2-1/2" shank Titan ball mount.
- @ Ultra Frame ball mount must be used to achieve maximum weight carrying rating.
- CC Requires minimum of 19" from end of frame rail to spring shackle bracket.
- CS Will fit with full-size spare tire stowed under vehicle.
- EB Factory electrical bracket will NOT fit with this hitch. Must use aftermarket electrical box or bracket.
- EF Fits all models with standard bumpers.
- FP Spare tire repositioning and/or modification of spare tire carrier may be required.
- GP Hitch cross tube concealed behind bumper.
- GU Will not fit vehicles with factory or aftermarket lower Fascia/Rollpan or Tube Bumper.
- HD Will not fit 6 ft. bed pickups except 6 ft. Super Cab.
- HM Hitch cross tube is visible beneath bumper.
- K Adapter kit (#1685) required with DT #41504/HH #87480/RS #37081 & RS #44143 for 1980 and later F-Series pickups.
- LT Requires removal of factory hitch if equipped.
- M Will fit with heavy-duty suspension.
- SH Hitches produced before 09/27/07 are rated at 1200/12000 WC & 1400/14000 WD.
- SU Hitches produced before 03/11/08 are rated at 1000/10000 WC & 1200/12000 WD.

T-ONE					TOW HARNESS					4-FLAT WIRING				REQ. 4 FLAT WIRING		7-WAY HARDWIRE	BRAKE CONTROL HARNESS	IN			
PC	T-ONE	FN	IN	AMP	CP	PC	TOW HARN	FN	IN	AMP	CP	TYPE	ELEC	POS	CHOICE 1				CHOICE 2	6-WAY ADAPTER	7-WAY ADAPTER
FORD (Continued)																					
						E19	118242	BN,RD	5			7-Way	A	PU1,2	119148	20252	20320	20321	20224	3035-P	5
							74682 85219	RD RD	10 5			Both 7-Way	A	PU3	119148	20252					
						E15	118243	BN,RD	5			7-Way	A	PU1,2	119148	20252	20320	20321	20224	3035-P	5
							74682 85219	RD RD	10 5			Both 7-Way	A	PU3	119148	20252					
						E15	118243	BN,RD	5			7-Way	A	PU1,2	119148	20252	20320	20321	20224	3035-P	5
							74682 85219	RD RD	10 5			Both 7-Way	A	PU3	119148	20252					
													A	PU1,2	119148	20252	20320	20321	20224	3035-P	5
													A	PU1,2	119148	20252	20320	20321	20224	3035-P	5
													A	PU1,2	119148	20252	20320	20321	20224	3065-P	5
													A	PU1,2	119148	20252	20320	20321	20224	3034-P	20
							74682	RD	10			Both	A	PU3	119148	20252				3036-P	20
E4	118316	BN	5	7.5									A	PU3	119148	20252	20320	20321	20224	3035-P	5
													A	PU1,2	119148	20252	20320	20321	20224	3035-P	5
													A	PU1,2	119148	20252	20320	20321	20224	3035-P	5

A 2 wire system.

BN Exterior mounted plug on some or all models. May require an aftermarket electrical mounting box or bracket. (Sold separately)

RD For vehicles equipped with factory tow package may require additional components or may be used as a replacement harness.

RT3 Round Tube Class III 2"

RT4 Round Tube Class IV 2"

SQ3 Square Tube Class III

SQ4 Square Tube Class IV

SQ5 Square Tube Class V

MODEL / STYLE	YEAR	TRAILER HITCHES									
		PC	REC TYPE	REC SIZE	PART #	NO DRILL	FOOTNOTES	OPTIONAL DRAWBAR	WC (LBS.)	WD (LBS.)	IN
FORD (Continued)											
F-350 Super Duty Except Cab & Chassis	99-01	49	RT3	2	37133				500/5,000	750/7,500	30
		54	RT4	2	37130				700/7,000	1,200/12,000	30
		27	RT4	2	75740	0	FP, HM		900/6,000	1,000/10,000	20
		51	SQ5	2	41922	0	@, GP		1,000/10,000	1,200/12,000	15
		55	SQ5	2	41931	0	@, HM, SH		1,200/12,000	1,500/15,000	30
		60	SQ5	2-1/2	45508	0	#, CS, EF, HM, LT, M		2,000/18,000	2,500/18,000	50
F-350 Super Duty Except Cab & Chassis, w/Factory 7-Way	99-16										
F-350 Super Duty w/Deep Drop Bumper	99-01	72	SQ5	2-1/2	45514	0	#		1,200/12,000	1,700/14,000	20
F-350 Super Duty w/Deep Drop Bumper, w/Factory 7-Way	99-04										
F-350 Super Duty Cab & Chassis, w/34" Wide Frames	01-04	50	SQ5	2	41947		@		1,600/15,000	1,600/16,000	35
		70	SQ5	2	41943		@		2,400/16,000	1,600/16,000	40
F-350 Super Duty Except Cab & Chassis	02-04	49	RT3	2	37133				500/5,000	750/7,500	30
		54	RT4	2	37130				700/7,000	1,200/12,000	30
		27	RT4	2	75740	0	FP, HM		900/6,000	1,000/10,000	20
		51	SQ5	2	41922	0	@, GP		1,000/10,000	1,200/12,000	15
		55	SQ5	2	41931	0	@, HM, SH		1,200/12,000	1,500/15,000	30
		60	SQ5	2-1/2	45508	0	#, CS, EF, HM, LT, M		2,000/18,000	2,500/18,000	50
F-350 Super Duty w/Deep Drop Bumper	02-04	72	SQ5	2-1/2	45514	0	#		1,200/12,000	1,700/14,000	20
F-350 Super Duty Cab & Chassis, w/34" Wide Frames	05-07	50	SQ5	2	41947		@		1,600/15,000	1,600/16,000	35
		70	SQ5	2	41943		@		2,400/16,000	1,600/16,000	40
F-350 Super Duty Except Cab & Chassis	05-07	27	RT4	2	75740	0	FP, HM		900/6,000	1,000/10,000	20
		55	SQ5	2	41931	0	@, EB, HM, SH		1,200/12,000	1,500/15,000	30
		60	SQ5	2-1/2	45508	0	#, CS, EF, HM, LT, M		2,000/18,000	2,500/18,000	50
F-350 Super Duty Cab & Chassis, w/34" Wide Frames	08-16	50	SQ5	2	41947		@		1,600/15,000	1,600/16,000	35
		70	SQ5	2	41943		@		2,400/16,000	1,600/16,000	40
F-350 Super Duty Except Cab & Chassis	08-16	55	SQ5	2	41931	0	@, EB, HM, SH		1,200/12,000	1,500/15,000	30
		60	SQ5	2-1/2	45508	0	#, CS, EF, HM, LT, M		2,000/18,000	2,500/18,000	50
F-350 Super Duty Cab & Chassis, w/34" Wide Frames	17-18	50	SQ5	2	41947		@		1,600/15,000	1,600/16,000	35
		70	SQ5	2	41943		@		2,400/16,000	1,600/16,000	40
F-350 Super Duty Except Cab & Chassis, w/Factory 7-Way	17-18										
F-450 Super Duty Cab & Chassis, w/34" Wide Frames	99-04	30	SQ4	2	41547				750/7,500	1,200/12,000	60
		50	SQ5	2	41947		@		1,600/15,000	1,600/16,000	35
		70	SQ5	2	41943		@		2,400/16,000	1,600/16,000	40
		65	SQ5	2-1/2	45516		#		1,200/12,000	1,700/14,000	60
F-450 Super Duty Cab & Chassis, w/34" Wide Frames	05-07	30	SQ4	2	41547				750/7,500	1,200/12,000	60
		50	SQ5	2	41947		@		1,600/15,000	1,600/16,000	35
		70	SQ5	2	41943		@		2,400/16,000	1,600/16,000	40
		65	SQ5	2-1/2	45516		#		1,200/12,000	1,700/14,000	60
F-450 Super Duty Cab & Chassis, w/34" Wide Frames	08-16	30	SQ4	2	41547				750/7,500	1,200/12,000	60
		50	SQ5	2	41947		@		1,600/15,000	1,600/16,000	35
		70	SQ5	2	41943		@		2,400/16,000	1,600/16,000	40
		65	SQ5	2-1/2	45516		#		1,200/12,000	1,700/14,000	60
F-450 Super Duty Except Cab & Chassis	08-10	60	SQ5	2-1/2	45508	0	#, CS, EF, HM, LT, M		2,000/18,000	2,500/18,000	50
F-450 Super Duty Except Cab & Chassis, w/Factory 7-Way	08-16										
F-450 Super Duty Except Cab & Chassis	11-15	60	SQ5	2-1/2	45508	0	#, CS, EF, HM, LT, M		2,000/18,000	2,500/18,000	50
F-450 Super Duty Cab & Chassis, w/34" Wide Frames	17-17	30	SQ4	2	41547				750/7,500	1,200/12,000	60
		65	SQ5	2-1/2	45516		#		1,200/12,000	1,700/14,000	60
F-450 Super Duty Cab & Chassis, w/34" Wide Frames	17-18	50	SQ5	2	41947		@		1,600/15,000	1,600/16,000	35
		70	SQ5	2	41943		@		2,400/16,000	1,600/16,000	40

- # Titan hitches require use of a 2-1/2" shank Titan ball mount.
- @ Ultra Frame ball mount must be used to achieve maximum weight carrying rating.
- CS Will fit with full-size spare tire stowed under vehicle.
- EB Factory electrical bracket will NOT fit with this hitch. Must use aftermarket electrical box or bracket.
- EF Fits all models with standard bumpers.
- FP Spare tire repositioning and/or modification of spare tire carrier may be required.
- GP Hitch cross tube concealed behind bumper.
- HM Hitch cross tube is visible beneath bumper.
- LT Requires removal of factory hitch if equipped.
- M Will fit with heavy-duty suspension.
- SH Hitches produced before 09/27/07 are rated at 1200/12000 WC & 1400/14000 WD.

T-ONE					TOW HARNESS					4-FLAT WIRING				REQ. 4 FLAT WIRING		7-WAY HARDWIRE	BRAKE CONTROL HARNESS	IN			
PC	T-ONE	FN	IN	AMP	CP	PC	TOW HARN	FN	IN	AMP	CP	TYPE	ELEC	POS	CHOICE 1				CHOICE 2	6-WAY ADAPTER	7-WAY ADAPTER
FORD (Continued)																					
						E15	118243	BN,RD	5			7-Way	A	PU1,2	119148	20252	20320	20321	20224	3035-P	5
							74682 85219	RD RD	10 5			Both 7-Way	A	PU3	119148	20252					
						E15	118243	BN,RD	5			7-Way	A	PU1,2	119148	20252	20320	20321	20224	3035-P	5
							74682 85219	RD RD	10 5			Both 7-Way	A	PU3	119148	20252					
													A	PU1,2	119148	20252	20320	20321	20224	3035-P	5
													A	PU1,2	119148	20252	20320	20321	20224	3035-P	5
													A	PU1,2	119148	20252	20320	20321	20224	3065-P	5
													A	PU1,2	119148	20252	20320	20321	20224	3065-P	5
													A	PU1,2	119148	20252	20320	20321	20224	3034-P	20
													A	PU1,2	119148	20252	20320	20321	20224	3034-P	20
													A	PU1,2	119148	20252	20320	20321	20224	3036-P	20
							74682 85219	RD RD	10 5			Both 7-Way	A	PU3	119148	20252				3036-P	20
													A	PU1,2	119148	20252	20320	20321	20224	3035-P	5
													A	PU1,2	119148	20252	20320	20321	20224	3065-P	5
													A	PU1,2	119148	20252	20320	20321	20224	3034-P	20
													A	PU1,2	119148	20252	20320	20321	20224	3034-P	20
							74682 85219	RD RD	10 5			Both 7-Way	A	PU3	119148	20252					
													A	PU1,2	119148	20252	20320	20321	20224	3034-P	20
													A	PU1,2	119148	20252	20320	20321	20224	3036-P	20
													A	PU1,2	119148	20252	20320	20321	20224	3036-P	20

A 2 wire system.

BN Exterior mounted plug on some or all models. May require an aftermarket electrical mounting box or bracket. (Sold separately)

RD For vehicles equipped with factory tow package may require additional components or may be used as a replacement harness.

RT3 Round Tube Class III 2"

RT4 Round Tube Class IV 2"

SQ4 Square Tube Class IV

SQ5 Square Tube Class V

MODEL / STYLE	YEAR	TRAILER HITCHES									
		PC	REC TYPE	REC SIZE	PART #	NO DRILL	FOOTNOTES	OPTIONAL DRAWBAR	WC (LBS.)	WD (LBS.)	IN
FORD (Continued)											
F-450 Super Duty Except Cab & Chassis, w/Factory 7-Way	17-18										
F-550 Super Duty Cab & Chassis, w/34" Wide Frames	99-04	30	SQ4	2	41547				750/7,500	1,200/12,000	60
		50	SQ5	2	41947		@		1,600/15,000	1,600/16,000	35
		70	SQ5	2	41943		@		2,400/16,000	1,600/16,000	40
		65	SQ5	2-1/2	45516		#		1,200/12,000	1,700/14,000	60
F-550 Super Duty Cab & Chassis, w/34" Wide Frames	05-07	30	SQ4	2	41547				750/7,500	1,200/12,000	60
		50	SQ5	2	41947		@		1,600/15,000	1,600/16,000	35
		70	SQ5	2	41943		@		2,400/16,000	1,600/16,000	40
		65	SQ5	2-1/2	45516		#		1,200/12,000	1,700/14,000	60
F-550 Super Duty Cab & Chassis, w/34" Wide Frames	08-16	30	SQ4	2	41547				750/7,500	1,200/12,000	60
		50	SQ5	2	41947		@		1,600/15,000	1,600/16,000	35
		70	SQ5	2	41943		@		2,400/16,000	1,600/16,000	40
		65	SQ5	2-1/2	45516		#		1,200/12,000	1,700/14,000	60
F-550 Super Duty Cab & Chassis, w/34" Wide Frames	17-17	30	SQ4	2	41547				750/7,500	1,200/12,000	60
		65	SQ5	2-1/2	45516		#		1,200/12,000	1,700/14,000	60
F-550 Super Duty Cab & Chassis, w/34" Wide Frames	17-18	50	SQ5	2	41947		@		1,600/15,000	1,600/16,000	35
		70	SQ5	2	41943		@		2,400/16,000	1,600/16,000	40
Fiesta 4 Dr. Sedan	11-13	37	SQ1	1-1/4	24856	0	HM	3593	200/2,000		15
Fiesta 5 Dr. Hatchback	11-13	25	SQ1	1-1/4	24855	0	HM,JR,KH	3593	200/2,000		30
		19	SQ1	1-1/4	24961	0	HM,JR,KH	3594	200/2,000		30
Fiesta 4 Dr. Sedan	14-17	31	SQ1	1-1/4	24910	0	HM	3593	200/2,000		15
Fiesta 5 Dr. Hatchback	14-19	25	SQ1	1-1/4	24855	0	HM,JR,KH	3593	200/2,000		30
		19	SQ1	1-1/4	24961	0	HM,JR,KH	3594	200/2,000		30
Five Hundred	05-07	33	SQ2	1-1/4	36360	0	GP,JR	36071	300/3,500		30
		42	RT3	2	75299	0	JR		350/3,500	400/4,000	30
Flex	09-11	45	RT3	2	75679	0	HM,JR		400/4,000		30
Flex w/Factory 7-Way	09-12										
Flex	12-19	45	RT3	2	75679	0	HM,JR		400/4,000	400/4,000	30
Focus Sedan	00-00	24	SQ1	1-1/4	24692	0	HM	3593	200/2,000		20
Focus Wagon (Built Before 11/2002)	00-02	33	SQ1	1-1/4	24682	0	JR,GP	3592	200/2,000		20
Focus Sedan	01-04	24	SQ1	1-1/4	24692	0	HM	3593	200/2,000		20
Focus Wagon (Built After 11/2002)	03-07	33	SQ1	1-1/4	24682	0	JR,GP	3592	200/2,000		20
Focus Sedan, Except w/Street Appearance Pkg.	05-07	24	SQ1	1-1/4	24692	0	HM	3593	200/2,000		20
Focus	08-11	33	SQ1	1-1/4	24805	0	HM,JR,KH	3593	200/2,000		30
Focus 5 Dr. Hatchback, Except ST w/Center Exhaust	12-14	18	SQ1	1-1/4	24872	0	GP,JR,KH	3593	200/2,000		25
Focus 5 Dr. Hatchback, Except ST w/Center Exhaust Models & RS	15-18	18	SQ1	1-1/4	24872	0	GP,JR,KH	3593	200/2,000		25
Focus 5 Dr. Hatchback, RS Models	15-18										
Focus RS	16-18	37	SQ1	1-1/4	24977	0	DU,GP,TA,X	3593	200/2,000		60
Focus ZX3 3 Dr. Hatchback, Except SVT & w/Street Appearance Pkg.	00-06	24	SQ1	1-1/4	24692		HM	3593	200/2,000		20
Focus ZX5 5 Dr. Hatchback, Except SVT & w/Street Appearance Pkg.	02-06	24	SQ1	1-1/4	24692		HM	3593	200/2,000		20
Freestar	04-07	41	SQ2	1-1/4	36318	0	GP,JR	36071	300/3,500		25
		45	SQ3	2	75158		GP,JR		350/3,500	500/5,000	30
Freestyle	05-07	33	SQ2	1-1/4	36360	0	GP,JR	36071	300/3,500		30
		42	SQ3	2	75299	0	JR		350/3,500	400/4,000	30
Fusion	06-09	39	SQ1	1-1/4	24775		GP,JR,TA	3592	200/2,000		45
Fusion	10-12	25	SQ1	1-1/4	24865	0	GP,JR	3594	200/2,000		20
Fusion Except Sport	13-18	19	SQ1	1-1/4	24897	0	HM,SV	3594	200/2,000		20
Mustang	94-98	29	SQ1	1-1/4	24687		RB,GP	3592	200/2,000		20

Titan hitches require use of a 2-1/2" shank Titan ball mount.
 @ Ultra Frame ball mount must be used to achieve maximum weight carrying rating.
 DU Fascia removal required.
 GP Hitch crosstube concealed behind bumper.
 HM Hitch crosstube is visible beneath bumper.
 JR Exhaust must be temporarily lowered for installation.

KH Minor heat shield modification may be required.
 RB Hitch installation can be made easier with a "cutter" type drill bit.
 SV Trimming or removal of under body appearance panel may be required.
 TA Trunk access required for hitch installation.
 X Minor fascia trimming required.

T-ONE						TOW HARNESS						4-FLAT WIRING				REQ. 4 FLAT WIRING		7-WAY HARDWIRE	BRAKE CONTROL HARNESS	IN	
PC	T-ONE	FN	IN	AMP	CP	PC	TOW HARN	FN	IN	AMP	CP	TYPE	ELEC	POS	CHOICE 1	CHOICE 2	6-WAY ADAPTER				7-WAY ADAPTER
FORD (Continued)																					
							74682 85219	RD RD	10 5			Both 7-Way	A	PU3	119148	20252				3036-P	20
													A	PU1,2	119148	20252	20320	20321	20224	3035-P	5
													A	PU1,2	119148	20252	20320	20321	20224	3065-P	5
													A	PU1,2	119148	20252	20320	20321	20224	3034-P	20
													A	PU1,2	119148	20252	20320	20321	20224	3036-P	20
													A	PU1,2	119148	20252	20320	20321	20224	3036-P	20
E14	118422	CH	30	2.1,4.2	X								A,E	PC3,4	119191	119148					
E18	118471	CH	45	2.1,5.6	X								B,E	PC3,4	119191	119148					
E14	118766	CH	45	4.2,7.5	X								A,E	PC3,4	119191	119148					
E15	118641	CH	45	2.1,5.6	X								B,E	PC3,4	119191	119148					
E5	118395		10	7.5									A	PC3,4	119148	20252	20320	20321	20224		
E8	118472		15	7.5									A	SUV1,2	119148	20252	20320	20321	20224	3035-P	5
							74682 85219	RD RD	10 5			Both 7-Way	A	SUV6	119148	20252					
E8	118472		15	7.5									A	SUV1,2	119148	20252	20320	20321	20224	3036-P	20
													B	PC3,4	119130	119178					
E5	118344	FW	10	7.5									A	PC1,2	119148	20252					
													C	PC3,4	119191	119148					
													A	PC1,2	119148	20252					
													A	PC3,4	119148	20252					
E5	118457	BN	15	7.5									A	PC1,2	119148	20252					
E18	118549	CH	45	2.1,5.6	X								B,E	PC1,2	119191	119148					
E18	118674	CH	45	4.2,7.5	X								B,E	PC1,2	119191	119148					
E18	118674	CH	45	4.2,7.5	X								B,E	PC1,2	119191	119148					
E16	118548	CH	45	2.1,5.6	X								B,E	PC3,4	119191	119148					
													A	PC1,2	119148	20252					
													A	PC1,2	119148	20252					
E17	118385	CH	45	2.1,5.6	X								N	SUV1,2		119251	20320	20321			
E5	118395		10	7.5									A	SUV3,4	119148	20252	20320	20321	20224		
E14	118422	CH	30	2.1,4.2	X								A,E	PC3,4	119191	119148					
E14	118422	CH	30	2.1,4.2	X								A,E	PC3,4	119191	119148					
E16	118574	CH	45	2.1,5.6	X								A,E	PC1,2	119191	119148					
E9	118326		20	7.5									A	PC3,4	119148	20252					

- A** 2 wire system.
- B** 3 wire system. Converter required.
- BN** Exterior mounted plug on some or all models. May require an aftermarket electrical mounting box or bracket. (Sold separately)
- C** 2 or 3 wire system determine at installation.
- CH** T-One is equipped with circuit protected Modulite® module.

- E** Modulite® required.
- FW** 2003 Models w/Build date before 11/1/02.
- N** DO NOT cut or splice vehicle wiring. Only use approved T-One or see auto dealer for trailer tow wiring kit.
- RD** For vehicles equipped with factory tow package may require additional components or may be used as a replacement harness.

- RT3** Round Tube Class III 2"
- SQ1** Square Tube Class I
- SQ2** Square Tube Class II
- SQ3** Square Tube Class III
- SQ4** Square Tube Class IV
- SQ5** Square Tube Class V

MODEL / STYLE	YEAR	TRAILER HITCHES									
		PC	REC TYPE	REC SIZE	PART #	NO DRILL	FOOTNOTES	OPTIONAL DRAWBAR	WC (LBS.)	WD (LBS.)	IN
FORD (Continued)											
Mustang Except Cobra SVT	99-04	29	SQ1	1-1/4	24687		RB,GP	3592	200/2,000		20
Mustang Except GT/CS (California Special)/Shelby GT/GT500	05-09	22	SQ1	1-1/4	24747		GP,JR	3592	200/2,000		45
Mustang Except GT/CS (California Special)/Shelby GT/GT500	10-10	23	SQ1	1-1/4	24840†		†,GP,JR,X	3592	200/2,000		45
Mustang V6 Models	11-14	24	SQ1	1-1/4	24863	0	HM,JR	3594	200/2,000		40
Mustang V8 Models	11-14	24	SQ1	1-1/4	24863	0	GP,HB,JR	3594	200/2,000		40
Mustang	15-17	43	SQ1	1-1/4	24928	0	HM,JR,AI	3594	200/2,000		30
Mustang	18-19	43	SQ1	1-1/4	24928	0	HM,JR,AI	3594	200/2,000		30
Ranger	93-97	24	SQ3	2	75082		EG,SD,V,GP		400/4,000	750/6,000	20
Ranger Except w/Rear Fascia	93-97	50	SQ3	2	37136	0			500/5,000	600/6,000	40
Ranger	98-98	24	SQ3	2	75082		SD,V,GP		400/4,000	750/6,000	20
Ranger Except Flareside or w/Rear Fascia	98-99	50	SQ3	2	37136	0			500/5,000	600/6,000	40
Ranger	99-99	24	SQ3	2	75082		SD,V,GP		400/4,000	750/6,000	20
Ranger	00-03	24	SQ3	2	75082		SD,V,GP		400/4,000	750/6,000	20
Ranger Except Flareside or w/Rear Fascia	00-03	50	SQ3	2	37136	0			500/5,000	600/6,000	40
Ranger w/Factory 7-Way	00-11										
Ranger	04-11	24	SQ3	2	75082		SD,V,GP		400/4,000	750/6,000	20
Ranger Except Flareside or w/Rear Fascia	04-11	50	SQ3	2	37136	0			500/5,000	600/6,000	40
Ranger	13-16	54	RT3	2	75790	0	HM,CS		600/4,000	600/6,000	30
Taurus 4 Dr. Sedan, Except SHO	96-99	35	SQ1	1-1/4	24699	0	GP,JR	3593	200/2,000		20
		35	SQ2	1-1/4	36252	0	GP,JR	36063	300/3,500		20
Taurus SHO	96-99	35	SQ2	1-1/4	36252	0	GP,JR	36063	300/3,500		20
Taurus Wagon	96-99	35	SQ1	1-1/4	24699	0	GP,JR	3593	200/2,000		20
		35	SQ2	1-1/4	36252	0	GP,JR	36063	300/3,500		20
Taurus 4 Dr. Sedan	00-03	35	SQ1	1-1/4	24699	0	GP,JR	3592	200/2,000		20
		35	SQ2	1-1/4	36252	0	GP,JR	36063	300/3,500		20
		47	SQ2	1-1/4	36313	0	GP,JR	36061	300/3,500		40
Taurus Wagon	00-03	35	SQ1	1-1/4	24699	0	GP,JR	3592	200/2,000		20
		35	SQ2	1-1/4	36252	0	GP,JR	36063	300/3,500		20
		47	SQ2	1-1/4	36313	0	GP,JR	36061	300/3,500		40
Taurus 4 Dr. Sedan	04-06	47	SQ2	1-1/4	36313	0	GP,JR	36061	300/3,500		40
Taurus Wagon	04-06	47	SQ2	1-1/4	36313	0	GP,JR	36061	300/3,500		40
Taurus 4 Dr. Sedan	08-09	33	SQ2	1-1/4	36360	0	GP,JR	36071	300/3,500		30
		42	SQ3	2	75299	0	JR		350/3,500	400/4,000	30
Taurus 4 Dr. Sedan	10-19	36	SQ2	1-1/4	36492		GP,JR	36071	300/3,500		30
		45	SQ3	2	75670		GP,JR		400/4,000	400/4,000	30
Taurus X	08-09	33	SQ2	1-1/4	36360	0	GP,JR	36071	300/3,500		30
		42	SQ3	2	75299	0	JR		350/3,500	400/4,000	30
Thunderbird	96-97	41	SQ2	1-1/4	36179	0	GP	36063	300/3,500		40
Transit Connect	10-13	33	RT3	2	75678	0			350/3,500	400/4,000	20
Transit Connect	14-19	32	RT3	2	75852	0	HM		400/3,500	400/4,000	15
Transit-150 Except Cab & Chassis and the Cutaway	15-19	27	RT3	2	75912	0	HM		750/5,000	800/8,000	25
Transit-250 Except Cab & Chassis and the Cutaway	15-18	27	RT3	2	75912	0	HM		750/5,000	800/8,000	25
Transit-350 Except Single Rear Wheel w/148" Wheelbase or Cab & Chassis and the Cutaway	15-18	27	RT3	2	75912	0	HM		750/5,000	800/8,000	25
Transit-350 Single Rear Wheel w/148" Wheelbase, Except Cab & Chassis and the Cutaway	15-18	27	RT3	2	75912	0	HM		750/5,000	800/8,000	25
Windstar	95-98	30	SQ2	1-1/4	36189		GP	36061	300/3,500		30
		43	SQ3	2	75055		GP		350/3,500	500/5,000	40
Windstar (Built Before 11/2002)	99-03	30	SQ2	1-1/4	36189		GP	36061	300/3,500		30
		43	SQ3	2	75055		GP		350/3,500	500/5,000	40
		50	SQ3	2	37136	0	AF		500/5,000	600/6,000	40

† Available while supply lasts.

AF Hitch is ONLY rated for Weight Carrying at 3500 lbs. GTW / 350 lbs. TW and DO NOT use Weight Distribution Spring Bars for this Specific Vehicle. Except for long bed pickups.

AI Additional installation time may be required.

CS Will fit with full-size spare tire stowed under vehicle.

EG Relocation of spare tire bracket is not required. NOTE: 19mm open end style wrench must be purchased to allow removal of spare tire after hitch installation.

GP Hitch crosstube concealed behind bumper.

HB Slight fascia deformation may occur on some models.

HM Hitch crosstube is visible beneath bumper.

JR Exhaust must be temporarily lowered for installation.

RB Hitch installation can be made easier with a "cutter" type drill bit.

SD Hitches produced before 07/21/06 are rated at 350/3500 WC.

V For vehicles with factory installed step bumpers only.

X Minor fascia trimming required.

T-ONE					TOW HARNESS					4-FLAT WIRING				REQ. 4 FLAT WIRING		7-WAY HARDWIRE	BRAKE CONTROL HARNESS	IN		
PC	T-ONE	FN	IN	AMP	CP	TOW HARN	FN	IN	AMP	CP	TYPE	ELEC	POS	CHOICE 1	CHOICE 2				6-WAY ADAPTER	7-WAY ADAPTER
FORD (Continued)																				
E9	118326		20	7.5								A	PC3,4	119148	20252					
												A	PC3,4	119148	20252					
E16	118487	CH	45	2.1,5.6	X							A,E	PC3,4	119191	119148					
E16	118487	CH	45	2.1,5.6	X							A,E	PC3,4	119191	119148					
E16	118487	CH	45	2.1,5.6	X							A,E	PC3,4	119191	119148					
E16	118487	CH	45	2.1,5.6	X							A,E	PC3,4	119191	119148					
E9	118325	BN,HG	5	2.1,5								B	PU3	119130	119178	20320	20321	20224		
E9	118325	BN,HG	5	2.1,5								B	PU3	119130	119178	20320	20321	20224		
E9	118325	BN,HG	5	2.1,5		E2	118241	BN,RD	5	7.5	4-Flat	B	PU3	119130	119178	20320	20321	20224		
E9	118325	BN,HG	5	2.1,5		E2	118241	BN,RD	5	7.5	4-Flat	B	PU3	119130	119178	20320	20321	20224		
E9	118325	BN,HG	5	2.1,5		E2	118241	BN,RD	5	7.5	4-Flat	B	PU3	119130	119178	20320	20321	20224		
E5	118344	BN	10	7.5								A	PU1,2	119148	20252	20320	20321	20224		
E5	118344	BN	10	7.5								A	PU1,2	119148	20252	20320	20321	20224		
							74682 85219	RD RD	10 5		Both 7-Way	A	PU5	119148	20252			20224		
												A	PU1,2	119148	20252	20320	20321	20224		
												A	PU1,2	119148	20252	20320	20321	20224		
E16	118654	CH,BN	45	4.2,7.5	X							B,E	PU3,4	119191	119148	20320	20321			
E9	118333	HG	10	2.1,5								B	PC3,4	119130	119178					
E9	118333	HG	10	2.1,5								B	PC3,4	119130	119178					
												B	PC3,4	119130	119178					
E4	118375		10	7.5								A	PC3,4	119148	20252					
												C	PC3,4	119191	119148					
												A	PC3,4	119148	20252					
												A	PC3,4	119148	20252					
E7	118447		10	7.5								A	PC3,4	119148	20252	20320	20321	20224		
E15	118599	CH	45	2.1,5.6	X							B,E	PC3,4	119191	119148	20320	20321	20224		
E7	118448		15	7.5								A	SUV3,4	119148	20252	20320	20321	20224		
												A,E	PC3,4	119191	119148					
E26	118585	BN,CH	45	4.2,7.5	X							B,E	SUV1,2	119191	119148	20320	20321	20224		
E14	118613	BN,CH	45	4.2,7.5	X							B,E	SUV3,4	119191	119148	20320	20321	20224		
E16	118643	CH	45	4.2,7.5	X		22114		60		7-Way	A,E	SUV1,2	119191	119148	20320	20321	20224		
E16	118643	CH	45	4.2,7.5	X		22114		60		7-Way	A,E	SUV1,2	119191	119148	20320	20321	20224		
E18	118722	BN,CH	45	5.7,5	X		22116		90		7-Way	A,E	SUV1,2	119191	119148	20320	20321	20224		
E16	118643	BN,CH	45	4.2,7.5	X		22114		60		7-Way	A,E	SUV1,2	119191	119148	20320	20321	20224		
		HG										B	SUV1,2	119130	119178	20320	20321	20224	3035-P	5
E19	118366	FW,LS	45	2.1,4.2								G	SUV1,2		119251	20320	20321		3035-P	5

- A** 2 wire system.
- B** 3 wire system. Converter required.
- BN** Exterior mounted plug on some or all models. May require an aftermarket electrical mounting box or bracket. (Sold separately)
- C** 2 or 3 wire system determine at installation.
- CH** T-One is equipped with circuit protected Modulite® module.
- E** Modulite® required.
- FW** 2003 Models w/Build date before 11/1/02.
- G** Low-side switching system.
- HG** T-One incorporates taillight converter.
- LS** T-One incorporates low-side switching taillight converter. Additional installation time required.
- RD** For vehicles equipped with factory tow package may require additional components or may be used as a replacement harness.

- RT3** Round Tube Class III 2"
- SQ1** Square Tube Class I
- SQ2** Square Tube Class II
- SQ3** Square Tube Class III

MODEL / STYLE	YEAR	TRAILER HITCHES									
		PC	REC TYPE	REC SIZE	PART #	NO DRILL	FOOTNOTES	OPTIONAL DRAWBAR	WC (LBS.)	WD (LBS.)	IN
FORD (Continued)											
Windstar (Built After 11/2002)	03-03	30	SQ2	1-1/4	36189		GP	36061	300/3,500		30
		43	SQ3	2	75055		GP		350/3,500	500/5,000	40
		50	SQ3	2	37136	0	AF		500/5,000	600/6,000	40
FREIGHTLINER											
SL	04-16										
Sprinter 2500 w/41" Wide Frames, Except 118" Wheelbase & Factory Metal Step Platform	03-06	48	SQ3	2	75210	0	HM		500/5,000	750/7,500	20
Sprinter 2500 w/41" Wide Frames, Except 118" Wheelbase & Factory Metal Step Platform, w/Factory 7-Way	03-06										
Sprinter 2500 144" & 170" Wheelbase, Except w/Factory Step Bumper	07-09	53	SQ4	2	75549	0	HM,UL		600/6,000	750/7,500	20
Sprinter 2500 144" & 170" Wheelbase, Except w/Factory Step Bumper, w/Factory 7-Way	07-09										
Sprinter 2500 w/Factory Step Bumper Excluding Models w/30-3/8" Frame Width	07-09	52	SQ3	2	75601	0	HM		500/5,000	750/7,500	30
Sprinter 2500 w/Factory Step Bumper, w/Factory 7-Way	07-09										
Sprinter 2500 144" & 170" Wheelbase, Except w/Factory Step Bumper	10-12	53	SQ4	2	75549	0	HM,UL		600/6,000	750/7,500	20
Sprinter 2500 w/Factory Step Bumper Excluding Models w/30-3/8" Frame Width	10-12	52	SQ3	2	75601	0	HM		500/5,000	750/7,500	30
Sprinter 2500 144" & 170" Wheelbase, Except w/Factory Step Bumper	13-13	53	SQ4	2	75549	0	HM,UL		600/6,000	750/7,500	20
Sprinter 2500 w/Factory Step Bumper Excluding Models w/30-3/8" Frame Width	13-13	52	SQ3	2	75601	0	HM		500/5,000	750/7,500	30
Sprinter 3500 w/41" Wide Frames, Except 118" Wheelbase & Factory Metal Step Platform	03-06	48	SQ3	2	75210	0	HM		500/5,000	750/7,500	20
Sprinter 3500 w/41" Wide Frames, Except 118" Wheelbase & Factory Metal Step Platform, w/Factory 7-Way	03-06										
Sprinter 3500 144" & 170" Wheelbase, Except w/Factory Step Bumper	07-09	53	SQ4	2	75549	0	HM,UL		600/6,000	750/7,500	20
Sprinter 3500 144" & 170" Wheelbase, Except w/Factory Step Bumper, w/Factory 7-Way	07-09										
Sprinter 3500 w/Factory Step Bumper Excluding Models w/30-3/8" Frame Width	07-09	52	SQ3	2	75601	0	HM		500/5,000	750/7,500	30
Sprinter 3500 w/Factory Step Bumper, w/Factory 7-Way	07-09										
Sprinter 3500 144" & 170" Wheelbase, Except w/Factory Step Bumper	10-12	53	SQ4	2	75549	0	HM,UL		600/6,000	750/7,500	20
Sprinter 3500 w/Factory Step Bumper Excluding Models w/30-3/8" Frame Width	10-12	52	SQ3	2	75601	0	HM		500/5,000	750/7,500	30
Sprinter 3500 144" & 170" Wheelbase, Except w/Factory Step Bumper	13-13	53	SQ4	2	75549	0	HM,UL		600/6,000	750/7,500	20
Sprinter 3500 w/Factory Step Bumper Excluding Models w/30-3/8" Frame Width	13-13	52	SQ3	2	75601	0	HM		500/5,000	750/7,500	30
XC	04-16										
GENESIS											
G80	17-18										
GEO											
Prizm	93-97	25	SQ1	1-1/4	24579		GP	3593	200/2,000		30
Tracker	96-97	25	SQ1	1-1/4	24622	0	HM	3593	200/2,000		20
GMC											
Acadia	07-12	19	RT3	2	75528	0	GP,JR,TN		750/5,000	750/7,500	25

AF Hitch is ONLY rated for Weight Carrying at 3500 lbs. GTW / 350 lbs. TW and DO NOT use Weight Distribution Spring Bars for this Specific Vehicle. Except for long bed pickups.
GP Hitch crossstube concealed behind bumper.
HM Hitch crossstube is visible beneath bumper.

JR Exhaust must be temporarily lowered for installation.
TN Hitches produced before 07/09/12 are rated at 500/5000 WC & 500/5000 WD.
UL This hitch will not fit a Sprinter single or dual rear-wheel vehicle with a 30-3/8" wide frame measured outside of frame to outside of frame.

T-ONE					TOW HARNESS					4-FLAT WIRING				REQ. 4 FLAT WIRING		7-WAY HARDWIRE	BRAKE CONTROL HARNESS	IN		
PC	T-ONE	FN	IN	AMP	CP	TOW HARN	FN	IN	AMP	CP	TYPE	ELEC	POS	CHOICE 1	CHOICE 2				6-WAY ADAPTER	7-WAY ADAPTER
FORD (Continued)																				
E19	118305	FV,LS	45	2,1,4,2								G	SUV,1,2		119251	20320	20321		3035-P	5
FREIGHTLINER																				
						E3	118381	BN,RD	5	7.5	4-Flat	B,E	SUV,3,4	119148	20252	20320	20321	20224	3027-P	5
							20135	RD	10		Both	H	SUV6	119148	20252					
E17	118650	CH	45	5,7,5	X	E3	118381	BN,RD	5	7.5	4-Flat	B,E	SUV,1,2	119191	119148	20320	20321	20224		
							20135	RD	10		Both	H	SUV6	119148	20252					
E17	118650	CH	45	5,7,5	X	E3	118381	BN,RD	5	7.5	4-Flat	B,E	SUV,1,2	119191	119148	20320	20321	20224		
							20135	RD	10		Both	H	SUV6	119148	20252					
E17	118650	CH	45	5,7,5	X							B,E	SUV,1,2	119191	119148	20320	20321	20224		
E17	118650	CH	45	5,7,5	X							B,E	SUV,3,4	119192	119191	20320	20321	20224		
E17	118650	CH	45	5,7,5	X							B,E	SUV,3,4	119192	119191	20320	20321	20224		
						E3	118381	BN,RD	5	7.5	4-Flat	B,E	SUV,3,4	119191	119148	20320	20321	20224		
							20135	RD	10		Both	H	SUV6	119148	20252					
E17	118650	CH	45	5,7,5	X	E3	118381	BN,RD	5	7.5	4-Flat	B,E	SUV,1,2	119191	119148	20320	20321	20224		
							20135	RD	10		Both	H	SUV6	119148	20252					
E17	118650	CH	45	5,7,5	X							B,E	SUV,1,2	119191	119148	20320	20321	20224		
E17	118650	CH	45	5,7,5	X							B,E	SUV,3,4	119251	119191	20320	20321	20224		
E17	118650	CH	45	5,7,5	X							B,E	SUV,3,4	119251	119191	20320	20321	20224		
																			3027-P	5
GENESIS																				
E13	118738	CH	45	5,7,5	X							B,E	PC,3,4	119191	119148					
GEO																				
												B	PC,3,4	119130	119178					
E5	118372	HG	5	2,1,5								B	SUV,1,2	119130	119178					
GMC																				
E11	118451	BN	15	7.5		E8	118384	BN,RD	5	7.5	4-Flat	N	SUV,1,2		119251	20320	20321		3026-P	5

B 3 wire system. Converter required.

BN Exterior mounted plug on some or all models. May require an aftermarket electrical mounting box or bracket. (Sold separately)

CH T-One is equipped with circuit protected ModuLite® module.

E ModuLite® required.

FV 2003 Models w/Build date after 11/1/02.

G Low-side switching system.

H 3 wire system with OEM standard 2 wire harness.

HG T-One incorporates taillight converter.

LS T-One incorporates low-side switching taillight converter. Additional installation time required.

N DO NOT cut or splice vehicle wiring. Only use approved T-One or see auto dealer for trailer tow wiring kit.

RD For vehicles equipped with factory tow package may require additional components or may be used as a replacement harness.

RT3 Round Tube Class III 2"

SQ1 Square Tube Class I

SQ2 Square Tube Class II

SQ3 Square Tube Class III

SQ4 Square Tube Class IV

MODEL / STYLE	YEAR	TRAILER HITCHES									
		PC	REC TYPE	REC SIZE	PART #	NO DRILL	FOOTNOTES	OPTIONAL DRAWBAR	WC (LBS.)	WD (LBS.)	IN
GMC (Continued)											
Acadia w/Factory 7-Way	07-12										
Acadia	13-16	19	RT3	2	75528	0	GP, JR, TN		750/5,000	750/7,500	25
Acadia	17-17	24	SQ3	2	76023	0	GP, JR, AA, DU, SV, TA		675/4,500	675/4,500	90
Acadia	18-19	24	SQ3	2	76023	0	GP, JR, AA, DU, SV, TA		675/4,500	675/4,500	90
Acadia Limited	17-17	19	RT3	2	75528	0	GP, JR, TN		750/5,000	750/7,500	25
C1500 w/34" Wide Frames	85-99	50	SQ5	2	41938		@, CC		1,200/12,000	1,500/15,000	40
		50	SQ5	2	41947		@		1,600/15,000	1,600/16,000	35
C1500	88-99	49	RT3	2	37133				500/5,000	750/7,500	40
		35	SQ3	2	75033	0	HM, J		500/5,000	800/8,000	20
		25	SQ3	2	75099	0	GP		500/5,000	800/8,000	20
		30	SQ4	2	40050		HC		600/6,000	1,000/10,000	40
		44	SQ4	2	41524	0	GP		600/6,000	1,000/10,000	20
		38	SQ4	2	41525†	0	HM, J		600/6,000	1,000/10,000	20
		54	RT4	2	37130				700/7,000	1,200/12,000	40
		45	SQ5	2	41901		@, DB, GP, SN		1,000/10,000	1,300/13,000	30
C1500 w/10" Deep Drop Bumper	88-99	53	SQ4	2	41528	0	FS, J		600/6,000	1,000/10,000	20
C1500 w/Aftermarket Roll Pan	88-99	38	SQ3	2	41522		CO, HK		500/5,000	550/5,500	40
C2500 w/34" Wide Frames	85-00	50	SQ5	2	41938		@, CC		1,200/12,000	1,500/15,000	40
		50	SQ5	2	41947		@		1,600/15,000	1,600/16,000	35
C2500	88-00	49	RT3	2	37133				500/5,000	750/7,500	40
		35	SQ3	2	75033	0	HM, J		500/5,000	800/8,000	20
		25	SQ3	2	75099	0	GP		500/5,000	800/8,000	20
		30	SQ4	2	40050		HC		600/6,000	1,000/10,000	40
		44	SQ4	2	41524	0	GP		600/6,000	1,000/10,000	20
		38	SQ4	2	41525†	0	HM, J		600/6,000	1,000/10,000	20
		54	RT4	2	37130				700/7,000	1,200/12,000	40
		45	SQ5	2	41901		@, DB, GP, SN		1,000/10,000	1,300/13,000	30
		59	SQ5	2-1/2	45506		#		1,200/12,000	1,700/14,000	45
C2500 w/10" Deep Drop Bumper	88-00	53	SQ4	2	41528	0	FS, J		600/6,000	1,000/10,000	20
C2500 w/Aftermarket Roll Pan	88-00	38	SQ3	2	41522		CO, HK		500/5,000	550/5,500	40
C3500 w/34" Wide Frames	85-00	50	SQ5	2	41938		@, CC		1,200/12,000	1,500/15,000	40
		50	SQ5	2	41947		@		1,600/15,000	1,600/16,000	35
C3500	88-00	49	RT3	2	37133				500/5,000	750/7,500	40
		35	SQ3	2	75033	0	HM, J		500/5,000	800/8,000	20
		25	SQ3	2	75099	0	GP		500/5,000	800/8,000	20
		30	SQ4	2	40050		HC		600/6,000	1,000/10,000	40
		44	SQ4	2	41524	0	GP		600/6,000	1,000/10,000	20
		38	SQ4	2	41525†	0	HM, J		600/6,000	1,000/10,000	20
		54	RT4	2	37130				700/7,000	1,200/12,000	40
		45	SQ5	2	41901		@, DB, GP, SN		1,000/10,000	1,300/13,000	30
		59	SQ5	2-1/2	45506		#		1,200/12,000	1,700/14,000	45
C3500 w/10" Deep Drop Bumper	88-00	53	SQ4	2	41528	0	FS, J		600/6,000	1,000/10,000	20
C3500 w/Aftermarket Roll Pan	88-00	38	SQ3	2	41522		CO, HK		500/5,000	550/5,500	40
C4500 Topkick Cab & Chassis, w/34" Wide Frames	03-09	50	SQ5	2	41947		@		1,600/15,000	1,600/16,000	35
C5500 Topkick Cab & Chassis, w/34" Wide Frames	03-09	50	SQ5	2	41947		@		1,600/15,000	1,600/16,000	35
C6500 Topkick Cab & Chassis, w/34" Wide Frames	99-09	50	SQ5	2	41947		@		1,600/15,000	1,600/16,000	35
C7500 Topkick Cab & Chassis, w/34" Wide Frames	99-09	50	SQ5	2	41947		@		1,600/15,000	1,600/16,000	35
Canyon	04-12	23	SQ4	2	75607	0	CP, GP		600/6,000	750/7,500	25
Canyon w/Factory 7-Way	04-12										

- # Titan hitches require use of a 2-1/2" shank Titan ball mount.
- @ Ultra Frame ball mount must be used to achieve maximum weight carrying rating.
- AA Requires temporary removal of bumper during installation.
- CC Requires minimum of 19" from end of frame rail to spring shackle bracket.
- CD Will not fit 8 ft. 2500/3500 Series with heavy-duty suspension or four door Crew Cab.
- CP Fits all models without factory installed receiver.
- DB Will not fit 6 ft. bed pickups.
- DU Fascia removal required.
- FS Includes 2 & 4 WD models with heavy duty suspension.
- GP Hitch crosstube concealed behind bumper.
- HC Will not fit with mini or full size tire stowed under vehicle.
- HK Under vehicle spare tire stowage may be retained with installation of an aftermarket spare tire repositioner. Cutting of rollpan in license plate area required for receiver tube access. Does not fit with bumper.
- HM Hitch crosstube is visible beneath bumper.
- J Under vehicle spare tire stowage is retained.
- JR Exhaust must be temporarily lowered for installation.
- SN Hitches produced before 04/28/08 are rated at 1000/10000 WC & 1200/12000 WD.
- SV Trimming or removal of under body appearance panel may be required.
- TA Trunk access required for hitch installation.
- TN Hitches produced before 07/09/12 are rated at 500/5000 WC & 500/5000 WD.

T-ONE					TOW HARNESS					4-FLAT WIRING				REQ. 4 FLAT WIRING		7-WAY HARDWIRE	BRAKE CONTROL HARNESS	IN			
PC	T-ONE	FN	IN	AMP	CP	PC	TOW HARN	FN	IN	AMP	CP	TYPE	ELEC	POS	CHOICE 1				CHOICE 2	6-WAY ADAPTER	7-WAY ADAPTER
GMC (Continued)																					
							8551511	RD				7-Way	N	SUV6		119251					
							74682	RD	10			Both									
							85219	RD	5			7-Way									
E10	118270	BN	20	7.5		E16	118271	BN	20			7-Way	A,E	SUV1,2	119191	119148	20320	20321	20224	3026-P	5
E3	118720	BN	10			E9	118276	BN	10			7-Way	A	SUV6	119148	20252				3026-P	5
E3	118720	BN	10			E9	118276	BN	10			7-Way	A	SUV6	119148	20252					
E10	118270	BN	20	7.5		E16	118271	BN	20			7-Way	A,E	SUV1,2	119191	119148	20320	20321	20224	3026-P	5
													A	PU1,2	119148	20252	20320	20321	20224		
E3	118315	BN	5	7.5									A	PU3	119148	20252	20320	20321	20224		
E3	118315	BN	5	7.5									A	PU3	119148	20252	20320	20321	20224		
E3	118315	BN	5	7.5									A	PU3	119148	20252	20320	20321	20224		
E3	118315	BN	5	7.5									A	PU1,2	119148	20252	20320	20321	20224		
E3	118315	BN	5	7.5									A	PU3	119148	20252	20320	20321	20224		
E3	118315	BN	5	7.5									A	PU3	119148	20252	20320	20321	20224		
E3	118315	BN	5	7.5									A	PU3	119148	20252	20320	20321	20224		
E3	118315	BN	5	7.5									A	PU3	119148	20252	20320	20321	20224		
E3	118315	BN	5	7.5									A	PU1,2	119148	20252	20320	20321	20224		
E3	118315	BN	5	7.5									A	PU3	119148	20252	20320	20321	20224		
E3	118315	BN	5	7.5									A	PU3	119148	20252	20320	20321	20224		
E3	118315	BN	5	7.5									A	PU3	119148	20252	20320	20321	20224		
E3	118315	BN	5	7.5									A	PU1,2	119148	20252	20320	20321	20224		
E3	118315	BN	5	7.5									A	PU3	119148	20252	20320	20321	20224		
E3	118315	BN	5	7.5									A	PU3	119148	20252	20320	20321	20224		
E3	118315	BN	5	7.5									A	PU3	119148	20252	20320	20321	20224		
E3	118315	BN	5	7.5									A	PU3	119148	20252	20320	20321	20224		
E3	118315	BN	5	7.5									A	PU3	119148	20252	20320	20321	20224		
E3	118315	BN	5	7.5									A	PU1,2	119148	20252	20320	20321	20224		
E3	118315	BN	5	7.5									A	PU3	119148	20252	20320	20321	20224		
E10	118301	BN,CG	10	2.1,5	X	E8	118384	BN,RD	5	7.5		4-Flat	B	PU3	119130	119178	20320	20321	20224		
							74682	RD	10			Both	H	PU3	119148	20252					
							8551511	RD				7-Way									
							85219	RD	5			7-Way									

A 2 wire system.
B 3 wire system. Converter required.
BN Exterior mounted plug on some or all models. May require an aftermarket electrical mounting box or bracket. (Sold separately)
CG T-One incorporates circuit protected taillight converter.
E ModuLite® required.
H 3 wire system with OEM standard 2 wire harness.
N DO NOT cut or splice vehicle wiring. Only use approved T-One or see auto dealer for trailer tow wiring kit.
RD For vehicles equipped with factory tow package may require additional components or may be used as a replacement harness.

RT3 Round Tube Class III 2"
RT4 Round Tube Class IV 2"
SQ3 Square Tube Class III
SQ4 Square Tube Class IV
SQ5 Square Tube Class V

MODEL / STYLE	YEAR	TRAILER HITCHES									
		PC	REC TYPE	REC SIZE	PART #	NO DRILL	FOOTNOTES	OPTIONAL DRAWBAR	WC (LBS.)	WD (LBS.)	IN
GMC (Continued)											
Canyon	15-19	34 30	RT4 SQ4	2 2	75948 76004	0 0	HM,AA,V,SO,TZ HM,AA,V,SO,TZ		800/6,000 800/8,000	800/8,000 1,000/10,000	35 35
Envoy w/Factory 7-Way	02-09										
Jimmy Downsize	95-98	32 21	SQ2 RT3	1-1/4 2	36244 75079	0 0	FP,GP,KK FP,KK,SD	36051	300/3,500 400/4,000	600/6,000	15 15
Jimmy Downsize	99-01	32 21	SQ2 RT3	1-1/4 2	36244 75079	0 0	FP,GP,KK FP,KK,SD	36051	300/3,500 400/4,000	600/6,000	15 15
Jimmy Downsize, w/Factory 7-Way	99-01										
Jimmy Downsize	02-05	32 21	SQ2 RT3	1-1/4 2	36244 75079	0 0	FP,GP,KK FP,KK,SD	36051	300/3,500 400/4,000	600/6,000	15 15
K1500	88-99	49 35 25 44 38 54 45	RT3 SQ3 SQ3 SQ4 SQ4 RT4 SQ5	2 2 2 2 2 2 2	37133 75033 75099 41524 41525† 37130 41901	0 0 0 0 0	HM,J GP GP HM,J @,DB,GP,SN		500/5,000 500/5,000 500/5,000 600/6,000 600/6,000 700/7,000 1,000/10,000	750/7,500 800/8,000 800/8,000 1,000/10,000 1,000/10,000 1,200/12,000 1,300/13,000	40 20 20 20 20 40 30
K1500 w/10" Deep Drop Bumper	88-99	53	SQ4	2	41528	0	FS,J		600/6,000	1,000/10,000	20
K1500 w/34" Wide Frames	88-99	50 50	SQ5 SQ5	2 2	41938 41947		@,CC @		1,200/12,000 1,600/15,000	1,500/15,000 1,600/16,000	40 35
K1500 w/Aftermarket Roll Pan	88-99	38	SQ3	2	41522		CO,HK		500/5,000	550/5,500	40
K2500	88-00	49 35 25 44 38 54 45 59	RT3 SQ3 SQ3 SQ4 SQ4 RT4 SQ5 SQ5	2 2 2 2 2 2 2 2-1/2	37133 75033 75099 41524 41525† 37130 41901 45506	0 0 0 0	HM,J GP GP HM,J @,DB,GP,SN #		500/5,000 500/5,000 500/5,000 600/6,000 600/6,000 700/7,000 1,000/10,000 1,200/12,000	750/7,500 800/8,000 800/8,000 1,000/10,000 1,000/10,000 1,200/12,000 1,300/13,000 1,700/14,000	40 20 20 20 20 40 30 45
K2500 w/10" Deep Drop Bumper	88-00	53	SQ4	2	41528	0	FS,J		600/6,000	1,000/10,000	20
K2500 w/34" Wide Frames	88-00	50 50	SQ5 SQ5	2 2	41938 41947		@,CC @		1,200/12,000 1,600/15,000	1,500/15,000 1,600/16,000	40 35
K2500 w/Aftermarket Roll Pan	88-00	38	SQ3	2	41522		CO,HK		500/5,000	550/5,500	40
K3500	88-00	49 35 25 44 38 54 45 59	RT3 SQ3 SQ3 SQ4 SQ4 RT4 SQ5 SQ5	2 2 2 2 2 2 2 2-1/2	37133 75033 75099 41524 41525† 37130 41901 45506	0 0 0 0	HM,J GP GP HM,J @,DB,GP,SN #		500/5,000 500/5,000 500/5,000 600/6,000 600/6,000 700/7,000 1,000/10,000 1,200/12,000	750/7,500 800/8,000 800/8,000 1,000/10,000 1,000/10,000 1,200/12,000 1,300/13,000 1,700/14,000	40 20 20 20 20 40 30 45
K3500 w/10" Deep Drop Bumper	88-00	53	SQ4	2	41528	0	FS,J		600/6,000	1,000/10,000	20
K3500 w/34" Wide Frames	88-00	50 50	SQ5 SQ5	2 2	41938 41947		@,CC @		1,200/12,000 1,600/15,000	1,500/15,000 1,600/16,000	40 35
K3500 w/Aftermarket Roll Pan	88-00	38	SQ3	2	41522		CO,HK		500/5,000	550/5,500	40

Titan hitches require use of a 2-1/2" shank Titan ball mount.
 @ Ultra Frame ball mount must be used to achieve maximum weight carrying rating.
 AA Requires temporary removal of bumper during installation.
 CC Requires minimum of 19" from end of frame rail to spring shackle bracket.
 CB Will not fit 8 ft. 2500/3500 Series with heavy-duty suspension or four door Crew Cab.
 CD Will not fit 6 ft. bed pickups.
 FP Spare tire repositioning and/or modification of spare tire carrier may be required.
 FS Includes 2 & 4 WD models with heavy duty suspension.
 GP Hitch cross-tube concealed behind bumper.

HK Under vehicle spare tire storage may be retained with installation of an aftermarket spare tire repositioner. Cutting of rollpan in license plate area required for receiver tube access. Does not fit with bumper.
 HM Hitch cross-tube is visible beneath bumper.
 J Under vehicle spare tire storage is retained.
 KK When installing on a vehicle originally equipped with an OEM hitch. OEM bumper brackets must be purchased and installed prior to new hitch installation.
 SD Hitches produced before 07/21/06 are rated at 350/3500 WC.
 SN Hitches produced before 04/28/08 are rated at 1000/10000 WC & 1200/12000 WD.
 SO With this hitch installed the step bumper is no longer able to be used as a towing point.
 TZ Requires replacement of the impact structure with hitch.
 V For vehicles with factory installed step bumpers only.

T-ONE					TOW HARNESS					4-FLAT WIRING				REQ. 4 FLAT WIRING		7-WAY HARDWIRE	BRAKE CONTROL HARNESS	IN		
PC	T-ONE	FN	IN	AMP	CP	PC	TOW HARN	FN	IN	AMP	CP	TYPE	ELEC	POS	CHOICE 1				CHOICE 2	6-WAY ADAPTER
GMC (Continued)																				
													A	PU3	119148	20252	20320	20321	20224	
						E8	118384 74682 8551511 85219	BN,RD RD RD RD	5 10 5	7.5			4-Flat Both 7-Way 7-Way	H	SUV6	119148	20252			
													A	SUV7	119148	20252	20320	20321	20224	
						E8	118384	BN,RD	5	7.5			4-Flat	A	SUV7	119148	20252	20320	20321	20224
							74682 85219 8551511	RD RD RD	10 5			Both 7-Way 7-Way	A	SUV6	119148	20252				
													A	SUV7	119148	20252	20320	20321	20224	
E3	118315	BN	5	7.5									A	PU3	119148	20252	20320	20321	20224	
E3	118315	BN	5	7.5									A	PU3	119148	20252	20320	20321	20224	
													A	PU1,2	119148	20252	20320	20321	20224	
E3	118315	BN	5	7.5									A	PU3	119148	20252	20320	20321	20224	
E3	118315	BN	5	7.5									A	PU3	119148	20252	20320	20321	20224	
E3	118315	BN	5	7.5									A	PU3	119148	20252	20320	20321	20224	
													A	PU1,2	119148	20252	20320	20321	20224	
E3	118315	BN	5	7.5									A	PU3	119148	20252	20320	20321	20224	
E3	118315	BN	5	7.5									A	PU3	119148	20252	20320	20321	20224	
E3	118315	BN	5	7.5									A	PU3	119148	20252	20320	20321	20224	
													A	PU1,2	119148	20252	20320	20321	20224	
E3	118315	BN	5	7.5									A	PU3	119148	20252	20320	20321	20224	

A 2 wire system.

BN Exterior mounted plug on some or all models. May require an aftermarket electrical mounting box or bracket. (Sold separately)

H 3 wire system with OEM standard 2 wire harness.

RD For vehicles equipped with factory tow package may require additional components or may be used as a replacement harness.

RT3 Round Tube Class III 2"

RT4 Round Tube Class IV 2"

SQ2 Square Tube Class II

SQ3 Square Tube Class III

SQ4 Square Tube Class IV

SQ5 Square Tube Class V

MODEL / STYLE	YEAR	TRAILER HITCHES									
		PC	REC TYPE	REC SIZE	PART #	NO DRILL	FOOTNOTES	OPTIONAL DRAWBAR	WC (LBS.)	WD (LBS.)	IN
GMC (Continued)											
Safari Extended Body	90-95	33	SQ2	1-1/4	36197	0	CS,HM	36051	300/3,500		30
		34	SQ2	1-1/4	36198	0	CS,GP	36053	300/3,500		30
		33	SQ3	2	75122	0	CS,GP		300/3,500	600/6,000	30
		50	SQ3	2	37136		AF		500/5,000	600/6,000	65
Savana 1500	96-99	34	SQ2	1-1/4	36206	0	HM	36053	300/3,500		15
		50	SQ3	2	37136		HM		500/5,000	600/6,000	30
		20	SQ3	2	75189	0	HM		500/5,000	750/7,500	15
		33	SQ4	2	41521	0	HM		600/6,000	1,000/10,000	15
		42	SQ5	2	41946		@,HM		1,500/10,000	1,300/13,000	35
Savana 1500	00-02	34	SQ2	1-1/4	36206	0	HM	36053	300/3,500		15
		50	SQ3	2	37136		HM		500/5,000	600/6,000	30
		20	SQ3	2	75189	0	HM		500/5,000	750/7,500	15
		33	SQ4	2	41521	0	HM		600/6,000	1,000/10,000	15
		42	SQ5	2	41946		@,HM		1,500/10,000	1,300/13,000	35
Savana 1500	03-03	34	SQ2	1-1/4	36206	0	HM	36053	300/3,500		15
		50	SQ3	2	37136		HM		500/5,000	600/6,000	30
		20	SQ3	2	75189	0	HM		500/5,000	750/7,500	15
		33	SQ4	2	41521	0	HM		600/6,000	1,000/10,000	15
		42	SQ5	2	41946		@,HM		1,500/10,000	1,300/13,000	35
Savana 1500	04-14	34	SQ2	1-1/4	36206	0	HM	36053	300/3,500		15
		50	SQ3	2	37136		HM		500/5,000	600/6,000	30
		20	SQ3	2	75189	0	HM		500/5,000	750/7,500	15
		33	SQ4	2	41521	0	HM		600/6,000	1,000/10,000	15
		42	SQ5	2	41946		@,HM		1,500/10,000	1,300/13,000	35
Savana 2500	96-99	34	SQ2	1-1/4	36206	0	HM	36053	300/3,500		15
		50	SQ3	2	37136		HM		500/5,000	600/6,000	30
		20	SQ3	2	75189	0	HM		500/5,000	750/7,500	15
		33	SQ4	2	41521	0	HM		600/6,000	1,000/10,000	15
		42	SQ5	2	41946		@,HM		1,500/10,000	1,300/13,000	35
		52	SQ5	2-1/2	45507	0	#,HM		1,200/12,000	1,700/14,000	45
Savana 2500	00-02	34	SQ2	1-1/4	36206	0	HM	36053	300/3,500		15
		50	SQ3	2	37136		HM		500/5,000	600/6,000	30
		20	SQ3	2	75189	0	HM		500/5,000	750/7,500	15
		33	SQ4	2	41521	0	HM		600/6,000	1,000/10,000	15
		42	SQ5	2	41946		@,HM		1,500/10,000	1,300/13,000	35
		52	SQ5	2-1/2	45507	0	#,HM		1,200/12,000	1,700/14,000	45
Savana 2500	03-03	34	SQ2	1-1/4	36206	0	HM	36053	300/3,500		15
		50	SQ3	2	37136		HM		500/5,000	600/6,000	30
		20	SQ3	2	75189	0	HM		500/5,000	750/7,500	15
		33	SQ4	2	41521	0	HM		600/6,000	1,000/10,000	15
		42	SQ5	2	41946		@,HM		1,500/10,000	1,300/13,000	35
		52	SQ5	2-1/2	45507	0	#,HM		1,200/12,000	1,700/14,000	45
Savana 2500	04-17	34	SQ2	1-1/4	36206	0	HM	36053	300/3,500		15
		50	SQ3	2	37136		HM		500/5,000	600/6,000	30
		20	SQ3	2	75189	0	HM		500/5,000	750/7,500	15
		33	SQ4	2	41521	0	HM		600/6,000	1,000/10,000	15
		42	SQ5	2	41946		@,HM		1,500/10,000	1,300/13,000	35
		52	SQ5	2-1/2	45507	0	#,HM		1,200/12,000	1,700/14,000	45
Savana 2500	18-18						HM				

Titan hitches require use of a 2-1/2" shank Titan ball mount.
 @ Ultra Frame ball mount must be used to achieve maximum weight carrying rating.
 AF Hitch is ONLY rated for Weight Carrying at 3500 lbs. GTW / 350 lbs. TW and DO NOT use Weight Distribution Spring Bars for this Specific Vehicle. Except for long bed pickups.

CS Will fit with full-size spare tire stowed under vehicle.
 GP Hitch crosstube concealed behind bumper.
 HM Hitch crosstube is visible beneath bumper.

T-ONE					TOW HARNESS						4-FLAT WIRING				REQ. 4 FLAT WIRING		7-WAY HARDWARE	BRAKE CONTROL HARNESS	IN	
PC	T-ONE	FN	IN	AMP	CP	PC	TOW HARN	FN	IN	AMP	CP	TYPE	ELEC	POS	CHOICE 1	CHOICE 2				6-WAY ADAPTER
GMC (Continued)																				
													A	SUV4	119148	20252	20320	20321	20224	
E8	118335	HG	10	2.1.5		E1	118240	RD	5	7.5		4-Flat	B	SUV3,4	119130	119178	20320	20321	20224	
E8	118377	HG	10	2.1.5		E1	118240	RD	5	7.5		4-Flat	B	SUV3,4	119130	119178	20320	20321	20224	
E5	118392		20	7.5		E1	118240	RD	5	7.5		4-Flat	A	SUV3,4	119148	20252	20320	20321	20224	
E5	118392		20	7.5									A	SUV3,4	119148	20252	20320	20321	20224	
E8	118335	HG	10	2.1.5		E1	118240	RD	5	7.5		4-Flat	B	SUV3,4	119130	119178	20320	20321	20224	
E8	118377	HG	10	2.1.5		E1	118240	RD	5	7.5		4-Flat	B	SUV3,4	119130	119178	20320	20321	20224	
E5	118392		20	7.5		E1	118240	RD	5	7.5		4-Flat	A	SUV3,4	119148	20252	20320	20321	20224	
E5	118392		20	7.5									A	SUV3,4	119148	20252	20320	20321	20224	
E5	118392		20	7.5									A	SUV3,4	119148	20252	20320	20321	20224	

A 2 wire system.
B 3 wire system. Converter required.

HG T-One incorporates taillight converter.
RD For vehicles equipped with factory tow package may require additional components or may be used as a replacement harness.

SQ2 Square Tube Class II
SQ3 Square Tube Class III
SQ4 Square Tube Class IV
SQ5 Square Tube Class V

MODEL / STYLE	YEAR	TRAILER HITCHES									
		PC	REC TYPE	REC SIZE	PART #	NO DRILL	FOOTNOTES	OPTIONAL DRAWBAR	WC (LBS.)	WD (LBS.)	IN
GMC (Continued)											
Savana 3500	96-99	34	SQ2	1-1/4	36206	0	HM	36053	300/3,500		15
		50	SQ3	2	37136		HM		500/5,000	600/6,000	30
		20	SQ3	2	75189	0	HM		500/5,000	750/7,500	15
		33	SQ4	2	41521	0	HM		600/6,000	1,000/10,000	15
		42	SQ5	2	41946		@,HM		1,500/10,000	1,300/13,000	35
		52	SQ5	2-1/2	45507	0	#,HM		1,200/12,000	1,700/14,000	45
Savana 3500	00-02	34	SQ2	1-1/4	36206	0	HM	36053	300/3,500		15
		50	SQ3	2	37136		HM		500/5,000	600/6,000	30
		20	SQ3	2	75189	0	HM		500/5,000	750/7,500	15
		33	SQ4	2	41521	0	HM		600/6,000	1,000/10,000	15
		42	SQ5	2	41946		@,HM		1,500/10,000	1,300/13,000	35
		52	SQ5	2-1/2	45507	0	#,HM		1,200/12,000	1,700/14,000	45
Savana 3500	03-03	34	SQ2	1-1/4	36206	0	HM	36053	300/3,500		15
		50	SQ3	2	37136		HM		500/5,000	600/6,000	30
		20	SQ3	2	75189	0	HM		500/5,000	750/7,500	15
		33	SQ4	2	41521	0	HM		600/6,000	1,000/10,000	15
		42	SQ5	2	41946		@,HM		1,500/10,000	1,300/13,000	35
		52	SQ5	2-1/2	45507	0	#,HM		1,200/12,000	1,700/14,000	45
Savana 3500	04-17	34	SQ2	1-1/4	36206	0	HM	36053	300/3,500		15
		50	SQ3	2	37136		HM		500/5,000	600/6,000	30
		20	SQ3	2	75189	0	HM		500/5,000	750/7,500	15
		33	SQ4	2	41521	0	HM		600/6,000	1,000/10,000	15
		42	SQ5	2	41946		@,HM		1,500/10,000	1,300/13,000	35
		52	SQ5	2-1/2	45507	0	#,HM		1,200/12,000	1,700/14,000	45
Savana 3500	18-18										
Sierra Denali HD 6.6 ft. Bed, w/Factory 7-Way	11-13										
Sierra 1500	99-02	49	RT3	2	37133	0			500/5,000	750/7,500	25
		39	SQ4	2	41534	0			600/6,000	1,200/12,000	20
		54	RT4	2	37130	0			700/7,000	1,200/12,000	25
		30	RT4	2	75362	0	JL		900/6,000	900/8,000	15
		22	RT4	2	75521	0	JL,SZ		900/6,000	1,050/10,500	15
		50	SQ5	2	41932	0	@,HM,JL		1,200/12,000	1,400/14,000	20
Sierra 1500 w/Factory 7-Way	99-12										
Sierra 1500 (Classic)	03-07	49	RT3	2	37133	0			500/5,000	750/7,500	25
		39	SQ4	2	41534	0			600/6,000	1,200/12,000	20
		54	RT4	2	37130	0			700/7,000	1,200/12,000	25
		30	RT4	2	75362	0	JL		900/6,000	900/8,000	15
		22	RT4	2	75521	0	JL,SZ		900/6,000	1,050/10,500	15
		50	SQ5	2	41932	0	@,HM,JL		1,200/12,000	1,400/14,000	20
Sierra 1500	07-13	30	RT4	2	75362	0	JL		900/6,000	900/8,000	15
		22	RT4	2	75521	0	JL,SZ		900/6,000	1,050/10,500	15
Sierra 1500	14-18	33	RT4	2	75866	0	HM,JL		900/6,000	1,200/12,000	20
		25	SQ4	2	76016	0	GP,JL		900/6,000	1,000/10,000	25
Sierra 1500 HD	01-02	49	RT3	2	37133	0			500/5,000	750/7,500	25
		39	SQ4	2	41534	0			600/6,000	1,200/12,000	20
		54	RT4	2	37130	0			700/7,000	1,200/12,000	25
		30	RT4	2	75362	0	JL		900/6,000	900/8,000	15
		22	RT4	2	75521	0	JL,SZ		900/6,000	1,050/10,500	15
		50	SQ5	2	41932	0	@,HM,JL		1,200/12,000	1,400/14,000	20

Titan hitches require use of a 2-1/2" shank Titan ball mount.
 @ Ultra Frame ball mount must be used to achieve maximum weight carrying rating.
 GP Hitch crosstube concealed behind bumper.

HM Hitch crosstube is visible beneath bumper.
 JL Installation requires OEM bumper and brackets.
 SZ Hitches produced before 03/10/11 are rated at 600/6000 WC.

T-ONE					TOW HARNESS					4-FLAT WIRING				REQ. 4 FLAT WIRING		7-WAY HARDWIRE	BRAKE CONTROL HARNESS	IN			
PC	T-ONE	FN	IN	AMP	CP	TOW HARN	FN	IN	AMP	CP	TYPE	ELEC	POS	CHOICE 1	CHOICE 2				6-WAY ADAPTER	7-WAY ADAPTER	
GMC (Continued)																					
E8	118335	HG	10	2.1,5		E1	118240	RD	5	7.5		4-Flat	B	SUV3,4	119130	119178	20320	20321	20224		
E8	118377	HG	10	2.1,5		E1	118240	RD	5	7.5		4-Flat	B	SUV3,4	119130	119178	20320	20321	20224		
E5	118392		20	7.5		E1	118240	RD	5	7.5		4-Flat	A	SUV3,4	119148	20252	20320	20321	20224		
E5	118392		20	7.5									A	SUV3,4	119148	20252	20320	20321	20224		
E5	118392		20	7.5									A	SUV3,4	119148	20252	20320	20321	20224		
							74682	RD	10			Both	A	PU3	119148	20252					
							8551511	RD				7-Way									
							85219	RD	5			7-Way									
						E8	118384	BN,RD	5	7.5		4-Flat	A	PU3	119148	20252	20320	20321	20224	3025-P	5
							74682	RD	10			Both	H	PU3	119148	20252					
							8551511	RD				7-Way									
							85219	RD	5			7-Way									
						E8	118384	BN,RD	5	7.5		4-Flat	A	PU3	119148	20252	20320	20321	20224	3015-P	5
E8	118384	BN	5	7.5									A	PU3	119148	20252	20320	20321	20224		
E8	118384		5	7.5									A	PU3	119148	20252	20320	20321	20224	3016-P	5
						E8	118384	BN,RD	5	7.5		4-Flat	A	PU3	119148	20252	20320	20321	20224	3025-P	5

A 2 wire system.
B 3 wire system. Converter required.
BN Exterior mounted plug on some or all models. May require an aftermarket electrical mounting box or bracket. (Sold separately)

H 3 wire system with OEM standard 2 wire harness.
HG T-One incorporates taillight converter.
RD For vehicles equipped with factory tow package may require additional components or may be used as a replacement harness.

RT3 Round Tube Class III 2"
RT4 Round Tube Class IV 2"
SQ2 Square Tube Class II
SQ3 Square Tube Class III
SQ4 Square Tube Class IV
SQ5 Square Tube Class V

MODEL / STYLE	YEAR	TRAILER HITCHES									
		PC	REC TYPE	REC SIZE	PART #	NO DRILL	FOOTNOTES	OPTIONAL DRAWBAR	WC (LBS.)	WD (LBS.)	IN
GMC (Continued)											
Sierra 1500 HD w/Factory 7-Way	01-07										
Sierra 1500 HD	03-03	49	RT3	2	37133	0			500/5,000	750/7,500	25
		39	SQ4	2	41534	0			600/6,000	1,200/12,000	20
		54	RT4	2	37130	0			700/7,000	1,200/12,000	25
		30	RT4	2	75362	0	JL		900/6,000	900/8,000	15
		22	RT4	2	75521	0	JL,SZ		900/6,000	1,050/10,500	15
		50	SQ5	2	41932	0	@,HM,JL		1,200/12,000	1,400/14,000	20
Sierra 1500 HD (Classic)	05-07	49	RT3	2	37133	0			500/5,000	750/7,500	25
		39	SQ4	2	41534	0			600/6,000	1,200/12,000	20
		54	RT4	2	37130	0			700/7,000	1,200/12,000	25
		30	RT4	2	75362	0	JL		900/6,000	900/8,000	15
		22	RT4	2	75521	0	JL,SZ		900/6,000	1,050/10,500	15
		50	SQ5	2	41932	0	@,HM,JL		1,200/12,000	1,400/14,000	20
Sierra 2500	99-02	49	RT3	2	37133	0			500/5,000	750/7,500	25
		39	SQ4	2	41534	0			600/6,000	1,200/12,000	20
		54	RT4	2	37130	0			700/7,000	1,200/12,000	25
		30	RT4	2	75362	0	JL		900/6,000	900/8,000	15
		22	RT4	2	75521	0	JL,SZ		900/6,000	1,050/10,500	15
		50	SQ5	2	41932	0	@,HM,JL		1,200/12,000	1,400/14,000	20
		59	SQ5	2-1/2	45512	0	#		1,200/12,000	1,700/14,000	20
Sierra 2500 w/Factory 7-Way	99-04										
Sierra 2500	03-04	49	RT3	2	37133	0			500/5,000	750/7,500	25
		39	SQ4	2	41534	0			600/6,000	1,200/12,000	20
		54	RT4	2	37130	0			700/7,000	1,200/12,000	25
		30	RT4	2	75362	0	JL		900/6,000	900/8,000	15
		22	RT4	2	75521	0	JL,SZ		900/6,000	1,050/10,500	15
		50	SQ5	2	41932	0	@,HM,JL		1,200/12,000	1,400/14,000	20
		59	SQ5	2-1/2	45512	0	#		1,200/12,000	1,700/14,000	20
Sierra 2500 HD	01-02	46	SQ4	2	41544	0	HM,SA		600/6,000	1,200/12,000	20
		34	RT4	2	75550	0	CS,FS,JL,LT		600/6,000	1,100/11,000	20
		35	SQ5	2	41944	0	@,CS,FS,HM,LT		1,950/13,000	1,600/16,000	25
		58	SQ5	2-1/2	45517	0	#,CS,FS,LT		1,300/13,000	1,700/17,000	25
Sierra 2500 HD 8 ft. Bed	01-02	60	SQ5	2-1/2	45519	0	#,CS,FS,LT		2,000/18,000	2,500/18,000	25
Sierra 2500 HD w/Factory 7-Way	01-18										
Sierra 2500 HD (Classic)	03-07	46	SQ4	2	41544	0	HM,SA		600/6,000	1,200/12,000	20
		34	RT4	2	75550	0	CS,FS,JL,LT		600/6,000	1,100/11,000	20
		35	SQ5	2	41944	0	@,CS,FS,HM,LT		1,950/13,000	1,600/16,000	25
		58	SQ5	2-1/2	45517	0	#,CS,FS,LT		1,300/13,000	1,700/17,000	25
Sierra 2500 HD 8 ft. Bed	03-06	60	SQ5	2-1/2	45519	0	#,CS,FS,LT		2,000/18,000	2,500/18,000	25
Sierra 2500 HD	07-10	34	RT4	2	75550	0	CS,FS,JL,LT		600/6,000	1,100/11,000	20
		35	SQ5	2	41944	0	@,CS,FS,HM,LT		1,950/13,000	1,600/16,000	25
		58	SQ5	2-1/2	45517	0	#,CS,FS,LT		1,300/13,000	1,700/17,000	25
Sierra 2500 HD 8 ft. Bed	07-10	60	SQ5	2-1/2	45519	0	#,CS,FS,LT		2,000/18,000	2,500/18,000	25
Sierra 2500 HD 8 ft. Bed (Classic)	07-07	60	SQ5	2-1/2	45519	0	#,CS,FS,LT		2,000/18,000	2,500/18,000	25
Sierra 2500 HD	11-14	43	SQ4	2	75707	0	CS,FS,GP,JL,LT		800/8,000	1,200/12,000	20
		50	SQ5	2	41942	0	@,CS,FS,GP,JL,KH,LT		1,500/15,000	1,600/16,000	20
		67	SQ5	2-1/2	45510	0	#,CS,FS,HM,JL,KH,LT		2,000/18,000	2,500/18,000	60

Titan hitches require use of a 2-1/2" shank Titan ball mount.
 @ Ultra Frame ball mount must be used to achieve maximum weight carrying rating.
 CS Will fit with full-size spare tire stowed under vehicle.
 FS Includes 2 & 4 WD models with heavy duty suspension.
 GP Hitch crosstube concealed behind bumper.
 HM Hitch crosstube is visible beneath bumper.

JL Installation requires OEM bumper and brackets.
 KH Minor heat shield modification may be required.
 LT Requires removal of factory hitch if equipped.
 SA Requires drilling on 6 ft. bed models.
 SZ Hitches produced before 03/10/11 are rated at 600/6000 WC.

T-ONE					TOW HARNESS					4-FLAT WIRING				REQ. 4 FLAT WIRING		7-WAY HARDWIRE	BRAKE CONTROL HARNESS	IN				
PC	T-ONE	FN	IN	AMP	CP	PC	TOW HARN	FN	IN	AMP	CP	TYPE	ELEC	POS	CHOICE 1				CHOICE 2	6-WAY ADAPTER	7-WAY ADAPTER	
GMC (Continued)																						
							8551511 74682 85219	RD RD RD		10 5			7-Way Both 7-Way	H	PU3	119148	20252					
						E8	118384	BN,RD	5	7.5			4-Flat	A	PU3	119148	20252	20320	20321	20224	3015-P	5
						E8	118384	BN,RD	5	7.5			4-Flat	A	PU3	119148	20252	20320	20321	20224	3015-P	5
						E8	118384	BN,RD	5	7.5			4-Flat	A	PU3	119148	20252	20320	20321	20224	3025-P	5
							85219 74682 8551511	RD RD RD		5 10			7-Way Both 7-Way	H	PU3	119148	20252					
						E8	118384	BN,RD	5	7.5			4-Flat	A	PU3	119148	20252	20320	20321	20224	3015-P	5
						E8	118384	BN,RD	5	7.5			4-Flat	A	PU3	119148	20252	20320	20321	20224	3025-P	5
						E8	118384	BN,RD	5	7.5			4-Flat	A	PU3	119148	20252	20320	20321	20224	3025-P	5
							85219 8551511 74682	RD RD RD		5 10			7-Way 7-Way Both	H	PU3	119148	20252					
						E8	118384	BN,RD	5	7.5			4-Flat	A	PU3	119148	20252	20320	20321	20224	3015-P	5
						E8	118384	BN,RD	5	7.5			4-Flat	A	PU3	119148	20252	20320	20321	20224	3015-P	5
E8	118384	BN	5	7.5									A	PU3	119148	20252	20320	20321	20224			
E8	118384	BN	5	7.5									A	PU3	119148	20252	20320	20321	20224			
E8	118384	BN	5	7.5		E8	118384	BN,RD	5	7.5			4-Flat	A	PU3	119148	20252	20320	20321	20224	3015-P	5
E8	118384	BN	5	7.5									A	PU3	119148	20252	20320	20321	20224			

A 2 wire system.
BN Exterior mounted plug on some or all models. May require an aftermarket electrical mounting box or bracket. (Sold separately)

H 3 wire system with OEM standard 2 wire harness.
RD For vehicles equipped with factory tow package may require additional components or may be used as a replacement harness.

RT3 Round Tube Class III 2"
RT4 Round Tube Class IV 2"
SQ4 Square Tube Class IV
SQ5 Square Tube Class V

MODEL / STYLE	YEAR	TRAILER HITCHES									
		PC	REC TYPE	REC SIZE	PART #	NO DRILL	FOOTNOTES	OPTIONAL DRAWBAR	WC (LBS.)	WD (LBS.)	IN
GMC (Continued)											
Sierra 2500 HD	15-19	42	SQ4	2	75906	0	HM,JL		1,200/8,000	1,200/12,000	30
		48	SQ5	2	41950	0	@,CS,FS,GP,JL,KH,LT		1,700/15,000	1,700/17,000	60
		57	SQ5	2-1/2	45511		#,HM		2,700/20,000	2,700/20,000	60
Sierra 3500	01-02	46	SQ4	2	41544	0	HM,SA		600/6,000	1,200/12,000	20
		34	RT4	2	75550	0	CS,FS,JL,LT		600/6,000	1,100/11,000	20
		35	SQ5	2	41944	0	@,CS,FS,HM,LT		1,950/13,000	1,600/16,000	25
		58	SQ5	2-1/2	45517	0	#,CS,FS,LT		1,300/13,000	1,700/17,000	25
		60	SQ5	2-1/2	45519	0	#,CS,FS,LT		2,000/18,000	2,500/18,000	25
Sierra 3500 Cab & Chassis, w/34" Wide Frames (Classic)	01-07	29	SQ5	2	41936		@		1,200/12,000		30
		50	SQ5	2	41938		@,CC		1,200/12,000	1,500/15,000	40
		50	SQ5	2	41947		@		1,600/15,000	1,600/16,000	35
Sierra 3500 w/Factory 7-Way	01-07										
Sierra 3500 (Classic)	03-07	34	RT4	2	75550	0	CS,FS,JL,LT		600/6,000	1,100/11,000	20
Sierra 3500 (Classic)	03-07	46	SQ4	2	41544	0	HM,SA		600/6,000	1,200/12,000	20
		35	SQ5	2	41944	0	@,CS,FS,HM,LT		1,950/13,000	1,600/16,000	25
		58	SQ5	2-1/2	45517	0	#,CS,FS,LT		1,300/13,000	1,700/17,000	25
		60	SQ5	2-1/2	45519	0	#,CS,FS,LT		2,000/18,000	2,500/18,000	25
Sierra 3500 HD	07-10	34	RT4	2	75550	0	CS,FS,JL,LT		600/6,000	1,100/11,000	20
		35	SQ5	2	41944	0	@,CS,FS,HM,LT		1,950/13,000	1,600/16,000	25
		58	SQ5	2-1/2	45517	0	#,CS,FS,LT		1,300/13,000	1,700/17,000	25
		60	SQ5	2-1/2	45519	0	#,CS,FS,LT		2,000/18,000	2,500/18,000	25
Sierra 3500 HD	07-18										
Sierra 3500 HD Cab & Chassis, w/34" Wide Frames	07-19	29	SQ5	2	41936		@		1,200/12,000		30
		50	SQ5	2	41938		@,CC		1,200/12,000	1,500/15,000	40
		50	SQ5	2	41947		@		1,600/15,000	1,600/16,000	35
Sierra 3500 HD	11-14	43	SQ4	2	75707	0	CS,FS,GP,JL,LT		800/8,000	1,200/12,000	20
		50	SQ5	2	41942	0	@,CS,FS,GP,JL,KH,LT		1,500/15,000	1,600/16,000	20
		67	SQ5	2-1/2	45510		#,CS,FS,HM,JL,KH,LT		2,000/18,000	2,500/18,000	60
Sierra 3500 HD	15-17	42	SQ4	2	75906	0	HM,JL		1,200/8,000	1,200/12,000	30
		48	SQ5	2	41950	0	@,CS,FS,GP,JL,KH,LT		1,700/15,000	1,700/17,000	60
		57	SQ5	2-1/2	45511		#,HM		2,700/20,000	2,700/20,000	60
Sonoma w/Sportside Bed & Non-Towing Bumper	96-97	30	SQ3	2	75085	0	GP		350/3,500	750/6,000	40
Sonoma	98-04	34	SQ2	1-1/4	36248	0	GU,RH,GP	36071	300/3,500		35
		30	SQ3	2	75085	0	GP		350/3,500	750/6,000	40
		50	SQ3	2	37136		AF,CN,GU,ST		500/5,000	600/6,000	40
Suburban C1500	92-99	50	SQ3	2	37136				500/5,000	600/6,000	30
		37	SQ3	2	75037		HM		500/5,000	750/7,500	30
		41	SQ4	2	41511		HM		600/6,000	1,000/10,000	30
Suburban C2500	92-99	50	SQ3	2	37136				500/5,000	600/6,000	30
		37	SQ3	2	75037		HM		500/5,000	750/7,500	30
		41	SQ4	2	41511		HM		600/6,000	1,000/10,000	30
Suburban K1500	92-99	50	SQ3	2	37136				500/5,000	600/6,000	30
		37	SQ3	2	75037		HM		500/5,000	750/7,500	30
		41	SQ4	2	41511		HM		600/6,000	1,000/10,000	30
Suburban K2500	92-99	50	SQ3	2	37136				500/5,000	600/6,000	30
		37	SQ3	2	75037		HM		500/5,000	750/7,500	30
		41	SQ4	2	41511		HM		600/6,000	1,000/10,000	30
Terrain	10-17	18	SQ2	1-1/4	36408	0	HM	36051	300/3,500		25
		14	RT3	2	76028	0	HM		675/4,500	675/4,500	30

- # Titan hitches require use of a 2-1/2" shank Titan ball mount.
- @ Ultra Frame ball mount must be used to achieve maximum weight carrying rating.
- AF Hitch is ONLY rated for Weight Carrying at 3500 lbs. GTW / 350 lbs. TW and DO NOT use Weight Distribution Spring Bars for this Specific Vehicle. Except for long bed pickups.
- CC Requires minimum of 19" from end of frame rail to spring shackle bracket.
- CN Requires OEM factory bumper for hitch installation.
- CS Will fit with full-size spare tire stowed under vehicle.
- FS Includes 2 & 4 WD models with heavy duty suspension.
- GP Hitch crosstube concealed behind bumper.
- GU Will not fit vehicles with factory or aftermarket lower Fascia/Rollpan or Tube Bumper.
- HM Hitch crosstube is visible beneath bumper.
- JL Installation requires OEM bumper and brackets.
- KH Minor heat shield modification may be required.
- LT Requires removal of factory hitch if equipped.
- RH Optional drawbar #36051 required (Sold separately) except for models with ZR2 & Highrider package.
- SA Requires drilling on 6 ft. bed models.
- ST Will not fit 2WD models with short bed.

T-ONE					TOW HARNESS					4-FLAT WIRING				REQ. 4 FLAT WIRING		7-WAY HARDWIRE	BRAKE CONTROL HARNESS	IN			
PC	T-ONE	FN	IN	AMP	CP	PC	TOW HARN	FN	IN	AMP	CP	TYPE	ELEC	POS	CHOICE 1				CHOICE 2	6-WAY ADAPTER	7-WAY ADAPTER
GMC (Continued)																					
													A	PU3	119148	20252	20320	20321	20224	3016-P	5
						E8	118384	BN,RD	5	7.5		4-Flat	A	PU3	119148	20252	20320	20321	20224	3025-P	5
													C	PU1,2	119191	119148	20320	20321	20224		
							85219 74682 8551511	RD RD RD	5	10		7-Way Both 7-Way	H	PU3	119148	20252					
						E8	118384	BN,RD	5	7.5		4-Flat	A	PU3	119148	20252	20320	20321	20224	3015-P	5
						E8	118384	BN,RD	5	7.5		4-Flat	A	PU3	119148	20252	20320	20321	20224	3015-P	5
E8	118384	BN	5	7.5									A	PU3	119148	20252	20320	20321	20224		
E8	118384	BN,RD	5	7.5			74682 85219 8551511	RD RD RD	10 5			Both 7-Way 7-Way	A	PU3	119148	20252					
													C	PU1,2	20250	119148	20320	20321	20224		
E8	118384	BN	5	7.5									A	PU3	119148	20252	20320	20321	20224		
E8	118384	BN	5	7.5									A	PU3	119148	20252	20320	20321	20224	3016-P	5
E3	118312	BN	5	7.5									A	PU3	119148	20252	20320	20321	20224		
E4	118359	BN	5	7.5									A	PU3	119148	20252	20320	20321	20224		
E3	118319	BN	5	7.5									A	SUV6	119148	20252	20320	20321	20224		
E3	118319	BN	5	7.5									A	SUV6	119148	20252	20320	20321	20224		
E3	118319	BN	5	7.5									A	SUV6	119148	20252	20320	20321	20224		
E3	118319	BN	5	7.5									A	SUV6	119148	20252	20320	20321	20224		
E16	118494	CH	45	2.1,5.6	X	E1	118264	RD	15	7.5		4-Flat	N	SUV1,2		119251	20320	20321			

A 2 wire system.

BN Exterior mounted plug on some or all models. May require an aftermarket electrical mounting box or bracket. (Sold separately)

C 2 or 3 wire system determine at installation.

CH T-One is equipped with circuit protected ModuLite® module.

H 3 wire system with OEM standard 2 wire harness.

N DO NOT cut or splice vehicle wiring. Only use approved T-One or see auto dealer for trailer tow wiring kit.

RD For vehicles equipped with factory tow package may require additional components or may be used as a replacement harness.

RT3 Round Tube Class III 2"

RT4 Round Tube Class IV 2"

SQ2 Square Tube Class II

SQ3 Square Tube Class III

SQ4 Square Tube Class IV

SQ5 Square Tube Class V

MODEL / STYLE	YEAR	TRAILER HITCHES									
		PC	REC TYPE	REC SIZE	PART #	NO DRILL	FOOTNOTES	OPTIONAL DRAWBAR	WC (LBS.)	WD (LBS.)	IN
GMC (Continued)											
Terrain Diesel	18-19	30	SQ3	2	76217	0	AI,DU,JR,TZ,X		675/4,500	675/4,500	70
Terrain Except Diesel	18-19	22	SQ2	1-1/4	36642	0	JR,GP	36051	350/3,500		35
		23	SQ3	2	76419	0	JR		675/4,500	675/4,500	35
Yukon	92-00	50	SQ3	2	37136				500/5,000	600/6,000	30
		37	SQ3	2	75037		HM		500/5,000	750/7,500	30
		41	SQ4	2	41511		HM		600/6,000	1,000/10,000	30
Yukon w/Amber Turn Signals	00-02	50	SQ3	2	37136				500/5,000	600/6,000	30
		29	RT4	2	75725	0	CN,HM		900/6,000	1,000/10,000	15
Yukon w/Factory 7-Way	00-11										
Yukon w/Amber Turn Signals	03-06	50	SQ3	2	37136				500/5,000	600/6,000	30
		29	RT4	2	75725	0	CN,HM		900/6,000	1,000/10,000	15
Yukon	07-11										
Yukon	15-16										
Yukon Denali	99-00	50	SQ3	2	37136				500/5,000	600/6,000	30
		37	SQ3	2	75037		HM		500/5,000	750/7,500	30
		41	SQ4	2	41511		HM		600/6,000	1,000/10,000	30
Yukon Denali w/Amber Turn Signals	01-02	50	SQ3	2	37136				500/5,000	600/6,000	30
		29	RT4	2	75725	0	CN,HM		900/6,000	1,000/10,000	15
Yukon Denali w/Factory 7-Way	01-11										
Yukon Denali	03-06										
Yukon XL w/Factory 7-Way	00-11										
Yukon XL	07-11										
Yukon XL 1500	00-02	50	SQ3	2	37136				500/5,000	600/6,000	30
		29	RT4	2	75725	0	CN,HM		900/6,000	1,000/10,000	15
		30	SQ5	2	41930		@,CN,HM		1,000/10,000	1,200/12,000	35
Yukon XL 1500	03-06	50	SQ3	2	37136				500/5,000	600/6,000	30
		29	RT4	2	75725	0	CN,HM		900/6,000	1,000/10,000	15
		30	SQ5	2	41930		@,CN,HM		1,000/10,000	1,200/12,000	35
Yukon XL 1500 Denali	01-02	50	SQ3	2	37136				500/5,000	600/6,000	30
		29	RT4	2	75725	0	CN,HM		900/6,000	1,000/10,000	15
		30	SQ5	2	41930		@,CN,HM		1,000/10,000	1,200/12,000	35
Yukon XL 1500 Denali w/Factory 7-Way	01-11										
Yukon XL 1500 Denali	07-11										
Yukon XL 2500	00-02	50	SQ3	2	37136				500/5,000	600/6,000	30
29		RT4	2	75725	0	CN,HM		900/6,000	1,000/10,000	15	
30		SQ5	2	41930		@,CN,HM		1,000/10,000	1,200/12,000	35	
53		SQ5	2-1/2	45515		#		1,200/12,000	1,700/14,000	50	
Yukon XL 2500	03-06	50	SQ3	2	37136				500/5,000	600/6,000	30
		29	RT4	2	75725	0	CN,HM		900/6,000	1,000/10,000	15
		30	SQ5	2	41930		@,CN,HM		1,000/10,000	1,200/12,000	35
		53	SQ5	2-1/2	45515		#		1,200/12,000	1,700/14,000	50
HONDA											
Accord	94-97	45	SQ1	1-1/4	24616	0	HM	3593	200/2,000		30
Accord Sedan	98-02	18	SQ1	1-1/4	24791	0	JR,HM	3592	200/2,000		15
Accord Coupe	03-05	31	SQ1	1-1/4	24787	0	HR,JR,HM	3592	200/2,000		25

Titan hitches require use of a 2-1/2" shank Titan ball mount.
 @ Ultra Frame ball mount must be used to achieve maximum weight carrying rating.
 AI Additional installation time may be required.
 CN Requires OEM factory bumper for hitch installation.
 DU Fascia removal required.
 GP Hitch crosstube concealed behind bumper.

HM Hitch crosstube is visible beneath bumper.
 HR Requires drilling of heat shields on V6 models.
 JR Exhaust must be temporarily lowered for installation.
 TZ Requires replacement of the impact structure with hitch.
 X Minor fascia trimming required.

T-ONE						TOW HARNESS						4-FLAT WIRING				REQ. 4 FLAT WIRING		7-WAY HARDWARE	BRAKE CONTROL HARNESS	IN	
PC	T-ONE	FN	IN	AMP	CP	PC	TOW HARN	FN	IN	AMP	CP	TYPE	ELEC	POS	CHOICE 1	CHOICE 2	6-WAY ADAPTER				7-WAY ADAPTER
GMC (Continued)																					
E17	118764	BN,CH	45	5,7.5	X	E6	118285	BN,CH	15	7.5		4-Flat	BIT	SUV1,2							
E17	118764	BN,CH	45	5,7.5	X	E6	118285	BN,CH	15	7.5		4-Flat	BIT	SUV1,2							
E3	118319	BN	5	7.5									A	SUV6	119148	20252	20320	20321	20224		
E8	118384	BN	5	7.5									A	SUV6	119148	20252	20320	20321	20224	3025-P	5
							74682	RD	10			Both	H	SUV6	119148	20252					
							8551511	RD				7-Way									
							85219	RD	5			7-Way									
E8	118384	BN	5	7.5									A	SUV6	119148	20252	20320	20321	20224	3015-P	5
						E8	118384	BN,RD	5	7.5		4-Flat	H	SUV6	119148	20252					
E8	118384	BN	5	7.5									A	SUV6	119148	20252	20320	20321	20224		
E3	118319	BN	5	7.5									A	SUV6	119148	20252	20320	20321	20224		
E8	118384	BN	5	7.5									A	SUV6	119148	20252	20320	20321	20224	3025-P	5
							74682	RD	10			Both	H	SUV6	119148	20252					
							8551511	RD				7-Way									
							85219	RD	5			7-Way									
						E8	118384	BN,RD	5	7.5		4-Flat	H	SUV6	119148	20252				3015-P	5
							74682	RD	10			Both	H	SUV6	119148	20252					
							8551511	RD				7-Way									
							85219	RD	5			7-Way									
						E8	118384	BN,RD	5	7.5		4-Flat	H	SUV6	119148	20252					
E8	118384	BN	5	7.5									A	SUV6	119148	20252	20320	20321	20224	3025-P	5
E8	118384	BN	5	7.5									A	SUV6	119148	20252	20320	20321	20224	3015-P	5
E8	118384	BN	5	7.5									A	SUV6	119148	20252	20320	20321	20224	3025-P	5
							74682	RD	10			Both	H	SUV6	119148	20252					
							8551511	RD				7-Way									
							85219	RD	5			7-Way									
						E8	118384	BN,RD	5	7.5		4-Flat	H	SUV6	119148	20252					
E8	118384	BN	5	7.5									A	SUV6	119148	20252	20320	20321	20224	3025-P	5
E8	118384	BN	5	7.5									A	SUV6	119148	20252	20320	20321	20224	3015-P	5
HONDA																					
E5	118336	HG	5	2.1,5									B,E	PC3	119191	119148					
E5	118336	HG	5	2.1,5									B	PC3	119130	119178					
E11	118441	CG	10	2.1,5	X								B	PC3	119130	119178					

- A** 2 wire system.
- B** 3 wire system. Converter required.
- BN** Exterior mounted plug on some or all models. May require an aftermarket electrical mounting box or bracket. (Sold separately)
- BIT** Shared Brake/Tail/Turn multiplexed wiring system. ModuLite® HD Plus or Ultra required.
- CG** T-One incorporates circuit protected taillight converter.
- CH** T-One is equipped with circuit protected ModuLite® module.
- E** ModuLite® required.
- H** 3 wire system with OEM standard 2 wire harness.
- HG** T-One incorporates taillight converter.
- RD** For vehicles equipped with factory tow package may require additional components or may be used as a replacement harness.

- RT4** Round Tube Class IV 2"
- SQ1** Square Tube Class I
- SQ2** Square Tube Class II
- SQ3** Square Tube Class III
- SQ4** Square Tube Class IV
- SQ5** Square Tube Class V

MODEL / STYLE	YEAR	TRAILER HITCHES									
		PC	REC TYPE	REC SIZE	PART #	NO DRILL	FOOTNOTES	OPTIONAL DRAWBAR	WC (LBS.)	WD (LBS.)	IN
HONDA (Continued)											
Accord Sedan	03-05	31	SQ1	1-1/4	24787	0	HR,JR,HM	3592	200/2,000		25
Accord Coupe	06-07	31	SQ1	1-1/4	24787	0	HR,JR,HM	3592	200/2,000		25
Accord Sedan	06-07	31	SQ1	1-1/4	24787	0	HR,JR,HM	3592	200/2,000		25
Accord Coupe	08-12	19	SQ1	1-1/4	24899	0	HM,JR,KH	3593	200/2,000		30
Accord Sedan	08-12	19	SQ1	1-1/4	24899	0	HM,JR,KH	3593	200/2,000		30
Accord Coupe, Except w/LED Taillights	13-15	19	SQ1	1-1/4	24899	0	HM,JR,KH	3593	200/2,000		30
Accord Coupe, w/LED Taillights	13-15	19	SQ1	1-1/4	24899	0	HM,JR,KH,SV	3593	200/2,000		45
Accord Sedan, Except w/LED Taillights	13-15	19	SQ1	1-1/4	24899	0	HM,JR,KH,SV	3593	200/2,000		45
Accord Sedan, w/LED Taillights	13-15	19	SQ1	1-1/4	24899	0	HM,JR,KH,SV	3593	200/2,000		45
Accord Coupe	16-16	19	SQ1	1-1/4	24899	0	HM,JR,KH	3593	200/2,000		45
Accord Sedan	16-17	19	SQ1	1-1/4	24899	0	HM,JR,KH,SV	3593	200/2,000		30
Accord	18-19	19	SQ1	1-1/4	24972	0	GP,AA,DU,TA	3593	200/2,000		60
Accord Crosstour	10-11	31	SQ1	1-1/4	24852	0	HM,JR,KH	3590	200/2,000		40
Civic	92-98	29	SQ1	1-1/4	24677	0	EP,HM	3593	200/2,000		15
Civic 3 Dr. Hatchback	96-00	11	SQ1	1-1/4	24822		X,GP	3590	200/2,000		20
Civic	99-00	29	SQ1	1-1/4	24677	0	HM	3593	200/2,000		15
Civic	01-05	31	SQ1	1-1/4	24706		HM	3593	200/2,000		15
Civic Si	02-05	20	SQ1	1-1/4	24719		TA,GP	3593	200/2,000		30
Civic 2 Dr. Coupe, Except Si	06-15	27	SQ1	1-1/4	24763	0	HM,JR	3593	200/2,000		30
Civic 4 Dr. Sedan, Except Hybrid & Si	06-15	27	SQ1	1-1/4	24763	0	HM,JR	3593	200/2,000		30
Civic Hybrid	06-11	27	SQ1	1-1/4	24763	0	HM,JR	3593	200/2,000		30
Civic Si, 2 Dr. Coupe	06-11	27	SQ1	1-1/4	24763	0	HM,JR	3593	200/2,000		30
Civic Si, 4 Dr. Sedan	06-11	27	SQ1	1-1/4	24763	0	HM,JR	3593	200/2,000		30
Civic Hybrid	12-15	27	SQ1	1-1/4	24763		HM,JR,KH,SV	3593	200/2,000		35
Civic Coupe	16-16	24	SQ1		24946†		EP,GP,AA,DU	3593	200/2,000		65
Civic Coupe, Except Models w/Center Exhaust	16-16	24	SQ1	1-1/4	24954		DU,X,GP,TA	3593	200/2,000		65
Civic Hatchback, Except Models w/Center Exhaust	16-19	24	SQ1	1-1/4	24954		DU,X,GP,TA	3593	200/2,000		65
Civic Sedan	16-16	24	SQ1		24946†		EP,GP,AA,DU	3593	200/2,000		65
		24	SQ1	1-1/4	24937†	0	EP,GP,AA,DU	3593	200/2,000		65
Civic Sedan, Except Models w/Center Exhaust	16-19	24	SQ1	1-1/4	24954		DU,X,GP,TA	3593	200/2,000		65
Civic Coupe, Except Models w/Center Exhaust	17-19	24	SQ1	1-1/4	24954		DU,X,GP,TA	3593	200/2,000		65
Crosstour	12-12	31	SQ1	1-1/4	24852	0	HM,JR,KH	3590	200/2,000		40
Crosstour	13-15	31	SQ1	1-1/4	24852	0	HM,JR,KH	3590	200/2,000		40
CR-V	97-01	18	SQ1	1-1/4	24790	0	RC,GP	3591	200/2,000		20
CR-V	02-06	27	SQ1	1-1/4	24772	0	BY,JR,HM	3593	200/2,000		20
		33	SQ3	2	75690	0	BY,HM,JR		350/3,500		30
CR-V	07-11	12	SQ1	1-1/4	24792	0	JR,HM	3592	200/2,000		20
		34	RT3	2	75547	0	HM,JR,TJ		675/4,500		25
CR-V	12-16	16	RT2	1-1/4	36520	0	HM,JR,SV	36051	300/3,500		40
		16	RT3	2	75742	0	HM,JR,SV		675/4,500		40
CR-V	17-19	16	RT2	1-1/4	36597	0	HM,JR,TW	36051	350/3,500		20
		16	RT3	2	76128	0	HM,JR,TW		675/4,500		20
CR-Z	11-12										
Element	03-04	19	SQ1	1-1/4	24720		GP	3592	200/2,000		25
		40	RT3	2	75659	0			350/3,500		30
Element Except SC	05-06	19	SQ1	1-1/4	24720		GP	3592	200/2,000		25
		40	RT3	2	75659	0			350/3,500		30
Element SC	05-06	40	RT3	2	75659	0	EP		350/3,500		35
Element Except SC	07-08	19	SQ1	1-1/4	24720		GP	3592	200/2,000		25
		40	RT3	2	75659	0			350/3,500		30
Element SC	07-10	40	RT3	2	75659	0	EP		350/3,500		35
Element Except SC	09-11	19	SQ1	1-1/4	24720		GP	3592	200/2,000		25
		40	RT3	2	75659	0			350/3,500		30

AA Requires temporary removal of bumper during installation.
BY Minor repositioning of muffler required.
DU Fascia removal required.
EP Fascia trimming may be required.
GP Hitch crosstube concealed behind bumper.
HM Hitch crosstube is visible beneath bumper.
HR Requires drilling of heat shields on V6 models.
JR Exhaust must be temporarily lowered for installation.

KH Minor heat shield modification may be required.
RC Will not fit with rear sport bars.
SV Trimming or removal of under body appearance panel may be required.
TA Trunk access required for hitch installation.
TJ Hitches produced before 07/13/11 are rated at 350/3500 WC.
TW Receiver hitch may limit hands-free liftgate sensor range
X Minor fascia trimming required.

T-ONE						TOW HARNESS					4-FLAT WIRING				REQ. 4 FLAT WIRING		7-WAY HARDWIRE	BRAKE CONTROL HARNESS	IN
PC	T-ONE	FN	IN	AMP	CP	PC	TOW HARN	FN	IN	AMP	CP	TYPE	ELEC	POS	CHOICE 1	CHOICE 2			
HONDA (Continued)																			
E11	118302	HG	10	2.1,4.2									B	PC3	119130	119178			
E8	118436	HG	10	2.1,4.2									N	PC3		119251			
E11	118302	HG	10	2.1,4.2									B,E	PC3	119191	119148			
E14	118420	CG	15	2.1,5	X								B	PC3,4	119130	119178			
E14	118420	CG	15	2.1,5	X								B,E	PC3,4	119191	119148			
E16	118596	CH	45	2.1,5.6	X								B,E	PC3,4	119191	119148			
E15	118586	CH	45	2.1,5.6	X								B,E	PC3,4	119191	119148			
E16	118596	CH	45	2.1,5.6	X								B,E	PC3,4	119191	119148			
E15	118586	CH	45	2.1,5.6	X								B,E	PC3,4	119191	119148			
E17	118695	CH	45	4.2,7.5	X								B,E	PC3,4	119191	119148			
E16	118684	CH	45	4.2,7.5	X								B,E	PC3,4	119191	119148			
E15	118776	CH	45	5.7,5	X								B,E	PC1,2	119191	119148			
E11	118500	CH	15	2.1,5.6	X								B,E	SUV3	119191	119148	20320	20321	
													B,E	PC3,4	119191	119148			
													B	PC3,4	119130	119178			
													B,E	PC3,4	119191	119148			
													B,E	PC3,4	119191	119148			
													B	PC3,4	119130	119178			
E12	118437	CG	10	2.1,5	X								B	PC3,4	119130	119178			
E14	118420	CG	15	2.1,5	X								B	PC3,4	119130	119178			
													B	PC3,4	119130	119178			
													B	PC3,4	119130	119178			
													B,E	PC3,4	119191	119148			
E19	118724	CH	45	5.7,5	X								B,E	PC3,4	119191	119148			
E19	118724	CH	45	5.7,5	X								B,E	PC3,4	119191	119148			
E19	118686	CH	45	5.7,5	X								B,E	PC1,2	119191	119148			
E19	118686	CH	45	5.7,5	X								B,E	PC3,4	119191	119148			
E11	118500	CH	15	2.1,5.6	X								B,E	PC1,2	119191	119148			
E11	118642	CH	15	2.1,5.6	X								B,E	SUV3	119191	119148	20320	20321	
E5	118336	HG	5	2.1,5									B	SUV3	119130	119178			
E5	118336	HG	5	2.1,5									B	SUV3	119130	119178	20320	20321	20224
E8	118427	CG	45	2.1,5	X								B	SUV3	119130	119178	20320	20321	20224
E17	118561	CH	45	2.1,5	X								B,E	SUV1,2	119191	119148	20320	20321	20224
E11	118741	CH	30	5.7,5	X								B,E	SUV3	119191	119148	20320	20321	20224
E17	118533	CH	45	2.1,5.6	X								B,E	PC3,4	119191	119148			
E5	118336	HG	5	2.1,5									B	SUV2	119130	119178	20320	20321	20224
													B,E	SUV3,4	119191	119148	20320	20321	20224
													B,E	SUV3,4	119191	119148	20320	20321	20224
E14	118465	CH	45	2.1,5.6	X								B,E	SUV3,4	119191	119148	20320	20321	20224
E14	118465	CH	45	2.1,5.6	X								B,E	SUV3,4	119191	119148	20320	20321	20224
E14	118465	CH	45	2.1,5.6	X								B,E	SUV3,4	119191	119148	20320	20321	20224

B 3 wire system. Converter required.
CG T-One incorporates circuit protected taillight converter.
CH T-One is equipped with circuit protected Modulite® module.
E Modulite® required.
HG T-One incorporates taillight converter.
N DO NOT cut or splice vehicle wiring. Only use approved T-One or see auto dealer for trailer tow wiring kit.

RT2 Round Tube Class II 1-1/4"
RT3 Round Tube Class III 2"
SQ1 Square Tube Class I
SQ3 Square Tube Class III

MODEL / STYLE	YEAR	TRAILER HITCHES									
		PC	REC TYPE	REC SIZE	PART #	NO DRILL	FOOTNOTES	OPTIONAL DRAWBAR	WC (LBS.)	WD (LBS.)	IN
HONDA (Continued)											
Fit	07-08	18	SQ1	1-1/4	24776	0	HM	3593	200/2,000		25
Fit	09-13	21	SQ1	1-1/4	24826	0	HM	3593	200/2,000		25
Fit	14-14						CH,BN				
Fit	15-19	16	RT1	1-1/4	24920	0	HM,JR	3593	200/2,000		25
HR-V	16-19	18	RT1	1-1/4	24932	0	GP,JR,SV	3593	200/2,000		35
Odyssey	95-98	35	SQ2	1-1/4	36204		HM,JR	36051	300/3,500		30
Odyssey	99-04	32	SQ2	1-1/4	36417	0	HM,JR	36071	300/3,500		20
		21	RT3	2	75270	0	HM,JR		675/4,500	675/5,000	15
Odyssey	05-10	32	SQ2	1-1/4	36417	0	HM,JR	36071	300/3,500		20
		21	RT3	2	75270	0	HM,JR		675/4,500	675/5,000	15
Odyssey	11-17	32	SQ2	1-1/4	36417	0	HM,JR	36071	300/3,500		20
		32	SQ3	2	76025	0	GP,X,DU		525/3,500		80
		21	RT3	2	75270	0	HM,JR		675/4,500	675/5,000	15
Odyssey With Fuse Provisions	18-19	26	RT2	1-1/4	36633	0	GP,DU,X,TA,TW		350/3,500		80
		32	SQ4	2	76170	0	GP,DU,X,TA,TW		525/3,500		80
		27	RT3	2	76171	0	GP,DU,X,TA,TW		675/4,500	675/5,000	80
Odyssey Without Fuse Provisions	18-19	26	RT2	1-1/4	36633	0	HM,JR,SV,TW	36071	350/3,500		25
		32	SQ4	2	76170	0	GP,DU,X,TA,TW		525/3,500		80
		27	RT3	2	76171	0	HM,JR,SV,TW		675/4,500	675/5,000	25
Passport	94-97	39	SQ3	2	75049	0	GP		500/5,000		40
Passport w/Door Mounted Spare	98-01	29	SQ2	1-1/4	36247	0	GP	36053	300/3,500		15
		34	SQ3	2	75092	0			350/3,500	500/5,000	15
Passport w/Under Vehicle Spare	98-02	30	RT3	2	75093	0			350/3,500	500/5,000	15
Pilot	03-08	31	SQ3	2	75599	0	CS,GP,JR		350/3,500	500/5,000	30
Pilot	09-11										
Pilot	12-15										
Pilot	16-17	37	SQ4	2	75225	0	TA,GP		900/6,000	900/8,000	20
Pilot	18-19	37	SQ4	2	75225	0	TA,GP		900/6,000	900/8,000	20
Ridgeline	06-14	40	RT3	2	75280	0	HM,JR,TK		750/5,000	750/7,500	20
Ridgeline	17-17										
HUMMER											
H2 w/Factory 7-Way	03-09										
H3	06-10	43	SQ3	2	75382	0			500/5,000	500/5,000	25
H3 w/Factory 7-Way	06-10										
H3T w/Factory 7-Way	09-10										
HYUNDAI											
Accent	00-05	36	SQ1	1-1/4	24736	0	GP	3593	200/2,000		20
Accent 4 Dr. Sedan	06-11	32	SQ1	1-1/4	24760	0	GP	3590	200/2,000		20
Accent 3 Dr. Hatchback	07-11	28	SQ1	1-1/4	24795	0	JR,GP	3594	200/2,000		25
Accent 4 Dr. Sedan	12-17	30	SQ1	1-1/4	24884	0	HM	3592	200/2,000		15
Accent 5 Dr. Hatchback	12-12	30	SQ1	1-1/4	24884	0	HM	3592	200/2,000		15
Accent 5 Dr. Hatchback	13-17	30	SQ1	1-1/4	24884	0	HM	3592	200/2,000		15
Azera	06-11	32	SQ1	1-1/4	24771	0	JR,HM	3593	200/2,000		20
Azera	12-17	28	RT2	1-1/4	36544		HM,JR	36061	300/3,500		20
Elantra	96-00	27	SQ1	1-1/4	24646		TA,GP	3593	200/2,000		30

BN Exterior mounted plug on some or all models. May require an aftermarket electrical mounting box or bracket. (Sold separately)

CH T-One is equipped with circuit protected ModuLite® module.

CS Will fit with full-size spare tire stowed under vehicle.

DU Fascia removal required.

GP Hitch crosstube concealed behind bumper.

HM Hitch crosstube is visible beneath bumper.

JR Exhaust must be temporarily lowered for installation.

SV Trimming or removal of under body appearance panel may be required.

TA Trunk access required for hitch installation.

TK Hitches produced before 09/09/11 are rated at 500/5000 WC & 600/6000 WD.

TW Receiver hitch may limit hands-free liftgate sensor range

X Minor fascia trimming required.

T-ONE						TOW HARNESS						4-FLAT WIRING				REQ. 4 FLAT WIRING		7-WAY HARDWARE	BRAKE CONTROL HARNESS	IN		
PC	T-ONE	FN	IN	AMP	CP	PC	TOW HARN	FN	IN	AMP	CP	TYPE	ELEC	POS	CHOICE 1	CHOICE 2	6-WAY ADAPTER				7-WAY ADAPTER	
HONDA (Continued)																						
E14	118420	CG	15	2.1,5	X								B	PC3,4	119130	119178						
E14	118420	CG	15	2.1,5	X								B	PC3,4	119130	119178						
E23	118767		45	5,7,5	X								B,E	PC3,4	119130	119178						
E23	118767	CH,BN	45	5,7,5	X								B,E	PC3,4	119130	119178						
E14	118673	CH	45	4,2,7,5	X								B,E	SUV3,4	119191	119148						
E5	118336	HG	5	2.1,5									B	SUV3	119130	119178						
E5	118336	HG	5	2.1,5									B	SUV3	119130	119178	20320	20321	20224			
E12	118438	CH	20	2,1,4,2	X								B	SUV3,4	119130	119178	20320	20321	20224			
E17	118521	CH	30	4,2,7,5	X								B,E	SUV1,2	119191	119148	20320	20321	20224			
E11	118781	CH	45	5,7,5	X								B,E	SUV3	119191	119148	20320	20321	20224			
E13	118753	CH	45	5,7,5	X								B,E	SUV3	119191	119148	20320	20321	20224			
E5	118331	BN,HG	5	2.1,5									B	SUV1,2	119130	119178	20320	20321	20224			
E17	118360	BN,HG	15	2.1,5									B	SUV1,2	119130	119178	20320	20321	20224			
E17	118360	BN,HG	15	2.1,5									B	SUV1,2	119130	119178	20320	20321	20224			
E5	118336	HG	5	2.1,5									B	SUV3	119130	119178	20320	20321	20224			
E15	118491	BN,CH	20	4,2,7,5	X	E22	118253	BN,CH	20	4,2,7,5	X	7-Way	B	SUV3,6	119130	119178				3070-P	5	
E25	118558	BN,CH	30	4,2,7,5	X	E30	118265	BN,CH	30	4,2,7,5	X	7-Way	B,E	SUV3,5	119191	119148				3070-P	5	
E18	118679	BN,CH	45	4,2,7,5	X	E19	118274	BN,CH	30	4,2,7,5	X	7-Way	B	SUV3	119130	119178	20320	20321	20224	3070-P	5	
E17	118760	BN,CH	45	5,7,5	X	E21	118286	BN,CH	30	4,2,12		7-Way	B	SUV3	119130	119178	20320	20321	20224			
E15	118400	BN,CG	10	2.1,5	X								B	PU1,2	119130	119178	20320	20321	20224	3070-P	5	
E10	118778	BN,CH	20	4,2,7,5	X	E14	118288	BN,CH	20	4,2,7,5	X	7-Way	B,E	PU1,2						3070-P	5	
HUMMER																						
						E8	118384 74682 8551511 85219	BN,RD RD RD RD	5 10 5	7.5		4-Flat Both 7-Way 7-Way	H	SUV6	119148	20252					3015-P	5
						E8	118384	BN,RD	5	7.5		4-Flat	A	SUV6	119148	20252	20320	20321	20224			
E8	118384	BN,RD	5	7.5			74682 8551511 85219	RD RD RD	10 5			Both 7-Way 7-Way	A	SUV6	119148	20252						
E8	118384	BN,RD	5	7.5		E8	118384 74682 8551511 85219	BN,RD RD RD RD	5 10 5	7.5		4-Flat Both 7-Way 7-Way	A	SUV6	119148	20252						
HYUNDAI																						
													B	PC3,4	119130	119178						
													B	PC1,2	119130	119178						
													B	PC1,2	119130	119178						
E16	118559	CH	45	2,1,5,6	X								B,E	PC3,4	119191	119148						
													B,E	PC3,4	119191	119148						
E15	118771	CH	45	5,7,5	X								B,E	PC3,4	119191	119148						
E10	118413	HG	20	2,1,4,2									B,E	PC3,4	119191	119148						
E15	118595	CH	45	2,1,5,6	X								B,E	PC3,4	119191	119148						
													B	PC3,4	119130	119178						

- A** 2 wire system.
- B** 3 wire system. Converter required.
- BN** Exterior mounted plug on some or all models. May require an aftermarket electrical mounting box or bracket. (Sold separately)
- CG** T-One incorporates circuit protected taillight converter.
- CH** T-One is equipped with circuit protected Modulite® module.
- E** Modulite® required.
- H** 3 wire system with OEM standard 2 wire harness.
- HG** T-One incorporates taillight converter.
- RD** For vehicles equipped with factory tow package may require additional components or may be used as a replacement harness.

- RT1** Round Tube Class I 1-1/4"
- RT2** Round Tube Class II 1-1/4"
- RT3** Round Tube Class III 2"
- SQ1** Square Tube Class I
- SQ2** Square Tube Class II
- SQ3** Square Tube Class III
- SQ4** Square Tube Class IV

MODEL / STYLE	YEAR	TRAILER HITCHES									
		PC	REC TYPE	REC SIZE	PART #	NO DRILL	FOOTNOTES	OPTIONAL DRAWBAR	WC (LBS.)	WD (LBS.)	IN
HYUNDAI (Continued)											
Elantra	01-06	33	SQ1	1-1/4	24703	0	HM	3593	200/2,000		15
Elantra 4 Dr. Sedan	07-10	28	SQ1	1-1/4	24795	0	JR,X,GP	3594	200/2,000		25
Elantra Touring, 5 Dr.	09-12	14	SQ1	1-1/4	24844	0	GP,JR	3594	200/2,000		25
Elantra 4 Dr. Sedan	11-12	17	SQ1	1-1/4	24902		HM	3594	200/2,000		25
Elantra 2 Dr. Coupe	13-14	17	SQ1	1-1/4	24902		HM,SV	3594	200/2,000		25
Elantra 4 Dr. Sedan	13-16	17	SQ1	1-1/4	24902		HM,SV	3594	200/2,000		25
Elantra 4 Dr. Except Limited & Sport Models	17-17	15	SQ1	1-1/4	24939		EP,JR,GP,KH	3593	200/2,000		50
Elantra 4 Dr. Limited Models Except Sport	17-17	15	SQ1	1-1/4	24939		EP,JR,GP,KH	3593	200/2,000		50
Elantra Except GT	18-18	23	SQ1	1-1/4	24964	0	EP,JR,GP,KH	3593	200/2,000		40
Elantra GT Except for Korean Manufactured Vehicles	13-17	25	SQ1	1-1/4	24905	0	HM	3594	200/2,000		25
Elantra GT Except Sport	18-18	25	SQ1	1-1/4	24970	0	DU,GP,X,SV,JR	3594	200/2,000		45
Entourage	07-09	45	RT3	2	75421	0	HM,JR		350/3,500	400/4,000	20
Genesis 4 Dr. Sedan	09-11	30	SQ2	1-1/4	36486		HM,JR,KH	36065	300/3,500		60
Genesis 2 Dr. Coupe	10-12										
Genesis 4 Dr. Sedan	12-14	30	SQ2	1-1/4	36486		HM,JR,KH	36065	300/3,500		60
Genesis Sedan	15-16										
Ioniq Hybrid	17-17	23	SQ1	1-1/4	24963	0	JR,GP,SV	3593	200/2,000		30
Kona	18-18	41	SQ1	1-1/4	24976	0	GP,JR	3593	200/2,000		35
Santa Fe	01-06	25	RT3	2	41543	0	GP,JR		315/3,500		35
Santa Fe	07-09	37	SQ3	2	75471	0	TG		525/3,500		20
Santa Fe	10-12	30	SQ2	1-1/4	36511	0	HM	36051	300/3,500		15
Santa Fe		25	SQ3	2	75684	0	HM		350/3,500	500/5,000	15
Santa Fe (6/7 Passenger)	13-18	33	RT3	2	75776	0	FP,GP,J		750/5,000	750/7,500	30
Santa Fe Sport (5 Passenger)	13-18	29	RT2	1-1/4	36536	0	HM,J,R,SV	36051	300/3,500		30
Santa Fe Sport (5 Passenger), w/Factory Tow Package	13-18	28	RT3	2	75772	0	HM,J,R,SV		525/3,500	525/5,250	30
Santa Fe	19-19										
Santa Fe		36	RT3	2	75908	0	HM,TA,JR		500/5,000		40
Sonata	02-05	31	SQ1	1-1/4	24713	0	HM	3593	200/2,000		15
Sonata	06-09	24	SQ1	1-1/4	24757	0	HM	3592	200/2,000		20
Sonata	10-10	24	SQ1	1-1/4	24757	0	HM	3592	200/2,000		20
Sonata Except Hybrid	11-14	19	SQ1	1-1/4	24940†	0	†,HM,JR,KH,SV	3593	200/2,000		40
Sonata Except Hybrid		22	SQ1	1-1/4	24965	0	HM,JR,KH,SV	3593	200/2,000		40
Sonata Hybrid	11-14	19	SQ1	1-1/4	24940†	0	†,HM,JR,KH,SV	3593	200/2,000		40
Sonata Hybrid		22	SQ1	1-1/4	24965	0	HM,JR,KH,SV	3593	200/2,000		40
Sonata Except Hybrid	15-17	19	SQ1	1-1/4	24940†	0	†,HM,JR,KH,SV	3593	200/2,000		40
Sonata Except Hybrid		22	SQ1	1-1/4	24965	0	HM,JR,KH,SV	3593	200/2,000		40
Sonata Hybrid	15-16	19	SQ1	1-1/4	24940†	0	†,HM,JR,KH,SV	3593	200/2,000		40
Sonata Hybrid		22	SQ1	1-1/4	24965	0	HM,JR,KH,SV	3593	200/2,000		40
Sonata Except Hybrid	18-18	22	SQ1	1-1/4	24965	0	HM,JR,KH,SV	3593	200/2,000		40
Tiburon	03-08	25	SQ1	1-1/4	24726		TA,HM	3592	200/2,000		45
Tucson	05-09	32	SQ2	1-1/4	36363	0	GP,JR	36051	300/3,500		25
Tucson		30	SQ3	2	75561	0	GP,JR		350/3,500		25
Tucson	10-15	21	SQ2	1-1/4	36510	0	GP,JR	36051	300/3,500		20
Tucson		23	SQ3	2	75717	0	GP,JR		525/3,500	525/5,250	20
Tucson	16-18	26	RT2	1-1/4	36572	0	GP,JR	36051	300/3,500		30
Tucson		28	SQ3	2	75836	0	GP,JR		525/3,500		30
Veracruz	07-12	53	SQ3	2	75532	0	HM,JR		500/5,000	500/5,000	30
INFINITI											
FX35	09-12	38	RT3	2	75778	0			400/4,000		40
FX37	13-13	38	RT3	2	75778		HM		400/4,000		40
FX50	09-13	38	RT3	2	75778		HM		400/4,000		40
G35 4 Dr. Sedan	07-08	11	SQ1	1-1/4	24831		EP,GP	3593	200/2,000		45

† Available while supply lasts.

DU Fascia removal required.

EP Fascia trimming may be required.

FP Spare tire repositioning and/or modification of spare tire carrier may be required.

GP Hitch crosstube concealed behind bumper.

HM Hitch crosstube is visible beneath bumper.

J Under vehicle spare tire stowage is retained.

JR Exhaust must be temporarily lowered for installation.

KH Minor heat shield modification may be required.

SV Trimming or removal of under body appearance panel may be required.

TA Trunk access required for hitch installation.

TG Hitches produced before 05/13/11 are rated at 350/3500 WC.

X Minor fascia trimming required.

T-ONE					TOW HARNESS					4-FLAT WIRING				REQ. 4 FLAT WIRING		7-WAY	BRAKE					
PC	T-ONE	FN	IN	AMP	CP	PC	TOW HARN	FN	IN	AMP	CP	TYPE	ELEC	POS	CHOICE 1	CHOICE 2	6-WAY ADAPTER	7-WAY ADAPTER	7-WAY HARDWARE	BRAKE CONTROL HARNESS	IN	
HYUNDAI (Continued)																						
E12	118433	CG	10	2.1,5	X								B	PC3,4	119130	119178						
E11	118473	CG	15	2.1,7,5	X								B	PC3,4	119130	119178						
E16	118532	CH	45	2.1,5,6	X								B,E	PC3,4	119191	119148						
E16	118532	CH	45	2.1,5,6	X								B,E	PC3,4	119191	119148						
E16	118532	CH	45	2.1,5,6	X								B,E	PC3,4	119191	119148						
E15	118692	CH	45	4.2,7,5	X								B,E	PC3,4	119191	119148						
E15	118711	CH	45	4.2,7,5	X								B,E	PC3,4	119191	119148						
E15	118692	CH	45	4.2,7,5	X								B,E	PC3,4	119191	119148						
E15	118692	CH	45	4.2,7,5	X								B,E	PC3,4	119191	119148						
E19	118410	BN,CH	45	2.1,5,6	X								B,E	SUV1,2	119191	119148	20320	20321	20224			
E15	118476	CH	15	2.1,5,6	X								B,E	PC3,4	119191	119148						
E16	118522	CH	45	2.1,5,6	X								B,E	PC3,4	119191	119148						
													B,E	PC3,4	119191	119148						
E13	118738	CH	45	5,7,5	X								B,E	PC3,4	119191	119148						
E14	118758	CH	45	5,7,5	X								A,E	PC3,4								
													B,E	SUV5,7								
E11	118473	CG	15	2.1,7,5	X								B	SUV3,4	119130	119178	20320	20321	20224			
E12	118415	CG	20	2.1,5	X	E14	118258	CH	25	2.1,5,6	X	4-Flat	B	SUV3,4	119130	119178	20320	20321	20224			
E12	118415	CG	20	2.1,5	X	E14	118258	CH	25	2.1,5,6	X	4-Flat	B,E	SUV5	119191	119148	20320	20321	20224			
E13	118269		20	4.2,7,5	X								B,E	SUV1,2	119191	119148	20320	20321	20224			
E18	118571	BN,CH	45	4.2,7,5	X	E13	118269	BN,CH	20	4.2,7,5	X	4-Flat	B,E	SUV1,2	119191	119148	20320	20321	20224			
E13	118269	BN,CH	20	4.2,7,5	X								B,E	SUV5	119191	119148						
E11	118784	BN,CH	15	5,7,5	X								B,E	SUV5	119191	119148						
													B	PC3,4	119130	119178						
E12	118433	CG	10	2.1,5	X								B	PC3,4	119130	119178						
E16	118557	CH	45	4.2,7,5	X								B,E	PC3,4	119191	119148						
E16	118557	CH	45	4.2,7,5	X								B,E	PC3,4	119191	119148						
E14	118663		45	4.2,7,5	X								B,E	PC3,4	119191	119148						
E15	118644	CH	45	2.1,5,6	X								B,E	PC3,4	119191	119148						
E14	118663		45	4.2,7,5	X								B,E	PC3,4	119191	119148						
E15	118762	CH	45	5,7,5	X								B,E	PC3,4	119191	119148						
													B	PC3,4	119130	119178						
E16	118397	CG	30	2.1,5	X								B	SUV1,2	119130	119178	20320	20321	20224			
E18	118501	CH	30	2.1,5,6	X								B,E	SUV1,2	119191	119148	20320	20321	20224			
E18	118501	CH	30	2.1,5,6	X								B,E	SUV1,2	119191	119148						
E13	118269	BN,CH	20	4.2,7,5	X								B,E	SUV7	119191	119148	20320	20321	20224			
INFINITI																						
E16	118593	CH	45	4.2,7,5	X								B,E	SUV3,4	119191	119148	20320	20321	20224			
E16	118593	CH	45	4.2,7,5	X								B,E	SUV3,4	119191	119148	20320	20321	20224			
E16	118593	CH	45	4.2,7,5	X								B,E	SUV3,4	119191	119148	20320	20321	20224			
E15	118480	CH	45	2.1,5,6	X								B,E	PC3,4	119191	119148						

A 2 wire system.
B 3 wire system. Converter required.
BN Exterior mounted plug on some or all models. May require an aftermarket electrical mounting box or bracket. (Sold separately)

CG T-One incorporates circuit protected taillight converter.
CH T-One is equipped with circuit protected ModuLite® module.
E ModuLite® required.

RT2 Round Tube Class II 1-1/4"
RT3 Round Tube Class III 2"
SQ1 Square Tube Class I
SQ2 Square Tube Class II
SQ3 Square Tube Class III

MODEL / STYLE	YEAR	TRAILER HITCHES									
		PC	REC TYPE	REC SIZE	PART #	NO DRILL	FOOTNOTES	OPTIONAL DRAWBAR	WC (LBS.)	WD (LBS.)	IN
INFINITI (Continued)											
G37 4 Dr. Sedan	09-13	11	SQ1	1-1/4	24831		EP,GP	3593	200/2,000		45
I30	96-99	34	SQ1	1-1/4	24686		TA,GP	3593	200/2,000		30
I30	00-01	34	SQ1	1-1/4	24686		TA,GP	3592	200/2,000		30
I35	02-04	34	SQ1	1-1/4	24686		TA,GP	3592	200/2,000		30
JX35	13-13	21	SQ4	2	76031	0	HM		900/6,000	900/6,000	25
Q50	14-17	27	SQ1	1-1/4	24931		GP,JR	3592	200/2,000		40
Q50	18-18										
QX30 Except Sport Model	17-17	36	SQ3	2	75223	0	GP,JR,TA,KH		350/3,500		90
QX4	97-03	39	SQ2	1-1/4	36222	0	HM	36071	300/3,500		20
		34	RT3	2	75077	0			500/5,000	550/5,500	20
QX56	04-10	38	RT4	2	75741	0	HM		600/6,000	1,000/10,000	15
QX56 w/Factory 7-Way	04-12										
QX60	14-15	21	SQ4	2	76031	0	HM		900/6,000	900/6,000	25
QX60	16-17	21	SQ4	2	76031	0	HM		900/6,000	900/6,000	25
QX60	18-18	21	SQ4	2	76031	0	HM		900/6,000	900/6,000	25
QX70	14-17	38	RT3	2	75778		HM		400/4,000		40
ISUZU											
Amigo w/Door Mounted Spare	98-00	29	SQ2	1-1/4	36247	0	GP	36053	300/3,500		15
Ascender w/Factory 7-Way	03-08										
Axiom w/Under Vehicle Spare	02-03	30	RT3	2	75093				350/3,500	500/5,000	20
D-Max	13-13	51	SQ3	2	75792	0	GP		600/4,000	600/6,000	20
Hombre w/Step Bumper	96-97	34	SQ2	1-1/4	36248	0	GU,HM,RH	36071	300/3,500		35
		34	SQ3	2	75051	0	GP,GU		350/3,500	750/6,000	40
Hombre w/Step Bumper	98-00	34	SQ2	1-1/4	36248	0	GU,RH,GP	36071	300/3,500		35
		30	SQ3	2	75085	0	GP		350/3,500	750/6,000	40
		50	SQ3	2	37136		AF,CN,GU,ST		500/5,000	600/6,000	40
i-280	06-06	23	SQ4	2	75607	0	GP		600/6,000	750/7,500	25
i-290	07-08	23	SQ4	2	75607	0	GP		600/6,000	750/7,500	25
i-350	06-06	23	SQ4	2	75607	0	GP		600/6,000	750/7,500	25
i-370	07-08	23	SQ4	2	75607	0	GP		600/6,000	750/7,500	25
MU-X	13-15	35	SQ4	2	75220	0	DJ,EP		600/6,000	600/6,000	45
Oasis	96-99	35	SQ2	1-1/4	36204		HM,JR	36051	300/3,500		30
Rodeo	92-97	39	SQ3	2	75049	0	GP		500/5,000		40
Rodeo w/Door Mounted Spare	98-01	29	SQ2	1-1/4	36247	0	GP	36053	300/3,500		15
		34	SQ3	2	75092	0			350/3,500	500/5,000	15
Rodeo w/Under Vehicle Spare, Except w/3.5L	98-04	30	RT3	2	75093	0			350/3,500	500/5,000	15
Rodeo Sport 2 Dr., w/Door Mounted Spare	01-03	29	SQ2	1-1/4	36247	0	GP	36053	300/3,500		15
Trooper	92-02	41	SQ3	2	75043		HM		500/5,000	750/7,500	40
JAGUAR											
E-Pace	18-18										
F-Pace	17-18	37	SQ4	2	76026	0	GP,AA,DU,SV,TA,TZ		900/6,000		90
JEEP											
Cherokee	97-01	34	SQ2	1-1/4	36260	0	GP	36071	300/3,500		30
		30	SQ3	2	75054		GP		350/3,500	550/5,500	40
		50	SQ3	2	37136				500/5,000	600/6,000	45
Cherokee	14-18	30	SQ3	2	75998	0	EP,GP		500/5,000	500/5,000	60
Cherokee Trailhawk	14-15	35	RT3	2	75838	0	HM		600/5,000	600/6,000	30
Cherokee	19-19	30	SQ3	2	75998	0	EP,GP		500/5,000	500/5,000	20

AA Requires temporary removal of bumper during installation.
AF Hitch is ONLY rated for Weight Carrying at 3500 lbs. GTW / 350 lbs. TW and DO NOT use Weight Distribution Spring Bars for this Specific Vehicle. Except for long bed pickups.
CN Requires OEM factory bumper for hitch installation.
DU Fascia removal required.
EP Fascia trimming may be required.
GP Hitch crosstube concealed behind bumper.
GU Will not fit vehicles with factory or aftermarket lower Fascia/Rollpan or Tube Bumper.
HM Hitch crosstube is visible beneath bumper.

JR Exhaust must be temporarily lowered for installation.
KH Minor heat shield modification may be required.
RH Optional drawbar #36051 required (Sold separately) except for models with ZR2 & Highrider package.
ST Will not fit 2WD models with short bed.
SV Trimming or removal of under body appearance panel may be required.
TA Trunk access required for hitch installation.
TZ Requires replacement of the impact structure with hitch.

MODEL / STYLE	YEAR	TRAILER HITCHES									
		PC	REC TYPE	REC SIZE	PART #	NO DRILL	FOOTNOTES	OPTIONAL DRAWBAR	WC (LBS.)	WD (LBS.)	IN
JEEP (Continued)											
Commander	06-10	18	SQ2	1-1/4	36362	0	GP	36051	300/3,500		20
		19	SQ3	2	75338	0	TL		750/5,000	750/7,500	20
Commander w/Factory 7-Way	06-10										
Compass	07-10	22	SQ2	1-1/4	36423	0	GP	36061	300/3,500		15
		23	SQ3	2	75112	0	GP,TU		525/3,500		15
Compass Rallye Edition	07-10	22	SQ2	1-1/4	36423	0	EP,GP	36061	300/3,500		30
		23	SQ3	2	75112	0	EP,GP,TU		525/3,500		30
Compass (Old Body Style)	11-17	22	SQ2	1-1/4	36423	0	EP,GP	36061	300/3,500		30
		23	SQ3	2	75112	0	EP,GP,TU		525/3,500		30
Compass (New Body Style)	17-19	25	RT2	1-1/4	36598	0	HM,JR,KH	36061	350/3,500		40
		26	RT3	2	76144	0	HM,JR,KH		675/4,500		40
Grand Cherokee	94-98	50	SQ3	2	37136				500/5,000	600/6,000	35
		30	SQ3	2	75041	0	GP		500/5,000	750/7,500	40
Grand Cherokee	99-99	37	SQ2	1-1/4	36276	0	HM	36051	300/3,500		15
		31	SQ3	2	75139	0			500/5,000	750/7,500	15
Grand Cherokee	00-04	37	SQ2	1-1/4	36276	0	HM	36051	300/3,500		15
		31	SQ3	2	75139	0			500/5,000	750/7,500	15
Grand Cherokee w/Factory 7-Way	00-04										
Grand Cherokee Except SRT-8	05-06	18	SQ2	1-1/4	36362	0	AI,GP	36051	300/3,500		90
		19	SQ3	2	75338	0	AI,TL		750/5,000	750/7,500	90
Grand Cherokee Except SRT-8 & w/OEM Tow Hook, w/Factory 7-Way	05-10										
Grand Cherokee w/OEM Tow Hook, w/Factory 7-Way	05-10										
Grand Cherokee Except SRT-8	07-10	18	SQ2	1-1/4	36362	0	AI,GP	36051	300/3,500		90
		19	SQ3	2	75338	0	AI,TL		750/5,000	750/7,500	90
Grand Cherokee Except w/OEM Tow Hook	11-13	21	SQ3	2	75699	0	GP		500/5,000	750/7,500	20
Grand Cherokee w/Factory 7-Way	11-12										
Grand Cherokee w/OEM Tow Hook	11-13	21	SQ3	2	75699	0	AI,GP		500/5,000	750/7,500	40
Grand Cherokee EcoDiesel	14-19	25	RT4	2	75713	0	CS,HM		900/6,000	900/7,500	20
Grand Cherokee Except w/OEM Tow Hook or ECODiesel Engine	14-19	21	SQ3	2	75699	0	GP		500/5,000	750/7,500	20
Grand Cherokee w/OEM Tow Hook, Except w/ECODiesel Engine	14-19	21	SQ3	2	75699	0	AI,GP		500/5,000	750/7,500	40
Liberty	02-04	37	SQ2	1-1/4	36303	0	GP	36071	300/3,500		15
		50	SQ3	2	37136				500/5,000	600/6,000	35
		23	SQ3	2	75128	0	GP,TM		750/5,000	750/7,500	15
Liberty	05-07	37	SQ2	1-1/4	36303	0	GP	36071	300/3,500		15
		50	SQ3	2	37136				500/5,000	600/6,000	35
		23	SQ3	2	75128	0	GP,TM		750/5,000	750/7,500	15
Liberty w/Factory 7-Way	05-08										
Liberty	08-08	31	SQ2	1-1/4	36451	0	HM	36071	300/3,500		15
		36	RT3	2	75578	0	HM		500/5,000	750/7,500	20
Liberty	09-12	31	SQ2	1-1/4	36451	0	HM	36071	300/3,500		15
		36	RT3	2	75578	0	HM		500/5,000	750/7,500	20
Liberty w/Factory 7-Way	09-12										
Patriot	07-07	22	SQ2	1-1/4	36423	0	GP	36061	300/3,500		15
		23	SQ3	2	75112	0	GP,TU		525/3,500		15
Patriot	08-17	22	SQ2	1-1/4	36423	0	EP,GP	36061	300/3,500		30
		23	SQ3	2	75112	0	EP,GP,TU		525/3,500		30
Renegade	15-18	27	RT2	1-1/4	36587		HM	36071	300/3,500		30
		26	RT3	2	76021		HM,JR		675/4,500		40

AI Additional installation time may be required.

CS Will fit with full-size spare tire stowed under vehicle.

EP Fascia trimming may be required.

GP Hitch crosstube concealed behind bumper.

HM Hitch crosstube is visible beneath bumper.

JR Exhaust must be temporarily lowered for installation.

KH Minor heat shield modification may be required.

TL Hitches produced before 10/31/11 are rated at 500/5000 WC & 750/7500 WD.

TM Hitches produced before 01/04/12 are rated at 500/5000 WC & 750/7500 WD.

TU Hitches produced before 07/24/12 are rated at 350/3500 WC.

T-ONE						TOW HARNESS						4-FLAT WIRING				REQ. 4 FLAT WIRING		7-WAY HARDWIRE	BRAKE CONTROL HARNESS	IN	
PC	T-ONE	FN	IN	AMP	CP	PC	TOW HARN	FN	IN	AMP	CP	TYPE	ELEC	POS	CHOICE 1	CHOICE 2	6-WAY ADAPTER				7-WAY ADAPTER
JEEP (Continued)																					
E16	118408	BN,CG	15	2.1,5	X	E3	118381	BN,RD	5	7.5		4-Flat	B	SUV1,2	119130	119178	20320	20321	20224		
							20135	RD	10			Both	H	SUV6	119148	20252					
E18	118428	BN,CH	45	2.1,4.2	X								B,E	SUV1,2	119191	119148	20320	20321	20224		
E18	118428	BN,CH	45	2.1,4.2	X								B,E	SUV1,2	119191	119148	20320	20321	20224		
E20	118539	BN,CH	45	4.2,7.5	X								B,E	SUV1,2	119191	119148	20320	20321	20224		
E20	118752	BN,CH	45	5.7,5	X								A,E	SUV1,2							
E16	118349	CH,JM	45	2.1,4.2									B,E	SUV3,4	119191	119148	20320	20321	20224		
E10	118369	CH	10	2.1,4.2									B,E	SUV3,4	119191	119148	20320	20321	20224		
E10	118369	CH	10	2.1,4.2		E3	118381	BN,RD	5	7.5		4-Flat	B,E	SUV3,4	119191	119148	20320	20321	20224		
							20135	RD	10			Both	H	SUV6	119148	20252					
E17	118394	BN,CG	20	2.1,5	X	E3	118381	BN,RD	5	7.5		4-Flat	B	SUV1,2	119130	119178	20320	20321	20224		
							20135	RD	10			Both	H	SUV6	119148	20252					
							20135	RD	10			Both	H	SUV6	119148	20252					
E7	118425	BN	20	7.5		E3	118381	BN,RD	5	7.5		4-Flat	A	SUV1,2	119148	20252	20320	20321	20224		
E7	118425	BN	20	7.5		E8	118384	BN,RD	5	7.5		4-Flat	A	SUV1,2	119148	20252	20320	20321	20224	3045-P	5
							74682	RD	10			Both	H	SUV6	119148	20252					
							85219	RD	5			7-Way									
E7	118425	BN	20	7.5		E8	118384	BN,RD	5	7.5		4-Flat	A	SUV1,2	119148	20252	20320	20321	20224	3045-P	5
E18	118727	BN,CH	45	5.7,5	X								A,E	SUV1,2	119191	119148	20320	20321	20224	3045-P	5
E18	118727	BN,CH	45	5.7,5	X								A,E	SUV3,4	119191	119148	20320	20321	20224	3045-P	5
E18	118727	BN,CH	45	5.7,5	X								A,E	SUV3,4	119191	119148	20320	20321	20224	3045-P	5
E20	118524	HG	45	4.2,7.5	X								B	SUV1,2	119130	119178	20320	20321	20224		
E20	118524	HG	45	4.2,7.5	X	E3	118381	BN,RD	5	7.5		4-Flat	B	SUV1,2	119130	119178	20320	20321	20224		
							20135	RD	10			Both	H	SUV6	119148	20252					
E19	118554	BN,CH	45	4.2,7.5	X	E3	118381	BN,RD	5	7.5		4-Flat	B,E	SUV1,2	119191	119148	20320	20321	20224		
E19	118554	BN,CH	45	4.2,7.5	X	E8	118384	BN,RD	5	7.5		4-Flat	B,E	SUV1,2	119191	119148	20320	20321	20224		
							74682	RD	10			Both	H	SUV6	119148	20252					
							85219	RD	5			7-Way									
E18	118428	BN,CH	45	2.1,4.2	X								B,E	SUV1,2	119191	119148	20320	20321	20224		
E18	118552	CH	45	4.2,7.5	X								A,E	SUV1,2	119191	119148	20320	20321	20224		
E26	118651	CH	45	4.2,7.5	X								BIT	SUV3,4	119251	119191	20320	20321			

A 2 wire system.

B 3 wire system. Converter required.

BN Exterior mounted plug on some or all models. May require an aftermarket electrical mounting box or bracket. (Sold separately)

BIT Shared Brake/Tail/Turn multiplexed wiring system. ModuLite® HD Plus or Ultra required.

CG T-One incorporates circuit protected taillight converter.

CH T-One is equipped with circuit protected ModuLite® module.

E ModuLite® required.

H 3 wire system with OEM standard 2 wire harness.

HG T-One incorporates taillight converter.

JM Some early production 1994 models may require #118348.

RD For vehicles equipped with factory tow package may require additional components or may be used as a replacement harness.

RT2 Round Tube Class II 1-1/4"

RT3 Round Tube Class III 2"

RT4 Round Tube Class IV 2"

SQ2 Square Tube Class II

SQ3 Square Tube Class III

MODEL / STYLE	YEAR	TRAILER HITCHES									
		PC	REC TYPE	REC SIZE	PART #	NO DRILL	FOOTNOTES	OPTIONAL DRAWBAR	WC (LBS.)	WD (LBS.)	IN
JEEP (Continued)											
TJ (Canada Only)	97-97	27	SQ1	1-1/4	24631	0	DA,HM	3590	200/2,000		15
		29	SQ2	1-1/4	36238	0	HM	36071	300/3,500		15
		31	SQ3	2	41531	0	HM		300/3,500		15
		28	RT3	2	75193	0	HM,TD		400/4,000		15
TJ (Canada Only)	98-06	27	SQ1	1-1/4	24631	0	DA,HM	3590	200/2,000		15
		29	SQ2	1-1/4	36238	0	HM	36071	300/3,500		15
		31	SQ3	2	41531	0	HM		300/3,500		15
		28	RT3	2	75193	0	HM,TD		400/4,000		15
Wrangler	97-97	27	SQ1	1-1/4	24631	0	DA,HM	3590	200/2,000		15
		29	SQ2	1-1/4	36238	0	HM	36071	300/3,500		15
		31	SQ3	2	41531	0	HM		300/3,500		15
		28	RT3	2	75193	0	HM,TD		400/4,000		15
Wrangler	98-06	27	SQ1	1-1/4	24631	0	DA,HM	3590	200/2,000		15
		29	SQ2	1-1/4	36238	0	HM	36071	300/3,500		15
		31	SQ3	2	41531	0	HM		300/3,500		15
		28	RT3	2	75193	0	HM,TD		400/4,000		15
Wrangler Except w/Right Hand Drive	07-17	11	SQ3	2	76104	0			675/4,500	675/4,500	20
Wrangler Except w/Right Hand Drive, Hard Rock Edition, 75th Anniversary Edition & vehicles with Mopar Off Road Bumper #82213654	07-17	27	SQ2	1-1/4	36424	0	GP	36071	300/3,500		20
		10	SQ3	2	75515t	0			675/4,500	675/4,500	20
Wrangler Right Hand Drive	07-17	11	SQ3	2	76104	0			675/4,500	675/4,500	20
Wrangler Right Hand Drive, Except Hard Rock Edition, 75th Anniversary Edition & vehicles with Mopar Off Road Bumper #82213654	07-17	27	SQ2	1-1/4	36424	0	GP	36071	300/3,500		20
		10	SQ3	2	75515t	0			675/4,500	675/4,500	20
Wrangler JL (New Body Style), Except Sahara and Rubicon	18-18	27	SQ2	1-1/4	36424	0	GP	36071	300/3,500		20
		10	SQ3	2	75515t	0			675/4,500	675/4,500	20
		11	SQ3	2	76104	0			675/4,500	675/4,500	20
Wrangler Sahara and Rubicon Only, JL (New Body Style)	18-18	27	SQ2	1-1/4	36424	0	GP	36071	300/3,500		20
		10	SQ3	2	75515t	0			675/4,500	675/4,500	20
		11	SQ3	2	76104	0			675/4,500	675/4,500	20
Wrangler JK Except w/Right Hand Drive	18-18	11	SQ3	2	76104	0			675/4,500	675/4,500	20
Wrangler JK Except w/Right Hand Drive, Hard Rock Edition, 75th Anniversary Edition & vehicles with Mopar Off Road Bumper #82213654	18-18	27	SQ2	1-1/4	36424	0	GP	36071	300/3,500		20
		10	SQ3	2	75515t	0			675/4,500	675/4,500	20
Wrangler JK Right Hand Drive	18-18	11	SQ3	2	76104	0			675/4,500	675/4,500	20
Wrangler JK Right Hand Drive, Except Hard Rock Edition, 75th Anniversary Edition & vehicles with Mopar Off Road Bumper #82213654	18-18	27	SQ2	1-1/4	36424	0	GP	36071	300/3,500		20
		10	SQ3	2	75515t	0			675/4,500	675/4,500	20
KIA											
Amanti	07-09										
Borrego w/Factory 7-Way	09-11										
Cadenza	14-14	28	RT2	1-1/4	36544		HM,JR	36061	300/3,500		20
Forte 4 Dr. Sedan	10-13	27	SQ1	1-1/4	24846	0	HM,JR	3594	200/2,000		20
Forte 4 Dr. Sedan	14-18	24	SQ1	1-1/4	24903	0	HM	3594	200/2,000		20
Magentis (Canada Only)	01-04	44	SQ1	1-1/4	24709	0	GP	3593	200/2,000		15
Magentis (Canada Only)	06-10	29	SQ1	1-1/4	24778	0	HM,JR	3594	200/2,000		20
Niro Except Plug-In-Hybrid	17-18	29	SQ2	1-1/4	36600	0	GP,JR,EP,SV	36071	350/3,500		40
Optima	01-06	44	SQ1	1-1/4	24709	0	GP	3593	200/2,000		15
Optima (App. starts with 2006-1/2)	06-08	29	SQ1	1-1/4	24778	0	HM,JR	3594	200/2,000		20
Optima	09-10	29	SQ1	1-1/4	24778	0	HM,JR	3594	200/2,000		20

DA Will not fit with tube style bumper.
EP Fascia trimming may be required.
GP Hitch crosstube concealed behind bumper.
HM Hitch crosstube is visible beneath bumper.

JR Exhaust must be temporarily lowered for installation.
SV Trimming or removal of under body appearance panel may be required.
TD Hitches without electrical bracket are rated at 350/3500 WC & No WD. Hitch with electrical bracket rated at 400/4000 WC & No WD.

T-ONE						TOW HARNESS						4-FLAT WIRING				REQ. 4 FLAT WIRING		7-WAY HARDWARE	BRAKE CONTROL HARNESS	IN
PC	T-ONE	FN	IN	AMP	CP	PC	TOW HARN	FN	IN	AMP	CP	TYPE	ELEC	POS	CHOICE 1	CHOICE 2	6-WAY ADAPTER			
JEEP (Continued)																				
E5	118356	BN	10	7.5									A	SUV5,7	119148	20252	20320	20321	20224	
E7	118409	BN	15	7.5									A	SUV5,7	119148	20252	20320	20321	20224	
E5	118356	BN	10	7.5									A	SUV5,7	119148	20252	20320	20321	20224	
E7	118409	BN	15	7.5									A	SUV5,7	119148	20252	20320	20321	20224	
E5	118416	BN	10	7.5									A	SUV1	119148	20252	20320	20321	20224	
E5	118416	BN	10	7.5									A	SUV1	119148	20252	20320	20321	20224	
													A	SUV1	119148	20252	20320	20321	20224	
													A	SUV1,2	119148	20252	20320	20321	20224	
E21	118782	BN,CH	45	5,7.5	X								A,E	SUV1,2						
													A,E	SUV1,2						
E5	118416	BN	10	7.5									A	SUV1	119148	20252	20320	20321	20224	
E5	118416	BN	10	7.5									A	SUV1	119148	20252	20320	20321	20224	
													A	SUV1	119148	20252	20320	20321	20224	
													A	SUV1,2	119148	20252	20320	20321	20224	
KIA																				
E10	118453	HG	10	2,1,7.5									B	PC3,4	119178	119130				
						E8	118384 74682 85219	BN,RD RD RD	5 10 5	7.5		4-Flat Both 7-Way	H	SUV6	119148	20252				
E15	118616	CH	45	2,1,5,6	X								B,E	PC3,4	119191	119148				
E12	118415	CG	20	2,1,5	X								B	PC3,4	119130	119178				
E15	118594	CH	45	2,1,5,6	X								B,E	PC3,4	119191	119148	20320	20321	20224	
													B	PC3,4	119130	119178				
													B	PC3,4	119130	119178				
E15	118749	CH	45	4,2,7,5	X								B,E	PC3,4						
													B	PC3,4	119130	119178				
E7	118452		10	7.5									A	PC3,4	119148	20252				
E12	118433	CG	10	2,1,5	X								B	PC3,4	119130	119178				

A 2 wire system.
B 3 wire system. Converter required.
BN Exterior mounted plug on some or all models. May require an aftermarket electrical mounting box or bracket. (Sold separately)
CG T-One incorporates circuit protected taillight converter.
CH T-One is equipped with circuit protected Modulite® module.
E Modulite® required.
H 3 wire system with OEM standard 2 wire harness.
HG T-One incorporates taillight converter.
RD For vehicles equipped with factory tow package may require additional components or may be used as a replacement harness.

RT2 Round Tube Class II 1-1/4"
RT3 Round Tube Class III 2"
SQ1 Square Tube Class I
SQ2 Square Tube Class II
SQ3 Square Tube Class III

MODEL / STYLE	YEAR	TRAILER HITCHES									
		PC	REC TYPE	REC SIZE	PART #	NO DRILL	FOOTNOTES	OPTIONAL DRAWBAR	WC (LBS.)	WD (LBS.)	IN
KIA (Continued)											
Optima	11-18	19	SQ1	1-1/4	24940†	0	†,HM,JR,KH,SV	3593	200/2,000		40
		22	SQ1	1-1/4	24965	0	HM,JR,KH,SV	3593	200/2,000		40
Rio	02-05	33	SQ1	1-1/4	24727		TA,GP	3594	200/2,000		20
Rio 4 Dr. Sedan	06-11	32	SQ1	1-1/4	24760	0	GP	3590	200/2,000		20
Rio 4 Dr. Sedan	12-17	30	SQ1	1-1/4	24884	0	HM	3592	200/2,000		15
Rio 5 Dr. Hatchback	12-16	28	SQ1	1-1/4	24883	0	GP,JR,SV	3593	200/2,000		30
Rio5 5 Dr. Hatchback	06-11	28	SQ1	1-1/4	24795	0	JR,X,GP	3594	200/2,000		25
Rondo	07-10	27	SQ1	1-1/4	24797	0	GP,JR	3594	200/2,000		30
Rondo (Canada Only)	11-12	27	SQ1	1-1/4	24797	0	GP,JR	3594	200/2,000		30
Rondo (Canada Only)	14-17	28	SQ2	1-1/4	36525	0	GP,JR,SV	36061	300/3,500		25
Sedona	02-05	45	SQ2	1-1/4	36305		HM	36071	300/3,500		20
		42	RT3	2	75131		HM		500/5,000	550/5,500	30
Sedona 118.9" Long Wheelbase	06-12	45	RT3	2	75421	0	HM,JR		350/3,500	400/4,000	20
Sedona 113.8" Short Wheelbase	07-10	45	RT3	2	75551		HM,JR		350/3,500	400/4,000	25
Sedona 118.9" Long Wheelbase	14-14	45	RT3	2	75421	0	HM,JR		350/3,500	400/4,000	20
Sedona	15-17	40	RT3	2	75894	0	HM,JR,SV		400/4,000	400/4,000	20
Sedona	18-18										
Sorento	03-06	29	RT3	2	75516	0	HM		500/5,000	500/5,000	15
Sorento	07-09	29	RT3	2	75516	0	HM		500/5,000	500/5,000	15
Sorento Base I4	11-13	25	SQ3	2	75684	0	HM		350/3,500	500/5,000	15
Sorento EX I4	11-13	25	SQ3	2	75684	0	HM		350/3,500	500/5,000	15
Sorento EX V6, Except w/Factory Tow Package	11-13	25	SQ3	2	75684	0	HM		350/3,500	500/5,000	15
Sorento EX V6, w/Factory Tow Package	11-13	30	SQ2	1-1/4	36511	0	HM	36051	300/3,500		15
		25	SQ3	2	75684	0	HM		350/3,500	500/5,000	15
Sorento Except SX V6 & EX V6 w/Factory Tow Package	11-13	30	SQ2	1-1/4	36511	0	HM	36051	300/3,500		15
Sorento LX I4	11-13	25	SQ3	2	75684	0	HM		350/3,500	500/5,000	15
Sorento LX V6	11-13	25	SQ3	2	75684	0	HM		350/3,500	500/5,000	15
Sorento SX V6	11-13	30	SQ2	1-1/4	36511	0	HM	36051	300/3,500		15
		25	SQ3	2	75684	0	HM		350/3,500	500/5,000	15
Sorento w/ I4 Engine	14-15	29	RT2	1-1/4	36536	0	HM,JJR,SV	36051	300/3,500		30
		28	RT3	2	75772	0	HM,JJR,SV		525/3,500	525/5,250	30
Sorento w/ V6 Engine	14-15	29	RT2	1-1/4	36536	0	HM,JJR,SV	36051	300/3,500		30
		28	RT3	2	75772	0	HM,JJR,SV		525/3,500	525/5,250	30
Sorento w/ I4 Engine	16-19	36	RT3	2	75908	0	HM,TAJR		500/5,000		40
Sorento w/ V6 Engine	16-19	36	RT3	2	75908	0	HM,TAJR		500/5,000		40
Soul Except w/LED Taillights	10-13	13	SQ1	1-1/4	24839	0	GP,JR	3593	200/2,000		40
Soul w/LED Taillights	10-13	13	SQ1	1-1/4	24839	0	GP,JR	3593	200/2,000		40
Soul Except w/LED Taillights	14-18	19	SQ1	1-1/4	24915	0	GP,JR	3593	200/2,000		40
Soul w/LED Taillights	14-18	19	SQ1	1-1/4	24915	0	GP,JR	3593	200/2,000		40
Spectra Except Spectra5	05-09	31	SQ1	1-1/4	24743	0	JR,HM	3593	200/2,000		20
Sportage	95-97	33	SQ2	1-1/4	36266		HM	36051	300/3,500		20
Sportage	98-02	33	SQ2	1-1/4	36266		HM	36051	300/3,500		20
Sportage 4 Cyl.	05-10	32	SQ2	1-1/4	36363	0	GP,JR	36051	300/3,500		25
		30	SQ3	2	75561	0	GP,JR		350/3,500		25
Sportage 6 Cyl.	05-10	32	SQ2	1-1/4	36363	0	GP,JR	36051	300/3,500		25
		30	SQ3	2	75561	0	GP,JR		350/3,500		25
Sportage	11-16	21	SQ2	1-1/4	36510	0	GP,JR	36051	300/3,500		20
		23	SQ3	2	75717	0	GP,JR		525/3,500	525/5,250	20
Sportage Except SX & SX Turbo	17-18	29	RT2	1-1/4	36593	0	GP,SV,JR,X	36071	300/3,500		30
		29	SQ3	2	76074	0	GP,SV,JR		675/4,500	675/4,500	25
Stinger	18-18	41	SQ1	1-1/4	24974	0	DU,FE,JR,KH	3593	200/2,000		90

† Available while supply lasts.

DU Fascia removal required.

FE Fascia trimming may be required. Allow additional installation time.

GP Hitch crosstube concealed behind bumper.

HM Hitch crosstube is visible beneath bumper.

J Under vehicle spare tire stowage is retained.

JR Exhaust must be temporarily lowered for installation.

KH Minor heat shield modification may be required.

SV Trimming or removal of under body appearance panel may be required.

TA Trunk access required for hitch installation.

X Minor fascia trimming required.

T-ONE					TOW HARNESS					4-FLAT WIRING				REQ. 4 FLAT WIRING		7-WAY HARDWIRE	BRAKE CONTROL HARNESS	IN	
PC	T-ONE	FN	IN	AMP	CP	TOW HARN	FN	IN	AMP	CP	TYPE	ELEC	POS	CHOICE 1	CHOICE 2				6-WAY ADAPTER
KIA (Continued)																			
E10	118453	HG	10	2.1,7.5								B	PC3,4	119130	119178				
												B	PC3,4	119130	119178				
												B	PC1,2	119130	119178				
E16	118570	CH	45	2.1,5.6	X							B,E	PC3,4	119191	119148				
E16	118570	CH	45	2.1,5.6	X							B,E	PC3,4	119191	119148				
												B	PC3,4	119130	119178				
E14	118431	BN,CG	15	2.1,5	X							B	SUV1,2	119130	119178	20320	20321		
E14	118431	BN,CG	15	2.1,5	X							B	SUV1,2	119130	119178	20320	20321		
												B,E	SUV1,2	119191	119148	20320	20321		
E8	118309	HG	25	2.1,5								B	SUV1,2	119130	119178	20320	20321	20224	
E19	118410	BN,CH	45	2.1,5.6	X							B,E	SUV1,2	119191	119148	20320	20321	20224	
E19	118410	BN,CH	45	2.1,5.6	X							B,E	SUV1,2	119191	119148	20320	20321	20224	
E19	118410	BN,CH	45	2.1,5.6	X							B,E	SUV1,2	119191	119148	20320	20321	20224	
E13	118269	BN,CH	20	4.2,7.5	X							B,E	SUV5	119191	119148	20320	20321	20224	
E13	118269	BN,CH	20	4.2,7.5	X							B,E	SUV5	119191	119148	20320	20321	20224	
E7	118307	BN,HG	5	2.1,5								B	SUV7	119130	119178	20320	20321	20224	
						E13	118269	CH,RD	20	4.2,7.5	X	4-Flat	B,E	SUV7	119191	119148	20320	20321	20224
E23	118506	CH	45	4.2,7.5	X							B,E	SUV1,2	119191	119148	20320	20321	20224	
E23	118506	CH	45	4.2,7.5	X							B,E	SUV1,2	119191	119148	20320	20321	20224	
E23	118506	CH	45	4.2,7.5	X							B,E	SUV1,2	119191	119148	20320	20321	20224	
						E13	118269	BN,CH	20	4.2,7.5	X	4-Flat	B,E	SUV1,2	119191	119148	20320	20321	20224
E23	118506	CH	45	4.2,7.5	X							B,E	SUV1,2	119191	119148	20320	20321	20224	
E23	118506	CH	45	4.2,7.5	X							B,E	SUV1,2	119191	119148	20320	20321	20224	
E23	118506	CH	45	4.2,7.5	X	E13	118269	BN,CH	20	4.2,7.5	X	4-Flat	B,E	SUV1,2	119191	119148	20320	20321	20224
E13	118269	BN,CH	20	4.2,7.5	X	E13	118269	BN,CH	20	4.2,7.5	X	4-Flat	B,E	SUV1,2	119191	119148	20320	20321	20224
E16	118583	BN,CH	45	4.2,7.5	X							B,E	SUV1,2	119191	119148	20320	20321	20224	
E13	118269	BN,CH	20	4.2,7.5	X	E13	118269	BN,CH	20	4.2,7.5	X	4-Flat	B,E	SUV1,2	119191	119148	20320	20321	20224
E16	118583	BN,CH	45	4.2,7.5	X							B,E	SUV5	119191	119148	20320	20321		
E13	118269	BN,CH	20	4.2,7.5	X							B,E	SUV5	119191	119148	20320	20321		
E14	118431	BN,CG	15	2.1,5	X							B	SUV1,2	119130	119178	20320	20321		
E17	118637	CH	45	2.1,5.6	X							B,E	SUV1,2	119191	119148	20320	20321		
E14	118431	BN,CG	15	2.1,5	X							B	SUV1,2	119130	119178	20320	20321		
E17	118637	CH	45	2.1,5.6	X							B,E	SUV1,2	119191	119148	20320	20321		
												B	PC3,4	119130	119178				
												B,E	SUV3,4	119191	119148				
		HG										B,E	SUV3,4	119191	119148				
												B	SUV1,2	119130	119178	20320	20321	20224	
E8	118401	BN,CG	5	2.1,5	X							B	SUV5	119130	119178	20320	20321	20224	
E25	118526	CH	45	4.2,7.5	X							B,E	SUV1,5	119191	119148	20320	20321	20224	
E17	118698	CH,BN	45	4.2,7.5	X							B,E	SUV1,5	119191	119148				
E18	118780	CH	45	5.7,5	X							B,E	PC3,4	119191	119148				

B 3 wire system. Converter required.
BN Exterior mounted plug on some or all models. May require an aftermarket electrical mounting box or bracket. (Sold separately)
CG T-One incorporates circuit protected taillight converter.
CH T-One is equipped with circuit protected ModuLite® module.
E ModuLite® required.
HG T-One incorporates taillight converter.
RD For vehicles equipped with factory tow package may require additional components or may be used as a replacement harness.

RT2 Round Tube Class II 1-1/4"
RT3 Round Tube Class III 2"
SQ1 Square Tube Class I
SQ2 Square Tube Class II
SQ3 Square Tube Class III

MODEL / STYLE	YEAR	TRAILER HITCHES									
		PC	REC TYPE	REC SIZE	PART #	NO DRILL	FOOTNOTES	OPTIONAL DRAWBAR	WC (LBS.)	WD (LBS.)	IN
LAND ROVER											
LR2	08-14	24	RT3	2	75688	0	HM		400/4,000	400/4,000	20
Range Rover	05-14										
Range Rover	15-15										
Range Rover Evoque Excluding Autobiography	12-14	25	SQ3	2	75227	0	EP,GP,X,KH		675/4,500		45
Range Rover Evoque Excluding Autobiography	15-18	25	SQ3	2	75227	0	EP,GP,X,KH		675/4,500		45
Range Rover Sport	14-14										
Range Rover Sport	15-17	41	SQ4	2	75229	0	GP,SV		800/8,000		45
Range Rover Velar	18-18										
Range Rover Velar	19-19	42	SQ3	2	76260	0	JR,TZ		900/6,000		80
LEXUS											
ES300 4 Dr.	97-01	36	SQ1	1-1/4	24563	0	JR,HM	3593	200/2,000		30
		23	SQ2	1-1/4	36336		HM	36061	300/3,500		15
ES300 4 Dr.	02-03	23	SQ2	1-1/4	36336		HM	36061	300/3,500		15
ES330 4 Dr.	04-06	23	SQ2	1-1/4	36336		HM	36061	300/3,500		15
ES350	07-12	20	SQ2	1-1/4	36416		GP,JR,TA	36071	300/3,500		45
ES350 Except Hybrid	13-18	29	SQ2	1-1/4	36530		HM,JR	36071	300/3,500		40
GS350	13-13	32	SQ2	1-1/4	36535	0	GP,EP,FE	36071	300/3,500		60
GS450h	13-13										
GX460	10-14	21	SQ3	2	75685	0			500/5,000	500/5,000	15
GX460 w/Factory 7-Way	10-11										
GX460	15-15	21	SQ3	2	75685	0			500/5,000	500/5,000	15
GX460	16-18	21	SQ3	2	75685	0			500/5,000	500/5,000	15
GX470	03-06	47	RT4	2	75155	0	LT,SI		600/6,000	730/7,300	35
GX470 w/Factory 7-Way	03-06										
GX470	07-09	47	RT4	2	75155	0	LT,SI		600/6,000	730/7,300	35
HS250h Hybrid	10-12	23	SQ1	1-1/4	24860†	0	HM,JR,KH	3594	200/2,000		25
IS250	09-13										
IS250 Except Convertible	14-15	25	RT1	1-1/4	24923	0	KH,AE,HM	3594	200/2,000		35
IS350	09-13										
IS350	14-14	25	RT1	1-1/4	24923	0	KH,AE,HM	3594	200/2,000		35
IS350	15-18	25	RT1	1-1/4	24923	0	KH,AE,HM	3594	200/2,000		35
LX450	96-97	54	SQ3	2	41015	0	HM		500/5,000	750/6,000	30
LX470	98-99	45	SQ3	2	75095	0	GP		500/5,000	750/6,000	20
LX470	00-00	45	SQ3	2	75095	0	GP		500/5,000	750/6,000	20
LX470	01-02	45	SQ3	2	75095	0	GP		500/5,000	750/6,000	20
LX470	03-07	45	SQ3	2	75095	0	GP		500/5,000	750/6,000	20
NX200t	15-17	29	RT3	2	75956	0	JR,HM		350/3,500	400/4,000	35
NX300h	15-15										
RX300	99-00	39	SQ2	1-1/4	36271	0	HM	36051	300/3,500		15
		35	SQ3	2	41541	0	HM		300/3,500		15
RX300	01-03	39	SQ2	1-1/4	36271	0	HM	36051	300/3,500		15
		35	SQ3	2	41541	0	HM		300/3,500		15
RX330	04-06	32	RT3	2	75153	0	HM		350/3,500		20
RX350	07-09	32	RT3	2	75153	0	HM		350/3,500		20
RX350 Except F Sport	10-12	29	SQ3	2	75676	0	GP,JR,JV		400/4,000	500/5,000	30
RX350 Except F Sport	13-15	29	SQ3	2	75676	0	GP,JR,JV		400/4,000	500/5,000	30
RX350	16-18	26	SQ3	2	75540	0	GP,SV		675/4,500	675/4,500	20
RX350L	18-18	42	SQ3	2	76156	0	HM,SV		500/5,000		30
		36	RT4	2	75896	0	HM,SV		900/6,000	900/8,000	30
RX400h Hybrid	06-08	32	RT3	2	75153	0	HM		350/3,500		20
RX450h Hybrid	10-15	29	SQ3	2	75676	0	GP,JR,JV		400/4,000	500/5,000	30

AE Requires temporary removal of muffler during installation.
EP Fascia trimming may be required.
FE Fascia trimming may be required. Allow additional installation time.
GP Hitch crosstube concealed behind bumper.
HM Hitch crosstube is visible beneath bumper.
JR Exhaust must be temporarily lowered for installation.
JV Rubber air deflector/fascia must be removed or trimmed to install hitch.

KH Minor heat shield modification may be required.
LT Requires removal of factory hitch if equipped.
SI Hitches produced before 07/31/07 are rated at 350/3500 WC & 500/5000 WD.
SV Trimming or removal of under body appearance panel may be required.
TA Trunk access required for hitch installation.
TZ Requires replacement of the impact structure with hitch.
X Minor fascia trimming required.

T-ONE					TOW HARNESS					4-FLAT WIRING				REQ. 4 FLAT WIRING		7-WAY HARDWIRE	BRAKE CONTROL HARNESS	IN		
PC	T-ONE	FN	IN	AMP	CP	PC	TOW HARN	FN	IN	AMP	CP	TYPE	ELEC	POS	CHOICE 1				CHOICE 2	6-WAY ADAPTER
LAND ROVER																				
													B,E	SUV1,2	119191	119148	20320	20321	20224	
													A	SUV6	119148	20252				3035-P
E1	118681	BN	10	4,2,7,5	X	E8	118275	BN	20			7-Way	A	SUV6	119148	20252				3035-P
E1	118624	BN	10	7.5									A	SUV5	119148	20252				3035-P
													A	SUV5	119148	20252				3035-P
E1	118681		10	4,2,7,5	X								A	SUV6	119148	20252				
E1	118681		10	4,2,7,5	X	E8	118275	BN	20			7-Way	A	SUV6	119148	20252				
E16	118785	CH,BN	45	5,7,5	X								A,E	SUV1,2	119191	119148				
													A,E	SUV1,2						
LEXUS																				
													E	PC3,4	119191	119148				
													E	PC3,4	119191	119148				
													E	PC3,4	119191	119148				
E16	118488	CH	45	2,1,5,6	X								B,E	PC3,4	119191	119148				
E17	118592	CH	45	2,1,5,6	X								B,E	PC3,4	119191	119148				
E17	118598	CH	45	2,1,5,6	X								B,E	PC3,4	119191	119148				
E17	118598	CH	45	2,1,5,6	X								B,E	PC3,4	119191	119148				
						E12	118262	BN,RD	10			Both	A	SUV5	119148	20252	20320			3040-P
E8	118384	BN,RD	5	7.5			74682 85219	RD RD	10 5			Both 7-Way	A	SUV5	119148	20252				3040-P
													A	SUV5	119148	20252	20320			3040-P
													A	SUV5	119148	20252	20320			
													E	SUV1,2	119191	119148	20320	20321	20224	3040-P
								RD					E	SUV1,2	119148	20252				
													E	SUV1,2	119191	119148	20320	20321	20224	3040-P
E17	118510	CH	20	2,1,5,6	X								B,E	PC3,4	119191	119148				
E16	118609	CH	45	2,1,5,6	X								B,E	PC3,4	119191	119148				
													B,E	PC3,4	119191	119148				
E16	118609	CH	45	2,1,5,6	X								B,E	PC3,4	119191	119148				
E16	118609	CH	45	2,1,5,6	X								B,E	PC3,4	119191	119148				
													B,E	PC3,4	119191	119148				
E5	118357	BN,HG	5	2,1,5									B	SUV5	119130	119178	20320	20321	20224	
E5	118365	BN,HG	5	2,1,5									B	SUV6	119130	119178	20320	20321	20224	
													B	SUV6	119130	119178	20320	20321	20224	
						E3	118245	BN,RD	10	7.5		4-Flat	B	SUV6	119130	119178	20320	20321	20224	
						E3	118245	BN,RD	10	7.5		4-Flat	B	SUV6	119130	119178	20320	20321	20224	3040-P
E17	118652	CH	45	4,2,7,5	X								B,E	SUV3,4	119191	119148				
E17	118652	CH	45	4,2,7,5	X								B,E	SUV3,4	119191	119148				
													E,Z	SUV1,2	119191	119148	20320	20321	20224	
						E3	118245	BN,RD	10	7.5		4-Flat	E,Z	SUV1,2	119191	119148	20320	20321	20224	
E17	118478	CH	45	2,1,5,6	X								B,E	SUV1,2	119191	119148	20320	20321	20224	
E17	118478	CH	45	2,1,5,6	X								B,E	SUV1,2	119191	119148	20320	20321	20224	
E17	118478	CH	45	2,1,5,6	X	E3	118252	BN,RD	5	7.5		4-Flat	B,E	SUV3,4	119191	119148	20320	20321	20224	
E13	118255	CH,BN	20	2,1,5,6	X	E3	118252	BN,RD	5	7.5		4-Flat	B,E	SUV3,4	119191	119148	20320	20321	20224	
E13	118255	CH,BN	20	2,1,5,6	X	E3	118252	BN,RD	5	7.5		4-Flat	B,E	SUV3,4	119191	119148				
E13	118255	BN,CH	20	2,1,5,6	X	E3	118252	BN,RD	5	7.5		4-Flat								
													B,E	SUV1,2	119191	119148	20320	20321	20224	
E13	118255	BN,CH	20	2,1,5,6	X	E3	118252	BN,RD	5	7.5		4-Flat	B,E	SUV3,4	119191	119148	20320	20321	20224	

A 2 wire system.
B 3 wire system. Converter required.
BN Exterior mounted plug on some or all models. May require an aftermarket electrical mounting box or bracket. (Sold separately)
CH T-One is equipped with circuit protected ModuLite® module.
E ModuLite® required.
HG T-One incorporates taillight converter.
RD For vehicles equipped with factory tow package may require additional components or may be used as a replacement harness.
Z May be equipped with Factory Tow Prep Plug. Determine at time of installation.

RT1 Round Tube Class I 1-1/4"
RT3 Round Tube Class III 2"
RT4 Round Tube Class IV 2"
SQ1 Square Tube Class I
SQ2 Square Tube Class II
SQ3 Square Tube Class III
SQ4 Square Tube Class IV

MODEL / STYLE	YEAR	TRAILER HITCHES									
		PC	REC TYPE	REC SIZE	PART #	NO DRILL	FOOTNOTES	OPTIONAL DRAWBAR	WC (LBS.)	WD (LBS.)	IN
LEXUS (Continued)											
RX450h	16-18	26	SQ3	2	75540	0	GP,SV		675/4,500	675/4,500	40
LINCOLN											
Aviator	03-04	51	RT3	2	75132	0	HM,KL		500/5,000	800/8,000	20
Aviator w/Factory 7-Way	03-05										
Aviator	05-05	51	RT3	2	75132	0	HM,KL		500/5,000	800/8,000	20
Continental	88-02	35	SQ1	1-1/4	24699	0	GP,JR	3592	200/2,000		20
		35	SQ2	1-1/4	36252	0	GP,JR	36063	300/3,500		20
Continental	17-19	27	SQ2	1-1/4	36596	0	GP,JR,KH,SV	36071	300/3,500		50
LS	00-06	35	SQ2	1-1/4	36282		FE,GP	36071	300/3,500		30
Mark LT (Built After 8/2005)	06-08	25	SQ4	2	75506	0	CP,HM		600/6,000	1,000/10,000	20
		37	SQ5	2	41933	0	@,CP,HM		1,200/12,000	1,400/14,000	20
Mark LT (Built Before 8/2005)	06-06	56	RT4	2	41549	0	HM,KM		600/6,000	1,000/10,000	30
		50	RT4	2	75156	0	HM,KM		600/6,000	800/8,000	30
Mark LT w/Factory 7-Way	06-08										
Mark VIII	93-98	41	SQ2	1-1/4	36179	0	GP,JR	36061	300/3,500		40
MKC	15-17	37	SQ2	1-1/4	36586	0	GP,JR	36061	300/3,500		45
		34	SQ3	2	75943	0	GP,JR		525/3,500		45
MKC	18-19	37	SQ2	1-1/4	36586	0	GP,JR	36061	300/3,500		45
		34	SQ3	2	75943	0	GP,JR		525/3,500		45
MKS	09-12	30	SQ2	1-1/4	36477	0	GP,JR	36051	300/3,500		30
MKS	13-16	30	SQ2	1-1/4	36477	0	GP,JR	36051	300/3,500		30
MKT	10-11	45	RT3	2	75679	0	HM,JR		400/4,000	400/4,000	30
MKT w/Factory 7-Way	10-12										
MKT	12-14	45	RT3	2	75679	0	HM,JR		400/4,000	400/4,000	30
MKT	15-17	45	RT3	2	75679	0	HM,JR		400/4,000	400/4,000	30
MKX	07-10	33	SQ2	1-1/4	36447	0	GP,JR,KH	36051	300/3,500		45
		20	SQ3	2	75992		GP,KH,JR		400/4,000	400/4,000	55
MKX	11-15	20	SQ3	2	75992		GP,KH,JR		400/4,000	400/4,000	55
MKX	16-18	35	SQ3	2	75234	0	GP,TA,SV,JR,TW		675/4,500	675/4,500	45
MKZ	07-09	39	SQ1	1-1/4	24775		GP,JR,TA	3592	200/2,000		45
MKZ	10-12	25	SQ1	1-1/4	24865	0	GP,JR	3594	200/2,000		20
MKZ Except 3.0 Liter Engine	13-19	19	SQ1	1-1/4	24897	0	HM,SV	3594	200/2,000		20
Navigator	98-02	42	SQ3	2	75071	0	GP		500/5,000	800/8,000	15
		41	SQ4	2	41527	0	GP		600/6,000	1,000/10,000	15
Navigator w/Factory 7-Way	98-12										
Navigator	03-03										
Navigator w/Factory 7-Way	13-14										
Navigator w/Factory 7-Way	15-17										
Town Car	81-02	36	SQ1	1-1/4	24526		CA,GP,HA	3592	200/2,000		25
Town Car	81-11	39	SQ2	1-1/4	36116		CA,GP,HA	36063	300/3,500		30
Town Car	90-11	38	SQ3	2	41116		AB,CA,EO,GP,HA		350/3,500	750/6,000	30
Zephyr	06-06	39	SQ1	1-1/4	24775		GP,JR,TA	3592	200/2,000		45
MAZDA											
2	11-14	28	SQ1	1-1/4	24869	0	GP,JR	3593	200/2,000		30
3 4 Dr. Sedan, Except w/Grand Touring LED Taillights	04-09	27	SQ1	1-1/4	24816		GP	3592	200/2,000		35
3 5 Dr. Hatchback, Except w/Grand Touring LED Taillights	04-09	27	SQ1	1-1/4	24816		GP	3592	200/2,000		35
3 4 Dr. Sedan, w/Grand Touring LED Taillights	06-09	27	SQ1	1-1/4	24816		GP	3592	200/2,000		35

- @** Ultra Frame ball mount must be used to achieve maximum weight carrying rating.
- AB** Requires four (4) 3/8" spacer blocks (#01077011) for installation. (Sold separately)
- CA** Models with dual exhaust require exhaust modification.
- CP** Fits all models without factory installed receiver.
- EO** Requires longer ball mount.
- FE** Fascia trimming may be required. Allow additional installation time.
- GP** Hitch cross tube concealed behind bumper.
- HA** External dress panel beneath 95-97 and 03-05 vehicles must be removed for hitch installation.
- HM** Hitch cross tube is visible beneath bumper.
- JR** Exhaust must be temporarily lowered for installation.
- KH** Minor heat shield modification may be required.
- KL** Hitch is designed to attach beneath the OEM hitch.
- KM** Does not work with models originally equipped with OEM hitch.
- SV** Trimming or removal of under body appearance panel may be required.
- TA** Trunk access required for hitch installation.
- TW** Receiver hitch may limit hands-free liftgate sensor range

T-ONE						TOW HARNESS						4-FLAT WIRING				REQ. 4 FLAT WIRING		7-WAY HARDWARE	BRAKE CONTROL HARNESS	IN
PC	T-ONE	FN	IN	AMP	CP	PC	TOW HARN	FN	IN	AMP	CP	TYPE	ELEC	POS	CHOICE 1	CHOICE 2	6-WAY ADAPTER			
LEXUS (Continued)																				
E13	118255	BN,CH	20	2,1,5,6	X	E3	118252	BN,RD	5	7.5		4-Flat	B,E	SUV3,4	119191	119148				
LINCOLN																				
E5	118344	BN	10	7.5									A	SUV1,2	119148	20252	20320	20321	20224	
							74682 85219	RD RD	10 5			Both 7-Way	A	SUV6	119148	20252				
													A	SUV1,2	119148	20252	20320	20321	20224	
													A,E	PC3,4	119191	119148				
E18	118682	CH	45	4,2,7,5	X								A,E	PC3,4						
E17	118373		20	2,1,4,2									G	PC3,4		119251				
													A	PU3	119148	20252	20320	20321	20224	3035-P 5
													A	PU3	119148	20252	20320	20321	20224	3035-P 5
							74682 85219	RD RD	10 5			Both 7-Way	A	PU3	119148	20252				
													E	PC3,4	119191	119148				
E14	118284	CH	45	5,7,5									B,E	SUV1,2	119191	119148	20320	20321	20224	
													B,E	SUV1,2	119191	119148	20320	20321	20224	
E18	118471	CH	45	2,1,5,6	X								B,E	PC3,4	119191	119148				
E15	118599	CH	45	2,1,5,6	X								B,E	PC3,4	119191	119148				
E18	118507	CH	45	2,1,5,6	X								A,E	SUV3,4	119191	119148	20320	20321	20224	3035-P 5
							74682 85219	RD RD	10 5			Both 7-Way	A	SUV6	119148	20252				
E18	118507	CH	45	2,1,5,6	X								A,E	SUV3,4	119191	119148	20320	20321	20224	3036-P 20
													A,E	SUV3,4	119191	119148	20320	20321	20224	3036-P 20
E17	118551	CH	45	4,2,7,5	X								N	SUV1,2		119251	20320	20321		
E23	118519	CH	45	4,2,7,5	X								N	SUV1,2		119251	20320	20321		
E18	118682	CH	45	4,2,7,5	X								A,E	SUV1,2	119191	119148				
E17	118502	CH	45	2,1,5,6	X								B,E	PC3,4	119191	119148				
E21	118543	CH,TR	45	2,1,5,6	X								B,E	PC3,4	119191	119148				
E17	118591	CH	45	2,1,5,6	X								A,E	PC1,2	119191	119148				
E5	118344	BN	10	7.5									A	SUV1,2	119148	20252	20320	20321	20224	3035-P 5
							74682 85219	RD RD	10 5			Both 7-Way	A	SUV6	119148	20252				3035-P 5
						E5	118344	BN	10	7.5		4-Flat	A	SUV1,2	119148	20252				
							74682 85219	RD RD	10 5			Both 7-Way	A	SUV6	119148	20252				3034-P 20
							74682 85219	RD RD	10 5			Both 7-Way	A	SUV6	119148	20252				3036-P 20
													A,E	PC3,4	119191	119148	20320	20321	20224	
													A,E	PC3,4	119191	119148	20320	20321	20224	
													A,E	PC3,4	119191	119148	20320	20321	20224	
E17	118502	CH	45	2,1,5,6	X								B,E	PC3,4	119191	119148				
MAZDA																				
E17	118520	CH	45	2,1,5,6	X								B,E	PC3,4	119191	119148				
E14	118420	CG	15	2,1,5	X								B	PC3,4	119130	119178				
E14	118420	CG	15	2,1,5	X								B	PC3,4	119130	119178				
													B,E	PC3,4	119191	119148				

- A** 2 wire system.
- B** 3 wire system. Converter required.
- BN** Exterior mounted plug on some or all models. May require an aftermarket electrical mounting box or bracket. (Sold separately)
- CG** T-One incorporates circuit protected taillight converter.
- CH** T-One is equipped with circuit protected Modulite® module.
- E** Modulite® required.
- G** Low-side switching system.
- N** DO NOT cut or splice vehicle wiring. Only use approved T-One or see auto dealer for trailer tow wiring kit.
- RD** For vehicles equipped with factory tow package may require additional components or may be used as a replacement harness.
- TR** Trimming or Modification of the vehicle connector may be required.

- RT3** Round Tube Class III 2"
- RT4** Round Tube Class IV 2"
- SQ1** Square Tube Class I
- SQ2** Square Tube Class II
- SQ3** Square Tube Class III
- SQ4** Square Tube Class IV
- SQ5** Square Tube Class V

MODEL / STYLE	YEAR	TRAILER HITCHES									
		PC	REC TYPE	REC SIZE	PART #	NO DRILL	FOOTNOTES	OPTIONAL DRAWBAR	WC (LBS.)	WD (LBS.)	IN
MAZDA (Continued)											
3 5 Dr. Hatchback, w/Grand Touring LED Taillights	06-09	27	SQ1	1-1/4	24816		GP	3592	200/2,000		35
3 4 Dr. Sedan, Except w/Grand Touring LED Taillights	10-13	25	SQ1	1-1/4	24842	0	GP	3594	200/2,000		20
3 4 Dr. Sedan, w/Grand Touring LED Taillights	10-13	25	SQ1	1-1/4	24842	0	GP	3594	200/2,000		20
3 5 Dr. Hatchback, Except w/Grand Touring LED Taillights	10-13	20	SQ1	1-1/4	24843	0	GP	3594	200/2,000		15
3 5 Dr. Hatchback, w/Grand Touring LED Taillights	10-13	20	SQ1	1-1/4	24843	0	GP	3594	200/2,000		15
3 4 Dr. Sedan	14-17	25	RT1	1-1/4	24912	0	HM,JR	3593	200/2,000		15
3 5 Dr. Hatchback	14-18	25	SQ1	1-1/4	24914	0	HM,JR	3593	200/2,000		30
5	06-10	20	SQ1	1-1/4	24773		GP	3593	200/2,000		25
5	12-17	24	SQ1	1-1/4	24874		GP	3592	200/2,000		25
6 4 Dr. Sedan	03-08	39	SQ1	1-1/4	24775		GP,JR,TA	3594	200/2,000		45
6 5 Dr. Hatchback	04-08	39	SQ1	1-1/4	24775		GP,JR,TA	3594	200/2,000		45
6 Sport Wagon	04-07	16	SQ1	1-1/4	24785	0	TA,GP	3593	200/2,000		25
6 4 Dr. Sedan	09-13	25	SQ1	1-1/4	24832		GP,JR	3592	200/2,000		30
6 4 Dr. Sedan	14-17	25	SQ1	1-1/4	24908	0	HM	3594	200/2,000		30
B2300	94-97	24	SQ3	2	75082		EG,SD,GP		400/4,000	750/6,000	20
		50	SQ3	2	37136	0			500/5,000	600/6,000	40
B2300	02-09	24	SQ3	2	75082		SD,V,GP		400/4,000	750/6,000	20
		50	SQ3	2	37136	0			500/5,000	600/6,000	40
B2500	98-01	24	SQ3	2	75082		SD,V,GP		400/4,000	750/6,000	20
		50	SQ3	2	37136	0			500/5,000	600/6,000	40
B3000	94-97	24	SQ3	2	75082		EG,SD,GP		400/4,000	750/6,000	20
		50	SQ3	2	37136	0			500/5,000	600/6,000	40
B3000	98-01	24	SQ3	2	75082		SD,V,GP		400/4,000	750/6,000	20
		50	SQ3	2	37136	0			500/5,000	600/6,000	40
B3000	02-08	24	SQ3	2	75082		SD,V,GP		400/4,000	750/6,000	20
		50	SQ3	2	37136	0			500/5,000	600/6,000	40
B4000	94-97	24	SQ3	2	75082		EG,SD,GP		400/4,000	750/6,000	20
		50	SQ3	2	37136	0			500/5,000	600/6,000	40
B4000	98-01	24	SQ3	2	75082		SD,V,GP		400/4,000	750/6,000	20
		50	SQ3	2	37136	0			500/5,000	600/6,000	40
B4000	02-09	24	SQ3	2	75082		SD,V,GP		400/4,000	750/6,000	20
		50	SQ3	2	37136	0			500/5,000	600/6,000	40
CX-3	16-18	35	SQ1	1-1/4	24933	0	JR,GP	3593	200/2,000		25
CX-5	13-15	35	SQ3	2	75748†	0	GP,JR		525/3,500		40
CX-5	13-16	23	SQ2	1-1/4	36602†	0	GP,JR	36061	300/3,500		30
		23	SQ2	1-1/4	36601	0	GP,JR	36051	350/3,500		30
		24	SQ3	2	76138	0	GP,JR		675/4,500		20
CX-5	17-18	23	SQ2	1-1/4	36601	0	GP,JR	36051	350/3,500		20
		24	SQ3	2	76138	0	GP,JR		675/4,500		20
CX-7	07-12	34	SQ2	1-1/4	36419	0	GP,JR	36061	300/3,500		40
		29	SQ3	2	75512	0	GP,JR		350/3,500		40
CX-9	07-15	37	RT3	2	75531	0	HM		400/4,000	400/4,000	15
CX-9	16-17	24	SQ2	1-1/4	36772	0	SV,JR,GP	36071	300/3,500		30
		24	SQ3	2	76020	0	SV,JR,GP		675/4,500	675/4,500	30
CX-9	18-18	24	SQ2	1-1/4	36772	0	SV,JR,GP	36071	300/3,500		30
		24	SQ3	2	76020	0	SV,JR,GP		675/4,500	675/4,500	30
MPV Except w/Ground Effects	00-03	46	SQ3	2	75108	0			350/3,500	500/5,000	15
MPV w/Ground Effects	00-03	52	RT3	2	75507	0	HM,JR		350/3,500	500/5,000	20
MPV	04-06	52	RT3	2	75507	0	HM,JR		350/3,500	500/5,000	20
Protege	99-03	25	SQ1	1-1/4	24675	0	HM	3593	200/2,000		20
Protege5	02-03	36	SQ1	1-1/4	24714	0	JR,GP	3593	200/2,000		15
Tribute	01-03	38	RT3	2	75118	0	HM,KH		350/3,500	500/5,000	35
		50	SQ3	2	37136		KH		500/5,000	600/6,000	60

EG Relocation of spare tire bracket is not required. NOTE: 19mm open end style wrench must be purchased to allow removal of spare tire after hitch installation.

GP Hitch cross-tube concealed behind bumper.

HM Hitch cross-tube is visible beneath bumper.

JR Exhaust must be temporarily lowered for installation.

KH Minor heat shield modification may be required.

SD Hitches produced before 07/21/06 are rated at 350/3500 WC.

SV Trimming or removal of under body appearance panel may be required.

TA Trunk access required for hitch installation.

V For vehicles with factory installed step bumpers only.

T-ONE					TOW HARNESS					4-FLAT WIRING				REQ. 4 FLAT WIRING		7-WAY HARDWIRE	BRAKE CONTROL HARNESS	IN	
PC	T-ONE	FN	IN	AMP	CP	TOW HARN	FN	IN	AMP	CP	TYPE	ELEC	POS	CHOICE 1	CHOICE 2				6-WAY ADAPTER
MAZDA (Continued)																			
E14	118420	CG	15	2.1,5	X							B,E	PC3,4	119191	119148				
												B	PC3,4	119130	119178				
												B,E	PC3,4	119191	119148				
E14	118420	CG	15	2.1,5	X							B	PC3,4	119130	119178				
												B,E	PC3,4	119191	119148				
E16	118405	CH	45	2.1,5,6	X							B,E	PC3,4	119191	119148				
E16	118405	CH	45	2.1,5,6	X							B,E	PC3,4	119191	119148				
E17	118520	CH	45	2.1,5,6	X							B,E	PC3,4	119191	119148		20321		
E17	118520	CH	45	2.1,5,6	X							B,E	PC3,4	119191	119148		20321		
E16	118405	CH	45	2.1,5,6	X							B,E	PC3,4	119191	119148				
E16	118405	CH	45	2.1,5,6	X							B,E	PC3,4	119191	119148				
												B,E	PC3,4	119191	119148				
E19	118483	CH	45	2.1,5,6	X							B,E	PC3,4	119191	119148				
E17	118587	CH	45	2.1,5,6	X							B,E	PC3,4	119191	119148				
E9	118325	BN,HG	5	2.1,5								B	PU3	119130	119178	20320	20321	20224	
E9	118325	BN,HG	5	2.1,5								B	PU3	119130	119178	20320	20321	20224	
E9	118325	BN,HG	5	2.1,5		E2	118241	BN,RD	5	7.5	4-Flat	B	PU3	119130	119178	20320	20321	20224	
E9	118325	BN,HG	5	2.1,5								B	PU3	119130	119178	20320	20321	20224	
E9	118325	BN,HG	5	2.1,5		E2	118241	BN,RD	5	7.5	4-Flat	B	PU3	119130	119178	20320	20321	20224	
E9	118325	BN,HG	5	2.1,5								B	PU3	119130	119178	20320	20321	20224	
E9	118325	BN,HG	5	2.1,5								B	PU3	119130	119178	20320	20321	20224	
E9	118325	BN,HG	5	2.1,5		E2	118241	BN,RD	5	7.5	4-Flat	B	PU3	119130	119178	20320	20321	20224	
E9	118325	BN,HG	5	2.1,5								B	PU3	119130	119178	20320	20321	20224	
E14	118718	CH	45	5,7,5	X							B,E	SUV3,4	119191	119148				
E19	118563	CH	45	4,2,7,5	X							B,E	SUV3,4	119191	119148	20320	20321	20224	
E19	118563	CH	45	4,2,7,5	X							B,E	SUV3,4	119191	119148				
E15	118746	CH	45	5,7,5	X									119191	119148				
E16	118405	CH	45	2.1,5,6	X	E12	118249	RD	5	2.1,4,2	X	4-Flat	B,E	SUV3,4	119191	119148	20320	20321	20224
E17	118520	CH	45	2.1,5,6	X								B,E	SUV3,4	119191	119148	20320	20321	20224
						E9	118278	CH	25		X	4-Flat	B,E	SUV3,4	119191	119148			
													B	SUV1,2	119130	119178	20320	20321	20224
													B	SUV1,2	119130	119178	20320	20321	20224
													B	SUV1,2	119130	119178	20320	20321	20224
													B	PC3,4	119130	119178			
													B	PC1,2	119130	119178			
E9	118343	HG,RW	10	2.1,5								B	SUV1,2	119130	119178	20320	20321	20224	

B 3 wire system. Converter required.
BN Exterior mounted plug on some or all models. May require an aftermarket electrical mounting box or bracket. (Sold separately)
CG T-One incorporates circuit protected taillight converter.
CH T-One is equipped with circuit protected ModuLite® module.

E ModuLite® required.
HG T-One incorporates taillight converter.
RD For vehicles equipped with factory tow package may require additional components or may be used as a replacement harness.
RW On some models it may require an upgraded flasher or ModuLite®.

RT1 Round Tube Class I 1-1/4"
RT3 Round Tube Class III 2"
SQ1 Square Tube Class I
SQ2 Square Tube Class II
SQ3 Square Tube Class III

MODEL / STYLE	YEAR	TRAILER HITCHES									
		PC	REC TYPE	REC SIZE	PART #	NO DRILL	FOOTNOTES	OPTIONAL DRAWBAR	WC (LBS.)	WD (LBS.)	IN
MAZDA (Continued)											
Tribute	04-04	38	RT3	2	75118	0	HM		350/3,500	500/5,000	35
		50	SQ3	2	37136				500/5,000	600/6,000	60
Tribute	05-06	22	SQ2	1-1/4	36501		HM	36051	300/3,500		20
		34	RT3	2	75751	0	HM		675/4,500	675/5,250	25
Tribute	08-11	22	SQ2	1-1/4	36501		HM	36051	300/3,500		20
		34	RT3	2	75751	0	HM		675/4,500	675/5,250	25
MERCEDES-BENZ											
C300 Sedan, Except Models w/Sport Package	15-18	27	SQ1	1-1/4	24953	0	DU,GP,SV	3593	200/2,000		75
GLA250	15-18	36	SQ3	2	75223	0	GP,JR,TA,KH,FE		350/3,500		90
GLC250	17-18										
GLC300	16-18	27	SQ3	2	76082	0	JR,GP,KH,TA,AA,DU,TW		675/4,500		65
GLC350e	18-18										
GLC43 AMG	17-18										
GLC63 AMG	18-18										
GLC63 AMG S	18-18										
GLE350 Except w/Active Curve System	16-18	52	SQ4	2	76141	0	GP,JR,SV,KH		700/7,000	700/7,000	40
GLK350	10-12	56	RT3	2	75774	0	HM		600/4,000		20
GLK350	13-15	56	RT3	2	75774	0	HM		600/4,000		20
Metris	16-17	32	RT3	2	76015	0	HM		750/5,000	750/6,000	20
ML320	98-02	34	SQ3	2	75087	0			500/5,000	500/5,000	30
ML320 CDI Except w/Adaptive Variable Suspension	07-08	50	SQ3	2	75376		MB,TA		350/3,500	400/4,000	50
ML350	03-05	34	SQ3	2	75087	0			500/5,000	500/5,000	30
ML350 Except w/Adaptive Variable Suspension	06-09	50	SQ3	2	75376		MB,TA		350/3,500	400/4,000	50
ML350 Except BlueTEC or w/Adaptive Variable Suspension	10-11	50	SQ3	2	75376		MB,TA		350/3,500	400/4,000	50
ML350 Except BlueTEC & w/Active Curve System	12-15	54	SQ3	2	75874†	0	GP,JR,KA,MB		525/3,500	525/4,000	30
ML350 Except w/Active Curve System	12-15	52	SQ4	2	76141	0	GP,JR,SV,KH		700/7,000	700/7,000	40
ML430	99-01	34	SQ3	2	75087	0			500/5,000	500/5,000	30
ML450 Hybrid, Except w/Adaptive Variable Suspension	10-11	50	SQ3	2	75376		MB,TA		350/3,500	400/4,000	50
ML500	02-05	34	SQ3	2	75087	0			500/5,000	500/5,000	30
ML500 Except w/Adaptive Variable Suspension	06-07	50	SQ3	2	75376		MB,TA		350/3,500	400/4,000	50
ML550 Except w/Adaptive Variable Suspension	08-11	50	SQ3	2	75376		MB,TA		350/3,500	400/4,000	50
R320 BlueTEC	09-09	43	SQ3	2	75470	0	SC		350/3,500		25
R320 BlueTEC w/Panoramic Roof Package	09-09	43	SQ3	2	75470		SC		350/3,500		50
R320 CDI	07-08	43	SQ3	2	75470	0	SC		350/3,500		25
R320 CDI w/Panoramic Roof Package	07-08	43	SQ3	2	75470		SC		350/3,500		50
R350	06-12	43	SQ3	2	75470	0	SC		350/3,500		25
R350 w/Panoramic Roof Package	06-12	43	SQ3	2	75470		SC		350/3,500		50
R500	06-07	43	SQ3	2	75470	0	SC		350/3,500		25
R500 w/Panoramic Roof Package	06-07	43	SQ3	2	75470		SC		350/3,500		50
Sprinter 144" & 170" Wheelbase, Except w/Factory Step Bumper	07-11	53	SQ4	2	75549	0	HM,UL		600/6,000	750/7,500	20
Sprinter w/Factory Step Bumper Excluding Models w/30-3/8" Frame Width	07-11	52	SQ3	2	75601	0	HM		500/5,000	750/7,500	30
Sprinter 144" & 170" Wheelbase, Except w/Factory Step Bumper	12-13	53	SQ4	2	75549	0	HM,UL		600/6,000	750/7,500	20
Sprinter w/Factory Step Bumper Excluding Models w/30-3/8" Frame Width	12-13	52	SQ3	2	75601	0	HM		500/5,000	750/7,500	30
Sprinter 144" & 170" Wheelbase, Except w/Factory Step Bumper	14-17	53	SQ4	2	75549	0	HM,UL		600/6,000	750/7,500	20
Sprinter w/Factory Step Bumper Excluding Models w/30-3/8" Frame Width	14-17	52	SQ3	2	75601	0	HM		500/5,000	750/7,500	30
Sprinter	18-18										
Sprinter 2500	07-09										
Sprinter 2500 144" & 170" Wheelbase, Except w/Factory Step Bumper	10-11	53	SQ4	2	75549	0	HM,UL		600/6,000	750/7,500	20

AA Requires temporary removal of bumper during installation.

DU Fascia removal required.

FE Fascia trimming may be required. Allow additional installation time.

GP Hitch cross-tube concealed behind bumper.

HM Hitch cross-tube is visible beneath bumper.

JR Exhaust must be temporarily lowered for installation.

KA Gasoline engine models only.

KH Minor heat shield modification may be required.

MB Will not fit models equipped with air suspension package.

SC Minor trimming of plastic trunk pan required.

SV Trimming or removal of under body appearance panel may be required.

TA Trunk access required for hitch installation.

TW Receiver hitch may limit hands-free liftgate sensor range

UL This hitch will not fit a Sprinter single or dual rear-wheel vehicle with a 30-3/8" wide frame measured outside of frame to outside of frame.

T-ONE					TOW HARNESS					4-FLAT WIRING				REQ. 4 FLAT WIRING		7-WAY HARDWARE	BRAKE CONTROL HARNESS	IN			
PC	T-ONE	FN	IN	AMP	CP	PC	TOW HARN	FN	IN	AMP	CP	TYPE	ELEC	POS	CHOICE 1				CHOICE 2	6-WAY ADAPTER	7-WAY ADAPTER
MAZDA (Continued)																					
													B,E	SUV1,2	119191	119148	20320	20321	20224		
E17	118426	BN,CH	45	2,1,4,2	X								B,E	SUV1,2	119191	119148	20320	20321	20224		
E17	118551	CH	45	4,2,7,5	X	E1	118251	BN,QP,RD	5	7.5		4-Flat	A	SUV1,2	119148	20252	20320	20321	20224		
MERCEDES-BENZ																					
													A,E	PC3,4							
													B,E	SUV1,2	119191	119148					
E16	118747	CH	45	5,7,5	X								B,E	SUV1,2	119191	119148					
E16	118747	CH	45	5,7,5	X								B,E	SUV1,2	119191	119148					
E16	118747	CH	45	5,7,5	X								B,E	SUV1,2	119191	119148					
E16	118747	CH	45	5,7,5	X								B,E	SUV1,2	119191	119148					
E16	118747	CH	45	5,7,5	X								B,E	SUV1,2	119191	119148					
E16	118747	CH	45	5,7,5	X								B,E	SUV1,2	119191	119148					
													B,E	SUV3,4	119191	119148	20320	20321	20224		
													BT	SUV3,4	119251	119191	20320	20321	20224		
													BM	SUV3,4	119251	119191	20320	20321	20224		
													BTT	SUV1,2	119251	119191					
													E	SUV3	119191	119148	20320	20321	20224		
													BM	SUV3,4	119251	119191	20320	20321			
													E	SUV3	119191	119148	20320	20321	20224		
													BM	SUV3,4	119251	119191	20320	20321			
													BM	SUV3,4	119251	119191	20320	20321	20224		
													A,E	SUV3,4	119191	119148	20320	20321	20224		
													A,E	SUV3,4	119191	119148	20320	20321	20224		
													E	SUV3	119191	119148	20320	20321	20224		
													BM	SUV3,4	119251	119191	20320	20321	20224		
													E	SUV3	119191	119148	20320	20321	20224		
													BT	SUV3,4	119251	119191	20320	20321			
													BM	SUV3,4	119251	119191	20320	20321			
													BM	SUV3,4	119251	119191	20320	20321			
													BM	SUV3,4	119251	119191	20320	20321			
													BM	SUV3,4	119251	119191	20320	20321			
													BM	SUV3,4	119251	119191	20320	20321			
													BT	SUV3,4	119251	119191	20320	20321			
													BT	SUV3,4	119251	119191	20320	20321			
													BT	SUV3,4	119251	119191	20320	20321			
E17	118650	CH	45	5,7,5	X								B,E	SUV1,2	119191	119148	20320	20321	20224	3063-P	10
E17	118650	CH	45	5,7,5	X								B,E	SUV1,2	119191	119148	20320	20321	20224	3063-P	10
E17	118650	CH	45	5,7,5	X								B,E	SUV1,2	119191	119148	20320	20321	20224	3030-P	10
E17	118650	CH	45	5,7,5	X								B,E	SUV1,2	119191	119148	20320	20321	20224	3030-P	10
E19	118649	CH	45	5,7,5	X		22115		90			7-Way	BT	SUV3,4	119251	119191	20320	20321	20224	3030-P	10
E19	118649	CH	45	5,7,5	X		22115		90			7-Way	BT	SUV3,4	119251	119191	20320	20321	20224	3030-P	10
																				3030-P	10
																				3063-P	10
E17	118650	CH	45	5,7,5	X								B,E	SUV3,4	119192	119191	20320	20321	20224	3063-P	10

- A** 2 wire system.
- B** 3 wire system. Converter required.
- BM** Multiplexed wiring system. ModuLite® HD Plus or Ultra required.
- BN** Exterior mounted plug on some or all models. May require an aftermarket electrical mounting box or bracket. (Sold separately)
- BT** Shared Brake/Tail multiplexed wiring system. ModuLite® HD Plus or Ultra required.
- BTT** Shared Brake/Tail/Turn multiplexed wiring system. ModuLite® HD Plus or Ultra required.
- CH** T-One is equipped with circuit protected ModuLite® module.
- E** ModuLite® required.
- QP** Will not fit vehicles with backup sensors built into rear bumper.
- RD** For vehicles equipped with factory tow package may require additional components or may be used as a replacement harness.

- RT3** Round Tube Class III 2"
- SQ1** Square Tube Class I
- SQ2** Square Tube Class II
- SQ3** Square Tube Class III
- SQ4** Square Tube Class IV

MODEL / STYLE	YEAR	TRAILER HITCHES										
		PC	REC TYPE	REC SIZE	PART #	NO DRILL	FOOTNOTES	OPTIONAL DRAWBAR	WC (LBS.)	WD (LBS.)	IN	
MERCEDES-BENZ (Continued)												
Sprinter 2500 w/Factory Step Bumper Excluding Models w/30-3/8" Frame Width	10-11	52	SQ3	2	75601	0	HM		500/5,000	750/7,500	30	
Sprinter 2500 144" & 170" Wheelbase, Except w/Factory Step Bumper	12-13	53	SQ4	2	75549	0	HM,UL		600/6,000	750/7,500	20	
Sprinter 2500 w/Factory Step Bumper Excluding Models w/30-3/8" Frame Width	12-13	52	SQ3	2	75601	0	HM		500/5,000	750/7,500	30	
Sprinter 2500 144" & 170" Wheelbase, Except w/Factory Step Bumper	14-17	53	SQ4	2	75549	0	HM,UL		600/6,000	750/7,500	20	
Sprinter 2500 w/Factory Step Bumper Excluding Models w/30-3/8" Frame Width	14-17	52	SQ3	2	75601	0	HM		500/5,000	750/7,500	30	
Sprinter 2500	18-18											
Sprinter 3500	07-09											
Sprinter 3500 144" & 170" Wheelbase, Except w/Factory Step Bumper	10-11	53	SQ4	2	75549	0	HM,UL		600/6,000	750/7,500	20	
Sprinter 3500 w/Factory Step Bumper Excluding Models w/30-3/8" Frame Width	10-11	52	SQ3	2	75601	0	HM		500/5,000	750/7,500	30	
Sprinter 3500 144" & 170" Wheelbase, Except w/Factory Step Bumper	12-13	53	SQ4	2	75549	0	HM,UL		600/6,000	750/7,500	20	
Sprinter 3500 w/Factory Step Bumper Excluding Models w/30-3/8" Frame Width	12-13	52	SQ3	2	75601	0	HM		500/5,000	750/7,500	30	
Sprinter 3500 144" & 170" Wheelbase, Except w/Factory Step Bumper	14-17	53	SQ4	2	75549	0	HM,UL		600/6,000	750/7,500	20	
Sprinter 3500 w/Factory Step Bumper Excluding Models w/30-3/8" Frame Width	14-17	52	SQ3	2	75601	0	HM		500/5,000	750/7,500	30	
Sprinter 3500	18-18											
MERCURY												
Cougar	96-97	41	SQ2	1-1/4	36179	0	GP		36063	300/3,500	40	
Grand Marquis	92-97	36	SQ1	1-1/4	24526		CA,GP		3592	200/2,000	25	
		39	SQ2	1-1/4	36116		CA,GP		36063	300/3,500	30	
		38	SQ3	2	41116		CA,GP			350/3,500	750/6,000	30
Grand Marquis	98-11	36	SQ1	1-1/4	24526		CA,GP		3592	200/2,000	25	
		39	SQ2	1-1/4	36116		CA,GP		36063	300/3,500	30	
		38	SQ3	2	41116		CA,GP			350/3,500	750/6,000	30
Marauder	03-04	36	SQ1	1-1/4	24526		CA,GP		3592	200/2,000	25	
		39	SQ2	1-1/4	36116		CA,GP		36063	300/3,500	30	
		38	SQ3	2	41116		CA,GP			350/3,500	750/6,000	30
Mariner	05-07	22	SQ2	1-1/4	36501		HM		36051	300/3,500	20	
		34	RT3	2	75751	0	HM			675/4,500	675/5,250	25
Mariner	08-11	22	SQ2	1-1/4	36501		HM		36051	300/3,500	20	
		34	RT3	2	75751	0	HM			675/4,500	675/5,250	25
Milan	06-09	39	SQ1	1-1/4	24775		GP,JP,TA		3592	200/2,000	45	
Milan	10-11	25	SQ1	1-1/4	24865	0	GP,JP		3594	200/2,000	20	
Montego	05-07	33	SQ2	1-1/4	36360	0	GP,JP		36071	300/3,500	30	
		42	SQ3	2	75299	0	JP			350/3,500	400/4,000	30
Monterey	04-07	41	SQ2	1-1/4	36318	0	GP,JP		36071	300/3,500	25	
		45	SQ3	2	75158		GP,JP			350/3,500	500/5,000	30
Mountaineer	97-01	32	SQ2	1-1/4	36246	0	HM		36051	300/3,500	15	
		34	RT3	2	75083	0	JF,HM			500/5,000	600/6,000	15
		31	SQ3	2	75096	0	HM			500/5,000	750/7,500	15
Mountaineer w/Factory 7-Way	00-10											
Mountaineer	02-03	51	RT3	2	75132	0	HM,KL			500/5,000	800/8,000	20

CA Models with dual exhaust require exhaust modification.
GP Hitch crosstube concealed behind bumper.
HM Hitch crosstube is visible beneath bumper.
JF Will not fit with 16" spare tire.

JR Exhaust must be temporarily lowered for installation.
KL Hitch is designed to attach beneath the OEM hitch.
TA Trunk access required for hitch installation.
UL This hitch will not fit a Sprinter single or dual rear-wheel vehicle with a 30-3/8" wide frame measured outside of frame to outside of frame.

T-ONE						TOW HARNESS						4-FLAT WIRING				REQ. 4 FLAT WIRING		7-WAY HARDWARE	BRAKE CONTROL HARNESS	IN	
PC	T-ONE	FN	IN	AMP	CP	PC	TOW HARN	FN	IN	AMP	CP	TYPE	ELEC	POS	CHOICE 1	CHOICE 2	6-WAY ADAPTER				7-WAY ADAPTER
MERCEDES-BENZ (Continued)																					
E17	118650	CH	45	5,7.5	X								B,E	SUV3,4	119192	119191	20320	20321	20224	3063-P	10
E17	118650	CH	45	5,7.5	X								B,E	SUV3,4	119192	119191	20320	20321	20224	3030-P	10
E17	118650	CH	45	5,7.5	X								B,E	SUV3,4	119192	119191	20320	20321	20224	3030-P	10
E19	118649	CH	45	5,7.5	X		22115		90			7-Way	BT	SUV3,4	119251	119191	20320	20321	20224	3030-P	10
E19	118649	CH	45	5,7.5	X		22115		90			7-Way	BT	SUV3,4	119251	119191	20320	20321	20224	3030-P	10
																				3030-P	10
																				3063-P	10
E17	118650	CH	45	5,7.5	X								B,E	SUV3,4	119192	119191	20320	20321	20224	3063-P	10
E17	118650	CH	45	5,7.5	X								B,E	SUV3,4	119192	119191	20320	20321	20224	3063-P	10
E17	118650	CH	45	5,7.5	X								B,E	SUV3,4	119192	119191	20320	20321	20224	3030-P	10
E17	118650	CH	45	5,7.5	X								B,E	SUV3,4	119192	119191	20320	20321	20224	3030-P	10
E19	118649	CH	45	5,7.5	X		22115		90			7-Way	BT	SUV3,4	119251	119191	20320	20321	20224	3030-P	10
E19	118649	CH	45	5,7.5	X		22115		90			7-Way	BT	SUV3,4	119251	119191	20320	20321	20224	3030-P	10
																				3030-P	10
MERCURY																					
E9	118326		20	7.5									A,E	PC3,4	119191	119148					
													A,E	PC3,4	119191	119148	20320	20321	20224		
													A,E	PC3,4	119191	119148	20320	20321	20224		
													A,E	PC3,4	119191	119148	20320	20321	20224		
E17	118551	CH	45	4,2,7.5	X								A,E	SUV1,2	119191	119148	20320	20321	20224		
E17	118551	CH	45	4,2,7.5	X	E1	118251	BN,QP,RD	5	7.5		4-Flat	A	SUV1,2	119148	20252	20320	20321	20224		
E17	118502	CH	45	2,1,5,6	X								B,E	PC3,4	119191	119148					
E17	118502	CH	45	2,1,5,6	X								B,E	PC3,4	119191	119148					
													B,E	PC3,4	119191	119148	20320	20321	20224		
E17	118385	CH	45	2,1,5,6	X								N	SUV1,2		119251	20320	20321			
E16	118345	BN,CH	45	2,1,4,2		E2	118241	BN,RD	5	7.5		4-Flat	B,E	SUV1,2	119191	119148	20320	20321	20224		
							74682	RD	10			Both	A	SUV6	119148	20252					
							85219	RD	5			7-Way	A	SUV1,2	119148	20252					
E5	118344	BN	10	7.5									A	SUV1,2	119148	20252	20320	20321	20224	3035-P	5

A 2 wire system.
B 3 wire system. Converter required.
BN Exterior mounted plug on some or all models. May require an aftermarket electrical mounting box or bracket. (Sold separately)
BT Shared Brake/Tail multiplexed wiring system. ModuLite® HD Plus or Ultra required.
CH T-One is equipped with circuit protected ModuLite® module.
E ModuLite® required.
N DO NOT cut or splice vehicle wiring. Only use approved T-One or see auto dealer for trailer tow wiring kit.
QP Will not fit vehicles with backup sensors built into rear bumper.
RD For vehicles equipped with factory tow package may require additional components or may be used as a replacement harness.

RT3 Round Tube Class III 2"
SQ1 Square Tube Class I
SQ2 Square Tube Class II
SQ3 Square Tube Class III
SQ4 Square Tube Class IV

MODEL / STYLE	YEAR	TRAILER HITCHES									
		PC	REC TYPE	REC SIZE	PART #	NO DRILL	FOOTNOTES	OPTIONAL DRAWBAR	WC (LBS.)	WD (LBS.)	IN
MERCURY (Continued)											
Mountaineer	04-05	51	RT3	2	75132	0	HM,KL		500/5,000	800/8,000	20
Mountaineer w/1-1/4" Receivers	06-07	39	RT3	2	75437	0	HM,KL		500/5,000	800/8,000	25
Mountaineer w/1-1/4" Receivers	08-10	39	RT3	2	75437	0	HM,KL		500/5,000	800/8,000	25
Sable Sedan	96-99	35	SQ1	1-1/4	24699	0	GP,JR	3593	200/2,000		20
		35	SQ2	1-1/4	36252	0	GP,JR	36063	300/3,500		20
Sable Wagon	96-99	35	SQ1	1-1/4	24699	0	GP,JR	3593	200/2,000		20
		35	SQ2	1-1/4	36252	0	GP,JR	36063	300/3,500		20
Sable Sedan	00-03	35	SQ1	1-1/4	24699	0	GP,JR	3592	200/2,000		20
		35	SQ2	1-1/4	36252	0	GP,JR	36063	300/3,500		20
		47	SQ2	1-1/4	36313	0	GP,JR	36061	300/3,500		40
Sable Wagon	00-03	35	SQ1	1-1/4	24699	0	GP,JR	3592	200/2,000		20
		35	SQ2	1-1/4	36252	0	GP,JR	36063	300/3,500		20
		47	SQ2	1-1/4	36313	0	GP,JR	36061	300/3,500		40
Sable Sedan	04-05	47	SQ2	1-1/4	36313	0	GP,JR	36061	300/3,500		40
Sable Wagon	04-05	47	SQ2	1-1/4	36313	0	GP,JR	36061	300/3,500		40
Sable Sedan	08-09	33	SQ2	1-1/4	36360	0	GP,JR	36071	300/3,500		30
		42	SQ3	2	75299	0	JR		350/3,500	400/4,000	30
Villager	93-97	41	SQ2	1-1/4	36261	0	JR,GP	36061	300/3,500		15
		47	SQ3	2	75089	0	JR		350/3,500	500/5,000	15
Villager	98-98	41	SQ2	1-1/4	36261	0	JR,GP	36061	300/3,500		15
		47	SQ3	2	75089	0	JR		350/3,500	500/5,000	15
Villager	99-02	39	SQ2	1-1/4	36277	0	JR,GP	36061	300/3,500		15
		44	SQ3	2	75102	0	JR		350/3,500	500/5,000	15
MINI											
Cooper Countryman Except John Cooper Works Model	11-16	37	SQ1	1-1/4	24934	0	DU,GP,X	3593	200/2,000		70
MITSUBISHI											
Eclipse	06-12	24	SQ1	1-1/4	24754		TA,GP	3592	200/2,000		30
Eclipse Cross	18-18	40	RT3	2	76244	0			675/4,500		20
Endeavor	04-05	41	RT3	2	75163	0	JR		350/3,500	500/5,000	20
Endeavor	06-08	41	SQ3	2	75519	0	JR		350/3,500		25
Endeavor	10-11										
Galant	07-12	19	SQ1	1-1/4	24835	0	JR,KH,HM	3593	200/2,000		30
L200 w/Factory Step Bumper	15-16	33	SQ4	2	76114	0	AA		750/7,500	750/7,500	45
Lancer 4 Dr. Sedan, Except Evolution, Ralliart & w/Dual Exhaust	08-11	27	SQ1	1-1/4	24885	0	GP,JR	3593	200/2,000		25
Lancer 5 Dr. Hatchback, Except Ralliart & w/Dual Exhaust	10-14	27	SQ1	1-1/4	24885	0	GP,JR	3593	200/2,000		25
Lancer 4 Dr. Sedan, Except Evolution, Ralliart & w/Dual Exhaust	12-17	27	SQ1	1-1/4	24885	0	GP,JR	3593	200/2,000		25
Lancer 4 Dr. Sedan, Except Evolution, Ralliart & w/Dual Exhaust	17-17										
Mirage	14-15	27	SQ1	1-1/4	24916	0	HM,JR	3593	200/2,000		20
Mirage Except Mirage G4	17-17	27	SQ1	1-1/4	24916	0	HM,JR	3593	200/2,000		20
Mirage Except Mirage G4	18-18										
Mirage G4	17-17										
Montero Except Montero Sport	01-06	50	SQ3	2	75116	0	KH		500/5,000	550/5,500	20
Montero Sport	97-04	40	SQ3	2	75075	0	GP		500/5,000	550/5,500	20
Outlander	03-06	30	SQ1	1-1/4	24732	0	KH,GP	3591	200/2,000		40
Outlander	07-10	44	SQ3	2	75555	0	HM,JR		400/4,000	400/4,000	25
Outlander Except Outlander Sport	11-13	44	SQ3	2	75555	0	HM,JR		400/4,000	400/4,000	25
Outlander Except Outlander Sport	14-15	36	RT3	2	75888	0	HM,JR		600/4,000	600/4,000	30
Outlander Except Outlander Sport Except Outlander Sport or PHEV	16-18	36	RT3	2	75888	0	HM,JR		600/4,000	600/4,000	30

AA Requires temporary removal of bumper during installation.
DU Fascia removal required.
GP Hitch crosstube concealed behind bumper.
HM Hitch crosstube is visible beneath bumper.
JR Exhaust must be temporarily lowered for installation.

KH Minor heat shield modification may be required.
KL Hitch is designed to attach beneath the OEM hitch.
TA Trunk access required for hitch installation.
X Minor fascia trimming required.

T-ONE					TOW HARNESS					4-FLAT WIRING				REQ. 4 FLAT WIRING		7-WAY HARDWIRE	BRAKE CONTROL HARNESS	IN		
PC	T-ONE	FN	IN	AMP	CP	TOW HARN	FN	IN	AMP	CP	TYPE	ELEC	POS	CHOICE 1	CHOICE 2				6-WAY ADAPTER	7-WAY ADAPTER
MERCURY (Continued)																				
												A	SUV1,2	119148	20252	20320	20321	20224	3035-P	5
												A	SUV1,2	119148	20252	20320	20321	20224	3035-P	5
												B	SUV1,2	119130	119178	20320	20321	20224	3035-P	5
E9	118333	HG	10	2.1,5								B	PC3,4	119130	119178					
												B	PC3,4	119130	119178					
E4	118375		10	7.5								A	PC3,4	119148	20252					
												A	PC3,4	119148	20252					
												B	PC3,4	119130	119178					
												A	PC3,4	119148	20252					
E7	118447		10	7.5								A	PC3,4	119148	20252	20320	20321	20224		
												B	SUV1,2	119130	119178	20320	20321	20224		
E10	118362	BN,HG	5	2.1,5								B	SUV1,2	119130	119178	20320	20321	20224		
												B	SUV1,2	119130	119178	20320	20321	20224		
MINI																				
												B,E	SUV3,4	119191	119148					
MITSUBISHI																				
												E	PC3,4	119191	119148					
												B,E	SUV3							
E12	118516		30	2.1,5,6	X							B,E	SUV1,2	119191	119148	20320	20321	20224		
E12	118516		30	2.1,5,6	X							B,E	SUV1,2	119191	119148	20320	20321	20224		
E12	118516	CH	30	2.1,5,6	X							B,E	SUV3	119191	119148					
E14	118420	CG	15	2.1,5	X							B	PC3,4	119130	119178					
													PU3							
												B,E	PC3,4	119191	119148					
E16	118538		45	2.1,5,6	X							B,E	PC1,2	119191	119148					
E16	118538		45	2.1,5,6	X							B,E	PC3,4	119191	119148					
E16	118538		45	2.1,5,6	X							B,E	PC3,4	119191	119148					
E15	118769	CH	45	5,7,5	X							B,E	PC3,4	119191	119148					
E15	118769	CH	45	5,7,5	X							B,E	PC3,4	119191	119148					
E15	118769	CH	45	5,7,5	X							B,E	PC3,4	119191	119148					
E15	118769	CH	45	5,7,5	X							B,E	PC3,4	119191	119148					
E12	118380	BN,HG	20	2.1,5								B	SUV1,2	119130	119178	20320	20321	20224		
												B	SUV1,2	119130	119178	20320	20321	20224		
E8	118306		25	2.1,5								B,E	SUV3,4	119191	119148					
E18	118518	CH	45	4,2,7,5	X							B,E	SUV3,4	119191	119148	20320	20321	20224		
E18	118518	CH	45	4,2,7,5	X							B,E	SUV3,4	119191	119148	20320	20321	20224		
E17	118482	CH	45	2.1,5,6	X							B,E	SUV3,4	119191	119148	20320	20321	20224		
E17	118482	CH	45	2.1,5,6	X	E12	118277	CH,BN	45	4,2,7,5	X	4-Flat	B,E	SUV3,4	119191	119148	20320	20321	20224	

A 2 wire system.
B 3 wire system. Converter required.
BN Exterior mounted plug on some or all models. May require an aftermarket electrical mounting box or bracket. (Sold separately)
CG T-One incorporates circuit protected taillight converter.
CH T-One is equipped with circuit protected ModuLite® module.
E ModuLite® required.
HG T-One incorporates taillight converter.

RT3 Round Tube Class III 2"
SQ1 Square Tube Class I
SQ2 Square Tube Class II
SQ3 Square Tube Class III
SQ4 Square Tube Class IV

MODEL / STYLE	YEAR	TRAILER HITCHES									
		PC	REC TYPE	REC SIZE	PART #	NO DRILL	FOOTNOTES	OPTIONAL DRAWBAR	WC (LBS.)	WD (LBS.)	IN
MITSUBISHI (Continued)											
Outlander Sport Except PHEV	11-18	25	RT2	1-1/4	36509	0	HM	36051	300/3,500		30
		25	RT3	2	76098	0			675/4,500		20
Raider	06-09	27	SQ3	2	75251	0	HM		500/5,000	800/8,000	20
Raider w/Factory 7-Way	06-09										
RVR (Canada Only)	11-14	25	RT2	1-1/4	36509	0	HM	36051	300/3,500		30
RVR (Canada Only)	11-17	25	RT3	2	76098	0			675/4,500		30
Triton w/Factory Step Bumper	15-16	33	SQ4	2	76114	0	AA		750/7,500	750/7,500	45
NISSAN											
Altima	93-97	39	SQ1	1-1/4	24690	0	HM, JR	3593	200/2,000		20
Altima	98-01	39	SQ1	1-1/4	24690	0	HM, JR	3593	200/2,000		20
Altima	02-06	31	SQ1	1-1/4	24788	0	JR, TA, GP	3592	200/2,000		30
Altima Sedan	07-15	15	SQ1	1-1/4	24796		AE, HM, TA	3594	200/2,000		45
Altima Coupe, Except SR Models	08-13	28	SQ1	1-1/4	24801	0	HM	3594	200/2,000		30
Altima Sedan	16-19	15	SQ1	1-1/4	24796		AE, HM, TA	3594	200/2,000		45
Armada	05-07	38	RT4	2	75741	0	HM		600/6,000	1,000/10,000	15
Armada w/Factory 7-Way	05-14										
Armada	08-14	35	RT4	2	75644	0	HM		600/6,000	1,000/10,000	15
Cube	09-13	20	SQ1	1-1/4	24845		HM, JR	3593	200/2,000		45
Frontier	98-04	41	SQ3	2	75186		GP		400/4,000	550/5,500	30
		50	SQ3	2	37136				500/5,000	600/6,000	35
Frontier	05-17										
		20	SQ3	2	75282	0	GP, TE		750/5,000	800/8,000	30
Frontier w/Factory Tow Package	05-17										
JUKE AWD, Except Nismo & Nismo RS	11-17	27	SQ1	1-1/4	24867	0	HM, JR	3593	200/2,000		40
JUKE FWD, Except Nismo & Nismo RS	11-17	30	SQ1	1-1/4	24892		HM, JR	3593	200/2,000		25
Kicks	18-18										
Leaf	11-14										
Maxima Sedan	95-99	34	SQ1	1-1/4	24686		TA, GP	3593	200/2,000		30
Maxima Sedan	00-02	34	SQ1	1-1/4	24686		TA, GP	3592	200/2,000		30
Maxima Sedan	03-03	34	SQ1	1-1/4	24686		TA, GP	3592	200/2,000		30
Maxima	04-08	31	SQ1	1-1/4	24788	0	JR, TA, GP	3592	200/2,000		30
Maxima	09-14	15	SQ1	1-1/4	24796		AE, HM, TA	3594	200/2,000		45
Maxima	16-19	15	SQ1	1-1/4	24796		AE, HM, TA	3594	200/2,000		45
Murano	03-05	37	SQ3	2	75148	0	JR		350/3,500		30
Murano	06-07	37	SQ3	2	75148	0	JR		350/3,500		30
Murano Except w/Aero Kit & CrossCabriolet	09-14	30	SQ3	2	75647	0	GP, JR		400/4,000		35
Murano	15-19	28	RT3	2	75952	0	HM		600/4,000	600/4,000	15
NP300 Navara International Only	16-17	38	SQ4	2	76078	0	HM		800/8,000	800/8,000	30
NV1500	12-17	28	SQ4	2	75715	0	HM		1,125/7,500	1,000/10,000	20
NV200	13-17	31	RT3	2	75898	0	HM, JR, X		525/3,500		30
NV2500	12-17	28	SQ4	2	75715	0	HM		1,125/7,500	1,000/10,000	20
NV3500	12-17	28	SQ4	2	75715	0	HM		1,125/7,500	1,000/10,000	20
Pathfinder	96-04	39	SQ2	1-1/4	36222	0	HM	36071	300/3,500		20
		34	RT3	2	75077	0			500/5,000	550/5,500	20
Pathfinder	05-12										
Pathfinder	13-17	21	SQ4	2	76031	0	HM		900/6,000	900/6,000	25
Pathfinder	18-19	21	SQ4	2	76031	0	HM		900/6,000	900/6,000	25
Pathfinder Armada	04-04	38	RT4	2	75741	0	HM		600/6,000	1,000/10,000	15
Pathfinder Armada w/Factory 7-Way	04-04										
Pickup	95-97	41	SQ3	2	75186		GP		400/4,000	550/5,500	30
		50	SQ3	2	37136				500/5,000	600/6,000	30

AA Requires temporary removal of bumper during installation.
AE Requires temporary removal of muffler during installation.
GP Hitch crosstube concealed behind bumper.
HM Hitch crosstube is visible beneath bumper.

JR Exhaust must be temporarily lowered for installation.
TA Trunk access required for hitch installation.
TE Hitches produced before 04/20/11 are rated at 500/5000 WC.
X Minor fascia trimming required.

MODEL / STYLE	YEAR	TRAILER HITCHES									
		PC	REC TYPE	REC SIZE	PART #	NO DRILL	FOOTNOTES	OPTIONAL DRAWBAR	WC (LBS.)	WD (LBS.)	IN
NISSAN (Continued)											
Qashqai	17-17	26	SQ3	2	76177	0	GP, JR		525/3,500		45
Quest	93-97	41	SQ2	1-1/4	36261	0	JR, GP	36061	300/3,500		15
		47	SQ3	2	75089	0	JR		350/3,500	500/5,000	15
Quest	98-98	41	SQ2	1-1/4	36261	0	JR, GP	36061	300/3,500		15
		47	SQ3	2	75089	0	JR		350/3,500	500/5,000	15
Quest	99-02	39	SQ2	1-1/4	36277	0	JR, GP	36061	300/3,500		15
		44	SQ3	2	75102	0	JR		350/3,500	500/5,000	15
Quest	04-09	50	SQ3	2	75159	0	JR		350/3,500	500/5,000	20
Quest	11-16	51	RT3	2	75714	0	HM, JR		525/3,500		35
Quest	17-17										
Rogue Except Krom	08-13	18	SQ2	1-1/4	36542	0	GP, TW	36053	300/3,500		15
		23	SQ3	2	75902	0	GP, TW		350/3,500		15
Rogue Except Sport	14-19	18	SQ2	1-1/4	36542	0	GP, TW	36053	300/3,500		15
		23	SQ3	2	75902	0	GP, TW		350/3,500		15
Rogue Select	14-14	18	SQ2	1-1/4	36542	0	GP, TW	36053	300/3,500		15
		23	SQ3	2	75902	0	GP, TW		350/3,500		15
Rogue Sport	17-19	26	SQ3	2	76177	0	GP, JR		525/3,500		45
Sentra	00-02	31	SQ1	1-1/4	24750	0	TA, HM	3593	200/2,000		20
Sentra	03-06	31	SQ1	1-1/4	24750	0	TA, HM	3593	200/2,000		20
Sentra	07-12	22	SQ1	1-1/4	24794		TA, GP	3594	200/2,000		30
Sentra Except SR	13-19	28	SQ1	1-1/4	24907		HM	3593	200/2,000		35
Titan	04-15	38	RT4	2	41551	0			600/6,000	1,000/10,000	15
Titan w/Factory 7-Way	04-16										
Titan Except Titan XD or Models w/ Factory 7-Way Wiring	17-17	40	RT4	2	76154	0	HM		800/8,000	1,200/12,000	30
Titan w/ Factory 7-Way Wiring Except Titan XD	17-17	40	RT4	2	76154	0	HM		800/8,000	1,200/12,000	30
Versa 4 Dr. Sedan	07-11	35	SQ1	1-1/4	24798		HM	3593	200/2,000		25
Versa 5 Dr. Hatchback	07-12	35	SQ1	1-1/4	24798		HM	3593	200/2,000		25
Versa 4 Dr. Sedan	12-17	29	SQ1	1-1/4	24887		HM, JR, KH	3592	200/2,000		30
Versa 4 Dr. Sedan	18-18										
Versa Note	14-17	16	SQ1	1-1/4	24909		HM, JR, KH	3592	200/2,000		30
Versa Note	18-18										
Xterra	00-04	41	RT3	2	75107	0			350/3,500	550/5,500	15
Xterra	05-15										
		37	RT3	2	75291	0			350/3,500	550/5,500	30
Xterra w/Factory Tow Package	05-15										
X-Trail (Canada Only)	05-06	35	SQ1	1-1/4	24740	0	EP, GP	3593	200/2,000		45
OLDSMOBILE											
88	96-99	50	SQ2	1-1/4	36211		GP, KH	36061	300/3,500		30
Alero	99-04	42	SQ2	1-1/4	36288		GP	36071	300/3,500		20
Aurora	01-03	39	SQ2	1-1/4	36309		HM, JR	36063	300/3,500		30
Bravada	96-97	32	SQ2	1-1/4	36244	0	GP	36051	300/3,500		15
		21	RT3	2	75079	0	SD		400/4,000	600/6,000	15
Bravada	98-01	32	SQ2	1-1/4	36244	0	FP, GP, KK	36051	300/3,500		15
		21	RT3	2	75079	0	FP, KK, SD		400/4,000	600/6,000	15
Bravada w/Factory 7-Way	99-04										
Bravada w/Factory 7-Way	02-04										
Cutlass 4 Dr., FWD	97-99	34	SQ1	1-1/4	24656	0	GP	3592	200/2,000		15
		41	SQ2	1-1/4	36233		GP	36061	300/3,500		20
Cutlass Supreme 4 Dr. FWD	92-97	45	SQ2	1-1/4	36124		AI, JR, TA, HM	36053	300/3,500		60

AI Additional installation time may be required.

EP Fascia trimming may be required.

FP Spare tire repositioning and/or modification of spare tire carrier may be required.

GP Hitch crosstube concealed behind bumper.

HM Hitch crosstube is visible beneath bumper.

JR Exhaust must be temporarily lowered for installation.

KH Minor heat shield modification may be required.

KK When installing on a vehicle originally equipped with an OEM hitch, OEM bumper brackets must be purchased and installed prior to new hitch installation.

SD Hitches produced before 07/21/06 are rated at 350/3500 WC.

TA Trunk access required for hitch installation.

TW Receiver hitch may limit hands-free liftgate sensor range

T-ONE					TOW HARNESS					4-FLAT WIRING				REQ. 4 FLAT WIRING		7-WAY HARDWIRE	BRAKE CONTROL HARNESS	IN			
PC	T-ONE	FN	IN	AMP	CP	TOW HARN	FN	IN	AMP	CP	TYPE	ELEC	POS	CHOICE 1	CHOICE 2				6-WAY ADAPTER	7-WAY ADAPTER	
NISSAN (Continued)																					
												B	SUV1,2	119130	119178	20320	20321	20224			
E10	118362	BN,HG	5	2.1,5								B	SUV1,2	119130	119178	20320	20321	20224			
												B	SUV1,2	119130	119178	20320	20321	20224			
E16	118469	CH	45	2.1,5,6	X							B,E	SUV1,2	119191	119148	20320	20321	20224			
E19	118547	BN,CH	45	4.2,7,5	X							B,E	SUV1,2	119191	119148	20320	20321	20224			
E19	118547	BN,CH	45	4.2,7,5	X							B,E	SUV1,2	119191	119148	20320	20321	20224			
E15	118480	CH	45	2.1,5,6	X							B,E	SUV3,4	119191	119148	20320	20321	20224			
E15	118480	CH	45	2.1,5,6	X							B,E	SUV3,4	119191	119148	20320	20321	20224			
E15	118480	CH	45	2.1,5,6	X							B,E	SUV3,4	119191	119148	20320	20321	20224			
E15	118757	CH	45	5.7,5	X							B,E	SUV1,2	119191	119148	20320	20321	20224			
												B	PC3,4	119130	119178						
												B,E	PC3,4	119191	119148						
E17	118470	CH	45	2.1,5,6	X							B,E	PC3,4	119191	119148						
E16	118582	CH	45	2.1,5,6	X							B,E	PC3,4	119191	119148						
						E8	118384	BN,RD	5	7.5		4-Flat	A	PU3	119148	20252	20320	20321	20224	3050-P	5
							74682	RD	10			Both	H	PU3	119148	20252				3050-P	5
							85219	RD	5			7-Way									
													A	PU3	119148	20252	20320	20321	20224	3050-P	5
													H	PU3						3050-P	5
													B,E	PC3,4	119191	119148					
E17	118545	CH	45	2.1,5,6	X							B,E	PC3,4	119191	119148						
												B,E	PC3,4	119191	119148						
												B,E	PC3,4	119191	119148						
E16	118582	CH	45	2.1,5,6	X							B,E	PC3,4	119191	119148						
E16	118582	CH	45	2.1,5,6	X							B,E	PC3,4	119191	119148						
						E1	118244	BN,RD	5	7.5		4-Flat	B	SUV7	119130	119178	20320	20321	20224		
						E21	118266	BN,RD	30			7-Way	H	SUV5	119148	20252					
						E9	118267	BN,RD,Z	30			7-Way	B,E	SUV5	119191	119148					
													B	SUV1,2	119130	119178					
OLDSMOBILE																					
													A	PC3,4	119148	20252					
													B	PC3,4	119130	119178					
													B,E	PC3,4	119191	119148					
													A	SUV7	119148	20252	20320	20321	20224		
						E8	118384	BN,RD	5	7.5		4-Flat	A	SUV7	119148	20252	20320	20321	20224		
E8	118384	BN,RD	5	7.5			74682	RD	10			Both	A	SUV6	119148	20252					
							85219	RD	5			7-Way									
							851511	RD				7-Way									
						E8	118384	BN,RD	5	7.5		4-Flat	H	SUV6	119148	20252					
													B	PC3,4	119130	119178					
													A	PC3,4	119148	20252					

- A** 2 wire system.
- B** 3 wire system. Converter required.
- BN** Exterior mounted plug on some or all models. May require an aftermarket electrical mounting box or bracket. (Sold separately)
- CH** T-One is equipped with circuit protected ModuLite® module.
- E** ModuLite® required.
- H** 3 wire system with OEM standard 2 wire harness.
- HG** T-One incorporates taillight converter.
- RD** For vehicles equipped with factory tow package may require additional components or may be used as a replacement harness.
- Z** May be equipped with Factory Tow Prep Plug. Determine at time of installation.

- RT3** Round Tube Class III 2"
- RT4** Round Tube Class IV 2"
- SQ1** Square Tube Class I
- SQ2** Square Tube Class II
- SQ3** Square Tube Class III

MODEL / STYLE	YEAR	TRAILER HITCHES									
		PC	REC TYPE	REC SIZE	PART #	NO DRILL	FOOTNOTES	OPTIONAL DRAWBAR	WC (LBS.)	WD (LBS.)	IN
OLDSMOBILE (Continued)											
Intrigue	98-02	24	SQ1	1-1/4	24659		TA,GP	3592	200/2,000		30
		37	SQ2	1-1/4	36374		GP,JP	36061	300/3,500		30
LSS	96-99	50	SQ2	1-1/4	36211		GP,KH	36061	300/3,500		30
Regency	97-98	50	SQ2	1-1/4	36211		GP,KH	36061	300/3,500		30
Silhouette	97-04	27	SQ1	1-1/4	24721		AL,GP,JP	3592	200/2,000		30
		27	SQ2	1-1/4	36361		AL,GP,JP	36061	300/3,500		40
		22	SQ3	2	75278		AL,GP,JP		350/3,500	500/5,000	40
PLYMOUTH											
Breeze	96-00	40	SQ2	1-1/4	36301		JR,HM	36061	300/3,500		60
Grand Voyager	96-00	25	SQ1	1-1/4	24702t	0	HM	3593	200/2,000		30
		23	SQ2	1-1/4	36296	0	GP	36071	300/3,500		30
		30	RT3	2	75119				350/3,500	500/5,000	30
		50	SQ3	2	37136				500/5,000	600/6,000	40
Neon	00-01	42	SQ1	1-1/4	24701		GP,JP	3593	200/2,000		20
Voyager	96-00	25	SQ1	1-1/4	24702t	0	HM	3593	200/2,000		30
		23	SQ2	1-1/4	36296	0	GP	36071	300/3,500		30
		30	RT3	2	75119				350/3,500	500/5,000	30
		50	SQ3	2	37136				500/5,000	600/6,000	40
PONTIAC											
Aztek	01-05	34	SQ2	1-1/4	36425	0	HM	36071	300/3,500		40
		33	SQ3	2	75138				350/3,500		55
		28	SQ3	2	75430				350/3,500		40
Bonneville Except SLE/SSE/SSEi	96-99	50	SQ2	1-1/4	36211		GP,KH	36063	300/3,500		30
Bonneville	00-05	39	SQ2	1-1/4	36309		HM,JP	36063	300/3,500		30
G3 5 Dr.	09-09	20	SQ1	1-1/4	24741		GP	3593	200/2,000		30
G3 Wave 5 Dr. (Canada Only)	09-09	20	SQ1	1-1/4	24741		GP	3593	200/2,000		30
G5 Except GT	07-09	20	SQ1	1-1/4	24745		JR,HM	3593	200/2,000		40
G5 GT	07-09	30	SQ1	1-1/4	24756		HM,JP	3594	200/2,000		25
G6	05-09	36	SQ2	1-1/4	36426		GP	36065	300/3,500		30
G8	08-09	31	SQ1	1-1/4	24821	0	JR,KH,HM	3594	200/2,000		45
Grand Am	99-05	42	SQ2	1-1/4	36288		GP	36071	300/3,500		20
Grand Prix	97-08	27	SQ1	1-1/4	24660	0	TA,GP	3594	200/2,000		20
		51	SQ2	1-1/4	36241		JR,GP	36065	300/3,500		35
Grand Prix SE Sedan	97-03	24	SQ1	1-1/4	24659		TA,GP	3592	200/2,000		30
Montana	99-05	27	SQ1	1-1/4	24721		AL,GP,JP	3592	200/2,000		30
		27	SQ2	1-1/4	36361		AL,GP,JP	36061	300/3,500		40
		22	SQ3	2	75278		AL,GP,JP		350/3,500	500/5,000	40
Montana SV6	05-06	27	SQ2	1-1/4	36361		AL,GP,JP	36061	300/3,500		40
		22	SQ3	2	75278		AL,GP,JP		350/3,500	500/5,000	40
Montana SV6 (Canada Only)	07-09	27	SQ2	1-1/4	36361		AL,GP,JP	36061	300/3,500		40
		22	SQ3	2	75278		AL,GP,JP		350/3,500	500/5,000	40
Pursuit 2 Dr. (Canada Only)	05-06	20	SQ1	1-1/4	24745		JR,HM	3593	200/2,000		40
Pursuit 4 Dr. (Canada Only)	05-06	20	SQ1	1-1/4	24745		JR,HM	3593	200/2,000		40
Solstice	06-08	21	SQ1	1-1/4	24833	0	HM,JP	3594	200/2,000		35
Solstice GXP	07-08	21	SQ1	1-1/4	24833	0	HM,JP,X	3594	200/2,000		35
Solstice	09-09	21	SQ1	1-1/4	24833		HM,JP	3594	200/2,000		40
Solstice GXP	09-09	21	SQ1	1-1/4	24833		HM,JP,X	3594	200/2,000		40
Sunfire Except GT	95-99	31	SQ1	1-1/4	24733		GP,JP	3592	200/2,000		40
Sunfire	00-02	39	SQ1	1-1/4	24613		JR,KH,GP	3592	200/2,000		40
Sunfire	03-05	31	SQ1	1-1/4	24733		GP,JP	3592	200/2,000		40
Sunfire GT	95-99	39	SQ1	1-1/4	24613		JR,KH,GP	3592	200/2,000		40
Torrent	06-06	18	SQ2	1-1/4	36408	0	HM	36051	300/3,500		25
		14	RT3	2	76028		HM		675/4,500	675/4,500	30

AL Additional installation time required for vehicles equipped with load leveling compressor.
GP Hitch crosstube concealed behind bumper.
HM Hitch crosstube is visible beneath bumper.
JR Exhaust must be temporarily lowered for installation.

KH Minor heat shield modification may be required.
TA Trunk access required for hitch installation.
X Minor fascia trimming required.

T-ONE					TOW HARNESS					4-FLAT WIRING				REQ. 4 FLAT WIRING		7-WAY HARDWIRE	BRAKE CONTROL HARNESS	IN	
PC	T-ONE	FN	IN	AMP	CP	TOW HARN	FN	IN	AMP	CP	TYPE	ELEC	POS	CHOICE 1	CHOICE 2				6-WAY ADAPTER
OLDSMOBILE (Continued)																			
												B	PC3,4	119130	119178				
												A	PC3,4	119148	20252				
												A	PC3,4	119148	20252				
E8	118355	HG	10	2.1.5								B	SUV3	119130	119178	20320	20321	20224	
PLYMOUTH																			
E10	118334	HG	20	2.1.5								B	PC3,4	119130	119178				
												B	SUV1,2	119130	119178	20320	20321	20224	
												A	PC3,4	119148	20252				
E10	118334	HG	20	2.1.5								B	SUV1,2	119130	119178	20320	20321	20224	
PONTIAC																			
E10	118383	BN	20	7.5								A	SUV1,2	119148	20252	20320	20321	20224	
												E	PC3,4	119191	119148				
												B,E	PC3,4	119191	119148				
E13	118485	CG	15	2.1,7.5	X							B	PC3,4	119130	119178				
												B	PC3,4	119130	119178				
E5	118407	BN	15	7.5								A	PC1,2	119148	20252				
E5	118407	BN	15	7.5								A	PC1,2	119148	20252				
E7	118439	BN	15	7.5								A	PC3,4	119148	20252				
												B	PC3,4	119130	119178				
												B	PC3,4	119130	119178				
												A	PC3,4	119148	20252				
												A	PC3,4	119148	20252				
E8	118355	HG	10	2.1.5								B	SUV3	119130	119178	20320	20321	20224	
E10	118396	BN	15	7.5								A	SUV1,2	119148	20252	20320	20321	20224	
E10	118396	BN	15	7.5								A	SUV1,2	119148	20252	20320	20321	20224	
E5	118407	BN	15	7.5								A	PC1,2	119148	20252				
E8	118398	BN	10	7.5								A	PC1,2	119148	20252				
												A	PC1,2	119148	20252				
												A	PC1,2	119148	20252				
												A	PC1,2	119148	20252				
												A	PC1,2	119148	20252				
												A	PC1,2	119148	20252				
												A	PC1,2	119148	20252				
												A	PC3,4	119148	20252				
												A	PC3,4	119148	20252				
												A	PC3,4	119148	20252				
												A	PC3,4	119148	20252				
E8	118391	CG	10	2.1.5	X							B	SUV3	119130	119178	20320	20321	20224	

A 2 wire system.
B 3 wire system. Converter required.
BN Exterior mounted plug on some or all models. May require an aftermarket electrical mounting box or bracket. (Sold separately)

CG T-One incorporates circuit protected taillight converter.
E ModuLite® required.
HG T-One incorporates taillight converter.

RT3 Round Tube Class III 2"
SQ1 Square Tube Class I
SQ2 Square Tube Class II
SQ3 Square Tube Class III

MODEL / STYLE	YEAR	TRAILER HITCHES									
		PC	REC TYPE	REC SIZE	PART #	NO DRILL	FOOTNOTES	OPTIONAL DRAWBAR	WC (LBS.)	WD (LBS.)	IN
PONTIAC (Continued)											
Torrent	07-09	18	SQ2	1-1/4	36408	0	HM	36051	300/3,500	675/4,500	25
		14	RT3	2	76028	0	HM		30		
Trans Sport	97-98	27	SQ1	1-1/4	24721		AL,GP,JR	3592 36061	200/2,000	500/5,000	30
		27	SQ2	1-1/4	36361		AL,GP,JR		300/3,500		40
		22	SQ3	2	75278		AL,GP,JR		350/3,500		40
Vibe	03-08	15	SQ1	1-1/4	24812	0	HM	3593	200/2,000		15
Vibe Except GT	09-10	15	SQ1	1-1/4	24812	0	HM	3593	200/2,000		15
Wave 5 Dr. (Canada Only)	05-07	20	SQ1	1-1/4	24741		GP	3593	200/2,000		30
Wave5 (Canada Only)	05-07	20	SQ1	1-1/4	24741		GP	3593	200/2,000		30
PORSCHE											
Cayenne	11-17	45	SQ4	2	75950	0	GP,EP,TA		750/7,500		70
Macan	15-17	37	SQ3	2	75940	0	DU,EP,GP,TA		750/5,000		60
RAM											
1500	11-12	11	SQ4	2	75662		CP		600/6,000	1,000/10,000	20
		39	RT5	2	75232	0	CP		1,000/10,000	1,200/12,000	40
		39	SQ5	2	41948	0	@,HM,CP		1,500/12,000	1,500/15,000	30
1500 w/Factory 7-Way	11-17										
1500	13-14	11	SQ4	2	75662		CP		600/6,000	1,000/10,000	20
		39	RT5	2	75232	0	CP		1,000/10,000	1,200/12,000	40
		39	SQ5	2	41948	0	@,HM,CP		1,500/12,000	1,500/15,000	30
1500	15-18	11	SQ4	2	75662		CP		600/6,000	1,000/10,000	20
		39	RT5	2	75232	0	CP		1,000/10,000	1,200/12,000	40
		39	SQ5	2	41948	0	@,HM,CP		1,500/12,000	1,500/15,000	30
1500	19-19	59	SQ5	2	41913	0	@,AA,EF,J,LT		1,700/15,000	1,700/17,000	60
2500	11-12	37	SQ5	2	41929		@,GP,KL,SG		1,200/12,000	1,500/15,000	35
		66	SQ5	2-1/2	45509		#,AA,GH,HM,LT,SO,TO		2,000/18,000	2,500/18,000	95
2500 Except Mega Cab	11-12	64	SQ5	2-1/2	45518		#,KL,SB		1,200/12,000	1,700/14,000	35
2500 w/Factory 7-Way	11-17										
2500	13-14	37	SQ5	2	41929		@,GP,KL,SG		1,200/12,000	1,500/15,000	35
		66	SQ5	2-1/2	45509		#,AA,GH,HM,LT,SO,TO		2,000/18,000	2,500/18,000	95
2500 Except Mega Cab	13-14	64	SQ5	2-1/2	45518		#,KL,SB		1,200/12,000	1,700/14,000	35
2500	15-19	37	SQ5	2	41929		@,GP,KL,SG		1,200/12,000	1,500/15,000	35
		66	SQ5	2-1/2	45509		#,AA,GH,HM,LT,SO,TO		2,000/18,000	2,500/18,000	95
2500 Except Mega Cab	15-19	64	SQ5	2-1/2	45518		#,KL,SB		1,200/12,000	1,700/14,000	35
2500	19-19										
3500	11-12	37	SQ5	2	41929		@,GP,KL,SG		1,200/12,000	1,500/15,000	35
		66	SQ5	2-1/2	45509		#,AA,GH,HM,LT,SO,TO		2,000/18,000	2,500/18,000	95
3500 Cab & Chassis, w/34" Wide Frames	11-12	29	SQ5	2	41936		@		1,200/12,000		30
3500 Except Mega Cab	11-12	50	SQ5	2	41947		@		1,600/15,000	1,600/16,000	35
		64	SQ5	2-1/2	45518		#,KL,SB		1,200/12,000	1,700/14,000	35
3500 w/Factory 7-Way	11-17										
3500	13-14	37	SQ5	2	41929		@,GP,KL,SG		1,200/12,000	1,500/15,000	35
		66	SQ5	2-1/2	45509		#,AA,GH,HM,LT,SO,TO		2,000/18,000	2,500/18,000	95
3500 Except Mega Cab	13-14	64	SQ5	2-1/2	45518		#,KL,SB		1,200/12,000	1,700/14,000	35
3500	15-18	37	SQ5	2	41929		@,GP,KL,SG		1,200/12,000	1,500/15,000	35
		66	SQ5	2-1/2	45509		#,AA,GH,HM,LT,SO,TO		2,000/18,000	2,500/18,000	95
3500 Except Mega Cab	15-18	64	SQ5	2-1/2	45518		#,KL,SB		1,200/12,000	1,700/14,000	35
3500	19-19										
4500 Cab & Chassis, w/34" Wide Frames	11-12	29	SQ5	2	41936		@		1,200/12,000		30
		50	SQ5	2	41947		@		1,600/15,000	1,600/16,000	35

- | | |
|---|--|
| # Titan hitches require use of a 2-1/2" shank Titan ball mount. | HM Hitch cross tube is visible beneath bumper. |
| @ Ultra Frame ball mount must be used to achieve maximum weight carrying rating. | J Under vehicle spare tire storage is retained. |
| AA Requires temporary removal of bumper during installation. | JR Exhaust must be temporarily lowered for installation. |
| AL Additional installation time required for vehicles equipped with load leveling compressor. | KL Hitch is designed to attach beneath the OEM hitch. |
| CP Fits all models without factory installed receiver. | LT Requires removal of factory hitch if equipped. |
| DU Fascia removal required. | SB Will not fit models with short bed. |
| EF Fits all models with standard bumpers. | SG Hitches produced before 09/10/07 are rated at 1000/10000 WC & 1200/12000 WD. |
| EP Fascia trimming may be required. | SO With this hitch installed the step bumper is no longer able to be used as a towing point. |
| GH Will not fit models with 34" wide frames. | TA Trunk access required for hitch installation. |
| GP Hitch cross tube concealed behind bumper. | TO Will not fit models equipped Chassis Cab spring mount. |

T-ONE						TOW HARNESS						4-FLAT WIRING				REQ. 4 FLAT WIRING		7-WAY HARDWIRE	BRAKE CONTROL HARNESS	IN		
PC	T-ONE	FN	IN	AMP	CP	PC	TOW HARN	FN	IN	AMP	CP	TYPE	ELEC	POS	CHOICE 1	CHOICE 2	6-WAY ADAPTER				7-WAY ADAPTER	
PONTIAC (Continued)																						
E7	118432	CE	10	7.5									B	SUV1,2	119130	119178	20320	20321	20224			
E8	118355	HG	10	2.1,5									B	SUV3	119130	119178	20320	20321	20224			
E11	118458	CG	15	2.1,5	X								B	SUV3,4	119130	119178						
E16	118460	CH	45	2.1,4,2	X								B,E	SUV3,4	119191	119148	20320	20321				
													B	PC3,4	119130	119178						
													B	PC3,4	119130	119178						
PORSCHE																						
													B,E	SUV1,2	119191	119148	20320	20321	20224			
													BT	SUV1,2	119251	119191	20320	20321	20224			
RAM																						
						E8	118384	BN,RD	5	7.5			4-Flat	A	PU3	119148	20252	20320	20321	20224	3021-P	5
E8	118384	BN,RD	5	7.5			74682 85219	RD RD	10 5				Both 7-Way	A	PU3	119148	20252					
						E8	118384	BN,RD	5	7.5			4-Flat	A	PU3	119148	20252	20320	20321	20224	3023-P	10
						E8	118384	BN,RD	5	7.5			4-Flat	A	PU3	119148	20252	20320	20321	20224	3024-P	5
													4-Flat	A	PU3						3024-P	5
						E8	118384	BN,RD	5	7.5			4-Flat	A	PU3	119148	20252	20320	20321	20224	3021-P	5
E8	118384	BN,RD	5	7.5			74682 85219	RD RD	10 5				Both 7-Way	A	PU3	119148	20252					
						E8	118384	BN,RD	5	7.5			4-Flat	A	PU3	119148	20252	20320	20321	20224	3023-P	10
						E8	118384	BN,RD	5	7.5			4-Flat	A	PU3	119148	20252	20320	20321	20224	3023-P	10
						E8	118384	BN,RD	5	7.5			4-Flat	A	PU3	119148	20252	20320	20321	20224	3024-P	5
						E8	118384	BN,RD	5	7.5			4-Flat	A	PU3	119148	20252	20320	20321	20224	3024-P	5
						E8	118384	BN,RD	5	7.5			4-Flat	A	PU3	119148	20252	20320	20321	20224	3021-P	5
													4-Flat	A	PU3						3024-P	5
													4-Flat	A	PU3						3024-P	5
													4-Flat	A	PU3	119191	119148	20320	20321	20224		
E8	118384	BN,RD	5	7.5			74682 85219	RD RD	10 5				Both 7-Way	A	PU3	119148	20252					
						E8	118384	BN,RD	5	7.5			4-Flat	A	PU3	119148	20252	20320	20321	20224	3023-P	10
						E8	118384	BN,RD	5	7.5			4-Flat	A	PU3	119148	20252	20320	20321	20224	3023-P	10
						E8	118384	BN,RD	5	7.5			4-Flat	A	PU3	119148	20252	20320	20321	20224	3024-P	5
						E8	118384	BN,RD	5	7.5			4-Flat	A	PU3	119148	20252	20320	20321	20224	3024-P	5
													4-Flat	A	PU3	119191	119148	20320	20321	20224		

- A** 2 wire system.
- B** 3 wire system. Converter required.
- BN** Exterior mounted plug on some or all models. May require an aftermarket electrical mounting box or bracket. (Sold separately)
- BT** Shared Brake/Tail multiplexed wiring system. ModuLite® HD Plus or Ultra required.
- C** 2 or 3 wire system determine at installation.
- CE** T-One includes fuse(s) & relay(s). Converter not required. Standard 2 wire system at factory tow plug.

- CG** T-One incorporates circuit protected taillight converter.
- CH** T-One is equipped with circuit protected ModuLite® module.
- E** ModuLite® required.
- HG** T-One incorporates taillight converter.
- RD** For vehicles equipped with factory tow package may require additional components or may be used as a replacement harness.

- RT3** Round Tube Class III 2"
- RT5** Round Tube Class V 2"
- SQ1** Square Tube Class I
- SQ2** Square Tube Class II
- SQ3** Square Tube Class III
- SQ4** Square Tube Class IV
- SQ5** Square Tube Class V

MODEL / STYLE	YEAR	TRAILER HITCHES									
		PC	REC TYPE	REC SIZE	PART #	NO DRILL	FOOTNOTES	OPTIONAL DRAWBAR	WC (LBS.)	WD (LBS.)	IN
RAM (Continued)											
4500 Cab & Chassis, w/34" Wide Frames	13-17	38	SQ5	2	41952		@		1,500/15,000	1,600/16,000	45
5500 Cab & Chassis, w/34" Wide Frames	11-12	29	SQ5	2	41936		@		1,200/12,000		30
		50	SQ5	2	41947		@		1,600/15,000	1,600/16,000	35
5500 Cab & Chassis, w/34" Wide Frames	13-17	38	SQ5	2	41952		@		1,500/15,000	1,600/16,000	45
C/V Tradesman	12-15	24	SQ2	1-1/4	36455	0	GP, JR	36061	300/3,500		20
		19	SQ3	2	75579	0	GP, JR		400/4,000	500/5,000	20
Dakota	11-11	27	SQ3	2	75251		HM		500/5,000	800/8,000	20
ProMaster 1500 All Models	14-18	25	SQ3	2	76050	0	AA, DU, GP		500/5,000		45
ProMaster 1500 Except w/Extended Body	14-18	58	RT4	2	75882		HM		750/6,000	750/7,500	45
ProMaster 2500 All Models	14-18	25	SQ3	2	76050	0	AA, DU, GP		500/5,000		45
ProMaster 2500 Except w/Extended Body	14-18	58	RT4	2	75882		HM		750/6,000	750/7,500	45
ProMaster 3500 All Models	14-18	25	SQ3	2	76050	0	AA, DU, GP		500/5,000		45
ProMaster 3500 Except w/Extended Body	14-18	58	RT4	2	75882		HM		750/6,000	750/7,500	45
ProMaster City	15-17	37	SQ3	2	75219	0	GP		350/3,500		60
ProMaster City	18-18										
SAAB											
9-3	99-02	34	SQ2	1-1/4	36280		JR, GP	36053	300/3,500		30
9-3 Convertible	03-03	34	SQ2	1-1/4	36280		JR, GP	36053	300/3,500		30
9-5	99-05	41	SQ2	1-1/4	36286	0	TA, HM	36051	300/3,500		30
9-7X w/Factory 7-Way	05-09										
SATURN											
Astra Hatchback	08-09	34	SQ1	1-1/4	24809	0	GP, JR	3594	200/2,000		25
Aura	07-09	24	SQ2	1-1/4	36479		GP, JR, RB	36065	300/3,500		45
Ion Except Redline & w/2.4 Liter Engine	03-07	31	SQ1	1-1/4	24734		JR, GP	3593	200/2,000		35
Ion 3 w/2.4 Liter Engine	05-07	30	SQ1	1-1/4	24756		HM, JR	3594	200/2,000		25
Ion Red Line	04-06	30	SQ1	1-1/4	24756		HM, JR	3594	200/2,000		25
L100	01-02	14	SQ1	1-1/4	24685		TA, GP	3590	200/2,000		35
L200	01-02	14	SQ1	1-1/4	24685		TA, GP	3590	200/2,000		35
L300	01-02	14	SQ1	1-1/4	24685		TA, GP	3590	200/2,000		35
LS	00-00	14	SQ1	1-1/4	24685		TA, GP	3590	200/2,000		35
LS1	00-00	14	SQ1	1-1/4	24685		TA, GP	3590	200/2,000		35
LS2	00-00	14	SQ1	1-1/4	24685		TA, GP	3590	200/2,000		35
LW200 Wagon	03-03	14	SQ1	1-1/4	24685		TA, GP	3590	200/2,000		35
LW300 Wagon	03-03	14	SQ1	1-1/4	24685		TA, GP	3590	200/2,000		35
Outlook	07-09	19	RT3	2	75528	0	GP, JR, TN		750/5,000	750/7,500	25
Outlook w/Factory 7-Way	07-09										
Relay	05-07	27	SQ2	1-1/4	36361		AL, GP, JR	36061	300/3,500		40
		22	SQ3	2	75278		AL, GP, JR		350/3,500	500/5,000	40
SC1 2 Dr. Coupe	96-02	33	SQ1	1-1/4	24620		HM, JR, KH, TA	3592	200/2,000		40
SC2 2 Dr. Coupe	96-02	33	SQ1	1-1/4	24620		HM, JR, KH, TA	3592	200/2,000		40
Sky	07-09	21	SQ1	1-1/4	24833	0	HM, JR	3594	200/2,000		35
SL 4 Dr. Sedan	91-02	33	SQ1	1-1/4	24620		HM, JR, KH, TA	3592	200/2,000		40
SL1 4 Dr. Sedan	91-02	33	SQ1	1-1/4	24620		HM, JR, KH, TA	3592	200/2,000		40
SL2 4 Dr. Sedan	91-02	33	SQ1	1-1/4	24620		HM, JR, KH, TA	3592	200/2,000		40
SW1 Wagon	93-99	33	SQ1	1-1/4	24620		HM, JR, KH, TA	3592	200/2,000		40
SW2 Wagon	93-01	33	SQ1	1-1/4	24620		HM, JR, KH, TA	3592	200/2,000		40
Vue Except Redline	02-07	18	SQ2	1-1/4	36408	0	HM	36051	300/3,500		25
		14	RT3	2	76028	0	HM		675/4,500	675/4,500	30

- @** Ultra Frame ball mount must be used to achieve maximum weight carrying rating.
- AA** Requires temporary removal of bumper during installation.
- AL** Additional installation time required for vehicles equipped with load leveling compressor.
- DU** Fascia removal required.
- GP** Hitch crosstube concealed behind bumper.
- HM** Hitch crosstube is visible beneath bumper.
- JR** Exhaust must be temporarily lowered for installation.
- KH** Minor heat shield modification may be required.
- RB** Hitch installation can be made easier with a "cutter" type drill bit.
- TA** Trunk access required for hitch installation.
- TN** Hitches produced before 07/09/12 are rated at 500/5000 WC & 500/5000 WD.

MODEL / STYLE	YEAR	TRAILER HITCHES									
		PC	REC TYPE	REC SIZE	PART #	NO DRILL	FOOTNOTES	OPTIONAL DRAWBAR	WC (LBS.)	WD (LBS.)	IN
SATURN (Continued)											
Vue	08-09	25	SQ2	1-1/4	36450	0	GP	36061	300/3,500		15
		30	SQ3	2	75556	0	GP		400/4,000	400/4,000	15
SCION											
FR-S	13-16	30	SQ1	1-1/4	24935	0	GP	3593	200/2,000		75
iA	16-16	32	RT1	1-1/4	24948	0	HM	3593	200/2,000		30
iM	16-16	20	SQ1	1-1/4	24952	0	GP, JR, SV	3593	200/2,000		40
tC	05-06	11	SQ1	1-1/4	24827		GP	3593	200/2,000		30
tC	07-10	11	SQ1	1-1/4	24827		GP	3593	200/2,000		30
tC	11-13	13	SQ1	1-1/4	24815	0	GP	3593	200/2,000		15
tC Except Dual Exhaust	14-16	13	SQ1	1-1/4	24921	0	GP	3592	200/2,000		15
xB	04-06	22	SQ1	1-1/4	28501	0	JR, GP	28451	200/2,000		25
xB Except Release Series	08-10	13	SQ1	1-1/4	24815	0	GP	3593	200/2,000		15
xB Except Release Series	11-13	13	SQ1	1-1/4	24815	0	GP	3593	200/2,000		15
xD	08-10	14	SQ1	1-1/4	24828	0	GP, JR	3593	200/2,000		20
STERLING TRUCK											
Bullet 45 w/34" Wide Frames	08-09	29	SQ5	2	41936		@		1,200/12,000		30
		50	SQ5	2	41947		@		1,600/15,000	1,600/16,000	35
Bullet 55 w/34" Wide Frames	08-09	29	SQ5	2	41936		@		1,200/12,000		30
		50	SQ5	2	41947		@		1,600/15,000	1,600/16,000	35
SUBARU											
Ascent	19-19	38	SQ3	2	76253	0	DU, J, TZ		750/5,000	750/5,000	60
B9 Tribeca	06-07	33	SQ3	2	75401	0	GP, JR		350/3,500	400/4,000	35
Baja	03-06	39	SQ1	1-1/4	24735	0	HM	3590	200/2,000		20
BRZ	13-17	30	SQ1	1-1/4	24935	0	GP	3593	200/2,000		75
Crosstrek Except Hybrid	16-17	24	RT3	2	76084	0	HM, JR, KH		525/3,500		20
Crosstrek Hybrid	16-17	24	RT3	2	76084	0	HM, JR, KH		525/3,500		20
Crosstrek Except Hybrid	18-19	22	RT2	1-1/4	36644	0	JR, HM		350/3,500		60
		26	RT3	2	76209	0	JR, HM		675/4,500		60
Crosstrek Hybrid	18-19	22	RT2	1-1/4	36644	0	JR, HM		350/3,500		60
		26	RT3	2	76209	0	JR, HM		675/4,500		60
Crosstrek Except Hybrid	19-19					0	JR, HM				60
Forester	98-08	20	SQ2	1-1/4	36311	0	GP, JR	36051	300/3,500		30
Forester	09-13	28	SQ1	1-1/4	24807		HM, JR	3594	200/2,000		35
		27	RT2	1-1/4	36521		HM, JR	36061	300/3,500		35
		27	SQ3	2	75650		HM, JR, TQ		600/4,000		35
Forester	14-18	21	SQ2	1-1/4	36523		HM, JR, KH	36053	300/3,500		30
		21	RT3	2	75876	0	HM, JR, KH		525/3,500	525/4,000	25
		35	SQ3	2	76182	0	DU, FE, GP, JR		525/3,500		60
Impreza	93-01	25	SQ1	1-1/4	24710	0	JR, GP	3593	200/2,000		30
Impreza Except WRX STi	02-07	25	SQ1	1-1/4	24710	0	JR, GP	3593	200/2,000		30
Impreza 4 Dr. Sedan	08-11	28	SQ1	1-1/4	24807		HM, JR	3594	200/2,000		35
Impreza 5 Dr. Wagon, Except WRX STi & w/Quad Exhaust Outlets	08-11	19	SQ1	1-1/4	24886†		HM, JR	3593	200/2,000		45
		19	SQ1	1-1/4	24959		HM, JR	3593	200/2,000		45
Impreza 4 Dr. Sedan, Except WRX & WRX STi	12-16	25	SQ1	1-1/4	24888†		HM, JR	3594	200/2,000		30
		25	SQ1	1-1/4	24960	0	HM, JR, KH	3594	200/2,000		40
Impreza 5 Dr. Wagon, Except WRX STi & w/Quad Exhaust Outlets	12-16	19	SQ1	1-1/4	24886†		HM, JR	3593	200/2,000		45
		19	SQ1	1-1/4	24959		HM, JR	3593	200/2,000		20
Impreza 4 Dr. Sedan, Except WRX & WRX STi	17-19	25	SQ1	1-1/4	24960	0	HM, JR, KH	3594	200/2,000		40
Impreza 5 Dr. Wagon, Except WRX STi & w/Quad Exhaust Outlets	17-19	19	SQ1	1-1/4	24959		HM, JR	3593	200/2,000		20
Impreza 5 Dr. Wagon, Except WRX STi & w/Quad Exhaust Outlets	18-19	22	RT2	1-1/4	36644		HM, JR		350/3,500		60
		26	RT3	2	76209	0	HM, JR		675/4,500		60
Legacy Coupe & Sedan	90-99	48	SQ2	1-1/4	36234		KH, HM	36071	300/3,500		25
Legacy Wagon, Except Outback	96-99	48	SQ2	1-1/4	36234		KH, HM	36061	300/3,500		20

@ Ultra Frame ball mount must be used to achieve maximum weight carrying rating.
 DU Fascia removal required.
 FE Fascia trimming may be required. Allow additional installation time.
 GP Hitch crosstube concealed behind bumper.
 HM Hitch crosstube is visible beneath bumper.
 J Under vehicle spare tire stowage is retained.

JR Exhaust must be temporarily lowered for installation.
 KH Minor heat shield modification may be required.
 SV Trimming or removal of under body appearance panel may be required.
 TQ Hitches produced before 07/30/12 are rated at 350/3500 WC.
 TZ Requires replacement of the impact structure with hitch.

T-ONE						TOW HARNESS						4-FLAT WIRING				REQ. 4 FLAT WIRING		7-WAY HARDWIRE	BRAKE CONTROL HARNESS	IN
PC	T-ONE	FN	IN	AMP	CP	PC	TOW HARN	FN	IN	AMP	CP	TYPE	ELEC	POS	CHOICE 1	CHOICE 2	6-WAY ADAPTER			
SATURN (Continued)																				
E19	118443	CH	45	2.1,4.2	X								B,E	SUV3,4	119191	119148	20320	20321	20224	
SCION																				
E16	118629	CH	45	2.1,5.6	X								B,E	PC3,4	119191	119148				
E15	118728	CH,BN	45	5.7,5	X								B,E	PC1,2	119191	119148				
E16	118729	BN,CH	45	5.7,5	X								B,E	PC3,4						
													B	PC1,2	119130	119178				
E13	118484	CG	15	2.1,5	X								B	PC1,2	119130	119178				
													B	PC1,2	119130	119178				
E18	118615	CH	45	2.1,5.6	X								B,E	PC3,4	119191	119148				
E12	118414	CG	20	2.1,5	X								B	SUV3,4	119130	119178				
E18	118468	CH	45	2.1,5.6	X								B,E	SUV3,4	119191	119148	20320	20321		
E16	118460	CH	45	2.1,4.2	X								B,E	SUV3,4	119191	119148	20320	20321		
													B	PC3,4	119130	119178				
STERLING TRUCK																				
													C	PU1,2	119191	119148	20320	20321	20224	
													C	PU1,2	119191	119148	20320	20321	20224	
SUBARU																				
E10	118790	CH		5.7,5									B,E	SUV3						3062-P
E12	118461	CH	10	2.1,4.2	X								B,E	SUV8	119191	119148	20320	20321	20224	
													B,E	SUV1,2	119191	119148				
E16	118629	CH	45	2.1,5.6	X								B,E	PC3,4	119191	119148				
E11	118467	CH	15	2.1,5.6	X								B,E	SUV1,2	119191	119148	20320	20321		
													B,E	SUV1,2	119191	119148	20320	20321		
													B,E	SUV1,2	119191	119148	20320	20321		
E11	118467	CH	15	2.1,5.6	X								B,E	SUV1,2	119191	119148	20320	20321		
E12	118461	CH	10	2.1,4.2	X								B,E	SUV4	119191	119148				
E11	118467	CH	15	2.1,5.6	X								B,E	SUV8	119191	119148	20320	20321	20224	
E11	118467	CH	15	2.1,5.6	X								B,E	SUV8	119191	119148	20320	20321	20224	
													B,E	PC1,2	119191	119148				
													B,E	PC1,2	119191	119148				
E17	118464	CH	45	2.1,5.6	X								B,E	PC3,4	119191	119148				
													B,E	PC3,4	119191	119148				
E15	118581	CH	45	2.1,5.6	X								B,E	PC3,4	119191	119148				
E19	118573	CH	45	2.1,5.6	X								B,E	PC3,4	119191	119148				
E16	118629	CH	45	2.1,5.6	X								B,E	PC3,4	119191	119148				
E17	118744	CH,BN	45	5.7,5	X								B,E	PC3,4	119191	119148				
E17	118744	CH,BN	45	5.7,5	X								B,E	PC1,2	119191	119148				
													B,E	PC3,4	119191	119148				
													B,E	PC3,4	119191	119148				

B 3 wire system. Converter required.
BN Exterior mounted plug on some or all models. May require an aftermarket electrical mounting box or bracket. (Sold separately)
C 2 or 3 wire system determine at installation.

CG T-One incorporates circuit protected taillight converter.
CH T-One is equipped with circuit protected ModuLite® module.
E ModuLite® required.

RT1 Round Tube Class I 1-1/4"
RT2 Round Tube Class II 1-1/4"
RT3 Round Tube Class III 2"
SQ1 Square Tube Class I
SQ2 Square Tube Class II
SQ3 Square Tube Class III
SQ5 Square Tube Class V

MODEL / STYLE	YEAR	TRAILER HITCHES									
		PC	REC TYPE	REC SIZE	PART #	NO DRILL	FOOTNOTES	OPTIONAL DRAWBAR	WC (LBS.)	WD (LBS.)	IN
SUBARU (Continued)											
Legacy Wagon, Outback	96-99	48	SQ2	1-1/4	36234		KH, HM	36061	300/3,500		20
Legacy Sedan, Except Outback	00-04	46	SQ2	1-1/4	36284	0	HM	36061	300/3,500		20
Legacy Wagon, Except Outback	00-04	46	SQ2	1-1/4	36284	0	HM	36061	300/3,500		20
Legacy Sedan, Except Outback	05-07	35	SQ2	1-1/4	36334	0	JR, HM	36071	300/3,500		25
		44	SQ3	2	75560	0	JR		400/4,000		25
Legacy Wagon, Except Outback	05-07	35	SQ2	1-1/4	36334	0	JR, HM	36053	300/3,500		25
		44	SQ3	2	75560	0	JR		400/4,000		25
Legacy Sedan	08-09	35	SQ2	1-1/4	36334	0	JR, HM	36071	300/3,500		25
		44	SQ3	2	75560	0	JR		400/4,000		25
Legacy Sedan	10-14	25	SQ2	1-1/4	36493		HM, JR, KH	36071	300/3,500		45
		30	SQ3	2	75673		HM, JR, KH, TI		600/4,000		45
Legacy Sedan	15-19	25	SQ2	1-1/4	36493		HM, JR, KH	36071	300/3,500		45
		30	SQ3	2	75673		HM, JR, KH, TI		600/4,000		45
Outback Sedan, Except Sport	00-04	46	SQ2	1-1/4	36284	0	HM	36053	300/3,500		20
Outback Wagon, Except Sport	00-04	46	SQ2	1-1/4	36284	0	HM	36053	300/3,500		20
Outback Sedan, Except Sport	05-07	35	SQ2	1-1/4	36334	0	JR, HM	36071	300/3,500		25
		44	SQ3	2	75560	0	JR		400/4,000		25
Outback Wagon, Except Sport	05-09	35	SQ2	1-1/4	36334	0	JR, HM	36053	300/3,500		25
		44	SQ3	2	75560	0	JR		400/4,000		25
Outback Wagon, Except Sport	10-19	25	SQ2	1-1/4	36493		HM, JR, KH	36051	300/3,500		45
		30	SQ3	2	75673		HM, JR, KH, TI		600/4,000		45
		35	SQ3	2	76227	0	AA, AI, DU, FE, X		600/4,000		45
Tribeca	08-10	33	SQ3	2	75401	0	GP, JR		350/3,500	400/4,000	35
Tribeca	11-14	36	SQ3	2	75716	0	GP		525/3,500	525/5,250	30
WRX	18-18										
WRX STI	15-18	20	SQ1	1-1/4	24968	0	JR, KH	3593	200/2,000		60
XV Crosstrek Except Hybrid	13-15	19	SQ1	1-1/4	24886†		HM, JR	3593	200/2,000		45
		19	SQ1	1-1/4	24959		HM, JR	3593	200/2,000		30
		24	RT3	2	76084	0	HM, JR, KH, SY		525/3,500		20
XV Crosstrek Hybrid	13-15	19	SQ1	1-1/4	24886†		HM, JR	3593	200/2,000		45
		19	SQ1	1-1/4	24959		HM, JR	3593	200/2,000		30
SUZUKI											
Equator	09-12	20	SQ3	2	75282	0	GP, TE		750/5,000	800/8,000	30
Equator w/Factory Tow Package	09-12										
Grand Vitara	99-05	29	SQ1	1-1/4	24673	0	HM	3591	200/2,000		15
		29	SQ3	2	41537	0	HM		350/3,500		15
Grand Vitara Except 3 Dr Hatchback	06-13	24	SQ1	1-1/4	24764	0	EP, HM	3591	200/2,000		20
		30	SQ3	2	75448	0	EP		350/3,500	400/4,000	20
Sidekick Except Sport Model	96-98	25	SQ1	1-1/4	24622	0	HM	3593	200/2,000		20
Swift+ 5 Dr. (Canada Only)	04-09	20	SQ1	1-1/4	24741		GP	3593	200/2,000		30
SX4 Crossover	07-11	18	SQ1	1-1/4	24817		HM, JR	3594	200/2,000		40
Vitara	99-04	29	SQ1	1-1/4	24673	0	HM	3591	200/2,000		15
		29	SQ3	2	41537	0	HM		350/3,500		15
X-90	96-98	25	SQ1	1-1/4	24622	0	HM, HP	3593	200/2,000		20
XL-7	02-06	29	SQ1	1-1/4	24673	0	HM	3591	200/2,000		15
		29	SQ3	2	41537	0	HM		350/3,500		15
XL-7	07-09	29	SQ3	2	75529	0	HM		400/4,000	400/4,000	30
TESLA											
S	12-16	37	SQ1	1-1/4	24958	0	GP, AA, EP, DU, SV, TA	3593	200/2,000		150
X	16-17	40	SQ3	2	76143	0	GP, DU, SV, TZ, X		500/5,000		75

- | | |
|---|---|
| <p>AA Requires temporary removal of bumper during installation.</p> <p>AI Additional installation time may be required.</p> <p>DU Fascia removal required.</p> <p>EP Fascia trimming may be required.</p> <p>FE Fascia trimming may be required. Allow additional installation time.</p> <p>GP Hitch crosstube concealed behind bumper.</p> <p>HM Hitch crosstube is visible beneath bumper.</p> <p>HP Requires four (4) 7/16" x 1" x 2" spacer blocks (#10180012) for installation. (Sold separately)</p> <p>JR Exhaust must be temporarily lowered for installation.</p> | <p>KH Minor heat shield modification may be required.</p> <p>SV Trimming or removal of under body appearance panel may be required.</p> <p>SY Hitch crosstube is visible beneath bumper with a more than normal gap between fascia and crosstube.</p> <p>TA Trunk access required for hitch installation.</p> <p>TE Hitches produced before 04/20/11 are rated at 500/5000 WC.</p> <p>TI Hitches produced before 06/06/11 are rated at 400/4000 WC.</p> <p>TZ Requires replacement of the impact structure with hitch.</p> <p>X Minor fascia trimming required.</p> |
|---|---|

T-ONE					TOW HARNESS					4-FLAT WIRING				REQ. 4 FLAT WIRING		7-WAY HARDWIRE	BRAKE CONTROL HARNESS	IN		
PC	T-ONE	FN	IN	AMP	CP	TOW HARN	FN	IN	AMP	CP	TYPE	ELEC	POS	CHOICE 1	CHOICE 2				6-WAY ADAPTER	7-WAY ADAPTER
SUBARU (Continued)																				
E12	118461	CH	10	2.1,4.2	X							B,E	PC3,4	119191	119148					
												B,E	PC3,4	119191	119148					
												B,E	PC3,4	119191	119148	20320	20321	20224		
E12	118461	CH	10	2.1,4.2	X							B,E	PC3,4	119191	119148	20320	20321	20224		
												B,E	PC3,4	119191	119148	20320	20321	20224		
E14	118511	CH	45	2.1,5.6	X							B,E	PC3,4	119191	119148	20320	20321	20224		
E15	118671	CH	45	4.2,7.5	X							B,E	PC3,4	119191	119148	20320	20321	20224		
												B,E	PC3,4	119191	119148					
E12	118461	CH	10	2.1,4.2	X							B,E	PC3,4	119191	119148					
												B,E	PC3,4	119191	119148	20320	20321	20224		
E12	118461	CH	10	2.1,4.2	X							B,E	PC3,4	119191	119148	20320	20321	20224		
E11	118467	CH	15	2.1,5.6	X							B,E	PC3	119191	119148	20320	20321	20224		
E12	118461	CH	10	2.1,4.2	X							B,E	SUV8	119191	119148	20320	20321	20224		
E12	118461	CH	10	2.1,4.2	X							B,E	SUV8	119191	119148	20320	20321	20224		
E15	118768	CH	45	4.2,7.5	X							B,E	PC3,4							
												B,E	PC3,4	119191	119148					
E11	118467	CH	15	2.1,5.6	X							B,E	SUV1,2	119191	119148	20320	20321			
												B,E	SUV1,2	119191	119148	20320	20321			
SUZUKI																				
E14	118525		30	7.5		E21	118266	BN,RD	30		7-Way	H	PU3	119148	20252				3050-P	5
						E9	118267	BN,RD,Z	30		7-Way	B,E	PU3	119191	119148					
E5	118372	HG	5	2.1,5								B	SUV3	119130	119178	20320	20321	20224		
E12	118456	CG	20	2.1,5	X							B	SUV3,4	119130	119178	20320	20321	20224		
E5	118372	HG	5	2.1,5								B	SUV1,2	119130	119178					
												B	PC3,4	119130	119178					
E12	118456	CG	20	2.1,5	X							B	SUV1,2	119130	119178	20320	20321			
E5	118372	HG	5	2.1,5								B	SUV3	119130	119178	20320	20321	20224		
												B	SUV1,2	119130	119178					
E5	118372	HG	5	2.1,5								B	SUV3	119130	119178	20320	20321	20224		
						E7	118432	CE,RD	10	7.5	4-Flat	B	SUV1,2	119130	119178	20320	20321	20224		
TESLA																				
												BTT	PC3,4	119192	119191					
												B,E	SUV3,4							

B 3 wire system. Converter required.

BN Exterior mounted plug on some or all models. May require an aftermarket electrical mounting box or bracket. (Sold separately)

BTT Shared Brake/Tail/Turn multiplexed wiring system. ModuLite® HD Plus or Ultra required.

CE T-One includes fuse(s) & relay(s). Converter not required. Standard 2 wire system at factory tow plug.

CG T-One incorporates circuit protected taillight converter.

CH T-One is equipped with circuit protected ModuLite® module.

E ModuLite® required.

H 3 wire system with OEM standard 2 wire harness.

HG T-One incorporates taillight converter.

RD For vehicles equipped with factory tow package may require additional components or may be used as a replacement harness.

Z May be equipped with Factory Tow Prep Plug. Determine at time of installation.

RT3 Round Tube Class III 2"

SQ1 Square Tube Class I

SQ2 Square Tube Class II

SQ3 Square Tube Class III

MODEL / STYLE	YEAR	TRAILER HITCHES									
		PC	REC TYPE	REC SIZE	PART #	NO DRILL	FOOTNOTES	OPTIONAL DRAWBAR	WC (LBS.)	WD (LBS.)	IN
TOYOTA											
4Runner	96-00	46	SQ2	1-1/4	36223†		†,HM	36071	300/3,500		30
		42	RT3	2	75091	0			500/5,000	550/5,500	30
4Runner	01-02	46	SQ2	1-1/4	36223†		†,HM	36071	300/3,500		30
		42	RT3	2	75091	0			500/5,000	550/5,500	30
4Runner	03-06	47	RT4	2	75155	0	FE,LT,SI		600/6,000	730/7,300	35
4Runner w/Factory 7-Way	03-06										
4Runner	07-09	47	RT4	2	75155	0	FE,LT,SI		600/6,000	730/7,300	35
4Runner	10-11										
4Runner w/Factory 7-Way	10-11										
4Runner	14-16										
86	17-17	30	SQ1	1-1/4	24935	0	GP	3593	200/2,000		75
Avalon	95-99	23	SQ2	1-1/4	36336		HM	36061	300/3,500		15
Avalon	00-04	43	SQ2	1-1/4	36293		GP	36051	300/3,500		20
Avalon	05-10	52	SQ1	1-1/4	24870	0	HM,JR	3593	200/2,000		40
Avalon	11-12	52	SQ1	1-1/4	24870	0	HM,JR	3593	200/2,000		40
Avalon	13-18	23	SQ2	1-1/4	36540		HM,JR,KH,SV	36071	300/3,500		40
Camry 4 Dr. Sedan	97-01	35	SQ1	1-1/4	24715	0	HM,JR	3593	200/2,000		15
		23	SQ2	1-1/4	36336		HM	36061	300/3,500		15
Camry 4 Dr. Sedan	02-04	35	SQ1	1-1/4	24715	0	HM,JR	3593	200/2,000		15
		23	SQ2	1-1/4	36336		HM	36061	300/3,500		15
Camry 4 Dr. Sedan	05-06	23	SQ2	1-1/4	36336		HM	36061	300/3,500		15
Camry 4 Dr. Sedan, Except Hybrid	07-09	20	SQ2	1-1/4	36416		GP,JR,TA	36071	300/3,500		45
Camry 4 Dr. Sedan, Except Hybrid	10-11	20	SQ2	1-1/4	36416		GP,JR,TA	36071	300/3,500		45
Camry Including Hybrid	12-17	23	SQ2	1-1/4	36540		HM,JR,KH,SV	36071	300/3,500		40
Camry Except Hybrid	18-19	22	SQ2	1-1/4	36643		HM,JR,KH,SV	36071	350/3,500		40
Camry Hybrid 4 Dr. Sedan	07-11	20	SQ2	1-1/4	36416		GP,JR,TA	36071	300/3,500		45
C-HR	18-18	20	SQ1	1-1/4	24962	0	DU,GP,SV	3593	200/2,000		60
Corolla Sedan	93-02	25	SQ1	1-1/4	24579		GP	3592	200/2,000		30
Corolla	03-03	22	SQ1	1-1/4	24814†	0	HM	3593	200/2,000		20
		24	RT1	1-1/4	24913	0	HM	3593	200/2,000		20
Corolla	04-07	22	SQ1	1-1/4	24814†	0	HM	3593	200/2,000		20
		24	RT1	1-1/4	24913	0	HM	3593	200/2,000		20
Corolla	08-08	22	SQ1	1-1/4	24814†	0	HM	3593	200/2,000		20
		24	RT1	1-1/4	24913	0	HM	3593	200/2,000		20
Corolla	09-13	22	SQ1	1-1/4	24814†	0	HM	3593	200/2,000		20
		24	RT1	1-1/4	24913	0	HM	3593	200/2,000		20
Corolla	14-19	24	RT1	1-1/4	24913	0	HM	3593	200/2,000		20
Corolla iM	17-17	20	SQ1	1-1/4	24952	0	GP,JR,SV	3593	200/2,000		40
Corolla iM	18-18										
Echo Except Hatchback	00-02	33	SQ1	1-1/4	24813	0	X,GP	3590	200/2,000		15
Echo Except Hatchback	03-05	33	SQ1	1-1/4	24813	0	X,GP	3590	200/2,000		15
FJ Cruiser	07-14	34	SQ3	2	75461	0	GP		500/5,000	600/6,000	30
Highlander	01-03	39	SQ2	1-1/4	36271	0	HM	36051	300/3,500		15
		35	SQ3	2	41541	0	HM		300/3,500		15
Highlander	04-07	32	RT3	2	75153	0	HM		350/3,500		20
Highlander Except Hybrid	04-07										
Highlander	08-13	45	RT3	2	75726	0	HM,SV		750/5,000	750/5,000	40
Highlander Except w/Full Size 19" Spare Tire	08-13	35	SQ3	2	75586	0	HM		500/5,000	500/5,000	25
Highlander	14-19	42	SQ3	2	76156	0	GP,SV		500/5,000		45
		36	RT4	2	75896	0	HM,SV		900/6,000	900/8,000	30
Hilux	08-12	53	SQ4	2	75730	0	AA,GP		900/6,000	900/9,000	60

- | | |
|---|---|
| † Available while supply lasts. | KH Minor heat shield modification may be required. |
| AA Requires temporary removal of bumper during installation. | LT Requires removal of factory hitch if equipped. |
| DU Fascia removal required. | SI Hitches produced before 07/31/07 are rated at 350/3500 WC & 500/5000 WD. |
| FE Fascia trimming may be required. Allow additional installation time. | SV Trimming or removal of under body appearance panel may be required. |
| GP Hitch crosstube concealed behind bumper. | TA Trunk access required for hitch installation. |
| HM Hitch crosstube is visible beneath bumper. | X Minor fascia trimming required. |
| JR Exhaust must be temporarily lowered for installation. | |

T-ONE						TOW HARNESS						4-FLAT WIRING				REQ. 4 FLAT WIRING		7-WAY HARDWIRE	BRAKE CONTROL HARNESS	IN
PC	T-ONE	FN	IN	AMP	CP	PC	TOW HARN	FN	IN	AMP	CP	TYPE	ELEC	POS	CHOICE 1	CHOICE 2	6-WAY ADAPTER			
TOYOTA																				
E11	118341	HG	20	2.1,5									B,E	SUV3,4	119191	119148	20320	20321	20224	
E11	118341	HG	20	2.1,5		E3	118245	BN,RD	10	7.5		4-Flat	B,E	SUV3,4	119191	119148	20320	20321	20224	
								RD					B	SUV1,2	119130	119178	20320	20321	20224	3040-P
													B	SUV1,2	118180	20252				
													B,E	SUV1,2	119191	119148	20320	20321	20224	3040-P
E8	118384	BN,RD	5	7.5		E12	118262	BN,RD	10			Both	A	SUV5	119148	20252				3040-P
E8	118384	BN,RD	5	7.5		E8	118384 74682 85219	BN,RD RD RD	5 10 5	7.5		4-Flat Both 7-Way	A	SUV5	119148	20252				3040-P
																				3041-P
													B,E	PC3,4	119191	119148				
													B	PC3,4	119130	119178				
													B,E	PC3,4	119191	119148				
													B	PC3,4	119130	119178				
E17	118482	CH	45	2.1,5,6	X								B,E	PC3,4	119191	119148				
E16	118578	CH	45	4,2,7,5	X								B,E	PC3,4	119191	119148				
E8	118358	HG	5	2.1,5									B	PC3,4	119130	119178				
E10	118308		5	2.1,5									B	PC3,4	119130	119178				
E10	118308		5	2.1,5									B	PC3,4	119130	119178				
E16	118405	CH	45	2.1,5,6	X								B,E	PC3,4	119191	119148				
E17	118482	CH	45	2.1,5,6	X								B,E	PC3,4	119191	119148				
E16	118405	CH	45	2.1,5,6	X								B,E	PC3,4	119191	119148				
E15	118763	CH	45	5,7,5	X								B,E	PC3,4	119191	119148				
E17	118482	CH	45	2.1,5,6	X								B,E	PC3,4	119191	119148				
E17	118756	CH,BN	45	5,7,5	X								B,E	SUV1,2						
													B	PC3,4	119130	119178				
E13	118387	CG	15	2.1,5	X								B	PC3,4	119130	119178				
													B	PC3,4	119130	119178				
													B,E	PC3,4	119191	119148				
E16	118459	CH	45	2.1,4,2	X								B,E	PC3,4	119191	119148				
E16	118405	CH	45	2.1,5,6	X								B,E	PC3,4	119191	119148				
E16	118729	BN,CH	45	5,7,5	X								B,E	PC3,4						
E16	118729	BN,CH	45	5,7,5	X								B,E	PC3,4						
E12	118386	CG	20	2.1,5	X								B	PC3,4	119130	119178				
													B	PC3,4	119130	119178				
E16	118405	CH	45	2.1,5,6	X								B	SUV3,4	119130	119178	20320	20321	20224	
E10	118413	HG	20	2.1,4,2		E3	118245	BN,RD	10	7.5		4-Flat	B,Z	SUV3,4	119178	119130	20320	20321	20224	
E10	118248	CH	20	2.1,4,2	X	E10	118248	RD	20	2.1,4,2	X	4-Flat	B	SUV3	119130	119178	20320	20321	20224	
E10	118413	HG	20	2.1,4,2									B	SUV3,4	119130	118178				
E13	118449	CH	20	2.1,4,2	X								B,E	SUV3,4	119191	119148	20320	20321	20224	
E13	118449	CH	20	2.1,4,2	X								B,E	SUV3,4	119191	119148	20320	20321	20224	
E13	118449	CH	20	2.1,4,2	X		22119	BN	60			7-Way	B,E	SUV3,4	119191	119148	20320	20321	20224	
E13	118496	HG	10	2.1,7,5									B	PU3,4	119130	119178	20320	20321	20224	

A 2 wire system.
B 3 wire system. Converter required.
BN Exterior mounted plug on some or all models. May require an aftermarket electrical mounting box or bracket. (Sold separately)
CG T-One incorporates circuit protected taillight converter.
CH T-One is equipped with circuit protected Modulite® module.

E Modulite® required.
HG T-One incorporates taillight converter.
RD For vehicles equipped with factory tow package may require additional components or may be used as a replacement harness.
Z May be equipped with Factory Tow Prep Plug. Determine at time of installation.

RT1 Round Tube Class I 1-1/4"
RT3 Round Tube Class III 2"
RT4 Round Tube Class IV 2"
SQ1 Square Tube Class I
SQ2 Square Tube Class II
SQ3 Square Tube Class III
SQ4 Square Tube Class IV

MODEL / STYLE	YEAR	TRAILER HITCHES									
		PC	REC TYPE	REC SIZE	PART #	NO DRILL	FOOTNOTES	OPTIONAL DRAWBAR	WC (LBS.)	WD (LBS.)	IN
TOYOTA (Continued)											
Hilux	13-14	53	SQ4	2	75730	0	AA,GP		900/6,000	900/9,000	60
Hilux	16-17	38	SQ4	2	75791	0	HM		800/8,000	800/8,000	45
Hilux SW4	14-14	38	SQ3	2	75914	0	HM		525/3,500		15
Land Cruiser	96-97	54	SQ3	2	41015	0	HM		500/5,000	750/6,000	30
Land Cruiser	98-99	45	SQ3	2	75095	0	GP		500/5,000	750/6,000	20
Land Cruiser	00-00	45	SQ3	2	75095	0	GP		500/5,000	750/6,000	20
Land Cruiser	01-02	45	SQ3	2	75095	0	GP		500/5,000	750/6,000	20
Land Cruiser	03-07	45	SQ3	2	75095	0	GP		500/5,000	750/6,000	20
Matrix	03-08	15	SQ1	1-1/4	24812	0	HM,UD	3593	200/2,000		15
Matrix	09-13	15	SQ1	1-1/4	24812	0	HM	3593	200/2,000		15
Matrix (Canada Only)	14-14	15	SQ1	1-1/4	24812	0	HM	3593	200/2,000		15
Prado	14-14	38	SQ4	2	75904	0	GP		825/5,500	825/5,500	15
Prius	04-09	24	SQ1	1-1/4	24808	0	HM,SC	3593	200/2,000		30
Prius Except w/Plug-In Model	10-15	18	SQ1	1-1/4	24847	0	HM,JR	3593	200/2,000		25
		25	SQ1	1-1/4	24967	0	GP,SV	3593	200/2,000		40
Prius	16-17	16	SQ1	1-1/4	24944†	0	DU,GP,SV	3593	200/2,000		45
Prius Hybrid	16-17	16	SQ1	1-1/4	24966	0	DU,GP,SV	3592	200/2,000		45
Prius C	12-17	23	SQ1	1-1/4	24889	0	GP	3593	200/2,000		20
Prius C	12-18	24	SQ1	1-1/4	24971	0	GP	3593	200/2,000		20
Prius Plug-In	12-15	25	SQ1	1-1/4	24967	0	GP,SV	3593	200/2,000		40
Prius Prime	17-18	16	SQ1	1-1/4	24966	0	DU,GP,SV	3592	200/2,000		45
Prius V	12-17	18	SQ1	1-1/4	24847	0	HM,JR	3593	200/2,000		25
		25	SQ1	1-1/4	24967	0	GP,SV	3593	200/2,000		40
RAV4	96-00	31	SQ1	1-1/4	24704	0	HM	3593	200/2,000		15
		31	SQ3	2	75125	0	RA		350/3,500		15
RAV4	01-05	31	SQ1	1-1/4	24704	0	HM	3593	200/2,000		15
		31	SQ3	2	75125	0			350/3,500		15
RAV4	06-12	24	RT2	1-1/4	36588	0	HM,JR,SV	36051	300/3,500		20
		20	RT3	2	75235	0	HM,JR,SV		675/4,500	675/4,500	20
RAV4	13-15	24	RT2	1-1/4	36588	0	HM,JR,SV	36051	300/3,500		20
		26	RT3	2	76134	0	JR,EP,GP,TA,HX,DU,SV		350/3,500		20
		20	RT3	2	75235	0	HM,JR,SV		675/4,500	675/4,500	20
RAV4	16-18	24	RT2	1-1/4	36588	0	HM,JR,SV,TW	36051	300/3,500		20
		26	RT3	2	76134	0	JR,EP,GP,TA,HX,DU,SV,TW		350/3,500		45
		20	RT3	2	75235	0	HM,JR,SV,TW		675/4,500	675/4,500	20
Sequoia Except Models w/OEM Hitch	01-02	57	SQ3	2	75126	0	CP		500/5,000	650/6,500	20
Sequoia Except Models w/OEM Hitch	03-07	57	SQ3	2	75126	0	CP		500/5,000	650/6,500	20
Sequoia w/Factory 7-Way	03-04										
Sequoia	08-10	19	SQ4	2	75649	0	AI		600/6,000	1,000/10,000	40
Sequoia	11-19	19	SQ4	2	75649	0	AI		600/6,000	1,000/10,000	40
Sienna	98-03	34	SQ2	1-1/4	36298	0	GP	36053	300/3,500		15
		34	SQ3	2	75120				350/3,500	500/5,000	30
Sienna	04-10	27	RT2	1-1/4	36513	0	HM,JR	36051	300/3,500		20
		23	RT3	2	75237	0	HM,SV,JR,SY		675/4,500	675/5,000	30
Sienna	11-14	27	RT2	1-1/4	36513	0	HM,JR,SV,SY	36051	300/3,500		20
		32	SQ4	2	76112	0	SV,JR,GP,TA,DU		525/3,500	525/3,500	60
		23	RT3	2	75237	0	HM,SV,JR,SY		675/4,500	675/5,000	30
Sienna Except SE	15-18	27	RT2	1-1/4	36513	0	HM,JR,SV,SY	36051	300/3,500		20
		32	SQ4	2	76112	0	SV,JR,GP,TA,DU		525/3,500	525/3,500	60
		23	RT3	2	75237	0	HM,SV,JR,SY		675/4,500	675/5,000	30
Sienna SE	15-18	27	RT2	1-1/4	36513	0	HM,JR,SV,SY	36051	300/3,500		20

AA Requires temporary removal of bumper during installation.
AI Additional installation time may be required.
CP Fits all models without factory installed receiver.
DU Fascia removal required.
EP Fascia trimming may be required.
GP Hitch cross-tube concealed behind bumper.
HM Hitch cross-tube is visible beneath bumper.
HX Minor exhaust modification may be required.

JR Exhaust must be temporarily lowered for installation.
RA Do not install on early 1996 models equipped with M10 fasteners.
SC Minor trimming of plastic trunk pan required.
SV Trimming or removal of under body appearance panel may be required.
SY Hitch cross-tube is visible beneath bumper with a more than normal gap between fascia and cross-tube.
TA Trunk access required for hitch installation.
TW Receiver hitch may limit hands-free liftgate sensor range
UD Fascia removal required on XR & XRS models.

T-ONE					TOW HARNESS					4-FLAT WIRING				REQ. 4 FLAT WIRING		7-WAY HARDWIRE	BRAKE CONTROL HARNESS	IN	
PC	T-ONE	FN	IN	AMP	CP	TOW HARN	FN	IN	AMP	CP	TYPE	ELEC	POS	CHOICE 1	CHOICE 2				6-WAY ADAPTER
TOYOTA (Continued)																			
												B	PU3,4	119130	119178	20320	20321	20224	
												B,E	PU3,4	119191	119148				
												B,E	PU3,4	119191	119148	20320	20321		
E5	118357	BN,HG	5	2.1,5								B	SUV6	119130	119178	20320	20321	20224	
E5	118365	BN,HG	5	2.1,5								B	SUV6	119130	119178	20320	20321	20224	
												B	SUV6	119130	119178	20320	20321	20224	
						E3	118245	BN,RD	10	7.5	4-Flat	B	SUV6	119130	119178	20320	20321	20224	
												B	SUV6	119130	119178	20320	20321	20224	3040-P
E12	118386	CG	20	2.1,5	X							B	SUV3,4	119130	119178				
E16	118460	CH	45	2.1,4,2	X							B,E	SUV3,4	119191	119148	20320	20321		
												B,E	SUV3,4	119191	119148	20320	20321		
												B,E	SUV3,4	119191	119148	20320	20321		
E16	118505	CH	25	2.1,5,6	X							B,E	PC3,4	119191	119148				
E16	118505	CH	25	2.1,5,6	X							B,E	PC3,4	119191	119148				
E17	118701	CH	45	4.2,7,5	X							B,E	PC3,4	119191	119148				
E17	118701	CH	45	4.2,7,5	X							B,E	PC3,4	119191	119148				
E13	118680	CH	25	4.2,7,5	X							B,E	PC3,4	119191	119148				
E13	118680	CH	25	4.2,7,5	X							B,E	PC3,4	119191	119148				
E16	118505	CH	25	2.1,5,6	X							B,E	PC3,4	119191	119148				
														119191	119148				
E13	118610	CH	45	2.1,5,6	X							B,E	PC3,4	119191	119148				
E12	118388	CG	20	2.1,5	X							B	SUV3,4	119130	119178	20320	20321	20224	
E12	118389	CG	20	2.1,5	X							B	SUV3,4	119130	119178	20320	20321	20224	
E16	118412	CH	45	2.1,4,2	X							B,E	SUV3,4	119191	119148	20320	20321	20224	
E16	118578	CH	45	4.2,7,5	X							B,E	SUV3,4	119191	119148	20320	20321	20224	
E16	118578	CH	45	4.2,7,5	X							B,E	SUV3,4	119191	119148	20320	20321	20224	
						E1	118246	BN,RD	5	7.5	4-Flat	B	SUV7	119130	119178	20320	20321	20224	
												D			119251	20320	20321		3040-P
								RD				RD	SUV6		119251				
E16	118412	CH	45	2.1,4,2	X							N	SUV3,4		119251	20320	20321		3040-P
												D			119251	20320	20321		3040-P
												B	SUV3,4	119130	119178	20320	20321	20224	
E10	118304		20	2.1,4,2								B	SUV1,2	119130	119178	20320	20321	20224	
E18	118498	CH	45	2.1,5,6	X							B,E	SUV1,2	119191	119148	20320	20321	20224	
E16	118648	CH	45	4.2,7,5	X							B,E	SUV1,2	119191	119148	20320	20321	20224	
E18	118498	CH	45	2.1,5,6	X							B,E	SUV1,2	119191	119148	20320	20321	20224	

B 3 wire system. Converter required.

BN Exterior mounted plug on some or all models. May require an aftermarket electrical mounting box or bracket. (Sold separately)

CG T-One incorporates circuit protected taillight converter.

CH T-One is equipped with circuit protected ModuLite® module.

D See auto dealer for trailer tow wiring kit.

E ModuLite® required.

HG T-One incorporates taillight converter.

N DO NOT cut or splice vehicle wiring. Only use approved T-One or see auto dealer for trailer tow wiring kit.

RD For vehicles equipped with factory tow package may require additional components or may be used as a replacement harness.

RT2 Round Tube Class II 1-1/4"

RT3 Round Tube Class III 2"

SQ1 Square Tube Class I

SQ2 Square Tube Class II

SQ3 Square Tube Class III

SQ4 Square Tube Class IV

MODEL / STYLE	YEAR	TRAILER HITCHES									
		PC	REC TYPE	REC SIZE	PART #	NO DRILL	FOOTNOTES	OPTIONAL DRAWBAR	WC (LBS.)	WD (LBS.)	IN
TOYOTA (Continued)											
Solara	99-03	35	SQ1	1-1/4	24715	0	HM, JR	3593	200/2,000		15
		23	SQ2	1-1/4	36336		HM	36061	300/3,500		15
Solara	04-06	39	SQ2	1-1/4	36378	0	JR, HM	36061	300/3,500		15
Solara	07-08	39	SQ2	1-1/4	36378	0	JR, HM	36061	300/3,500		15
T100	93-98	59	SQ3	2	75144	0	CN		500/5,000	700/7,000	45
Tacoma (App. starts with 95-1/2)	95-04	32	SQ3	2	75078	0	GP		500/5,000	550/5,500	40
Tacoma Except X-Runner	05-08	15	SQ3	2	75236	0	GP		500/5,000	550/5,500	30
Tacoma Except X-Runner	09-15	15	SQ3	2	75236	0	GP		500/5,000	550/5,500	30
Tacoma w/Factory 7-Way	09-12										
Tacoma	16-19	20	SQ4	2	75238	0	GP		1,050/7,000	1,200/8,000	20
Tercel Sedan	91-98	31	SQ1	1-1/4	24606	0	HM	3593	200/2,000		30
Tundra	00-00	49	RT3	2	37133				500/5,000	750/7,500	35
		30	SQ3	2	75105	0	GP		500/5,000	750/7,500	15
		54	RT4	2	37130				700/7,000	1,200/12,000	30
Tundra	01-02	49	RT3	2	37133				500/5,000	750/7,500	35
		30	SQ3	2	75105	0	GP		500/5,000	750/7,500	15
		54	RT4	2	37130				700/7,000	1,200/12,000	30
Tundra	03-06	49	RT3	2	37133				500/5,000	750/7,500	35
		30	SQ3	2	75105	0	GP		500/5,000	750/7,500	15
		54	RT4	2	37130				700/7,000	1,200/12,000	30
Tundra w/Factory 7-Way	03-06										
Tundra (See Footnote CP)	07-09	25	RT4	2	75527	0	CP, HM		600/6,000	800/8,000	20
		70	SQ5	2	41935	0	@, CP, HM		1,200/12,000	1,400/14,000	30
Tundra (See Footnote CP)	10-14	25	RT4	2	75527	0	CP, HM		600/6,000	800/8,000	20
		70	SQ5	2	41935	0	@, CP, HM		1,200/12,000	1,400/14,000	30
Tundra w/Factory 7-Way	10-13										
Tundra (See Footnote CP)	15-17	25	RT4	2	75527	0	CP, HM		600/6,000	800/8,000	20
		70	SQ5	2	41935	0	@, CP, HM		1,200/12,000	1,400/14,000	30
Tundra (See Footnote CP)	18-19	25	RT4	2	75527	0	CP, HM		600/6,000	800/8,000	20
		70	SQ5	2	41935	0	@, CP, HM		1,200/12,000	1,400/14,000	30
Venza	09-16	29	RT2	1-1/4	36512	0	HM, JR	36061	300/3,500		20
		38	RT3	2	75663	0	HM, JR		350/3,500	400/4,000	20
Yaris 3 Dr. Liftback	07-11	11	SQ1	1-1/4	24819	0	GP	3593	200/2,000		20
Yaris 3 Dr. Liftback	07-14	14	SQ1	1-1/4	24911	0	GP	3593	200/2,000		20
Yaris 4 Dr. Sedan	07-11	11	SQ1	1-1/4	24819	0	GP	3593	200/2,000		20
Yaris 5 Dr. Liftback, Except SE	07-14	14	SQ1	1-1/4	24911	0	GP	3593	200/2,000		20
Yaris 5 Dr. Liftback	09-11	11	SQ1	1-1/4	24819	0	GP	3593	200/2,000		20
Yaris Except SE	15-19	16	SQ1	1-1/4	24929	0	GP, EP	3593	200/2,000		25
Yaris iA	17-18	32	RT1	1-1/4	24948	0	HM	3593	200/2,000		30
VOLKSWAGEN											
Amarok (International Only)	13-13	59	SQ3	2	75808	0	HM		600/4,000	800/8,000	30
Atlas	18-19	30	SQ2	1-1/4	36635	0	GP	36051	350/3,500		25
		31	SQ4	2	76176		GP		900/6,000	900/6,000	25
Beetle	98-01	39	SQ1	1-1/4	24679		TA, GP	3593	200/2,000		30
Beetle Except Turbo S	02-10	39	SQ1	1-1/4	24679		TA, GP	3593	200/2,000		30
Beetle Except Convertible & Gas Turbo	12-13	28	SQ1	1-1/4	24877	0	HM, JR	3594	200/2,000		20
Beetle Gas Turbo, Except Convertible	12-13	29	SQ1	1-1/4	24879		GP, JR	3594	200/2,000		30
Beetle Except R-Line & GSR	14-17	28	SQ1	1-1/4	24922	0	HM	3593	200/2,000		20
Beetle	18-18										
CC Except 4 Motion	09-12	22	SQ1	1-1/4	24848		HM, JR, X	3594	200/2,000		35
CC Except 4 Motion	13-17	22	SQ1	1-1/4	24848		HM, JR, X	3594	200/2,000		35

@ Ultra Frame ball mount must be used to achieve maximum weight carrying rating.
 CN Requires OEM factory bumper for hitch installation.
 CP Fits all models without factory installed receiver.
 EP Fascia trimming may be required.
 GP Hitch crosstube concealed behind bumper.

HM Hitch crosstube is visible beneath bumper.
 JR Exhaust must be temporarily lowered for installation.
 TA Trunk access required for hitch installation.
 X Minor fascia trimming required.

T-ONE					TOW HARNESS					4-FLAT WIRING				REQ. 4 FLAT WIRING		7-WAY HARDWIRE	BRAKE CONTROL HARNESS	IN		
PC	T-ONE	FN	IN	AMP	CP	PC	TOW HARN	FN	IN	AMP	CP	TYPE	ELEC	POS	CHOICE 1				CHOICE 2	6-WAY ADAPTER
TOYOTA (Continued)																				
													B	PC3,4	119130	119178				
													B	PC3,4	119130	119178				
													B,E	PC3,4	119191	119148				
E13	118496	HG	10	2.1,7.5									B	PU3,4	119130	119178	20320	20321	20224	
E14	118379	BN,HG	10	2.1,5									B	PU1,2	119130	119178	20320	20321	20224	
E13	118496	HG	10	2.1,7.5									B	PU1,2	119130	119178	20320	20321	20224	3040-P 5
E13	118496	HG	10	2.1,7.5		E8	118384	BN,RD	5	7.5		4-Flat	B,E	PU1,2	119191	119148	20320	20321	20224	3040-P 5
							74682	RD	10			Both	H	PU3	119148	20252				
							85219	RD	5			7-Way								
E21	118685	BN,CH	45	5,7.5	X		22117		60			7-Way	B,E	PU1,2	119191	119148				3031-P 5
													B	PC3,4	119130	119178				
E15	118367	BN,CH	10	7.5									B,E	PU3	119191	119148	20320	20321	20224	
E17	118378	BN,CH	10	7.5									B,E	PU3	119191	119148	20320	20321	20224	
													B,E	PU3,4	119191	119148	20320	20321	20224	3040-P 5
							20137	RD	10			Both	B,E	PU3,4	119191	119148				
													A	PU3	119148	20252	20320	20321	20224	3040-P 5
						E8	118384	BN,RD	5	7.5		4-Flat	A	PU3	119148	20252	20320	20321	20224	3040-P 5
							74682	RD	10			Both	H	PU3	119148	20252				
							85219	RD	5			7-Way								
						E8	118384	BN,RD	5	7.5		4-Flat	A	PU3	119148	20252	20320	20321	20224	3031-P 5
													A	PU3						
E17	118482	CH	45	2.1,5,6	X								B,E	SUV3,4	119191	119148	20320	20321	20224	
													B	PC3,4	119130	119178				
													B	PC3,4	119130	119178				
E18	118517	CH	45	2.1,5,6	X								B	PC3,4	119130	119178				
													B	PC3,4	119130	119178				
													B	PC3,4	119130	119178				
E16	118661	CH	45	4.2,7.5	X								B,E	PC3,4	119191	119148				
E15	118728	CH,BN	45	5,7.5	X								B,E	PC1,2	119191	119148				
VOLKSWAGEN																				
E19	118754	CH	45	5,7.5	X	E8	118384	BN,RD	5	7.5		4-Flat	BM	PU3	119251	119191	20320	20321		
													BT	SUV3,4						
													B	PC1,2	119130	119178				
													B	PC1,2	119130	119178				
E17	118688	CH	45	4.2,7.5	X								B,E	PC3,4	119251	119191				
E17	118688	CH	45	4.2,7.5	X								B,E	PC3,4	119251	119191				
E17	118688	CH	45	4.2,7.5	X								B,E	PC3,4	119251	119191				
E17	118688	CH	45	4.2,7.5	X								B,E	PC3,4	119251	119191				
													BT	PC1,2	119251	119191				
E16	118714	CH	45	4.2,7.5	X								A,E	PC3,4	119251	119148				

- A** 2 wire system.
- B** 3 wire system. Converter required.
- BM** Multiplexed wiring system. ModuLite® HD Plus or Ultra required.
- BN** Exterior mounted plug on some or all models. May require an aftermarket electrical mounting box or bracket. (Sold separately)
- BT** Shared Brake/Tail multiplexed wiring system. ModuLite® HD Plus or Ultra required.
- CH** T-One is equipped with circuit protected ModuLite® module.
- E** ModuLite® required.
- H** 3 wire system with OEM standard 2 wire harness.
- HG** T-One incorporates taillight converter.
- RD** For vehicles equipped with factory tow package may require additional components or may be used as a replacement harness.

- RT1** Round Tube Class I 1-1/4"
- RT2** Round Tube Class II 1-1/4"
- RT3** Round Tube Class III 2"
- RT4** Round Tube Class IV 2"
- SQ1** Square Tube Class I
- SQ2** Square Tube Class II
- SQ3** Square Tube Class III
- SQ4** Square Tube Class IV
- SQ5** Square Tube Class V

MODEL / STYLE	YEAR	TRAILER HITCHES									
		PC	REC TYPE	REC SIZE	PART #	NO DRILL	FOOTNOTES	OPTIONAL DRAWBAR	WC (LBS.)	WD (LBS.)	IN
VOLKSWAGEN (Continued)											
Eos	07-13	25	SQ1	1-1/4	24824	0	GP, JR	3594	200/2,000		40
Golf	99-06	39	SQ1	1-1/4	24679		TA, GP	3594	200/2,000		30
Golf 2 Dr. Hatchback, Except R	10-13	19	SQ1	1-1/4	24825	0	HM	3594	200/2,000		15
Golf 4 Dr. Hatchback, Except R	10-14	19	SQ1	1-1/4	24825	0	HM	3594	200/2,000		15
Golf Hatchback (Canada Only), Except R	10-13	19	SQ1	1-1/4	24825	0	HM	3594	200/2,000		15
Golf Wagon (Canada Only)	10-14	23	SQ1	1-1/4	24866	0	HM, JR, TA	3594	200/2,000		40
Golf	15-17	25	SQ1	1-1/4	24925	0	TA, FE, GP	3593	200/2,000		60
Golf Except Sportwagen Models	18-18										
Golf Alltrack	17-17	19	SQ1	1-1/4	24949	0	EP, GP, DU, AA	3590	200/2,000		60
Golf Alltrack	18-18	19	SQ1	1-1/4	24949	0	EP, GP, DU, AA	3590	200/2,000		60
Golf City (Canada Only)	07-10	39	SQ1	1-1/4	24679		TA, GP	3594	200/2,000		30
Golf R	15-18	30	SQ1	1-1/4	24975	0	DU, GP, TA, X	3593	200/2,000		75
Golf SportWagen	15-15	19	SQ1	1-1/4	24949	0	EP, GP, DU, AA	3590	200/2,000		60
Golf SportWagen	16-17	19	SQ1	1-1/4	24949	0	EP, GP, DU, AA	3590	200/2,000		60
GTI 2 Dr. Hatchback	06-09	19	SQ1	1-1/4	24825	0	HM	3594	200/2,000		15
GTI 4 Dr. Hatchback	07-09	19	SQ1	1-1/4	24825	0	HM	3594	200/2,000		15
GTI Hatchback	10-14	28	SQ1	1-1/4	24904	0	JR, KH, GP	3594	200/2,000		40
GTI Hatchback (Canada Only)	10-12	28	SQ1	1-1/4	24904	0	JR, KH, GP	3594	200/2,000		40
GTI	16-17	25	SQ1	1-1/4	24925	0	TA, FE, GP	3593	200/2,000		60
Jetta Jetta III	94-98	35	SQ1	1-1/4	24594		GP	3592	200/2,000		30
Jetta Sedan, Except Gas Turbo & Wagon	99-04	29	SQ1	1-1/4	24748		TA, HM	3593	200/2,000		30
Jetta 4 Dr. Sedan	05-10	23	SQ1	1-1/4	24866	0	HM, JR, TA	3594	200/2,000		40
Jetta Sedan, Except Gas Turbo & Wagon	05-05	29	SQ1	1-1/4	24748		TA, HM	3593	200/2,000		30
Jetta SportWagon	09-14	23	SQ1	1-1/4	24866	0	HM, JR, TA	3594	200/2,000		40
Jetta 4 Dr. Sedan	11-14	23	SQ1	1-1/4	24866	0	HM, JR, TA	3594	200/2,000		40
Jetta 4 Dr. Sedan, Except Hybrid & TDI	15-18	33	RT1	1-1/4	24926	0	JR, HM, TA, SV	3593	200/2,000		40
Jetta	19-19	37	SQ1	1-1/4	24978	0	GP, AA, X, TA	3593	200/2,000		80
Jetta City Sedan (Canada Only)	07-09	29	SQ1	1-1/4	24748		TA, HM	3593	200/2,000		30
Passat 4 Dr. Sedan, Except 4 Motion & W8 Engine	99-05	20	SQ1	1-1/4	24698		RB, TA, HM	3593	200/2,000		40
Passat Wagon, Except 4 Motion & W8 Engine	99-05	20	SQ1	1-1/4	24698		RB, TA, HM	3593	200/2,000		40
Passat 4 Dr. Sedan, Except 4 Motion	06-10	22	SQ1	1-1/4	24848		HM, JR, X	3594	200/2,000		35
Passat Wagon, Except 4 Motion	07-10	22	SQ1	1-1/4	24848		HM, JR, X	3594	200/2,000		35
Passat 4 Dr. Sedan	12-15	34	SQ1	1-1/4	24880	0	EP, GP, JR, SV, TA	3590	200/2,000		30
Passat Except SE & SEL	16-16	34	SQ1	1-1/4	24880	0	EP, GP, JR, SV, TA, TW	3590	200/2,000		30
Passat SE & SEL Only	16-16	34	SQ1	1-1/4	24880	0	EP, GP, JR, SV, TA, TW	3590	200/2,000		30
Passat	17-17	34	SQ1	1-1/4	24880	0	EP, GP, JR, SV, TA, TW	3590	200/2,000		30
Rabbit	06-09	19	SQ1	1-1/4	24825	0	HM	3594	200/2,000		15
Routan	09-12	24	SQ2	1-1/4	36455	0	GP, JR	36061	300/3,500		20
		19	SQ3	2	75579	0	GP, JR		400/4,000	500/5,000	20
Routan (Canada Only)	13-14	24	SQ2	1-1/4	36455	0	GP, JR	36061	300/3,500		20
		19	SQ3	2	75579	0	GP, JR		400/4,000	500/5,000	20
Tiguan	09-11	10	SQ2	1-1/4	36474	0	EP, HM	36051	300/3,500		20
		10	SQ3	2	75658	0	EP		350/3,500		20
Tiguan	12-17	10	SQ2	1-1/4	36474	0	EP, HM	36051	300/3,500		20
		10	SQ3	2	75658	0	EP		350/3,500		20
Tiguan	18-18	25	SQ2	1-1/4	36650	0	GP, JR	36051	350/3,500		20
		26	SQ3	2	76192	0	EP, GP, JR		675/4,500	675/4,500	40
Tiguan Limited	18-18										
Touareg	04-10	47	SQ4	2	75363		AA, RB		600/6,000	600/6,000	90
Touareg	11-17	45	SQ4	2	75950	0	GP, EP, TA		750/7,500		70
Transporter	93-03										

AA Requires temporary removal of bumper during installation.
DU Fascia removal required.
EP Fascia trimming may be required.
FE Fascia trimming may be required. Allow additional installation time.
GP Hitch crosstube concealed behind bumper.
HM Hitch crosstube is visible beneath bumper.
JR Exhaust must be temporarily lowered for installation.

KH Minor heat shield modification may be required.
RB Hitch installation can be made easier with a "cutter" type drill bit.
SV Trimming or removal of under body appearance panel may be required.
TA Trunk access required for hitch installation.
TW Receiver hitch may limit hands-free liftgate sensor range
X Minor fascia trimming required.

T-ONE						TOW HARNESS						4-FLAT WIRING				REQ. 4 FLAT WIRING		7-WAY HARDWIRE	BRAKE CONTROL HARNESS	IN
PC	T-ONE	FN	IN	AMP	CP	PC	TOW HARN	FN	IN	AMP	CP	TYPE	ELEC	POS	CHOICE 1	CHOICE 2	6-WAY ADAPTER			
VOLKSWAGEN (Continued)																				
													BM	PC3.4	119251	119191				
													B	PC1.2	119130	119178				
													BT	PC1.2	119251	119191				
													BT	PC1.2	119251	119191				
													BT	PC1.2	119251	119191				
													BM	PC3.4	119251	119191				
E20	118646	CH	45	4.2,7.5	X								BT	PC3.4	119251	119191				
E20	118646	CH	45	4.2,7.5	X								BTT	PC3.4	119251	119191				
E17	118730	CH	45	5.7.5	X								B,E	PC3.4						
													B,E	PC3.4						
													B	PC1.2	119130	119178				
E19	118787	CH	45	5.7.5	X															
													A,E	PC3.4	119191	119148				
E17	118730	CH	45	5.7.5	X								A,E	PC3.4	119191	119148				
													BT	PC1.2	119192	119191				
													BT	PC1.2	119251	119191				
													BM	PC3.4	119251	119191				
													BM	PC3.4	119251	119191				
													BT	PC3.4	119251	119191				
													B	PC3.4	119130	119178				
													B	PC3.4	119130	119178				
E22	118667	CH	45	4.2,7.5	X								BT	PC3.4	119251	119191				
													B	PC3.4	119130	119178				
													B,E	PC3.4	119191	119148				
E27	118572	CH	45	4.2,7.5	X								B,E	PC3.4	119191	119148				
E27	118572	CH	45	4.2,7.5	X								B,E	PC3.4	119191	119148				
													B,E	PC3.4	119191	119148				
													B	PC3.4	119130	119178				
													B	PC3.4	119130	119178				
E25	118562	CH	45	4.2,7.5	X								BM	PC1.2	119251	119191				
E22	118530	CH	45	4.2,7.5	X								BM	PC1.2	119251	119191				
E20	118646		45	4.2,7.5	X								BT	PC3.4	119251	119191				
E20	118721	CH	45		X								BT	PC3.4	119251	119191				
E20	118742	CH	45	5.7.5	X								A,E	PC3.4						
E20	118721	CH	45		X								BT	PC3.4	119251	119191				
													BT	PC1.2	119251	119191				
E7	118490		20	7.5									A	SUV1.2	119148	20252	20320	20321	20224	
													A	SUV1.2	119148	20252	20320	20321	20224	
													BT	SUV1.2	119251	119191	20320	20321		
E20	118675	CH,BN	45	4.2,7.5	X								BT	SUV1.2	119251	119191	20320	20321	20224	
E18	118765	CH	45	5.7.5	X								N	SUV1.2		119251				
E20	118675	CH,BN	45	4.2,7.5	X								BT	SUV1.2	119251	119191	20320	20321	20224	
E24	118509	CH	45	4.2,7.5	X								B,E	SUV3.4	119191	119148	20320	20321	20224	
E18	118668	CH	45	4.2,7.5	X								BT	SUV1.2	119192	119191	20320	20321	20224	

A 2 wire system.
B 3 wire system. Converter required.
BM Multiplexed wiring system. ModuLite® HD Plus or Ultra required.
BN Exterior mounted plug on some or all models. May require an aftermarket electrical mounting box or bracket. (Sold separately)
BT Shared Brake/Tail multiplexed wiring system. ModuLite® HD Plus or Ultra required.
BTT Shared Brake/Tail/Turn multiplexed wiring system. ModuLite® HD Plus or Ultra required.
CH T-One is equipped with circuit protected ModuLite® module.
E ModuLite® required.
N DO NOT cut or splice vehicle wiring. Only use approved T-One or see auto dealer for trailer tow wiring kit.

RT1 Round Tube Class I 1-1/4"
SQ1 Square Tube Class I
SQ2 Square Tube Class II
SQ3 Square Tube Class III
SQ4 Square Tube Class IV

MODEL / STYLE	YEAR	TRAILER HITCHES									
		PC	REC TYPE	REC SIZE	PART #	NO DRILL	FOOTNOTES	OPTIONAL DRAWBAR	WC (LBS.)	WD (LBS.)	IN
VOLVO											
850 Sedan	93-97	29	SQ2	1-1/4	36262		GP, JR	36061	300/3,500		20
850 Wagon	94-97	29	SQ2	1-1/4	36262	0	GP	36061	300/3,500		20
C30	08-10	28	SQ1	1-1/4	24811		HM, JR, KH	3593	200/2,000		45
C70 Convertible	98-04	29	SQ2	1-1/4	36262		GP, JR	36061	300/3,500		20
C70 Coupe	98-02	29	SQ2	1-1/4	36262		GP, JR	36061	300/3,500		20
S40 Sedan (App. starts with 2004-1/2)	04-11	27	SQ1	1-1/4	24781	0	GP, JR	3594	200/2,000		25
S60 Sedan	01-09	37	SQ2	1-1/4	36297	0	HM, JR	36061	300/3,500		15
S60 Sedan	11-13	27	SQ3	2	75916	0	DU, EP, GP		400/4,000		70
S60 Sedan	14-18	27	SQ3	2	75916	0	DU, EP, GP		400/4,000		70
S70 Sedan	98-00	29	SQ2	1-1/4	36262		GP, JR	36061	300/3,500		20
S80 Sedan	07-16	24	SQ2	1-1/4	36466	0	HM, JR, KH	36061	300/3,500		35
S90	17-18										
V50 Wagon, Except T5 R-Design	05-10	27	SQ1	1-1/4	24781	0	GP, JR	3594	200/2,000		25
V60 (App. starts with 2015-1/2)	15-17	27	SQ3	2	75916	0	DU, EP, GP		400/4,000		70
V70 Wagon	98-00	29	SQ2	1-1/4	36262	0	GP	36061	300/3,500		20
V70 Wagon	01-02	37	SQ2	1-1/4	36297	0	HM, JR	36061	300/3,500		15
V70 Wagon	03-07	37	SQ2	1-1/4	36297	0	HM, JR	36061	300/3,500		15
V70 Wagon	08-10	27	SQ3	2	75916	0	DU, EP, GP		400/4,000		70
XC40	19-19	28	SQ3	2	76245	0	DU, AA, GP, TA		600/4,000		70
XC60	10-17	33	SQ3	2	75671	0	GP, JR, KH, SR		400/4,000	450/4,500	45
XC60	14-14	25	SQ3	2	76116	0	JR, AG, KH		400/4,000	450/4,500	30
XC60	15-17	25	SQ3	2	76116	0	JR, AG, KH		400/4,000	450/4,500	30
XC60	18-19	30	SQ4	2	76194	0	AA, DU, EP, GP, KH		900/6,000		65
XC70 Wagon, AWD	03-07	37	SQ2	1-1/4	36297	0	HM, JR	36061	300/3,500		15
XC70	08-16	27	SQ3	2	75916	0	DU, EP, GP		400/4,000		70
XC90	03-04	36	SQ3	2	75152	0	JR		500/5,000	500/5,000	25
XC90	05-14	36	SQ3	2	75152	0	JR		500/5,000	500/5,000	25
XC90	16-19	34	SQ4	2	76014f	0	GP, JR, KH, X, TA		900/6,000		90
		30	SQ4	2	76190	0			900/6,000		45

<p>AA Requires temporary removal of bumper during installation.</p> <p>AG Drawbar Kit & Accessory Adapter sold separately.</p> <p>DU Fascia removal required.</p> <p>EP Fascia trimming may be required.</p> <p>GP Hitch cross-tube concealed behind bumper.</p> <p>HM Hitch cross-tube is visible beneath bumper.</p>	<p>JR Exhaust must be temporarily lowered for installation.</p> <p>KH Minor heat shield modification may be required.</p> <p>SR Only use ball mounts with 8-1/2" length : 3/4" rise : 2" drop for this vehicle.</p> <p>TA Trunk access required for hitch installation.</p> <p>X Minor fascia trimming required.</p>
--	---

T-ONE					TOW HARNESS					4-FLAT WIRING				REQ. 4 FLAT WIRING		7-WAY HARDWIRE	BRAKE CONTROL HARNESS	IN	
PC	T-ONE	FN	IN	AMP	CP	PC	TOW HARN	FN	IN	AMP	CP	TYPE	ELEC	POS	CHOICE 1				CHOICE 2
VOLVO																			
													E	PC3,4	119191	119148			
													E	PC3,4	119191	119148			
													B,E	PC3,4	119191	119148			
													E	PC3,4	119191	119148			
													E	PC3,4	119191	119148			
													B,E	PC3,4	119191	119148			
													E	PC3,4	119191	119148			
E15	118770	CH	45	5,7.5	X								B,E	PC3,4	119191	119148	20320	20321	
													B,E	PC3,4	119191	119148	20320	20321	
E19	118454	CH	45	2,1.5,6	X								E	PC3,4	119191	119148			
E14	118683	CH	20	4,2,7.5	X								B,E	SUV3,4					
													E	PC3,4	119191	119148			
E16	118647	CH	45	4,2,7.5	X								B,E	PC3,4	119191	119148			
													E	PC1,2	119191	119148			
													E	PC1,2	119191	119148			
													B,E	PC1,2	119191	119148			
E15	118463	CH	45	2,1.5,6	X								B,E	SUV3,4	119191	119148	20320	20321	20224
E15	118792	CH	45	5,7.5	X								B,E	SUV1,2	119191	119148			
E20	118523	CH	45	4,2,7.5	X								B,E	SUV3,4	119191	119148	20320	20321	20224
E20	118523	CH	45	4,2,7.5	X								B,E	SUV3,4	119191	119148	20320	20321	20224
													B,E	SUV3,4	119191	119148	20320	20321	20224
E16	118773	CH	45	5,7.5	X								B,E	SUV3,4	119191	119148			
													B,E	PC1,2	119191	119148			
E17	118774	CH	45	5,7.5	X								B,E	SUV3,4	119191	119148	20320	20321	20224
													B,E	SUV3,4	119191	119148	20320	20321	20224
E18	118411	CH	20	2,1.5,6	X								B,E	SUV3,4	119191	119148	20320	20321	20224
E14	118683	CH	20	4,2,7.5	X								B,E	SUV3,4	119191	119148	20320	20321	20224

B 3 wire system. Converter required.

CH T-One is equipped with circuit protected ModuLite® module.

E ModuLite® required.

SQ1 Square Tube Class I

SQ2 Square Tube Class II

SQ3 Square Tube Class III

SQ4 Square Tube Class IV

ELECTRICAL APPLICATION FOOTNOTES

A	2 wire system.
B	3 wire system. Converter required.
BM	Multiplexed wiring system. ModuLite® HD Plus or Ultra required.
BN	Exterior mounted plug on some or all models. May require an aftermarket electrical mounting box or bracket. (Sold separately)
BT	Shared Brake/Tail multiplexed wiring system. ModuLite® HD Plus or Ultra required.
BTT	Shared Brake/Tail/Turn multiplexed wiring system. ModuLite® HD Plus or Ultra required.
C	2 or 3 wire system determine at installation.
CE	T-One includes fuse(s) & relay(s). Converter not required. Standard 2 wire system at factory tow plug.
CG	T-One incorporates circuit protected taillight converter.
CH	T-One is equipped with circuit protected ModuLite® module.
D	See auto dealer for trailer tow wiring kit.
E	ModuLite® required.
FV	2003 Models w/Build date after 11/1/02.
FW	2003 Models w/Build date before 11/1/02.
G	Low-side switching system.
H	3 wire system with OEM standard 2 wire harness.
HG	T-One incorporates taillight converter.
HJ	Per Dodge owner's manual: If trailer is equipped with more than standard lighting (1 taillight per side) use of ModuLite® or dealer supplied harness is required.
JM	Some early production 1994 models may require #118348.
LS	T-One incorporates low-side switching taillight converter. Additional installation time required.
M	Will fit with heavy-duty suspension.
N	DO NOT cut or splice vehicle wiring. Only use approved T-One or see auto dealer for trailer tow wiring kit.
QP	Will not fit vehicles with backup sensors built into rear bumper.
RD	For vehicles equipped with factory tow package may require additional components or may be used as a replacement harness.
RW	On some models it may require an upgraded flasher or ModuLite®.
TR	Trimming or Modification of the vehicle connector may be required.
Z	May be equipped with Factory Tow Prep Plug. Determine at time of installation.

HITCH APPLICATION FOOTNOTES

#	Titan hitches require use of a 2-1/2" shank Titan ball mount.
@	Ultra Frame ball mount must be used to achieve maximum weight carrying rating.
†	Available while supply lasts.
AA	Requires temporary removal of bumper during installation.
AB	Requires four (4) 3/8" spacer blocks (#01077011) for installation. (Sold separately)
AE	Requires temporary removal of muffler during installation.
AF	Hitch is ONLY rated for Weight Carrying at 3500 lbs. GTW / 350 lbs. TW and DO NOT use Weight Distribution Spring Bars for this Specific Vehicle. Except for long bed pickups.
AG	Drawbar Kit & Accessory Adapter sold separately.
AI	Additional installation time may be required.
AL	Additional installation time required for vehicles equipped with load leveling compressor.
AW	Will not fit Turbo models.
BF	Requires standard bumper. Will not fit with step bumper.
BN	Exterior mounted plug on some or all models. May require an aftermarket electrical mounting box or bracket. (Sold separately)
BY	Minor repositioning of muffler required.
CA	Models with dual exhaust require exhaust modification.
CC	Requires minimum of 19" from end of frame rail to spring shackle bracket.
CH	T-One is equipped with circuit protected ModuLite® module.
CN	Requires OEM factory bumper for hitch installation.
CO	Will not fit 8 ft. 2500/3500 Series with heavy-duty suspension or four door Crew Cab.
CP	Fits all models without factory installed receiver.
CQ	Will not fit with heavy duty suspension.
CR	Fits with mini spare tire stowed under vehicle. Will not fit with full size spare.
CS	Will fit with full-size spare tire stowed under vehicle.
GT	Will not fit long bed models after 1999.

ELECTRICAL POSITIONS

Passenger Cars (PC)

Passenger car wiring positions are referenced by the letters PC and a number. Use the illustration to identify the wiring location for all passenger cars.

- PC1** - Behind driver side taillight - externally
- PC2** - Behind passenger side taillight - externally
- PC3** - Inside trunk behind driver side taillight - internally
- PC4** - Inside trunk behind passenger side taillight - internally
- PC5** - Under vehicle, driver side
- PC6** - Under vehicle, center
- PC7** - Under vehicle, passenger side

**Pickup Trucks, Full & Mid-Size (PU)**

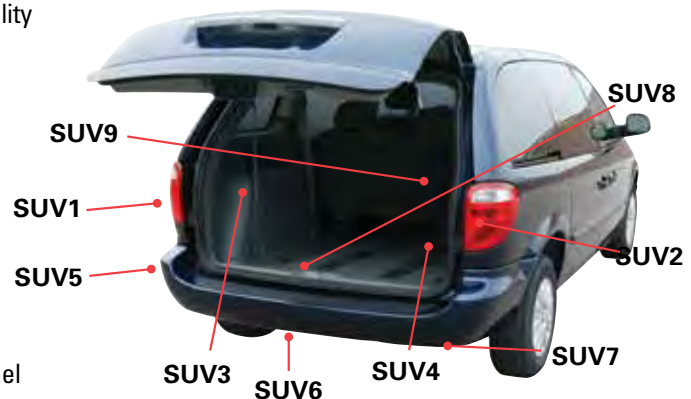
Pickup truck wiring positions are referenced by the letters PU and a number. Use the illustration to identify the wiring location for all trucks.

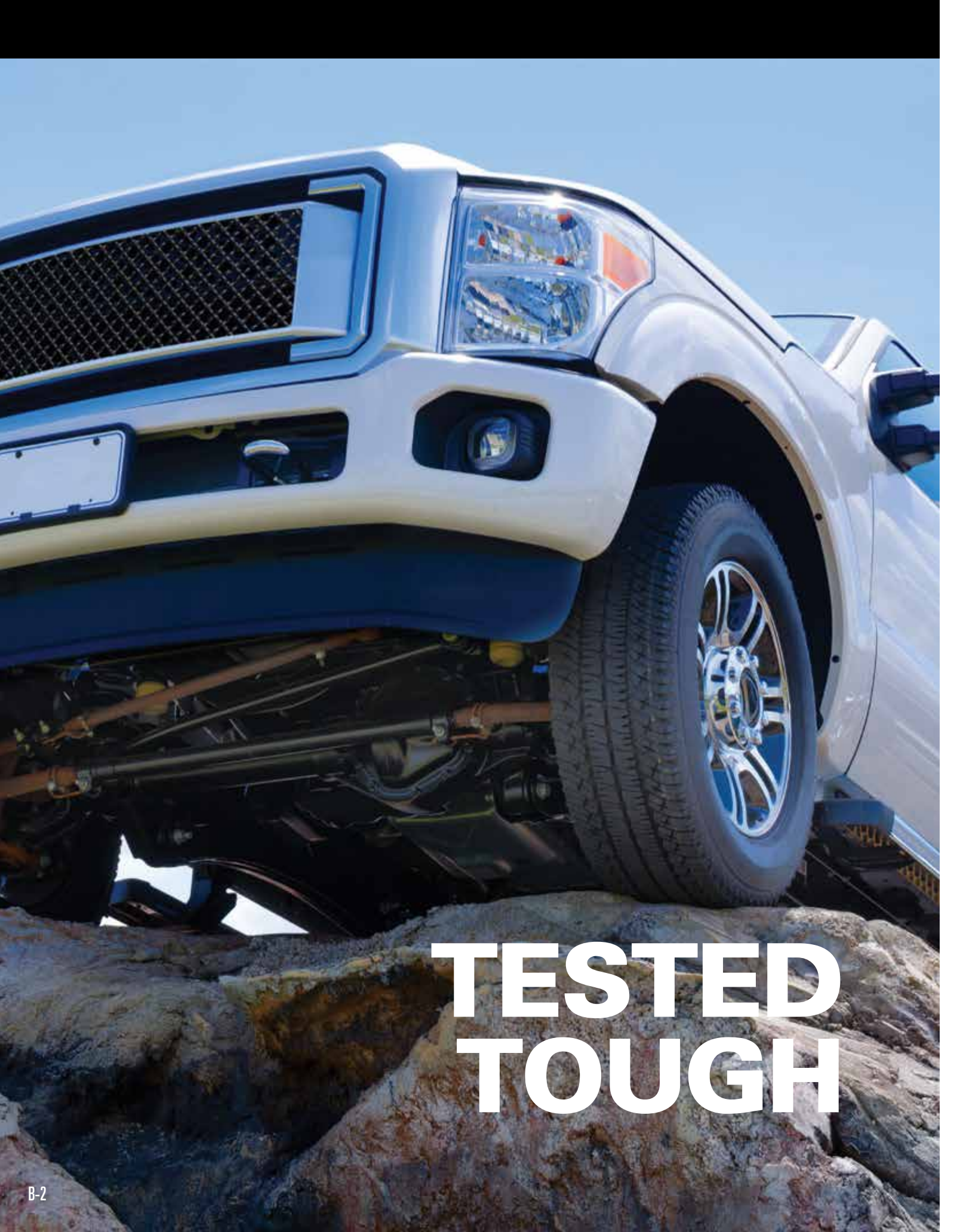
- PU1** - Behind driver side taillight
- PU2** - Behind passenger side taillight
- PU3** - Under vehicle, driver side
- PU4** - Under vehicle, passenger side
- PU5** - Under vehicle, center

**Sport Utility, Van & Mini-Vans (SUV)**

Sport utility, vans & mini-van wiring positions are referenced by the letters SUV and a number. Use the illustration to identify the wiring location for all sport utility vehicles, vans and mini-vans.

- SUV1** - Behind driver side taillight
- SUV2** - Behind passenger side taillight
- SUV3** - Behind driver side trim panel
- SUV4** - Behind passenger side trim panel
- SUV5** - Under vehicle, driver side
- SUV6** - Under vehicle, center
- SUV7** - Under vehicle, passenger side
- SUV8** - Inside vehicle, center
- SUV9** - Inside vehicle, passenger side, behind panel near rear seat





**TESTED
TOUGH**



Draw-Tite® components are designed and manufactured to work best with other Draw-Tite® products, and all are engineered to the same exacting standards for years of worry-free performance.

HITCH ACCESSORIES



HITCH BALLS

- Hitch Ball Selection 6
- Selecting the Right Hitch Ball 7
- Interchangeable Hitch Ball Systems 7

BALL MOUNTS

- Selecting the Right Ball Mount 8, 10
- Class I and II Drawbars 8-9
- Class III and IV Ball Mounts 10-13
- Class V Ball Mounts 14
- Dual and Tri Ball Mounts 15
- Adjustable Ball Mounts 16-17

PINTLE HOOKS

- Pintle Hook Mounts 20
- Adjustable Pintle Mounts 20
- Pintle Hooks 21
- Lunette Rings 21
- Receiver Mount Accessories 22
- Clevis Mounts 22

ACCESSORIES

- Adapters and Extensions 18-19
- Pins and Clips 23
- Anti-Rattle 24
- Locks 25-27
- Hitch Accessories 27
- Tube Covers 28

3-IN HITCH ACCESSORIES

HEAVY-DUTY TOWING'S UNRIVALED LEADER

Draw-Tite®'s complete line of 3-in receiver accessories that once again sets the bar in total capacity and quality. Designed to meet the heavy-duty demands of trucks with 21,000 lb of towing capacity, this new line provides not only the strongest, but the deepest drop ball mounts available in the marketplace.

3-in RECEIVER BALL MOUNTS

Fits 3-in Square Receiver
Tube Opening

- Up-rated 21,000 lb towing capacity (2,100 lb TW)
- Metalshield™ finish

40700 – 4-in Drop

40701 – 6-in Drop

40702 – 8-in Drop

40703 – 10-in Drop



3-in to 2-1/2-in RECEIVER ADAPTER

Use 2.5-in Accessories in 3-in Receiver Hitch Box Openings.

- Reduced sleeve adapter integrates with all Class V accessories
- Reinforced welded collar for greater capacity
- Ideal conversion for emerging 3-in receivers on heavy-duty trucks

58550 – With Collar **58552** – Standard



4-in SPAN PIN & CLIP

Designed to fit 3-in Receiver Openings

- 5/8-in pin diameter, sleeved to 3/4-in

63258



4-in SPAN DOGBONE LOCK

Designed to fit 3-in Receiver Openings

- 5/8-in pin diameter, sleeved to 3/4-in

63259

4-in SPAN PROFESSIONAL LOCK

Designed to fit 3-in Receiver Openings

- 5/8-in pin diameter, sleeved to 3/4-in
- Ball bearing pick-proof design

63260

2-5/16-in HITCH BALL

Heavy-Duty Class V Chrome

- 1-1/4-in shank, 2-1/2-in long
- 25,000 lb capacity

63864

36-in SAFETY CHAIN

A Chain and Hook Heavy-Duty Enough for 3-in

- Safety chain, Class V 35 inch, 1/2-in proof coil, 3/8-in clevis slip hook w/latch, high test grade 70
- 26,400 lb GTW

63451



HITCH BALLS



Chrome Individual packaging

HITCH BALLS

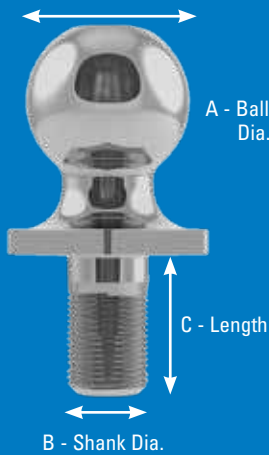
- Solid steel hitch balls engineered to meet all safety requirements of VESC regulation V-5
- Forged for superior strength
- When installing hitch balls, torque all 3/4-in shank dia. balls to 160-ft lb, all 1-in shank dia. balls to 250-ft lb, all 1-1/4-in shank dia. balls to 450-ft lb

Shank Dia. (B)	Shank Length (C)	Drawbar Thickness Range	GTW / GVWR Rating	Zinc Bulk	Zinc Ind. Packaged	Chrome Bulk	Chrome Ind. Packaged	Chrome 6 Pack Display	Stainless Ind. Packages	Precision Machined
1-7/8" Ball Diameter - A										
3/4"	1-1/2"	3/8"-5/8"	2,000	63811	63881	63810	63880	63810-006		
3/4"	2-3/8"	3/8"-1-3/8"	2,000	63813		63812	63882			
3/4"	3-3/8"	3/8"-2-1/8"	2,000			63814				
1"	2-1/8"	3/8"-3/4"	2,000	63817	63885	63816	63884	63816-006	63851	
1"	3-3/8"	3/8"-2-1/8"	2,000	63819		63818				
2" Ball Diameter - A										
3/4"	1-1/2"	3/8"-5/8"	3,500	63821	63888	63820	63887			
3/4"	2-1/8"	3/8"-3/4"	3,000							028375
3/4"	2-3/8"	3/8"-1-3/8"	3,500	63823		63822	63889			
3/4"	3-3/8"	3/8"-2-1/8"	3,500			63824				
1"	2-1/8"	3/8"-3/4"	5,000							028351
1"	2-1/8"	3/8"-3/4"	6,000						63852	
1"	2-1/8"	3/8"-3/4"	7,000							028352
1"	2-1/8"	3/8"-3/4"	7,500	63848	63910	63845	63909	63845-006		
1"	3-1/4"	3/8"-2-1/8"	7,500	63850		63849				
1-1/4"	2-3/4"	3/8"-1"	8,000	63831		63830	63899			
2-5/16" Ball Diameter - A										
1"	2-1/8"	3/8"-3/4"	6,000						63853	
1"	2-1/8"	3/8"-3/4"	7,500	63846	63907	63847	63908	63847-006		
1-1/4"	2-3/4"	3/8"-1"	12,000	63835	63897	63834	63896			
1-1/4"	2-3/4"	3/8"-1"	12,500							028400
1-1/4"	2-3/4"	3/8"-1"	14,000			63836#				
1-1/4"	2-3/4"	3/8"-1"	20,000			63840#				
1-1/4"	2-1/2"		25,000				63864			
50mm (1,600kg) Ball Diameter - A										
3/4"	1-1/2"	3/8"-5/8"	3,500			63912				

Hitch ball requires use with like rated receiver & ball mount. Consult tow vehicle owners manual for maximum towing capacities.

Chrome bulk packaging





Selecting The Right Hitch Ball

Always use the properly-rated hitch ball for your towing system.

- Your towing system's maximum weight rating is always equal to the lowest rated item in the system
 - Your hitching system cannot be upgraded to a rating higher than the maximum rating of your hitch
- For example, a 3500 lb ball on a 2000 lb max trailer weight-rated hitch does not increase your towing capacity to 3500 lb. Your hitching system is still rated at 2000 lb.

Conversely, a 2,000 lb ball on a 3500 lb max trailer weight-rated hitch decreases your maximum towing capacity to 2000 lb.

The hitch ball diameter (A) must be the same diameter as the trailer coupler (1-7/8-, 2- or 2-5/16-in).

The shank diameter (B) of the hitch ball should be the same as the hole diameter in the ball mount.

The shank length (C) should be long enough to allow at least two threads to be visible when the hitch ball is installed and the nut completely tightened.



INTERCHANGEABLE HITCH BALL SYSTEMS

Tow multiple trailers with ease. Draw-Tite® Interchangeable Hitch Ball System allows you to change hitch ball sizes in seconds without any tools. Available in 2 and 3-ball sets. Available in 3/4-in and 1-in shank models.

- Innovative quick release changes balls in seconds
- Rated capacities up to 8,000 lb
- New positive latch design
- No special tools required

Part Number	Shank	Ball A	Ball B	Ball C	Max GTW
63801	3/4"	1-7/8"	2"	—	5,000 lbs.
63802	1"	1-7/8"	2"	—	8,000 lbs.
63804	1"	—	2"	2-5/16"	8,000 lbs.
63803	1"	1-7/8"	2"	2-5/16"	8,000 lbs.

Part Number	Description	Max GTW
63805	1-7/8" Interchangeable Hitch Ball Head	—
63806	2" Interchangeable Hitch Ball Head	—
63807*	2-5/16" Interchangeable Hitch Ball Head	—
63808	3/4" Interchangeable Hitch Ball Shank	5,000 lbs.
63809	1" Interchangeable Hitch Ball Shank	8,000 lbs.



Step 1: Attach shank

Step 2: Attach ball

Step 3: Tighten locking head

Selecting The Right Ball Mount

1. Measure from the ground to the top of the hitch.
2. Measure from the ground to the (inside) top of the trailer coupler (when level).

The difference in the two measurements is the amount of ball mount 'rise' or 'drop' required.

3. Subtract the height of the hitch ball (most are 2½ - 3-in high) from coupler measurement.

The difference in the two measurements is the amount of ball mount 'rise' or 'drop' required.

STYLE 1

STYLE 2

STYLE 3

DRAWBAR STYLES

We offer ball mounts and drawbars in three separate styles: straight cut, angle cut and drop cut. Refer to the styles above to select the mount that best suits your needs



CLASS I DRAWBAR KITS

- Boxed includes drawbar, pin and clip
- Black powder coat finish over E-coat
- Fits 1-1/4-in square receiver tube opening

Part Number	Rating GTW/TW (lbs.)	Ball Hole Size	Length A	Rise B	Drop C	Style
3590	2,000/200	3/4"	6-5/8"	5/8"	N/A	1
3591	2,000/200	3/4"	9-3/4"	5/8"	N/A	1
3592	2,000/200	3/4"	9-3/4"	2-1/8"	2-3/4"	3
3593	2,000/200	3/4"	6-5/8"	2-1/8"	2-3/4"	3
3594	2,000/200	3/4"	10"	4"	N/A	2

NOTE: Class I drawbar applications are specific. The correct replacement drawbar part number is listed on each Class I hitch installation instruction sheet.

36051



36071



28451



28351



83637



CLASS II DRAWBAR KITS

- Boxed includes drawbar, pin and clip
- Black powder coat finish over E-coat
- Fits 1-1/4-in square receiver tube opening

Part Number	Rating GTW/TW (lbs.)	Ball Hole Size	Length A	Rise B	Drop C	Style
36051	3,500/300	3/4"	7"	5/8"	1-1/4"	1
36053	3,500/300	3/4"	9-3/4"	5/8"	1-1/4"	1
36061	3,500/300	3/4"	9-3/4"	3-1/8"	N/A	2
36063	3,500/300	3/4"	11-3/4"	3-1/8"	N/A	2
36065	3,500/300	3/4"	10"	5"	N/A	2
36071	3,500/300	3/4"	7-3/16"	2-5/8"	3-1/4"	3
36078*	3,500/300	3/4"	7-3/8"	-	4-3/4"	3

* Fits 1-1/4-in OEM Ford Explorer, Lincoln Aviator & Mercury Mountaineer hitch

NOTE: Class II drawbar applications are specific. The correct replacement drawbar part number is listed on each Class II hitch installation instruction sheet.

36063



INVISI-HITCH™ ACCESSORIES

Part Number	Description
28451	Drawbar Kit, 2,000 lbs. (Includes Swivel pin)
28351	Accessory Adapter Kit (includes Swivel pin)
83637	Drawbar Kit for OEM Dodge Magnum Hitch, 2,000 lbs. (Includes Pin and Clip)

DRAWBAR OEM KIT

Part Number	Description
83637†	Drawbar Kit for OEM Dodge Magnum Hitch, 2,000 lbs. (Includes Pin and Clip)

† = Available while supplies last.

Selecting The Right Ball Mount

1. Measure from the ground to the top of the hitch.
2. Measure from the ground to the (inside) top of the trailer coupler (when level).

The difference in the two measurements is the amount of ball mount 'rise' or 'drop' required.

3. Subtract the height of the hitch ball (most are 2½ - 3-in high) from coupler measurement.

The difference in the two measurements is the amount of ball mount 'rise' or 'drop' required.

STYLE 2 ANGLE CUT **STYLE 3 DROP CUT**



CLASS III/IV MAX FRAME MOUNT KITS

- Fits 2-in square receiver tube opening
- Includes pin and clip
- Black powder coat finish over E-coat

Part Number	Rating GTW/TW (lbs.)	Ball Hole Size	Length A	Rise B	Drop C	Style
2923	7,500/750	1"	8-1/2"	3/4"	2"	2
2953	7,500/750	1"	9"	2-3/4"	4"	3



EASY LOAD BALL MOUNTS

- Featuring a revolutionary tapered shank design, easy-load ball mounts provide an easy connection to the receiver
- Angle cut design
- Fits 2-in square receiver tube opening
- Black powder coat finish over E-coat

Part Number	Rating GTW/TW (lbs.)	Ball Hole Size	Length A	Rise B	Drop C	Style
40342	7,500/750	1"	8-1/2"	3/4"	2"	2
40343	6,000/600	1"	10-1/2"	3/4"	2"	2
40344	7,500/750	1"	9"	2-3/4"	4"	2
40345	6,000/600	1"	11"	2-3/4"	4"	2
40346	7,500/750	1"	9-1/2"	4-3/4"	6"	2

Bulk Part Number	Rating GTW/TW (lbs.)	Ball Hole Size	Length A	Rise B	Drop C	Style
40342-006	7,500/750	1"	8-1/2"	3/4"	2"	2
40343-006	6,000/600	1"	10-1/2"	3/4"	2"	2
40344-006	7,500/750	1"	9"	2-3/4"	4"	2
40345-006	6,000/600	1"	11"	2-3/4"	4"	2
40346-002	7,500/750	1"	9-1/2"	4-3/4"	6"	2

NOTE: Pin and clip sold separately



UTILITY BALL MOUNTS

- Fits 2-in square receiver tube opening
- Bulk boxed
- Black powder coat finish over E-coat

Part Number	Rating GTW/TW (lbs.)	Ball Hole Size	Length A	Rise B	Drop C	Style
2736	5,000/500	1"	12"	3/4"	2"	1
2793	5,000/500	1"	10"	6-3/4"	8"	3
2706	5,000/500 3,500/350	1"	9"	-	11"	3
		1"	9"	9-3/4"	-	

Bulk Part Number	Rating GTW/TW (lbs.)	Ball Hole Size	Length A	Rise B	Drop C	Style
2736-006	5,000/500	1"	12"	3/4"	2"	1
2793-002	5,000/500	1"	10"	6-3/4"	8"	3

NOTE: Pin and clip sold separately



PACKAGED ANGLED CUT BALL MOUNTS

- Fits 2-in square receiver tube opening
- Includes pin and clip
- Black powder coat finish over E-coat

Part Number	Rating GTW/TW (lbs.)	Ball Hole Size	Length A	Rise B	Drop C	Style
40443	6,000/600	1"	10-1/2"	3/4"	2"	2
40446	6,000/600	1"	9-1/2"	4-3/4"	6"	2





**CLASS III
INTERLOCK® TOWING STARTER KIT**

- Includes 2-in hitch ball
- Includes receiver lock
- Black powder coat finish over E-coat
- Fits 2-in square receiver tube opening

Part Number	Rating GTW/TW (lbs.)	Length A	Rise B	Drop C	Secure
40565	6,000/600	8-1/2"	3/4"	2"	Lock



**CLASS III
STANDARD TOWING STARTER KITS
(2 PACK)**

- Point of purchase retail display
- Fits 2-in square receiver tube opening
- Includes pin and clip
- Black powder coat finish over E-coat (except 40567-002 & 40584-002 w/Chrome Ball Mount)

Draw-Tite Part Number	Rating GTW/TW (lbs.)	Length A	Rise B	Drop C	Style
40058-002	7,500/750	8-1/2"	2"	2-5/16"	Pin/Clip
40238-002	7,500/750	9"	4"	2-5/16"	Pin/Clip
40583-002	7,500/750	8-1/2"	2"	2"	Pin/Clip
40584-002	7,500/750	8-1/2"	2"	2"	Pin/Clip
40644-002	7,500/750	9"	4"	2"	Pin/Clip



Hidden Hitch Part Number	Rating GTW/TW (lbs.)	Length A	Rise B	Drop C	Style
80058-002	7,500/750	8-1/2"	2"	2-5/16"	Pin/Clip
80472-002	7,500/750	9"	4"	2-5/16"	Pin/Clip
80583-002	7,500/750	8-1/2"	2"	2"	Pin/Clip
80644-002	7,500/750	9"	4"	2"	Pin/Clip



REESE Part Number	Rating GTW/TW (lbs.)	Length A	Rise B	Drop C	Style
83058-002	7,500/750	8-1/2"	2"	2-5/16"	Pin/Clip
83238-002	7,500/750	9"	4"	2-5/16"	Pin/Clip
83407-002	2,000/200	8-1/2"	2"	1-7/8"	Pin/Clip
83583-002	7,500/750	8-1/2"	2"	2"	Pin/Clip
83644-002	7,500/750	9"	4"	2"	Pin/Clip

40330



SOLID FORGED BALL MOUNTS

- Solid one-piece forged construction
- 1-in thick x 3-in wide ball platforms
- Angled, easy-load design
- Black powder coat finish over E-coat
- Fits 2-in square receiver tube opening

Part Number	Bulk Part Number	Rating GTW/TW (lbs.)	Ball Hole Size	Length A	Rise B	Drop C
40330	40330-002	16,000/2,400	1-1/4"	8-1/2"	1"	2"
40331	40331-002	16,000/2,400	1-1/4"	9-1/4"	3"	4"
40332	40332-002	16,000/2,400	1-1/4"	10-1/4"	5"	6"

40382



ALUMINUM SOLID FORGED BALL MOUNTS

- Solid one-piece forged construction
- 1-in thick x 3-in wide ball platforms
- Fits 2-in square receiver tube opening

Part Number	Rating GTW/TW (lbs.)	Ball Hole Size	Length A	Rise B	Drop C
40381	8,000/800	1"	9-7/8"	1"	2"
40382	8,000/800	1"	10-5/8"	3"	4"
40383	8,000/800	1"	11-7/8"	5"	6"
40384	6,000/600	1"	10-7/8"	7"	8"

40201



HOLLOW SHANK BALL MOUNTS

- Black powder coat finish over E-coat
- Fits 2-in square receiver tube opening

Part Number	Rating GTW/TW (lbs.)	Ball Hole Size	Length A	Rise B	Drop C	Style
40200	10,000/1,000	1-1/4"	8-1/2"	3/4"	2"	1
40201	10,000/1,000	1-1/4"	9"	2-3/4"	4"	3
40202	10,000/1,000	1-1/4"	11-1/4"	2-3/4"	4"	3
40205	10,000/1,000	1-1/4"	9"	-	6"	3
40206	10,000/1,000	1-1/4"	9"	-	8"	3

4285



SOLID SHANK BALL MOUNTS

- Durable zinc coated finish
- Fits 2-in square receiver tube opening

Part Number	Rating GTW/TW (lbs.)	Ball Hole Size	Length A	Rise B	Drop C	Style
4280	12,000/1,200	1-1/4"	8-1/2"	1"	2"	1
4284	12,000/1,200	1-1/4"	12"	1"	2"	1
4281	12,000/1,200	1-1/4"	8-1/2"	3"	4"	3
4285	12,000/1,200	1-1/4"	12"	3"	4"	3
4282	12,000/1,200	1-1/4"	9-1/2"	5"	6"	3
4283	12,000/1,200	1-1/4"	9-1/2"	7"	8"	3



CLASS V 2-1/2-in BALL MOUNTS

- Black powder coat finish over E-coat
- Fits 2-1/2-in square receiver tube opening

Part Number	Rating GTW/TW (lbs.)	Ball Hole Size	Length A	Rise B	Drop C	Style
45122	14,000/1,400	1-1/4"	9-3/4"	1-1/2"	3"	3
45123	13,000/1,300	1-1/4"	10"	3-1/2"	5"	3
45291	13,000/1,300	1-1/4"	10-1/2"	-	7-3/4"	3
45322	18,000/2,000	1-1/4"	10"	1-1/2"	3"	3
45323	18,000/2,000	1-1/4"	10"	3-1/2"	5"	3



CLASS V 3-in BALL MOUNTS

- Metalshield™ finish
- Fits 3-in square receiver tube opening

Part Number	Rating GTW/TW (lbs.)	Ball Hole Size	Rise B	Drop C	Style
40700 NEW	21,000/2,100	1-1/4"	2"	4"	3
40701 NEW	21,000/2,100	1-1/4"	4"	6"	3
40702 NEW	21,000/2,100	1-1/4"	6"	8"	3
40703 NEW	21,000/2,100	1-1/4"	8"	10"	3



CLASS V DUAL-BALL MOUNT

- Fits 3-in square receiver tube opening

Part Number	Description	Rating GTW/TW (lbs.)	Length	Ball Size
38180	Dual-Ball Mount	17,000/1,700 25,000/2,500	9"	2" 2-5/16"



CLASS V TRI-BALL HOLLOW SHANK

- Fits 2-1/2-in square receiver tube opening

Part Number	Description	Rating GTW/TW (lbs.)	Length	Ball Size
45325	Tri-Ball Mount Hollow Shank	2,000/200 10,000/1,000 14,000/1,400	8-3/4" 8-3/4" 7-1/2"	1-7/8" 2" 2-5/16"



DUAL-BALL SOLID SHANKS

- Fits 2-in square receiver tube opening

Part Number	Description	Rating GTW/TW (lbs.)	Length	Ball Size
80795	Dual-Ball Mount, Black Balls, Black Solid Shank	2,000/200	8"	1-7/8"
		10,000/1,000	8"	2"
80796	Dual-Ball Mount, Black Balls, Black Solid Shank	10,000/1,000	8"	2"
		16,000/1,600	8"	2-5/16"
80797	Dual-Ball Mount, Chrome Balls, Black Solid Shank	2,000/200	8"	1-7/8"
		10,000/1,000	8"	2"
80798	Dual-Ball Mount, Chrome Balls, Black Solid Shank	10,000/1,000	8"	2"
		16,000/1,600	8"	2-5/16"



TRI-BALL SOLID SHANKS

- Fits 2-in square receiver tube opening

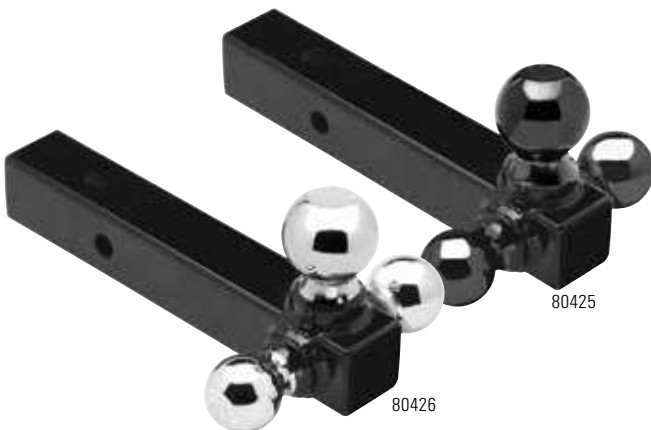
Part Number	Description	Rating GTW/TW (lbs.)	Length	Ball Size
80791	Tri-Ball Mount, Black Balls, Black Solid Shank	2,000/200	8"	1-7/8"
		10,000/1,000	8"	2"
		16,000/1,600	6-3/4"	2-5/16"
80799	Tri-Ball Mount, Chrome Balls, Black Solid Shank	2,000/200	8"	1-7/8"
		10,000/1,000	8"	2"
		16,000/1,600	6-3/4"	2-5/16"



DUAL-BALL HOLLOW SHANKS

- Fits 2-in square receiver tube opening

Part Number	Description	Rating GTW/TW (lbs.)	Ball Size	Position
80404	Dual-Ball Mount, Black Hollow Shank	2,000/200	1-7/8"	Rise
		6,000/600	2"	Drop
80406	Dual-Ball Mount, Black Hollow Shank	6,000/600	2"	Drop
		6,000/600	2-5/16"	Rise



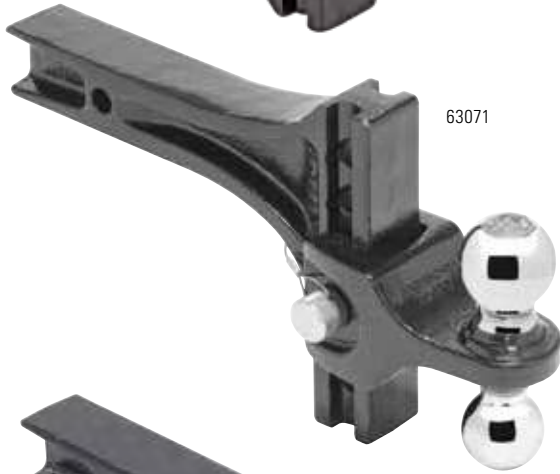
TRI-BALL HOLLOW SHANKS

- Fits 2-in square receiver tube opening

Part Number	Description	Rating GTW/TW (lbs.)	Length	Ball Size
80425	Tri-Ball Mount, Black Balls, Black Hollow Shank	2,000/200	8"	1-7/8"
		6,000/600	8"	2"
		10,000/1,000	6-3/4"	2-5/16"
80426	Dual-Ball Mount, Chrome Balls, Black Hollow Shank	2,000/200	8"	1-7/8"
		6,000/600	8"	2"
		10,000/1,000	6-3/4"	2-5/16"



63070



63071



63911



63075



63076

ADJUSTABLE BALL MOUNTS

The adjustable mount only takes a pull of the pin and a turn to get ready for towing with the most common hitch ball sizes. Just like you, it's always ready to get the job done.

- Height adjusts easily and securely with pins included
- Fits 2-in receivers, rated up to 14,000 lb GTW
- Adjust height up to 10.5-in
- Adjustable cast shank, knurled bolt pin with secure lanyard
- Black powder coat finish resists corrosion

Part Number	Description	Length	Max Rise	Max Drop
63070	Adjustable Tri-Ball Ball Mount System w/Step, 2" Sq. Shank, 1-7/8" Ball 2,000 lbs (GTW), 2" Ball 10,000 lbs. (GTW), 2-5/16" Ball 14,000 lbs. (GTW)	11-9/16"	5-11/16"	4-3/4"
63071	Adjustable Dual Ball Mount System, 2" Sq. Shank, 2" Ball 10,000 lbs. (GTW), 2-5/16" Ball 14,000 lbs. (GTW)	12"	4-5/8"	5-7/8"
Replacement Part				
63911	Replacement Cast Shank			

ADJUSTABLE BALL MOUNT HEAD UNITS

- Adjustable dual ball mount system head unit only
- Adjustable height - perfect for towing multiple trailers of varying heights and couplers
- Knurled bolt pins with secure lanyard included
- Black powder coat finish resists corrosion

Part Number	Description
63075	Adjustable Tri-Ball Mount System Head Unit Only - 1-7/8" (2K rating), 2" (10K GTW), and 2-5/16" (14K GTW) Hitch balls
63076	Adjustable Dual Ball Mount System Head Unit Only - 2" (10K GTW), and 2-5/16" (14K GTW) Hitch balls



ADJUSTABLE HOLLOW SHANK BALL MOUNT

- Black powder coat finish over E-coat
- Fits 2-in square receiver tube opening
- Quick release pin and clip for maximum adjustability

Part Number	Description	Rating GTW/TW (lbs.)	Length	Max Rise	Max Drop
6580	Complete Shank & Head Assembly with Quick Release Pin & Clip	6,000/600	12"	6-1/8"	7-3/8"
21141	Complete Shank & Head Assembly with Quick Release Pin & Clip	5,000/500	13-1/2"	6-1/4"	7-1/2"



HOLLOW SHANK BALL MOUNT WITH SWAY CONTROL TAB

- Platform mounts for left or right hand sway control

Part Number	Description	Rating GTW/TW (lbs.)	Length	Max Rise	Max Drop
7390	Complete Shank and Head Assembly	6,000/600	12"	3-3/4"	5-1/4"

NOTE: Hitch ball, pin (55010) and clip (55515) sold separately. Not interchangeable with weight distribution replacement parts.



ADJUSTABLE BALL MOUNT COMBO LOCK SET

- 5/8-in lock for 2-in square receivers
- 3/4-in lock for adjustable ball mount head unit
- Keyed alike

Part Number	Description
63069	Combo Lock Set, 5/8" for 2" Square Receivers and 3/4" for Accessory (Keyed Alike)



2-1/2-in TO 2-in REDUCER SLEEVES

Part Number	Description
58431	Reducer Sleeve with Collar, 2-1/2" Square Receiver Tube Opening to 2"
58102	Reducer Sleeve, 2-1/2" Square Receiver Tube Opening to 2"
38735	Reducer Sleeve, 3" Square Receiver Tube Opening to 2"



3-in TO 2-in REDUCER SLEEVES

Part Number	Description
38735	Reducer Sleeve, 3" Square Receiver Tube Opening to 2"



3-in TO 2-1/2-in REDUCER SLEEVES

Part Number	Description
58552 NEW	Reducer Sleeve, 3" Square Receiver Tube Opening to 2-1/2"
58550 NEW	Reducer Sleeve with Collar, 3" Square Receiver Tube Opening to 2-1/2"



RECEIVER ADAPTERS

- Designed to extend the receiver opening from 6-in to 18-in, ideal for cargo carriers & bike carriers
- Use of this adapter reduces hitches' tow rating by 50%, with a maximum rating of 3,500 lb towing capacity



Part Number	Description	Capacity	Length
80300	Adapts 2" to 1-1/4"	3,500 lbs.	7"
80301	Adapts 2" to 1-1/4"	3,500 lbs.	14"
80303	Adapts 1-1/4" to 2" (Class II Only)	3,500 lbs.	6"
80304	Adapts 1-1/4" to 2" (Class II Only)	3,500 lbs.	10"
58388	Class V Hitch Pin and Clip for 3" Square Receivers, 3/4"	-	-



RECEIVER EXTENTIONS

- Ideal for slide-out campers with extended overhangs
- Designed to extend the receiver opening 8-in, 14-in, 18-in, 24-in, 34-in, 41-in or 48-in
- 2-in square tube opening for use with ball mounts and hitch-mounted accessories
- Integrated electrical bracket attached (45292, 45018 only)

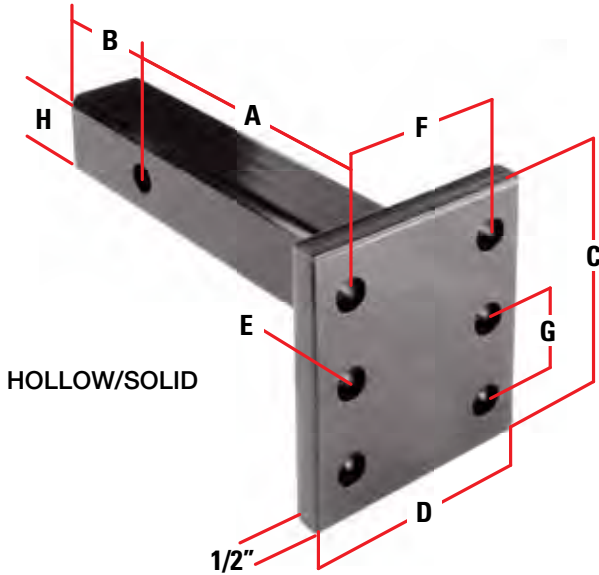


Part Number	Description	Weight Carrying	Weight Distribution	Length
80307	Receiver Extension	3,500 lbs.	-	8"
80305	Receiver Extension	3,500 lbs.	-	14"
80306	Receiver Extension	3,500 lbs.	-	18"
11003	Receiver Extension	4,000 lbs.	6,500 lbs.	14"
11004	Receiver Extension	4,000 lbs.	6,500 lbs.	18"
11006	Receiver Extension with Step	4,000 lbs.	6,500 lbs.	18"
45292	Receiver Extension For 2-1/2" Receivers	6,000 lbs. 4,500 lbs.	8,000 lbs. 6,000 lbs.	24" 34"
45018	Receiver Extension For 2-1/2" Receivers	5,000 lbs. 4,000 lbs.	7,500 lbs. 6,000 lbs.	41" 48"



HITCH ACCESSORIES

PINTLE MOUNTS



HOLLOW/SOLID

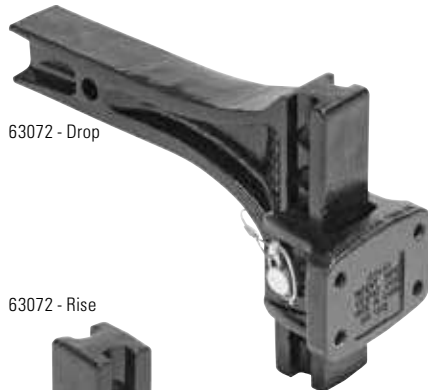


FORGED

PINTLE HOOK MOUNTS

- Converts receivers for use with pintle-type trailers, quickly and easily
- Provides mounting for both ball and pintle and rigid type pintle hooks
- Pin and clip must be ordered separately

Part Number	Shank	Rating GTW/TW (lbs.)	A Shank	B Length	H Shank Dia.	C Height	D Width	E Hole	F Width	G Height	Hole Sets
63056	Hollow	6,000/600	7-5/8"	3"	2"	5-1/2"	5"	17/32"	3-3/8"	1-3/4"	3
63057	Solid	12,000/1,200	7-5/8"	3-1/4"	2"	7-1/2"	5"	17/32"	3-3/8"	1-3/4"	4
63058	Solid	8,000/800	11-3/8"	3-1/4"	2"	12-1/2"	5"	17/32"	3-3/8"	1-3/4"	7
63059	Solid	12,000/1,200	11-3/8"	3-1/4"	2"	7-1/2"	5"	17/32"	3-3/8"	1-3/4"	4
45156	Hollow	12,000/1,200	7-3/4"	3-1/4"	2-1/2"	6"	5"	17/32"	3-3/8"	1-3/4"	3
45294	Forged	18,000/2,000	8-1/2"	4"	2-1/2"	7-1/4"	5"	17/32"	3-3/8"	1-3/4"	4
38186	Forged	25,000/4,000	9"	5"	3"	9"	5"	17/32"	3-3/8"	1-3/4"	5



63072 - Drop

63072 - Rise

ADJUSTABLE PINTLE MOUNT

Tackle rough terrain with the toughest mount in town. Set it right where you want it for trailers of various heights and couplers. It converts quickly for a day of hassle-free towing.

- Fits 2-in receivers, rated up to 14,000 lb GTW
- Adjust height up to 10.5-in
- Adjustable cast shank, knurled bolt pin
- Black powder coat finish resists corrosion

Part Number	Description	Length	Max Rise	Max Drop
63072	Adjustable Pintle Mount, 14,000 lbs. GTW	9-5/8"	4-1/4"	6-1/4"
Replacement Part				
63911	Replacement Cast Shank Only			

PINTLE HOOKS

Part Number	Description	GTW with Mounting Hardware	Max Vertical Load
63013	5 Ton Pintle Hook	10,000 lbs.	2,000 lbs.
63014	10 Ton Pintle Hook	20,000 lbs.	4,000 lbs.
63015	15 Ton Pintle Hook	30,000 lbs.	6,000 lbs.
63016	30 Ton Pintle Hook	60,000 lbs.	14,000 lbs.



63016

PINTLE HOOK COMBO HITCHES

Part Number	Ball Size	Ball Rating	GTW with Mounting Hardware	Max Vertical Load
63010	1-7/8"	6,000 lbs.	16,000 lbs.	3,000 lbs.
63011	2"	10,000 lbs.	16,000 lbs.	3,000 lbs.
63012	2-5/16"	14,000 lbs.	16,000 lbs.	3,000 lbs.

63011



PINTLE HOOK REPLACEMENT PARTS

Part Number	Description
63050	1-7/8" Replacement Ball, 6,000 lbs., 1-1/8" Diameter
63051	2" Replacement Ball, 10,000 lbs., 1-1/8" Diameter
63052	2-5/16" Replacement Ball, 14,000 lbs., 1-1/8" Diameter
63020	Replacement Snapper Pin, 1/4"
63032	Replacement Hardware Mounting Kit, Plate Mounted Pintle Hooks/Combination Hitches
63017	1-7/8" Replacement Ball, 6,000 lbs., 1-1/4" Diameter
63018	2" Replacement Ball, 10,000 lbs., 1-1/4" Diameter
63019	2-5/16" Replacement Ball, 14,000 lbs., 1-1/4" Diameter

LUNETTE RINGS

Part Number	Description	Diameter	Capacity	Max Vertical Load
63023	Lunette Ring, 4 Hole Base	2-1/2"	42,000 lbs.	8,400 lbs.
63033	Hardware Mounting Kit for 63023	-	-	-
63022	Lunette Ring, 1-1/2" Shank	2-1/2"	15,000 lbs.	2,400 lbs.
63036	Adjustable Lunette Ring with Channel	3"	24,000 lbs.	-
63060	Adjustable Lunette Ring with Hardware	3"	24,000 lbs.	-
1291020383	Adjustable Lunette Ring, Bulk	3"	14,000 lbs.	-
1291020340	Adjustable Lunette Ring, Clear Zinc, Bulk	3"	14,000 lbs.	-



63023



63022



63036



63060



1291020383



1291020340



ONE-PIECE PINTLE HOOKS

- Fits 2-in square receiver tube opening

Part Number	Description	Max GTW	Ball GTW	Max Vertical Load
63043	5 Ton Receiver Mount Pintle Hook	10,000 lbs.	-	2,000 lbs.
63040	1-7/8" Receiver Mount Pintle Combination	12,000 lbs.	2,000 lbs.	2,400 lbs.
63041	2" Receiver Mount Pintle Combination	12,000 lbs.	7,000 lbs.	2,400 lbs.
63042	2-5/16" Receiver Mount Pintle Combination	12,000 lbs.	12,000 lbs.	2,400 lbs.

RECEIVER MOUNT TOW EYELET

Part Number	Description	Max GTW	Length
63045	Tow Eyelet, Forged	10,000 lbs.	7-3/8"

RECEIVER MOUNT TOW HOOK

Part Number	Description	Max GTW	Length
63044	Tow Hook, Forged	10,000 lbs.	7-3/8"

RECEIVER MOUNT TOW HOOK

Part Number	Description	Max GTW	Length
63047†	Tow Hook	8,000 lbs.	7'

† = Available while supplies last.

RECEIVER MOUNT TOW RING

Part Number	Description	Max GTW	Length
63046	Tow Ring	8,000 lbs.	7-3/8"

CLEVIS MOUNTS

- For use with industrial and agricultural equipment

Part Number	Description	Ball Mount GTW/TW (lbs.)	Clevis Mount GTW/TW (lbs.)	Length
5762	Clevis Mount, 1" Hole	6,000/600	6,000/600	8-7/8"
80410*	Clevis Mount, 1" Hole	6,000/600	6,000/600	11"
6201	Clevis Mount, 1" Hole	6,000/600	10,000/1,000	8-7/8"
5764†	Clevis Pin, 1" Diameter	-	-	4-3/4"

*Ball mount has 1-1/4" drop, Clevis has 3" drop

† = Available while supplies last.

PINS AND CLIPS

- Pins and clips are included with all Class I and Class II hitches



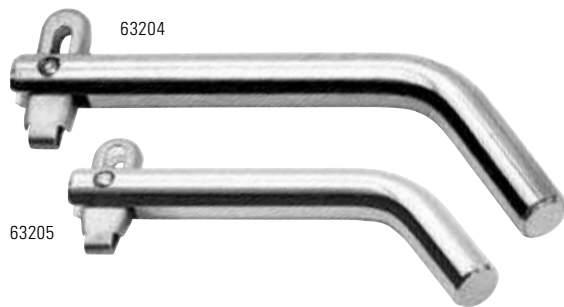
63240



55515



63258



63204

63205



63201

Part Number	Description	Packaging
63241	Packaged Class I/II Pin & Clip, 1/2", groove style	Plastic Shroud
63241-050	Class I/II Pin & Clip, 1/2", groove style (50 pack)	Bulk
63240	Packaged Class III/IV Pin & Clip, 5/8", groove style	Plastic Shroud
63240-050	Class III/IV Pin & Clip, 5/8", groove style (50 pack)	Bulk
63242	Packaged Class III/IV Pin & Clip, 5/8", hole style	Plastic Shroud
63242-050	Class III/IV Pin & Clip, 5/8", hole style (50 pack)	Bulk
63242-100	Class III/IV Pin & Clip, 5/8", hole style (100 pack)	Bulk
63242-500	Class III/IV Pin & Clip, 5/8", hole style (500 pack)	Bulk
63243	Packaged Class V Pin & Clip, 5/8", groove style	Plastic Shroud
06237	Class I/II Bulk Pin, 1/2", groove style	Bulk
55010	Class III/IV Bulk Pin, 5/8", groove style	Bulk
55010-050	Class III/IV Bulk Pin, 5/8", groove style (50 pack)	Bulk
55515	Bulk Clip	Bulk
55515-050	Bulk Clip (50 pack)	Bulk
58388	Class V Hitch Pin & Clip for 3" Square Receiver, 3/4"	Bagged
63258 NEW	Class V Hitch Pin & Clip for 3" Square Receiver, 5/8" Diameter, 4" Span	Bagged

SWIVEL PINS (PACKAGED)

Part Number	Description	Packaging
63202†	1/2" Integral Pin and Clip. Stainless	Clam
63203	5/8" Integral Pin and Clip. Stainless	Clam
63204	1/2" Integral Pin and Clip. Zinc	Clam
63205	5/8" Integral Pin and Clip. Zinc	Clam

† = Available while supplies last.

J-PIN® STABILIZING PIN WITH LOCK

- More than just a hitch pin, J-Pin quickly and confidently secures ball mounts and other hitch-mounted accessories, eliminating the sway and rattle caused by part clearance issues
- Ideal for bike racks and hitch-mounted cargo carriers
- Attachment wrench included
- Requires hitch with additional 17/32-in hole in receiver tube
- Convenient 1/4-in turn key for ease of use

Part Number	Description	Packaging
63201	J-Pin Anti-Rattle Pin with Barrel Lockset	Clam

63080



QSP™ HITCH SILENCING SYSTEM

- Designed to work with most Draw-Tite, Class III 2-in receivers (will not fit Ultra Frame models)
- Helps to tighten fit connection between receiver and accessory
- Reduces amount of sway in attached bike racks and cargo carriers
- High strength, aluminum construction collar and Cam arm
- Magnetic, poly cover helps protect receiver from weather and free of debris
- Easy to install

Part Number	Description
63080	QSP Hitch Silencing System for 2" Square Receivers, Draw-Tite
63082	QSP Hitch Silencing System for 2" Square Receivers, Hidden Hitch

63100



LOCK-TITE™ ANTI-RATTLE PIN

- Anti-Rattle device for cargo accessories, ball mounts, and more
- Handy insertion tool included
- Fits 2-in receivers
- Keyed lock and wrench included
- Clamshell packaging with instructions on back of card
- Patent Pending

Part Number	Description	Packaging
63100	Lock-Tite Anti-Rattle Pin with Lock and Wrench, 5/8" for 2" Square Receivers	Clam
63100-025	Lock-Tite Anti-Rattle Pin with Lock and Wrench, 5/8" for 2" Square Receivers (25 Pack)	Clam

63091



ANTI-RATTLE DEVICE

- Used to significantly reduce rattling noise and movement of accessories that are inserted into a receiver style hitch (e.g. Ball Mounts, Bike Racks, Ski Racks, Cargo Racks, etc.)
- Steel constructed
- E-coat base with black powder coat finish
- Hitch pin not included

Part Number	Description	Packaging
63090	Anti-Rattle Device for 1-1/4" Square Receivers (Class I and II Receivers)	Bagged
63091	Anti-Rattle Device for 2" Square Receivers (Class III and IV Receivers)	Bagged



BULLDOG® LIFELONG® LOCKS

- Delivers triple security
- Stronger break resistance
- Dual self-locking design
- High security square key design
- Includes dust cap

Part Number	Description
580400	Chrome Bent Shank Lock for Class III and IV, 5/8" Diameter
580401	Chrome Dogbone Lock for Class III and IV, 5/8" Diameter
580402	Stainless Steel Dogbone lock for Class III and IV, 5/8" Diameter
580403	Chrome Coupler Lock
580404	Chrome Combo Lock Set, 5/8" Dogbone Receiver and Coupler for Class III and IV



BULLDOG® LOCKS

- Includes dust cap
- Easy access models feature side key entry and sliding dust cap
- Lock housing rotates 360°

Part Number	Description
580405	Stainless Steel Dogbone Lock w/Sleeve for 1-1/4" & 2" Square Receivers
580406	Stainless Steel Combo Lock Set, 5/8" Dogbone Lock w/Sleeve for 1-1/4" & 2" Square Receivers and Coupler
580407	Easy Access Lock w/Sleeve for 1-1/4" & 2" Square Receivers
580408	Stainless Steel Coupler Lock
580409	Easy Access Long Coupler Lock
580410	Easy Access Adjustable Coupler Lock



HITCH LOCKS

Part Number	Description	Diameter
63248	Bent Pin Lock with Extra Pin for 1-1/4" and 2" Square Receivers	5/8" and 1/2"
63224	Bent Pin Lock for 1-1/4" Square Receivers	1/2"
63223	Bent Pin Lock for 2" and 2-1/2" Square Receivers	5/8"
63252	Dogbone Lock for 2-1/2" Square Receivers, 3-1/2" Span, Class V	5/8"
63253	Bent Pin Lock for 2-1/2" Square Receivers, 3-1/2" Span, Class V	5/8"



RECEIVER LOCKS

Part Number	Description
580412	Receiver Lock, Dogbone Style, 5/8" for 2-1/2" Square Receivers, Class V
63259	Receiver Lock, Dogbone Style, 5/8" for 3" Square Receivers, Sleeved to 3/4", Class V
63260	Receiver Lock, 5/8" for 3" Square Receivers, Sleeved to 3/4", Ball Bearing Pick Proof Design, Class V

CABLE LOCKS

Part Number	Description
CLK15 0100	Cable Lock with Key, 15' Length
63233	Cable Lock, 5/16" x 10' Length
63255	Cable Lock, 5/16" x 4' length

TRAILER COUPLER LOCKS

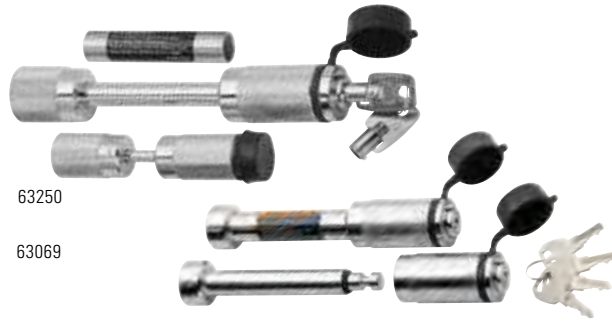
Part Number	Description
63225	Coupler Lock
63227	Coupler Lock for 2-5/16" Ball
63228	Coupler Lock for 2" Ball

KEYED ALIKE COUPLER AND HITCH LOCKS

- Avoid the complication of having to keep track of different keys for every lock
- Includes 2 keys
- Order in multiples of 3 / minimum order is 3 locks

Part Number	Description
63216KA†	KEYED ALIKE 1/2" Receiver Lock for Class II Receiver Hitches
63217KA	KEYED ALIKE 5/8" Receiver Lock for Class III & IV Receiver Hitches
63218KA†	KEYED ALIKE Class II 1/2" Receiver Lock and 1/2" Span Style Coupler Lock
63219KA†	KEYED ALIKE Class III & IV 5/8" Receiver Lock and 1/2" Span Style Coupler Lock
63220KA†	KEYED ALIKE 1/2" Span Style Coupler Lock
63221KA	KEYED ALIKE 2" Span Style Coupler Lock with 1/4" Pin
63222KA†	KEYED ALIKE 2-1/2" Span Style Coupler Lock with 1/4" Pin

† = Available while supplies last



63250

63069

COMBO LOCKS

Part Number	Description	Diameter
63250	Combo Lock Set, Dogbone Receiver and Coupler for 1-1/4" and 2" Square Receivers	5/8" and 1/2"
63069	Combo Lock Set, for 2" Square Receivers, Keyed Alike	5/8" and 3/4"



63256

TOW & STORE™ LOCK SET

- Guards against towed and parked trailer thefts
- Universal coupler lock fits 1 7/8-in, 2-in, 2 5/16-in
- Dual bent pin lock: 1/2-in, 5/8-in
- Adjustable coupler lock: 5/8-in, 1-in
- 3 interchangeable keys



Part Number	Description
63256	Tow & Store Lock Set, Universal Coupler Lock, Trailer Lock and Receiver Lock, Keyed Alike



58109

58184

HITCH ACCESSORIES

Part Number	Description	Brand
58109	Reducer Bushing, 1" Hitch Ball Shank Hole to 3/4"	Reese
58184	Reducer Bushing, 1-1/4" Hitch Ball Shank Hole to 1"	Reese
80100	Reducer Bushing, 1" Hitch Ball Shank Hole to 3/4"	Hidden Hitch
80106	Reducer Bushing, 1-1/4" Hitch Ball Shank Hole to 1"	Hidden Hitch
74342	Hitch Ball Wrench, Boxed End 1-1/8" and 1-1/2"	
58117	Hitch Ball Lube, 4 oz. Jar	
63300	Hitch and Trailer Alignment Tool	



58117



63300

5352



1944



1202



2211



5330



80980



42250



RECEIVER TUBE COVERS

Part Number	Description
60037	Class I/II, Rubber 1-1/4" Square w/Header Card, Hidden Hitch Logo
60037-024	Class I/II, Rubber 1-1/4" Square (24 Pack), Hidden Hitch Logo
80037	Class III, Rubber 2" Square w/Header Card, Hidden Hitch Logo
80037-012	Class III Cover, Rubber 2" Square (12 Pack), Hidden Hitch Logo
5351†	Receiver Tube Cover, 1-1/4" Square, Chrome, Metal
5352	Receiver Tube Cover, 2" Square, Chrome, Metal
1944	Receiver Tube Cover, 2" Square, Chrome, Plastic
58070	Receiver Tube Cover, 1-1/4" Square, Black, Nylon (24 Pack)
1202	Receiver Tube Cover, 2" Square, Black
01202-024	Receiver Tube Cover, 2" Square, Black (24 Pack)
5363	Receiver Tube Cover, 2" Square, Black, (1202 with Header Card)
5362	Rubber Receiver Tube Cover, 1-1/4" Square with "D" Draw-Tite Logo and Header Card
2211	Rubber, 1-1/4" Square with "D" Draw-Tite Logo (Bulk)
7050	Rubber, 2" Square with "D" Draw-Tite Logo and Header Card
7010	Rubber, 2" Square with "D" Draw-Tite Logo (Bulk)
07010-024	Rubber, 2" Square with "D" Draw-Tite Logo (24 Pack)
5330	"Hitch Ridder" Rubber Receiver Tube Cover, 2" Square with Built-In 4-Way Flat Electrical Cover
05330-010	"Hitch Ridder" Rubber Receiver Tube Cover, 2" Square with Built-In 4-Way Flat Electrical Cover (10 Pack)
80953†	Plastic Receiver Tube Cover, 2" Square
74099†	Receiver Tube Cover, 2" Square with Reese Logo
74547	Receiver Tube Cover, 2" Square with Reese Logo

† - Available while supplies last

BRAKE LIGHT COVER

- This handy cover doubles as an additional brake light
- It plugs into a 4-way flat connector and lights up with turn and brake functions

Part Number	Description
80980	Brake Light Cover, Fits all 2" Square Receivers

HITCH BALL COVERS

Part Number	Description
42250	Hitch Ball Cover, 1-7/8" to 2"
42250-012	Hitch Ball Cover, 1-7/8" to 2" (12 Pack)
42251	Hitch Ball Cover, 2-5/16"
42251-012	Hitch Ball Cover, 2-5/16" (12 Pack)

INDUSTRY LEADERS





ELECTRICAL WIRING

ELECTRICAL WIRING

Custom wire solutions for agricultural, automotive, recreational, marine, military and utility trailers.



T-ONE CONNECTORS	8-10
MODULITE POWER MODULES	11-15
CONNECTORS AND WIRING	
Multi-fit Wiring Harnesses	16
Taillight Converters.....	16-17
2-Flat	20
4-Flat	18-20
5-Flat	21
6-Pin	22-23
7-Way	23-29
90° Complete Kits	29
ELECTRICAL ACCESSORIES	
Dust Covers	20
Vehicle / Trailer Adapters	30-32
Mounting Brackets	33-34
Junction / Breaker Boxes	35
Wiring / Hardware Components	36
Battery Post Adapters / Isolators	37
Electrical / Circuit Testers	38-39



TEKONSHA®

LIFE'S A JOURNEY. STOP OFTEN.



7-WAY COMPLETE KITS

The only product DESIGNED to deliver everything needed for a fully functional 7-Way INCLUDING a brake control plug. Custom made to reduce the time of installing fully functional 7-Ways. Available for vehicle specific applications as well as universal:

22551, Universal

- 4.2 amp reverse / 4.2 amp Stop, Turn / 12 amp Tail
- WORKS with Multiplexed vehicles
- Overload and short circuit protection on Turn/Brake, Tail and Reverse
- 25-ft of JACKETED cable, running up to brake control harness
- Robust Hardware Kit including more and longer cable ties, fuses AND circuit breakers

MODULITE® ZCI™ ZERO CONTACT INTERFACE

ZCI is the only product in the industry that has ZERO contact with the vehicle's electrical system. Using sensors that easily snap around wires for no direct contact, when electrical current is detected lights are engaged.

- Snap, Don't Snip™ – No cutting or splicing vehicle wiring!
 - Isolates trailer light operation from the tow vehicle's electrical system
 - Eliminates all Interference and Electrical draw on vehicle's lighting system
- Our ZCI sensors easily snap over wires to detect an electrical current and engage trailer lights -- crucial for high-end vehicles with complex wiring in which snipping, cutting, or splicing voids the vehicle's electrical system warranty.



T-ONE® & MODULITE® IMPROVEMENTS:

- 4-Flats now have black wiring with color trace

- Improved Hardware Kits (includes longer cable ties)



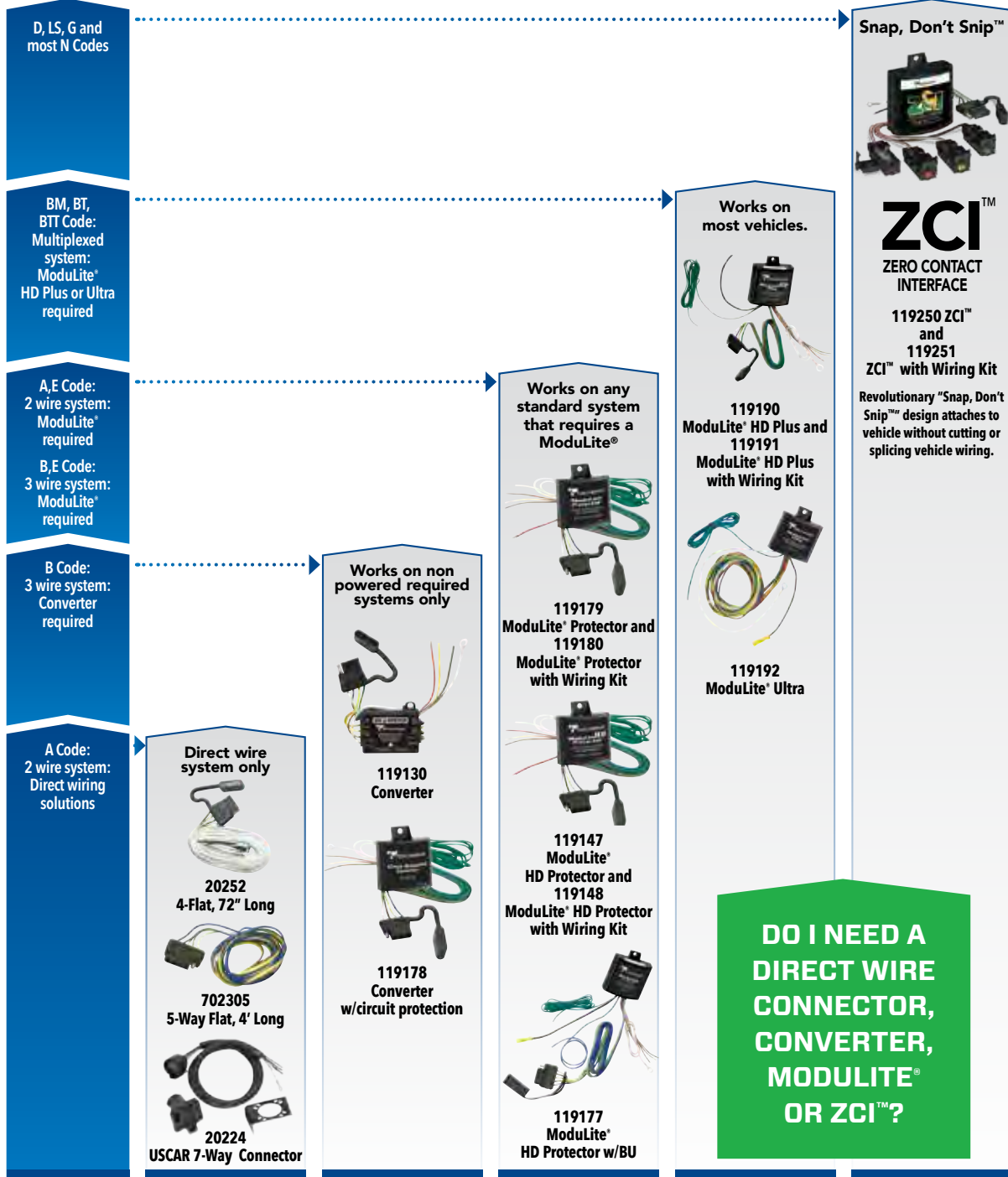
- New packaging! Colorful boxes provide a neater, more professional appearance while keeping the product more secure.





SELECTING THE CORRECT ELECTRICAL PRODUCT

ELECTRICAL WIRING





SELECTING THE CORRECT ELECTRICAL PRODUCT

A Code: 2 wire system.

Vehicles are listed as A when the vehicle's system matches the trailer's 2 wire system. You will know it is a 2 wire system if the vehicle's turn and brake functions are combined on one wire and the tail light function is on a separate wire. It is also important to make sure the vehicle's system is able to handle a normal load expected from one set of trailer lights. Directly wiring into the vehicle's system does not protect the vehicle from shorts or overloads. To ensure maximum vehicle protection and maximum trailer light brightness, a ModuLite® should be used.

B Code: 3 wire system. Converter required.

Vehicles are listed as B when the vehicle's system is different than the trailer's 2 wire system. This is when each function - turn, brake, and tail light - are on separate wires (3 wire system) and it has been determined that the vehicle's system is able to handle a normal load expected from one set of trailer lights. To ensure maximum vehicle protection and maximum trailer light brightness, a ModuLite® should be used.

A,E Code: 2 wire system. ModuLite® required.

Vehicles are listed as A,E when the vehicle's system matches the trailer's 2 wire system, meaning the vehicle's turn and brake functions are combined on one wire and the tail light function is on a separate wire. It has been determined that the vehicle's system is NOT able to handle a normal load expected from one set of trailer lights. When installing the ModuLite®, the brake input (red wire) will not be used.

B,E Code: 3 wire system. ModuLite® required.

Vehicles are listed as B,E when the vehicle's system is different than the trailer's 2 wire system, meaning the vehicle's functions are shared on one wire, the vehicle uses different voltages and frequencies to activate the rear combinations lamps, and the vehicle systems are NOT able to handle a normal load expected from one set of trailer lights. When installing the ModuLite® all input wires are used.

BM Code: Multiplexed wiring system. ModuLite® HD Plus, Ultra or ZCI required.

Vehicles are listed as BM when the vehicle's system is different than the trailer's 2 wire system, meaning the vehicle's functions are shared on one wire, the vehicle uses different voltages and frequencies to activate the rear combinations lamps, and the vehicle systems are NOT able to handle a normal load expected from one set of trailer lights. Either the ModuLite® HD Plus, Ultra or ZCI is required.

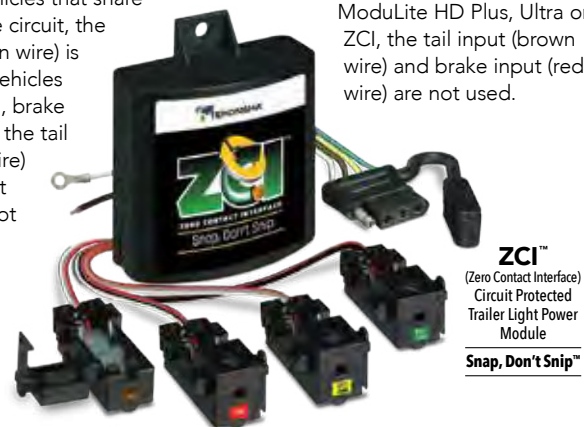
At time of installation, determine the type of the vehicle's shared system. For vehicles that share a tail and brake circuit, the tail input (brown wire) is not used. For vehicles that share a tail, brake and turn circuit the tail input (brown wire) and brake input (red wire) are not used.

BT Code: Brake/Tail multiplexed wiring system. ModuLite® HD Plus, Ultra or ZCI required.

Vehicles are listed as BT when the vehicle's system is different than the trailer's 2 wire system. This means the vehicle's brake and tail functions are combined on one wire, the turn function is on a separate wire (known as multiplexed share brake and tail), and it has been determined that the vehicle's system is NOT able to handle a normal load expected from one set of trailer lights. When installing the ModuLite HD Plus, Ultra or ZCI, the tail input (brown wire) is not used.

BTT Code: Brake/Tail/Turn multiplexed wiring system. ModuLite® HD Plus, Ultra or ZCI required.

Vehicles are listed as BTT when the vehicle's system is different than the trailer's 2 wire system, meaning the vehicle's brake, tail, and turn functions are combined on one wire (known as multiplexed shared brake, tail, & turn), and it has been determined that the vehicle's system is NOT able to handle a normal load expected from one set of trailer lights. When installing the ModuLite HD Plus, Ultra or ZCI, the tail input (brown wire) and brake input (red wire) are not used.





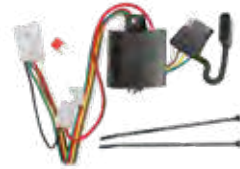
T-One Connector - Vehicle Specific



Dodge RAM 3500 - 118384



Ford F-150 Flareside - 118624



Subaru, Various 118467

T-ONE® CONNECTORS - SIMPLE PLUG & PLAY

- Vehicle to trailer harness, vehicle specific
 - If your vehicle does not have a trailer towing option installed, you'll need our T-One Connector. A simple plug & play option for your trailers electrical connections
 - Benefits of our Tekonsha T-Ones include:
 - "Factory" appearance
 - Quick and easy installation
 - Solid construction, built with our surface mount technology
 - Weatherproof connection when needed
 - No cutting, splicing or taping of vehicle wires
 - Includes ModuLite or converter where needed
 - 16 gauge bonded wire with 4-Flat plug and integrated cap
 - Just plug in the T-One Connector and you're ready to tow
 - Limited 1-year warranty
- See application guide for vehicle specific applications

IT COULDN'T BE EASIER

With our simple do-it-yourself instructions in every package, just plug in the T-Connector and you're ready to tow!



1. Locate wiring position, see chart on next page.



2. Unplug the tail light harness.



3. Route T-connector to the tail light harness.



4. Plug the tail light into the T-connector.



5. Re-secure the tail light and you're ready to go!



NOTE: Some vehicles may require grounding and/or direct connection to the battery.

118269



TOW PLUGS AND FACTORY TOW PACKAGE WIRING HARNESSES

- Vehicle to trailer harness, vehicle specific
- “Factory Appearance”
- Exact replacement for damaged factory wiring harnesses
- Quick and easy installation
- Available with 4-Flat or 7-Way connector
- Limited 1-year warranty
- See application guide for vehicle specific applications

118270



7-WAY VEHICLE COMPLETE KITS

- No other product is designed to specifically deliver everything needed for a fully functional 7-Way, INCLUDING a brake control plug. No more piecing together products. These kits are custom made and will REDUCE the installation time of installing fully functional 7-Ways.
- The FIRST 7-Way kits that include:
 - Plug & Play connector for the brake control
 - Custom made body harnesses with protective tubing
 - Robust hardwire kit with longer and more cable ties
 - Overload and short circuit protection on Turn/Brake, Tail and Reverse
- See application guide for additional information

22551



22113



22114



Part Number	Description	Packaging
22551	Universal, Works with Multiplex Vehicles, Jacketed Cable, 4.2AMP Backup, 4.2AMP Turn/Stop, 12AMP Taillight	Boxed
22111	2008-2012 Buick Enclave, All Styles and 2009-2012 Chevrolet Traverse, All Styles	Boxed
22112	2014-2019 RAM ProMaster 1500, 2500, 3500, All Models 4.2AMP Turn/Stop/Backup, 7.5AMP Taillight	Boxed
22113	2014-2019 Dodge Durango, All Styles 4.2AMP Turn/Stop/Backup, 7.5AMP Taillight	Boxed
22114	2015-2019 Ford Transit 150 and 250, All Styles 4.2AMP Turn/Stop/Backup, 7.5AMP Taillight	Boxed
22115	2014-2018 Mercedes Benz Sprinter 2500 and 3500, All Styles 4.2AMP Turn/Stop/Backup, 12AMP Taillight with Jacked wire	Boxed
22116	2015-2019 Ford Transit 350, All Styles 4.2AMP Turn/Stop/Backup, 7.5AMP Taillight	Boxed
22117	2016-2019 Toyota Tacoma, All Styles 4.2AMP Turn/Stop/Backup, 12AMP Taillight	Boxed
22119	2014-2019 Toyota Highlander, All Styles 4.2AMP Turn/Stop/Backup, 12AMP Taillight	Boxed
22121	2011-2016 Chrysler Town & Country, All Styles, 2011-2018 Dodge Grand Caravan, All Styles and 2012-2015 RAM C/V Tradesman 4.2AMP Turn/Stop/Backup, 12AMP Taillight	Boxed

Note: Watch for added applications!

8551511



85219



7-WAY U.S. CAR ELECTRICAL CONNECTORS

- Replacement for O.E.M. connectors
- Durable plastic shell
- Weather tight seal

Part Number	Description	Packaging
85219	7-Way U.S. Car Connector, Car End (See Application Guide for Fit Information)	Clam
8551511	7-Way U.S. Car Connector, Car End (See Application Guide for Fit Information)	Clam

Note: Use Installation Bracket 20212 for 8551511 and 85219

74682



20137



20135



MULTI-PLUG T-ONE® CONNECTORS

- Multi-Plug T-One® Connector
- Ability to tow trailers with different style trailer connectors
- Durable plastic shell
- Weather tight seal
- Attractive point-of-purchase packaging

Part Number	Description	Packaging
20135	7-Way/4-Flat Multi-Plug T-One Connector	Clam
20137	7-Way/4-Flat Multi-Plug T-One Connector	Clam
74682	7-Way/4-Flat Multi-Plug T-One Connector	Clam

(See Application Guide for Fit Information)

† = Available While Supplies Last.



ModuLite® POWER MODULES - ULTIMATE VEHICLE PROTECTION

TRAILER LIGHT POWER MODULES

- Virtually eliminates additional electrical draw on the vehicle's taillight circuits
- Ensures maximum trailer light brightness
- Powers the trailer's stop, turn, tail and running lights without overloading vehicle electrical systems
- Compatible with:
 - 2-wire & 3-wire systems
 - PWM
 - Multiplex
 - LED tail lights

IDENTIFYING THE NEED FOR MODULITE

- Today's vehicles have light gauge wire
- Computerized vehicle sensors monitor electrical current draw
- Without ModuLite the sensors may give false readings
- Adding additional towing lights w/o ModuLite may overload the system
- System problems and failure may occur without ModuLite

HOW IT WORKS

- ModuLite connects directly to vehicle's battery & powers the towing lights
- ModuLite provides from 2.1 to 16 amps of power per circuit to the trailer lights, depending on the unit

INSTALLATION

ModuLite power modules typically install in 30 to 45 minutes depending on the ease of routing the power supply wire from the battery to the rear of the vehicle.

WHEN YOU NEED MODULITE

- Trailer has more than one light assembly per side and is equipped with multiple clearance or running lights
- If the tow vehicle may tow a variety of different trailers
- Vehicle is equipped with lamp out sensors or other electronic devices that could be damaged by voltage fluctuations
- Owners manuals caution against adding additional loads to electrical circuits

TRAILER AMPERAGE REQUIREMENTS - INCANDESCENT

Bulb Type	Candle Power	Rated Amps	Watts
57—1895	2	0.27	3.780
2057	32	2.10	26.880
	2	0.48	6.720
MR16	—	—	35
921	21	1.40	17.920
922	15	0.98	12.544
1141	21	1.44	18.432
93	15	1.04	13.312
105	12	1.07	13.696
1156	32	2.10	26.880
1157	32	2.10	26.880
	3	0.59	8.260
168	3	0.35	4.900
194	2	0.27	3.780

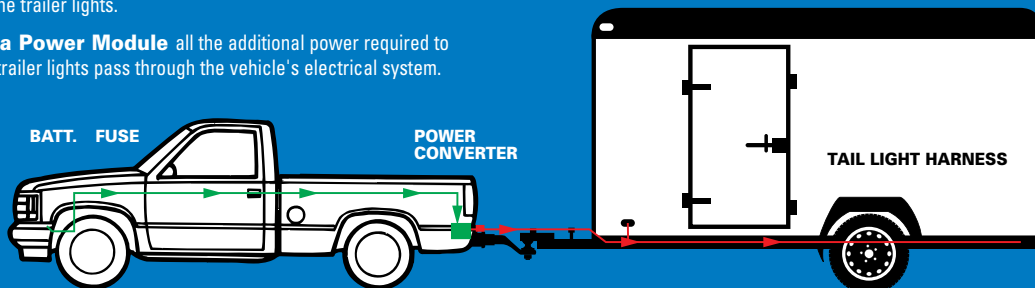
TRAILER AMPERAGE REQUIREMENTS - LED

Stop / Turn	Taillight / License	SM / CL
0.3	0.05	0.05

Powered Tail Light Converters Eliminate the Drain on Your Vehicle's Electrical System With a Power Module

the additional power required to supply the trailer lights (represented by the red line) is supplied directly from the battery. Only a small amount of power is required from the fuse panel, turn signal switch, tail light harness and lamp out sensor, to signal when to illuminate the trailer lights.

Without a Power Module all the additional power required to supply the trailer lights pass through the vehicle's electrical system.



119250

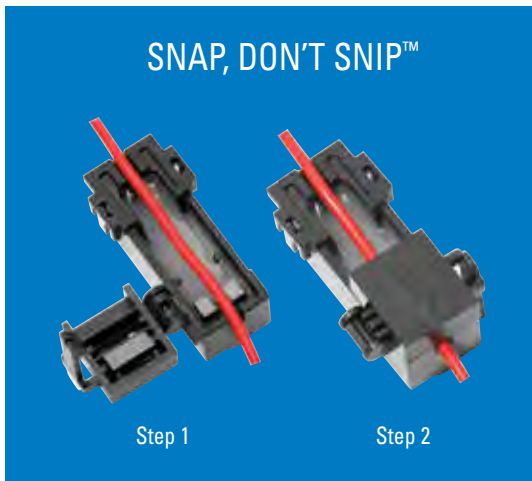


119251



**MODULITE® ZCI™ -
(ZERO CONTACT INTERFACE)**

- ZCI is the only product in the industry that has ZERO contact with the vehicle’s electrical system. Using sensors that easily snap around wires for no direct contact, when electrical current is detected lights are engaged.
- Snap, Don’t Snip™ – No cutting or splicing vehicle wiring!
 - Isolates trailer light operation from the tow vehicle’s electrical system
 - Eliminates all Interference and Electrical draw on vehicle’s lighting system
 - Works with 2- or 3-wire systems
 - Works with PWM, Multiplexed systems with 2-wire or 3-wire hookup and Low side switched vehicles
 - Works with all known vehicle wiring systems including D, LS, G and most N codes
 - Rated for 4.2 amps for turn/stop & 7.5 amps for taillight trailer circuits
 - Robust design allows for interior or exterior mounting
- Don’t take the chance of damaging your vehicle. Snipping, cutting, or splicing your wires can lead to:
 - Shorts and damaged wiring
 - Blown fuses
 - Corrosion
 - Warning lights and diagnostic codes
 - Costly and time consuming repairs
 - Expensive dealership code resets
- Our ZCI sensors easily snap over wires to detect an electrical current and engage trailer lights -- crucial for high-end vehicles with complex wiring in which snipping, cutting, or splicing voids the vehicle’s electrical system warranty.
- Have a leased vehicle? The ZCI is easy to remove without leaving any permanent damage. Take to your next vehicle with the same easy installation.



Part Number	Description	Packaging
119250	ModuLite ZCI (Zero Contact Interface)	Display Box
119251	ModuLite ZCI (Zero Contact Interface) with Installation Kit	Display Box



MODULITE® HD PLUS

- The unit is rated for up to 5.0 amps for Turns/Stops circuits and 7.5 amps for the Taillight circuit
- Works on all vehicle types including Standard, PWM and/or Multiplex systems
- Has integrated, re-settable Short Circuit and Overload protection. Safeguards itself and the tow vehicle from shorts and installation wiring mishaps.
- Draws power directly from the vehicle battery. Uses less than 5mA of the vehicle circuit for sensing to turn the trailer functions on and off.
- Works with either LED and/or Incandescent bulbs (vehicle & trailer)
- The trailer brakes will override the hazard lamps when the brake is activated
- Will not work with vehicles with low-side switch
- All solid-state components in a potted encapsulation. Includes integrated protective cover

Part Number	Description	Packaging
119190	ModuLite HD Plus	Display Box
119190-012	ModuLite HD Plus (12 Pack)	Bulk
119190-050	ModuLite HD Plus (50 Pack)	Bulk
119191	ModuLite HD Plus and Wiring Kit (119190 and 118151)	Display Box

MODULITE® ULTRA

- The unit is rated for up to 5.0 amps for Turns/Stops circuits and 16.0 amps for the Taillight circuit
- Works on all vehicle types including Standard, PWM and/or Multiplex systems
- Has integrated, re-settable Short Circuit and Overload protection
- Safeguards itself and the tow vehicle from shorts and installation wiring mishaps
- Draws power directly from the vehicle battery
- Uses less than 5mA of the vehicle circuit for sensing to turn the trailer functions on and off
- Works with either LED and/or Incandescent bulbs (vehicle & trailer)
- The trailer brakes will override the hazard lamps when the brake is activated
- Will not work with vehicles with low-side switch
- All solid-state components in a potted encapsulation

Part Number	Description	Packaging
119192	ModuLite Ultra	Display Box



MODULITE® HD PROTECTOR

- The unit is rated for up to 5.0 amps for Turns/Stops circuits and 7.5 amps for the Taillight circuit
- Has integrated, re-settable Short Circuit and Overload protection. Safeguards itself and the tow vehicle from shorts and installation wiring mishaps.
- The taillight circuit has been upgraded to work with vehicles that use a pulse width modulation (PWM). This ensures full brightness of the trailer lights during operation.
- Draws power directly from the vehicle battery. Uses less than 5mA of the vehicle circuit for sensing to turn the trailer functions on and off.
- Works with either LED and/or Incandescent bulbs (vehicle & trailer)
- The trailer brakes will override the hazard lamps when the brake is activated
- Will not work with vehicles with low-side switch or multiplex systems
- Can be used on a 2-wire or 3-wire system
- All solid-state components in a potted encapsulation
- Includes integrated protective cover

Part Number	Description	Packaging
119147	ModuLite HD Protector, (Replaces 119179)	Display Box
119147-012	ModuLite HD Protector (12 Pack), (Replaces 119179-012)	Bulk
119147-050	ModuLite HD Protector (50 Pack), (Replaces 119179-050)	Bulk
119148	ModuLite HD Protector and Wiring Kit (119147 and 118151), (Replaces 119180)	Display Box

MODULITE® HD PROTECTOR WITH BACKUP

- The unit is rated for up to 4.2 amps for Turns/Stops circuits and 7.5 amps for the Taillight circuit and 4.2 amps for Back-Up circuit
- Integrated 5-flat electrical wiring connector. Fifth circuit added for surge brake lockout or backup light circuit on trailers
- Has integrated, re-settable Short Circuit and Overload protection, to safeguard itself and the tow vehicle from sorts and installation wiring mishaps
- The taillight circuit has been upgraded to work with vehicles that use a pulse width modulation (PWM); this will allow the converter to turn on fully and gives the trailer lights full brightness during activation
- Draws power directly from the vehicle battery and uses less than 5mA of the vehicle circuit for sensing to turn the trailer functions on and off
- Will work with either LED and/or Incandescent bulbs (vehicle & trailer)
- The trailer brakes will override the hazard lamps when the brake is activated
- Will not work with vehicles with low-side switch or multiplex systems
- Can be used on a 2-wire or 3-wire system
- All solid-state components in potted encapsulation
- Includes protective cover

Part Number	Description	Packaging
119177	ModuLite HD Protector with Backup and 5-Flat Connector for Backup Light or Surge Brake Lockout Circuit	Display Box

118150



MODULITE® WIRING KITS

Part Number	Description	Packaging
118150	Upgraded Wiring Kit for Installing all ModuLites, Includes 20' Wire Pre-Wrapped in Conventional Tubing, (20) - 8' Wire Ties, 1-10 & 1-15 Fuses and Weather Sealed Fuse Holder	Clam
118151	Upgraded Wiring Kit for Installing all ModuLites, Includes 20' Wire Pre-Wrapped in Conventional Tubing, (8) - 8' Wire Ties, 10 Amp Fuse and Weather Sealed Fuse Holder	Clam

115151



20250



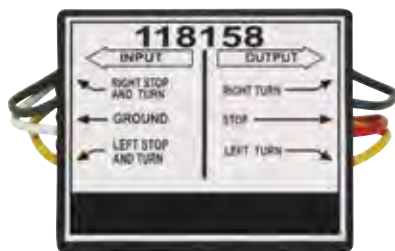
20251



118178



118158



MULTI-FIT WIRING HARNESSSES

- Easy do-it-yourself tow vehicle wiring kits for applications without T-One Connectors
- 16 gauge wire w/4-Flat dust cover

Part Number	Description	Packaging
20250	Vehicles with Common Turn and Stop Lights and Factory O.E.M. Wiring Harness, 12" Length	Clam
20251	Vehicles with Separate Turn and Stop Lights and No Factory O.E.M. Wiring Harness. Converter Specification of 2.1 Amps per Stop/Turn Circuit and 4.2 Amps per Tail Circuit. Includes Circuit Tester and 60" Leads	Clam
20252	Vehicles with Common Turn and Stop Lights and No Factory O.E.M. Wiring Harness. Includes Circuit tester, 72" Length	Clam

20252



TAILLIGHT CONVERTER WITH CIRCUIT PROTECTION

- The unit is rated for up to 2.1 amps for Turns/Stops circuits and 5.6 amps for Taillight circuit
- Adapts import and domestic vehicles with separate turn and stop lights (3-wire system) to standard trailer taillight wiring (2-wire system)
- Has integrated, resettable Sort Circuit and Overload protection to safeguard itself and the tow vehicle from shorts and installation wiring mishaps
- Will work with either LED and/or Incandescent bulbs (vehicle & trailer)
- All solid-state components in potted encapsulation
- Will not work with vehicles with low-side switch or multiplex systems
- Includes integrated protective cover

Part Number	Description	Packaging
118178	Taillight Converter with 60" 4-Flat Car End Connector	Display Box
118178-012	Taillight Converter (12 Pack)	Bulk
118178-050	Taillight Converter (50 pack)	Bulk

2 TO 3-WAY TAILLIGHT CONVERTER

- Allows RV's & other vehicles with 2 wire systems to tow vehicles and trailers with 3 wire systems

Part Number	Description	Packaging
118158	Connects a Tow Vehicle with a 2 Wire System to a Towed Vehicle with a 3 Wire System	Clam

119130



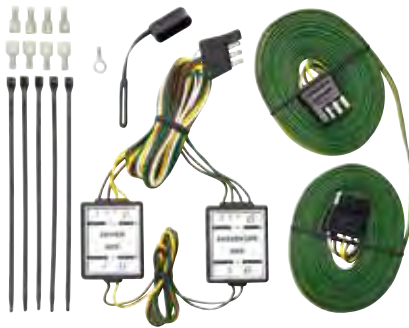
TAILLIGHT CONVERTER

- The unit is rated for up to 2.1 amps for Turns/Stops circuits and 7.5 amps for Taillight circuit
- Adapts vehicles with separate turn and stop lights (3-wire system) to standard trailer taillight wiring (2-wire system)
- Works with either LED and/or Incandescent bulbs (vehicle & trailer)
- Designed not to send feedback through the vehicle circuits
- All solid-state components
- Will not work with vehicles with low-side switch or multiplex systems
- Includes integrated protective cover

Part Number	Description	Packaging
119130	Taillight Converter with 60" 4-Flat Car End Connector	Clam
119130-012	Taillight Converter (12 Pack)	Bulk
119130-050	Taillight Converter (50 pack)	Bulk
707295†	Taillight Converter with 60" 4-Flat Car End Connector	Clam

† = Available while supplies last.

118821



TAILLIGHT ISOLATING DIODE SYSTEM

- Allows motorhome to power lights on towed vehicle without power feedback

Part Number	Description	Packaging
118821	Taillight Isolating System with 4-Flat	Clam



4-FLAT WIRE HARNESSES

Color coded harnesses in various lengths available with car and trailer end connectors. Trailer ends can be purchased in straight lengths, loops, wunside or wishbone harness styles. Various length and combinations are available.



NOTE: Various length and combinations available. Contact your Horizon Global Representative for details.

NOTE: All Tekonsha and Wesbar 4-way flat wire harnesses conform to SAE J1128 interface specifications.

4-FLAT CAR END WIRE HARNESSSES

Part Number	Description	Packaging
002301	4-Way Flat 4 Ft. Car End, 18" Ground	Bulk
707275	4-Way Flat 4 Ft. Car End, 18" Ground	Clam
101469	4-Way Flat 6 Ft. Car End, 6 Ft. Ground	Bulk
707272	4-Way Flat 6 Ft. Car End, 6 Ft. Ground	Clam

4-WAY FLAT TRAILER END WIRE HARNESSSES

Part Number	Description	Packaging
18004001	4-Way Flat 12" Trailer End	Bulk

4-WAY FLAT CAR END AND TRAILER END WIRE HARNESSSES - LOOP STYLE

Part Number	Description	Packaging
18185001	4-Way Flat 18" Loop w/Wire Taps	Bulk
18044001	4-Way Flat 48" Loop w/Wire Taps	Bulk
18045001	4-Way Flat 60" Loop w/Wire Taps	Bulk

4-WAY FLAT TRAILER END WIRE HARNESSSES - WUNSIDE STYLE

Part Number	Description	Packaging
002401	4-Way Flat 18" Trailer End, Wunside Harness, 18" Ground	Bulk
707285	4-Way Flat 18" Trailer End, Wunside Harness, 18" Ground	Clam
002120	4-Way Flat 20 Ft. Trailer End, Wunside Harness, 3 Ft. Ground	Bulk
002125	4-Way Flat 25 Ft. Trailer End, Wunside Harness, 3 Ft. Ground	Bulk
002130	4-Way Flat 30 Ft. Trailer End, Wunside Harness, 3 Ft. Ground	Bulk

4-WAY FLAT TRAILER END WIRE HARNESSSES - WISHBONE STYLE

Part Number	Description	Packaging
002402	4-Flat 18" Trailer End, Wishbone Harness, 18" Ground	Bulk
707286	4-Flat 18" Trailer End, Wishbone Harness, 18" Ground	Clam
002215	4-Way Flat 15 Ft. Trailer End, Wishbone Harness, 3 Ft. Ground	Bulk
002220	4-Flat 20 Ft. Trailer End, Wishbone Harness, 3 Ft. Ground	Bulk
108820	4-Flat 20 Ft. Trailer End, Wishbone Harness, 30" Ground	Bulk
707261	4-Flat 25 Ft. Trailer End, Wishbone Harness, 3 Ft. Ground	Clam
108825	4-Flat 25 Ft. Trailer End, Wishbone Harness, 3 Ft. Ground	Bulk
002230	4-Flat 30 Ft. Trailer End, Wishbone Harness, 3 Ft. Ground	Bulk
108830	4-Way Flat 30 Ft. Trailer End, Wishbone Harness, 3 Ft. Ground	Bulk
002235	4-Flat 35 Ft. Trailer End, Wishbone Harness, 3 Ft. Ground	Bulk
108835	4-Flat 35 Ft. Trailer End, Wishbone Harness, 30" Ground	Bulk
002240	4-Flat 40 Ft. Trailer End, Wishbone Harness, 3 Ft. Ground	Bulk
108840	4-Flat 40 Ft. Trailer End, Wishbone Harness, 3 Ft. Ground	Bulk

4-WAY FLAT TRAILER END WIRE HARNESSSES WITH CAR ENDS - WISHBONE STYLE

Part Number	Description	Packaging
707270	4-Flat 18" Trailer End, Wishbone Harness, 18" Ground with 4' Flat Car End, 18" Ground	Clam
707103	4-Way Flat 25' Trailer End, Wishbone Harness Kit with Hardware, 3' Ground with 4' Flat Car End, 18" Ground	Clam
707104	4-Way Flat 30' Trailer End, Wishbone Harness Kit with Hardware, 3' Ground with 4' Flat Car End, 18" Ground	Clam

DOUBLE ENDED 4-WAY FLAT WIRE HARNESS - EXTENSION STYLE

Part Number	Description	Packaging
707254	Double Ended 4-Way 2' Cord (4-Way Flat Car and Trailer Ends)	Clam

4-WAY FLAT WIRE HARNESSSES

- All 4-Flat Wiring conforms to SAE Spec. J1128 assuring you of consistent quality and reliability. 4-Flat harnesses come in a variety of lengths and packages to fit your every need.
- 18 gauge bonded wires
- Taillight, stop and turn functions printed on wire
- Ground wire runs full length of assembly



118001



118009



118044



118077

4-WAY FLAT CAR END WIRE HARNESSSES

- 7.5 amps max per circuit

Part Number	Description	Packaging
118001	48" Car End - Includes 4 Wire Taps	Clam
118001-024	48" Car End (24 Pack)	Boxed
118001-200	48" Car End (200 Pack)	Boxed
118002	60" Car End - Includes 4 Wire Taps	Clam
118002-024	60" Car End (24 Pack)	Boxed
118002-200	60" Car End (200 Pack)	Boxed
118172-024	72" Car End (24 Pack)	Boxed
118172-150	72" Car End (150 Pack)	Boxed

4-WAY FLAT TRAILER END WIRE HARNESSSES

- 7.5 amps max per circuit

Part Number	Description	Packaging
118004	12" Trailer End	Clam
118004-012	12" Trailer End (12 pack)	Boxed
118009	21' Trailer End	Clam
118033	48" Trailer End	Clam
118033-012	48" Trailer End (12 pack)	Bagged
118192	25' Trailer End with Dual Taillight (Brown) Wires	Clam

4-WAY FLAT CAR AND TRAILER WIRE HARNESSSES

- 7.5 amps max per circuit
- Includes both car and trailer 4-flat connectors wired end to end

Part Number	Description	Packaging
118044	48" Car & Trailer End Loop - includes 4 wire taps	Clam
118044-010	48" Car & Trailer End Loops (10 pack)	Bagged
118044-175	48" Car & Trailer End Loops (175 pack)	Boxed
118045	60" Car & Trailer End Loop - includes 4 wire taps	Clam
118045-010	60" Car & Trailer End Loops (10 pack)	Boxed
118045-175	60" Car & Trailer End Loops (175 pack)	Boxed
118636	24' Car & Trailer End Loop	Clam
118185	18" Car & Trailer End Loop - includes 4 wire taps	Clam
118185-025	18" Car & Trailer End Loops (25 pack)	Bagged
118185-200†	18" Car & Trailer End Loops (200 pack)	Boxed

NOTE: Various length and combinations available. Contact your Horizon Global Representative for details.

NOTE: All Tekonsha and Wesbar 4-way flat wire harnesses conform to SAE J1128 interface specifications.

† = Available While Supplies Last.

4-WAY ROUND ELECTRICAL CONNECTORS

- Attractive chrome housing

Part Number	Description	Packaging
118077	4-Way Round Chrome Car End and Trailer End Plug Connectors	Clam
118101	4-Way Round Chrome Car End Connector	Clam
118102	4-Way Round Chrome Trailer End Connector	Clam

118043



4-FLAT CAR END CONNECTORS

- 7.5 amps max per circuit

Part Number	Description	Packaging
118043	30" Car End "Knockout" Socket Connector, 16 Gauge Wire (Un-Bonded). Requires 1-1/4" Hole	Clam
118603	60" Car End "Knockout" Socket Connector, 16 Gauge Wire (Un-Bonded). Requires 1-1/4" Hole	Clam

54000-026



4-FLAT / 5-WAY FLAT WIRES HARNESSES WITH COILED CABLE

- Coiled 14 gauge cable available with either 4-Way or 5-Flat trailer end connectors
- Cable extended length to 11 feet

Part Number	Description	Packaging
54000-026	4-Way Flat Trailer End with 11' Coiled Cable	Bulk
54000-027	5-Way Flat Trailer End with 11' Coiled Cable	Bulk

787264



4-WAY FLAT CONNECTORS WITH JACKETED CABLE

- Color coded sealed cable available with trailer end connector, jacketed cable and 4-ft stripped wire leads
- No exposed wires and sealed for environmental protection

Part Number	Description	Packaging
787264	4-Way Flat 4' Trailer End with Jacketed Cable	Bulk
787268	4-Way Flat 8' Trailer End with Jacketed Cable	Bulk
787270	4-Way Flat 10' Trailer End with Jacketed Cable	Bulk
787274	4-Way Flat 14' Trailer End with Jacketed Cable	Bulk
787159	Double Ended 4-Way Flat 88" Cord (4-Way Flat Trailer and 4-Square Car Ends)	Bulk

85208



2-WAY FLAT WIRE HARNESS

Part Number	Description	Packaging
85208	2-Flat Electrical Connector Loop, 12"	Clam

20112-024
104393
85218



4-FLAT / 5-FLAT FLAT DUST COVERS

Part Number	Description	Packaging
104393	4-Flat Dust Cover (100 Pack)	Bulk
787301†	4-Way Flat Dust Cover (Single)	Clam
85218	4-Way Flat Dust Cover (Single)	Clam
20112-024	4-Way Flat Dust Cover (24 Pack)	Boxed
20118	5-Way Flat Dust Cover (Single)	Clam
20118-024	5-Way Flat Dust Cover (24 Pack)	Boxed

† = Available While Supplies Last.

5-WAY FLAT WIRE HARNESSSES

Color coded harnesses in various lengths available with car and trailer end connectors. Trailer ends can be purchased in straight lengths, loops, wunside or wishbone harness styles. Various length and combinations are available.



702405



002409



707255



118016

5-WAY FLAT CAR END WIRE HARNESSSES

Part Number	Description	Packaging
702305	5-Flat 4 Ft. Car End, 18" Ground, 4 Ft. Auxiliary	Clam
002309	5-Way Flat 6 Ft. Car End, 6 Ft. Ground, 6 Ft. Auxiliary	Bulk
707273	5-Way Flat 6 Ft. Car End, 6 Ft. Ground, 6 Ft. Auxiliary	Clam

5-WAY FLAT TRAILER END WIRE HARNESSSES - WUNSIDE STYLE

Part Number	Description	Packaging
702405	5-Way Flat 18" Trailer End, Wunside Harness, 18" Ground, 18" Auxiliary	Clam

5-WAY FLAT TRAILER END WIRE HARNESSSES - WISHBONE STYLE

Part Number	Description	Packaging
002409	5-Flat 4 Ft. Trailer End, Wishbone Harness, 4 Ft. Ground, 4 Ft. Auxiliary	Bulk
707283	5-Flat 4 Ft. Trailer End, Wishbone Harness, 4 Ft. Ground, 4 Ft. Auxiliary	Bulk
002275	5-Way Flat 25 Ft. Trailer End, Wishbone Harness, 4 Ft. Ground, 5 Ft. Auxiliary	Bulk
702275	5-Way Flat 25 Ft. Trailer End, Wishbone Harness, 4 Ft. Ground, 5 Ft. Auxiliary	Bulk
002280	5-Flat 30 Ft. Trailer End, Wishbone Harness, 4 Ft. Ground, 5 Ft. Auxiliary	Bulk
002285	5-Flat 35 Ft. Trailer End, Wishbone Harness, 4 Ft. Ground, 5 Ft. Auxiliary	Bulk
002290	5-Way Flat 40 Ft. Trailer End, Wishbone Harness, 4 Ft. Ground, 5 Ft. Auxiliary	Bulk

5-WAY FLAT TRAILER END WIRE HARNESSSES WITH CAR END - WISHBONE STYLE

Part Number	Description	Packaging
707105	5-Way Flat 25 Ft. Trailer End, Wishbone Harness Kit with Hardware, 4 Ft. Ground, 5 Ft. Auxiliary with 6 Ft. Car End, 6 Ft. Ground, 6 Ft. Auxiliary	Clam

DOUBLE ENDED 5-FLAT WIRE HARNESS - EXTENSION STYLE

Part Number	Description	Packaging
707255	Double End 5-Way 2 Ft. Cord (5-Way Flat Car and Trailer Ends)	Clam

5-WAY FLAT WIRE HARNESSSES

- Fifth wire added for surge brake lockout or backup light circuit on today's newer trailers
- 7.5 amps maximum per circuit

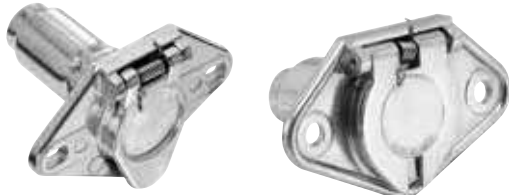
Part Number	Description	Packaging
118016	5-Flat 72" Car End Wiring Harness	Clam
118016-025	5-Way Flat 72" Car End Wiring Harness (25 pack)	Bulk
118017	5-Way Flat 48" Trailer End Wiring Harness	Clam
118215	5-Way Flat 72" Car and Trailer End Loop	Clam

NOTE: Various length and combinations available. Contact your Horizon Global Representative for details.



54-60-103

118037



118036

62



30105



118104



50-86-004

6-WAY METAL CONNECTORS

- Heavy duty die cast corrosion resistant housing, spring loaded car end cover, and coded terminals
- Interchangeable with other standard 6-way connectors

Part Number	Description	Packaging
62	6-Way Metal Car End Only	Bulk
54-60-101	6-Way Metal Car End Only	Bagged
63	6-Pin Metal Trailer End Only	Bulk
54-60-103	6-Pin Metal Trailer End Only	Bagged
118036	6-Pin Heavy-Duty Metal Car End Socket Connector	Clam
118036-006	6-Pin Heavy-Duty Metal Car End Socket Connectors (6 pack)	Bagged
118036-050	6-Pin Heavy-Duty Metal Car End Socket Connectors (50 pack)	Boxed
118037	6-Pin Heavy-Duty Metal Trailer End Plug Connector	Clam
118037-006	6-Pin Heavy-Duty Metal Trailer End Plug Connectors (6 pack)	Bagged
118037-050	6-Pin Heavy-Duty Metal Trailer End Plug Connectors (50 pack)	Boxed

6-SQUARE WIRE HARNESSSES

- Used on tent trailers
- 7.5 amps maximum per circuit

Part Number	Description	Packaging
30105	6-Way Square Connector Kit (Male and Female Ends), 12"	Clam
118104	6-Square to 4-Flat Adapter, 12" Loop	Bagged

6-WAY SUPER SEALED CAR ENDS WITH CABLE

- Prewired, 6-Way car end sealed with 2, 4 or 7-ft. of UL listed 6-Pin cable (White, Blue and Red-10 gauge; Yellow, Brown and Green-14 gauge)
- Solid brass terminals and housing of industrial-strength, glass-filled thermoplastic, door with EPDM rubber gasket and heavy duty stainless steel spring
- Manufactured with UL listed PVC for flexibility and features molded construction to encapsulate terminals and wires
- Patent Pending

Part Number	Description	Packaging
50-86-004	6-Pin Super Sealed Car End with 4 Ft. Cable	Bulk
50-86-007	6-Pin Super Sealed Car End with 7 Ft. Cable	Bulk

NOTE: Various length and combinations available. Contact your Horizon Global Representative for details.

50-61-008



50-61-104



6-PIN MOLDED TRAILER END CONNECTORS WITH CABLE

- 6-Pin heavy duty series molded connector available with two different wires
- Can be purchased with 3-10 gauge and 3-14 gauge wires (primary wire gauges; Yellow, Brown, Green - 14 gauge) or can be purchased with 6-14 gauge wires
- Both models feature encapsulated terminals and wires to form one weather resistant, non-corrosive assembly
- Molded connector can be used with thermoplastic or metal 6-Pin car end connectors
- Various length and combinations are available

Part Number	Description	Packaging
50-61-008	6-Pin Molded Trailer Cord with 8 Ft. Cable, 3-10 Gauge, 3-14 Gauge	Bulk
50-61-104	6-Way Molded Trailer Cord with 4 Ft. Cable, 6-14 Gauge	Bulk
50-61-106	6-Pin Molded Trailer Cord with 6 Ft. Cable, 6-14 Gauge	Bulk
50-61-108	6-Pin Molded Trailer Cord with 8 Ft. Cable, 6-14 Gauge	Bulk

NOTE: Various length and combinations available. Contact your Horizon Global Representative for details.

NOTE: All Tekonska, Wesbar and Bargman 6-way flat wire harnesses conform to SAE J1128 interface specifications.



50-77-001



54-77-003

7-WAY THERMO-PLASTIC CONNECTORS

- 12-volt thermoplastic connector with brass contact to prevent corrosion
- Built-in cable clamp prevents wear on 7-way cable. Unique method of forming contact pins provides for easy connecting and disconnecting

Part Number	Description	Packaging
50-77-001	7-Way Plastic Car End Only	Bulk
54-77-001	7-Way Plastic Car End Only	Bagged
50-77-003	7-Way Plastic Trailer End Only	Bulk
54-77-003	7-Way Plastic Trailer End Only	Bagged



54-57-007



50-57-503

7-WAY METAL CONNECTORS

- 12-volt metal connector with plastic core
- Metal housing is 20 gauge steel, zinc plated to protect against corrosion
- Trigger grip for easy disconnection

Part Number	Description	Packaging
50-57-503	7-Way Metal Car End Only	Bulk
54-57-503	7-Way Metal Car End Only	Bagged
50-57-007	7-Way Metal Trailer End Only	Bulk
54-57-007	7-Way Metal Trailer End Only	Bagged

118020



118030



118021



50-87-002



002478



7-WAY STANDARD ELECTRICAL CONNECTORS

- Available with metal or plastic shell
- RV blade style

Part Number	Description	Packaging
118020	7-Way Plastic Car End Socket Connector	Clam
118020-006	7-Way Plastic Car End Socket Connectors (6 pack)	Bulk
118020-050	7-Way Plastic Car End Socket Connectors (50 pack)	Boxed
118021	7-Way Plastic Trailer End Plug Connector	Clam
118021-006	7-Way Plastic Trailer End Plug Connectors (6 pack)	Bulk
118021-050	7-Way Plastic Trailer End Plug Connectors (50 pack)	Boxed
118030	7-Way Metal Car End Socket Connector	Clam
118031	7-Way Metal Trailer End Plug Connector	Clam

7-WAY SUPER SEALED CAR ENDS WITH CABLE

- Prewired 7-way car end sealed with 2, 4, 7 or 9-ft. of UL listed 7-way cable
- Solid brass terminals, housing of industrial-strength, glass-filled thermoplastic, door with EPDM rubber gasket and heavy duty stainless steel spring
- Manufactured with UL listed PVC for flexibility and features molded construction to encapsulate terminals and wires
- Patent Pending

Part Number	Description	Packaging
50-87-002	7-Way Super Sealed Car End w/2 Ft. Cable	Bulk
51-87-002	7-Way Super Sealed Car End w/2 Ft. Cable	Clam
50-87-004	7-Way Super Sealed Car End w/4 Ft. Cable	Bulk
51-87-004	7-Way Super Sealed Car End w/4 Ft. Cable	Clam
50-87-007	7-Way Super Sealed Car End w/7 Ft. Cable	Bulk
51-87-007	7-Way Super Sealed Car End w/7 Ft. Cable	Clam
50-87-009	7-Way Super Sealed Car End w/9 Ft. Cable	Bulk

7-WAY MOLDED CONNECTOR WITH CABLE TRAILER END

- 7-Way plastic trailer connector molded to heavy duty 7-Way insulated cable. Made with self-cleaning contacts and molded to encapsulate terminals and wires to form one weather resistant, non-corrosive assembly
- Primary wire gauges within the insulated cable are: Black and White-10 gauge, Blue-12 gauge, Brown-Red-Green-Yellow-14 gauge
- Molded connector can be used with thermoplastic or metal 7-Way car end connectors

Part Number	Description	Packaging
002478	7-Way Molded Trailer End with 8 Ft. Cable	Bulk

NOTE: Various length and combinations available. Contact your Horizon Global Representative for details.

50-67-907



7-WAY MOLDED TRAILER END CONNECTORS WITH CABLE - RV CLOCKING

- 7-way plastic trailer connector molded to heavy duty 7-way insulated cable
- Made with self-cleaning contacts and molded to encapsulate terminals and wires to form one weather resistant, non-corrosive assembly
- Primary wire gauges within the insulated cable are: Black and White-10 gauge, Blue-12 gauge, Brown-Red-Green-Yellow-14 gauge
- Molded connector can be used with thermoplastic or metal 7-way car end connectors
- Various length and combinations are available

50-67-410



Part Number	Description	Packaging
50-67-907	7-Way Molded Trailer Cord w/4 Ft. Cable	Bulk
50-67-001	7-Way Molded Trailer Cord w/6 Ft. Cable	Bulk
50-67-002	7-Way Molded Trailer Cord w/7 Ft. Cable	Bulk
50-67-003	7-Way Molded Trailer Cord w/8 Ft. Cable	Bulk
51-67-003	7-Way Molded Trailer Cord w/8 Ft. Cable	Clam
50-67-004	7-Way Molded Trailer Cord w/9 Ft. Cable	Bulk
50-67-005	7-Way Molded Trailer Cord w/10 Ft. Cable	Bulk
50-67-007	7-Way Molded Trailer Cord w/12 Ft. Cable	Bulk
50-67-103	7-Way Molded Trailer Cord w/15 Ft. Cable	Bulk
50-67-106	7-Way Molded Trailer Cord w/18 Ft. Cable	Bulk
8549100	7-Way Molded Trailer Cord w/6 Ft Cable - Blade Style	Display Board

8549100



7-WAY MOLDED TRAILER END WITH CABLE AND BREAKAWAY SWITCH

Part Number	Description	Packaging
50-67-410	7-Way Molded Trailer with 10 Ft. Cable and Breakaway Switch	Bulk

50-67-901



DOUBLE ENDED 7-WAY MOLDED TRAILER END WITH CABLE

Part Number	Description	Packaging
50-67-901	Double Ended 7-Way Molded Trailer Cord with 6 Ft. Cable	Bulk
50-67-210	Double Ended 7-Way Molded Trailer Cord with 8 Ft. Cable	Bulk
51-67-210	Double Ended 7-Way Molded Trailer Cord with 8 Ft. Cable	Clam

NOTE: Various length and combinations available. Contact your Horizon Global Representative for details.

54006-057



7-WAY HEAVY DUTY COLD WEATHER INSULATED BLUE SILICON TRAILER END WITH CABLE - RV CLOCKING

- 7-way trailer connector molded to cold environment heavy duty blue silicon 7-way insulated cable (rated to -55°C/-67°F)
- Made with self-cleaning contacts and molded to encapsulate terminals and wires to form one weather resistant, non-corrosive assembly
- Primary wire gauges within the insulated cable are: Black-White-Red-10 gauge, Blue-Brown-Green-Yellow-14 gauge
- Molded connector can be used with thermoplastic or metal 7-Way car end connectors

Part Number	Description	Packaging
54006-057	7-Way Cold Weather Molded Trailer Cord with 6 Ft. Cable	Bulk
54006-058	7-Way Cold Weather Molded Trailer Cord with 8 Ft. Cable	Bulk
54006-059	7-Way Cold Weather Molded Trailer Cord with 10 Ft. Cable	Bulk

NOTE: Various length and combinations available. Contact your Horizon Global Representative for details.
NOTE: Reference wiring diagrams for pin locations.

54006-009



7-WAY COLD WEATHER MOLDED BLUE SILICON TRAILER END CONNECTORS WITH CABLE - COLD WEATHER CLOCKING

- 7-Way trailer connector molded to cold environment heavy duty blue silicon 7-Way insulated cable (rated to -55°C/-67°F)
- Made with self-cleaning contacts and molded to encapsulate terminals and wires to form one weather resistant, non-corrosive assembly
- Primary wire gauges within the insulated cable are: Black-White-Red-10 gauge, Blue-Brown-Green-Yellow-14 gauge
- Molded connector can be used with thermoplastic or metal 7-Way car end connectors

Part Number	Description	Packaging
54006-009	7-Way Cold Weather Molded Trailer Cord with 6 Ft. Cable	Bulk
54006-010	7-Way Cold Weather Molded Trailer Cord with 8 Ft. Cable	Bulk
54006-015	7-Way Cold Weather Molded Trailer Cord with 10 Ft. Cable	Bulk
54006-016	7-Way Cold Weather Molded Trailer Cord with 12 Ft. Cable	Bulk

NOTE: Various length and combinations available. Contact your Horizon Global Representative for details.
NOTE: Reference wiring diagrams for pin locations.

54006-043



118666



118664



54-67-525



50-67-614



7-WAY CONNECTORS

- Durable connectors
- RV clocking

Part Number	Description	Packaging
54006-043	Coiled 7-Way Molded Trailer Connector, 6'	Bagged
54006-049	Coiled 7-Way Molded Trailer Connector, 6'	Boxed
54006-044	Coiled 7-Way Molded Trailer Connector, 8'	Bagged
54006-050	Coiled 7-Way Molded Trailer Connector, 8'	Boxed
54006-045	Coiled 7-Way Molded Trailer Connector, 10'	Bagged
54006-051	Coiled 7-Way Molded Trailer Connector, 10'	Boxed
54006-046	Coiled 7-Way Molded Trailer Connector, 12'	Bagged
54006-052	Coiled 7-Way Molded Trailer Connector, 12'	Boxed

6-PIN / 7-WAY TRAILER EXTENSIONS

- Durable connectors
- 7-ft. lead reaches almost anywhere

Part Number	Description	Packaging
118666	6-Pin Connector - Extension Cable 7'	Bagged
118664	7-Way Connector - Extension Cable 7'	Bagged

7-WAY MOLDED TRAILER END CONNECTOR REPLACEMENT KIT - RV CLOCKING

- Easy to install, complete with instructions
- Features self cleaning contacts, one foot of cable, butt connectors and weather resistant shrink tubing

Part Number	Description	Packaging
54-67-525	7-Way Molded Trailer End Connector Replacement Kit with 1 Ft. Cable	Bagged

7-WAY MOLDED TRAILER CONNECTORS WITH CABLE - TRAILER CLOCKING

- 7-Way plastic connector molded to heavy duty 7-Way insulated cable using trailer clocking*
- Provides 7-Way connector contact color coding more conducive to horse and livestock trailers verses RV trailers
- Made with self-cleaning contacts and molded to encapsulate terminals and wires to form one weather resistant, non-corrosive assembly
- Permits the trailer to have the clean appearance and environmental advantages of a sealed, molded 7-Way cord
- Primary wire gauges within the insulated cable are: Black and White-10 gauge, Blue-12 gauge, Brown-Red-Green-Yellow-14 gauge

Part Number	Description	Packaging
50-67-614	7-Way Molded Trailer Cord w/4' Cable	Bulk
50-67-616	7-Way Molded Trailer Cord w/6' Cable	Bulk
50-67-618	7-Way Molded Trailer Cord w/8' Cable	Bulk
50-67-620	7-Way Molded Trailer Cord w/10' Cable	Bulk

NOTE: Various length and combinations available. Contact your Horizon Global Representative for details.

NOTE: Crimped junction box terminals can be added.

NOTE: Reference wiring diagrams for pin locations



90° VEHICLE SPECIFIC COMPLETE KITS

Part Number	Description	Packaging
50-97-410	90° 7-Way Complete Connector Kit w/9 Ft. Cable	Bulk
51-97-410	90° 7-Way Complete Connector Kit w/9 Ft. Cable	Box
50-97-411	90° 7-Way Complete Connector Kit w/9 Ft. Cable	Bulk
51-97-411	90° 7-Way Complete Connector Kit w/9 Ft. Cable	Box
50-97-412	90° 7-Way Complete Connector Kit w/9 Ft. Cable	Bulk
51-97-412	90° 7-Way Complete Connector Kit w/9 Ft. Cable	Box
54700-003	90° 7-Way Complete Connector Kit w/7 Ft. Cable	Bulk
54701-003	90° 7-Way Complete Connector Kit w/7 Ft. Cable	Box
54700-004	90° 7-Way Complete Connector Kit w/7 Ft. Cable	Bulk
54701-004	90° 7-Way Complete Connector Kit w/7 Ft. Cable	Box
54700-007	90° 7-Way Complete Connector Kit w/7 Ft. Cable	Bulk
54700-009	90° 7-Way Complete Connector Kit w/9 Ft. Cable	Bulk
54701-007	90° 7-Way Complete Connector Kit w/7 Ft. Cable	Box
54701-009	90° 7-Way Complete Connector Kit w/9 Ft. Cable	Box

NOTE: See application guide for vehicle specific applications.

90° 7-WAY PRE-WIRED CABLES FOR HOOK-UP OF FIFTH WHEEL AND GOOSENECK TRAILERS

- 7-Way 90° connector molded to heavy duty 7-Way insulated cable for fifth wheel or gooseneck trailer applications
- Allows remote wiring in pickup beds or other hard to access areas
- 90° molded from flame retardant material
- Features a patented mounting bracket that allows for installation in virtually all pickup models and styles and includes self-tapping stainless steel mounting screws
- Manufactured with UL listed 10/2, 12/1 and 14/4 jacketed cable

Part Number	Description	Packaging
50-97-407	90° 7-Way Molded Trailer Cord w/7 Ft. Cable	Bulk
51-97-407	90° 7-Way Molded Trailer Cord w/7 Ft. Cable	Clam
54700-010	Screw Kit for Aluminum Beds	Bulk

PRE-WIRED CABLES FOR HOOK-UP OF FIFTH WHEEL AND GOOSENECK TRAILERS

- Allows remote wiring in pickup beds or other hard to access areas when towing a fifth wheel or gooseneck trailer, upgrading from OEM wiring

Part Number	Description	Packaging
20128	4-Flat (OEM) to 6-Way Connector Kit w/7 Ft. Cable	Clam
20129	4-Flat (OEM) to 6-Way Connector Kit w/7 Ft. Cable	Clam
20131	4-Flat (OEM) to 7-Way Connector Kit w/7 Ft. Cable	Clam
20140	Fifth Wheel Adapter Harness, 7-Way Flat Pin USCAR connector assembly w/7' Cable w/ Pigtailed for Choice of Hardwiring 6-Way or 7-Way Connector, GM, Ford, Dodge, Toyota	Clam

NOTE: See application guide for vehicle specific applications.

USCAR VEHICLE SPECIFIC COMPLETE KITS



20110



20223

Part Number	Description	Packaging
20110	USCAR 7-Way Complete Connector Kit w/7 Ft. Cable, Dodge, Ford, GM, RAM & Toyota	Clam
20111	USCAR 7-Way Complete Connector Kit w/7 Ft. Cable, Dodge RAM 1500/2500/3500 00-09	Clam
20113	USCAR 7-Way Complete Connector Kit w/7 Ft. Cable, Toyota Tundra 07-09	Clam
20146	Fifth Wheel Adapter Harness, 7-Way Flat Pin U.S. Car Connector Assembly 9 ft., Dodge, Ford, GM, RAM & Toyota	Clam
20147	USCAR 7 Way Replacement Harness 18.25"	Clam

USCAR 7-WAY PRE-WIRED CABLES FOR HOOK-UP OF FIFTH WHEEL AND GOOSENECK TRAILERS

- Allows remote wiring in pickup beds or other hard to access areas when towing a fifth wheel or gooseneck trailer, using an OEM USCAR connector
- Features durable plastic housing with weather tight seal

Part Number	Description	Packaging
20224	USCAR 7-Way Connector w/4 Ft. Cable	Clam
20223	USCAR 7-Way Connector w/7 Ft. Cable	Clam

NOTE: See application guide for vehicle specific applications.

7-WAY 90° PRE-WIRED CABLE APPLICATION CHART

MAKE/MODEL	STYLE	YEARS	POSITION	7 FT. CLAM	9 FT. CLAM	90/9 FT. BOXED	90/9 FT. BULK	90/7 FT. BOXED	90/7 FT. BULK
CHEVROLET/GMC									
Silverado/Sierra 1500	w/Factory 7-Way	99-19	PU3	20110	20146	51-97-410	50-97-410	54701-003	54700-003
Silverado/Sierra 1500 HD	(Classic), w/Factory 7-Way	01-07	PU3	20110	20146	51-97-410	50-97-410	54701-003	54700-003
Silverado/Sierra 2500	w/Factory 7-Way	99-04	PU3	20110	20146	51-97-410	50-97-410	54701-003	54700-003
Silverado/Sierra 2500 HD	w/Factory 7-Way	01-19	PU3	20110	20146	51-97-410	50-97-410	54701-003	54700-003
Silverado/Sierra 3500	(Classic), w/Factory 7-Way	01-07	PU3	20110	20146	51-97-410	50-97-410	54701-003	54700-003
Silverado/Sierra 3500 HD	w/Factory 7-Way	07-19	PU3	20110	20146	51-97-410	50-97-410	54701-003	54700-003
DODGE/RAM									
Ram 1500	w/Factory 7-Way	00-08	PU3	20111		51-97-411	50-97-411		
Ram 1500	w/Factory 7-Way	09-19	PU3	20110	20146	51-97-410	50-97-410	54701-003	54700-003
Ram 2500	w/Factory 7-Way	00-09	PU3	20111		51-97-411	50-97-411		
Ram 2500	w/Factory 7-Way	10-19	PU3	20110	20146	51-97-410	50-97-410		54700-003
Ram 3500	w/Factory 7-Way	00-09	PU3	20111		51-97-411	50-97-411		
Ram 3500	w/Factory 7-Way	10-19	PU3	20110	20146	51-97-410	50-97-410	54701-003	54700-003
FORD									
F-150	Flareside, w/Factory 7-Way	97-18	PU3	20110	20146	51-97-410	50-97-410	54701-003	54700-003
F-250	Styleside, w/Factory 7-Way	97-99	PU3	20110	20146	51-97-410	50-97-410	54701-003	54700-003
F-250/350 Super Duty	w/Factory 7-Way	99-10	PU3	20110	20146	51-97-410	50-97-410	54701-003	54700-003
F-250/350 Super Duty	w/Factory 7-Way	11-19	PU3	20110	20146	54701-009	54700-009	54701-007	54700-007
F-450 Super Duty	w/Factory 7-Way	99-10	PU3	20110	20146	51-97-410	50-97-410	54701-003	54700-003
F-450 Super Duty	w/Factory 7-Way	11-19	PU3	20110	20146	54701-009	54700-009	54701-007	54700-007
F-550 Super Duty	w/Factory 7-Way	99-11	PU3	20110	20146	51-97-410	50-97-410	54701-003	54700-003
LINCOLN									
Mark LT	w/Factory 7-Way	06-08	PU3	20110	20146	51-97-410	50-97-410	54701-003	54700-003
NISSAN									
Titan	w/Factory 7-Way	04-14	PU3	20110	20146	51-97-410	50-97-410	54701-003	54700-003
TOYOTA									
Tundra	w/Factory 7-Way	07-09	PU3	20113		51-97-412	50-97-412	54701-004	54700-004
Tundra	w/Factory 7-Way	10-19	PU3	20110	20146	51-97-410	50-97-410	54701-003	54700-003



50-98-054



20141



50-98-050



707282



20142



51-20036



85343



787207



787206

VEHICLE / TRAILER ADAPTERS

- Adapters for a quick switch from one style plug to another when towing multiple trailers

Part Number	Description	Packaging
50-98-054	6-Pin Round Pin to 4-Way Flat	Bulk
707281	6-Pin Round Pin to 4-Way Flat	Clam
50-98-050	7-Way Blade to 4-Way Flat	Bulk
54-98-050	7-Way Blade to 4-Way Flat	Bagged
707282	7-Way Blade to 4-Way Flat	Clam
50-98-052	7-Way Round Pin to 4-Way Flat	Bulk
54-98-052	7-Way Round Pin to 4-Way Flat	Bagged
767940	7-Way Blade to 5-Way Flat	Clam
007257	7-Way Blade to 5-Flat, 6" Wire	Clam
707250	7-Way Blade to 5-Flat, 18" Wire	Clam
50-98-051	7-Way Blade to 6-Pin Round Pin (Auxiliary in Center)	Bulk
54-98-051	7-Way Blade to 6-Way Round Pin (Auxiliary in Center)	Bagged

VEHICLE ADAPTER FOR VEHICLES WITH A LAMP OUT INDICATOR MODULE TOWING A TRAILER WITH LED LIGHTS

Part Number	Description	Packaging
20141	7-Way Flat Pin to 5-Flat Adapter with LED Lamp Out By-Pass	Clam
20142	7-Way Flat Pin to 7-Flat Adapter with LED Lamp Out By-Pass for European Vehicles	Clam

STANDARD VEHICLE / TRAILER ADAPTERS - STEP-UP STYLE

Part Number	Description	Packaging
51-20036	4-Flat to 5-Flat	Clam

DUAL PART VEHICLE / TRAILER ADAPTERS - STEP-UP STYLE

Part Number	Description	Packaging
85343	4-Flat to 4-Flat and 7-Way	Clam

VEHICLE / TRAILER COILED WIRE JUMPERS

- Environmentally sealed 16 gauge coiled wire prevents tangling
- Attractive marine yellow, no fade color
- 7-Way mates with OE style 7-Way blade connectors
- 5-Way mates with either a 4-Way or 5-Way flat connector

Part Number	Description	Packaging
787206	5-Flat Coiled Jumper w/4 Ft. Cable (5-Way Flat Car and Trailer Ends)	Bulk
787194	5-Way Coiled Jumper w/4 Ft. Cable (5-Way Flat Car and Trailer Ends)	Clam
787207	7-Way Trailer to 5-Flat Car End Coiled Jumper w/4 Ft. Cable	Bulk
787195	7-Way Trailer to 5-Flat Car End Coiled Jumper w/4 Ft. Cable	Clam
787208	7-Way Trailer to 5-Way Flat Car End Coiled Jumper w/8 Ft. Cable	Bulk
787196	7-Way Trailer to 5-Way Flat Car End Coiled Jumper w/8 Ft. Cable	Clam

4 / 5 / 6 AND 7-WAY ADAPTERS

- Allows convenient connection to multiple trailers
- Simple plug-in installation



Part Number	Description	Packaging
118700	6-Pin Round To 4-Flat Adapter	Clam
118700-050	6-Pin Round To 4-Flat Adapter (50 Pack)	Boxed
118702	7-Way Flat Pin To 4-Flat Adapter	Clam
118702-050	7-Way Flat Pin To 4-Flat Adapter (50 Pack)	Boxed
118709	7-Way Round Pin To 4-Flat Adapter	Clam
118710	7-Way European Style Round Pin to 4-Flat Adapter	Clam
118704	7-Way To 6-Pin Adapter, Electric Brakes To Outer Pin (S)	Clam
118704-050	7-Way To 6-Pin Adapter, Electric Brakes To Outer Pin (S) (50 Pack)	Boxed
118708	7-Way To 6-Way Adapter, Electric Brakes To Center Pin (A)	Clam
118708-050	7-Way To 6-Pin Adapter, Electric Brakes To Center Pin (A) (50 Pack)	Boxed
118703	7-Way To 5-Flat Adapter	Clam
20136	4-Flat To 5-Flat Adapter	Clam
118601	4-Flat Knockout Adapter	Clam

7-WAY TO CIGARETTE ADAPTER

- Provides 12v power at rear of vehicle for travel accessories
- Ideal for power inverter hook-up
- Great for tailgating

Part Number	Description	Packaging
118019	7-Way to Cigarette Lighter Plug Adapter	Clam

7-WAY TO 4-WAY RETRACTABLE WIRING ADAPTER

- Converts 7-Way round blade connector to standard 4-way flat connector
- Adjust length up to 42-in, no wires dragging on the ground
- Retractable 4-Way flat car end plug connects with standard 4-Way flat trailer end plug
- Adapts to factory 7-Way blade receptacle
- Protects & stores when not in use

Part Number	Description	Packaging
78007	7-Way to 4-Way Flat	Plastic Shroud

7-WAY BLADE TO 4-FLAT WITH LED CIRCUIT TESTER

- Easily adapt OEM 7-Way blade connector to either 5-Flat or a 4-Flat connector, patent pending
- Instantly checks electrical circuit for connectivity
- Displays connectivity using high visibility LEDs
- Attached dust cover included to keep terminals clean when not towing a trailer

Part Number	Description	Packaging
78118	7-Way Blade to 4 or 5-Flat with LED Circuit Tester	Clam

78117



7-WAY TO 4-WAY WITH TOW-GLO

- Easily adapt OEM 7-Way blade connector to basic 4-Flat connector
- Glows RED when tail light circuit is activated assisting on seeing connection in low light
- Attached dust cover included to keep terminals clean when not towing a trailer

Part Number	Description	Packaging
78117	7-Way Blade to 4-Flat with Tow-Glo	Clam

118607



BRAKE MATE™ 7-WAY PRE-WIRED ADAPTERS

- Includes all necessary parts required to completely install all brake controls. No other parts are necessary. Each Brake Mate Kit includes:

- Pre-wired 7-way round connector
- Scotch locks (5 pcs.)
- 4-flat trailer end
- Ring connectors (7 pcs.)
- Heavy-duty flasher
- Self tapping screws (8 pcs.)
- Heavy-duty breakers (2 pcs.)
- Tie straps (6 pcs.)

Part Number	Description	Packaging
118607	7-Way Flat Pin Brake Mate Kit	Clam

20320



6-PIN AND 7-WAY ELECTRICAL ADAPTERS

- Used to convert any trailer wiring component, T-One or taillight converter with a 4-Flat trailer end connector to a 6 or 7-Way round connector
- For simple mounting, choose 6 & 7-Way mounting box part numbers 118156, 118157 or 118159 (sold separately)

Part Number	Description	Packaging
20320	4-Flat To 6-Pin Connector	Clam
20320-012	4-Flat To 6-Pin Connector (12 Pack)	Bulk
20321	4-Flat To 7-Way Connector - Plastic	Clam
20321-012	4-Flat To 7-Way Connector - Plastic (12 Pack)	Bulk
20322	4-Flat To 7-Way Flat Pin Connector - Metal	Clam
20125	4-Flat To 7-Way Flat Pin U.S. Car Connector - Plastic	Clam

20321



20125



118799



7-WAY PRE-WIRED ADAPTERS

- Used to convert any trailer wiring component, T-One or taillight converter with a 4-Flat trailer end connector to a 7-Way round connector.
- Each kit includes 20-ft of wire
- For simple mounting, choose 7-Way mounting box part numbers 118156, 118157 or 118159 (sold separately)

Part Number	Description	Packaging
118799	7-Way Connector with Pre-Wired Brake Wire	Clam



54-18137

54-20045

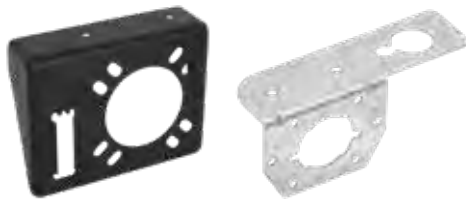


50-77-070

50-77-071



54-20012



50-77-075

118132



118149

CAR END MOUNTING BRACKETS

- Heavy duty plated steel brackets. Features reinforcing beads or flanges for strength
- The Black plated model can blend in with the black connector and black hitch for clean consistent finish
- Combination brackets have a black, powder coat finish and are formed from 16 gauge steel for strength and durability
- Combination brackets are for use with Bargman branded 4-way and 5-way flat connectors

4 / 5 / 6-WAY FLAT CAR END CONNECTOR MOUNTING BRACKETS

Part Number	Description	Packaging
54-18137	4, 5 and 6-Pin Round Black Mounting Bracket with Screws and Nuts	Bagged
54-20045	5-Way Flat Black Mounting Bracket	Bagged

7-WAY FLAT CAR END CONNECTOR MOUNTING BRACKETS

Part Number	Description	Packaging
50-77-070*	7-Way Bracket for Car End	Bulk
50-77-071*	7-Way Black Bracket for Car End	Bulk
54-77-071*	7-Way Black Bracket for Car End	Bagged
54-20012	7-Way US Car Black Mounting Bracket with Screws and Nuts	Bagged

**NOTE: 50-77-070, 50-77-071, 54-77-071, 118138, 118138-010 brackets only fit the following car end connectors:*

Bargman 7-Way Super Sealed Car Ends with Cable

Bargman 7-Way Thermoplastic or Metal Car End Connectors

Bargman 90° 7-Way Pre-Wired Cables

COMBINATION CONNECTOR MOUNTING BRACKET

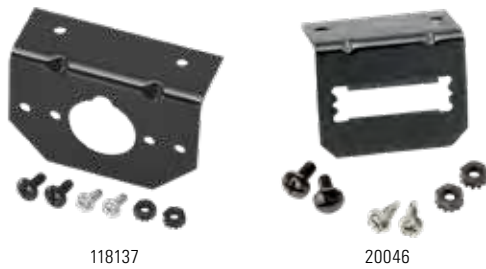
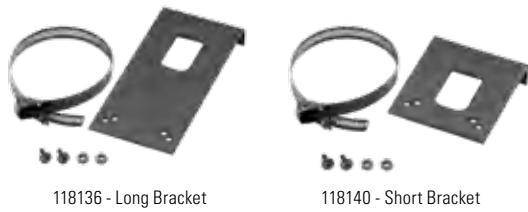
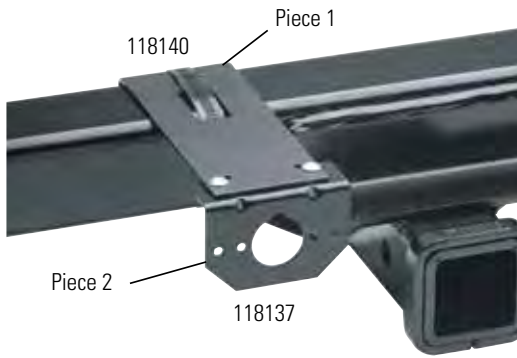
Part Number	Description	Packaging
50-77-075	7-Way and 5-Flat Mounting Bracket	Bagged

4-WAY AND 6-WAY MOUNTING BRACKET

Part Number	Description	Packaging
118132	Mounting Bracket for 4 and 6-Way Round Connectors (Does Not Include Fasteners)	Bagged

4-WAY FLAT CAR END CONNECTOR MOUNTING BRACKETS

Part Number	Description	Packaging
118149	4-Flat Universal Mounting Bracket	Clam
118149-010	4-Flat Universal Mounting Bracket (10 Pack)	Bulk



4 / 5 / 6 AND 7-WAY CONNECTOR MOUNTING BRACKETS

- Bargman's line of mounting brackets allows for installation of electrical wiring plugs on vehicles without damage to bumpers or fascia trim
- Attachment brackets are designed to attach above or below receiver cross tube with hose clamp

ATTACHMENT BRACKETS (PIECE 1 OF 2)

- Attaches to cross tube of hitch

Part Number	Description	Packaging
118136	Attachment Bracket For 6 & 7-Way Round Connectors, Includes Clamp (Piece 1 of 2, Long Bracket)	Clam
118140	Attachment Bracket For 4-Flat, 5-Flat, 4-Way & 5-Way Round Connectors, Includes Clamp (Piece 1 Of 2, Short Bracket)	Clam

MOUNTING BRACKETS (PIECE 2 OF 2)

- Mounts electrical connector to attachment bracket
- Includes screws and nuts
- Attractive point-of-purchase packaging

Part Number	Description	Packaging
118137	Mounting Bracket For 4, 5 & 6-Way Round Connectors, (Piece 2 Of 2)	Clam
118137-010	Mounting Bracket (10 Pack)	Bulk
118138*	Mounting Bracket, (Piece 2 Of 2)	Clam
118138-010*	Mounting Bracket (10 Pack)	Bulk
118144	Mounting Bracket For 4-Flat Connectors, (Piece 2 Of 2)	Clam
118144-010	Mounting Bracket (10 Pack)	Bulk
20212	Mounting Bracket For 7-Way Us Car Connectors, (Piece 2 Of 2)	Clam
20212-010	Mounting Bracket (10 Pack)	Bulk
20046	Mounting Bracket For 5-Flat Connectors, (Piece 2 Of 2)	Clam

**NOTE: 50-77-070, 50-77-071, 54-77-071, 118138, 118138-010 brackets only fit the following car end connectors: Bargman 7-Way Super Sealed Car Ends with Cable, Bargman 7-Way Thermoplastic or Metal Car End Connectors, Bargman 90° 7-Way Pre-Wired Cables*

6-WAY AND 7-WAY PLUG HOLDER

- This holder is designed to house your 6-PIN or 7-Way trailer end connector safely out-of-the-way when disconnected from the tow car
- Universal holder will accommodate either die cast, steel, plastic or molded trailer ends
- Black molded plastic holder mounts on the jack post with provided cable-ties or the attached adhesive strip and can be mounted on any flat surface with provided screws

Part Number	Description	Packaging
50-98-003	6-Pin and 7-Way Plug Holder	Bulk
54-98-003	6-Pin and 7-Way Plug Holder	Bagged
118152	6-Pin and 7-Way Plug Holder	Bagged

74641



4-FLAT CONNECTOR STORAGE BOX AND COVER

- Neatly stores 4-Flat and 5-Flat connectors
- Easily installs with cable ties or screws (included)
- Weatherproof construction

Part Number	Description	Packaging
118145†	Connector Storage Box	Clam
74641	Connector Storage Box	Clam

† = Available While Supplies Last.

118156



6-PIN AND 7-WAY CONNECTOR MOUNTING BOXES

- No need to disconnect existing wiring
- No drilling
- Mounts with hose clamp included
- Corrosion free
- High impact plastic
- Fits all standard & U.S. car 7-Way connectors

Part Number	Description	Packaging
118156	6-Pin and 7-Way Connector Mounting Box For Hitches with 2-1/2" Square Cross Tubes	Display Box
118156-010	6-Pin and 7-Way Connector Mounting Box (10 Pack)	Boxed
118157	6-Pin and 7-Way Connector Mounting Box For Hitches with 3" Square Cross Tubes	Display Box
118157-010	6-Pin and 7-Way Connector Mounting Box (10 Pack)	Boxed
118159	6-Pin and 7-Way Connector Mounting Box With Universal Fit For Both Square And Round Tube Hitches	Display Box
118159-010	6-Way and 7-Way Connector Mounting Box (10 Pack)	Boxed

118157



118159 - Universal



14-715810



JUNCTION / BREAKER BOXES

- Provide a fast, simplified way of connecting wires from the trailer connector to the trailer wiring
- The box, complete with 5-Wire enter/exit ports, includes hardware, rubber grommets, and features external mounting flanges
- Dimensions: 3 1/4-in x 6 1/2-in x 2 1/4-in

Part Number	Description	Packaging
14-715810	Junction Box	Bulk
787535	Junction Box	Bagged

NOTE: Most Bargman 7-Way cable products meet UL standards and are appropriately marked. If a non-UL listed cable will be used to connect tow vehicles to trailers capable of housing or transporting live occupants, Horizon Global recommends the use of a wiring Junction Box. This will provide a simplified method of connecting wire leads from the trailer connector to the UL listed trailer wiring.



38665-012



38666-010



38667-010



7010A



002802



002806



20035-025

TOW VEHICLE WIRING COMPONENTS, HEAVY DUTY FLASHERS AND RELAYS

Part Number	Description	Packaging
38665-012	4 Terminal Relay, 12 Volt, 2007-Up Chevrolet Equinox, Pontiac Torrent & Suzuki XL-7/2008-Up Ford Escape, Mazda Tribute & Mercury Mariner (12 Pack)	Bagged
38666-010	4 Terminal Relay, Small, 12 Volt, 2004-Up Infiniti QX56, Nissan Armada & Titan/2005-Up Nissan Frontier, Pathfinder & Xterra/2009-Up Suzuki Equator (10 Pack)	Bagged
38667-010	6 Terminal Relay, Large, 12 Volt, 2004-Up Infiniti QX56, Nissan Armada & Titan/2005-Up Nissan Frontier, Pathfinder & Xterra/2009-Up Suzuki Equator (10 Pack)	Bagged

CIRCUIT BREAKERS

- Used in 6, 12 and 24V DC applications
- Automotive, RV, air conditioners, battery chargers, any application requiring over-current protection
- Non-corrosive molded cover eliminates grounding when operating against a fault line
- Includes mounting bracket and installed nuts and washers

Part Number	Description	Packaging
7010A	15 Amp Circuit Breaker	Bulk
7011A	20 Amp Circuit Breaker	Bulk
7012A	30 Amp Circuit Breaker	Bulk
7013A	40 Amp Circuit Breaker	Bulk
7022A	50 Amp Circuit Breaker	Bulk
7010A-S	15 Amp Circuit Breaker	Clam - Tekonsha
7011A-S	20 Amp Circuit Breaker	Clam - Tekonsha
7012A-S	30 Amp Circuit Breaker	Clam - Tekonsha
7013A-S	40 Amp Circuit Breaker	Clam - Tekonsha
7022A-S	50 Amp Circuit Breaker	Clam - Tekonsha

HARDWARE COMPONENTS

Part Number	Description	Packaging
104429	Clip, Plastic Wire, Adhesive Back	Bulk
002802	Clip, Metal Wire	Bulk
002805	Nut, Wire (Large, 14-16 Gauge)	Bulk
002806	Tap, White Wire, Double Leads	Bulk
002807	Tap, Blue Wire, Single Leads	Bulk
20034-025	*Perm-A-Seal® Butt Connectors, 14-16 Gauge, Blue (25 pack)	Bagged
20035-025	*Perm-A-Seal® Butt Connectors, 10-12 Gauge, Yellow (25 pack)	Bagged

*Perm-A-Seal brand or comparable substitute

7200



ELECTROTEK® NON-CONDUCTIVE DIELECTRIC SILICONE COMPOUND

- A dielectric compound used with electrical connections
- Prevent voltage loss from arcing and protect contacts from corrosion
- Suppresses radio frequency interference, dissipates heat, insulates trailer wiring connectors and seals out moisture
- Effective for automotive, RV and marine electrical applications
- Non-water soluble

Part Number	Description	Packaging
7200	Electrotek, 3 oz. Tube	Bulk
7200P	Electrotek, 3 oz. Tube	Clam

11755



DIELECTRIC GREASE

- Using dielectric grease on electrical connectors helps prevent corrosion and increases reliability

Part Number	Description	Packaging
11755	Dielectric Grease, 2 oz. Tube	Boxed

3194-S



BATTERY POST ADAPTER

- Battery post adapter for General Motors side post batteries
- Allows stud for attaching accessories wires

Part Number	Description	Packaging
3194-S	Battery Post Adapter	Clam - Tekonsha

7000-S



BATTERY ISOLATORS

- Cadmium plated isolator with terminal nuts and lock-washers
- 3 terminal isolator for metal frame ground systems, 4 terminal has insulated ground terminal for use with fiberglass or other non-conductive materials
- Isolates starting battery, provides secondary battery current for auxiliary power and full time charging of both batteries

Part Number	Description	Packaging
7000	Battery Isolator - 3 Terminal	Bulk
7000-S	Battery Isolator - 3 Terminal	Clam - Tekonsha
7001	Battery Isolator - 4 Terminal	Bulk
54-98-004	Battery Isolator - 4 Terminal	Bagged
7001-S	Battery Isolator - 4 Terminal	Clam - Tekonsha
118665	Battery Isolation Solenoid, 3 Pole, 12 Volt (Chassis Ground)	Clam

7001-S



118665



6562



767943



6565



8010



7585



ELECTRICAL TESTERS

- Plug these testers into any car connector and you will have an instant test of running light circuits
- Features LED display to show completed circuit for the running lights, left turn signal and right turn signal
- Auxiliary and electric brake circuit are included on the 6-way tester and auxiliary, electric brake and battery charge are included with the 7-Way tester
- One piece units with internal ground
- Proper installation and set-up of a brake control, when a trailer is not readily available, is possible with the 7-Way tester
- Current Monitor testing device is designed to assist in determining whether a tow vehicle's 7-Way blade car end connector has been wired properly. (Current Monitor is an excellent diagnostic tool for installation, setup and troubleshooting of electric trailer brake controls)
- The Trailer Tester is designed to help you quickly identify problems in the wiring of the trailer. This is done by testing the Left Turn, Right Turn, Tail/Marker, Brake and Back Up circuits on the trailer. The tester indicates approximate amount of current in each circuit. It will also test the voltage of the external battery connected to the trailer charge circuit (i.e. trailer battery)
- Brake Control Bench Tester is a test device designed to determine if a brake control is working properly. Checks brake control output, independent of vehicle wiring. Simulates many fault conditions including open ground, short circuit, open load and more

Part Number	Description	Packaging
6562	7-Way Blade Tester and Trailer Emulator w/ LED Display	Clam
54-6562	7-Way Blade Tester and Trailer Emulator w/ LED Display	Bagged
767943	7-Way Blade Tester and Trailer Emulator w/ LED Display	Clam
6565	Current Monitor	Bulk
8010	Trailer Tester, Includes Charger	Bulk
7585	Brake Control Bench Tester	Bulk

CIRCUIT TESTERS

Part Number	Description	Packaging
40376	Circuit Tester	Clam
3808	Economy Circuit Tester	Clam
74633	4-Flat Circuit Tester	Clam
20115	5-Flat Circuit Tester	Clam
20116	6-Pin Circuit Tester	Clam
20117	7-Way Circuit Tester	Clam
20145	LED Circuit Tester	Clam
20145-010	LED Circuit Tester (10 pack)	Clam

40376



3808



74633



20145



20115



20117



20116



LIFE'S A JOURNEY STOP OFTEN





Smooth predictable stopping at all speeds has made the Tekonsha Brake Controls the best in class and most popular on the market. No matter what you are towing, Tekonsha will help you stop.

BRAKE CONTROLS

ELECTRONIC TRAILER BRAKE CONTROLS

Prodigy RF	4
P3	4
Prodigy P2	5
Primus IQ	5
Voyager	6
I-Command	6
I-Stop IQ	6
Activator	7
Brakeman	7-8
Pilot	8
POD	8

BRAKE CONTROL ACCESSORIES

Clip / Pivot Mounts	9
Traditional Bracket Mounts	9
Pulse Preventer	9
Replacement Wiring Harnesses	9

BRAKE CONTROL WIRING

Brake Mate Kits	9
Vehicle Specific Wiring Harness Positions	10
Wiring Harnesses	11
Wiring Harness Application Guide	12-13





The perfect shared-trailer solution. If you take to the road with multiple vehicles, there's really only one solution: Prodigy RF



PRODIGY® RF

Benefits of the Prodigy RF:

- User does not need a dash mounted, hard wired brake control
- True proportional trailer braking, forward or reverse
- Trailer braking power supplied via 7-way connector from the vehicle

- Suitable for use on any trailer with up to 3 braking axles

In the tow vehicle (hand held unit):

- Wireless communication between the remote hand unit and trailer mounted power module eliminates the need for under dash wiring
- Easy to see LED display for trailer brake voltage, power output and diagnostics
- Easy to use remote hand control; includes the Prodigy "Boost" system to allow for different levels of customized braking
- Unit provides continual diagnostic scanning with a visual warning display
- Hand held unit plugs into any standard 12 volt power accessory adapter
- Hand held unit has a limited 5 year warranty

On the trailer (power module unit):

- Power module uses standard RV blade style (Bargman) 7-Way truck and trailer connectors
- Trailer power module is watertight and is powered through 7-Way cable from the tow vehicle
- Multiple mounting options on the tongue or front of the trailer
- Trailer mounted power module has a limited 15 year warranty (limited 1 year warranty on cord)

90250



90251



Part Number	Description	Packaging
90250	Prodigy RF Trailer Mount Brake Control with Hand Held Unit	Display Box
90251	Prodigy RF Remote Hand Held Unit, Replacement Part	Clam



Taking innovation to a whole new level. P3; the industry's most advanced electric trailer brake control.



P3®

A true proportional braking system, P3 has several added features, making it the new standard for electric trailer brake controls

- 5 storable setting options for pulling different trailers or preferences of multiple drivers
- A distinct, easy-to-read LCD display with multiple screen color options
- "Up-Front" controls provide easy access to all P3 features
- Easy to understand diagnostics show output current, battery/brake/output voltage
- A "flashing red" warning system alerts user to "No Trailer Brake" situations
- Select Electric over Hydraulic or Electric trailer brake mode
- Numerous mounting options - including 360 degree vertical rotation
- Screen information display in English, French or Spanish
- "The Original Boost" feature allows for different levels of customized braking
- Compact, dash-hugging design
- Integrated Plug & Play port for 2-plug adapters
- Snap-in mounting clip allows user to remove and store the control when not in use
- Electric trailer brake control for up to 4 braking axles

90195



Mounting Clip and Hardware Included



3Ft. Pigtail Harness Kit Included

NOTE: Plug & Play feature allows quick and easy connection. It adapts to all Tekonsha 2-Plug vehicle specific brake control wiring harnesses.

See application guide for vehicle specific applications.

Part Number	Description	Packaging
90195	P3 Proportional Electronic Trailer Brake Control	Display Box

PRODIGY® P2



90885



Mounting Bracket, Hardware and
3Ft. Pigtail Harness Kit Included

PRODIGY® P2

Advanced Intelligence

- **NEW** auto dim feature allows for better viewing, day or night
- Reverse battery protection for both vehicle and breakaway
- Designed to work with electric over hydraulic brake systems
- Numerous mounting options – including 360 degree vertical rotation
- Digital display depicts voltage delivery to trailer during braking
- No level adjustment necessary – it adjusts itself to varying terrain as you drive
- Great for backing into tough spots! Works proportionally in reverse - with the ability to disable when not needed
- Produces stops that are in proportion to vehicle's deceleration rate
- "Boost" feature gives users the ability to apply more initial trailer braking power when towing heavier trailers
- Continual diagnostics check for proper connection, shorted magnet conditions and much more
- Integrated Plug & Play port for 2-plug adapters
- Pocket-mount allows user to remove and store the control when not in use
- Electric trailer brake control for up to 4 braking axles

Part Number	Description	Packaging
90885	Prodigy P2 Proportional Electronic Trailer Brake Control	Display Box

NOTE: Plug & Play feature allows quick and easy connection. It adapts to all Tekonsha 2-Plug vehicle specific brake control wiring harnesses. See application guide for vehicle specific applications.

PRIMUS® IQ



90160



Mounting Bracket, Hardware and
3Ft. Pigtail Harness Kit Included

PRIMUS® IQ

The smarter braking solution. Primus IQ is a totally proportional electric trailer brake control.

This easy-to-set system allows the driver maximum flexibility when determining how the trailer should respond to a braking event. Snap-in dash mounting clip and removable electrical connector allow the unit to be quickly stored (or moved to another vehicle) when not in use.

- Works proportionally in reverse
- No level adjustment necessary, adjusts to varying terrain as you drive
- Digital display shows voltage to trailer during braking
- "The Original Boost" feature allows for customized braking
- Integrated Plug & Play port for 2-plug adapters
- Diagnostic features incorporated in LED display
- Electric trailer brake control for up to 3 braking axles
- Snap-in mounting clip allows user to remove and store the

Part Number	Description	Packaging
90160	Primus IQ Proportional Electronic Trailer Brake Control	Display Box

NOTE: Plug & Play feature allows quick and easy connection. It adapts to all Tekonsha 2-Plug vehicle specific brake control wiring harnesses. See application guide for vehicle specific applications.

VOYAGER®



9030

Mounting Bracket and Hardware Included



VOYAGER®

The Voyager incorporates Tekonsha's patented braking sensor and is the best value you'll find for smooth and secure trailer braking.

- Broad control range makes setting quick and easy
- As braking power is applied, the LED changes color gradually from green (completed circuit) to red, to indicate relative braking power
- Advanced electronics minimize false braking for smoother ride
- Electric trailer brake control for up to 4 braking axles
- Plug & Play feature allows quick and easy connection

Part Number	Description	Packaging
9030	Voyager Proportional Electronic Trailer Brake Control	Display Box

NOTE: Plug & Play feature allows quick and easy connection. It adapts to all Tekonsha 2-Plug vehicle specific brake control wiring harnesses.

See application guide for vehicle specific applications.

i-Stop™ IQ



20191



Mounting Bracket, Hardware and 3ft. Pigtail Harness Kit Included

I-STOP™ IQ

A totally proportional electric trailer brake control, the Draw-Tite I-Stop IQ is self-leveling so no level adjustment is necessary.

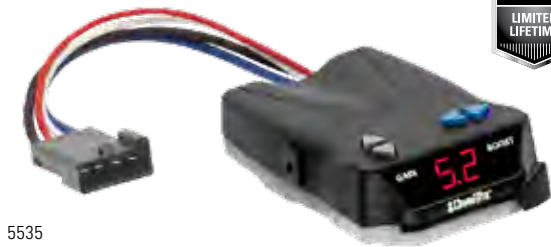
- Integrated Plug & Play port for 2-plug adapters
- Self-diagnostics features will illuminate LED readout when issues occur
- Includes a "Boost" feature
- Works proportionally in reverse
- Snap-in dash mounting clip and hardware included
- Digital LED readout
- Electric trailer brake for 1-3 axles
- Snap-in mounting clip allows user to remove and store the control when not in use

Part Number	Description	Packaging
20191†	I-Stop IQ Proportional Electronic Trailer Brake Control	Display Box

† = Available While Supplies Last.

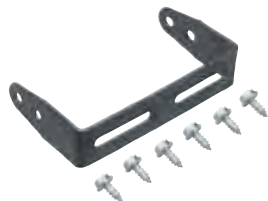
See application guide for vehicle specific applications.

NOTE: Plug & Play feature allows quick and easy connection. It adapts to all Tekonsha 2-Plug vehicle specific brake control wiring harnesses.



5535

Mounting Bracket and Hardware Included



I-COMMAND™ Exclusive to Draw-Tite

A compact, proportional brake control that requires no leveling with "up-front" buttons for easy access to Output and Boost diagnostic features incorporated in the LED display.

- 1-4 axle trailers
- Proportional brake control
- Boost feature gives the ability to apply more initial trailer braking
- Reverse battery protection
- No level adjustment necessary
- Diagnostics features incorporated in LED display
- Plug & Play feature allows for quick and easy connection

Part Number	Description	Packaging
5535	I-Command Proportional Electronic Trailer Brake Control	Clam

NOTE: Plug & Play feature allows quick and easy connection. It adapts to all Tekonsha 2-Plug vehicle specific brake control wiring harnesses.

See application guide for vehicle specific applications.

ACTIVATOR IV

5504

Mounting Bracket and Hardware Included



ACTIVATOR® IV

- 1 to 4 axle trailers
- Digital output indicator
- Small, compact design
- Up-front push buttons for sync and output
- Diagnostics for overload, open ground
- Short circuit protected
- Mounts in any direction
- No leveling required
- Mounting hardware included
- Smooth and simple installation
- Plug & Play feature allows quick and easy connection
- Attractive point-of-purchase display packaging

NOTE: Plug & Play feature allows quick and easy connection. It adapts to all Tekonsha 2-Plug vehicle specific brake control wiring harnesses. See application guide for vehicle specific applications.

Part Number	Description	Packaging
5504	Activator IV Electronic Brake Control	Clam

ACTIVATOR®

5100

Mounting Bracket and Hardware Included



ACTIVATOR®

- 1 & 2 axle trailers
- Illuminated LED output indicator
- Slide adjustment output control
- Plug & Play feature allows quick and easy connection
- Attractive point-of-purchase display packaging

Part Number	Description	Packaging
5100	Activator Electronic Brake Control	Clam

NOTE: Plug & Play feature allows quick and easy connection. It adapts to all Tekonsha 2-Plug vehicle specific brake control wiring harnesses. See application guide for vehicle specific applications.

83501

Mounting Bracket and Hardware Included

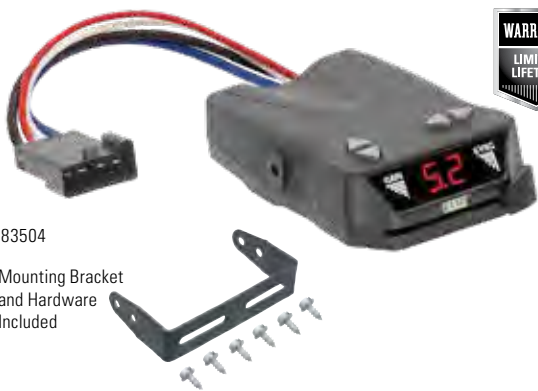


BRAKEMAN®

- 1 & 2 axle trailers
- Illuminated LED output indicator
- Slide adjustment output control
- Plug & Play feature allows quick and easy connection

Part Number	Description	Packaging
83501	Brakeman Compact Electronic Brake Control	Clam

NOTE: Plug & Play feature allows quick and easy connection. It adapts to all Tekonsha 2-Plug vehicle specific brake control wiring harnesses.
NOTE: Not recommended for use with BMW X5 Sport Utility Vehicles.
 See application guide for vehicle specific applications.



83504

Mounting Bracket and Hardware Included



BRAKEMAN® IV

- 1 to 4 axle trailers
- Digital output indicator
- Small, compact design
- Up-front push buttons for sync and output
- Diagnostics for overload, open ground
- Short circuit protected
- Mounts in any direction
- No leveling required
- Mounting hardware included
- Smooth and simple installation
- Plug & Play feature allows quick and easy connection
- Attractive point-of-purchase display packaging

NOTE: Plug & Play feature allows quick and easy connection. It adapts to all Tekonsha 2-Plug vehicle specific brake control wiring harnesses. See application guide for vehicle specific applications.

Part Number	Description	Packaging
83504	Brakeman IV Electronic Brake Control	Clam

PILOT®

The Pilot has just made owning and operating a digital brake control easier than ever.

80550



Mounting Bracket and Hardware Included



PILOT®

Because of the flexible mounting options, you are able to mount the Pilot in any direction. Our microprocessor allows you the ability to read the display even when the Pilot is mounted upside down. The Pilot's digital display shows voltage output to the brakes with additional protection against short circuit or loss of ground. Capable of handling up to 3 axle trailers.

- Large easy to read dual digital display
- Dark smoke lens ideal for direct light applications; performs better than red lens
- Microprocessor allows control to be mounted upside down and still have a readable display
- Protection against short circuit and loss of ground
- Standard mounting bracket included, optional pivot mount available (P/N 5298)
- For use on any 12 volt negative ground system
- Plug & Play feature allows quick and easy connection

NOTE: Plug & Play feature allows quick and easy connection. It adapts to all Tekonsha 2-Plug vehicle specific brake control wiring harnesses.

Part Number	Description	Packaging
80550	Pilot Electronic Brake Control	Clam

The POD (Power on Demand) is your best choice for 1 or 2 axle trailers, especially when your installation options are limited.

80500



Mounting Bracket and Hardware Included



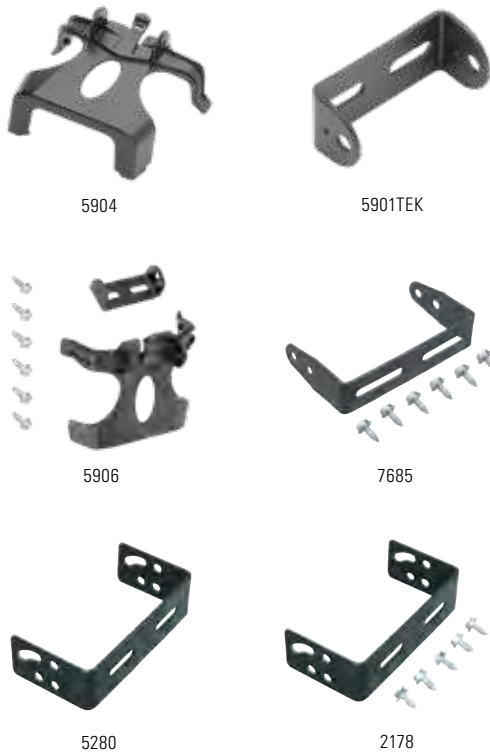
POD™

The POD can be mounted in any direction, and its unique design features "up-front-easy-access" adjustment controls, even when mounted upside down.

- Power-on LED for a positive tow vehicle-to-trailer connection
- "Up-front" manual over-ride control
- Rugged, easy mount chassis
- Mounting hardware included, smooth and simple installation
- Solid state electronics
- Plug & Play feature allows quick and easy connection

Part Number	Description	Packaging
80500	POD Electronic Brake Control	Clam

NOTE: Plug & Play feature allows quick and easy connection. It adapts to all Tekonsha 2-Plug vehicle specific brake control wiring harnesses.



CLIP AND PIVOT MOUNTING

Part Number	Application	Description	Packaging
5901TEK	P3 90195	Dash Mounting Clip	Bulk
5904	P3 90195	Dash Mounting Clip Bracket	Bulk
5906	P3 90195	T-Slot Mounting Kit	Bulk
5298	Pilot 80550	Dash Pivot Mounting Kit	Bulk
7686	Prodigy P2 90885	Dash Pocket Mounting Kit	Clam
6927	Primus IQ 90160, I-Stop IQ 20191	Dash Mounting Clip	Bulk

TRADITIONAL BRACKET MOUNTING

Part Number	Application	Description	Packaging
7685	Prodigy P2 90885	Mounting Bracket Kit	Clam
5280	Primus IQ 90160, I-Stop IQ 20191, Pilot 80550	Mounting Bracket Only	Bulk
2178	P3 90195, Voyager 9030, POD 80500	Mounting Bracket Kit	Bulk
20059	Activator IV 5504, Brakeman IV 83504, I-Command 5535	Mounting Bracket Kit	Clam
20060	Activator 5100, Brakeman 83501	Mounting Bracket Kit	Clam

PULSE PREVENTER

- Immunizes against the effects of 4-way flashers on some brake controls

Part Number	Description	Packaging
20501	Pulse Preventer	Clam

BRAKE MATE™ KITS

Includes all necessary parts required to completely install all brake controls. No other parts are necessary. Each Brake Mate™ Kit includes:

- Pre-wired 7-Way round connector
- Heavy duty flasher
- Heavy duty breakers (2 pcs.)
- Self tapping screws (8 pcs.)
- Integrated 4-Flat trailer end
- Tie straps (6 pcs.)
- Scotch locks (5 pcs.)
- For simple mounting, choose 7-Way mounting box part numbers 118156, 118157
- Ring connectors (7 pcs.) or 118159 (sold separately)



Part Number	Description	Packaging
118607	7-Way Brake Mate Kit – Flat Pin	Clam
20505	Wiring Kit for 1 - 2 Axles Brake Control Systems, Includes 25' 12-2 Duplex Wire, 20 Amp Circuit Breaker and Attaching Terminals	Clam
20506	Wiring Kit for 3 – 4 Axles Brake Control Systems, Includes 25' 10-2 Duplex Wire, 30 Amp Circuit Breaker and Attaching Terminals	Clam

REPLACEMENT WIRING HARNESSES



Part Number	Application	Description	Packaging
7865	Fits all Tekonsha, Draw-Tite and Reese Brake Controllers	30" Pigtail Harness with Diode	Clam
7894	Fits all Tekonsha, Draw-Tite and Reese Brake Controllers	30" Pigtail Harness	Clam
20127	Fits all Tekonsha, Draw-Tite and Reese Brake Controllers	12" Pigtail Harness	Clam
20127-012	Fits all Tekonsha, Draw-Tite & Reese Brake Controllers (12 pack)	12" Pigtail Harness	Bulk
20160	Fits all Tekonsha, Draw-Tite and Reese Brake Controllers	60" Pigtail Harness	Clam
20160-012	Fits all Tekonsha, Draw-Tite & Reese Brake Controllers (12 pack)	60" Pigtail Harness	Bulk

VEHICLE SPECIFIC BRAKE CONTROL WIRING HARNESS POSITION



- BP1 - Under or behind dash, to the left or right of the emergency brake pedal.
- BP2 - Under or behind dash to the left of the steering column and brake pedal.
- BP3 - Under or behind dash to the right of the steering column and brake pedal.
- BP4 - Kick panel area, on the Driver's side.
- BP5 - Under or behind dash, behind the center console.
- BP6 - Under or behind dash on the passenger side, near glove box.
- BP7 - Centered behind dash between the steering column and the radio.
- BP8 - Under or behind dash to the right of the steering column and brake pedal. Also includes 7-Way adapter kit located at the rear center behind the bumper. This unit complies with all applicable California Regulations.
- BP9 - Includes 7-Way adapter kit located at the rear center behind the bumper. This unit complies with all applicable California Regulations.
- BP10 - Under drivers seat

BRAKE CONTROL WIRING HARNESSES

- All vehicle specific brake control wiring harnesses are available in 1-Plug or 2-Plug styles
- 1-Plug units are designed for brake controls manufactured with electrical wiring mounted on the back of the unit, otherwise known as a pigtail. Wiring harnesses must be spliced into the existing pigtail to allow the vehicle specific plug to be installed.
- 2-Plug units are designed for brake controls that have a wiring port built into the back of the unit. Simply plug the brake control end of the wiring harness into the back of the brake control and the vehicle end into the automobile's port. Brake controls that utilize the 2-plug style of wiring harness will be identified with the Plug & Play logo.
- See application guide for vehicle specific harnesses



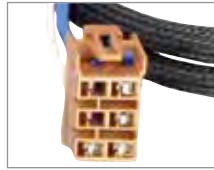
BRAKE CONTROL WIRING HARNESSES *Clam and also available in bulk 12-pack. (Ex: 3015-S-012) ** Bulk 20-pack. † = Available while supplies last.



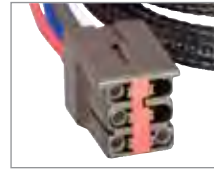
3015** / 3015-P / 3015-S*



3016** / 3016-P / 3016-S



3025** / 3025-P / 3025-S



3035** / 3035-P / 3035-S*



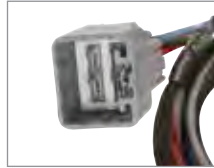
3036** / 3036-P / 3036-S



3070** / 3070-P / 3070-S



3045** / 3045-P / 3045-S



3021** / 3021-P / 3021-S



3023** / 3023-P / 3023-S / 3023-S
30234-P / 30235 / 30235-P



3050** / 3050-P / 3050-S



3014** / 3014-P / 3014-S



3020** / 3020-P



3024** / 3024-P



3026** / 3026-P / 3026-S



3027** / 3027-P



3031** / 3031-P / 3031-S



3032** / 3032-P



3034** / 3034-P / 3034-S



3040** / 3040-P / 3040-S



3041** / 3041-P



3065** / 3065-P / 3065-S



3063** / 3063-P



3030** / 3030P



3064** / 3064-P



3065** / 3065-P / 3065-S



3028** / 3028-P



3066** / 3066-P



3062** / 3062-P

MODEL	YEAR	POS	PART NO.	PART NO.	PART NO.
HUMMER					
H2	03-07	BP1	3015-S	3015-P	3015
INFINITI					
QX56	04-13	BP1	3050-S	3050-P	3050
JEEP					
Cherokee	14-19	BP1	3014-S	3014-P	3014
Grand Cherokee w/Factory Tow Package	11-19	BP2	3045-S	3045-P	3045
KIA					
Borrego	09-11	BP4		3032-P	3032
LAND ROVER					
LR3	05-09	BP3	3035-S	3035-P	3035
LR4	10-15	BP3	3035-S	3035-P	3035
Range Rover	05-14	BP3	3035-S	3035-P	3035
Range Rover	15	BP3	3035-S	3035-P	3035
Range Rover Evoque	12-17	BP2	3035-S	3035-P	3035
LEXUS					
GX460	10-15	BP4	3040-S	3040-P	3040
GX470	03-09	BP3	3040-S	3040-P	3040
LX470	03-07	BP3	3040-S	3040-P	3040
LX570	08-11	BP3	3040-S	3040-P	3040
LX570	13-15	BP4	3040-S	3040-P	3040
LINCOLN					
Aviator w/Factory Tow Package	03-05	BP6	3035-S	3035-P	3035
Mark LT	06-08	BP3	3035-S	3035-P	3035
MKT w/Factory Tow Package	10-11	BP1	3035-S	3035-P	3035
MKT w/Factory Tow Package	12-15	BP1	3036-S	3036-P	3036
Navigator	98-12	BP3	3035-S	3035-P	3035
Navigator	13-14	BP3	3034-S	3034-P	3034
Navigator	15-17	BP1	3036-S	3036-P	3036
MERCEDES-BENZ					
GL350 w/ Factory Tow Package	12-15	BP2		3066-P	3066
GL450 w/ Factory Tow Package	12-15	BP2		3066-P	3066
GL550 w/ Factory Tow Package	12-15	BP2		3066-P	3066
GLE350 w/ Factory Tow Package	16-18	BP2		3066-P	3066
GLE43 AMG w/ Factory Tow Package	17-18	BP2		3066-P	3066
GLE550 w/ Factory Tow Package	16	BP2		3066-P	
GLE63 AMG w/ Factory Tow Package	16-18	BP2		3066-P	3066
GLS450 w/ Factory Tow Package	17-18	BP2		3066-P	3066
GLS550 w/ Factory Tow Package	17-18	BP2		3066-P	3066
GLS63 AMG w/ Factory Tow Package	17-18	BP2		3066-P	3066
ML250 w/ Factory Tow Package	15	BP2		3066-P	3066
ML350 w/ Factory Tow Package	12-15	BP2		3066-P	3066
ML400 w/ Factory Tow Package	15	BP2		3066-P	3066
Sprinter	07-11	BP10		3063-P	3063
Sprinter	12-18	BP10		3030-P	3030
Sprinter 2500	10-11	BP10		3063-P	3063
Sprinter 2500	12-18	BP10		3030-P	3030
Sprinter 3500	10-11	BP10		3063-P	3063
Sprinter 3500	12-18	BP10		3030-P	3030
MERCURY					
Mountaineer w/Factory Tow Package	02-10	BP2	3035-S	3035-P	3035
NISSAN					
Armada	05-15	BP1	3050-S	3050-P	3050
Frontier	05-18	BP3	3050-S	3050-P	3050
NV1500	13-15	BP1	3050-S	3050-P	3050
NV2500	13-15	BP1	3050-S	3050-P	3050
NV3500	13-15	BP1	3050-S	3050-P	3050
Pathfinder	05-18	BP3	3050-S	3050-P	3050
Pathfinder Armada	04	BP1	3050-S	3050-P	3050
Titan Except Titan XD	04-17	BP1	3050-S	3050-P	3050
Xterra w/Factory Tow Package	05-15	BP3	3050-S	3050-P	3050
RAM					
1500	11-12	BP1	3021-S	3021-P	3021
1500	13-14	BP3 BP8	3023-S 30234-P	3023-P 30234-P	3023
1500	13-19	BP9		30235-P	30235
1500	15-19	BP2		3024-P	3024
2500	11-12	BP1	3021-S	3021-P	3021
2500	13-14	BP3 BP8	3023-S 30234-P	3023-P 30234-P	3023
2500	13-19	BP9		30235-P	30235
2500	15-19	BP2		3024-P	3024
3500	11-12	BP1	3021-S	3021-P	3021

MODEL	YEAR	POS	PART NO.	PART NO.	PART NO.
RAM (Continued)					
3500	13-14	BP3 BP8	3023-S 30234-P	3023-P 30234-P	3023
3500	13-19	BP9		30235-P	30235
3500	15-19	BP2		3024-P	3024
Dakota w/Factory Tow Package	11	BP2	3020-S	3020-P	3020
SATURN					
Outlook w/Factory 7-Way	07-09	BP1	3026-S	3026-P	3026
SUBARU					
Ascent	19	SUV3		3062-P	3062
TOYOTA					
4Runner	03-13	BP4	3040-S	3040-P	3040
4Runner	14-18	BP4		3041-P	3041
Land Cruiser	03-11	BP3	3040-S	3040-P	3040
Land Cruiser	13-15	BP3	3040-S	3040-P	3040
Sequoia	03-19	BP4	3040-S	3040-P	3040
Tacoma	07-15	BP4	3040-S	3040-P	3040
Tacoma	16-19	BP7	3031-S	3031-P	3031
Tundra	03-14	BP4	3040-S	3040-P	3040
Tundra	15-17	BP7	3031-S	3031-P	3017

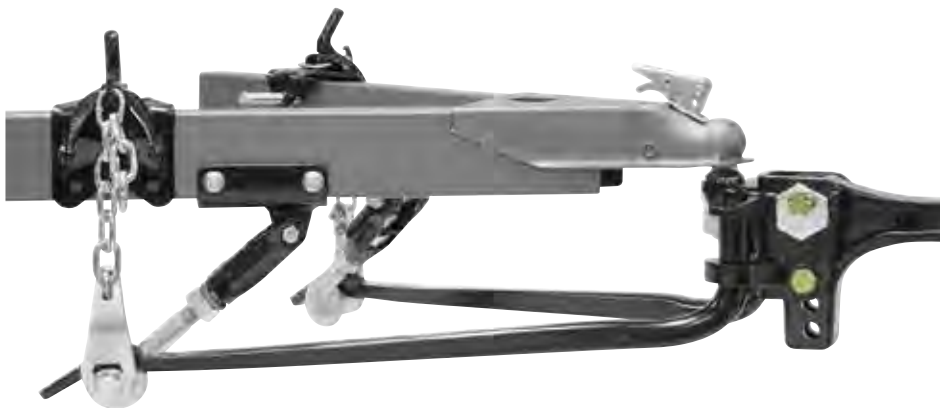
PIONEERING PERFORMANCE





With proven designs that exceed the industry standard, Reese is the brand of choice when performance is the expectation.

WEIGHT DISTRIBUTION



WEIGHT DISTRIBUTING INFORMATION

Materials and Testing	6-7
Hitch Selection Chart.....	7

WEIGHT DISTRIBUTING SYSTEMS

Strait-Line System	8
Steady-Flex System.....	9
Trunnion Style Systems	10
Round Bar Style Systems	11-12

SWAY CONTROLS

Dual Cam HP	12
Friction Sway Control.....	13
Bolt-On Mounting Adapters	13

WEIGHT DISTRIBUTION ACCESSORIES

Adjustable Mounts	13
Snap-Up Brackets	13
Chain Hangers.....	14
Pole Tongue Adapters	14
Tongue Weight Scale.....	14
Hitch Bars	15



STRAIT-LINE® WEIGHT DISTRIBUTION HITCH

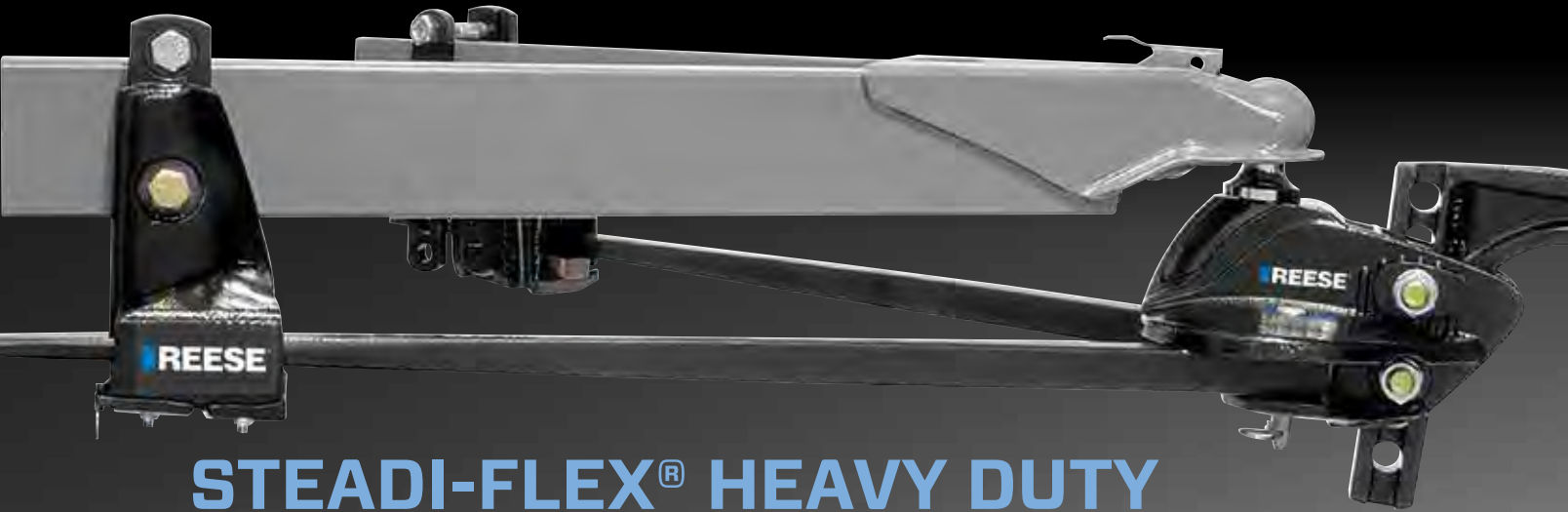
SIMPLY THE BEST.

When performance is critical, choose what the professionals recommend – REESE® Dual Cam, High-Performance. Enjoy peace of mind when using the ultimate in sway control. The Dual Cam Strait Line system works continually to force the trailer to always stay in a straight line behind the tow vehicle. Control sway from the start rather than just resisting sway once it's already begun.

- Simple installation and adjustment
- Fully automatic and self-centering
- Hooking up spring bars automatically hooks up sway control
- Specific attachment reference points provided
- No U-bolts to conflict with bottle racks or other A-frame mounted items
- Reduced noise



STEADI-FLEX®



STEADI-FLEX® HEAVY DUTY WEIGHT DISTRIBUTING KIT

This weight distribution system is designed with tapered spring bars, providing a softer, more enjoyable ride. NO METAL AGAINST METAL! Much like the brakes on a car, our superior sway control is provided by an automotive grade, friction pad material which provides a quieter travel experience.

- No drill installation
- Hitch bar included
- Will fit 7-in frames
- Integrated sway control
- Limited lifetime warranty



REESE®

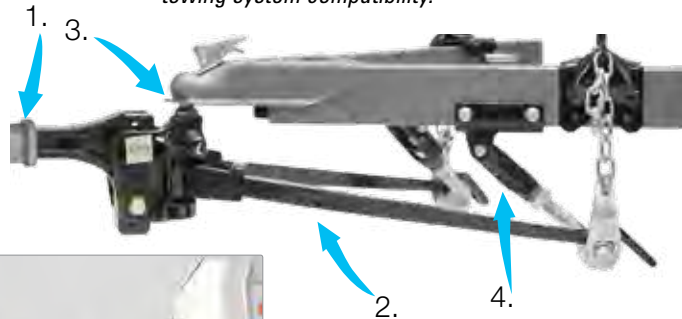
WEIGHT DISTRIBUTING SYSTEMS

- Add a weight distributing system to provide a more level ride, greater steering and brake control
- The differences are in construction materials, welding, manufacturing processes and hook-up
- Adjustment is simple because of the easy-to-operate snap-up brackets that allow spring bar tension to be adjusted by changing links in the support chains
- Rather than merely supporting the trailer tongue weight (TW), weight-distributing hitches apply leverage between the towing vehicle and trailer causing the TW to be carried by all axles of the tow vehicle and trailer

- A Weight Distributing Hitch System is composed of *four major elements:

1. The hitch receiver
2. The weight distribution kit
3. The hitch ball
4. The sway control (see below)

**They work in unison to provide complete towing system compatibility.*



Without weight distributing



With weight distributing

Dual Cam HP

- Premier Sway Control – Unlike tother systems, the Dual Cam HP works to forestall sway from the start in addition to resisting sway once it's begun
- Works only when needed and allows free and easy vehicle/trailer interaction
- Installs on the trailer and therefore doesn't require adjustment every time the tow vehicle and trailer are hooked up (Unless ball mount height angle or chain links are changed)
- Integrated cams in the spring bars reduce noise
- No U-bolts to conflict with bottle racks or other A-Frame mounted items
- Specific attachment reference points provided
- Simple, easy adjustment of centerline
- Fits most applications
- Improved installation times



SELECTING THE RIGHT WEIGHT DISTRIBUTING SYSTEM

• TO DETERMINE THE CORRECT WEIGHT DISTRIBUTING HITCH:

1. Determine the tongue weight of your trailer
2. Estimate the vehicle cargo load
3. Match the sum of these weights to the proper Reese weight distributing hitch

• HITCH WEIGHT = TONGUE WEIGHT + VEHICLE CARGO LOAD BEHIND REAR AXLE

- Tongue weight includes the trailer tongue weight with full gas, water and waste systems and everything packed inside the trailer. Vehicle cargo includes all materials carried in your tow vehicle, such as boat motors, gas cans, tools, etc.

		TONGUE WEIGHT IN USE																	
RATING		200	300	400	500	600	700	800	900	1000	1100	1200	1300	1400	1500	1600	1700		
600																			
800																			
1000																			
1200																			
1400																			
1500																			
1700																			

• EXAMPLE:

Tongue Weight -	500 lb
Vehicle Load Weight -	+ 200 lb
Total Hitch Weight -	= 700 lb

*Using the selector shown above, an 800 lb tongue weight distributing hitch is adequate

• 600 lb WEIGHT DISTRIBUTING HITCH

- Specially suited for use on medium boat trailers, light travel trailers, single horse trailers, heavy fold-down campers, heavy luggage or utility trailers, etc.

• 800 lb WEIGHT DISTRIBUTING HITCH

- Ideal for medium travel trailers, heavy boat trailers, heavy horse trailers

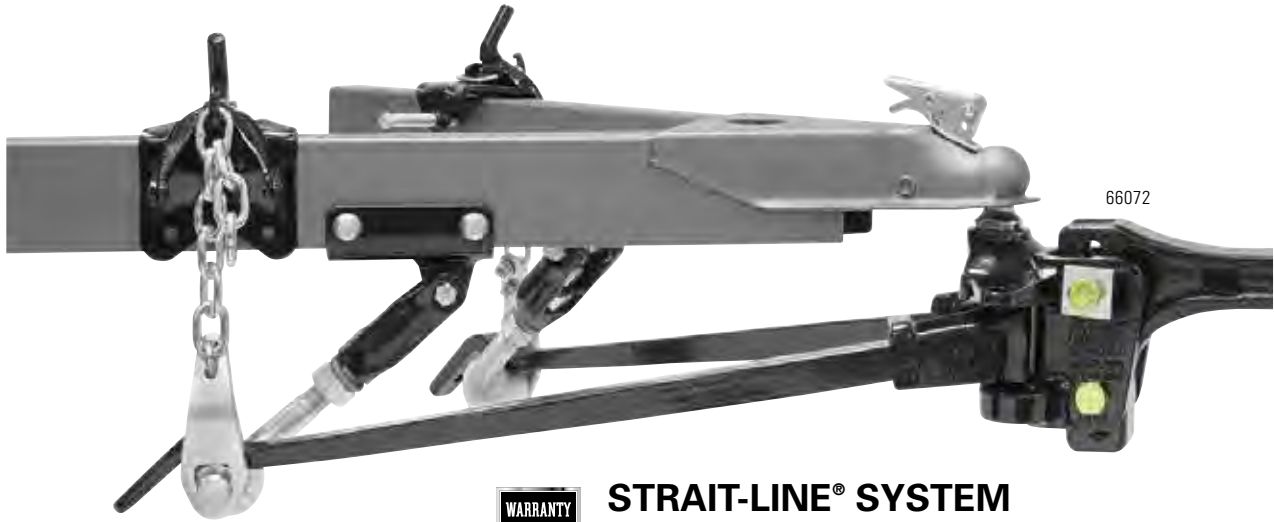
• 1,200 lb WEIGHT DISTRIBUTING HITCH

- Excellent with heavy travel trailers, marine and horse trailers

• 1,500 lb AND 1,700 lb WEIGHT DISTRIBUTING HITCHES

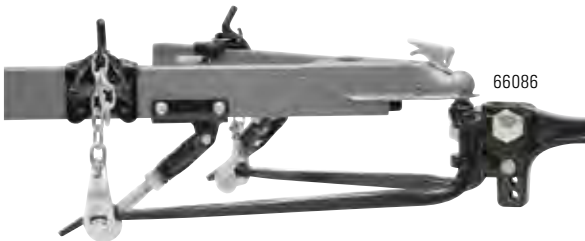
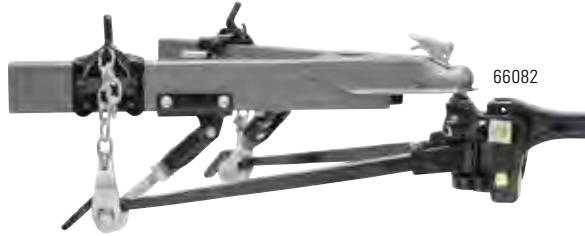
- Great for agricultural, marine and heavy recreational use





STRAIT-LINE® SYSTEM

- This is the ultimate hitch in detail and design. The Strait-Line Hitch consists of our patented Dual Cam High-Performance Sway Control combined with our High-Performance Weight Distributing System in one easy-to-install package
- The Strait-Line Hitch literally forces the trailer to stay in a straight line behind the tow vehicle. Sway is controlled by the Dual Cam High-Performance System; The stronger the sway force, the more the Dual Cam System works to stop it.
- The Strait-Line Hitch combines weight distributing with the best proven pro-active sway control system available in a newly-designed, easy-to-install kit
 - Simple installation and adjustment
 - Fully automatic and self-centering
 - Reduced noise
 - No U-bolts to interfere with bottle racks or other A-Frame mounted items
 - Specific attachment reference points provided
 - Easy adjustment of centerline
 - No need to relocate items on top of A-Frame to install Dual Cam High-Performance Sway Control
 - Limited lifetime warranty



Part Number	Description	Gross Trailer Weight	Hitch Bar
66072	Strait-Line 600 Trunnion Bar (Includes 66020 and 26002)	600 lbs.	-
66073	Strait-Line 800 Trunnion Bar (includes 66021 and 26002)	800 lbs.	-
66074	Strait-Line 1,200 Trunnion Bar (Includes 66022 and 26002)	1,200 lbs.	-
66130	Strait-Line 1,500 Trunnion Bar for Ultra Frame Receivers (Includes 66131 and 26002)	1,500 lbs.	-
66075	Strait-Line 1,700 Trunnion Bar for 2-1/2" Receivers (Includes 66006 and 26002)	1,700 lbs.	-
66082	Strait-Line 600 Trunnion Bar (Includes 66540 and 26002)	600 lbs.	54970 (Included)
66083	Strait-Line 800 Trunnion Bar (Includes 66541 and 26002)	800 lbs.	54970 (Included)
66084	Strait-Line 1,200 Trunnion Bar (Includes 66542 and 26002)	1,200 lbs.	54970 (Included)
66086	Strait-Line 600 Round Bar (Includes 65509 and 26002)	600 lbs.	54970 (Included)
66087	Strait-Line 800 Round Bar (Includes 67509 and 26002)	800 lbs.	54970 (Included)



STEDI-FLEX® LIGHT DUTY SYSTEM

This weight distributing system is designed with tapered spring bars for a softer ride. Friction sway control material provides for a quiet ride. Wide spring bars, with a simple pin and clip assembly, reduce wear in the head and on the friction pads.

- No drill installation
- Will fit 6-in frames with bottom mount couplers
- Hitch bar included
- Hitch ball sold separately



Part Number	Description	Gross Trailer Weight	Tongue Weight
66557*	Light Duty Kit with Shank, Built In Friction Sway Control and Hardware	4,000 lbs.	400 lbs.
66558	Light Duty Kit with Shank, Built In Friction Sway Control and Hardware	6,000 lbs.	600 lbs.

*Will not fit on trailer frames that are 2-in x 3-in or 2-in x 3.5-in

STEDI-FLEX®



STEDI-FLEX® HEAVY DUTY SYSTEM

This weight distributing system is designed with tapered spring bars for a softer ride. Friction sway control material provides for a quiet ride. Wide spring bars, with a simple pin and clip assembly, reduce wear in the head and on the friction pads.

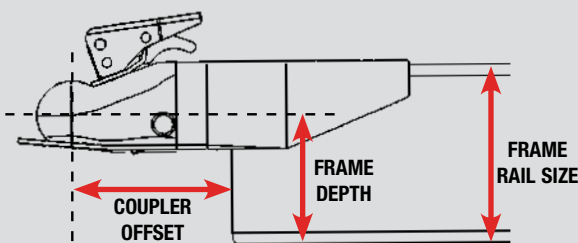
- No drill installation
- Will fit 7-in frames with bottom mount couplers
- 2-in deeper drop on drawbar
- Integrated sway control

Part Number	Description	Gross Trailer Weight	Tongue Weight
66559	Light Duty Kit with Shank, Built In Friction Sway Control and Hardware	10,000 lbs.	1,000 lbs.
66560	Light Duty Kit with Shank, Built In Friction Sway Control and Hardware	12,000 lbs.	1,200 lbs.
66561	Light Duty Kit with Shank, Built In Friction Sway Control and Hardware	14,000 lbs.	1,400 lbs.

Stedi-Flex® Heavy Duty System Coupler Chart

Trailers with top mounted couplers: Clearance between the Steadi-Flex ball mount and trailer frame is needed to eliminate potential contact shown at red arrows below.

Notes: This pertains to top mount couplers only. Any bottom mount coupler with a 4-in - 7-in frame will work without issue. These values are general guidelines for frame sizes and coupler heights assuming straight level installation. Chain loops and other brackets or accessories are included in the Coupler Offset dimension and must be clear of the Coupler Offset area or modified. For intermediate measurement conditions between green and red, ensure at least 3/4-in clearance between ball mount and trailer frame rail/accessories. For frame rail depth over 5-in, this includes during steering on flat ground.

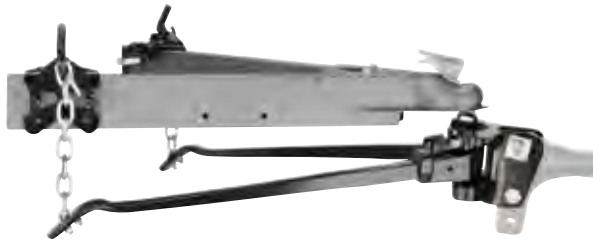


FRAME RAIL SIZE	FRAME DEPTH	COUPLER OFFSET				
		3.5-in	4-in	4.5-in	5-in	5.5-in
4-in Frame	2-in	Green	Green	Green	Green	Green
	3-in	Green	Green	Green	Green	Green
	4-in	Green	Green	Green	Green	Green
5-in Frame	3-in	Green	Green	Green	Green	Green
	4-in	Green	Green	Green	Green	Green
	5-in	Red	Green	Green	Green	Green
6-in Frame	4-in	Green	Green	Green	Green	Green
	5-in	Red	Green	Green	Green	Green
	6-in	Red	Red	Red	Green	Green
7-in Frame	5-in	Red	Green	Green	Green	Green
	6-in	Red	Red	Red	Green	Green
	7-in	Red	Red	Red	Red	Green



TUNNION STYLE SYSTEM

- A head designed for superior strength and easy adjustment with forged raised ball platform and forged Trunnion mounts. The channel of the head utilizes our “serrated washer” design. These washers make it easier to dial in the set up of the Weight Distributing Kit
- Includes the highest rated spring bars per class in the industry. Featuring an integrated cam for easy set up with the optional Dual Cam High-Performance Sway Control. Other features include 9-link chains for easier set up and innovative snap-up brackets designed for superior strength and durability
 - Raised hitch ball platform
 - Easy-to-use serrated washers for head adjustment
 - Forged ball platform and spring bar mounts
 - Rated up to 17,000 lb GTW and 1,700 lb TW
 - Limited lifetime warranty



66540



58167

21501



54977 in rise position

Part Number	Description	Gross Trailer Weight	Tongue Weight	Hitch Bar
66020	Weight Distributing Hitch	10,000 lbs.	600 lbs.	-
66021	Weight Distributing Hitch	10,000 lbs.	800 lbs.	-
66022	Weight Distributing Hitch	12,000 lbs.	1,200 lbs.	-
66131*	Weight Distributing Hitch	15,000 lbs.	1,500 lbs.	-
66540	Weight Distributing Hitch	10,000 lbs.	600 lbs.	54970 (Included)
66541	Weight Distributing Hitch	10,000 lbs.	800 lbs.	54970 (Included)
66542	Weight Distributing Hitch	12,000 lbs.	1,200 lbs.	54970 (Included)

Replacement Parts	
58167	Adjustable Ball Mount with Hardware
22225	800 lbs. Trunnion Spring Bar
66009	1,200 lbs. Trunnion Spring Bar
58369	1,500 lbs. Trunnion Spring Bar
6637	Snap Up Bracket Assembly Kit with Handle (2-Piece)
21501	Snap Up Bracket with Set Screw and Safety Pin
58392	Snap Up Bracket with Set Screw and Safety Pin (for use w/Weight Distribution Systems w/Tongue Weights 800 lbs. and Over)
58207	Ball Mount Shim Kit

U.S. Patent Nos. 5,375,867 and 5,465,991, other patents pending

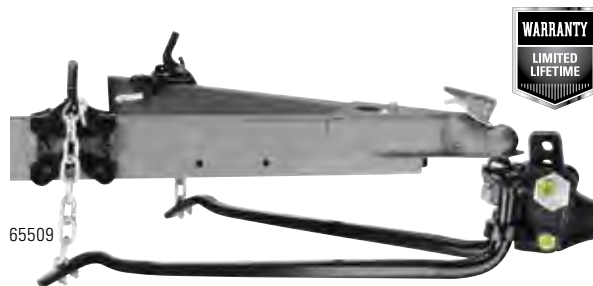
* Designed to be used with Ultra Frame receiver.

NOTE: See page E-7 for help selecting the correct weight distribution system.

WEIGHT DISTRIBUTION SHANK

Part Number	Total Height djustment	Length	Rise	Drop	GTW/TW (lbs.)
54977	14-1/4"	11-1/2"	8-1/4"	5-3/4"	17,000/1,700

NOTE: Not to exceed tow vehicle, hitch or equipment ratings.



65509



ROUND BAR STYLE SYSTEM

- Easy-to-use adjusting blocks for easier and faster ball mount angle adjustment. It includes a one-piece cast head, snap-up brackets and chains; spring bars include an integrated cam for use with optional dual cam sway control
- In addition to the changes in the head, the Round Bar Weight Distributing Kit includes the highest rated spring bars per class in the industry. They also feature an integrated cam for easy set up with the optional Dual Cam High-Performance Sway Control. Other features include 9-link chains for easier set up on larger trailer frames and innovative snap-up brackets designed for superior strength and durability



58112



58114



6637

Part Number	Description	Gross Trailer Weight	Tongue Weight	Hitch Bar
65509	Weight Dist. Hitch	10,000 lbs.	600 lbs.	54970 (Included)
67509	Weight Dist. Hitch	10,000 lbs.	800 lbs.	54970 (Included)
Replacement Parts				
58112	Adjustable Ball Mount with Hardware			
58114	800 lbs. Round Spring Bar			
58115	1,200 lbs. Round Spring Bar			
6637	Snap Up Bracket Assembly Kit with Handle (2-Piece)			
21501	Snap Up Bracket with Set Screw and Safety Pin			
58392	Snap Up Bracket with Set Screw and Safety Pin (for use w/Weight Distribution Systems w/Tongue Weights 800 lbs. and Over)			
58207	Ball Mount Shim Kit			

NOTE: See page E-7 for help selecting the correct weight distribution system.



49901



COMPLETE ROUND BAR KIT

Engineered to provide the features you expect in a weight distribution kit at an economical price.

- Provides everything needed to improve towing, safety and performance right out of the box
- Pre-installed and torqued sway control ball and 2-5/16-in hitch ball, U-bolts and chains
- Fabricated head and welded hitch bar
- Includes friction sway control and mounting hardware
- Limited lifetime warranty



58442

Part Number	Description	Gross Trailer Weight	Tongue Weight	Hitch Bar
49901	Complete Round Bar WD Kit	10,000 lbs.	550 lbs.	-
49902	Complete Round Bar WD Kit	10,000 lbs.	750 lbs.	-
49903	Complete Round Bar WD Kit	10,000 lbs.	1,000 lbs.	-
49904	Complete Round Bar WD Kit	10,000 lbs.	1,200 lbs.	-
Replacement Parts				
58439	Complete RB, 550 lbs. Spring Bar w/o Bend (Qty. 2)			
58440	Complete RB, 750 lbs. Spring Bar w/o Bend (Qty. 2)			
58441	Complete RB, 1000 lbs. Spring Bar w/o Bend (Qty. 2)			
58442	Complete RB, Weight Distributing Bolt-Together Head w/2-5/16" Chrome Hitch Ball, Sway Control Ball & Mounting Hardware			
58444	Complete RB, Weight Distributing Bolt-Together Head Shim Kit			

NOTE: Minimum purchase requirements for these products. Please contact your Horizon Global sales representative for further details.

NOTE: See page E-7 for help selecting the correct weight distribution system.



RB2 ROUND BAR STYLE SYSTEM

The innovative RB2 Round Bar weight distribution is engineered to provide the features you expect in a weight distribution kit at an economical price.

- New combination single piece cast head
- Easy to use adjusting washers
- Washer design allows for quick head angle adjustment
- Head is compatible with optional Friction Sway Controls (each side)
- Includes hitch bar #63970

49568



Part Number	Description	Gross Trailer Weight	Tongue Weight	Hitch Bar Included
49568	RB2 Weight Distributing Hitch	10,000 lbs.	600 lbs.	63970
49569	RB2 Weight Distributing Hitch	10,000 lbs.	800 lbs.	63970
49570	RB2 Weight Distributing Hitch	12,000 lbs.	1,200 lbs	63970

NOTE: Available in skid quantities of 20. (Example: 49568-020)

NOTE: See page E-7 for help selecting the correct weight distribution system.



RB3 ROUND BAR STYLE SYSTEM

- Fabricated head and welded hitch bar
- Available in 550/750/1,000 lb kits
- Head is compatible with optional Friction Sway controls (each side)

49581



Part Number	Description	Gross Trailer Weight	Tongue Weight	Hitch Bar Included
49581	RB3 Weight Distributing Hitch	10,000 lbs.	550 lbs.	63970
49582	RB3 Weight Distributing Hitch	10,000 lbs.	750 lbs.	63970
49583	RB3 Weight Distributing Hitch	10,000 lbs.	1,000 lbs	63970

Replacement Parts

58439	RB3, 550 lbs. Spring Bar w/o Bend (Qty. 2)
58440	RB3, 750 lbs. Spring Bar w/o Bend (Qty. 2)
58441	RB3, 1000 lbs. Spring Bar w/o Bend (Qty. 2)
58442	RB3, Weight Distributing Bolt-Together Head w/2-5/16" Chrome Hitch Ball, Sway Control Ball & Mounting Hardware
58444	RB3, Weight Distributing Bolt-Together Head Shim Kit

NOTE: Available in skid quantities of 20. (Example: 49581-020)

NOTE: See page E-7 for help selecting the correct weight distribution system.

Dual Cam HP

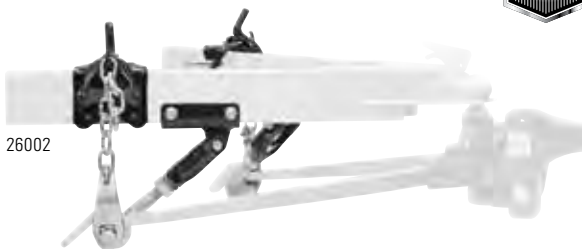


DUAL CAM HIGH-PERFORMANCE SWAY CONTROL

Patented technique for controlling trailer sway. Works when needed to control sway from the start rather than just resisting. The Dual Cam System is installed on the trailer and does not normally require adjustment every time the towing vehicle and trailer are hooked up.

- Integrated cams into the spring bars reduce noise
- No U-bolts to interfere with bottle racks or other A-Frame mounted items
- Specific attachment reference points provided
- Fits most applications

26002



58507



Part Number	Description
26002	Dual Cam High Performance Sway Control
58507	Rivet Nuts (Qty. 4) for Tube Frames (Dual Cam High Performance Bracket)



FRICTION SWAY CONTROL

- Installs and removes easily
- Removes with two spring locking pins
- Heavy construction for added reliability
- Friction brake keeps trailer and tow vehicle stable
- Quick attachment to trailer frame and ball mount
- Can be used on left and right side of trailer

Part Number	Description
83660	Sway Control Assembly and fasteners - (Boxed)
3442	Weld-On Sway Control adapter
58060	Replacement Sway Control Ball 1-1/4" x 5/8"
58062	Replacement Ball Plate Assembly

Weight distributing hitch not included; use of sway controls with surge brakes not recommended; this product is recommended to be used with weight distribution that has the integrated spring bars only



BOLT-ON MOUNTING ADAPTERS FOR SWAY CONTROL

- Easy bolt-on installation
- Bulk packaged
- Black powder coat finish over A-coat

Part Number	Description
26003	Sway Control Adapter Bracket for Class III & IV 2" Ball mounts
26005	Sway Control Adapter Bracket for Class II 1-1/4" Drawbars

*26003 cannot be used with Class I or Class II Drawbars.
26005 can not be used with Class I Drawbars.
Ball platform does not prevent adapter from turning during tightening.*



ADJUSTABLE BALL MOUNTS WITH HITCH BARS

Part Number	Description
54980	Complete Adjustable Ball Mount with 54970 Hitch Bar
54994	Complete Adjustable Ball Mount with 54998 Hitch Bar



SNAP UP BRACKETS

- Rugged positive locking design
- Unit locks using safety pin (#55180)
- Narrower, for increased frame clearance
- One-piece cast chain hook
- Black powder coat finish over E-coat

Part Number	Description
6637	Snap Up Bracket Assembly Kit with Handle (2- Piece)
58162	Snap Up Handle
21501	Snap Up Bracket with Set Screw and Safety Pin
58392	Snap Up Bracket with Set Screw and Safety Pin (for use w/Weight Distribution Systems w/Tongue Weights 800 lbs. and Over)



CHAIN HANGERS

For trailers with tongue interference (gas bottles, batteries, covered frames, etc.) where snap up brackets (#21501) won't install easily, we offer two easy-to-install options.

- Black powder coat finish over A-coat
- Installs quickly! (approximately 15 minutes)
- Includes hardware

Part Number	Description	Gross Trailer Weight	Tongue Weight
58305	Chain Hanger, Bolt On	14,000 lbs.	1,400 lbs.
58306	Chain Hanger, Clamp On	14,000 lbs.	1,400 lbs.



POLE TONGUE ADAPTERS

A Pole Tongue Adapter is used as a mounting platform for the Lift Brackets of a Weight Distributing Hitch System when a trailer has a pole or straight tongue rather than an A-Frame tongue.

- Fits all lift units regardless of manufacturer
- Fits tongue widths from 1-5/8-in to 5-in
- Fits tongue heights from 3-in to 6-in

Part Number	Description	Gross Trailer Weight	Tongue Weight
3280	Pole Tongue Adapter & Fastener Kit	7,500 lbs.	750 lbs.
58393	Pole Tongue Adapter & Fastener Kit	*14,000 lbs. **12,000 lbs.	*1,400 lbs. **1,200 lbs.

Note: Not for use with light duty weight distributing hitch

*When mounted on top of the tongue **When mounted below the tongue



LOAD-MASTER TRAILER TONGUE WEIGHT SCALE

- Load-Master is a hydraulic pressure gauge for measuring trailer tongue weights from 0 to 2,000 lb

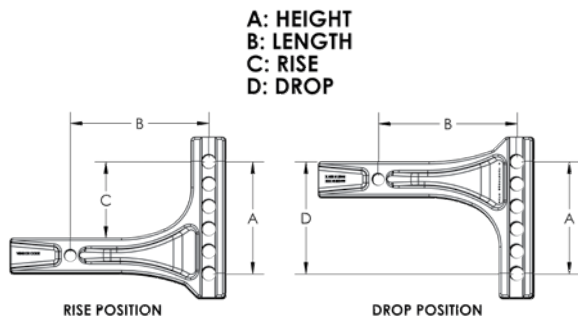
Part Number	Description
5780	Load-Master Trailer Tongue Weight Scale



WEIGHT DISTRIBUTION HITCH BARS

- Weight Distributing hitch bars offer a full range of style and adjustability
- Designed for use with all Trunnion and Round Bar Weight Distributing Kits

- Angled, extended, "T" and deep drop designs available
- Designed for use in the rise or drop position
- Refer to the diagrams below to assist in determining the correct Length, Rise & Drop required for your Weight Distributing Hitch



*How to measure for the proper hitch bar
(Illustrations show Adjustable Hitch Bar)*

Part Number	Hitch Bar Size	Capacity (TW)	A Height	B Length	C Rise	D Drop	Cast Welded
3214	2"	1,400	6-1/4"	11-3/4"	4-1/4"	6-1/4"	Welded
3215	2"	1,400	6-1/4"	8-3/4"	8-3/4"	10-3/4"	Welded
3344	2"	1,400	5"	8-3/4"	NA	13-1/4"	Welded
54970	2"	1,500 (1,000)	6-1/4"	9-1/4" (10-1/4")	4-1/4"	6-1/4"	Cast
63971	2"	1,500	7-1/2"	9-3/4"	NA	10"	Cast
54998	2"	1,600	7-1/2"	9-1/4"	4-7/8"	6-7/8"	Cast
63911	2"	1,200	6-1/4"	7-3/4"	4-1/4"	6-1/4"	Cast
54976	2-1/2"	1,700	6-1/4"	11-1/2"	1-1/4"	5-1/4"	Cast

Note: Do not exceed tow vehicle, hitch or equipment rating.



3214



3215



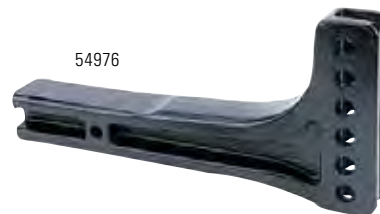
3344



54970



63911



54976



54998



63971 - Drop



63971 - Rise

THE FIFTH WHEEL REVOLUTION





FIFTH WHEEL HITCHES

The core product line of Reese is the heavy duty fifth wheel which provides safe towing for the weekend warriors and seasoned campers.



M5 SERIES

20K and 27K Fifth Wheel 4-6

ELITE SERIES

18K and 26.5K Fifth Wheel 7

Rail Kits and Application Guide 8

Drop-In for RAM 2500/3500 HD 9

Above-Bed Gooseneck 9

MOUNTING RAILS, BRACKETS 10-11, 19

STANDARD AND SELECT SERIES

16K Fifth Wheels 12-13

20K Fifth Wheels 13-14

22K Fifth Wheels 15

15K Fifth Wheels 15

30K Low Profile Fifth Wheel 15

Outboard Rails and Application Guide 11

Custom Brackets and Application Guide 20

Universal Rail Kits and Application Guide 21

FIFTH WHEEL ACCESSORIES

Sliders 17

Lube Plates 18

Locks and Chains 18

Capture Plates 19

REESE®

M5



THE REESE® M5 IS LOADED WITH FEATURES

NO NEED TO LEAVE YOUR SEAT

Always Ready-to-Receive Talon™ Jaw means you don't have to leave the truck cab to open the hitch before backing in.

EASY CONNECTIONS

20% greater landing area, fully articulating head, and convenient V-notch to help target the trailer king pin.

HITCH UP WITH CONFIDENCE

High-pin lockout feature assures proper engagement of the hitch and trailer. Clear Tow/No Tow indicator.

STRUGGLE-FREE CONTROLS

Easy-reach handle and low-effort Talon™ Jaw system.

SECURE AND STABLE

Wide center section connects as close to the frame as possible for a solid, stable tow.

COMFORTABLE, QUIET RIDE

Shock dampening, tighter tolerances, and tighter connection with the gripping Talon™ Jaw System.

ADDITIONAL ADJUSTMENT

Offset head provides ideal clearance between the trailer and truck cab. Three (3) optimal height adjustments.

PEACE OF MIND

Tested to SAE J2638, the industry's highest standard.

DESIGNED TO LAST

Durable powder coat finish with zinc handle, latches, and jaw for exceptional corrosion resistance.

WARRANTY

Backed by the REESE limited lifetime warranty. Certain restrictions apply.



20,000 lb CAPACITY, 5,000 lb PIN WEIGHT

27,000 lb CAPACITY, 6,750 lb PIN WEIGHT

14-in TO 18-in VERTICAL ADJUSTMENT



Offset center section for added clearance



Robust Tubular Leg for reduced weight



Patented Talon™ Jaw



M5 SERIES FIFTH WHEEL HITCH

Experience the quietest and smoothest tow possible thanks to a wider stance, tighter tolerances, and industry leading shock dampening system. You might even forget you are towing! By combining the latest in technology, rugged endurance, and sleek design, the M5 continues the Reese legacy of Pioneering Performance.



30890



30884

- 20,000 lb capacity / 5,000 lb pin weight capacity
- 27,000 lb capacity / 6,750 lb pin weight capacity
- 14-in to 18-in vertical adjustment
- The NEW Reese fifth wheel is loaded with features:
 - Exclusive Talon™ Jaw - always ready-to-receive jaw grips the pin to eliminate lateral chucking, reducing sway and noise
 - High-pin lock out - prevents false indication of a safe connection
 - Easy to reach controls - ergonomic easy-reach handle and low-effort Talon™ Jaw System
 - Exclusive independent pivot bushing technology - decreases fore and aft movement for the quietest fifth wheel on the market
 - Wide stance - connects as close to the frame as possible for a solid, stable tow
 - Offset center section - for additional clearance between cab and trailer
 - Easy hook-up - clear Tow/No Tow indicator
- SAE J2638 Compliant Note: Will not fit trucks with beds shorter than 6-ft in length unless used with Sidewinder



30889



20K Capacity	Complete Hitch* Part #	Center Section Part #	Hitch Head Part #	Legs Part #
Ford (OE Puck System)	30921 NEW	30884	30892	30923
GM (OE Puck System)	30890	30884	30892	30889
Industry Std. Rails	30928 NEW	30884	30892	30926
Ram (OE Puck System)	30918 NEW	30884	30892	30917

27K Capacity	Complete Hitch* Part #	Center Section Part #	Hitch Head Part #	Legs Part #
Ford (OE Puck System)	30922 NEW	30894	30892	30923
GM (OE Puck System)	30895	30894	30892	30889
Industry Std. Rails	30929 NEW	30894	30892	30927
Ram (OE Puck System)	30919 NEW	30894	30892	30917

*Complete Hitch Contains: Center Section, Hitch Head and Legs



18K ELITE™ SERIES FIFTH WHEEL HITCH

- 18,000 lb capacity / 4,500 lb pin weight capacity
- Improved 4 way head pivot
- 4° side to side pivot for better control
- Forged single jaw
- Increased king pin/jaw contact design
- Self latching jaw design
- King pin indicator
- Wider footprint for increased stability
- Stamped rounded head
- Wider 9-in (vs 6-in) king pin funnel area on head
- Direct fit for '11-19 Ford Super Duty w/factory installed Gooseneck/5th Wheel Prep Kit
- Lockable handle (pad lock sold separately)
- 1/4-in turn handle “quick lock” mount system
- Non-pin mounting reduces slop
- Extended length handle
- Pre-assembled fifth wheel units
- Saves approximately one hour of assembly time
- Shipped in one convenient carton
- SAE J2638 Compliant
- Includes 90° wiring harnesses, 50-97-410



30144

50-97-410 - Harness Included



30142

50-97-410 - Harness Included



50-97-410 - Harness

Part Number	Description	Vertical Adjustment
30142	18K Elite, Pre-Assembled	14-1/2" to 18-1/4"
30144	18K Elite with Slider, Pre-Assembled	16-1/2" to 19"

Note: 30142 will not fit trucks with beds shorter than 6' in length unless used with Sidewinder.



26.5K ELITE™ SERIES FIFTH WHEEL HITCH

- All the features of the 18K Elite with higher capacity
- 26,500 lb capacity / 6,625 lb pin weight capacity
- Direct fit for '11-19 Ford Super Duty w/factory installed Gooseneck/5th Wheel Prep Kit



30871

50-97-410 - Harness Included

Part Number	Description	Vertical Adjustment
30871	26.5K Elite, Pre-Assembled	15" to 17-1/2"

Replacement Parts

58541	26.5K Elite Series Fifth Wheel Center Section
58542	26.5K Elite Series Fifth Wheel Section Bolt Kit
58543	26.5K Elite Series Fifth Wheel Base Arches

Note: 30871 will not fit trucks with beds shorter than 6' in length unless used with Sidewinder. Will not fit trucks with flareside/stepside.



58541



58542



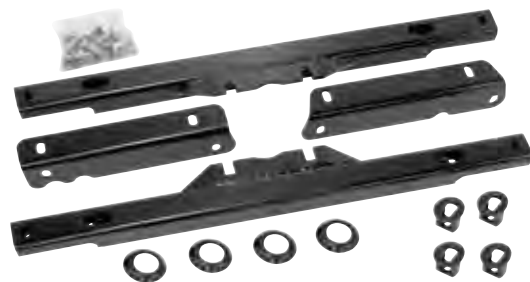
58543



30868 - GM Applications



30852 - Dodge Applications



30126 - Ford Applications

ELITE™ SERIES RAIL KITS

- Elite Series Rail Kits are designed for use with the Elite Systems only.
 - “Power Puck” mounting system provides uninhibited use of truck bed when fifth wheel or gooseneck is dismantled
 - Wider platform/mounting footprint (increased stability)
 - Custom-fit under-bed mounting system
 - Black powder coat finish
 - SAE J2638 Compliant

Make Model	Style	Years	Bracket#	No Drill	Foot note
Chevrolet					
GMC					
Silverado/Sierra 1500	Except 8 ft. Bed (Classic)	99-07	30061	Ø	SW
Silverado/Sierra 1500 HD	Classic	01-07	30061	Ø	
Silverado/Sierra 2500	Except 8 ft. Bed	99-04	30061	Ø	
Silverado/Sierra 2500 HD	Except 8 ft. Bed	01-10	30061		
Silverado/Sierra 2500 HD	Except with OEM HD Towing Prep Package	11-19	30068	Ø	
Silverado/Sierra 3500 HD	Except 8 ft. Bed	07-10	30061		
Silverado/Sierra 3500 HD	Except with OEM HD Towing Prep Package	11-19	30068	Ø	
Dodge/RAM					
Ram 1500	Except Mega Cab	02-08	30067		
Ram 1500		02-08	30074	Ø	
Ram 2500	Except Mega Cab	03-12	30067		
Ram 2500		10-12	30052		
Ram 2500		03-13	30074		
Ram 3500	Except Mega Cab	03-12	30067		
Ram 3500		03-12	30074		
Ram 3500		10-12	30052		
Ford					
F-150	Except Raptor	04-14	30064		
F-150		17-19	30886 NEW		
F-250/350 Super Duty	Except Cab & Chassis	99-10	30073		
F-250/350 Super Duty	Except Cab & Chassis	11-16	30126	Ø	
F250/350		17-19	30886 NEW		
F-450 Super Duty	Except Cab & Chassis	08-10	30073		
F-450 Super Duty	Except Cab & Chassis	11-16	30126	Ø	
F-450		17-19	30886 NEW		

SW = Do not install on a truck with less than a 6-ft long bed unless the trailer is equipped with a Sidewinder pin box coupler #SW16K or #SW19K.



ELITE™ SERIES ABOVE-BED GOOSENECK HITCH

- Rated for 25,000 lb capacity
- 2-5/16-in high strength zinc plated ball
- Specifically designed for those who employs both fifth wheel and gooseneck trailers
- Mounts to all Elite Series Rail Kits
- Above-Bed Gooseneck can be easily removed for unobstructed use of the truck bed
- Weather resistant plastic covering provides protection from the elements and aesthetic appeal
- Built-in chain bracket to accommodate safety chain



Part Number	Description
30845	25K Elite Series Gooseneck
Replacement Part	
58419	Service Kit for Elite Series Fifth Wheels and Goosenecks when used on Elite Rail Kits and Ford OEM Under Bed

Note: Will not fit trucks with flareside/stepside.

20K FIFTH WHEEL DROP-IN OR RAM 2500 HD AND 3500 HD

- 20,000 lb capacity / 5,000 lb pin weight capacity
 - 14-1/4-in – 18-in vertical adjustment
 - Direct fit for RAM trucks with OE tow package
 - Built-in handles for easy, safe installation and removal
 - Built with Elite Series fifth wheel head
 - SAE J2638 Compliant
- Note: will not fit trucks with beds shorter than 6-ft length unless trailer is equipped with Sidewinder



Part Number	Description
30160	20K Fifth Wheel Drop-In for 13-19 RAM 2500 HD and 3500 HD with Factory Installed OE Rail System
Replacement Parts	
30863	Center Section for RAM Drop-In
30864	Base Arches for RAM Drop-In
117300	Elite Series Fifth Wheel Head Kit



30047



58147

30727

16K FIFTH WHEEL HITCH

- Two-jaw locking system featuring side-to-side pivot action to better accommodate hook-ups on uneven ground
- Quick-easy installation, strong performance and easy removal in just seconds to allow full access to the truck bed
- 16,000 lb capacity; 4,000 lb pin weight capacity
- Fore-and-aft and side-to-side 4°-5° pivot
- Locking jaw handle
- Wide stance one-piece legs for improved stability
- Requires ISR* & installation kit (sold separately)



Part Number	Description	Vertical Adjustment
30047	16K Fifth Wheel	13-1/2" to 17"
30051	16K Fifth Wheel with Square Tube Slider	14-3/4" to 17"
30075	16K Fifth Wheel with Round Tube Slider	15-1/2" to 17-3/4"
Replacement Parts		
30047A	Head with Head Support and Hardware	
58146	Fifth Wheel Head Only, Service Kit	
58147	Cross Member, Head Support Only	
30727	Fifth Wheel Legs Only, Set of Two	
58521	16K Head Assembly Hardware (Contains: (1) Cotter Pin, (2) Rubber Bumpers, (4) Locknuts 1/2"-13, (4) Hex Bolt 1/2"-13 x 4-1/2" GR5, (2) Nuts 8-32, (4) Spring Clips, (2) Machine Screws 8-32 x 1" & (4) Pull Pins)	
58484	Pivot Pin	

Rails and installation kit must be ordered separately (#30035).

Note: Will not fit trucks with beds shorter than 6-ft in length unless used with Sidewinder. Will not fit trucks with flareside/stepside.



30099



30093



30128

16K FIFTH WHEEL HITCH

- An economy fifth wheel hitch that doesn't act like one. The Reese offers features only found in larger units.
- Rounded slide bar mechanism designed for automatic latching with cushion grip handle
- Installs and removes easily for full bed access.
- 16,000 lb capacity; 3,750 lb pin weight capacity
- 4-way pivoting head for easier hookup on uneven ground
- Jaw handle with tab for padlock security (padlock not included)
- Wide stance one-piece legs for improved stability



Part Number	Description	Vertical Adjustment
30099	16K Fifth Wheel Hitch Head and Support, (Legs, ISR*, and Installation Kit Sold Separately)	—
30093*	16K Fifth WISR* Rails and Installation Kit Sold Separately)	12-1/2" to 16-1/2"
30128*	16K Fifth Wheel Hitch Head, Support, Legs, and ISR* (10 bolt)	13-1/2" to 17-1/2"
Replacement Part		
58473	Handle Assembly	

*Available in skid quantities of 16 (Example: 30128-016).

Note: Will not fit trucks with beds shorter than 6-ft in length unless used with Sidewinder. Will not fit trucks with flareside/stepside.

*ISR = Industry Standard Rail



16K FIFTH WHEEL HITCH WITH SQUARE TUBE SLIDER

- All the features of the standard 16K hitch, but designed for shortbed trucks
- Provides clearance and prevent damage to truck and trailer in tight spaces at slow speeds
- 10-in travel front to back
- Adjustable with trailer attached
- Can be used with full size trucks



Part Number	Description	Vertical Adjustment
30094*	16K Fifth Wheel Hitch Head, Support and Slider, (ISR*, and Installation Kit Sold Separately)	14" to 16-3/4"
30129*	16K Fifth Wheel Hitch Head, Support, Slider and ISR*, (10 Bolt)	15" to 17-3/4"

*Available in skid quantities of 16 (Example: 30094-016).

Note: Will not fit trucks with beds shorter than 6-ft in length unless used with Sidewinder. Will not fit trucks with flareside/stepside.



20K FIFTH WHEEL HITCH

- 20,000 lb capacity / 5,000 lb pin weight capacity
- Features Elite Series head;
 - Stamped rounded head
 - 4 way (front & back/side-to-side) head pivot
 - 6" side-to-side head pivot
 - King pin indicator
 - Increased king pin contact design
 - Wider 9-in king pin funnel area
 - Forged, self-latching jaw design
- Uses the popular universal mounting kit 30035 (sold separately) or the vehicle specific custom quick install kits

Part Number	Description	Vertical Adjustment
30081	20K Fifth Wheel	13-1/4" to 17"
30083	20K Fifth Wheel with Round Tube Slider	15-1/4" to 17-3/4"
30084	20K Fifth Wheel with Square Tube Slider	14-3/4" to 17-1/4"

Rails and installation kit must be ordered separately (#30035).

Note: Will not fit trucks with beds shorter than 6-ft in length unless used with Sidewinder. Will not fit trucks with flareside/stepside.



30081



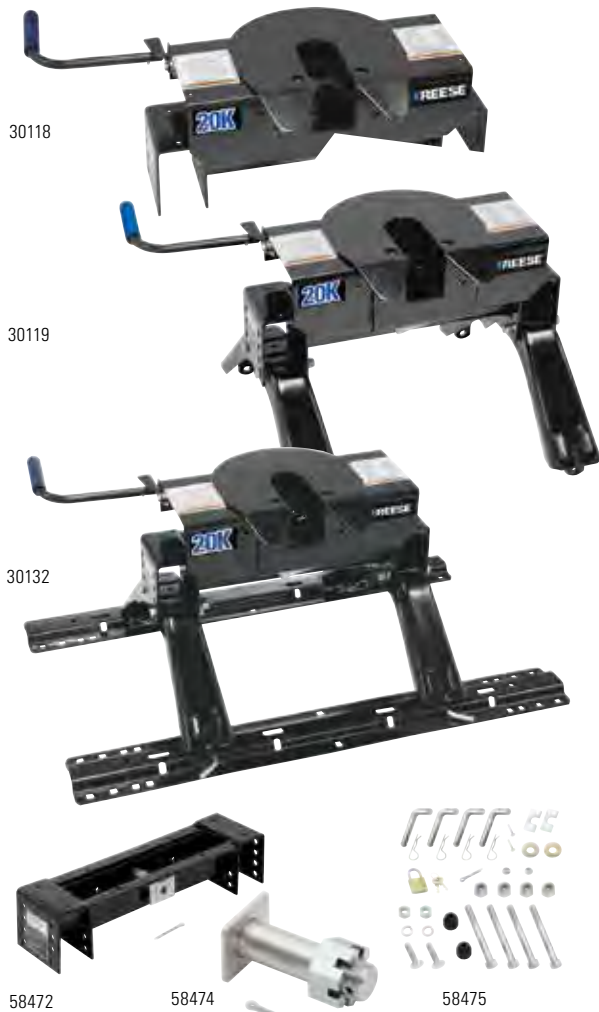
30083



30084

*ISR = Industry Standard Rail





20K FIFTH WHEEL HITCH

- 20,000 lb capacity; 5,000 lb pin weight capacity
- Full floating head for improved hooking/unhooking, as well as ride performance
- Dual jaw system completely surrounds the king pin for significantly reduced wear
- Lubricated and clamped side joints for tight and efficient operation
- Lightweight, easy to install and remove
- One-piece formed legs, provides a wider footprint for superior stability
- Sidewinder compatible, preferred for short bed pickups
- Compatible slider system available



Part Number	Description	Vertical Adjustment
30118	20K Fifth Wheel Hitch Head and Support, (Legs, Rails, and Installation Kit Sold Separately)	—
30119*	20K Fifth Wheel Hitch Head, Support and Legs, (Rails and Installation Kit Sold Separately)	13-1/2" to 17"
30132*	20K Fifth Wheel Hitch Head, Support, Legs, and Rails (10 bolt)	14-1/2" to 17"
Replacement Parts		
58472	20K Crossmember	
58473	Handle Assemble	
58474	Pivot Shaft, Shaft Nut and Cotter Pin	
58475	20K Hardware	

*Available in skid quantities of 16 (Example: 30119-016).

Note: Will not fit trucks with beds shorter than 6-ft in length unless used with Sidewinder. Will not fit trucks with flareside/stepside.



20K FIFTH WHEEL HITCH WITH SQUARE TUBE SLIDER

- Designed for short bed trucks to provide clearance and help prevent damage to truck and trailer in tight spaces at slow speeds
- 20,000 lb capacity; 5,000 lb pin weight capacity. 10-in travel front to back
- Adjustable with trailer attached
- Dual jaw system completely surrounds the king pin for significantly reduced wear
- Full floating head for improved hooking and unhooking, as well as ride performance
- Jaw handle with tab for optional padlock security (padlock not included)
- Wide stance one-piece legs for improved stability



Part Number	Description	Vertical Adjustment
30121*	20K Fifth Wheel Hitch Head, Support and Slider, (Rails, and Installation Kit Sold Separately)	14-3/4" to 17-1/4"
30133*	20K Fifth Wheel Hitch Head, Support, Slider and Rails, (10 Bolt)	15-3/4" to 18-1/4"

*Available in skid quantities of 16 (Example: 30121-016).

Note: Will not fit trucks with beds shorter than 6-ft in length unless used with Sidewinder. Will not fit trucks with flareside/stepside.



30033



50-97-410 - Harness

22K FIFTH WHEEL HITCH

- Features side-to-side pivot to better accommodate hook-ups on uneven ground
- Quick installation, strong, reliable performance and easy removal to allow full truck bed access
- 22,000 lb capacity: 5,500 lb pin weight capacity
- Two-jaw locking system, fore-and-aft and side-to-side pivot, locking jaw handle
- Solid base assembly for superior stability
- Requires rails & installation kit (sold separately), includes 90° wire harness, 50-97-410



Part Number	Description	Vertical Adjustment
30033	22K Fifth Wheel	13" to 17"
Replacement Parts		
30730	22K Base Assembly with Adjustable Brackets	
58099	22K Head Only	
58385	22K Adjustable Bracket	

Rails and installation kit must be ordered separately (#30035).

Note: Will not fit trucks with beds shorter than 6-ft in length unless used with Sidewinder. Will not fit trucks with flareside/stepside.



30862

25K FIFTH WHEEL HITCH

- Rated for 25,000 lb capacity / 6,250 lb pin weight capacity
- Grease grooves in the top of the skid plate
- Features a king pin funnel for easier hooking and unhooking
- Dual jaw system completely surrounds the king pin for significantly reduced wear
- Attaches to the widest slots on the universal rail kits



Part Number	Description	Vertical Adjustment
30862	25K Fifth Wheel Hitch	13-1/4" to 16-3/4"



30054

30K FIFTH WHEEL LOW PROFILE HITCH

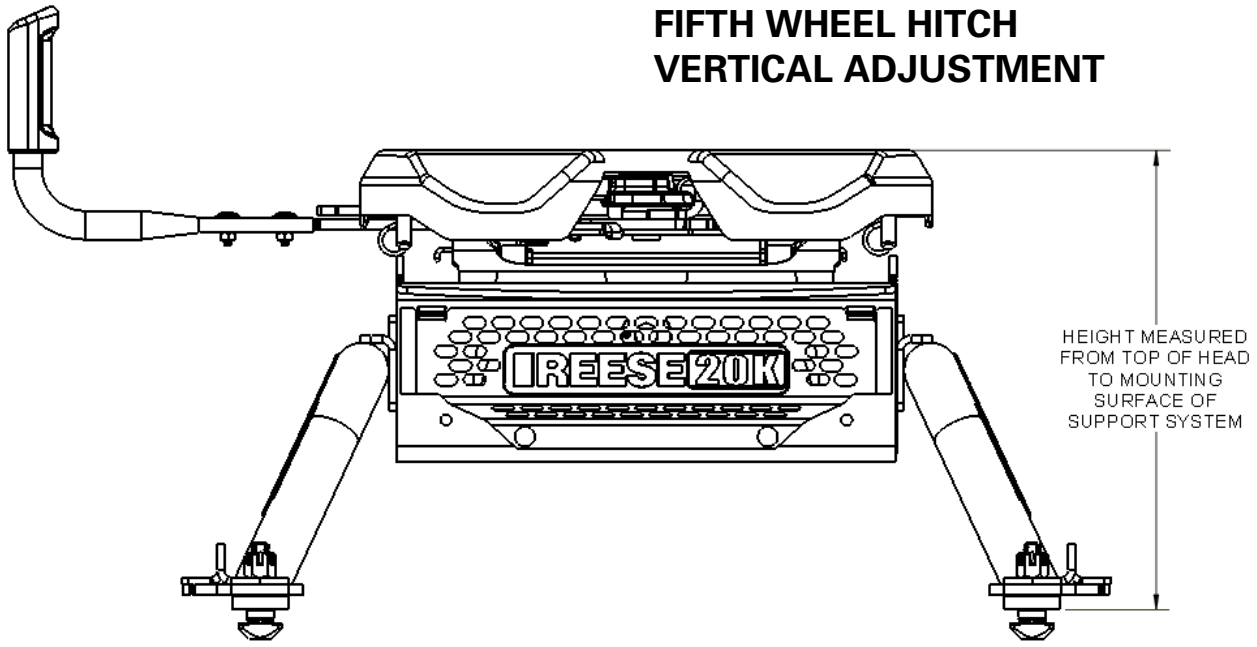
- 30,000 lb capacity; 7,500 lb pin weight capacity
- Low profile design can be vertically adjusted 3-in to permit level trailering (9-1/2-in to 12-1/2-in) above vehicle deck
- Side-tilt design reduces vehicle frame stress, creating a smoother, more comfortable ride and making hook-up and unhook much easier
- Designed and engineered for the serious tower, primarily on medium-duty conversion trucks
- Actuating handle is easily accessible, making hook-up quicker and more convenient



Part Number	Description	Vertical Adjustment
30054	30K Fifth Wheel Complete Low Profile, Base Rails Not Used With This Model Mounts Directly to Medium-Duty Truck	9-1/2" to 12-1/2"

Note: Will not fit trucks with beds shorter than 6-ft in length unless used with Sidewinder. Will not fit trucks with flareside/stepside.

FIFTH WHEEL HITCH VERTICAL ADJUSTMENT

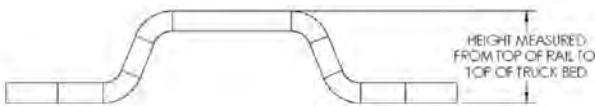


Part Number	Description	Minimum	Maximum
30047	16K	13-1/2"	17"
30093	16K	12-1/2"	16-1/2"
30075	16K with Round Tube Slider	15-1/2"	17-3/4"
30051	16K with Square Tube Slider	14 3/4"	17"
30094	16K with Square Tube Slider	14"	16-3/4"
30142	18K Elite	14-1/2"	18-1/4"
30144	18K Elite with Slider	16-1/2"	19"
30890	20K M5	14"	18"
30081	20K	13-1/4"	17"
30119	20K	13-1/2"	17"

Part Number	Description	Minimum	Maximum
30083	20K with Round Tube Slider	15-1/4"	17 3/4"
30084	20K with Square Tube Slider	14-3/4"	17-1/4"
30121	20K with Square Tube Slider	14-3/4"	17-1/4"
30160	20K Ram Drop In	14-1/4"	18"
30033	22K	13"	17"
30862	25K	13-1/4"	16-3/4"
30143	25K Elite	14-1/2"	17"
30871	26.5K Elite	15"	17-1/2"
30054	30K Low Profile	9-1/2"	12-1/2"

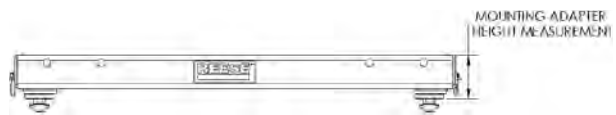
FIFTH WHEEL MOUNTING RAIL HEIGHT

Part Number	Description	Height
58058	10 Bolt In Board Rail	1"
30153	10 Bolt Out Board Rail	1-3/4"
30126	Elite Rail Kit, Ford	0"
30868	Elite Rail Kit, GM	0"
30852	Elite Rail Kit, Dodge	0"



FIFTH WHEEL RAIL KIT ADAPTER HEIGHT

Part Number	Description	Height
30156	Ford OE / Elite Rail Kit Adapter	3-1/4"
30154	RAM OE Rail Kit Adapter	2-3/4"



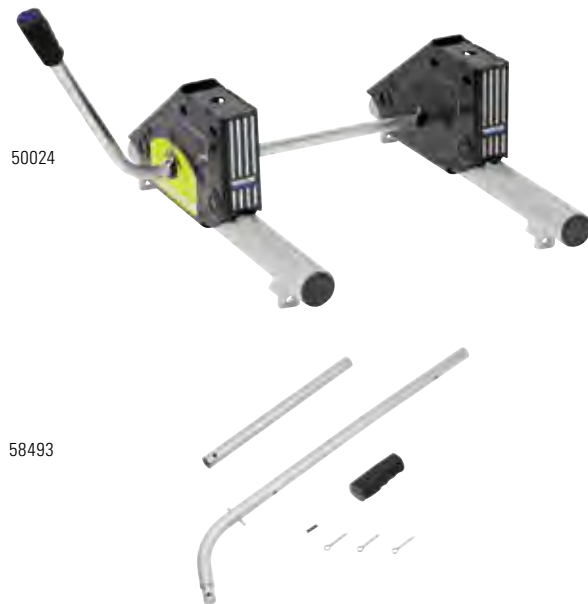


OEM TO ISR* MOUNTING ADAPTERS

- SAE J2638 Compliant
- The robust Reese Adapter will not touch or scratch the truck bed
- Uses the fast and secure Reese patented latching system
- Built-in handles for safe, easy installation and removal



Part Number	Description	Gross Total Weight Capacity	Pin Weight Capacity
30156	Rail Kit Mounting Adapter for 11-19 Ford OEM and all Elite Series Under-Bed Rail Kits, Works with any 15K, 16K or 20K ISR* Standard Fifth Wheel Hitch	20,000 lbs.	5,000 lbs.
30154	Rail Kit Mounting Adapter for 13-19 Ram 2500 HD and 3500 HD with Factory Installed OE Mounting System, Works with any Standard ISR Fifth Wheel Hitch up to 25K	25,000 lbs.	6,500 lbs.



ROUND TUBE SLIDER

- Up to 20,000 lb • 10-in travel fore-and-aft
- Slider system re-engineered to be the best in the industry
- Current slider systems expanded to give true ease & precision
- Contoured rollers float from side to side to accommodate mounting systems that may not be fully square
- Embossed roller supports for low friction and longer wear
- Forged mounting feet for wide consistent attachment to rails
- Updated pin mounting holes to better align with the ISR* kits and reduce play
- Plated rails hold up longer for extended wear
- SAE J2638 Compliant
- New customized grip



Part Number	Description
50024	Round Tube Slider
Replacement Parts	
58493	Round Tube Slider Handle, Grip, Roll Pin and Cotter Pins

Note: Based on heavy duty, accelerated life cycle criteria developed by SAE for fifth wheel and gooseneck. SAE J2638 is a fatigue and static requirements of new European style test of 900,000 cycles

*ISR = Industry Standard Rail



30048

KWIK-SLIDE® SQUARE TUBE SLIDER

- 6 roller design • 10-in travel fore-and-aft
- Works with full size trucks
- Fully adjustable with trailer attached
- Minimum 13-in extended trailer pin box recommended
- Requires Fifth Wheel Mounting Rails (sold separately)



Part Number	Description
30048	Kwik-Slide Slider Unit with 6 Rollers for 15K, 16K and 20K Head Assemblies (Requires Rails & Installation Kit #30035 or #30095 and Head Assembly)

**Note: Check clearance between king pin bed and tailgate before moving to maneuvering position.*



30092

FIFTH WHEEL SLIDER UNIT WITH ROLLERS

- 4 roller design • 10-in travel fore-and-aft
- Works with full size trucks
- Fully adjustable with trailer attached
- Minimum 13-in extended trailer pin box recommended
- Requires Fifth Wheel Mounting Rails (sold separately)



Part Number	Description
30092	Fifth Wheel Slider Unit with Rollers for 15K, 16K and 20K Head Assemblies (Requires Rails & Installation Kit #30035 or #30095 and Head Assembly)

**Note: Check clearance between king pin bed and tailgate before moving to maneuvering position.*



58079

THE GOOSE® 25K ABOVE-BED GOOSENECK HITCH

- Easy installation and removal allows for full access to truck bed
- Utilizes same base rails as our fifth wheel hitches
- 2-5/16-in high strength zinc plated ball
- In-truck platform rated for 25,000 lb gross vehicle towing weight and 6,250 lb vertical load
- Black powder coat finish



Part Number	Description	Capacity	Pin Capacity
58079	25K Gooseneck Hitch	25,000 lbs.	6,250 lbs.
58208	Chevrolet Composite Bed Kit for Gooseneck		

NOTE: Rails and installation kit must be ordered separately (#30035, 10-bolt or #30095, 4-bolt).



49080

25K ABOVE-BED GOOSENECK HITCH

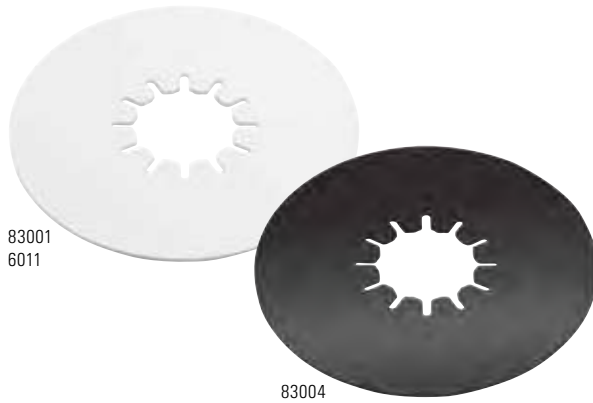
- Easy installation and removal allows for full access to truck bed
- Utilizes same base rails as our fifth wheel hitches
- 2-5/16-in high strength ball
- In-truck platform rated for 25,000 lb gross vehicle towing weight and 6,250 lbs. vertical load
- Ball is offset 2-in to accommodate 6nd 8-ft truck beds



58208

Part Number	Description	Capacity	Pin Capacity
49080	25K Gooseneck Hitch	25,000 lbs.	6,250 lbs.
58208	Chevrolet Composite Bed Kit for Gooseneck		

NOTE: Rails and installation kit must be ordered separately (#30035, 10-bolt or #30095, 4-bolt).



83001
6011

83004

FIFTH WHEEL LUBE PLATES

- Nylon lube plate protects fifth wheel plate from the wear of normal towing
- Eliminates the need for messy grease
- Large surface for extra protection

Part Number	Description
83001	12" Lube Plate for use with Elite & Reese 20K Fifth Wheel Hitches Only
83002	Fifth Wheel 10" Lube Plate for Reese 16K and 22K Fifth Wheel Hitches
83004	Titan 16K Fifth Wheel 12" Thin Round Lube Plate, 1/8" Thick
6011	Fifth Wheel 10" Lube Plate for 16K and 22K Select Series and Reese Fifth Wheels



30053

FIFTH WHEEL ACCESSORY KIT

- Everything a new fifth wheel buyer needs to get started
- Grease, lube, plate, cover, king pin lock, lock links

Part Number	Description
30053	Fifth Wheel Starter Kit, for Reese Only
30055	Cover Only

NOTE: Does not fit Elite or 20K Reese.

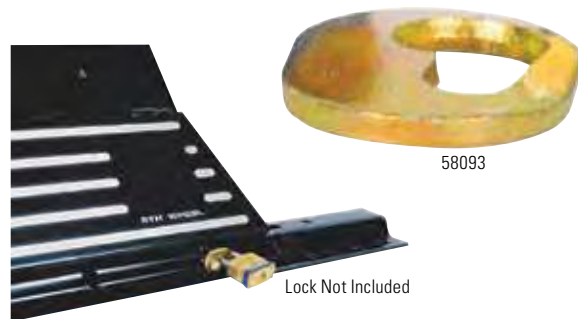


50223

CHAIN BRACKET KIT

- Fits Reese ISR* fifth wheel rails and most popular brands
- Provides secure attachment for trailer safety chains

Part Number	Description
50223	Chain Bracket Kit, 18,000 lbs. Each



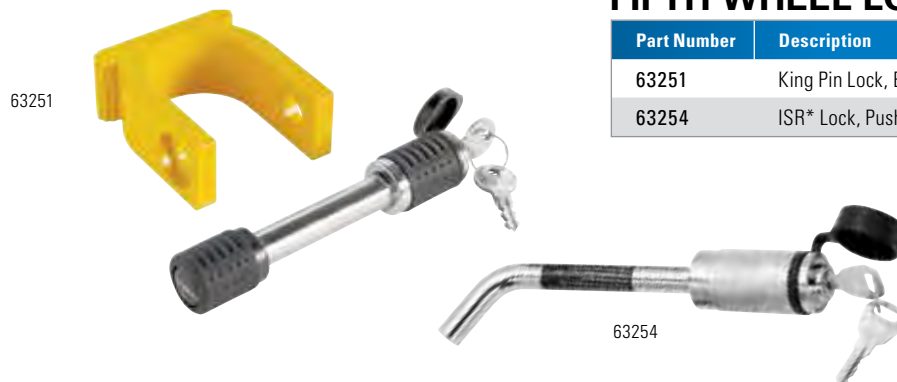
58093

Lock Not Included

PULL PIN LOCK PLATES

- Prevents theft of fifth wheel and unwanted removal of pull pins
- Add a standard padlock to make the locking plate a security device

Part Number	Description
58093	Pin Lock Plates for 1/2" Pull Pins (4 Pack)



63251

FIFTH WHEEL LOCKS

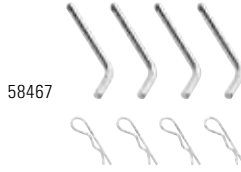
Part Number	Description
63251	King Pin Lock, Extruded T6 Tempered Aluminum Body
63254	ISR* Lock, Push Button, Replaces One Locking Pin

63254

*ISR = Industry Standard Rail



30153



58467



Combo Kit



OUTBOARD ISR* MOUNTING RAILS

- SAE J2638 Compliant
- Grade 8 hardware, meets all Canadian requirements
- Fast custom mount system
 - Rails are wider (48-in) for faster install, because the mounting points are outside the truck frame, allowing the installer to avoid under-bed components

Part Number	Description
30153	Outboard Fifth Wheel Mounting Rails Only (10 Bolt Design)
Accessory Parts	
58467	4 Hole Style Pins (Qty. 4) and Clips (Qty. 4) for Reese Outboard ISR* Mounting Rails

Note: Based on heavy duty, accelerated life cycle criteria developed by SAE for fifth wheels. SAE J2638 is a fatigue and static requirements of new European style test of 900,000 cycles

OUTBOARD ISR* INSTALLATION BRACKETS AND KITS

- Vehicle specific Custom Quick Install Brackets
- Kits also available that include Reese Outboard ISR* Mounting Rails and Vehicle Specific Brackets

OUTBOARD CUSTOM QUICK INSTALL BRACKETS AND COMPLETE KIT APPLICATION GUIDE

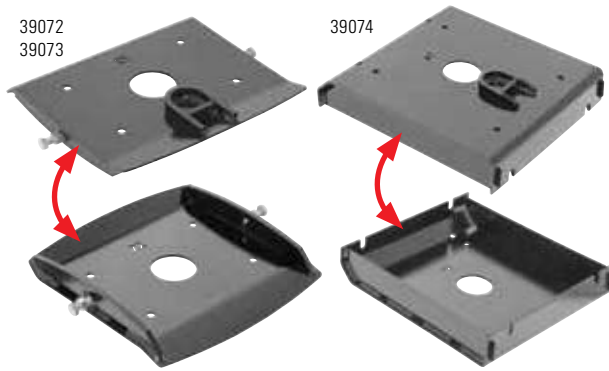
MAKE/MODEL	STYLE	YEARS	BRACKET	RAIL	COMBO KIT	NO DRILL	FOOTNOTE
CHEVROLET/GMC							
Silverado/Sierra 1500	Does Not Fit MagneRide Magnetic Ride Suspension	99-19 (LD)	56007	30153	56007-53	0	SW
Silverado/Sierra 1500 HD	(Classic)	01-07	56007	30153	56007-53	0	
Silverado/Sierra 2500		99-04	56007	30153	56007-53	0	
Silverado/Sierra 2500 HD		01-10	56007	30153	56007-53	0	
Silverado/Sierra 2500 HD	6.6 ft. Bed	08-10	56014	30153	56004-53	0	
Silverado/Sierra 2500 HD	Except with OEM HD Towing Prep Package	11-19	56001	30153	56001-53	0	
Silverado/Sierra 3500	(Classic)	01-07	56007	30153	56007-53	0	
Silverado/Sierra 3500 HD		07-10	56007	30153	56007-53	0	
Silverado/Sierra 3500 HD	6.6 ft. Bed	08-10	56014	30153	56004-53	0	
Silverado/Sierra 3500 HD	Except with OEM HD Towing Prep Package	11-19	56001	30153	56001-53	0	
DODGE/RAM							
Ram 2500		03-13	56011	30153	56011-53	0	
Ram 2500		14-19	56009	30153	56009-53	0	
Ram 3500		03-12	56011	30153	56011-53	0	
Ram 3500	Except w/RamBox Cargo Management System or Models w/Air Suspension	13-19	56010	30153	56010-53	0	
FORD							
F-150		04-14	56006	30153	56006-53	0	SW
F-150	Except Raptor	15-19	56034	30153	56034-53	0	SW
F-250/350 Super Duty	Except Cab & Chassis	99-10	56005	30153	56005-53	0	
F-250/350 Super Duty	Except Cab & Chassis	11-16	56016	30153	56016-53	0	
F-250/350 Super Duty	Except Cab & Chassis	17-19	56017	30153	56017-53	0	
F-450 Super Duty	Except Cab & Chassis	08-10	56005	30153	56005-53	0	
F-450 Super Duty	Except Cab & Chassis	11-16	56016	30153	56016-53	0	
F-450 Super Duty	Except Cab & Chassis	17-19	56017	30153	56017-53	0	

FOOTNOTES

SW Do not install on a truck with less than a 6' long bed unless the trailer is equipped with a Sidewinder pin box coupler #SW16K or #SW19K.

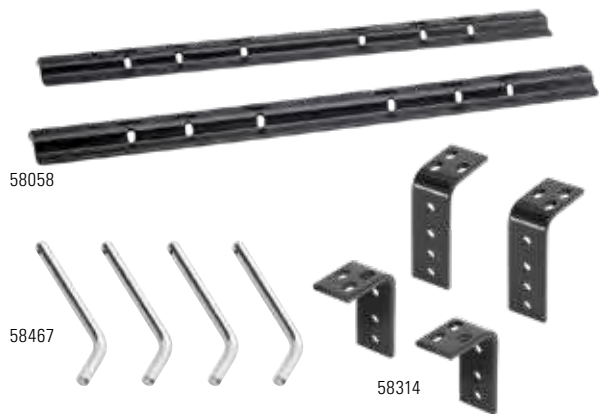
SW = Do not install on a truck with less than a 6' long bed unless the trailer is equipped with a Sidewinder pin box coupler #SW16K or #SW19K.

*ISR = Industry Standard Rail



AUTOGLIDE CAPTURE PLATES

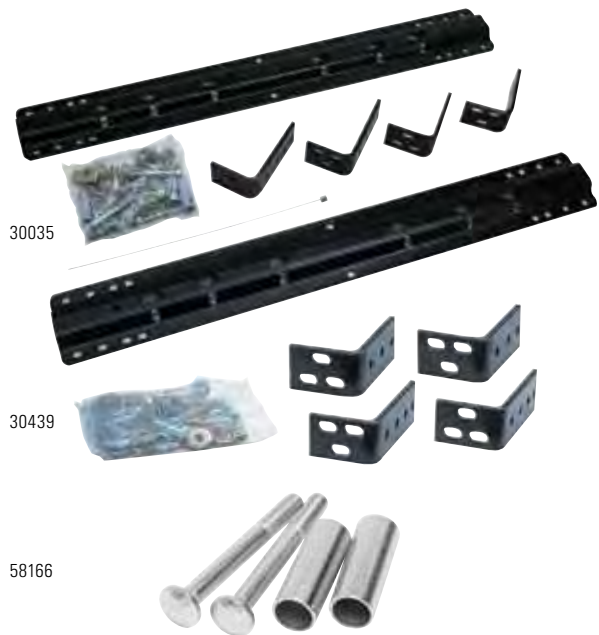
Part Number	Description
39072	AutoGlide Capture Plate for Lippert 1621
39073	AutoGlide Capture Plate for Lippert 1116 and 1716
39074	AutoGlide Capture Plate for MORryde



ISR* FIFTH WHEEL MOUNTING RAILS

- Mounting Rails for full-size trucks
- Quick and easy installation with full truck bed access
- For use on all fifth wheel hitches except Elite (formerly Signature Series)

Part Number	Description
58058	ISR* Fifth Wheel Mounting Rails Only (10 - Bolt Design)
58314	Mounting Brackets for Fifth Wheel Rails
58503	Fifth Wheel Mounting Rails Accessory, Corrugation Spacer Kit for #30035, #30153 and #58058 (10 - Bolt Design)
58467	Replacement Part, Hole Style Pins (Qty. 4) & Clips (Qty. 4) for Reese Outboard Fifth Wheel Mounting Rails #30153



ISR* FIFTH WHEEL INSTALLATION KITS

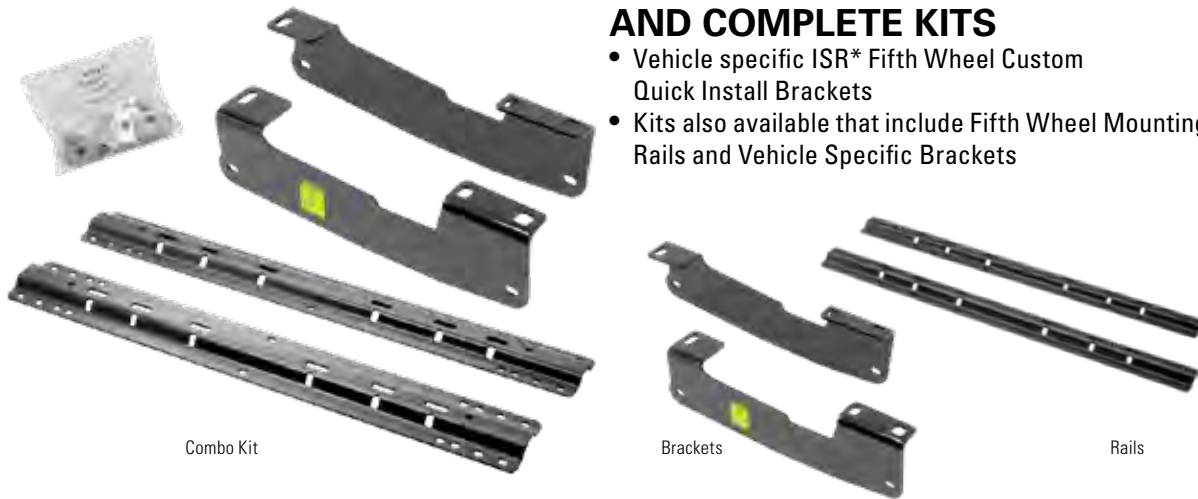
- Installation kits for full-size trucks
- Quick and easy installation with full truck bed access
- For use on all ISR* fifth wheel hitches except Elite (formerly Signature Series)

Part Number	Description
30035	ISR* Fifth Wheel Rails and Installation Kit, Includes Brackets and Hardware (10 - Bolt Design) (May Require Additional Kit - See Application Guide)
30035-040	ISR* Fifth Wheel Rails and Installation Kit, Includes Brackets and Hardware (10 - Bolt Design) (40 Pack) (May Require Additional Kit - See Application Guide)
30439	Installation Kit w/Hardware and Brackets for #30035, #58058 (10 - Bolt Design)
58023	Fifth Wheel Bracket Kit (Optional for #30035)
58166	Fifth Wheel Tube Spacer Kit (Optional for #30035)
58208	Chevrolet Composite Bed Kit for Above the Bed ISR* Kit #30035 (10 - Bolt Design) used w/Select Series Fifth Wheels & 25K Above-Bed Gooseneck
58504	Replacement Part, Installation Hardware for #30035/#30153/#58058 (10 - Bolt Design) (Contains: (10) Carriage Bolt 1/2"-13 x 2" GR8, (10) Hex Nut 1/2"-13 GR5 & (10) Block 5/16" x 1" x 2")

*ISR = Industry Standard Rail

CUSTOM QUICK INSTALL BRACKETS AND COMPLETE KITS

- Vehicle specific ISR* Fifth Wheel Custom Quick Install Brackets
- Kits also available that include Fifth Wheel Mounting Rails and Vehicle Specific Brackets



CUSTOM QUICK INSTALL BRACKETS AND COMPLETE KITS 10 BOLT ISR* APPLICATION GUIDE

MAKE/MODEL	STYLE	YEARS	BRACKET	RAIL	COMBO KIT	NO DRILL	FOOTNOTE
CHEVROLET/GMC							
Silverado/Sierra 1500	Does Not Fit MagneRide Magnetic Ride Suspension	99-19 (LD)	50064	58058	50064-58	0	SW
Silverado/Sierra 1500 HD	(Classic)	01-07	50064	58058	50064-58	0	
Silverado/Sierra 2500		99-04	50064	58058	50064-58	0	
Silverado/Sierra 2500 HD		01-10	50064	58058	50064-58	0	
Silverado/Sierra 2500 HD	Except with OEM HD Towing Prep Package	11-19	50066	58058	50066-58	0	
Silverado/Sierra 3500	(Classic)	01-07	50064	58058	50064-58	0	
Silverado/Sierra 3500 HD		07-10	50064	58058	50064-58	0	
Silverado/Sierra 3500 HD	Except with OEM HD Towing Prep Package	11-19	50066	58058	50066-58	0	
DODGE/RAM							
Ram 1500	Except Mega Cab	02-08	50040	58058	50040-58	0	
Ram 1500	Mega Cab	06-08	50140	58058	50140-58	0	
Ram 1500		09-18	50142	58058	50142-58	0	SW
Ram 1500	Except w/Air Suspension or 5.7 ft. Bed (Classic)	14-19	50141	58058	50141-58	0	MB
Ram 2500		03-09	50140	58058	50140-58	0	
Ram 2500	Except Mega Cab & w/Overload Springs	03-12	50040	58058	50040-58		
Ram 2500	Except w/Gas Engines w/Overload Springs	10-10	50140	58058	50140-58	0	
Ram 2500	Except w/Gas Engines w/Overload Springs	10-12	50140	58058	50140-58		
Ram 2500		14-19	50054	58058	50054-58	0	
Ram 3500		03-09	50140	58058	50140-58	0	
Ram 3500	Except Mega Cab & w/Overload Springs	03-12	50040	58058	50040-58		
Ram 3500	Except w/Gas Engines w/Overload Springs	10-12	50140	58058	50140-58		
Ram 3500		13-19	50085	58058	50085-58	0	
Ram 3500		00-14	50085	58058	50085-58	0	
FORD							
F-150		04-14	50081	58058	50081-58	0	SW
F-150	Except Raptor	15-19	50087	58058	50087-58	0	SW
F-150 Heritage	Styleside	97-04	50042	58058	50042-58	0	
F-250	Styleside	97-99	50042	58058	50042-58	0	
F-250/350 Super Duty	Except Cab & Chassis	99-04	50043	58058	50043-58		
F-250/350 Super Duty	Except Cab & Chassis	99-10	50082	58058	50082-58	0	
F-250/350 Super Duty	Except Cab & Chassis	11-16	50026	58058	50026-58	0	
F-250/350 Super Duty	Except Dual Rear Wheel or Cab & Chassis	17-19	50074	58058	50074-58		
F-450 Super Duty	Except Cab & Chassis	08-10	50082	58058	50082-58	0	
F-450 Super Duty	Except Cab & Chassis	11-16	50026	58058	50026-58	0	
TOYOTA							
Tundra		07-19	50084	58058	50084-58	0	SW

FOOTNOTES

MB Will not fit models equipped with air suspension package.

SW Do not install on a truck with less than a 6' long bed unless the trailer is equipped with a Sidewinder pin box coupler #SW16K or #SW19K.

MB = Will not fit models equipped with air suspension package.

SW = Do not install on a truck with less than a 6' long bed unless the trailer is equipped with a Sidewinder pin box coupler #SW16K or #SW19K.

*ISR = Industry Standard Rail

UNIVERSAL RAIL KITS AND ADAPTER BRACKETS

- Vehicle specific Universal ISR* Fifth Wheel Adapter Brackets available
- Kits available for use with 10-Bolt Mounting Rail Kits



UNIVERSAL ISR* KITS AND ADAPTER BRACKETS APPLICATION GUIDE

MAKE/MODEL	STYLE	YEARS	RAIL	REQUIRED	FOOTNOTE
CHEVROLET/GMC					
C/K Series		73-00	30035		
Silverado/Sierra 1500	(Classic)	99-07	30035		
Silverado/Sierra 1500	Except High Desert Package	07-19 (LD)	30035		
Silverado/Sierra 1500 HD	(Classic)	01-07	30035		
Silverado/Sierra 2500		99-04	30035		
Silverado/Sierra 2500 HD	Except with OEM HD Towing Prep Package	01-19 (LD)	30035		
Silverado/Sierra 3500	(Classic)	01-07	30035		
Silverado/Sierra 3500 HD	Except with OEM HD Towing Prep Package	07-19	30035		
DODGE/RAM					
D Series		73-93	30035		
Dakota		94-04	30035		
Ram 1500		94-01	30035		
Ram 1500		02-08	30035	58023	
Ram 1500		09-12	30035	58386	SW
Ram 1500	Except w/Air Suspension or w/ECODiesel Engine (Classic)	13-19	30035	58386	MB,SW
Ram 1500	Except w/Air Suspension	14-19	30035	58523	MB,SW
Ram 2500		94-02	30035		
Ram 2500	Except w/Overload Springs	03-13	30035	58023	
Ram 2500	w/Overload Springs	03-12	30035	58186	
Ram 2500		14-19	30035	58522	
Ram 3500		94-02	30035		
Ram 3500	Except w/Overload Springs	03-12	30035	58023	
Ram 3500	w/Overload Springs	03-12	30035	58186	
Ram 3500		13-19	30035	58520	
FORD					
F-100		75-83	30035		
F-150		75-96	30035		
F-150	Styleside, Except SuperCrew	97-03	30035		
F-150		04-14	30035	58426	
F-150	Except Raptor	15-19	30035	58531	
F-150 Heritage	Styleside	04-04	30035		
F-250/350		75-96	30035		
F-250/350	Heavy Duty	77-97	30035		
F-250/350	Styleside	97-99	30035		
F-250/350 Super Duty	Except Cab & Chassis	99-16	30035		
F-450 Super Duty	Except Cab & Chassis	08-16	30035		
NISSAN					
Titan		04-15	30035	58405	SW
TOYOTA					
Tundra	Regular Cab 8 ft. Bed	00-06	30035	58197	
Tundra		07-19	30035	58309	SW

FOOTNOTES

MB Will not fit models equipped with air suspension package.

SW Do not install on a truck with less than a 6' long bed unless the trailer is equipped with a Sidewinder pin box coupler #SW16K or #SW19K.

MB = Will not fit models equipped with air suspension package.

SW = Do not install on a truck with less than a 6' long bed unless the trailer is equipped with a Sidewinder pin box coupler #SW16K or #SW19K.

*ISR = Industry Standard Rail

OVER 40 YEARS OF INNOVATION





GOOSENECK HITCHES

Gooseneck hitches are designed to be mounted above or below the pickup bed. Both under-bed and above-bed designs allow for full use of truck bed.



GOOSENECK COUPLER FOR RVs

- 16K Goose Box 4
- 20K Goose Box 4
- Goose Box Accessories 4

ELITE GOOSENECK SYSTEM

- Complete Hitch 5
- Application Guide 5
- Pop-In Ball Kit 6

ABOVE-BED GOOSENECK

- Elite Series 6
- 25K Above-Bed 8

DRAW-TITE GOOSENECK SYSTEMS

- Hide-A-Goose 7
- Fold-Down 8
- Remov-A-Ball 8
- Application Guide 9
- Hi-Rise Conversion Kit 10

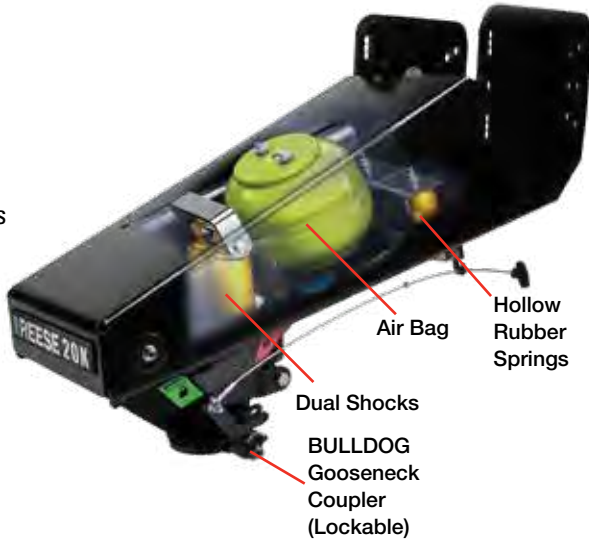
GOOSENECK HITCH ACCESSORIES

- Safety Chains 10
- Hitch Balls 10
- Replacement Parts 10
- Installation Tools 10

GOOSE BOX™ GOOSENECK COUPLER FOR RVS

Take the heavy equipment out of the truck bed! The Goose Box gooseneck coupler is specifically designed for RV trailer owners who wish to tow with their gooseneck hitch. The Reese Goose Box replaces a traditional pin box so the RV works with the truck gooseneck hitch.

- Step up to RV comfort and keep your gooseneck hitch
- Endorsed by Lippert Components, Inc. for their frame systems
- Fits Lippert #1621 and #1716 wing sets
- Includes 5th Airborne technology for a superb ride
- Lockable BULLDOG® gooseneck coupler technology
- Improved air bag, dual shocks and hollow rubber springs provide multi-directional shock absorption
- Increased height adjustment capability for today's taller truck beds
- Easy reach lanyard
- Onboard safety chain storage
- Air pressure relief valve prevents overfilling
- Rated for 16K & 20K lb capacity utilizing both CSA & SAE J2638 test standards
- Limited lifetime warranty



Part Number	Description
94716 NEW	Goose Box 16K Rated, For Lippert #1621 & #1716 Wing Sets (Carton)
94720 NEW	Goose Box 20K Rated, 2-5/16" Gooseneck RV Coupler For Lippert #1621 & #1716 Wing Sets
Accessory Parts	
49150	16K Safety Chain Kit (Contains: (2) Grade 70, 5/16" x 44" w/ 5/16" Clevis Hook & Mounting Hardware)
49151	20K Safety Chain Kit (Contains: (2) Grade 70, 5/16" x 44" w/ 5/16" Clevis Hook & Mounting Hardware)
61301	Spacer Kit



94720 - Coupler Close Up

Fits wing set Make and Model #: - Lippert #1621 - Lippert #1621 HD - Lippert #0719
 - Fabex PB-600 Series
 Spacer kit (#61301) required for installation on: - Lippert #1716 - Lippert #1116
 - Lippert #0115
 Patented and Patent Pending.



94720 - Chain Loops



94720 - Locking Coupler



ELITE™ SERIES UNDER-BED GOOSENECK HITCH SYSTEM

- Easy Under-Bed bolt-in installation
- Rated for 25,000 lb gross weight capacity*
- Passes SAE J2638, the toughest industry standard
- Pop-In Ball – lever inside ball head activates ball bearing locking system, lift and turn lever to unlock and remove ball
- Two safety chain holders attach directly to rail system
- Fifth wheel ready using outer four holes to mount a fifth wheel hitch
- Hole cover keeps Pop-In Ball sleeve free of debris
- Includes storage bag
- Patented and Patents pending



30138-26 - Ford Application



30158 - Dodge / RAM Application



30158-68 - Chevrolet / GMC Application

Part Number	Description	Application
30138-26	Elite Gooseneck Complete Hitch (Includes #30126 Rail and Pop-in Ball Kit)	2011-2015 Ford F-250, F-350 and F-450, (Aligns to Center Hole)
30138	Elite Gooseneck Head with Pop-In 2-5/16" Ball (Use with #30126 Rail Kit)	2011-2015 Ford F-250, F-350 and F-450, (Aligns to Center Hole)
30158-68	Elite Gooseneck Complete Hitch (Includes #30868 Rail and Pop-in Ball Kit)	2011-2016 Chevrolet Silverado Sierra 2500 and 3500 HD
30158	Elite Gooseneck Head with Pop-In 2-5/16" Ball (Use with #30852 or #30868 Rail Kit)	2011-2016 Chevrolet Silverado GMC Sierra 2500 and 3500 HD
30158-52	Elite Gooseneck Complete Hitch (Includes #30852 Rail and Pop-in Ball Kit)	2010-2012 Dodge RAM 2500 and 3500 HD
30158	Elite Gooseneck Head with Pop-In 2-5/16" Ball (Use with #30852 or #30868 Rail Kit)	2010-2012 Dodge RAM 2500 and 3500 HD

*Your actual weight capacity is limited to the towing vehicle or gooseneck rail kit capacity

ELITE™ SERIES GOOSENECK APPLICATION GUIDE

Make Model	Style	Years	Rail#	Head #	Combo Kit
Chevrolet GMC					
Silverado Sierra 2500 HD	Except with OEM HD Towing Prep Package	11-19	30868	30158	30158-68
Silverado Sierra 3500 HD	Except with OEM HD Towing Prep Package	11-19	30868	30158	30158-68
Dodge/RAM					
Ram 2500		10-12	30852	30158	30158-52
Ram 3500		10-12	30852	30158	30158-52
Ford					
F-250/350 Super Duty	Except Cab & Chassis	11-16	30126	30138	30138-26
F-450 Super Duty	Except Cab & Chassis	11-16	30126	30138	30138-26



ELITE™ SERIES POP-IN™ BALL KIT

- Ball rated for 30,000 lb capacity*
- Pop-In Ball – lever inside ball head activates ball bearing locking system, lift and turn lever to unlock and remove ball
- Two safety chain holders
- Hole cover keeps Pop-In Ball sleeve free of debris
- Storage bag included
- Patents pending



Part Number	Description
30137	Elite Pop-In Ball Kit (Includes: (1) 2-5/16" Pop-In Ball #19311, (1) Storage Bag, (2) Safety Chain Attachments & (1) Hole Cover)
30140	Elite Series Under-Bed Gooseneck Accessories Kit, RAM OEM Kit Only (Includes: 2-5/16" Pop-In Ball #19311, Storage Bag, Safety Chain Attachments & Hole Cover)
30888 NEW	Elite Pop-In Ball Kit- RAM OEM Kit Only (Includes: (1) 2 5/16" Pop-In Ball #19311, (1) Storage Bag, (2) Safety Chain Attachments #30887 & (1) Hole Cover)
30134	Replacement Part, Safety Chain Attachment for Elite Under-Bed Gooseneck Hitch (1 pack)
58468	Replacement Part, Safety Chain Attachment for Elite Under-Bed Gooseneck Hitch (2 pack)
30887 NEW	Replacement Part, Safety Chain Attachment (Qty. 1) for Under-Bed Gooseneck, RAM OEM Kit Only
30145	Replacement Part, Safety Chain Attachment (Qty. 1) for Elite Under-Bed Bolt-On Gooseneck, RAM OEM Kit Only
30136	Replacement Part, Hole Cover for Elite Under-Bed Gooseneck Hitch
30135	Replacement Part, Storage Bag for Elite Under-Bed Bolt-On Gooseneck 2-5/16" Pop-In Ball #19311
19315	1" High Rise, 2-5/16" Pop-In Ball for Elite Under-Bed Gooseneck Hitch (Not for use with GM factory installed rail systems)
19311	2-5/16" Pop-In™ Ball for Elite Under-Bed Gooseneck Hitch
19314	3" Pop-In ball for Elite Under-Bed Gooseneck Hitch

*Your actual weight capacity is limited to the towing vehicle or gooseneck rail kit capacity



ELITE™ SERIES ABOVE-BED GOOSENECK HITCH

- Rated for 25,000 lb capacity
- 2-5/16-in high strength zinc plated ball
- Specifically designed for the Professional tower who employs both fifth wheel and gooseneck trailers
- Utilizes the same vehicle specific under-bed rail kit system as the Elite fifth wheel
- Above-Bed Gooseneck can be easily removed for unobstructed use of the truck bed
- Weather resistant plastic covering provides protection from the elements and adds aesthetic appeal
- Built-in chain bracket to accommodate safety chain



Part Number	Description
30845	25K Elite Series Gooseneck (For use with Elite Series Rails Only)
58419	Service Kit Adapter for Signature Series Fifth Wheels & Goosenecks when used on Elite Rail Kits (#30126 & #30868) & Ford OEM Rail Kits

*Your actual weight capacity is limited to the towing vehicle or gooseneck rail kit capacity



DRAW-TITE® GOOSENECK HITCH SYSTEMS

- Draw-Tite has designed a number of Gooseneck Hitch Systems to meet your gooseneck towing needs. The secret of the system is in the rail kit. We've designed rail kits to fit your specific truck that can attach to your choice of the Hide-A-Goose, Fold-Down or Remov-A-Ball heads.
- Easy install, reliable service
- Same rail kit - 3 methods of head attachment (use fit guide below and select your vehicle)
 - Option #1 Hide-A-Goose – ball stores in truck bed
 - Option #2 Fold-Down – ball folds down in truck bed.
 - Option #3 Remov-A-Ball – ball removes and is stored separately



9460
9464



30K HIDE-A-GOOSE™ GOOSENECK HITCH HEAD

- Rated up to 30,000 lb gross trailer weight and 7,500 lb vertical load, tested to SAE J2638 Static and Reese
- Allows full use of pick-up bed area when hauling cargo
- No alteration of OE exhaust systems required
- Accommodates all standard vehicle suspensions
- 2-5/16-in high strength chrome plated ball standard, 3-in ball optional
- Magnetic cover protects ball hole when not in use
- Dynamic Specs for 30,000 lb gross vehicle weight rating
- Rail kits to match manufacturer's vehicle weight ratings
- Spring loaded safety chain loops included
- Requires installation rail kit

9465



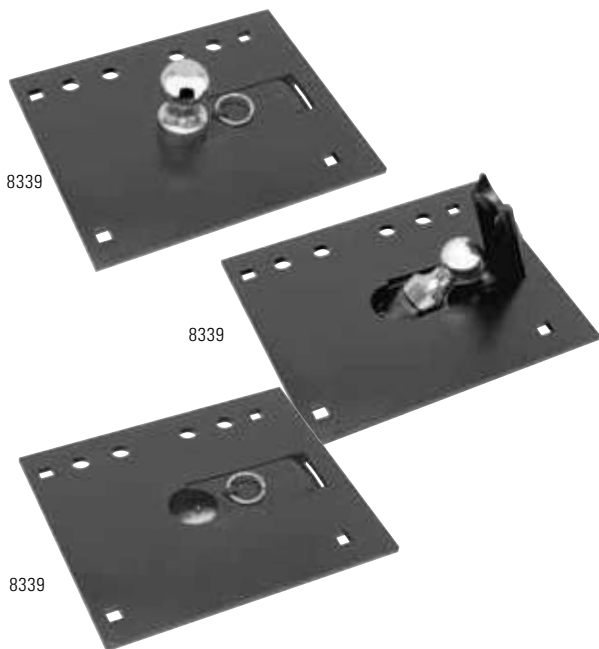
9466



9467



Part Number	Description	Application	Pin Capacity
9460	Hide-A-Goose Wide Hitch Head	30,000 lbs.	7,500 lbs.
9465	Hide-A-Goose Narrow Hitch Head	30,000 lbs.	7,500 lbs.
9464	Hide-A-Goose Wide Hitch Head	30,000 lbs.	7,500 lbs.
9466	Hide-A-Goose Hitch Head, Ram 3500	30,000 lbs.	7,500 lbs.
9467	Hide-A-Goose Hitch Head, Ram 2500	20,000 lbs.	5,000 lbs.
9468	Hide-A-Goose Hitch Head, Ford Super Duty 17-19	32,500 lbs.	7,500 lbs.

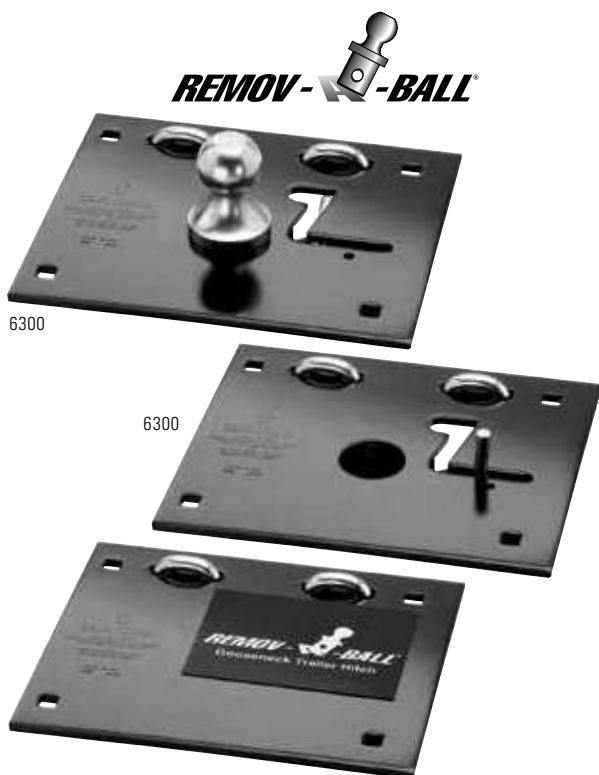


25K FOLD-DOWN GOOSENECK HITCH HEAD



- Access Fold-Down design allows unrestricted use of the truck bed when not towing
- Platform & ball rated for 25,000 lb gross vehicle towing weight and 6,250 lb vertical load
- Takes only seconds to raise or lower the ball into position
- 2-5/16-in high strength chrome plated ball standard
- Includes mounting hardware & integrated drop down spring loaded safety chain loops
- Oversize pull ring allows user to raise or lower the ball while wearing gloves
- Integrated grease fitting is visible & easily accessible
- Rail kits to match manufacturer's vehicle weight ratings
- No alteration of factory exhaust systems required
- Requires installation rail kit

Part Number	Description
8339	Fold-Down Gooseneck Hitch Head



30K REMOV-A-BALL® GOOSENECK HITCH HEAD

- Allows full use of pick-up bed area when hauling cargo
- In-truck platform is rated for 30,000 lb gross trailer weight and 7,500 lb vertical load and tested to V.E.S.C.-19 specs for 30,000 lb gross vehicle weight rating
- No alteration of OE exhaust systems required
- Accommodates all standard vehicle suspensions
- 2-5/16-in high strength zinc plated ball standard
- Spring loaded chrome sliding pin insures positive ball lock
- Lockable to prevent ball theft (lock not included)
- Magnetic cover protects ball hole and activating lever slot when not in use
- In-truck platform may be used with rail kits or installed directly to any vehicle with adequate securing structure
- Rail kits are rated to match manufacturer's vehicle weight ratings
- Spring loaded safety chain loops included
- Requires installation rail kit



Part Number	Description
6300	Remov-A-Ball Gooseneck Hitch Head



25K ABOVE-BED GOOSENECK HITCH

- In-truck platform rated for 25,000 lb gross vehicle towing weight and 6,250 lb vertical load
- Easy installation and removal allows for full access to truck bed
- Utilizes same base rails as our fifth wheel hitches
- 2-5/16-in high strength zinc ball
- Ball is offset 2-in to accommodate 6 & 8-ft truck beds



Part Number	Description	Capacity	Pin Capacity
49080	25K Gooseneck Hitch	25,000 lbs.	6,250 lbs.
58208	Chevrolet Composite Bed Kit for Gooseneck		

NOTE: Rails and installation kit must be ordered separately (#30035, 10-bolt or #30095, 4-bolt).

58079



THE GOOSE 25K ABOVE-BED GOOSENECK HITCH

- Easy installation and removal allows for full access to truck bed
- Utilizes same base rails as our fifth wheel hitches
- 2-5/16-in high strength zinc plated ball
- In-truck platform rated for 25,000 lb gross vehicle towing weight and 6,250 lb vertical load
- Black powder coat finish

Part Number	Description
58079	25K Gooseneck Hitch
58208	Chevrolet Composite Bed Kit for Gooseneck

NOTE: Rails and installation kit must be ordered separately (#30035).

DRAW-TITE® GOOSENECK HITCH SYSTEM APPLICATION GUIDE

MAKE/MODEL	STYLE	YEARS	RAIL	FN	HEAD	COMBO KIT	FOLD DOWN	REMOVABLE
CHEVROLET/GMC								
C/K Series	Except Crew Cab	88-00	4440	KE	9465	9465-40	8339	6300
Silverado/Sierra 1500	Does Not Fit MagneRide Magnetic Ride Suspension	99-19 (LD)	4454	TV	9465	9465-54	8339	6300
Silverado/Sierra 1500 HD	(Classic)	01-07	4454		9465	9465-54	8339	6300
Silverado/Sierra 2500		99-04	4434		9465	9465-34	8339	6300
Silverado/Sierra 2500	6.6 ft. Bed	99-04	4454		9465	9465-54	8339	6300
Silverado/Sierra 2500 HD		01-10	4434		9465	9465-34	8339	6300
Silverado/Sierra 2500 HD	Except with OEM HD Towing Prep Package	11-19	4456	KH	9465	9465-56	8339	6300
Silverado/Sierra 3500	8 ft. Bed	01-07	4445		9465	9465-45	8339	6300
Silverado/Sierra 3500 HD		07-10	4434		9465	9465-34	8339	6300
Silverado/Sierra 3500 HD	Except with OEM HD Towing Prep Package	11-19	4456	KH	9465	9465-56	8339	6300
DODGE/RAM								
Ram 1500		94-01	4439		9460	9460-39	8339	6300
Ram 1500	Except Mega Cab	02-08	4438		9464	9464-38	8339	6300
Ram 1500	Mega Cab	06-08	4435	JR	9464	9464-35	8339	6300
Ram 1500		09-10	4446		9464	9464-46	8339	6300
Ram 1500	Except w/Air Suspension (also 2019 Classic)	11-18	4446		9464	9464-46	8339	6300
Ram 2500		94-02	4439		9460	9460-39	8339	6300
Ram 2500		03-12	4435	JR	9464	9464-35	8339	6300
Ram 2500		10-13	4457	JR, TX	9464	9464-57	8339	6300
Ram 2500	(Gooseneck Head Does Not Require Rail Kit)	14-19			9467			
Ram 3500		94-02	4439		9460	9460-39	8339	6300
Ram 3500		03-12	4435	JR	9464	9464-35	8339	6300
Ram 3500		10-12	4457	JR, TX	9464	9464-57	8339	6300
Ram 3500	(Gooseneck Head Does Not Require Rail Kit)	13-19			9466			
FORD								
F-150		04-14	4437		9465	9465-37	8339	6300
F-150	Except Raptor	15-19	4491		9465	9465-91	N/A	N/A
F-250/350 Super Duty	Except Cab & Chassis	99-16	4448†		9460	9460-48	8339	6300
F-250/350 Super Duty	Except Cab & Chassis	99-16	4449		9460	9460-49	8339	6300
F-250/350 Super Duty	Except Cab & Chassis	17-19*		JR	9468	9468-94		
F-450 Super Duty	Except Cab & Chassis	08-16	4449	JR	9460	9460-49	8339	6300
F-450 Super Duty	Except Cab & Chassis	17-19		JR		9468-94		
TOYOTA								
Tundra		07-19	4436	JR, TV	9465	9465-36		

FOOTNOTES

- JR** Exhaust must be temporarily lowered for installation.
- KE** Does not fit 1988-91 4 Dr. Crew Cab models.
- KH** Minor heat shield modification may be required.
- TV** May require Offset Extension Ball #19308 on trucks with less than a 6' long bed.
- TX** This product has a higher load capacity.

*Denotes Gooseneck Head Does Not Require Rail Kit
 JR = Exhaust must be temporarily lowered for installation
 KE = Does not fit 88-91 four door crew cab models
 † = Minor heat shield modification may be required
 † = Will not fit vehicles equipped with dual exhaust exiting below the bumper
 TV = May require Offset Extension Ball #19308 on trucks with less than a 6' long bed
 TX = This product has a higher load capacity



9480



HI-RISE™ CONVERSION HITCH



- Converts a gooseneck hitch into a fifth wheel hitch
- 18K gross trailer weight / 4.5K pin weight capacity
- 4-way pivoting head with self latching jaw design
- 4 degree side-to-side pivot for better control
- Fifth wheel height adjustments (14-1/4-in - 18-in)
- 2 bolts for bed height adjustments
- Offset legs enhance performance while braking
- Adjustable stabilizer strips fit bed corrugation pattern
- Lockable, extended length handle
- Only works with B&W gooseneck hitch and Reese (94XX) series heads utilizing (44XX) series rails

Not Rated for use with Reese Sidewinder

Part Number	Description
9480	Hi-Rise Conversion Hitch
Replacement Parts	
58438	Stabilizer Strips
117300	Elite Fifth Wheel Head Kit

*Your actual weight capacity is limited to the towing vehicle or gooseneck rail kit capacity

GOOSENECK HITCH ACCESSORIES AND REPLACEMENT PARTS

Part Number	Description
Gooseneck Replacement Parts	
6308	Replacement U-Bolt Safety Chain Kit
Above-Bed Gooseneck Replacement Parts	
19310	Replacement Gooseneck 2-5/16" Hitch Ball
Under-Bed Gooseneck Replacement Parts	
19306	2-5/16" Hitch Ball with 1" Rise for 9460, 9465, and 9464 Gooseneck Heads
19307	3" Hitch Ball for 9460, 9465, and 9464 Gooseneck Heads
19308	2-5/16" Hitch Ball with 5" Offset for 9460, 9465, and 9464 Gooseneck Heads
19309	2-5/16" Hitch Ball for 9460, 9465, and 9464 Gooseneck Heads
58312	Gooseneck Head U-Bolt Kit for 94XX Gooseneck Heads
58389	Round Replacement Magnetic Cover for Hide-A-Goose
58524	Replacement Part, Cover for Hide-A-Goose Gooseneck (Only Works with #9466 & #9467)
Remov-A-Ball Hitch Head Replacement Parts	
5983	Rectangular Replacement Magnetic Cover for Remov-A-Ball
5973	Replacement 2-5/16" Ball for Remov-A-Ball



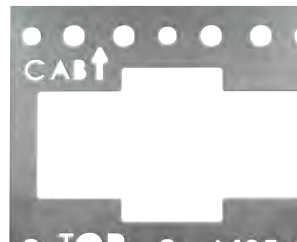
19307



19308



58524



6425



58381

GOOSENECK INSTALLATION TOOLS

Part Number	Description
6425	Fold-Down Gooseneck Installation Template for #8339
58381	3-1/2" Hole Saw

GOOSENECK HITCH SYSTEMS

- Gooseneck Hitch Systems conveniently allow unrestricted use of the pickup bed. In-truck platforms support 2-5/16-in and 3-in hitch balls. All framework for Gooseneck Trailer Hitches reside under the bed of the truck with only the ball exposed above the bed of the truck. Stronger, and able to utilize the full suspension of the truck, Gooseneck Hitch Systems are rated up to full towing capacity of the vehicle as determined by the manufacturer. Draw-Tite Gooseneck Hitch Systems utilize a unique set of mounting rails, specific to each vehicle, that will accommodate any of the hitch heads.

HOW LARGE OF A TRAILER CAN I TOW?

- Each truck has a published Gross Combined Weight Rating GCWR. This is the maximum allowable tow rating in terms of the combined vehicle and trailer weight. When the Gross Vehicle Weight GVW is subtracted, the maximum Gross Trailer Weight is revealed.
- In this example, the maximum allowable trailer towing weight is 12,800 lbs. GTW. The rail kit for this vehicle has been tested to meet maximum vehicle tow capacity.

COMMON TERMINOLOGY

- **Base Curb Weight** - The nominal weight of a vehicle with standard equipment and a full tank of fuel. It does not include passengers, cargo or optional equipment.
- **Commercial Towing** - Any vehicle/trailer combination exceeding 26,000 lb Gross Combined Weight GCW.
- **Commercial Vehicle** - Any vehicle that exceeds 10,000 lb GVW.
- **Gross Vehicle Weight (GVW)** - The actual weight of the vehicle when fully loaded. It is the base curb weight plus the cargo weight.
- **Gross Vehicle Weight Rating (GVWR)** - The maximum allowable weight of the fully loaded vehicle.
- **Gross Combined Weight (GCW)** - The actual weight of the vehicle and trailer combined. This weight should always be obtained by weighing the vehicle and trailer together on a scale.
- **Gross Combined Weight Rating (GCWR)** - The maximum weight of the towing vehicle and the loaded trailer - including cargo and passengers.
- **Gross Axle Weight (GAW)** - The total weight supported by each axle (front or rear). To compute this weight for your vehicle and trailer combined, take the loaded vehicle and trailer to a scale. With the trailer attached, place the front wheels of the vehicle on the scale to obtain the front GAW. To obtain the rear GAW, weigh the towing vehicle with the trailer attached, but with just the four wheels of the vehicle on the scale. The rear GAW is determined by subtracting the front GAW from that amount.
- **Gross Axle Weight Rating (GAWR)** - The total weight each axle is capable of carrying. The total load on each axle must not exceed its GAWR.
- **Gross Trailer Weight (GTW)** - The weight of a trailer fully loaded.
- **Maximum Loaded Trailer Weight** - The maximum allowable fully loaded weight of the trailer. This weight is obtained by subtracting the towing vehicle's GVW from its GCWR.
- **Payload** - The combined maximum allowable weight of cargo, occupants and optional equipment that the vehicle is designed to carry. (Gross Vehicle Weight Rating minus the base curb weight.)
- **Rail Kit** - The components and hardware that mount the gooseneck hitch to the vehicle frame.

GCWR - GVW = MAX. GTW

2001 GMC Heavy Duty 2500, 4 Wheel Drive Extended Cab

Engine: Duramax 6600

Horsepower: 300 hp @ 3100 rpm

Torque: 520 ft. lbs. @ 1800 rpm

Transmission: Allison 5-speed Automatic

Axle Ratio: 3.73 to 1

GVW: 9,200 lb **GCWR:** 22,000 lb

22,000 lb GCWR - 9,200 lb GVW = 12,800 lb GTW



Competitor's 25K gooseneck fails longitudinal test at 11,500 lbs.

THE SAE INTERNATIONAL J2638 STANDARD FOR GOOSENECK & FIFTH WHEEL TRAILERS UNDER 30,000 LB

The Society of Automotive Engineers (SAE) is a non-profit educational and scientific organization dedicated to advancing mobility technology to better serve humanity. SAE has developed many standards, testing methods and procedures to measure the performance of vehicles and vehicle related products, including trailers. SAE J2638 addresses both gooseneck and 5th wheel trailers under 30,000 lb. The testing methods for gooseneck are as follows:

Static Testing is a one time maximum load requirement for the three test conditions. The test is to be maintained for 5 Seconds.

- **Vertical** - tests the goosenecks ability with upward & downward pressure
 - 85% of GVW Pull Out (25K lb Gooseneck = 21,250 lb)
 - 50% of GVW Down (25K lb Gooseneck = 12,500 lbs)
- **Longitudinal** - tests the goosenecks ability with front and back pressure
 - 75% of GVW Front and Back (25K lb Gooseneck = 18,750 lb)
- **Transverse** - tests the goosenecks ability with side to side pressure
 - 30% of GVW Each Side (25K lb Gooseneck = 7,500 lbs)

Dynamic Testing defines requirements for repetitive testing in the three test conditions.

- 300,000 Cycles in each test condition.
 - (Vertical, Longitudinal and Transverse)
- The same unit is used for all three tests.
 - (900,000 Cycles all together)
- The range of load requirements are based on GVW & Rated Coupler Load.

In order to assure safety and accountability for the products produced, SAE J2638 also requires:

- **Product Identification**
 - Manufacturer's Name - Maximum Trailer GVW
 - Rated Vertical Coupler Load - Ball Size
- **Testing**
 - Products are to be fixtured at the maximum stress conditions
 - There should be no loss of attachment during testing
 - When testing is completed, the coupler will be capable of being uncoupled and coupled

HORIZON GLOBAL COMMITMENT

Horizon Global understands the importance of the new SAE standard for Goosenecks and 5th Wheels. We are committed to providing products that meet or exceed these recommendations and our commitment is evident by our investment in people and facilities dedicated to testing our products.

In addition to being one of the only manufacturers with dedicated testing facilities, Horizon Global also has over 90 years of manufacturing experience to insure our products are of the highest quality and reliability.

Because of the size of our organization we can provide the added benefits of high quality, unmatched reliability and proven strength, at a competitive price.

THE INDUSTRY STANDARD





Reese® provides the smoothest air-ride pin boxes on the market. Products engineered and designed by the long time leader in the towing industry that automatically eliminates turning and clearance headaches. Engineered and developed by long-time veterans of the towing industry.

PIN BOXES



GOOSENECK COUPLER FOR RVs

16K Goose Box	6
20K Goose Box	6
Goose Box Accessories	6

PIN BOXES

16K Elite Airborne / Sidewinder Combo	7
16K Sidewinder	8
19K Sidewinder	8
16K 5th Airborne	9
21K 5th Airborne	9

OE REPLACEMENT PIN BOXES

10K Revolution	9
16K Revolution	9

PIN BOX ACCESSORIES

Custom Wedges	10
---------------------	----

SAY YES, TO GOOSE BOX™!

"The Goose Box is a great solution for fifth-wheel RV users who prefer to use gooseneck hitches," said Jason Lippert, CEO of Lippert Components. "We are very pleased with the results of the thorough testing of the Goose Box, which demonstrates that it is compatible with our RV frame. As a result, the proper installation of a Goose Box pin box will be acceptable under our RV frame warranty." – *Lippert Press Release*

After reviewing the Bosch Test reports for the Reese Goose Box™, Lippert Components (the world's largest manufacturer of RV frames) accepts the Goose Box for the towing of RVs with gooseneck hitches.

"Proper installation of a Goose Box in its intended application will not void the chassis warranty when installed on a coach either by the OEM or in the aftermarket." – *Jarod Lippert, Director of Marketing*

94716 - 16,000 lb CAPACITY

94720 - 20,000 lb CAPACITY

- Improved Air Ride Performance
- Increased Height Adjustment
- Safety Chain Storage
- Coupler Lockout
- Easy Reach Lanyard



GOOSE BOX™

REESE®



- Nimble, quick, worry-free turning
- 90° turns* without leaving the truck
- Designed for short bed pickups
- No switches, no buttons
- Slim, but built for strength
- Exceeds SAE/CSA Standards



61410, 61420, 61450, ST400-SW16K - 16K RATED Sidewinders

61411, 61421, ST400-SW19K - 19K RATED Sidewinders

Sidewinder's king pin locking mechanism moves the pivot position 22-in rear of the pin box's attachment point. By moving the pivot rearward while keeping the load centered over the axles, the trailer tracks more closely to the truck. This reduces the need for extra-wide turns and allows short bed pickups to jackknife with no fear of contact. And it's all done automatically. Sidewinder also offers faster steering wheel response. Hook up at any angle. Make full use of the truck bed space, giving you extra storage space for fuel tanks, toolboxes and cargo.



GOOSE BOX™ GOOSENECK COUPLER FOR RVs

Take the heavy equipment out of the truck bed! The Goose Box gooseneck coupler is specifically designed for RV trailer owners who wish to tow with their gooseneck hitch.

- Replaces a traditional pin box so the RV works with a gooseneck hitch
- Step up to RV comfort and keep your gooseneck hitch
- Endorsed by Lippert Components, Inc. for their frame systems
- Includes 5th Airborne technology for a superb ride
- Lockable BULLDOG® gooseneck coupler technology
- Improved air bag, dual shocks and hollow rubber springs provide multi-directional shock absorption
- Increased height adjustment capability for today's taller truck beds
- Easy reach lanyard
- Onboard safety chain storage
- Air pressure relief valve prevents overfilling
- Rated for 16K & 20K lb capacity utilizing both CSA & SAE J2638 test standards
- Fits Lippert #1621 and #1716 wing sets
- Limited lifetime warranty



94720



49150



49151



61301

OEM Part Number
Lippert 1621 and 1716 Wing Sets
16K Rated Complete OEM Part Number
94716 NEW
20K Rated Complete Part Number
94720 NEW
16K Rated Safety Chain Part Number
49150
20K Rated Safety Chain Part Number
49151
Spacer Kit Part Number
61301

ELITE AIRBORNE/SIDEWINDER™ COMBO

- The best of both worlds
- Reese Elite pin boxes provide the smoothest ride pin box on the market and automatically eliminates turning and clearance headaches
- Provides all the benefits of both the Reese 5th Airborne air-ride pin box and the Reese Sidewinder pin box
- Enhances maneuverability and comfort
- Takes the worry out of traveling with a fifth wheel trailer
- Durable, lasting design for years of trouble free use
- 90-plus degree** turning with a short bed truck
- SAE/CSA rated 16K
- Limited lifetime warranty



61412



61422



5AS16K



61300



94316



61301

OEM Part Number	Complete Part #	Turret Part #	Spacer Kit Part #	Arm with King Pin Part #	Rebuild Kit Part #
Fabex 500 and 700 Series Lippert 1116, 0115, 1716 RBW 7019, 7028	61412	61300	61301	5AS16K	94316
Febex 600 Series M&M 663, 665 Lippert 0719, 1621 Lippert 1621 HD*	61422	61300	NA	5AS16K	94316
Venture CJ13515, CJ13517 Dexter 221-0033-00, 221-0031-00	61452	61302	NA	5AS16K	94316
Leland 7910, 7920, 7921	ST400- 5AS16K	ST400	NA	5AS16K	94316

**Warning: Not all vehicles and trailer combinations will allow a 90-plus degree turn.

*Not to exceed 16K GTWR



61410



SW16K



86005



61411

16K SIDEWINDER™ 19K SIDEWINDER™



Nimble and quick, worry-free turning Reese Sidewinder, is the premium pin box designed specifically for short bed pickups. It is designed to automatically eliminate turning and clearance headaches. Now you can make up to 90-degree plus* turns without exiting the truck. Without throwing a switch. Without pushing a button.

- Sidewinder's king pin locking mechanism moves the pivot position 22-in rear of the pin box's attachment point. By moving the pivot rearward while keeping the load centered over the axles, the trailer automatically tracks more closely to the truck
- The pivoting pin box makes hook up possible at any angle
- With the towing position of the pin box arm locked in line with the truck, you can make full use of the truck bed space, giving you extra storage space for fuel tanks, toolboxes and cargo
- Testing by BOSCH automotive proving grounds and exceeds all SAE/CSA Standard 16K and 19K ratings requirements for RVs

16K OEM Part Number	Complete Part #	Turret Part #	Spacer Kit Part #	Arm with King Pin Part #	Rebuild Kit Part #
Fabex 500 and 700 Series Lippert 1116, 0115, 1716 RBW 7019, 7028	61410	61300	61301	SW16K	86005
Febex 600 Series M&M 663, 665 Lippert 0719, 1621 Lippert 1621 HD*	61420	61300	NA	SW16K	86005
Venture CJ13515, CJ13517 Dexter 221-0033-00, 221-0031-00	61450	61302	NA	SW16K	86005
Leland 7910, 7920, 7921	ST400-SW16K	ST400	NA	SW16K	86005

**Warning: Not all vehicles and trailer combinations will allow a 90-plus degree turn.
*Not to exceed 16K GTWR

19K OEM Part Number	Complete Part #	Turret Part #	Spacer Kit Part #	Arm with King Pin Part #	Rebuild Kit Part #
Fabex 500 and 700 Series Lippert 1116, 0115, 1716 RBW 7019, 7028	61411	61300	61301	SW19K	86005
Febex 600 Series M&M 663, 665 Lippert 0719, 1621 Lippert 1621 HD*	61421	61300	NA	SW19K	86005
Leland 7910, 7920, 7921	ST400-SW19K	ST400	NA	SW19K	86005

**Warning: Not all vehicles and trailer combinations will allow a 90-plus degree turn.
*Not to exceed 19K GTWR

5AB-E1621-16K



16K AND 21K 5TH AIRBORNE™



Make your next getaway a breeze. Your fifth wheel takes a lot of abuse from turbulence caused by potholes, section dividers, bridge decks and heavily worn interstate highways.

- The 5th Airborne premium fifth wheel air-ride pin box acts as a buffer between the tow vehicle and the trailer, minimizing the challenges in the road. This significantly reduces the negative impact of vertical shock and longitudinal chucking. The 5th Airborne does more than improve your ride; it protects your investments by relieving stress on your coach's frame, cabinets, mechanical, and support mechanisms. Drivers and passengers also benefit from reduced fatigue and the improved safety provided by the 5th Airborne's smooth ride
- Engineered and developed by long-time veterans of the towing industry

61510
61516

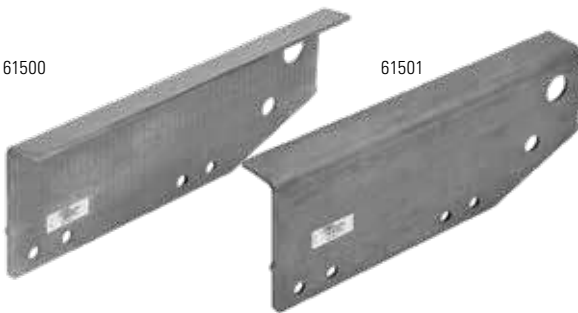


OEM Part #	16K Rated Complete Part #	21K Rated complete Part #
Lippert 1621*	5AB-E1621-16K	NA
Fabex 500 Series STD Lippert 1116, 0115 RBW 7019	NA	5AB-S500-700
Leland 7910, 7920, 7921	NA	5AB-E7920
Fabex 500 Series EXT and 765 Lippert 1716 RBW7028	NA	5AB-E510-710
Fabex 665 M&M 665 Lippert 1621, 61621 HD, 1621 SHD	NA	5AB-E1621-610

*Excluding HD models

61500

61501



10K & 16K REVOLUTION™ COMBO

Replacement pin box for trailers with OE Revolution. Reese Revolution, with a limited lifetime warranty, is designed specifically as a replacement for trailers mounted with OE Revolution pin boxes.

- Make up to 90-degree plus* turns without exiting the truck Without throwing a switch. Without pushing a button
- Revolution also offers faster steering wheel response, making backing up easier than ever before
- The pivoting pin box makes hook up possible at any angle
- Since the towing position of the pin box arm is locked in line with the truck, you can make full use of the truck bed space, giving you extra storage space for fuel tanks, toolboxes and cargo



OEM Part Number	Complete Part # (No Wings)	Left Hand Wing Part #	Right Hand Wing Part #	Rebuild Kit Part #
OE Trailers Mounted with Reese 10K Revolution Pin Box	61510	61500	61501	86110
OE Trailers Mounted with Reese 16K Revolution Pin Box	61516	NA	NA	86016

*Not to exceed 16K GTWR

CUSTOM WEDGES

- Designed to work with the Sidewinder and Airborne / Sidewinder
- Replacement wedge that is designed for specific fifth wheel hitches

Part Number	Description
SWW-01	Custom Wedge for Elite Series and Reese 20K Fifth Wheels
30850	Custom Wedge for Slide-Bar Style Fifth Wheels
SWW-03	Custom Wedge for Reese 16K Fifth Wheels (Dual Jaw, Except Titan)
30865	Custom Wedge for Reese Sidewinder and Reese Titan Fifth Wheels
SWW-04	Custom Wedge for Original Husky Fifth Wheels
SWW-05	Custom Wedge for Hi-Jacker Fifth Wheels
SWW-06	Custom Wedge for B&W Fifth Wheels
SWW-07	Custom Wedge for RBW and Newer Husky Fifth Wheels
SWW-08	Custom Wedge for Colibert Fifth Wheels
31016	Custom Wedge for Curt A16
30861	Custom Wedge for Curt E16

SWW-01



30850



SWW-03



SWW-05



SWW-06



30865



SWW-04



SWW-07



SWW-08



JUST ADD ADVENTURE





CARGO MANAGEMENT

ROLA has been Australia's premier vehicle outfitter of roof racks and cargo management products. Born of necessity, the first ROLA roof rack was the invention of an avid Aussie windsurfer who wanted something quiet, durable, stylish and vehicle-friendly. From there ROLA grew, and its superior designs gained popularity quickly. Now available around the world, ROLA products are highly innovative and outback ready.



HITCH CARRIERS

Wallaroo / Tuffbak.....	4
Dart / Vortex.....	4
Adventure System.....	5

ORGANIZERS

Dry Bags.....	6
Vehicle Organizers.....	6

BIKE CARRIERS

Convoy.....	7
Hitch Mount Bike Carriers.....	7
Rooftop Bike Carriers.....	7

ROOFTOP CARRIERS

Atlas / V-TEX.....	8
Rooftop Bags.....	9

ROOF RACKS

Modular System.....	11
Replacement Parts.....	12 - 13
RBU Universal System.....	13
Direct / Track Mount Systems.....	14 - 15

TRUCK RACKS

Truck Bed Racks.....	16
Van Racks.....	16

ACCESSORIES

Cables.....	17
Locks.....	18
Tie Downs.....	18
Light Kits.....	19
Cargo Nets.....	19

APPLICATION GUIDE

Guides.....	21 - 31
-------------	---------



WALLAROO™ EXPANDABLE CARGO TRAY BAG



- Rainproof construction
- Simply unzip to expand for extra cargo space
- Six straps for secure attachment
- Perfect fit with ROLA® hitch mount cargo baskets

Part Number	Description	Dimensions	Capacity	Qty/Pkg	Package
59102	Expandable Hitch Mount Cargo Tray Bag	48" x 19" x 18"-22"	9.5-11.5 cu ft	1	Box



TUFFBAK™ CARGO TRAY BAG



- Rainproof construction
- Protects cargo during transport
- Six straps for secure attachment
- Fits 60-in hitch mount cargo carriers

Part Number	Description	Dimensions	Capacity	Qty/Pkg	Package
59119	Hitch Mount Cargo Tray Bag	59" x 24" x 24"	20 cu ft	1	Box



DART™ CARGO TRAY



- Provides extra cargo capacity, using vehicle hitch
- Tilts up when not in use with easy-to-reach release lever
- Heavy-duty steel construction
- Rise shank design provides greater ground clearance

Part Number	Description	Details	Dimensions	Capacity	Qty/Pkg	Package
59550	Hitch Mount Cargo Tray	Fits 2" Receiver	54" x 23" x 5.25"	450 lbs	1	Box



Folds Up

VORTEX™ CARGO TRAY



- 5-in siderails help keep cargo in place
- Reflectors improve nighttime visibility
- Rise shank design provides greater clearance

Part Number	Description	Details	Dimensions	Capacity	Qty/Pkg	Package
59507	Steel Cargo Tray	Fits 1-1/4" Receiver	56" x 23" x 5"	300 lbs	1	Box
59502	Steel Cargo Tray	Fits 2" Receiver	56" x 23" x 5"	600 lbs	1	Box





Fixed



Swing Away



Fold Up

ADVENTURE SYSTEM® CARGO CARRIER



- Provides 13 cubic-ft of extra cargo capacity
- Cargo tray can be used without pod; ideal for coolers, bags and more
- Durable construction and locked lid protects gear
- Integrated lights provide stop, turn and taillight functions

Part Number	Description	Details	Dimensions	Capacity	Qty/Pkg	Package
59108	Fixed Version	Fits 1-1/4" Receiver	54" x 30" x 22.5"	150 lbs	1	Box
59109	Swing Away Version	Fits 2" Receiver	54" x 30" x 22.5"	250 lbs	1	Box
59110	Fold Up Version	Fits 2" Receiver	54" x 30" x 22.5"	250 lbs	1	Box



Use With or Without Pod

KNOW YOUR VEHICLE'S HITCH SIZE

- Cargo carriers are designed to fit 1-1/4" or 2" receivers



DETERMINE HOW TO BEST SECURE YOUR CARGO

- Cargo net



- Cargo tray bag



- Ratchet straps



KNOW THE WEIGHT OF THE CARGO YOU ARE CARRYING

- Cargo basket fitting a 1-1/4" receiver will hold up to 300 lbs.
- Cargo basket fitting a 2" receiver will hold 450 to 600 lbs., depending upon style





DRY BAGS



- For water sport and outdoor activities, such as hunting, hiking, camping and kayaking
- Provides protection against water, dirt and dust
- Waterproof, welded seams keep gear dry
- Adjustable straps attach to integrated D-rings for carrying
- Lightweight, waterproof material

Part Number	Description	Dimensions	Capacity	Qty/Pkg	Package
59324 NEW	Small Dry Bag	11" x 22"	12L	1	Box
59325 NEW	Large Dry Bag	14" x 26"	20L	1	Box



Lashing Loops for Securing

VEHICLE ORGANIZERS



- Organize loose cargo
- Fold flat when not in use
- Customizable compartments create a place for everything
- Durable, semi-rigid structure maintains shape
- Non-slip base helps keep organizers in place

Part Number	Description	Dimensions	Qty/Pkg	Package
59000	MOVE® Small Interior Organizer	25" x 15" x 7"	1	Box
59001	MOVE® Large Interior Organizer	38" x 15" x 7"	1	Box



Semi-Rigid Structure Maintains Shape



CONVOY™ MODULAR BIKE CARRIER



- Base unit holds 1 bike
- Combine with add-on units (59310) to hold up to 4 bikes
- Corrosion-resistant aluminum construction
- Carrier holds bike by the wheel or frame
- Cradle accommodates road tires to fat tires up to 5-in

Part Number	Description	Details	Capacity	Qty/Pkg	Package
59308	2" Base Unit	Fits 2" Receivers	See Maximum Capacity Chart	1	Box
59307	1-1/4" Base Unit	Fits 1-1/4" Receivers	See Maximum Capacity Chart	1	Box
59310	Add-on Unit	Fits 59307 and 59308	See Maximum Capacity Chart	1	Box



Folding Arms for Compact Storage



Tilt for Easy Access to Cargo Space

TX HITCH™ MOUNT BIKE CARRIERS



- Tilt feature allows for easy access to cargo space
- Integrated cable lock provides increased bike security
- Anti-sway feature reduces bike movement when traveling
- Folding arms allow for compact storage when not in use

Part Number	Description	Details	Capacity	Qty/Pkg	Package
59400	TX-102 2-Bike Carrier	Fits 1-1/4" and 2" Receivers	80 lbs	1	Box
59403	TX-103 3-Bike Carrier	Fits 1-1/4" and 2" Receivers	80 lbs	1	Box
59401	TX-104 4-Bike Carrier	Fits 2" Receivers	100 lbs	1	Box

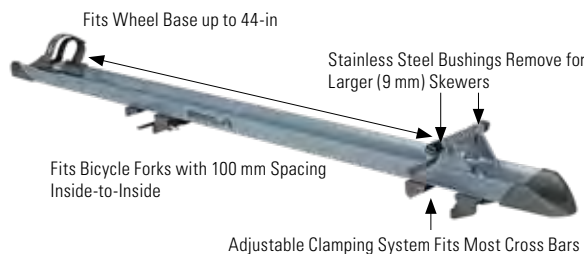


ECLIPSE™ BIKE CARRIERS



- Smart swing-arm design tilts forward allowing rear vehicle access without unloading bikes
- Padded cradles secure bikes without damage to the frame
- Hook and loop straps offer superior support and promote quick and easy loading & unloading

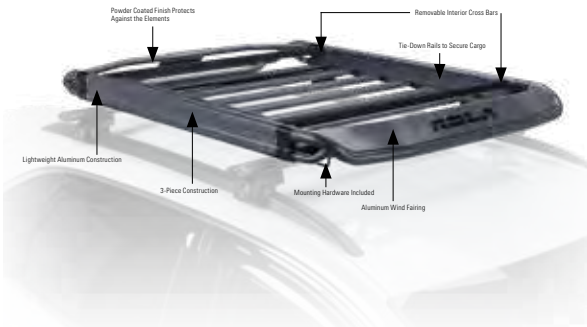
Part Number	Description	Details	Capacity	Qty/Pkg	Package
63124	Eclipse™ Bike Carrier	2" Receivers	120 lbs	1	Box



CANYON™ ROOFTOP BIKE CARRIER

- Holds most bikes with quick-release front wheels
- Track adjusts to fit wheelbases up to 44-in
- Movable clamps fits most styles of cross bars

Part Number	Description	Dimensions	Capacity	Qty/Pkg	Package
59404	Canyon Rooftop Bike Carrier	56" x 6" x 5"	1 Bike	1	Box



Side Release Buckles for Easy Attachment

ATLAS™ CARGO BASKET



- Provides extra cargo capacity on vehicle rooftop
- Durable aluminum construction allows for effortless handling and mounting
- Features two removable interior cross bars for mounting rooftop accessories
- Aluminum wind fairing reduces wind noise
- Mounting hardware accommodates most aftermarket and factory roof racks

Part Number	Description	Dimensions	Capacity	Qty/Pkg	Package
59043	Aluminum Rooftop Cargo Basket	56" x 43.5" x 4"	160 lbs	1	Box

V-TEX™ CARGO BASKET



- Creates additional cargo capacity on vehicle roof
- Custom-fit wind fairing improves aerodynamics and reduces wind noise
- Universal mounting hardware accommodates most aftermarket and factory roof racks

Part Number	Description	Dimensions	Capacity	Qty/Pkg	Package
59504	Steel Rooftop Cargo Basket	48" x 37.5" x 5"	130 lbs	1	Box
59505	Steel Rooftop Cargo Basket Extender	22.75"	130 lbs	1	Box

ESCAPADE™ EXPANDABLE ROOFTOP BAG



- Stormproof construction
- Bag expands from 13 to 16 cubic-ft
- Sonically welded construction protects cargo from the elements
- Sealed zipper for extra protection
- Secures to raised side rails or cross bars

Part Number	Description	Dimensions	Capacity	Qty/Pkg	Package
59318	Expandable Rooftop Bag	42" x 36" x 18"-24.5"	13-16 cu ft	1	Box



Unzip to Expand Capacity

PLATYPUS® EXPANDABLE ROOFTOP BAG



- Weather-resistant construction
- Bag expands from 10 to 15 cubic-ft
- Simply unzip to create extra cargo space
- Eight straps for secure attachment
- Perfect fit with ROLA V-TEX™ Rooftop Basket (59504)

Part Number	Description	Dimensions	Capacity	Qty/Pkg	Package
59100	Expandable Rooftop Bag	41" x 33.5" x 16.5" - 20.5"	10-15 cu ft	1	Box

CARGO CARRIER BAG



- Weather-resistant construction
- Made with premium quality rainproof material
- Easily attaches to permanent roof racks
- 15 cubic-ft of storage space

Part Number	Description	Dimensions	Capacity	Qty/Pkg	Package
1041100	Rooftop Bag	38" x 18" x 18"	15 cu ft	1	Box

HELPFUL TIPS FOR TRANSPORTING GEAR ON YOUR ROOF



KNOW YOUR VEHICLE'S ROOF

- **Cargo bags** mount to raised side rails and/or cross bars, or to rooftop basket
- **Cargo baskets** require cross bars

CHOOSE THE PROPER CARGO BAG

- **Stormproof Construction** – for driving in rain, snow, dust and sun
- **Weather-Resistant** – for rain, snow, wind, dust and sun



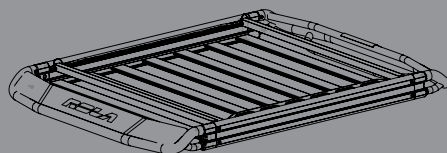
TRY YOUR BAG BEFORE YOU TRAVEL

- Adjust strap length and placement on side rails and/or cross bars
- Make sure contents fit into bag without overstuffing

HOW TO LOAD YOUR BAG

- Attach cargo bag to rooftop first—then load
- Keep all valuables inside the vehicle
- Do not exceed your vehicle's rated roof capacity

HOW TO CALCULATE YOUR VEHICLE'S MAXIMUM LOAD LIMIT



+

Weight of Cargo

=

Max. Load Limit

Check to be sure this is less than your vehicle's rated roof capacity and the capacity of your cross bars. Consult the owner's manual for your vehicle.



JUST ADD ADVENTURE™

NEW ROOF RACK MODULAR SYSTEM

Everything you need for a complete roof rack system.

Specific to your vehicle!

All in one box!

Complete System Includes:

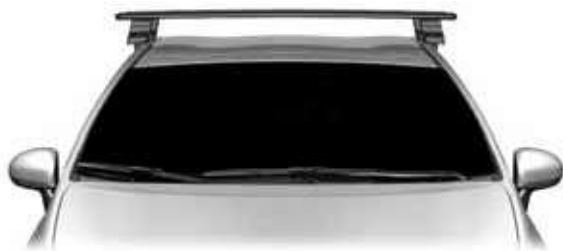
- Cross Bars
- Attachment End Supports
- Fit Kits (if needed)
- Lock Core Kits (if desired)

WHAT'S IN THE BOX?



ROOF RACK MODULAR SYSTEM

- Systems sold as sub kits or as fully configured vehicle specific complete kits
- Sub kits include:
 - Rail bar kits - 4 lengths
 - Door frame attaching end support kits (DFE)
 - Fixed point attaching end support kits (FPE)
 - Fit kits for DFE and FPE systems
 - Raised side rail attaching end support kits (RBU)
 - Flush side rail attaching end support kits (RBE)
 - Track kits for truck shells or special applications
 - Direct mount kits for fixed position attaching
- See application guide on page I-21



ROOF RACK MODULAR SYSTEM RAIL BAR KITS



Part Number	Description
RE43 NEW	Roof Rack Rail Bar Kit, 43"
RE47 NEW	Roof Rack Rail Bar Kit, 47"
RE53 NEW	Roof Rack Rail Bar Kit, 53"
RE60 NEW	Roof Rack Rail Bar Kit, 60"

ROOF RACK MODULAR SYSTEM LOCK CORE KITS



Part Number	Description
59315 NEW	Roof Rack Lock Core System, Keyed Alike, (4 Pack)
59316 NEW	Roof Rack Lock Core System, Keyed Alike, (8 Pack)

ROOF RACK MODULAR SYSTEM END SUPPORT KITS

- Fit Kit required for installation.
See page I-21 for fitment guide

Part Number	Description
59970 NEW	DFE Roof Rack End Support Kit, for Door Frame Attachment
59972 NEW	FPE Roof Rack End Support Kit, for Fixed Point Attachment
59976 NEW	RBU Roof Rack End Support Kit, for Raised Side Rail Attachment (Universal)
R4000-1 NEW	RBE Roof Rack End Support Kit, for Flush Side Rail Attachment



59970



59972



59976



R4000-1



38371



59887



59886



ROOF RACK SERVICE KITS AND REPLACEMENT PARTS

Part Number	Description
38371	T-27 T-Handle Torx Driver (2 per poly bag)
59847	T-27 L-Handle Torx Driver (2 per poly bag)
59846	Cross Bar Buffer Strips (2 per poly bag)
59701	M6 x 30MM Bolts (4 per poly bag)
59702	M6 x 50MM Bolts (4 per poly bag)
59710	M6-1 Cage Nuts (4 per poly bag)
59785	Bolts (4) M6 x 55MM
GTX Series	
59887	Support Cover Kit (Includes: (1) Left Hand Cover, (1) Right Hand Cover, (2) Hinges & (2) Dummy Locks)
38429	Self-Adhesive Rubber Mounting Pads (4 per poly bag)
38422	Mounting Pads for #59842 roof racks (4 per box)
38423	Mounting Pads for roof racks (4 per box)
38424	Mounting Pads for roof rack (4 per box)
38425	Mounting Pads for #59800 roof rack (4 per box)
38426	Mounting Pads for #59867 roof rack (4 per box)
REX Series	
59750	Cross Bar T-Handle 5mm Hex Driver
59745	Cross Bar End Cap
APE Series	
59746	APE-RE Series Cross Bar Undercover (2 per poly bag)
59772	Roof Rack, Removable Anchor Point Extended APE Series - Track/Direct Mount, Bar Length 51-1/4" (1300mm)
59773	Roof Rack, Removable Anchor Point Extended APE Series - Track/Direct Mount, Bar Length 55-1/8" (1400mm)
59774	Roof Rack, Removable Anchor Point Extended APE Series - Track/Direct Mount, Bar Length 63" (1600mm)
RB Series	
38427	Self-Adhesive Rubber Mounting Pads(4 per box)
RBU Series	
59897	Cross Bar Buffer Strips (2 per poly bag)
59898	Cross Bar End Support
59899	Cross Bar Undercover (2 per poly bag)
59711	Cross Bar End Cap



59746

MODULAR SYSTEM ROOF RACK SERVICE KITS & REPLACEMENT PARTS



S3003



S3008

Part Number	Description	Packaging
S3001 NEW	Buffer Strips	Boxed
S3002 NEW	Under Covers	Boxed
S3003 NEW	Position Sliders	Boxed
S3004 NEW	End Cap "RE" Bars	Boxed
S3005 NEW	1/4 Turn Plug	Boxed
S3008 NEW	Torque Wrench	Boxed
S3009 NEW	DFE Door	Boxed
S3012 NEW	RBU Adjuster Height	Boxed
S3010 NEW	FPE Hardware Kit	Boxed
S3006 NEW	FP ROLA Wrench	Boxed
S3007 NEW	FP "L" Wrench	Boxed
S3011 NEW	RBE Door Hinge	Boxed
S3013 NEW	End Cap Base Bar	Boxed
S9327 NEW	Locking Knob	Boxed
59776 NEW	RBU End Support Kit	Boxed

RBU SERIES UNIVERSAL ROOF RACK

- Built from super rugged, lightweight aluminum and expertly engineered for optimal aerodynamics to cut down on drag and wind noise
- Anodized aluminum crossbars, high strength molded nylon and stainless steel hardware ensure these crossbars will be your travel companion for years to come
- Anti-theft locking covers for peace of mind
- Lockable accessory channel for T-bolt applications
- Quick and easy installation and removal
- 5-Year Limited Warranty



RBU Series

Part Number	Crossbar Size	Side Rail Fit Range	Packaging
RBU43 NEW	43-3/8" (1100mm)	30-7/8" to 40-7/8" (784 to 1038mm)	Boxed
RBU47 NEW	47-1/4" (1200mm)	34-3/4" to 44-3/4" (882 to 1137mm)	Boxed
RBU53 NEW	53-1/8" (1350mm)	40-5/8" to 50-5/8" (1032 to 1286mm)	Boxed
RBU60 NEW	61-5/8" (1565mm)	49-1/8" to 59-1/8" (1248 to 1502mm)	Boxed



DIRECT MOUNT KIT FOR THE MODULAR SYSTEM



Direct Mount Kit

- Direct-mount system works with sheet metal or fiberglass surfaces to instantly transform your vehicle into a bike-hauling, kayak-lugging, cargo machine
- Includes mounting adapters, hardware, and covers
- Works with ROLA FPE and RE crossbar systems (sold separately)

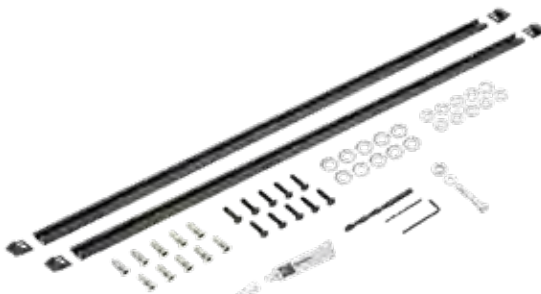
Part Number	Description	Packaging
R7001 NEW	Direct Mount Kit, Sheet Metal Surfaces	Boxed
R7002 NEW	Direct Mount Kit, Fiberglass Surfaces	Boxed
R7003 NEW	Track Mount Adapter	Boxed



Direct Mount Kit



TRACK MOUNT ROOF RACK SYSTEM FOR THE MODULAR SYSTEM



R7010

- Perfect for truck cabs, hard tonneau covers, camper shells, and RVs
- Track-mount system works with sheet metal or fiberglass surfaces to instantly transform your vehicle into a bike-hauling, kayak-lugging, cargo machine
- Includes two black anodized aluminum tracks, end caps, and hardware
- Works with ROLA FPE and RE crossbar systems (sold separately)

Part Number	Description	Packaging
R7010 NEW	42" Track Rail for Sheet Metal Surfaces	Boxed
R7011 NEW	54" Track Rail for Sheet Metal Surfaces	Boxed
R7012 NEW	60" Track Rail for Fiberglass Surfaces	Boxed



R7012

DIRECT / TRACK MOUNT ROOF RACK FOR MODULAR SYSTEM

- Perfect for truck hard tonneau covers, truck and van roofs
- Includes universal ROLA FPE crossbars
- Anodized aluminum crossbars, high strength molded nylon, and stainless steel hardware for long life
- Anti-theft locking covers keep crossbar accessories in their place
- Direct mount kits - includes direct mount kit for sheet metal, including two mounting adapters, installation hardware, and covers for when crossbars are removed
- Track mount kits - black anodized aluminum tracks allow crossbar fore and aft adjustability



Direct Mount

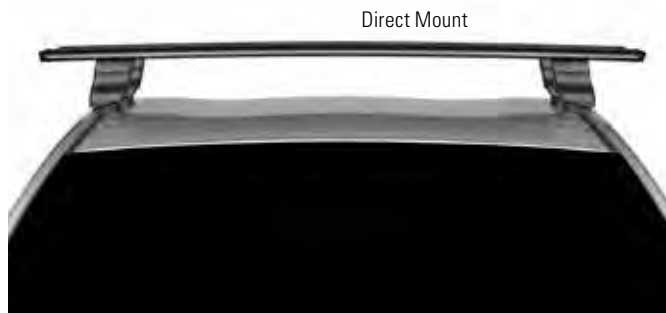


Door Mount



Track Mount

Part Number	Description	Packaging
R7021 NEW	Complete Direct Mounting Kit, (4) Mounting Adapters for Sheet Metal Mounting, & FPE Series - Track/Direct Mount, Bar Length 53" (1350mm)	Boxed
R7022 NEW	Complete Direct Mounting Kit, (4) Mounting Adapters for Sheet Metal Mounting, & APE Series - Track/Direct Mount, Bar Length 55-1/8" (1400mm)	Boxed
R7023 NEW	Complete Direct Mounting Kit, (4) Mounting Adapters for Fiberglass Mounting Surface, & APE Series - Track/Direct Mount, Bar Length 51-1/4" (1300mm)	Boxed
R7024 NEW	Complete Direct Mounting Kit, (4) Mounting Adapters for Fiberglass Mounting Surface, & APE Series - Track/Direct Mount, Bar Length 55-1/8" (1400mm)	Boxed
R7025 NEW	Complete Track Rail System, 42" Length (1070mm) for Sheet Metal Mounting Surfaces, & FPE Series - Track/Direct Mount, Bar Length 53" (1350mm)	Boxed
R7026 NEW	Complete Track Rail System, 42" Length (1070mm) for Sheet Metal Mounting Surfaces, & FPE Series - Track/Direct Mount, Bar Length 60" (1525mm)	Boxed
R7027 NEW	Complete Track Rail System, 54" Length (1370mm) for Sheet Metal Mounting Surfaces, & FPE Series - Track/Direct Mount, Bar Length 53" (1350mm)	Boxed
R7028 NEW	Complete Track Rail System, 54" Length (1370mm) for Sheet Metal Mounting Surfaces, & FPE Series - Track/Direct Mount, Bar Length 60" (1525mm)	Boxed
R7029 NEW	Complete Track Rail System, 60" Length (1520mm) for Fiberglass Mounting Surfaces, & FPE Series - Track/Direct Mount, Bar Length 53" (1350mm)	Boxed
R7030 NEW	Complete Track Rail System, 60" Length (1525mm) for Sheet Metal Mounting Surfaces, & FPE Series - Track/Direct Mount, Bar Length 60" (1525mm)	Boxed



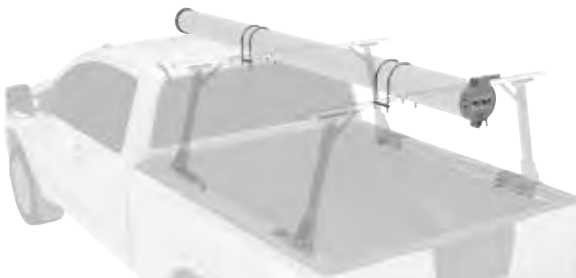
Direct Mount



Complete System



59797



TRUCK BED RACK



- Lightweight, durable aluminum construction
- Powder-coated black uprights and graphite gray anodized cross bars
- Rubber buffer strips protect load from damage
- Compatible with ROLA rooftop accessory carriers
- Includes 63-in cross bars with locking end caps and 2 sets of upright supports
- *Designed specifically for the Ford F150, Dodge Ram, GMC Sierra and Chevrolet Silverado*

Part Number	Description	Capacity	Details	Qty/ Pkg	Package
59742	Truck Bed Rack System	400 lbs	No-Drill	1	Box

TRUCK BED RACK



- Rugged, lightweight aluminum construction with rubber buffer strips
- Powder-coated black uprights and stainless steel hardware resist the elements, scratches, and rust
- Locking covers for crossbar accessory channel and locking knobs for slide feature
- Includes crossbars w/63-in maximum width, locking end caps, 2 sets of upright supports and installation hardware
- *Designed specifically for the Nissan Titan, Toyota Tundra, and Toyota Tacoma bedrail systems*

Part Number	Description	Capacity	Details	Qty/ Pkg	Package
59799	Truck Bed Rack System	800 lbs	No-Drill	1	Box

TRUCK BED CONDUIT KIT



- Works with ROLA truck bed rack system
- Rugged, lightweight powder-coated aluminum door and end cap
- For use with 6 in. SCH40 or SCH80 PVC pipe (not included)
- Door features spring-loaded latch and rubber gasket for increased weather resistance

Part Number	Description	Details	Qty/ Pkg	Package
59797	Truck Bed Conduit Kit	U Bolts and Hardware Provided	4	Box

UNIVERSAL VAN RACK



- 59622 contains (2) crossbars; 59623 contains (3) crossbars
- Designed for heavy duty & commercial use
- Fits all vans with rain gutters; telescopic bars adjust from 37-in to 62-in to create the perfect fit
- Powder-coated, hammered finish resists the elements, scratches, and rust

Part Number	Description	Capacity	Details	Qty/ Pkg	Package
59621	Universal Van Rack	300 lbs	No-Drill	1	Box
59622	Universal Van Rack	300 lbs	No-Drill	2	Box
59623	Universal Van Rack	450 lbs	No-Drill	3	Box

TRUCK BED RACK LOAD STOP KIT



- Ideal for transporting lumber and ladders
- Rugged, yet lightweight, anodized aluminum construction
- Powder-coated to resist scratches, rust and the elements
- Universal design works with ROLA truck rack system, ROLA crossbars, or other roof or truck racks with accessory T-channel
- Durable lock-down knobs and stainless steel mounting hardware included



Part Number	Description	Capacity	Details	Qty/Pkg	Package
59794	Truck Bed Load Stop Kit	800 lbs	Locking Knobs	4	Box



TRUCK BED RACK EYE BOLT KIT



- Alloy steel construction is perfect for jobsite to campsite
- Powder-coated to resist the elements
- Universal design works with ROLA truck rack or crossbars as well as most other crossbars
- Simple, intuitive design for easy installation right out of the box



Part Number	Description	Details	Qty/Pkg	Package
59796	Truck Bed Eye Bolt Kit	Stainless Steel Mounting Hardware	4	Box

SECURITY CABLES



- Heavy-duty, vinyl-coated steel cable
- Extra security for your bikes or cargo on bike racks or crossbars
- Secure with padlock, locking knob or hitch pin barrel lock (not included)



Part Number	Description	Length	Qty/Pkg	Package
59323	Large Security Cable	12'	1	Hanging Card
59322	Small Security Cable	7'	1	Hanging Card



LOCK CORE AND KEY SET



- Includes 4 lock cores (59315) or 8 lock cores (59316), 2 keys and 1 installation key
- Use with ROLA locking roof racks and accessories
- One key opens all locks
- Easy to install

Part Number	Description	Qty/Pkg	Package
59315	4 Pack Lock Cores	4	Box
59316	8 Pack Lock Cores	8	Box



RATCHET TIE DOWN



- Super-strong holding power with precise tension adjustment
- Easily secure cargo to cargo trays
- Coated steel hooks for easy attachment

Part Number	Description	Length	Capacity	Qty/Pkg	Package
59305	1" Aluminum Full Grip Sport Handle Ratchet	10'	600/1800 lb	2	Open



BIKE MOUNT ADAPTER KIT



- Convert hitch mount cargo basket to a bike carrier
- Adjustable clamp fits most railed cargo baskets
- Fits bike forks with up to 100 mm inside spacing
- Includes rear tire stabilizer mount

Part Number	Description	Capacity	Qty/Pkg	Package
59904	Bike Mount Adapter Kit	40 lbs	1	Box





Illuminates ROLA Hitch Mount Cargo Baskets and Adventure System® Carriers

INCANDESCENT LIGHT KIT



- Stop, turn and taillight functions increase nighttime visibility
- Includes two waterproof incandescent lights, two 6-in grommets and one 4-Flat wiring harness
- Fits ROLA hitch mount cargo carriers

Part Number	Description	Qty/Pkg	Package
20174	Cargo Basket Incandescent Light Kit	1	Box



Illuminates ROLA Hitch Mount Cargo Trays and Adventure System® Carriers

LED LIGHT KIT



- Adds stop, turn and taillight functions to ROLA Cargo Carriers
- Bright, long-lasting 10-diode LED lights
- Standard 4-Way connector ensures easy setup and use

Part Number	Description	Qty/Pkg	Package
59516	Cargo Basket LED Light Kit	1	Box



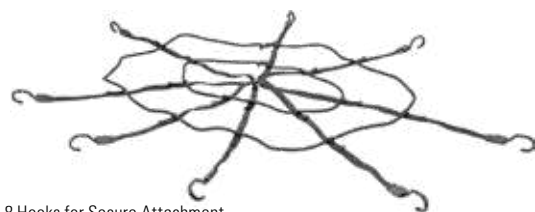
Anti-tangle Hook

BUNGEE CARGO NET



- Fits cargo carriers and baskets up to 36-in x 48-in
- 16 tangle-free hooks provide secure attachment
- Heavy-duty storage bag included

Part Number	Description	Dimensions	Color	Qty/Pkg	Package
59306	Bungee Cargo Net	38" x 48"	Black	1	Storage Bag



8 Hooks for Secure Attachment

FLAT STRAP CARGO NET



- Fits cargo carriers and baskets up to 36-in x 48-in
- Sewn-in loops allow net to hook around any size bar
- Ideal for cargo carriers and roof racks

Part Number	Description	Dimensions	Color	Qty/Pkg	Package
59200	Flat Strap Cargo Net	38" x 48"	Black	1	Box



Cushioned Pads for Extra Secure Grip

RATCHETING CARGO BAR



- Easy to use ratchet bar provides maximum hold; stops cargo from shifting
- Adjustable design ratchets from 40-in to 70-in
- No tools required

Part Number	Description	Dimensions	Color	Qty/Pkg	Package
1390600	Ratcheting Cargo Bar	40" to 70"	Black	1	Box

ROOF RACK APPLICATION GUIDE

MODEL / STYLE	YEAR	PART NO.	FN	MS	WC	IN
ACURA						
CSX	06-11	R5021	0	DFE		30
ILX	13-18	R5073	0	DFE		30
MDX w/Factory Roof Rails	07-13	59711	0,LC	RBU	165	15
		59899	0	RBU	165	15
		RBU53	0	RBU	165	10
RDX w/Factory Roof Rails	07-18	RBU53	0	RBU	165	10
RDX w/Factory Roof Rails	11-16	59899	0	RBU	165	15
TSX Sport Wagon, w/Factory Roof Rails	11-14	59898	0	RBU	165	15
TSX Sport Wagon, w/Factory Roof Rails	11-14	RBU47	0	RBU	165	10
AUDI						
A3 Sedan	14-18	R5074	0	DFE		30
A4	09-16	R5047	0	DFE		30
A4 Allroad w/Factory Roof Rails	13-17	RBU53	0	RBU	165	10
A4 Avant (wagon) w/Factory Roof Rails	02-05	RBU47	0	RBU	165	10
A4 Quattro Avant w/Factory Roof Rails	98-01	RBU47	0	RBU	165	10
A4 Quattro Avant Wagon, w/Factory Roof Rails	98-01	59898	0	RBU	165	15
A4 Quattro Avant w/Factory Roof Rails	02-04	RBU47	0	RBU	165	10
A4 Quattro Avant Wagon, w/Factory Roof Rails	02-04	59897	0	RBU	165	15
		59898	0,LA	RBU	165	15
A4 Quattro Avant w/Factory Roof Rails	05-08	RBU47	0	RBU	165	10
A4 Quattro Avant Wagon, w/Factory Roof Rails	05-08	59898	0	RBU	165	15
A6	12-18	R5070	0	DFE		30
		R5070	0	DFE		30
S3 Sedan	14-18	R5074	0	DFE		30
S4 Wagon, w/Factory Roof Rails	02-08	RBU47	0	RBU	165	10
S4 Sedan	09-16	R5047	0	DFE		30
BMW						
1 Series M	11	59761	0	APE	110	5
		R6004	0	FPE	165	30
118i	12-13	59761	0	APE	110	5
120i	08-12	59761	0	APE	110	5
125i	09-13	59761	0	APE	110	5
128i	08-13	59761	0	APE	110	5
		R6004	0	FPE	165	30
130i	08-10	59761	0	APE	110	5
135i	08-11	59761	0	APE	110	5
135i	08-13	R6004	0	FPE	165	30
135is	13	59761	0	APE	110	5
		R6004	0	FPE	165	30
220i	14-16	59761	0	APE	110	5
220i Active Tourer	16	59761	0	APE	110	5
228i	14-16	59761	0	APE	110	5
		R6004	0	FPE	165	30
228i xDrive	15-16	59761	0	APE	110	5
		R6004	0	FPE	165	30
230i	17	R6004	0	FPE	165	30
230i xDrive	17	R6004	0	FPE	165	30
235i	14	59761	0	APE	110	5
318i	99	59761	0	APE	110	5
		59762	0,LA	APE	110	5
318is	99	59761	0	APE	110	5
		59762	0,LA	APE	110	5
		R6004	0	FPE	165	30
320i	01-05	59761	0	APE	110	5
		59762	0,LA	APE	110	5
		R6004	0	FPE	165	30
320i w/Factory Roof Rails	01-05	RBU47	0	RBU	165	10
320i	12-13	R6004	0	FPE	165	30
320i	12-17	59762	0,LA	APE	110	5
		R6002	0	FPE	165	30
320i xDrive	13	R6004	0	FPE	165	30
320i xDrive	13-17	59762	0,LA	APE	110	5
		R6002	0	FPE	165	30

MODEL / STYLE	YEAR	PART NO.	FN	MS	WC	IN
BMW (Continued)						
323Ci	00	R6004	0	FPE	165	30
323Ci 2 Dr. Coupe	00	59761	0	APE	110	5
		59762	0,LA	APE	110	5
323Ci w/Factory Roof Rails	00	RBU47	0	RBU	165	10
323i	99-00	59761	0	APE	110	5
		59762	0,LA	APE	110	5
		R6004	0	FPE	165	30
323i Sports Wagon w/Factory Roof Rails	00	59898	0	RBU	165	15
323i w/Factory Roof Rails	00	RBU47	0	RBU	165	10
323i	06-11	59761	0	APE	110	5
		59762	0,LA	APE	110	5
		59763	0,LB	APE	110	5
		R6002	0	FPE	165	30
		R6004	0	FPE	165	30
323i w/Factory Roof Rails	06-10	RBU47	0	RBU	165	10
323i wagon w S-R w/Factory Roof Rails	00	RBU47	0	RBU	165	10
323is	99	R6004	0	FPE	165	30
323is 2 Dr. Coupe	99	59761	0	APE	110	5
		59762	0,LA	APE	110	5
325Ci	01-06	R6004	0	FPE	165	30
325Ci 2 Dr. Coupe	01-05	59761	0	APE	110	5
		59762	0,LA	APE	110	5
325Ci w/Factory Roof Rails	01-06	RBU47	0	RBU	165	10
325Ci	06	R6002	0	FPE	165	30
325Ci 2 Dr. Coupe	06	59761	0	APE	110	5
		59762	0,LA	APE	110	5
		59763	0,LB	APE	110	5
325i	01-05	59762	0,LA	APE	110	5
325i	01-06	R6004	0	FPE	165	30
325i	01-13	59761	0	APE	110	5
325i Sports Wagon w/Factory Roof Rails	01-05	59898	0	RBU	165	15
325i w/Factory Roof Rails	01-06	RBU47	0	RBU	165	10
325i	06	59763	0,LB	APE	110	5
		R6002	0	FPE	165	30
325i	06-13	59762	0,LA	APE	110	5
325i wagon w S-R w/Factory Roof Rails	01-05	RBU47	0	RBU	165	10
325xi	01-05	59762	0,LA	APE	110	5
325xi	01-06	R6004	0	FPE	165	30
325xi 4 Dr. Sedan	01-05	59761	0	APE	110	5
325xi Sports Wagon w/Factory Roof Rails	01-05	59898	0	RBU	165	15
325xi w/Factory Roof Rails	01-06	RBU47	0	RBU	165	10
325xi	06	R6002	0	FPE	165	30
325xi 4 Dr. Sedan	06	59761	0	APE	110	5
		59762	0,LA	APE	110	5
		59763	0,LB	APE	110	5
328Ci	00	R6004	0	FPE	165	30
328Ci 2 Dr. Coupe	00	59761	0	APE	110	5
		59762	0,LA	APE	110	5
328Ci w/Factory Roof Rails	00	RBU47	0	RBU	165	10
328d	14-16	59762	0,LA	APE	110	5
328d	14-17	R6002	0	FPE	165	30
328d xDrive	14-16	59762	0,LA	APE	110	5
328d xDrive	14-17	R6002	0	FPE	165	30
328i	99-00	59761	0	APE	110	5
		59762	0,LA	APE	110	5
		R6004	0	FPE	165	30
328i w/Factory Roof Rails	00	RBU47	0	RBU	165	10
328i	07-13	R6004	0	FPE	165	30
328i	07-14	59761	0	APE	110	5
		59763	0,LB	APE	110	5
328i	07-15	59762	0,LA	APE	110	5
328i	07-16	R6002	0	FPE	165	30
328i Sports Wagon w/Factory Roof Rails	07-12	59898	0	RBU	165	15
328i w/Factory Roof Rails	07-12	RBU47	0	RBU	165	10
328i GT xDrive	14-15	59762	0,LA	APE	110	5

ROOF RACK APPLICATION GUIDE

MODEL / STYLE	YEAR	PART NO.	FN	MS	WC	IN
BMW (Continued)						
328i wagon w S-R w/Factory Roof Rails	06-12	RBU47	0	RBU	165	10
328i xDrive	09-13	R6004	0	FPE	165	30
328i xDrive	09-16	59761	0	APE	110	5
		59762	0,LA	APE	110	5
		59763	0,LB	APE	110	5
		R6002	0	FPE	165	30
328i xDrive w/Factory Roof Rails	09-10	RBU47	0	RBU	165	10
328is	99	59761	0	APE	110	5
		59762	0,LA	APE	110	5
		R6004	0	FPE	165	30
328xi	07-08	59761	0	APE	110	5
		59762	0,LA	APE	110	5
		59763	0,LB	APE	110	5
		R6002	0	FPE	165	30
328xi Sports Wagon w/Factory Roof Rails	07-08	59898	0	RBU	165	15
328xi w/Factory Roof Rails	07-08	RBU47	0	RBU	165	10
328xi wagon w S-R w/Factory Roof Rails	06-12	RBU47	0	RBU	165	10
330Ci	01-06	R6004	0	FPE	165	30
330Ci 2 Dr. Coupe	01-05	59761	0	APE	110	5
		59762	0,LA	APE	110	5
330Ci w/Factory Roof Rails	01-06	RBU47	0	RBU	165	10
330Ci	06	R6002	0	FPE	165	30
330Ci 2 Dr. Coupe	06	59761	0	APE	110	5
		59762	0,LA	APE	110	5
		59763	0,LB	APE	110	5
330e	16-17	R6002	0	FPE	165	30
330i	01-05	59761	0	APE	110	5
		59762	0,LA	APE	110	5
330i	01-06	R6004	0	FPE	165	30
330i w/Factory Roof Rails	01-06	RBU47	0	RBU	165	10
330i	06	59761	0	APE	110	5
		59763	0,LB	APE	110	5
		R6002	0	FPE	165	30
330i	06-07	59762	0,LA	APE	110	5
330i	16	59762	0,LA	APE	110	5
330i	17	R6002	0	FPE	165	30
330i xDrive	17	R6002	0	FPE	165	30
330xi	01-06	R6004	0	FPE	165	30
330xi 4 Dr. Sedan	01-05	59761	0	APE	110	5
		59762	0,LA	APE	110	5
330xi w/Factory Roof Rails	01-06	RBU47	0	RBU	165	10
330xi	06	59761	0	APE	110	5
		59762	0,LA	APE	110	5
		59763	0,LB	APE	110	5
		R6002	0	FPE	165	30
335d	09-11	R6002	0	FPE	165	30
335d 4 Dr. Sedan	09-11	R6004	0	FPE	165	30
		59761	0	APE	110	5
		59762	0,LA	APE	110	5
59763	0,LB	APE	110	5		
335d w/Factory Roof Rails	09-10	RBU47	0	RBU	165	10
335i	07-13	59761	0	APE	110	5
		59763	0,LB	APE	110	5
		R6004	0	FPE	165	30
335i	07-15	59762	0,LA	APE	110	5
		R6002	0	FPE	165	30
335i w/Factory Roof Rails	07-10	RBU47	0	RBU	165	10
335i	14-15	59761	0	APE	110	5
335i GT xDrive	14-15	59762	0,LA	APE	110	5
335i xDrive	09-11	59762	0,LA	APE	110	5
335i xDrive	09-13	59761	0	APE	110	5
		59763	0,LB	APE	110	5
		R6004	0	FPE	165	30
335i xDrive	09-15	R6002	0	FPE	165	30

MODEL / STYLE	YEAR	PART NO.	FN	MS	WC	IN
BMW (Continued)						
335i xDrive w/Factory Roof Rails	09-10	RBU47	0	RBU	165	10
335i xDrive	13-15	59762	0,LA	APE	110	5
335i xDrive	14-15	59761	0	APE	110	5
335is	11-13	R6002	0	FPE	165	30
		R6004	0	FPE	165	30
335is 2 Dr. Coupe	11-13	59761	0	APE	110	5
		59762	0,LA	APE	110	5
		59763	0,LB	APE	110	5
335xi	07-08	59761	0	APE	110	5
		59763	0,LB	APE	110	5
		R6002	0	FPE	165	30
		R6004	0	FPE	165	30
335xi	07-10	59762	0,LA	APE	110	5
335xi w/Factory Roof Rails	07-08	RBU47	0	RBU	165	10
340i	16	59762	0,LA	APE	110	5
340i	16-17	R6002	0	FPE	165	30
340i xDrive	16	59762	0,LA	APE	110	5
340i xDrive	16-17	R6002	0	FPE	165	30
420i	16	59761	0	APE	110	5
428i	14-15	59761	0	APE	110	5
428i	15-16	R6004	0	FPE	165	30
428i xDrive	14-16	59761	0	APE	110	5
428i xDrive	15-16	R6004	0	FPE	165	30
430i	17	R6004	0	FPE	165	30
430i xDrive	17	R6004	0	FPE	165	30
435i	14-15	59761	0	APE	110	5
435i	15-16	R6004	0	FPE	165	30
435i xDrive	14-16	59761	0	APE	110	5
435i xDrive	15-16	R6004	0	FPE	165	30
440i	17	R6004	0	FPE	165	30
440i Gran Coupe	17	R6004	0	FPE	165	30
440i xDrive	17	R6004	0	FPE	165	30
440i xDrive Gran Coupe	17	R6004	0	FPE	165	30
520i	14-16	59762	0	APE	110	5
525i	01-03	59762	0	APE	110	5
525i 4 Dr. Sedan	01-03	59763	0,LB	APE	110	5
525i Sports Wagon w/Factory Roof Rails	01-03	59898	0	RBU	165	15
525i w/Factory Roof Rails	01-03	RBU47	0	RBU	165	10
		RBU53	0	RBU	165	10
525i wagon w S-R w/Factory Roof Rails	01-03	RBU47	0	RBU	165	10
528i	97-00	59762	0	APE	110	5
		R6002	0	FPE	165	30
528i 4 Dr. Sedan	97-00	59763	0,LB	APE	110	5
528i w/Factory Roof Rails	99-00	RBU53	0	RBU	165	10
528i Sports Wagon w/Factory Roof Rails	00	59898	0	RBU	165	15
528i w/Factory Roof Rails	00	RBU47	0	RBU	165	10
528i	10-16	R6005	0	FPE	30	
		R6004	0	FPE	165	30
528i	11-16	59762	0	APE	110	5
528i xDrive	10-16	R6005	0	FPE	30	
		R6004	0	FPE	165	30
528i xDrive	12-16	59762	0	APE	110	5
530i	01-03	59762	0	APE	110	5
		R6002	0	FPE	165	30
530i 4 Dr. Sedan	01-03	59763	0,LB	APE	110	5
530i w/Factory Roof Rails	01-03	RBU53	0	RBU	165	10
530i	12-13	59762	0	APE	110	5
530xi Sports Wagon w/Factory Roof Rails	06-07	59898	0	RBU	165	15
530xi w/Factory Roof Rails	06-07	RBU47	0	RBU	165	10
530xi wagon w S-R w/Factory Roof Rails	06-07	RBU47	0	RBU	165	10
535d	14-16	R6005	0	FPE	30	
		59762	0	APE	110	5
		R6004	0	FPE	165	30

ROOF RACK APPLICATION GUIDE

MODEL / STYLE	YEAR	PART NO.	FN	MS	WC	IN
BMW (Continued)						
535d xDrive	14-16	R6005	0	FPE		30
		59762	0	APE	110	5
		R6004	0	FPE	165	30
535i	10-16	R6005	0	FPE		30
		R6004	0	FPE	165	30
535i	11-16	59762	0	APE	110	5
535i xDrive	10-15	R6005	0	FPE		30
535i xDrive	10-16	R6004	0	FPE	165	30
535i xDrive	11-16	59762	0	APE	110	5
535xi Sports Wagon w/Factory Roof Rails	08	59898	0	RBU	165	15
535xi w/Factory Roof Rails	08	RBU47	0	RBU	165	10
535xi wagon w S-R w/Factory Roof Rails	08-10	RBU47	0	RBU	165	10
540i	97-03	59762	0	APE	110	5
		R6002	0	FPE	165	30
540i 4 Dr. Sedan	97-03	59763	0, LB	APE	110	5
540i Sports Wagon w/Factory Roof Rails	99-03	59898	0	RBU	165	15
540i w/Factory Roof Rails	99-03	RBU47	0	RBU	165	10
		RBU53	0	RBU	165	10
550i	10-16	R6005	0	FPE		30
		R6004	0	FPE	165	30
550i	11-16	59762	0	APE	110	5
550i xDrive	11-16	59762	0	APE	110	5
M3 2 Dr. Coupe	01-06	59761	0	APE	110	5
		59762	0, LA	APE	110	5
M3 2 Dr. Coupe	08-13	59761	0	APE	110	5
		59762	0, LA	APE	110	5
		59763	0, LB	APE	110	5
M5 4 Dr. Sedan	00-03	59762	0	APE	110	5
		59763	0, LB	APE	110	5
X3 w/Factory Roof Rails	04-10	59827	0	RB	110	15
		59899	0	RBU	165	15
		RBU53	0	RBU	165	10
X5 w/Factory Roof Rails	00-06	59828	0	RB	110	15
		59899	0	RBU	165	15
X5 w/Factory Roof Rails	00-10	RBU53	0	RBU	165	10
X5 w/Factory Roof Rails	07-10	59829	0	RB	110	15
		59899	0	RBU	165	15
BUICK						
Rainier w/Factory Roof Rails	06-07	59898	0	RBU	165	15
		RBU47	0	RBU	165	10
Terraza w/Factory Roof Rails	05-07	RBU47	0	RBU	165	10
CADILLAC						
Escalade w/Factory Roof Rails	15-16	59685	0	REX	165	15
Escalade ESV w/Factory Roof Rails	15-16	59685	0	REX	165	15
SRX w/Factory Roof Rails	04-09	59898	0	RBU	165	15
		59899	0, LB	RBU	165	15
		RBU47	0	RBU	165	10
SRX w/Factory Roof Rails	10-13	59899	0, LB	RBU	165	15
SRX w/Factory Roof Rails	10-16	59893	0	RBXL	165	5
		59898	0	RBU	165	15
		RBU53	0	RBU	165	10
CHEVROLET						
Astro w/Factory Roof Rails	94-05	RBU53	0	RBU	165	10
Avalanche w/Factory Roof Rails	07-13	59711	0, LC	RBU	165	15
		59899	0	RBU	165	15
		RBU53	0	RBU	165	10
Blazer Downsize, w/Factory Roof Rails	95-97	59898	0	RBU	165	15
Blazer Downsize, w/Factory Roof Rails	95-05	RBU47	0	RBU	165	10
Blazer Trailblazer, w/Factory Roof Rails	99-01	RBU47	0	RBU	165	10
Blazer Downsize, w/Factory Roof Rails	03-04	59898	0	RBU	165	15
Blazer Trailblazer w/Factory Roof Rails	99-01	59898	0	RBU	165	15
Captiva Sport w/Factory Roof Rails	08-15	59898	0	RBU	165	15
		RBU47	0	RBU	165	10

MODEL / STYLE	YEAR	PART NO.	FN	MS	WC	IN
CHEVROLET (Continued)						
Colorado	04-12	R5067	0	DFE		30
		59754	UG, WJ	DMS	165	45
		59853	UG, WJ	TRS	165	60
		59742	0, UI	TBR	400	40
Colorado w/Aftermarket Fiberglass Flat Roof Cap or Tonneau	04-12	59753	UH, WJ	DMS	165	30
		59855	UH, WJ	TRS	165	40
Colorado	14-16	59754	UG, WJ	DMS	165	45
		59853	UG, WJ	TRS	165	60
		59742	0, UI	TBR	400	40
Colorado w/Aftermarket Fiberglass Flat Roof Cap or Tonneau	14-16	59753	UH, WJ	DMS	165	30
		59855	UH, WJ	TRS	165	40
Colorado Crew Cab	15-18	R5042	0	DFE		30
Cruze	11-17	R5006	0	DFE	110	30
Equinox w/Factory Roof Rails	10-17	59786	0	REX	165	15
		R4000	0	RBE	165	
Equinox w/Factory Roof Rails	18-19	RBU47	0	RBU	165	10
Express 1500	96-14	59754	UG, WJ	DMS	165	45
		59853	UG, WJ	TRS	165	60
		59854	UG, WJ	TRS	165	60
Express 2500	96-17	59754	UG, WJ	DMS	165	45
		59853	UG, WJ	TRS	165	60
		59854	UG, WJ	TRS	165	60
Express 3500	96-17	59754	UG, WJ	DMS	165	45
		59853	UG, WJ	TRS	165	60
		59854	UG, WJ	TRS	165	60
G10	75-95	59754	UG, WJ	DMS	165	45
		59853	UG, WJ	TRS	165	60
		59854	UG, WJ	TRS	165	60
G10 Van	71-74	59754	UG, WJ	DMS	165	45
		59853	UG, WJ	TRS	165	60
G20	75-95	59754	UG, WJ	DMS	165	45
		59853	UG, WJ	TRS	165	60
		59854	UG, WJ	TRS	165	60
G20 Van	71-74	59754	UG, WJ	DMS	165	45
		59853	UG, WJ	TRS	165	60
G30	75-96	59754	UG, WJ	DMS	165	45
		59853	UG, WJ	TRS	165	60
		59854	UG, WJ	TRS	165	60
G30 Van	71-74	59754	UG, WJ	DMS	165	45
		59853	UG, WJ	TRS	165	60
		59854	UG, WJ	TRS	165	60
HHR w/Factory Roof Rails	06-11	59897	0	RBU	165	15
HHR SS w/Factory Roof Rails	08-10	59897	0	RBU	165	15
Malibu	13-15	R5010	0	DFE	110	30
S10	94-04	59754	UG, WJ	DMS	165	45
		59853	UG, WJ	TRS	165	60
		59742	0, UI	TBR	400	40
S10 w/Aftermarket Fiberglass Flat Roof Cap or Tonneau	94-04	59753	UH, WJ	DMS	165	30
		59855	UH, WJ	TRS	165	40
S-10 Blazer w/Factory Roof Rails	88-94	RBU47	0	RBU	165	10
Silverado 1500 (Classic)	99-07	59754	UG, WJ	DMS	165	45
		59853	UG, WJ	TRS	165	60
		59742	0, UI	TBR	400	40
Silverado 1500 (Classic), w/Aftermarket Fiberglass Flat Roof Cap or Tonneau	99-07	59753	UH, WJ	DMS	165	30
		59855	UH, WJ	TRS	165	40
Silverado 1500	07-18	59754	UG, WJ	DMS	165	45
		59853	UG, WJ	TRS	165	60
		59742	0, UI	TBR	400	40
Silverado 1500 w/Aftermarket Fiberglass Flat Roof Cap or Tonneau	07-18	59753	UH, WJ	DMS	165	30
		59855	UH, WJ	TRS	165	40
Silverado 1500 4 Dr Models	14-18	R5013	0	DFE	110	30

CARGO MANAGEMENT

ROOF RACK APPLICATION GUIDE

MODEL / STYLE	YEAR	PART NO.	FN	MS	WC	IN
CHEVROLET (Continued)						
Silverado 1500 HD (Classic)	01-07	59754	UG,UJ	DMS	165	45
		59853	UG,UJ	TRS	165	60
		59742	0,UJ	TBR	400	40
Silverado 1500 HD (Classic), w/Aftermarket Fiberglass Flat Roof Cap or Tonneau	01-07	59753	UH,UJ	DMS	165	30
		59855	UH,UJ	TRS	165	40
Silverado 2500	99-04	59754	UG,UJ	DMS	165	45
		59853	UG,UJ	TRS	165	60
		59742	0,UJ	TBR	400	40
Silverado 2500 w/Aftermarket Fiberglass Flat Roof Cap or Tonneau	99-04	59753	UH,UJ	DMS	165	30
		59855	UH,UJ	TRS	165	40
Silverado 2500 HD (Classic)	01-07	59754	UG,UJ	DMS	165	45
		59853	UG,UJ	TRS	165	60
		59742	0,UJ	TBR	400	40
Silverado 2500 HD (Classic), w/Aftermarket Fiberglass Flat Roof Cap or Tonneau	01-07	59753	UH,UJ	DMS	165	30
		59855	UH,UJ	TRS	165	40
Silverado 2500 HD	07-18	59754	UG,UJ	DMS	165	45
		59853	UG,UJ	TRS	165	60
		59742	0,UJ	TBR	400	40
Silverado 2500 HD w/Aftermarket Fiberglass Flat Roof Cap or Tonneau	07-18	59753	UH,UJ	DMS	165	30
Silverado 2500 HD 4 Dr Models	15-18	R5013	0	DFE	110	30
		59754	UG,UJ	DMS	165	45
		59853	UG,UJ	TRS	165	60
Silverado 3500 (Classic)	01-07	59754	UG,UJ	DMS	165	45
		59853	UG,UJ	TRS	165	60
		59742	0,UJ	TBR	400	40
Silverado 3500 (Classic), w/Aftermarket Fiberglass Flat Roof Cap or Tonneau	01-07	59753	UH,UJ	DMS	165	30
		59855	UH,UJ	TRS	165	40
Silverado 3500 HD	07-18	59754	UG,UJ	DMS	165	45
		59853	UG,UJ	TRS	165	60
		59742	0,UJ	TBR	400	40
Silverado 3500 HD w/Aftermarket Fiberglass Flat Roof Cap or Tonneau	07-18	59753	UH,UJ	DMS	165	30
Silverado 3500 HD 4 Dr Models	15-18	R5013	0	DFE	110	30
		59754	UG,UJ	DMS	165	45
		59853	UG,UJ	TRS	165	60
Spark w/Factory Roof Rails	13-16	59897	0	RBU	165	15
Suburban w/Factory Roof Rails	00-14	RBU47	0	RBU	165	10
		RBU53	0	RBU	165	10
		RBU53	0	RBU	165	10
Suburban 1500 w/Factory Roof Rails	00-14	59711	0,L,C	RBU	165	15
		59899	0	RBU	165	15
Suburban C1500 w/Factory Roof Rails	92-99	59711	0,L,C	RBU	165	15
		59899	0	RBU	165	15
		RBU53	0	RBU	165	10
Suburban C2500 w/Factory Roof Rails	92-99	59711	0,L,C	RBU	165	15
		59899	0	RBU	165	15
		RBU53	0	RBU	165	10
Suburban K1500 w/Factory Roof Rails	92-99	59711	0,L,C	RBU	165	15
		59899	0	RBU	165	15
		RBU53	0	RBU	165	10
Suburban K2500 w/Factory Roof Rails	92-99	59711	0,L,C	RBU	165	15
		59899	0	RBU	165	15
		RBU53	0	RBU	165	10
Tahoe w/Factory Roof Rails	95-99	59711	0,L,C	RBU	165	15
		59899	0	RBU	165	15
Tahoe w/Factory Roof Rails	95-14	RBU60	0	RBU	165	10
Tahoe w/Factory Roof Rails	00-14	59711	0,L,C	RBU	165	15
		59899	0	RBU	165	15
Tahoe w/Factory Roof Rails	15-16	59685	0	REX	165	15
Tracker w/Factory Roof Rails	98-04	59899	0	RBU	165	15
Trax w/Factory Roof Rails	13-16	RBU47	0	RBU	165	10
		RBU47	0	RBU	165	10
		RBU47	0	RBU	165	10
Trax w/Factory Roof Rails	13-17	59898	0	RBU	165	15
Uplander w/Factory Roof Rails	05-08	59899	0	RBU	165	15
Uplander w/Factory Roof Rails	05-09	RBU47	0	RBU	165	10

MODEL / STYLE	YEAR	PART NO.	FN	MS	WC	IN
CHEVROLET (Continued)						
Uplander w/Factory Roof Rails (Canada Only)	09	59899	0	RBU	165	15
Venture w/Factory Roof Rails	97-04	RBU47	0	RBU	165	10
Venture w/Factory Roof Rails	97-05	59898	0	RBU	165	15
		59899	0,LB	RBU	165	15
CHRYSLER						
200 Sedan	15-17	R5026	0	DFE		30
Aspen w/Factory Roof Rails	07-09	59898	0	RBU	165	15
		59899	0,LB	RBU	165	15
		RBU53	0	RBU	165	10
Town & Country w/Factory Roof Rails	01-07	RBU53	0	RBU	165	10
DODGE						
Dakota	97-10	59754	UG,UJ	DMS	165	45
		59853	UG,UJ	TRS	165	60
		59742	0,UJ	TBR	400	40
Dakota w/Aftermarket Fiberglass Flat Roof Cap or Tonneau	97-10	59753	UH,UJ	DMS	165	30
Dart Sedan	13-16	R5026	0	DFE		30
		R5026	0	DFE		30
Durango w/Factory Roof Rails	04-09	59898	0	RBU	165	15
		59899	0,LB	RBU	165	15
		RBU53	0	RBU	165	10
Durango	11-19	R5041	0	DFE		30
Journey w/Factory Raised Roof Rails	09-15	59898	0	RBU	165	15
		59899	0,LB	RBU	165	15
Journey w/Factory Roof Rails	09-17	RBU53	0	RBU	165	10
Ram 1500	94-01	59754	UG,UJ	DMS	165	45
		59853	UG,UJ	TRS	165	60
		59742	0,UJ	TBR	400	40
Ram 1500 w/Aftermarket Fiberglass Flat Roof Cap or Tonneau	94-01	59753	UH,UJ	DMS	165	30
		59855	UH,UJ	TRS	165	40
Ram 1500	02-08	59754	UG,UJ	DMS	165	45
		59853	UG,UJ	TRS	165	60
		59742	0,UJ	TBR	400	40
Ram 1500 w/Aftermarket Fiberglass Flat Roof Cap or Tonneau	02-08	59753	UH,UJ	DMS	165	30
		59855	UH,UJ	TRS	165	40
Ram 1500	09-10	59754	UG,UJ	DMS	165	45
		59853	UG,UJ	TRS	165	60
		59742	0,UJ	TBR	400	40
Ram 1500 4 Dr Models	09-10	R5008	0	DFE	110	30
Ram 1500 w/Aftermarket Fiberglass Flat Roof Cap or Tonneau	09-10	59753	UH,UJ	DMS	165	30
		59855	UH,UJ	TRS	165	40
Ram 2500	94-02	59754	UG,UJ	DMS	165	45
		59853	UG,UJ	TRS	165	60
		59742	0,UJ	TBR	400	40
Ram 2500 w/Aftermarket Fiberglass Flat Roof Cap or Tonneau	94-02	59753	UH,UJ	DMS	165	30
		59855	UH,UJ	TRS	165	40
Ram 2500	03-09	59754	UG,UJ	DMS	165	45
		59853	UG,UJ	TRS	165	60
		59742	0,UJ	TBR	400	40
Ram 2500 w/Aftermarket Fiberglass Flat Roof Cap or Tonneau	03-09	59753	UH,UJ	DMS	165	30
		59855	UH,UJ	TRS	165	40
Ram 2500 4 Dr Models	09-10	R5008	0	DFE	110	30
Ram 2500	10	59754	UG,UJ	DMS	165	45
		59853	UG,UJ	TRS	165	60
		59742	0,UJ	TBR	400	40
Ram 2500 w/Aftermarket Fiberglass Flat Roof Cap or Tonneau	10	59753	UH,UJ	DMS	165	30
		59855	UH,UJ	TRS	165	40
Ram 3500	94-02	59754	UG,UJ	DMS	165	45
		59853	UG,UJ	TRS	165	60
		59742	0,UJ	TBR	400	40
Ram 3500 w/Aftermarket Fiberglass Flat Roof Cap or Tonneau	94-02	59753	UH,UJ	DMS	165	30
		59855	UH,UJ	TRS	165	40
Ram 3500	03-09	59754	UG,UJ	DMS	165	45
		59853	UG,UJ	TRS	165	60
		59742	0,UJ	TBR	400	40

ROOF RACK APPLICATION GUIDE

MODEL / STYLE	YEAR	PART NO.	FN	MS	WC	IN
DODGE (Continued)						
Ram 3500 w/Aftermarket Fiberglass Flat Roof Cap or Tonneau	03-09	59753	UH,UJ	DMS	165	30
		59855	UH,UJ	TRS	165	40
Ram 3500 4 Dr Models	09-10	R5008	0	DFE	110	30
Ram 3500	10	59754	UG,UJ	DMS	165	45
		59853	UG,UJ	TRS	165	60
		59742	0,UJ	TBR	400	40
Ram 3500 w/Aftermarket Fiberglass Flat Roof Cap or Tonneau	10	59753	UH,UJ	DMS	165	30
		59855	UH,UJ	TRS	165	40
FORD						
C-MAX	13-18	R5058	0	DFE		30
E-100 Econoline	75-83	59754	UG,UJ	DMS	165	45
		59853	UG,UJ	TRS	165	60
		59854	UG,UJ	TRS	165	60
E-150 Econoline	75-14	59754	UG,UJ	DMS	165	45
		59853	UG,UJ	TRS	165	60
		59854	UG,UJ	TRS	165	60
E-250 Econoline	75-14	59754	UG,UJ	DMS	165	45
		59853	UG,UJ	TRS	165	60
		59854	UG,UJ	TRS	165	60
E-350 Econoline	75-02	59754	UG,UJ	DMS	165	45
		59853	UG,UJ	TRS	165	60
		59854	UG,UJ	TRS	165	60
E-350 Econoline Super Duty	03-14	59754	UG,UJ	DMS	165	45
		59853	UG,UJ	TRS	165	60
		59854	UG,UJ	TRS	165	60
Edge	07-14	R5045	0	DFE		30
Edge Except w/Factory Roof Rails	07-14	59770	0	GTX	110	5
Edge w/Factory Roof Rails	07-14	59899	0	RBU	165	15
		RBU53	0	RBU	165	10
Escape w/Factory Roof Rails	08-12	59897	0	RBU	165	15
		59898	0,LA	RBU	165	15
Escape	13-18	R5003	0	DFE	110	30
Escape w/Factory Roof Rails	13-16	59898	0	RBU	165	15
		59899	0,LB	RBU	165	15
Escape w/Factory Roof Rails	13-18	RBU53	0	RBU	165	10
Explorer 2 Dr. Sport, w/Factory Roof Rails	01-03	59899	0	RBU	165	15
Explorer Sport, w/Factory Roof Rails	01-03	RBU53	0	RBU	165	10
Explorer 4 Dr., w/Factory Roof Rails	02-05	59897	0	RBU	165	15
59898		0,LA	RBU	165	15	
Explorer w/Factory Roof Rails	02-04	RBU47	0	RBU	165	10
Explorer w/Factory Roof Rails	11-15	59711	0	RBU	165	15
		RBU60	0	RBU	165	10
Explorer Sport Trac w/Factory Roof Rails	01-05	59899	0	RBU	165	15
		RBU53	0	RBU	165	10
F-150	04-18	59754	UG,UJ	DMS	165	45
		59853	UG,UJ	TRS	165	60
F-150 Except Flareside	04-18	59742	0,UJ	TBR	400	40
F-150 w/Aftermarket Fiberglass Flat Roof Cap or Tonneau	04-18	59753	UH,UJ	DMS	165	30
		59855	UH,UJ	TRS	165	40
F-150 4 Dr Models	15-18	R5102	0	DFE	110	30
F-250 Super Duty 4 Dr Models	99-16	R5007	0	DFE	110	30
F-250 Super Duty 4 Dr Models	17-18	R5102	0	DFE	110	30
F-350 Super Duty 4 Dr Models	99-16	R5007	0	DFE	110	30
F-350 Super Duty 4 Dr Models	17-18	R5102	0	DFE	110	30
F-450 Super Duty 4 Dr Models	99-16	R5007	0	DFE	110	30
F-450 Super Duty 4 Dr Models	17-18	R5102	0	DFE	110	30
F-550 Super Duty 4 Dr Models	99-16	R5007	0	DFE	110	30
F-550 Super Duty 4 Dr Models	17-18	R5102	0	DFE	110	30
Fiesta 4 Dr. Sedan	11-17	59769	0	GTX	110	5
Fiesta 5 Dr. Hatchback	11-16	59768	0	GTX	110	5
Fiesta Hatchback	11-18	R5038	0	DFE		30
Fiesta Sedan	11-18	R5038	0	DFE		30
Flex	09-18	R5030	0	DFE		30
Focus Hatchback	12-17	R5101	0	DFE	110	30

MODEL / STYLE	YEAR	PART NO.	FN	MS	WC	IN
FORD (Continued)						
Focus Sedan	12-17	R5101	0	DFE	110	30
Freestar w/Factory Roof Rails	04-07	59897	0	RBU	165	15
		59898	0,LA	RBU	165	15
Freestyle w/Factory Roof Rails	05-07	59899	0	RBU	165	15
		RBU53	0	RBU	165	10
Fusion	13-18	R5004	0	DFE	110	30
Ranger	01-11	59754	UG,UJ	DMS	165	45
		59853	UG,UJ	TRS	165	60
		59742	0,UJ	TBR	400	40
Ranger w/Aftermarket Fiberglass Flat Roof Cap or Tonneau	01-11	59753	UH,UJ	DMS	165	30
		59855	UH,UJ	TRS	165	40
Transit Connect	10-17	59754	UG,UJ	DMS	165	45
		59853	UG,UJ	TRS	165	60
		59854	UG,UJ	TRS	165	60
Transit Connect Except w/Factory Roof Rails, With Roof Anchor Points	10-13	59968	0	APE	165	15
Transit-150	15-18	59853	UG,UJ	TRS	165	60
Transit-250	15-18	59853	UG,UJ	TRS	165	60
Transit-350	15-18	59853	UG,UJ	TRS	165	60
GMC						
Acadia w/Factory Roof Rails	10-16	59680		REX	165	15
Acadia Limited w/Factory 7-Way	17	59680		REX	165	15
Canyon	04-12	R5067	0	DFE		30
		59754	UG,UJ	DMS	165	45
		59853	UG,UJ	TRS	165	60
		59742	0,UJ	TBR	400	40
Canyon w/Aftermarket Fiberglass Flat Roof Cap or Tonneau	04-12	59753	UH,UJ	DMS	165	30
		59855	UH,UJ	TRS	165	40
Canyon Crew Cab	15-18	R5042	0	DFE		30
G15	75-78	59754	UG,UJ	DMS	165	45
		59853	UG,UJ	TRS	165	60
		59854	UG,UJ	TRS	165	60
G15/G1500 Van	71-74	59754	UG,UJ	DMS	165	45
		59853	UG,UJ	TRS	165	60
		59854	UG,UJ	TRS	165	60
G1500	79-95	59754	UG,UJ	DMS	165	45
		59853	UG,UJ	TRS	165	60
		59854	UG,UJ	TRS	165	60
G25	75-78	59754	UG,UJ	DMS	165	45
		59853	UG,UJ	TRS	165	60
		59854	UG,UJ	TRS	165	60
G25/G2500 Van	71-74	59754	UG,UJ	DMS	165	45
		59853	UG,UJ	TRS	165	60
		59854	UG,UJ	TRS	165	60
G2500	79-95	59754	UG,UJ	DMS	165	45
		59853	UG,UJ	TRS	165	60
		59854	UG,UJ	TRS	165	60
G35	75-78	59754	UG,UJ	DMS	165	45
		59853	UG,UJ	TRS	165	60
		59854	UG,UJ	TRS	165	60
G35/G3500 Van	71-74	59754	UG,UJ	DMS	165	45
		59853	UG,UJ	TRS	165	60
		59854	UG,UJ	TRS	165	60
G3500	79-96	59754	UG,UJ	DMS	165	45
		59853	UG,UJ	TRS	165	60
		59854	UG,UJ	TRS	165	60
Jimmy Downsize, w/Factory Roof Rails	95-05	RBU47	0	RBU	165	10
Jimmy Downsize, w/Factory Roof Rails	02	59898	0	RBU	165	15
Jimmy w/Factory Roof Rails	02	RBU47	0	RBU	165	10
Savana 1500	96-14	59754	UG,UJ	DMS	165	45
		59853	UG,UJ	TRS	165	60
		59854	UG,UJ	TRS	165	60
Savana 2500	96-17	59754	UG,UJ	DMS	165	45
		59853	UG,UJ	TRS	165	60
		59854	UG,UJ	TRS	165	60

ROOF RACK APPLICATION GUIDE

MODEL / STYLE	YEAR	PART NO.	FN	MS	WC	IN
GMC (Continued)						
Savana 3500	96-17	59754	UG,UJ	DMS	165	45
		59853	UG,UJ	TRS	165	60
		59854	UG,UJ	TRS	165	60
Sierra 1500 (Classic)	99-07	59754	UG,UJ	DMS	165	45
		59853	UG,UJ	TRS	165	60
		59742	0,UJ	TBR	400	40
Sierra 1500 (Classic), w/Aftermarket Fiberglass Flat Roof Cap or Tonneau	99-07	59753	UH,UJ	DMS	165	30
		59855	UH,UJ	TRS	165	40
Sierra 1500	07-18	59754	UG,UJ	DMS	165	45
		59853	UG,UJ	TRS	165	60
		59742	0,UJ	TBR	400	40
Sierra 1500 w/Aftermarket Fiberglass Flat Roof Cap or Tonneau	07-18	59753	UH,UJ	DMS	165	30
		59855	UH,UJ	TRS	165	40
Sierra 1500 4 Dr Models	14-18	R5013	0	DFE	110	30
Sierra 1500 HD (Classic)	01-07	59754	UG,UJ	DMS	165	45
		59853	UG,UJ	TRS	165	60
		59742	0,UJ	TBR	400	40
Sierra 1500 HD (Classic), w/Aftermarket Fiberglass Flat Roof Cap or Tonneau	01-07	59753	UH,UJ	DMS	165	30
		59855	UH,UJ	TRS	165	40
Sierra 2500	99-04	59754	UG,UJ	DMS	165	45
		59853	UG,UJ	TRS	165	60
		59742	0,UJ	TBR	400	40
Sierra 2500 w/Aftermarket Fiberglass Flat Roof Cap or Tonneau	99-04	59753	UH,UJ	DMS	165	30
		59855	UH,UJ	TRS	165	40
Sierra 2500 HD (Classic)	01-07	59754	UG,UJ	DMS	165	45
		59853	UG,UJ	TRS	165	60
		59742	0,UJ	TBR	400	40
Sierra 2500 HD (Classic), w/Aftermarket Fiberglass Flat Roof Cap or Tonneau	01-07	59753	UH,UJ	DMS	165	30
		59855	UH,UJ	TRS	165	40
Sierra 2500 HD	07-18	59754	UG,UJ	DMS	165	45
		59853	UG,UJ	TRS	165	60
		59742	0,UJ	TBR	400	40
Sierra 2500 HD w/Aftermarket Fiberglass Flat Roof Cap or Tonneau	07-18	59753	UH,UJ	DMS	165	30
		59855	UH,UJ	TRS	165	40
Sierra 2500 HD 4 Dr Models	14-18	R5013	0	DFE	110	30
Sierra 3500 (Classic)	01-07	59754	UG,UJ	DMS	165	45
		59853	UG,UJ	TRS	165	60
		59742	0,UJ	TBR	400	40
Sierra 3500 (Classic), w/Aftermarket Fiberglass Flat Roof Cap or Tonneau	01-07	59753	UH,UJ	DMS	165	30
		59855	UH,UJ	TRS	165	40
Sierra 3500 HD	07-18	59754	UG,UJ	DMS	165	45
		59853	UG,UJ	TRS	165	60
		59742	0,UJ	TBR	400	40
Sierra 3500 HD w/Aftermarket Fiberglass Flat Roof Cap or Tonneau	07-18	59753	UH,UJ	DMS	165	30
		59855	UH,UJ	TRS	165	40
Sierra 3500 HD 4 Dr Models	14-18	R5013	0	DFE	110	30
Sonoma	94-04	59754	UG,UJ	DMS	165	45
		59853	UG,UJ	TRS	165	60
		59742	0,UJ	TBR	400	40
Sonoma w/Aftermarket Fiberglass Flat Roof Cap or Tonneau	94-04	59753	UH,UJ	DMS	165	30
		59855	UH,UJ	TRS	165	40
Terrain w/Factory Roof Rails	10-17	59786	0	REX	165	15
		R4000	0	RBE	165	15
Terrain w/Factory Roof Rails	18	RBU47	0	RBU	165	10
Yukon w/Factory Roof Rails	92-99	59711	0,LC	RBU	165	15
		59899	0	RBU	165	15
Yukon w/Factory Roof Rails	92-14	RBU60	0	RBU	165	10
Yukon w/Amber Turn Signals	00-14	59711	0,LC	RBU	165	15
Yukon w/Factory Roof Rails	00-14	RBU53	0	RBU	165	10
Yukon w/Factory Roof Rails	15-17	59685	0	REX	165	15
Yukon Denali w/Factory Roof Rails	00-06	RBU60	0	RBU	165	10
Yukon XL w/Factory Roof Rails	15-17	59685	0	REX	165	15

MODEL / STYLE	YEAR	PART NO.	FN	MS	WC	IN
GMC (Continued)						
Yukon XL 1500 w/Factory Roof Rails	00-14	59711	0,LC	RBU	165	15
		59899	0	RBU	165	15
		RBU53	0	RBU	165	10
		RBU60	0	RBU	165	10
Yukon XL 2500 w/Factory Roof Rails	00-13	59711	0,LC	RBU	165	15
		59899	0	RBU	165	15
		RBU53	0	RBU	165	10
		RBU60	0	RBU	165	10
Yukon XL Denali w/Factory Roof Rails	00-06	RBU60	0	RBU	165	10
HONDA						
Accord Sedan	08-12	59757	0	GTX	110	5
Accord	13-17	R5011	0	DFE	110	30
Civic	06-12	R5021	0	DFE		30
Civic 4 Dr. Sedan	06-11	59759	0	GTX	110	5
Civic 4 Dr. Sedan	12-15	59758	0	GTX	110	5
Civic Sedan	13-15	R5073	0	DFE		30
Civic	16-17	R5002	0	DFE	110	30
CR-V	12-17	R4002	0	RBE	165	
CR-V w/Factory Roof Rails	12-16	59681	0	REX	165	20
Fit	07-08	59755	0	GTX	110	5
Fit	09-14	59756	0	GTX	110	5
Fit	15-18	R5039	0	DFE		30
Odyssey w/Factory Roof Rails	01-04	59898	0	RBU	165	15
		RBU47	0	RBU	165	10
Odyssey w/Factory Roof Rails	05-10	59899	0,LB	RBU	165	15
		RBU53	0	RBU	165	10
Odyssey w/Factory Roof Rails	11-17	59711	0	RBU	165	15
		RBU60	0	RBU	165	10
Odyssey w/Factory Roof Rails	18	59711	0	RBU	165	15
		RBU60	0	RBU	165	10
Passport w/Factory Roof Rails	98-02	59711	0,LC	RBU	165	15
		59899	0	RBU	165	15
		RBU47	0	RBU	165	10
Pilot	03-08	R5027	0	DFE		30
Pilot w/Factory Roof Rails	03-08	59898	0	RBU	165	15
		59899	0,LB	RBU	165	15
Pilot w/Factory Roof Rails	03-17	RBU53	0	RBU	165	10
Pilot	09-15	R5027	0	DFE		30
Pilot Except w/Factory Roof Rails	09-15	59760	0	GTX	110	15
Pilot w/Factory Roof Rails	09-13	59899	0	RBU	165	15
Pilot w/Factory Roof Rails	09-15	59711	0,LC	RBU	165	15
Ridgeline	06-14	R5027	0	DFE		30
HYUNDAI						
Accent	12-17	R5036	0	DFE		30
		R6002	0	FPE	165	30
Accent 4 Dr. Sedan, Except w/Factory Roof Rails	12-17	59884	0	GTX	110	15
Accent 5 Dr. Hatchback, Except w/Factory Roof Rails	12-14	59707	0	APX	100	5
		59715	0,LB	APE	110	5
Accent 5 Dr. Hatchback, Except w/Factory Roof Rails	12-17	59713	0	APE	110	5
		59714	0,LA	APE	110	5
Elantra Wagon, w/Factory Roof Rails	96-00	59897	0	RBU	165	15
Elantra 4 Dr. Sedan	07-10	59898	0,LA	RBU	165	15
		59803f	0	RM	110	15
Elantra Touring 5 Dr., w/Factory Roof Rails	09-12	59897	0	RBU	165	15
		59898	0,LA	RBU	165	15
Elantra	11-16	R5068	0	DFE		30
Elantra 4 Dr. Sedan, Except w/Factory Roof Rails	11-16	59867	0	GTX	110	15
Elantra 2 Dr. Coupe, Except w/Factory Roof Rails	13-16	59741	0	GTX	110	5
Elantra Sedan	17-18	R5024	0	DFE		30
Elantra GT	13-17	R6002	0	FPE	165	30
Elantra GT Except w/Factory Roof Rails	13-16	59740	0,LE	GTX	110	5
Entourage w/Factory Roof Rails	07-10	RBU47	0	RBU	165	10

ROOF RACK APPLICATION GUIDE

MODEL / STYLE	YEAR	PART NO.	FN	MS	WC	IN
HYUNDAI (Continued)						
Santa Fe w/Factory Roof Rails	01-06	59898	0	RBU	165	15
		59899	0, LB	RBU	165	15
		RBU43	0	RBU	165	10
Santa Fe Except w/Factory Roof Rails, (6/7 Passenger)	13-17	59779	0	GTX	110	15
Santa Fe Sport w/Factory Roof Rails, (5 Passenger)	13-17	59766	0	REX	110	5
Santa Fe Sport, Except w/Factory Roof Rails, (5 Passenger)	13-14	59779	0	GTX	110	15
Santa Fe w/Factory Roof Rails, (6/7 Passenger)	13-17	59766	0	REX	110	5
Sonata Except w/Factory Roof Rails	11-14	59866	0	GTX	110	15
Sonata	15-17	R5009	0	DFE	110	30
Tucson w/Factory Roof Rails	05-09	59898	0	RBU	165	15
		59899	0, LB	RBU	165	15
		RBU47	0	RBU	165	10
Tucson w/Factory Roof Rails	10-15	59870	0	RBXL	165	15
		59898	0	RBU	165	15
		59899	0, LB	RBU	165	15
		RBU53	0	RBU	165	10
Tucson GL (US Only)	11-15	59730	0	GTX	110	5
Veloster Except w/Factory Roof Rails	12-16	59726	0, LE	GTX	110	5
Veracruz w/Factory Roof Rails	07-12	59898	0	RBU	165	15
		59899	0, LB	RBU	165	15
		RBU53	0	RBU	165	10
INFINITI						
EX35 w/Factory Roof Rails	08-12	59897	0	RBU	165	15
		RBU47	0	RBU	165	10
EX37 w/Factory Roof Rails	13	RBU47	0	RBU	165	10
FX35 w/Factory Roof Rails	03-12	59898	0	RBU	165	15
		RBU47	0	RBU	165	10
FX37 w/Factory Roof Rails	13	RBU47	0	RBU	165	10
FX45 w/Factory Roof Rails	03-08	59898	0	RBU	165	15
		RBU47	0	RBU	165	10
FX50 w/Factory Roof Rails	09-13	59898	0	RBU	165	15
		RBU47	0	RBU	165	10
QX50 w/Factory Roof Rails	14-16	59898	0	RBU	165	15
QX50 w/Factory Roof Rails	14-17	RBU47	0	RBU	165	10
QX56 w/Factory Roof Rails	11-13	59711	0	RBU	165	15
		RBU60	0	RBU	165	10
QX60 w/Factory Roof Rails	14-17	59898	0	RBU	165	15
		RBU47	0	RBU	165	10
QX70 w/Factory Roof Rails	14-17	59898	0	RBU	165	15
		RBU47	0	RBU	165	10
QX80 w/Factory Roof Rails	14-16	59711	0	RBU	165	15
QX80 w/Factory Roof Rails	14-17	RBU60	0	RBU	165	10
ISUZU						
Rodeo w/Factory Roof Rails	98-04	59711	0, LC	RBU	165	15
		59899	0	RBU	165	15
		RBU47	0	RBU	165	10
JEEP						
Cherokee w/Factory Roof Rails	14-17	59682	0	REX	165	10
Grand Cherokee w/Factory Roof Rails	99-04	59898	0	RBU	165	15
		RBU47	0	RBU	165	10
Grand Cherokee w/Factory Roof Rails	05-10	59899	0	RBU	165	15
		RBU53	0	RBU	165	10
Grand Cherokee	11-19	R5023	0	DFE		30
		59966	0, LB	APE	165	10
		59967	0	GTX	165	10
Liberty w/Factory Roof Rails	02-07	59898	0	RBU	165	15
		59899	0, LB	RBU	165	15
Liberty w/Factory Roof Rails	02-12	RBU53	0	RBU	165	10
Liberty Renegade, w/Factory Roof Rails	05-06	RBU53	0	RBU	165	10
Liberty w/Factory Raised Roof Rails	08-12	59711	0, LC	RBU	165	15
Liberty w/Factory Roof Rails	08-12	59899	0	RBU	165	15

MODEL / STYLE	YEAR	PART NO.	FN	MS	WC	IN
JEEP (Continued)						
Patriot w/Factory Roof Rails	07-17	RBU47	0	RBU	165	10
Patriot w/Factory Roof Rails	08-17	59897	0, LC	RBU	165	15
		59898	0	RBU	165	15
Renegade	15-17	R4001	0	RBE	165	
Renegade w/Factory Roof Rails	15-17	59686	0	REX	165	
KIA						
Borrego w/Factory Roof Rails	09-11	59898	0	RBU	165	15
		59899	0, LB	RBU	165	15
Borrego w/Factory Roof Rails	09-12	RBU53	0	RBU	165	10
Forte 4 Dr. Sedan, Except w/Factory Roof Rails	10-13	59839	0	GTX	110	15
Forte 5 Dr. Hatchback, Except w/Factory Roof Rails	11-13	59708	0	GTX	110	15
Forte 4 Dr. Sedan, Except w/Factory Roof Rails	14-17	59771	0	GTX	110	15
Forte Sedan	14-18	R5024	0	DFE		30
Forte5	14-18	R5035	0	DFE		30
Forte5 Except w/Factory Roof Rails	14-17	59788	0	GTX	110	15
Optima Except w/Factory Roof Rails	11-15	59896	0	GTX	110	15
KIA						
Optima	16-17	R5012	0	DFE	110	30
KIA						
Rio 4 Dr. Sedan	06-11	59801f	0	RM	110	15
Rio 4 Dr. Sedan	12-17	59735	0	GTX	110	5
Rio 5 Dr. Hatchback, Except w/Factory Roof Rails	12-16	59712	0	GTX	110	5
Rio5 5 Dr. Hatchback	06-11	59801f	0	RM	110	15
KIA						
Rondo w/Factory Roof Rails	07-12	RBU43	0	RBU	165	10
KIA						
Sedona w/Factory Roof Rails	02-14	RBU47	0	RBU	165	10
Sedona w/Factory Roof Rails	06-09	59898	0	RBU	165	15
		59899	0, LB	RBU	165	15
Sedona w/Factory Roof Rails	10-12	59871	0	RB	165	15
		59898	0	RBU	165	15
		59899	0, LB	RBU	165	15
Sedona w/Factory Roof Rails	14	59871	0	RB	165	15
Sedona w/Factory Roof Rails	14	59898	0	RB	165	15
Sedona Except Panoramic Sunroof	15-17	59684	0	REX	110	10
Sorento w/Factory Roof Rails	03-09	59898	0	RBU	165	15
		59899	0, LB	RBU	165	15
		RBU47	0	RBU	165	10
Sorento w/Factory Roof Rails	11-13	59898	0	RBU	165	15
		59899	0, LB	RBU	165	15
Sorento w/Factory Roof Rails	11-15	RBU53	0	RBU	165	10
Sorento w/Factory Roof Rails & No Panoramic Sunroof	11-15	59686	0	RBXL	165	15
Sorento w/Factory Roof Rails & Panoramic Sunroof	11-13	59689	0	RBXL	165	15
Sorento w/Factory Roof Rails & Panoramic Sunroof	11-15	59784	0, LE	REX	110	5
Soul	10-13	R5034	0	DFE		30
Soul Except w/Factory Roof Rails	10-13	59842	0	GTX	110	15
Soul w/Factory Roof Rails	10-13	59818f	0	RB	110	15
KIA						
Soul w/Factory Roof Rails	10-18	RBU53	0	RBU	165	10
KIA						
Soul	14-18	R6006	0	FPE		30
Soul w/Anchor Points, Except w/Factory Roof Rails	14-18	59789	0	AP-GTX	165	15
Soul w/Factory Roof Rails (Canada Only)	14-18	59790	0	REX	110	15
Sportage w/Factory Roof Rails	05-09	RBU47	0	RBU	165	10
Sportage w/Factory Roof Rails	05-10	59898	0	RBU	165	15
		59899	0, LB	RBU	165	15
Sportage w/Factory Roof Rails	11-18	59849	0	REX	110	5

ROOF RACKS

ROOF RACK APPLICATION GUIDE

MODEL / STYLE	YEAR	PART NO.	FN	MS	WC	IN
LEXUS						
CT200h	12-17	R5072	0	DFE		30
ES300h	13-18	R5016	0	DFE		30
ES350	07-18	R5016	0	DFE		30
GS F	13-18	R5076	0	DFE		30
		R5076	0	DFE		30
GS300	18	R5076	0	DFE		30
GS350	13-18	R5076	0	DFE		30
GS450h	13-18	R5076	0	DFE		30
		R5076	0	DFE		30
GX470 w/Factory Roof Rails	03-09	59898	0	RBU	165	15
		59899	0, LB	RBU	165	15
		RBU47	0	RBU	165	10
RX330 w/Factory Roof Rails	04-06	59898	0	RBU	165	15
		RBU47	0	RBU	165	10
RX330	05	R5032	0	DFE		30
RX350	07-15	R5032	0	DFE		30
RX350 w/Factory Roof Rails	07-09	59898	0	RBU	165	15
RX350 w/Factory Roof Rails	09-15	RBU47	0	RBU	165	10
RX350 w/Factory Roof Rails	10-15	59817	0	RBXL	165	5
		59898	0	RBU	165	15
RX400h	06-08	R5032	0	DFE		30
RX400h Hybrid, w/Factory Roof Rails	06-08	59898	0	RBU	165	15
RX400h w/Factory Roof Rails	06-08	RBU47	0	RBU	165	10
RX450h	10-15	R5032	0	DFE		30
RX450h Hybrid, w/Factory Roof Rails	10-12	59898	0	RBU	165	15
RX450h w/Factory Roof Rails	10-12	RBU47	0	RBU	165	10
LINCOLN						
Aviator w/Factory Roof Rails	03-05	59897	0	RBU	165	15
		59898	0, LA	RBU	165	15
		RBU47	0	RBU	165	10
MKX	07-18	R5045	0	DFE		30
MKX Except w/Factory Roof Rails	07-15	59770	0	GTX	110	5
MKX w/Factory Roof Rails	07-15	59899	0	RBU	165	15
		RBU53	0	RBU	165	10
Navigator w/Factory Roof Rails	98-06	59898	0	RBU	165	15
		RBU47	0	RBU	165	10
MAZDA						
2	11-14	59830	0	APX	100	5
		59713	0	APE	110	5
		59714	0, LA	APE	110	5
3 4 Dr. Sedan	04-09	59714	0	APE	110	5
		59715	0, LB	APE	110	5
3 5 Dr. Hatchback	04-09	59714	0	APE	110	5
		59715	0, LB	APE	110	5
3 4 Dr. Sedan	10-13	59714	0	APE	110	5
		59715	0, LB	APE	110	5
		59832	0	AP-GTX	110	10
3 5 Dr. Hatchback	10-13	59714	0	APE	110	5
		59715	0, LB	APE	110	5
		59833	0	AP-GTX	110	10
3 Hatchback	14-18	R5029	0	DFE		30
3 Sedan	14-18	R5029	0	DFE		30
5	06-10	59834	0	APE	110	10
5	12-17	59834	0	APE	110	10
6 Sport Wagon w/Factory Roof Rails	04-07	59711	0, LC	RBU	165	15
		59899	0	RBU	165	15
6 4 Dr. Sedan, Except w/Factory Roof Rails	09-13	59709	0	GTX	110	10
CX-5 Except w/Factory Roof Rails	13-16	59767	0	GTX	110	5
CX-7	07-12	R6001	0	FPE	165	30
CX-7 Except w/Factory Roof Rails	07-12	59821	0	APX	100	15
		59714	0	APE	110	5
		59715	0, LB	APE	110	5
CX-9	07-15	R6003	0	FPE	165	30
CX-9 Except w/Factory Roof Rails	07-13	59715	0	APE	110	5

MODEL / STYLE	YEAR	PART NO.	FN	MS	WC	IN
MAZDA (Continued)						
CX-9 w/Factory Roof Rails	07-15	RBU53	0	RBU	165	10
CX-9 w/Factory Roof Rails	07-17	59899	0	RBU	165	15
CX-9 w/Factory Roof Rails	10-13	59711	0, LC	RBU	165	15
Mazda2	11-15	R6001	0	FPE	165	30
Mazda3	04-13	R6001	0	FPE	165	30
Mazda6	03-08	R6001	0	FPE	165	30
Mazda6 w/Factory Roof Rails	04-07	RBU47	0	RBU	165	10
MPV w/Factory Roof Rails	00-06	59897	0	RBU	165	15
		RBU43	0	RBU	165	10
Tribute w/Factory Roof Rails	01-06	RBU43	0	RBU	165	10
Tribute w/Factory Roof Rails	08-11	59711	0, LC	RBU	165	15
		59899	0	RBU	165	15
		RBU47	0	RBU	165	10
MERCEDES-BENZ						
C240 w/Factory Roof Rails	02-05	RBU47	0	RBU	165	10
C240 Wagon, w/Factory Roof Rails	03-05	59899	0	RBU	165	15
C320 w/Factory Roof Rails	02-05	RBU47	0	RBU	165	10
C320 Wagon, w/Factory Roof Rails	02-04	59899	0	RBU	165	15
E280 4 Dr. Sedan	07	59762	0	APE	110	5
		59763	0, LB	APE	110	5
E300 4 Dr. Sedan	08-09	59762	0	APE	110	5
		59763	0, LB	APE	110	5
E320 w/Factory Roof Rails	98-05	RBU53	0	RBU	165	10
E320 Wagon, w/Factory Roof Rails	98-05	59899	0	RBU	165	15
E320 4 Dr. Sedan	03-09	59762	0	APE	110	5
		59763	0, LB	APE	110	5
E350 4 Dr. Sedan	06-09	59762	0	APE	110	5
		59763	0, LB	APE	110	5
E350 w/Factory Roof Rails	06-08	RBU53	0	RBU	165	10
E350 Wagon, w/Factory Roof Rails	06-08	59899	0	RBU	165	15
E350 w/Factory Roof Rails	11	RBU53	0	RBU	165	10
E350 Wagon, w/Factory Roof Rails	11	59899	0	RBU	165	15
E500 4 Dr. Sedan	03-06	59762	0	APE	110	5
		59763	0, LB	APE	110	5
E500 w/Factory Roof Rails	04-06	RBU53	0	RBU	165	10
E500 Wagon, w/Factory Roof Rails	04-06	59899	0	RBU	165	15
E55 AMG 4 Dr. Sedan	03-06	59762	0	APE	110	5
		59763	0, LB	APE	110	5
E55 AMG w/Factory Roof Rails	06	RBU53	0	RBU	165	10
E55 AMG Wagon, w/Factory Roof Rails	06	59899	0	RBU	165	15
E550 4 Dr. Sedan	07-09	59762	0	APE	110	5
		59763	0, LB	APE	110	5
E63 AMG 4 Dr. Sedan	07-09	59762	0	APE	110	5
		59763	0, LB	APE	110	5
E63 AMG w/Factory Roof Rails	07-08	RBU53	0	RBU	165	10
E63 AMG Wagon, w/Factory Roof Rails	07-08	59899	0	RBU	165	15
GL320 BlueTEC 4Matic w/Factory Roof Rails	09	59899	0	RBU	165	15
		RBU53	0	RBU	165	10
GL320 CDI w/Factory Roof Rails	07-08	59899	0	RBU	165	15
		RBU53	0	RBU	165	10
GL350 BlueTEC 4Matic w/Factory Roof Rails	10-15	59899	0	RBU	165	15
		RBU53	0	RBU	165	10
GL450 w/Factory Roof Rails	07-16	59899	0	RBU	165	15
		RBU53	0	RBU	165	10
GL550 w/Factory Roof Rails	08-15	59899	0	RBU	165	15
		RBU53	0	RBU	165	10
GLK350 w/Factory Roof Rails	10-15	59898	0	RBU	165	15
		59899	0, LB	RBU	165	15
		RBU47	0	RBU	165	10
		RBU53	0	RBU	165	10
Metris w/Factory Roof Rails	16-17	RBU60	0	RBU	165	10
ML320 w/Factory Roof Rails	98-02	59899	0	RBU	165	15
		RBU53	0	RBU	165	10

ROOF RACK APPLICATION GUIDE

MODEL / STYLE	YEAR	PART NO.	FN	MS	WC	IN
MERCEDES-BENZ (Continued)						
ML320 BlueTEC 4Matic w/Factory Roof Rails	09	59812	0	RBXL	165	5
		59899	0	RBU	165	15
		RBU53	0	RBU	165	10
ML320 CDI w/Factory Roof Rails	07-08	59812	0	RBXL	165	5
		59899	0	RBU	165	15
		RBU53	0	RBU	165	10
ML350 w/Factory Roof Rails	03-05	59899	0	RBU	165	15
		RBU53	0	RBU	165	10
ML350 w/Factory Roof Rails	06-11	59812	0	RBXL	165	5
		59899	0	RBU	165	15
		RBU53	0	RBU	165	10
ML350 w/Factory Roof Rails	12-15	59899	0	RBU	165	15
		RBU53	0	RBU	165	10
ML350 BlueTEC 4Matic w/Factory Roof Rails	10-11	59812	0	RBXL	165	5
		59899	0	RBU	165	15
		RBU53	0	RBU	165	10
ML350 BlueTEC 4Matic w/Factory Roof Rails	12-14	59899	0	RBU	165	15
		RBU53	0	RBU	165	10
ML430 w/Factory Roof Rails	99-01	59899	0	RBU	165	15
ML450 Hybrid, w/Factory Roof Rails	10-11	59812	0	RBXL	165	5
		59899	0	RBU	165	15
ML450 w/Factory Roof Rails	10-11	RBU53	0	RBU	165	10
ML500 w/Factory Roof Rails	02-07	59899	0	RBU	165	15
ML500 w/Factory Roof Rails	06-07	59812	0	RBXL	165	5
		RBU53	0	RBU	165	10
ML550 w/Factory Roof Rails	08-11	59812	0	RBXL	165	5
ML550 w/Factory Roof Rails	08-15	59899	0	RBU	165	15
		RBU53	0	RBU	165	10
ML63 AMG w/Factory Roof Rails	07-11	59812	0	RBXL	165	5
ML63 AMG w/Factory Roof Rails	07-15	59899	0	RBU	165	15
		RBU53	0	RBU	165	10
MERCURY						
Mariner w/Factory Roof Rails	08-11	59897	0	RBU	165	15
		59898	0.LA	RBU	165	15
		RBU43	0	RBU	165	10
Monterey w/Factory Roof Rails	04-07	59897	0	RBU	165	15
		59898	0.LA	RBU	165	15
		RBU43	0	RBU	165	10
MINI						
Cooper Clubman w/Factory Roof Rails	08-10	59897	0	RBU	165	15
Cooper w/Factory Roof Rails	08-14	RBU47	0	RBU	165	10
MINI						
Cooper Hatchback	14-18	R5061	0	DFE		30
MITSUBISHI						
Endeavor w/Factory Roof Rails	04-11	RBU53	0	RBU	165	10
Lancer 5 Dr. Hatchback, Except w/Factory Roof Rails	10-17	59834	0	APE	110	10
Mirage Hatchback	14-18	R5057	0	DFE		30
Mirage G4 Sedan	17-18	R5057	0	DFE		30
Outlander Except w/Factory Roof Rails	07-17	59834	0	APE	110	10
Outlander w/Factory Roof Rails	07-13	RBU53	0	RBU	165	10
Outlander w/Factory Roof Rails (Except Outlander Sport)	07-12	59899	0	RBU	165	15
Outlander Sport Except w/Factory Roof Rails	11-17	59834	0	APE	110	10
NISSAN						
Altima	07-12	R5001	0	DFE	110	30
Frontier w/Aftermarket Fiberglass Flat Roof Cap or Tonneau	05-13	59753	UH,UJ	DMS	165	30
		59855	UH,UJ	TRS	165	40
Maxima No Glass Roof	09-18	R5040	0	DFE		30
Murano w/Factory Roof Rails	03-07	59898	0	RBU	165	15
		59899	0.LB	RBU	165	15
Murano w/Factory Roof Rails	03-14	RBU53	0	RBU	165	10

MODEL / STYLE	YEAR	PART NO.	FN	MS	WC	IN
NISSAN (Continued)						
Murano w/Factory Roof Rails	09-14	59823	0	RBXL	165	5
		59898	0	RBU	165	15
		59899	0.LB	RBU	165	15
Pathfinder w/Factory Roof Rails	13-16	59899	0	RBU	165	15
Pathfinder w/Factory Roof Rails	13-17	RBU53	0	RBU	165	10
Quest w/Factory Roof Rails	04-09	59711	0.LC	RBU	165	15
		59899	0	RBU	165	15
Quest w/Factory Roof Rails	04-11	RBU47	0	RBU	165	10
Quest w/Factory Roof Rails	11-16	59711	0.LC	RBU	165	15
		59899	0	RBU	165	15
Quest	12-17	R5071	0	DFE		30
Quest w/Factory Roof Rails	12-16	RBU53	0	RBU	165	10
Rogue w/Factory Roof Rails	08-17	59824	0	RBXL	165	5
		59898	0	RBU	165	15
Rogue w/Factory Roof Rails	13-17	RBU47	0	RBU	165	10
Sentra	13-17	R5037	0	DFE	110	30
Titan	04-15	59754	UG,UJ	DMS	165	45
		59853	UG,UJ	TRS	165	60
Titan w/Aftermarket Fiberglass Flat Roof Cap or Tonneau	04-15	59753	UH,UJ	DMS	165	30
		59855	UH,UJ	TRS	165	40
Titan w/Factory Bed Channel System (Deck Rail System)	04-15	59799		TBR	800	40
Versa	12-17	R5033	0	DFE		30
Versa Note	14-17	R5046	0	DFE		30
OLDSMOBILE						
Silhouette w/Factory Roof Rails	97-04	59898	0	RBU	165	15
		59899	0.LB	RBU	165	15
		RBU47	0	RBU	165	10
PONTIAC						
Montana w/Factory Roof Rails	99-05	59898	0	RBU	165	15
		59899	0.LB	RBU	165	15
RBU47	0	RBU	165	10		
Montana SV6 w/Factory Roof Rails	05-06	59898	0	RBU	165	15
		59899	0.LB	RBU	165	15
Montana SV6 w/Factory Roof Rails	05-09	RBU47	0	RBU	165	10
Montana SV6 w/Factory Roof Rails (Canada Only)	07-09	59898	0	RBU	165	15
		59899	0.LB	RBU	165	15
Trans Sport w/Factory Roof Rails	97-98	59898	0	RBU	165	15
		59899	0.LB	RBU	165	15
		RBU47	0	RBU	165	10
Vibe	03-10	R5044	0	DFE		30
Vibe Except w/Factory Roof Rails	03-10	59721	0	APX	110	5
		59722	0	APE	110	5
Vibe w/Factory Roof Rails	03-10	59897	0	RBU	165	15
		59898	0.LA	RBU	165	15
		RBU43	0	RBU	165	10
PORSCHE						
Cayenne w/Factory Roof Rails	03-06	59898	0	RBU	165	15
Cayenne w/Factory Roof Rails	03-10	RBU47	0	RBU	165	10
Cayenne w/Factory Roof Rails	08-17	59898	0	RBU	165	15
Cayenne w/Factory Roof Rails	11-17	RBU53	0	RBU	165	10
RAM						
1500	11-17	59754	UG,UJ	DMS	165	45
		59853	UG,UJ	TRS	165	60
1500 4 Dr Models	11-17	R5008	0	DFE	110	30
1500 Except w/RamBox Cargo Management System	11-17	59742	0.UJ	TBR	400	40
1500 w/Aftermarket Fiberglass Flat Roof Cap or Tonneau	11-17	59753	UH,UJ	DMS	165	30
		59855	UH,UJ	TRS	165	40
2500	11-17	59754	UG,UJ	DMS	165	45
		59853	UG,UJ	TRS	165	60
2500 4 Dr Models	11-17	R5008	0	DFE	110	30
2500 Except w/RamBox Cargo Management System	11-17	59742	0.UJ	TBR	400	40

ROOF RACK APPLICATION GUIDE

MODEL / STYLE	YEAR	PART NO.	FN	MS	WC	IN
RAM (Continued)						
2500 w/Aftermarket Fiberglass Flat Roof Cap or Tonneau	11-17	59753	UH,UJ	DMS	165	30
		59855	UH,UJ	TRS	165	40
3500	11-17	59754	UG,UJ	DMS	165	45
		59853	UG,UJ	TRS	165	60
3500 4 Dr Models	11-17	R5008	Ø	DFE	110	30
3500 Except w/RamBox Cargo Management System	11-17	59742	Ø,UJ	TBR	400	40
3500 w/Aftermarket Fiberglass Flat Roof Cap or Tonneau	11-17	59753	UH,UJ	DMS	165	30
		59855	UH,UJ	TRS	165	40
Dakota	11	59754	UG,UJ	DMS	165	45
		59853	UG,UJ	TRS	165	60
		59742	Ø,UJ	TBR	400	40
Dakota w/Aftermarket Fiberglass Flat Roof Cap or Tonneau	11	59753	UH,UJ	DMS	165	30
		59855	UH,UJ	TRS	165	40
ProMaster City	15-17	59631	Ø	APE	165	15
		59632	Ø	APE	165	15
		59633	Ø	APE	165	15
Promaster City w/Factory Roof Rails	15-17	RBU53	Ø	RBU	165	10
SAAB						
9-3X w/Factory Roof Rails	10-11	RBU47	Ø	RBU	165	10
9-4X w/Factory Roof Rails	11	RBU53	Ø	RBU	165	10
9-5 w/Factory Roof Rails	99-11	RBU53	Ø	RBU	165	10
9-5 Wagon, w/Factory Roof Rails	99-09	59898	Ø	RBU	165	15
9-7X w/Factory Roof Rails	05-09	59898	Ø	RBU	165	15
		RBU47	Ø	RBU	165	10
SATURN						
Astra 3 Dr. Hatchback, w/Anchor Points	08-09	59761	Ø	APE	110	5
Astra 5 Dr. Hatchback, w/Anchor Points	08-09	59761	Ø	APE	110	5
LW1 w/Factory Roof Rails	00	RBU47	Ø	RBU	165	10
LW1 Wagon, w/Factory Roof Rails	00	59898	Ø	RBU	165	15
		59899	Ø,LB	RBU	165	15
LW2 w/Factory Roof Rails	00	RBU47	Ø	RBU	165	10
LW2 Wagon, w/Factory Roof Rails	00	59898	Ø	RBU	165	15
		59899	Ø	RBU	165	15
LW200 w/Factory Roof Rails	01-03	RBU47	Ø	RBU	165	10
LW200 Wagon, w/Factory Roof Rails	01-03	59898	Ø	RBU	165	15
		59899	Ø	RBU	165	15
LW300 w/Factory Roof Rails	01-03	RBU47	Ø	RBU	165	10
LW300 Wagon, w/Factory Roof Rails	01-03	59898	Ø	RBU	165	15
		59899	Ø	RBU	165	15
Relay w/Factory Roof Rails	05-06	RBU47	Ø	RBU	165	10
Vue w/Factory Roof Rails	08-09	59898	Ø	RBU	165	15
Vue w/Factory Roof Rails	08-10	RBU47	Ø	RBU	165	10
SUBARU						
Grosstrek Except w/Factory Roof Rails	16-17	59636	Ø	APE	165	10
Grosstrek w/Factory Roof Rails	16-17	59898	Ø	RBU	165	15
Forester Except w/Factory Roof Rails	09-16	59636	Ø	APE	165	10
Forester w/Factory Roof Rails	09-13	59898	Ø	RBU	165	15
		59899	Ø,LB	RBU	165	15
Forester w/Factory Roof Rails	09-18	RBU47	Ø	RBU	165	10
Impreza	08-16	R6002	Ø	FPE	165	30
Impreza 4 Dr. Sedan, Except w/Factory Roof Rails	08-11	59636	Ø	APE	165	10
Impreza 5 Dr. Wagon, Except w/Factory Roof Rails	08-16	59636	Ø	APE	165	10
Impreza w/Factory Roof Rails	08-18	RBU53	Ø	RBU	165	10
Impreza Sport w/Factory Roof Rails	12-18	RBU53	Ø	RBU	165	10
Impreza WRX & STI	12-14	R6002	Ø	FPE	165	30
Legacy Wagon, w/Factory Roof Rails	95-99	59897	Ø	RBU	165	15
Legacy	15-18	R5043	Ø	DFE		30
Outback Wagon, w/Factory Roof Rails, Except Sport	00-09	59897	Ø	RBU	165	15
Outback Sport	08-11	R6002	Ø	FPE	165	30
Outback w/Factory Roof Rails	08-09	RBU47	Ø	RBU	165	10

MODEL / STYLE	YEAR	PART NO.	FN	MS	WC	IN
SUBARU (Continued)						
Tribeca w/Factory Roof Rails	08-14	59899	Ø	RBU	165	15
		RBU53	Ø	RBU	165	10
WRX 4 Dr. Sedan, Except w/Factory Roof Rails	12-14	59636	Ø	APE	165	10
WRX 5 Dr. Wagon, Except w/Factory Roof Rails	12-15	59636	Ø	APE	165	10
XV Crosstrek	13-15	R6002	Ø	FPE	165	30
XV Crosstrek Except w/Factory Roof Rails	13-15	59636	Ø	APE	165	10
XV Crosstrek w/Factory Roof Rails	13	59899	Ø,LB	RBU	165	15
XV Crosstrek w/Factory Roof Rails	13-15	59898	Ø	RBU	165	15
		RBU53	Ø	RBU	165	10
SUZUKI						
Esteem Wagon, w/Factory Roof Rails	98-02	59897	Ø	RBU	165	15
Forenza Wagon, w/Factory Roof Rails	05-08	59897	Ø	RBU	165	15
Grand Vitara w/Factory Roof Rails	99-05	59897	Ø	RBU	165	15
SX4 Crossover, w/Factory Roof Rails	07-13	59897	Ø	RBU	165	15
		59898	Ø,LA	RBU	165	15
SX4 w/Factory Roof Rails	07-13	RBU53	Ø	RBU	165	10
Vitara 4 Dr., w/Factory Roof Rails	99-04	59897	Ø	RBU	165	15
Vitara w/Factory Roof Rails	99-04	RBU43	Ø	RBU	165	10
XL-7 w/Factory Roof Rails	02-06	59897	Ø	RBU	165	15
		59898	Ø,LA	RBU	165	15
		RBU43	Ø	RBU	165	10
		RBU47	Ø	RBU	165	10
TOYOTA						
4Runner w/Factory Roof Rails	03-17	59898	Ø	RBU	165	15
		59899	Ø,LB	RBU	165	15
		RBU53	Ø	RBU	165	10
Camry	07-17	R5016	Ø	DFE		30
Camry 4 Dr. Sedan	07-11	59733	Ø	GTG	110	5
Corolla	09-13	R5022	Ø	DFE		30
Corolla 4 Dr. Sedan	09-13	59734	Ø	GTG	110	5
Corolla	14-18	R5005	Ø	DFE	110	30
FJ Cruiser Except w/Factory Roof Rails	07-14	59724	Ø	APE	110	5
FJ Cruiser w/Factory Roof Rails	07-14	59898	Ø	RBU	165	15
		59899	Ø,LB	RBU	165	15
		RBU53	Ø	RBU	165	10
Highlander Except w/Factory Roof Rails	01-13	59723	Ø	APE	110	5
		59724	Ø,LC	APE	110	5
Highlander w/Factory Roof Rails	01-13	59899	Ø	RBU	165	15
		RBU53	Ø	RBU	165	10
Highlander	10-13	R5019	Ø	DFE		30
Matrix	03-14	R5044	Ø	DFE		30
Matrix Except w/Factory Roof Rails	03-10	59722	Ø	APE	110	5
Matrix w/Anchor Points, Except w/Factory Roof Rails	03-10	59721	Ø	APX	110	5
Matrix w/Factory Roof Rails	03-10	59897	Ø	RBU	165	15
Prius	04-09	59898	Ø,LA	RBU	165	15
		59728	Ø	GTG	110	5
Prius V	12-17	59729	Ø	GTG	110	5
RAV4 Except w/Factory Roof Rails	01-12	59723	Ø	APE	110	5
		59724	Ø,LC	APE	110	5
RAV4 w/Factory Roof Rails	01-06	RBU47	Ø	RBU	165	10
RAV4 w/Factory Roof Rails	01-12	59899	Ø,LB	RBU	165	15
RAV4 w/Factory Roof Rails	01-18	59898	Ø	RBU	165	15
RAV4 w/Factory Roof Rails	07-17	RBU53	Ø	RBU	165	10
RAV4 Bare Roof Only	13-18	R5025	Ø	DFE		30
Sequoia w/Factory Roof Rails	08-13	59711	Ø	RBU	165	15
Sequoia w/Factory Roof Rails	08-17	RBU53	Ø	RBU	165	10
Sienna w/Factory Roof Rails	04-10	59711	Ø,LC	RBU	165	15
		59899	Ø	RBU	165	15
Sienna w/Factory Roof Rails	04-17	RBU53	Ø	RBU	165	10
Sienna w/Factory Roof Rails	11-17	59898	Ø	RBU	165	15
		59899	Ø,LB	RBU	165	15

ROOF RACK APPLICATION GUIDE

MODEL / STYLE	YEAR	PART NO.	FN	MS	WC	IN
TOYOTA (Continued)						
Tacoma	96-17	59754	UG,UJ	DMS	165	45
		59853	UG,UJ	TRS	165	60
Tacoma w/Aftermarket Fiberglass Flat Roof Cap or Tonneau	96-17	59753	UH,UJ	DMS	165	30
		59855	UH,UJ	TRS	165	40
Tacoma 4 Dr. Access Cab, Except w/Factory Roof Rails	05-17	59752	0	GTX	110	5
Tacoma Crew Cab	05-18	R5104	0	DFE		30
Tacoma Extended Cab	05-17	R5014	0	DFE	110	30
Tacoma w/Factory Bed Channel System (Deck Rail System)	05-17	59799		TBR	800	40
Tundra	00-17	59754	UG,UJ	DMS	165	45
		59853	UG,UJ	TRS	165	60
Tundra Except w/Integrated Deck Rail Systems	00-17	59742	0,UJ	TBR	400	40
Tundra w/Aftermarket Fiberglass Flat Roof Cap or Tonneau	00-17	59753	UH,UJ	DMS	165	30
		59855	UH,UJ	TRS	165	40
Tundra 4 Dr. Only	07-18	R5028	0	DFE		30
Tundra w/Factory Bed Channel System (Deck Rail System)	07-17	59799		TBR	800	40
Venza Except w/Factory Roof Rails	09-15	59731	0,LE	GTX	110	5
Venza	12-15	R5032	0	DFE		30
Yaris Hatchback	12-18	R5020	0	DFE		30
Yaris Sedan	12-18	R5020	0	DFE		30
VOLKSWAGEN						
CC	09-17	R5075	0	DFE		30
Golf Hatchback	06-07	R5017	0	DFE		30
Golf 2 Dr. Hatchback	10-17	59736	0	GTX	110	5
Golf 3 Dr. Hatchback (Canada Only)	10-17	59736	0	GTX	110	5
Golf 4 Dr. Hatchback	10-17	59736	0	GTX	110	5
Golf 5 Dr. Hatchback (Canada Only)	10-17	59736	0	GTX	110	5
Golf Hatchback	10-14	R5017	0	DFE		30
Golf w/Factory Roof Rails	10-14	RBU47	0	RBU	165	10
Golf Wagon (Canada Only), w/Factory Roof Rails	10-15	59820	0	RBXL	165	5
		59897	0	RBU	165	15
		59898	0,LA	RBU	165	15
Golf Hatchback	15-17	R5018	0	DFE		30
Golf R 2 Dr. Hatchback	12-15	59736	0	GTX	110	5
Golf R 4 Dr. Hatchback	12-15	59736	0	GTX	110	5
Golf R 5 Dr. Hatchback (Canada Only)	12-15	59736	0	GTX	110	5
GTI Hatchback	06-09	R5017	0	DFE		30
GTI 2 Dr. Hatchback	10-15	59736	0	GTX	110	5
GTI 3 Dr. Hatchback (Canada Only)	10-14	59736	0	GTX	110	5
GTI 4 Dr. Hatchback	10-15	59736	0	GTX	110	5
GTI 5 Dr. Hatchback (Canada Only)	10-14	59736	0	GTX	110	5
Jetta w/Factory Roof Rails	01-05	RBU47	0	RBU	165	10
Jetta Wagon, w/Factory Roof Rails	01-06	59897	0	RBU	165	15
		59898	0,LA	RBU	165	15
Jetta w/Factory Roof Rails	06-08	RBU47	0	RBU	165	10
Jetta SportWagon w/Factory Roof Rails	09-13	59820	0	RBXL	165	5
		59897	0	RBU	165	15
		59898	0,LA	RBU	165	15
Jetta w/Factory Roof Rails	09	RBU47	0	RBU	165	10
Jetta Wagon (Canada Only), w/Factory Roof Rails	09	59820	0	RBXL	165	5
		59897	0	RBU	165	15
		59898	0,LA	RBU	165	15
Jetta	11-17	R5015	0	DFE	110	30
Passat w/Factory Roof Rails	90-97	RBU47	0	RBU	165	10
Passat Wagon, w/Factory Roof Rails	90-05	59897	0	RBU	165	15
Passat w/Factory Roof Rails	98-06	RBU47	0	RBU	165	10
Passat w/Factory Roof Rails	07-10	RBU47	0	RBU	165	10
Passat Wagon, w/Factory Roof Rails	07-10	59897	0	RBU	165	15
Passat	12-18	R5031	0	DFE		30
Rabbit Hatchback	06-09	R5017	0	DFE		30
Tiguan w/Factory Roof Rails	09-17	59898	0	RBU	165	15
		RBU47	0	RBU	165	10

MODEL / STYLE	YEAR	PART NO.	FN	MS	WC	IN
VOLKSWAGEN (Continued)						
Touareg w/Factory Roof Rails	04-17	59898	0	RBU	165	15
Touareg w/Factory Roof Rails	08-17	RBU53	0	RBU	165	10
VOLVO						
S60	11-18	R5069	0	DFE		30
V50 w/Factory Roof Rails	05-11	RBU53	0	RBU	165	10
V50 Wagon, w/Factory Roof Rails	05-11	59898	0	RBU	165	15
V70 w/Factory Roof Rails	01-10	RBU53	0	RBU	165	10
V70 Wagon, w/Factory Roof Rails	01-10	59898	0	RBU	165	15
XC70 w/Factory Roof Rails	03-16	RBU53	0	RBU	165	10
XC70 Wagon, AWD, w/Factory Roof Rails	03-14	59898	0	RBU	165	15
		59897	0	RBU	165	15
XC90 w/Factory Roof Rails	03-14	59898	0,LA	RBU	165	15



**SECURE
IT
RIGHT**



Introducing a cargo securing line designed and engineered to the highest standards. Reliable performance every time – all the time.

CARGO SECURING



TIE DOWNS

Light-Duty Ratchets	4
Light-Duty Cambuckles	4
Standard-Duty Ratchets	4
Reese Tactical Ratchets	4
Marine Ratches	5
Heavy-Duty Ratchets	5
Super-Duty Ratchets	5

RECOVERY

Tow Straps	6
Tree Strap	6

STORAGE NETS

Deluxe Storage Nets	7
---------------------------	---

LOADING R AMPS

Aluminum Ramps	7
----------------------	---



Ratchet - Padded Handle



Cambuckle



Grip Handle



Retractable

LIGHT DUTY RATCHETS



- Secure light cargo up to 300 lb
- Super strong holding power with precise tension adjustment

Part Number	Description	Length	Capacity	Qty/ Pkg	Package
94815DT NEW	1" Webbing with Padded Handle and Secure Hooks	10'	300/900 lb	1	Bulk
95108DT NEW	1" Webbing with Padded Handle and Secure Hooks	10'	300/900 lb	4	Open

LIGHT DUTY CAMBUCKLE



Part Number	Description	Length	Capacity	Qty/ Pkg	Package
94816DT NEW	1" Webbing with Metal Handle and Secure Hooks	10'	300/900 lb	1	Bulk
94247DT NEW	1" Webbing with Metal Handle and Secure Hooks	10'	300/900 lb	4	Open

STANDARD DUTY RATCHETS



- Secure medium-weight cargo up to 500 lb
- Ideal for securing motorcycles, ATVs, generators, and more
- Vinyl coated steel hooks won't scratch or mar

Part Number	Description	Length	Capacity	Qty/ Pkg	Package
94828DT NEW	1" Webbing with Grip Handle and S Hooks	10'	500/1500 lb	4	Open
94853DT NEW	1" Webbing with Grip Handle and S Hooks	10'	500/1500 lb	1	Bulk
95463DT NEW	1" Webbing Endless with Padded Handle	12'	500/1500 lb	1	Bulk
94255DT NEW	1" Webbing Retractable with S Hooks	6'	500/1500 lb	1	Bulk
95111DT NEW	1" Webbing with Padded Handle and S Hooks	12'	400/1200 lb	4	Open
95473DT NEW	1" Webbing Retractable Truck Bed with S Hooks	9'	400/1200 lb	2	Box

TYPES OF MARINE RACHET TIE DOWNS



Retractable Transom Ratchets

- Strap retracts for easy storage & no tangling
- Easy bolt on function (hardware included)
- Some models available with stainless steel housing



Gunwale Ratchets

- Vinyl coated J-hooks protect boats finish
- Provides super strong holding power
- Some models available with stainless steel housing



Gunwale Max Grip

MARINE RATCHET TIE DOWNS

Part No.	Description	Duty Rating	Capacity	Package
2060266	Retractable Tie Down - (Transom) 2" x 43", Stainless Steel	Standard	600 lb	Open (2-pack)
2061766	Retractable Tie Down - (Transom) 2" x 43", Zinc	Heavy	833 lb	Poly Bag (Single)
2060366	Retractable Tie Down - (Transom) 2" x 43", Zinc	Heavy	833 lb	Open (2-pack)
2060866	Max Grip Ratchet - (Gunwale) 2" x 10', Stainless Steel	Light	333 lb	Open (Single)
2060966	Max Grip Ratchet - (Gunwale) 2" x 13', 2" Stainless Steel	Standard	400 lb	Open (Single)
2061266	Max Grip Ratchet - (Gunwale) 2" x 10', Zinc	Heavy	833 lb	Open (Single)
2061366	Max Grip Ratchet - (Gunwale) 2" x 13', Zinc	Heavy	833 lb	Open (Single)
2061466	Max Grip Ratchet - (Gunwale) 2" x 16', Zinc	Heavy	833 lb	Open (Single)
2061566	Max Grip Ratchet - (Gunwale) 2" x 20', Zinc	Heavy	833 lb	Open (Single)

HEAVY DUTY RATCHETS



- Secure heavy loads up to 1000 lb
- Ideal for lawn tractors, UTVs, golf carts, lumber, & more
- High-capacity, coated steel hooks

Part Number	Description	Length	Capacity	Qty/ Pkg	Package
94260DT NEW	1" Webbing with Open Handle and Secure Hooks	14'	1000/3000 lb	2	Open
94262DT NEW	1" Webbing with Open Handle and Secure Hooks	14'	1000/3000 lb	4	Open
95142DT NEW	1" Webbing with Open Handle and Secure Hooks	14'	1000/3000 lb	1	Bulk
94273DT NEW	2" Webbing Retractable with S Hooks	10'	1000/3000 lb	1	Bulk
94252DT NEW	1" Webbing with Padded Handle and Secure Hooks	14'	1000/3000 lb	4	Open



Padded Handle

SUPER DUTY RATCHETS



- For the serious professional to secure heavy cargo up to 3300 lb
- Ideal for heavy equipment, large loads, building materials, UTVs, and more
- Super strong steel hooks

Part Number	Description	Length	Capacity	Qty/ Pkg	Package
95466DT NEW	2" Webbing w/ Padded Handle, Flat Hooks & Webbing Keeper	30'	3300/10,000 lb	1	Bulk
95120DT NEW	1.5" Webbing w/ Padded Handle & Flat Hooks	25'	1830/5500 lb	1	Bulk
94824DT NEW	2" Webbing w/ Padded Handle & J Hooks	30'	3300/10,000 lb	1	Bulk
95118DT NEW	2" Camo Webbing w/ Padded Handle & J Hooks	20'	3300/10,000 lb	1	Bulk



Double J Hook



TOW STRAPS WITH HOOK END



- Super-duty, reflective webbing
- Hook ends attach to recovery point locations
- Zinc-plated, forged hooks for easy attachment

Part Number	Description	Length	Capacity	Qty/Pkg	Package
94263DT	2" Reflective Tow Strap with Hook Ends & Storage Bag	20'	3300/ 10,000 lb	1	Bulk



TOW STRAPS WITH LOOP END



- Super-duty, reflective webbing
- Loop ends attach around vehicle frame or shackle

Part Number	Description	Length	Capacity	Qty/Pkg	Package
94264DT	2" Reflective Tow Strap with Loop Ends and Storage Bag	20'	5660/ 17,000 lb	1	Bulk
95451DT	3" Reflective Tow Strap with Loop Ends and Storage Bag	30'	10,000/ 30,000 lb	1	Bulk
9544600	Hay Bale Strap	40'	3300/ 10,000 lb	1	Bulk

HELPFUL HINTS WHEN USING RECOVERY STRAPS:

1. Never attach a recovery strap to vehicle's bumper, axles, suspension, steering rods, or trailer hitch ball.
2. Before using the strap, make sure it is in good condition (no cuts, frays, or broken stitching).
3. When freeing a stuck vehicle, drive very slowly. Sudden tugs may damage the vehicle or strap.
4. Choose reflective straps for improved safety in low-light emergency situations.



TREE SAVER

- Super-duty, reflective webbing
- Sleeve over loop end for added protection

Part Number	Description	Length	Capacity	Qty/Pkg	Package
95167DT	3" Tree Saver Strap with Loop Ends and Storage Bag	6'	10,000/ 30,000 lb	1	Bulk



Cargo Net



Truck Net

DELUXE STORAGE NETS

- Quickly secure complex loads
- Exclusive no-tangle hook design
- Rubber gear protectors throughout
- Heavy-duty storage bag included

Part Number	Description	Dimensions	Color	Qty/ Pkg	Package
13937DT	Bungee Cargo Net	36" x 48"	Black	1	Storage Bag
94241DT	Bungee Truck Net	60" x 78"	Black	1	Storage Bag
9424200	Adjustable Truck Net	55" x 78"	Black	1	Storage Bag

ALUMINUM RAMPS



- Patented self-adjusting top plate, hinged top plate creates smooth transitions on and off ramp
- Molded top caps protect tailgate and loading surfaces
- Adjustable attachment straps
- Welded aluminum construction
- Rust-resistant and corrosion resistant



Straight

Part Number	Description	Size	Qty/ Pkg	Capacity
95151DT	Straight	13" x 84"	Pair	1250 lb/pair
74527DT	Arched	12" x 90"	Pair	1500 lb/pair
95150DT	Arched Centerfold	12" x 90"	Pair	1500 lb/pair



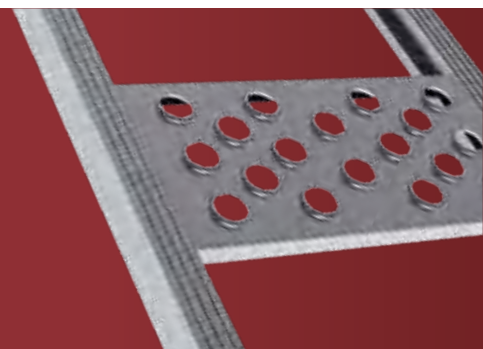
Arched



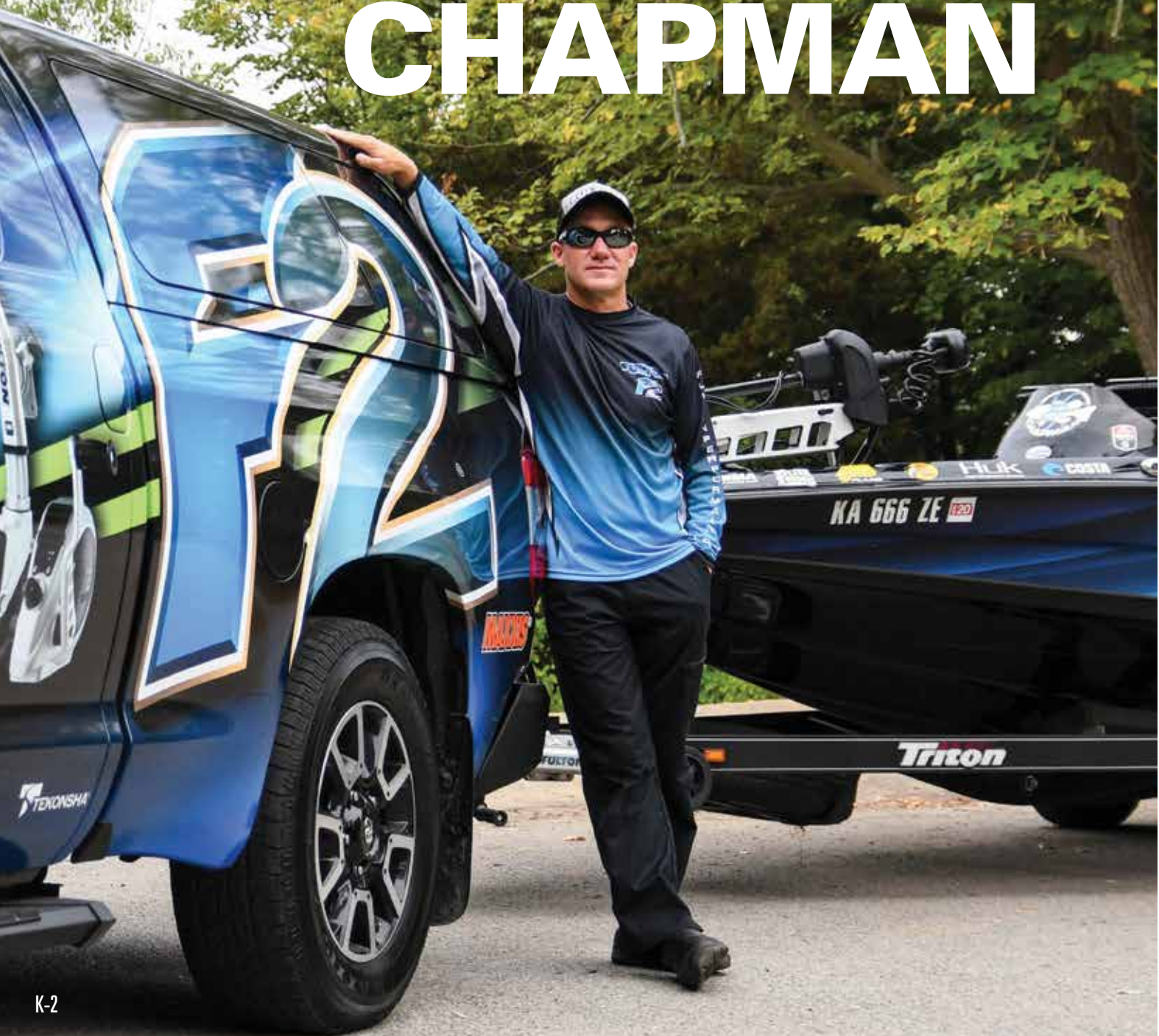
Arched Centerfold

SMOOTH ROLLING RUNG DESIGN

- Wide aluminum rungs provide a smooth transition into your truck or trailer
- Enhanced traction - 360° anti-slip ribs provide front-to-back and side-to-side traction
- Easier loading and unloading
- Close rung spacing supports wheels of all sizes



PROUD SPONSOR OF BRENT CHAPMAN





Suited for all environments, Fulton performs best when the weather is at its worst. When innovative design is combined with quality and value, the result is a brand that is the obvious choice for recreational and marine applications everywhere.

JACKS WINCHES COUPLERS



JACKS

Powered Jacks	4-8, 32-33
Marine / Recreational Jacks	9-15
Round Jacks	16-23
Square Jacks	24-31, 34
Ratchet Jacks / Farm Jacks	35
Rack / Gear Jacks	36-38
Jack Accessories	39-42

WINCHES

Powered Marine Winches	44-47
Single Speed Winches	48-50
Two Speed Winches	51-52
Brake Winches	53-54
Electric Utility Winches	56-58
Electric Heavy Duty Winches	59-60
Hydraulic Winches / Hoists	61-62

COUPLERS

Gooseneck Couplers	63-66
Heavy Duty Couplers	67-70
Stamped Couplers	71-72
Fold-Away Hinge Kits	73
Lunette Rings	74



500701



500702

4K JACK WITH POWERED DRIVE

The New Reese Powered Drive Tongue Jack.

Just raise the jack with the touch of a button so you can park and play - quickly.

- Self-resetting circuit breaker protects internal components at end of travel
- Rated for up to 4000 lb lift capacity
- Positions quickly with up to 22-in of total travel
- Drop leg with spring loaded pull pin
- Makes setting up easier with a handy built-in level right where you need it most
- Deploys and hooks up easily at night with on-board LED courtesy light
- Works in case of power loss with emergency manual override capability, easily accessible from the top
- Manual override crank included
- Retains like-new appearance with corrosion-resistant surfaces
- 5-year limited warranty



Part Number	Description	Lift Capacity	Travel	Retracted	Extended	Clearance	Packaging
500701	Black Cover, Includes Drop Leg	4,000 lbs.	22"	9.75"	31.75"	21"	Ind. Pack
500702	White Cover, Includes Drop Leg	4,000 lbs.	22"	9.75"	31.75"	21"	Ind. Pack
Replacement Parts							
500190	Drop Leg and Pin Kit						Ind. Pack
500193	Level Assembly and Screws						Polybag
500194	Manual Override Cover Kit						Polybag
500196	LED Light Assembly and Bulbs						Polybag
500203	Manual Override Crank						Boxed
500362	Light Switch						Boxed
500363	Extend/Retract Switch						Boxed



On-Board LED Lighting



Single Axis Level



Spring Loaded Drop Leg Pull Pin



4K JACK WITH POWERED DRIVE

Tough & Trusted BULLDOG presents a Powered Jack with all the capacity and features you want.

- Heavy duty 4000 lb lift capacity
- Drop leg with spring loaded pull pin
- Makes setting up easier with a handy built-in level right where you need it most
- Deploys and hooks up easily at night with on-board LED courtesy light
- Works in case of power loss with emergency manual override capability, easily accessible from the top
- Manual override crank included
- Lasts for years with industry-leading BULLDOG performance, known worldwide for unmatched strength, durability, and side load capacity
- Retains like-new appearance with corrosion-resistant surfaces
- 5-year limited warranty



Part Number	Description	Lift Capacity	Travel	Retracted	Extended	Clearance	Packaging
500199	Black Cover, Includes Drop Leg	4,000 lbs.	22"	9.75"	31.75"	21"	Ind. Pack
500200	White Cover, Includes Drop Leg	4,000 lbs.	22"	9.75"	31.75"	21"	Ind. Pack
Replacement Parts							
500190	Drop Leg and Pin Kit						Ind. Pack
500193	Level Assembly and Screws						Polybag
500194	Manual Override Cover Kit						Polybag
500196	LED Light Assembly and Bulbs						Polybag
500203	Manual Override Crank						Boxed
500360	Black Cover with Mounting Screws						Boxed
500361	White Cover with Mounting Screws						Boxed
500362	Light Switch for #500187, #500188, #500199 and #500200						Boxed
500363	Extend/Retract Switch for #500187, #500188, #500199 and #500200						Boxed



On-Board LED Lighting



Single Axis Level



Spring Loaded Drop Leg Pull Pin



500703



500704

3.5K JACK WITH POWERED DRIVE

The New Reese Powered Drive Tongue Jack. Just raise the jack with the touch of a button so you can park and play - quickly.

- Self-resetting circuit breaker protects internal components at end of travel
- Rated for up to 3,500 lb lift capacity
- Positions quickly with up to 14-in of total travel
- Drop leg with spring loaded pull pin
- Deploys and hooks up easily at night with on-board LED courtesy light
- Works in case of power loss with emergency manual override capability, easily accessible from the top
- Manual override crank included
- Retains like-new appearance with corrosion-resistant surfaces
- 5-year limited warranty



Part Number	Description	Lift Capacity	Travel	Retracted	Extended	Clearance	Packaging
500703	Black Cover, Includes Drop Leg	3,500 lbs.	14"	9.75"	31.50"	20.50"	Ind. Pack
500704	White Cover, Includes Drop Leg	3,500 lbs.	14"	9.75"	31.50"	20.50"	Ind. Pack
Replacement Parts							
500190	Drop Leg and Pin Kit						Ind. Pack
500201	Manual Override Cover						Polybag
500202	LED Light Assembly and Bulbs						Polybag
500203	Manual Override Crank						Boxed
500362	Light Switch						Boxed
500363	Extend/Retract Switch						Boxed





500187



500188

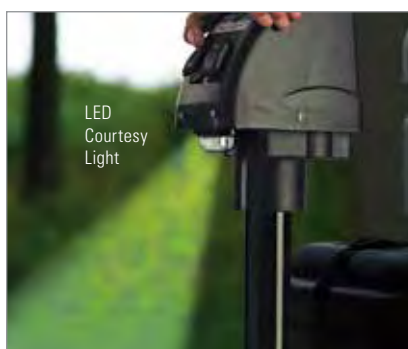
3.5K JACK WITH POWERED DRIVE

Tough & Trusted BULLDOG presents a Powered Jack with all the capacity and features you want.

- Positions quickly with 14-in of total travel
- 3,500 lb lift capacity
- Integrated gearbox and motor
- Drop leg with spring loaded pull pin
- Deploys and hooks up easily at night with on-board LED courtesy light, angled to illuminate coupler
- Works in case of power loss with emergency manual override capability, easily accessible from the top, crank included
- Manual override crank included
- Lasts for years with industry-leading BULLDOG performance, known worldwide for unmatched strength, durability, and side load capacity
- Retains like-new appearance with corrosion-resistant surfaces
- 5-year limited warranty



Part Number	Description	Lift Capacity	Travel	Retracted	Extended	Clearance	Packaging
500187	Black Cover, Includes Drop Leg	3,500 lbs.	14"	9.75"	31.50"	20.50"	Ind. Pack
500188	White Cover, Includes Drop Leg	3,500 lbs.	14"	9.75"	31.50"	20.50"	Ind. Pack
Replacement Parts							
500190	Drop Leg and Pin Kit						Ind. Pack
500201	Manual Override Cover						Polybag
500202	LED Light Assembly and Bulbs						Polybag
500203	Manual Override Crank						Boxed
500305	Black Cover w/Mounting Screws						Boxed
500306	White Cover w/Mounting Screws						Boxed
500362	Light Switch						Boxed
500363	Extend/Retract Switch						Boxed





500198



500204

2.5K JACK WITH POWERED DRIVE

- Integrated circuit breaker
- 18-in travel
- Works in case of power loss with supplied manual override crank handle
- Gloss black painted outer tube and motor assembly, clear zinc inner tube
- 1-year limited warranty

Part Number	Description	Lift Capacity	Travel	Retracted	Extended	Clearance	Packaging	
500198	Jack, without Footplate	2,500 lbs.	18"	8.50"	26.50"	NA	Ind. Pack	
Replacement Parts								
500204	Drive Pin and Coupling	Polybag						Ind. Pack



500162

FIFTH WHEEL LANDING GEAR SYSTEM

- Traditional Single Drive System
- Heavy gauge 6-in x 8-in self-leveling foot plates with drain holes to prevent corrosion
- Spring loaded drop leg pin on 8000 lb support capacity model
- Includes secondary gearbox
- 36-in total travel
- Includes adjustable cross shaft
- Includes 4 mounting brackets and 4 sets of mounting hardware
- Motor, switch and harness must be obtained separately
- 5-year limited warranty



Part Number	Description	Support Capacity	Lift Capacity	Total Lift	Screw Travel
500162	RV Landing Gear Assembly (Motor, Switch and Harness Must be Obtained Separately)	8,000 lbs.	4,000 lbs.	36"	18"



500161



500161 - Only Shown with Motor in Alternate Position



DUAL OUTPUT POWERED DRIVE FIFTH WHEEL LAND GEAR SYSTEM

- Dual Output Powered Drives
- High speed position installation for lifting speeds of 9-in/minute
- Heavy duty integrated die-cast gearbox eliminates the need for an intermediate plastic gear box
- Spring loaded drop leg pin
- Independent leg control for leveling
- Heavy gauge 6-in x 8-in self-leveling foot plates
- 36-in total travel
- Includes motors preassembled to jacks
- Includes dual switch panel and wiring harness
- Includes 4 mounting brackets and 4 sets of mounting hardware



Part Number	Description	Support Capacity	Lift Capacity	Total Lift	Screw Travel
500161	RV Landing Gear Assembly, (2 Motors and Switches)	10,000 lbs.	7,000 lbs.	36"	18"
Replacement Parts					
500359	Dual Output Motor for 500161 & 500170				
500367	Drop Leg and Foot Plate for 500161 & 500170				
500368	Control Switch for 500161				

Fingertip Control

141401



XLT™ POWERED MARINE JACK

- Patented spring-loaded drop leg pull pin positions quickly with 22-in total travel
- Powered through 7-way or dedicated 12V DC battery
- Premium Sharkskin finish for optimum corrosion resistance
- Front and rear facing LED lights for low light conditions
- Corrosion resistant stainless steel internal ACME screw
- Easy to install - simply bolt to frame and hook up wiring
- Manual override using standard tools in case of power loss
- Includes mounting hardware for up to 5-in high trailer tongues



PREMIUM FINISH
 • Maximum corrosion resistance
 • Used in salt water environments and other demanding climate applications

Part Number	Description	Lift Capacity	Travel	Retracted	Extended	Clearance	Packaging
141401	Black Cover, Includes Drop Leg	2,500 lbs.	22"	9.75"	31.75"	21.00"	Ind. Box



Spring Loaded Drop Leg Pull Pin



Rear and Front LEDs

XLT™ MARINE AND RECREATIONAL JACKS

- Patent pending TruTurn 360 system delivers best in class castering performance
- Raises & lowers 35% faster than the competition
- Patented inner and outer tube bushings provide a tight fit and lessen tube drag
- Premium Sharkskin finish for optimum corrosion resistance
- 20% more screw travel than conventional jacks
- Stylized handles with soft touch grips
- Grease fittings in key locations for easy lubrication



PREMIUM FINISH
 • Maximum corrosion resistance
 • Used in salt water environments and other demanding climate applications

141133
Bolt-On



Swing Away

Part Number	Description	Lift Capacity	Handle Style	Travel	Retracted	Extended	Clearance	Packaging
141133	Bolt-On Mounting Hardware Incl.	1,500 lbs.	Sidewind	12"	15"	27"	15.5"	Ind. Box

Replacement Parts								
500365	Pull Pin for #141132 and #141133							
0933306S00	Service Kit, Includes: (2) Gears, (1) Pin, (1) Washer, (1) Spacer, & (2) Flanged Bushings							



TruTurn 360



0933306S00



F2® MARINE AND RECREATIONAL JACKS

Fulton, the industry leader for high performance marine jacks, is proud to introduce a revolution in trailer jack engineering. The F2, designed for use with marine, recreational and utility trailers, continues the Fulton heritage of innovation rethinking every feature and challenging industry conventions. The result is a reengineered high quality product that will transform the industry. It's so strong and reliable that Fulton is backing it with an unprecedented limited lifetime warranty.

- 35% faster lifting action than conventional jacks
- Ergonomic design - crank, release pin and integrated wheel wedge are made of strong, engineered plastic for a comfortable touch
- Stylish design - compliment your boat and customize your trailer's styling
- Twin track and wide track versions available
- Available in bolt-on and weld-on versions for up to 5-in tongues
- Handle Hold-Up secures handle to jack tube when in stowed position
- Lifetime limited warranty



1413230134

F2® MARINE AND RECREATIONAL JACKS - ADJUSTABLE SWIVEL WITH FOOTPLATE

- Fulton, the industry leader for high performance jacks, is proud to introduce another addition to the F2 family of trailer jacks. Our 2,000 lb lift capacity adjustable swivel with footplate jacks pack all of the features of the award winning Twin Track & Wide Track models, along with the unprecedented limited lifetime warranty. The 2,000 lb capacity jacks possess the following unique features. Corrosion resistant coatings cover internal and external components - will hold up in harsh environments
 - Heavy duty articulating footplate - 7-in diameter cast footplate provides superior stability.
 - Unique ball and socket connection between jack and footplate allows for whatever articulation is required to accommodate uneven surfaces
 - 13-in of swivel mount height adjustment
 - Handle Hold-Up secures handle to jack tube when in stowed position
 - Lifetime limited warranty

Part Number	Description	Lift Capacity	Handle Style	Screw Travel	Mount Travel	Pull Pin Diameter	Packaging
1413230134	Includes Handle Hold-Up Feature & Bolt-On Mounting Hardware for 3"x4"" and 3"x5" Frames.	2,000	Sidewind	10"	13"	9/16"	Ind. Box

F2® MARINE AND RECREATIONAL JACKS - TWIN TRACK MODEL

Part Number	Description	Lift Capacity	Handle Style	Screw Travel	Mount Travel	Pull Pin Diameter	Packaging
1413020134	Includes Handle Hold-Up & Wheel Wedge Features, & Bolt-On Mounting Hardware for 3"x3" & 3"x4" Frames.	1,600 lbs.	Sidewind	10"	8"	9/16"	Ind. Box

NOTE: Contact Horizon Customer Service for package quantities.
Twin Wheel US Patent D568,575 and Wide Wheel US Patent D570,072 and Handle US Patent D577,175



1413020134

F2® MARINE AND RECREATIONAL JACKS - WIDE TRACK MODEL

Part Number	Description	Lift Capacity	Handle Style	Screw Travel	Mount Travel	Pull Pin Diameter	Packaging
1413040134	Includes Handle Hold-Up & Wheel Wedge Features, & Bolt-On Mounting Hardware for 3"x3" & 3"x4" Frames.	1,600 lbs.	Sidewind	10"	8"	9/16"	Ind. Box

NOTE: Contact Horizon Customer Service for package quantities.
Twin Wheel US Patent D568,575 and Wide Wheel US Patent D570,072 and Handle US Patent D577,175



1413040134

F2® MARINE AND RECREATIONAL JACK ACCESSORIES AND REPLACEMENT PARTS

Part Number	Description	Packaging
500134	Handle/Crank Kit, Includes Handle Grip, Groove Pin & Mounting Hardware	Bagged
500129	Handle Holdup	Bagged
500135	Gearbox Cover Replacement Kit, Includes (4) Mounting Screws	Bagged
500136	Pull Pin Replacement Kit, Includes Spring & Retaining Ring	Bagged
500137	Bearing Replacement Kit, Includes (2) Washers	Bagged
500276	Replacement Part, F2 4" x 5" Mount w/Hardware	Bagged
500277	Weld-On Mounting Bracket & Hardware for 3"x4" Pivot Housing	Bagged
500314	Gear Kit, Includes Shim Washer 5/16" (1), Straight Pin 7/32" x 3/4" (1), Groove Pin 3/16" x 1-1/4" (1) & Washer 1/2" ID x 1-1/4" OD (1)	Bagged
500320	Jack Accessory, XP to F2 Adapter Kit, For F2 Swivel Mount w/4" Frame	Ind. Box
Twin Track Replacement Parts		
500130	Twin Track Wheel Replacement Kit, Includes (2) Wheels & Mounting Hardware	Bagged
500138	Twin Track Wheel Only (1)	Bagged
500132	Twin Track Wheel Wedge Kit, Includes Mounting Hardware	Bagged
Wide Track Replacement Parts		
500131	Wide Track Wheel Replacement Kit, Includes Wheel & Mounting Hardware	Bagged
500133	Wide Track Wheel Wedge Kit, Includes Mounting Hardware	Bagged



1413250334

44305F0317



500265



500266



500267

F2® A-FRAME JACK AND COUPLER COMBINATION

Fulton expands the F2 family of trailer jacks with the adjustable height A-Frame jack and coupler combination. In addition to all the features of the award winning F2 jacks these models include the following unique features.

- F2 Coupler, Class 4, with special cutout mounting area to accept jack
- Versatile handle orientation mounting options: front, driver side or passenger side facing
- 2,000 lb lift capacity
- Removable foot/wheel options (purchase separately):
 - 7-in round articulating footplate (2,000 lb lift capacity)
 - 7-in diameter twin track wheel (1,600 lb lift capacity)
 - 8-in diameter wide track wheel (1,600 lb lift capacity)
- Lifetime limited warranty



Part Number	Description	Lift Capacity	Handle Style	Screw Travel	Packaging
1413250334	Adjustable Height A-Frame Jack. NOTE: Requires F2 Coupler	2,000 lbs.	Sidewind	9"	Bulk
44305F0317	Coupler, Class 4, 2-5/16" Ball, 10,000 lbs. Capacity Coupler	-	-	-	Bulk
Accessories					
500265	7" Twin Track Wheels, Includes Pull Pin Assembly (For use with Single Axle Trailers Only)				Bulk
500266	8" Wide Track Wheel, Includes Pull Pin Assembly (For use with Single Axle Trailers Only)				Bulk
500267	7" Round Articulating Footplate, Includes Pull Pin Assembly				Bulk
Replacement Parts					
500268	Mounting Hardware, Includes: Hex Head Bolt 3/8" - 16 UNC (3) & Lock Washer 3/8" (3)				Poly Bag
500134	Handle / Crank Kit, Includes: Handle Grip, Groove Pin & Mounting Hardware				Bagged
500129	Handle Holdup				Bagged
500135	Gearbox Cover Replacement Kit, Includes: (4) Mounting Screws				Bagged
500137	Bearing Replacement Kit, Includes: (2) Washers				Bagged
500134	Gear Kit, Includes: (1) Shim Washer 5/16", (1) Straight Pin 7/32" x 3/4", (1) Groove Pin 3/16" x 1-1/4", & (1) Washer 1/2" ID x 1-1/4" OD				Bagged

Twin Wheel US Patent D568,575 and Wide Wheel US Patent D570,072 and Handle US Patent D577,175

XP10



XP15



MARINE AND RECREATIONAL JACKS

- Designed for use with marine and utility trailers, Fulton brand tongue jacks are time- tested and application-proven. Our bolt-on versions include all necessary mounting hardware. For weld-on applications, we offer two styles of mounts for both 1/2-in and 3/8-in pull pin models.
- The Fulton brand patented bolt-thru swivel mounts use 3-D formed heavy-gauge steel stampings and a proprietary bushing material for a mount with minimal deflection and maximum support. All mounts fit up to a 3-in x 5-in trailer frame.
- Extensive choice of popular models, Sidewind Crank with Round or Square Tubes
- Strong proprietary bushing materials
- Stable formed heavy-gauge steel construction
- Dependable design
- Lift capacity from 400 lb to 5,000 lb



• 600 hour salt spray rating per ASTM B117



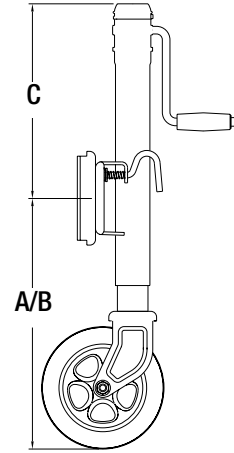
MARINE AND RECREATIONAL JACKS - PATENTED BOLT-THRU SWIVEL

Part Number	Description	Lift Capacity	Handle Style	Travel	A Retracted	B Extended	C Clearance	Finish	Pull Pin Diameter	Packaging
XP10 0101	6" Diameter Wheel, Bolt-On, Mounting Hardware for up to 5" Frame Included, Handle & Wheel Unassembled	1,200 lbs.	Sidewind	10"	12.5"	22.5"	10.5"	Z-Max 600	1/2"	Ind. Box
XP15 0101	8" Diameter Spoked Wheel, Bolt-On, Mounting Hardware for up to 5" Frame Included, Handle & Wheel Unassembled	1,500 lbs.	Sidewind	10"	13.0"	23.0"	12.4"	Z-Max 600	1/2"	Ind. Box
XP15L 0101	Additional 2" of Travel, 8" Diameter Spoked Wheel, Bolt-On, Mounting Hardware for up to 5" Frame Included, Handle & Wheel Unassembled	1,500 lbs.	Sidewind	12"	13.0"	25.0"	14.4"	Z-Max 600	1/2"	Ind. Box
XPD15L0101	Dual Wheel, Additional 2" of Travel, 6" Dia. Wheels, Bolt-On, Mounting Hardware for up to 5" Frame Included, Handle & Wheel Unassembled	1,500 lbs.	Sidewind	12"	13.1"	25.1"	12.4"	Z-Max 600	1/2"	Ind. Box

EJ1000



HD5000



Travel & Clearance Diagram

A= Retracted

B= Extended

C= Clearance Height

MARINE AND RECREATIONAL JACKS - RETAINING RING SWIVEL - 3/8-IN PULL PIN DIAMETER

Part Number	Description	Lift Capacity	Handle Style	Travel	A Retracted	B Extended	C Clear.	Finish	Pack.
1410050149*	Swiveling Trailer Stand, 6" Diameter Wheel, Bolt-On, Mounting Hardware for up to 5" Frame Included, Wheel Unassembled	400 lbs.	N/A	N/A	14.5"	N/A	4.5"	Silver Powder Coat	Ind. Box
TJ12000101	6" Diameter Wheel, Bolt-On, Mounting Hardware for up to 5" Frame Included, Handle & Wheel Unassembled	1,200 lbs.	Side-wind	10"	12.7"	22.7"	11.4"	Z-Max 600	Ind. Box
EJ10000101*	6" Wheel, Clear Zinc Finish, Bolt-On, Fits up to 3" x 5" Trailer Frame	1,000 lbs.	Side-wind	10"	13.0"	23.0"	11.0"	100 Hr. Clear Zinc	Ind. Box

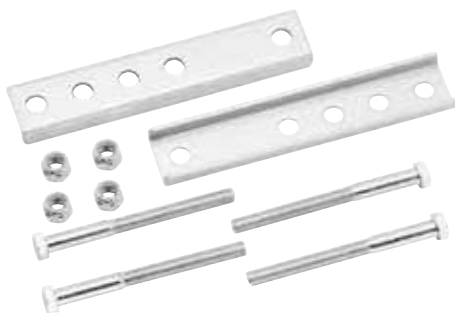
*1 year limited warranty

MARINE AND RECREATIONAL JACKS - FIXED MOUNT

Part Number	Description	Lift Capacity	Handle Style	Travel	A Retracted	B Extended	C Clearance	Finish	Packaging
HD25000101	Heavy Duty Square, Drop Leg Jack, 3.8" x 7.5" Footplate, Bolt-On, Mounting Hardware for up to 5" Frame Included, Handle Unassembled, Travel Includes Drop Leg	2,500 lbs.	Sidewind	28"	7.00"	35.5"	19.25"	Z-Max 600	Ind. Box
HD50000101	Heavy Duty Square, Drop Leg Jack, 6.0" x 8.0" Footplate, Bolt-On, Mounting Hardware for 4", 5", & 6" High Frames Included, Travel Includes Drop Leg	5,000 lbs.	Sidewind	28"	6.5"	35.0"	18.5"	Z-Max 600	Ind. Box

MARINE AND RECREATIONAL JACK PARTS AND ACCESSORIES

500286



500320



0933301S00



6811S00

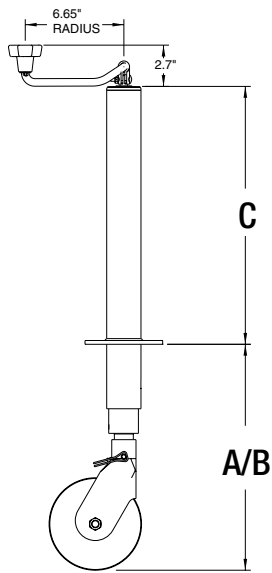


500324



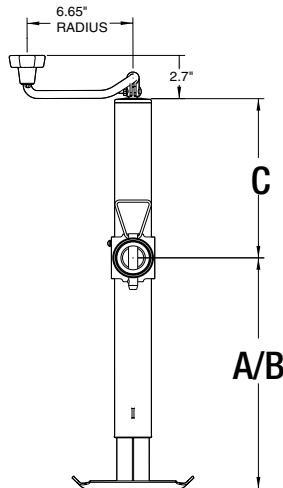
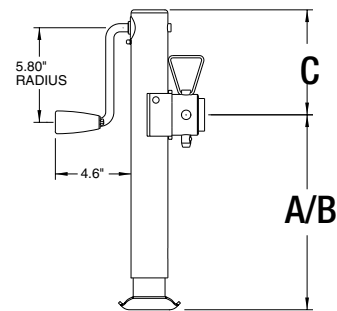
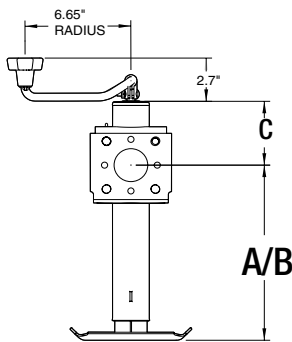
Part Number	Description
Mounting Kits	
500286	Bolt-On Mounting Hardware Kit
500349	Bolt on Mounting Kit for XP Series Jacks
0933325S00	Mounting Hardware & Bushing for XP Bolt-Thru Swivel Mount
Adapter Kits	
500320	Jack Accessory, XP to F2 Adapter Kit, For F2 Swivel Mount w/4" Frame
Handle Kits	
0933301S00	Includes (1) Handle Assembly with Plastic Handle Roller, (1) Groove Pin, & (1) Flanged Bushing TJ503/C, TJU503, PMJ53, TJ507/C, PMJ75, CS750, GR700/TJ712, XP10/L/W/WC, XP100
0933305S00	Includes (1) Handle Assembly with Plastic Handle Roller, (1) Groove Pin, & (1) Flanged Bushing TJ1055, TJ1057, TJ1222, TJ255, TJD125, TJ122F, XP15/L/W/WC, XP15L, HD2500
Bevel Gear Kits	
0933302S00	Includes (2) Gears, (1) Groove Pin, (1) Pin, (1) Washer, & (1) Flanged Bushing TJ503, XP10 (all 1,200 lbs. capacity)
0933306S00	Includes (2) Gears, (1) Groove Pin, (1) Pin, (1) Washer, (1) Spacer, & (2) Flanged Bushings TJ1055, TJ1057, TJ1222, TJ1255, TJD125, TJ122F, XP15/L/W/WC, XPF15L, HD2500
Plunger Pin Kit	
0933307S00	Includes (1) 1/2" Plunger Pin, (1) Plunger Pin Cap, (1) Washer, (1) Cotter Pin, & (1) Spring TJ1055, TJ1057, TJ1255, TJD125, TJ122F, XP15/L/W/WC, XPF15L XP10 (all 1,200 lbs. capacity)
Wheel Repair Kit	
6811S00	All 6" models including TJ600T (excluding TJD125, TJD103)
0933323S00	All 8" models
Caps	
500325	Cap - HD2500 Jack
500322	Cap - TJ1200 & EJ1000
500323	Cap - XP10
500324	Cap - XP15

NOTE: RED part numbers indicate discontinued items.



ROUND JACKS

- BULLDOG industrial Jacks are tough enough to be trusted by America's Military and Top Industrial Manufacturers
- You can count on BULLDOG - "Tough and Trusted™" since 1920
- Features high-strength, heavy-duty designs that makes them the toughest trailer components available today
- BULLDOG is characterized by unmatched strength, reliability, safety and value on the market
- Precision fitted parts for extra stability
- A-Frame models listed have gray painted outer and inner tubes
- Most model have gray outer tube and zinc plated inner tube
- If you not see what you need in our catalog ask your Horizon Sales Manager about the possibility to create a custom jack for you application



Travel and Clearance Diagram

- A= Retracted
- B= Extended
- C= Clearance Height



THE CHOICE WHEN APPLICATION REQUIRES COMPLIANCE WITH ASABE S485 STANDARDS

TUBULAR SWIVEL ROUND JACKS

Part Number	Model Number	Description	Lift Capacity	Handle Style	Travel	A Retracted	B Extended	C Clearance
158451 ◇	TWS 158 DTSF w/P&C	Weld-on tubular mount with 9/16" pin and foot plate. Male mating mount included.	2,000 lbs.	Topwind	10"	11.00"	21.00"	4.00"
1584510117	TWS 158 DTSF w/P&C	Weld-on tubular mount with 9/16" pin and foot plate. Male mating mount included. Display Box.	2,000 lbs.	Topwind	10"	11.00"	21.00"	4.00"
158452 ◇	TWL 158 DTSF w/P&C	Weld-on tubular mount with 9/16" pin and foot plate. Male mating mount included.	2,000 lbs.	Topwind	15"	14.50"	29.50"	10.00"
1584520117	TWL 158 DTSF w/P&C	Weld-on tubular mount with 9/16" pin and foot plate. Male mating mount included. Display Box.	2,000 lbs.	Topwind	15"	14.50"	29.50"	10.00"
150441	TWS 150 DTS-FX w/P&C	Weld-on tubular mount, with 9/16" pin and foot plate. Clear zinc finish. Mating mount sold separately.	2,000 lbs.	Topwind	10"	11.00"	21.00"	4.00"
158488	TWL 150 DTSF w/P&C	Weld-on tubular mount with 9/16" pin and foot plate. Clear zinc finish. Male mating mount included.	2,000 lbs.	Topwind	15"	16.00"	31.00"	4.00"
158109	SWS 158 DTSF w/P&C	Weld-on tubular mount with 9/16" pin and foot plate. Male mating mount included.	2,000 lbs.	Sidewind	10"	10.80"	20.80"	6.40"
1581090117	SWS 158 DTSF w/P&C	Weld-on tubular mount with 9/16" pin and foot plate. Male mating mount included. Display Box.	2,000 lbs.	Sidewind	10"	10.80"	20.80"	6.40"
158151 ◇	SWL 158 DTSF w/P&C	Weld-on tubular mount with 9/16" pin and foot plate. Male mating mount included.	2,000 lbs.	Sidewind	15"	14.50"	29.50"	12.20"
1581510117	SWL 158 DTSF w/P&C	Weld-on tubular mount with 9/16" pin and foot plate. Male mating mount included. Display Box.	2,000 lbs.	Sidewind	15"	14.50"	29.50"	12.20"
1581090301	N/A	Weld-on tubular mount	2,000 lbs.	Sidewind	10"	10.8"	20.8"	6.30"
610322	3 TMX-20-X	Weld-on tubular mount with 5/8" pin and foot plate. Male mating mount not included. Clear zinc outer tube and inner tube. Low mount location	3,000 lbs.	Topwind	20"	3.1"	23.1"	3.7"
178101 ◇	TWS 178 DTSF w/P&C	Weld-on tubular mount with 9/16" pin and foot plate. Male mating mount included.	5,000 lbs.	Topwind	10"	11.25"	21.25"	4.00"
1781010117	TWS 178 DTSF w/P&C	Weld-on tubular mount with 9/16" pin and foot plate. Male mating mount included. Display Box.	5,000 lbs.	Topwind	10"	11.25"	21.25"	4.00"
178151	TWL 178 DTSF w/P&C	Weld-on tubular mount with 9/16" pin and foot plate. Male mating mount included.	5,000 lbs.	Topwind	15"	14.70"	29.70"	10.00"
1781510117	TWL 178 DTSF w/P&C	Weld-on tubular mount with 9/16" pin and foot plate. Male mating mount included. Display Box	5,000 lbs.	Topwind	15"	14.70"	29.70"	10.00"
178201 ◇	SWS 178 DTSF w/P&C	Weld-on tubular mount with 5/8" pin and foot plate. Male mating mount included.	5,000 lbs.	Sidewind	10"	10.40"	20.40"	6.40"
1782010117	SWS 178 DTSF w/P&C	Weld-on tubular mount with 5/8" pin and foot plate. Male mating mount included. Display Box.	5,000 lbs.	Sidewind	10"	10.40"	20.40"	6.40"
178203	SWL 178 DTSF w/P&C	Weld-on tubular mount with 5/8" pin and foot plate. Male mating mount included.	5,000 lbs.	Sidewind	15"	15.40"	30.40"	6.40"
198100	TWS 198 DTSM w/P&C	Weld-on tubular mount with 5/8" pin and foot plate. Female mating mount included.	7,000 lbs.	Topwind	10"	10.80"	20.80"	4.50"
198200	TWL 198 DTSM w/P&C	Weld-on tubular mount with 5/8" pin and foot plate. Female mating mount included.	7,000 lbs.	Topwind	15"	15.80"	30.80"	4.25"
198150 ◇	SWS 198 DTSM w/P&C	Weld-on tubular mount with 5/8" pin and foot plate. Female mating mount included.	7,000 lbs.	Sidewind	10"	11.00"	21.00"	6.40"
198250	SWL 198 DTSM w/P&C	Weld-on tubular mount with 5/8" pin and foot plate. Female mating mount included.	7,000 lbs.	Sidewind	15"	16.00"	31.00"	6.40"

NOTE: Review price list or contact customer service for package quantities and full part number. Other custom-made designs are available upon request.

◇ DENOTES MOST POPULAR

158451



178201



A-FRAME ROUND JACKS

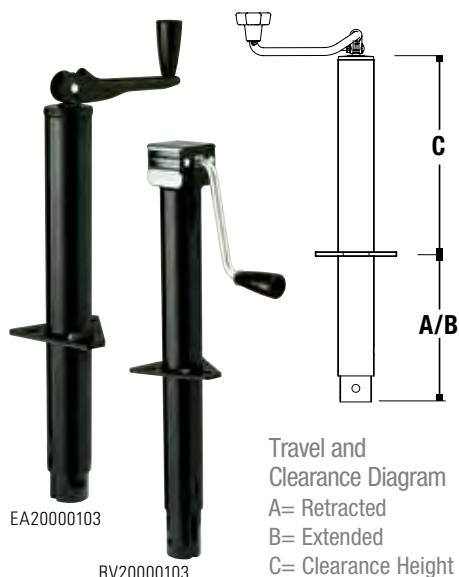
Part Number	Model Number	Description	Lift Capacity	Handle Style	Travel	A Retracted	B Extended	C Clearance
155022 ◇	TWL 155	Weld-on/bolt-on bracket. Less wheel or base.	2,000 lbs.	Topwind	15"	8.80"	23.80"	12.20"
1550220117	TWL 155	Weld-on/bolt-on bracket. Less wheel or base. Display Box.	2,000 lbs.	Topwind	15"	8.80"	23.80"	12.20"
155028	TWL 155	Weld-on/bolt-on bracket. Less wheel or base. Clear zinc finish.	2,000 lbs.	Topwind	15"	8.40"	23.40"	13.00"
155033	TWL 155X	Weld-on/bolt-on bracket. Less wheel or base.	2,000 lbs.	Topwind	15"	5.40"	20.40"	16.00"
155100	N/A	7.5" Bracket to Ground Retracted, w/Welded Disc Foot	2,000 lbs.	Topwind	15"	7.5"	22.5"	17"
155157 ◇	SWL 155X (RV)	External gear box. Handle to front. Weld-on/bolt-on bracket. Less wheel or base.	2,000 lbs.	Sidewind	13"	8.60"	21.50"	13.00"
1551570117	SWL 155X (RV)	External gear box. Handle to front. Weld-on/bolt-on bracket. Less wheel or base. Display Box.	2,000 lbs.	Sidewind	13"	8.60"	21.50"	13.00"
1550100117	SWL 155 X	External gear box. Weld-on/bolt-on bracket. Less wheel or base. Display Box.	3,000 lbs.	Sidewind	13"	7.00"	20.00"	14.50"
1550100317	SWL 155 X	External gear box. Weld-on/bolt-on bracket. Less wheel or base.	3,000 lbs.	Sidewind	13"	7.00"	20.00"	14.50"
1550101344	SWL 155 X	External gear box. Weld-on/bolt-on bracket. Less wheel or base. Clear zinc finish.	3,000 lbs.	Sidewind	13"	7.00"	20.00"	14.50"
155032 ◇	TWL 155 HD	Weld-on/bolt-on bracket. Less wheel or base. (5000 lbs. vertical load capacity)	5,000 lbs.	Topwind	15"	10.30"	25.30"	10.20"
1550320117	TWL 155 HD	Weld-on/bolt-on bracket. Less wheel or base. (5000 lbs. vertical load capacity) Display Box.	5,000 lbs.	Topwind	15"	10.30"	25.30"	10.20"
1750290317 ◇	TWL 175	Weld-on/bolt-on bracket. Less wheel or base.	5,000 lbs.	Topwind	15"	10.82"	25.82"	10.70"
1750290301	TWL 175	Weld-on/bolt-on bracket. Less wheel or base. Clear zinc finish.	5,000 lbs.	Topwind	15"	10.82"	25.82"	10.70"
1700100117	SWL 175	Handle to front. Weld-on/bolt-on bracket. Less wheel or base. Display Box.	5,000 lbs.	Sidewind	15"	8.60"	23.60"	12.75"
1700100317	SWL 175	Handle to front. Weld-on/bolt-on bracket. Less wheel or base.	5,000 lbs.	Sidewind	15"	8.60"	23.60"	12.75"
1700100301	SWL 175	Handle to front. Weld-on/bolt-on bracket. Less wheel or base. Clear zinc finish.	5,000 lbs.	Sidewind	15"	8.60"	23.60"	12.75"

150022



155157





REESE TOWPOWER ROUND JACKS

- Designed for use with trailers with A-Frame couplers
- Weld-on or Bolt-on mounting option
- A-frame models have black painted outer and inner tubes, all other models have black painted outer and clear zinc inner tubes

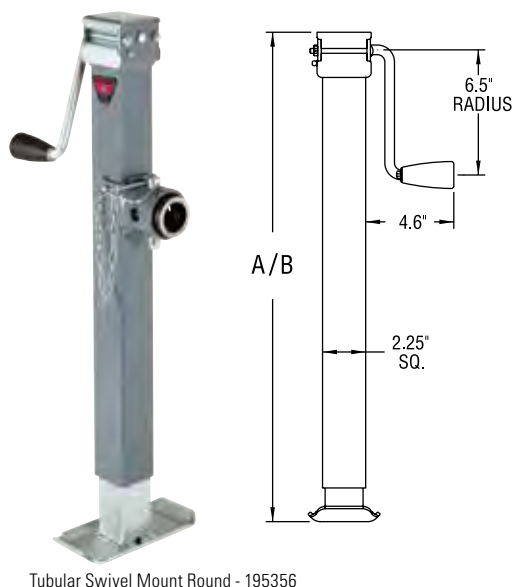
Part #	Description	Lift Capacity	Handle Style	Travel	A Retracted	B Extended	C Clearance
RV20000103	Front Facing Handle, Boxed	2,000 lbs.	Sidewind	14"	9.00"	23.00"	13.00"
RV20000303	Front Facing Handle	2,000 lbs.	Sidewind	14"	9.00"	23.00"	13.00"
EA20000103	Boxed	2,000 lbs.	Topwind	14"	8.00"	22.00"	11.00"
EA20000303		2,000 lbs.	Topwind	14"	8.00"	22.00"	11.00"
EA20000340	Clear Zinc Inner & Outer Tubes	2,000 lbs.	Topwind	14"	8.00"	22.00"	11.00"
1401000303		2,000 lbs.	Topwind	15"	5.50"	20.50"	16.00"
1400600303		5,000 lbs.	Topwind	15"	10.80"	25.80"	14.55"

Unless otherwise noted, A-Frame without footplate jacks: 1) Finish is black painted inner and outer tubes
2) Jacks are bulk packed



A-FRAME ROUND JACK WHEEL AND FOOT OPTIONS

Part #	Description
1400700340	Removable Footplate, 2.10" Tall, Fits 2" Inner Tube, Includes Pull Pin Assembly, Clear Zinc Finish, 5,000 lbs. Capacity
1400750340	Removable 6" Caster, Includes Pull Pin Assembly, Clear Zinc Finish, 1,200 lbs. Capacity



5K SQUARE JACKS

- Compared to round jacks of similar capacities, BULLDOG's 5,000 lb support capacity square jack dramatically improves side load strength while maintaining the economical benefits of lower capacity jacks. The extra side load capacity you need without the costs of increasing overall capacity.
- 12-gauge square tube is 70% stronger than 12-gauge round tube for more side load and support strength with the same lift capacity
- 4.62-in outer tube overlap at full extension for additional side load strength
- Weather-resistant materials and coatings. Painted outer tubes, clear zinc inner tubes
- Proven, reliable mechanical elements provide dependable strength and long-lasting, durable performance
- Mounts included in this series of jacks

Travel and Clearance Diagram

A= Retracted

B= Extended

C= Clearance Height

Actual product may vary slightly from image shown.

WELD-ON RETAINING RING SWIVEL ROUND JACKS

Part Number	Model Number	Description	Lift Capacity	Handle Style	Travel	A Retracted	B Extended	C Clearance
151401 ◇	TWS 151 DS	Weld-on L-bend swivel bracket assembled. 1/2" diameter plunger pin. With footplate.	2,000 lbs.	Topwind	10"	11.00"	21.00"	4.00"
1514010117	TWS 151 DS	Weld-on L-bend swivel bracket assembled. 1/2" diameter plunger pin. With footplate. Display Box.	2,000 lbs.	Topwind	10"	11.00"	21.00"	4.00"
151421	TWL 151 DS	Weld-on L-bend swivel bracket assembled. 1/2" diameter plunger pin. With footplate.	2,000 lbs.	Topwind	15"	14.50"	29.50"	10.00"
1514210117	TWL 151 DS	Weld-on L-bend swivel bracket assembled. 1/2" diameter plunger pin. With footplate. Display Box.	2,000 lbs.	Topwind	15"	14.50"	29.50"	10.00"
151460	TWS 151 DS	3/8" diameter plunger pin. With footplate. Clear zinc finish. WELD-ON L-BEND SWIVEL BRACKET SOLD SEPARATELY.	2,000 lbs.	Topwind	10"	11.00"	21.00"	4.00"
151101 ◇	SWS 151 DS	Weld-on L-bend swivel bracket assembled. 1/2" diameter plunger pin. With footplate.	2,000 lbs.	Sidewind	10"	11.00"	21.00"	6.40"
1511010117	SWS 151 DS	Weld-on L-bend swivel bracket assembled. 1/2" diameter plunger pin. With footplate. Display Box.	2,000 lbs.	Sidewind	10"	11.00"	21.00"	6.40"
151159	SWL 151 DS	Weld-on L-bend swivel bracket assembled. 1/2" diameter plunger pin. With footplate.	2,000 lbs.	Sidewind	15"	14.50"	29.50"	12.20"
171401	TWS 171 DS	Weld-on L-bend swivel bracket assembled. 1/2" diameter plunger pin. With footplate.	5,000 lbs.	Topwind	10"	11.25"	21.25"	4.00"
171412	TWL 171 DS	Weld-on L-bend swivel bracket assembled. 1/2" diameter plunger pin. With footplate.	5,000 lbs.	Topwind	15"	14.50"	29.50"	10.00"

NOTE: Review price list or contact customer service for package quantities and full part number. Other custom-made designs are available upon request.
 ◇ DENOTES MOST POPULAR

BOLT-ON RETAINING RING SWIVEL ROUND JACKS

Part Number	Model Number	Description	Lift Capacity	Handle Style	Travel	A Retracted	B Extended	C Clearance
151443 ◇	TWS 159 SX	Bolt-on swivel bracket assembled with mounting hardware. 1/2" diameter plunger pin. Without base. Fits tongue up to 3" x 4".	2,000 lbs.	Topwind	10"	11.00"	21.00"	4.00"

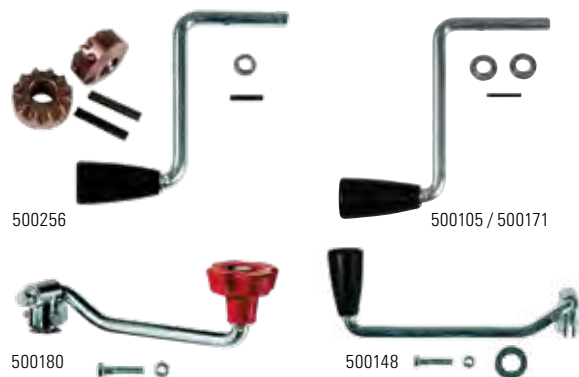
ROUND JACKS WITHOUT MOUNT

Part Number	Model Number	Description	Lift Capacity	Handle Style	Travel	A Retracted	B Extended	C Clearance
150152	SWL 150	No foot, no mount, painted outer tube, zinc inner tube.	2,000 lbs.	Sidewind	15"	26.60"	41.60"	N/A
150000	TWL 150	No foot, no mount, painted outer tube, zinc inner tube.	2,000 lbs.	Topwind	10"	15.00"	25.00"	N/A
1701480317	TWL 170	No foot, no mount, painted outer tube, zinc inner tube.	5,000 lbs.	Topwind	15"	21.00"	36.00"	N/A
170205	SWL 170	No foot, no mount, painted outer tube, zinc inner tube.	5,000 lbs.	Sidewind	15"	19.20"	34.20"	N/A



JACK MOUNTING OPTIONS

Part #	Description	Style
P9222-00	Weld-On Retaining Ring Swivel Mount	Weld-On
0050240300	Female Tubular Swivel Mount, 5/8" Hole	Weld-On
500239	Male Tubular Swivel Mount, 9/16" Hole	Weld-On
500242	Swivel Bracket w/L-Bend	Weld-On
0031350300	A-Frame Bottom Support Plate	Weld-On



JACK HANDLE OPTIONS

Part #	Description	Package
500256	Sidewind Crank Kit, Handle, 5-51/64" Radius Assembly & Gear 2,000 lbs. Jacks	
500105	Sidewind Crank Assembly for 170's w/Black Knob	
500180	Topwind Crank, 6-3/4" Radius w/Red BULLDOG Knob For 750-5,000 lbs. Jacks	Clam
500148	Topwind Crank, 9" Radius w/Black "Tear Drop" Knob For 7,000 lbs. Jacks	Clam
500171	Sidewind Crank Assembly for 190's, Black	
500344	Replacement Part, 12" Topwind Handle for 10K Square Jack	Ind. Box
800075	Topwind crank 1" tubing (9.50" radius) - 12,000 lbs. square	Bulk



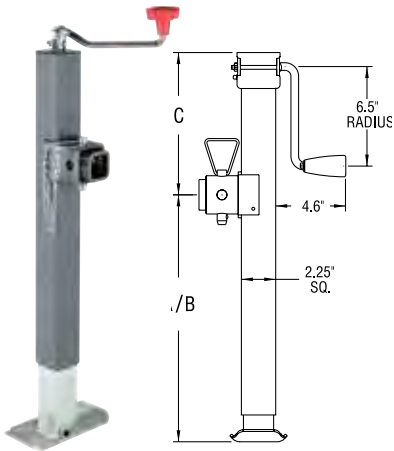
ROUND JACK WHEEL / FOOT OPTIONS

Part #	Description
017125	Removable Steel Caster. Reduces Overall Jack Capacity to 1,000 lbs.
CE555 0101	Removable Polyolefin Caster. Reduces Overall Jack Capacity to 1,200 lbs. (boxed)
CE555 0301	Removable Polyolefin Caster. Reduces Overall Jack Capacity to 1,200 lbs. (bulk)
500244	Detachable Base, 2.1" Height, Fits 2" Tube
018098	Detachable Base, 6.2" Height, Fits 2" Tube
500245	Removable 6" Caster with Pin. Fits Jacks with 2" Inner Tube



MOUNTS

Part #	Description	Packaging
MOUNTS		
500239	Trailer mount, male, weld-on for 9/16" pin. (5,000 lbs. - Topwind only) SERIES: 150, Topwind-170	Clam
500238	Trailer mount, female, weld-on, for 5/8" pin, 3" O.D.	Clam
500240	Trailer mount, male, weld-on, for 5/8" pin, 2" O.D.	Clam
Retaining Ring Mounting Brackets		
500242	Weld-on, swivel bracket, 1/2" pin - 2,000 - 5,000 lbs. rated	Clam
Swivel Trailer Mounts		
500339	Round Tube Male Weld-On U-Bracket for 5/8" Pull Pin	Poly Bag



Tubular Swivel Mount Square - 195312

5K ROUND TUBULAR SWIVEL SQUARE JACKS

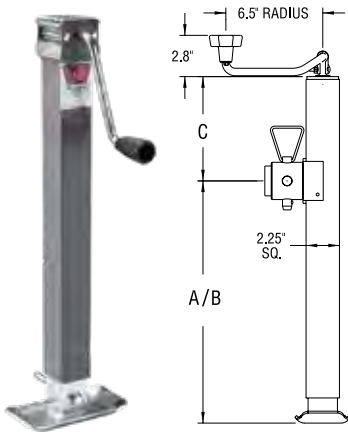
- Fixed leg with base. With tubular swivel mount (includes male mating mount, pin, and chain)

Part #	Model #	Support Capacity	Lift Capacity	Handle Style	Travel	A Retracted	B Extended	C Clearance
195306 ◊	TWL 195 DTSTFQ	5,000 lbs.	3,000 lbs.	Top-wind	15"	15.20"	30.20"	7.00"
195356 ◊	SWL 195 DTSTFQ w/P&C	5,000 lbs.	3,000 lbs.	Side-wind	15"	15.10"	30.10"	9.25"

Patent Pending. NOTE: Contact Price List or Customer Service for package quantities and full part number. ◊ DENOTES MOST POPULAR

5K SQUARE TUBULAR SWIVEL 3K SQUARE JACKS

- Fixed leg with base. Square mount welded to outer tube (includes male mating mount, pin, and chain)



Direct Weld - 195354

Part #	Model #	Support Capacity	Lift Capacity	Handle Style	Travel	A Retracted	B Extended	C Clearance
195312 ◊	TWL 195 DTSTFQ w/P&C	5,000 lbs.	3,000 lbs.	Top-wind	15"	15.20"	30.20"	7.00"
195362	SWL 195 DTSTFQ w/P&C	5,000 lbs.	3,000 lbs.	Side-wind	15"	15.10"	30.10"	9.25"

Patent Pending. NOTE: Contact Price List or Customer Service for package quantities and full part number. ◊ DENOTES MOST POPULAR

5K A-FRAME SQUARE JACKS

Part #	Model #	Description	Support Capacity	Lift Capacity	Handle Style	Travel	A Retracted	B Extended	C Clearance
195318	TWL 195 DL-DFXQ	Drop leg with base. Drop leg offers 13.50" additional adjustment.	5,000 lbs.	3,000 lbs.	Topwind	15"	7.90"	36.50"	14.70"
195321 ◊	TWL 195 FL-FXQ	Fixed leg less base.	5,000 lbs.	3,000 lbs.	Topwind	15"	7.40"	22.40"	14.70"

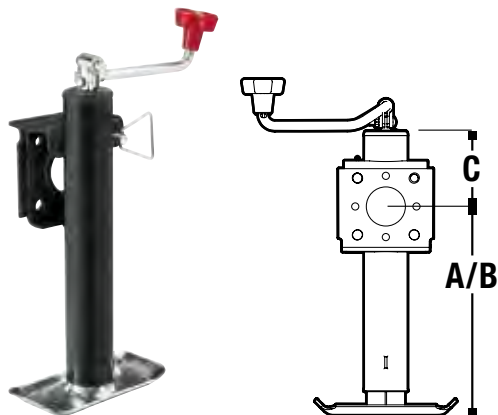
Patent Pending. NOTE: Contact Price List or Customer Service for package quantities and full part number. ◊ DENOTES MOST POPULAR

5K DIRECT WELD SQUARE JACKS

Part #	Model #	Description	Support Capacity	Lift Capacity	Handle Style	Travel	A Retracted	B Extended	C Clearance
195301 ◊	TWL 195 DQ	Fixed leg with base.	5,000 lbs.	3,000 lbs.	Topwind	15"	22.20"	37.20"	N/A
195304 ◊	TWL 195 DL-DXQ	Drop leg with base. Drop leg offers 13.50" additional adjustment.	5,000 lbs.	3,000 lbs.	Topwind	15"	22.60"	51.20"	N/A
195319	TWL 195 FL-BXQ	Fixed leg with caster base.	5,000 lbs.	3,000 lbs.	Topwind	15"	22.30"	37.30"	N/A
195320	TWL 195 FL-XQ	Fixed leg less base.	5,000 lbs.	3,000 lbs.	Topwind	15"	22.10"	37.10"	N/A
195351	SWL 195 DQ	Fixed leg with base.	5,000 lbs.	3,000 lbs.	Sidewind	10"	17.70"	27.70"	N/A
195352	SWL 195 DQ	Fixed leg with base.	5,000 lbs.	3,000 lbs.	Sidewind	15"	24.40"	39.40"	N/A
195354 ◊	SWL 195 DL-DXQ	Drop leg with base. Drop leg offers 13.50" additional adjustment.	5,000 lbs.	3,000 lbs.	Sidewind	15"	25.50"	54.10"	N/A
195368	SWL 195 FL-XQ	Fixed leg with caster base.	5,000 lbs.	3,000 lbs.	Sidewind	15"	24.40"	39.40"	N/A
195369	SWL 195 FL-XQ	Fixed leg less base.	5,000 lbs.	3,000 lbs.	Sidewind	15"	24.20"	39.20"	N/A

REESE TOWPOWER ROUND JACKS

- Designed for use with recreational and utility trailers
- Bolt-on versions include all necessary mounting hardware
- Weld-on versions include mating mount and retaining ring
- A-frame models have black painted outer and inner tubes, all other models have black painted outer and clear zinc inner tubes



1401140303

Travel and Clearance Diagram

A= Retracted

B= Extended

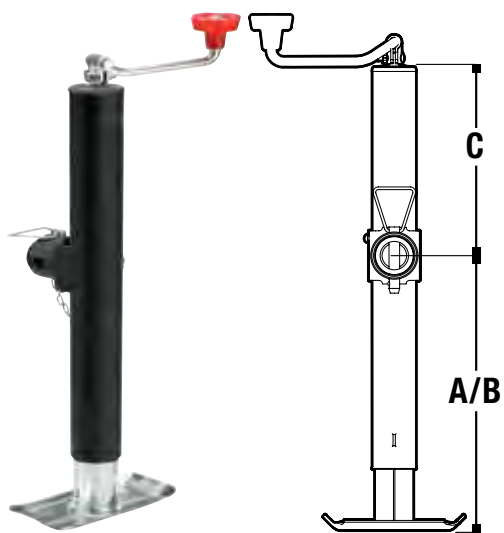
C= Clearance Height

Actual product may vary slightly from image shown.

RETAINING RING SWIVEL, BOLT-ON, ROUND JACKS WITH FOOTPLATE

- Mounting hardware included

Part #	Lift Capacity	Handle Style	Travel	A Retracted	B Extended	C Clearance
1400300303	2,000 lbs.	Topwind	10"	11.00"	21.00"	4.00"

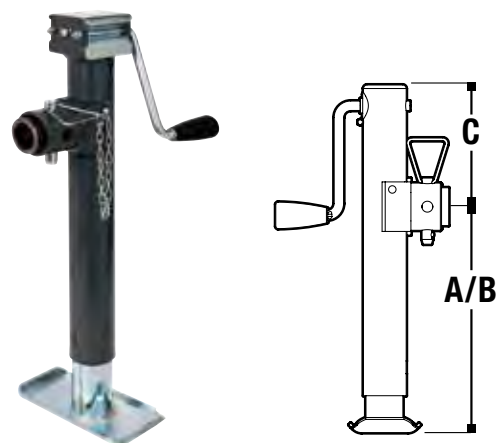


1401200303

RETAINING RING SWIVEL, WELD-ON, ROUND JACKS WITH FOOTPLATE

- Mating mount & retaining ring included

Part #	Lift Capacity	Handle Style	Travel	A Retracted	B Extended	C Clearance
1401140303	2,000 lbs.	Topwind	10"	11.00"	21.00"	4.00"
1401040303	2,000 lbs.	Topwind	15"	14.50"	29.50"	10.00"
1401020303	2,000 lbs.	Sidewind	10"	10.40"	20.40"	6.29"
1401030303	2,000 lbs.	Sidewind	15"	14.40"	29.40"	12.25"



1401440303

TUBULAR SWIVEL, WELD-ON, ROUND JACKS WITH FOOTPLATE

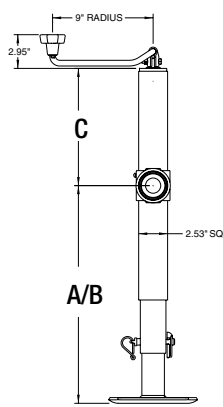
- Mating mount & pull pin included

Part #	Lift Capacity	Handle Style	Travel	A Retracted	B Extended	C Clearance
1401060303	2,000 lbs.	Sidewind	10"	11.20"	21.20"	5.45"
1401080303	2,000 lbs.	Sidewind	15"	14.40"	29.40"	12.25"
1400400303	2,000 lbs.	Topwind	10"	11.00"	21.00"	4.00"
1401200303	2,000 lbs.	Topwind	15"	14.50"	29.50"	10.00"
1401420303	5,000 lbs.	Sidewind	10"	10.50"	20.50"	6.25"
1401440303	5,000 lbs.	Sidewind	15"	15.50"	30.50"	6.25"
1401460303	5,000 lbs.	Topwind	10"	11.20"	21.20"	4.00"
1401480303	5,000 lbs.	Topwind	15"	14.70"	29.70"	10.00"

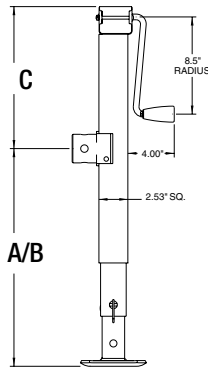
Unless otherwise noted, A-Frame without footplate jacks: 1) Finish is black painted inner and outer tubes 2) Jacks are bulk packed



Tubular Swivel Mount - 190705



Tubular Swivel Mount - 190756



8K SQUARE JACKS

- BULLDOG's 8,000 lb support capacity square jack serves the agricultural, industrial, construction, horse/livestock trailer, and utility/cargo trailer markets. The compact design of these jacks makes them ideal for tight-fitting applications where 3-in and 4-in square tube jacks are too big!
- Use the painted outer tube as the final finish or primer
- Zinc-plated inner tube and drop leg
- 4.7-in Outer / inner tube overlap - results in optimal side load performance
- 5/8-in screw stem - provides insurance against screw stem twisting off
- Patented screw nut stop - prevents screw and/or nut damage when jack is fully extended
- Topwind models - bushing in top cap, eagle claw grip
- Sidewind models - 1/4-in cross pin connects gear train to screw stem - guards against shearing jack pin Sidewind models - 1:1.33 gear ratio

Travel and Clearance Diagram

A= Retracted

B= Extended

C= Clearance Height



THE CHOICE WHEN APPLICATION REQUIRES COMPLIANCE WITH ASABE S485 STANDARDS

8K TUBULAR SWIVEL SQUARE JACKS

Part #	Model #	Description	Support Capacity	Lift Capacity	Handle Style	Travel	A Retracted	B Extended	C Clearance
190705 ◊	TWS 190 FL-B TSMQ w/P&C	Fixed leg with heavy-duty base. With tubular swivel mount (includes mating mount, pin and chain).	8,000 lbs.	5,000 lbs.	Topwind	10"	11.41"	21.41"	4.25"
190706	TWL 190 FL-B TSMQ w/P&C	Fixed leg with heavy-duty base. With tubular swivel mount (includes mating mount, pin and chain).	8,000 lbs.	5,000 lbs.	Topwind	15"	12.16"	27.16"	10.25"
190708	TWL 190 DL-B TSMQ w/P&C	Drop leg with heavy-duty base. Drop leg offers 13.50" additional adjustment. Tubular swivel mount (mating mount, pin and chain).	8,000 lbs.	5,000 lbs.	Topwind	15"	12.66"	41.16"	10.25"
190724	TWL 190 FL-DTS BQ	Fixed leg with heavy-duty base. With tubular swivel mount (includes pin & chain, without mating mount, use 0031550300).	8,000 lbs.	5,000 lbs.	Topwind	15"	15.10"	30.10"	7.00"
190756 ◊	SWL 190 FL-B TSMQ w/P&C	Fixed leg with heavy-duty base. With tubular swivel mount (includes mating mount, pin and chain).	8,000 lbs.	5,000 lbs.	Sidewind	15"	12.16"	27.16"	12.40"
190758	SWL 190 DL-B TSMQ w/P&C	Drop leg with heavy-duty base. Drop leg offers 13.50" additional adjustment. Tubular swivel mount (mating mount, pin and chain).	8,000 lbs.	5,000 lbs.	Sidewind	15"	12.66"	41.16"	12.40"
190789	SWL 190 FL-BQ	Fixed leg with heavy-duty base. With tubular swivel mount (includes pin and chain, without mating mount, use 0031550300).	8,000 lbs.	5,000 lbs.	Sidewind	15"	15.10"	30.10"	9.40"

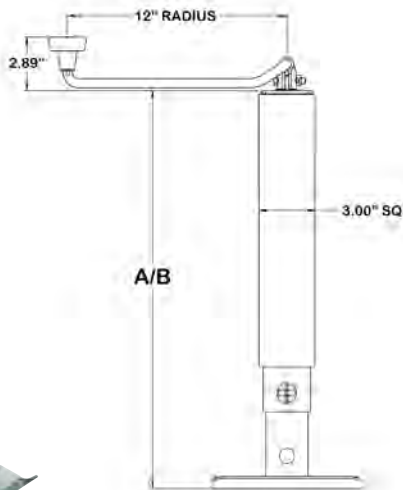
8K DIRECT WELD SQUARE JACKS

Part #	Model #	Description	Support Capacity	Lift Capacity	Handle Style	Travel	A Retracted	B Extended	C Clearance
190704 ◊	TWL 190 DL-BQ	Drop leg with heavy-duty base. Drop leg offers 13.50" additional adjustment.	8,000 lbs.	5,000 lbs.	Topwind	15"	22.66"	51.41"	N/A
1907040176	TWL 190 DL-BQ	Drop leg with heavy-duty base. Drop leg offers 13.50" additional adjustment. Display Box.	8,000 lbs.	5,000 lbs.	Topwind	15"	22.66"	51.41"	N/A
190754 ◊	SWL 190 DL-BQ	Drop leg with heavy-duty base. Drop leg offers 13.50" additional adjustment.	8,000 lbs.	5,000 lbs.	Sidewind	15"	25.06"	53.56"	N/A
1907540176	SWL 190 DL-BQ	Drop leg with heavy-duty base. Drop leg offers 13.50" additional adjustment. Display Box.	8,000 lbs.	5,000 lbs.	Sidewind	15"	25.06"	53.56"	N/A

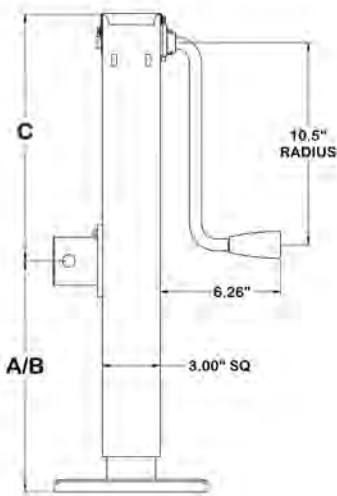
Patent Pending. NOTE: Contact Price List or Customer Service for package quantities and full part number. ◊ DENOTES MOST POPULAR



180304



180405



10K SQUARE JACKS

- BULLDOG's 10,000 lb support capacity square jacks "fills the gap" between 8,000 lb and 12,000 lb square jack product offerings
- If the existing 8,000 lb support capacity square jacks are too small or the 12,000 lb support capacity square jacks are too big, look no further – your application and pricing requirements have been met!
- This is the highest quality and best performing jack available in the marketplace today, a total balance between capacity, speed, and effort
- Heavy-gauge 3-in square tubing allows for direct weld mounting wherever the application allows – no burn through
- Use the painted outer tube as the final finish or primer
- Zinc-plated inner tube and drop leg
- Heavy-duty base, with reinforcement ribs, zero water retention
- Precision manufactured for long term reliability and smooth, easy cranking
- Grease zerk for easy lubrication as needed
- Oil-impregnated bushing for improved bearing and gear life
- Direct weld to outer tube is standard
- Sidewind models - 1:1.86 gear ratio

Travel and Clearance Diagram

- A= Retracted
- B= Extended
- C= Clearance Height



THE CHOICE WHEN APPLICATION REQUIRES COMPLIANCE WITH ASABE S485 STANDARDS

10K DIRECT WELD SQUARE JACKS

Part Number	Model Number	Description	Support Capacity	Lift Capacity	Handle Style	Travel	A Retracted	B Extended
180304 ◇	TWS 180 DL-BQ	Drop leg with heavy-duty base. Drop leg offers 10.12" additional adjustment	10,000 lbs.	7,200 lbs.	Topwind	10"	18.18"	38.31"
180354	TWL 180 DL-BQ	Drop leg with heavy-duty base. Drop leg offers 13.50" additional adjustment.	10,000 lbs.	7,200 lbs.	Topwind	15"	22.93"	51.43"
180405	SWS 180 DL-BQ	Drop leg with heavy-duty base. Drop leg offers 10.12" additional adjustment.	10,000 lbs.	7,200 lbs.	Sidewind	10"	19.93"	40.05"
180455 ◇	SWL 180 DL-BQ	Drop leg with heavy-duty base. Drop leg offers 13.50" additional adjustment.	10,000 lbs.	7,200 lbs.	Sidewind	15"	25.67"	54.17"

10K SQUARE TUBULAR SWIVEL SQUARE JACKS

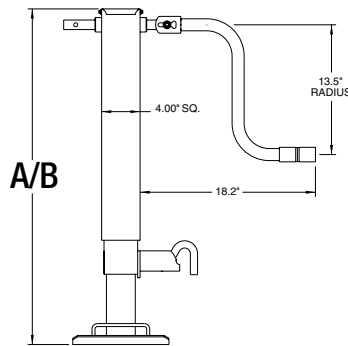
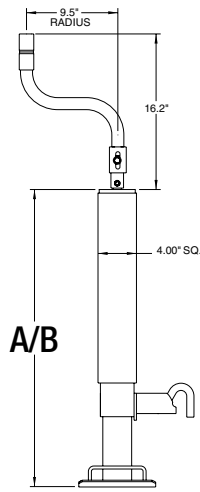
Part Number	Model Number	Description	Support Capacity	Lift Capacity	Handle Style	Travel	A Retracted	B Extended	C Clearance
180587	SWL 180 FT-BTSXQ	Fixed leg with base. Square mount welded to outer tube (includes male mating mount, pin and chain).	10,000 lbs.	7,200 lbs.	Sidewind	15"	12"	27"	12.8"

NOTE: Review price list or contact customer service for package quantities and full part number. Other custom-made designs are available upon request. ◇ DENOTES MOST POPULAR

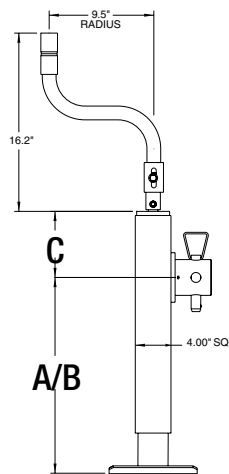




182400



182524



182415

12K HEAVY DUTY SQUARE JACKS

Strong, durable, and sturdy, the BULLDOG 12,000 lb support capacity square jack is the BIG reason why BULLDOG has carried the load in agricultural, construction, heavy-duty utility, and horse/livestock trailer industries since 1923. All BULLDOG 4-in square jacks are rated for 12,000 lb support capacity and 10,000 lb lift capacity. The strength of the product, plus the wide variety of styles, makes this jack the best choice in its product class.

- 4-in square tubing, 7-gauge superior alloy steel
- Painted outer tube, inner tube, and drop leg
- Drop leg option with 5 positioning holes
- Easy-access gear box with grease fitting for routine maintenance
- Spring return drop leg or non-spring return drop leg
- 12.5-in screw travel, 13.5-in of additional adjustment with drop leg
- Front facing drop leg plunger pin or side facing drop leg plunger pin
- Painted (with or without labels) or powder paint optional
- Sidewind models - 1:1.5 gear ratio
- Direct weld to outer tube is standard
- Sidewind models - 1:1.86 gear ratio

Travel and Clearance Diagram

A= Retracted

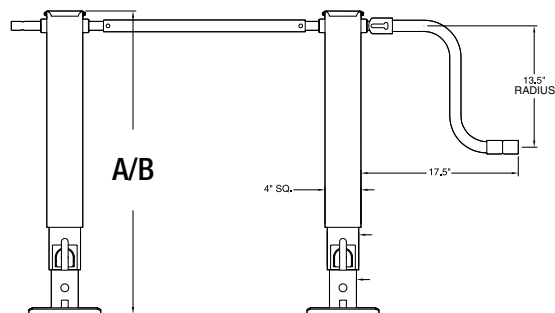
B= Extended

C= Clearance Height



THE CHOICE WHEN APPLICATION REQUIRES COMPLIANCE WITH ASABE S485 STANDARDS

Pin to front tandem application



12K DIRECT WELD, SPRING RETURN HEAVY DUTY SQUARE JACKS

Part #	Model #	Description	Support Capacity	Lift Capacity	Handle Style	Travel	A Retracted	B Extended	C Clearance
182800 ◊	SWQ 180 DL-B-SR	Drop leg jack with standard disc foot. 13.5" of additional drop leg extension. Drop leg pull pin to the SIDE. Crank sold separately.	12,000 lbs.	10,000 lbs.	Sidewind	12.5"	27.4"	53.6"	N/A
182804	SWQ 180 DL-BC-SR	Drop leg jack with standard disc foot. 13.5" of additional drop leg extension. Drop leg pull pin to the SIDE. Includes crank.	12,000 lbs.	10,000 lbs.	Sidewind	12.5"	27.4"	53.6"	N/A
182805	SWQ 180 DL-BX RH	Drop leg jack with standard disc foot. 13.5" of additional drop leg extension. Drop leg pull pin to the SIDE. Crank sold separately. Companion jack to 182800, 182802, and 182804	12,000 lbs.	10,000 lbs.	Sidewind	12.5"	27.4"	53.5"	N/A
182815 ◊	SWQ 180 DL-BX	Drop leg jack with standard disc foot. 13.5" of additional drop leg extension. Drop leg pull pin to the FRONT. Crank sold separately.	12,000 lbs.	10,000 lbs.	Sidewind	12.5"	28.6"	54.6"	N/A

12K DIRECT WELD, NON-SPRING RETURN HEAVY DUTY SQUARE JACKS

Part #	Model #	Description	Support Capacity	Lift Capacity	Handle Style	Travel	A Retracted	B Extended	C Clearance
182300	TWQ 180 DL-B	Drop leg jack with standard disc foot. 13.5" of additional drop leg extension. Crank sold separately.	12,000 lbs.	10,000 lbs.	Topwind	12.5"	23.4"	49.4"	N/A
182304 ◊	TWQ 180 DL-BC	Drop leg jack with standard disc foot. 13.5" of additional drop leg extension. Crank included.	12,000 lbs.	10,000 lbs.	Topwind	12.5"	23.4"	49.4"	N/A
182400 ◊	SWQ 180 DL-B	Drop leg jack with standard disc foot. 13.5" of additional drop leg extension. Drop leg pull pin to the SIDE. Crank sold separately.	12,000 lbs.	10,000 lbs.	Sidewind	12.5"	27.4"	53.3"	N/A
182404	SWQ 180 DL-BC	Drop leg jack with standard disc foot. 13.5" of additional drop leg extension. Drop leg pull pin to the SIDE. Crank included.	12,000 lbs.	10,000 lbs.	Sidewind	12.5"	27.4"	53.3"	N/A
182411	SWQ 180 DL-B	Drop leg jack with standard disc foot. 13.5" of additional drop leg extension. Drop leg pull pin to the SIDE. Crank sold separately. Companion jack to 182400 and 182404.	12,000 lbs.	10,000 lbs.	Sidewind	12.5"	27.4"	53.5"	N/A
182415 ◊	SWQ 180 DL-BX	Drop leg jack with standard disc foot. 13.5" of additional drop leg extension. Drop leg pull pin to the FRONT. Crank sold separately.	12,000 lbs.	10,000 lbs.	Sidewind	12.5"	28.6"	54.6"	N/A
182500	SWQ 180 FL-B	Fixed leg jack with standard disc foot. Crank sold separately.	12,000 lbs.	10,000 lbs.	Sidewind	12.5"	27.0"	39.5"	N/A

12K TUBULAR SWIVEL, NON-SPRING RETURN HEAVY DUTY SQUARE JACK

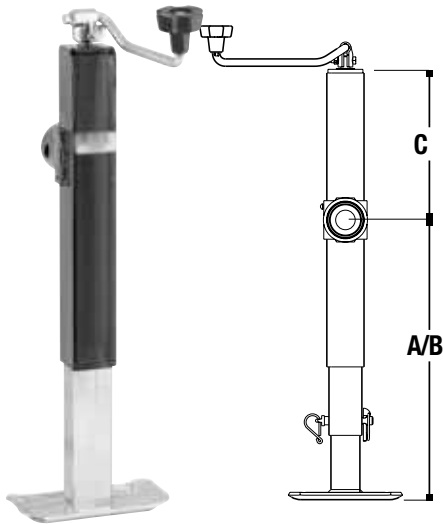
Part #	Model #	Description	Support Capacity	Lift Capacity	Handle Style	Travel	A Retracted	B Extended	C Clearance
182524	SWQ 180 TS-FL-BCX	Fixed leg jack with standard disc foot. Includes crank. Includes 3.25" diameter tube mount with pin and chain. Does not include mating mount (005122).	12,000 lbs.	10,000 lbs.	Sidewind	12.5"	17.0"	29.6"	10.1"

NOTE: Review price list or contact customer service for package quantities and full part number. Other custom-made designs are available upon request. ◊ DENOTES MOST POPULAR

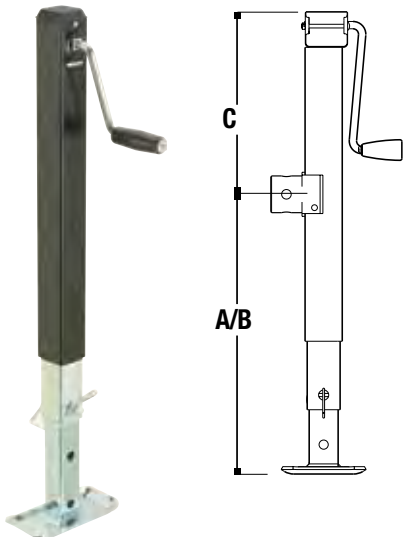


12K SUPPORT CAPACITY JACK ACCESSORIES

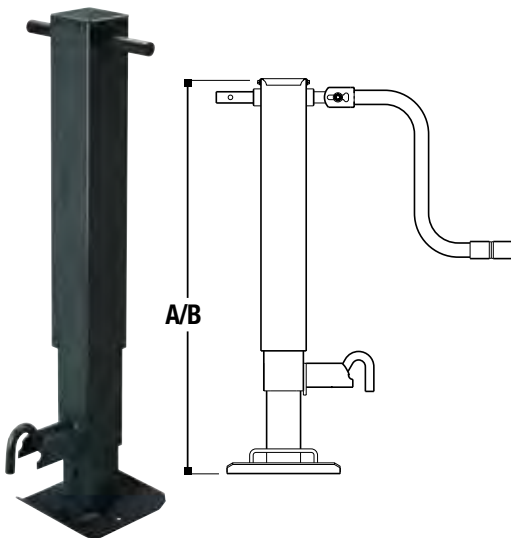
Part #	Description
015181	Sidewind crank assembly with 13.50" radius. Vertical clevis. Mounting hardware included. Ex-tends 17.50" from the jack. Black primed finish.
800102	Sidewind crank assembly with 13.50" radius. Horizontal clevis. Mounting hardware included. Extends 17.50" from the jack. Black primed finish.
800075	Topwind crank assembly with 9.50" radius. Vertical clevis. Mounting hardware included. Ex-tends 15.50" from the top of the jack. Black primed finish.
800090	Sidewind crank assembly with 13.50" radius. Horizontal clevis. Mounting hardware included. Extends 17.50" from the jack. Black primed finish.
701466	Removable sidewind crank with 13.5" offset radius. All zinc-plated crank. Dual handle grips for cranking and shifting. For use with OEM supplied outboard bushing or may be attached directly on jack gearbox. Needs 012378 adaptor with traditional gearbox.
CS730300	Cross shaft extension tube 72.75" to connect jacks in tandem application
500312	Handle clip.



1401520383



1401600383



1400960376

REESE TOWPOWER SQUARE JACKS

- Square jack dramatically improves side load strength
- Drop leg and fixed leg models available
- Tubular swivel models include mating mount and pull pin
- Direct weld to outer tube is standard
- Sidewind models - 1:1.86 gear ratio



THE CHOICE WHEN APPLICATION REQUIRES COMPLIANCE WITH ASABE S485 STANDARDS

Travel and Clearance Diagram

A= Retracted

B= Extended

C= Clearance Height

WELD-ON, TUBULAR SWIVEL SQUARE JACKS

- Black painted outer tube, clear zinc inner tube, fixed leg

Part #	Support Capacity	Handle Style	Travel	A Retracted	B Extended	C Clearance
1401520383	5,000 lbs.	Topwind	10"	17.20"	27.20"	5.00"
1401610383	5,000 lbs.	Sidewind	10"	17.40"	27.40"	8.00"
1400830383	8,000 lbs.	Topwind	10"	17.20"	27.20"	5.00"
1400860383	8,000 lbs.	Sidewind	10"	17.10"	27.10"	7.30"

DIRECT WELD SQUARE JACKS

- Black painted outer tube

Part #	Description	Support Capacity	Handle Style	Travel	A Retracted	B Extended
1401500383	Clear zinc inner tube and 28" travel with drop leg.	5,000 lbs.	Topwind	15"	22.60"	51.20"
1401600383	Clear zinc inner tube and 28" travel with drop leg.	5,000 lbs.	Sidewind	15"	25.80"	54.40"
1400800383	Black painted inner tube and 28" travel with drop leg.	8,000 lbs.	Topwind	15"	22.90"	51.50"
1400850383	Black painted inner tube and 28" travel with drop leg.	8,000 lbs.	Sidewind	15"	25.20"	53.80"
140094	Spring return drop leg, 26" travel with drop leg, pin to side, crank included. Black painted inner tube and drop leg.	12,000 lbs.	Sidewind	12.5"	27.25"	53.25"
1400950376	Spring return drop leg, 26" travel with drop leg, pin to front, crank included. Black painted inner tube and drop leg.	12,000 lbs.	Sidewind	12.5"	28.25"	54.25"
1400960376	Spring return drop leg, 26" travel with drop leg, pin to front. Black painted inner tube and drop leg.	12,000 lbs.	Sidewind	12.5"	28.25"	54.25"
1400980376	Non spring return drop leg, 26" travel with drop leg, pin to front, crank included. Black painted inner tube and drop leg.	12,000 lbs.	Sidewind	12.5"	28.25"	54.25"
1400990376	Non spring return drop leg, 26" travel with drop leg, pin to front. Black painted inner tube and drop leg.	12,000 lbs.	Sidewind	12.5"	28.25"	54.25"
1401010376	Non spring return drop leg, 26" travel with drop leg, pin to side, crank included. Black painted inner tube and drop leg.	12,000 lbs.	Sidewind	12.5"	28.25"	54.25"

Accessory Part

1400920383	12K Crank, Mounting Hardware and Clip, Black Painted Finish
------------	---



TWIN CAM™ DROP LEG JACK

The industry's strongest drop leg jack. The BULLDOG Twin Cam features a convenient, enclosed pin mechanism with "twin cam" action that will quickly make this heavy duty, drop leg jack the industry standard.

Twin Cam Drop Leg Mechanism:

- The BULLDOG Twin Cam Drop Leg mechanism allows an increase in the vertical static capacity by using two 3/4-in pins to transfer forces between the drop leg and inner tube of the jack
- The unique Twin Cam drop leg mechanism actuates the drop leg pins in both directions, giving the operator full control over engagement and disengagement of the drop leg pins. The design does not rely on spring pressure alone to keep the pins in the locked position. Patent pending
- The enclosed Twin Cam drop leg mechanism keeps dirt and debris from interfering with the engagement of the drop leg pins
- The Twin Cam drop leg mechanism maintains tighter alignment between the drop leg tube and inner tube by having engagement on both sides of the drop leg tube

Two-Speed Model (also includes):

- Convenient cranking ratios allow for fast operation under a wide range of loading conditions. Drop leg provides quick adjustment
- High speed cranking ratio of 9 turns per inch is convenient for loads up to 12,500 lb
- Low speed ratio of 29.5 turns per inch allows lifting loads up to 25,000 lb

Features:

- Easy access grease fittings allow for lubrication of internal jack gears and jack screw/nut
- Patented screw stop prevents screw and/or nut damage when the jack is fully extended, keeping the screw in good condition for maximum screw/nut cycle life
- Patented assembly design makes the gears, jack screw/nut, and other internal components easily serviceable 12.5-in of screw travel
- Drop Leg features 5 positions with 13.5-in of adjustment
- 10-in X 10-in heavy gauge steel foot plate
- Heavy duty 1-in diameter steel input shaft
- Spring return and non-spring return drop legs available
- 10-in X 10-in heavy gauge steel foot plate
- Heavy duty 1-in diameter steel input shaft
- Spring return and non-spring return drop legs available

Optional Accessory:

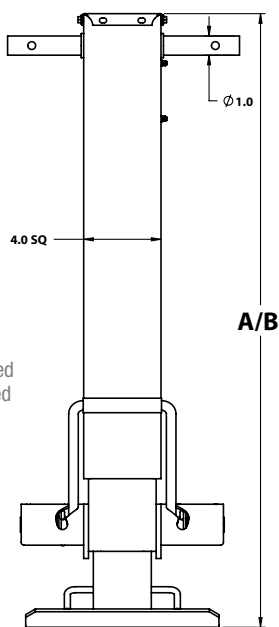
- Compatible with BULLDOG Powered Drive electric motor system (reduces lift capacity to 7,500 lb)



182700
Non
Spring
Return

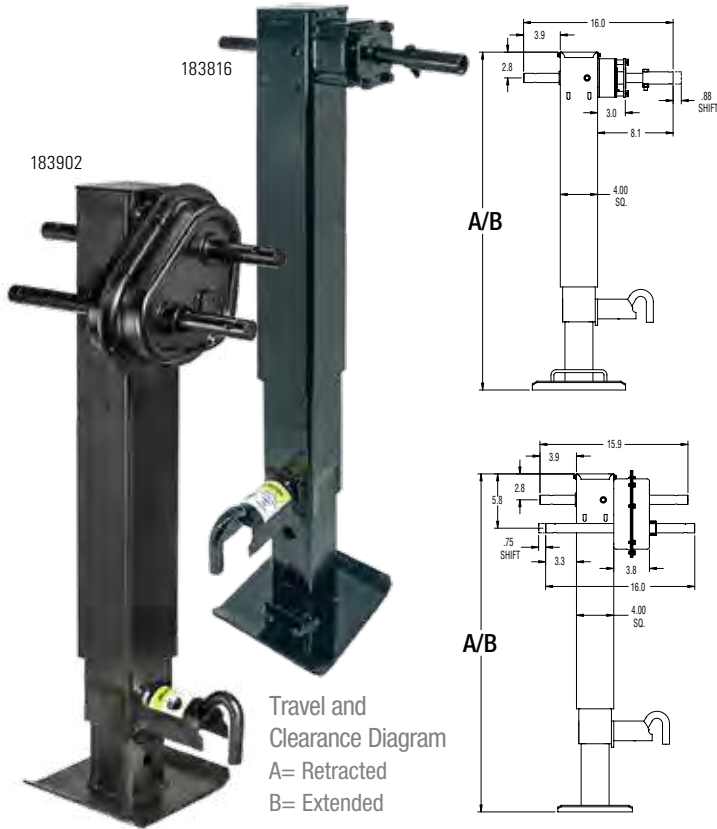


183750
Spring
Return



Configurations	Part Number	Static Capacity	Lift Capacity
1 Single-Speed Jack	182700 or 182701	25,000 lbs.	12,500 lbs.
Pair of Single-Speed Jacks in Tandem	(2) 182700 or (2) 182701	50,000 lbs.	12,500 lbs.
1 Two-Speed Jack	183749 or 183750	25,000 lbs.	25,000 lbs.
Two-Speed and Single-Speed Jack in Tandem	182700 & 183749 or 182701 & 183750	50,000 lbs.	45,000 lbs.

Part Number	Description	Handle Style	Screw Travel	Drop Leg Travel	A Retracted	B Extended
182700	Twin Cam Drop Leg – non spring return. Crank sold separately.	Sidewind	12.5"	13.5"	27.5"	53.5"
182701	Twin Cam Drop Leg – spring return. Crank sold separately.	Sidewind	12.5"	13.5"	28.5"	54.5"
183749	Twin Cam Drop Leg – non spring return. Crank sold separately.	Sidewind Two-Speed	12.5"	13.5"	28.5"	54.5"
183750	Twin Cam Drop Leg – spring return. Crank sold separately.	Sidewind Two-Speed	12.5"	13.5"	29.5"	55.5"



2-SPEED SQUARE JACKS

The First 2-Speed Gearbox Designed with a Drop Leg Jack in Mind

BULLDOG's 2-speed 12,000 lb support capacity square jack makes cranking easier when fully loaded and faster when unloaded. In low gear, the ratio delivers full lifting power at a super-smooth, easy-lifting 27 turns per 1-in (planetary) and 29 turns per 1-in (traditional) of travel. In high gear, the cranking ratio is a speedy 9 turns per 1-in of travel, the fastest in its weight class.

- State of the art 2 speed gearbox with power and speed for the most effective and efficient jack at all loads
- Designed for today's standard agricultural, construction and industrial trailer applications.
- User friendly design makes operation smooth and easy
- Engineered alloys for enhanced strength, stability and side load capability
- Planetary gearbox fits within the width profile of the jack's outer tube, eliminating the need for spacers
- Painted outer tube, inner tube, and drop leg.
- Crank sold separately

NON-SPRING RETURN 2-SPEED SQUARE JACKS

- Painted outer tube, inner tube, and drop leg, Crank sold separately

Part #	Model #	Description	Support Capacity	Lift Capacity	Gearbox Style	Travel	A Retracted	B Extended	Companion
183401	SWQ 183 DL-BX	2-Speed, drop leg with standard disc foot. 13.50" additional drop leg extension. Drop leg pull pin to the SIDE.	12,000 lbs.	10,000 lbs.	Planetary	12.5"	28.5"	54.6"	182411
183416	SWQ 183 DL-BX	2-Speed, drop leg with standard disc foot. 13.50" additional drop leg extension. Drop leg pull pin to the FRONT.	12,000 lbs.	10,000 lbs.	Planetary	12.5"	29.5"	55.6"	182415
183900	SWQ 180 DL-B	2-Speed, drop leg with standard disc foot. 13.50" additional drop leg extension. Drop leg pull pin to the SIDE.	12,000 lbs.	10,000 lbs.	Traditional	12.5"	28.5"	54.6"	182411
183901	SWQ 180 DL-BX T	2-Speed, drop leg with standard disc foot. 13.50" additional drop leg extension. Drop leg pull pin to the FRONT.	12,000 lbs.	10,000 lbs.	Traditional	12.5"	29.5"	55.6"	182415

SPRING RETURN 2-SPEED SQUARE JACKS

- Painted outer tube, inner tube, and drop leg, Crank sold separately

Part #	Model #	Description	Support Capacity	Lift Capacity	Gearbox Style	Travel	A Retracted	B Extended	Companion
183816	SWQ 183 DL-BX w/SR	2-Speed, drop leg with standard disc foot. 13.50" additional drop leg extension. Drop leg pull pin to the FRONT.	12,000 lbs	10,000 lbs.	Planetary	12.5"	29.5"	55.6"	182815
183902	SWQ 180 DL-B w/SR T	2-Speed, drop leg with standard disc foot. 13.50" additional drop leg extension. Drop leg pull pin to the SIDE.	12,000 lbs	10,000 lbs.	Traditional	12.5"	28.5"	54.6"	182805
183903	SWQ 180 DL-BX w/SR T	2-Speed, drop leg with standard disc foot. 13.50" additional drop leg extension. Drop leg pull pin to the FRONT.	12,000 lbs	10,000 lbs.	Traditional	12.5"	29.5"	55.6"	182815

Replacement Parts

500285	Planetary 2-Speed Sun Gear Kit
500295	Traditional 2-Speed Gear Kit
500330	Planetary Gearbox Kit



1824200100

POWERED DRIVE KITS

- Designed for use with BULLDOG 12,000 lb and Twin Cam jacks
- Lifts 50% more than competition
 - Lifts 3-in per minute at typical working loads
 - Can be manually cranked in the event of power loss
- State of the art 12VDC electric motor
 - Quiet operation - 50% quieter than competitive units
 - Efficient use of electrical power - 60% more efficient than competitive units
 - Permanently lubricated to provide years of maintenance free use
- Custom designed wiring harness & rocker switch enclosed in a weather proof box
 - Utilizes a 25 amp circuit breaker with push button reset feature
- Can be used in both single & tandem jack applications Kit includes all necessary components for ease of installation
 - Powered drive assembly
 - Torque stop tube with energy absorption device
 - Terminal box, wiring harness & switch box
 - Hex coupling (not shown, required when using in a tandem jack application)
 - Weather resistant cover (not shown)



1824200100



1824180100

Part #	Description	Lift Capacity
1824200100	Electric Powered Kit	7,250 lbs.
1824180100	Electric Powered Kit, Only Compatible with 2-Speed Square BULLDOG Planetary Jacks	7,250 lbs.
Replacement Parts		
500370	Powered Single Speed Drive Motor for 1824200100 Only	



500370

NOTE: Contact Price List or Customer Service for package quantities and full part number.



TOUGH & TRUSTED PERFORMANCE

POWERED 12,000 lb HIGH-SPEED JACK

THE VELOCITY ADVANTAGE OVER HYDRAULICS:

MORE POWERFUL speed and performance

EASIER TO INSTALL mounts in minutes

NO WELDING no oil, hoses or pump

FASTER even in cold temperatures

VERSATILE OEM, Aftermarket, Industrial,
Horse & Livestock, and RV Applications

Velocity
SERIES™





185400
185402



VELOCITY SERIES™ HIGH SPEED JACKS

- Fast, Powerful, Easy to Install
- OEM and Aftermarket Industrial, Horse & Livestock, and RV Applications
- Mounts without welding and requires no hydraulic oil, hoses, or pumps
- Fully Powered – 12,000 lb capacity per leg with Proprietary high-speed system
- 24-in of travel
- Includes wired remote
- Resists corrosion with premium powder coat finish
- Optional wireless controller available (P/N 500527)
- Manual override in case of power loss
- 5-year limited warranty



Part #	Description	Lift Capacity
185400	Velocity Series High Speed Jack (Includes Single Remote)	12,000 lbs.
185402	Velocity Series High Speed jack (Less Remote)	12,000 lbs.
Replacement Parts		
500374	Foot Plate for Velocity Series Jack	
500375	Cover Kit for Velocity Series Jack	
500376	Contact Kit for Velocity Series Jack	
Accessories		
500527	Wireless Controller, 3-Pin	
500372	Velocity Series High Speed Jack Single Remote	
500379	Velocity Series High Speed Jack Tandem Switch	
500380	Velocity Series High Speed Jack 3-Pin Connector	
500382	Velocity Series High Speed Jack Single Switch	
500386	Velocity Series High Speed Jack Single Remote	
500389	Velocity Series High Speed Jack Adapter Kit	

500527



500372



500379



500386

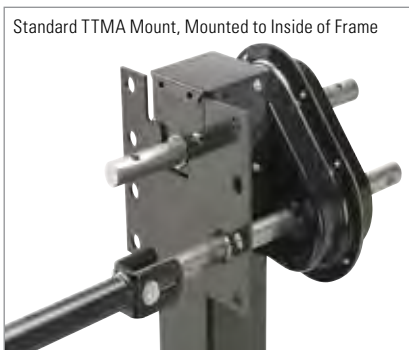


500380



500382
Hardware included, but not shown





Standard TTMA Mount, Mounted to Inside of Frame

Heavy Duty Leg Ban for Added Strength

HEAVY DUTY 2-SPEED TANDEM LANDING GEAR

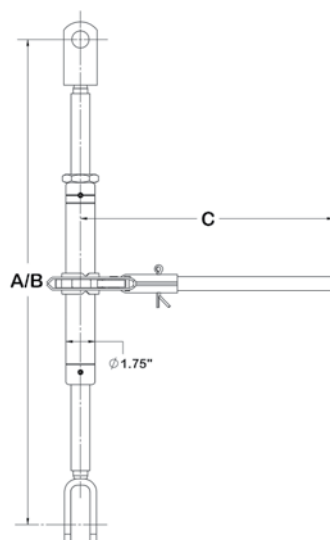
- AAR & TTMA rated (all values per pair): 45,000 lb lifting capacity (@ 100-ft lb input torque), 90,000 lb static capacity
- Competitive Cranking ratios: Low speed gear 27.3 turns per inch, High speed gear 4.5 turns per inch
- 17-in of Travel
- High efficiency, double lead screw
- Heavy duty, self-leveling sand shoe
- Crank included – cross shaft sold separately
- Black painted finish
- Ideal for horse, livestock and heavy duty trailers
- 5-year limited warranty



Part #	Description	Support Capacity	Lift Capacity	Travel	A Retracted	B Extended
500153	Tandem Non-Drop Leg Landing Gear - Set includes Direct Weld 2-Speed & Single Speed Jacks & Crank. Cross Shaft not included.	90,000 lbs.	45,000 lbs.	17"	31.7"	48.7"
500154	Tandem Non-Drop Leg Landing Gear - Set includes TTMA Bolt-On Mount 2-Speed & Single Speed Jacks & Crank. Cross Shaft not included.	90,000 lbs.	45,000 lbs.	17"	31.7"	48.7"
1839050383	2-Speed Jack, Direct Weld. Crank sold separately.	90,000 lbs.	45,000 lbs.	17"	31.7"	48.7"
1839060383	2-Speed Jack, TTMA Bolt-On Mount. Crank sold separately.	90,000 lbs.	45,000 lbs.	17"	31.7"	48.7"
1823050383	Single Speed Jack, Direct Weld. Crank sold separately.	90,000 lbs.	45,000 lbs.	17"	31.7"	48.7"
1823060383	Single Speed Jack, TTMA Bolt-On Mount. Crank sold separately.	90,000 lbs.	45,000 lbs.	17"	31.7"	48.7"
Accessories						
8001090283	Crank, Mounting hardware included.					
CS730300	72.75" Cross Shaft, Slotted Ends, Hardware Included					
500293	Tandem Landing Gear Jack 90K Screw & Nut Assembly (1), Retaining Pins (2), Washer (1), Bearing Bushing (1) & Thrust Bearing (1)					
500294	Tandem Landing Gear Jack 90K Gear Assembly Includes: Grooved Pin (1), Spring (1), Chrome Steel Ball (1), Spur Gear 32T, Intermediate Spur Gear 32T/13T (1), Input Spur Gear 32T/13T (1), Woodruff Key (1) & 2-Speed Gearbox Gasket (1)					



690020



Travel and Clearance Diagram
A= Retracted B= Extended
C= Clearance Height



690020 - U-Bracket

690020 - Eye Rod End

RATCHET JACKS

BULLDOG ratchet jacks are versatile tools for load bearing and lifting, height adjustment, three point hitch elevation, implement leveling, and wheel extension and retraction.

- 3/8-in U-brackets tested to the endurance limit by a major OEM
- Stainless steel flat ratchet spring tested to 20 times the competition's life
- Reinforced steel assembly housing with user-friendly pawl
- Corrosion-resistant surfaces
- 2 zerk fittings, hexagonal jam nut
- Yellow zinc dichromate-plated 7-in or 12-in handle & cotter pin
- 1-1/8-in - 5 yellow zinc dichromate-plated Acme screws

Part #	Description	Pull Capacity	Push Capacity	Retracted	Extended	Clearance
690020	Ratchet Jack, U-Bracket Clevis Ends with 1" Holes. Pins and Clips Included. 12" Handle. Ratchet Mechanism is Centered	16,000 lbs.	10,000 lbs.	20"	28"	15.10"
690071	Ratchet Jack, U-Bracket Clevis Ends with 1" Holes. Pins and Clips Included. 12" Handle. Ratchet Mechanism Offset 3" to Right Side	16,000 lbs.	10,000 lbs.	20"	28"	15.10"
690026	Ratchet Jack, Forged Eyelet Rod End with 1.12" Holes. Pins and Clips Not Included. 12" Handle. Ratchet Mechanism is Centered	16,000 lbs.	10,000 lbs.	20"	28"	15.10"

FARM JACKS

- Long handle for ease of use
- Removable handle and clamp



7060933

7033433

7064233

Part #	Description	Capacity	Height	Travel	Finish
7060933	Farm Jack with Handle Holder	8,000 lbs.	54"	48"	Red/Black
7033433	Farm Jack	7,000 lbs.	48"	42"	Red/Black
7064233	Farm Jack	7,000 lbs.	36"	30"	Red/Black
Accessories					
7071300	ATV/UTV Universal Jack Mount Kit				
7086500	Farm Jack Truck Box Mount Kit, Horizontal or Vertical Mount				
7048400	Farm Jack Foot Plate, 10" x 10", 8,000 lbs. Capacity				
7061520	Farm Jack Handle Holder, Durable PVC, Eliminates Rattle				
7088900	Farm Jack Carry Handle				
7064120	Farm Jack Maintenance Kit, Includes 2 Climbing Pins, 2 Climbing Pin Springs, 2 Cross Pins, 1 Handle Pin and Clip				



7048400



7088900



7061520

A-FRAME, 165 SERIES STANDARD RACK / GEAR JACKS

161300



165111



165311

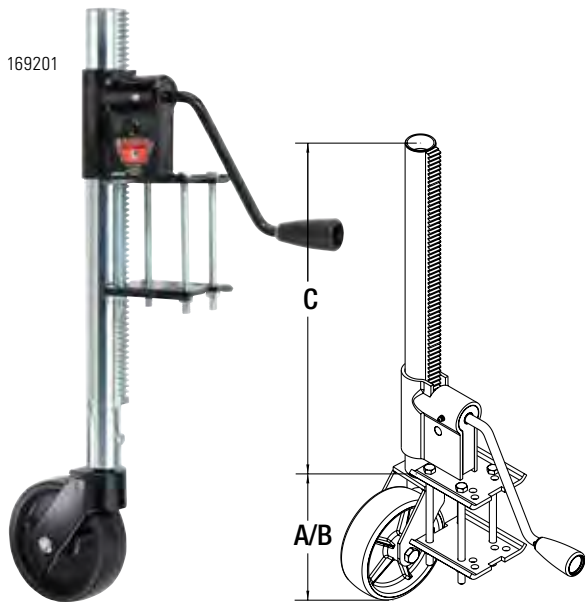


Part #	Model #	Description	Lift Capacity	Includes		Travel	A Retracted	B Extended	C Clearance
				*Gear Box	*Rack Post				
165111 ◊	165 D	A-frame weld-on/bolt-on bracket, with disc foot.	750 lbs.	0181550317	0185200301	16"	3.5"	19.5"	20.2"
165211	165 R	A-frame weld-on/bolt-on bracket, with polyolefin wheel.	750 lbs.	0181550317	0180070301	16"	7.5"	23.5"	20.3"
165311 ◊	165 W	A-frame weld-on/bolt-on bracket, with steel wheel.	750 lbs.	0181550317	0180060301	16"	7.5"	23.5"	20.3"
165411 ◊	HD 165 W	Heavy-duty A-frame weld-on/bolt-on bracket, with heavy-duty 21" long 1,200 pound rack and post, with steel wheel.	1,200 lbs.	0191410310	0190600324	16"	7.5"	23.5"	20.3"
165412	HD 165 WX	Heavy-duty A-frame weld-on/bolt-on bracket, with heavy-duty 24" long 1,200 pound rack and post, with steel wheel.	1,200 lbs.	0191410310	0190800324	19"	7.5"	26.5"	23.3"

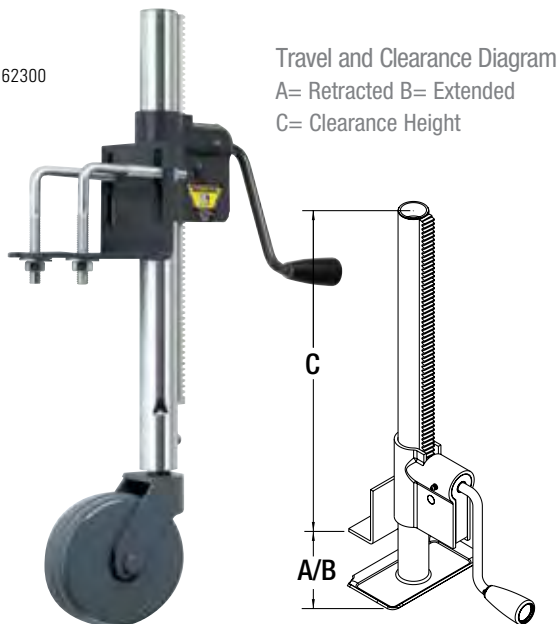
*Gear boxes and rack post also sold separately. ◊ DENOTES MOST POPULAR

NOTE: Contact Price List or Customer Service for package quantities and full part number. Other custom-made designs are available upon request.

169201

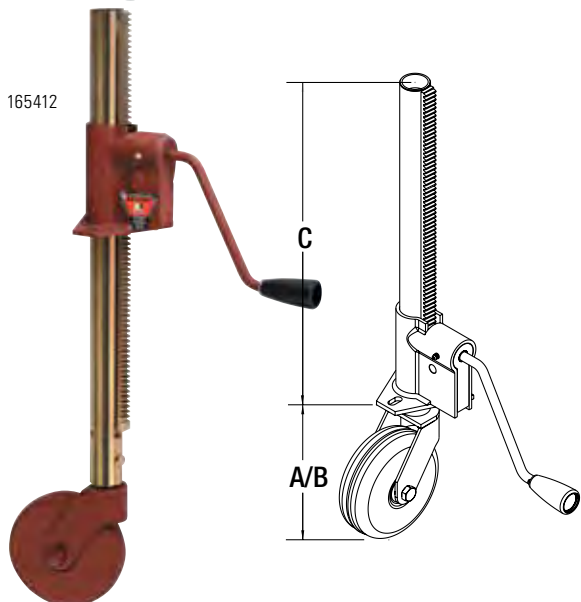


162300



Travel and Clearance Diagram
A= Retracted B= Extended
C= Clearance Height

165412



RACK / GEAR JACKS

750 lb A-Frame and Bolt-On

BULLDOG experience and engineering know-how have produced a line of rack and gear jacks that are tough and trusted, the most preferred jacks used by trailer manufacturers in a variety of industries.

- Smooth-cranking 4 turns per inch of travel
- All-welded steel gear box with proven reliability for long term use at rated load
- Gray primer-painted steel wheel and gear box with weather-resistant clear zinc-plated rack post
- Custom designs available

1,200 lb Heavy-Duty

These heavy-duty rack jacks exemplify BULLDOG's reputation for strength, providing additional lift capacity to a full 1,200 pounds. Specially designed and manufactured to BULLDOG's unparalleled standards, they are ideal for heavier trailers and greater tongue weights.

- Powerful heavy-duty gear box with special steel alloy helical gear for extra lift capacity
- Extra heavy-duty gauge post for maximum side load strength
- Specially designed gusseted caster bracket for increased stability
- Superior extension capabilities (up to 26.5-in on the HD165WX model)
- Red oxide primer-painted steel wheel and gear box with weather-resistant yellow zinc-plated rack post

RACK / GEAR JACK MOUNTING OPTIONS



161 Series - L-Bend Bracket Weld-On.
Welds to Side and Bottom of Tongue

162 Series - L-Bend Bracket Bolt-On.
Fits up to 4" Square Tongue

165 Series - A-Frame, Welds or Bolts to Top of A-Frame Coupler

169 Series - Bolt-On, Fits up to 3" x 5" Rectangular Tongue

RECTANGULAR, BOLT-ON 169 SERIES STANDARD RACK / GEAR JACKS

Part Number	Model Number	Description	Lift Capacity	Includes		Travel	A Retracted	B Extended	C Clearance
				Gear Box	Rack Post				
169201 ◇	169 RB	Bolt-on mount, fits up to 3" x 5" tongue, with mounting kit and polyolefin wheel, black finish.	750 lbs.	0181910378	0183080301	16"	7.5"	23.5"	20.3"

**Gear boxes and rack post also sold separately. ◇ DENOTES MOST POPULAR
NOTE: Contact Price List or Customer Service for package quantities and full part number.
Other custom-made designs are available upon request.*

L-BEND, BOLT-ON, 162 SERIES STANDARD RACK / GEAR JACKS

Part Number	Model Number	Description	Lift Capacity	Includes		Travel	A Retracted	B Extended	C Clearance
				Gear Box	Rack Post				
162300 ◇	162 W	Bolt-On L-Bend Bracket, with Steel Wheel	750 lbs.	019032	0180060301	16"	6.0"	22.0"	21.8"




**Gear boxes and rack post also sold separately. ◇ DENOTES MOST POPULAR
NOTE: Contact Price List or Customer Service for package quantities and full part number.
Other custom-made designs are available upon request.*

L-BEND, WELD-ON, 161 SERIES STANDARD RACK / GEAR JACKS

Part Number	Model Number	Description	Lift Capacity	Includes		Travel	A Retracted	B Extended	C Clearance
				*Gear Box	*Rack Post				
161300 ◇	162 W	Weld-On L-Bend Bracket, with Steel Wheel	750 lbs.	0181610317	0180060301	16"	6.5"	22.5"	21.2"

**Gear boxes and rack post also sold separately. ◇ DENOTES MOST POPULAR
NOTE: Contact Price List or Customer Service for package quantities and full part number.
Other custom-made designs are available upon request.*

RACK / GEAR JACK WHEEL AND FOOT MOUNTING OPTIONS

		
<p>Caster Wheels - "R" Models. Polyolefin Wheel, 750 lbs. Capacity</p>	<p>Steel Wheel - "W" Models. 750 lbs. Capacity, 1,200 lbs. Capacity (Heavy Duty)</p>	<p>Disc Foot - "D" Models. Welded to Jack Post, 750 lbs. Capacity</p>



BULLDOG ACCESSORY WHEELS

Part #	Description	Packaging
Poly Wheels		
CE555 0101	6" caster with 2" inside diameter fitting for 2" jack tube – 1,200 lbs. rated	Boxed
500245	6" caster with pin 2" inside diameter fitting for 2" jack tube - 1,200 lbs. rated	Clam
Steel Wheels (Reduces Rated Capacities of any Jack)		
500282	Steel Wheel Kit	
018507	Caster assembly w/6" steel wheel for 155159 and 155300 – 1,000 lbs. rated	Poly Bag



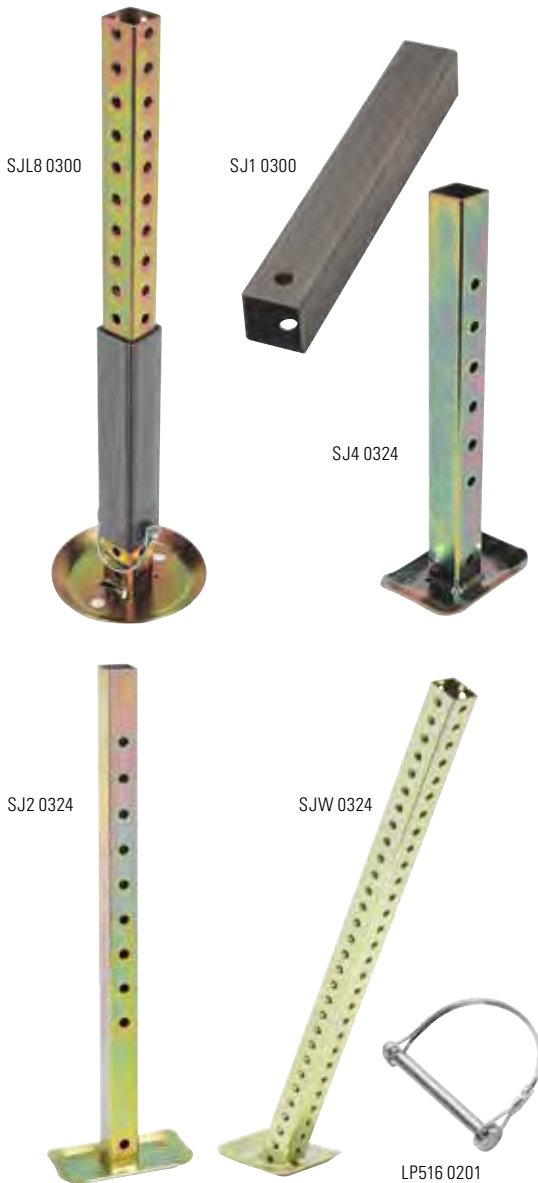
BULLDOG SERVICE PARTS AND ACCESSORIES

Part Number	Description	Packaging
CA5550301	Caster Adapter Plate	Bulk
0031350300	A-Frame Support Plate, Forged Coupler.	Bulk
SPB50 0300	Bottom Support Plate with 2.29" Diameter Hole, - Cast and Stamped Couplers.	Bulk
SPBQ500300	Bottom Support Plate with 2.3" Square Hole	Bulk
500326	2K Sidewind Jack Cap	Bulk



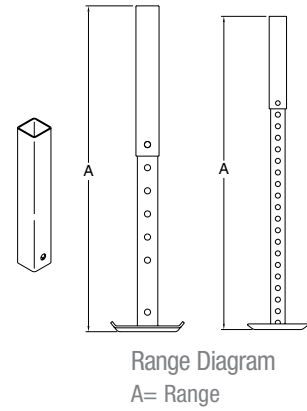
REMOVABLE FOOTPLATES

Part Number	Description	Packaging
0185640301	Removable footplate w/pin. 2.1" tall, fits 2" inner tube, 2,000-5,000 lbs. rated	Bulk
0181730324	Removable footplate 6.2"	Bulk
018098	Removable footplate w/pin. 6.2" tall, fits 2" inner tube, 2,000-5,000 lbs. rated	Bulk
FP20000201	Foot with hardware (bolt goes through 2" jack tube holes) – 2,000 lbs. rated	Poly Bag
500244	Removable footplate with pin. Fits Jacks with 2" inner tube. (2.1" tall)	Clam
F3500 0324	Removable footplate with pin. Fits Jacks with 2" SQUARE inner tube. (4.0" tall)	Bulk
F2000 0101	Footpad for 2,000/5,000 lbs. Jacks	Boxed
F2000 0301	Footpad for 2,000/5,000 lbs. Jacks	Bulk



STABILIZERS

Square tube stabilizers are fabricated from high strength, structural steel tubing, and are yellow zinc-plated for excellent corrosion-resistance. Common applications include cargo trailers, industrial implements, and equipment outriggers.



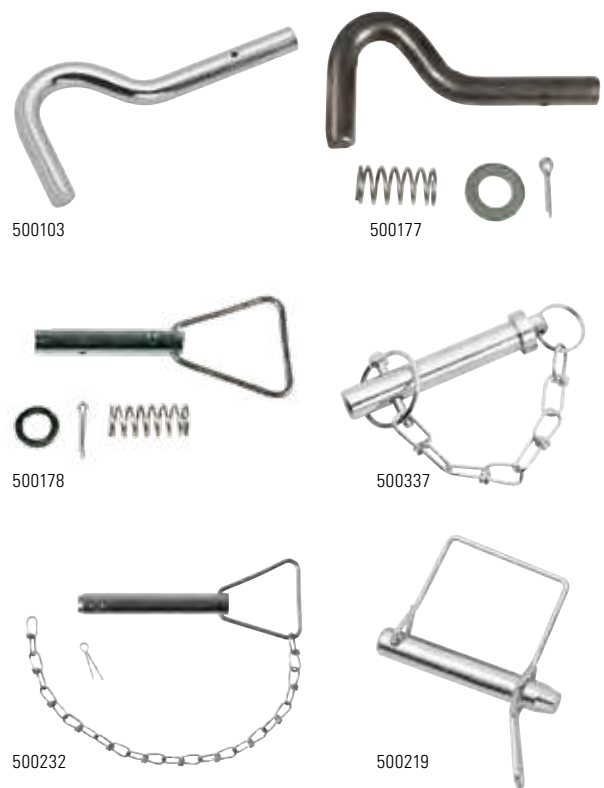
Part #	Description	Static Capacity	A Range Adjustment	Overall Length Dimension	Packaging
Stabilizer Kit					
SJL8 0300	Assembly drop leg and 1-1/2" outer tube (includes pin)	2,000 lbs.	8" to 27"	20" Drop Leg 8" Outer	Bulk
Stabilizer Tube and Drop Legs					
SJ1 0300	2" square outer tube, oil finish (pin not included)	3,000 lbs.	-	13"	Bulk
SJ2 0324	Square drop leg with adjustment holes (pin not included)	3,000 lbs.	25" to 37"	28.75"	Bulk
SJ3 0300	1-1/2" square outer tube, yellow zinc plated	3,000 lbs.		8"	Bulk
SJ4 0324	Square drop leg with adjustment holes (pin not included)	3,000 lbs.	18" to 28"	20"	Bulk
SJ5 0324	Square drop leg with adjustment holes (pin not included)	3,000 lbs.			Bulk
Stabilizer Drop Leg					
SJW 0324 †	Square drop leg with adjustment holes, foot at 30 degree angle to tube. NOTE: Will not work with SJ1 0300 tube.	3,000 lbs.	up to 24"	30.5"	Bulk
Stabilizer Lynch Pin					
LP516 0201	Service kit, pin 5/16" diameter x 1-3/4" long lynch	-	-	-	Bulk

† = Available while supplies last.



DROP LEGS

Part #	Description	Packaging
DF35000324	For square jack, 1.71" square tube, pin included – 3,000 - 5,000 lbs. rated	Bulk
500190	For most 2,000 lbs. BULLDOG round jacks & BULLDOG powered A-Frame jacks. Pin included, 5,000 lbs. rated. Will not work with Pro Series round jacks & BULLDOG round jacks with heavy wall inner tubes.	Ind. Box
500270	For square jack, 2.0" square tube, pin included – 8,000 lbs. rated	Bulk
500329	Drop Leg & Pin	Bulk
500340	Replacement Part, Drop Leg Pull Pin Assembly, 7/8" x 2.25"	Bulk
500377	Drop Leg & Pin	4 Per Master Carton



PINS

Part #	Description	Packaging
Pins		
500103	3/8" plunger pin assembly. (BULLDOG only)	Poly Bag
500310	3/4" pull pin (4.75" long) w/chain without drive screw-7,000 lbs.	Bulk
500341	Replacement Part, 7/8" Pin & Chain w/o Drive Screw	Boxed
Pin Kits		
500177	3/4" drop-leg plunger pin kit SERIES: 180	Clam
500178	1/2" plunger pin assembly kit. SERIES: 150, 160, 170	Clam
500231	5/8" pull pin 3.5" long, with chain, and drive screw. (5,000 lbs. - Side-wind only) SERIES: Side-wind-170, Crown 2,000/3,000/5,000 lbs.	Clam
500232	5/8" pull pin, 4.25" long, with chain, and cotter pin. SERIES: 190, Crown 7,000 lbs.	Clam
500243	9/16" pull pin 3.5" long with chain and drive screw. (5,000 lbs. - Topwind only) SERIES: 150, Topwind-170	Clam
Drop Leg Pins		
500337	Replacement Part, Drop Leg Pull Pin Assembly, 3/4" x 3"	Poly Bag
500338	Replacement Part, Drop Leg Pull Pin Assembly, 9/16" x 2.75"	Poly Bag
500340	Replacement Part, Drop Leg Pull Pin Assembly, 7/8" x 2.25"	Bulk
0252010201	5/16" Snapper Pin, with Chain	Bulk
Lynch Pin Kit		
500219	Lynch Pin Kit, 0.563" Diameter	Poly Bag

500223



500224



500106



500212



500251



ASSEMBLY KITS

Part #	Description	Packaging
Bearing Kits		
500251	Bearing kit. For 2,000 lbs. capacity models. SERIES: 150	Clam
500223	Thrust bearing. For 5,000 lbs. capacity models. SERIES: 170, Crown 5,000 lbs.	Clam
500224	Thrust bearing. For 8,000 lbs. capacity models. SERIES: 190, Crown 7,000 lbs.	Clam
Gear Kits		
500106	Sidewind gear kit. For up to and including 5,000 lbs. capacity models. SERIES: 139, 159, 170 Crown 2,000/3,000/5,000 lbs.	Clam
500156	Sidewind gear kit. For 8,000 lbs. capacity models. SERIES: 190, Crown 7,000 lbs. with 1/2" inside bottom gear	Clam
5002581360	Sidewind gear kit. SERIES: 190 Crown 7,000 lbs. with 5/8" I.D. bottom gear	Poly Bag
800144	Service kit containing the sidewind crank (10.50"), bearing, gears, pins and bushings for 10,000 lbs. capacity 180 Series sidewind jacks	Poly Bag
500285	Sun gear and stub shaft assembly and bushings for 12,000 lbs. capacity two speed planetary gear box	Poly Bag
500212	Gear kit including, pins and bushing – 12,000 lbs.	Poly Bag
Retaining Ring Kits		
500241	Swivel retaining ring. Fits most jack capacities. SERIES: 150, 160, 170	Clam
Assembly Kit		
500217	Screw and nut assembly, bearing, support washer and retaining pins for 12,000 lbs. capacity BULLDOG sidewind jacks	Poly Bag
500250	Screw and nut assembly, bearing, support washer and retaining pins for 12,000 lbs. capacity BULLDOG topwind jacks	Poly Bag
Gear Box Cover		
500205	Gear box cover for 3,000 - 8,000 lbs. capacity sidewind jacks, includes hardware	Poly Bag

500217



SIDEWIND CRANKS



500256



500105

500171



800148



701466

Part #	Description	Packaging
500256	Sidewind crank (5.80" radius) assembly and gear kit. SERIES: 150 with plastic cap. 2000 lbs.	Clam
500105	Sidewind crank (6.50" radius) assembly with black knob. SERIES: 139, 159, 170, Crown 2,000/3,000/5,000 lbs.	Clam
500171	Sidewind crank (8.50" radius) assembly with black knob. SERIES: 190 square jacks, Crown 7,000 lbs. 7,000 / 8,000 lbs.	Clam
015181	Sidewind crank, vertical clevis (13.50" radius), black primed finish, hardware included	Bulk
800102	Sidewind crank assembly with 13.50" radius. Mounting hardware not included. Extends 17.50" from the jack. Black primed finish. Horizontal clevis, Sidewind handle.	Bulk
701466	Removable sidewind crank with 13.5" offset radius. All zinc-plated crank. Dual handle grips for cranking and shifting. For use with OEM supplied outboard bushing or may be attached directly on jack gearbox.	Bulk
800090	Sidewind crank, horizontal clevis (13.50" radius), black primed finish, hardware include.	Bulk
8001090283	Sidewind crank assembly with 13.50" radius, mounting hardware included, extends 20" from the jack, black prime finish, vertical clevis.	Bulk
500312	Handle clip.	Bulk
800148	Sidewind crank, 13.5" radius w/soft touch handle grip for 12,000 lbs. jacks w/ 13/16" hex sock-et.	Bulk
HDDS 0201	Shaft handle, hex drive - zinc for 800148	Bulk

KNOBS



500248

500246

Part #	Description	Packaging
500248	Black knob, teardrop. SERIES: 139, 159, Side-wind-170, 90, Crown. 2,000 - 5,000 lbs.	Clam
500246	Red knob, BULLDOG. SERIES: 150, 160, Top-wind-170. 2,000 - 5,000 lbs.	Clam

FULTON[®] XLT[™]

SHOW YOUR BOAT WHO'S BOSS



500620

7.0 POWERED WINCH FOR BOATS UP TO 20 FEET



BOTH WINCHES OFFER:

- Convenient wireless remote included
- Strap with swiveling hook & adjustable 3-position guide prevent strap twisting
- Power in / Power out and free spool
- Manual override using standard tools in case of power loss
- Easy to access light and winch control switches
- LED lights on back and bottom to help at dusk and dawn
- Patented E.I.S. Easy Install System – Drop in bolts, apply lock ring, adjust bolts and tighten. Easy!



500621

10.0 POWERED WINCH FOR BOATS UP TO 26 FEET



HOOK SWIVELS 360°



3-POSITION GUIDE



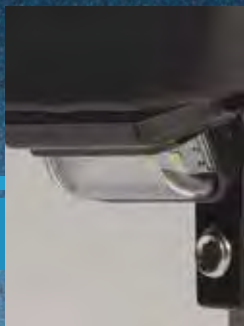
EASY FREE SPOOL



E.I.S. — EASY INSTALL SYSTEM



FINGERTIP CONTROL



FRONT AND REAR LEDS



PATENTED PULL-PIN DESIGN



141401

POWERED MARINE JACK

2,500 lb

- Patented spring-loaded drop leg pull pin positions quickly with 22-in total travel
- Front- and rear-facing LED lights for low light conditions
- Powered through 7-way OR common battery system that powers both Fulton® XLT™ winch and jack from dedicated 12V DC battery (battery sold separately)
- Sharkskin™ Premium Finish for optimal corrosion resistance
- Corrosion-resistant stainless steel internal ACME screw
- Easy to install — simply bolt to frame and hook up wiring
- 3 sets of mounting hardware included for trailer frames 3-in x 3-in, 3-in x 4-in, and 3-in x 5-in
- Manual override using standard tools in case of power loss



POWERED JACK AND WINCHES

USED IN COMBINATION OR INDIVIDUALLY, THIS PRODUCT LINE PUTS POWER WHERE IT'S NEEDED MOST.





Selecting a Pulling Winch

To Select Winch Capacity:

1. Minimum Winch Capacity = Maximum Weight of Boat, Including Motor, Fuel, Gear ÷ 2

-Example:

-Boat, Motor, Fuel, Gear Weight = 2,800 lb

- $2,800 \div 2 = 1,400$ lb

-Select 142200 Winch, rated at 1,500 lb

2. If shallow water or steep inclined launches are expected to be used ÷ Maximum Weight by 1.5

-Example:

-Boat, Motor, Fuel, Gear Weight = 3,100 lb

- $3,100 \div 1.5 = 2,067$ lb

-Select 142410 Winch, rated at 2,600 lb

Selecting a Lifting Winch

To Select Winch Capacity:

1. Minimum Winch Capacity = Maximum Line Load

-Example:

-Maximum Line Load = 1,450 lb

To Select Winch Capacity:

1. Minimum Winch Capacity = Maximum Line Load

-Example:

-Maximum Line Load = 1,450 lb



NOTE: Fulton Winches are not designed to be human hoists and should never be operated when there are persons on or under the load being moved.

NOTE: Fulton Winches are rated on the first layer of recommended line on the drum. For maximum efficiency use only the amount of line required. Derate the capacity 10% per additional layer of rope, strap, or cable.

500621



Wireless Remote



XLT™ POWERED MARINE WINCHES

- Requires connection to a min. of a 650 CCA 12V DC battery
- Convenient wireless remote included
- Rugged strap includes swiveling hook to prevent twisting
- Power in / Power out and free spool
- 3-position guide so strap comes out straight
- Manual override using standard tools in case of power loss
- Easy to access light and winch control switches
- LED lights on back and bottom to help at dusk and dawn
- Patented E.I.S. Easy Install System - drop in bolts, apply lock ring, adjust bolts and tighten

Part Number	Description	Max Boat Weight	Max Boat Length	Packaging
500620	7.0 XLT Powered Marine Winch & Wireless Remote	7,000 lbs.	Boats up to 20'	Ind. Box
500621	10.0 XLT Powered Marine Winch & Wireless Remote	10,000 lbs.	Boats up to 26'	Ind. Box



PREMIUM FINISH
 •Maximum corrosion resistance
 •Used in salt water environments and other demanding climate applications



F2® SERIES TRAILER WINCHES

- The F2 Winch addresses the need for attractive design in every element of a marine trailer. It complements the look of even high end boat and trailer combinations and continues the industry changing improvements in both performance and style of the Fulton F2 series of products.
- Models available with 1600, 2000 and 3200 lb capacity
- Attractive design to compliment the F2 jack series for a custom look
- Enclosed frame design for a sleek, strong stylish look to compliment your boat and customize your trailer
- Soft ergonomic adjustable handle
- Handle switches from left to right hand drive configuration - 1600 and 2000 lb models only
- Features patented E.I.S. - "Easy Install System"
- Lifetime limited warranty



PREMIUM FINISH
 •Maximum corrosion resistance
 •Used in salt water environments and other demanding climate applications



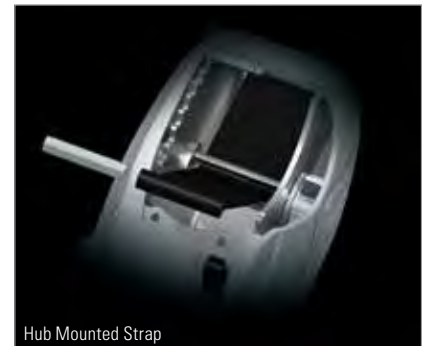
CE Compliant



E.I.S. - Easy Install System



Adjustable Handle



Hub Mounted Strap

FW16000101



F2® 1,600 LB SINGLE SPEED TRAILER WINCH

- Two piece corrosion resistant aluminum frame
- One piece corrosion resistant aluminum handle
- Dual gear drum operates smoothly
- Left or Right handed handle attachment
- 2-position handle adjusts from 6-in to 7-in
- 20-ft x 2-in Strap with hook

FW20000101



F2® 2,000 LB SINGLE SPEED TRAILER WINCH

- One piece corrosion resistant aluminum frame
- One piece corrosion resistant aluminum handle
- Dual gear drum operates smoothly
- Center drive enclosed ratchet system
- User-friendly pull-turn knob to engage ratchet plunger pin
- Left or Right handed handle attachment
- 4-position handle adjusts from 6-in to 9-in
- Includes 20-ft strap with hook

FW32000101



F2® 3,200 LB TWO SPEED TRAILER WINCH

- One piece corrosion resistant aluminum frame
- One piece corrosion resistant aluminum handle
- Dual gear drum operates smoothly
- Center drive enclosed ratchet
- Self-engaging one-hand system shifts from high to low speed
- User-friendly pull-turn knob to engage ratchet plunger pin
- 4-position handle adjusts from 6-in to 9-in
- Includes 20-ft heavy duty strap with hook

Part Number	Capacity (lbs.)	Gear Ratio	Mounting Hardware Included	Finish	Packaging
FW16000101	1,600	4.1:1	Yes	Sharkskin	Display Box
FW20000101	2,000	5.1:1	Yes	Sharkskin	Display Box
FW32000101	3,200	5.1:1, 3.17:1	Yes	Sharkskin	Display Box



F2® TRAILER WINCH REPLACEMENT PARTS

Part Number	Description
FW3200S01	F2 Two Speed Replacement Sun Gear Kit
500350	Top Cover for F2 FW1600, FW2000 & FW3200 Winches
500351	Back Cover for F2 FW2000 & FW3200 Winches
0133313S00	Winch Handle for F2 FW1600
1596S01	Ratchet Repair Kit for F2 FW1600
0133310S00	Ratchet Repair Kit for F2 FW2000 and FW3200

Part Number	Description
0133311S00	Winch Handle Kit for F2 FW 2000 and FW3200
0133312S00	2 Speed Planetary Drive System Repair Kit for F2 FW 3200
501135	Ratchet Pawl Spring for F2 FW1600
501136	Mounting Hardware for F2 Winches
501137	Handle 6" - 7" for F2 Winches
501138	Handle 6" - 9" for F2 Winches

142311 XLT



142208



142305



SINGLE SPEED TRAILER WINCHES

Our full line of Fulton single speed winches are designed to meet your toughest pulling demands. Our winches winch's solid drum gear construction delivers smooth cranking and durability. All models feature ZMAX 600 clear zinc finish for superior corrosion resistance.

- The 1,100 to 1,800 lb capacity models feature a 2-way ratchet with neutral pawl
- For end user convenience, models are available with the strap and hook included
- Our XLT Series include stylized thermoplastic covers and come standard with the strap and hook included
- 5-year limited warranty



600 hour salt spray rating per ASTM B117



Part Number	Capacity (lbs.)	Handle Length	Max Mechanical Advance**	Rope	Strap	Recommended Strap Bolt Sizes	Strap	Packaging
142001	900	7"	39:1	36' x 1/4"	15' X 2"	1/4" X 2-1/2" Grade 5	No	Litho Box
142006	900	6"	39:1	36' x 1/4"	12' X 2"	1/4" X 2-1/2" Grade 5	Yes	Litho Box
142100	1,100	7"	43:1	30' x 5/16"	20' X 2"	1/4" X 2-1/2" Grade 5	No	Litho Box
142102	1,100	7"	43:1	30' X 5/16"	20' X 2"	1/4" X 2-1/2" Grade 5	Yes	Litho Box
142103	1,300	8"	49:1	30' X 5/16"	20' X 2"	1/4" X 2-1/2" Grade 5	No	Litho Box
142311 (XLT)	1,500	8"	43:1	-	20' X 2"	5/16" X 2-1/2" Grade 5	Yes	Litho Box
142200	1,500	8"	49:1	20' X 5/16"	20' X 2"	1/4" X 2-1/2" Grade 5	No	Litho Box
142203	1,500	8"	49:1	20' X 5/16"	20' X 2"	1/4" X 2-1/2" Grade 5	Yes	Litho Box
142208	1,500	8"	56:1	20' X 5/16"	20' X 2"	1/4" X 2-1/2" Grade 5	Yes	Litho Box
142300	1,800	8"	62:1	20' X 7/16"	20' X 2"	3/8" X 2-3/4" Grade 5	No	Litho Box
142305	1,800	8"	62:1	20' X 7/16"	20' X 2"	3/8" X 2-3/4" Grade 5	Yes	Litho Box
142314 (XLT)	1,800	8"	62:1	-	20' X 2"	3/8" X 2-3/4" Grade 5	Yes	Litho Box

**Maximum Mechanical Advance - Based on first layer of recommended line on the drum. For maximum efficiency, use only the amount of line required.

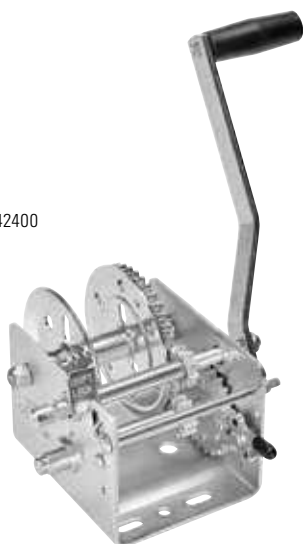
CE Compliant

SINGLE SPEED WINCH ACCESSORIES

Part Number	Description	Packaging
501103	Winch Handle, 6" Offset Packaged	Carded
501107	Winch Handle, 7" Offset Packaged	Carded
501106	Winch Handle, 8" Offset Packaged	Carded
501109	Winch Handle, 9" Offset Packaged	Bulk
501101	Winch Handle, 11" Offset Packaged	Carded
501202	Winch Strap and Hook - Nylon Web Winch Strap with Hook, 2" x 20', 2,600 lbs. Maximum Working Load	Clam
501205	Winch Strap and Hook - Nylon Web Winch Strap with Hook, 2" x 20', 2,600 lbs. Maximum Working Load	Display Box
501207	Winch Strap and Hook - Nylon Web Winch Strap with Hook, 2" x 20', 3,200 lbs. Maximum Working Load	Clam
WS20HD0600	Heavy Duty Winch Strap with Hook - 2" x 20', 4,000 lbs. Maximum Working Load	Clam



142400



TWO SPEED TRAILER WINCHES

Make light work of heavy loads with Fulton brand two-speed winches. One fast speed for quick pull-in, a second low speed for increased mechanical advantage.

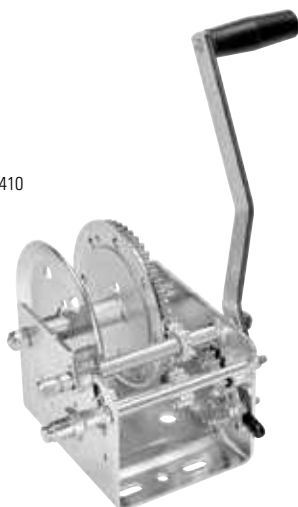
- Our shift lock design allows changing gears without moving the crank handle from shaft to shaft. Just lift the shift lock and slide the shaft into the desired gear position. Shift lock holds the shaft in gear.
- Neutral, free-wheel position allows quick line pay out without spinning the handle.
- Optional handbrake kit no. 501201 purchased separately and available for all two-speed winches and can be installed after the winch is mounted.
- Our XLT Series include stylized thermoplastic covers and come standard with the strap and hook included.
- 5-year limited warranty



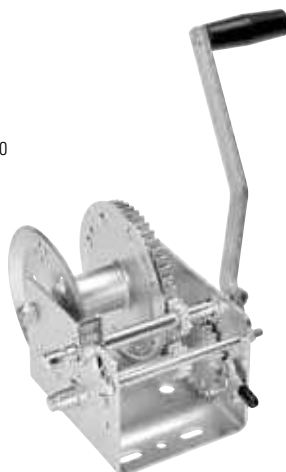
INDUSTRY LEADING CORROSION PROTECTION
• 600 hour salt spray rating per ASTM B117



142410



142420



142430



Part #	Capacity (lbs.)	Handle Length	Max Mech. Adv.**	Cable	Strap	Recommended Strap Bolt Sizes	Hub Size	Hand Brake***	Strap Included	Cable Included	Packaging
142400	2,000	10"	87:1	-	20' x 2"	3/8" x 2-3/4" Grade 5	1"	501210	No	-	Litho Box
142410	2,600	10"	108:1	-	20' x 2"	3/8" x 2-3/4" Grade 5	1"	501210	No	-	Litho Box
142415	2,600	10"	108:1	-	20' x 2"	3/8" x 2-3/4" Grade 5	1"	501210	Yes	-	Litho Box
142411	2,600	10"	108:1	-	20' x 3"	3/8" x 3-1/2" Grade 5	1"	Included	No	-	Litho Box
142420	3,200	10"	79:1	100' x 7/32"	-	Cable only	1 3/4"	501210	-	No	Litho Box
142430	3,700	10"	102:1	140' x 7/32"	-	Cable only	1 3/4"	Included	-	No	Litho Box

**Maximum Mechanical Advance - Based on first layer of recommended line on the drum. For maximum efficiency, use only the amount of line required.

NOTE: For maximum efficiency, use only the amount of line required.

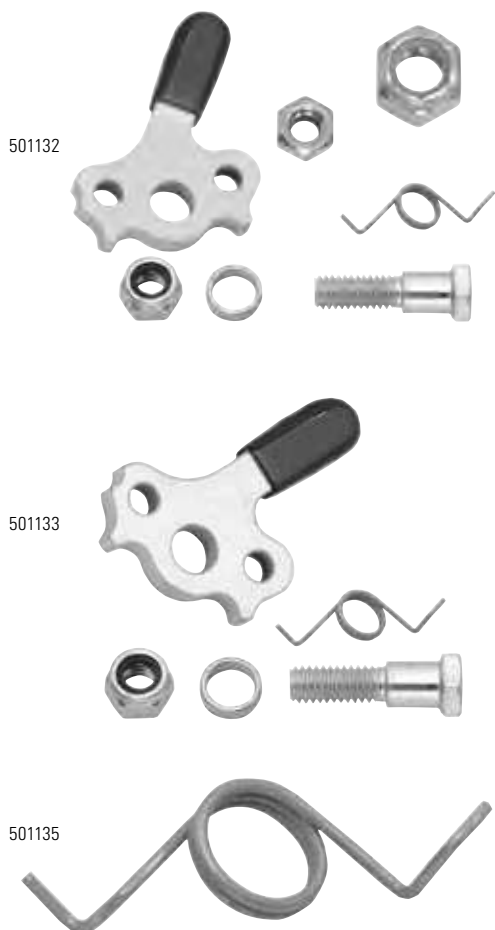
***Brake Kit 501210 available as option not furnished. Only winches that are shown to accommodate steel cable should be used with steel cable. Cable keeper kits are included with the winches specifying steel cable. Winches rated for steel cable have a larger drum hub to reduce or lessen chance of kinking or fraying.





TWO SPEED WINCH ACCESSORIES

Part Number	Description	Packaging
501108	Winch Handle, 10" Offset Packaged	Carded
501110	Winch Handle, 10" Removable, for 3,700 lb. Capacity Models	Carded
501202	Winch Strap and Hook - Nylon Web Winch Strap with Hook, 2" x 20', 2,600 lbs. Maximum Working Load	Clam
501205	Winch Strap and Hook - Nylon Web Winch Strap with Hook, 2" x 20', 2,600 lbs. Maximum Working Load	Display Box
501207	Winch Strap and Hook - Nylon Web Winch Strap with Hook, 2" x 20', 3,200 lbs. Maximum Working Load	Clam
WS20HD0600	Heavy Duty Winch Strap with Hook - 2" x 20', 10,000 lbs. Minimum Breaking Strength, 4,000 lbs. Maximum Working Load	Clam
WC325 0100	Winch Cable and Hook - 3/16" x 25' Galvanized Cable, 4,200 lbs. Breaking Strength	Clam
WC750 0100	Winch Cable and Hook - 7/32" x 50' Galvanized Cable, 5,600 lbs. Breaking Strength	Bagged

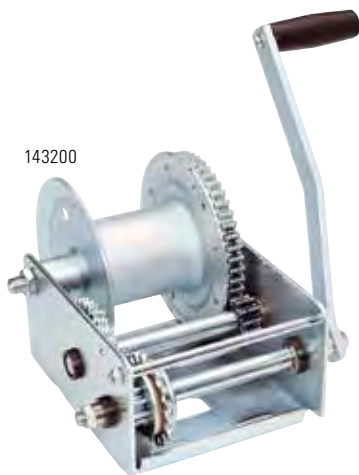


TWO SPEED WINCH REPLACEMENT PARTS

Part Number	Description	Packaging
501132	Replacement Part, Ratchet Repair, for 2,000 lb., 2,600 lb., and 3,200 lb. Capacity Models	Bagged
501134	Replacement Part, Input Shaft / Bearing, for 2,000 lb., 2,600 lb. and 3,200 lb. Capacity Models	Bagged
501210	Replacement Part, Hand Brake Kit for all 2-Speed Models	Bagged
501133	Replacement Part, Ratchet Repair, for 3,700 lb. Capacity Models	Bagged
501135	Replacement Part, Ratchet Spring, for all 2-Speed Models	Bagged

NOTES:

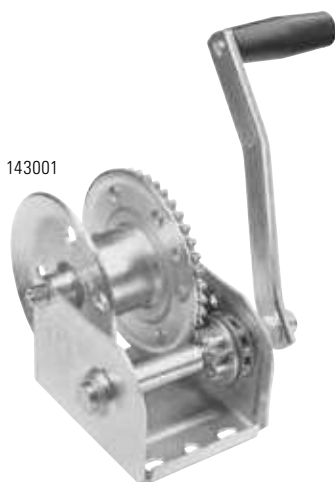
1. Winch mounting hardware sold separately. Refer to instruction sheet for recommended bolt size and grade.
2. Fulton brand two-speed winches are designed for boat trailer and other pulling applications, which require the freewheeling feature of ratchet type winches. If moving loads requiring vertical lifting, or positive load control in both directions, choose a Fulton brake winch.
3. All Fulton brand winches are rated on the first layer of recommended rope, strap, or cable. The winch load capacity must be derated as additional layers are used. Derate the capacity 10% per additional layer of rope, strap, or cable.
4. Fulton brand winches are NOT designed to be human hoists and should never be operated when there are persons on, around, or under the load being moved.



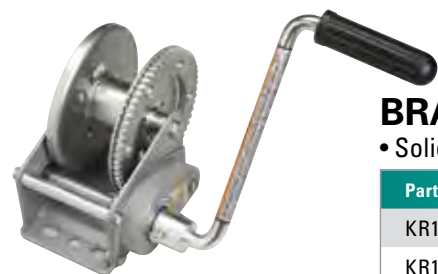
143200



143104



143001



KR15000301

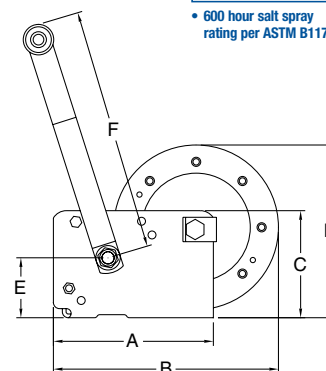
BRAKE WINCHES

- Fulton self-activating automatic brake winches hold the load securely when the crank handle is released
- Popular applications include construction light towers, grain augers, manual fork lifts, and boat lifts
- Drum hubs are 10 times the recommended cable size to maximize cable life
- For especially demanding applications select models feature covered drums and gear trains, along with a dual ratchet system



INDUSTRY LEADING CORROSION PROTECTION

• 600 hour salt spray rating per ASTM B117



Capacity	A	B	C	D	E	F
1,000 lbs.	5.25"	7.46"	3.69"	5.89"	1.90"	11.00"
1,500 lbs.	6.56"	9.23"	4.39"	7.08"	2.46"	11.00"
2,500 lbs.	8.63"	11.13"	5.60"	7.13"	2.08"	11.00"

Part Number	Max Rated Line Pull		Max Cable Size Data (7 x 9 Galvanized Aircraft Cable)			Mechanical Data					Pack.
	1st Layer	Full Drum	Dia.	Drum Storage	Test Strength	Gear Ratio	Handle Length	Drum Hub Dia.	Covered Gears	Cable Included	
143001	1,000 lbs. 454 kg	500 lbs. 227 kg	7/32" 5.5 mm	50 ft. 15 m	5,600 lbs. 2540 kg	4:1	11" 27.9 cm	2-1/4" 57 mm	No	No	Litho Box
143005	1,000 lbs. 454 kg	500 lbs. 227 kg	7/32" 5.5 mm	50 ft. 15 m	5,600 lbs. 2540 kg	4:1	11" 27.9 cm	2-1/4" 57 mm	Yes	No	Ind. Box
143100	1,500 lbs. 680 kg	700 lbs. 318 kg	1/4" 6 mm	70 ft. 21 m	7,000 lbs. 3175 kg	5:1	11" 27.9 cm	2-1/2" 63 mm	No	No	Litho Box
143104	1,500 lbs. 680 kg	700 lbs. 318 kg	1/4" 6 mm	70 ft. 21 m	7,000 lbs. 3175 kg	5:1	11" 27.9 cm	2-1/2" 63 mm	Yes	No	Ind. Box
143200	2,500 lbs. 1134 kg	1,500 lbs. 680 kg	5/16" 8 mm	70 ft. 21 m	9800 lbs. 4445 kg	15.8:1	11" 27.9 cm	3-1/8" 79 mm	No	No	Litho Box

Only winches that are shown to accommodate steel cable should be used with steel cable. Cable keeper kits are included with the winches specifying steel cable. Winches rated for steel cable have a larger drum hub to reduce or lessen chance of kinking or fraying.

CE Compliant

BRAKE WINCHES

- Solid drum gear construction and covered braking system 8-in handle length

Part Number	Capacity	Gear Ratio	Cable Capacity	Cable Included	Packaging
KR10000301	1,000 lbs.	3:5:1	50 ft., 7/32" Diameter	No	Bulk
KR15000301	1,500 lbs.	5:1:1	50 ft., 7/32" Diameter	No	Bulk

CE Compliant

BRAKE WINCH ACCESSORIES

Part Number	Description	Packaging
501101	Winch Handle, 11" Offset for all Models	Carded
WC325 0100	Winch Cable and Hook - 3/16" x 25' Galvanized Cable, 4,200 lbs. Breaking Strength	Clam
WC750 0100	Winch Cable and Hook - 7/32" x 50' Galvanized Cable, 5,600 lbs. Breaking Strength	Bagged



BRAKE WINCH ACCESSORIES

Part #	Description	Packaging
500357	Handle Kit for KR10000301 and KR15000301	Boxed
500366	Cable Keeper for KR10000301 and KR15000301	Bagged



BRAKE WINCH REPLACEMENT PARTS

Part #	Description	Packaging
501130	Gear Cover for 1,500 lb. Capacity Models	Bagged
501124	Gear Cover for 1,000 lb. Capacity Models	Bagged
501115	Friction Disc for 1,500 lb. Capacity Models	Bagged
501122	Friction Disc for 1,000 lb. Capacity Models	Bagged
501118	Pinion Shaft Kit for 1,500 lb. Capacity Models	Bagged
501121	Pinion Shaft Kit for 2,500 lb. Capacity Models	Bagged
501131	Intermediate Shaft Kit for 2,500 lb. Capacity Models	Bagged
501001	Cable Keeper for all Models	Clam Shell
501117	Ratchet Repair for 1,500 lb. and 2,500 lb. Capacity Models	Bagged
501125	Ratchet Repair for 1,000 lb. Capacity Models	Bagged

NOTES:

1. Winch mounting hardware sold separately. Refer to instruction sheet for recommended bolt size and grade.
2. Fulton brand two-speed winches are designed for boat trailer and other pulling applications, which require the free-wheeling feature of ratchet type winches. If moving loads requiring vertical lifting, or positive load control in both directions, choose a Fulton brake winch.
3. All Fulton brand winches are rated on the first layer of recommended rope, strap, or cable. The winch load capacity must be derated as additional layers are used. Derate the capacity 10% per additional layer of rope, strap, or cable.
4. Fulton brand winches are NOT designed to be human hoists and should never be operated when there are persons on, around, or under the load being moved.





**9,000 -
12,000 lb**

UTILITY DUTY WINCHES

POWER IN & POWER OUT powerful retraction and payout

HIGH-TORQUE MOTOR higher pull, lower amp

3 STAGE GEARBOX for reliable performance

CLUTCH LEVER and automatic load-holding brake





500630



Includes roller fairlead, hand-held wired remote control, handle bar remote control, snatch block, and mounting bracket

ATV / UTILITY WINCHES

- Power in and power out for powerful retraction and rapid rope payout
- High-torque motor for a higher pull at a lower amp
- 3-stage planetary gearbox for reliable performance in tough conditions
- Clutch knob, easy transition between gear engagement & free spooling
- Contactor assembly
- Includes roller fairlead, hand-held wired remote control, handle bar remote control, snatch block, and mounting bracket
- Standard compliance **CE** with Machinery Directive 2006/42/EC and **CE** Electromagnetic Compatibility Directive 2004/108/EC



Part Number	Motor	Rated Line Pull	Rope Diameter	Winch Weight	Gross Weight	Rope Length (Included)	Remote Included
500630	12V DC, 0.8 KW, 1.1 HP	2,500 lbs. 1134 kg	3/16" 4.8 mm	20.5 lbs. 9.3 kg	24.4 lbs. 11.1 kg	46 ft.	Yes
500631	12V DC, 1.0 KW, 1.3 HP	3,500 lbs. 1587 kg	3/16" 4.8 mm	22.0 lbs. 10 kg	25.2 lbs. 11.4 kg	46 ft.	Yes
500632	12V DC, 1.1 KW, 1.4 HP	4,500 lbs.. 2041 kg	15/64" 6.0 mm	33.3 lbs. 15.1 kg	36.3 lbs. 16.5 kg	48 ft.	Yes



500400



500600

UTILITY WINCHES

- 2,500 lb - 12,000 lb capacities
- Power in and power out for powerful retraction and rapid rope payout
- High-torque motor for a higher pull at a lower amp
- 3-stage planetary gearbox for reliable performance in tough conditions
- Clutch lever, easy transition between gear engagement & free spooling
- Integrated contactor assembly
- Standard compliance **CE** with Machinery Directive 2006/42/EC and **CE** Electromagnetic Compatibility Directive 2004/108/EC



Part Number	Motor	Rated Line Pull	Rope Diameter	Winch Weight	Gross Weight	Rope Length (Included)	Remote Included
500400	12V DC, 600 W, 0.8 HP	2,500 lbs. 1133 kg	3/16" 4.8 mm	27.44 lbs. 12 kg	37.2 lbs. 16 kg	50 ft.	Yes
500401	12V DC, 900 W, 1.2 HP	3,500 lbs. 1587 kg	7/32" 5.5 mm	27.44 lbs. 12 kg	37.2 lbs. 16 kg	50 ft.	Yes
500402	12V DC, 1200 W, 1.6 HP	4,500 lbs. 2041 kg	1/4" 6.3 mm	27.44 lbs. 12 kg	37.2 lbs. 16 kg	50 ft.	Yes
500600**	12V DC, 4.63 KW, 5.8 HP	9,000 lbs. 4082 kg	21/64" 8.3 mm	84.4 lbs. 38.3 kg	88.85 lbs. 40.3 kg	95 ft.	Yes
500601**	12V DC, 5.4 KW, 7.2 HP	12,000 lbs. 5443 kg	13/32" 10.2 mm	96.6 lbs. 43.8 kg	101 lbs. 45.8 kg	84 ft.	Yes

*Limited lifetime warranty on mechanical parts. One year warranty on electrical components.
**Limited 1 year warranty on 500600 and 500601.

ATV / UTILITY WINCH ACCESSORIES AND REPLACEMENT PARTS

Part Number	Description	Packaging
500527	3-Pin Wireless Remote	Carton
500529	3-Pin Utility Wired Remote	Carton
500602	Snatch Block, 9K	Carton
500604	Bow Clevis, 4.75 Ton	Carton
500605	"D" Clevis, 4.75 Ton	Carton
500607	Quick Connector, 175 AMP	Carton
500609	Synthetic Rope, 6mm x 50', for use with 4,500 lbs. rated winches	Carton
500554	Accessory Kit, Includes Tree Saver, Gloves, Snatch Block and Clevis, 9K	Carton
6495	Winch Mounting Plate, for 9K Winches	Carton
6985	Handle Grip for 6980	Carton
500520	Galvanized Aircraft A7 x 19, 3/8" x 82', for use with 500600 and 500601 Winches	Carton
500608	Synthetic Rope, 10mm x 100', for use with 12,000 lbs. rated winches	Carton
500553	Quick Winch Mount, for 10K Winches	Carton
500549	Recovery Damper	Boxed
500539	Roller Fairlead 63 mm	Boxed

500527



500529



500602



500554



6985



500553



500549



6495



500539





500423
Includes
Rope



500403



500408

HEAVY DUTY WINCHES

- 6,000 lb - 18,000 lb capacities
- Patented automatic, full load Cone Brake Structure (CBS) uses "brake outside the drum" technology to rapidly disperse heat, protecting the winch and the rope
- Rugged, quiet, hardened steel 3-stage planetary gear train for reliable, durable performance in tough conditions and maximum mechanical efficiency
- Heavy duty sealed contactor for sound, waterproof protection
- Durable heavy duty motor delivers superior torque output & faster line speed
- Thermometric sensor provides overheating indication
- Industrial grade waterproof remote includes LED overheating indicator
- Pull-and-turn T-handle clutch lever for easy transition between gear engagement & free spooling
- Standard compliance with **CE** Machinery Directive 2006/42/EC and **CE** Electromagnetic Compatibility Directive 2004/108/EC
- SAE J706 Compliant



Part Number	Motor	Rated Line Pull	Gear Ratio	Drum Size	Rope Diameter	Winch Weight	Gross Weight	Rope Included	Remote Included
500423	12V DC, 2390 W, 3.2 HP	6,000 lbs. 2722 kg	216:1	2.5" x 4.9" 63.5 mm x 125.5 mm	9/32" 7.1 mm	33.2 lbs. 15.1 kg	44 lbs. 20 kg	Yes 70 ft.	No
500424	12V DC, 3430 W, 4.6 HP	9,000 lbs. 4082 kg	156:1	2.5" x 9" 63.5 mm x 229 mm	3/8" 9.5 mm	53 lbs. 24.1 kg	78 lbs. 35.5 kg	Yes 82 ft.	No
500426	12V DC, 3430 W, 4.6 HP	12,000 lbs. 5443 kg	211:1	2.5" x 9" 63.5 mm x 229 mm	3/8" 9.5 mm	59 lbs. 26.8 kg	88 lbs. 40 kg	Yes 125 ft.	No
500403	12V DC, 2390 W, 3.2 HP	6,000 lbs. 2722 kg	216:1	2.5" x 4.9" 63.5 mm x 125.5 mm	9/32" 7.1 mm	33.2 lbs. 15.1 kg	44 lbs. 20 kg	No	No
500404	12V DC, 3430 W, 4.6 HP	9,000 lbs. 4082 kg	156:1	2.5" x 9" 63.5 mm x 229 mm	3/8" 9.5 mm	53 lbs. 24.1 kg	78 lbs. 35.5 kg	No	No
500405	12V DC, 3430 W, 4.6 HP	12,000 lbs. 5443 kg	211:1	2.5" x 9" 63.5 mm x 229 mm	3/8" 9.5 mm	59 lbs. 26.8 kg	88 lbs. 40 kg	No	No
500406	12V DC, 4180 W, 5.6 HP	12,000 lbs. 5443 kg	261:1	3.5" x 8.1" 89 mm x 206 mm	3/8" 9.5 mm	88 lbs. 40 kg	118 lbs. 53.6 kg	No	No
500407	12V DC, 4180 W, 5.6 HP	15,000 lbs. 6804 kg	315:1	3.5" x 8.1" 89 mm x 206 mm	7/16" 11.1 mm	90 lbs. 41 kg	120 lbs. 54.5 kg	No	No
500408	24V DC, 4474 W, 6.0 HP	18,000 lbs. 8181 kg	315:1	3.5" x 7.6" 89 mm x 192 mm	1/2" 12.7 mm	93 lbs. 42.3 kg	124 lbs. 56.4 kg	No	No

*Limited lifetime warranty on mechanical parts. One year warranty on electrical components.

500530



500545



500541



HEAVY DUTY WINCH ACCESSORIES AND REPLACEMENT PARTS

Part Number	Description	Packaging
500526	6-Pin Heavy Duty Wireless Remote	Carton
500527	3-Pin Heavy Duty Wireless Remote	Carton
500528	3-Pin Heavy Duty Wired Remote	Carton
500530	6-Pin Heavy Duty Wired Remote	Carton
500524	Hawse Fairlead 112MM for 6K Electric Winches	Bagged
500525	Hawse Fairlead 184MM for 9K & 12K Electric Winches	Bagged
500532	Tie Rod Kit for 6K Electric Winches	Bagged
500533	Tie Rod Kit for 9K & 12K Electric Winches	Bagged
500534	Tie Rod Kit for 12K - 18K Electric Winches	Bagged
500536	Cable Tensioner for 12K - 15K Electric Winches	Bagged
500540	Roller Fairlead 190mm	Boxed
500541	Roller Fairlead 210mm	Boxed
500542	Roller Fairlead 180mm	Boxed
500545	Electric Contactor Kit for 6K Electric Winches	Bagged
500546	Electric Contactor Kit for 9K - 15K Electric Winches	Bagged
500602	Snatch Block, 9K	Carton
500603	Snatch Block, 15K	Carton
500604	Bow Clevis, 4.75 Ton	Carton
500605	"D" Clevis, 4.75 Ton	Carton
500607	Quick Connector, 175 AMP	Carton
500608	Synthetic Rope, 10mm x 100', for use with 9K - 12K Winches	Carton
500609	Synthetic Rope, 6mm x 50', for use with 4,500 lbs. Rated Winches	Carton
500516	Wire Rope, 5/16" x 70', for use with 6,000 lbs. Rated Winches	Carton
500517	Synthetic Rope, 8mm x 80', for use with 6K Winches	Carton
500520	Galvanized Aircraft A7 x 19, 3/8" x 82' Wire Rope, for use with 500404, 500424 and 500405 Winches	Carton
500522	Galvanized Aircraft A7 x 19, 3/8" x 125' Wire Rope, for use with 500406 and 500426 Winches	Carton
500554	Accessory Kit, Includes Tree Saver, Gloves, Snatch Block and Clevis, 9K	Carton
6495	Winch Mounting Plate, for 9K Winches	Carton
6985	Handle Grip for 6980	Carton
500608	Synthetic Rope, 10mm x 100', for use with 12,000 lbs. Rated Winches	Carton
500553	Quick Winch Mount, for 10K Winches	Carton
500549	Recovery Damper	Boxed
500539	Roller Fairlead 63 mm	Boxed



HYDRAULIC WINCHES

BULLDOG Hydraulic Winches are cost effective, extremely powerful, reliable, lightweight, and flexible winches designed for professional and commercial use. They're hard-working winches ready for rescue and recovery operations in tough situations.

- 8,000 lb - 15,000 lb capacities
- Fast and variable recovery speeds save time
- Efficient, high-torque motor provides consistent power
- 2-stage planetary gear train delivers greater pulling force
- Ergonomic pull-and-turn T-handle clutch lever for easy transition between gear engagement and free spooling
- Dual brakes include both drag brake and over-center valve for sure, confident control
- EN 14492-1 supported: 10:1 D/d ratio and 2:1 wire rope strength for high-demand use
- Meets SAE J706 (revised 8/2003), **CE** Machinery Directive 2006/42/EC, and EN 14492-1:2006 Power Driven Winches



Part Number	Motor	Rated Line Pull	Gear Ratio	Drum Size	Rope Diameter	Winch Weight	Gross Weight	Strap Included	Remote Included
500413	4.7 in3 / rev 77.8 cm3 / rev	8,000 lbs. 3630 kg	16:1	3.5" 90 mm	3/8" 9.5 mm	82.7 lbs. 37.5 kg	99.9 lbs. 45.3 kg	No	No
500414	7.6 in3 / rev 125 cm3 / rev	12,000 lbs. 5440 kg	16:1	4" 102 mm	1/2" 12.7 mm	81.4 lbs. 37 kg	102.5 lbs. 72 kg	No	No
500415	7.6 in3 / rev 125 cm3 / rev	15,000 lbs. 6800 kg	19.4:1	4" 102 mm	1/2" 12.7 mm	158.7 lbs. 72 kg	194 lbs. 88 kg	No	No

*Limited lifetime warranty on mechanical parts. One year warranty on electrical components.

HYDRAULIC WINCH ACCESSORIES AND REPLACEMENT PARTS

Part Number	Description	Packaging
500602	Snatch Block, 9K	Carton
500603	Snatch Block, 15K	Carton
500604	Bow Clevis, 4.75 Ton	Carton
500605	"D" Clevis, 4.75 Ton	Carton
500554	Accessory Kit, Includes Tree Saver, Gloves, Snatch Block and Clevis, 9K	Carton
6495	Winch Mounting Plate, for 9K Winches	Carton
500553	Quick Winch Mount, for 10K Winches	Carton
500549	Recovery Damper	Boxed
500522	Galvanized Aircraft A7 x 19, 3/8" x 125' Wire Rope, for use with 500413 Winch	Carton



500411



500412

ELECTRIC HOISTS

- 650 lb - 1,200 lb capacities
- Lightweight and compact design
- Sealed permanent magnet motor
- Equipped with patented mechanical cone brake with permanent dynamic motor brakes for controlled lowering and lifting
- Full metal 3-stage planetary gear train
- Submersible sealed contactor handles high amps and allows for longer duty cycle
- CE Compliant
- Complies with SAE J706



Part Number	Motor	Rated Line Pull	Gear Ratio	Drum Size	Rope Diameter	Winch Weight	Gross Weight	Strap Included	Remote Included
500410	12V DC, 800 W, 1.0 HP	625 lbs. 295 kg	138:5:1	2.4" x 3.0" 61 mm x 76 mm	9/64" 3.6 mm	17 lbs. 7.7 kg	25.6 lbs. 11.6 kg	No	Switch
500411	12V DC, 800 W, 1.0 HP	800 lbs. 362 kg	191:1	2.7" x 4.7" 69 mm x 119 mm	5/32" 4 mm	18.3 lbs. 8.3 kg	26.9 lbs. 12.2 kg	No	Switch
500412	12V DC, 900 W, 1.2 HP	1,200 lbs. 544 kg	216:1	3.5" x 2.9" 89 mm x 74 mm	3/16" 4.8 mm	33.7 lbs. 15.3 kg	44.5 lbs. 20.0 kg	No	Switch

*Limited lifetime warranty on mechanical parts. One year warranty on electrical components.



500527



500528



500545

ELECTRIC HOIST ACCESSORIES AND REPLACEMENT PARTS

Part Number	Description	Packaging
500527	3-Pin Heavy Duty Wireless Remote	Carton
500528	3-Pin Heavy Duty Wired Remote	Carton
500545	Electric Contactor Kit for 6K Electric Hoists	Bagged
500549	Recovery Damper for Electric Hoists	Boxed

BX1® GOOSENECK COUPLERS

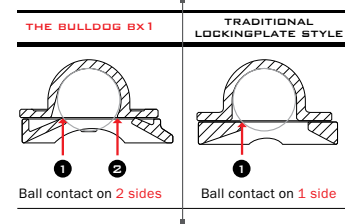
The BULLDOG BX1 coupler is the result of generations of design expertise and field experience. It incorporates innovative features that revolutionize the benefits available from a gooseneck coupler.

- Offers flexible mounting options with Next Generation locking plate coupler locking mechanism
- Makes hooking up, adjusting vertical height, and disconnecting easy
- Maintains smooth operation over time with grease fittings for every important operating part
- Operates easily with one hand thanks to new locking handle design
- Continuous tight ball fit - ever-increasing cam tightening mechanism
- Protects against wear with enclosed locking pin mechanism
- Integrated feature to allow pad-locking the coupler to the ball (lock not included)
- Guides ball into socket more easily—letting you miss by more than an inch—with bottom locking plate 50% larger than competitors
- Lengthens life of locking mechanism with oil-impregnated bushings
- Allows shorter retracted length and less wasted length for trucks with high bed height via low-profile locking mechanism
- Fits ball better and reduces jarring through contour-formed edge on bottom locking plate
- Delivers unmatched strength through heavy-duty construction
- Innovations that improve security, service life, and functionality
- New ball pocket design provides contact on both sides of the ball for substantially improved pull out strength - the only sliding-plate design that transfers part of the load to the top locking plate rather than only the bottom locking plate
- In compliance with SAE standard J2638



25K Square Tube - 1289130300

20K Short Configuration - 1289070300



Part #	Description	Capacity (lbs.)	Overall Retracted Height	Overall Extended Height	Adjustment	Ball Size
1289030300	BX1 Coupler Round Tube	20,000	27.5"	35.5"	8"	2-5/16"
1289070300	BX1 Coupler Round Tube, Short Configuration	20,000	22.6"	30.6"	8"	2-5/16"
1289170300	BX1 Coupler Round Tube, Inner Tube Only	20,000	-	-	8"	2-5/16"
1289000300	BX1 Coupler Round Tube	25,000	27.5"	35.5"	8"	2-5/16"
1289020300	BX1 Coupler Round Tube, Inner Tube Only	25,000	-	-	8"	2-5/16"
1289080300	BX1 Coupler Round Tube, Short Configuration	25,000	22.6"	30.6"	8"	2-5/16"
1289130300	BX1 Coupler Square Tube	25,000	30.8"	38.8"	8"	2-5/16"
1289210300	BX1 Coupler Square, Inner Tube Only, Short Configuration	25,000	-	-	8"	2-5/16"
1289040300	BX1 Coupler Round Tube, Short Configuration	30,000	22.6"	30.6"	8"	2-5/16"
1289050300	BX1 Coupler Round Tube, Inner Tube Only, Short Configuration	30,000	-	-	8"	2-5/16"
1289140300	BX1 Coupler Square Tube	30,000	30.8"	38.8"	8"	2-5/16"
1289200300	BX1 Coupler Square Tube	40,000	22.0"	24.6"	2.6"	3"
Accessories						
0233120300	Square Gooseneck Coupler Outer Tube, Weld On, 20" Length, 4-1/2" Tube, w/Hex Head Bolt Hole, Dual Set Bolts & Labels, 20.6 Lbs.					
500356	5/16" Locking Pin for BX1 Gooseneck Couplers					
Service Kit						
500289	BX1 Gooseneck Coupler Handle Mechanism					
Replacement Part						
500353	Repair Kit (BX1, 3" Ball), Includes Handle Assembly, Locking Cam, Grease Fitting, Grooved Pin, Flanged Bushing & Torsion Spring					

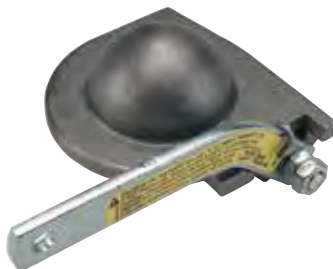
Patents Pending.





0289500300

0287600300



GN24 0200

ROUND GOOSENECK COUPLERS

BULLDOG gooseneck couplers are quick and easy to engage and strong and secure on the road. Our unique, patented, extruded locking plate design and high-strength steel components make BULLDOG gooseneck couplers 65% stronger than similar products.

- Easy-grip locking handle is accessible from any position, even with a glove on
- Self-centering locking plate lets you miss the ball by more than an inch
- Tight ball fit reduces jarring when changing speeds or on rough roads
- Heavy-duty construction provides unmatched strength
- User-friendly design is simple to use
- Quick to hook up and disconnect
- Easy vertical adjustment
- In compliance with SAE standard J2638

⚠ WARNING

Failure to close coupler securely before towing or failure to use with specified ball size may result in serious injury or death.

Part #	Description	Capacity (lbs.)	Overall Retracted Height	Adjustment	Ball Size
Round Gooseneck Fixed Coupler					
0287690300	Fixed base coupler	20,000	33.00"	-	2-5/16"
Round Gooseneck Adjustable Coupler					
0287600300	Adjustable gooseneck coupler	20,000	29.20"	8.0"	2-5/16"
0287610300	Adjustable gooseneck coupler. No outer tube	20,000	27.20"	8.0"	2-5/16"
0287620300	Adjustable gooseneck coupler with cap	20,000	29.30"	8.0"	2-5/16"
0287650300	Adjustable gooseneck coupler. No outer tube. GN24 coupler head	20,000	28.60"	8.0"	2-5/16"
0287760300	Adjustable gooseneck coupler. GN24 coupler head	20,000	29.50"	8.0"	2-5/16"
0289340317	4.5" diameter outer tube, 4" diameter inner tube, with GN24 coupler head, 3/4" load bearing pin	25,000	28.10"	8.0"	2-5/16"
0289250300	4.5" diameter outer tube, 4" diameter inner tube, with cast locking plates. 3/4" load bearing pin	25,000	29.30"	8.0"	2-5/16"
0289500300	4.5" diameter outer tube, 4" diameter inner tube, with cast locking plates. 3/4" load bearing pin	30,000	29.30"	8.0"	2-5/16"
Gooseneck Coupler Head					
GN24 0200	Cast steel gooseneck coupler designed for easy welding to 3" or 4" diameter tubing. Quick & easy latching action eliminates need to be in tow vehicle for hook-up	24,000	-	-	2-5/16"
Gooseneck Coupler Outer Tube					
0233010300	Outer tube only. 20" length, 4.5" round tube, with hole for 3/4" load bearing pin, (1) set bolt				
0233100300	Outer tube only. 20" length, 4.5" round tube, with hole for 3/4" load bearing pin, (2) set bolts				
Replacement Part - Gooseneck Coupler Head GN24 Repair Kit					
1542S01	Kit includes torsion spring, coupler locking shaft, curved handle assembly, 3/4" shaft retaining ring, centerlock nut 1/2-13				
Replacement Part s - Gooseneck Coupler Kits					
0287740300	Kit includes coupler assembly, locking pin assembly, locking pin cover, BULLDOG label, and warning label. 2-5/16" Ball Size				
0233060301	Replacement Pin Kit, includes cotter pin				
500296	Gooseneck couplers bolt kit. Includes jam nut (1), set screw (1), adjusting nut (1)				



028900

0289600300

SQUARE GOOSENECK COUPLERS

You won't find a coupler that's faster or easier to use than the square gooseneck from BULLDOG. Its user-friendly design makes hookup and release swift and secure.

- Easy-grip locking handle is accessible from any position
- Self-centering locking plate lets you miss the ball by more than an inch
- Tight ball fit reduces jarring when changing speeds or on rough roads
- Heavy-duty high-strength fabricated steel components are as strong as heavy cast iron but lighter and less brittle
- User-friendly design enables quick, easy hookup and release
- Locking handle cover protects working parts
- Cam locking pin affords easy vertical adjustment
- Pinch bolt design
- In compliance with SAE standard J2638

⚠ WARNING

Failure to close coupler securely before towing or failure to use with specified ball size may result in serious injury or death.

Part #	Description	Capacity (lbs.)	Overall Retracted Height	Overall Extended Height	Adjustment	Ball Size
0289600300	4.5" square outer tube, 4.0" square inner tube. (1) 3/4" diameter set screw	25,000	32"	40"	8"	2-5/16"
0288660300	4.0" square inner tube only	25,000	30.75"	-	8"	2-5/16"
028900	4.5" square outer tube with .25" wall, 4.0" square inner tube with .313" wall Includes topwind crank	30,000	32"	39"	7"	2-5/16"
0289800300	4.5" square outer tube with, 4.0" square inner tube. (2) 3/4" diameter set bolts	30,000	32"	40"	8"	2-5/16"



0289640300

0289590300

BULLDOG KING PIN GOOSENECK COUPLERS

- Allows gooseneck trailer to be towed with vehicles equipped with a fifth wheel hitch
- Features dual set bolts
- Round model features exclusive load bearing pin
- Square model features exclusive load bearing pinch bolt
- Available with or without outer tube
- In compliance with SAE standard J2638

Part #	Description	Capacity (lbs.)	Overall Retracted Height	Overall Extended Height	Adjustment	Ball Size
0289580300	Round tube, raw finish, labels shipped loose	25,000	23.3"	31.3"	8"	-
0289640300	Round tube, raw finish, labels shipped loose. Inner tube only	25,000	23.3"	31.3"	8"	-
0289590300	Square tube, raw finish, labels shipped loose	30,000	23.3"	31.3"	8"	-
0289650300	Square tube, raw finish, labels shipped loose. Inner tube only	30,000	23.3"	31.3"	8"	-

Part #	Service Kit
0289SB0140	Adjustable gooseneck pinch bolt kit.

REESE TOWPOWER ROUND GOOSENECK COUPLERS

- Round gooseneck coupler, dual set of bolts and labels.
- Handle hold-open feature
- Raw finish

Part #	Description	Capacity (lbs.)	Overall Retracted Height	Adjustment	Ball Size
0287790300	Raw Finish, 2 Set Screws	20,000	26.70"	8"	2-5/16"
0287800300	Raw Finish, 2 Set Screws	25,000	26.70"	8"	2-5/16"
0287820300	Raw Finish, 1 Set Screw, Load Bearing Pin	25,000	26.70"	8"	2-5/16"



0287790300

Handle
Hold-Open

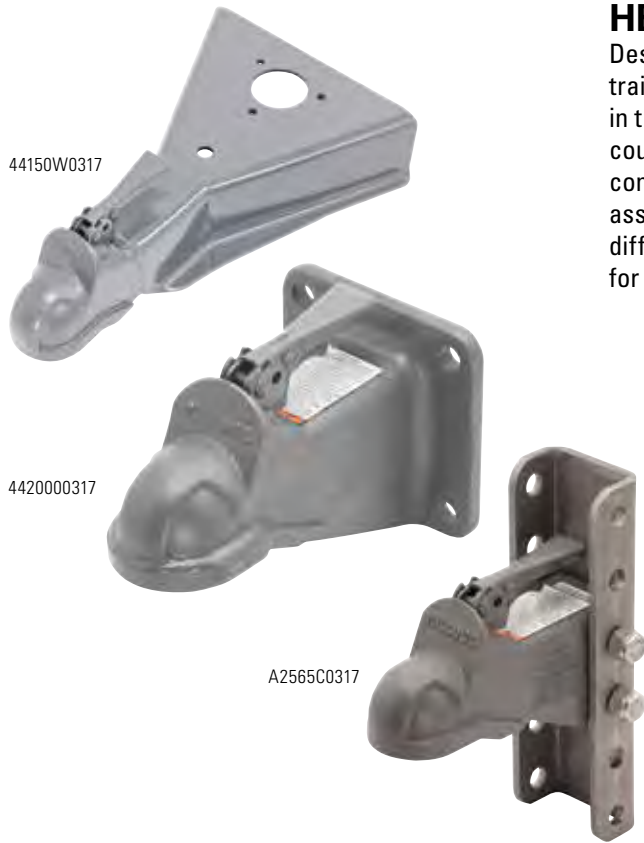


0287800300



0287820300

Load Bearing Pin



HEAVY DUTY CAST COUPLERS

Designed for utility, horse/livestock, cargo, and construction trailer applications, BULLDOG couplers are the strongest in the industry. The patented cast head "Wedge-Latch[®]" coupler design is offered in heavy-duty, A-frame, and convenient adjustable height models. Adjustable couplers assure level operation for trailers when pulled by a variety of different vehicles. The replaceable latching hardware allows for longer service life.

- Quick and easy to engage
- Strong and secure on the road
- Patented Wedge-Latch ball clamp design
- Quick to hook up and disconnect
- In compliance with SAE standard J684

⚠ WARNING
 Failure to close coupler securely before towing or failure to use with specified ball size may result in serious injury or death.

Part #	Description	GTW (lbs.)	Overall Length	Latches	Ball Size	SAE Class
Wedge-Latch Cast Head Couplers						
43805W0317	Round jack mount, 50° A-frame	8,000	18"	Wedge-Latch	2"	IV
44125W0317	Round jack mount, 50° A-frame	12,500	18"	Wedge-Latch	2-5/16"	IV
44150W0317	Round jack mount, 50° A-frame	15,000	18"	Wedge-Latch	2-5/16"	IV
44150WQ317	Square jack mount, 50° A-frame	15,000	18"	Wedge-Latch	2-5/16"	IV
44150WH301	Round jack mount, 50° A-frame, for bolt-on applications	15,000	18"	Wedge-Latch	2-5/16"	IV
Wedge-Latch Flat Mount Cast Head Couplers						
4420000317	Cast head, 4-1/2" mount pattern, gray primer coat	20,000	-	Wedge-Latch	2-5/16"	-
4425000317	Cast head, 4-1/2" mount pattern, gray primer coat	25,000	-	Wedge-Latch	2-5/16"	-
Accessory Part, Wedge-Latch Flat Mount Cast Head Coupler						
PL4 0201	Pin/Lanyard 5/16" with 4 Link Chain & Tab	-	-	-	-	-
Wedge-Latch Adjustable Height Cast Head Couplers						
A200C 0317	Cast head includes mounting hardware, adjustable height	8,000	8-1/2"	Wedge-Latch	2"	IV
A2003C0317	Cast head includes bolts and 3-position channel, adjustable height	8,000	9-1/4"	Wedge-Latch	2"	IV
A2005C0317	Cast head includes bolts and 5-position channel, adjustable height	8,000	9-1/4"	Wedge-Latch	2"	IV
A256C 0317	Cast head includes mounting hardware, adjustable height	14,000	9-1/4"	Wedge-Latch	2-5/16"	IV
A2563C0317	Cast head includes bolts and 3-position channel, adjustable height	14,000	9-1/2"	Wedge-Latch	2-5/16"	IV
A2565C0317	Cast head includes bolts and 5-position channel, adjustable height	14,000	9-1/2"	Wedge-Latch	2-5/16"	IV
Accessories and Replacement Parts, Adjustable Height Channel Bracket						
AC300 0300	4-hole, 3-position bracket, with 4" of vertical adjustment, adjustable height	8" Ht.	-	-	-	-
AC500 0300	6-hole, 5-position bracket, with 8" of vertical adjustment, adjustable height	-	11-3/4" Ht.	-	-	-
66 0801	2" Ball size Wedge-Latch repair kit. Includes latch lever, ball clamp, and replacement hardware	-	-	-	2"	-
67 0801	2-5/16" Ball size Wedge-Latch repair kit. Includes latch lever, ball clamp, and replacement hardware	-	-	-	2-5/16"	-

NOTE: Other custom-made designs are available upon request.

**COLLAR-LOK™
COUPLERS -
TONGUE MOUNTS**



No. 2 Tongue Mount:
2-1/4" Outside Diameter x
1-3/4" Inside Diameter Steel Tubing



No. 4 Tongue Mount:
High Strength Steel for 3" Square or Rectangular
Trailer Tongue



No. 5 Tongue Mount:
High Strength Steel for 3-1/2" OD
Round Trailer Tongue



No. 6 Channel Tongue Mount:
Fits Inside 3" Wide Channel



No. 8 Tongue Mount:
High Strength Steel for 50-Degree Trailer Tongue
(Tapped Mounting Holes Optional for A-Frame Jacks)

HEAVY DUTY COUPLERS

- Designed for utility, horse/livestock, cargo, and construction trailer applications, BULLDOG Collar-Lok™ are the strongest in the industry
- The BULLDOG design features the only automatic and continuously tight ball fit in the industry
- A variety of coupler styles, tongue mounts, and latches allow configurations to match virtually any trailer
- Adjustable couplers assure level operation for trailers when pulled by a variety of different vehicles
 - Strong in both static and dynamic loading conditions
 - Hinged ball socket for easy hook up
 - Clear, visual indication of proper closure
 - In compliance with SAE standard J684

**COLLAR-LOK™
COUPLERS -
"B" STYLE**



2B Style:
5,000 lbs. Gross Trailer Weight for 2" Ball



3B Style:
7,000 lbs. Gross Trailer Weight for 2" Ball



4B Style:
12,500 lbs. Gross Trailer Weight for 2-5/16" Ball



5B Style:
15,000 lbs. Gross Trailer Weight for 2-5/16" Ball

**COLLAR-LOK™
COUPLERS -
LATCHES**



L - Low Profile: (Latches)
No. 8 Tongue Mount Only



H - High Profile: (Latches)



M - Pin Only: (Latches)

⚠ WARNING
Failure to close coupler securely before towing or failure to use with specified ball size may result in serious injury or death.

HEAVY DUTY COLLAR-LOK™ COUPLERS

Part Number	Model Number	Description	GTW (lbs.)	Overall Length	Latches	Ball Size	SAE Class	Coupler Style
No. 2 - Round Tubular Tongue Mount								
028381	2B2H	2-1/4" OD x 1-3/4" ID, steel tubing	5,000	10-3/4"	High Profile	2"	III	2B Style
028242	2B2M	2-1/4" OD x 1-3/4" ID, steel tubing	5,000	10-3/4"	Pin Style	2"	III	2B Style
028461	4B2H	2-1/4" OD x 1-3/4" ID, steel tubing	12,500	12-3/4"	High Profile	2-5/16"	N/A	4B Style
028442	4B2M	2-1/4" OD x 1-3/4" ID, steel tubing	12,500	12-3/4"	Pin Style	2-5/16"	N/A	4B Style
No. 4 - 3" Square Rectangular Tongue Mount								
028382 ◊	2B4H	High-strength steel for 3" square or rectangular trailer tongue	5,000	16-1/4"	High Profile	2"	III	2B Style
028244	2B4M	High-strength steel for 3" square or rectangular trailer tongue	5,000	16-1/4"	Pin Style	2"	III	2B Style
028387 ◊	3B4H	High-strength steel for 3" square or rectangular trailer tongue	7,000	16-1/4"	High Profile	2"	IV	3B Style
028243	3B4M	High-strength steel for 3" square or rectangular trailer tongue	7,000	16-1/4"	Pin Style	2"	IV	3B Style
028462 ◊	4B4H	High-strength steel for 3" square or rectangular trailer tongue	12,500	16-1/2"	High Profile	2-5/16"	N/A	4B Style
028444	4B4M	High-strength steel for 3" square or rectangular trailer tongue	12,500	16-1/2"	Pin Style	2-5/16"	N/A	4B Style
No. 5 - 3" Round Straight Tongue Mount								
028383	2B5H	High-strength steel for 3-1/2" OD round trailer tongue	5,000	16-1/4"	High Profile	2"	III	2B Style
No. 6 - Adjustable Channel Mount								
028390 ◊	3B6M	Fits inside 3" wide channel	7,000	9.5"	Pin Style	2"	IV	3B Style
028584	3B6M	Rigid mount, 4-bolt design, fits inside 3" wide channel	7,000	9.5"	Pin Style	2"	IV	3B Style
028630 ◊	4B6M	Fits inside 3" wide channel	12,500	10"	Pin Style	2-5/16"	N/A	4B Style
028585	4B6M	Rigid mount, 4-bolt design, fits inside 3" wide channel	12,500	10"	Pin Style	2-5/16"	N/A	4B Style
028657	5B6M	Fits inside 3" wide channel	15,000	10"	Pin Style	2-5/16"	N/A	5B Style
No. 8 - A-Frame Tongue Mount								
028384	2B8H	High-strength steel for 50° trailer tongue	5,000	16"	High Profile	2"	III	2B Style
028288 ◊	2B8L	High-strength steel for 50° trailer tongue	5,000	16"	Low Profile	2"	III	2B Style
028386	3B8H	High-strength steel for 50° trailer tongue	7,000	16"	High Profile	2"	IV	3B Style
028287 ◊	3B8L	High-strength steel for 50° trailer tongue	7,000	16"	Low Profile	2"	IV	3B Style
028463	4B8H	High-strength steel for 50° trailer tongue	12,500	16-1/2"	High Profile	2-5/16"	N/A	4B Style
028499 ◊	4B8L	High-strength steel for 50° trailer tongue	12,500	16-1/2"	Low Profile	2-5/16"	N/A	4B Style
028656	5B8H	Black primed finish	15,000	16-1/2"	High Profile	2-5/16"	N/A	5B Style
No. 8 - A-Frame Tongue Mount								
028655	5B8L	Black primed finish	15,000	16-1/2"	Low Profile	2-5/16"	N/A	5B Style
Replacement Parts								
024200	Collar-Lok Coupler kit, includes high profile latch handle, latch wire, latch pin, push nut, and cotter pin							
500354	Coupler Cap Spring							

NOTE: Other custom-made designs are available upon request. ◊ DENOTES MOST POPULAR



A200S 0303



AC300 0300

AC500 0300



E338050303



E438050303

ADJUSTABLE HEIGHT HEAVY DUTY COUPLERS

Designed for utility, horse/livestock, cargo, and construction trailer applications, BULLDOG couplers are the strongest in the industry. The patented cast head “Wedge-Latch®” coupler design is offered in heavy-duty, A-frame, and convenient adjustable height models. Adjustable couplers assure level operation for trailers when pulled by a variety of different vehicles. The replaceable latching hardware allows for longer service life.

- Quick and easy to engage
- Strong and secure on the road
- Patented Wedge-Latch ball clamp design
- Quick to hook up and disconnect
- In compliance with SAE standard J684

Part #	Description	GTW (lbs.)	Overall Length	Ball Size
A200S 0303	Black E-Coat Finish Mounting Hardware Included, Mounting Bracket Sold Separately	8,000	9"	2"
A256S 0303	Black E-Coat Finish, Mounting Hardware Included, Mounting Bracket Sold Separately	14,000	9.5"	2-5/16"
Mounting Brackets				
AC300 0300	3 Position, Raw Finish, Mounting Hardware Sold Separately, 8" Ht.			
AC500 0300	5 Position, Raw Finish, Mounting Hardware Sold Separately, 11.75" Ht.			
024202	Mounting Hardware, Individually Bagged			

YOKE COUPLERS

Part #	Description	GTW (lbs.)	Ball Size
E338050303	Class III Coupler, Round Jack Mount 50° A-Frame, Black E-Coat Finish, Weld-on	5,000	2"
E438050303	Class IV Coupler, Round Jack Mount 50° A-Frame, Black E-Coat Finish Weld-on	8,000	2"

⚠ WARNING
 Failure to close coupler securely before towing or failure to use with specified ball size may result in serious injury or death.



STAMPED COUPLERS

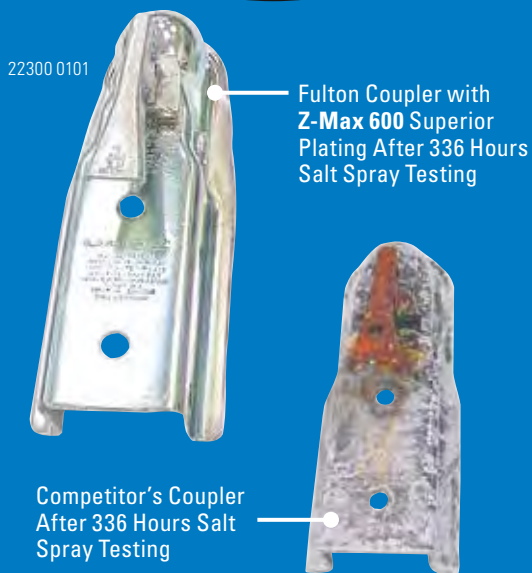
- The most popular coupler mechanism ever developed, the Fas-Lok® originated as a Fulton brand and is offered in a full line of SAE Class I through IV rated straight tongue stamped couplers.
- The Fas-Lok® latching mechanism allows quick and easy trailer hook-up, and is factory adjusted for convenience.

STRAIGHT TONGUE STAMPED FAS-LOK® COUPLERS

Part #	Description	GTW (lbs.)	Ball Size	SAE Class	Finish	Packaging
11200 0101	2" Wide Channel, Clear Zinc Finish, Labeled	2,000	1-7/8"	I	100 Hr.	Ind. Labeled
11250 0101	2-1/2" Wide Channel, Zinc Finish, Labeled	2,000	1 7/8"	I	Zinc	Ind. Labeled
11300 0101	3" Wide Channel, Clear Zinc Finish, Labeled	2,000	1-7/8"	I	100 Hr.	Ind. Labeled
22200 0101	2" Wide Channel, Labeled	3,500	2"	II	Z-Max 600	Ind. Labeled
22250 0101	2-1/2" Wide Channel, Labeled	3,500	2"	II	Z-Max 600	Ind. Labeled
22300 0101	3" Wide Channel, Labeled	3,500	2"	II	Z-Max 600	Ind. Labeled
34300 0301	3" Wide Channel, No Product Label	5,000	2"	III	Z-Max 600	Bulk
34300 0317	3" Wide Channel, No Product Label	5,000	2"	III	Primed	Bulk
34600 0301	3" Wide Channel, Cast Ball Clamp, No Product Label	6,000	2"	IV	Z-Max 600	Bulk

t = Available while supplies last.

Stamped Couplers With Z-MAX 600 Superior Plating



22300 0101

Fulton Coupler with Z-Max 600 Superior Plating After 336 Hours Salt Spray Testing

Competitor's Coupler After 336 Hours Salt Spray Testing

⚠ WARNING

Failure to close coupler securely before towing or failure to use with specified ball size may result in serious injury or death.



A-FRAME STAMPED COUPLERS

Part #	Description	GTW (lbs.)	Ball Size	SAE Class	Finish	Packaging
E333050303	50 Degree A-Frame (Weld-On)	5,000	2"	III	Black E-Coat	Bulk
33305H0301	50 Degree A-Frame (Bolt-On)	5,000	2"	III	Zinc	Bulk
E443050303	50 Degree A-Frame (Weld-On), Low Profile Latch	10,000	2-5/16"	IV	Black E-Coat	Bulk
44305R0317	50 Degree A-Frame (Weld On), Wedge-Latch	10,000	2-5/16"	IV	Gray Primer	Bulk
44305R0500	50 Degree A-Frame (Weld On), Wedge-Latch	10,000	2-5/16"	IV	Oily	Bulk
44311H0301	50 Degree A-Frame (Bolt-On), Wedge-Latch	11,000	2-5/16"	IV	Zinc	Bulk
44314R0303	50 Degree A-Frame (Weld On), Wedge-Latch	14,000	2-5/16"	IV	Black Paint	Bulk

HANDWHEEL STAMPED COUPLERS

Part #	Description	GTW (lbs.)	Ball Size	SAE Class	Finish	Packaging
308 0217	2-7/8" Channel, Handwheel Latch	5,000	2" to 2-1/8"	III	Primed	Ind. Labeled

ACCESSORIES AND REPLACEMENT PARTS



Part #	Description	Packaging
CH 0701	Handi-Grip Coupler Handle	Carded
52 0801	Kit, 308 Repair, Handwheel Couplers	Display Bag
64 0801	Kit, 44305R, Coupler Replacement	Display Bag

Couplers do not include hitch balls. Class III hardware couplers can be used on Class II trailers. NOTE: Review price list or contact customer service for package quantities and full part number.



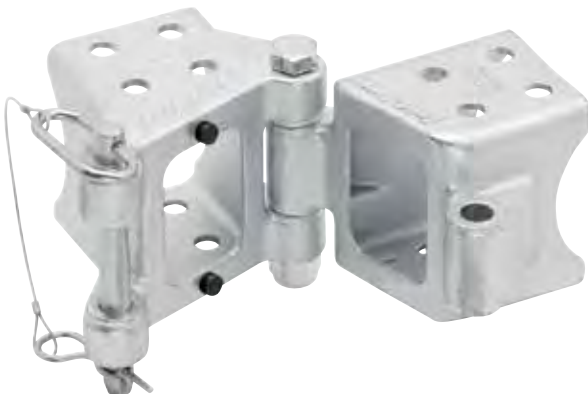


Space Saving



FOLD-AWAY™ HINGE KITS

- Fulton High Performance Series Fold-Away hinge kits are ideal for boat trailers that can be just a little too long to fit inside smaller garages. These high quality, precision engineered products provide options for solving this common problem.
- Choose the Fold-Away product that fits your needs from among several varieties made to fit standard trailer tongue dimensions.
 - Bolt-on models feature Z-Max 600 hour clear zinc finish.
 - Weld-on kits with raw finish are ideal for painting or galvanizing.



HDPB330101

FOLD-AWAY™ BOLT-ON HINGE KITS

- Converts standard trailer tongues into fold-away configurations while preserving the existing coupler
- Delivers strength at the pivot point with precisely machined heavy duty hinges made from die cast steel
- Easy to install bolt-on application with complete instruction manual
- Includes all mounting hardware
- Only recommended for trailers with steel tongues

Part Number	Description	GTW (lbs.)	Pivot Length	Finish	Packaging
HDPB230101	2" x 3" Trailer Tongues	Up To 5,000	Up To 48"	Z-Max 600	Display Box
HDPB330101	3" x 3" Trailer Tongues	Up To 5,000	Up To 48"	Z-Max 600	Display Box
HDPB340101	3" x 4" Trailer Tongues	Up To 7,500	Up To 48"	Z-Max 600	Display Box
HDPB350101	3" x 5" Trailer Tongues	Up To 9,000	Up To 48"	Z-Max 600	Display Box

Replacement Part		
500705	Pivot Bumpers, (4)	Poly Bag
500334	Pivot Pin, 5/8" x 4-1/2" with Cotter Pin and Lanyard for 3" x 3" Models	Poly Bag
500335	Pivot Pin, 5/8" x 5-1/2" with Cotter Pin and Lanyard for 3" x 4" Models	Poly Bag
500336	Pivot Pin, 5/8" x 6-1/2" with Cotter Pin and Lanyard for 3" x 5" Models	Poly Bag

Includes Fold-Away hinges (raw finish castings ideal for painting or galvanizing), zinc plated pivot bolt and nut, 5/8" diameter hitch pin and clip.

NOTE: Consult pivot rating chart for allowed capacity.

63023



63036



LUNETTE RINGS

Part #	Description	Diameter	Capacity	Max Vertical Load
63023	Lunette Ring, 4 Hole Base	2-1/2"	42,000 lbs.	8,400 lbs.
63033	Hardware Mounting Kit for 63023	-	-	-
63022	Lunette Ring, 1-1/2" Shank	2-1/2"	15,000 lbs.	2,400 lbs.
63036	Adjustable Lunette Ring with Channel	3"	24,000 lbs.	-
63060	Adjustable Lunette Ring with Hardware	3"	24,000 lbs.	-
1291020383	Adjustable Lunette Ring, Bulk	3"	14,000 lbs.	-
1291020340	Adjustable Lunette Ring, Clear Zinc, Bulk	3"	14,000 lbs.	-

LIGHT UP YOUR LIFESTYLE





Wesbar products are made waterproof, sealed, submersible and shock-resistant; everything you would expect when working in extreme environments.

VEHICLE ILLUMINATION



TAIL LIGHTS 4-25

AUXILIARY LIGHTING

LED Work Lights 26
 Courtesy Lights 27

CLEARANCE / SIDE MARKER LIGHTS

LED Clearance / Side Marker Lights 27-33
 Incandescent Clearance / Side Marker Lights 38-42
 Waterproof Clearance / Side Marker Lights 34-37
 Light Strips 42

LIGHT BARS

Strobe Lights / Waterproof Light Bars 43-44

LIGHT ACCESSORIES

License Plate Lights 45-46
 Reflectors 46-47
 Porch / Utility / Security Lights 47-48
 Interior Lights 48-49
 Bulbs 49



42-84-410



42-84-412



47-84-026



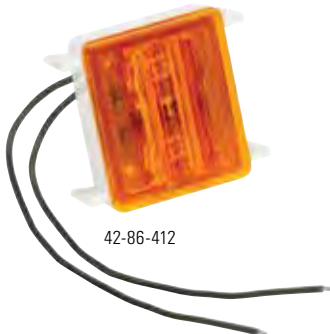
47-84-711



48-85-711



42-86-410



42-86-412

LED MODULE KITS #84 / #85 / #86 SERIES TAIL LIGHTS

Quick and simple LED module kit for existing #84 series tail lights

- Remove the bulb and lens, replace with new LED module and instantly have LED red stop/tail/turn lights, amber turn lights, clear backup lights or clear backup w/reflex lights
- Installation can be completed in minutes with only a screwdriver required

Part Number	Description	Packaging
42-84-410	LED Stop/Tail/Turn Light Lens Module Red w/Bulb Socket Plug	Bargman Clam
47-84-410	LED Stop/Tail/Turn Light Lens Module Red w/Bulb Socket Plug	Bargman Bagged
42-84-412	LED Turn Light Lens Module Amber w/Bulb Socket Plug	Bargman Clam
47-84-412	LED Turn Light Lens Module Amber w/Bulb Socket Plug	Bargman Bagged
47-84-026	LED Backup Light Lens Module Clear w/Bulb Socket Plug - Lens Mounted Vertical	Bargman/Wesbar Bulk

ENHANCED HEIGHT INCANDESCENT LENS #84 / #85 / #86 SERIES TAIL LIGHTS - BACKUP (OR RED WITH RED INSERT LENS ONLY)

Part Number	Description	Packaging
47-84-711	Enhanced Height Incandescent Backup Lens Only - Red Reflex w/ Clear Center - Red Border	Bargman/Wesbar Bulk
48-84-711	Enhanced Height Incandescent Backup Lens Only - Red Reflex w/ Clear Center - Red Border	Bargman Bagged
47-85-711	Enhanced Height Incandescent Backup Lens Only - Red Reflex w/ Clear Center - Chrome Border	Bargman/Wesbar Bulk
48-85-711†	Enhanced Height Incandescent Backup Lens Only - Red Reflex w/ Clear Center - Chrome Border	Bargman Bagged
47-84-712	Enhanced Height Incandescent Lens Only - Red Reflex w/Red Center - Red Border	Bargman/Wesbar Bulk

† = Available While Supplies Last.

LED MODULE KIT #86 SERIES WRAP-AROUND CLEARANCE / SIDE MARKER LIGHTS

- Quick and simple LED module kit for existing #86 series wrap-around clearance/side marker lights
- Remove and discard only the wedge base socket and bulb, replace with a new LED module and instantly have LED clearance/side marker lights

Part Number	Description	Packaging
42-86-410	LED Wrap-Around Clearance Light Module Red	Bargman Clam
47-86-410†	LED Wrap-Around Clearance Light Module Red	Bargman Bagged
42-86-412	LED Wrap-Around Clearance Light Module Amber	Bargman Clam
47-86-412†	LED Wrap-Around Clearance Light Module Amber	Bargman Bagged

NOTE: Tail Lights, Clearance/Side Marker Lights and ID Light Bars approved for trailer accessory and towing application use. Contact your Horizon Global Representative for details.

† = Available While Supplies Last.



42-86-101



47-84-420

LED SINGLE TAIL LIGHT #86 SERIES

- These LED lights meet FMVSS/CMVSS 108 requirements
- Bases are available in either white or black
- All include 16 gauge supply and ground wiring
- 5-13/16-in x 4-3/8-in x 2-7/8-in

Part Number	Description	Packaging
47-86-101	LED Stop/Tail/Turn w/Black Base	Bargman/Wesbar Bulk
42-86-101	LED Stop/Tail/Turn w/Black Base	Bargman Clam
48-86-101	LED Stop/Tail/Turn w/Black Base	Bargman Bagged
Replacement Parts		
47-84-420	LED Stop/Tail/Turn Light Lens Module Red w/Wires	



47-54-001

LED NARROW TAIL LIGHT #54 SERIES

- This LED tail light with 3 diodes is designed for a narrow rail surface mounting
- Features include built-in reflex reflectors and mounting holes with stainless steel grommets
- This light meets FMVSS/CMVSS 108 requirements
- Prewired (supply and ground) for easy installation
- 15.84-in x 2.29-in - Mounting holes on 14.49-in centers

Part Number	Description	Packaging
47-54-001	Red Stop/Tail/Turn	Bargman/Wesbar Bulk

NOTE: Tail Lights, Clearance/Side Marker Lights and ID Light Bars approved for trailer accessory and towing application use. Contact your Horizon Global Representative for details

BARGMAN #84/85/86 LED LIGHTS

LED Tail Lights and Module Kit for the most popular RV Tail Light in the World! Purchase as fully-assembled complete tail lights for installation or purchase a LED Upgrade Module. The Module Kit will allow you to quickly and easily field upgrade your installed Bargman Model #84/85/86 Tail Lights or Model #86 Wrap-Around Marker/Clearance lights from Incandescent to LED.

MODULE KITS:

These kits are designed to allow RV and Trailer owners to upgrade their Bargman #84/ 85/86 Tail Lights or #86 Wrap-Around Marker/Clearance lights from Incandescent to LED - quickly and safely. Due to the many configurations of these Bargman light models, upgrade modules are sold to upgrade only one module at a time.

NOTE: For regulatory purposes, installation of any competitive LED Upgrade Module designed for the Bargman #84/85/86 Tail Lights will immediately void all warranty on the entire Bargman tail light.

#84 SERIES TAIL LIGHTS LED UPGRADE MODULES

The end-user will simply count the number of red stop/tail/turn lights, amber turn lights or backup lights on the vehicle and order the appropriate number of the desired LED upgrade modules. The end user will simply remove the incandescent lens and bulb and plug the LED module (LED circuit board with connector and lens) into the existing bulb socket and mount, with the existing screws, to the holes in the existing light base.

#86 SERIES MARKER LIGHT LED UPGRADE MODULE

The end-user will simply count the number of wrap-around clearance/side marker lights on the vehicle and order the appropriate number of the desired LED upgrade kits. The end user will simply remove the lens and bulb and plug the LED module (LED circuit board) into the existing bulb socket and re-install the existing lens.

HOW TO ORDER

Fully assembled units:

Fully assembled LED versions of the Bargman #84/85/86 tail lights and #86 wrap-around clearance/side marker lights are listed. For convenience and consistency, we have listed them in the same manner that we list the incandescent models. Please note that the part numbers for all LED versions begin with 42/47/48.

WARNING: All Bargman #84/85/86 Tail Lights and #86 Wrap-Around Marker/Clearance lights meet FMVSS/CMVSS 108 requirements. WHEN UPGRADING EXISTING LIGHTS FROM INCANDESCENT TO LED, TO RETAIN FMVSS/ CMVSS 108 REQUIREMENTS, SPECIAL CARE MUST BE GIVEN TO REPLACE EXISTING LENS (OR TO ASSEMBLE MODULE) WITH A LED MODULE THAT WILL PERFORM THE EXACT SAME FUNCTION.



54200-016

54200-015



47-84-610



47-85-611



47-84-420



47-84-103



47-84-104



47-84-711



47-84-420



47-84-712

NOTE: Tail Lights, Clearance/Side Marker Lights and ID Light Bars approved for trailer accessory and towing application use. Contact your Horizon Global Representative for details.

t = Available While Supplies Last.

LED NARROW RED TAIL LAMP

- Featuring LED Technology, meets FMVSS/ CMVSS 108 requirements
- 14.1-in x 1-in

Part Number	Description	Packaging
54200-015	Narrow Red LED low and high function tail light	Wesbar Box
54200-016	Chrome Bezel for #54200-015	Wesbar Box

LED SURFACE MOUNT DOUBLE TAIL LIGHTS #84 / #85 SERIES

- These LED double lights are available for surface mounting in vertical or horizontal applications
- Stylish bases with radius corners come in either black or chrome plated finish
- All lenses meet FMVSS/CMVSS 108 requirements
- Reflex is included on backup lens
- Prewired (supply and ground) for easy installation
- 10-1/4-in x 7-1/4-in x 1-7/8-in

Part Number	Description	Packaging
47-84-610	LED Red Stop/Tail/Turn, LED Red Stop/Tail/Turn w/Black Base	Bargman/Wesbar Bulk
47-85-611	LED Red Stop/Tail/Turn, LED Red Stop/Tail/Turn w/Chrome Base	Bargman/Wesbar Bulk

Replacement Parts		
47-84-420	LED Stop/Tail/Turn Light Lens Module Red w/Wires	

LED RECESSED TRIPLE LONG TAIL LIGHTS #84 / #85 SERIES

- This series of LED triple tail lights incorporates all of the features of the LED Recessed Triple Tail Light #84 Series/ #85 Series with a special lens placement that allows the light to be utilized for a narrow mounting
- Cutout: 16-1/8-in x 3-5/8-in
- Overall: 18-in x 5-5/16-in x 1-1/4-in w/ 1-in depth



Part Number	Description	Packaging
47-84-103	LED Red Stop/Tail/Turn, Incandescent Backup, LED Red Stop/Tail/Turn w/Black Base	Bargman/Wesbar Bulk
47-84-104	LED Red Stop/Tail/Turn, Incandescent Backup, LED Amber Turn w/Black Base	Bargman/Wesbar Bulk

Replacement Parts		
47-84-420	LED Stop/Tail/Turn Light Lens Module Red w/Wires	Bargman Bagged
47-84-711	Enhanced Height Incandescent Backup Lens Only - Red Reflex w/ Clear Center - Red Border	Bargman/Wesbar Bulk
48-84-711	Enhanced Height Incandescent Backup Lens Only - Red Reflex w/ Clear Center - Red Border	Bargman Bagged
47-84-712	Enhanced Height Incandescent Lens Only - Red Reflex w/Red Center - Red Border	Bargman/Wesbar Bulk

LED RECESSED DOUBLE TAIL LIGHTS #84 / #85 SERIES

- LED double lights for either vertical or horizontal mounting
- Radius corners
- Black, white and colonial white bases
- Clear LED or incandescent backup light lenses are surrounded by a Class "A" red reflex lens. Incandescent lens, red w/red insert, is for clearance/side marker application only
- All lenses meet FMVSS/CMVSS 108 requirements
- Prewired (supply and ground) for easy installation
- Cutout: 8-7/16-in x 5-1/2-in,
Overall: 9-13/16-in x 6-15/16-in x 1-1/4-in w/ 1-in depth

48-84-527



47-84-001



47-84-008



48-84-529



47-84-808



47-84-711



Part Number	Description	Packaging
47-84-527	LED Red Stop/Tail/Turn, LED Red Stop/Tail/Turn w/Black Base	Bargman/Wesbar Bulk
48-84-527	LED Red Stop/Tail/Turn, LED Red Stop/Tail/Turn w/Black Base	Bargman Bagged
47-84-001	LED Red Stop/Tail/Turn, Incandescent Backup w/Colonial White Base	Bargman/Wesbar Bulk
47-84-540	LED Red Stop/Tail/Turn, Incandescent Backup w/White Base	Bargman/Wesbar Bulk
47-84-008	LED Red Stop/Tail/Turn, Incandescent Backup w/Black Base	Bargman/Wesbar Bulk
48-84-008	LED Red Stop/Tail/Turn, Incandescent Backup w/Black Base	Bargman Bagged
47-84-529	LED Red Stop/Tail/Turn, Incandescent Red w/Red Insert (Clearance/Side Marker Application Only) w/Black Base	Bargman/Wesbar Bulk
48-84-529†	LED Red Stop/Tail/Turn, Incandescent Red w/Red Insert (Clearance/Side Marker Application Only) w/Black Base	Bargman Bagged
47-84-808	LED Red Stop/Tail/Turn, Incandescent Backup w/Black Base, 12" 4/Conductor Cord w/4-Way Square Connector	Bargman/Wesbar Bulk
Replacement Parts		
47-84-420	LED Stop/Tail/Turn Light Lens Module Red w/Wires	Bargman Bagged
47-84-711	Enhanced Height Incandescent Backup Lens Only - Red Reflex w/Clear Center - Red Border	Bargman/Wesbar Bulk
48-84-711	Enhanced Height Incandescent Backup Lens Only - Red Reflex w/Clear Center - Red Border	Bargman Bagged
47-84-712	Enhanced Height Incandescent Lens Only - Red Reflex w/Red Center - Red Border	Bargman/Wesbar Bulk

NOTE: Tail Lights, Clearance/Side Marker Lights and ID Light Bars approved for trailer accessory and towing application use. Contact your Horizon Global Representative for details.

† = Available While Supplies Last.

48-84-009



47-85-002



47-84-005



47-85-004



48-84-711



LED RECESSED TRIPLE TAIL LIGHTS #84 / #85 SERIES

- LED triple lights for either vertical or horizontal mounting
- Radius corners
- Bases in black, white, colonial white and chrome plated finish
- Clear LED or incandescent backup light lenses surrounded by a Class "A" red reflex lens
- Incandescent lens, red w/red insert, for clearance/side marker application only
- Lenses meet FMVSS/CMVSS 108 requirements
- Prewired (supply and ground) for easy installation
- Cutout: 12-11/16-in x 5-1/2-in,
Overall: 14-1/16-in x 6-15/16-in x 1-1/4-in w/ 1-in depth

Part Number	Description	Packaging
47-84-530	LED Red, LED Red Stop/Tail/Turn, Incandescent Backup w/White Base	Bargman/Wesbar Bulk
47-84-009	LED Red, LED Red Stop/Tail/Turn, Incandescent Backup w/Black Base	Bargman/Wesbar Bulk
48-84-009	LED Red, LED Red Stop/Tail/Turn, Incandescent Backup w/Black Base	Bargman Bagged
47-85-002	LED Red, LED Red Stop/Tail/Turn, Incandescent Backup w/Chrome Base	Bargman/Wesbar Bulk
47-84-005	LED Red Stop/Tail/Turn, LED Amber Turn, Incandescent Backup w/Black Base	Bargman/Wesbar Bulk
47-85-004	LED Red Stop/Tail/Turn, LED Amber Turn, Incandescent Backup w/Chrome Base	Bargman/Wesbar Bulk
Replacement Parts		
47-84-420	LED Stop/Tail/Turn Light Lens Module Red w/Wires	Bargman Bagged
47-84-711	Enhanced Height Incandescent Backup Lens Only - Red Reflex w/ Clear Center - Red Border	Bargman/Wesbar Bulk
48-84-711	Enhanced Height Incandescent Backup Lens Only - Red Reflex w/ Clear Center - Red Border	Bargman Bagged
47-84-712	Enhanced Height Incandescent Lens Only - Red Reflex w/Red Center - Red Border	Bargman/Wesbar Bulk

NOTE: Tail Lights, Clearance/Side Marker Lights and ID Light Bars approved for trailer accessory and towing application use. Contact your Horizon Global Representative for details.



NOTE: Tail Lights, Clearance/Side Marker Lights and ID Light Bars approved for trailer accessory and towing application use. Contact your Horizon Global Representative for details.

WATERPROOF LED OVER 80-IN, 3X8 LOW PROFILE TAIL LIGHTS



- These waterproof lights meet FMVSS/CMVSS 108 requirements for trailers over 80-in wide when properly mounted
- Includes stainless steel mounting hardware
- Includes 3-Wire plug-in harness with 12-in wire leads and 7-in ring terminal ground
- Kit comes complete with two low profile tail lights, 25-ft trailer wiring harness cable with molded 4-way plug, 4-ft four wire car wiring harness cable with molded 4-way plug and license plate bracket • 8-in x 3.5-in x 3-in

Part #	Description	Packaging
271574	7-Function, Right/Curbside	Bargman/Wesbar Bulk
407530	7-Function, Right/Curbside	Wesbar Packaging
271575	8-Function, Left/Roadside	Bargman/Wesbar Bulk
407535	8-Function, Left/Roadside	Wesbar Packaging
31-407540	Trailer Light Kit	Bargman Clam
407540	Trailer Light Kit	Wesbar Packaging
Replacement Parts		
40-00-004	3 Wire 90° Pigtail w/12" Wire Lead	Bargman/Wesbar Bulk
719063	3 Wire 90° Pigtail w/12" Wire Lead	Wesbar Packaging
003201	License Plate Bracket	Bargman/Wesbar Bulk
003211	License Plate Bracket	Wesbar Packaging
54504-001	Protective Tail Light Bracket	Wesbar Packaging
54504-003†	Protective Tail Light Bracket - Pair	Wesbar Packaging
002301	4' Wiring Harness w/4-Way Flat Car End	Bargman/Wesbar Bulk
707275	4' Wiring Harness w/4-Way Flat Car End	Wesbar Packaging
108825	25' Wiring Harness w/4-Way Flat Trailer End	Bargman/Wesbar Bulk
707261	25' Wiring Harness w/4-Way Flat Trailer End	Wesbar Packaging

† = Available While Supplies Last.



WATERPROOF LED OVER 80-IN WRAP-AROUND TAIL LIGHTS

- Waterproof surface mount tail lights
- Wrap-around design eliminates the need for rear side marker/reflector
- These lights meet FMVSS/CMVSS 108 requirements
- Plug-in 12-in harness with 2-Way flat connector and ring terminal ground wire
- Stainless steel mounting hardware included
- 7.53-in x 3.48-in x 3.13-in

Part Number	Description	Packaging
271594	7-Function, Right/Curbside	Bargman/Wesbar Bulk
281594	7-Function, Right/Curbside	Wesbar Packaging
271595	8-Function, Left/Roadside	Bargman/Wesbar Bulk
281595	8-Function, Left/Roadside	Wesbar Packaging
281500 NEW	Wrap-Around Trailer Light Kit w/25' Wire Harness	Wesbar Packaging
Replacement Parts		
54504-001	Protective Tail Light Bracket	Wesbar Packaging
54504-003†	Protective Tail Light Bracket - Pair	Wesbar Packaging

† = Available While Supplies Last.

271584



271585



407560



47-01-031



54200-012



54200-018



WATERPROOF LED OVER 80-IN, 4X6 LOW PROFILE TAIL LIGHTS

- Unique, compact size and shape allows these waterproof lights to fit where space is limited
- Meets FMVSS/CMVSS 108 requirements for trailers over 80-in wide when properly mounted
- Includes stainless steel mounting hardware
- 6-in x 3-1/2-in x 2-1/4-in
- Kit comes complete with two low profile tail lights, 25-ft trailer wiring harness cable with molded 4-Flat plug, 4-ft four wire car wiring harness cable with molded 4-Flat plug and license plate bracket

Part Number	Description	Packaging
271584	7-Function, Right/Curbside	Bargman/Wesbar Bulk
271584-01	7-Function, Right/Curbside w/3 Wire Pigtail	Bargman/Wesbar Bulk
407550	7-Function, Right/Curbside w/3 Wire 90° Pigtail	Wesbar Packaging
271585	8-Function, Left/Roadside	Bargman/Wesbar Bulk
271585-01	8-Function, Left/Roadside w/3 Wire Pigtail	Bargman/Wesbar Bulk
407555	8-Function, Left/Roadside w/3 Wire 90° Pigtail	Wesbar Packaging
31-407560	Trailer Light Kit	Bargman Clam
407560	Trailer Light Kit	Wesbar Packaging

Replacement Parts

40-00-004	3 Wire 90° Pigtail w/12" Wire Lead	Bargman/Wesbar Bulk
719063	3 Wire 90° Pigtail w/12" Wire Lead	Wesbar Packaging
003201	License Plate Bracket	Bargman/Wesbar Bulk
003211	License Plate Bracket	Wesbar Packaging
54504-001	Protective Tail Light Bracket	Wesbar Packaging
54504-003†	Protective Tail Light Bracket - Pair	Wesbar Packaging
002301	4' Wiring Harness w/4-Flat Car End	Bargman/Wesbar Bulk
707275	4' Wiring Harness w/4-Flat Car End	Wesbar Packaging
108825	25' Wiring Harness w/4-Flat Trailer End	Bargman/Wesbar Bulk
707261	25' Wiring Harness w/4-Way Flat Trailer End	Wesbar Packaging



WATERPROOF LED 4-IN ROUND TAIL LIGHTS

- Featuring LED Technology, this grommet light is waterproof and meets FMVSS/CMVSS 108 requirements

Part Number	Description	Packaging
47-01-031	Red Stop/Tail/Turn Light w/Grommet w/Pigtail	Bargman Bagged
54200-012	Clear Lens LED Tail Lamp with Mounting Flange	Bargman Bulk
54200-013	Clear Lens LED Tail Lamp with Mounting Flange	Bargman Clam
54200-018	Amber Lens LED Turn Lamp	Wesbar Bulk

Replacement Parts

47-01-001	Stop/Tail/Turn Light 4" Round Red	Bargman/Wesbar Bulk
40-00-006	Pigtail	Bargman/Wesbar Bulk
40-01-020	4" Round Grommet	Wesbar Packaging
44-01-020†	4" Round Grommet	Bargman Bagged

NOTE: Tail Lights, Clearance/Side Marker Lights and ID Light Bars approved for trailer accessory and towing application use. Contact your Horizon Global Representative for details.

† = Available While Supplies Last.



WATERPROOF LED 6-IN OVAL SURFACE FLANGE MOUNT TAIL LIGHTS

- Featuring LED Technology, these flange mount lights are waterproof and meet FMVSS/CMVSS 108 requirements
- Surface mounting with prewired supply and ring terminal ground for easy installation
- 7.5-in x 3.28-in x .82-in

Part Number	Description	Packaging
54004	Red Stop/Tail/Turn w/Black Flange w/Chrome Trim Snap Ring	Wesbar Packaging
50-767751	Red Stop/Tail/Turn w/Black Flange	Bargman/Wesbar Bulk
50-767752	Red Supplemental Center High Mount Stop Lamp w/Black Flange	Bargman/Wesbar Bulk
40-767758	Amber Turn w/Black Flange	Bargman/Wesbar Bulk
Accessory Part		
85-767010	Chrome Trim Snap Ring	Bargman/Wesbar Bulk



40-767758



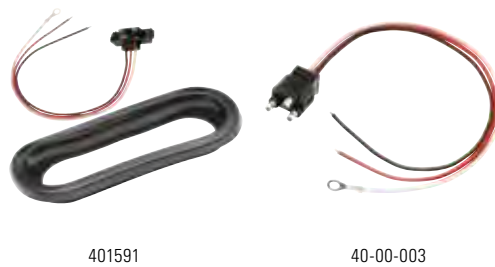
47-06-034

106873

WATERPROOF LED 6-IN OVAL GROMMET MOUNT TAIL LIGHTS

- Featuring LED Technology, these grommet mount lights are waterproof and meet FMVSS/CMVSS 108 requirements
- Lights are mounting-orientation specific. Mounting bracket of 11 ga. steel available separately 6-1/2-in x 2-5/16-in x 7/8-in

Part Number	Description	Packaging
47-06-034	Red Stop/Tail/Turn Light Horizontal Mount w/Grommet w/90° Pigtail	Bargman Bagged
Replacement Parts		
47-06-004	Red Stop/Tail/Turn Light Horizontal Mount	Bargman/Wesbar Bulk
47-06-404	Red Stop/Tail/Turn Light Horizontal Mount	Bargman Bagged
401584	Red Stop/Tail/Turn Light Horizontal Mount	Wesbar Packaging
40-00-003	3 Wire Pigtail w/12" Wire Lead	Bargman/Wesbar Bulk
44-00-003†	3 Wire Pigtail w/12" Wire Lead	Bargman Bagged
40-00-004	3 Wire 90° Pigtail w/12" Wire Lead	Bargman/Wesbar Bulk
719063	3 Wire 90° Pigtail w/12" Wire Lead	Wesbar Packaging
40-06-020	6" Oval Grommet	Bargman/Wesbar Bulk
44-06-020†	6" Oval Grommet	Bargman Bagged
416088	6" Oval Grommet	Wesbar Packaging
108119	6" Oval Mounting Bracket	Bargman/Wesbar Bulk
34-108119†	6" Oval Mounting Bracket	Bargman Bagged
106873	6" Oval Mounting Bracket	Wesbar Packaging
401591	6" Oval Grommet & 3 Wire 90° Pigtail	Wesbar Packaging



401591

40-00-003



401584

416088



NOTE: Tail Lights, Clearance/Side Marker Lights and ID Light Bars approved for trailer accessory and towing application use. Contact your Horizon Global Representative for details.

† = Available While Supplies Last.



47-06-034



106873



WATERPROOF LED 6-IN OVAL GROMMET MOUNT TAIL LIGHTS

- Featuring LED Technology, these grommet mount lights are waterproof and meet FMVSS/CMVSS 108 requirements
- Lights are mounting-orientation specific. Mounting bracket of 11 ga. steel available separately, 6 1/2-in x 2 5/16-in x 7/8-in



40-00-003



401584



416088



401591

Part Number	Description	Packaging
47-06-034	Red Stop/Tail/Turn Light Horizontal Mount w/Grommet w/90° Pigtail	Bargman Bagged
Replacement Parts		
47-06-004	Red Stop/Tail/Turn Light Horizontal Mount	Bargman/Wesbar Bulk
47-06-404	Red Stop/Tail/Turn Light Horizontal Mount	Bargman Bagged
401584	Red Stop/Tail/Turn Light Horizontal Mount	Wesbar Packaging
40-00-003	3 Wire Pigtail w/12" Wire Lead	Bargman/Wesbar Bulk
44-00-003†	3 Wire Pigtail w/12" Wire Lead	Bargman Bagged
40-00-004	3 Wire 90° Pigtail w/12" Wire Lead	Bargman/Wesbar Bulk
719063	3 Wire 90° Pigtail w/12" Wire Lead	Wesbar Packaging
40-06-020	6" Oval Grommet	Bargman/Wesbar Bulk
44-06-020†	6" Oval Grommet	Bargman Bagged
416088	6" Oval Grommet	Wesbar Packaging
108119	6" Oval Mounting Bracket	Bargman/Wesbar Bulk
34-108119†	6" Oval Mounting Bracket	Bargman Bagged
106873	6" Oval Mounting Bracket	Wesbar Packaging
401591	6" Oval Grommet & 3 Wire 90° Pigtail	Wesbar Packaging

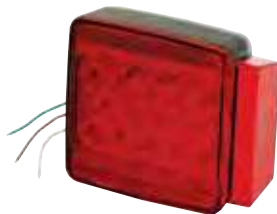
273006



SUBMERSIBLE LED UNDER 80-IN COMBINATION TAIL LIGHTS

- These lights are ideal for boat and PWC trailers less than 80-in wide and meet FMVSS/CMVSS 108 requirements
- Stud mounted using 2-in O.C. industry standard stud configuration
- Prewired (supply and ground) for easy installation, 5.12-in x 4.50-in x 1.85-in w/.86-in depth
- Complete kit comes complete with two low profile tail lights, 25-ft trailer wiring harness cable with molded 4-Flat plug, 4-ft four wire car wiring harness cable with molded 4-Way plug and license plate bracket

273056



287512



Part Number	Description	Packaging
273006	7-Function, Left/Roadside	Bargman/Wesbar Bulk
283006	7-Function, Left/Roadside	Wesbar Packaging
273056	6-Function, Right/Curbside	Bargman/Wesbar Bulk
283056	6-Function, Right/Curbside	Wesbar Packaging
287512	Trailer Light Kit w/25' Wire Harness	Wesbar Packaging
Replacement Parts		
54504-001	Protective Tail Light Bracket	Wesbar Packaging
54504-003†	Protective Tail Light Bracket - Pair	Wesbar Packaging



Wet Location Lighting Products

NOTE: Tail Lights, Clearance/Side Marker Lights and ID Light Bars approved for trailer accessory and towing application use. Contact your Horizon Global Representative for details.

† = Available While Supplies Last.



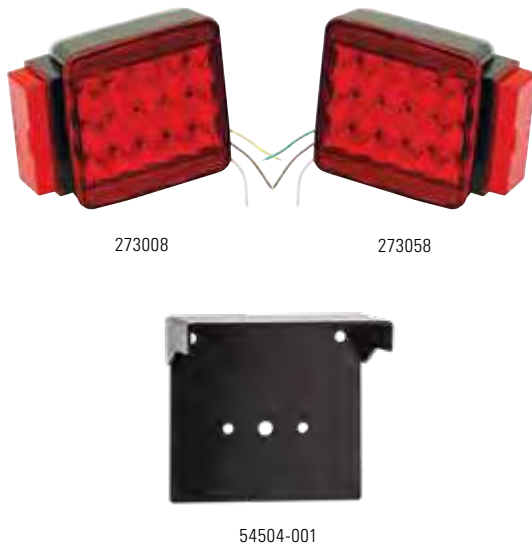
WATERPROOF LED 6-IN OVAL GROMMET MOUNT TAIL LIGHTS

- Featuring LED Technology, these grommet mount lights with 10 diodes are waterproof and meet FMVSS/CMVSS 108 requirements
- Approved for vertical or horizontal mounting
- Grommet, 3 prong wiring pigtail and 11 ga. steel mounting bracket available separately, 6.42-in x 2.28-in x 1-in



Part Number	Description	Packaging
54006	Red Stop/Tail/Turn Light w/Grommet w/3 Wire 90° Pigtail	Wesbar Packaging
273561	Red Stop/Tail/Turn Light	Bargman/Wesbar Bulk
283561	Red Stop/Tail/Turn Light	Wesbar Packaging
273564	Amber Turn Light	Bargman/Wesbar Bulk
283564	Amber Turn Light	Wesbar Packaging
273565	White Backup Light	Bargman/Wesbar Bulk
283565	White Backup Light	Wesbar Packaging

Replacement Parts		
40-00-003	3 Wire Pigtail w/12" Wire Lead	Bargman/Wesbar Bulk
44-00-003†	3 Wire Pigtail w/12" Wire Lead	Bargman Bagged
40-00-004	3 Wire 90° Pigtail w/12" Wire Lead	Bargman/Wesbar Bulk
719063	3 Wire 90° Pigtail w/12" Wire Lead	Wesbar Packaging
44-06-020†	6" Oval Grommet	Bargman/Wesbar Bulk
40-06-020	6" Oval Grommet	Bargman Bagged
416088	6" Oval Grommet	Wesbar Packaging
108119	6" Oval Mounting Bracket	Bargman/Wesbar Bulk
34-108119†	6" Oval Mounting Bracket	Bargman Bagged
106873	6" Oval Mounting Bracket	Wesbar Packaging
401591	6" Oval Grommet & 3 Wire 90° Pigtail	Wesbar Packaging



SUBMERSIBLE LED OVER 80-IN COMBINATION TAIL LIGHTS



These lights are ideal for boat and PWC trailers and meet FMVSS/CMVSS 108 requirements for trailers over 80-in wide when properly mounted

- Stud mounted using 2-in O.C. industry standard stud configuration
- Prewired (supply and ground) for easy installation, 5.48-in x 4.50-in x 1.85-in w/.86-in depth

Part Number	Description	Packaging
273008	8 Function Left/Roadside	Bargman/Wesbar Bulk
273058	7 Function Right/Curbside	Bargman/Wesbar Bulk
283008 NEW	8 Function Left/Roadside Packaging	Wesbar Packaging
283058 NEW	7 Function Right/Curbside	Wesbar Packaging
283500 NEW	Trailer Light Kit w/25' Wire Harness	Wesbar Packaging

Replacement Parts		
54504-001	Protective Tail Light Bracket	Wesbar Packaging
54504-003†	Protective Tail Light Bracket - Pair	Wesbar Packaging

NOTE: Tail Lights, Clearance/Side Marker Lights and ID Light Bars approved for trailer accessory and towing application use. Contact your Horizon Global Representative for details.

† = Available While Supplies Last.



31-86-101



31-86-103



30-86-107



30-90-156



31-84-711



31-84-700



30-86-005



34-86-202



34-86-203



34-86-711



34-86-712

SINGLE SERIES TAIL LIGHTS #86 SERIES

- These lights meet FMVSS/CMVSS 108 requirements. Backup light has a clear lens surrounded by a Class "A" reflector
- Bases are available in either white or black
- All include J-slot bayonet sockets for dependable flicker-free operation and 16 gauge supply and ground wiring
- 5-13/16-in x 4-3/8-in x 2-7/8-in, Cutout: 5-7/8-in x 5-1/2-in

Part Number	Description	Packaging
30-86-101	Red Stop/Tail/Turn w/Black Base	Bargman/Wesbar Bulk
31-86-101	Red Stop/Tail/Turn w/Black Base	Bargman Clam
34-86-101	Red Stop/Tail/Turn w/Black Base	Bargman Bagged
30-86-103	Backup Vertical Mount w/Black Base	Bargman/Wesbar Bulk
31-86-103	Backup Vertical Mount w/Black Base	Bargman Clam
34-86-103†	Backup Vertical Mount w/Black Base	Bargman Bagged
30-86-107	Amber Turn w/Black Base	Bargman Bulk
Replacement Parts		
30-90-156	Bulb #1156, Single Filament	Bargman/Wesbar Bulk
30-84-057	Bulb #2057, Double Filament	Bargman/Wesbar Bulk
31-84-010	Lens Red	Bargman Clam
34-84-010	Lens Red	Bargman Bagged
31-84-016	Lens Amber	Bargman Clam
34-84-016	Lens Amber	Bargman Bagged
31-84-700	Lens Backup - Lens Mounted Vertical	Bargman Clam
34-84-700	Lens Backup - Lens Mounted Vertical	Bargman Bagged
31-84-711	Lens Backup - Lens Mounted Horizontal	Bargman Clam
34-84-711	Lens Backup - Lens Mounted Horizontal	Bargman Bagged
30-84-075	Tail Light Lens Screw	Bargman/Wesbar Bulk

WRAP-AROUND CLEARANCE / SIDE MARKER LIGHTS #86 SERIES

- This 90 degree wrap-around light meets lighting requirements for side markers and clearance lights and doubles as a Class "A" side-reflex reflector
- The light meets FMVSS/CMVSS 108 requirements
- Bases are available in either white or black
- The molded socket with two wires protects bulb from road shock and the molded grommet protects the wiring
- 5-3/4-in x 4-3/8-in x 2-3/16-in

Part Number	Description	Packaging
30-86-005	Red w/Colonial White Base	Bargman/Wesbar Bulk
34-86-202	Red w/Black Base	Bargman Bagged
34-86-203	Amber w/Black Base	Bargman Bagged
Replacement Parts		
34-86-711	Lens #86 Red Wrap Around	Bargman Bagged
34-86-712	Lens #86 Amber Wrap Around	Bargman Bagged
30-84-075	Marker Light Lens Screw	Bargman/Wesbar Bulk

NOTE: Tail Lights, Clearance/Side Marker Lights and ID Light Bars approved for trailer accessory and towing application use. Contact your Horizon Global Representative for details.

† = Available While Supplies Last.

30-84-540



30-84-508



30-84-529



RECESSED DOUBLE TAIL LIGHTS #84 SERIES

- These double lights are available for vertical or horizontal mounting
- These stylish units with their radius corners come in black, white and colonial white
- Clear backup light lenses are surrounded by a Class "A" red reflex lens. All lenses meet FMVSS/CMVSS 108 requirements
- All include J-slot bayonet sockets for dependable flicker-free operation and 16 gauge supply and ground wiring
- Cutout: 8-7/16-in x 5-1/2-in,
Overall: 9-13/16-in x 6-15/16-in x 1-1/4-in w/ 1-in depth

Part Number	Description	Packaging
30-84-001	Horizontal Mount w/Red Stop/Tail/Turn, Backup Lens w/Colonial White Base	Bargman/Wesbar Bulk
30-84-540	Horizontal Mount w/Red Stop/Tail/Turn, Backup Lens w/White Base	Bargman/Wesbar Bulk
30-84-008	Horizontal Mount w/Red Stop/Tail/Turn, Backup Lens w/Black Base	Bargman/Wesbar Bulk
34-84-008	Horizontal Mount w/Red Stop/Tail/Turn, Backup Lens w/Black Base	Bargman Bagged
30-84-508	Vertical Mount w/Red Stop/Tail/Turn, Backup Lens w/Black Base	Bargman/Wesbar Bulk
30-84-547	Red/Red Stop/Tail/Turn w/White Base	Bargman/Wesbar Bulk
30-84-527	Red/Red Stop/Tail/Turn w/Black Base	Bargman/Wesbar Bulk
34-84-527	Red/Red Stop/Tail/Turn w/Black Base	Bargman Bagged
30-84-529	Red Stop/Tail/Turn, w/Red Insert (Clearance/Side Marker Application Only) w/Black Base	Bargman/Wesbar Bulk
34-84-529†	Red Stop/Tail/Turn, w/Red Insert (Clearance/Side Marker Application Only) w/Black Base	Bargman Bagged
Replacement Parts		
30-90-156	Bulb #1156, Single Filament	Bargman/Wesbar Bulk
30-84-057	Bulb #2057, Double Filament	Bargman/Wesbar Bulk
31-84-010	Lens Red	Bargman Clam
34-84-010	Lens Red	Bargman Bagged
31-84-016	Lens Amber	Bargman Clam
34-84-016	Lens Amber	Bargman Bagged
31-84-700	Lens Backup - Lens Mounted Vertical	Bargman Clam
34-84-700	Lens Backup - Lens Mounted Vertical	Bargman Bagged
31-84-711	Lens Backup - Lens Mounted Horizontal	Bargman Clam
34-84-711	Lens Backup - Lens Mounted Horizontal	Bargman Bagged
34-85-750	Lens Red w/Red Insert (Clearance/Side Marker Application Only)	Bargman Bagged
30-84-075	Tail Light Lens Screw	Bargman/Wesbar Bulk

NOTE: Tail Lights, Clearance/Side Marker Lights and ID Light Bars approved for trailer accessory and towing application use. Contact your Horizon Global Representative for details.

† = Available While Supplies Last.

30-85-002



30-84-523



30-84-509



RECESSED TRIPLE TAIL LIGHTS #84 / #85 SERIES

- These triple lights are available for either vertical or horizontal mounting
- These stylish units with their radius corners have bases available in either black, white, colonial white or chrome plated finish
- Clear backup light lenses are surrounded by a Class "A" red reflex lens
- All lenses meet FMVSS/CMVSS 108 requirements
- All include J-slot bayonet sockets for dependable flicker-free operation and 16 gauge supply and ground wiring
- Cutout: 12-11/16-in x 5-1/2-in,
Overall: 14-1/16-in x 6-15/16-in x 1-1/4-in w/ 1-in depth

Part Number	Description	Packaging
30-84-002	Horizontal Mount w/Red, Red Stop/Tail/Turn, Backup w/Colonial White Base	Bargman/Wesbar Bulk
30-84-009	Horizontal Mount w/Red, Red Stop/Tail/Turn, Backup w/Black Base	Bargman/Wesbar Bulk
34-84-009	Horizontal Mount w/Red, Red Stop/Tail/Turn, Backup w/Black Base	Bargman Bagged
30-85-002	Horizontal Mount w/Red, Red Stop/Tail/Turn, Backup w/Chrome Base	Bargman/Wesbar Bulk
30-84-523	Vertical Mount w/Red/Red Stop/Tail/Turn, Backup w/White Base	Bargman/Wesbar Bulk
30-84-509	Vertical Mount w/Red/Red Stop/Tail/Turn, Backup w/Black Base	Bargman/Wesbar Bulk
Replacement Parts		
30-90-156	Bulb #1156, Single Filament	Bargman/Wesbar Bulk
30-84-057	Bulb #2057, Double Filament	Bargman/Wesbar Bulk
31-84-010	Lens Red	Bargman Clam
34-84-010	Lens Red	Bargman Bagged
31-84-016	Lens Amber	Bargman Clam
34-84-016	Lens Amber	Bargman Bagged
31-84-700	Lens Backup - Lens Mounted Vertical	Bargman Clam
34-84-700	Lens Backup - Lens Mounted Vertical	Bargman Bagged
31-84-711	Lens Backup - Lens Mounted Horizontal	Bargman Clam
34-84-711	Lens Backup - Lens Mounted Horizontal	Bargman Bagged
34-85-750	Lens Red w/Red Insert (Clearance/Side Marker Application Only)	Bargman Bagged
30-84-075	Tail Light Lens Screw	Bargman/Wesbar Bulk

NOTE: Tail Lights, Clearance/Side Marker Lights and ID Light Bars approved for trailer accessory and towing application use. Contact your Horizon Global Representative for details.

† = Available While Supplies Last.

SURFACE MOUNT TAIL LIGHTS

#92 SERIES

- Radius styling is the key to the smooth flowing design used in the #92 series tail light
- Available with or without backup lenses, in red, these tail lights offer maximum design and replacement flexibility
- Clean white or rich black bases
- All include automotive corrosion resistant bulb sockets and 16 gauge supply and ground wiring
- These lights meet FMVSS/CMVSS 108 requirements and are designed for long life and easy installation
- These units are designed for horizontal, surface mounting only
- 8-9/16-in x 4-9/16-in x 2-1/8-in

31-92-001



30-92-002



34-92-004



Part Number	Description	Packaging
30-92-001	Stop/Tail/Turn Light Surface Mount #92 w/White Base	Bargman/Wesbar Bulk
31-92-001	Stop/Tail/Turn Light Surface Mount #92 w/White Base	Bargman Clam
34-92-001	Stop/Tail/Turn Light Surface Mount #92 w/White Base	Bargman Bagged
30-92-106	Stop/Tail/Turn Light Surface Mount #92 w/Black Base	Bargman/Wesbar Bulk
30-92-003	Stop/Tail/Turn Light Surface Mount #92 w/License Light & Bracket w/White Base	Bargman/Wesbar Bulk
31-92-003	Stop/Tail/Turn Light Surface Mount #92 w/License Light & Bracket w/White Base	Bargman Clam
34-92-003	Stop/Tail/Turn Light Surface Mount #92 w/License Light & Bracket w/White Base	Bargman Bagged
30-92-108	Stop/Tail/Turn Light Surface Mount #92 w/License Light & Bracket w/Black Base	Bargman/Wesbar Bulk
30-92-002	Stop/Tail/Turn Light Surface Mount #92 w/Backup w/White Base	Bargman/Wesbar Bulk
34-92-002	Stop/Tail/Turn Light Surface Mount #92 w/Backup w/White Base	Bargman Bagged
30-92-107	Stop/Tail/Turn Light Surface Mount #92 w/Backup w/Black Base	Bargman Bagged
30-92-004	Stop/Tail/Turn Light Surface Mount #92 w/Backup w/License Light & Bracket w/White Base	Bargman/Wesbar Bulk
34-92-004	Stop/Tail/Turn Light Surface Mount #92 w/Backup w/License Light & Bracket w/White Base	Bargman Bagged
30-92-109	Stop/Tail/Turn Light Surface Mount #92 w/Backup w/License Light & Bracket w/Black Base	Bargman/Wesbar Bulk
30-92-044	Tail Light 15 Degree Wedge Base for #92 Series, White #7, 9" x 5 1/8" x 1 1/2"	Bargman/Wesbar Bulk
Replacement Parts		
30-90-156	Bulb #1156, Single Filament	Bargman/Wesbar Bulk
30-90-157	Bulb #1157, Double Filament	Bargman/Wesbar Bulk
30-92-012	Lens for 30-92-001, 106	Bargman/Wesbar Bulk
34-92-012	Lens for 30-92-001, 106	Bargman Bagged
30-92-704	Lens for 30-92-002, 107	Bargman/Wesbar Bulk
34-92-704	Lens for 30-92-002, 107	Bargman Bagged
30-92-708	Lens for 30-92-003, 108	Bargman/Wesbar Bulk
34-92-708	Lens for 30-92-003, 108	Bargman Bagged
30-92-713	Lens for 30-92-004, 109	Bargman/Wesbar Bulk
34-92-713	Lens for 30-92-004, 109	Bargman Bagged
54200-003-100	Gasket (Foam) for #92 Series Tail Light (100 pack)	Bargman/Wesbar Bulk

NOTE: Tail Lights, Clearance/Side Marker Lights and ID Light Bars approved for trailer accessory and towing application use. Contact your Horizon Global Representative for details.

† = Available While Supplies Last.

2423293



2423294



2423297



2423273



2423274



2423275



COMBINATION OVER 80-IN TAIL LIGHTS #80 SERIES

- Universal 2-in on center stud mounting
- Screw-on main and side marker lens allow for easy bulb replacement
- These tail lights meet FMVSS/CMVSS 108 requirements for trailers over 80-in wide when properly mounted
- Wiring uses the quick connect and disconnect feature
- 6.09-in x 4.59-in x 2.87-in

Part Number	Description	Packaging
2423293	8-Function, Left/Roadside	Bargman/Wesbar Bulk
2823293	8-Function, Left/Roadside	Wesbar Packaging
2423294	7-Function, Right/Curbside	Bargman/Wesbar Bulk
2823294	7-Function, Right/Curbside	Wesbar Packaging
Replacement Parts		
108891	Bulb #193	Bargman/Wesbar Bulk
30-90-157	Bulb #1157, Double Filament	Bargman/Wesbar Bulk
2423286	Lens, Tail Light	Bargman/Wesbar Bulk
2423297	Lens, Red, Clearance/Side Marker	Bargman/Wesbar Bulk
54504-001	Protective Tail Light Bracket	Wesbar Packaging
54504-003†	Protective Tail Light Bracket - Pair	Wesbar Packaging

PEDESTAL MOUNT TAIL LIGHTS

- This combination signal light requires a 1/2-in hole for stud mounting
- All mounting hardware included
- For easy installation the lights feature prewired supply wires and are self-grounding
- Red or amber snap-on acrylic lens and black acrylic cover
- Meets FMVSS/CMVSS 108 requirements and meets ASABE 4 Candle Power to the side amber light requirements
- 4.28-in dia. x 2.16-in

Part Number	Description	Packaging
2423273	Double Face: Amber Marker/Turn - Amber Marker/Turn	Bargman/Wesbar Bulk
2423274	Double Face: Red Stop/Tail/Turn - Amber Marker/Turn	Bargman/Wesbar Bulk
2423275	Single Face: Red Stop/Tail/Turn - Black	Bargman/Wesbar Bulk
Replacement Parts		
30-90-156	Bulb #1156, Single Filament	Bargman/Wesbar Bulk
30-90-157	Bulb #1157, Double Filament	Bargman/Wesbar Bulk

NOTE: Tail Lights, Clearance/Side Marker Lights and ID Light Bars approved for trailer accessory and towing application use. Contact your Horizon Global Representative for details.

† = Available While Supplies Last.

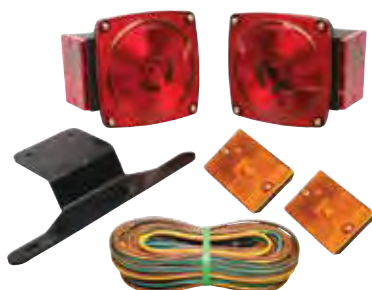
2423283



2423284



2823285



73864



COMBINATION UNDER 80-IN TAIL LIGHTS #80 SERIES

- Universal 2-in on center stud mounting
- Screw-on main and side marker lens allow for easy bulb replacement
- This tail light is designed for a variety of under 80-in light-duty trailers
- Wiring uses the quick connect and disconnect feature
- These tail lights meet FMVSS/CMVSS 108 requirements
- 4-3/4-in x 4-1/2-in x 2-9/16-in
- Complete kit with two tail lights, two amber clearance/side marker lights with reflex lens, 20-ft or 25-ft trailer wiring harness cable with molded 4-way flat prong plug, 4-ft car wiring harness cable with molded 4-Way flat prong plug plus license plate bracket

Part Number	Description	Packaging
2423283	7-Function, Left/Roadside	Bargman/Wesbar Bulk
2823283	7-Function, Left/Roadside	Wesbar Packaging
2423284	6-Function, Right/Curbside	Bargman/Wesbar Bulk
2823284	6-Function, Right/Curbside	Wesbar Packaging
31-2823285	Trailer Light Kit w/25' Wire Harness, w/ Rectangular Clearance/Side Marker Lights	Bargman Clam
2823285	Trailer Light Kit w/25' Wire Harness, w/ Rectangular Clearance/Side Marker Lights	Wesbar Packaging
407500	Trailer Light Kit w/20' Wire Harness, w/o Clearance/Side Marker Lights	Wesbar Packaging
Replacement Parts		
108891	Bulb #193	Bargman/Wesbar Bulk
30-90-157	Bulb #1157, Double Filament	Bargman/Wesbar Bulk
2423286	Lens, Tail Light	Bargman/Wesbar Bulk
2423287	Lens, Red, Clearance/Side Marker	Bargman/Wesbar Bulk
003201	License Plate Bracket	Bargman/Wesbar Bulk
003211	License Plate Bracket	Wesbar Packaging
54504-001	Protective Tail Light Bracket	Wesbar Packaging
54504-003†	Protective Tail Light Bracket - Pair	Wesbar Packaging
002301	4' Wiring Harness w/4-Way Flat Car End	Bargman/Wesbar Bulk
707275	4' Wiring Harness w/4-Way Flat Car End	Wesbar Packaging
002220	20' Wiring Harness w/4-Way Flat Trailer End	Bargman/Wesbar Bulk

MAGNETIC TOW LIGHT KIT

- 4-Flat hookup
- Mounts in any position vertically or horizontally
- Sealed, watertight housing
- 26-ft connector
- Plastic carrying case included

Part Number	Description	Packaging
73864	Magnetic Tow Light Kit (Plastic Carrying Case)	Bulk

NOTE: Tail Lights, Clearance/Side Marker Lights and ID Light Bars approved for trailer accessory and towing application use. Contact your Horizon Global Representative for details.

† = Available While Supplies Last.

2423283



2423284



2823285



COMBINATION UNDER 80-IN TAIL LIGHTS #80 SERIES

- Universal 2-in on center stud mounting
- Screw-on main and side marker lens allow for easy bulb replacement
- This tail light is designed for a variety of under 80" light-duty trailers
- Wiring uses the quick connect and disconnect feature
- These tail lights meet FMVSS/CMVSS 108 requirements
- 4-3/4-in x 4-1/2-in x 2-9/16-in
- Complete kit with two tail lights, two amber clearance/side marker lights with reflex lens, 20-ft or 25-ft trailer wiring harness cable with molded 4-Way flat prong plug, 4-ft car wiring harness cable with molded 4-Flat prong plug plus license plate bracket

Part Number	Description	Packaging
2423283	7-Function, Left/Roadside	Bargman/Wesbar Bulk
2823283	7-Function, Left/Roadside	Wesbar Packaging
2423284	6-Function, Right/Curbside	Bargman/Wesbar Bulk
2823284	6-Function, Right/Curbside	Wesbar Packaging
31-2823285	Trailer Light Kit w/25' Wire Harness, w/ Rectangular Clearance/Side Marker Lights	Bargman Clam
2823285	Trailer Light Kit w/25' Wire Harness, w/ Rectangular Clearance/Side Marker Lights	Wesbar Packaging
407500	Trailer Light Kit w/20' Wire Harness, w/o Clearance/Side Marker Lights	Wesbar Packaging
Replacement Parts		
108891	Bulb #193	Bargman/Wesbar Bulk
30-90-157	Bulb #1157, Double Filament	Bargman/Wesbar Bulk
2423286	Lens, Tail Light	Bargman/Wesbar Bulk
2423287	Lens, Red, Clearance/Side Marker	Bargman/Wesbar Bulk
003201	License Plate Bracket	Bargman/Wesbar Bulk
003211	License Plate Bracket	Wesbar Packaging
54504-001	Protective Tail Light Bracket	Wesbar Packaging
54504-003†	Protective Tail Light Bracket - Pair	Wesbar Packaging
002301	4' Wiring Harness w/4-Way Flat Car End	Bargman/Wesbar Bulk
707275	4' Wiring Harness w/4-Way Flat Car End	Wesbar Packaging
002220	20' Wiring Harness w/4-Way Flat Trailer End	Bargman/Wesbar Bulk

NOTE: Tail Lights, Clearance/Side Marker Lights and ID Light Bars approved for trailer accessory and towing application use. Contact your Horizon Global Representative for details.

† = Available While Supplies Last.





WATERPROOF / SEALED RECESSED TAIL LIGHTS #01 SERIES

Hermetically sealed lens prevents corrosion contributed by salt and rain

- Structurally immune to extreme heat and cold
- Lenses meet FMVSS/CMVSS 108 requirements
- Rubber grommet and three wire pigtail can be purchased separately or as a kit
- 4-1/4-in dia. x 2-1/16-in depth;
Cutout: 1) 4-9/16-in +/- 1/32-in w/grommet when using steel 16 ga. or thicker, 2) 4-1/2-in +/- 1/32-in w/grommet when using fiberglass or 18 ga. or thinner steel

44-01-031



44-01-020



40-01-003



2423058



2423008



54001



SUBMERSIBLE OVER 80-IN TAIL LIGHTS

- These lights are ideal for boat and PWC trailers over 80-in wide
- Fully gasketed, screw on main and side marker lenses allow for easy bulb replacement
- Universal 2-in on-center stud mount
- These lights meet FMVSS/CMVSS 108 requirements for trailers over 80-in wide when properly mounted
- Prewired for easy installation
- 6.29-in x 4.66-in x 3.76-in overall height

Part Number	Description	Packaging
44-01-031	Red Stop/Tail/Turn Light w/Grommet w/Standard Pigtail	Bargman Bagged
Replacement Parts		
40-01-001	Red Stop/Tail/Turn Light	Bargman/Wesbar Bulk
44-01-001†	Red Stop/Tail/Turn Light	Bargman Bagged
40-01-003	Clear Backup Light	Bargman/Wesbar Bulk
40-00-003	3 Wire Pigtail w/12" Wire Lead	Bargman/Wesbar Bulk
44-00-003†	3 Wire Pigtail w/12" Wire Lead	Bargman Bagged
40-00-004	3 Wire 90° Pigtail w/12" Wire Lead	Bargman/Wesbar Bulk
719063	3 Wire 90° Pigtail w/12" Wire Lead	Wesbar Packaging
40-01-020	4" Round Grommet	Bargman/Wesbar Bulk
44-01-020†	4" Round Grommet	Bargman Bagged

Part Number	Description	Packaging
2423058	7-Function, Right/Curbside	Bargman/Wesbar Bulk
2523074	7-Function, Right/Curbside	Wesbar Packaging
2423008	8-Function, Left/Roadside	Bargman/Wesbar Bulk
2523024	8-Function, Left/Roadside	Wesbar Packaging
2423500 NEW	Trailer Light Kit w/25' Wire Harness	Wesbar Packaging
Replacement Parts		
108891	Bulb #193	Bargman/Wesbar Bulk
30-90-157	Bulb #2057, Double Filament	Bargman/Wesbar Bulk
2423286	Lens Red, Tail Light	Bargman/Wesbar Bulk
54001	Lens Red, Tail Light w/Screws (Bagged)	Bargman/Wesbar Bulk
2423287	Lens Red, Clearance/Side Marker	Bargman/Wesbar Bulk
54003	Lens Red, Clearance/Side Marker w/ Screws (Bagged)	Bargman/Wesbar Bulk

NOTE: Tail Lights, Clearance/Side Marker Lights and ID Light Bars approved for trailer accessory and towing application use. Contact your Horizon Global Representative for details.

† = Available While Supplies Last.



WATERPROOF OVER 80-IN 3X8 LOW PROFILE TAIL LIGHTS

- Featuring a reliable waterproof design, these lights have a bulb replaceable capsule that protects the bulbs from corrosion and thermal shock but still allows for easy access for bulb replacement
- These lights meet FMVSS/CMVSS 108 requirements for trailers over 80-in wide when properly mounted
- 8.03-in x 2.94-in x 2.83-in
- The kit comes complete with two tail lights, two sealed amber surface mount clearance/side marker lights with reflex lens, 25-ft trailer wiring harness cable with molded four prong plug, 4-ft four wire car wiring harness cable with molded 4-Flat plug plus license plate bracket

006554



006504



007509



Part Number	Description	Packaging
006554	7-Function, Right/Curbside, Two Supply Wires and Ring Terminal Ground	Bargman/Wesbar Bulk
403076	7-Function, Right/Curbside, Two Supply Wires and Ring Terminal Ground	Wesbar Packaging
006504	8-Function, Left/Roadside, Two Supply Wires and Ring Terminal Ground	Bargman/Wesbar Bulk
403026	8-Function, Left/Roadside, Two Supply Wires and Ring Terminal Ground	Wesbar Packaging
106411	7-Function, Right/Curbside, Trailer Ground Connection w/ Molded 2-Way Plug and Ring Terminal Ground	Bargman/Wesbar Bulk
106410	8-Function, Left/Roadside, Trailer Ground Connection w/ Molded 2-Way Plug and Ring Terminal Ground	Bargman/Wesbar Bulk
007539	Trailer Light Kit w/25' Wire Harness	Bargman/Wesbar Bulk
007509	Trailer Light Kit w/25' Wire Harness	Wesbar Packaging
Replacement Parts		
403356*	Bulb Capsule	Wesbar Packaging
108891	Bulb #193	Bargman/Wesbar Bulk
30-84-057	Bulb #2057, Double Filament	Bargman/Wesbar Bulk
102641†	Lens Red, Tail Light	Bargman/Wesbar Bulk
102639†	Lens Red, Clearance/Side Marker	Bargman/Wesbar Bulk
90-03-336	Lens Set Red, (2) Tail Light and (2) Clearance/Side Marker w/Screws	Bargman Bagged
403336	Lens Set Red, (2) Tail Light and (2) Clearance/Side Marker w/Screws	Wesbar Packaging
003101	Clearance Light Amber w/Black Stud Mount Base	Bargman/Wesbar Bulk
203111	Clearance Light Amber w/Black Stud Mount Base	Wesbar Packaging
003201	License Plate Bracket	Bargman/Wesbar Bulk
003211	License Plate Bracket	Wesbar Packaging
002301	4' Wiring Harness w/4-Way Flat Car End	Bargman/Wesbar Bulk
707275	4' Wiring Harness w/4-Way Flat Car End	Wesbar Packaging
108825	25' Wiring Harness w/4-Way Flat Trailer End	Bargman/Wesbar Bulk
707261	25' Wiring Harness w/4-Way Flat Trailer End	Wesbar Packaging



Wet Location Lighting Products

NOTE: Tail Lights, Clearance/Side Marker Lights and ID Light Bars approved for trailer accessory and towing application use. Contact your Horizon Global Representative for details.

† = Available While Supplies Last.

This product is only applicable for Wesbar lamps produced prior to 2010



WATERPROOF / SEALED RECESSED TAIL LIGHTS #06 SERIES

- Oval design allows for installation in narrower channels
- Hermetically sealed lens prevents corrosion contributed by salt and rain
- Structurally immune to extreme heat and cold. Lenses meet FMVSS/CMVSS 108 requirements
- Rubber grommet and three wire pigtail can be purchased separately or as a kit
- Mounting bracket of 11 ga. steel available separately
- 6-1/2-in x 2-1/4-in x 2-3/8-in depth, Cutout: 6-3/4-in x 2-1/2-in

413560



44-06-041



44-06-032



Part Number	Description	Packaging
413560	Red Stop/Tail/Turn Light w/Grommet w/Standard Pigtail	Bargman/Wesbar Bulk
44-06-031	Red Stop/Tail/Turn Light w/Grommet w/Standard Pigtail	Bargman Bagged
403080	Red Stop/Tail/Turn Light w/Grommet w/Standard Pigtail	Wesbar Packaging
44-06-032†	Amber Turn Light w/Grommet w/Standard Pigtail	Bargman Bagged
44-06-042†	Amber Turn Light w/Grommet w/90° Pigtail	Bargman Bagged
Replacement Parts		
40-06-001	Red Stop/Tail/Turn Light	Bargman/Wesbar Bulk
44-06-001	Red Stop/Tail/Turn Light	Bargman Bagged
403085	Red Stop/Tail/Turn Light	Wesbar Packaging
40-06-002	Amber Turn Light	Bargman/Wesbar Bulk
44-06-002†	Amber Turn Light	Bargman Bagged
40-00-003	3 Wire Pigtail w/12" Wire Lead	Bargman/Wesbar Bulk
44-00-003†	3 Wire Pigtail w/12" Wire Lead	Bargman Bagged
40-00-004	3 Wire 90° Pigtail w/12" Wire Lead	Bargman/Wesbar Bulk
719063	3 Wire 90° Pigtail w/12" Wire Lead	Wesbar Packaging
40-06-020	6" Oval Grommet	Bargman/Wesbar Bulk
44-06-020†	6" Oval Grommet	Bargman Bagged
416088	6" Oval Grommet	Wesbar Packaging
108119	6" Oval Mounting Bracket	Bargman/Wesbar Bulk
34-108119†	6" Oval Mounting Bracket	Bargman Bagged
106873	6" Oval Mounting Bracket	Wesbar Packaging
401591	6" Oval Grommet and 3 Wire 90° Pigtail	Wesbar Packaging



Wet Location Lighting Products

NOTE: Tail Lights, Clearance/Side Marker Lights and ID Light Bars approved for trailer accessory and towing application use. Contact your Horizon Global Representative for details.

† = Available While Supplies Last.

2423056



2423006



2527511



40-37-020



106293



221588



SUBMERSIBLE UNDER 80-IN TAIL LIGHTS

- These lights are ideal for boat and PWC trailers less than 80-in wide
- Fully gasketed, screw on main and side marker lens allow for easy bulb replacement
- Universal 2-in on-center stud mount
- 5.25-in x 4.66-in x 3.76-in overall height
- The kit comes complete with two tail lights, two sealed amber surface mount clearance/side marker lights with reflex lens, 25-ft trailer wiring harness cable with molded four prong plug, 4-ft four wire car wiring harness cable with molded 4-way plug plus license plate bracket

Part Number	Description	Packaging
2423056	6-Function, Right/Curbside	Bargman/Wesbar Bulk
2523073	6-Function, Right/Curbside	Wesbar Packaging
2423006	7-Function, Left/Roadside	Bargman/Wesbar Bulk
2523023	7-Function, Left/Roadside	Wesbar Packaging
2527511	Trailer Light Kit w/25' Wire Harness	Wesbar Packaging
Replacement Parts		
108891	Bulb #193	Bargman/Wesbar Bulk
30-90-157	Bulb #2057, Double Filament	Bargman/Wesbar Bulk
2423286	Lens Red, Tail Light	Bargman/Wesbar Bulk
54001	Lens Red, Tail Light w/Screws (Bagged)	Bargman/Wesbar Bulk
2423287	Lens Red, Clearance/Side Marker	Bargman/Wesbar Bulk
54002	Lens Red, Clearance/Side Marker w/Screws (Bagged)	Bargman/Wesbar Bulk



WATERPROOF LAUNCH LIGHTS

- Designed to illuminate the back or side of trailers, these lights help to launch and load under low light conditions (requires five-wire trailer harness)
- Lights are powerful, yet small enough to fit in tight areas and can be either grommet or snap-lock base-mounted
- Lens and base are constructed of extra-tough polycarbonate to resist damage

Part Number	Description	Packaging
Replacement Parts		
40-37-020	Black 2" Snap-Lock Base, Self Grounding w/ Single Black Wire	Bargman/Wesbar Bulk
44-37-020†	Black 2" Snap-Lock Base, Self Grounding w/ Single Black Wire	Bargman/Wesbar Bulk
106289	Black 2" Snap-Lock Base, Self Grounding	Bargman/Wesbar Bulk
108297	Black 2" Snap-Lock Base, Open Back	Wesbar Packaging
106293	Chrome 2" Snap-Lock Base, Self-Grounding	Bargman/Wesbar Bulk
34-106293†	Chrome 2" Snap-Lock Base, Self-Grounding	Bargman Bagged
221588	Grommet, Rectangular	Bargman/Wesbar Bulk
40-00-002	2 Wire Pigtail w/6" Wire Lead	Wesbar Packaging
44-00-002	2 Wire Pigtail w/6" Wire Lead	Bargman/Wesbar Bulk
108663	2 Wire Pigtail w/18" Wire Lead	Wesbar Packaging
34-108663	2 Wire Pigtail w/18" Wire Lead	Bargman/Wesbar Bulk

NOTE: Tail Lights, Clearance/Side Marker Lights and ID Light Bars approved for trailer accessory and towing application use. Contact your Horizon Global Representative for details.

† = Available While Supplies Last.



Wet Location Lighting Products

423075



SUBMERSIBLE OVER 80-IN 4X6 LOW PROFILE TAIL LIGHTS

- Unique, compact size and shape allows these lights to fit where space is limited
- The lens is sonically-sealed to the base providing a "bell jar," making this lamp fully submersible with easily replaceable bulbs
- These lights meet FMVSS/CMVSS 108 requirements for trailers over 80-in wide when properly mounted
- Pre-wired with 2-way molded plugs and ring terminal ground for easy installation
- 6-in x 3-1/2-in x 2-1/4-in
- The kit comes complete with two tail lights, two amber clearance/side marker lights with reflex lens, 20-ft trailer wiring harness cable with molded four prong plug, 4-ft four wire car wiring harness cable with molded 4-Flat plug plus license plate bracket

423025



417515



Part Number	Description	Packaging
423075	6-Function, Right/Curbside	Bargman/Wesbar Bulk
403075	6-Function, Right/Curbside	Wesbar Packaging
423025	7-Function, Left/Roadside	Bargman/Wesbar Bulk
403025	7-Function, Left/Roadside	Wesbar Packaging
417515	Trailer Light Kit w/20' Wire Harness	Bargman/Wesbar Bulk
407515	Trailer Light Kit w/20' Wire Harness	Wesbar Packaging
Replacement Parts		
108891	Bulb #193	Bargman/Wesbar Bulk
30-90-157	Bulb #1157, Double Filament	Bargman/Wesbar Bulk
223117	Clearance/Side Marker, Amber, Stud Mount w/Reflex	Bargman/Wesbar Bulk
203117	Clearance/Side Marker, Amber, Stud Mount w/Reflex	Wesbar Packaging
003328	Lens Amber, Clearance/Side Marker	Bargman/Wesbar Bulk
90-03-328	Lens Amber, Clearance/Side Marker w/Screw	Bargman Bagged
003338	Lens Amber, Clearance/Side Marker w/Screw	Wesbar Packaging
003201	License Plate Bracket	Bargman/Wesbar Bulk
003211	License Plate Bracket	Wesbar Packaging
002301	4' Wiring Harness w/4-Flat Car End	Bargman/Wesbar Bulk
707275	4' Wiring Harness w/4-Flat Car End	Wesbar Packaging
002220	20' Wiring Harness w/4-Flat Car End	Bargman/Wesbar Bulk

003232



WATERPROOF COURTESY LIGHTS

- Sealed lights with #193 bulbs are ideal for a variety of interior and exterior applications
- Lens and base are constructed of extra-tough polycarbonate to resist damage
- 2.15-in x 1.125-in x 1.035-in w/.7-in depth

Part Number	Description	Packaging
003232	Courtesy Light w/Self-Grounding Stud Mount, Single Wire w/Molded Barrel	Bargman/Wesbar Bulk

NOTE: Tail Lights, Clearance/Side Marker Lights and ID Light Bars approved for trailer accessory and towing application use. Contact your Horizon Global Representative for details.

† = Available While Supplies Last.



Wet Location Lighting Products



54209-001



54209-002



54209-025



54209-017



54209-018



54201-006



54201-007



54201-008

LED WORK LIGHTS

- LED work lights perfect for exterior use in AG, horse, livestock, RV, industrial and racing applications
- Environmentally sealed design with aluminum housing and stainless steel mounting stud
- High power, true white 9-36V, 10W light emission
- Rectangular version with 10 LED diodes, circular model has 8 LED diodes
- Circular: 4.5-in dia. x 1.5-in depth
- Rectangular: 4-in x 4-in x 1.5-in depth

Part Number	Description	Packaging
54209-001	Circular LED Light, 8 Diodes	Bargman/Wesbar Bulk
54209-002	Rectangular LED Light, 10 Diodes	Bargman/Wesbar Bulk
54209-025	Rectangular LED Light, 10 Diodes w/Molded 2-Way Plug	Bargman/Wesbar Bulk

LED WORK LIGHTS WITH COILED CORD AND MAGNETIC BASE

- LED work lights perfect for exterior use in AG, horse, livestock, RV, industrial and racing applications
- Environmentally sealed design with 19-ft extended coiled cord
- Magnetic base, with protective film, secures in high vibration conditions in a vertical or horizontal position
- Power adapter for 12V outlet with separate on/off switch
- High power, true white 9-36V, 10W light emission
- Rectangular version with 10 LED diodes, circular model has 8 LED diodes
- Circular: 4.5-in dia. x 1.875-in depth
- Rectangular: 4-in x 4-in x 1.75-in depth

Part Number	Description	Packaging
54209-017	Circular LED Light, w/Cord, Magnetic Base, 8 Diodes	Wesbar Packaging
54209-018	Rectangular LED Light, w/Cord, Magnetic Base, 10 Diodes	Wesbar Packaging

WATERPROOF LED HI INTENSITY MICRO CLEARANCE / SIDE MARKER LIGHTS

- Waterproof Hi Intensity LED clear, red and amber micro clearance/side marker light
- The red and amber lights are FMVSS-108 PC rated
- The clear style is ideal for auxiliary and decorative lighting
- Self contained grommet and pre-wired with sealed 12-in wire pigtail
- .75-in light dia. x .5-in height, 1-in dia. w/grommet
- Note: Recommended hole size is .75-in and the recommended material thickness is between .0625-in and .125-in

Part Number	Description	Packaging
54201-006	Hi Intensity Micro Clearance Light LED Amber	Bargman/Wesbar Bulk
54201-003	Hi Intensity Micro Clearance Light LED Amber	Bargman Bagged
54201-007	Hi Intensity Micro Clearance Light LED Red	Bargman/Wesbar Bulk
54201-004	Hi Intensity Micro Clearance Light LED Red	Bargman Bagged
54201-008	Hi Intensity Micro Light LED Clear	Bargman/Wesbar Bulk
54201-005	Hi Intensity Micro Light LED Clear	Bargman Bagged

NOTE: Tail Lights, Clearance/Side Marker Lights and ID Light Bars approved for trailer accessory and towing application use. Contact your Horizon Global Representative for details.

t = Available While Supplies Last.



Wet Location Lighting Products

54005



273560



401591



47-222012



47-222014



47-222015



WATERPROOF LED 6-IN OVAL GROMMET MOUNT COURTESY LIGHT

Waterproof 10 diode courtesy/utility light. Horizontal and vertical mount applications

- LED provides longer life, brighter more focused illumination and less current draw than incandescent lamps
- Grommet and 3 prong wiring pigtail available separately
- 6.42-in x 2.25-in x 1.00 w/.77-in depth

Part Number	Description	Packaging
54005	LED Oval Courtesy Light Clear w/ Grommet w/3 Wire 90° Pigtail	Bargman/Wesbar Bulk
273560	LED Oval Courtesy Light Clear	Wesbar Packaging
Accessory Parts		
40-00-003	3 Wire Pigtail w/12" Wire Lead	Bargman/Wesbar Bulk
44-00-003†	3 Wire Pigtail w/12" Wire Lead	Bargman Bagged
40-00-004	3 Wire 90° Pigtail w/12" Wire Lead	Bargman/Wesbar Bulk
719063	3 Wire 90° Pigtail w/12" Wire Lead	Wesbar Packaging
40-06-020	6" Oval Grommet	Bargman/Wesbar Bulk
44-06-020†	6" Oval Grommet	Bargman Bagged
416088	6" Oval Grommet	Wesbar Packaging
108119	6" Oval Mounting Bracket	Bargman/Wesbar Bulk
34-108119†	6" Oval Mounting Bracket	Bargman Bagged
106873	6" Oval Mounting Bracket	Wesbar Packaging
401591	6" Oval Grommet & 3 Wire 90° Pigtail	Wesbar Packaging



WATERPROOF LED CLEARANCE / SIDE MARKER LIGHTS WITH REFLEX LENS

- Waterproof LED clearance/side marker "tongue" lights, excellent for boat trailer tongue lighting
- Snap-on lens with black or white bases
- Two wire construction with either notched wires or molded single bullet and barrel
- Tested to FMVSS/CMVSS 108 requirements, P2 rated, 2.62-in x 1.83-in x .83-in

Part Number	Description	Packaging
47-222012	Clearance Light LED Amber w/ Reflex w/Black Base - BULLET SUPPLY, BARREL GROUND	Bargman/Wesbar Bulk
47-222014	Clearance Light 1 Diode LED Red w/ Reflex w/White Base - NOTCHED SUPPLY & GROUND WIRES	Bargman/Wesbar Bulk
47-222015	Clearance Light 1 Diode LED Amber w/ Reflex w/White Base - NOTCHED SUPPLY & GROUND WIRES	Bargman/Wesbar Bulk
47-222017 NEW	Clearance Light LED Amber w/ Reflex w/Black Base - NOTCHED SUPPLY & GROUND WIRES	Wesbar Packaging
Replacement Parts		
222012*	Lens Amber	Bargman/Wesbar Bulk

NOTE: Tail Lights, Clearance/Side Marker Lights and ID Light Bars approved for trailer accessory and towing application use. Contact your Horizon Global Representative for details.

† = Available While Supplies Last.

*Note: Replacement lens will increase the dimension of existing unit by 1/4".

47-106853



47-106854



47-107047



47-107043



47-106852



47-203667



WATERPROOF LED CLEARANCE / SIDE MARKER LIGHTS

- FMVSS/CMVSS 108 compliant waterproof LED clearance/ side marker lights with 2 diodes
- One piece design with thru-lens mounting holes
- 18-in two wire construction, P2/P3 rated
- 2.6-in x 1.1-in x .75-in height (mounting: (2) .25-in dia. hole - 1.9-in centers)

Part Number	Description	Packaging
47-106853	Clearance Light LED Amber	Bargman/Wesbar Bulk
54201-001	Clearance Light LED Amber w/ Chrome Bezel	Bargman Bagged
47-106854	Clearance Light LED Clear Lens w/ Amber Diodes	Bargman/Wesbar Bulk
47-107047	Clearance Light LED Red	Bargman/Wesbar Bulk
54201-002	Clearance Light LED Red w/ Chrome Bezel	Bargman Bagged
47-107048	Clearance Light LED Clear Lens w/Red Diodes	Bargman/Wesbar Bulk
Accessories and Replacement Parts		
47-106020	Chrome Bezel (3.23" x 1.73" x .47" height)	Bargman/Wesbar Bulk



WATERPROOF LED CLEARANCE / SIDE MARKER LIGHTS

- One piece waterproof LED clearance/side marker lights designed for grommet mounting
- Two wire pigtail features 6-in or 18-in wire leads with supply wire and ring terminal ground
- Pigtail and grommet available separately
- P2 rated
- 2.61-in x 1.22-in x .79-in

Part Number	Description	Packaging
47-203667	Clearance Light Module LED Amber	Bargman/Wesbar Bulk
47-203668	Clearance Light Module LED Red	Bargman/Wesbar Bulk
Accessory Parts		
221588	Grommet, Rectangular	Bargman/Wesbar Bulk
40-00-002	2 Wire Pigtail w/6" Wire Lead	Bargman/Wesbar Bulk
44-00-002	2 Wire Pigtail w/6" Wire Lead	Bargman Bagged
108663	2 Wire Pigtail w/18" Wire Lead	Bargman/Wesbar Bulk
34-108663	2 Wire Pigtail w/18" Wire Lead	Bargman Bagged



Wet Location Lighting Products

NOTE: Tail Lights, Clearance/Side Marker Lights and ID Light Bars approved for trailer accessory and towing application use. Contact your Horizon Global Representative for details.

† = Available While Supplies Last.



WATERPROOF LED CLEARANCE / SIDE MARKER LIGHTS #37 SERIES

- Waterproof LED clearance/side marker light designed for easy installation
- Snap lock base mount
- Tested and certified to FMVSS/CMVSS 108 side marker/clearance light requirements
- P2 rated
- Module Only: 2.60-in x 1.20-in x 1.03-in overall height
- Module w/Base: 2-7/8-in x 1-1/2-in x 1-in

47-37-031



47-37-032



47-37-005



Part Number	Description	Packaging
47-37-031	Clearance Light LED #37 Red w/ Black Base	Bargman Bagged
401581	Clearance Light LED #37 Red w/ Black Base	Wesbar Packaging
47-37-032	Clearance Light LED #37 Amber w/ Black Base	Bargman Bagged
401580	Clearance Light LED #37 Amber w/ Black Base	Wesbar Packaging
47-37-005	Clearance Light Module LED #37 Red, PC Rated When Properly Mounted	Bargman/Wesbar Bulk
47-37-006	Clearance Light Module LED #37 Amber, PC Rated When Properly Mounted	Bargman/Wesbar Bulk
Accessories and Replacement Parts		
47-37-001	Clearance Light Module LED #37 Red	Bargman/Wesbar Bulk
42-37-401	Clearance Light Module LED #37 Red	Bargman Clam
47-37-401	Clearance Light Module LED #37 Red	Bargman Bagged
47-37-002	Clearance Light Module LED #37 Amber	Bargman/Wesbar Bulk
42-37-402	Clearance Light Module LED #37 Amber	Bargman Clam
47-37-402	Clearance Light Module LED #37 Amber	Bargman Bagged
40-37-020	Black 2" Snap-Lock Base, Self-Grounding w/Single Black Wire	Bargman/Wesbar Bulk
44-37-020†	Black 2" Snap-Lock Base, Self-Grounding w/Single Black Wire	Bargman Bagged
106289	Black 2" Snap-Lock Base, Self-Grounding	Bargman/Wesbar Bulk
108297	Black 2" Snap-Lock Base, Open Back	Bargman/Wesbar Bulk
106293	Chrome 2" Snap-Lock Base, Self-Grounding	Bargman/Wesbar Bulk
34-106293†	Chrome 2" Snap-Lock Base, Self-Grounding	Bargman Bagged
106294	Chrome 2" Snap-Lock Base, Open Back	Bargman/Wesbar Bulk
221588	Grommet Rectangular	Bargman/Wesbar Bulk
40-00-002	2 Wire Pigtail w/6" Wire Lead	Bargman/Wesbar Bulk
44-00-002	2 Wire Pigtail w/6" Wire Lead	Bargman Bagged
108663	2 Wire Pigtail w/18" Wire Lead	Bargman/Wesbar Bulk
34-108663	2 Wire Pigtail w/18" Wire Lead	Bargman Bagged



Wet Location Lighting Products

NOTE: Tail Lights, Clearance/Side Marker Lights and ID Light Bars approved for trailer accessory and towing application use. Contact your Horizon Global Representative for details.

† = Available While Supplies Last.



WATERPROOF LED CLEARANCE / SIDE MARKER LIGHTS

- One piece design with thru-lens mounting holes
- Single stud on base, 1/4-in hole required, provides self-ground
- Features wire harness with either one or two wire configurations that includes notched wires or molded single bullets and/or barrels
- P2/P3 rated
- 2.64-in x 1.14-in x .97-in w/.43-in depth (mounting: (2) .25 dia. hole - 1.9-in centers)

Part Number	Description	Packaging
47-106851	Clearance Light LED Amber w/Self-Ground Stud, 12" Brown Wire	Bargman/Wesbar Bulk
42-99-402	Clearance Light LED Amber w/Self-Ground Stud, 12" Brown Wire	Bargman Clam
47-99-402	Clearance Light LED Amber w/Self-Ground Stud, 12" Brown Wire	Bargman Bagged
47-107043	Clearance Light LED Red w/Self-Ground Stud, 12" Brown Wire	Bargman/Wesbar Bulk
42-99-401	Clearance Light LED Red w/Self-Ground Stud, 12" Brown Wire	Bargman Clam
47-99-401	Clearance Light LED Red w/Self-Ground Stud, 12" Brown Wire	Bargman Bagged
47-106852	Clearance Light LED Amber w/Self-Ground Stud, 162" Brown Bullet Pigtail	Bargman/Wesbar Bulk
47-106857	Clearance Light LED Amber w/Self-Ground Stud, 162" Brown Bullet/White Barrel Pigtail	Bargman/Wesbar Bulk
47-107044	Clearance Light LED Red w/Self-Ground Stud, 96" Brown Bullet/Brown Barrel Pigtail	Bargman/Wesbar Bulk
47-107046	Clearance Light LED Red w/Self-Ground Stud, 96" Brown Bullet & Barrel/White Bullet & Barrel Pigtail	Bargman/Wesbar Bulk

47-99-005



47-99-005



47-99-006



WATERPROOF LED CLEARANCE / SIDE MARKER LIGHTS #99 SERIES

- Waterproof mini LED clearance/side marker light with single wire, 12-in minimum. Self-grounding stud mounting with 1/4-in required hole
- Includes type 302 stainless steel hardware
- Meets FMVSS/CMVSS 108 requirements
- PC rated when properly mounted
- 2.16-in x 1.16-in x 1.03-in w/.72-in depth

Part Number	Description	Packaging
47-99-005	Clearance Light LED #99 Red	Bargman/Wesbar Bulk
401566	Clearance Light LED #99 Red	Wesbar Packaging
47-99-006	Clearance Light LED #99 Amber	Bargman/Wesbar Bulk
401565	Clearance Light LED #99 Amber	Wesbar Packaging

NOTE: Tail Lights, Clearance/Side Marker Lights and ID Light Bars approved for trailer accessory and towing application use. Contact your Horizon Global Representative for details.

t = Available While Supplies Last.



Wet Location Lighting Products

47-59-001



47-59-002



47-59-010



47-58-031



47-58-032



40-00-005



LED CLEARANCE / SIDE MARKER LIGHTS #59 SERIES WITH REFLEX LENS

- Rugged ABS base with LED light engine assembled directly into reflectorized acrylic lens
- LED light engine consists of 2 LED lights that are mounted into a circuit board that is then potted and sealed to protect against water and other elements
- 4-in x 2-in x 1-1/32-in w/5/8-in depth

Part Number	Description	Packaging
47-59-001	Clearance Light LED #59 Red w/ White Base w/Pigtail	Bargman/Wesbar Bulk
42-59-401	Clearance Light LED #59 Red w/ White Base w/Pigtail	Bargman Clam
47-59-401	Clearance Light LED #59 Red w/ White Base w/Pigtail	Bargman Bagged
47-59-002	Clearance Light LED #59 Amber w/ White Base w/Pigtail	Bargman/Wesbar Bulk
42-59-402	Clearance Light LED #59 Amber w/ White Base w/Pigtail	Bargman Clam
47-59-402	Clearance Light LED #59 Amber w/ White Base w/Pigtail	Bargman/Wesbar Bulk
Replacement Parts		
47-59-010	Lens Module LED #59 Red	Bargman/Wesbar Bulk
42-59-410	Lens Module LED #59 Red	Bargman Clam
47-59-410	Lens Module LED #59 Red	Bargman Bagged
47-59-012	Lens Module LED #59 Amber	Bargman/Wesbar Bulk
42-59-412	Lens Module LED #59 Amber	Bargman Clam
47-59-412	Lens Module LED #59 Amber	Bargman/Wesbar Bulk

LED CLEARANCE / SIDE MARKER LIGHT KITS # 58 SERIES

- LED oblong clearance/side marker light with snap lock base mount
- 4-in x 2-in x 1-in

Part Number	Description	Packaging
47-58-031	Clearance Light LED #58 Red w/ Pigtail, w/ White Base	Bargman Bagged
47-58-032	Clearance Light LED #58 Amber w/ Pigtail, w/ White Base	Bargman Bagged
47-58-001	Clearance Light LED #58 Red w/ White Base	Bargman/Wesbar Bulk
401586	Clearance Light LED #58 Red w/ White Base	Wesbar Packaging
47-58-002	Clearance Light LED #58 Amber w/ White Base	Bargman/Wesbar Bulk
401585	Clearance Light LED #58 Amber w/ White Base	Wesbar Packaging
Replacement Part		
40-00-005	Pigtail	Bargman/Wesbar Bulk

NOTE: Tail Lights, Clearance/Side Marker Lights and ID Light Bars approved for trailer accessory and towing application use. Contact your Horizon Global Representative for details.

† = Available While Supplies Last.

42-38-033



42-38-034



47-38-004



54201-015



54201-017



LED CLEARANCE / SIDE MARKER LIGHTS #38 SERIES

LED clearance/side marker light designed for easy installation

- Snap lock base mount
- Fully tested and certified to FMVSS/CMVSS 108 side marker/clearance light requirements
- P2 rated
- Module Only: 3.93-in x 1.22-in x 1.02-in overall height
- Fender Mount Module Only: 3.95-in x 1.24-in x 1.038-in overall height

Part Number	Description	Packaging
42-38-033	Clearance Light LED #38 Red w/ Black Base w/Pigtail	Bargman Clam
47-38-033	Clearance Light LED #38 Red w/ Black Base w/Pigtail	Bargman Bagged
401583	Clearance Light LED #38 Red w/ Black Base w/Pigtail	Wesbar Packaging
42-38-034	Clearance Light LED #38 Amber w/ Black Base w/Pigtail	Bargman Clam
47-38-034	Clearance Light LED #38 Amber w/ Black Base w/Pigtail	Bargman Bagged
42-38-035†	Clearance Light LED #38 Red w/ Black Base, Self-Grounding	Bargman Clam
401582	Clearance Light LED #38 Amber w/ Black Base w/Pigtail	Wesbar Packaging
47-38-004	Clearance Light LED #38 Red/Amber	Bargman/Wesbar Bulk
Replacement Parts		
47-38-001	Clearance Light Module LED #38 Red	Bargman/Wesbar Bulk
47-38-401	Clearance Light Module LED #38 Red	Bargman Bagged
47-38-002	Clearance Light Module LED #38 Amber	Bargman/Wesbar Bulk
47-38-402	Clearance Light Module LED #38 Amber	Bargman Bagged
40-38-020	Black Base w/Wire Assembly, Self-Grounding w/Single Black Wire	Bargman/Wesbar Bulk
40-38-025	Black Base w/2 Wires	Bargman/Wesbar Bulk

LED CLEARANCE / SIDE MARKER LIGHTS 2-1/2-IN ROUND

Round clearance/side marker light with surface mount design

- Two wire construction simplifies grounding
- These lights meet FMVSS-108 and CMVSS-108 requirements for P2 and PC side marker clearance functions when properly mounted
- 2-3/4-in Round

Part Number	Description	Packaging
54201-015	LED Red Clearance Light with Mounting Flange	Bargman Bulk
54201-016	LED Red Clearance Light with Mounting Flange	Bargman Clam
54201-017	LED Amber Clearance Light with Mounting Flange	Bargman Bulk
54201-018	LED Amber Clearance Light with Mounting Flange	Bargman Clam

NOTE: Tail Lights, Clearance/Side Marker Lights and ID Light Bars approved for trailer accessory and towing application use. Contact your Horizon Global Representative for details.

† = Available While Supplies Last.

47-59-010



47-59-012



47-86-202



42-86-410



42-86-412



LED MODULE KITS CLEARANCE / SIDE MARKER LIGHTS #59 SERIES WITH REFLEX LENS

- #59 Series LED Upgrade Kits are designed to convert Bargman #59 Incandescent Clearance/Side Marker Lights to LED WITHOUT having to remove the base
- Simply remove the lens and the incandescent bulb and plug in the LED light engine (lens and LED lights)

Part Number	Description	Packaging
47-59-010	Upgrade Kit LED #59 Red	Bargman/Wesbar Bulk
42-59-410	Upgrade Kit LED #59 Red	Bargman Clam
47-59-410	Upgrade Kit LED #59 Red	Bargman Bagged
47-59-012	Upgrade Kit LED #59 Amber	Bargman/Wesbar Bulk
42-59-412	Upgrade Kit LED #59 Amber	Bargman Clam
47-59-412	Upgrade Kit LED #59 Amber	Bargman/Wesbar Bulk

LED WRAP-AROUND CLEARANCE / SIDE MARKER LIGHTS #86 SERIES

- This 90 degree LED wrap-around light meets lighting requirements for side markers and clearance lights and doubles as a Class "A" side-reflex reflector
- The light meets FMVSS/CMVSS 108 requirements
- 5-3/4-in x 4-3/8-in x 2-3/16-in

Part Number	Description	Packaging
47-86-202	LED Stop/Tail/Turn Light Lens Module Red w/Bulb Socket Plug	Bargman Clam
48-86-202	LED Stop/Tail/Turn Light Lens Module Red w/Bulb Socket Plug	Bargman Bagged

Replacement Parts

42-86-410	LED Wrap-Around Clearance Light Module Red	Bargman Clam
47-86-410†	LED Wrap-Around Clearance Light Module Red	Bargman Bagged
42-86-412	LED Wrap-Around Clearance Light Module Amber	Bargman Clam
47-86-412†	LED Wrap-Around Clearance Light Module Amber	Bargman Bagged
30-86-711	Lens #86 Red Wrap-Around	Bargman/Wesbar Bulk
34-86-711	Lens #86 Red Wrap-Around	Bargman Bagged
30-86-712	Lens #86 Amber Wrap-Around	Bargman/Wesbar Bulk
34-86-712	Lens #86 Amber Wrap-Around	Bargman Bagged
30-84-075	Marker Light Lens Screw	Bargman/Wesbar Bulk

NOTE: Tail Lights, Clearance/Side Marker Lights and ID Light Bars approved for trailer accessory and towing application use. Contact your Horizon Global Representative for details.

† = Available While Supplies Last.



WATERPROOF / SEALED CLEARANCE / SIDE MARKER LIGHTS #37 SERIES

- Compact rectangular light with the polycarbonate lens sonic welded to the base
- Offers easy installation with self grounding base on metallic surfaces
- Snap lock tabs on the lens housing secures light to base to complete the fast installation
- The light complies with FMVSS/CMVSS 108 requirements for combination clearance/marker light when mounted properly
- 2-1/2-in x 1-1/4-in

41-37-031



41-37-032



203295



Part Number	Description	Packaging
41-37-031	Clearance Lens #37 Red w/Black Base w/Wire	Bargman Clam
44-37-031	Clearance Lens #37 Red w/Black Base w/Wire	Bargman Bagged
203293	Clearance Lens #37 Red w/Black Base w/Wire	Wesbar Packaging
41-37-032	Clearance Lens #37 Amber w/Black Base w/Wire	Bargman Clam
44-37-032	Clearance Lens #37 Amber w/Black Base w/Wire	Bargman Bagged
203292	Clearance Lens #37 Amber w/Black Base w/Wire	Wesbar Packaging
203294	Clearance Lens #37 Amber w/Chrome Base w/Wire	Wesbar Packaging
203295	Clearance Lens #37 Red w/Chrome Base w/Wire	Wesbar Packaging
Replacement Parts		
40-37-001	Clearance Light Module #37 Red	Bargman/Wesbar Bulk
40-37-401†	Clearance Light Module #37 Red	Bargman Bagged
203396	Clearance Light Module #37 Red	Wesbar Packaging
40-37-002	Clearance Light Module #37 Amber	Bargman/Wesbar Bulk
203395	Clearance Light Module #37 Amber	Wesbar Packaging
40-37-020	Black 2" Snap-Lock Base, Self-Grounding w/Single Black Wire	Bargman/Wesbar Bulk
44-37-020†	Black 2" Snap-Lock Base, Self-Grounding w/Single Black Wire	Bargman Bagged
106289	Black 2" Snap-Lock Base Self-Grounding	Bargman/Wesbar Bulk
108297	Black 2" Snap-Lock Base Open Back	Bargman/Wesbar Bulk
106293	Chrome 2" Snap-Lock Base Self-Grounding w/Wire	Bargman/Wesbar Bulk
34-106293†	Chrome 2" Snap-Lock Base Self-Grounding w/Wire	Bargman Bagged
106294	Chrome 2" Snap-Lock Base Open Back	Bargman/Wesbar Bulk
221588	Grommet Rectangular	Bargman/Wesbar Bulk
106334	Single Plug for Snap-Lock Base	Bargman/Wesbar Bulk
40-00-002	2 Wire Pigtail w/6" Wire Lead	Bargman/Wesbar Bulk
44-00-002	2 Wire Pigtail w/6" Wire Lead	Bargman Bagged
108663	2 Wire Pigtail w/18" Wire Lead	Bargman/Wesbar Bulk
34-108663	2 Wire Pigtail w/18" Wire Lead	Bargman Bagged

NOTE: Tail Lights, Clearance/Side Marker Lights and ID Light Bars approved for trailer accessory and towing application use. Contact your Horizon Global Representative for details.

† = Available While Supplies Last.



Wet Location Lighting Products



WATERPROOF / SEALED CLEARANCE / SIDE MARKER LIGHTS #30 SERIES

- Clearance/side marker light with grommet designed for quick and easy installation
- Rugged ABS base that has the acrylic lens sonic welded to the base
- Flush mount rubber grommet and two wire pigtail can be purchased separately or as a kit
- 2-in dia. x 3/4-in, 2 3/4-in dia. w/grommet, Cutout: 2-5/16-in dia.

44-30-031



44-30-032



40-30-020



30-073833



30-073834



108891



Part Number	Description	Packaging
44-30-031	Clearance Light #30 Red w/Grommet w/6" Pigtail	Bargman Bagged
44-30-032†	Clearance Light #30 Amber w/Grommet w/6" Pigtail	Bargman Bagged
Replacement Parts		
40-30-001	Clearance Light Module #30 Red	Bargman/Wesbar Bulk
41-30-001	Clearance Light Module #30 Red	Bargman Clam
44-30-001	Clearance Light Module #30 Red	Bargman Bagged
203381	Clearance Light Module #30 Red	Wesbar Packaging
40-30-002	Clearance Light Module #30 Amber	Bargman/Wesbar Bulk
41-30-002	Clearance Light Module #30 Amber	Bargman Clam
44-30-002	Clearance Light Module #30 Amber	Bargman Bagged
203380	Clearance Light Module #30 Amber	Wesbar Packaging
40-00-002	2 Wire Pigtail w/6" Wire Lead	Bargman/Wesbar Bulk
44-00-002	2 Wire Pigtail w/6" Wire Lead	Bargman Bagged
108663	2 Wire Pigtail w/18" Wire Lead	Bargman/Wesbar Bulk
34-108663	2 Wire Pigtail w/18" Wire Lead	Bargman Bagged
40-30-020	2" Round Grommet	Bargman/Wesbar Bulk
44-30-020	2" Round Grommet	Bargman Bagged
401589	2" Round Grommet and 2 Wire Pigtail w/6" Wire Lead	Wesbar Packaging

CLEARANCE / SIDE MARKER LIGHTS 2-3/4-IN ROUND

- Round clearance/side marker light with surface mount design
- Two wire construction simplifies grounding
- These lights meet FMVSS-108 and CMVSS-108 requirements for P2 and PC side marker clearance functions when properly mounted
- 2-3/4-in Round

Part Number	Description	Packaging
30-073833	Clearance Light Red Round w/Two Wire Construction	Bargman/Wesbar Bulk
30-073834	Clearance Light Amber Round w/Two Wire Construction	Bargman/Wesbar Bulk
Replacement Parts		
108891	Bulb #193	Bargman/Wesbar Bulk

NOTE: Tail Lights, Clearance/Side Marker Lights and ID Light Bars approved for trailer accessory and towing application use. Contact your Horizon Global Representative for details.

† = Available While Supplies Last.



WATERPROOF / SEALED CLEARANCE / SIDE MARKER LIGHTS #38 SERIES

- Double bulb rectangular light with the polycarbonate lens sonic welded to the base
- This light offers easy installation with self grounding base on metallic surfaces
- Snap-lock tabs on the lens housing secures light to base to complete the fast installation
- The light complies with FMVSS/CMVSS 108 requirements for combination clearance/marker light when mounted properly
- P2 rated • 3-13/16-in x 1-1/4-in

41-38-031



41-38-032



40-38-004



003239



203234



203285



Part Number	Description	Packaging
41-38-031	Clearance Lens #38 Red w/Black Base w/Wire Assembly	Bargman Clam
44-38-031	Clearance Lens #38 Red w/Black Base w/Wire Assembly	Bargman Bagged
41-38-032	Clearance Lens #38 Amber w/Black Base w/Wire Assembly	Bargman Clam
44-38-032	Clearance Lens #38 Amber w/Black Base w/Wire Assembly	Bargman Bagged
40-38-004	Fender Mount Clearance Light Module #38 Red/Amber	Bargman/Wesbar Bulk
Accessory Parts		
40-40-120	Fender Mount Black Base for Two Lights	Bargman/Wesbar Bulk
Replacement Parts		
40-38-001	Clearance Light Module #38 Red	Bargman/Wesbar Bulk
40-38-002	Clearance Light Module #38 Amber	Bargman/Wesbar Bulk
40-38-020	Black Base w/Wire Assembly, Self-Grounding w/Single Black Wire	Bargman/Wesbar Bulk
40-38-025	Black Base w/2 Wires	Bargman/Wesbar Bulk

WATERPROOF CLEARANCE / SIDE MARKER LIGHTS

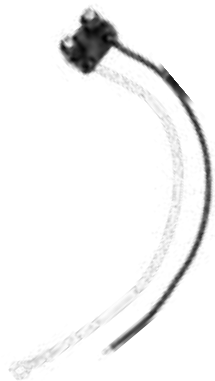
- Sonically-sealed waterproof clearance/side marker lights with break-resistant polycarbonate lens
- Available in either stud-mount or ear-mount styling
- Features a pre-installed 15-in pigtail
- Meets FMVSS/CMVSS 108 requirements for clearance/marker lights when properly mounted
- Stud: 2-1/8-in x 1-1/8-in x 1-1/16-in
- Ear: 3-5/16-in x 1-5/16-in x 1-in

Part Number	Description	Packaging
003273	Clearance Light Red w/White Ear-Mount Base	Bargman/Wesbar Bulk
203286	Clearance Light Red w/White Ear-Mount Base	Wesbar Packaging
003231	Clearance Light Red w/White Stud-Mount Base	Bargman/Wesbar Bulk
203234	Clearance Light Red w/White Stud-Mount Base	Wesbar Packaging
003239	Clearance Light Red w/Black Stud-Mount Base	Bargman/Wesbar Bulk
003272	Clearance Light Amber w/White Ear-Mount Base	Bargman/Wesbar Bulk
203285	Clearance Light Amber w/White Ear-Mount Base	Wesbar Packaging
003230	Clearance Light Amber w/White Stud-Mount Base	Bargman/Wesbar Bulk
203233	Clearance Light Amber w/White Stud-Mount Base	Wesbar Packaging
003238	Clearance Light Amber w/Black Stud-Mount Base	Bargman/Wesbar Bulk

NOTE: Tail Lights, Clearance/Side Marker Lights and ID Light Bars approved for trailer accessory and towing application use. Contact your Horizon Global Representative for details.

† = Available While Supplies Last.

40-00-002



WATERPROOF / SEALED CLEARANCE / SIDE MARKER LIGHTS #31 SERIES

- Clearance/side marker light with grommet designed for quick and easy installation
- Rugged ABS base that has the acrylic lens sonic welded to the base
- Flush mount rubber grommet and two wire pigtail can be purchased separately or as a kit
- 2-1/2-in dia. x 3/4-in, 3-1/4-in dia. w/grommet, Cutout: 2-25/32-in dia.

Part Number	Description	Packaging
Replacement Parts		
40-00-002	2 Wire Pigtail w/6" Wire Lead	Bargman/Wesbar Bulk
44-00-002	2 Wire Pigtail w/6" Wire Lead	Bargman Bagged
108663	2 Wire Pigtail w/18" Wire Lead	Bargman/Wesbar Bulk
34-108663	2 Wire Pigtail w/18" Wire Lead	Bargman Bagged
221088	2 1/2" Round Open Back Heavy Duty Grommet	Bargman/Wesbar Bulk

401589

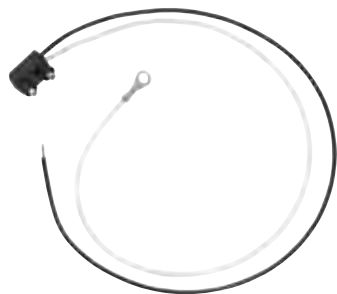


WATERPROOF / SEALED CLEARANCE / SIDE MARKER LIGHTS 2-1/2-IN ROUND WITH REFLEX LENS

- Clearance/side marker light with grommet designed for quick and easy installation
- Rugged ABS base that has the acrylic lens sonic welded to the base
- Flush mount rubber grommet and two wire pigtail can be purchased separately or as a kit
- 2-1/2-in dia. x 3/4-in, 3-1/4-in dia. w/grommet, Cutout: 2-25/32-in dia.

Part Number	Description	Packaging
Replacement Parts		
40-00-002	2 Wire Pigtail w/6" Wire Lead	Bargman/Wesbar Bulk
44-00-002	2 Wire Pigtail w/6" Wire Lead	Bargman Bagged
108663	2 Wire Pigtail w/18" Wire Lead	Bargman/Wesbar Bulk
34-108663	2 Wire Pigtail w/18" Wire Lead	Bargman Bagged
221088	2 1/2" Round Open Back Heavy Duty Grommet	Bargman/Wesbar Bulk

108663



NOTE: Tail Lights, Clearance/Side Marker Lights and ID Light Bars approved for trailer accessory and towing application use. Contact your Horizon Global Representative for details.

† = Available While Supplies Last.

30-58-001



30-58-002



30-58-007



30-17-814



30-17-815



30-58-702



NOTE: Tail Lights, Clearance/Side Marker Lights and ID Light Bars approved for trailer accessory and towing application use. Contact your Horizon Global Representative for details.

† = Available While Supplies Last.

CLEARANCE / SIDE MARKER LIGHTS #58 SERIES

- Clearance/side marker light has a rugged ABS base and acrylic snap-on lens
- The molded socket protects bulb from road shock and has two wires to eliminate surface ground
- The molded grommet extends through the skin to protect the wiring
- 4-in x 2-in x 1-1/32-in w/5/8-in depth

Part Number	Description	Packaging
30-58-001	Clearance Light #58 Red w/White Base	Bargman/Wesbar Bulk
34-58-001	Clearance Light #58 Red w/White Base	Bargman Bagged
30-58-002	Clearance Light #58 Amber w/White Base	Bargman/Wesbar Bulk
34-58-002	Clearance Light #58 Amber w/White Base	Bargman Bagged
54201-010	Clearance Light #58 Amber w/Black Base	Bargman/Wesbar Bulk
30-58-007	Utility Light #58 Clear w/White Base	Bargman/Wesbar Bulk
Replacement Parts		
30-58-702	Wedge Base Socket w/#194 Bulb	Bargman/Wesbar Bulk
34-58-702†	Wedge Base Socket w/#194 Bulb	Bargman Bagged
30-58-010	Lens #58 Red	Bargman/Wesbar Bulk
34-58-010	Lens #58 Red	Bargman Bagged
30-58-012	Lens #58 Amber	Bargman/Wesbar Bulk
34-58-012	Lens #58 Amber	Bargman Bagged
30-58-024	White Base	Bargman/Wesbar Bulk
30-59-054	Gasket-Foam	Bargman Bagged
34-59-054†	Gasket-Foam	Bargman/Wesbar Bulk

CLEARANCE / SIDE MARKER LIGHTS #178 SERIES WEATHERTIGHT WITH REFLEX LENS

- Clearance/side marker light has a low profile, one-piece construction with radius styling, ABS base and an acrylic reflex lens
- The two wire design eliminates surface ground
- 3-7/8-in x 1-7/8-in x 3/4-in w/3/4-in depth

Part Number	Description	Packaging
30-17-814	Clearance Light #178 Red w/White Base w/14" Wires	Bargman/Wesbar Bulk
34-17-808	Clearance Light #178 Red w/White Base w/14" Wires	Bargman Bagged
30-17-815	Clearance Light #178 Amber w/White Base w/14" Wires	Bargman/Wesbar Bulk
34-17-809	Clearance Light #178 Amber w/White Base w/14" Wires	Bargman Bagged
Replacement Parts		
30-58-702	Wedge Base Socket w/#194 Bulb	Bargman/Wesbar Bulk
34-58-702†	Wedge Base Socket w/#194 Bulb	Bargman Bagged
30-17-034	Gasket-Foam	Bargman/Wesbar Bulk
34-17-034	Gasket-Foam	Bargman Bagged

30-59-001



30-59-002



30-59-003



CLEARANCE / SIDE MARKER LIGHTS #59 SERIES WITH REFLEX LENS

- Clearance/side marker light has a rugged ABS base and acrylic snap-on reflex lens
- The molded socket protects bulb from road shock and has two wires to eliminate surface ground
- The molded grommet extends through the skin to protect the wiring
- 4-in x 2-in x 1-1/32-in w/5/8-in depth

Part Number	Description	Packaging
30-59-001	Clearance Light #59 Red w/White Base	Bargman/Wesbar Bulk
31-59-001	Clearance Light #59 Red w/White Base	Bargman Clam
34-59-001	Clearance Light #59 Red w/White Base	Bargman Bagged
30-59-003	Clearance Light #59 Red w/Black Base	Bargman/Wesbar Bulk
30-59-002	Clearance Light #59 Amber w/White Base	Bargman/Wesbar Bulk
31-59-002	Clearance Light #59 Amber w/White Base	Bargman Clam
34-59-002	Clearance Light #59 Amber w/White Base	Bargman Bagged
30-59-004	Clearance Light #59 Amber w/Black Base	Bargman/Wesbar Bulk
Replacement Parts		
30-58-702	Wedge Base Socket w/#194 Bulb	Bargman/Wesbar Bulk
34-58-702†	Wedge Base Socket w/#194 Bulb	Bargman Bagged
30-59-010	Lens #59 Red	Bargman/Wesbar Bulk
31-59-010	Lens #59 Red	Bargman Clam
34-59-010	Lens #59 Red	Bargman Bagged
30-59-012	Lens #59 Amber	Bargman/Wesbar Bulk
31-59-012	Lens #59 Amber	Bargman Clam
34-59-012	Lens #59 Amber	Bargman Bagged
30-58-024	White Base	Bargman/Wesbar Bulk
30-59-054	Gasket-Foam	Bargman Bagged
34-59-054†	Gasket-Foam	Bargman Bagged

CLEARANCE / SIDE MARKER LIGHTS WITH REFLEX LENS

- Stud mount clearance/side marker light with reflex lens and 18-in wire lead
- Includes a tapered base for easy installation
- 2-3/4-in x 2-in x 1-in

Part Number	Description	Packaging
203116	Clearance Light Red	Wesbar Packaging
223117	Clearance Light Amber	Wesbar Packaging
203117	Clearance Light Amber	Bargman/Wesbar Bulk
Replacement Parts		
108891	Bulb #193	Bargman/Wesbar Bulk
003327	Lens Red, Clearance Light	Bargman/Wesbar Bulk
90-03-327	Lens Red, Clearance Light w/Screws	Bargman Bagged
003337	Lens Red, Clearance Light w/Screws	Wesbar Packaging
003328	Lens Amber, Clearance Light	Bargman/Wesbar Bulk
90-03-328	Lens Amber, Clearance Light w/Screws	Bargman Bagged
003338	Lens Amber, Clearance Light w/Screws	Wesbar Packaging

NOTE: Tail Lights, Clearance/Side Marker Lights and ID Light Bars approved for trailer accessory and towing application use. Contact your Horizon Global Representative for details.

† = Available While Supplies Last.

203116



003123



003121



30-99-001



30-99-002



40-40-120



NOTE: Tail Lights, Clearance/Side Marker Lights and ID Light Bars approved for trailer accessory and towing application use. Contact your Horizon Global Representative for details.

† = Available While Supplies Last.

CLEARANCE / SIDE MARKER LIGHTS WITH REFLEX LENS

- Featuring reflex lens and quick connect wiring installation, these lights are available with stud-mount or ear-mount styling
- 3-1/8-in x 2-3/8-in x 1-in

Part Number	Description	Packaging
003103	Clearance Light Red w/Black Stud-Mount Base	Bargman/Wesbar Bulk
203113	Clearance Light Red w/Black Stud-Mount Base	Wesbar Packaging
003123	Clearance Light Red w/Black Ear-Mount Base	Bargman/Wesbar Bulk
203133	Clearance Light Red w/Black Ear-Mount Base	Wesbar Packaging
003101	Clearance Light Amber w/Black Stud-Mount Base	Bargman/Wesbar Bulk
203111	Clearance Light Amber w/Black Stud-Mount Base	Wesbar Packaging
003121	Clearance Light Amber w/Black Ear-Mount Base	Bargman/Wesbar Bulk
203131	Clearance Light Amber w/Black Ear-Mount Base	Wesbar Packaging
Replacement Parts		
003327	Lens Red, Clearance Light	Bargman/Wesbar Bulk
90-03-327	Lens Red, Clearance Light w/Screws	Bargman Bagged
003337	Lens Red, Clearance Light w/Screws	Wesbar Packaging
003328	Lens Amber, Clearance Light	Bargman/Wesbar Bulk
90-03-328	Lens Amber, Clearance Light w/Screws	Bargman Bagged
003338	Lens Amber, Clearance Light w/Screws	Wesbar Packaging

CLEARANCE / SIDE MARKER LIGHTS #99 SERIES WITH REFLEX LENS

- Clearance/side marker light has an acrylic snap-on reflex lens
- This unit is ready for mounting on a flat surface with quick connect wiring installation for supply and ground wires
- 4-1/16-in x 1-3/8-in x 1-in

Part Number	Description	Packaging
30-99-001	Clearance Light #99 Red	Bargman/Wesbar Bulk
31-99-001	Clearance Light #99 Red	Bargman Clam
34-99-001	Clearance Light #99 Red	Bargman Bagged
30-99-002	Clearance Light #99 Amber	Bargman/Wesbar Bulk
31-99-002	Clearance Light #99 Amber	Bargman Clam
34-99-002	Clearance Light #99 Amber	Bargman Bagged
Accessory Part		
40-40-120	Two Light Fender Mount Bezel	Bargman/Wesbar Bulk
Replacement Parts		
30-99-010	Lens #99 Red, Clearance Light	Bargman/Wesbar Bulk
34-99-010	Lens #99 Red, Clearance Light	Bargman Bagged
30-99-012	Lens #99 Amber, Clearance Light	Bargman/Wesbar Bulk
34-99-012	Lens #99 Amber, Clearance Light	Bargman Bagged



40-40-004

40-40-104



40-40-115



003225



003330



003441



003440



108891

CLEARANCE / SIDE MARKER LIGHTS FENDER MOUNT #40 SERIES

- Dual function red/amber light for use on fender mount applications
- The bulb is protected by the lens on all sides
- Two wire design (24-in supply and ground) eliminates surface ground
- Light w/black base, stainless steel mounting screws: 3.65-in x 1.25-in x 1.45-in w/.5-in depth
- Light only: 2.75-in x 1-in x .85-in w/.5-in depth
- Fender mount bezel only: 7.20-in x 4.85-in x .85-in

Part Number	Description	Packaging
40-40-004	Fender Mount Clearance Light #40 Red/Amber w/Lexan® Black Base, Includes Stainless Steel Mounting Screws	Bargman/Wesbar Bulk
44-40-004	Fender Mount Clearance Light #40 Red/Amber w/Lexan® Black Base, Includes Stainless Steel Mounting Screws	Bargman Bagged
40-40-104	Fender Mount Clearance Light Red/Amber	Bargman/Wesbar Bulk
Accessory Part		
40-40-115	Fender Mount Bezel	Bargman/Wesbar Bulk

CLEARANCE / SIDE MARKER LIGHT

Clearance/side marker light featuring quick connect wiring installation with stud mounting

- Meets FMVSS/CMVSS 108 requirements for clearance/ marker lights when properly mounted ("PC" rated)
- 2-1/4-in x 2-1/4-in x 1-1/4-in

Part Number	Description	Packaging
003225	Clearance Light Amber	Bargman Bagged
203235	Clearance Light Amber	Wesbar Packaging
Replacement Parts		
003330	Lens Amber, Clearance Light	Bargman Bagged
003340	Lens Amber, Clearance Light	Wesbar Packaging

DUAL BULB CLEARANCE / SIDE MARKER LIGHTS

- Lights specifically designed for heavy-duty and industrial use
- Features a polycarbonate lens
- Pre-wired with a 6-in supply lead and are self-grounding
- 4-in x 2-in x 1-1/8-in

Part Number	Description	Packaging
003441	Clearance Light Red	Bargman/Wesbar Bulk
32-003441	Clearance Light Red	Bargman Clam
003440	Clearance Light Amber	Bargman/Wesbar Bulk
32-003440	Clearance Light Amber	Bargman Clam
Replacement Parts		
108891	Bulb #193	Bargman/Wesbar Bulk
108844†	Lens Red, Clearance Light	Bargman/Wesbar Bulk
003495†	Lens Red, Clearance Light	Wesbar Packaging

NOTE: Tail Lights, Clearance/Side Marker Lights and ID Light Bars approved for trailer accessory and towing application use. Contact your Horizon Global Representative for details.

† = Available While Supplies Last.

47-06-005



40-00-003



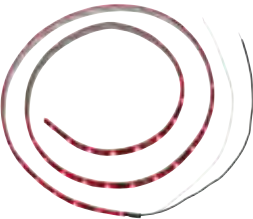
40-06-020



54201-014



54205-010



54205-011



54205-015



LED 6-IN OVAL MID-TURN LIGHT

- Standard 6" grommet mount oval LED mid-turn light
- Certified to SAE J914 for side turn signal. Meets FMVSS/CMVSS 108 requirements for intermediate side marker and side reflex on vehicles over 30-ft long
- Grommet and pigtail available separately
- 6.48-in x 2.30-in x 2.71-in overall height (2-in depth w/pigtail, 1.35-in height)

Part Number	Description	Packaging
47-06-005	6" Oval Mid-Turn Amber Light	Bargman/Wesbar Bulk
Replacement Parts		
40-00-003	3 Wire Pigtail w/12" Wire Lead	Bargman/Wesbar Bulk
44-00-003†	3 Wire Pigtail w/12" Wire Lead	Bargman Bagged
40-00-004	3 Wire 90° Pigtail w/12" Wire Lead	Bargman/Wesbar Bulk
719063	3 Wire 90° Pigtail w/12" Wire Lead	Wesbar Packaging
40-06-020	6" Oval Grommet	Bargman/Wesbar Bulk
44-06-020†	6" Oval Grommet	Bargman Bagged
416088	6" Oval Grommet	Wesbar Packaging
108119	6" Oval Mounting Bracket	Bargman/Wesbar Bulk
34-108119†	6" Oval Mounting Bracket	Bargman Bagged
106873	6" Oval Mounting Bracket	Wesbar Packaging
401591	6" Oval Grommet & 3 Wire 90° Pigtail	Wesbar Packaging

LED FENDER CLEARANCE LIGHTS

- Compact and waterproof
- Durable polycarbonate construction with rubber gasket
- European marketplace approved, P2 Rated
- 11.8-in wire leads • Dimensions: 1-1/2-in tall x 5-1/4-in long

Part Number	Description	Packaging
54201-011	LED Fender Clearance Light Left Side	Carton
54201-013	LED Fender Clearance Light Right Side	Carton
54201-014	LED Fender Clearance Light Kit	Clam Shell

LED LIGHT STRIPS

- Three foot strip, with 54 Diodes per strip
- Pre-wired with a 12-in supply lead and are self-grounding

Part Number	Description	Packaging
Strip - 36"		
54205-010	LED Light Strip Red - 36" w/54 Diodes Per Strip	Wesbar Packaging
54205-011	LED Light Strip Blue - 36" w/54 Diodes Per Strip	Wesbar Packaging
54205-012	LED Light Strip Amber - 36" w/54 Diodes Per Strip	Wesbar Packaging
54205-013	LED Light Strip Green - 36" w/54 Diodes Per Strip	Wesbar Packaging
54205-014	LED Light Strip Clear - 36" w/54 Diodes Per Strip	Wesbar Packaging
Reel - 16'		
54205-015	LED Light Strip Red - 16' Per Reel	Bargman/Wesbar Bulk
54205-016	LED Light Strip Blue - 16' Per Reel	Bargman/Wesbar Bulk
54205-017	LED Light Strip Amber - 16' Per Reel	Bargman/Wesbar Bulk
54205-018	LED Light Strip Green - 16' Per Reel	Bargman/Wesbar Bulk
54205-019	LED Light Strip Clear - 16' Per Reel	Bargman/Wesbar Bulk



54205-020



54205-021



54205-022



54205-023



54205-024

LED MULTI-FUNCTIONAL STROBE LIGHTS

- Has 7 optional flashing modes
- Available in amber or clear
- Dirt and moisture resistant
- Suitable for multiple OE wiring applications

Part Number	Description	Packaging
54205-020	LED Multi-Functional Strobe Light - Amber	Carton
54205-021	LED Multi-Functional Strobe Light - Clear	Carton

LED STROBE LIGHTS WITH 13-FT CORD AND MAGNETIC BASE

- Dirt and moisture resistant
- Single mode only

Part Number	Description	Packaging
54205-022	LED Strobe Light - Amber	Clam Shell
54205-023	LED Strobe Light - Clear	Clam Shell
54205-024	LED Strobe Light - Purple	Clam Shell

31-99-215



WATERPROOF ID LIGHT BARS

- Submersible design with black poly-carbonate base incorporates incandescent #37 series clearance/marker modules
- FMVSS/CMVSS 108 P2 compliant for use to meet over 80-in rear clearance marking requirements
- 17-in x 1.46-in x 1.69-in

Part Number	Description	Packaging
31-99-215	Red ID Bar Incandescent, mounting holes on ends	Bargman Clam
Replacement Parts		
40-37-001	Clearance Light Module #37 Red	Bargman/Wesbar Bulk
40-37-401†	Clearance Light Module #37 Red	Bargman Bagged
203396	Clearance Light Module #37 Red	Wesbar Packaging

003306



WATERPROOF ID LIGHT BARS

- Sonically-sealed, impact-resistant polycarbonate lens and housing ensure a waterproof module
- Meet or exceed all applicable state and federal regulations specified for vehicles 80-in wide or wider
- Three sealed polycarbonate lamps on 6-in centers lead to a stainless steel base completing the best line up of waterproof light bars available today
- #003305 and #003306 are pre-wired with 60-in leads and can be mounted in protected areas because of their low profile
- 14-1/2-in x 1-1/8-in x 1-in

Part Number	Description	Packaging
003305	Light Bar w/Red Waterproof Modules (White Bases)	Bargman/Wesbar Bulk
203315	Light Bar w/Red Waterproof Modules (White Bases)	Wesbar Packaging
003306	Light Bar w/Red Waterproof Modules (Black Bases)	Bargman/Wesbar Bulk

NOTE: Tail Lights, Clearance/Side Marker Lights and ID Light Bars approved for trailer accessory and towing application use. Contact your Horizon Global Representative for details.

† = Available While Supplies Last.



Wet Location Lighting Products

401567



WATERPROOF LED ID LIGHT BARS

- Light bar with three waterproof red lights
- Stainless steel base with stud mounting
- 14-1/4-in x 1-3/16-in x 1-1/16-in

Part Number	Description	Packaging
47-99-004	Light Bar LED w/Red Lens	Bargman/Wesbar Bulk
47-99-034	Light Bar LED w/Red Lens	Bargman Bagged
401567	Light Bar LED w/Red Lens	Wesbar Packaging
Replacement Parts		
47-99-005	Clearance Light LED #99 Red	Bargman/Wesbar Bulk
401566	Clearance Light LED #99 Red	Bargman/Wesbar Bulk

47-106858



WATERPROOF LED ID LIGHT BARS

- Waterproof LED low profile red light bar
- This light meets FMVSS/CMVSS 108 requirements for vehicles 80-in wide or wider
- Prewired, single bullet supply and ring terminal ground, with 60" harness for easy installation
- P2 rated • 13.54-in x 1.313-in x .787-in

Part Number	Description	Packaging
47-106858	Light Bar LED w/Red Lens	Bargman/Wesbar Bulk
42-106858	Light Bar LED w/Red Lens	Bargman Bagged

42-99-215



WATERPROOF LED ID LIGHT BARS

- Submersible design with black poly-carbonate base incorporates LED #37 series clearance/marker modules
- Prewired (supply and ring terminal ground) for easy installation
- FMVSS/CMVSS 108 P2 compliant for use to meet over 80-in rear clearance marking requirements
- 17-in x 1.46-in x 1.69-in

Part Number	Description	Packaging
47-99-215	Light Bar LED w/Red Lens	Bargman/Wesbar Bulk
42-99-215	Light Bar LED w/Red Lens	Bargman Clam
Replacement Parts		
47-37-001	Clearance Light Module LED #37 Red	Bargman/Wesbar Bulk
42-37-401	Clearance Light Module LED #37 Red	Bargman Clam
47-37-401	Clearance Light Module LED #37 Red	Bargman Bagged

47-54-002



LED ID LIGHT BARS WITH REFLUX LENS

- This LED light bar with 3 diodes is designed for a narrow rail surface mounting
- Features include built-in reflex reflectors and stainless steel grommeted mounting holes
- Prewired (supply and ground) for easy installation
- 15.84-in x 2.29-in - Mounting holes on 14.49-in centers

Part Number	Description	Packaging
47-54-002	Light Bar LED w/Red Lens	Bargman/Wesbar Bulk
47-54-003	Light Bar LED w/Amber Lens	Bargman/Wesbar Bulk



Wet Location Lighting Products

NOTE: Tail Lights, Clearance/Side Marker Lights and ID Light Bars approved for trailer accessory and towing application use. Contact your Horizon Global Representative for details.

† = Available While Supplies Last.

30-62-003



30-62-103



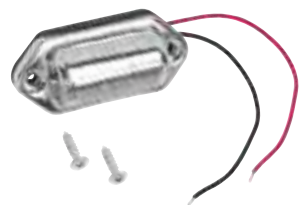
30-62-002



30-62-000



54206-001



LICENSE PLATE LIGHTS #62 SERIES

- License plate light with ABS body construction
- Can be purchased with or without the separate 18 gauge galvanized steel license bracket
- The molded socket protects bulb from road shock and has two wires to eliminate surface ground
- 4-in x 1-1/2-in x 2-5/8-in

Part Number	Description	Packaging
30-62-003	License Light w/Bracket White	Bargman/Wesbar Bulk
34-62-003	License Light w/Bracket White	Bargman Bagged
30-62-103	License Light Less Bracket White	Bargman/Wesbar Bulk
34-62-103	License Light Less Bracket White	Bargman Bagged
30-62-002	License Light w/Bracket Black	Bargman/Wesbar Bulk
34-62-002	License Light w/Bracket Black	Bargman Bagged
30-62-102	License Light Less Bracket Black	Bargman/Wesbar Bulk
34-62-102	License Light Less Bracket Black	Bargman Bagged
Replacement Parts		
30-62-030	License Plate Bracket	Bargman/Wesbar Bulk
34-62-030	License Plate Bracket	Bargman Bagged

LICENSE PLATE LIGHTS

- Durable license plate illuminators that are dirt and moisture resistant
- Housing is chrome plated steel with half shaded white lens
- Mini Compact lights feature two wire construction, mounting gasket and screw
- Bullet Snap-in light with self-grounding single wire construction
- 2-5/8-in x 1-1/4-in x 1-in - Mini Compact / LED Mini Compact, 1-in cutout - Bullet Snap-in

Part Number	Description	Packaging
30-62-000	Mini Compact Light	Bargman/Wesbar Bulk
34-62-000	Mini Compact Light	Bargman Bagged
54206-001	LED Mini Compact Light	Wesbar Packaging



WATERPROOF LICENSE PLATE LIGHT

- Waterproof, sealed license plate light with #193 bulb for a variety of mounting applications
- Pigtail available separately
- Meets FMVSS/CMVSS 108 requirements

Part Number	Description	Packaging
223210	License Light w/Bracket White	Bargman/Wesbar Bulk
Accessory Parts		
40-00-002	2 Wire Pigtail w/6" Wire Lead	Bargman/Wesbar Bulk
44-00-002	2 Wire Pigtail w/6" Wire Lead	Bargman Bagged
108663	2 Wire Pigtail w/18" Wire Lead	Bargman/Wesbar Bulk
34-108663	2 Wire Pigtail w/18" Wire Lead	Bargman Bagged
Replacement Part		
106310	License Light Module Clear	Bargman/Wesbar Bulk

NOTE: Tail Lights, Clearance/Side Marker Lights and ID Light Bars approved for trailer accessory and towing application use. Contact your Horizon Global Representative for details.

t = Available While Supplies Last.

223210



003201



60-50-001



71-78-010



71-78-020



70-71-180



70-71-181



LICENSE PLATE BRACKETS

Part Number	Description	Packaging
30-62-030	License Plate Bracket 18 Gauge, Galvanized Steel	Bargman/Wesbar Bulk
34-62-030	License Plate Bracket 18 Gauge, Galvanized Steel	Bargman Bagged
30-72-100	License Plate Bracket 16 Gauge, Zinc Plated	Bargman/Wesbar Bulk
34-72-100	License Plate Bracket 16 Gauge, Zinc Plated	Bargman Bagged
003201	License Plate Bracket Plastic, Black	Bargman/Wesbar Bulk
003211	License Plate Bracket Plastic, Black	Wesbar Packaging
003213	License Plate Bracket Plastic, White	Wesbar Packaging

MOUNTING BRACKET

- Dark brown thermo-plastic corner bracket.
- .20-in dia. mounting holes accept up to #10 screws
- 1-in x 1-in x 1-in - 45° angled

Part Number	Description	Packaging
60-50-001	Support Mounting Bracket	Bargman/Wesbar Bulk
64-50-001†	Support Mounting Bracket	Bargman Bagged

OBLONG REFLECTORS

- Class "A" acrylic reflector, hermetically sealed, with two mounting holes
- Optional adhesive fiber back • 4-3/8-in x 1-7/8-in

Part Number	Description	Packaging
70-78-010	Red w/Mounting Holes & Adhesive Back	Bargman/Wesbar Bulk
71-78-010	Red w/Mounting Holes & Adhesive Back	Bargman Clam
74-78-010	Red w/Mounting Holes & Adhesive Back	Bargman Bagged
70-78-050	Red w/Mounting Holes Only	Bargman/Wesbar Bulk
70-78-020	Amber w/Mounting Holes & Adhesive Back	Bargman/Wesbar Bulk
71-78-020	Amber w/Mounting Holes & Adhesive Back	Bargman Clam
74-78-020	Amber w/Mounting Holes & Adhesive Back	Bargman Bagged
70-78-060	Amber w/Mounting Holes Only	Bargman/Wesbar Bulk

RECTANGULAR REFLECTORS

- Class "A" acrylic reflector, hermetically sealed, with an adhesive fiber back for instant mounting • 3-1/4-in x 1-1/2-in

Part Number	Description	Packaging
70-71-180	Red w/Adhesive Back	Bargman/Wesbar Bulk
74-71-180	Red w/Adhesive Back	Bargman Bagged
003358	Red w/Adhesive Back	Wesbar Packaging
70-71-181	Amber w/Adhesive Back	Bargman/Wesbar Bulk
74-71-181	Amber w/Adhesive Back	Bargman Bagged
003357	Amber w/Adhesive Back	Wesbar Packaging
323357	Amber w/Adhesive Back, w/Mounting Holes (4 3/8" X 1 1/4")	Bargman/Wesbar Bulk
323356	Red w/Adhesive Back, w/Mounting Holes (4 3/8" X 1 1/4")	Bargman/Wesbar Bulk

74-72-040



70-68-010



74-71-175



40-60-001



40-60-004



30-90-156



NOTE: Tail Lights, Clearance/Side Marker Lights and ID Light Bars approved for trailer accessory and towing application use. Contact your Horizon Global Representative for details.

† = Available While Supplies Last.

CONSPICUITY REFLECTORS / TAPE

- Reflectors meet or exceed DOT-C and SAE J5941 for reflectivity marking on trucks and trailers
- Reflectors are comparable in light return to the 2-in x 12-in reflective tape and hermetically sealed • 1.1-in x 12-in

Part Number	Description	Packaging
74-72-040	Clear & Red w/Adhesive Back	Bargman Bagged
70-72-020	Clear w/Adhesive Back	Bargman/Wesbar Bulk
74-72-020†	Clear w/Adhesive Back	Bargman Bagged
003387	Clear w/Adhesive Back	Wesbar Packaging
70-72-030	Red w/Adhesive Back	Bargman/Wesbar Bulk
74-72-030†	Red w/Adhesive Back	Bargman Bagged
003388	Red w/Adhesive Back	Wesbar Packaging

ROUND REFLECTORS

- Class "A" acrylic reflector, hermetically sealed. Center mounting hole or adhesive fiber back • 3-3/16-in & 2-3/16-in

Part Number	Description	Packaging
70-68-010	3 3/16" Red w/Center Mounting Hole	Bargman/Wesbar Bulk
74-68-010	3 3/16" Red w/Center Mounting Hole	Bargman Bagged
70-71-170	2 3/16" Red w/Center Mounting Hole	Bargman/Wesbar Bulk
74-71-170	2 3/16" Red w/Center Mounting Hole	Bargman Bagged
70-68-020	3 3/16" Amber w/Center Mounting Hole	Bargman/Wesbar Bulk
74-68-020	3 3/16" Amber w/Center Mounting Hole	Bargman Bagged
70-71-175	2 3/16" Amber w/Center Mounting Hole	Bargman/Wesbar Bulk
74-71-175	2 3/16" Amber w/Center Mounting Hole	Bargman Bagged
70-38-010	3 3/16" Red w/Adhesive Back	Bargman/Wesbar Bulk
74-38-010	3 3/16" Red w/Adhesive Back	Bargman Bagged
70-55-010	2 3/16" Red w/Adhesive Back	Bargman/Wesbar Bulk
71-55-010	2 3/16" Red w/Adhesive Back	Bargman Clam
74-55-010	2 3/16" Red w/Adhesive Back	Bargman Bagged
70-38-020	3 3/16" Amber w/Adhesive Back	Bargman/Wesbar Bulk
74-38-020	3 3/16" Amber w/Adhesive Back	Bargman Bagged
70-55-020	2 3/16" Amber w/Adhesive Back	Bargman/Wesbar Bulk
71-55-020†	2 3/16" Amber w/Adhesive Back	Bargman Clam
74-55-020	2 3/16" Amber w/Adhesive Back	Bargman Bagged

SECURITY / UTILITY LIGHTS

- This 12 volt surface mounted light is designed to flood light in all directions
- The light adds the benefit of increased security features to any unit
- Features a 7-in polycarbonate lens, two wire construction and stainless steel base to resist corrosion
- Designed for years of trouble-free service featuring a gasket between the lens and base, as well as a gasket for mounting • 8-3/4-in dia.

Part Number	Description	Packaging
40-60-001	Security/Utility Light	Bargman/Wesbar Bulk
40-60-004	Security/Utility Light-White Painted Base	Bargman/Wesbar Bulk
Replacement Part		
30-90-156	Bulb #1156, Single Filament	Bargman/Wesbar Bulk



30-78-515



30-78-522



30-78-600



30-78-517



30-78-525



30-78-524

30-60-004



30-60-005



30-90-156



PORCH / UTILITY LIGHTS #78 SERIES

- This compact design is surface mounted with either polypropylene or chrome plated ABS base and either a clear or amber snap-in lens
- A remote switch is required
- Two wire construction, supply and ground
- CSA approved
- 5-15/16-in x 3-1/2-in x 2-in

Part Number	Description	Packaging
30-78-515	White w/Clear Lens	Bargman/Wesbar Bulk
31-78-531	White w/Clear Lens	Bargman Clam
34-78-515	White w/Clear Lens	Bargman Bagged
30-78-522	Black w/Clear Lens	Bargman/Wesbar Bulk
30-78-600	Chrome w/Clear Lens	Bargman/Wesbar Bulk
30-78-516	White w/Amber Lens	Bargman/Wesbar Bulk
31-78-532	White w/Amber Lens	Bargman Clam
34-78-516	White w/Amber Lens	Bargman Bagged
30-78-523	Black w/Amber Lens	Bargman/Wesbar Bulk
30-78-517	White w/Switch w/Clear Lens	Bargman/Wesbar Bulk
34-78-517	White w/Switch w/Clear Lens	Bargman Bagged
30-78-524	Black w/ Switch w/Clear lens	Bargman/Wesbar Bulk
30-78-518	White w/Switch w/Amber Lens	Bargman/Wesbar Bulk
34-78-518	White w/Switch w/Amber Lens	Bargman Bagged
30-78-525	Black w/Switch w/Amber Lens	Bargman/Wesbar Bulk
Replacement Parts		
30-78-021	Lens #78 Clear	Bargman/Wesbar Bulk
34-78-021	Lens #78 Clear	Bargman Bagged
30-78-022	Lens #78 Amber	Bargman/Wesbar Bulk
34-78-022	Lens #78 Amber	Bargman Bagged

INTERIOR DOME LIGHT 5-IN ROUND WITH CHROME BASE

- Chrome plated steel base with clear polycarbonate lens
- Two wire construction (supply and ground) for easy installation
- Non UL/CSA, suitable for utility use in cargo trailers
- 6.43-in dia. x 1.65-in

Part Number	Description	Packaging
30-60-004	Interior Dome Light 5" Round w/ Chrome Base	Bargman/Wesbar Bulk
30-60-005	Interior Dome Light 5" Round w/ Chrome Base w/Switch	Bargman/Wesbar Bulk
Replacement Part		
30-90-156	Bulb #1156	Bargman/Wesbar Bulk

NOTE: Tail Lights, Clearance/Side Marker Lights and ID Light Bars approved for trailer accessory and towing application use. Contact your Horizon Global Representative for details.

† = Available While Supplies Last.

INTERIOR LIGHTS #76 SERIES

- Single or double 12 volt interior light with diffused lens optics
- Double light is available with single or dual switch
- Two wire construction, supply and ground. Features a polypropylene base
- CSA listed/ approved for ceiling mount and specific wall mounts
- Contact your Horizon Global Representative for the specific wall mount applications
- 7.28-in x 4.33-in x 1.78-in
- 11.02-in x 4.33-in x 1.78-in

30-76-123



30-76-223



30-76-243



Part Number	Description	Packaging
30-76-123	Single Light #76 w/Switch	Bargman/Wesbar Bulk
3176123†	Single Light #76 w/Switch	Bargman Clam
34-76-123	Single Light #76 w/Switch	Bargman Bagged
30-76-223	Double Light #76 w/Switch	Bargman/Wesbar Bulk
34-76-223	Double Light #76 w/Switch	Bargman Bagged
30-76-243	Double Light #76 w/Dual Switch	Bargman/Wesbar Bulk
34-76-243	Double Light #76 w/Dual Switch	Bargman Bagged
Replacement Parts		
30-90-021	Bulb #921	Bargman/Wesbar Bulk
34-90-021†	Bulb #921	Bargman Bagged
30-76-028	Lens #76	Bargman/Wesbar Bulk
34-76-028	Lens #76	Bargman Bagged

NOTE: Tail Lights, Clearance/Side Marker Lights and ID Light Bars approved for trailer accessory and towing application use. Contact your Horizon Global Representative for details.

† = Available While Supplies Last.

BULB SPECIFICATION



30-90-156



30-90-157



108891



30-84-057



30-90-021 / 34-90-021

Part Number	Bulb Type	Mean Spherical	Rated Amps / Candle Power	Watts	Packaging
30-90-156	1156	32	2.10	26.880	Bulk
30-90-157	1157	32/3	2.10/0.59	26.880/8.260	Bulk
108891	193	2	0.33	4.620	Bulk
30-84-057	2057	32/2	2.10/0.48	26.880/6.720	Bulk
30-90-021	921	21	1.40	17.920	Bulk
34-90-021†	921	21	1.40	17.920	Bagged



LIGHTING TERMINOLOGY

"Over 80" Combination Tail Lights

These units meet seven or eight DOT-108 lighting requirements when properly mounted. Seven function units meet tail light, stop light, rear turn signal light, rear reflex reflector, rear side marker light, rear side reflex reflector and rear clearance light. The eighth function met is license plate light. Trailers over 80 inches wide require the addition of front Clearance Lights and Rear Identification (ID) Lights. Consult Title 49 – Code of Federal Regulations-Section 571.108 (USA) or Section 108 of the Motor Vehicle Safety Regulations (Canada) for additional compliance requirements.

"Under 80" Combination Tail Lights

These units meet six or seven DOT-108 lighting requirements when properly mounted. Six function units meet tail light, stop light, rear turn signal light, rear reflex reflector, rear side marker light and rear side reflex reflector. The seventh function met is license plate light. Consult Title 49 – Code of Federal Regulations-Section 571.108 (USA) or Section 108 of the Motor Vehicle Safety Regulations (Canada) for additional compliance requirements.

"PC" Rated Clearance/Side Marker Lights

A single unit meets DOT-108 lighting requirements and has been photometrically certified at a specific installation angle to provide both clearance light and side marker light. In most cases, the light will have to be mounted on a 45° angle, Consult Title 49 – Code of Federal Regulations-Section 571.108 (USA) or Section 108 of the Motor Vehicle Safety Regulations (Canada) for additional compliance requirements to meet both functions' requirements with just one unit.

LIGHTING TIPS AND FAQs

Do I have to use a light or can I use a reflector instead?

Lighting and conspicuity requirements are governed by FMVSS & CMVSS 108. Their use is determined by safety and identification requirements.

Why use LED and not Incandescent? The key difference is the way both technologies operate. While both technologies are an acceptable means for vehicle lighting, LED is the stronger technology in Energy Efficiency, Light Output, Reliability, Safety and Life Expectancy.

Do LED lights have to be mounted differently than Incandescent? No, the FMVSS/CMVSS 108 mounting requirements are the same.

When retrofitting a Bargman 59 or 84/85/86 Series Incandescent light with LED can the old lenses be reused? No, Bargman 59 & 84/85/86 Series LED module kits come with pre-assembled lenses and a simple "plug & play" replacement design.

What does stop/tail/turn mean? How many lights do I need to use to achieve it? Are they the same as "Tail Lights"? Stop/Tail/Turn is a combination rating meaning a specific light or grouping of lights in an assembly meet the requirements for this named combination. This rating can be achieved using 1 light alone as long as the light source meets the requirements for the specific application.

Why does Horizon Global offer so many different types & styles of lights for a vehicle? Horizon Global is never satisfied with the status quo and is continually striving to design lights that will meet the designated federal requirements and fit our customer's specific application needs.

When using a Multi-Function Stop/Tail/Turn Light, is a Backup Light function required and does it matter where the Backup Light is located? The requirement for and location of the Backup Light is determined by vehicle type and FMVSS/CMVSS 108 requirements.

Why are some Turn Signal Lights Red and others Amber, does it matter which color I use? Yes, the color does matter. While both colors are acceptable for turn signals, the color use is primarily driven by the "Stop" Function. When using a multi-function Stop/Turn light, the color must be Red as required by FMVSS/CMVSS 108 requirements.

What does "Over" or "Under" 80 refer to? This is a reference to a vehicles width in inches. There are differing FMVSS/CMVSS 108 requirements covering this dimensional reference point.

What are "Over 80" Combination Tail Lights?

These units meet seven or eight lighting requirements as defined by FMVSS/CMVSS 108.

What are "Under 80" Combination Tail Lights? These units meet six or seven lighting requirements as defined by FMVSS/CMVSS 108.

What is the difference between Side Marker & Clearance Lights? Side Marker Lights are mounted on the side of a vehicle and are used to define its length. Clearance Lights are mounted on the front and rear of a vehicle and are used to define its width.

What are "PC" Side Marker/Clearance Lights?

These lights meet the FMVSS/CMVSS 108 requirements for photometric certification as both Clearance and Side Marker Lights when properly mounted.



The symbol is for Wet Location Lights. What does it mean?

Wet Location Lighting products in this catalog are either: "Waterproof/Sealed" or "Submersible" and are safe to use on marine and other trailers that will be in and around the water or UL listed as suitable for wet location use.

What are Submersible Lights? Submersible lights purposely allow water to enter the light assembly, however a cushion of air forms when water enters the light and will protect the bulbs and electrical connectivity from damage. This natural phenomenon is known as the "Bell Jar Principle". These lights are ideal for boat trailers and utility trailers that will be submersed in water.

What are Waterproof/Sealed Lights? "Waterproof" and "sealed" mean exactly the same - these lights are completely sealed and will not allow water to enter the inside of the light assembly. Many of our new LED Side/Marker and Tail Lights are completely sealed as to prevent water from damaging the circuit board and components associated with LED Technology.

Why are vehicle lights grounded? Vehicle lights are grounded in order to complete the electrical circuit. There are differing ways to ground them to meet various applications.

What is an ID Bar, and can one be used as a multi-function Stop/Tail/Turn as well? An ID Bar is an identification Bar. It consists of 3 lights and is required in order to identify the rear center location on over 80" vehicles. They May Not be used as Multi-Function Lights.

TOUGH & TRUSTED





AGRICULTURAL

Since 1920, BULLDOG has been the choice of agricultural manufacturers everywhere. Their high-strength, heavy-duty designs make them the toughest trailer components available today.



LIGHTING
 LED Lights 4-5
 Incandescent Lights 6-7
 Work Lights 7

WIRING AND ACCESSORIES
 7-Way Connectors 8
 Tandem Haul Adapter 8
 Repair Harnesses 9
 Extension Harnesses 9

COUPLERS
 Collar Lok Couplers 13
 Cast Couplers 14
 Yoke Couplers 15
 Adjustable Height Couplers 15
 Pintle Hooks 16-17
 Gooseneck Couplers 18-20

JACKS
 Farm Jacks 10
 Ratchet Jacks 11
 Round Jacks 21-23
 Square Jacks 24-29
 Twin Cam Drop Leg Jack 30
 2-Speed Square Jacks 32
 Velocity Series Powered Jacks 34
 Landing Gear 31
 Rack / Gear Jacks 35-37

ACCESSORIES
 Accessories 38
 Wheels 38
 Removable Footplates 39
 Drop Legs 39
 Pins 40
 Cranks 41
 Knobs 41-42
 Mounts 42



54209-020



54209-010



54209-005



54209-011

LED HEAVY DUTY AG LIGHTS

- Available in single and dual units, these lights meet all ASABE S279.15 lighting requirements including 4cp to side on amber lens
- Dual lights designed for right hand & left hand horizontal mounting
- Rugged external housing and lens design
- Same mounting foot print hardware and electrical connections as incandescent equivalent
- Brake functions wired with SQ-4 plug
- 6-in x 5 1/2-in x 3-in, 10 1/2-in x 5 1/2-in x 3-in

Part Number	Description	Packaging
54209-009	Single LED AG Light w/2 Wire Leads - Lens: Rear-Red, Front-Blank	Bulk
54209-011	Single LED AG Light w/2 Wire Leads - Lens: Rear-Amber, Front-Amber	Bulk
54209-010	Single LED AG Light w/2-Way Plug - Lens: Rear-Red, Front-Blank	Bulk
54209-012	Single LED AG Light w/2-Way Plug - Lens: Rear-Amber, Front-Amber	Bulk
54209-013	Single LED AG Light w/3 Wire Leads - Lens: Rear-Red, Front-Blank	Bulk
54209-015	Single LED AG Light w/3 Wire Leads - Lens: Rear-Amber, Front-Amber	Bulk
54209-014	Single LED AG Light w/3-Way Plug - Lens: Rear-Red, Front-Blank	Bulk
54209-016	Single LED AG Light w/3-Way Plug - Lens: Rear-Amber, Front-Amber	Bulk
54209-019	Dual RH LED AG Light w/3 Wire Leads - Lens: Rear-Red/Amber, Front-Amber/Blank	Bulk
54209-005	Dual LH LED AG Light w/3 Wire Leads - Lens: Rear-Amber/Red, Front-Blank/Amber	Bulk
54209-020	Dual RH LED AG Light w/3-Way Plug - Lens: Rear-Red/Amber, Front-Amber/Blank	Bulk
54209-006	Dual LH LED AG Light w/3-Way Plug - Lens: Rear-Amber/Red, Front-Blank/Amber	Bulk
54209-021	Dual RH LED AG Light w/4 Wire Leads - Lens: Rear-Red/Amber, Front-Amber/Blank	Bulk
54209-007	Dual LH LED AG Light w/4 Wire Leads - Lens: Rear-Amber/Red, Front-Blank/Amber	Bulk
54209-022	Dual RH LED AG Light w/4-Way Square Plug - Lens: Rear-Red/Amber, Front-Amber/Blank	Bulk
54209-008	Dual LH LED AG Light w/4-Way Square Plug - Lens: Rear-Amber/Red, Front-Blank/Amber	Bulk

Note: Reference AG Lighting - Technical for mounting applications.

NOTE: Custom AG lighting and wiring kits are available. Contact your Horizon Global Representative for requirements and minimum annual quantities.



54003-040

LED ECONOMY AG LIGHT KIT

- Featuring left hand and right hand dual light units, this kit include a 35 ft. wishbone wire harness, 7-pin AG plug & tri-plugs
- For protection in critical areas, 5-ft of convoluted tubing included

Part Number	Description	Packaging
54003-040	Economy AG LED Light Kit	Boxed
Replacement Parts		
54209-006	Dual LH LED AG Light w/3-Way Plug - Lens: Rear-Amber/Red, Front-Amber/Blank	Bulk
54209-020	Dual RH LED AG Light w/3-Way Plug - Lens: Rear-Red/Amber, Front-Amber/Blank	Bulk

US Patent D347,903/5,335,155

Note: Reference AG Lighting - Technical for mounting applications.



54003-041

LED AG TRANSPORT LIGHT KIT

- Featuring left and right hand dual light units with brake function, these kits include a 46-ft round wishbone cable, four 90 lb magnets and a 7-pin round plug

Part Number	Description	Packaging
54003-041	Deluxe AG LED Transport Kit w/Brake Light Function, 7-Pin	Boxed
Replacement Parts		
54209-008	Dual LH LED AG Light w/4-Way Square Plug - Lens: Rear-Amber/Red, Front-Amber/Blank	Bulk
54209-022	Dual RH LED AG Light w/4-Way Square Plug - Lens: Rear-Red/Amber, Front-Amber/Blank	Bulk
002590	Magnet Kit, 90 lb. Pull	Bagged

US Patent D347,903/5,335,155

Note: Reference AG Lighting - Technical for mounting applications.



54003-138

LED PEDESTAL MOUNT AG LIGHTS

- Meets ASABE S279, FMVSS-108DOT, & EC requirements
- AMECA certified
- Custom connector options available
- Amber lamps meet 4cp sidelight requirements in horizontal and vertical mounting options
- Lamps are Waterproof with 16 wire gage
- Dia. 4-3/4-in x Height 5-in x Cable Length 12-in

Part Number	Description	Packaging
54209-031	Pedestal Mount Single AG LED Light w/ Amber/Amber	Carton
54209-032	Pedestal Mount Single AG LED Light w/Red	Carton
54209-047	Pedestal Mount AG LED Light w/Amber	Carton
54209-048	Pedestal Mount Single AG LED Light w/Red	Carton
54003-137	Economy AG LED Light Kit, 7-Pin, w/ Pedestal Mount Amber/Amber/Red, Tri-Mold w/35' Wishbone Harness	Carton
54003-138	Deluxe AG LED Transport Kit w/Brake Light Function, 7-Pin, Amber/Amber/Red, w/46' Wishbone Harness	Carton

NOTE: Custom AG lighting and wiring kits are available. Contact your Horizon Global Representative for requirements and minimum annual quantities.



002670

ECONOMY AG LIGHT KIT

- Featuring left hand and right hand dual light units, this kit include a 35 ft. wishbone wire harness, 7-pin AG plug & tri-plugs
- For protection in critical areas, 5-ft of convoluted tubing included

Part Number	Description	Packaging
002670	Economy AG Light Kit	Boxed
Replacement Parts		
8260001	Dual AG Light w/Amber/Red	Bulk
8260101	Dual AG Light w/Red/Amber	Bulk

US Patent D347,903/5,335,155

Note: Reference AG Lighting - Technical for mounting applications.

NOTE: Custom AG lighting and wiring kits are available. Contact your Horizon Global Representative for requirements and minimum annual quantities.



8260501



2-Way Weatherpack Plug



4-Way Weatherpack Plug



8261605

HEAVY DUTY AG LIGHT KITS

- Featuring left hand and right hand dual light units, this kit include a 35-ft wishbone wire harness, 7-pin AG plug & tri-plugs
- For protection in critical areas, 5-ft of convoluted tubing included

Part Number	Description	Packaging
8260501	Single AG Light 2 Wire w/3-Way Plug - Lens: Rear-Red, Front-Blank	Bulk
8260601	Single AG Light 2 Wire w/3-Way Plug - Lens: Rear-Amber, Front-Amber	Bulk
8261001	Single AG Light 3 Wire w/3-Way Plug - Lens: Rear-Red, Front-Blank	Bulk
8260502	Single AG Light 2 Wire w/2-Way Weatherpack Plug - Lens: Rear-Red, Front-Blank	Bulk
8260602	Single AG Light 2 Wire w/2-Way Weatherpack Plug - Lens: Rear-Amber, Front-Amber	Bulk
8261002	Single AG Light 3 Wire w/3-Way Weatherpack Plug - Lens: Rear-Red, Front-Blank	Bulk
8260001	Dual LH AG Light 3 Wire w/3-Way Plug - Lens: Rear-Amber/Red, Front-Blank/Amber	Bulk
8260101	Dual RH AG Light 3 Wire w/3-Way Plug - Lens: Rear-Red/Amber, Front-Amber/Blank	Bulk
8261501	Dual LH AG Light 4 Wire w/4-Way Square Plug-Lens: Rear-Amber/Red, Front-Blank/Amber	Bulk
8261601	Dual RH AG Light 4 Wire w/4-Way Square Plug-Lens: Rear-Red/Amber, Front-Amber/Blank	Bulk
8261605	Dual RH AG Light 4 Wire w/4-Way Weatherpack Plug-Lens: Rear-Red/Amber, Front-Amber/Blank	Bulk
Replacement Parts		
30-90-157	Bulb #1157, Double Filament	Bulk
802650	Lens Amber, AG Lamp	Bulk
802651	Lens Red, AG Lamp	Bulk
802652	Insert Black, AG Lamp	Bulk

Note: Reference AG Lighting - Technical for mounting applications.

NOTE: Custom AG lighting and wiring kits are available. Contact your Horizon Global Representative for requirements and minimum annual quantities.

AG TRANSPORT LIGHT KITS

- Featuring left and right hand dual light units with brake function, these kits include a 46-ft round wishbone cable, four 90 lb magnets and either a 7-pin or 6-pin round plug



002675

Part Number	Description	Packaging
002675	Deluxe AG Transport Kit w/Brake Light Function, 6-Pin	Boxed
002676	Deluxe AG Transport Kit w/Brake Light Function, 7-Pin	Boxed
Replacement Parts		
8261501	Dual AG Light w/Amber/Red w/Brake Light Function	Bulk
8261601	Dual AG Light w/Red/Amber w/Brake Light Function	Bulk
002590	Magnet Kit, 90 lb. Pull	Bulk

US Patent D347,903/5,335,155

Note: Reference AG Lighting - Technical for mounting applications.

LED WORK LIGHTS

- LED work lights perfect for exterior use in AG, horse, livestock, RV, industrial and racing applications
- Environmentally sealed design with aluminum housing and stainless steel mounting stud
- High power, true white 9-36V, 10W light emission
- Rectangular version with 10 LED diodes, circular model has 8 LED diodes
- Circular: 4.5-in dia. x 1.5-in depth
- Rectangular: 4-in x 4-in x 1.5-in depth



54209-001

Part Number	Description	Packaging
54209-001	Circular LED Light, 8 Diodes	Bulk
54209-002	Rectangular LED Light, 10 Diodes	Bulk
54209-025	Rectangular LED Light, 10 Diodes w/ Molded 2-Flat Plug	Bulk

NOTE: Custom AG lighting and wiring kits are available. Contact your Horizon Global Representative for requirements and minimum annual quantities.



54209-025

LED WORK LIGHTS WITH COILED CORD AND MAGNETIC BASE

- LED work lights perfect for exterior use in AG, horse, livestock, RV, industrial and racing applications
- Environmentally sealed design with 19-ft extended coiled cord
- Magnetic base, with protective film, secures in high vibration conditions in a vertical or horizontal position
- Power adapter for 12V outlet with separate on/off switch
- High power, true white 9-36V, 10W light emission
- Rectangular version with 10 LED diodes, circular model has 8 LED diodes
- Circular: 4.5-in dia. x 1.875-in depth
- Rectangular: 4-in x 4-in x 1.75-in depth



54209-018

Part Number	Description	Packaging
54209-017	Circular LED Light, w/Cord, Magnetic Base, 8 Diodes	Bulk
54209-018	Rectangular LED Light, w/Cord, Magnetic Base, 10 Diodes	Bulk



787305

7-PIN ROUND AG CONNECTORS

- A discrete round 7-pin vehicle and implement connector for AG OEM and aftermarket use
- Vehicle side connector includes a mountable storage box
- Implement side connector includes a metal spring cable relief

Part Number	Description	Packaging
787305	7-Pin Round Pin AG Vehicle Connector	Bulk
787303	7-Pin Round Pin AG Vehicle Connector	Clam
787304	7-Pin Round Pin AG Trailer Connector	Bulk
787302	7-Way Round Pin AG Trailer Connector	Clam

NOTE: Custom AG lighting and wiring kits are available. Contact your Horizon Global Representative for requirements and minimum annual quantities.

7-WAY MOLDED TRAILER CONNECTORS WITH CABLE - TRAILER CLOCKING

- 7-way plastic connector molded to heavy duty 7-way insulated cable using trailer clocking
- Provides 7-way connector contact color coding more conducive to horse and livestock trailers verses RV trailers
- Made with self-cleaning contacts and molded to encapsulate terminals and wires to form one weather resistant, non-corrosive assembly
- Permits the trailer to have the clean appearance and environmental advantages of a sealed, molded 7-way cord
- Primary wire gauges within the insulated cable are: Black and White-10 gauge, Blue-12 gauge, Brown-Red-Green-Yellow-14 gauge



50-67-618

Part Number	Description	Packaging
50-67-614	7-Way Molded Trailer Cord w/4' Cable	Bulk
50-67-616	7-Way Molded Trailer Cord w/6' Cable	Bulk
50-67-618	7-Way Molded Trailer Cord w/8' Cable	Bulk
50-67-620	7-Way Molded Trailer Cord w/10' Cable	Bulk

Note: Reference Wiring Diagrams for Pin Locations

TANDEM HAUL ADAPTER

- The Tandem Haul Adapter allows implements to be towed in tandem, providing versatility and economy

Part Number	Description	Packaging
002500	Tandem Haul Adapter	Bulk
002625	Tandem Haul Kit	Bulk

NOTE: Custom AG lighting and wiring kits are available. Contact your Horizon Global Representative for requirements and minimum annual quantities.



002625

AG EXTENSION HARNESSSES

- Install on towable field implements to bring power from the tractor to AG Lights
- Full length ground assures reliable and continuous operation
- Custom configurations and lengths available

Part Number	Description	Packaging
002510	10' Heavy-Duty Wishbone Harness	Bulk
002408	5' Economy Extension Harness	Bulk
002410	10' Economy Extension Harness	Bulk
002415	15' Straight Section Harness w/7-Pin AG Plug and Flat 4-Way	Bulk
002425	25' Straight Section Harness w/7-Pin AG Plug and Flat 4-Way	Bulk
002430	30' Straight Section Harness w/7-Pin AG Plug and Flat 4-Way	Bulk
002435	35' Extension Harness	Bulk
002504	10' Economy Rear Wishbone Harness	Bulk
002505	15' Economy Rear Wishbone Harness	Bulk
002515	15' Heavy-Duty Rear Wishbone Harness	Bulk
54003-145	Ag Heavy-Duty Wishbone Harness, 1' Long for #108318	Bulk
54003-146	Ag Extension Harness, 11'6" Long Left Side, for use with #108318	Bulk
54003-147	Ag Extension Harness, 10'3" Long Right Side, for use with #108318	Bulk

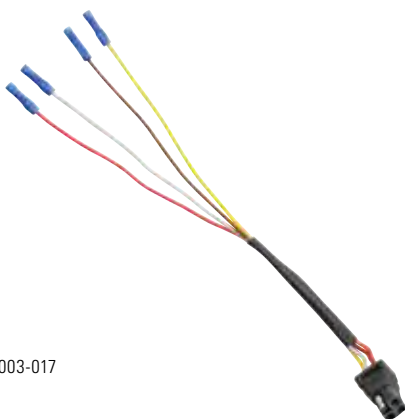
002415



002505



54003-017



108318



AG REPAIR HARNESSSES

Part Number	Description	Packaging
54003-017	AG Repair Harness, 4 Wire w/4-Way Square Connector	Bulk
54003-018	AG Repair Harness, 4 Wire w/4-Way Square Connector	Bulk
54003-020	AG Repair Harness, 4 Wire w/4-Way Weatherpack Connector	Bulk

NOTE: Custom AG lighting and wiring kits are available. Contact your Horizon Global Representative for requirements and minimum annual quantities.

AG LIGHT ENHANCED LIGHTING MODULES

- Install to meet the enhanced lighting standard and ave a dramatic safety feature to better signal turns by tractors and implements
- Contact your Horizon Global Representative for additional information

Part Number	Description	Packaging
54500-001	Module w/Wire Leads	Bulk
108318	Module w/Molded Plugs	Bulk
54500-002	Module w/Brake Light Signal Function w/ Wire Leads	Bulk



105728

7-WAY AG PLUG HOLDER

Part Number	Description	Packaging
105728	AG 7-Way Plug Holder	Clam



002590

MAGNET KIT

- Use of this magnet kit allows for temporary installation of single or dual lights
- Set of four with hardware

Part Number	Description	Packaging
002590	Magnet Kit, 90 lb. Pull	Bulk

FARM JACKS

- Long handle for ease of use
- Removable handle and clamp

Part Number	Description	Capacity	Height	Travel	Finish
7060933	Farm Jack with Handle Holder	8,000 lbs.	54"	48"	Red/Black
7033433	Farm Jack	7,000 lbs.	48"	42"	Red/Black
7064233	Farm Jack	7,000 lbs.	36"	30"	Red/Black

Accessories

7071300	ATV/UTV Universal Jack Mount Kit				
7086500	Farm Jack Truck Box Mount Kit, Horizontal or Vertical Mount				
7048400	Farm Jack Foot Plate, 10" x 10", 8,000 lbs. Capacity				
7061520	Farm Jack Handle Holder, Durable PVC, Eliminates Rattle				
7088900	Farm Jack Carry Handle				
7064120	Farm Jack Maintenance Kit, Includes 2 Climbing Pins, 2 Climbing Pin Springs, 2 Cross Pins, 1 Handle Pin and Clip				



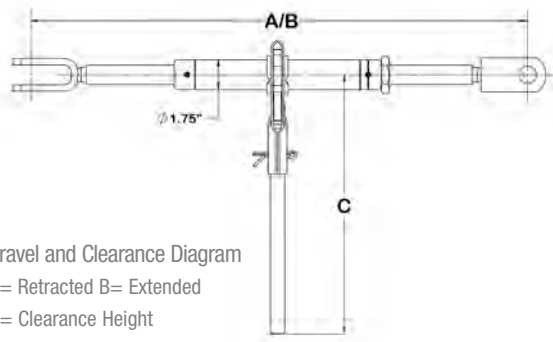
7033433



7088900



7061520



RATCHET JACKS

BULLDOG ratchet jacks are versatile tools for load bearing and lifting, height adjustment, three point hitch elevation, implement leveling, and wheel extension and retraction.

- 3/8-in U-brackets tested to the endurance limit by a major OEM
- Stainless steel flat ratchet spring tested to 20 times the competition's life
- Reinforced steel assembly housing with user-friendly pawl
- Corrosion-resistant surfaces
- 2 zerk fittings, hexagonal jam nut
- Yellow zinc dichromate-plated 7-in or 12-in handle and cotter pin
- 1-1/8-in - 5 yellow zinc dichromate-plated Acme screws



690020

Part Number	Description	Pull Capacity	Push Capacity	Retracted	Extended	Clearance
690020	Ratchet Jack, U-Bracket Clevis Ends with 1" Holes. Pins and Clips Included. 12" Handle. Ratchet Mechanism is Centered	16,000 lbs.	10,000 lbs.	20"	28"	15.10"
690071	Ratchet Jack, U-Bracket Clevis Ends with 1" Holes. Pins and Clips Included. 12" Handle. Ratchet Mechanism Offset 3" to Right Side	16,000 lbs.	10,000 lbs.	20"	28"	15.10"
690026	Ratchet Jack, Forged Eyelet Rod End with 1.12" Holes. Pins and Clips Not Included. 12" Handle. Ratchet Mechanism is Centered	16,000 lbs.	10,000 lbs.	20"	28"	15.10"



690020 - Ratchet



690020 - Eye Rod End



690020 - U-Bracket

**COLLAR-LOK™
COUPLERS -
TONGUE MOUNTS**



No. 2 Tongue Mount:
2-1/4-in Outside Diameter x
1-3/4-in Inside Diameter Steel Tubing



No. 4 Tongue Mount:
High Strength Steel for 3-in Square or Rectangular
Trailer Tongue



No. 5 Tongue Mount:
High Strength Steel for 3-1/2" OD
Round Trailer Tongue



No. 6 Channel Tongue Mount:
Fits Inside 3-in Wide Channel



No. 8 Tongue Mount:
High Strength Steel for 50-Degree Trailer Tongue
(Tapped Mounting Holes Optional for A-Frame Jacks)

HEAVY DUTY COUPLERS

- Designed for utility, horse/livestock, cargo, and construction trailer applications, BULLDOG Collar-Lok™ are the strongest in the industry
- The BULLDOG design features the only automatic and continuously tight ball fit in the industry
- A variety of coupler styles, tongue mounts, and latches allow configurations to match virtually any trailer
- Adjustable couplers assure level operation for trailers when pulled by a variety of different vehicles
 - Strong in both static and dynamic loading conditions
 - Hinged ball socket for easy hook up
 - Clear, visual indication of proper closure
 - In compliance with SAE standard J684

**COLLAR-LOK™
COUPLERS -
"B" STYLE COUPLERS**



2B Style:
5,000 lb Gross Trailer Weight for 2-in Ball



3B Style:
7,000 lb Gross Trailer Weight for 2-in Ball



4B Style:
12,500 lb Gross Trailer Weight for 2-5/16-in Ball



5B Style:
15,000 lb Gross Trailer Weight for 2-5/16-in Ball

**COLLAR-LOK™
COUPLERS -
LATCHES**



L - Low Profile: (Latches)
No. 8 Tongue Mount Only



H - High Profile: (Latches)



M - Pin Only: (Latches)

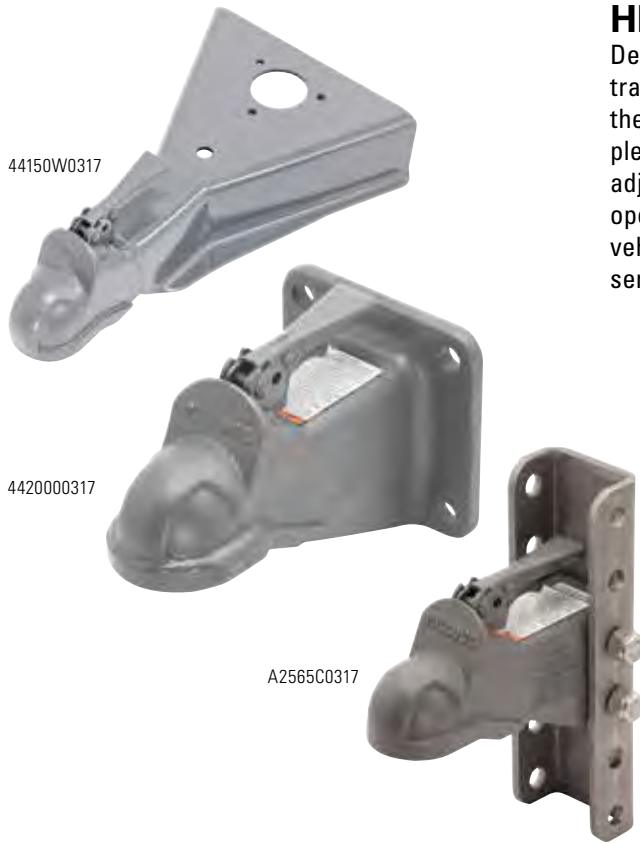
⚠ WARNING
Failure to close coupler securely before towing or failure to use with specified ball size may result in serious injury or death.

HEAVY DUTY COLLAR-LOK™ COUPLERS

Part Number	Model Number	Description	GTW (lbs.)	Overall Length	Latches	Ball Size	SAE Class	Coupler Style
No. 2 - Round Tubular Tongue Mount								
028381	2B2H	2-1/4" OD x 1-3/4" ID, steel tubing	5,000	10-3/4"	High Profile	2"	III	2B Style
028242	2B2M	2-1/4" OD x 1-3/4" ID, steel tubing	5,000	10-3/4"	Pin Style	2"	III	2B Style
028461	4B2H	2-1/4" OD x 1-3/4" ID, steel tubing	12,500	12-3/4"	High Profile	2-5/16"	N/A	4B Style
028442	4B2M	2-1/4" OD x 1-3/4" ID, steel tubing	12,500	12-3/4"	Pin Style	2-5/16"	N/A	4B Style
No. 4 - 3" Square Rectangular Tongue Mount								
028382 ◇	2B4H	High-strength steel for 3" square or rectangular trailer tongue	5,000	16-1/4"	High Profile	2"	III	2B Style
028244	2B4M	High-strength steel for 3" square or rectangular trailer tongue	5,000	16-1/4"	Pin Style	2"	III	2B Style
028387 ◇	3B4H	High-strength steel for 3" square or rectangular trailer tongue	7,000	16-1/4"	High Profile	2"	IV	3B Style
028243	3B4M	High-strength steel for 3" square or rectangular trailer tongue	7,000	16-1/4"	Pin Style	2"	IV	3B Style
028462 ◇	4B4H	High-strength steel for 3" square or rectangular trailer tongue	12,500	16-1/2"	High Profile	2-5/16"	N/A	4B Style
028444	4B4M	High-strength steel for 3" square or rectangular trailer tongue	12,500	16-1/2"	Pin Style	2-5/16"	N/A	4B Style
No. 5 - 3" Round Straight Tongue Mount								
028383	2B5H	High-strength steel for 3-1/2" OD round trailer tongue	5,000	16-1/4"	High Profile	2"	III	2B Style
No. 6 - Adjustable Channel Mount								
028390 ◇	3B6M	Fits inside 3" wide channel	7,000	9.5"	Pin Style	2"	IV	3B Style
028584	3B6M	Rigid mount, 4-bolt design, fits inside 3" wide channel	7,000	9.5"	Pin Style	2"	IV	3B Style
028630 ◇	4B6M	Fits inside 3" wide channel	12,500	10"	Pin Style	2-5/16"	N/A	4B Style
028585	4B6M	Rigid mount, 4-bolt design, fits inside 3" wide channel	12,500	10"	Pin Style	2-5/16"	N/A	4B Style
028657	5B6M	Fits inside 3" wide channel	15,000	10"	Pin Style	2-5/16"	N/A	5B Style
No. 8 - A-Frame Tongue Mount								
028384	2B8H	High-strength steel for 50° trailer tongue	5,000	16"	High Profile	2"	III	2B Style
028288 ◇	2B8L	High-strength steel for 50° trailer tongue	5,000	16"	Low Profile	2"	III	2B Style
028386	3B8H	High-strength steel for 50° trailer tongue	7,000	16"	High Profile	2"	IV	3B Style
028287 ◇	3B8L	High-strength steel for 50° trailer tongue	7,000	16"	Low Profile	2"	IV	3B Style
028463	4B8H	High-strength steel for 50° trailer tongue	12,500	16-1/2"	High Profile	2-5/16"	N/A	4B Style
028499 ◇	4B8L	High-strength steel for 50° trailer tongue	12,500	16-1/2"	Low Profile	2-5/16"	N/A	4B Style
028656	5B8H	Black primed finish	15,000	16-1/2"	High Profile	2-5/16"	N/A	5B Style
No. 8 - A-Frame Tongue Mount								
028655	5B8L	Black primed finish	15,000	16-1/2"	Low Profile	2-5/16"	N/A	5B Style
Replacement Parts								
024200	Collar-Lok Coupler kit, includes high profile latch handle, latch wire, latch pin, push nut, and cotter pin							
500354	Coupler Cap Spring							

NOTE: Other custom-made designs are available upon request.

◇ DENOTES MOST POPULAR



HEAVY DUTY CAST COUPLERS

Designed for utility, horse/livestock, cargo, and construction trailer applications, BULLDOG couplers are the strongest in the industry. The patented cast head “Wedge-Latch®” coupler design is offered in heavy-duty, A-frame, and convenient adjustable height models. Adjustable couplers assure level operation for trailers when pulled by a variety of different vehicles. The replaceable latching hardware allows for longer service life.

- Quick and easy to engage
- Strong and secure on the road
- Patented Wedge-Latch ball clamp design
- Quick to hook up and disconnect
- In compliance with SAE standard J684

⚠ WARNING
 Failure to close coupler securely before towing or failure to use with specified ball size may result in serious injury or death.

Part Number	Description	GTW (lbs.)	Overall Length	Latches	Ball Size	SAE Class
Wedge-Latch Cast Head Couplers						
43805W0317	Round jack mount, 50° A-frame	8,000	18"	Wedge-Latch	2"	IV
44125W0317	Round jack mount, 50° A-frame	12,500	18"	Wedge-Latch	2-5/16"	IV
44150W0317	Round jack mount, 50° A-frame	15,000	18"	Wedge-Latch	2-5/16"	IV
44150WQ317	Square jack mount, 50° A-frame	15,000	18"	Wedge-Latch	2-5/16"	IV
44150WH301	Round jack mount, 50° A-frame, for bolt-on applications	15,000	18"	Wedge-Latch	2-5/16"	IV
Wedge-Latch Flat Mount Cast Head Couplers						
4420000317	Cast head, 4-1/2" mount pattern, gray primer coat	20,000	-	Wedge-Latch	2-5/16"	-
4425000317	Cast head, 4-1/2" mount pattern, gray primer coat	25,000	-	Wedge-Latch	2-5/16"	-
Accessory Part, Wedge-Latch Flat Mount Cast Head Coupler						
PL4 0201	Pin/Lanyard 5/16" with 4 Link Chain & Tab	-	-	-	-	-
Wedge-Latch Adjustable Height Cast Head Couplers						
A200C 0317	Cast head includes mounting hardware, adjustable height	8,000	8-1/2"	Wedge-Latch	2"	IV
A2003C0317	Cast head includes bolts and 3-position channel, adjustable height	8,000	9-1/4"	Wedge-Latch	2"	IV
A2005C0317	Cast head includes bolts and 5-position channel, adjustable height	8,000	9-1/4"	Wedge-Latch	2"	IV
A256C 0317	Cast head includes mounting hardware, adjustable height	14,000	9-1/4"	Wedge-Latch	2-5/16"	IV
A2563C0317	Cast head includes bolts and 3-position channel, adjustable height	14,000	9-1/2"	Wedge-Latch	2-5/16"	IV
A2565C0317	Cast head includes bolts and 5-position channel, adjustable height	14,000	9-1/2"	Wedge-Latch	2-5/16"	IV
Accessories and Replacement Parts, Adjustable Height Channel Bracket						
AC300 0300	4-hole, 3-position bracket, with 4" of vertical adjustment, adjustable height	8" Ht.	-	-	-	-
AC500 0300	6-hole, 5-position bracket, with 8" of vertical adjustment, adjustable height	-	11-3/4" Ht.	-	-	-
66 0801	2" Ball size Wedge-Latch repair kit. Includes latch lever, ball clamp, and replacement hardware	-	-	-	2"	-
67 0801	2-5/16" Ball size Wedge-Latch repair kit. Includes latch lever, ball clamp, and replacement hardware	-	-	-	2-5/16"	-

NOTE: Other custom-made designs are available upon request.

A200S 0303



AC300 0300



AC500 0300



E338050303



E438050303



ADJUSTABLE HEIGHT HEAVY DUTY COUPLERS

Designed for utility, horse/livestock, cargo, and construction trailer applications, BULLDOG couplers are the strongest in the industry. The patented cast head “Wedge-Latch®” coupler design is offered in heavy-duty, A-frame, and convenient adjustable height models. Adjustable couplers assure level operation for trailers when pulled by a variety of different vehicles. The replaceable latching hardware allows for longer service life.

- Quick and easy to engage
- Strong and secure on the road
- Patented Wedge-Latch ball clamp design
- Quick to hook up and disconnect
- In compliance with SAE standard J684

Part Number	Description	GTW (lbs.)	Overall Length	Ball Size
A200S 0303	Black E-Coat Finish Mounting Hardware Included, Mounting Bracket Sold Separately	8,000	9"	2"
A256S 0303	Black E-Coat Finish, Mounting Hardware Included, Mounting Bracket Sold Separately	14,000	9.5"	2-5/16"
Mounting Brackets				
AC300 0300	3 Position, Raw Finish, Mounting Hardware Sold Separately, 8" Ht.			
AC500 0300	5 Position, Raw Finish, Mounting Hardware Sold Separately, 11.75" Ht.			
024202	Mounting Hardware, Individually Bagged			

YOKE COUPLERS

Part Number	Description	GTW (lbs.)	Ball Size
E338050303	Class III Coupler, Round Jack Mount 50° A-Frame, Black E-Coat Finish, Weld-on	5,000	2"
E438050303	Class IV Coupler, Round Jack Mount 50° A-Frame, Black E-Coat Finish Weld-on	8,000	2"

⚠ WARNING

Failure to close coupler securely before towing or failure to use with specified ball size may result in serious injury or death.

PINTLE HOOK MOUNTS



- Converts receivers for use with pintle-type trailers, quickly and easily
- Provides mounting for both ball and pintle and rigid type pintle hooks
- Pin and clip must be ordered separately



Part Number	Shank	Rating GTW/TW (lbs.)	A Shank	B Length	H Shank Dia.	C Height	D Width	E Hole	F Width	G Height	Hole Sets
63056	Hollow	6,000/600	7-5/8"	3"	2"	5-1/2"	5"	17/32"	3-3/8"	1-3/4"	3
63057	Solid	12,000/1,200	7-5/8"	3-1/4"	2"	7-1/2"	5"	17/32"	3-3/8"	1-3/4"	4
63058	Solid	8,000/800	11-3/8"	3-1/4"	2"	12-1/2"	5"	17/32"	3-3/8"	1-3/4"	7
63059	Solid	12,000/1,200	11-3/8"	3-1/4"	2"	7-1/2"	5"	17/32"	3-3/8"	1-3/4"	4
45156	Hollow	12,000/1,200	7-3/4"	3-1/4"	2-1/2"	6"	5"	17/32"	3-3/8"	1-3/4"	3
45294	Forged	18,000/2,000	8-1/2"	3-1/4"	2-1/2"	7-1/4"	5"	17/32"	3-3/8"	1-3/4"	4
38186	Forged	25,000/4,000	9"	3-1/4"	3"	9"	5"	17/32"	3-3/8"	1-3/4"	5



63072 - Drop

ADJUSTABLE PINTLE MOUNT

Tackle rough terrain with the toughest mount in town. Set it right where you want it for trailers of various heights and couplers. It converts quickly for a day of hassle-free towing.

- Fits 2-in receivers, rated up to 14,000 lb GTW
- Adjust height up to 10.5-in
- Adjustable cast shank, knurled bolt pin with secure lanyard
- Black powder coat finish resists corrosion

Part Number	Description	Length	Max Rise	Max Drop
63072	Adjustable Pintle Mount, 14,000 lbs. GTW	9-5/8"	4-1/4"	6-1/4"
Replacement Part				
63911	Replacement Cast Shank			



63016

PINTLE HOOKS

Part Number	Description	GTW with Mounting Hardware	Max Vertical Load
63013	5 Ton Pintle Hook	10,000 lbs.	2,000 lbs.
63014	10 Ton Pintle Hook	20,000 lbs.	4,000 lbs.
63015	15 Ton Pintle Hook	30,000 lbs.	6,000 lbs.
63016	30 Ton Pintle Hook	60,000 lbs.	14,000 lbs.
Replacement Parts			
63032	Replacement Mounting Hardware Kit		

PINTLE HOOK COMBINATION HITCHES

Part Number	Description	Ball Size	Ball Rating	GTW with Mounting Hardware	Max Vertical Load
63010	Pintle Hook Combo Hitch	1-7/8"	6,000 lbs.	16,000 lbs.	3,000 lbs.
63011	Pintle Hook Combo Hitch	2"	10,000 lbs.	16,000 lbs.	3,000 lbs.
63012	Pintle Hook Combo Hitch	2-5/16"	14,000 lbs.	16,000 lbs.	3,000 lbs.
Replacement Parts					
63032	Replacement Mounting Hardware Kit				

63010



ONE-PIECE PINTLE HOOKS

- Fits 2-in square receiver tube opening

Part Number	Description	Max GTW	Ball GTW	Max Vertical Load
63043	5 Ton Receiver Mount Pintle Hook	10,000 lbs.	-	2,000 lbs.
63040	1-7/8" Receiver Mount Pintle Combination	12,000 lbs.	2,000 lbs.	2,400 lbs.
63041	2" Receiver Mount Pintle Combination	12,000 lbs.	7,000 lbs.	2,400 lbs.
63042	2-5/16" Receiver Mount Pintle Combination	12,000 lbs.	12,000 lbs.	2,400 lbs.

63041



RECEIVER MOUNT TOW EYELET, HOOKS AND RINGS

Part Number	Description	Max GTW	Length
63045	Tow Eyelet, Forged	10,000 lbs.	7-3/8"
63044	Tow Hook, Forged	10,000 lbs.	7-3/8"
63047†	Tow Hook	8,000 lbs.	7"
63046	Tow Ring	8,000 lbs.	7-3/8"

63047



LUNETTE RINGS

Part Number	Description	Diameter	Capacity
63036	Adjustable Lunette Ring with Channel	3"	24,000 lbs.
63060	Adjustable Lunette Ring with Hardware	3"	24,000 lbs.
1291020383	Adjustable Lunette Ring, Bulk	3"	14,000 lbs.
1291020340	Adjustable Lunette Ring, Clear Zinc, Bulk	3"	14,000 lbs.

63036



PINTLE HOOK REPLACEMENT PARTS

Part Number	Description
63050	1-7/8" Replacement Ball, 6,000 lbs., 1-1/8" Diameter
63051	2" Replacement Ball, 10,000 lbs., 1-1/8" Diameter
63052	2-5/16" Replacement Ball, 14,000 lbs., 1-1/8" Diameter
63020	Replacement Snapper Pin, 1/4"
63032	Replacement Hardware Mounting Kit, Plate Mounted Pintle Hooks/Combination Hitches
63017	1-7/8" Replacement Ball, 6,000 lbs., 1-1/8" Diameter
63018	2" Replacement Ball, 10,000 lbs., 1-1/8" Diameter
63019	2-5/16" Replacement Ball, 14,000 lbs., 1-1/8" Diameter

† - Available while Supplies Last



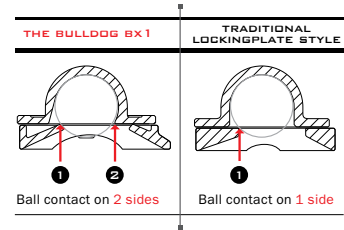
25K Square Tube - 1289130300

20K Short Configuration - 1289070300

BX1® GOOSENECK COUPLERS

The BULLDOG BX1 coupler is the result of generations of design expertise and field experience. It incorporates innovative features that revolutionize the benefits available from a gooseneck coupler.

- Offers flexible mounting options with Next Generation locking plate coupler locking mechanism
- Makes hooking up, adjusting vertical height, and disconnecting easy
- Maintains smooth operation over time with grease fittings for every important operating part
- Operates easily with one hand thanks to new locking handle design
- Continuous tight ball fit- ever-increasing cam tightening mechanism
- Protects against wear with enclosed locking pin mechanism
- Integrated feature to allow pad-locking the coupler to the ball (lock not included)
- Guides ball into socket more easily—letting you miss by more than an inch—with bottom locking plate 50% larger than competitors
- Lengthens life of locking mechanism with oil-impregnated bushings
- Allows shorter retracted length and less wasted length for trucks with high bed height via low-profile locking mechanism
- Fits ball better and reduces jarring through contour-formed edge on bottom locking plate
- Delivers unmatched strength through heavy-duty construction
- Innovations that improve security, service life, and functionality
- New ball pocket design provides contact on both sides of the ball for substantially improved pull out strength - the only sliding-plate design that transfers part of the load to the top locking plate rather than only the bottom locking plate
- In compliance with SAE standard J2638



Part Number	Description	Capacity (lbs.)	Overall Retracted Height	Overall Extended Height	Adjustment	Ball Size
1289030300	BX1 Coupler Round Tube	20,000	27.5"	35.5"	8"	2-5/16"
1289070300	BX1 Coupler Round Tube, Short Configuration	20,000	22.6"	30.6"	8"	2-5/16"
1289170300	BX1 Coupler Round Tube, Inner Tube Only	20,000	-	-	8"	2-5/16"
1289000300	BX1 Coupler Round Tube	25,000	27.5"	35.5"	8"	2-5/16"
1289020300	BX1 Coupler Round Tube, Inner Tube Only	25,000	-	-	8"	2-5/16"
1289080300	BX1 Coupler Round Tube, Short Configuration	25,000	22.6"	30.6"	8"	2-5/16"
1289130300	BX1 Coupler Square Tube	25,000	30.8"	38.8"	8"	2-5/16"
1289210300	BX1 Coupler Square, Inner Tube Only, Short Configuration	25,000	-	-	8"	2-5/16"
1289040300	BX1 Coupler Round Tube, Short Configuration	30,000	22.6"	30.6"	8"	2-5/16"
1289050300	BX1 Coupler Round Tube, Inner Tube Only, Short Configuration	30,000	-	-	8"	2-5/16"
1289140300	BX1 Coupler Square Tube	30,000	30.8"	38.8"	8"	2-5/16"
1289200300	BX1 Coupler Square Tube	40,000	22.0"	24.6"	2.6"	3"
Accessories						
0233120300	Square Gooseneck Coupler Outer Tube, Weld On, 20" Length, 4-1/2" Tube, w/Hex Head Bolt Hole, Dual Set Bolts & Labels, 20.6 Lbs.					
500356	5/16" Locking Pin for BX1 Gooseneck Couplers					
Service Kit						
500289	BX1 Gooseneck Coupler Handle Mechanism					
Replacement Part						
500353	Repair Kit (BX1, 3" Ball), Includes Handle Assembly, Locking Cam, Grease Fitting, Grooved Pin, Flanged Bushing & Torsion Spring					

Patents Pending

ROUND GOOSENECK COUPLERS

BULLDOG gooseneck couplers are quick and easy to engage and strong and secure on the road. Our unique, patented, extruded locking plate design and high-strength steel components make BULLDOG gooseneck couplers 65% stronger than similar products.

- Easy-grip locking handle is accessible from any position, even with a glove on
- Self-centering locking plate lets you miss the ball by more than an inch
- Tight ball fit reduces jarring when changing speeds or on rough roads
- Heavy-duty construction provides unmatched strength
- User-friendly design is simple to use
- Quick to hook up and disconnect
- Easy vertical adjustment
- In compliance with SAE standard J2638



0289500300

0287600300



GN24 0200

⚠ WARNING

Failure to close coupler securely before towing or failure to use with specified ball size may result in serious injury or death.

Part #	Description	Capacity (lbs.)	Overall Retracted Height	Adjustment	Ball Size
Round Gooseneck Fixed Coupler					
0287690300	Fixed base coupler	20,000	33.00"	-	2-5/16"
Round Gooseneck Adjustable Coupler					
0287600300	Adjustable gooseneck coupler	20,000	29.20"	8.0"	2-5/16"
0287610300	Adjustable gooseneck coupler. No outer tube	20,000	27.20"	8.0"	2-5/16"
0287620300	Adjustable gooseneck coupler with cap	20,000	29.30"	8.0"	2-5/16"
0287650300	Adjustable gooseneck coupler. No outer tube. GN24 coupler head	20,000	28.60"	8.0"	2-5/16"
0287760300	Adjustable gooseneck coupler. GN24 coupler head	20,000	29.50"	8.0"	2-5/16"
0289340317	4.5" diameter outer tube, 4" diameter inner tube, with GN24 coupler head, 3/4" load bearing pin	25,000	28.10"	8.0"	2-5/16"
0289250300	4.5" diameter outer tube, 4" diameter inner tube, with cast locking plates. 3/4" load bearing pin	25,000	29.30"	8.0"	2-5/16"
0289500300	4.5" diameter outer tube, 4" diameter inner tube, with cast locking plates. 3/4" load bearing pin	30,000	29.30"	8.0"	2-5/16"
Gooseneck Coupler Head					
GN24 0200	Cast steel gooseneck coupler designed for easy welding to 3" or 4" diameter tubing Quick & easy latching action eliminates need to be in tow vehicle for hook-up	24,000	-	-	2-5/16"
Gooseneck Coupler Outer Tube					
0233010300	Outer tube only. 20" length, 4.5" round tube, with hole for 3/4" load bearing pin, (1) set bolt				
0233100300	Outer tube only. 20" length, 4.5" round tube, with hole for 3/4" load bearing pin, (2) set bolts				
Replacement Part - Gooseneck Coupler Head GN24 Repair Kit					
1542S01	Kit includes torsion spring, coupler locking shaft, curved handle assembly, 3/4" shaft retaining ring, centerlock nut 1/2-13				
Replacement Parts - Gooseneck Coupler Kits					
0287740300	Kit includes coupler assembly, locking pin assembly, locking pin cover, BULLDOG label, and warning label. 2-5/16" Ball Size				
0233060301	Replacement Pin Kit, includes cotter pin				
500296	Gooseneck couplers bolt kit. Includes jam nut (1), set screw (1), adjusting nut (1)				



028900

0289600300

SQUARE GOOSENECK COUPLERS

You won't find a coupler that's faster or easier to use than the square gooseneck from BULLDOG. Its user-friendly design makes hookup and release swift and secure.

- Easy-grip locking handle is accessible from any position
- Self-centering locking plate lets you miss the ball by more than an inch
- Tight ball fit reduces jarring when changing speeds or on rough roads
- Heavy-duty high-strength fabricated steel components are as strong as heavy cast iron but lighter and less brittle
- User-friendly design enables quick, easy hookup and release
- Locking handle cover protects working parts
- Cam locking pin affords easy vertical adjustment
- Pinch bolt design
- In compliance with SAE standard J2638

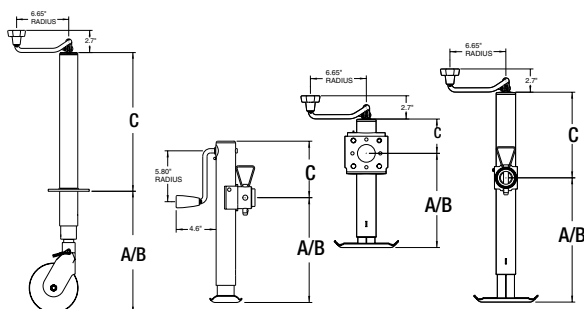
⚠ WARNING

Failure to close coupler securely before towing or failure to use with specified ball size may result in serious injury or death.

Part #	Description	Capacity (lbs.)	Overall Retracted Height	Overall Extended Height	Adjustment	Ball Size
0289600300	4.5" square outer tube, 4.0" square inner tube. (1) 3/4" diameter set screw	25,000	32"	40"	8"	2-5/16"
0288660300	4.0" square inner tube only	25,000	30.75"	-	8"	2-5/16"
028900	4.5" square outer tube with .25" wall, 4.0" square inner tube with .313" wall Includes topwind crank	30,000	32"	39"	7"	2-5/16"
0289800300	4.5" square outer tube with, 4.0" square inner tube. (2) 3/4"diameter set bolts	30,000	32"	40"	8"	2-5/16"



ROUND JACKS



Travel and Clearance Diagram
A= Retracted B= Extended C= Clearance Height

- BULLDOG round jacks are recognized as the industry standard by leading agricultural, commercial, horse, livestock, and other trailer manufacturers
- For more than three quarters of a century, BULLDOG jacks have been demonstrated to be the most reliable, field-proven jacks on the market
- Smooth, comfortable, ergonomic design
- Dependable vertical and side load capacity
- Proven reliability for long term use at rated loads
- Precision fitted parts for extra stability
- A-Frame models listed have gray painted outer and inner tubes - all other models have gray painted outer and clear zinc inner tubes
- Custom finishes are available upon request



THE CHOICE WHEN APPLICATION REQUIRES COMPLIANCE WITH ASABE S485 STANDARDS

BOLT-ON RETAINING RING SWIVEL ROUND JACKS

Part Number	Model Number	Description	Lift Capacity	Handle Style	Travel	A Retracted	B Extended	C Clearance
151443 ◊	TWS 159 SX	Bolt-on swivel bracket assembled with mounting hardware. 1/2" diameter plunger pin. Without base. Fits tongue up to 3" x 4"	2,000 lbs.	Topwind	10"	11.00"	21.00"	4.00"

NOTE: Review price list or contact customer service for package quantities and full part number. Other custom-made designs are available upon request.
◊ DENOTES MOST POPULAR



ROUND JACKS WITHOUT MOUNT

Part Number	Model Number	Description	Lift Capacity	Handle Style	Travel	A Retracted	B Extended	C Clearance
150000	TWL 150	No foot, no mount, painted outer tube, zinc inner tube	2,000 lbs.	Topwind	10"	15.00"	25.00"	N/A
150152	SWL 150	No foot, no mount, painted outer tube, zinc inner tube	2,000 lbs.	Sidewind	15"	26.60"	41.60"	N/A
1701480317	TWL 170	No foot, no mount, painted outer tube, zinc inner tube	5,000 lbs.	Topwind	15"	21.00"	36.00"	N/A
170205	SWL 170	No foot, no mount, painted outer tube, zinc inner tube	5,000 lbs.	Sidewind	15"	19.20"	34.20"	N/A

NOTE: Review price list or contact customer service for package quantities and full part number. Other custom-made designs are available upon request.
◊ DENOTES MOST POPULAR

TUBULAR SWIVEL ROUND JACKS

Part Number	Model Number	Description	Lift Capacity	Handle Style	Travel	A Retracted	B Extended	C Clearance
158451 ◇	TWS 158 DTSF w/P&C	Weld-on tubular mount with 9/16" pin and foot plate. Male mating mount included	2,000 lbs.	Topwind	10"	11.00"	21.00"	4.00"
1584510117	TWS 158 DTSF w/P&C	Weld-on tubular mount with 9/16" pin and foot plate. Male mating mount included. Display Box	2,000 lbs.	Topwind	10"	11.00"	21.00"	4.00"
158452 ◇	TWL 158 DTSF w/P&C	Weld-on tubular mount with 9/16" pin and foot plate. Male mating mount included	2,000 lbs.	Topwind	15"	14.50"	29.50"	10.00"
1584520117	TWL 158 DTSF w/P&C	Weld-on tubular mount with 9/16" pin and foot plate. Male mating mount included. Display Box	2,000 lbs.	Topwind	15"	14.50"	29.50"	10.00"
150441	TWS 150 DTS-FX w/P&C	Weld-on tubular mount, with 9/16" pin and foot plate. Clear zinc finish. Mating mount sold separately	2,000 lbs.	Topwind	10"	11.00"	21.00"	4.00"
158488	TWL 150 DTSF w/P&C	Weld-on tubular mount with 9/16" pin and foot plate. Clear zinc finish. Male mating mount included	2,000 lbs.	Topwind	15"	16.00"	31.00"	4.00"
158109	SWS 158 DTSF w/P&C	Weld-on tubular mount with 9/16" pin and foot plate. Male mating mount included	2,000 lbs.	Sidewind	10"	10.80"	20.80"	6.40"
1581090117	SWS 158 DTSF w/P&C	Weld-on tubular mount with 9/16" pin and foot plate. Male mating mount included. Display Box	2,000 lbs.	Sidewind	10"	10.80"	20.80"	6.40"
158151 ◇	SWL 158 DTSF w/P&C	Weld-on tubular mount with 9/16" pin and foot plate. Male mating mount included	2,000 lbs.	Sidewind	15"	14.50"	29.50"	12.20"
1581510117	SWL 158 DTSF w/P&C	Weld-on tubular mount with 9/16" pin and foot plate. Male mating mount included. Display Box	2,000 lbs.	Sidewind	15"	14.50"	29.50"	12.20"
1581090301	N/A	Weld-on tubular mount	2,000 lbs.	Sidewind	10"	10.8"	20.8"	6.30"
610322	3 TMX-20-X	Weld-on tubular mount with 5/8" pin and foot plate. Male mating mount not included. Clear zinc outer tube and inner tube. Low mount location	3,000 lbs.	Topwind	20"	3.1"	23.1"	3.7"
178101 ◇	TWS 178 DTSF w/P&C	Weld-on tubular mount with 9/16" pin and foot plate. Male mating mount included	5,000 lbs.	Topwind	10"	11.25"	21.25"	4.00"
1781010117	TWS 178 DTSF w/P&C	Weld-on tubular mount with 9/16" pin and foot plate. Male mating mount included. Display Box	5,000 lbs.	Topwind	10"	11.25"	21.25"	4.00"
178151	TWL 178 DTSF w/P&C	Weld-on tubular mount with 9/16" pin and foot plate. Male mating mount included.	5,000 lbs.	Topwind	15"	14.70"	29.70"	10.00"
1781510117	TWL 178 DTSF w/P&C	Weld-on tubular mount with 9/16" pin and foot plate. Male mating mount included. Display Box	5,000 lbs.	Topwind	15"	14.70"	29.70"	10.00"
178151	TWL 178 DTSF w/P&C	Weld-on tubular mount with 9/16" pin and foot plate. Male mating mount included	5,000 lbs.	Topwind	15"	14.70"	29.70"	10.00"
1781510117	TWL 178 DTSF w/P&C	Weld-on tubular mount with 9/16" pin and foot plate. Male mating mount included. Display Box	5,000 lbs.	Topwind	15"	14.70"	29.70"	10.00"

NOTE: Review price list or contact customer service for package quantities and full part number. Other custom-made designs are available upon request.
 ◇ DENOTES MOST POPULAR

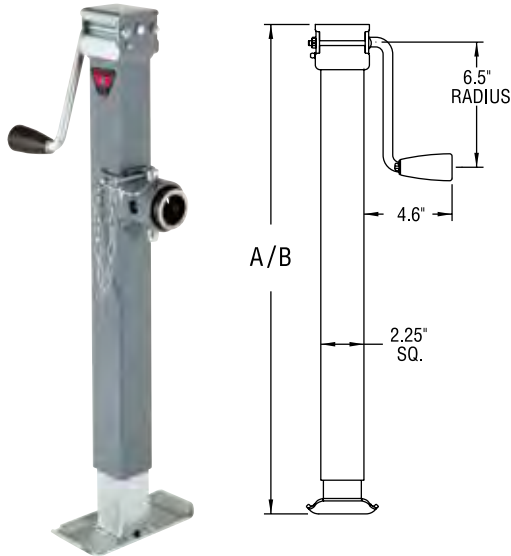
TUBULAR SWIVEL ROUND JACKS (CONTINUED)

Part Number	Model Number	Description	Lift Capacity	Handle Style	Travel	A Retracted	B Extended	C Clearance
178203	SWL 178 DTSF w/P&C	Weld-on tubular mount with 5/8" pin and foot plate. Male mating mount included	5,000 lbs.	Sidewind	15"	15.40"	30.40"	6.40"
198100	TWS 198 DTSM w/P&C	Weld-on tubular mount with 5/8" pin and foot plate. Female mating mount included	7,000 lbs.	Topwind	10"	10.80"	20.80"	4.50"
198150 ◇	SWS 198 DTSM w/P&C	Weld-on tubular mount with 5/8" pin and foot plate. Female mating mount included	7,000 lbs.	Sidewind	10"	11.00"	21.00"	6.40"
198200	TWL 198 DTSM w/P&C	Weld-on tubular mount with 5/8" pin and foot plate. Female mating mount included	7,000 lbs.	Topwind	15"	15.80"	30.80"	4.25"
198250	SWL 198 DTSM w/P&C	Weld-on tubular mount with 5/8" pin and foot plate. Female mating mount included	7,000 lbs.	Sidewind	15"	16.00"	31.00"	6.40"

WELD-ON RETAINING RING SWIVEL ROUND JACKS

Part Number	Model Number	Description	Lift Capacity	Handle Style	Travel	A Retracted	B Extended	C Clearance
151401 ◇	TWS 151 DS	Weld-on L-bend swivel bracket assembled. 1/2" diameter plunger pin. With footplate	2,000 lbs.	Topwind	10"	11.00"	21.00"	4.00"
1514010117	TWS 151 DS	Weld-on L-bend swivel bracket assembled. 1/2" diameter plunger pin. With footplate. Display Box	2,000 lbs.	Topwind	10"	11.00"	21.00"	4.00"
151421	TWL 151 DS	Weld-on L-bend swivel bracket assembled. 1/2" diameter plunger pin. With footplate	2,000 lbs.	Topwind	15"	14.50"	29.50"	10.00"
1514210117	TWL 151 DS	Weld-on L-bend swivel bracket assembled. 1/2" diameter plunger pin. With footplate. Display Box	2,000 lbs.	Topwind	15"	14.50"	29.50"	10.00"
151460	TWS 151 DS	3/8" diameter plunger pin. With footplate. Clear zinc finish. WELD-ON L-BEND SWIVEL BRACKET SOLD SEPARATELY	2,000 lbs.	Topwind	10"	11.00"	21.00"	4.00"
151101 ◇	SWS 151 DS	Weld-on L-bend swivel bracket assembled. 1/2" diameter plunger pin. With footplate	2,000 lbs.	Sidewind	10"	11.00"	21.00"	6.40"
1511010117	SWS 151 DS	Weld-on L-bend swivel bracket assembled. 1/2" diameter plunger pin. With footplate. Display Box	2,000 lbs.	Sidewind	10"	11.00"	21.00"	6.40"
151159	SWL 151 DS	Weld-on L-bend swivel bracket assembled. 1/2" diameter plunger pin. With footplate	2,000 lbs.	Sidewind	15"	14.50"	29.50"	12.20"
171401	TWS 171 DS	Weld-on L-bend swivel bracket assembled. 1/2" diameter plunger pin. With footplate	5,000 lbs.	Topwind	10"	11.25"	21.25"	4.00"
171412	TWL 171 DS	Weld-on L-bend swivel bracket assembled. 1/2" diameter plunger pin. With footplate	5,000 lbs.	Topwind	15"	14.50"	29.50"	10.00"

NOTE: Review price list or contact customer service for package quantities and full part number. Other custom-made designs are available upon request.
 ◇ DENOTES MOST POPULAR



Tubular Swivel Mount Round - 195356

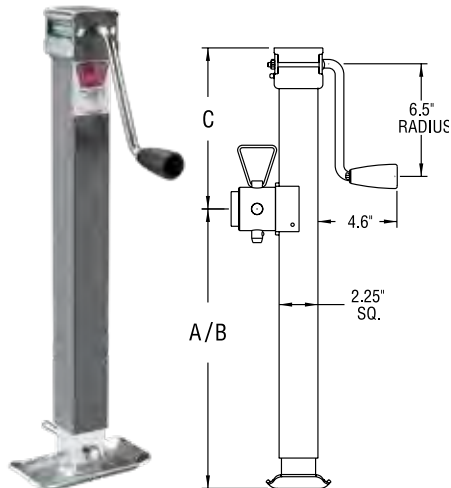
5K SQUARE JACKS

Compared to round jacks of similar capacities, BULLDOG's 5,000 lb support capacity square jack dramatically improves side load strength while maintaining the economical benefits of lower capacity jacks. The extra side load capacity you need without the costs of increasing overall capacity.



THE CHOICE WHEN APPLICATION REQUIRES COMPLIANCE WITH ASABE S485 STANDARDS

- 12-gauge square tube is 70% stronger than 12-gauge round tube for more side load and support strength with the same lift capacity
- 4.62-in outer tube overlap at full extension for additional side load strength
- Weather-resistant materials and coatings. Painted outer tubes, clear zinc inner tubes
- Proven, reliable mechanical elements provide dependable strength and long-lasting, durable performance
- Mounts included in this series of jacks



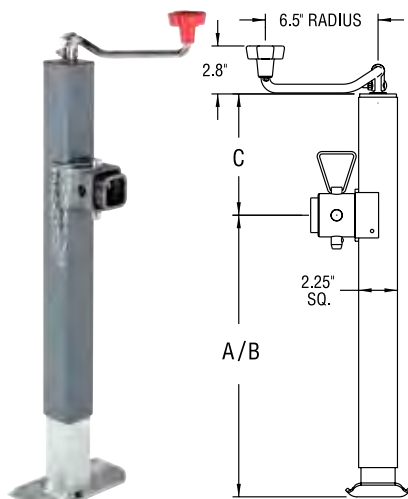
Tubular Swivel Mount Square - 195312

5K ROUND TUBULAR SWIVEL SQUARE JACKS

- Fixed leg with base. With tubular swivel mount (includes male mating mount, pin, and chain)

Part #	Model #	Support Capacity	Lift Capacity	Handle Style	Travel	A Retracted	B Extended	C Clearance
195306 ◇	TWL 195 DTSFQ	5,000 lbs.	3,000 lbs.	Top-wind	15"	15.20"	30.20"	7.00"
195356 ◇	SWL 195 DTSFQ w/P&C	5,000 lbs.	3,000 lbs.	Side-wind	15"	15.10"	30.10"	9.25"

Patent Pending. NOTE: Contact Price List or Customer Service for package quantities and full part number. ◇ DENOTES MOST POPULAR



Direct Weld - 195354

5K SQUARE TUBULAR SWIVEL 3K SQUARE JACKS

- Fixed leg with base. Square mount welded to outer tube (includes male mating mount, pin, and chain)

Part #	Model #	Support Capacity	Lift Capacity	Handle Style	Travel	A Retracted	B Extended	C Clearance
195312 ◇	TWL 195 DTSXFQ w/P&C	5,000 lbs.	3,000 lbs.	Topwind	15"	15.20"	30.20"	7.00"
195362	SWL 195 DTSXFQ w/P&C	5,000 lbs.	3,000 lbs.	Side-wind	15"	15.10"	30.10"	9.25"

Patent Pending. NOTE: Contact Price List or Customer Service for package quantities and full part number. ◇ DENOTES MOST POPULAR

Patent Pending. NOTE: Contact Price List or Customer Service for package quantities and full part number. ◇ DENOTES MOST POPULAR

5K A-FRAME SQUARE JACK

Part Number	Model Number	Description	Support Capacity	Lift Capacity	Handle Style	Travel	A Retracted	B Extended	C Clearance
195318	TWL 195 DL-DFXQ	Drop leg with base. Drop leg offers 13.50" additional adjustment	5,000 lbs.	3,000 lbs.	Topwind	15"	7.90"	36.50"	14.70"
195321 ◊	TWL 195 FL-FXQ	Fixed leg less base	5,000 lbs.	3,000 lbs.	Topwind	15"	7.40"	22.40"	14.70"

Patent Pending. NOTE: Contact Price List or Customer Service for package quantities and full part number.
 ◊ DENOTES MOST POPULAR

5K DIRECT WELD SQUARE JACKS

Part Number	Model Number	Description	Support Capacity	Lift Capacity	Handle Style	Travel	A Retracted	B Extended	C Clearance
195301 ◊	TWL 195 DQ	Fixed leg with base	5,000 lbs.	3,000 lbs.	Topwind	15"	22.20"	37.20"	N/A
195304 ◊	TWL 195 DL-DXQ	Drop leg with base. Drop leg offers 13.50" additional adjustment	5,000 lbs.	3,000 lbs.	Topwind	15"	22.60"	51.20"	N/A
195319	TWL 195 FL-BXQ	Fixed leg with caster base	5,000 lbs.	3,000 lbs.	Topwind	15"	22.30"	37.30"	N/A
195320	TWL 195 FL-XQ	Fixed leg less base	5,000 lbs.	3,000 lbs.	Topwind	15"	22.10"	37.10"	N/A
195351	SWL 195 DQ	Fixed leg with base	5,000 lbs.	3,000 lbs.	Sidewind	10"	17.70"	27.70"	N/A
195352	SWL 195 DQ	Fixed leg with base	5,000 lbs.	3,000 lbs.	Sidewind	15"	24.40"	39.40"	N/A
195354 ◊	SWL 195 DL-DXQ	Drop leg with base. Drop leg offers 13.50" additional adjustment	5,000 lbs.	3,000 lbs.	Sidewind	15"	25.50"	54.10"	N/A
195368	SWL 195 FL-XQ	Fixed leg with caster base	5,000 lbs.	3,000 lbs.	Sidewind	15"	24.40"	39.40"	N/A
195369	SWL 195 FL-XQ	Fixed leg less base	5,000 lbs.	3,000 lbs.	Sidewind	15"	24.20"	39.20"	N/A

Patent Pending. NOTE: Contact Price List or Customer Service for package quantities and full part number.
 ◊ DENOTES MOST POPULAR



Tubular Swivel Mount Round - 195356



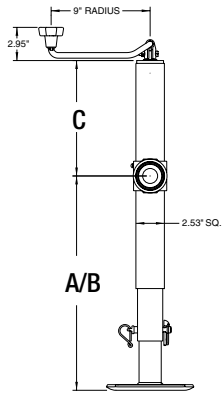
Tubular Swivel Mount Square - 195312



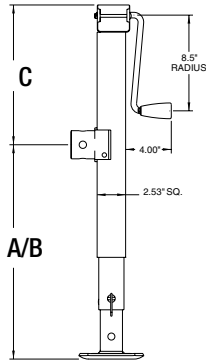
Direct Weld - 195354



Tubular Swivel Mount - 190705



Tubular Swivel Mount - 190756



8K SQUARE JACKS

BULLDOG's 8,000 lb support capacity square jack serves the agricultural, industrial, construction, horse/livestock trailer, and utility/cargo trailer markets. The compact design of these jacks makes them ideal for tight-fitting applications where 3-in and 4-in square tube jacks are too big!

- Use the painted outer tube as the final finish or primer
- Zinc-plated inner tube and drop leg
- 4.7-in Outer / inner tube overlap - results in optimal side load performance
- 5/8-in screw stem - provides insurance against screw stem twisting off
- Patented screw nut stop - prevents screw and/or nut damage when jack is fully extended
- Topwind models - bushing in top cap, eagle claw grip
- Sidewind models - 1/4-in cross pin connects gear train to screw stem - guards against shearing jack pin Sidewind models - 1:1.33 gear ratio

Travel and Clearance

Diagram

A= Retracted

B= Extended

C= Clearance Height



THE CHOICE WHEN
APPLICATION REQUIRES
COMPLIANCE WITH
ASABE S485 STANDARDS

8K TUBULAR SWIVEL SQUARE JACKS

Part #	Model #	Description	Support Capacity	Lift Capacity	Handle Style	Travel	A Retracted	B Extended	C Clearance
190705 ◊	TWS 190 FL-B TSMQ w/P&C	Fixed leg with heavy-duty base. With tubular swivel mount (includes mating mount, pin and chain)	8,000 lbs.	5,000 lbs.	Topwind	10"	11.41"	21.41"	4.25"
190706	TWL 190 FL-B TSMQ w/P&C	Fixed leg with heavy-duty base. With tubular swivel mount (includes mating mount, pin and chain)	8,000 lbs.	5,000 lbs.	Topwind	15"	12.16"	27.16"	10.25"
190708	TWL 190 DL-B TSMQ w/P&C	Drop leg with heavy-duty base. Drop leg offers 13.50" additional adjustment. Tubular swivel mount (mating mount, pin and chain)	8,000 lbs.	5,000 lbs.	Topwind	15"	12.66"	41.16"	10.25"
190724	TWL 190 FL-DTS BQ	Fixed leg with heavy-duty base. With tubular swivel mount (includes pin & chain, without mating mount, use 0031550300)	8,000 lbs.	5,000 lbs.	Topwind	15"	15.10"	30.10"	7.00"
190756 ◊	SWL 190 FL-B TSMQ w/P&C	Fixed leg with heavy-duty base. With tubular swivel mount (includes mating mount, pin and chain)	8,000 lbs.	5,000 lbs.	Sidewind	15"	12.16"	27.16"	12.40"
190758	SWL 190 DL-B TSMQ w/P&C	Drop leg with heavy-duty base. Drop leg offers 13.50" additional adjustment. Tubular swivel mount (mating mount, pin and chain)	8,000 lbs.	5,000 lbs.	Sidewind	15"	12.66"	41.16"	12.40"
190789	SWL 190 FL-BQ	Fixed leg with heavy-duty base. With tubular swivel mount (includes pin and chain, without mating mount, use 0031550300)	8,000 lbs.	5,000 lbs.	Sidewind	15"	15.10"	30.10"	9.40"

8K DIRECT WELD SQUARE JACKS

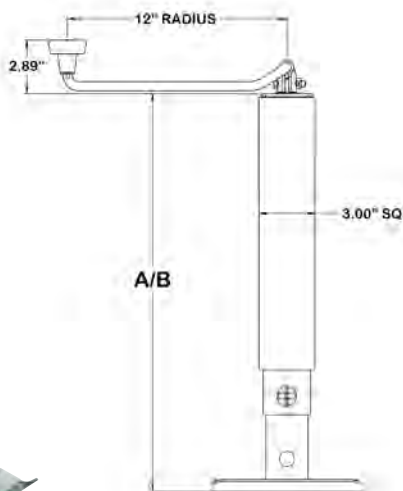
Part #	Model #	Description	Support Capacity	Lift Capacity	Handle Style	Travel	A Retracted	B Extended	C Clearance
190704 ◊	TWL 190 DL-BQ	Drop leg with heavy-duty base. Drop leg offers 13.50" additional adjustment.	8,000 lbs.	5,000 lbs.	Topwind	15"	22.66"	51.41"	N/A
1907040176	TWL 190 DL-BQ	Drop leg with heavy-duty base. Drop leg offers 13.50" additional adjustment. Display Box	8,000 lbs.	5,000 lbs.	Topwind	15"	22.66"	51.41"	N/A
190754 ◊	SWL 190 DL-BQ	Drop leg with heavy-duty base. Drop leg offers 13.50" additional adjustment.	8,000 lbs.	5,000 lbs.	Sidewind	15"	25.06"	53.56"	N/A
1907540176	SWL 190 DL-BQ	Drop leg with heavy-duty base. Drop leg offers 13.50" additional adjustment. Display Box	8,000 lbs.	5,000 lbs.	Sidewind	15"	25.06"	53.56"	N/A

Patent Pending. NOTE: Contact Price List or Customer Service for package quantities and full part number.

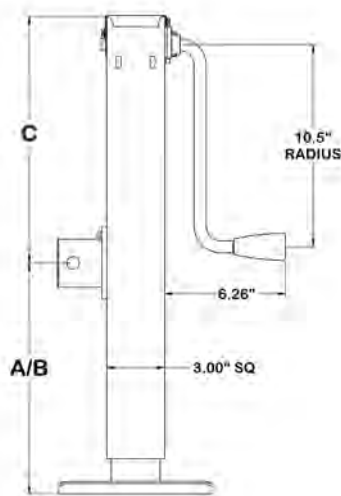
◊ DENOTES MOST POPULAR



180304



180405



10K SQUARE JACKS

BULLDOG's 10,000 lb support capacity square jacks "fills the gap" between 8,000 lb and 12,000 lb square jack product offerings

- If the existing 8,000 lb support capacity square jacks are too small or the 12,000 lb support capacity square jacks are too big, look no further – your application and pricing requirements have been met!
- This is the highest quality and best performing jack available in the marketplace today, a total balance between capacity, speed, and effort
- Heavy-gauge 3-in square tubing allows for direct weld mounting wherever the application allows – no burn through
- Use the painted outer tube as the final finish or primer
- Zinc-plated inner tube and drop leg
- Heavy-duty base, with reinforcement ribs, zero water retention
- Precision manufactured for long term reliability and smooth, easy cranking
- Grease zerk for easy lubrication as needed
- Oil-impregnated bushing for improved bearing and gear life
- Direct weld to outer tube is standard
- Sidewind models - 1:1.86 gear ratio

Travel and Clearance Diagram

- A= Retracted
- B= Extended
- C= Clearance Height



THE CHOICE WHEN APPLICATION REQUIRES COMPLIANCE WITH ASABE S485 STANDARDS

AGRICULTURAL

10K DIRECT WELD SQUARE JACKS

Part Number	Model Number	Description	Support Capacity	Lift Capacity	Handle Style	Travel	A Retracted	B Extended
180304 ◇	TWS 180 DL-BQ	Drop leg with heavy-duty base. Drop leg offers 10.12" additional adjustment	10,000 lbs.	7,200 lbs.	Topwind	10"	18.18"	38.31"
180354	TWL 180 DL-BQ	Drop leg with heavy-duty base. Drop leg offers 13.50" additional adjustment	10,000 lbs.	7,200 lbs.	Topwind	15"	22.93"	51.43"
180405	SWS 180 DL-BQ	Drop leg with heavy-duty base. Drop leg offers 10.12" additional adjustment	10,000 lbs.	7,200 lbs.	Sidewind	10"	19.93"	40.05"
180455 ◇	SWL 180 DL-BQ	Drop leg with heavy-duty base. Drop leg offers 13.50" additional adjustment	10,000 lbs.	7,200 lbs.	Sidewind	15"	25.67"	54.17"

10K SQUARE TUBULAR SWIVEL SQUARE JACKS

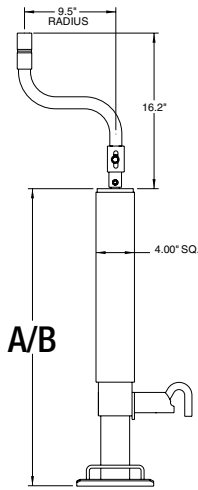
Part Number	Model Number	Description	Support Capacity	Lift Capacity	Handle Style	Travel	A Retracted	B Extended	C Clearance
180587	SWL 180 FT-BTSXQ	Fixed leg with base. Square mount welded to outer tube (includes male mating mount, pin and chain).	10,000 lbs.	7,200 lbs.	Sidewind	15"	12"	27"	12.8"

NOTE: Review price list or contact customer service for package quantities and full part number. Other custom-made designs are available upon request. ◇ DENOTES MOST POPULAR

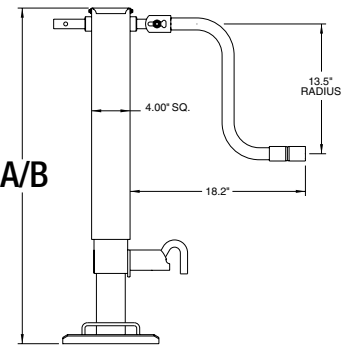




182400



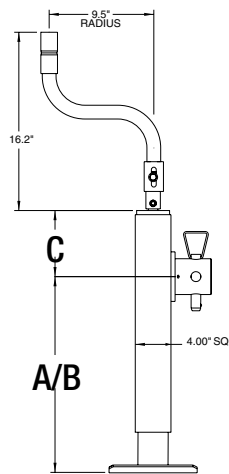
A/B



A/B



182524



C

A/B



182415

12K HEAVY DUTY SQUARE JACKS

Strong, durable, and sturdy, the BULLDOG 12,000 lbs. support capacity square jack is the BIG reason why BULLDOG has carried the load in agricultural, construction, heavy-duty utility, and horse/live-stock trailer industries since 1923. All BULLDOG 4-in square jacks are rated for 12,000 lb support capacity and 10,000 lb lift capacity. The strength of the product, plus the wide variety of styles, makes this jack the best choice in its product class.

- 4-in square tubing, 7-gauge superior alloy steel
- Painted outer tube, inner tube, and drop leg
- Drop leg option with 5 positioning holes
- Easy-access gear box with grease fitting for routine maintenance
- Spring return drop leg or non-spring return drop leg
- 12.5-in screw travel, 13.5-in of additional adjustment with drop leg
- Front facing drop leg plunger pin or side facing drop leg plunger pin
- Painted (with or without labels) or powder paint optional
- Sidewind models - 1:1.5 gear ratio
- Direct weld to outer tube is standard
- Sidewind models - 1:1.86 gear ratio

Travel and Clearance Diagram

A= Retracted

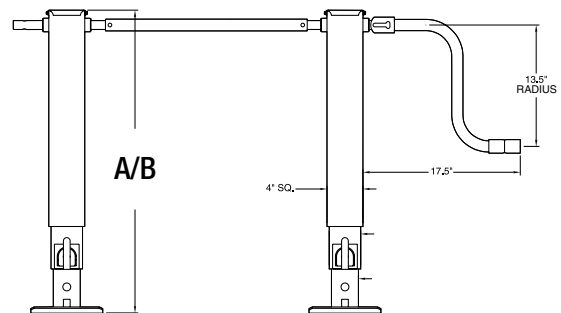
B= Extended

C= Clearance Height



THE CHOICE WHEN APPLICATION REQUIRES COMPLIANCE WITH ASABE S485 STANDARDS

Pin to front tandem application



12K DIRECT WELD, SPRING RETURN HEAVY DUTY SQUARE JACKS

Part #	Model #	Description	Support Capacity	Lift Capacity	Handle Style	Travel	A Retracted	B Extended	C Clearance
182800 ◊	SWQ 180 DL-B-SR	Drop leg jack with standard disc foot. 13.5" of additional drop leg extension. Drop leg pull pin to the SIDE. Crank sold separately.	12,000 lbs.	10,000 lbs.	Sidewind	12.5"	27.4"	53.6"	N/A
182804	SWQ 180 DL-BC-SR	Drop leg jack with standard disc foot. 13.5" of additional drop leg extension. Drop leg pull pin to the SIDE. Includes crank.	12,000 lbs.	10,000 lbs.	Sidewind	12.5"	27.4"	53.6"	N/A
182805	SWQ 180 DL-BX RH	Drop leg jack with standard disc foot. 13.5" of additional drop leg extension. Drop leg pull pin to the SIDE. Crank sold separately. Companion jack to 182800, 182802, and 182804	12,000 lbs.	10,000 lbs.	Sidewind	12.5"	27.4"	53.5"	N/A
182815 ◊	SWQ 180 DL-BX	Drop leg jack with standard disc foot. 13.5" of additional drop leg extension. Drop leg pull pin to the FRONT. Crank sold separately.	12,000 lbs.	10,000 lbs.	Sidewind	12.5"	28.6"	54.6"	N/A

12K DIRECT WELD, NON-SPRING RETURN HEAVY DUTY SQUARE JACKS

Part #	Model #	Description	Support Capacity	Lift Capacity	Handle Style	Travel	A Retracted	B Extended	C Clearance
182300	TWQ 180 DL-B	Drop leg jack with standard disc foot. 13.5" of additional drop leg extension. Crank sold separately.	12,000 lbs.	10,000 lbs.	Topwind	12.5"	23.4"	49.4"	N/A
182304 ◊	TWQ 180 DL-BC	Drop leg jack with standard disc foot. 13.5" of additional drop leg extension. Crank included.	12,000 lbs.	10,000 lbs.	Topwind	12.5"	23.4"	49.4"	N/A
182400 ◊	SWQ 180 DL-B	Drop leg jack with standard disc foot. 13.5" of additional drop leg extension. Drop leg pull pin to the SIDE. Crank sold separately.	12,000 lbs.	10,000 lbs.	Sidewind	12.5"	27.4"	53.3"	N/A
182404	SWQ 180 DL-BC	Drop leg jack with standard disc foot. 13.5" of additional drop leg extension. Drop leg pull pin to the SIDE. Crank included.	12,000 lbs.	10,000 lbs.	Sidewind	12.5"	27.4"	53.3"	N/A
182411	SWQ 180 DL-B	Drop leg jack with standard disc foot. 13.5" of additional drop leg extension. Drop leg pull pin to the SIDE. Crank sold separately. Companion jack to 182400 and 182404.	12,000 lbs.	10,000 lbs.	Sidewind	12.5"	27.4"	53.5"	N/A
182415 ◊	SWQ 180 DL-BX	Drop leg jack with standard disc foot. 13.5" of additional drop leg extension. Drop leg pull pin to the FRONT. Crank sold separately.	12,000 lbs.	10,000 lbs.	Sidewind	12.5"	28.6"	54.6"	N/A
182500	SWQ 180 FL-B	Fixed leg jack with standard disc foot. Crank sold separately.	12,000 lbs.	10,000 lbs.	Sidewind	12.5"	27.0"	39.5"	N/A

12K TUBULAR SWIVEL, NON-SPRING RETURN HEAVY DUTY SQUARE JACK

Part #	Model #	Description	Support Capacity	Lift Capacity	Handle Style	Travel	A Retracted	B Extended	C Clearance
182524	SWQ 180 TS-FL-BCX	Fixed leg jack with standard disc foot. Includes crank. Includes 3.25" diameter tube mount with pin and chain. Does not include mating mount (005122).	12,000 lbs.	10,000 lbs.	Sidewind	12.5"	17.0"	29.6"	10.1"

NOTE: Review price list or contact customer service for package quantities and full part number. Other custom-made designs are available upon request.

◊ DENOTES MOST POPULAR

12K SUPPORT CAPACITY JACK ACCESSORIES



Part #	Description
005122	Weld-on female mount for 7/8" pull pin. 4.00" O.D., 3.375" I.D., 2.75" long
015181	Sidewind crank assembly with 13.50" radius. Vertical clevis. Mounting hardware included. Ex-tends 17.50" from the jack. Black primed finish.
800102	Sidewind crank assembly with 13.50" radius. Horizontal clevis. Mounting hardware included. Extends 17.50" from the jack. Black primed finish.
800075	Topwind crank assembly with 9.50" radius. Vertical clevis. Mounting hardware included. Ex-tends 15.50" from the top of the jack. Black primed finish.
800090	Sidewind crank assembly with 13.50" radius. Horizontal clevis. Mounting hardware included. Extends 17.50" from the jack. Black primed finish.
701466	Removable sidewind crank with 13.5" offset radius. All zinc-plated crank. Dual handle grips for cranking and shifting. For use with OEM supplied outboard bushing or may be attached directly on jack gearbox. Needs 012378 adapter with traditional gearbox.
CS730300	Cross shaft extension tube 72.75" to connect jacks in tandem application.
500312	Handle clip.



TWIN CAM™ DROP LEG JACK

The industry's strongest drop leg jack. The BULLDOG Twin Cam features a convenient, enclosed pin mechanism with "twin cam" action that will quickly make this heavy duty, drop leg jack the industry standard.

Twin Cam Drop Leg Mechanism:

- The BULLDOG Twin Cam Drop Leg mechanism allows an increase in the vertical static capacity by using two ¾-in pins to transfer forces between the drop leg and inner tube of the jack
- The unique Twin Cam drop leg mechanism actuates the drop leg pins in both directions, giving the operator full control over engagement and disengagement of the drop leg pins. The design does not rely on spring pressure alone to keep the pins in the locked position. Patent pending
- The enclosed Twin Cam drop leg mechanism keeps dirt and debris from interfering with the engagement of the drop leg pins
- The Twin Cam drop leg mechanism maintains tighter alignment between the drop leg tube and inner tube by having engagement on both sides of the drop leg tube.

Two-Speed Model (also includes):

- Convenient cranking ratios allow for fast operation under a wide range of loading conditions. Drop leg provides quick adjustment
- High speed cranking ratio of 9 turns per inch is convenient for loads up to 12,500 lb
- Low speed ratio of 29.5 turns per inch allows lifting loads up to 25,000 lb

Features:

- Easy access grease fittings allow for lubrication of internal jack gears and jack screw/nut
- Patented screw stop prevents screw and/or nut damage when the jack is fully extended, keeping the screw in good condition for maximum screw/nut cycle life
- Patented assembly design makes the gears, jack screw/nut, and other internal components easily serviceable 12.5-in of screw travel
- Drop Leg features 5 positions with 13.5-in of adjustment
- 10-in x 10-in heavy gauge steel foot plate
- Heavy duty 1-in diameter steel input shaft
- Spring return and non-spring return drop legs available
- 10-in x 10-in heavy gauge steel foot plate
- Heavy duty 1-in diameter steel input shaft
- Spring return and non-spring return drop legs available

Optional Accessory:

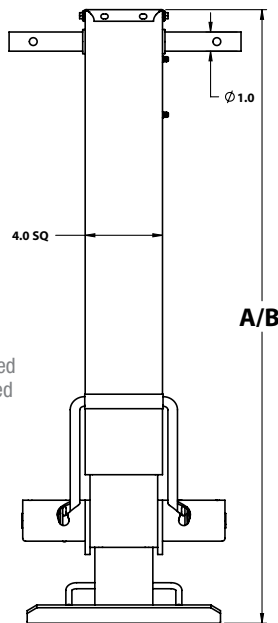
- Compatible with BULLDOG Powered Drive electric motor system (reduces lift capacity to 7,500 lbs)



182700
Non
Spring
Return



183750
Spring
Return



Configurations	Part Number	Static Capacity	Lift Capacity
1 Single-Speed Jack	182700 or 182701	25,000 lbs.	12,500 lbs.
Pair of Single-Speed Jacks in Tandem	(2) 182700 or (2) 182701	50,000 lbs.	12,500 lbs.
1 Two-Speed Jack	183749 or 183750	25,000 lbs.	25,000 lbs.
Two-Speed and Single-Speed Jack in Tandem	182700 & 183749 or 182701 & 183750	50,000 lbs.	45,000 lbs.

Part Number	Description	Handle Style	Screw Travel	Drop Leg Travel	A Retracted	B Extended
182700	Twin Cam Drop Leg – non spring return. Crank sold separately.	Sidewind	12.5"	13.5"	27.5"	53.5"
182701	Twin Cam Drop Leg – spring return. Crank sold separately.	Sidewind	12.5"	13.5"	28.5"	54.5"
183749	Twin Cam Drop Leg – non spring return. Crank sold separately.	Sidewind Two-Speed	12.5"	13.5"	28.5"	54.5"
183750	Twin Cam Drop Leg – spring return. Crank sold separately.	Sidewind Two-Speed	12.5"	13.5"	29.5"	55.5"



Standard TTMA Mount, Mounted to Inside of Frame



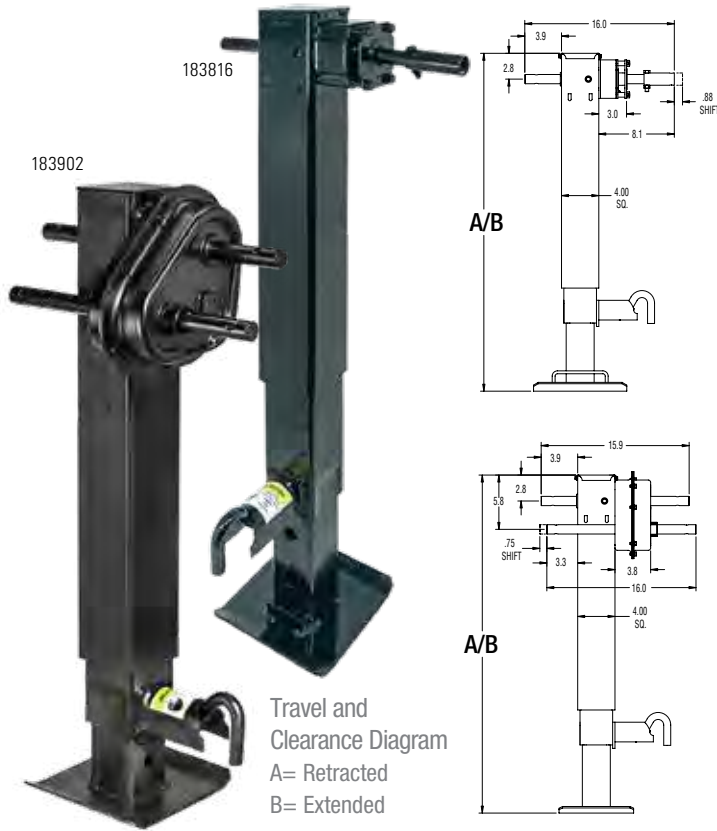
Heavy Duty Leg Ban for Added Strength

HEAVY DUTY 2-SPEED TANDEM LANDING GEAR

- AAR & TTMA rated (all values per pair): 45,000 lb lifting capacity (@ 100-ft lb input torque), 90,000 lb static capacity
- Competitive Cranking ratios: Low speed gear 27.3 turns per inch, High speed gear 4.5 turns per inch
- 17-in of Travel
- High efficiency, double lead screw
- Heavy duty, self-leveling sand shoe
- Crank included – cross shaft sold separately
- Black painted finish
- Ideal for horse, livestock and heavy duty trailers
- 5-year limited warranty



Part #	Description	Support Capacity	Lift Capacity	Travel	A Retracted	B Extended
500153	Tandem Non-Drop Leg Landing Gear - Set includes Direct Weld 2-Speed & Single Speed Jacks & Crank. Cross Shaft not included.	90,000 lbs.	45,000 lbs.	17"	31.7"	48.7"
500154	Tandem Non-Drop Leg Landing Gear - Set includes TTMA Bolt-On Mount 2-Speed & Single Speed Jacks & Crank. Cross Shaft not included.	90,000 lbs.	45,000 lbs.	17"	31.7"	48.7"
1839050383	2-Speed Jack, Direct Weld. Crank sold separately.	90,000 lbs.	45,000 lbs.	17"	31.7"	48.7"
1839060383	2-Speed Jack, TTMA Bolt-On Mount. Crank sold separately.	90,000 lbs.	45,000 lbs.	17"	31.7"	48.7"
1823050383	Single Speed Jack, Direct Weld. Crank sold separately.	90,000 lbs.	45,000 lbs.	17"	31.7"	48.7"
1823060383	Single Speed Jack, TTMA Bolt-On Mount. Crank sold separately.	90,000 lbs.	45,000 lbs.	17"	31.7"	48.7"
Accessories						
8001090283	Crank, Mounting hardware included.					
CS730300	72.75" Cross Shaft, Slotted Ends, Hardware Included					
500293	Tandem Landing Gear Jack 90K Screw & Nut Assembly (1), Retaining Pins (2), Washer (1), Bearing Bushing (1) & Thrust Bearing (1)					
500294	Tandem Landing Gear Jack 90K Gear Assembly Includes: Grooved Pin (1), Spring (1), Chrome Steel Ball (1), Spur Gear 32T, Intermediate Spur Gear 32T/13T (1), Input Spur Gear 32T/13T (1), Woodruff Key (1) & 2-Speed Gearbox Gasket (1)					



Travel and Clearance Diagram
A= Retracted
B= Extended

2-SPEED SQUARE JACKS

The First 2-Speed Gearbox
Designed with a Drop Leg Jack in Mind

BULLDOG's 2-speed 12,000 lb support capacity square jack makes cranking easier when fully loaded and faster when unloaded. In low gear, the ratio delivers full lifting power at a super-smooth, easy-lifting 27 turns per 1-in (planetary) and 29 turns per 1-in (traditional) of travel. In high gear, the cranking ratio is a speedy 9 turns per 1-in of travel, the fastest in its weight class.

- State of the art 2-speed gearbox with power and speed for the most effective and efficient jack at all loads
- Designed for today's standard agricultural, construction and industrial trailer applications.
- User friendly design makes operation smooth and easy
- Engineered alloys for enhanced strength, stability and side load capability
- Planetary gearbox fits within the width profile of the jack's outer tube, eliminating the need for spacers
- Painted outer tube, inner tube, and drop leg.
- Crank sold separately

NON-SPRING RETURN 2-SPEED SQUARE JACKS

- Painted outer tube, inner tube, and drop leg, Crank sold separately.

Part #	Model #	Description	Support Capacity	Lift Capacity	Gearbox Style	Travel	A Retracted	B Extended	Companion
183401	SWQ 183 DL-BX	2-Speed, drop leg with standard disc foot. 13.50" additional drop leg extension. Drop leg pull pin to the SIDE.	12,000 lbs.	10,000 lbs.	Planetary	12.5"	28.5"	54.6"	182411
183416	SWQ 183 DL-BX	2-Speed, drop leg with standard disc foot. 13.50" additional drop leg extension. Drop leg pull pin to the FRONT.	12,000 lbs.	10,000 lbs.	Planetary	12.5"	29.5"	55.6"	182415
183900	SWQ 180 DL-B	2-Speed, drop leg with standard disc foot. 13.50" additional drop leg extension. Drop leg pull pin to the SIDE.	12,000 lbs.	10,000 lbs.	Traditional	12.5"	28.5"	54.6"	182411
183901	SWQ 180 DL-BX T	2-Speed, drop leg with standard disc foot. 13.50" additional drop leg extension. Drop leg pull pin to the FRONT.	12,000 lbs.	10,000 lbs.	Traditional	12.5"	29.5"	55.6"	182415

SPRING RETURN 2-SPEED SQUARE JACKS

- Painted outer tube, inner tube, and drop leg, Crank sold separately.

Part #	Model #	Description	Support Capacity	Lift Capacity	Gearbox Style	Travel	A Retracted	B Extended	Companion
183816	SWQ 183 DL-BX w/SR	2-Speed, drop leg with standard disc foot. 13.50" additional drop leg extension. Drop leg pull pin to the FRONT.	12,000 lbs.	10,000 lbs.	Planetary	12.5"	29.5"	55.6"	182815
183902	SWQ 180 DL-B w/SR T	2-Speed, drop leg with standard disc foot. 13.50" additional drop leg extension. Drop leg pull pin to the SIDE.	12,000 lbs.	10,000 lbs.	Traditional	12.5"	28.5"	54.6"	182805
183903	SWQ 180 DL-BX w/SR T	2-Speed, drop leg with standard disc foot. 13.50" additional drop leg extension. Drop leg pull pin to the FRONT.	12,000 lbs.	10,000 lbs.	Traditional	12.5"	29.5"	55.6"	182815

Replacement Parts

500285	Planetary 2-Speed Sun Gear Kit
500295	Traditional 2-Speed Gear Kit
500330	Planetary Gearbox Kit



POWERED 12,000 lb HIGH-SPEED JACK

THE VELOCITY ADVANTAGE OVER HYDRAULICS:

MORE POWERFUL speed and performance

EASIER TO INSTALL mounts in minutes

NO WELDING no oil, hoses or pump

FASTER even in cold temperatures

VERSATILE OEM, Aftermarket, Industrial,
Horse & Livestock, and RV Applications

Velocity
SERIES™





VELOCITY SERIES™ HIGH SPEED JACKS

- Fast, Powerful, Easy to Install
- OEM and Aftermarket Industrial, Horse & Livestock and RV Applications
- Mounts without welding and requires no hydraulic oil, hoses, or pumps
- Fully Powered – 12,000 lb capacity per leg with Proprietary high-speed system
- 24-in of travel
- Includes wired remote
- Resists corrosion with premium powder coat finish
- Optional wireless controller available (P/N 500527)
- Manual override in case of power loss
- 5-year limited warranty



185400
185402



Part #	Description	Lift Capacity
185400	Velocity Series High Speed Jack (Includes Single Remote)	12,000 lbs.
185402	Velocity Series High Speed jack (Less Remote)	12,000 lbs.
Replacement Parts		
500374	Foot Plate for Velocity Series Jack	
500375	Cover Kit for Velocity Series Jack	
500376	Contact Kit for Velocity Series Jack	
Accessories		
500527	Wireless Controller, 3-Pin	
500372	Velocity Series High Speed Jack Single Remote	
500379	Velocity Series High Speed Jack Tandem Switch	
500380	Velocity Series High Speed Jack 3-Pin Connector	
500382	Velocity Series High Speed Jack Single Switch	
500386	Velocity Series High Speed Jack Single Remote	
500389	Velocity Series High Speed Jack Adapter Kit	

AGRICULTURAL



500527



500372



500379



500386

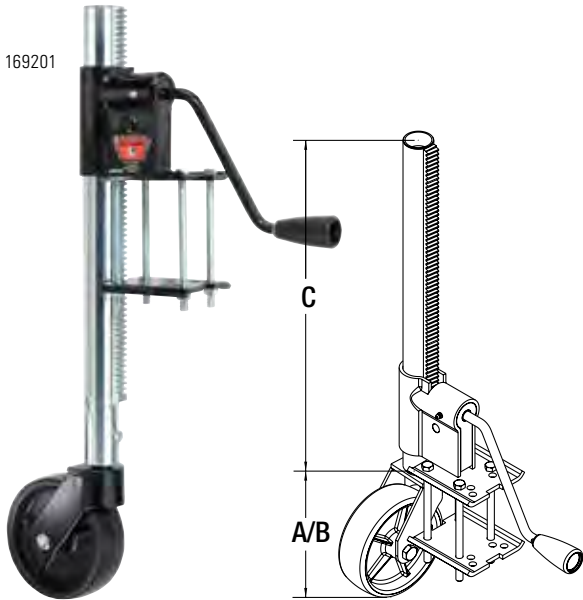


500380

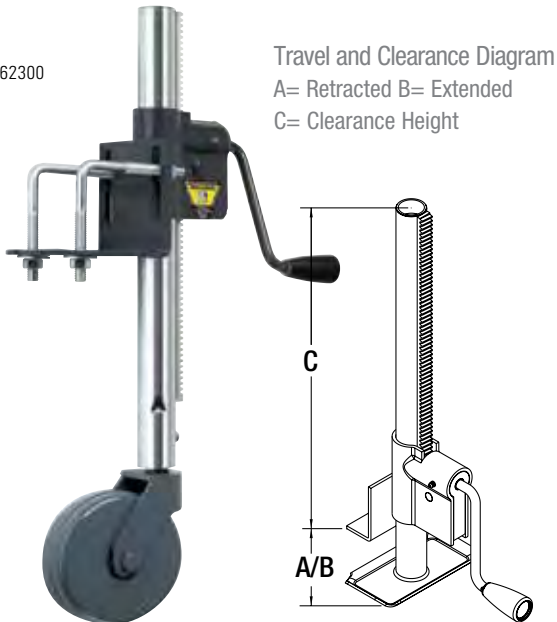


500382
Hardware included, but not shown

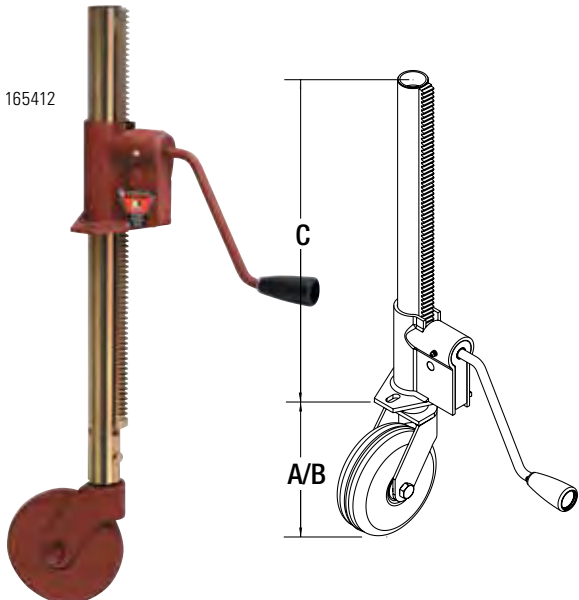
169201



162300



165412



RACK / GEAR JACKS

750 lb A-Frame and Bolt-On

BULLDOG experience and engineering know-how have produced a line of rack and gear jacks that are tough and trusted, the most preferred jacks used by trailer manufacturers in a variety of industries.

- Smooth-cranking 4 turns per inch of travel
- All-welded steel gear box with proven reliability for long term use at rated load
- Gray primer-painted steel wheel and gear box with weather-resistant clear zinc-plated rack post
- Custom designs available

1,200 lb Heavy-Duty

These heavy-duty rack jacks exemplify BULLDOG's reputation for strength, providing additional lift capacity to a full 1,200 pounds. Specially designed and manufactured to BULLDOG's unparalleled standards, they are ideal for heavier trailers and greater tongue weights.

- Powerful heavy-duty gear box with special steel alloy helical gear for extra lift capacity
- Extra heavy-duty gauge post for maximum side load strength
- Specially designed gusseted caster bracket for increased stability
- Superior extension capabilities (up to 26.5-in on the HD165WX model)
- Red oxide primer-painted steel wheel and gear box with weather-resistant yellow zinc-plated rack post

RACK / GEAR JACK MOUNTING OPTIONS



161 Series - L-Bend Bracket Weld-On. Welds to Side and Bottom of Tongue

162 Series - L-Bend Bracket Bolt-On. Fits up to 4" Square Tongue

165 Series - A-Frame, Welds or Bolts to Top of A-Frame Coupler

169 Series - Bolt-On, Fits up to 3" x 5" Rectangular Tongue

AGRICULTURAL

RECTANGULAR, BOLT-ON 169 SERIES STANDARD RACK / GEAR JACKS

Part Number	Model Number	Description	Lift Capacity	Includes		Travel	A Retracted	B Extended	C Clearance
				Gear Box	Rack Post				
169201 ◇	169 RB	Bolt-on mount, fits up to 3" x 5" tongue, with mounting kit and polyolefin wheel, black finish.	750 lbs.	0181910378	0183080301	16"	7.5"	23.5"	20.3"

◇ DENOTES MOST POPULAR
 NOTE: Contact Price List or Customer Service for package quantities and full part number. Other custom-made designs are available upon request.

L-BEND, BOLT-ON, 162 SERIES TANDARD RACK / GEAR JACKS

Part Number	Model Number	Description	Lift Capacity	Includes		Travel	A Retracted	B Extended	C Clearance
				Gear Box	Rack Post				
162300 ◇	162 W	Bolt-On L-Bend Bracket, with Steel Wheel	750 lbs.	019032	0180060301	16"	6.0"	22.0"	21.8"




◇ DENOTES MOST POPULAR
 NOTE: Contact Price List or Customer Service for package quantities and full part number. Other custom-made designs are available upon request.

L-BEND, WELD-ON, 161 SERIES STANDARD RACK / GEAR JACKS

Part Number	Model Number	Description	Lift Capacity	Includes		Travel	A Retracted	B Extended	C Clearance
				*Gear Box	*Rack Post				
161300 ◇	162 W	Weld-On L-Bend Bracket, with Steel Wheel	750 lbs.	0181610317	0180060301	16"	6.5"	22.5"	21.2"

◇ DENOTES MOST POPULAR
 NOTE: Contact Price List or Customer Service for package quantities and full part number. Other custom-made designs are available upon request.

RACK / GEAR JACK WHEEL AND FOOT MOUNTING OPTIONS

		
<p>Caster Wheels - "R" Models. Polyolefin Wheel, 750 lb Capacity</p>	<p>Steel Wheel - "W" Models. 750 lbs. Capacity, 1,200 lb Capacity (Heavy Duty)</p>	<p>Disc Foot - "D" Models. Welded to Jack Post, 750 lb Capacity</p>

A-FRAME, 165 SERIES STANDARD RACK / GEAR JACKS

161300



165111



165311



Part Number	Model Number	Description	Lift Capacity	Includes		Travel	A Retracted	B Extended	C Clearance
				*Gear Box	*Rack Post				
165111 ◊	165 D	A-frame weld-on/bolt-on bracket, with disc foot.	750 lbs.	0181550317	0185200301	16"	3.5"	19.5"	20.2"
165211	165 R	A-frame weld-on/bolt-on bracket, with polyolefin wheel.	750 lbs.	0181550317	0180070301	16"	7.5"	23.5"	20.3"
165311 ◊	165 W	A-frame weld-on/bolt-on bracket, with steel wheel.	750 lbs.	0181550317	0180060301	16"	7.5"	23.5"	20.3"
165411 ◊	HD 165 W	Heavy-duty A-frame weld-on/bolt-on bracket, with heavy-duty 21" long 1,200 pound rack and post, with steel wheel.	1,200 lbs.	0191410310	0190600324	16"	7.5"	23.5"	20.3"
165412	HD 165 WX	Heavy-duty A-frame weld-on/bolt-on bracket, with heavy-duty 24" long 1,200 pound rack and post, with steel wheel.	1,200 lbs.	0191410310	0190800324	19"	7.5"	26.5"	23.3"

*Gear boxes and rack post also sold separately. ◊ DENOTES MOST POPULAR

NOTE: Contact Price List or Customer Service for package quantities and full part number. Other custom-made designs are available upon request.



CE555 0101

BULLDOG ACCESSORY WHEELS

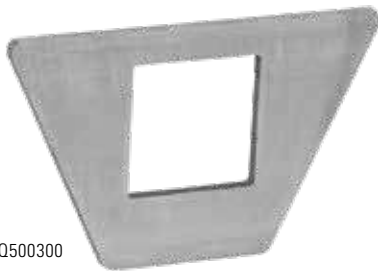
Part #	Description	Packaging
Poly Wheels		
CE555 0101	6" caster with 2" inside diameter fitting for 2" jack tube – 1,200 lbs. rated	Boxed
500245	6" caster with pin 2" inside diameter fitting for 2" jack tube - 1,200 lbs. rated	Clam
Steel Wheels (Reduces Rated Capacities of any Jack)		
500282	Steel Wheel Kit	
018507	Caster assembly w/6" steel wheel for 155159 and 155300 – 1,000 lbs. rated	Poly Bag



018507



CP555 0301



SPBQ500300



CW5550301

BULLDOG SERVICE PARTS AND ACCESSORIES

Part Number	Description	Packaging
CA5550301	Caster Adapter Plate	Bulk
0031350300	A-Frame Support Plate, Forged Coupler.	Bulk
SPB50 0300	Bottom Support Plate with 2.29" Diameter Hole,- Cast and Stamped Couplers.	Bulk
SPBQ500300	Bottom Support Plate with 2.3" Square Hole	Bulk
500326	2K Sidewind Jack Cap	Bulk



500326

REMOVABLE FOOTPLATES



FP20000201



500244



F2000 0101



DF35000324



500190

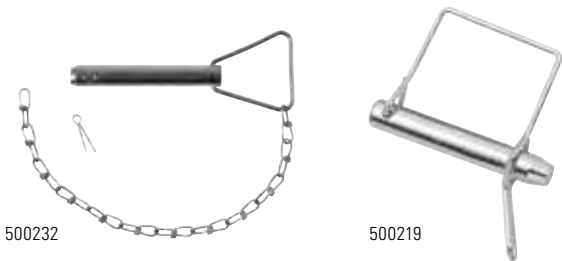
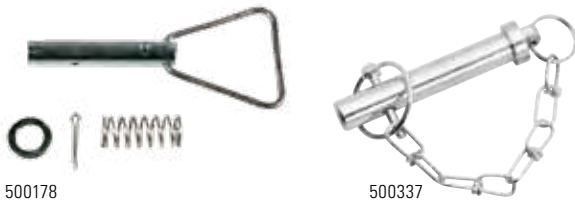


500377

Part Number	Description	Packaging
0185640301	Removable footplate w/pin. 2.1" tall, fits 2" inner tube, 2,000-5,000 lbs. rated	Bulk
0181730324	Removable footplate 6.2"	Bulk
018098	Removable footplate w/pin. 6.2" tall, fits 2" inner tube, 2,000-5,000 lbs. rated	Bulk
FP20000201	Foot with hardware (bolt goes through 2" jack tube holes) – 2,000 lbs. rated	Poly Bag
500244	Removable footplate with pin. Fits Jacks with 2" inner tube. (2.1" tall)	Clam
F3500 0324	Removable footplate with pin. Fits Jacks with 2" SQUARE inner tube. (4.0" tall)	Bulk
F2000 0101	Footpad for 2,000/5,000 lbs. Jacks	Boxed
F2000 0301	Footpad for 2,000/5,000 lbs. Jacks	Bulk

DROP LEGS

Part #	Description	Packaging
DF35000324	For square jack, 1.71" square tube, pin included – 3,000 - 5,000 lbs. rated	Bulk
500190	For most 2,000 lbs. BULLDOG round jacks & BULLDOG powered A-Frame jacks. Pin included, 5,000 lbs. rated. Will not work with Pro Series round jacks & BULLDOG round jacks with heavy wall inner tubes.	Ind. Box
500270	For square jack, 2.0" square tube, pin included – 8,000 lbs. rated	Bulk
500329	Drop Leg & Pin	Bulk
500340	Replacement Part, Drop Leg Pull Pin Assembly, 7/8" x 2.25"	Bulk
500377	Drop Leg & Pin	4 Per Master Carton



PINS

Part #	Description	Packaging
Pins		
500103	3/8" plunger pin assembly. (BULLDOG only)	Poly Bag
500310	3/4" pull pin (4.75" long) w/chain without drive screw-7,000 lbs.	Bulk
500341	Replacement Part, 7/8" Pin & Chain w/o Drive Screw	Boxed
Pin Kits		
500177	3/4" drop-leg plunger pin kit SERIES: 180	Clam
500178	1/2" plunger pin assembly kit. SERIES: 150, 160, 170	Clam
500231	5/8" pull pin 3.5" long, with chain, and drive screw. (5,000 lbs. - Side-wind only) SERIES: Side-wind-170, Crown 2,000/3,000/5,000 lbs.	Clam
500232	5/8" pull pin, 4.25" long, with chain, and cotter pin. SERIES: 190, Crown 7,000 lbs.	Clam
500243	9/16" pull pin 3.5" long with chain and drive screw. (5,000 lbs. - Topwind only) SERIES: 150, Topwind-170	Clam
Drop Leg Pins		
500337	Replacement Part, Drop Leg Pull Pin Assembly, 3/4" x 3"	Poly Bag
500338	Replacement Part, Drop Leg Pull Pin Assembly, 9/16" x 2.75"	Poly Bag
500340	Replacement Part, Drop Leg Pull Pin Assembly, 7/8" x 2.25"	Bulk
0252010201	5/16" Snapper Pin, with Chain	Bulk
Lynch Pin Kit		
500219	Lynch Pin Kit, 0.563" Diameter	Poly Bag

ASSEMBLY KITS

Part #	Description	Packaging
Bearing Kits		
500251	Bearing kit. For 2,000 lbs. capacity models. SERIES: 150	Clam
500223	Thrust bearing. For 5,000 lbs. capacity models. SERIES: 170, Crown 5,000 lbs.	Clam
500224	Thrust bearing. For 8,000 lbs. capacity models. SERIES: 190, Crown 7,000 lbs.	Clam
Gear Kits		
500106	Sidewind gear kit. For up to and including 5,000 lbs. capacity models. SERIES: 139, 159, 170 Crown 2,000/3,000/5,000 lbs.	Clam
500156	Sidewind gear kit. For 8,000 lbs. capacity models. SERIES: 190, Crown 7,000 lbs. with 1/2" inside bottom gear	Clam
5002581360	Sidewind gear kit. SERIES: 190 Crown 7,000 lbs. with 5/8" I.D. bottom gear	Poly Bag
800144	Service kit containing the sidewind crank (10.50"), bearing, gears, pins and bushings for 10,000 lbs. capacity 180 Series sidewind jacks	Poly Bag
500285	Sun gear and stub shaft assembly and bushings for 12,000 lbs. capacity two speed planetary gear box	Poly Bag
500212	Gear kit including, pins and bushing - 12,000 lbs.	Poly Bag
Retaining Ring Kits		
500241	Swivel retaining ring. Fits most jack capacities. SERIES: 150, 160, 170	Clam
P9086-00	Swivel retaining ring. Fits most jack capacities. SERIES: 150, 160, 170	Bulk
Assembly Kit		
500217	Screw and nut assembly, bearing, support washer and retaining pins for 12,000 lbs. capacity BULLDOG sidewind jacks	Poly Bag
500250	Screw and nut assembly, bearing, support washer and retaining pins for 12,000 lbs. capacity BULLDOG topwind jacks	Poly Bag
Gear Box Cover		
500205	Gear box cover for 3,000 - 8,000 lbs. capacity sidewind jacks, includes hardware	Poly Bag

SIDEWIND CRANKS



500256



500105

500171



800148

701466



Part #	Description	Packaging
500256	Sidewind crank (5.80" radius) assembly and gear kit. SERIES: 150 with plastic cap. 2000 lbs.	Clam
500105	Sidewind crank (6.50" radius) assembly with black knob. SERIES: 139, 159, 170, Crown 2,000/3,000/5,000 lbs.	Clam
500171	Sidewind crank (8.50" radius) assembly with black knob. SERIES: 190 square jacks, Crown 7,000 lbs. 7,000 / 8,000 lbs.	Clam
015181	Sidewind crank, vertical clevis (13.50" radius), black primed finish, hardware included	Bulk
800102	Sidewind crank assembly with 13.50" radius. Mounting hardware not included. Extends 17.50" from the jack. Black primed finish. Horizontal clevis, Sidewind handle.	Bulk
701466	Removable sidewind crank with 13.5" offset radius. All zinc-plated crank. Dual handle grips for cranking and shifting. For use with OEM supplied outboard bushing or may be attached directly on jack gearbox.	Bulk
800090	Sidewind crank, horizontal clevis (13.50" radius), black primed finish, hardware include.	Bulk
8001090283	Sidewind crank assembly with 13.50" radius, mounting hardware included, extends 20" from the jack, black prime finish, vertical clevis.	Bulk
500312	Handle clip.	Bulk
800148	Sidewind crank, 13.5" radius w/soft touch handle grip for 12,000 lbs. jacks w/ 13/16" hex sock-et.	Bulk
HDDS 0201	Shaft handle, hex drive - zinc for 800148	Bulk

KNOBS



500248

500246

Part #	Description	Packaging
500248	Black knob, teardrop. SERIES: 139, 159, Side-wind-170, 90, Crown. 2,000 - 5,000 lbs.	Clam
500246	Red knob, BULLDOG. SERIES: 150, 160, Top-wind-170. 2,000 - 5,000 lbs.	Clam

TOPWIND CRANKS



500180



500148



800075

Part #	Description	Packaging
500180	Topwind crank (6.75" radius) assembly with red knob. SERIES: Topwind-150, 160, 170. 2,000 - 5,000 lbs.	Clam
500148	Topwind crank (9.00" radius) assembly with black knob. SERIES: Topwind-190 7,000 lbs. 7,000 / 8,000 lbs.	Clam
500344	Replacement Part, 12" Topwind Handle for 10K Square Jack	Ind. Box
800075	Topwind crank 1" tubing (9.50" radius) - 12,000 lbs. square	Bulk



500239



500242

MOUNTS

Part #	Description	Packaging
MOUNTS		
500239	Trailer mount, male, weld-on, for 9/16" pin. (5,000 lbs. - Topwind only) SERIES: 150, Topwind-170	Clam
500238	Trailer mount, female, weld-on, for 5/8" pin, 3" O.D.	Clam
500240	Trailer mount, male, weld-on, for 5/8" pin, 2" O.D.	Clam
Retaining Ring Mounting Brackets		
500242	Weld-on, swivel bracket, 1/2" pin - 2,000 - 5,000 lbs. rated	Clam
Swivel Trailer Mounts		
500339	Jack Accessory, Swivel Trailer Mount, Round Tube Male Weld-On U-Bracket for 5/8" Pull Pin	Poly Bag



SETTING THE BAR



TRAILER & VEHICLE ACCESSORIES



BREAKAWAY SYSTEMS

Push To Test Breakaway Systems.....	6
Breakaway Systems.....	7-8
Breakaway Switches.....	8
Batteries / Chargers / Cases.....	9

TRAILER BRAKE PARTS

Electric Trailer Brake Assemblies.....	10
Electric Trailer Brake Replacement Parts.....	12-20
Nuts and Bolts.....	11
Magnet Sets.....	18

WHEEL PROTECTION

Bearing Kits and Protectors.....	21
Grease Caps.....	22
Plastic Fenders.....	23

TRAILER ACCESSORIES

Marine Accessories.....	24
Wheel Chocks.....	25
Safety Chains.....	26
D-Rings and Tow Hooks.....	27-28
Spare Tire Carriers.....	28-29

VEHICLE ACCESSORIES

Adjustable Tow Bars.....	30
Transmission Coolers.....	30-31

POD HAZARD MULTI-USE LED ROADSIDE WARNING DEVICE

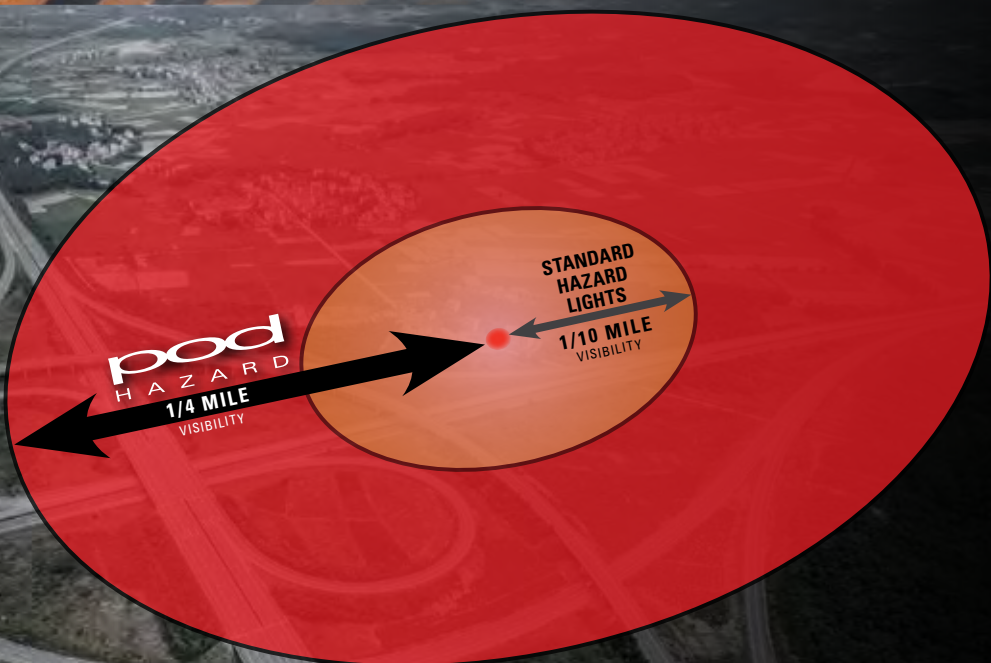
Whether it's a flat tire, a warning light, or an overheated engine, vehicle trouble can occur at any time, and you'll want to do everything possible to keep yourself, and the ones you love as safe as possible.

Be prepared. Be seen with the POD Hazard.



HAZARD LIGHTING

Many hazard lights on today's vehicles can only be seen up to 1/10 of a mile away in daylight conditions. With the POD Hazard, motorists can see a vehicle on the side of the road from more than 1/4 of a mile away – that's more than double the time to react.



pod
HAZARD



LIGHT WHERE YOU NEED IT

When you need extra light at home, in the garage, at a camp site or simply in the yard, POD Hazard's ultra-bright utility light is ready when you are. Simply hang it, prop it up, or aim it, and it's ready to provide you with more than 350 lumens of light.



50-85-325



5085115
(Bracket Sold Separately)



50-85-320



PUSH TO TEST BREAKAWAY SYSTEM

- Push to Test: LED's indicate fully charged, charging or recharge
- Multi-Stage Integrated Charger provides a fast recharge up to 12.8 volts. Once battery is fully charged, the automatic float mode is designed to provide a continuous charge without overcharging
- Activates trailer brakes upon separation of trailer and tow vehicle
- For use on 1, 2 or 3 axle trailers equipped with electric brakes
- Weather/corrosion resistant, heavy-duty polymer case to protect battery and charger
- Tekonsha Breakaway Switch with 48-in lead wires or 7.5-in lead wires
- 5 Amp/hr battery, battery box dimensions – 4.25-in x 6.25-in x 4.125-in
- 2 or 3 mounting options
- Note: Make sure battery is fully charged prior to towing

Part Number	Description	Packaging
50-85-313	Push to Test Breakaway System for 1 to 3 Axle Trailers w/Electric Brakes, Includes Battery Box, 5 Amp Battery w/Push to Test LED Test Meter, Integrated Multi-Stage Charger and 7.5" Breakaway Switch	Display Box
50-85-325	Push to Test Breakaway System for 1 to 3 Axle Trailers w/Electric Brakes, Includes Battery Box, 5 Amp Battery w/Push to Test LED Test Meter, Integrated Multi-Stage Charger and 48" Tekonsha Breakaway Switch	Display Box
Accessory Part		
5085115	Post Mount Bracket	Bulk

PUSH TO TEST BREAKAWAY SYSTEM

- Push to Test: LED's indicate fully charged or recharge
- Built in battery charger charges battery when plugged into the tow vehicle
- Breakaway Switch with 7.5-in or 48-in lead wires
- 5 Amp/hr Battery
- Activates trailer brakes upon separation of trailer & tow vehicle
- For use on 1, 2, or 3 axle trailers equipped with electric brakes
- 2 or 3 mounting options
- Note: Make sure battery is fully charged prior to towing

Part Number	Description	Packaging
50-85-315	Push to Test Breakaway System for 1 to 3 Axle Trailers w/Electric Brakes, Includes Battery Box, 5 Amp Battery w/Push to Test LED Test Meter and 7.5" Breakaway Switch	Display Box
50-85-320	Push to Test Breakaway System w/ABCD charger for 1 to 3 Axle Trailers w/Electric Brakes, Includes Battery Box, 5 Amp Battery w/Push to Test LED Test Meter, and 48" Breakaway Switch	Display Box
Accessory Part		
5085115	Post Mount Bracket	Bulk

NOTE: 3 and 4 axle trailers require minimum 5 Amp-hr battery.

For optimal performance, replacement of breakaway electrical components is recommended every 3 to 5 years.

BREAKAWAY SYSTEMS

- For use on 1, 2, 3 and 4 axle trailers equipped with electric brakes
- These complete systems incorporate the highest quality components in trailer breakaway systems
- Meet or exceed Department of Transportation (DOT) specifications regarding trailer breakaway and holding requirements
- If a breakaway occurs between your tow vehicle and your trailer, the breakaway systems will automatically apply consistent braking power to your trailer brakes
- Quick and easy to install, the systems comes with a weather/corrosion resistant, heavy-duty polymer case to protect the battery and charger



1026 / 1028 / 2026 / 2028



20005 / 20015



20010 / 20020

Part Number	Description	Packaging
For 1 and 2 Axle Trailers with Electric Brakes		
1026	Includes 2018 Polymer Battery Case w/A-Frame or Post Mounting Bracket; 2023 Rechargeable Sealed 12v 5 Amp-hr Lead Acid Battery & Terminals; 2005-P Breakaway Switch.	Display Box
For 1, 2, 3 and 4 Axle Trailers with Electric Brakes		
2026	Includes 2018 Polymer Battery Case w/A-Frame or Post Mounting Bracket; 2023 Rechargeable Sealed 12v 5 Amp-hr Lead Acid Battery & Terminals; 2010-P Breakaway Switch.	Display Box
20005	Includes 2051 Lockable All Polymer Battery Case w/Flat Surface Mounting; 2023 Rechargeable Sealed 12v 5 Amp-hr Lead Acid Battery & Terminals; 2010-P Breakaway Switch.	Display Box
20010	Includes 20000 Lockable Polymer Battery Case w/Weldable Flat Surface Mounting; 2023 Rechargeable Sealed 12v 5 Amp-hr Lead Acid Battery & Terminals; 2010-P Breakaway Switch.	Display Box
(With Charger) For 1 and 2 Axle Trailers with Electric Brakes		
1028	Includes 2018 Polymer Battery Case w/A-Frame or Post Mounting Bracket; 2023 Rechargeable Sealed 12v 5 Amp-hr Lead Acid Battery & Terminals; 2005-P Breakaway Switch; 1024 DC-to-DC Accelerated Battery Charging Device (ABCD).	Display Box
(With Multi-Stage Integrated Charger) For 1, 2, 3 and 4 Axle Trailers with Electric Brakes		
2028	Includes 2018 Polymer Battery Case w/A-Frame or Post Mounting Bracket; 2023 Rechargeable Sealed 12v 5 Amp-hr Lead Acid Battery & Terminals; 2010-P Breakaway Switch; 2024-07 DC-to-DC Heavy Duty Quick/Maintenance (Multi Stage) Battery Charger.	Display Box
20015	Includes 2051 Lockable All Polymer Battery Case w/Flat Surface Mounting; 2023 Rechargeable Sealed 12v 5 Amp-hr Lead Acid Battery & Terminals; 2010-P Breakaway Switch; 2024-07 DC-to-DC Heavy Duty Quick/Maintenance (Multi Stage) Battery Charger.	Display Box
20020	Includes 20000 Lockable Polymer Battery Case w/Weldable Flat Surface Mounting; 2023 Rechargeable Sealed 12v 5 Amp-hr Lead Acid Battery & Terminals; 2010-P Breakaway Switch; 2024-07 DC-to-DC Heavy Duty Quick/Maintenance (Multi Stage) Battery Charger.	Display Box

NOTE: 3 and 4 axle trailers require minimum 5 Amp-hr battery.

For optimal performance, replacement of breakaway electrical components is recommended every 3 to 5 years.

50-85-302



50-85-312



50-85-002 / 50-85-007



2010-P



2005-P



2009-P



2010-A



2009-A

NOTE: Most states require breakaway switch with separate power supply when towing a trailer.

BREAKAWAY SYSTEM

- Activates trailer brakes upon separation of trailer and tow vehicle
- For use on 1, 2 or 3 axle trailers equipped with electric brakes
- Weather/corrosion resistant, heavy-duty polymer case to protect battery and charger
- Breakaway Switch w/7.5-in lead wires
- 5 Amp/hr Battery, battery box dimensions – 5-in x 4.125-in x 4-in
- Flat Surface Mounting
(Note: optional post mount bracket available)
- Note: Make sure battery is fully charged prior to towing

Part Number	Description	Packaging
50-85-302	Breakaway System	Boxed
50-85-312	Breakaway System with Charger	Boxed
Accessory Part		
5085115	Post Mount Bracket	Bulk

BREAKAWAY SWITCHES

- Completely sealed breakaway switches to automatically set trailer brakes in case of accidental trailer breakaway
- Required by law in some states
- Emergency use only, not to be used to lock brakes when parked or stored
- 2010, 50-85-007 and 2005 have reinforced nylon case, weldable metal tab, nylon pin assembly and are rust and corrosion free. 2009 has all metal parts and a brass pin assembly

Part Number	Description	Packaging
50-85-007	Breakaway Switch w/ 48" wires w/ Cable & Nylon Pin Assembly	Bulk
54-85-007	Breakaway Switch w/ 48" wires w/ Cable & Nylon Pin Assembly	Bagged
2010-B125	Breakaway Switch w/ 48" wires w/ Cable & Nylon Pin Assembly	Bulk
2010-P	Breakaway Switch w/ 48" wires w/ Cable & Nylon Pin Assembly	Clam
2005-B120	Breakaway Switch w/ 48" wires w/Cable & Nylon Pin Assembly (for use with 1-3 axle trailers)	Bulk
2005-P	Breakaway Switch w/ 48" wires w/Cable & Nylon Pin Assembly (for use with 1-3 axle trailers)	Clam
2009-B60	Breakaway Switch w/ 48" wires w/ Cable & Brass Pin Assembly	Bulk
2009-P	Breakaway Switch w/ 48" wires w/ Cable & Brass Pin Assembly	Clam

Replacement Parts

50-85-002	48" Replacement Cable & Nylon Pin Assembly (for 50-85-007 Switch)	Bulk
54-85-002	48" Replacement Cable & Nylon Pin Assembly (for 50-85-007 Switch)	Bagged
2010-A	48" Replacement Cable & Nylon Pin Assembly (for 2010 Switch)	Bulk
2010-A-P	48" Replacement Cable & Nylon Pin Assembly (for 2010 Switch)	Clam
2005-A	48" Replacement Cable & Nylon Pin Assembly (for 2005 Switch)	Bulk
2009-A	48" Replacement Cable & Brass Pin Assembly (for 2009 Switch)	Bulk
2009-A-P	48" Replacement Cable & Brass Pin Assembly (for 2009 Switch)	Clam

SEALED LEAD ACID BATTERY

- 12v, sealed lead acid battery for use with Breakaway Systems on single, tandem and tri-axle trailers equipped with electric brakes
- Battery requires periodic recharging to maintain optimum performance

Part Number	Description	Packaging
2023	5 Amp-hr Sealed Battery	Bulk
2023-X	5 Amp-hr Sealed Battery	Display Box



2023



2018



2051



20000

BATTERY CASES

- Rust-proof heavy duty polymer cases protect battery and charger from elements and corrosion
- Featuring U-shaped clamp style fastener on #2018 to mount over most trailer tongues, #2051/5085102 is a lockable case, and #20000 features a galvanized metal mounting bracket with locking bar for secure battery protection

Part Number	Description	Packaging
2018	Battery Case - One-Bolt Installation on Jackpost or A-Frame	Bulk
2051	Battery Case - Four-Bolt Installation on Flat Surface	Bulk
20000	Battery Case - Two-Bolt or Weldable Installation on Flat Surface	Bulk

BATTERY CHARGERS

- For all 12v battery systems with a 4 Amp-hr minimum output
- 2024-07 is designed to fit securely into the Breakaway Battery Cases
- Temperature compensated design provides continuous recharge with automatic float mode feature to prevent overcharging
- 1024/50-85-104 will return trailer breakaway system batteries to their maximum potential
- Patent pending
- 2025-09 features an automatic float mode to prevent overcharging
- Ideal for seasonal storage and maintenance of recreational vehicles, motorcycles, snowmobiles, lawn tractors, and more



50-85-104



2024-07



2025-09



1024

Part Number	Description	Packaging
50-85-104	DC-to-DC Accelerated Battery Charging Device (ABCD)	Bulk
1024	DC-to-DC Accelerated Battery Charging Device (ABCD)	Clam
2024-07	DC-to-DC Heavy Duty Multi Stage/ Maintenance Charger	Bulk
2024-07-S	DC-to-DC Heavy Duty Multi Stage/ Maintenance Charger	Clam
2025-09	AC-to-DC Multi Stage Maintenance Charger	Clam

t = Available While Supplies Last.

5707



ELECTRIC TRAILER BRAKE ASSEMBLIES

- Units are assembled
- Assemblies include: Backing Plate, Shoe and Linings, Magnets, Actuating Lever, Adjusting Screw and Spring Hardware

Part Number	Description	Packaging
5707	10" x 2 1/4" L.H. Dexter Assembly	Boxed
5708	10" x 2 1/4" R.H. Dexter Assembly	Boxed
5711	12" x 2" L.H. Dexter Assembly	Boxed
5712	12" x 2" R.H. Dexter Assembly	Boxed
5713-HA	12" x 2" L.H. Hayes Assembly (Replace in Pairs)	Boxed
5714-HA	12" x 2" R.H. Hayes Assembly (Replace in Pairs)	Boxed
6709TEK	10" x 2 1/4" L.H. AL-KO Assembly	Boxed
6710	10" x 2 1/4" R.H. AL-KO Assembly	Boxed
6713	12" x 2" L.H. AL-KO Assembly	Boxed
6714	12" x 2" R.H. AL-KO Assembly	Boxed

54801-005



SELF-ADJUSTING ELECTRIC TRAILER BRAKE ASSEMBLIES

- Replaces Dexter Electric Trailer Brake Assemblies
- Self Adjusting
- Units are assembled
- Replace in pairs
- Assemblies include: Backing Plate, Shoe and Linings, Magnets, Actuating Lever and Spring Hardware

Part Number	Description	Packaging
54801-005	10 x 2 1/4 Right Hand Brake Assembly - Self-Adjusting	Boxed
54801-006	10 x 2 1/4 Left Hand Brake Assembly - Self-Adjusting	Boxed
54801-007	12 x 2 Right Hand Brake Assembly - Self-Adjusting	Boxed
54801-008	12 x 2 Left Hand Brake Assembly - Self-Adjusting	Boxed

54801-001



ELECTRIC TRAILER BRAKE ASSEMBLIES

- Replaces Dexter Electric Trailer Brake Assemblies
- Units are assembled
- Assemblies include: Backing Plate, Shoe and Linings, Magnets, Actuating Lever, Adjusting Screw and Spring Hardware

Part Number	Description	Packaging
54801-001	10 x 2 1/4 Right Hand Brake Assembly	Boxed
54801-002	10 x 2 1/4 Left Hand Brake Assembly	Boxed
54801-003	12 x 2 Right Hand Brake Assembly	Boxed
54801-004	12 x 2 Left Hand Brake Assembly	Boxed
54801-023	10 x 2 1/4 Right Hand Brake Assembly	Bulk
54801-024	10 x 2 1/4 Left Hand Brake Assembly	Bulk
54801-025	12 x 2 Right Hand Brake Assembly	Bulk
54801-026	12 x 2 Left Hand Brake Assembly	Bulk
Skid Quantities		
54801-126R	12 x 2 Right Hand Brake Assembly	126 per skid
54801-126L	12 x 2 Left Hand Brake Assembly	126 per skid
54801-168R	10 x 2-1/4 Right Hand Brake Assembly	168 per skid
54801-168L	10 x 2-1/4 Left Hand Brake Assembly	168 per skid



BEARING SETS

Part Number	Cup	Cone	Packaging
5508	14276	14125A	Clam Shell
5509	15245	15123	Clam Shell
5503	25520	25580	Clam Shell
5502	L44610	L44649	Clam Shell
5506	LM48510	LM48548	Clam Shell
5507	LM67010	LM67048	Clam Shell
5505	L68111	L68149	Clam Shell



WHEEL NUTS AND BOLTS

- Secures wheel to brake drum

Part Number	Description	Packaging
5780TEK	13/16 Wheel Nut - (1/2 - 20) - Set of 5	Clam Shell
5787	Wheel Bolt - (1/2 - 20) - Set of 5	Clam Shell



BRAKE ASSEMBLY MOUNTING BOLTS

Part Number	Description	Packaging
5720	3/8" Brake Assembly Mounting Bolt (Used on 5 bolt mounting patterns)	Clam Shell
5721	7/16" Brake Assembly Mounting Bolt (Used on 4 bolt mounting patterns)	Clam Shell



SPINDLE NUT KITS

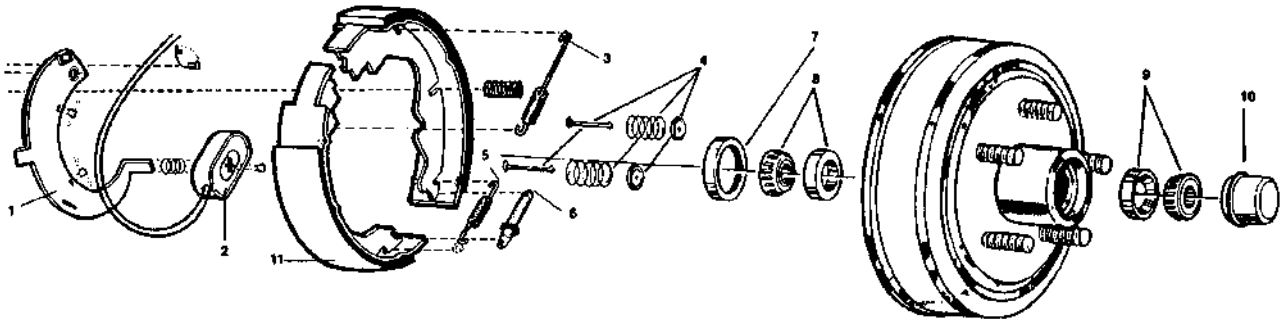
- Secures brake hardware on spindle axles

Part Number	Description	Packaging
5774	Spindle Nut Kit - Standard Washer - (1" - 14 Spindle)	Clam Shell
5775	Spindle Nut Kit - D Type Washer - (1" - 14 Spindle)	Clam Shell

TRAILER BRAKE REPLACEMENT PARTS

TRAILER BRAKE REPLACEMENT PARTS

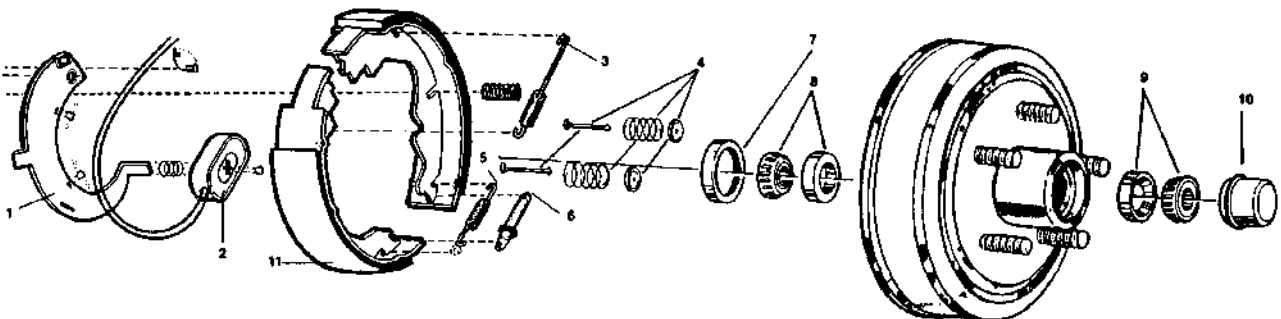
ALKO 10-in x 2-1/4-in



Part Number	Illustration No.	Description
Hardware		
6106	2	Magnet Kit
5304	3	Return Spring Set (Axle Set)
5353	4	Hold Down Kit (Axle Set)
5404	5,6	Adjusting Screw Kit (Spring & Screw Assembly)
Grease Cap and Seal		
6604/5604	7	Seal (Axle Set)
5651	10	Grease Cap (Axle Set)

Part Number	Illustration No.	Description
Bearing Sets		
5505	8	Bearing Set - Inner
5502	9	Bearing Set - Outer
Brake Shoes		
6004	11	Shoe and Lining Kit (Wheel Set)
Brake Assembly		
6709TEK		Complete Assembly - L.H.
6710		Complete Assembly - R.H.

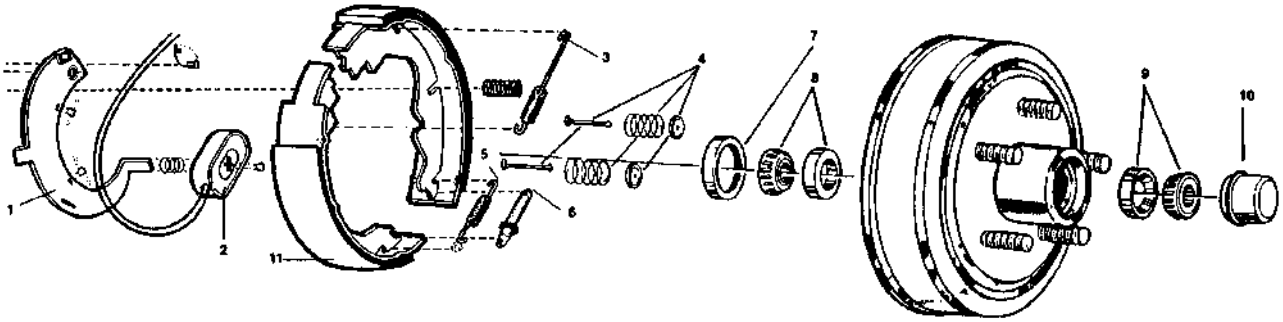
ALKO 12-in x 2-in



Part Number	Illustration No.	Description
Hardware		
6109	2	Magnet Kit 6K & 7K
5307	3	Return Spring Set (Axle Set)
5353	4	Hold Down Kit (Axle Set)
5404	5,6	Adjusting Screw Kit (Spring & Screw Assembly)
Grease Cap and Seal		
6605/5605	7	Seal (Axle Set) (Replace in Pairs)
6658	10	Grease Cap (Axle Set) for 5508
5652	10	Grease Cap (Axle Set) for 5509

Part Number	Illustration No.	Description
Bearing Sets		
5503	8	Bearing Set - Inner
5508	9	Bearing Set - Outer - 865 Large Bore
5509	9	Bearing Set - Outer - Small Bore
Brake Shoes		
6005	11	Shoe and Lining Kit (Wheel Set)
Brake Assembly		
6713		Complete Assembly - L.H.
6714		Complete Assembly - R.H.

Dexter 7-in x 1-1/4-in



Part Number	Illustration No.	Description
Hardware		
(N/A)	1	Actuating Lever - R.H.
(N/A)	1	Actuating Lever - L.H.
(N/A)	2	Magnet Kit
5113***	2	Magnet Kit
Hardware (Axle Set)		
5320*	3	Return Spring
5320*	4	Hold Down Clips
5320*	5	Adjusting Screw Spring
5320*	6	Adjusting Screw Assembly

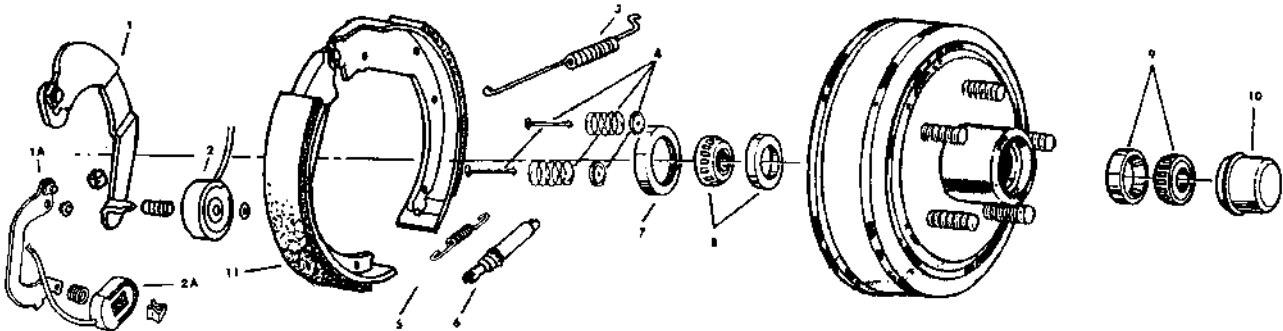
Part Number	Illustration No.	Description
Grease Seal and Cap		
5603	7	Seal - BTR (Axle Set)
5651	9	Grease Cap (Axle Set)
Bearing Sets		
5502	8	Bearing Set - Inner & Outer
Brake Shoes		
5002	10	Shoe and Lining Kit (Wheel Set)

*Contained in Hardware Kit (Axle Kit)

***5113 After 4-1990

(N/A) - No Longer Available

Dexter 10-in x 1-1/2-in



Part Number	Illustration No.	Description
Hardware		
(N/A)	1	Actuating Lever - R.H.
(N/A)	1A	Actuating Lever - R.H.
(N/A)	1	Actuating Lever - L.H.
(N/A)	1A	Actuating Lever - L.H.
5113*	2	Magnet Kit
5118**	2A	Magnet Kit
5306	3	Return Spring Set (Axle Set)
(N/A)	4	Hold Down Kit (Axle Set)
5404	5,6	Adjusting Screw Kit (Spring & Screw Assembly)

Part Number	Illustration No.	Description
Grease Seal and Cap		
5607	7	Seal (Axle Set)
5651	10	Grease Cap (Axle Set)
Bearing Sets		
5507	8	Bearing Set - Inner
5502	9	Bearing Set - Outer
Brake Shoes		
5009	11	Shoe and Lining Kit (Wheel Set)

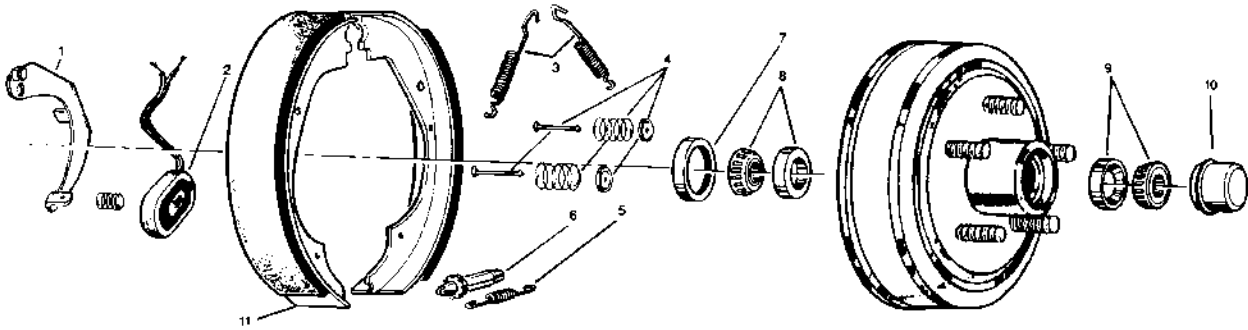
*Prior to Mid 1988

**After Mid 1988

(N/A) - No Longer Available

TRAILER BRAKE REPLACEMENT PARTS

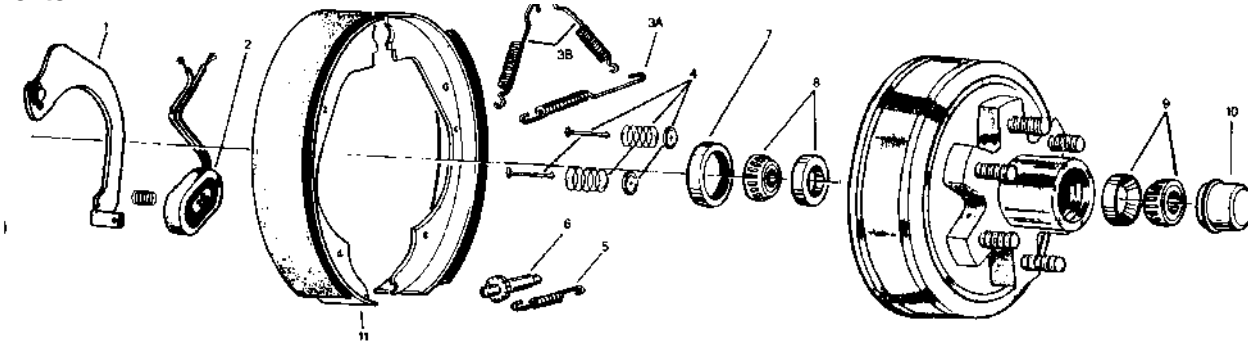
Dexter 10-in x 2-1/4-in



Part Number	Illustration No.	Description
Hardware		
5106	2	Magnet Kit
5305	3	Return Spring Set (Axle Set)
5353	4	Hold Down Kit (Axle Set)
5404	5,6	Adjusting Screw Kit (Spring & Screw Assembly)
Grease Seal and Cap		
5604	7	Seal (Axle Set)
5651	10	Grease Cap (Axle Set)

Part Number	Illustration No.	Description
Bearing Sets		
5506	8	Bearing Set - Inner (Prior to Dec. 1983)
5505	8	Bearing Set - Inner (After Dec. 1983)
5502	9	Bearing Set - Outer
Brake Shoes		
5003	11	Shoe and Lining Kit (Wheel Set)
Brake Assembly		
5707		Complete Assembly - L.H.
5708		Complete Assembly - R.H.

Dexter 12-in x 2-in



Part Number	Illustration No.	Description
Hardware		
5109	2	Magnet Kit
Return Spring Set (Axle Set)		
5307	3A	Single Retractor
5305	3B	Dual Retractor
5353*	4	Hold Down Kit (Axle Set)
5404	5,6	Adjusting Screw Kit (Spring & Screw Assembly)

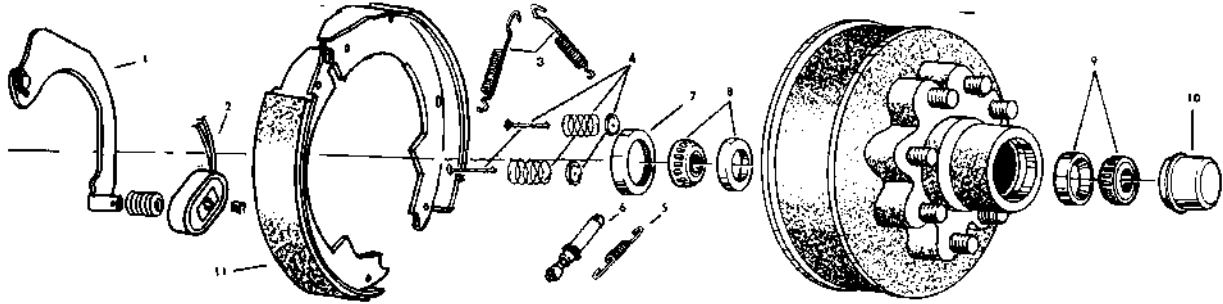
*Replacement Kit Uses Coil Springs

**Prior to 1997

***After 1997 (A Series Only)

Part Number	Illustration No.	Description
Grease Seal and Cap		
5606**	7	Seal (Axle Set)
5608***	7	Seal (Axle Set)
5652	10	Grease Cap (Axle Set)
Bearing Sets		
5503	8	Bearing Set - Inner
5507	9	Bearing Set - Outer
Brake Shoes		
5000-DX	11	Shoe and Lining Kit (Wheel Set)
Brake Assembly		
5711		Complete Assembly - L.H.
5712		Complete Assembly - R.H.

Dexter 12-in x 2-in 7K



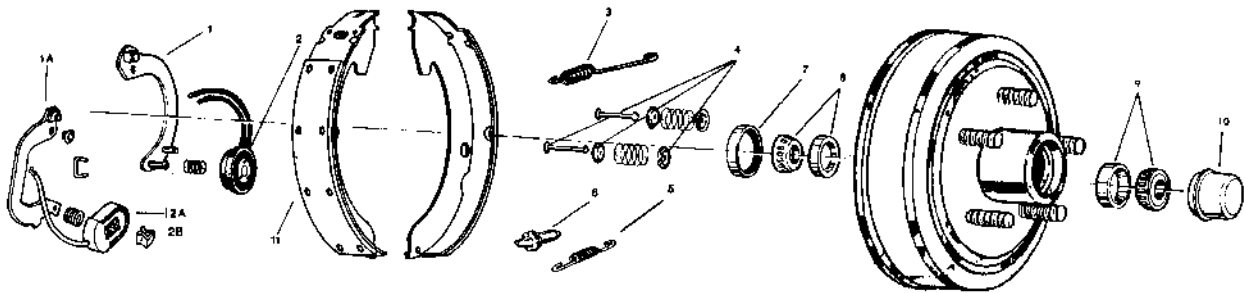
Part Number	Illustration No.	Description
Hardware		
5114	2	Magnet Kit
5305	3	Return Spring Set (Axle Set)
5353	4	Hold Down Kit (Axle Set)
5404	5,6	Adjusting Screw Kit (Spring & Screw Assembly)

*Prior to 1997

**After 1997 (A Series Only)

Part Number	Illustration No.	Description
Grease Seal and Cap		
5606*	7	Seal (Axle Set)
5608**	7	Seal (Axle Set)
5652	10	Grease Cap (Axle Set)
Bearing Sets		
5503	8	Bearing Set - Inner
5508	9	Bearing Set - Outer (865 HUB)
5509	9	Bearing Set - Outer (UTG Hub)
Brake Shoes		
5010	11	Shoe and Lining Kit (Wheel Set)

Hayes 10-in x 1-5/8-in



Part Number	Illustration No.	Description
Hardware		
(N/A)	1	Actuating Lever - R.H.
(N/A)	1A	Actuating Lever - R.H.
(N/A)	1	Actuating Lever - L.H.
(N/A)	1A	Actuating Lever - L.H.
5106**	2A	Magnet Kit (6K & 7K Axles)
5101-HA***	2B	Magnet Kit
5304	3	Return Spring Set (Axle Set)
(N/A)	4	Hold Down Kit (Axle Set)
5404	5,6	Adjusting Screw Kit (Spring & Screw Assembly)

Part Number	Illustration No.	Description
Grease Seal and Cap		
5604	7	Seal (Axle Set)
5651	10	Grease Cap (Axle Set)
Bearing Sets		
5507	8	Bearing Set - Inner
5502	9	Bearing Set - Outer
Brake Shoes		
(N/A)	11	Shoe and Lining Kit (Wheel Set)

*Prior to Mid 1987

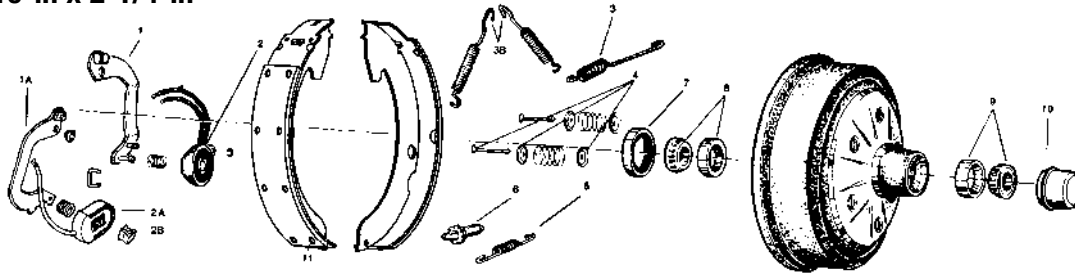
**After Mid 1987

***After Late 1994 (Replace in Pairs)

(N/A) - No Longer Available

TRAILER BRAKE REPLACEMENT PARTS

Hayes 10-in x 2-1/4-in



Part Number	Illustration No.	Description
Hardware		
(N/A)	1	Actuating Lever - R.H.
(N/A)	1A	Actuating Lever - R.H.
(N/A)	1	Actuating Lever - L.H.
(N/A)	1A	Actuating Lever - L.H.
5106**	2A	Magnet Kit
5101-HA	2B	Magnet Kit-After Late 1994 (Replace in Pairs)
Return Spring Set (Axle Set)		
5304	3A	Single Retractor
5305****	3B	Dual Retractor
5353	4	Hold Down Kit (Axle Set)
5404	5,6	Adjusting Screw Kit (Spring & Screw Assembly)

Part Number	Illustration No.	Description
Grease Seal and Cap		
5604	7	Seal (Axle Set)
5651	10	Grease Cap (Axle Set)
Bearing Sets		
5505***	8	Bearing Set - Inner
5502	9	Bearing Set - Outer
Brake Shoes		
6004	11	Shoe and Lining Kit (Wheel Set)
Brake Assembly		
(N/A)		Complete Assembly - L.H. (Replace in Pairs)
(N/A)		Complete Assembly - R.H. (Replace in Pairs)

*Prior to Mid 1987

**After Mid 1987

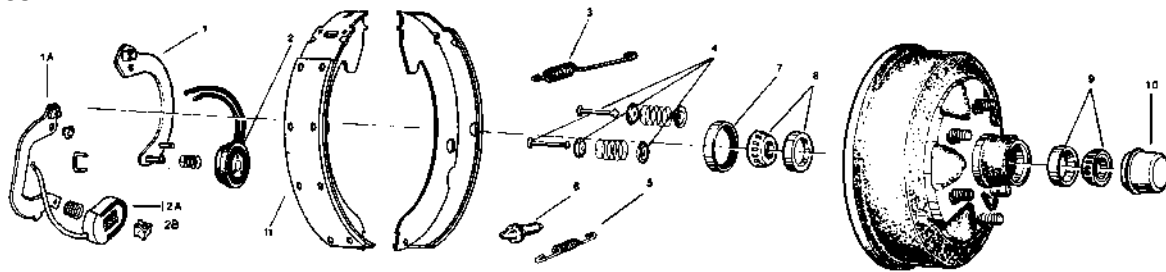
***After 1972

****Prior to May 1977

(N/A) - No Longer

Available

Hayes 12-in x 2-in



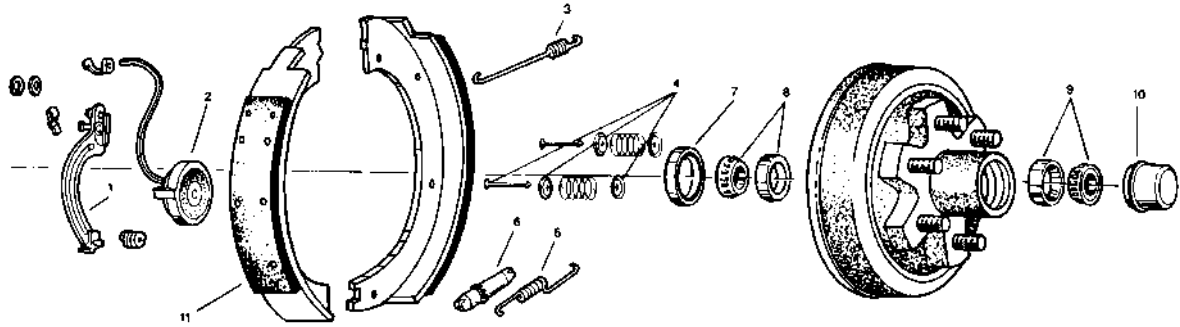
Part Number	Illustration No.	Description
Hardware		
(N/A)	1	Actuating Lever - R.H.
(N/A)	1	Actuating Lever - L.H.
(N/A)	2	Magnet Kit
5109**	2A	Magnet Kit
5101-HA	2B	Magnet Kit-After Late 1994 (Replace in Pairs)
5307	3	Return Spring Set (Axle Set)
5353	4	Hold Down Kit (Axle Set)
5404	5,6	Adjusting Screw Kit (Spring & Screw Assembly)

**After Late 1987

(N/A) - No Longer Available

Part Number	Illustration No.	Description
Grease Seal and Cap		
5605	7	Seal (Axle Set)
5652	10	Grease Cap (Axle Set)
Bearing Sets		
5503	8	Bearing Set - Inner
5507	9	Bearing Set - Outer
Brake Shoes		
(N/A)	11	Shoe and Lining Kit (Wheel Set)
Brake Assembly		
5713-HA		Complete Assembly - L.H. (Replace in Pairs)
5714-HA		Complete Assembly - R.H. (Replace in Pairs)

Hayes 12-in x 2-in Centerline

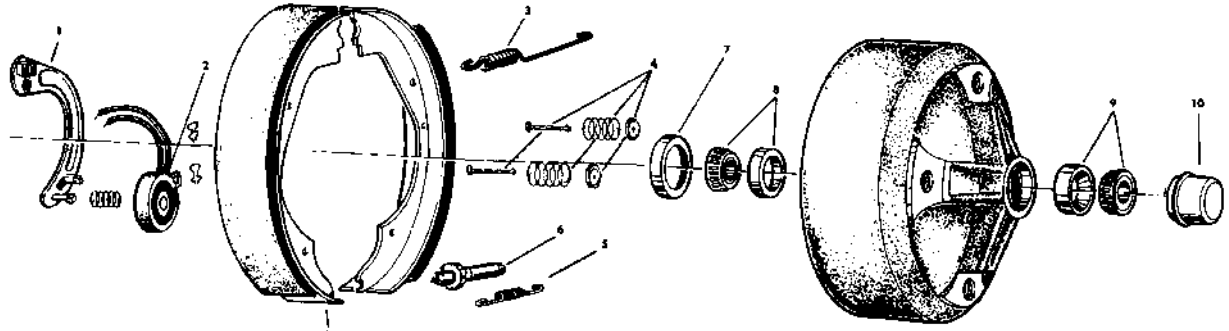


Part Number	Illustration No.	Description
Hardware		
(N/A)	1	Actuating Lever - R.H.
(N/A)	1	Actuating Lever - L.H.
(N/A)	1	Actuating Lever - R.H.
(N/A)	1	Actuating Lever - L.H.
(N/A)	2	Magnet Kit (4.5K Axles)
(N/A)	2	Magnet Kit (6K & 7K Axles)
(N/A)	3	Return Spring Set (Axle Set)
5353	4	Hold Down Kit (Axle Set)
5404	5,6	Adjusting Screw Kit (Spring & Screw Assembly)

Part Number	Illustration No.	Description
Grease Seal and Cap		
5605	7	Seal (Axle Set)
5652	10	Grease Cap (Axle Set)
Bearing Sets		
5503	8	Bearing Set - Inner
5507	9	Bearing Set - Outer
Brake Shoes		
(N/A)	11	Shoe and Lining Kit (Wheel Set) (4.5K and 6K Axles)
(N/A)	11	Shoe and Lining Kit (Wheel Set) (7K Axles)

(N/A) - No Longer Available

Fayette 10-in x 2-1/4-in



Part Number	Illustration No.	Description
Hardware		
(N/A)	1	Actuating Lever - R.H.
(N/A)	1	Actuating Lever - L.H.
(N/A)	2	Magnet Kit
5304	3	Return Spring Set (Axle Set)
5353*	4	Hold Down Kit (Axle Set)
5404	5,6	Adjusting Screw Kit (Spring & Screw Assembly)

Part Number	Illustration No.	Description
Grease Seal and Cap		
5604	7	Seal (Axle Set)
5651	10	Grease Cap (Axle Set)
Bearing Sets		
5505***	8	Bearing Set - Inner
5502	9	Bearing Set - Outer
Brake Shoes		
(N/A)	11	Shoe and Lining Kit (Wheel Set)

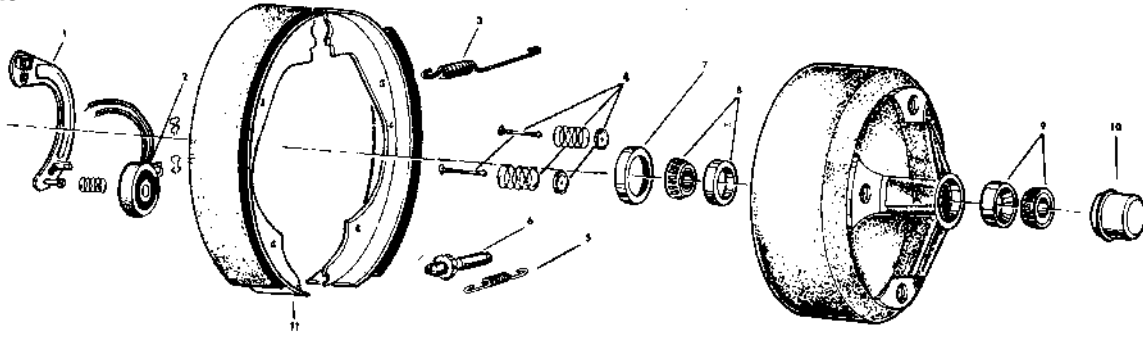
*Contained in Hardware Kit (Axle Kit)

***After 1972

(N/A) - No Longer Available

TRAILER BRAKE REPLACEMENT PARTS / MAGNET SET REPLACEMENT PARTS

Fayette 12-in x 2-in



Part Number	Illustration No.	Description
Hardware		
(N/A)	1	Actuating Lever - R.H.
(N/A)	1	Actuating Lever - L.H.
(N/A)	2	Magnet Kit
5307	3	Return Spring Set (Axle Set)
5353*	4	Hold Down Kit (Axle Set)
5404	5,6	Adjusting Screw Kit (Spring & Screw Assembly)

Part Number	Illustration No.	Description
Grease Seal and Cap		
5605	7	Seal (Axle Set)
5652	10	Grease Cap (Axle Set)
Bearing Sets		
5503	8	Bearing Set - Inner
5507	9	Bearing Set - Outer
Brake Shoes		
5000-DX**	11	Shoe and Lining Kit (Wheel Set)

*Replacement Kit Uses Coil Springs **Bonded Shoes (N/A) - No Longer Available

MAGNET SET REPLACEMENT PARTS

Part Number	Wire Color	Length	Width	Thickness	Fits or Replaces
5101-HA	Green	3-1/8"	2"	15/16"	Hayes 10 x 1 5/8 Hayes 10 x 2 1/4 Hayes 12 x 2 (All - Replaces in pairs) (All - After Late 1994)
5106	Green	3-1/8"	2"	15/16"	Dexter 10 x 2 1/4 Hayes 10 x 2 1/4 (After Mid 1987) Hayes 10 x 1 5/8 (After Mid 1987) Trailer Pac 102 Tow Craft 1103-100-017
5109	Green	3-1/8"	2"	15/16"	Dexter 12 x 2 Hayes 12 x 2 (After Late 1987) Trailer Pac 103 Tow Craft 1103-100-018
5113	White	2-1/16"	1-15/16"	3/4"	Dexter 10 x 1 1/2 (Prior to Mid 1988) Dexter 7 x 1 1/4 (After April 1990)
5114	Black	3-1/8"	2"	15/16"	Dexter 12 x 2, 7K Axles
5118	Yellow	3-1/8"	2"	15/16"	Dexter 10 x 1 1/2 (After Mid 1988)
6106	Green	3-1/8"	2"	15/16"	AL-KO Kober 10 x 2 1/4
6109	Green	3-1/8"	2"	15/16"	AL-KO Kober 12 x 2, 6K and 7K



MAGNET RETAINING CLIP

Part Number	Description	Packaging
5121TEK	10 x 2 1/4 Dexter 12 x 2 Dexter 12 x 2 Dexter 7K 10 x 2 1/4 Hayes (New Style) 12 x 2 Hayes (New Style)	Clam Shell

WIRE CLIP

Part Number	Description	Packaging
5122	10 x 1 1/2 Dexter 12 x 2 1/4 Dexter 12 x 2 Dexter	Clam Shell

GREASE CAP (AXLE SET)

Part Number	Description	Packaging
5651	7 x 1 1/4 Dexter 10 x 2 1/4 AL-KO 10 x 1 5/8 Hayes 10 x 1 1/2 Dexter 10 x 2 1/4 Hayes 10 x 2 1/4 Dexter 10 x 2 1/4 Fayette 10 x 2 1/4 Foreman	Clam Shell
5652	12 x 2 AL-KO (Small Bore) 12 x 2 Hayes & 12 x 2 Hayes Centerline 12 x 2 Dexter & 12 x 2 Dexter 7K 12 x 2 Fayette 12 x 2 Foreman	Clam Shell
6658	12 x 2 AL-KO (Large Bore)	Clam Shell

GREASE SEAL (AXLE SET)

Part Number	Description	Packaging
5602	7 1/4 x 1 1/4 Hayes	Clam Shell
5603	7 x 1 1/4 Dexter (BTR)	Clam Shell
5604	10 x 1 5/8 Hayes 10 x 2 1/4 AL-KO 10 x 2 1/4 Hayes 10 x 2 1/4 Dexter 10 x 2 1/4 Fayette	Clam Shell
5605	12 x 2 Hayes & 12 x 2 Hayes Centerline 12 x 2 Fayette 12 x 2 AL-KO*	Clam Shell
5606	12 x 2 Dexter (Prior 1997) & 12 x 2 Dexter 7K (Prior 1997)	Clam Shell
5607	10 x 1 1/2 Dexter	Clam Shell
5608	12 x 2 Dexter (After 1997 - A Series Only) & 12 x 2 Dexter 7K (After 1997 - A Series Only)	Clam Shell
6604 / 5604	10 x 2 1/4 AL-KO	Clam Shell
6605 / 5605	12 x 2 AL-KO*	Clam Shell

SHOE AND LINING KITS (WHEEL SET)

Part Number	Description	Packaging
5000-DX	12 x 2 Dexter 12 x 2 Fayette (Bonded Shoes) 12 x 2 Aimco 12 x 2 Foreman	Boxed
5002	7 x 1 1/4 Dexter	Boxed
5003	10 x 2 1/4 Dexter	Boxed
5009	10 x 1 1/2 Dexter	Boxed
5010	12 x 2 Dexter 7K	Boxed
6004	10 x 2 1/4 AL-KO 10 x 2 1/4 Hayes	Boxed
6005	12 x 2 AL-KO	Boxed

BEARING SET (L44610 CUP, L44649 CONE)

Part Number	Description	Packaging
5502	7 1/4 x 1 1/4 Hayes (In & Out) 7 1/4 x 1 1/4 Foreman (In & Out) 7 x 1 1/4 Dexter BTL (In & Out) 7 x 1 1/4 Dexter BTR (In & Out) 7 1/4 x 1 1/4 Fayette (In & Out) 7 1/4 x 1 1/4 Foreman (In & Out) 10 x 1 5/8 Hayes (Out) 10 x 1 1/2 Dexter (Out) 10 x 2 1/4 AL-KO (Out) 10 x 2 1/4 Hayes (Out) 10 x 2 1/4 Dexter (Out) 10 x 2 1/4 Fayette (Out) 10 x 2 1/4 Foreman (Out)	Clam Shell

BEARING SET (25520 CUP, 25580 CONE)

Part Number	Description	Packaging
5503	12 x 2 AL-KO (In) 12 x 2 Hayes (In) & 12 x 2 Hayes Centerline (In) 12 x 2 Dexter (In) & 12 x 2 Dexter 7K (In) 12 x 2 Fayette (In) 12 x 2 Foreman (In) 12 x 2 AL-KO (In) 6 & 8 Hole	Clam Shell

BEARING SET (L68111 CUP, L68149 CONE)

Part Number	Description	Packaging
5505	10 x 2 1/4 AL-KO (In) 10 x 2 1/4 Fayette (In) (After 1972) 10 x 2 1/4 Hayes (In) (After 1972) 10 x 2 1/4 Dexter (In) (After Dec. 1983) 12 x 2 Foreman (In) 12 x 2 AL-KO (In) 6 & 8 Hole	Clam Shell

MAGNET RETAINING RING

Part Number	Description	Packaging
5120TEK	10 x 1 5/8 Hayes 10 x 2 1/4 Hayes (Old Style) 12 x 2 Hayes (Old Style)	Clam Shell

TRAILER BRAKE REPLACEMENT PARTS

BEARING SET (LM48510 CUP, LM48548 CONE)

Part Number	Description	Packaging
5506	10 x 2 1/4 Dexter (In) (Prior Dec. 1983) 10 x 2 1/4 Foreman (In) 10 x 2 1/4 Fayette (In) (Prior 1972)	Clam Shell

BEARING SET (L44610 CUP, L44649 CONE)

Part Number	Description	Packaging
5507	10 x 1 5/8 Hayes (In) 10 x 1 1/2 Dexter (In) 12 x 2 Hayes (Out) & 12 x 2 Hayes Centerline (Out) 12 x 2 Dexter (Out) 12 x 2 Fayette (Out) 12 x 2 Foreman (Out)	Clam Shell

BEARING SET (14276 CUP, 14125A CONE)

Part Number	Description	Packaging
5508	12 x 2 Dexter 6K & 7K 865 Hub (Out) 12 x 2 AL-KO 8 Hole 865 Hub (Out)	Clam Shell

BEARING SET (15245 CUP, 15123 CONE)

Part Number	Description	Packaging
5509	12 x 2 Dexter 6K & 7K UTG Hub (Out) 12 x 2 AL-KO 6 & 8 Hole (865 Small)	Clam Shell

RETURN SPRING SET (AXLE SET)

Part Number	Description	Packaging
5304	10 x 2 1/4 AL-KO 10 x 1 5/8 Hayes 10 x 2 1/4 Hayes (Single Retractor) 10 x 2 1/4 Fayette	Clam Shell
5305	10 x 2 1/4 Hayes (Dual Retractor - Prior to May 1977) 10 x 2 1/4 Dexter 10 x 2 1/4 Aimco 10 x 2 1/4 Foreman 12 x 2 Aimco 12 x 2 Dexter (Dual Retractor) & 12 x 2 Dexter 7K 12 x 2 Foreman	Clam Shell
5306	10 x 1 1/2 Dexter	Clam Shell
5307	12 x 2 AL-KO 12 x 2 Hayes 12 x 2 Dexter (Single Retractor) 12 x 2 Fayette	Clam Shell

HARDWARE KIT (AXLE SET)

Part Number	Description	Packaging
5320	7 x 1 1/4 Dexter Clam Shell	Clam Shell

HOLD DOWN KIT (AXLE SET)

Part Number	Description	Packaging
5353	10 x 2 1/4 AL-KO 10 x 2 1/4 Hayes 10 x 2 1/4 Dexter 10 x 2 1/4 Fayette 10 x 2 1/4 Aimco 12 x 2 AL-KO 12 x 2 Hayes & 12 x 2 Hayes Centerline 12 x 2 Dexter & 12 x 2 Dexter 7K 12 x 2 Fayette	Clam Shell

ADJUSTING SCREW KIT (SPRING AND SCREW ASSEMBLY)

Part Number	Description	Packaging
5504	10 x 2 1/4 AL-KO 10 x 1 5/8 Hayes 10 x 1 1/2 Dexter 10 x 2 1/4 Hayes 10 x 2 1/4 Dexter 10 x 2 1/4 Fayette 10 x 2 1/4 Aimco 12 x 2 AL-KO 12 x 2 Hayes & 12 x 2 Hayes Centerline 12 x 2 Dexter & 12 x 2 Dexter 7K 12 x 2 Fayette 12 x 2 Aimco 12 x 2 Foreman	Clam Shell

ADJUSTING SCREW SPRING SET

Part Number	Description	Packaging
5407	10 x 1 5/8 Hayes 10 x 1 1/2 Dexter 10 x 2 1/4 Hayes 10 x 2 1/4 Dexter 10 x 2 1/4 Fayette 10 x 2 1/4 Aimco 12 x 2 Hayes 12 x 2 Dexter 12 x 2 Fayette	Clam Shell

WHEEL BEARING KITS

- Designed to fit most hubs used on boat, utility, snowmobile, and RV trailers
- Kit includes 2 bearing cones, 2 bearing cups, grease seal, and cotter pin

WB106 0700



Part Number	Spindle Outer Diameter	Hub Diameter
WB100 0700	1"	1.980"
WB106 0700	1-1/16"	1.980"
WB138T0700*	1-3/8" x 1-1/16"	1.980"

Minimum order quantities may apply. *T applies to tapered axle applications.

BEARING PROTECTORS

- Protects wheel bearings from the elements during all trailer operations
- Automatically maintains the correct internal pressure – cannot damage seals
- Chrome-plated steel construction
- Sold in pairs and are available in bulk or full color display packages
- Some models include vinyl cover (see chart)

BP232S0604



BB24410312



Part Number	Description	Hub Diameter	Packaging
BPC1780604*	Bearing Protector with Covers	1.781"	Clam Shell
BPC1980604*	Bearing Protector with Covers	1.980"	Clam Shell
BP232S0604	Bearing Protector	2.328"	Clam Shell
BP244S0604	Bearing Protector	2.441"	Clam Shell
BP198S0304	Bearing Protector	1.980"	Bulk
BP232S0304 †	Bearing Protector	2.328"	Bulk
BP244S0304	Bearing Protector	2.441"	Bulk
BB17810112*	Bearing Protector Covers - 2 pack	1.781"	Bag w/Header Card
BB19800112	Bearing Protector Cover - 2 pack	1.980"	Bag w/Header Card
BB24410112	Bearing Protector Cover - 2 pack	2.328" and 2.441"	Bag w/Header Card
BB19800312	Bearing Protector Cover	1.980"	Bulk
BB24410312 †	Bearing Protector Cover	2.328" and 2.441"	Bulk

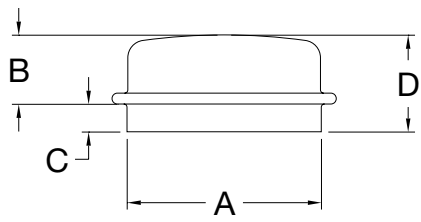
Minimum order quantities may apply.

*Bulk versions also available. Contact your sales representative.

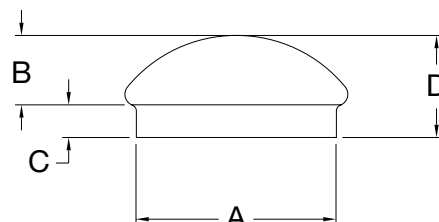
† = Available while supplies last.

GREASE CAPS

A = Flange Diameter (OD) B = Crown Height C = Flange Length D = Overall Height



1500 Series



1600 Series

Part Number	Mat. Gauge	A Flange Diameter	B Crown Height	C Flange Length	D Overall Height
1500 Series					
001501*	22	1.786"	0.63"	0.27"	0.89"
-	22	1.786"	0.88"	0.28"	1.16"
001503*	22	1.786"	1.16"	0.375"	1.535"
001523	20	1.943"	0.69"	0.31"	1"
001524	20	1.943"	1.04"	0.34"	1.38"
001505*	22	1.968"	0.78"	0.375"	1.156"
001521	20	1.988"	0.75"	0.220"	1.03"
001520*	22	2.446"	1.03"	0.313"	1.34"
001515*	20	2.567"	1.08"	0.281"	1.36"
001526	20	2.722"	1.13"	0.312"	1.44"
001531	16	3.155"	1.43"	0.37"	1.8"
001528	20	3.358"	1.06"	0.56"	1.62"
1600 Series					
100235*	16	2.333"	0.84"	0.37"	1.21"
001601	16	2.333"	0.91"	0.37"	1.281"
001604	16	2.446"	0.88"	0.28"	1.16"
001605	16	2.722"	1.03"	0.31"	1.34"
001609	16	3.125"	1.01"	0.296"	1.31"
001607	16	3.155"	1.16"	0.218"	1.375"
001602	16	3.255"	0.61"	0.53"	1.145"
001603	16	3.882"	0.44"	0.63"	1.07"

All shown standards. *Zinc-plated for corrosion resistance. Minimum order quantities may apply.



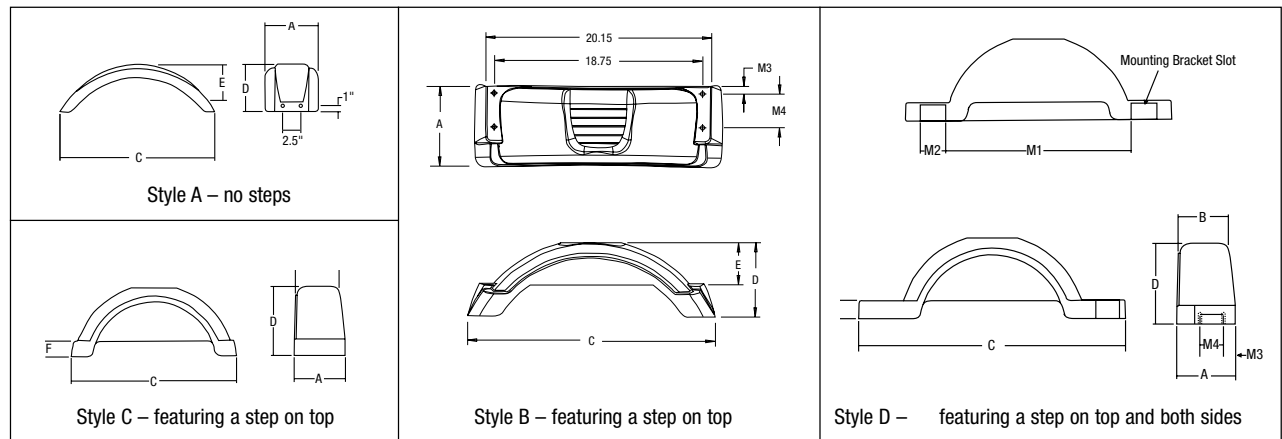
1500 Series



1600 Series

PLASTIC FENDERS

- High density polyethylene (HDPE) fenders
- Injection molded
- Corrosion proof
- Impact resistant, 300 lb capacity
- Molded-in color is "scratch proof"
- Built-in fender skirt
- Optional integral step pad
- Handles temperature extremes
- Mounting slots



Part Number Bulk White	Part Number Bulk Black	Part Number Bulk Silver	Tire Size	Measurements (See Diagram)									
				A	B	C	D	E	F	M (1)	M (2)	M (3)	M (4)
Style A													
008540*	008550*	—	8"-12"	7.00"	—	20.25"	6.25"	4.62"	—	—	—	2.25"	2.50"
Style B													
008549	008559	008569	8"-12"	7.35"	—	22.30"	6.50"	3.75"	2.18"	—	—	.075"	3.00"
Style C													
008541*	008551*	008561	8"-12"	7.35"	7.35"	21.80"	6.50"	3.75"	2.18"	—	—	2.43"	2.50"
008542	—	—	12"	7.51"	23.91"	8.77"	2.50"	—	2.75"	—	—	—	—
008543	008553	008563	13"	9.00"	7.70"	29.25"	12.00"	—	2.75"	—	—	—	—
—	008554	008564	14"	9.70"	8.00"	31.30"	12.75"	—	3.00"	—	—	—	—
Style D (US Patent D3)													
008572	008582	008592	12"	7.50"	6.90"	33.50"	8.75"	—	2.50"	22.70"	4.00"	1.50"	3.00"
508572	—	—	12"	7.50"	6.90"	33.50"	8.75"	—	2.50"	22.70"	4.00"	1.50"	3.00"
008573	008583	008593	13"	9.00"	7.70"	40.00"	12.00"	—	2.75"	28.00"	4.00"	2.12"	3.75"
508573	—	—	13"	9.00"	7.70"	40.00"	12.00"	—	2.75"	28.00"	4.00"	2.12"	3.75"
008574	008584	008594	14"	9.70"	8.00"	43.40"	12.75"	—	3.00"	30.00"	4.00"	2.12"	3.75"
508574	—	—	14"	9.70"	8.00"	43.40"	12.75"	—	3.00"	30.00"	4.00"	2.12"	3.75"
008575	008585	008595	15"	10.25"	6.70"	45.00"	14.85"	—	3.00"	34.00"	4.00"	2.12"	3.75"

*Minimum order quantities may apply.



GB44 0101

GB150 0100



BGR20 0101



1000750



CR8008

BOAT GUIDES

- Boat guides help you visually guide your boat onto your trailer
- High-strength super gripper mounting brackets attach firmly above and below the trailer frame
- Easy bolt-on mounting fits trailer frames up to 3-in x 5-in high
- Adjustable to provide optimum fit to any hull design

Part Number	Description	Upright Height
GB44 0101	Non-marring, marine grade PVC tubing, 1 pair	44"
GB150 0100	Non-marring, marine grade PVC tubing, 1 pair	50"
BGR20 0101	Steel construction with non-marring, cushioned rollers, 1 pair	20"
Accessory Part		
500358	Cap for BGR20 0101	

WATERWICK™



- Absorbs moisture from the air
- Helps control mold and mildew
- Contains 1.65 lb/750 grams of Calcium Chloride (salt) that can absorb up to 1/4 gallon of moisture
- 32-in long (with hook extended), 1.88 lb
- Designed for use in RVs, Trailers, Boats

Part Number	Description
1000750†	Waterwick

US Patent 6.273.942. B1

† = Available while supplies last.

Recommended Usage		
Square Feet	Humidity	Number of Units
Up to 30'	Low	1-2
	High	2-3
Over 30'	Low	2-3
	High	3-4

General guidelines only. Number of units needed may vary depending on your specific needs.

NOTE: Contains Calcium Chloride (salt). Possible adverse effects in case of contact with eyes.

MARINE GRADE CARPETING

- Marine Grade carpeting allows the do-it-yourselfer to replace worn and dirty carpet on bunk trailers
- The carpet protects your boat investment by reducing scratching on the hull and keeps it in like-new condition
- Individual rolls are shrink-wrapped for shelf display

Part Number	Description
CR8008	Bunk carpeting, Black, 8" x 144"
CR8012	Bunk carpeting, Black, 12" x 144"

OML 0127



OUTBOARD MOTOR LOCK

- Heavy-duty barrel key lock mechanism for maximum security
- Foam filler insert reduces noise and vibration
- Mounts on most outboard motors

Part Number	Description	Packaging
OML 0127	Outboard Motor Lock	Clam Shell

63300



HITCH AND TRAILER ALIGNMENT TOOL

- Convenient one person hitch alignment system
- Magnetic base for fast and easy location
- Telescoping rods adjust up to 42-in
- Easy to use the first time

Part Number	Description
63300	Hitch and Trailer Alignment Tool

7000100



WHEEL CHOCK

- Made from high impact polymer
- Reduces the risk of trailer roll
- Fits most trailer wheels
- Counter display box

Part Number	Description
7000100	Wheel Chock (Must be Ordered in Multiples of 6 Pairs)

Must be Ordered in Multiples of 6 Pairs

SAFETY CHAINS

- Safety chains are required by law in most states
- Cross chains when towing for added safety
- All chains conform to J684.6.3.4 SAE standards

Part Number	Grade	Size	Hook	Finish	Capacity	Description	Packaging
CHA0010140	30	1/4 x 24"	7/16" Safety Hook	Clear Zinc	5,000 lbs.	Proof coil chain. 1/4" chain interior dimension is sized so a 1/2" bolt shank can pass through. (2-pack)	Clam Shell
CHA0010340	30	1/4 x 24"	7/16" Safety Hook	Clear Zinc	5,000 lbs.	Proof coil chain. 1/4" chain interior dimension is sized so a 1/2" bolt shank can pass through.	Bulk
CHA0020324	70	1/4" x 36"	1/4" Forged Clevis Hook	Yellow Zinc	12,600 lbs.	Transport chain. 1/4" chain interior dimension is sized so a 1/2" bolt shank can pass through.	Bulk
CHA0030140	43	1/4 x 24"	7/16" Safety Hook	Clear Zinc	7,800 lbs.	Test chain. 1/4" chain interior dimension is sized so a 1/2" bolt shank can pass through. (2-pack)	Clam Shell
CHA0030340 †	43	1/4 x 24"	7/16" Safety Hook	Clear Zinc	7,800 lbs.	Test chain. 1/4" chain interior dimension is sized so a 1/2" bolt shank can pass through.	Bulk
CHA0040324	70	5/16" x 36"	5/16" Forged Clevis Hook	Yellow Zinc	18,800 lbs.	Transport chain.	Bulk
CHA0050324	70	5/16" x 42"	5/16" Forged Clevis Hook	Yellow Zinc	18,800 lbs.	Transport chain.	Bulk
CHA0060324	70	3/8" x 36"	3/8" Forged Clevis Hook	Yellow Zinc	26,400 lbs.	Transport chain.	Bulk
CHA0070324	70	1/2" x 42"	1/2" Forged Clevis Hook	Yellow Zinc	45,200 lbs.	Transport chain.	Bulk

† = Available while supplies last.



63034



63035



5592



2489

49141



44140



40604



49149



63451



SAFETY CHAIN KITS

Part Number	Max GTW	Description	Packaging
63034	2,000 lbs.	6' Class I - S-Hooks on Both Ends (1pc)	Clamshell
63035	5,000 lbs.	6' Class III - Quick Links on Both Ends (1pc)	Clamshell
5592	3,500 lbs.	6' Class II - 1/4" Proof Coil Chain	Bulk
2489 †	5,000 lbs.	30" Class III - Straight Link Machine Chain	Bulk

† = Available while supplies last.

CLASS I-III CHAIN WITH S-HOOK - ONE END

Part Number	Description
49138	Class II GVWR 3,500 lbs. 24", 1/4" Proof Coil Grade 30, with S-Hook at One End (836)
49141	Class III GVWR 5,000 Lbs. 30", 1/4" Proof Coil Grade 30, with S-Hook at One End (839)

CLASS I-III CHAIN WITH S-HOOK - BOTH ENDS

Part Number	Description
49137	Class I GVWR 2,000 Lbs. 48", 3/16" Proof Coil Grade 30, S-Hook, Both Ends (835)
44140	Class III GVWR 5,000 Lbs. 48", 1/4" Proof Coil Grade 30, S-Hook, Both Ends (839)

CLASS III SAFETY CHAIN WITH QUICK LINKS

Part Number	Description
40604	Class III 30" with Quick Links, Heavy Duty Safety Chain Kit for Tow Bars (5,000 lbs. GTW)

CLASS III SAFETY CHAIN WITH CLEVIS HOOK

Part Number	Description
49148	Class IV 32", 5/16" Proof Coil Grade 30 5/16" Clevis Slip Hook, One End (7,600 lbs. GTW)
49149	Class IV 36", 1/2" proof Coil Grade 30 3/8" Clevis Slip Hook, One End (10,600 lbs. GTW)
49147	Class IV 35", 3/8" High Test 43 Clevis Slip & Latch Hook (16,200 lbs. GTW)

CLASS V SAFETY CHAIN WITH CLEVIS HOOK

Part Number	Description
63451 NEW	Class V 35", 1/2" Proof Coil Grade 30, 3/8" Clevis Slip Hook, One End (26,400 lbs. GTW)



4234

1962



34141



63029



63030



63024



63025



63026



44200



44201



44202



44150 - S-Hook



JC1000300 - J-Clip

SAFETY CHAIN LOOPS

Part Number	Description
4234	2,000 lbs. Class I Safety Chain Loop
1962	5,000 lbs. Class II/III Safety Chain Loop
34141	10,000 lbs. Class IV Safety Chain Loop

TOW HOOKS

Part Number	Max GTW	Description	Packaging
63029	10,000 lbs	Tow Hook with Mounting Bolts (Chrome)	Bulk
63030	10,000 lbs.	Tow Hook with Mounting Bolts (Black)	Bulk

FORGED D-RINGS, FORGED LASHING RINGS AND BRACKETS

Part Number	Description	Work Load	Max Load
63024	Forged D Ring Yellow Zinc, 1/2" Forged D-Ring with Mounting Bracket, Measures 2-1/2" X 2-3/8" ID	4,000 lbs.	12,000 lbs.
63025	Forged Lashing Ring 18,000 lbs. 3/8" C1045 Material 5/8" Forged D-Ring with Weld Mounting Bracket	6,000 lbs.	18,000 lbs.
63026	Forged Lashing Ring 26,500 lbs. 3/8" Thick, C1045 Material 3/4" Forged D-Ring with Weld Mounting Bracket	8,833 lbs.	26,500 lbs.
63027	1" Forged D-Ring with Weld On Mounting Bracket, 3/8" Thick	15,587 lbs.	46,760 lbs.
63028	1x5x6 Forged Lashing Ring 46,760 lbs. C1045 Material 5/8" Forged D-Ring with Weld Mounting Bracket	15,587 lbs.	46,760 lbs.
44200	Recessed Rope Ring for 3/8" Plywood	400 lbs.	1,200 lbs.
44201	Rope Ring, Zinc 10 gauge	400 lbs.	1,200 lbs.
44202	Recessed Rope Ring & Trim Ring Zinc 16 gauge Steel for 1/4" Plywood	333 lbs.	1,000 lbs.

S-HOOKS / J-CLIP - FOR TRAILER SAFETY CHAIN

Part Number	Description
44150	S-hook for Trailer Safety Chain, Class I, Break Strength 2,000 lbs.
44153†	S-hook for Trailer Safety Chain, Class II/III, Break Strength 5,000 lbs.
49152	S-hook for Trailer Safety Chain, Class IV, Break Strength 7,600 lbs.
JC1000300	J-Clip for Safety Chain

† = Available while supplies last.

Quick Link



QUICK LINKS

- Use to connect safety chains to tow vehicle or trailer

Part Number	Max GTW	Description	Packaging
49132	3,500 lbs.	1/4" Quick Link	Bulk
49131	3,500 lbs.	5/16" Quick Link	Bulk
44133	3,500 lbs.	3/8" Quick Link	Bulk
49134	5,000 lbs.	7/16" Quick Link	Bulk
49135	10,000 lbs.	1/2" Quick Link	Bulk
74700	7,000 lbs.	5/16" Quick-Link, Class III	Bulk

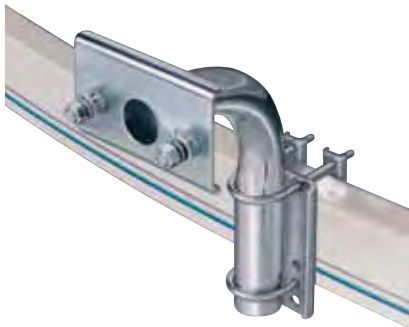
Clevis Slip Hook



CLEVIS SLIP HOOKS WITH LATCH - FOR TRAILER SAFETY CHAIN

Part Number	Description
44154	Grade 43, Clevis Slip with Latch, 1/4"
44155	Grade 43, Clevis Slip with Latch, 5/16"
44156	Grade 43, Clevis Slip with Latch, 3/8"
44157	Grade 43, Clevis Slip with Latch, 1/2"
44163	Grade 70, Clevis Hook with Latch, 1/4"
44159	Grade 70, Clevis Hook with Latch, 5/16"
44164	Grade 70, Clevis Hook with Latch, 3/8"

Spare Tire Carrier

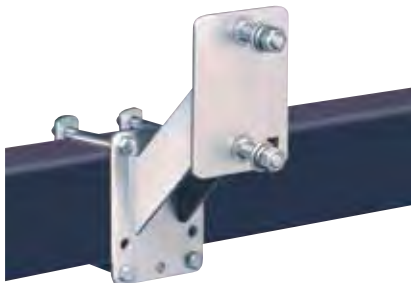


SPARE TIRE CARRIER

- Fits most 4, 5 and 6 lug wheels - up to 16-1/2-in
- Provides 4-3/4-in lift and over 7-in of offset to mount tire up and out of the way
- Zinc-plated to resist corrosion
- Easy bolt-on installation, no cutting or drilling required
- Fits trailer tongue up to 3-in wide by 5-in high
- All mounting hardware and instructions included

Part Number	Description	Packaging
HDSTC 0101	Spare Tire Carrier	Bulk

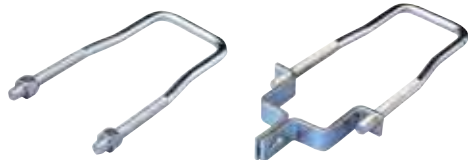
Hi-Mount Spare Tire Carrier



HI-MOUNT SPARE TIRE CARRIER

- Heavy-duty, welded and reinforced steel plate construction
- Zinc-plated to resist corrosion
- Adjustable bolt circle to fit both 4 and 5 lug wheels
- Fits all trailer tongues up to 3-in wide by 4-in high
- Includes zinc-plated mounting hardware and instructions
- Security locking hole to lock wheel and bracket to trailer using a security cable and lock (cable and lock sold separately)

Part Number	Description	Packaging
STC1000101	Hi-Mount Spare Tire Carrier	Ind. Box
STC1000301	Hi-Mount Spare Tire Carrier	Bulk



ETC 0101

ETCLB 0700



ETCHL 0700

ECONOMY SPARE TIRE CARRIER

- Fits 8-in, 9-in, 12-in, 13-in, 14-in and 15-in wheels with 4 or 5 lug rims
- Easy to install
- Includes lug nuts to secure wheel to frame
- Heavy-duty 1/2-in diameter construction
- Zinc-plated to resist corrosion

Part Number	Description	Packaging
ETC 0101	Economy spare tire carrier	Clam Shell
ETCLB 0700	Economy spare tire carrier with locking levers	Clam Shell
ETCHL 0700	Economy spare tire carrier with locking levers and HLO lock	Clam Shell



ETCSTL0701 - Spare Tire Carrier with Lock

STL 0603 - Spare Tire Lock

ECONOMY ETC AND SPARE TIRE LOCK

- Theft-resistant locking cap
- Fits over wheel studs (up to 9/16-in diameter) to deter spare tire theft
- Removable plug allows longer wheel studs to protrude through cap
- Locking tab provides positive locking feature to prevent lock from turning

Part Number	Description	Packaging
ETCSTL0701	Economy spare tire carrier with STL spare tire lock	Clam Shell
STL 0603	Spare tire lock	Box



PD110101

POD HAZARD MULTI-USE LED ROADSIDE WARNING DEVICE

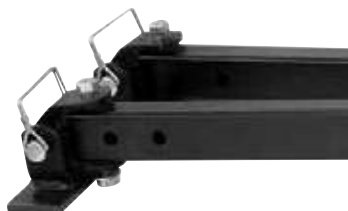
- Whether it's a flat tire, a warning light, or an overheated engine, vehicle trouble can occur at any time, and you'll want to do everything possible to keep yourself, and the ones you love as safe as possible
- Be prepared. Be seen with the POD Hazard
- When you need extra light at home, in the garage, at a camp site or simply in the yard, POD Hazard's ultra-bright utility light is ready when you are. Simply hang it, prop it up, or aim it, and it's ready to provide you with more than 350 lumens of light

Part Number	Description
PD110200 NEW	POD HAZARD multi-use LED roadside warning device – 2 pack, batteries sold separately
PD110700 NEW	POD HAZARD Counter top display – includes (3) PD110200, batteries sold separately
PD110101 NEW	POD HAZARD – 1 pack clamshell, batteries sold separately
PD110302 NEW	POD HAZARD – Club – 3 pack, 9 AA batteries included, compact storage bag

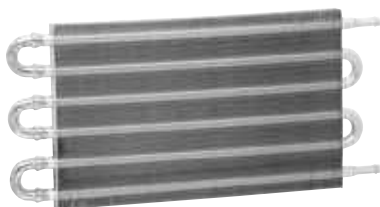
63180



63180 - Mounting Brackets



Tube and Fin Transmission Cooler



Part Number	Towing Class	Application	Thickness	Width	Length
41011†	Medium Duty	Full-Size cars, mini-vans & SUVs towing up to 2,500 lbs.	3/4"	7-1/2"	12-3/4"
41013†	Heavy Duty	SUVs, vans and pick-up trucks, towing up to 5,000 lbs.	3/4"	7-1/2"	15-1/2"
41014†	Extra Heavy Duty	Pick-up trucks and motorhomes, towing over 5,000 lbs.	3/4"	10"	15-1/2"

† = Available while supplies last.

Plate and Fin Transmission Cooler



5,000 LB ADJUSTABLE TOW BARS

- Light-weight, only 31 lb
- Arms adjust from 26-in to 41-in for universal fit
- Tow bar mounting brackets bolt securely to vehicle bumper - (almost all applications will require a custom fabricated bracket due to bumper design)
- Heavy-Duty quick latch A-Frame coupler fits 2-in ball
- Tow bar comes assembled, complete with installation instructions
- Some states require the use of double safety chains
- Black powder coat finish

Part Number	Description
63180	Adjustable Tow Bar, 5,000 lbs. GVW, incl. mounting brackets
63181	Adjustable Tow Bar, 5,000 lbs. GVW, incl. mounting brackets w/Bolt together 2-piece adjustment arms
40604	Safety Chain Kit, Class III chains rated at 5,000 lbs. GTW
40602	Replacement Bumper Bracket Kit (Qty 2)
2471	Wire Lock Pin

NOTE: Total weight of towed vehicle must not exceed 5,000 lbs., or must not exceed the weight of the towing vehicle.

TUBE AND FIN TRANSMISSION COOLERS

- Ultrasonically soldered for reliability
- 100% pressure tested at 150 psi for quality assurance
- High efficiency turbulators for maximum heat dissipation
- 3/8-in push-on fittings for quick and easy installation

PLATE AND FIN TRANSMISSION COOLERS

- Durable brazed aluminum construction
- Easy to install - simple instructions included
- 33% smaller than comparable tube and fin designs

Part Number	Towing Class	Application	Thickness	Width	Length
41019†	Class I	Compact to mid-size cars towing under 2000 lbs.	3/4"	4"	11"
41020†	Class II	Full-size cars, mini-vans & SUVs towing 2,000-3,500 lbs.	3/4"	5-3/4"	11"
41310†	Class III	SUVs, vans and pick-up trucks towing 3,500-5,000 lbs.	3/4"	7-1/4"	11"
41311†	Class III	Pick-up trucks and motorhomes, towing over 5,000 lbs.	3/4"	12"	11"
41312†	Class V	Pick-up trucks towing fifth wheels and gooseneck trailers	1-1/2"	11"	11"

† = Available while supplies last.

TRANSMISSION COOLER ACCESSORIES

3132



Part Number	Description
3132†	Transmission Oil Cooler Hose, 1-1/32" i.d., 25' long
41103†	Metal Strap Mounting Kit
41405†	Nylon Tie Mount Kit (4 per bag)

† = Available while supplies last.

41405



41103



OEM CUSTOM FITTING KITS

41412



Part Number	Description
41412†	1987 and newer Jeep adapter kit for 5/8"-18, 45° S.A.E. flare
41410†	1983 and newer Ford, Lincoln & Mercury cars adapter kit for duckbill style line fittings

† = Available while supplies last.

41410



BRAND PROMOTION





MERCHANDISING

Promote the products you install. Displays help illustrate all the options available to your customer. Our celebrity sponsorships allow you the opportunity to use their fame to help share information and increase sales.



PRODUCT DISPLAYS

Receiver Hitch Display	4
Weight Distribution Display	4
Fifth Wheel Hitch Display	5
Pin Box Display	5
Electric Winch Display	6
Velocity Series Jack Display	6
RV Jacks Display	7
Brake Controller Display	8
Mini Light Display	8
Roof Rack Display	8
Bike / Cargo Carrier Display	8

MARKETING MATERIAL

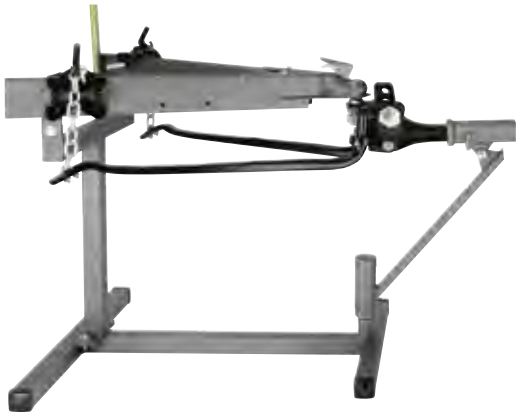
Gondola Displays	9
Gondola Wallpaper	9
Header Cards	10
Showroom Signs	10
Counter Mats	10
Pennants	11
Banners	11
Window Clings	11
Outdoor Signs	11
Product Catalogs	12
Multi-Media	12
Celebrity Sponsorships	13
Social Media	13



37-0030 - Display Only



MKG0218



37-2109 - Display Only

RECEIVER HITCH DISPLAYS

- Hitch display racks promote the products you install
- Turn your hitch display into an add-on sales tool by attaching the accessory display kit
- It is designed to help promote the sale of hitch balls, tow vehicle wiring, and other towing accessories
- **PRODUCT MUST BE ORDERED SEPARATELY - CASTERS NOT INCLUDED***

Part Number	Description
37-0030	5-Hitch, 4-Ball Mount Display w/Flip Chart Attachment
37-5638†	4-Hitch Display
MKG0218	Draw-Tite® Logo Sign (41-1/2" x 10")

† = Available While Supplies Last.

Note: See HEADER CARDS / SIGNS for hitch display graphics.

SUGGESTED PRODUCTS

Part Number	Description	Parts to Order
37-0030	5-Hitch, 4-Ball Mount Display w/ Flip Chart Attachment	24899, 36423, 75193, 41946, 45519

WEIGHT DISTRIBUTING HITCH DISPLAYS

- Great for showroom display of weight distributing hitches
- **PRODUCT MUST BE ORDERED SEPARATELY - CASTERS NOT INCLUDED***

Part Number	Description
37-2109	Weight Distributing Stand (2-5/16" coupler) – 2" receiver tube built-in (2-5/16" ball not included)
MKG1281	REESE® Weight Distribution/Sway Control Display Signage for 37-2109 (includes sign attachment brackets, brochure pocket)

SUGGESTED PRODUCTS

Part Number	Description	Parts to Order
37-2109	REESE® Trunnion WD	66540 or 66541 or 66542, 63835
37-2109	REESE® Round Bar WD	65509 or 67509 or 61009, 63835
37-2109	REESE® Dual Cam	26002
37-2109	REESE® Friction Sway Control	83660
37-2109	REESE® Strait Line Trunnion	66082 or 66083 or 66084, 63835
37-2109	REESE® Strait Line Round Bar	66086 or 66087 or 66088, 63835

NOTE: Casters may not be included with these displays, but will accept 3-in, 4-in or 5-in casters, with coarse thread 1/2-in wide stem.

There may be charges for display items. Contact your sales representative for ordering information.

FIFTH WHEEL HITCH DISPLAYS

- Display to promote the products you install
- Stand will display one fifth wheel hitch and rail kit
- 37-2103 width adjusts from 38-in to 42-in and includes signage posts
- **PRODUCT MUST BE ORDERED SEPARATELY - CASTERS NOT INCLUDED***



37-2103



MKG0346



37-2130 Shown with Sidewinder

Part Number	Description
37-2103	Heavy Duty Fifth Wheel Hitch Display with bolt-on signage posts (order signage separately)
MKG0346	REESE® logo sign (41-1/2" x 10")
MKG0255	REESE® Elite Series merchandising sign for 37-2103

SUGGESTED PRODUCTS

Part Number	Description	Parts to Order
37-2103	REESE® Elite Fifth Wheel	30142 or 30143
37-2103	REESE® Elite Fifth Wheel w/Slider	30144
37-2103	REESE® Fifth Wheel	30047, 30033, 30081, 30083, or 30084
37-2103	REESE® Elite 26.5K Fifth Wheel	30871
Rails and Mounting Bracket Required for Mounting Hitch to Display		
37-2103	REESE® Elite Fifth Wheel Rail	30126 (Ford) or 30868 (GM)
37-2103	Fifth Wheel Rails and Brackets	30035 and 50081
37-2103	REESE® Outboard Rails	30153

PIN BOX DISPLAYS

- Fifth wheel trailer pin box displays promote the pin boxes you install
- Stand will display one of the custom pin boxes
- Reese 16K head, signage and brochures are included with display
- **PRODUCT MUST BE ORDERED SEPARATELY - CASTERS NOT INCLUDED***

Part Number	Description
37-2130	REESE® Pin Box Display (includes Reese 16K head, signage and brochures)

SUGGESTED PRODUCTS

Part Number	Description	Parts to Order
37-2130	REESE®	61420 (Sidewinder)
37-2130	REESE®	5AB-E1621-16K (5th Airborne)
37-2130	REESE® Elite	61422 (Airborne/Sidewinder Combo)

* NOTE: Casters may not be included with these displays, but will accept 3-in, 4-in or 5-in casters, with coarse thread 1/2-in wide stem. There may be charges for display items. Contact your sales representative for ordering information.

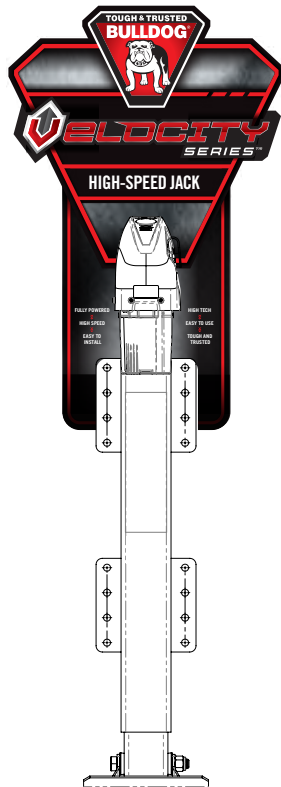


37-3016

ELECTRIC WINCH DISPLAY

- Display stands increase end-user visibility to Electric Winches
- Using a minimal amount of floor space these stands provide easy access to customers
- **PRODUCT MUST BE ORDERED SEPARATELY - CASTERS NOT INCLUDED***

Part Number	Description
37-3016	BULLDOG® Electric Winch Display
37-2075	BULLDOG® Electric Winch Aluminum Sign



MKG2097

VELOCITY™ SERIES JACK DISPLAY STAND

- Display stands increase end-user visibility to Velocity Series Jacks
- Stand will display jack and remote
- **PRODUCT MUST BE ORDERED SEPARATELY - CASTERS NOT INCLUDED***

Part Number	Description
MKG2097	BULLDOG® Velocity Series Display Signage
37-0023	BULLDOG® Velocity Series Display Stand

NOTE: Casters may not be included with these displays, but will accept 3-in, 4-in or 5-in casters, with coarse thread 1/2-in wide stem.

There may be charges for display items. Contact your sales representative for ordering information.

RV JACK DISPLAY

- Display stands increase end-user visibility to A-Frame Jacks
- Using a minimal amount of floor space these stands provide easy access to customers
- **PRODUCT MUST BE ORDERED SEPARATELY - CASTERS NOT INCLUDED***



600051

Part Number	Description
600051	Display Stand – Jacks, Includes: Integrated Center A-Frame Mount, (4) A-Frame Jack Display Adapters
37-2126	Display Stand – RV Jacks, Includes (4) Jack Display Adapters #117400
37-2134	A-Frame Jack Mount System for Lozier Gondola - includes (1) 37-2131 Crossbar, (5) 37-2132 Brackets, (1) 37-2133 Bracket Support
117398	Jack Display Stand Only
117400	RV Jack Display End Caps – Jack Adapter Only



37-2126

SUGGESTED PRODUCTS

Part Number	Description	Parts to Order
37-2126	BULLDOG® Manual Jacks (4)	1551570117, 1550220117, 1550320117, 1750290317
37-2126	Pro Series® Manual Jacks (4)	EA20000103, RV20000103, 1400600303, EA20000340
Rails and Mounting Bracket Required for Mounting Hitch to Display		
600051	BULLDOG® Electric Jack (1)	500185 or 500186 or 500187 or 500188
600051	BULLDOG® Manual Jacks (4)	1551570117, 1550220117, 1550320117, 1750290317
600051	Pro Series® Electric Jack (1)	500198
600051	Pro Series® Manual Jacks (4)	EA20000103, RV20000103, 1400600303, EA20000340

NOTE: Casters may not be included with these displays, but will accept 3-in, 4-in or 5-in casters, with coarse thread 1/2-in wide stem.

There may be charges for display items.

Contact your sales representative for ordering information.



MKG2358

COUNTER TOP DISPLAYS

- Counter top brake control displays with interchangeable insert cards
- Cards are easily removed to change display as often as needed
- Insert cards and Brochures sold separately

Part Number	Description
MKG0916	Draw-Tite® Brake Control Display Decal Set for 37-2110
MKG0917	Tekonsha® Brake Control Display Decal Set for 37-2110
MKG0918	REESE® Brake Control Display Decal Set for 37-2110
MKG0919	Pro Series® Brake Control Display Decal Set for 37-2110
MKG2358*	Tekonsha® ZCI Display



37-2048

MINI LIGHT DISPLAY

- Light display mounts to gondola using peg hooks
- Includes incandescent and LED tail lights, clearance lights, and AMP meter to show the draw of each type of light
- No internal power source, includes 6-ft wiring for battery use
- 20-in L x 9-in H x 5-in D

Part Number	Description
37-2048	Bargman® Mini Light Display includes Lights & AMP Meter
37-2049	Wesbar® Mini Light Display includes Lights and AMP Meter



37-2049

BIKE / CARGO CARRIER DISPLAYS

- Hitches aren't just for towing any longer
- From bike and cargo carriers to the wide range of front mounted receiver accessories, these displays illustrate all the options available to your customer with the purchase of their new receiver
- Load up the carriers to illustrate the features and benefits of these great hitch mounted accessories
- **PRODUCT MUST BE ORDERED SEPARATELY***

Part Number	Description
37-2046	4-Bike Carrier Display
37-6297	2-Cargo/Bike Carrier Display (Bottom half)
37-6475	Roof Top Carrier Display for use with 37-6297 (Top half)
37-6299	Adventure System Display (with counterweight)

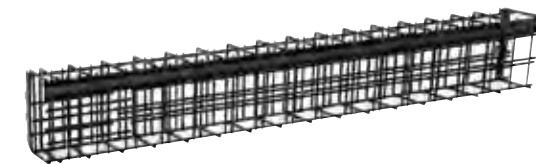


37-6299

* NOTE: Casters may not be included with these displays, but will accept 3-in, 4-in or 5-in casters, with coarse thread 1/2-in wide stem. There may be charges for display items. Contact your sales representative for ordering information.

GONDOLA DISPLAY ACCESSORIES

- Gondola display accessories offer your customers a complete line of towing and vehicle accessories
- PRODUCT MUST BE ORDERED SEPARATELY



37-2112



37-2114



37-2127

Part Number	Description
37-2112	Rack 4' - Ball Mount for Lozier Gondola
37-2114	Rack 4' - Hitch Ball for Lozier Gondola
37-2127	Rack 4' - One Half Hitch Ball / One Half Ball Mount for Lozier Gondola
37-2131	Crossbar 4' for Lozier Gondola (mount up to 5 brackets, 37-2132)
37-2132	Bracket (each) - A-Frame Jack Mounting on 37-2131 Crossbar (mount up to 3 jacks / ea bracket)
37-2133	Bracket Support 4' (each) - A-Frame Jack Mounting on 37-2131 Crossbar (use w/37-2132)
37-2134	A-Frame Jack Mount System for Lozier Gondola - includes (1) 37-2131 Crossbar, (5) 37-2132 Brackets, (1) 37-2133 Bracket Support



37-2134



GONDOLA WALLPAPER

- Ideal for drawing attention to gondolas displaying products
- Wallpaper is 2-ft x 4-ft and ideal for covering multiple colored pegboards on the display floor
- Wallpaper is heavy-duty vinyl, pre-perforated for peg hooks and includes mounting pins to attached to peg board

Part Number	Description
MKG0210	BULLDOG® Logo Design
MKG0191	Fulton® Logo Design

OUT OF STOCK DISPLAY TAGS

Part Number	Description
MKG0269	Draw-Tite® "Out of Stock" Tags, 50 pcs.
MKG0271	REESE® "Out of Stock" Tags, 50 pcs.

There may be charges for display items. Contact your sales representative for ordering information.



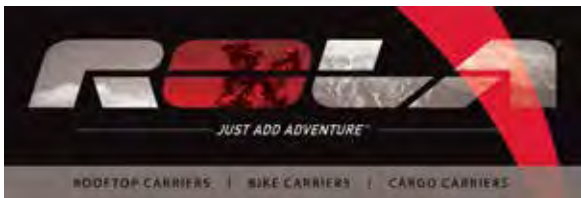
MKG0209



MKG0218



MKG0182



HEADER CARDS AND SIGNS

- Merchandising headers in a wide range of sizes for use on displays or any showroom application

Part Number	Description	Size
MKG0209	BULLDOG® The Choice of America's Military & Manufacturers Merchandising Sign	14" x 48"
MKG0218	Draw-Tite® Logo Merchandising Sign	10" x 41-1/2"
MKG0219	Draw-Tite® Merchandising Sign	14" x 42"
MKG0182	REESE® Pioneering Performance Merchandising Sign	15" x 39"
MKG0205	REESE® Merchandising Sign	14" x 42"
MKG0255	REESE® Elite Series Fifth Wheel Hitches Merchandising Sign	20" x 41-1/2"
MKG0346	REESE® Logo Merchandising Sign	10" x 41-1/2"
MKG0466	REESE® Titan Series Fifth Wheel Hitches Merchandising Sign	20" x 41-1/2"
MKG0236	ROLA® Merchandising Sign	14" x 42"
MKG0237	ROLA® Merchandising Sign	9" x 16"
MKG0239	ROLA® Cargo Basket/Adventure Merchandising Sign	9" x 34"
MKG0188	Tekonsha Logo Merchandising Sign	6" x 24"



MKG0198

HOURS OF OPERATION SHOWROOM SIGNS

Part Number	Description
MKG0198	REESE® Hours of Operation Indoor Sign
MKG2806	REESE® Hours of Operation Sign, French
MKG0216	Draw-Tite® Hours of Operation Indoor Sign

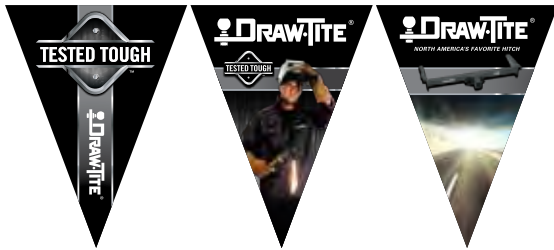


MKG0190

COUNTER MATS

Part Number	Description
MKG0190	Tekonsha® Brake Controls
MKG1081	REESE® Weight Distribution / Fifth Wheel Systems
MKG1549	Fulton® Brent Chapman/Fulton Effect Counter Mats
MKG2765	BULLDOG® Winch and Hoists

There may be charges for display items. Contact your sales representative for ordering information.



MKG0463

PENNANTS

- Stringed pennant flags, 25-ft

Part Number	Description
MKG0463	Draw-Tite Tested Tough
MKG0607	Draw-Tite America's Favorite Hitch
MKG0117	Fulton 100 Years of Performance



MKG0196

BANNERS

- Attract potential customers with branded durable, indoor/outdoor banners

Part Number	Description
MKG0196	Draw-Tite®, Tested Tough, 5' x 3' w/four grommets
MKG0311	Fulton® 100 Year, 6' x 2' w/four grommets
MKG0202	REESE® Pioneering Performance, 5' x 3' w/four grommets
MKG0183†	Tow Ready, 5' x 3' w/four grommets
MKG1276	BULLDOG®, The Choice of America's Military & Manufacturers, 5' x 3'
MKG2090	REESE® We Sell, Secure Your Passion Banner, w/four grommets - French, 6' x 3'

† = Available While Supplies Last.



37-2075

OUTDOOR SIGNS

- Outdoor metal signs with two different mounting systems
- Purchase sign and mountings separately
- Curb side A-Frame stand, with extra wide stance, folds for easy storage
- Durable metal bracket for either wall or pole mounting includes hardware for installation

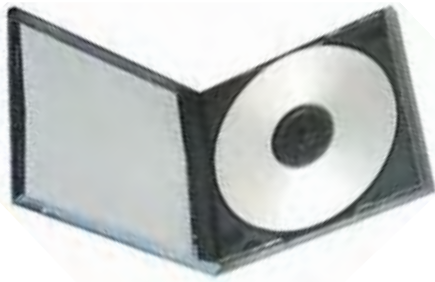
Part Number	Description
2859	Wall or pole mounting bracket only
2860	Curb stand only
2858	Draw-Tite® aluminum sign only, 24" w x 30" h
37-5652	REESE® aluminum sign only, 24" w x 30" h, two sided
37-2075	BULLDOG® Electric Winch aluminum sign
37-2027	Draw-Tite® aluminum sign



MKG0223

WINDOW CLINGS

Part Number	Description
MKG0223	Draw-Tite® Hide-A-Goose Hitch, 4" x 6", two sided
MKG1929	Draw-Tite® QSP Window Cling, 8" x 6", two sided



CLIP ART DISKS

- Clip art files are available on DVD as high resolution (300 dpi, CMYK) files
- Compatible with PC and Mac operating systems

Part Number	Description
MKG2172	Clip Art Disk, Master Catalog



PRODUCT DVDS

- Product instructional and informational videos

Part Number	Description
MKG0164	DVD - Draw-Tite I-Stop IQ
MKG0161	DVD - Tekonsha® Prodigy RF
MKG0160	DVD - Tekonsha® P3
MKG0158	DVD - Tekonsha® Prodigy P2
MKG0159	DVD - Tekonsha® Primus IQ
MKG0156	DVD - Tekonsha® Voyager
MKG1120	DVD - BULLDOG BX1, Twin Cam, 12K Powered Drive Kit, Landing Gear, Powered A-Frame Jack, Custom Products



INSTALLATION VIDEOS

- Need help with an installation?
- Our collection of training sessions provides information and step-by-step guides for properly installing many of our premium branded products
- Access these installation videos on the Horizon Global Americas YouTube page



CELEBRITY SPONSORSHIP VIDEOS

- We are proud to sponsor some of the most decorated and well-known professionals in their respective fields
- Partnering with these top performers and celebrities gives you the opportunity to use their fame to help share information on our products and enhance your presence online
- Brad Keselowski, Simon Pagenaud, Brent Chapman
- Access our celebrity sponsorship videos on the Horizon Global Americas YouTube Page



CELEBRITY SPONSORSHIPS

Horizon Global is proud to sponsor some of the most decorated and well-known professionals in their respective fields. Partnering with these industry elites gives us the opportunity to use their fame to share important information about our products. Whether you tow, brake, illuminate or carry cargo, it's critical that you know what products to use. Our sponsored partners have a reputation for safety, integrity, and a passion for their fellow enthusiast. What better example can there be than seeing the success they have been able to achieve as both mentors and active users of our products.

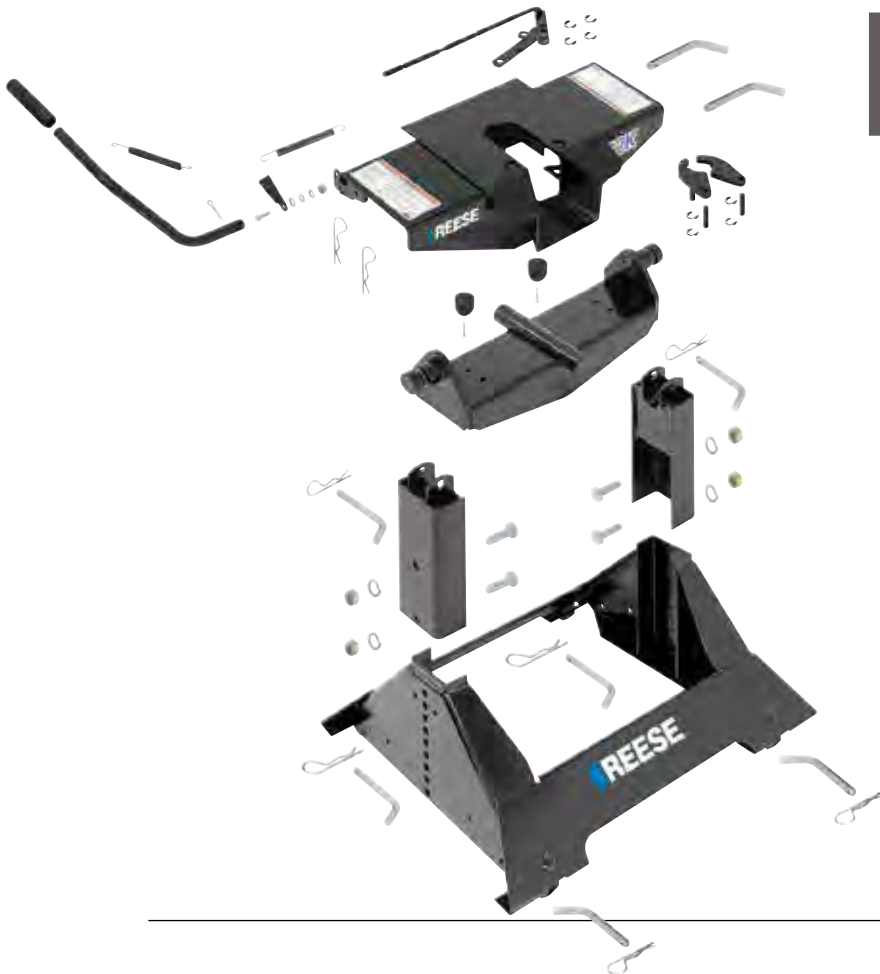


A white motorhome is driving on a winding asphalt road in a mountainous region. The landscape is covered in patches of snow and green vegetation. The motorhome is a large, boxy model with a ladder on the back and a pickup truck hitched to the front. The road has a metal guardrail on the right side. The sky is overcast.

BUILT FOR LIFE



REPLACEMENT PARTS



WEIGHT DISTRIBUTING SYSTEMS

Trunnion Weight Distributing System	4
Round Bar Weight Distributing System	5
Steady-Flex Light Duty Weight Distributing System	6
RB2 Weight Distributing System	7

SWAY CONTROL

Friction Sway Control	8
Dual Cam HP Sway Control	8

FIFTH WHEEL HITCHES

Elite 18K Fifth Wheel	9
Elite 26.5K Fifth Wheel	10
Signature Series 20K Fifth Wheel	11
Signature Series 16K Fifth Wheel	12
22K Fifth Wheel	13
Fifth Wheel Rail Kit	14

HEAVY DUTY TRUNNION BAR WEIGHT DISTRIBUTION SYSTEM

- Part Numbers: 66540, 66541, 66542, 66020, 66021, 66022, 66131, 66006



Part No.	Ref.	Qty.	Description
55010	3	1	Pull pin
55515	4	1	Spring clip
21501	23	1	Snap-up bracket
	17	1	Set screw
	24	1	Safety pin
58392		1	Snap-up bracket w/set screw & safety pin (for use w/weight distribution systems w/tongue weight 800 lbs. and over)
66014	3	1	Pull pin
	4	1	Spring clip
	5	1	Reducer bushing 1-1/4" to 1"
	17	2	Square head set screw (1/2"-13 x 3-1/2")
	24	2	Safety pins
	19	2	U-bolts (3/8" attaches chain to spring bar)
	18	2	Chains: 11 link (8/0)
	20	4	Lock nuts (3/8"-16)
	21	4	Flat washers (3/8")
	55630	19	1
18		1	Chains: 11 link (8/0)
20		2	Lock nuts (3/8"-16)
21		2	Flat washers (3/8")
58024	33	2	Replacement adjusting washers
55180	24	2	Safety pins (1 per Box)
58033	17	2	Square head bolt (1/2"-13 x 3-1/2")
58032	19	2	U-bolts (3/8" attaches chain to spring bar)
	20	4	Lock nuts (3/8"-16)
	21	4	Flat washers (3/8")

Part No.	Ref.	Qty.	Description
58167	36	1	Ball mount assembly (Reese only)
	5	1	Reducer bushing 1-1/4" to 1"
	31	1	HH cap screw (3/4"x 5.5")
	32	2	Hex nuts (3/4")
	33	2	Adjusting washers
	34	1	HH cap screw (3/4" x 4.5")
	35	2	Split lock washer (3/4")
54970	1	1	Adjustable hitch bar (12"), 1500 lb. rating
54977	1	1	Adjustable hitch bar for #66006, 15" 1700 lb. rating
58184	5	1	Reducer bushing: 1-1/4" to 1"
58162	25	1	Handle for snap-up bracket
58369		1	1500 lbs. Spring bar & trunnion
23227	30	1	600 lbs. Spring bar & trunnion
22225		1	800 lbs. Spring bar & trunnion
66009		1	1200 lbs. Spring bar & trunnion
66010		1	1700 lbs. Spring bar & trunnion
58097	11	1	1-3/8" trunnion & pin
58098	11	1	1-1/8" trunnion & pin
58133	35	2	Lock washers
	31	1	HHC screw (3/4"x 5.5")
	34	1	HHC screw (3/4"x 4.5")
	33	2	Adj. serrated washers
	32	2	Hex nuts
58459		1	Threaded screw service kit, under mount couplers only
58032	19	2	U-bolts (3/8" attaches chain to spring bar)

HEAVY DUTY ROUND BAR WEIGHT DISTRIBUTION SYSTEM

- Part Numbers: 65509, 67509, 61009

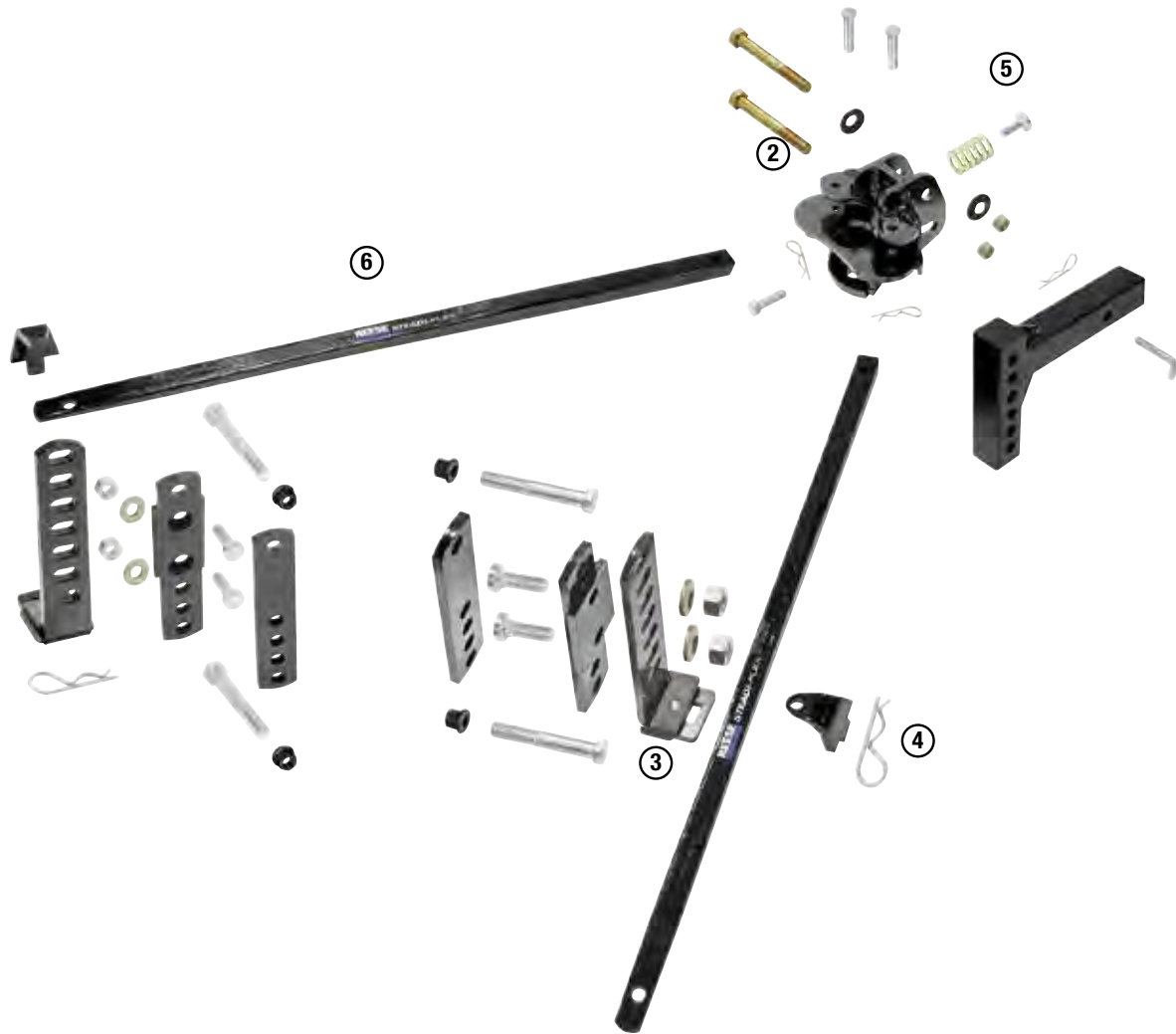


Part No.	Ref.	Qty.	Description
55010	3	1	Pull pin
55515	4	1	Spring clip
21501	23	1	Snap-up bracket
	17	1	Set screw
	24	1	Safety pin
58392		1	Snap-up bracket w/set screw & safety pin (for use w/weight distribution systems w/tongue weight 800 lbs. and over)
66014	3	1	Pull pin
	4	1	Spring clip
	5	1	Reducer bushing 1-1/4" to 1"
	17	2	Square head set screw (1/2"-13 x 3-1/2")
	24	2	Safety pins
	19	2	U-bolts (3/8" attaches chain to spring bar)
	18	2	Chains: 11 link (8/0)
	20	4	Lock nuts (3/8"-16)
	21	4	Flat washers (3/8")
	55630	19	1
18		1	Chains: 11 link (8/0)
20		2	Lock nuts (3/8"-16)
21		2	Flat washers (3/8")

Part No.	Ref.	Qty.	Description
55180	24	2	Safety pins (1 per Box)
58032	19	2	U-bolts (3/8" attaches chain to spring bar)
	20	4	Lock nuts (3/8"-16)
	21	4	Flat washers (3/8")
54970	1	1	Adjustable hitch bar (12")
58184	5	1	Reducer bushing 1-1/4" to 1"
58162	25	1	Handle for snap-up bracket
58112	2	1	Ball mount (Reese only)
	5	1	Reducer bushing 1-1/4" to 1"
	10	2	Split lock washers
	6	2	HHC screws (3/4"-10 x 5")
	9	2	Flat washers (3/4"-hardened)
	7	2	Hex nuts (3/4"-10)
	8	2	Adjustment washers
		1	Installation instructions
58114	28	1	800 lbs. Spring bar
58115		1	1200 lbs. Spring bar

STEADI-FLEX® LIGHT DUTY WEIGHT DISTRIBUTION SYSTEM _____

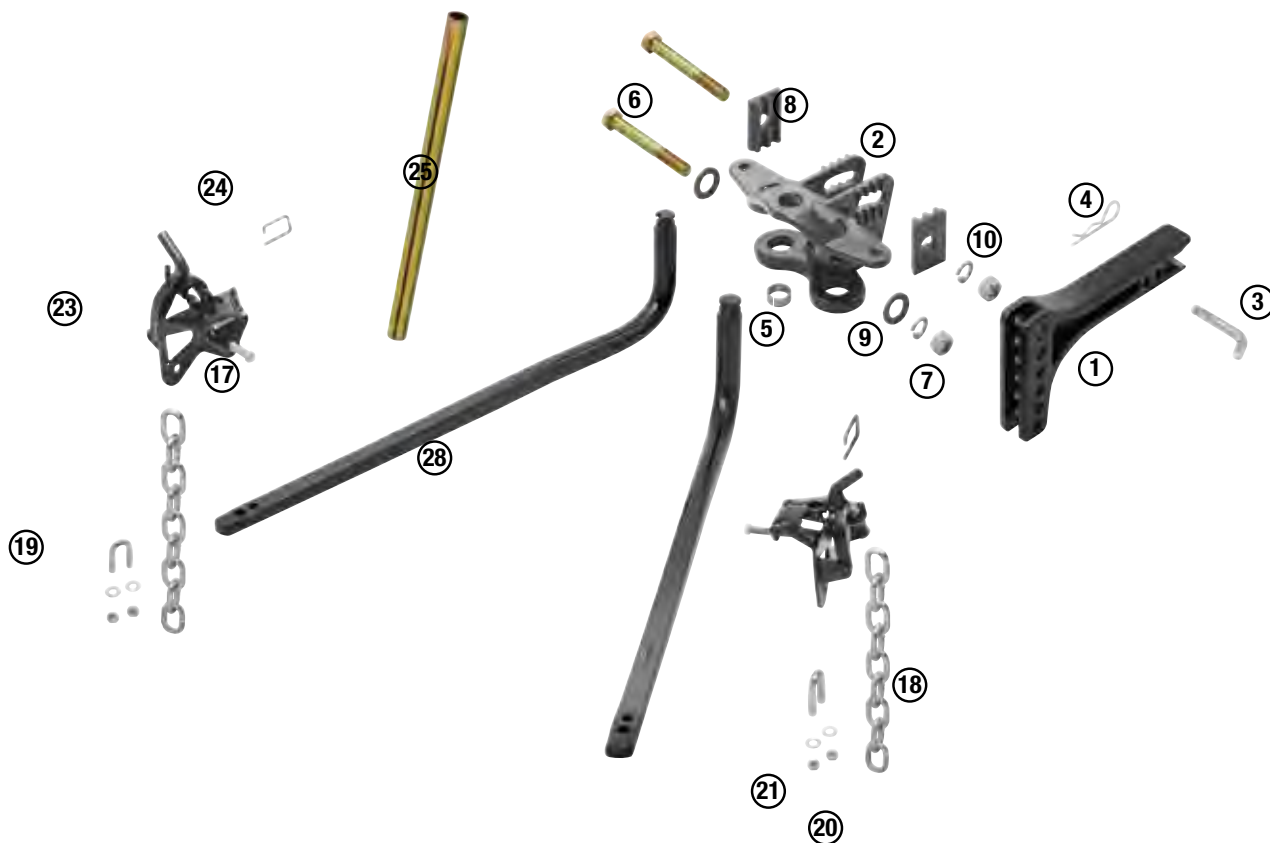
- Part Numbers: 66557, 66558



Part No.	Ref.	Qty.	Description
58513	2	1	Ball mount w/hardware
58497	4	2	Friction pads w/hardware
58498	4	1	Retention Bracket w/clip
58499	5	1	Ball mount adjustment washers and pin
58500	6	1	Spring bar w/pin and clip 400 LB
58501		1	Spring bar w/pin and clip 600 LB

RB2 WEIGHT DISTRIBUTION SYSTEM

- Part Numbers: 49568, 49569, 49570

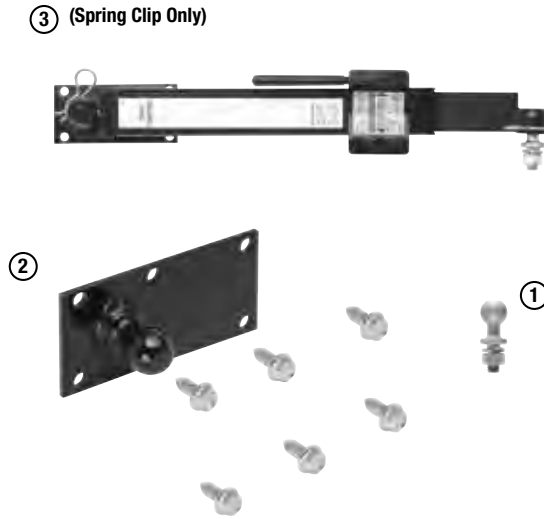


Part No.	Ref.	Qty.	Description
55010	3	1	Pull pin
55515	4	1	Spring clip
58362	23	1	Frame bracket assembly (snap-up)
	17	1	Square head bolt (1/2"-13 x 3-1/2")
	24	1	Safety pin
58364	19	1	U-bolt (3/8" attaches chain to spring bar)
	18	1	Chain – 9 link (8/0)
	20	2	Lock nuts (3/8"-16)
	21	2	Flat washers (3/8")
	55180	24	2
54970	1	1	Adjustable hitch bar (12")

Part No.	Ref.	Qty.	Description
55030	5	1	Reducer bushing 1-1/4" to 1"
58162	25	1	Handle for snap-up bracket
58333	2	1	Ball mount
	5	1	Reducer bushing 1-1/4" to 1"
	10	2	Split lock washers
	6	2	HHC screws (3/4"-10 x 5")
	9	2	Flat washers (3/4"-hardened)
	7	2	Hex nuts (3/4"-10)
	8	2	Adjustment washers
	1		Installation instructions
58336	28	1	600 lbs Spring bar
58337		1	800 lbs. Spring bar
58338		1	1200 lbs. Spring bar
58339	5-10	1	Hardware bag for ball mount

FRICTION SWAY CONTROL

- Part Numbers: 83660



Part No.	Ref.	Qty.	Description
58060	1	1	Ball assembly (includes ball, washer, & nut)
58062	2	1	Ball plate & mounting screws
55515	3	2	Spring clip

DUAL CAM HP SWAY CONTROL

- Part Numbers: 26002

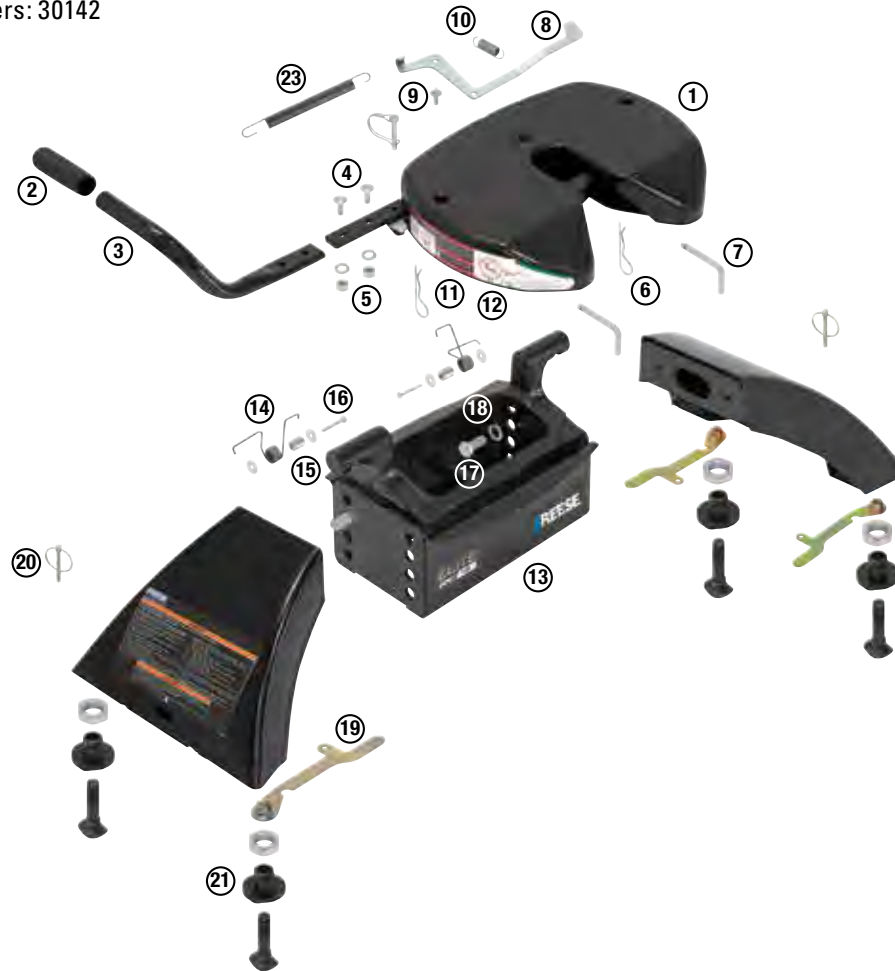


Part No.	Ref.	Qty.	Description
58435	1	2	Service kit - cam arm with (2) 1-14" adjustable hex nuts and washers
58192	2	2	Chain hanger bracket
58437	3	8	1/2"-13 thread forming screw
58033	4	2	Service kit - snap-up

† = Available While Supplies Last.

ELITE™ 18K FIFTH WHEEL HITCH

• Part Numbers: 30142



Part No.	Ref.	Qty.	Description
117300			18K Head Kit
	1	1	18K Head
	2	2	Grip, Vinyl
	3	1	Handle Tube
	4	2	3/8 Carriage Bolt
	5	2	Nut, 3/8
	8	1	Indicator Flag
	9	1	Drive Rivet
	10	1	Spring, 1.75"
	11	1	Label, Op. Warning
	12	1	Label, Pinch Pt.
58215			Handle Kit
	2	1	Grip, Vinyl
	3	1	Handle Tube
	4	2	Carriage Bolt, 3/8
	5	2	Nut, 3/8
58240			Pull Pin Kit (90 Deg)
	6	2	Clip
	7	2	Pull Pin, 90 Deg

Part No.	Ref.	Qty.	Description
58216			Indicator Flag Kit
	8	1	Indicator Flag
	9	1	Drive Rivet
	10	1	Spring, 1.75"
58225	13	1	18K Center Section with Bumpers
58229			Head Pivot Springs
	14	2	Torsion Spring
	15	2	Tube Spacer
	16	2	Thumb Screw
111428	20	1	Lynch Pins
58419	21	4	Foot Assembly Kit
			Foot Assembly, A&B
58230	23	1	Jaw Spring
58255†	17	1	Pointed Bolt Kit
58276	19	1	Wrench
58514	18	1	Center Section Shim Kit

† = Available While Supplies Last.

ELITE™ 26.5K FIFTH WHEEL HITCH

• Part Numbers: 30871

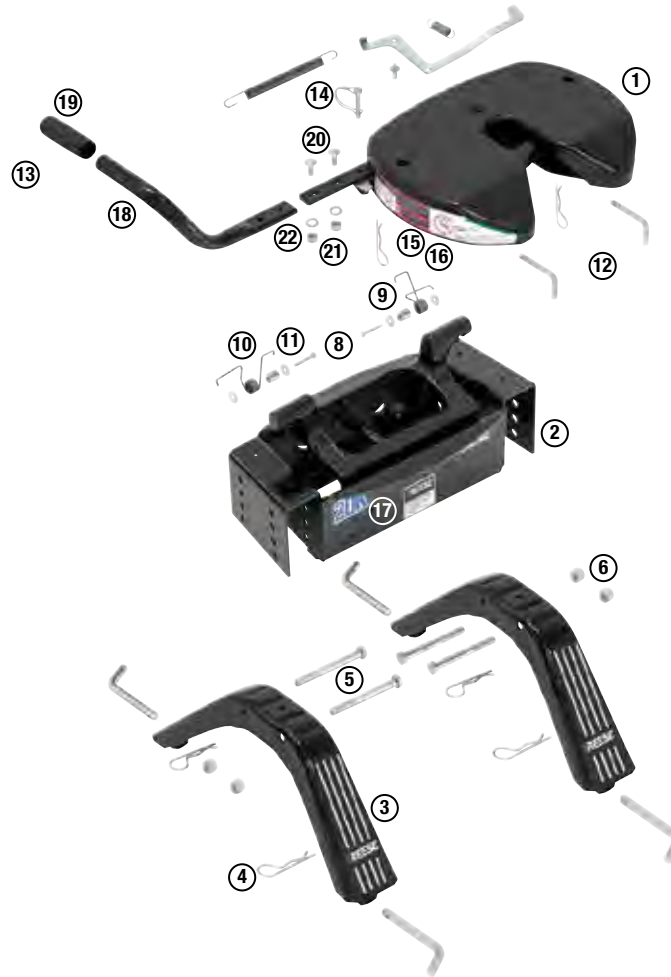


Part No.	Ref.	Qty.	Description
117300			25K Head Kit
		1	25K Head
		2	Grip, Vinyl
		1	Handle Tube
		2	3/8 Carriage Bolt
		2	Nut, 3/8
		1	Indicator Flag
		1	Drive Rivet
		1	Spring, 1.75"
		1	Label, Op. Warning
		1	Label, Pinch Pt.
58215			Handle Kit
		1	Grip, Vinyl
		1	Handle Tube
		2	Carriage Bolt, 3/8
		2	Nut, 3/8
58240			Pull Pin Kit (90 Deg)
		2	Clip
		2	Pull Pin, 90 Deg

Part No.	Ref.	Qty.	Description
58216			Indicator Flag Kit
		1	Indicator Flag
		1	Drive Rivet
		1	Spring, 1.75"
58541	13	1	26.5K Center Section with Bumpers
58229			Head Pivot Springs
		14	2 Torsion Spring
		15	2 Tube Spacer
	16	2 Thumb Screw	
111428	20	1	Lynch Pins
58419			Foot Assembly Kit
		4	Foot Assembly, A&B
58230	23	1	Jaw Spring
58542	17	1	Pointed Bolt Kit
58276	19	1	Wrench
58514	18	1	Center Section Shim Kit
58543	24	2	26.5K Wheel Base Arch

20K FIFTH WHEEL HITCH

- Part Numbers: 30081

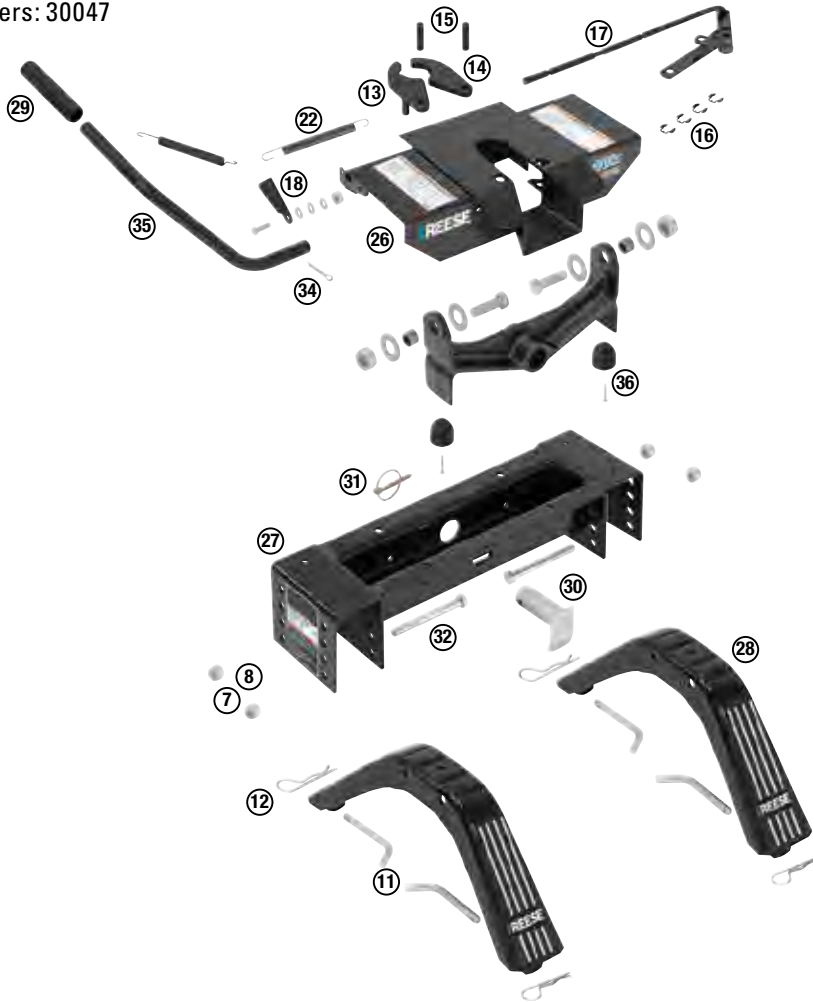


Part No.	Ref.	Qty.	Description
30727			Service Kit Arches (2x legs)
	3	2	Arches
58215			Handle Kit
	18	1	Handle Tube
	19	1	Handle Grip
	20	2	Carriage Bolt 3/8"
	21	2	Nut 3/8"
	22	2	Lockwasher 3/8"
58216			Indicator Flag Kit
58229			Head Pivot Springs
	8	2	1/4" - 20 x 1.5 Hex Head Bolt
	9	2	Tube Spacer
	10		LH & RH Torsion Spring
	11	4	1/4" Washer
58230			Jaw Springs
58240			Pull Pin Kit (90 degree) Head -Pull Pin Service Kit
	4	2	Clip
	12	2	Pull Pin (90 degree)

Part No.	Ref.	Qty.	Description
58293			20K Service Kit Center Section
	2		Weldment, 20K Center
	17	2	Label, 20K 5th Wheel
58296			Center Section Bolt Kit
	5	4	1/2-13 x 4.5 Grade 5 Bolt
	6	4	1/2-13 Lock Nut
117300			20K Head Service Kit
	1		20K Head Assembly
	13		Hang Tag
	14		Bail Pin with Lanyard
	15		Warning Label
	16		Head Warning Label
	18		Handle Tube
	19		Handle Grip
	20		Carriage Bolts
	21	2	3/8 Nut
	22	2	3/8 Lockwasher

16K FIFTH WHEEL HITCH

• Part Numbers: 30047

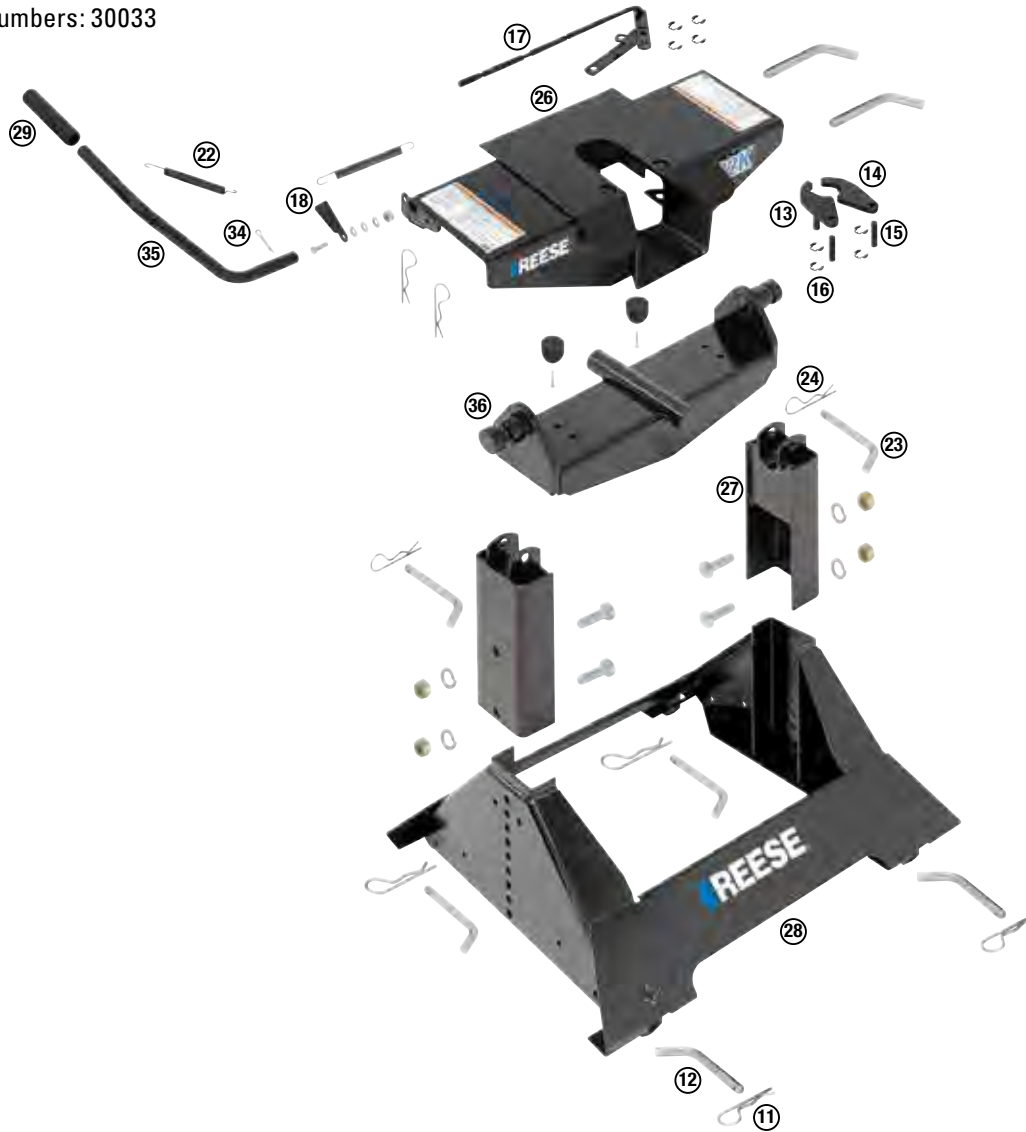


Part No.	Ref.	Qty.	Description
58146	26	1	16K head assembly
58147	27	1	16K head support
58053			Pull pin kit
	11	4	Pull pins
	12	4	Spring cotter pins
58056			Jaw kit
	13	1	Jaw LH (weldment)
	14	1	Jaw RH (weldment)
	15	2	Jaw pivot pins
	16	4	Klip rings
58055			Handle kit
	29	1	Cushion grip
	34	1	Cotter pin
	35	1	Handle tube
58094	29	1	Cushion grip
30579	17	1	Actuating rod
58054			Klip ring kit
	16	10	Klip rings

Part No.	Ref.	Qty.	Description
30776			Spring kit
	22	1	Spring
58521			16K Head assembly hardware
	7	4	1/2" nut
	8	1	1/2" lock washer
	11	4	Pull pins, long
	12	4	Spring cotter pins
	26	1	Head assembly
	27	1	Head support
	32	4	1/2"-13 x4.5" HNCS
58484	30	1	Pivot pin
55478	31	1	Klik pin
30416	18	1	Locking latch
30727	28	2	Legs only
58089	36		Bumper Kit
	2		8-32x1 screw
	2		8-32 nut
	2		Bumpers

22K FIFTH WHEEL HITCH

- Part Numbers: 30033

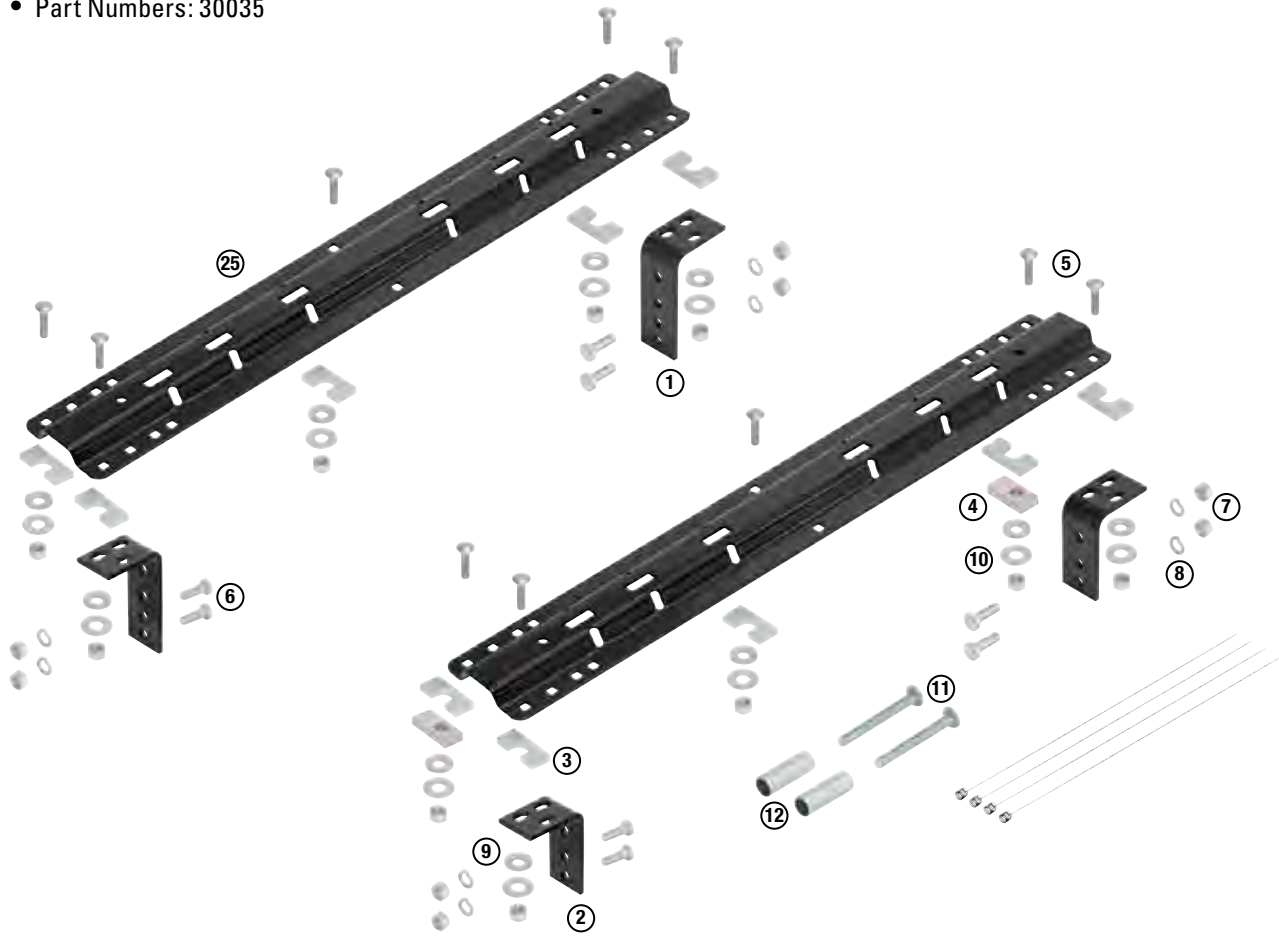


Part No.	Ref.	Qty.	Description
6020			Pull pin kit
	23	1	Pull pin
	24	1	Spring clip
30416	18	1	Locking latch
30579	17	1	Actuating rod
30730			Base with adjustment brackets
	27	2	Adjustment brackets
	28	1	Base Assembly
30776			Spring kit
	22	1	Spring
58053			Pull pin kit
	12	4	Pull pins
	11	4	Spring cotter pins
58054	16		Klip ring kit
	10		Klip rings

Part No.	Ref.	Qty.	Description
58055			Handle kit
	29	1	Cushion grip
	34	1	Cotter pin
	35	1	Handle tube
58056			Jaw kit
	13	1	Jaw LH (weldment)
	14	1	Jaw RH (weldment)
	15	2	Jaw pivot pins
	16	4	Klip rings
58094	29	1	Cushion grip
58099	26	1	22K head
	36	1	Pivot beam

FIFTH WHEEL RAIL KIT

• Part Numbers: 30035

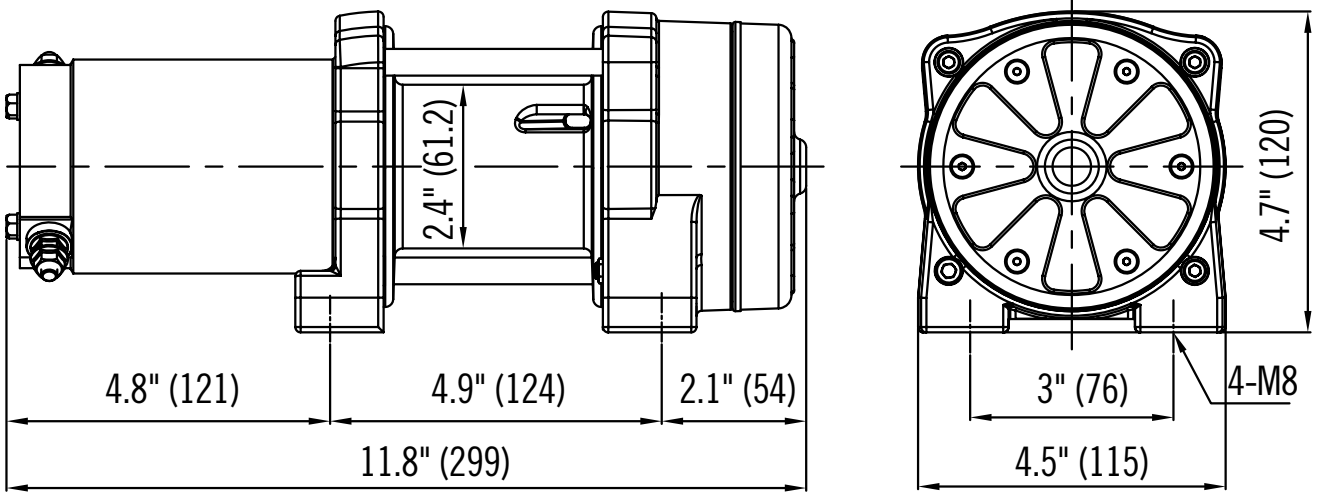


Part No.	Ref.	Qty.	Description
30439			Mounting kit – less rails
	1	2	Brackets – long
	2	2	Brackets – short
	3	10	Spacer
	4	2	Spacers
	5	10	Carriage bolts (1/2"-13 x 2")
	6	8	Knurl bolts (1/2"-13 x 1-1/2")
	7	18	Hex nut heads (1/2"-13)
	8	18	Lock washers (1/2")
	9	6	Conical washers (1/2")
	10	4	Flat washers (1/2")
	11	2	Carriage bolts (1/2"-13 x 4")
	12	2	Bushings

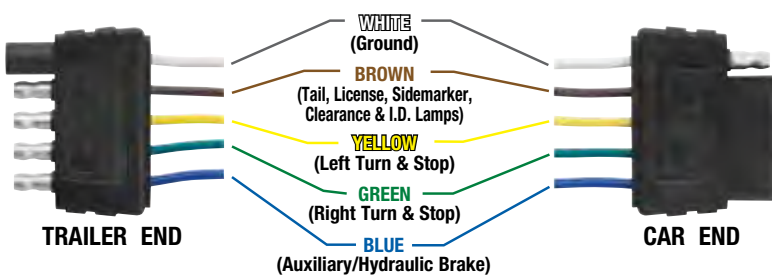
Part No.	Ref.	Qty.	Description
58058	25		Base rail kit – less mounting kit
		2	Base rails
58166			Dodge hardware upgrade kit (2002 half-ton only)
	11	2	Carriage bolts (1/2"-13 x 4")
	12	2	Bushings
58164	1		Rail kit hardware (minus mounting brackets)
58314	1		Mounting brackets (minus hardware)
55055	6	1	Knurl bolt (1/2"-13 x 1-1/2")

SETTING THE STANDARD





TECHNICAL



ELECTRICAL WIRING

- Trailer Wiring 4
- 4-Way Wiring 5
- 5-Way Wiring 5
- 6-Way Wiring 5
- 7-Way Wiring 6

BRAKE CONTROLS

- Wiring Instructions 7
- Wiring Harness Chart 8-9
- Trailer Emulator Reference Guide 10-11

JACKS

- F2 Jack Mounting and Height Adjustment 12-13
- Replacement / Reference Guides 14-16

POWER WINCHES

- Winch Performance Data / Dimensions 18-20
- Hoist Performance Data / Dimensions 21-23

LIGHTING

- Federal Lighting Requirements 24-27
- Agricultural Lighting Diagrams 28-31

TRAILER ACCESSORIES

- Breakaway Switch Installation 32
- Tow Charger Instructions 33
- Trailer Brake Troubleshooting 34-35

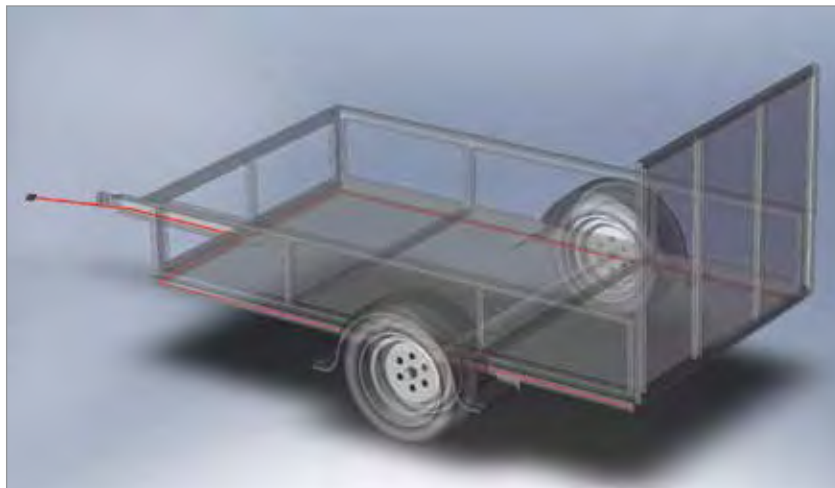
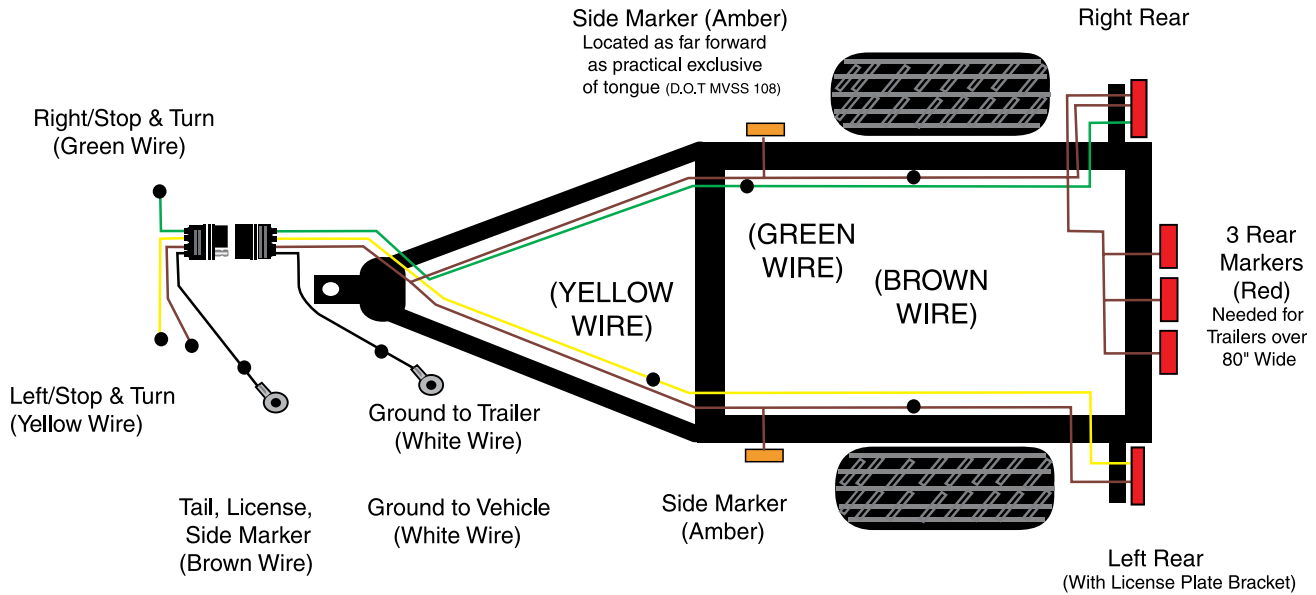
TOOLS AND TESTERS

- Bench Tester Instructions 36
- Current Monitor Instructions 36
- Trailer Tester Instructions 37

DISPLAY					HOW TO READ THE FAULT ON AN AFFECTED CHANNEL
1	2	3	4	5	
●	●	●	●	⊕	INTER-CHANNEL SHORT BETWEEN THE FLASHING CHANNELS OR REVERSED WIRES
●	●	●	●	●	NO LOAD OPEN CIRCUIT
●	●	●	●	●	OVERLOAD
⊕	⊕	⊕	⊕	⊕	SHORT CIRCUIT TO GROUND
⊕	●	●	●	●	LOW BATTERY. CHARGE OR REPLACE (POWER ROW ONLY)

WIRING DIAGRAM FOR TYPICAL 4-FLAT WISHBONE CONNECTOR

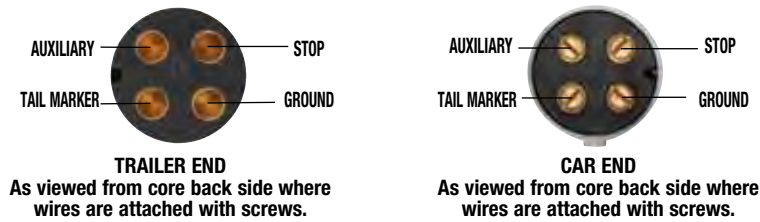
- 5-way connector would include blue wire for auxiliary



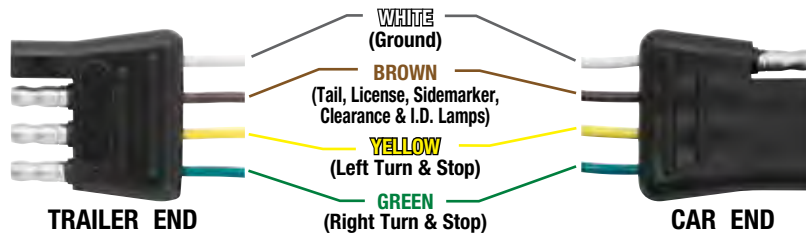
Technical information is current as of the printing of this catalog. Contact technical service for periodic updates.

4-WAY ROUND PIN / FLAT CONNECTOR WIRING DIAGRAM

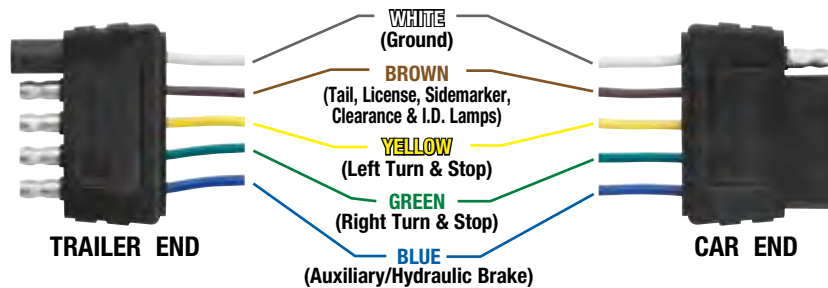
4-WAY ROUND PIN CONNECTOR



4-WAY FLAT CONNECTOR

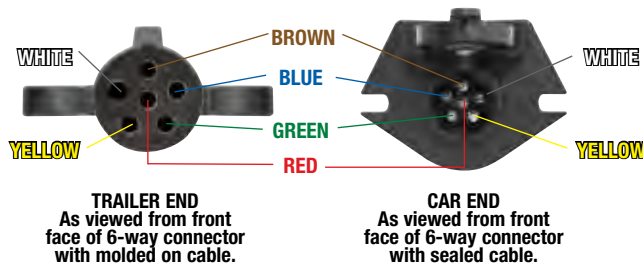


5-WAY FLAT CONNECTOR WIRING DIAGRAM

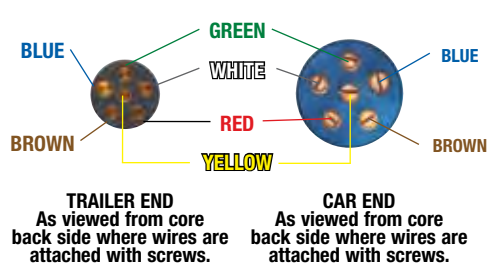


6-WAY ROUND PIN CONNECTOR WIRING DIAGRAM

6-WAY MOLDED TRAILER/ SEALED CAR CONNECTOR & CABLE



6-WAY ZINC DIE-CAST CONNECTOR

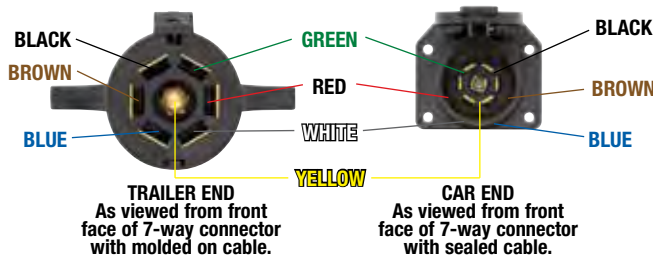


6-WAY WIRING INDEX

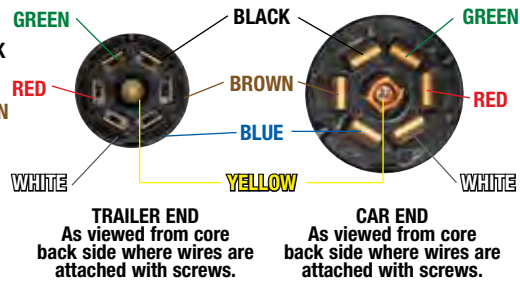
Wire Color & Gauge	Molded Trailer/Sealed Car Connector Terminal	Zinc Die-Cast Connector Terminal
White / 10/14 gauge	Common Ground	GD - Common Ground
Blue / 10/14 gauge	Electric Brake	S - Electric Brake
Green / 14 gauge	Right Stop & Turn	TM - Tail & License
Red / 10/14 gauge	Auxiliary	LT - Left Stop & Turn
Brown / 14 gauge	Tail & License	RT - Right Stop & Turn
Yellow / 14 gauge	Left Stop & Turn	A - Auxiliary

7-WAY RV BLADE CONNECTOR WIRING DIAGRAM

7-WAY MOLDED TRAILER/ SEALED CAR CONNECTOR & CABLE



7-WAY THERMO-PLASTIC/ METAL CONNECTOR



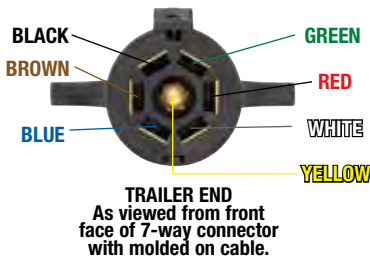
7-WAY WIRING INDEX

Wire Color & Gauge	Molded Trailer/Sealed Car Connector Terminal	Thermo-Plastic/Metal Connector Terminal
White / 10 gauge	Common Ground	#1 Common Ground
Blue / 12 gauge	Electric Brake	#2 Electric Brake
Green / 14 gauge	Tail & License	#3 Tail & License
Black / 10 gauge	Battery Charge	#4 Battery Charge
Red / 14 gauge	Left Stop & Turn	#5 Left Stop & Turn
Brown / 14 gauge	Right Stop & Turn	#6 Right Stop & Turn
Yellow / 14 gauge	Center Auxiliary	#7 Center Auxiliary

7-WAY MOLDED TRAILER CONNECTORS

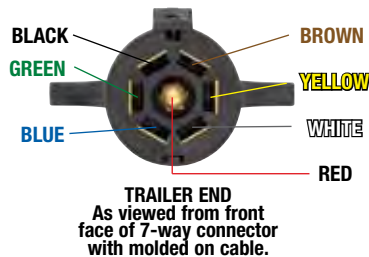
PIN CLOCKING

Cold Weather RV - Gauge 2/10, 1/12, 4/14



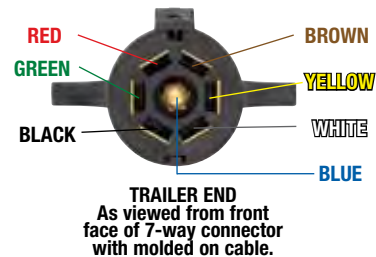
WIRE COLOR, GAUGE & FUNCTION
White / 10 gauge / Common Ground
Blue / 12 gauge / Electric Brake
Green / 14 gauge / Tail & License
Black / 10 gauge / Battery Charge
Red / 14 gauge / Left Stop & Turn
Brown / 14 gauge / Right Stop & Turn
Yellow / 14 gauge / Center Auxiliary

Heavy Duty Trailer - Gauge 2/10, 1/12, 4/14



WIRE COLOR & GAUGE
White / 10 gauge
Blue / 12 gauge
Green / 14 gauge
Black / 10 gauge
Red / 14 gauge
Brown / 14 gauge
Yellow / 14 gauge

Cold Weather - Gauge 3/10, 4/14



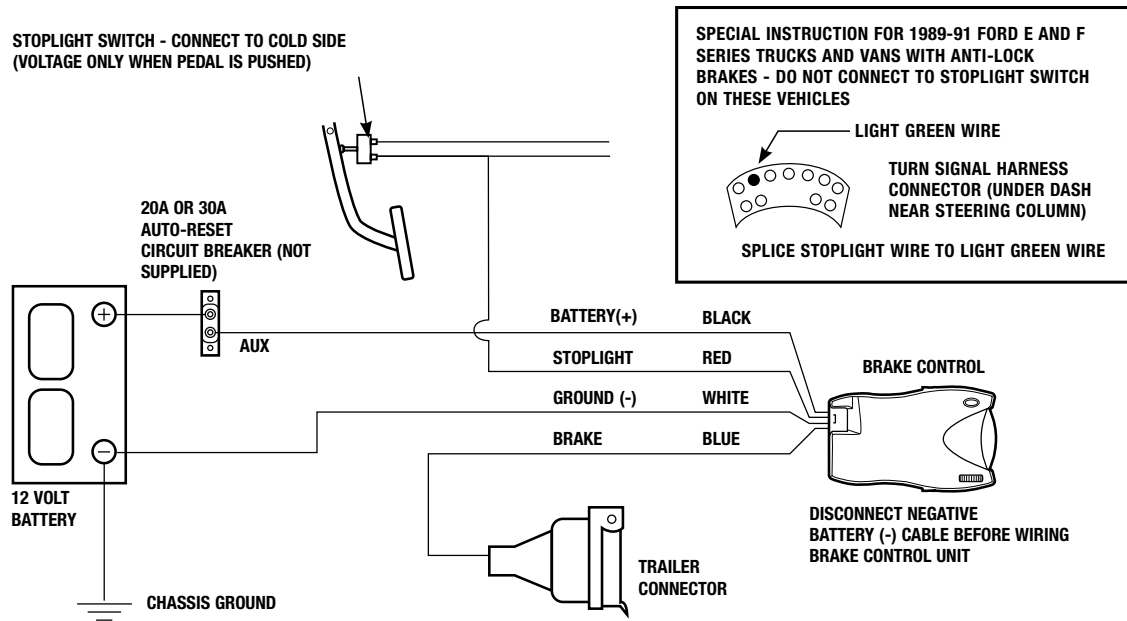
WIRE COLOR & GAUGE
White / 10 gauge
Blue / 14 gauge
Green / 14 gauge
Black / 10 gauge
Red / 10 gauge
Brown / 14 gauge
Yellow / 14 gauge

NOTE: 7-Way Heavy Duty and Cold Weather trailer wiring diagrams represent wire location and color but are NOT supplied to represent any wire or color functions. Please contact your trailer manufacturer for further details.

Technical information is current as of the printing of this catalog. Contact technical service for periodic updates.

WIRE INSTRUCTIONS FOR ELECTRONIC BRAKE CONTROLS

Generic Wiring Diagram

**READ THIS FIRST:**

Read and follow all instructions carefully before wiring brake control. Keep these instructions with the brake control for future reference.

Important Facts to Remember

1. The brake control must be installed with a 12 volt negative ground system. (To install with a positive ground system use Tekonsha® P/N 3191.)
2. **WARNING** Reversing BLACK and WHITE wires or improper wiring will damage or destroy brake control.
3. **WARNING** Be sure to solidly connect all four wires or brake control will not function properly.
4. Soldering is recommended or crimp-on butt connectors are a suitable substitution.
5. Route all wires as far from the radio antenna as possible to reduce AM interference.

6. **CAUTION** Use of proper gauge wire when installing the brake control is CRITICAL; smaller gauge wire may result in less than efficient braking. Minimum wire gauges are as follows:
 - 1-2 axle applications – 14 GA.
 - 3-4 axle applications – 12 GA.
7. Collection of water inside the trailer connector mounted on the tow vehicle will reduce the life of the connector.

Wiring Legend

BLACK Wire (Positive Battery)

WHITE Wire (Negative Battery)

RED Wire (cold side of stoplight switch)

BLUE Wire (brake output to trailer)

1. The WHITE (-) wire must be connected to a known ground.
2. **CAUTION** Inadequate grounding may cause intermittent braking or lack of sufficient voltage to trailer brakes. The WHITE wire must be connected to a suitable ground location. The negative terminal of the battery is a suitable ground location in the absence of a Trailer Tow Package connection.
3. Connect BLACK (+) wire through an automatic reset circuit breaker (20 amp for 1-2 axles, 30 amp for 3-4 axles) to the POSITIVE (+) terminal of the battery. The BLACK wire is the power supply line to the brake control.
4. The RED (stoplight) wire must be connected to the cold side of the brake pedal stoplight switch. Splice down line from the switch; DO NOT disturb the position of the switch.
5. The BLUE (brake output) wire must be connected to the trailer connector's brake wire.

BRAKE CONTROL WIRING HARNESS CHART

⚠ WARNING When using a wiring harness supplied by your vehicle's Manufacturer (OE Harness), DO NOT MATCH COLORS. Please follow wiring chart below.

OE HARNESS	BRAKE CONTROL WIRE	FUNCTION
CHEVROLET		
RED	BLACK	12 VOLT
LIGHT BLUE	RED	STOPLIGHT
BLACK	WHITE	GROUND
DARK BLUE	BLUE	TRAILER BRAKES
BROWN	N/A	ILLUMINATION
GM 2007 AND NEWER (NEW BODY STYLE)		
RED / BLACK TRACER	BLACK	12 VOLT
LIGHT BLUE / WHITE TRACER	RED	STOPLIGHT
WHITE	WHITE	GROUND
DARK BLUE	BLUE	TRAILER BRAKES
ORANGE	N/A	STOPLIGHT
DODGE (GREEN WIRE)		
WHITE W/ RED TRACER	BLACK	12 VOLT
BLUE W/ WHITE TRACER	RED	STOPLIGHT
GREEN W/ BLACK TRACER	WHITE	GROUND
BLUE	BLUE	TRAILER BRAKES
DODGE		
RED W/ BLACK TRACER	BLACK	12 VOLT
WHITE W/ TAN TRACER	RED	STOPLIGHT
BLACK	WHITE	GROUND
BLUE	BLUE	TRAILER BRAKES
2010 & NEWER DODGE		
YELLOW W/ GREEN TRACER	BLACK	12 VOLT
WHITE	RED	STOPLIGHT
BLACK W/ GREEN TRACER	WHITE	GROUND
GREEN	BLUE	TRAILER BRAKES
2010 & NEWER DODGE		
YELLOW W/ RED TRACER	BLACK	12 VOLT
WHITE	RED	STOPLIGHT
BLACK W/ GREEN TRACER	WHITE	GROUND
GREEN	BLUE	TRAILER BRAKES
FORD (PINK WIRE)		
PINK	BLACK	12 VOLT
RED	RED	STOPLIGHT
WHITE	WHITE	GROUND
BLUE	BLUE	TRAILER BRAKES
BROWN	N/A	ILLUMINATION
FORD		
RED	BLACK	12 VOLT
LIGHT GREEN	RED	STOPLIGHT
WHITE	WHITE	GROUND
DARK BLUE	BLUE	TRAILER BRAKES
BROWN	N/A	ILLUMINATION
FORD (PURPLE WIRE)		
RED	BLACK	12 VOLT
PURPLE W/ WHITE TRACER	RED	STOPLIGHT
BLACK W/ WHITE TRACER	WHITE	GROUND
BLUE	BLUE	TRAILER BRAKES
BROWN	N/A	ILLUMINATION
FORD 2008 SUPER DUTY		
RED	BLACK	12 VOLT
YELLOW W/ GREEN TRACER	RED	STOPLIGHT
BLACK W/ GRAY TRACER	WHITE	GROUND
BLUE	BLUE	TRAILER BRAKES

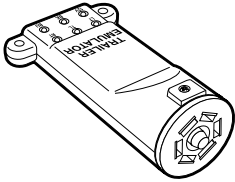
BRAKE CONTROL WIRING HARNESS CHART

▲ WARNING When using a wiring harness supplied by your vehicle's Manufacturer (OE Harness), DO NOT MATCH COLORS. Please follow wiring chart below.

OE HARNESS	BRAKE CONTROL WIRE	FUNCTION
FORD		
RED	BLACK	12 VOLT
GREEN	RED	STOPLIGHT
WHITE	WHITE	GROUND
BLUE	BLUE	TRAILER BRAKES
FORD		
BROWN W/ RED TRACER	BLACK	12 VOLT
BLUE W/ ORANGE TRACER	RED	STOPLIGHT
GRAY W/ BLACK TRACER	WHITE	GROUND
BLUE	BLUE	TRAILER BRAKES
TOYOTA		
BLACK W/ RED TRACER	BLACK	12 VOLT
GREEN	N/A	ILLUMINATION
GREEN W/ WHITE TRACER	RED	STOPLIGHT
BROWN	WHITE	GROUND
RED	BLUE	TRAILER BRAKES
TOYOTA / LEXUS		
BLACK	BLACK	12 VOLT
GREEN W/ YELLOW TRACER	RED	STOPLIGHT
WHITE W/ BLACK TRACER	WHITE	GROUND
YELLOW	BLUE	TRAILER BRAKES
GREEN	N/A	ILLUMINATION
NISSAN / INFINITY		
RED	BLACK	12 VOLT
RED W/ GREEN TRACER	RED	STOPLIGHT
BLACK	WHITE	GROUND
BROWN W/ WHITE TRACER	BLUE	TRAILER BRAKES
RED W/ BLUE TRACER	N/A	ILLUMINATION
VOLKSWAGEN / PORSCHE		
CAVITY #2 (RED W/ YELLOW TRACER)	BLACK	12 VOLT
CAVITY #3 (BLACK W/ RED TRACER)	RED	STOPLIGHT
CAVITY #1 (BROWN)	WHITE	GROUND
CAVITY #4 (BLUE)	BLUE	TRAILER BRAKES
HONDA		
BLUE	BLACK	12 VOLT
WHITE W/ BLACK TRACER	RED	STOPLIGHT
BLACK	WHITE	GROUND
BROWN W/ WHITE TRACER	BLUE	TRAILER BRAKES
HONDA		
BLUE	BLACK	12 VOLT
LIGHT BLUE	RED	STOPLIGHT
BLACK	WHITE	GROUND
BROWN W/ WHITE TRACER	BLUE	TRAILER BRAKES
FREIGHTLINER		
RED	BLACK	12 VOLT
SMALL RED W/ WHITE TRACER	RED	STOPLIGHT
BLACK	WHITE	GROUND
LARGE RED W/ WHITE TRACER	BLUE	TRAILER BRAKES
BROWN	N/A	ILLUMINATION
ACADIA / ENCLAVE / OUTLOOK		
RED W/ BLACK TRACER	BLACK	12 VOLT
WHITE	RED	STOPLIGHT
BLACK	WHITE	GROUND
BLUE	BLUE	TRAILER BRAKES
GREY	N/A	ILLUMINATION

TRAILER EMULATOR REFERENCE GUIDE

Trailer Emulator



- LT - Left turn signal, Red Light
- TL - Tail / running lights, Red Light
- RT - Right turn signal, Red Light
- 12V - 12 volt battery supply line, Red Light
- BK - Electric trailer brakes, Red Light
- BU - Backup lights, Red Light

User's Guide

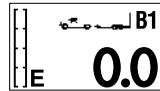
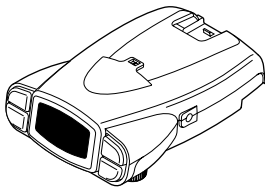
The Trailer Emulator requires the ground and 12 volt battery line to be properly connected in order to check the electric brake circuit.

- 12 volt light on the emulator will be lit as soon as the emulator is connected to the tow vehicle's plug. If this does not happen see Troubleshooting Chart.
 - The RT, LT, TL and BU lights will light on the emulator as those functions are activated on the tow vehicle. If this does not happen see Troubleshooting Chart.
 - The BK light on the emulator should be off until the brake control is activated. (May see a flicker but not on steady)
- NOTE:** The trailer emulator is not an exact trailer load so the light displays on various brake controls will respond differently.

BRAKE CONTROLS WITH LCD DISPLAY

90195 - P3®

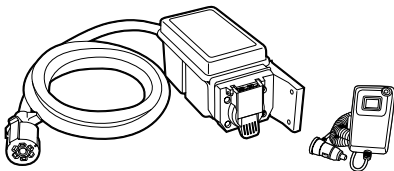
Brake Control's display should show:



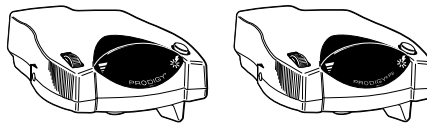
- With trailer emulator connected and no manual slide activation.
- Varying voltage displayed from 0-13 as manual is activated with the power knob full on.

BRAKE CONTROLS WITH DIGITAL DISPLAY

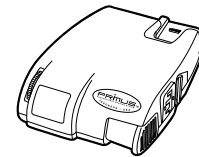
90250 - Prodigy RF®



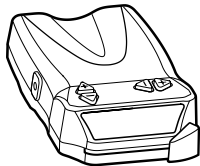
90185 - Prodigy® / 90885 - Prodigy® P2



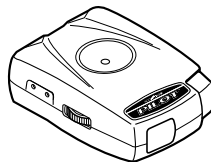
90160 - Primus™ IQ



5535 - I-Command™



80550 - Pilot®

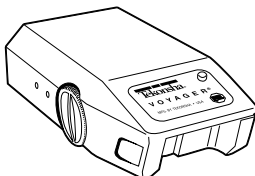


Brake Control's display should show:

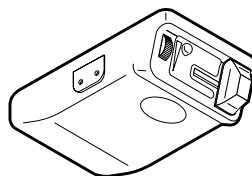
- .c - With trailer emulator connected and no manual slide activation ("c" indicates connection to the trailer).
- Varying voltage displayed from 0-13 as manual is activated with the power knob full on.

BRAKE CONTROLS WITH LED DISPLAY

9030 - Voyager®



80500 - POD™



Brake Control's display should show:

- GREEN - with trailer emulator connected with no manual slide activation.
- GREEN to varying colors of RED - trailer emulator connected and manual slide activated.

Technical information is current as of the printing of this catalog. Contact technical service for periodic updates.

TRAILER EMULATOR REFERENCE GUIDE

Troubleshooting Chart

Condition	Probable Cause
Trailer Emulator connected to tow vehicle:	
- 12V LED is NOT lit on Trailer Emulator.	1) Bad ground or incorrect wiring in tow vehicle connector. 2) No 12 volt battery power supplied to connector.
- LT LED is NOT lit on Trailer Emulator NOTE: Applies for LT, RT, TL and BU LEDs.	1)Bad ground or incorrect wiring in tow vehicle connector. 2)Loose or poor connection in circuit under test.
- BK is NOT lit on Trailer Emulator when <u>manual slide / touch pad</u> is activated, but 12V LED is lit.	1)Bad ground or incorrect wiring in tow vehicle connector. 2)Poor ground on Brake Control. Brake Control goes into a limit mode. 3)Gain adjustment on Brake Control is set to minimum, adjust gain to maximum and retest using manual.
- BK is NOT lit on Trailer Emulator when <u>Brake Pedal</u> is depressed, but 12V LED is lit.	1)If using brake pedal, Tekonsha's inertia activated controls require vehicle movement to activate sensor. Apply the manual switch and see if BK LED lights. (SEE NOTE)

Note:

The following two methods are available to test the **Automatic response** of the Tekonsha brake control with the Trailer Emulator.

1. Vehicle in Motion Method
 - Connect Trailer Emulator to vehicle.
 - Properly adjust the Level of the brake control.
 - Drive vehicle and apply brake pedal, the brake control's light should indicate a braking event.

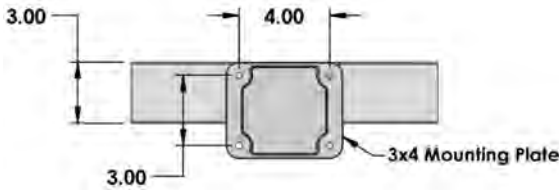
2. Aggressive Level Method
 - Connect Trailer Emulator to vehicle.
 - Properly adjust the Level of the brake control.
 - Adjust Level setting toward Aggressive.
 - The brake control's light should indicate a braking event.
 - When finished with test remember to adjust the brake control's level back to desired tow setting.



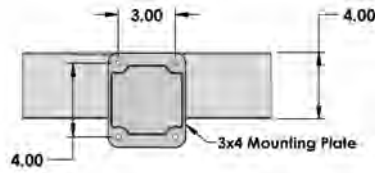
Technical information is current as of the printing of this catalog. Contact technical service for periodic updates.

WELD-ON BRACKET MOUNTING POSITIONS FOR F2® JACKS

3x3 Tube With 3x4 Plate



3x4 Tube With 3x4 Plate

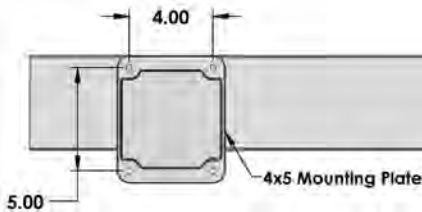


P/N	F2 MARINE AND RECREATIONAL JACKS
1413060334	F2 Twin Track Model 3"x 4" Pivot Housing. Includes Handle Hold-up Feature & Weld-on Mounting Bracket & Hardware.
1413050334	F2 Wide Track Model 3"x 4" Pivot Housing. Includes Handle Hold-up Feature & Weld-on Mounting Bracket & Hardware.
500277	Pivot Housing.

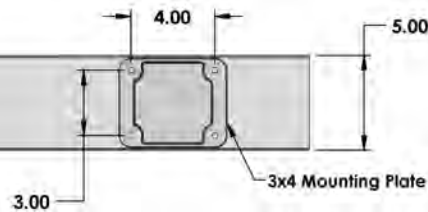
P/N	F2 MARINE AND RECREATIONAL JACKS
1413060334	F2 Twin Track Model 3"x 4" Pivot Housing. Includes Handle Hold-up Feature & Weld-on Mounting Bracket & Hardware.
1413050334	F2 Wide Track Model 3"x 4" Pivot Housing. Includes Handle Hold-up Feature & Weld-on Mounting Bracket & Hardware.
500277	Pivot Housing.



3x5 Tube With 4x5 Plate



3x5 Tube With 3x4 Plate



P/N	F2 MARINE AND RECREATIONAL JACKS
1413200334	Adjustable Swivel w/ Footplate Includes Handle Hold-up Feature & Weld-on Mounting Bracket & Hardware for up to 5" Frames.
500276	Pivot Housing.

P/N	F2 MARINE AND RECREATIONAL JACKS
1413060334	F2 Twin Track Model 3"x 4" Pivot Housing. Includes Handle Hold-up Feature & Weld-on Mounting Bracket & Hardware.
1413050334	F2 Wide Track Model 3"x 4" Pivot Housing. Includes Handle Hold-up Feature & Weld-on Mounting Bracket & Hardware.
500277	Pivot Housing.



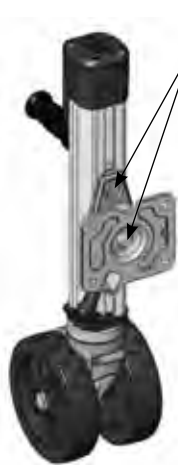
TECHNICAL

Technical information is current as of the printing of this catalog. Contact technical service for periodic updates.

ADJUSTING THE SWIVEL MOUNT HEIGHT FOR F2® JACKS

Required Tools:

3/4 Socket, Ratchet Wrench, Torque wrench.

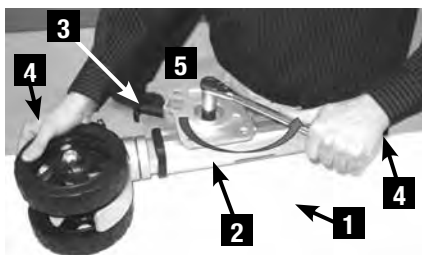


Adjusting Swivel Mount Height (If Necessary):

With jack removed from trailer, loosen the two swivel fasteners until the slide block moves freely along outer tube. To access the upper bolt be sure the swivel bracket is rotated in the horizontal (3" mounting) position as shown. Adjust swivel mount to desired location and re-torque to 60-70 ft-lbs. After adjustment, check for proper swivel and pin engagement.

Loosening factory torqued nuts and bolts on your swivel mount:

1. Cover your work area with a piece of cardboard or a towel to protect the finish on your jack.
2. Position the jack firmly on a bench at waist level.
3. Turn mounting bracket so that the pull pin is toward the caster(s).
4. Brace the gearbox against your hip and firmly grip the caster.
5. Loosen the half inch nut inside the swivel mount by pulling toward your body.



6. Remove the nut from the back of the swivel mount.



7. Pull the pull pin and remove the swivel mount.



8. Loosen the standard hex bolt with the 5/16 hex wrench.

9. Adjust the mount height.

10. Re-torque the nut on the slide block to 60 ft-lbs.

Final Steps:

11. Replace the swivel mount making sure that the washer is still in place.



12. Replace the nut on the back of the swivel mount.



13. Re-torque the nut on the back of the swivel mount to 60 ft-lbs.



14. You are now ready to enjoy your Fulton F2 Jack.



Technical information is current as of the printing of this catalog. Contact technical service for periodic updates.

JACK REPLACEMENT QUICK REFERENCE GUIDE

NOTES: This Quick Reference Guide is not intended to supplement your original jack instruction sheet. This guide is only intended to help identify your jack for purposes of service and part replacement.

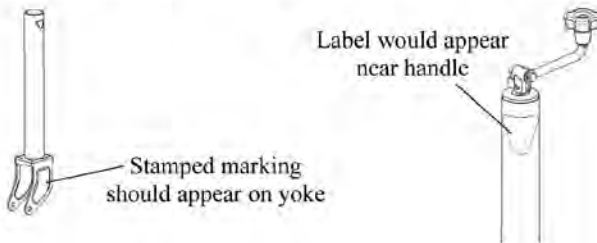
While servicing your jack, make sure it is not under load.

Replacement parts are intended for worn jack parts. If your jack has been damaged, replace it to prevent unsafe conditions.

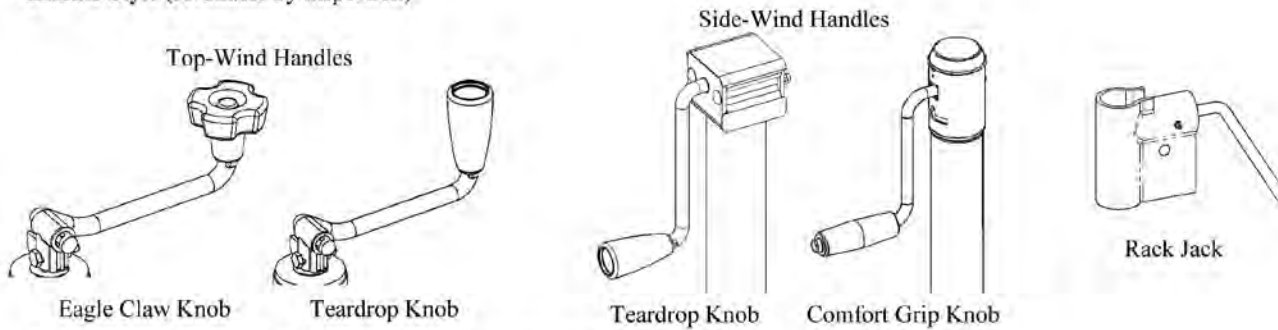
Help us help you!

To ensure you receive the most accurate, prompt service possible, collect as much of the following information as possible before calling. If more than one item in a group seems to fit your jack, note all that apply and what about your jack that makes it fit that category. Some helpful pictures are shown at the bottom of the next page.

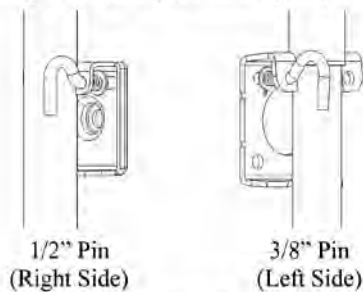
Jack Series and Capacity (Available on product label or in stamped marking)



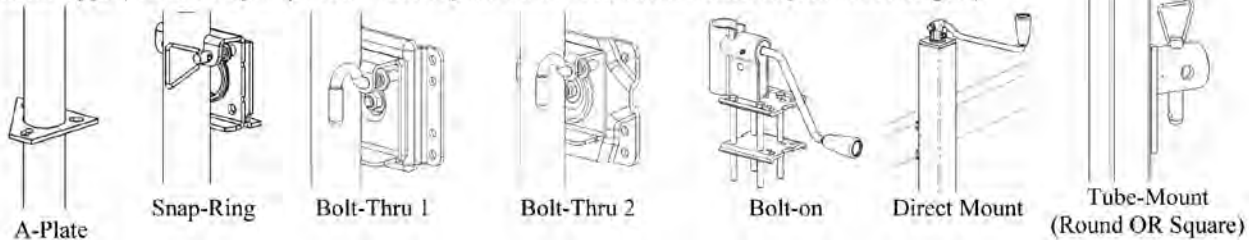
Handle Style (Available by inspection)



Plunger Pin Size (Available by inspection, not a feature on all jack models)



Mount Type (Available by inspection. Note if your mount is welded or bolted to your trailer tongue.)



Technical information is current as of the printing of this catalog. Contact technical service for periodic updates.

WHOLE JACK EXAMPLES

Foot/Wheel Type (Available by inspection)



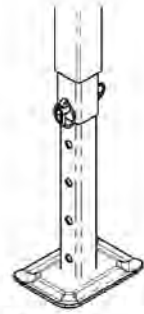
Removable Wheel
(Wheels may also be fixed to the jack)



Removable Foot
(Feet may also be fixed to the jack)



No Foot



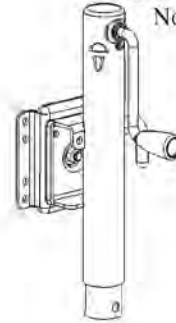
Drop Leg

Some Examples of whole jacks are below

Top-Wind,
Eagle Claw Knob,
1/2" Plunger Pin,
Snap-Ring Mount,
Fixed Regular Foot



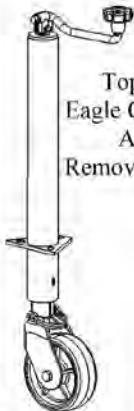
Side-Wind,
Teardrop Knob,
Internal Gearbox,
1/2" Plunger Pin,
Bolt-Thru I Mount,
No Foot



Rack Jack,
Teardrop Knob,
Bolt-on



Top-Wind,
Eagle Claw Knob,
A-Plate,
Removable Wheel



Side-Wind,
Teardrop Knob,
External Gearbox,
Tube Mount,
Fixed Large Foot

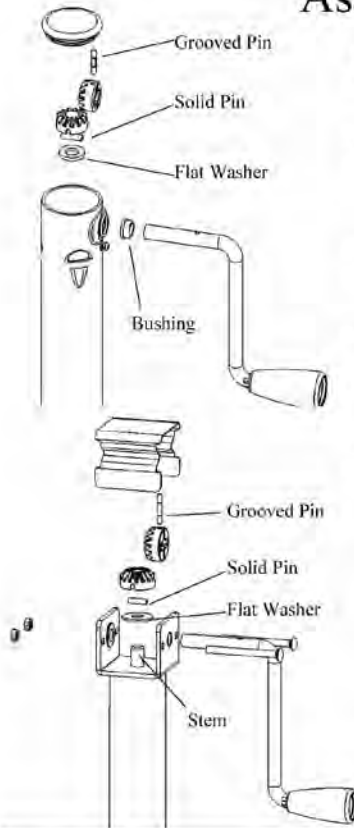


Technical information is current as of the printing of this catalog. Contact technical service for periodic updates.

JACK ASSEMBLY QUICK REFERENCE GUIDE

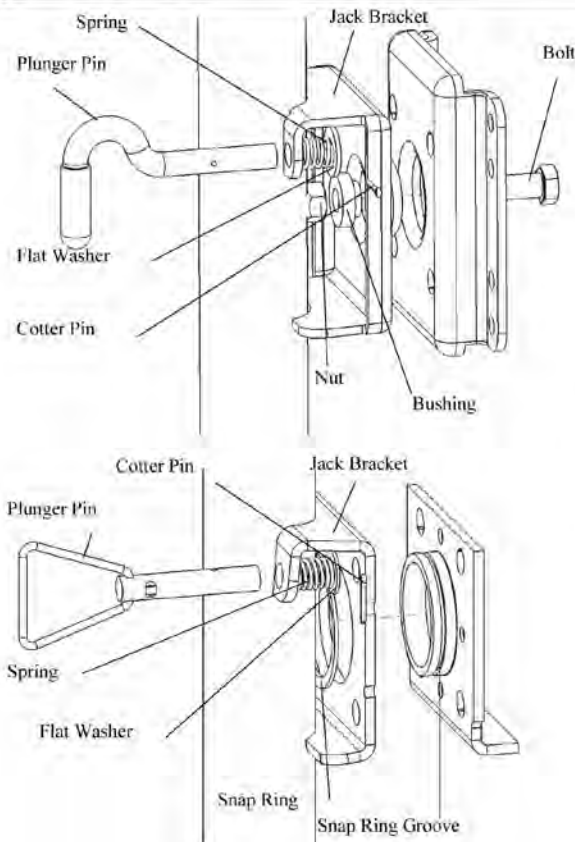
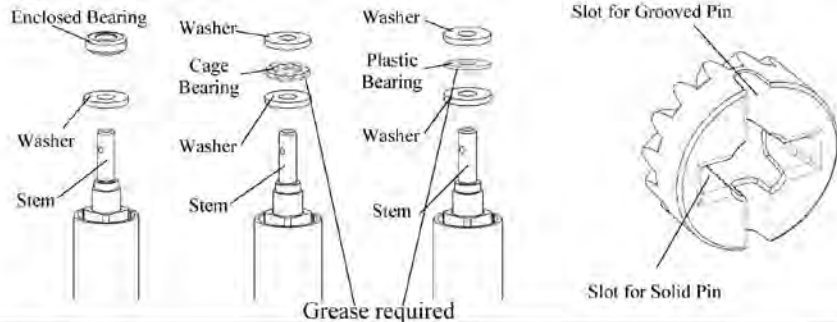
Assembly Quick-Reference Guide

TECHNICAL



Side-Wind Jack Assembly:

- 1) Carefully remove all parts from the gearbox. The grooved pin is very secure in place and you may need to rotate the jack handle to reveal and remove it.
- 2) Place the flat washer over stem at the bottom of the gearbox.
- 3) Place the solid pin through the hole in the stem and place the gear over the solid pin so that the solid pin rests in the slot on the gear that does NOT go across the entire gear. The lower gear should be the larger of the two gears if the gears are a different size.
- 4) If you have an internal gearbox, install the bushing from inside the jack tube.
- 5) Insert the handle through the bushing and the second gear. Be sure the gear teeth are fully engaged and the handle is sticking out the far side of the jack after this step.
- 6) The grooved pin must now be inserted through the second gear and the handle. It may be necessary to rotate the handle 1/4 turn to expose the hole in the handle. The groove pin will fit very tightly and should be installed carefully to avoid damage to the jack body. Make sure the pin is centered in the handle to ensure smooth cranking.
- 7) Re-install the cap with even pressure, or with the bolts and nuts as it was removed.
- 8) Be sure the jack is assembled properly and functions as new before using it to support a load.



Bolt-Thru Assembly:

Place the jack bracket into the recessed opening of the mount. Place the small end of the bushing into the jack bracket and onto the bolt. Tighten until there is little movement in the bushing.

Snap Ring Assembly:

Place the jack bracket over the mount so that the snap ring groove is reachable on the inside of the jack bracket. Insert the snap ring into the groove. Be sure the snap ring is fully seated in the groove.

Plunger Pin Assembly:

First select the appropriate hole for the plunger pin. When viewing the jack from the crank side, 3/8" pins fit into the left hole, 1/2" plunger pins fit into the right hole. Also check that the mating bracket has the correct size holes in it.

- 1) Start the plunger pin through the jack bracket and place the spring and washer on the plunger pin before fully inserting the plunger pin through the jack bracket.
- 2) The spring and washer must be compressed to allow the cotter pin to be properly inserted into the plunger pin.
- 3) Be sure the jack is assembled properly and functions as new before bending the cotter pin to secure the plunger pin assembly and before using it to support a load.

Technical information is current as of the printing of this catalog. Contact technical service for periodic updates.

ELECTRIC WINCH PERFORMANCE DATA AND DIMENSIONS

DC6000 - 6,000 LBS.

>>> PERFORMANCE DATA

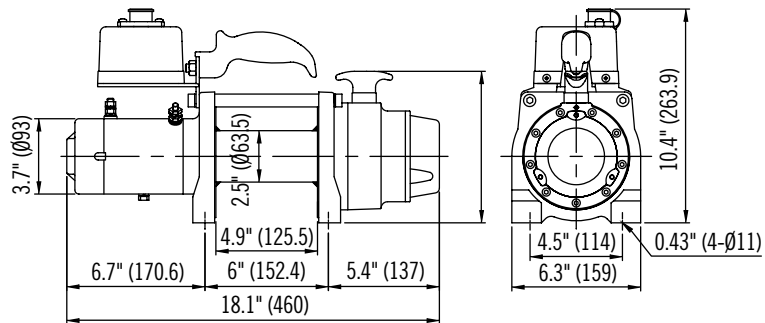
LINE SPEED AND AMP. DRAW

LINE PULL LB / KG	SPEED FPM / MPM	12V AMPS
NO LOAD	26.2 / 8.0	60
2,000 / 907	17 / 5.2	150
4,000 / 1,814	10.2 / 3.1	240
6,000 / 2,722	6.5 / 2	300

LINE PULL AND ROPE CAPACITY

LAYER OF ROPE	PULL BY LAYER LB / KG	TOTAL ROPE ON DRUM FT / M
1st	6,000 / 2,722	12.5 / 3.8
2nd	4,995 / 2,266	27.5 / 8.4
3rd	4,279 / 1,941	45 / 13.7
4th	3,742 / 1,698	65.1 / 19.8

>>> DIMENSIONS



DC9000 - 9,000 LBS.

>>> PERFORMANCE DATA

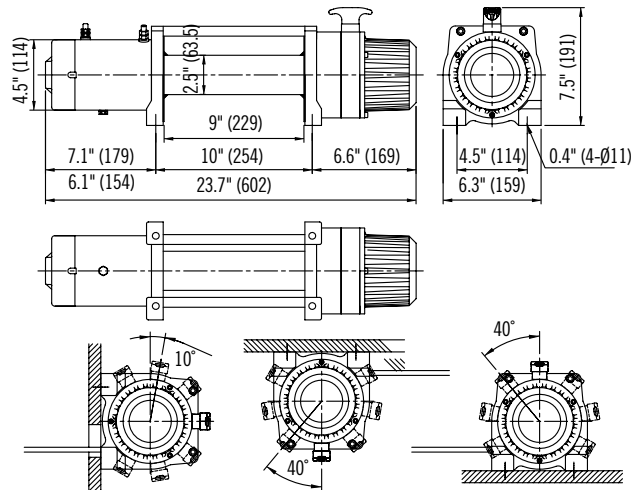
LINE SPEED AND AMP. DRAW

LINE PULL LB / KG	SPEED FPM / MPM	12V AMPS
NO LOAD	44 / 13.4	55
2,000 / 907	15 / 4.6	110
4,000 / 1,814	11 / 3.4	200
6,000 / 2,722	9 / 2.7	230
9,000 / 4,082	6.4 / 2	350

LINE PULL AND ROPE CAPACITY

LAYER OF ROPE	PULL BY LAYER LB / KG	TOTAL ROPE ON DRUM FT / M
1st	9,000 / 4,083	17.7 / 5.4
2nd	7,310 / 3,316	40 / 12.2
3rd	6,154 / 2,792	67.3 / 20.5
4th	5,314 / 2,410	82 / 25

>>> DIMENSIONS



DC12000L - 12,000 LBS. LIGHT

>>> PERFORMANCE DATA

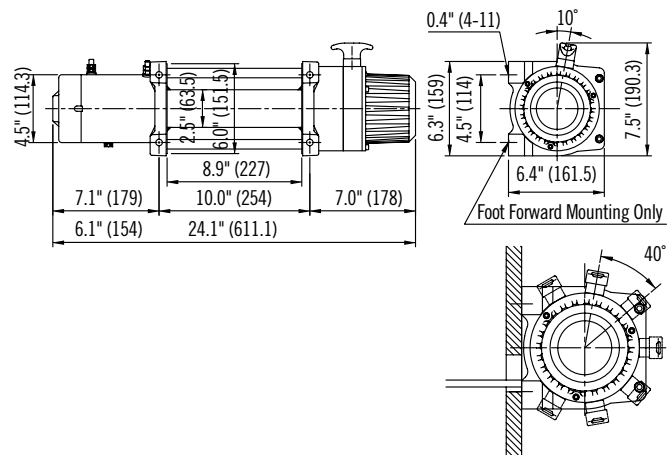
LINE SPEED AND AMP. DRAW

LINE PULL LB / KG	SPEED FPM / MPM	12V AMPS
NO LOAD	26.2 / 8	50
4,000 / 1,814	9.8 / 3	120
8,000 / 3,629	5 / 1.5	230
10,000 / 4,536	4 / 1.2	290
12,000 / 5,443	3.3 / 1	350

LINE PULL AND ROPE CAPACITY

LAYER OF ROPE	PULL BY LAYER LB / KG	TOTAL ROPE ON DRUM FT / M
1st	12,000 / 5,443	17.7 / 5.4
2nd	9,522 / 4,319	40 / 12.2
3rd	7,893 / 3,580	67.3 / 20.5
4th	6,737 / 3,055	82 / 25

>>> DIMENSIONS



ELECTRIC WINCH PERFORMANCE DATA AND DIMENSIONS

DC12000 - 12,000 LBS.

PERFORMANCE DATA

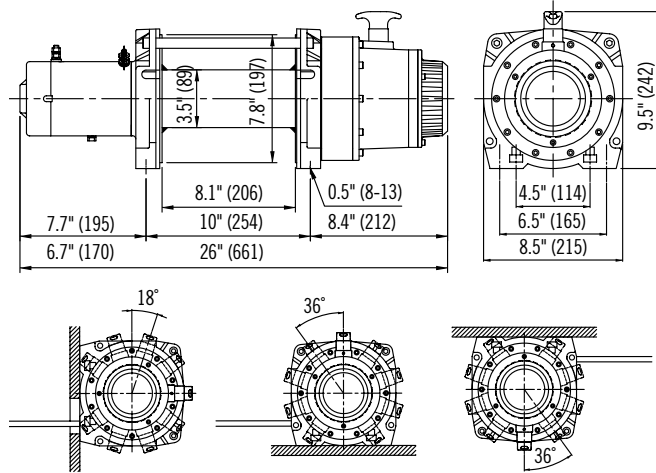
LINE SPEED AND AMP. DRAW

LINE PULL LB / KG	SPEED FPM / MPM	12V AMPS
NO LOAD	27 / 8.3	60
4,000 / 1,814	8.6 / 2.6	200
8,000 / 3,629	5.8 / 1.7	310
10,000 / 4,536	4.4 / 1.4	370
12,000 / 5,443	4 / 1.2	440

LINE PULL AND ROPE CAPACITY

LAYER OF ROPE	PULL BY LAYER LB / KG	TOTAL ROPE ON DRUM FT / M
1st	12,000 / 5,443	21.5 / 6.6
2nd	10,060 / 4,563	47.2 / 14.4
3rd	8,659 / 3,928	77 / 23.5
4th	7,601 / 3,448	110.9 / 33.8
5th	6,774 / 3,073	125 / 58

DIMENSIONS



DC15000 - 15,000 LBS.

PERFORMANCE DATA

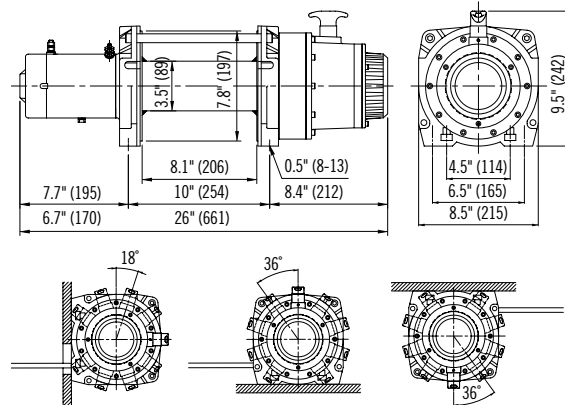
LINE SPEED AND AMP. DRAW

LINE PULL LB / KG	SPEED FPM / MPM	12V AMPS
NO LOAD	22 / 6.9	60
4,000 / 1,814	5.4 / 1.6	180
8,000 / 3,629	3.8 / 1.2	280
12,000 / 5,443	2.9 / 0.9	385
15,000 / 6,803	2.5 / 0.8	460

LINE PULL AND ROPE CAPACITY

LAYER OF ROPE	PULL BY LAYER LB / KG	TOTAL ROPE ON DRUM FT / M
1st	15,000 / 6,804	18.6 / 5.7
2nd	12,277 / 5,569	41.4 / 12.6
3rd	10,391 / 4,713	68.3 / 20.8
4th	9,007 / 4,086	89 / 27

DIMENSIONS



DC18000 - 18,000 LBS.

PERFORMANCE DATA

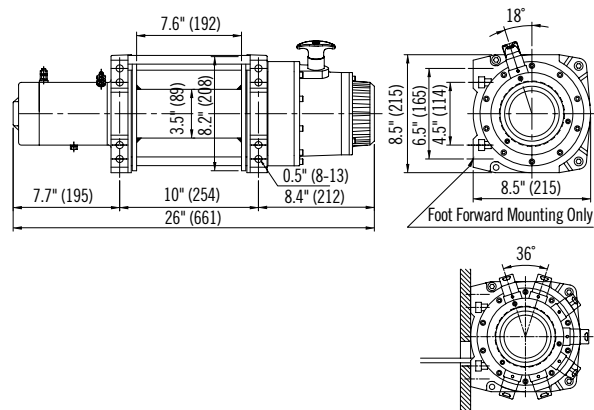
LINE SPEED AND AMP. DRAW

LINE PULL LB / KG	SPEED FPM / MPM	24V AMPS
NO LOAD	28.2 / 8.6	40
8,000 / 3,629	12.0 / 3.6	140
12,000 / 5,443	9.3 / 2.8	210
15,000 / 6,803	7.5 / 2.3	260
18,000 / 8,164	3.3 / 1	320

LINE PULL AND ROPE CAPACITY

LAYER OF ROPE	PULL BY LAYER LB / KG	TOTAL ROPE ON DRUM FT / M
1st	18,000 / 8,165	15.4 / 4.7
2nd	14,431 / 6,546	34.4 / 10.5
3rd	12,028 / 5,455	57.4 / 17.5
4th	10,311 / 4,677	82 / 25

DIMENSIONS



ELECTRIC WINCH PERFORMANCE DATA AND DIMENSIONS

DC2500 - 2,500 LBS.

>>> PERFORMANCE DATA

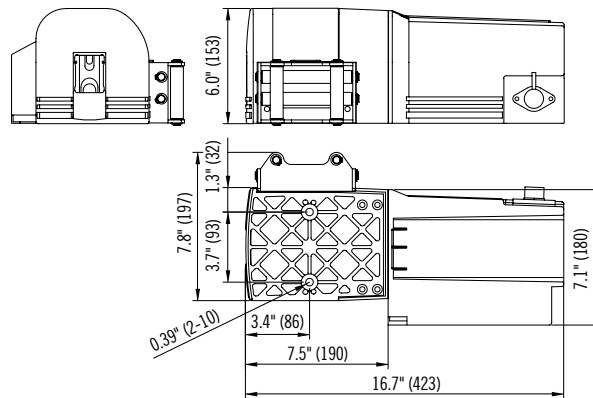
LINE SPEED AND AMP DRAW

LINE PULL LB / KG	LINE SPEED FPM / MPM	AMP DRAW
NO LOAD	16.4 / 5	30
1,000 / 454	11 / 3.5	80
2,000 / 907	7.5 / 2.3	150
2,500 / 1,134	4.2 / 1.3	200

LINE PULL AND ROPE CAPACITY

LAYER OF ROPE	PULL BY LAYER LB / KG	TOTAL ROPE ON DRUM FT / M
1st	2,500 / 1,134	10.2 / 3.1
2nd	2,149 / 975	22 / 6.7
3rd	1,885 / 855	35.5 / 10.8
4th	1,678 / 761	50 / 15.2

>>> DIMENSIONS



DC3500 - 3,500 LBS.

>>> PERFORMANCE DATA

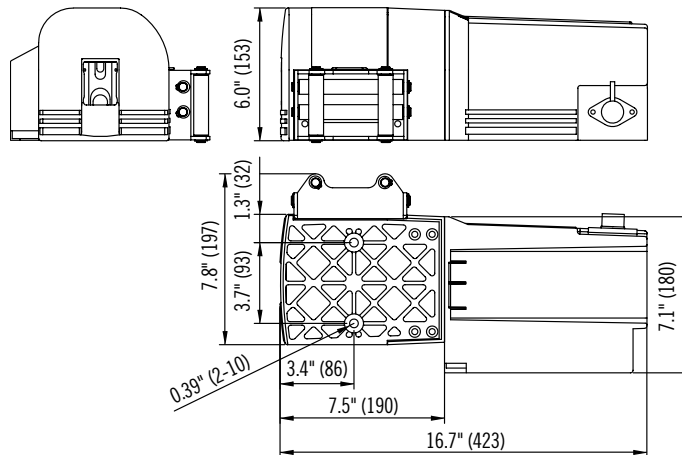
LINE SPEED AND AMP DRAW

LINE PULL LB / KG	LINE SPEED FPM / MPM	AMP DRAW
NO LOAD	21.3 / 6.5	25
1,000 / 454	16.4 / 5	110
2,000 / 907	11.8 / 3.6	200
2,500 / 1,134	10.5 / 3.2	230
3,000 / 1,361	8.2 / 2.5	260
3,500 / 1,588	5.9 / 1.8	300

LINE PULL AND ROPE CAPACITY

LAYER OF ROPE	PULL BY LAYER LB / KG	TOTAL ROPE ON DRUM FT / M
1st	3,500 / 1,588	8.9 / 2.7
2nd	2,954 / 1,340	19.6 / 6
3rd	2,555 / 1,159	31.8 / 9.7
4th	2,251 / 1,021	45.7 / 13.9
5th	2,012 / 913	50 / 15.2

>>> DIMENSIONS



DC4500 - 4,500 LBS.

>>> PERFORMANCE DATA

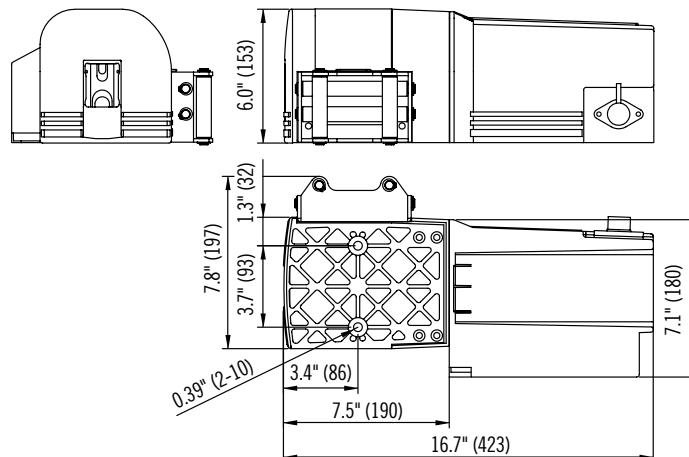
LINE SPEED AND AMP DRAW

LINE PULL LB / KG	LINE SPEED FPM / MPM	AMP DRAW
NO LOAD	21.3 / 6.5	25
1,000 / 454	16.4 / 5	110
2,000 / 907	11.8 / 3.6	210
2,500 / 1,134	10.5 / 3.2	240
3,000 / 1,361	8.2 / 2.5	270
3,500 / 1,588	5.9 / 1.8	290
4,000 / 1,814	4.6 / 1.4	310
4,500 / 2,041	1.3 / .4	330

LINE PULL AND ROPE CAPACITY

LAYER OF ROPE	PULL BY LAYER LB / KG	TOTAL ROPE ON DRUM FT / M
1st	4,500 / 2,041	7.9 / 2.4
2nd	3,722 / 1,688	17.4 / 5.3
3rd	3,174 / 1,440	28.6 / 8.7
4th	2,766 / 1,255	41.4 / 12.6
5th	2,451 / 1,112	50 / 15.2

>>> DIMENSIONS



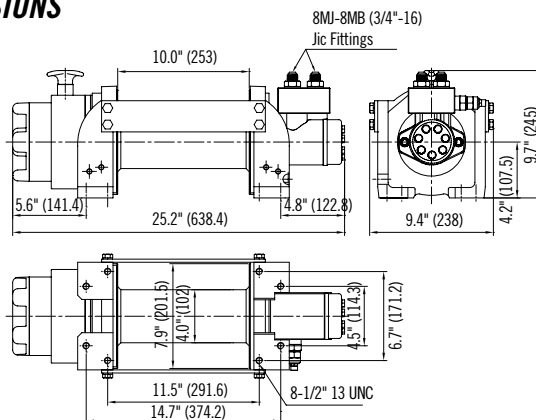
HYDRAULIC WINCH PERFORMANCE DATA AND DIMENSIONS

HW8000 - 8,000 LBS.

>>> PERFORMANCE DATA

LINE PULL AND ROPE CAPACITY			LINE SPEED
LAYER OF ROPE	PULL BY LAYER LB / KG	TOTAL ROPE ON DRUM FT / M	15.9 G / MIN (60 L/MIN) FPM/MPM
1st	8,000 / 3,630	25.6 / 7.8	49 / 15
2nd	6,669 / 3,025	56.1 / 17.1	59.7 / 18.2
3rd	5,717 / 2,593	91.9 / 28	69.8 / 21.2
4th	5,002 / 2,269	131 / 40	79.4 / 24.2

>>> DIMENSIONS

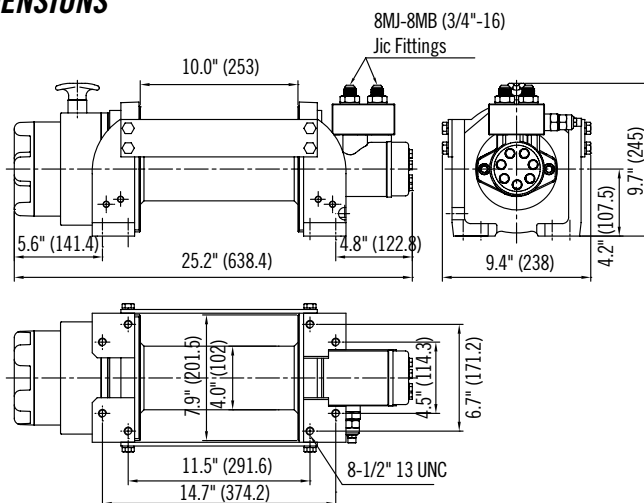


HW12000 - 12,000 LBS.

>>> PERFORMANCE DATA

LINE PULL AND ROPE CAPACITY			LINE SPEED
LAYER OF ROPE	PULL BY LAYER LB / KG	TOTAL ROPE ON DRUM FT / M	15.9 G / MIN (60 L/MIN) FPM/MPM
1st	12,000 / 5,440	23 / 7	36 / 11
2nd	10,075 / 4,570	50.9 / 15.5	43.3 / 13.2
3rd	8,684 / 3,939	25 / 82	51.2 / 15.6

>>> DIMENSIONS

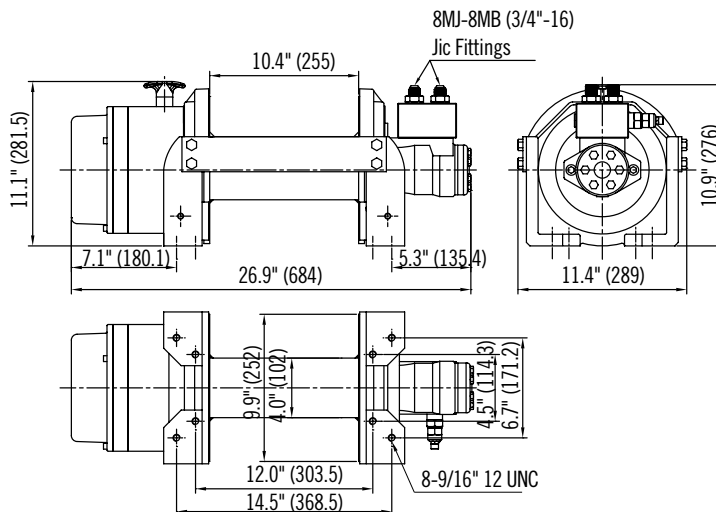


HW15000 - 15,000 LBS.

>>> PERFORMANCE DATA

LINE PULL AND ROPE CAPACITY			LINE SPEED
LAYER OF ROPE	PULL BY LAYER LB / KG	TOTAL ROPE ON DRUM FT / M	15.9 G / MIN (60 L/MIN) FPM/MPM
1st	15,000 / 6,800	23.3 / 7.1	30 / 9
2nd	12,273 / 5,567	51.5 / 15.7	35.8 / 10.9
3rd	10,390 / 4,713	25.9 / 85	42 / 12.8
4th	9,008 / 4,086	123.4 / 37.6	48.6 / 14.8
5th	7,950 / 3,606	165 / 50.3	55 / 16.8

>>> DIMENSIONS



ELECTRIC HOIST PERFORMANCE DATA AND DIMENSIONS

DCH650 - 650 LBS.

>>> PERFORMANCE DATA

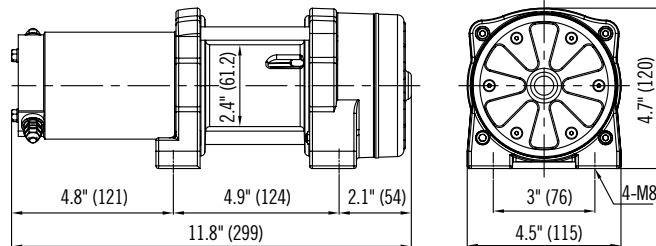
LINE SPEED AND AMP DRAW (first layer of wire rope on the drum)

1ST LAYER LINE PULL LB / KG	LINE SPEED FPM / MPM 12V	AMP DRAW 12V	% DUTY CYCLE MIN / 10 MIN
No Load	14.1 / 4.3	25	3.0
320 / 147	13.8 / 4.2	45	2.0
650 / 295	13.1 / 4.0	55	1.5

HOIST CAPACITY

ROPE LAYER	CAPACITY LB / KG	LINE SPEED FPM / MPM	LENGTH OF ROPE ON DRUM FT / M
1 ST	650 / 295	13.1 / 4.0	13.5 / 4.1
2 ND	586 / 266	14.8 / 4.5	28.5 / 8.7
3 RD	531 / 241	16 / 4.9	45.3 / 13.8
4 TH	487 / 221	17.7 / 5.4	60 / 18.3

>>> DIMENSIONS



DCH800 - 800 LBS.

>>> PERFORMANCE DATA

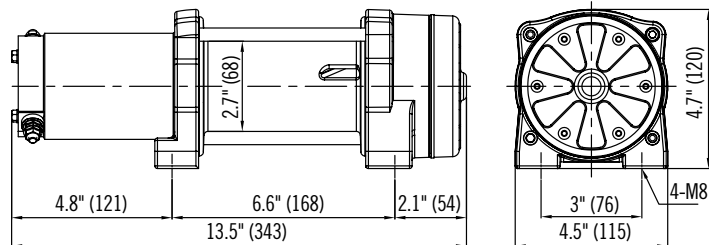
LINE SPEED AND AMP DRAW (first layer of wire rope on the drum)

1ST LAYER LINE PULL LB / KG	LINE SPEED FPM / MPM 12V	AMP DRAW 12V	% DUTY CYCLE MIN / 10 MIN
No Load	11.8 / 3.6	20	3.0
400 / 184	11.2 / 3.4	40	2.0
800 / 362	10.5 / 3.2	55	1.5

HOIST CAPACITY

ROPE LAYER	CAPACITY LB / KG	LINE SPEED FPM / MPM	LENGTH OF ROPE ON DRUM FT / M
1 ST	800 / 362	10.5 / 3.2	21.7 / 6.6
2 ND	721 / 327	11.8 / 3.6	45.9 / 14
3 RD	655 / 297	12.8 / 3.9	60 / 18.3

>>> DIMENSIONS



ELECTRIC HOIST PERFORMANCE DATA AND DIMENSIONS

DCH1200 - 1,200 LBS.

»» PERFORMANCE DATA

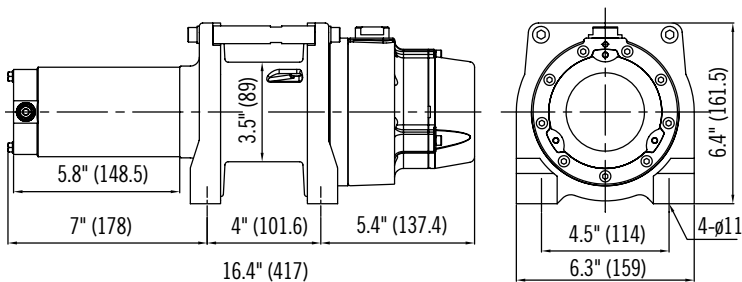
»» DIMENSIONS

LINE SPEED AND AMP DRAW (first layer of wire rope on the drum)

1ST LAYER LINE PULL LB / KG	LINE SPEED FPM / MPM 12V	AMP DRAW 12V	% DUTY CYCLE MIN / 10 MIN
No Load	24.3 / 7.4	30	2.5
300 / 136	22.6 / 6.9	55	2.3
600 / 272	21 / 6.4	75	2.0
900 / 408	19.4 / 5.9	95	1.8
1,200 / 544	18 / 5.5	130	1.5

HOIST CAPACITY

ROPE LAYER	CAPACITY LB / KG	LINE SPEED FPM / MPM	LENGTH OF ROPE ON DRUM FT / M
1 ST	1,200 / 544	5.5 / 1.7	13.8 / 4.2
2 ND	1,089 / 494	19.9 / 6.1	28.9 / 8.8
3 RD	996 / 452	21.7 / 6.6	45.3 / 13.8
4 TH	917 / 416	23.6 / 7.2	60 / 18.3

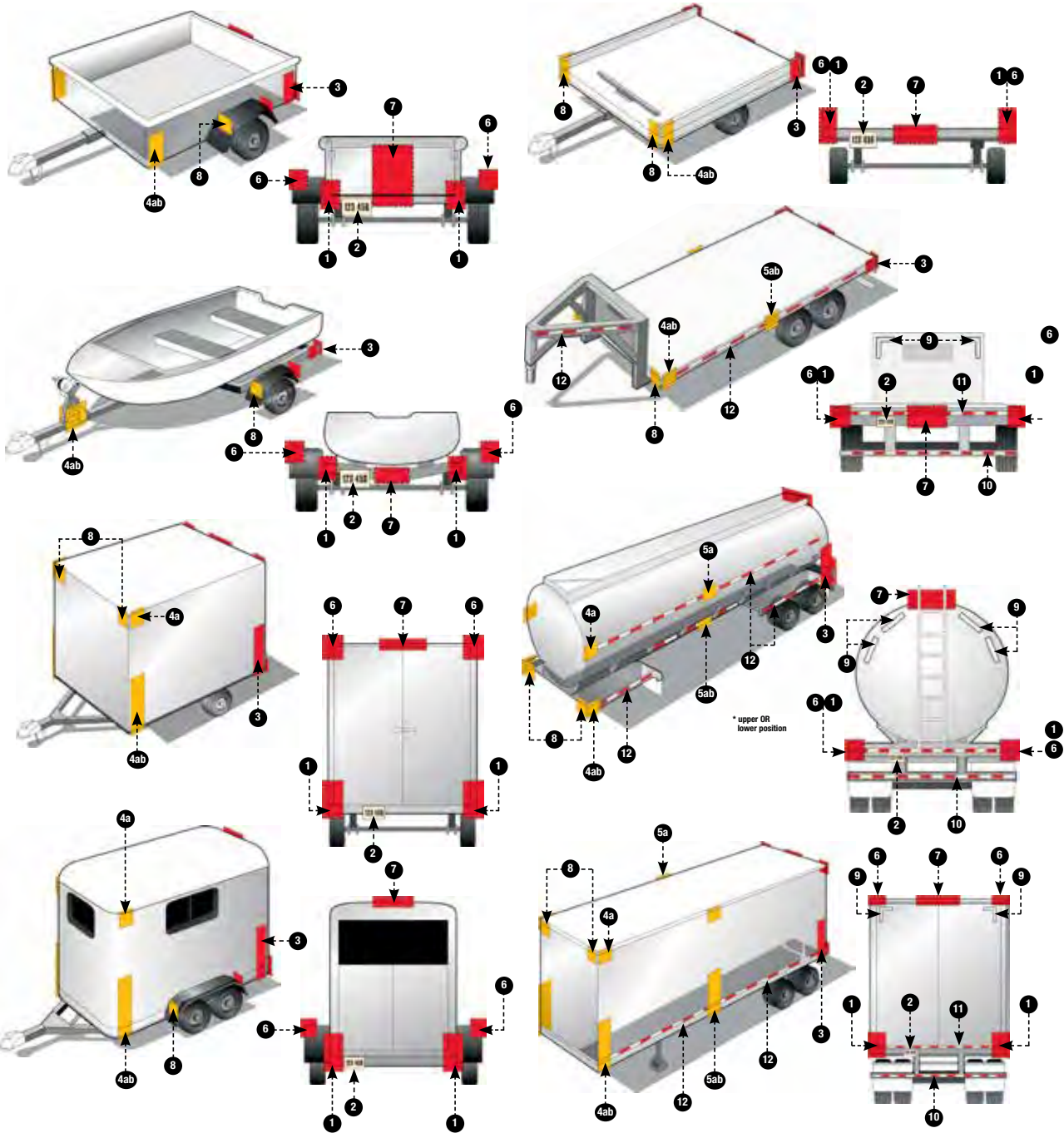


TECHNICAL

TRAILER FEDERAL LIGHTING EQUIPMENT LOCATION REQUIREMENTS

IMPORTANT NOTE: Every lamp, reflex reflector, and conspicuity treatment must be permanently attached in the location specified below and must comply with all applicable requirements prescribed for it by FMVSS/CMVSS 108. The face of any device on the front/rear and sides should be, respectively perpendicular and parallel to the vehicle's centerline, unless it is photometrically certified at instal-

lation angle. No part of the vehicle shall prevent any device from meeting its prescribed requirements unless an auxiliary device meeting all prescribed requirements is installed. In Canada: Manufacturers and importers of vehicles must have the proper certification test records demonstrating compliance of lighting components with all prescribed requirements.



This table summarizes lighting equipment requirements contained in Federal/Canada Motor Vehicle Safety Standard 108. While Horizon Global believes this to be an accurate summary of the latest printed information, the actual standard should be consulted for design or other such purposes.

TRAILER FEDERAL LIGHTING EQUIPMENT LOCATION REQUIREMENTS

BASIC EQUIPMENT REQUIRED ON ALL TRAILERS

DESCRIPTION				MANDATORY REQUIREMENTS			
Area	Equipment	SAE Lens Coding	Functional Purpose	Quantity	Color	Location	Height mm(in.) from the ground
1	Tail Lamps	(T)	Indicate vehicle's presence and width	Minimum 2	Red	On the rear - symmetrical as far apart as practicable	380-1830 (15-72)
	Stop Lamps	(S)	Indicate braking	Minimum 2	Red	On the rear - symmetrical as far apart as practicable	380-1830 (15-72)
	Rear Turn Signal Lamps	(I)	Indicate direction of turn	Minimum 2	Red or Yellow	On the rear - symmetrical as far apart as practicable	380-2110 (15-83)
	Rear Reflex Reflectors	(A)	Indicate vehicle's presence and width	Minimum 2	Red	On the rear - symmetrical as far apart as practicable facing rearward	380-1530 (15-60)
2	License Plate Lamp(s)	(L)	Illuminates license plate	Minimum 1	White	On the rear - above or at the sides of license plate	No requirement
3	Rear Side Marker Lamps <small>*photometrically certified at installation angle</small>	(P2, PC* or P3, PC2*)	Front and rear side marker lamps / side reflex reflectors indicate vehicle's presence and length	Minimum 2	Red	Each side at rear as far back as practicable	380-1530 (15-60) no max. for veh. under 2032mm (80") wide
	Rear Side Reflex Reflectors	(A)		Minimum 2	Red facing sideward	Each side at rear as far back as practicable	380-1530 (15-60)
4	a Front Side Marker Lamps <small>*photometrically certified at installation angle</small>	(P2, PC* or P3, PC2*)		Minimum 2	Yellow	Each side at front as far forward as practicable	380 (15) minimum
	b Front Side Reflex Reflectors	(A)		Minimum 2	Yellow facing sideward	Each side at front as far forward as practicable facing sideward	380-1530 (15-60)

ADDITIONAL EQUIPMENT FOR TRAILERS EXCEEDING THE FOLLOWING PARAMETERS Length 9.1m (30 ft.) or longer

DESCRIPTION				MANDATORY REQUIREMENTS			
Area	Equipment	SAE Lens Coding	Functional Purpose	Quantity	Color	Location	Height mm(in.) from the ground
5	a Intermediate Side Marker Lamps	(P2 or P3)	Indicate presence of a long vehicle	Minimum 2	Yellow	Each side near center facing sideward	380 (15) minimum
	b Intermediate Side Reflex Reflectors	(A)	Indicate presence of a long vehicle	Minimum 2	Yellow	Each side near center facing sideward	380-1530 (15-60)

Width 2032mm (80 in.) or wider

DESCRIPTION			MANDATORY REQUIREMENTS				
Area	Equipment	SAE Lens Coding	Functional Purpose	Quantity	Color	Location	Height
6	Rear Clearance Lamps <small>*photometrically certified at installation angle with tail lamps</small>	(P2, PC* or P3, PC2*)	Show vehicle's width MAY NOT be combined	Minimum 2	Red	At widest point - symmetrical on the rear or near the rear ID lamps are at the top facing rearward	As high as practicable may be lower only if
7	Rear Identification (ID) Lamps	(P2 or P3)	Indicate presence of a wide vehicle	Exactly 3	Red	On the rear - center horizontally spaced 150mm (6 in.) to 300mm (12 in.) apart facing rearward	At the top - may be lower if door header narrower than 25mm
8	Front Clearance Lamps <small>*photometrically certified at installation angle</small>	(P2, PC* or P3, PC2*)	Show vehicle's width	Minimum 2	Yellow	At widest point - symmetrical on the front or near the front facing forward	As high as practicable

Width 2032mm (80 in.) or wider AND GVWR 4536 kg (10,000 lb.) or more

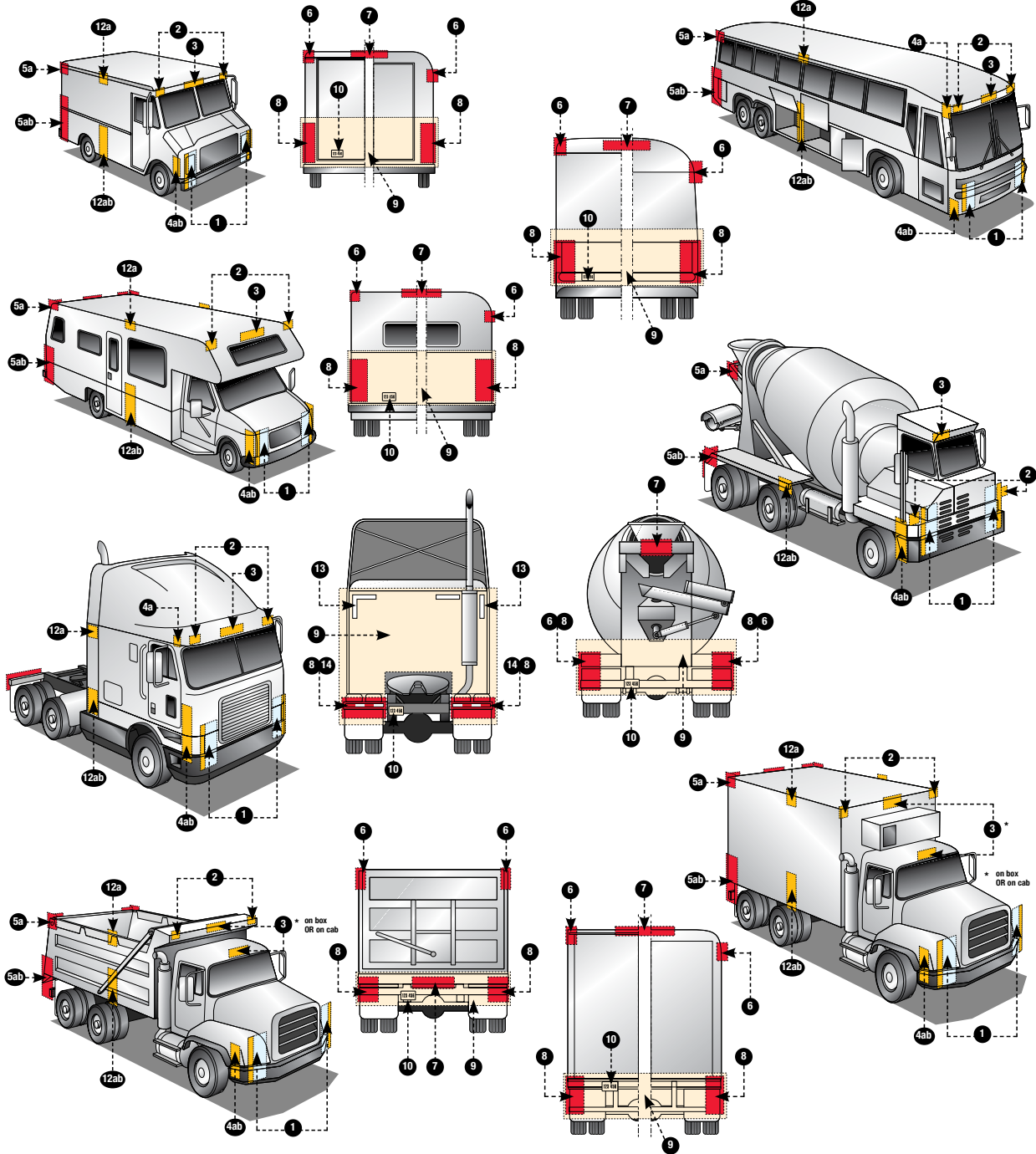
DESCRIPTION			MANDATORY REQUIREMENTS				
Area	Conspicuity Treatment	DOT Coding	Quantity	Color	Location	Height	Options
9	Rear Upper Body Markings		Exactly 2 pairs of 300mm long strips	White	On the rear upper corners facing rearward	At the top	
10	Bumper Bar Marking		Continuous	Red/White	On the rear bumper bar's horizontal element full width - facing rearward	No requirement	
11	Rear Lower Body Marking	DOT-C DOT-C2 DOT-C3 DOT-C4	Continuous	Red/White (see options)	On the rear full width of the vehicle facing rearward	As horizontal as practicable and as close as practicable to the range of 375 to 1525mm from the ground	
12	Side Marking		(see location)	Red/White (see options)	Each side - facing sideward continuous, or evenly spaced over minimum of 50% of length starts and ends as close to the front and rear of the vehicle as practicable	As horizontal as practicable and as close as practicable to the range of 375 to 1525mm from the ground	

NOTE: The edge of red conspicuity tape shall not be closer than 75 mm to the edge of any amber lamp and the edge of white conspicuity tape shall not be closer than 75 mm to the edge of any lamp

TRUCK FEDERAL LIGHTING EQUIPMENT LOCATION REQUIREMENTS

IMPORTANT NOTE: Every lamp, reflex reflector, and conspicuity treatment must be permanently attached in the location specified below and must comply with all applicable requirements prescribed for it by FMVSS/CMVSS 108. The face of any device on the front/rear and sides should be, respectively perpendicular and parallel to the vehicle's centerline, unless it is photometrically certified at installation angle. No part of the

vehicle shall prevent any device from meeting its prescribed requirements unless an auxiliary device meeting all prescribed requirements is installed. In Canada: Manufacturers and importers of vehicles must have the proper certification test records demonstrating compliance of lighting components with all prescribed requirements.



This table summarizes lighting equipment requirements contained in Federal/Canada Motor Vehicle Safety Standard 108. While Horizon Global believes this to be an accurate summary of the latest printed information, the actual standard should be consulted for design or other such purposes.

TRUCK FEDERAL LIGHTING EQUIPMENT LOCATION REQUIREMENTS

BASIC EQUIPMENT REQUIRED ON ALL TRUCKS, BUSES & MPVs

DESCRIPTION				MANDATORY REQUIREMENTS			
Area	Equipment	SAE Lens Coding	Functional Purpose	Quantity	Color	Location	Height mm(in.) from the ground
1	Headlamps - Lower Beam US requires "DOT" lettering on lens US&Canada - light source code required on lens	(H, HR)	Forward road illumination	Minimum 2	White	On the front - symmetrical as far apart as practicable If 4 lamp system - outboard or above upper beams	560-1370 (22-54)
	Headlamps - Upper Beam US requires "DOT" lettering on lens US&Canada - light source code required on lens	(H, HR)	Forward road illumination	Minimum 2	White	On the front - symmetrical as far apart as practicable If 4 lamp system - inboard or below lower beams	560-1370 (22-54)
	Parking Lamps Vehicles less than 2032mm wide	(P)	Indicate parked vehicle	Minimum 2	White or Yellow	On the front - symmetrical as far apart as practicable	380-1830 (15-72)
	Daytime Running Lamps (DRL) Canada - required / US - option US requires "DRL" lettering on lens if not headlamp	(Y2)	Indicate in use vehicle	Minimum 2	White or Yellow	On the front - symmetrical as far apart as practicable on type of DRL	380 (15) min. Max. depends
Front Turn Signal/Hazard Warning Lamps		(I)	Indicate direction of turn/identify disabled vehicle	Minimum 2	Yellow	On the front - symmetrical as far apart as practicable	380-2110 (15-83)
2	Front Clearance Lamps Vehicles 2032mm wide or wider *photometrically certified at installation angle	(P2, PC* or P3, PC2*)	Show vehicle's width	Minimum 2	Yellow	At widest point - symmetrical on the front or near the front facing forward	As high as practicable
3	Front Identification Lamps (ID) Vehicles 2032mm wide or wider	(P2 or P3)	Indicate presence of a wide vehicle	Exactly 3	Yellow	On the front - center horizontally spaced 150 mm (6 in.) to 300 mm (12 in.) apart	As high as practicable or on top of the cab
4	a Front Side Marker Lamps *photometrically certified at installation angle	(P2, PC* P3, PC2*)	Front and rear side marker lamps / side reflex reflector indicate vehicle's presence and length	Minimum 2	Yellow	Each side at front as far forward as practicable	380 (15) minimum
	b Front Side Reflex Reflectors	(A)		Minimum 2	Yellow	Each side at front as far forward as practicable facing sideward	380-1530 (15-60)
5	a Rear Side Marker Lamps ** *photometrically certified at installation angle	(P2, PC* or P3, PC2*)		Minimum 2	Red	Each side at rear as far back as practicable	380 (15) minimum
	b Rear Side Reflex Reflectors ** **not required on Truck Tractors	(A)		Minimum 2	Red	Each side at rear as far back as practicable facing sideward	380-1530 (15-60)
6	Rear Clearance Lamps Vehicles 2032mm wide or wider Not required on Truck Tractors *photometrically certified at installation angle	(P2, PC* or P3, PC2*)	Show vehicle's width MAY NOT be combined with tail lamps	Minimum 2	Red	At widest point - symmetrical on the rear or near the rear facing rearward	As high as practicable may be lower only if rear ID lamps are at the top
7	Rear Identification (ID) Lamps Vehicles 2032mm wide or wider Not required on Truck Tractors	(P2 or P3)	Indicate presence of a wide vehicle	Exactly 3	Red	On the rear - center horizontally spaced 150mm (6 in.) to 300mm (12 in.) apart facing rearward	At the top may be lower if doo narrower than 25mm
8	Tail Lamps	(T)	Indicate vehicle's presence and width	Minimum 2	Red	On the rear - symmetrical as far apart as practicable	380-1830 (15-72)
	Stop Lamps	(S)	Indicate braking	Minimum 2	Red	On the rear - symmetrical as far apart as practicable	380-1830 (15-72)
	Rear Turn Signal/Hazard Warning Lamps	(I)	Indicate direction of turn/identify disabled vehicle	Minimum 2	Red or yellow	On the rear - symmetrical as far apart as practicable	380-2110 (15-83)
	Rear Reflex Reflectors	(A)	Show vehicle's presence and width	Minimum 2	Red	On the rear - symmetrical as far apart as practicable	380-1530 (15-60)
9	Backup Lamp	(R)	Illuminates ground behind the vehicle and alert road users	Minimum 1	White	Rear	No requirement
10	License Plate Lamp(s)	(L)	Illuminates license plate	Minimum 1	White	On the rear - above or at the sides of license plate	No requirement
11	Center High Mounted Stop Lamp Vehicles less than 2032mm wide and 4536kg	(U3)	Indicates braking	1	Red	On the rear - centerline of the vehicle	860 (34) minimum

ADDITIONAL EQUIPMENT FOR SPECIFIC VEHICLES VEHICLES 9.1m (30 ft.) LONG OR LONGER

DESCRIPTION				MANDATORY REQUIREMENTS			
Area	Equipment	SAE Lens Coding	Functional Purpose	Quantity	Color	Location	Height mm(in.) from the ground
12	a Intermediate Side Marker Lamps	(P2 or P3)	Indicate presence of a long vehicle	Minimum 2	Yellow	Each side near center	380 (15) minimum
	b Intermediate Side Reflex Reflectors	(A)	Indicate presence of a long vehicle	Minimum 2	Yellow	Each side near center facing sideward	380-1530 (15-60)

Truck Tractors

DESCRIPTION		MANDATORY REQUIREMENTS					
Area	Conspicuity Treatment	DOT Coding	Quantity	Color	Location	Height	Options
13	Rear Upper Body Markings	DOT-C DOT-C2 DOT-C3 DOT-C4	Exactly 2 pairs of 300mm long strips	White	Rear upper corners of cab facing rearward	As high as practicable excluding fairings	
14	Rear Marking		Exactly 2 sections of min. 600mm each	Red/White	Rear - facing rearward - on fenders, on mud flap brackets, or within 300mm below the top of mud flaps	As horizontal as practicable and not higher than 1525mm from the ground	If mud flaps not used - on the cab or frame mounted brackets

NOTE: The edge of red conspicuity tape shall not be closer than 75 mm to the edge of any amber lamp and the edge of white conspicuity tape shall not be closer than 75 mm to the edge of any lamp

STANDARD AG IMPLEMENT ENHANCED LIGHTING SCHEME

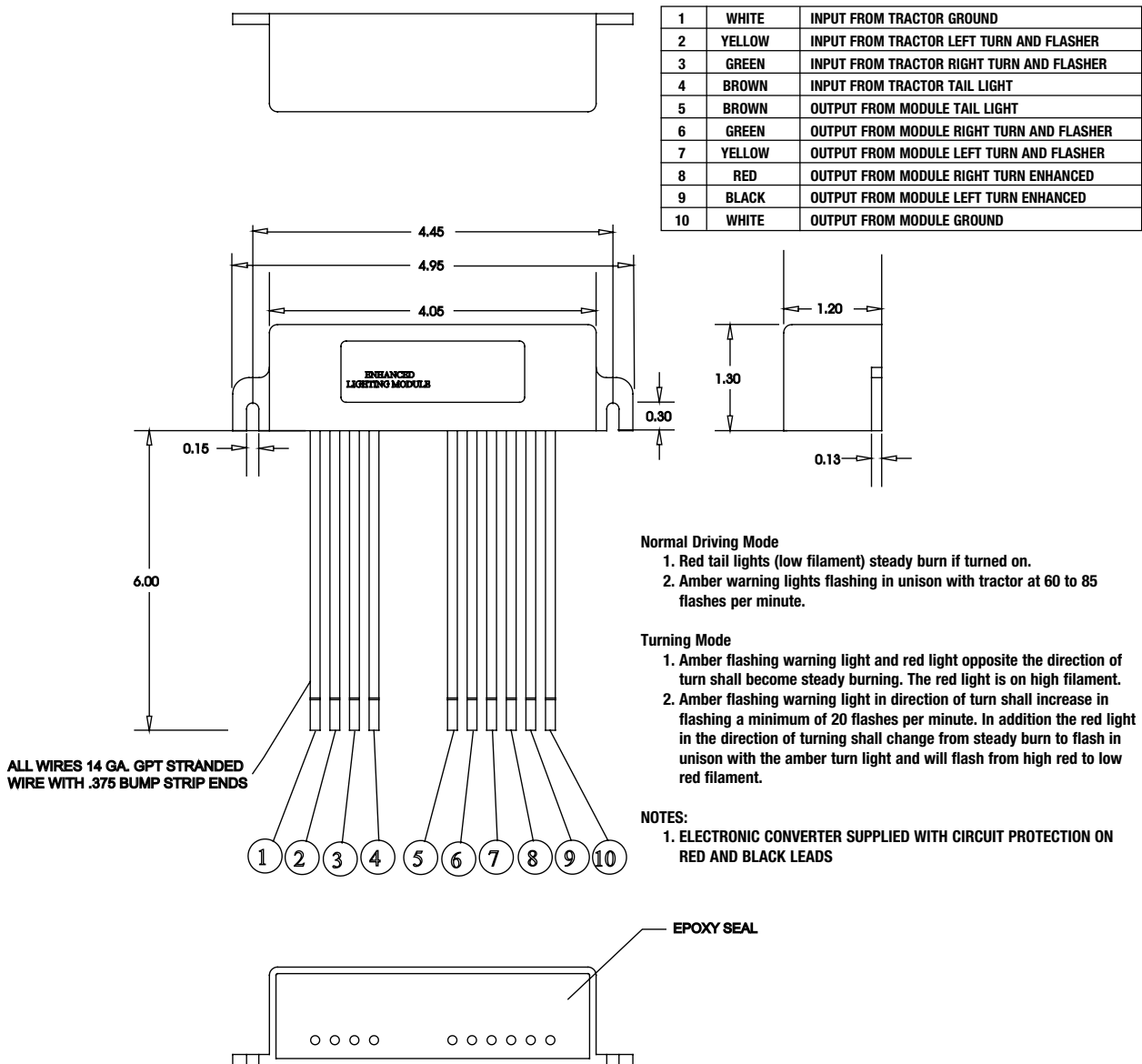
Under both the standard and enhanced lighting schemes, when traveling straight forward, the amber (outside) lights flash in unison with the tractor's amber lights on the high intensity at approximately 100 pulses per minute, and the low intensity of the red (inside) lights are on constantly.

With the standard wire harness in place, when a turn is being signaled, the amber light signaling the turn will increase flashing to approximately 120 pulses per minute with the amber light on the opposite side changing to a constant high intensity light. This mirrors the amber light on the tractor. Both red lights, however, remain on a constant low intensity.

To meet the enhanced lighting standard, introduce Electronic AG Light Enhanced Module to the implement's wire harness, and simply add red lights that have an active high intensity along with an additional RH and LH wire to these red lights. With this enhanced AG lighting system, during a turn the red light next to the amber turn side light will rapidly flash on the high intensity in unison with the amber light, and the red light on the opposite side will remain constant on the high intensity. This is a dramatic safety feature to better signal (to everyone) turns by tractors and implements.

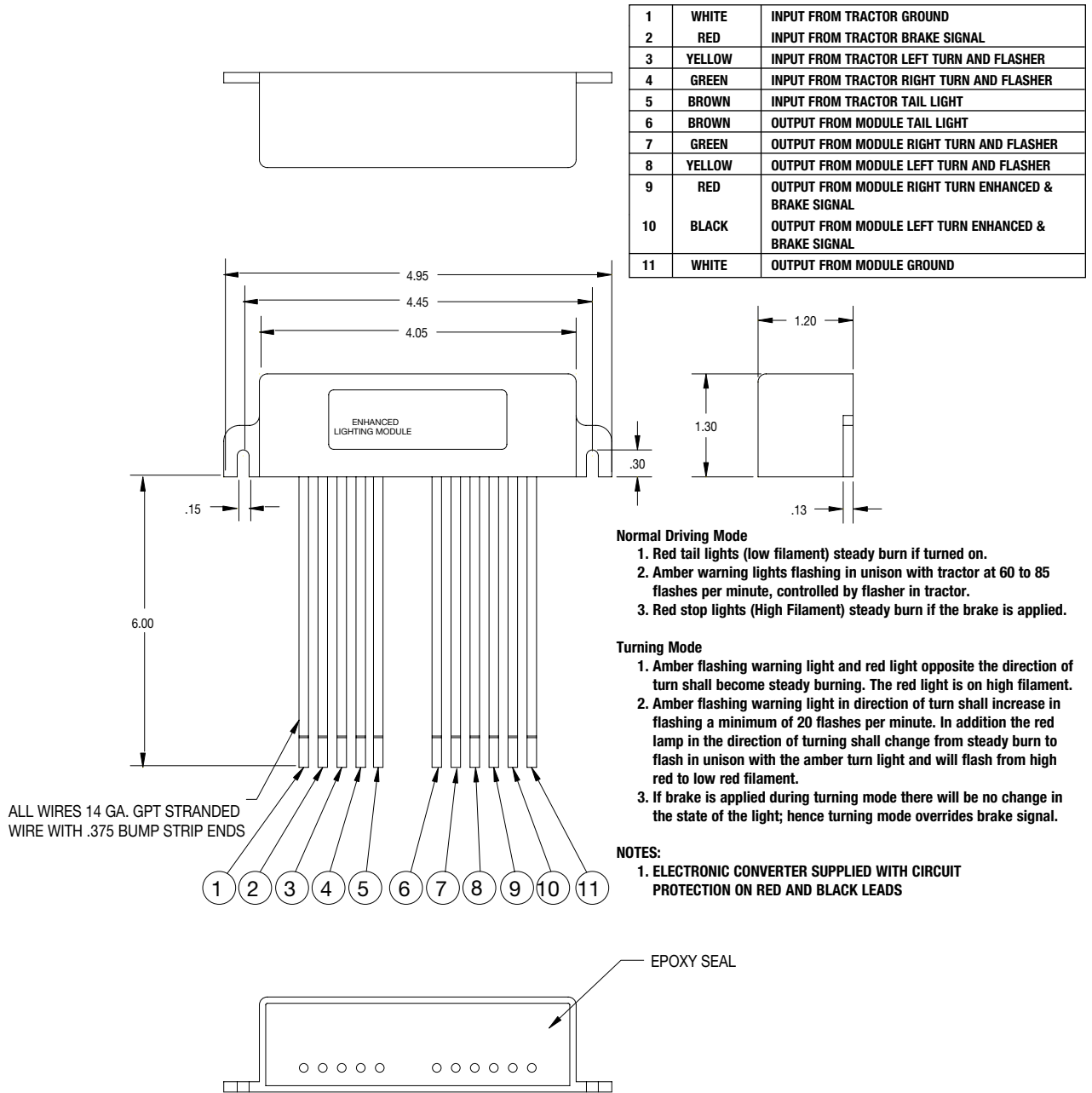
TECHNICAL

AG LIGHTING WIRING DIAGRAM



Technical information is current as of the printing of this catalog. Contact technical service for periodic updates.

AG LIGHTING WIRING DIAGRAM WITH BRAKE



TECHNICAL

Technical information is current as of the printing of this catalog. Contact technical service for periodic updates.

AGRICULTURAL LIGHTING INFORMATION



TECHNICAL

AG LIGHTS

Meet lighting standards for agricultural field equipment and improve highway operating safety easily and cost effectively with AG Lights by Horizon Global. No other lighting package offers you the quality and dependability of AG Lights by Horizon Global. Designed specifically for the agricultural industry, AG Lights by Horizon Global withstand the most rigorous field and environmental conditions for long life and wear without repair. A variety of mounts enable easy and quick placement on all towable field equipment – harvesters, field cultivators, tillage equipment, forage boxes, and more.

SAFETY IS KEY

Meet ASAE lighting recommendations for agricultural equipment and improve safety, while operating on highways easily and cost effectively, with AG Lights by Horizon Global. No other lighting package offers you the quality, durability, and reliability of AG Lights by Horizon Global. Designed specifically for the agricultural industry, these Heavy-Duty AG Lights, when combined with Horizon Global's AG Wiring, withstand the most rigorous field and environmental conditions for long life and wear.

DURABLE, DEPENDABLE CONSTRUCTION OF HEAVY-DUTY AG LIGHTS

- High-impact, glass-filled thermoplastic housings deflect objects away from the lens area and prevent them from damaging or dislodging the lights assembly.
- Acrylic lenses.
- All fasteners provided are coated to resist rust.
- Bulb replacement, if ever needed, is simple – uses readily available standard automotive #1157 bulbs.

USER-FRIENDLY DESIGN

- AG Harnesses are designed with a full-length ground circuit, from tractor to AG Lamp, assuring reliable and continuous operation.
- Each light's wiring is routed through a center port area, helping facilitate a variety of light placement.
- AG Lights by Horizon Global are available with a variety of connector options.
- Choose from mounting screws, bolts, or heavy-duty magnets to meet your mounting needs.

- All lighting units are designed for easy customer repairs... right in the field. Pry out lenses with flat screwdriver for easy access to, and replacement of, the #1157 bulb.
- Five distinctly different light styles to meet your performance and styling requirements.

ELECTRONIC ENHANCED AG LIGHTING MODULE

Horizon Global, known for innovation and product reliability, presents an electronic module to deliver the ASAE recommended "enhanced turn signal lighting" with conventional AG lights and a standard wiring scheme. This unit may be hard-wired into the AG lighting harness or coupled-in by use of a variety of plug assemblies.

Use of Horizon Global's electronic enhanced AG lighting module helps to meet the new ASAE standard cost effectively. It eliminates the need for special wedge-based bulbs and non-standard wire schemes to deliver the enhanced turn signal lighting called for by this ASAE standard.

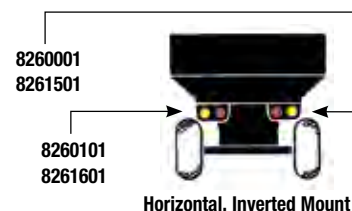
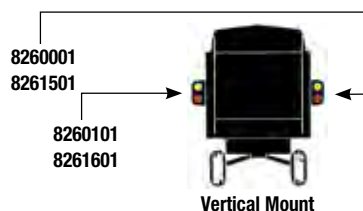
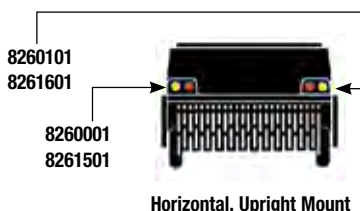
Refer to the Standard AG Implement Enhanced Lighting Guide.

MULTIPLE MOUNTING OPTIONS

A variety of mounts enable suitable placement on tractors and all towable field equipment – harvesters, cultivators, tillage equipment, fertilizers, forage boxes, and more. Heavy-Duty AG Lights by Horizon Global have a patented design incorporating multiple mounting options and lighting combinations. Dual AG Light models provide amber flashing and turn indicators plus red tail light functions. Amber or red single lights provide maximum mount flexibility (vertically or horizontally) to meet applicable lighting requirements. All AG Lights by Horizon Global, except the grommeted series, are equipped with an exclusive molded weather-resistant low profile tri-plug. Custom plug configurations are also available.

Additionally, an optional brake light function is available for dual light or single red-lensed models. This optional function is also needed on lights used with enhanced turn light systems. The brake light option is recommended when implements are to be towed by non-farm vehicles or tractors with brakes (brake lights).

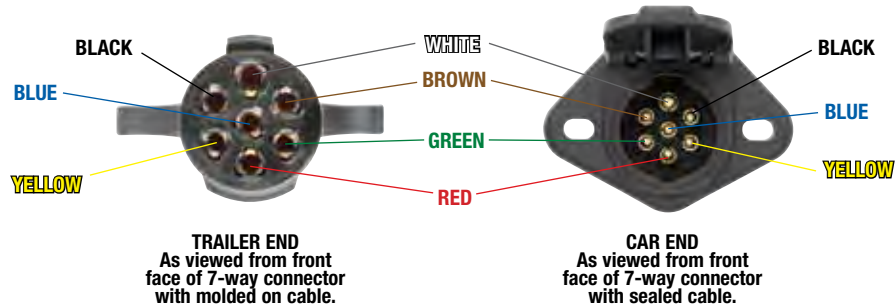
AG SAFETY LIGHTING SYSTEMS



Technical information is current as of the printing of this catalog. Contact technical service for periodic updates.

7-WAY AG ROUND PIN WIRING DIAGRAM

7-WAY MOLDED TRAILER / SEALED CAR CONNECTOR & CABLE



7-WAY WIRING INDEX

Wire Color	Molded Trailer/Sealed Car Connector Terminal	Thermo-Plastic/Metal Connector Terminal
White	Common Ground	Common Ground
Black	Work Lamps	Work Lamps
Yellow	Left-Hand Flashing & Turn Indicators	Left-Hand Flashing & Turn Indicators
Red	Stop Lamps	Stop Lamps
Green	Right-Hand Flashing & Turn Indicators	Right-Hand Flashing & Turn Indicators
Brown	Tail Lamps	Tail Lamps
Blue	Switched Power (12 volt)	Switched Power (12 volt)



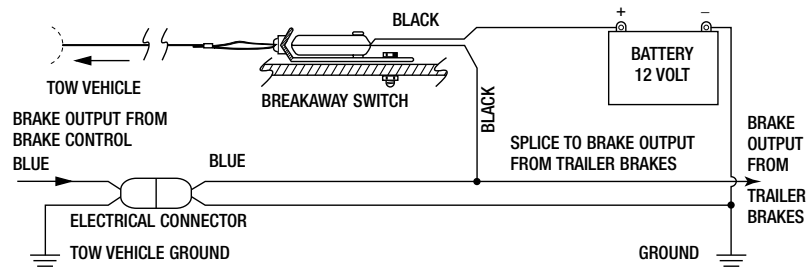
BREAKAWAY SWITCH INSTALLATION INSTRUCTIONS

READ THIS FIRST:

Read and follow all instructions carefully before installing or operating the breakaway Switch. Keep these instructions for future reference.

Important Facts to Remember

1. **ATTENTION INSTALLER:** Please give this sheet to consumer upon completion of installation.
2. **SAFETY ITEM:** Solder all wire connections.
3. Check condition of battery prior to each trip.
4. **WARNING** Disconnect trailer plug before testing breakaway unit. Failure to do so will result in severe damage to electronic brake control.
5. **WARNING** Check your breakaway system periodically to insure that wiring and connections are secure. A short or an open circuit can result in a no-brake condition.
6. For optimal performance, it is recommended that breakaway devices be replaced every 3-5 years.



Installation Guide

1. Mount Battery Case securely to frame, jack post or other suitable location on trailer with Breakaway Switch Cable towards tow vehicle.
2. **WARNING** Switch location should be selected to ensure unobstructed line of pull in event of vehicle separation.
3. Bolt breakaway switch bracket to frame of trailer or battery case bracket using 1/4" bolt and lock nut or (2) 1/4" jam nuts. (Bolt and nuts not included in kit.)
4. **WARNING** Do not over tighten bolt. Switch must be able to pivot.
5. Disconnect trailer from tow vehicle. Check and install battery.
6. Wire per schematic. Properly insulate all connections.
7. Attaching to tow vehicle: Attach Breakaway Switch Cable to tow vehicle frame being certain the cable does not drag on the ground and no strain or restriction is placed on the cable.
8. **WARNING** Do not hook cable to safety chain loop or hitch ball.



Technical information is current as of the printing of this catalog. Contact technical service for periodic updates.

ABCD / TOW CHARGER / 12 VOLT LEAD-ACID BATTERY INSTRUCTIONS AND INSTALLATION

READ THIS FIRST:

Check condition of battery prior to installation and prior to each trip.

1. Remove Charger and Battery from the battery case.
2. Mount battery case securely to frame, jack post or other suitable location on trailer.
3. Bolt Breakaway Switch\ to frame of trailer or battery case bracket.
4. Disconnect trailer from tow vehicle. Install battery and charger into the battery case. Feed wires out the back, then close the top.
5. Wire per schematic diagram. Properly insulate all connections.

6. Provide adequate air circulation when charging battery. Do not charge battery in any other container besides the supplied battery box.
7. **CAUTION** Do not place batteries in close proximity to objects which can produce sparks or flames.
8. Do not expose battery case to organic solvents or adhesives.
9. **CAUTION** Do not attempt to disassemble batteries. Contact with sulfuric acid may cause harm.
10. **CAUTION** Fasten batteries tightly and make provisions for shock absorption if exposure to shock or vibration is likely.
11. **WARNING** Do not throw batteries into fire; batteries so disposed may rupture or explode.

Battery Data Chart

- 12 VOLT
- Maximum charge current must be limited to 1.2 amps
- Length = 3.54" Width = 2.76" Height = 4.13"
- Terminals: Fasten Tab .187" x .032"
- Service Life:
Under normal operating conditions, 4-5 years in standby applications or 200-1000 charge/discharge cycles depending upon depth of discharge and rate of charge.

Important Facts to Remember

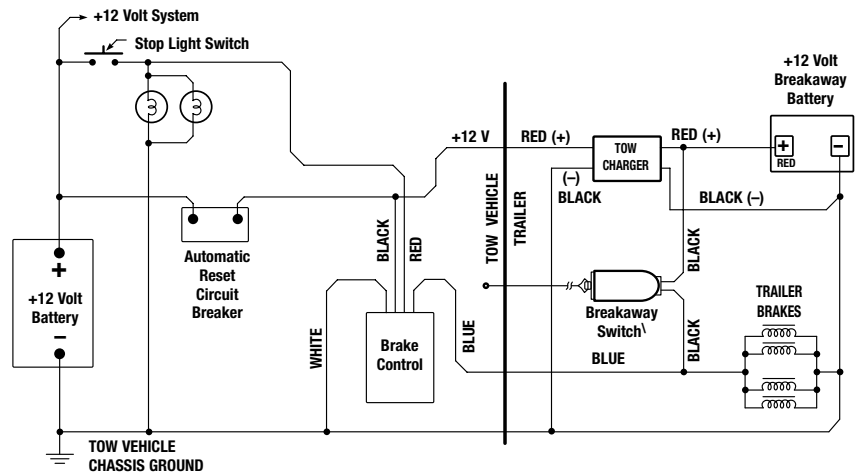
1. **CAUTION** Improper installation of the breakaway battery will destroy the brake control. The negative (-) terminal must attach to ground and positive (+) terminal must attach to the breakaway switch.
2. **WARNING** Check your Breakaway System\ periodically to insure that wiring and connections are secure. A short or an open circuit can result in a no-brake condition.
3. If excessive discharging of the breakaway battery occurs, check battery and recharge using a Heavy Duty Multi Stage/Maintenance Charger. Tekonsha charger 2024-07 is recommended for proper charging.
4. If the secondary battery needs charging, current will be drawn from the tow vehicle's battery at anytime the tow vehicle is connected to the trailer. Tekonsha charger 2024-07 is recommended for proper charging.
5. To only charge the breakaway battery when vehicle is running, a battery isolator may be installed in the 12 volt supply line (RED wire for tow charger).

12 Volt Sealed Lead-Acid Battery

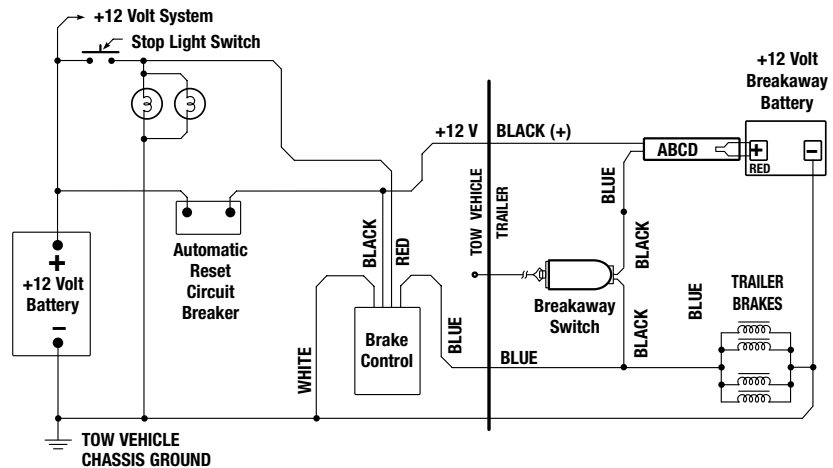
To maximize the life of the battery the following conditions should be met:

1. Avoid over or undercharge. This is the single worst enemy of lead-acid batteries.
2. Batteries should not be stored in a discharged state or at elevated ambient temperatures.
3. Avoid exposing batteries to heat! Service life is shortened considerably at ambient above 30°C (86°F).
4. Due to the characteristics of this battery, after six to nine months of storage, the battery should be recharged.
5. Charge the battery at the proper rate. Current should be limited to 1.2 amps or less.

HEAVY DUTY QUICK/MAINTENANCE MULTI STAGE CHARGER



ABCD (Accelerated Battery Charging Device)



* Refer to Breakaway Switch Installation Instructions for complete operating instructions and cautionary statements.

TRAILER BRAKE TROUBLESHOOTING

NO BRAKES

- Check for defective circuit breaker.
- Check for open or shorted circuit.
- Check for properly wired system, including a good ground between towing vehicle and trailer, not through trailer hitch.
- Check for defective controller or loose wiring at controller.
- Check brake adjustment.
- Check for defective resistor or loose wiring at resistor (hydraulic units only).
- Check for defective or worn magnet(s).
- Check for damaged or worn connector between towing vehicle and trailer.
- Ensure correct controller is installed.

INTERMITTENT OR SURGING BRAKES

- Check for defective circuit breaker.
- Check for out-of-round brake drums.
- Check for properly wired system, including a good ground between towing vehicle and trailer, not through trailer hitch.
- Check for defective magnets or magnet wiring.
- Check for loose or worn wheel bearings.

INEFFECTIVE OR WEAK BRAKES

- Insure trailer is not overloaded.
- Check for loose or corroded connections.
- Check for properly wired system, including a good ground between towing vehicle and trailer, not through trailer hitch.
- Check for shorted circuit.
- Check for proper variable resistor resistance (external resistor or controller) to trailer (for hydraulic units only).
- Worn or defective magnet.
- Check brake adjustment. Check for bent backing plate flange.
- Check for contaminated brake linings.
- Check brake system wiring to ensure proper gauge wiring is used. Ensure wiring is not connected through the stop light circuit.
- Check for worn, damaged or improper brake linings.
- Check for weak or broken brake shoe return spring.
- Check for defective or worn brake drums.
- Check for loose axle.
- Check that correct controller is installed.
- Improper controller installed or settings (level or gain).

GRABBING OR LOCKING BRAKES

- Check for improperly installed flanges.
- Check for contaminated brake linings (grease on linings).
- Check for weak or broken brake shoe return spring.
- Check for out-of-round brake drums.
- Ensure a variable resistor is installed (if necessary) (hydraulic units only).
- Check for variable resistor for proper resistance (hydraulic units only).

GRABBING OR LOCKING BRAKES (Continued)

- Check that correct controller is installed.
- Rust on armature plate or brake drum.
- Check for loose or worn wheel bearings.
- Improper controller installed position.
- Check for improper gain setting.
- Check for improper boost setting.

DRAGGING BRAKES

- Check brake adjustment.
- Check for defective controller.
- Check for improperly installed flange.
- Check for corroded brake assembly.
- Check for weak or broken brake shoe return spring.
- Check for worn or damaged lever arm between magnet and brake shoe.
- Improper controller installed position.

NOISY BRAKES

- Check brake adjustment.
- Check for worn brake shoes.
- Check for contaminated brake linings.
- Check for weak or broken shoe return springs.
- Check for bent backing plate.
- Check for improperly installed flange.
- Check wheel bearing adjustment.
- Check for worn or damaged wheel bearings.
- Check for worn or damaged magnets.

BRAKES LOCKED, BRAKE PEDAL NOT DEPRESSED

- Check stoplight switch adjustment.
- Check for short between stoplight switch circuit and power supply circuit.
- If brakes are locked when 4-way flashers are operated, check for Pulse Preventer installed in circuit.
- Check breakaway switch (pulled).

UNEVEN TIRE WEAR

Possibly due to: A bent or misaligned axle, improper tire inflation. On tandem axle trailers, check voltage at front axle and rear axle with brakes applied. At times, the front axle will "lift" allowing front wheel to lock and slide. Correction can be made installing magnets with even resistance.

INOPERATIVE BREAKAWAY SWITCH

- Check for dead or weak 12-volt battery, on trailer.
- Check all wiring and connections.
- Check breakaway switch.
- If only one brake is operating, check other magnets.

TRAILER BRAKE ADJUSTMENT**

Brakes should be adjusted after the first 200 miles of operation when the brake shoes and drums have "seated" and at 3000 mile intervals, or as use and performance requires. The brakes should be adjusted in the following manner:

1. Jack up trailer and secure on adequate capacity jack stands. Follow trailer manufacturers recommendations for lifting and supporting the unit. Check that the wheel and drum rotate freely.

⚠ WARNING Do not lift or support trailer on any part of the axle or the suspension system.

2. Remove the adjusting hole cover from the adjusting slot on the bottom of the brake backing plate.
3. With a screwdriver or standard adjusting tool, rotate the starwheel of the adjuster assembly to expand the brake shoes. Adjust the brake shoes out until the pressure of the linings against the drum makes the wheel very difficult to turn.

Note: With drop spindle axles, a modified adjusting tool with about an 80 degree angle should be used.

4. Then rotate the starwheel in the opposite direction until the wheel turns freely with a slight lining drag.

5. Replace the adjusting hole cover and lower the wheel to the ground.

6. Repeat the above procedure on all brakes.

⚠ WARNING Never crawl under your trailer unless it is resting on properly placed jack stands.

Follow the trailer manufacturers recommendations for lifting and supporting the unit. Do not lift or place supports on any part of the suspension system.

**Note: Trailer Brake Adjustment procedures courtesy Dexter Axle.

ELECTRIC TRAILER BRAKE PART IDENTIFICATION

Manufacturer Identification

AL-KO	AL-KO levers are very flat. The brake shoes do not have anything unusual about them. AL-KO uses only one return spring at the top on both 10 and 12-inch units. With the drum off, you can tell what size the system is if the magnets have never been replaced. The 10-inch brake will have a magnet with light green wires and the 12-inch brake will have white wires.
Dexter	Dexter uses a stamp on the back of the backing plate that identifies the size of the brake. Looking on the back side you will see a triangle. Around the triangle you will see Dexter and the size (i.e. 10" X 2 1/2" or 12" X 2"). Dexter uses 2 return springs on all late model brakes; some early 12-inch brakes used a single return spring.
Hayes	Hayes brake shoe webs have a tooth that hangs down at the top and use a single return spring. Early 12-inch brakes used a dual return spring. Hayes axle is owned by AL-KO. AL-KO backing plates have been seen on some of the new Hayes axles. It looks as if they are still using the Hayes name and are starting to use AL-KO parts.
Fayette	Fayette axles are obsolete. If you find a Fayette axle tag and the trailer is worth keeping you should consider changing the axles to AL-KO or Dexter. At that time it is recommended that the spring hangers and bushings also be replaced.

Brake Size Identification

Axle Identification	Axles generally have an ID tag located on the axle crossbar that gives you the axle capacity. Check there first. This would give you a starting reference point.
Brake Drum / Shoe Size	Measuring is the same for all brands. Using a tape measure you can do a random measurement as to the diameter by measuring across the drum. If it is a 10-inch drum you will measure approximately 11 inches across for an outside measurement. The 12-inch brake will measure approximately 13 inches for an outside measurement. The drum would need to be removed to get the correct diameter and width.

Magnet Identification

Magnets can be identified by the color of the wire used

Dexter 7" X 1 1/4"	The magnets are round. Prior to April 1990 they had yellow wires, after 1990 the magnet has white wires. Replacement of magnets will need to be done in pairs and updated to the new magnet along with the lever. The early levers are weak and will bend and hang up as they wear.
Dexter 10" X 1 1/2"	The magnet wires for the early model round magnets are white and the late model oval magnets are yellow.
Hayes 10" X 1 5/8"	The magnet wires for the early model round magnets are red and the late model oval magnets are green.
AL-KO 10" X 2 1/4"	It will have light green wires.
Hayes 10" X 2 1/4"	The early model round will have red wires and the late model will have oval green wires.
Dexter 10" X 2 1/4"	It uses green wires.
Fayette 10" X 2 1/4"	The round magnets will have white wires (obsolete).
AL-KO 12" X 2"	It will have white wires.
Hayes 12" X 2"	The early model round magnet will have red wires, the late model will be an oval magnet with white wires.
Dexter 12" X 2"	It will have white wires.
Dexter Centerline 12" X 2"	The 4.5K axles will have red orange wires, the 6/7K axles will have red wires (obsolete for both sizes).

Technical information is current as of the printing of this catalog. Contact technical service for periodic updates.

BENCH TESTER INSTRUCTIONS

Many apparent brake control “failures” are the result of either faulty wiring or improper setup. The Tekonsha® Bench Tester is a test device designed to assist in determining if a brake control is working properly. This unit allows you to check a brake control for output, independent of vehicle wiring. The Bench Tester can simulate many fault conditions including open ground, short circuit, open load, and more.

To Use Bench Tester:

1. Turn off the power of the Bench Tester.
2. Disconnect the brake control from the tow vehicle.
3. Strip the insulation from the brake control's wires to about 1/4 inch and clip the matching color/function alligator clip of its corresponding stripped wire. **DO NOT REVERSE THE GROUND AND POWER WIRES AS YOU MAY PERMANENTLY DAMAGE THE BRAKE CONTROL**
4. Turn on the power of the Bench Tester.

If the control being tested is manufactured by Tekonsha:

1. The brake control's LED should glow green if it has a bi-colored LED. The display should show a “.c” if it has a digital readout. If you have the P3 brake control, you will see the Tekonsha logo. These conditions indicate a normal load connection.
2. Now set the brake control's power setting to maximum and actuate the control's manual override lever. The output voltage on the Bench Tester's voltmeter should read about 12 volts and the brake control LED display should glow bright red or show either 12 or 13. Release the manual lever. Lay the control on a flat surface and follow the directions for leveling the sensor per manufacturer's instructions.
3. Depress and hold the Bench Tester's brake switch.
 - A. If you are testing a proportional control, tilt the brake control by moving the front of the control up to about 30-45 degrees to fully activate the accelerometer. The voltage on the tester's meter should again read approximately 12V.

- B. If the control being tested is a time-actuated device, you will see the voltage progressively “ramp-up” to the control's maximum output.

NOTE: If the brake control works normally on the Bench Tester then the problem is likely in the vehicle wiring or the control setup.

CAUTION Tekonsha controls are built to withstand many electrical fault conditions without damage to their ultimate performance. Please be aware that some competitive products may not be capable of surviving the same punishment so care should be exercised when testing these units.

CURRENT MONITOR INSTRUCTIONS

The Current Monitor is a testing device designed to assist in determining whether a tow vehicle's trailer connector has been wired properly. This unit is also an excellent diagnostic tool for the installation, setup and troubleshooting of electric trailer brake controls and may be used to level and pre-set a brake control when a trailer is not available.

To Use Current Monitor:

1. Simply plug the tester into the vehicle's trailer connector.
2. Sitting in the driver's seat, position the switch (located between the amp meter & voltmeter gauges) to the “Trailer Brakes” position.
3. Then position the switch labeled “Number of Axles” to the appropriate position for the trailer that is expected to be towed.
4. Now, activate each function indicated by the four LED lights across the front of the test unit. Once it has been determined that all lighting connections are working properly, test the output of the vehicle's trailer brake control.

NOTE:

Be sure the brake control has been properly leveled per manufacturer's instructions.

5. Depress the vehicle's brake pedal and/or engage the brake control's manual override.
Brake Voltage must register at least 10 Volts. Brake Control Current Output should register at least:
12 Amps for two (2) axle trailers, or 18 Amps for three (3) axle trailers.

NOTE: If the brake control will not generate 18 or more amps when used with three or more axle trailers **BE SURE** that you are using a brake control designed to deliver this performance.

If you discover a performance or wiring problem, look for one or more of the following fault conditions:

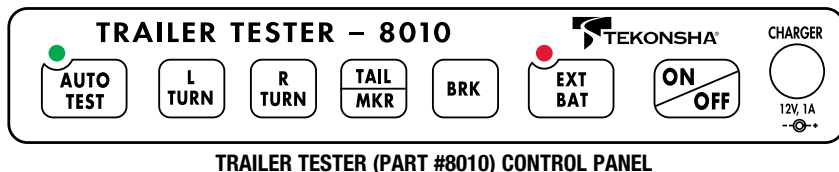
1. Improper wiring of the brake control to the vehicle's power and/or battery ground. (As with any electronic device, Horizon Global™ Electrical Products recommends grounding all brake controls directly to the vehicle battery to ensure the proper performance of the control's advanced circuitry.)
2. Defective or improper wiring of the trailer connector.
3. Broken, dirty or corroded trailer connector pins.

4. Open brake magnets, or open, broken or shorted wiring.
5. Defective brake control.

WARNING This unit contains magnets, which may become hot if the unit is left connected to an energized brake control for more than a few minutes.

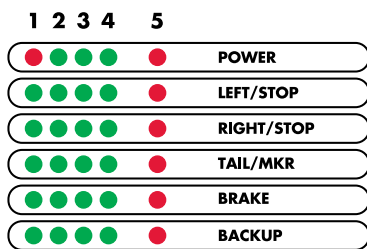
SB0029 REV 5.0

TRAILER TESTER INSTRUCTIONS



TRAILER TESTER (PART #8010) CONTROL PANEL

The Trailer Tester (Part #8010) is designed to help you quickly identify problems in the wiring of the trailer such as opens, shorts, incorrect wiring, etc. This is done by testing the Left Turn, Right Turn, Tail/Marker, Brake and Back Up circuits on the trailer, by indicating the approximate amount of current used in each circuit. It will also test the voltage of the external battery connected to the trailer charge circuit (i.e. trailer battery).



NOTE: The above LED light reference numbers are used in the following instructions for all rows.

READ THIS FIRST:

Read and follow all trailer warnings and installation instructions before continuing.

- Check to see that the mating surfaces of the trailer wiring connector matches the Trailer Tester connector. All connector surfaces should be clean and free of dirt. For proper operation, make sure the trailer tester battery is fully charged. Plug the trailer connector firmly into the Trailer Tester. Be sure that the connector is fully inserted.
- Turn the tester ON by pressing the ON button. All LEDs will cycle in order from top to bottom and left to right and will flash once. The tester is ready for use.
- INDICATOR "LED" LIGHTS – POWER ROW ONLY (Measuring the internal battery of the tester – LED will remain lit after power has been turned on)
 - Green LEDs 2, 3 and 4 mean that the internal battery is OK to perform tests.
 - Red LED 1 flashing means that the internal battery needs to be charged (see "Charging the Internal Battery" instructions below) or may need to be replaced.
 - Red LED 5 indicates that the battery is faulty or overcharged. Battery may need to be replaced.

4. CHARGING THE INTERNAL BATTERY

CAUTION
ONLY USE THE CHARGER (part no. 8008) PROVIDED WITH THE 8010 TESTER

- When the charger is plugged into the charger socket, Red LED 5 on the Power Row flashes if the unit is ON.
- If the unit is OFF, no LEDs will be lit, but the battery will still charge.
- The LED on the charger is RED while charging.
- The LED on the charger will turn GREEN when the battery is fully charged.

NOTE: The trailer tester will not function while the internal battery is being charged.

5. MANUAL AND AUTO TEST – LEFT/STOP, RIGHT/STOP, TAIL, BRAKE, BACKUP CHANNELS

AUTO TESTING (measuring the amount of load on each channel):

- Press the AUTO TEST button. When pressed, its indicator Green LED begins to flash.
 - Each channel will be tested from top to bottom
 - Red LED 5 will flash as its channel is tested
 - Green LED(s) will remain ON to indicate the amount of load. (See Step 6 for LED display load readouts)
 - See Step 7 for LED fault indication readouts.
- MANUAL TESTING (visual test of trailer lighting)
- Depressing any manual button will cause that same channel to flash 11 times. This will allow you to walk around the trailer and confirm that lights are functioning properly.
 - The Trailer Tester will automatically shut down after three minutes to conserve the battery.
 - See Step 7 for LED fault indication readouts.

NOTE: To CLEAR THE DISPLAY or TURN OFF AUTO TEST, simply press the auto test button. Then you are ready to test again.

6. HOW TO READ THE LED DISPLAY (for approximate load readouts)

LEFT/STOP, RIGHT/STOP and BACKUP Load Readouts:

- Green LED 1 represents .25 amps
- Green LED 2 represents 2 amps
- Green LED 3 represents 3 amps
- Green LED 4 represents 4 amps

TAIL Load Readout:

- Green LED 1 represents .25 amps
- Green LED 2 represents 4 amps
- Green LED 3 represents 6 amps
- Green LED 4 represents 8 amps

BRAKE Load Readout:

- Green LED 1 represents 1 axle
- Green LED 2 represents 2 axles
- Green LED 3 represents 3 axles
- Green LED 4 represents 4 axles

NOTE: All current measurements are standard to RV.

7. FAULT INDICATION (See graph below)

- Red LED(s) 5 flashing on the affected channel represents: INTERCHANNEL SHORT OR REVERSED WIRES
- Red LED 5 solid on the affected channel represents: NO LOAD/OPEN CIRCUIT
- Green LEDs 1-4 and Red LED 5 all solid on the affected channel represents: OVERLOAD
- Green LEDs 1-4 and Red LED 5 flashing on the affected channel represents: SHORT CIRCUIT TO GROUND

8. EXTERNAL BATTERY (Measures the trailer battery's (if present) open circuit voltage)

- Press the EXT BAT button. When pressed, its indicator Red LED will light.
- Voltage will be displayed by lit LEDs in the Power Row only.
- Green LED's 2 and 3 mean that the external battery has normal voltage.
- Red LED 1 flashing means that the external battery needs to be charged or may need replacement.
- Red LED 5 indicates that the battery is faulty or overcharged. Battery may need replacement.

NOTE: This test will automatically stop after a few seconds and the red light will go out.

NOTE: This test does not indicate the amount of charge left in the trailer battery. (Excludes breakaway battery)

FAULT INDICATION GRAPH

DISPLAY	1	2	3	4	5	HOW TO READ THE FAULT ON AN AFFECTED CHANNEL
● ● ● ● ●	●	●	●	●	●	INTER-CHANNEL SHORT BETWEEN THE FLASHING CHANNELS OR REVERSED WIRES
● ● ● ● ●	●	●	●	●	●	NO LOAD OPEN CIRCUIT
● ● ● ● ●	●	●	●	●	●	OVERLOAD
● ● ● ● ●	●	●	●	●	●	SHORT CIRCUIT TO GROUND
● ● ● ● ●	●	●	●	●	●	LOW BATTERY, CHARGE OR REPLACE (POWER ROW ONLY)

LEGEND	
●	CONSTANT ON
●	RED LED FLASHING
○	RED LED OFF
●	GREEN LED ON
●	GREEN LED FLASHING
○	GREEN LED IS OFF

P/N 8007 REV B

Technical information is current as of the printing of this catalog. Contact technical service for periodic updates.



INDEX



PRODUCT APPLICATION INDEX

Class I Receiver Hitches 717-720
 Class II Receiver Hitches 720-722
 Class III/IV Receiver Hitches 722-731
 Class V Receiver Hitches 731-733
 Front Mount Receiver Hitches 733-734
 Brake Control Harnesses 735-738
 T-One® Connectors 738-744
 Tow Harnesses 744-747

Fifth Wheel Harnesses 747-749
 6-Way / 7-Way Connectors 749
 Fifth Wheel Rail Kits 749-751
 M-Series Fifth Wheel 751
 Elite™ Series Fifth Wheel Rail Kits 751
 Elite™ Series Gooseneck 751
 Under-Bed Gooseneck 751-752
 Above-Bed Gooseneck 752
 Roof Racks 753-762
 Truck Bed Racks 762

PRODUCT INDEX

Product Index 762-772

How would you like to reduce the cost of your hitch installation liability insurance and get **ADDITIONAL PROTECTION FREE?**



INSTALLED
Install Horizon Global branded applicable products properly, according to the instructions included.



INFORMED
Before installation begins, present the towing safety form to the customer and have them read and sign it.



INSURED
A: Give the copy of the signed towing safety form to the customer.
B: Retain the original signed towing safety form for your records.

DEALER SUPPORT

In the interest of safe towing, Draw-Tite® and Reese® offer this Dealer Installation Indemnification Program. We're committed to designing and building the industry's highest quality trailer hitches and towing accessories. We also back our equipment with an extraordinary level of support for our customers. Once enrolled in the Dealer Installation Indemnification Program, when you sell and properly install complete Draw-Tite® or Reese® applicable products according to written instructions and provide your customers with the required information for safe and proper towing, you are indemnified on any claim over USD \$2,000 arising from your installation of Horizon Global branded products. *(For conditions and limitation see Dealer Agreement.)*

INDEPENDENT OF THIS AGREEMENT, THE HORIZON GLOBAL LIMITED LIFETIME WARRANTY REMAINS IN EFFECT WITH RESPECT TO PRODUCT CLAIMS.

To enroll in the program, contact your Sales Representative

DEALER BENEFITS

What you receive is the potential of significant cost savings by reducing your installation liability coverage for Horizon Global branded products. We design and build safety into everything we produce, so we have the confidence to back Horizon Global branded products with this comprehensive program. Therefore you'll be able to serve your customers with a new level of confidence, knowing Horizon Global backs your work. However, Horizon Global recommends you determine your base liability coverage requirements with your local insurance professional.

ELIGIBILITY

To qualify for the Dealer Installation Indemnification Program, you must be a qualified Draw-Tite® or Reese® Installer. If you install other manufacturers' products, you will need to maintain liability insurance to cover non Horizon Global branded products.

PROGRAM COST

There is no charge to the participating Dealer.



RECEIVER HITCH INDEX

PC	PART NO.	YEARS	MAKE/MODEL	WGT LBS	IN
CLASS I: 1-1/4" HITCH					
36	24526	92-09	Ford Crown Victoria	31	25
36	24526	79-82	Ford LTD	31	25
36	24526	83-86	Ford LTD Crown Squire Wagon	31	25
36	24526	83-91	Ford LTD Crown Victoria	31	25
36	24526	83-91	Ford LTD Crown Victoria Wagon	31	25
36	24526	80-83	Lincoln Mark VI	31	25
36	24526	81-02	Lincoln Town Car	31	25
36	24526	87-91	Mercury Colony Park Wagon	31	25
36	24526	83-11	Mercury Grand Marquis	31	25
36	24526	83-86	Mercury Grand Marquis Colony Park Wagon	31	25
36	24526	03-04	Mercury Marauder	31	25
36	24526	79-82	Mercury Marquis Sedan	31	25
36	24526	79-82	Mercury Marquis Wagon	31	25
17	245341	90-91	Lexus ES250 FWD	10	40
17	245341	87-91	Toyota Camry 4 Dr. Sedan	10	40
17	245341	87-91	Toyota Camry Wagon	10	40
36	24557	87-95	Jeep Wrangler	21	30
36	24557	87-95	Jeep YJ (Canada Only)	21	30
36	24563	92-01	Lexus ES300 4 Dr.	27	30
36	24563	92-96	Toyota Camry	27	30
25	24579	98-02	Chevrolet Prizm	20	30
25	24579	93-97	GEO Prizm	20	30
25	24579	93-02	Toyota Corolla Sedan	20	30
22	24589	94-01	Acura Integra	17	40
35	24594	94-98	Volkswagen Jetta Jetta III	30	30
31	24606	91-98	Toyota Tercel Sedan	19	30
39	24613	03-05	Chevrolet Cavalier LS Sport	29	40
39	24613	95-02	Chevrolet Cavalier Z-24	29	40
39	24613	03-05	Chevrolet Cavalier Z-24 (Canada Only)	29	40
39	24613	00-02	Pontiac Sunfire	29	40
39	24613	95-99	Pontiac Sunfire GT	29	40
45	24616	94-97	Honda Accord	29	30
33	24620	91-92	Saturn SC 2 Dr. Coupe	25	40
33	24620	93-02	Saturn SC1 2 Dr. Coupe	25	40
33	24620	93-02	Saturn SC2 2 Dr. Coupe	25	40
33	24620	91-02	Saturn SL 4 Dr. Sedan	25	40
33	24620	91-02	Saturn SL1 4 Dr. Sedan	25	40
33	24620	91-02	Saturn SL2 4 Dr. Sedan	25	40
33	24620	93-99	Saturn SW1 Wagon	25	40
33	24620	93-01	Saturn SW2 Wagon	25	40
25	24622	98	Chevrolet Tracker	18	20
25	24622	89-97	GEO Tracker	18	20
25	24622	89-95	Suzuki Sidekick	18	20
25	24622	96-98	Suzuki Sidekick Except Sport Model	18	20
25	24622	96-98	Suzuki X-90	18	20
23	24628	95-00	Chevrolet Lumina	20	30
23	24628	95-99	Chevrolet Monte Carlo	20	30
27	24631	97-06	Jeep TJ (Canada Only)	19	15
27	24631	97-06	Jeep Wrangler	19	15
45	24639	90-93	Honda Accord Sedan	26	20
27	24646	96-00	Hyundai Elantra	13	30
34	24656	97-05	Chevrolet Malibu 4 Dr.	22	15
34	24656	97-99	Oldsmobile Cutlass 4 Dr., FWD	22	15
24	24659	97-05	Buick Century Sedan	13	30
24	24659	98-02	Oldsmobile Intrigue	13	30
24	24659	97-03	Pontiac Grand Prix SE Sedan	13	30
27	24660	97-04	Buick Regal (App. starts with 97-1/2)	13	20
27	24660	97-08	Pontiac Grand Prix	13	20
29	24673	99-04	Chevrolet Tracker	18	15
29	24673	99-05	Suzuki Grand Vitara	18	15
29	24673	99-04	Suzuki Vitara	18	15
29	24673	02-06	Suzuki XL-7	18	15
25	24675	99-03	Mazda Protege	26	20
29	24677	97-01	Acura EL (Canada Only)	19	15
29	24677	92-00	Honda Civic	19	15
39	24679	98-01	Volkswagen Beetle	31	30
39	24679	02-10	Volkswagen Beetle Except Turbo S	31	30
39	24679	99-06	Volkswagen Golf	31	30
39	24679	07-10	Volkswagen Golf City (Canada Only)	31	30
25	24681	00-05	Chevrolet Impala	16	20
33	24682	03-07	Ford Focus Wagon (Built After 11/2002)	27	20
33	24682	00-02	Ford Focus Wagon (Built Before 11/2002)	27	20
14	24685	01-02	Saturn L100	14	35
14	24685	01-02	Saturn L200	14	35
14	24685	01-02	Saturn L300	14	35
14	24685	00	Saturn LS	14	35

PC	PART NO.	YEARS	MAKE/MODEL	WGT LBS	IN
14	24685	00	Saturn LS1	14	35
14	24685	00	Saturn LS2	14	35
14	24685	03	Saturn LW200 Wagon	14	35
14	24685	03	Saturn LW300 Wagon	14	35
34	24686	96-01	Infiniti I30	18	30
34	24686	02-04	Infiniti I35	18	30
34	24686	95-03	Nissan Maxima Sedan	18	30
29	24687	94-98	Ford Mustang	27	20
29	24687	99-04	Ford Mustang Except Cobra SVT	27	20
39	24690	93-01	Nissan Altima	22	20
24	24692	00-04	Ford Focus Sedan	15	20
24	24692	05-07	Ford Focus Sedan, Except w/Street Appearance Pkg.	15	20
24	24692	00-06	Ford Focus ZK3 3 Dr. Hatchback, Except SVT & w/Street Appearance Pkg.	15	20
24	24692	02-06	Ford Focus ZX5 5 Dr. Hatchback, Except SVT & w/Street Appearance Pkg.	15	20
20	24698	99-05	Volkswagen Passat 4 Dr. Sedan, Except 4 Motion & W8 Engine	19	40
20	24698	99-05	Volkswagen Passat Wagon, Except 4 Motion & W8 Engine	19	40
35	24699	86-03	Ford Taurus 4 Dr. Sedan	29	20
35	24699	96-99	Ford Taurus 4 Dr. Sedan, Except SHO	29	20
35	24699	86-03	Ford Taurus Wagon	29	20
35	24699	88-02	Lincoln Continental	29	20
35	24699	86-03	Mercury Sable Sedan	29	20
35	24699	86-03	Mercury Sable Wagon	29	20
42	24701	00-05	Dodge Neon	30	20
42	24701	00-01	Plymouth Neon	30	20
25	24702†	96-03	Chrysler Town & Country	28	30
25	24702†	04-07	Chrysler Town & Country Except w/Stow & Go Seats	28	30
25	24702†	01-03	Chrysler Voyager	28	30
25	24702†	96-03	Dodge Caravan	28	30
25	24702†	04-07	Dodge Caravan Except w/Stow & Go Seats	28	30
25	24702†	96-03	Dodge Grand Caravan	28	30
25	24702†	04-07	Dodge Grand Caravan Except w/Stow & Go Seats	28	30
25	24702†	96-00	Plymouth Grand Voyager	28	30
25	24702†	96-00	Plymouth Voyager	28	30
33	24703	01-06	Hyundai Elantra	19	15
31	24704	96-05	Toyota RAV4	21	15
31	24706	01-05	Honda Civic	19	15
44	24709	01-04	KIA Magentis (Canada Only)	18	15
44	24709	01-06	KIA Optima	18	15
25	24710	93-01	Subaru Impreza	20	30
25	24710	02-07	Subaru Impreza Except WRX STi	20	30
29	24711	01-06	Chrysler Sebring Convertible	20	15
31	24713	02-05	Hyundai Sonata	21	15
36	24714	02-03	Mazda Protege5	28	15
35	24715	97-04	Toyota Camry 4 Dr. Sedan	26	15
35	24715	99-03	Toyota Solara	26	15
20	24719	02-06	Acura RSX	12	30
20	24719	02-05	Honda Civic Si	12	30
19	24720	03-04	Honda Element	10	25
19	24720	05-11	Honda Element Except SC	10	25
27	24721	97-05	Chevrolet Venture	20	30
27	24721	97-04	Oldsmobile Silhouette	20	30
27	24721	99-05	Pontiac Montana	20	30
27	24721	97-98	Pontiac Trans Sport	20	30
25	24726	03-08	Hyundai Tiburon	26	45
33	24727	02-05	KIA Rio	14	20
30	24732	03-06	Mitsubishi Outlander	22	40
31	24733	00-01	Chevrolet Cavalier	31	40
31	24733	03-05	Chevrolet Cavalier Except LS Sport	31	40
31	24733	95-02	Chevrolet Cavalier Except Z-24	31	40
31	24733	03-05	Pontiac Sunfire	31	40
31	24733	95-99	Pontiac Sunfire Except GT	31	40
31	24734	03-07	Saturn Ion Except Redline & w/2.4 Liter Engine	38	35
39	24735	03-06	Subaru Baja	27	20
36	24736	00-05	Hyundai Accent	19	20
35	24740	05-06	Nissan X-Trail (Canada Only)	24	45
20	24741	04-11	Chevrolet Aveo 5 Dr. Hatchback	13	30
20	24741	09	Pontiac G3 5 Dr.	13	30
20	24741	09	Pontiac G3 Wave 5 Dr. (Canada Only)	13	30
20	24741	05-07	Pontiac Wave 5 Dr. (Canada Only)	13	30
20	24741	05-07	Pontiac Wave5 (Canada Only)	13	30
20	24741	04-09	Suzuki Swift+ 5 Dr. (Canada Only)	13	30
31	24743	05-09	KIA Spectra Except Spectra5	25	20
20	24745	05-10	Chevrolet Cobalt 2 Dr., Except SS	18	40
20	24745	05-10	Chevrolet Cobalt 4 Dr., Except SS	18	40
20	24745	07-09	Pontiac G5 Except GT	18	40

INDEX

RECEIVER HITCH INDEX

INDEX

PC	PART NO.	YEARS	MAKE/MODEL	WGT LBS	IN
20	24745	05-06	Pontiac Pursuit 2 Dr. (Canada Only)	18	40
20	24745	05-06	Pontiac Pursuit 4 Dr. (Canada Only)	18	40
22	24747	05-09	Ford Mustang Except GT/CS (California Special)/Shelby GT/GT500	18	45
29	24748	07-09	Volkswagen Jetta City Sedan (Canada Only)	23	30
29	24748	99-05	Volkswagen Jetta Sedan, Except Gas Turbo & Wagon	23	30
31	24750	00-06	Nissan Sentra	26	20
24	24754	06-12	Mitsubishi Eclipse	13	30
18	24755	04-08	Acura TL	10	35
30	24756	08	Chevrolet Cobalt Sport 2 Dr.	40	25
30	24756	08	Chevrolet Cobalt Sport 4 Dr.	40	25
30	24756	05-10	Chevrolet Cobalt SS 2 Dr.	40	25
30	24756	05-10	Chevrolet Cobalt SS 4 Dr.	40	25
30	24756	06-11	Chevrolet HHR	40	25
30	24756	08-10	Chevrolet HHR SS	40	35
30	24756	07-09	Pontiac G5 GT	40	25
30	24756	05-07	Saturn Ion 3 w/2.4 Liter Engine	40	25
30	24756	04-06	Saturn Ion Red Line	40	25
24	24757	06-10	Hyundai Sonata	21	20
31	24759	01-10	Chrysler PT Cruiser	19	30
31	24759	05-09	Chrysler PT Cruiser Convertible	19	30
32	24760	06-11	Hyundai Accent 4 Dr. Sedan	20	20
32	24760	06-11	KIA Rio 4 Dr. Sedan	20	20
27	24763	06-15	Honda Civic 2 Dr. Coupe, Except Si	22	30
27	24763	06-15	Honda Civic 4 Dr. Sedan, Except Hybrid & Si	22	30
27	24763	06-15	Honda Civic Hybrid	22	35
27	24763	06-15	Honda Civic Hybrid	22	30
27	24763	06-11	Honda Civic Si, 2 Dr. Coupe	22	30
27	24763	06-11	Honda Civic Si, 4 Dr. Sedan	22	30
24	24764	06-13	Suzuki Grand Vitara Except 3 Dr Hatchback	21	20
33	24767	03-07	Cadillac CTS	27	45
33	24767	08-13	Cadillac CTS 4 Dr. Sedan	27	45
33	24767	04-07	Cadillac CTS V	27	45
33	24767	09-13	Cadillac CTS V 4 Dr. Sedan	27	45
33	24767	05-11	Cadillac STS	27	45
25	24768	06-08	Acura TSX 4 Dr. Sedan	28	40
23	24769	07	Dodge Caliber	19	15
23	24769	08-12	Dodge Caliber Except SRT-4	19	15
32	24771	06-11	Hyundai Azera	30	20
27	24772	02-06	Honda CR-V	21	20
20	24773	06-10	Mazda 5	17	25
39	24775	06-09	Ford Fusion	18	45
39	24775	07-09	Lincoln MKZ	18	45
39	24775	06	Lincoln Zephyr	18	45
39	24775	03-08	Mazda 6 4 Dr. Sedan	18	45
39	24775	04-08	Mazda 6 5 Dr. Hatchback	18	45
39	24775	06-09	Mercury Milan	18	45
18	24776	07-08	Honda Fit	18	25
29	24778	06-10	KIA Magentis (Canada Only)	19	20
29	24778	09-10	KIA Optima	19	20
29	24778	06-08	KIA Optima (App. starts with 2006-1/2)	19	20
27	24781	04-11	Volvo S40 Sedan (App. starts with 2004-1/2)	20	25
27	24781	05-10	Volvo V50 Wagon, Except T5 R-Design	20	25
16	24785	04-07	Mazda 6 Sport Wagon	19	25
31	24787	03-07	Honda Accord Coupe	17	25
31	24787	03-07	Honda Accord Sedan	17	25
31	24788	02-06	Nissan Altima	26	30
31	24788	04-08	Nissan Maxima	26	30
18	24790	97-01	Honda CR-V	16	20
18	24791	01-03	Acura CL 3.2	18	15
18	24791	99-03	Acura TL 3.2	18	15
18	24791	98-02	Honda Accord Sedan	18	15
12	24792	07-11	Honda CR-V	17	20
22	24794	07-12	Nissan Sentra	17	30
28	24795	07-11	Hyundai Accent 3 Dr. Hatchback	21	25
28	24795	07-10	Hyundai Elantra 4 Dr. Sedan	21	25
28	24795	06-11	KIA Rio5 5 Dr. Hatchback	21	25
15	24796	07-19	Nissan Altima Sedan	19	45
15	24796	09-19	Nissan Maxima	19	45
27	24797	07-10	KIA Rondo	18	30
27	24797	11-12	KIA Rondo (Canada Only)	18	30
35	24798	07-11	Nissan Versa 4 Dr. Sedan	25	25
35	24798	07-12	Nissan Versa 5 Dr. Hatchback	25	25
28	24801	08-13	Nissan Altima Coupe, Except SR Models	17	30
33	24805	08-11	Ford Focus	23	30
28	24807	09-13	Subaru Forester	29	35
28	24807	08-11	Subaru Impreza 4 Dr. Sedan	29	35

PC	PART NO.	YEARS	MAKE/MODEL	WGT LBS	IN
24	24808	04-09	Toyota Prius	23	30
34	24809	08-09	Saturn Astra Hatchback	24	25
23	24810	06-11	Chevrolet Aveo 4 Dr. Sedan	19	20
28	24811	08-10	Volvo C30	26	45
15	24812	03-08	Pontiac Vibe	21	15
15	24812	09-10	Pontiac Vibe Except GT	21	15
15	24812	03-13	Toyota Matrix	21	15
15	24812	14	Toyota Matrix (Canada Only)	21	15
33	24813	00-05	Toyota Echo Except Hatchback	27	15
22	24814i	03-13	Toyota Corolla	20	20
13	24815	11-13	Scion tC	18	15
13	24815	08-13	Scion xB Except Release Series	18	15
27	24816	04-09	Mazda 3 4 Dr. Sedan, Except w/Grand Touring LED Taillights	20	35
27	24816	06-09	Mazda 3 4 Dr. Sedan, w/Grand Touring LED Taillights	20	35
27	24816	04-09	Mazda 3 5 Dr. Hatchback, Except w/Grand Touring LED Taillights	20	35
27	24816	06-09	Mazda 3 5 Dr. Hatchback, w/Grand Touring LED Taillights	20	35
18	24817	07-11	Suzuki SX4 Crossover	20	40
11	24819	07-11	Toyota Yaris 3 Dr. Liftback	14	20
11	24819	07-11	Toyota Yaris 4 Dr. Sedan	14	20
11	24819	09-11	Toyota Yaris 5 Dr. Liftback	14	20
31	24821	08-09	Pontiac G8	33	45
11	24822	96-00	Honda Civic 3 Dr. Hatchback	7	20
25	24824	07-13	Volkswagen Eos	29	40
19	24825	10-13	Volkswagen Golf 2 Dr. Hatchback, Except R	23	15
19	24825	10-14	Volkswagen Golf 4 Dr. Hatchback, Except R	23	15
19	24825	10-13	Volkswagen Golf Hatchback (Canada Only), Except R	23	15
19	24825	06-09	Volkswagen GTI 2 Dr. Hatchback	23	15
19	24825	07-09	Volkswagen GTI 4 Dr. Hatchback	23	15
19	24825	06-09	Volkswagen Rabbit	23	15
21	24826	09-13	Honda Fit	27	25
11	24827	05-10	Scion tC	14	30
14	24828	08-10	Scion xD	19	20
29	24830i	09-16	Audi A4 4 Dr. Sedan	25	25
11	24831	07-08	Infiniti G35 4 Dr. Sedan	16	45
11	24831	09-13	Infiniti G37 4 Dr. Sedan	16	45
25	24832	09-13	Mazda 6 4 Dr. Sedan	30	30
21	24833	06-09	Pontiac Solstice	26	40
21	24833	06-09	Pontiac Solstice	26	35
21	24833	07-09	Pontiac Solstice GXP	26	35
21	24833	07-09	Pontiac Solstice GXP	26	40
21	24833	07-09	Saturn Sky	26	35
19	24835	07-12	Mitsubishi Galant	16	30
25	24836	05-11	Audi A6 4 Dr. Sedan	16	25
25	24836	06-10	Audi A6 Quattro Avant Wagon	16	25
13	24839	10-13	KIA Soul Except w/LED Taillights	20	40
13	24839	10-13	KIA Soul w/LED Taillights	20	40
23	24840i	10	Ford Mustang Except GT/CS (California Special)/Shelby GT/GT500	27	45
25	24842	10-13	Mazda 3 4 Dr. Sedan, Except w/Grand Touring LED Taillights	25	20
25	24842	10-13	Mazda 3 4 Dr. Sedan, w/Grand Touring LED Taillights	25	20
20	24843	10-13	Mazda 3 5 Dr. Hatchback, Except w/Grand Touring LED Taillights	17	15
20	24843	10-13	Mazda 3 5 Dr. Hatchback, w/Grand Touring LED Taillights	17	15
14	24844	09-12	Hyundai Elantra Touring, 5 Dr.	21	25
20	24845	09-13	Nissan Cube	27	45
27	24846	10-13	KIA Forte 4 Dr. Sedan	24	20
18	24847	10-15	Toyota Prius Except w/Plug-In Model	18	25
18	24847	12-17	Toyota Prius V	18	25
22	24848	09-17	Volkswagen CC Except 4 Motion	18	35
22	24848	06-10	Volkswagen Passat 4 Dr. Sedan, Except 4 Motion	18	35
22	24848	07-10	Volkswagen Passat Wagon, Except 4 Motion	18	35
31	24850	10-15	Chevrolet Camaro Except Convertible & w/Dealer Installed Ground Effects	21	15
31	24852	10-11	Honda Accord Crosstour	26	40
31	24852	12-15	Honda Crosstour	26	40
27	24854	10-13	Acura ZDX	19	25
25	24855	11-19	Ford Fiesta 5 Dr. Hatchback	26	30
37	24856	11-13	Ford Fiesta 4 Dr. Sedan	21	15
43	24857	07-11	BMW 328i Sedan	29	45
43	24857	07-11	BMW 328i xDrive Sedan	29	45
43	24857	07-08	BMW 328xi Sedan	29	45
23	24860i	10-12	Lexus HS250h Hybrid	20	25
27	24861	06-11	Acura CSX (Canada Only)	21	30
27	24861	13-18	Acura ILX Except Hybrid	21	35
24	24863	11-14	Ford Mustang V6 Models	19	40
24	24863	11-14	Ford Mustang V8 Models	19	40

PC	PART NO.	YEARS	MAKE/MODEL	WGT LBS	IN
25	24865	10-12	Ford Fusion	28	20
25	24865	10-12	Lincoln MKZ	28	20
25	24865	10-11	Mercury Milan	28	20
23	24866	10-14	Volkswagen Golf Wagon (Canada Only)	25	40
23	24866	05-14	Volkswagen Jetta 4 Dr. Sedan	25	40
23	24866	09-14	Volkswagen Jetta SportWagon	25	40
27	24867	11-17	Nissan JUKE AWD, Except Nismo & Nismo RS	23	40
28	24869	11-14	Mazda 2	27	30
52	24870	05-12	Toyota Avalon	32	40
28	24871	11-14	Chrysler 200 4 Dr. Sedan	25	15
28	24871	11-14	Chrysler 200 Convertible	25	15
28	24871	07-10	Chrysler Sebring Convertible	25	15
28	24871	07-10	Chrysler Sebring Except Convertible	25	15
28	24871	08-14	Dodge Avenger	25	15
18	24872	12-14	Ford Focus 5 Dr. Hatchback, Except ST w/Center Exhaust	23	25
18	24872	15-18	Ford Focus 5 Dr. Hatchback, Except ST w/Center Exhaust Models & RS	23	25
28	24873	12-18	FIAT 500 Except Abarth	20	30
24	24874	12-17	Mazda 5	26	25
20	24876	12-17	Chevrolet Sonic 4 Dr. Sedan	20	20
28	24877	12-13	Volkswagen Beetle Except Convertible & Gas Turbo	25	20
25	24878	12-19	Chevrolet Sonic 5 Dr. Hatchback	28	20
29	24879	12-13	Volkswagen Beetle Gas Turbo, Except Convertible	29	30
34	24880	17	Volkswagen Passat	30	30
34	24880	12-15	Volkswagen Passat 4 Dr. Sedan	30	30
34	24880	16	Volkswagen Passat Except SE & SEL	30	30
34	24880	16	Volkswagen Passat SE & SEL Only	30	30
27	24881	12-13	Chevrolet Orlando (Canada Only)	35	35
18	24882	12-17	Buick Verano Except Turbo or w/Dual Exhaust	24	40
18	24882	11-15	Chevrolet Cruze	24	15
18	24882	16	Chevrolet Cruze Limited Only (Old Body Style)	24	15
28	24883	12-16	KIA Rio 5 Dr. Hatchback	23	30
30	24884	12-17	Hyundai Accent 4 Dr. Sedan	26	15
30	24884	12-17	Hyundai Accent 5 Dr. Hatchback	26	15
30	24884	12-17	KIA Rio 4 Dr. Sedan	26	15
27	24885	08-17	Mitsubishi Lancer 4 Dr. Sedan, Except Evolution, Ralliart & w/Dual Exhaust	20	25
27	24885	10-14	Mitsubishi Lancer 5 Dr. Hatchback, Except Ralliart & w/Dual Exhaust	20	25
19	24886†	08-16	Subaru Impreza 5 Dr. Wagon, Except WRX STi & w/Quad Exhaust Outlets	23	45
19	24886†	13-15	Subaru XV Crosstrek Except Hybrid	23	45
19	24886†	13-15	Subaru XV Crosstrek Hybrid	23	45
29	24887	12-17	Nissan Versa 4 Dr. Sedan	28	30
25	24888†	12-16	Subaru Impreza 4 Dr. Sedan, Except WRX & WRX STi	31	30
23	24889	12-17	Toyota Prius C	14	20
30	24890	13-16	Dodge Dart	28	20
30	24892	11-17	Nissan JUKE FWD, Except Nismo & Nismo RS	25	25
24	24893	13-15	Chevrolet Spark Except w/Ground Effects	10	25
24	24894	13-15	Chevrolet Spark LT w/Ground Effects	20	25
29	24896	13-18	Ford C-MAX	19	25
19	24897	13-18	Ford Fusion Except Sport	23	20
19	24897	13-19	Lincoln MKZ Except 3.0 Liter Engine	23	20
19	24899	09-14	Acura TL	14	45
19	24899	09-14	Acura TSX 4 Dr. Sedan	14	45
19	24899	08-16	Honda Accord Coupe	14	30
19	24899	08-16	Honda Accord Coupe	14	45
19	24899	13-15	Honda Accord Coupe, Except w/LED Taillights	14	30
19	24899	13-15	Honda Accord Coupe, w/LED Taillights	14	45
19	24899	08-17	Honda Accord Sedan	14	30
19	24899	13-15	Honda Accord Sedan, Except w/LED Taillights	14	45
19	24899	13-15	Honda Accord Sedan, w/LED Taillights	14	45
17	24902	13-14	Hyundai Elantra 2 Dr. Coupe	24	25
17	24902	11-16	Hyundai Elantra 4 Dr. Sedan	24	25
24	24903	14-18	KIA Forte 4 Dr. Sedan	14	20
28	24904	10-14	Volkswagen GTI Hatchback	14	40
28	24904	10-12	Volkswagen GTI Hatchback (Canada Only)	14	40
25	24905	13-17	Hyundai Elantra GT Except for Korean Manufactured Vehicles	18	25
28	24907	13-19	Nissan Sentra Except SR	21	35
25	24908	14-17	Mazda 6 4 Dr. Sedan	28	30
16	24909	14-17	Nissan Versa Note	20	30
31	24910	14-17	Ford Fiesta 4 Dr. Sedan	25	15
14	24911	07-14	Toyota Yaris 3 Dr. Liftback	18	20
14	24911	07-14	Toyota Yaris 5 Dr. Liftback, Except SE	18	20
25	24912	14-17	Mazda 3 4 Dr. Sedan	19	15
24	24913	03-19	Toyota Corolla	22	20
25	24914	14-18	Mazda 3 5 Dr. Hatchback	25	30

PC	PART NO.	YEARS	MAKE/MODEL	WGT LBS	IN
19	24915	14-18	KIA Soul Except w/LED Taillights	21	40
19	24915	14-18	KIA Soul w/LED Taillights	21	40
27	24916	14-15	Mitsubishi Mirage	20	20
27	24916	17	Mitsubishi Mirage Except Mirage G4	20	20
27	24919	15-17	Chrysler 200 4 Dr. Sedan	22	20
16	24920	15-19	Honda Fit	27	25
13	24921	14-16	Scion tC Except Dual Exhaust	19	15
28	24922	14-17	Volkswagen Beetle Except R-Line & GSR	25	20
25	24923	14-15	Lexus IS250 Except Convertible	29	35
25	24923	14-18	Lexus IS350	29	35
29	24924	13-19	Cadillac ATS Except ATS-V	24	30
25	24925	15-17	Volkswagen Golf	15	60
25	24925	16-17	Volkswagen GTI	15	60
33	24926	15-18	Volkswagen Jetta 4 Dr. Sedan, Except Hybrid & TDI	28	40
30	24927	14-15	Cadillac CTS 4 Dr. Sedan	17	60
30	24927	16-19	Cadillac CTS 4 Dr. Sedan, Except CTS-V	17	60
43	24928	15-19	Ford Mustang	36	30
16	24929	15-19	Toyota Yaris Except SE	19	25
27	24930	15-18	Audi A3 Except Sportback e-tron	22	20
27	24931	14-17	Infiniti Q50	25	40
18	24932	16-19	Honda HR-V	18	35
35	24933	16-19	Mazda CX-3	30	25
37	24934	11-16	MINI Cooper Countryman Except John Cooper Works Model	34	70
30	24935	13-16	Scion FR-S	25	75
30	24935	13-17	Subaru BRZ	25	75
30	24935	17	Toyota 86	25	75
32	24936	15-16	BMW 528i	25	50
32	24936	15-16	BMW 528i xDrive	25	50
32	24936	15-16	BMW 535d	25	50
32	24936	15-16	BMW 535d xDrive	25	50
32	24936	15-16	BMW 535i	25	50
32	24936	15-17	BMW 535i GT	25	50
32	24936	15-17	BMW 535i GT xDrive	25	50
32	24936	15-16	BMW 535i xDrive	25	50
32	24936	15-16	BMW 550i	25	50
32	24936	15	BMW 550i GT	25	50
32	24936	15-16	BMW 550i GT xDrive	25	50
32	24936	15-16	BMW 550i xDrive	25	50
24	24937†	16	Honda Civic Sedan	24	65
23	24938	16-18	Chevrolet Camaro	22	50
15	24939	17	Hyundai Elantra 4 Dr. Except Limited & Sport Models	21	50
15	24939	17	Hyundai Elantra 4 Dr. Limited Models Except Sport	21	50
19	24940†	11-17	Hyundai Sonata Except Hybrid	34	40
19	24940†	11-16	Hyundai Sonata Hybrid	34	40
19	24940†	11-18	KIA Optima	34	40
18	24941	16-19	Chevrolet Spark	21	45
28	24942	15-18	Acura TLX	16	60
18	24943	16-19	Chevrolet Cruze (New Body Style)	21	80
16	24944†	16-17	Toyota Prius	20	45
24	24945	12-17	BMW 320i	21	50
24	24945	12-17	BMW 320i xDrive	21	50
24	24945	12-16	BMW 328d	21	50
24	24945	12-16	BMW 328d xDrive Sedan	21	50
24	24945	12-16	BMW 328d xDrive Sports Wagon	21	50
24	24945	12-16	BMW 328i Sedan	21	50
24	24945	12-14	BMW 335i xDrive Sedan	21	50
24	24946†	16	Honda Civic Coupe	24	65
24	24946†	16	Honda Civic Sedan	24	65
18	24947	16-19	Chevrolet Volt	21	60
32	24948	16	Scion iA	26	30
32	24948	17-18	Toyota Yaris iA	26	30
19	24949	17-18	Volkswagen Golf Alltrack	20	60
19	24949	15-17	Volkswagen Golf SportWagen	20	60
24	24950	09-18	Audi A4 4 Dr. Sedan	28	25
18	24951	17-19	Chevrolet Cruze Hatchback	21	60
20	24952	16	Scion iM	19	40
20	24952	17	Toyota Corolla iM	19	40
27	24953	15-18	Mercedes-Benz C300 Sedan, Except Models w/Sport Package	18	75
24	24954	16-19	Honda Civic Coupe, Except Models w/Center Exhaust	19	65
24	24954	16-19	Honda Civic Hatchback, Except Models w/Center Exhaust	19	65
24	24954	16-19	Honda Civic Sedan, Except Models w/Center Exhaust	19	65
28	24955	16-17	Buick Cascada	33	15
20	24956	17-19	Chevrolet Bolt EV	23	20
37	24958	12-16	Tesla S	22	150
19	24959	08-19	Subaru Impreza 5 Dr. Wagon, Except WRX STi & w/Quad Exhaust Outlets	23	20

INDEX

RECEIVER HITCH INDEX

PC	PART NO.	YEARS	MAKE/MODEL	WGT LBS	IN
19	24959	08-19	Subaru Impreza 5 Dr. Wagon, Except WRX STi & w/Quad Exhaust Outlets	23	45
19	24959	13-15	Subaru XV Crosstrek Except Hybrid	23	30
19	24959	13-15	Subaru XV Crosstrek Hybrid	23	30
25	24960	12-19	Subaru Impreza 4 Dr. Sedan, Except WRX & WRX STi	31	40
19	24961	11-19	Ford Fiesta 5 Dr. Hatchback	26	30
20	24962	18	Toyota C-HR	28	60
23	24963	17	Hyundai Ioniq Hybrid	26	30
23	24964	18	Hyundai Elantra Except GT	30	40
22	24965	11-18	Hyundai Sonata Except Hybrid	35	40
22	24965	11-16	Hyundai Sonata Hybrid	35	40
22	24965	11-18	KIA Optima	35	40
16	24966	16-17	Toyota Prius Hybrid	21	45
16	24966	17-18	Toyota Prius Prime	21	45
25	24967	10-15	Toyota Prius Except w/Plug-In Model	21	40
25	24967	12-15	Toyota Prius Plug-In	21	40
25	24967	12-17	Toyota Prius V	21	40
20	24968	15-18	Subaru WRX STi	31	60
28	24969	14-18	FIAT 500L	25	45
25	24970	18	Hyundai Elantra GT Except Sport	42	45
24	24971	12-18	Toyota Prius C	28	20
19	24972	18-19	Honda Accord	19	60
41	24974	18	KIA Stinger	42	90
30	24975	15-18	Volkswagen Golf R	20	75
41	24976	18	Hyundai Kona	23	35
37	24977	16-18	Ford Focus RS	42	60
37	24978	19	Volkswagen Jetta	20	80
22	28501	04-06	Scion xB	21	25
CLASS II: 1-1/4" HITCH					
47	36105	77-83	Buick Estate Wagon	35	30
47	36105	77-90	Buick LeSabre Wagon	35	30
47	36105	91-95	Buick Roadmaster Estate Wagon	35	30
47	36105	77-96	Chevrolet Caprice Wagon	35	30
47	36105	77-92	Oldsmobile Custom Cruiser Wagon	35	30
47	36105	83-86	Pontiac Parisienne Wagon	35	30
47	36105	87-89	Pontiac Safari Wagon	35	30
39	36116	92-09	Ford Crown Victoria	33	30
39	36116	79-82	Ford LTD	33	30
39	36116	83-86	Ford LTD Country Squire Wagon	33	30
39	36116	83-91	Ford LTD Crown Victoria	33	30
39	36116	83-91	Ford LTD Crown Victoria Wagon	33	30
39	36116	80-83	Lincoln Mark VI	33	30
39	36116	81-11	Lincoln Town Car	33	30
39	36116	87-91	Mercury Colony Park Wagon	33	30
39	36116	83-11	Mercury Grand Marquis	33	30
39	36116	83-86	Mercury Grand Marquis Colony Park Wagon	33	30
39	36116	03-04	Mercury Marauder	33	30
39	36116	79-82	Mercury Marquis Sedan	33	30
39	36116	79-82	Mercury Marquis Wagon	33	30
45	36124	88-94	Buick Regal 4 Dr.	38	60
45	36124	91-94	Buick Regal 4 Dr., Except GS/Limited	38	60
45	36124	90-94	Chevrolet Lumina Except Z-34	38	60
45	36124	88-93	Oldsmobile Cutlass Supreme 2 Dr. FWD	38	60
45	36124	92-97	Oldsmobile Cutlass Supreme 4 Dr. FWD	38	60
45	36124	88-90	Pontiac Grand Prix Except SE & Turbo	38	60
45	36124	91-93	Pontiac Grand Prix Except Turbo	38	60
47	36136	90-93	Chrysler Imperial	45	40
47	36136	87-95	Chrysler LeBaron 2 Dr. Coupe	45	40
47	36136	90-94	Chrysler LeBaron 4 Dr.	45	40
47	36136	86-88	Chrysler New Yorker	45	40
47	36136	90-93	Chrysler New Yorker Fifth Ave. FWD	45	40
47	36136	88-90	Chrysler New Yorker FWD Sedan	45	40
47	36136	90-93	Chrysler New Yorker Salon	45	40
47	36136	88-93	Dodge Dynasty	45	40
47	36136	89-95	Dodge Spirit	45	40
47	36136	89-95	Plymouth Acclaim	45	40
43	36170	93-97	Chrysler Concorde	40	40
43	36170	93-97	Chrysler Intrepid (Canada Only)	40	40
43	36170	94-97	Chrysler LHS	40	40
43	36170	94-96	Chrysler New Yorker	40	40
43	36170	93-97	Dodge Intrepid	40	40
43	36170	93-97	Eagle Vision	40	40
60	36173	89-93	Cadillac DeVille	43	40
60	36173	89-93	Cadillac Fleetwood Coupe & Sedan, FWD	43	40
41	36179	96-97	Ford Thunderbird	25	40
41	36179	89-95	Ford Thunderbird Except SC	25	40
41	36179	93-98	Lincoln Mark VIII	25	40

PC	PART NO.	YEARS	MAKE/MODEL	WGT LBS	IN
41	36179	89-97	Mercury Cougar	25	40
44	36183i	84-90	Dodge Caravan	30	30
44	36183i	91-93	Dodge Caravan C/V Long Wheelbase, 2 WD	30	30
44	36183i	94-95	Dodge Caravan C/V Long Wheelbase, 2 WD, Except LE	30	30
44	36183i	91-95	Dodge Caravan C/V Short Wheelbase	30	30
44	36183i	91-95	Dodge Caravan Short Wheelbase	30	30
44	36183i	87-93	Dodge Grand Caravan Long Wheelbase, 2 WD	30	30
44	36183i	94-95	Dodge Grand Caravan Long Wheelbase, 2 WD, Except LE	30	30
44	36183i	84-88	Dodge Mini Ram	30	30
44	36183i	87-90	Plymouth Grand Voyager	30	30
44	36183i	91-95	Plymouth Grand Voyager Long Wheelbase, 2 WD	30	30
44	36183i	84-90	Plymouth Voyager	30	30
44	36183i	91-95	Plymouth Voyager Short Wheelbase	30	30
43	36184i	94-96	Chevrolet Lumina APV	32	40
43	36184i	94-96	Pontiac Trans Sport	32	40
51	36185	94-96	Cadillac DeVille	37	40
41	36188	85-96	Oldsmobile Cutlass Ciera FWD	32	40
41	36188	85-91	Pontiac 6000 Except AWD	32	40
30	36189	95-98	Ford Windstar	25	30
30	36189	03	Ford Windstar (Built After 11/2002)	25	30
30	36189	99-03	Ford Windstar (Built Before 11/2002)	25	30
48	36193	95-00	Chevrolet Lumina	40	60
48	36193	95-99	Chevrolet Monte Carlo	40	60
33	36197	90-05	Chevrolet Astro Extended Body	38	30
33	36197	85-94	Chevrolet Astro Standard Body	38	30
33	36197	90-05	GMC Safari Extended Body	38	30
33	36197	85-94	GMC Safari Standard Body	38	30
34	36198	90-05	Chevrolet Astro Extended Body	32	30
34	36198	85-94	Chevrolet Astro Standard Body	32	30
34	36198	90-05	GMC Safari Extended Body	32	30
34	36198	85-94	GMC Safari Standard Body	32	30
35	36204	95-98	Honda Odyssey	28	30
35	36204	96-99	Isuzu Oasis	28	30
34	36206	96-14	Chevrolet Express 1500	25	15
34	36206	96-17	Chevrolet Express 2500	25	15
34	36206	96-17	Chevrolet Express 3500	25	15
34	36206	96-14	GMC Savana 1500	25	15
34	36206	96-17	GMC Savana 2500	25	15
34	36206	96-17	GMC Savana 3500	25	15
50	36211	96-99	Oldsmobile 88	34	30
50	36211	96-99	Oldsmobile LSS	34	30
50	36211	97-98	Oldsmobile Regency	34	30
50	36211	96-99	Pontiac Bonneville Except SSE/SSEi	34	30
43	36216	92-99	Buick LeSabre FWD	25	40
43	36216	92-95	Oldsmobile 88	25	40
43	36216	92-95	Pontiac Bonneville Except SSE & SSEi	25	40
39	36222	97-03	Infiniti QX4	28	20
39	36222	96-04	Nissan Pathfinder	28	20
46	36223i	96-02	Toyota 4Runner	33	30
41	36226	96-04	Acura RL 3.5	28	30
41	36233	97-05	Chevrolet Malibu 4 Dr.	34	20
41	36233	97-99	Oldsmobile Cutlass 4 Dr., FWD	34	20
48	36234	90-99	Subaru Legacy Coupe & Sedan	36	25
48	36234	90-95	Subaru Legacy Wagon	36	20
48	36234	96-99	Subaru Legacy Wagon, Except Outback	36	20
48	36234	96-99	Subaru Legacy Wagon, Outback	36	20
29	36238	97-06	Jeep TJ (Canada Only)	24	15
29	36238	97-06	Jeep Wrangler	24	15
51	36241	97-04	Buick Regal (App. starts with 97-1/2)	29	35
51	36241	97-08	Pontiac Grand Prix	29	35
40	36243	98-04	Cadillac Seville	24	35
32	36244	95-05	Chevrolet Blazer Downsize	25	15
32	36244	99-01	Chevrolet Blazer Trailblazer	25	15
32	36244	95-05	GMC Jimmy Downsize	25	15
32	36244	96-01	Oldsmobile Bravada	25	15
47	36245	97-04	Buick Park Avenue	35	40
32	36246	91-00	Ford Explorer	27	15
32	36246	01-03	Ford Explorer 2 Dr. Sport	27	15
32	36246	01	Ford Explorer 4 Dr.	27	15
32	36246	91-94	Mazda Navajo	27	15
32	36246	97-01	Mercury Mountaineer	27	15
29	36247	98-01	Honda Passport w/Door Mounted Spare	26	15
29	36247	98-00	Isuzu Amigo w/Door Mounted Spare	26	15
29	36247	01-03	Isuzu Rodeo Sport 2 Dr., w/Door Mounted Spare	26	15
29	36247	98-01	Isuzu Rodeo w/Door Mounted Spare	26	15
34	36248	98-04	Chevrolet S10	25	35
34	36248	83-97	Chevrolet S10 w/Standard Bed & Step Bumper	25	35

PC	PART NO.	YEARS	MAKE/MODEL	WGT LBS	IN
34	36248	83-90	GMC S15 w/Standard Bed & Step Bumper	25	35
34	36248	98-04	GMC Sonoma	25	35
34	36248	96-00	Isuzu Hombre w/Step Bumper	25	35
35	36252	86-03	Ford Taurus 4 Dr. Sedan	34	20
35	36252	96-99	Ford Taurus 4 Dr. Sedan, Except SHO	34	20
35	36252	96-99	Ford Taurus SHO	34	20
35	36252	86-03	Ford Taurus Wagon	34	20
35	36252	88-02	Lincoln Continental	34	20
35	36252	86-03	Mercury Sable Sedan	34	20
35	36252	86-03	Mercury Sable Wagon	34	20
34	36260	84-01	Jeep Cherokee	23	30
34	36260	84-90	Jeep Wagoneer	23	30
41	36261	93-98	Mercury Villager	27	15
41	36261	93-98	Nissan Quest	27	15
29	36262	93-97	Volvo 850 Sedan	20	20
29	36262	94-97	Volvo 850 Wagon	20	20
29	36262	98-04	Volvo C70 Convertible	20	20
29	36262	98-02	Volvo C70 Coupe	20	20
29	36262	98-00	Volvo S70 Sedan	20	20
29	36262	98-00	Volvo V70 Wagon	20	20
33	36266	95-02	KIA Sportage	25	20
50	36267	97-99	Cadillac DeVille	38	20
37	36268	98-04	Chrysler Intrepid (Canada Only)	24	30
37	36268	98-04	Dodge Intrepid	24	30
42	362701	98-01	Chrysler Concorde	33	35
39	36271	99-03	Lexus RX300	34	15
39	36271	01-03	Toyota Highlander	34	15
36	36274	02-04	Chrysler Concorde	28	30
36	36274	99-01	Chrysler LHS	28	30
37	36275	99-01	Chrysler 300M	31	30
37	36275	02-04	Chrysler 300M Except Special	31	30
37	36276	99-04	Jeep Grand Cherokee	38	15
39	36277	99-02	Mercury Villager	27	15
39	36277	99-02	Nissan Quest	27	15
34	36280	99-02	Saab 9-3	30	30
34	36280	03	Saab 9-3 Convertible	30	30
35	36282	00-06	Lincoln LS	27	30
46	36284	00-04	Subaru Legacy Sedan, Except Outback	36	20
46	36284	00-04	Subaru Legacy Wagon, Except Outback	36	20
46	36284	00-04	Subaru Outback Sedan, Except Sport	36	20
46	36284	00-04	Subaru Outback Wagon, Except Sport	36	20
41	36286	99-05	Saab 9-5	29	30
33	36287	00-05	Cadillac DeVille	30	20
33	36287	06-11	Cadillac DTS	30	20
42	36288	99-04	Oldsmobile Alero	33	20
42	36288	99-05	Pontiac Grand Am	33	20
45	36292	00-07	Chevrolet Monte Carlo Except SS Sport Appearance Pkg.	32	30
43	36293	00-04	Toyota Avalon	28	20
23	36296	96-03	Chrysler Town & Country	27	30
23	36296	04-07	Chrysler Town & Country Except w/Stow & Go Seats	27	30
23	36296	01-03	Chrysler Voyager	27	30
23	36296	96-03	Dodge Caravan	27	30
23	36296	04-07	Dodge Caravan Except w/Stow & Go Seats	27	30
23	36296	96-03	Dodge Grand Caravan	27	30
23	36296	04-07	Dodge Grand Caravan Except w/Stow & Go Seats	27	30
23	36296	96-00	Plymouth Grand Voyager	27	30
23	36296	96-00	Plymouth Voyager	27	30
37	36297	01-09	Volvo S60 Sedan	29	15
37	36297	01-07	Volvo V70 Wagon	29	15
37	36297	03-07	Volvo XC70 Wagon, AWD	29	15
34	36298	98-03	Toyota Sienna	24	15
40	36301	95-00	Chrysler Cirrus	35	60
40	36301	01-06	Chrysler Sebring 4 Dr.	35	60
40	36301	95-06	Dodge Stratus 4 Dr.	35	60
40	36301	96-00	Plymouth Breeze	35	60
37	36303	02-07	Jeep Liberty	30	15
45	36305	02-05	KIA Sedona	31	20
39	36309	00-05	Buick LeSabre	35	30
39	36309	06-09	Buick Lucerne Except Super & Special Edition	35	30
39	36309	01-03	Oldsmobile Aurora	35	30
39	36309	00-05	Pontiac Bonneville	35	30
20	36311	98-08	Subaru Forester	24	30
47	36313	00-06	Ford Taurus 4 Dr. Sedan	38	40
47	36313	00-06	Ford Taurus Wagon	38	40
47	36313	00-05	Mercury Sable Sedan	38	40
47	36313	00-05	Mercury Sable Wagon	38	40
43	36317	04-07	Chevrolet Malibu 4 Dr.	39	40

PC	PART NO.	YEARS	MAKE/MODEL	WGT LBS	IN
43	36317	08	Chevrolet Malibu Classic LS	39	40
43	36317	08	Chevrolet Malibu Classic LT	39	40
43	36317	06-07	Chevrolet Malibu SS 4 Dr.	39	50
41	36318	04-07	Ford Freestar	30	25
41	36318	04-07	Mercury Monterey	30	25
45	36320	05-07	Chrysler Town & Country w/Stow & Go Seats	38	25
45	36320	05-07	Dodge Grand Caravan w/Stow & Go Seats	38	25
35	36334	08-09	Subaru Legacy Sedan	26	25
35	36334	05-07	Subaru Legacy Sedan, Except Outback	26	25
35	36334	05-07	Subaru Legacy Wagon, Except Outback	26	25
35	36334	05-07	Subaru Outback Sedan, Except Sport	26	25
35	36334	05-09	Subaru Outback Wagon, Except Sport	26	25
23	36336	97-03	Lexus ES300 4 Dr.	34	15
23	36336	04-06	Lexus ES330 4 Dr.	34	15
23	36336	95-99	Toyota Avalon	34	15
23	36336	92-96	Toyota Camry	34	15
23	36336	97-06	Toyota Camry 4 Dr. Sedan	34	15
23	36336	99-03	Toyota Solara	34	15
33	36360	05-07	Ford Five Hundred	34	30
33	36360	05-07	Ford Freestyle	34	30
33	36360	08-09	Ford Taurus 4 Dr. Sedan	34	30
33	36360	08-09	Ford Taurus X	34	30
33	36360	05-07	Mercury Montego	34	30
33	36360	08-09	Mercury Sable Sedan	34	30
27	36361	05-07	Buick Terraza	26	40
27	36361	05-08	Chevrolet Uplander	26	40
27	36361	09	Chevrolet Uplander (Canada Only)	26	40
27	36361	97-05	Chevrolet Venture	26	40
27	36361	97-04	Oldsmobile Silhouette	26	40
27	36361	99-05	Pontiac Montana	26	40
27	36361	05-06	Pontiac Montana SV6	26	40
27	36361	07-09	Pontiac Montana SV6 (Canada Only)	26	40
27	36361	97-98	Pontiac Trans Sport	26	40
27	36361	05-07	Saturn Relay	26	40
18	36362	06-10	Jeep Commander	10	20
18	36362	05-10	Jeep Grand Cherokee Except SRT-8	10	90
32	36363	05-09	Hyundai Tucson	24	25
32	36363	05-10	KIA Sportage 4 Cyl.	24	25
32	36363	05-10	KIA Sportage 6 Cyl.	24	25
37	36374	05-09	Buick Allure (Canada Only)	28	30
37	36374	97-05	Buick Century Sedan	28	30
37	36374	05-09	Buick LaCrosse Except Super	28	30
37	36374	98-02	Oldsmobile Intrigue	28	30
39	36378	04-08	Toyota Solara	25	15
37	36379	04-07	Chevrolet Malibu Maxx LS	33	25
37	36379	04-07	Chevrolet Malibu Maxx LT	33	25
35	36407	00-13	Chevrolet Impala	38	30
18	36408	05-17	Chevrolet Equinox	28	25
18	36408	10-17	GMC Terrain	28	25
18	36408	06-09	Pontiac Torrent	28	25
18	36408	02-07	Saturn Vue Except Redline	28	25
20	36416	07-12	Lexus ES350	33	45
20	36416	07-11	Toyota Camry 4 Dr. Sedan, Except Hybrid	33	45
20	36416	07-11	Toyota Camry Hybrid 4 Dr. Sedan	33	45
32	36417	99-17	Honda Odyssey	38	20
34	36419	07-12	Mazda CX-7	28	40
22	36423	07-10	Jeep Compass	24	15
22	36423	11-17	Jeep Compass (Old Body Style)	24	30
22	36423	07-10	Jeep Compass Rallye Edition	24	30
22	36423	07-17	Jeep Patriot	24	15
22	36423	07-17	Jeep Patriot	24	30
27	36424	07-17	Jeep Wrangler Except w/Right Hand Drive, Hard Rock Edition, 75th Anniversary Edition & vehicles with Mopar Off Road Bumper #82213654	16	20
27	36424	18	Jeep Wrangler JK Except w/Right Hand Drive, Hard Rock Edition, 75th Anniversary Edition & vehicles with Mopar Off Road Bumper #82213654	16	20
27	36424	18	Jeep Wrangler JK Right Hand Drive, Except Hard Rock Edition, 75th Anniversary Edition & vehicles with Mopar Off Road Bumper #82213654	16	20
27	36424	18	Jeep Wrangler JL (New Body Style), Except Sahara and Rubicon	16	20
27	36424	07-17	Jeep Wrangler Right Hand Drive, Except Hard Rock Edition, 75th Anniversary Edition & vehicles with Mopar Off Road Bumper #82213654	16	20
27	36424	18	Jeep Wrangler Sahara and Rubicon Only, JL (New Body Style)	16	20
34	36425	02-07	Buick Rendezvous	27	40
34	36425	01-05	Pontiac Aztek	27	40

RECEIVER HITCH INDEX

PC	PART NO.	YEARS	MAKE/MODEL	WGT LBS	IN
36	36426	05-09	Pontiac G6	30	30
22	36427	07-09	Acura RDX	27	15
33	36447	07-10	Ford Edge Except Sport	34	45
33	36447	07-10	Lincoln MKX	34	45
31	36448	07-10	Chrysler Sebring Except Convertible	27	30
31	36448	08-10	Dodge Avenger	27	30
25	36450	08-09	Saturn Vue	28	15
31	36451	08-12	Jeep Liberty	31	15
24	36455	08-16	Chrysler Town & Country	34	20
24	36455	08-18	Dodge Grand Caravan	34	20
24	36455	12-15	RAM C/V Tradesman	34	20
24	36455	09-12	Volkswagen Routan	34	20
24	36455	13-14	Volkswagen Routan (Canada Only)	34	20
24	36466	07-16	Volvo S80 Sedan	24	35
10	36474	09-17	Volkswagen Tiguan	6	20
30	36477	09-16	Lincoln MKS	44	30
24	36479	08-12	Chevrolet Malibu Except LTZ	31	45
24	36479	08-12	Chevrolet Malibu LTZ	31	45
24	36479	07-09	Saturn Aura	31	45
30	36486	09-14	Hyundai Genesis 4 Dr. Sedan	29	60
36	36492	10-19	Ford Taurus 4 Dr. Sedan	38	30
25	36493	10-19	Subaru Legacy Sedan	33	45
25	36493	10-19	Subaru Outback Wagon, Except Sport	33	45
22	36501	05-12	Ford Escape	32	20
22	36501	05-11	Mazda Tribute	32	20
22	36501	05-11	Mercury Mariner	32	20
25	36502	10-11	Buick Lucerne	36	25
25	36502	08-09	Buick Lucerne Super & Special Edition	36	25
25	36509	11-19	Mitsubishi Outlander Sport Except PHEV	26	30
25	36509	11-14	Mitsubishi RVR (Canada Only)	26	30
21	36510	10-15	Hyundai Tucson	33	20
21	36510	11-16	KIA Sportage	33	20
30	36511	10-12	Hyundai Santa Fe	38	15
30	36511	11-13	KIA Sorento EX V6, w/Factory Tow Package	38	15
30	36511	11-13	KIA Sorento Except SX V6 & EX V6 w/Factory Tow Package	38	15
30	36511	11-13	KIA Sorento SX V6	38	15
29	36512	09-16	Toyota Venza	32	20
27	36513	04-14	Toyota Sienna	26	20
27	36513	15-18	Toyota Sienna Except SE	26	20
27	36513	15-18	Toyota Sienna SE	26	20
58	36519t	10-12	Buick LaCrosse AWD	40	25
58	36519t	10-12	Buick LaCrosse FWD	40	20
58	36519t	11-13	Buick Regal Except GS	40	20
16	36520	12-16	Honda CR-V	22	40
27	36521	09-13	Subaru Forester	30	35
49	36522	10-13	Buick LaCrosse	33	25
49	36522	11-13	Buick Regal Except GS	33	20
49	36522	13	Chevrolet Malibu (Canada Only)	33	20
49	36522	13	Chevrolet Malibu Except LTZ & Canada Models	33	20
49	36522	13	Chevrolet Malibu LTZ Except Canada Models	33	20
21	36523	14-18	Subaru Forester	21	30
38	36524	13-19	Ford Escape	37	15
28	36525	14-17	KIA Rondo (Canada Only)	30	25
38	36529	13-19	Ford Escape	34	20
38	36529	13-19	Ford Escape	34	60
29	36530	13-18	Lexus ES350 Except Hybrid	32	40
32	36535	13	Lexus GS350	26	60
29	36536	13-18	Hyundai Santa Fe Sport (5 Passenger)	20	30
29	36536	14-15	KIA Sorento w/ I4 Engine	20	30
29	36536	14-15	KIA Sorento w/ V6 Engine	20	30
42	36538	10-16	Buick LaCrosse	39	35
42	36538	11-17	Buick Regal	39	35
42	36538	13-19	Cadillac XTS	39	35
42	36538	14-19	Chevrolet Impala Except Impala Limited	39	35
42	36538	13-15	Chevrolet Malibu Except LTZ & Canada Models	39	35
42	36538	16	Chevrolet Malibu Limited LTZ, Except Canada Models (Old Body Style)	39	35
42	36538	16	Chevrolet Malibu Limited, Except LTZ & Canada Models (Old Body Style)	39	35
42	36538	14-15	Chevrolet Malibu LTZ Except Canada Models	39	35
23	36540	13-18	Toyota Avalon	35	40
23	36540	12-17	Toyota Camry Including Hybrid	35	40
46	36541	14-18	Acura RLX	19	60
18	36542	08-13	Nissan Rogue Except Krom	28	15
18	36542	14-19	Nissan Rogue Except Sport	28	15
18	36542	14	Nissan Rogue Select	28	15
48	36543	14	Chevrolet Impala Eco, Except Impala Limited	37	30

PC	PART NO.	YEARS	MAKE/MODEL	WGT LBS	IN
48	36543	14	Chevrolet Impala LS Except Impala Limited	37	30
48	36543	14	Chevrolet Impala LT Except Impala Limited	37	30
48	36543	14	Chevrolet Impala LTZ Except Impala Limited	37	30
28	36544	12-17	Hyundai Azera	26	20
28	36544	14	KIA Cadenza	26	20
47	36546	14	Buick LaCrosse	35	30
27	36548	05-19	Chrysler 300	35	30
27	36548	05-19	Chrysler 300	35	40
27	36548	08-19	Dodge Challenger Except Models w/Quad Tip Exhaust	35	30
27	36548	06-19	Dodge Charger	35	30
27	36548	05-08	Dodge Magnum	35	30
25	36554	13-19	Buick Encore	26	40
25	36554	13-16	Chevrolet Trax	26	40
25	36554	17-19	Chevrolet Trax Except LS	26	40
25	36554	17-19	Chevrolet Trax LS	26	40
26	36572	16-18	Hyundai Tucson	26	30
37	36586	15-19	Lincoln MKC	41	45
27	36587	15-18	Jeep Renegade	33	30
24	36588	06-18	Toyota RAV4	28	20
23	36592t	16-19	Chevrolet Malibu Except Premier (New Body Style)	27	80
23	36592t	16-19	Chevrolet Malibu Premier (New Body Style)	27	80
29	36593	17-18	KIA Sportage Except SX & SX Turbo	28	30
23	36594t	17-19	Buick LaCrosse	27	80
27	36596	17-19	Lincoln Continental	26	50
16	36597	17-19	Honda CR-V	28	20
25	36598	17-19	Jeep Compass (New Body Style)	36	40
29	36600	17-19	KIA Niro Except Plug-In-Hybrid	28	40
23	36601	13-18	Mazda CX-5	28	30
23	36601	13-18	Mazda CX-5	28	20
23	36602t	13-16	Mazda CX-5	28	30
26	36633	18-19	Honda Odyssey With Fuse Provisions	46	80
26	36633	18-19	Honda Odyssey Without Fuse Provisions	46	25
30	36635	18-19	Volkswagen Atlas	39	25
22	36642	18-19	Chevrolet Equinox Except Premier or Models w/1.6L Diesel	28	35
22	36642	18-19	Chevrolet Equinox Premier, Except Models w/1.6L Diesel	28	35
22	36642	18-19	GMC Terrain Except Diesel	28	35
22	36643	18-19	Toyota Camry Except Hybrid	35	40
22	36644	18-19	Subaru Crosstrek Except Hybrid	31	60
22	36644	18-19	Subaru Crosstrek Hybrid	31	60
22	36644	18-19	Subaru Impreza 5 Dr. Wagon, Except WRX STI & w/Quad Exhaust Outlets	31	60
25	36650	18	Volkswagen Tiguan	33	20
23	36652	17-19	Buick LaCrosse	27	80
23	36652	18-19	Buick Regal Sportback	27	80
23	36652	16-19	Chevrolet Malibu Except Premier (New Body Style)	27	80
23	36652	16-19	Chevrolet Malibu Premier (New Body Style)	27	80
27	36660	18	Ford EcoSport	31	45
41	36661	18-19	Buick Regal TourX	43	30
46	36762t	13-19	Cadillac XTS	39	30
46	36762t	14	Chevrolet Impala LT Except Impala Limited	39	40
46	36762t	14	Chevrolet Impala LTZ Except Impala Limited	39	40
24	36772	16-19	Mazda CX-9	37	30
26	36798	17-19	Chrysler Pacifica Hybrid (Needs Conversion Kit: 76046SK)	42	45
26	36798	17-19	Chrysler Pacifica Limited	42	45
26	36798	17-19	Chrysler Pacifica LX	42	45
26	36798	17-18	Chrysler Pacifica Touring	42	45
26	36798	17-19	Chrysler Pacifica Touring L	42	45
26	36798	17-19	Chrysler Pacifica Touring L Plus	42	45
26	36798	17-19	Chrysler Pacifica Touring Plus	42	45
CLASS III/IV: RECEIVER					
34	41001	63-86	Chevrolet C10 w/8' Bed	52	40
		63-86	Chevrolet C20 w/8' Bed	40	40
		88-91	Chevrolet C2500 Crew Cab w/8' Bed	40	40
		63-86	Chevrolet C30 w/8' Bed	45	40
		63-86	Chevrolet C30 w/8' Bed	40	40
		88-91	Chevrolet C3500 Crew Cab w/8' Bed	40	40
		63-86	Chevrolet K10 w/8' Bed	40	40
		63-86	Chevrolet K20 w/8' Bed	40	40
		88-91	Chevrolet K2500 Crew Cab w/8' Bed	40	40
		73-86	Chevrolet K30 w/8' Bed	40	40
		88-91	Chevrolet K3500 Crew Cab w/8' Bed	40	40
		63-72	Ford F-100	40	40
		63-74	Ford F-250	40	40
63-74	Ford F-350	40	40		
99-00	Ford F-350 Super Duty Cab & Chassis, w/34" Wide Frames	40	40		
63-65	GMC 1000 Series w/8' Bed	40	40		
63-65	GMC 1500 Series w/8' Bed	40	40		

PC	PART NO.	YEARS	MAKE/MODEL	WGT LBS	IN		
34	41001	63-65	GMC 2500 Series w/8' Bed	52	40		
		63-66	GMC 3000 w/8' Bed	40	40		
		63-66	GMC 3500 w/8' Bed	40	40		
		75-78	GMC C15 w/8' Bed	40	40		
		67-74	GMC C15/C1500 w/8' Bed	40	40		
		79-86	GMC C1500 w/8' Bed	40	40		
		67-78	GMC C25 w/8' Bed	40	40		
		88-91	GMC C2500 Crew Cab w/8' Bed	40	40		
		79-86	GMC C2500 w/8' Bed	40	40		
		67-78	GMC C35 w/8' Bed	40	40		
		88-91	GMC C3500 Crew Cab w/8' Bed	40	40		
		79-86	GMC C3500 w/8' Bed	40	40		
		67-78	GMC K15 w/8' Bed	40	40		
		79-86	GMC K1500 w/8' Bed	40	40		
		67-78	GMC K25 w/8' Bed	40	40		
		79-86	GMC K2500 w/8' Bed	40	40		
		67-78	GMC K35 w/8' Bed	40	40		
		88-91	GMC K3500 Crew Cab w/8' Bed	40	40		
		79-86	GMC K3500 w/8' Bed	40	40		
		74	International 100	30	30		
		69-70	International 1000D	30	30		
		71-73	International 1010	40	40		
		69-70	International 1100D	30	30		
		71-73	International 1110	30	30		
		69-70	International 1200D	30	30		
		71-73	International 1210	30	30		
		69-70	International 1300D	30	30		
		71-73	International 1310	30	30		
		74-75	International 150	30	30		
		69-71	International 1500D	30	30		
		74-75	International 200	30	30		
		25	41004	80-83	Ford F-100 Except w/Custom Fascia	52	30
				87-96	Ford F-150	30	30
				80-86	Ford F-150 Except w/Custom Fascia	30	30
87-96	Ford F-250			30	30		
80-86	Ford F-250 Except w/Custom Fascia			30	30		
97	Ford F-250 Heavy Duty			30	30		
87-96	Ford F-350			30	30		
80-86	Ford F-350 Except w/Custom Fascia			30	30		
97	Ford F-350 Heavy Duty			30	30		
54	41015			96-97	Lexus LX450	40	30
		91-97	Toyota Land Cruiser	30	30		
38	41116	92-09	Ford Crown Victoria	48	30		
		79-82	Ford LTD	30	30		
		83-91	Ford LTD Crown Victoria	30	30		
		80-83	Lincoln Mark VI	30	30		
		81-11	Lincoln Town Car	30	30		
		83-11	Mercury Grand Marquis	30	30		
		03-04	Mercury Marauder	30	30		
79-82	Mercury Marquis Sedan	30	30				
52	41121	78-95	Chevrolet G10	50	30		
		78-95	Chevrolet G20	30	30		
		78-95	Chevrolet G30	30	30		
		96	Chevrolet G30 Classic & Sport Full Size w/Lo-Mount Taillights	30	30		
		79-95	GMC G1500	30	30		
		79-95	GMC G2500	30	30		
		79-95	GMC G3500	30	30		
		96	GMC G3500 Vandura & Rally Full Size w/Lo-Mount Taillights	30	30		
29	41504	63-86	Chevrolet C10 w/Deep Drop Bumper	67	40		
		63-86	Chevrolet C20 w/Deep Drop Bumper	40	40		
		88-91	Chevrolet C2500 Crew Cab, w/Deep Drop Bumper	40	40		
		63-86	Chevrolet C30 w/Deep Drop Bumper	40	40		
		88-91	Chevrolet C3500 Crew Cab, w/Deep Drop Bumper	40	40		
		63-86	Chevrolet K10 w/Deep Drop Bumper	40	40		
		63-86	Chevrolet K20 w/Deep Drop Bumper	40	40		
		88-91	Chevrolet K2500 Crew Cab, w/Deep Drop Bumper	40	40		
		73-86	Chevrolet K30 w/Deep Drop Bumper	40	40		
		88-91	Chevrolet K3500 Crew Cab, w/Deep Drop Bumper	40	40		
		68-89	Dodge D100 w/Deep Drop Bumper	40	40		
		77-93	Dodge D150 w/Deep Drop Bumper	40	40		
		68-80	Dodge D200 w/Deep Drop Bumper	40	40		
		81-85	Dodge D250 w/Deep Drop Bumper	40	40		
		68-80	Dodge D300 w/Deep Drop Bumper	40	40		
		81-85	Dodge D350 w/Deep Drop Bumper	40	40		
		94-01	Dodge Ram 1500 w/Deep Drop Bumper	40	40		
		94-02	Dodge Ram 2500 w/Deep Drop Bumper	40	40		

PC	PART NO.	YEARS	MAKE/MODEL	WGT LBS	IN		
29	41504	94-02	Dodge Ram 3500 w/Deep Drop Bumper	67	40		
		74-88	Dodge Ramcharger w/Deep Drop Bumper, Except w/Skid Shield	40	40		
		67-89	Dodge W100 w/Deep Drop Bumper	40	40		
		77-93	Dodge W150 w/Deep Drop Bumper	40	40		
		67-80	Dodge W200 w/Deep Drop Bumper	40	40		
		81-93	Dodge W250 w/Deep Drop Bumper	40	40		
		67-80	Dodge W300 w/Deep Drop Bumper	40	40		
		81-93	Dodge W350 w/Deep Drop Bumper	40	40		
		78-86	Ford Bronco w/Deep Drop Bumper	40	40		
		89-97	Ford F Super Duty Cab & Chassis, w/34" Wide Frames & 161" Wheelbase & w/Deep Drop Bumper	40	40		
		63-79	Ford F-100 w/Deep Drop Bumper	40	40		
		80-83	Ford F-100 w/Deep Drop Bumper, Except w/Custom Fascia	40	40		
		75-96	Ford F-150 w/Deep Drop Bumper	40	40		
		80-86	Ford F-150 w/Deep Drop Bumper, Except w/Custom Fascia	40	40		
		97	Ford F-250 Heavy Duty, w/Deep Drop Bumper	40	40		
		63-96	Ford F-250 w/Deep Drop Bumper	40	40		
		80-86	Ford F-250 w/Deep Drop Bumper, Except w/Custom Fascia	40	40		
		97	Ford F-350 Heavy Duty, w/Deep Drop Bumper	40	40		
		99-00	Ford F-350 Super Duty Cab & Chassis, w/34" Wide Frames & w/Deep Drop Bumper	40	40		
		63-96	Ford F-350 w/Deep Drop Bumper	40	40		
		80-86	Ford F-350 w/Deep Drop Bumper, Except w/Custom Fascia	40	40		
		63-65	GMC 1000 Series w/Deep Drop Bumper	40	40		
		63-65	GMC 1500 Series w/Deep Drop Bumper	40	40		
		63-65	GMC 2500 Series w/Deep Drop Bumper	40	40		
		63-66	GMC 3000 w/Deep Drop Bumper	40	40		
		63-66	GMC 3500 w/Deep Drop Bumper	40	40		
		67-78	GMC C15 w/Deep Drop Bumper	40	40		
		79-86	GMC C1500 w/Deep Drop Bumper	40	40		
		67-78	GMC C25 w/Deep Drop Bumper	40	40		
		88-91	GMC C2500 Crew Cab, w/Deep Drop Bumper	40	40		
		79-86	GMC C2500 w/Deep Drop Bumper	40	40		
		88-91	GMC C3500 Crew Cab, w/Deep Drop Bumper	40	40		
		79-86	GMC C3500 w/Deep Drop Bumper	40	40		
		67-78	GMC K15 w/Deep Drop Bumper	40	40		
		79-86	GMC K1500 w/Deep Drop Bumper	40	40		
		67-78	GMC K25 w/Deep Drop Bumper	40	40		
		79-86	GMC K2500 w/Deep Drop Bumper	40	40		
		67-78	GMC K35 w/Deep Drop Bumper	40	40		
		79-91	GMC K3500 w/Deep Drop Bumper	40	40		
		69-70	International 1000D w/Deep Drop Bumper	40	40		
		74-81	Plymouth Trailduster w/Deep Drop Bumper, Except w/Skid Shield	40	40		
		41	41511	99-00	Cadillac Escalade	46	30
				92-94	Chevrolet Blazer Full Size	30	30
				92-99	Chevrolet Suburban C1500	30	30
				92-99	Chevrolet Suburban C2500	30	30
				92-99	Chevrolet Suburban K1500	30	30
				92-99	Chevrolet Suburban K2500	30	30
				95-00	Chevrolet Tahoe	30	30
				92-99	GMC Suburban C1500	30	30
				92-99	GMC Suburban C2500	30	30
				92-99	GMC Suburban K1500	30	30
		92-99	GMC Suburban K2500	30	30		
		92-00	GMC Yukon	30	30		
99-00	GMC Yukon Denali	30	30				
33	41521	96-14	Chevrolet Express 1500	46	15		
		96-17	Chevrolet Express 2500	15	15		
		96-17	Chevrolet Express 3500	15	15		
		96-14	GMC Savana 1500	15	15		
		96-17	GMC Savana 2500	15	15		
38	41522	88-99	Chevrolet C1500 w/Aftermarket Roll Pan	27	40		
		88-99	Chevrolet C2500 w/Aftermarket Roll Pan	40	40		
		88-00	Chevrolet C3500 w/Aftermarket Roll Pan	40	40		
		88-99	Chevrolet K1500 w/Aftermarket Roll Pan	40	40		
		88-99	Chevrolet K2500 w/Aftermarket Roll Pan	40	40		
		88-00	Chevrolet K3500 w/Aftermarket Roll Pan	40	40		
		88-99	GMC C1500 w/Aftermarket Roll Pan	40	40		
		88-00	GMC C2500 w/Aftermarket Roll Pan	40	40		
		88-00	GMC C3500 w/Aftermarket Roll Pan	40	40		
		88-99	GMC K1500 w/Aftermarket Roll Pan	40	40		
		88-00	GMC K2500 w/Aftermarket Roll Pan	40	40		
		88-00	GMC K3500 w/Aftermarket Roll Pan	40	40		
44	41524	88-99	Chevrolet C1500	48	20		

RECEIVER HITCH INDEX

PC	PART NO.	YEARS	MAKE/MODEL	WGT					
				LBS	IN				
44	41524	92-00	Chevrolet C2500 Crew Cab	48	20				
		88-99	Chevrolet C2500 Regular & Extended Cabs						
		92-00	Chevrolet C3500 Crew Cab						
		88-00	Chevrolet C3500 Regular & Extended Cabs						
		88-99	Chevrolet K1500						
		92-00	Chevrolet K2500 Crew Cab						
		88-99	Chevrolet K2500 Regular & Extended Cabs						
		92-00	Chevrolet K3500 Crew Cab						
		88-00	Chevrolet K3500 Regular & Extended Cabs						
		88-99	GMC C1500						
		88-00	GMC C2500						
		88-00	GMC C3500						
		88-99	GMC K1500						
		88-00	GMC K2500						
		88-00	GMC K3500						
		38	41525†			88-99	Chevrolet C1500	53	20
						92-00	Chevrolet C2500 Crew Cab		
88-99	Chevrolet C2500 Regular & Extended Cabs								
92-00	Chevrolet C3500 Crew Cab								
88-00	Chevrolet C3500 Regular & Extended Cabs								
88-99	Chevrolet K1500								
92-00	Chevrolet K2500 Crew Cab								
88-99	Chevrolet K2500 Regular & Extended Cabs								
92-00	Chevrolet K3500 Crew Cab								
88-00	Chevrolet K3500 Regular & Extended Cabs								
88-99	GMC C1500								
88-00	GMC C2500								
88-00	GMC C3500								
88-99	GMC K1500								
41	41527	97-02	Ford Expedition	54	15				
		98-02	Lincoln Navigator						
53	41528	88-99	Chevrolet C1500 w/10" Deep Drop Bumper	50	20				
		92-00	Chevrolet C2500 Crew Cab w/10" Deep Drop Bumper						
		88-99	Chevrolet C2500 Regular & Extended Cabs, w/10" Deep Drop Bumper						
		92-00	Chevrolet C3500 Crew Cab w/10" Deep Drop Bumper						
		88-00	Chevrolet C3500 Regular & Extended Cabs, w/10" Deep Drop Bumper						
		88-99	Chevrolet K1500 w/10" Deep Drop Bumper						
		92-00	Chevrolet K2500 Crew Cab w/10" Deep Drop Bumper						
		88-99	Chevrolet K2500 Regular & Extended Cabs, w/10" Deep Drop Bumper						
		92-00	Chevrolet K3500 Crew Cab w/10" Deep Drop Bumper						
		88-00	Chevrolet K3500 Regular & Extended Cabs, w/10" Deep Drop Bumper						
		88-99	GMC C1500 w/10" Deep Drop Bumper						
		88-00	GMC C2500 w/10" Deep Drop Bumper						
		88-00	GMC C3500 w/10" Deep Drop Bumper						
		88-99	GMC K1500 w/10" Deep Drop Bumper						
		88-00	GMC K2500 w/10" Deep Drop Bumper						
		88-00	GMC K3500 w/10" Deep Drop Bumper						
		31	41531			97-06	Jeep TJ (Canada Only)	26	15
97-06	Jeep Wrangler								
37	41533	94	Dodge Van, B150 Except w/Factory Step Bumper	50	20				
		95-98	Dodge Van, B1500 Except w/Factory Step Bumper						
		94	Dodge Van, B250 Except w/Factory Step Bumper						
		95-98	Dodge Van, B2500 Except w/Factory Step Bumper						
		94	Dodge Van, B350 Except w/Factory Step Bumper						
		95-98	Dodge Van, B3500 Except w/Factory Step Bumper						
		99-03	Dodge Van, Ram 1500 Except w/Factory Step Bumper						
		99-03	Dodge Van, Ram 2500 Except w/Factory Step Bumper						
		99-03	Dodge Van, Ram 3500 Except w/Factory Step Bumper						
		99-03	Dodge Van, Ram 3500 Except w/Factory Step Bumper						
39	41534	99-02	Chevrolet Silverado 1500	52	20				
		03-07	Chevrolet Silverado 1500 (Classic)						
		01-02	Chevrolet Silverado 1500 HD						
		03-07	Chevrolet Silverado 1500 HD (Classic)						
		99-04	Chevrolet Silverado 2500						
		99-02	GMC Sierra 1500						
		03-07	GMC Sierra 1500 (Classic)						
		01-03	GMC Sierra 1500 HD						
		05-07	GMC Sierra 1500 HD (Classic)						
		99-04	GMC Sierra 2500						
		99-04	GMC Sierra 2500						
56	41536	94-01	Dodge Ram 1500	46	15				
		94-02	Dodge Ram 2500						
		94-02	Dodge Ram 3500						
		94-02	Dodge Ram 3500						

PC	PART NO.	YEARS	MAKE/MODEL	WGT	
				LBS	IN
29	41537	99-04	Chevrolet Tracker	29	15
		99-05	Suzuki Grand Vitara		
		99-04	Suzuki Vitara		
35	41541	99-03	Lexus RX300	34	15
		02-06	Suzuki XL-7		
25	41543	99-03	Toyota Highlander	28	35
		01-03	Toyota Highlander		
46	41544	01-06	Hyundai Santa Fe	55	20
		01-02	Chevrolet Silverado 2500 HD		
		03-07	Chevrolet Silverado 2500 HD (Classic)		
		01-02	Chevrolet Silverado 3500		
		03-07	Chevrolet Silverado 3500 (Classic)		
		01-02	GMC Sierra 2500 HD		
		03-07	GMC Sierra 2500 HD (Classic)		
		01-02	GMC Sierra 3500		
		03-07	GMC Sierra 3500 (Classic)		
		03-07	GMC Sierra 3500 (Classic)		
30	41547	99-00	Ford F-350 Super Duty Cab & Chassis, w/34" Wide Frames	32	60
		99-17	Ford F-450 Super Duty Cab & Chassis, w/34" Wide Frames		
		99-17	Ford F-550 Super Duty Cab & Chassis, w/34" Wide Frames		
56	41549	04-05	Ford F-150	60	30
		06	Lincoln Mark LT (Built Before 8/2005)		
38	41551	04-15	Nissan Titan	40	15
		04-15	Nissan Titan		
36	75020	87-95	Nissan Pathfinder	38	40
		87-95	Nissan Pathfinder		
62	75031	84-95	Toyota Pickup Except T-100	60	60
		84-95	Toyota Pickup Except T-100		
35	75033	88-99	Chevrolet C1500	46	20
		92-00	Chevrolet C2500 Crew Cab		
		88-99	Chevrolet C2500 Regular & Extended Cabs		
		92-00	Chevrolet C3500 Crew Cab		
		88-00	Chevrolet C3500 Regular & Extended Cabs		
		88-99	Chevrolet K1500		
		92-00	Chevrolet K2500 Crew Cab		
		88-99	Chevrolet K2500 Regular & Extended Cabs		
		92-00	Chevrolet K3500 Crew Cab		
		88-00	Chevrolet K3500 Regular & Extended Cabs		
		88-99	GMC C1500		
		88-00	GMC C2500		
		88-00	GMC C3500		
		88-99	GMC K1500		
34	75034	63-86	Chevrolet C10	36	30
		63-86	Chevrolet C10		
		63-86	Chevrolet C20		
		63-86	Chevrolet C20		
		88-91	Chevrolet C2500 Crew Cab		
		63-86	Chevrolet C30		
		63-86	Chevrolet C30		
		88-91	Chevrolet C3500 Crew Cab		
		63-86	Chevrolet K10		
		63-86	Chevrolet K10		
		63-86	Chevrolet K20		
		63-86	Chevrolet K20		
		88-91	Chevrolet K2500 Crew Cab		
		73-86	Chevrolet K30		
		88-91	Chevrolet K3500 Crew Cab		
		63-72	Ford F-100		
		63-72	75034		
63-74	Ford F-350				
63-65	GMC 1000 Series				
63-65	GMC 1500 Series				
63-65	GMC 2500 Series				
63-66	GMC 3000				
63-66	GMC 3500				
75-78	GMC C15				
67-74	GMC C15/C1500				
79-86	GMC C1500				
67-78	75034	67-78	GMC C25	40	40
		79-86	GMC C2500		
		88-91	GMC C2500 Crew Cab		
		67-78	GMC C35		
		79-86	GMC C3500		
		88-91	GMC C3500 Crew Cab		
		67-78	GMC K15		
		67-78	GMC K15		
		79-86	GMC K1500		
		67-78	GMC K25		
79-86	75034	79-86	GMC K2500	40	40
		67-78	GMC K35		

PC	PART NO.	YEARS	MAKE/MODEL	WGT LBS	IN				
34	75034	79-86	GMC K3500	36	40				
		88-91	GMC K3500 Crew Cab						
		74	International 100						
		69-70	International 1000D						
		71-73	International 1010						
		69-70	International 1100D						
		71-73	International 1110						
		69-70	International 1200D						
		71-73	International 1210						
		69-70	International 1300D						
		71-73	International 1310						
		74-75	International 150						
		69-71	International 1500D						
		74-75	International 200						
		37	75037			99-00	Cadillac Escalade	40	30
						92-94	Chevrolet Blazer Full Size		
						92-99	Chevrolet Suburban C1500		
92-99	Chevrolet Suburban C2500								
92-99	Chevrolet Suburban K1500								
92-99	Chevrolet Suburban K2500								
95-00	Chevrolet Tahoe								
92-99	GMC Suburban C1500								
92-99	GMC Suburban C2500								
92-99	GMC Suburban K1500								
92-99	GMC Suburban K2500								
92-00	GMC Yukon								
99-00	GMC Yukon Denali								
34	75038			68-79	Dodge D100	38	30		
				77-93	Dodge D150				
				68-80	Dodge D200				
				81-93	Dodge D250				
		68-80	Dodge D300						
		81-93	Dodge D350						
		97-04	Dodge Dakota						
		67-89	Dodge W100						
		77-93	Dodge W150						
		67-80	Dodge W200						
		81-93	Dodge W250						
		67-80	Dodge W300						
		81-93	Dodge W350						
		78-96	Ford Bronco						
		75-79	Ford F-100						
		80-83	Ford F-100 Except w/Custom Fascia						
		87-96	Ford F-150						
		80-86	Ford F-150 Except w/Custom Fascia						
		75-96	Ford F-250						
		80-86	Ford F-250 Except w/Custom Fascia						
		97	Ford F-250 Heavy Duty						
		75-96	Ford F-350						
		80-86	Ford F-350 Except w/Custom Fascia						
		97	Ford F-350 Heavy Duty						
		30	75041	93-98	Jeep Grand Cherokee			40	40
				93	Jeep Grand Wagoneer				
		41	75043	96-99	Acura SLX			41	40
				92-02	Isuzu Trooper				
		39	75049	94-97	Honda Passport			34	40
				91-97	Isuzu Rodeo				
34	75051	83-97	Chevrolet S10 w/Standard Bed & Step Bumper	37	40				
		83-90	GMC S15 w/Standard Bed & Step Bumper						
		96-97	Isuzu Hombre w/Step Bumper						
30	75054	84-01	Jeep Cherokee	36	40				
		84-90	Jeep Wagoneer						
43	75055	95-98	Ford Windstar	38	40				
		03	Ford Windstar (Built After 11/2002)						
		99-03	Ford Windstar (Built Before 11/2002)						
28	75065	97-03	Ford F-150 Flareside	44	30				
		04	Ford F-150 Heritage Flareside						
		04	Ford F-150 Heritage Styleside						
		97-03	Ford F-150 Styleside						
		00-03	Ford F-150 SuperCrew						
97-99	Ford F-250 Styleside								
42	75071	97-02	Ford Expedition	47	15				
		98-02	Lincoln Navigator						
31	75073	87-04	Dodge Dakota	39	15				
		87-04	Dodge Dakota						
40	75075	97-04	Mitsubishi Montero Sport	34	20				
34	75077	97-03	Infiniti QX4	32	20				

PC	PART NO.	YEARS	MAKE/MODEL	WGT LBS	IN
34	75077	96-04	Nissan Pathfinder	32	20
32	75078	95-04	Toyota Tacoma (App. starts with 95-1/2)	42	40
21	75079	95-05	Chevrolet Blazer Downsized	29	15
		99-01	Chevrolet Blazer Trailblazer		
		95-05	GMC Jimmy Downsized		
		96-01	Oldsmobile Bravada		
34	75081	98-03	Dodge Durango	44	15
24	75082	93-11	Ford Ranger	30	20
		83-92	Ford Ranger Except GT		
		94-09	Mazda B2300		
		98-01	Mazda B2500		
		94-08	Mazda B3000		
		94-09	Mazda B4000		
34	75083	91-00	Ford Explorer	30	15
		01-03	Ford Explorer 2 Dr. Sport		
		01	Ford Explorer 4 Dr.		
		91-94	Mazda Navajo		
97-01	Mercury Mountaineer				
30	75085	98-04	Chevrolet S10	35	40
		96-97	Chevrolet S10 w/Sportside Bed & Non-Towing Bumper		
		98-04	GMC Sonoma		
		96-97	GMC Sonoma w/Sportside Bed & Non-Towing Bumper		
		98-00	Isuzu Hombre w/Step Bumper		
34	75087	98-02	Mercedes-Benz ML320	21	30
		03-05	Mercedes-Benz ML350		
		99-01	Mercedes-Benz ML430		
		02-05	Mercedes-Benz ML500		
47	75089	93-98	Mercury Villager	37	15
		93-98	Nissan Quest		
41	75090	94	Dodge Van, B150 Except w/Factory Step Bumper	41	20
		95-98	Dodge Van, B1500 Except w/Factory Step Bumper		
		94	Dodge Van, B250 Except w/Factory Step Bumper		
		95-98	Dodge Van, B2500 Except w/Factory Step Bumper		
		94	Dodge Van, B350 Except w/Factory Step Bumper		
		95-98	Dodge Van, B3500 Except w/Factory Step Bumper		
		99-03	Dodge Van, Ram 1500 Except w/Factory Step Bumper		
		99-03	Dodge Van, Ram 2500 Except w/Factory Step Bumper		
		99-03	Dodge Van, Ram 3500 Except w/Factory Step Bumper		
42	75091	96-02	Toyota 4Runner	40	30
34	75092	98-01	Honda Passport w/Door Mounted Spare	34	15
		98-01	Isuzu Rodeo w/Door Mounted Spare		
30	75093	98-02	Honda Passport w/Under Vehicle Spare	30	15
		02-03	Isuzu Axiom w/Under Vehicle Spare		
		98-04	Isuzu Rodeo w/Under Vehicle Spare, Except w/3.5L		
45	75095	98-07	Lexus LX470	36	20
		98-07	Toyota Land Cruiser		
31	75096	91-00	Ford Explorer	38	15
		91-00	Ford Explorer		
		01-03	Ford Explorer 2 Dr. Sport		
		01	Ford Explorer 4 Dr.		
		91-94	Mazda Navajo		
		97-01	Mercury Mountaineer		
25	75099	88-99	Chevrolet C1500	50	20
		92-00	Chevrolet C2500 Crew Cab		
		88-99	Chevrolet C2500 Regular & Extended Cabs		
		92-00	Chevrolet C3500 Crew Cab		
		88-00	Chevrolet C3500 Regular & Extended Cabs		
		88-99	Chevrolet K1500		
		92-00	Chevrolet K2500 Crew Cab		
		88-99	Chevrolet K2500 Regular & Extended Cabs		
		92-00	Chevrolet K3500 Crew Cab		
		88-99	GMC C1500		
88-00	GMC C2500				
88-00	GMC C3500				
88-99	GMC K1500				
88-00	GMC K2500				
88-00	GMC K3500				
25	75101	94-01	Dodge Ram 1500	38	15
		94-02	Dodge Ram 2500		
		94-02	Dodge Ram 3500		
44	75102	99-02	Mercury Villager	32	15
		99-02	Nissan Quest		
30	75105	00-06	Toyota Tundra	50	15
41	75107	00-04	Nissan Xterra	28	15
46	75108	00-03	Mazda MPV Except w/Ground Effects	49	15
32	75112	01-05	Ford Explorer Sport Trac	38	15
50	75116	01-06	Mitsubishi Montero Except Montero Sport	40	20

RECEIVER HITCH INDEX

PC	PART NO.	YEARS	MAKE/MODEL	WGT					
				LBS	IN				
38	75118	01-04	Ford Escape	31	35				
		01-04	Mazda Tribute						
30	75119	96-03	Chrysler Town & Country	38	30				
		04-07	Chrysler Town & Country Except w/Stow & Go Seats						
		01-03	Chrysler Voyager						
		96-03	Dodge Caravan						
		04-07	Dodge Caravan Except w/Stow & Go Seats						
		96-03	Dodge Grand Caravan						
		04-07	Dodge Grand Caravan Except w/Stow & Go Seats						
		96-00	Plymouth Grand Voyager						
		96-00	Plymouth Voyager						
		34	75120			98-03	Toyota Sienna	33	30
		45	75121			78-95	Chevrolet G10	45	40
78-95	Chevrolet G20								
78-95	Chevrolet G30								
96	Chevrolet G30 Classic & Sport Full Size w/Lo-Mount Taillights								
79-95	GMC G1500								
79-95	GMC G2500								
79-95	GMC G3500								
96	GMC G3500 Vandura & Rally Full Size w/Lo-Mount Taillights								
33	75122	90-05	Chevrolet Astro Extended Body	47	30				
		90-05	GMC Safari Extended Body						
42	751231	83-94	Chevrolet Blazer S10	32	60				
		84-91	Chevrolet Blazer S10 2 Dr.						
		84-91	Chevrolet Blazer S10 4 Dr.						
		92-94	GMC Jimmy Downsized						
		83	GMC S15 Jimmy						
		84-91	GMC S15 Jimmy 2 Dr.						
		84-91	GMC S15 Jimmy 4 Dr.						
91-94	Oldsmobile Bravada								
31	75125	96-05	Toyota RAV4	25	15				
57	75126	01-07	Toyota Sequoia Except Models w/OEM Hitch	42	20				
23	75128	02-07	Jeep Liberty	39	15				
44	75129	73-91	Chevrolet Blazer Full Size	34	30				
		75-86	Chevrolet Blazer K5						
		73-91	GMC Jimmy Full Size						
42	75131	02-05	KIA Sedona	33	30				
51	75132	02-05	Ford Explorer 4 Dr.	38	20				
		03-05	Lincoln Aviator						
		02-05	Mercury Mountaineer						
14	75135	02-03	Dodge Ram 1500 (Built Before 11/2002)	22	15				
33	75138	02-07	Buick Rendezvous	38	55				
		01-05	Pontiac Aztek						
31	75139	99-04	Jeep Grand Cherokee	43	15				
30	75140	78-80	Dodge Van, B100	41	30				
		81-94	Dodge Van, B150						
		95-98	Dodge Van, B1500						
		78-80	Dodge Van, B200						
		81-94	Dodge Van, B250						
		95-98	Dodge Van, B2500						
		78-80	Dodge Van, B300						
		81-94	Dodge Van, B350						
		95-98	Dodge Van, B3500						
		99-03	Dodge Van, Ram 1500						
		99-03	Dodge Van, Ram 2500						
		99-03	Dodge Van, Ram 3500						
		59	75144			93-98	Toyota T100	48	45
		53	75145			92-95	Toyota 4Runner	52	40
37	75148	03-07	Nissan Murano	32	30				
11	75151	06-08	Dodge Ram 1500	14	20				
		03	Dodge Ram 1500 (Built After 11/2002)						
		04-05	Dodge Ram 1500 Except Daytona/Hemi Sport Quad Cab/Ram Rumble Bee/SRT-10						
		03-09	Dodge Ram 2500						
		03-09	Dodge Ram 3500						
36	75152	03-14	Volvo XC90	29	25				
32	75153	04-06	Lexus RX330	37	20				
		07-09	Lexus RX350						
		06-08	Lexus RX400h Hybrid						
		04-07	Toyota Highlander						
		04-07	Toyota Highlander						
47	75155	03-09	Lexus GX470	31	35				
		03-09	Toyota 4Runner						
50	75156	04-05	Ford F-150	50	30				
		06	Lincoln Mark LT (Built Before 8/2005)						
45	75158	04-07	Ford Freestar	33	30				
		04-07	Mercury Monterey						

PC	PART NO.	YEARS	MAKE/MODEL	WGT	
				LBS	IN
50	75159	04-09	Nissan Quest	47	20
18	75162	07-09	Chrysler Aspen	19	50
		04-09	Dodge Durango		
41	75163	04-05	Mitsubishi Endeavor	27	20
35	75172	03-06	Cadillac Escalade	31	30
		03-06	Cadillac Escalade ESV		
		03-06	Cadillac Escalade EXT		
58	75174	04-09	Cadillac SRX Except w/Sport Package Fascia	56	60
41	75186	88-94	Nissan D21	43	30
		98-04	Nissan Frontier		
		95-97	Nissan Pickup		
20	75189	96-14	Chevrolet Express 1500	39	15
		96-17	Chevrolet Express 2500		
		96-17	Chevrolet Express 3500		
		96-14	GMC Savana 1500		
		96-17	GMC Savana 2500		
		96-17	GMC Savana 3500		
28	75193	97-06	Jeep TJ (Canada Only)	31	15
		97-06	Jeep Wrangler		
48	75210	03-06	Dodge Sprinter 2500 w/41" Wide Frames, Except 118" Wheelbase & Factory Metal Step Platform	45	20
		03-06	Dodge Sprinter 3500 w/41" Wide Frames, Except 118" Wheelbase & Factory Metal Step Platform		
		03-06	Freightliner Sprinter 2500 w/41" Wide Frames, Except 118" Wheelbase & Factory Metal Step Platform		
28	75214	03-06	Freightliner Sprinter 3500 w/41" Wide Frames, Except 118" Wheelbase & Factory Metal Step Platform	45	20
		03-06	Freightliner Sprinter 2500 w/41" Wide Frames, Except 118" Wheelbase & Factory Metal Step Platform		
		03-06	Freightliner Sprinter 3500 w/41" Wide Frames, Except 118" Wheelbase & Factory Metal Step Platform		
28	75214	15-19	Ford Edge Except Sport & Titanium Models	33	30
		15	Ford Edge Titanium Model Only		30
45	75216	15-19	Ford F-150	42	30
43	75218	13-18	Audi Q3	40	50
37	75219	15-17	RAM ProMaster City	30	60
35	75220	13-15	Isuzu MU-X	43	45
36	75223	17	Infiniti QX30 Except Sport Model	34	90
		15-18	Mercedes-Benz GLA250		
37	75225	14-18	Acura MDX Except w/Full Size Spare Tire	40	20
		16-19	Honda Pilot		
25	75227	12-18	Land Rover Range Rover Evoque Excluding Autobiography	31	45
41	75229	15-17	Land Rover Range Rover Sport	35	45
39	75232	11-18	RAM 1500	39	40
35	75234	15-19	Ford Edge Except Sport & Titanium Models	35	45
		15-19	Ford Edge Titanium and Sport Models Only		
		16-18	Lincoln MKX		
20	75235	06-18	Toyota RAV4	39	20
15	75236	05-15	Toyota Tacoma Except X-Runner	37	30
23	75237	04-14	Toyota Sienna	39	30
		15-18	Toyota Sienna Except SE		
		15-18	Toyota Sienna SE		
20	75238	16-19	Toyota Tacoma	35	20
27	75251	05-10	Dodge Dakota	36	20
		06-09	Mitsubishi Raider		
		11	RAM Dakota		
21	75270	99-17	Honda Odyssey	44	15
22	75278	05-07	Buick Terraza	39	40
		05-08	Chevrolet Uplander		
		09	Chevrolet Uplander (Canada Only)		
		97-05	Chevrolet Venture		
		97-04	Oldsmobile Silhouette		
		99-05	Pontiac Montana		
		05-06	Pontiac Montana SV6		
		07-09	Pontiac Montana SV6 (Canada Only)		
97-98	Pontiac Trans Sport				
05-07	Saturn Relay				
40	75280	06-14	Honda Ridgeline	38	20
20	75282	05-17	Nissan Frontier	35	30
		09-12	Suzuki Equator		
37	75291	05-15	Nissan Xterra	28	30
39	75292	04-06	Dodge Durango	46	20
42	75299	05-07	Ford Five Hundred	37	30
		05-07	Ford Freestyle		
		08-09	Ford Taurus 4 Dr. Sedan		
		08-09	Ford Taurus X		
		05-07	Mercury Montego		
08-09	Mercury Sable Sedan				
54	75305	05-07	Chrysler Town & Country w/Stow & Go Seats	47	25
		05-07	Dodge Grand Caravan w/Stow & Go Seats		
19	75338	06-10	Jeep Commander	26	20

PC	PART NO.	YEARS	MAKE/MODEL	WGT LBS	IN		
19	75338	05-10	Jeep Grand Cherokee Except SRT-8	26	90		
30	75362	99-13	Chevrolet Silverado 1500	40	15		
		03-07	Chevrolet Silverado 1500 (Classic)	15	15		
		01-03	Chevrolet Silverado 1500 HD	15	15		
		05-07	Chevrolet Silverado 1500 HD (Classic)	15	15		
		99-04	Chevrolet Silverado 2500	15	15		
		99-13	GMC Sierra 1500	15	15		
		03-07	GMC Sierra 1500 (Classic)	15	15		
		01-03	GMC Sierra 1500 HD	15	15		
		05-07	GMC Sierra 1500 HD (Classic)	15	15		
		99-04	GMC Sierra 2500	15	15		
		47	75363	04-10	Volkswagen Touareg	34	90
		25	75371	04-10	BMW X3	25	100
50	75376	07-08	Mercedes-Benz ML320 CDI Except w/Adaptive Variable Suspension	41	50		
		10-11	Mercedes-Benz ML350 Except BlueTEC or w/Adaptive Variable Suspension	50	50		
		06-09	Mercedes-Benz ML350 Except w/Adaptive Variable Suspension	50	50		
		10-11	Mercedes-Benz ML450 Hybrid, Except w/Adaptive Variable Suspension	50	50		
		06-07	Mercedes-Benz ML500 Except w/Adaptive Variable Suspension	50	50		
		08-11	Mercedes-Benz ML550 Except w/Adaptive Variable Suspension	50	50		
43	75382	06-10	Hummer H3	35	25		
33	75401	06-07	Subaru B9 Tribeca	32	35		
		08-10	Subaru Tribeca	35	35		
46	75420	06-08	Dodge Ram 1500	52	25		
		03	Dodge Ram 1500 (Built After 11/2002)	25	25		
		04-05	Dodge Ram 1500 Except Daytona/Hemi Sport Quad Cab/Ram Rumble Bee/SRT-10	25	25		
		03-09	Dodge Ram 2500	25	25		
		03-09	Dodge Ram 3500	25	25		
45	75421	07-09	Hyundai Entourage	35	20		
		06-14	KIA Sedona 118.9" Long Wheelbase	20	20		
28	75430	02-07	Buick Rendezvous	33	40		
		01-05	Pontiac Aztek	40	40		
39	75437	06-10	Ford Explorer w/1-1/4" Receivers	34	25		
		06-10	Mercury Mountaineer w/1-1/4" Receivers	25	25		
30	75448	06-13	Suzuki Grand Vitara Except 3 Dr Hatchback	36	20		
34	75461	07-14	Toyota FJ Cruiser	34	30		
43	75470	09	Mercedes-Benz R320 BlueTEC	45	25		
		09	Mercedes-Benz R320 BlueTEC w/Panoramic Roof Package	50	25		
		07-08	Mercedes-Benz R320 CDI	25	25		
		07-08	Mercedes-Benz R320 CDI w/Panoramic Roof Package	50	25		
		06-12	Mercedes-Benz R350	25	25		
		06-12	Mercedes-Benz R350 w/Panoramic Roof Package	50	25		
		06-07	Mercedes-Benz R500	25	25		
		06-07	Mercedes-Benz R500 w/Panoramic Roof Package	50	25		
37	75471	07-09	Hyundai Santa Fe	43	20		
28	75492	00-06	BMW X5	26	60		
45	75500	73-86	Chevrolet Suburban C10	34	40		
		73-86	Chevrolet Suburban C10	20	20		
		73-86	Chevrolet Suburban C20	20	20		
		73-86	Chevrolet Suburban C20	40	40		
		73-86	Chevrolet Suburban K10	20	20		
		73-86	Chevrolet Suburban K10	40	40		
		73-86	Chevrolet Suburban K20	40	40		
		73-86	Chevrolet Suburban K20	20	20		
		87-88	Chevrolet Suburban R10	20	20		
		89-91	Chevrolet Suburban R1500	20	20		
		87-88	Chevrolet Suburban R20	20	20		
		89-91	Chevrolet Suburban R2500	20	20		
		87-88	Chevrolet Suburban V10	20	20		
		89-91	Chevrolet Suburban V1500	20	20		
		87-88	Chevrolet Suburban V20	20	20		
		89-91	Chevrolet Suburban V2500	20	20		
		73-78	GMC Suburban C15	40	40		
		79-86	GMC Suburban C1500	40	40		
		79-86	GMC Suburban C1500	20	20		
		75-78	GMC Suburban C25	40	40		
		79-86	GMC Suburban C2500	20	20		
		79-86	GMC Suburban C2500	40	40		
		73-78	GMC Suburban K15	40	40		
		79-86	GMC Suburban K1500	40	40		
		79-86	GMC Suburban K1500	20	20		
		73-78	GMC Suburban K25	40	40		
		79-86	GMC Suburban K2500	40	40		
		79-86	GMC Suburban K2500	20	20		

PC	PART NO.	YEARS	MAKE/MODEL	WGT LBS	IN
45	75500	87-91	GMC Suburban R1500	34	20
		87-91	GMC Suburban R2500	20	20
		87-91	GMC Suburban V1500	20	20
		87-91	GMC Suburban V2500	20	20
25	75506	06-08	Ford F-150	36	20
		06-08	Lincoln Mark LT (Built After 8/2005)	20	20
52	75507	04-06	Mazda MPV	44	20
		00-03	Mazda MPV w/Ground Effects	20	20
29	75512	07-12	Mazda CX-7	32	40
10	75515f	07-17	Jeep Wrangler Except w/Right Hand Drive, Hard Rock Edition, 75th Anniversary Edition & vehicles with Mopar Off Road Bumper #82213654	15	20
		18	Jeep Wrangler JK Except w/Right Hand Drive, Hard Rock Edition, 75th Anniversary Edition & vehicles with Mopar Off Road Bumper #82213654	20	20
		18	Jeep Wrangler JK Right Hand Drive, Except Hard Rock Edition, 75th Anniversary Edition & vehicles with Mopar Off Road Bumper #82213654	20	20
		18	Jeep Wrangler JL (New Body Style), Except Sahara and Rubicon	20	20
		07-17	Jeep Wrangler Right Hand Drive, Except Hard Rock Edition, 75th Anniversary Edition & vehicles with Mopar Off Road Bumper #82213654	20	20
29	75516	03-09	KIA Sorento	37	15
		07-11	Dodge Nitro	39	20
41	75519	06-08	Mitsubishi Endeavor	34	25
22	75521	99-13	Chevrolet Silverado 1500	42	15
		03-07	Chevrolet Silverado 1500 (Classic)	15	15
		01-03	Chevrolet Silverado 1500 HD	15	15
		05-07	Chevrolet Silverado 1500 HD (Classic)	15	15
		99-04	Chevrolet Silverado 2500	15	15
		99-13	GMC Sierra 1500	15	15
		03-07	GMC Sierra 1500 (Classic)	15	15
		01-03	GMC Sierra 1500 HD	15	15
		05-07	GMC Sierra 1500 HD (Classic)	15	15
		99-04	GMC Sierra 2500	15	15
37	75522	04-08	Chrysler Pacifica	35	45
25	75527	07-19	Toyota Tundra (See Footnote CP)	32	20
19	75528	08-17	Buick Enclave	24	25
		09-17	Chevrolet Traverse	25	25
		07-16	GMC Acadia	25	25
		17	GMC Acadia Limited	25	25
		07-09	Saturn Outlook	25	25
29	75529	07-09	Suzuki XL-7	26	30
37	75531	07-15	Mazda CX-9	27	15
53	75532	07-12	Hyundai Veracruz	51	30
26	75540	16-18	Lexus RX350	31	20
		16-18	Lexus RX450h	40	40
34	75547	07-11	Honda CR-V	33	25
53	75549	07-09	Dodge Sprinter 2500 144" & 170" Wheelbase, Except w/Factory Step Bumper	40	20
		07-09	Dodge Sprinter 3500 144" & 170" Wheelbase, Except w/Factory Step Bumper	20	20
		07-13	Freightliner Sprinter 2500 144" & 170" Wheelbase, Except w/Factory Step Bumper	20	20
		07-13	Freightliner Sprinter 3500 144" & 170" Wheelbase, Except w/Factory Step Bumper	20	20
		07-17	Mercedes-Benz Sprinter 144" & 170" Wheelbase, Except w/Factory Step Bumper	20	20
		10-17	Mercedes-Benz Sprinter 2500 144" & 170" Wheelbase, Except w/Factory Step Bumper	20	20
		10-17	Mercedes-Benz Sprinter 3500 144" & 170" Wheelbase, Except w/Factory Step Bumper	20	20
		10-17	Mercedes-Benz Sprinter 3500 144" & 170" Wheelbase, Except w/Factory Step Bumper	20	20
34	75550	01-10	Chevrolet Silverado 2500 HD	40	20
		03-07	Chevrolet Silverado 2500 HD (Classic)	20	20
		01-02	Chevrolet Silverado 3500	20	20
		03-07	Chevrolet Silverado 3500 (Classic)	20	20
		07-10	Chevrolet Silverado 3500 HD	20	20
		01-10	GMC Sierra 2500 HD	20	20
		03-07	GMC Sierra 2500 HD (Classic)	20	20
		01-02	GMC Sierra 3500	20	20
		03-07	GMC Sierra 3500 (Classic)	20	20
		07-10	GMC Sierra 3500 HD	20	20
45	75551	07-10	KIA Sedona 113.8" Short Wheelbase	41	25
44	75555	07-10	Mitsubishi Outlander	39	25
		11-13	Mitsubishi Outlander Except Outlander Sport	25	25
30	75556	12-15	Chevrolet Captiva Sport	32	15

RECEIVER HITCH INDEX

PC	PART NO.	YEARS	MAKE/MODEL	WGT LBS	IN
30	75556	08-09	Saturn Vue	32	15
44	75560	08-09	Subaru Legacy Sedan	25	25
		05-07	Subaru Legacy Sedan, Except Outback	25	25
		05-07	Subaru Legacy Wagon, Except Outback	25	25
		05-07	Subaru Outback Sedan, Except Sport	25	25
		05-09	Subaru Outback Wagon, Except Sport	25	25
30	75561	05-09	Hyundai Tucson	29	25
		05-10	KIA Sportage 4 Cyl.	25	25
		05-10	KIA Sportage 6 Cyl.	25	25
33	75563	07-09	Acura RDX	27	30
36	75578	08-12	Jeep Liberty	36	20
19	75579	08-16	Chrysler Town & Country	45	20
		08-18	Dodge Grand Caravan	20	20
		12-15	RAM C/V Tradesman	20	20
		09-12	Volkswagen Routan	20	20
		13-14	Volkswagen Routan (Canada Only)	20	20
35	75586	08-13	Toyota Highlander Except w/Full Size 19" Spare Tire	45	25
31	75599	01-06	Acura MDX Except w/Full Size Spare Tire	40	30
		03-08	Honda Pilot	30	30
51	75600	07-17	BMW X5 Except M Sport Package	41	75
52	75601	07-09	Dodge Sprinter 2500 w/Factory Step Bumper Excluding Models w/30-3/8" Frame Width	50	30
		07-09	Dodge Sprinter 3500 w/Factory Step Bumper Excluding Models w/30-3/8" Frame Width	30	30
		07-13	Freightliner Sprinter 2500 w/Factory Step Bumper Excluding Models w/30-3/8" Frame Width	30	30
		07-13	Freightliner Sprinter 3500 w/Factory Step Bumper Excluding Models w/30-3/8" Frame Width	30	30
		10-17	Mercedes-Benz Sprinter 2500 w/Factory Step Bumper Excluding Models w/30-3/8" Frame Width	30	30
		10-17	Mercedes-Benz Sprinter 3500 w/Factory Step Bumper Excluding Models w/30-3/8" Frame Width	30	30
		07-17	Mercedes-Benz Sprinter w/Factory Step Bumper Excluding Models w/30-3/8" Frame Width	30	30
23	75607	04-12	Chevrolet Colorado	33	25
		04-12	GMC Canyon	25	25
		06	Isuzu i-280	25	25
		07-08	Isuzu i-290	25	25
		06	Isuzu i-350	25	25
		07-08	Isuzu i-370	25	25
47	75614	07-13	Acura MDX Except w/Full Size Spare Tire or w/Rear Sport Bumper Option	29	35
35	75644	08-14	Nissan Armada	39	15
30	75647	09-14	Nissan Murano Except w/Aero Kit & CrossCabriolet	28	35
29	75648	09-10	Dodge Journey	28	25
		12-18	Dodge Journey Except w/LED Taillights	25	25
		11-18	Dodge Journey w/LED Taillights	25	25
19	75649	08-19	Toyota Sequoia	21	40
27	75650	09-13	Subaru Forester	36	35
10	75658	09-17	Volkswagen Tiguan	9	20
40	75659	03-04	Honda Element	23	30
		05-11	Honda Element Except SC	30	30
		05-10	Honda Element SC	35	35
11	75662	06-10	Dodge Ram 1500	16	20
		03	Dodge Ram 1500 (Built After 11/2002)	20	20
		04-05	Dodge Ram 1500 Except Daytona/Hemi Sport Quad Cab/Ram Rumble Bee/SRT-10	20	20
		03-09	Dodge Ram 2500	20	20
		03-09	Dodge Ram 3500	20	20
		11-18	RAM 1500	20	20
38	75663	09-16	Toyota Venza	39	20
45	75670	10-19	Ford Taurus 4 Dr. Sedan	42	30
33	75671	10-17	Volvo XC60	30	45
30	75673	10-19	Subaru Legacy Sedan	37	45
		10-19	Subaru Outback Wagon, Except Sport	45	45
29	75676	10-15	Lexus RX350 Except F Sport	30	30
		10-15	Lexus RX450h Hybrid	30	30
33	75678	10-13	Ford Transit Connect	30	20
45	75679	09-19	Ford Flex	37	30
		10-17	Lincoln MKT	30	30
28	75682	10-16	Cadillac SRX	22	15
25	75684	10-12	Hyundai Santa Fe	46	15
		11-13	KIA Sorento Base I4	15	15
		11-13	KIA Sorento EX I4	15	15
		11-13	KIA Sorento EX V6, Except w/Factory Tow Package	15	15
		11-13	KIA Sorento EX V6, w/Factory Tow Package	15	15
		11-13	KIA Sorento LX I4	15	15

PC	PART NO.	YEARS	MAKE/MODEL	WGT LBS	IN
25	75684	11-13	KIA Sorento LX V6	46	15
		11-13	KIA Sorento SX V6	15	15
21	75685	10-18	Lexus GX460	9	15
37	75686	09-10	Ford Edge Sport	29	45
24	75688	08-14	Land Rover LR2	24	20
33	75690	02-06	Honda CR-V	37	30
19	75691	09-14	Ford F-150	37	20
21	75699	11-13	Jeep Grand Cherokee Except w/OEM Tow Hook	32	20
		14-19	Jeep Grand Cherokee Except w/OEM Tow Hook or ECODiesel Engine	20	20
		11-13	Jeep Grand Cherokee w/OEM Tow Hook	40	40
		14-19	Jeep Grand Cherokee w/OEM Tow Hook, Except w/ECODiesel Engine	40	40
19	75703	75-83	Ford E-100 Econoline	33	20
		75-14	Ford E-150 Econoline	20	20
		75-14	Ford E-250 Econoline	20	20
		75-02	Ford E-350 Econoline	20	20
		03-14	Ford E-350 Econoline Super Duty	20	20
43	75707	11-14	Chevrolet Silverado 2500 HD	51	20
		11-14	Chevrolet Silverado 3500 HD	20	20
		11-14	GMC Sierra 2500 HD	20	20
		11-14	GMC Sierra 3500 HD	20	20
23	75712	07-10	Jeep Compass	29	15
		11-17	Jeep Compass (Old Body Style)	30	30
		07-10	Jeep Compass Rallye Edition	30	30
		07-17	Jeep Patriot	15	15
		07-17	Jeep Patriot	30	30
25	75713	11-19	Dodge Durango	31	20
		14-19	Jeep Grand Cherokee EcoDiesel	20	20
51	75714	11-16	Nissan Quest	46	35
28	75715	12-17	Nissan NV1500	42	20
		12-17	Nissan NV2500	20	20
		12-17	Nissan NV3500	20	20
36	75716	11-14	Subaru Tribeca	35	30
23	75717	10-15	Hyundai Tucson	32	20
		11-16	KIA Sportage	20	20
29	75725	02	Cadillac Escalade	39	15
		02	Cadillac Escalade EXT	15	15
		02-06	Chevrolet Avalanche 1500	15	15
		02-06	Chevrolet Avalanche 2500	15	15
		00-06	Chevrolet Suburban 1500 w/Amber Turn Signals	15	15
		00-06	Chevrolet Suburban 2500 w/Amber Turn Signals	15	15
		00-06	Chevrolet Tahoe w/Amber Turn Signals	15	15
		01-02	GMC Yukon Denali w/Amber Turn Signals	15	15
		00-06	GMC Yukon w/Amber Turn Signals	15	15
		00-06	GMC Yukon XL 1500	15	15
		01-02	GMC Yukon XL 1500 Denali	15	15
		00-06	GMC Yukon XL 2500	15	15
45	75726	08-13	Toyota Highlander	48	40
38	75728	11-14	Ford Edge Sport	34	45
53	75730	08-14	Toyota Hilux	44	60
27	75740	97-03	Ford F-150 Flareside	37	20
		04	Ford F-150 Heritage Flareside	20	20
		04	Ford F-150 Heritage Styleside	20	20
		97-03	Ford F-150 Styleside	20	20
		00-03	Ford F-150 SuperCrew	20	20
		97-99	Ford F-250 Styleside	20	20
		99-07	Ford F-250 Super Duty Except Cab & Chassis	20	20
		99-07	Ford F-350 Super Duty Except Cab & Chassis	20	20
38	75741	04-10	Infiniti QX56	35	15
		05-07	Nissan Armada	15	15
		04	Nissan Pathfinder Armada	15	15
16	75742	12-16	Honda CR-V	28	40
35	75748†	13-15	Mazda CX-5	39	40
34	75751	05-12	Ford Escape	35	25
		05-11	Mazda Tribute	25	25
		05-11	Mercury Mariner	25	25
40	75758	13-19	Ford Escape	41	15
33	75761	13-15	BMW X1 w/Panoramic Moonroof	31	60
36	75768†	11-17	BMW X3	27	90
28	75772	13-18	Hyundai Santa Fe Sport (5 Passenger)	37	30
		14-15	KIA Sorento w/ I4 Engine	30	30
		14-15	KIA Sorento w/ V6 Engine	30	30
56	75774	10-15	Mercedes-Benz GLK350	37	20
33	75776	13-18	Hyundai Santa Fe (6/7 Passenger)	32	30
38	75778	09-12	Infiniti FX35	40	40
		13	Infiniti FX37	40	40

PC	PART NO.	YEARS	MAKE/MODEL	WGT LBS	IN
38	75778	09-13 14-17	Infiniti FX50 Infiniti QX70	40	40
43	75782	13-19	Ford Escape	36	60
19	75784	10-18	Acura RDX	28	30
54	75790	13-16	Ford Ranger	25	30
38	75791	16-17	Toyota Hilux	46	45
51	75792	13	Isuzu D-Max	33	20
59	75808	13	Volkswagen Amarok (International Only)	36	30
53	75810	13	Chevrolet S10	42	30
28	75836	16-18	Hyundai Tucson	28	30
35	75838	14-15	Jeep Cherokee Trailhawk	38	30
32	75852	14-19	Ford Transit Connect	34	15
33	75866	14-18 14-18	Chevrolet Silverado 1500 GMC Sierra 1500	47	20
54	75874	12-15	Mercedes-Benz ML350 Except BlueTEC & w/Active Curve System	24	30
21	75876	14-18	Subaru Forester	35	25
58	75882	14-19 14-19 14-19	RAM ProMaster 1500 Except w/Extended Body RAM ProMaster 2500 Except w/Extended Body RAM ProMaster 3500 Except w/Extended Body	51	45
36	75888	14-15 16-19	Mitsubishi Outlander Except Outlander Sport Mitsubishi Outlander Except Outlander SportExcept Outlander Sport or PHEV	42	30
40	75894	15-17	KIA Sedona	45	20
36	75896	18 14-19	Lexus RX350L Toyota Highlander	45	30
31	75898	15-17 13-17	Chevrolet City Express Nissan NV200	35	30
23	75902	08-13 14-19 14	Nissan Rogue Except Krom Nissan Rogue Except Sport Nissan Rogue Select	32	15
38	75904	14	Toyota Prado	37	15
42	75906	15-19 15-17 15-19 15-17	Chevrolet Silverado 2500 HD Chevrolet Silverado 3500 HD GMC Sierra 2500 HD GMC Sierra 3500 HD	54	30
36	75908	19 16-19 16-19	Hyundai Santa Fe KIA Sorento w/ I4 Engine KIA Sorento w/ V6 Engine	38	40
27	75912	15-19 15-19 15-19 15-19	Ford Transit-150 Except Cab & Chassis and the Cutaway Ford Transit-250 Except Cab & Chassis and the Cutaway Ford Transit-350 Except Single Rear Wheel w/148" Wheelbase or Cab & Chassis and the Cutaway Ford Transit-350 Single Rear Wheel w/148" Wheelbase, Except Cab & Chassis and the Cutaway	30	25
38	75914	14	Toyota Hilux SW4	38	15
27	75916	11-18 15-17 08-10 08-16	Volvo S60 Sedan Volvo V60 (App. starts with 2015-1/2) Volvo V70 Wagon Volvo XC70	32	70
27	75938	15-19	Ford F-150	36	30
37	75940	11-17 15-17	Audi Q5 Porsche Macan	43	60
34	75943	15-19	Lincoln MKC	44	45
34	75948	15-19 15-19	Chevrolet Colorado GMC Canyon	35	35
45	75950	07-16 11-17 11-17	Audi Q7 Porsche Cayenne Volkswagen Touareg	51	70
28	75952	15-19	Nissan Murano	34	15
29	75956	15-17	Lexus NX200t	37	35
20	75992	07-14 07-15	Ford Edge Except Sport Lincoln MKX	30	55
30	75998	14-19 14-19	Jeep Cherokee Jeep Cherokee	39	60
30	76004	15-19 15-19	Chevrolet Colorado GMC Canyon	46	35
34	76014	16-19	Volvo XC90	39	90
32	76015	16-17	Mercedes-Benz Metris	41	20
25	76016	14-18 14-18	Chevrolet Silverado 1500 GMC Sierra 1500	46	25
25	76018	16-18	BMW X1	37	40
26	76019	16-18	FIAT 500X	36	30
24	76020	16-19	Mazda CX-9	38	30
26	76021	15-18	Jeep Renegade	37	40
23	76022	17-19	Cadillac XT5 Except Platinum	34	20
24	76023	17-19	GMC Acadia	32	90
32	76025	11-17	Honda Odyssey	42	80

PC	PART NO.	YEARS	MAKE/MODEL	WGT LBS	IN
37	76026	17-19	Jaguar F-Pace	41	90
14	76028	05-17 10-17 06-09 02-07	Chevrolet Equinox GMC Terrain Pontiac Torrent Saturn Vue Except Redline	33	30
21	76031	13 14-19 13-19	Infiniti JX35 Infiniti QX60 Nissan Pathfinder	35	25
19	76034	11-19	Ford Explorer	29	45
28	76046	17-19 17-19 17-19 17-18 17-19 17-19	Chrysler Pacifica Hybrid (Needs Conversion Kit: 76046SK) Chrysler Pacifica Limited Chrysler Pacifica LX Chrysler Pacifica Touring Chrysler Pacifica Touring L Chrysler Pacifica Touring L Plus Chrysler Pacifica Touring Plus	44	45
25	76050	14-18 14-19 14-19	RAM ProMaster 1500 All Models RAM ProMaster 2500 All Models RAM ProMaster 3500 All Models	32	45
29	76074	17-18	KIA Sportage Except SX & SX Turbo	36	25
34	76076	17-18	Audi Q7	40	60
38	76078	16-17	Nissan NP300 Navara International Only	40	30
24	76080	16-18	Buick Envision	28	45
27	76082	16-18	Mercedes-Benz GLC300	37	65
24	76084	16-17 16-17 13-15	Subaru Crosstrek Except Hybrid Subaru Crosstrek Hybrid Subaru XV Crosstrek Except Hybrid	36	20
25	76098	11-19 11-17	Mitsubishi Outlander Sport Except PHEV Mitsubishi RVR (Canada Only)	34	20
11	76104	07-17 18 18 18 07-17 18	Jeep Wrangler Except w/Right Hand Drive Jeep Wrangler JK Except w/Right Hand Drive Jeep Wrangler JK Right Hand Drive Jeep Wrangler JL (New Body Style), Except Sahara and Rubicon Jeep Wrangler Right Hand Drive Jeep Wrangler Sahara and Rubicon Only, JL (New Body Style)	16	20
32	76112	11-14 15-18 15-18	Toyota Sienna Toyota Sienna Except SE Toyota Sienna SE	42	60
33	76114	15-16 15-16	Mitsubishi L200 w/Factory Step Bumper Mitsubishi Triton w/Factory Step Bumper	36	45
25	76116	14-17	Volvo XC60	30	30
16	76128	17-19	Honda CR-V	28	20
26	76134	13-18 13-18	Toyota RAV4 Toyota RAV4	38	20
29	76136	15-19	Ford F-150	41	30
24	76138	13-18	Mazda CX-5	33	20
52	76141	16-18 12-15	Mercedes-Benz GLE350 Except w/Active Curve System Mercedes-Benz ML350 Except w/Active Curve System	43	40
40	76143	16-17	Tesla X	41	75
26	76144	17-19	Jeep Compass (New Body Style)	30	40
23	76145	05-19 05-19 08-19 06-19 05-08	Chrysler 300 Chrysler 300 Dodge Challenger Except Models w/Quad Tip Exhaust Dodge Charger Dodge Magnum	35	40
40	76154	17 17	Nissan Titan Except Titan XD or Models w/ Factory 7-Way Wiring Nissan Titan w/ Factory 7-Way Wiring Except Titan XD	43	30
42	76156	18 14-19	Lexus RX350L Toyota Highlander	46	30
32	76170	18-19 18-19	Honda Odyssey With Fuse Provisions Honda Odyssey Without Fuse Provisions	46	80
27	76171	18-19 18-19	Honda Odyssey With Fuse Provisions Honda Odyssey Without Fuse Provisions	45	80
31	76176	18-19	Volkswagen Atlas	53	25
26	76177	17 17-19	Nissan Qashqai Nissan Rogue Sport	36	45
35	76182	14-18	Subaru Forester	35	60
34	76183	18 18	Audi Q5 Audi SQ5	31	90
30	76184	18-19 18-19	Buick Enclave Chevrolet Traverse	42	75
30	76190	16-19	Volvo XC90	37	45
26	76192	18	Volkswagen Tiguan	37	40
30	76194	18-19 16-19	Volvo XC60 Volvo XC90	17	65
31	76196	11-19	Dodge Durango	31	90

RECEIVER HITCH INDEX

PC	PART NO.	YEARS	MAKE/MODEL	WGT LBS	IN
47	76199	18	Alfa Romeo Stelvio Except Quadrifoglio	35	80
35	76200	18	BMW X2	32	80
26	76209	18-19	Subaru Crosstrek Except Hybrid	36	60
		18-19	Subaru Crosstrek Hybrid	60	60
		18-19	Subaru Impreza 5 Dr. Wagon, Except WRX STi & w/Quad Exhaust Outlets	60	60
30	76217	18-19	Chevrolet Equinox Diesel	34	70
		18-19	GMC Terrain Diesel	70	70
33	76225	09-10	Dodge Journey	42	90
		12-18	Dodge Journey Except w/LED Taillights	90	90
		11-18	Dodge Journey w/LED Taillights	90	90
36	76226	11-18	BMW X3	27	75
35	76227	10-19	Subaru Outback Wagon, Except Sport	35	45
40	76244	18	Mitsubishi Eclipse Cross	35	20
28	76245	19	Volvo XC40	17	70
38	76253	19	Subaru Ascent	35	60
42	76260	19	Land Rover Range Rover Velar	27	80
22	76266	19	Cadillac XT4	28	80
23	76419	18-19	Chevrolet Equinox Except Premier or Models w/1.6L Diesel	42	35
		18-19	Chevrolet Equinox Premier, Except Models w/1.6L Diesel	35	35
		18-19	GMC Terrain Except Diesel	35	35
CLASS III/IV: MULTI-FIT					
54	37130	88-99	Chevrolet C1500	62	40
		92-00	Chevrolet C2500 Crew Cab	40	40
		88-99	Chevrolet C2500 Regular & Extended Cabs	40	40
		92-00	Chevrolet C3500 Crew Cab	40	40
		88-00	Chevrolet C3500 Regular & Extended Cabs	40	40
		88-99	Chevrolet K1500	40	40
		92-00	Chevrolet K2500 Crew Cab	40	40
		88-99	Chevrolet K2500 Regular & Extended Cabs	40	40
		92-00	Chevrolet K3500 Crew Cab	40	40
		88-00	Chevrolet K3500 Regular & Extended Cabs	40	40
		99-02	Chevrolet Silverado 1500	25	25
		03-07	Chevrolet Silverado 1500 (Classic)	25	25
		01-03	Chevrolet Silverado 1500 HD	25	25
		05-07	Chevrolet Silverado 1500 HD (Classic)	25	25
		99-04	Chevrolet Silverado 2500	25	25
		71-89	Dodge D100	25	25
		77-93	Dodge D150	25	25
		71-80	Dodge D200	25	25
		81-93	Dodge D250	25	25
		71-80	Dodge D300	25	25
		86-93	Dodge D350	25	25
		94-01	Dodge Ram 1500	40	40
		94-02	Dodge Ram 2500	40	40
		94-02	Dodge Ram 3500	40	40
		71-89	Dodge W100	25	25
		77-93	Dodge W150	25	25
		71-80	Dodge W200	25	25
		81-85	Dodge W250	25	25
		71-80	Dodge W300	25	25
		81-93	Dodge W350	25	25
		75-79	Ford F-100	35	35
		80-83	Ford F-100 Except w/Custom Fascia	35	35
		75-96	Ford F-150	35	35
		80-86	Ford F-150 Except w/Custom Fascia	35	35
		97-03	Ford F-150 Flareside	25	25
		04	Ford F-150 Heritage Flareside	25	25
		04	Ford F-150 Heritage Styleside	25	25
		97-03	Ford F-150 Styleside	25	25
		00-03	Ford F-150 SuperCrew	25	25
		75-96	Ford F-250	35	35
		80-86	Ford F-250 Except w/Custom Fascia	35	35
		97	Ford F-250 Heavy Duty	35	35
		97-99	Ford F-250 Styleside	25	25
		99-04	Ford F-250 Super Duty Except Cab & Chassis	30	30
		75-96	Ford F-350	35	35
		80-86	Ford F-350 Except w/Custom Fascia	35	35
		97	Ford F-350 Heavy Duty	35	35
		99-04	Ford F-350 Super Duty Except Cab & Chassis	30	30
		88-99	GMC C1500	40	40
		88-00	GMC C2500	40	40
		88-00	GMC C3500	40	40
		88-99	GMC K1500	40	40
		88-00	GMC K2500	40	40
		88-00	GMC K3500	40	40
		99-02	GMC Sierra 1500	25	25
		03-07	GMC Sierra 1500 (Classic)	25	25
		01-03	GMC Sierra 1500 HD	25	25
		05-07	GMC Sierra 1500 HD (Classic)	25	25
		99-04	GMC Sierra 2500	25	25
		00-06	Toyota Tundra	35	35
50	37136	90-05	Chevrolet Astro Extended Body	60	65
		92-94	Chevrolet Blazer Full Size	30	30
		96-14	Chevrolet Express 1500	30	30
		96-17	Chevrolet Express 2500	30	30
		96-17	Chevrolet Express 3500	30	30
		98-04	Chevrolet S10	30	30
		83-97	Chevrolet S10 w/Standard Bed & Step Bumper	30	30
		00-06	Chevrolet Suburban 1500 w/Amber Turn Signals	30	30
		00-06	Chevrolet Suburban 2500 w/Amber Turn Signals	30	30
		92-99	Chevrolet Suburban C1500	30	30
		92-99	Chevrolet Suburban C2500	30	30

PC	PART NO.	YEARS	MAKE/MODEL	WGT LBS	IN
54	37130	03-07	GMC Sierra 1500 (Classic)	62	25
		01-03	GMC Sierra 1500 HD	25	25
		05-07	GMC Sierra 1500 HD (Classic)	25	25
		99-04	GMC Sierra 2500	25	30
		00-06	Toyota Tundra	35	30
49	37133	88-99	Chevrolet C1500	57	40
		92-00	Chevrolet C2500 Crew Cab	40	40
		88-99	Chevrolet C2500 Regular & Extended Cabs	40	40
		92-00	Chevrolet C3500 Crew Cab	40	40
		88-00	Chevrolet C3500 Regular & Extended Cabs	40	40
		88-99	Chevrolet K1500	40	40
		92-00	Chevrolet K2500 Crew Cab	40	40
		88-99	Chevrolet K2500 Regular & Extended Cabs	40	40
		92-00	Chevrolet K3500 Crew Cab	40	40
		88-00	Chevrolet K3500 Regular & Extended Cabs	40	40
		99-02	Chevrolet Silverado 1500	25	25
		03-07	Chevrolet Silverado 1500 (Classic)	25	25
		01-03	Chevrolet Silverado 1500 HD	25	25
		05-07	Chevrolet Silverado 1500 HD (Classic)	25	25
		99-04	Chevrolet Silverado 2500	25	25
		71-89	Dodge D100	25	25
		77-93	Dodge D150	25	25
		71-80	Dodge D200	25	25
		81-93	Dodge D250	25	25
		71-80	Dodge D300	25	25
		81-93	Dodge D350	25	25
		94-01	Dodge Ram 1500	40	40
		94-02	Dodge Ram 2500	40	40
		94-02	Dodge Ram 3500	40	40
		71-89	Dodge W100	25	25
		77-93	Dodge W150	25	25
		71-80	Dodge W200	25	25
		81-93	Dodge W250	25	25
		71-80	Dodge W300	25	25
		81-93	Dodge W350	25	25
		75-79	Ford F-100	35	35
		80-83	Ford F-100 Except w/Custom Fascia	35	35
		75-05	Ford F-150	45	45
		75-05	Ford F-150	35	35
		80-86	Ford F-150 Except w/Custom Fascia	35	35
		97-03	Ford F-150 Flareside	25	25
		04	Ford F-150 Heritage Flareside	25	25
		04	Ford F-150 Heritage Styleside	25	25
		97-03	Ford F-150 Styleside	25	25
		00-03	Ford F-150 SuperCrew	25	25
		75-96	Ford F-250	35	35
		80-86	Ford F-250 Except w/Custom Fascia	35	35
		97	Ford F-250 Heavy Duty	35	35
		97-99	Ford F-250 Styleside	25	25
		99-04	Ford F-250 Super Duty Except Cab & Chassis	30	30
		75-96	Ford F-350	35	35
		80-86	Ford F-350 Except w/Custom Fascia	35	35
		97	Ford F-350 Heavy Duty	35	35
		99-04	Ford F-350 Super Duty Except Cab & Chassis	30	30
		88-99	GMC C1500	40	40
		88-00	GMC C2500	40	40
		88-00	GMC C3500	40	40
		88-99	GMC K1500	40	40
		88-00	GMC K2500	40	40
		88-00	GMC K3500	40	40
		99-02	GMC Sierra 1500	25	25
		03-07	GMC Sierra 1500 (Classic)	25	25
		01-03	GMC Sierra 1500 HD	25	25
		05-07	GMC Sierra 1500 HD (Classic)	25	25
		99-04	GMC Sierra 2500	25	25
		00-06	Toyota Tundra	35	35
50	37136	90-05	Chevrolet Astro Extended Body	60	65
		92-94	Chevrolet Blazer Full Size	30	30
		96-14	Chevrolet Express 1500	30	30
		96-17	Chevrolet Express 2500	30	30
		96-17	Chevrolet Express 3500	30	30
		98-04	Chevrolet S10	30	30
		83-97	Chevrolet S10 w/Standard Bed & Step Bumper	30	30
		00-06	Chevrolet Suburban 1500 w/Amber Turn Signals	30	30
		00-06	Chevrolet Suburban 2500 w/Amber Turn Signals	30	30
		92-99	Chevrolet Suburban C1500	30	30
		92-99	Chevrolet Suburban C2500	30	30

PC	PART NO.	YEARS	MAKE/MODEL	WGT	
				LBS	IN
50	37136	92-99	Chevrolet Suburban K1500	60	30
		92-99	Chevrolet Suburban K2500		30
		95-00	Chevrolet Tahoe		30
		00-06	Chevrolet Tahoe w/Amber Turn Signals		30
		96-03	Chrysler Town & Country		40
		90-95	Chrysler Town & Country 2 WD Long Wheelbase		40
		04-07	Chrysler Town & Country Except w/Stow & Go Seats		40
		01-03	Chrysler Voyager		40
		96-03	Dodge Caravan		40
		91-95	Dodge Caravan C/V Short Wheelbase, 2 WD		30
		04-07	Dodge Caravan Except w/Stow & Go Seats		40
		84-95	Dodge Caravan Short Wheelbase, 2 WD		40
		87-01	Dodge Dakota		35
		02-04	Dodge Dakota Except Quad Cab		35
		96-03	Dodge Grand Caravan		40
		04-07	Dodge Grand Caravan Except w/Stow & Go Seats		40
		87-93	Dodge Grand Caravan Long Wheelbase, 2 WD		30
		94-95	Dodge Grand Caravan Long Wheelbase, 2 WD, Except LE		30
		82-93	Dodge Ramcharger		30
		86-97	Ford Aerostar Extended Body		40
		82-96	Ford Bronco		30
		84-90	Ford Bronco II		30
		01-04	Ford Escape		60
		98-11	Ford Ranger Except Flareside or w/Rear Fascia		40
		83-97	Ford Ranger Except w/Rear Fascia		40
		03	Ford Windstar (Built After 11/2002)		40
		99-03	Ford Windstar (Built Before 11/2002)		40
		83-90	GMC S15 w/Standard Bed & Step Bumper		40
		90-05	GMC Safari Extended Body		65
		96-14	GMC Savana 1500		30
		96-17	GMC Savana 2500		30
		96-17	GMC Savana 3500		30
		98-04	GMC Sonoma		40
		92-99	GMC Suburban C1500		30
		92-99	GMC Suburban C2500		30
		92-99	GMC Suburban K1500		30
		92-99	GMC Suburban K2500		30
		92-00	GMC Yukon		30
		99-00	GMC Yukon Denali		30
		01-02	GMC Yukon Denali w/Amber Turn Signals		30
		00-06	GMC Yukon w/Amber Turn Signals		30
		00-06	GMC Yukon XL 1500		30
		01-02	GMC Yukon XL 1500 Denali		30
		00-06	GMC Yukon XL 2500		30
		98-00	Isuzu Hombre w/Step Bumper		40
		84-01	Jeep Cherokee		35
		84-01	Jeep Cherokee		45
		93-98	Jeep Grand Cherokee		35
		02-07	Jeep Liberty		35
		90-93	Mazda B2200		30
		94-09	Mazda B2300		40
		98-01	Mazda B2500		40
		90-93	Mazda B2600		30
		94-08	Mazda B3000		40
		94-09	Mazda B4000		40
		01-04	Mazda Tribute		60
		88-94	Nissan D21		30
		86-87	Nissan D21 (App. starts with 86-1/2)		30
		98-04	Nissan Frontier		35
		95-97	Nissan Pickup		30
87-00	Plymouth Grand Voyager		30		
87-00	Plymouth Grand Voyager		40		
91-95	Plymouth Grand Voyager Long Wheelbase, 2 WD		30		
84-00	Plymouth Voyager		30		
84-00	Plymouth Voyager		40		
30	40050	63-86	Chevrolet C10	57	40
		88-99	Chevrolet C1500		40
		63-86	Chevrolet C20		40
		92-00	Chevrolet C2500 Crew Cab		40
		88-99	Chevrolet C2500 Regular & Extended Cabs		40
		63-86	Chevrolet C30		40
		88-00	Chevrolet C3500 Regular & Extended Cabs		40
		68-89	Dodge D100		40
		77-93	Dodge D150		40
		68-80	Dodge D200		40
		81-93	Dodge D250		40
		68-80	Dodge D300		40

PC	PART NO.	YEARS	MAKE/MODEL	WGT	
				LBS	IN
30	40050	81-93	Dodge D350	57	40
		94-01	Dodge Ram 1500		40
		94-02	Dodge Ram 2500		40
		94-02	Dodge Ram 3500		40
		74-88	Dodge Ramcharger Except w/Skid Shield		40
		67-77	Dodge W100		40
		77-93	Dodge W150		40
		67-80	Dodge W200		40
		81-93	Dodge W250		40
		67-80	Dodge W300		40
		81-93	Dodge W350		40
		78-96	Ford Bronco		40
		89-97	Ford F Super Duty Cab & Chassis, w/34" Wide Frames & 161" Wheelbase		40
		63-79	Ford F-100		40
		80-83	Ford F-100 Except w/Custom Fascia		40
		75-96	Ford F-150		40
		80-86	Ford F-150 Except w/Custom Fascia		40
		63-96	Ford F-250		40
		80-86	Ford F-250 Except w/Custom Fascia		40
		97	Ford F-250 Heavy Duty		40
		63-96	Ford F-350		40
		80-86	Ford F-350 Except w/Custom Fascia		40
		97	Ford F-350 Heavy Duty		40
		99-00	Ford F-350 Super Duty Cab & Chassis, w/34" Wide Frames		40
		63-65	GMC 1000 Series		40
		63-65	GMC 1500 Series		40
		63-65	GMC 2500 Series		40
		63-66	GMC 3000		40
		63-66	GMC 3500		40
		75-78	GMC C15		40
67-74	GMC C15/C1500		40		
79-99	GMC C1500		40		
67-78	GMC C25		40		
79-00	GMC C2500		40		
67-78	GMC C35		40		
79-00	GMC C3500		40		
74-81	Plymouth Trailduster Except w/Skid Shield		40		
CLASS V: 2" RECEIVER					
45	41901	88-99	Chevrolet C1500	73	30
45	41901	92-00	Chevrolet C2500 Crew Cab	73	30
45	41901	88-00	Chevrolet C2500 Regular & Extended Cabs	73	30
45	41901	92-00	Chevrolet C3500 Crew Cab	73	30
45	41901	88-00	Chevrolet C3500 Regular & Extended Cabs	73	30
45	41901	88-99	Chevrolet K1500	73	30
45	41901	92-00	Chevrolet K2500 Crew Cab	73	30
45	41901	88-00	Chevrolet K2500 Regular & Extended Cabs	73	30
45	41901	92-00	Chevrolet K3500 Crew Cab	73	30
45	41901	88-00	Chevrolet K3500 Regular & Extended Cabs	73	30
45	41901	88-99	GMC C1500	73	30
45	41901	88-00	GMC C2500	73	30
45	41901	88-00	GMC C3500	73	30
45	41901	88-99	GMC K1500	73	30
45	41901	88-00	GMC K2500	73	30
45	41901	88-00	GMC K3500	73	30
45	41902	68-89	Dodge D100	72	40
45	41902	77-93	Dodge D150	72	40
45	41902	68-80	Dodge D200	72	40
45	41902	81-93	Dodge D250	72	40
45	41902	71-80	Dodge D300	72	40
45	41902	81-93	Dodge D350	72	40
45	41902	67-89	Dodge W100	72	40
45	41902	77-93	Dodge W150	72	40
45	41902	67-80	Dodge W200	72	40
45	41902	81-93	Dodge W250	72	40
45	41902	67-80	Dodge W300	72	40
45	41902	81-93	Dodge W350	72	40
45	41904	80-83	Ford F-100 Except w/Custom Fascia	75	30
45	41904	87-96	Ford F-150	75	30
45	41904	80-86	Ford F-150 Except w/Custom Fascia	75	30
45	41904	87-96	Ford F-250	75	30
45	41904	80-86	Ford F-250 Except w/Custom Fascia	75	30
45	41904	97	Ford F-250 Heavy Duty	75	30
45	41904	87-96	Ford F-350	75	30
45	41904	80-86	Ford F-350 Except w/Custom Fascia	75	30
45	41904	97	Ford F-350 Heavy Duty	75	30
37	41906	92-14	Ford E-150 Econoline	56	30

RECEIVER HITCH INDEX

PC	PART NO.	YEARS	MAKE/MODEL	WGT LBS	IN
37	41906	92-14	Ford E-250 Econoline	56	30
37	41906	92-02	Ford E-350 Econoline	56	30
37	41906	03-14	Ford E-350 Econoline Super Duty	56	30
59	41913	19	RAM 1500	70	60
48	41920	97-03	Ford F-150 Flareside	70	30
48	41920	04	Ford F-150 Heritage Flareside	70	30
48	41920	04	Ford F-150 Heritage Styleside	70	30
48	41920	97-03	Ford F-150 Styleside	70	30
48	41920	00-03	Ford F-150 SuperCrew	70	30
48	41920	97-99	Ford F-250 Styleside	70	30
51	41922	99-04	Ford F-250 Super Duty Except Cab & Chassis	58	15
51	41922	99-04	Ford F-350 Super Duty Except Cab & Chassis	58	15
45	41923	94-01	Dodge Ram 1500	69	35
45	41923	94-02	Dodge Ram 2500	69	35
45	41923	94-02	Dodge Ram 3500	69	35
35	41926	00-14	Ford E-150 Econoline	51	30
35	41926	00-14	Ford E-250 Econoline	51	30
35	41926	00-02	Ford E-350 Econoline	51	30
35	41926	03-14	Ford E-350 Econoline Super Duty	51	30
37	41929	06-08	Dodge Ram 1500	70	35
37	41929	03	Dodge Ram 1500 (Built After 11/2002)	70	35
37	41929	04-05	Dodge Ram 1500 Except Daytona/Hemi Sport Quad Cab/Ram Rumble Bee/SRT-10	70	35
37	41929	03-10	Dodge Ram 2500	70	35
37	41929	03-10	Dodge Ram 3500	70	35
37	41929	11-19	RAM 2500	70	35
37	41929	11-18	RAM 3500	70	35
30	41930	00-06	Chevrolet Suburban 1500 w/Amber Turn Signals	59	35
30	41930	00-06	Chevrolet Suburban 2500 w/Amber Turn Signals	59	35
30	41930	00-06	GMC Yukon XL 1500	59	35
30	41930	01-02	GMC Yukon XL 1500 Denali	59	35
30	41930	00-06	GMC Yukon XL 2500	59	35
55	41931	99-16	Ford F-250 Super Duty Except Cab & Chassis	73	30
55	41931	99-16	Ford F-350 Super Duty Except Cab & Chassis	73	30
50	41932	99-02	Chevrolet Silverado 1500	73	20
50	41932	03-07	Chevrolet Silverado 1500 (Classic)	73	20
50	41932	01-03	Chevrolet Silverado 1500 HD	73	20
50	41932	05-07	Chevrolet Silverado 1500 HD (Classic)	73	20
50	41932	99-04	Chevrolet Silverado 2500	73	20
50	41932	99-02	GMC Sierra 1500	73	20
50	41932	03-07	GMC Sierra 1500 (Classic)	73	20
50	41932	01-03	GMC Sierra 1500 HD	73	20
50	41932	05-07	GMC Sierra 1500 HD (Classic)	73	20
50	41932	99-04	GMC Sierra 2500	73	20
37	41933	06-08	Ford F-150	67	20
37	41933	06-08	Lincoln Mark LT (Built After 8/2005)	67	20
70	41935	07-19	Toyota Tundra (See Footnote CP)	84	30
29	41936	01-07	Chevrolet Silverado 3500 Cab & Chassis, w/34" Wide Frames (Classic)	55	30
29	41936	07-17	Chevrolet Silverado 3500 HD Cab & Chassis, w/34" Wide Frames	55	30
29	41936	07-10	Dodge Ram 3500 Cab & Chassis, w/34" Wide Frames	55	30
29	41936	08-10	Dodge Ram 4500 Cab & Chassis, w/34" Wide Frames	55	30
29	41936	08-10	Dodge Ram 5500 Cab & Chassis, w/34" Wide Frames	55	30
29	41936	01-07	GMC Sierra 3500 Cab & Chassis, w/34" Wide Frames (Classic)	55	30
29	41936	07-19	GMC Sierra 3500 HD Cab & Chassis, w/34" Wide Frames	55	30
29	41936	11-12	RAM 3500 Cab & Chassis, w/34" Wide Frames	55	30
29	41936	11-12	RAM 4500 Cab & Chassis, w/34" Wide Frames	55	30
29	41936	11-12	RAM 5500 Cab & Chassis, w/34" Wide Frames	55	30
29	41936	08-09	Sterling Truck Bullet 45 w/34" Wide Frames	55	30
29	41936	08-09	Sterling Truck Bullet 55 w/34" Wide Frames	55	30
50	41938	63-84	Chevrolet C10	73	40
50	41938	85-86	Chevrolet C10 w/34" Wide Frames	73	40
50	41938	63-84	Chevrolet C20	73	40
50	41938	85-86	Chevrolet C20 w/34" Wide Frames	73	40
50	41938	88-91	Chevrolet C2500 Crew Cab	73	40
50	41938	63-84	Chevrolet C30	73	40
50	41938	85-86	Chevrolet C30 w/34" Wide Frames	73	40
50	41938	88-91	Chevrolet C3500 Crew Cab	73	40
50	41938	63-84	Chevrolet K10	73	40
50	41938	85-86	Chevrolet K10 w/34" Wide Frames	73	40
50	41938	63-84	Chevrolet K20	73	40
50	41938	85-86	Chevrolet K20 w/34" Wide Frames	73	40
50	41938	88-91	Chevrolet K2500 Crew Cab	73	40
50	41938	73-84	Chevrolet K30	73	40
50	41938	85-86	Chevrolet K30 w/34" Wide Frames	73	40
50	41938	88-91	Chevrolet K3500 Crew Cab	73	40

PC	PART NO.	YEARS	MAKE/MODEL	WGT LBS	IN
50	41938	01-07	Chevrolet Silverado 3500 Cab & Chassis, w/34" Wide Frames (Classic)	73	40
50	41938	07-17	Chevrolet Silverado 3500 HD Cab & Chassis, w/34" Wide Frames	73	40
50	41938	99-00	Ford F-350 Super Duty Cab & Chassis, w/34" Wide Frames	73	40
50	41938	63-65	GMC 1000 Series	73	40
50	41938	63-65	GMC 1500 Series	73	40
50	41938	63-65	GMC 2500 Series	73	40
50	41938	63-66	GMC 3000	73	40
50	41938	63-66	GMC 3500	73	40
50	41938	75-78	GMC C15	73	40
50	41938	67-74	GMC C15/C1500	73	40
50	41938	79-84	GMC C1500	73	40
50	41938	85-99	GMC C1500 w/34" Wide Frames	73	40
50	41938	67-78	GMC C25	73	40
50	41938	79-84	GMC C2500	73	40
50	41938	85-00	GMC C2500 w/34" Wide Frames	73	40
50	41938	67-78	GMC C35	73	40
50	41938	79-84	GMC C3500	73	40
50	41938	85-00	GMC C3500 w/34" Wide Frames	73	40
50	41938	67-78	GMC K15	73	40
50	41938	79-84	GMC K1500	73	40
50	41938	85-99	GMC K1500 w/34" Wide Frames	73	40
50	41938	67-78	GMC K25	73	40
50	41938	79-84	GMC K2500	73	40
50	41938	85-00	GMC K2500 w/34" Wide Frames	73	40
50	41938	68-78	GMC K35	73	40
50	41938	79-84	GMC K3500	73	40
50	41938	85-00	GMC K3500 w/34" Wide Frames	73	40
50	41938	01-07	GMC Sierra 3500 Cab & Chassis, w/34" Wide Frames (Classic)	73	40
50	41938	07-19	GMC Sierra 3500 HD Cab & Chassis, w/34" Wide Frames	73	40
50	41942	11-14	Chevrolet Silverado 2500 HD	67	20
50	41942	11-14	Chevrolet Silverado 3500 HD	67	20
50	41942	11-14	GMC Sierra 2500 HD	67	20
50	41942	11-14	GMC Sierra 3500 HD	67	20
70	41943	99-18	Ford F-350 Super Duty Cab & Chassis, w/34" Wide Frames	90	40
70	41943	99-18	Ford F-450 Super Duty Cab & Chassis, w/34" Wide Frames	90	40
70	41943	99-18	Ford F-550 Super Duty Cab & Chassis, w/34" Wide Frames	90	40
35	41944	01-10	Chevrolet Silverado 2500 HD	68	25
35	41944	03-07	Chevrolet Silverado 2500 HD (Classic)	68	25
35	41944	01-02	Chevrolet Silverado 3500	68	25
35	41944	03-07	Chevrolet Silverado 3500 (Classic)	68	25
35	41944	07-10	Chevrolet Silverado 3500 HD	68	25
35	41944	01-10	GMC Sierra 2500 HD	68	25
35	41944	03-07	GMC Sierra 2500 HD (Classic)	68	25
35	41944	01-02	GMC Sierra 3500	68	25
35	41944	03-07	GMC Sierra 3500 (Classic)	68	25
35	41944	07-10	GMC Sierra 3500 HD	68	25
41	41945	00-14	Ford E-150 Econoline	44	30
41	41945	00-14	Ford E-250 Econoline	44	30
41	41945	00-02	Ford E-350 Econoline	44	30
41	41945	03-14	Ford E-350 Econoline Super Duty	44	30
42	41946	96-14	Chevrolet Express 1500	54	35
42	41946	96-17	Chevrolet Express 2500	54	35
42	41946	96-17	Chevrolet Express 3500	54	35
42	41946	96-14	GMC Savana 1500	54	35
42	41946	96-17	GMC Savana 2500	54	35
42	41946	96-17	GMC Savana 3500	54	35
50	41947	63-84	Chevrolet C10	80	35
50	41947	85-86	Chevrolet C10 w/34" Wide Frames	80	35
50	41947	63-84	Chevrolet C20	80	35
50	41947	85-86	Chevrolet C20 w/34" Wide Frames	80	35
50	41947	63-84	Chevrolet C30	80	35
50	41947	85-86	Chevrolet C30 w/34" Wide Frames	80	35
50	41947	88-91	Chevrolet C3500 Crew Cab	80	35
50	41947	63-84	Chevrolet K10	80	35
50	41947	85-86	Chevrolet K10 w/34" Wide Frames	80	35
50	41947	63-84	Chevrolet K20	80	35
50	41947	85-86	Chevrolet K20 w/34" Wide Frames	80	35
50	41947	88-91	Chevrolet K2500 Crew Cab	80	35
50	41947	73-84	Chevrolet K30	80	35
50	41947	85-86	Chevrolet K30 w/34" Wide Frames	80	35
50	41947	88-91	Chevrolet K3500 Crew Cab	80	35
50	41947	03-09	Chevrolet Kodiak C4500 Cab & Chassis, w/34" Wide Frames	80	35
50	41947	03-09	Chevrolet Kodiak C5500 Cab & Chassis, w/34" Wide Frames	80	35
50	41947	99-09	Chevrolet Kodiak C6500 Cab & Chassis, w/34" Wide Frames	80	35
50	41947	99-09	Chevrolet Kodiak C7500 Cab & Chassis, w/34" Wide Frames	80	35

FRONT MOUNT RECEIVER HITCH INDEX

PC	PART NO.	YEARS	MAKE/MODEL	WGT LBS	IN
50	41947	99-09	Chevrolet Kodiak C8500 Cab & Chassis, w/34" Wide Frames	80	35
50	41947	01-07	Chevrolet Silverado 3500 Cab & Chassis, w/34" Wide Frames (Classic)	80	35
50	41947	07-17	Chevrolet Silverado 3500 HD Cab & Chassis, w/34" Wide Frames	80	35
50	41947	07-10	Dodge Ram 3500 Cab & Chassis, w/34" Wide Frames	80	35
50	41947	08-10	Dodge Ram 4500 Cab & Chassis, w/34" Wide Frames	80	35
50	41947	08-10	Dodge Ram 5500 Cab & Chassis, w/34" Wide Frames	80	35
50	41947	99-18	Ford F-350 Super Duty Cab & Chassis, w/34" Wide Frames	80	35
50	41947	99-18	Ford F-450 Super Duty Cab & Chassis, w/34" Wide Frames	80	35
50	41947	99-18	Ford F-550 Super Duty Cab & Chassis, w/34" Wide Frames	80	35
50	41947	63-65	GMC 1000 Series	80	35
50	41947	63-65	GMC 1500 Series	80	35
50	41947	63-65	GMC 2500 Series	80	35
50	41947	63-66	GMC 3000	80	35
50	41947	63-66	GMC 3500	80	35
50	41947	75-78	GMC C15	80	35
50	41947	67-74	GMC C15/C1500	80	35
50	41947	79-84	GMC C1500	80	35
50	41947	85-99	GMC C1500 w/34" Wide Frames	80	35
50	41947	67-78	GMC C25	80	35
50	41947	79-84	GMC C2500	80	35
50	41947	85-00	GMC C2500 w/34" Wide Frames	80	35
50	41947	67-78	GMC C35	80	35
50	41947	79-84	GMC C3500	80	35
50	41947	85-00	GMC C3500 w/34" Wide Frames	80	35
50	41947	03-09	GMC C4500 Topkick Cab & Chassis, w/34" Wide Frames	80	35
50	41947	03-09	GMC C5500 Topkick Cab & Chassis, w/34" Wide Frames	80	35
50	41947	99-09	GMC C6500 Topkick Cab & Chassis, w/34" Wide Frames	80	35
50	41947	99-09	GMC C7500 Topkick Cab & Chassis, w/34" Wide Frames	80	35
50	41947	67-78	GMC K15	80	35
50	41947	79-84	GMC K1500	80	35
50	41947	85-99	GMC K1500 w/34" Wide Frames	80	35
50	41947	67-78	GMC K25	80	35
50	41947	79-84	GMC K2500	80	35
50	41947	85-00	GMC K2500 w/34" Wide Frames	80	35
50	41947	68-78	GMC K35	80	35
50	41947	79-84	GMC K3500	80	35
50	41947	85-00	GMC K3500 w/34" Wide Frames	80	35
50	41947	01-07	GMC Sierra 3500 Cab & Chassis, w/34" Wide Frames (Classic)	80	35
50	41947	07-19	GMC Sierra 3500 HD Cab & Chassis, w/34" Wide Frames	80	35
50	41947	11-12	RAM 3500 Cab & Chassis, w/34" Wide Frames	80	35
50	41947	11-12	RAM 4500 Cab & Chassis, w/34" Wide Frames	80	35
50	41947	11-12	RAM 5500 Cab & Chassis, w/34" Wide Frames	80	35
50	41947	08-09	Sterling Truck Bullet 45 w/34" Wide Frames	80	35
50	41947	08-09	Sterling Truck Bullet 55 w/34" Wide Frames	80	35
39	41948	11-18	RAM 1500	56	30
48	41950	15-19	Chevrolet Silverado 2500 HD	72	60
48	41950	15-17	Chevrolet Silverado 3500 HD	72	60
48	41950	15-19	GMC Sierra 2500 HD	72	60
48	41950	15-17	GMC Sierra 3500 HD	72	60
38	41952	13-17	RAM 4500 Cab & Chassis, w/34" Wide Frames	59	45
38	41952	13-17	RAM 5500 Cab & Chassis, w/34" Wide Frames	59	45
CLASS V: 2-1/2" RECEIVER					
54	45502	87-96	Ford F-250	64	45
54	45502	80-86	Ford F-250 Except w/Custom Fascia	64	45
54	45502	97	Ford F-250 Heavy Duty	64	45
54	45502	87-96	Ford F-350	64	45
54	45502	80-86	Ford F-350 Except w/Custom Fascia	64	45
54	45502	97	Ford F-350 Heavy Duty	64	45
50	45505	71-80	Dodge D200	68	45
50	45505	81-93	Dodge D250	68	45
50	45505	71-80	Dodge D300	68	45
50	45505	86-93	Dodge D350	68	45
50	45505	94-98	Dodge Ram 2500	68	45
50	45505	94-98	Dodge Ram 3500	68	45
50	45505	71-80	Dodge W200	68	45
50	45505	81-93	Dodge W250	68	45
50	45505	71-80	Dodge W300	68	45
50	45505	81-93	Dodge W350	68	45
59	45506	92-00	Chevrolet C2500 Crew Cab	66	45
59	45506	88-99	Chevrolet C2500 Regular & Extended Cabs	66	45
59	45506	92-00	Chevrolet C3500 Crew Cab	66	45
59	45506	88-00	Chevrolet C3500 Regular & Extended Cabs	66	45
59	45506	92-00	Chevrolet K2500 Crew Cab	66	45
59	45506	88-99	Chevrolet K2500 Regular & Extended Cabs	66	45
59	45506	92-00	Chevrolet K3500 Crew Cab	66	45
59	45506	88-00	Chevrolet K3500 Regular & Extended Cabs	66	45

PC	PART NO.	YEARS	MAKE/MODEL	WGT LBS	IN
59	45506	88-00	GMC C2500	66	45
59	45506	88-00	GMC C3500	66	45
59	45506	88-00	GMC K2500	66	45
59	45506	88-00	GMC K3500	66	45
52	45507	96-17	Chevrolet Express 2500	58	45
52	45507	96-17	Chevrolet Express 3500	58	45
52	45507	96-17	GMC Savana 2500	58	45
52	45507	96-17	GMC Savana 3500	58	45
60	45508	99-16	Ford F-250 Super Duty Except Cab & Chassis	92	50
60	45508	99-16	Ford F-350 Super Duty Except Cab & Chassis	92	50
60	45508	08-15	Ford F-450 Super Duty Except Cab & Chassis	92	50
66	45509	03-10	Dodge Ram 2500	94	95
66	45509	03-10	Dodge Ram 3500	94	95
66	45509	11-19	RAM 2500	94	95
66	45509	11-18	RAM 3500	94	95
67	45510	11-14	Chevrolet Silverado 2500 HD	82	60
67	45510	11-14	Chevrolet Silverado 3500 HD	82	60
67	45510	11-14	GMC Sierra 2500 HD	82	60
67	45510	11-14	GMC Sierra 3500 HD	82	60
57	45511	15-19	Chevrolet Silverado 2500 HD	93	60
57	45511	15-17	Chevrolet Silverado 3500 HD	93	60
57	45511	15-19	GMC Sierra 2500 HD	93	60
57	45511	15-17	GMC Sierra 3500 HD	93	60
59	45512	99-04	Chevrolet Silverado 2500	71	20
59	45512	99-04	GMC Sierra 2500	71	20
54	45513	99-02	Dodge Ram 2500	63	30
54	45513	99-02	Dodge Ram 3500	63	30
72	45514	99-04	Ford F-250 Super Duty w/Deep Drop Bumper	68	20
72	45514	99-04	Ford F-350 Super Duty w/Deep Drop Bumper	68	20
53	45515	00-02	Chevrolet Suburban 2500 w/Amber Turn Signals	59	50
53	45515	00-06	GMC Yukon XL 2500	59	50
65	45516	99-00	Ford F-350 Super Duty Cab & Chassis, w/34" Wide Frames	64	60
65	45516	99-17	Ford F-450 Super Duty Cab & Chassis, w/34" Wide Frames	64	60
65	45516	99-17	Ford F-550 Super Duty Cab & Chassis, w/34" Wide Frames	64	60
58	45517	01-10	Chevrolet Silverado 2500 HD	64	25
58	45517	03-07	Chevrolet Silverado 2500 HD (Classic)	64	25
58	45517	01-02	Chevrolet Silverado 3500	64	25
58	45517	03-07	Chevrolet Silverado 3500 (Classic)	64	25
58	45517	07-10	Chevrolet Silverado 3500 HD	64	25
58	45517	01-10	GMC Sierra 2500 HD	64	25
58	45517	03-07	GMC Sierra 2500 HD (Classic)	64	25
58	45517	01-02	GMC Sierra 3500	64	25
58	45517	03-07	GMC Sierra 3500 (Classic)	64	25
58	45517	07-10	GMC Sierra 3500 HD	64	25
64	45518	06-08	Dodge Ram 1500	76	35
64	45518	03	Dodge Ram 1500 (Built After 11/2002)	76	35
64	45518	04-05	Dodge Ram 1500 Except Daytona/Hemi Sport Quad Cab/Ram Rumble Bee/SRT-10	76	35
64	45518	03-05	Dodge Ram 2500	76	35
64	45518	06-10	Dodge Ram 2500 Except Mega Cab	76	35
64	45518	03-05	Dodge Ram 3500	76	35
64	45518	06-10	Dodge Ram 3500 Except Mega Cab	76	35
64	45518	11-19	RAM 2500 Except Mega Cab	76	35
64	45518	11-18	RAM 3500 Except Mega Cab	76	35
60	45519	01-10	Chevrolet Silverado 2500 HD 8 ft. Bed	77	25
60	45519	03-07	Chevrolet Silverado 2500 HD 8 ft. Bed (Classic)	77	25
60	45519	01-02	Chevrolet Silverado 3500	77	25
60	45519	03-07	Chevrolet Silverado 3500 (Classic)	77	25
60	45519	07-10	Chevrolet Silverado 3500 HD	77	25
60	45519	01-10	GMC Sierra 2500 HD 8 ft. Bed	77	25
60	45519	07	GMC Sierra 2500 HD 8 ft. Bed (Classic)	77	25
60	45519	01-02	GMC Sierra 3500	77	25
60	45519	03-07	GMC Sierra 3500 (Classic)	77	25
60	45519	07-10	GMC Sierra 3500 HD	77	25
FRONT MOUNT RECEIVER					
28	65001	91-07	Ford E-150 Econoline	37	20
		91-07	Ford E-250 Econoline	20	
		91-07	Ford E-350 Econoline Inc. RV Cutaway	20	
		03-07	Ford E-450 Econoline Super Duty RV Cutaway	20	
		00-02	Ford E-450 Econoline Super Duty Stripped RV Cutaway	20	
37	65003	94-01	Dodge Ram 1500	39	30
		94-02	Dodge Ram 2500	30	
		94-02	Dodge Ram 3500	30	
24	65004	95-05	Chevrolet Blazer Downsize	33	30
		99-01	Chevrolet Blazer Trailblazer	30	
		94-04	Chevrolet S10	30	
		95-05	GMC Jimmy Downsize	30	

FRONT MOUNT RECEIVER HITCH INDEX

PC	PART NO.	YEARS	MAKE/MODEL	WGT LBS	IN
24	65004	94-04 96-00 96-01	GMC Sonoma Isuzu Hombre Oldsmobile Bravada	33	30 30 30
21	65005	92-94 88-99 88-99 88-00 88-99 88-99 92-00 88-00 92-00 92-99 92-99 92-99 95-00 88-99 88-00 88-00 88-99 92-99 92-00 92-00 92-99 92-99 92-99 92-99 92-00	Chevrolet Blazer Full Size Chevrolet C1500 2 Dr. Regular & Extended Cabs Chevrolet C2500 2 Dr. Regular & Extended Cabs Chevrolet C3500 2 Dr. Regular & Extended Cabs Chevrolet K1500 2 Dr. Regular & Extended Cabs Chevrolet K2500 2 Dr. Regular & Extended Cabs Chevrolet K2500 4 Dr. Crew Cab Chevrolet K3500 2 Dr. Regular & Extended Cabs Chevrolet K3500 4 Dr. Crew Cab Chevrolet Suburban C1500 Chevrolet Suburban C2500 Chevrolet Suburban K1500 Chevrolet Suburban K2500 Chevrolet Tahoe GMC C1500 2 Dr. Regular & Extended Cabs GMC C2500 2 Dr. Regular & Extended Cabs GMC C3500 2 Dr. Regular & Extended Cabs GMC K1500 2 Dr. Regular & Extended Cabs GMC K1500 4 Dr. Crew Cab GMC K2500 4 Dr. Crew Cab GMC K3500 4 Dr. Crew Cab GMC Suburban C1500 GMC Suburban C2500 GMC Suburban K1500 GMC Suburban K2500 GMC Yukon	31	40 40
53	65008	93-98 93	Jeep Grand Cherokee Jeep Grand Wagoneer	44	25 25
23	65009	84-01 86-92 84-90	Jeep Cherokee Downsize Jeep Comanche Jeep Wagoneer	29	30 30 30
32	65014	92-97 92-97	Ford F-250 Styleside Ford F-350 Styleside	45	25 25
30	65015	92-97 92-97	Ford F-250 Ford F-350	36	25 25
24	65016	96-03 96-03 96-03 96-03 96-03 96-03	Chevrolet Express 1500 Inc. RV Cutaway Chevrolet Express 2500 Inc. RV Cutaway Chevrolet Express 3500 Inc. RV Cutaway GMC Savana 1500 Inc. RV Cutaway GMC Savana 2500 Inc. RV Cutaway GMC Savana 3500 Inc. RV Cutaway	35	35 35 35 35 35 35
52	65017	91-94 89-97 94-97 94-97 94-97 91-94	Ford Explorer Ford Ranger Mazda B2300 Mazda B3000 Mazda B4000 Mazda Navajo	34	35 35 35 35 35 35
46	65021	88-99 92-99 88-99 92-00 88-00 92-00 92-99 92-99 92-99 88-99 92-99 88-00 88-00 92-00 92-99 92-99 92-99 92-99 92-00 92-00 92-00 92-99 92-99 92-99	Chevrolet C1500 2 Dr. Regular & Extended Cabs Chevrolet C1500 4 Dr. Crew Cab Chevrolet C2500 2 Dr. Regular & Extended Cabs Chevrolet C2500 4 Dr. Crew Cab Chevrolet C3500 2 Dr. Regular & Extended Cabs Chevrolet C3500 4 Dr. Crew Cab Chevrolet Suburban C1500 Chevrolet Suburban C2500 Chevrolet Suburban K1500 Chevrolet Suburban K2500 GMC C1500 2 Dr. Regular & Extended Cabs GMC C1500 4 Dr. Crew Cab GMC C2500 2 Dr. Regular & Extended Cabs GMC C2500 4 Dr. Crew Cab GMC C3500 2 Dr. Regular & Extended Cabs GMC C3500 4 Dr. Crew Cab GMC Suburban C1500 GMC Suburban C2500 GMC Suburban K1500 GMC Suburban K2500	32	30 30
34	65022	00-05 99-07 99-07 99-07 99-07 99-07	Ford Excursion Ford F-250 Super Duty Ford F-350 Super Duty Ford F-350 Super Duty Cab & Chassis, w/34" Wide Frames Ford F-450 Super Duty Cab & Chassis, w/34" Wide Frames Ford F-550 Super Duty Cab & Chassis, w/34" Wide Frames	43	40 40 40 40 40 40
47	65023	99-07	Chevrolet Silverado 1500	30	20

PC	PART NO.	YEARS	MAKE/MODEL	WGT LBS	IN
47	65023	00-06 00-06 99-07 00-06 01-06 00-06 01-06	Chevrolet Suburban 1500 Chevrolet Tahoe 1500 Series GMC Sierra 1500 Except Denali (Classic) GMC Yukon 1500 GMC Yukon Denali 1500 GMC Yukon XL 1500 GMC Yukon XL 1500 Denali	30	20 20 20 20 20 20 30
31	65024	01-05 02-05 01 01-05 01-05	Ford Ranger Mazda B2300 Mazda B2500 Mazda B3000 Mazda B4000	39	35 35 35 35 35
35	65025	97-02 97-03 04 97-99 98-02	Ford Expedition Ford F-150 Ford F-150 Heritage Ford F-250 Styleside Lincoln Navigator	33	20 20 20 20 20
24	65028	01-07 99-04 01-07 01-07 00-06 01-07 99-04 01-07 01-07 00-06	Chevrolet Silverado 1500 HD Chevrolet Silverado 2500 Chevrolet Silverado 2500 HD Chevrolet Silverado 3500 Chevrolet Suburban 2500 GMC Sierra 1500 HD GMC Sierra 2500 GMC Sierra 2500 HD GMC Sierra 3500 GMC Yukon XL 2500	30	20 20 20 20 20 20 20 20 20 20
42	65029	00-04 00-03	Dodge Dakota 4 WD Dodge Durango 4 WD	44	25 25
29	65030	01-03 01-05	Ford Explorer 2 Dr. Sport Ford Explorer Sport Trac	21	25 25
30	65031	01-07 00-06	Toyota Sequoia Toyota Tundra	41	40 40
32	65032	02-05 02-05	Ford Explorer 4 Dr. Mercury Mountaineer	34	30 30
49	65033	02-05	Dodge Ram 1500	43	25
31	65041	01-04	Toyota Tacoma	31	30
22	65043	04-08 06-08	Ford F-150 Lincoln Mark LT	38	20 20
34	65046	03-09 03-09	Dodge Ram 2500 Dodge Ram 3500	42	40 40
23	65048	97-06 87-06 87-95	Jeep TJ (Canada Only) Jeep Wrangler Jeep YJ (Canada Only)	24	25 25 25
30	65049	08-16 08-16 08-16 08-16 08-16 08-16	Ford F-250 Super Duty Ford F-350 Super Duty Ford F-350 Super Duty Cab & Chassis Ford F-450 Super Duty Ford F-450 Super Duty Cab & Chassis Ford F-550 Super Duty Cab & Chassis	35	20 20 20 20 20 20
22	65050	07-10 07-10 07-10 07-10	Chevrolet Silverado 2500 HD Chevrolet Silverado 3500 HD GMC Sierra 2500 HD GMC Sierra 3500 HD	29	40 40 40 40
16	65051t	07-17	Toyota Tundra	39	25
30	65052	07-13 07-13 07-14 07-14 07-13 07-14 07-14	Chevrolet Avalanche Except Z71 Chevrolet Silverado 1500 Chevrolet Suburban 1500 Except Z71 Chevrolet Tahoe Except Z71 GMC Sierra 1500 GMC Yukon GMC Yukon XL 1500	40	25 25 25 25 25 25 25
19	65053	08-14 08-14 08-14 08-17 08-17	Ford E-150 Econoline Ford E-250 Econoline Ford E-350 Econoline Super Duty Ford E-350 Econoline Super Duty RV Cutaway Ford E-450 Econoline Super Duty RV Cutaway	32	40 40 50 50 50
20	65056t	11-14 11-14 11-14 11-14	Chevrolet Silverado 2500 HD Chevrolet Silverado 3500 HD GMC Sierra 2500 HD Except Denali HD GMC Sierra 3500 HD	40	45 45 45 45
35	65057	10 11-12	Dodge Ram 2500 4 WD RAM 2500 4 WD	32	40 40
38	65060	10 11-12	Dodge Ram 3500 RAM 3500	38	30 30
34	65061	09-14 10-13	Ford F-150 Lincoln Mark LT (Mexico Only)	42	30 30

BRAKE CONTROL HARNESS INDEX

PC	PART NO.	YEARS	MAKE/MODEL	WGT LBS	IN
32	65062	09-10	Dodge Ram 1500	43	35
		11-18	RAM 1500		35
33	65063	10	Dodge Ram 2500	24	30
		10	Dodge Ram 3500		30
		10	Dodge Ram 4500 Cab & Chassis		30
		10	Dodge Ram 5500 Cab & Chassis		30
		11-19	RAM 2500		30
		11-18	RAM 3500		30
		11-18	RAM 4500 Cab & Chassis		30
		11-18	RAM 5500 Cab & Chassis		30
30	65064	14-18	Chevrolet Silverado 1500	35	25
		15-19	Chevrolet Suburban		25
		15-19	Chevrolet Tahoe		25
		14-18	GMC Sierra 1500		25
		15-19	GMC Yukon		25
		15-19	GMC Yukon XL		25
44	65065	09-15	Nissan Titan 4 WD Only	45	45
31	65067	15-19	Ford F-150	37	30
19	65069	07-17	Jeep Wrangler	22	40
		18	Jeep Wrangler JK		40
52	65070	05-19	Toyota Tacoma	47	35
23	65071	15-16	Chevrolet Colorado	32	30
		15-16	GMC Canyon		30
30	65072	16	Nissan Titan XD	29	25
27	65073	17	Honda Ridgeline	26	35
34	65074	14-17	Toyota 4Runner Except Limited	28	20
24	65075	05-17	Nissan Frontier	34	35
		05-12	Nissan Pathfinder		35
		09-12	Suzuki Equator Sport & RMZ-4 Models		35
29	65076	17-19	Ford F-250 Super Duty	36	30
		17-18	Ford F-350 Super Duty		30
		17-18	Ford F-450 Super Duty		30
30	65077	17	Nissan Titan Except Titan XD & 4 WD Models	42	60
24	65078	11-19	Chevrolet Silverado 2500 HD	29	35
		11-19	Chevrolet Silverado 2500 HD		45
		11-17	Chevrolet Silverado 3500 HD		35
		11-17	Chevrolet Silverado 3500 HD		45
		11-19	GMC Sierra 2500 HD Except Denali		45
		11-19	GMC Sierra 2500 HD Except Denali		35
		11-17	GMC Sierra 3500 HD Except Denali		45
		11-17	GMC Sierra 3500 HD Except Denali		35
19	65079	18	Jeep Wrangler JL (New Body Style)	30	35
16	65080	07-19	Toyota Sequoia	39	20
		07-19	Toyota Tundra		20
32	65081	19	RAM 1500	52	50
1 - PLUG ADAPTERS					
	202771	13-14	RAM 1500		5
		13-14	RAM 2500		5
		13-14	RAM 3500		5
3014-S	14-19	Jeep Cherokee		5	
3015-S		03-06	Cadillac Escalade		5
		03-06	Cadillac Escalade ESV		5
		03-06	Cadillac Escalade EXT		5
		03-06	Chevrolet Avalanche 1500		5
		03-06	Chevrolet Avalanche 2500		5
		03-06	Chevrolet Silverado 1500		5
		07	Chevrolet Silverado 1500 (Classic)		5
		03-06	Chevrolet Silverado 1500 HD		5
		07	Chevrolet Silverado 1500 HD (Classic)		5
		03-04	Chevrolet Silverado 2500		5
		03-06	Chevrolet Silverado 2500 HD		5
		07	Chevrolet Silverado 2500 HD (Classic)		5
		03-06	Chevrolet Silverado 3500		5
		07	Chevrolet Silverado 3500 (Classic)		5
		03-06	Chevrolet Suburban 1500		5
		03-06	Chevrolet Suburban 2500		5
		03-06	Chevrolet Tahoe		5
		03-06	GMC Sierra 1500		5
		07	GMC Sierra 1500 (Classic)		5
		03-06	GMC Sierra 1500 HD		5
		07	GMC Sierra 1500 HD (Classic)		5
		03-04	GMC Sierra 2500		5
		03-06	GMC Sierra 2500 HD		5
07	GMC Sierra 2500 HD (Classic)	5			
03-06	GMC Sierra 3500	5			
07	GMC Sierra 3500 (Classic)	5			
03-06	GMC Yukon	5			

PC	PART NO.	YEARS	MAKE/MODEL	WGT LBS	IN
	3015-S	03-06	GMC Yukon Denali		5
		03-06	GMC Yukon XL 1500		5
		03-06	GMC Yukon XL 1500 Denali		5
		03-06	GMC Yukon XL 2500		5
		03-07	Hummer H2		5
3016-S		15-18	Cadillac Escalade		5
		14-18	Chevrolet Silverado 1500		5
		15-19	Chevrolet Silverado 2500 HD		5
		15-19	Chevrolet Silverado 3500 HD		5
		15-17	Chevrolet Suburban		5
		15-16	Chevrolet Tahoe		5
		14-18	GMC Sierra 1500		5
		15-19	GMC Sierra 2500 HD		5
		15-18	GMC Sierra 3500 HD		5
		15-16	GMC Yukon		5
3020-S		07-09	Chrysler Aspen w/Factory Tow Package		5
		97-10	Dodge Dakota w/Factory Tow Package		5
		98-09	Dodge Durango w/Factory Tow Package		5
		95-09	Dodge Ram 1500		5
		95-09	Dodge Ram 2500		5
		95-09	Dodge Ram 3500		5
3021-S		11	RAM Dakota w/Factory Tow Package		5
		10	Dodge Ram 1500		5
		10	Dodge Ram 2500		5
		10	Dodge Ram 3500		5
		11-12	RAM 1500		5
3023-S		11-12	RAM 2500		5
		11-12	RAM 3500		5
		13-14	RAM 1500		5
3025-S		13-14	RAM 2500		5
		13-14	RAM 3500		5
		02	Cadillac Escalade		5
3026-S		02	Cadillac Escalade EXT		5
		02	Chevrolet Avalanche 1500		5
		02	Chevrolet Avalanche 2500		5
		99-02	Chevrolet Silverado 1500		5
		01-02	Chevrolet Silverado 1500 HD		5
		99-02	Chevrolet Silverado 2500		5
		01-02	Chevrolet Silverado 2500 HD		5
		01-02	Chevrolet Silverado 3500		5
		00-02	Chevrolet Suburban 1500 w/Amber Turn Signals		5
		00-02	Chevrolet Suburban 2500 w/Amber Turn Signals		5
		00-02	Chevrolet Tahoe w/Amber Turn Signals		5
		99-02	GMC Sierra 1500		5
		01-02	GMC Sierra 1500 HD		5
		99-02	GMC Sierra 2500		5
		01-02	GMC Sierra 2500 HD		5
		01-02	GMC Sierra 3500		5
		01-02	GMC Yukon Denali w/Amber Turn Signals		5
00-02	GMC Yukon w/Amber Turn Signals	5			
00-02	GMC Yukon XL 1500	5			
01-02	GMC Yukon XL 1500 Denali	5			
00-02	GMC Yukon XL 2500	5			
3031-S		08-17	Buick Enclave w/Factory 7-Way		5
		09-17	Chevrolet Traverse w/Factory 7-Way		5
		17	GMC Acadia Limited w/Factory 7-Way		5
		07-17	GMC Acadia w/Factory 7-Way		5
3033-S		07-09	Saturn Outlook w/Factory 7-Way		5
		16-19	Toyota Tacoma		5
3034-S		15-17	Toyota Tundra		5
		09-14	Ford E-150 Econoline		20
		09-14	Ford E-250 Econoline		20
		09-14	Ford E-350 Econoline Super Duty		20
		09-11	Ford E-350 Econoline Super Duty RV Cutaway, w/Factory Tow Prep Plug		20
		09-11	Ford E-450 Econoline Super Duty RV Cutaway, w/Factory Tow Prep Plug		20
		13-14	Ford Expedition		
		08-16	Ford F-250 Super Duty		20
		08-16	Ford F-350 Super Duty		20
		08-16	Ford F-350 Super Duty Cab & Chassis		20
		08-16	Ford F-450 Super Duty		20
		08-16	Ford F-450 Super Duty Cab & Chassis		20
		08-16	Ford F-550 Super Duty Cab & Chassis		20
		13-14	Lincoln Navigator		20
3035-S		94-96	Ford Bronco		5
		92-08	Ford E-150 Econoline		5

BRAKE CONTROL HARNESS INDEX

INDEX

PC	PART NO.	YEARS	MAKE/MODEL	WGT					
				LBS	IN				
3035-S		92-08	Ford E-250 Econoline		5				
		92-08	Ford E-350 Econoline						
		92-08	Ford E-350 Econoline RV Cutaway, w/Factory Tow Prep Plug						
		03-08	Ford E-450 Econoline Super Duty RV Cutaway, w/Factory Tow Prep Plug						
		00-02	Ford E-450 Econoline Super Duty Stripped RV Cutaway, w/Factory Tow Prep Plug						
		00-05	Ford Excursion						
		97-12	Ford Expedition						
		07-10	Ford Explorer Sport Trac w/Factory Tow Package						
		02-19	Ford Explorer w/Factory Tow Package						
		94-08	Ford F-150						
		04	Ford F-150 Heritage						
		94-96	Ford F-250						
		97	Ford F-250 Heavy Duty						
		97-99	Ford F-250 Styleside						
		99-04	Ford F-250 Super Duty						
		94-96	Ford F-350						
		97	Ford F-350 Heavy Duty						
		99-04	Ford F-350 Super Duty						
		99-04	Ford F-450 Super Duty Cab & Chassis						
		99-04	Ford F-550 Super Duty Cab & Chassis						
		09-11	Ford Flex w/Factory Tow Package						
		95-03	Ford Windstar w/Factory Tow Package						
		05-09	Land Rover LR3						
		10-15	Land Rover LR4						
		05-15	Land Rover Range Rover						
		12-17	Land Rover Range Rover Evoque						
		03-05	Lincoln Aviator w/Factory Tow Package						
		06-08	Lincoln Mark LT						
		10-11	Lincoln MKT w/Factory Tow Package						
		98-12	Lincoln Navigator						
		02-10	Mercury Mountaineer w/Factory Tow Package						
		3036-S				15-17	Ford Expedition		20
						09-19	Ford F-150		
						17-19	Ford F-250 Super Duty		
						17-19	Ford F-350 Super Duty		
						17-18	Ford F-450 Super Duty		
						17-18	Ford F-550 Super Duty		
						12-16	Ford Flex w/Factory Tow Package		
						12-15	Lincoln MKT w/Factory Tow Package		
						15-17	Lincoln Navigator		
						3040-S			
		03-09	Lexus GX470						
03-07	Lexus LX470								
08-15	Lexus LX570								
03-13	Toyota 4Runner								
03-15	Toyota Land Cruiser								
03-19	Toyota Sequoia								
07-15	Toyota Tacoma								
03-14	Toyota Tundra								
3045-S		11-19	Dodge Durango w/Factory Tow Package		5				
		11-19	Jeep Grand Cherokee w/Factory Tow Package						
3050-S		04-13	Infiniti QX56		5				
		05-15	Nissan Armada						
		05-15	Nissan Frontier						
		13-15	Nissan NV1500						
		13-15	Nissan NV2500						
		13-15	Nissan NV3500						
		05-17	Nissan Pathfinder						
		04	Nissan Pathfinder Armada						
		04-17	Nissan Titan Except Titan XD						
		05-15	Nissan Xterra w/Factory Tow Package						
		3065-S				05-07	Ford F-250 Super Duty		5
05-07	Ford F-350 Super Duty								
05-07	Ford F-350 Super Duty Cab & Chassis								
05-07	Ford F-450 Super Duty Cab & Chassis								
05-07	Ford F-550 Super Duty Cab & Chassis								
05-07	Ford F-550 Super Duty Cab & Chassis								
3070-S		09-17	Honda Pilot w/Factory Tow Package		5				
		06-17	Honda Ridgeline w/Factory Tow Package						
2 - PLUG ADAPTERS									
	3014	14-19	Jeep Cherokee		5				
	3014-P	14-19	Jeep Cherokee		5				
3015		03-06	Cadillac Escalade		5				
		03-06	Cadillac Escalade ESV						
		03-06	Cadillac Escalade EXT						
		03-06	Chevrolet Avalanche 1500						

PC	PART NO.	YEARS	MAKE/MODEL	WGT					
				LBS	IN				
3015		03-06	Chevrolet Avalanche 2500		5				
		03-06	Chevrolet Silverado 1500						
		07	Chevrolet Silverado 1500 (Classic)						
		03-06	Chevrolet Silverado 1500 HD						
		07	Chevrolet Silverado 1500 HD (Classic)						
		03-04	Chevrolet Silverado 2500						
		03-06	Chevrolet Silverado 2500 HD						
		07	Chevrolet Silverado 2500 HD (Classic)						
		03-06	Chevrolet Silverado 3500						
		07	Chevrolet Silverado 3500 (Classic)						
		03-06	Chevrolet Suburban 1500						
		03-06	Chevrolet Suburban 2500						
		03-06	Chevrolet Tahoe						
		03-06	GMC Sierra 1500						
		07	GMC Sierra 1500 (Classic)						
		03-06	GMC Sierra 1500 HD						
		07	GMC Sierra 1500 HD (Classic)						
		03-04	GMC Sierra 2500						
		03-06	GMC Sierra 2500 HD						
		07	GMC Sierra 2500 HD (Classic)						
		03-06	GMC Sierra 3500						
		07	GMC Sierra 3500 (Classic)						
		03-06	GMC Yukon						
		03-06	GMC Yukon Denali						
		03-06	GMC Yukon XL 1500						
		03-06	GMC Yukon XL 1500 Denali						
		03-06	GMC Yukon XL 2500						
		03-07	Hummer H2						
		3015-P				03-06	Cadillac Escalade		5
						03-06	Cadillac Escalade ESV		
						03-06	Cadillac Escalade EXT		
						03-06	Chevrolet Avalanche 1500		
						03-06	Chevrolet Avalanche 2500		
						03-06	Chevrolet Silverado 1500		
						07	Chevrolet Silverado 1500 (Classic)		
						03-06	Chevrolet Silverado 1500 HD		
						07	Chevrolet Silverado 1500 HD (Classic)		
						03-04	Chevrolet Silverado 2500		
						03-06	Chevrolet Silverado 2500 HD		
						07	Chevrolet Silverado 2500 HD (Classic)		
03-06	Chevrolet Silverado 3500								
07	Chevrolet Silverado 3500 (Classic)								
03-06	Chevrolet Suburban 1500								
03-06	Chevrolet Suburban 2500								
03-06	Chevrolet Tahoe								
07	GMC Sierra 1500								
07	GMC Sierra 1500 (Classic)								
03-06	GMC Sierra 1500 HD								
07	GMC Sierra 1500 HD (Classic)								
03-04	GMC Sierra 2500								
03-06	GMC Sierra 2500 HD								
07	GMC Sierra 2500 HD (Classic)								
03-06	GMC Sierra 3500								
07	GMC Sierra 3500 (Classic)								
03-06	GMC Yukon								
03-06	GMC Yukon Denali								
03-06	GMC Yukon XL 1500								
03-06	GMC Yukon XL 1500 Denali								
03-06	GMC Yukon XL 2500								
03-07	Hummer H2								
3016		15-18	Cadillac Escalade		5				
		14-18	Chevrolet Silverado 1500						
		15-19	Chevrolet Silverado 2500 HD						
		15-19	Chevrolet Silverado 3500 HD						
		15-17	Chevrolet Suburban						
		15-16	Chevrolet Tahoe						
		14-18	GMC Sierra 1500						
15-19	GMC Sierra 2500 HD								
15-18	GMC Sierra 3500 HD								
15-16	GMC Yukon								
3016-P		15-18	Cadillac Escalade		1				
		14-18	Chevrolet Silverado 1500						
		15-19	Chevrolet Silverado 2500 HD						
		15-19	Chevrolet Silverado 3500 HD						
		15-17	Chevrolet Suburban						
		15-16	Chevrolet Tahoe						
14-18	GMC Sierra 1500								

BRAKE CONTROL HARNESS INDEX

PC	PART NO.	YEARS	MAKE/MODEL	WGT LBS	IN
	3016-P	15-19 15-18 15-16	GMC Sierra 2500 HD GMC Sierra 3500 HD GMC Yukon	1	5 5 5
	3017†	16-17 15-17	Toyota Tacoma Toyota Tundra		5 5
	3017-P†	16-17 15-17	Toyota Tacoma Toyota Tundra		5 5
	3020	07-09 97-10 98-09 95-09 95-09 95-09 11	Chrysler Aspen w/Factory Tow Package Dodge Dakota w/Factory Tow Package Dodge Durango w/Factory Tow Package Dodge Ram 1500 Dodge Ram 2500 Dodge Ram 3500 RAM Dakota w/Factory Tow Package		5 5 5 5 5 5 5
	3020-P	07-09 97-10 98-09 95-09 95-09 95-09 11	Chrysler Aspen w/Factory Tow Package Dodge Dakota w/Factory Tow Package Dodge Durango w/Factory Tow Package Dodge Ram 1500 Dodge Ram 2500 Dodge Ram 3500 RAM Dakota w/Factory Tow Package		5 5 5 5 5 5 5
	3021	10 10 10 11-12 11-12 11-12	Dodge Ram 1500 Dodge Ram 2500 Dodge Ram 3500 RAM 1500 RAM 2500 RAM 3500		5 5 5 5 5 5
	3021-P	10 10 10 11-12 11-12 11-12	Dodge Ram 1500 Dodge Ram 2500 Dodge Ram 3500 RAM 1500 RAM 2500 RAM 3500		5 5 5 5 5 5
	3023	13-14 13-14 13-14	RAM 1500 RAM 2500 RAM 3500		10 10 10
	30234-P	13-14 13-14 13-14	RAM 1500 RAM 2500 RAM 3500	2	45 45 45
	30235	13-19 13-19 13-19	RAM 1500 RAM 2500 RAM 3500	1	30 30 30
	30235-P	13-19 13-19 13-19	RAM 1500 RAM 2500 RAM 3500	2	30 30 30
	3023-P	13-14 13-14 13-14	RAM 1500 RAM 2500 RAM 3500		10 10 10
	3024	15-19 15-19 15-19	RAM 1500 RAM 2500 RAM 3500		5 5 5
	3024-P	15-19 15-19 15-19	RAM 1500 RAM 2500 RAM 3500		5 5 5
	3025	02 02 02 02 99-02 01-02 99-02 01-02 01-02 00-02 00-02 00-02 99-02 01-02 99-02 01-02 01-02 00-02 00-02 00-02 00-02 00-02	Cadillac Escalade Cadillac Escalade EXT Chevrolet Avalanche 1500 Chevrolet Avalanche 2500 Chevrolet Silverado 1500 Chevrolet Silverado 1500 HD Chevrolet Silverado 2500 Chevrolet Silverado 2500 HD Chevrolet Silverado 3500 Chevrolet Suburban 1500 w/Amber Turn Signals Chevrolet Suburban 2500 w/Amber Turn Signals Chevrolet Tahoe w/Amber Turn Signals GMC Sierra 1500 GMC Sierra 1500 HD GMC Sierra 2500 GMC Sierra 2500 HD GMC Sierra 3500 GMC Yukon Denali w/Amber Turn Signals GMC Yukon w/Amber Turn Signals GMC Yukon XL 1500 GMC Yukon XL 1500 Denali GMC Yukon XL 2500		5 5
	3025-P	02	Cadillac Escalade		5

PC	PART NO.	YEARS	MAKE/MODEL	WGT LBS	IN
	3025-P	02 02 02 99-02 01-02 99-02 01-02 01-02 00-02 00-02 00-02 99-02 01-02 99-02 01-02 01-02 00-02 00-02 01-02 00-02	Cadillac Escalade EXT Chevrolet Avalanche 1500 Chevrolet Avalanche 2500 Chevrolet Silverado 1500 Chevrolet Silverado 1500 HD Chevrolet Silverado 2500 Chevrolet Silverado 2500 HD Chevrolet Silverado 3500 Chevrolet Suburban 1500 w/Amber Turn Signals Chevrolet Suburban 2500 w/Amber Turn Signals Chevrolet Tahoe w/Amber Turn Signals GMC Sierra 1500 GMC Sierra 1500 HD GMC Sierra 2500 GMC Sierra 2500 HD GMC Sierra 3500 GMC Yukon Denali w/Amber Turn Signals GMC Yukon w/Amber Turn Signals GMC Yukon XL 1500 GMC Yukon XL 1500 Denali GMC Yukon XL 2500		5 5
	3026	08-17 09-17 17 07-17 07-09	Buick Enclave w/Factory 7-Way Chevrolet Traverse w/Factory 7-Way GMC Acadia Limited w/Factory 7-Way GMC Acadia w/Factory 7-Way Saturn Outlook w/Factory 7-Way		5 5 5 5 5
	3026-P	08-17 09-17 17 07-17 07-09	Buick Enclave w/Factory 7-Way Chevrolet Traverse w/Factory 7-Way GMC Acadia Limited w/Factory 7-Way GMC Acadia w/Factory 7-Way Saturn Outlook w/Factory 7-Way		5 5 5 5 5
	3027	04-16 04-16	Freightliner SL Freightliner XC		5 5
	3027-P	04-16 04-16	Freightliner SL Freightliner XC		5 5
	3028	13-18	Acura MDX		10
	3028-P	13-18	Acura MDX		10
	3030	12-18 12-18 12-18 12-18 12-18	Freightliner Sprinter 2500 Freightliner Sprinter 3500 Mercedes-Benz Sprinter Mercedes-Benz Sprinter 2500 Mercedes-Benz Sprinter 3500		10 10 10 10 10
	3030-P	12-18 12-18 12-18 12-18 12-18	Freightliner Sprinter 2500 Freightliner Sprinter 3500 Mercedes-Benz Sprinter Mercedes-Benz Sprinter 2500 Mercedes-Benz Sprinter 3500		10 10 10 10 10
	3031	16-19 15-17	Toyota Tacoma Toyota Tundra		5 5
	3031-P	16-19 15-17	Toyota Tacoma Toyota Tundra		5 5
	3032	09-11	KIA Borrego		5
	3032-P	09-11	KIA Borrego		5
	3034	09-14 09-14 09-14 09-11 09-11 13-14 08-16 08-16 08-16 08-16 08-16 08-16 13-14	Ford E-150 Econoline Ford E-250 Econoline Ford E-350 Econoline Super Duty Ford E-350 Econoline Super Duty RV Cutaway, w/Factory Tow Prep Plug Ford E-450 Econoline Super Duty RV Cutaway, w/Factory Tow Prep Plug Ford Expedition Ford F-250 Super Duty Ford F-350 Super Duty Ford F-350 Super Duty Cab & Chassis Ford F-450 Super Duty Ford F-450 Super Duty Cab & Chassis Ford F-550 Super Duty Cab & Chassis Lincoln Navigator		20 20 20 20 20 20 20 20 20 20 20 20 20
	3034-P	09-14 09-14 09-14 09-11 09-11 13-14 08-16	Ford E-150 Econoline Ford E-250 Econoline Ford E-350 Econoline Super Duty Ford E-350 Econoline Super Duty RV Cutaway, w/Factory Tow Prep Plug Ford E-450 Econoline Super Duty RV Cutaway, w/Factory Tow Prep Plug Ford Expedition Ford F-250 Super Duty		20 20 20 20 20 20 20

INDEX

BRAKE CONTROL HARNESS INDEX

PC	PART NO.	YEARS	MAKE/MODEL	WGT LBS	IN
	3034-P	08-16	Ford F-350 Super Duty		20
		08-16	Ford F-350 Super Duty Cab & Chassis		20
		08-16	Ford F-450 Super Duty		20
		08-16	Ford F-450 Super Duty Cab & Chassis		20
		08-16	Ford F-550 Super Duty Cab & Chassis		20
		13-14	Lincoln Navigator		20
	3035	94-96	Ford Bronco		5
		92-08	Ford E-150 Econoline		5
		92-08	Ford E-250 Econoline		5
		92-08	Ford E-350 Econoline		5
		92-08	Ford E-350 Econoline RV Cutaway, w/Factory Tow Prep Plug		5
		03-08	Ford E-450 Econoline Super Duty RV Cutaway, w/Factory Tow Prep Plug		5
		00-02	Ford E-450 Econoline Super Duty Stripped RV Cutaway, w/Factory Tow Prep Plug		5
		00-05	Ford Excursion		5
		97-12	Ford Expedition		5
		07-10	Ford Explorer Sport Trac w/Factory Tow Package		5
		02-19	Ford Explorer w/Factory Tow Package		5
		94-08	Ford F-150		5
		04	Ford F-150 Heritage		5
		94-96	Ford F-250		5
		97	Ford F-250 Heavy Duty		5
		97-99	Ford F-250 Styleside		5
		99-04	Ford F-250 Super Duty		5
		94-96	Ford F-350		5
		97	Ford F-350 Heavy Duty		5
		99-04	Ford F-350 Super Duty		5
		99-04	Ford F-450 Super Duty Cab & Chassis		5
		99-04	Ford F-550 Super Duty Cab & Chassis		5
		09-11	Ford Flex w/Factory Tow Package		5
		95-03	Ford Windstar w/Factory Tow Package		5
		05-09	Land Rover LR3		5
		10-15	Land Rover LR4		5
		05-15	Land Rover Range Rover		5
		12-17	Land Rover Range Rover Evoque		5
		03-05	Lincoln Aviator w/Factory Tow Package		5
		06-08	Lincoln Mark LT		5
		10-11	Lincoln MKT w/Factory Tow Package		5
		98-12	Lincoln Navigator		5
		02-10	Mercury Mountaineer w/Factory Tow Package		5
	3035-P	94-96	Ford Bronco		5
		92-08	Ford E-150 Econoline		5
		92-08	Ford E-250 Econoline		5
		92-08	Ford E-350 Econoline		5
		92-08	Ford E-350 Econoline RV Cutaway, w/Factory Tow Prep Plug		5
		03-08	Ford E-450 Econoline Super Duty RV Cutaway, w/Factory Tow Prep Plug		5
		00-02	Ford E-450 Econoline Super Duty Stripped RV Cutaway, w/Factory Tow Prep Plug		5
		00-05	Ford Excursion		5
		97-12	Ford Expedition		5
		07-10	Ford Explorer Sport Trac w/Factory Tow Package		5
		02-19	Ford Explorer w/Factory Tow Package		5
		94-08	Ford F-150		5
		04	Ford F-150 Heritage		5
		94-96	Ford F-250		5
		97	Ford F-250 Heavy Duty		5
		97-99	Ford F-250 Styleside		5
		99-04	Ford F-250 Super Duty		5
		94-96	Ford F-350		5
		97	Ford F-350 Heavy Duty		5
		99-04	Ford F-350 Super Duty		5
		99-04	Ford F-450 Super Duty Cab & Chassis		5
		99-04	Ford F-550 Super Duty Cab & Chassis		5
		09-11	Ford Flex w/Factory Tow Package		5
		95-03	Ford Windstar w/Factory Tow Package		5
		05-09	Land Rover LR3		5
		10-15	Land Rover LR4		5
		05-15	Land Rover Range Rover		5
		12-17	Land Rover Range Rover Evoque		5
		03-05	Lincoln Aviator w/Factory Tow Package		5
		06-08	Lincoln Mark LT		5
		10-11	Lincoln MKT w/Factory Tow Package		5
		98-12	Lincoln Navigator		5
		02-10	Mercury Mountaineer w/Factory Tow Package		5
	3036	15-17	Ford Expedition		20

PC	PART NO.	YEARS	MAKE/MODEL	WGT LBS	IN
	3036	09-19	Ford F-150		20
		17-19	Ford F-250 Super Duty		20
		17-19	Ford F-350 Super Duty		20
		17-18	Ford F-450 Super Duty		20
		17-18	Ford F-550 Super Duty		20
		12-16	Ford Flex w/Factory Tow Package		20
		12-15	Lincoln MKT w/Factory Tow Package		20
		15-17	Lincoln Navigator		20
	3036-P	15-17	Ford Expedition		20
		09-19	Ford F-150		20
		17-19	Ford F-250 Super Duty		20
		17-19	Ford F-350 Super Duty		20
		17-18	Ford F-450 Super Duty		20
		17-18	Ford F-550 Super Duty		20
		12-16	Ford Flex w/Factory Tow Package		20
		12-15	Lincoln MKT w/Factory Tow Package		20
		15-17	Lincoln Navigator		20
	3040	10-15	Lexus GX460		5
		03-09	Lexus GX470		5
		03-07	Lexus LX470		5
		08-15	Lexus LX570		5
		03-13	Toyota 4Runner		5
		03-15	Toyota Land Cruiser		5
		03-19	Toyota Sequoia		5
		07-15	Toyota Tacoma		5
		03-14	Toyota Tundra		5
	3040-P	10-15	Lexus GX460		5
		03-09	Lexus GX470		5
		03-07	Lexus LX470		5
		08-15	Lexus LX570		5
		03-13	Toyota 4Runner		5
		03-15	Toyota Land Cruiser		5
		03-19	Toyota Sequoia		5
		07-15	Toyota Tacoma		5
		03-14	Toyota Tundra		5
	3041	14-16	Toyota 4Runner		10
	3041-P	14-16	Toyota 4Runner		10
	3045	11-19	Dodge Durango w/Factory Tow Package		5
		11-19	Jeep Grand Cherokee w/Factory Tow Package		5
	3045-P	11-19	Dodge Durango w/Factory Tow Package		5
		11-19	Jeep Grand Cherokee w/Factory Tow Package		5
	3050	04-13	Infiniti QX56		5
		14-17	Infiniti QX60 Except Hybrid		5
		14	Infiniti QX60 Hybrid		5
		14-17	Infiniti QX80		5
		05-15	Nissan Armada		5
		05-15	Nissan Frontier		5
		13-15	Nissan NV1500		5
		13-15	Nissan NV2500		5
		13-15	Nissan NV3500		5
		05-17	Nissan Pathfinder		5
		04	Nissan Pathfinder Armada		5
		04-17	Nissan Titan Except Titan XD		5
		05-15	Nissan Xterra w/Factory Tow Package		5
	3050-P	04-13	Infiniti QX56		5
		05-15	Nissan Armada		5
		05-15	Nissan Frontier		5
		13-15	Nissan NV1500		5
		13-15	Nissan NV2500		5
		13-15	Nissan NV3500		5
		05-17	Nissan Pathfinder		5
		04	Nissan Pathfinder Armada		5
		04-17	Nissan Titan Except Titan XD		5
		05-15	Nissan Xterra w/Factory Tow Package		5
	3062	19	Subaru Ascent		10
	3062-P	19	Subaru Ascent		10
	3063	07-09	Dodge Sprinter 2500		10
		07-09	Dodge Sprinter 3500		10
		07-11	Freightliner Sprinter 2500		10
		07-11	Freightliner Sprinter 3500		10
		07-11	Mercedes-Benz Sprinter		10
		10-11	Mercedes-Benz Sprinter 2500		10
		10-11	Mercedes-Benz Sprinter 3500		10
	3063-P	07-09	Dodge Sprinter 2500		10
		07-09	Dodge Sprinter 3500		10
		07-11	Freightliner Sprinter 2500		10
		07-11	Freightliner Sprinter 3500		10

T-ONE® CONNECTOR INDEX

PC	PART NO.	YEARS	MAKE/MODEL	WGT LBS	IN		
E1	118313	80-86	Ford F-350		5		
		83-85	Ford Ranger		5		
E4	118314	86-92	Ford Ranger		5		
E3	118315	88-99	Chevrolet C1500 Except 88-91 Crew Cab		5		
		88-99	Chevrolet C2500 Except 88-91 Crew Cab		5		
		88-00	Chevrolet C3500 Except 88-91 Crew Cab		5		
		88-99	Chevrolet K1500 Except 88-91 Crew Cab		5		
		88-99	Chevrolet K2500 Except 88-91 Crew Cab		5		
		88-00	Chevrolet K3500 Except 88-91 Crew Cab		5		
		88-99	GMC C1500 Except 88-91 Crew Cab		5		
		88-00	GMC C2500 Except 88-91 Crew Cab		5		
		88-00	GMC C3500 Except 88-91 Crew Cab		5		
		88-99	GMC K1500 Except 88-91 Crew Cab		5		
		88-00	GMC K2500 Except 88-91 Crew Cab		5		
		88-00	GMC K3500 Except 88-91 Crew Cab		5		
		E4	118316	87-96	Ford F-150		5
				87-96	Ford F-250		5
				97	Ford F-250 Heavy Duty		5
87-96	Ford F-350				5		
97	Ford F-350 Heavy Duty				5		
E5	118317			86-93	Dodge D150	1	5
		86-93	Dodge D250		5		
		86-93	Dodge D350		5		
		87-93	Dodge D350 Cab & Chassis		5		
		87-94	Dodge Dakota		5		
		94	Dodge Ram 1500		5		
		94	Dodge Ram 2500		5		
		94	Dodge Ram 3500		5		
		94-02	Dodge Ram 3500, Cab & Chassis		5		
		86-93	Dodge Ramcharger		5		
		86-93	Dodge W150		5		
		86-93	Dodge W250		5		
		86-93	Dodge W350		5		
		87-93	Dodge W350 Cab & Chassis		5		
		E3	118319	99-00	Cadillac Escalade		5
				92-94	Chevrolet Blazer Full Size		5
				92-99	Chevrolet Suburban C1500		5
92-99	Chevrolet Suburban C2500				5		
92-99	Chevrolet Suburban K1500				5		
92-99	Chevrolet Suburban K2500				5		
95-00	Chevrolet Tahoe				5		
92-99	GMC Suburban C1500				5		
92-99	GMC Suburban C2500				5		
92-99	GMC Suburban K1500				5		
92-99	GMC Suburban K2500				5		
92-00	GMC Yukon				5		
99-00	GMC Yukon Denali				5		
E6	118323	91-95	Chrysler Town & Country	1	10		
		91-95	Dodge Caravan		10		
		03-10	Dodge Dakota		10		
		91-95	Dodge Grand Caravan		10		
		06-09	Mitsubishi Raider		10		
		91-95	Plymouth Grand Voyager		10		
		91-95	Plymouth Voyager		10		
		11	RAM Dakota		10		
		E9	118325	93-99	Ford Ranger	1	5
				94-09	Mazda B2300		5
98-01	Mazda B2500				5		
94-08	Mazda B3000				5		
94-09	Mazda B4000				5		
E9	118326	92-97	Ford Crown Victoria		20		
		94-04	Ford Mustang Except Cobra SVT 99-04		20		
		92-97	Mercury Grand Marquis		20		
E1	118328	93-94	Dodge Van, B150		5		
		95-98	Dodge Van, B1500		5		
		93-94	Dodge Van, B250		5		
		95-98	Dodge Van, B2500		5		
		93-94	Dodge Van, B350		5		
		95-98	Dodge Van, B3500		5		
E7	118329	95-03	Dodge Dakota	1	5		
		95-01	Dodge Ram 1500		5		
		95-02	Dodge Ram 2500		5		
		95-02	Dodge Ram 3500		5		
		95-01	Dodge Ram 4000		5		
E5	118331	94-97	Honda Passport		5		
		92-97	Isuzu Rodeo		5		
		E9	118333	96-99	Ford Taurus 4 Dr. Sedan	1	10

PC	PART NO.	YEARS	MAKE/MODEL	WGT LBS	IN
E9	118333	96-99	Mercury Sable Sedan	1	10
E10	118334	96-00	Chrysler Town & Country	1	20
		96-00	Dodge Caravan		20
		98-03	Dodge Durango		20
		96-00	Dodge Grand Caravan		20
		96-00	Plymouth Grand Voyager		20
		96-00	Plymouth Voyager		20
E8	118335	96-99	Chevrolet Express 1500		20
		96-99	Chevrolet Express 2500		20
		96-99	Chevrolet Express 3500		20
		96-99	GMC Savana 1500		20
		96-99	GMC Savana 2500		20
		96-99	GMC Savana 3500		20
		E5	118336	97-03	Acura CL
94-01	Acura Integra				5
01-06	Acura MDX				10
96-01	Acura RL				5
96-03	Acura TL				5
94-02	Honda Accord 4 Dr. Sedan				5
93-97	Honda Civic Del Sol				5
97-06	Honda CR-V				10
03-04	Honda Element				10
95-04	Honda Odyssey				10
03-08	Honda Pilot				10
01	Honda Prelude				5
96-99	Isuzu Oasis				10
E4	118338	87-95	Chevrolet G10		10
		87-95	Chevrolet G20		10
		87-95	Chevrolet G30		10
		87-95	GMC G1500		10
		87-95	GMC G2500		10
		87-95	GMC G3500		10
E5	118339	96-99	Acura SLX		5
		92-02	Isuzu Trooper		5
E11	118341	96-02	Toyota 4Runner	1	20
E9	118343	92-94	Ford E-150 Econoline	1	10
		92-94	Ford E-250 Econoline		10
		92-94	Ford E-350 Econoline		10
		01-03	Ford Escape		10
		01-03	Mazda Tribute		10
E5	118344	97	Ford Aerostar Extended Body	1	10
		97	Ford Aerostar Standard Body		10
		95-02	Ford E-150 Econoline		10
		95-02	Ford E-250 Econoline		10
		95-02	Ford E-350 Econoline		10
		97-99	Ford Escort 4 Dr. Sedan		10
		98-03	Ford Escort ZX2		10
		00-03	Ford Excursion		10
		97-03	Ford Expedition		10
		01-03	Ford Explorer 2 Dr. Sport		10
		02-03	Ford Explorer 4 Dr.		10
		02-03	Ford Explorer Sport Trac		10
		97-03	Ford F-150 Flareside		10
04	Ford F-150 Heritage Flareside		10		
00-03	Ford F-150 SuperCrew		10		
00-03	Ford Focus Wagon (Built Before 11/2002)		10		
00-03	Ford Ranger		10		
03-04	Lincoln Aviator		10		
98-03	Lincoln Navigator		10		
02-03	Mercury Mountaineer		10		
97-99	Mercury Tracer 4 Dr. Sedan		10		
E16	118345	92-94	Ford E-150 Econoline	2	45
		92-94	Ford E-250 Econoline		45
		92-94	Ford E-350 Econoline		45
		01-03	Ford Escape		45
		95-00	Ford Explorer		45
		01	Ford Explorer 4 Dr.		45
		01-03	Mazda Tribute		45
		97-01	Mercury Mountaineer		45
E16	118349	94-98	Jeep Grand Cherokee	1	45
		86-94	Nissan D21 (App. starts with 86-1/2)	1	10
E8	118353	87-95	Nissan Pathfinder		10
		E7	118354	97-01	Jeep Cherokee
E8	118355			97-05	Chevrolet Venture
		97-04	Oldsmobile Silhouette		10
		99-05	Pontiac Montana		10
		07-09	Pontiac Montana (Canada Only)		10

PC	PART NO.	YEARS	MAKE/MODEL	WGT LBS	IN
E8	118355	97-98	Pontiac Trans Sport	1	10
E5	118356	97	Jeep TJ (Canada Only)	1	10
		91-97	Jeep Wrangler		10
E5	118357	96-97	Lexus LX450		5
		96-97	Toyota Land Cruiser		5
E8	118358	97-01	Toyota Camry 4 Dr. Sedan	1	5
E4	118359	98-04	Chevrolet S10		5
		98-04	GMC Sonoma		5
		98-00	Isuzu Hombre		5
E17	118360	98-02	Honda Passport	1	15
		98-00	Isuzu Amigo		15
		98-04	Isuzu Rodeo		15
		01-03	Isuzu Rodeo Sport		15
E8	118361	97-03	Infiniti QX4	1	20
		98-01	Nissan Altima		20
		96-04	Nissan Pathfinder		20
E10	118362	98	Mercury Villager	1	5
		98-04	Nissan Frontier		5
		98	Nissan Quest		5
E12	118364	99-04	Chrysler 300M	1	15
		98-02	Chrysler Concorde		15
		98-04	Chrysler Intrepid (Canada Only)		15
		99	Chrysler LHS		15
		98-04	Dodge Intrepid		15
E5	118365	98-99	Lexus LX470	1	5
		98-99	Toyota Land Cruiser		5
E19	118366	99-03	Ford Windstar (Built Before 11/2002)	2	45
E15	118367	00	Toyota Tundra	1	10
E1	118368	99-00	Dodge Van, Ram 1500		5
		99-00	Dodge Van, Ram 2500		5
		99-00	Dodge Van, Ram 3500		5
E10	118369	99-04	Jeep Grand Cherokee	1	10
E5	118372	98-04	Chevrolet Tracker	1	5
		96-97	GEO Tracker		5
		99-05	Suzuki Grand Vitara		5
		89-98	Suzuki Sidekick		5
		99-04	Suzuki Vitara		5
		02-06	Suzuki XL-7		5
E17	118373	00-06	Lincoln LS	1	20
E4	118375	00-03	Ford Taurus 4 Dr. Sedan	1	10
		00-03	Mercury Sable Sedan		10
E7	118376	01-03	Chrysler Town & Country	1	15
		01-03	Chrysler Voyager		15
		01-03	Dodge Caravan		15
		01-03	Dodge Grand Caravan		15
E8	118377	00-02	Chevrolet Express 1500	1	10
		00-02	Chevrolet Express 2500		10
		00-02	Chevrolet Express 3500		10
		00-02	GMC Savana 1500		10
		00-02	GMC Savana 2500		10
		00-02	GMC Savana 3500		10
E17	118378	01-02	Toyota Tundra	1	10
E14	118379	89-95	Toyota Pickup Except T-100	1	10
		95-04	Toyota Tacoma (App. starts with 95-1/2)		10
E12	118380	01-06	Mitsubishi Montero Except Montero Sport	1	20
E3	118381	07-08	Chrysler Aspen w/Factory 7-Way		5
		04-08	Chrysler Pacifica w/Factory 7-Way		5
		00-09	Dodge Dakota w/Factory 7-Way		5
		00-08	Dodge Durango w/Factory 7-Way		5
		00-08	Dodge Ram 1500 w/Factory 7-Way		5
		00-09	Dodge Ram 2500 w/Factory 7-Way		5
		00-09	Dodge Ram 3500 w/Factory 7-Way		5
		03-09	Dodge Sprinter 2500 w/Factory 7-Way		5
		03-09	Dodge Sprinter 3500 w/Factory 7-Way		5
		01-03	Dodge Van, Ram 1500		5
		01-03	Dodge Van, Ram 2500		5
		01-03	Dodge Van, Ram 3500		5
		03-09	Freightliner Sprinter 2500 w/Factory 7-Way		5
		03-09	Freightliner Sprinter 3500 w/Factory 7-Way		5
		06-10	Jeep Commander w/Factory 7-Way		5
		00-10	Jeep Grand Cherokee w/Factory 7-Way		5
		05-08	Jeep Liberty w/Factory 7-Way		5
		06-09	Mitsubishi Raider w/Factory 7-Way		5
E10	118383	02-07	Buick Rendezvous	1	20
		01-05	Pontiac Aztek		20
E8	118384	08-12	Buick Enclave w/Factory 7-Way	1	5
		04-07	Buick Rainier w/Factory 7-Way		5

PC	PART NO.	YEARS	MAKE/MODEL	WGT LBS	IN
E8	118384	02-16	Cadillac Escalade	1	5
		03-15	Cadillac Escalade ESV		5
		02-11	Cadillac Escalade EXT w/Factory 7-Way		5
		02-11	Chevrolet Avalanche 1500 w/Factory 7-Way		5
		02-11	Chevrolet Avalanche 2500 w/Factory 7-Way		5
		99-01	Chevrolet Blazer Downsize, w/Factory 7-Way		5
		99-01	Chevrolet Blazer Trailblazer w/Factory 7-Way		5
		04-12	Chevrolet Colorado w/Factory 7-Way		5
		07-18	Chevrolet Silverado 1500		5
		07	Chevrolet Silverado 1500 (Classic), w/Factory 7-Way		5
		07	Chevrolet Silverado 1500 HD (Classic), w/Factory 7-Way		5
		01-06	Chevrolet Silverado 1500 HD w/Factory 7-Way		5
		99-06	Chevrolet Silverado 1500 w/Factory 7-Way		5
		07-18	Chevrolet Silverado 2500 HD		5
		07	Chevrolet Silverado 2500 HD (Classic), w/Factory 7-Way		5
		01-06	Chevrolet Silverado 2500 HD w/Factory 7-Way		5
		99-04	Chevrolet Silverado 2500 w/Factory 7-Way		5
		07	Chevrolet Silverado 3500 (Classic), w/Factory 7-Way		5
		07-17	Chevrolet Silverado 3500 HD		5
		01-06	Chevrolet Silverado 3500 w/Factory 7-Way		5
		14-15	Chevrolet Suburban		5
		00-14	Chevrolet Suburban 1500 w/Amber Turn Signals		5
		00-13	Chevrolet Suburban 2500 w/Amber Turn Signals		5
		00-11	Chevrolet Tahoe w/Amber Turn Signals		5
		02-09	Chevrolet TrailBlazer w/Factory 7-Way		5
		09-12	Chevrolet Traverse w/Factory 7-Way		5
		09	Chrysler Aspen w/Factory 7-Way		5
		09	Dodge Durango w/Factory 7-Way		5
		09-10	Dodge Ram 1500 w/Factory 7-Way		5
		10	Dodge Ram 2500 w/Factory 7-Way		5
		10	Dodge Ram 3500 w/Factory 7-Way		5
		07-12	GMC Acadia w/Factory 7-Way		5
		04-12	GMC Canyon w/Factory 7-Way		5
		02-09	GMC Envoy w/Factory 7-Way		5
		99-01	GMC Jimmy Downsize, w/Factory 7-Way		5
		07-18	GMC Sierra 1500		5
		07	GMC Sierra 1500 (Classic), w/Factory 7-Way		5
		07	GMC Sierra 1500 HD (Classic), w/Factory 7-Way		5
		01-06	GMC Sierra 1500 HD w/Factory 7-Way		5
		99-06	GMC Sierra 1500 w/Factory 7-Way		5
		07-18	GMC Sierra 2500 HD		5
		07	GMC Sierra 2500 HD (Classic), w/Factory 7-Way		5
		11-12	GMC Sierra 2500 HD Denali HD		5
		01-06	GMC Sierra 2500 HD w/Factory 7-Way		5
		99-04	GMC Sierra 2500 w/Factory 7-Way		5
		07	GMC Sierra 3500 (Classic), w/Factory 7-Way		5
		07-17	GMC Sierra 3500 HD		5
		01-06	GMC Sierra 3500 w/Factory 7-Way		5
		00-16	GMC Yukon w/Amber Turn Signals		5
		00-11	GMC Yukon XL 1500		5
		00-11	GMC Yukon XL 2500		5
		03-09	Hummer H2 w/Factory 7-Way		5
		06-10	Hummer H3 w/Factory 7-Way		5
		09-10	Hummer H3T w/Factory 7-Way		5
		04-12	Infiniti QX56 w/Factory 7-Way		5
		03-08	Isuzu Ascender w/Factory 7-Way		5
		11-15	Jeep Grand Cherokee w/Factory 7-Way		5
		09-12	Jeep Liberty w/Factory 7-Way		5
		09-11	KIA Borrego w/Factory 7-Way		5
		10-11	Lexus GX460 w/Factory 7-Way		5
		05-14	Nissan Armada w/Factory 7-Way		5
		04	Nissan Pathfinder Armada w/Factory 7-Way		5
		04-14	Nissan Titan w/Factory 7-Way		5
		98-04	Oldsmobile Bravada w/Factory 7-Way		5
		11-17	RAM 1500 w/Factory 7-Way		5
		11-19	RAM 2500 w/Factory 7-Way		5
		11-17	RAM 3500 w/Factory 7-Way		5
		05-09	Saab 9-7X w/Factory 7-Way		5
		07-09	Saturn Outlook w/Factory 7-Way		5
		10-11	Toyota 4Runner w/Factory 7-Way		5
		09-13	Toyota Tacoma w/Factory 7-Way		5
		10-17	Toyota Tundra w/Factory 7-Way		5
		18-19	Volkswagen Atlas w/Factory 7-Way		5
E17	118385	04-07	Ford Freetstar	2	45
		04-07	Mercury Monterey		45
E12	118386	00-02	Toyota Echo	1	20
		03-08	Toyota Matrix		20

T-ONE® CONNECTOR INDEX

PC	PART NO.	YEARS	MAKE/MODEL	WGT	
				LBS	IN
E13	118387	03	Toyota Corolla	1	15
E12	118388	96-00	Toyota RAV4	1	20
E12	118389	01-05	Toyota RAV4	1	20
E15	118390	07-09	Chrysler Aspen	2	45
		04-09	Dodge Durango	45	
E8	118391	05-06	Chevrolet Equinox	1	10
		06	Pontiac Torrent	10	
E5	118392	03-14	Chevrolet Express 1500	1	20
		03-18	Chevrolet Express 2500	20	
		03-18	Chevrolet Express 3500	20	
		03-14	GMC Savana 1500	20	
		03-18	GMC Savana 2500	20	
		03-18	GMC Savana 3500	20	
E17	118394	05-06	Jeep Grand Cherokee	1	20
E5	118395	05-07	Ford Five Hundred	10	
		05-07	Ford Freestyle	10	
E10	118396	05-07	Buick Terraza	1	15
		05-08	Chevrolet Uplander	15	
		09	Chevrolet Uplander (Canada Only)	15	
		05-06	Pontiac Montana SV6	15	
		07-09	Pontiac Montana SV6 (Canada Only)	15	
		05-07	Saturn Relay	15	
E16	118397	05-09	Hyundai Tucson	1	30
E8	118398	05-10	Chevrolet Cobalt 4 Dr.	1	10
		08	Chevrolet Cobalt Sport 4 Dr.	10	
		05-10	Chevrolet Cobalt SS 4 Dr.	10	
		05-06	Pontiac Pursuit 4 Dr. (Canada Only)	10	
E15	118400	06-08	Honda Ridgeline	1	10
E8	118401	05-10	KIA Sportage 6 Cyl.	1	5
E19	118402	05-08	Dodge Magnum	2	45
E7	118404	05-07	Chrysler 300 Except 300 C	1	10
		08-14	Dodge Challenger	10	
		06-10	Dodge Charger	10	
E16	118405	14-17	Mazda 3 4 Dr. Sedan	2	45
		14-18	Mazda 3 5 Dr. Hatchback	45	
		03-08	Mazda 6 4 Dr. Sedan	45	
		04-08	Mazda 6 5 Dr. Hatchback	45	
		07-12	Mazda CX-7	45	
		07-09	Toyota Camry 4 Dr. Sedan, Except Hybrid	45	
		12-17	Toyota Camry Including Hybrid	45	
		14-19	Toyota Corolla	45	
		07-14	Toyota FJ Cruiser	45	
E14	118406	08-10	Chrysler 300	1	15
		05-07	Chrysler 300 C	15	
E5	118407	05-10	Chevrolet Cobalt 2 Dr.	1	15
		08	Chevrolet Cobalt Sport 2 Dr.	15	
		05-10	Chevrolet Cobalt SS 2 Dr.	15	
		06-11	Chevrolet HHR	15	
		08-10	Chevrolet HHR SS	15	
		07-09	Pontiac G5 2 Dr.	15	
		07-09	Pontiac G5 GT 2 Dr.	15	
E16	118408	06-10	Jeep Commander	1	15
E7	118409	98-06	Jeep TJ (Canada Only)	1	15
		98-06	Jeep Wrangler	15	
E19	118410	07-09	Hyundai Entourage	2	45
		06-14	KIA Sedona	45	
E18	118411	05-14	Volvo XC90	2	20
E16	118412	06-12	Toyota RAV4	1	45
		08-10	Toyota Sequoia	45	
E10	118413	06-11	Hyundai Azera	1	20
		01-07	Toyota Highlander Except Hybrid	20	
E12	118414	04-06	Scion xB	1	20
E12	118415	07-12	Hyundai Santa Fe	1	20
		10-13	KIA Forte 4 Dr. Sedan	20	
E5	118416	07-17	Jeep Wrangler Except w/Right Hand Drive & Limited Edition	10	
		18	Jeep Wrangler JK Except w/Right Hand Drive & Limited Edition	10	
E5	118417	06-13	Chevrolet Impala	10	
E16	118418	02-07	Saturn Vue	1	20
E5	118419	06-11	Buick Lucerne	1	10
E14	118420	09-14	Acura TSX 4 Dr. Sedan	1	15
		08-12	Honda Accord Coupe	15	
		08-12	Honda Accord Sedan	15	
		06-15	Honda Civic 4 Dr. Sedan, Except Hybrid & Si	15	
		07-13	Honda Fit	15	
		04-13	Mazda 3 4 Dr. Sedan, Except w/Grand Touring LED Taillights	15	
		04-13	Mazda 3 5 Dr. Hatchback, Except w/Grand Touring LED Taillights	15	

PC	PART NO.	YEARS	MAKE/MODEL	WGT	
				LBS	IN
E14	118420	07-12	Mitsubishi Galant	1	15
E13	118421	07	Dodge Nitro	1	15
E14	118422	11-13	Ford Fiesta 4 Dr. Sedan	1	30
		06-12	Ford Fusion	30	
E11	118423	07-09	Saturn Aura	1	15
E11	118424	07-13	Acura MDX	1	20
E7	118425	07-13	Jeep Grand Cherokee	1	20
E17	118426	05-07	Ford Escape	2	45
		05-06	Mazda Tribute	45	
E8	118427	07-11	Honda CR-V	1	20
E18	118428	07	Dodge Caliber	2	45
		07-10	Jeep Compass	45	
		07	Jeep Patriot	45	
E14	118431	07-10	KIA Rondo	1	15
		11-12	KIA Rondo (Canada Only)	15	
		10-18	KIA Soul Except w/LED Taillights	15	
E7	118432	07-09	Chevrolet Equinox	1	10
		07-09	Pontiac Torrent	10	
		07-09	Suzuki XL-7 w/Factory Tow Package	10	
E12	118433	07-10	Hyundai Elantra 4 Dr. Sedan	1	10
		06-09	Hyundai Sonata	10	
		09-10	KIA Optima	10	
E10	118434	07-09	Saturn Outlook		15
E8	118436	06-07	Honda Accord 2 Dr. Coupe	1	10
E12	118437	06-15	Honda Civic 2 Dr. Coupe, Except Si	1	10
E12	118438	05-10	Honda Odyssey	1	20
E7	118439	08	Chevrolet Malibu Classic LS	1	15
		08	Chevrolet Malibu Classic LT	15	
		04-07	Chevrolet Malibu LS 4 Dr. Sedan	15	
		04-07	Chevrolet Malibu LT 4 Dr. Sedan	15	
		04-07	Chevrolet Malibu Maxx LS	15	
		04-07	Chevrolet Malibu Maxx LT	15	
		06-07	Chevrolet Malibu SS 4 Dr. Sedan	15	
		05-09	Pontiac G6	15	
E15	118440	03-07	Cadillac CTS	2	45
		04-07	Cadillac CTS V	45	
E11	118441	03-05	Honda Accord 2 Dr. Coupe	1	10
E19	118443	12-15	Chevrolet Captiva Sport	2	45
		08-09	Saturn Vue	45	
E19	118444	07-10	Chrysler Sebring	2	45
		07-10	Chrysler Sebring Convertible	45	
E19	118445	08-10	Dodge Avenger	2	45
E7	118447	08-09	Ford Taurus 4 Dr. Sedan		10
		08-09	Mercury Sable Sedan	10	
E7	118448	08-09	Ford Taurus X		15
E13	118449	08-19	Toyota Highlander	1	20
E7	118450	08-12	Buick Enclave		10
		08-12	Chevrolet Malibu Except LTZ	10	
		09-12	Chevrolet Traverse	10	
E11	118451	07-12	GMC Acadia	1	15
E7	118452	07-08	KIA Optima		10
E10	118453	07-09	KIA Amanti	1	10
		11-18	KIA Optima	10	
E19	118454	07-16	Volvo S80 Sedan	2	45
E12	118456	06-12	Suzuki Grand Vitara	2	20
		07-11	Suzuki SX4 Crossover	20	
E5	118457	08-11	Ford Focus	1	15
E11	118458	03-08	Pontiac Vibe	1	15
E16	118459	09-13	Toyota Corolla	2	45
E16	118460	09-10	Pontiac Vibe	2	45
		11-13	Scion xB	45	
		09-13	Toyota Matrix	45	
E12	118461	06-07	Subaru B9 Tribeca	1	10
		98-08	Subaru Forester	10	
		05-07	Subaru Legacy Wagon	10	
		96-99	Subaru Legacy Wagon, Outback	10	
		00-09	Subaru Outback Wagon, Except Sport	10	
		08-14	Subaru Tribeca	10	
E19	118462	01-10	Chrysler PT Cruiser	2	45
		05-10	Chrysler PT Cruiser Convertible	45	
E15	118463	08-10	Volvo V70 Wagon, Except w/Optional Power Operated Tailgate	2	45
E17	118464	08-11	Subaru Impreza 4 Dr. Sedan	2	45
E14	118465	07-11	Honda Element	1	45
E15	118466	08-13	Cadillac CTS 4 Dr. Sedan	1	15
E11	118467	16-19	Subaru Crosstrek Except Hybrid	1	15
		09-19	Subaru Forester	15	
		10-19	Subaru Outback Wagon, Except Sport	15	

PC	PART NO.	YEARS	MAKE/MODEL	WGT LBS	IN
E11	118467	13-15	Subaru XV Crosstrek Except Hybrid	1	15
E18	118468	08-10	Scion xB	2	45
E16	118469	04-09	Nissan Quest	1	45
E17	118470	08-13 07-15 04-14 07-12	Nissan Altima Coupe Nissan Altima Sedan Nissan Maxima Nissan Sentra	2	45 45 45 45
E18	118471	11-13 09-12	Ford Fiesta 5 Dr. Hatchback Lincoln MKS	2	45 45
E8	118472	09-19	Ford Flex	1	15
E11	118473	09-12 01-06	Hyundai Elantra Touring 5 Dr. Hyundai Santa Fe	1	15 15
E18	118474	09	Dodge Journey	2	45
E12	118475f	08-11	Suzuki SX4 Sport Sedan	1	20
E15	118476	09-11	Hyundai Genesis 4 Dr. Sedan	1	15
E17	118478	04-06 07-12	Lexus RX330 Lexus RX350	2	45 45
E7	118479	05-09	Buick LaCrosse	1	10
E15	118480	07-08 09-13 08-13 14-19 14	Infiniti G35 4 Dr. Sedan Infiniti G37 4 Dr. Sedan Nissan Rogue Except Krom Nissan Rogue Except Sport Nissan Rogue Select	2	45 45 45 45 45
E17	118482	14-19 11-12 10-11 07-11 09-16	Mitsubishi Outlander Except Outlander Sport or PHEV Toyota Avalon Toyota Camry 4 Dr. Sedan, Except Hybrid Toyota Camry Hybrid 4 Dr. Sedan Toyota Venza	2	45 45 45 45 45
E19	118483	09-13	Mazda 6 4 Dr. Sedan	2	45
E13	118484	07-10	Scion tC	1	15
E13	118485	04-06 04-11 09	Chevrolet Aveo 4 Dr. Sedan Chevrolet Aveo 5 Dr. Hatchback Pontiac G3 5 Dr.	1	15 15 15
E17	118486	10-11	Chevrolet Camaro	1	15
E16	118487	10-17	Ford Mustang	2	45
E16	118488	07-12	Lexus ES350	2	45
E10	118489	04-08	Acura TL	1	10
E7	118490	09-12	Volkswagen Routan	1	20
E15	118491	09-11 09-14	Honda Pilot Honda Ridgeline	1	20 10
E15	118492	09-12	Nissan Cube	1	45
E16	118494	10-17 10-17	Chevrolet Equinox GMC Terrain	2	45 45
E8	118495	10	Dodge Journey	1	10
E13	118496	08-12 93-98 05-15	Toyota Hilux Toyota T100 Toyota Tacoma	1	10 10 10
E18	118497	10-16	Buick LaCrosse	2	45
E18	118498	11-14 15-19	Toyota Sienna Toyota Sienna SE	2	45 45
E11	118500	07-12 10-11 12	Acura RDX Honda Accord Crosstour Honda Crosstour	1	15 15 15
E18	118501	10-18	Hyundai Tucson	1	45
E17	118502	07-09 06 06-11	Lincoln MKZ Lincoln Zephyr Mercury Milan	2	45 45 45
E13	118503	10-13	Acura ZDX	1	30
E18	118504	11-13	Buick Regal	2	45
E16	118505	04-11 12 12-15	Toyota Prius Toyota Prius 4 Dr. Sedan, Except w/Plug-In Model Toyota Prius Plug-In	1	25 25 25
E23	118506	11-13 11-13 11-13 11-13 11-13	KIA Sorento Base I4 KIA Sorento EX I4 KIA Sorento EX V6, Except w/Factory Tow Package KIA Sorento LX I4 KIA Sorento LX V6	2	45 45 45 45 45
E18	118507	10-14	Lincoln MKT	2	45
E19	118508	11-15 16	Chevrolet Cruze Chevrolet Cruze Limited Only (Old Body Style)	2	45 45
E24	118509	04-10	Volkswagen Touareg	2	45
E17	118510	10-12	Lexus HS250h Hybrid	2	20
E14	118511	10-14	Subaru Legacy Sedan	2	45
E5	118512	00-05	Chevrolet Impala	1	25
E12	118514	07-11	Chevrolet Aveo 4 Dr. Sedan	1	25
E21	118515	11-14	Ford Edge	2	45
E12	118516	04-11	Mitsubishi Endeavor	2	30

PC	PART NO.	YEARS	MAKE/MODEL	WGT LBS	IN
E18	118517	07-11	Toyota Yaris 4 Dr. Sedan	2	45
E18	118518	07-13	Mitsubishi Outlander Except Outlander Sport	1	45
E23	118519	11-15	Lincoln MKX	2	45
E17	118520	11-14 06-17 07-15	Mazda 2 Mazda 5 Mazda CX-9	2	45 45 45
E17	118521	11-17	Honda Odyssey	1	30
E16	118522	10-12	Hyundai Genesis 2 Dr. Coupe	2	45
E20	118523f	10-14	Volvo XC60	2	45
E20	118524	02-07	Jeep Liberty	2	45
E14	118525	05-17 05-07 08-12 05-15 09-12	Nissan Frontier Nissan Pathfinder Nissan Pathfinder Except w/Factory 4-Flat Nissan Xterra Suzuki Equator	1	30 30 30 30 30
E25	118526	11-16	KIA Sportage	2	45
E17	118528	11-17	Nissan JUKE	2	45
E22	118530	07-10	Volkswagen Passat Wagon	2	45
E16	118532	13-14 11-13	Hyundai Elantra 2 Dr. Coupe Hyundai Elantra 4 Dr. Sedan	2	45 45
E18	118534	11-16 11-18 12-15	Chrysler Town & Country Dodge Grand Caravan RAM C/V Tradesman	2	45 45 45
E16	118535	06-11	Cadillac DTS	2	45
E17	118536	11-18	Dodge Journey w/LED Taillights	2	45
E19	118537	09-14	Acura TL	2	45
E16	118538	12-17 10-14 11-19 11-17	Mitsubishi Lancer 4 Dr. Sedan, Except Evolution, Ralliart & w/Dual Exhaust Mitsubishi Lancer 5 Dr. Hatchback, Except Ralliart & w/Dual Exhaust Mitsubishi Outlander Sport Except PHEV Mitsubishi RVR (Canada Only)	2	45 45 45 45
E20	118539	11-17	Jeep Compass (Old Body Style)	2	45
E11	118540	11-19	Ford Explorer	1	5
E21	118543	10-12	Lincoln MKZ	2	45
E17	118545	07-12	Nissan Versa 5 Dr. Hatchback	2	45
E20	118546	12-18	FIAT 500	2	45
E19	118547	11-17	Nissan Quest	1	45
E16	118548	12-18	Ford Focus Sedan	2	45
E18	118549	13-14 12-14	Ford Focus 5 Dr. Hatchback Ford Focus 5 Dr. Hatchback, Except ST w/Center Exhaust	2	45 45
E18	118550	11 11 11	Chrysler 200 4 Dr. Sedan Chrysler 200 Convertible Dodge Avenger	2	45 45 45
E17	118551	08-14 08-14 08-14 07-10 08-12 07-10 08-11 05-11	Ford E-150 Econoline Ford E-250 Econoline Ford E-350 Econoline Super Duty Ford Edge Ford Escape Lincoln MKX Mazda Tribute Mercury Mariner	2	45 45 45 45 45 45 45 45
E18	118552	08-10 08-12 11-13 08-10 08-17	Chrysler Town & Country Dodge Caliber Dodge Durango Dodge Grand Caravan Jeep Patriot	2	45 45 45 45 45
E17	118553	12-17 12-17 12-17	Nissan NV1500 Nissan NV2500 Nissan NV3500	2	45 45 45
E19	118554	07-11 08-12	Dodge Nitro Jeep Liberty	2	45 45
E16	118556	12-15	Chevrolet Camaro	1	30
E16	118557	10 11-14	Hyundai Sonata Hyundai Sonata Except Hybrid	2	45 45
E25	118558	12-15	Honda Pilot	1	30
E16	118559	12-17	Hyundai Accent 4 Dr. Sedan	2	45
E19	118560	11-14	Dodge Charger	1	25
E17	118561	12-16	Honda CR-V	1	45
E25	118562	06-10	Volkswagen Passat 4 Dr. Sedan	2	45
E19	118563	13-16	Mazda CX-5	1	45
E17	118564	12-17	Buick Verano	2	45
E16	118565	12	Chevrolet Orlando (Canada Only)	2	45
E18	118566	13-16	Ford Escape	2	45
E14	118567	12-18	Dodge Journey Except w/LED Taillights	2	45
E16	118568	13-16	Dodge Dart	2	25
E14	118569	13-18	Acura RDX	1	15

T-ONE® CONNECTOR INDEX

PC	PART NO.	YEARS	MAKE/MODEL	WGT	
				LBS	IN
E16	118570	12-17	KIA Rio 4 Dr. Sedan	2	45
		12-16	KIA Rio 5 Dr. Hatchback		45
E18	118571	13-18	Hyundai Santa Fe Sport (5 Passenger)	2	45
E27	118572	11-18	Volkswagen Jetta 4 Dr. Sedan	2	45
E19	118573	12-16	Subaru Impreza 5 Dr. Wagon, Except WRX STI		45
E16	118574	13-18	Ford Fusion	2	45
E19	118575	13-15	Chevrolet Spark	1	45
E16	118576	13	Chevrolet Malibu Except LTZ & Canada Models	2	45
E17	118577	12-14	Chrysler 200 4 Dr. Sedan	2	45
		12-14	Chrysler 200 Convertible		45
		12-14	Dodge Avenger		45
E16	118578	13-18	Toyota Avalon	2	45
		13-18	Toyota RAV4		45
E15	118580	13-19	Cadillac ATS		25
E15	118581	12-16	Subaru Impreza 4 Dr. Sedan, Except WRX & WRX STI	1	45
E16	118582	13-19	Nissan Sentra		45
		14-18	Nissan Versa Note		45
E16	118583	14-19	KIA Sorento w/ I4 Engine	2	45
E26	118585	10-13	Ford Transit Connect	2	45
E15	118586	13-15	Honda Accord Coupe, w/LED Taillights	2	45
		13-15	Honda Accord Sedan, w/LED Taillights		45
E17	118587	14-17	Mazda 6 4 Dr. Sedan	2	45
E16	118588	13-16	Buick Encore	2	45
E14	118590	14-19	Chevrolet Impala Except Impala Limited	1	45
E17	118591	13-18	Lincoln MKZ	2	45
E17	118592	13-16	Lexus ES300h Hybrid		45
		13-18	Lexus ES350		45
E16	118593	09-12	Infiniti FX35	2	45
		13	Infiniti FX37		45
		09-13	Infiniti FX50		45
E15	118594	14-18	KIA Forte 4 Dr. Sedan	2	45
E15	118595	12-17	Hyundai Azera		45
E16	118596	13-15	Honda Accord Coupe, Except w/LED Taillights	2	45
		13-15	Honda Accord Sedan, Except w/LED Taillights		45
E17	118597	15-17	Chevrolet City Express	1	45
		13-17	Nissan NV200		45
E17	118598	13-14	Lexus GS350		45
		13	Lexus GS450h		45
E15	118599	10-19	Ford Taurus 4 Dr. Sedan		45
		13-16	Lincoln MKS		45
E16	118600	11-14	Chrysler 300	25	
		11-14	Chrysler 300 C		25
E17	118602	16	Chevrolet Malibu Limited LTZ, Except Canada Models (Old Body Style)		45
		13-15	Chevrolet Malibu LTZ Except Canada Models		45
E18	118604	13	Chevrolet Malibu (Canada Only), Except LTZ	2	45
		14-15	Chevrolet Malibu Except LTZ		45
		16	Chevrolet Malibu Limited, Except LTZ (Old Body Style)		45
E18	118605	14-18	Jeep Cherokee	2	45
E16	118609	09-13	Lexus IS250		45
		09-14	Lexus IS350		45
E13	118610	12-17	Toyota Prius V	2	45
E15	118611	14-15	FIAT 500L		25
E14	118613	14-19	Ford Transit Connect	1	45
E18	118615	14	Scion tC	2	45
E16	118617	14-19	Dodge Durango	2	45
E18	118618	14-18	RAM ProMaster 1500 All Models	2	45
		14-19	RAM ProMaster 2500 All Models		45
		14-19	RAM ProMaster 3500 All Models		45
E1	118624	12-14	Land Rover Range Rover Evoque	2	10
E16	118626	14-17	Acura RLX	2	45
E18	118627	13-18	Acura ILX	2	45
E11	118628	14-18	Acura MDX	2	20
E16	118629	13-16	Scion FR-S	2	45
		13-17	Subaru BRZ		45
		17-19	Subaru Impreza Sedan, Except WRX & WRX STI		45
E17	118637	10-18	KIA Soul w/LED Taillights	2	45
E15	118638	15-17	Chrysler 200 4 Dr. Sedan	2	45
E18	118639	14-17	Buick Regal	2	45
E19	118640	12-16	Chevrolet Sonic 4 Dr. Sedan	2	45
		12-16	Chevrolet Sonic 5 Dr. Hatchback		45
E15	118641	14-19	Ford Fiesta 5 Dr. Hatchback	1	45
E11	118642	13-15	Honda Crosstour	2	15
E16	118643	15-19	Ford Transit-150	3	45
		15-19	Ford Transit-250		45
		15-19	Ford Transit-350 Single Rear Wheel w/148" Wheelbase		45
E15	118644	15-17	Hyundai Sonata Except Hybrid	2	45

PC	PART NO.	YEARS	MAKE/MODEL	WGT	
				LBS	IN
E15	118645	14-19	Cadillac CTS 4 Dr. Sedan	1	45
E20	118646	15-18	Volkswagen Golf Except Sportwagen and R Models	2	45
		12-15	Volkswagen Passat		45
E16	118647	15-17	Volvo V60 (App. starts with 2015-1/2)	2	45
E16	118648	15-19	Toyota Sienna Except SE	2	45
E19	118649	14-17	Mercedes-Benz Sprinter 2500	2	45
		14-17	Mercedes-Benz Sprinter 3500		45
E17	118650	07-09	Dodge Sprinter 2500		45
		07-09	Dodge Sprinter 3500		45
		07-13	Freightliner Sprinter 2500		45
		07-13	Freightliner Sprinter 3500		45
		07-09	Mercedes-Benz Sprinter		45
		10-13	Mercedes-Benz Sprinter 2500		45
		10-13	Mercedes-Benz Sprinter 3500		45
E26	118651	15-18	Jeep Renegade	2	45
E17	118652	15-17	Lexus NX200t	2	45
		15	Lexus NX300h		45
E15	118653	09-14	Nissan Murano Except CrossCabriolet	1	20
E16	118654	12-16	Ford Ranger	2	45
E15	118655	15-19	Dodge Charger		30
E16	118656	15-19	Dodge Challenger	1	30
E15	118658	15-19	Chrysler 300	3	20
E16	118659	13-16	Chevrolet Trax	2	45
		17-19	Chevrolet Trax LS		45
E15	118660	15-19	Nissan Murano Except CrossCabriolet	1	20
E16	118661	15-18	Toyota Yaris	1	45
E14	118663	11-16	Hyundai Sonata Hybrid	1	45
E22	118667	05-10	Volkswagen Jetta 4 Dr. Sedan	2	45
E18	118668	11-17	Volkswagen Touareg	2	45
E16	118669	15-19	Ford Edge Except Sport & Titanium Models	2	45
E20	118670	14-19	Infiniti QX60	1	30
		13-19	Nissan Pathfinder		30
E15	118671	15-19	Subaru Legacy	2	45
E15	118672	14-19	Infiniti Q50	2	45
E14	118673	16-19	Honda HR-V	2	45
E18	118674	15-18	Ford Focus 5 Dr. Hatchback	2	45
E20	118675	12-17	Volkswagen Tiguan	2	45
		18	Volkswagen Tiguan Limited		45
E15	118676	16-19	Nissan Maxima	2	45
E13	118677	15-19	Ford Edge Titanium and Sport Models Only	2	45
E15	118678	16	Hyundai Elantra 4 Dr. Limited Models Only	2	45
E18	118679	16-19	Honda Pilot	3	20
E13	118680	12-18	Toyota Prius C		25
E1	118681	14-17	Land Rover Range Rover Sport		10
		15	Land Rover Range Rover w/Factory Tow Package		10
E18	118682	17-19	Lincoln Continental	2	45
		16-18	Lincoln MKX		45
E14	118683	17-18	Volvo S90	1	20
		16-19	Volvo XC90		20
E16	118684	16-17	Honda Accord Sedan	2	45
E21	118685	16-19	Toyota Tacoma	2	45
E19	118686	16-19	Honda Civic Sedan	2	45
E16	118687	15-16	Land Rover Discovery Sport	2	45
E17	118688	12-18	Volkswagen Beetle	2	45
E17	118689	16-19	Chevrolet Malibu Except Premier (New Body Style)	2	45
E17	118690	16-18	Chevrolet Camaro	2	45
E15	118692	17-18	Hyundai Elantra 4 Dr. Except Limited Models	2	45
		13-17	Hyundai Elantra GT Except for Korean Manufactured Vehicles		45
E24	118693	16-18	FIAT 500X	2	45
E18	118694	16-19	Chevrolet Spark	2	45
E17	118695	16	Honda Accord Coupe	2	45
E14	118696	16-19	Chevrolet Cruze (New Body Style)	2	45
E18	118697	16-18	Acura TLX	2	45
E17	118698	17-18	KIA Sportage	2	45
E17	118701	16-17	Toyota Prius	2	45
E15	118711	17	Hyundai Elantra 4 Dr. Limited Models	2	45
E15	118712	17-19	Chrysler Pacifica Limited	2	45
		17-19	Chrysler Pacifica Touring L		45
		17-19	Chrysler Pacifica Touring L Plus		45
		17-19	Chrysler Pacifica Touring Plus		45
E23	118713	16-18	BMW 320i	2	45
		16	BMW 320i xDrive		45
		16	BMW 328d		45
		16	BMW 328d xDrive		45
		16	BMW 328i		45
		16	BMW 328i GT xDrive		45
		16	BMW 328i xDrive		45

PC	PART NO.	YEARS	MAKE/MODEL	WGT LBS	IN
E23	118713	16	BMW 330e	2	45
		16	BMW 330i		45
		16	BMW 340i		45
		16	BMW 340i xDrive		45
E16	118714	13-17	Volkswagen CC	2	45
E17	118715	17-19	Ford Escape	2	45
E23	118717	15-17	BMW X1	2	45
E14	118718	16-19	Mazda CX-3	2	45
E18	118719	15-18	RAM ProMaster City	2	45
E20	118721	17-18	Volkswagen Passat	2	45
		16	Volkswagen Passat Except SE & SEL		45
E18	118722	15-19	Ford Transit-350 Except Single Rear Wheel w/148" Wheelbase	3	45
E18	118723	17-19	Chrysler Pacifica LX	2	45
		17-18	Chrysler Pacifica Touring		45
E19	118724	16	Honda Civic Coupe	2	45
E5	118725	16	Buick Envision		15
E17	118726	17-19	Chevrolet Volt	2	45
E18	118727	14-19	Jeep Grand Cherokee	2	45
E15	118728	16	Scion iA	2	45
		17-18	Toyota Yaris iA		45
E16	118729	16	Scion iM		45
		17-18	Toyota Corolla iM		45
E17	118730	17	Volkswagen Golf Alltrack	1	45
		16-17	Volkswagen Golf SportWagen		45
E15	118731	16-19	Nissan Altima Sedan		45
E17	118732	16	Cadillac CT6	2	25
E15	118733	17-19	Buick LaCrosse	2	45
E23	118734	17-19	Chevrolet Cruze Hatchback		45
E15	118736	17	Infiniti QX30	2	45
E13	118738	17-18	Genesis G80	2	25
		15-16	Hyundai Genesis Sedan		25
E15	118739	10-17	Volvo XC60	2	45
E15	118740	16-19	Chevrolet Malibu Premier (New Body Style)	2	45
E11	118741	17-19	Honda CR-V	2	30
E20	118742	16	Volkswagen Passat SE & SEL Only	2	45
E17	118744	17-19	Subaru Impreza Hatchback	2	45
E16	118745	17-19	Buick Encore	2	45
E15	118746	17-18	Mazda CX-5	2	45
E16	118747	17-18	Mercedes-Benz GLC250 SUV, Except P03 Premium Package	2	45
		16-18	Mercedes-Benz GLC300 SUV, Except P03 Premium Package		45
		18	Mercedes-Benz GLC350e SUV, Except P03 Premium Package		45
		17-18	Mercedes-Benz GLC43 AMG SUV, Except P03 Premium Package		45
		18	Mercedes-Benz GLC63 AMG S SUV, Except P03 Premium Package		45
		18	Mercedes-Benz GLC63 AMG SUV, Except P03 Premium Package		45
E17	118748†	17-19	Jaguar F-Pace	2	45
E15	118749	17-19	KIA Niro Except Plug-In Hybrid	2	45
E17	118750	18-19	Chevrolet Equinox Except Premier	2	45
E16	118751	17-19	Chevrolet Trax Except LS	2	45
E20	118752	17-19	Jeep Compass (New Body Style)	2	45
E13	118753	18-19	Honda Odyssey Without Fuse Provisions	2	25
E19	118754	18-19	Volkswagen Atlas	2	45
E17	118755	17	Chevrolet Sonic 4 Dr. Sedan	2	45
		17-19	Chevrolet Sonic 5 Dr. Hatchback		45
E17	118756	18	Toyota C-HR	2	45
E15	118757	17-19	Nissan Rogue Sport	2	45
E14	118758	17	Hyundai Ioniq	2	45
E15	118759	18-19	Chevrolet Equinox Premier	2	45
E17	118760	16-19	Honda Pilot	4	20
E4	118761	18-19	Buick Enclave	1	20
		18-19	Chevrolet Traverse		20
E15	118762	18	Hyundai Sonata	2	45
E15	118763	18-19	Toyota Camry	2	45
E17	118764	18-19	GMC Terrain Without Relay Provisions	2	45
E18	118765	18	Volkswagen Tiguan	2	45
E14	118766	14-17	Ford Fiesta 4 Dr. Sedan	100	45
E23	118767	14-19	Honda Fit	2	45
E15	118768	18	Subaru WRX	2	45
E15	118769	14-15	Mitsubishi Mirage	1	45
		17-18	Mitsubishi Mirage Except Mirage G4		45
		17	Mitsubishi Mirage G4		45
E15	118770	14-18	Volvo S60 Sedan	2	45
E15	118771	13-17	Hyundai Accent 5 Dr. Hatchback	1	45
E17	118772	14-17	FIAT 500L	2	45
E16	118773	18-19	Volvo XC60	2	45
E17	118774	08-16	Volvo XC70	2	20
E17	118775	06-07	Nissan Murano	2	45
E15	118776	18-19	Honda Accord	2	45

PC	PART NO.	YEARS	MAKE/MODEL	WGT LBS	IN
E21	118777	18	Alfa Romeo Stelvio	2	45
E10	118778	17-18	Honda Ridgeline	1	20
E17	118779	19	Jeep Cherokee	2	45
E18	118780	18	KIA Stinger	2	45
E11	118781	18-19	Honda Odyssey With Fuse Provisions		20
E21	118782†	18	Jeep Wrangler JL (New Body Style), Except Sahara and Rubicon	2	45
E16	118783	18-19	Buick Regal Sportback	2	45
		18-19	Buick Regal TourX		45
E11	118784	19	Hyundai Santa Fe Except XL Models	1	15
E16	118785	17-19	Jaguar F-Pace	2	45
		18	Land Rover Range Rover Velar		45
E21	118786	18	Jeep Wrangler JL (New Body Style)	2	45
E19	118787	18	Volkswagen Golf R	2	45
E17	118788	18	Jaguar E-Pace	2	45
E21	118789	18	BMW X2	2	45
E10	118790	19	Subaru Ascent	1	15
E15	118792	19	Volvo XC40	2	45
E19	118794	18	Nissan Kicks	2	45
E3	118795	19	Cadillac XT4	2	15
E18	118796	19	Infiniti QX50	2	45
TOW HARNESS					
E1	118240	96-03	Chevrolet Express 1500 w/Factory Tow Package		5
		96-03	Chevrolet Express 2500 w/Factory Tow Package		5
		96-03	Chevrolet Express 3500 w/Factory Tow Package		5
		96-03	GMC Savana 1500 w/Factory Tow Package		5
		96-03	GMC Savana 2500 w/Factory Tow Package		5
		96-03	GMC Savana 3500 w/Factory Tow Package		5
E2	118241	95-01	Ford Explorer w/Factory Tow Package		5
		98-99	Ford Ranger w/Factory Tow Package		5
		98-01	Mazda B2500 w/Factory Tow Package		5
		98-01	Mazda B3000 w/Factory Tow Package		5
		98-01	Mazda B4000 w/Factory Tow Package		5
		97-01	Mercury Mountaineer w/Factory Tow Package		5
E19	118242	04	Ford F-150 Heritage w/Factory 4-Flat	1	5
		97-03	Ford F-150 w/Factory 4-Flat		5
		97-99	Ford F-250 Styleside, w/Factory 4-Flat		5
E15	118243	99-01	Ford F-250 Super Duty w/Factory 4-Flat	1	5
		99-01	Ford F-350 Super Duty w/Factory 4-Flat		5
		99-01	Ford F-450 Super Duty w/Factory 4-Flat		5
		99-01	Ford F-550 Super Duty w/Factory 4-Flat		5
E1	118244	00-04	Nissan Xterra w/Factory Tow Package		5
E3	118245	01-07	Lexus LX470		10
		08-11	Lexus LX570		10
		01-03	Lexus RX300		10
		01-02	Toyota 4Runner		10
		01-03	Toyota Highlander		10
		01-02	Toyota Land Cruiser		10
E1	118246	01-02	Toyota Sequoia		5
E19	118247	04	Ford F-150 w/Factory 4-Flat	1	5
E10	118248	04-07	Toyota Highlander	1	20
E12	118249	07-12	Mazda CX-7 w/Factory Tow Package	1	5
E1	118251	08-12	Ford Escape Except Vehicles w/Back Up Sensors	1	5
		08-11	Mazda Tribute		5
		08-11	Mercury Mariner		5
E3	118252	10-18	Lexus RX350 w/Factory Tow Package		5
		18	Lexus RX350L w/Factory Tow Package		5
		10-18	Lexus RX450h Hybrid, w/Factory Tow Package		5
E22	118253	09-11	Honda Pilot	1	20
		09-14	Honda Ridgeline		10
E13	118255	10-18	Lexus RX350	1	20
		18	Lexus RX350L		20
		10-18	Lexus RX450h Hybrid		20
E14	118258	07-12	Hyundai Santa Fe w/Factory Tow Package		25
E3	118259	10-16	Cadillac SRX w/Factory Tow Package		5
E3	118260	09-12	Ford E-150 Econoline w/Factory 4-Flat (Prepped Class I Towing Package)		10
		09-12	Ford E-250 Econoline w/Factory 4-Flat (Prepped Class I Towing Package)		10
		09-12	Ford E-350 Econoline Super Duty w/Factory 4-Flat (Prepped Class I Towing Package)		10
E14	118261	09-12	Ford E-150 Econoline w/Factory 7-Way (Prepped Class II Towing Package)	1	10
		09-12	Ford E-250 Econoline w/Factory 7-Way (Prepped Class II Towing Package)		10
		09-12	Ford E-350 Econoline Super Duty w/Factory 7-Way (Prepped Class II Towing Package)		10
E12	118262	10-14	Lexus GX460	1	10

TOW HARNESS INDEX

PC	PART NO.	YEARS	MAKE/MODEL	WGT			
				LBS	IN		
E3	118263	10-11	Toyota 4Runner	1	10		
		05-17	Nissan Frontier w/Factory Tow Package	5	5		
		05-07	Nissan Pathfinder	5	5		
		05-15	Nissan Xterra w/Factory Tow Package	5	5		
E1	118264	09-12	Suzuki Equator w/Factory Tow Package		5		
		10-17	Chevrolet Equinox w/Factory Tow Package	1	15		
E30	118265	10-17	GMC Terrain w/Factory Tow Package		15		
		12-15	Honda Pilot	2	30		
E21	118266	05-17	Nissan Frontier	1	30		
		05-07	Nissan Pathfinder		30		
		08-12	Nissan Pathfinder Except w/Factory 4-Flat		30		
		05-15	Nissan Xterra		30		
		09-12	Suzuki Equator		30		
E9	118267	05-17	Nissan Frontier w/Factory Tow Package	1	5		
		05-07	Nissan Pathfinder		5		
		08-12	Nissan Pathfinder Except w/Factory 4-Flat		5		
		05-15	Nissan Xterra w/Factory Tow Package		5		
		09-12	Suzuki Equator w/Factory Tow Package		5		
		05-17	Nissan Frontier w/Factory Tow Package	1	5		
E13	118269	13-17	Hyundai Santa Fe (6/7 Passenger)	1	20		
		14-18	Hyundai Santa Fe Sport (5 Passenger) w/Factory Tow Package		20		
		13-18	Hyundai Santa Fe Sport w/Factory Tow Package (5 Passenger)		20		
		19	Hyundai Santa Fe XL w/Factory Tow Package		20		
		07-12	Hyundai Veracruz		20		
		15-18	KIA Sedona		20		
		11-13	KIA Sorento EX V6, w/Factory Tow Package		20		
		11-13	KIA Sorento LX V6		20		
		11-13	KIA Sorento LX V6 w/Factory Tow Package		20		
		11-13	KIA Sorento SX V6		20		
		14-19	KIA Sorento w/ V6 Engine		20		
		07-09	KIA Sorento w/Factory Tow Package		20		
		E10	118270	13-17	Buick Enclave		20
				13-17	Chevrolet Traverse		20
				13-16	GMC Acadia		20
				17	GMC Acadia Limited		20
		E16	118271	13-17	Buick Enclave	1	20
13-17	Chevrolet Traverse				20		
13-16	GMC Acadia				20		
17	GMC Acadia Limited				20		
E15	118272	11-18	Ford Explorer	1	20		
E23	118273	14-15	Infiniti QX60	2	30		
		13-19	Nissan Pathfinder		30		
E19	118274	16-19	Honda Pilot	2	20		
E8	118275	14-15	Land Rover Range Rover Sport	1	20		
		15	Land Rover Range Rover w/Factory Tow Package		20		
E9	118276	17-19	Cadillac XT5	1	10		
		17-19	GMC Acadia		10		
E12	118277	16-18	Mitsubishi Outlander Except Outlander Sport or PHEV	1	25		
E9	118278	16-17	Mazda CX-9 w/Factory Tow Package	1	25		
E21	118281	05-17	Nissan Frontier (Canada Only)	2	30		
		05-07	Nissan Pathfinder (Canada Only)		30		
		08-12	Nissan Pathfinder Except w/Factory 4-Flat (Canada Only)		30		
		05-15	Nissan Xterra (Canada Only)		30		
		09-12	Suzuki Equator (Canada Only)		30		
E9	118282	05-17	Nissan Frontier w/Factory Tow Package (Canada Only)	2	5		
		05-07	Nissan Pathfinder (Canada Only)		5		
		08-12	Nissan Pathfinder Except w/Factory 4-Flat (Canada Only)		5		
		05-15	Nissan Xterra w/Factory Tow Package (Canada Only)		5		
		09-12	Suzuki Equator w/Factory Tow Package (Canada Only)		5		
E15	118283	15-19	Ford F-150	2	25		
E14	118284	15-17	Lincoln MKC	2	45		
E6	118285	18-19	Chevrolet Equinox w/ Tow Prep Package	2	15		
		18-19	GMC Terrain w/ Tow Prep Package		15		
E21	118286	16-19	Honda Pilot	2	30		
E9	118287	18-19	Buick Enclave	2	15		
		18-19	Chevrolet Traverse		15		
E14	118288	17-18	Honda Ridgeline	2	20		
E3	118270	17-19	Cadillac XT5		10		
		17-19	GMC Acadia		10		
E12	20135	07-08	Chrysler Aspen w/Factory 7-Way	1	10		
		04-08	Chrysler Pacifica w/Factory 7-Way		10		
		00-09	Dodge Dakota w/Factory 7-Way		10		
		00-08	Dodge Durango w/Factory 7-Way		10		
		00-08	Dodge Ram 1500 w/Factory 7-Way		10		
		00-09	Dodge Ram 2500 w/Factory 7-Way		10		
		00-09	Dodge Ram 3500 w/Factory 7-Way		10		
		03-09	Dodge Sprinter 2500 w/Factory 7-Way		10		
		03-09	Dodge Sprinter 3500 w/Factory 7-Way		10		
		01-03	Dodge Van, Ram 1500 w/Factory 7-Way		10		
		01-03	Dodge Van, Ram 2500 w/Factory 7-Way		10		
		01-03	Dodge Van, Ram 3500 w/Factory 7-Way		10		
		03-09	Freightliner Sprinter 2500 w/Factory 7-Way		10		
		03-09	Freightliner Sprinter 3500 w/Factory 7-Way		10		
		06-10	Jeep Commander w/Factory 7-Way		10		
		00-10	Jeep Grand Cherokee w/Factory 7-Way		10		
05-08	Jeep Liberty w/Factory 7-Way		10				
06-09	Mitsubishi Raider w/Factory 7-Way		10				
E12	20137	03-06	Toyota Tundra w/Factory 7-Way	1	10		
		08-12	Buick Enclave	1	25		
E12	22111	09-12	Chevrolet Traverse		25		
		14-18	RAM ProMaster 1500 All Models	4	60		
E12	22112	14-19	RAM ProMaster 2500 All Models		60		
		14-19	RAM ProMaster 3500 All Models		60		
E12	22113	14-17	Dodge Durango	5	60		
		15-19	Ford Transit-150	5	90		
E12	22114	15-19	Ford Transit-250		90		
		15-19	Ford Transit-350 Single Rear Wheel w/148" Wheelbase		45		
		14-17	Mercedes-Benz Sprinter 2500	7	90		
E12	22115	14-17	Mercedes-Benz Sprinter 3500		90		
		15-19	Ford Transit-350	3	90		
E12	22117	16-19	Toyota Tacoma	5	90		
		14-19	Toyota Highlander	4	90		
E12	22121	11-16	Chrysler Town & Country	5	90		
		11-18	Dodge Grand Caravan		90		
		12-15	RAM C/V Tradesman		90		
E12	74682	08-12	Buick Enclave w/Factory 7-Way	1	10		
		04-07	Buick Rainier w/Factory 7-Way		10		
		03-15	Cadillac Escalade ESV w/Factory 7-Way		10		
		02-11	Cadillac Escalade EXT w/Factory 7-Way		10		
		02-16	Cadillac Escalade w/Factory 7-Way		10		
		02-06	Chevrolet Avalanche 1500 w/Factory 7-Way		10		
		02-06	Chevrolet Avalanche 2500 w/Factory 7-Way		10		
		07-11	Chevrolet Avalanche w/Factory 7-Way		10		
		99-01	Chevrolet Blazer Downsize, w/Factory 7-Way		10		
		99-01	Chevrolet Blazer Trailblazer w/Factory 7-Way		10		
		04-12	Chevrolet Colorado w/Factory 7-Way		10		
		07	Chevrolet Silverado 1500 (Classic), w/Factory 7-Way		10		
		07	Chevrolet Silverado 1500 HD (Classic), w/Factory 7-Way		10		
		01-06	Chevrolet Silverado 1500 HD w/Factory 7-Way		10		
		99-18	Chevrolet Silverado 1500 w/Factory 7-Way		10		
		07	Chevrolet Silverado 2500 HD (Classic), w/Factory 7-Way		10		
		01-19	Chevrolet Silverado 2500 HD w/Factory 7-Way		10		
		99-04	Chevrolet Silverado 2500 w/Factory 7-Way		10		
		07	Chevrolet Silverado 3500 (Classic), w/Factory 7-Way		10		
		07-19	Chevrolet Silverado 3500 HD w/Factory 7-Way		10		
		01-06	Chevrolet Silverado 3500 w/Factory 7-Way		10		
		00-14	Chevrolet Suburban 1500 w/Amber Turn Signals, w/Factory 7-Way		10		
		00-13	Chevrolet Suburban 2500 w/Amber Turn Signals, w/Factory 7-Way		10		
		00-11	Chevrolet Tahoe w/Amber Turn Signals, w/Factory 7-Way		10		
		02-09	Chevrolet TrailBlazer w/Factory 7-Way		10		
		09-12	Chevrolet Traverse w/Factory 7-Way		10		
09	Chrysler Aspen w/Factory 7-Way		10				
09	Dodge Durango w/Factory 7-Way		10				
09-10	Dodge Ram 1500 w/Factory 7-Way		10				
10	Dodge Ram 2500 w/Factory 7-Way		10				
10	Dodge Ram 3500 w/Factory 7-Way		10				
97-09	Ford E-150 Econoline w/Factory 7-Way		10				
97-09	Ford E-250 Econoline w/Factory 7-Way		10				
97-09	Ford E-350 Econoline w/Factory 7-Way		10				
00-05	Ford Excursion w/Factory 7-Way		10				
97-15	Ford Expedition w/Factory 7-Way		10				
00-03	Ford Explorer 2 Dr. Sport, w/Factory 7-Way		10				
00-10	Ford Explorer 4 Dr., w/Factory 7-Way		10				
07-10	Ford Explorer Sport Trac w/Factory 7-Way		10				
11-18	Ford Explorer w/Factory 7-Way		10				
97-19	Ford F-150 Flareside, w/Factory 7-Way		10				
04	Ford F-150 Heritage Flareside, w/Factory 7-Way		10				
04	Ford F-150 Heritage Styleside, w/Factory 7-Way		10				
97-19	Ford F-150 Styleside, w/Factory 7-Way		10				
00-19	Ford F-150 SuperCrew, w/Factory 7-Way		10				
97-99	Ford F-250 Styleside, w/Factory 7-Way		10				
99-19	Ford F-250 Super Duty w/Factory 7-Way		10				
99-19	Ford F-350 Super Duty w/Factory 7-Way		10				

FIFTH WHEEL HARNESS INDEX

PC	PART NO.	YEARS	MAKE/MODEL	WGT LBS	IN			
74682		99-15	Ford F-450 Super Duty w/Factory 7-Way	1	10			
		99-11	Ford F-550 Super Duty w/Factory 7-Way		10			
		09-19	Ford Flex w/Factory 7-Way		10			
		00-11	Ford Ranger w/Factory 7-Way		10			
		07-12	GMC Acadia w/Factory 7-Way		10			
		04-12	GMC Canyon w/Factory 7-Way		10			
		02-09	GMC Envoy w/Factory 7-Way		10			
		99-01	GMC Jimmy Downsize, w/Factory 7-Way		10			
		07	GMC Sierra 1500 (Classic), w/Factory 7-Way		10			
		07	GMC Sierra 1500 HD (Classic), w/Factory 7-Way		10			
		01-06	GMC Sierra 1500 HD w/Factory 7-Way		10			
		99-18	GMC Sierra 1500 w/Factory 7-Way		10			
		07	GMC Sierra 2500 HD (Classic), w/Factory 7-Way		10			
		11-12	GMC Sierra 2500 HD Denali HD, w/Factory 7-Way		10			
		01-19	GMC Sierra 2500 HD w/Factory 7-Way		10			
		99-04	GMC Sierra 2500 w/Factory 7-Way		10			
		07	GMC Sierra 3500 (Classic), w/Factory 7-Way		10			
		07-18	GMC Sierra 3500 HD w/Factory 7-Way		10			
		01-06	GMC Sierra 3500 w/Factory 7-Way		10			
		01-17	GMC Yukon Denali w/Amber Turn Signals, w/Factory 7-Way		10			
		00-17	GMC Yukon w/Amber Turn Signals, w/Factory 7-Way		10			
		01-17	GMC Yukon XL 1500 Denali w/Factory 7-Way		10			
		00-11	GMC Yukon XL 1500 w/Factory 7-Way		10			
		00-13	GMC Yukon XL 2500 w/Factory 7-Way		10			
		03-09	Hummer H2 w/Factory 7-Way		10			
		06-10	Hummer H3 w/Factory 7-Way		10			
		09-10	Hummer H3T w/Factory 7-Way		10			
		04-12	Infiniti QX56 w/Factory 7-Way		10			
		03-08	Isuzu Ascender w/Factory 7-Way		10			
		11-15	Jeep Grand Cherokee w/Factory 7-Way		10			
		09-12	Jeep Liberty w/Factory 7-Way		10			
		09-11	KIA Borrego w/Factory 7-Way		10			
		10-11	Lexus GX460 w/Factory 7-Way		10			
		03-05	Lincoln Aviator w/Factory 7-Way		10			
		06-08	Lincoln Mark LT w/Factory 7-Way		10			
		10-12	Lincoln MKT w/Factory 7-Way		10			
		98-11	Lincoln Navigator w/Factory 7-Way		10			
		00-10	Mercury Mountaineer w/Factory 7-Way		10			
		05-14	Nissan Armada w/Factory 7-Way		10			
		04	Nissan Pathfinder Armada w/Factory 7-Way		10			
		04-14	Nissan Titan w/Factory 7-Way		10			
		99-04	Oldsmobile Bravada w/Factory 7-Way		10			
		11-17	RAM 1500 w/Factory 7-Way		10			
		11-19	RAM 2500 w/Factory 7-Way		10			
		11-17	RAM 3500 w/Factory 7-Way		10			
		05-09	Saab 9-7X w/Factory 7-Way		10			
		07-09	Saturn Outlook w/Factory 7-Way		10			
		10-11	Toyota 4Runner w/Factory 7-Way		10			
		09-12	Toyota Tacoma w/Factory 7-Way		10			
		10-13	Toyota Tundra w/Factory 7-Way		10			
		FIFTH WHEEL HARNESS						
		20110			07	Chevrolet Silverado 1500 (Classic), w/Factory 7-Way	2	45
					07	Chevrolet Silverado 1500 HD (Classic), w/Factory 7-Way		45
					01-06	Chevrolet Silverado 1500 HD w/Factory 7-Way		45
					99-18	Chevrolet Silverado 1500 w/Factory 7-Way		45
					07	Chevrolet Silverado 2500 HD (Classic), w/Factory 7-Way		45
					01-19	Chevrolet Silverado 2500 HD w/Factory 7-Way		45
					99-04	Chevrolet Silverado 2500 w/Factory 7-Way		45
					07	Chevrolet Silverado 3500 (Classic), w/Factory 7-Way		45
					07-19	Chevrolet Silverado 3500 HD w/Factory 7-Way		45
					01-06	Chevrolet Silverado 3500 w/Factory 7-Way		45
					09-10	Dodge Ram 1500 w/Factory 7-Way		45
					10	Dodge Ram 2500 w/Factory 7-Way		45
10	Dodge Ram 3500 w/Factory 7-Way			45				
97-18	Ford F-150 Flareside, w/Factory 7-Way			45				
04	Ford F-150 Heritage Flareside, w/Factory 7-Way			45				
04	Ford F-150 Heritage Styleside, w/Factory 7-Way			45				
97-18	Ford F-150 Styleside, w/Factory 7-Way			45				
04-18	Ford F-150 SuperCrew, w/Factory 7-Way			45				
97-99	Ford F-250 Styleside, w/Factory 7-Way			45				
99-19	Ford F-250 Super Duty w/Factory 7-Way			45				
99-19	Ford F-350 Super Duty w/Factory 7-Way			45				
99-18	Ford F-450 Super Duty w/Factory 7-Way			45				
99-11	Ford F-550 Super Duty w/Factory 7-Way			45				
07	GMC Sierra 1500 (Classic), w/Factory 7-Way			45				
07	GMC Sierra 1500 HD (Classic), w/Factory 7-Way			45				
01-06	GMC Sierra 1500 HD w/Factory 7-Way			45				
99-18	GMC Sierra 1500 w/Factory 7-Way			45				
07	GMC Sierra 2500 HD (Classic), w/Factory 7-Way			45				
11-12	GMC Sierra 2500 HD Denali HD, w/Factory 7-Way			45				
01-19	GMC Sierra 2500 HD w/Factory 7-Way			45				
99-04	GMC Sierra 2500 w/Factory 7-Way			45				
07	GMC Sierra 3500 (Classic), w/Factory 7-Way			45				
07-19	GMC Sierra 3500 HD w/Factory 7-Way			45				
01-06	GMC Sierra 3500 w/Factory 7-Way	45						
06-08	Lincoln Mark LT w/Factory 7-Way	45						
04-14	Nissan Titan w/Factory 7-Way	45						
11-17	RAM 1500 w/Factory 7-Way	45						
11-19	RAM 2500 w/Factory 7-Way	45						
11-17	RAM 3500 w/Factory 7-Way	45						
10-16	Toyota Tundra w/Factory 7-Way	45						
20146		07	Chevrolet Silverado 1500 (Classic), w/Factory 7-Way	2	45			
		07	Chevrolet Silverado 1500 HD (Classic), w/Factory 7-Way		45			
		01-06	Chevrolet Silverado 1500 HD w/Factory 7-Way		45			

PC	PART NO.	YEARS	MAKE/MODEL	WGT LBS	IN			
20110		99-18	GMC Sierra 1500 w/Factory 7-Way	2	45			
		07	GMC Sierra 2500 HD (Classic), w/Factory 7-Way		45			
		11-12	GMC Sierra 2500 HD Denali HD, w/Factory 7-Way		45			
		01-19	GMC Sierra 2500 HD w/Factory 7-Way		45			
		99-04	GMC Sierra 2500 w/Factory 7-Way		45			
		07	GMC Sierra 3500 (Classic), w/Factory 7-Way		45			
		07-19	GMC Sierra 3500 HD w/Factory 7-Way		45			
		01-06	GMC Sierra 3500 w/Factory 7-Way		45			
		06-08	Lincoln Mark LT w/Factory 7-Way		45			
		04-14	Nissan Titan w/Factory 7-Way		45			
		11-17	RAM 1500 w/Factory 7-Way		45			
		11-19	RAM 2500 w/Factory 7-Way		45			
		11-17	RAM 3500 w/Factory 7-Way		45			
		10-16	Toyota Tundra w/Factory 7-Way		45			
		20111			00-08	Dodge Ram 1500 w/Factory 7-Way	2	45
					00-09	Dodge Ram 2500 w/Factory 7-Way		45
					00-09	Dodge Ram 3500 w/Factory 7-Way		45
		20113			07-09	Toyota Tundra w/Factory 7-Way	2	45
20128		97-03	Ford F-150 Flareside, w/Factory 4-Flat	1	5			
		04	Ford F-150 Heritage w/Factory 4-Flat		5			
		97-03	Ford F-150 Styleside, w/Factory 4-Flat		5			
		97-99	Ford F-250 Styleside, w/Factory 4-Flat		5			
20129		99-01	Ford F-250 Super Duty w/Factory 4-Flat	1	5			
		99-01	Ford F-350 Super Duty w/Factory 4-Flat		5			
		99-01	Ford F-450 Super Duty w/Factory 4-Flat		5			
		99-01	Ford F-550 Super Duty w/Factory 4-Flat		5			
20130		97-03	Ford F-150 Flareside, w/Factory 4-Flat	2	5			
		04	Ford F-150 Heritage w/Factory 4-Flat		5			
		97-03	Ford F-150 Styleside, w/Factory 4-Flat		5			
		97-99	Ford F-250 Styleside, w/Factory 4-Flat		5			
20131		99-01	Ford F-250 Super Duty w/Factory 4-Flat	2	5			
		99-01	Ford F-350 Super Duty w/Factory 4-Flat		5			
		99-01	Ford F-450 Super Duty w/Factory 4-Flat		5			
		99-01	Ford F-550 Super Duty w/Factory 4-Flat		5			
20140		07	Chevrolet Silverado 1500 (Classic), w/Factory 7-Way	2	45			
		07	Chevrolet Silverado 1500 HD (Classic), w/Factory 7-Way		45			
		01-06	Chevrolet Silverado 1500 HD w/Factory 7-Way		45			
		99-18	Chevrolet Silverado 1500 w/Factory 7-Way		45			
		07	Chevrolet Silverado 2500 HD (Classic), w/Factory 7-Way		45			
		01-19	Chevrolet Silverado 2500 HD w/Factory 7-Way		45			
		99-04	Chevrolet Silverado 2500 w/Factory 7-Way		45			
		07	Chevrolet Silverado 3500 (Classic), w/Factory 7-Way		45			
		07-19	Chevrolet Silverado 3500 HD w/Factory 7-Way		45			
		01-06	Chevrolet Silverado 3500 w/Factory 7-Way		45			
		09-10	Dodge Ram 1500 w/Factory 7-Way		45			
		10	Dodge Ram 2500 w/Factory 7-Way		45			
		10	Dodge Ram 3500 w/Factory 7-Way		45			
		97-18	Ford F-150 Flareside, w/Factory 7-Way		45			
		04	Ford F-150 Heritage Flareside, w/Factory 7-Way		45			
		04	Ford F-150 Heritage Styleside, w/Factory 7-Way		45			
		97-18	Ford F-150 Styleside, w/Factory 7-Way		45			
		04-18	Ford F-150 SuperCrew, w/Factory 7-Way		45			
		97-99	Ford F-250 Styleside, w/Factory 7-Way		45			
		99-19	Ford F-250 Super Duty w/Factory 7-Way		45			
		99-19	Ford F-350 Super Duty w/Factory 7-Way		45			
		99-18	Ford F-450 Super Duty w/Factory 7-Way		45			
		99-11	Ford F-550 Super Duty w/Factory 7-Way		45			
		07	GMC Sierra 1500 (Classic), w/Factory 7-Way		45			
07	GMC Sierra 1500 HD (Classic), w/Factory 7-Way	45						
01-06	GMC Sierra 1500 HD w/Factory 7-Way	45						
99-18	GMC Sierra 1500 w/Factory 7-Way	45						
07	GMC Sierra 2500 HD (Classic), w/Factory 7-Way	45						
11-12	GMC Sierra 2500 HD Denali HD, w/Factory 7-Way	45						
01-19	GMC Sierra 2500 HD w/Factory 7-Way	45						
99-04	GMC Sierra 2500 w/Factory 7-Way	45						
07	GMC Sierra 3500 (Classic), w/Factory 7-Way	45						
07-19	GMC Sierra 3500 HD w/Factory 7-Way	45						
01-06	GMC Sierra 3500 w/Factory 7-Way	45						
06-08	Lincoln Mark LT w/Factory 7-Way	45						
04-14	Nissan Titan w/Factory 7-Way	45						
11-17	RAM 1500 w/Factory 7-Way	45						
11-19	RAM 2500 w/Factory 7-Way	45						
11-17	RAM 3500 w/Factory 7-Way	45						
10-16	Toyota Tundra w/Factory 7-Way	45						
20146		07	Chevrolet Silverado 1500 (Classic), w/Factory 7-Way	2	45			
		07	Chevrolet Silverado 1500 HD (Classic), w/Factory 7-Way		45			
		01-06	Chevrolet Silverado 1500 HD w/Factory 7-Way		45			

PC	PART NO.	YEARS	MAKE/MODEL	WGT LBS	IN				
54700-003		01-19	GMC Sierra 2500 HD w/Factory 7-Way	3	45				
		99-04	GMC Sierra 2500 w/Factory 7-Way						
		07	GMC Sierra 3500 (Classic), w/Factory 7-Way						
		07-19	GMC Sierra 3500 HD w/Factory 7-Way						
		01-06	GMC Sierra 3500 w/Factory 7-Way						
		06-08	Lincoln Mark LT w/Factory 7-Way						
		04-14	Nissan Titan w/Factory 7-Way						
		11-17	RAM 1500 w/Factory 7-Way						
		11-19	RAM 2500 w/Factory 7-Way						
		11-17	RAM 3500 w/Factory 7-Way						
		10-16	Toyota Tundra w/Factory 7-Way						
		54700-004				07-09	Toyota Tundra w/Factory 7-Way	3	45
		54700-007				11-19	Ford F-250 Super Duty w/Factory 7-Way	3	45
11-19	Ford F-350 Super Duty w/Factory 7-Way								
11-18	Ford F-450 Super Duty w/Factory 7-Way								
54700-009		11-19	Ford F-250 Super Duty w/Factory 7-Way	3	45				
		11-19	Ford F-350 Super Duty w/Factory 7-Way						
		11-18	Ford F-450 Super Duty w/Factory 7-Way						
54701-003		07	Chevrolet Silverado 1500 (Classic), w/Factory 7-Way	4	45				
		07	Chevrolet Silverado 1500 HD (Classic), w/Factory 7-Way						
		01-06	Chevrolet Silverado 1500 HD w/Factory 7-Way						
		99-18	Chevrolet Silverado 1500 w/Factory 7-Way						
		07	Chevrolet Silverado 2500 HD (Classic), w/Factory 7-Way						
		01-19	Chevrolet Silverado 2500 HD w/Factory 7-Way						
		99-04	Chevrolet Silverado 2500 w/Factory 7-Way						
		07	Chevrolet Silverado 3500 (Classic), w/Factory 7-Way						
		07-19	Chevrolet Silverado 3500 HD w/Factory 7-Way						
		01-06	Chevrolet Silverado 3500 w/Factory 7-Way						
		09-10	Dodge Ram 1500 w/Factory 7-Way						
		10	Dodge Ram 2500 w/Factory 7-Way						
		10	Dodge Ram 3500 w/Factory 7-Way						
		97-18	Ford F-150 Flareside, w/Factory 7-Way						
		04	Ford F-150 Heritage Flareside, w/Factory 7-Way						
		04	Ford F-150 Heritage Styleside, w/Factory 7-Way						
		97-18	Ford F-150 Styleside, w/Factory 7-Way						
		04-18	Ford F-150 SuperCrew, w/Factory 7-Way						
		97-99	Ford F-250 Styleside, w/Factory 7-Way						
		99-19	Ford F-250 Super Duty w/Factory 7-Way						
		99-15	Ford F-350 Super Duty w/Factory 7-Way						
		99-15	Ford F-450 Super Duty w/Factory 7-Way						
		99-11	Ford F-550 Super Duty w/Factory 7-Way						
		07	GMC Sierra 1500 (Classic), w/Factory 7-Way						
		07	GMC Sierra 1500 HD (Classic), w/Factory 7-Way						
		01-06	GMC Sierra 1500 HD w/Factory 7-Way						
		99-18	GMC Sierra 1500 w/Factory 7-Way						
		07	GMC Sierra 2500 HD (Classic), w/Factory 7-Way						
		11-12	GMC Sierra 2500 HD Denali HD, w/Factory 7-Way						
		01-19	GMC Sierra 2500 HD w/Factory 7-Way						
		99-04	GMC Sierra 2500 w/Factory 7-Way						
		07	GMC Sierra 3500 (Classic), w/Factory 7-Way						
		07-19	GMC Sierra 3500 HD w/Factory 7-Way						
		01-06	GMC Sierra 3500 w/Factory 7-Way						
		06-08	Lincoln Mark LT w/Factory 7-Way						
		04-14	Nissan Titan w/Factory 7-Way						
		11-17	RAM 1500 w/Factory 7-Way						
		11-17	RAM 2500 w/Factory 7-Way						
		11-17	RAM 3500 w/Factory 7-Way						
		10-16	Toyota Tundra w/Factory 7-Way						
		54701-004				07-09	Toyota Tundra w/Factory 7-Way	4	45
54701-007		11-19	Ford F-250 Super Duty w/Factory 7-Way	3	45				
		11-19	Ford F-350 Super Duty w/Factory 7-Way						
		11-18	Ford F-450 Super Duty w/Factory 7-Way						
54701-009		11-19	Ford F-250 Super Duty w/Factory 7-Way	3	45				
		11-19	Ford F-350 Super Duty w/Factory 7-Way						
		11-18	Ford F-450 Super Duty w/Factory 7-Way						
6 / 7-WAY CONNECTORS									
85219		08-12	Buick Enclave w/Factory 7-Way	1	10				
		04-07	Buick Rainier w/Factory 7-Way						
		03-15	Cadillac Escalade ESV w/Factory 7-Way						
		02-11	Cadillac Escalade EXT w/Factory 7-Way						
		02-16	Cadillac Escalade w/Factory 7-Way						
		02-06	Chevrolet Avalanche 1500 w/Factory 7-Way						
		02-06	Chevrolet Avalanche 2500 w/Factory 7-Way						
		07-11	Chevrolet Avalanche w/Factory 7-Way						
		99-01	Chevrolet Blazer Downsize, w/Factory 7-Way						
		99-01	Chevrolet Blazer Trailblazer w/Factory 7-Way						
		04-12	Chevrolet Colorado w/Factory 7-Way						

PC	PART NO.	YEARS	MAKE/MODEL	WGT LBS	IN
85219		07	Chevrolet Silverado 1500 (Classic), w/Factory 7-Way	1	10
		07	Chevrolet Silverado 1500 HD (Classic), w/Factory 7-Way		
		01-06	Chevrolet Silverado 1500 HD w/Factory 7-Way		
		99-18	Chevrolet Silverado 1500 w/Factory 7-Way		
		07	Chevrolet Silverado 2500 HD (Classic), w/Factory 7-Way		
		01-19	Chevrolet Silverado 2500 HD w/Factory 7-Way		
		99-04	Chevrolet Silverado 2500 w/Factory 7-Way		
		07	Chevrolet Silverado 3500 (Classic), w/Factory 7-Way		
		07-19	Chevrolet Silverado 3500 HD w/Factory 7-Way		
		01-06	Chevrolet Silverado 3500 w/Factory 7-Way		
		00-14	Chevrolet Suburban 1500 w/Amber Turn Signals, w/Factory 7-Way		
		00-13	Chevrolet Suburban 2500 w/Amber Turn Signals, w/Factory 7-Way		
		00-11	Chevrolet Tahoe w/Amber Turn Signals, w/Factory 7-Way		
		02-09	Chevrolet TrailBlazer w/Factory 7-Way		
		09-12	Chevrolet Traverse w/Factory 7-Way		
		09	Chrysler Aspen w/Factory 7-Way		
		09	Dodge Durango w/Factory 7-Way		
		09-10	Dodge Ram 1500 w/Factory 7-Way		
		10	Dodge Ram 2500 w/Factory 7-Way		
		10	Dodge Ram 3500 w/Factory 7-Way		
		97-09	Ford E-150 Econoline w/Factory 7-Way		
		97-09	Ford E-250 Econoline w/Factory 7-Way		
		97-09	Ford E-350 Econoline w/Factory 7-Way		
		00-05	Ford Excursion w/Factory 7-Way		
		97-15	Ford Expedition w/Factory 7-Way		
		01-03	Ford Explorer 2 Dr. Sport, w/Factory 7-Way		
		00-10	Ford Explorer 4 Dr., w/Factory 7-Way		
		07-10	Ford Explorer Sport Trac w/Factory 7-Way		
		11-18	Ford Explorer w/Factory 7-Way		
		04	Ford F-150 Heritage w/Factory 7-Way		
		97-19	Ford F-150 w/Factory 7-Way		
		97-99	Ford F-250 Styleside, w/Factory 7-Way		
		99-19	Ford F-250 Super Duty w/Factory 7-Way		
		99-19	Ford F-350 Super Duty w/Factory 7-Way		
		99-15	Ford F-450 Super Duty w/Factory 7-Way		
		99-11	Ford F-550 Super Duty w/Factory 7-Way		
		09-19	Ford Flex w/Factory 7-Way		
		00-11	Ford Ranger w/Factory 7-Way		
		07-12	GMC Acadia w/Factory 7-Way		
		04-12	GMC Canyon w/Factory 7-Way		
		02-09	GMC Envoy w/Factory 7-Way		
		99-01	GMC Jimmy Downsize, w/Factory 7-Way		
		07	GMC Sierra 1500 (Classic), w/Factory 7-Way		
		07	GMC Sierra 1500 HD (Classic), w/Factory 7-Way		
		01-06	GMC Sierra 1500 HD w/Factory 7-Way		
		99-18	GMC Sierra 1500 w/Factory 7-Way		
		07	GMC Sierra 2500 HD (Classic), w/Factory 7-Way		
		01-19	GMC Sierra 2500 HD w/Factory 7-Way		
		99-04	GMC Sierra 2500 w/Factory 7-Way		
		07	GMC Sierra 3500 (Classic), w/Factory 7-Way		
		07-19	GMC Sierra 3500 HD w/Factory 7-Way		
		01-06	GMC Sierra 3500 w/Factory 7-Way		
01-12	GMC Sierra Denali HD, w/Factory 7-Way				
00-17	GMC Yukon w/Amber Turn Signals, w/Factory 7-Way				
00-11	GMC Yukon XL 1500 w/Factory 7-Way				
00-13	GMC Yukon XL 2500 w/Factory 7-Way				
03-09	Hummer H2 w/Factory 7-Way				
06-10	Hummer H3 w/Factory 7-Way				
09-10	Hummer H3T w/Factory 7-Way				
04-12	Infiniti QX56 w/Factory 7-Way				
03-08	Isuzu Ascender w/Factory 7-Way				
11-15	Jeep Grand Cherokee w/Factory 7-Way				
09-12	Jeep Liberty w/Factory 7-Way				
09-11	KIA Borrego w/Factory 7-Way				
10-11	Lexus GX460 w/Factory 7-Way				
03-05	Lincoln Aviator w/Factory 7-Way				
06-08	Lincoln Mark LT w/Factory 7-Way				
10-12	Lincoln MKT w/Factory 7-Way				
98-11	Lincoln Navigator w/Factory 7-Way				
00-10	Mercury Mountaineer w/Factory 7-Way				
05-14	Nissan Armada w/Factory 7-Way				
04	Nissan Pathfinder Armada w/Factory 7-Way				
04-14	Nissan Titan w/Factory 7-Way				
99-04	Oldsmobile Bravada w/Factory 7-Way				
11-17	RAM 1500 w/Factory 7-Way				

6 / 7-WAY CONNECTOR INDEX

PC	PART NO.	YEARS	MAKE/MODEL	WGT LBS	IN
	50064	07	GMC Sierra 2500 HD (Classic)	42	
	50064	01-06	GMC Sierra 3500	42	
	50064	07	GMC Sierra 3500 (Classic)	42	
	50064	07-10	GMC Sierra 3500 HD	42	
	50064-58	99-13	Chevrolet Silverado 1500	83	
	50064-58	07	Chevrolet Silverado 1500 (Classic)	83	
	50064-58	14-18	Chevrolet Silverado 1500 Does Not Fit MagneRide Magnetic Ride Suspension	83	
	50064-58	01-06	Chevrolet Silverado 1500 HD	83	
	50064-58	07	Chevrolet Silverado 1500 HD (Classic)	83	
	50064-58	99-04	Chevrolet Silverado 2500	83	
	50064-58	01-10	Chevrolet Silverado 2500 HD	83	
	50064-58	07	Chevrolet Silverado 2500 HD (Classic)	83	
	50064-58	01-06	Chevrolet Silverado 3500	83	
	50064-58	07	Chevrolet Silverado 3500 (Classic)	83	
	50064-58	07-10	Chevrolet Silverado 3500 HD	83	
	50064-58	99-13	GMC Sierra 1500	83	
	50064-58	07	GMC Sierra 1500 (Classic)	83	
	50064-58	14-18	GMC Sierra 1500 Does Not Fit MagneRide Magnetic Ride Suspension	83	
	50064-58	01-06	GMC Sierra 1500 HD	83	
	50064-58	07	GMC Sierra 1500 HD (Classic)	83	
	50064-58	99-04	GMC Sierra 2500	83	
	50064-58	01-10	GMC Sierra 2500 HD	83	
	50064-58	07	GMC Sierra 2500 HD (Classic)	83	
	50064-58	01-06	GMC Sierra 3500	83	
	50064-58	07	GMC Sierra 3500 (Classic)	83	
	50064-58	07-10	GMC Sierra 3500 HD	83	
	50066	11-14	Chevrolet Silverado 2500 HD	31	
	50066	15-18	Chevrolet Silverado 2500 HD Except with OEM HD Towing Prep Package	31	
	50066	11-14	Chevrolet Silverado 3500 HD	31	
	50066	15-19	Chevrolet Silverado 3500 HD Except with OEM HD Towing Prep Package	31	
	50066	11-14	GMC Sierra 2500 HD	31	
	50066	15-19	GMC Sierra 2500 HD Except with OEM HD Towing Prep Package	31	
	50066	11-14	GMC Sierra 3500 HD	31	
	50066	15-19	GMC Sierra 3500 HD Except with OEM HD Towing Prep Package	31	
	50066-58	11-14	Chevrolet Silverado 2500 HD	76	
	50066-58	15-18	Chevrolet Silverado 2500 HD Except with OEM HD Towing Prep Package	76	
	50066-58	11-14	Chevrolet Silverado 3500 HD	76	
	50066-58	15-19	Chevrolet Silverado 3500 HD Except with OEM HD Towing Prep Package	76	
	50066-58	11-14	GMC Sierra 2500 HD	76	
	50066-58	15-19	GMC Sierra 2500 HD Except with OEM HD Towing Prep Package	76	
	50066-58	11-14	GMC Sierra 3500 HD	76	
	50066-58	15-19	GMC Sierra 3500 HD Except with OEM HD Towing Prep Package	76	
	50074	17-19	Ford F-250 Super Duty Except Dual Rear Wheel or Cab & Chassis	28	
	50074	17-19	Ford F-350 Super Duty Except Dual Rear Wheel or Cab & Chassis	28	
	50074-58	17-19	Ford F-250 Super Duty Except Dual Rear Wheel or Cab & Chassis		
	50074-58	17-19	Ford F-350 Super Duty Except Dual Rear Wheel or Cab & Chassis		
	50081	04-14	Ford F-150	24	
	50081-58	04-14	Ford F-150	63	
	50082	99-10	Ford F-250 Super Duty Except Cab & Chassis	31	
	50082	99-10	Ford F-350 Super Duty Except Cab & Chassis	31	
	50082	08-10	Ford F-450 Super Duty Except Cab & Chassis	31	
	50082-58	99-10	Ford F-250 Super Duty Except Cab & Chassis	73	
	50082-58	99-10	Ford F-350 Super Duty Except Cab & Chassis	73	
	50082-58	08-10	Ford F-450 Super Duty Except Cab & Chassis	73	
	500841	07-19	Toyota Tundra	32	
	50084-58	07-19	Toyota Tundra	86	
	50085	13-18	RAM 3500	30	
	50085-58	13-18	RAM 3500		
	50087	15-19	Ford F-150 Except Raptor	27	
	50087-58	15-19	Ford F-150 Except Raptor		
	50140	06-08	Dodge Ram 1500 Mega Cab	24	
	50140	03-09	Dodge Ram 2500	24	
	50140	10	Dodge Ram 2500 Except w/Gas Engines w/Overload Springs	24	
	50140	03-09	Dodge Ram 3500	24	
	50140	10	Dodge Ram 3500 Except w/Gas Engines w/Overload Springs	24	
	50140	11-12	RAM 2500 Except w/Gas Engines w/Overload Springs	24	
	50140	11-12	RAM 3500 Except w/Gas Engines w/Overload Springs	24	

PC	PART NO.	YEARS	MAKE/MODEL	WGT LBS	IN
	50140-58	06-08	Dodge Ram 1500 Mega Cab	65	
	50140-58	03-09	Dodge Ram 2500	65	
	50140-58	10	Dodge Ram 2500 Except w/Gas Engines w/Overload Springs	65	
	50140-58	03-09	Dodge Ram 3500	65	
	50140-58	10	Dodge Ram 3500 Except w/Gas Engines w/Overload Springs	65	
	50140-58	11-12	RAM 2500 Except w/Gas Engines w/Overload Springs	65	
	50140-58	11-12	RAM 3500 Except w/Gas Engines w/Overload Springs	65	
	501411	14-18	RAM 1500 Except w/Air Suspension or 5.7 ft. Bed	31	
	50142	09-10	Dodge Ram 1500	38	
	50142	11-18	RAM 1500	38	
	50142-58	09-10	Dodge Ram 1500		
	50142-58	11-18	RAM 1500		
	56001	11-14	Chevrolet Silverado 2500 HD	22	
	56001	15-18	Chevrolet Silverado 2500 HD Except with OEM HD Towing Prep Package	22	
	56001	11-14	Chevrolet Silverado 3500 HD	22	
	56001	15-19	Chevrolet Silverado 3500 HD Except with OEM HD Towing Prep Package	22	
	56001	11-14	GMC Sierra 2500 HD	22	
	56001	15-19	GMC Sierra 2500 HD Except with OEM HD Towing Prep Package	22	
	56001	11-14	GMC Sierra 3500 HD	22	
	56001	15-19	GMC Sierra 3500 HD Except with OEM HD Towing Prep Package	22	
	56001-53	11-14	Chevrolet Silverado 2500 HD	84	
	56001-53	15-18	Chevrolet Silverado 2500 HD Except with OEM HD Towing Prep Package	84	
	56001-53	11-14	Chevrolet Silverado 3500 HD	84	
	56001-53	15-19	Chevrolet Silverado 3500 HD Except with OEM HD Towing Prep Package	84	
	56001-53	11-14	GMC Sierra 2500 HD	84	
	56001-53	15-19	GMC Sierra 2500 HD Except with OEM HD Towing Prep Package	84	
	56001-53	11-14	GMC Sierra 3500 HD	84	
	56001-53	15-19	GMC Sierra 3500 HD Except with OEM HD Towing Prep Package	84	
	56005	99-10	Ford F-250 Super Duty Except Cab & Chassis	28	
	56005	99-10	Ford F-350 Super Duty Except Cab & Chassis	28	
	56005	08-10	Ford F-450 Super Duty Except Cab & Chassis	28	
	56005-53	99-10	Ford F-250 Super Duty Except Cab & Chassis	89	
	56005-53	99-10	Ford F-350 Super Duty Except Cab & Chassis	89	
	56005-53	08-10	Ford F-450 Super Duty Except Cab & Chassis	89	
	56006	04-14	Ford F-150	28	
	56006-53	04-14	Ford F-150	89	
	56007	99-13	Chevrolet Silverado 1500	36	
	56007	07	Chevrolet Silverado 1500 (Classic)	36	
	56007	14-18	Chevrolet Silverado 1500 Does Not Fit MagneRide Magnetic Ride Suspension	36	
	56007	01-06	Chevrolet Silverado 1500 HD	36	
	56007	07	Chevrolet Silverado 1500 HD (Classic)	36	
	56007	99-04	Chevrolet Silverado 2500	36	
	56007	01-10	Chevrolet Silverado 2500 HD	36	
	56007	07	Chevrolet Silverado 2500 HD (Classic)	36	
	56007	01-06	Chevrolet Silverado 3500	36	
	56007	07	Chevrolet Silverado 3500 (Classic)	36	
	56007	07-10	Chevrolet Silverado 3500 HD	36	
	56007	99-13	GMC Sierra 1500	36	
	56007	07	GMC Sierra 1500 (Classic)	36	
	56007	14-18	GMC Sierra 1500 Does Not Fit MagneRide Magnetic Ride Suspension	36	
	56007	01-06	GMC Sierra 1500 HD	36	
	56007	07	GMC Sierra 1500 HD (Classic)	36	
	56007	99-04	GMC Sierra 2500	36	
	56007	01-10	GMC Sierra 2500 HD	36	
	56007	07	GMC Sierra 2500 HD (Classic)	36	
	56007	01-06	GMC Sierra 3500	36	
	56007	07	GMC Sierra 3500 (Classic)	36	
	56007	07-10	GMC Sierra 3500 HD	36	
	56007-53	99-13	Chevrolet Silverado 1500	97	
	56007-53	07	Chevrolet Silverado 1500 (Classic)	97	
	56007-53	14-18	Chevrolet Silverado 1500 Does Not Fit MagneRide Magnetic Ride Suspension	97	
	56007-53	01-06	Chevrolet Silverado 1500 HD	97	
	56007-53	07	Chevrolet Silverado 1500 HD (Classic)	97	
	56007-53	99-04	Chevrolet Silverado 2500	97	
	56007-53	01-10	Chevrolet Silverado 2500 HD	97	
	56007-53	07	Chevrolet Silverado 2500 HD (Classic)	97	
	56007-53	01-06	Chevrolet Silverado 3500	97	
	56007-53	07	Chevrolet Silverado 3500 (Classic)	97	
	56007-53	07-10	Chevrolet Silverado 3500 HD	97	
	56007-53	99-13	GMC Sierra 1500	97	

PC	PART NO.	YEARS	MAKE/MODEL	WGT LBS	IN
	56007-53	07	GMC Sierra 1500 (Classic)	97	
	56007-53	14-18	GMC Sierra 1500 Does Not Fit MagneRide Magnetic Ride Suspension	97	
	56007-53	01-06	GMC Sierra 1500 HD	97	
	56007-53	07	GMC Sierra 1500 HD (Classic)	97	
	56007-53	99-04	GMC Sierra 2500	97	
	56007-53	01-10	GMC Sierra 2500 HD	97	
	56007-53	07	GMC Sierra 2500 HD (Classic)	97	
	56007-53	01-06	GMC Sierra 3500	97	
	56007-53	07	GMC Sierra 3500 (Classic)	97	
	56007-53	07-10	GMC Sierra 3500 HD	97	
	56009	14-19	RAM 2500	20	
	56009-53	14-19	RAM 2500	81	
	56010	13-14	RAM 3500 Except w/RamBox Cargo Management System	40	
	56010	15-18	RAM 3500 Except w/RamBox Cargo Management System or Models w/Air Suspension	40	
	56010-53	13-14	RAM 3500 Except w/RamBox Cargo Management System	101	
	56010-53	15-18	RAM 3500 Except w/RamBox Cargo Management System or Models w/Air Suspension	101	
	56011	03-10	Dodge Ram 2500	48	
	56011	03-10	Dodge Ram 3500	48	
	56011	11-13	RAM 2500	48	
	56011	11-12	RAM 3500	48	
	56011-53	03-10	Dodge Ram 2500	108	
	56011-53	03-10	Dodge Ram 3500	108	
	56011-53	11-13	RAM 2500	108	
	56011-53	11-12	RAM 3500	108	
	56014†	08-10	Chevrolet Silverado 2500 HD 6.6 ft. Bed	35	
	56014†	08-10	Chevrolet Silverado 3500 HD 6.6 ft. Bed	35	
	56014†	08-10	GMC Sierra 2500 HD 6.6 ft. Bed	35	
	56014†	08-10	GMC Sierra 3500 HD 6.6 ft. Bed	35	
	56014-53†	08-10	Chevrolet Silverado 2500 HD	96	
	56014-53†	08-10	Chevrolet Silverado 3500 HD	96	
	56014-53†	08-10	GMC Sierra 2500 HD	96	
	56014-53†	08-10	GMC Sierra 3500 HD	96	
	56016	11-16	Ford F-250 Super Duty Except Cab & Chassis	30	
	56016	11-16	Ford F-350 Super Duty Except Cab & Chassis	30	
	56016	11-16	Ford F-450 Super Duty Except Cab & Chassis	30	
	56016-53	11-16	Ford F-250 Super Duty Except Cab & Chassis		
	56016-53	11-16	Ford F-350 Super Duty Except Cab & Chassis		
	56016-53	11-16	Ford F-450 Super Duty Except Cab & Chassis		
	56017	17-19	Ford F-250 Super Duty Except Cab & Chassis		
	56017	17-19	Ford F-350 Super Duty Except Cab & Chassis		
	56017	17-18	Ford F-450 Super Duty Except Cab & Chassis		
	56017-53	17-19	Ford F-250 Super Duty Except Cab & Chassis		
	56017-53	17-19	Ford F-350 Super Duty Except Cab & Chassis		
	56017-53	17-18	Ford F-450 Super Duty Except Cab & Chassis		
	56034	15-19	Ford F-150 Except Raptor	28	
	56034-53	15-18	Ford F-150		
	58023	02-08	Dodge Ram 1500	3	
	58023	03-10	Dodge Ram 2500 Except w/Overload Springs	3	
	58023	03-10	Dodge Ram 3500 Except w/Overload Springs	3	
	58023	11-12	RAM 2500 Except w/Overload Springs	3	
	58023	11-12	RAM 3500 Except w/Overload Springs	3	
	58166	02-08	Dodge Ram 1500	1	
	58166	03-10	Dodge Ram 2500 Except w/Overload Springs	1	
	58166	03-10	Dodge Ram 3500 Except w/Overload Springs	1	
	58166	11-12	RAM 2500 Except w/Overload Springs	1	
	58166	11-12	RAM 3500 Except w/Overload Springs	1	
	58186	03-10	Dodge Ram 2500 w/Overload Springs	12	
	58186	03-10	Dodge Ram 3500 w/Overload Springs	12	
	58186	11-12	RAM 2500 w/Overload Springs	12	
	58186	11-12	RAM 3500 w/Overload Springs	12	
	58197	00-06	Toyota Tundra Regular Cab 8 ft. Bed	1	
	58309	07-19	Toyota Tundra	3	
	58386	09-10	Dodge Ram 1500	18	
	58386	11-12	RAM 1500	18	
	58386	13-18	RAM 1500 Except w/Air Suspension or w/ECODiesel Engine	18	
	58405	04-15	Nissan Titan	26	
	58425	05-15	Ford F-250 Super Duty Except Cab & Chassis	4	
	58425	05-15	Ford F-350 Super Duty Except Cab & Chassis	4	
	58425	08-15	Ford F-450 Super Duty Except Cab & Chassis	4	
	58426	04-14	Ford F-150	16	
	58432	02-08	Dodge Ram 1500 Except Mega Cab	7	
	58433	09-10	Dodge Ram 1500	4	
	58433	11-12	RAM 1500 Except 5.7 ft. Bed	4	
	58433	13-14	RAM 1500 Except 5.7 ft. Bed and Models w/Air Suspension	4	

PC	PART NO.	YEARS	MAKE/MODEL	WGT LBS	IN
	58520	13-18	RAM 3500	14	
	58522	14-19	RAM 2500	12	
	58523	09-10	Dodge Ram 1500	19	
	58523	11-12	RAM 1500	19	
	58523	14-18	RAM 1500 Except w/Air Suspension	19	
	58523	13	RAM 1500 Except w/Air Suspension or w/ECODiesel Engine	19	
	58531	15-19	Ford F-150 Except Raptor	9	
M SERIES					
	30890	16-18	Chevrolet Silverado 2500 HD w/Factory HD Towing Option	146	
		16-18	Chevrolet Silverado 3500 HD w/Factory HD Towing Option		
		16-19	GMC Sierra 2500 HD w/Factory HD Towing Option		
		16-19	GMC Sierra 3500 HD w/Factory HD Towing Option		
	30895	16-18	Chevrolet Silverado 2500 HD w/Factory HD Towing Option	146	
		16-18	Chevrolet Silverado 3500 HD w/Factory HD Towing Option		
		16-19	GMC Sierra 2500 HD w/Factory HD Towing Option		
		16-19	GMC Sierra 3500 HD w/Factory HD Towing Option		
	30921	11-19	Ford F-250 Super Duty w/Factory HD Towing Option		
		11-19	Ford F-350 Super Duty w/Factory HD Towing Option		
	30922	11-19	Ford F-250 Super Duty w/Factory HD Towing Option		
		11-19	Ford F-350 Super Duty w/Factory HD Towing Option		
ELITE SERIES RAIL KITS					
	30061	99-06	Chevrolet Silverado 1500 Except 8 ft. Bed	70	150
		07	Chevrolet Silverado 1500 Except 8 ft. Bed (Classic)		150
		01-06	Chevrolet Silverado 1500 HD		150
		07	Chevrolet Silverado 1500 HD (Classic)		150
		99-04	Chevrolet Silverado 2500 Except 8 ft. Bed		150
		01-10	Chevrolet Silverado 2500 HD Except 8 ft. Bed		150
		07-10	Chevrolet Silverado 3500 HD Except 8 ft. Bed		150
		99-06	GMC Sierra 1500 Except 8 ft. Bed		150
		07	GMC Sierra 1500 Except 8 ft. Bed (Classic)		150
		01-06	GMC Sierra 1500 HD		150
		07	GMC Sierra 1500 HD (Classic)		150
		99-04	GMC Sierra 2500 Except 8 ft. Bed		150
		01-10	GMC Sierra 2500 HD Except 8 ft. Bed		150
		07-10	GMC Sierra 3500 HD Except 8 ft. Bed		150
	30064	04-14	Ford F-150	62	120
	30067	02-08	Dodge Ram 1500 Except Mega Cab	63	120
		03-10	Dodge Ram 2500 Except Mega Cab		120
		03-10	Dodge Ram 3500 Except Mega Cab		120
		11-12	RAM 2500 Except Mega Cab		120
		11-12	RAM 3500 Except Mega Cab		120
	30073	99-10	Ford F-250 Super Duty Except Cab & Chassis	84	120
		99-10	Ford F-350 Super Duty Except Cab & Chassis		120
		08-10	Ford F-450 Super Duty Except Cab & Chassis		120
	30074	02-08	Dodge Ram 1500	85	120
		03-10	Dodge Ram 2500		120
		03-10	Dodge Ram 3500		120
		11-13	RAM 2500		120
		11-12	RAM 3500		120
	30126	11-16	Ford F-250 Super Duty Except Cab & Chassis	105	
		11-16	Ford F-350 Super Duty Except Cab & Chassis		
		11-16	Ford F-450 Super Duty Except Cab & Chassis		
	30852	10	Dodge Ram 2500	113	
		10	Dodge Ram 3500		
		11-12	RAM 2500		
		11-12	RAM 3500		
	30868	11-18	Chevrolet Silverado 2500 HD Except with OEM HD Towing Prep Package	120	
		11-19	Chevrolet Silverado 3500 HD Except with OEM HD Towing Prep Package		
		11-19	GMC Sierra 2500 HD Except with OEM HD Towing Prep Package		
		11-19	GMC Sierra 3500 HD Except with OEM HD Towing Prep Package		
	30886	17-19	Ford F-250 Super Duty Except Cab & Chassis	28	
		17-19	Ford F-350 Super Duty Except Cab & Chassis		
ELITE SERIES ACCESS					
	30154	13-18	RAM 2500 w/Factory HD Towing Option	90	
		13-18	RAM 3500 w/Factory HD Towing Option		
	30156	11-18	Ford F-250 Super Duty w/Hitch Prep Package	54	
		11-18	Ford F-350 Super Duty w/Hitch Prep Package		
ELITE SERIES GOOSENECK					
	30138-26	11-16	Ford F-250 Super Duty Except Cab & Chassis	120	
		11-16	Ford F-350 Super Duty Except Cab & Chassis		
		11-16	Ford F-450 Super Duty Except Cab & Chassis		
	30158-52	10	Dodge Ram 2500	163	
		10	Dodge Ram 3500		
		11-12	RAM 2500		
		11-12	RAM 3500		

GOOSENECK INDEX

PC	PART NO.	YEARS	MAKE/MODEL	WGT LBS	IN
	30158-68	11-18	Chevrolet Silverado 2500 HD Except with OEM HD Towing Prep Package	170	
		11-19	Chevrolet Silverado 3500 HD Except with OEM HD Towing Prep Package		
		11-19	GMC Sierra 2500 HD Except with OEM HD Towing Prep Package		
		11-19	GMC Sierra 3500 HD Except with OEM HD Towing Prep Package		
UNDER-BED GOOSENECK					
	4494	17-19	Ford F-250 Super Duty Except Cab & Chassis	78	120
		17-19	Ford F-350 Super Duty Except Cab & Chassis		120
		17-18	Ford F-450 Super Duty Except Cab & Chassis		120
	9460-39	94-01	Dodge Ram 1500	91	90
		94-02	Dodge Ram 2500		90
		94-02	Dodge Ram 3500		90
	9460-48†	99-16	Ford F-250 Super Duty Except Cab & Chassis	111	90
		99-16	Ford F-350 Super Duty Except Cab & Chassis		90
	9460-49	99-16	Ford F-250 Super Duty Except Cab & Chassis	121	90
		99-16	Ford F-350 Super Duty Except Cab & Chassis		90
		08-16	Ford F-450 Super Duty Except Cab & Chassis		90
	9464-35	06-08	Dodge Ram 1500 Mega Cab	114	90
		03-10	Dodge Ram 2500		90
		03-10	Dodge Ram 3500		90
		11-12	RAM 2500		90
		11-12	RAM 3500		90
	9464-38	02-08	Dodge Ram 1500 Except Mega Cab	110	90
	9464-46	09-10	Dodge Ram 1500	121	90
		11-18	RAM 1500 Except w/Air Suspension		90
	9464-57	10	Dodge Ram 2500	128	110
		10	Dodge Ram 3500		110
		11-13	RAM 2500		125
		11-12	RAM 3500		110
	9465-34	99-04	Chevrolet Silverado 2500	106	105
		01-10	Chevrolet Silverado 2500 HD		105
		07-10	Chevrolet Silverado 3500 HD		105
		99-04	GMC Sierra 2500		105
		01-10	GMC Sierra 2500 HD		105
		07-10	GMC Sierra 3500 HD		105
	9465-36	07-19	Toyota Tundra	93	90
	9465-37	04-14	Ford F-150	91	90
	9465-40	88-99	Chevrolet C1500	101	105
		88-99	Chevrolet C2500		105
		88-00	Chevrolet C3500 Except Crew Cab		105
		88-99	Chevrolet K1500		105
		88-99	Chevrolet K2500		105
		88-00	Chevrolet K3500 Except Crew Cab		105
		88-99	GMC C1500		105
		88-99	GMC C2500		105
		88-00	GMC C3500 Except Crew Cab		105
		88-99	GMC K1500		105
		88-99	GMC K2500		105
		88-00	GMC K3500 Except Crew Cab		105
	9465-45	01-07	Chevrolet Silverado 3500 8 ft. Bed	106	90
		01-07	GMC Sierra 3500 8 ft. Bed		90
	9465-54	99-13	Chevrolet Silverado 1500	96	105
		07	Chevrolet Silverado 1500 (Classic)		105
		14-18	Chevrolet Silverado 1500 Does Not Fit MagneRide Magnetic Ride Suspension		105
		01-06	Chevrolet Silverado 1500 HD		105
		07	Chevrolet Silverado 1500 HD (Classic)		105
		99-04	Chevrolet Silverado 2500 6.6 ft. Bed		105
		99-13	GMC Sierra 1500		105
		07	GMC Sierra 1500 (Classic)		105
		14-18	GMC Sierra 1500 Does Not Fit MagneRide Magnetic Ride Suspension		105
		01-07	GMC Sierra 1500 HD		105
		99-04	GMC Sierra 2500 6.6 ft. Bed		105
	9465-56	11-18	Chevrolet Silverado 2500 HD Except with OEM HD Towing Prep Package	94	45
		11-19	Chevrolet Silverado 3500 HD Except with OEM HD Towing Prep Package		45
		11-19	GMC Sierra 2500 HD Except with OEM HD Towing Prep Package		45
		11-19	GMC Sierra 3500 HD Except with OEM HD Towing Prep Package		45
	9465-91	15-19	Ford F-150 Except Raptor		90
	9466	13-18	RAM 3500 (Gooseneck Head Does Not Require Rail Kit)	52	60
	9467	14-19	RAM 2500 (Gooseneck Head Does Not Require Rail Kit)	49	30
	9468-94	17-19	Ford F-250 Super Duty Except Cab & Chassis		120
		17-19	Ford F-350 Super Duty Except Cab & Chassis		120
		17-18	Ford F-450 Super Duty Except Cab & Chassis		120

PC	PART NO.	YEARS	MAKE/MODEL	WGT LBS	IN
	9476†	13-15	RAM 3500 (Gooseneck Head Does Not Require Rail Kit)	52	60
	9477†	14-15	RAM 2500 (Gooseneck Head Does Not Require Rail Kit)	49	30
ABOVE-BED GOOSENECK					
	4434	99-02	Chevrolet Silverado 2500	59	105
		01-10	Chevrolet Silverado 2500 HD		105
		07-10	Chevrolet Silverado 3500 HD		105
		99-04	GMC Sierra 2500		105
		01-10	GMC Sierra 2500 HD		105
		07-10	GMC Sierra 3500 HD		105
	4435	06-08	Dodge Ram 1500 Mega Cab	71	90
		03-10	Dodge Ram 2500		90
		03-10	Dodge Ram 3500		90
		11-12	RAM 2500		90
		11-12	RAM 3500		90
	4436	07-19	Toyota Tundra	57	90
	4437	04-14	Ford F-150	55	90
	4438	02-08	Dodge Ram 1500 Except Mega Cab	66	90
	4439	94-01	Dodge Ram 1500	48	90
		94-02	Dodge Ram 2500		90
		94-02	Dodge Ram 3500		90
	4440	88-99	Chevrolet C1500	65	105
		88-99	Chevrolet C2500		105
		88-00	Chevrolet C3500 Except Crew Cab		105
		88-99	Chevrolet K1500		105
		88-99	Chevrolet K2500		105
		88-00	Chevrolet K3500 Except Crew Cab		105
		88-99	GMC C1500		105
		88-99	GMC C2500		105
		88-00	GMC C3500 Except Crew Cab		105
		88-99	GMC K1500		105
		88-99	GMC K2500		105
		88-00	GMC K3500 Except Crew Cab		105
	4445	01-06	Chevrolet Silverado 3500 8 ft. Bed	61	90
		07	Chevrolet Silverado 3500 8 ft. Bed (Classic)		90
		01-06	GMC Sierra 3500 8 ft. Bed		90
		07	GMC Sierra 3500 8 ft. Bed (Classic)		90
	4446	09-10	Dodge Ram 1500	82	90
		11-18	RAM 1500 Except w/Air Suspension		90
	4448†	99-16	Ford F-250 Super Duty Except Cab & Chassis	68	90
		99-16	Ford F-350 Super Duty Except Cab and Chassis		90
	4449	99-16	Ford F-250 Super Duty Except Cab & Chassis	78	90
		99-16	Ford F-350 Super Duty Except Cab & Chassis		90
		08-16	Ford F-450 Super Duty Except Cab & Chassis		90
	4454	99-13	Chevrolet Silverado 1500	57	105
		07	Chevrolet Silverado 1500 (Classic)		105
		14-18	Chevrolet Silverado 1500 Does Not Fit MagneRide Magnetic Ride Suspension		105
		01-06	Chevrolet Silverado 1500 HD		105
		07	Chevrolet Silverado 1500 HD (Classic)		105
		99-04	Chevrolet Silverado 2500 6.6 ft. Bed		105
		99-13	GMC Sierra 1500		105
		07	GMC Sierra 1500 (Classic)		105
		14-18	GMC Sierra 1500 Does Not Fit MagneRide Magnetic Ride Suspension		105
		01-06	GMC Sierra 1500 HD		105
		07	GMC Sierra 1500 HD (Classic)		105
		99-04	GMC Sierra 2500 6.6 ft. Bed		105
	4456	11-18	Chevrolet Silverado 2500 HD Except with OEM HD Towing Prep Package	58	45
		11-19	Chevrolet Silverado 3500 HD Except with OEM HD Towing Prep Package		45
		11-19	GMC Sierra 2500 HD Except with OEM HD Towing Prep Package		45
		11-19	GMC Sierra 3500 HD Except with OEM HD Towing Prep Package		45
	4457	10	Dodge Ram 2500	84	110
		10	Dodge Ram 3500		110
		11-13	RAM 2500		125
		11-12	RAM 3500		110
	4491	15-19	Ford F-150 Except Raptor	51	90
ROOF RACKS					
	59631	15-17	RAM ProMaster City	7	15
	59632	15-17	RAM ProMaster City	11	15
	59633	15-17	RAM ProMaster City	18	15
	59636	16-17	Subaru Crosstrek Except w/Factory Roof Rails	9	10
		09-16	Subaru Forester Except w/Factory Roof Rails		10
		08-11	Subaru Impreza 4 Dr. Sedan, Except w/Factory Roof Rails		10
		08-16	Subaru Impreza 5 Dr. Wagon, Except w/Factory Roof Rails		10
		12-14	Subaru WRX 4 Dr. Sedan, Except w/Factory Roof Rails		10

PC	PART NO.	YEARS	MAKE/MODEL	WGT LBS	IN
	59636	12-15	Subaru WRX 5 Dr. Wagon, Except w/Factory Roof Rails	9	10
		13-15	Subaru XV Crosstrek Except w/Factory Roof Rails		10
	59680	17	GMC Acadia Limited w/Factory 7-Way	10	15
		10-16	GMC Acadia w/Factory Roof Rails		15
	59681	12-16	Honda CR-V w/Factory Roof Rails	10	20
	59682	14-17	Jeep Cherokee w/Factory Roof Rails	10	10
	59684	15-17	KIA Sedona Except Panoramic Sunroof	12	10
	59685	15-16	Cadillac Escalade ESV w/Factory Roof Rails	11	15
		15-16	Cadillac Escalade w/Factory Roof Rails		15
		15-16	Chevrolet Suburban w/Factory Roof Rails		15
		15-16	Chevrolet Tahoe w/Factory Roof Rails		15
		15-17	GMC Yukon w/Factory Roof Rails		15
		15-17	GMC Yukon XL w/Factory Roof Rails		15
	59686	15-17	Jeep Renegade w/Factory Roof Rails	9	
	59707	12-14	Hyundai Accent 5 Dr. Hatchback, Except w/Factory Roof Rails	9	5
	59708	11-13	KIA Forte 5 Dr. Hatchback, Except w/Factory Roof Rails	10	15
	59709	09-13	Mazda 6 4 Dr. Sedan, Except w/Factory Roof Rails	10	10
	59711	07-13	Acura MDX w/Factory Roof Rails	14	15
		07-13	Chevrolet Avalanche w/Factory Roof Rails		15
		00-14	Chevrolet Suburban 1500 w/Factory Roof Rails		15
		92-99	Chevrolet Suburban C1500 w/Factory Roof Rails		15
		92-99	Chevrolet Suburban C2500 w/Factory Roof Rails		15
		92-99	Chevrolet Suburban K1500 w/Factory Roof Rails		15
		92-99	Chevrolet Suburban K2500 w/Factory Roof Rails		15
		95-14	Chevrolet Tahoe w/Factory Roof Rails		15
		11-15	Ford Explorer w/Factory Roof Rails		15
		00-14	GMC Yukon w/Amber Turn Signals		15
		92-99	GMC Yukon w/Factory Roof Rails		15
		00-14	GMC Yukon XL 1500 w/Factory Roof Rails		15
		00-13	GMC Yukon XL 2500 w/Factory Roof Rails		15
		11-18	Honda Odyssey w/Factory Roof Rails		15
		98-02	Honda Passport w/Factory Roof Rails		15
		09-15	Honda Pilot w/Factory Roof Rails		15
		11-13	Infiniti QX56 w/Factory Roof Rails		15
		14-16	Infiniti QX80 w/Factory Roof Rails		15
		98-04	Isuzu Rodeo w/Factory Roof Rails		15
		08-12	Jeep Liberty w/Factory Raised Roof Rails		15
		04-07	Mazda 6 Sport Wagon w/Factory Roof Rails		15
		10-13	Mazda CX-9 w/Factory Roof Rails		15
		08-11	Mazda Tribute w/Factory Roof Rails		15
		04-16	Nissan Quest w/Factory Roof Rails		15
		08-13	Toyota Sequoia w/Factory Roof Rails		15
		04-10	Toyota Sienna w/Factory Roof Rails		15
	59712	12-16	KIA Rio 5 Dr. Hatchback, Except w/Factory Roof Rails	10	5
	59713	12-17	Hyundai Accent 5 Dr. Hatchback, Except w/Factory Roof Rails	10	5
		11-14	Mazda 2		5
	59714	12-17	Hyundai Accent 5 Dr. Hatchback, Except w/Factory Roof Rails	10	5
		11-14	Mazda 2		5
		04-13	Mazda 3 4 Dr. Sedan		5
		04-13	Mazda 3 5 Dr. Hatchback		5
		07-12	Mazda CX-7 Except w/Factory Roof Rails		5
	59715	12-14	Hyundai Accent 5 Dr. Hatchback, Except w/Factory Roof Rails	11	5
		04-13	Mazda 3 4 Dr. Sedan		5
		04-13	Mazda 3 5 Dr. Hatchback		5
		07-12	Mazda CX-7 Except w/Factory Roof Rails		5
		07-13	Mazda CX-9 Except w/Factory Roof Rails		5
	59721	03-10	Pontiac Vibe Except w/Factory Roof Rails	9	5
		03-10	Toyota Matrix w/Anchor Points, Except w/Factory Roof Rails		5
	59722	03-10	Pontiac Vibe Except w/Factory Roof Rails	11	5
		03-10	Toyota Matrix Except w/Factory Roof Rails		5
	59723	01-13	Toyota Highlander Except w/Factory Roof Rails	12	5
		01-12	Toyota RAV4 Except w/Factory Roof Rails		5
	59724	07-14	Toyota FJ Cruiser Except w/Factory Roof Rails	12	5
		01-13	Toyota Highlander Except w/Factory Roof Rails		5
		01-12	Toyota RAV4 Except w/Factory Roof Rails		5
	59726	12-16	Hyundai Veloster Except w/Factory Roof Rails	11	5
	59728	04-09	Toyota Prius	10	5
	59729	12-17	Toyota Prius V	10	5
	59730	11-15	Hyundai Tucson GL (US Only)	11	5
	59731	09-15	Toyota Venza Except w/Factory Roof Rails	11	5
	59733	07-11	Toyota Camry 4 Dr. Sedan	10	5
	59734	09-13	Toyota Corolla 4 Dr. Sedan	10	5
	59735	12-17	KIA Rio 4 Dr. Sedan	10	5
	59736	10-17	Volkswagen Golf 2 Dr. Hatchback	10	5
		10-17	Volkswagen Golf 3 Dr. Hatchback (Canada Only)		5
		10-17	Volkswagen Golf 4 Dr. Hatchback		5
		10-17	Volkswagen Golf 5 Dr. Hatchback (Canada Only)		5

PC	PART NO.	YEARS	MAKE/MODEL	WGT LBS	IN
	59736	12-15	Volkswagen Golf R 2 Dr. Hatchback	10	5
		12-15	Volkswagen Golf R 4 Dr. Hatchback		5
		12-15	Volkswagen Golf R 5 Dr. Hatchback (Canada Only)		5
		10-15	Volkswagen GTI 2 Dr. Hatchback		5
		10-14	Volkswagen GTI 3 Dr. Hatchback (Canada Only)		5
		10-15	Volkswagen GTI 4 Dr. Hatchback		5
		10-14	Volkswagen GTI 5 Dr. Hatchback (Canada Only)		5
	59740	13-16	Hyundai Elantra GT Except w/Factory Roof Rails	10	5
	59741	13-16	Hyundai Elantra 2 Dr. Coupe, Except w/Factory Roof Rails	11	5
	59752	05-17	Toyota Tacoma 4 Dr. Access Cab, Except w/Factory Roof Rails	11	5
	59753	04-16	Chevrolet Colorado w/Aftermarket Fiberglass Flat Roof Cap or Tonneau	1	30
		94-04	Chevrolet S10 w/Aftermarket Fiberglass Flat Roof Cap or Tonneau		30
		99-07	Chevrolet Silverado 1500 (Classic), w/Aftermarket Fiberglass Flat Roof Cap or Tonneau		30
		01-07	Chevrolet Silverado 1500 HD (Classic), w/Aftermarket Fiberglass Flat Roof Cap or Tonneau		30
		07-18	Chevrolet Silverado 1500 w/Aftermarket Fiberglass Flat Roof Cap or Tonneau		30
		01-07	Chevrolet Silverado 2500 HD (Classic), w/Aftermarket Fiberglass Flat Roof Cap or Tonneau		30
		07-18	Chevrolet Silverado 2500 HD w/Aftermarket Fiberglass Flat Roof Cap or Tonneau		30
		99-04	Chevrolet Silverado 2500 w/Aftermarket Fiberglass Flat Roof Cap or Tonneau		30
		01-07	Chevrolet Silverado 3500 (Classic), w/Aftermarket Fiberglass Flat Roof Cap or Tonneau		30
		07-18	Chevrolet Silverado 3500 HD w/Aftermarket Fiberglass Flat Roof Cap or Tonneau		30
		97-10	Dodge Dakota w/Aftermarket Fiberglass Flat Roof Cap or Tonneau		30
		94-10	Dodge Ram 1500 w/Aftermarket Fiberglass Flat Roof Cap or Tonneau		30
		94-10	Dodge Ram 2500 w/Aftermarket Fiberglass Flat Roof Cap or Tonneau		30
		94-10	Dodge Ram 3500 w/Aftermarket Fiberglass Flat Roof Cap or Tonneau		30
		04-18	Ford F-150 w/Aftermarket Fiberglass Flat Roof Cap or Tonneau		30
		01-11	Ford Ranger w/Aftermarket Fiberglass Flat Roof Cap or Tonneau		30
		04-12	GMC Canyon w/Aftermarket Fiberglass Flat Roof Cap or Tonneau		30
		99-07	GMC Sierra 1500 (Classic), w/Aftermarket Fiberglass Flat Roof Cap or Tonneau		30
		01-07	GMC Sierra 1500 HD (Classic), w/Aftermarket Fiberglass Flat Roof Cap or Tonneau		30
		07-18	GMC Sierra 1500 w/Aftermarket Fiberglass Flat Roof Cap or Tonneau		30
		01-07	GMC Sierra 2500 HD (Classic), w/Aftermarket Fiberglass Flat Roof Cap or Tonneau		30
		07-18	GMC Sierra 2500 HD w/Aftermarket Fiberglass Flat Roof Cap or Tonneau		30
		99-04	GMC Sierra 2500 w/Aftermarket Fiberglass Flat Roof Cap or Tonneau		30
		01-07	GMC Sierra 3500 (Classic), w/Aftermarket Fiberglass Flat Roof Cap or Tonneau		30
		07-18	GMC Sierra 3500 HD w/Aftermarket Fiberglass Flat Roof Cap or Tonneau		30
		94-04	GMC Sonoma w/Aftermarket Fiberglass Flat Roof Cap or Tonneau		30
		05-13	Nissan Frontier w/Aftermarket Fiberglass Flat Roof Cap or Tonneau		30
		04-15	Nissan Titan w/Aftermarket Fiberglass Flat Roof Cap or Tonneau		30
		11-17	RAM 1500 w/Aftermarket Fiberglass Flat Roof Cap or Tonneau		30
		11-17	RAM 2500 w/Aftermarket Fiberglass Flat Roof Cap or Tonneau		30
		11-17	RAM 3500 w/Aftermarket Fiberglass Flat Roof Cap or Tonneau		30
		11	RAM Dakota w/Aftermarket Fiberglass Flat Roof Cap or Tonneau		30
		96-17	Toyota Tacoma w/Aftermarket Fiberglass Flat Roof Cap or Tonneau		30
		00-17	Toyota Tundra w/Aftermarket Fiberglass Flat Roof Cap or Tonneau		30
	59754	04-16	Chevrolet Colorado	1	45
		96-14	Chevrolet Express 1500		45
		96-17	Chevrolet Express 2500		45
		96-17	Chevrolet Express 3500		45
		75-95	Chevrolet G10		45
		71-74	Chevrolet G10 Van		45

INDEX

ROOF RACK INDEX

PC	PART NO.	YEARS	MAKE/MODEL	WGT			
				LBS	IN		
	59754	75-95	Chevrolet G20	1	45		
		71-74	Chevrolet G20 Van		45		
		75-96	Chevrolet G30		45		
		71-74	Chevrolet G30 Van		45		
		94-04	Chevrolet S10		45		
		07-18	Chevrolet Silverado 1500		45		
		99-07	Chevrolet Silverado 1500 (Classic)		45		
		01-07	Chevrolet Silverado 1500 HD (Classic)		45		
		99-04	Chevrolet Silverado 2500		45		
		07-18	Chevrolet Silverado 2500 HD		45		
		01-07	Chevrolet Silverado 2500 HD (Classic)		45		
		01-07	Chevrolet Silverado 3500 (Classic)		45		
		07-18	Chevrolet Silverado 3500 HD		45		
		97-10	Dodge Dakota		45		
		94-10	Dodge Ram 1500		45		
		94-10	Dodge Ram 2500		45		
		94-10	Dodge Ram 3500		45		
		75-83	Ford E-100 Econoline		45		
		75-14	Ford E-150 Econoline		45		
		75-14	Ford E-250 Econoline		45		
		75-02	Ford E-350 Econoline		45		
		03-14	Ford E-350 Econoline Super Duty		45		
		04-18	Ford F-150		45		
		01-11	Ford Ranger		45		
		10-17	Ford Transit Connect		45		
		04-12	GMC Canyon		45		
		75-78	GMC G15		45		
		71-74	GMC G15/G1500 Van		45		
		79-95	GMC G1500		45		
		75-78	GMC G25		45		
		71-74	GMC G25/G2500 Van		45		
		79-95	GMC G2500		45		
		75-78	GMC G35		45		
		71-74	GMC G35/G3500 Van		45		
		79-96	GMC G3500		45		
		96-14	GMC Savana 1500		45		
		96-17	GMC Savana 2500		45		
		96-17	GMC Savana 3500		45		
		07-18	GMC Sierra 1500		45		
		99-07	GMC Sierra 1500 (Classic)		45		
		01-07	GMC Sierra 1500 HD (Classic)		45		
		99-04	GMC Sierra 2500		45		
		07-18	GMC Sierra 2500 HD		45		
		01-07	GMC Sierra 2500 HD (Classic)		45		
		01-07	GMC Sierra 3500 (Classic)		45		
		07-18	GMC Sierra 3500 HD		45		
		94-04	GMC Sonoma		45		
		04-15	Nissan Titan		45		
		11-17	RAM 1500		45		
		11-17	RAM 2500		45		
		11-17	RAM 3500		45		
		11	RAM Dakota		45		
		96-17	Toyota Tacoma		45		
		00-17	Toyota Tundra		45		
		59755	07-08	Honda Fit	10	5	
		59756	09-14	Honda Fit	10	5	
		59757	08-12	Honda Accord Sedan	10	5	
		59758	12-15	Honda Civic 4 Dr. Sedan	10	5	
		59759	06-11	Honda Civic 4 Dr. Sedan	10	5	
		59760	09-15	Honda Pilot Except w/Factory Roof Rails	10	15	
		59761		11	BMW 1 Series M	10	5
				12-13	BMW 118i		5
				08-12	BMW 120i		5
				09-13	BMW 125i		5
				08-13	BMW 128i		5
				08-10	BMW 130i		5
				08-11	BMW 135i		5
				13	BMW 135is		5
14-16	BMW 220i				5		
16	BMW 220i Active Tourer				5		
14-16	BMW 228i				5		
15-16	BMW 228i xDrive				5		
14	BMW 235i				5		
99	BMW 318i				5		
99	BMW 318is				5		
01-05	BMW 320i				5		
00	BMW 323Ci 2 Dr. Coupe				5		

PC	PART NO.	YEARS	MAKE/MODEL	WGT			
				LBS	IN		
	59761	99-11	BMW 323i	10	5		
		99	BMW 323is 2 Dr. Coupe		5		
		01-06	BMW 325Ci 2 Dr. Coupe		5		
		01-13	BMW 325i		5		
		01-06	BMW 325xi 4 Dr. Sedan		5		
		00	BMW 328Ci 2 Dr. Coupe		5		
		99-14	BMW 328i		5		
		09-16	BMW 328i xDrive		5		
		99	BMW 328is		5		
		07-08	BMW 328xi		5		
		01-06	BMW 330Ci 2 Dr. Coupe		5		
		01-06	BMW 330i		5		
		06	BMW 330xi		5		
		01-05	BMW 330xi 4 Dr. Sedan		5		
		09-11	BMW 335d 4 Dr. Sedan		5		
		07-15	BMW 335i		5		
		09-15	BMW 335i xDrive		5		
		11-13	BMW 335is 2 Dr. Coupe		5		
		07-08	BMW 335xi		5		
		16	BMW 420i		5		
		14-15	BMW 428i		5		
		14-16	BMW 428i xDrive		5		
		14-15	BMW 435i		5		
		14-16	BMW 435i xDrive		5		
		01-13	BMW M3 2 Dr. Coupe		5		
		08-09	Saturn Astra 3 Dr. Hatchback, w/Anchor Points		5		
		08-09	Saturn Astra 5 Dr. Hatchback, w/Anchor Points		5		
		59762		99	BMW 318i	11	5
				99	BMW 318is		5
				01-17	BMW 320i		5
				13-17	BMW 320i xDrive		5
				00	BMW 323Ci 2 Dr. Coupe		5
				99-11	BMW 323i		5
				99	BMW 323is 2 Dr. Coupe		5
				01-06	BMW 325Ci 2 Dr. Coupe		5
				01-13	BMW 325i		5
				01-05	BMW 325xi		5
				06	BMW 325xi 4 Dr. Sedan		5
				00	BMW 328Ci 2 Dr. Coupe		5
14-16	BMW 328d				5		
14-16	BMW 328d xDrive				5		
99-15	BMW 328i				5		
14-15	BMW 328i GT xDrive				5		
09-16	BMW 328i xDrive				5		
99	BMW 328is				5		
07-08	BMW 328xi				5		
01-06	BMW 330Ci 2 Dr. Coupe				5		
01-16	BMW 330i				5		
06	BMW 330xi				5		
01-05	BMW 330xi 4 Dr. Sedan				5		
09-11	BMW 335d 4 Dr. Sedan				5		
07-15	BMW 335i				5		
14-15	BMW 335i GT xDrive				5		
09-15	BMW 335i xDrive				5		
11-13	BMW 335is 2 Dr. Coupe				5		
07-10	BMW 335xi		5				
16	BMW 340i		5				
16	BMW 340i xDrive		5				
14-16	BMW 520i		5				
01-03	BMW 525i		5				
97-16	BMW 528i		5				
12-16	BMW 528i xDrive		5				
01-13	BMW 530i		5				
14-16	BMW 535d		5				
14-16	BMW 535d xDrive		5				
11-16	BMW 535i		5				
11-16	BMW 535i xDrive		5				
97-03	BMW 540i		5				
11-16	BMW 550i		5				
11-16	BMW 550i xDrive		5				
01-13	BMW M3 2 Dr. Coupe		5				
00-03	BMW M5 4 Dr. Sedan		5				
07	Mercedes-Benz E280 4 Dr. Sedan		5				
08-09	Mercedes-Benz E300 4 Dr. Sedan		5				
03-09	Mercedes-Benz E320 4 Dr. Sedan		5				
06-09	Mercedes-Benz E350 4 Dr. Sedan		5				
03-06	Mercedes-Benz E500 4 Dr. Sedan		5				

ROOF RACK INDEX

PC	PART NO.	YEARS	MAKE/MODEL	WGT LBS	IN
	59854	75-96	Chevrolet G30	3	60
		71-74	Chevrolet G30 Van		
		75-83	Ford E-100 Econoline		
		75-14	Ford E-150 Econoline		
		75-14	Ford E-250 Econoline		
		75-02	Ford E-350 Econoline		
		03-14	Ford E-350 Econoline Super Duty		
		10-17	Ford Transit Connect		
		75-78	GMC G15		
		71-74	GMC G15/G1500 Van		
		79-95	GMC G1500		
		75-78	GMC G25		
		71-74	GMC G25/G2500 Van		
		79-95	GMC G2500		
		75-78	GMC G35		
		71-74	GMC G35/G3500 Van		
		79-96	GMC G3500		
		96-14	GMC Savana 1500		
		96-17	GMC Savana 2500		
		96-17	GMC Savana 3500		
	59855	04-16	Chevrolet Colorado w/Aftermarket Fiberglass Flat Roof Cap or Tonneau	3	40
		94-04	Chevrolet S10 w/Aftermarket Fiberglass Flat Roof Cap or Tonneau		
		99-07	Chevrolet Silverado 1500 (Classic), w/Aftermarket Fiberglass Flat Roof Cap or Tonneau		
		01-07	Chevrolet Silverado 1500 HD (Classic), w/Aftermarket Fiberglass Flat Roof Cap or Tonneau		
		07-18	Chevrolet Silverado 1500 w/Aftermarket Fiberglass Flat Roof Cap or Tonneau		
		01-07	Chevrolet Silverado 2500 HD (Classic), w/Aftermarket Fiberglass Flat Roof Cap or Tonneau		
		07-18	Chevrolet Silverado 2500 HD w/Aftermarket Fiberglass Flat Roof Cap or Tonneau		
		99-04	Chevrolet Silverado 2500 w/Aftermarket Fiberglass Flat Roof Cap or Tonneau		
		01-07	Chevrolet Silverado 3500 (Classic), w/Aftermarket Fiberglass Flat Roof Cap or Tonneau		
		07-18	Chevrolet Silverado 3500 HD w/Aftermarket Fiberglass Flat Roof Cap or Tonneau		
		97-10	Dodge Dakota w/Aftermarket Fiberglass Flat Roof Cap or Tonneau		
		94-10	Dodge Ram 1500 w/Aftermarket Fiberglass Flat Roof Cap or Tonneau		
		94-10	Dodge Ram 2500 w/Aftermarket Fiberglass Flat Roof Cap or Tonneau		
		94-10	Dodge Ram 3500 w/Aftermarket Fiberglass Flat Roof Cap or Tonneau		
		04-18	Ford F-150 w/Aftermarket Fiberglass Flat Roof Cap or Tonneau		
		01-11	Ford Ranger w/Aftermarket Fiberglass Flat Roof Cap or Tonneau		
		04-12	GMC Canyon w/Aftermarket Fiberglass Flat Roof Cap or Tonneau		
		99-07	GMC Sierra 1500 (Classic), w/Aftermarket Fiberglass Flat Roof Cap or Tonneau		
		01-07	GMC Sierra 1500 HD (Classic), w/Aftermarket Fiberglass Flat Roof Cap or Tonneau		
		07-18	GMC Sierra 1500 w/Aftermarket Fiberglass Flat Roof Cap or Tonneau		
		01-07	GMC Sierra 2500 HD (Classic), w/Aftermarket Fiberglass Flat Roof Cap or Tonneau		
		07-18	GMC Sierra 2500 HD w/Aftermarket Fiberglass Flat Roof Cap or Tonneau		
		99-04	GMC Sierra 2500 w/Aftermarket Fiberglass Flat Roof Cap or Tonneau		
		01-07	GMC Sierra 3500 (Classic), w/Aftermarket Fiberglass Flat Roof Cap or Tonneau		
		07-18	GMC Sierra 3500 HD w/Aftermarket Fiberglass Flat Roof Cap or Tonneau		
		94-04	GMC Sonoma w/Aftermarket Fiberglass Flat Roof Cap or Tonneau		
		05-13	Nissan Frontier w/Aftermarket Fiberglass Flat Roof Cap or Tonneau		
		04-15	Nissan Titan w/Aftermarket Fiberglass Flat Roof Cap or Tonneau		
		11-17	RAM 1500 w/Aftermarket Fiberglass Flat Roof Cap or Tonneau		
		11-17	RAM 2500 w/Aftermarket Fiberglass Flat Roof Cap or Tonneau		
		11-17	RAM 3500 w/Aftermarket Fiberglass Flat Roof Cap or Tonneau		
		11	RAM Dakota w/Aftermarket Fiberglass Flat Roof Cap or Tonneau		

PC	PART NO.	YEARS	MAKE/MODEL	WGT LBS	IN
	59855	96-17	Toyota Tacoma w/Aftermarket Fiberglass Flat Roof Cap or Tonneau	3	40
		00-17	Toyota Tundra w/Aftermarket Fiberglass Flat Roof Cap or Tonneau		
	59866	11-14	Hyundai Sonata Except w/Factory Roof Rails	10	15
	59867	11-16	Hyundai Elantra 4 Dr. Sedan, Except w/Factory Roof Rails	10	15
	59868	11-15	KIA Sorento w/Factory Roof Rails & No Panoramic Sunroof	9	15
	59869	11-13	KIA Sorento w/Factory Roof Rails & Panoramic Sunroof	9	15
	59870	10-15	Hyundai Tucson w/Factory Roof Rails	9	15
	59871	10-14	KIA Sedona w/Factory Roof Rails	8	15
	59884	12-17	Hyundai Accent 4 Dr. Sedan, Except w/Factory Roof Rails	10	15
	59893	10-16	Cadillac SRX w/Factory Roof Rails	9	5
	59896	11-15	KIA Optima Except w/Factory Roof Rails	10	15
	59897	02-04	Audi A4 Quattro Avant Wagon, w/Factory Roof Rails	12	15
08-10		Chevrolet HHR SS w/Factory Roof Rails			
06-11		Chevrolet HHR w/Factory Roof Rails			
13-16		Chevrolet Spark w/Factory Roof Rails			
08-12		Ford Escape w/Factory Roof Rails			
02-05		Ford Explorer 4 Dr., w/Factory Roof Rails			
04-07		Ford Freestar w/Factory Roof Rails			
09-12		Hyundai Elantra Touring 5 Dr., w/Factory Roof Rails			
96-00		Hyundai Elantra Wagon, w/Factory Roof Rails			
08-12		Infiniti EX35 w/Factory Roof Rails			
08-17		Jeep Patriot w/Factory Roof Rails			
03-05		Lincoln Aviator w/Factory Roof Rails			
00-06		Mazda MPV w/Factory Roof Rails			
08-11		Mercury Mariner w/Factory Roof Rails			
04-07		Mercury Monterey w/Factory Roof Rails			
08-10		MINI Cooper Clubman w/Factory Roof Rails			
03-10		Pontiac Vibe w/Factory Roof Rails			
95-99		Subaru Legacy Wagon, w/Factory Roof Rails			
00-09		Subaru Outback Wagon, w/Factory Roof Rails, Except Sport			
98-02		Suzuki Esteem Wagon, w/Factory Roof Rails			
05-08	Suzuki Forenza Wagon, w/Factory Roof Rails				
99-05	Suzuki Grand Vitara w/Factory Roof Rails				
07-13	Suzuki SX4 Crossover, w/Factory Roof Rails				
99-04	Suzuki Vitara 4 Dr., w/Factory Roof Rails				
02-06	Suzuki XL-7 w/Factory Roof Rails				
03-10	Toyota Matrix w/Factory Roof Rails				
10-15	Volkswagen Golf Wagon (Canada Only), w/Factory Roof Rails				
09-13	Volkswagen Jetta SportWagon w/Factory Roof Rails				
09	Volkswagen Jetta Wagon (Canada Only), w/Factory Roof Rails				
01-06	Volkswagen Jetta Wagon, w/Factory Roof Rails				
90-10	Volkswagen Passat Wagon, w/Factory Roof Rails				
03-14	Volvo XC90 w/Factory Roof Rails				
	59898	11-14	Acura TSX Sport Wagon, w/Factory Roof Rails	12	15
98-08		Audi A4 Quattro Avant Wagon, w/Factory Roof Rails			
00		BMW 323i Sports Wagon w/Factory Roof Rails			
01-05		BMW 325i Sports Wagon w/Factory Roof Rails			
01-05		BMW 325xi Sports Wagon w/Factory Roof Rails			
07-12		BMW 328i Sports Wagon w/Factory Roof Rails			
07-08		BMW 328xi Sports Wagon w/Factory Roof Rails			
01-03		BMW 525i Sports Wagon w/Factory Roof Rails			
00		BMW 528i Sports Wagon w/Factory Roof Rails			
06-07		BMW 530xi Sports Wagon w/Factory Roof Rails			
08		BMW 535xi Sports Wagon w/Factory Roof Rails			
99-03		BMW 540i Sports Wagon w/Factory Roof Rails			
06-07		Buick Rainier w/Factory Roof Rails			
04-16		Cadillac SRX w/Factory Roof Rails			
95-04		Chevrolet Blazer Downsize, w/Factory Roof Rails			
99-01		Chevrolet Blazer Trailblazer w/Factory Roof Rails			
08-15		Chevrolet Captiva Sport w/Factory Roof Rails			
13-17		Chevrolet Trax w/Factory Roof Rails			
97-05		Chevrolet Venture w/Factory Roof Rails			
07-09		Chrysler Aspen w/Factory Roof Rails			
04-09	Dodge Durango w/Factory Roof Rails				
09-15	Dodge Journey w/Factory Raised Roof Rails				
08-16	Ford Escape w/Factory Roof Rails				
02-05	Ford Explorer 4 Dr., w/Factory Roof Rails				
04-07	Ford Freestar w/Factory Roof Rails				
02	GMC Jimmy Downsize, w/Factory Roof Rails				
01-04	Honda Odyssey w/Factory Roof Rails				
03-08	Honda Pilot w/Factory Roof Rails				
09-12	Hyundai Elantra Touring 5 Dr., w/Factory Roof Rails				
96-00	Hyundai Elantra Wagon, w/Factory Roof Rails				
01-06	Hyundai Santa Fe w/Factory Roof Rails				
05-15	Hyundai Tucson w/Factory Roof Rails				

ROOF RACK INDEX

PC	PART NO.	YEARS	MAKE/MODEL	WGT LBS	IN				
	59898	07-12	Hyundai Veracruz w/Factory Roof Rails	12	15				
		03-12	Infiniti FX35 w/Factory Roof Rails						
		03-08	Infiniti FX45 w/Factory Roof Rails						
		09-13	Infiniti FX50 w/Factory Roof Rails						
		14-16	Infiniti QX50 w/Factory Roof Rails						
		14-17	Infiniti QX60 w/Factory Roof Rails						
		14-17	Infiniti QX70 w/Factory Roof Rails						
		99-04	Jeep Grand Cherokee w/Factory Roof Rails						
		02-07	Jeep Liberty w/Factory Roof Rails						
		08-17	Jeep Patriot w/Factory Roof Rails						
		09-11	KIA Borrego w/Factory Roof Rails						
		06-14	KIA Sedona w/Factory Roof Rails						
		03-13	KIA Sorento w/Factory Roof Rails						
		05-10	KIA Sportage w/Factory Roof Rails						
		03-09	Lexus GX470 w/Factory Roof Rails						
		04-06	Lexus RX330 w/Factory Roof Rails						
		07-15	Lexus RX350 w/Factory Roof Rails						
		06-08	Lexus RX400h Hybrid, w/Factory Roof Rails						
		10-12	Lexus RX450h Hybrid, w/Factory Roof Rails						
		03-05	Lincoln Aviator w/Factory Roof Rails						
		98-06	Lincoln Navigator w/Factory Roof Rails						
		10-15	Mercedes-Benz GLK350 w/Factory Roof Rails						
		08-11	Mercury Mariner w/Factory Roof Rails						
		04-07	Mercury Monterey w/Factory Roof Rails						
		03-14	Nissan Murano w/Factory Roof Rails						
		08-17	Nissan Rogue w/Factory Roof Rails						
		97-04	Oldsmobile Silhouette w/Factory Roof Rails						
		05-06	Pontiac Montana SV6 w/Factory Roof Rails						
		07-09	Pontiac Montana SV6 w/Factory Roof Rails (Canada Only)						
		99-05	Pontiac Montana w/Factory Roof Rails						
		97-98	Pontiac Trans Sport w/Factory Roof Rails						
		03-10	Pontiac Vibe w/Factory Roof Rails						
		03-17	Porsche Cayenne w/Factory Roof Rails						
		99-09	Saab 9-5 Wagon, w/Factory Roof Rails						
		05-09	Saab 9-7X w/Factory Roof Rails						
		00	Saturn LW1 Wagon, w/Factory Roof Rails						
		00	Saturn LW2 Wagon, w/Factory Roof Rails						
		01-03	Saturn LW200 Wagon, w/Factory Roof Rails						
		01-03	Saturn LW300 Wagon, w/Factory Roof Rails						
		08-09	Saturn Vue w/Factory Roof Rails						
		16-17	Subaru Crosstrek w/Factory Roof Rails						
		09-13	Subaru Forester w/Factory Roof Rails						
		13-15	Subaru XV Crosstrek w/Factory Roof Rails						
		07-13	Suzuki SX4 Crossover, w/Factory Roof Rails						
		02-06	Suzuki XL-7 w/Factory Roof Rails						
		03-17	Toyota 4Runner w/Factory Roof Rails						
		07-14	Toyota FJ Cruiser w/Factory Roof Rails						
		03-10	Toyota Matrix w/Factory Roof Rails						
		01-18	Toyota RAV4 w/Factory Roof Rails						
		11-17	Toyota Sienna w/Factory Roof Rails						
		10-15	Volkswagen Golf Wagon (Canada Only), w/Factory Roof Rails						
		09-13	Volkswagen Jetta SportWagon w/Factory Roof Rails						
		09	Volkswagen Jetta Wagon (Canada Only), w/Factory Roof Rails						
		01-06	Volkswagen Jetta Wagon, w/Factory Roof Rails						
		09-17	Volkswagen Tiguan w/Factory Roof Rails						
		04-17	Volkswagen Touareg w/Factory Roof Rails						
		05-11	Volvo V50 Wagon, w/Factory Roof Rails						
		01-10	Volvo V70 Wagon, w/Factory Roof Rails						
		03-14	Volvo XC70 Wagon, AWD, w/Factory Roof Rails						
		03-14	Volvo XC90 w/Factory Roof Rails						
			59899			07-13	Acura MDX w/Factory Roof Rails	13	15
						11-16	Acura RDX w/Factory Roof Rails		
						04-10	BMW X3 w/Factory Roof Rails		
						00-10	BMW X5 w/Factory Roof Rails		
						04-13	Cadillac SRX w/Factory Roof Rails		
						07-13	Chevrolet Avalanche w/Factory Roof Rails		
						00-14	Chevrolet Suburban 1500 w/Factory Roof Rails		
						92-99	Chevrolet Suburban C1500 w/Factory Roof Rails		
						92-99	Chevrolet Suburban C2500 w/Factory Roof Rails		
						92-99	Chevrolet Suburban K1500 w/Factory Roof Rails		
						92-99	Chevrolet Suburban K2500 w/Factory Roof Rails		
						95-14	Chevrolet Tahoe w/Factory Roof Rails		
						98-04	Chevrolet Tracker w/Factory Roof Rails		
						05-08	Chevrolet Uplander w/Factory Roof Rails		
09	Chevrolet Uplander w/Factory Roof Rails (Canada Only)								
97-05	Chevrolet Venture w/Factory Roof Rails								
07-09	Chrysler Aspen w/Factory Roof Rails								

PC	PART NO.	YEARS	MAKE/MODEL	WGT LBS	IN
	59899	04-09	Dodge Durango w/Factory Roof Rails	13	15
		09-15	Dodge Journey w/Factory Raised Roof Rails		
		07-14	Ford Edge w/Factory Roof Rails		
		13-16	Ford Escape w/Factory Roof Rails		
		01-03	Ford Explorer 2 Dr. Sport, w/Factory Roof Rails		
		01-05	Ford Explorer Sport Trac w/Factory Roof Rails		
		05-07	Ford Freestyle w/Factory Roof Rails		
		00-14	GMC Yukon w/Amber Turn Signals		
		92-99	GMC Yukon w/Factory Roof Rails		
		00-14	GMC Yukon XL 1500 w/Factory Roof Rails		
		00-13	GMC Yukon XL 2500 w/Factory Roof Rails		
		05-10	Honda Odyssey w/Factory Roof Rails		
		98-02	Honda Passport w/Factory Roof Rails		
		03-13	Honda Pilot w/Factory Roof Rails		
		01-06	Hyundai Santa Fe w/Factory Roof Rails		
		05-15	Hyundai Tucson w/Factory Roof Rails		
		07-12	Hyundai Veracruz w/Factory Roof Rails		
		98-04	Isuzu Rodeo w/Factory Roof Rails		
		05-10	Jeep Grand Cherokee w/Factory Roof Rails		
		02-12	Jeep Liberty w/Factory Roof Rails		
		09-11	KIA Borrego w/Factory Roof Rails		
		06-12	KIA Sedona w/Factory Roof Rails		
		03-13	KIA Sorento w/Factory Roof Rails		
		05-10	KIA Sportage w/Factory Roof Rails		
		03-09	Lexus GX470 w/Factory Roof Rails		
		07-15	Lincoln MKX w/Factory Roof Rails		
		04-07	Mazda 6 Sport Wagon w/Factory Roof Rails		
		07-17	Mazda CX-9 w/Factory Roof Rails		
		08-11	Mazda Tribute w/Factory Roof Rails		
		03-05	Mercedes-Benz C240 Wagon, w/Factory Roof Rails		
		02-04	Mercedes-Benz C320 Wagon, w/Factory Roof Rails		
		98-05	Mercedes-Benz E320 Wagon, w/Factory Roof Rails		
		06-11	Mercedes-Benz E350 Wagon, w/Factory Roof Rails		
		04-06	Mercedes-Benz E500 Wagon, w/Factory Roof Rails		
		06	Mercedes-Benz E55 AMG Wagon, w/Factory Roof Rails		
		07-08	Mercedes-Benz E63 AMG Wagon, w/Factory Roof Rails		
		09	Mercedes-Benz GL320 BlueTEC 4Matic w/Factory Roof Rails		
		07-08	Mercedes-Benz GL320 CDI w/Factory Roof Rails		
		10-15	Mercedes-Benz GL350 BlueTEC 4Matic w/Factory Roof Rails		
		07-16	Mercedes-Benz GL450 w/Factory Roof Rails		
		08-15	Mercedes-Benz GL550 w/Factory Roof Rails		
		10-15	Mercedes-Benz GLK350 w/Factory Roof Rails		
		09	Mercedes-Benz ML320 BlueTEC 4Matic w/Factory Roof Rails		
		07-08	Mercedes-Benz ML320 CDI w/Factory Roof Rails		
		98-02	Mercedes-Benz ML320 w/Factory Roof Rails		
		10-14	Mercedes-Benz ML350 BlueTEC 4Matic w/Factory Roof Rails		
		03-15	Mercedes-Benz ML350 w/Factory Roof Rails		
		99-01	Mercedes-Benz ML430 w/Factory Roof Rails		
		10-11	Mercedes-Benz ML450 Hybrid, w/Factory Roof Rails		
		02-07	Mercedes-Benz ML500 w/Factory Roof Rails		
		08-15	Mercedes-Benz ML550 w/Factory Roof Rails		
		07-15	Mercedes-Benz ML63 AMG w/Factory Roof Rails		
		07-12	Mitsubishi Outlander w/Factory Roof Rails (Except Outlander Sport)		
		03-14	Nissan Murano w/Factory Roof Rails		
		13-16	Nissan Pathfinder w/Factory Roof Rails		
		04-16	Nissan Quest w/Factory Roof Rails		
		97-04	Oldsmobile Silhouette w/Factory Roof Rails		
		05-06	Pontiac Montana SV6 w/Factory Roof Rails		
		07-09	Pontiac Montana SV6 w/Factory Roof Rails (Canada Only)		
		99-05	Pontiac Montana w/Factory Roof Rails		
		97-98	Pontiac Trans Sport w/Factory Roof Rails		
00	Saturn LW1 Wagon, w/Factory Roof Rails				
00	Saturn LW2 Wagon, w/Factory Roof Rails				
01-03	Saturn LW200 Wagon, w/Factory Roof Rails				
01-03	Saturn LW300 Wagon, w/Factory Roof Rails				
09-13	Subaru Forester w/Factory Roof Rails				
08-14	Subaru Tribeca w/Factory Roof Rails				
13	Subaru XV Crosstrek w/Factory Roof Rails				
03-17	Toyota 4Runner w/Factory Roof Rails				
07-14	Toyota FJ Cruiser w/Factory Roof Rails				
01-13	Toyota Highlander w/Factory Roof Rails				
01-12	Toyota RAV4 w/Factory Roof Rails				
04-17	Toyota Sienna w/Factory Roof Rails				
	59966	11-19	Jeep Grand Cherokee	10	10
	59967	11-19	Jeep Grand Cherokee	9	10

INDEX

ROOF RACK INDEX

PC	PART NO.	YEARS	MAKE/MODEL	WGT LBS	IN
	59968	10-13	Ford Transit Connect Except w/Factory Roof Rails, With Roof Anchor Points	8	15
	59976	07-13	Acura MDX w/Factory Roof Rails	5	
		07-18	Acura RDX w/Factory Roof Rails		
		11-14	Acura TSX Sport Wagon, w/Factory Roof Rails		
		13-17	Audi A4 Allroad w/Factory Roof Rails		
		02-08	Audi A4 Avant (wagon) w/Factory Roof Rails		
		98-08	Audi A4 Quattro Avant w/Factory Roof Rails		
		02-08	Audi S4 Wagon, w/Factory Roof Rails		
		01-05	BMW 320i w/Factory Roof Rails		
		00	BMW 323Ci w/Factory Roof Rails		
		00-10	BMW 323i w/Factory Roof Rails		
		00	BMW 323i wagon w S-R w/Factory Roof Rails		
		01-06	BMW 325Ci w/Factory Roof Rails		
		01-06	BMW 325i w/Factory Roof Rails		
		01-05	BMW 325i wagon w S-R w/Factory Roof Rails		
		01-06	BMW 325xi w/Factory Roof Rails		
		00	BMW 328Ci w/Factory Roof Rails		
		00-12	BMW 328i w/Factory Roof Rails		
		06-12	BMW 328i wagon w S-R w/Factory Roof Rails		
		09-10	BMW 328i xDrive w/Factory Roof Rails		
		07-08	BMW 328xi w/Factory Roof Rails		
		06-12	BMW 328xi wagon w S-R w/Factory Roof Rails		
		01-06	BMW 330Ci w/Factory Roof Rails		
		01-06	BMW 330i w/Factory Roof Rails		
		01-06	BMW 330xi w/Factory Roof Rails		
		09-10	BMW 335d w/Factory Roof Rails		
		07-10	BMW 335i w/Factory Roof Rails		
		09-10	BMW 335i xDrive w/Factory Roof Rails		
		07-08	BMW 335xi w/Factory Roof Rails		
		01-03	BMW 525i w/Factory Roof Rails		
		01-03	BMW 525i wagon w S-R w/Factory Roof Rails		
		99-00	BMW 528i w/Factory Roof Rails		
		01-03	BMW 530i w/Factory Roof Rails		
		06-07	BMW 530xi w/Factory Roof Rails		
		06-07	BMW 530xi wagon w S-R w/Factory Roof Rails		
		08	BMW 535xi w/Factory Roof Rails		
		08-10	BMW 535xi wagon w S-R w/Factory Roof Rails		
		99-03	BMW 540i w/Factory Roof Rails		
		04-10	BMW X3 w/Factory Roof Rails		
		00-10	BMW X5 w/Factory Roof Rails		
		06-07	Buick Rainier w/Factory Roof Rails		
		05-07	Buick Terraza w/Factory Roof Rails		
		04-16	Cadillac SRX w/Factory Roof Rails		
		94-05	Chevrolet Astro w/Factory Roof Rails		
		07-13	Chevrolet Avalanche w/Factory Roof Rails		
		95-05	Chevrolet Blazer Downsize, w/Factory Roof Rails		
		99-01	Chevrolet Blazer Trailblazer, w/Factory Roof Rails		
		08-15	Chevrolet Captiva Sport w/Factory Roof Rails		
		18-19	Chevrolet Equinox w/Factory Roof Rails		
		88-94	Chevrolet S-10 Blazer w/Factory Roof Rails		
		13-16	Chevrolet Spark w/Factory Roof Rails		
		92-99	Chevrolet Suburban C1500 w/Factory Roof Rails		
		92-99	Chevrolet Suburban C2500 w/Factory Roof Rails		
		92-99	Chevrolet Suburban K1500 w/Factory Roof Rails		
		92-99	Chevrolet Suburban K2500 w/Factory Roof Rails		
		00-14	Chevrolet Suburban w/Factory Roof Rails		
		95-14	Chevrolet Tahoe w/Factory Roof Rails		
		98-04	Chevrolet Tracker w/Factory Roof Rails		
		13-16	Chevrolet Trax w/Factory Roof Rails		
		05-09	Chevrolet Uplander w/Factory Roof Rails		
		97-04	Chevrolet Venture w/Factory Roof Rails		
		07-09	Chrysler Aspen w/Factory Roof Rails		
		01-07	Chrysler Town & Country w/Factory Roof Rails		
		04-09	Dodge Durango w/Factory Roof Rails		
		09-17	Dodge Journey w/Factory Roof Rails		
		07-14	Ford Edge w/Factory Roof Rails		
		13-18	Ford Escape w/Factory Roof Rails		
		01-05	Ford Explorer Sport Trac w/Factory Roof Rails		
		01-03	Ford Explorer Sport, w/Factory Roof Rails		
		02-15	Ford Explorer w/Factory Roof Rails		
		05-07	Ford Freestyle w/Factory Roof Rails		
		95-05	GMC Jimmy Downsize, w/Factory Roof Rails		
		02	GMC Jimmy w/Factory Roof Rails		
		18	GMC Terrain w/Factory Roof Rails		
		00-06	GMC Yukon Denali w/Factory Roof Rails		
		92-14	GMC Yukon w/Factory Roof Rails		

PC	PART NO.	YEARS	MAKE/MODEL	WGT LBS	IN
	59976	00-14	GMC Yukon XL 1500 w/Factory Roof Rails	5	
		00-13	GMC Yukon XL 2500 w/Factory Roof Rails		
		00-06	GMC Yukon XL Denali w/Factory Roof Rails		
		01-18	Honda Odyssey w/Factory Roof Rails		
		98-02	Honda Passport w/Factory Roof Rails		
		03-17	Honda Pilot w/Factory Roof Rails		
		07-10	Hyundai Entourage w/Factory Roof Rails		
		01-06	Hyundai Santa Fe w/Factory Roof Rails		
		05-15	Hyundai Tucson w/Factory Roof Rails		
		07-12	Hyundai Veracruz w/Factory Roof Rails		
		08-12	Infiniti EX35 w/Factory Roof Rails		
		13	Infiniti EX37 w/Factory Roof Rails		
		03-12	Infiniti FX35 w/Factory Roof Rails		
		13	Infiniti FX37 w/Factory Roof Rails		
		03-08	Infiniti FX45 w/Factory Roof Rails		
		09-13	Infiniti FX50 w/Factory Roof Rails		
		14-17	Infiniti QX50 w/Factory Roof Rails		
		11-13	Infiniti QX56 w/Factory Roof Rails		
		14-17	Infiniti QX60 w/Factory Roof Rails		
		14-17	Infiniti QX70 w/Factory Roof Rails		
		14-17	Infiniti QX80 w/Factory Roof Rails		
		98-04	Isuzu Rodeo w/Factory Roof Rails		
		99-10	Jeep Grand Cherokee w/Factory Roof Rails		
		05-06	Jeep Liberty Renegade, w/Factory Roof Rails		
		02-12	Jeep Liberty w/Factory Roof Rails		
		07-17	Jeep Patriot w/Factory Roof Rails		
		09-12	KIA Borrego w/Factory Roof Rails		
		07-13	Kia Rondo w/Factory Roof Rails		
		02-14	KIA Sedona w/Factory Roof Rails		
		03-15	KIA Sorento w/Factory Roof Rails		
		10-18	Kia Soul w/Factory Roof Rails		
		05-09	KIA Sportage w/Factory Roof Rails		
		03-09	Lexus GX470 w/Factory Roof Rails		
		04-06	Lexus RX330 w/Factory Roof Rails		
		09-15	Lexus RX350 w/Factory Roof Rails		
		06-08	Lexus RX400h w/Factory Roof Rails		
		10-12	Lexus RX450h w/Factory Roof Rails		
		03-05	Lincoln Aviator w/Factory Roof Rails		
		07-15	Lincoln MKX w/Factory Roof Rails		
		98-06	Lincoln Navigator w/Factory Roof Rails		
		07-15	Mazda CX-9 w/Factory Roof Rails		
		04-07	Mazda Mazda6 w/Factory Roof Rails		
		00-06	Mazda MPV w/Factory Roof Rails		
		01-11	Mazda Tribute w/Factory Roof Rails		
		02-12	Mercedes-Benz C240 w/Factory Roof Rails		
		02-12	Mercedes-Benz C320 w/Factory Roof Rails		
		98-05	Mercedes-Benz E320 w/Factory Roof Rails		
		06-11	Mercedes-Benz E350 w/Factory Roof Rails		
		04-06	Mercedes-Benz E500 w/Factory Roof Rails		
		06	Mercedes-Benz E55 AMG w/Factory Roof Rails		
		07-08	Mercedes-Benz E63 AMG w/Factory Roof Rails		
		09	Mercedes-Benz GL320 BlueTEC 4Matic w/Factory Roof Rails		
		07-08	Mercedes-Benz GL320 CDI w/Factory Roof Rails		
		10-15	Mercedes-Benz GL350 BlueTEC 4Matic w/Factory Roof Rails		
		07-16	Mercedes-Benz GL450 w/Factory Roof Rails		
		08-15	Mercedes-Benz GL550 w/Factory Roof Rails		
		10-15	Mercedes-Benz GLK350 w/Factory Roof Rails		
		16-17	Mercedes-Benz Metris w/Factory Roof Rails		
		09	Mercedes-Benz ML320 BlueTEC 4Matic w/Factory Roof Rails		
		07-08	Mercedes-Benz ML320 CDI w/Factory Roof Rails		
		98-02	Mercedes-Benz ML320 w/Factory Roof Rails		
		10-14	Mercedes-Benz ML350 BlueTEC 4Matic w/Factory Roof Rails		
		03-15	Mercedes-Benz ML350 w/Factory Roof Rails		
		99-01	Mercedes-Benz ML430 w/Factory Roof Rails		
		10-11	Mercedes-Benz ML450 w/Factory Roof Rails		
		02-07	Mercedes-Benz ML500 w/Factory Roof Rails		
		08-15	Mercedes-Benz ML550 w/Factory Roof Rails		
		07-15	Mercedes-Benz ML63 AMG w/Factory Roof Rails		
		08-11	Mercury Mariner w/Factory Roof Rails		
		04-07	Mercury Monterey w/Factory Roof Rails		
		08-14	MINI Cooper w/Factory Roof Rails		
		04-11	Mitsubishi Endeavor w/Factory Roof Rails		
		07-13	Mitsubishi Outlander w/Factory Roof Rails		
		03-14	Nissan Murano w/Factory Roof Rails		
		13-17	Nissan Pathfinder w/Factory Roof Rails		
		04-16	Nissan Quest w/Factory Roof Rails		
		13-17	Nissan Rogue w/Factory Roof Rails		

PC	PART NO.	YEARS	MAKE/MODEL	WGT LBS	IN			
59976	97-04		Oldsmobile Silhouette w/Factory Roof Rails	5				
	05-09		Pontiac Montana SV6 w/Factory Roof Rails					
	99-05		Pontiac Montana w/Factory Roof Rails					
	97-98		Pontiac Trans Sport w/Factory Roof Rails					
	03-10		Pontiac Vibe w/Factory Roof Rails					
	03-17		Porsche Cayenne w/Factory Roof Rails					
	15-17		RAM Promaster City w/Factory Roof Rails					
	10-11		Saab 9-3X w/Factory Roof Rails					
	11		Saab 9-4X w/Factory Roof Rails					
	99-11		Saab 9-5 w/Factory Roof Rails					
	05-09		Saab 9-7X w/Factory Roof Rails					
	00		Saturn LW1 w/Factory Roof Rails					
	00		Saturn LW2 w/Factory Roof Rails					
	01-03		Saturn LW200 w/Factory Roof Rails					
	01-03		Saturn LW300 w/Factory Roof Rails					
	05-06		Saturn Relay w/Factory Roof Rails					
	08-10		Saturn Vue w/Factory Roof Rails					
	09-18		Subaru Forester w/Factory Roof Rails					
	12-18		Subaru Impreza Sport w/Factory Roof Rails					
	08-18		Subaru Impreza w/Factory Roof Rails					
	08-09		Subaru Outback w/Factory Roof Rails					
	08-14		Subaru Tribeca w/Factory Roof Rails					
	13		Subaru XV Crosstrek w/Factory Roof Rails					
	07-13		Suzuki SX4 w/Factory Roof Rails					
	99-04		Suzuki Vitara w/Factory Roof Rails					
	02-06		Suzuki XL-7 w/Factory Roof Rails					
	03-17		Toyota 4Runner w/Factory Roof Rails					
	07-14		Toyota FJ Cruiser w/Factory Roof Rails					
	01-13		Toyota Highlander w/Factory Roof Rails					
	01-17		Toyota RAV4 w/Factory Roof Rails					
	08-17		Toyota Sequoia w/Factory Roof Rails					
	04-17		Toyota Sienna w/Factory Roof Rails					
	10-14		Volkswagen Golf w/Factory Roof Rails					
	01-14		Volkswagen Jetta Sportwagen w/Factory Roof Rails					
	01-09		Volkswagen Jetta w/Factory Roof Rails					
	90-10		Volkswagen Passat w/Factory Roof Rails					
	09-17		Volkswagen Tiguan w/Factory Roof Rails					
	08-17		Volkswagen Touareg w/Factory Roof Rails					
	05-11		Volvo V50 w/Factory Roof Rails					
	01-10		Volvo V70 w/Factory Roof Rails					
	03-16		Volvo XC70 w/Factory Roof Rails					
	03-17		Volvo XC90 w/Factory Roof Rails					
	ABJH	05				Lexus RX330	2	
		07-15				Lexus RX350		
		06-08				Lexus RX400h		
		10-15				Lexus RX450h		
		12-15				Toyota Venza		
	ACBE	04-10				BMW 525i	2	
		06-07				BMW 525xi		
		08-10				BMW 528i		
		09-10				BMW 528i xDrive		
		08				BMW 528xi		
		04-10				BMW 530i		
		06-07				BMW 530xi		
		08-10				BMW 535i		
09-10			BMW 535i xDrive					
08			BMW 535xi					
04-06			BMW 545i					
06-10			BMW 550i					
ACKB		04-08		Mazda 6 Hatchback	2			
		03-08		Mazda 6 Sedan				
	04-08		Mazda 6 Wagon					
ADBE	06-11		Acura CSX (Canada Only)	2				
	06-12		Honda Civic Sedan					
ADBG	12-17		Toyota Yaris Hatchback	2				
	12-17		Toyota Yaris Sedan					
ADFA	04-12		Chevrolet Colorado	1				
	04-12		GMC Canyon					
ADFB	09-16		Audi A4	2				
	09-16		Audi S4 Sedan					
AEAA	05-18		Toyota Tacoma Crew Cab	2				
AEAB	03-10		Pontiac Vibe	2				
	03-14		Toyota Matrix					
AEAE	09-13		Toyota Corolla	2				
AEAH	09-18		Ford Flex	2				
AEAK	09-15		Honda Pilot	2				
	06-14		Honda Ridgeline					

PC	PART NO.	YEARS	MAKE/MODEL	WGT LBS	IN
	AEBD	10-13	KIA Soul	2	
	AECK	07-14	Ford Edge	2	
		07-18	Lincoln MKX		
	AEDB	09-18	Nissan Maxima	2	
		09-18	Nissan Maxima No Glass Roof		
	AECE	07-18	Toyota Tundra 4 Dr.	2	
	AEFF	10-15	Toyota Prius	2	
	AEGG	11-14	Hyundai Sonata	2	
	AEHK	07-12	Nissan Altima	2	
	AEKC	11-18	Ford Fiesta Hatchback	2	
		11-18	Ford Fiesta Sedan		
	AFAB	11-18	Volvo S Sedan	2	
	AFAF	11-19	Dodge Durango	2	
	AFAH	11-17	Volkswagen Jetta	2	
	AFAJ	11-18	Nissan JUKE	2	
	AFBG	12-17	Ford Focus	2	
	AFBH	09-17	Nissan Quest	1	
	AFBJ	16-17	Kia Optima	2	
	AFCC	11-17	Nissan Leaf	2	
	AFCF	12-17	Lexus CT200h	2	
	AFDJ	12-16	Subaru Impreza	2	
		15-17	Subaru Impreza WRX & STI		
	AFEA	12-18	Audi A6 Sedan	2	
		14-18	Audi S6 Sedan		
	AFED	11-16	Hyundai Elantra	1	
	AFEF	11-19	Jeep Grand Cherokee	2	
	AFEG	12-17	Hyundai Accent	2	
	AFEH	13-18	Dodge Journey	2	
	AFEJ	12-17	KIA Rio Hatchback	2	
	AFFG	15-17	Chrysler 200	2	
		13-16	Dodge Dart		
	AFHH	12-18	Toyota Prius V	2	
	AFGF	12-18	Hyundai Veloster	2	
	AFHC	13-18	Ford C-MAX	2	
	AFHJ	16-18	Lexus GS F Sedan	2	
		18	Lexus GS300 Sedan		
		13-18	Lexus GS350 Sedan		
		13-18	Lexus GS450h Sedan		
	AFIB	13-18	Ford Fusion	2	
	AFIC	14-18	KIA Forte5	2	
	AFJF	14-18	Mitsubishi Mirage 5 Dr. Hatchback	2	
		17-18	Mitsubishi Mirage G4 4 Dr. Sedan		
	AFJK	14-17	Nissan Versa Note	2	
		17-18	Hyundai Elantra Sedan		
	AGAA	14-18	KIA Forte Sedan	2	
		14-18	KIA Forte Sedan		
	AGAD	15-18	Chevrolet Colorado Extended Cab	2	
		15-18	GMC Canyon Extended Cab		
	AGAH	13-18	Acura ILX	2	
	AGBD	13-18	Acura RDX	2	
	AGBK	13-17	Honda Accord	1	
	AGCB	13-17	Nissan Sentra	2	
	AGCG	13-18	Ford Escape	2	
	AGCK	13-18	Toyota RAV4 (Bare Roof Only)	2	
	AGDB	14-18	Mazda 3 Hatchback	2	
		14-18	Mazda 3 Sedan		
	AGDE	14-18	Chevrolet Silverado 1500 4 Dr Models	2	
		15-18	Chevrolet Silverado 2500 HD 4 Dr Models		
		15-18	Chevrolet Silverado 3500 HD 4 Dr Models		
		14-18	GMC Sierra 1500 4 Dr Models		
	14-18	GMC Sierra 2500 HD 4 Dr Models	2		
		14-18			GMC Sierra 3500 HD 4 Dr Models
		14-18			GMC Sierra 3500 HD 4 Dr Models
	AGDH	14-18	Audi A3	1	
		14-18	Audi S3		
	AGEA	15-18	Honda Fit	2	
		15-18	Honda Fit Hatchback		
	AGEK	14-18	Acura MDX	2	
	AGFA	15-18	Subaru Legacy	2	
	AGGE	12-18	Volkswagen Passat	2	
	AGGK	14-18	Mini Cooper Hatchback	2	
	AGHC	15-18	Chevrolet Colorado	2	
		15-18	GMC Canyon		
	AGHF	13-18	Cadillac ATS Coupe	2	
	AGHG	15-18	Ford F-150 4 Dr Models	1	
		17-18	Ford F-250 Super Duty 4 Dr Models		
		17-18	Ford F-350 Super Duty 4 Dr Models		
		17-18	Ford F-450 Super Duty 4 Dr Models		
		17-18	Ford F-550 Super Duty 4 Dr Models		

ROOF RACK INDEX

PC	PART NO.	YEARS	MAKE/MODEL	WGT LBS	IN
	AGJG	16-17	Honda Civic	2	
	AGJK	09-17	Volkswagen CC	2	
	AGKE	12-17	Nissan Versa	2	
	AHAJ	17-18	Audi A4	2	
	AHBG	05-17	Toyota Tacoma 4 Dr Models	2	
	CADF	14-18	KIA Soul	2	
	CKBH	11	BMW 1 Series M	1	
		08-13	BMW 128i		
		08-13	BMW 135i		
		13	BMW 135is		
		14-16	BMW 228i		
		15-16	BMW 228i xDrive		
		17	BMW 230i		
		17	BMW 230i xDrive		
		99	BMW 318is		
		01-17	BMW 320i		
		13-17	BMW 320i xDrive		
		00	BMW 323Ci		
		99-11	BMW 323i		
		99	BMW 323is		
		01-06	BMW 325Ci		
		01-06	BMW 325i		
		01-06	BMW 325xi		
		00	BMW 328Ci		
		14-17	BMW 328d		
		14-17	BMW 328d xDrive		
		99-16	BMW 328i		
		09-16	BMW 328i xDrive		
		99	BMW 328is		
		07-08	BMW 328xi		
		01-06	BMW 330Ci		
		16-17	BMW 330e		
		01-17	BMW 330i		
		17	BMW 330i xDrive		
		01-06	BMW 330xi		
		09-11	BMW 335d		
		07-15	BMW 335i		
		09-15	BMW 335i xDrive		
		11-13	BMW 335is		
		07-08	BMW 335xi		
		16-17	BMW 340i		
		16-17	BMW 340i xDrive		
		15-16	BMW 428i		
		15-16	BMW 428i xDrive		
		17	BMW 430i		
		17	BMW 430i xDrive		
		15-16	BMW 435i		
		15-16	BMW 435i xDrive		
		17	BMW 440i		
		17	BMW 440i Gran Coupe		
		17	BMW 440i xDrive		
		17	BMW 440i xDrive Gran Coupe		
		97-16	BMW 528i		
		10-16	BMW 528i xDrive		
		01-03	BMW 530i		
		14-16	BMW 535d		
		14-16	BMW 535d xDrive		
		10-16	BMW 535i		
		10-16	BMW 535i xDrive		
		97-03	BMW 540i		
		10-16	BMW 550i		
		12-17	Hyundai Accent		
		13-17	Hyundai Elantra GT		
		16-17	Subaru Crosstrek		
		08-16	Subaru Impreza		
		12-14	Subaru Impreza WRX & STI		
		08-11	Subaru Outback Sport		
		13-15	Subaru XV Crosstrek		
	CKFJ	07-12	Mazda CX-7	1	
		07-15	Mazda CX-9		
		11-15	Mazda Mazda2		
		04-13	Mazda Mazda3 Hatchback		
		04-08	Mazda Mazda6 Hatchback		
		03-08	Mazda Mazda6 Sedan		
	KIT ACBC	06-14	Volkswagen Golf Hatchback	2	
		06-09	Volkswagen GTI Hatchback		
		06-09	Volkswagen Rabbit Hatchback		

PC	PART NO.	YEARS	MAKE/MODEL	WGT LBS	IN
	KIT ADCH	13-17	Lexus ES300h	2	
		07-17	Lexus ES350		
		07-17	Toyota Camry		
	KIT ADJK	10-13	Toyota Highlander	2	
	KIT AEFJ	11-17	Chevrolet Cruze	2	
	KIT AEHK	07-12	Nissan Altima	2	
	KIT AEKH	99-16	Ford F-250 Super Duty 4 Dr Models	2	
		99-16	Ford F-350 Super Duty 4 Dr Models		
		99-16	Ford F-450 Super Duty 4 Dr Models		
		99-16	Ford F-550 Super Duty 4 Dr Models		
	KIT AFAM	11-17	Volkswagen Jetta	2	
	KIT AFBG	12-17	Ford Focus	2	
	KIT AFBJ	16-17	Kia Optima	2	
	KIT AFHD	13-15	Chevrolet Malibu	2	
	KIT AFIB	13-18	Ford Fusion	2	
	KIT AGAK	15-17	Volkswagen Golf Hatchback	2	
	KIT AGBK	13-17	Honda Accord	1	
	KIT AGBC	13-17	Nissan Sentra	2	
	KIT AGCG	13-18	Ford Escape	2	
	KIT AGDE	14-18	Chevrolet Silverado 1500 4 Dr Models	2	
		15-18	Chevrolet Silverado 2500 HD 4 Dr Models		
		15-18	Chevrolet Silverado 3500 HD 4 Dr Models		
		14-18	GMC Sierra 1500 4 Dr Models		
		14-18	GMC Sierra 2500 HD 4 Dr Models		
		14-18	GMC Sierra 3500 HD 4 Dr Models		
	KIT AGDF	14-18	Toyota Corolla	2	
	KIT AGHG	15-18	Ford F-150 4 Dr Models	1	
		17-18	Ford F-250 Super Duty 4 Dr Models		
		17-18	Ford F-350 Super Duty 4 Dr Models		
		17-18	Ford F-450 Super Duty 4 Dr Models		
		17-18	Ford F-550 Super Duty 4 Dr Models		
	KIT AGJG	16-17	Honda Civic	2	
	KIT AHAH	15-17	Hyundai Sonata	2	
	KIT AHBG	05-17	Toyota Tacoma 4 Dr Models	2	
	Kit AHCG	09-10	Dodge 1500 4 Dr Models	1	
		09-10	Dodge 2500 4 Dr Models		
		09-10	Dodge 3500 4 Dr Models		
		11-17	RAM 1500 4 Dr Models		
		10-17	RAM 2500 4 Dr Models		
		11-17	RAM 3500 4 Dr Models		
	KIT CKBH	11	BMW 1 Series M	1	
		08-13	BMW 128i		
		08-13	BMW 135i		
		13	BMW 135is		
		14-16	BMW 228i		
		15-16	BMW 228i xDrive		
		17	BMW 230i		
		17	BMW 230i xDrive		
		99	BMW 318is		
		01-17	BMW 320i		
		13-17	BMW 320i xDrive		
		00	BMW 323Ci		
		99-11	BMW 323i		
		99	BMW 323is		
		01-06	BMW 325Ci		
		01-06	BMW 325i		
		01-06	BMW 325xi		
		00	BMW 328Ci		
		14-17	BMW 328d		
		14-17	BMW 328d xDrive		
		99-16	BMW 328i		
		09-16	BMW 328i xDrive		
		99	BMW 328is		
		07-08	BMW 328xi		
		01-06	BMW 330Ci		
		16-17	BMW 330e		
		01-17	BMW 330i		
		17	BMW 330i xDrive		
		01-06	BMW 330xi		
		09-11	BMW 335d		
		07-15	BMW 335i		
		09-15	BMW 335i xDrive		
		11-13	BMW 335is		
		07-08	BMW 335xi		
		16-17	BMW 340i		
		16-17	BMW 340i xDrive		
		15-16	BMW 428i		

PC	PART NO.	YEARS	MAKE/MODEL	WGT LBS	IN				
KIT CKBH		15-16	BMW 428i xDrive	1					
		17	BMW 430i						
		17	BMW 430i xDrive						
		15-16	BMW 435i						
		15-16	BMW 435i xDrive						
		17	BMW 440i						
		17	BMW 440i Gran Coupe						
		17	BMW 440i xDrive						
		17	BMW 440i xDrive Gran Coupe						
		97-16	BMW 528i						
		10-16	BMW 528i xDrive						
		01-03	BMW 530i						
		14-16	BMW 535d						
		14-16	BMW 535d xDrive						
		10-16	BMW 535i						
		10-16	BMW 535i xDrive						
		97-03	BMW 540i						
		10-16	BMW 550i						
		12-17	Hyundai Accent						
		13-17	Hyundai Elantra GT						
		08-16	Subaru Impreza						
		12-14	Subaru Impreza WRX & STI						
		08-11	Subaru Outback Sport						
		13-15	Subaru XV Crosstrek						
		KIT CKFJ				07-12	Mazda CX-7	1	
						07-15	Mazda CX-9		
						11-15	Mazda Mazda2		
						04-13	Mazda Mazda3 Hatchback		
						04-08	Mazda Mazda6 Hatchback		
		03-08	Mazda Mazda6 Sedan						
		R4000				10-17	Chevrolet Equinox w/Factory Roof Rails	11	
						10-17	GMC Terrain w/Factory Roof Rails		
		R4000-1				10-17	Chevrolet Equinox w/Factory Roof Rails	3	
						10-17	GMC Terrain w/Factory Roof Rails		
		R4001				15-17	Jeep Renegade	12	
R4001-1		15-17	Jeep Renegade	3					
R4002		12-17	Honda CR-V	12					
R4002-1		12-17	Honda CR-V	4					
R5001		07-12	Nissan Altima	22	30				
R5002		16-17	Honda Civic	22	30				
R5003		13-18	Ford Escape	22	30				
R5004		13-18	Ford Fusion	22	30				
R5005		14-18	Toyota Corolla	22	30				
R5006		11-17	Chevrolet Cruze	14	30				
R5007		99-16	Ford F-250 Super Duty 4 Dr Models	23	30				
		99-16	Ford F-350 Super Duty 4 Dr Models						
		99-16	Ford F-450 Super Duty 4 Dr Models						
		99-16	Ford F-550 Super Duty 4 Dr Models						
R5008		09-10	Dodge Ram 1500 4 Dr Models	16	30				
		09-10	Dodge Ram 2500 4 Dr Models						
		09-10	Dodge Ram 3500 4 Dr Models						
		11-17	RAM 1500 4 Dr Models						
		11-17	RAM 2500 4 Dr Models						
		11-17	RAM 3500 4 Dr Models						
R5009		15-17	Hyundai Sonata	22	30				
R5010		13-15	Chevrolet Malibu	22	30				
R5011		13-17	Honda Accord	14	30				
R5012		16-17	Kia Optima	22	30				
R5013		14-18	Chevrolet Silverado 1500 4 Dr Models	23	30				
		15-18	Chevrolet Silverado 2500 HD 4 Dr Models						
		15-18	Chevrolet Silverado 3500 HD 4 Dr Models						
		14-18	GMC Sierra 1500 4 Dr Models						
		14-18	GMC Sierra 2500 HD 4 Dr Models						
		14-18	GMC Sierra 3500 HD 4 Dr Models						
R5014		05-17	Toyota Tacoma Extended Cab	22	30				
R5015		11-17	Volkswagen Jetta	22	30				
R5016		13-18	Lexus ES300h	22	30				
		07-18	Lexus ES350						
		07-17	Toyota Camry						
R5017		06-14	Volkswagen Golf Hatchback	22	30				
		06-09	Volkswagen GTI Hatchback						
		06-09	Volkswagen Rabbit Hatchback						
R5018		15-17	Volkswagen Golf Hatchback	22	30				
R5019		10-13	Toyota Highlander	22	30				
R5020		12-18	Toyota Yaris Hatchback	21	30				
		12-18	Toyota Yaris Sedan						
R5021		06-11	Acura CSX	21	30				

PC	PART NO.	YEARS	MAKE/MODEL	WGT LBS	IN				
R5021		06-12	Honda Civic	21	30				
		09-13	Toyota Corolla						
		11-19	Jeep Grand Cherokee						
		17-18	Hyundai Elantra Sedan						
		14-18	KIA Forte Sedan						
		R5025				13-18	Toyota RAV4 Bare Roof Only	22	30
		R5026				15-17	Chrysler 200 Sedan	22	30
						13-16	Dodge Dart Sedan		
		R5027				03-15	Honda Pilot	23	30
						06-14	Honda Ridgeline		
		R5028				07-18	Toyota Tundra 4 Dr. Only	23	30
		R5029				14-18	Mazda 3 Hatchback	22	30
						14-18	Mazda 3 Sedan		
		R5030				09-18	Ford Flex	23	30
		R5031				12-18	Volkswagen Passat	22	30
		R5032				05	Lexus RX330	22	30
						07-15	Lexus RX350		
						06-08	Lexus RX400h		
						10-15	Lexus RX450h		
						12-15	Toyota Venza		
		R5033				12-17	Nissan Versa	22	30
		R5034				10-13	KIA Soul	22	30
		R5035				14-18	KIA Forte5	22	30
		R5036				12-17	Hyundai Accent	22	30
		R5037				13-17	Nissan Sentra	22	30
		R5038				11-18	Ford Fiesta Hatchback	18	30
						11-18	Ford Fiesta Sedan		
		R5039				15-18	Honda Fit	18	30
		R5040				09-18	Nissan Maxima No Glass Roof	20	30
		R5041				11-19	Dodge Durango	22	30
		R5042				15-18	Chevrolet Colorado Crew Cab	20	30
						15-18	GMC Canyon Crew Cab		
		R5043				15-18	Subaru Legacy	22	30
		R5044				03-10	Pontiac Vibe	21	30
						03-14	Toyota Matrix		
		R5045				07-14	Ford Edge	22	30
						07-18	Lincoln MKX		
		R5046				14-17	Nissan Versa Note	21	30
		R5047				09-16	Audi A4	22	30
						09-16	Audi S4 Sedan		
		R5057				17-18	Mitsubishi Mirage G4 Sedan	20	30
						14-18	Mitsubishi Mirage Hatchback		
R5058		13-18	Ford C-MAX	20	30				
R5061		14-18	Mini Cooper Hatchback	19	30				
R5067		04-12	Chevrolet Colorado	20	30				
		04-12	GMC Canyon						
R5068		11-16	Hyundai Elantra	20	30				
R5069		11-18	Volvo S60	20	30				
R5070		12-18	Audi A6	20	30				
R5071		12-17	Nissan Quest	20	30				
R5072		12-17	Lexus CT200h	19	30				
R5073		13-18	Acura ILX	20	30				
		13-15	Honda Civic Sedan						
R5074		14-18	Audi A3 Sedan	20	30				
		14-18	Audi S3 Sedan						
R5075		09-17	Volkswagen CC	20	30				
R5076		13-18	Lexus GS F	20	30				
		18	Lexus GS300						
		13-18	Lexus GS350						
R5101		12-17	Ford Focus Hatchback	22	30				
		12-17	Ford Focus Sedan						
R5102		15-18	Ford F-150 4 Dr Models	24	30				
		17-18	Ford F-250 Super Duty 4 Dr Models						
		17-18	Ford F-350 Super Duty 4 Dr Models						
		17-18	Ford F-450 Super Duty 4 Dr Models						
R5104		17-18	Ford F-550 Super Duty 4 Dr Models	22	30				
		05-18	Toyota Tacoma Crew Cab						
R6001		07-12	Mazda CX-7	19	30				
		11-15	Mazda Mazda2						
		04-13	Mazda Mazda3						
		03-08	Mazda Mazda6						
R6002		12-17	BMW 320i	19	30				
		13-17	BMW 320i xDrive						
		06-11	BMW 323i						
		06	BMW 325Ci						
		06	BMW 325i		30				

ROOF RACK INDEX

PC	PART NO.	YEARS	MAKE/MODEL	WGT LBS	IN		
R6002		06	BMW 325xi	19	30		
		14-17	BMW 328d		30		
		14-17	BMW 328d xDrive		30		
		07-16	BMW 328i		30		
		09-16	BMW 328i xDrive		30		
		07-08	BMW 328xi		30		
		06	BMW 330Ci		30		
		16-17	BMW 330e		30		
		06-17	BMW 330i		30		
		17	BMW 330i xDrive		30		
		06	BMW 330xi		30		
		09-11	BMW 335d		30		
		07-15	BMW 335i		30		
		09-15	BMW 335i xDrive		30		
		11-13	BMW 335is		30		
		07-08	BMW 335xi		30		
		16-17	BMW 340i		30		
		16-17	BMW 340i xDrive		30		
		97-00	BMW 528i		30		
		01-03	BMW 530i		30		
		97-03	BMW 540i		30		
		12-17	Hyundai Accent		30		
		13-17	Hyundai Elantra GT		30		
		08-16	Subaru Impreza		30		
		12-14	Subaru Impreza WRX & STI		30		
		08-11	Subaru Outback Sport		30		
		13-15	Subaru XV Crosstrek		30		
		R6003		07-15	Mazda CX-9	19	30
		R6004		11	BMW 1 Series M	18	30
				08-13	BMW 128i		30
				08-13	BMW 135i		30
				13	BMW 135is		30
				14-16	BMW 228i		30
				15-16	BMW 228i xDrive		30
				17	BMW 230i		30
				17	BMW 230i xDrive		30
				99	BMW 318is		30
				01-13	BMW 320i		30
				13	BMW 320i xDrive		30
00	BMW 323Ci				30		
99-11	BMW 323i				30		
99	BMW 323is				30		
01-06	BMW 325Ci				30		
01-06	BMW 325i				30		
01-06	BMW 325xi				30		
00	BMW 328Ci				30		
99-13	BMW 328i				30		
09-13	BMW 328i xDrive				30		
99	BMW 328is				30		
07-08	BMW 328xi				30		
01-06	BMW 330Ci				30		
01-06	BMW 330i				30		
01-06	BMW 330xi				30		
09-11	BMW 335d				30		
07-13	BMW 335i				30		
09-13	BMW 335i xDrive				30		
11-13	BMW 335is				30		
07-08	BMW 335xi				30		
15-16	BMW 428i				30		
15-16	BMW 428i xDrive				30		
17	BMW 430i				30		
17	BMW 430i xDrive				30		
15-16	BMW 435i				30		
15-16	BMW 435i xDrive				30		
17	BMW 440i				30		
17	BMW 440i Gran Coupe				30		
17	BMW 440i xDrive				30		
17	BMW 440i xDrive Gran Coupe				30		
10-16	BMW 528i				30		
10-16	BMW 528i xDrive				30		
14-16	BMW 535d				30		
14-16	BMW 535d xDrive				30		
10-16	BMW 535i				30		
10-16	BMW 535i xDrive				30		
10-16	BMW 550i				30		
R6005				10-16	BMW 528i	22	30
				10-16	BMW 528i xDrive		30

PC	PART NO.	YEARS	MAKE/MODEL	WGT LBS	IN		
R6005		14-16	BMW 535d	22	30		
		14-16	BMW 535d xDrive		30		
		10-16	BMW 535i		30		
		10-15	BMW 535i xDrive		30		
		10-16	BMW 550i		30		
R6006		14-18	KIA Soul	21	30		
RBU43		01-06	Hyundai Santa Fe w/Factory Roof Rails	12	10		
		07-12	Kia Rondo w/Factory Roof Rails		10		
		00-06	Mazda MPV w/Factory Roof Rails		10		
		01-06	Mazda Tribute w/Factory Roof Rails		10		
		08-11	Mercury Mariner w/Factory Roof Rails		10		
		04-07	Mercury Monterey w/Factory Roof Rails		10		
		03-10	Pontiac Vibe w/Factory Roof Rails		10		
		99-04	Suzuki Vitara w/Factory Roof Rails		10		
		02-06	Suzuki XL-7 w/Factory Roof Rails		10		
		RBU47		11-14	Acura TSX Sport Wagon, w/Factory Roof Rails	12	10
				02-05	Audi A4 Avant (wagon) w/Factory Roof Rails		10
				98-08	Audi A4 Quattro Avant w/Factory Roof Rails		10
				02-08	Audi S4 Wagon, w/Factory Roof Rails		10
01-05	BMW 320i w/Factory Roof Rails				10		
00	BMW 323Ci w/Factory Roof Rails				10		
00-10	BMW 323i w/Factory Roof Rails				10		
00	BMW 323i wagon w S-R w/Factory Roof Rails				10		
01-06	BMW 325Ci w/Factory Roof Rails				10		
01-06	BMW 325i w/Factory Roof Rails				10		
01-05	BMW 325i wagon w S-R w/Factory Roof Rails				10		
01-06	BMW 325xi w/Factory Roof Rails				10		
00	BMW 328Ci w/Factory Roof Rails				10		
00-12	BMW 328i w/Factory Roof Rails				10		
06-12	BMW 328i wagon w S-R w/Factory Roof Rails				10		
09-10	BMW 328i xDrive w/Factory Roof Rails				10		
07-08	BMW 328xi w/Factory Roof Rails				10		
06-12	BMW 328xi wagon w S-R w/Factory Roof Rails				10		
01-06	BMW 330Ci w/Factory Roof Rails				10		
01-06	BMW 330i w/Factory Roof Rails				10		
01-06	BMW 330xi w/Factory Roof Rails				10		
09-10	BMW 335d w/Factory Roof Rails				10		
07-10	BMW 335i w/Factory Roof Rails				10		
09-10	BMW 335i xDrive w/Factory Roof Rails				10		
07-08	BMW 335xi w/Factory Roof Rails				10		
01-03	BMW 525i w/Factory Roof Rails				10		
01-03	BMW 525i wagon w S-R w/Factory Roof Rails				10		
00	BMW 528i w/Factory Roof Rails				10		
06-07	BMW 530xi w/Factory Roof Rails				10		
06-07	BMW 530xi wagon w S-R w/Factory Roof Rails				10		
08	BMW 535xi w/Factory Roof Rails				10		
08-10	BMW 535xi wagon w S-R w/Factory Roof Rails				10		
99-03	BMW 540i w/Factory Roof Rails				10		
06-07	Buick Rainier w/Factory Roof Rails				10		
05-07	Buick Terraza w/Factory Roof Rails				10		
04-09	Cadillac SRX w/Factory Roof Rails				10		
95-05	Chevrolet Blazer Downsize, w/Factory Roof Rails				10		
99-01	Chevrolet Blazer Trailblazer, w/Factory Roof Rails				10		
08-15	Chevrolet Captiva Sport w/Factory Roof Rails				10		
18-19	Chevrolet Equinox w/Factory Roof Rails				10		
88-94	Chevrolet S-10 Blazer w/Factory Roof Rails				10		
13-16	Chevrolet Spark w/Factory Roof Rails				10		
98-04	Chevrolet Tracker w/Factory Roof Rails		10				
13-16	Chevrolet Trax w/Factory Roof Rails		10				
05-09	Chevrolet Uplander w/Factory Roof Rails		10				
97-04	Chevrolet Venture w/Factory Roof Rails		10				
02-04	Ford Explorer w/Factory Roof Rails		10				
95-05	GMC Jimmy Downsize, w/Factory Roof Rails		10				
02	GMC Jimmy w/Factory Roof Rails		10				
18	GMC Terrain w/Factory Roof Rails		10				
01-04	Honda Odyssey w/Factory Roof Rails		10				
98-02	Honda Passport w/Factory Roof Rails		10				
07-10	Hyundai Entourage w/Factory Roof Rails		10				
05-09	Hyundai Tucson w/Factory Roof Rails		10				
08-12	Infiniti EX35 w/Factory Roof Rails		10				
13	Infiniti EX37 w/Factory Roof Rails		10				
03-12	Infiniti FX35 w/Factory Roof Rails		10				
13	Infiniti FX37 w/Factory Roof Rails		10				
03-08	Infiniti FX45 w/Factory Roof Rails		10				
09-13	Infiniti FX50 w/Factory Roof Rails		10				
14-17	Infiniti QX50 w/Factory Roof Rails		10				
14-17	Infiniti QX60 w/Factory Roof Rails		10				

TRUCK BED RACK INDEX

PC	PART NO.	YEARS	MAKE/MODEL	WGT LBS	IN
	RBU47	14-17	Infiniti QX70 w/Factory Roof Rails	12	10
		98-04	Isuzu Rodeo w/Factory Roof Rails		10
		99-04	Jeep Grand Cherokee w/Factory Roof Rails		10
		07-17	Jeep Patriot w/Factory Roof Rails		10
		02-14	KIA Sedona w/Factory Roof Rails		10
		03-09	KIA Sorento w/Factory Roof Rails		10
		05-09	KIA Sportage w/Factory Roof Rails		10
		03-09	Lexus GX470 w/Factory Roof Rails		10
		04-06	Lexus RX330 w/Factory Roof Rails		10
		09-15	Lexus RX350 w/Factory Roof Rails		10
		06-08	Lexus RX400h w/Factory Roof Rails		10
		10-12	Lexus RX450h w/Factory Roof Rails		10
		03-05	Lincoln Aviator w/Factory Roof Rails		10
		98-06	Lincoln Navigator w/Factory Roof Rails		10
		04-07	Mazda Mazda6 w/Factory Roof Rails		10
		08-11	Mazda Tribute w/Factory Roof Rails		10
		02-05	Mercedes-Benz C240 w/Factory Roof Rails		10
		02-05	Mercedes-Benz C320 w/Factory Roof Rails		10
		10-15	Mercedes-Benz GLK350 w/Factory Roof Rails		10
		08-14	MINI Cooper w/Factory Roof Rails		10
		04-11	Nissan Quest w/Factory Roof Rails		10
		13-17	Nissan Rogue w/Factory Roof Rails		10
		97-04	Oldsmobile Silhouette w/Factory Roof Rails		10
		05-09	Pontiac Montana SV6 w/Factory Roof Rails		10
		99-05	Pontiac Montana w/Factory Roof Rails		10
		97-98	Pontiac Trans Sport w/Factory Roof Rails		10
		03-10	Porsche Cayenne w/Factory Roof Rails		10
		10-11	Saab 9-3X w/Factory Roof Rails		10
		05-09	Saab 9-7X w/Factory Roof Rails		10
		00	Saturn LW1 w/Factory Roof Rails		10
		00	Saturn LW2 w/Factory Roof Rails		10
		01-03	Saturn LW200 w/Factory Roof Rails		10
		01-03	Saturn LW300 w/Factory Roof Rails		10
		05-06	Saturn Relay w/Factory Roof Rails		10
		08-10	Saturn Vue w/Factory Roof Rails		10
		09-18	Subaru Forester w/Factory Roof Rails		10
		08-09	Subaru Outback w/Factory Roof Rails		10
		02-06	Suzuki XL-7 w/Factory Roof Rails		10
		01-06	Toyota RAV4 w/Factory Roof Rails		10
		10-14	Volkswagen Golf w/Factory Roof Rails		10
		01-09	Volkswagen Jetta w/Factory Roof Rails		10
	90-10	Volkswagen Passat w/Factory Roof Rails		10	
	09-17	Volkswagen Tiguan w/Factory Roof Rails		10	
	RBU53	07-13	Acura MDX w/Factory Roof Rails	13	10
		07-18	Acura RDX w/Factory Roof Rails		10
		13-17	Audi A4 Allroad w/Factory Roof Rails		10
		01-03	BMW 525i w/Factory Roof Rails		10
		99-00	BMW 528i w/Factory Roof Rails		10
		01-03	BMW 530i w/Factory Roof Rails		10
		99-03	BMW 540i w/Factory Roof Rails		10
		04-10	BMW X3 w/Factory Roof Rails		10
		00-10	BMW X5 w/Factory Roof Rails		10
		10-16	Cadillac SRX w/Factory Roof Rails		10
		94-05	Chevrolet Astro w/Factory Roof Rails		10
		07-13	Chevrolet Avalanche w/Factory Roof Rails		10
		92-99	Chevrolet Suburban C1500 w/Factory Roof Rails		10
		92-99	Chevrolet Suburban C2500 w/Factory Roof Rails		10
		92-99	Chevrolet Suburban K1500 w/Factory Roof Rails		10
		92-99	Chevrolet Suburban K2500 w/Factory Roof Rails		10
		00-14	Chevrolet Suburban w/Factory Roof Rails		10
		07-09	Chrysler Aspen w/Factory Roof Rails		10
		01-07	Chrysler Town & Country w/Factory Roof Rails		10
		04-09	Dodge Durango w/Factory Roof Rails		10
		09-17	Dodge Journey w/Factory Roof Rails		10
		07-14	Ford Edge w/Factory Roof Rails		10
		13-18	Ford Escape w/Factory Roof Rails		10
		01-05	Ford Explorer Sport Trac w/Factory Roof Rails		10
		01-03	Ford Explorer Sport, w/Factory Roof Rails		10
		05-07	Ford Freestyle w/Factory Roof Rails		10
		00-14	GMC Yukon w/Factory Roof Rails		10
		00-14	GMC Yukon XL 1500 w/Factory Roof Rails		10
		00-13	GMC Yukon XL 2500 w/Factory Roof Rails		10
		05-10	Honda Odyssey w/Factory Roof Rails		10
		03-17	Honda Pilot w/Factory Roof Rails		10
		10-15	Hyundai Tucson w/Factory Roof Rails		10
		07-12	Hyundai Veracruz w/Factory Roof Rails		10
		05-10	Jeep Grand Cherokee w/Factory Roof Rails		10

PC	PART NO.	YEARS	MAKE/MODEL	WGT LBS	IN
	RBU53	05-06	Jeep Liberty Renegade, w/Factory Roof Rails	13	10
		02-12	Jeep Liberty w/Factory Roof Rails		10
		09-12	KIA Borrego w/Factory Roof Rails		10
		11-15	KIA Sorento w/Factory Roof Rails		10
		10-18	Kia Soul w/Factory Roof Rails		10
		07-15	Lincoln MKX w/Factory Roof Rails		10
		07-15	Mazda CX-9 w/Factory Roof Rails		10
		98-05	Mercedes-Benz E320 w/Factory Roof Rails		10
		06-11	Mercedes-Benz E350 w/Factory Roof Rails		10
		04-06	Mercedes-Benz E500 w/Factory Roof Rails		10
		06	Mercedes-Benz E55 AMG w/Factory Roof Rails		10
		07-08	Mercedes-Benz E63 AMG w/Factory Roof Rails		10
		09	Mercedes-Benz GL320 BlueTEC 4Matic w/Factory Roof Rails		10
		07-08	Mercedes-Benz GL320 CDI w/Factory Roof Rails		10
		10-15	Mercedes-Benz GL350 BlueTEC 4Matic w/Factory Roof Rails		10
		07-16	Mercedes-Benz GL450 w/Factory Roof Rails		10
		08-15	Mercedes-Benz GL550 w/Factory Roof Rails		10
		10-15	Mercedes-Benz GLK350 w/Factory Roof Rails		10
		09	Mercedes-Benz ML320 BlueTEC 4Matic w/Factory Roof Rails		10
		07-08	Mercedes-Benz ML320 CDI w/Factory Roof Rails		10
		98-02	Mercedes-Benz ML320 w/Factory Roof Rails		10
		10-14	Mercedes-Benz ML350 BlueTEC 4Matic w/Factory Roof Rails		10
		03-15	Mercedes-Benz ML350 w/Factory Roof Rails		10
		99-01	Mercedes-Benz ML430 w/Factory Roof Rails		10
		10-11	Mercedes-Benz ML450 w/Factory Roof Rails		10
		02-07	Mercedes-Benz ML500 w/Factory Roof Rails		10
		08-15	Mercedes-Benz ML550 w/Factory Roof Rails		10
		07-15	Mercedes-Benz ML63 AMG w/Factory Roof Rails		10
		04-11	Mitsubishi Endeavor w/Factory Roof Rails		10
		07-13	Mitsubishi Outlander w/Factory Roof Rails		10
		03-14	Nissan Murano w/Factory Roof Rails		10
		13-17	Nissan Pathfinder w/Factory Roof Rails		10
		12-16	Nissan Quest w/Factory Roof Rails		10
		11-17	Porsche Cayenne w/Factory Roof Rails		10
		15-17	RAM Promaster City w/Factory Roof Rails		10
		11	Saab 9-4X w/Factory Roof Rails		10
		99-11	Saab 9-5 w/Factory Roof Rails		10
		12-18	Subaru Impreza Sport w/Factory Roof Rails		10
		08-18	Subaru Impreza w/Factory Roof Rails		10
		08-14	Subaru Tribeca w/Factory Roof Rails		10
		13-15	Subaru XV Crosstrek w/Factory Roof Rails		10
	07-13	Suzuki SX4 w/Factory Roof Rails		10	
	03-17	Toyota 4Runner w/Factory Roof Rails		10	
	07-14	Toyota FJ Cruiser w/Factory Roof Rails		10	
	01-13	Toyota Highlander w/Factory Roof Rails		10	
	07-17	Toyota RAV4 w/Factory Roof Rails		10	
	08-17	Toyota Sequoia w/Factory Roof Rails		10	
	04-17	Toyota Sienna w/Factory Roof Rails		10	
	08-17	Volkswagen Touareg w/Factory Roof Rails		10	
	05-11	Volvo V50 w/Factory Roof Rails		10	
	01-10	Volvo V70 w/Factory Roof Rails		10	
	03-16	Volvo XC70 w/Factory Roof Rails		10	
	03-17	Volvo XC90 w/Factory Roof Rails		10	
	RBU60	95-14	Chevrolet Tahoe w/Factory Roof Rails	14	10
		11-15	Ford Explorer w/Factory Roof Rails		10
		00-06	GMC Yukon Denali w/Factory Roof Rails		10
		92-14	GMC Yukon w/Factory Roof Rails		10
		00-14	GMC Yukon XL 1500 w/Factory Roof Rails		10
		00-13	GMC Yukon XL 2500 w/Factory Roof Rails		10
		00-06	GMC Yukon XL Denali w/Factory Roof Rails		10
		11-18	Honda Odyssey w/Factory Roof Rails		10
		11-13	Infiniti QX56 w/Factory Roof Rails		10
	14-17	Infiniti QX80 w/Factory Roof Rails		10	
	16-17	Mercedes-Benz Metris w/Factory Roof Rails		10	
TRUCK BED RACKS					
	59742	04-16	Chevrolet Colorado	59	40
		94-04	Chevrolet S10		40
		07-18	Chevrolet Silverado 1500		40
		99-07	Chevrolet Silverado 1500 (Classic)		40
		01-07	Chevrolet Silverado 1500 HD (Classic)		40
		99-04	Chevrolet Silverado 2500		40
		07-18	Chevrolet Silverado 2500 HD		40
		01-07	Chevrolet Silverado 2500 HD (Classic)		40
		01-07	Chevrolet Silverado 3500 (Classic)		40
		07-18	Chevrolet Silverado 3500 HD		40
		97-10	Dodge Dakota		40
	94-10	Dodge Ram 1500		40	

TRUCK BED RACK INDEX

PC	PART NO.	YEARS	MAKE/MODEL	WGT	
				LBS	IN
	59742	94-10	Dodge Ram 2500	59	40
		94-10	Dodge Ram 3500		
		04-18	Ford F-150 Except Flareside		
		01-11	Ford Ranger		
		04-12	GMC Canyon		
		07-18	GMC Sierra 1500		
		99-07	GMC Sierra 1500 (Classic)		
		01-07	GMC Sierra 1500 HD (Classic)		
		99-04	GMC Sierra 2500		
		07-18	GMC Sierra 2500 HD		
		01-07	GMC Sierra 2500 HD (Classic)		
		01-07	GMC Sierra 3500 (Classic)		
		07-18	GMC Sierra 3500 HD		
		94-04	GMC Sonoma		
		11-17	RAM 1500 Except w/RamBox Cargo Management System		
		11-17	RAM 2500 Except w/RamBox Cargo Management System		
		11-17	RAM 3500 Except w/RamBox Cargo Management System		
		11	RAM Dakota		
		00-17	Toyota Tundra Except w/Integrated Deck Rail Systems		
			59799		
05-17	Toyota Tacoma w/Factory Bed Channel System (Deck Rail System)				

PART NO.	DESCRIPTION	PAGE NO.
001501	Grease Cap, 1.786" Zinc Plated	N-22
001503	Grease Cap, 1.786" Zinc Plated	N-22
001505	Grease Cap, 1.988" Zinc Plated	N-22
001515	Grease Cap, 2.567" Zinc Plated	N-22
001520	Grease Cap, 2.446" Zinc Plated	N-22
001521	Grease Cap, 1.988" Zinc Plated	N-22
001528	Grease Cap, 3.358"	N-22
001531	Grease Cap, 3.157"	N-22
001601	Grease Cap, 2.333"	N-22
001602	Grease Cap, 2.255"	N-22
001603	Grease Cap, 3.882"	N-22
001604	Grease Cap, 2.446"	N-22
001607	Grease Cap, 3.155"	N-22
001609	Grease Cap, 3.125"	N-22
002120	4-Flat Trailer End Connector, 20" Wunsid Harness, 3' Ground	C-18
002125	4-Flat Trailer End Connector, 25" Wunsid Harness, 3' Ground	C-18
002130	4-Flat Trailer End Connector, 30" Wunsid Harness, 3' Ground	C-18
002220	4-Flat Trailer End Connector, 20" Wishbone Harness, 3' Ground	C-18, L-19, 20, 25
002235	4-Flat Trailer End Connector, 35" Wishbone Harness, 3' Ground	C-18
002240	4-Flat Trailer End Connector, 40" Wishbone Harness, 3' Ground	C-18
002301	4-Flat Car End Connector 48" Long, 18" Ground	C-18, L-9, 10, 19, 20, 22, 25
002309	5-Flat Car End Connector, 6" Long, 6" Ground, 6" Auxiliary	C-21
0023010300	Kit, Adjustable Tube - Welded 20" w/Pin Hole & 1 Set Bolt	K-64, M-19
002408	Ag Economy Extension Harness, 5' Long	M-9
002409	5-Flat Trailer End Connector, 4" Wishbone Harness, 4' Ground, 4" Auxiliary	C-21
002410	Ag Economy Extension Harness, 10' Long	M-9
002415	Ag Straight Section Harness w/ 7-Pin Ag Plug and 4-Flat, 15' Long	M-9
002425	Ag Straight Section Harness w/ 7-Pin Ag Plug and 4-Flat, 25' Long	M-9
002430	Ag Straight Section Harness w/ 7-Pin Ag Plug and 4-Flat, 30' Long	M-9
002435	Ag Harness Extension, 35' Long	M-9
002478	7-Way Molded Trailer End w/ 8' Cable	C-24
002500	Ag Tandem Haul Adapter	M-8
002504	Ag Economy Rear Wishbone Harness, 10' Long	M-9
002505	Ag Economy Rear Wishbone Harness, 15' Long	M-9
002510	Ag Heavy-Duty Wishbone Harness w/Protective Covering, 10' Long	M-9
002515	Ag Heavy-Duty Rear Wishbone Harness w/Protective Covering, 15' Long	M-9
002590	Replacement Part, Magnet Kit for Ag Lights, 90 lbs. Pull (Set of 4)	M-5, 7, 10
002625	Ag Tandem Haul Kit	M-8
002670	Ag Economy Light Kit	M-6
002675	Ag Deluxe Transport Kit w/ Brake Light Function, 6-Pin	M-7
002676	Ag Deluxe Transport Kit w/ Brake Light Function, 7-Pin	M-7
002802	Metal Wire Clip (1000 pack)	C-36
002805	Wire Nut, Large - 14-16 Gauge (1000 pack)	C-36
002806	Wire Tap, White, Double Leads (500 pack)	C-36
002807	Wire Tap, Blue, Single Leads	C-36
003101	Side Marker/Clearance Light Amber w/Reflex Lens w/Black Stud-Mount Base	L-22, 40
003103	Side Marker/Clearance Light Red w/Reflex Lens w/Black Stud-Mount Base	L-40
003121	Side Marker/Clearance Light Amber w/Reflex Lens w/Black Ear-Mount Base	L-40
003123	Side Marker/Clearance Light Red w/Reflex Lens w/Black Ear-Mount Base	L-40
0031350300	A-Frame Bottom Support Plate, 2.3" Hole Dia., for 150's, 160's, 170's & A-Frames	K-21, 39, M-38
003225	Side Marker/Clearance Light Amber, PC Rated	L-41
003230	Side Marker/Clearance Light Amber w/White Stud-Mount Base, PC Rated	L-36
003231	Side Marker/Clearance Light Red w/White Stud-Mount Base, PC Rated	L-36

PART NO.	DESCRIPTION	PAGE NO.
003238	Side Marker/Clearance Light, Amber, Waterproof, Black, Stud Mount, PC Rated	L-36
003239	Side Marker/Clearance Light, Red, Waterproof, Black, Stud Mount, PC Rated	L-36
003272	Side Marker/Clearance Light Amber w/White Ear-Mount Base, PC Rated	L-36
003273	Side Marker/Clearance Light Red w/White Ear-Mount Base, PC Rated	L-36
003330	Replacement Part, Clearance Light Lens Amber	L-41
003337	Replacement Part, Lens, Red, Side Marker/Clearance Light w/Screw	L-39, 40
003338	Replacement Part, Lens, Amber, Side Marker/Clearance Light w/Screw	L-25, 39, 40
003340	Replacement Part, Lens, Amber, Side Marker/Clearance, Square	L-41
003357	Amber Reflector w/Adhesive Back (1/bag)	L-46
003358	Red Reflector w/Adhesive Back (1/bag)	L-46
003387	White Reflector w/Adhesive Back, 1"x1" (2/bag)	L-47
003388	Red Reflector w/Adhesive Back, 1"x1" (2/bag)	L-47
003440	Side Marker/Clearance Light, Amber, w/Dual Bulbs	L-41
003441	Side Marker/Clearance Light, Red, w/Dual Bulbs	L-41
003495	Replacement Part, Lens Red, Clearance Light	L-41
0050240300	Weld-On Female Tube Mount, 5/8" Pin for 190's	K-21
007257	7-Way Blade to 5-Flat, 6" Wire Adapter	C-30
007509	Trailer Light Kit w/25" Harness, Waterproof Low-Profile Wrap-Around Over 80"	L-22
007539	Trailer Light Kit w/25" Harness, Waterproof Over 80" Low Profile	L-22
008540	Plastic Fender, 8"-12" Tire Size, White	N-23
008541	Plastic Fender, 8"-12" Tire Size, White	N-23
01202-024	Receiver Tube Covers, 2" Sq., Black (24 pack)	B-28
0133310S00	Replacement Part, KIT-RATCHET PAWL-F2™	K-48
0133311S00	Replacement Part, Handle for F2™ 2,000 lbs. & 3,200 lbs. Winches	K-48
0133312S00	Replacement Part, Drive Gear for F2™ Winch	K-48
0133313S00	Replacement Part, Handle for F2™ FW1600 Winch	K-48
015181	Sidewind Crank Assembly for 180's	K-43, 27, M-29
017125	Detachable Steel Wheel Assembly w/Pin for 150 A-Frames	K-21
018098	Tongue Jack Support Foot, Removable w/Lock Pin, 6.2" Tall, Rating 2,000 - 5,000 lbs. for Jacks w/2" Inner Tubes	K-21 39, M-39
0181730324	Removable Foot Plate, 6.2"	K-39, M-39
018507	Kit -Removable Caster Assembly Steel Wheel	K-39
0185640301	Removable Disc Foot w/Pin 2.1" Tall - Plated for 150's & 170's	K-39, M-39
01932-003	3/8" Drill Bits (3 pack)	A-10
01933-003	7/16" Drill Bits (3 pack)	A-10
01934-003	1/2" Drill Bits (3 pack)	A-10
01938-003	1/4" Pilot Drill Bits (3 pack)	A-10
0233060301	Replacement Part, Pin Kit for Adjustable Gooseneck Coupler	K-64, M-19
0233100300	Replacement Part, Adjustable Round Gooseneck Coupler Tube, Weld On, 20" Length	K-64, M-19
0233120300	Square Gooseneck Coupler Outer Tube, Weld On, 20" L, 4-1/2" Tube, w/Hex Head Bolt Hole	K-63, M-18
024200	Replacement Part, High Profile Coupler Repair Kit	K-69, M-13
024202	Replacement Part, Adjustable Height Coupler Mounting Hardware Kit	K-70, M-15
0252010201	Kit, Snapper Pin & Chain Assembly	K-41, M-40
028242	Coupler, Round Tube Mount, 5000 lbs.	K-69, M-13
028243	Coupler, Square/Rectangular Mount, 7000 lbs.	K-69, M-13
028244	Coupler, Square/Rectangular Mount, 5000 lbs.	K-69, M-13
028287	Coupler, A-Frame Mount, 7000 lbs.	K-69, M-13
028288	Coupler, A-Frame Mount, 5000 lbs.	K-69, M-13
02835	Hitch Ball, 2" x 1" x 2-1/8", 5000 lbs.	B-6
028381	Coupler, Round Tube Mount, 5000 lbs.	K-69, M-13
028382	Coupler, Ball Size 2", Tongue Mount Width 3", Straight Channel, 5,000 lbs.	K-69, M-13
028383	Coupler, Round Straight Mount, 5000 lbs.	K-69, M-13
028384	Coupler, Ball Size 2", A-Frame Coupler, 5,000 lbs.	K-69, M-13
028386	Coupler, Ball Size 2", A-Frame Coupler, 7,000 lbs.	K-69, M-13
028387	Coupler, Ball Size 2", Tongue Mount Width 3", Straight Channel, 7,000 lbs.	K-69, M-13

PRODUCT INDEX

PART NO.	DESCRIPTION	PAGE NO.
028390	Adjustable Coupler, 7000 lbs.	K-69, M-13
028400	Hitch Ball, 2-5/16" x 1-1/4" x 2-3/4", 12,500 lbs.	B-6
028442	Coupler, Round Tube Mount, 12,500 lbs.	K-69, M-13
028444	Coupler, Square/Rectangular Mount, 12,500 lbs.	K-69, M-13
028461	Coupler, Round Tube Mount, 12,500 lbs.	K-69, M-13
028462	Coupler, Ball Size 2-5/16", Tongue Mount Width 3", Straight Channel, 12,500 lbs.	K-69, M-13
028463	Coupler, Ball Size 2-5/16", A-Frame Coupler, 12,500 lbs.	K-69, M-13
028499	Coupler, A-Frame Mount, 12,500 lbs.	K-69, M-13
028584	Rigid Mount Adjustable Coupler, 7000 lbs.	K-69, M-13
028585	Rigid Mount Adjustable Coupler, 12,500 lbs.	K-69, M-13
028630	Adjustable Coupler, 12,500 lbs.	K-69, M-13
028655	Coupler, Ball Size 2-5/16", A-Frame Coupler, 15,000 lbs.	K-69, M-13
028656	Coupler, Ball Size 2-5/16", A-Frame Coupler, 15,000 lbs.	K-69, M-13
028657	Adjustable Coupler, 15,000 lbs.	K-69, M-13
087600300	20K Adjustable Gooseneck Coupler	K-64, M-19
0287610300	20K Adjustable Gooseneck Coupler w/ Pin & Less Outer Tube	K-64, M-19
0287620300	20K Adjustable Gooseneck Coupler w/ Tube Cap	K-64, M-19
0287650300	20K Round Gooseneck Coupler w/ Cable Release-Inner	K-64, M-19
0287690300	20K Fixed Base Gooseneck Coupler	K-64, M-19
0287740300	20K Gooseneck Coupler Kit, Includes Locking Pin Assembly, Locking Pin Cover & Labels	K-64, M-19
0287760300	20K Adjustable Gooseneck - CBL Release	K-64, M-19
0287790300	20K Round Gooseneck Coupler, Dual Set Bolt and Labels	K-66
0287800300	25K Round Gooseneck Coupler, Dual Set Bolt and Labels	K-66
0287820300	25K Round Gooseneck Coupler, Includes Locking Pin Assembly, Single Set Bolt	K-66
0288660300	25K Square Gooseneck, 4" Inner Tube w/ Pin & Less Outer Tube	K-65, M-20
028900	30K Adjustable Square Gooseneck	K-65, M-20
0289250300	25K Adjustable Round Gooseneck w/ Pin & Outer Tube	K-64, M-19
0289340317	25K Round Gooseneck Coupler w/ Cable Release	K-64, M-19
0289500300	30K Adjustable Round Gooseneck w/ Pin	K-64, M-19
0289580300	25K Round King Pin Gooseneck	K-65
0289590300	30K Square King Pin Gooseneck	K-65
0289600300	25K Square Gooseneck w/ Pin	K-65, M-20
0289640300	25K Round King Pin Gooseneck w/o Outer Tube, 4 Hole	K-65
0289650300	30K Square King Pin Gooseneck w/o Outer Tube, 4 Hole	K-65
0289800300	30K Square Gooseneck w/ Pin	K-65, M-20
0289SB0140	Replacement Part, Adjustable Gooseneck Pinch Bolt Kit	K-65
05330-010	Hitch Hider Tube Covers, 2" Sq. Receivers w/ Built-In 4-Flat Electrical Cover (10 pack)	B-28
06237	1/2" Hitch Pin for 1-1/4" Class I and Class II, Zinc	B-23
07010-024	Receiver Tube Cover, 2" Sq., Black Rubber (24 pack)	B-28
0933301S00	Replacement Part, Service Kit, Handle-Marine	K-15
0933302S00	Replacement Part, Service Kit, Bevel	K-15
0933305S00	Replacement Part, Service Kit, Handle-Sidewind Jacks	K-15
0933306S00	Replacement Part, Service Kit, Bevel Gear-1200 lbs. Jacks	K-9, K-15
0933307S00	Replacement Part, Service Kit, Plunger Pin 1/2" S-Mount	K-15
0933323S00	Replacement Part, Service Kit, 8" Wheel	K-15
0933325S00	Replacement Part, Service Kit, Bolt-On Hardware	K-15
1000750	WaterWick™, 750 Gram	N-24
100235	Grease Cap, 2.333" Zinc Plated	N-22
101469	4-Flat Car End Connector 72" Long, 72" Ground (Includes Wire Taps)	C-18
1024	Accelerated Battery Charging Device (ABCD)	N-9
1026	Shur-Set III® Breakaway System w/ 5 Amp/Hr Battery	N-7
102639	Replacement Part, Lens Red, Clearance/Side Marker	L-22
102641	Replacement Part, Lens Red, Taillight Over 80"	L-22
1028	Shur-Set III® Breakaway System w/ 5 Amp/Hr Battery (with ABCD)	N-7
1041100	Rainproof Expandable Cargo Carrier Bag	I-9
104393	4-Flat Dust Cover	C-20

PART NO.	DESCRIPTION	PAGE NO.
104429	Plastic Wire Clip w/ Adhesive Back	C-36
105728	Plug Holder for AG 7-Way Round Pin Trailer Connector, Trailer End	M-10
106289	Replacement Part, Clearance Light Base, Chrome 2" Snap-Lock, Self-Grounding	L-24, 29, 34
106293	Replacement Part, Clearance Light Base, Chrome 2" Snap-Lock, Open-Back	L-24, 29, 34
106294	Replacement Part, Module, Utility, Snap-lock, Clear	L-29, 34
106310	Replacement Part, Single Plug for Snap-lock Base	L-45
106334	Replacement Part, Pigtail	L-34
106410	8-Function, Left/Roadside, Trailer Ground Connection w/ Molded 2-Way Plug	L-22
106411	7-Function, Right/Curbside, Trailer Ground Connection w/ Molded 2-Way Plug a	L-22
106873	Replacement Part, 6" Oval Mounting Bracket	L-11, 12, 13, 23, 27, 42
108119	Mounting Bracket, 6" Oval Taillight	L-11, 12, 13, 23, 27, 42
108297	Replacement Part, Base only, Black, Open Back "15 Series"	L-24, 29, 34
108318	Ag Light Enhanced Lighting Module w/ Molded Plugs	M-9
108663	Replacement Part, Plug, 2-Way, 18" w/ #10 Ring	L-24, 28, 29, 34, 35, 37, 45
108820	4-Flat Trailer End Connector, 20" Wishbone Harness, 30" Ground	C-18
108825	4-Flat Trailer End Connector, 25" Wishbone Harness, 30" Ground	C-18, L-9, L-10, L-22
108830	4-Flat Trailer End Connector, 30" Wishbone Harness, 30" Ground	C-18
108835	4-Flat Trailer End Connector, 35" Wishbone Harness, 30" Ground	C-18
108840	4-Flat Trailer End Connector, 40" Wishbone Harness, 30" Ground	C-18
108844	Replacement Part, Lens Red, Clearance Light	L-41
108891	Replacement Part, Bulb #193	L-18, 19, 20, 21, 22, 24, 25, 35, 39, 41, 49
11003	Receiver Extension, 2" to 2" Extension, 14" Length, 400/4,000 lbs. WC & 650/6,500 lbs. WD	B-19
11004	Receiver Extension, 2" to 2" Extension, 18" Length, 400/4,000 lbs. WC & 650/6,500 lb WD	B-19
11006	Receiver Extension w/Step, 2-2" Extension, 18" Length, 400/4,000 lb WC & 650/6,500 lb WD	B-19
11029	Receiver Fabrication Part, 18" Combo Bar 2-1/2" Sq. ID, Unpainted	A-10
11081	Receiver Fabrication Part, 8" Combo Bar 2" Sq. ID, Unpainted	A-10
11200 0101	Coupler, Class I, 1-7/8" Ball, 2" Channel, 2000 lbs. - Zinc	K-71
1124	Hole Saw Arbor w/ Pilot Drill Bit for #1123/#58381	A-10
11250 0101	Coupler, Class I, 1-7/8" Ball, 2-1/2" Channel, 2000 lbs. - Zinc	K-71
11300 0101	Coupler, Class I, 1-7/8" Ball, 3" Channel, 2000 lbs. - Zinc	K-71
117300	Replacement Part, Elite Fifth Wheel Head Kit	F-9, G-10
117398	STAND RV JACK DISPLAY	O-7
117400	ENDCAPS (4) RV JACK DISP	O-7
11755	Electrical Contact Grease, 2 Oz. Tube	C-37
118001	4-Flat Car End Connector 48" Long (Includes 4 Wire Taps)	C-19
118001-024	4-Flat Car End Connector 48" Long (24 pack)	C-19
118001-200	4-Flat Car End Connector 48" Long (200 pack)	C-19
118002	4-Flat Car End Connector 60" Long (Includes 4 Wire Taps)	C-19
118002-024	4-Flat Car End Connector 60" Long (24 pack)	C-19
118002-200	4-Flat Car End Connector 60" Long (200 pack)	C-19
118004	4-Flat Trailer End Connector, 12" Long	C-19
118004-012	4-Flat Trailer End Connector, 12" Long (12 pack)	C-19
118009	4-Flat Trailer End Connector, 21" Long	C-19
118016	5-Flat 72" Car End Wiring Harness	C-21
118016-025	5-Flat 72" Car End Wiring Harness (25 pack)	C-21
118017	5-Flat 48" Trailer End Wiring Harness	C-21
118019	7-Way to Cigarette Lighter Plug Adapter	C-31
118020	7-Way Flat Pin Connector, Car End, Plastic	C-24
118020-006	7-Way Flat Pin Connector, Car End, Plastic (6 pack)	C-24
118020-050	7-Way Flat Pin Connector, Car End, Plastic (50 pack)	C-24
118021	7-Way Flat Pin Connector, Trailer End, Plastic	C-24

PART NO.	DESCRIPTION	PAGE NO.
118021-006	7-Way Flat Pin Connector, Trailer End, Plastic (6 pack)	C-24
118021-050	7-Way Flat Pin Connector, Trailer End, Plastic (50 pack)	C-24
118030	7-Way Flat Pin Connector, Car End, Metal	C-24
118031	7-Way Flat Pin Connector, Trailer End, Metal	C-24
118033	4-Flat Trailer End Connector, 48" Long	C-19
118033-012	4-Flat Trailer End Connector, 48" Long (12 pack)	C-19
118036	6-Way Round Pin Connector, Car End, Metal	C-22
118036-006	6-Way Round Pin Connector, Car End, Metal (6 pack)	C-22
118036-050	6-Way Round Pin Connector, Car End, Metal (50 pack)	C-22
118037	6-Way Round Pin Connector, Trailer End, Metal	C-22
118037-006	6-Way Round Pin Connector, Trailer End, Metal (6 pack)	C-22
118037-050	6-Way Round Pin Connector, Trailer End, Metal (50 pack)	C-22
118043	4-Flat Car End Connector 30" Long, "The Knockout" Connector	C-20
118044	4-Flat Plug Loop, 48" Long (Includes 4 Wire Taps)	C-19
118044-010	4-Flat Plug Loop, 48" Long (10 pack)	C-19
118044-175	4-Flat Plug Loop, 48" Long (175 pack)	C-19
118045	4-Flat Plug Loop, 60" Long (Includes 4 Wire Taps)	C-19
118045-010	4-Flat Plug Loop, 60" Long (10 pack)	C-19
118045-175	4-Flat Plug Loop, 60" Long (175 pack)	C-19
118077	4-Way Round Connector, Car and Trailer End, Metal	C-19
118101	4-Way Round Connector, Car End, Metal	C-19
118102	4-Way Round Connector, Trailer End, Metal	C-19
118104	4-Flat Trailer End Connector to 6 Pole Square Adapter for Jayco Type Trailers	C-22
118132	Mounting Bracket Combo for 4-Way & 6-Way Round Connectors	C-33
118136	Universal Mounting Bracket and Clamp (Long)	C-34
118137	Mounting Bracket for 4, 5 and 6-Way Connectors, Includes Screws and Nuts	C-34
118137-010	Mounting Bracket for 4, 5 and 6-Way Connectors (10 pack)	C-34
118138	Mounting Bracket for 7-Way Flat Pin Connectors, Includes Screws and Nuts	C-34
118138-010	Mounting Bracket for 7-Way Flat Pin Connectors (10 pack)	C-34
118140	Universal Mounting Bracket and Clamp (Short)	C-34
118144	4-Flat Mounting Bracket	C-34
118144-010	4-Flat Mounting Bracket (10 pack)	C-34
118145	Plug Storage Box for 4-Flat Connector	C-35
118149	4-Flat Universal Mounting Bracket	C-33
118149-010	4-Flat Universal Mounting Bracket (10 pack)	C-33
118150	Wiring Kit for 119146, 119147, 119176, 119177, 119178, 119180, 119190, 119192 ModuLite® Power Modules	C-15
118151	Wiring Kit for 119146, 119147, 119176, 119177, 119178, 119180, 119190, 119192 ModuLite® Power Modules	C-15
118152	Trailer Plug Holder for 6 & 7-Way Trailer Plugs	C-34
118156	6 & 7-Way Connector Mounting Box, 2-1/2" Crosstubes	C-35
118156-010	6 & 7-Way Connector Mounting Box, 2-1/2" Crosstubes (10 pack)	C-35
118157	6 & 7-Way Connector Mounting Box, 3" Crosstubes	C-35
118157-010	6 & 7-Way Connector Mounting Box, 3" Crosstubes (10 pack)	C-35
118158	2 to 3 Taillight Converter for Connecting 2 Wire Systems to Towed w/3 Wire Systems	C-16
118159	6 & 7-Way Connector Mounting Box, Universal for Round & Square Tube Hitches	C-35
118159-010	6 & 7-Way Connector Mounting Box, Universal for Round & Square Tube Hitches	C-35
118172-024	4-Flat Car End Connector 72" Long (24 pack)	C-19
118172-150	4-Flat Car End Connector 72" Long (150 pack)	C-19
118185	4-Flat Plug Loop, 18" Long (Includes 4 Wire Taps)	C-19
118185-025	4-Flat Plug Loop, 18" Long (25 pack)	C-19
118185-200	4-Flat Plug Loop, 18" Long (200 pack)	C-19
118192	4-Flat Trailer End Connector, Dual Taillight Wires, 25' Long	C-19
118215	5-Flat Plug Loop 60" Long, Car & Trailer End Wiring Harness	C-21
118601	4-Flat to 4-Flat "The Knockout" Adapter	C-31
118603	4-Flat Car End Connector 60" Long, "The Knockout" Connector	C-20

PART NO.	DESCRIPTION	PAGE NO.
118607	Pre-Wired Brake Mate™ Kit Adapter, 7-Way Flat Pin Connector w/Brake Control Wiring Install. Kit	C-32, D-9
118636	4-Flat Plug Loop, 24" Long (Includes 4 Wire Taps)	C-19
118664	7-Way U.S. Car End to 7-Way Trailer End Extension Cable 7'	C-27
118665	Battery Isolation Solenoid, 3 Pole, 12 Volt (Chassis Ground)	C-37
118666	6-Way Car End to 6-Way Trailer End Extension Cable 7'	C-27
118700	6-Way Round Pin to 4-Flat Adapter	C-31
118700-050	6-Way Round Pin to 4-Flat Adapter (50 pack)	C-31
118702	7-Way Flat Pin to 4-Flat Adapter	C-31
118702-050	7-Way Flat Pin to 4-Flat Adapter (50 pack)	C-31
118703	7-Way Flat Pin to 5-Flat Adapter	C-31
118704	7-Way Flat Pin to 6-Way Round Adapter w/Electric Brakes to Outside (S) Pin of 6-Way	C-31
118704-050	7-Way Flat Pin to 6-Way Round Adapter w/Electric Brakes to Outside (S) Pin of 6-Way	C-31
118708	7-Way Flat Pin to 6-Way Round Adapter w/Electric Brakes to Center (A) Pin of 6-Way	C-31
118708-050	7-Way Flat Pin to 6-Way Round Adapter w/Electric Brakes to Center (A) Pin of 6-Way	C-31
118709	7-Way Round Pin to 4-Flat Adapter	C-31
118710	7-Way European Style Round Pin to 4-Flat Adapter	C-31
118799	Pre-Wired Adapter, 7-Way Flat Pin Connector w/Brake Control Wiring	C-32
118821	Taillight Isolating System w/4-Flat	C-17
119130	Taillight Converter w/12" Leads and 60" 4-Flat Car End Connector	C-17
119130-012	Taillight Converter w/12" Leads and 60" 4-Flat Car End Connector (12 pack)	C-17
119130-050	Taillight Converter w/12" Leads and 60" 4-Flat Car End Connector (50 pack)	C-17
119147	ModuLite® HD Protector Trailer Light Power Module	C-14
119147-012	ModuLite® HD Protector Trailer Light Power Module (12 pack)	C-14
119147-050	ModuLite® HD Protector Trailer Light Power Module (50 pack)	C-14
119148	ModuLite® HD Protector Trailer Light Power Module & Installation Kit	C-14
119177	ModuLite® HD Protector w/Integrated Circuit & Overload Protection & 5-Flat Connector	C-14
119178	Taillight Converter with Integrated Circuit Protection	C-16
119178-012	Taillight Converter with Integrated Circuit Protection (12 pack)	C-16
119178-050	Taillight Converter with Integrated Circuit Protection (50 pack)	C-16
119190	ModuLite® HD Plus Protector Trailer Light Power Module	C-13
119190-012	ModuLite® HD Plus Protector Trailer Light Power Module	C-13
119190-050	ModuLite® HD Plus Protector Trailer Light Power Module (50 pack)	C-13
119191	ModuLite® HD Plus Protector Trailer Light Power Module & Installation Kit	C-13
119192	ModuLite® Ultra Protector Trailer Light Power Module	C-13
119250	ZCI™ Zero Contact Interface Universal ModuLite®	C-12
119251	ZCI™ Zero Contact Interface Universal ModuLite® & Installation Kit	C-12
1202	Receiver Tube Cover, 2" Sq., Black	B-28
1289000300	BX1™ 25K Round Gooseneck Coupler, Includes Locking Pin Assembly, Dual Set Bolts	K-63, M-18
1289020300	BX1™ 25K Round Gooseneck Coupler w/o Outer Tube, Includes Locking Pin Assembly	K-63, M-18
1289030300	BX1™ 20K Round Gooseneck Coupler, Includes Locking Pin Assembly, Dual Set Bolts	K-63, M-18
1289040300	BX1™ 30K Round Gooseneck Coupler, Includes Locking Pin Assembly, Dual Set Bolts	K-63, M-18
1289050300	BX1™ 30K Round Gooseneck Coupler w/o Outer Tube, Includes Locking Pin Assembly	K-63, M-18
1289070300	BX1™ 20K Round Gooseneck Coupler, Includes Locking Pin Assembly, Dual Set Bolts	K-63, M-18
1289080300	BX1™ 25K Round Gooseneck Coupler, Short Configuration, Includes Locking Pin Assembly, Dual Set Bolts, 4 Hole Adjustment and Labels	K-63, M-18
1289130300	BX1™ 25K Square Gooseneck Coupler, Includes Hex Head Bolt & Nylon Locknut	K-63, M-18
1289140300	BX1™ 30K Square Gooseneck Coupler, Includes Hex Head Bolt & Nylon Locknut	K-63, M-18
1289170300	BX1™ 20K Round Gooseneck Coupler w/o Outer Tube, Includes Locking Pin Assembly	K-63, M-18
1289200300	BX1™ 40K Square Gooseneck Coupler for 3" Ball, Includes Locking Pin Assembly	K-63, M-18
1289210300	BX1™ 25K Square Gooseneck Coupler w/o Outer Tube, Includes Locking Pin Assembly	K-63, M-18
1291020340	Adjustable Lunette Ring, 3" Dia., 14,000 lbs. Capacity	B-21, K-73, M-17
1291020383	Adjustable Lunette Ring, 3" Dia., 14,000 lbs. Capacity	B-21, K-73, M-17
1390600	Ratcheting Cargo Bar 40" to 70"	I-19
139370T	Stretch Net Cargo Net for Cargo Carriers & Roof Rack 36 In. X 48 In.	J-7

PRODUCT INDEX

PART NO.	DESCRIPTION	PAGE NO.
1400300303	Pro Series™ Bolt-On Jack, Topwind, 2,000 lbs. w/Footplate	K-23
1400400303	Pro Series™ Weld-On Jack, Topwind, 10" Travel, 2,000 lbs. w/Footplate	K-23
1400600303	Pro Series™ A-Frame Jack, 5,000 lbs.	K-19
1400700340	Pro Series™ Footplate & Pin	K-19
1400750340	6" Caster, Poly	K-19
1400800383	Pro Series™ Square Tube, 8,000 lbs., Topwind, 15" Travel, Adjustable Dropleg	K-28
1400830383	Pro Series™ Weld-On Square Tube, 8,000 lbs., Topwind, Tubular Swivel Mount	K-28
1400850383	Pro Series™ Square Tube, 8,000 lbs., Sidewind, 15" Travel, Adjustable Dropleg	K-28
1400860383	Pro Series™ Weld-On Square Tube, 8,000 lbs., Sidewind, Tubular Swivel Mount	K-28
1400920383	KIT-JACK HNDL W/MNT HDWR	K-28
140094	Pro Series™ Weld-On Jack Square Tube, 12000 lb, Sidewind, 12-1/2" Travel	K-28
1400950376	Pro Series™ Weld-On Jack Square Tube, 12000 lb, Sidewind, 12-1/2" Travel	K-28
1400960376	Pro Series™ Weld-On Jack Square Tube, 12000 lb, Sidewind, 12-1/2" Travel	K-28
1400980376	Pro Series™ Weld-On Jack Square Tube, 12000 lb, Sidewind, 12-1/2" Travel	K-28
1400990376	Pro Series™ Weld-On Jack Square Tube, 1000 lb, Sidewind, 12-1/2" Travel	K-28
1401000303	Pro Series™ A-Frame Jack, 2,000 lbs.	K-19
1401010376	Pro Series™ Weld-On Jack Square Tube, 12,000 lbs., Sidewind, 12-1/2" Travel,	K-28
1401020303	Pro Series™ Weld-On Jack, Sidewind, 2,000 lbs. w/Footplate	K-23
1401030303	Pro Series™ Weld-On Jack, Sidewind, 2,000 lbs. w/Footplate	K-23
1401040303	Pro Series™ Weld-On Jack, Topwind, 2,000 lbs. w/Footplate	K-23
1401060303	Pro Series™ Weld-On Jack, Sidewind, 2,000 lbs. w/Footplate	K-23
1401080303	Pro Series™ Weld-On Jack, Sidewind, 2,000 lbs. w/Footplate	K-23
1401140303	Pro Series™ Weld-On Jack, Topwind, 2,000 lbs. w/Footplate	K-23
1401200303	Pro Series™ Weld-On Jack, Topwind, 2,000 lbs. w/Footplate	K-23
1401420303	Pro Series™ Weld-On Jack, Sidewind, 5,000 lbs.	K-23
1401440303	Pro Series™ Weld-On Jack, Sidewind, 5,000 lbs. w/Footplate	K-23
1401460303	Pro Series™ Weld-On Jack, Topwind, 5,000 lbs.	K-23
1401480303	Pro Series™ Weld-On Jack, Topwind, 5,000 lbs. w/Footplate	K-23
1401500383	Pro Series™ Square Tube, 5,000 lbs., Topwind, 15" Travel,	K-28
1401520383	Pro Series™ Square Tube, 5,000 lbs., Topwind, Weld-On Tubular Swivel Mount	K-28
1401600383	Pro Series™ Square Tube, 5,000 lbs., Sidewind, 15" Travel,	K-28
1401610383	Pro Series™ Square Tube, 5,000 lbs., Sidewind, Weld-On Tubular Swivel Mount	K-28
1410050149	400 lbs., Trailer Stand, Swivel, 6" Poly Wheel	K-14
141133	XLT® Jack, 1,500 lbs., Swing Away, Bolt-On, 12" Travel, TruTurn 360 Castering System	K-9
1413020134	F2™ Jack, 1,600 lbs., Twin Track	K-11
1413040134	F2™ Jack, 1,600 lbs., Wide Track	K-11
1413230134	F2™ Jack, 2,000 lbs., Swivel w/Foot Plate, Bolt-On	K-10
1413250334	F2™ Jack, RV A-Frame	K-12
141401	XLT® Powered Jack, Rating 2,500 lbs.	K-9, K-45
142001	Winch, 900 lbs., Single-Speed	K-49
142006	Winch, 900 lbs., Single-Speed for Personal Watercraft, w/12" Strap	K-49
142100	Winch, 1100 lbs., Single-Speed	K-49
142102	Winch, 1100 lbs., Single-Speed w/20" Strap	K-49
142103	Winch, 1300 lbs., Single-Speed	K-49
142200	Winch, 1500 lbs., Single-Speed	K-49
142203	Winch, 1500 lbs., Single-Speed w/20" Strap	K-49
142208	Winch, 1500 lbs., Single-Speed w/20" Strap & Cover	K-49
142300	Winch, 1800 lbs., Single-Speed	K-49
142305	Winch, 1800 lbs., Single-Speed w/20" Strap	K-49
142311 (XLT)	Winch, 1500 lbs., Single-Speed w/20" Strap	K-49
142314 (XLT)	Winch, 1800 lbs., Single-Speed w/20" Strap	K-49
142400	Winch, 2000 lbs., 2-Speed	K-51
142410	Winch, 2600 lbs., 2-Speed, Replacement Winch, w/o Strap and Hardware	K-51
142411	Winch, 2600 lbs., 2-Speed w/Brake	K-51
142415	Winch, 2600 lbs., 2-Speed w/20" Strap	K-51
142420	Winch, 3200 lbs., 2-Speed	K-51

PART NO.	DESCRIPTION	PAGE NO.
142430	Winch, 3700 lbs., 2-Speed	K-51
143001	Brake Winch, 1000 lbs.	K-53
143005	Brake Winch, 1000 lbs.	K-53
143100	Brake Winch, 1500 lbs.	K-53
143104	Deluxe Brake Winch, 1500 lbs.	K-53
143200	Brake Winches	K-53
14-715810	7-Way Junction Box	C-35
150000	Jack, Topwind, 10" Travel, No Mount or Base, 2,000 lbs. Lift Capacity	K-20, M-21
150152	Jack, Sidewind, 15" Travel, No Mount, 2000 lbs. Lift Capacity	K-20, M-21
150441	TWS 1500TSFX w/P&C PLTD	K-17, M-22
151101	Weld-On Jack, Sidewind, 10" Travel, Weld-On "C" Bend Swivel Bracket, 2000 lb Lift Capacity	K-20, M-23
1511010117	Weld-On Jack, Sidewind, 10" Travel, Weld-On "C" Bend Swivel Bracket, 2000 lb Lift Capacity	K-20, M-23
151159	Weld-On Jack, Sidewind, 15" Travel, Weld-On "C" Bend Swivel Bracket, 2000 lb Lift Capacity	K-20, M-23
151401	Weld-On Jack, Topwind, 10" Travel, Weld-On "C" Bend Swivel Bracket, 2000 lb Lift Capacity	K-20, M-23
1514010117	Weld-On Jack, Topwind, 10" Travel, Weld-On "C" Bend Swivel Bracket, 2000 lb Lift Capacity	K-20, M-23
151421	Tongue Jack, Swivel Jack, Topwind, 15" Travel, Weld-On Retaining Ring Bracket, 2000 lb	K-20, M-23
1514210117	Weld-On Jack, Topwind, 15" Travel, Weld-On "C" Bend Swivel Bracket, 2000 lb Lift Capacity	K-20, M-23
151443	Bolt-On Jack, Topwind, 10" Travel, Bolt-On Swivel Bracket, 2000 lb Lift Capacity	K-20, M-21
151460	TWS 151 DS Jack	K-20, M-23
1523	MTO 10" BLACK BI-LVL SFT WHITE	N-22
1524	BRUSHHEAD 10" BI-LEVEL STIFF	N-22
1526	BRUSHHEAD 10" BI-LEV TAMPICO	N-22
1542S01	Replacement Part, Repair Kit (GN24), Includes Torsion Spring, Coupler Locking Shaft, Curved Handle Assembly, 3/4" Shaft Retaining Ring, Centerlock Nut - 1/2-13	K-64, M-19
1550100117	A-Frame Jack, Sidewind, 13" Travel, 7" Bracket to Ground Retracted, 3,000 lb Lift Capacity	K-18
1550100317	A-Frame Jack, Sidewind, 13" Travel, 7" Bracket to Ground Retracted, 3,000 lb Lift Capacity	K-18
1550101344	A-Frame Jack, Sidewind, 13" Travel, 7" Bracket to Ground Retracted, 3,000 lb Lift Capacity	K-18
155022	A-Frame Jack, Topwind, 15" Travel, 8.4" Bracket to Ground Retracted, 2,000 lb Lift Capacity	K-18
1550220117	A-Frame Jack, Topwind, 15" Travel, 8.4" Bracket to Ground Retracted, 2,000 lb Lift Capacity	K-18
155028	A-Frame Jack, Topwind, 8.4" Bracket to Ground Retracted, 2,000 lbs. Lift Cap., - Zinc Plated	K-18
155032	A-Frame Jack, Topwind, 15" Travel, 10.15" Bracket to Ground Retracted, 5,000 lb Lift Capacity	K-18
1550320117	A-Frame Jack, Topwind, 15" Travel, 10.15" Bracket to Ground Retracted, 5,000 lb Lift Capacity	K-18
155033	A-Frame Jack, Topwind, 15" Travel, Weld-On/Bolt-On, 2,000 lbs. Lift Capacity	K-18
155100	A-Frame Jack, Topwind, 2,000 lbs. Lift Cap., 7.5" Bracket to Ground Retracted,	K-18
155157	A-Frame Jack, Sidewind, 13" Travel, 8.6" Bracket to Ground Retracted, 2000 lb Lift Capacity	K-18
1551570117	A-Frame Jack, Sidewind, 13" Travel, 8.6" Bracket to Ground Retracted, 2000 lb Lift Capacity	K-18
158109	Swivel Jack, Sidewind, 10" Travel, Weld-On Tubular Mount, 2000 lb Lift Capacity	K-17, M-22
1581090117	Swivel Jack, Sidewind, 10" Travel, Weld-On Tubular Mount, 2000 lb Lift Capacity	K-17, M-22
1581090301	Swivel Jack, Sidewind, 10" Travel, Weld-On Tubular Mount, 2000 lb Lift Capacity	K-17, M-22
158151	Swivel Jack, Sidewind, 15" Travel, Weld-On Tubular Mount, 2000 lb Lift Capacity	K-17, M-22
1581510117	Swivel Jack, Sidewind, 15" Travel, Weld-On Tubular Mount, 2000 lb Lift Capacity	K-17, M-22
158451	Swivel Jack, Topwind, 10" Travel, Weld-On tubular Mount, 2000 lb Lift Capacity	K-17, M-22
1584510117	Swivel Jack, Topwind, 10" Travel, Weld-On tubular Mount, 2000 lb Lift Capacity	K-17, M-22
158452	Swivel Jack, Topwind, 15" Travel, Weld-On tubular Mount, 2000 lb Lift Capacity	K-17, M-22
1584520117	Swivel Jack, Topwind, 15" Travel, Weld-On tubular Mount, 2000 lb Lift Capacity	K-17, M-22
158488	TWL 150 DTSF w/P&C-w/Mount	K-17, M-22
1596S01	Service Kit, Ratchet Repair for F2™ 1,600 lbs. Winch	K-48
1605	DISPLAY STAND YELLOW	N-22
161300	Weld-On L-Bend Bracket, Steel Wheel	K-38, M-36
1621	Wing Set	H-6
162300	Bolt-On L-Bend Bracket, Steel Wheel	K-38, M-36
165111	A-Frame Weld-On/Bolt-On Bracket, Disc Foot	K-36, M-37
165211	A-Frame Weld-On/Bolt-On Bracket, Polyolefin Wheel	K-36, M-37
165311	165 W, 16" Travel, Includes #018155 Gearbox and #018006 Rack & Post Assembly	K-36, M-37
165411	Helld Jack, A-Frame Weld-On/Bolt-On Bracket, 21" Long 1200 lb Rack and Post, Steel Wheel	K-36, M-37
165412	HD Jack, A-Frame Weld-On/Bolt-On Bracket, 21" Long 1200 lb Rack and Post, Steel Wheel	K-36, M-37

PART NO.	DESCRIPTION	PAGE NO.
169201	Bolt-On Mount, 3"x5" Tongue, Mounting Kit, Polyolefin Wheel, Black Finish	K-38, M-36
1700100117	A-Frame Jack, Sidewind, 15" Travel, Weld-On/Bolt-On, 5,000 lbs. Lift Capacity	K-18
1700100301	A-Frame Jack, Sidewind, 15" Travel, Weld-On/Bolt-On, 5,000 lbs. Lift Capacity	K-18
1700100317	A-Frame Jack, Sidewind, 15" Travel, Weld-On/Bolt-On, 5,000 lbs. Lift Capacity	K-18
1701480317	TWL 170 X, 5,000 lbs. Lift Cap., 15" Travel, No Mount	K-20, M-21
170205	SWL 170, 5,000 lbs. Lift Cap., 15" Travel, Less Base, No Mount	K-20, M-21
171401	Weld-On Jack, Topwind, 10" Travel, Weld-On "L" Bend Swivel Bracket, 5000 lb Lift Capacity (Includes Base)	K-20, M-23
171412	Weld-On Jack, Topwind, 15" Travel, Weld-On "L" Bend Swivel Bracket, 5000 lb Lift Capacity	K-20, M-23
1716	Wing Set	H-6
1750290301	TWL 175 X A-Frame, 5,000 lbs. Lift Capacity	K-18
1750290317	TWL 175 X A-Frame, 5,000 lbs. Lift Capacity	K-18
178101	Swivel Jack, Topwind, 10" Travel, Weld-On Tubular Mount, 5000 lb Lift Capacity	K-17, M-22
1781010117	Swivel Jack, Topwind, 10" Travel, Weld-On Tubular Mount, 5000 lb Lift Capacity	K-17, M-22
178151	Swivel Jack, Topwind, 15" Travel, Weld-On Tubular Mount, 5000 lb Lift Capacity	K-17, M-22
1781510117	Swivel Jack, Topwind, 15" Travel, Weld-On Tubular Mount, 5000 lb Lift Capacity	K-17, M-22
178201	Swivel Jack, Sidewind, 10" Travel, Weld-On Tubular Mount, 5000 lb Lift Capacity	K-17
1782010117	Swivel Jack, Sidewind, 10" Travel, Weld-On Tubular Mount, 5000 lb Lift Capacity	K-17
178203	Swivel Jack, Sidewind, 15" Travel, Weld-On Tubular Mount, 5000 lb Lift Capacity	K-17, M-23
18004001	4-Flat Trailer End Connector, 12" Long	C-18
180304	TWS 180 DL-BQ, 10,000 lbs. Support Cap., 10" Travel, 10.12" ADDT'L ADJ., Crank	K-25, M-27
180354	TWL 180 DL-BQ, 10,000 lbs. Support Cap., 15" Travel, 13.50" ADDT'L ADJ., Crank	K-25, M-27
180405	SWS 180 DL-BQ Jack Assembly	K-25, M-27
18044001	4-Flat Loop, 48" Long (Includes Wire Taps)	C-18
18045001	4-Flat Loop, 60" Long (Includes Wire Taps)	C-18
180455	SWL 180 DL-BQ, 10,000 lbs. Support Cap., 15" Travel, 13.50" ADDT'L ADJ., Crank	K-25, M-27
180587	SWL 180 FL-BTSMQ w/P&C Jack	K-25, M-27
18185001	4-Flat Loop, 18" Long (Includes Wire Taps)	C-18
182300	TWQ 180 DL-B Less Crank (800075)	K-27, M-29
182304	TWQ 180 DL-BC, w/Crank (800075) Attached	K-27, M-29
1823050383	Heavy Duty Jack, Single Speed, Direct Weld Mount (Crank Sold Separately)	K-34, M-31
1823060383	Heavy Duty Jack, Single Speed, Bolt-On Mount (Crank Sold Separately)	K-34, M-31
182400	SWQ 180 DL-B Less Crank	K-27, M-29
182404	12,000 lbs. - Sidewind Heavy Duty Square Jack - 12-1/2" Travel	K-27, M-29
182411	SWQ 180 DL-B Less Crank - Pin to the Curb	K-27, M-29
182415	SWQ 180 DL BX Less Crank - Pin to the Front	K-27, M-29
1824180100	Electric Powered Kit - 12K 2-Speed	K-31
1824200100	Electric Powered Kit - 12K	K-31
182500	SWQ 180 FL-B Less Crank	K-27, M-29
182524	SWQ 180 TS-FL-BX w/Crank (015181)	K-27, M-29
182700	Twin Cam™ HD Jack, Sidewind, 25,000 lbs. Static, 12,500 lbs. Lift, Non-Spring Return, 12-1/2" of Travel, 13-1/2" of Drop Leg Extension	K-29, M-30
182701	Twin Cam™ HD Jack, Sidewind, 25,000 lbs. Static, 12,500 lbs. Lift, Spring Return, 12-1/2" of Travel, 13-1/2" of Drop Leg Extension (Crank Sold Separately)	K-29, M-30
182800	SWQ 180 DL-B-SR Less Crank	K-27, M-29
182804	SWQ 180 DL-BC-SR w/Crank (015181) Attached	K-27, M-29
182805	SWQ 180 DL-BX w/SR, Less Crank - Pin To The Curb - Companion Jack	K-27, M-29
182815	SWQ 180 DL BX SR Less Crank - Pin To The Front	K-27, M-29
183401	SWQ 183 DL-BX Pin To The Side, 2-Speed	K-30, M-32
183416	SWQ 183 DL-BX Pin To The Front, 2-Speed	K-30, M-32
183749	Twin Cam™ HD Jack, Sidewind 2-Speed, 25,000 lbs. Static, 25,000 lbs. Lift, Non-Spring Return, 12-1/2" of Travel, 13-1/2" of Drop Leg Extension	K-29, M-30
183750	Twin Cam™ HD Jack, Sidewind 2-Speed, 25,000 lbs. Static, 25,000 lbs. Lift, Spring Return, 12-1/2" of Travel, 13-1/2" of Drop Leg Extension	K-29, M-30
183816	SWQ 183 DL-BX Spring Return - Pin To The Front, 2-Speed	K-30, M-32
183900	Heavy Duty Jack, 2-Speed, Painted Outer Tube, Inner Tube, and Drop Leg	K-30, M-32
183901	SWQ 180 DL-BX T Pin To Front, 2-Speed	K-30, M-32
183902	SWQ 180 DL-B T Spring Return - Pin To Side, 2-Speed	K-30, M-32

PART NO.	DESCRIPTION	PAGE NO.
183903	SWQ 180 DL-BX T Spring Return - Pin To Front, 2-Speed	K-30, M-32
1839050383	Heavy Duty Jack, Single Speed, Direct Weld Mount (Crank Sold Separately)	K-34, M-31
1839060383	Heavy Duty Jack, Single Speed, Bolt-On Mount (Crank Sold Separately)	K-34, M-31
185400	Velocity Series™ High Speed Jack, 12,000 lbs.	K-33, M-34
185402	Velocity Series™ High Speed Jack, 12,000 lbs., Less Remote	K-33, M-34
190704	TWL 190 DL-BQ, 8,000 lbs. Support Cap., 15" Travel, Drop Leg, No Mount	K-24, M-26
1907040176	TWL 190 DL-BQ, 8,000 lbs. Support Cap., 15" Travel	K-24, M-26
190705	TWS 190 FL-BTSMQ w/P&C, 8000 lb Support Cap., 10" Travel, Fixed Leg, w/Male Mount	K-24, M-26
190706	TWL 190 FL-BTSMQ w/P&C, 8000 lb Support Cap., 15" Travel, Fixed Leg, w/Male Mount	K-24, M-26
190708	Heavy Duty Jack, Tubular Swivel Mount (Includes Mating Mount, Pin and Chain)	K-24, M-26
190724	Heavy Duty Jack, Tubular Swivel Mount (Includes Pin and Chain, Without Mating Mount)	K-24, M-26
190754	SWL 190 DL-BQ, 8,000 lbs. Support Cap., 15" Travel, Drop Leg, No Mount	K-24, M-26
1907540176	SWL 190 DL-BQ, 8,000 lbs. Support Cap., 15" Travel	K-24, M-26
190756	SWL 190 FL-BTSMQ w/P&C, 8000 lb Support Cap., 15" Travel, Fixed Leg, w/Male Mount	K-24, M-26
190758	SWL 190 DL-BTSMQ w/P&C, 8,000 lbs. Support Cap., 15" Travel, Drop Leg, w/Male Mount	K-24, M-26
190789	Heavy Duty Jack, Tubular Swivel Mount (Includes Mating Mount, Pin and Chain)	K-24, M-26
19306	1" High Rise, 2-5/16" Ball for Under-Bed Gooseneck Heads	G-10
19307	3" Ball for Under-bed Gooseneck Heads (Do Not Store Inverted In Head)	G-10
19308	5" Offset Extension, 2-5/16" Ball for Under-bed Gooseneck Heads	G-10
19309	2-5/16" Ball for Hide-A-Goose™ #9460, #9461, #9464, #9465 Heads Only	G-10
19310	Gooseneck Hitch Ball for RS #58079	G-10
19311	2-5/16" Pop-In™ Ball for Elite™ Under-Bed Bolt-On Gooseneck Head & Hide-A-Goose™ Head #9466 & Under-Bed Gooseneck Head #9476	G-6
19314	3" Pop-In™ Ball for Elite™ Under-Bed Bolt-On Gooseneck Head & Hide-A-Goose™ Head #9466 & Under-Bed Gooseneck Head #9476	G-6
19315	1" High Rise, 2-5/16" Pop-In™ Ball for Elite™ Under-Bed Bolt-On Gooseneck Head & Hide-A-Goose™ Head #9466 & Under-Bed Gooseneck Head #9476	G-6
1935	Drill Bit Set, (1) 3/8", (1) 7/16", (1) 1/2"	A-10
1937	Hole Saw Arbor w/Pilot Drill Bit	A-10
1944	Receiver Tube Cover, 2" Sq., Chrome Plastic	B-28
195301	Heavy Duty Jack, Fixed Leg With Base	K-22, M-25
195304	TWL 195 DL-DXQ, 5000 lb Support Cap., 15" Travel, No Mount, Drop Leg	K-22, M-25
195306	TWL 195 OTSFLQ w/P&C, 5000 lb Support Cap., 15" Travel, Round Mount	K-22, M-24
195312	TWL 195 OTSFLQ w/P&C, 5000 lb Support Cap., 15" Travel, Square Mount.	K-22, M-24
195318	TWL 195 DL-DFXQ, 5000 lb Support Cap., 15" Travel, A-Frame Mount, Drop Leg	K-22, M-25
195319	TWL 195 FL-BXQ, 5,000 lbs. Support Cap., 15" Travel, No Mount, Caster Base	K-22, M-25
195320	TWL 195 FL-XQ, 5,000 lbs. Support Cap., 15" Travel, No Mount, No Base	K-22, M-25
195321	Heavy Duty Jack, Fixed Less Base	K-22, M-25
195351	SWS 195 DQ, 5,000 lbs. Support Cap., 10" Travel, No Mount, O.T. Gray, I.T. Zinc	K-22, M-25
195352	Heavy Duty Jack, Fixed Leg with Base	K-22, M-25
195354	SWL 195 DL-DXQ, 5,000 lbs. Support Cap., 15" Travel, No Mount, O.T. Gray, I.T., Drop Leg	K-22, M-25
195356	SWL 195 OTSFLQ w/P&C, 5,000 lbs. Support Cap., 15" Travel, Round Mount, O.T. Gray, I.T.	K-22, M-24
195362	SWL 195 OTSFLQ w/P&C, 5,000 lbs. Support Cap., 15" Travel, Square Mount, O.T. Gray, I.T.	K-22, M-24
195368	SWL 195 FL-XQ, 5,000 lbs. Support Cap., 15" Travel, No Mount, Caster Base	K-22, M-25
195369	Heavy Duty Jack, Fixed Leg Less Base	K-22, M-25
1962	Safety Chain Loop, Class II/III, 5,000 lbs.	N-27
198100	Swivel Jack, Topwind, 10" Travel, Weld-On Tubular Mount, 7000 lb Lift Capacity	K-17, M-23
198150	Swivel Jack, Sidewind, 10" Travel, Weld-On Tubular Mount, 7000 lb Lift Capacity	K-17, M-23
198200	Swivel Jack, Topwind, 15" Travel, Weld-On Tubular Mount, 7000 lb Lift Capacity	K-17, M-23
198250	Swivel Jack, Sidewind, 15" Travel, Weld-On Tubular Mount, 7000 lb Lift Capacity	K-17, M-23
20000	Lockable Battery Case (Plastic) with Partition for Shur-Set III™	N-9
20005	Shur-Set III® All Polymer Lockable Breakaway System	N-7
20010	Shur-Set III® Lockable Breakaway System (Includes #210 Nylon Breakaway Switch)	N-7
20015	Shur-Set III® All Polymer Lockable Breakaway System (with Charger)	N-7
20020	Shur-Set III® Lockable Breakaway System (with Charger)	N-7
20034-025	Perm-A-Seal Butt Connectors, 14-16 Gauge, Blue (25 pack)	C-36
20035-025	Perm-A-Seal Butt Connectors, 10-12 Gauge, Yellow (25 pack)	C-36

PRODUCT INDEX

PART NO.	DESCRIPTION	PAGE NO.
20046	Mounting Bracket for 5-Flat Connectors	C-34
20059	Mounting Bracket Kit for #504, #535 and #83504	D-9
2005-A	Replacement Part, Cable and Brass Pin assembly for #2005 Switch	N-8
2005-B120	Breakaway Switch, 1-3 Axle	N-8
2005-P	Replacement Part, Breakaway Switch, 1-3 Axle	N-8
20060	Mounting Bracket Kit for #5100	D-9
2009-A	Replacement Part, Cable and Brass Pin Assembly for #2009 Switch	N-8
2009-A-P	Replacement Part, Cable and Brass Pin Assembly for #2009 Switch	N-8
2009-B60	Breakaway Switch, Metal	N-8
2009-P	Breakaway Switch, Metal	N-8
2010-A	Replacement Part, Cable and Nylon Pin Assembly for #2010 Switch	N-8
2010-A-P	Replacement Part, Cable and Nylon Pin Assembly for #2010 Switch	N-8
2010-B125	Breakaway Switch, Nylon w/ Weldable Tab	N-8
2010-P	Replacement Part, Breakaway Switch, 1-4 Axle	N-8
20110	Fifth Wheel Adapter Harness, 7-Way Flat Pin, 7 ft., Dodge, Ford, GM, RAM & Toyota	C-29
20111	Fifth Wheel Adapter Harness, 7-Way Flat Pin U.S. Car Connector Assembly 7 ft., Dodge	C-29
20112-024	4-Flat Dust Cover (24 pack)	C-20
20113	Fifth Wheel Adapter Harness, 7-Way Flat Pin U.S. Car Connector Assembly 7 ft., Toyota	C-29
20115	5-Flat Car End Tester w/ LED Display and Dust Cap	C-39
20116	6-Way Car End Tester w/LED Display	C-39
20117	7-Way Flat Pin Car End Tester w/LED Display	C-39
20118	Cover, 5-Flat Connector	C-20
20118-024	Cover, 5-Flat Connector (24 pack)	C-20
20125	4-Flat to 7-Way Flat Pin U.S. Car Connector Adapter	C-32
20127	Replacement Part, Universal 12" Brake Control Plug for #5520 (Activator® III), #20185 (Intella-Stop™ Ultra), #20188 (Intella-Stop™ Digital), #39515 (Primus™), #39519 (Prodigy®), #39526 (P3®), #83520 (Brakeman™ Ultra)	D-9
20127-012	Replacement Part, Universal 12" Brake Control Plug for #5520 (Activator® III), #20185 (Intella-Stop™ Ultra), #20188 (Intella-Stop™ Digital), #39515 (Primus™), #39519 (Prodigy®), #39526 (P3®), #83520 (Brakeman™ Ultra) (12-pack)	D-9
20128	4-Flat (OEM) to 6-Way Connector Assembly 7 ft.	C-28
20129	4-Flat (OEM) to 6-Way Connector Assembly 7 ft.	C-28
20131	4-Flat (OEM) to 7-Way Connector Assembly 7 ft.	C-28
20135	Multi-Plug T-One® Connector Assembly, 7-Way Flat Pin Connector/4-Flat Combo Adapter Harness for 7-Way U.S. Car Replacement Socket for 7-Way OEM Chrysler, Dodge, Freightliner, Jeep & Mitsubishi Vehicles	C-10
20136	4-Flat to 5-Flat Connector Assembly	C-31
20137	Multi-Plug T-One® Connector Assembly, 7-Way Flat Pin Connector/4-Flat Combo Adapter Harness for 7-Way U.S. Car Replacement Socket for 7-Way OEM Lexus & Toyota Vehicles	C-10
20140	Fifth Wheel Adapter Harness, 7-Way Flat Pin U.S. Car Connector Assembly 7 ft. w/Pigtails for Choice of Hardwiring 6 or 7-Way Connector, Dodge, Ford, GM, RAM & Toyota	C-28
20141	7-Way Flat Pin to 5-Flat Adapter w/LED Lamp Out By-Pass for European Vehicles	C-30
20142	7-Way Flat Pin to 7-Flat Pin Adapter w/LED Lamp Out By-Pass for European Vehicles	C-30
20145	LED Circuit Tester	C-39
20145-010	LED Circuit Tester (10 pack)	C-39
20146	Fifth Wheel Adapter Harness, 7-Way Flat Pin U.S. Car Connector Assembly 9 ft., Dodge, Ford, GM, RAM & Toyota	C-29
20147	USCAR 7-Way Replacement Harness	C-29
20160	Universal 60" Brake Control Plug	D-9
20160-012	Universal 60" Brake Control Plug (12 Pack)	D-9
20174	Light Kit for Railed Cargo Carrier Part #59108, #59109, #59110, #59502, #59507, #59550, #63152, #63153, #63154, #63155, #38174	I-19
2018	Post Mount Battery Box (Plastic) with Partition for Shur-Set III™	N-9
20191	I-Stop™ IQ Electronic Brake Control, for 1 to 3 Axle Trailers, Proportional	D-6
20212	Mounting Bracket for 7-Way OEM Connectors, Includes Screws and Nuts	C-34
20212-010	Mounting Bracket for 7-Way OEM Connectors (10 pack)	C-34
20223	7-Way Trailer Wiring Harness, U.S. Car Connector, 7'	C-29
20224	7-Way Trailer Wiring Harness, U.S. Car Connector, 4'	C-29
2023	12 Volt 5 Amp/Hr Sealed Lead Acid Battery for Shur-Set III™	N-9

PART NO.	DESCRIPTION	PAGE NO.
2023-X	12 Volt 5 Amp/Hr Sealed Lead Acid Battery for Shur-Set III™	N-9
2024-07	DC to DC Heavy Duty Quick/Maintenance (Multi Stage) Charger - 12 Volt	N-9
2024-07-S	DC to DC Heavy Duty Quick/Maintenance (Multi Stage) Charger - 12 Volt	N-9
20250	4-Flat Wiring Kit, Contains 12" 16 ga. for Vehicles w/Factory Wiring Harness w/o Plug	C-16
2025-09	AC-to-DC Multi Stage Maintenance Charger	N-9
20251	4-Flat Wiring Kit w/Tailight Converter, Contains 72" 16 ga. Car End Connector Universal Kit	C-16
20252	4-Flat Wiring Kit, Contains 72" 16 ga. Car End Connector Universal Kit	C-16
2026	Shur-Set III® Breakaway System w/5 Amp/Hr Battery	N-7
2028	Shur-Set III® Breakaway System w/5 Amp/Hr Battery (with Charger)	N-7
203111	Side Marker/Clearance Light Amber w/Reflex Lens w/Black Stud-Mount Base	L-22, L-40
203113	Side Marker/Clearance Light Red w/Reflex Lens w/Black Stud-Mount Base	L-40
203116	Side Marker/Clearance Light w/Reflex & 18" Pigtail, Red	L-39
203117	Side Marker/Clearance Light w/Reflex & 18" Pigtail, Amber	L-25, L-39
203131	Side Marker/Clearance Light Amber w/Reflex Lens w/Black Ear-Mount Base	L-40
203133	Side Marker/Clearance Light Red w/Reflex Lens w/Black Ear-Mount Base	L-40
20320	4-Flat to 6-Way Round Pin Connector Adapter	C-32
20320-012	4-Flat to 6-Way Round Pin Connector Adapter (12 pack)	C-32
20321	4-Flat to 7-Way Flat Pin Connector Adapter, Plastic	C-32
20321-012	4-Flat to 7-Way Flat Pin Connector Adapter, Plastic (12 pack)	C-32
20322	4-Flat to 7-Way Flat Pin Connector Adapter, Metal	C-32
203233	Side Marker/Clearance Light Amber w/White Stud-Mount Base, PC Rated	L-36
203234	Side Marker/Clearance Light Red w/White Stud-Mount Base, PC Rated	L-36
203235	Side Marker/Clearance Light Amber, PC Rated	L-41
203285	Side Marker/Clearance Light Amber w/White Ear-Mount Base, PC Rated	L-36
203286	Side Marker/Clearance Light Red w/White Ear-Mount Base, PC Rated	L-36
203292	Clearance Lens #37 Amber w/Black Base and Wire	L-34
203293	Clearance Lens #37 Red w/Black Base and Wire	L-34
203294	Clearance Lens #37 Amber w/Chrome Base and Wire	L-34
203295	Clearance Lens #37 Red w/Chrome Base and Wire	L-34
203315	Red, Waterproof, Stainless Steel Bar	L-43
203380	Replacement Part, Clearance Light Module #30 Amber, 2"	L-35
203381	Replacement Part, Clearance Light Module #30 Red, 2"	L-35
203395	Replacement Part, Clearance Light Module #37 Amber	L-34
203396	Replacement Part, Clearance Light Module #37 Red	L-34, 43
20501	Pulse Preventor for use w/All Electronic Brake Controls	D-9
20505	Wiring Kit for 2 to 4 Brake Control Systems,	D-9
20506	Wiring Kit for 6 to 8 Brake Control Systems,	D-9
2051	Replacement Part, Battery Box, All Polymer Lockable	N-9
2060266	Transom Retractable Ratchet Tie Down, 2" x 43", 600 lb Load Capacity & 1800 lb Break Strength	J-5
2060366	Transom Retractable Ratchet Tie Down, 2" x 43", 833 lb Load Capacity & 2500 lb Break Strength	J-5
2060866	Gunwale Max Grip Ratchet Tie Down, 2" x 10", 333 lb Load Capacity & 1000 lb Break Strength	J-5
2060966	Gunwale Max Grip Ratchet Tie Down, 2" x 13", 400 lb Load Capacity & 1200 lb Break Strength	J-5
2061266	Gunwale Max Grip Ratchet Tie Down, 2" x 10", 833 lb Load Capacity & 2500 lb Break Strength	J-5
2061366	Gunwale Max Grip Ratchet Tie Down, 2" x 13", 833 lb Load Capacity & 2500 lb Break Strength	J-5
2061466	Gunwale Max Grip Ratchet Tie Down, 2" x 16", 833 lb Load Capacity & 2500 lb Break Strength	J-5
2061566	Gunwale Max Grip Ratchet Tie Down, 2" x 20", 833 lb Load Capacity & 2500 lb Break Strength	J-5
2061766	Transom Retractable Ratchet Tie Down, 2" x 43", 833 lb Load Capacity & 2,500 lb Break Strength	J-5
21141	Adjustable Ball Mount, 5000 lb GTW, 1" Ball Hole, 13.5" L, 6.25" Max Rise, 7.5" Max Drop	B-17
21501	Replacement Part, Snap-up Bracket w/Set Screw & Safety Pin	E-10, 11, 13
2178	P3®, Voyager®, AccuTrac® and Pod® Mounting Kit Bracket	D-9
221088	Replacement Part, Grommet - 2-1/2" Round Open Back Heavy Duty	L-37
2211	Rubber Economy Receiver Tube Cover w/"D" Logo for 1-1/4" Sq. Receivers	B-28
22111	Tow Harness, 7 Way Complete Kit	C-9
22112	Tow Harness, 7 Way Complete Kit	C-9
22113	Tow Harness, 7 Way Complete Kit	C-9

PART NO.	DESCRIPTION	PAGE NO.
22114	Tow Harness, 7 Way Complete Kit	C-9
22115	Tow Harness, 7 Way Complete Kit	C-9
22116	Tow Harness, 7 Way Complete Kit	C-9
22117	Tow Harness, 7 Way Complete Kit	C-9
22119	Tow Harness, 7 Way Complete Kit	C-9
22121	Tow Harness, 7 Way Complete Kit	C-9
2215	CORN BROOM HEAVY DUTY JOBSMART	C-18
221588	Replacement Part, Grommet, Rectangular (15 Series)	L-24, 28, 29, 34
22200 0101	Coupler, Ball Size 2", 2" Tongue Mount Width, Straight Channel, Zinc Finish, Rating 3500 lb	K-71
222012	LENS,SMCL SLIM FIT AMB	L-27
22225	Replacement Part, 800 lbs. High-Performance Spring Bar & Trunnion (Qty. 1)	E-10
22250 0101	Coupler, Ball Size 2", 2.5" Tongue Width, Straight Channel, Zinc Finish, Rating 3,500 lb	K-71
2230	INDOOR SMOOTH 30" HEAD (336)	C-18
22300 0101	Coupler, Ball Size 2", 3" Tongue Mount Width, Straight Channel, Zinc Finish, Rating 3500 lb	K-71
223117	Side Marker/Clearance Light w/Reflex & 18" Pigtail, Amber	L-25, L-39
223210	LP Light Assy	L-45
22551	Tow Harness, 7 Way Kit, Including ModuLite® HD Protector w/Backup & Brake Control Harness	C-4, C-9
2275	BRUSH SCRUB LONG HANDLE TMPCO	C-21
2280	BRUSH SCRUB PALMYRA SQUARE	C-21
2285	HEAD 8" RED PP STIFF (120)	C-21
2290	BRUSH 10" DECK SCRUB PALMYRA	C-21
2401	Tow Bar Accessories, Angle Iron Bracket, Rating 3,500 lbs., Painted	C-18
2402	Tow Bar Accessories, L-Bracket Kit, Rating 3,500 lbs., Painted	C-18
2423006	7-Function Submersible Under 80" Taillight, Left/Roadside	L-24
2423008	8-Function Submersible Over 80" Taillight, Left/Roadside	L-21
2423056	6-Function Submersible Under 80" Taillight, Right/Curbside	L-24
2423058	7-Function Submersible Over 80" Taillight, Right/Curbside	L-21
2423273	Pedestal Mount, Amber Marker/Turn - Amber Marker/Turn - Double Sided	L-18
2423274	Pedestal Mount, Red Stop/Tail/Turn - Amber Marker/Turn - Double Sided	L-18
2423275	Pedestal Mount, Red Stop/Tail/Turn - Single Sided - Black Back	L-18
2423283	7-Function Under 80" Combination Taillight #80 Series, Left/Roadside	L-19, L-20
2423284	6-Function Under 80" Combination Taillight #80 Series, Right/Curbside	L-19, L-20
2423286	Replacement Part, Lens for Under 80" Combination Taillight #80 Series	L-18, 19, 20, 21, 24
2423287	Replacement Part, Lens for Under 80" Side Marker Clearance Light	L-19, 20, 21, 24
2423293	8-Function Over 80" Combination Taillight #80 Series, Left/Roadside	L-18
2423294	7-Function Over 80" Combination Taillight #80 Series, Right/Curbside	L-18
2423297	Replacement Part, LENS SIDE REPL OVER 80 LENS	L-18
2423500	Trailer Light Kit w/25' Wire Harness,	L-21
2471	Replacement Part, Wire Lock Pin 1/2", Used w/Tow Bar Brackets & Cargo Carrier #502	N-30
2489	Safety Chain, Class III, 30" Length	N-26
2523023	7-Function Submersible Under 80" Taillight, Left/Roadside	L-24
2523024	8-Function Submersible Over 80" Taillight, Left/Roadside	L-21
2523073	6-Function Submersible Under 80" Taillight, Right/Curbside	L-24
2523074	7-Function Submersible Over 80" Taillight, Right/Curbside	L-21
2527511	Submersible Under 80" Taillight Kit w/25' Harness (w/o Clearance/Side Marker Lights)	L-24
26002	Dual Cam HP™ Sway Control	E-12
26003	Sway Control Adapter Bracket for use w/Class III/IV 2" Sq. Ball Mounts	E-13
26005	Sway Control Adapter Bracket for use w/Class II 1-1/4" Sq. Drawbars	E-13
2706	Ball Mount, 5000 lb GTW (Drop) & 3500 GTW (Rise), 1" Ball Hole, 9" L, 9-3/4" Rise, 11" Drop	B-11
271574	7-Function Taillight, Right/Curbside, LED Over 80" 3x8 Low Profile	L-9
271575	8-Function Taillight, Left/Roadside, LED Over 80" 3x8 Low Profile	L-9
271584	7-Function Taillight, Right/Curbside Waterproof	L-10
271584-01	7-Function Taillight, Right/Curbside w/3 Wire Pigtail	L-10
271585	8-Function Taillight, Left/Roadside Waterproof, LED Waterproof 4X6 Low Profile	L-10

PART NO.	DESCRIPTION	PAGE NO.
271585-01	8-Function Taillight, Left/Roadside w/3 Wire Pigtail, LED Waterproof 4X6 Low Profile	L-10
271594	7-Function Taillight, Right/Curbside, LED Over 80" Wrap-Around	L-9
271595	8-Function Taillight, Left/Roadside, LED Wrap-Around	L-9
273006	LED Submersible Under 80" Combination Taillights, 7-Function, Left/Roadside	L-12
273008	LED Over 80" Submersible Taillight, Left/Roadside	L-13
273056	LED Submersible Under 80" Combination Taillights, 6-Function, Right/Curbside	L-12
273058	LED Over 80" Submersible Taillight, Right/Curbside	L-13
273560	LED 6" Oval, Grommet Mount, Courtesy Light, Clear	L-27
273561	LED 6" Oval, Grommet Mount, Stop/Tail/Turn, Red WP	L-13
273564	LED 6" Oval, Grommet Mount, Stop/Tail/Turn, Amber WP	L-13
273565	White Backup Light	L-13
2736	Ball Mount, 5,000 lbs. GTW, 1" Ball Hole, 12" Length, 3/4" Rise, 2" Drop, Black	B-11
2736-006	Ball Mount, 5,000 lbs. GTW, 1" Ball Hole, 12" Length, 3/4" Rise, 2" Drop, Black	B-11
2793	Ball Mount, 5,000 lbs. GTW, 1" Ball Hole, 10" Length, 6-3/4" Rise, 8" Drop, Black	B-11
2793-002	Ball Mount, 5,000 lbs. GTW, 1" Ball Hole, 10" Length, 6-3/4" Rise, 8" Drop, Black	B-11
281500	Tail Light Kit - Wrap Around Style	L-9
281594	LED Waterproof Over 80" Wrap-Around Taillights, 7-Function Taillight, Right/Curbside,	L-9
281595	LED Waterproof Over 80" Wrap-Around Taillights, 8-Function Taillight, Left/Roadside	L-9
2823283	7-Function Under 80" Combination Taillight #80 Series, Left/Roadside	L-19, 20
2823284	6-Function Under 80" Combination Taillight #80 Series, Right/Curbside	L-19, 20
2823285	Trailer Light Kit w/25' Wire Harness, w/Rectangular Clearance/Side Marker Lights	L-19, 20
2823293	8-Function Over 80" Combination Taillight #80 Series, Left/Roadside	L-18
2823294	7-Function Over 80" Combination Taillight #80 Series, Right/Curbside	L-18
283006	LED Submersible Under 80" Combination Taillights, 7-Function, Left/Roadside	L-12
283008	LED Submersible Tail Light	L-13
283056	LED Submersible Under 80" Combination Taillights, 6-Function, Right/Curbside	L-12
283058	LED Submersible Tail Light	L-13
283500	LED Submersible Tail Light Kit	L-13
28351	Invisi-Hitch™ Accessory Adapter Kit, Adapter (10-3/8" Length x 3-1/2" Rise), 1/2" Stainless Steel Integral Pin & Clip, Black	B-9
28352	Hitch Ball	B-6
283561	LED Waterproof 6" Oval Grommet Mount Taillights Stop/Tail/Turn, Red	L-13
283564	LED Waterproof 6" Oval Grommet Mount Taillights Stop/Tail/Turn, Amber	L-13
283565	LED Waterproof 6" Oval Grommet Mount Taillights Backup Light	L-13
28375	Hitch Ball	B-6
28451	Invisi-Hitch™ Drawbar Kit, Drawbar (2000 lbs. w/3/4" Ball Hole 10-5/8" Length x 3-1/2" Rise), 1/2" Stainless Steel Integral Pin & Clip, Black	B-9
2850	Receiver Fabrication Part, 6" Combo Bar 2" Sq. ID, Unpainted	A-10
2851	Receiver Fabrication Part, 12" Combo Bar 2" Sq. ID, Unpainted	A-10
2852	Receiver Fabrication Part, 24" Combo Bar 2" Sq. ID, Unpainted	A-10
2853	Receiver Fabrication Part, 36" Combo Bar 2" Sq. ID, Unpainted	A-10
2854	Receiver Fabrication Part, 48" Combo Bar 2" Sq. ID, Unpainted	A-10
2858	24" x 30" 2-Sided Aluminum Sign	O-11
2859	Wall/Pole Mount for 24" x 30" Sign	O-11
2860	Curb Stand for 24" x 30" Sign	O-11
287512	LED Submersible Under 80" Combination Taillight Kit w/25' Wire Harness	L-12
2898	Receiver Fabrication Part, 18" Combo Bar 2" Sq. ID, Unpainted	A-10
2923	Ball Mount Kit, 7,500 lbs. GTW, 1" Ball Hole, 8-1/2" Length, 3/4" Rise, 2" Drop, Black	B-10
2953	Ball Mount Kit, 7,500 lbs. GTW, 1" Ball Hole, 9" Length, 2-3/4" Rise, 4" Drop, Black	B-10
30033	22K Fifth Wheel Hitch Assembly & 90 Degree Fifth Wheel Adapter Harness #50-97-410	F-13, F-14
30035	Fifth Wheel Rails and Installation Kit, Includes Brackets and Hardware (10 - Bolt Design)	F-19
30035-040	Fifth Wheel Rails and Installation Kit, Includes Brackets and Hardware (10 - Bolt Design)	F-19
30047	16K Fifth Wheel (Requires Rails & Installation Kit #30035)	F-10, 14
30047A	Replacement Part, 16K Fifth Wheel Head w/Support	F-10
30048	Fifth Wheel Kwik-Slide® Slider Unit w/6 Rollers for 15K, 16K & 20K Head Assemblies	F-16
30051	16K Fifth Wheel w/Kwik-Slide™ (Requires Rails & Installation Kit #30035)	F-10, 14
30052	Elite™ Series Rail Kit	F-8

INDEX

PRODUCT INDEX

PART NO.	DESCRIPTION	PAGE NO.
30053	Fifth Wheel Starter Kit	F-17
30054	30K Low Profile Fifth Wheel Hitch	F-13, F4
30055	Fifth Wheel Cover	F-17
3006	Receiver Fabrication Part, 6" Combo Bar 1-1/4" Sq. ID, Unpainted	A-10
30061	Signature Series™ Fifth Wheel Rail Kit, GM	F-8
30064	Signature Series™ Fifth Wheel Rail Kit, Ford	F-8
30067	Signature Series™ Fifth Wheel Rail Kit, Dodge	F-8
30068	Signature Series Fifth Wheel Rail Kit (Commercial Trucks)	F-8
30073	Signature Series™ Fifth Wheel Rail Kit, Ford	F-8
30-073833	Clearance Light 2-3/4" Round Red Round w/Two Wire Construction	L-35
30-073834	Clearance Light 2-3/4" Round Amber Round w/Two Wire Construction	L-35
30074	Signature Series™ Fifth Wheel Rail Kit, Dodge	F-8
30075	16K Fifth Wheel Hitch w/ Round Tube Slider (Rail Kit Sold Separately)	F-10, 14
30081	20K Fifth Wheel (Rail Kit Sold Separately)	F-11, 14
30083	20K Fifth Wheel w/Round Slider Unit (Rail Kit Sold Separately)	F-11, 14
30084	20K Fifth Wheel w/Kwik Slide™ Slider Unit (Rail Kit Sold Separately)	F-11, 14
30092	Fifth Wheel Slider Unit w/4 Rollers for 15K, 16K & 20K Head Assemblies	F-16
30093	15K Fifth Wheel Hitch (Includes: Head, Head Support, Handle Kit & Legs)	F-14
30093	15K Fifth Wheel Hitch (Includes: Head, Head Support, Handle Kit & Legs)	F-10
30094	15K Fifth Wheel Hitch (Includes: Head, Head Support, Handle Kit & Slider Unit)	F-14
30094	15K Fifth Wheel Hitch (Includes: Head, Head Support, Handle Kit & Slider Unit)	F-11
30099	15K Fifth Wheel Hitch (Includes: Head, Head Support & Handle Kit)	F-10
30105	6 Pole Square Connector Kit, Male and Female Ends for Tent Trailers	C-22
30118	20K Fifth Wheel Hitch (Includes: Head, Head Support & Handle Kit)	F-12
30119	20K Fifth Wheel Hitch (Includes: Head, Head Support, Handle Kit & Legs)	F-14
30119	20K Fifth Wheel Hitch (Includes: Head, Head Support, Handle Kit & Legs)	F-12
30121	20K Fifth Wheel Hitch (Includes: Head, Head Support, Handle Kit & Slider Unit)	F-14
30121	20K Fifth Wheel Hitch (Includes: Head, Head Support, Handle Kit & Slider Unit)	F-12
30126	Elite™ Series Rail Kit, Ford	F-8, 14, G-5
30128	15K Fifth Wheel Hitch (Includes: Head, Head Support, Handle Kit, Legs & Rail Kit)	F-10
30129	Pro Series™ 15K Fifth Wheel Hitch (Head, Head Support, Handle Kit, Slider Unit & Rail Kit)	F-11
30132	20K Fifth Wheel Hitch (Includes: Head, Head Support, Handle Kit, Legs & Rail Kit)	F-12
30133	20K Fifth Wheel Hitch (Includes: Head, Head Support, Handle Kit, Slider Unit & Rail Kit)	F-12
30134	Safety Chain Attachment (Qty. 1) for Elite™ Under-Bed Bolt-On Gooseneck	G-6
30135	Storage Bag for Elite™ Under-Bed Bolt-On Gooseneck 2-5/16" Pop-In™ Ball 19311	G-6
30136	Hole Cover for Elite™ Under-Bed Bolt-On Gooseneck Head Ball Hole	G-6
30137	Elite™ Series Under-Bed Gooseneck Accessories Kit (Includes: (1) 2-5/16" Pop-In™ Ball #19311, (1) Storage Bag, (2) Safety Chain Attachments & (1) Hole Cover)	G-6
30138	Elite™ Series Under-Bed Bolt-On Gooseneck Head with Pop-In™ 2-5/16" Ball, Ford	G-5
30138-26	Elite™ Series Under-Bed Gooseneck Complete Hitch, Ford	G-5
30140	Elite™ Series Under-Bed Gooseneck Accessories Kit, RAM OEM Kit Only (Includes: (1) 2-5/16" Pop-In™ Ball #, (1) Storage Bag, (2) Safety Chain Attachments & (1) Hole Cover)	G-6
30142	Elite™ Series Fifth Wheel 18K & 90 Degree Fifth Wheel Adapter Harness #50-97-410	F-7, 14
30143	Elite™ Series Fifth Wheel 25K (& 90 Degree Fifth Wheel Adapter Harness #50-97-410	F-14
30144	Elite™ Series Fifth Wheel 18K w/Slider Unit & 90 Degree Fifth Wheel Adapter Harness	F-7, 14
30145	Replacement Part, Safety Chain Attachment for Under-Bed Gooseneck, RAM OEM Kit Only	G-6
30153	Reese Outboard Fifth Wheel Mounting Rails Only (10 - Bolt Design)	F-14, 18
30154	Rail Kit Mounting Adapter for Attaching Standard Fifth Wheel Hitches, Drop-In for RAM 2500 HD/3500 HD w/Factory Installed OE Rail System	F-14, 15
30156	Rail Kit Mounting Adapter for Attaching 15K, 16K & 20K Standard Fifth Wheel Hitches	F-14, 15
30158	Elite™ Series Under-Bed Bolt-On Gooseneck Head with Pop-In™ Ball, GM & Dodge	G-5
30158-52	Elite™ Series Under-Bed Gooseneck Complete Hitch, Dodge	G-5
30158-68	Elite™ Series Under-Bed Gooseneck Complete Hitch, GM	G-5
30160	20K Fifth Wheel, Drop-In™ for RAM 2500 HD/3500 HD w/Factory Installed OE Rail System	F-9, 14
30-17-034	Replacement Part, Gasket (Foam) for #178 Clearance Light	L-38
30-17-814	Clearance Light #178 Red with White Base, No gasket	L-38
30-17-815	Clearance Light #178 Amber with White Base, No gasket	L-38

PART NO.	DESCRIPTION	PAGE NO.
30439	Replacement Part, Installation Kit for Reinstallation of #30035, #58058 (10 - Bolt Design)	F-19
30-58-001	Clearance Light #58 Red w/White Base	L-38
30-58-002	Clearance Light #58 Amber w/White Base	L-38
30-58-007	Clearance Light #58 Clear w/White Base	L-38
30-58-010	Replacement Part, Clearance Light Lens #58 Red	L-38
30-58-012	Replacement Part, Clearance Light Lens #58 Amber	L-38
30-58-024	Replacement Part, Clearance Light #58 White Base	L-38, 39
30-58-702	Replacement Part, Clearance Light Wedge Base Socket w/#194 Bulb	L-38, 39
30-59-001	Clearance Light #59 Red with Reflex w/White Base	L-39
30-59-002	Clearance Light #59 Amber with Reflex w/White Base	L-39
30-59-003	Clearance Light #59 Red with Reflex w/Black Base	L-39
30-59-004	Clearance Light #59 Amber with Reflex w/Black Base	L-39
30-59-010	Replacement Part, Clearance Light Lens #59 Red	L-39
30-59-012	Replacement Part, Clearance Light Lens #59 Amber	L-39
30-59-054	Replacement Part, Gasket (Foam) for #58 & #59 Clearance Light	L-38, 39
30-60-004	Cargo Dome Light w/Chrome Base	L-48
30-60-005	Utility Light w/Chrome Base	L-48
30-62-000	License Plate Light, Mini Compact	L-45
30-62-002	License Light #62 w/Black Base & Bracket	L-45
30-62-003	License Light #62 w/ White Base & Bracket	L-45
30-62-030	License Plate Bracket	L-45, 46
30-62-102	License Light #62 w/Black Base (No Bracket)	L-45
30-62-103	License Light #62 w/White Base (No Bracket)	L-45
30-72-100	License Plate Bracket, Heavy Duty	L-46
30727	Replacement Part, 15K, 16K & 20K Fifth Wheel Legs (Qty. 2)	F-10
30730	Replacement Part, 20K & 22K Fifth Wheel Base Assembly w/Adjustment Brackets	F-13
30-76-028	Replacement Part, Interior Light Lens #76	L-49
30-76-123	Interior Light #76 Single with Lens & Switch	L-49
30-76-223	Interior Light #76 Double with Lens & Switch	L-49
30-76-243	Interior Light #76 Double with Lens & Dual Switch	L-49
30-78-021	Replacement Part, Porch Light Lens #78 Clear	L-48
30-78-022	Replacement Part, Porch Light Lens #78 Amber	L-48
30-78-515	Porch Light #78 Clear w/Ash White #5 Base	L-48
30-78-516	Porch Light #78 Amber w/Ash White #5 Base	L-48
30-78-517	Porch Light #78 Clear w/Ash White #5 Base & Switch	L-48
30-78-518	Porch Light #78 Amber w/Ash White #5 Base & Switch	L-48
30-78-522	Porch Light #78 Clear w/Black Base	L-48
30-78-523	Porch Light #78 Amber w/Black Base	L-48
30-78-524	Porch Light #78 Clear w/Black Base & Switch	L-48
30-78-525	Porch Light #78 Amber w/Black Base & Switch	L-48
30-78-600	Porch Light #78 Clear w/Chrome Base	L-48
308 0217	Coupler, Ball Size 2" - 2-1/8" Hand-Wheel, Tongue Mount Channel Width 2-7/16", 5,000 lb	K-72
30-84-001	Taillight #84 Recessed Double Horizontal Red, Backup - Colonial White Base	L-15
30-84-002	Taillight #84 Recessed Triple Horizontal Red, Backup - Colonial White Base	L-16
30-84-008	Taillight #84 Recessed Double Horizontal Red, Backup - Black Base	L-15
30-84-009	Taillight #84 Recessed Triple Horizontal Red, Backup - Black Base	L-16
30-84-057	Replacement Part, Bulb Double Filament for #84, #85, #86 & Mobile Housing Light	L-14, 15, 16, 22, 49
30-84-075	Replacement Part, Taillight Screw for #84, #85, #86 Series & Light Bars	L-14, 15, 16, 33
30845	Elite™ Series Gooseneck	F-9, G-6
30-84-508	Taillight #84 Recessed Double Vertical Red, Backup - Black Base	L-15
30-84-509	Taillight #84 Recessed Triple Vertical Red, Backup - Black Base	L-16
30-84-523	Taillight #84 Recessed Triple Vertical Red, Backup - White Base	L-16
30-84-527	Taillight #84 Recessed Double Red, Red - Black Base	L-15
30-84-529	Taillight #84 Recessed Double Red, Red w/Red Insert - Black Base	L-15
30-84-540	Taillight #84 Recessed Double Horizontal Red, Backup - White Base	L-15

PART NO.	DESCRIPTION	PAGE NO.
30-84-547	Taillight #84 Recessed Double Red, Red - White Base	L-15
30850	Sidewinder™ Wedge Kit, Pro Series™ 15K, 16K & 20K	H-10
30-85-002	Taillight #85 Recessed Triple Horizontal Mount Red, Red, Backup w/Chrome Base	L-16
30852	Elite™ Series Rail Kit, Dodge & RAM	F-14, G-5
30-86-005	Clearance Light #86 Wrap-Around Red w/Colonial White Base	L-14
30861	Sidewinder™ Wedge Kit, Curt 16K	H-10
30-86-101	Taillight #86 Single Stop, Tail, Turn w/Black Base	L-14
30-86-103	Taillight #86 Single Vertical Mount Backup w/Black Base	L-14
30-86-107	Taillight #86 Single Front Amber Turn w/Black Base	L-14
30862	Pro Series™ 25K Fifth Wheel Hitch	F-13, 14
30863	Replacement Part, Center Section, Drop-In for RAM #30160	F-9
30864	Replacement Part, Fifth Wheel Base Arches, Drop-In for RAM #30160	F-9
30865	Sidewinder™ Wedge Kit, Reese Titan Fifth Wheels	H-10
30-86-711	Replacement Part, Side Marker Clearance Light Lens #86 Wrap-Around Red	L-33
30-86-712	Replacement Part, Side Marker Clearance Light Lens #86 Wrap-Around Amber	L-33
30868	Elite™ Series Rail Kit, GM	F-14, G-5
30871	Elite™ Series Fifth Wheel 26.5K & 90 Degree Fifth Wheel Adapter Harness #50-97-410	F-7, 14
30884	M5™ 20K Center Section	F-6
30886	Elite™ Series Rail Kit, Ford	F-8
30887	Safety Chain Attachment (Qty. 1) for Under-Bed Gooseneck, RAM OEM Kit Only	G-6
30888	Under-Bed Gooseneck Accessories Kit, RAM OEM Kit Only (1) 2-5/16" Pop-In™ Ball #19311, (1) Storage Bag, (2) Safety Chain Attachments #30887 & (1) Hole Cover)	G-6
30889	M5™ Leg Kit for GM	F-6
30890	M5™ 20K Fifth Wheel, for GMC & Chevrolet 2500 HD/3500 HD w/Factory Installed OE Rail System	F-6, 14
30892	M5™ Head Assembly	F-6
30894	M5™ 27K Center Section	F-6
30895	M5™ 27K Fifth Wheel, for GMC & Chevrolet 2500 HD/3500 HD w/Factory Installed OE Rail System	F-6
30-90-021	Replacement Part, Bulb #921 for #75 Interior Lights (Qty. 1)	L-49
30-90-156	Replacement Part, Bulb #1156 Single Filament for #84, #85, #86, #91, #92 & 1700 Series	L-14, 15, 16, 17, 18, 47, 48, 49
30-90-157	Replacement Part, Bulb #1157 Double Filament for #91, #92, 1400, 1500, 1600 & 1700 Series	L-17, 18, 19, 20, 21, 24, 25, 49, M-6
30917	M5™ Leg Kit for RAM	F-6
30918	M5™ for RAM	F-6
30919	M5™ for RAM	F-6
30-92-001	Taillight Surface Mount #92 Red with White Base	L-17
30-92-002	Taillight Surface Mount #92 Red with Backup with White Base	L-17
30-92-003	Taillight Surface Mount #92 Red with License Bracket with White Base	L-17
30-92-004	Taillight Surface Mount #92 Red with Backup & License Bracket with White Base	L-17
30-92-012	Replacement Part, Taillight Lens for #30-92-001 & 106	L-17
30-92-044	Bezel 15 Degree for #92 Series with White Base	L-17
30921	M5™ 20K Fifth Wheel, for Ford Super Duty w/Factory Installed OE Rail System	F-6
30-92-106	Taillight Surface Mount #92 Red with Black Base	L-17
30-92-107	Taillight Surface Mount #92 Red with Backup with Black Base	L-17
30-92-108	Taillight Surface Mount #92 Red with License Bracket with Black Base	L-17
30-92-109	Taillight Surface Mount #92 Red with Backup & License Bracket with Black Base	L-17
30922	M5™ 27K Fifth Wheel, for Ford Super Duty w/Factory Installed OE Rail System	F-6
30923	M5™ Leg Kit for Ford	F-6
30926	M5™ Leg Kit	F-6
30927	M5™ Leg Kit	F-6
30-92-704	Replacement Part, Taillight Lens Red with Backup for #30-92-002 & 107	L-17
30-92-708	Replacement Part, Taillight Lens Red with License Bracket for #30-92-003 & 108	L-17
30-92-713	Taillight Lens Red with Backup with License Bracket for #30-92-004 & 109	L-17
30928	M5™ 20K Fifth Wheel	F-6

PART NO.	DESCRIPTION	PAGE NO.
30929	M5™ 27K Fifth Wheel	F-6
30-99-001	Clearance Light #99 Red	L-40
30-99-002	Clearance Light #99 Amber	L-40
30-99-010	Replacement Part, Clearance Light Lens #99 Red	L-40
30-99-012	Replacement Part, Clearance Light Lens #99 Amber	L-40
31016	Sidewinder™ Wedge Kit, Curt A16	H-10
31-2823285	Taillight Kit w/25" Wire Harness, w/Rectangular Clearance/Side Marker Lights	L-19, L-20
3132	Automatic Transmission Cooler Hose, 25 ft.	N-31
31-407540	Trailer Light Kit LED Over 80" 3x8 Low Profile	L-9
31-407560	Trailer Light Kit LED 4x6 Low Profile	L-10
31-59-001	Clearance Light #59 Red with White Base	L-39
31-59-002	Clearance Light #59 Amber with White Base	L-39
31-59-010	Replacement Part, Clearance Light Lens #59 Red	L-39
31-59-012	Replacement Part, Clearance Light Lens #59 Amber	L-39
3176123	Single Light #76 w/Switch	L-49
31-78-531	Porch Light #78 Clear Lens w/White Base	L-48
31-78-532	Porch Light #78 Amber Lens w/White Base	L-48
31-84-010	Replacement Part, Red Taillight Lens for #84, #85, & #86	L-14, 15, 16
31-84-016	Replacement Part, Amber Taillight Lens for #84, #85, & #86	L-14, 15, 16
31-84-700	Replacement Part, Vertical Taillight Lens w/Clear Backup for #84, #85, & #86	L-14, 15, 16
31-84-711	Replacement Part, Horizontal Taillight Lens w/Clear Backup for #84, #85, & #86	L-14, L5, 16
31-86-101	Taillight #86 Single Stop-Tail-Turn w/Black Base	L-14
31-86-103	Taillight #86 Single Vertical Backup w/Black Base	L-14
31-92-001	Taillight Surface Mount #92 Red w/White Base	L-17
31-92-003	Taillight Surface Mount #92 Red with License Bracket w/White Base	L-17
3194-S	Battery Post Adapter	C-37
31-99-001	Clearance Light #99 Red	L-40
31-99-002	Clearance Light #99 Amber	L-40
31-99-215	ID Light Bar Red, Incandescent (Mounting Holes Located Outboard of Lights)	L-43
32-003440	Clearance Light Amber	L-41
32-003441	Clearance Light Red	L-41
3201	Round Bar Bolt-Together Wt. Dist. Kit, 10,000 lbs. (GTW), 600 lbs. (TW)	L-9, 10, 19, 20, 22, 25, 46
3211	Wt. Dist. Shank, 14,000 lbs. (GTW), 1,400 lbs. (TW), 12" Length, Extra Drop and Rise	L-9, 10, 19, 20, 22, 25, 46
3213	Wt. Dist. Shank, 14,000 lbs. (GTW), 1,400 lbs. (TW), 12" Length, Extra Drop and Rise	L-46
3214	Wt. Dist. Shank, 14,000 lbs. (GTW), 1,400 lbs. (TW), 14" Length	E-15
3215	Wt. Dist. Shank, 14,000 lbs. (GTW), 1,400 lbs. (TW), 11" Length, Extra Drop and Rise	E-15
003232	Replacement Part, Wt. Dist., Conical Toothed Washer (3/4")	L-25
323356	Reflector, Red w/Adhesive Back, w/Mounting Holes (4-3/8" x 1-1/4")	L-46
323357	Reflector, Amber w/Adhesive Back, w/Mounting Holes (4-3/8" x 1-1/4")	L-46
3280	Pole Tongue Adapter and Fastener Kit	E-14
3305	Replacement Part, Wt. Dist. Part, Pin	L-43
3306	HANDLE 1 1/8x5/4" TAPERED AND	L-43
3327	Replacement Part, Round Bar/600 lbs. Spring Bar Kit, (2) Spring Bars, Chains & Fasteners	L-39, L-40
3328	Replacement Part, Round Bar/800 lbs. Spring Bar Kit, (2) Spring Bars, Chains & Fasteners	L-25, 39, 40
33305H0301	Coupler, 5000 lbs., Class III, Zinc, 2" Ball, SPL Holes	K-72
3344	Wt. Dist. Shank, 14,000 lbs. (GTW), 1,400 lbs. (TW), 11" Length, Extra Drop	E-15
34-106293	Replacement Part, Clearance Light Base, Chrome 2" Snap-Lock Self-Grounding	L-24, 29, 34
34-108119	Replacement Part, Mounting Bracket, 6" Oval Taillight	L-11, 12, 13, 23, 27, 42
34-108663	Replacement Part, Pigtail - 2 Wire w/18" Wire Lead	L-24, 28, 29, 34, 35, 37, 45
34141	Safety Chain Loop, Class IV, 10,000 lbs.	N-27
34-17-034	Replacement Part, Gasket (Foam) for #178 Clearance Light	L-38

PRODUCT INDEX

PART NO.	DESCRIPTION	PAGE NO.
34-17-808	Clearance Light #178 Red with White Base with Foam Gasket	L-38
34-17-809	Clearance Light #178 Amber with White Base with Foam Gasket	L-38
34300 0301	Coupler, Class III, 2" Ball, 3" Channel, 5000 lbs. - Zinc	K-71
34300 0317	Coupler, Class III, 2" Ball, 3" Channel, 5000 lbs. - Primed	K-71
3442	Replacement Part, Sway Control Ball Mounting Bar	E-13
34-58-001	Clearance Light #58 Red w/ White Base	L-38
34-58-002	Clearance Light #58 Amber w/ White Base	L-38
34-58-010	Replacement Part, Clearance Light Lens #58 Red	L-38
34-58-012	Replacement Part, Clearance Light Lens #58 Amber	L-38
34-58-702†	Replacement Part, Clearance Light Wedge Base Socket w/#194 Bulb	L-38, L-39
34-59-001	Clearance Light #59 Red with White Base	L-39
34-59-002	Clearance Light #59 Amber with White Base	L-39
34-59-010	Replacement Part, Clearance Light Lens #59 Red	L-39
34-59-012	Replacement Part, Clearance Light Lens #59 Amber	L-39
34-59-054	Replacement Part, Gasket (Foam) for #59 Clearance Light	L-38, 39
34600 0301	Coupler, Class IV, FASLOK, 6000 lbs. - Zinc	K-71
34-62-000	License Plate Light, Mini Compact	L-45
34-62-002	License Light #62 w/Black Base & Bracket	L-45
34-62-003	License Light #62 w/White Base & Bracket	L-45
34-62-030	License Plate Bracket	L-45, 46
34-62-102	License Light #62 w/Black Base (No Bracket)	L-45
34-62-103	License Light #62 w/White Base (No Bracket)	L-45
34-72-100	License Plate Bracket, Heavy Duty	L-46
34-76-028	Replacement Part, Interior Light #76 Lens	L-49
34-76-123	Interior Light #76 Single with Lens	L-49
34-76-223	Interior Light #76 Double with Lens	L-49
34-76-243	Interior Light #76 Double with Lens with Dual Switch	L-49
34-78-021	Replacement Part, Porch Light #78 Lens Clear	L-48
34-78-022	Replacement Part, Porch Light #78 Lens Amber	L-48
34-78-515	Porch Light #78 Clear with White #5 Base	L-48
34-78-516	Porch Light #78 Amber with Ash White #5 Base	L-48
34-78-517	Porch Light #78 Clear with Ash White #5 Base & Switch	L-48
34-78-518	Porch Light #78 Amber with Ash White #5 Base & Switch	L-48
34-84-008	Taillight #84 Recessed Double Horizontal Mount Red, Backup with Black Base	L-15
34-84-009	Taillight #84 Recessed Triple Horizontal Mount Red, Red, Backup with Black Base	L-16
34-84-010	Replacement Part, Taillight Lens #84, #85, & #86 Red	L-14, 15, 16
34-84-016	Replacement Part, Taillight Lens #84, #85, & #86 Amber	L-14, 15, 16
34-84-527	Taillight #84 Recessed Double Red, Red with Black Base	L-15
34-84-529	Taillight #84 Recessed Double Red, Red with Red Insert with Black Base	L-15
34-84-700	Replacement Part, Taillight Lens Horizontal #84, #85, & #86 Clear Backup	L-14, 15, 16
34-84-711	Replacement Part, Taillight Lens Vertical #84, #85, & #86 Clear Backup	L-14, 15, 16
34-85-750	Replacement Part, Taillight #84, #85, #86 Red w/Red Insert Lens	L-15, L-16
34-86-101	Taillight #86 Single Stop-Tail Turn - Black	L-14
34-86-103	Taillight #86 Single Vertical Backup - Black	L-14
34-86-202	Clearance Light #86 Wrap-Around Red w/Black Base	L-14
34-86-203	Clearance Light #86 Wrap-Around Amber w/Black Base	L-14
34-86-711	Replacement Part, Side Marker Clearance Light #86 Wrap-Around Lens Red	L-14, 33
34-86-712	Replacement Part, Side Marker Clearance Light #86 Wrap-Around Lens Amber	L-14, 33
34-90-021	Replacement Part, Bulb #921 for #75 Interior Lights (Qty. 2)	L-49
34-92-001	Taillight Surface Mount #92 Red with White Base	L-17
34-92-002	Taillight Surface Mount #92 Red with Backup with White Base	L-17
34-92-003	Taillight Surface Mount #92 Red with License Bracket with White Base	L-17
34-92-004	Taillight Surface Mount #92 Red with Backup & License Bracket with White Base	L-17
34-92-012	Replacement Part, Taillight Lens Red for #30-92-001 & 106	L-17
34-92-704	Replacement Part, Taillight Lens Red with Backup for #30-92-002 & 107	L-17
34-92-708	Replacement Part, Taillight Lens Red with License Bracket for #30-92-003 & 108	L-17

PART NO.	DESCRIPTION	PAGE NO.
34-92-713	Taillight Lens Red with Backup with License Bracket for #30-92-004 & 109	L-17
34-99-001	Clearance Light #99 Red	L-40
34-99-002	Clearance Light #99 Amber	L-40
34-99-010	Replacement Part, Clearance Light Lens #99 Red	L-40
34-99-012	Replacement Part, Clearance Light Lens #99 Amber	L-40
3590	Class I 1-1/4" Drawbar Kit, Drawbar (2000 lb w/3/4" Ball Hole 6-5/8" L x 5/8" Rise), Pin & Clip	B-8
3591	Class I 1-1/4" Drawbar Kit, Drawbar (2000 lb w/3/4" Ball Hole 9-3/4" L x 5/8" Rise), Pin & Clip	B-8
3592	Class I 1-1/4" Drawbar Kit, 2000 lb w/3/4" Ball Hole 9-3/4" L x 2-3/4" Drop), Pin & Clip	B-8
3593	Class I 1-1/4" Drawbar Kit, Drawbar (2000 lb w/3/4" Ball Hole 6-5/8" L x 2-1/8" Rise), Pin & Clip	B-8
3594	Class I 1-1/4" Drawbar Kit, Drawbar (2000 lb w/3/4" Ball Hole 10" L x 4" Rise), Pin & Clip	B-8
36010	Premium Receiver - Multi-Fit Motorhome	A-9
36051	Class II Drawbar Kit, 3500 lb w/3/4" Ball Hole 7" L x 1-1/4" Drop), Pin & Clip	B-9
36053	Class II Drawbar Kit, Drawbar (3500 lb w/3/4" Ball Hole 9-3/4" L x 1-1/4" Drop), Pin & Clip	B-9
36061	Class II Drawbar Kit, Drawbar (3500 lb w/3/4" Ball Hole 9-3/4" L), Pin & Clip	B-9
36063	Class II Drawbar Kit, Drawbar (3500 lb w/3/4" Ball Hole 11-3/4" L), Pin & Clip	B-9
36065	Class II Drawbar Kit, Drawbar (3500 lbs. w/3/4" Ball Hole 10" Length x), Pin & Clip	B-9
36071	Class II Drawbar Kit, Drawbar (3500 lb w/3/4" Ball Hole 7-3/16" L x), Pin & Clip	B-9
36078	Class II Drawbar Kit, Drawbar (3500 lb w/3/4" Ball Hole 7-3/8" L), Pin & Clip	B-9
37-0023	Velocity Series™ Display Stand	O-6
37-0030	5 Hitch & 4 Ball Mount Display Stand (Hitches Sold Separately)	O-4
37-2027	24" x 30" 2-Sided Aluminum Sign - Out of Stock, No Reprint Date	O-11
37-2046	Display Stand for Bike Racks	O-8
37-2048	Bargman Light Display	O-8
37-2049	Wesbar Light Display	O-8
37-2075	BULLDOG 24" x 19.6" 2-Sided Aluminum Sign	O-6, 11
37-2103	Fifth Wheel & Gooseneck Display	O-5
37-2109	Weight Distributing Display Stand	O-4
37-2112	Ball Mount Display for Lozier Gondola Shelf - Holds Qty. 34	O-9
37-2114	Hitch Ball Display for Lozier Gondola Shelf - Holds Qty. 45-60	O-9
37-2126	DISPLAY RV JACK	O-7
37-2127	Ball Mount & Hitch Ball Display for Lozier Gondola Shelf	O-9
37-2130	Pin Box Display	O-5
37-2131	Trailer Jack A-Frame Cross Bar for Lozier Gondola	O-9
37-2132	Trailer Jack A-Frame Mounting Bracket for Lozier Gondola	O-9
37-2133	Trailer Jack A-Frame Mounting Support Bracket for Lozier Gondola	O-9
37-2134	Trailer Jack A-Frame Display Components for Lozier Gondola (Includes	O-7, 9
37-3016	BULLDOG Electric Winch Display	O-6
37-5638	4 Hitch Display Stand (Hitches Sold Separately)	O-4
37-5652	24" x 30" 2-Sided Aluminum Sign	O-11
37-6297	Display Stand for Cargo Carriers and Bike Racks	O-8
37-6299	Display Stand for Adventure System (Retrofit)	O-8
37-6475	ROLA® Roof Rack Display, use #59504 with #37-6297	O-8
38023	3000 20K Weld-On Receiver w/3" Sq. Dual Ball Mount, 2" & 2-5/16" Balls, Pin & Clip	A-8
3808	Economy Circuit Tester	C-39
38124	4000 25K Weld-On Receiver w/3" Sq. Dual Ball Mount, 2" & 2-5/16" Balls, Pin & Clip	A-8
38180	Super Titan®, Dual Ball Mount, 25,000 lbs. 6TW/4000 lbs. TW, 2-5/16" Ball (25,000 lbs.) & 2" Ball (12,000 lbs.), 9" Length, Black	B-14
38186	Super Titan®, 3" Receiver Pintle Hook Mounting Plate, 9" Shank, 9" x 5" Plate Size, 25000/4000 lb	B-4, 20, M-16
38208	4000 25K Bolt-On Receiver w/3" Sq. Dual Ball Mount, 2" & 2-5/16" Balls, Pin & Clip	A-8
38211	3000 20K Weld-On Receiver w/3" Sq. Dual Ball Mount, 2" & 2-5/16" Balls, Pin & Clip	A-8
38371	Replacement Part, T-Handle T-27 Torx Driver (Qty. 2) Service Kit for Roof Racks	I-12
38422	Replacement Part, Mounting Pads (Qty. 4) Service Kit for #38291 & #59042	I-12
38423	Replacement Part, Mounting Pads (Qty. 4) Service Kit for #38316	I-12
38424	Replacement Part, Mounting Pads (Qty. 4) Service Kit for #38736 & #59866	I-12
38425	Replacement Part, Mounting Pads (Qty. 4) Service Kit for #38254 & #59800	I-12
38426	Replacement Part, Mounting Pads (Qty. 4) Service Kit for #38441	I-12

PART NO.	DESCRIPTION	PAGE NO.
38427	Replacement Part, Self-Adhesive Rubber Mounting Pads (Qty.4) Service Kit for RB Series	I-12
38429	Replacement Part, Self-Adhesive Rubber Mounting Pads (Qty.4) Service Kit for GTX Series	I-12
38665-012	4 Terminal Relay, 12 Volt, 2007-Up Chevrolet Equinox, Pontiac Torrent & Suzuki XL-7/2008-Up Ford Escape, Mazda Tribute & Mercury Mariner (12-pack)	C-36
38666-010	4 Terminal Relay, Small, 12 Volt, 2004-Up Infiniti QX56, Nissan Armada & Titan/2005-Up Nissan Frontier, Pathfinder & Xterra/2009-Up Suzuki Equator	C-36
38667-010	6 Terminal Relay, Large, 12 Volt, 2004-Up Infiniti QX56, Nissan Armada & Titan/2005-Up Nissan Frontier, Pathfinder & Xterra/2009-Up Suzuki Equator	C-36
38735	Super Titan® Receiver Adapter, Reduces Receiver Tube From 3" to 2"	B-18
39072	AutoSlide™ Capture Plate, for Lippert 1621	F-19
39073	AutoSlide™ Capture Plate, for Lippert 1116 & 1716	F-19
39074	AutoSlide™ Capture Plate, for MORyde	F-19
40-00-002	Replacement Part, Pigtail - 2 Wire w/6" Wire Lead	L-24, 28, 29, 34, 35, 37, 45
40-00-003	Replacement Part, Pigtail - 3 Wire Sealed	L-11, 12, 13, 21, 23, 27, 42
40-00-004	Replacement Part, Pigtail - 3 Wire 90 Degree	L-9, 10, 11, 12, 13, 21, 23, 27, 42
40-00-005	Replacement Part, #58 Series LED Pigtail - 2 Wire	L-31
40-00-006	Replacement Part, Pigtail - 3 Wire, LED Round 4"	L-10
40-01-001	Replacement Part, Sealed 4" Round Red Stop, Tail Turn	L-21
40-01-003	Replacement Part, Sealed 4" Round Clear Backup Light	L-21
40-01-020	Replacement Part, Grommet - Sealed 4" Round Taillight	L-10, L-21
40058-002	Towing Starter Kit, w/Quick-Loading 2" Sq. Ball Mount, 7,500 lbs. GTW, 1" Ball Hole, 8-1/2" Length, 3/4" Rise, 2" Drop & 2-5/16" Chrome Hitch Ball w/Pin & Clip (2-Pack)	B-12
40-06-001	Replacement Part, Sealed 6" Oblong Red Taillight	L-23
40-06-002	Replacement Part, Sealed 6" Oblong Amber Turn Light	L-23
40-06-020	Replacement Part, Grommet - Sealed 6" Oblong Taillight	L-11, 12, 13, 23, 27, 42
40109	Rotabroach Hole Cutting Tool, 3/8" Diameter	A-10
40110	Rotabroach Hole Cutting Tool, 7/16" Diameter	A-10
401565	Clearance Light LED #99 Amber w/Type 302 Stainless Steel Hardware	L-30
401566	Clearance Light LED #99 Red	L-30, 44
401567	Light Bar LED w/Red Lens	L-44
401580	Replacement Part, LED 2" Amber Marker/Clearance Light, Base & Connector	L-29
401581	Replacement Part, LED 2" Red Marker/Clearance Light, Base & Connector	L-29
401582	Replacement Part, Side Marker Clearance Light Module LED #38 Amber	L-32
401583	Replacement Part, Clearance Light Module LED #38 Red	L-32
401584	Replacement Part, LED 6" Oval Taillight, Horizontal Mount	L-11, L-12
401585	Side Marker Clearance Light LED #58 Amber	L-31
401586	Side Marker Clearance Light LED #58 Red	L-31
401589	Replacement Part, 2" Round Grommet & 2 Wire Connector	L-35
401591	Replacement Part, 6" Oval Grommet & 3 Wire Connector	L-11, 12, 13, 23, 27, 42
40200	Hollow Shank Ball Mount, 10,000 lb GTW, 1-1/4" Ball Hole, 8-1/2" L, 3/4" Rise, 2" Drop	B-13
40201	Hollow Shank Ball Mount, 10,000 lb GTW, 1-1/4" Ball Hole, 9" Length, 4" Drop	B-13
40202	Ball Mount, 10,000 lb GTW, 1-1/4" Ball Hole, 11-1/4" L, 2-3/4" Rise, 4" Drop	B-13
40205	Hollow Shank Ball Mount, 10,000 lbs. GTW, 1-1/4" Ball Hole, 9" Length, 6" Drop, Black	B-13
40206	Hollow Shank Ball Mount, 10,000 lbs. GTW, 1-1/4" Ball Hole, 9" Length, 8" Drop, Black	B-13
40238-002	Towing Starter Kit, w/Quick-Loading 2" Sq. Ball Mount, 7,500 lbs. GTW, 1" Ball Hole, 9" Length, 2-3/4" Rise, 4" Drop & 2-5/16" Chrome Hitch Ball w/Pin & Clip (2-Pack)	B-12
40-30-001	Replacement Part, Clearance Light Sealed Module, #30 Red	L-35
40-30-002	Replacement Part, Clearance Light Sealed Module, #30 Amber	L-35
40-30-020	Replacement Part, Grommet - 2" Round Clearance Light	L-35
403025	Over 80" Submersible Taillight, Left/Roadside (Black)	L-25
403026	Taillight, Waterproof Low-Profile Over 80" - Left/Roadside	L-22
403075	Over 80" Submersible Taillight, Right/Curbside (Black)	L-25

PART NO.	DESCRIPTION	PAGE NO.
403076	Taillight, Waterproof Low-Profile Over 80" - Right/Curbside	L-22
403080	Taillight, Sealed Oval Set (Module, Grommet & Harness)	L-23
403085	Replacement Part, Taillight Module for #003080	L-23
40330	Forged Ball Mount, 16,000 lb GTW, 1-1/4" Ball Hole, 8-1/2" Length, 1" Rise, 2" Drop, Black	B-13
40331	Forged Ball Mount, 16,000 lb GTW, 1-1/4" Ball Hole, 9-1/4" Length, 3" Rise, 4" Drop	B-13
40332	Forged Ball Mount, 16,000 lb GTW, 1-1/4" Ball Hole, 10-1/4" Length, 5" Rise, 6" Drop	B-13
403336	Replacement Part, Waterproof Low-Profile Over 80" Taillight and Clearance Light Replacement Lens Set w/Screw	L-22
403356	Replacement Part, Taillight Capsule, Bulb Replaceable	L-22
40342	Quick-Loading Ball Mount, 7,500 lb GTW, 1" Ball Hole, 8-1/2" L, 3/4" Rise, 2" Drop	B-10
40342-006	Quick-Loading Ball Mount, 7,500 lb GTW, 1" Ball Hole, 8-1/2" L, 3/4" Rise, 2" Drop	B-10
40343	Quick-Loading Ball Mount, 6,000 lbs. GTW, 1" Ball Hole, 10-1/2" Length, 2" Drop	B-10
40343-006	Quick-Loading Ball Mount, 6,000 lb GTW, 1" Ball Hole, 10-1/2" Length, 2" Drop	B-10
40344	Quick-Loading Ball Mount, 7,500 lb GTW, 1" Ball Hole, 9" Length, 2-3/4" Rise, 4" Drop	B-10
40344-006	Quick-Loading Ball Mount, 7,500 lbs. GTW, 1" Ball Hole, 9" Length, 2-3/4" Rise, 4" Drop	B-10
40345	Quick-Loading Ball Mount, 6,000 lbs. GTW, 1" Ball Hole, 11" Length, 4" Drop	B-10
40345-006	Quick-Loading Ball Mount, 6,000 lbs. GTW, 1" Ball Hole, 11" Length, 2-3/4" Rise, 4" Drop	B-10
40346	Quick-Loading Ball Mount, 7,500 lb GTW, 1" Ball Hole, 10-3/8" Length, 6" Drop	B-10
40346-002	Quick-Loading Ball Mount, 7,500 lb GTW, 1" Ball Hole, 9-1/2" Length, 6" Drop	B-10
40-37-001	Replacement Part, Clearance Light Sealed Module, #37 Red	L-34, 43
40-37-002	Replacement Part, Clearance Light Sealed Module, #37 Amber	L-34
40-37-020	Replacement Part, Clearance Light Base, Black 2" Snap-Lock, Open Back	L-24, 29, 34
40-37-401	Replacement Part, Clearance Light Sealed Module, #37 Red	L-34, 43
40376	Test Light	C-39
40-38-001	Replacement Part, Clearance Light Sealed Module, #38 Red	L-36
40-38-002	Replacement Part, Clearance Light Sealed Module, #38 Amber	L-36
40-38-004	Clearance/Side Light Red/Amber (No Base)	L-36
40-38-020	Replacement Part, Clearance Light Base 3-13/16" x 1-1/4", Black with Wire Assembly	L-32, 36
40-38-025	Replacement Part, Double Clearance Light Black Base w/2 Wires	L-32, 36
40381	Aluminum Ball Mount, 8,000 lbs. GTW, 1" Ball Hole, 9-7/8" Length, 1" Rise, 2" Drop	B-13
40382	Aluminum Ball Mount, 8,000 lbs. GTW, 1" Ball Hole, 10-5/8" Length, 3" Rise, 4" Drop	B-13
40383	Aluminum Ball Mount, 8,000 lbs. GTW, 1" Ball Hole, 11-7/8" Length, 5" Rise, 6" Drop	B-13
40384	Aluminum Ball Mount, 6,000 lbs. GTW, 1" Ball Hole, 10-7/8" Length, 7" Rise, 8" Drop	B-13
40-40-004	Fender Mount Clearance Light #40 Red/Amber with Lexan Black Base and Screws	L-41
40-40-104	Fender Mount Clearance Light #40 Red/Amber	L-41
40-40-115	Fender Mount Clearance Light Bezel Only Base with Lens Adhesive	L-41
40-40-120	Two Light Fender Mount Bezel Only (Red/Amber #38 or #99 Series)	L-36, 40
40443	Packaged Ball Mount, 6,000 lbs. GTW, 1" Ball Hole, 10-1/2" Length, 3/4" Rise, 2" Drop	B-11
40446	Packaged Ball Mount, 6,000 lbs. GTW, 1" Ball Hole, 9-1/2" Length, 4-3/4" Rise, 6" Drop	B-11
40565	Towing Starter Kit, w/Interlock® (Hex) Feature Ball Mount 2" Sq. x 8-1/2" L x 2" D x 3/4" R, 6000 lbs. & 2" Hitch Ball w/Lock, Plastic Storage Case	B-12
40583-002	Towing Starter Kit, w/Quick-Loading 2" Sq. Ball Mount, 7,500 lbs. GTW, 1" Ball Hole, 8-1/2" Length, 3/4" Rise, 2" Drop & 2" Chrome Hitch Ball w/Pin & Clip (2-Pack)	B-12
40584-002	Towing Starter Kit, w/Quick-Loading 2" Sq. Ball Mount, 7,500 lbs. GTW, 1" Ball Hole, 8-1/2" Length, 3/4" Rise, 2" Drop & 2" Chrome Hitch Ball w/Pin & Clip (2-Pack)	B-12
40-60-001	Security/Utility Light 7" with Chrome Base	L-47
40-60-004	Security/Utility Light 7" with White Base	L-47
40602	HD Bracket Kit for DT #2480, HH #40801, RS #74950, TR #63180 Tow Bar, Rating 5,000 lb	N-30
40604	HD Safety Chain Kit for DT 2480, HH 40601, RS 74950, TR 63180 Tow Bar, 30" w/Quick Links, Rating 5000 lb	N-26, 30
40644-002	Towing Starter Kit, w/Quick-Loading 2" Sq. Ball Mount, 7,500 lbs. GTW, 1" Ball Hole, 9" Length, 2-3/4" Rise, 4" Drop & 2" Chrome Hitch Ball w/Pin & Clip (2-Pack)	B-12
40700	Ball Mount, 3" Sq. Forged, 21,000 lbs., 4" Drop	B-4, 14
40701	Ball Mount, 3" Sq. Forged, 21,000 lbs., 6" Drop	B-4, 14
40702	Ball Mount, 3" Sq. Forged, 21,000 lbs., 8" Drop	B-4, 14
40703	Ball Mount, 3" Sq. Forged, 21,000 lbs., 10" Drop	B-4, 14
407500	Standard Under 80" Trailer Light Kit w/20" Wire Harness	L-19, 20

PRODUCT INDEX

PART NO.	DESCRIPTION	PAGE NO.
407515	Submersible Over 80" Taillight Kit w/Side Marker/Clearance Lights	L-25
407530	LED Over 80" 3X8 Low Profile Waterproof 7-Function Taillight, Right/Curbside	L-9
407535	LED Over 80" 3X8 Low Profile Waterproof 8-Function Taillight, Left/Roadside	L-9
407540	LED Over 80" 3X8 Low Profile Waterproof Trailer Light Kit	L-9
407550	LED Waterproof 4X6 Low Profile 7-Function Taillight, Right/Curbside	L-10
407555	LED Waterproof 4X6 Low Profile 8-Function Taillight, Left/Roadside	L-10
407560	LED Waterproof 4X6 Low Profile Taillight Kit	L-10
40-767758	LED Waterproof 6" Oval Surface Flange Mount Taillights w/Black Flange Base	L-11
41011	Transmission Oil Cooler kit 3/4"H x 7-1/2" W x 12-3/4"L, Medium Duty Tube & Fin	N-30
41013	Transmission Oil Cooler kit 3/4"H x 7-1/2" W x 15-1/2"L, Heavy Duty Tube & Fin	N-30
41014	Transmission Oil Cooler kit 3/4"H x 10" W x 15-1/2"L, Extra Heavy Duty Tube & Fin	N-30
41019	Transmission Oil Cooler kit, Hi-Performance, 3/4"H x 4"W x 11"L, Light Duty Plate & Fin	N-30
41020†	Transmission Oil Cooler kit, Hi-Perform., 3/4"H x 5-3/4"W x 11"L, Med Duty Plate & Fin	N-30
41103†	Transmission Oil Cooler Metal Strap Mounting Kit	N-31
41-30-001	Replacement Part, Clearance Light Sealed Module, #30 Red	L-35
41-30-002	Replacement Part, Clearance Light Sealed Module, #30 Amber	L-35
41310	Transmission Cooler, Hi-Performance, 3/4"H x 7-1/4"W x 11"L, Heavy Duty Plate & Fin	N-30
41311	Transmission Cooler, Hi-Performance, 3/4"H x 12"W x 11"L, Extra Heavy Duty Plate & Fin	N-30
41312†	Transmission Cooler, Hi-Performance, 1-1/2"H x 11"W x 11"L, Premium HD Plate & Fin	N-30
413560	Waterproof / Sealed Recessed Taillights #06 Series Taillight Assy, Oval Grommet, Red	L-23
41-37-031	Clearance Light Sealed #37 Red with Black Base and Wire	L-34
41-37-032	Clearance Light Sealed #37 Amber with Black Base and Wire	L-34
41-38-031	Clearance Light Sealed #38 Red with Black Base and Wire Assembly	L-36
41-38-032	Clearance Light Sealed #38 Amber with Black Base and Wire Assembly	L-36
41405	Transmission Oil Cooler Nylon Tie Mounting Kit	N-31
41410	Transmission Cooler Line Fitting Kit, 1993 or Later Ford, Lincoln & Mercury Cars, 1/4" MPT	N-31
41412	Transmission Cooler Line Fitting Kit, for 1987 & Later Jeep, 5/8" SAE (45 Degree Flare)	N-31
416088	Replacement Part, Taillight Oval Grommet	L-11, 12, 13, 23, 27, 42
417515	Light & Wire Kit, Submersible Over 80" w/20' Harness	L-25
41990	Ultra Frame® Receiver, Weld Together For Service Body Trucks, 44" Crosstube Only	A-7
41990-07	Ultra Frame® Receiver, Weld Together For Service Body Trucks, 44" Crosstube w/Short 7" Side Bracket Kit #4907	A-7
41990-16	Ultra Frame® Receiver, Weld Together For Service Body Trucks, 44" Crosstube w/Long 16" Side Bracket Kit #4916	A-7
41991	Ultra Frame® Receiver, Weld Together For Service Body Trucks, 62" Crosstube Only	A-7
41991-07	Ultra Frame® Receiver, Weld Together For Service Body Trucks, 62" Crosstube w/Short 7" Side Bracket Kit #4907	A-7
41991-16	Ultra Frame® Receiver, Weld Together For Service Body Trucks, 62" Crosstube w/Long 16" Side Bracket Kit #4916	A-7
42-106858	LED Surface Mount Red 13" Waterproof ID Light Bar, 3 Diode, 60" Brown/White Wires	L-44
42250	Ball Cover, 1-7/8" & 2", Black	B-28
42250-012	Ball Cover, 1-7/8" & 2", Black, Display Pkg. (12 pack)	B-28
42251	Ball Cover, 2-5/16", Black	B-28
42251-012	Ball Cover, 2-5/16", Black, Display Pkg. (12 pack)	B-28
423025	Over 80" Submersible Taillight, Left/Roadside (Black)	L-25
423075	Over 80" Submersible Taillight, Right/Curbside (Black)	L-25
4234	Safety Chain Loop, Class I, 2,000 lbs.	N-27
42-37-401	Replacement Part, 37 Series LED Red	L-29, 44
42-37-402	Replacement Part, 37 Series LED Amber	L-29
42-38-033	Side Marker Clearance Light LED #38 Red with Black Base with Pigtail	L-32
42-38-034	Side Marker Clearance Light LED #38 Amber with Black Base with Pigtail	L-32
42-38-035	Side Marker Clearance Light LED #38 Red/Amber w/Black Base, Self Grounding	L-32
42-59-401	Side Marker Clearance Light LED #59 Red w/White Base	L-31
42-59-402	Side Marker Clearance Light LED #59 Amber w/White Base	L-31
42-59-410	Side Marker Clearance Light, Upgrade Kit LED #59 Red	L-31, 33
42-59-412	Side Marker Clearance Light, Upgrade Kit LED #59 Amber	L-31, L-33
4280	Ball Mount, 12,000 lbs. GTW, 1-1/4" Ball Hole, 8-1/2" Length, 1" Rise, 2" Drop, Zinc	B-13

PART NO.	DESCRIPTION	PAGE NO.
4281	Ball Mount, 12,000 lbs. GTW, 1-1/4" Ball Hole, 8-1/2" Length, 3" Rise, 4" Drop, Zinc	B-13
4282	Ball Mount, 12,000 lbs. GTW, 1-1/4" Ball Hole, 9-1/2" Length, 5" Rise, 6" Drop, Zinc	B-13
4283	Ball Mount, 12,000 lbs. GTW, 1-1/4" Ball Hole, 9-1/2" Length, 7" Rise, 8" Drop, Zinc	B-13
4284	Ball Mount, 12,000 lbs. GTW, 1-1/4" Ball Hole, 12" Length, 1" Rise, 2" Drop, Zinc	B-13
42-84-410	LED #84 Series Stop, Tail, Turn Light Lens Upgrade Module Red w/Connector & Lens Screws	L-4
42-84-412	LED #84 Series Turn Light Lens Upgrade Module Amber w/Connector and Lens Screws	L-4
4285	Ball Mount, 12,000 lbs. GTW, 1-1/4" Ball Hole, 12" Length, 3" Rise, 4" Drop, Zinc	B-13
42-86-101	Taillight LED #86 Single Stop, Tail, Turn with Black Base	L-5
42-86-410	LED Wrap-Around Side Marker Clearance Light Upgrade Module Red	L-4, L-33
42-86-412	LED Wrap-Around Side Marker Clearance Light Upgrade Module Amber	L-4, L-33
42-99-215	Waterproof ID Bar LED, Red	L-44
42-99-401	Side Marker Clearance Light LED Red w/Stud Mounting & 12" Brown Wire	L-30
42-99-402	Side Marker Clearance Light LED Amber w/Stud Mounting & 12" Brown Wire	L-30
43805W0317	Coupler, A-Frame Wedge-Latch, 8,000 lbs.	K-67, M-14
44-00-002	Replacement Part, Pigtail - 2 Wire w/ 6-1/2" Wire Lead	L-24, 28, 29, 34, 35, 37, 45
44-00-003	Replacement Part, Pigtail - 3 Wire Sealed	L-11, 12, 13, 21, 23, 27, 42
44-01-001	Replacement Part, Taillight Sealed Stop, Tail, Turn 4" Round	L-21
44-01-020	Replacement Part, Grommet - Sealed 4" Round Taillight	L-10, L-21
44-01-031	Taillight Sealed Stop, Tail, Turn 4" Round with Grommet and Standard Pigtail	L-21
44-06-001	Replacement Part, Taillight Sealed Stop, Tail, Turn 6" Oblong	L-23
44-06-002	Replacement Part, Taillight Sealed Amber Turn 6" Oblong	L-23
44-06-020	Replacement Part, Grommet - Sealed 6" Oblong Taillight	L-11, 12, 13, 23, 27, 42
44-06-031	Taillight Sealed Stop, Tail, Turn 6" Oblong with Grommet and Standard Pigtail	L-23
44-06-032	Taillight Sealed Amber Turn 6" Oblong with Grommet and Standard Pigtail	L-23
44-06-042	Taillight Sealed Amber Turn 6" Oblong with Grommet and 90 Degree Pigtail	L-23
44125W0317	Coupler, A-Frame Wedge-Latch, 12,500 lbs.	K-67, M-14
44133	Quick-Link Chain Hook-Up, 3,500 lbs., 3/8"	N-28
44140	Safety Chain, Class III GVWR 5,000 lbs. 48", 1/4" Proof Coil, Grade 30 S-Hook, Both Ends	N-26
44150	Safety Chain S-Hook, Class I, Breaking Strength 2,000 lbs.	N-27
44150W0317	Coupler, A-Frame Wedge-Latch, 15,000 lbs., Round Jack Hole	K-67, M-14
44150WH301	Coupler, A-Frame Wedge-Latch, 15,000 lbs., Round Jack Hole, Bolt-On, Zinc	K-67, M-14
44150WQ317	Coupler, A-Frame Wedge-Latch, 15,000 lbs., Square Jack Hole, Primed	K-67, M-14
44153	Safety Chain S-Hook, Class III Breaking Strength 5,000 lbs.	N-27
44154	Clevis Slip Hook w/Latch, Grade 43, 1/4"	N-28
44155	Clevis Slip Hook w/Latch, Grade 43, 5/16"	N-28
44156	Clevis Slip Hook w/Latch, Grade 43, 3/8"	N-28
44157	Clevis Slip Hook w/Latch, Grade 43, 1/2"	N-28
44159	Clevis Slip Hook w/Latch, Grade 70, 5/16"	N-28
44163	Clevis Slip Hook w/Latch, Grade 70, 1/4"	N-28
44164	Clevis Slip Hook w/Latch, Grade 70, 3/8"	N-28
44200	Recessed Rope Ring, 1,200 lbs. for 3/8" Plywood	N-27
442000317	Coupler Plate, 20,000 lbs. Cast - Primed	K-67, M-14
44201	Recessed Rope Ring, 1,200 lbs., 10 Ga. Steel D-Ring, 225 Dia., Zinc	N-27
44202	Recessed Rope Ring w/Trim Ring, 1,000 lbs., 16 Ga. Steel, Zinc	N-27
442500317	Coupler Plate, 25,000 lbs. Cast - Primed	K-67, M-14
44-30-001	Replacement Part, Clearance Light Sealed Module, #30 Red	L-35
44-30-002	Replacement Part, Clearance Light Sealed Module, #30 Amber	L-35
44-30-020	Replacement Part, Grommet - 2" Round Clearance/Marker Light	L-35
44-30-031	Clearance Light Sealed #30 Red with Grommet and 6-1/2" Pigtail	L-35
44-30-032	Clearance Light Sealed #30 Amber with Grommet and 6-1/2" Pigtail	L-35
44305F0317	F2™ A-Frame Coupler, Ball Size 2-5/16", Rating 10,000 lbs.	K-12
44305R0317	Coupler, A-Frame, 10,000 lbs., Class IV, Prime, 2-5/16" Ball	K-72
44305R0500	Coupler, A-Frame, 10,000 lbs., Class IV, Oily, 2-5/16" Ball	K-72

PART NO.	DESCRIPTION	PAGE NO.
44311H0301	Coupler, A-Frame, 11,000 lbs., Class IV, Zinc Coated, 2-5/16" Ball	K-72
44314R0303	Coupler, A-Frame, 14,000 lbs., Class IV, Black Paint, 2-5/16" Ball	K-72
44-37-020	Replacement Part, Clearance Light Base, Black 2" Snap-Lock, Open Back	L-24, 29, 34
44-37-031	Clearance Light Sealed #37 Red with Black Base and Wire	L-34
44-37-032	Clearance Light Sealed #37 Amber with Black Base and Wire	L-34
44-38-031	Clearance Light Sealed #38 Red with Black Base and Wire Assembly	L-36
44-38-032	Clearance Light Sealed #38 Amber with Black Base and Wire Assembly	L-36
44-40-004	Fender Mount Clearance Light #40 Red/Amber with Black Base and Screws	L-41
45018	Receiver Extension, 2-1/2" to 2" Extension, 41" Length 500/5,000 lbs. WC & 750/7,500 lbs. WD, 48" Length 400/4,000 lbs. WC & 600/6,000 lbs. WD	B-19
45122	Ball Mount, 2-1/2" Sq., 14,000 lb GTW, 1-1/4" Ball Hole, 9-3/4" L, 1-1/2" Rise, 3" Drop	B-14
45123	Ball Mount, 2-1/2" Sq., 13,000 lb GTW, 1-1/4" Ball Hole, 10" Length, 3-1/2" Rise, 5" Drop	B-14
45156	Receiver Pintle Hook Mounting Plate, 2-1/2" Sq., 7-3/4" Shank, 6" x 5" Plate Size, 12,000	B-20, M-16
45291	Ball Mount, 2-1/2" Sq., 13,000 lb GTW, 1-1/4" Ball Hole, 10-1/2" L, 7-3/4" Drop,	B-14
45292	Receiver Extension, 2-1/2" to 2" Extension, 24" Length 600/6,000 lbs. WC & 800/8,000 lbs. WD, 34" Length 450/4,500 lbs. WC & 600/6,000 lbs. WD	B-19
45294	Receiver Pintle Hook Mounting Plate, 2-1/2" Sq. Solid Shank, 8-1/2" Shank, 7-1/4" x 5" Plate Size, 18,000/2,000 lbs.	B-20, M-16
45322	Ball Mount, 2-1/2" Sq., 18,000 lb GTW, 1-1/4" Ball Hole, 10" L, 1-1/2" Rise, 3" Drop	B-14
45323	Ball Mount, 2-1/2" Sq., 18,000 lbs. GTW, 1-1/4" Ball Hole, 10" Length, 3-1/2" Rise, 5" Drop	B-14
45325	Tri-Ball Ball Mount, 2-1/2" Sq. Hollow Shank w/Black 1-7/8", 2", & 2-5/16" Balls, Black	B-14
4655	9/16" Drill Bit w/Special 1/2" Reduced Shank for Use w/1/2" Drills	A-10
47-01-001	Replacement Part, Taillight LED Stop, Tail, Turn 4" Round	L-10
47-01-031	4" Round LED Tail Lamp with Grommet and Plug	L-10
47-06-004	Replacement Part, Taillight LED Stop, Tail, Turn 6" Oval Horizontal Mount	L-11, 12
47-06-005	6" Oval Mid-Turn Amber Light	L-42
47-06-034	6" Oval LED Tail Lamp w/Grommet and Plug, Horizontal Mount	L-11, 12
47-06-404	Replacement Part, Taillight LED Stop, Tail, Turn 6" Oval Horizontal Mount	L-11, 12
47-106020	Replacement Part, Chrome Bezel	L-28
47-106851	Side Marker Clearance Light LED Waterproof Amber w/Stud Mounting & 12" Brown Wire	L-30
47-106852	LED Waterproof Stud Mount Amber 162" 1 Wire Pigtail	L-30
47-106853	Clearance Light LED Waterproof Amber Lens w/Diodes	L-28
47-106854	Clearance Light LED Waterproof Clear Lens w/Amber Diodes	L-28
47-106857	LED Waterproof Stud Mount Amber 162" 2 Wire Pigtail	L-30
47-106858	LED ID Bar 60" 2 Wire Pigtail	L-44
47-107043	Side Marker Clearance Light LED Red w/Stud Mounting & 12" Brown Wire	L-30
47-107044	LED Waterproof Stud Mount Red 96" 1 Wire Pigtail	L-30
47-107046	LED Waterproof Stud Mount Red 96" 2 Wire Pigtail	L-30
47-107047	Clearance Light LED Waterproof Red Lens w/Diodes	L-28
47-107048	Clearance Light LED Waterproof Clear Lens w/Red Diodes	L-28
47-203667	LED Waterproof Grommet Mt Amber	L-28
47-203668	LED Waterproof Grommet Mt Red	L-28
47-222012	Clearance Light LED Waterproof Amber w/Reflex w/Black Base	L-27
47-222014	Clearance Light LED Waterproof Red w/Reflex w/White Base	L-27
47-222015	Clearance Light LED Waterproof Amber w/Reflex w/White Base	L-27
47-222017	Clearance Light LED Waterproof Amber w/Reflex w/Black Base	L-27
47-37-001	Replacement Part, Clearance Light LED Module, #37 Red	L-29, 44
47-37-002	Replacement Part, Clearance Light LED Module, #37 Amber	L-29
47-37-005	Clearance Light Module LED #37 Red	L-29
47-37-006	Clearance Light Module LED #37 Amber	L-29
47-37-031	Red 2" LED Rectangular Marker/Clearance Lamp	L-29
47-37-032	Amber 2" LED Rectangular Marker/Clearance Lamp	L-29
47-37-401	Replacement Part, Clearance Light LED Module, #37 Red	L-29, 44
47-37-402	Replacement Part, Clearance Light LED Module, #37 Amber	L-29
47-38-001	Replacement Part, Side Marker Clearance Light LED Module, #38 Red	L-32

PART NO.	DESCRIPTION	PAGE NO.
47-38-002	Replacement Part, Side Marker Clearance Light LED Module, #38 Amber	L-32
47-38-004	Side Marker Clearance Light Module LED #38 Red/Amber	L-32
47-38-033	Side Marker Clearance Light LED #38 Red with Black Base with Pigtail	L-32
47-38-034	Side Marker Clearance Light LED #38 Amber with Black Base with Pigtail	L-32
47-38-401	Replacement Part, Side Marker Clearance Light LED Module, #38 Red	L-32
47-38-402	Replacement Part, Side Marker Clearance Light LED Module, #38 Amber	L-32
47-54-001	Narrow Rail S,T,T Red w/Reflex	L-5
47-54-002	Narrow Rail ID Bar LED Red	L-44
47-54-003	Narrow Rail ID Bar LED Amber	L-44
47-58-001	Side Marker Clearance Light LED #58 Red	L-31
47-58-002	Side Marker Clearance Light LED #58 Amber	L-31
47-58-031	Side Marker Clearance Light LED #58 Red with Pigtail	L-31
47-58-032	Side Marker Clearance Light LED #58 Amber with Pigtail	L-31
47-59-001	Side Marker Clearance Light LED #59 Red w/White Base	L-31
47-59-002	Side Marker Clearance Light LED #59 Amber w/White Base	L-31
47-59-010	Side Marker Clearance Light LED Replacement Lens Red	L-31, 33
47-59-012	Side Marker Clearance Light LED Replacement Lens Amber	L-31, 33
47-59-401	Side Marker Clearance Light LED #59 Red w/White Base	L-31
47-59-402	Side Marker Clearance Light LED #59 Amber w/White Base	L-31
47-59-410	Side Marker Clearance Light, Upgrade Kit LED #59 Red	L-31, 33
47-59-412	Side Marker Clearance Light, Upgrade Kit LED #59 Amber	L-31, 33
47-84-001	Taillight Horizontal Mount with Red LED, Incandescent Backup with Colonial White Base	L-7
47-84-005	Taillight Horizontal Mount with Red/Amber LED, Incandescent Backup with Black Base	L-8
47-84-008	Taillight Horizontal Mount with Red LED, Incandescent Backup with Black Base	L-7
47-84-009	Taillight Horizontal Mount with Red/Red LED, Incandescent Backup with Black Base	L-8
47-84-026	LED #84 Backup Lens Module Clear w/Bulb Socket Plug	L-4
47-84-103	Taillight Horizontal Mount with Red LED, Incandescent Backup, Red LED with Black Base	L-6
47-84-104	LED Taillight #84 Recessed Triple Long Horizontal Mount, Red, Backup, Amber, Black	L-6
47-84-410	LED #84 Series Stop, Tail, Turn Light Lens Upgrade Module Red w/Connector & Lens Screws	L-4
47-84-412	LED #84 Series Turn Light Lens Upgrade Module Amber w/Connector and Lens Screws	L-4
47-84-420	Replacement Part, LED #84 Series Stop, Tail, Turn Light Lens Module Red with Wires	L-5, 6, 7, 8
47-84-527	Taillight Red & Red LED with Black Base	L-7
47-84-529	Taillight Red LED & Incandescent Red with Red Insert & Black Base	L-7
47-84-530	Taillight Horizontal Mount with Red/Red LED, Incandescent Backup with White Base	L-8
47-84-540	Taillight Horizontal Mount with Red LED, Incandescent Backup with White Base	L-7
47-84-610	Taillight #84 LED Surface Mount Red/Red, Black Base	L-6
47-84-711	Enhanced Height Incandescent Backup Lens Only, Red Reflex w/Clear Center - Red Border	L-4, 6, 7, 8
47-84-712	Enhanced Height Incandescent Lens Only - Red Reflex w/Red Center - Red Border	L-4, 6, 7, 8
47-84-808	Taillight Horizontal Mount with Red LED, Incandescent Backup with Black Base, 4 Square Plug	L-7
47-85-002	Taillight Horizontal Mount with Red/Red LED, Incandescent Backup with Chrome Base	L-8
47-85-004	Taillight Horizontal Mount with Red/Amber LED, Incandescent Backup with Chrome Base	L-8
47-85-611	Taillight #84 LED Surface Mount Red/Red Chrome Base	L-6
47-85-711	Enhanced Height Incandescent Backup Lens Only, Red Reflex w/Clear Center	L-4
47-86-101	Taillight LED #86 Single Stop, Tail, Turn with Black Base	L-5
47-86-202	Side Marker Clearance Light LED #86 Wrap-Around Red with Black Base	L-33
47-86-410	LED Wrap-Around Side Marker Clearance Light Upgrade Module Red	L-4, 33
47-86-412	LED Wrap-Around Side Marker Clearance Light Upgrade Module Amber	L-4, 33
47-99-004	ID Light Bar LED Red	L-44
47-99-005	Clearance Light LED #99 Red w/Type 302 Stainless Steel Hardware	L-30, 44
47-99-006	Clearance Light LED #99 Amber w/Type 302 Stainless Steel Hardware	L-30
47-99-034	ID Light Bar LED Red	L-44
47-99-215	Waterproof ID Bar LED, Red	L-44
47-99-401	Clearance Light LED #99 Red	L-30
47-99-402	Clearance Light LED #99 Amber	L-30
48-84-008	Taillight Horizontal Mount with Red LED, Incandescent Backup with Black Base	L-7
48-84-009	Taillight Horizontal Mount with Red/Red LED, Incandescent Backup with Black Base	L-8

PRODUCT INDEX

PART NO.	DESCRIPTION	PAGE NO.
48-84-527	Taillight Red & Red LED with Black Base	L-7
48-84-529	Taillight Red LED & Incandescent Red with Red Insert & Black Base	L-7
48-84-711	Enhanced #84/86 Incandescent Backup Lens	L-4, 6, 7, 8
48-85-711	Enhanced Height Incandescent Backup Lens Only, Red Reflex w/Clear Center - Chrome Border	L-4
48-86-101	Taillight LED #86 Single Stop, Tail, Turn with Black Base	L-5
48-86-202	Side Marker Clearance Light LED #86 Wrap-Around Red with Black Base	L-33
4907	Ultra Frame® Receiver, Weld Together For Service Body Trucks Short 7" Side Bracket Kit Only	A-7
49080	Gooseneck (Requires Rails & Installation Kit #30035)	F-16, G-8
49131	Quick-Link Chain Hook-Up, 3,500 lbs., 5/16"	N-28
49132	Quick-Link Chain Hook-Up, 3,500 lbs., 1/4"	N-28
49134	Quick-Link Chain Hook-Up, 5,000 lbs., 7/16"	N-28
49135	Quick-Link Chain Hook-Up, 10,000 lbs., 1/2"	N-28
49137	Safety Chain, Class I GVWR 2,000 lbs. 48", 3/16" Proof Coil, Grade 30 S-Hook, Both Ends	N-26
49138	Safety Chain, Class II GVWR 3,500 lbs. 24", 1/4" Proof Coil, Grade 30 S-Hook, One End	N-26
49141	Safety Chain, Class III GVWR 5,000 lbs. 30", 1/4" Proof Coil, Grade 30 S-Hook, One End	N-26
49147	Safety Chain, Class IV GVW 16,200 lb 35", 1/2" Proof Coil, 3/8" Clevis Slip Hook w/Latch	N-26
49148	Safety Chain, Class IV GVW 7,600 lb 32", 5/16" Proof Coil, 5/16" Clevis Slip Hook w/Latch	N-26
49149	Safety Chain, Class IV GVW 10,600 lb 36", 1/2" Proof Coil, 3/8" Clevis Slip Hook w/Latch	N-26
49150	Goose Box™ Accessory, Safety Chain Kit, 5/16" x 44" w/ 5/16" Clevis Hook & Hardware	G-4, H-6
49151	Goose Box™ Accessory, Safety Chain Kit, 3/8" x 44" w/ 5/16" Clevis Hook & Hardware	G-4, H-6
49152	Safety Chain S-Hook, Class IV Breaking Strength 7600 lb	N-27
4916	Ultra Frame® Receiver, Weld Together for service body trucks long 16" side bracket kit only	A-7
49568	RB2 Wt. Dist. Kit w/#63870 Shank, 10,000 lbs. (GTW), 600 lbs. (TW)	E-12
49569	RB2 Wt. Dist. Kit w/#63870 Shank, 10,000 lbs. (GTW), 800 lbs. (TW)	E-12
49570	RB2 Wt. Dist. Kit w/#63870 Shank, 12,000 lbs. (GTW), 1,200 lbs. (TW)	E-12
49581	RB3 Wt. Dist. Kit w/Shank, Chains & Hardware, 10,000 lbs. (GTW), 550 lbs. (TW)	E-12
49582	RB3 Wt. Dist. Kit w/Shank, Chains & Hardware, 10,000 lbs. (GTW), 750 lbs. (TW)	E-12
49583	RB3 Wt. Dist. Kit w/Shank, Chains & Hardware, 10,000 lbs. (GTW), 1000 lbs. (TW)	E-12
49802	Fold Down License Plate Holder	A-11
49803	Assortment Installation Hardware Kit	A-11
49901	RB Wt. Dist. Kit w/Shank, Friction Sway Control, 2-5/16" Chrome Hitch Ball, Sway Control Ball, Chains & Hardware, 10,000 lbs. (GTW), 550 lbs. (TW)	E-11
49902	RB Wt. Dist. Kit w/Shank, Friction Sway Control, 2-5/16" Chrome Hitch Ball, Sway Control Ball, Chains & Hardware, 10,000 lbs. (GTW), 750 lbs. (TW)	E-11
49903	RB Wt. Dist. Kit w/Shank, Friction Sway Control, 2-5/16" Chrome Hitch Ball, Sway Control Ball, Chains & Hardware, 10,000 lbs. (GTW), 1000 lbs. (TW)	E-11
49904	Complete RB Wt. Dist. Kit w/Shank, Friction Sway Control, 2-5/16" Chrome Hitch Ball, Sway Control Ball, Chains & Hardware, 10,000 lbs. (GTW), 1200 lbs. (TW)	E-11
5000-DX	Shoe and Lining Kit - Dexter 12" x 2" - Wheel Set	N-14, 19
5000-DX	Shoe and Lining Kit - Dexter 12" x 2" - Wheel Set	N-18
500103	Kit - 3/8" Plunger Pin Assembly (2, 3, 5K)	K-41, M-40
500105	Sidewind Crank Assembly for 170's w/Black Knob	K-21, 43, M-41
500106	Replacement Part, Bevel Gear Kit	K-42, M-40
500129	Service Kit - F2™ Handle Holdup	K-11, 12
500130	Service Kit - F2™ Twin Track Wheel Replacement	K-11
500131	Service Kit - F2™ Wide Track Wheel Replacement	K-11
500132	Service Kit - F2™ Twin Track Wheel Wedge	K-11
500133	Service Kit - F2™ Wide Track Wheel Wedge	K-11
500134	Service Kit - F2™ Handle/Crank Kit	K-11, 12
500135	Service Kit - F2™ Gearbox Cover Replacement	K-11, 12
500136	Service Kit - F2™ Pull Pin Replacement	K-11
500137	Replacement Part, 2 Washers	K-11, 12
500138	Service Kit - F2™ Twin Track Wheel	K-11
500148	Topwind Crank, 9" Radius w/Black "Tear Drop" Knob For 7,000 lbs. Jacks	K-21, M-42
500153	Set Includes Direct Weld 2-Speed & Single Speed Jacks & Crank.	K-34, M-31
500154	Set Includes TTMA Bolt-On Mount 2-Speed & Single Speed Jacks & Crank.	K-34, M-31

PART NO.	DESCRIPTION	PAGE NO.
500156	Replacement Part, Gear Kit 7,000 lbs.	K-42, M-40
500161	Fifth Wheel RV Landing Gear System, 10K Static, 10K Lift, Dual Drive, Output Motors Preassembled to Jacks, Includes Two Switches & Panel, Wiring Harness, Mounting Hardware & Spring Loaded Drop Leg Pins	K-8
500162	Fifth Wheel RV Landing Gear System, 8K Static, 4K Lift, Single Drive, Includes Secondary Gearbox, Mounting Hardware & Adjustable Cross Shaft Spring Loaded Drop Leg Pins (Motor, Switch & Wiring Harness Sold Separately)	K-8
500171	Sidewind Crank Assembly for 190's, Black	K-21, 43, M-41
500177	Kit, 3/4" Plunger Kit w/J Pin for 180's	K-41, M-40
500178	Replacement Part, 1/2" Plunger Pin Assembly for 800-5,000 lbs. Jacks	K-41, M-40
500180	Replacement Part, Topwind Crank, 6-3/4" Radius w/Red Bulldog Knob For 750-5,000 lbs. Jacks	K-21, M-42
500187	Powered Drive Tongue Jack, A-Frame, 14" Travel, Black Case, Rating 3,500 lbs.	K-7
500188	Powered Drive Tongue Jack, A-Frame, 14" Travel, White Case, Rating 3,500 lbs.	K-7
500190	Removable Disc Foot w/Snapper Pin for Bulldog Powered Drive Tongue Jack, 4,000 lb	K-4, 5, 6, 7, 41, M-39
500193	Level Assembly w/Hardware for Bulldog Powered Drive Tongue Jack, 4000 lb	K-4, 5
500194	Manual Override Cover for Bulldog Powered Drive Tongue Jack, 4,000 lb	K-4, 5
500196	Replacement Part, LED Light Assembly for Bulldog Powered Drive Tongue Jack, 4000 lb	K-4, 5
500198	Powered Jack, A-Frame, 2.5K	K-8
500199	Powered Drive Tongue Jack, A-Frame, 22" Travel, Black Case, Rating 4,000 lbs.	K-5
5002	Shoe and Lining Kit - Dexter 7" x 1-1/4" - Wheel Set	N-13, 19
500200	Powered Drive Tongue Jack, A-Frame, 22" Travel, White Case, Rating 4,000 lbs.	K-5
500201	Manual Override Cover for Bulldog Powered Drive Tongue Jack, 3500 lb	K-6, 7
500202	LED Light Assembly for Bulldog Powered Drive Tongue Jack, 3,500 lb	K-6, 7
500203	Manual Override Crank for Bulldog Powered Drive Tongue Jack, 3,500 lb	K-4, 5, 6, 7
500204	Drive Pin & Coupling for #500197, #500198	K-8
500205	Replacement Part, Gearbox Cover	K-42
500212	Gear Kit Style III for 180's 1-Wear Plate, 1-Bevel Pinion Gear - 12T, 1-Straight Pin 5/16" x 1-1/2", 1-Straight Pin 1/4" x 1-1/4", 2-Hex Bushing, 1-Spacer Compression Spring	K-42, M-40
500217	Replacement Part, Screw & Nut Kit - 10K (PM NUT) (Contains: (1) Screw & Nut Assembly, (1) Thrust Bearing 12K, (1) Washer, (2) Retaining Pin & Service Bulletin)	K-42
500219	Lynch Pin Kit, 0.563" Diameter	K-41, M-40
500223	Kit, 5,000 lbs. Bearing for 170's	K-42, M-40
500224	Kit, 7,000 lbs. Bearing for 190's	K-42, M-40
500231	Kit, 5/8" Pull Pin, 3.5" Tall, w/Chain for 170's	K-41, M-40
500232	Kit, 5/8" Pull Pin, 4.25" Tall, w/Chain for 190's	K-41, M-40
500238	Weld-On Mount, Female, For 5/8" Pin, 3" O.D.	K-21, M-42
500239	Replacement Part, Swivel Trailer Mount, Tubular Male Weld-On for 9/16" Pull Pin, for 2,000 lbs. Jacks & 5,000 lbs. Topwind Jack Only	K-21, M-42
50024	20K Fifth Wheel Round Tube Slider Unit (Requires Rails & Installation Kit #30035, #30095 or #30153 and Head Assembly)	F-15
500240	Replacement Part, Swivel Trailer Mount, Tubular Male Weld-On for 5/8" Pull Pin	K-21, M-42
500241	Swivel Retaining Ring for 800-5,000 lbs. Jacks	K-42, M-40
500242	Replacement Part, Swivel Bracket w/L-Bend	K-21, K-21
500243	9/16" Pull Pin w/1/2-1/4" Chain & Drive Screw for 2,000 lb Jacks & 5000 lb Topwind Jack Only	K-41, M-40
500244	Removable Disc Foot, 2-3/32" Tall w/Snapper Pin for 2000-5000 lbs. Jacks	K-21, K-39, M-39
500245	Tongue Jack Caster w/6" Wheel & Pin/Clip, for 2,000-5,000 lbs. Jacks	K-21, K-39
500246	Replacement Part, Red Knob for 150's, 160's & 170's	K-43, M-41
500248	Black Knob for 139's, 159's, 170's & 190's	K-43, M-41
500250	KIT SCREW/NUT-10K TW	K-42
500251	Replacement Part, Bearing Kit for 150's	K-42, M-40
500256	Sidewind Crank Kit, Handle, 5-51/64" Radius Assembly & Gear 2,000 lbs. Jacks	K-21, K-43, M-41
5002581360	Kit-Gear for 190's	K-42, M-40
500265	Replacement Part, F2™ Removable Twin Track Wheel Assembly	K-12
500266	Replacement Part, F2™ Removable Wide Track Wheel Assembly	K-12
500267	Replacement Part, F2™ Removable Foot Assembly	K-12

PART NO.	DESCRIPTION	PAGE NO.
500268	Replacement Part, F2™ Mounting Hardware for #1413250334, Includes: Hex Head Bolt 3/8" - 16 UNC (3) & Lock Washer 3/8" (3)	K-12
500270	Replacement Part, BK Dropleg & Pin	K-41, M-39
500276	Replacement Part, F2™ 4" x 5" Mount w/Hardware	K-11
500277	Replacement Part, F2™ 3" x 4" Mount w/Hardware	K-11
500282	KIT-STEEL WHEEL	K-39
500285	Replacement Part, 12,000 lbs. 2 Speed Sun Gear	K-30, 42, M-32, 40
500286	Replacement Part, Mounting Hardware for Jacks	K-15
500289	Replacement Part, Repair Kit (BX1™), Includes Handle Assembly, Locking Cam, Grease Fitting, Grooved Pin, Flanged Bushing & Torsion Spring	K-63, M-18
500293	Replacement Part, Tandem Landing Gear Jack 90K Screw & Nut Assembly (1), Retaining Pins (2), Washer (1), Bearing Bushing (1) & Thrust Bearing (1)	K-34, M-31
500294	Replacement Part, Tandem Landing Gear Assembly Includes: Grooved Pin (1), Spring (1), Chrome Steel Ball (1), Spur Gear 32T, Intermediate Spur Gear 32T/13T (1), Input Spur Gear 32T/13T (1), Woodruff Key (1) & 2-Speed Gearbox Gasket (1)	K-34, M-31
500295	Replacement Part, 2-Speed 12K Jack Gear Assembly Includes: Grooved Pin (1), Spring (1), Chrome Steel Ball (1), Spur Gear 29T, Intermediate Spur Gear (1), Input Spur Gear 16T/29T (1), Woodruff Key (1) & 2-Speed Gearbox Gasket (1)	K-30, M-32
500296	Gooseneck Couplers Set Bolt Kit: 1 Jam Nut, 1 Set Screw & 1 Adjusting Nut	K-64, M-19
5003	Shoe and Lining Kit - Dexter 10" x 2-1/4" - Wheel Set	N-14, 19
500305	Black Cover w/Mounting Screws for Bulldog Powered Drive Tongue Jack, 3500 lb	K-7
500306	White Cover w/Mounting Screws for Bulldog Powered Drive Tongue Jack, 3,500 lb	K-7
500310	Pull Pin Assembly, 3/4" x 4"	K-41, M-40
500312	Replacement Part, Handle Clip	K-43, 27, M-29
500314	Replacement Part, F2™ Gear Kit, Includes: Shim Washer 5/16" (1), Straight Pin 7/32" x 3/4" (1), Groove Pin 3/16" x 1-1/4" (1) & Washer 1/2" ID x 1-1/4" OD (1)	K-11
500320	Jack Accessory, XP to F2™ Adapter Kit, For F2 Swivel Mount w/4" Frame	K-11, 15
500322	Replacement Part, End Cap, 2" for Round Tube EJ1000 & TJ1200 Jacks	K-15
500323	Replacement Part, End Cap, 2" for Round Tube XP10 Jacks	K-15
500324	Replacement Part, End Cap, 2.2" for Round Tube XP15 Jacks	K-15
500325	Replacement Part, End Cap, 2-1/4" for Square Tube HD2500 Jacks	K-15
500326	Replacement Part, End Cap for Bulldog 2,000 lbs. Sidewind Round Tube Jacks w/ 2" ID	K-39, M-38
500329	KIT DROP LEG & PIN BT09 BULK/50	K-41, M-39
500330	Replacement Part, Planetary Gearbox Kit	K-30, M-32
500334	Replacement Part, Pivot Pin 5/8" x 4-1/2" w/Cotter Pin & Lanyard for 3" x 3"	K-73
500335	Replacement Part, Pivot Pin 5/8" x 5-1/2" w/Cotter Pin & Lanyard for 3" x 4"	K-73
500336	Replacement Part, Pivot Pin 5/8" x 6-1/2" w/Cotter Pin & Lanyard for 3" x 5"	K-73
500337	Replacement Part, Drop Leg Pull Pin Assembly, 3/4" x 3"	K-41, M-40
500338	Replacement Part, Drop Leg Pull Pin Assembly, 9/16" x 2.75"	K-41, M-40
500339	Jack Accessory, Swivel Trailer Mount, Round Tube Male Weld-On U-Bracket for 5/8" Pull Pin	K-21
500340	Replacement Part, Drop Leg Pull Pin Assembly, 7/8" x 2.25"	K-41, M-39, 40
500341	Replacement Part, 7/8" Pin & Chain w/o Drive Screw	K-41, M-40
500344	Replacement Part, 12" Topwind Handle for 10K Square Jack	K-21, M-42
500349	Replacement Part, Bolt on Mounting Kit for XP Series Jacks	K-15
500350	Replacement Part, Top Cover for F2™ FW1600, FW2000 & FW3200 Winches	K-48
500351	Replacement Part, Back Cover for F2™ FW2000 & FW3200 Winches	K-48
500353	Replacement Part, Repair Kit (BX1™, 3" Ball), Includes Handle Assembly, Locking Cam, Grease Fitting, Grooved Pin, Flanged Bushing & Torsion Spring	K-63, M-18
500354	Replacement Part, Coupler Cap Spring	K-69, M-13
500356	Gooseneck Coupler Accessory, 5/16" Locking Pin for BX1™ Gooseneck Couplers	K-63, M-18
500357	Replacement Part, Handle Kit for #KR1000301, KR1500301	K-54
500358	Replacement Part, Cap for 6GR20 0101	N-24
500359	Replacement Part, Dual Output Motor for 500161 & 500170	K-8
500360	Replacement Part, Black Cover for Bulldog Powered Drive Tongue Jack for #500199.	K-5
500361	Replacement Part, White Cover for Bulldog Powered Drive Tongue Jack for #500200.	K-5
500362	Replacement Part, Light Switch for #500187, #500188, #500199 and #500200	K-4, 5, 6, 7

PART NO.	DESCRIPTION	PAGE NO.
500363	Replacement Part, Extend/Retract Switch for #500187, #500188, #500199 and #500200	K-4, 5, 6, 7
500365	Replacement Part, Pull Pin for #141132 and #141133	K-9
500366	Replacement Part, Cable Keeper for #KR1000301, KR1500301	K-54
500367	Replacement Part, Drop Leg and Foot Plate for 500161 & 500170	K-8
500368	Replacement Part, Control Switch for 500158, 500162 & 500170	K-8
500370	Replacement Part, Powered Single Speed Drive Motor for 1824200100 & 1824210100	K-31
500372	Jack Accessory, Velocity Series™ High Speed Jack Single Remote	K-33, M-34
500374	Replacement Part, Foot Plate for Velocity Series™ #185400	K-33, M-34
500375	Replacement Part, Cover Kit for Velocity Series™ #185400	K-33, M-34
500376	Replacement Part, Contactor kit for Velocity Series™ #185400	K-33, M-34
500377	Jack Accessory, Drop Leg Pull Pin Assembly	K-41, M-39
500379	Jack Accessory, Velocity Series™ High Speed Jack Tandem Remote	K-33, M-34
500380	Jack Accessory, Velocity Series™ High Speed Jack 3 Pin Connector for #185400	K-33, M-34
500382	Jack Accessory, Velocity Series™ High Speed Jack Channel Adapter Kit	K-33, M-34
500386	Jack Accessory, Velocity Series™ High Speed Jack Single Remote	K-33, M-34
500389	Jack Accessory, Adapter Kit, For Velocity Series™	K-33, M-34
500400	DC Electric Utility Winch DC2500, 2500 lbs., w/Rope and Remote	K-57
500401	DC Electric Utility Winch DC3500, 3500 lbs., w/Rope and Remote	K-57
500402	DC Electric Utility Winch DC4500, 4500 lbs., w/Rope and Remote	K-57
500403	DC Electric Heavy Duty Winch DC6000, 6000 lbs.	K-59
500404	DC Electric Heavy Duty Winch DC9000, 9000 lbs.	K-59
500405	DC Electric Heavy Duty Winch DC12000L, 12,000 lbs.	K-59
500406	DC Electric Heavy Duty Winch DC12000, 12,000 lbs.	K-59
500407	DC Electric Heavy Duty Winch DC15000, 15,000 lbs.	K-59
500408	DC Electric Heavy Duty Winch DC18000, 18,000 lbs.	K-59
500410	DC Electric Hoist DCH650, 650 lbs.	K-62
500411	DC Electric Hoist DCH800, 800 lbs.	K-62
500412	DC Electric Hoist DCH1200, 1200 lbs.	K-62
500413	Hydraulic Winch HW8000, 8000 lbs.	K-61
500414	Hydraulic Winch HW12000, 12,000 lbs.	K-61
500415	Hydraulic Winch HW15000, 15,000 lbs.	K-61
500423	DC Electric Heavy Duty Winch DC6000, 6000 lbs., w/Rope	K-59
500424	DC Electric Heavy Duty Winch DC9000, 9000 lbs., w/Rope	K-59
500426	DC Electric Heavy Duty Winch DC12000L, 12,000 lbs., w/Rope	K-59
500516	Electric Winch Accessory, 9/32" x 80' Wire Rope	K-60
500517	Electric Winch Accessory, Synthetic Rope, 8mm x 80'	K-60
500520	Electric Winch Accessory, Galvanized Aircraft A7x19, 3/8" x 82'	K-58, 60
500522	Electric Winch Accessory, Galvanized Aircraft A7x19, 3/8" x 125' Wire Rope	K-60, 61
500524	Replacement Part, Hawse Fairlead 112MM for 6K Electric Winch	K-60
500525	Replacement Part, Hawse Fairlead 184MM for 9K and 12K Electric Winch	K-60
500526	Winch Accessory, Electric Winch Wireless Remote, 6 Pin	K-60
500527	Winch Accessory, Electric Winch Wireless Remote, 3 Pin	K-33, 58, 60, 62, M-34
500528	Winch Accessory, Electric Winch Wired Remote, 3 Pin	K-60, 62
500529	Winch Accessory, Electric Utility Winch Wired Remote, 3 Pin	K-58
500530	Winch Accessory, Electric Winch Wired Remote, 6 Pin	K-60
500532	Tie Rod Kit for 6K Electric Winch	K-60
500533	Tie Rod Kit for 9K & 12K Electric Winch	K-60
500534	Tie Rod Kit for 12 - 18K Electric Winch	K-60
500536	Cable Tensioner for 12k-15k Electric Winches	K-60
500539	Roller Fairlead 63MM for #500400, #500401 and #500402	K-58
500540	Roller Fairlead 190MM for #500403 & #500423	K-60
500541	Roller Fairlead 1210MM for #500404 & #500405	K-60
500542	Roller Fairlead 180MM for 500406, 500407, 500408, 500424 & 500426	K-60
500545	Electric Contactor Kit for 500403, 500410, 500411, 500412 & 500423	K-60, 62
500546	Electric Contactor Kit for 500404, 500405, 500406, 500407, 500424 & 500426	K-60

PRODUCT INDEX

PART NO.	DESCRIPTION	PAGE NO.
500549	Electric Winch Accessory, Recovery Damper	K-58, 60, 61, 62
500553	Electric Winch Accessory, Quick Winch Mount, 10K	K-58, 60, 61
500554	Electric Winch Accessory Kit, Includes Tree Saver, Gloves, Snatch Block and Clevis, 9K	K-58, 60, 61
500600	DC Electric Utility Winch DC9.0, 9000 lbs. w/Wire Rope	K-57
500601	DC Electric Utility Winch DC12.0, 12,000 lbs. w/Wire Rope	K-57
500602	Electric Winch Accessory, Snatch Block, 9K	K-58, 60, 61
500603	Electric Winch Accessory, Snatch Block, 15K	K-60, 61
500604	Electric Winch Accessory, Bow Clevis, 4.75 Ton	K-58, 60, 61
500605	Electric Winch Accessory, "D" Clevis, 4.75 Ton	K-58, 60, 61
500607	Electric Winch Accessory, Quick Connector, 175 AMP	K-58, 60
500608	Electric Winch Accessory, Synthetic Rope, 10mm x 100'	K-58, 60
500609	Electric Winch Accessory, Synthetic Rope, 6mm x 50'	K-58, 60
500620	XLT® Powered Winch, 7,000 lbs.	K-44, 47
500621	XLT® Powered Winch, 10,000 lbs.	K-44, 47
500630	DC Electric Utility Winch 2500 lbs. w/Wire Rope	K-57
500631	DC Electric Utility Winch 3500 lbs. w/Wire Rope	K-57
500632	DC Electric Utility Winch 4500 lbs. w/Wire Rope	K-57
500701	Powered Drive Tongue Jack, A-Frame, 22" Travel, Black Case, Rating 4,000 lbs.	K-4
500702	Powered Drive Tongue Jack, A-Frame, 22" Travel, White Case, Rating 4,000 lbs.	K-4
500703	Powered Drive Tongue Jack, A-Frame, 14" Travel, Black Case, Rating 3,500 lbs.	K-6
500704	Powered Drive Tongue Jack, A-Frame, 14" Travel, White Case, Rating 3,500 lbs.	K-6
500705	Replacement Part, Rubber Damper Plug	K-73
5009	Shoe and Lining Kit - Dexter 10" x 1-1/2" - Axle Set	N-13, 19
5010	Shoe and Lining Kit - Dexter 12" x 2" 7K - Wheel Set	N-15, 19
501001	ROPE KEEPER CLAM 12/PKG	K-54
501101	11" WINCH HANDLE BAGGED 6/PKG	K-50, 54
501103	6" WINCH HANDLE BAGGED 6/PKG	K-50
501106	8" WINCH HANDLE BAGGED 6/PKG	K-50
501107	7" WINCH HANDLE BAGGED 6/PKG	K-50
501108	10" WINCH HANDLE 6/PKG	K-52
501109	9" WINCH HNDL BULK/250	K-50
501110	10" WINCH HANDLE W/CLIP BAGGED 6/PKG	K-52
501115	Replacement Part, Friction Disc 1.5k	K-54
501117	Replacement Part, Ratchet Repair 1.5k - 2.5k	K-54
501118	Replacement Part, Pinion Shaft 1.5k	K-54
501121	Replacement Part, Pinion Shaft/Gear 2.5k	K-54
501122	Replacement Part, Friction/Brake Disc 1k	K-54
501124	Replacement Part, Winch Cover Kit 1k	K-54
501125	Replacement Part, Ratchet Repair 1k	K-54
501130	Replacement Part, Winch Cover Kit 1.5k	K-54
501131	Replacement Part, Inter Shaft 2.5k	K-54
501132	Replacement Part, Ratchet Repair, 2-Speed	K-52
501133	Replacement Part, Ratchet Repair	K-52
501134	Winch Replacement Part, Input Shaft Kit	K-52
501135	Replacement Part, Ratchet Spring, 2-Speed	K-48, -52
501136	Replacement Part, Mounting Hardware for F2™ Winches	K-48
501137	Replacement Part, Handle 6" - 7" for F2™ Winches	K-48
501138	Replacement Part, Handle 6" - 9" for F2™ Winches	K-48
501202	WINCH STRP/HK 2" X20"	K-50, 52
501205	WINCH STRAP 20" COUNTER DISPLAY BOX/12	K-50, 52
501207	WINCH STRP/HK 1.88" X20" 6/CARTON	K-50, 52
501210	Replacement Part, 2-Speed Hand Brake	K-52
50223	Fifth Wheel Chain Bracket Kit, 18,000 lbs.	F-17
50-57-007	7-Way Metal Connector, Trailer End	C-23
50-57-503	7-Way Metal Connector, Car End	C-23

PART NO.	DESCRIPTION	PAGE NO.
50-61-008	6-Way Molded Trailer End w/ 8' Cable, 3-10 Gauge, 3-14 Gauge	C-23
50-61-104	6-Way Molded Trailer End w/ 4' Cable, 6-14 Gauge	C-23
50-61-106	6-Way Molded Trailer End w/ 6' Cable, 6-14 Gauge	C-23
50-61-108	6-Way Molded Trailer End w/ 8' Cable, 6-14 Gauge	C-23
50-67-001	7-Way Molded Trailer End w/ 6' Cable	C-25
50-67-002	7-Way Molded Trailer End w/ 7' Cable	C-25
50-67-003	7-Way Molded Trailer End w/ 8' Cable	C-25
50-67-004	7-Way Molded Trailer End w/ 9' Cable	C-25
50-67-005	7-Way Molded Trailer End w/ 10' Cable	C-25
50-67-007	7-Way Molded Trailer End w/ 12' Cable	C-25
50-67-103	7-Way Molded Trailer Cord w/15ft. Cable	C-25
50-67-106	7-Way Molded Trailer Cord w/18ft. Cable	C-25
50-67-210	Double Ended 7-Way Molded Trailer End w/ 8' Cable	C-25
50-67-410	7-Way Molded Trailer End w/ 10' Cable and Breakaway Switch	C-25
50-67-614	7-Way Molded Trailer End w/ 4' Cable	C-27, M-8
50-67-616	7-Way Molded Trailer End w/ 6' Cable	C-27, M-8
50-67-618	7-Way Molded Trailer End w/ 8' Cable	C-27, M-8
50-67-620	7-Way Molded Trailer End w/ 10' Cable	C-27, M-8
50-67-901	Double Ended 7-Way Molded Trailer Cord w/ 6' Cable	C-25
50-67-907	7-Way Molded Trailer Cord w/4ft. Cable	C-25
50-767751	6" Red Oval LED Surface Mount Light w/Black Flange Base	L-11
50-767752	6" Red Oval LED Surface Mount Light w/Black Flange Base	L-11
50-77-001	7-Way Plastic Connector, Car End	C-23
50-77-003	7-Way Plastic Connector, Trailer End	C-23
50-77-070	7-Way Mounting Bracket	C-33
50-77-071	7-Way Mounting Bracket	C-33
50-77-075	7-Way / 5-Flat Mounting Bracket	C-33
50-85-002	Replacement Part, 48" Cable for Breakaway Switch #50-85-007	N-8
50-85-007	Breakaway Switch w/48" Cable and Pin Assembly	N-8
50-85-104	Accelerated Battery Charging Device (ABCD)	N-9
5085115	Post Mount Bracket Kit for Breakaway Kits 50-85-302/50-85-312#50-85-313/50-85-315	N-6, 8
50-85-302	Breakaway System for 1 to 3 Axle Trailers w/Electric Brakes	N-8
50-85-312	Breakaway System w/ABCD for 1 to 3 Axle Trailers w/Electric Brakes	N-8
50-85-313	Breakaway System for 1 to 3 Axle Trailers w/Electric Brakes, Includes Battery Box, 5 Amp Battery w/Push to Test LED Test Meter, Integrated Multi-Stage Charger and Breakaway Switch	N-6
50-85-315	Breakaway System for 1 to 3 Axle Trailers w/Electric Brakes, Includes Battery Box, 5 Amp Battery w/Push to Test LED Test Meter and Breakaway Switch	N-6
50-85-320	Breakaway System w/ABCD charger for 1 to 3 Axle Trailers w/Electric Brakes, Includes Battery Box, 5 Amp Battery w/Push to Test LED Test Meter, and 48" Breakaway Switch	N-6
50-85-325	Breakaway System for 1 to 3 Axle Trailers w/Electric Brakes, Includes Battery Box, 5 Amp Battery w/Push to Test LED Test Meter, Integrated Multi-Stage Charger and 48" Tekonsha Breakaway Switch	N-6
508572	Plastic Fender, 12" Tire Size, White, w/S w/UPC	N-23
508573	Plastic Fender, 13" Tire Size, White, w/UPC LBL	N-23
508574	Plastic Fender, 14" Tire Size, White, w/S w/UPC	N-23
50-86-004	6-Way Super Sealed Car End w/ 4' Cable	C-22
50-86-007	6-Way Super Sealed Car End w/ 7' Cable	C-22
50-87-002	7-Way Super Sealed Car End w/ 2' Cable	C-24
50-87-004	7-Way Super Sealed Car End w/ 4' Cable	C-24
50-87-007	7-Way Super Sealed Car End w/ 7' Cable	C-24
50-87-009	7-Way Super Sealed Car End w/ 9' Cable	C-24
50-97-407	Right Angle 7-Way Molded Car End w/ 7' Cable	C-28
50-97-410	90 Degree Fifth Wheel Adapter Harness, 7-Way Flat Pin Connector Assembly 9 ft., Dodge, Ford, GM, RAM & Toyota	C-28
50-97-411	90 Degree Fifth Wheel Adapter Harness, 7-Way Flat Pin Connector Assembly 9 ft., Dodge	C-28
50-97-412	90 Degree Fifth Wheel Adapter Harness, 7-Way Flat Pin Connector Assembly 9 ft., Toyota	C-28
50-98-003	6 & 7-Way Plug Holder	C-34

PART NO.	DESCRIPTION	PAGE NO.
50-98-050	7-Way Blade to 4-Flat Adapter	C-30
50-98-051	7-Way Blade to 6-Way Round Pin (Auxiliary in Center) Adapter	C-30
50-98-052	7-Way Round Pin to 4-Flat Adapter	C-30
50-98-054	6-Way Round Pin to 4-Flat Adapter	C-30
5100	Activator® Electronic Brake Control, for 1 to 2 Axle Trailers, Timed Actuated	D-7
5101-HA	Magnet Kit - Hayes 10" x 1-5/8" & 2-1/4" and 12" x 2"	N-16, 18
5101-HA	Magnet Kit - Hayes 10" x 1-5/8" & 2-1/4" and 12" x 2"	N-15
5106	Magnet Kit - Dexter 10" x 2-1/4" / Hayes 10" x 2-1/4" & 1-5/8"	N-14, 18
5106	Magnet Kit - Dexter 10" x 2-1/4" / Hayes 10" x 2-1/4" & 1-5/8"	N-15, 16
5109	Magnet Kit - Dexter or Hayes 12" x 2"	N-14, 18
5109	Magnet Kit - Dexter or Hayes 12" x 2"	N-16
5113	Magnet Kit - Dexter 10" x 1-1/2" or 7" x 1-1/4"	N-13, 18
5113	Magnet Kit - Dexter 10" x 1-1/2" or 7" x 1-1/4"	N-13
5114	Magnet Kit - Dexter 12" x 2", 7K	N-15, N-18
5118	Magnet Kit - Dexter 10" x 1-1/2"	N-18
5118	Magnet Kit - Dexter 10" x 1-1/2"	N-13
51-20036	4-Flat to 5-Flat Adapter	C-30
5120TEK	Magnet Retaining Ring	N-19
5121TEK	Magnet Retaining Clip	N-19
5122	Wire Clip	M-29, N-19
51-67-003	7-Way Molded Trailer End w/ 8' Cable	C-25
51-67-210	Double Ended 7-Way Molded Trailer Cord w/ 8' Cable	C-25
51-87-002	7-Way Super Sealed Car End w/ 2' Cable	C-24
51-87-004	7-Way Super Sealed Car End w/ 4' Cable	C-24
51-87-007	7-Way Super Sealed Car End w/ 7' Cable	C-24
51-97-407	Right Angle 7-Way Molded Car End w/ 7' Cable	C-28
51-97-410	90 Degree Fifth Wheel Adapter Harness, 7-Way Flat Pin, 9 ft., Dodge, Ford, GM, RAM & Toyota	C-28
51-97-411	90 Degree Fifth Wheel Adapter Harness, 7-Way Flat Pin Connector Assembly 9 ft., Dodge	C-28
51-97-412	90 Degree Fifth Wheel Adapter Harness, 7-Way Flat Pin Connector Assembly 9 ft., Toyota	C-28
52 0801	Replacement Part, Coupler Repair Kit for Hand Wheel Coupler	K-72
5280	Primus™, Envoy® and Pilot® Mounting Kit Bracket	D-9
5298	Envoy®, Digitrac® II and Pilot® Pivot-Mounting Kit	D-9
5304	Return Spring Set - Axle Set	N-12, 15, 16, 17, 20
5305	Return Spring Set - Axle Set	N-14, 15, 20
5305	Return Spring Set - Axle Set	N-16
5306	Return Spring Set - Axle Set	N-13, N-20
5307	Return Spring Set - Axle Set	N-12, 14, 16, 18, 20
5320	Hardware Kit - Axle Set	N-20
5320*	Hardware Kit - Axle Set	N-13
5330	Hitch Hider Tube Cover, 2" Sq. Receivers w/Built-In 4-Flat Electrical Cover	B-28
5350	Multi-Fit Motor Home Hitch, Fits Frames 24" to 46" Wide, Black, 5,000 lb WC, 6,000 lb WD	A-9
5351	Receiver Tube Cover, 1-1/4" Sq. Chrome, Metal	B-28
5352	Receiver Tube Cover, 2" Sq. Chrome, Metal	B-28
5353	Hold Down Kit - Axle Set	N-12, 14, 15, 16, 17, 20
5353	Hold Down Kit - Axle Set	N-14, 17, 18
5362	Rubber Economy Receiver Tube Cover w/"D" Logo for 1-1/4" Sq. Receivers	B-28
5363	Receiver Tube Cover, 2" Sq., Black, Plastic (1202)	B-28
54000-026	4-Flat Trailer End Connector 11" Long, Coiled	C-20
54000-027	5-Flat Trailer End Connector 11" Long, Coiled	C-20
54001	Replacement Part, Taillight Lens Submersible 80 Series w/8 - Self Tap Screws (#8 x 1/2") for #2423006, #2423056, #2423058, #2423283, #2423284	L-21, L-24
54002	Replacement Part, Taillight Side Lens Submersible Under 80 Series w/4 - Self Tap Screws (#8 x 1/2") for #2423006, #2423056, #2423283, #2423284	L-24

PART NO.	DESCRIPTION	PAGE NO.
54003	Replacement Part, Taillight Side Lens Submersible Over 80 Series w/4 - Self Tap Screws (#8 x 1/2") for #2423008, #2423058	L-21
54003-017	Replacement Part, AG Harness, 4 Wire w/4-Way Square Connector	M-9
54003-018	Replacement Part, AG Harness, 4 Wire w/4-Way Square Connector	M-9
54003-020	Replacement Part, AG Harness, 4 Wire w/4-Way Weatherpack Connector	M-9
54003-040	AG LED Light Kit, 7-Pin, Amber/Amber/Red, Tri-Mold w/35' Wishbone Harness	M-5
54003-041	Deluxe AG LED Transport Kit w/Brake Light Function, 7-Pin, w/Harness	M-5
54003-137	AG LED Light Kit, 7-Pin, w/Pedestal Mount Amber/Amber/Red, Tri-Mold w/Harness	M-5
54003-138	Deluxe AG LED Transport Kit w/Brake Light Function, 7-Pin, w/Harness	M-5
54003-145	Ag Heavy-Duty Wishbone Harness, 1' Long for #108318	M-9
54003-146	Ag Extension Harness, 11'6" Long Left Side, for use with #108318	M-9
54003-147	Ag Extension Harness, 10'3" Long Right Side, for use with #108318	M-9
54004	Red Stop/Tail/Turn w/Black Flange w/Chrome Trim Snap Ring	L-11
54005	LED Oval Courtesy Light Clear w/Grommet w/3 Wire 90 Degree Pigtail	L-27
54006	Red Stop/Tail/Turn Light w/Grommet w/3 Wire 90 Degree Pigtail	L-13
54006-009	7-Way Molded Trailer End w/6' Cable, Heavy Duty Cold Weather Insulated Blue Silicon	C-26
54006-010	7-Way Molded Trailer End w/8' Cable, Heavy Duty Cold Weather Insulated Blue Silicon	C-26
54006-015	7-Way Molded Trailer End w/10' Cable, Heavy Duty Cold Weather Insulated Blue Silicon	C-26
54006-016	7-Way Molded Trailer End w/12' Cable, Heavy Duty Cold Weather Insulated Blue Silicon	C-26
54006-043	Coiled 7-Way Molded Trailer Connector, 6'	C-27
54006-044	Coiled 7-Way Molded Trailer Connector, 8'	C-27
54006-045	Coiled 7-Way Molded Trailer Connector, 10'	C-27
54006-046	Coiled 7-Way Molded Trailer Connector, 12'	C-27
54006-049	Coiled 7-Way Molded Trailer Connector, 6'	C-27
54006-050	Coiled 7-Way Molded Trailer Connector, 8'	C-27
54006-051	Coiled 7-Way Molded Trailer Connector, 10'	C-27
54006-052	Coiled 7-Way Molded Trailer Connector, 12'	C-27
54006-057	7-Way Molded Trailer End w/6' Cable, HD Cold Weather Insulated Blue Silicon - RV Clocking	C-26
54006-058	7-Way Molded Trailer End w/8' Cable, HD Cold Weather Insulated Blue Silicon - RV Clocking	C-26
54006-059	7-Way Molded Trailer End w/10' Cable, HD Cold Weather Insulated Blue Silicon - RV Clocking	C-26
5404	Adjusting Screw Kit	N-12, 13, 14, 15, 16, 17, 18
5407	Adjusting Screw Spring - Axle Set	N-20
54-18137	4, 5 and 6-Way Round Mounting Bracket (Includes Screws and Nuts)	C-33
54200-003-100	Replacement Part, Gasket (foam) for #92 Series Taillight (100 pack)	L-17
54200-012	4" Round LED Tail Lamp with Mounting Flange	L-10
54200-013	4" Round LED Tail Lamp with Mounting Flange	L-10
54200-015	Narrow LED Tail Lamp	L-6
54200-016	Chrome Bezel for #54200-015	L-6
54200-018	LED Waterproof 4" Round Amber Turn Lamp	L-10
54-20012	7-Way US Car Mounting Bracket with Universal Mounting Bracket and Clamp (Long)	C-33
54-20045	5-Flat Mounting Bracket	C-33
54201-001	LED Waterproof Amber Side Marker Clearance Light w/Chrome Bezel	L-28
54201-002	LED Waterproof Red Side Marker Clearance Light w/Chrome Bezel	L-28
54201-003	Hi Intensity Micro LED Amber Side Marker Clearance Light w/Grommet	L-26
54201-004	Hi Intensity Micro LED Red Side Marker Clearance Light w/Grommet	L-26
54201-005	Hi Intensity Micro LED Clear Light w/Grommet	L-26
54201-006	Hi Intensity Micro LED Amber Side Marker Clearance Light w/Grommet	L-26
54201-007	Hi Intensity Micro LED Red Side Marker Clearance Light w/Grommet	L-26
54201-008	Hi Intensity Micro LED Clear Light w/Grommet	L-26
54201-010	Side Marker Clearance Light Incandescent #58 Amber w/Black Base	L-38
54201-011	LED Fender Clearance Light Left Side	L-42
54201-013	LED Fender Clearance Light Right Side	L-42
54201-014	LED Fender Clearance Light Kit	L-42

PRODUCT INDEX

PART NO.	DESCRIPTION	PAGE NO.
54201-015	2.5" Round LED Red Clearance Light with Mounting Flange	L-32
54201-016	2.5" Round LED Red Clearance Light with Mounting Flange	L-32
54201-017	2.5" Round LED Amber Clearance Light with Mounting Flange	L-32
54201-018	2.5" Round LED Amber Clearance Light with Mounting Flange	L-32
54205-010	LED Light Strip Red - 36" w/54 Diodes Per Strip	L-42
54205-011	LED Light Strip Blue - 36" w/54 Diodes Per Strip	L-42
54205-012	LED Light Strip Amber - 36" w/54 Diodes Per Strip	L-42
54205-013	LED Light Strip Green - 36" w/54 Diodes Per Strip	L-42
54205-014	LED Light Strip Clear - 36" w/54 Diodes Per Strip	L-42
54205-015	LED Light Strip Red - 16" Per Reel (Bulk)	L-42
54205-016	LED Light Strip Blue - 16" Per Reel (Bulk)	L-42
54205-017	LED Light Strip Amber - 16" Per Reel (Bulk)	L-42
54205-018	LED Light Strip Green - 16" Per Reel (Bulk)	L-42
54205-019	LED Light Strip Clear - 16" Per Reel (Bulk)	L-42
54205-020	LED Multi-Functional Strobe Light w/11-3/4" Leads & Bracket - Amber	L-43
54205-021	LED Multi-Functional Strobe Light w/11-3/4" Leads & Bracket - Clear	L-43
54205-022	LED Strobe Light w/13" Coiled Cord & Magnetic Base - Amber	L-43
54205-023	LED Strobe Light w/13" Coiled Cord & Magnetic Base - Clear	L-43
54205-024	LED Strobe Light w/13" Coiled Cord & Magnetic Base - Purple	L-43
54206-001	License Plate Light, Mini LED	L-45
54209-001	Round Auxiliary LED Work Light for Hardwiring w/Mounting Stud	L-26, M-7
54209-002	Rectangular Auxiliary LED Work Light for Hardwiring w/Mounting Stud	L-26, M-7
54209-005	Dual LH LED AG Light w/3-Wire Leads-Lens: Rear-Amber/Red, Front-Blank/Amber	M-4
54209-006	Dual LH LED AG Light w/3-Wire Plug (Lens: Rear-Amber/Red, Front-Blank/Amber)	M-4, 5
54209-007	Dual LH LED AG Light w/4 Wire Leads-Lens: Rear-Amber/Red, Front-Blank/Amber	M-4
54209-008	Dual AG LED Light w/Amber/Red w/Brake Light Function	M-4, 5
54209-009	Replacement Part, Single LED AG Light w/2 Wire Leads - Lens: Rear-Red, Front-Blank	M-4
54209-010	Single AG LED Light w/Red/Black	M-4
54209-011	Replacement Part, Single LED AG Light w/2 Wire Leads - Lens: Rear-Amber, Front-Amber	M-4
54209-012	Single AG LED Light w/Amber/Amber	M-4
54209-013	Replacement Part, Single LED AG Light w/3 Wire Leads - Lens: Rear-Red, Front-Blank	M-4
54209-014	Replacement Part, Single LED AG Light w/3-Way Plug - Lens: Rear-Red, Front-Blank	M-4
54209-015	Replacement Part, Single LED AG Light w/3 Wire Leads - Lens: Rear-Amber, Front-Amber	M-4
54209-016	Replacement Part, Single LED AG Light w/3-Way Plug - Lens: Rear-Red, Front-Amber	M-4
54209-017	Round Auxiliary LED Work Light w/19" Coiled Cord & Magnetic Base	L-26, M-7
54209-018	Rectangular Auxiliary LED Work Light w/19" Coiled Cord & Magnetic Base	L-26, M-7
54209-019	Dual RH LED AG Light w/3 Wire Leads-Lens: Rear-Red/Amber, Front-Amber/Blank	M-4
54209-020	Dual RH LED AG Light w/3-Wire Plug-Lens: Rear-Red/Amber, Front-Amber/Blank	M-4, M-5
54209-021	Dual RH LED AG Light w/4 Wire Leads-Lens: Rear-Red/Amber, Front-Amber/Blank	M-4
54209-022	Dual AG LED Light w/Red/Amber w/Brake Light Function	M-4, 5
54209-025	Rectangular Auxiliary LED Work Light w/2-Flat Plug & Mounting Stud	L-26, M-7
54209-031	Pedestal Mount AG LED Light w/Amber	M-5
54209-032	Pedestal Mount Single AG LED Light w/Red	M-5
54209-047	Pedestal Mount AG LED Light w/Amber	M-5
54209-048	Pedestal Mount Single AG LED Light w/Red	M-5
5443	Front Mounted Receiver Accessory, License Plate Holder	A-11
54500-001	Ag Light Enhanced Lighting Module w/ Wire Leads	M-9
54500-002	Ag Light Enhanced Lighting Module w/ Brake Light Signal Function w/ Wire Leads	M-9
54504-001	Protective Tail Light Bracket	L-9, 10, 12, 13, 18, 19, 20
54504-003	Protective Tail Light Bracket	L-9, 10, 12, 13, 18, 19, 20
54-57-007	7-Way Metal Connector, Trailer End	C-23
54-57-503	7-Way Metal Connector, Car End	C-23
54-60-101	6-Way Metal Connector, Car End - USA	C-22

PART NO.	DESCRIPTION	PAGE NO.
54-60-103	6-Way Metal Connector, Trailer End - USA	C-22
54-6562	7-Way Blade Tester and Trailer Emulator w/LED Display	C-38
54-67-525	7-Way Molded Trailer End Kit w/ 1' Cable (Includes Hardware)	C-27
54700-003	90 Degree Fifth Wheel Adapter Harness, 7-Way Flat Pin Connector Assembly 7 ft., Dodge, Ford, GM, RAM & Toyota	C-28
54700-004	90 Degree Fifth Wheel Adapter Harness, 7-Way Flat Pin Connector Assembly 7 ft., Toyota	C-28
54700-007	90 Degree Fifth Wheel Adapter Harness, 7-Way Flat Pin Connector Assembly 7 ft., Ford	C-28
54700-009	90 Degree Fifth Wheel Adapter Harness, 7-Way Flat Pin Connector Assembly 9 ft., Ford	C-28
54700-010	Screw Kit for Aluminum Beds	C-28
54701-003	90 Degree Fifth Wheel Adapter Harness, 7-Way Flat Pin Connector Assembly 7 ft., Dodge, Ford, GM, RAM & Toyota	C-28
54701-004	90 Degree Fifth Wheel Adapter Harness, 7-Way Flat Pin Connector Assembly 7 ft., Toyota	C-28
54701-007	90 Degree Fifth Wheel Adapter Harness, 7-Way Flat Pin Connector Assembly 7 ft., Ford	C-28
54701-009	90 Degree Fifth Wheel Adapter Harness, 7-Way Flat Pin Connector Assembly 9 ft., Ford	C-28
54-77-001	7-Way Plastic Connector, Car End	C-23
54-77-003	7-Way Plastic Connector, Trailer End	C-23
54-77-071	7-Way Mounting Bracket	C-33
54801-001	Brake Assembly, Right Hand, 10" x 2-1/4"	N-10
54801-002	Brake Assembly, Left Hand, 10" x 2-1/4"	N-10
54801-003	Brake Assembly, Right Hand, 12" x 2"	N-10
54801-004	Brake Assembly, Left Hand, 12" x 2"	N-10
54801-005	Brake Assembly, Right Hand, 10" x 2-1/4", Self-Adjusting	N-10
54801-006	Brake Assembly, Left Hand, 10" x 2-1/4", Self-Adjusting	N-10
54801-007	Brake Assembly, Right Hand, 12" x 2", Self-Adjusting	N-10
54801-008	Brake Assembly, Left Hand, 12" x 2", Self-Adjusting	N-10
54801-023	Brake Assembly, Right Hand, 10" x 2-1/4"	N-10
54801-024	Brake Assembly, Left Hand, 10" x 2-1/4"	N-10
54801-025	Brake Assembly, Right Hand, 12" x 2"	N-10
54801-026	Brake Assembly, Left Hand, 12" x 2"	N-10
54801-126L	Brake Assembly, Left Hand, 12" x 2"	N-10
54801-126R	Brake Assembly, Right Hand, 12" x 2"	N-10
54801-168L	Brake Assembly, Left Hand, 10" x 2-1/4"	N-10
54801-168R	Brake Assembly, Right Hand, 10" x 2-1/4"	N-10
5481	7/16" Wire Forms for Fishwiring Bolts in Frames (20 pack)	A-11
5482	1/2" Wire Forms for Fishwiring Bolts in Frames (20 pack)	A-11
54-85-002	Replacement Part, 48" Cable for Breakaway Switch #54-85-007	N-8
54-85-007	Breakaway Switch w/48" Cable and Pin Assembly	N-8
54970	Wt. Dist. Shank, 15000 lb (GTW), 1,500 lbs. (TW), 12-1/4" Lh & 10,000 lb (GTW), 13-1/4" L	E-15
54976	Titan®, Wt. Dist. Shank, Rating 1700 lb (TW), 2-1/2" Dia., 11-1/2" L, 1-1/4" Drop	E-15
54977	Titan®, Wt. Dist. Shank, Rating 1700 lb (TW), 2-1/2" Dia., 11-1/2" L, 10-1/4" Drop	E-10
54980	Adjustable Trunion Weight-Dist. Bolt-Together Head Kit w/#54970 Shank	E-13
54-98-003	6 & 7-Way Plug Holder	C-34
54-98-004	Battery Isolator - 4 Terminal	C-37
54-98-050	7-Way Blade to 4-Flat Adapter	C-30
54-98-051	7-Way Blade to 6-Way Round Pin (Auxiliary in Center) Adapter	C-30
54-98-052	7-Way Round Pin to 4-Flat Adapter	C-30
54994	Adjustable Trunion Weight-Dist. Bolt-Together Head Kit w/#54990 Shank	E-13
54998	Wt. Dist. Shank, 18,000 lbs. (GTW), 1,600 lbs. (TW), 12-1/4" Length	E-15
55010	5/8" Hitch Pin for 2" Sq. Receivers	B-23
55010-050	5/8" Hitch Pin for 2" Sq. Receivers (50 pack)	B-23
5502	Bearing Sets (Cup & Cone)	N-11, 12, 13, 14, 15, 16, 17, 19
5503	Bearing Sets (Cup & Cone)	N-11, 12, 14, 15, 16, 17, 18, 19
5504	Activator® IV Electronic Brake Control, for 1 to 4 Axle Trailers, Timed Actuated	D-7, N-20

PART NO.	DESCRIPTION	PAGE NO.
5505	Bearing Sets (Cup & Cone)	N-11, 12, 14, 19
5505	Bearing Sets (Cup & Cone)	N-16, 17
5506	Bearing Sets (Cup & Cone)	N-11, 14, 20
5507	Bearing Sets (Cup & Cone)	N-11, 13, 14, 15, 16, 17, 18, 20
5508	Bearing Sets (Cup & Cone)	N-11, 12, 15, 20
5509	Bearing Sets (Cup & Cone)	N-11, 12, 15, 20
5535	I-Command Electronic Brake Control, for 1 to 4 Axle Trailers, Proportional	D-6
55392	1/2" Wire Forms for Fishwiring Bolts in Frames (1 piece)	A-11
55393	3/8" Wire Forms for Fishwiring Bolts in Frames (1 piece)	A-11
55515	Clip used w/#08237, #55010, #74149 Hitch Pins	B-23
55515-050	Clip used w/#08237, #55010, #74149 Hitch Pins (50 pack)	B-23
5592	Safety Chain, Class II, 72" Length	N-26
5602	Grease Seal	N-19
5603	Grease Seal	N-13, 19
5604	Grease Seal	N-14, 15, 16, 17, 19
5605	Grease Seal	N-16, 17, 18, 19
5606	Grease Seal	N-19
5606	Grease Seal	N-15
5606	Grease Seal	N-14
5607	Grease Seal	N-13, N-19
5608	Grease Seal	N-19
5608	Grease Seal	N-15
5608	Grease Seal	N-14
5651	Grease Cap	N-12, 13, 14, 15, 16, 17, 19
5652	Grease Cap	N-12, 14, 15, 16, 17, 18, 19
5691	Receiver Fabrication Part, 12" Combo Bar w/Forged Collar, 2" Sq. I.D., Unpainted	A-10
5692	Receiver Fabrication Part, 18" Combo Bar w/Forged Collar, 2" Sq. I.D., Unpainted	A-10
5707	Brake Assembly - Dexter 10" x 2-1/4" L/H	N-10, 14
5708	Brake Assembly - Dexter 10" x 2-1/4" R/H	N-10, 14
5711	Brake Assembly - Dexter 12" x 2" L/H	N-10, 14
5712	Brake Assembly - Dexter 12" x 2" R/H	N-10, 14
5713-HA	Brake Assembly - Hayes 12" x 2" L/H - Replace in Pairs	N-10, 16
5714-HA	Brake Assembly - Hayes 12" x 2" R/H - Replace in Pairs	N-10, 16
5720	Brake Assembly Mounting Bolt - 3/8"	N-11
5721	Brake Assembly Mounting Bolt - 7/16"	N-11
5762	Clevis Ball Mount, 2" Sq. Hollow Shank, 9-3/4" Length, Rating 6,000/600 as Ball Mount, Rating 6,000/600 as Clevis Mount, 1" Holes, Black Finish	B-22
5764	Pin for Clevis Mount, 1" Diameter	B-22
5774	Spindle Nut Kit	N-11
5775	Spindle Nut Kit	N-11
5780	Trailer Tongue Weight Scale, 2,000 lbs. Capacity	E-14
5780TEK	Wheel Nut	N-11
5787	Wheel Bolt	N-11
58023	Fifth Wheel Bracket Kit (Optional for #30035)	F-19
580400	5/8" Chrome Bent Pin Lock	B-25
580401	5/8" Chrome Dogbone Lock	B-25
580402	5/8" SS Dogbone Lock	B-25
580403	Chrome Coupler Lock	B-25
580404	5/8" Chrome Dogbone Lock w/ Chrome Coupler Lock	B-25

PART NO.	DESCRIPTION	PAGE NO.
580405	Stainless Steel Dogbone Lock w/Sleeve for 1-1/4" & 2" Square Receivers	B-25
580406	Stainless Steel Lock Set, 5/8" Dogbone Lock for 1-1/4" & 2" Square Receivers & Coupler	B-25
580407	Easy Access Lock w/Sleeve for 1-1/4" & 2" Square Receivers	B-25
580408	STAINLESS STEEL COUPLER LOCK	B-25
580409	Easy Access Long Coupler Lock	B-25
580410	Easy Access Adjustable Coupler Lock	B-25
580412	Receiver Lock, Dogbone Style, 5/8" for 2-1/2" Sq. Class V Receivers, Stainless Steel	B-26
58058	Fifth Wheel Mounting Rails Only (10 - Bolt Design)	F-14, F-19
58060	Ball Assembly for DT #3400, RS #2660 & PS #8360	E-13
58062	Replacement Part, Sway Control Adapter, Ball and Plate Assembly w/Screws for DT 3400, RS 2660	E-13
58070	Receiver Tube Cover, 1-1/4" Sq., Black Plastic, (24 pack)	B-28
58079	The Goose® Gooseneck Hitch (Requires Rails & Installation Kit #30035)	F-16, G-9
58093	Fifth Wheel Lock Links (4 pack)	F-17
58099	Replacement Part, 22K Head Assembly Only	F-13
58102	Ball Mount Reducer Bushing (2-1/2" to 2")	B-18
58109	Reducer Bushing 1" to 3/4"	B-27
58112	Replacement Part, Adjustable Ball Mount w/Hardware for Heavy-Duty Round Bar	E-11
58114	Replacement Part, Heavy-Duty Round Bar/800 lbs. Spring Bar (Qty. 1)	E-11
58115	Replacement Part, Heavy-Duty Round Bar/1200 lbs. Spring Bar (Qty. 1)	E-11
58117	Hitch Ball Lube	B-27
58146	Replacement Part, 16K Fifth Wheel Head for #58147	F-10
58147	Replacement Part, 16K Cross Member for #58146	F-10
58162	Replacement Part, Snap Up Bracket Handle	E-13
58166	Fifth Wheel Tube Spacer Kit (Optional for #30035)	F-19
58167	Replacement Part, Titan® Trunion Weight-Distributing Bolt-Together Head Kit	E-10
58184	Reducer Bushing, 1-1/4" to 1"	B-27
58207	Heavy-Duty Round & High-Performance Trunion Bar Wt.-Dist. Head Shim Kit	E-10, E-11
58208	Chevrolet Composite Bed Kit for Above the Bed Rail Kit #30035 (10 - Bolt Design) used w/Select Series Fifth Wheels & 25K Above-Bed Gooseneck	F-16, 19, G-8, 9
58305	Wt. Dist. Accessory, Chain Hanger, Bolt On	E-14
58306	Wt. Dist. Accessory, Chain Hanger, Clamp On	E-14
58312	Replacement Part, Gooseneck Head U-Bolt Kit for 9460, 9461, 9464, 9465, 9470, 9471, 9474, 9475	G-10
58314	Replacement Part, Mounting Brackets for Fifth Wheel Rails	F-19
58369	Replacement Part, Ultra Frame 1500 lbs. Spring Bar	E-10
58374	Ultra Frame® Accessory, Crosstube End Caps for Weld Together Service Body Truck Receivers	A-7
58381	3-1/2" Hole Saw For Hide-A-Goose™	A-10, G-10
58385	Replacement Part, 20K & 22K Fifth Wheel Base Vertical Adjustment Bracket w/Mounting Hardware (Qty. 1) for #30033/#30034/#6021/#6022	F-13
58388	Replacement Part, Super Titan®, 3/4" Hitch Pin and Clip for 3" Sq. Receivers	B-18, 23
58389	Replacement Part, Magnetic Cover for Hide-A-Goose™ Gooseneck	G-10
58392	Replacement Part, Titan® & Ultra Frame Snap-up Bracket w/Set Screw & Safety Pin	E-10, 11, 13
58393	Pole Tongue Adapter and Fastener Kit	E-14
58419	Service Kit Adapter Foot for Signature Series Fifth Wheels & Goosenecks is Required When Used on Reese Elite™ Series & DEM Rail Kits	F-9, G-6
58431	Ball Mount Reducer Bushing w/Collar (2-1/2" to 2")	B-18
58438	Stabilizer Strips for Hide-A-Goose™ #9480 & Under-Bed #9481 18K Hi-Rise™ Fifth Wheel Conversion Hitches	G-10
58439	Pro Series Complete RB & RB3, 550 lbs. Spring Bar w/o Bend (Qty. 2)	E-11, 12
58440	Pro Series Complete RB & RB3, 750 lbs. Spring Bar w/o Bend (Qty. 2)	E-11, 12
58441	Pro Series Complete RB & RB3, 1000 lbs. Spring Bar w/o Bend (Qty. 2)	E-11, 12
58442	Pro Series Complete RB & RB3, Weight Distributing Bolt-Together Head w/2-5/16" Chrome Hitch Ball, Sway Control Ball & Mounting Hardware	E-11, 12
58444	Pro Series Complete RB & RB3, Weight Dist. Bolt-Together Head Shim Kit	E-11, 12
58467	Hole Style Pins & Clips for Reese Outboard Fifth Wheel Mounting Rails 30153	F-18, 19
58468	Safety Chain Attachment for Elite™ Under-Bed Bolt-On Gooseneck	G-6
58472	Pro Series 20K Crossmember	F-12

PRODUCT INDEX

PART NO.	DESCRIPTION	PAGE NO.
58473	Pro Series 16K & 20K Handle, Grip & Cotter Pin	F-10, 12
58474	Pro Series 20K Pivot Pin, Nut & Cotter Pin	F-12
58475	Pro Series 20K Fifth Wheel Hardware Kit	F-12
58484	Pivot Pin & Klik Pin for 16K Fifth Wheels	F-10
58493	Titan® Round Tube Slider Handle, Grip, Roll Pin & Cotter Pins	F-15
58503	Fifth Wheel Mounting Rails Accessory, Corrugation Spacer Kit for 30035/30153/58058	F-19
58504	Installation Hardware for 30035/30153/58058 (10-Bolt Design) (Contains: (10) Carriage Bolt 1/2" - 13 x 2" GR8, (10) Hex Nut 1/2" - 13 GR5 & (10) Block 5/16" x 1" x 2")	F-19
58507	Dual Cam HP™™ Accessory, Rivet Nuts (Qty. 4)	E-12
58521	16K Head Assembly Hardware (Contains: (1) Cotter Pin, (2) Rubber Bumpers, (4) Locknuts 1/2" - 13, (4) Hex Bolt 1/2" - 13 x 4-1/2" GR5, (2) Nuts 8-32, (4) Spring Clips, (2) Machine Screws 8-32 x 1" & (4) Pull Pins)	F-10
58524	Cover for Hide-A-Goose™™ Gooseneck (Only Works w/#9466 & #9467)	G-10
58530	Replacement Part, Rubber Bolt Cap for #75662, 87530 & 44603	A-11
58541	Replacement Part, 26.5K Elite™™ Series Fifth Wheel Center Section	F-7
58542	Replacement Part, 26.5K Elite™™ Series Fifth Wheel Center Section Bolt Kit	F-7
58543	Replacement Part, 26.5K Elite™™ Series Fifth Wheel Base Arches	F-7
58550	3" to 2-1/2" Receiver Adapter	B-5, 18
58552	3" to 2-1/2" Receiver Adapter	B-5, 18
59000	MOVE™™ Organizer Small	I-6
59001	MOVE™™ Organizer Large	I-6
5901TEK	P3® T-Slot Bracket	D-9
5904	P3® T-Slot Metal Bracket	D-9
59043	Atlas™™ Aluminum Rooftop Cargo Basket	I-8
5906	Replacement Part, P3® T-Slot Mounting Kit	D-9
59100	Platypus™™ Rooftop Cargo Bag	I-9
59102	Wallaroo™™ Cargo Tray Bag	I-4
59108	Adventure System™™ 1-1/4" stationary	I-5
59109	Adventure System™™ 2" swing away	I-5
59110	Adventure System™™ 2" tilt	I-5
59119	Tuffbak™™ Cargo Tray Bag	I-4
59200	Flat Strap Cargo Net	I-19
59305	Ratchet Strap	I-18
59306	Cargo Net	I-19
59307	Convoy Modular Bike Carrier 1-1/4" base unit	I-7
59308	Convoy Modular Bike Carrier 2" base unit	I-7
59310	Convoy Modular Bike Carrier Add-On unit	I-7
59315	Lock Core Kit - 4 pack	I-11, 18
59316	Lock Core Kit - 8 pack	I-11, 18
59318	Escapade™™ Rooftop Cargo Bag	I-8
59322	Security Cable	I-17
59323	Security Cable	I-17
59324	Dry Bag	I-6
59325	Dry Bag	I-6
59400	TX Bike Carrier - 2 bike	I-7
59401	TX Bike Carrier - 4 bike	I-7
59403	TX Bike Carrier - 3 bike	I-7
59404	Canyon™™ Rooftop Bike Carrier	I-7
59502	Vortex™™ Hitch Mount Basket - 2"	I-4
59504	V-TEX™™ Rooftop Basket	I-8
59505	Vortex™™ Roof Top Cargo Carrier Extension (18-3/4")	I-8
59507	Vortex™™ Hitch Mount Basket - 1 1/4"	I-4
59516	LED Light Kit with two waterproof LED lights, grommets and wiring harnesses	I-19
59550	Dart™™ Hitch Mounted Cargo Tray, 54 Inch	I-4
59622	Haul-Your-Might™™ V2 Universal 2 Bar Van Rack	I-16
59623	Haul-Your-Might™™ V3 Universal 3 Bar Van Rack	I-16
59701	Replacement Part, Bolts (4) M6 x 30MM	I-12

PART NO.	DESCRIPTION	PAGE NO.
59702	Replacement Part, Bolts (4) M6 x 50MM	I-12
59710	Replacement Part, Cage Nuts MG-1 (4)	I-12
59711	Roof Rack, Removable Mount RBU Series, Bar Length 55-1/8" (1400mm)	I-12
5973	Replacement Part, 2-5/16" Ball	G-10
59742	Haul-Your-Might™™ Truck Bed Rack, Removable Rack (1600mm)	I-16
59745	Replacement Part, REX Series Cross Bar End Cap (Qty.1) Service Kit for Roof Racks	I-12
59746	APE-RE Series Cross Bar Undercover (Qty.2) Service Kit for Roof Racks	I-12
59750	REX Series Cross Bar T-Handle 5mm Hex Driver Service Kit for Roof Racks	I-12
59772	Roof Rack, Removable Anchor Point Extended APE Series - Track/Direct Mount, Bar Length 51-1/4" (1300mm)	I-12
59773	Roof Rack, Removable Anchor Point Extended APE Series - Track/Direct Mount, Bar Length 55-1/8" (1400mm)	I-12
59774	Roof Rack, Removable Anchor Point Extended APE Series - Track/Direct Mount, Bar Length 63" (1600mm)	I-12
59776	RBU End Support Kit	I-13
59785	Replacement Part, Bolts (4) M6 x 55MM	I-12
59794	Truck Bed Rack Accessory, Load Stop Kit	I-17
59796	Truck Bed Rack Accessory, Eye Bolt Kit	I-17
59797	Truck Bed Rack Accessory, Conduit Kit (Requires 6" Diameter PVC Plastic Pipe)	I-16
59799	Haul-Your-Might™™ T3 Truck Bed Rack, Removable Rack	I-16
5983	Replacement Part, Magnetic Cover	G-10
59846	Replacement Part, Cross Bar Buffer Strips (Qty.2) Service Kit for Roof Racks	I-12
59847	Replacement Part, L-Handle 1-27 Torx Driver (Qty.2) Service Kit for Roof Racks	I-12
59887	Replacement Part, GTX Series Support Cover Kit (Includes: (1) Left Hand Cover, (1) Right Hand Cover, (2) Hinges & (2) Dummy Locks)	I-12
59897	Roof Rack, Removable Mount RBU Series, Bar Length 43-3/8" (1100mm)	I-12
59898	Roof Rack, Removable Mount RBU Series, Bar Length 47-1/4" (1200mm)	I-12
59899	Roof Rack, Removable Mount RBU Series, Bar Length 51-1/8" (1300mm)	I-12
59904	Bike Mount Adapter Kit	I-18
59970	Roof Rack, End Support DFE Series	I-11
59972	Roof Rack, End Support FPE Series	I-11
59976	Roof Rack, End Support RBU Series	I-11
5AB-E1621-16K	Fifth Airborne Extended 12" Wide Air Ride, 1-Piece Design	H-9
5AB-E1621-610	Fifth Airborne Extended 12" Wide Air Ride	H-9
5AB-E510-710	Fifth Airborne Extended 12-1/2" Wide Air Ride	H-9
5AB-E7920	Fifth Airborne for Leeland 7920 Trailer Frames	H-9
5AB-S500-700	Fifth Airborne Standard 12-1/2" Wide Air Ride Pin Box	H-9
5AS16K	Fifth Airborne Sidewinder Complete Arm Assembly	H-7
600051	A-Frame Jack Display Stand - Dealer RV Aftermarket	O-7
60037	Class I & II 1-1/4" Sq. Receiver Cover w/Hidden Hitch Logo, Rubber	B-28
60037-024	Class I & II 1-1/4" Sq. Receiver Cover w/Hidden Hitch Logo, Rubber (24 pack)	B-28
6004	Shoe and Lining Kit - Alko 10" x 2-1/4" - Wheel Set	N-12, 16, 19
6005	Shoe and Lining Kit - Alko 12" x 2" - Wheel Set	N-12, N-19
6011	Fifth Wheel 10" Round Lube Plate, 3/16" Thick	F-17
60-50-001	Mounting Bracket (MB 1200)	L-46
610322	3 TMX-20-X JACK ASSEMBLY	K-17, M-22
6106	Magnet Kit - Alko 10" x 2-1/4"	N-12, 18
6109	Magnet Kit - Alko 12" x 2", 6 & 7K	N-12, N-18
61300	Sidewinder™™ Turret w/Hardware	H-7, 8
61301	Spacer Kit for Sidewinder Turret When Replacing 12-1/2" Pin Box	G-4, H-6, 7, 8
61302	Sidewinder™™ Turret w/Hardware	H-7, 8
61410	Sidewinder™™ Combo, 16K Arm w/King Pin SW16K, Turret w/Hardware & Spacer Kit	H-5, H-8
61411	Sidewinder™™ Combo, 18K Arm w/King Pin SW18K, Turret w/Hardware & Spacer Kit	H-5, H-8
61412	Elite™™ Series Airborne Sidewinder Combo, 16K Arm w/King Pin #5AS16K, Turret w/Hardware #61300 & Spacer Kit #61301	H-7
61420	Sidewinder™™ Combo, 16K Arm w/King Pin #SW16K, Turret w/Hardware #61300	H-5, 8
61421	Sidewinder™™ Combo, 18K Arm w/King Pin #SW18K, Turret w/Hardware #61300	H-5, 8

PART NO.	DESCRIPTION	PAGE NO.
61422	Elite™ Series Airborne Sidewinder Combo, 16K Arm w/King Pin, Turret w/Hardware	H-7
61450	Sidewinder™ Combo, 16K Arm w/King Pin #SW16K & Turret w/Hardware #61302	H-5, 8
61452	Elite™ Series Airborne Sidewinder Combo, 16K Arm w/King Pin & Turret w/Hardware	H-7
61500	Replacement Part, Left Hand 10k Revolution™ Wing	H-9
61501	Replacement Part, Right Hand 10k Revolution™ Wing	H-9
61510	10k Revolution™ Combo	H-9
61516	16k Revolution™, No Wings	H-9
62	6-Way Metal Connector, Car End	C-22
6201	Clevis Ball Mount, 2" Sq. Solid Shank, 8-7/8" Length, Rating 6,000/600 as Ball Mount, 10,000/1000 as Clevis Mount, 1" Holes, Black Finish	B-22
63	6-Way Metal Connector, Trailer End	C-22
6300	Remov-A-Ball® Gooseneck Hitch w/2-5/16" Ball, Rating 30,000 lbs.	G-8
63010	Pintle Hook w/1-7/8" Ball (Inc. Hardware) Hook Rating 16000 lb, Ball Rating 6000 lb	B-21, M-17
63011	Pintle Hook w/2" Ball (Inc. Hardware) Hook Rating 16000 lb, Ball Rating 10000 lb	B-21, M-17
63012	Pintle Hook w/2-5/16" Ball (Inc. Hardware) Hook Rating 16000 lb (GTW), Ball Rating 14000 lb	B-21, M-17
63013	5 Ton Regular Pintle Hook (Inc. Grade 8 Hardware) Rating 10000 lb	B-21, M-16
63014	10 Ton Regular Pintle Hook (Inc. Grade 8 Hardware) Rating 20,000 lb	B-21, M-16
63015	15 Ton Regular Pintle Hook (Inc. Grade 8 Hardware) Rating 30,000 lbs. (GTW), 6,000 lbs. (VL), Black	B-21, M-16
63016	30 Ton Regular Pintle Hook (Hardware Included) Rating 60,000 lb (GTW), 14,000 lb (VL)	B-21, M-16
63017	Pintle Hook Ball, 1-7/8" x 1-1/4" Dia. Shank, 6000 lb Maximum VL	B-21, M-17
63018	Pintle Hook Ball, 2" x 1-1/4" Dia. Shank, 10,000 lbs. Maximum VL, Chrome	B-21, M-17
63019	Pintle Hook Ball, 2-5/16" x 1-1/4" Dia. Shank, 14,000 lbs. Maximum VL, Chrome	B-21, M-17
63020	Replacement Part, Pin & Chain Assy. for Pintle Hooks, 1/4" Dia. for Pintle Hooks	B-21, M-17
63022	Lunette Ring, 2-1/2" Diameter, w/1-1/2" Shank 15,000 lbs. Capacity	B-21, K-73
63023	4 Bolt Flange Lunette Ring, 2-1/2" Diameter, 42,000 lbs. Capacity	B-21, K-73
63024	Forged D-Ring w/Mounting Bracket, 1/2", 12,000 lbs. Yellow Zinc	N-27
63025	Forged D-Ring w/Weld On Mounting Bracket, 5/8" Dia. x 3/8" Thick c1045 Material, 18000 lb	N-27
63026	Forged D-Ring w/Weld On Mounting Bracket, 3/4" Dia. x 3/8" Thick c1045 Material, 26500 lb	N-27
63027	Forged D-Ring w/Weld On Mounting Bracket, 1" Dia. x 3/8" Thick c1045 Material, 46760 lb	N-27
63028	Forged D-Ring w/Weld On Mounting Bracket, 5/8" Dia., 1" x 5" x 6" c1045 Material, 46,760 lb	N-27
63029	Tow Hook, Chrome 10,000 lbs.	N-27
63030	Tow Hook, Black 10,000 lbs.	N-27
63032	Replacement Part, Pintle Hook Mounting Hardware Kit	B-21, M-16, 17
63033	Replacement Part, Mounting Hardware Kit for 4 Bolt Flange Lunette Ring #63023	B-21, K-73
63034	Safety Chain, Class I GWR 2,000 lbs. 72", S-Hooks, Both Ends (1 piece)	N-26
63035	Safety Chain, Class III GWR 5,000 lbs. 72", Quick Links, Both Ends (1 piece)	N-26
63036	Adjustable Lunette Ring with Channel, 3" Dia., 24,000 lbs. Capacity	B-21, K-73, M-17
63040	Receiver Mount Pintle Hook w/1-7/8" Ball, 2" Sq. Solid Shank (Inc. Grade 8 Hardware) Hook Rating 12,000 lbs. (GTW), Ball Rating 2,000 lbs. (GTW), 2,400 lbs. (VL), Black	B-22, M-17
63041	Receiver Mount Pintle Hook w/2" Ball, 2" Sq. Solid Shank (Inc. Grade 8 Hardware) Hook Rating 12,000 lbs. (GTW), Ball Rating 7,000 lbs. (GTW), 2,400 lbs. (VL), Black	B-22, M-17
63042	Receiver Mount Pintle Hook w/2-5/16" Ball, 2" Sq. Solid Shank (Inc. Grade 8 Hardware) Hook Rating 12,000 lbs. (GTW), Ball Rating 12,000 lbs. (GTW), 2,400 lbs. (VL), Black	B-22, M-17
63043	5 Ton Receiver Mount Pintle Hook, 2" Sq. Solid Shank, Rating 10000 lb (GTW), 2000 lb (VL)	B-22, M-17
63044	Receiver Mount Tow Hook, 2" Sq. Solid Shank, GWR 10,000 lbs. 7-3/4" Length	B-22, M-17
63045	Tow Strap Mount, 2" Sq. Solid Shank, GWR 10,000 lbs. 7-3/8" Length	B-22, M-17
63046	Tow Strap Loop, 2" Sq. Solid Shank, GWR 8,000 lbs. 7-3/8" Length	B-22, M-17
63047	Receiver Mount Tow Hook, 2" Sq. Hollow Shank, GWR 8,000 lbs. 7" Length	B-22, M-17
63050	Pintle Hook Replacement Ball, 1-7/8" x 1-1/8" Dia. Shank, 6000 lb Max VL	B-21, M-17
63051	Pintle Hook Replacement Ball, 2" x 1-1/8" Dia. Shank, 10,000 lbs. Maximum VL, Chrome	B-21, M-17
63052	Pintle Hook Replacement Ball, 2-5/16" x 1-1/8" Dia. Shank, 14,000 lbs. Maximum VL	B-21, M-17
63056	Pintle Hook Receiver Mount, 2" Sq. Hollow Shank, 7-5/8" Length, 6000 lb (GTW)	B-20, M-16
63057	Pintle Hook Receiver Mount, 2" Sq. Solid Shank, 7-5/8" Length, 12000 lb (GTW)	B-20, M-16
63058	Pintle Hook Receiver Mount, 2" Sq. Solid Shank, Deep Drop, 11-3/8" L x 12-1/2" Drop, 8000 lb	B-20, M-16
63059	Pintle Hook Receiver Mount, 2" Sq. Solid Shank, 11-3/8" L, 12,000 lb (GTW), 1200 lb	B-20, M-16

PART NO.	DESCRIPTION	PAGE NO.
63060	Adjustable Lunette Ring with Hardware, 3" Dia., 24,000 lb Capacity	B-21, K-73, M-17
63069	Combo Lock Set, 5/8" for 2" Sq. Receiver and 3/4" for Accessory (Keyed Alike)	B-17, B-27
63070	Adjustable Tri-Ball Ball Mount System w/Step, 2" Sq. Shank	B-16
63071	Adjustable Dual Ball Mount System, 2" Shank, 2" Ball 2-5/16" Ball	B-16
63072	Adjustable Pintle Mount, 14,000 lbs. (GTW)	B-20, M-16
63075	Adjustable Tri-Ball Ball Mount w/Step, 1-7/8" Ball 2000 lbs (GTW), 2" Ball 10000 lb (GTW), 2-5/16" Ball 14,000 lbs (GTW)	B-16
63076	Adjustable Dual Ball Mount, 2" Ball 10,000 lbs. (GTW), 2-5/16" Ball 14,000 lbs. (GTW)	B-16
6308	Replacement Part, U-Bolt Safety Chain Kit	G-10
63080	OSP™ Hitch Silencing System for 2" Sq. Receivers	B-24
63082	OSP™ Hitch Silencing System for 2" Sq. Receivers	B-24
63090	Anti-Rattle Device for 1-1/4" Sq. Receivers	B-24
63091	Anti-Rattle Device for 2" Sq. Receivers	B-24
63100	Lock-Tite Anti-Rattle Pin w/Lock & Wrench, 5/8" for 2" Sq. Receivers	B-24
63100-025	Lock-Tite Anti-Rattle Pin w/Lock & Wrench, 5/8" for 2" Sq. Receivers (25 pack)	B-24
63124	Eclipse™ Bike Carrier, 4 Bike, w/Tilt Function, 2" Sq. Receiver Mount	I-7
63180	Adjustable Tow Bar, 5,000 lbs. GVW Capacity	N-30
63181	Adjustable Tow Bar w/Bolt Together 2-Piece Adjustment Arms, 5,000 lbs. GVW Capacity	N-30
63201	J-Pin™ Anti-Rattle Pin & Barrel Lockset for 2" Sq. Receivers	B-23
63202	1/2" Integral Pin & Clip for 1-1/4" Sq. Receivers - Stainless	B-23
63203	5/8" Integral Pin & Clip for 2" Sq. Receivers - Stainless	B-23
63204	1/2" Integral Pin & Clip for 1-1/4" Sq. Receivers - Zinc	B-23
63205	5/8" Integral Pin & Clip for 2" Sq. Receivers - Zinc	B-23
63216KA	Receiver Lock, Dead Bolt, 1/2" for 1-1/4" Sq. Receivers, Black Finish (Keyed Alike)	B-26
63217KA	Receiver Lock, Dead Bolt, 5/8" for 2" Sq. Receivers, Black Finish (Keyed Alike)	B-26
63218KA	Combo Lock Set, 1/2" Dead Bolt for 1-1/4" Sq. Receiver and Trailer Coupler 1/2" Span,	B-26
63219KA	Combo Lock Set, 5/8" Dead Bolt for 2" Sq. Receiver and Trailer Coupler 1/2" Span,	B-26
63220KA	Coupler Lock, Dead Bolt, 1/2" Span, Black Finish (Keyed Alike)	B-26
63221KA	Coupler Lock, Dead Bolt, 2" Span, Black Finish (Keyed Alike)	B-26
63222KA	Coupler Lock, Dead Bolt Surge Brake, 2-3/8" Span, Black Finish (Keyed Alike)	B-26
63223	Receiver Lock, Bent Pin, 5/8" for 2" & 2-1/2" Sq. Receivers	B-25
63224	Receiver Lock, Bent Pin, 1/2" for 1-1/4" Sq. Receivers & Fifth Wheel Base Rails	B-25
63225	Coupler Lock	B-26
63227	Coupler Lock, "Gorilla Guard" for 2-5/16" Couplers	B-26
63228	Coupler Lock, "Gorilla Guard" for 2" Couplers	B-26
63233	Cable Lock, 5/16" x 10" Length	B-26
63240	Packaged 5/8" Grooved Style Hitch Pin and Clip for 2" Sq. Receivers	B-23
63240-050	Bulk 5/8" Grooved Style Hitch Pin and Clip for 2" Sq. Receivers (50 pack)	B-23
63241	Packaged 1/2" Grooved Style Hitch Pin and Clip for 1-1/4" Sq. Receivers	B-23
63241-050	Bulk 1/2" Grooved Style Hitch Pin and Clip for 1-1/4" Sq. Receivers (50 pack)	B-23
63242	Packaged 5/8" Hole Style Hitch Pin and Clip for 2" Sq. Receivers	B-23
63242-050	Bulk 5/8" Hole Style Hitch Pin and Clip for 2" Sq. Receivers (50 pack)	B-23
63242-100	Bulk 5/8" Hole Style Hitch Pin and Clip for 2" Sq. Receivers (100 pack)	B-23
63242-500	Bulk 5/8" Hole Style Hitch Pin and Clip for 2" Sq. Receivers (500 pack)	B-23
63243	Packaged 5/8" Grooved Style Hitch Pin and Clip for Titan® 2-1/2" Sq. Receivers	B-23
63248	Receiver Lock, Barrel Style w/Bent Pins, for 1-1/4" Receivers and 2" Receivers	B-25
63250	Lock Set, Dogbone Style, for 1-1/4" Receivers and 2" Receivers & Coupler Lock	B-27
63251	Fifth Wheel King Pin Lock	F-17
63252	Receiver Lock, Dogbone Style, 5/8" for 2-1/2" Sq. Receivers, 3-1/2" Span	B-25
63253	Receiver Lock, Barrel Style w/Bent Pin, 5/8" for 2-1/2" Sq. Receivers, 3-1/2" Span	B-25
63254	Fifth Wheel Base Rails Lock, Barrel Style w/Bent Pin, 1/2"	F-17
63255	Cable Lock, 5/16" x 4" Length	B-26
63256	Receiver Lock, Keyed Alike Lock Set (Set Includes #63226 & #63249)	B-27
63258	Receiver Pin & Clip, 5/8" for 3" Sq. Class V Receivers, 4" Span	B-5, B-23
63259	Receiver Lock, Dogbone Style, 5/8" for 3" Sq. Class V Receivers, Sleeved to 3/4"	B-5, B-26
63260	Receiver Lock, 5/8" for 3" Sq. Class V Receivers, Sleeved to 3/4"	B-5, B-26

PRODUCT INDEX

PART NO.	DESCRIPTION	PAGE NO.
63300	Solo Hitch Alignment System	B-27, N-25
63451	Safety Chain, Class V GTW 26,400 lb 35", 1/2" Proof Coil, 3/8" Clevis Slip Hook w/Latch	B-5, N-26
63801	Interchangeable Hitch Ball, 3/4" Shank, 1-7/8" & 2" Balls, 5,000 lbs. Rating	B-7
63802	Interchangeable Hitch Ball, 1" Shank, 1-7/8" & 2" Balls, 8,000 lbs. Rating	B-7
63803	Interchangeable Hitch Ball, 1" Shank, 1-7/8", 2", & 2-5/16" Balls, 8,000 lbs. Rating	B-7
63804	Interchangeable Hitch Ball, 1" Shank, 2" & 2-5/16" Balls, 8,000 lbs. Rating	B-7
63805	Interchangeable Hitch Ball, 1-7/8" Replacement Ball for 3/4" & 1" Shanks	B-7
63806	Interchangeable Hitch Ball, 2" Replacement Ball for 3/4" & 1" Shanks	B-7
63807	Interchangeable Hitch Ball, 2-5/16" Replacement Ball for 1" Shank	B-7
63808	Interchangeable Hitch Ball, 3/4" Replacement Shank	B-7
63809	Interchangeable Hitch Ball, 1" Replacement Shank	B-7
63810	Hitch Ball, 1-7/8" x 3/4" x 1-1/2", 2,000 lbs. GTW Chrome	B-6
63810-006	Hitch Ball, 1-7/8" x 3/4" x 1-1/2", 2,000 lbs. GTW Chrome (6 pack)	B-6
63811	Hitch Ball, 1-7/8" x 3/4" x 1-1/2", 2,000 lbs. GTW Zinc	B-6
63812	Hitch Ball, 1-7/8" x 3/4" x 2-3/8", 2,000 lbs. GTW Chrome	B-6
63813	Hitch Ball, 1-7/8" x 3/4" x 2-3/8", 2,000 lbs. GTW Zinc	B-6
63814	Hitch Ball, 1-7/8" x 3/4" x 3-3/8", 2,000 lbs. GTW Chrome	B-6
63816	Hitch Ball, 1-7/8" x 1" x 2-1/8", 2,000 lbs. GTW Chrome	B-6
63816-006	Hitch Ball, 1-7/8" x 1" x 2-1/8", 2,000 lbs. GTW Chrome (6 pack)	B-6
63817	Hitch Ball, 1-7/8" x 1" x 2-1/8", 2,000 lbs. GTW Zinc	B-6
63818	Hitch Ball, 1-7/8" x 1" x 3-3/8", 2,000 lbs. GTW Chrome	B-6
63819	Hitch Ball, 1-7/8" x 1" x 3-3/8", 2,000 lbs. GTW Zinc	B-6
63820	Hitch Ball, 2" x 3/4" x 1-1/2", 3,500 lbs. GTW Chrome	B-6
63821	Hitch Ball, 2" x 3/4" x 1-1/2", 3,500 lbs. GTW Zinc	B-6
63822	Hitch Ball, 2" x 3/4" x 2-3/8", 3,500 lbs. GTW Chrome	B-6
63823	Hitch Ball, 2" x 3/4" x 2-3/8", 3,500 lbs. GTW Zinc	B-6
63824	Hitch Ball, 2" x 3/4" x 3-3/8", 3,500 lbs. GTW Chrome	B-6
63830	Hitch Ball, 2" x 1-1/4" x 2-3/4", 8,000 lbs. GTW Chrome	B-6
63831	Hitch Ball, 2" x 1-1/4" x 2-3/4", 8,000 lbs. GTW Zinc	B-6
63834	Hitch Ball, 2-5/16" x 1-1/4" x 2-3/4", 12,000 lbs. GTW Chrome	B-6
63835	Hitch Ball, 2-5/16" x 1-1/4" x 2-3/4", 12,000 lbs. GTW Zinc	B-6
63836	Hitch Ball, 2-5/16" x 1-1/4" x 2-3/4", 14,000 lbs. GTW Chrome	B-6
63840	Hitch Ball, 2-5/16" x 1-1/4" x 2-3/4", 20,000 lbs. GTW Chrome	B-6
63845	Hitch Ball, 2" x 1" x 2-1/8", 7,500 lbs. GTW Chrome	B-6
63845-006	Hitch Ball, 2" x 1" x 2-1/8", 7,500 lbs. GTW Chrome (6 pack)	B-6
63846	Hitch Ball, 2-5/16" x 1" x 2-1/8", 7,500 lbs. GTW Zinc	B-6
63847	Hitch Ball, 2-5/16" x 1" x 2-1/8", 7,500 lbs. GTW Chrome	B-6
63847-006	Hitch Ball, 2-5/16" x 1" x 2-1/8", 7,500 lbs. GTW Chrome (6 pack)	B-6
63848	Hitch Ball, 2" x 1" x 2-1/8", 7,500 lbs. GTW Zinc	B-6
63849	Hitch Ball, 2" x 1" x 3-3/8", 7,500 lbs. GTW Chrome	B-6
63850	Hitch Ball, 2" x 1" x 3-3/8", 7,500 lbs. GTW Zinc	B-6
63851	Packaged Hitch Ball, 1-7/8" x 1" x 2-1/8", 2,000 lbs. GTW Stainless Steel	B-6
63852	Packaged Hitch Ball, 2" x 1" x 2-1/8", 8,000 lbs. GTW Stainless Steel	B-6
63853	Packaged Hitch Ball, 2-5/16" x 1" x 2-1/8", 6,000 lbs. GTW Stainless Steel	B-6
63864	Packaged Hitch Ball, 2-5/16" x 1-1/4" x 2-1/2", 25,000 lbs. GTW Chrome	B-5, B-6
63880	Packaged Hitch Ball, 1-7/8" x 3/4" x 1-1/2", 2,000 lbs. GTW Chrome	B-6
63881	Packaged Hitch Ball, 1-7/8" x 3/4" x 1-1/2", 2,000 lbs. GTW Zinc	B-6
63882	Packaged Hitch Ball, 1-7/8" x 3/4" x 2-3/8", 2,000 lbs. GTW Chrome	B-6
63884	Packaged Hitch Ball, 1-7/8" x 1" x 2-1/8", 2,000 lbs. GTW Chrome	B-6
63885	Packaged Hitch Ball, 1-7/8" x 1" x 2-1/8", 2,000 lbs. GTW Zinc	B-6
63887	Packaged Hitch Ball, 2" x 3/4" x 1-1/2", 3,500 lbs. GTW Chrome	B-6
63888	Packaged Hitch Ball, 2" x 3/4" x 1-1/2", 3,500 lbs. GTW Zinc	B-6
63889	Packaged Hitch Ball, 2" x 3/4" x 2-3/8", 3,500 lbs. GTW Chrome	B-6
63896	Packaged Hitch Ball, 2-5/16" x 1-1/4" x 2-3/4", 12,000 lbs. GTW Chrome	B-6
63897	Packaged Hitch Ball, 2-5/16" x 1-1/4" x 2-3/4", 12,000 lbs. GTW Zinc	B-6
63899	Packaged Hitch Ball, 2" x 1-1/4" x 2-3/4", 8,000 lbs. GTW Chrome	B-6

PART NO.	DESCRIPTION	PAGE NO.
63907	Packaged Hitch Ball, 2-5/16" x 1" x 2-1/8", 7,500 lbs. GTW Zinc	B-6
63908	Packaged Hitch Ball, 2-5/16" x 1" x 2-1/8", 7,500 lbs. GTW Chrome	B-6
63909	Packaged Hitch Ball, 2" x 1" x 2-1/8", 7,500 lbs. GTW Chrome	B-6
63910	Packaged Hitch Ball, 2" x 1" x 2-1/8", 7,500 lbs. GTW Zinc	B-6
63911	Wt. Dist. Shank, 12,000 lbs. (GTW), 1,200 lbs. (TW), 11" Length	B-16,20, E-15, M-16
63912	Hitch Ball, 50mm x 3/4" x 1-1/2", w/Castle Nut & Cotter Pin 3,500 lbs. (1,600 kg) GTW	B-6
63971	Wt. Dist. Shank, 15,000 lbs. (GTW), 1,500 lbs. (TW), 14" Length, Extra Drop	E-15
64 0801	Kit-44305R Coupler Replacement	K-72
6425	Template for #8339 Folding Gose-neck Installation, Stainless Steel	G-10
64-50-001	Support Mounting Bracket	L-46
6495	Front Mount Receiver Accessory, Winch Mounting Plate	A-11, K-58, 60, 61
6504	Light Kit for Cargo Carrier, Contains Lights, Wiring and License Plate Bracket	L-22
65509	600 lbs. Heavy Duty Round Bar WD Hitch w/#54970 Shank	E-11
6554	INSTRUCTION	L-22
6562	7-Way Blade Tester and Trailer Emulator w/LED Display	C-38
6565	Tekonsha Current Monitor	C-38
6580	Adjustable Ball Mount, 6,000 lb GTW, 1" Ball Hole, 12" L, 6-1/8" Max Rise, 7-3/8" Max Drop	B-17
66 0801	Replacement Part, 2" Wedge-Latch, Includes Latch, Lever, Ball Clamp & Hardware	K-67, M-14
66009	Replacement Part, 1200 lbs. High-Performance Spring Bar & Trunnion (Qty. 1)	E-10
66020	600 lbs. Adj. High-Performance Trunnion Style w/o Shank	E-10
66021	800 lbs. Adj. High-Performance Trunnion Style w/o Shank	E-10
66022	1200 lbs. Adj. High-Performance Trunnion Style w/o Shank	E-10
6604 / 5604	Grease Cap & Seal	N-12, 19
6605 / 5605	Grease Cap & Seal	N-12, 19
66072	Strait-Line® 600 lbs. Trunnion Bar (includes #66020 & #26002)	E-8
66073	Strait-Line® 800 lbs. Trunnion Bar (includes #66021 & #26002)	E-8
66074	Strait-Line® 1200 lbs. Trunnion Bar (includes #66022 & #26002)	E-8
66075	Strait-Line® 1700 lbs. Trunnion Bar (includes #66006 & #26002)	E-8
66082	Strait-Line® 600 lbs. Trunnion Bar w/Shank (includes #66542 & #26002)	E-8
66083	Strait-Line® 800 lbs. Trunnion Bar w/Shank (includes #66541 & #26002)	E-8
66084	Strait-Line® 1200 lbs. Trunnion Bar w/Shank (includes #66540 & #26002)	E-8
66086	Strait-Line® 600 lbs. Round Bar w/Shank (includes #66509 & #26002)	E-8
66087	Strait-Line® 800 lbs. Round Bar w/Shank (includes #66508 & #26002)	E-8
66130	Strait-Line® 1500 lbs. Trunnion Bar Hitch (includes #66131 & #26002)	E-8
66131	Ultra Frame®, Trunnion Bar Bolt-Together Wt.-Dist. Kit, 1500 lb (GTW), 1500 lb (TW)	E-10
6637	Replacement Part, Wt. Dist. Part, Lift Unit Kit, (2) Brackets and Handle	E-10, 11, 13
66540	600 lbs. Adj. High-Performance Trunnion Style w/#54970 Shank	E-10
66541	800 lbs. Adj. High-Performance Trunnion Style w/#54970 Shank	E-10
66542	1200 lbs. Adj. High-Performance Trunnion Style w/#54970 Shank	E-10
66557	STEADI-FLEX® Weight Dist. Kit w/Shank, Built In Friction Sway Control & Hardware, 4000 lb	E-9
66558	STEADI-FLEX® Weight Dist. Kit w/Shank, Built In Friction Sway Control & Hardware, 6000 lb	E-9
66559	STEADI-FLEX® Weight Dist. Kit w/Shank, Built In Friction Sway Control & Hardware, 10000 lb	E-9
66560	STEADI-FLEX® Weight Dist. Kit w/Shank, Built In Friction Sway Control & Hardware, 12000 lb	E-9
66561	STEADI-FLEX® Weight Dist. Kit w/Shank, Built In Friction Sway Control & Hardware, 1,000 lb	E-9
6658	Grease Cap	N-12, 19
67 0801	Replacement Part, 2-5/16" Wedge-Latch, Includes Latch, Lever, Ball Clamp & Hardware	K-67, M-14
6709TEK	Brake Assembly - Alko 10" x 2-1/4" L/H	N-10, 12
6710	Brake Assembly - Alko 10" x 2-1/4" R/H	N-10, 12
6713	Brake Assembly - Alko 12" x 2" L/H	N-10, 12
6714	Brake Assembly - Alko 12" x 2" R/H	N-10, 12
6715	Front Mount Receiver Accessory, Spare Tire Carrier	A-11
67509	800 lbs. Heavy Duty Round Bar WD Hitch w/#54970 Shank	E-11
6758	Front Mount Receiver Accessory, Work Step	A-11
6771	Front Mount Receiver Accessory, Receiver Tube Skid Shield	A-11
6810	Rotabroach Hole Cutting Tool, 1/2" Diameter	A-10

PART NO.	DESCRIPTION	PAGE NO.
6811	Rotabroach Hole Cutting Tool, 9/16" Diameter	A-10
6811S00	Service Kit, 6" Plastic Wheel	K-15
690020	"U" Bracket Style Ratchet, 8" Travel, 12" Handle, w/Pins & Clips, 20" Retracted, 28" Extended	K-35, M-11
690026	Ratchet Jack	K-35, M-11
690071	Ratchet Jack, Clevis Type-BNDL	K-35, M-11
6927	Primus™ Mounting Dash Clip	D-9
6985	Replacement Part, Handle Grip for #6980 Handle Kit	K-58, 60
7000	Battery Switch, 3 Terminal, 12 Volt Continuous Duty	C-37
7000100	Trailer Accessory, Tire Chocks (Order In 6 Pair Multiple Only)	N-25
7000-S	Battery Switch, 3 Terminal, 12 Volt Continuous Duty	C-37
7001	Battery Switch, 4 Terminal, 12 Volt Continuous Duty - Insulated	C-37
7001-S	Battery Switch, 4 Terminal, 12 Volt Continuous Duty - Insulated	C-37
7010	Rubber Economy Receiver Tube Cover w/"D" Logo for 2" Sq. Receivers	B-28
7010A	Circuit Breaker, 15 Amp	C-36
7010A-S	Circuit Breaker, 15 Amp	C-36
7011A	Circuit Breaker, 20 Amp	C-36
7011A-S	Circuit Breaker, 20 Amp	C-36
7012A	Circuit Breaker, 30 Amp	C-36
7012A-S	Circuit Breaker, 30 Amp	C-36
7013A	Circuit Breaker, 40 Amp	C-36
7013A-S	Circuit Breaker, 40 Amp	C-36
701466	Crank Assembly, 2-Speed	K-43, 27, M-29
702275	5-Flat Trailer End Connector, 25' Wishbone Harness, 4' Ground, 5' Auxiliary	C-21
7022A	Circuit Breaker, 50 Amp	C-36
7022A-S	Circuit Breaker, 50 Amp	C-36
702305	5-Flat Car End Connector, 4' Wishbone Harness, 18" Ground, 4' Auxiliary	C-21
702405	5-Flat Trailer End Connector, 18" Wunside Harness, 18" Ground, 18" Auxiliary	C-21
7033433	FARM JACK 48" 8000#	K-35, M-10
70-38-010	Reflector 3-3/16" Round Adhesive Mount Red	L-47
70-38-020	Reflector 3-3/16" Round Adhesive Mount Amber	L-47
7048400	Farm Jack Foot Plate	K-35, M-10
7050	Rubber Economy Receiver Tube Cover w/"D" Logo for 2" Sq. Receivers, w/Header Card	B-28
70-55-010	Reflector 2-3/16" Round Adhesive Mount Red	L-47
70-55-020	Reflector 2-3/16" Round Adhesive Mount Amber	L-47
7060933	FARM JACK 54" 8000# W H HOLDER	K-35, M-10
7061520	HANDLE HOLDER LARGE CARD	K-35, M-10
7064120	Farm Jack Repair kit keeps jack operating trouble free.	K-35, M-10
7064233	FARM JACK 36" 7000#	K-35, M-10
70-68-010	Round 3-3/16" Red Reflector w/Center Mount	L-47
70-68-020	Round 3-3/16" Amber Reflector w/Center Mount	L-47
707103	4-Flat Trailer End Connector, 25' Wishbone Harness Kit, 3' Ground w/4' Car End, 18" Ground	C-18
707104	4-Flat Trailer End Connector, 30' Wishbone Harness Kit, 3' Ground w/4' Car End, 18" Ground	C-18
707105	5-Flat Trailer End Connector, 25' Wishbone Harness Kit w/Hardware,	C-21
70-71-170	Round 2-3/16" Red Reflector w/Center Mounting Hole	L-47
70-71-175	Round 2-3/16" Amber Reflector w/Center Mounting Hole	L-47
70-71-180	Rectangular 3-1/4" x 1-1/2" Red Reflector w/Adhesive Mount	L-46
70-71-181	Rectangular 3-1/4" x 1-1/2" Amber Reflector w/Adhesive Mount	L-46
7071300	JACK MOUNT KIT ATV/UTV UNIV	K-35, M-10
70-72-020	Reflector Clear Conspicuity 1.1" x 12"	L-47
70-72-030	Reflector Red Conspicuity 1.1" x 12"	L-47
707250	7-Way Blade to 5-Flat, 18" Wire Adapter	C-30
707254	4-Flat Extension Harness, 2' Long	C-18
707255	5-Flat Plug Loop 24" Long, Car & Trailer End Wiring Harness	C-21
707261	4-Flat Trailer End Connector, 25' Wishbone Harness, 3' Ground	C-18, L-9, 10, 22
707270	4-Flat Trailer End Connector, 18" Wishbone Harness, 18" Ground w/4' Car End, 18" Ground	C-18

PART NO.	DESCRIPTION	PAGE NO.
707272	4-Flat Car End Connector 72" Long, 72" Ground (Includes Wire Taps)	C-18
707273	5-Flat Car End Connector, 6' Long, 6' Ground, 6' Auxiliary	C-21
707275	4-Flat Car End Connector 48" Long, 18" Ground	C-18, 9, 10, 19, 20, 22, 25
707281	6-Way Round Pin to 4-Flat Adapter	C-30
707282	7-Way Blade to 4-Flat Adapter	C-30
707283	5-Flat Trailer End Connector, 4' Wishbone Harness, 4' Ground, 4' Auxiliary	C-21
707285	4-Flat Trailer End Connector, 18" Wunside Harness, 18" Ground	C-18
707286	4-Flat Trailer End Connector, 18" Wishbone Harness, 18" Ground	C-18
707295	Tailight Converter w/12" Leads and 60" 4-Flat Car End Connector	C-17
70-78-010	Reflector Oblong Red with Mounting Holes and Adhesive Back	L-46
70-78-020	Reflector Oblong Amber with Mounting Holes and Adhesive Back	L-46
70-78-050	Reflector Oblong Red with Mounting Holes Only	L-46
70-78-060	Reflector Oblong Amber with Mounting Holes Only	L-46
7086500	FARM JACK FLAT MOUNT	K-35, M-10
7088900	FARM JACK HANDLE	K-35, M-10
71-55-010	Reflector 2-3/16" Round Adhesive Mount Red	L-47
71-55-020	Reflector 2-3/16" Round Adhesive Mount Amber	L-47
71-78-010	Reflector Rectangular Red 3-1/4" x 1-1/2" - Adhesive	L-46
71-78-020	Reflector Rectangular Amber 3-1/4" x 1-1/2" - Adhesive	L-46
719063	Replacement Part, Plug, 3-Way 10-1/2"	L-9, 10, 11, 12, 13, 21, 23, 27, 42
7200	ElectroTek® Non-Conductive Dielectric Silicone Compound, 3 Oz. Tube	C-37
7200P	ElectroTek® Non-Conductive Dielectric Silicone Compound, 3 Oz. Tube	C-37
73864	Tow Light Kit - Includes 2 Magnetic Base Lights and Leads	L-19
7390	Adjustable Ball Mount w/Sway Control Tab, 6,000 lbs. GTW, 1" Ball Hole, 12" Length, 3-3/4" Maximum Rise, 5-1/4" Maximum Drop, Black	B-17
74099	Receiver Tube Cover for 2" Sq, Elite Black Nylon	B-28
74342	Wrench for Hitch Balls, Boxed Ends, 1-1/8" & 1-1/2"	A-11, B-27
74-38-010	Reflector 3-3/16" Round Adhesive Mount Red	L-47
74-38-020	Reflector 3-3/16" Round Adhesive Mount Amber	L-47
74527DT	Arched Aluminum Ramp, 90 In.	J-7
74547	Receiver Tube Cover for 2" Sq, Plastic	B-28
74-55-010	Reflector 2-3/16" Round Adhesive Mount Red	L-47
74-55-020	Reflector 2-3/16" Round Adhesive Mount Amber	L-47
74633	4-Way Tester	C-39
74641	Electrical Connector Storage Box	C-35
74-68-010	Reflector 3-3/16" Round Center Mount Red	L-47
74-68-020	Reflector 3-3/16" Round Center Mount Amber	L-47
74682	Multi-Plug T-Connector Assembly, 7-Way Flat Pin Connector/4-Flat Combo Adapter Harness for 7-Way U.S. Car End Connector	C-10
74700	Quick-Link Chain Hook-Up, Class III, 5/16"	N-28
74-71-170	Reflector 2-3/16" Round Center Mount Red	L-47
74-71-175	Reflector 2-3/16" Round Center Mount Amber	L-47
74-71-180	Reflector Rectangular Red 3-1/4" x 1-1/2" - Adhesive	L-46
74-71-181	Reflector Rectangular Amber 3-1/4" x 1-1/2" - Adhesive	L-46
74-72-020	Reflector Clear Conspicuity - 4 per	L-47
74-72-030	Reflector Red Conspicuity - 4 per	L-47
74-72-040	Reflector Red & Clear Conspicuity - 2 ea. Per	L-47
74-78-010	Reflector Oblong Red with Mounting Holes and Adhesive Back	L-46
74-78-020	Reflector Oblong Amber with Mounting Holes and Adhesive Back	L-46
7585	Tekonsha Bench Tester	C-38
767940	7-Way Blade to 5-Flat Adapter	C-30
767943	7-Way Blade Tester and Trailer Emulator w/LED Display	C-38
7685	Prodigy® Mounting Bracket Kit	D-9
7686	Replacement Part, Prodigy® Mounting Pocket Kit	D-9

PRODUCT INDEX

PART NO.	DESCRIPTION	PAGE NO.
78007	7-Way Flat Pin to 4-Flat Adapter w/42" Retractable 4-Flat	C-31
78117	7-Way Flat Pin to 4-Flat Adapter w/Tow-Glo & Dust Cover	C-32
78118	7-Way Flat Pin to 4 & 5-Flat Adapter w/LED Circuit Tester & Dust Cover	C-31
7865	Universal Brake Control Plug w/Diode	D-9
787159	4-Flat Trailer End w/4 Square Car End Loop, 88" Jacketed Cable	C-20
787194	5-Flat To 5-Flat 4' Coiled Adapter	C-30
787195	7-Way Flat Pin to 5-Flat 4' Coiled Adapter	C-30
787196	7-Way Flat Pin to 5-Flat 8' Coiled Adapter	C-30
787206	5-Flat to 5-Flat Coiled Adapter, 4' Long	C-30
787207	7-Way Flat Pin to 5-Flat Coiled Adapter, 4' Long	C-30
787208	7-Way Flat Pin to 5-Flat Coiled Adapter, 8' Long	C-30
787264	4-Flat Trailer End Connector, 4' Jacketed Cable	C-20
787268	4-Flat Trailer End Connector, 8' Jacketed Cable	C-20
787270	4-Flat Trailer End Connector, 10' Jacketed Cable	C-20
787274	4-Flat Trailer End Connector, 14' Jacketed Cable	C-20
787301†	4-Flat Dust Cover	C-20
787302	7-Way Round Pin Ag Trailer End Connector	M-8
787303	7-Way Round Pin Ag Vehicle End Connector	M-8
787304	7-Way Round Pin Ag Trailer End Connector	M-8
787305	7-Way Round Pin Ag Vehicle End Connector	M-8
787535	7-Way Junction Box	C-35
7894	Replacement Part, Prodigy® P3® and Primus™ 3 ft. Pigtail Harness Kit	D-9
800075	Topwind Crank Assembly for 180	K-21, 27, M-29
800090	Sidewind Crank Assembly for 180 - Horizontal Clevis - Mounting Hardware	K-43, 27, M-29
800102	Mounting Hardware Included, Black Primed Finish, Horizontal Clevis, Sidewind Handle	K-43, 27, M-29
8001090283	Crank Handle, Mounting Hardware Included, Black Prime Finish, Vertical Clevis	K-34, 43, M-31, 41
800144	Replacement Part, Handle, Gear & Bushing Kit	K-42, M-40
800148	Jack, Sidewind Crank, w/Soft Touch Handle Grip For 12000 lb Jacks, 13/16" Hex Socket	K-43, M-41
80037	Class III/IV 2" Sq. Receiver Cover w/Hidden Hitch Logo, Rubber	B-28
80037-012	Class III/IV 2" Sq. Receiver Cover w/Hidden Hitch Logo, Rubber (12 pack)	B-28
80058-002	Towing Starter Kit, 2" Sq. Ball Mount, 7500 lb, 1" Ball Hole & 2-5/16" Hitch Ball, Pin & Clip	B-12
8010	Trailer Tester	C-38
80100	Reducer Bushing 1" to 3/4"	B-27
80106	Reducer Bushing 1-1/4" to 1"	B-27
802650	Replacement Part, Amber Lens for #82600 Series Ag Light	M-6
802651	Replacement Part, Red Lens for #82600 Series Ag Light	M-6
802652	Replacement Part, Black/Blank Lens for #82600 Series Ag Light	M-6
80300	Receiver Adapter, Reduces 2" to 1-1/4", 7" Length, 3,500 lbs.	B-18
80301	Receiver Adapter, Reduces 2" to 1-1/4", 14" Length, 3,500 lbs.	B-18
80303	Receiver Adapter, 1-1/4" to 2", 6" Length, 3,500 lbs., Class II Only	B-18
80304	Receiver Adapter, 1-1/4" to 2", 10" Length, 3,500 lbs., Class II Only	B-18
80305	Receiver Extension, 2" to 2" Extension, 14" Length, 3,500 lbs.	B-19
80306	Receiver Extension, 2" to 2" Extension, 18" Length, 3,500 lbs.	B-19
80307	Receiver Extension, 2" to 2" Extension, 8" Length, 3,500 lbs.	B-19
80404	Dual-Ball Ball Mount, 2" Sq. Shank, 10" L, w/Black 1-7/8" (Rise) & 2" (Drop) Balls	B-15
80406	Dual-Ball Ball Mount, 2" Sq. Shank, 10" L, w/Black 2" (Drop) & 2-5/16" (Rise) Balls	B-15
80410	Clevis Ball Mount, 2" Shank, 11" L, Rating 6,000 lb/Ball Mount, Rating 6,000 lb/Clevis Mount	B-22
80425	Tri-Ball Ball Mount, 2" Sq. Hollow Shank w/Black 1-7/8", 2", & 2-5/16" Balls - Black	B-15
80426	Tri-Ball Ball Mount, 2" Sq. Hollow Shank w/Chrome 1-7/8", 2", & 2-5/16" Balls - Black	B-15
80472-002	Towing Starter Kit, 2" Ball Mount, 7500 lb, 1" Ball Hole & 2-5/16" Hitch Ball, Pin & Clip	B-12
80500	PDD® Brake Control, for 1 to 2 Axle Trailers, Timed Actuated	D-8
80550	Pilot® Brake Control, for 1 to 3 Axle Trailers, Timed Actuated	D-8
80583-002	Towing Starter Kit, 2" Sq. Ball Mount, 7500 lb, 1" Ball Hole, & 2" Hitch Ball, Pin & Clip	B-12

PART NO.	DESCRIPTION	PAGE NO.
80644-002	Towing Starter Kit, 2" Sq. Ball Mount, 7500 lb, 1" Ball Hole & 2" Hitch Ball, Pin & Clip	B-12
80791	Tri-Ball Ball Mount, 2" Sq. Solid Shank w/Black 1-7/8", 2", & 2-5/16" Balls, Black	B-15
80795	Dual-Ball Ball Mount, 2" Sq. Solid Shank, 8" Length, w/Black 1-7/8" & 2" Balls, Black	B-15
80796	Dual-Ball Ball Mount, 2" Sq. Solid Shank, 8" Length, w/Black 2" & 2-5/16" Balls, Black	B-15
80797	Dual-Ball Ball Mount, 2" Sq. Solid Shank, 8" Length, w/Chrome 1-7/8" & 2" Balls, Black	B-15
80798	Dual Ball Ball Mount, 2" Sq. Solid Shank, 8" Length, w/Chrome 2" & 2-5/16" Balls, Black	B-15
80799	Tri-Ball Ball Mount, 2" Sq. Solid Shank w/Chrome 1-7/8", 2", & 2-5/16" Balls, Black	B-15
80806	Receiver Fabrication Part, 6" Combo Bar 2" Sq. ID w/Collar, Painted	A-10
80812	Receiver Fabrication Part, 12" Combo Bar 2" Sq. ID w/Collar, Painted	A-10
80818	Receiver Fabrication Part, 18" Combo Bar 2" Sq. ID w/Collar, Painted	A-10
80953	Receiver Tube Cover, 2" Sq., Black Plastic	B-28
80980	Receiver Tube Cover, 2" Sq., Brake Light w/4-Flat Plug	B-28
81378	Step Bumper Receiver, Class II 2" Sq. Universal Fit, 3,500 lbs. TW, Black	A-9
82201	Multi-Fit Motor Home Hitch, Fits Frames 47" to 71" Wide, Black, 3,500 lbs. WC	A-9
8260001	Dual Ag Light w/Amber/Red/Blank, Includes Left Hand Molded Tri-Plug	M-6
8260101	Dual Ag Light w/Red/Blank Amber/Amber, Includes Right Hand Molded Tri-Plug	M-6
8260501	Ag Light, Single w/Red/Black, Includes Molded Tri-Plug	M-6
8260502	Ag Light, Single w/Red/Blank, Includes 2-Way Weather Pack	M-6
8260601	Ag Light, Single w/Amber/Amber, Includes Molded Tri-Plug	M-6
8260602	Ag Light, Single w/Amber/Amber, Includes 2-Way Weather Pack Shroud	M-6
8261001	Ag Light, Single w/Red/Black w/ Brake Light Function, Includes Molded Tri-Plug	M-6
8261002	Ag Light, Single w/Red/Black w/Brake Light Function, Includes 2-Way Weather Pack Shroud	M-6
8261501	Dual Ag Light w/Amber/Amber Red/Blank w/Brake Light Function	M-6, 7
8261601	Dual Ag Light w/Red/Blank Amber/Amber w/Brake Light Function	M-6, 7
8261605	Dual Ag Light w/Red/Blank Amber/Amber w/Brake Light Function	M-6
83001	Elite™ Series Fifth Wheel 12" Round Lube Plate, 3/16" Thick	F-17
83002	Fifth Wheel 10" Round Lube Plate, 3/16" Thick	F-17
83004	Titan® 16K Fifth Wheel 12" Thin Round Lube Plate, 1/8" Thick	F-17
83058-002	Towing Starter Kit, 2" Sq. Ball Mount, 7500 lb, 1" Ball Hole, 2-5/16" Hitch Ball, Pin & Clip	B-12
83238-002	Towing Starter Kit, 2" Sq. Ball Mount, 7500 lb, 1" Ball Hole, 2-5/16" Hitch Ball, Pin & Clip	B-12
8339	Fold-Down Gooseneck Hitch w/2-5/16" Ball, Rating 25,000 lbs.	G-8
83407-002	Towing Starter Kit 2" Sq. Ball Mount, 2000 lb, 1" Ball Hole, 1-7/8" Hitch Ball, Pin & Clip	B-12
83501	Brakeman® Compact Brake Control, for 1 to 2 Axle Trailers, Timed Actuated	D-7
83504	Brakeman® IV Digital Brake Control, for 1 to 4 Axle Trailers, Timed Actuated	D-8
83583-002	Towing Starter Kit, 2" Sq. Ball Mount, 7500 lb, 1" Ball Hole, 2" Hitch Ball, Pin & Clip	B-12
83637	Drawbar Kit for OEM Dodge Magnum Hitch, Drawbar (2000 lb w/3/4" Ball Hole), Pin & Clip	B-9
83644-002	Towing Starter Kit, 2" Sq. Ball Mount, 7500 lb, 1" Ball Hole, 2" Hitch Ball, Pin & Clip	B-12
83660	Friction Sway Control	E-13
85208	2-Flat Electrical Connector Loop, 12" Long	C-20
85218	4-Way Flat Dust Cover	C-20
85219	7-Way U.S. Car End Connector (See Application Guide for Fit Information)	C-10
85343	7-Way Flat Pin Connector/4-Flat Combo Adapter Harness w/Mounting Bracket & Hardware	C-30
8542	Side Window Air Deflector Kit (2 Piece Set)	N-23
8543	Side Window Air Deflector Kit (4 Piece Set)	N-23
8549	Side Window Air Deflector Kit (4 Piece Set)	N-23
8549100	Molded 7-Way Connector with 6 Ft. Cable	C-25
8551511	7-Way U.S. Car End Connector for 7-Way Twist In OEM GM Vehicles	C-10
8572	BRUSH LONG HANDLE GONG SOFT	N-23
8573	Side Window Air Deflector Kit (2 Piece Set)	N-23
8574	Side Window Air Deflector Kit (4 Piece Set)	N-23
8575	Side Window Air Deflector Kit (2 Piece Set)	N-23
85-767010	Oval Chrome Trim Snap Ring	L-11
86005	Rebuild Kit, Wearable Components for 16K & 19K Sidewinders	H-8
86016	Rebuild Kit, Wearable Components for 16K Revolution™	H-9
86110	Rebuild Kit, Wearable Components for 10K Revolution™	H-9
90-03-327	Replacement Part, Clearance Light Lens Red with Screws	L-39, 40

PART NO.	DESCRIPTION	PAGE NO.
90-03-328	Replacement Part, Clearance Light Lens Amber with Screws	L-25, 39, 40
90-03-336	Replacement Part, Tail/ight & Clearance Light Replacement Lens Set with Screws	L-22
90160	Primus™ IQ Electronic Brake Control, for 1 to 3 Axle Trailers, Proportional	D-5
90195	P3® Electronic Brake Control, for 1 to 4 Axle Trailers, Proportional	D-4
90250	Prodigy® RF Electronic Brake Control, for 1 to 3 Axle Trailers, Trailer Mounted, Proportional	D-4
90251	Replacement Part, Prodigy® RF Hand Held Remote	D-4
9030	Voyager® Electronic Brake Control, for 1 to 4 Axle Trailers, Proportional	D-6
90885	Prodigy® P2 Electronic Brake Control, for 1 to 4 Axle Trailers, Proportional	D-5
94241DT	Cargo Net - Pickup Truck - 60" x 78"	J-7
9424200	Universal Heavy Duty Truck Net	J-7
94247DT	Cambuckle Tie Down w/Hooks - 1" x 10", Grey Web	J-4
94252DT	RATCHET HD PADDED 1000# 4PK	J-5
94255DT	RATCHET RETRACT 1"X6" 500# 2PK	J-4
94260DT	RATCHET MAX GRIP 1"X14" 2PK	J-5
94262DT	RATCHET MAX GRIP 1"X14" 4PK	J-5
94263DT	Reflective Tow Strap 2 In. X 20 Ft. w/Hooks & Storage Bag	J-6
94264DT	Reflective Tow Strap 2 In. X 20 Ft. w/Loops & Storage Bag	J-6
94273DT	RATCHET 2"X10" RETRACTABLE	J-5
94316	Rebuild Kit, Wearable Components for Fifth Airborne Sidwinders	H-7
9460	Hide-A-Goose™ Wide Head	G-7
9464	Hide-A-Goose™ Wide Head	G-7
9465	Hide-A-Goose™ Narrow Head	G-7
9466	Hide-A-Goose™ Head, RAM 3500 HD (Does Not Require Rail Kit)	G-7
9467	Hide-A-Goose™ Head, RAM 2500 HD (Does Not Require Rail Kit)	G-7
94716	Goose Box™, 16K Rated, 2-5/16" Gooseneck RV Coupler For Lippert 1621 & 1716 Wing Sets	G-4, H-4, 6
94720	Goose Box™, 20K Rated, 2-5/16" Gooseneck RV Coupler For Lippert 1621 & 1716 Wing Sets	G-4, H-4, 6
9480	Hide-A-Goose™ 18K Hi-Rise™ Fifth Wheel Conversion Hitch	G-10
94815DT	RATCHET 1"X10" W HOOKS SILVER	J-4
94816DT	Cambuckle Tie Down w/Hooks - 1" x 10"	J-4
94824DT	RATCHET 2"X30" 3300# 1PK YELLOW	J-5
94828DT	RATCHET CASTED ALUM 1X10 500#	J-4
94853DT	RATCHET ALUM HANDLE 1X10 500#	J-4
95108DT	RATCHET 1"X10" 300# 4PK	J-4
95111DT	RATCHET 1X10 PADDED 400# 4PK	J-4
95118DT	RATCHET 2"X20 SUPER DUTY CAMO	J-5
95120DT	RATCHET SUPER DUTY 1.5"X25"	J-5
95142DT	RATCHET MAX GRIP 1X14 1000#	J-5
95150DT	Arched Aluminum Center-Fold Loading Ramp, 12 In. X 90 In. 1500 lbs. Capacity	J-7
95151DT	Straight Aluminum Loading Ramps, 13 In. x 84 In., Pair Has 1,250 Lb. Capacity	J-7
95167DT	Tree Saver Strap, 3 In. X 6 Ft. w/Loops	J-6
9544600	40' Ratchet Strap (4 Pack) O'Reilly	J-6
95451DT	Reflective Tow Strap 3 In. X 30 Ft. w/Loops & Storage Bag	J-6
95463DT	RATCHET ENDLESS 1"X12" 500#	J-4
95466DT	RATCHET 2" X 30' WEBBING KEEP	J-5
95473DT	RATCHET RETRACT 1X9 TRUCK BED	J-4
A2003C0317	Adjustable Coupler, Cast Head, w/Hardware, 3 Position Channel, 8000 lbs.	K-67, M-14
A2005C0317	Adjustable Coupler, Cast Head, w/Hardware, 5 Position Channel, 8000 lbs.	K-67, M-14
A200C 0317	Adjustable Coupler, Cast Head, w/Hardware, Less Channel, 8000 lbs. - Primed	K-67, M-14
A200S 0303	Adjustable Coupler w/Hardware, Less Channel, 8000 lbs. - Black	K-70, M-15
A2563C0317	Adjustable Coupler, Cast Head, w/Hardware, 3 Position Channel, 14,000 lbs.	K-67, M-14
A2565C0317	Adjustable Coupler, Cast Head, w/Hardware, 5 Position Channel, 14,000 lbs.	K-67, M-14
A256C 0317	Adjustable Coupler, Cast Head, w/Hardware, Less Channel, 14,000 lbs. - Primed	K-67, M-14
A256S 0303	Adjustable Coupler w/Hardware, Less Channel, 14,000 lbs. - Black	K-70, M-15
AC300 0300	4 Hole, 3 Position Channel, w/8" Height	K-67, 70 M-14, 15
AC500 0300	6 Hole, 5 Position Channel, w/11-3/4" Height	K-67, 70 M-14, 15

PART NO.	DESCRIPTION	PAGE NO.
BB17810112	Bearing Protector Covers, 1.781"	N-21
BB19800112	Bearing Protector Covers, 1.980"	N-21
BB19800312	Bearing Protector Covers, 1.980", Qty. 2	N-21
BB24410112	Bearing Protector Covers, 2.328" & 2.441"	N-21
BB24410312	Bearing Protector Covers, 2.328" & 2.441"	N-21
BGR20 0101	Roller Guides Kit (a pair)	N-24
BP198S0304	Bearing Protector, 1.980"	N-21
BP232S0304	Bearing Protector, 2.328"	N-21
BP232S0604	Bearing Protector, 2.328"	N-21
BP244S0304	Bearing Protector, 2.441"	N-21
BP244S0604	Bearing Protector, 2.441"	N-21
BPC1780604	Bearing Protector, 1.781" w/Covers	N-21
BPC1980604	Bearing Protector, 1.980" w/Covers	N-21
CA5550301	Caster Adapter Plate, 1,200 lbs Rated - used w/HCI & HDC1	K-39, M-38
CE555 0101	6" Caster - Fits 2" Round Inner Tube - 1200 lbs.	K-21, K-39
CE555 0301	6" Caster - Fits 2" Round Inner Tube - 1200 lbs. Zinc	K-21
CH 0701	Coupler Handle, Carded	K-72
CHA0010140	Safety Chain, Grade 30, 1/4" x 24" w/S-Hook w/Latch	N-25
CHA0010340	Safety Chain, Grade 30, 1/4" x 24" w/ 7/16" Wire Safety Latch	N-25
CHA0020324	Safety Chain, Grade 70, 1/4" x 36" w/ 1/4" Clevis Hook	N-25
CHA0030140	Safety Chain, Grade 43, 1/4" x 24" w/S-Hook w/Latch	N-25
CHA0030340	Safety Chain, Grade 43, 1/4" x 24" w/ 7/16" Wire Safety Latch	N-25
CHA0040324	Safety Chain, Grade 70, 5/16" x 36" w/ 5/16" Clevis Hook	N-25
CHA0050324	Safety Chain, Grade 70, 5/16" x 42" w/ 5/16" Clevis Hook	N-25
CHA0060324	Safety Chain, Grade 70, 3/8" x 36" w/ 3/8" Clevis Hook	N-25
CHA0070324	Safety Chain, Grade 70, 1/2" x 42" w/ 1/2" Clevis Hook	N-25
CLK15 0100	Cable Lock w/Key, 15'	B-26
CR8008	Bunk Carpeting, 8" x 144"	N-24
CR8012	Bunk Carpeting, 12" x 144"	N-24
CS730300	Cross Shaft Tube w/Slotted Ends & Mounting Hardware, 72-3/4" Length	K-34, 27, M-29
DF35000324	Drop Leg 3,500 lbs. SQ Tube	K-41, M-39
E333050303	Coupler, A-Frame, 5,000 lbs., Class III, Value Series, Black Primer, 2" Ball	K-72
E338050303	Coupler, A-Frame, Yoke-Style, 5,000 lbs., Class III, Black Primer, 2" Ball	K-70, M-15
E438050303	Coupler, A-Frame, Yoke-Style, 8,000 lbs., Class IV, Black Primer, 2" Ball	K-70, M-15
E443050303	Coupler, A-Frame, 10,000 lbs., Class IV, Value Series, Black Primer, 2-5/16" Ball	K-72
EA20000103	2000 lbs., TW, A-Frame, 14" Travel, Black	K-19
EA20000303	2000 lbs., TW, A-Frame, 14" Travel, Black	K-19
EA20000340	Jack, 2000 lbs., A-Frame	K-19
EJ10000101	1000 lbs., Swivel, Zinc Plated, 6" Poly Wheel	K-14
ETC 0101	Spare Tire Carrier, Economy	N-29
ETCHL 0700	Spare Tire Carrier with Bracket	N-29
ETCLB 0700	Spare Tire Carrier, Economy w/Locking Brackets	N-29
ETCSTL0701	Spare Tire Carrier, Economy w/Lock (STL Lock Included)	N-29
F2000 0101	Footpad for 2,000/5,000 lbs. Jacks	K-39, M-39
F2000 0301	Footpad for 2,000/5,000 lbs. Jacks	K-39, M-39
F3500 0324	Foot Plate-SQ Tube	K-39, M-39
FP20000201	Disc Foot w/Hardware - 2,000 lbs.	K-39, M-39
FW16000101	F2™ Winch, 1600 lbs., w/Strap	K-48
FW20000101	F2™ Winch, 2000 lbs., w/Strap	K-48
FW32000101	F2™ Winch, 2-Speed, 3200 lbs., w/Strap	K-48
FW3200S01	F2™ Winch 2-Speed Sun Gear Kit for FW32000101, FW32000301, FW32000301	K-48
GB150 0100	Boat Guide Kit, 50" (a pair)	N-24
GB44 0101	Boat Guide Kit, 44" (a pair)	N-24
GN24 0200	24K Cast Gooseneck Coupler Kit	K-64, M-19
HD25000101	2500 lbs., Square Tube, Fixed Mount	K-14

PRODUCT INDEX

PART NO.	DESCRIPTION	PAGE NO.
HD50000101	5000 lbs., Square Tube, Fixed Mount	K-14
HDDS 0201	Shaft-Handle, Hex Drive-Zinc	K-43, M-41
HDPB230101	Fold-Away™ Bolt-On Hinge Kit, 2" x 3" Trailer Beam, Zinc Finish, Rating 5,000 lbs.	K-73
HDPB330101	Fold-Away™ Bolt-On Hinge Kit, 3" x 3" Trailer Beam, Zinc Finish, Rating 5,000 lbs.	K-73
HDPB340101	Fold-Away™ Bolt-On Hinge Kit, 3" x 4" Trailer Beam, Zinc Finish, Rating 7,500 lbs.	K-73
HDPB350101	Fold-Away™ Bolt-On Hinge Kit, 3" x 5" Trailer Beam, Zinc Finish, Rating 9,000 lbs.	K-73
HDSTC 0101	Spare Tire Carrier, Heavy Duty	N-28
JC1000300	J-Clip For Safety Chain	N-27
KR10000301	Brake Winch, 1000 lbs., Standard Series	K-53
KR15000301	Brake Winch, 1500 lbs., Standard Series	K-53
LP516 0201	Service Kit, Pin 5/16" dia. x 1-3/4" Long Lynch	K-40
OML 0127	Outboard Motor Lock	N-25
P9086-00	Replacement Part, Retaining Ring for Snap Ring Mount Jacks	M-40
P9222-00	Mounting Bracket for Snap Ring Mount, 1/2" Pin	K-21
PD110101	POD Hazard Warning Light	N-29
PD110200	POD Hazard Warning Lights (2 Pack)	N-29
PD110302	POD Hazard Warning Lights Club-3 Pack	N-29
PD110700	POD Counter Top Display, 3 Units	N-29
PL4 0201	Pin/Lanyard-5/16" w/4 Link Chain & Tab	K-67, M-14
R4000-1	Roof Rack, End Support RBE Series	I-11
R7001	Roof Rack, Fit Kit System, Direct Mount Sheet Metal, Fixed Point	I-14
R7002	Roof Rack, Fit Kit System, Direct Mount Fiber Glass, Fixed Point	I-14
R7003	Roof Rack, Fit Kit System, Track Mount Adapter, Fixed Point	I-14
R7010	Roof Rack, Fit Kit System, Direct Mount Sheet Metal, Fixed Point	I-14
R7011	Roof Rack, Fit Kit System, Direct Mount Sheet Metal, Fixed Point	I-14
R7012	Roof Rack, Fit Kit System, Direct Mount Sheet Metal, Fixed Point	I-14
R7021	Roof Rack Modular System	I-15
R7022	Roof Rack Modular System	I-15
R7023	Roof Rack Modular System	I-15
R7024	Roof Rack Modular System	I-15
R7025	Roof Rack Modular System	I-15
R7026	Roof Rack Modular System	I-15
R7027	Roof Rack Modular System	I-15
R7028	Roof Rack Modular System	I-15
R7029	Roof Rack Modular System	I-15
R7030	Roof Rack Modular System	I-15
RBU43	Roof Rack, Extreme Cross Bar RBU Series	I-13
RBU47	Roof Rack, Extreme Cross Bar RBU Series	I-13
RBU53	Roof Rack, Extreme Cross Bar RBU Series	I-13
RBU60	Roof Rack, Extreme Cross Bar RBU Series	I-13
RE43	Roof Rail, Extreme Cross Bar Kit, Bar Length 43" (1100mm)	I-11
RE47	Roof Rail, Extreme Cross Bar Kit, Bar Length 47" (1200mm)	I-11
RE53	Roof Rail, Extreme Cross Bar Kit, Bar Length 53" (1350mm)	I-11
RE60	Roof Rail, Extreme Cross Bar Kit, Bar Length 60" (1525mm)	I-11
RV20000103	2000 lbs., SW, A-Frame, 14" Travel, Black	K-19
RV20000303	2000 lbs., SW, A-Frame, 14" Travel, Black	K-19
S3001	Replacement Part, Extreme Cross Bar Buffer Strip	I-13
S3002	Replacement Part, Extreme Cross Bar Under Covers	I-13
S3003	Replacement Part, Extreme Cross Bar Position Slider	I-13
S3004	Replacement Part, Extreme Cross Bar End Cap	I-13
S3005	Replacement Part, Extreme Cross Bar Quarter Turn Plug	I-13
S3006	Replacement Part, Extreme Cross Bar FPE Wrench Kit	I-13
S3007	Replacement Part, Extreme Cross Bar FPE Allen Wrench Kit	I-13
S3008	Replacement Part, Extreme Cross Bar DFE Wrench Kit	I-13
S3009	Replacement Part, Extreme Cross Bar DFE Door	I-13

PART NO.	DESCRIPTION	PAGE NO.
S3010	Replacement Part, Extreme Cross Bar FPE Hardware Kit	I-13
S3011	Replacement Part, Extreme Cross Bar RBE Door w/Hinge	I-13
S3012	Replacement Part, RBU Adjuster Height	I-13
S3013	Replacement Part, Economy Cross Bar End Cap	I-13
S9327	Replacement Part, Locking Knob	I-13
SJ1 0300	Stabilizer, 2" Sq. x 13"L, Raw	K-40
SJ2 0324	Stabilizer, 1.75" Sq. x 28.75", Adjusts from 25" to 37"	K-40
SJ3 0300	OUTER TUBE, 1.5" SQX8.0"	K-40
SJ4 0324	Stabilizer, 1.75" Sq. x 20", Adjusts from 18" to 28"	K-40
SJ5 0324	DROP LEG, 2000lb W/ADJ HOLES	K-40
SJL8 0300	Stabilizer, 1.5" Square, Adjusts from 8" to 27"	K-40
SJW 0324	Stabilizer, 1.75" x 30.5" - Yellow Zinc	K-40
SPB50 0300	Bottom Support Plate w/2.29" Dia. Hole	K-39, M-38
SPBQ500300	Bottom Support Plate w/2.3" Dia. Square Hole	K-39, M-38
ST400	Sidewinder™ Turret w/Hardware	H-7, H-8
ST400-5AS16K	Fifth Airborne Sidewinder Combo	H-7
ST400-SW16K	Sidewinder™ Combo, Turret w/Hardware & Arm w/King Pin #ST400	H-5, H-8
ST400-SW19K	Sidewinder™ Combo, Turret w/Hardware & Arm w/King Pin #ST400	H-5, H-8
STC1000101	Spare Tire Carrier, Bolt-On	N-28
STC1000301	Spare Tire Carrier, Bolt-On	N-28
STL 0603	Spare Tire Lock	N-29
SW16K	Sidewinder™ 16K	H-8
SW19K	Sidewinder™ 19K	H-8
SWW-01	Sidewinder™ Wedge Kit, Elite™ Series	H-10
SWW-03	Sidewinder™ Wedge Kit, Select Series	H-10
SWW-04	Sidewinder™ Wedge Kit, Husky	H-10
SWW-05	Sidewinder™ Wedge Kit, Hi - Jacker	H-10
SWW-06	Sidewinder™ Wedge Kit, B&W	H-10
SWW-07	Sidewinder™ Wedge Kit, RBW	H-10
SWW-08	Sidewinder™ Wedge Kit, Calibert	H-10
SWW-09	Sidewinder™ Wedge Kit, Pullrite	H-10
TJ12000101	Swivel Jack, 1200 lbs., Bolt-On, 6" Wheel	K-14
WB100 0700	Wheel Bearing Kit, 1"	N-21
WB106 0700	Wheel Bearing Kit, 1-1/16"	N-21
WB138T0700	Wheel Bearing Kit w/ Dust Cover, 1-3/8" & 1-1/16"	N-21
WC325 0100	3/16" x 25" Cable w/Hook	K-52, K-54
WC750 0100	7/32" x 50" Cable w/Hook	K-52, K-54
WS20HD0600	Winch Strap w/Hook, 2" x 20", Heavy Duty	K-50, K-52
XP10 0101	Jack, 1200 lbs. Bolt-Thru Swivel Mount Sidewind w/6" Wheel	K-13
XP15 0101	Jack, 1500 lbs., Swing-Away, Bolt-On, Steel Construction, 10" Travel, 8" Poly Wheel	K-13
XP15L 0101	Jack, 1500 lbs., Swing-Away, Bolt-On, Steel Construction, 12" Travel, 8" Poly Wheel	K-13
XPD15L0101	Jack, 1500 lbs., Swing-Away, Bolt-On, Steel Construction, 12" Travel, 6" Dual Wheel	K-13