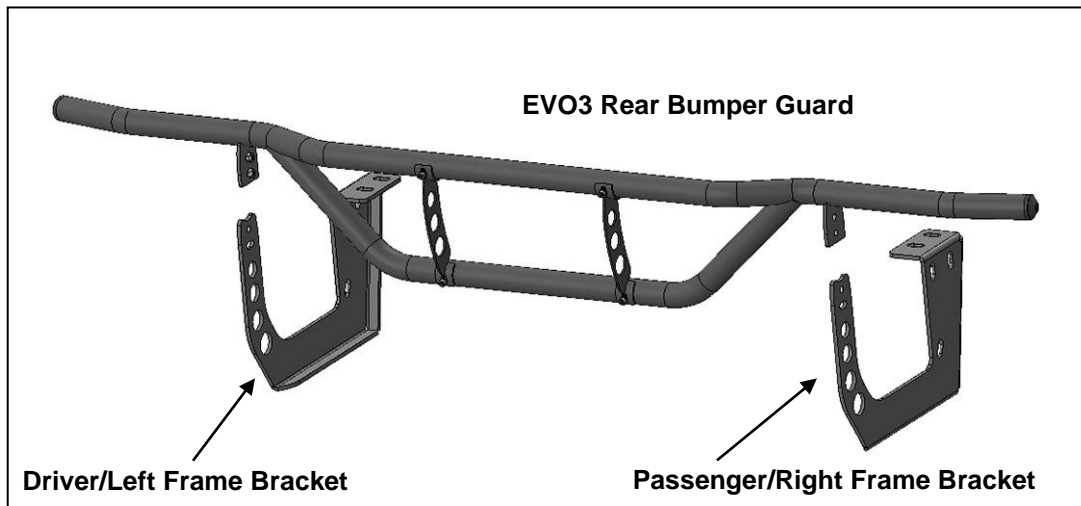


**EVO3 REAR BUMPER GUARD
2007-14 TOYOTA TUNDRA**

PARTS LIST:

Qty	Description	Qty	Description
1	EVO3 Rear Bumper Guard	6	12mm Lock Washers
1	Driver/Left Frame Mounting Bracket	6	12-1.75mm Hex Nuts
1	Passenger/Right Frame Mounting Bracket	4	8-1.25 x 30mm Hex Bolts
6	12-1.75mm x 35mm Hex Bolts	4	8mm x 24mm OD x 2mm Flat Washers
12	12mm x 32mm x 3mm Flat Washers	4	8mm Lock Washers



PROCEDURE:

1. **REMOVE CONTENTS FROM BOX. VERIFY ALL PARTS ARE PRESENT. READ INSTRUCTIONS CAREFULLY BEFORE STARTING INSTALLATION. DESIGNED TO INSTALL ON VEHICLES WITHOUT TOW HITCH AND WITH FACTORY TOW HITCH ONLY. AFTERMARKET TOW HITCH MAY INTERFERE WITH BUMPER GUARD INSTALLATION. INSTALLATION MAY INTERFERE WITH REAR BUMPER MOUNTED SENSORS. DO NOT USE EVO3 BUMPER GUARD FOR TOWING/PULLING. DO NOT ATTACH SAFETY CHAINS TO BUMPER GUARD AND/OR BRACKETS. IMPORTANT!** Allow muffler to completely cool before starting the installation.
2. Determine if the vehicle is equipped with the factory tow hitch.

Models without tow hitch:

 - a. Select the driver side Frame Mounting Bracket. Locate and remove the (2) factory hex bolts in the bottom-end of the frame channel, **(Figure 1)**.
 - b. Attach the Bracket to the bottom of the frame channel with the (2) factory hex bolts, **(Figure 4)**. Snug but do not fully tighten hardware at this time.
 - c. Repeat this **Step** to install the passenger side Frame Bracket then skip to **Step 3**.

Models with factory tow hitch only:

 - a. Locate and remove the factory support bracket bolted to the back of the tow hitch and bottom of the frame, **(Figures 1—3)**.
 - b. Select the driver side Frame Mounting Bracket. Attach the Bracket to the threaded holes in the bottom of the frame with the factory hex bolts, **(Figure 4)**. Leave loose at this time.
 - c. Attach the Bracket to the (3) factory holes in the side of the tow hitch with (3) 12mm x 35mm Hex Bolts, (6) 12mm Flat Washers, (3) 12mm Lock Washers and (3) 12mm Hex Nuts, **(Figure 5)**.
 - d. Starting with the (2) frame bolts, snug but do not fully tighten all hardware at this time.
 - e. Repeat this **Step** to install the passenger side Frame Bracket.
3. Next, carefully unwrap the EVO3 Rear Bumper Guard. Line up the mounting tabs on the Bumper Guard with the inside of the two Frame Brackets. Bolt the Guard to the Brackets with (4) 8mm x 30mm Hex Bolts, (4) 8mm Lock Washers and (4) 8mm Flat Washers, **(Figure 6)**.

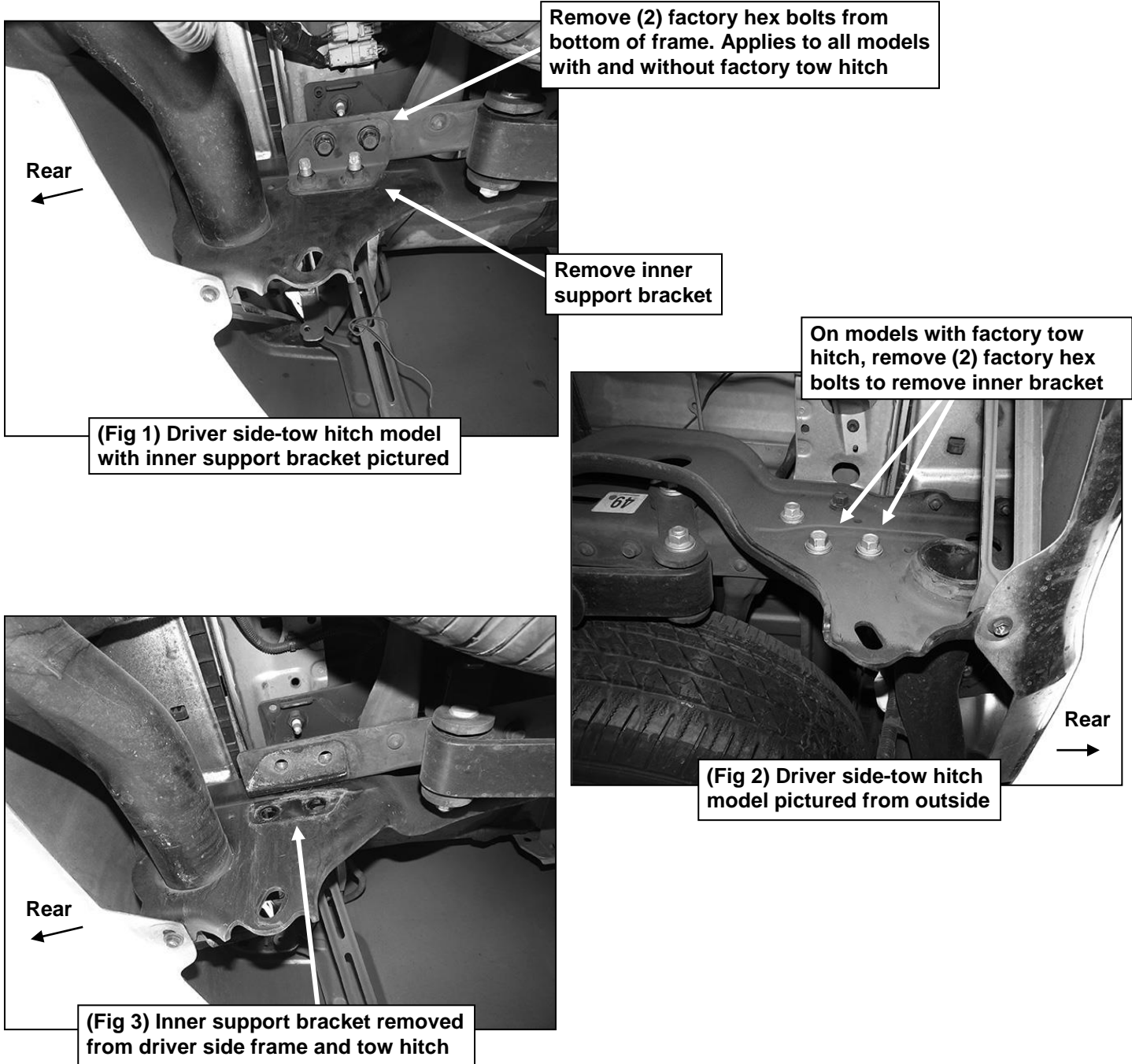
**EVO3 REAR BUMPER GUARD
2007-14 TOYOTA TUNDRA**

4. Adjust the Rear Bumper Guard properly and tighten all hardware starting with the (4) factory hex bolts in the bottom of the frame. Tighten the 8mm hardware to 18-20ft-lbs and the 12mm hardware to 35-40ft-lbs.
5. Do periodic inspections to the installation to make sure that all hardware is secure and tight.

To protect your investment, wax this product after installing. Regular waxing is recommended to add a protective layer over the finish. Do not use any type of polish or wax that may contain abrasives that could damage the finish.

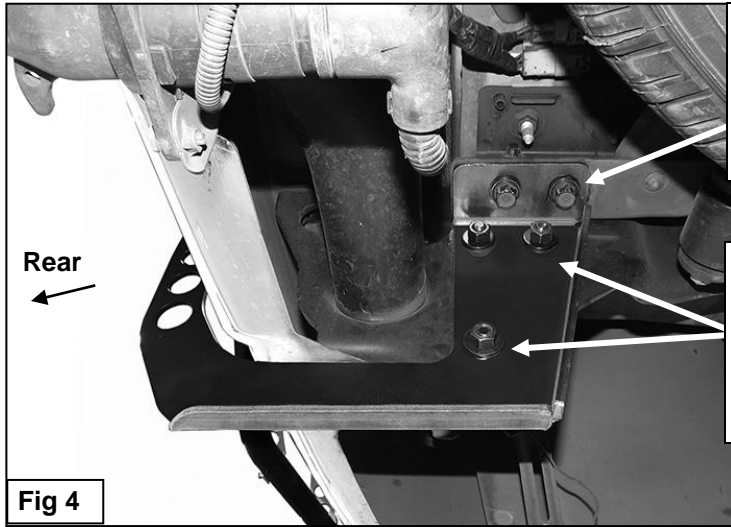
Powder coated finishes: Mild soap may be used to clean the EVO3 Rear Bumper Guard.

Driver side installation pictured



**EVO3 REAR BUMPER GUARD
2007-14 TOYOTA TUNDRA**

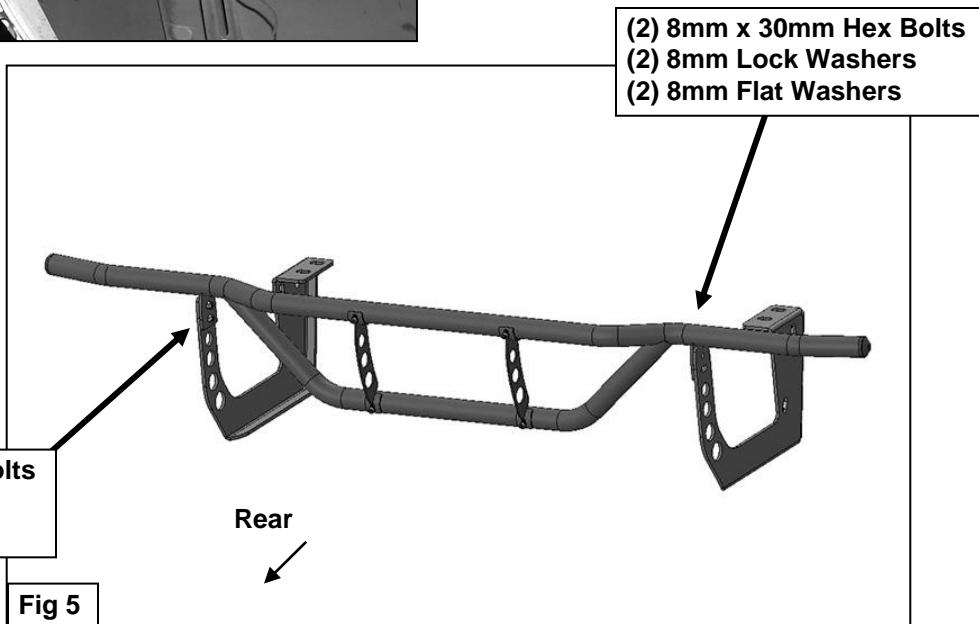
Driver side installation pictured



Reuse (2) factory hex bolts to attach the Mounting Bracket to the bottom of the frame. Applies to all models with and without factory tow hitch

(3) 12mm x 35mm Hex Bolts
(6) 12mm Flat Washers
(3) 12mm Lock Washers
(3) 12mm Hex Nuts
Applies to models with factory tow hitch only

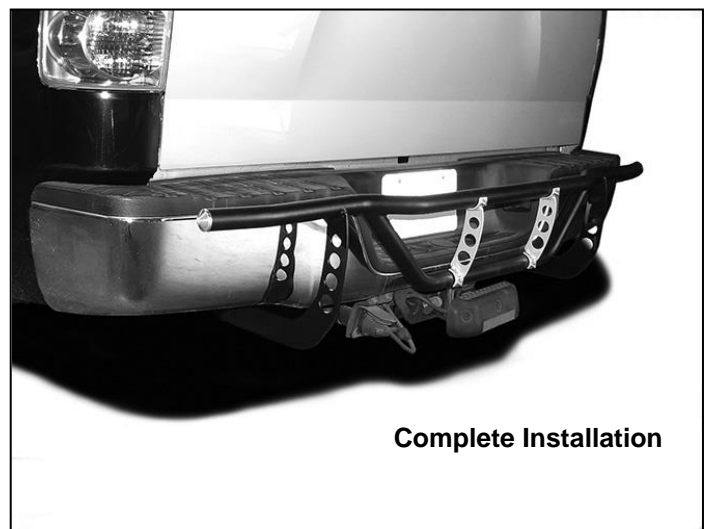
Fig 4



(2) 8mm x 30mm Hex Bolts
(2) 8mm Lock Washers
(2) 8mm Flat Washers

(2) 8mm x 30mm Hex Bolts
(2) 8mm Lock Washers
(2) 8mm Flat Washers

Fig 5



Complete Installation