



Ken Block
Ken Block

STTM

SUSPENSIONS

DEALER CATALOGUE

				
ST X Coilovers	ST XA Coilovers	ST XTA Coilovers	Sport Suspensions	Sport Springs
				
Sport Shocks	Wheel Spacers DZX	Wheel Spacers AZX	Anti Sway Bars	Lift Kits

YOUR CAR. YOUR STYLE. YOUR SUSPENSION!

engineered by


ST[®]

SUSPENSIONS

our ambassador: Ken Block

For Ken Block, ambassador of ST suspensions, ST is the first choice when it comes to suspension applications! His Gymkhana videos have made the Californian famous. But Ken Block is a celebrated star, not only on the platform YouTube. Also in motorsport, including rally sport and rally cross, the American is on the road worldwide with the Hoonigan Racing Division Team.



RALLYE DRIVER &
GYMKHANA LEGEND
KEN BLOCK
RELIES ON ST

Ken Block 43
Ken Block



engineered by





ST suspensions History

1979

- *Founding of ST suspensions in Southern California*

1980 – 1990

- *Development of Lowering Spring Kits and Anti-Sway Bars*
- *ST becomes an established brand in the US market*

1995

- *ST suspensions is acquired by Belltech Sport Trucks*

2005

- *Belltech Sport Trucks and ST suspensions are acquired by KW automotive Germany*

2005 – 2013

- *Introduction of ST suspensions Coilovers for the US market made by KW*
- *Introduction of ST suspensions Sport Shocks for the US market made by KW*
- *Continuous expansion of the ST suspensions Coilovers product line*
- *Continuous expansion of the ST suspensions Anti-Sway Bars*

2014

- *ST suspensions goes Global*
- *Introduction of new ST Coilover Kits engineered by KW*
- *Introduction of new ST wheel spacers engineered by KW*

2016

- *Introduction of the revolutionary wheel spacers systems DZX and AZX*

Contents

ST Product Overview

ST Business Portal

ST Car search

ST Online Tools

ST Price system

*Working with the
ST Catalogue*

ST Summary

ST Partner – Steve Biagioni

International drift sport

*ST Sport Springs
ST Sport Shocks
ST Sport Suspensions*

ST Coilovers

ST Anti-Sway Bars

ST Lift Kits

*ST The revolution of Wheel Spacers
ST Regular Wheel Spacers
ST Adapter Plates*

*ST Wheel Bolts
ST Wheel Nuts
ST Anti-Theft Protections*

ST Spare Parts and Comments



Welcome to ST suspensions

Our brand and product line for demanding customers who wish to select high-quality suspension products from a wide range and rely on the experience of the KW automotive GmbH engineers.

By bringing together our American and European product portfolio in 2015, we created our most extensive range of products so far. From springs, dampers, suspensions, height adjustable coilover kits, as well as anti-sway bars and other suspension components, the products we produce are widely recognized for their high quality and are offered at the best possible prices. Our goal with ST suspensions is to provide every car enthusiast the right suspension and therefore we have intensified our development efforts and have consistently extended the range of suspensions and components, especially in the range of Asian vehicle manufacturers.

The DZX and AZX wheel spacer systems are a true revolution, as we have consistently accepted the known technical problems and especially the logistical challenges for years. We have finally developed solutions that now enables us to inspire our customers with the wheel spacers and also provides a profitable business section for our specialist dealers by providing

the right solution for really every vehicle in connection with the respective wheel / tire combination.

Our engineers and technicians impressively demonstrate that with dedication and enthusiasm products for the individualization of vehicles can be developed, then produced and distributed from an equally motivated team and in some cases even how well complaints can be solved with corresponding competence. The satisfaction of our customers who are car enthusiasts just like our colleagues and employees, has always been the priority and our dealers also benefit from our competencies and experience.

We look forward to working with you and appreciate your confidence,

Klaus Wohlfarth
Founder of KW automotive GmbH

ST Product Overview



Sport Springs

Every ST sport spring is made from high tensile chrome silicon steel and manufactured in a cold winding process for maximum durability in all weather conditions! Available for more than 1000 applications ST spring kits will improve the overall look.



Sport Shocks

ST Sport Shocks are the perfect upgrade for old or tired dampers, providing an improved driving dynamic thanks to a shortened rebound construction. What's more, ST Sport Shocks can be used with a wide range of sport springs from every manufacturer.



Sport Suspensions

Superb quality at an affordable price - ST sport suspension kits feature sophisticated twin-tube damper technology for improved handling and drivability. With matched rebound/spring rates you gain a sporty look and improve driving dynamics for every car fitted with ST sport suspension.

engineered by



ST Product Overview



ST X Coilover

- Height adjustable

These kits offer mild to extreme lowering with on-car ride height adjustment. Designed using KW automotive's technical expertise, the all-new ST X kits give a bolt-on suspension solution. The result is improved looks and performance teamed with excellent driving dynamics and ride quality.



ST XA Coilover

- Height adjustable
- Adjustable rebound damping

With all the advantages of the ST X coilover system plus the additional feature of adjustable rebound damping. The ST XA coilover kits give you a tunable solution for street performance. Rebound damping adjustment allows drivers to fine-tune the handling and ride quality.

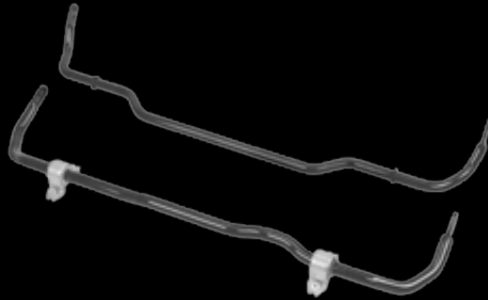


ST XTA Coilover

- Height adjustable
- Adjustable top mounts
- Adjustable rebound damping

The same features of the ST XA system but this top of the range system adds camber adjustability. These features deliver a highly tunable suspension package that allows you to adjust the driving dynamics significantly. The result is quality, precision and high performance.

ST Product Overview



Anti-Sway Bars

ST Anti-Sway Bars work by connecting the opposite wheels of a car using a steel torsion spring to increase stiffness and reduce body roll. Manufactured from high quality spring steel and finished with ST's special powder coating.



Lift Kits

The ST lift kits enable an individual lifting of the vehicle for a level adjustment for example at permanent loadings or when pulling trailers. Also the entry comfort and the wheel accessibility are increased by the lift kits.



Wheel Spacers

ST wheel spacers easily and effectively achieve a more sporty look and noticeably improve the driving dynamics of the vehicle. They are made of high-strength aluminum and can be combined with standard and accessory rims. The spacers from ST suspensions are black anodized for an ideal corrosion protection.

engineered by



ST Product Overview

Wheel Spacer System AZX



The AZX bolt on system with patented adapter rings is suitable for vehicles with wheel bolts AND wheel studs. The unique wheel hub adapter system with double centering and the innovative double threaded bolts not only ensures a maximum flexibility and benefit, but at the same time provide additional retrofit options.

Wheel Spacer System DZX



The DZX through-hole system with multi-hole circle bores create the basis of the revolutionary ST wheel spacer system and is suitable for vehicles with wheel bolts as well as for vehicles with wheel studs. The combination of centering adapters, precisely graduated spacers with the ST specific hole pattern in combination with innovative fastening material allows a range of applications and precision that has never been seen before.

ST Car search - only for cars with German approval

How to find all relevant data for your order

A

HSN = Manufacturer - Key Number - with the HSN, the manufacturer of the vehicle is numerically coded with 4 digits

B

TSN = Type - Key Number - with the TSN, the vehicle type is alpha-numerical coded with 3 digits

- 1 Car serial no.
- 2 European operating licence no.
- 3 Vehicle type
- 4 Front axle load
- 5 Rear axle load
- 6 Allowed total weight
- 7 Allowed total weight trailer load
- 8 Registration Date

Old - Vehicle Registration Document

A B

The image shows a German 'Fahrzeugschein' (vehicle registration document) for a Volkswagen. The document is divided into several sections. The left side contains administrative information, while the right side contains technical specifications. Red boxes and numbers 1 through 8 are used to highlight specific data points: 1 (Car serial no.), 2 (European operating licence no.), 3 (Vehicle type), 4 (Front axle load), 5 (Rear axle load), 6 (Allowed total weight), 7 (Allowed total weight trailer load), and 8 (Registration Date). The document is titled 'Fahrzeugschein' and includes the text 'Das Fahrzeug ist genehmigt für den Betrieb auf öffentlichen Straßen'.

New - Vehicle Registration Document (Letter Of Admission Part 1)

A B

The image shows a German 'Zulassungsbescheinigung Teil I' (Letter of Admission Part 1) for a Volkswagen. The document is divided into several sections. The left side contains administrative information, while the right side contains technical specifications. Red boxes and numbers 1 through 8 are used to highlight specific data points: 1 (Car serial no.), 2 (European operating licence no.), 3 (Vehicle type), 4 (Front axle load), 5 (Rear axle load), 6 (Allowed total weight), 7 (Allowed total weight trailer load), and 8 (Registration Date). The document is titled 'Zulassungsbescheinigung Teil I' and includes the text 'Das Fahrzeug ist genehmigt für den Betrieb auf öffentlichen Straßen'.

Type Plate (Exemplary)

The image shows an exemplary Audi AG type plate. The plate is rectangular and contains the Audi logo and the text 'AUDI AG'. Below the logo, the text 'e1-2001/116-0430' is followed by a red box containing the number '2'. Below this, the text 'WAUZZZ8T18A037741' is followed by a red box containing the number '1'. Below this, the text '1895 kg' is followed by a red box containing the number '6'. Below this, the text '3225 kg' is followed by a red box containing the number '7'. Below this, the text '1 - 1020 kg' is followed by a red box containing the number '4'. Below this, the text '2 - 1005 kg' is followed by a red box containing the number '5'. At the bottom left, the text 'yp B8' is followed by a red box containing the number '3'. At the bottom right, the text 'EU4' is followed by a red box containing the number '8'.

ST Price system

The ST suspensions price system

There's only 4 vehicle-specific price-categories for our suspensions-solutions*

Category A

Cars like Ford Fiesta, Fiat 500, VW Polo

Category B

Cars like VW Golf, Ford Focus, Mercedes CLC

Category C

Cars like Audi A6, Audi Q5, BMW 7 Series, Mercedes E-Class

Category S - Specials

Vehicles that cannot be categorized like transporters, vans, SUV, sports cars or vehicles with leaf springs, torsion bars or solutions with lowering springs at just one axle.

Prices for wheel bolts, lift kits and sport shocks

Just 12 prices for the extensive ST suspensions program that includes wheel bolts, anti theft-protection, lift kits and sport dampers. The prices are shown as numerals from 1 to 12 in the application lists.

You can find all prices on the first page of the ST catalogue.

* Applies to the following product groups - sport springs, sport suspensions, coilover kits ST X, ST XA, ST XTA and anti-sway bars.

ST Working with the catalogue

Tips for working with the catalogue

It doesn't matter which product you are looking for in our catalogue, always pay attention to the references.

The mentioned vehicle always refers to the basic model. If the vehicle doesn't match to the application in type, engine and year of manufacture the application is currently not available.

The given lowering rates must be understood as reference values. Due to vehicle specific tolerances and vehicle equipment variations no guarantee can be given for the indicated lowering rates.



ST Summary

Your advantages at a glance

ST suspensions offers KW Engineering for the best possible solution for all suspension-specific requirements.

- *Unique Products engineered by KW*
- *OEM quality*
- *Extensive programme*
- *High-quality components*
- *Manufactured to DIN ISO 9001*
- *Simple pricing*
- *Global brand*
- *Excellent service*

our partner: Steve Biagioni

Monster-athlete Steve "Baggsy" Biagioni is internationally succesful in drift sport. Also "Baggsy", who has won the British Drift Championship in 2009 and is able to secure podiums again and again, trusts in suspension solutions from ST suspensions.

BAGGSY



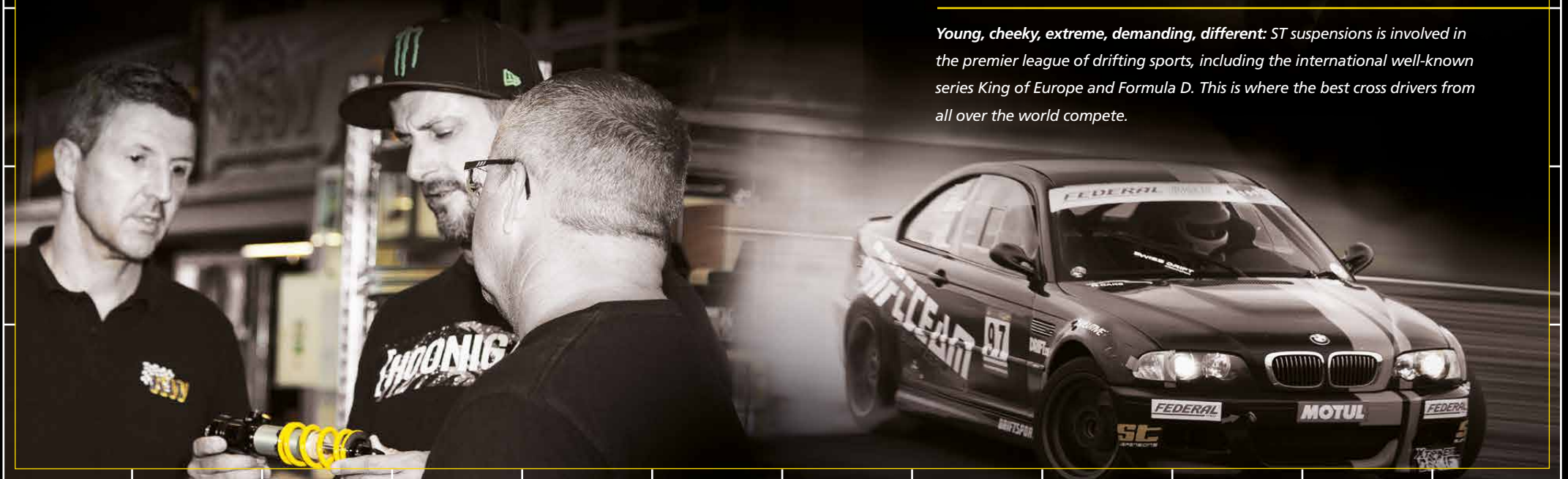
DRIFT
**King Of
EUROPE**

FORMULA **DRIFT**



Successful in the international drift sport

Young, cheeky, extreme, demanding, different: ST suspensions is involved in the premier league of drifting sports, including the international well-known series King of Europe and Formula D. This is where the best cross drivers from all over the world compete.





R1. AUSTRIA
GREINBACH APRIL 28-29



R2. ITALY
CASTELLETTO MAY 5-6



R3. FRANCE
ANNEAU DU RHIN JUNE 9-10



R4. SPAIN
CASTELLO JULY 7-8



R5. SWITZERLAND
LIGNIERES AUGUST 18-19



R6. GERMANY
OSCHERSLEBEN AUGUST 31-1



R7. AUSTRIA
GREINBACH SEPTEMBER 29-30



R8. GREECE
SERRES OCTOBER 6-7



ST
SUSPENSIONS

ST Sport Springs





ST Sport Springs

- *More than 1000 applications*
- *Improved look of vehicle*
- *Spring rate works perfectly with the standard damper*
- *Produced in a cold winding process in OE quality*
- *Made from chrome silicon steel, multi tempered and epoxy coated*

engineered by



ST
SUSPENSIONS

ST Sport Shocks





ST Sport Shocks

- *Twin-tube dampers with fixed setup*
- *Low friction and pressure resistant housings*
- *High-quality mono block guide and seal package*
- *Shortened chrome-plated piston rod*
- *Setup works perfectly with lowering springs*
- *Improvement of driving dynamics*

engineered by



ST
SUSPENSIONS

ST Sport Suspensions





ST Sport Suspensions

- *Improvement of driving dynamics*
- *Fixed damping setup*
- *Latest twin-tube technology*
- *Damper setup matches perfectly the spring rate*
- *Increased handling and sporty look*

engineered by



Fahrzeug-Modell (Typ)	Ausführung	Baujahr	Motorvariante	Leistung in kW	max. Achslasten in Kg	Tielerlegung VA / HA in mm	Auflagen/Hinweise	Manufacturer (vehicle type)	Model	Year	Engine	Power in kW	max. Axleload in kg	Lowering fa / ra in mm	References
					VA HA										
					max. Axleload in kg	FA RA									
Audi	Cabriolet / convertible	03/14-	1.4TFSI, 1.6TDi	81-110	-985 -1080	30/30	4,71,200								
			1.8TFSI, 1.6TDI, 2.0TDi	81-135	-1070 -1080	30/30	4,72,200								
A3 (8V) Quattro / 4WD	Limousine 3trg., 4trg. / sedan 3 doors, 4 doors	05/12-	1.8TFSI Quattro, 2.0TFSi Quattro, 2.0TDi Quattro	110-140	-1100 -1050	30/30	99								
	Cabriolet / convertible		2.0TDi Quattro	135	-1100 -1040	30/30	99								
	Sportback 5trg. / 5 doors		1.8TFSI Quattro, 2.0TFSi Quattro, 2.0TDi Quattro	110-140	-1100 -1050	30/30	99								
S3 (8L) Quattro / 4WD	Limousine 3trg. / sedan 3 doors	11/98-09/03	1.8T	154-165	-1040 -1050	20/10									
S3 (8P) Quattro / 4WD	Sportback 5trg. / 5 doors	09/06-04/08-	2.0TFSi Quattro	195	-1150 -1085	30/20									
S3 (8V) Quattro / 4WD	Limousine 3trg., 4trg. / sedan 3 doors, 4 doors	03/13-	2.0TFSi Quattro	221-228	-1100 -1005	20/20									
	Cabriolet / convertible		2.0TFSi Quattro	221-228	-1100 -1080	20/20									
	Sportback 5trg. / 5 doors		2.0TFSi Quattro	221-228	-1100 -1080	20/20									
A4 (B5) Frontantrieb / 2WD	Limousine / sedan	04/94-01/99 bis Fahrgestell Nr. 8D*X 199999	1.6i, 1.8, 1.8T ohne Automatik / without automatic gearbox	75-132	-995 -970	30/30									
		02/99- ab Fahrgestell Nr. 8D*X 200000	1.8, 1.8T, 1.9TDi	66-142	-1055 -970	30/30									
			2.4, 2.6, 2.8, 2.5TDi	102-142	-1150 -970	30/30									
	Avant / station wagon (Kombi)	04/94-01/99 bis Fahrgestell Nr. 8D*X 199999	1.6i, 1.8, 1.8T ohne Automatik / without automatic gearbox	75-132	-995 -1045	30/30									
		02/99- ab Fahrgestell Nr. 8D*X 200000	1.8, 1.8T, 1.9TDi	66-142	-1055 -1045	30/30									
			2.4, 2.6, 2.8, 2.5TDi	102-142	-1150 -1045	30/30									
A4 (B5) Quattro / 4WD	Limousine, Avant / sedan, station wagon	02/95-10/00	1.6i, 1.8, 1.8T, 1.9TDi, 2.4, 2.6, 2.8, 2.5TDi	66-142	-1055 -1115	30/30									
A4 (8E, 8H, 8B6) Frontantrieb / 2WD	Limousine / sedan	11/00-09/07	1.6, 1.8T, 2.0, 2.0Fsi, 2.0TFSi	75-162	-1090 -1035	30/30	11								
			2.0TFSi, 2.4, 3.0, 3.2Fsi, 1.9TDi, 2.0TDi	85-188	-1165 -1035	30/30	1,11								
			2.5TDi, 2.7TDi, 3.0TDi	120-171	-1230 -1035	30/30	11								
	Avant / station wagon (Kombi)	04/01-09/07	1.6, 1.8T, 2.0, 2.0Fsi, 2.0TFSi	75-162	-1090 -1130	30/30	11								
			2.0TFSi, 2.4, 3.0, 3.2Fsi, 1.9TDi, 2.0TDi	85-188	-1165 -1130	30/30	1,11								
			2.5TDi, 2.7TDi, 3.0TDi	120-171	-1230 -1130	30/30	11								
	Cabriolet / convertible	04/02-09/07	1.8T, 2.0Fsi, 2.0TFSi, 2.0TDi	96-147	-1150 -1100	30/30	1								
			2.4, 3.0, 3.2Fsi, 2.5TDi, 2.7TDi	120-188	-1230 -1100	30/30									
A4 (8E) Quattro / 4WD	Limousine / sedan	11/00-09/07	1.8T, 2.0TFSi	110-147	-1090 -1130	30/30									
			1.8T, 2.0TFSi, 3.0, 3.2Fsi, 1.9TDi, 2.0TDi	96-188	-1165 -1130	30/30									
			2.5TDi, 3.0TDi	132-150	-1230 -1130	30/30									
	Avant / station wagon (Kombi)	11/00-09/07	1.8T, 2.0TFSi	110-140	-1090 -1150	30/30									
			1.8T, 2.0TFSi, 3.0, 3.2Fsi, 1.9TDi, 2.0TDi	96-188	-1165 -1150	30/30									
			2.5TDi, 3.0TDi	132-150	-1230 -1150	30/30									
A4 (B8) Frontantrieb / 2WD	Limousine / sedan	10/07-09/15	1.8TFSi, 2.0TFSi, 3.2Fsi ohne Automatik / without automatic gearbox, 2.0TDi	88-195	-1105 -1160	30/30									
			2.7TDi, 3.2Fsi mit Automatik / with automatic gearbox, 3.0TDi	140-195	-1215 -1160	30/30									
	Avant / station wagon (Kombi)	10/07-09/15	1.8TFSi, 2.0TFSi, 2.0TDi	88-195	-1105 -1160	30/30									
			2.7TDi, 3.2Fsi mit Automatik / with automatic gearbox, 3.0TDi	140-195	-1215 -1160	30/30									
A4 (B8) Quattro / 4WD	Limousine / sedan	10/07-09/15	1.8TFSi Quattro, 2.0TFSi Quattro, 2.0TDi Quattro, 3.2Fsi Quattro ohne Automatik / without automatic gearbox	88-195	-1105 -1160	30/30									
			2.0TDi Quattro mit Automatik / with automatic gearbox, 3.0TFSi Quattro, 3.2Fsi Quattro mit Automatik / with automatic gearbox, 3.0TDi Quattro	105-200	-1215 -1160	30/30									
	Avant / station wagon (Kombi)	04/08-09/15	1.8TFSi Quattro, 2.0TFSi Quattro, 2.0TDi Quattro, 3.2Fsi Quattro ohne Automatik / without automatic gearbox	88-195	-1105 -1225	30/30									
			2.0TDi Quattro mit Automatik / with automatic gearbox, 3.0TFSi Quattro, 3.2Fsi Quattro mit Automatik / with automatic gearbox, 3.0TDi Quattro	105-200	-1215 -1225	30/30									
A4 (B9) Frontantrieb / 2WD (B8/B81) e1*2001/116*0430*.. (ab NT 35) e13*2007/46*1084*.. (ab NT 25)	Limousine / sedan	08/15-	1.4TFSi, 2.0TFSi, 2.0TDi	110-140	-1090 -1155	30/30	4,99								
			2.0TFSi, 2.0TDi	100-185	-1135 -1155	30/30	4,99								

Sportfedern		Sportfahrwerke		Sportdämpfer Vorderachse		Sportdämpfer, Hinterachse	
Bestell- Nr.	Preis- Kategorie	Bestell- Nr.	Preis- Kategorie	Bestell- Nr.	Preis- Kategorie	Bestell- Nr.	Preis- Kategorie
Sport Springs		Sport Suspension		Sport Shocks, Front Axle		Sport Shocks,Rear Axle	
Part No.	Price Category	Part No.	Price Category	Part No.	Price Category	Part No.	Price Category
28210170	B	23210570	B	61W80049	11	61W10049	9
28210170	B	23210170	B	61W80048	11	61W10049	9
28210171	B	23210571	B	61W80049	11	61W10049	9
28210171	B	23210171	B	61W80048	11	61W10049	9
28210171	B	-	-	-	-	-	-
28210167	B	-	-	-	-	-	-
28210171	B	-	-	-	-	-	-
28210168	B	-	-	-	-	-	-
28210171	B	-	-	-	-	-	-
28210168	B	-	-	-	-	-	-
28210330	B	23210330	B	61W10029	11	61W80016	7
28210522	B	23210522	B	61W10042	11	61W80054	9
28210054	B	23210054	B	61W10042	11	61W80054	9
28210167	B	-	-	-	-	-	-
28210168	B	-	-	-	-	-	-
28210168	B	-	-	-	-	-	-
28210060	B	23210060*	B	61W10002	8	61W10005*	7
28210062	B	23210062*	B	61W10002	8	61W10005*	7
28210064	B	23210064*	B	61W10002	8	61W10005*	7
28210060	B	23210260*	B	61W10002	8	61W10030*	7
28210062	B	23210262*	B	61W10002	8	61W10030*	7
28210064	B	23210264*	B	61W10002	8	61W10030*	7
28210080	B	23210080*	B	61W10002	8	61W10005*	7
28210082	B	23210082*	B	61W10002	8	61W10005*	7
28210084	B	23210084*	B	61W10002	8	61W10005*	7
28210080	B	23210180*	B	61W10002	8	61W10030*	7
28210082	B	23210182*	B	61W10002	8	61W10030*	7
28210084	B	23210184*	B	61W10002	8	61W10030*	7
28210029	B	23210029	B	61W10002	8	-	-
28210030	B	23210030	B	61W10002	8	-	-
28210040	B	23210040	B	61W10037	8	61W10027	7
28210373	B	23210373	B	61W10037	8	61W10027	7
28210041	B	23210041	B	61W10037	8	61W10027	7
28210375	B	23210375	B	61W10037	8	61W10027	7
28210042	B	23210042	B	61W10037	8	61W10027	7
28210043	B	23210043	B	61W10037	8	61W10027	7
28210379	B	23210379	B	61W10037	8	61W10027	7
28210044	B	23210044	B	61W10037	8	61W10027	7
28210381	B	23210381	B	61W10037	8	61W10027	7
28210382	B	23210382	B	61W10037	8	61W10027	7
28210045	B	23210045	B	61W10037	8	61W10027	7
28210094	B	23210094	B	61W10037	8	61W10027	7
28210096	B	23210096	B	61W10037	8	61W10027	7
28210097	B	23210097	B	61W10037	8	61W10027	7
28210092	B	23210092	B	61W10037	8	61W10027	7
28210093	B	23210093	B	61W10037	8	61W10027	7
28210100	B	23210100	B	61W10037	8	61W10027	7
28210102	B	23210102	B	61W10037	8	61W10027	7
28210103	B	23210103	B	61W10037	8	61W10027	7
28210104	B	23210104	B	61W10037	8	61W10027	7
28210525	B	23210525	B	61W10020	11	61W10845	9
28210527	B	23210527	B	61W10020	11	61W10845	9
28210525	B	23210525	B	61W10020	11	61W10845	9
28210527	B	23210527	B	61W10020	11	61W10845	9
28210526	B	23210526	B	61W10020	11	61W10845	9
28210527	B	23210527	B	61W10020	11	61W10845	9
28210528	B	23210528	B	61W10020	11	61W10845	9
28210529	B	23210529	B	61W10020	11	61W10845	9
28210532	B	-	-	-	-	-	-
28210542	B	-	-	-	-	-	-
28210533	B	-	-	-	-	-	-

53 Federantriebswerke
51 Springs/Suspensions

*= ra shocks absorber has a slot adjustment for adjusting the height

Fahrzeug-Modell (Typ)	Ausführung	Baujahr	Motorvariante	Leistung in kW	max. Achslasten in Kg VA HA	Tieferlegung VA / HA in mm	Auflagen/Hinweise
Manufacturer (vehicle type)	Model	Year	Engine	Power in kW	max. Axleload in kg FA RA	Lowering fa / ra in mm	References

Audi

A4 (B9) Frontantrieb / 2WD (B8/B81) e1*2001/116*0430*.. (ab NT 35) e13*2007/46*1084*.. (ab NT 25)	Limousine / sedan	08/15-	2.0TFSi, 2.0TDi 3.0TDi	100-185 160	-1135 -1155 -1175 -1155	40/40 30/30	4,99 4,99	
	Avant / station wagon (Kombi)	08/15-	1.4TFSi, 2.0TFSi, 2.0TDi	110-140	-1090 -1220	30/30 40/40	4,99 4,99	
			2.0TFSi, 2.0TDi 3.0TDi	100-185 160	-1135 -1220 -1175 -1220	30/30 30/30	4,99 4,99	
A4 (B9) Quattro / 4WD (B8/B81) e1*2001/116*0430*.. (ab NT 35) e13*2007/46*1084*.. (ab NT 25)	Limousine / sedan	08/15-	2.0TFSi, 2.0TDi 3.0TDi	140-185 160-200	-1120 -1160 -1180 -1160	30/30 30/30	99,170 99,170	
	Avant / station wagon (Kombi)		2.0TFSi, 2.0TDi 3.0TDi	140-185 160-200	-1135 -1210 -1180 -1220	30/30 30/30	99,170 99,170	
S4 (B8)	Limousine / sedan	03/09-09/15	3.0TFSi	245	-1215 -1160	20/10		
	Avant / station wagon (Kombi)	03/09-09/15	3.0TFSi	245	-1215 -1225	20/10		
A5 (B8) Frontantrieb / 2WD	Coupé	06/07-07/16	1.8TFSi, 2.0TFSi, 3.2FSi (multitronic) 2.0TDi 2.7TDi, 3.0TDi	105-195 140-150	-1090 -1020 -1185 -1020	30/20 30/20	4,11 4,11	
	Cabriolet / convertible	03/09-07/16	1.8TFSi, 2.0TFSi, 2.0TDi 3.2FSi, 2.7TDi, 3.0TDi	105-155 140-195	-1100 -1160 -1205 -1160	30/20 30/20	4,11 4,11	
	Sportback	09/09-07/16	1.8TFSi, 2.0TFSi, 2.0TDi 2.7TDi, 3.0TDi	105-155 140-150	-1120 -1200 -1200 -1200	30/20 30/20	4,11 4,11	
A5 (B8) Quattro / 4WD	Coupé	06/07-07/16	2.0TFSi Quattro, 2.0TDi Quattro 3.0TFSi Quattro, 3.2FSi Quattro, 2.7TDi Quattro, 3.0TDi Quattro	125-155 176-200	-1120 -1095 -1205 -1095	30/20 30/20	11,99,170 11,99,170	
	Cabriolet / convertible	03/09-07/16	2.0TFSi Quattro, 3.2FSi Quattro 3.0TFSi Quattro, 3.0TDi Quattro	118-195 176-200	-1205 -1240 -1245 -1240	30/20 30/20	11,99,170 11,99,170	
	Sportback	09/09-07/16	2.0TFSi Quattro, 2.0TDi Quattro 3.0TFSi Quattro, 3.2FSi Quattro, 2.7TDi Quattro, 3.0TDi Quattro	125-155 176-200	-1120 -1155 -1205 -1155	30/20 30/20	11,99,170 11,99,170	
A5 (B9) Frontantrieb / 2WD (B8/B81) e1*2001/116*0430*.. (ab NT 43) e13*2007/46*1084*.. (ab NT 27)	Coupé	08/16-	1.4TFSi, 1.8TFSi, 2.0TFSi, 2.0TDi 2.0TFSi, 2.0TDi 3.0TDi	110-185 100-185 160	-1090 -1040 -1135 -1040 -1175 -1040	30/30 30/30 30/30	4,99 4,99 4,99	
	A5 (B9) Quattro / 4WD (B8/B81) e1*2001/116*0430*.. (ab NT 43) e13*2007/46*1084*.. (ab NT 27) S5 (B8)		Coupé	06/07-07/16	3.0TFSi, 4.2 V8	245-260	-1205 -1095	20/10 11
	Cabriolet / convertible Sportback		03/09-07/16 03/10-07/16	3.0TFSi 3.0TFSi	245 245	-1245 -1240	20/10 11	
A6 (4B) Frontantrieb / 2WD	Limousine / sedan	03/97-04/04	1.8i,1.8T, 2.0, 1.9TDi 2.4i, 2.8i, 3.0, 2.5TDi	81-96 100-162	-1160 -1090 -1240 -1090	40/40 40/40	11,102 11,102	
	Avant / station wagon (Kombi)	03/97-04/04	1.8i,1.8T, 2.0, 1.9TDi 2.4i, 2.8i, 3.0, 2.5TDi	81-96 100-162	-1160 -1130 -1240 -1130	40/40 40/40	11,102 11,102	
A6 (4B) Quattro / 4WD	Limousine / sedan	03/97-04/04	1.8T Quattro 2.4i, 2.8i, 3.0, 2.5TDi	110-132 100-162	-1160 -1175 -1240 -1175	40/40 40/40	11,102 11,102	
	Avant / station wagon (Kombi)	03/97-04/04	1.8T Quattro 2.4i, 2.8i, 3.0, 2.5TDi	110-132 100-162	-1160 -1230 -1240 -1230	40/40 40/40	11,102 11,102	
A6 (4F) Frontantrieb / 2WD	Limousine / sedan	05/04-02/11	2.0TFSi, 2.4, 3.0, 2.8FSi, 3.2FSi, 2.0TDi 2.7TDi, 3.0TDi	100-213 132-150	-1215 -1115 -1350 -1115	30/30 30/30	4,11 4,11	
	Avant / station wagon (Kombi)	03/05-02/11	2.0TFSi, 2.4, 2.8FSi, 3.0, 3.2FSi, 2.0TDi 2.7TDi, 3.0TDi	100-213 132-150	-1215 -1240 -1350 -1240	30/30 30/30	4,11 4,11	
A6 (4F) Quattro / 4WD	Limousine / sedan	05/04-02/11	2.4 Quattro, 2.8FSi Quattro, 3.0 Quattro, 3.2FSi Quattro 3.0TFSi Quattro, 4.2 Quattro, 2.7TDi Quattro, 3.0TDi Quattro	130-188 132-257	-1215 -1240 -1350 -1240	30/30 30/30	11 11	
	Avant / station wagon (Kombi)	03/05-02/11	2.4 Quattro, 2.8FSi Quattro, 3.0 Quattro, 3.2FSi Quattro 3.0TFSi Quattro, 4.2 Quattro, 2.7TDi Quattro, 3.0TDi Quattro	130-188 132-257	-1215 -1335 -1350 -1335	30/30 30/30	11 11	
A6 (4G, 4G1) Frontantrieb / 2WD	Limousine / sedan	03/11-	2.0TDi, 2.8FSi, 3.0TDi 3.0TDi (multitronic)	120-150 150	-1185 -1190 -1260 -1190	30/30 30/30	4,11 4,11	
	Avant / station wagon (Kombi)		09/11-	2.0TDi, 2.8FSi, 3.0TDi 3.0TDi (multitronic)	120-150 150	-1185 -1280 -1260 -1280	30/30 30/30	11 11
A6 (4G, 4G1) Quattro / 4WD	Limousine / sedan	03/11-	2.8FSi Quattro 3.0TFSi Quattro, 3.0TDi Quattro	150 150-230	-1185 -1255 -1260 -1255	30/30 30/30	11 11	
	Avant / station wagon (Kombi)		09/11-	2.8FSi Quattro 3.0TFSi Quattro, 3.0TDi Quattro	150 150-230	-1185 -1360 -1260 -1360	30/30 30/30	11 11
A7 (4G, 4G1) Frontantrieb / 2WD	Sportback	07/10-	2.8FSi, 3.0TDi	150	-1185 -1315	30/20	4,11	
A7 (4G, 4G1) Quattro / 4WD	Sportback	07/10-	2.8FSi Quattro 3.0TFSi Quattro, 3.0TDi Quattro	150 150-230	-1185 -1315 -1270 -1315	30/20 30/20	11 11	
			2.0TFSi Quattro, 2.0TDi Quattro 2.0TFSi Quattro, 2.0TDi Quattro, 3.2FSi Quattro	125-155 100-199	-1165 -1115 -1235 -1345	30/30 30/30	11 11	
Q3 (8U) Q5 (8R, 8R1)		11/08-	3.0TFSi Quattro, 3.0TDi Quattro, SQ5 Quattro	176-260	-1315 -1345	30/30	11	
TT (8N) Frontantrieb / 2WD	Coupé, Roadster	10/98-07/06	1.8T	110-140	-1050 -820	30/30 50/30	156 156	
TT (8N) Quattro / 4WD	Coupé, Roadster	10/98-07/06	1.8T	132-176	-1050 -920	30/30	156	
TT (8J) Frontantrieb / 2WD	Coupé	08/06-06/14	1.8TFSi, 2.0TFSi	118-155	-965 -800	30/20	4	
		07/14-	2.0TFSi, 2.0TDi	135-169	-940 -775	30/20	4	
TT (8J) Quattro / 4WD	Coupé	08/06-06/14 07/14-	2.0TFSi Quattro, 2.0TDi Quattro, 3.2 Quattro 2.0TFSi Quattro	125-184 169	-840 -885 -990 -830	30/20 30/20		

Sportfedern	
Bestell-Nr.	Preis-Kategorie
Sport Springs	
Part No.	Price Category

Sportfahrwerke	
Bestell-Nr.	Preis-Kategorie
Sport Suspension	
Part No.	Price Category

Sportdämpfer Vorderachse	
Bestell-Nr.	Preis-Kategorie
Sport Shocks, Front Axle	
Part No.	Price Category

Sportdämpfer, Hinterachse	
Bestell-Nr.	Preis-Kategorie
Sport Shocks, Rear Axle	
Part No.	Price Category

28210543	B	-	-	-	-	-	-
28210538	B	-	-	-	-	-	-
28210534	B	-	-	-	-	-	-
28210544	B	-	-	-	-	-	-
28210535	B	-	-	-	-	-	-
28210545	B	-	-	-	-	-	-
28210539	B	-	-	-	-	-	-
28210536	B	-	-	-	-	-	-
28210540	B	-	-	-	-	-	-
28210537	B	-	-	-	-	-	-
28210541	B	-	-	-	-	-	-
28210530	B	-	-	-	-	-	-
28210531	B	-	-	-	-	-	-
28210078	B	23210078	B	61W10020	11	61W10845	9
28210079	B	23210079	B	61W10020	11	61W10845	9
28210117	B	23210117	B	61W10020	11	61W10845	9
28210118	B	23210218	B	61W10020	11	61W10845	9
28210123	B	23210123	B	61W10020	11	61W10845	9
28210124	B	23210124	B	61W10020	11	61W10845	9
28210114	B	23210114	B	61W10020	11	61W10845	9
28210077	B	23210077	B	61W10020	11	61W10845	9
28210121	B	23210121	B	61W10020	11	61W10845	9
28210122	B	23210122	B	61W10020	11	61W10845	9
28210123	B	23210123	B	61W10020	11	61W10845	9
28210124	B	23210124	B	61W10020	11	61W10845	9
28210532	B	-	-	-	-	-	-
28210542	B	-	-	-	-	-	-
28210533	B	-	-	-	-	-	-
28210543	B	-	-	-	-	-	-
28210538	B	-	-	-	-	-	-
28210536	B	-	-	-	-	-	-
28210549	B	-	-	-	-	-	-
28210540	B	-	-	-	-	-	-
28210125	B	-	-	-	-	-	-
28210126	B	-	-	-	-	-	-
28210127	B	-	-	-	-	-	-
28210372	C	23210372	C	61W10002	8	61W80017	9
28210337	C	23210337	C	61W10002	8	61W80017	9
28210388	C	23210388	C	61W10002	8	61W80017	9
28210334	C	23210334	C	61W10002	8	61W80017	9
28210387	C	23210387	C	61W10002	8	-	-
28210336	C	23210336	C	61W10002	8	-	-
28210389	C	23210389	C	61W10002	8	-	-
28210335	C	23210335	C	61W10002	8	-	-
28210046	C	23210046	C	61W10021	11	61W10841	9
28210047	C	23210047	C	61W10021	11	61W10841	9
28210056	C	23210056	C	61W10021	11	61W10841	9
28210057	C	23210057	C	61W10021	11	61W10841	9
28210048	C	23210048	C	61W10021	11	61W10841	9
28210049	C	23210049	C	61W10021	11	61W10841	9
28210058	C	23210058	C	61W10021	11	61W10841	9
28210059	C	23210059	C	61W10021	11	61W10841	9
28210133	C	-	-	-	-	-	-
28210134	C	-	-	-	-	-	-
28210139	C	-	-	-	-	-	-
28210140	C	-	-	-	-	-	-
28210135	C	-	-	-	-	-	-
28210136	C	-	-	-	-	-	-
28210139	C	-	-	-	-	-	-
28210140	C	-	-	-	-	-	-
28210137	C	-	-	-	-	-	-
28210137	C	-	-	-	-	-	-
28210138	C	-	-	-	-	-	-
28210145	B	-	-	-	-	-	-
28210115	C	-	-	-	-	-	-
28210116	C	-	-	-	-	-	-
28210031	B	23210031	B	61W10029	11	61W10028	7
28210350	B	23210350	B	61W10029	11	61W10028	7
28210131	B	23210131	B	61W10029	11	61W80016	7
28210520	B	23210520	B	61W10042	11	61W80054	9
28210186	B	-	-	-	-	-	-
28210521	B	23210521	B	61W10042	11	61W80054	9
28210188	B	-	-	-	-	-	-

Fahrzeug-Modell (Typ)	Ausführung	Baujahr	Motorvariante	Leistung in kW	max. Achslasten in Kg	Tieferlegung VA / HA in mm	Auflagen/Hinweise
Manufacturer (vehicle type)	Model	Year	Engine	Power in kW	max. Axleload in kg	Lowering fa / ra in mm	References
BMW							
1er; E81, 82, 87, 88 (182, 187, 1K2, 1K4, 1C) 1-series; E81, 82, 87, 88 (182, 187, 1K2, 1K4, 1C)	Limousine / sedan	11/03-09/12	116i, 118i, 120i	85-125	-875	-1060	30/30
			130i	190-195	-920	-1060	20/20
			116d, 118d, 120d, 123d	85-150	-920	-1060	30/30
1er; F20, F21 (1K2, 1K4) 1-series; F20, F21 (1K2, 1K4)	Cabriolet / convertible	11/07-03/08	120i, 125i, 135i, 118d, 120d, 123d	105-225	-965	-1030	30/30
			118i, 120i, 125i, 135i, 118d, 120d, 123d	95-225	-965	-1120	30/30
			114i, 116i, 118i, 114d, 116d, 118d	70-125	-905	-1110	30/30
1er; F20, F21 (1K2, 1K4) xDrive 1-series; F20, F21 (1K2, 1K4) xDrive	Limousine / sedan	11/12-	120i, 120d, 123d, 125d	105-160	-920	-1110	30/30
			M135i, M140i, 125d	235-250	-970	-1110	30/30
			118d xDrive, 120d xDrive	105-135	-975	-1120	30/30
2er; F22, F23 (1C) 2-series; F22, F23 (1C)	Coupé	02/14-	M135i xDrive, M140i xDrive	235-250	-1040	-1120	20/20
			218i, 220i, 228i, 218d, 220d	100-180	-905	-1160	30/30
			225d	160	-970	-1160	30/30
2er; F22, F23 (1C) 2-series; F22, F23 (1C)	Cabriolet / convertible	02/15-	M235i, M240i	240-250	-975	-1160	20/20
			220d xDrive	140	-970	-1160	30/20
			M235i xDrive, M240i xDrive	240-250	-1040	-1160	10/10
M2; F87 (M3) 3er; E30 (3/1, 3/R) 3-series; E30 (3/1, 3/R)	Coupé	01/16-09/82-08/91	M235i xDrive, M240i xDrive	240-250	-1040	-1160	10/10
			3.0 Turbo	272	-970	-1080	20/15
			316i, 318i, 318is	55-100	-805	-905	40/00
3er; E36 (3B, 3/B, 3/C, 3/CG) 3-series; E36 (3B, 3/B, 3/C, 3/C, 3/CG)	Limousine / sedan	09/82-10/88	320i, 323i, 325i, 325e, 324d, 324td	63-126	-865	-905	40/00
			320i, 323i, 325i, 325e, 324d, 324td	63-126	-865	-905	40/00
			320i, 323i, 325i, 325e, 324d, 324td	63-126	-865	-905	40/00
3er; E36 (3B, 3/B, 3/C, 3/CG) 3-series; E36 (3B, 3/B, 3/C, 3/C, 3/CG)	Cabriolet / convertible	11/90-02/94 05/86-02/94	318i	77-100	-790	-945	40/40
			320i, 325i	92-126	-865	-945	40/40
			316i, 318i	75-83	-790	-1030	40/40
3er; E36 (3B, 3/B, 3/C, 3/CG) 3-series; E36 (3B, 3/B, 3/C, 3/C, 3/CG)	Touring / station wagon (Kombi)	01/88-04/95	316i, 318i	75-83	-790	-1030	40/40
			316i, 318i	75-83	-790	-1030	40/40
			320i, 325i	92-126	-865	-1030	40/40
3er; E36 (3B, 3/B, 3/C, 3/CG) 3-series; E36 (3B, 3/B, 3/C, 3/C, 3/CG)	Limousine, Coupé / sedan, coupé	12/90-05/92	316i, 318i, 318is	73-103	-830	-1070	30/20
			316i, 318i, 318is	75-103	-830	-1070	40/40
			318tds	66	-900	-1070	30/20
3er; E36 (3B, 3/B, 3/C, 3/CG) 3-series; E36 (3B, 3/B, 3/C, 3/C, 3/CG)	Cabriolet / convertible	01/94-04/99	320i, 323i, 325i, 328i, 325td, 325tds	105-142	-900	-1070	40/40
			320i, 323i, 325i, 328i, 325td, 325tds	105-142	-900	-1070	30/00
			320i, 323i, 325i, 328i, 325td, 325tds	105-142	-900	-1070	30/20
3er; E36 (3B, 3/B, 3/C, 3/CG) 3-series; E36 (3B, 3/B, 3/C, 3/C, 3/CG)	Coupé	04/94-09/00	316i, 318i	75-103	-830	-970	30/00
			318tds, 323ti	66-125	-900	-970	40/40
			316i, 318i	75-85	-830	-1115	30/00

Sportfedern		Sportfahrwerke		Sportdämpfer Vorderachse		Sportdämpfer Hinterachse	
Bestell-Nr.	Preis-Kategorie	Bestell-Nr.	Preis-Kategorie	Bestell-Nr.	Preis-Kategorie	Bestell-Nr.	Preis-Kategorie
28220053	B	23220053	B	61W20041/42 L/R	12	61W20040	9
28220051	B	23220051	B	61W20041/42 L/R	12	61W20040	9
28220054	B	23220054	B	61W20041/42 L/R	12	61W20040	9
28220132	B	23220132	B	61W20041/42 L/R	12	61W20040	9
28220133	B	23220133	B	61W20041/42 L/R	12	61W20040	9
28220163	B	-	-	-	-	-	-
28220175	B	-	-	-	-	-	-
28220164	B	-	-	-	-	-	-
28220175	B	-	-	-	-	-	-
28220174	B	-	-	-	-	-	-
28220174	B	-	-	-	-	-	-
28220174	B	-	-	-	-	-	-
28220163	B	-	-	-	-	-	-
28220175	B	-	-	-	-	-	-
28220174	B	-	-	-	-	-	-
28220174	B	-	-	-	-	-	-
28220174	B	-	-	-	-	-	-
28220163	B	-	-	-	-	-	-
28220174	B	-	-	-	-	-	-
28220174	B	-	-	-	-	-	-
28220278	B	-	-	-	-	-	-
28220200	S2	23220200	S2	61W20005	8	61W20008	7
28220200	S2	23220300	S2	61W20006	8	61W20008	7
28220001	B	23220001	B	61W20005	8	61W20008	7
28220001	B	23220029	B	61W20006	8	61W20008	7
28220003	B	23220003	B	61W20005	8	61W20008	7
28220003	B	23220030	B	61W20006	8	61W20008	7
28220283	S2	23220283	S2	61W20005	8	61W20008	7
28220283	S2	23220383	S2	61W20006	8	61W20008	7
28220004	B	23220004	B	61W20005	8	61W20008	7
28220004	B	23220031	B	61W20006	8	61W20008	7
28220006	B	23220006	B	61W20005	8	61W20008	7
28220006	B	23220032	B	61W20006	8	61W20008	7
28220201	B	23220201	B	61W20006	8	61W20008	7
28220203	B	23220203	B	61W20006	8	61W20008	7
28220204	B	23220204	B	61W20006	8	61W20008	7
28220060	B	23220060	B	61W20005	8	61W20008	7
28220060	B	23220061	B	61W20006	8	61W20008	7
28220062	B	23220062	B	61W20005	8	61W20008	7
28220062	B	23220063	B	61W20006	8	61W20008	7
28220062	B	23220062	B	61W20006	8	61W20008	7
28220062	B	23220063	B	61W20006	8	61W20008	7
28220206	B	-	-	-	-	-	-
28220009	B	-	-	-	-	-	-
28220206	B	23220306	B	61W20001/02 L/R	12	61W20007	7
28220009	B	23220309	B	61W20001/02 L/R	12	61W20007	7
28220209	B	23220409	B	61W20001/02 L/R	12	61W20007	7
28220012	B	23220112	B	61W20001/02 L/R	12	61W20007	7
28220208	S2	23220208	S2	61W20001/02 L/R	12	61W20007	7
28220209	B	23220209	B	61W20001/02 L/R	12	61W20007	7
28220012	B	23220012	B	61W20001/02 L/R	12	61W20007	7
28220208	S2	23220408	S2	61W20001/02 L/R	12	61W20007	7
28220209	B	23220409	B	61W20001/02 L/R	12	61W20007	7
28220012	B	23220112	B	61W20001/02 L/R	12	61W20007	7
28220214	S2	23220214	S2	61W20001/02 L/R	12	61W20007	7
28220215	B	23220215	B	61W20001/02 L/R	12	61W20007	7
28220216	B	23220216	B	61W20001/02 L/R	12	61W20007	7
28220205	S2	23220101	S2	61W20001/02 L/R	12	61W20007	7
28220217	B	23220217	B	61W20001/02 L/R	12	61W20007	7
28220208	S2	23220208	S2	61W20001/02 L/R	12	61W20007	7
28220219	B	23220219	B	61W20001/02 L/R	12	61W20007	7
28220220	B	23220220	B	61W20001/02 L/R	12	61W20007	7
28220205	S2	23220601	S2	61W20001/02 L/R	12	61W20008	7
28220007	B	23220007	B	61W20001/02 L/R	12	61W20008	7
28220222	S2	23220222	S2	61W20001/02 L/R	12	61W20008	7
28220035	B	23220035	B	61W20001/02 L/R	12	61W20008	7
28220205	S2	23220405	S2	61W20001/02 L/R	12	61W20007	7
28220260	B	23220260	B	61W20001/02 L/R	12	61W20007	7

51 Feder/Federwerk, 51 Springs/Suspensions

*= ra shocks absorber has a slot adjustment for adjusting the height

Fahrzeug-Modell (Typ)	Ausführung	Baujahr	Motorvariante	Leistung in kW	max. Achslasten in Kg	Tieferlegung VA / HA in mm	Auflagen/Hinweise
Manufacturer (vehicle type)	Model	Year	Engine	Power in kW	max. Axleload in kg	Lowering fa / ra in mm	References
BMW							
3er; F30, F31, F34 (3L, 3K, 3-V) 3-series; F30, F31, F34 (3L, 3K, 3-V)	GT (Gran Turismo)	05/13-	320i, 328i, 316d, 318d, 320d	85-180	-950 -1265	30/30 40/40	4,11 4,11
	Touring / station wagon (Kombi)	09/12-	335i, 325d	160-225	-1010 -1265	30/30	4,11
			316i, 320i, 328i, 316d, 318d, 320d	85-180	-950 -1265	30/30 40/40	4,11 4,11
			335i, 325d, 330d	160-225	-1010 -1265	30/30	4,11
3er; F30, F31, F34 (3L, 3K, 3-V) xDrive 3-series; F30, F31, F34 (3L, 3K, 3-V) 4WD	Limousine / sedan	02/12-	320i xDrive, 328i xDrive, 318d xDrive, 320d xDrive	105-180	-1000 -1265	30/20	11
	GT (Gran Turismo)	05/13-	335i xDrive	225	-1035 -1265	20/20	11
			330d xDrive, 335d xDrive	190-230	-1070 -1265	30/20	11
	Touring / station wagon (Kombi)	09/12-	320i xDrive, 328i xDrive, 318d xDrive, 320d xDrive	135-180	-1025 -1260	30/20	11
			335i xDrive 330d xDrive	225 190	-1070 -1260	20/20 30/20	11 11
			320i xDrive, 328i xDrive, 318d xDrive, 320d xDrive	105-180	-990 -1260	30/20	11
			335i xDrive 330d xDrive	225-240 190	-1070 -1260	20/20 30/20	11 11
M3; E90, 92, 93 (M390, M3) M3-series; E90, 92, 93 (M390, M3) 4er; F32, F33, F36 (3C) 4-series; F32, F33, F36 (3C)	Limousine, Coupé / sedan, coupé	09/07-	4.0 V8	309	-1060 -1120	20/10	4,11
	Cabriolet / convertible	05/08-	4.0 V8	309	-1060 -1120	20/10	4,11
	Coupé	02/12-	420i, 428i, 420d	135-180	-970 -1175	20/10	4,11
			435i, 430d	190-225	-1020 -1175	20/10	4,11
	Grand Coupé	05/14-	420i, 428i, 418d, 420d	105-180	-970 -1230	20/10	4,11
			435i, 430d	190-225	-1020 -1230	20/10	4,11
	Cabriolet / convertible	02/14-	428i, 420d	135-180	-965 -1230	20/10	4,11
			435i	225	-1015 -1230	20/10	4,11
4er; F32, F33 (3C) xDrive 4-series; F32, F33 (3C) (4WD)	Coupé	10/13-	420i xDrive, 428i xDrive, 420d xDrive	135-180	-980 -1120	30/30	11
		435i xDrive	225	-1030 -1120	20/20	11	
	Cabriolet / convertible	02/14-	435d xDrive	230	-1050 -1135	20/20	11
		02/14-	428i xDrive	180	-1015 -1230	20/20	11
5er; E34 (5/H) 5-series; E34 (5/H)	Limousine / sedan	01/88-07/90	518i, 520i	83-110	-970 -1300	40/40	6a,11,16
		08/90-12/95	518i, 520i	83-110	-970 -1300	40/40	6a,11,16
		08/90-09/92	518i, 520i	83-110	-970 -1300	40/40	6a,11,16
		09/92-12/95	518i, 520i	83-110	-970 -1300	40/40	6a,11,16
		01/88-07/90	525i	125-141	-970 -1300	40/40	6a,11,16
		08/90-09/92	525i	125-141	-970 -1300	40/40	6a,11,16
		10/92-12/95	525i	125-141	-970 -1300	40/40	6a,11,16
		01/88-07/90	530i, 535i, 540i	135-210	-1060 -1300	50/30	6a,11,16
		08/90-12/95	530i, 535i, 540i	135-210	-1060 -1300	50/30	6a,11,16
		01/88-07/90	524Td, 525Td, 525Tds	85-105	-1060 -1300	50/30	6a,11,16
		08/90-09/92	524Td, 525Td, 525Tds	85-105	-1060 -1300	50/30	6a,11,16
		10/92-12/95	524Td, 525Td, 525Tds	85-105	-1060 -1300	50/30	6a,11,16
		11/95-06/03	520i, 523i, 525i, 528i, 530i, 520d, 525td, 525tds	85-170	-1065 -1290	30/00 40/20 40/00	6,9,11,99 6,11,99 6,9,11,99
		04/96-06/03	535i, 540i	173-210	-1100 -1290	30/20 40/20	6,11,99 6,11,99
		08/98-06/03	525d, 530d	120-142	-1100 -1290	30/20 40/20	6,11,99 6,11,99
5er; E39 (5/D) 5-series; E39 (5/D)	Limousine / sedan	11/95-06/03	520i, 523i, 525i, 528i, 530i, 520d, 525td, 525tds	85-170	-1065 -1390	30/00 30/20 40/00	6,9,11,99 6,11,65,99 6,9,11,99
			525d, 530d	120-142	-1100 -1390	40/30 30/30 40/30	6,11,65,99 6,11,65,99 6,11,65,99
			540i	210	-1100 -1390	30/... 40/...	6,9,11,65 9,11,65
5er; E60 (560L) 5-series; E60 (560L)	Limousine / sedan	06/03-12/09	520i, 523i, 525i, 530i, 520d	120-200	-990 -1245	30/30	11,65
			540i, 545i, 525d, 530d, 535d	130-245	-1070 -1245	30/30	11,65
	Touring / station wagon (Kombi)	06/04-07/10	520i, 523i, 525i, 530i, 520d	120-200	-990 -1300	30/..	9
			545i, 525d, 530d, 535d	130-245	-1070 -1300	30/..	9
5er; F01 / F02 / F10 / F11 (5L / 5K / GT) 5-series; F01 / F02 / F10 / F11 (5L / 5K / GT)	Limousine / sedan	01/10-	520i, 523i, 528i, 530i, 518d, 520d	105-190	-1070 -1295	30/30 30/..	4,65 4,191
			530i, 535i, 525d, 530d	150-225	-1200 -1295	30/30 30/..	4,65 4,191
			535d	220	-1200 -1415	30/..	4,191
			550i	300	-1250 -1310	20/20 20/..	4,65 4,191
	GT (Gran Turismo)	10/09-	535i, 530d, 535d	180-230	-1235 -1500	30/..	191
			550i	300-330	-1340 -1500	30/..	191
	Touring / station wagon (Kombi)	08/10-	520i, 523i, 528i, 530i, 518d, 520d	105-190	-1070 -1415	30/..	4,191

Sportfedern		Sportfahrwerke		Sportdämpfer Vorderachse		Sportdämpfer, Hinterachse	
Bestell-Nr.	Preis-Kategorie	Bestell-Nr.	Preis-Kategorie	Bestell-Nr.	Preis-Kategorie	Bestell-Nr.	Preis-Kategorie
Sport Springs		Sport Suspension		Sport Shocks, Front Axle		Sport Shocks,Rear Axle	
Part No.	Price Category	Part No.	Price Category	Part No.	Price Category	Part No.	Price Category
28220172	B	-	-	-	-	-	-
28220181	B	-	-	-	-	-	-
28220173	B	-	-	-	-	-	-
28220172	B	-	-	-	-	-	-
28220181	B	-	-	-	-	-	-
28220173	B	-	-	-	-	-	-
28220186	B	-	-	-	-	-	-
28220187	B	-	-	-	-	-	-
28220187	B	-	-	-	-	-	-
28220188	B	-	-	-	-	-	-
28220189	B	-	-	-	-	-	-
28220189	B	-	-	-	-	-	-
28220188	B	-	-	-	-	-	-
28220189	B	-	-	-	-	-	-
28220189	B	-	-	-	-	-	-
28220189	B	-	-	-	-	-	-
28220121	B	-	-	-	-	-	-
28220134	B	-	-	-	-	-	-
28220285	B	-	-	-	-	-	-
28220287	B	-	-	-	-	-	-
28220286	B	-	-	-	-	-	-
28220288	B	-	-	-	-	-	-
28220289	B	-	-	-	-	-	-
28220290	B	-	-	-	-	-	-
28220291	B	-	-	-	-	-	-
28220288	B	-	-	-	-	-	-
28220289	B	-	-	-	-	-	-
i.V.	B	-	-	-	-	-	-
i.V.	B	-	-	-	-	-	-
28220015	C	-	-	-	-	61W20009	9
28220015	C	-	-	-	-	61W20009	9
28220015	C	-	-	-	-	61W20009	9
28220015	C	23220017	C	61W20004	8	61W20009	9
28220015	C	-	-	-	-	61W20009	9
28220015	C	-	-	-	-	61W20009	9
28220015	C	23220017	C	61W20004	8	61W20009	9
28220015	C	-	-	-	-	61W20009	9
28220231	C	-	-	-	-	61W20009	9
28220231	C	23220331	C	61W20004	8	61W20009	9
28220231	C	23220331	C	61W20004	8	61W20009	9
28220231	C	-	-	-	-	61W20009	9
28220233	S3	-	-	-	-	-	-
28220068	C	-	-	-	-	-	-
28220234	S3	-	-	-	-	-	-
28220236	C	-	-	-	-	-	-
28220075	C	-	-	-	-	-	-
28220239	C	-	-	-	-	-	-
28220070	C	-	-	-	-	-	-
28220243	C	-	-	-	-	-	-
28220233	S3	-	-	-	-	-	-
28220071	C	-	-	-	-	-	-
28220234	S3	-	-	-	-	-	-
28220245	C	-	-	-	-	-	-
28220073	C	-	-	-	-	-	-
28220246	C	-	-	-	-	-	-
28220237	S3	-	-	-	-	-	-
28220238	S3	-	-	-	-	-	-
28220082	C	23220082	C	61W20023/24 L/R	12	61W20025	12
28220083	C	23220083	C	61W20023/24 L/R	12	61W20025	12
28220084	S3	23220084	S3	61W20023/24 L/R	12	61W20047	12
28220085	S3	23220085	S3	61W20023/24 L/R	12	61W20047	12
28220148	C	-	-	-	-	-	-
28220151	S3	-	-	-	-	-	-
28220149	C	-	-	-	-	-	-
28220152	S3	-	-	-	-	-	-
28220150	C	-	-	-	-	-	-
28220153	S3	-	-	-	-	-	-
28220182	S3	-	-	-	-	-	-
28220183	S3	-	-	-	-	-	-
28220151	S3	-	-	-	-	-	-

*= ra shocks absorber has a slot adjustment for adjusting the height

Fahrzeug-Modell (Typ)	Ausführung	Baujahr	Motorvariante	Leistung in kW	max. Achslasten in Kg	Tieferlegung VA / HA in mm	Auflagen/Hinweise	
Manufacturer (vehicle type)	Model	Year	Engine	Power in kW	max. Axleload in kg	Lowering fa / ra in mm	References	
5er; F01 / F02 / F10 / F11 (5L / 5K / GT) 5-series; F01 / F02 / F10 / F11 (5L / 5K / GT) 5er; F01 / F02 / F10 / F11 (5L / 5K / GT) xDrive 5-series; F01 / F02 / F10 / F11 (5L / 5K / GT) xDrive	Touring / station wagon (Kombi)	08/10-	530i, 535i, 525d, 530d, 535d	150-225	-1200 -1415	30/..	4,191	
	Limousine / sedan	01/10-	550i	280-300	-1250 -1320	20/..	4,191	
			528i xDrive, 535i xDrive, 520d xDrive, 525d xDrive	160-225	-1170 -1410	30/30	65	
	GT (Gran Turismo)	10/09-	550i xDrive, 530d xDrive, 535d xDrive	230-300	-1250 -1410	30/30	65	
			550i xDrive	300-330	-1340 -1500	30/..	191	
	Touring / station wagon (Kombi)	08/10-	528ixDrive, 535i xDrive, 530d xDrive, 535d xDrive	180-230	-1200 -1320	30/..	191	
			M550d xDrive	280-300	-1250 -1320	20/..	191	
	6er; E63, 64 (663C) 6-series; E63, 64 (663C)	Coupé	01/04-09/11	630Ci	190-200	-980 -1170	30/20	28220122 C
		Cabriolet / convertible	04/04-09/11	645Ci, 650Ci, 635d	210-270	-1070 -1170	30/30	28220123 C
	6er; F06, F12, F13 (6C) 6-series; F06, F12, 13 (6C)	Coupé	10/11-	640i, 635d, 640d	230-235	-1140 -1330	30/20	11
650i				230-300	-1260 -1330	30/20	11	
Cabriolet / convertible		03/11-	640i, 635d, 640d	230-235	-1140 -1330	30/20	11	
			650i	230-300	-1260 -1330	30/20	11	
6er; F06, F12, F13 (6C) xDrive 6-series; F06, F12, 13 (6C) xDrive	Coupé	10/11-	640i xDrive, 650i xDrive, 640d xDrive	230-330	-1260 -1330	30/20	11	
			650i xDrive	300-330	-1260 -1330	30/20	11	
	Cabriolet / convertible	03/11-	640i xDrive, 650i xDrive, 640d xDrive	230-330	-1260 -1330	30/20	11	
7er; E32 (7/1) 7-series; E32 (7/1)	Gran Coupé	06/12-	640i, 640d	230-235	-1140 -1330	30/20	11	
7er; F01, F02 (701, 7L) 7-series; F01, F02 (701, 7L)			09/86-05/94	730i, 735i, 740i	138-210	-1100 -1250	40/40	6,11
7er; F01, F02 (701, 7L) xDrive 7-series; F01, F02 (701, 7L) xDrive	06/08-	730i, 740i, 730d, 740d	750i	180-240	-1235 -1500	30/20	65	
			730i, 740i, 740Li, 730d, 740d	230-330	-1340 -1500	30/20	65	
			750i, 750Li	180-240	-1235 -1500	30/..	191	
			730d xDrive, 740d xDrive	180-240	-1235 -1500	30/20	65	
X1; E84 (X1)	10/09-	1.8i, 2.0i, 1.6d, 1.8d, 2.0d	2.0ix, 2.8ix, 1.8dx, 2.0dx, 2.3dx, 2.5dx	85-135	-940 -1180	30/30	4	
			1.8i sDrive, 1.8d sDrive	105-190	-1030 -1180	30/30	170	
			2.0i xDrive, 2.5i xDrive, 1.8d xDrive, 2.0d xDrive, 2.5d xDrive	100-110	-1090 -1025	40/40	4	
			730d xDrive, 740d xDrive	110-170	-1150 -1075	40/40	170	
X3; E83 (X83) X3; F25 (X3)	01/04-10/10	11/10-	730d xDrive, 740d xDrive	180-240	-1235 -1500	30/..	191	
			750i xDrive, 750d xDrive	280-330	-1340 -1500	30/..	191	
			xDrive 2.0i, xDrive 2.8i, xDrive 2.0d	135-190	-1120 -1330	30/30	11	
			xDrive 3.5i, xDrive 3.0d, xDrive 3.5d	190-230	-1180 -1330	30/30	11	
X4; F26 (X3)	06/14-	xDrive 20i, xDrive 28i, xDrive 20d	750i	120-180	-1120 -1330	20/20	11	
			730d xDrive, 740d xDrive	180-240	-1235 -1500	30/..	191	
			xDrive 35i, xDrive 30d, xDrive 35d	155-225	-1180 -1330	20/20	11	
			750i	105-190	-1030 -1180	30/30	170	
X4M; F26 (X3) X5; E70 (X70, X5)	01/16-	03/07-09/13	M40i	265	-1160 -1160	20/20	11	
			3.0si, xDrive30i, xDrive35i, 3.0d, 3.0sd, xDrive30d, xDrive35d, xDrive40d	173-225	-1400 -1755	20/20	65	
X5; F15 (X5)	08/13-	xDrive 35i, xDrive 25d, xDrive 30d, xDrive 40d	3.0si, 4.8i, xDrive35i, xDrive48i, xDrive50i, 3.0d, 3.0sd, xDrive30d, xDrive35d, xDrive40d	173-300	-1400 -1755	20/..	9,185	
			xDrive 35i, xDrive 30d, xDrive 40d	160-225	-1375 -1755	30/20	65	
			xDrive 50i, M50d	160-225	-1375 -1755	30/..	185	
				280-330	-1375 -1755	30/20	65	
				280-330	-1375 -1755	30/..	185	
				280-330	-1375 -1755	40/..	185	
X5 M; E70 (M7X) X5 M; F85 (M7X)	07/09-	11/13-	M 4.4 V8	408	-1400 -1755	20/..	9	
			M 4.4 V8	423	-1420 -1755	20/..	185	
X6; E71 (X70)	05/08-	35i, xDrive35i, 30d, xDrive30d, 35d, xDrive35d, xDrive40d	35i, xDrive35i, 30d, xDrive30d, 35d, xDrive35d, xDrive40d	173-200	-1365 -1755	20/20	65	
			50i, xDrive50i, M50d	173-200	-1365 -1755	20/..	9	
			xDrive 35i, xDrive 30d, xDrive 40d	280-300	-1400 -1755	20/20	65	
			xDrive 50i, M50d	190-230	-1400 -1755	30/..	185	
X6; F16 (X6)	11/14-	xDrive 35i, xDrive 30d, xDrive 40d		280-330	-1420 -1755	30/..	185	
				280-330	-1420 -1755	30/20	65	
				280-330	-1375 -1755	30/..	185	
				280-330	-1375 -1755	40/..	185	
				280-330	-1375 -1755	30/20	65	
				280-330	-1375 -1755	30/..	185	
X6 M; E71 (M7X, X6) X6 M; F86 (M7X)	06/09-	03/15-	M 4.4 V8	408	-1400 -1755	20/..	9	
			M 4.4 V8	423	-1420 -1755	20/..	185	
Z3; E37 (R/C)	Coupé Roadster	07/97-07/03 10/95-07/03	2.8, 3.0	141-170	-830 -870	30/30	28220128 B	
			1.8, 1.9	85-103	-755 -870	40/40	28220249 B	
			2.0, 2.2, 2.8, 3.0	110-170	-830 -870	40/40	28220251 B	

Sportfedern		Sportfahrwerke		Sportdämpfer Vorderachse		Sportdämpfer, Hinterachse	
Bestell- Nr.	Preis-Kategorie	Bestell- Nr.	Preis-Kategorie	Bestell- Nr.	Preis-Kategorie	Bestell- Nr.	Preis-Kategorie
Sport Springs		Sport Suspension		Sport Shocks, Front Axle		Sport Shocks, Rear Axle	
Part No.	Price Category	Part No.	Price Category	Part No.	Price Category	Part No.	Price Category
28220152	S3	-	-	-	-	-	-
28220153	S3	-	-	-	-	-	-
28220293	C	-	-	-	-	-	-
28220151	S3	-	-	-	-	-	-
28220294	C	-	-	-	-	-	-
28220152	S3	-	-	-	-	-	-
28220182	S3	-	-	-	-	-	-
28220183	S3	-	-	-	-	-	-
28220152	S3	-	-	-	-	-	-
28220153	S3	-	-	-	-	-	-
28220122	C	-	-	-	-	-	-
28220123	C	-	-	-	-	-	-
28220124	C	-	-	-	-	-	-
28220125	C	-	-	-	-	-	-
28220161	C	-	-	-	-	-	-
28220162	C	-	-	-	-	-	-
28220157	C	-	-	-	-	-	-
28220158	C	-	-	-	-	-	-
28220157	C	-	-	-	-	-	-
28220158	C	-	-	-	-	-	-
28220162	C	-	-	-	-	-	-
28220158	C	-	-	-	-	-	-
28220158	C	-	-	-	-	-	-
28220248	C	-	-	-	-	-	-
28220184	C	-	-	-	-	-	-
28220185	C	-	-	-	-	-	-
28220182	S3	-	-	-	-	-	-
28220183	S3	-	-	-	-	-	-
28220184	C	-	-	-	-	-	-
28220185	C	-	-	-	-	-	-
28220182	S3	-	-	-	-	-	-
28220183	S3	-	-	-	-	-	-
28220145	B	-	-	-	-	-	-
28220147	B	-	-	-	-	-	-
28220276	B	-	-	-	-	-	-
28220277	B	-	-	-	-	-	-
28220259	B	-	-	-	-	-	-
28220159	B	-	-	-	-	-	-
28220280	B	-	-	-	-	-	-
28220160	B	-	-	-	-	-	-
28220281	B	-	-	-	-	-	-
28220159	B	-	-	-	-	-	-
28220280	B	-	-	-	-	-	-
28220160	B	-	-	-	-	-	-
28220281	B	-	-	-	-	-	-
28220281	B	-	-	-	-	-	-
28220129	S5	-	-	-	-	-	-
28220130	S4	-	-	-	-	-	-
28220192	S5	-	-	-	-	-	-
28220194	S4	-	-	-	-	-	-
28220197	S4	-	-	-	-	-	-
28220193	S5	-	-	-	-	-	-
28220195	S4	-	-	-	-	-	-
28220198	S4	-	-	-	-	-	-
28220167	S4	-	-	-	-	-	-
28220195	S4	-	-	-	-	-	-
28220198	S4	-	-	-	-	-	-
28220168	S5	-	-	-	-	-	-
28220169	S4	-	-	-	-	-	-
28220170	S5	-	-	-	-	-	-
28220194	S4	-	-	-	-	-	-
28220197	S4	-	-	-	-	-	-
28220193	S5	-	-	-	-	-	-
28220195	S4	-	-	-	-	-	-
28220198	S4	-	-	-	-	-	-
28220167	S4	-	-	-	-	-	-
28220195	S4	-	-	-	-	-	-
28220198	S4	-	-	-	-	-	-
28220128	B	-	-	-	-	-	-
28220249	B	23220249	B	-	-	61W20001/02 L/R	12
28220251	B	23220251	B	-	-	61W20001/02 L/R	12
				-	-	61W20008	7
				-	-	61W20008	7

Fahrzeug-Modell (Typ)	Ausführung	Baujahr	Motorvariante	Leistung in kW	max. Achslasten in Kg	Tieferlegung VA / HA in mm	Auflagen/Hinweise
Manufacturer (vehicle type)	Model	Year	Engine	Power in kW	max. Axleload in kg	Lowering fa / ra in mm	References
					VA HA		
					FA RA		
BMW							
Z4; E85 (Z85)	Coupé	11/05-03/09	3.0si	195	-790	-890	20/10
			3.2 M	252	-855	-935	20/10
	Roadster	04/05-03/09	2.0i	110-135	-750	-860	30/30
		12/02-03/09	2.2i, 2.5i, 2.5si, 3.0i, 3.0si	125-170	-790	-860	30/30
		11/05-03/09	3.2 M	252	-855	-935	20/10
Z4; E89 (Z89, ZR)	Roadster	04/09-	1.8i, 2.0i, 2.3i, 2.8i, 3.0i	115-190	-800	-970	30/20
			3.5i, 3.5is	225-250	-870	-1000	20/10
Chevrolet (Daewoo)							
Camaro V SS (GMX521)	Coupé	11/09-	6.2 V8	313	-1100	-1200	30/30
Camaro VI (A1XC)	Coupé	03/16-	6.2 V8	333	-1030	-1150	20/20
	Cabriolet / convertible		6.2 V8	333	-1060	-1200	20/20
Cruze (KL1J)	Limousine / sedan	05/09-	1.4T, 1.6i, 1.8i., 1.7Td, 2.0CDi	83-120	-1220	-1000	30/30
	SW (Kombi) / station wagon	10/12-	1.4T, 1.6i, 1.8i., 1.7Td, 2.0CDi	83-120	-1220	-1000	30/30
Chrysler							
300C (LX)	Limousine / sedan	09/04-12/10	2.7i, 3.5i, 3.0CRD	142-186	-1275	-1275	30/30 24a, 78, 93
			5.7	250	-1275	-1275	30/30 24a, 78, 93
	Touring / station wagon (Kombi)	09/04-12/10	2.7i, 3.5i, 3.0CRD	142-186	-1275	-1275	30/30 4, 24a,78, 93
			5.7	250	-1275	-1275	30/30 4, 24a,78, 93
			3.5i, 5.7i Allrad / 4WD	183-250	-1275	-1275	30/30 93
Crossfire (ZH)	Coupé	07/03-12/07	3.2	160	-845	-820	30/30
	Cabriolet / convertible	05/04-12/07	3.2	160	-845	-820	30/30
PT Cruiser (PT)	Limousine, Cabriolet / sedan, convertible	04/00-09/09	1.6, 2.0, 2.4, 2.4GT, 2.2CRD	85-164	-1115	-980	30/50
							50/50
Citroen							
C4 (L)		10/04-09/10	1.6 16V mit Automatik / with automatic gearbox, 2.0 16V, 1.6HDi 90, 1.6HDi 110 FAP, 2.0HDi 135 FFAP	66-130	-1120	-920	30/30
C4 (N)		11/10-	1.6i	88-115	-980	-900	30/30
			1.6HDi, 1.6eHDi, 2.0HDi	68-120	-1070	-900	30/30
DS3 (S...)		04/10-	1.4, 1.6, 1.6HDi	68-115	-920	-790	20/20
DS4 (N)		05/11-	1.6i	88-115	-990	-900	30/30
			1.6HDi, 1.6eHDi, 2.0HDi	82-120	-1070	-900	30/30
Saxo (S)		04/96-04/04	1.0, 1.1, 1.4i	33-55	-785	-	30/.. 9,132
			1.6 8V, 1.6 16V, 1.5Di	40-87	-785	-	40/.. 9,132
Xsara (N6)		04/97-08/05	1.4, 1.6, 1.8, 2.0, 1.5D, 1.8D, 1.8TD, 1.9D, 1.9TD, 2.0HDi	50-120	-950	-	40/.. 9,132
Dacia							
Duster (SD)		06/10-	1.5dCi, 1.6 (2WD)	63-79	-950	-910	30/30 4,11
			1.5dCi, 1.6 (4WD)	77-81	-950	-980	30/30 11,170
Logan I (SD)	Limousine / sedan	06/05-	1.4 MPI, 1.6 MPI, 1.6 16V, 1.5dCi	50-77	-930	-880	30/30
	MCV / station wagon (Kombi)	02/07-	1.4 MPI, 1.6 MPI, 1.6 16V, 1.5dCi	50-77	-930	-1100	30/30
Logan II (SD)	Limousine / sedan	11/12-	0.9TCe, 1.2MPI, 1.5dCi	55-66	-930	-880	30/30
	MCV / station wagon (Kombi)	05/13-	0.9TCe, 1.2MPI, 1.5dCi	55-66	-930	-1100	30/30
Sandero I (SD)	Limousine / sedan	06/08-	1.4 MPI, 1.6 MPI	55-77	-860	-880	30/30 21
Sandero II (SD)	Limousine / sedan	11/12-	0.9TCe, 1.2MPI, 1.5dCi	55-66	-890	-880	30/30
Fiat							
124 Spider (NF)		05/16-	1.4, MultiAir Turbo	125	-695	-640	40/40
500 (312)		09/07-	0.9 Twin Air, 1.2, 1.4, 1.3 Multijet	51-74	-830	-640	30/30
500 Abarth (312)		03/08-	1.4T-Jet	99-118	-830	-640	20/20
500C (312)	Cabriolet / convertible	09/09-	0.9 Twin Air, 1.2, 1.4, 1.3 Multijet	51-74	-830	-640	30/30
500L (199)		01/13-	0.9Turbo, 1.4i	70-77	-1050	-1000	30/30
			1.3D Multijet, 1.6D Multijet	62-77	-1050	-1000	30/30
Cinquecento (170)		12/91-08/98	0.7, 0.9	23-30	-610	-630	40/40
	Sporting	10/92-08/98	1.1i	40	-610	-630	40/40
Punto II (188)		06/99-05/03	1.2, 1.2 16V, 1.4, 1.3JTD	44-70	-900	-870	40/40
			1.8HGT, 1.9DS, 1.9JTD	44-96	-900	-870	40/40
		06/03-08/09	1.2, 1.2 16V, 1.4, 1.3JTD	44-70	-900	-870	40/40
			1.8HGT, 1.9DS, 1.9JTD	44-96	-900	-870	40/40
Punto Evo (199)		09/09-	1.2, 1.4 8V, 1.4 16V	48-77	-950	-950	30/30
			1.4T-Jet, 1.3D Multijet, 1.6D Multijet	55-99	-1000	-950	30/30
Grande Punto (199)		10/05-	0.9 Twin Air, 1.2, 1.4 8V, 1.4 16V	48-70	-950	-950	30/30
			1.4T-Jet, 1.3JTDM, 1.9JTDM	55-96	-1000	-950	30/30
Stilo (192)	Limousine / sedan	10/01-02/07	1.4, 1.6, 1.8	59-98	-1020	-940	30/30 135
			1.9D, 1.9JTD	59-88	-1030	-940	30/30 135
Ford							
Fiesta (JD. / JH.)		04/02-08/08	1.25, 1.3, 1.4, 1.6	44-74	-820	-810	30/30 66
			1.6, 1.4TdCi, 1.6TdCi	51-99	-900	-810	30/30 66
		04/05-08/08	2.0i 16V (ST150)	110	-900	-800	30/30

Sportfedern		Sportfahrwerke		Sportdämpfer Vorderachse		Sportdämpfer Hinterachse	
Bestell-Nr.	Preis-Kategorie	Bestell-Nr.	Preis-Kategorie	Bestell-Nr.	Preis-Kategorie	Bestell-Nr.	Preis-Kategorie
Sport Springs		Sport Suspension		Sport Shocks, Front Axle		Sport Shocks,Rear Axle	
Part No.	Price Category	Part No.	Price Category	Part No.	Price Category	Part No.	Price Category
28220272	B	-	-	-	-	-	-
28220271	B	-	-	-	-	-	-
28220269	B	-	-	-	-	-	-
28220270	B	-	-	-	-	-	-
28220271	B	-	-	-	-	-	-
28220140	B	-	-	-	-	-	-
28220141	B	-	-	-	-	-	-
28261008	S5	-	-	-	-	-	-
28261011	S5	-	-	-	-	-	-
28261013	S5	-	-	-	-	-	-
28261007	A	-	-	-	-	-	-
28261009	A	-	-	-	-	-	-
28227019	C	23227019	C	61W27011	11	61W27510	9
28227020	C	23227020	C	61W27011	11	61W27510	9
28227012	C	23227012	C	61W27011	11	61W27510	9
28227013	C	23227013	C	61W27011	11	61W27510	9
28227015	C	-	-	-	-	61W27510	9
28227006	B	-	-	-	-	-	-
28227016	B	-	-	-	-	-	-
28227002	B	-	-	-	-	-	-
28227004	B	-	-	-	-	-	-
28295005	B	-	-	-	-	-	-
28295025	B	-	-	-	-	-	-
28295026	B	-	-	-	-	-	-
28295022	B	-	-	-	-	-	-
28295027	B	-	-	-	-	-	-
28295028	B	-	-	-	-	-	-
28295002	S1	23295002	S1	61W70001	8	61W70006	7
28295002	S1	23295002	S1	61W70001	8	61W70006	7
28295006	S2	23295006	S2	61W70005/04 L/R	8	61W70007	9
28291003	B	-	-	-	-	-	-
28291004	B	-	-	-	-	-	-
28291001	B	-	-	-	-	-	-
28291002	B	-	-	-	-	-	-
28291005	B	-	-	-	-	-	-
28291006	B	-	-	-	-	-	-
28291001	B	-	-	-	-	-	-
28291005	B	-	-	-	-	-	-
28240065	B	-	-	-	-	-	-
28240059	B	-	-	-	-	-	-
28240059	B	-	-	-	-	-	-
28240059	B	-	-	-	-	-	-
28240063	B	-	-	-	-	-	-
28240064	B	-	-	-	-	-	-
28240001	A	23240001	A	61W40001	8	61W40003	7
28240034	A	23240034	A	61W40001	8	61W40003	7
28240009	A	23240009	A	61W40014	8	61W40005	7
28240010	A	23240010	A	61W40014	8	61W40005	7
28240009	A	23240009	A	61W40014	8	61W40005	7
28240010	A	23240010	A	61W40014	8	61W40005	7
28240049	A	-	-	-	-	-	-
28240050	A	-	-	-	-	-	-
28240049	A	-	-	-	-	-	-
28240050	A	-	-	-	-	-	-
28240021	B	23240021	B	61W40022	8	61W40020	7
28240022	B	23240022	B	61W40022	8	61W40020	7
28230021	A	-	-	-	-	-	-
28230022	A	-	-	-	-	-	-
28230022	A	-	-	-	-	-	-

ST Federn/Fahrwerke
S1 Springs/Suspensions

*= ra shocks absorber has a slot adjustment for adjusting the height

Fahrzeug-Modell (Typ)	Ausführung	Baujahr	Motorvariante	Leistung in kW	max. Achslasten in Kg VA HA	Tieferlegung VA / HA in mm	Auflagen/Hinweise
Manufacturer (vehicle type)	Model	Year	Engine	Power in kW	max. Axleload in kg FA RA	Lowering fa / ra in mm	References

Ford

Fiesta (JA8)		09/08-	1.0, 1.25, 1.4, 1.6 1.4TdCi, 1.5TdCi, 1.6TdCi	44-99 51-70	-860 -860	-785 -785	30/30 30/30	21
Focus (DAW, DBW, DFW, DNE, DA1, DB1)	Limousine / sedan	10/98-11/04	1.6 (ST) 1.4, 1.6, 1.8 16V 2.0i, 1.8D, 1.8TD, 1.8TdCi	55-85 55-96	-915 -965	-905 -905	40/30 40/30	
	Turnier / station wagon (Kombi)	02/99-11/04	1.4, 1.6, 1.8 16V 2.0i, 1.8D, 1.8TD, 1.8TdCi	55-85 55-96	-915 -965	-1010 -1010	40/40 40/40	
Focus ST170 (DBW, DB1)		03/02-11/04	2.0 16V	127	-915	-905	20/20	
Focus (DA3, DB3)	Limousine / sedan	11/04-02/11	1.4, 1.6, 1.6Ti, 1.8 2.0, 1.6TdCi, 1.8TdCi, 2.0TdCi	59-92 66-107	-985 -1050	-1015 -1015	30/30 30/30	21
	Coupé, Cabriolet / coupé, convertible	03/07-02/11	1.6, 2.0i 2.0TdCi	74-107 100	-990 -1070	-1065 -1065	30/30 30/30	21
Focus RS (DA3, DA3-RS)	Limousine / sedan	05/09-	2.5T	224	-1050	-920	30/20	
Focus ST (DA3)	Limousine / sedan	01/06-	2.5T	166	-1050	-915	20/20	
Focus (DYB)	Limousine / sedan	03/11-09/14	1.0 EcoBoost, 1.6i, 2.0i, 1.6TdCi 2.0TdCi	63-134 85-120	-985 -1100	-1025 -1025	30/30 30/30	21
		10/14-	1.0 EcoBoost, 1.5 EcoBoost, 1.6i 1.5TDci, 1.65TDci, 2.0TDci	63-134 70-110	-985 -1100	-1025 -1025	20/20 20/20	
	Turnier / station wagon (Kombi)	05/11-09/14	1.0 EcoBoost, 1.6i, 2.0i, 1.6TdCi 2.0TdCi	63-134 85-120	-985 -1100	-1135 -1135	30/20 30/20	21
	10/14-	1.0 EcoBoost, 1.5 EcoBoost, 1.6i 1.5TDci, 1.65TDci, 2.0TDci	63-134 70-110	-985 -1100	-1025 -1025	20/20 20/20		
Focus ST (DYB)	Limousine / sedan	08/12-09/14	2.0T, 2.0TDci	136-184	-1100	-1025	20/20	
		10/14-	2.0T, 2.0TDci	136-184	-1100	-1040	20/20	
	Turnier / station wagon (Kombi)	08/12-09/14	2.0T, 2.0TDci	136-184	-1100	-1025	20/20	
		10/14-	2.0T, 2.0TDci	136-184	-1100	-1040	20/20	
Focus RS (DYB)	Limousine / sedan	02/16-	2.3 Ecoboost	257	-1070	-1040	20/20	
Galaxy (WGR)		03/95-04/06	2.0, 2.3, 2.8, 1.9TDi	66-150	-1260	-1355	50/50	31
Galaxy (WA6)		05/06-08/15	1.6 EcoBoost, 2.0i, 2.3i	107-149	-1210	-1345	30/30	4
Kuga (DM2, DM2-N)	SUV	06/08-02/13	1.5 Ecoboost, 1.6 EcoBoost, 2.0 TDCi (bis Facelift)	100-134 100-134	-1210 -1210	-1150 -1150	30/30 30/30	4
		11/00-02/07	1.5 Ecoboost 4x4 / 4WD, 1.6 Ecoboost 4x4 / 4WD, 2.0 TDCi 4x4 / 4WD	100-134	-1210	-1150	30/30	170
Mondeo (B4Y, B5Y, BWY)	Limousine / sedan	11/00-02/07	1.8, 2.0 ohne Automatik / without automatic gearbox	81-107	-1065	-1015	30/30	11
			1.8, 2.0 mit Automatik / with automatic gearbox	66-150	-1200	-1015	30/30	11
Mondeo MkII (B4Y, B5Y, BWY)	Turnier / station wagon (Kombi)	11/00-02/07	2.5, 3.0, 2.0Di, 2.0TdCi, 2.2TdCi				50/30	11
			1.8, 2.0 ohne Automatik / without automatic gearbox	81-107	-1065	-1140	30/30	11
			1.8, 2.0 mit Automatik / with automatic gearbox	66-150	-1200	-1140	30/30	11
			2.5, 3.0, 2.0Di, 2.0TdCi, 2.2TdCi				50/30	11
Mustang V, GT (S197)	Coupé, Cabriolet / coupé, convertible	12/04-	3.7 V6, 4.0 V6, 4.6 V8, 5.0 V8	157-307	-1070	-1120	30/30	
			5.4 V8 (GT500), 5.8 V8 (GT500)	403-485	-1130	-1120	30/30	
Mustang VI, GT (LAE)	Coupé, Cabriolet / coupé, convertible	03/15-	2.3 EcoBoost	233	-1005	-1150	30/30	
			5.0 V8	310	-1075	-1150	30/30	
S-Max (WA6)		05/06-08/15	1.6 EcoBoost, 2.0i	107-118	-1210	-1345	30/30	4

Honda

Accord (CL7 / 9, CM1 / 2, CN1 / 2)	Limousine / sedan	01/03-05/08	2.0i 2.4i, 2.2D	114 103-140	-1050 -1100	-920 -920	30/30 30/30	
Accord (CU1 / 2 / 3, CW1 / 2 / 3)	Limousine / sedan	06/08-03/15	2.0i, 2.4i ohne Automatik / without automatic gearbox	115-148	-1055	-950	30/30	11
	Tourer / station wagon (Kombi)	09/08-03/15	2.0i, 2.4i ohne Automatik / without automatic gearbox	115-148	-1055	-1030	30/30	11
Civic V, (EG3, EG4, EG5, EG6, EG8, EG9, EH9, EJ1, EJ2)		10/91-10/95	1.3, 1.5, 1.6 V-TEC, 1.6 VTI V-TEC	55-118	-835	-750	30/30	52,77
Civic V del Sol (EG2, EH6)	Coupé	03/92-12/98	V-TEC / VTI	92-117	-835	-750	40/40	77
Civic VI (EK1, EK3, EK4, EJ6, EJ8, EJ9)	3 und 4 türig / 3 and 4 doors	11/95-02/01	1.4, 1.5 V-TEC1.6, 1.6 VTI V-TEC	55-118	-860	-820	30/30	
Civic VI (MA8, MA9, MB1, MB2, MB3, MB4, MB6)	5 türig / 5 doors	11/95-02/01	1.4, 1.5, 1.6, 1.8 VTI V-TEC	55-124	-860	-820	30/30	
Civic VII (EP, ES, EU, EV)		03/01-08/05	1.4 (EP1) (ES4) (EU5) (EU7), 1.6 (ES5) (EU6) (EU8) 1.6 V-TEC(EP2)	66-81	-855	-825	30/30	99
			2.0 (EV1), 1.7 CTDi (EP4) (EU9)	74-118	-955	-825	30/30	99
Civic VII (EM2)	Coupé	03/01-08/05	1.7i 16V	88-92	-855	-850	30/30	
Civic VII Type R (EP3)	Coupé	03/01-08/05	2.0i 16V	147	-880	-825	30/30	
Civic VIII (FN1, FN3, FN4, FK1, FK2, FK3)	3 und 5 türig / 3 and 5 doors	09/05-01/12	1.4i-VTEC, 1.8 iVTEC	73-103	-985	-835	30/30	
			2.2i-CTDi	103-110	-1090	-835	30/30	
Civic VIII (FK1, FK2, FK3) ab Mod. 2012 / from model 2012	Limousine / sedan	02/12-	1.4i-VTEC, 1.8i-VTEC	73-104	-990	-830	30/30	
			1.6i-DTEC	88	-1050	-845	30/30	
	Tourer / station wagon (Kombi)	01/13-	2.2i-DTEC	110	-1090	-845	30/30	
			1.4i-VTEC, 1.8i-VTEC	73-104	-990	-900	30/30	
			1.6i-DTEC	88	-1050	-900	30/30	
			2.2i-DTEC	110	-1090	-900	30/30	
Civic VIII Type R (FK2)	Coupé	09/15-	2.0Turbo	228	-1010	-750	20/10	
CR-V (RE5, RE6)		12/06-	2.0i, 2.0i VTEC, 2.2i-CTDi, 2.2i DTEC	103-110	-1140	-1055	30/30	
CR-V (RE6)		09/12-	2.0i VTEC, 1.6i-DTEC, 2.2i-DTEC	88-118	-1220	-1055	30/30	
CRX Targa (EG2, EH6)		03/92-12/98	1.6 Esi, 1.6V-TEC	92-117	-850	-770	40/40	
CR-Z (ZF1)		06/10-	1.5i	84	-830	-720	30/30	
Jazz (GG1,2,3, GE6)		11/08-	1.2, 1.4i	66-73	-820	-800	30/30	
Jazz (GG1,2,3, GE6) Facelift		04/11-	1.2i, 1.4i 16V	65-73	-840	-860	30/30	

Sportfedern		Sportfahrwerke		Sportdämpfer Vorderachse		Sportdämpfer, Hinterachse	
Bestell-Nr.	Preis-Kategorie	Bestell-Nr.	Preis-Kategorie	Bestell-Nr.	Preis-Kategorie	Bestell-Nr.	Preis-Kategorie
Sport Springs		Sport Suspension		Sport Shocks, Front Axle		Sport Shocks,Rear Axle	
Part No.	Price Category	Part No.	Price Category	Part No.	Price Category	Part No.	Price Category
28230046	A	-	-	-	-	-	-
28230047	A	-	-	-	-	-	-
28230047	A	-	-	-	-	-	-
28230013	B	23230013	B	61W30002/03 L/R	8	61W30008	7
28230016	B	23230016	B	61W30002/03 L/R	8	61W30008	7
28230014	B	23230014	B	61W30002/03 L/R	8	61W30009	7
28230017	B	23230017	B	61W30002/03 L/R	8	61W30009	7
28230128	B	23230128	B	61W30002/03 L/R	8	61W30008	7
28230036	B	23230036	B	61W30072/73 L/R	8	61W75804	9
28230037	B	23230037	B	61W30072/73 L/R	8	61W75804	9
28230185	B	23230185	B	61W30072/73 L/R	8	61W30632	9
28230186	B	23230186	B	61W30072/73 L/R	8	61W30632	9
28230038	B	23230038	B	61W30072/73 L/R	8	61W30067	9
28230039	B	23230039	B	61W30072/73 L/R	8	61W30067	9
28230049	B	-	-	-	-	-	-
28230042	B	-	-	-	-	-	-
28230053	B	-	-	-	-	-	-
28230054	B	-	-	-	-	-	-
28230063	B	-	-	-	-	-	-
28230064	B	-	-	-	-	-	-
28230055	B	-	-	-	-	-	-
28230056	B	-	-	-	-	-	-
28230065	B	-	-	-	-	-	-
28230066	B	-	-	-	-	-	-
28230193	B	-	-	-	-	-	-
28230067	B	-	-	-	-	-	-
28230194	B	-	-	-	-	-	-
28230068	B	-	-	-	-	-	-
28230195	B	-	-	-	-	-	-
28280032	B	23280032	B	61W80006	8	61W80014	9
28230163	B	-	-	-	-	-	-
28230043	B	-	-	-	-	-	-
28230045	B	-	-	-	-	-	-
28230023	B	-	-	-	-	-	-
28230026	B	-	-	-	-	-	-
28230027	B	-	-	-	-	-	-
28230029	B	-	-	-	-	-	-
28230032	B	-	-	-	-	-	-
28230033	B	-	-	-	-	-	-
28230050	C	-	-	-	-	-	-
28230051	C	-	-	-	-	-	-
28230052	C	-	-	-	-	-	-
28230163	B	-	-	-	-	-	-
28250001	B	-	-	-	-	-	-
28250047	B	-	-	-	-	-	-
28250052	B	-	-	-	-	-	-
28250054	B	-	-	-	-	-	-
28250008	B	23250008	B	-	-	-	-
28250013	B	23250013	B	-	-	-	-
28250011	B	-	-	-	-	-	-
28250012	B	-	-	-	-	-	-
28250017	B	-	-	-	-	-	-
28250030	B	-	-	-	-	-	-
28250020	B	-	-	-	-	-	-
28250030	B	-	-	-	-	-	-
28250031	B	-	-	-	-	-	-
28250032	B	-	-	-	-	-	-
28250058	B	-	-	-	-	-	-
28250061	B	-	-	-	-	-	-
28250059	B	-	-	-	-	-	-
28250062	B	-	-	-	-	-	-
28250063	B	-	-	-	-	-	-
28250064	B	-	-	-	-	-	-
28250066	B	-	-	-	-	-	-
28250050	B	-	-	-	-	-	-
28250060	B	-	-	-	-	-	-
28250014	B	23250014	B	-	-	-	-
28250057	B	-	-	-	-	-	-
28250056	A	-	-	-	-	-	-
28250065	A	-	-	-	-	-	-

Fahrzeug-Modell (Typ)	Ausführung	Baujahr	Motorvariante	Leistung in kW	max. Achslasten in Kg	Tieferlegung VA / HA in mm	Auflagen/Hinweise
Manufacturer (vehicle type)	Model	Year	Engine	Power in kW	max. Axleload in kg	Lowering fa / ra in mm	References

Sportfedern		Sportfahrwerke		Sportdämpfer Vorderachse		Sportdämpfer Hinterachse	
Bestell-Nr.	Preis-Kategorie	Bestell-Nr.	Preis-Kategorie	Bestell-Nr.	Preis-Kategorie	Bestell-Nr.	Preis-Kategorie
Sport Springs		Sport Suspension		Sport Shocks, Front Axle		Sport Shocks,Rear Axle	
Part No.	Price Category	Part No.	Price Category	Part No.	Price Category	Part No.	Price Category

Hyundai							
i30, i30CW (FD)	Limousine / sedan	07/07-02/09	1.4, 1.6 2.0, 1.6 CRDi, 2.0 CRDi	80-93 66-105	-1010 -1090	-940 -940	30/30 30/30
	Kombi / station wagon	02/08-02/09	1.4, 1.6 2.0, 1.6 CRDi, 2.0 CRDi	80-93 66-105	-1010 -1090	-1050 -1050	30/30 30/30
i30, i30CW (FDH)	Limousine / sedan	03/09-	1.4, 1.6 2.0, 1.6 CRDi, 2.0 CRDi	80-93 66-105	-1010 -1090	-940 -940	30/20 30/20
	Kombi / station wagon	03/09-	1.4, 1.6 2.0, 1.6 CRDi, 2.0 CRDi	80-93 66-105	-1010 -1090	-1050 -1050	30/20 30/20
i30(GDH)	Limousine / sedan	03/09-	1.4, 1.6GDI 1.4CRDi, 1.6CRDi	73-99 66-94	-960 -1050	-960 -960	30/30 30/30
	Kombi / station wagon	06/12-	1.4, 1.6GDI 1.4CRDi, 1.6CRDi	73-99 66-94	-960 -1050	-1050 -1050	30/30 30/30
i40, i40CW (VF)	Limousine / sedan	05/12-	1.6GDI, 2.0GDI, 1.7CRDi	85-130	-1200	-1150	30/30
	Kombi / station wagon	06/11-	1.6GDI, 2.0GDI, 1.7CRDi	85-130	-1200	-1200	30/30

28266006	B	-	-	-	-	-	-
28266007	B	-	-	-	-	-	-
28266008	B	-	-	-	-	-	-
28266009	B	-	-	-	-	-	-
28266012	B	-	-	-	-	-	-
28266013	B	-	-	-	-	-	-
28266014	B	-	-	-	-	-	-
28266015	B	-	-	-	-	-	-
28266023	B	-	-	-	-	-	-
28266024	B	-	-	-	-	-	-
28266025	B	-	-	-	-	-	-
28266026	B	-	-	-	-	-	-
28266016	B	-	-	-	-	-	-
28266017	B	-	-	-	-	-	-

Kia								
Cee´d, pro Cee´d (ED)	Limousine / sedan	12/06-12/09	1.4, 1.6	80-93	-1010	-940	30/20	21
			2.0, 1.6 CRDi, 2.0 CRDi	66-105	-1090	-940	30/20	21
		01/10-	1.4, 1.6	80-93	-1010	-940	30/30	21
			2.0, 1.6 CRDi, 2.0 CRDi	66-105	-1090	-940	30/30	21
	Kombi / station wagon	02/08-12/09	1.4, 1.6	80-93	-1010	-1050	30/20	21
			2.0, 1.6 CRDi, 2.0 CRDi	66-105	-1090	-1050	30/20	21
		01/10-	1.4, 1.6	80-93	-1010	-1050	30/30	21
			2.0, 1.6 CRDi, 2.0 CRDi	66-105	-1090	-1050	30/30	21
	Coupé	12/06-12/09	1.4, 1.6	80-93	-1010	-940	30/20	21
			2.0, 1.6 CRDi, 2.0 CRDi	66-105	-1090	-940	30/20	21
		01/10-	1.4, 1.6	80-93	-1010	-940	30/30	21
			2.0, 1.6 CRDi, 2.0 CRDi	66-105	-1090	-940	30/30	21
Cee´d, pro Cee´d (JD)	Limousine / sedan	06/12-	1.4, 1.6GDI	73-99	-960	-960	30/30	
			1.4CRDi, 1.6CRDi	66-94	-1050	-960	30/30	
			1.4, 1.6GDI	73-99	-960	-1050	30/30	
	Kombi / station wagon	09/12-	1.4, 1.6GDI	73-99	-960	-1050	30/30	
			1.4CRDi, 1.6CRDi	66-94	-1050	-1050	30/30	
			1.4, 1.6GDI	73-99	-960	-960	30/30	
	Coupé	03/13-	1.4, 1.6GDI	73-99	-960	-960	30/30	
			1.4CRDi, 1.6CRDi	66-94	-1050	-960	30/30	
			1.6TGDI (GT)	150	-980	-960	20/20	
	Limousine GT, Coupé GT / sedan GT, coupé GT	06/13-	1.6TGDI (GT)	150	-980	-960	20/20	
			1.6TGDI (GT)	150	-980	-960	20/20	
			1.6TGDI (GT)	150	-980	-960	20/20	
Optima (TF)	Limousine / sedan	03/12-	2.0GDI, 1.7CRDi	100-121	-1130	-1010	30/30	
			1.25, 1.4	63-80	-945	-840	30/30	
			1.1CRDi, 1.4CRDi	55-66	-945	-840	30/30	
Rio (UB)		09/11-						

28268001	B	-	-	-	-	-	-
28268002	B	-	-	-	-	-	-
28268005	B	-	-	-	-	-	-
28268006	B	-	-	-	-	-	-
28268003	B	-	-	-	-	-	-
28268004	B	-	-	-	-	-	-
28268007	B	-	-	-	-	-	-
28268008	B	-	-	-	-	-	-
28268001	B	-	-	-	-	-	-
28268002	B	-	-	-	-	-	-
28268005	B	-	-	-	-	-	-
28268006	B	-	-	-	-	-	-
28268016	B	-	-	-	-	-	-
28268017	B	-	-	-	-	-	-
28268018	B	-	-	-	-	-	-
28268019	B	-	-	-	-	-	-
28268016	B	-	-	-	-	-	-
28268017	B	-	-	-	-	-	-
28268017	B	-	-	-	-	-	-
28268011	B	-	-	-	-	-	-
28268009	B	-	-	-	-	-	-
28268010	B	-	-	-	-	-	-

Mazda								
3 (BL / BM)	Limousine / sedan	09/13-	Skyaktiv-G 100, Skyaktiv-G 120, Skyaktiv-G 165, Skyaktiv-D 105, Skyaktiv-D 150	74-121 77-110	-990 -1090	-960 -960	30/30 30/30	99
323 (BA)	Limousine, Coupé / sedan, coupé	07/94-09/98	1.3, 1.5, 1.8, 2.0D, 2.0TD	52-96	-960	-840	40/30	
MX5 (NC)	Roadster	11/05-	1.8, 2.0	93-118	-720	-720	30/30	
MX5 (ND)	Roadster	08/15-	2.0	118	-645	-615	40/40	59
MX5 RF (ND)	Targa	01/17-	2.0	118	-645	-665	30/30	
MCC (Smart)								
Fortwo + Cabriolet (MC01)		03/01-02/07	0.6, 0.7, 0.8 CDI	33-45	-430	-610	30/30	
Fortwo II (451)	Coupé	11/14-	0.9i, 1.0i	44-80	-520	-700	30/30	99
	Cabriolet / convertible	02/16-	0.9i, 1.0i	44-80	-520	-740	30/30	99
Forfour II (451)		11/14-	0.9i, 1.0i	44-66	-640	-850	30/30	
Roadster (452)		04/03-12/05	0.7, 0.8 CDI	45-74	-465	-610	30/30	

28275046	B	-	-	-	-	-	-
28275047	B	-	-	-	-	-	-
28275007	B	23275007	B	-	-	-	-
28275024	B	-	-	-	-	-	-
28275045	B	-	-	-	-	-	-
28275048	B	-	-	-	-	-	-
28226001	A	-	-	-	-	-	-
28226005	A	-	-	-	-	-	-
28226007	A	-	-	-	-	-	-
28226006	A	-	-	-	-	-	-
28226003	A	-	-	-	-	-	-

Mercedes-Benz								
A- Klasse (176, 245G)		09/12-	180GDI, 200GDI, 180CDi, 220CDi	80-125	-1100	-955	30/20	16
A- class (176, 245G)			180GDI, 200GDI, 250CGi, 180CDi, 220CDi, 250CDi	80-155	-1100	-955	30/20	59
			AMG A45	265-280	-1140	-975	20/20	170
B- Klasse (246)		09/11-	B180, B200	90-115	-1025	-955	30/30	
B- class (246)			B250, B160 CDI, B180 CDI, B200 CDI, B220 CDI	80-155	-1100	-955	30/30	
			180, 200, 200K, 230, 230K, 200D, 200CDi, 220D, 220CDi	75-142	-990	-1070	40/40	11a,30
C- Klasse (H0, 202)	Limousine / sedan	01/96-05/00	240, 280, 250TD, 250CDi	75-145	-1010	-1070	40/40	11a,30
C- class (H0, 202)	Limousine / sedan	05/00-12/06	180, 180K, 200K, 200CGi, 230K, 200CDi, 220CDi	75-142	-1010	-1170	30/30	11,30
						50/30	11,30	
			230, 240, 320, 350, 270CDi, 320CDi	125-200	-1130	-1170	30/30	11,30
						50/30	11,30	
						30/30	11,30	
						50/30	11,30	
	T- Modell / station wagon (Kombi)	03/01-07/07	180, 180K, 200K, 200CGi, 230K, 200CDi, 220CDi	75-142	-1010	-1170	30/30	11,30
						50/30	11,30	
			230, 240, 320, 350, 270CDi, 320CDi	125-200	-1130	-1170	30/30	11,30
						50/30	11,30	
						30/30	11,30	
						50/30	11,30	
C- Sportcoupé (203CL)	Coupé	05/00-04/08	180, 180K, 200K, 200CGi, 230K	90-145	-1010	-1010	30/30	11,30
							50/30	11,30

28225097	B	-	-	-	-	-	-
28225098	B	-	-	-	-	-	-
28225118	B	-	-	-	-	-	-
28225095	B	-	-	-	-	-	-
28225096	B	-	-	-	-	-	-
28225015	B	23225015	B	-	-	-	-
28225017	B	23225017	B	-	-	-	-
28225018	B	-	-	-	-	-	-
28225019	B	-	-	-	-	-	-
28225020	B	-	-	-	-	-	-
28225021	B	-	-	-	-	-	-
28225028	B	-	-	-	-	-	-
28225029	B	-	-	-	-	-	-
28225030	B	-	-	-	-	-	-
28225031	B	-	-	-	-	-	-
28225032	B	-	-	-	-	-	-
28225033	B	-	-	-	-	-	-

*= ra shocks absorber has a slot adjustment for adjusting the height

Fahrzeug-Modell (Typ)	Ausführung	Baujahr	Motorvariante	Leistung in kW	max. Achslasten in Kg VA HA	Tieferlegung VA / HA in mm	Auflagen/ Hinweise
Manufacturer (vehicle type)	Model	Year	Engine	Power in kW	max. Axleload in kg FA RA	Lowering fa / ra in mm	References

Mercedes-Benz

C- Sportcoupé (203CL)	Coupé	05/00-04/08	230, 320, 350, 200CDI, 220CDI	90-200	-1035 -1010	30/30	11,30
CLA (117, 245G)	Coupé / Shooting Brake	03/13-	180, 200, 250, 200CDI, 220 CDI	90-155	-1120 -975	30/20	11,30
						30/20	4,16
	Coupé	03/15-	AMG CLA 45	265-280	-1140 -975	20/20	170
CLC (203CL)	Coupé	05/08-	180, 200K	105-135	-1010 -1010	20/20	170
						20/20	170
C-Klasse (204, 204K) C-class (204, 204K)	Coupé	06/11-	180, 250	115-150	-990 -1100	30/30	6,11
						30/30	6,11
						30/30	6,11
C-Klasse (204) W205 C-class (204) W205	Coupé	01/16-	180K, 200K, 230K, 180CGi, 200CGi, 250CGi	115-150	-1030 -1145	30/30	4,37,65,99
						30/30	4,37,65,99
						30/30	4,37,65,99
C-Klasse 4matik (204, 204K) C-class 4matic (204, 204K)	Coupé	01/16-	180, 250	125-225	-1075 -1100	30/30	6,11
						30/30	6,11
						30/30	6,11
CLK (208)	Coupé	08/97-03/02	200, 200K, 230K	100-145	-990 -1070	40/40	11a,30
						40/40	11a,30
						40/40	11a,30
CLK (209)	Coupé	04/02-05/09	200K, 200CGi, 220CDI	110-135	-1035 -1170	30/30	11,30
						30/30	11,30
						30/30	11,30
CLS (218)	Coupé	01/11-	350, 250CDI, 320CDI, 350CDI	150-225	-1160 -1200	30/30	4,11,65,194
						30/30	4,11,65,194
						30/30	4,11,65,194
E-Klasse (124, 124C, 124T) E-class (124, 124C, 124T)	Limousine, Coupé / sedan, coupé	01/85-06/96	200, 220, 230, 200D	53-110	-1125 -1050	40/40	4,30,11a
						40/40	4,30,54,11a
						40/40	4,30,55,11a
E-Klasse (207) E-class (207)	Coupé	01/09-	200CGi, 250GDI	135-150	-1150 -1200	30/30	11,30
						30/30	11,30
						30/30	11,30
E-Klasse (210, 210K) E-class (210, 210K)	Limousine / sedan	06/95-02/02	200, 230, 240 V6, 260 V6, 280 V6, 320 V6, 220CDI, 220CDI	70-150	-1095 -1165	40/40	4,30
						40/40	4,30,46
						40/40	4,30
E-Klasse (211) E-class (211)	Limousine / sedan	03/02-02/09	200, 230, 280, 350, 200CDI, 220CDI	100-200	-1055 -1230	30/30	4,11,65,194
						30/30	4,11,65,194
						30/30	4,11,65,194
E-Klasse (212) E-class (212)	Limousine / sedan	02/09-	200CGi, 250CGi, 300Blue E, 350CGi, 350Blue E	135-225	-1050 -1180	30/30	4,11,65,194
						30/30	4,11,65,194
						30/30	4,11,65,194
ML (164)	Coupé	07/05-06/11	350, 280CDI, 300CDI, 320CDI, 350CDI	140-200	-1400 -1600	40/40	11
						40/40	11
						40/40	11
ML (166) SLK (170) SLK (172)	Cabriolet / convertible	09/96-02/04	200, 200K, 230K, 320	100-160	-845 -820	30/30	11a,30
						30/30	11a,30
						30/30	11a,30
SLC (172)	Cabriolet / convertible	03/16-	180, 200	115-135	-910 -970	25/25	99
						25/25	99
						25/25	99
V-Klasse (639, 639/2, 639/4, 639/5, L275, L720)	Viano	09/03-06/10	3.0, 3.2, 3.5, 3.7, CDI 2.0, CDI 2.2	65-170	-1550 -1550	30/30	65
						30/30	65
						30/30	65
V-Klasse (639, 639/2, 639/4, 639/5, L275, L720)	Vito Bus	09/03-08/10	119, 122, 123, 126, 109CDI, 111CDI, 115CDI, 120CDI	70-190	-1550 -1550	30/30	65
						30/30	65
						30/30	65
V-Klasse (639, 639/2, 639/4, 639/5, L275, L720)	Vito Kasten	09/03-08/10	119, 122, 123, 126, 109CDI, 111CDI, 115CDI, 120CDI	70-190	-1550 -1550	30/30	65
						30/30	65
						30/30	65
V-Klasse (W447) (639/2, 639/4, 639/5)	Van	05/14-	V200d, V220d, V250d, V200d 4-matic, V220d 4-matic, V250d 4-matic	100-140	-1550 -1750	30/30	65
						30/30	65
						30/30	65

Sportfedern	
Bestell-Nr.	Preis-Kategorie
Sport Springs	
Part No.	Price Category

Sportfahrwerke	
Bestell-Nr.	Preis-Kategorie
Sport Suspension	
Part No.	Price Category

Sportdämpfer Vorderachse	
Bestell-Nr.	Preis-Kategorie
Sport Shocks, Front Axle	
Part No.	Price Category

Sportdämpfer, Hinterachse	
Bestell-Nr.	Preis-Kategorie
Sport Shocks, Rear Axle	
Part No.	Price Category

28225083	B	-	-	-	-	-	-
28225084	B	-	-	-	-	-	-
28225097	B	-	-	-	-	-	-
28225098	B	-	-	-	-	-	-
28225118	B	-	-	-	-	-	-
28225119	B	-	-	-	-	-	-
28225032	B	-	-	-	-	-	-
28225033	B	-	-	-	-	-	-
28225083	B	-	-	-	-	-	-
28225084	B	-	-	-	-	-	-
28225073	B	-	-	-	-	-	-
28225074	B	-	-	-	-	-	-
28225092	B	-	-	-	-	-	-
28225093	B	-	-	-	-	-	-
28225075	B	-	-	-	-	-	-
28225076	B	-	-	-	-	-	-
28225105	B	-	-	-	-	-	-
28225106	B	-	-	-	-	-	-
28225105	B	-	-	-	-	-	-
28225106	B	-	-	-	-	-	-
28225114	B	-	-	-	-	-	-
28225115	B	-	-	-	-	-	-
28225091	B	-	-	-	-	-	-
28225034	B	-	-	-	-	-	-
28225035	B	-	-	-	-	-	-
28225038	B	-	-	-	-	-	-
28225039	B	-	-	-	-	-	-
28225036	B	-	-	-	-	-	-
28225037	B	-	-	-	-	-	-
28225040	B	-	-	-	-	-	-
28225041	B	-	-	-	-	-	-
28225087	C	-	-	-	-	-	-
28225002	C	-	-	-	-	-	-
28225003	C	-	-	-	-	-	-
28225004	C	-	-	-	-	-	-
28225005	C	-	-	-	-	-	-
28225006	C	-	-	-	-	-	-
28225007	C	-	-	-	-	-	-
28225079	C	-	-	-	-	-	-
28225080	C	-	-	-	-	-	-
28225079	C	-	-	-	-	-	-
28225080	C	-	-	-	-	-	-
28225042	C	-	-	-	-	-	-
28225043	C	-	-	-	-	-	-
28225044	C	-	-	-	-	-	-
28225062	C	-	-	-	-	-	-
28225048	C	-	-	-	-	-	-
28225049	C	-	-	-	-	-	-
28225046	C	-	-	-	-	-	-
28225047	C	-	-	-	-	-	-
28225081	C	-	-	-	-	-	-
28225082	C	-	-	-	-	-	-
28225078	S5	-	-	-	-	-	-
28225104	S5	-	-	-	-	-	-
28225094	S5	-	-	-	-	-	-
28225010	B	-	-	-	-	-	-
28225089	B	-	-	-	-	-	-
28225090	B	-	-	-	-	-	-
28225089	B	-	-	-	-	-	-
28225090	B	-	-	-	-	-	-
28225108	S5	-	-	-	-	-	-
28225109	C	-	-	-	-	-	-
28225110	S5	-	-	-	-	-	-
28225111	C	-	-	-	-	-	-
28225108	S5	-	-	-	-	-	-
28225109	C	-	-	-	-	-	-
28225110	S5	-	-	-	-	-	-
28225111	C	-	-	-	-	-	-
28225108	S5	-	-	-	-	-	-
28225109	C	-	-	-	-	-	-
28225110	S5	-	-	-	-	-	-
28225112	S5	-	-	-	-	-	-
28225112	S5	-	-	-	-	-	-

Fahrzeug- Modell (Typ)	Ausführung	Baujahr	Motorvariante	Leistung in kW	max. Achslasten in Kg	Tieferlegung VA / HA in mm	Auflagen/ Hinweise
Manufacturer (vehicle type)	Model	Year	Engine	Power in kW	max. Axleload in kg	Lowering fa / ra in mm	References

Mini (BMW)

Mini I, one, Cooper (MINI) (R50)	Limousine 3trg. / sedan 3 doors	06/01-02/02	1.6, 1.4Di	55-86	-870	-800	30/30	
Mini I, one, Cooper, Cooper S, Cooper D (MINI) (R50, R53)	Limousine 3trg. / sedan 3 doors	03/02-11/06	1.6, 1.4Di	55-155	-890	-800	30/30	
Mini I, Cabriolet (MINI) (R52)	Cabriolet / convertible	07/04-02/09	1.6, 1.4Di	66-120	-890	-800	30/30	
Mini II, one, Cooper, Cooper S (MINI-N, UKL-L) (R56)	Limousine 3trg. / sedan 3 doors	12/06-02/14	1.4, 1.6, 1.6D, 2.0D	55-134	-905	-755	30/30	
Mini II JCW (MINI-N, UKL-L) (R56)	Limousine 3trg. / sedan 3 doors	08/08-	1.6i	155	-905	-755	20/20	
Mini II Coupé, Cooper, Cooper S, Cooper SD (UKL-C) (R58)	Coupé	09/11-	1.6i, 2.0D	90-135	-905	-610	30/30	
Mini II Coupé JCW (UKL-C) (R58)	Coupé	09/11-	1.6i	155	-905	-610	20/20	
Mini II Cabriolet (MINI-N, UKL-C) (R57)	Cabriolet / convertible	03/09-	1.6	88-128	-905	-795	30/30	
Mini II Clubman (MINI-N, UKL-K) (R55)	Clubman	10/07-	1.4, 1.6, 1.6D	55-134	-905	-855	30/30	
Mini II Clubman JCW (MINI-N, UKL-K) (R55)	Clubman	08/08-	1.6i	155	-905	-855	20/20	
Mini II Countryman (UKL/X, UKL-C/X) (R60)	Countryman	08/10-	1.6i, 1.6D, 2.0D	72-135	-1015	-880	30/20	4
Mini II Countryman ALL4 (UKL/X, UKL-C/X) (R60)	Countryman	08/10-	1.6i, 1.6D, 2.0D	82-135	-1040	-940	30/20	170
Mini II Countryman JCW (UKL/X) (R60)	Countryman	08/10-	1.6i	160	-1025	-940	20/20	170
Mini II Paceman (UKL/X, UKL-C/X) (R61)	Paceman	03/13-	1.6i, 1.6D	82-135	-1015	-880	30/30	4
Mini II Paceman ALL4 (UKL/X, UKL-C/X) (R61)	Paceman	03/13-	1.6i, 1.6D	82-135	-1040	-940	30/30	170
Mini II Paceman JCW (UKL-C/X) (R61)	Paceman	03/13-	1.6i	160	-1025	-940	20/20	170
Mini II Roadster, Cooper, Cooper S, Cooper SD (UKL-C) (R59)	Roadster	09/11-	1.6i, 2.0D	90-135	-905	-610	30/30	
Mini II Roadster JCW (UKL-C) (R59)	Roadster	09/11-	1.6i	155	-905	-610	20/20	
Mini III, one, Cooper, Cooper S, one D, Cooper D, Cooper SD, JCW (F55, F56), (UKL-L)	Limousine 3trg. / sedan 3 doors	03/14-	1.2i, 1.5i, 2.0i, 1.5D, 2.0D	70-141	-970	-770	30/30	4,99
		03/14-	2.0T (JCW)	170	-955	-775	20/20	4,99
	Limousine 5trg. / sedan 5 doors	09/14-	1.2i, 1.5i, 2.0i, 1.5D, 2.0D	70-141	-970	-850	30/30	4,99

Mitsubishi

Colt, Lancer (CJ0)		09/95-07/05	1.3, 1.6	55-76	-820	-720	40/40	2
--------------------	--	-------------	----------	-------	------	------	-------	---

Nissan

370 Z (Z34)	Coupé	06/09-	3.7i	243	-940	-940	30/30	
Juke (F15)		10/10-	1.6T Allradantrieb / 4WD	140	-1010	-900	30/20	170
Micra (K13)		02/11-	1.2i	59	-750	-750	30/30	
Micra (K14)		03/17-	0.9Turbo, 1.0i	54-66	-820	-765	30/30	

Opel

Adam (S-D)		01/13-	1.0i, 1.2i, 1.4i	51-85	-820	-730	20/20	
Astra F (F, CC, T92, Conv)	Limousine / sedan	09/91-02/98	1.6, 1.8, 1.7D, 1.7TD	42-85	-870	-800	30/30	
Astra G (T98, T98 / Kombi, T98C)	Limousine / sedan	03/98-02/04	1.6, 1.8	55-92	-850	-820	40/20	
			1.6, 1.8, 2.0, 1.7TD	50-118	851-940	-820	40/20	
			1.8, 2.0, 2.0Turbo, 2.2, 1.7DTi, 1.7CDTi, 2.0Di, 2.0DTi, 2.2DTi	55-147	941-1050	-820	40/20	
	Coupé, Cabriolet / coupé, convertible		1.6, 1.8i 16V	74-92	-940	-845	30/30	
			2.2 16V, 2.0 16VTurbo, 2.2DTi	92-147	-1050	-845	30/30	
Astra H (A-H, A-H/C, A-H/SW)	Limousine (inkl. GTC) / sedan (incl. GTC)	03/04-09/09	1.4, 1.6	55-85	-970	-860	30/30	
			1.8, 2.0Turbo	92-147	-970	-860	30/30	57
			1.6Turbo, 1.8, 2.0Turbo, 1.3CDTi, 1.7CDTi, 1.9CDTi	66-147	-1075	-860	30/30	
	Caravan / station wagon (Kombi)	10/04-09/10	1.4, 1.6, 1.8	55-103	-970	-940	30/30	
			1.7CDTi, 1.9CDTi	59-110	-1075	-940	30/30	
	Cabriolet (TwinTop) / convertible (TwinTop)	03/06-10/11	1.6, 1.8	77-103	-1000	-955	30/30	
			1.6Turbo, 2.0Turbo, 1.7CDTi, 1.9CDTi	74-147	-1070	-955	30/30	
Astra J (P-J, P-J/SW)	Limousine / sedan	10/09-	1.4, 1.6	64-85	-995	-1020	30/30	
			1.4T, 1.6, 1.6T, 1.3CDTi	70-132	-1080	-1020	30/30	
			1.7CDTi, 2.0CDTi	74-118	-1155	-1020	30/30	
	Sports Tourer / station wagon (Kombi)	10/10-	1.4, 1.6	74-85	-995	-1100	30/30	
			1.4T, 1.6, 1.6T, 1.3CDTi	70-132	-1080	-1100	30/30	
			1.6T, 1.7CDTi, 2.0CDTi	74-118	-1175	-1100	30/30	
Astra J GTC (P-J/SW)	Coupé	11/11-	1.4i, 1.4T, 1.6T, 1.8	74-132	-1080	-930	20/20	
			1.7CDTi, 2.0CDTi	81-121	-1160	-930	20/20	
Astra K (B-K)	Limousine / sedan	09/15-	1.0Turbo, 1.4i, 1.4Turbo	74-110	-940	-910	30/30	
			1.4Turbo, 1.6CDTi	70-100	-1020	-910	30/30	
Calibra (A)		03/90-06/97	2.0, 2.0 4x4	85-150	-940	-880	40/40	
							60/60	1
Corsa B (B / S93)	Limousine / sedan	03/93-10/00	1.2, 1.4, 1.6	33-80	-790	-720	30/30	70
Corsa C (Corsa-C)		11/00-09/06	1.0i, 1.2i	43-59	-780	-760	30/30	21,182
			1.4i, 1.8i, 1.3CDTi + 1.7DTi, 1.7CDTi	51-92	-900	-760	30/30	183
Corsa D (S-D)		09/06-	1.0i, 1.2i, 1.4i, 1.4T	44-88	-890	-845	30/30	21
			1.4T, 1.3CDTi - 1.7CDTi	55-96	-1000	-845	30/30	
Corsa D GSi, OPC (S-D)		03/07-	1.6i 16V, 1.6i Turbo	110-141	-950	-800	20/20	
Corsa E (S-D)		10/14-	1.0 (3 Zyl.)	66-85	-870	-845	30/30	
			1.2i - 1.4i	59-77	-890	-845	30/30	
			1.3CDTi - 1.7CDTi	55-66	-1000	-845	30/30	

Sportfedern		Sportfahrwerke		Sportdämpfer Vorderachse		Sportdämpfer, Hinterachse	
Bestell- Nr.	Preis- Kategorie	Bestell- Nr.	Preis- Kategorie	Bestell- Nr.	Preis- Kategorie	Bestell- Nr.	Preis- Kategorie
Sport Springs		Sport Suspension		Sport Shocks, Front Axle		Sport Shocks,Rear Axle	
Part No.	Price Category	Part No.	Price Category	Part No.	Price Category	Part No.	Price Category

28220080	B	-	-	-	-	-	-
28220081	B	-	-	-	-	-	-
28220257	B	-	-	-	-	-	-
28220039	B	-	-	-	-	-	-
28220138	B	-	-	-	-	-	-
28220039	B	-	-	-	-	-	-
28220039	B	-	-	-	-	-	-
28220142	B	-	-	-	-	-	-
28220131	B	-	-	-	-	-	-
28220139	B	-	-	-	-	-	-
28220155	B	-	-	-	-	-	-
28220156	B	-	-	-	-	-	-
28220156	B	-	-	-	-	-	-
28220155	B	-	-	-	-	-	-
28220156	B	-	-	-	-	-	-
28220156	B	-	-	-	-	-	-
28220156	B	-	-	-	-	-	-
28220039	B	-	-	-	-	-	-
28220039	B	-	-	-	-	-	-
28220191	B	-	-	-	-	-	-
28220191	B	-	-	-	-	-	-
28220284	B	-	-	-	-	-	-
28265008	A	-	-	-	-	-	-
28285034	C	-	-	-	-	-	-
28285038	A	-	-	-	-	-	-
28285039	A	-	-	-	-	-	-
28285040	A	-	-	-	-	-	-
28260202	A	-	-	-	-	-	-
28260034	B	23260034	B	61W60002	8	61W60010	7
28260056	B	23260056	B	61W60033/34 L/R	11	61W60016	7
28260059	B	23260059	B	61W60033/34 L/R	11	61W60016	7
28260168	B	23260168	B	61W60033/34 L/R	11	61W60016	7
28260071	B	23260071	B	61W60033/34 L/R	11	61W60016	7
28260081	B	23260081	B	61W60033/34 L/R	11	61W60016	7
28260082	B	23260082	B	61W60033/34 L/R	11	61W60016	7
28260119	B	-	-	-	-	-	-
28260120	B	-	-	-	-	-	-
28260121	B	-	-	-	-	-	-
28260142	B	-	-	-	-	-	-
28260149	B	-	-	-	-	-	-
28260085	B	-	-	-	-	-	-
28260086	B	-	-	-	-	-	-
28260099	B	-	-	-	-	-	-
28260191	B	-	-	-	-	-	-
28260192	B	-	-	-	-	-	-
28260193	B	-	-	-	-	-	-
28260194	B	-	-	-	-	-	-
28260195	B	-	-	-	-	-	-
28260196	B	-	-	-	-	-	-
28260197	B	-	-	-	-	-	-
28260211	B	-	-	-	-	-	-
28260213	B	-	-	-	-	-	-
28260024	B	23260024	B	61W60004	8	61W60011	7
28260026	B	23260026	B	61W60004	8	61W60011	7
28260127	A	23260127	A	61W60001	8	61W60008	7
28260073	A	-	-	61W60043/44 L/R	11	61W60008	7
28260075	A	-	-	61W60043/44 L/R	11	61W60032	7
28260177	A	-	-	-	-	-	-
28260178	A	-	-	-	-	-	-
28260190	A	-	-	-	-	-	-
28260176	A	-	-	-	-	-	-
28260177	A	-	-	-	-	-	-
28260178	A	-	-	-	-	-	-

*= ra shocks absorber has a slot adjustment for adjusting the height

Fahrzeug-Modell (Typ)	Ausführung	Baujahr	Motorvariante	Leistung in kW	max. Achslasten in Kg	Tieferlegung VA / HA in mm	Auflagen/Hinweise
Manufacturer (vehicle type)	Model	Year	Engine	Power in kW	max. Axleload in kg	Lowering fa / ra in mm	References
Porsche							
Boxster (986)		09/96-10/04	2.5, 2.7	150-168	-785 -940	30/30	99
Boxster, Boxster S (987)		11/04-	2.7, S3.2, S3.4, RS60 Spyder (incl. PASM)	176-206	-785 -940	30/30	99
Boxster, Boxster S (981)		04/12-	2.7, S3.4	195-232	-785 -945	20/20	99
Cayman, Cayman S (987)		01/06-	2.7, S3.4 (incl. PASM)	180-235	-785 -940	30/30	99
Cayman, Cayman S (981)		03/13-	2.7, S3.4	202-239	-785 -945	20/20	99
Cayenne, Cayenne S (9PA)		09/02-01/07	3.2, S4.5	184-250	-1460 -1680	40/40	
Range Rover (Land Rover)							
Evoque (LV)	Coupé, Cabriolet / coupé, convertible	09/11-	eD4 (2WD), Si4 (4WD), TD4 (4WD), SD4 (4WD)	110-177	-1370 -1190	30/30	11
Renault							
Clio II (B)		09/98-05/05	1.2, 1.4 1.2, 1.4 1.6, 1.5dCi, 1.9d, 1.9dTi	43-55 43-55 -860 -785 48-74 -860 -785	-860 -785 -860 -785	30/30 30/30	24a, 122,128 24a, 122,135
Clio III (R)	Limousine / sedan	06/05-06/10	1.4, 1.6, 2.0, 1.5dCi 1.2i, 1.2T 1.4, 1.6, 2.0, 1.5dCi	50-103 48-76 -850 -880 50-102 -950 -880	-950 -880 -880 -880	30/30 30/30	11 11
Clio IV (R)	Limousine / sedan	11/12-	0.9 Tce 90, 1.2 16V, 1.2 Tce 120 1.5 dCi 75, 1.5 dCi 90	54-90 55-66 -920 -885	-885 -885	30/30 30/30	99 99
Fluence (Z)	Limousine / sedan	06/10-	1.6, 2.0, 1.5 dCi	63-103	-1000 -940	30/30	11
Megane (M)	Limousine / sedan	11/02-10/08	1.4, 1.6, 1.5dCi 2.0i, 1.9dCi	60-82 66-99 -1185 -1010	-1130 -1010 -1010 -1010	30/30 30/30	11 11
	Classic (Stufenheck) / notchback	11/03-10/08	1.4, 1.6, 1.5dCi 2.0, 1.9dCi	60-82 66-99 -1185 -1010	-1130 -1010 -1010 -1010	30/30 30/30	11 11
	Cabriolet / convertible	01/04-05/09	1.4, 1.6i, 1.5dCi 2.0i, 2.0Turbo, 1.9dCi	60-82 66-120 -1185 -1025	-1130 -1025 -1025 -1025	30/30 30/30	11 11
	Grand Tour / station wagon (Kombi)	08/03-05/09	1.4, 1.6i, 1.5dCi 2.0, 1.9dCi	60-82 66-99 -1185 -1010	-1130 -1010 -1010 -1010	30/30 30/30	11 11
Megane (Z)	Limousine / sedan	11/08-	1.2 Tce, 1.4 Tce, 1.6 16V, 1.6 Tce, 2.0 CVT, 2.0 Tce, 2.0 Tce 220, 1.5 dCi, 1.6 dCi 2.0 CVT, 2.0 Tce, 2.0 Tce 220, 1.6 dCi, 1.9 dCi, 2.0 dCi	63-103 96-132 -1110 -1041	-1010 -1041 -1110 -1041	30/30 30/30	11 11
	Coupé	11/08-	1.4 Tce, 1.6 16V, 2.0 CVT, 2.0 Tce, 2.0 Tce 220, 1.5 dCi, 1.6 dCi 2.0 CVT, 2.0 Tce, 2.0 Tce 220, 1.6 dCi, 1.9 dCi, 2.0 dCi	63-103 96-162 -1110 -1041	-1010 -1041 -1110 -1041	20/20 20/20	11 11
	Cabriolet / convertible	06/10-	1.2 Tce, 1.4 Tce, 1.6 16V, 1.5 dCi, 1.6 dCi 1.2 Tce, 2.0 CVT, 2.0 Tce, 2.0 Turbo, 1.5 dCi, 1.6 dCi 2.0 Tce, 2.0 Turbo, 1.6 dCi, 1.9 dCi, 2.0 dCi	81-96 81-103 -1110 -1260 96-118 -1230 -1260	-1010 -1260 -1110 -1260 -1230 -1260	30/30 30/30	11 11
	Grand Tour / station wagon (Kombi)	06/09-	1.4 Tce, 1.6 16V, 2.0, 2.0 CVT, 2.0 Tce, 1.5 dCi, 1.6 dCi 2.0, 2.0 CVT, 2.0 Tce, 1.6 dCi, 1.9 dCi, 2.0 dCi	63-103 96-162 -1110 -1065	-1010 -1065 -1110 -1065	30/30 30/30	11 11
Megane (RFB)	Limousine / sedan	01/16-	1.2Tce, 1.4dCi 1.2Tce, 1.4dCi, 1.6dCi	74-97 81-97 -1110 -1000	-1020 -1000 -1110 -1000	30/30 30/30	11 11
Talisman (RFD)	Limousine / sedan	11/15-	1.6Tce, 1.5 dCi, 1.6 dCi 1.5 dCi, 1.6 dCi	81-147 96-118 -1170 -1010	-1110 -1010 -1170 -1010	30/30 30/30	3,4,11 3,4,11
	Grand Tour / station wagon (Kombi)	03/16-	1.6Tce, 1.5 dCi, 1.6 dCi 1.5 dCi, 1.6 dCi	81-147 96-118 -1170 -1170	-1110 -1170 -1170 -1170	30/30 30/30	3,4,11 3,4,11
Twingo I (C06)		02/93-08/07	1.2i	40-55	-700 -690	40/40	
Twingo II (N)		09/07-	1.2, 1.2 16V, 1.2 16VT (GT) mit Schaltgetriebe / with manuel gearbox	43-75	-810 -710	30/30	
Twingo III (AH)		03/14-	SCe70, Tce90	52-66	-610 -790	30/30	
Seat							
Alhambra (7MS)		09/95-09/10	1.8T, 2.0, 2.8, 1.9Tdi, 2.0Tdi	66-150	-1260 -1355	50/50	31
Alhambra (7N)	5 sitzer / 5 seats	10/10-	1.4TSi, 2.0TSi, 2.0TDi ohne DSG / without DSG 2.0TSi, 2.0TDi mit DSG / with DSG	85-147 103-147	-1240 -1150 -1300 -1150	30/30 30/30	4,11 4,11
	7 sitzer / 7 seats		1.4TSi, 2.0TSi, 2.0TDi ohne DSG / without DSG 2.0TDi mit DSG / with DSG	85-147 103-125	-1240 -1310 -1300 -1310	30/30 30/30	4,11 4,11
Altea (5P) Frontantrieb / 2WD		03/04-	1.6, 2.0FSi mit Schaltgetriebe / with manual gearbox 1.8TFSi, 2.0FSi mit Automatik / with automatic gearbox	75-110 118-147	-1025 -1000 -1120 -1000	30/30 30/30	57,71 57,72
			1.9TDi, 2.0TDi	77-125	-1120 -1000	30/30	71
Altea XL (5P) Frontantrieb / 2WD		10/06-	1.4, 1.4TSi, 1.6i 1.8TSi, 2.0FSi, 1.9TDi, 2.0TDi 1.9TDi, 2.0TDi (DSG)	63-92 77-118 77-125	-1020 -1050 -1120 -1050 -1120 -1050	30/30 30/30 30/30	71 72 71
Exeo (3R)	Limousine / sedan	03/09-	1.6 1.8 T, 2.0TFSi mit Schaltgetriebe / with manual gearbox 2.0TFSi mit Automatik / with automatic gearbox, 2.0TDi	75 88-155 88-155	-1000 -1050 -1090 -1050 -1165 -1050	30/30 30/30 30/30	4,11 4,11 4,11
	ST (Kombi) / station wagon	10/09-	1.6 1.8 T, 2.0TFSi mit Schaltgetriebe / with manual gearbox 2.0TFSi mit Automatik / with automatic gearbox, 2.0TDi	75 88-155 88-155	-1000 -1135 -1090 -1135 -1165 -1135	30/30 30/30 30/30	4,11 4,11 4,11
Ibiza (6L)		05/02-04/08	1.2i 12V	47-51	-860 -860	30/30	

Sportfedern		Sportfahrwerke		Sportdämpfer Vorderachse		Sportdämpfer, Hinterachse	
Bestell- Nr.	Preis-Kategorie	Bestell- Nr.	Preis-Kategorie	Bestell- Nr.	Preis-Kategorie	Bestell- Nr.	Preis-Kategorie
Sport Springs		Sport Suspension		Sport Shocks, Front Axle		Sport Shocks,Rear Axle	
Part No.	Price Category	Part No.	Price Category	Part No.	Price Category	Part No.	Price Category
28271006	S5	-	-	-	-	-	-
28271007	S5	-	-	-	-	-	-
28271011	S5	-	-	-	-	-	-
28271008	S5	-	-	-	-	-	-
28271011	S5	-	-	-	-	-	-
28271009	S5	-	-	-	-	-	-
28255006	C	-	-	-	-	-	-
28290011	A	23290011	A	61W90015	8	61W90008	7
28290011	A	23290111	A	61W90016	8	61W90008	7
28290012	A	23290012	A	61W90016	8	61W90008	7
28290053	B	-	-	-	-	-	-
28290077	B	-	-	-	-	-	-
28290078	B	-	-	-	-	-	-
28290082	B	-	-	-	-	-	-
28290083	B	-	-	-	-	-	-
28290062	B	-	-	-	-	-	-
28290014	B	-	-	-	-	-	-
28290015	B	-	-	-	-	-	-
28290032	B	-	-	-	-	-	-
28290033	B	-	-	-	-	-	-
28290050	B	-	-	-	-	-	-
28290051	B	-	-	-	-	-	-
28290032	B	-	-	-	-	-	-
28290033	B	-	-	-	-	-	-
28290062	B	-	-	-	-	-	-
28290063	B	-	-	-	-	-	-
28290064	B	-	-	-	-	-	-
28290065	B	-	-	-	-	-	-
28290070	B	-	-	-	-	-	-
28290071	B	-	-	-	-	-	-
28290072	B	-	-	-	-	-	-
28290068	B	-	-	-	-	-	-
28290069	B	-	-	-	-	-	-
28290085	B	-	-	-	-	-	-
28290086	B	-	-	-	-	-	-
28290087	B	-	-	-	-	-	-
28290088	B	-	-	-	-	-	-
28290089	B	-	-	-	-	-	-
28290090	B	-	-	-	-	-	-
28290001	A	-	-	-	-	-	-
28290028	A	-	-	-	-	-	-
28290084	A	-	-	-	-	-	-
28280032	B	23280032	B	61W80006	8	61W80014	9
28280325	B	-	-	-	-	-	-
28280326	B	-	-	-	-	-	-
28280327	B	-	-	-	-	-	-
28280328	B	-	-	-	-	-	-
28281036	B	23281036	B	61W10042	11	61W80054	9
28281036	B	23281136	B	61W10043	11	61W80054	9
28281055	B	23281055	B	61W10042	11	61W80054	9
28281055	B	23281155	B	61W10043	11	61W80054	9
28281037	B	23281037	B	61W10042	11	61W80054	9
28281037	B	23281137	B	61W10043	11	61W80054	9
28281062	B	23281062	B	61W10042	11	61W80054	9
28281062	B	23281162	B	61W10043	11	61W80054	9
28281063	B	23281063	B	61W10042	11	61W80054	9
28281063	B	23281163	B	61W10043	11	61W80054	9
28281064	B	23281064	B	61W10042	11	61W80054	9
28281064	B	23281164	B	61W10043	11	61W80054	9
28281065	B	23281065	B	61W10037	8	61W10027	7
28281066	B	23281066	B	61W10037	8	61W10027	7
28281067	B	23281067	B	61W10037	8	61W10027	7
28281068	B	23281068	B	61W10037	8	61W10027	7
28281069	B	23281069	B	61W10037	8	61W10027	7
28281070	B	23281070	B	61W10037	8	61W10027	7
28281034	A	23281034	A	61W80556	8	61W80057	7

57 Federn/Federwerke
57 Springs/Suspensions

*= ra shocks absorber has a slot adjustment for adjusting the height

Fahrzeug-Modell (Typ)	Ausführung	Baujahr	Motorvariante	Leistung in kW	max. Achslasten in Kg	Tieferlegung VA / HA in mm	Auflagen/Hinweise	
Manufacturer (vehicle type)	Model	Year	Engine	Power in kW	max. Axleload in kg	Lowering fa / ra in mm	References	
Seat	Toledo (1M) Frontantrieb / 2WD	09/99-10/04	1.4, 1.6, 1.8, 1.9SDi, 1.9TDi	50-132	-930	-985	40/40	
			1.8, 2.3, 1.9TDi	66-165	931-995	-985	40/40	
			1.4TSi, 1.6, 2.0FSi Schaltgetriebe / with manual gearbox	75-110	-1025	-1040	30/30	57,71
Toledo (5P) Frontantrieb / 2WD	11/04-		1.8TFSi, 2.0FSi Automatik / with automatic gearbox, 2.0TFSi	110-147	-1120	-1040	30/30	71
			1.9TDi, 2.0TDi	66-125	-1120	-1040	30/30	72
			1.2MPI (3Zyl. / 3cyl.), 1.2TSi	55-63	-880	-860	30/30	
Toledo (NH)		07/12-	1.4TSi, 1.6TDi	66-90	-960	-860	30/30	

Skoda							
Citigo (AA)		12/11-	1.0	44-55	-680	-640	20/20
Fabia (6Y)	Schrägheck / hatchback	03/00-02/07	1.0, 1.2, 1.4, 1.4 16V	37-74	-900	-800	30/30
Fabia II (5J)	Limousine / sedan	03/07-	2.0, 1.4TDi, 1.9 SDi, 1.9TDi	51-96	-960	-800	30/30
	Combi / station wagon	12/07-	1.2i 12V	40-51	-890	-840	30/30
			1.2TSi, 1.4, 1.6, 1.4TDi	51-77	-960	-840	30/30
			1.6TDi, 1.9TDi	55-77	-960	-840	30/30
Fabia III (5J)	Limousine / sedan	11/14-	1.2i 12V	40-51	-920	-840	30/30
			1.2TSi, 1.4, 1.6, 1.4TDi	51-77	-960	-840	30/30
			1.6TDi, 1.9TDi	55-77	-930	-840	30/30
			1.0Mpi (3Zyl.)	44-55	-760	-800	30/30
			1.2TSi	66-81	-830	-800	30/30
			1.2TSi (DSG), 1.4TDi	66-77	-880	-800	30/30
	Combi / station wagon	02/15-	1.0Mpi (3Zyl.)	55	-760	-820	30/30
			1.2TSi	66-81	-830	-820	30/30
			1.2TSi (DSG), 1.4TDi	66-77	-880	-820	30/30
Fabia I RS (6Y)	Limousine / sedan	10/00-07/10	1.9TDi	96	-960	-840	20/20
Fabia II RS (5J)	Limousine / sedan	08/10-	1.4TSi	132	-960	-840	30/30
	Combi / station wagon	08/10-	1.4TSi	132	-960	-840	30/30
Octavia I (1U) Frontantrieb / 2WD	Limousine / sedan	09/96-05/04	1.4, 1.6, 1.8, 2.0 Schaltgetriebe / with manual gearbox, 1.9SDi	44-110	-1000	-1000	30/30
			1.8, 1.8T, 2.0 Automatik / with automatic gearbox, 1.9TDi	55-132	-1020	-1000	30/30
	Combi / station wagon	07/98-01/05	1.4, 1.6, 1.8, 2.0 Schaltgetriebe / with manual gearbox, 1.9SDi	44-110	-1000	-1020	30/30
			1.8, 1.8T, 2.0 Automatik / with automatic gearbox, 1.9TDi	55-132	-1020	-1020	30/30
Octavia II (1Z) Frontantrieb / 2WD	Limousine / sedan	05/04-	1.8TFSi, 2.0FSi, 1.9TDi, 2.0TDi	77-112	-1100	-1150	30/30
	Combi / station wagon	01/05-	1.8TFSi, 2.0FSi, 1.9TDi, 2.0TDi	77-112	-1100	-1150	30/30
Octavia II (1Z) 4x4 / 4WD	Combi / station wagon	01/05-	1.8TFSi, 2.0FSi, 1.9TDi, 2.0TDi	77-112	-1100	-1230	30/30
Octavia II RS (1Z)	Limousine / sedan	01/06-	2.0TFSi, 2.0TDi	125-147	-1100	-1100	20/20
	Combi / station wagon		2.0TFSi, 2.0TDi	125-147	-1100	-1150	20/20
Octavia III (5E) Frontantrieb / 2WD	Limousine, Combi / sedan, station wagon	12/12-	1.2TSi, 1.4TSi	63-103	-920	-970	30/30
			1.8TSi, 1.6TDi	66-132	-1000	-970	30/30
			2.0TDi	110-135	-1020	-970	30/30
Octavia III RS (5E) Frontantrieb / 2WD	Limousine, Combi / sedan, station wagon	08/13-	2.0TSi, 2.0TDi	135-169	-1050	-980	30/30
Octavia III 4x4 (5E) / 4WD	Limousine / sedan	12/12-	1.8TSi, 1.6TDi, 2.0TDi	77-135	-1060	-1050	30/20
	Combi / station wagon	05/13-	1.8TSi, 1.6TDi, 2.0TDi	77-135	-1060	-1050	30/20
Rapid (NH)	Limousine, Spaceback (Combi) / sedan, station wagon	10/12-	1.2MPI (3Zyl. / 3cyl.), 1.2TSi	55-63	-880	-860	30/30
			1.4TSi, 1.6TDi	66-90	-960	-860	30/30
Superb I (3U)		04/02-05/08	1.8T, 2.0, 1.9TDi	85-110	-1160	-1090	40/40
Superb II (3T)	Limousine / sedan	06/08-	1.4TSi, 1.8TSi, 2.0TSi ohne DSG / without DSG, 1.6TDi, 1.9TDi	77-147	-1210	-1250	40/40
			1.8TSi, 2.0TSi mit DSG / with DSG, 2.0TDi	103-147	-1210	-1250	40/40
	Combi / station wagon	10/09-	1.4TSi, 1.8TSi, 2.0TSi ohne DSG / without DSG, 1.6TDi, 1.9TDi	77-147	-1210	-1250	30/30
			1.8TSi, 2.0TSi mit DSG / with DSG, 2.0TDi	103-147	-1210	-1250	30/30
Superb III (3T) (ab Mod. 2016) / (Mod. 2016-) Frontantrieb / 2WD	Limousine / sedan	04/15-	1.4TSi	92-110	-990	-1030	30/30
			1.8TSi, 2.0TSi, 1.6TDi	88-162	-1050	-1030	30/30
			2.0TDi	110-140	-1100	-1030	30/30
	Combi / station wagon		1.4TSi	92-110	-990	-1090	30/30
			1.8TSi, 2.0TSi, 1.6TDi	88-162	-1050	-1090	30/30
			2.0TDi	110-140	-1100	-1090	30/30

Sportfedern		Sportfahrwerke		Sportdämpfer Vorderachse		Sportdämpfer Hinterachse	
Bestell-Nr.	Preis-Kategorie	Bestell-Nr.	Preis-Kategorie	Bestell-Nr.	Preis-Kategorie	Bestell-Nr.	Preis-Kategorie
Sport Springs		Sport Suspension		Sport Shocks, Front Axle		Sport Shocks, Rear Axle	
Part No.	Price Category	Part No.	Price Category	Part No.	Price Category	Part No.	Price Category
28281030	B	23281030	B	61W10029	11	61W10028	7
28281009	B	23281009	B	61W10029	11	61W10028	7
28281036	B	23281036	B	61W10042	11	61W80054	9
28281055	B	23281055	B	61W10043	11	61W80054	9
28281055	B	23281055	B	61W10042	11	61W80054	9
28281037	B	23281037	B	61W10043	11	61W80054	9
28281037	B	23281137	B	61W10042	11	61W80054	9
28282050	B	-	-	-	-	-	-
28282051	B	-	-	-	-	-	-
28280366	A	-	-	-	-	-	-
28282007	A	23282007	A	61W80556	8	61W80057	7
28282008	A	23282008	A	61W80556	8	61W80057	7
28282029	A	23282029	A	61W80556	8	61W80057	7
28282030	A	23282030	A	61W80556	8	61W80057	7
28282031	A	23282031	A	61W80556	8	61W80057	7
28282032	A	23282032	A	61W80556	8	61W80057	7
28282033	A	23282033	A	61W80556	8	61W80057	7
28282034	A	23282034	A	61W80556	8	61W80057	7
28282057	A	-	-	-	-	-	-
28282058	A	-	-	-	-	-	-
28282059	A	-	-	-	-	-	-
28282054	A	-	-	-	-	-	-
28282055	A	-	-	-	-	-	-
28282056	A	-	-	-	-	-	-
28282018	A	23282018	A	61W80556	8	61W80057	7
28282046	A	23282046	A	61W80056	8	61W80057	7
28282047	A	23282047	A	61W80056	8	61W80057	7
28282001	B	23282001	B	61W10029	11	61W10028	7
28282003	B	23282003	B	61W10029	11	61W10028	7
28282004	B	23282004	B	61W10029	11	61W10028	7
28282006	B	23282006	B	61W10029	11	61W10028	7
28282016	B	23282016	B	61W10042	11	61W80054	9
28282016	B	23282116	B	61W10043	11	61W80054	9
28282020	B	23282020	B	61W10042	11	61W80054	9
28282020	B	23282120	B	61W10043	11	61W80054	9
28282021	B	23282021	B	61W10042	11	61W80054	9
28282021	B	23282121	B	61W10043	11	61W80054	9
28282016	B	23282016	B	61W10042	11	61W80054	9
28282020	B	23282020	B	61W10042	11	61W80054	9
28210159	B	-	-	-	-	61W80053	9
28210162	B	-	-	-	-	61W80053	9
28210160	B	-	-	-	-	61W80053	9
28210163	B	-	-	-	-	61W80053	9
28210161	B	-	-	-	-	61W80053	9
28210164	B	-	-	-	-	61W80053	9
28282052	B	-	-	-	-	61W10049	9
28282060	B	-	-	-	-	61W10049	9
28282053	B	-	-	-	-	61W10049	9
28282050	B	-	-	-	-	-	-
28282051	B	-	-	-	-	-	-
28282011	C	23282011	C	61W80058	8	61W80017	9
28282035	C	23282035	C	61W10042	11	61W80054	9
28282035	C	23282135	C	61W10043	11	61W80054	9
28282036	C	23282036	C	61W10042	11	61W80054	9
28282036	C	23282136	C	61W10043	11	61W80054	9
28282048	C	23282048	C	61W10042	11	61W80054	9
28282048	C	23282148	C	61W10043	11	61W80054	9
28282049	C	23282049	C	61W10042	11	61W80054	9
28282049	C	23282149	C	61W10043	11	61W80054	9
28280392	B	-	-	-	-	-	-
28280393	B	-	-	-	-	-	-
28280394	B	-	-	-	-	-	-
28280398	B	-	-	-	-	-	-
28280399	B	-	-	-	-	-	-
28280400	B	-	-	-	-	-	-

5T Federn/Richtwerke
5T Springs/Suspensions

*= ra shocks absorber has a slot adjustment for adjusting the height

Fahrzeug-Modell (Typ)	Ausführung	Baujahr	Motorvariante	Leistung in kW	max. Achslasten in Kg VA HA	Tieferlegung VA / HA in mm	Auflagen/Hinweise
Manufacturer (vehicle type)	Model	Year	Engine	Power in kW	max. Axleload in kg FA RA	Lowering fa / ra in mm	References

Sportfedern	
Bestell-Nr.	Preis-Kategorie
Part No.	Price Category

Sportfahrwerke	
Bestell-Nr.	Preis-Kategorie
Part No.	Price Category

Sportdämpfer Vorderachse	
Bestell-Nr.	Preis-Kategorie
Part No.	Price Category

Sportdämpfer Hinterachse	
Bestell-Nr.	Preis-Kategorie
Part No.	Price Category

Volkswagen

Golf V (1K), Jetta V (1KM) Frontantrieb / 2WD	Limousine / sedan	09/03-09/08	1.4, 1.6	55-75	-980	-975	30/30	21,71	28280091	B	23280091	B	61W10042	11	61W80054	9	
			1.4TSi, 1.6, 2.0FSi, 1.6TDi, 1.9TDi	66-118	-1080	-975	30/30	21,71	28280092	B	23280092	B	61W10042	11	61W80054	9	
			1.9TDi, 2.0SDi, 2.0TDi	66-125	-1160	-975	30/30	7,1	28280114	B	23280114	B	61W10042	11	61W80054	9	
	GT	03/06-09/08	1.4TSi, 2.0TDi (GT)	125	-1130	-1010	20/20	7,1	28280115	B	23280115	B	61W10042	11	61W80054	9	
	GTI	12/04-09/08	2.0FSi (GTI)	147-173	-1070	-1010	20/20	7,1	28280115	B	23280115	B	61W10042	11	61W80054	9	
	Variant / station wagon (Kombi)	07/07-07/09	1.4, 1.6	59-125	-1000	-1000	30/30	11,71	28280123	B	23280123	B	61W10042	11	61W80054	9	
			1.9TDi, 2.0TDi	77-103	-1070	-1000	30/30	11,71	28280123	B	23280323	B	61W10042	11	61W80054	9	
	Golf V (1K) 4motion / 4WD	Limousine / sedan	05/04-09/08	2.0FSi, 1.9TDi, 2.0TDi	66-103	-1160	-1000	30/30	7,1	28280093	B	23280093	B	61W10042	11	61W80054	9
	Golf VI (1K, 1KM)	Limousine / sedan	10/08-	1.2TSi, 1.4, 1.4TSi, 1.6 ohne Automatik / without automatic gearbox	59-118	-1030	-880	30/30	11,71	28280187	B	23280187	B	61W10042	11	61W80054	9
				1.4 TSi, 1.6, 1.6 TDi ohne DSG / without DSG	75-118	-1100	-880	30/30	11,71	28280188	B	23280188	B	61W10042	11	61W80054	9
1.8T, 1.6TDi mit DSG / with DSG, 1.9TDi, 2.0TDi				77-118	-1100	-880	30/30	11,71	28280189	B	23280189	B	61W10042	11	61W80054	9	
GTI Limousine / sedan		03/09-	2.0TSi (GTI)	155-173	-1070	-970	20/20	7,1	28280191	B	23280391	B	61W10042	11	61W80054	9	
GTD Limousine / sedan		05/09-	2.0TDi (GTD)	125	-1110	-970	20/20	7,1	28280199	B	23280199	B	61W10042	11	61W80054	9	
"R" Limousine / sedan Cabriolet / convertible		12/09- 06/11-	2.0TSi ("R")	199	-1110	-970	20/20	11,71	28280198	B	-	-	-	-	-	-	-
			1.2TSi, 1.2TSi BlueMotion	77	-960	-940	30/30	11,71	28280360	B	23280360	B	61W10042	11	61W80054	9	
GTI Cabriolet / convertible		04/12-	1.4TSi, 1.6TDi, 2.0TDi	77-118	-1100	-940	30/30	11,71	28280361	B	23280361	B	61W10042	11	61W80054	9	
			2.0TSi (GTI)	155	-1090	-940	20/20	7,1	28280199	B	23280199	B	61W10042	11	61W80054	9	
Variant / station wagon (Kombi)		08/09-	1.2TSi, 1.4TSi, 1.6i (ohne Automatic oder DSG / without automatic or DSG)	75-118	-1010	-1000	30/30	11,71	28280329	B	23280329	B	61W10042	11	61W80054	9	
	1.2TSi, 1.4TSi, (mit Automatic oder DSG / with automatic or DSG), 1.6TDi		66-118	-1100	-1000	30/30	11,71	28280329	B	23280429	B	61W10042	11	61W80054	9		
	2.0TDi		103	-1100	-1000	30/30	11,71	28280330	B	23280330	B	61W10042	11	61W80054	9		
	1.6TDi mit DSG / with DSG, 2.0TDi	77-135	-1060	-950	30/30	4,72,200	28280430	B	23280430	B	61W10042	11	61W80054	9			
						4,72,201	28280331	B	23280331	B	61W10042	11	61W80054	9			
						4,71,201	28280331	B	23280431	B	61W10042	11	61W80054	9			
Golf VII (AU, AUV)	Limousine / sedan	10/12-	1.2TSi, 1.4TSi	63-103	-940	-950	30/30	4,72,200	28210146	B	23210146	B	61W80048	11	61W10049	9	
								4,72,201	28210150	B	23210250	B	61W80048	11	61W80053	9	
								4,71,200	28210146	B	23210546	B	61W80049	11	61W10049	9	
								4,71,201	28210150	B	23210550	B	61W80049	11	61W80053	9	
								4,72,200	28210153	B	23210153	B	61W80048	11	61W10049	9	
			1.4TSi mit DSG / with DSG, 1.6TDi	77-103	-1010	-950	30/30	4,72,201	28210156	B	23210156	B	61W80048	11	61W80053	9	
								4,71,200	28210153	B	23210553	B	61W80049	11	61W10049	9	
								4,71,201	28210156	B	23210556	B	61W80049	11	61W80053	9	
								4,72,200	28210147	B	23210147	B	61W80048	11	61W10049	9	
								4,72,201	28210151	B	23210251	B	61W80048	11	61W80053	9	
1.6TDi mit DSG / with DSG, 2.0TDi	77-135	-1060	-950	30/30	4,71,200	28210147	B	23210547	B	61W80049	11	61W10049	9				
					4,71,201	28210151	B	23210551	B	61W80049	11	61W80053	9				
					4,72,200	28210154	B	23210154	B	61W80048	11	61W10049	9				
					4,72,201	28210157	B	23210157	B	61W80048	11	61W80053	9				
					4,71,200	28210154	B	23210554	B	61W80049	11	61W10049	9				
2.0TDi	77-135	-1060	-950	30/30	4,71,201	28210157	B	23210557	B	61W80049	11	61W80053	9				
					4,72,200	28210148	B	23210148	B	61W80048	11	61W10049	9				
					4,72,201	28210152	B	23210152	B	61W80048	11	61W80053	9				
Variant / station wagon (Kombi)	07/13-	1.2TSi, 1.4TSi	63-103	-940	-1030	30/30	4,72,200	28210148	B	23210548	B	61W80049	11	61W80053	9		
							4,72,201	28210152	B	23210552	B	61W80049	11	61W80053	9		
							4,71,200	28210155	B	23210155	B	61W80048	11	61W10049	9		
							4,72,201	28210158	B	23210158	B	61W80048	11	61W80053	9		
							4,71,200	28210155	B	23210555	B	61W80049	11	61W10049	9		
	2.0TSi (GTI), 2.0TDi (GTD)	05/13-	2.0TSi (GTI), 2.0TDi (GTD)	135-169	-1080	-950	20/20	4,200	28210148	B	23210148	B	61W80048	11	61W80053	9	
								4,200	28210152	B	23210152	B	61W80048	11	61W80053	9	
								4,200	28210148	B	23210548	B	61W80049	11	61W10049	9	
								4,71,201	28210152	B	23210552	B	61W80049	11	61W80053	9	
								4,71,201	28210155	B	23210155	B	61W80048	11	61W10049	9	
2.0TSi ("R")	12/13-	2.0TSi ("R")	221-228	-1080	-990	20/20	170	28210165	B	23210165	B	61W80049	11	61W80053	9		
							4,200	28210166	B	23210166	B	61W80049	11	61W10049	9		
							4,200	28280318	B	-	-	-	-	-			
							4,72,200	28210169	B	23210169	B	61W80048	11	61W10049	9		
							4,72,201	28210159	B	23210159	B	61W80048	11	61W80053	9		

*= ra shocks absorber has a slot adjustment for adjusting the height

Fahrzeug-Modell (Typ)	Ausführung	Baujahr	Motorvariante	Leistung in kW	max. Achslasten in Kg VA HA	Tieferlegung VA / HA in mm	Auflagen/Hinweise
Manufacturer (vehicle type)	Model	Year	Engine	Power in kW	max. Axleload in kg FA RA	Lowering fa / ra in mm	References

Sportfedern	
Bestell-Nr.	Preis-Kategorie
Sport Springs	
Part No.	Price Category

Sportfahrwerke	
Bestell-Nr.	Preis-Kategorie
Sport Suspension	
Part No.	Price Category

Sportdämpfer Vorderachse	
Bestell-Nr.	Preis-Kategorie
Sport Shocks, Front Axle	
Part No.	Price Category

Sportdämpfer, Hinterachse	
Bestell-Nr.	Preis-Kategorie
Sport Shocks,Rear Axle	
Part No.	Price Category

Volkswagen

Golf VII (AU, AUV)	Variant / station wagon (Kombi)	07/13-	1.2TSi, 1.4TSi	63-103	-940	-1030	40/40	4,72,200 4,72,201 4,71,200 4,71,201	28210172 B 28210162 B 28210172 B 28210162 B	23210172 B 23210162 B 23210572 B 23210562 B	61W80048 11 61W80048 11 61W80049 11 61W80049 11	61W10049 9 61W80053 9 61W10049 9 61W80053 9			
			1.4TSi mit DSG, 1.6TDi	66-132	-1010	-1030	30/30	4,72,200 4,72,201 4,71,200 4,71,201	28210170 B 28210160 B 28210170 B 28210160 B	23210170 B 23210160 B 23210570 B 23210560 B	61W80048 11 61W80048 11 61W80049 11 61W80049 11	61W10049 9 61W80053 9 61W10049 9 61W80053 9			
			1.6TDi mit DSG, 2.0TDi	77-135	-1060	-1030	30/30	4,72,200 4,72,201 4,71,200 4,71,201	28210171 B 28210161 B 28210171 B 28210161 B	23210171 B 23210161 B 23210571 B 23210561 B	61W80048 11 61W80048 11 61W80049 11 61W80049 11	61W10049 9 61W80053 9 61W10049 9 61W80053 9			
							40/40	4,72,201 4,71,200 4,72,201 4,71,201	28210163 B 28210173 B 28210163 B 28210173 B	23210163 B 23210173 B 23210563 B 23210573 B	61W80048 11 61W80048 11 61W80049 11 61W80049 11	61W80053 9 61W80053 9 61W10049 9 61W80053 9			
							40/40	4,72,201 4,71,200 4,72,201 4,71,201	28210164 B 28210174 B 28210164 B 28210174 B	23210164 B 23210174 B 23210564 B 23210574 B	61W80048 11 61W80048 11 61W80049 11 61W80049 11	61W80053 9 61W80053 9 61W10049 9 61W80053 9			
							40/40	4,71,200 4,71,201 4,72,201 4,71,201	28210164 B 28210174 B 28210164 B 28210174 B	23210164 B 23210174 B 23210564 B 23210574 B	61W80049 11 61W80049 11 61W80049 11 61W80049 11	61W80053 9 61W80053 9 61W80053 9 61W80053 9			
							40/40	4,200 4,201 4,200 4,201	28280374 B 28280377 B 28280375 B 28280378 B	- - - -	- - - -	- - - -			
							81-110	-1090	-960	30/30	4,200 4,201	28280376 B 28280379 B	- -	- -	- -
							77-110	-1060	-930	30/30	170	28210171 B	-	61W80048 11	-
							77-110	-1060	-1050	30/30	170	28210171 B	-	61W80048 11	-
							77	-920	-960	30/30	71,200	28280315 B	23280315 B	61W10042 11	61W80054 9
			Golf VII Sportsvan (AUV)	Van	02/14-	1.2TSi, 1.4TSi	63-110	-980	-960	30/30	4,200 4,201	28280374 B 28280377 B	- -	- -	- -
1.4TSi mit DSG / with DSG, 1.6TDi	61-110	-1050				-960	30/30	4,200 4,201	28280375 B 28280378 B	- -	- -	- -	- -		
1.6TDi mit DSG / with DSG, 2.0TDi	81-110	-1090				-960	30/30	4,200 4,201	28280376 B 28280379 B	- -	- -	- -	- -		
							30/30	71,200	28280315 B	23280315 B	61W80048 11	-	-	-	
							30/30	72,200	28280315 B	23280415 B	61W10043 11	61W80054 9	-	-	
							30/30	71,200	28280316 B	23280316 B	61W10042 11	61W80054 9	-	-	
Golf VII (AU, AUV) 4motion / 4WD	Limousine / sedan	10/12-	1.6TDi 4motion, 2.0TDi 4motion	77-110	-1060	-930	30/30	170	28210171 B	-	61W80048 11	-			
	Variant / station wagon (Kombi)		1.6TDi 4motion, 2.0TDi 4motion	77-110	-1060	-1050	30/30	170	28210171 B	-	61W80048 11	-			
Jetta VI (16)	Limousine / sedan	01/11-	1.2TSi	77	-920	-960	30/30	71,200	28280315 B	23280315 B	61W10042 11	61W80054 9			
			1.4TSi, 2.0TFSi ohne DSG / without DSG, 1.6TDi, 1.6TDi BlueMotion ohne DSG / without DSG	77-147	-1020	-960	30/30	71,200	28280316 B	23280316 B	61W10042 11	61W80054 9			
			2.0TFSi, mit DSG / with DSG, 1.6TDi, 1.6TDi BlueMotion mit DSG / with DSG, 2.0TDi	77-147	-1060	-960	30/30	71,200	28280317 B	23280417 B	61W10042 11	61W80054 9			
Lupo (6X, 6ES) (nicht 3L, Typ 6E)		09/98-07/05	1.0, 1.4	37-74	-790	-690	40/40		28280009 A	23280009 A	61W80001 8	61W80015 7			
			1.4TDi, 1.7SDi	44-55	-820	-690	40/40		28280312 A	23280312 A	61W80001 8	61W80015 7			
Passat (3B) (B5) Frontantrieb / 2WD	Limousine / sedan	10/96-12/00	1.6, 1.8, 1.8T, 2.3 V5, 1.9TDI	66-110	-1110	-1010	40/40		28280082 B	23280082 B	61W10002 8	61W80017 9			
	Variant / station wagon (Kombi)	10/96-12/00	1.6, 1.8, 1.8T, 2.3 V5, 1.9TDI	66-110	-1110	-1100	40/40		28280083 B	23280083 B	61W10002 8	61W80017 9			
Passat (3B) (B5) 4motion / 4WD	Variant / station wagon (Kombi)	10/96-09/00	1.8, 2.0, 2.3 V5, 1.9TDi, 2.0TDi	66-110	-1090	-1190	30/30		28280297 B	-	-	-			
			2.8i V6	142	-1140	-1190	30/30		28280298 B	-	-	-			
Passat (3B) (B5) Frontantrieb / 2WD	Limousine / sedan	10/00-01/05	1.6, 2.0, 1.8T ohne Automatik	74-110	-1200	-1190	30/30		28280299 B	-	-	-			
			1.6, 2.0, 1.8T without automatic gearbox				30/00	9	28280254 S2	23280254 S2	61W80058 8	61W80017 9			
			1.8T Automatik, 2.3 V5 und 2.8 V6 ohne Automatik, 1.9TDI, 2.0TDI	66-142	-1175	-1070	30/30		9	28280084 B	23280084 B	61W80058 8	61W80017 9		
			1.8T with Automatik, 2.3 V5 und 2.8 V6 without automatic gearbox, 1.9TDI, 2.0TDI				30/30			28280258 B	23280258 B	61W80058 8	61W80017 9		
							30/00		9	28280255 S2	23280255 S2	61W80058 8	61W80017 9		
							30/30			28280085 B	23280085 B	61W80058 8	61W80017 9		
							40/30			28280260 B	23280260 B	61W80058 8	61W80017 9		
							30/00		9	28280254 S2	23280254 S2	61W80058 8	61W80017 9		
							30/30			28280086 B	23280086 B	61W80058 8	61W80017 9		
							40/30			28280269 B	23280269 B	61W80058 8	61W80017 9		
							40/40			28280270 B	23280270 B	61W80058 8	61W80017 9		
							30/00		9	28280255 S2	23280255 S2	61W80058 8	61W80017 9		
Passat (3B) (B5) 4motion / 4WD	Variant / station wagon (Kombi)	10/96-01/05	2.0, 2.3 V5, 1.9Tdi, 2.0TDi	85-125	-1090	-1200	30/30		28280271 B	23280271 B	61W80058 8	61W80017 9			
			2.8i V6	142	-1140	-1200	30/30			28280298 B	-	-	-		
Passat (3C, 3c) (B6, B7) Frontantrieb / 2WD	Limousine / sedan	02/05-10/14	1.6, 1.6FSi, 2.0FSi ohne Automatik / without automatic gearbox	75-110	-1040	-1010	30/30	11	28280098 B	23280098 B	61W10042 11	61W80054 9			
			1.4TSi, 1.8TSi, 2.0FSi mit Automatik / with automatic gearbox	90-118	-1100	-1020	30/30	11,21	28280099 B	23280099 B	61W10042 11	61W80054 9			
			2.0TSi, 1.9TDi, 2.0TDi	77-155	-1160	-1050	30/30	11	28280107 B	23280107 B	61W10042 11	61W80054 9			
			1.6, 1.6FSi, 2.0FSi ohne Automatik / without automatic gearbox	75-110	-1040	-1090	30/30	11	28280193 B	23280193 B	61W10042 11	61W80054 9			
			1.4TSi, 1.8TSi, 2.0FSi mit Automatik / with automatic gearbox	90-118	-1100	-1100	30/30	11,21	28280194 B	23280194 B	61W10042 11	61W80054 9			
			2.0TSi, 1.9TDi, 2.0TDi	77-155	-1160	-1130	30/30	11	28280195 B	23280195 B	61W10042 11	61W80054 9			
Passat (3C, 3c) (B6, B7) 4motion / 4WD	Limousine, Variant (Kombi) / sedan, station wagon	09/05-10/14	2.0FSi, 2.0TDi	103-140	-1130	-1230	30/30	11	28280116 B	23280116 B	61W10042 11	61W80054 9			
			3.2FSi	184	-1180	-1230	30/30	11	28280121 B	23280121 B	61W10042 11	61W80054 9			
Passat (3C) (B8) Frontantrieb / 2WD	Limousine / sedan	11/14-	1.4TSi Bluemotion	92-110	-1000	-1030	30/30	4	28280392 B	-	-	-			
			1.6TDi Bluemotion	88	-1060	-1030	30/30	4	28280393 B	-	-	-			
			1.8TSi Bluemotion, 2.0TSi, 2.0TDi Bluemotion	110-162	-1100	-1030	30/30	4	28280394 B	-	-	-			
			1.4TSi Bluemotion	92-110	-1000	-1170	30/30	4,11	28280398 B	-	-	-			
			1.6TDi Bluemotion	88	-1060	-1170	30/30	4,11	28280399 B	-	-	-			
			1.8TSi Bluemotion, 2.0TSi, 2.0TDi Bluemotion	110-162	-1100	-1170	30/30	4,11	28280400 B	-	-	-			
Passat (3C) (B8) 4motion / 4WD	Limousine, Variant (Kombi) /	11/14-	1.4TSi 4motion / 4WD	110	-1020	-1180	30/30	11,170	28280395 B	-	-	-			

Fahrzeug-Modell (Typ)	Ausführung	Baujahr	Motorvariante	Leistung in kW	max. Achslasten in Kg	Tieferlegung VA / HA in mm	Auflagen/Hinweise	
Manufacturer (vehicle type)	Model	Year	Engine	Power in kW	max. Axleload in kg	Lowering fa / ra in mm	References	
Volkswagen								
Passat (3C) (B8) 4motion / 4WD	sedan, station wagon	11/14-	2.0TDi 4motion / 4WD 2.0TSi 4motion, 2.0TDi 4motion / 4WD	110 140-206	-1100 -1160	-1220 -1220	30/30 30/30	11,170 11,170
Passat R36 (3C) (B6, B7) 4motion / 4WD	Limousine, Variant (Kombi) / sedan, station wagon	03/08-10/14	3.6i V6	220	-1180	-1230	20/20	11
Passat CC (3CC)	Coupé	06/08-	1.8TSi, 2.0TSi, 2.0TDi	103-147	-1120	-1010	30/30	11
Polo, Derby (86 / 86c)		08/76-07/94	0.9, 1.0, 1.1, 1.3, 1.3D, 1.4D	29-55	-640	-630	40/40 60/40	97 1,97
Polo (6N)	Schrägheck / hatchback	08/94-09/99 (bis Modell 99)	1.0, 1.05, 1.3, 1.4 1.6, 1.7SDi, 1.9D, 1.9SDi, 1.9TDi 1.6i 16V (GTI)	37-74 42-81 88	-780 -820 -820	-750 -750 -750	40/40 40/40 30/30	39
		10/99-08/01 ab Modell 2000)	1.0, 1.4 1.4, 1.6	37-74 55-74	-800 -850	-780 -780	40/40	
Polo (9N)	Schrägheck / hatchback	09/01-05/09	1.2i (3Zyl.) / (3cyl.) 1.2i 12V-1.6i 16V 1.4TDi + 1.9TDi	40 47-77 55-96	-830 -890 -960	-840 -840 -840	30/30 30/30 30/30	57,66 66 66
	Classic (Stufenheck) / classic, notchback	02/06-05/09	1.8Turbo (GTI)	110	-960	-840	20/20	
		10/03-05/09	1.2i (3Zyl.) / (3cyl.) 1.2i 12V-1.6i 16V 1.4TDi + 1.9TDi	40 47-77 55-96	-830 -890 -960	-840 -840 -840	30/30 30/30 30/30	57
Polo (6R)	Limousine / sedan	06/09-	1.0i, 1.2i (3Zyl.) / (3cyl.) 1.2TSi, 1.4i, 1.2TDi 1.2TSi mit DSG / with DSG, 1.4TDi, 1.6TDi	44-55 55-77	-830 -900	-820 -820	30/30 30/30	
	GT, GTI	03/10-04/15-	1.4TSi (GT, GTI)	55-81	-960	-820	30/30	
	GTI	04/15-	1.8TSi	103-132	-960	-820	20/20	
Scirocco I-II (53, 53B)		08/79-07/92	1.3, 1.5, 1.6, 1.8	44-102	-785	-630	30/30	8
Scirocco (13)		08/08-	1.4TSi 2.0TSi, 2.0TDi 2.0TSi ("R")	90-118 103-155 195-206	-1050 -1080 -1070	-780 -780 -790	20/20 20/20 20/20	6 6
Sharan (7M) Frontantrieb / 2WD		09/95-07/10	1.8T, 2.0, 2.8, 1.9TDi, 2.0TDi	66-150	-1260	-1355	50/50	31
Sharan (7N)	5 sitzer / 5 seats 7 sitzer / 7 seats	08/10-	1.4TSi, 2.0TSi, 2.0TDi ohne DSG / without DSG 2.0TSi, 2.0TDi 1.4TSi, 2.0TSi, 2.0TDi ohne DSG / without DSG 2.0TSi, 2.0TDi	85-147 103-147 85-147 103-147	-1240 -1300 -1240 -1300	-1150 -1150 -1310 -1310	30/30 30/30 30/30 30/30	4,11 4,11 4,11 4,11
Tiguan (5N) 4motion / 4WD		09/07-	1.4TSi, 2.0FSi, 2.0TDi	81-155	-1190	-1130	40/40	11
Touran I (1T)		02/03-	1.4TSi, 1.6, 1.6FSi, 2.0FSi, 1.6TDi 1.9TDi, 2.0TDi	75-125 66-125	-1160 -1200	-1190 -1190	30/30 30/30	21,66 66
Touran II (1T)		08/15-	1.2TSi 1.4TSi 1.6TDi, 2.0TDi	81 110 81-110	-1060 -1090 -1160	-1200 -1200 -1200	30/30 30/30 30/30	4 4 4
T3 (245, 247, 251, 253, 255)	Transporter, Kastenwagen, Kombi, Bus / Transporter, Van, Bus	09/79-07/92	1.6, 1.9, 2.0, 2.1, 1.6D	37-82	-1300	-1400	40/40	4,31,123
T4 (70X0A), (70X02A), (70X02B), (70X02C), (70X0BL), (70X02BL), (70X0B), (70X0C), (7DB), (7DW), (7DWA), (7DZ), (7DZA)	Transporter, Kastenwagen, Kombi, Bus, Multivan, California, Caravelle, Atlantic / Transporter, Van, Bus, Multivan	08/90-02/03	1.8, 2.0, 2.5, 2.8, 1.9D, 1.9TD, 2.4D, 2.5TDi für aufgelastete und schwere Fahrzeuge (bis 2810 kg zGG) / for heavy application (up to 2810 kg max total load)	44-150 44-150	-1600 -1600	-1460 -1490	./,40 ./,40	18,31,123, 138,181
T5, T6 (7M, 7HC, 7HCA, 7HM, 7HMA, 7HK, 7HXX0, 7J0)	Caravelle, Multivan, Transporter	03/03-	2.0, 2.0 TSI, 2.0 TSI 4motion, 1.9 TDI, 2.0 TDI, 2.0 TDI 4motion, 2.0 BITDI, 2.0 BITDI 4motion 2.0 TSI, 2.0 TSI 4motion, 3.2 V6, 3.2 4motion, 3.2 V6 4motion, 2.0 TDI, 2.0 TDI 4motion, 2.0 BITDI, 2.0 BITDI 4motion, 2.5 TDI, 2.5 TDI 4motion	62-132 96-173	-1550 -1710	-1720 -1720	30/30 30/30	11,99,123 11,99,123
	Frontantrieb und 4motion / 2WD and 4WD						45/45	11,99,123
T5, T6 (7M, 7HC, 7HCA, 7HM, 7HMA, 7HK, 7HXX0, 7J0)	Caravelle, Multivan, Transporter,	03/03-	2.0, 3.2, 1.9TDi, 2.0TDi, 2.0BITDI, 2.5TDi	62-173	-1710	-1720	30/00	9,99
	Wohnmobil / (Camper)							
Up (AA)		12/11-	1.0 1.0TSi	44-55 66	-680 -740	-650 -650	20/20 20/20	
Volvo								
S 40 (V)	Limousine / sedan	07/95-08/99	1.6, 1.8, 1.8i, 2.0, 2.0T, 1.9TD, 1.9Di	66-147	-960	-905	30/30	11
V 40 (V)	Kombi / station wagon Kombi (ab Fg.-Nr. 600 068) / station wagon (from chassis no. 600 068)	07/95-08/99 06/00-	1.6, 1.8, 1.8i, 2.0, 2.0T, 1.9TD, 1.9Di 1.8, 2.0T, 1.9D	66-147 66-118	-960 -950	-905 -870	30/30 30/30	11,21 11,21
S 40 (M)	Limousine / sedan	01/04-	2.4, 2.4i, T5, 2.0D	80-132	-1110	-1010	30/30	11
V 50 (M)	Kombi / station wagon	12/03-	2.4, 2.4i, T5, 2.0D	80-132	-1110	-1010	30/30	11

Sportfedern		Sportfahrwerke		Sportdämpfer Vorderachse		Sportdämpfer, Hinterachse	
Bestell-Nr.	Preis-Kategorie	Bestell-Nr.	Preis-Kategorie	Bestell-Nr.	Preis-Kategorie	Bestell-Nr.	Preis-Kategorie
Sport Springs		Sport Suspension		Sport Shocks, Front Axle		Sport Shocks,Rear Axle	
Part No.	Price Category	Part No.	Price Category	Part No.	Price Category	Part No.	Price Category
28280396	B	-		-		-	
28280397	B	-		-		-	
28280190	B	-		-		-	
28280183	B	23280183	B	61W10042	11	61W80054	9
28280001	A	23280001*	A	61W80003	8	61W80010*	7
28280003	A	23280003*	A	61W80003	8	61W80010*	7
28280004	A	23280004*	A	61W80001	8	61W80012*	7
28280276	A	23280276*	A	61W80001	8	61W80012*	7
28280277	A	23280277*	A	61W80001	8	61W80012*	7
28280033	A	23280033*	A	61W80001	8	61W80012*	7
28280073	A	23280073*	A	61W80001	8	61W80012*	7
28280278	A	23280278	A	61W80556	8	61W80057	7
28280074	A	23280074	A	61W80556	8	61W80057	7
28280075	A	23280075	A	61W80556	8	61W80057	7
28280075	A	23280075	A	61W80556	8	61W80057	7
28280278	A	23280278	A	61W80556	8	61W80057	7
28280074	A	23280074	A	61W80556	8	61W80057	7
28280075	A	23280075	A	61W80556	8	61W80057	7
28280309	A	23280309	A	61W80066	8	61W80057	7
28280310	A	23280310	A	61W80066	8	61W80057	7
28280311	A	23280311	A	61W80066	8	61W80057	7
28280311	A	23280311	A	61W80066	8	61W80057	7
28280319	A	-		-		-	
28280289	B	23280289*	B	61W80004	8	61W80011*	7
28280185	B	23280185	B	61W10042	11	61W80064	9
28280186	B	23280186	B	61W10042	11	61W80064	9
28280197	B	-		-		-	
28280032	B	23280032	B	61W80006	8	61W80014	9
28280325	B	-		-		-	
28280326	B	-		-		-	
28280327	B	-		-		-	
28280328	B	-		-		-	
28280180	B	23280180	B	61W10042	11	61W80065	7
28280068	B	23280068	B	61W10042	11	61W80054	9
28280069	B	23280069	B	61W10042	11	61W80054	9
28280399	B	-		-		-	
28280400	B	-		-		-	
28280390	B	-		-		-	
28280292	C	-		-		-	
28280293	S4	23280293	S4	61W80005	8	61W80013	9
28280028	S5	23280028	C	61W80005	8	61W80013	9
28280094	C	-		-		-	
28280383	C	-		-		-	
28280095	C	-		-		-	
28280384	C	-		-		-	
28280367	S3	-		-		-	
28280366	A	-		-		-	
28280380	A	-		-		-	
28267001	B	-		-		-	
28267001	B	-		-		-	
28267004	B	-		-		-	
28267014	B	-		-		-	
28267014	B	-		-		-	

*= ra shocks absorber has a slot adjustment for adjusting the height

ST
SUSPENSIONS

ST X Coilovers





ST X Coilovers

- **Height adjustable**
- *Designed and manufactured in KW quality*
- *Fixed damper setup for best street performance*
- *Individual lowering within the tested adjustment range according to approval of parts*
- *Front and rear axle ride height adjustment (when possible)*
- *Galvanised coilover struts*
- *Complete solution with adjustable spring plate, race spring system and bump stops with dust protection*
- *Twin-tube dampers with high-quality components for maximum longevity*

engineered by



ST
SUSPENSIONS

ST XA Coilovers



ST Coilovers



ST XA Coilovers

- *Height adjustable*
- *Adjustable rebound damping*

- *Designed and manufactured in KW quality*
- *On- car damper adjustment to get more control or comfort*
- *Individual lowering within the tested adjustment range according to approval of parts*
- *Front and rear axle ride height adjustment (when possible)*
- *Galvanised coilover struts*
- *Complete solution with adjustable spring plate, race spring system and bump stops with dust protection*
- *Twin-tube dampers with high-quality components for maximum longevity*

engineered by



ST
SUSPENSIONS

ST XTA Coilovers



ST Coilovers



ST XTA Coilovers

- *Height adjustable*
- *Adjustable top mounts*
- *Adjustable rebound damping*

- *Designed and manufactured in KW quality*
- *Scaled camber adjustment (caster optional)*
- *On- car damper adjustment to get more control or comfort*
- *Individual lowering within the tested adjustment range according to approval of parts*
- *Front and rear axle ride height adjustment (if possible)*
- *Galvanised coilover struts for corrosion protection*
- *Complete solution with adjustable spring plate, race spring system and bump stop with dust protection*
- *Aluminium adjustable unibal top mounts (if possible)*

engineered by



Hersteller	Ausführung	Baujahr	max. Achstlasten in kg		Tieferlegung in mm		Hinweise
			VA	HA	VA	HA	
Manufacturer	Model	Year	max. axle loads in kg		lowering in mm		Comments
			FA	RA	front	rear	

Audi

A4; (B8, B81)	Lim., Frontantrieb / sedan; 2WD	11/07-09/15	-1080	-1245	25-55	25-50	4,11,189
	Avant; Frontantrieb / station wagon; 2WD	04/08-09/15	1081-1180	-1245	25-55	25-50	4,11,189
	Lim., Quattro / sedan; 4WD	11/07-09/15	-1080	-1215	25-55	25-50	4,11,189
	Avant; Quattro / station wagon; 4WD	04/08-09/15	1081-1225	-1225	25-55	25-50	11,189
S4; (B8, B81)	Lim., Quattro / sedan; 4WD	11/08-	-1225	-1225	15-45	15-40	11,189
	Avant; Quattro / station wagon; 4WD	11/08-	-1225	-1250	15-45	15-40	11,189
A5; (B8, B81)	Coupé; Frontantrieb, Quattro / coupé; 2WD, 4WD	05/07-06/16	-1080	-1250	25-55	25-50	11,189
	Cabrio; Frontantrieb, Quattro / convertible; 2WD, 4WD	04/09-06/16	1081-1250	-1250	25-55	25-50	11,189
A5 Sportback; (B8, B81)	Frontantrieb, Quattro / 2WD, 4WD	09/09-12/16	-1080	-1250	25-55	25-50	11,189
	Quattro / 4WD	06/07-06/16	-1250	-1250	15-45	15-40	11,189
S5; (B8, B81)	Coupé, Cabrio; Quattro / coupé, convertible; 4WD	04/10-06/15	-1260	-1250	5-30	10-30	11,222
A6; (4B)	Lim., Avant; Frontantrieb / sedan, station wagon; 2WD	01/97-	-1100	-1185	40-75	40-75	4
	Lim., Avant; Quattro / sedan, station wagon; 4WD	02/97-	-1250	-1185	40-75	40-75	4
S6; (4B)	Lim., Avant; Quattro / sedan, station wagon; 4WD	09/99-	-1100	-1200	40-75	40-75	11,170
	Lim., Frontantrieb, Quattro / sedan; 2WD, 4WD	05/04-	1101-1350	-1300	40-75	40-75	11,170
A6; (4F)	Avant; Frontantrieb, Quattro / station wagon; 2WD, 4WD	02/05-	1241-1305	-1205	35-65	35-65	6,11
	Lim., Frontantrieb, Quattro / sedan; 2WD, 4WD	03/11-	-1240	-1300	35-65	35-65	6,11
A7 Sportback; (4G, 4G1)	Frontantrieb, Quattro / 2WD, 4WD	10/10-	-1270	-1320	35-60	30-55	6,11
	Frontantrieb, Quattro / 2WD, 4WD	03/94-09/02	-1380	-1230	30-60	25-50	11
A8; (D2)	Quattro (3,3TDI, W12) / 4WD (3,3TDI, W12)	06/00-	-1380	-1230	30-60	25-50	11
	Quattro / 4WD	07/96-09/02	-1380	-1230	30-60	25-50	11
Q3; (8U)	Frontantrieb, Allrad; Federbein Ø 55mm / 2WD, 4WD; susp strut Ø 55mm	10/11-	-1200	-1170	30-60	40-70	71
Q5; (8R, 8R1)	Frontantrieb, Allrad / 2WD, 4WD	09/08-	-1220	-1360	40-80	45-85	189
SQ5; (8R, 8R1)	Allrad; / 4WD	09/12-	1221-1325	-1360	40-80	45-85	189
	Frontantrieb / 2WD	11/98-	-1030	-845	20-45	20-45	4,42
TT; (8N)	Quattro / 4WD	6/99-	-1040	-900	25-50	25-50	
	Quattro 6Zyl. / 4WD 6cyl.	4/03-	-1110	-920	25-50	25-50	
TT; (8J)	Coupé; Frontantrieb / coupé; 2WD	09/06-09/14	-965	-870	20-50	20-50	71,188
	Coupé; Quattro / coupé; 4WD	09/06-09/14	-1035	-870	10-35	10-30	71,188
TTs; (8J)	Roadster; Frontantrieb / convertible; 2WD	04/07-09/14	-965	-870	20-50	20-50	71,188
	Roadster; Quattro / convertible; 4WD	04/07-09/14	-1040	-870	10-35	5-30	71,188
TT RS; (8J)	Coupé; Quattro / coupé; 4WD	06/08-09/14	-1035	-885	10-35	5-30	71,188
	Roadster; Quattro / roadster; 4WD	06/08-09/14	-1040	-885	10-35	5-30	71,188
TT; Mod.2015 (8J)	Coupé; Quattro / coupé; 4WD	05/09-09/14	-1060	-870	0-25	0-20	71,188
	Roadster; Quattro / roadster; 4WD	05/09-09/14	-1060	-870	0-25	0-20	71,188
TTs; Mod.2015 (8J)	Coupé, Roadster; Frontantrieb, Federbein Ø 55mm / coupé, convertible; 2WD, susp strut Ø 55mm	10/14-	-985	-775	15-45	20-45	6,71
	Coupé, Roadster; Quattro, Federbein Ø 55mm / coupé, convertible; 4WD, susp strut Ø 55mm	10/14-	-1070	-885	20-50	20-45	71,226
	Coupé, Roadster; Quattro, Federbein Ø 55mm / coupé, convertible; 4WD, susp strut Ø 55mm	10/14-	-1070	-885	10-40	10-35	71,226

BMW

Ter / 1-series (E81, E87); (187, 1K2, 1K4)	Coupé	09/04-08/11	-920	-1060	35-65	35-65	4,42
	Cabrio / convertible	10/07-	-945	-1070	30-55	25-50	4,42
Ter / 1-series (E82, E88); (182)	Heckantrieb; ohne elektronische Dämpferregelung / 2WD; without electronic dampers	03/08-	-960	-1115	30-55	25-50	4,42
	Heckantrieb; ohne elektronische Dämpferregelung / 2WD; without electronic dampers	09/11-	-920	-1230	25-50	30-55	6
Ter / 1-series (F20, F21); (1K2, 1K4)	Heckantrieb; ohne elektronische Dämpferregelung / 2WD; without electronic dampers	09/11-	921-1090	-1230	25-50	30-55	6,42
	Coupé; Heckantrieb; ohne elektronische Dämpferregelung / coupé; 2WD; without electronic dampers	02/14-	-920	-1230	25-50	25-50	6
Ter / 1-series M135i / M140i (F20, F21); (1K2, 1K4)	Cabrio; Heckantrieb; ohne elektronische Dämpferregelung / convertible; 2WD; without electronic dampers	01/15-	-1005	-1230	30-55	30-55	6
	Coupé; Heckantrieb; ohne elektronische Dämpferregelung / coupé; 2WD; without electronic dampers	02/14-	921-1090	-1230	10-35	5-35	6,42
Ter / 2-series (F22, F23); (1C)	Cabrio; Heckantrieb; ohne elektronische Dämpferregelung / convertible; 2WD; without electronic dampers	01/15-	-1005	-1230	25-50	15-40	6,42
	Coupé; Heckantrieb; ohne elektronische Dämpferregelung / coupé; 2WD; without electronic dampers	02/14-	921-1090	-1230	10-35	5-35	6,42
Ter / 2-series M235i / M240i (F22, F23); (1C)	Cabrio; Heckantrieb; ohne elektronische Dämpferregelung / convertible; 2WD; without electronic dampers	01/15-	-1005	-1230	25-50	15-40	6,42
	Lim., Touring, Coupé, Cabrio	09/90-05/92	-900	-1150	40-80	30-60	42,124
Ter / 3-series (E36); (3B, 3/B, 3C, 3/C, 3/CG)	sedan, station wagon, coupé, convertible	06/92-02/98	-900	-1150	40-80	30-60	42
		4/94-	-850	-1040	40-80	30-60	42
Ter / 3-series Compact (E36); (3C, 3/C, 3/CG)		10/92-04/99	-920	-1130	30-60	20-45	42
	Lim., Touring, Coupé, Cabrio	05/98-	-910	-1215	40-75	30-60	4,42
M3 (E36); (M3B, M3/B)	sedan, station wagon, coupé, convertible	05/98-	-1030	-1215	40-75	30-60	4,42
	Lim., Coupé, Touring, Cabrio; mit einteiliger VA-Hauptfeder	05/98-	-910	-1215	40-75	30-60	4
Ter / 3-series (E46); (346L, 346C, 346R)	sedan, coupé, station wagon, convertible; with one piece FA main spring	06/01-	-935	-1050	30-60	30-50	42
		06/00-	-990	-1170	20-40	20-40	42

ST X mit festem Dämpfersetup		ST XA mit einstellbarem Dämpfersetup		ST XTA mit einstellbarem Dämpfersetup und Stützlagern	
Bestell-Nr.	Preis Kategorie	Bestell-Nr.	Preis Kategorie	Bestell-Nr.	Preis Kategorie
ST X fixed damper setup		ST XA adjustable damper setup		ST XTA adjustable damper setup and top mounts	
Part No.	price category	Part No.	price category	Part No.	price category
13210074	B	-	-	-	-
13210075	B	-	-	-	-
13210077	B	-	-	-	-
13210078	B	-	-	-	-
13210074	B	-	-	-	-
13210075	B	-	-	-	-
13210077	B	-	-	-	-
13210078	B	-	-	-	-
13210075	B	-	-	-	-
13210078	B	-	-	-	-
13210074	B	-	-	-	-
13210075	B	-	-	-	-
13210078	B	-	-	-	-
13210074	B	-	-	-	-
13210075	B	-	-	-	-
13210078	B	-	-	-	-
13210075	B	-	-	-	-
13210078	B	-	-	-	-
13210074	B	-	-	-	-
13210075	B	-	-	-	-
13210078	B	-	-	-	-
13210075	B	-	-	-	-
13210078	B	-	-	-	-
13210074	B	-	-	-	-
13210075	B	-	-	-	-
13210078	B	-	-	-	-
13210075	B	-	-	-	-
13210078	B	-	-	-	-
13210074	B	-	-	-	-
13210075	B	-	-	-	-
13210078	B	-	-	-	-
13210075	B	-	-	-	-
13210078	B	-	-	-	-
13210074	B	-	-	-	-
13210075	B	-	-	-	-
13210078	B	-	-	-	-
13210075	B	-	-	-	-
13210078	B	-	-	-	-
13210074	B	-	-	-	-
13210075	B	-	-	-	-
13210078	B	-	-	-	-
13210075	B	-	-	-	-
13210078	B	-	-	-	-
13210074	B	-	-	-	-
13210075	B	-	-	-	-
13210078	B	-	-	-	-
13210075	B	-	-	-	-
13210078	B	-	-	-	-
13210074	B	-	-	-	-
13210075	B	-	-	-	-
13210078	B	-	-	-	-
13210075	B	-	-	-	-
13210078	B	-	-	-	-
13210074	B	-	-	-	-
13210075	B	-	-	-	-
13210078	B	-	-	-	-
13210075	B	-	-	-	-
13210078	B	-	-	-	-
13210074	B	-	-	-	-
13210075	B	-	-	-	-
13210078	B	-	-	-	-
13210075	B	-	-	-	-
13210078	B	-	-	-	-
13210074	B	-	-	-	-
13210075	B	-	-	-	-
13210078	B	-	-	-	-
13210075	B	-	-	-	-
13210078	B	-	-	-	-
13210074	B	-	-	-	-
13210075	B	-	-	-	-
13210078	B	-	-	-	-
13210075	B	-	-	-	-
13210078	B	-	-	-	-
13210074	B	-	-	-	-
13210075	B	-	-	-	-
13210078	B	-	-	-	-
13210075	B	-	-	-	-
13210078	B	-	-	-	-
13210074	B	-	-	-	-
13210075	B	-	-	-	-
13210078	B	-	-	-	-
13210075	B	-	-	-	-
13210078	B	-	-	-	-
13210074	B	-	-	-	-
13210075	B	-	-	-	-
13210078	B	-	-	-	-
13210075	B	-	-	-	-
13210078	B	-	-	-	-
13210074	B	-	-	-	-
13210075	B	-	-	-	-
13210078	B	-	-	-	-
13210075	B	-	-	-	-
13210078	B	-	-	-	-
13210074	B	-	-	-	-
13210075	B	-	-	-	-
13210078	B	-	-	-	-
13210075	B	-	-	-	-
13210078	B	-	-	-	-
13210074	B	-	-	-	-
13210075	B	-	-	-	-
13210078	B	-	-	-	-
13210075	B	-	-	-	-
13210078	B	-	-	-	-
13210074	B	-	-	-	-
13210075	B	-	-	-	-
13210078	B	-	-	-	-
13210075	B	-	-	-	-
13210078	B	-	-	-	-
13210074	B	-	-	-	-
13210075	B	-	-	-	-
13210078	B	-	-	-	-
13210075	B	-	-	-	-
13210078	B	-	-	-	-
13210074	B	-	-	-	-
13210075	B	-	-	-	-
13210078	B	-	-	-	-
13210075	B	-	-	-	-
13210078	B	-	-	-	-
13210074	B	-	-	-	-
13210075	B	-	-	-	-
13210078	B	-	-	-	-
13210075	B	-	-	-	-
13210078	B	-	-	-	-
13210074	B	-	-	-	-
13210075	B	-	-	-	-
13210078	B	-	-	-	-
13210075	B	-	-	-	-
13210078	B	-	-	-	-
13210074	B	-	-		

Hersteller	Ausführung	Baujahr	max. Achslasten in kg		Tieferlegung in mm		Hinweise
			VA	HA	VA	HA	
			max. axle loads in kg		lowering in mm		
Manufacturer	Model	Year	FA	RA	front	rear	Comments

BMW

3er / 3-series (E90, E91, E93); (390L, 392C, 3L, 3K, 3C)	Lim. / sedan Touring, Cabrio / station wagon, convertible	04/05-01/12	-1090	-1135	30-60	25-55	4,42
	Coupé	09/05-09/06	-1090	-1200	30-60	20-50	4,42
3er / 3-series (E92); (392C, 3C)			-1035	-1110	20-50	15-45	4,42
3er / 3-series (E90,E91,E92); (390X, 3L, 3C, 3K)	Lim., Coupé; Allrad / sedan, coupé; 4WD Touring; Allrad / station wagon; 4WD	11/05-01/12	-1090	-1135	15-45	15-40	
M3 (E90,E92); (M390, M3)	Lim., Coupé ohne EDC / sedan, coupé without EDC Lim., Coupé mit EDC / sedan, coupé with EDC	09/07-09/07	-1060	-1190	10-40	5-35	6
3er / 3-series (F30, F31); (3L, 3K)	Lim.; Heckantrieb ohne elektronische Dämpferregelung / sedan; 2WD without electronic dampers Touring; Heckantrieb ohne elektronische Dämpferregelung / station wagon; 2WD without electronic dampers	02/12-08/12	-950	-1230	40-65	30-60	6
			951-1090	-1230	40-65	30-60	6
			-913	-1265	40-65	30-55	6
			914-1020	-1265	40-65	30-55	6
3er GT / 3-series GT (F34); (3-V)	Lim.; Heckantrieb ohne elektronische Dämpferregelung / sedan; 2WD without electronic dampers	05/13-	-950	-1265	30-55	15-40	6
			951-1015	-1265	30-55	15-40	6
4er / 4-series (F32, F33, F36); (3C)	Coupé; Heckantrieb ohne elektronische Dämpferregelung / coupé; 2WD without electronic dampers Gran Coupé; Heckantrieb ohne elektronische Dämpferregelung / Gran Coupé; 2WD without electronic dampers Cabrio; Heckantrieb ohne elektronische Dämpferregelung / convertible; 2WD without electronic dampers	10/13-03/14-03/14	-950	-1230	40-65	30-60	6
			951-1090	-1230	40-65	30-60	6
			-950	-1265	40-65	40-65	6
			951-1015	-1265	40-65	40-65	6
			-960	-1265	40-65	40-65	6
			961-1025	-1265	40-65	40-65	6
5er / 5-series (E39); (5/D)	Lim. / sedan Touring mit Luftfeder an der HA (Niveau) station wagon with air suspension at RA (Niveau) Touring ohne Niveauregulierung station wagon without automatic leveling system	12/95-01/97-01/97	-1020	-1200	35-65	30-60	11,184
			1021-1090	-1200	35-65	30-60	11,184
			-1020	-1410	35-65	30-60	184,185
			1021-1095	-1410	35-65	30-60	184,185
			-1020	-1410	35-65	30-60	11,184
			1021-1090	-1410	35-65	30-60	11,184
M5 (E39); (M539)	Lim. / sedan	01/99-	-1105	-1225	35-65	20-50	
5er / 5-series (E60, E61); (560L)	Lim. / sedan Touring / station wagon	07/03-06/04	-1070	-1235	25-55	25-55	11,42
			-1070	-1300	25-45	25-45	42,185
5er / 5-series (F10); (5L)	Lim.; Heckantrieb / sedan; 2WD	03/10-	-1195	-1315	25-55	20-50	196
6er / 6-series (F06); (6C)	Gran Coupé; Heckantrieb / Gran Coupé; 2WD	05/12-	-1210	-1320	25-55	20-50	196
7er / 7-series (E38); (7/G)		10/94-11/01	-1135	-1355	25-55	25-65	6,11,42
			1136-1255	-1355	25-55	25-65	6,11,42
7er / 7-series (F01); (7L, 701)	außer 760i; Heckantrieb / except 760i; 2WD	10/08-12/15	-1280	-1435	30-60	20-50	65,196
Z3; (R/C)	Coupé, Roadster	10/95-	-830	-870	35-70	30-60	42
Z3 M; (MR/C)	M Roadster / M roadster M Coupé / M coupé	03/97-02/98	-850	-890	30-60	20-50	42
			-850	-890	25-50	25-50	42
Z4; (Z85)	Roadster, Coupé / roadster, coupé	02/03-	-790	-890	20-50	15-40	42
Z4; (Z89, ZR)		04/09-	-870	-1000	15-40	10-35	192

Chevrolet / Daewoo

Camaro (GMX511,GMX521,LT,SS)	6Zyl., 8Zyl. Coupé, Cabrio; inkl. ZL1 / 6cyl., 8cyl. Coupé, convertible; incl. ZL1	Mod. 10-15	-1100	-1300	25-45	20-50	220
Cruze; (KL 1J)		05/09-	-1220	-1000	35-65	35-65	

Chrysler

300 C; (LX)	6Zyl. Benzin Heckantrieb, Lim., Kombi / 6cyl. petrol 2WD, sedan, station wagon	09/04-	-1275	-1275	20-50	25-55	
	6Zyl. Diesel+8Zyl. Benzin Heckantrieb, Lim., Kombi / 6cyl. diesel+8cyl. petrol 2WD, sedan, station wagon	09/04-	-1275	-1275	20-50	25-55	
300 / 300 C	6Zyl., 8Zyl. Heckantrieb, Lim. / 6cyl., 8cyl. 2WD, sedan	Mod. 11-	-1275	-1275	30-65	35-65	6

Citroen

C1; (P, P****)		06/05-06/14	-695	-695	25-55	30-60	
C1; (P, P****)		07/14	-695	-695	20-50	15-45	
C2; (J*...)		09/03-10/09	-820	-710	20-50	20-45	
C3, C3 Pluriel; (F*... H)		02/02-10/09	-850	-820	30-60	30-60	
C3; (S****)	VA-Federbein Ø 47mm / front strut Ø 47mm	11/09-	-920	-790	35-60	50-75	
C4; (L)	Lim., Coupé / sedan, coupé	02/05-	-1000	-920	35-75	30-65	
			1001-1120	-920	35-75	30-65	
Xsara; (N*...)		04/97-	-950	-870	35-65	25-55	41,164

Dodge

Caliber; (PK)		09/06-	-1120	-1080	30-60	30-60	
Challenger	6Zyl., 8Zyl. Heckantrieb / 6cyl., 8cyl. 2WD	Mod. 08-10	-1275	-1275	10-50	10-50	
Challenger	6Zyl., 8Zyl. Heckantrieb / 6cyl., 8cyl. 2WD	Mod. 11-	-1275	-1275	30-65	35-65	206
Charger	6Zyl., 8Zyl. Heckantrieb / 6cyl., 8cyl. 2WD	Mod. 05-10	-1275	-1275	20-50	25-55	
Charger	6Zyl., 8Zyl. Heckantrieb / 6cyl., 8cyl. 2WD	Mod. 11-	-1275	-1275	30-65	35-65	
Magnum; (LX)	6Zyl. Heckantrieb / 6cyl. 2WD 8Zyl. Heckantrieb / 8cyl. 2WD	Mod. 05-Mod. 05-	-1275	-1275	20-50	25-55	

Fiat

124 Spider; (NF)	inkl. Abarth / incl. Abarth	06/16-	-695	-665	20-45	20-45	
500, 500C; (312)	außer Abarth / except Abarth	08/07-	-830	-735	30-60	10-40	
500 Abarth, 500C Abarth; (312)		08/07-	-830	-735	30-60	10-40	
Barchetta; (183)		05/95-	-850	-700	30-70	ca.40	40,205
Bravo, Brava; (182)		09/95-	-1000	-1000	35-75	ca.50	40,208
	HGT		-1000	-1000	35-75	ca.50	40,208
Bravo; (198)	Schraube M12 VA-Federbein unten / screw M12 FA-susp. strut bottom end Schraube M10 VA-Federbein unten / screw M10 FA-susp. strut bottom end	03/07-03/07-	-1060	-860	35-65	25-50	
			-1060	-860	35-65	25-50	
Croma; (194)	Kombi / station wagon	06/05-	-1230	-1140	35-65	20-50	
Punto; (176, 176C)	inkl. Cabrio / incl. convertible	09/93-	-850	-700	35-75	ca.50	40
Punto; (188)	inkl. Facelift	09/99-	-900	-750	30-60	ca.40	40

ST X mit festem Dämpfersetup		ST XA mit einstellbarem Dämpfersetup		ST XTA mit einstellbarem Dämpfersetup und Stützlagern	
Bestell-Nr.	Preis Kategorie	Bestell-Nr.	Preis Kategorie	Bestell-Nr.	Preis Kategorie
ST X fixed damper setup		ST XA adjustable damper setup		ST XTA adjustable damper setup and top mounts	
Part No.	price category	Part No.	price category	Part No.	price category

13220032	B	18220032	B	18220832	B
13220033	B	18220033	B	18220833	B
13220032	B	18220032	B	18220832	B
13220048	B	-	-	-	-
13220049	B	-	-	-	-
-	-	-	-	18220867	B
-	-	-	-	18220857	B
1322000D	B	1822000D	B	-	-
1322000F	B	1822000F	B	-	-
1322000H	B	1822000H	B	-	-
1322000J	B	1822000J	B	-	-
1322000H	B	1822000H	B	-	-
1322000J	B	1822000J	B	-	-
1322000D	B	1822000D	B	-	-
1322000F	B	1822000F	B	-	-
1322000H	B	1822000H	B	-	-
1322000J	B	1822000J	B	-	-
1322000H	B	1822000H	B	-	-
1322000J	B	1822000J	B	-	-
13220007	C	18220007	C	-	-
13220008	C	18220008	C	-	-
13220035	C	-	-	-	-
13220036	C	-	-	-	-
13220037	C	-	-	-	-
13220038	C	-	-	-	-
13220018	S4	18220018	S2	-	-
13220005	C	-	-	-	-
13220045	C	-	-	-	-
13220080	C	-	-	-	-
13220028	C	-	-	-	-
13220029	C	-	-	-	-
13220080	C	-	-	-	-
13220016	B	18220016	B	-	-
13220017	B	-	-	-	-
13220027	B	-	-	-	-
13220004	B	-	-	18220804	B
13220072	B	-	-	-	-

13261017	S6	-	-	-	-
13260057	B	18260057	S1	-	-

13227006	C	-	-	-	-
13227016	C	-	-	-	-
13227019	C	-	-	-	-

13295008	A	-	-	-	-
13295008	A	-	-	-	-
13295006	A	-	-	-	-
13295007	A	-	-	-	-
13295010	A	-	-	-	-
13295005	B	-	-	-	-
13295015	B	-	-	-	-
13295002	S1	-	-	-	-

13228001	C	-	-	-	-
13228006	C	-	-	-	-
13227018	C	-	-	-	-
13228006	C	-	-	-	-
13227019	C	-	-	-	-
13227006	C	-	-	-	-
13227016	C	-	-	-	-

132275015	B	-	-	18275815	B
13240020	A	-	-	-	-
13240021	A	-	-	-	-
13240004	B	-	-	-	-
13240001	B	-	-	-	-
13240002	B	-	-	-	-
13240018	B	-	-	-	-
13240019	B	-	-	-	-
13260037	B	-	-	-	-
13240003	A	-	-	-	-
13240007	A	-	-	-	-

Hersteller	Ausführung	Baujahr	max. Achstlasten in kg		Tieferlegung in mm		Hinweise
			VA	HA	VA	HA	
			Manufacturer	Model	Year	max. axle loads in kg	
			FA	RA	front	rear	

Ford

Grande Punto; (199)		10/05-	-900	-860	35-65	40-65	
Stilo; (192)	Lim., (ohne Diesel mit 103kW) / sedan, (without diesel with 103kW)	10/01-	-1000	-860	35-65	40-65	135
Escort; (GAL, AAL, ABL, AFL, ALL)		09/90-01/95	-1030	-960	15-50	15-45	120
		02/95-	-935	-875	35-75	35-75	
Fiesta; (JAS, JBS)	HA mit Gabelbefestigung / RA with fork mounting HA mit Augenbefestigung / RA with eye mounting inkl. ST150 / incl. ST150	01/92-01/95	-935	-875	35-75	35-75	
		08/95-Mod.98	-860	-750	35-75	35-75	77
Fiesta; (JH1, JD3) Fiesta; (JA6)		Mod.99-	-860	-750	35-75	35-75	73
		11/01-	-900	-810	40-70	35-65	
Fiesta; (JHH) Focus; (DAW, DBW, DFW)	Lim. / sedan	10/08-	-850	-785	30-55	30-60	
		02/13-07/17-	-850	-785	5-30	10-35	
Focus; (DBY) Focus; (DNW) Focus II; (DA3; DB3; DA3-RS)	RS Turnier / station wagon Lim. / sedan ST Turnier / station wagon Cabrio / convertible RS	10/98-	-965	-930	35-65	ca.50	
		10/02-	-965	-930	35-65	35-55	
Focus III; (DYB, DYB-RS)	Lim. / sedan ST Lim. / ST sedan Turnier / station wagon ST Turnier / ST station wagon RS	10/02-	-960	-850	10-40	10-40	
		02/99-	-960	-1010	35/55	35-50	
		12/04-	-1070	-1015	30-60	35-65	
		12/05-	-1050	-990	10-40	15-45	42
		01/05-	-1070	-1090	30-60	40-70	
		10/06-	-1070	-1065	20-50	20-50	
		01/09-	-1040	-920	25-50	20-45	
		04/11-	-1000	-1070	30-50	40-55	
		06/12-	1001-1100	-1070	30-50	40-55	
		05/11-	-1070	-1040	25-40	20-35	
Focus C-MAX; (DM2) Galaxy; (WGR)	Frontantrieb / 2WD Allrad / 4WD	10/03-	-1065	-1070	35-65	35-65	
		09/95-	-1260	-1330	40-65	ca.45	40
Ka; (RBT)	HA mit Gabelbefestigung / ra with fork mounting HA mit Augenbefestigung / ra with eye mounting	04/96-			35-55	ca.40	40
		-Mod.98	-720	-610	35-75	35-75	77
Ka; (RU8) Mondeo; (B4Y, B5Y) Mondeo; (BWY)	Lim. / sedan Turnier / station wagon Turnier ST220 / station wagon ST220	Mod.99-4/00	-720	-610	35-75	35-75	73
		02/09-	-830	-640	30-60	10-40	
Mustang; (LAE) Puma; (ECT)	HA mit Gabelbefestigung / ra with fork mounting HA mit Augenbefestigung / ra with eye mounting	11/00-	-1175	-1015	35-65	35-65	
		11/00-02/07	-1200	-1150	35-65	ca.40	40
Sportka; (RBT) Streetka; (RL2) Tourneo Connect; Courier; (PJ2) Transit Connect; (PJ2)	Coupé, Cabrio / coupé, convertible HA mit Gabelbefestigung / ra with fork mounting HA mit Augenbefestigung / ra with eye mounting	04/02-02/07	-1125	-1115	20-45	ca.25	40
		03/15-	-1075	-1150	30-50	20-40	6
Mustang (USA)	6Zyl., 8Zyl. Inkl. Mod.2011 / 6cyl., 8cyl., incl. Mod.2011 Shelby GT500 inkl. Mod.2011 / incl. mod.2011 Coupé / coupé	03/97-Mod.98	-770	-670	30-55	30-55	77
		Mod.99-	-770	-670	30-55	30-55	73
Mustang GT Mod.2015		08/03-	-720	-610	25-50	25-50	73
		02/03-	-760	-570	30-60	30-60	73
		01/14-	-1225	-1290	25-45	25-45	
		01/14-	-1225	-1290	25-45	25-45	

Ford (USA)

Mustang; (Mustang, -GT, Shelby)		05-	-1134	-1100	30-60	35-55	
Mustang GT Mod.2015		08-12/12	-1134	-1100	30-60	35-55	6
		03/15-	-1075	-1150	30-50	20-40	6

Honda

Accord; (CL7, CL9, CN1)	Lim. / sedan	01/03-	-1080	-920	35-65	35-65	202
Accord; (CU1,CU2,CU3,CW1,CW2,CW3)	Lim., Tourer/ sedan, station wagon	07/08-	-1200	-1030	30-60	30-60	
Civic; (ED2, ED3, ED4, ED6, ED7, ED9, EC8, EC9, EE8, EE9)	Frontantrieb / 2WD	87-6/92	-850	-770	55-85	55-85	77
Civic, CRX; (EG2, EG6, EG8, EG9, EH6, EH9, EJ1, EJ2)		07/92-09/95	-840	-750	45-75	45-75	77,112
Civic, CRX; (EJ6, EJ8, EJ9, EK1, EK3, EK4)		10/95-	-860	-790	45-75	45-75	77, 112
Civic; (FK1, FK2, FK3, FN1, FN3, FN4)		02/06-01/12	-940	-835	20-50	20-50	
			941-1085	-835	20-50	20-50	
Civic Type R; (FN2)		03/07-	-980	-740	0-30	0-30	
Civic; (FK1, FK2, FK3)	ab Modell 2012 / from model 2012	02/12-	-1090	-845	25-55	15-50	
Civic X; (FC)	Limousine / sedan	03/17-					
Civic X Type R; (FC)		09/17-					
Integra; (DC2)		11/97-10/01	-835	-680	20-50	20-50	73,112
Jazz; (GK) S2000; (AP1)		09/15-	-855	-835	20-40	10-40	
		06/99-	-710	-840	25-55	25-55	

Hyundai

Genesis; (BK38, BK20)	Coupé; / coupé;	Mod.09-	-1010	-1050	5-25	15-35	
i20; (GB, GB-HME)	Lim. / sedan	12/14-	-920	-840	30-50	30-55	
i30; (GDH)	Lim. / sedan	03/09-	-1050	-1050	30-50	20-45	
i30; (PDE)	Lim. / sedan	01/17-	-1050	-950	20-40	25-50	
i40; (VF)	Kombi / station wagon	06/11-	-1200	-1200	20-50	10-40	
Tucson; (TLE, TL)	Allrad / 4WD	07/15-	-1280	-1150	20-40	35-55	
Veloster; (FS)		08/11-	-960	-840	30-50	40-55	

Infiniti

G35 coupé; (V35)		Mod.03-	-	-	10-40	10-40	0
G37 coupé		Mod.08-	-	-	20-45	5-45	0

ST X mit festem Dämpfersetup		ST XA mit einstellbarem Dämpfersetup		ST XTA mit einstellbarem Dämpfersetup und Stützlagern	
Bestell-Nr.	Preis Kategorie	Bestell-Nr.	Preis Kategorie	Bestell-Nr.	Preis Kategorie
ST X fixed damper setup		ST XA adjustable damper setup		ST XTA adjustable damper setup and top mounts	
Part No.	price category	Part No.	price category	Part No.	price category

13240016	A	-	-	-	-
13240017	A	-	-	-	-
13240009	B	-	-	-	-
13240011	B	-	-	-	-
13230006	B	-	-	-	-
13230007	B	-	-	-	-
13230006	B	-	-	-	-
13230001	A	-	-	-	-
13230011	A	-	-	-	-
13230018	A	-	-	-	-
13230040	A	-	-	18230861	A
13230061	A	-	-	18230861	A
i.E.	-	-	-	i.E.	-
13230008	B	-	-	-	-
13230010	B	-	-	-	-
13230004	B	-	-	-	-
13230017	B	-	-	-	-
13230021	B	-	-	18230821	B
13230023	B	-	-	18230823	B
13230022	B	-	-	-	-
13230039	B	-	-	-	-
-	-	-	-	18230854	B
13230057	B	-	-	-	-
13230058	B	-	-	-	-
13230059	B	-	-	18230859	S1
i.E.	-	-	-	-	-
-	-	-	-	18230860	S1
-	-	-	-	18230867	S1
13230019	B	-	-	-	-
13280015	B	-	-	-	-
13280019	B	-	-	-	-
13230002	A	-	-	-	-
13230012	A	-	-	-	-
13240020	A	-	-	-	-
13230016	B	-	-	-	-
13230015	B	-	-	-	-
13230025	B	-	-	-	-
13230065	S6	-	-	18230865	S2
13230003	A	-	-	-	-
13230013	A	-	-	-	-
13230020	A	-	-	-	-
13230005	A	-	-	-	-
13230070	S5	-	-	-	-
13230070	S5	-	-	-	-

13230045	S6	-	-	18230845	S2
-	-	-	-	18230855	S2
13230065	S6	-	-	-	-

13250009	B	-	-	-	-
13250024	S3	-	-	-	-
13250001	B	-	-	-	-
13250002	B	18250002	B	-	-
13250003	B	18250003	B	-	-
13250017	B	-	-	-	-
13250027	B	-	-	-	-
13250021	B	-	-	-	-
-	-	18250030	B	-	-
i.E.	-	-	-	-	-
-	-	-	-	i.E.	-
13250004	B	18250004	B	-	-
13250033	A	-	-	-	-
13250005	B	-	-	18250805	B

13266003	S3	-	-	-	-
13266007	S3	-	-	-	-
13268002	S3	-	-	-	-
13266008	S3	-	-	-	-
13266006	S3	-	-	-	-
-	-	18266005	B	-	-
13266004	S3	-	-	-	-

13285002	B	-	-	18285802	B
13285007	B	-	-	18285807	B

Hersteller	Ausführung	Baujahr	max. Achstlasten in kg		Tieferlegung in mm		Hinweise
			VA	HA	VA	HA	
			max. axle loads in kg		lowering in mm		
Manufacturer	Model	Year	FA	RA	front	rear	Comments

Kia

cee`d_pro_cee`d; (ED)	Lim., Coupé / sedan, coupé	09/06-03/12	-1090	-1055	20-50	10-40	
cee`d_pro_cee`d; (JD)	Lim., Coupé inkl. GT / sedan, coupé incl. GT	04/12-	-1050	-1050	35-55	25-50	
Optima; (1F)		03/12-	-1130	-1010	20-50	20-50	
Sportage; (QLE, QL)	Allrad / 4WD	09/15-	-1280	-1150	30-50	35-50	

Lexus

IS 200, IS300 (XE1); (XE1)	Lim., Sportcross / sedan, station wagon	04/99-09/05	-1195	-1135	30-60	30-60	
IS 220D, IS250 (XE2); (XE2(a))	Lim. / sedan	10/05-05/13	-1090	-1150	30-60	25-55	
IS 250, IS 350, IS 300h (XE3); (XE2(a))	Lim. / sedan	06/13-	-1090	-1200	15-45	10-40	

Mazda

Mazda 2; (DY)	Lim., Kombi / sedan, station wagon	02/03-	-815	-785	35-70	25-55	
Mazda 2; (DE, DE1)	Lim. / sedan	10/07-	-850	-785	25-50	30-45	
Mazda 2; (DJ1)	Lim. / sedan	01/15-	-875	-785	35-55	35-55	
Mazda 3; (BK)		10/03-	-970	-910	30-60	30-60	
			971-1110	-910	30-60	30-60	
	MPS	12/06-	-1070	-915	20-50	20-50	
		04/09-08/13	-1000	-945	30-60	30-55	
			1001-1135	-945	30-60	30-55	
	MPS	10/09-08/13	-1075	-925	30-55	25-45	
		09/13-	-1075	-945	35-60	35-60	
Mazda 3 (BM); (BL)	Lim., Frontantrieb / sedan, 2WD	02/02-	-1135	-1095	30-60	30-60	
Mazda 6; (GG/GY, GG1)	MPS Lim., Allrad / sedan, 4WD	12/05-	-1135	-1095	30-60	30-60	
	Sportkombi, Frontantrieb / sport station wagon, 2WD	08/02-	-1135	-1095	30-60	30-60	
	Sportkombi / station wagon	01/13-					
Mazda 6; (GH)		05/90-04/98	-655	-665	30-50	30-50	
MX5; (NA)		05/98-	-655	-665	30-60	30-60	
MX5; (NB)		03/05-	-680	-705	45-75	35-65	
MX5; (NC1, NC1E)		03/15-	-695	-665	20-45	20-45	
MX5; (ND)		01/17-	-695	-665	20-45	20-45	
MX5 RF; (ND)							

Mercedes-Benz

A-Klasse / a-class; (176, 245 G)	Lim., Frontantrieb / sedan, 2WD	09/12-	-1100	-980	25-55	30-60	
C-Klasse / c-class; (W203); (203, 203K)	Lim., T-Modell; außer Allrad / sedan, station wagon; except 4WD	05/00-	-995	-1170	35-60	35-60	11,42
			996-1095	-1170	35-60	35-60	11,42
CLA; (117, 245 G)	Coupé, Frontantrieb / coupe; 2WD	04/13-	-1100	-980	25-55	30-60	
	Shooting Brake; Frontantrieb / Shooting Brake; 2WD	03/15-	-1100	-980	15-45	25-55	
CLC-Klasse / CLC-class; (203CL)	Sportcoupé	05/08-	-1035	-1170	20-40	10-40	42
C-Klasse / c-class; (W204, C204, S204); (204, 204K) ohne elektronische Dämpferregelung / without electronic dampers	Lim. / sedan	01/07-	-975	-1165	30-55	20-50	6
			976-1020	-1165	30-55	20-50	6
			1021-1100	-1165	30-55	20-50	6
	Coupé / coupé	06/11-	-985	-1105	10-40	10-50	6
			986-1040	-1105	10-40	10-50	6
			1041-1075	-1105	10-40	10-50	6
	T-Modell / station wagon	08/07-	-975	-1230	30-55	20-50	6
			976-1020	-1230	30-55	20-50	6
			1021-1100	-1230	30-55	20-50	6
CLK (W209); (209)	Coupé, Cabrio / coupé, convertible	06/02-	-995	-1170	35-65	35-65	42
			996-1115	-1170	35-65	35-65	42
E-Klasse / e-class; (207) ohne elektronische Dämpferregelung / without electronic dampers	Coupé; Heckantrieb / coupé; 2WD	05/09-	-1050	-1245	20-45	15-45	6
			1051-1145	-1245	20-45	15-45	6

Mini (BMW)

Mini; (R50, Mini, Mini-N)	R50; R52; R53; inkl. Cooper S, Cabrio / incl. Cooper S, convertible	04/02-11/06	-890	-800	20-50	20-50	42,210
Mini R56; (Mini-N, UKL-L)	R56; One, Cooper	12/06-	-910	-855	30-55	30-55	42,210
	R56; One/Cooper D, Cooper SD, Cooper S, JCW	12/06-	-910	-855	30-55	30-55	42,210
Mini Clubman / Cabrio R55/R57; (Mini-N, UKL-K, UKL-C)	One, Cooper	10/07-	-935	-855	30-55	30-55	42,210
	One / Cooper D, Cooper SD, Cooper S, JCW	10/07-	-935	-855	30-55	30-55	42,210
Mini F56, F55; (UKL-L, FML2, FML4)	3-türig; inkl. JCW ohne elektronische Dämpferregelung / 3-doors; incl. JCW; without electronic dampers	03/14-	-980	-850	20-45	20-45	6
	5-türig; ohne elektronische Dämpferregelung / 5-doors; without electronic dampers		-980	-850	25-50	30-55	6
Mini Cabrio / convertible F57; (UKL-L, FMCA)	inkl. JCW; ohne elektronische Dämpferregelung / incl. JCW; without electronic dampers	03/16-	-980	-850	20-45	20-45	6
Mini Coupé R58; (UKL-C)	Coupé / coupé	09/11-	-860	-630	30-55	30-60	42
			861-905	-630	30-55	30-60	42
Mini Roadster R59; (UKL-C)	Roadster / roadster	03/12-	-860	-630	25-50	30-60	42
			861-905	-630	25-50	30-60	42

Mitsubishi

Carisma EVO 7; (CT9A)	Lim. GT / sedan GT	01-	-960	-870	25-45	25-45	
Lancer EVO 8, EVO 9; (CT0)		03/04-	-1015	-900	25-50	25-50	
Lancer EVO 10; (CZ0)		03/08-	-1080	-1030	25-50	15-40	

Nissan

Almera; (N16)		07/00-	-1010	-970	30-55	30-55	
Juke; (F15)	2WD inkl. Nismo RS / 2WD incl. Nismo RS	10/10-	-1020	-905	25-45	30-50	
350Z; (Z33)	Coupé, Cabrio / coupé, convertible	10/03-	-975	-975	20-40	20-40	
370Z; (Z34)	Coupé + Roadster / coupé + roadster	04/09-	-980	-1000	15-50	10-45	

ST X mit festem Dämpfersetup		ST XA mit einstellbarem Dämpfersetup		ST XTA mit einstellbarem Dämpfersetup und Stützlagern	
Bestell-Nr.	Preis Kategorie	Bestell-Nr.	Preis Kategorie	Bestell-Nr.	Preis Kategorie
ST X fixed damper setup		ST XA adjustable damper setup		ST XTA adjustable damper setup and top mounts	
Part No.	price category	Part No.	price category	Part No.	price category

13268001	S3	-	-	-	-
13268002	S3	-	-	-	-
13268003	C	-	-	-	-
-		18266005	B	-	-

-		-		18257801	S1
-		-		18257802	S1
-		-		18257805	S1

13275004	A	-	-	-	-
13230040	A	-	-	18230861	A
13275022	A	-	-	-	-
13275006	B	-	-	-	-
13275016	B	-	-	-	-
13275010	B	-	-	-	-
13275017	B	-	-	-	-
13275018	B	-	-	-	-
13275019	B	-	-	18275819	B
13275021	B	-	-	-	-
13275005	S3	-	-	-	-
13275007	S3	-	-	-	-
13275007	S3	-	-	-	-
i.E.		-	-	-	-
13275001	B	-	-	-	-
13275002	B	-	-	-	-
13275009	B	-	-	-	-
13275015	B	-	-	18275815	B
13275015	B	-	-	18275815	B

13225065	B	-	-	18225865	B
13225012	B	-	-	-	-
13225002	B	-	-	-	-
13225065	B	-	-	18225865	B
13225065	B	-	-	-	-
13225012	B	-	-	-	-
13225027	B	-	-	-	-
13225028	B	-	-	-	-
13225029	B	-	-	-	-
13225027	B	-	-	-	-
13225028	B	-	-	-	-
13225029	B	-	-	-	-
13225037	B	-	-	-	-
13225038	B	-	-	-	-
13225039	B	-	-	-	-
13225012	B	-	-	-	-
13225002	B	-	-	-	-
13225028	B	-	-	-	-
13225029	B	-	-	-	-

13220042	B	18220042	B	18220842	B
13220050	B	18220050	B	18220850	B
13220070	B	18220070	B	18220850	B
13220065	B	-	-	-	-
13220075	B	-	-	-	-
132200AG	B	182200AG	B	182208AG	B
132200AT	B	182200AT	B	182208AT	B
132200AT	B	182200AT	B	182208AT	B
1322000A	B	1822000A	B	1822080A	B
1322000A	B	1822000A	B	1822080A	B
1322000B	B	1822000B	B	1822080A	B
1322000A	B	1822000A	B	1822080A	B
1322000B	B	1822000B	B	1822080A	B

13265006	S3	-	-	18265806	S1
13265006	S3	-	-	18265806	S1
-		-	-	18265817	S1

13285001	A	-	-	-	-
-		18285011	B	-	-
13285002	B	-	-	18285802	B
13285007	B	-	-	18285807	B

Hersteller	Ausführung	Baujahr	max. Achstlasten in kg		Tieferlegung in mm		Hinweise				
			VA	HA	VA	HA					
			max. axle loads in kg		lowering in mm						
Manufacturer	Model	Year	FA	RA	front	rear	Comments				
			Opel								
			Adam; (S-D)	inkl. Adam S / incl. Adam S	01/13-	-875		-750	20-45	25-45	
Astra G; (T98, /V/C, T98/NB, T98C, T98/Kombi, T98V)	Lim., Coupé / sedan, coupé	05/98-	-960	-895	30-60	30-55	42,164				
	Cabrio / convertible	05/98-	961-1030	-895	30-60	30-55	42,164				
	Caravan / station wagon	05/98-	-960	-845	30-60	30-55	42,164				
			961-1040	-845	30-60	30-55	42,164				
		5/98-	-960	-885	35-65	35-55	42,164				
			961-1035	-885	35-65	35-55	42,164				
Astra H; (A-H, A-H/SW)	Lim. / sedan	03/04-	-1075	-1000	30-60	20-45	42,195				
	Caravan / station wagon	08/04-	-1075	-1000	30-60	35-65	11,42,195				
Astra Twin Top; (A-H/C)	Cabrio / convertible	04/06-	-1075	-1000	30-60	35-65	42,195				
Astra H GTC; (A-H/C)	Coupé inkl. OPC / coupé incl. OPC	03/05-	-1060	-840	20-45	10-35	42,195				
Astra J; (P-J, P-J/SW, P-J/SW/V)	Lim. / sedan	11/08-	-1155	-1000	35-65	35-65	6				
	Sports Tourer / station wagon	10/10-	-1190	-1100	40-70	45-75	6				
Astra J GTC; (P-J/SW)	Coupé / coupé	01/12-	-1180	-930	20-50	25-55	6				
	OPC	06/12-	-1180	-930	10-35	5-35	225				
Astra K; (B-K)	5-Türer / 5-door	09/15-	-1020	-920	30-60	30-60	6				
Corsa A; (A-CC)		08/83-02/93	-680	-665	35-70	30-60	164				
Corsa B; (Corsa B, Corsa-B, S93)		03/93-	-840	-720	35-70	30-60	164				
Corsa C; (Corsa-C)	nur / only 1.0, 1.2, 1.7D	09/00-	-900	-760	30-60	20-50	182				
		09/00-	-900	-760	30-60	20-50	183				
Corsa D; (S-D)	3+4Zyl. Benzin / 3+4zyl. petrol	10/06-	-855	-800	25-55	25-55					
	4Zyl. Diesel / 4zyl. diesel	10/06-	856-990	-800	25-55	25-55					
	OPC	06/07-	-960	-800	20-40	15-30					
Corsa E; (S-D)		11/14-	-870	-800	25-55	25-55					
			871-990	-800	25-55	25-55					
	OPC	11/14-	-960	-800	15-35	20-40					
GT; (K/R)		03/07-	-880	-900	25-50	25-50					
Meriva; (Meriva-A)	inkl. OPC / incl. OPC	09/02-	-1005	-950	20-45	20-50					
			1006-1045	-950	20-45	20-50					
Signum; (Vectra [Signum]), Z-C/S)		05/03-	-1230	-1140	30-60	30-60	199				
Tigra; (S93Coupé)		11/94-	-805	-700	35-70	30-50	164				
Vectra B; (Vectra B, J96, J96/Kombi)	Lim., Caravan / sedan, station wagon	10/95-	-950	-1025	35-75	35-75	11				
			951-1055	-1025	35-75	35-75	11				
Vectra C; (Vectra C/Lim., Vectra/SW, Z-C/SW)	Lim. / sedan	04/02-	-1190	-985	40-70	25-55	199				
	Caravan / station wagon	10/03-	-1230	-1140	30-60	30-60	199				
Zafira A; (T98/MONOCAB)		04/99-	-1075	-1055	35-60	30-60	42				
Zafira B; (A-H/MONOCAB)		07/05-	-1065	-1250	20-50	20-50	6				
			1066-1155	-1250	20-50	20-50	6				

Peugeot							
107; (P, P*****)		06/05-06/14	-695	-695	25-55	30-60	
108; (P*****)		07/14	-695	-695	20-50	15-45	
205; (741A,B,C,20A,C,D)		02/83-09/98	-750	-750	35-65	30-50	41,164
206. CC, SW, RC, 206+; (2*...)	Schrägheck, Kombi, Cabrio / hatchback, station wagon, convertible	09/98-	-890	-780	30-65	30-50	41,42,164
207; (W*****)	für Klemm Ø 51mm / susp strut Ø 51mm	02/06-	-1000	-900	35-65	35-65	
	CC (Cabrio) / CC (convertible)	02/07-	-1050	-900	30-60	30-60	
	nur Gti / only GTi	03/13-	-1000	-900	30-55	30-55	
208; (C)	Lim., Cabrio / sedan, convertible	05/93-	-950	-860	40-75	30-55	41,164
306; (7*...)	Schrägheck / hatchback	08/00-	-1050	-900	40-70	35-65	4,164
307; (3*...)	CC (Cabrio) / convertible	10/03-	-1100	-970	30-65	30-55	
	SW (Break, Kombi / station wagon)	03/02-	-1100	-1065	30-70	25-55	
308; (4*****)	CC (Cabrio) / CC (convertible)	03/09-	-1100	-1020	30-60	30-55	
			1101-1200	-1020	30-60	30-55	
309; (3A,3C,10C)		10/85-12/93	-750	-750	35-65	30-50	41,164
RCZ; (4J*****)	Coupé inkl. RCZ R / coupé incl. RCZ R	04/10-	-1100	-850	25-45	15-40	

Pontiac							
Solstice	inkl. GXP Modell / incl. GXP model	Mod. 07-	-	-	30-60	30-60	

Porsche							
Boxster; (987)	inkl. Boxster S, RS Spyder / incl. Boxster S, RS Spyder	11/04-	-785	-940	30-60	30-60	216
Cayman; (987)	inkl. Cayman S / Cayman R / incl. Cayman R / Cayman R	01/06-	-785	-940	30-60	30-60	217

Renault							
Clio; (B/C57, 57)	inkl. Williams	09/91-09/98	-850	-725	40-75	30-55	41
Clio B; (B)	Abstandsmaß Bef.-laschen 27mm / dimension bracket 27mm	09/98-	-860	-785	35-65	30-50	
	Abstandsmaß Bef.-laschen 23mm / dimension bracket 23mm	09/98-	-860	-785	35-65	30-50	
	2.0 i 16V (Sport)	02/00-	-860	-785	25-55	5-20	96
Megane; (M)	Schrägheck / hatchback	11/02-	-1060	-975	35-70	35-65	
	Grandtour, Cabrio, Stufenheck / station wagon, convertible, hatchback	08/03-	-1060	-1010	35-65	45-65	
Megane; (RFB)	Lim. inkl. GT / sedan incl. GT	03/16-	-1120	-1000	10-40	20-45	
Clio 3; (R)	inkl. Grandtour; inkl. Facelift / incl. station wagon; incl. Facelift	10/05-06/10	-950	-890	40-70	40-70	
	inkl. Grandtour; Loch Ø Dom VA 33mm / inkl. station wagon; Inner Ø of the OEM top mount FA 33mm	07/10-	-1000	-890	40-75	40-70	
Clio 4; (R)	RS	03/13-	-1000	-891	25-55	10-35	
Twingo; (C06)		02/93-	-700	-690	35-50	35-50	
Twingo; (N)	außer RS / except RS	03/07-	-810	-710	25-55	30-55	
	RS	05/08-	-850	-690	15-45	15-35	

ST X mit festem Dämpfersetup		ST XA mit einstellbarem Dämpfersetup		ST XTA mit einstellbarem Dämpfersetup und Stützlagern	
Bestell-Nr.	Preis Kategorie	Bestell-Nr.	Preis Kategorie	Bestell-Nr.	Preis Kategorie
ST X fixed damper setup		ST XA adjustable damper setup		ST XTA adjustable damper setup and top mounts	
Part No.	price category	Part No.	price category	Part No.	price category
13240016	A	-	-	-	-
13260018	B	-	-	-	-
13260039	B	-	-	-	-
13260013	B	-	-	-	-
13260036	B	-	-	-	-
13260019	B	-	-	-	-
13260040	B	-	-	-	-
13260030	B	-	-	18260830	B
13260030	B	-	-	18260830	B
13260030	B	-	-	18260830	B
13260044	B	-	-	18260844	B
13260057	B	18260057	S1	-	-
13260078	B	18260078	S1	-	-
13260074	B	-	-	-	-
13260074	B	-	-	-	-
13260095	B	-	-	-	-
13260041	S1	-	-	-	-
13260042	S1	-	-	-	-
13260031	A	-	-	-	-
13260012	A	-	-	-	-
13240016	A	-	-	-	-
13240017	A	-	-	-	-
13260053	A	-	-	-	-
13260049	C	-	-	-	-
13260028	A	-	-	-	-
13260038	A	-	-	-	-
13260037	B	-	-	-	-
13260041	S1	-	-	-	-
13260004	B	-	-	-	-
13260014	B	-	-	-	-
13260027	B	-	-	-	-
13260037	B	-	-	-	-
13260050	B	-	-	-	-
13260047	B	-	-	-	-
13260048	B	-	-	-	-
13295008	A	-	-	-	-
13295008	A	-	-	-	-
13270002	S1	-	-	-	-
13270004	S1	-	-	-	-
13270013	A	-	-	-	-
13270014	A	-	-	-	-
13270020	S2	-	-	-	-
13270001	S1	-	-	-	-
13270007	B	-	-	-	-
13270012	B	-	-	-	-
13270008	B	-	-	-	-
13270017	B	-	-	-	-
13270018	B	-	-	-	-
13270002	S1	-	-	-	-
13270019	B	-	-	-	-
13260049	C	-	-	-	-
13271016	S6	-	-	-	-
13271016	S6	-	-	-	-
13290011	S1	-	-	-	-
13290003	A	-	-	-	-
13290013	A	-	-	-	-
13290005	A	-	-	-	-
13290010	B	-	-	-	-
13290015	B	-	-	-	-
-	-	18290037	B	-	-
13290023	A	-	-	-	-
13290032	A	-	-	-	-
13290034	S4	-	-	-	-
13290004	A	-	-	-	-
13290025	A	-	-	-	-
13290030	A	-	-	-	-

Hersteller	Ausführung	Baujahr	max. Achslasten in kg		Tieferlegung in mm		Hinweise
			VA	HA	VA	HA	
			max. axle loads in kg		lowering in mm		Comments
FA	RA	front	rear				

Manufacturer	Model	Year					
--------------	-------	------	--	--	--	--	--

ST X mit festem Dämpfersetup		ST XA mit einstellbarem Dämpfersetup		ST XTA mit einstellbarem Dämpfersetup und Stützlagern	
Bestell-Nr.	Preis Kategorie	Bestell-Nr.	Preis Kategorie	Bestell-Nr.	Preis Kategorie
ST X fixed damper setup		ST XA adjustable damper setup		ST XTA adjustable damper setup and top mounts	
Part No.	price category	Part No.	price category	Part No.	price category

Saturn							
Sky	inkl. Redline Modell / incl. redline model	Mod. 07-	-	-	25-50	25-50	

Scion							
FR-S		03/12-	-876	-943	20-50	20-50	0

Seat							
Alhambra; (7MS)	Frontantrieb / 2WD Allrad / 4WD	09/95- 06/00-	-1260	-1330	40-65 35-55	ca.45 ca.40	40 40
Alhambra; (7N)	Frontantrieb; Federbein Ø 55mm / 2WD; susp strut Ø 55mm	10/10-	-1320	-1340	25-50	35-60	6,71
Altea, Altea XL; (5P)	Federbein Ø 55mm / susp strut Ø 55mm	06/04-	-1035	-1150	20-45	30-60	71
	Federbein Ø 50mm / susp strut Ø 50mm				20-45	30-60	72
	Federbein Ø 55mm / susp strut Ø 55mm		1036-1100	-1150	20-45	30-60	71
	Federbein Ø 50mm / susp strut Ø 50mm				20-45	30-60	72
	Federbein Ø 55mm / susp strut Ø 55mm		1101-1170	-1150	20-45	30-60	71
	Federbein Ø 50mm / susp strut Ø 50mm				20-45	30-60	72
Arosa; (6H, 6HS)		05/97-	-820	-700	40-70	40-70	
Cordoba; (6K/C)		11/93-8/99	-900	-810	40-80	40-80	
	ab Mod. 2000 (Facelift) / from mod. 2000 (facelift)	9/99-	-900	-810	35-65	35-65	
Cordoba; (6L)		10/02-	-955	-810	35-65	35-65	

Seat							
Exeo; (3R)	Lim. / sedan ST / station wagon	03/09- 10/09-	-1135	-1135	20-55	30-50	
Ibiza; (6K)		4/93-8/99	-900	-810	40-80	40-80	
	ab Mod. 2000 (Facelift) / from mod. 2000 (facelift)	9/99-3/02	-900	-810	35-65	35-65	
Ibiza; (6L)		02/02-	-955	-840	35-65	35-65	
Ibiza; (6J)		06/08-	-860	-830	30-60	25-50	6
Ibiza ST; (6J)	inkl. Cupra / incl. Cupra Kombi / station wagon		861-950	-830	30-60	25-50	6
		05/10-	-860	-830	15-50	30-55	6
			861-950	-830	15-50	30-55	6
Leon; (1M)	Frontantrieb / 2WD Allrad; 4Zvl. / 4WD; 4cyl. Allrad; 6Zvl. / 4WD; 6cyl.	11/99- 11/99-	-1020	-1020	35-65	35-65	42,91,121
		02/01-	-1030	-1020	30-55	30-55	42
Leon; (1P)	Federbein Ø 55mm / susp strut Ø 55mm Federbein Ø 50mm / susp strut Ø 50mm	09/05-	-1035	-1000	30-60	35-65	4,71
	Federbein Ø 55mm / susp strut Ø 55mm				30-60	35-65	4,72
	Federbein Ø 50mm / susp strut Ø 50mm		1036-1105	-1000	30-60	35-65	4,71
	Federbein Ø 50mm / susp strut Ø 50mm				30-60	35-65	4,72
	Federbein Ø 55mm / susp strut Ø 55mm		1106-1170	-1000	30-60	35-65	4,71
	Federbein Ø 50mm / susp strut Ø 50mm				30-60	35-65	4,72
Leon; (5F)	Cupra, Cupra R Frontantrieb; nur Fahrzeuge mit Verbundlenker-Hinterachse / 2WD; only vehicles with twist beam rear axle Federbein Ø 50mm / susp strut Ø 50mm	02/07- 11/12-	1036-1105	-1000	15-40	20-40	4,71
	Frontantrieb; nur Fahrzeuge mit Verbundlenker-Hinterachse; Federbein Ø 55mm / 2WD; only vehicles with twist beam rear axle; susp strut Ø 55mm		-965	-1050	35-65	35-65	72,209
	Frontantrieb; nur Fahrzeuge mit Mehrlenker-Hinterachse / 2WD; only vehicles with IRS	11/12-	-965	-1010	35-65	35-65	72,209
	Federbein Ø 50mm / susp strut Ø 50mm		966-1080	-1010	35-65	35-65	72,209
	Frontantrieb; nur Fahrzeuge mit Mehrlenker-Hinterachse; Federbein Ø 55mm / 2WD; only vehicles with IRS; susp strut Ø 55mm	11/12-	-1080	-1010	35-65	35-65	71,209
Leon ST; (5F)	Cupra 265, Cupra 280, Cupra 290, Cupra 300 Kombi; Frontantrieb; nur Fahrzeuge mit Verbundlenker-Hinterachse / station wagon; 2WD; only vehicles with twist beam rear axle	03/14- 11/13-	-1080	-1010	15-45	10-35	71,209
	Federbein Ø 50mm / susp strut Ø 50mm		-965	-1050	35-65	40-65	72,209
	Kombi; Frontantrieb; nur Fahrzeuge mit Verbundlenker-Hinterachse Federbein Ø 55mm / station wagon; 2WD; only vehicles with twist beam rear axle; susp strut Ø 55mm	11/13-	-1090	-1050	35-65	40-65	71,209
	Kombi; Frontantrieb; nur Fahrzeuge mit Mehrlenker-Hinterachse / station wagon; 2WD; only vehicles with IRS	11/13-	-965	-1050	35-65	35-65	72,209
	Federbein Ø 50mm / susp strut Ø 50mm		966-1090	-1050	35-65	35-65	72,209
	Kombi; Frontantrieb; nur Fahrzeuge mit Mehrlenker-Hinterachse / station wagon; 2WD; only vehicles with IRS	11/13-	-965	-1050	35-65	35-65	71,209
	Federbein Ø 55mm / susp strut Ø 55mm		966-1090	-1050	35-65	35-65	71,209
	Frontantrieb / 2WD Cupra 265, Cupra 280, Cupra 290, Cupra 300	03/15- 01/17-	-1090	-1050	15-45	10-35	71,209
	Cupra 300; 4Drive / Cupra 300; 4WD	12/11- 09/91-	-1100	-1100	5-35	5-30	71,209
			-740	-650	30-60	30-60	
		04/99-	-865	-790	45-85	45-85	
	Federbein Ø 55mm / susp strut Ø 55mm	10/04-	-1020	-1020	35-65	35-65	42,91,121
	Federbein Ø 50mm / susp strut Ø 50mm		-1035	-1150	25-55	30-60	71
	Federbein Ø 55mm / susp strut Ø 55mm				25-55	30-60	72
	Federbein Ø 50mm / susp strut Ø 50mm		1036-1100	-1150	25-55	30-60	71
	Federbein Ø 55mm / susp strut Ø 55mm				25-55	30-60	72
	Federbein Ø 55mm / susp strut Ø 55mm		1101-1170	-1150	25-55	30-60	71
	Federbein Ø 50mm / susp strut Ø 50mm				25-55	30-60	72

Skoda							
Citigo; (AA)		12/11-	-740	-650	30-60	30-60	
Fabia I; (6Y)	Lim., Kombi, inkl. RS / sedan, station wagon, incl. RS	12/99-	-960	-840	35-65	35-65	
Fabia II; (5J)	Lim. / sedan	04/07-12/08	-890	-840	25-55	25-50	
			-960	-840	25-55	25-50	
		01/09-10/14	-925	-840	25-55	30-55	
			926-960	-840	25-55	30-55	
	RS	08/10-10/14	-926	-960	15-45	15-40	
Fabia III; (5J)	Lim. / sedan	11/14-	-910	-840	25-50	35-60	

13260049	C	-	-	-	-
13258004	B	-	-	18258804	B
13280015	B	-	-	-	-
13280019	B	-	-	-	-
13281017	B	-	-	-	-
13280068	B	18280068	B	-	-
13280088	B	18280088	B	-	-
13280069	B	18280069	B	-	-
13280089	B	18280089	B	-	-
13280070	B	18280070	B	-	-
13280090	B	18280090	B	-	-
13280025	A	18280025	A	-	-
13280006	A	18280006	A	-	-
13280016	A	18280016	A	-	-
13282003	A	18282003	A	-	-

13281023	B	-	-	-	-
13281023	B	-	-	-	-
13280006	A	18280006	A	-	-
13280016	A	18280016	A	-	-
13282003	A	18282003	A	-	-
13281015	A	18281015	A	18281815	A
13281016	A	18281016	A	18281815	A
13281015	A	18281015	A	-	-
13281016	A	18281016	A	-	-
13281015	A	18281015	A	18210805	B
13281016	A	18281016	A	18280831	B
13210005	B	18210005	B	18280830	B
13280031	B	18280031	B	18281830	B
13280030	B	18280030	B	18281820	B
13281030	B	18281030	B	18281830	B
13281020	B	18281020	B	18281820	B
13281031	B	18281031	B	18281830	B
13281021	B	18281021	B	18281820	B
13281032	B	18281032	B	18281830	B
13281022	B	18281022	B	18281820	B
13281031	B	18281031	B	18281830	B
13281027	B	-	-	-	-
13281028	B	-	-	-	-
13281049	B	-	-	-	-

1328000G	B	1828000G	B	1828080G	B
1328000H	B	1828000H	B	1828080G	B
1328000N	B	1828000N	B	1828080N	B
1328000N	B	1828000N	B	1828080N	B
13281045	B	-	-	-	-
13281046	B	-	-	-	-
13281051	B	-	-	-	-
1328000Y	B	1828000Y	B	-	-
1328000Z	B	1828000Z	B	-	-
1328000T	B	1828000T	B	-	-
1328000U	B	1828000U	B	-	-
1328000V	B	1828000V	B	-	-
13282016	B	-	-	-	-
1328000C	S2	-	-	-	-
13281001	B	18281001	B	-	-
13282002	B	18282002	B	18282802	B
13280068	B	18280068	B	-	-
13280088	B	18280088	B	-	-
13280069	B	18280069	B	-	-
13280089	B	18280089	B	-	-
13280070	B	18280070	B	-	-
13280090	B	18280090	B	-	-

1328000C	S2	-	-	-	-
13282003	A	18282003	A	-	-
13282011	A	-	-	-	-
13282021	A	-	-	-	-
13282012	A	-	-	-	-
13282022	A	-	-	-	-
13282022	A	-	-	-	-
13281015	A	18281015	A	-	-

Hersteller	Ausführung	Baujahr	max. Achstlasten in kg		Tieferlegung in mm		Hinweise
Manufacturer	Model	Year	VA	HA	VA	HA	Comments
			max. axle loads in kg		lowering in mm		
			FA	RA	front	rear	

Skoda							
Octavia; (1U)	Frontantrieb; Lim., Kombi / 2WD; sedan, station wagon	02/97-	-1000	-1070	35-65	35-65	4,42,91,121
	4x4; Lim., Kombi / 4WD; sedan, station wagon	11/99-	-1030	-1070	35-65	35-65	164
	Federbein Ø 55mm / susp strut Ø 55mm	02/04-	-1035	-1150	35-65	35-65	4,71
	Federbein Ø 50mm / susp strut Ø 50mm				35-65	35-65	4,72
	Federbein Ø 55mm / susp strut Ø 55mm				1036-1105	-1150	35-65 35-65 4,71
	Federbein Ø 50mm / susp strut Ø 50mm				35-65	35-65	4,72
	Federbein Ø 55mm / susp strut Ø 55mm				1106-1160	-1150	35-65 35-65 4,71
Octavia; (5E)	RS; Lim., Kombi / RS; sedan, station wagon	12/05-	-1035	-1150	20-50	30-60	4,71
	Lim.; Frontantrieb; nur Fahrzeuge mit Verbundlenker-Hinterachse / sedan; 2WD; only vehicles with twist beam rear axle	02/13-	-925	-1050	35-65	35-65	6,72
	Federbein Ø 50mm / susp strut Ø 50mm				926-1080	-1050	35-65 35-65 6,72
	Lim.; Frontantrieb; nur Fahrzeuge mit Verbundlenker-Hinterachse; Federbein Ø 55mm / sedan; 2WD; only vehicles with twist beam rear axle; susp strut Ø 55mm	02/13-	-1080	-1050	35-65	35-65	6,71
	Combi; Frontantrieb; nur Fahrzeuge mit Verbundlenker-Hinterachse / station wagon; 2WD; only vehicles with twist beam rear axle	04/13-	-925	-1050	35-65	30-60	6,72
Octavia; (5E)	Federbein Ø 50mm / susp strut Ø 50mm				926-1080	-1050	35-65 30-60 6,72
	Combi; Frontantrieb; nur Fahrzeuge mit Verbundlenker-Hinterachse; Federbein Ø 55mm / station wagon; 2WD; only vehicles with twist beam rear axle; susp strut Ø 55mm	04/13-	-1080	-1050	35-65	30-60	6,71
	Lim., Combi; Frontantrieb; nur Fahrzeuge mit Mehrlenker-Hinterachse / sedan, station wagon; 2WD; only vehicles with IRS	02/13-	-925	-1050	35-65	35-65	72,209
	Federbein Ø 50mm / susp strut Ø 50mm				926-1090	-1050	35-65 35-65 72,209
	Lim., Combi; Frontantrieb; nur Fahrzeuge mit Mehrlenker-Hinterachse / sedan, station wagon; 2WD; only vehicles with IRS	02/13-	-925	-1050	35-65	35-65	71,209
	Federbein Ø 55mm / susp strut Ø 55mm				926-1090	-1050	35-65 35-65 71,209
	Lim., Combi; 4x4; nur Fahrzeuge mit Mehrlenker-Hinterachse; Federbein Ø 50mm / sedan, station wagon; 4WD; only vehicles with IRS; susp strut Ø 50mm	07/13-	-1100	-1100	20-50	25-50	6,72
	Lim., Combi; 4x4; nur Fahrzeuge mit Mehrlenker-Hinterachse; Federbein Ø 55mm / sedan, station wagon; 4WD; only vehicles with IRS; susp strut Ø 55mm	07/13-	-1100	-1100	20-50	25-50	6,71
	RS; Lim., Combi; Frontantrieb / RS; sedan, station wagon; 2WD	08/13-	-1090	-1040	10-40	15-40	71,209
	RS; Lim., Combi; 4x4 / RS; sedan, station wagon; 4WD	08/13	-1100	-1100	0-30	0-25	71,209
Roomster; (5J)		09/06-12/08	-890	-900	30-60	35-65	
			891-960	-900	30-60	35-65	
Superb I; (3U)		02/02-	-1100	-1080	35-65	35-65	11
			1101-1210	-1080	35-65	35-65	11
Superb II; (3T)	Lim., Combi; Frontantrieb Federbein Ø 55mm / sedan, station wagon; 2WD susp strut Ø 55mm	06/08-05/15	-1200	-1250	30-60	30-60	71
	Lim., Combi; Frontantrieb Federbein Ø 50mm / sedan, station wagon; 2WD susp strut Ø 50mm		-1200	-1250	30-60	30-60	72
	Lim., Combi; Allrad Federbein Ø 55mm / sedan, station wagon; 4WD susp strut Ø 55mm		-1200	-1250	30-60	30-60	71
Yeti; (5L)	Frontantrieb; Federbein Ø 50mm / 2WD; susp strut Ø 50mm	08/09-	-1110	-1160	45-85	55-85	72
	Frontantrieb; Federbein Ø 55mm / 2WD; susp strut Ø 55mm	08/09-	-1110	-1160	45-85	55-85	71

Subaru							
BRZ; (ZC)		09/12-	-876	-943	20-50	25-55	
	Impreza; (GC/GF,GFC)	8/92-12/00	-900	-900	30-70	40-60	42
	Impreza; (GD/GG, GGS)	12/00-11/02	-970	-960	20-50	20-50	42
		inkl. WRX / incl. WRX	12/02-08/05	-990	-960	25-55	25-45
Impreza; (GD/GG)	STI	12/02-08/05	-1030	-960	30-55	25-45	
	inkl. WRX incl. WRX	09/05-	-990	-960	25-55	25-45	42
	WRX STi; inkl. Mod.06 / incl. mod.06	09/05-	-1030	-960	20-50	10-40	
Levorg; (V1)	Station Wagon / station wagon	09/15-	-1075	-1040	15-35	5-35	
	WRX STi; (V1)	06/14-	-1075	-1040	15-35	5-35	

Suzuki							
Swift; (MZ, EZ)	Frontantrieb / 2WD	05/05-08/10	-830	-800	35-65	35-65	
Swift; (NZ)	Frontantrieb / 2WD	09/10-	-850	-850	30-60	35-65	

Toyota							
Aygo; (AB1)		07/05-06/14	-695	-695	25-55	30-60	
Aygo; (AB1)		07/14-	-695	-695	20-50	15-45	
C-HR; (AX1T(EU,M), AX1T(EU,M)-TMG)	Frontantrieb; inkl. Hybrid / 2WD; incl. Hybrid	10/16-	-1050	-1080	20-50	30-60	
GT86; (ZN)		09/12-	-876	-943	20-50	25-55	
Prius; (XW3(a), XW3P)		04/12-	-1110	-1110	30-60	30-60	0

Volkswagen							
New Beetle; (9C)	Lim. / sedan	01/98-	-1030	-850	35-60	30-60	42,91,121
	Cabrio / convertible	01/03-	-1030	-850	25-55	25-55	42,91,121
	inkl. Cabriolet; nur Fahrzeuge mit Mehrlenker-Hinterachse; Federbein Ø55mm / incl. convertible; only vehicles with IRS; susp strut diameter 55mm	10/11-	-1015	-880	35-65	40-70	71
					1016-1080	-880	35-65 40-70 71
	inkl. Cabriolet; nur Fahrzeuge mit Verbundlenker-Hinterachse; Federbein Ø55mm / incl. convertible; only vehicles with twist beam rear axle; susp strut diameter 55mm	10/11-	-1015	-880	35-65	50-70	71
					1016-1080	-880	35-65 50-70 71
	inkl. Cabriolet; nur Fahrzeuge mit Verbundlenker-Hinterachse; Federbein Ø50mm / incl. convertible; only vehicles with twist beam rear axle; susp strut diameter 50mm	10/11-	-1015	-880	35-65	50-70	72
					1016-1080	-880	35-65 50-70 72

ST X mit festem Dämpfersetup		ST XA mit einstellbarem Dämpfersetup		ST XTA mit einstellbarem Dämpfersetup und Stützlagern	
Bestell-Nr.	Preis Kategorie	Bestell-Nr.	Preis Kategorie	Bestell-Nr.	Preis Kategorie
ST X fixed damper setup		ST XA adjustable damper setup		ST XTA adjustable damper setup and top mounts	
Part No.	price category	Part No.	price category	Part No.	price category

13282002	B	18282002	B	18282802	B
13280031	B	18280031	B	18280831	B
13280068	B	18280068	B	-	-
13280088	B	18280088	B	-	-
13280069	B	18280069	B	-	-
13280089	B	18280089	B	-	-
13280070	B	18280070	B	-	-
13280090	B	18280090	B	-	-
13280068	B	18280068	B	-	-
13280069	B	18280069	B	-	-
13281027	B	-	-	-	-
13281028	B	-	-	-	-
13281049	B	-	-	-	-
13281027	B	-	-	-	-
13281028	B	-	-	-	-
13281049	B	-	-	-	-
1328000Y	B	1828000Y	B	-	-
1328000Z	B	1828000Z	B	-	-
1328000T	B	1828000T	B	-	-
1328000U	B	1828000U	B	-	-
13282017	B	-	-	-	-
13282016	B	-	-	-	-
1328000U	B	1828000U	B	1821080M	B
13282016	B	-	-	-	-
13282010	A	-	-	-	-
13282020	A	-	-	-	-
13210009	B	-	-	-	-
13210011	B	-	-	-	-
13282001	B	18282001	B	-	-
13282031	B	-	-	-	-
13280087	B	18280087	B	-	-
13282015	B	-	-	-	-
13280075	B	18280075	B	-	-

13258004	B	-	-	18258804	B
13245001	S3	-	-	18245801	S1
13245002	S3	-	-	18245802	S1
13245004	S3	-	-	18245804	S1
-	-	-	-	18245804	S1
13245004	S3	-	-	18245804	S1
13245014	S3	-	-	18245814	S1
-	-	-	-	18245818	
-	-	-	-	18245818	

13276003	A	-	-	-	-
13276006	A	-	-	-	-

13295008	A	-	-	-	-
13295008	A	-	-	-	-
-	-	18256017	S2	-	-
13258004	B	-	-	18258804	B
-	-	18256014	S2	-	-

13210005	B	18210005	B	18210805	B
13280043	B	-	-	-	-
1328000A	B	-	-	-	-
1328000B	B	-	-	-	-
1328000D	B	-	-	-	-
1328000E	B	-	-	-	-
1328000L	B	-	-	-	-
1328000M	B	-	-	-	-

Hersteller	Ausführung	Baujahr	max. Achstlasten in kg		Tieferlegung in mm		Hinweise
			VA	HA	VA	HA	
			max. axle loads in kg		lowering in mm		
FA	RA	front	rear				
Manufacturer	Model	Year					Comments
Volkswagen							
Golf VII; (AU)	Lim., Frontantrieb; nur Fahrzeuge mit Mehrlenker-Hinterachse; Federbein Ø 55mm / sedan; 2WD; only vehicles with IRS; susp strut Ø 55mm	11/12-	-1080	-1010	35-65	35-65	6,71,209
	Lim., 4motion; nur Fahrzeuge mit Mehrlenker-Hinterachse / sedan; 4WD; only vehicles with IRS Federbein Ø 50mm / susp strut Ø 50mm	11/12-	-965	-1010	35-65	40-65	6,72,209
	Lim., 4motion; nur Fahrzeuge mit Mehrlenker-Hinterachse; Federbein Ø 55mm / sedan; 4WD;only vehicles with IRS; susp strut Ø 55mm	11/12-	-1080	-1010	35-65	40-65	6,71,209
Golf VII GTI; (AU)	inkl. "Clubsport" / incl. "Clubsport"	05/13-	-1080	-1010	25-55	20-45	6,71,209
Golf VII R; (AU)	Lim. / sedan	11/13-	-1080	-1010	10-40	20-45	6,71,209
Golf VII Variant; (AUV)	Variant; Frontantrieb; nur Fahrzeuge mit Verbundlenker-Hinterachse / station wagon; 2WD; only vehicles with twist beam rear axle Federbein Ø 50mm / susp strut Ø 50mm	07/13-	-965	-1050	35-65	40-65	6,72,209
	Variant; Frontantrieb; nur Fahrzeuge mit Verbundlenker-Hinterachse; Federbein Ø 55mm / station wagon; 2WD; only vehicles with twist beam rear axle; susp strut Ø 55mm	07/13-	-1090	-1050	35-65	40-65	71,209
	Variant; Frontantrieb; nur Fahrzeuge mit Mehrlenker-Hinterachse / station wagon; 2WD; only vehicles with IRS Federbein Ø 50mm / susp strut Ø 50mm	07/13-	-965	-1050	35-65	35-65	6,72,209
	Variant; Frontantrieb; nur Fahrzeuge mit Mehrlenker-Hinterachse / station wagon; 2WD; only vehicles with IRS Federbein Ø 55mm / susp strut Ø 55mm	07/13-	-965	-1050	35-65	35-65	6,71,209
Golf VII R Variant; (AUV)	Variant / station wagon	01/15-	-1100	-1100	10-40	10-35	6,71,209
Jetta V; (1KM)	Federbein Ø 55mm / susp strut Ø 55mm	08/05-	-1035	-1150	35-65	35-65	4,71
	Federbein Ø 50mm / susp strut Ø 50mm				35-65	35-65	4,72
	Federbein Ø 55mm / susp strut Ø 55mm		1036-1105	-1150	35-65	35-65	4,71
	Federbein Ø 50mm / susp strut Ø 50mm				35-65	35-65	4,72
	Federbein Ø 55mm / susp strut Ø 55mm		1106-1170	-1150	35-65	35-65	4,71
	Federbein Ø 50mm / susp strut Ø 50mm				35-65	35-65	4,72
Jetta VI; (16)	Federbein Ø 55mm / susp strut Ø 55mm	01/11-	-1015	-1150	35-65	35-65	4,71
	Federbein Ø 50mm / susp strut Ø 50mm				35-65	35-65	4,72
	Federbein Ø 55mm / susp strut Ø 55mm		1016-1060	-1150	35-65	35-65	4,71
	Federbein Ø 50mm / susp strut Ø 50mm				35-65	35-65	4,72
Lupo; (6E, 6X)	außer 3L / except 3L	04/98-	-820	-700	40-70	40-70	
Lupo GTI; (6ES)		09/00-	-820	-700	20-50	30-60	
Passat; (35i)	Frontantrieb; Lim., Variant / 2WD; sedan, station wagon	04/88-09/96	-890	-1020	40-80	40-80	4
			891-1020	-1020	40-80	40-80	4
Passat; (3B,3BG)	Frontantrieb; Lim., Variant / 2WD; sedan, station wagon	10/96-	-1100	-1080	40-75	40-75	4,112
			1101-1200	-1080	40-75	40-75	4,112
	Allrad; Lim., Variant / 4WD; sedan, station wagon	10/96-	-1100	-1160	40-75	40-75	11
			1101-1200	-1160	40-75	40-75	11
Passat W8; (3BS)	Lim., Variant / sedan, station wagon	09/01-	-1350	-1300	20-55	25-55	11
Passat (B6, B7); (3C, 3c)	Lim.; Frontantrieb, Allrad inkl. Facelift / sedan, 2WD, 4WD incl. facelift	03/05-10/14	-1105	-1150	35-65	35-65	71,187
			1106-1180	-1150	35-65	35-65	71,187
	Variant; Frontantrieb, Allrad inkl. Facelift / station wagon, 2WD, 4WD incl. facelift	08/05-10/14	-1105	-1220	35-65	35-65	71,187
			1106-1180	-1220	35-65	35-65	71,187
Passat CC; (3CC)	Frontantrieb, 4motion / 2WD, 4WD	06/08-	-1110	-1150	10-50	15-45	71,187
			1111-1170	-1150	10-50	15-45	71,187
Passat R36; (3C, 3c)	Limousine; 4motion / sedan; 4WD	04/07-	-1180	-1150	15-45	15-45	71,187
	Variant; 4motion / station wagon; 4WD	04/07-	-1180	-1230	15-45	15-45	71,187
Polo, Polo Classic; (6N, 6K/V)	Facelift	10/94-99	-900	-810	40-80	40-80	
		Mod. 00-	-900	-810	40-70	40-70	
Polo; (9N)	inkl. Facelift, Classic / incl. facelift, sedan	10/01-	-960	-840	35-65	35-65	
	GTI, inkl. Cup Edition	09/05-	-960	-840	10-40	15-45	
Polo; (6R)	inkl. Facelift + GTI / incl. facelift + GTI	05/09-	-860	-800	20-50	40-65	6
			861-960	-800	20-50	40-65	6
Scirocco I, II; (53,53B)	R WRC	09/13-	-960	-800	5-30	5-30	
		02/74-07/92	-785	-640	55-95	55-95	
Scirocco; (13)	Frontantrieb / 2WD	09/08-	-1000	-780	20-55	20-55	71,186,187
			1001-1090	-780	20-55	20-55	71,186,187
Scirocco; (13)	R	12/09-	-1001-1090	-780	10-45	10-45	71,186,187
Sharan; (7M)	Frontantrieb / 2WD	09/95-	-1260	-1330	35-50	ca.40	40
	Allrad / 4WD	04/00-			35-55	ca.40	40
Sharan; (7N)	Frontantrieb; Federbein Ø 55mm / 2WD; susp strut Ø 55mm	09/10-	-1320	-1340	25-50	35-60	71,187
Tiguan I; (5N)	Frontantrieb, Allrad / 2WD, 4WD	11/07-12/15	-1200	-1170	35-65	35-65	71
Touran I; (1T, 1t)		03/03-07/15	-1060	-1170	35-65	35-70	6,71
			-1200	-1170	35-65	35-70	6,71
Cross Touran; (1T)	Frontantrieb / 2WD	11/06-	-1060	-1160	35-65	35-70	6,71
			1061-1200	-1160	35-65	35-70	6,71
up!; (AA)		12/11-	-740	-650	30-60	30-60	

Volvo							
C30; (M)	Frontantrieb / 2WD	12/06-	-1080	-900	20-50	30-60	
S40, V50; (M)	Frontantrieb / 2WD	04/04-	-1100	-1030	25-55	25-55	
V40; (M)	Frontantrieb / 2WD	09/12	-1000	-1070	25-45	35-50	
			1001-1100	-1070	25-45	35-50	

ST X mit festem Dämpfersetup		ST XA mit einstellbarem Dämpfersetup		ST XTA mit einstellbarem Dämpfersetup und Stützlagern	
Bestell-Nr.	Preis Kategorie	Bestell-Nr.	Preis Kategorie	Bestell-Nr.	Preis Kategorie
ST X fixed damper setup		ST XA adjustable damper setup		ST XTA adjustable damper setup and top mounts	
Part No.	price category	Part No.	price category	Part No.	price category
1328000N	B	1828000N	B	1828080N	B
1328000G	B	1828000G	B	1828080G	B
1328000H	B	1828000H	B	1828080G	B
1328000N	B	1828000N	B	1828080N	B
1328000N	B	1828000N	B	1828080N	B
1328000N	B	1828000N	B	1828080N	B
1328000N	B	1828000N	B	1828080N	B
1328000N	B	1828000N	B	1828080N	B
13281045	B	-	-	-	-
13281046	B	-	-	-	-
13281051	B	-	-	-	-
1328000Y	B	1828000Y	B	-	-
1328000Z	B	1828000Z	B	-	-
1328000T	B	1828000T	B	-	-
1328000U	B	1828000U	B	-	-
13282016	B	-	-	-	-
13280068	B	18280068	B	-	-
13280088	B	18280088	B	-	-
13280069	B	18280069	B	-	-
13280089	B	18280089	B	-	-
13280070	B	18280070	B	-	-
13280090	B	18280090	B	-	-
13280068	B	18280068	B	-	-
13280088	B	18280088	B	-	-
13280069	B	18280069	B	-	-
13280089	B	18280089	B	-	-
13280025	A	18280025	A	-	-
13280045	A	18280045	A	-	-
13280055	B	-	-	-	-
13280056	B	-	-	-	-
13280009	B	-	-	-	-
13280011	B	-	-	-	-
13280012	B	-	-	-	-
13280017	B	-	-	-	-
13210026	B	-	-	-	-
13280075	B	18280075	B	-	-
13280076	B	18280076	B	-	-
13280076	B	18280076	B	-	-
13280076	B	18280076	B	-	-
13280087	B	18280087	B	-	-
13280006	A	18280006	A	-	-
13280016	A	18280016	A	-	-
13282003	A	18282003	A	-	-
13280039	A	18280039	A	-	-
13281015	A	18281015	A	18281815	A
13281016	A	18281016	A	18281815	A
13281016	A	18281016	A	18281815	A
13280001	B	18280001	B	-	-
13280094	B	18280094	B	18280894	B
13280095	B	18280095	B	18280894	B
13280095	B	18280095	B	18280894	B
13280015	B	-	-	-	-
13280019	B	-	-	-	-
13281017	B	-	-	-	-
13280077	B	-	-	-	-
13280028	B	18280028	B	-	-
13280029	B	18280029	B	-	-
13280086	B	18280086	B	-	-
13280087	B	18280087	B	-	-
1328000C	S2	-	-	-	-

13267015	B	-	-	-	-
13267011	B	-	-	-	-
13230057	B	-	-	-	-
13230058	B	-	-	-	-



ST Anti-Sway Bars



ST Suspensions
ST Anti-Sway Bars



ST Anti-Sway Bars

ST anti-sway bars work by connecting the opposite wheels of a car using a steel torsion spring to increase stiffness and reduce body roll. Manufactured from high quality spring steel and finished with a final powder coating, all ST anti-sway bars are fine tuned by KW automotive's chassis engineers.

Once fitted, ST anti-sway bars greatly improve road handling during rapid load changes and hard cornering by reducing the load difference between the inside and outside wheels. After installation, steering behaviour is much more direct and sportier resulting in a more agile driving experience.

ST anti-sway bars have been developed through years of experience in the U.S market and are now available for a wide range of vehicles. Benefits of fitting the ST anti-sway bar kit include:

- *Multiple adjustments (when possible)*
- *Improved balance*
- *Spring comfort remains*
- *High quality manufacturing process*
- *Improved handling*
- *Increased traction*

engineered by



Hersteller	Ausführung	Baujahr	Hinweise	ØVA	ØHA	Verstellbarkeit	Verstellbarkeit
				in mm	in mm	VA	HA
Manufacturer	Model	Year	Comments	ØFA	ØRA	Adjustability	Adjustability
				in mm	in mm	FA	RA

Audi

A1 (8X)	1.2 TFSI, 1.4 TFSI, 1.6 TDI, 2.0TDi	08/10-	312	Ø22	-	nein / no	-
A3 (8L)	Quattro / 4WD (mit Stabilhalter am VA-Federbein / with sway bar holder on the FA-strut)	12/96-04/03		Ø25	Ø22	2-fach / 2-way	2-fach / 2-way
A3 (8P)	Limousine, Sportback; Frontantrieb / sedan, sportback; 2WD	05/03-	4	Ø29	Ø26	2-fach / 2-way	2-fach / 2-way
	Limousine, Sportback; Quattro / sedan, sportback; 4WD	09/03-	170	Ø26	Ø22	2-fach / 2-way	2-fach / 2-way
A3 (8V)	Limousine, Sportback; Frontantrieb / sedan, sportback; 2WD (mit Mehrlenker-Hinterachse / with IRS)	08/12-	4	28x4	25x4,7	2-fach / 2-way	nein / no
	Limousine, Sportback; Frontantrieb / sedan, sportback; 2WD (mit Verbundlenker-Hinterachse / with twist beam rear axle)		4	28x4	Ø25	2-fach / 2-way	nein / no
A4 (B8)	Limousine, Avant, Cabriolet; Frontantrieb, Quattro / sedan, station wagon, convertible; 2WD, 4WD	11/07-		Ø28	Ø23	nein / no	nein / no
A5 (B8)	Coupé, Sportback, Cabriolet; Frontantrieb, Quattro / coupé, sportback, convertible; 2WD, 4WD	06/07-		Ø28	Ø23	nein / no	nein / no
S3 (8L)	Quattro / 4WD (mit Stabilhalter am VA-Federbein / with sway bar holder on the FA-strut)	11/98-09/03	170,214	Ø25	Ø22	2-fach / 2-way	2-fach / 2-way
S3 (8P)	Limousine, Sportback; Quattro / 4WD	01/07-	170	Ø26	Ø22	2-fach / 2-way	2-fach / 2-way
TT (8N) Quattro	Coupé, Roadster (mit Stabilhalter am VA-Federbein / with sway bar holder on the FA-strut)	10/98-07/06		Ø25	Ø22	2-fach / 2-way	2-fach / 2-way
TT (8J)	1.8TFSi, 2.0TFSi, 3.2, 2.0TDi; Frontantrieb / 2WD	09/06-	4	Ø26	Ø23	2-fach / 2-way	2-fach / 2-way
TT, TT S, TT RS (8J)	2.0TFSi, 2.5TFSi, 2.0TDi; Quattro / 4WD	09/06-08/14	170	Ø26	Ø20	2-fach / 2-way	2-fach / 2-way
TT, (8J) ab Mod 2015	2.0TFSi, 2.0TDi Frontantrieb / 2WD	09/14-	4	28x4	25x4,7	2-fach / 2-way	nein / no

BMW

1er / 1-series (E81, 82, 87, 88); (187,182)	116i, 118i, 120i, 125i, 130i, 135i, 116d, 118d, 120d, 123d	09/04-	4,65,212	Ø28	Ø15	nein / no	nein / no
1er M- Coupé (E82), (M-V)	Coupé / coupé	05/11-09/12	4,65,212	Ø27	Ø24	nein / no	nein / no
3er / 3-series (E36); (3B, 3/B, 3C, 3/C)	Limousine, Touring, Coupé, Cabriolet / sedan, station wagon, coupé, convertible	06/92-10/99		Ø28	Ø21	2-fach / 2-way	2-fach / 2-way
3er / 3-series (E90,E92,E93), (390L,392C) (2WD)	Limousine, Touring, Coupé, Cabriolet / sedan, station wagon, coupé, convertible	03/05-	4,65,212	Ø28	Ø15	nein / no	nein / no
M3 (E36); (M3B, M3/B)	Limousine, Coupé, Cabriolet / sedan, coupé, convertible	10/92-04/99		Ø31	Ø24	2-fach / 2-way	2-fach / 2-way
M3 (E90, 92, 93); (M390)	Limousine, Coupé, Cabriolet / sedan, coupé, convertible	08/07-	4,65,212	Ø27	Ø24	nein / no	nein / no
5er / 5-series (E60, E61), (560L)	Limousine, Touring / 2WD (ohne Dynamic Drive / without Dynamic Drive)	06/03-03/10	4,65	Ø28	Ø22	nein / no	3-fach / 3-way
6er / 6-series (E63, E64), (663C)	Coupé, Cabriolet / 2WD (ohne Dynamic Drive / without Dynamic Drive)	01/04-	4,65	Ø28	Ø22	nein / no	3-fach / 3-way

Ford

Fiesta, Fiesta ST (JA8, JR8)		09/08-	4	Ø24	Ø22	nein / no	nein / no
Focus (DYB)	Limousine	08/12-	4	Ø25	Ø25	nein / no	2-fach / 2-way
	Turnier (Kombi)	06/12-	4	Ø25	Ø24	nein / no	2-fach / 2-way
Focus ST (DYB)	Limousine	08/12-	4	Ø25	Ø24	nein / no	2-fach / 2-way
	Turnier (Kombi)	06/12-	4	Ø25	Ø24	nein / no	2-fach / 2-way
Mustang (LAE)	Coupé, Cabriolet	08/14-	4	Ø35	Ø25	3-fach / 3-way	3-fach / 3-way

Mini

one, Cooper, Cooper S, Cooper D, Cooper SD, JCW (R56), (MINI-N, UKL-L)	Limousine / sedan	12/06-	4	Ø26	Ø19	2-fach / 2-way	3-fach / 3-way
Cooper, Cooper S, Cooper D, Cooper SD, JCW (R57), (MINI-N, UKL-C)	Cabriolet / convertible	03/09-	4	Ø26	Ø19	2-fach / 2-way	3-fach / 3-way
Cooper, Cooper S, Cooper SD, JCW (R55), (MINI-N, UKL-K)	Clubman / clubman	10/07-	4	Ø26	Ø19	2-fach / 2-way	3-fach / 3-way
Cooper, Cooper S, Cooper SD, JCW (R58), (UKL-C)	Coupé / coupé	09/11-	4	Ø26	Ø19	2-fach / 2-way	3-fach / 3-way
Cooper, Cooper S, Cooper SD, JCW (R59), (UKL-C)	Roadster / roadster	09/11-	4	Ø26	Ø19	2-fach / 2-way	3-fach / 3-way

Seat

Altea (5P, 5PN)	Frontantrieb / 2WD	06/04-	4	Ø29	Ø26	2-fach / 2-way	2-fach / 2-way
Altea XL (5P, 5PN)	Frontantrieb / 2WD	10/06-	4	Ø29	Ø26	2-fach / 2-way	2-fach / 2-way
Cordoba (6L)	1.2,1.4, 1.6, 1.8, 2.0, 1.4TDi, 1.6TDi 1.9SDi, 1.9TDi	02/02-	4, 312	Ø22	-	nein / no	-
Ibiza (6L)	1.2,1.4, 1.6, 1.8, 2.0, 1.4TDi, 1.6TDi 1.9SDi, 1.9TDi	02/02-	312	Ø22	-	nein / no	-
Ibiza (6J, 6JN)	1.2, 1.4, 1.6, 1.2TDi, 1.4TDi, 1.6TDi 1.9TDi, 2.0TDi	05/08-	312	Ø22	-	nein / no	-
Leon (1M)	Allradantrieb / 4WD	11/99-08/05	214	Ø25	Ø22	2-fach / 2-way	2-fach / 2-way
Leon (1P, 1PN)	Frontantrieb / 2WD	08/05-	4	Ø29	Ø26	2-fach / 2-way	2-fach / 2-way
Leon (5F)	Limousine, ST (Kombi); Frontantrieb / sedan; 2WD (mit Mehrlenker-Hinterachse / with IRS)	11/12-	4	28x4	25x4,7	2-fach / 2-way	nein / no
	Limousine, ST (Kombi); Frontantrieb / sedan; 2WD (mit Verbundlenker-Hinterachse / with twist beam rear axle)		4	28x4	25x4,7	2-fach / 2-way	nein / no
Toledo (5P)	Frontantrieb / 2WD	10/04-	4	Ø29	Ø26	2-fach / 2-way	2-fach / 2-way

Skoda

Fabia (6Y)	1.2, 1.4, 1.6, 1.4TDi, 1.9 SDi, 1.9TDi	12/99-	312	Ø22	-	nein / no	-
Fabia (5J)	1.2, 1.4, 1.6, 1.4TDi, 1.6TDi 1.9TDi, 2.0TDi	04/07-	312	Ø22	-	nein / no	-
Octavia II (1Z)	Limousine, Combi; Frontantrieb / sedan, station wagon; 2WD	09/05-	4	Ø29	Ø26	2-fach / 2-way	2-fach / 2-way
	Limousine, Combi; 4x4 / sedan, station wagon; 4WD		170	Ø26	Ø22	2-fach / 2-way	2-fach / 2-way
Octavia III (5E)	Limousine, Combi; Frontantrieb / sedan; 2WD (mit Mehrlenker-Hinterachse / with IRS)	02/13-	4	28x4	25x4,7	2-fach / 2-way	nein / no
	Limousine, Combi; Frontantrieb / 2WD (mit Verbundlenker-Hinterachse / with twist beam rear axle)		4	28x4	Ø25	2-fach / 2-way	nein / no
Praktik (5J)	1.2, 1.4, 1.6, 1.4TDi, 1.6TDi 1.9TDi, 2.0TDi	09/06-	312	Ø22	-	nein / no	-
Roomster (5J)	1.2, 1.4, 1.6, 1.4TDi, 1.6TDi 1.9TDi, 2.0TDi	09/06-	312	Ø22	-	nein / no	-

Stabilisatoren	
Bestell-Nr.	Preis Kategorie
Anti Sway Bars	
Part-No.	Price Category

52010020	A
52010037	B
52010021	B
52010014	B
52010031	B
52010032	B
52010034	B
52010034	B
52010037	B
52010014	B
52010037	B
52010027	B
52010026	B
52010031	B

52020012	B
52020018	B
52020006	B
52020012	B
52020009	B
52020018	B
52020017	B
52020017	B

52030002	A
52030004	B
52030005	B
52030001	B
52030005	B
52030003	S1

52020016	B
52020016	B
52020016	B
52020016	B
52020016	B

52010021	B
52010021	B
52010020	A
52010020	A
52010037	B
52010021	B
52010031	B
52010032	B
52010021	B

52010020	A
52010020	A
52010021	B
52010014	B
52010031	B
52010032	B
52010020	A
52010020	A

Hersteller	Ausführung	Baujahr	Hinweise	BVA in mm	ØVA in mm	Verstellbarkeit VA	Verstellbarkeit HA
Manufacturer	Model	Year	Comments	BFA in mm	ØFA in mm	Adjustability FA	Adjustability RA

Subaru

BRZ (ZC)	2.0	06/12-		Ø19	Ø17,5	2-fach / 2-way	2-fach / 2-way
----------	-----	--------	--	-----	-------	----------------	----------------

Toyota

GT86 (ZN)	2.0	06/12-		Ø19	Ø17,5	2-fach / 2-way	2-fach / 2-way
-----------	-----	--------	--	-----	-------	----------------	----------------

Volkswagen

Bora (1J)	4motion / 4WD (mit Stabilhalter am VA-Federbein / with sway bar holder on the FA-strut)	10/98-05/05	170	Ø25	Ø22	2-fach / 2-way	2-fach / 2-way
Corrado (53I)	1.8, 1.8 G60, 2.0	08/87-12/95	215	Ø22	Ø25	nein / no	2-fach / 2-way
	2.9 VR6	08/87-12/95	213	Ø22	Ø25	nein / no	2-fach / 2-way
Eos (1F)	Frontantrieb / 2WD	05/06-	4	Ø29	Ø26	2-fach / 2-way	2-fach / 2-way
Golf I / Jetta (17)	1.1, 1.3, 1.5, 1.6, 1.6 GTI, 1.8, 1.8 GTI, 1.5D, 1.6D, 1.6TD	04/74-02/84		Ø21	Ø25	nein / no	nein / no
Golf II / Jetta (19E)	Frontantrieb / 2WD	08/83-12/92	215	Ø22	Ø25	nein / no	2-fach / 2-way
Golf III (1H, 1E, 1EX0)	Frontantrieb, inkl. Cabriolet / 2WD, incl. convertible	08/91-08/97	215	Ø22	Ø25	nein / no	2-fach / 2-way
Golf III (1H)	2.0GTi, 2.8 VR6	01/92-08/97	213	Ø22	Ø25	nein / no	2-fach / 2-way
Golf IV (1J)	4motion / 4WD, inkl. VR6 (mit Stabilhalter am VA-Federbein / with sway bar holder on the FA-strut)	05/98-06/07	170	Ø25	Ø22	2-fach / 2-way	2-fach / 2-way
Golf V (1K)	Frontantrieb / 2WD	10/03-	4	Ø29	Ø26	2-fach / 2-way	2-fach / 2-way
	4motion inkl. R32 / 4WD incl. R32	08/04-	170	Ø26	Ø22	2-fach / 2-way	2-fach / 2-way
Golf V plus (1KP)	Frontantrieb / 2WD	01/05-	4	Ø29	Ø26	2-fach / 2-way	2-fach / 2-way
Golf VI (1K)	Limousine, Cabriolet; Frontantrieb / sedan, convertible; 2WD	11/08-	4	Ø29	Ø26	2-fach / 2-way	2-fach / 2-way
	Variant; Frontantrieb / station wagon; 2WD	08/09-	4	Ø29	Ø26	2-fach / 2-way	2-fach / 2-way
	4motion, R, R32 / 4WD, R, R32	08/04-	170	Ø26	Ø22	2-fach / 2-way	2-fach / 2-way
Golf VII (AU, AUV)	Limousine, Variant (Kombi); Frontantrieb / sedan; 2WD (mit Mehrlenker-Hinterachse / with IRS)	11/12-	4	28x4	25x4,7	2-fach / 2-way	nein / no
	Limousine, Variant (Kombi); Frontantrieb / sedan; 2WD (mit Verbundlenker-Hinterachse / with twist beam rear axle)		4	28x4	Ø25	2-fach / 2-way	nein / no
	Sportswan; Frontantrieb / sedan; 2WD (mit Mehrlenkerhinterachse / with IRS)	02/14-	4	28x4	25x4,7	2-fach / 2-way	nein / no
	Sportswan; Frontantrieb / sedan; 2WD (mit Verbundlenkerhinterachse / with twist beam rear axle)		4	28x4	Ø25	2-fach / 2-way	nein / no
Jetta V (1KM)	Frontantrieb / 2WD	08/05-	4	Ø29	Ø26	2-fach / 2-way	2-fach / 2-way
Jetta VI (16, 16H)	Frontantrieb / 2WD	01/11-	4	Ø29	Ø26	2-fach / 2-way	2-fach / 2-way
Passat (3C, 3c)	Limousine, Variant; Frontantrieb / sedan, station wagon; 2WD	03/05-	4	Ø29	Ø26	2-fach / 2-way	2-fach / 2-way
	Limousine, Variant; 4x4 / sedan, station wagon; 4WD		170	Ø26	Ø22	2-fach / 2-way	2-fach / 2-way
Passat CC (3CC)	Frontantrieb / 2WD	06/08-	4	Ø29	Ø26	2-fach / 2-way	2-fach / 2-way
Polo (9N)	1.2, 1.4, 1.4 FSI, 1.6, 1.4 TDI, 1.9 SDI, 1.9 TDI	11/01-	312	Ø22	-	nein / no	-
Polo (6R)	1.2, 1.2 TSI, 1.4, 1.4 TSI, 1.4 GTI, 1.2 TDI, 1.6 TDI	09/08-	312	Ø22	-	nein / no	-
Scirocco I, II (53/53B)	Frontantrieb / 2WD	08/79-07/92		Ø21	Ø25	nein / no	nein / no
Scirocco III (13)	Frontantrieb / 2WD	08/08-	4	Ø29	Ø26	2-fach / 2-way	2-fach / 2-way
Touran (1T)	Frontantrieb / 2WD	03/03-	4	Ø29	Ø26	2-fach / 2-way	2-fach / 2-way

Stabilisatoren	
Bestell-Nr.	Preis Kategorie
Anti Sway Bars	
Part-No.	Price Category

52056025	B
----------	---

52056025	B
----------	---

52010037	B
52080023	B
52080023	B
52010021	B
52080022	B
52080023	B
52080023	B
52080024	B
52010037	B
52010021	B
52010014	B
52010021	B
52010021	B
52010014	B
52010031	B
52010032	B
52010031	B
52010032	B
52010021	B
52010021	B
52010014	B
52010021	B
52010020	A
52010020	A
52080022	B
52010021	B
52010021	B



ST Lift Kits



before



after



1 installation between spring and axis



2 installation between top mount and chassis



3 installation between spring and chassis

ST Lift Kits

The lift kits (formally known as Spring Distance Kits) allow an individual lifting of the vehicle for example to balance the level at permanent loadings or when pulling a trailer. It can also eliminate the optical impression of the body being too low on the rear axle, as it may occasionally occur after the installation of lowering springs.

The ST lift kits convince by their durability. Depending on the application, they are made of a resistant polyamide composite material or an aluminum alloy and are powder-coated in order to guarantee a long operating lifetime even under the most demanding conditions.



Hersteller / Modell (Typ)	Ausführung	Baujahr	Auflagen/ Hinweise
manufacturer (vehicle type)	Model	Year	References

FIAT

Uno 45-75ie (146)		06/83-08/89	
Uno 45-75ie (146A)		09/89-	

FORD

Cougar (BCV)		98-	
Escort V, VI (AAL, GAL, ABL, AFL)	Limousine / sedan	09/90-01/95	90
Escort MK V, VI (AAL, GAL, ABL, AFL)			
Fiesta (GFJ)		03/89-07/96	
Fiesta MK III, VI, V (GFJ)			
Fiesta (JD, / JH.)		05/02-	90
Fiesta MK VI (JD./ JH.)			90
Fiesta Cross (JD, / JH.)		06/07-	90
Fiesta Cross MK VI (JD./ JH.)			90
Focus (DAW, DBW, DFW, DA1, DB1)	Limousine / sedan	10/98-	90
Focus MK I (DAW, DBW, DFW, DA1, DB1)			90
Focus (DNW)	Turnier (Kombi) station wagon	10/98-	90
Focus MK I (DNW)			90
Focus (DA3, DB3)	Limousine / sedan	07/04-	90
Focus MK II (DA3, DB3)			90
	Turnier (Kombi) station wagon	07/04-	90
			90
Focus (DYB)	Limousine / sedan	03/11-	90
Focus MK III (DYB)	Turnier (Kombi) station wagon	05/11-	90
Fusion (JU2)		11/01-	90
			90
Galaxy (WGR)		09/95-	4,90
Galaxy MK I (WGR)			
Galaxy (WA6)		05/06-	4
Galaxy MK II (WA6)			
Ka (RB)		11/96-	
Mondeo (GBP, BAP, BFP)	Limousine / sedan	03/93-10/00	
Mondeo MK I (GBP, BAP, BFP)			
Mondeo (BNP)	Turnier (Kombi) station wagon	03/93-10/00	
Mondeo MK I (BNP)			
Mondeo (BWY)	Turnier (Kombi) station wagon	11/00-	
Mondeo MK II (BWY)			
Mondeo (BA7)	Limousine / sedan	03/07-	
Mondeo MK III (BA7)	Turnier (Kombi) station wagon	03/07-	
Orion (ALL, GAL)		09/90-01/95	4,90
Puma (ECT)		03/97-	
S- Max (WA6)		05/06-	

HYUNDAI

Scoupe (SLC)		09/91-	4,25
Santa Fe (SM)		08/00-03/06	
Santa Fe (CM)		04/06-08/12	
Santa Fe (DM)		09/12-	
Tucson (JM)		08/04-	

LANCIA

Y10 (156)		08/85-	4,25
Delta / Dedra (831 / 835)		01/90-	4,25

MERCEDES

190er (201)		11/82-	11
190 series (201)			
A- Klasse (169)		09/04-	90
A- class (169)			
B- Klasse (245)		05/05-	90
B- class (245)			
C-Klasse (H0)	Limousine / sedan	06/93-	11
C- class (H0)			
C-Klasse (202)	T-Modell (Kombi) station wagon	06/93-	11
C- class (202)			
C-Klasse (203)	Limousine / sedan	05/00-	11
C- class (203)			
C-Klasse (203CL)	Sportcoupé	05/00-	11
C- class (203CL)			

Höherlegungskit VORNE		
höher in mm	Art.Nr.	Preis- kategorie
	Lift Kit FRONT	
lift rate in mm	part no.	price category

	-	
	-	

20	68530031	7
----	----------	---

	-	
--	---	--

15	68530120	6
20	68530093	6

15	68530120	6
20	68530093	6

15	68530088	7
20	68530087	7

15	68530088	7
20	68530087	7

15	68530088	7
20	68530087	7

15	68530088	7
20	68530087	7

20	68530012	7
20	68530012	7

15	68530120	6
20	68530093	6

20	68530139	7
----	----------	---

	-	
--	---	--

	-	
--	---	--

	-	
--	---	--

	-	
--	---	--

	-	
--	---	--

	-	
--	---	--

20	68530031	7
----	----------	---

	-	
--	---	--

	-	
--	---	--

30	68530108	11
30	68530108	11

	-	
--	---	--

30	68530108	11
----	----------	----

20	68530030	6
	-	

	-	
--	---	--

	-	
--	---	--

20	68530119	6
----	----------	---

20	68530119	6
----	----------	---

	-	
--	---	--

	-	
--	---	--

	-	
--	---	--

	-	
--	---	--

Höherlegungskit HINTEN		
höher in mm	Art.Nr.	Preis- kategorie
	Lift Kit REAR	
lift rate in mm	part no.	price category

15	68530132	5
15	68530132	5

20	68530037	6
25	68530024	6

25	68530024	6
----	----------	---

25	68530084	5
----	----------	---

25	68530084	5
----	----------	---

20	68530008	6
----	----------	---

20	68530008	6
----	----------	---

20	68530008	6
----	----------	---

20	68530008	6
----	----------	---

20	68530008	6
20	68530008	6

20	68530140	5
25	68530094	5

20	68530095	5
----	----------	---

20	68530125	11
----	----------	----

25	68530024	6
20	68530037	6

20	68530025	6
----	----------	---

20	68530025	6
----	----------	---

20	68530125	11
20	68530125	11

25	68530024	6
25	68530024	6

20	68530125	11
----	----------	----

20	68530125	11
----	----------	----

20	68530029	6
30	68530109	11

30	68530144	11
30	68530144	11

30	68530114	11
----	----------	----

	-	
--	---	--

20	68530038	6
----	----------	---

	-	
--	---	--

30	68530044	6
----	----------	---

20	68530115	5
----	----------	---

20	68530115	5
----	----------	---

30	68530044	6
----	----------	---

30	68530044	6
----	----------	---

30	68530044	6
----	----------	---

30	68530044	6
----	----------	---

Hersteller / Modell (Typ)	Ausführung	Baujahr	Auflagen/ Hinweise
manufacturer (vehicle type)	Model	Year	References

MERCEDES

C-Klasse (203K)	T-Modell (Kombi) station wagon	03/01-	11
C- class (203K)			
C-Klasse (204)	Limousine / sedan	01/07-12/13	11
C- class (204)	Coupé	06/11-12/15	11

C-Klasse (204K)	T-Modell (Kombi) station wagon	08/07-06/14	11
C- class (204K)			
CLK (208)	Coupé	08/97-	11
	Cabriolet / convertible	08/98-	11

CLK (209)	Coupé	04/02-	11
	Cabriolet / convertible	04/03-	11

E- Klasse (124, 124C)	Limousine, Cabriolet, Coupé	01/85-	11
E- class (124, 124C)	sedan, convertible, coupé		

E-Klasse (124T)	T-Modell (Kombi) station wagon	08/86-	11
E- class (124T)			

E- Klasse (210)	Limousine / sedan	06/95-	11
E- class (210)			

E- Klasse (207)	Coupé	01/09-	11
E- class (207)	Cabriolet / convertible	03/10-	11

SLK (170)		09/96-	11
-----------	--	--------	----

--	--	--	--

--	--	--	--

Mini (UKL-L)		03/14-	
--------------	--	--------	--

MITSUBISHI			
Carisma (DA0)		09/96-	4

--	--	--	--

100 NX (B13)		01/91-	
Micra (K10)		1/85-07/92	
Micra (K11)		08/92-	

OPEL

Ascona C		08/81-08/88	
----------	--	-------------	--

Astra F (F,CC,T92, conv.)	Lim./ Cabrio, Caravan (Kombi) sed. / conv. / station wagon	09/91-	
---------------------------	---	--------	--

Astra G (T98), (T98C), (T98Kombi)	Lim./ Cabrio, Caravan (Kombi) sed. / conv. / station wagon	03/98-	
-----------------------------------	---	--------	--

Astra G (T98 / Kombi)	Caravan (Kombi) station wagon	03/98-	
-----------------------	----------------------------------	--------	--

Astra H (A-H), (A-H/C)	Lim./ Cabrio, Coupé, GTC sedan / coupé / conv.	03/04-	
------------------------	---	--------	--

Astra H (A-H / SW)	Caravan (Kombi) station wagon	03/05-	
--------------------	----------------------------------	--------	--

Astra J (P-J, P-J/SW)	Lim./ Coupé, Caravan (Kombi) sedan / coupé / station wagon	10/09-	
-----------------------	---	--------	--

Cascada (P-J/SW)		05/13-	
Calibra (A)		03/90-	

Corsa A (A / CC)		08/83-2/93	
Corsa B (B / S93)		03/93-	
Corsa C (Corsa-C)		01/01-	

Kadett E (E / CC)	Lim. Cabrio, Caravan (Kombi) sed. / conv. / station wagon	09/84-08/91	
-------------------	--	-------------	--

Meriva (X01MONOCAB)		05/03-	
---------------------	--	--------	--

Omega A (A)	Limousine / Caravan (Kombi) sedan / station wagon	09/86-04/94	
-------------	--	-------------	--

Omega B (V94)	Limousine / Caravan (Kombi) sedan / station wagon	05/94-	
---------------	--	--------	--

Signum C (VECTRA, Z-C / SW)		05/02-	
-----------------------------	--	--------	--

Tigra (S93)		09/94-	
Tigra (X-C Roadster)		09/04-	
Vectra A (A)	Limousine / sedan	10/88-95	

Vectra B (J96)	Limousine / sedan	96-	
Vectra B (J96 / Kombi)	Caravan (Kombi) / station wagon	96-	
Vectra C (VECTRA LIM, Z-C)	Limousine / sedan	05/02-	

Vectra C (VECTRA / SW, Z-C/S)	Caravan (Kombi) / station wagon	05/02-	
Zafira A (T98 MONOCAB)		03/99-	
Zafira B (A-H / MONOCAB)		06/05-	

Höherlegungskit VORNE		
höher in mm	Art.Nr.	Preis- kategorie
	Lift Kit FRONT	
lift rate in mm	part no.	price category

	-	
	-	

	-	
--	---	--

	-	
--	---	--

	-	
--	---	--

	-	
--	---	--

	-	
--	---	--

	-	
--	---	--

	-	
--	---	--

	-	
--	---	--

	-	
--	---	--

	-	
--	---	--

20	68530150	8
----	----------	---

	-	
--	---	--

Hersteller / Modell (Typ)	Ausführung	Baujahr	Auflagen/ Hinweise
manufacturer (vehicle type)	Model	Year	References

PEUGEOT

307 (3...)	Lim. Cabrio, Break (Kombi) sed. / coupé / station wagon	03/01-	
406 (8B / C / E / F / V)	Lim. Coupé, Break (Kombi) sed. / coupé / station wagon	02/96-	
407 (6...)	Lim. Coupé, Break (Kombi) sed. / coupé / station wagon	03/04-	

RENAULT

Espace (J11, J13)		01/85-	25
Laguna (G)	Limousine / Grand Tour (Kombi) sedan / station wagon	10/00-	
Megane (M)	Lim. Cabrio, Grand Tour (Kombi) sed. / conv. / station wagon	11/02-	
Twingo (C06)		02/93-	

SAAB

9.3 (YS3F)	Limousine / sedan	09/02-	
9.5 (YS3E)	Limousine / sedan	05/98-	

SEAT

Alhambra (7MS)		09/95-	4
Altea (5P)		03/04-	
Altea XL (5P)		10/06-	
Ateca (5FP) Frontantrieb, (2WD)		07/16-	
Ateca (5FP) 4Drive, (4WD)		07/16-	
Arosa (6H, 6HS)		10/98-	
Cordoba (6K/C)	Limousine / sedan	08/93-12/95 01/96-08/99 (bis Modell 99) (up to mod. 99)	
Cordoba (6K/C)		08/99- (ab Modell 2000) (from mod. 2000)	
Cordoba (6L)	Limousine / sedan	05/02-	
Exeo (3R)	Limousine / ST (Kombi) sedan / station wagon	03/09-	92
Ibiza (6K)		04/93-12/95 01/96-08/99 (bis Modell 99) (up to mod. 99)	
Ibiza (6K)		08/99- (ab Modell 2000) (from mod. 2000)	
Ibiza (6L)		05/02-	
Ibiza (6J)		05/08-	
Leon (1M) Frontantrieb, (2WD)		09/99-	
Leon (1M) Allrad, (4WD)		09/99-	170
Leon (1P)		09/05-	
Leon (5F)	Limousine / ST (Kombi) sedan / station wagon	10/12-	66
Toledo (1L)		02/91-	
Toledo (1M)		09/99-	
Toledo (5P)		11/04-	
Toledo (NH)		10/12-	

SKODA

Fabia (6Y)		03/00-	
Fabia (5J)	Limousine / Combi sedan / station wagon	03/07- (bis Mod. 09) (up to mod. 99) 08/09- (ab Mod 2010) (from mod. 2000)	

Höherlegungsskit VORNE		
höher in mm	Art.Nr.	Preis- kategorie
Lift Kit FRONT		
lift rate in mm	part no.	price category

	-	
	-	
	-	
	-	
	-	
	-	
	-	
15	68530035	7

	-	
	-	
	-	
	-	
	-	
	-	
	-	
	-	
	-	

	-	
	-	

20	68530099	6
20	68530092	7
20	68530092	7

20	68530143	7
20	68530143	7
15	68530034	6
15	68530034	6

20	68530121	7
20	68530121	7

15	68530034	6
15	68530034	6

20	68530121	7
20	68530121	7

20	68530121	7
15	68530035	7
15	68530035	7
20	68530092	7
20	68530143	7

15	68530034	6
20	68530073	6
30	68530077	6

15	68530035	7
20	68530092	7
20	68530099	6

20	68530121	7
20	68530121	7

20	68530099	6
----	----------	---

Höherlegungsskit HINTEN		
höher in mm	Art.Nr.	Preis- kategorie
Lift Kit REAR		
lift rate in mm	part no.	price category

20	68530106	6
20	68530075	6
30	68530078	6
20	68530118	6

20	68530032	6
20	68530045	6
20	68530104	6
25	68530105	6
30	68530015	5

15	68530137	6
25	68530138	6

20	68530095	5
20	68530089	6
30	68530091	6
20	68530089	6
30	68530091	6

20	68530089	6
20	68530089	6
25	68530061	5
25	68530071	6
15	68530080	6

25	68530081	6
15	68530080	6
25	68530081	6

20	68530069	5
20	68530021	6
25	68530063	6
25	68530071	6
15	68530080	6

25	68530081	6
15	68530080	6

20	68530069	5
20	68530069	5
15	68530035	7
15	68530035	7
25	68530070	6
20	68530089	6
20	68530089	6

20	68530073	6
30	68530077	6
20	68530057	6
20	68530089	6
30	68530091	6
20	68530057	6

20	68530035	7
20	68530092	7
20	68530099	6

20	68530069	5
20	68530069	5

20	68530069	5
----	----------	---

Hersteller / Modell (Typ)	Ausführung	Baujahr	Auflagen/ Hinweise
manufacturer (vehicle type)	Model	Year	References

SKODA

Favorit (781)		10/88-	
Felicia (791)	Limousine / sedan	10/95-	
Felicia (795)	Combi / station wagon	10/95-	
Forman (785)		10/88-	
Kodiaq (NS) Frontantrieb, (2WD)		03/17-	
Kodiaq (NS) 4x4, (4WD)		03/17-	
Octavia I (1U) Frontantrieb, (2WD)	Limousine / Combi sedan / station wagon	96-	66
Octavia I (1U) 4x4, (4WD)	Limousine / Combi sedan / station wagon	96-	66
Octavia II (1Z) Frontantrieb, (2WD)	Limousine / Combi sedan / station wagon	05/04-	66
Octavia II (1Z) 4x4, (4WD)	Combi / station wagon	05/04-	66
Octavia III (5E) Frontantrieb, (2WD)	Limousine / Combi (Kombi) sedan / station wagon	03/13-	66
Octavia III (5E) 4x4, (4WD)	Limousine / Combi (Kombi) sedan / station wagon	07/13-	66
Rapid (NH)		10/12-	
Roomster (5J)		08/06- (bis Mod. 09) (up to mod. 09)	
		08/09- (ab Mod 2010) (from mod. 2010)	
Superb I (3U)		02/02-	66,92 66,94
Superb II (3T)		06/08-03/15	
Superb III (3T)	MQB Plattform	04/15-	
Yeti (5L) Frontantrieb, (2WD)		08/09-	4

SUZUKI

SX4 (GY)	2WD / 4WD	06/06-	
SX4 (EY)	2WD / 4WD	09/09-	
S-Cross	2WD / 4WD	10/13-	
Vitara (ET, TA)		10/88-	

VOLKSWAGEN

New Beetle (9C)		11/98-	
New Beetle (1Y)		01/03-	
Beetle (16)		10/11-	
Bora (1J) Frontantrieb, (2WD)	Limousine / Variant (Kombi) sedan / station wagon	11/98-	66
Bora (1J) 4motion, (4WD)	Limousine / Variant (Kombi) sedan / station wagon	11/98-	66
Corrado (53i)		09/88-	
Derby (86 / 86c)		08/76-08/86	
Eos (1F)		04/06-	
Fox (5Z)		04/05-	
Golf I, Jetta I (17, 17CK)		09/79-07/83	
Golf I (155)	Cabriolet / convertible	09/79-08/94	
Golf II, Jetta II (19E)		08/83-11/91	
Golf II (19E/299) Synchro, (4WD)		-11/91	
Golf III, Vento (1HX0, 1H)	Limousine / sedan	11/91-	
	Variant (Kombi) / station wagon	12/93-	
Golf III (1HX1) Synchro, (4WD)	Limousine / sedan	11/91-	
Golf III (1EX0, 1E)	Cabriolet	07/93-	
Golf IV (1J) Frontantrieb, (2WD)	Limousine / Variant (Kombi) sedan / station wagon	10/97-	66

Höherlegungsskit VORNE		
höher in mm	Art.Nr.	Preis- kategorie
Lift Kit FRONT		
lift rate in mm	part no.	price category

20	68530035	7
20	68530035	7
20	68530035	7
20	68530035	7

20	68530143	7
20	68530143	7
15	68530035	7
15	68530035	7

20	68530092	7
20	68530143	7

20	68530143	7
20	68530099	6
20	68530121	7

20	68530099	6
20	68530101	7
20	68530100	7
20	68530092	7
20	68530143	7
20	68530141	7

20	68530101	7
20	68530100	7
20	68530092	7
20	68530143	7
20	68530141	7

20	68530147	7
20	68530147	7
20	68530149	7
20	68530004	7

15	68530035	7
15	68530035	7
20	68530092	7
15	68530035	7

15	68530035	7
15	68530034	6
15	68530034	6
20	68530092	7
20	68530121	7

15	68530034	6
15	68530034	6
15	68530034	6
15	68530034	6

15	68530034	6
15	68530034	6
15	68530034	6
15	68530034	6

15	68530034	6
15	68530034	6
15	68530034	6
15	68530034	6

15	68530035	7
----	----------	---

Höherlegungsskit HINTEN		
höher in mm	Art.Nr.	Preis- kategorie
Lift Kit REAR		
lift rate in mm	part no.	price category

Hersteller / Modell (Typ)	Ausführung	Baujahr	Auflagen/ Hinweise	Höherlegungskit VORNE			Höherlegungskit HINTEN		
				höher in mm	Art.Nr.	Preis- kategorie	höher in mm	Art.Nr.	Preis- kategorie
				lift rate in mm	part no.	price category	lift rate in mm	part no.	price category
manufacturer (vehicle type)	Model	Year	References	Lift Kit FRONT	Lift Kit REAR				
VOLKSWAGEN									
Golf IV (1J) 4motion, (4WD)	Limousine / Variant (Kombi) sedan / station wagon	10/97-	66	15 68530035	7	25 68530070	6		
Golf V (1K), Jetta V (1KM) Frontantrieb, (2WD)	Limousine / Variant (Kombi) sedan / station wagon	09/03-	66	20 68530092	7	20 68530089	6		
Golf V (1K) 4motion, (4WD)	Limousine / Variant (Kombi) sedan / station wagon	09/03-	66	20 68530092	7	20 68530089	6		
Golf VI (1K), Frontantrieb, (2WD)	Limousine / Variant (Kombi) sedan / station wagon	10/08-	66	20 68530092	7	20 68530089	6		
Golf VI (1K) 4motion, (4WD)	Limousine / Variant (Kombi) sedan / station wagon	09/03-	66	20 68530092	7	20 68530089	6		
Golf VII (AU / AUV)	Limousine / Variant (Kombi) sedan / station wagon	10/12-	66	20 68530143	7	20 68530089	6		
Golf Plus (1KP)		09/03-	66	20 68530092	7	20 68530089	6		
Golf Sportsvan (AUV)		02/14-		20 68530143	7	20 68530089	6		
Jetta III (16)		01/11-	66	20 68530092	7	20 68530089	6		
Lupo (6X)		10/98-		15 68530034	6	25 68530061	5		
Passat (32B)	Limousine / Variant (Kombi) sedan / station wagon	10/80-03/88				20 68530074	6		
Passat (35i)	Limousine / Variant (Kombi) sedan / station wagon	04/88-		15 68530034	6	30 68530077	6		
Passat (3B) Frontantrieb, (2WD)	Limousine / Variant (Kombi) sedan / station wagon	10/96-		20 68530086	7	25 68530082	6		
Passat (3B) 4motion, (4WD)	Limousine / Variant (Kombi) sedan / station wagon	10/96-		20 68530086	7	20 68530028	6		
Passat (3BG) Frontantrieb, (2WD)	Limousine / Variant (Kombi) sedan / station wagon	10/00-	92	20 68530101	7	25 68530130	7		
Passat (3BG) 4motion, (4WD)	Limousine / Variant (Kombi) sedan / station wagon	10/00-	92	20 68530100	7	30 68530053	7		
Passat (3C) Frontantrieb, (2WD) (PQ 35 Plattform)	Limousine / Variant (Kombi) sedan / station wagon	02/05-10/14	66	20 68530101	7	20 68530028	6		
Passat (3C) 4motion, (4WD) (PQ 35 Plattform)	Limousine / Variant (Kombi) sedan / station wagon	09/05-10/14	66	20 68530100	7	20 68530028	6		
Passat CC (3CC) (PQ 35 Plattform)	Coupé	06/08-10/14		20 68530092	7	20 68530089	6		
Passat (3C) Frontantrieb, (2WD) (MQB Plattform)	Limousine / Variant (Kombi) sedan / station wagon	11/14-		20 68530143	7	20 68530089	6		
Passat (3C) 4motion, (4WD) (MQB Plattform)	Limousine / Variant (Kombi) sedan / station wagon	11/14-		20 68530143	7	20 68530089	6		
Passat CC (3CC) (MQB Plattform)	Coupé	11/14-		20 68530143	7	20 68530089	6		
Polo (86 / 86c)		08/76-08/94		15 68530034	6	25 68530071	6		
Polo (6N)		08/94-09/99 (bis Modell 99) (up to mod. 99)		15 68530034	6	15 68530080	6		
Polo (6N)		10/99- (ab Modell 2000) (from mod. 2000)		20 68530121	7	25 68530081	6		
Polo (6KV), (6N/C)	Limousine, Stufenheck sedan, notchback	08/94-09/99 (bis Modell 99) (up to mod. 99)		15 68530034	6	15 68530080	6		
Polo (6KV), (6N/C)		10/99- (ab Modell 2000) (from mod. 2000)		20 68530121	7	15 68530080	6		
Polo (6KV)	Variant (Kombi) station wagon	10/97-09/99 (bis Modell 99) (up to mod. 99)		15 68530034	6	15 68530080	6		
Polo (6KV)		10/99- (ab Modell 2000) (from mod. 2000)		20 68530121	7	25 68530081	6		
Polo (9N)	Limousine, Stufenheck sedan, notchback	09/01-		20 68530121	7	20 68530069	5		
Polo (6R)		06/09-		20 68530099	6	20 68530069	5		
Polo (9N)		09/03-		20 68530121	7	20 68530069	5		
Scirocco I+II (53, 53B)		09/79-		15 68530034	6	25 68530071	6		
Sharan (7M)		09/95-		20 68530099	6	20 68530095	5		
Sharan (7M) 4x4, (4WD)		09/95-		20 68530099	6	20 68530095	5		

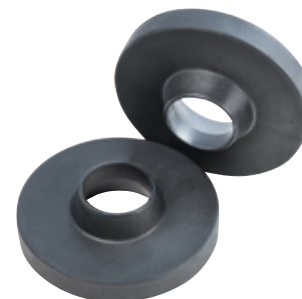
Hersteller / Modell (Typ)	Ausführung	Baujahr	Auflagen/ Hinweise	Höherlegungskit VORNE			Höherlegungskit HINTEN		
				höher in mm	Art.Nr.	Preis- kategorie	höher in mm	Art.Nr.	Preis- kategorie
				lift rate in mm	part no.	price category	lift rate in mm	part no.	price category
manufacturer (vehicle type)	Model	Year	References	Lift Kit FRONT	Lift Kit REAR				

VOLKSWAGEN

Tiguan I (5N) Frontantrieb, (2WD)		10/07-01/16	4	20 68530141	7	20 68530089	6		
Tiguan II (5N) Frontantrieb, (2WD) (MQB Plattform)		02/16-		20 68530143	7	20 68530089	6		
Touran I (1T)		02/03-07/15	66	20 68530092	7	20 68530089	6		
Touran II (1T) (MQB Plattform)		08/15-		20 68530143	7	20 68530089	6		
T2, T3, T4 (247, 251, 253, 255, 70X..., 7D...)	Transporter, Kastenwagen, Kombi, Bus	09/79-		-		25 68530070	6		
T5 (7H., 7J., 7M.) Frontantrieb und Allrad T5 (7H., 7J., 7M.) (2WD) (4WD)	Transporter, Multivan	03/03-03/15		20 68530111	8	20 68530054	7		
T6 (7H., 7J., 7M.) Frontantrieb und Allrad T6 (7H., 7J., 7M.) (2WD) (4WD)	Transporter, Multivan	04/15-		30 68530112	8	30 68530064	7		
				20 68530156	8	20 68530054	7		
				30 68530157	8	30 68530064	7		

VOLVO

S 40 (V) Frontantrieb, (2WD)	Limousine / sedan	96-08/99		-		20 68530005	6		
S 40 (M)	Limousine / sedan	12/03-		-		20 68530127	6		
V 40 (V) Frontantrieb, (2WD)	Kombi / station wagon	96-08/99		-		20 68530005	6		
V 50 (M)	Kombi / station wagon	12/03-		-		20 68530127	6		
S 60 (F)	Limousine / sedan	04/10-		-		20 68530125	11		
V 60 (F)	Kombi / station wagon	10/10-		-		20 68530125	11		
XC 60 (D)	Kombi / station wagon	10/08-		-		20 68530125	11		
C 70 (N) Frontantrieb, (2WD)	Coupé / Cabriolet coupé / convertible	03/97-		-		20 68530032	6		
S 70 (S70) Frontantrieb, (2WD)	Limousine / sedan	03/91-		-		20 68530032	6		
S 70 (L) Frontantrieb, (2WD)	Limousine / sedan	10/97-03/00		-		20 68530032	6		
V 70 (L) Frontantrieb, (2WD)	Kombi / station wagon	10/97-03/00		-		20 68530032	6		
V 70 (S)	Kombi / station wagon	03/00-		-		20 68530125	11		
XC 70 (S)	Kombi / station wagon	05/07-		-		20 68530125	11		
S 80 (A)		03/06-		-		20 68530125	11		
740 + 760 (744, 745, 764, 765)		02/85-		-		20 68530032	6		
850 Frontantrieb, (2WD)	Limousine / sedan	03/91-		-		20 68530032	6		



Skoda Octavia, Hinterachse
Skoda Octavia, Rear axle



VW Passat, Vorderachse
VW Passat, Front axle



BMW 3er F30, Hinterachse
BMW 3er F30, Rear axle



ST The revolution of Wheel Spacers



ST Wheel Spacer Systems

The revolution

No more expensive storage! For the first time, the tire retailers and the automotive accessories market have the opportunity to offer the right spacers for thousands of vehicle types with only a few components.

With the DZX and AZX spacers in combination with our patented adapter rings and innovative mounting hardware, countless vehicles can be equipped, whether the vehicle came from the manufacture with wheel bolts or wheel studs. The patented system replaces more than 1.600 individual spacers and therefore offers an individual solution for every vehicle. This is the revolution in the wheel spacer market!

The DZX spacers with multi-hole patterns cover all hole circles from 98 to 132 mm.

Increments in precise 2,5mm steps per wheel allow a wider track ranging from 10mm to a total of 50mm per axle. With the help of the matching ST shaft nuts, an assembly on every vehicle with wheel studs is possible.

The AZX wheel spacers are available in the six most common hole circles (5x108, 5x110, 5x112, 5x114,3, 5x120 and 5x127).

The spacer thickness of 25, 30 and 35 mm allow a track widening of 50, 60 and 70 mm per axle. Of course, the perfectly matching mounting accessories are included in delivery.

Due to our patented adapter system, the DZX and AZX wheel spacers can be used flexibly. And the great thing: our product also saves a lot of space! Because the DZX and AZX cabinet packages replace more than 1.600 wheel spacer kits - the special offer package covers in total more than 1450 vehicle types with more than 21.500 combinations.

AZX *Wheel Spacer System*

*The flexible bolt-on system for vehicles
with wheel bolts AND wheel studs
For track modifications from 50 to 70mm/axle*

Bolt-on spacer discs with fixed bolt-pattern

- + patented wheel hub adapter system*
- + exchangeable wheel mounting gear*
- = maximum flexibility and benefit*

**Results in more than 2.400
possible combinations!**



ST AZX Wheel Studs

The innovative AZX Wheel Studs make the AZX bolt on discs even more flexible by also allowing an easy conversion from wheel bolts to wheel studs, or the other way around.

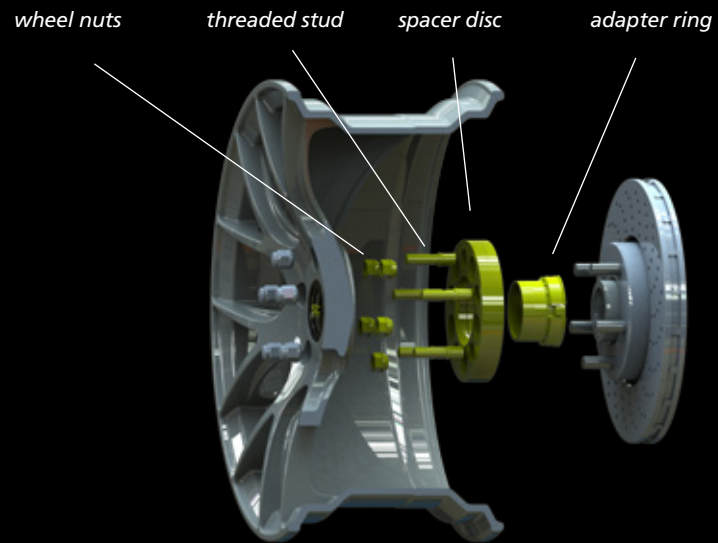


Disc	Thread
M14x1,5	M12x1,25
	M12x1,50
	M14x1,25
	M14x1,50
	½ Zoll UNF (½ inch)

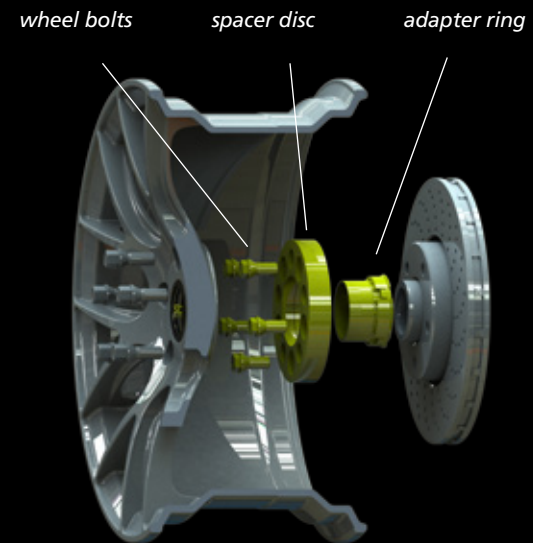
engineered by



How the AZX system works



System AZX A1 for vehicles with stud bolts



System AZX A2 for vehicles with wheel bolts

DZX *Wheel Spacer System*

*The bolt-through system with multi-bolt holes for vehicles with wheel bolts and wheel studs
For track modifications from 10 to 50mm/axle*

Bolt-through spacer discs with multi-bolt holes

- + *patented wheel hub adapter system*
- + *innovative wheel mounting gear*
- = *maximum range of applications and benefit*

Results in more than 19.000 possible combinations!



ST Shaft Nuts

The innovative DZX Shaft nuts allow you to easily use the DZX spacer discs on vehicles with wheel studs.



Shaft	Thread
1 length	M12x1,25
	M12x1,50
	M14x1,50
	½ Zoll UNF (½ inch)

engineered by
KW

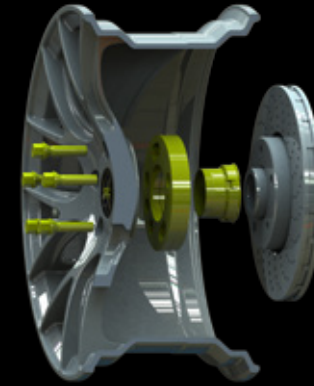
How the DZX system works



adapter ring without collar and wheel bolt



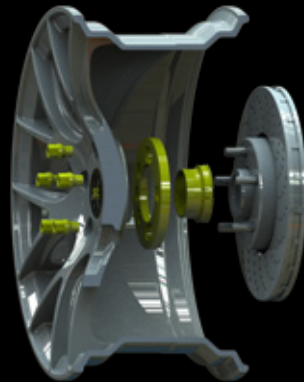
adapter ring with short collar and wheel bolt



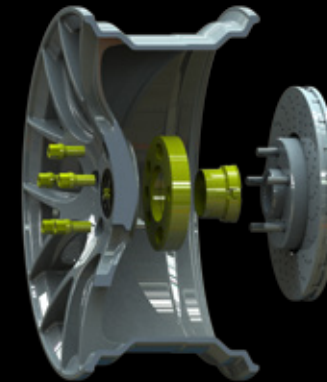
adapter ring with long collar and wheel bolt



adapter ring without collar and shaft nuts



adapter ring with short collar and shaft nuts



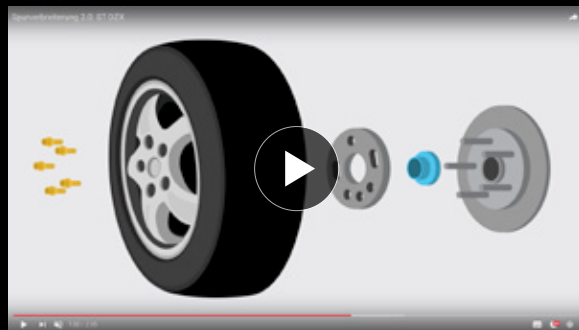
adapter ring with long collar and shaft nuts

ST Wheel Spacer specialist

With the ST cabinet packages, we make you the expert for track widening and as an ST wheel spacer specialist, you supply both end users and dealers with our systems.

An assessable investment in the two complete cabinet packages does not only secure you an exclusive sales area in your region, you also benefit from our marketing and communication measures, which are targeted to reach existing as well as new target groups.

- Exclusive distribution area
- Listing as our wheel spacer specialist
- New customers through marketing campaign
- Sales promotional POS material
- New sales through innovative product



Explanation video wheel spacer 2.0: ST DZX



Dealer Search Online



Ken Block Wheel Spacers Video 2.0

engineered by



ST Cabinet Packages

The **DZX** cabinet package is the basis of our system partnership and contains:

- 18 or 27 different basic DZX spacer discs
- innovative wheel mounting gear (wheel bolts, shaft nuts)
- 45 different wheel hub adapters
- Boxes and mounting support tools

The DZX cabinet package:

- makes more than 19.000 application scenarios possible
- replaces more than 1.000 existing articles
- reduces capital commitment
- increases you sales potential

The supplementary **AZX** cabinet package enables you to realize bigger track-widths on popular cars and contains:

- 18 bolt-pattern specific AZX spacer discs
- innovative wheel mounting gear (double-threaded bolts, short-head bolts and nuts)
- 15 different wheel hub adapters
- assortment boxes, boxes and mounting support tools

The AZX cabinet package:

- makes more than 2.400 application scenarios possible
- replaces more than 600 existing articles



engineered by



AZX *Spacer Discs*

With AZX bolt-on spacer discs the track can be widened from 50 to 70 mm per axle. By that they complement the revolutionary ST wheel spacer system. The unique design combined with the adapters and innovative double-threaded bolts enables not only maximum benefit it also creates additional conversion possibilities.

- fits vehicles with wheel bolts and wheel nuts
- multiple application possibilities due to the double-threaded bolts
- optional conversion possibilities from wheel bolts to wheel studs
- up to 20% less un-sprung mass*



25mm

30mm

35mm

bolt patterns	mm/wheel
5x108	50 mm 60 mm 70 mm
5x110	
5x112	
5x114,3	
5x120	
5x127	

engineered by



*Comparison of the ST suspensions systems AZX and A1

DZX *Spacer Discs*

With DZX bolt-through spacer discs the track can be widened from 10 to 50 mm in precise 5 mm steps per axle. By that they built the basis of the revolutionary ST wheel spacer system. The special bolt pattern of the spacer discs in combination with adapters and the innovative wheel mounting gear offers an application variety and precision that has never been achieved before.

- 9 wheel spacer discs from 5 to 25 mm, with 2.5 mm steps
- Precise track changes in 5 mm steps
- special bolt pattern enables use of shaft nuts
- up to 35% less un-sprung mass*

DZX wheel spacer discs cover almost every vehicle!

outer Ø spacer disc	connection	bolt patterns
150 mm	4 + 5 Loch / holes	4 x 98 – 5 x 112
155 mm	4 + 5 Loch / holes	4 x 108 – 5 x 120,65
168 mm	5 + 6 Loch / holes	5 x 114,3 – 6 x 132



5 mm

7.5 mm

10 mm

12.5 mm

15 mm

17.5 mm

20 mm

22.5 mm

25 mm

engineered by



*Comparison of the ST suspensions systems DZX and A1

ST Adapters

In combination with the patented adapters AZX and DZX wheel spacers allow multiple use on nearly every vehicle worldwide. Due to the material used and the conical shape of the connection surfaces on wheel hub and rim a perfect centering of the wheel is guaranteed.

- covers 15 of the most common wheel hubs
- perfect centering of the wheel due to conical shape
- temperature-resistant composite material
- perfect fit in the AZX and DZX spacer discs
- no corrosion on wheel hub and rim
- significant reduction of weight



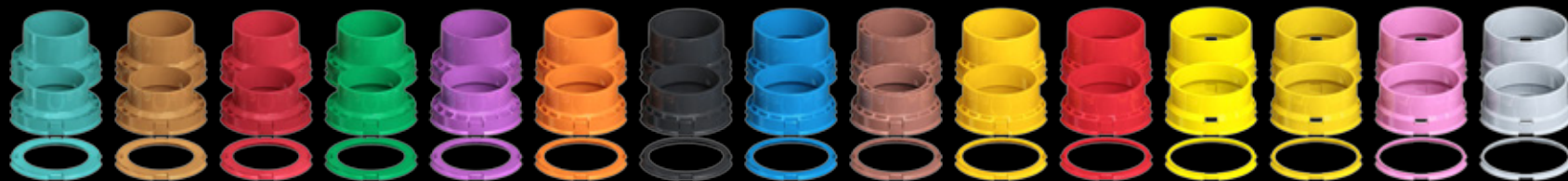
without collar: 5 mm to 10 mm spacer disc



short collar: 12,5 mm to 25 mm spacer disc



long collar: 17,5 mm to 35 mm spacer disc



Ø56,1 Ø56,6 Ø57,1 Ø58,1 Ø60,1 Ø63,4 Ø64,1 Ø65,1 Ø66,1 Ø66,6 Ø67,1 Ø70,2 Ø70,6 Ø71,6 Ø72,6

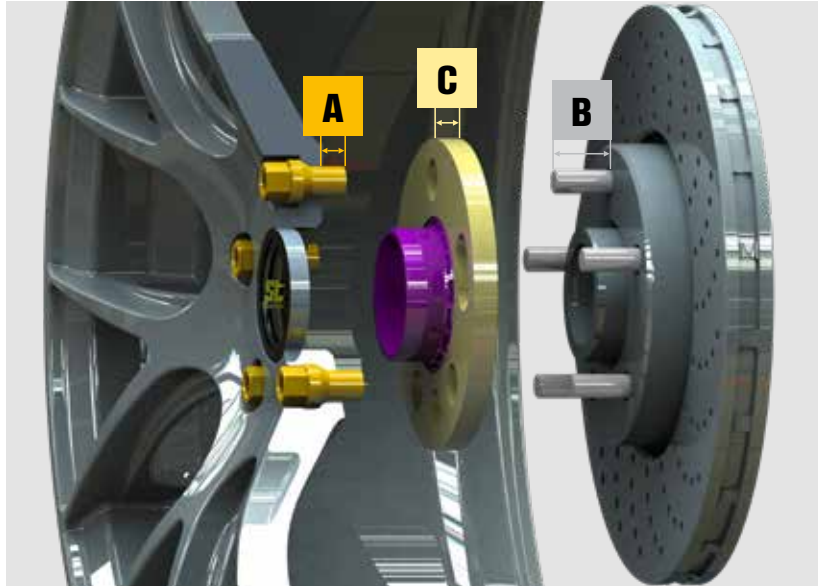
engineered by



Shaft nuts

Wheels Spacers for vehicles with Shaft Nuts

The innovative ST shaft nuts enable new applications for vehicles with wheel studs without changing the vehicle's standard studs. For cars with serial wheel stud mounting, the same possibilities for optimizing the track are now available.



- A** 1. Measure the length of the exposed shaft nut at the rim
- B** 2. Measure the length of the studs on the wheel hub
- C** 3. With this data the range of spacers can be identified in the charts below

system	thread	shaft Ø	shaft length	part no. (set of 10)	price category
DZX	M12x1,5	15mm	10mm	56110395	3
	M12x1,25	15mm	10mm	56110398	3
	1/2 Zoll	15mm	10mm	56110401	3
	M14x1,5	17,3mm	10mm	56110404	3

M12 an 1/2 inch UNF Shaft Nuts

Länge Schaftüberstand an der Felge / Length of Shaft nut exposed	Length of Stud on Wheel Hub						
	A B	20	22	24	25	28	30
-5	-	-	-	-	5	5-7,5	5-10
-4	-	-	5	5	5	5-7,5	5-10
-3	-	-	5	5	5	5-10	5-10
-2	-	5	5	5	5-7,5	5-10	5-12,5
-1	-	5	5-7,5	5-7,5	5-7,5	5-10	5-12,5
0	5	5	5-7,5	5-10	5-10	5-12,5	5-15
1	5	5-7,5	5-10	5-10	5-10	5-12,5	5-15
2	5	5-7,5	5-10	5-10	5-10	5-15	5-17,5
3	5-7,5	5-10	5-10	5-12,5	5-15	5-17,5	5-17,5
4	5-7,5	5-10	5-12,5	5-12,5	5-15	5-17,5	5-17,5
5	5-10	5-10	5-12,5	5-15	5-15	5-17,5	5-20
Range of Spacers in mm, from - to							

M14 Shaft Nuts

Länge Schaftüberstand an der Felge / Length of Shaft nut exposed	Length of Stud on Wheel Hub						
	A B	20	22	24	25	28	30
-5	-	-	-	-	-	5	5-7,5
-4	-	-	-	-	-	5	5-7,5
-3	-	-	-	5	5	5-7,5	5-10
-2	-	-	5	5	5	5-7,5	5-10
-1	-	-	5	5	5	5-10	5-10
0	-	5	5	5	5-7,5	5-10	5-12,5
1	-	5	5-7,5	5-7,5	5-7,5	5-10	5-12,5
2	5	5	5-7,5	5-10	5-10	5-12,5	5-15
3	5	5-7,5	5-10	5-10	5-10	5-12,5	5-15
4	5	5-7,5	5-10	5-10	5-10	5-15	5-15
5	5-7,5	5-10	5-10	5-10	5-12,5	5-15	5-17,5
Range of Spacers in mm, from - to							

Double-threaded bolts

STEP 4 - AZX
wheel mounting gear - order separately

System	Lochkreise AZX Scheibe	AZX mm / Achse	Gewinde	Bestell-Nr. (10er Satz)	Preis- kategorie	Info
system	bolt patterns AZX spacer disc	AZX mm / axle	thread	part no. (set of 10)	price category	info
AZX	5x108 / 5x110 / 5x112 / 5x114,3 / 5x120 / 5x127	50	1/2 Zoll UNF	56110384	3	For cars with wheel studs. Thread must be the same as original wheel studs
			M14x1,5	56110385	3	
			M14x1,25	56110386	3	
			M12x1,5	56110387	3	
			M12x1,25	56110388	3	
		60	1/2 Zoll UNF	56110384	3	
			M14x1,5	56110385	3	
			M14x1,25	56110386	3	
			M12x1,5	56110387	3	
			M12x1,25	56110388	3	
		70	1/2 Zoll UNF	56110384	3	
			M14x1,5	56110385	3	
			M14x1,25	56110386	3	
			M12x1,5	56110387	3	
			M12x1,25	56110388	3	

Wheel bolts

STEP 4 - AZX
wheel mounting gear - order separately

System	Lochkreise AZX Scheibe	AZX mm / Achse	Gewinde	Schaftlänge	Bund	Schlüssel- weite	Farbe	Bestell-Nr. (10er Satz)	Preis- Kategorie	Info		
system	bolt patterns AZX spacer disc	AZX mm / axle	thread	shaft length	seat	wrench size	color	part no. (set of 10)	price category	info		
AZX	5x108 / 5x110 / 5x112 / 5x114,3 / 5x120 / 5x127	50	Kegelbund 60° / cone 60°								For cars with wheel bolts. Thread must be M14x1.5! Seat and shaft length must be like original bolt	
			M14x1,5	21 mm	Kegel / cone	17 mm	silber / silver	56110439				
			M14x1,5	25 mm	Kegel / cone	17 mm	schwarz / black	56110262				
			M14x1,5	28 mm	Kegel / cone	17 mm	silber / silver	56110109				
			M14x1,5	28 mm	Kegel / cone	17 mm	schwarz / black	56110263				
			M14x1,5	30 mm	Kegel / cone	17 mm	silber / silver	56110110				
			M14x1,5	30 mm	Kegel / cone	17 mm	schwarz / black	56110264	1			
			M14x1,5	33 mm	Kegel / cone	17 mm	schwarz / black	56110265	1			
			M14x1,5	35 mm	Kegel / cone	17 mm	silber / silver	56110111	1			
			M14x1,5	35 mm	Kegel / cone	17 mm	schwarz / black	56110266	1			
			M14x1,5	38 mm	Kegel / cone	17 mm	silber / silver	56110378	1			
			M14x1,5	40 mm	Kegel / cone	17 mm	schwarz / black	56110267	1			
			M14x1,5	40 mm	Kegel / cone	19 mm	silber / silver	59110320	1			
			M14x1,5	33 mm	Kegel 60° loose / loose taper seat 60°	19 mm	silber / silver	56110156	4			
			M14x1,5	35 mm	Kegel 60° loose / loose taper seat 60°	19 mm	silber / silver	56110157	4			
			M14x1,5	38 mm	Kegel 60° loose / loose taper seat 60°	19 mm	silber / silver	56110158	4			
			M14x1,5	40 mm	Kegel 60° loose / loose taper seat 60°	19 mm	silber / silver	56110159	4			
			60	Kugelbund R13 / ball R13								
				M14x1,5	27 mm	Kugel / ball	17 mm	silber / silver	56110408	1		
				M14x1,5	32 mm	Kugel / ball	17 mm	silber / silver	56110357	1		
				M14x1,5	32 mm	Kugel / ball	17 mm	schwarz / black	56110358	1		
				M14x1,5	35 mm	Kugel / ball	17 mm	silber / silver	56110132	1		
				M14x1,5	35 mm	Kugel / ball	17 mm	schwarz / black	56110327	1		
				M14x1,5	37 mm	Kugel / ball	17 mm	silber / silver	56110359	1		
				M14x1,5	37 mm	Kugel / ball	17 mm	schwarz / black	56110360	1		
		M14x1,5		40 mm	Kugel / ball	17 mm	silber / silver	56110133	1			
		M14x1,5		40 mm	Kugel / ball	17 mm	schwarz / black	56110328	1			
		M14x1,5		33 mm	Kugel R13 lose / loose ball R13	17 mm	silber / silver	56110152	4			
		M14x1,5		38 mm	Kugel R13 lose / loose ball R13	17 mm	silber / silver	56110153	4			
		70		Kugelbund R14 / ball R14								
				M14x1,5	27mm	Kugel / ball	17 mm	silber / silver	56110409	1		
				M14x1,5	35 mm	Kugel / ball	17 mm	silber / silver	56110310	1		
				M14x1,5	40 mm	Kugel / ball	17 mm	silber / silver	56110311	1		
				M14x1,5	28 mm	Kugel R14 lose / loose ball R14	19 mm	schwarz / black	56110270	4		
		M14x1,5		30 mm	Kugel R14 lose / loose ball R14	19 mm	schwarz / black	56110271	4			



ST screw-in bolts reduce the storing and allow an easy conversion from wheel bolts to wheel studs and the other way around.



ST Regular Wheel Spacers



ST Wheel Spacers

ST spacers are mounted between the wheel hub and alloy wheels. The result is a widened track, improved stance and an increased handling performance. ST spacers also give the impression of a wider rim. This is a simple and effective way to achieve a sportier appearance with tuneable driving dynamics. The ST spacers are available in black anodized aluminium.

- Made from high quality aluminium
- Black anodized for corrosion protection
- Improved stance
- Widened track
- Matching wheel bolts available (in black and silver)



System A1



System A2



System D1



System D2



System D3

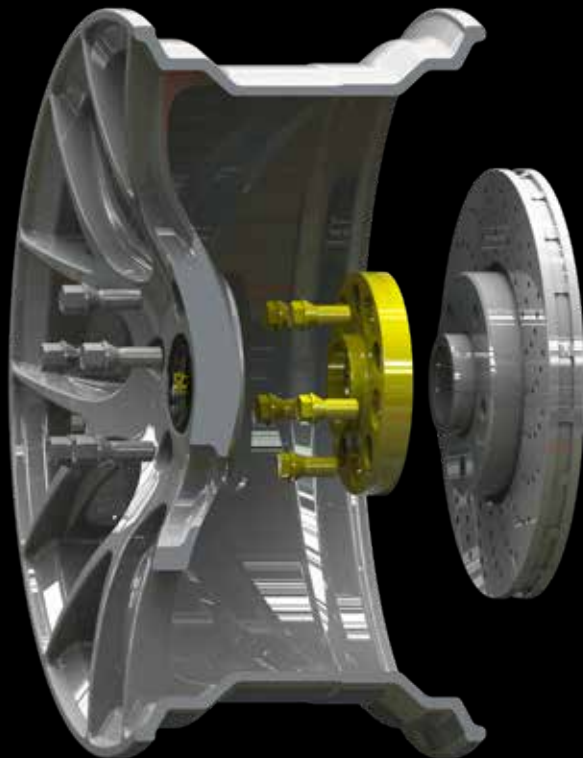


System DZ

ST Wheel Spacers

System A1

20, 21, 22, 22.5, 23, 25, 27.5, 30, 35 or 37 mm per wheel
Bolt-on version for vehicles with wheel bolts. Spacers are attached to the wheel hub with the included bolts. The wheel is then mounted to the spacer using original wheel bolts.



engineered by

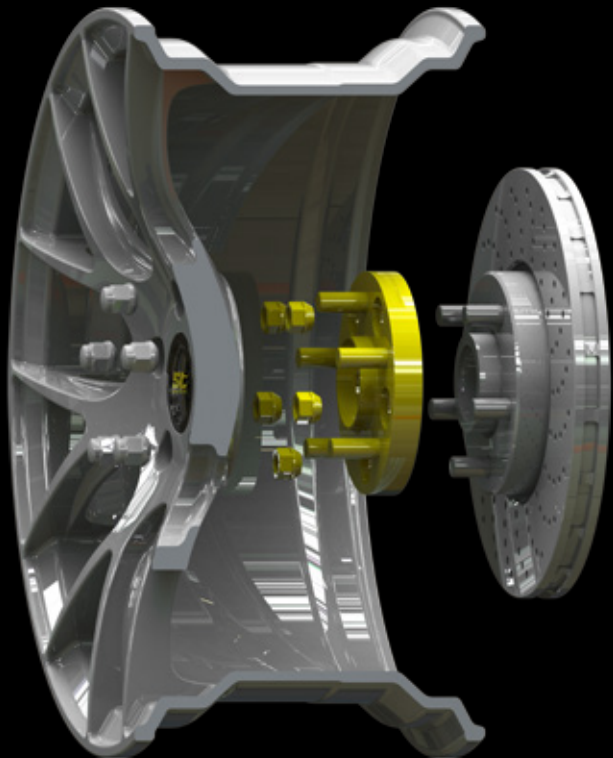


Box Contents:
2 wheel spacers system A1 incl. bolts

ST Wheel Spacers

System A2

15, 20, 22, 24, 25, 27, 30, 32 or 35 mm per wheel
Bolt-on version for vehicles with threaded wheel studs.
Pressed-in threaded studs are used to ensure quality and safety. The spacers are attached to the wheel hub of the vehicle using the supplied nuts. Then the rim is mounted to the spacer using the cars original wheel nuts.



Box Contents:
2 wheel spacers system A2 incl. nuts

engineered by


ST Wheel Spacers

System D1

3, 5, 8, 10 or 15mm per wheel

Through-hole system with bolt holes and center hole. The wheel spacer is centred precisely on the wheel hub with the aid of the hub centric ring for optimum fitment. Longer wheel bolts are required.



Box Contents:
2 wheel spacers system D1

engineered by



ST Wheel Spacers

System D2

5, 8, 10, 11, 12, 12.5, 15, 16, 17, 17.5, 18, 20, 21 or
25mm per wheel

Through-hole system with bolt holes and double
centring. The wheel spacer is centred precisely on to
the wheel hub and an additional centring collar on
the wheel spacer itself ensures an optimal fitment.
Longer wheel bolts are required.



Box Contents:
2 wheel spacers system D2

engineered by
 KW

ST Wheel Spacers

System D3

5, 10, 12, 15, 16, 18 or 20mm per wheel

Through-hole system with bolt holes and double centring. The wheel spacer is centred precisely on to the wheel hub and an additional centring collar on the wheel spacer itself ensures an optimal balance. Longer knurled bolts are included in the kit.



Box Contents:
2 wheel spacers system D3 incl. knurled bolts

engineered by

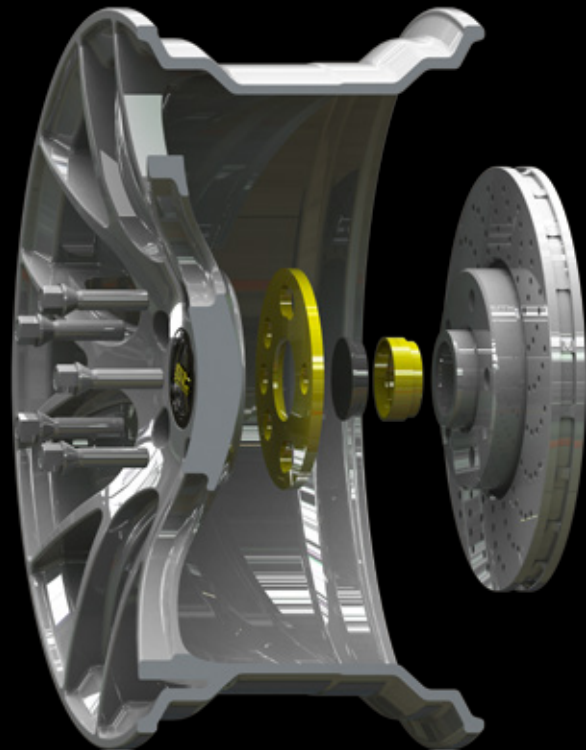


ST Wheel Spacers

System DZ

5, 8, 10, 12, 14, 15, or 16mm per wheel

Through-hole system with centring collar. This system is specifically used for vehicles that have challenges with the wheel centring. The spindle is extended allowing wider wheel spacers to be mounted. Longer wheel bolts are required.



1 Disassemble grease cap



2 Wheel hub with disassembled grease cap



3 Assemble centring sleeve



4 Assemble grease cap



5 Assemble wheel spacer



Box Contents:
2 wheel spacers system DZ, 2 centring collars

engineered by


Adapter Discs



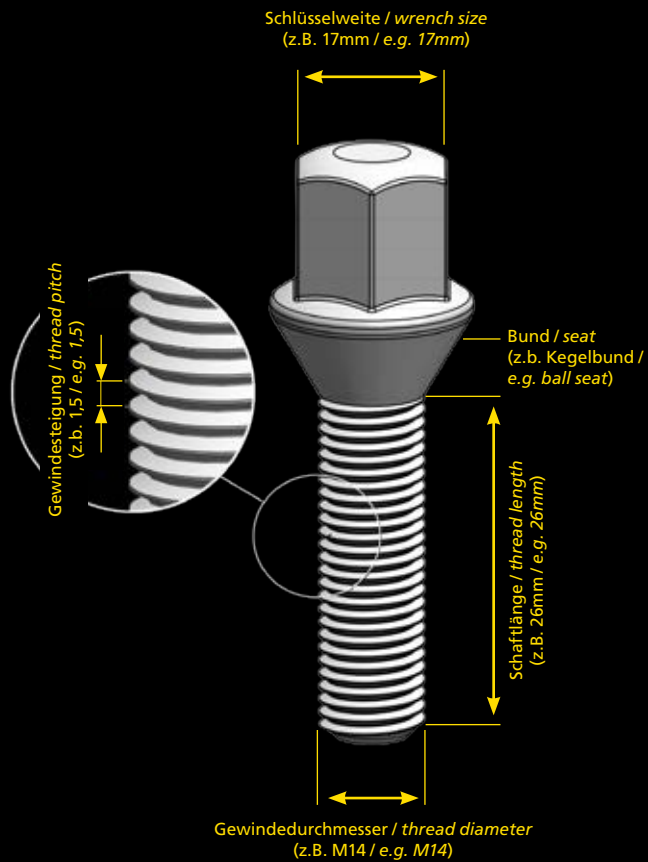
mm pro Rad	System	Fahrzeug			Felge			Adapterscheibe Anschraubsystem	
		Bestell-Nr.	Naben- zentrierung	Preis Kategorie	Bestell-Nr.	Naben- zentrierung	Preis Kategorie	Bestell-Nr.	Preis Kategorie
mm per Wheel	System	Vehicle			Rim			Adapter Plate Bolt-on System	
		Part-No.	Center Bore	Price Category	Part-No.	Center Bore	Price Category	Part-No.	Price Category
5x100 - 57,1 auf 5x112 - 57,1 / 5x100 - 57,1 to 5x112 - 57,1									
20	A1	5x100	57,1	M14x1,5	5x112	57,1	M14x1,5	56010291	10
25		5x100	57,1	M14x1,5	5x112	57,1	M14x1,5	56010292	11
30		5x100	57,1	M14x1,5	5x112	57,1	M14x1,5	56010293	11
35		5x100	57,1	M14x1,5	5x112	57,1	M14x1,5	56010294	12
5x100 - 57,1 auf 5x112 - 66,6 / 5x100 - 57,1 to 5x112 - 66,6									
20	A1	5x100	57,1	M14x1,5	5x112	66,6	M12x1,5	56010295	10
25		5x100	57,1	M14x1,5	5x112	66,6	M12x1,5	56010296	11
30		5x100	57,1	M14x1,5	5x112	66,6	M12x1,5	56010297	11
35		5x100	57,1	M14x1,5	5x112	66,6	M12x1,5	56010298	12
5x100 - 57,1 auf 5x112 - 66,6 / 5x100 - 57,1 to 5x112 - 66,6									
20	A1	5x100	57,1	M14x1,5	5x112	66,6	M14x1,5	56010299	10
25		5x100	57,1	M14x1,5	5x112	66,6	M14x1,5	56010300	11
30		5x100	57,1	M14x1,5	5x112	66,6	M14x1,5	56010301	11
35		5x100	57,1	M14x1,5	5x112	66,6	M14x1,5	56010302	12

mm pro Rad	System	Fahrzeug			Felge			Adapterscheibe Anschraubsystem	
		Bestell-Nr.	Naben- zentrierung	Preis Kategorie	Bestell-Nr.	Naben- zentrierung	Preis Kategorie	Bestell-Nr.	Preis Kategorie
mm per Wheel	System	Vehicle			Rim			Adapter Plate Bolt-on System	
		Part-No.	Center Bore	Price Category	Part-No.	Center Bore	Price Category	Part-No.	Price Category
5x100 - 57,1 auf 5x130 - 71,6 / 5x100 - 57,1 to 5x130 - 71,6									
20	A2	5x100	57,1	M14x1,5	5x130	71,6	M14x1,5	56010090	10
25		5x100	57,1	M14x1,5	5x130	71,6	M14x1,5	56010092	11
30		5x100	57,1	M14x1,5	5x130	71,6	M14x1,5	56010098	11
35		5x100	57,1	M14x1,5	5x130	71,6	M14x1,5	56010099	12
5x112 - 57,1 auf 5x130 - 71,6 / 5x112 - 57,1 to 5x130 - 71,6									
20	A2	5x112	57,1	M14x1,5	5x130	71,6	M14x1,5	56010091	10
25		5x112	57,1	M14x1,5	5x130	71,6	M14x1,5	56010093	11
30		5x112	57,1	M14x1,5	5x130	71,6	M14x1,5	56010100	11
35		5x112	57,1	M14x1,5	5x130	71,6	M14x1,5	56010101	12
5x112 - 66,6 auf 5x130 - 71,6 / 5x112 - 66,6 to 5x130 - 71,6									
15	A2	5x112	66,6	M12x1,5	5x130	71,6	M14x1,5	56010310	10
20	A1	5x112	66,6	M12x1,5	5x130	71,6	M14x1,5	56010094	10
25		5x112	66,6	M12x1,5	5x130	71,6	M14x1,5	56010095	11
30		5x112	66,6	M12x1,5	5x130	71,6	M14x1,5	56010096	11
35		5x112	66,6	M12x1,5	5x130	71,6	M14x1,5	56010097	12
5x112 - 66,6 auf 5x130 - 71,6 / 5x112 - 66,6 to 5x130 - 71,6									
15	A2	5x112	66,6	M14x1,5	5x130	71,6	M14x1,5	56010305	10
20	A1	5x112	66,6	M14x1,5	5x130	71,6	M14x1,5	56010306	10
25		5x112	66,6	M14x1,5	5x130	71,6	M14x1,5	56010307	11
30		5x112	66,6	M14x1,5	5x130	71,6	M14x1,5	56010308	11
35		5x112	66,6	M14x1,5	5x130	71,6	M14x1,5	56010309	12
5x120 - 72,6 auf 5x112 - 66,6 / 5x120 - 72,6 to 5x112 - 66,6									
20	A1	5x120	72,6	M12x1,5	5x112	66,6	M12x1,5	56010110	10
25		5x120	72,6	M12x1,5	5x112	66,6	M12x1,5	56010111	11
30		5x120	72,6	M12x1,5	5x112	66,6	M12x1,5	56010303	11
35		5x120	72,6	M12x1,5	5x112	66,6	M12x1,5	56010304	12
5x120 - 72,6 auf 5x130 - 71,6 / 5x120 - 72,6 to 5x130 - 71,6									
20	A2	5x120	72,6	M12x1,5	5x130	71,6	M14x1,5	56010102	10
25		5x120	72,6	M12x1,5	5x130	71,6	M14x1,5	56010103	11
30		5x120	72,6	M12x1,5	5x130	71,6	M14x1,5	56010104	11



ST Wheel Bolts & Wheel Nuts
ST Anti-Theft Protection





ST Wheel Bolts & Wheel Nuts

The wheel spacer systems D1, D2, DZ and DZX should be mounted with ST wheel bolts. Note that the length of the bolts depends on the thickness of the selected wheel spacer. In addition the type of screw seat and thread must be observed.

Important note!

Minimum thread engagement must be considered!

M12x1.25 at least 8.0 turns

M12x1.5 at least 6.5 turns

M12x1.75 at least 6.5 turns

M14x1.25 at least 9.0 turns

M14x1.5 at least 7.5 turns

1/2" at least 8.0 turns

Warning:

Wheel bolts that are too long may cause damage at the axle components. We take no responsibility for incorrect assembly.

engineered by





ST Wheel Bolts & Wheel Nuts Overview



Silver



Black

Wheel Bolt Taper Seat



Silver



Black

Wheel Bolt Ball Seat



Silver



Black

Wheel Bolt loose Ball Seat



Silver

Wheel Bolt Flat Seat



Silver

Wheel Bolt loose Taper Seat



Silver

Wheel Nut Ball Seat



Silver

Wheel Nut Taper Seat



Black

Schaftlänge	Bund	Schlüsselweite	10er Set - Silber		10er Set - Schwarz	
			Bestell-Nr.	Preis Kategorie	Bestell-Nr.	Preis Kategorie
Shaft Length	Bolt Collar	Wrench Size	Set of 10 - Silver		Set of 10 - Black	
			Part-No.	Price Category	Part-No.	Price Category

Wheel Bolts - Taper Seat

Radschrauben M12x1,25 Kegelbund 60° / wheel bolt M12x1,25 taper seat 60°						
39mm	Kegel / taper seat	17mm	56110073	1	56110321	1
45mm			56110074	1	56110322	1
50mm			56110075	1	-	-
55mm			56110076	1	-	-
60mm			56110364	1	-	-
Radschrauben M12x1,25 Kegelbund 60° / wheel bolt M12x1,25 taper seat 60°						
28mm	Kegel / taper seat	19mm	56110077	1	-	-
31mm			56110078	1	-	-
36mm			56110079	1	-	-
39mm			56110080	1	-	-
42mm			56110081	1	-	-
45mm			56110082	1	-	-
50mm			56110083	1	-	-
Radschrauben M12x1,5 Kegelbund 60° / wheel bolt M12x1,5 taper seat 60°						
24mm	Kegel / taper seat	17mm	56110085	1	56110247	1
26mm			-	-	56110248	1
28mm			56110086	1	56110249	1
30mm			56110087	1	56110250	1
32mm			56110088	1	-	-
35mm			56110089	1	56110251	1
37mm			56110090	1	56110425	1
39mm			56110091	1	56110252	1
42mm			-	-	56110253	1
43mm			56110092	1	56110254	1
45mm			56110093	1	56110255	1
47mm			56110094	1	-	-
50mm			56110095	1	56110423	1
55mm			56110096	1	-	-
60mm	56110097	1	56110424	1		
Radschrauben M12x1,5 loser Kegelsitz 60° / wheel bolt M12x1,5 loose taper seat 60°						
32mm	Kegel 60° lose / loose taper seat 60°	17mm	56110434	4	-	-
37mmT			56110435	4	-	-
40mm			56110436	4	-	-
46mm			56110437	4	-	-
52mm			56110438	4	-	-
Radschrauben M12x1,75 Kegelbund 60° / wheel bolt M12x1,75 taper seat 60°						
45mm	Kegel / taper seat	19mm	56110098	1	-	-
Radschrauben M14x1,25 Kegelbund 60° / wheel bolt M14x1,25 taper seat 60°						
27mm	Kegel / taper seat	17mm	-	-	56110256	1
33mm			56110099	1	56110257	1
35mm			-	-	56110258	1
38mm			56110100	1	-	-
40mm			-	-	56110259	1
43mm			56110101	1	56110260	1
45mm			56110102	1	-	-
47mm			56110103	1	-	-
50mm			56110426	1	56110261	1
55mm			56110366	1	-	-
Radschrauben M14x1,5 Kegelbund 60° / wheel bolt M14x1,5 taper seat 60°						
25mm	Kegel / taper seat	17mm	-	-	56110262	1
28mm			56110109	1	56110263	1
30mm			56110110	1	56110264	1
33mm			-	-	56110265	1
35mm			56110111	1	56110266	1
38mm			56110378	1	-	-
40mm			-	-	56110267	1
41mm			56110112	1	-	-
45mm			-	-	56110268	1
47mm			56110113	1	-	-
50mm			56110114	1	56110269	1
55mm			56110115	1	-	-
60mm			56110116	1	-	-
Radschrauben M14x1,5 Kegelbund 60° / wheel bolt M14x1,5 taper seat 60°						
40mm	Kegel / taper seat	19mm	56110320	1	-	-
70mm			56110117	1	-	-

ST Radschrauben und Nuts

Schaftlänge	Bund	Schlüsselweite
Shaft Length	Bolt Collar	Wrench Size

10er Set - Silber	
Bestell-Nr.	Preis Kategorie
Set of 10 - Silver	
Part-No.	Price Category

10er Set - Schwarz	
Bestell-Nr.	Preis Kategorie
Set of 10 - Black	
Part-No.	Price Category

Schaftlänge	Bund	Schlüsselweite
Shaft Length	Bolt Collar	Wrench Size

10er Set - Silber	
Bestell-Nr.	Preis Kategorie
Set of 10 - Silver	
Part-No.	Price Category

10er Set - Schwarz	
Bestell-Nr.	Preis Kategorie
Set of 10 - Black	
Part-No.	Price Category

Wheel Bolts – Ball Seat

Radschrauben M12x1,5 Kugelbund R12 / wheel bolt M12x1,5 ball seat

33mm	Kugel R12 / ball R12	17mm
26mm		
28mm		
30mm		
32mm		
35mm		
37mm		
40mm		
45mm		
50mm		
55mm		
60mm		

56110118	1
56110119	1
56110120	1
56110121	1
56110122	1
56110123	1
56110124	1
56110126	1
56110127	1
56110128	1
56110129	1
56110130	1

-	-
-	-
-	-
-	-
-	-
56110323	1
-	-
56110325	1
56110326	1
-	-
-	-

Radschrauben M12x1,5 Kugelbund R13 / wheel bolt M12x1,5 ball seat

30mm	Kugel R13 / ball R13	17mm
35mm		
40mm		
45mm		
50mm		

56110432	1
56110428	1
56110427	1
56110429	1
56110433	1

-	-
56110430	1
56110324	1
56110431	1

Radschrauben M14x1,5 Kugelbund R12 / wheel bolt M14x1,5 ball seat R12

27mm	Kugel R12 / ball R12	17mm
50mm		
55mm		
60mm		

56110131	1
56110136	1
56110368	1
56110137	1

-	-
56110330	1
-	-
-	-

Radschrauben M14x1,5 Kugelbund R13 / wheel bolt M14x1,5 ball seat R13

27mm	Kugel R13 / ball R13	17mm
32mm		
35mm		
37mm		
40mm		
43mm		
45mm		
47mm		
50mm		
55mm		
60mm		

56110408	1
56110357	1
56110132	1
56110359	1
56110133	1
56110134	1
56110375	1
56110135	1
56110361	1
56110376	1
56110377	1

-	-
56110358	1
56110327	1
56110360	1
56110328	1
56110329	1
56110419	2
56110420	2
56110362	1
56110421	2
56110422	2

Radschrauben M14x1,5 Kugelbund R14 / wheel bolt M14x1,5 ball seat R14

27mm	Kugel R14 / ball R14	17mm
35mm		
40mm		
43mm		
45mm		
47mm		
50mm		
55mm		
60mm		
65mm		

56110409	1
56110310	1
56110311	1
56110312	1
56110313	1
56110314	1
56110315	1
56110316	1
56110317	1
56110318	1

-	-
56110410	1
56110411	1
56110412	1
56110413	1
56110414	1
56110415	1
56110416	1
56110417	1
56110418	1

Wheel Bolts – Flat Seat

Radschrauben M12x1,25 Flachbund / wheel bolt M12x1,25 flat seat

35mm	Flach / flat	17mm
40mm		
45mm		
50mm		
55mm		

56110370	3
56110138	3
56110139	3
56110140	3
56110141	3

-	-
-	-
-	-
-	-
-	-

Radschrauben M12x1,5 Flachbund / wheel bolt M12x1,5 flat seat

33mm	Flach / flat	17mm
37mm		
43mm		
48mm		
53mm		

56110346	3
56110347	3
56110348	3
56110349	3
56110350	3

-	-
-	-
-	-
-	-
-	-

Wheel Bolts – Loose Seat

Radschrauben M14x1,5 loser Kegelsitz 60° / wheel bolt M14x1,5 loose taper seat 60°

33mm	Kegel 60° lose / loose taper seat 60°	19mm
35mm		
37mm		
40mm		
42mm		
45mm		
48mm		
50mm		
52mm		
53mm		
58mm		

56110156	4
56110157	4
56110158	4
56110159	4
56110160	4
56110161	4
56110162	4
56110163	4
56110164	4
56110165	4
56110166	4

-	-
-	-
-	-
-	-
-	-
-	-
-	-
-	-
-	-
-	-
-	-

Wheel Bolts – Loose Seat

Radschrauben M14x1,5 loser Kugelbund R13 / wheel bolt M14x1,5 loose ball seat

33mm	Kugel R13 lose / loose ball R13	17mm
38mm		
43mm		
48mm		

56110152	4
56110153	4
56110154	4
56110155	4

-	-
-	-
-	-
-	-

Radschrauben M14x1,5 loser Kugelbund R14 / wheel bolt M14x1,5 loose ball seat

28mm	Kugel R14 lose / loose ball R14	19mm
30mm		
32mm		
37mm		
39mm		
42mm		
45mm		
48mm		
50mm		
53mm		
58mm		
62mm		

-	-
-	-
56110145	4
56110146	4
56110147	4
-	-
56110148	4
56110308	4
56110149	4
56110150	4
56110151	4
56110309	4

56110270	4
56110271	4
-	-
56110272	4
-	-
56110273	4
56110274	4
56110275	4
-	-
56110276	4
56110277	4
-	-

Wheel Nuts

Radmuttern M12x1,25 Kegelbund 60° / wheel nut M12x1,25 taper seat 60°

25mm (offen/open)	Kegel / taper seat	19mm
34mm (geschlossen/closed)		
34mm (geschlossen/closed)	Kegel / taper seat	17mm

56110281	1
56110282	1
56110283	1

56110296	1
56110297	1
-	-

Radmuttern M12x1,5 Kegelbund 60° / wheel nut M12x1,5 taper seat 60°

25mm (offen/open)	Kegel / taper seat	19mm
34mm (geschlossen/closed)		
34mm (geschlossen/closed)	Kegel / taper seat	17mm

56110287	1
56110288	1
56110289	1

56110301	1
56110302	1
56110303	1

Radmuttern M14x1,5 Kegelbund 60° / wheel nut M14x1,5 taper seat 60°

25mm (offen/open)	Kegel / taper seat	19mm
34mm (geschlossen/closed)		

56110292	1
56110293	1

-	-
56110305	1

Radmuttern M14x1,5 Kugelbund / wheel nut M14x1,5 ball seat

20mm (offen/open)	Kugel R14 / ball R14	19mm
-------------------	----------------------	------

56110307	1
----------	---

-	-
---	---



ST Anti-Theft Wheel Hardware

ST Anti-theft protections guarantee an effective protection for your wheels. Note that the length of the anti-theft hardware depends on the thickness of the selected wheel spacer. In addition the type of screw seat and thread must be observed.

Important note!

Minimum thread engagement must be considered!

M12x1.25 at least 8.0 turns

M12x1.5 at least 6.5 turns

M12x1.75 at least 6.5 turns

M14x1.25 at least 9.0 turns

M14x1.5 at least 7.5 turns

1/2" at least 8.0 turns

Warning:

Anti-theft protections that are too long may cause damage at the axle components. We take no responsibility for incorrect assembly.



ST Anti-Theft Protections Overview



Silver Black

Anti-Theft Protection Taper Seat



Silver Black

Anti-Theft Protection Ball Seat



Silver

Anti-Theft Protection Flat Seat



Silver Black

Anti-Theft Protection loose Ball Seat



Silver Black

Anti-Theft Protection Taper Seat



Silver

Anti-Theft Protection Ball Seat



Silver

Anti-Theft Protection Flat Seat



Silver

Anti-Theft Protection loose Taper Seat

engineered by



Anti-Theft Protections

Taper Seat

Schäftlänge Shaft Length	Bund Bolt Collar	Schlüsselweite Wrench Size	Set - Silber		Set - Schwarz	
			Bestell-Nr.	Preis Kategorie	Bestell-Nr.	Preis Kategorie
			Set - Silber		Set - Schwarz	
Part-No.	Price Category	Part-No.	Price Category			
Diebstahlsicherungen M12x1,25 Kegelbund 60° (2 Schrauben + Schlüssel) anti-theft protection M12x1,25 taper seat 60° (2 bolts + key)						
22mm	Kegel / taper seat	17mm	56120042	3	-	-
25mm			56120043	3	56120155	3
28mm			56120044	3	56120156	3
30mm			56120045	3	56120157	3
33mm			56120046	3	-	-
35mm			56120047	3	56120158	3
40mm			56120001	3	-	-
45mm			56120002	3	-	-
50mm			56120003	3	-	-
60mm			56120004	3	-	-
Diebstahlsicherungen M12x1,5 Kegelbund 60° (2 Schrauben + Schlüssel) anti-theft protection M12x1,5 taper seat 60° (2 bolts + key)						
22mm	Kegel / taper seat	17mm	56120054	3	-	-
23mm			56120055	3	-	-
25mm			56120005	3	56120159	3
28mm			56120006	3	56120160	3
31mm			56120056	3	56120161	3
33mm			56120057	3	-	-
35mm			56120007	3	56120162	3
38mm			56120058	3	-	-
40mm			56120008	3	56120163	3
43mm			56120009	3	-	-
45mm			56120010	3	56120164	3
48mm	56120059	3	56120165	3		
50mm	56120011	3	-	-		
56mm	56120012	3	-	-		
60mm	56120013	3	-	-		
Diebstahlsicherungen M12x1,75 Kegelbund 60° (2 Schrauben + Schlüssel) anti-theft protection M12x1,75 taper seat (2 bolts + key)						
25mm	Kegel / taper seat	17mm	56120076	3	-	-
Diebstahlsicherungen M14x1,25 Kegelbund 60° (2 Schrauben + Schlüssel) anti-theft protection M14x1,25 taper seat 60° (2 bolts + key)						
25mm	Kegel / taper seat	17mm	56120077	3	-	-
28mm			56120078	3	56120166	3
31mm			56120079	3	-	-
33mm			56120023	3	56120167	3
35mm			56120080	3	56120168	3
40mm			56120024	3	56120169	3
43mm			56120025	3	-	-
45mm			56120081	3	56120170	3
48mm			56120026	3	-	-
50mm			56120082	3	56120171	3
55mm			56120083	3	-	-
60mm	56120084	3	-	-		
Diebstahlsicherungen M14x1,5 Kegelbund 60° (2 Schrauben + Schlüssel) anti-theft protection M14x1,5 taper seat 60° (2 bolts + key)						
25mm	Kegel / taper seat	17mm	56120085	3	56120172	3
28mm			56120086	3	56120173	3
31mm			56120087	3	56120174	3
33mm			56120088	3	56120175	3
35mm			56120031	3	-	-
40mm			56120032	3	56120176	3
43mm			56120089	3	-	-
45mm			56120090	3	56120177	3
47mm			56120033	3	-	-
50mm			56120034	3	56120178	3
55mm			56120091	3	-	-
60mm	56120035	3	-	-		

Ball Seat

Schäftlänge Shaft Length	Bund Bolt Collar	Schlüsselweite Wrench Size	Set - Silber		Set - Schwarz			
			Bestell-Nr.	Preis Kategorie	Bestell-Nr.	Preis Kategorie		
			Set - Silber		Set - Schwarz			
Part-No.	Price Category	Part-No.	Price Category					
Diebstahlsicherungen M12x1,5 Kugelbund R12 (2 Schrauben + Schlüssel) anti-theft protection M12x1,5 ball seat R12 (2 bolts + key)								
20mm	Kugel R12 / ball R12	17mm	56120060	3	-	-		
25mm			56120061	3	-	-		
28mm			56120015	3	-	-		
35mm			56120062	3	-	-		
38mm			56120017	3	-	-		
40mm			56120063	3	-	-		
43mm			56120064	3	-	-		
45mm			56120065	3	-	-		
47mm			56120066	3	-	-		
50mm			56120067	3	-	-		
52mm			56120068	3	-	-		
55mm	56120020	3	-	-				
60mm	56120021	3	-	-				
Diebstahlsicherungen M12x1,5 Kugelbund R13 (2 Schrauben + Schlüssel) anti-theft protection M12x1,5 ball seat R13 (2 bolts + key)								
24mm	Kugel R13 / ball R13	17mm	56120069	3	-	-		
28mm			56120070	3	-	-		
31mm			56120071	3	-	-		
35mm			56120016	3	-	-		
45mm			56120018	3	-	-		
50mm			56120019	3	-	-		
56mm			56120072	3	-	-		
60mm			56120073	3	-	-		
Diebstahlsicherungen M14x1,5 Kugelbund R13 (2 Schrauben + Schlüssel) anti-theft protection M14x1,5 ball seat R13 (2 bolts + key)								
25mm			Kugel R13 / ball R13	17mm	56120092	3	-	-
27mm					56120093	3	-	-
29mm	56120094	3			-	-		
32mm	56120095	3			-	-		
35mm	56120037	3			-	-		
37mm	56120096	3			-	-		
40mm	56120097	3			-	-		
42mm	56120038	3			56120179	3		
47mm	56120098	3			-	-		
50mm	56120039	3			-	-		
52mm	56120099	3			-	-		
55mm	56120100	3	-	-				
60mm	56120040	3	-	-				
Diebstahlsicherungen M14x1,5 Kugelbund R14 (2 Schrauben + Schlüssel) anti-theft protection M14x1,5 ball seat R14 (2 bolts + key)								
27mm	Kugel R14 / ball R14	17mm	56120102	3	-	-		
28mm			56120103	3	-	-		
31mm			56120104	3	-	-		
35mm			56120105	3	-	-		
37mm			56120106	3	-	-		
40mm			56120107	3	-	-		
43mm			56120108	3	-	-		
45mm			56120109	3	-	-		
47mm			56120110	3	-	-		
50mm			56120111	3	-	-		
55mm			56120112	3	-	-		
60mm	56120113	3	-	-				
65mm	56120114	3	-	-				
Diebstahlsicherungen M14x1,5 loser Kugelbund R13 (2 Schrauben + Schlüssel) anti-theft protection M14x1,5 loose ball seat R13 (2 bolts + key)								
28mm	Kugel R13 lose / loose ball R13	17mm	56120101	3	-	-		
Diebstahlsicherungen M14x1,5 loser Kugelbund R14 (2 Schrauben + Schlüssel) anti-theft protection M14x1,5 loose ball seat R14 (2 bolts + key)								
29mm	Kugel R14 lose / loose ball R14	19mm	56120115	3	56120180	3		
34mm			56120116	3	56120181	3		
37mm			56120117	3	56120182	3		
39mm			56120118	3	-	-		
43mm			56120119	3	56120183	3		
45mm			56120120	3	-	-		
48mm			56120121	3	-	-		
50mm			56120122	3	56120184	3		
53mm			56120123	3	-	-		
58mm			56120124	3	-	-		

Flat Seat

Schäftlänge Shaft Length	Bund Bolt Collar	Schlüsselweite Wrench Size	Set - Silber		Set - Schwarz	
			Bestell-Nr.	Preis Kategorie	Bestell-Nr.	Preis Kategorie
			Set - Silber		Set - Schwarz	
Part-No.	Price Category	Part-No.	Price Category			
Diebstahlsicherungen M12x1,25 Flachbund für Peugeot/Citroen (2 Schrauben + Schlüssel) anti-theft protection M12x1,25 flat seat for Peugeot/Citroen (2 bolts + key)						
34mm	Flach / flat	17mm	56120048	3	-	-
36mm			56120049	3	-	-
41mm			56120050	3	-	-
51mm			56120051	3	-	-
56mm			56120052	3	-	-
61mm			56120053	3	-	-
Diebstahlsicherungen M12x1,5 Flachbund (2 Schrauben + Schlüssel) anti-theft protection M12x1,5 flat seat (2 bolts + key)						
36mm	Flach / flat	21mm	56120074	3	-	-
44mm			56120075	3	-	-
Nuts						
Schäftlänge Shaft Length	Bund Bolt Collar	Schlüsselweite Wrench Size	Set - Silber		Set - Schwarz	
			Bestell-Nr.	Preis Kategorie	Bestell-Nr.	Preis Kategorie
			Set - Silber		Set - Schwarz	
Part-No.	Price Category	Part-No.	Price Category			
Diebstahlsicherung M12x1,25 Kegelbund 60° (4 Muttern + Schlüssel) anti-theft protection M12x1,25 taper seat 60° (4 nuts + key)						
25mm offen	Kegel / taper seat	17mm	56120125	4	-	-
25mm offen	Kegel / taper seat	19mm	56120126	4	56120185	4
25mm offen	Kegel / taper seat	21mm	56120127	4	-	-
30mm geschlossen	Kegel / taper seat	17mm	56120128	4	-	-
30mm geschlossen	Kegel / taper seat	19mm	56120129	4	-	-
30mm geschlossen	Kegel / taper seat	21mm	56120130	4	-	-
34mm geschlossen	Kegel / taper seat	19mm	56120131	4	56120186	4
34mm geschlossen	Kegel / taper seat	21mm	56120132	4	-	-
Diebstahlsicherung M12x1,5 Kegelbund 60° (4 Muttern + Schlüssel) anti-theft protection M12x1,5 taper seat 60° (4 nuts + key)						
25mm offen	Kegel / taper seat	19mm	56120133	4	-	-
25mm offen	Kegel / taper seat	21mm	56120134	4	-	-
29mm	Kegel 60° lose / loose taper seat 60°	19mm	56120135	4	-	-
30mm geschlossen	Kegel / taper seat	19mm	56120136	4	-	-
30mm geschlossen	Kegel / taper seat	21mm	56120137	4	-	-
34mm geschlossen	Kegel / taper seat	19mm	56120138	4	56120187	4
34mm geschlossen	Kegel / taper seat	21mm	56120139	4	-	-
Diebstahlsicherung M14x1,5 Kegelbund 60° (4 Muttern + Schlüssel) anti-theft protection M14x1,5 taper seat 60° (4 nuts + key)						
25mm offen	Kegel / taper seat	22mm	56120142	4	-	-
25mm offen	Kegel / taper seat	21mm	56120143	4	-	-
34mm geschlossen	Kegel / taper seat	19mm	56120144	4	56120188	4
34mm geschlossen	Kegel / taper seat	21mm	56120145	4	-	-
37mm	Kegel 60° lose / loose taper seat 60°	19mm	56120146	4	-	-
41mm offen	Kegel / taper seat	19mm	56120147	4	-	-
Diebstahlsicherung M14x2,0 Kegelbund 60° (4 Muttern + Schlüssel) anti-theft protection M14x2,0 taper seat 60° (4 nuts + key)						
35mm geschlossen	Kegel / taper seat	19mm	56120153	4	-	-
Diebstahlsicherung 1/2" UNF Kegelbund (4 Muttern + Schlüssel) anti-theft protection 1/2" UNF taper seat (4 nuts + key)						
34mm	Kegel / taper seat	19mm	56120154	4	-	-
Diebstahlsicherung M12x1,5 Kugelbund R12 (4 Muttern + Schlüssel) anti-theft protection M12x1,5 ball seat R12 (4 nuts + key)						
26,5mm	Kugel R12 / ball R12	19mm	56120140	4	-	-
30mm			56120141	4	-	-
Diebstahlsicherung M14x1,5 Kugelbund R14 (4 Muttern + Schlüssel) anti-theft protection M14x1,5 ball seat R14 (4 nuts + key)						
34mm	Kugel R14 / ball R14	19mm	56120148	4	-	-
Diebstahlsicherung M14x1,5 Flachbund (2 Muttern + Schlüssel) anti-theft protection M14x1,5 flat seat (2 nuts + key)						
40mm	Flach / flat	22mm	56120149	4	-	-
46mm			56120150	4	-	-
48mm			56120151	4	-	-
48mm			56120152	4	-	-

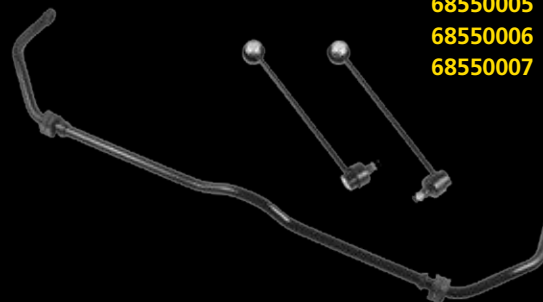
57 Diebstahlsicherungen



ST Spare Parts



68550008



68550000
68550005
68550006
68550007



65245082

Article description	Bestell-Nr. Part no.
Adjustable anti-sway bar set KL001 for limited improved clearance between sway bar and driveshaft.	68550008
Anti-sway bar conversion kit for optimal clearance between the sway bar and the drive-shaft for Audi A3 (8L), Seat Leon (1M), Skoda Octavia (1U) and VW Golf IV. Only for ST sport suspensions and coilover kits with a sway bar bracket at the shock absorbing strut.	
for cars without xenon headlights, ST coilover kits	68550000
for cars with xenon headlights, ST coilover kits	68550005
for cars without xenon headlights, ST sport suspension kits	68550006
for cars with xenon headlights, ST sport suspension kits	68550007
Spring perch for coilover kits TR 52x3	65245082
Spanner wrench, 75 mm width, round slot	68510033
Spanner wrench, 80 mm width, square-cut slot	68510004
Spanner wrench, 100 mm width, square-cut slot	68510039



68510033



68510004



68510039



Comments

- 0** Technical-certificate not available on the day this catalogue was printed. Please check status with us.
- 1** These spring sets can be used only with shortened shock absorbers! We recommend our Weitec sport shock absorbers. See application list for front and rear shock absorbers.
- 2** Not for station wagon models (Estate/ Avant/ Turnier/ Variant/ T-modell...).
- 3** Excluding models with 4 wheel steering.
- 4** Excluding four wheel drive models.
- 6** Not for vehicles with electronic damper control.
- 6a** Excluding models with electronic damper control. Use our spring sets please.
- 7** If necessary, please exchange the front bump stops with the original ones (part number 1K0412303F)
- 8** Excluding 16V/20V/24V and RSI.
- 9** Spring kit consists of 2 front springs only.
- 10** Not for cars with Audi magnetic ride
- 11** Excluding models with automatic level control, or automatic level system can be adjusted in accordance.
- 11a** Complete suspension kits are excluding models with automatic level control, please use our springset.
- 14** For vehicles with series sports suspension please use our complete suspension kit only.
- 16** Excluding vehicles with series sports suspension.
- 18** Spring kit includes only 2 rear springs.
- 19** Excluding V-Tec models.
- 21** Not for vehicles with gas-powered engines.
- 25** No German Certificate will be delivered. Only a material certificate will be supplied.
- 27** The front indicator lights on these vehicles must be relocated or replaced. These can be acquired from the manufacturer under order number 46226698.
- 30** The quoted lowering can vary due to different original rubber springs/seats. Max lowering can be achieved by using single point rubber seats. Lowering can be adjusted by using different rubbers.
- 31** Listed lowering can vary up to +/-25 mm due to different model weights.
- 32** VR6 only without air conditioning.
- 33** The mentioned lowering rate may vary. The vehicles are delivered from factory with different lower spring rubber pads at the rear axle. The maximum lowering is achieved by using the spring rubber pads without indentation. The lowering rate can be varied accordingly by using spring pads with one or two indentations (the rubbers are only available in the original).
- 39** Excluding GTI/GLT/GTE/GLE/GSI.
- 40** Front axle height adjustable, rear axle consists of lowered sports springs and sports dampers.
- 41** Front axle height adjustable, rear axle adjustable sports dampers. Height adjustment is by Torsion bar.
- 42** In combination with original wheels and tyres, wheelspacers might be necessary.
- 44** Only for models with 45 mm strut diameter outside (Can also be measured when fitted on the vehicle).
- 45** Only for models with 51 mm strut diameter outside (Can also be measured when fitted on the vehicle).
- 46** Special kit for vehicles with level control. The height will be adapted by adjusting the levelling sensor.
- 48** The maximum axle load is reduced to the amount mentioned in brackets.
- 52** Excluding convertible.
- 54** Excluding "full options" models.
- 55** Only "full options" models.
- 57** Excluding automatic gear box.
- 59** Only for models with series sports suspension.
- 65** Excluding models with pneumatic suspension.
- 66** Not available for fun/cross models or models with rough road packages.
- 70** We advise checking the difference in the gaps between the wing/fender and the wheel. Because these vary it often seems that the actual lowering is not like that quoted.
- 71** Only for cars with a clamp diameter of 55 mm on the front axle.
- 72** Only for cars with a clamp diameter of 50 mm on the front axle.
- 73** Rear shock absorbers with eye-mounting.
- 75** Vehicles with a two-part leaf spring on the rear axle have to be equipped with a one-piece leaf spring (for Caddy VW part no. for leaf spring 2K0511151N for Caddy Maxi VW part no. for leaf spring 2K3511151E).
- 77** Rear shock absorbers with fork-mounting.
- 78** front axle spring perch is height adjustable with the spacer ring
- 80** Only for 2- and 3- door versions.
- 81** Only for 4 and 5-door vehicles.
- 85** Excluding turbo charged petrol engines.
- 90** The Front Kit is only to employ with an Rear-Kit.
- 91** We recommend a special anti roll bar kit (part no. 68550008) for models with a drive shaft diameter of min. 50mm. This is for improving the clearance of the right hand side drive shaft. Because of car specific differences a clearance is not always given.
- 92** Front axle spacers only for cars with 47mm damping tube diameter (OE).
- 93** At vehicles with original Nivomat dampers only sport suspension kits can be used. The Nivomat damper will be replaced by the supplied sport damper.
- 94** Front axle spacers only for cars with 51mm damping tube diameter (ST suspensions).
- 96** Not for cars from 2004 onwards with standard 16" wheels.
- 97** Excluding 4.0 models.
- 99** Please note that the lowering rate quoted in this catalogue will be reduced for models with original sports suspension.
- 102** Front spring basis of suspensions and front dampers from model 2002 have to be replaced by new spring basis Audi part nr. (4D0412107B).
- 112** Because of the construction of the car the damping adjustment can only be made when the damper is not mounted. By modifying the interior trim this problem can be avoided.
- 115** For sport suspension kits with lowering from 45mm please replace the anti-sway bar kit to guarantee enough clearance of the right drive shaft. Anti-sway bar kit for cars without Xenon headlights: part no. 68550006. Anti-sway bar kit for cars with Xenon headlights: part no. 68550007.
- 120** On the front axle struts you need to measure the whole distance of the lower mounting drills. This distance has to be 72mm.
- 121** Please replace the anti-sway bar kit on max. tested lowering. This is for enough clearance of the right drive shaft. Anti-sway bar kit for cars without Xenon headlights: part no. 68550000. Anti-sway bar kit for cars with Xenon headlights: part no. 68550005.
- 122** Models with foglights should have the lightbulbs removed to comply with regulations.
- 123** Not for models with special equipment like Camper or Westfalia equipment.
- 124** Please use different top mounts for models with a year of construction earlier than 6/92 (BMW part no.: 31336764947; disk 31331116983; nut 31331110196).
- 128** Distance between the lower mounting holes of the front dampers should be 52 mm.
- 130** Make sure the anti roll bar and the steering arms are at least 5 mm clear of the chassis. If not the chassis should be modified as necessary.
- 131** For models with ABS, the ABS-cable needs to be mounted separately.
- 132** Rear axle height adjustment is achieved by adjusting the torsion bars.
- 135** On the front axle struts you need to measure the whole distance of the lower mounting drills. This distance has to be 58mm.
- 138** Excluding Long Wheel Base version.
- 139** Only for vehicles up to 2,5l Diesel or Turbo diesel engines.
- 156** Only for vehicles with ESP-system.
- 164** Rear axle shock absorbers are not adjustable for dumping. Sport shock absorbers with a harder dumping characteristic will be supplied.
- 170** Only for 4 wheel drive models (4x4, 4motion, Quattro etc.).
- 181** Not for vehicles with ESP system.
- 182** Only for vehicles where the rear shock absorber is attached at the bottom with an M10 bolt.
- 183** Only for vehicles where the rear shock absorber is attached at the bottom with an M14 bolt.
- 184** Additional front axle assembly parts for vehicles with EDC and / or 8cyl. engine are required from the automobile manufacturer: for the front: (BMW Part No.: dome bearings 31331091709 + washer 31331116983 + collar 31331101196), for the rear: (BMW Teile-Nr. dome bearing 33521091710 + 33521090282 + washer 33521092986 + dust cover 31331137932 + bump stop 33531091031).
- 185** For the rear axle sport shock absorbers will be supplied, the factory air spring will maintain. The lowering of the vehicle needs to be done according to the instructions.
- 186** To guarantee at maximum lowering the minimum clearance of the FA indicator light (350 mm) and day headlight (250 mm) beyond STVZO, they have to be modified
- 187** At vehicles equipped with electronic damping DCC, the electronic damping control needs to be deactivated. Deactivation kit KW Part-no. 68510141.
- 188** At vehicles equipped with audi magnetic ride, the electronic damping control needs to be deactivated. Deactivation kit KW Part-no. 68510124.
- 189** At vehicles equipped with electronic damping, the electronic damping control needs to be deactivated. Deactivation kit KW Part-no. 68510144.
- 190** At vehicles equipped with electronic damping, the electronic damping control needs to be deactivated. Deactivation kit KW Part-no. 68510180.
- 191** Just for vehicles with air suspension. The vehicle level has to be adjusted at an authorised shop.
- 192** At vehicles equipped with electronic damping, the electronic damping control needs to be deactivated. Deactivation kit KW Part-no. 68510145.
- 193** Vehicles with a two-part leaf spring on the rear axle have to be equipped with a one-piece leaf spring. (up to mod.2015; VW part no. for leaf spring spring 2K5511151N; from mod.2015; VW part no. for leaf spring spring 2K5511151AA)
- 194** The indicated lowering rate may vary. Vehicles are factory equipped with spring rubber washers in different heights at the rear axle. The maximal possible lowering is realized by using 5mm spring rubber washers the rear axle. The lowering rate can be varied by using 5, 9, 13 or 17mm rubber (the rubber washers are only available as original part).
- 195** At vehicles equipped with electronic damping, the electronic damping control needs to be deactivated. Deactivation kit KW Part-no. 68510175 (except OPC) / 68510228 (only OPC).
- 196** At vehicles equipped with electronic damping, the electronic damping control needs to be deactivated. Deactivation kit KW Part-no. 68510213.
- 197** VA- Strut with 10mm Bolt.
- 198** VA- Strut with 12mm Bolt.
- 199** At vehicles equipped with electronic damping, the electronic damping control needs to be deactivated. Deactivation kit KW Part-no. 68510253.
- 200** Only for cars with independent axle (independent wishbone construction)
- 201** Only for cars with torsion beam axle (solid axle)
- 202** For rear axle camber adjustment we recommend the installation of the car specific adjustable control arm set from KW. KW Part-no. 68510021.
- 203** Not for models with complete struts on the rear axle. Only for Cars with separat Springs and Dämpers
- 204** At vehicles equipped with electronic damping, the electronic damping control needs to be deactivated. Deactivation kit KW Part-no. 68510212.
- 205** Additional assembly parts from manufacturer required. (Fiat Part No.: support bearing 777 59 40 + sleeve 779 52 59 + washer 779 52 60).
- 206** At vehicles equipped with electronic damping, the electronic damping control needs to be deactivated. Deactivation kit KW Part-no. 68510314.
- 207** not for vehicles with Xenon headlights.
- 207a** suspensions kit is not for vehicles with Xenon headlights. Use our spring sets please.
- 208** Additional attachments are required from the automobile manufacturer (for the Fiat Bravo/Brava only available for vehicles with original sport suspension). Fiat Part No.: support bearings 00046469709 + strut insulator 00046448102
- 209** At vehicles equipped with electronic damping, the electronic damping control needs to be deactivated. Deactivation kit KW Part-no. 68510342.
- 210** For rear axle camber adjustment we recommend the installation of the car specific adjustable control arm set from KW. KW Part-no. 68510065.
- 211** At vehicles equipped with electronic damping, the electronic damping control needs to be deactivated. Deactivation kit KW Part-no. 68510370.
- 212** only for cars without active steering, only cars with a straight front bar, without middle- crank
- 213** only for cars with 5-hole-wheel fixation
- 214** only for vehicles with roll bar linkage on the front lower control arm
- 215** only for cars with 4-hole-wheel fixation
- 216** If the car is equipped with PASM, the PASM needs to be disabled.
- 217** At vehicles equipped with electronic damping, the electronic damping control needs to be deactivated. Deactivation kit KW Part-no. 68510148.
- 218** For ST XA: Rear axle shocks does not offer hardness adjustment
- 220** At vehicles equipped with electronic damping, the electronic damping control needs to be deactivated. Deactivation kit KW Part-no. 68510426.
- 221** At vehicles equipped with electronic damping, the electronic damping control needs to be deactivated. Deactivation kit KW Part-no. 68510440.
- 222** At vehicles equipped with electronic damping, the electronic damping control needs to be deactivated. Deactivation kit KW Part-no. 68510358
- 223** Sway bar link must be changed at cars with a sway bar link longer than 290 mm. Kia part number 54830A 6000
- 224** At vehicles equipped with electronic damping, the electronic damping control needs to be deactivated. Deactivation kit KW Part-no. 68510462
- 225** At vehicles equipped with electronic damping, the electronic damping control needs to be deactivated. Deactivation kit KW Part-no. 68510228
- 226** At vehicles equipped with electronic damping, the electronic damping control needs to be deactivated. Deactivation kit KW Part-no. 68510424
- 227** At vehicles equipped with electronic damping, the electronic damping control needs to be deactivated. Deactivation kit KW Part-no. 68510119
- VA** front axle
- HA** rear axle
- 301** No requirements
- 302** Wheel arch needs to be rolled / modified
- 303** Wheel arch modification necessary
- 304** Wing extensions required, e.g GTI wings
- 305** Additional work to the wings required (extended etc.)
- 306** Longer studs are required (NOT included to scope of delivery) Please order separately.
- 307** Longer studs need to be pressed in (included in scope of delivery)
- 308** Only for rear axle
- 309** Not possible for all models! Please check certificate!
- 310** Please be careful with fitting. There must be enough centering on the wheel hub (approx 2mm).
- 311** NOT in combination with steel wheels
- 312** Only for front axle
- 313** Chamfer of the rim at least 5x45°, length of wheel hub max. 13,0mm.
- 314** Made of steel
- 315** Use only with wheel-tire combination that is quoted in the certificate.
- 316** Original threaded wheel studs must be shortened by approximately 12mm. This is the same like the area without thread. Minimum thread engagement is 7.5 turns.
- 317** ATTENTION: Installation only with wheels which have cut outs on the rear of the wheel.
- 318** If the car is equipped with additional wheel hub caps this caps possibly have to be removed and have to be replaced by other sealing measures. The wheel spacer disc must fit the wheel hub without any play or float.
- 319** M14x1.5 bolts must be used to mount the wheel on the AZX-wheel spacer. Seat and shaft length of the bolts must match the actual used wheel bolts. Applies only to system AZX.
- 320** ST shaft nuts with a 60° taper seat must be used to mount the wheel. The mounting holes of the wheel must have 60° taper seat, too. Additionally please check before assembly if the shaft of the ST shaft nut fits through the mounting holes of the wheel. ST shaft nuts can only be used in combination with system DZX. ST shaft nuts must be ordered separately. ATTENTION! Please consider minimum thread engagement.
- 321** For system AZX ST threaded bolts have to be ordered separately. The thread of the ST threaded bolts has to be similar to the one of the original knurled studs.
- 322** Not for vehicles with 4WD
- 323** ATTENTION: Due to the rim holes (flat seat), the ST shaft nuts with taper seat 60° can not be used here. Please use longer stud bolts for mounting the rim with the original flat seated wheel studs.
- 324** ATTENTION: M12x1.25 bolts must be used to mount the wheel on the wheel spacer. Seat and shaft length of the bolts must match the actual used wheel bolts.
- 325** For extending the centering, steel sleeves have to be mounted. If the car uses grease caps, they have to be disassembled before mounting the steel sleeves and reassembled afterwards. The steel sleeves are included in the scope of delivery.
- 326** ACHTUNG: Bei Felgenlöcher die größer als Ø17mm sind, können keine ST Schafmuttern M12x1,5 / M12x1,25 / 1/2" UNF verwendet werden. Hier besteht die Möglichkeit längere Stehbolzen für die Befestigung der Felgen mit den vorhandenen Radmuttern zu verwenden. ATTENTION: For rim holes with a Ø lager than 17mm, the ST shaft nuts with M12x1,5 / M12x1,25 / 1/2" UNF thread can not be used. Please use longer stud bolts for mounting the rim with the original wheel nuts.
- 327** two-piece spacer disc with steel centering
- ABE** Vehicle Type Approval: When using the specified tire / wheel combinations and the standard wheels, a presentation or acceptance by an expert is not necessary. Vehicle Type Approval documents have to be kept in the vehicle. The delivery content includes wheel bolts.
- ABE*** The proper condition of the vehicle needs to be confirmed by a officially authorized expert or inspector for vehicle traffic or a member of a supervisory organization according to the Road Traffic Licensing Regulations, Section 4 of Appendix VIIIb, stating the vehicle manufacturer, vehicle type and vehicle identification number.
- §19.3** Presentation of the vehicle at an expert. No need to register into vehicle documents.
- §21** For applications which are listed with §21, an individual inspection by an officially recognized expert for motor vehicle traffic is necessary. The acceptance of wheel spacers is made under consideration of the allowed change in spacer width of 2% or 4%.
- i.p.** in preparation (parts certificate in preparation, an approval according to §21 is possible).
- System A1/A2** For systems A1 and A2 the necessary screws/nuts for fitment of the spacers to the hub are included in delivery. To fix the wheel to the spacer use the original screws/nuts. System A1: Warning! It is absolutely necessary to check that the bolts used are not too long. Before assembly check that the wheel bolts do not protrude beyond the wheel spacer (sample mounting on the rim). System A2: For vehicles with studs, make sure that the original bolts do not extend beyond the wheel spacer, except those used on wheels with corresponding holes. (see pictures Abb. 1/2/3/4)
- System D1/D2/DZ/DZX** For systems D1/D2/DZ and DZX longer wheel bolts have to be ordered separately (unless otherwise stated). To order longer wheel bolts the following information is required:
- Thread diameter and pitch (for example M14x1.5)
- Shaft length (thread start to the seat)
- Seat (tapered, rounded, flat, etc.)
- Bolts must be longer according to the wheel spacer thickness
Warning: Wheel bolts that are too long may cause damage at the axle components. When mounting the clearance of the wheel bolts must be checked.
Attention: For applications with ABE longer wheel bolts are included