

SPEC-D *Turning*

1994-1997 HONDA ACCORD HEADLIGHTS INSTALLATION INSTRUCTIONS



If you experience any difficulties that the instruction did not cover, Please seek local auto shop for advise.
Please wear protection before you work on your vehicle.

An assistant is helpful when removing the front bumper.

Please be careful while working with the bumper or body part to avoid scratching.

Do not make direct contact with the halogen bulb or the wire assembly until the unit has cooled down after use.

TOOLS AND SUPPLIES REQUIRED



*Phillips Screwdriver



*Flat-tip screwdriver



*Diagonal cutter



*Ratchet



*Extension



*10 mm Socket



*10 mm Combination Wrench

Product Part Number:

2LHP-ACD94-TM

2LHP-ACD94JM-TM

2LHP-ACD94B-TM

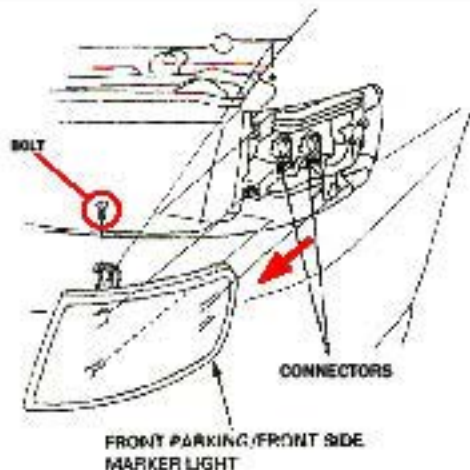
2LHP-ACD94JMB-TM



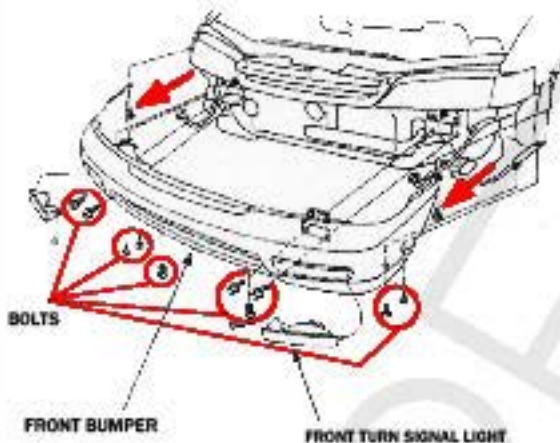
HONDA ACCORD HEADLIGHT INSTALLATION INSTRUCTION



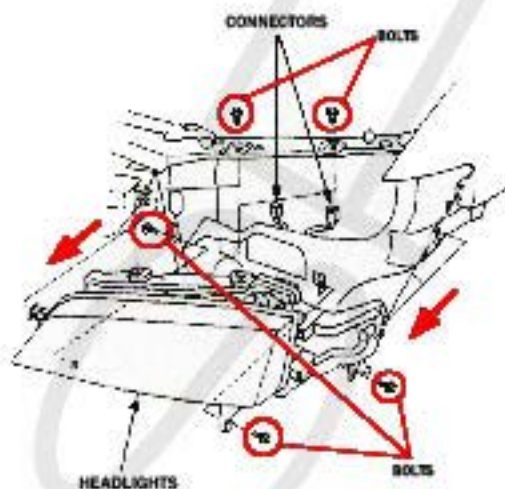
- *If you experienced any difficulties that the instruction did not cover, Please seek local auto shop for advise.
- *Please wear protection before you work on your vehicle.
- *An assistant is helpful when removing the front bumper.
- *Please be careful while working with the bumper or body part to avoid scratching.
- *Do not make direct contact with the halogen bulb or the wire assembly until the unit has cooled down after use.



1. Remove the front turn signal lights
2. Disconnect the connectors from the front parking / front side marker lights.



3. Remove the front bumper
4. Remove the screw, and separate the front parking / front side marker lights from the headlights assembly



5. Disconnect the connectors from the headlights
6. Remove the mounting bolts and headlights

HONDA ACCORD HEADLIGHTS INSTALLATION INSTRUCTIONS

*If you experience any difficulties that the instruction did not cover, Please seek local auto shop for advise.



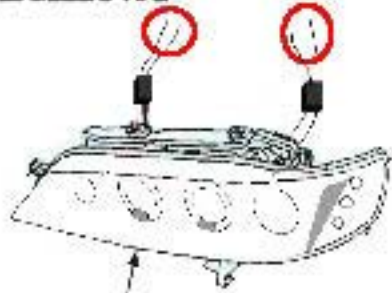
*Please wear protection before you work on your vehicle.

*An assistant is helpful when removing the front bumper.

*Please be careful while working with the bumper or body part to avoid scratching.

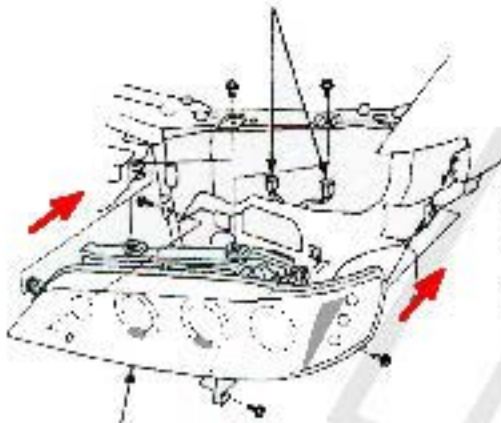
*Do not make direct contact with the halogen bulb or the wire assembly until the unit has cooled down after use.

HALO & LEDS WIRE



HEADLIGHT

CONNECTORS



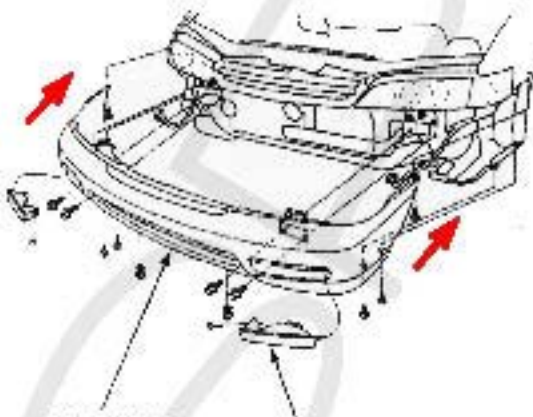
HEADLIGHT

If your headlights don't have HALO or L.E.D. Please skip Step 7
7. Connect the "Halo and L.E.D. wires to driving lights
(please see the "Halo and L.E.D. installation instructions)

8. connect the connectors from the headlights

9. connect the connectors from the front parking light

10. Install the mounting bolts and headlights



FRONT BUMPER

FRONT TURN SIGNAL LIGHT

11. Install the front bumper

12. The installation now is complete