

CATALOG
20
21



Sabelt[®]



Sabelt[®]



Technical Partner
Competizioni GT

Sabelt

Sabelt[®]



12
HARNESSES

60
NETS

64
SEATS

106
RACEWEAR

146
STEERING WHEELS

150
ACCESSORIES

THE COMPANY



Sabelt, founded in 1972 by Piero and Giorgio Marsiaj, specializes in the development and production of car seats for performance road cars, racing products for motor racing and seatbelts for aerospace.

The quality of Sabelt products is the result of intense **research and development**, which allows it to reach the highest levels of **performance and safety**. Sabelt invests 8% of its resources annually in research and development and is the only company in its sector to have an internal dynamic test laboratory to perform ECE and FIA tests, aimed at verifying the strength and effectiveness of its products.

Sabelt provides **innovative solutions for race car drivers**:

ultralight racing suits, carbon fiber seats that adapt to the driver and seatbelts for cars of all types of racing.

From the world of motorsport, Sabelt has developed a range of **premium sports seats** for the world's top car manufacturers. It designs and manufactures safety belts and seats for vehicles with a strong sporting connotation, dedicated to an advanced and demanding driver, that is sports oriented and has a particular attention to quality.

Each seat is designed and created exclusively by Sabelt in collaboration with its customers, the car manufacturers. Sabelt's tailor-made production allows you to create customized products, designed according to the needs of car manufacturers and end customers. Its main partners are: Ferrari, McLaren, Alpine, Abarth, Alfa Romeo, Jaguar, Maserati and Aston Martin.

Sabelt is also able to develop and implement new technologies dedicated to various applications of safety seatbelts in niche markets, such as the **military, aviation, aerospace, exceptional transport** and many other fields where technical products and customized. Since 2010, Sabelt has been the supplier of Thales Alenia Space Italia for the restraint systems of the Cygnus Orbital-ATK module (belts and nets).

Thanks to its extensive experience in safety, the company has been able to reduce the mass of the restraint systems of the space loading module up to 40% of its original weight (about 100 kg of mass reduction obtained thanks to highly technological materials and new geometric designs). It also extended its product portfolio for space by developing new foams used in space operations to optimize cargo storage. Today Sabelt has 250 employees divided into 2 factories which will become 3 in 2020.

HERITAGE



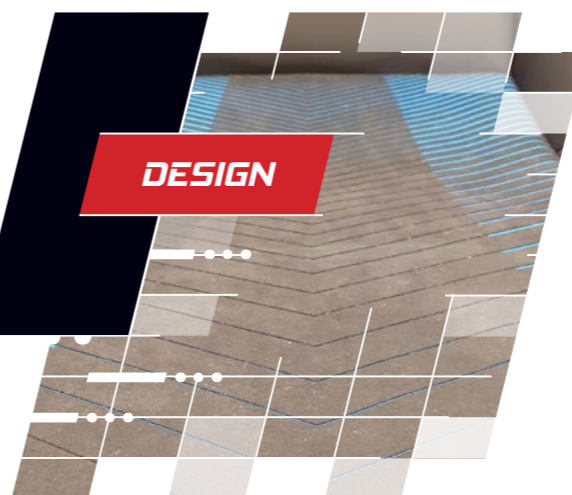
Our personal history shows what we are able to be and identify what we could become. We have provided the top historical car manufacturers with innovative restraint systems for decades, combining a smart use of seat belts and seats for different applications: from the world of motorsport to the automotive industry and the aerospace. Top Formula 1 drivers past and present as Ayrton Senna, Michael Schumacher, Sebastian Vettel and Daniel Ricciardo have chosen to work and collaborate with us.

SAFETY



For Sabelt, safety is of the utmost importance: first in the car, supplying the best seat belts in the world, second for drivers all over categories and championships. We develop new technologies, new solutions and new materials: that's why we have expanded our offer. Today Sabelt is not only the European leader for safety belts but it is a company able to invest, to develop and to produce accessories, fire-proof wear and seats for every type of race. We have provided the top historical car manufacturers and drivers with innovative restraint systems for decades and we are the only one able to test components at extreme conditions thanks to an internal advanced dynamic crash test. To reach so important goals, we set high technology laboratories, we receive the best specialists of this sector and we choose the most reliable partners.

DESIGN



Sabelt offers high performance levels integrated with style and design. Each component is designed and engineered either exclusively by Sabelt in support with external Design&Style centres or in partnership with the client.

INNOVATION



We transform ideas into products. We collaborate with our customers to study new and better solutions and meet specific needs and new requirements. All our products are the result of a process that brings together various novel ideas with engineering and technology. The quality of Sabelt products is the result of intensive R&D which allows to achieve the highest levels of performance and safety.

OEM





SAFETY AND LABORATORY

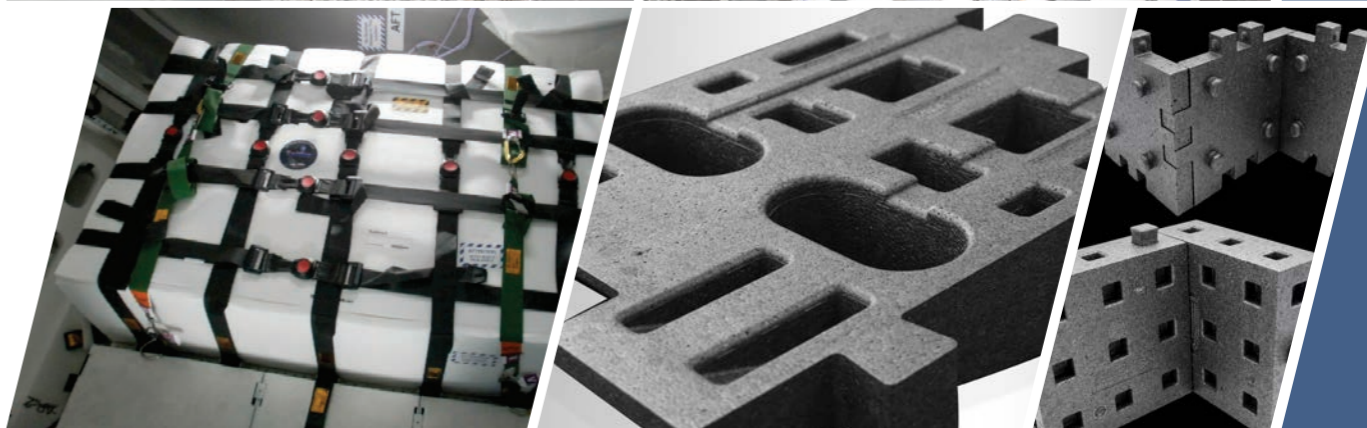
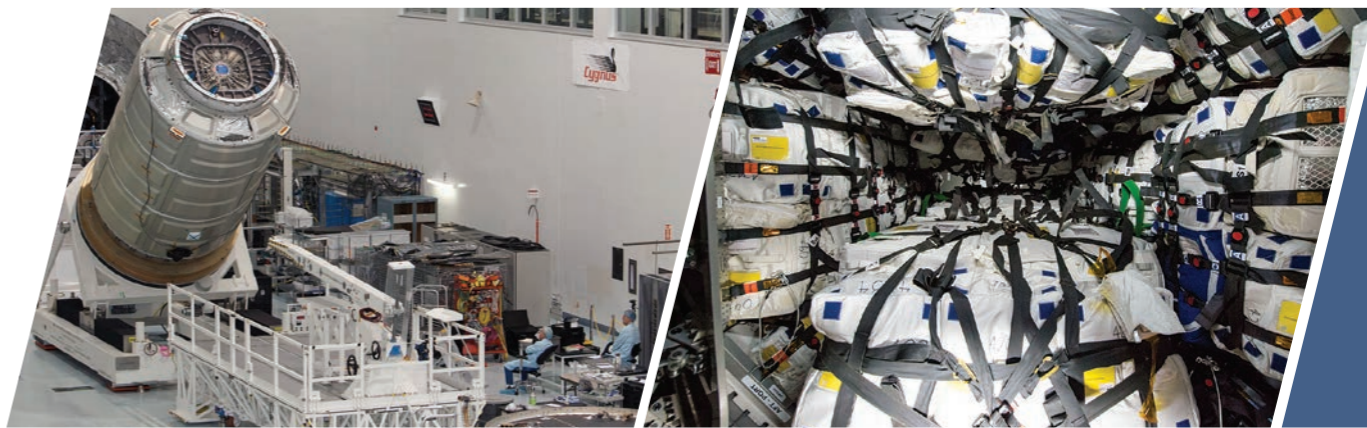
The pursuit of safety has played a key role since the foundation of Sabelt. In fact we have been the first to equip the laboratories of our plant with a dynamic test which simulates crashes and pre-homologated products for the strict automotive standards: an innovative system prescribed by ECE and FIA regulations useful to test the durability and solidity of the competition seat belts and seats. It allows to carry out a quality control at every stage of production and a prior approval of the products. All tests are conducted with the specific intent to not reduce in any way the level of safety, while maintaining a bigger margin to the minimum required, with outstanding performance levels built with style and design.



PRODUCTION

All Sabelt products are designed and engineered exclusively by Sabelt in the operational headquarters in Turin, in collaboration with external design centers or in partnership with clients car makers, to offer unmistakable Italian style products. The quality of Sabelt products is the result of intense research and development, which allows it to reach the highest levels of performance and safety. Sabelt invests 8% of its resources annually in research and development and is the only company in its sector to have an internal dynamic test laboratory to perform ECE and FIA tests, aimed at verifying the strength and effectiveness of its products. The laboratory allows to carry out a quality control at every stage of production and a prior approval of the products. All tests are conducted with the specific intent to not reduce in any way the level of safety, while maintaining a bigger margin to the minimum required, with outstanding performance levels, built with style and design.

SPECIAL APPLICATIONS



Sabelt has developed and implemented a new business unit dedicated to application of seatbelts in niche markets, such as Military, Aviation, Aerospace, Tractors, Bus and many fields in which small customized products for niche markets may be requested. Thanks to a long-lasting experience in this field and to a fully equipped laboratory, Sabelt is able to produce and supply safety belts for several different applications.

HARNESSES



ASTON MARTIN
 Red Bull RACING
 Sabelt
 TEAM SUPPLIER

HARNESS PRODUCT RANGE

FIA 8853-2016

GT / RALLY

GOLD

WRC HARNESS

NEW



CCG632SRD



SILVER

CCA622SRDLPM



CCA622SRDN1



CCA622SRUN1



CCA633SRUN



STEEL

CCS632SRDN



CCS622SRUN



CCS633SRUN



FORMULA

GOLD

F1 HARNESS

NEW



CCG832FSR



CCG622FSR



SILVER

CCA622FRUN1



STEEL

CCS622FRUN



CCS622FRUN1

NEW



FIA 8854/98

GT / RALLY

SILVER

CCA433SRDN



STEEL

CCS433SRDN



CCS433SRUN



ECE 16

CLUBMAN

CFCC4046 (no ECE)



904020NP



904070NP



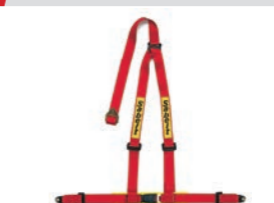
904059NP



904005N



904019N



SFI 16.1

CCS6225NU5FI



CCS5335NULL5FI



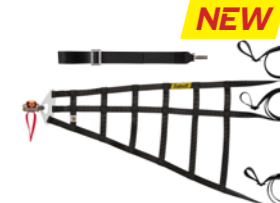
RACING NET

CFRN2003



CFRN2004

NEW



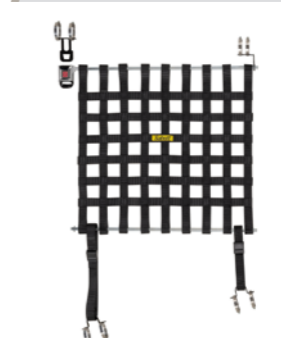
CFRN2002

NEW

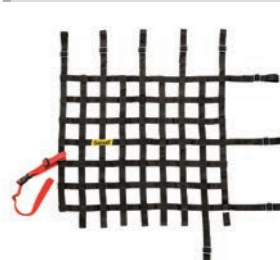


WINDOW NET

Z280988



Z280985



BUCKLES

**B1**

Tongues entry designed to simplify the driver fastening. Machined from solid aluminium.

**B5**

Tongues entry designed to simplify the driver fastening. Quick release with spring ejectors. **255 g**

**B2**

With integrated crotch belt "T" type attachment. Aluminium. Patented buckle. **219 g**

**B6**

Developed with Formula1 Teams. Superlight buckle in machined from solid aluminium.

**B3**

For "Formula" safety belt developed in Formula1. Aluminium. Protection for the lever. **192 g**

**B4**

Buckle for 4 points safety belt. Dx fixed point. Aluminium. **184 g**

**B7**

Developed for Endurance applications. 2019 24h Le Mans winner. **266 g**

**B8****NEW**

Latch buckle with leather pad and adjuster. **514 g**

ADJUSTERS

**A9**

2" Quick release adjuster machined from solid aluminium. Developed in Formula1. **54 g**

**A10**

2" Quick release adjuster machined from solid aluminium. Developed for double shoulder belt. **74 g**

**A1**

Quick release adjuster for 3" webbing. Forged and anodized aluminium. **95 g**

**A2**

Quick release adjuster for 2" webbing. Forged and anodized aluminium. **70 g**

**A13**

Aluminium quick adjuster 2" with webbing guide. 2019 24h Le Mans winner. **78 g**

**A3**

Adjuster integrated to the buckle tongue designed for 2" webbing. Developed for GT/Endurance cars. Steel-aluminium. **123 g**

**A4**

Adjuster for 2" webbing. Steel-aluminium. **113 g**

**A5**

"America" adjuster for 3" webbing. Steel. **147 g**

**A6**

"America" adjuster for 2" webbing. Steel. **94 g**

**A14**

Ergal "Tribar" adjuster for 2" webbing. Steel. **46 g**

**A7**

"Tribar" adjuster for 3" webbing. Steel. **110 g**

**A8**

"Tribar" adjuster for 2" webbing. Steel. **80 g**

**A12**

"Bufflug" steel adjuster. **63 g**

**A11**

Steel "Stop" adjuster for 2" webbing. **24 g**

**A15**

Ergal "Tribar" adjuster for 3" webbing. Steel. **64 g**

FIXINGS



F1

Carabiner. Inox Steel. 24 g



F2A

Snap hook in combination with A7 or A8. Steel. 77 g



F2B

Sewn snap hook in combination with A7 or A8. Steel. 77 g



F3A

Fixing plate in combination with A7 or A8. Steel. 63 g



F3B

Sewn fixing plate in combination with A7 or A8. Steel. 63 g



F4

Sewn "P" type steel fixing plate. 47 g



F5

"Wrap around" fixing in combination with A7 or A8.



F6

"Sewn loop" fixing.



F7

Titanium double fixing plate for 2" webbing. For M8 screw. 38 g



F8

Small Sewn fixing plate. 45 g



F9

Small fixing plate. 44 g



F10

Double hole fixing plate. 38 g



F11

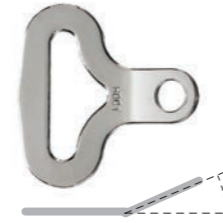
Sewn double hole fixing plate. 38 g



F12

X2 double hole fixing plate. 76 g

TONGUES



T1

Lap belt tongue with ergonomic bend. Steel. 32 g



T2

Shoulder belt tongue for 3" webbing. Steel. 30 g



T3

Shoulder belt tongue for 2" webbing. Steel. 23 g



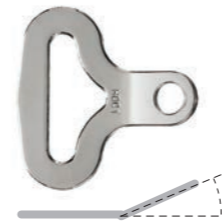
T4

Titanium mini-tongue for CCG622FSR, CCG832FSR harnesses. 7 g



T5

Titanium tongue for E1 harnesses. 9 g



T6

Lap belt tongue with ergonomic bend. Titanium. 18 g



T7

Steel shoulder belt tongue +5 mm. 38 g



T8

Lap strap link. 86 g



T9

Left shoulder strap link. 69 g



T10

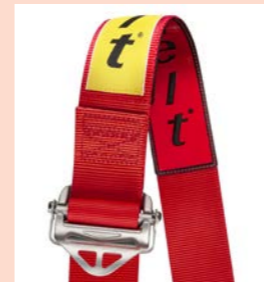
Right shoulder strap link. 69 g



T11

Crotch strap link. 57 g

OPTIONALS



O2

Logo printed directly on the webbing in high grip material for FHR.



O4

Closure velcro for adjustable straps.



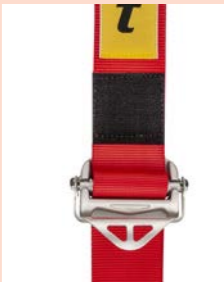
O5

Ergonomic handle.



O6

Intercom or Drink System cord.



O7

Velcro on upper shoulder belt.

WRC HARNESS



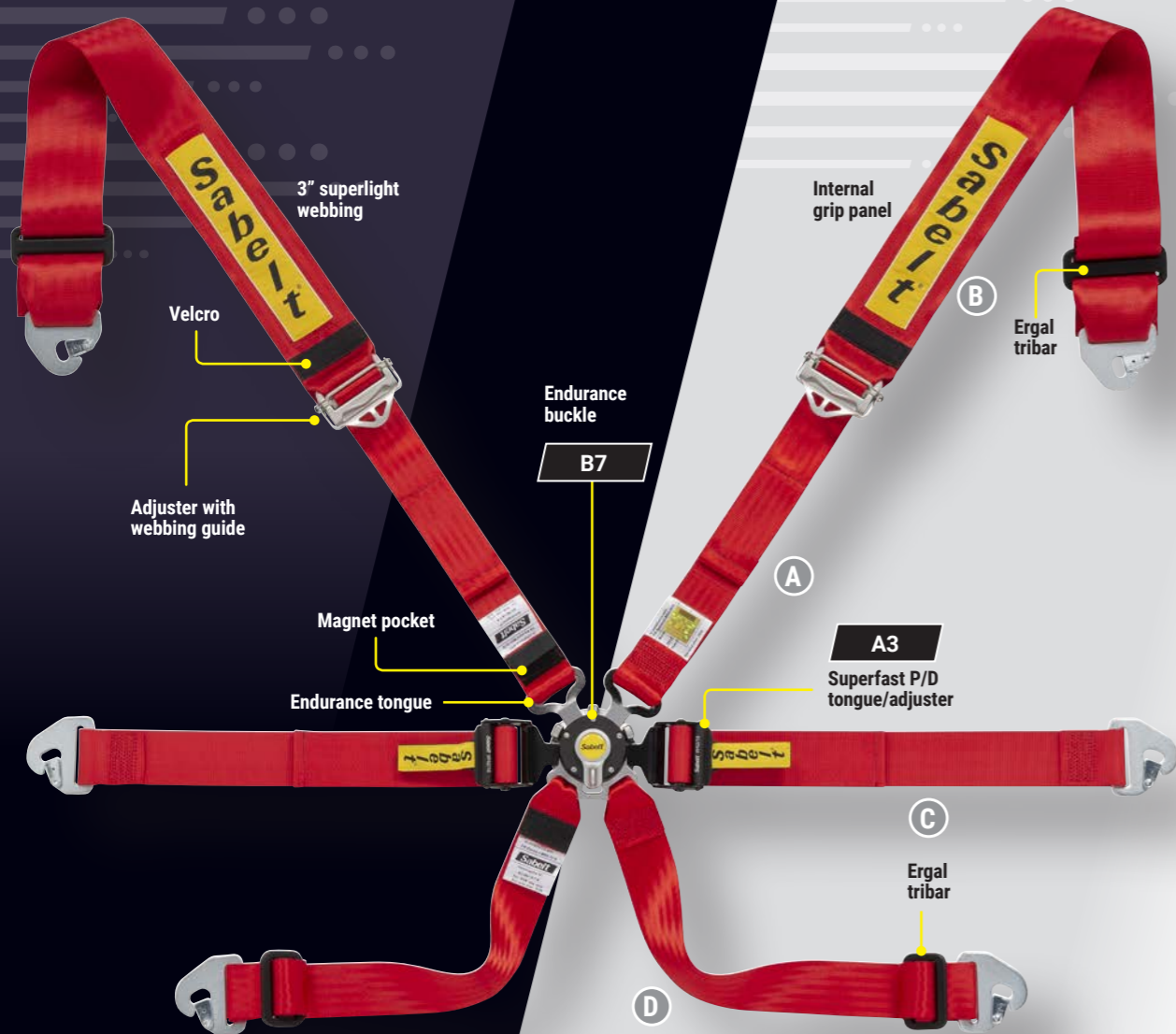
F1 HARNESS



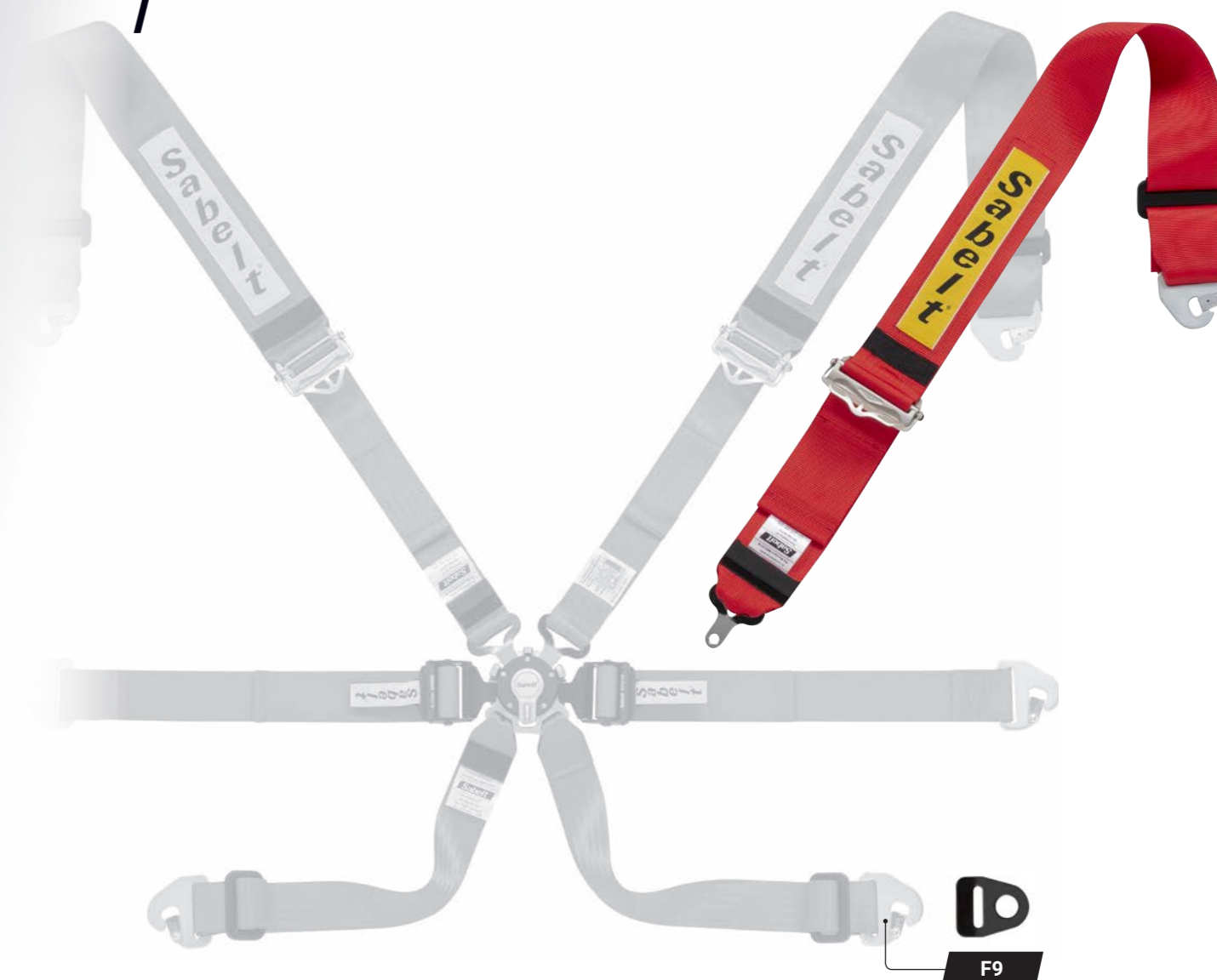
CCG632SRD

CCG632SRD

STANDARD FEATURES



CONFIGURATIONS ON DEMAND



FIA APPROVED

MANUFACTURER: SABELT
MODEL: ENDURANCE
HOM. NO: SH.064.19-T-6
FIA STANDARD: 8853-2016

SALOON

FIA 8853-2016

STANDARD MEASURES (mm)

A 430 • B 790 • C 620 • D 330

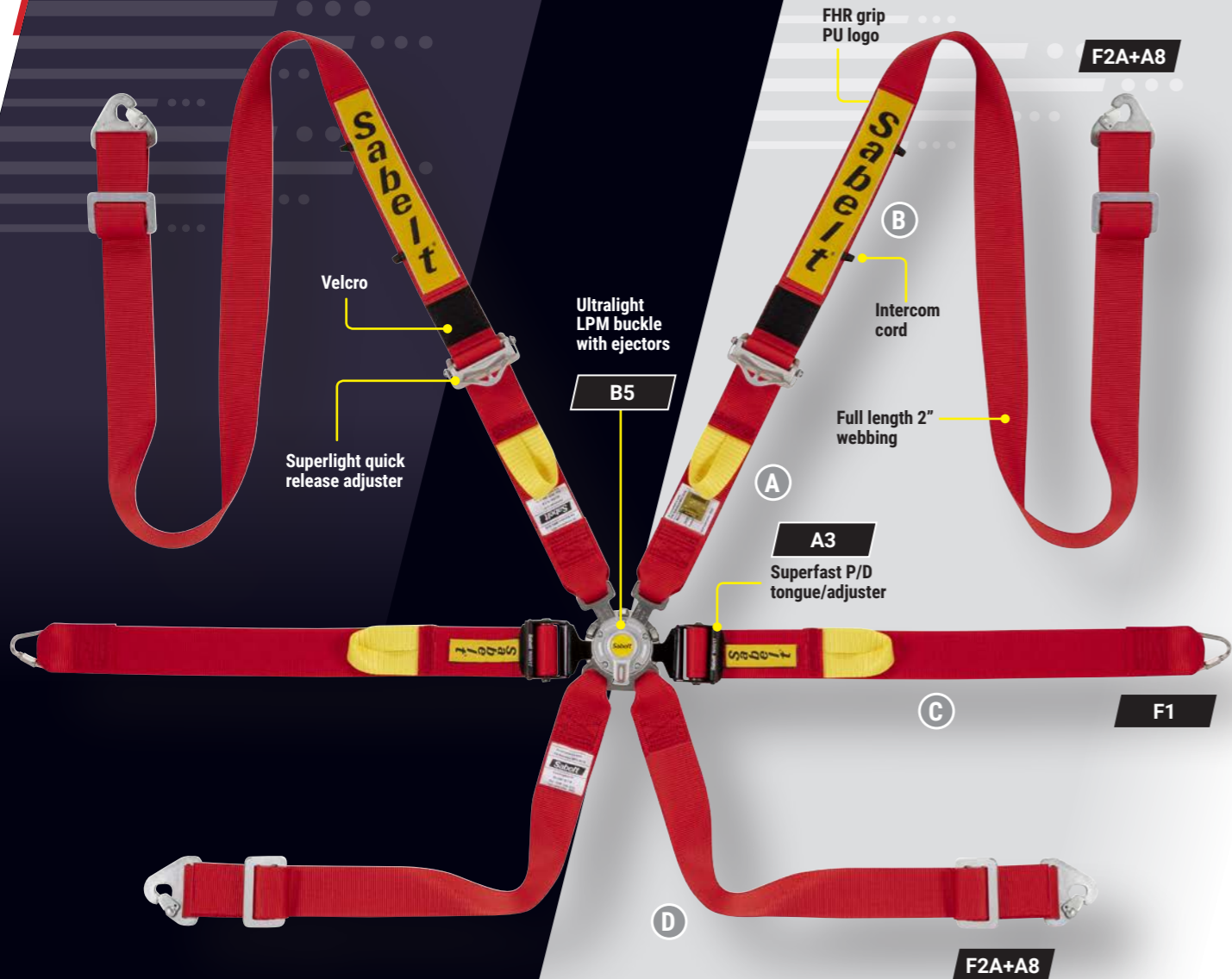
STANDARD COLOURS/CODES

CCG632SRD • CCG632SND • CCG632SBD

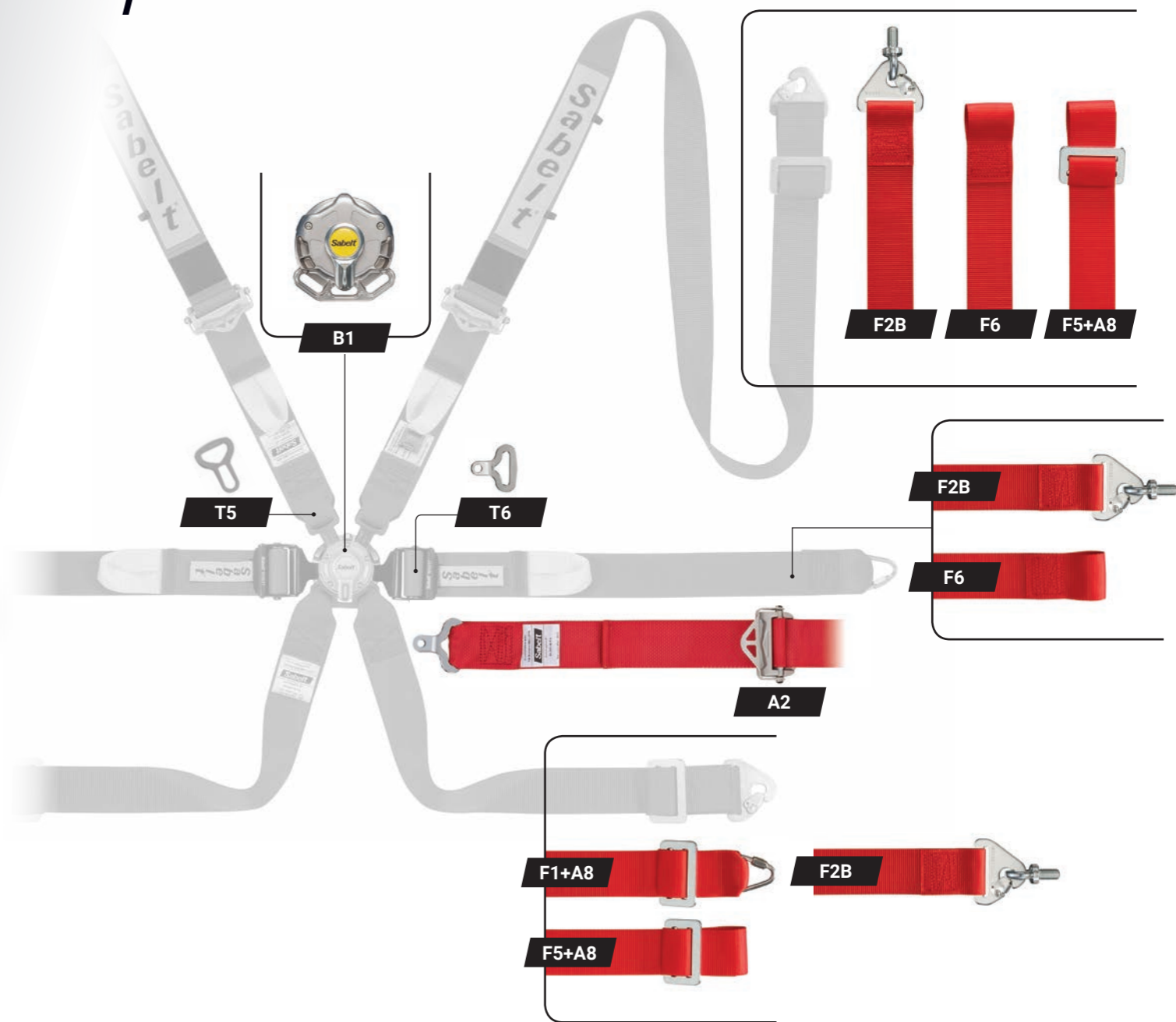
CCA622SRDLPM

CCA622SRDLPM

STANDARD FEATURES



CONFIGURATIONS ON DEMAND



SALOON

FIA 8853-2016

MANUFACTURER: SABELT
MODEL: E1
HOM. NO: SH.006.16-T-6
FIA STANDARD: 8853-2016

STANDARD MEASURES (mm)

A 380 • **B** 1700 • **C** 680 • **D** 850

STANDARD COLOURS/CODES

CCA622SRDLPM • CCA622SNDLPM • CCA622SBDLPM

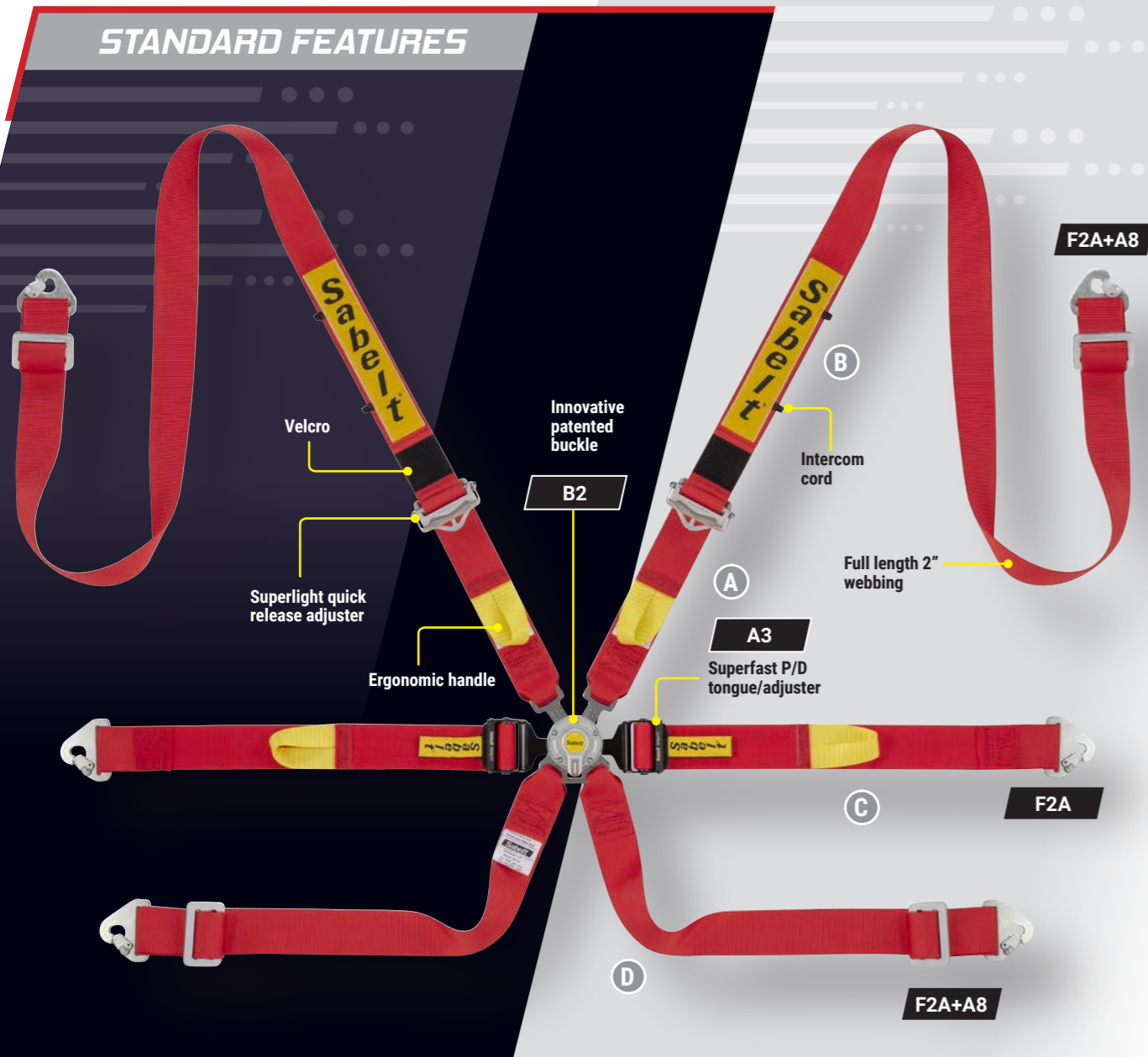
OPTIONALS



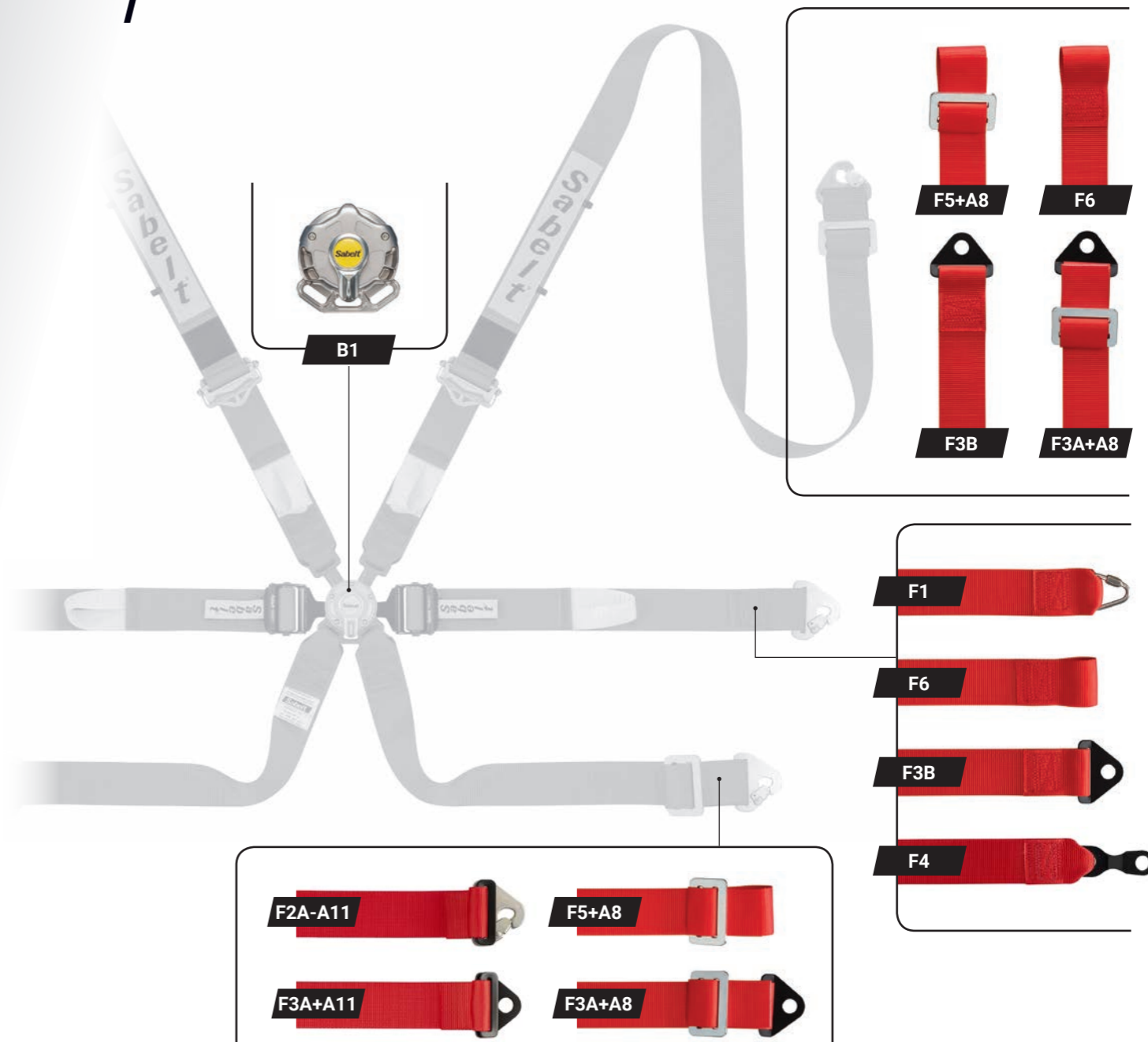
CCA622SRDN1

CCA622SRDN1

STANDARD FEATURES



CONFIGURATIONS ON DEMAND



SALOON

FIA 8853-2016

MANUFACTURER: SABELT
MODEL: NEW SPEC SALOON
HOM. NO: SH.001.16-T-6
FIA STANDARD: 8853-2016

STANDARD MEASURES (mm)

A 380 • **B** 1700 • **C** 680 • **D** 850

STANDARD COLOURS/CODES

CCA622SRDN1 • CCA622SNDN1 • CCA622SBDN1

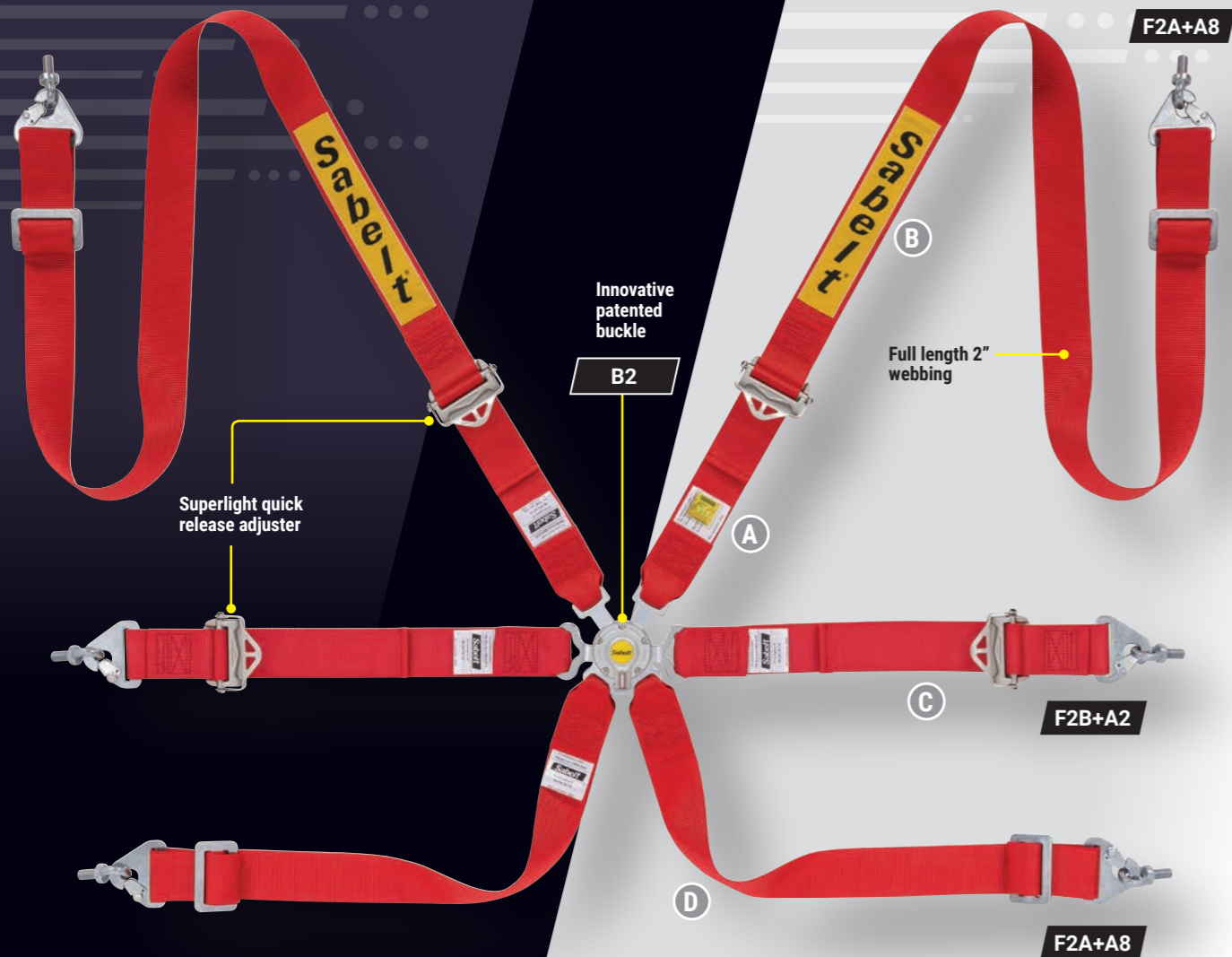
OPTIONALS



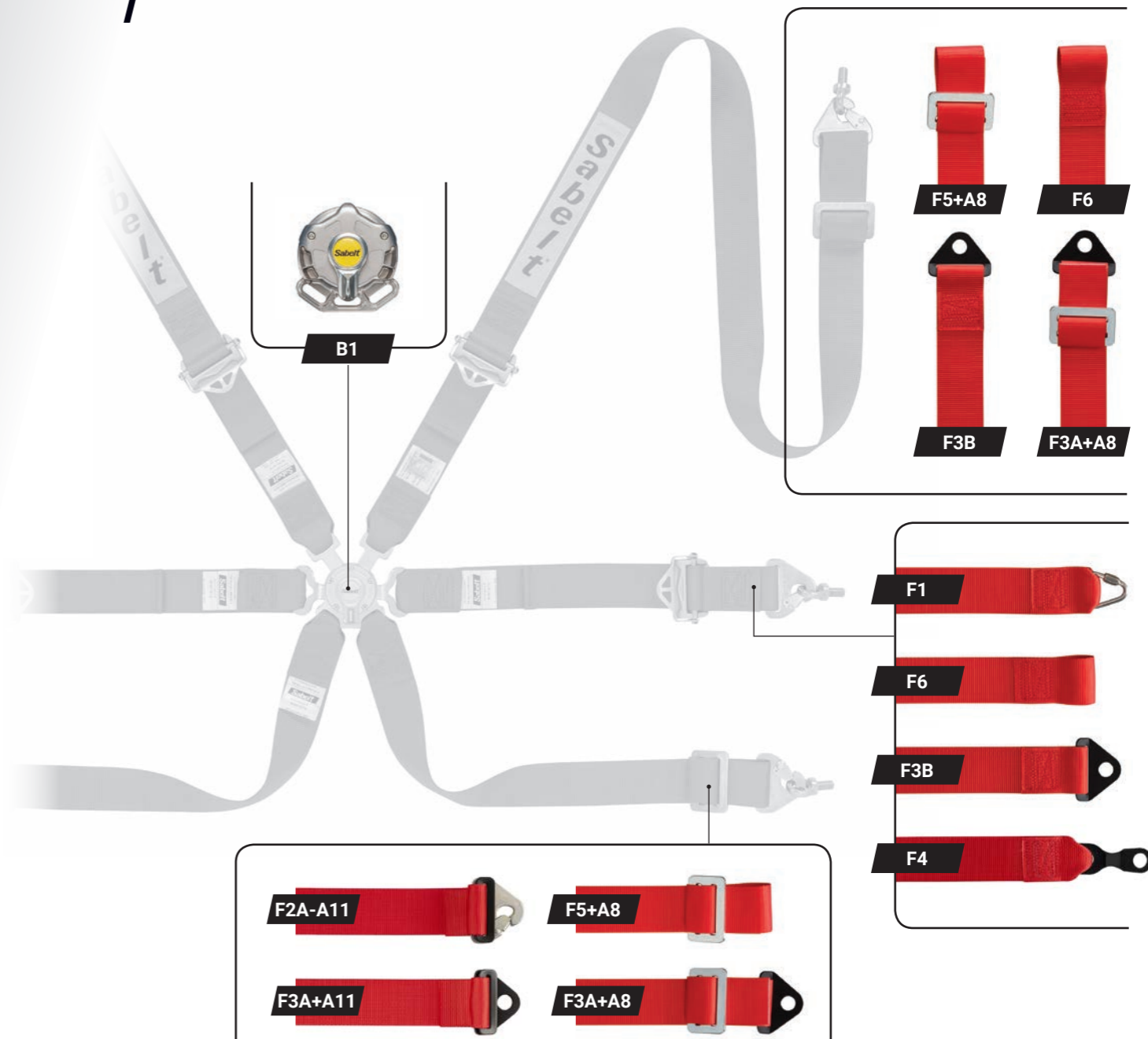
CCA622SRUN1

CCA622SRUN1

STANDARD FEATURES



CONFIGURATIONS ON DEMAND



MANUFACTURER: SABELT
MODEL: NEW SPEC SALOON
HOM. NO: SH.001.16-T-6
FIA STANDARD: 8853-2016

SALOON / RALLY

FIA 8853-2016

STANDARD MEASURES (mm)

A 380 • B 1700 • C 560 + 120 • D 850

STANDARD COLOURS/CODES

CCA622SRUN1 • CCA622SNUN1 • CCA622SBUN1

OPTIONALS



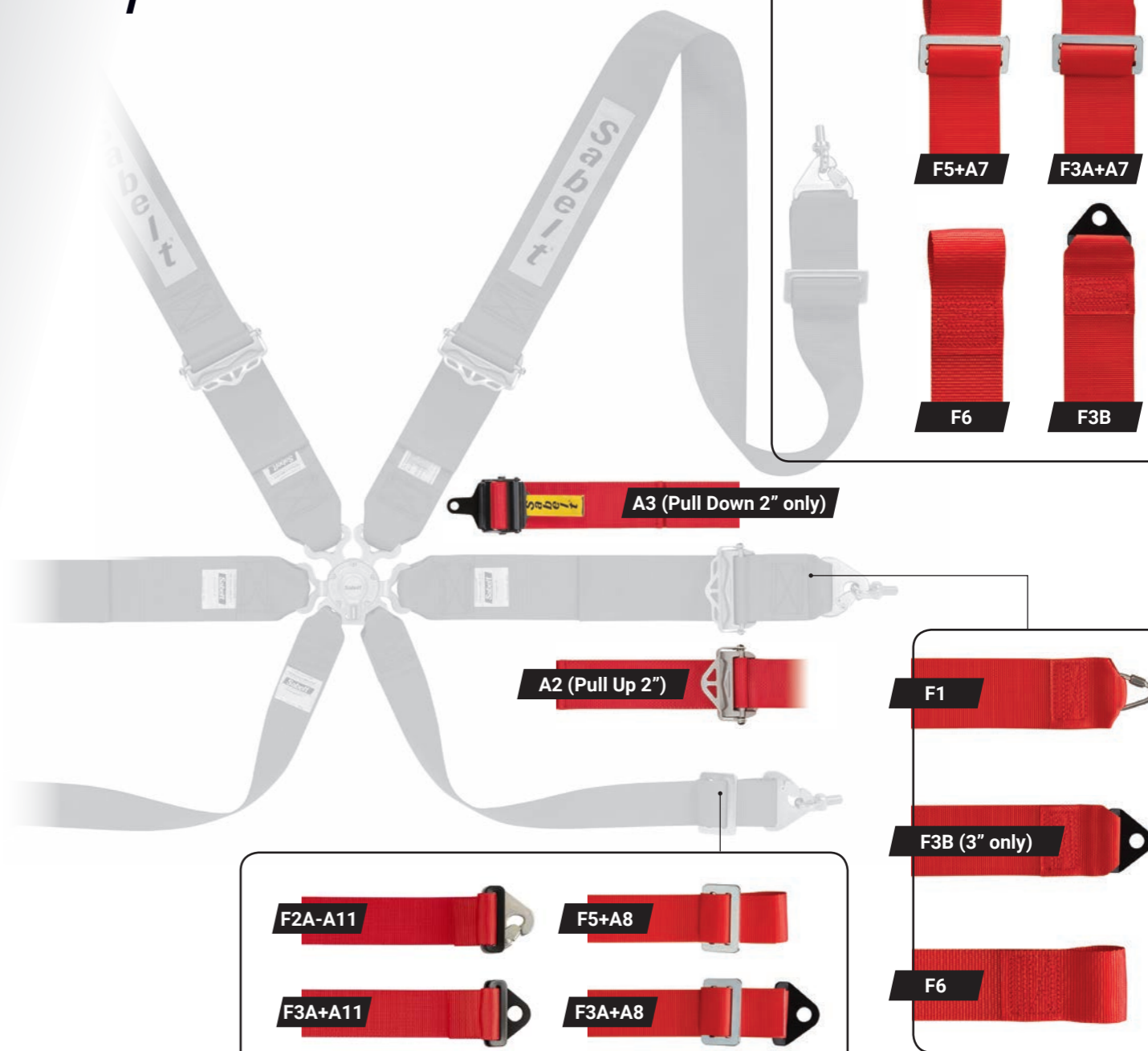
CCA633SRUN

STANDARD FEATURES



CCA633SRUN

CONFIGURATIONS ON DEMAND



SALOON

FIA 8853-2016

MANUFACTURER: SABELT
 MODEL: NEW SPEC S3
 HOM. NO: SH.031.17-T-6
 FIA STANDARD: 8853-2016

STANDARD MEASURES (mm)

A 380 • B 1700 • C 560 + 120 • D 850

STANDARD COLOURS/CODES

CCA633SRUN • CCA633SNUN • CCA633SBUN

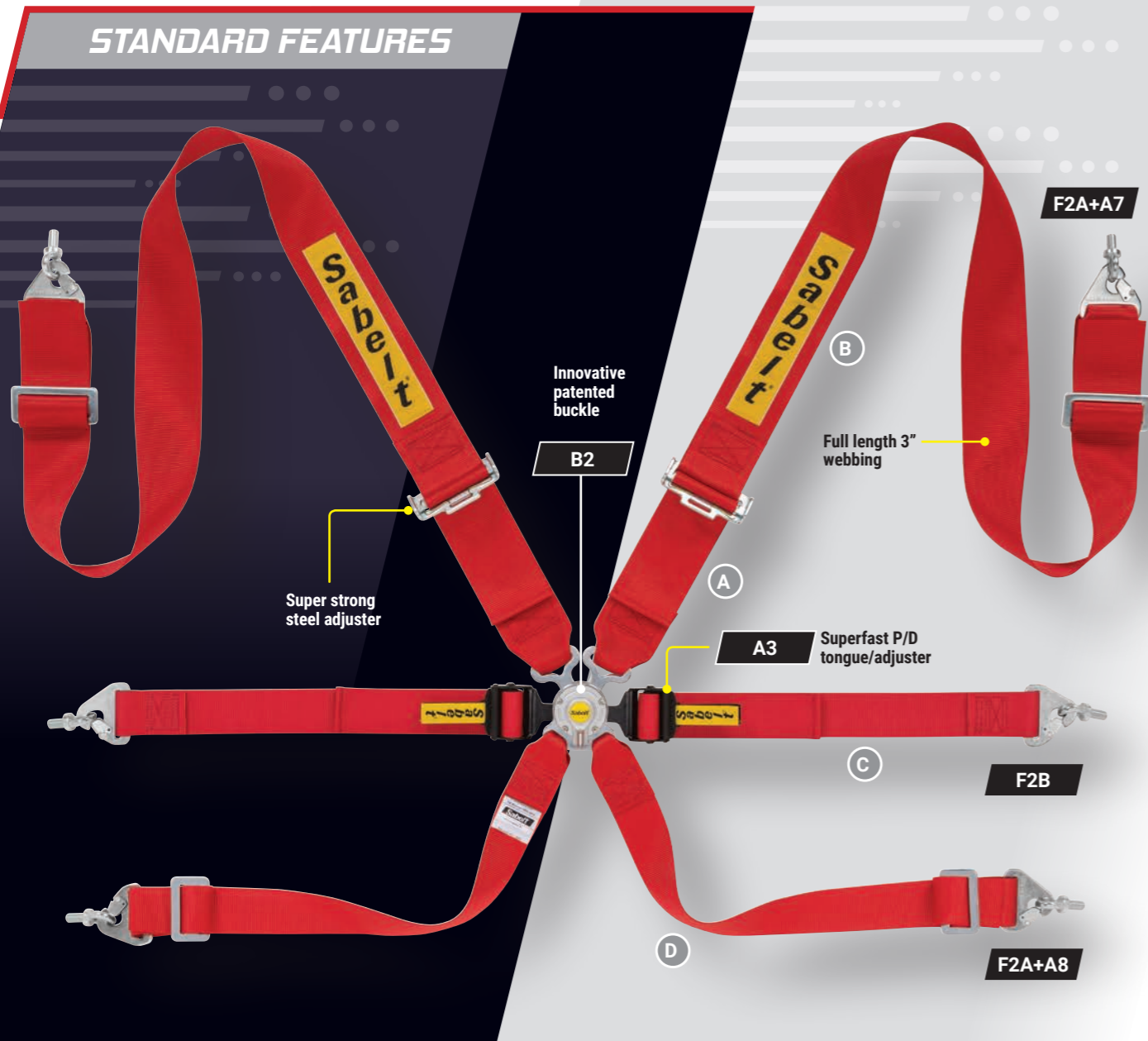
OPTIONALS



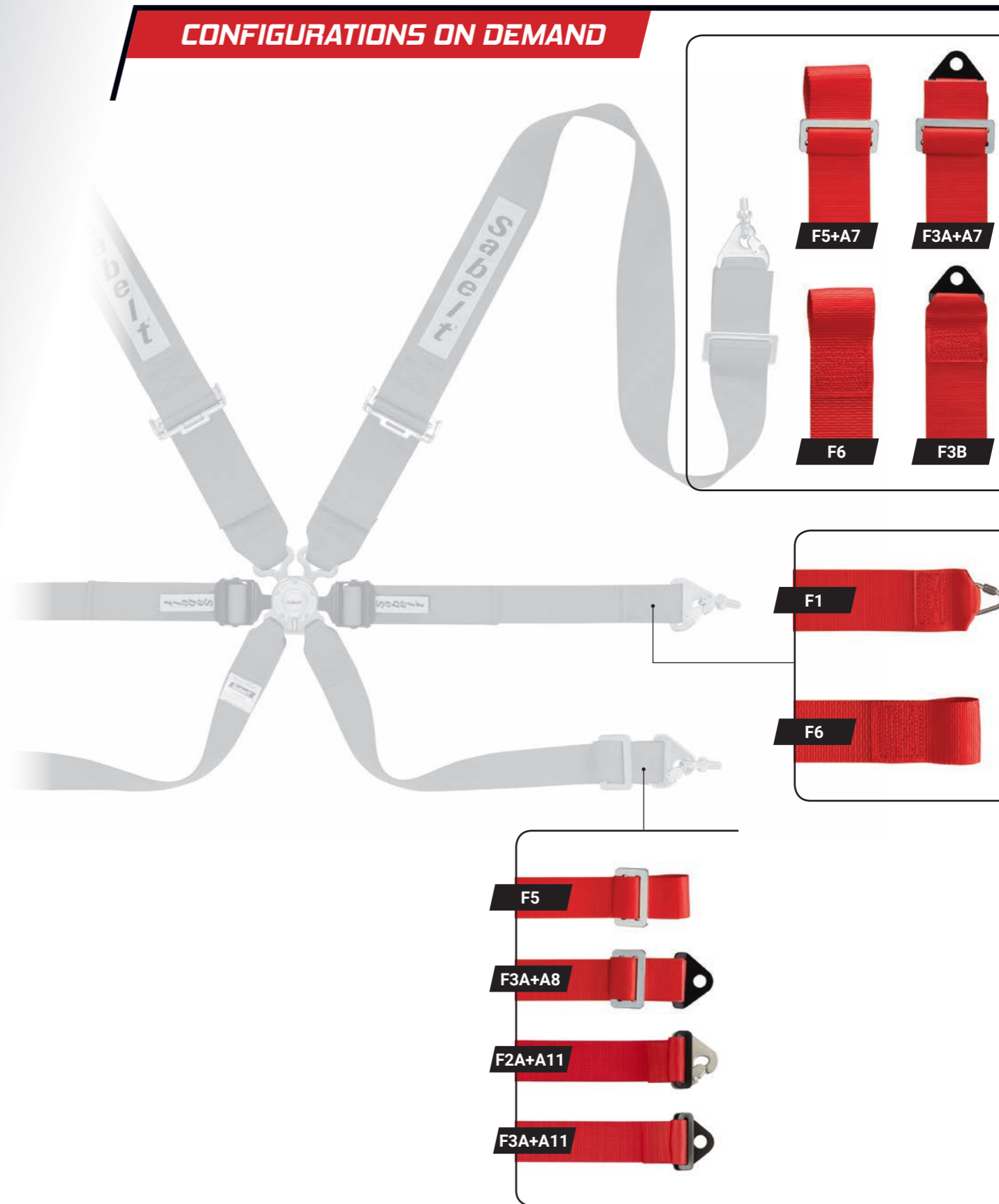
CCS632SRDN

CCS632SRDN

STANDARD FEATURES



CONFIGURATIONS ON DEMAND



FIA APPROVED

MANUFACTURER: SABELT
MODEL: NEW SPEC S3
HOM. NO: SH.031.17-T-6
FIA STANDARD: 8853-2016

SALOON

FIA 8853-2016

STANDARD MEASURES (mm)

A 380 • B 1700 • C 680 • D 850

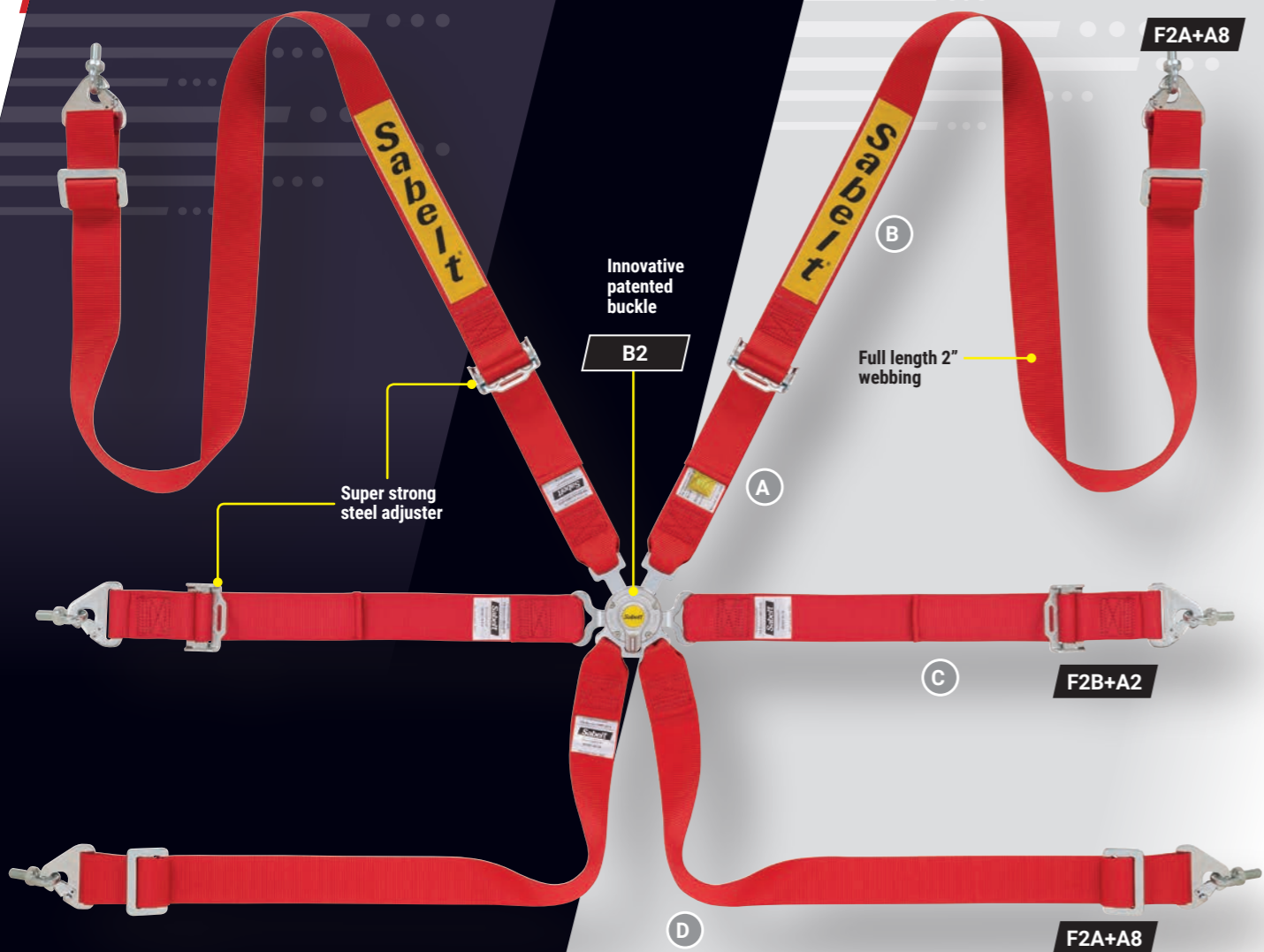
STANDARD COLOURS/CODES

CCS632SRDN • CCS632SNDN • CCS632SBDN

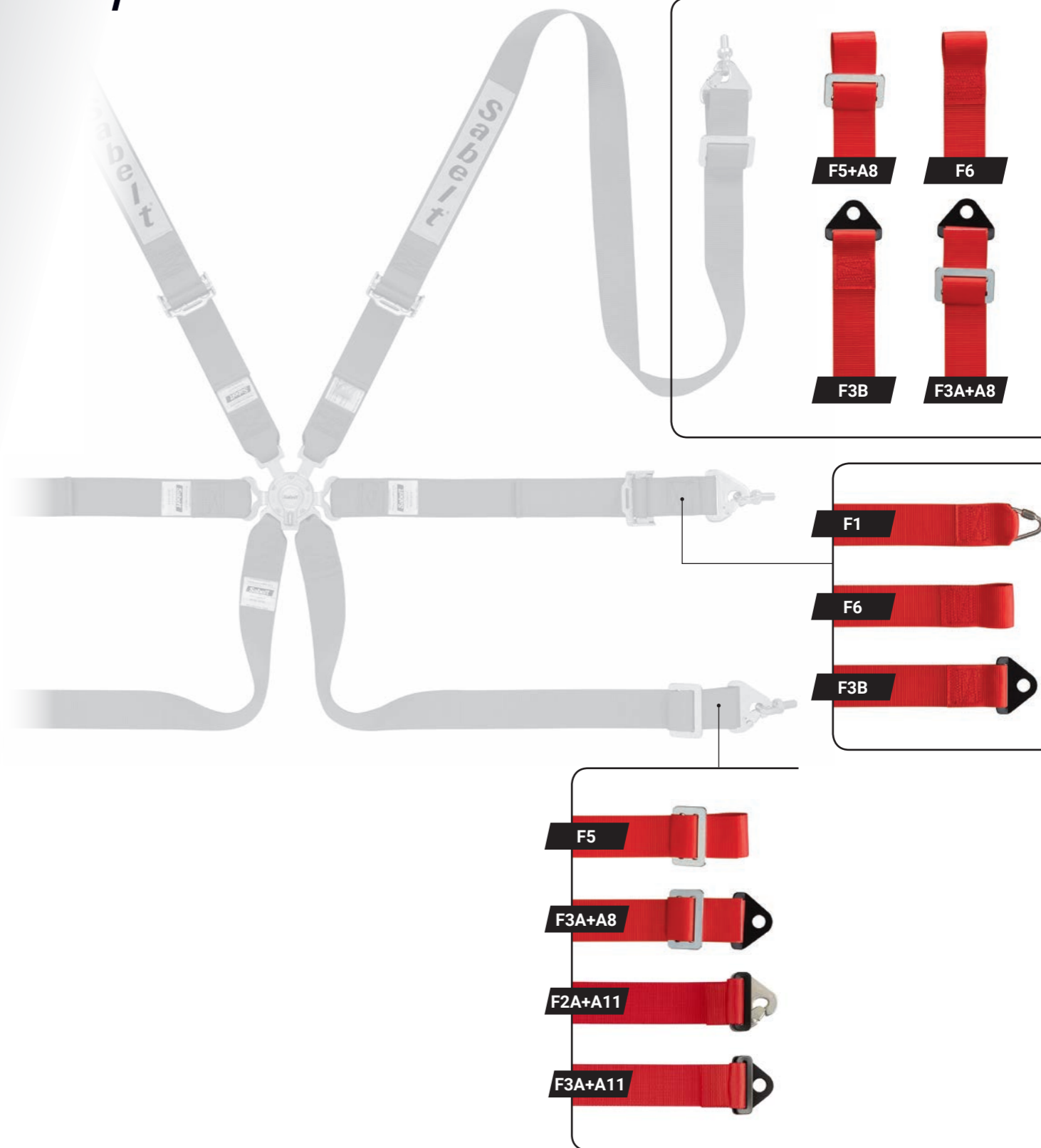
CCS622SRUN

CCS622SRUN

STANDARD FEATURES



CONFIGURATIONS ON DEMAND



FIA APPROVED

MANUFACTURER: SABELT
MODEL: NEW SPEC SALOON
HOM. NO: SH.001.16-T-6
FIA STANDARD: 8853-2016

SALOON

FIA 8853-2016

STANDARD MEASURES (mm)

A 380 • B 1700 • C 560 + 120 • D 850

STANDARD COLOURS/CODES

CCS622SRUN • CCS622SNUN • CCS622SBUN

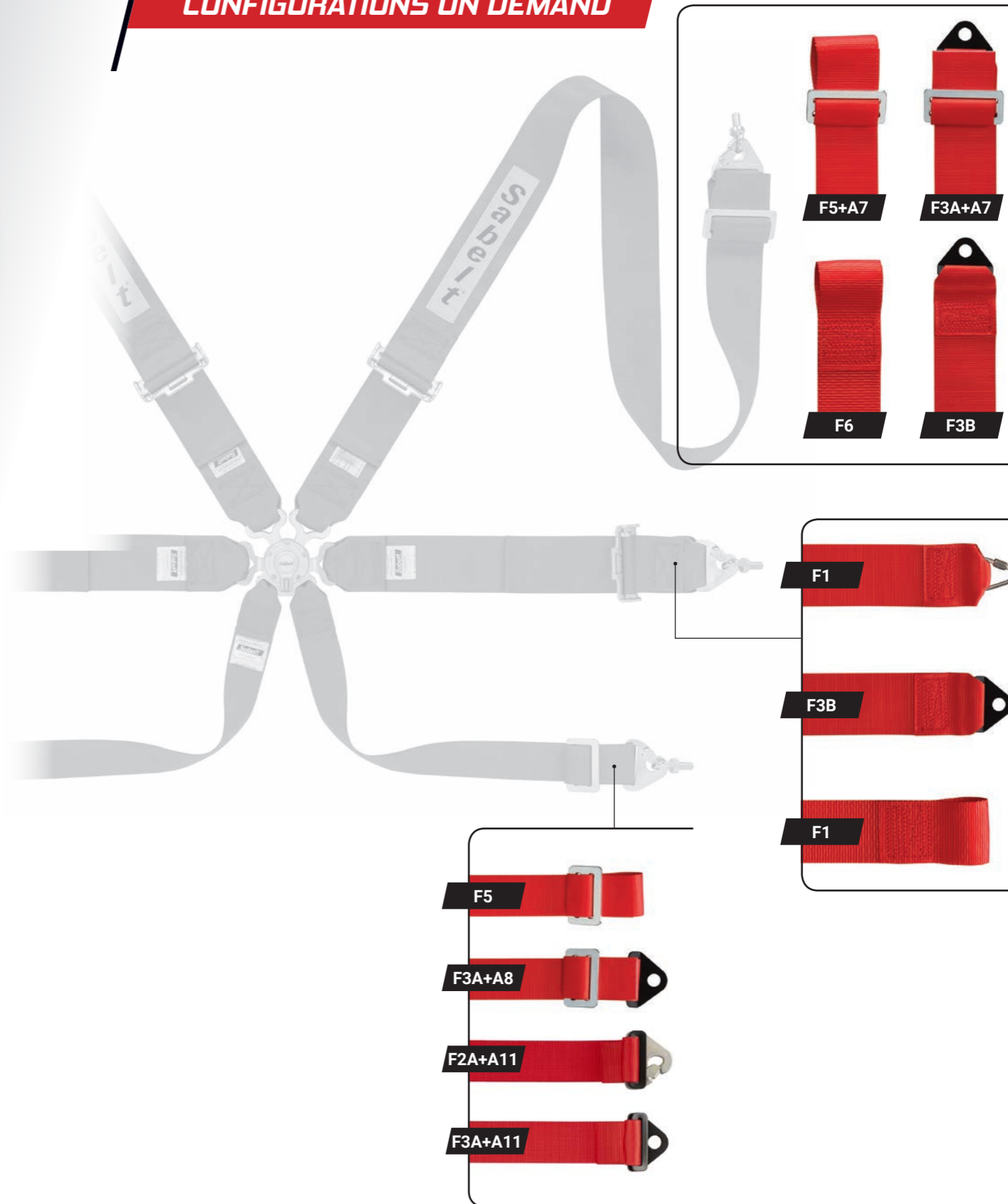
CCS633SRUN

CCS633SRUN

STANDARD FEATURES



CONFIGURATIONS ON DEMAND



MANUFACTURER: SABELT
MODEL: NEW SPEC S3
HOM. NO: SH.031.17-T-6
FIA STANDARD: 8853-2016

SALOON

FIA 8853-2016

STANDARD MEASURES (mm)

A 380 • B 1700 • C 560 + 120 • D 850

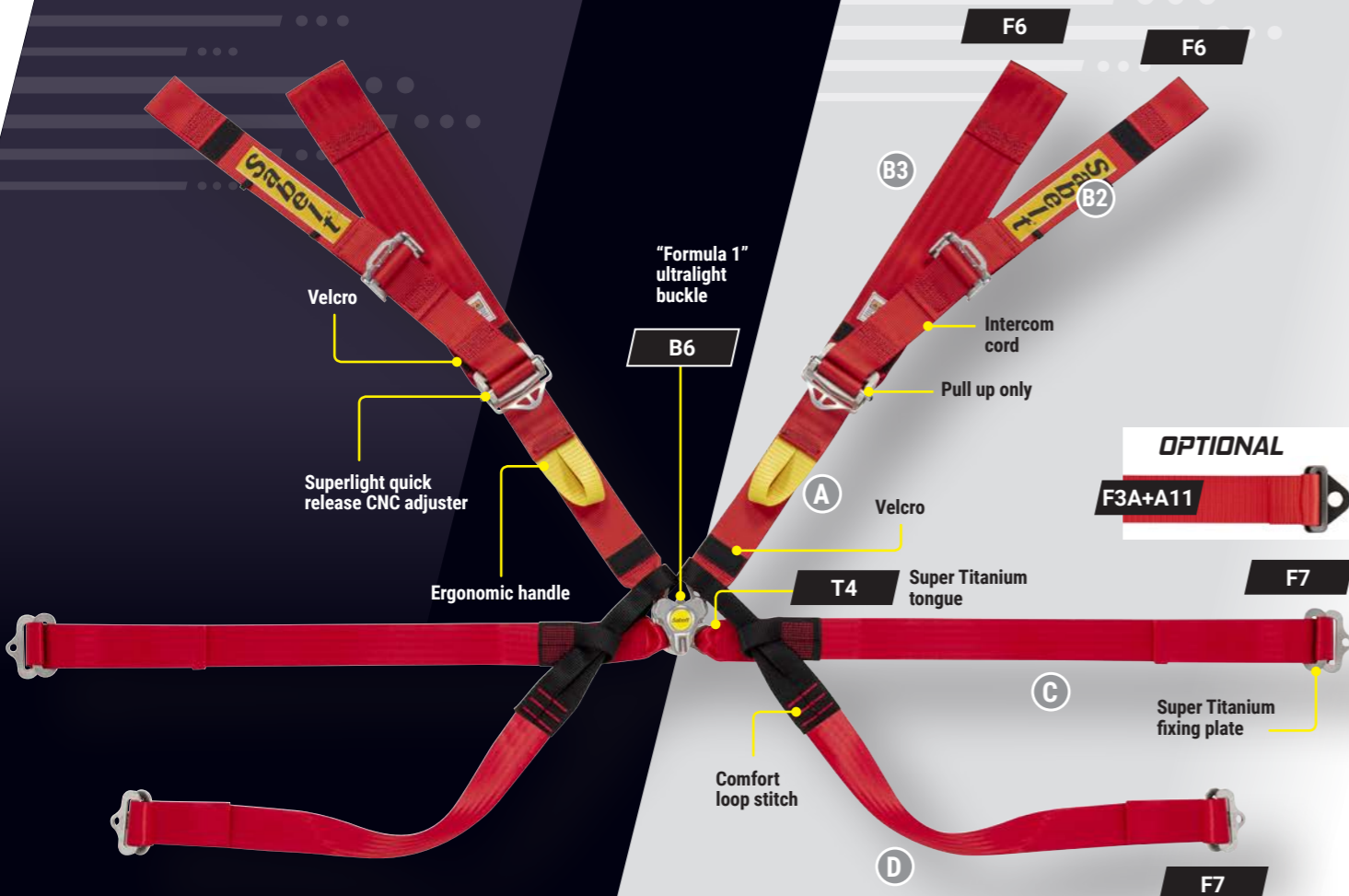
STANDARD COLOURS/CODES

CCS633SRUN • CCS633SNUN • CCS633SBUN

CCG832FSR

CCG832FSR

STANDARD FEATURES



FIA APPROVED

FORMULA

FIA 8853-2016

MANUFACTURER: SABELT
MODEL: NEW SPEC F4
HOM. NO: SH.061.19-T-8
FIA STANDARD: 8853-2016

STANDARD MEASURES (mm)

A 360 • **B2** 495+105 • **B3** 430 • **C** 975 • **D** 960
FULL Length FULL Length

STANDARD COLOURS/CODES

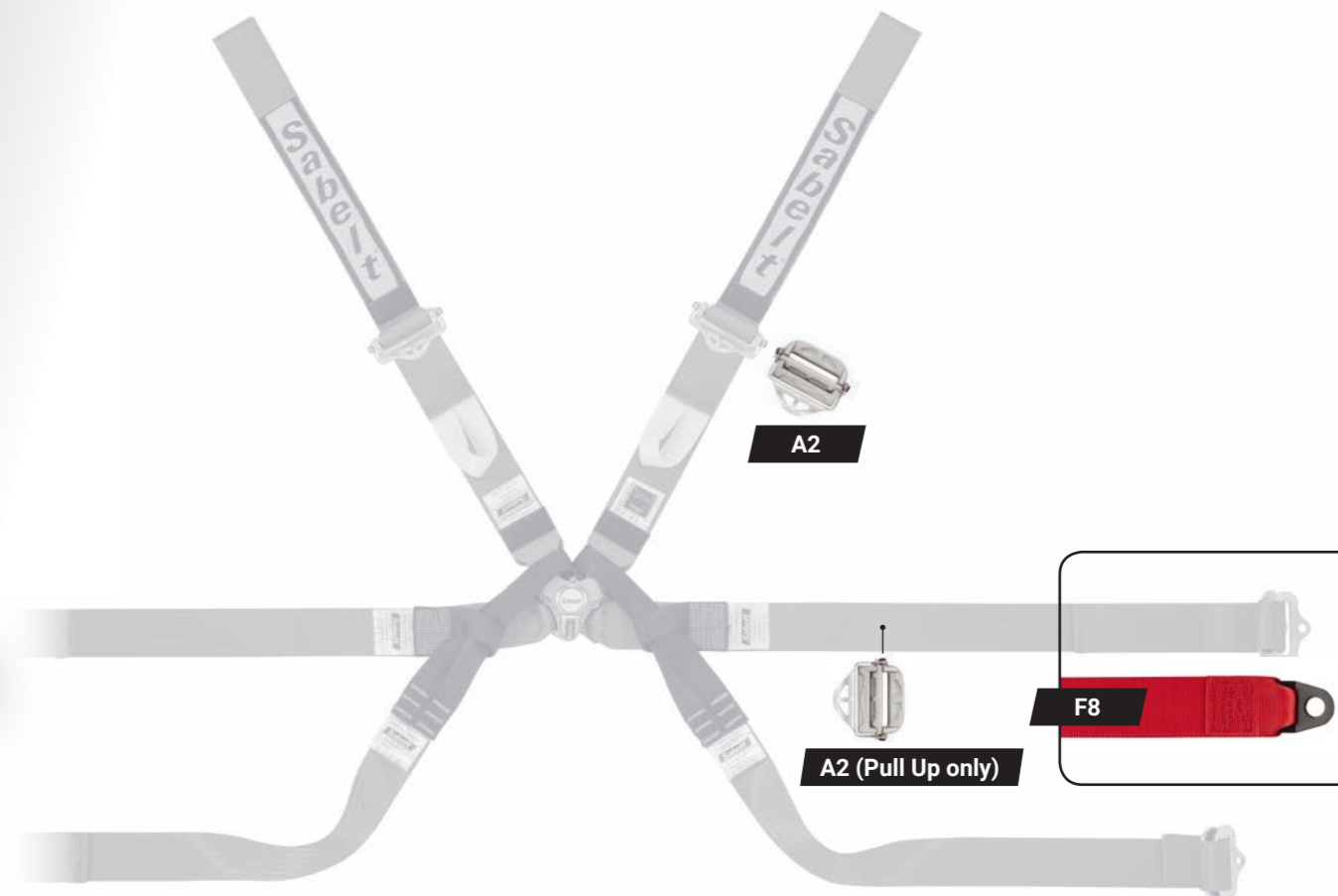
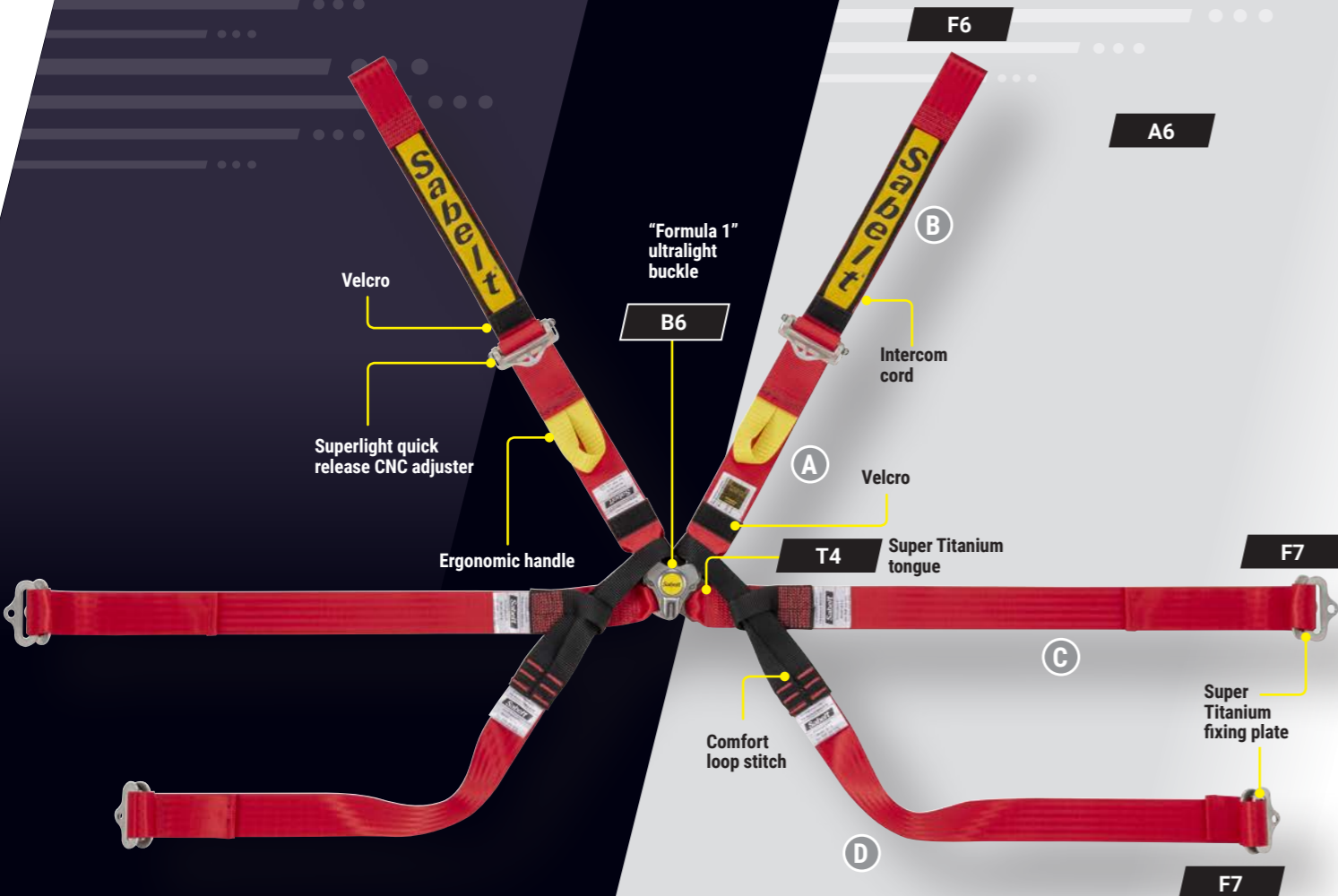
CCG832FSR • CCG832FSN

CCG622FSR

CCG622FSR

STANDARD FEATURES

CONFIGURATIONS ON DEMAND



FORMULA

FIA 8853-2016

MANUFACTURER: SABELT
MODEL: NEW SPEC F3
HOM. NO: SH.047.18-T-6
FIA STANDARD: 8853-2016

STANDARD MEASURES (mm)

A 360 • **B** 370 • **C** 975 • **D** 960
FULL Length FULL Length

STANDARD COLOURS/CODES

■ CCG622FSR • ■ CCG622FSN

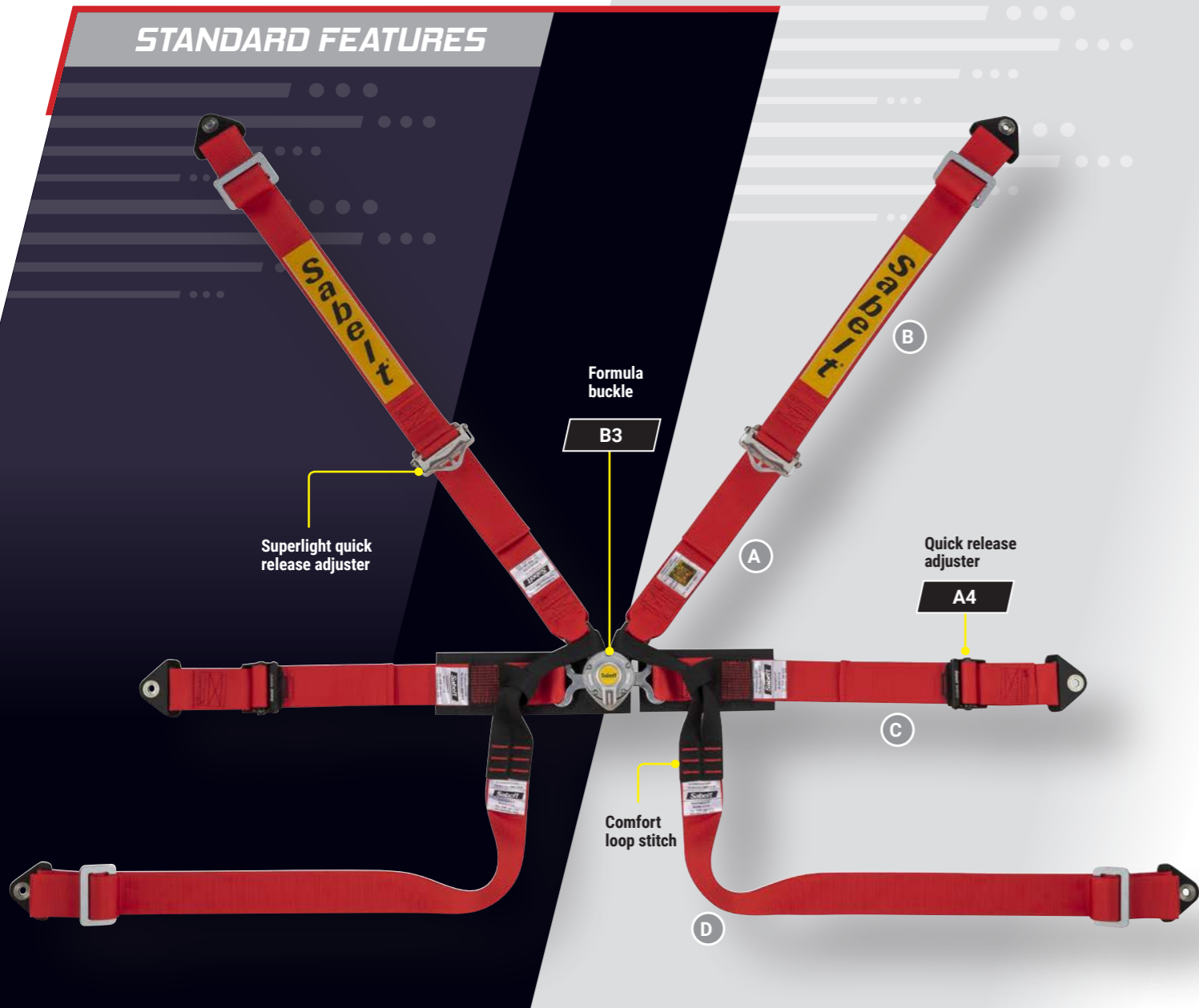
OPTIONALS



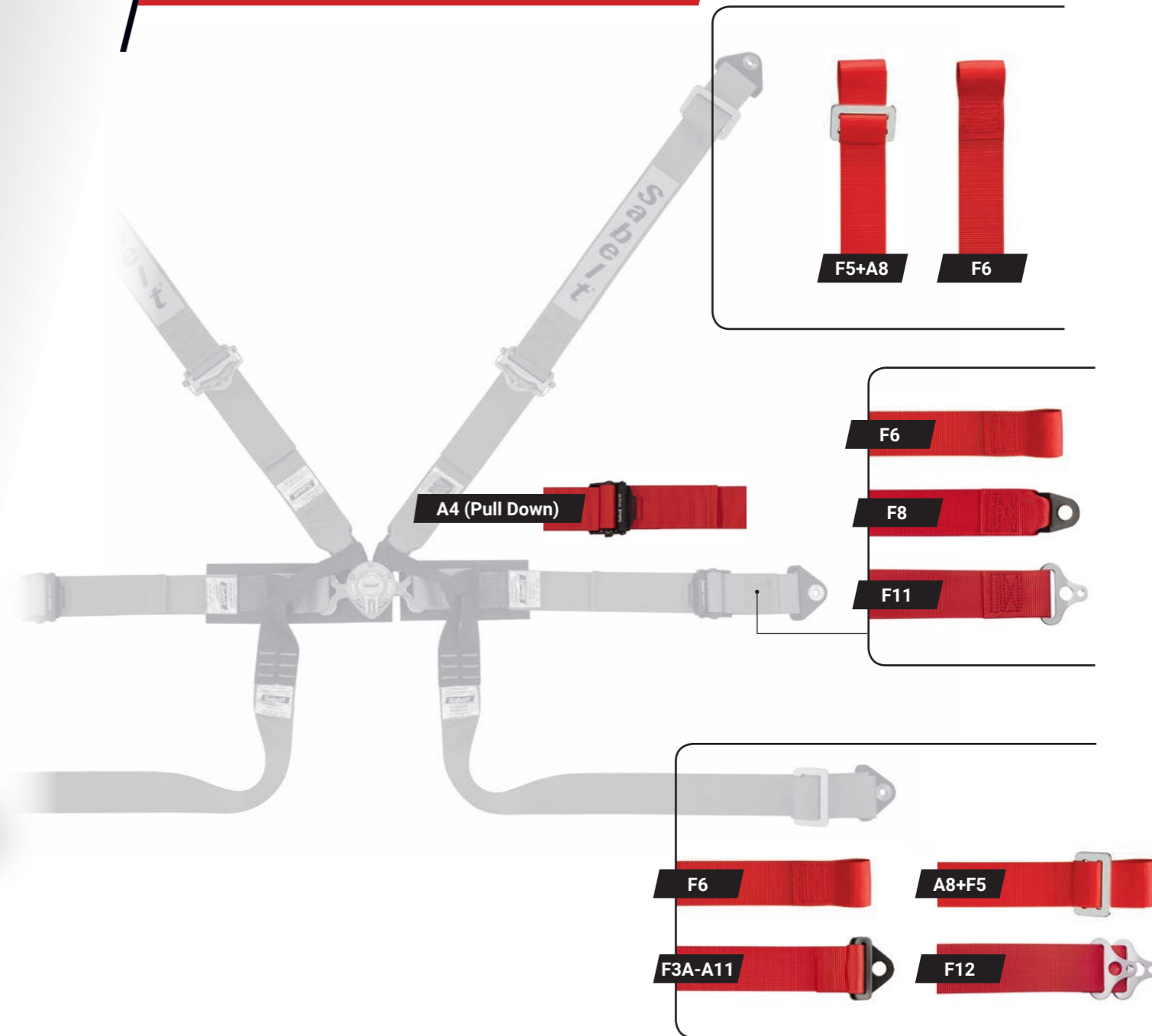
CCA622FRUN1

CCA622FRUN1

STANDARD FEATURES



CONFIGURATIONS ON DEMAND



MANUFACTURER: SABELT
MODEL: NEW SPEC F2
HOM. NO: SH.033.17-T-6
FIA STANDARD: 8853-2016

FORMULA

FIA 8853-2016

STANDARD MEASURES (mm)

A 440 • B 700 • C 530 + 120 • D 1200

STANDARD COLOURS/CODES

CCA622FRUN1 • CCA622FNUN1 • CCA622FBUN1

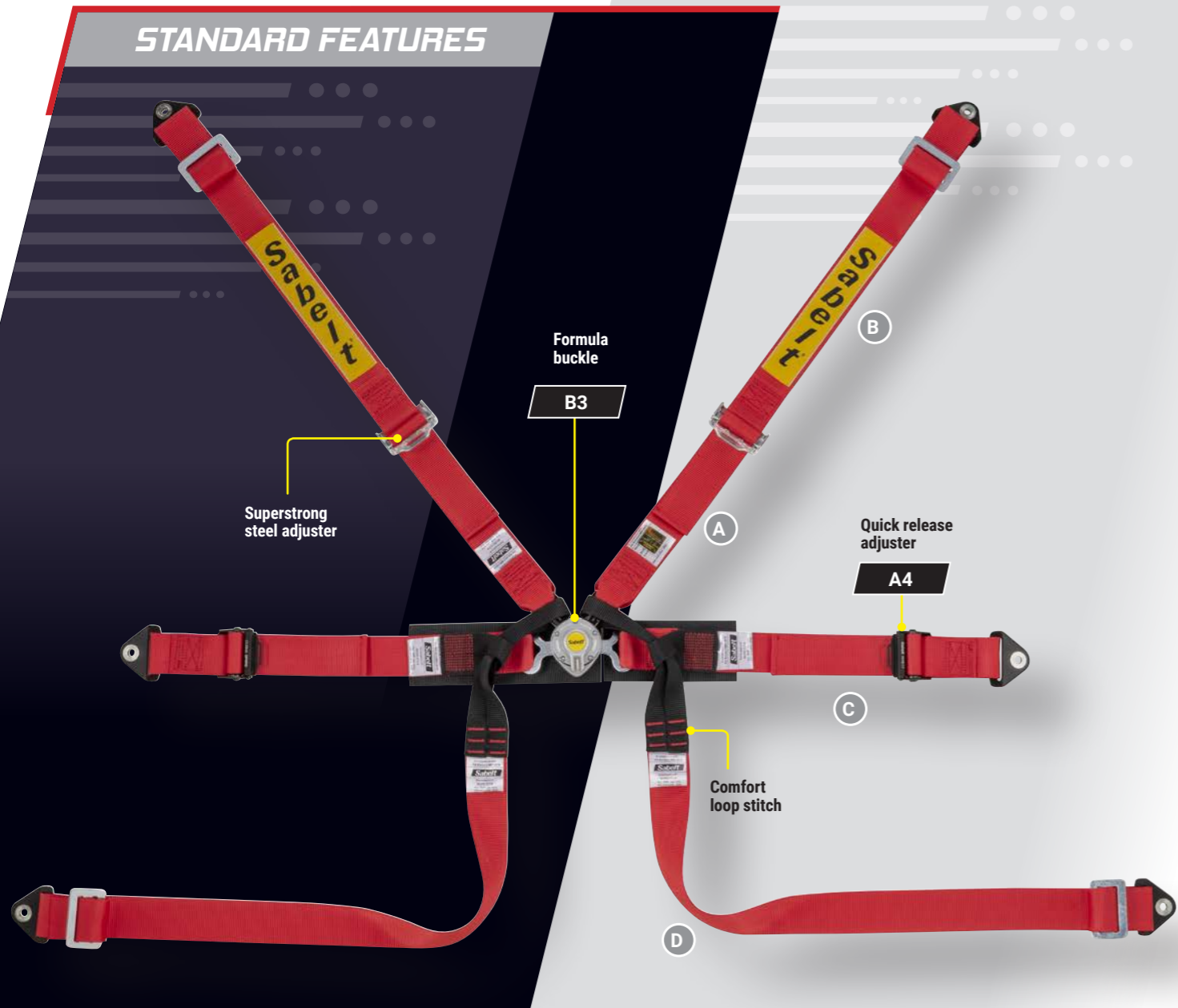
OPTIONALS



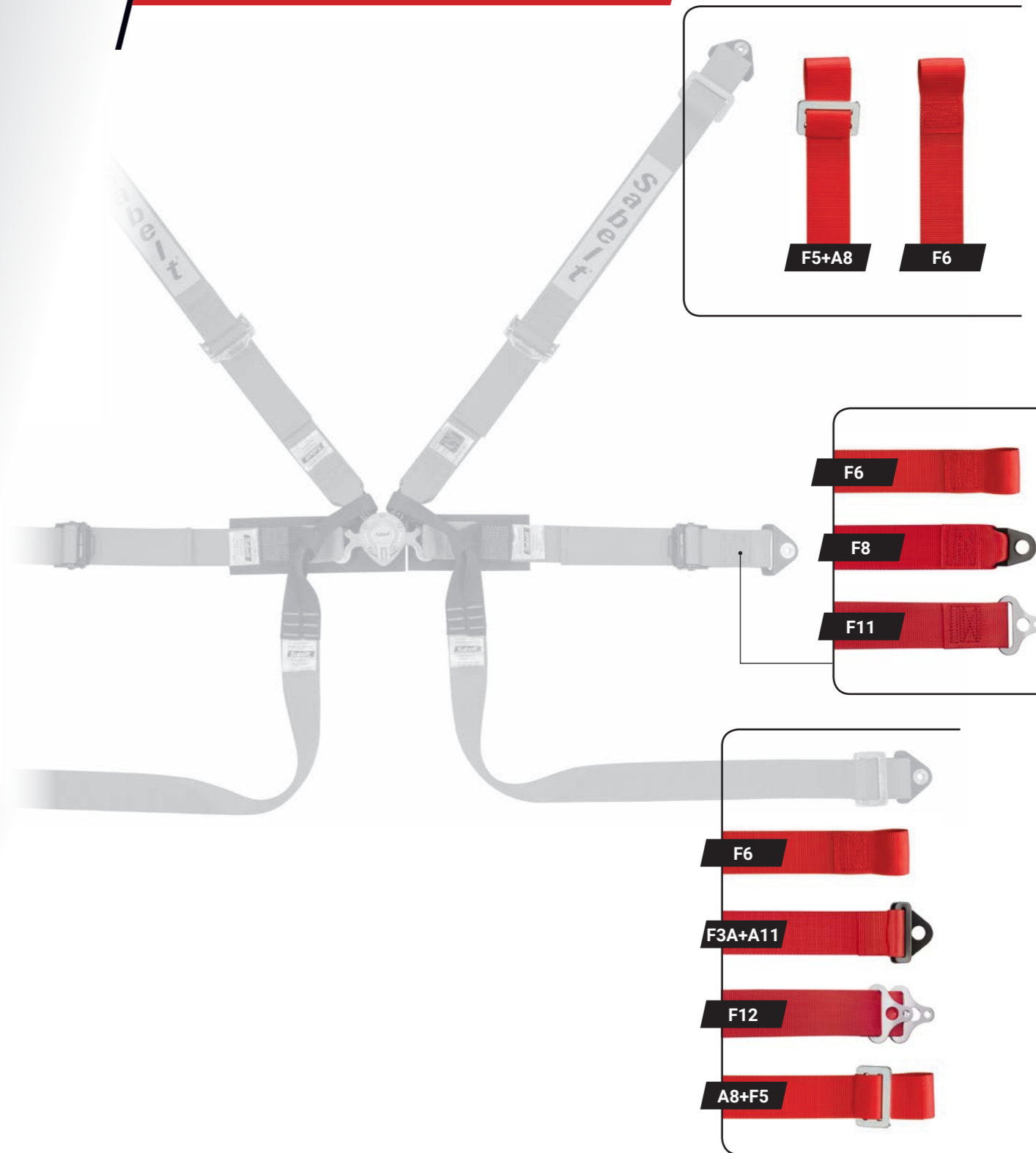
CCS622FRUN

CCS622FRUN

STANDARD FEATURES



CONFIGURATIONS ON DEMAND



FIA APPROVED

MANUFACTURER: SABELT
MODEL: NEW SPEC F2
HOM. NO: SH.033.17-T-6
FIA STANDARD: 8853-2016

FORMULA

FIA 8853-2016

STANDARD MEASURES (mm)

A 440 • B 700 • C 530 + 120 • D 1200

STANDARD COLOURS/CODES

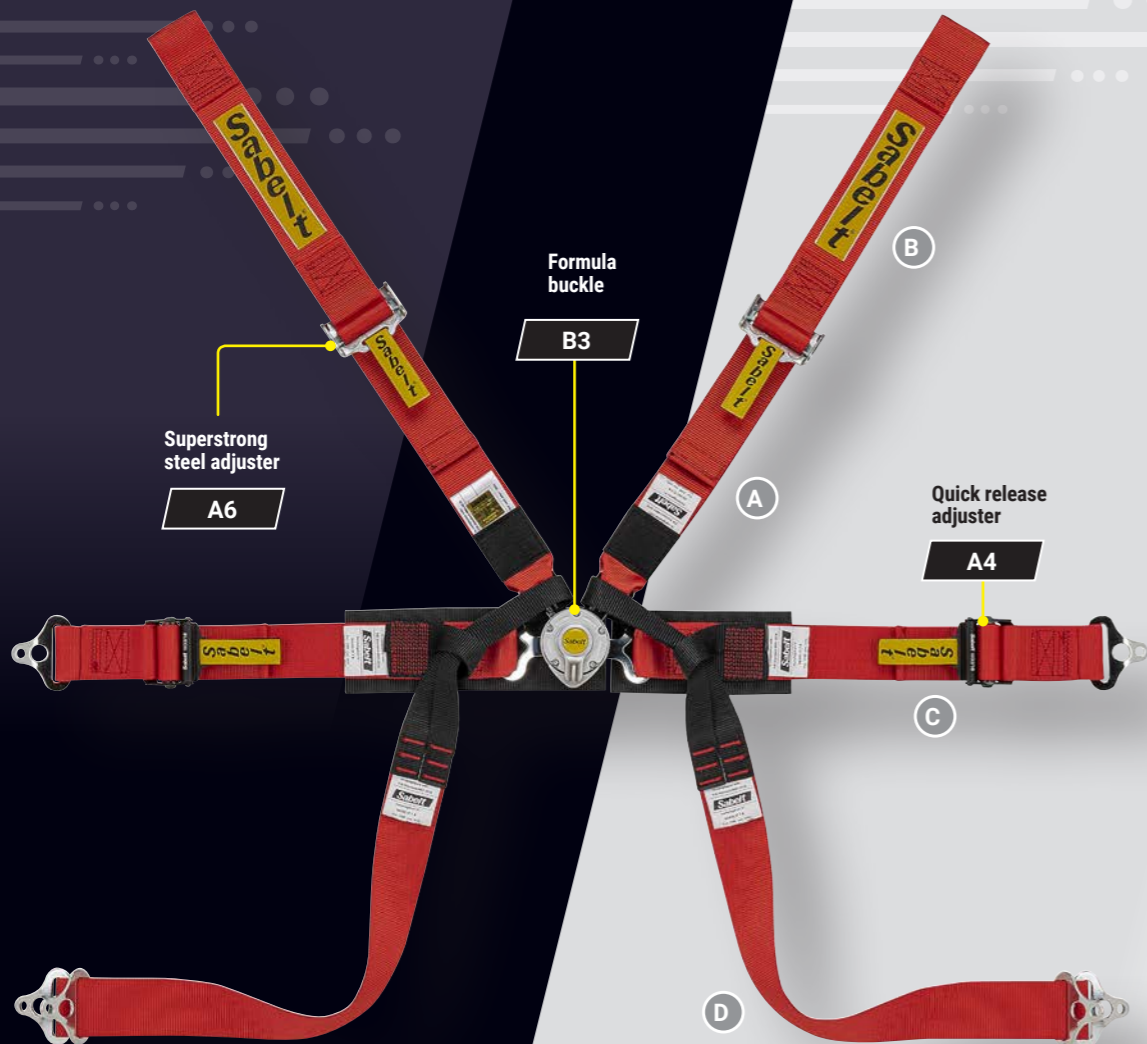
CCS622FRUN • CCS622FNUN • CCS622FBUN

CCS622FRUN1

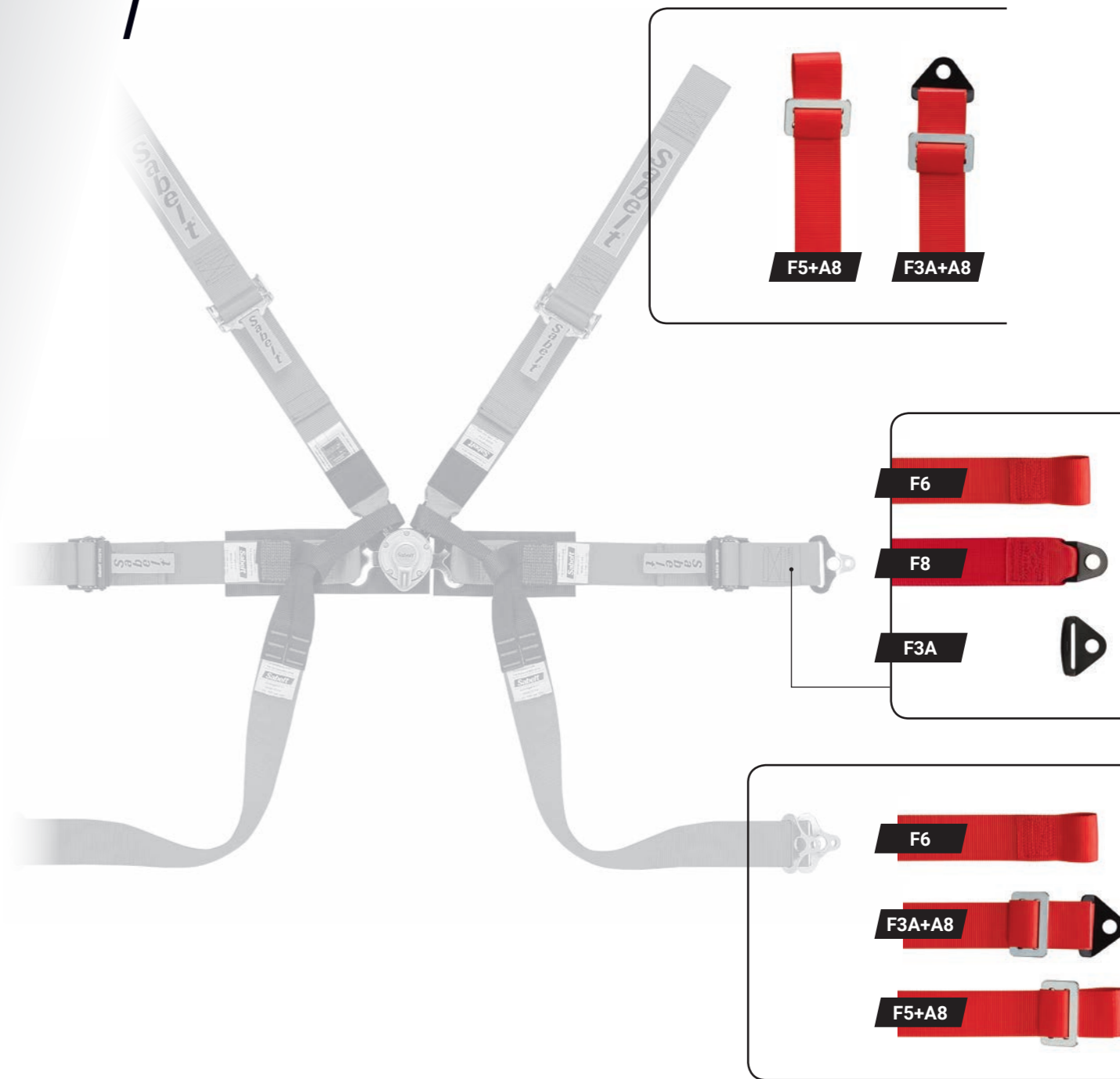
CCS622FRUN1

STANDARD FEATURES

NEW



CONFIGURATIONS ON DEMAND



FIA APPROVED

FORMULA

FIA 8853-2016

MANUFACTURER: SABELT
MODEL: -
HOM. NO.: -
FIA STANDARD: 8853-2016

STANDARD MEASURES (mm)

A 440 • **B** 320 • **C** 400 + 120 • **D** 950

STANDARD COLOURS/CODES

CCS622FRUN1 • CCS622FNUN1 • CCS622FBUN1

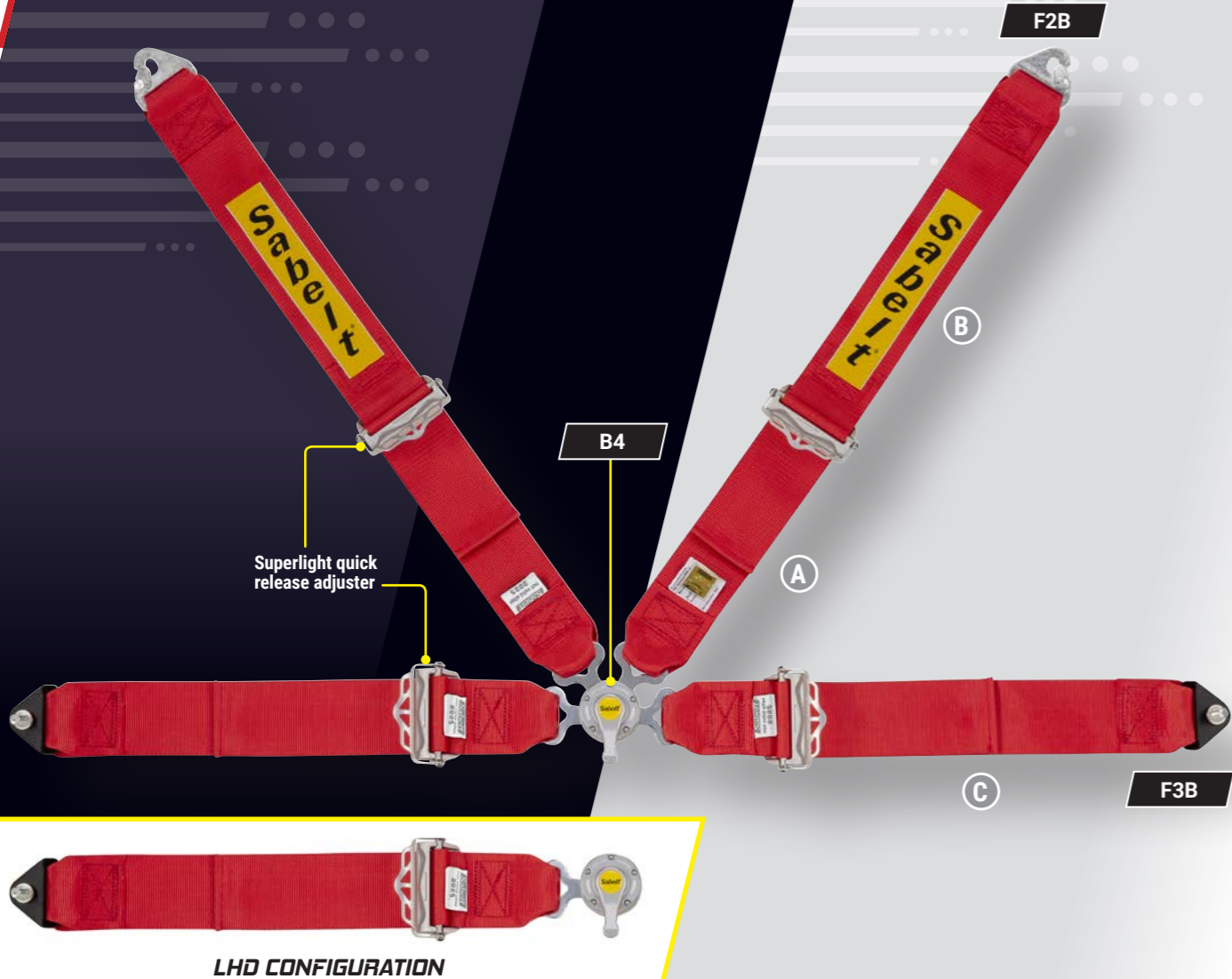
OPTIONALS



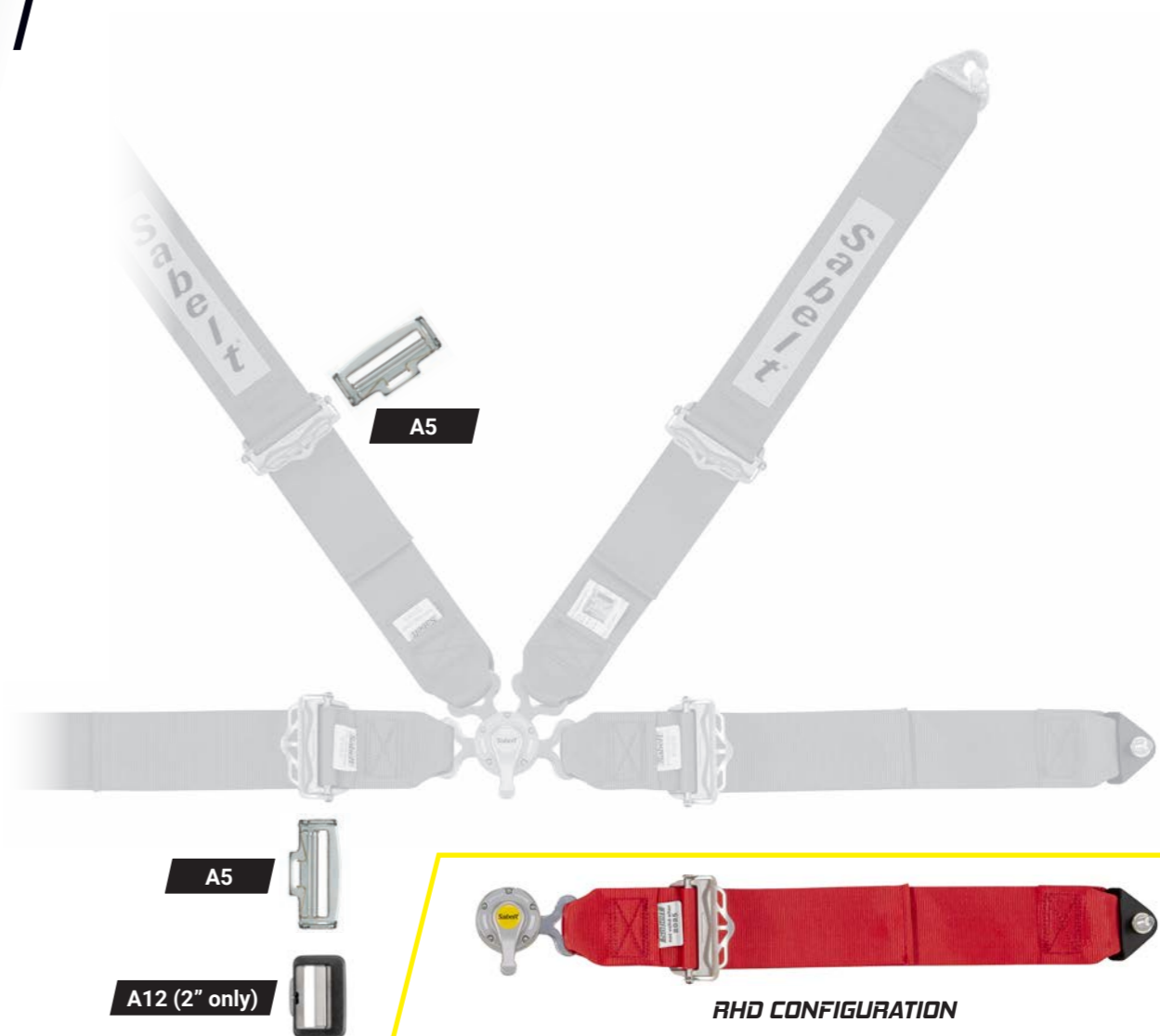
CCA433SRDN

CCA433SRDN

STANDARD FEATURES



CONFIGURATIONS ON DEMAND



MANUFACTURER: SABELT
MODEL: TOP FORMULA
HOM. NO: B.122.T/98
FIA STANDARD: 8854/98

SALOON

FIA 8854/98

FOR KIT CAR "W"

STANDARD MEASURES (mm)

A 480 • **B** 450 • **C** 130+610

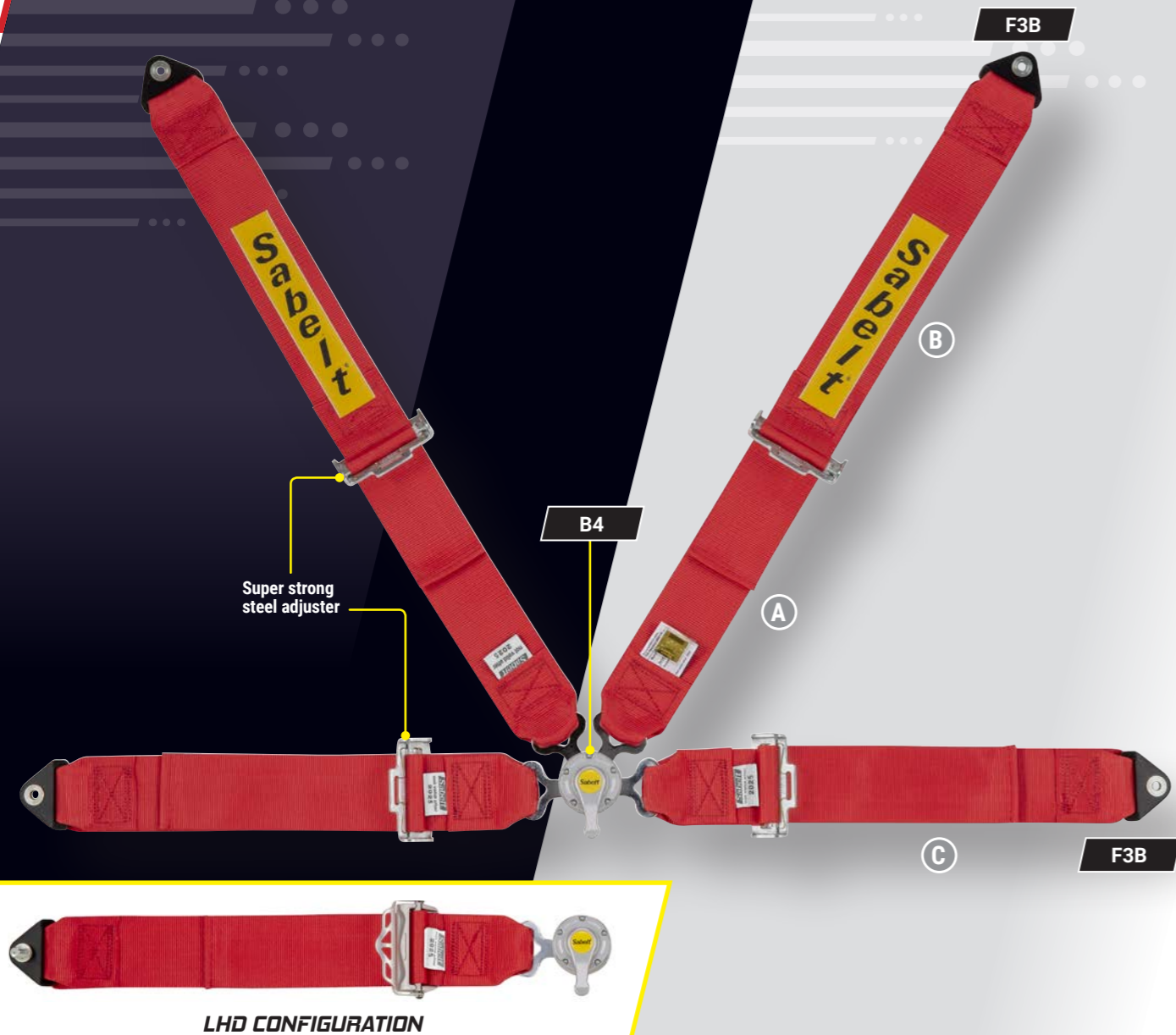
STANDARD COLOURS/CODES

CCA433SRDN • CCA433SNDN • CCA433SBDN

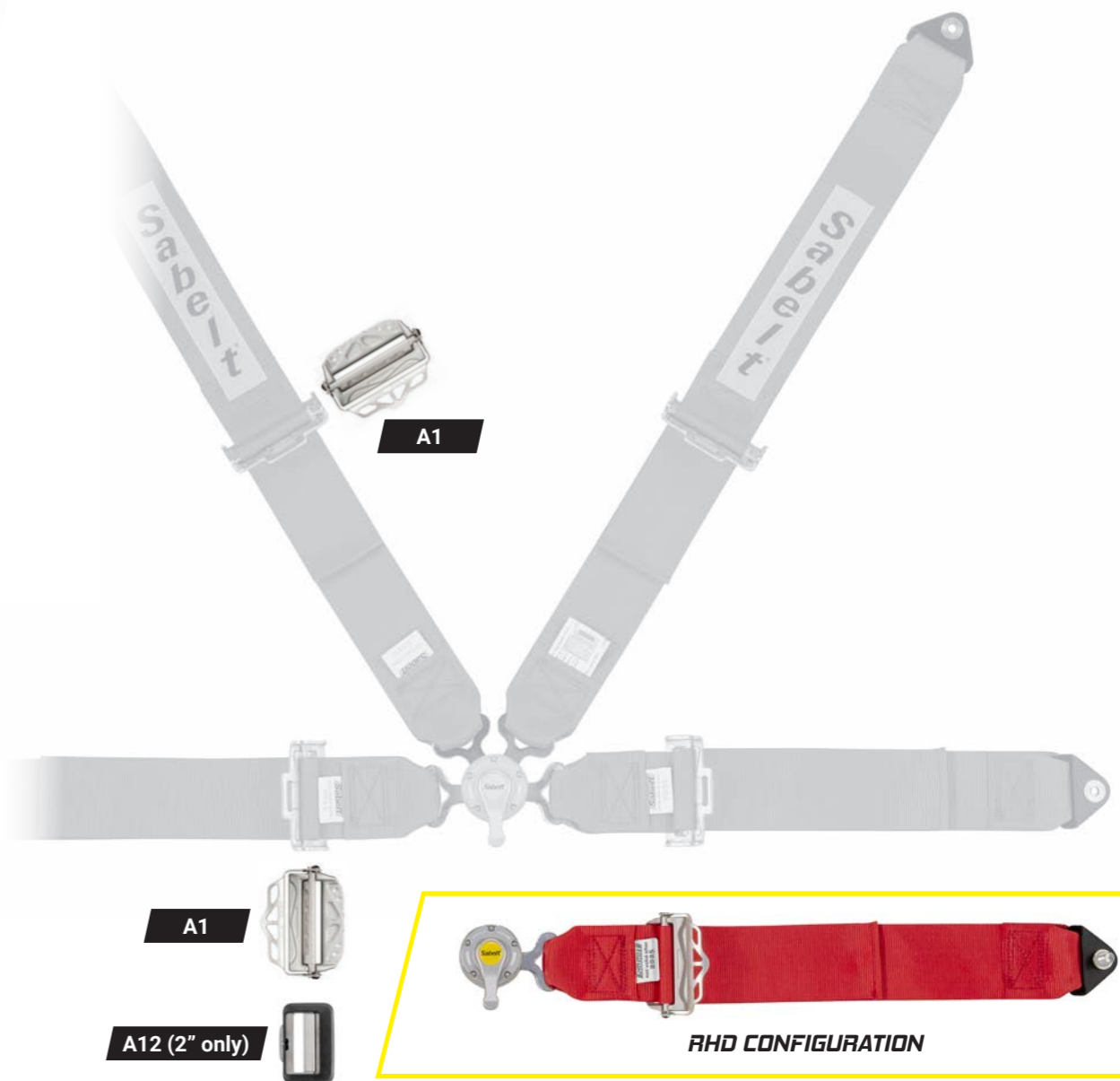
CCS433SRDN

CCS433SRDN

STANDARD FEATURES



CONFIGURATIONS ON DEMAND



MANUFACTURER: SABELT
MODEL: TOP FORMULA
HOM. NO: B.122.T/98
FIA STANDARD: 8854/98

SALOON

FIA 8854/98

FOR KIT CAR "C"

STANDARD MEASURES (mm)

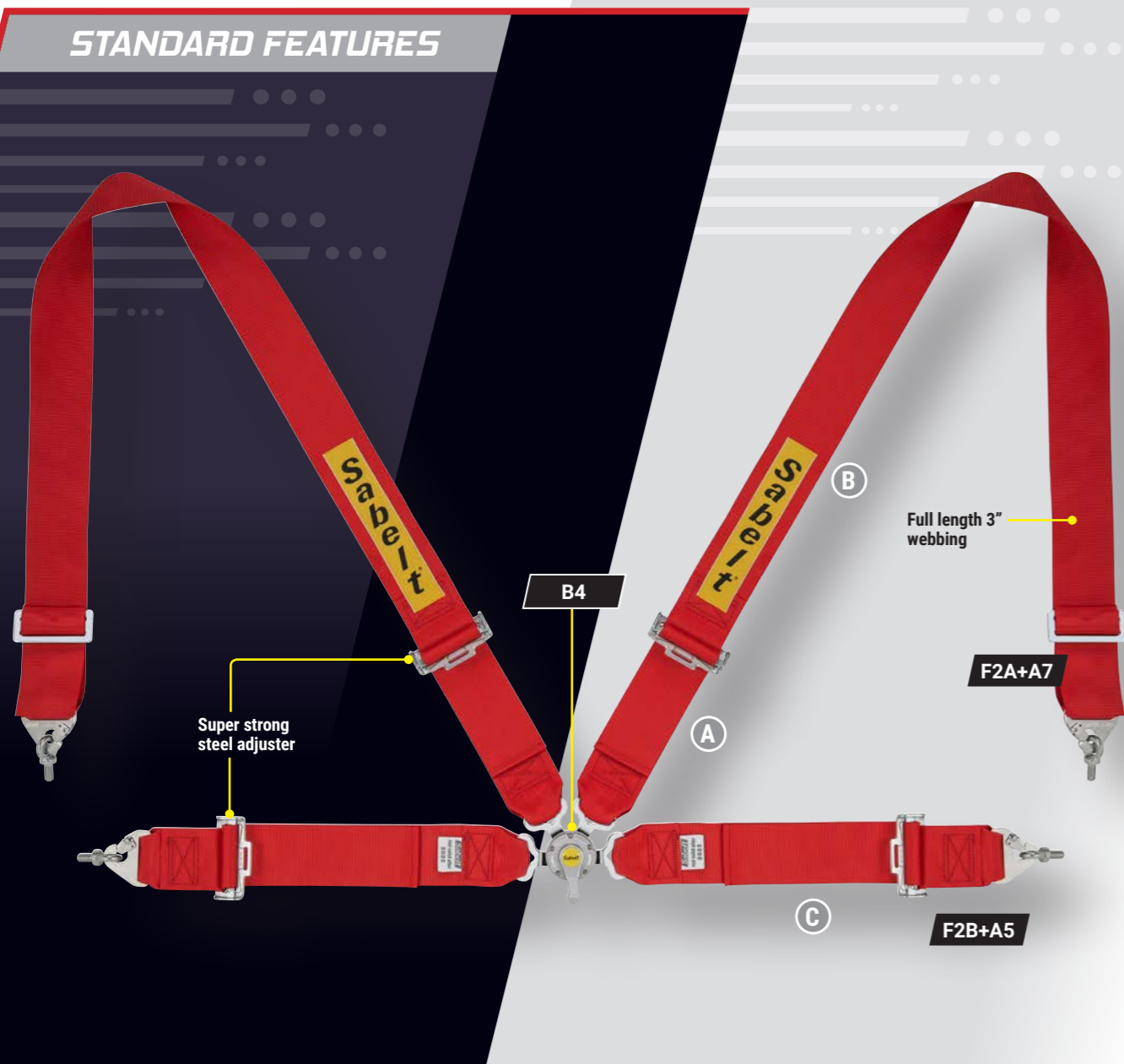
A 480 • **B** 450 • **C** 130+610

STANDARD COLOURS/CODES

■ CCS433SRDN • ■ CCS433SNDN • ■ CCS433SBDN

CCS433SRUN

STANDARD FEATURES



GOLFARI E PIASTRE - EYE BOLTS AND PLATES



407005_C
Standard eye-bolt diam. 7/16" UNF
thread length 23 mm, 25 mm tot., 8.8.



CCM10023
Eye-bolt metric M10 x 1.5 thread
length 23 mm, 8.8. Does not comply
with FIA requirements.



CCM10017_A
WESTFIELD
Eye-bolt 50 mm. long, 7/16", 8.8



CCM10016
Eye-bolt back plate 65 mm
x 65 mm x 3 mm 7/16" UNF
thread welded nut, 40 mm².
Complies with FIA requirements.

CUSCINETTI - PADS



Vep fabric shoulder cover. 75 mm (3") width. Velcro fastening.

- 475040
- 475020
- 475010

Vep fabric shoulder cover. 50 mm (2") width. Velcro fastening.

- 450040/S
- 450020/S
- 450010/S



MANUFACTURER: SABELT
MODEL: TOP FORMULA
HOM. NO: B.122.T/98
FIA STANDARD: 8854/98

SALOON

FIA 8854/98

STANDARD MEASURES (mm)

A 380 • **B** 1700 • **C** 560 + 120

STANDARD COLOURS/CODES

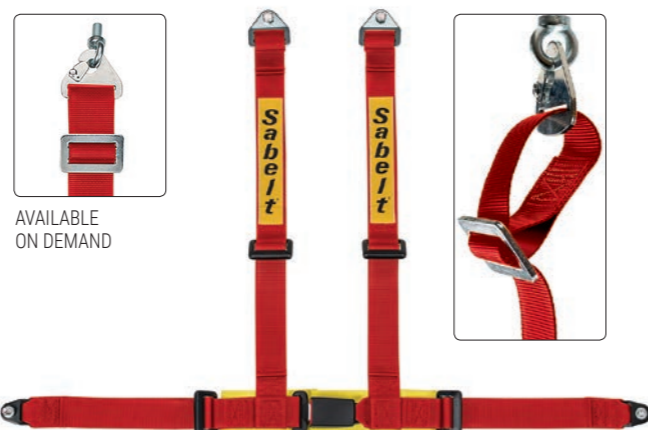
CCS433SRUN • CCS433SNUN • CCS433SBUN

CFCC4046

SALOON
4 FIXING POINTS
NOT Homologated

STANDARD COLOURS/CODES

CFCC4046
CFCC2046
CFCC1046



AVAILABLE
ON DEMAND

904059NP

SALOON
3 FIXING POINTS
Homologation: ECE

STANDARD COLOURS/CODES

904059NP
902059NP
901059NP



Pair of shoulder pads
included.



904020NP

SALOON
4 FIXING POINTS
Homologation: ECE

STANDARD COLOURS/CODES

904020NP
902020NP
901020NP



Pair of shoulder pads
included.



904005N

SALOON
3 FIXING POINTS
Homologation: ECE

STANDARD COLOURS/CODES

904005N
902005N
901005N



904070NP

SALOON
4 FIXING POINTS
Homologation: ECE

STANDARD COLOURS/CODES

904070NP
902070NP
901070NP



Pair of shoulder pads
included.



904019N

SALOON
3 FIXING POINTS
Homologation: ECE

STANDARD COLOURS/CODES

904019N
902019N
901019N



CCS622SNUSFI

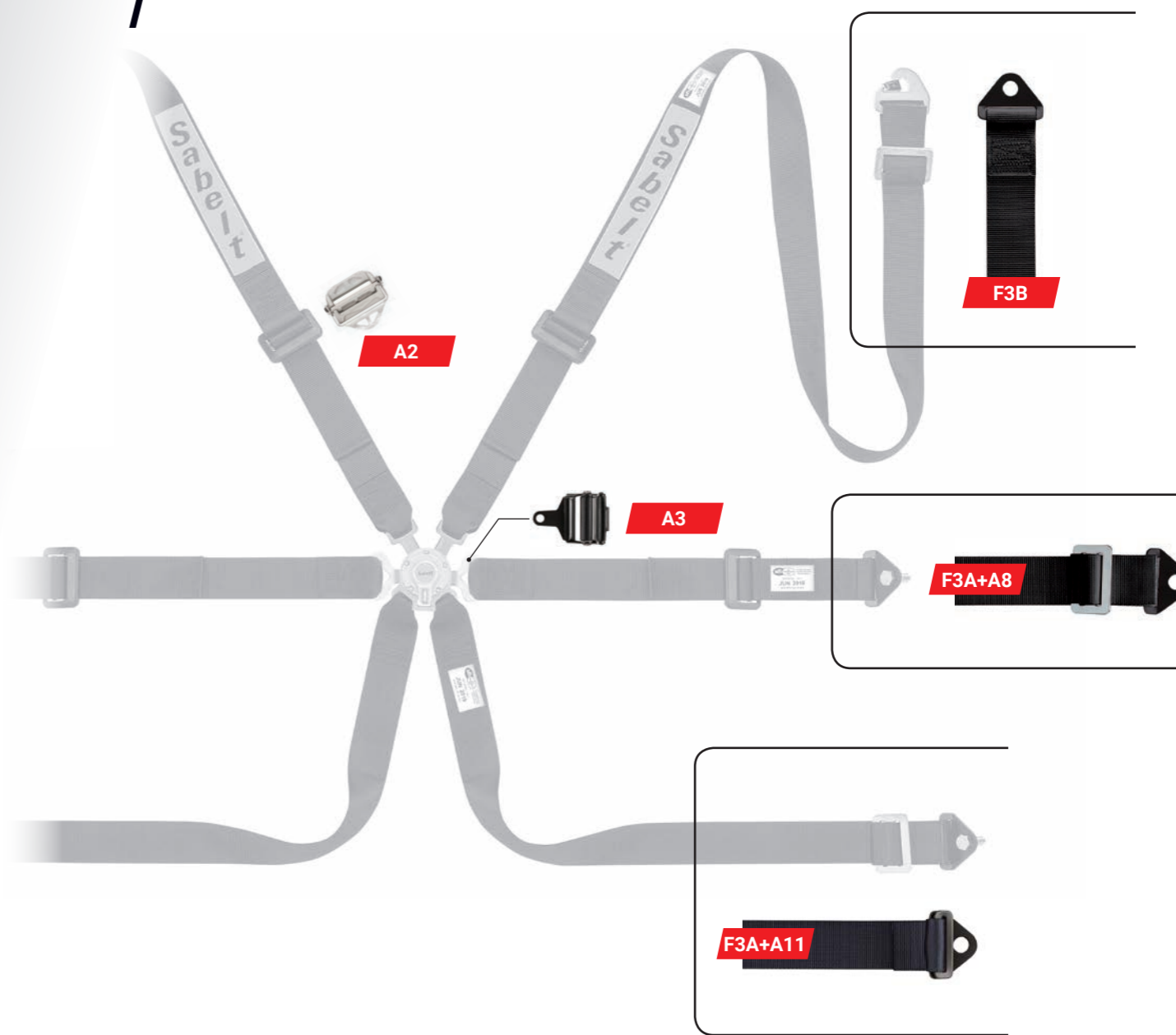
CCS622SNUSFI

STANDARD FEATURES

NEW



CONFIGURATIONS ON DEMAND



sfi

SFI FOUNDATION INC.

SFI 16.1

STANDARD MEASURES (mm)

A 440 • **B** 1700 • **C** 560 + 120 • **D** 1080

STANDARD COLOURS/CODES

CCS622SRUSFI • CCS622SNUSFI • CCS622SBUSFI

CCS533SNULLSFI

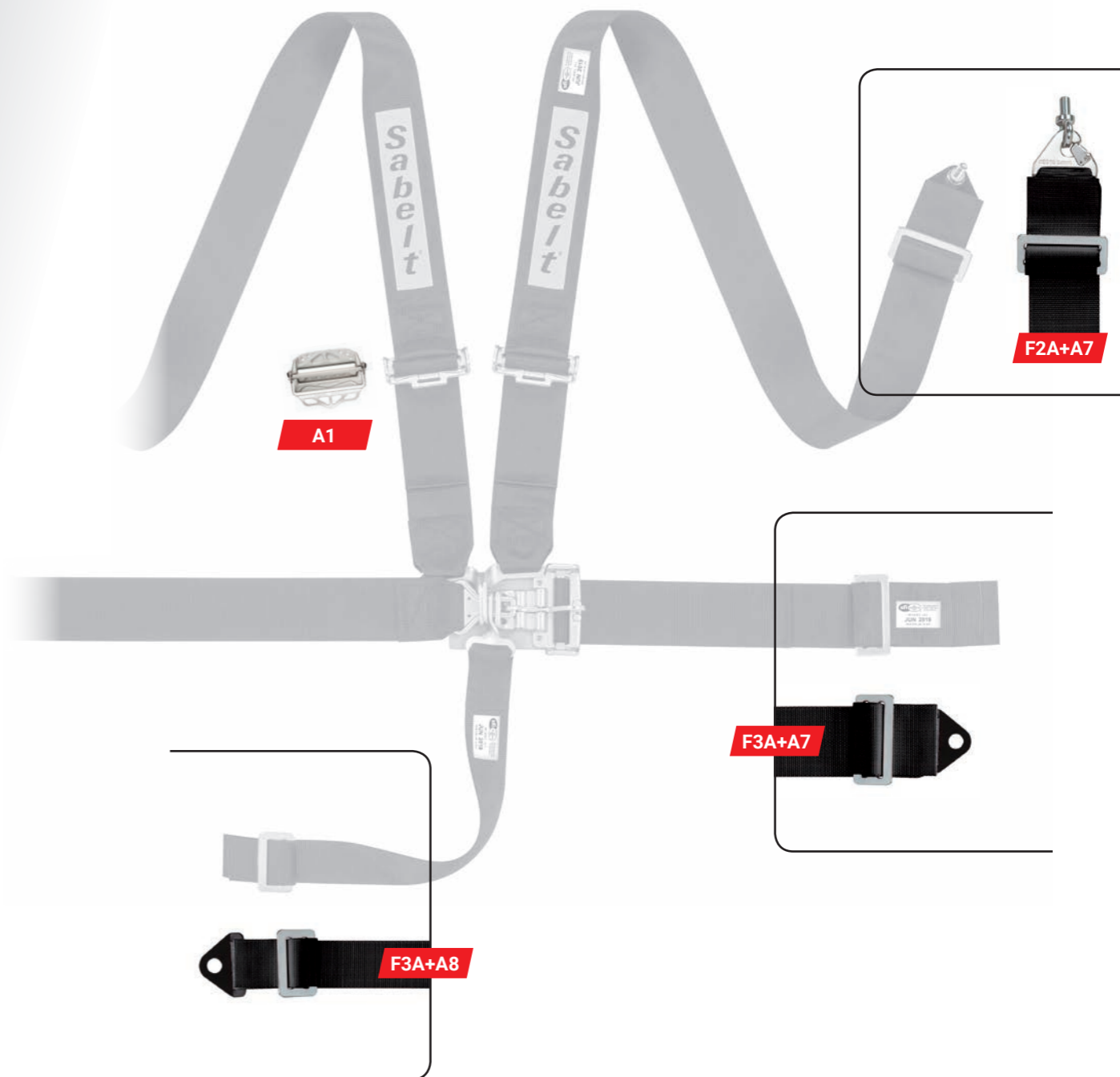
CCS533SNULLSFI

STANDARD FEATURES

NEW



CONFIGURATIONS ON DEMAND



sfi

SFI FOUNDATION INC.

SFI 16.1

STANDARD MEASURES (mm)

A 380 • **B** 1700 • **C** 680 • **D** 770

STANDARD COLOURS/CODES

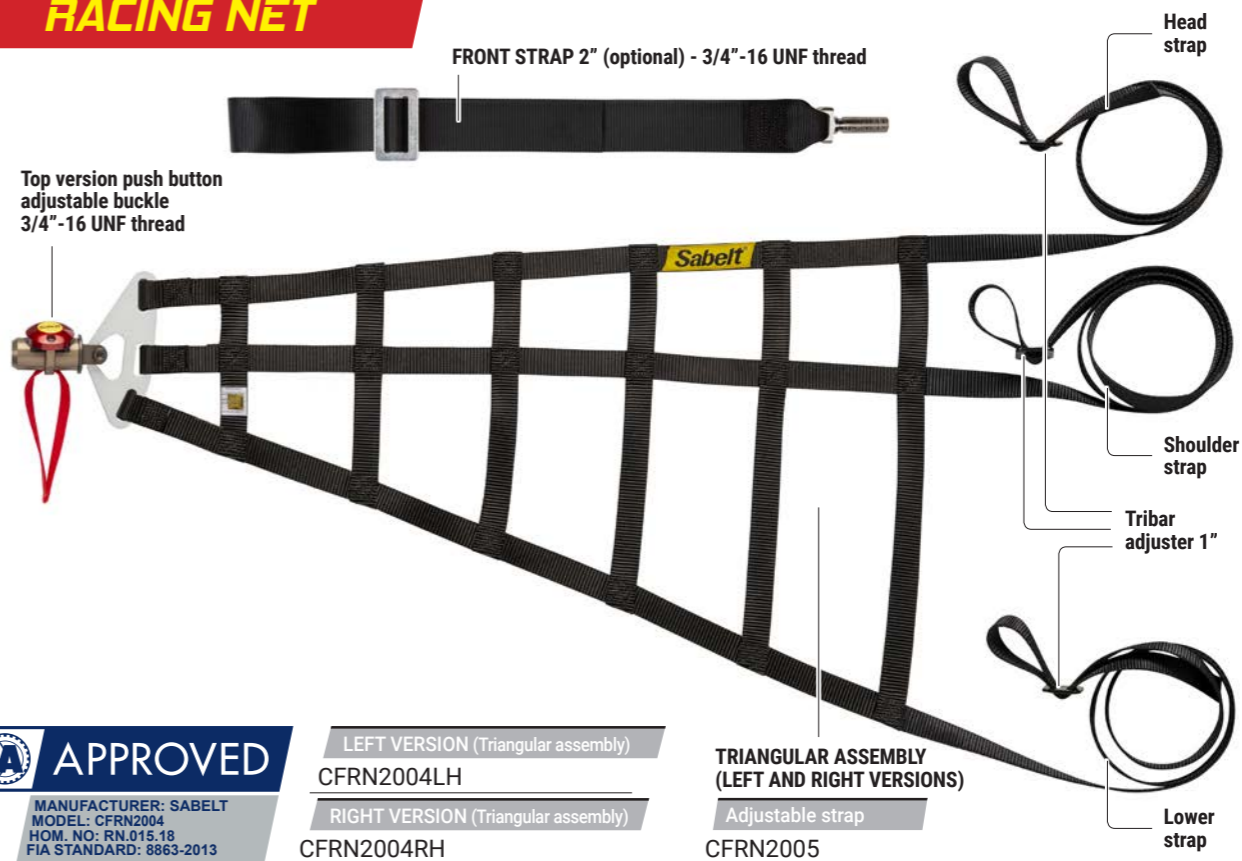
CCS533SRULLSFI • CCS533SNULLSFI • CCS533SBULLSFI



CFRN2004

NEW

RACING NET



CFRN2003

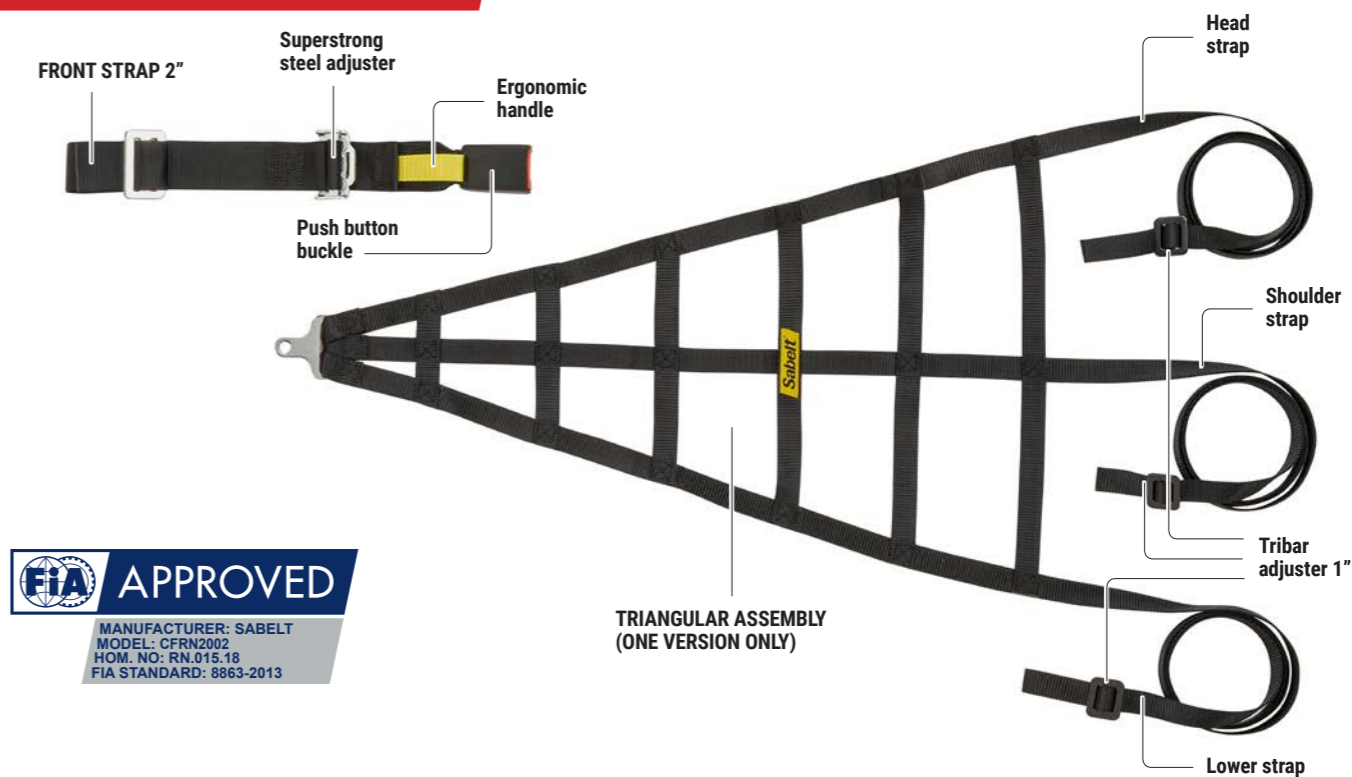
RACING NET



CFRN2002

NEW

RACING NET





Z280988

WINDOW NET

- Professional window net.
- Quick release with push button
 - Rollcage fixing clamps
 - Rigid metal bars
 - Tightening adjusters
 - Polyester webbing

In compliance with Fia regulation.

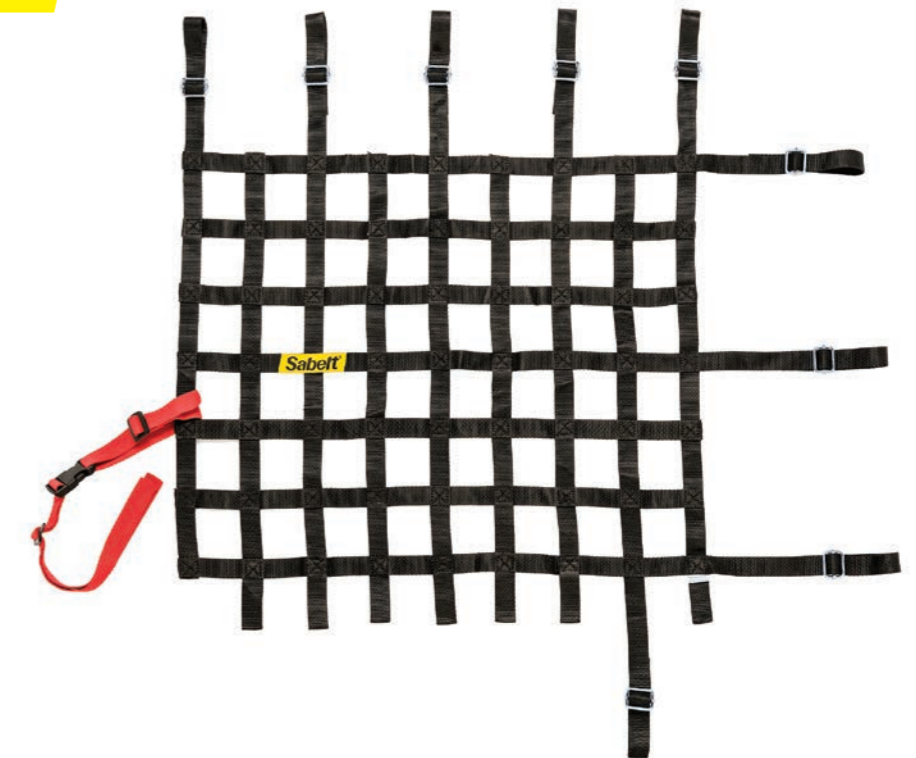


Z280985

WINDOW NET

- Professional window net
- Red webbing opening System
 - Rollcage mounting
 - Tightening adjusters
 - Polyester webbing

In compliance with Fia regulation.



SEATS



SEAT PRODUCT RANGE

FIA 8862-2009

CIRCUIT only

GT-PRO XL 6-POINT **NEW**

- Shell: **CARBON**
- Fixing: **BRACKETS**
- Size: **XL** Hom. n: AS.087.20



GT / RALLY / CIRCUIT

GT-PRO

- Shell: **CARBON**
- Fixing: **BRACKETS**
- Size: **M**
- L** Hom. n: AS.081.19
- XL**



GT-E

- Shell: **CARBON**
- Fixing: **BRACKETS**
- Size: **M** Hom. n: AS.071.18



GT-630 H

- Shell: **CARBON**
- Fixing: **BRACKETS**
- Size: **L** Hom. n: AS.047.16



GT-635

- Shell: **CARBON**
- Fixing: **BRACKETS**
- Size: **M** Hom. n: AS.057.16
- L** Hom. n: AS.058.16
- XL**



GT-635

- Shell: **CARBON**
- Fixing: **BRACKETS**
- Size: **M** Hom. n: AS.060.16
- L** Hom. n: AS.061.16
- XL**



GT-621

- Shell: **CARBON**
- Fixing: **BRACKETS**
- Size: **M** Hom. n: AS.056.16
- L**



SFI 39.1

NASCAR

GT-910

- Shell: **CARBON**
- Fixing: **BRACKETS**
- Size: **M** Hom. SFI 39.1



FIA 8855-1999

HEAD PROTECTION

X-PAD CARBON

- Shell: **CARBON**
- Fixing: **BRACKETS**
- Size: **L** Hom. n: CS.418.19



NO HEAD PROTECTION

TITAN CARBON

- Shell: **CARBON**
- Fixing: **BRACKETS**
- Size: **L** Hom. n: CS.370.17
- XL**



X-PAD RALLYCROSS

- Shell: **FIBERGLASS**
- Fixing: **BRACKETS**
- Size: **L** Hom. n: CS.419.19



TITAN

- Shell: **FIBERGLASS**
- Fixing: **BRACKETS**
- Size: **L** Hom. n: CS.349.16
- XL** Hom. n: CS.350.16



X-PAD

- Shell: **FIBERGLASS**
- Fixing: **BRACKETS**
- Size: **L** Hom. n: CS.419.19



GT-3

- Shell: **FIBERGLASS**
- Fixing: **BRACKETS**
- Size: **L** Hom. n: CS.355.17



GT-PAD

- Shell: **FIBERGLASS**
- Fixing: **BRACKETS**
- Size: **XL** Hom. n: CS.391.18



RACER DUO

- Shell: **TUBULAR**
- Fixing: **BRACKETS**
- Size: **L** Hom. n: CS.387.17



TAURUS

- Shell: **FIBERGLASS**
- Fixing: **BRACKETS**
- Size: **M** Hom. n: CS.368.17
- L** Hom. n: CS.346.16
- XL** Hom. n: CS.347.16



SEAT ACCESSORIES AND SPARE PARTS

CUSCINI - CUSHIONS

**S1**

Seatback cushion th. 20 mm

TITAN	RRTITAU002_A
TITAN MAX	RRTITAU003_A
TAURUS	RRTITAU002_A
TAURUS MAX	RRTITAU003_A

**CS1**

Lower cushion th. 20 mm

TITAN	RRTITAU004_A
TITAN MAX	RRTITAU007_A
TAURUS	RRTITAU004_A
TAURUS MAX	RRTITAU007_A

**CS2**

Lower cushion th. 40 mm

TITAN	RRTITAU005_A
TITAN MAX	RRTITAU008_A
TAURUS	RRTITAU005_A
TAURUS MAX	RRTITAU008_A

**CS3**

Lower cushion th. 50 mm

TITAN	RRTITAU006_A
TITAN MAX	RRTITAU009_A
TAURUS	RRTITAU006_A
TAURUS MAX	RRTITAU009_A

**PG1**

Leg cushion th. 40 mm

TITAN	RRTITAU010_A
TITAN MAX	RRTITAU012_A
TAURUS	RRTITAU010_A
TAURUS MAX	RRTITAU012_A

**PG2**

Leg cushion th. 50 mm

TITAN	RRTITAU011_A
TITAN MAX	RRTITAU013_A
TAURUS	RRTITAU011_A
TAURUS MAX	RRTITAU013_A

**CPR**

Lower back support

RRTITAU014_A

**CL**

Lumbar support

RRTITAU001_A

KIT - SET

**KF**

Seat cover kit.

GT-621 Size M	RRGT621019
GT-621 Size L	RRGT621020
GT-625 Size L	RRGT625018
GT-635 Size M	RRGT635015
GT-635 Size L	RRGT635016
GT-635 Size XL	RRGT635017

**KFP**

Seat cover kit with bezels.

TITAN	RRTITAN021
TITAN MAX	RRTITAN022
TITAN CARBON	RRTITCAR026
TITAN MAX CARBON	RRTITCAR027
TAURUS M	RRTAURUS023
TAURUS	RRTAURUS024
TAURUS MAX	RRTAURUS025

HARNESS SLOT

**KP**

Bezels for 8855 seats.

RRCB0028

**MP**

Bezel for GT-635 and GT-625.

RCB00011

SEAT ACCESSORIES AND SPARE PARTS

FIXING FRAMES



F1 Z200087

Steel brackets, th. 3mm, in compliance with FIA.



F2 Z20005_C

Aluminium brackets, th. 5 mm, in compliance with FIA.



F3 Z200002

Sliding tracks, travel 230 mm. No FIA.



F4 RCST635FIX

Steel brackets for GT-635, Fia homologated. Note: Specify the seat size during the order.



F5

Sliding tracks for GT-635. FIA Homologated.

Size M RCST635SLDINGM Size L / XL RCST635SLDINGXL



F6 XRFST0007

Steel brackets for GT-621, FIA homologated.



F7 XRSFT0005

Brackets for GT-630 H. FIA Homologated.



F8 RFST0028

Brackets for GT-PRO M. FIA Homologated.

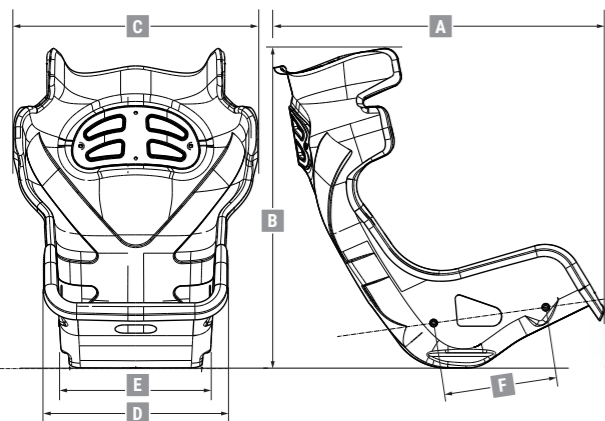


F10 RCST0005

Steel brackets for GT-E, FIA homologated.

LEGEND SEAT DIMENSIONS CHART

SHELL DIMENSIONS (mm)



A	Length
B	Height
C	External shoulder width
D	External lower frontal width
E	External lower rear width
F	Lateral interaxis distance
	Shell weight (kg)

INTERNAL SEAT DIMENSIONS (mm)



G	Rear lower cushion width
H	Frontal lower cushion width
I	Internal shoulder width
L	Central seatback width
M	Internal head protection width
N	Central bezel height
	Seat weight (kg)

NEW



DCT Head protection

Ventilation hole

Carbon shell

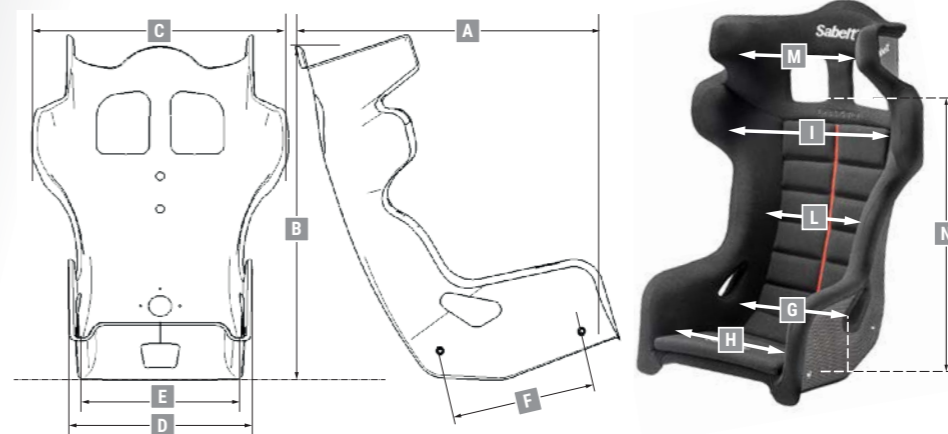
Fireproof fabric

High density foam

Single leg cushion

Side fixings 290 mm

GT-PRO XL 6-POINT



GT-PRO XL 6-POINT	
SHELL DIMENSIONS (mm)	
A	795
B	770
C	644
D	482
E	427
F	340
⊕	9,3
INTERNAL SEAT DIMENSIONS (mm)	
G	346
H	350
I	510
L	372
M	350
N	512
⊕	11



MANUFACTURER: SABELT
MODEL: GT-PRO M
HOM. NO: AS.087.20
FIA STANDARD: 8862-2009

SIZE XL

GT-PRO XL 6-POINT

RFSEGTPROXP6PN



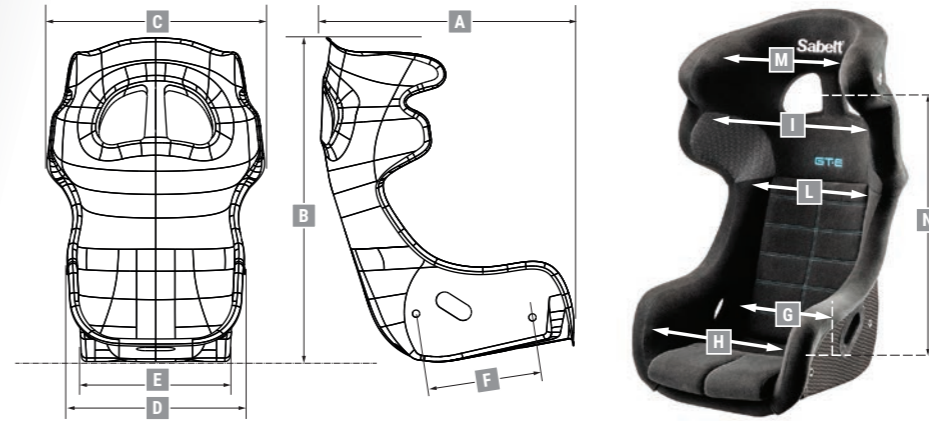
CIRCUIT ONLY

FIXING BRACKETS

F8



GT-E



GT-E	
SHELL DIMENSIONS (mm)	
A	580
B	890
C	595
D	540
E	418
F	320
⊕	12,6
INTERNAL SEAT DIMENSIONS (mm)	
G	340
H	370
I	495
L	330
M	370
N	700
⊕	15,0



FIA APPROVED
 MANUFACTURER: SABELT
 MODEL: GT-E
 HOM. NO: AS.071.18
 FIA STANDARD: 8862-2009

SIZE M

GT-E

RFSEGTE

CIRCUIT ONLY

JAGUAR I-PACE eTROPHY

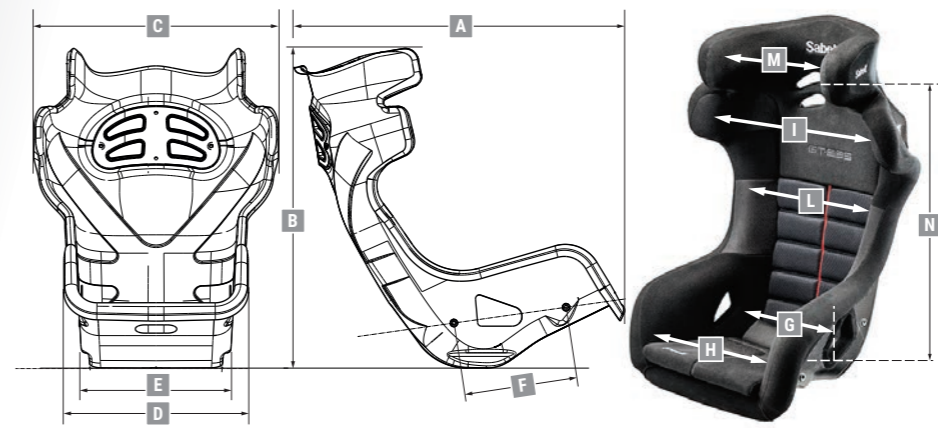
Sabelt

OFFICIAL SUPPLIER

FIXING BRACKETS



GT-635



	GT-635 M	GT-635 L	GT-635 XL
SHELL DIMENSIONS (mm)			
A	530	540	540
B	910	930	930
C	656	676	676
D	472	502	502
E	400	430	430
F	290	290	290
⊕	8,4	11,3	11,3
INTERNAL SEAT DIMENSIONS (mm)			
G	316	337	357
H	349	364	384
I	541	546	566
L	368	417	437
M	317	325	325
N	670	656	656
⊕	10,9	13,8	13,5

SPARES AND ACCESSORIES



FIA APPROVED
 MANUFACTURER: SABELT
 MODEL: GT-635 M
 HOM. NO: AS.057.16
 FIA STANDARD: 8862-2009

SIZE M
 GT-635 M
 FOR SLIDING BRACKETS:
 RFSEGT635DMN

WITH SLIDING TRACKS:
F4

CIRCUIT ONLY

FIA APPROVED
 MANUFACTURER: SABELT
 MODEL: GT-635-F M
 HOM. NO: AS.060.16
 FIA STANDARD: 8862-2009

SIZE M
 GT-635 M
 FOR FIXED BRACKETS:
 RFSEGT635MN

WITH FIXED BRACKETS:
F5

GT / RALLY / CIRCUIT

FIA APPROVED
 MANUFACTURER: SABELT
 MODEL: GT-635 XL
 HOM. NO: AS.058.16
 FIA STANDARD: 8862-2009

SIZE L
 GT-635 L
 FOR SLIDING BRACKETS:
 RFSEGT635DLN

SIZE XL
 GT-635 XL
 FOR SLIDING BRACKETS:
 RFSEGT635DXLN

FIA APPROVED
 MANUFACTURER: SABELT
 MODEL: GT-635-F XL
 HOM. NO: AS.061.16
 FIA STANDARD: 8862-2009

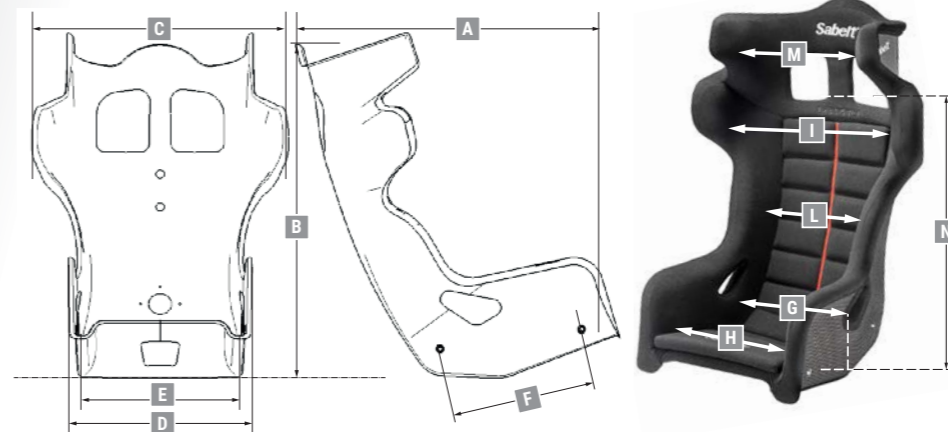
SIZE L
 GT-635 L
 FOR FIXED BRACKETS:
 RFSEGT635LN

SIZE XL
 GT-635 XL
 FOR FIXED BRACKETS:
 RFSEGT635XLN

NEW



GT-PRO



	GT-PRO M	GT-PRO L	GT-PRO XL
SHELL DIMENSIONS (mm)			
A	825	795	
B	770	770	
C	625	644	
D	443	482	
E	389	427	
F	340	340	
⊕	8,5	9,3	
INTERNAL SEAT DIMENSIONS (mm)			
G	310	326	346
H	330	330	350
I	475	490	510
L	330	352	372
M	330	330	350
N	512	512	512
⊕	10,1	11,2	11



FIA APPROVED
 MANUFACTURER: SABELT
 MODEL: GT-PRO M
 HOM. NO: AS.081.19
 FIA STANDARD: 8862-2009

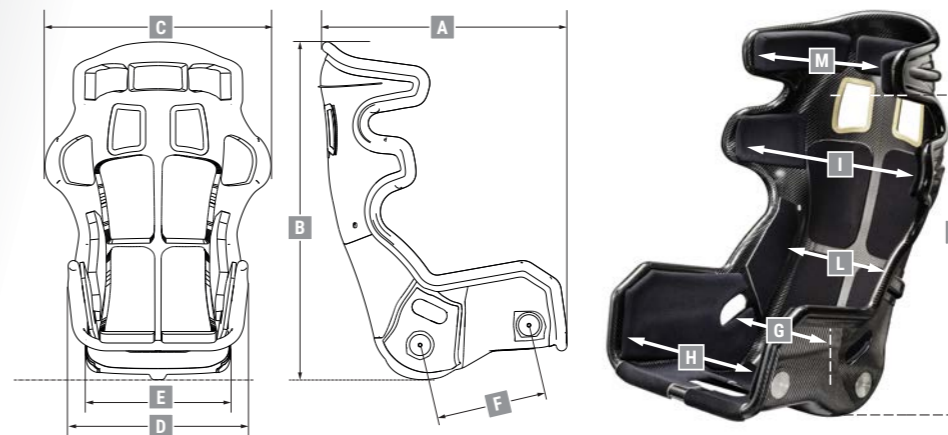
SIZE M GT-PRO M RFSEGTROMN	SIZE L GT-PRO M RFSEGTROLN
SIZE XL GT-PRO M RFSEGTPROLN	

GT / RALLY / CIRCUIT

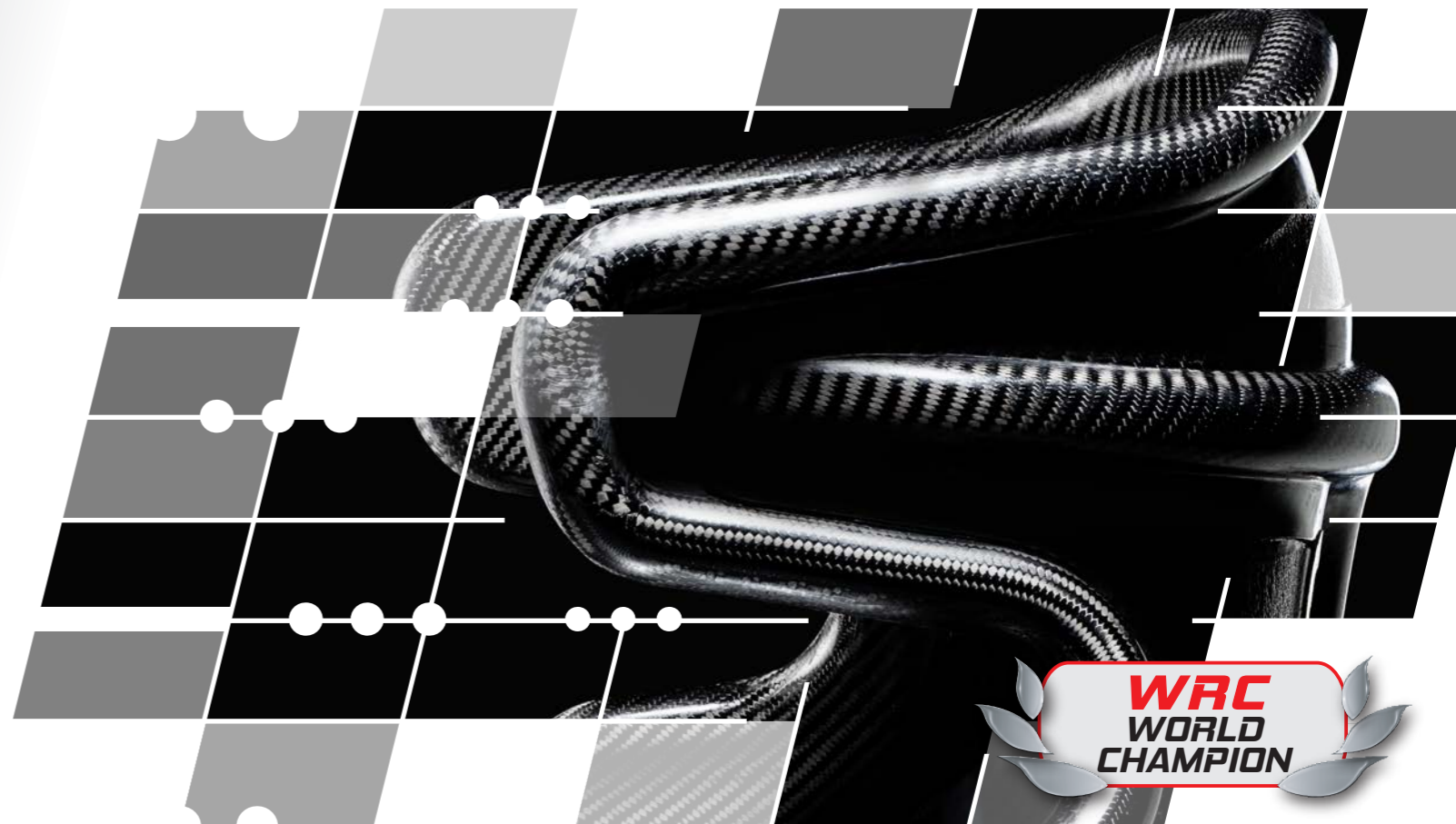
FIXING BRACKETS



GT-630 H



GT-630 H	
SHELL DIMENSIONS (mm)	
A	980
B	644
C	643
D	414
E	513
F	315
🔒	-
INTERNAL SEAT DIMENSIONS (mm)	
G	362
H	362
I	533,5
L	381
M	353,5
N	670
🔒	7,6



FIA APPROVED

MANUFACTURER: SABELT
MODEL: GT-630 H
HOM. NO: AS.047.16
FIA STANDARD: 8862-2009

SIZE L
GT-630 H

RFSEGT630S



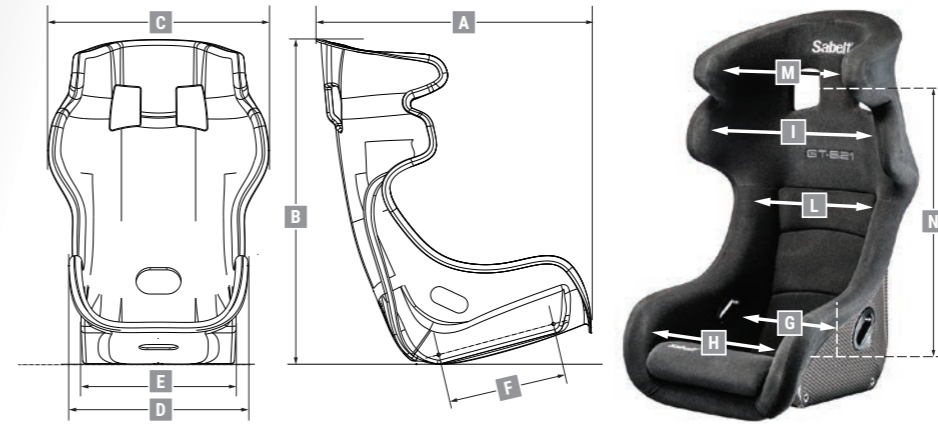
GT / RALLY / CIRCUIT

FIXING BRACKETS

F7



GT-621



	GT-621 M	GT-621 L
SHELL DIMENSIONS (mm)		
A	567	
B	930	
C	611	
D	497	
E	409	
F	320	
🔒	8,5	
INTERNAL SEAT DIMENSIONS (mm)		
G	331	361
H	348	378
I	495	525
L	335	365
M	350	350
N	642	642
🔒	11,5	11,0

SPARES AND ACCESSORIES



KIT KF



MANUFACTURER: SABELT
MODEL: GT-621
HOM. NO: AS.056.16
FIA STANDARD: 8862-2009

SIZE M

GT-621 M

RFSEGT621MN



SIZE L

GT-621 L

RFSEGT621LN



GT / RALLY / CIRCUIT

FIXING BRACKETS

F6

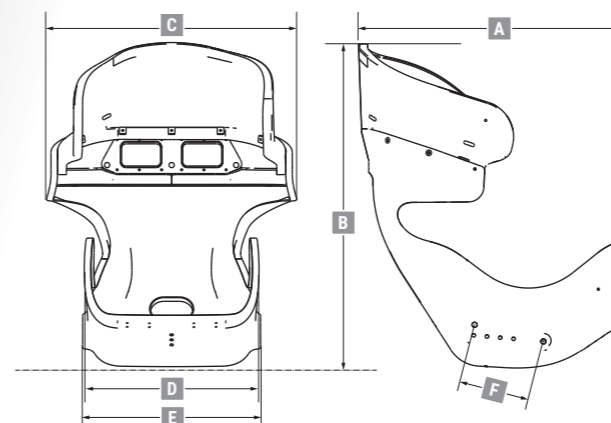


GT-910

NASCAR

MADE IN USA

Full Carbon, Textreme external layer (unique design).
 Weight in compliance with new standards (42 lbs weight). Headrest included.
 Low COG (center of gravity).
 NASCAR Approved (69G sled test – SFI homologation – NASCAR 2015 quasi-static test).
 Size M.
 Shell made of seat + asymmetric headrest.
 Designed along with one of the most prestigious NASCAR Team.
 The seat is used and appreciated by several Top Drivers.



GT-910	
SHELL DIMENSIONS (mm)	
A	779
B	925
C	714
D	499
E	508
F	202
📏	19,0



HOMOLOGATION
SFI 39.1

SIZE M

GT-910

SHELL RFGT910M
 HEADREST RCGT911AM
 HEADREST +1" RCGT913AM



X-PAD CARBON

»»» **DCT-SUPER NARROW**
head protection



Carbon shell



ADS
Air Ducting System

Kinderpoint
anti-slip fabric

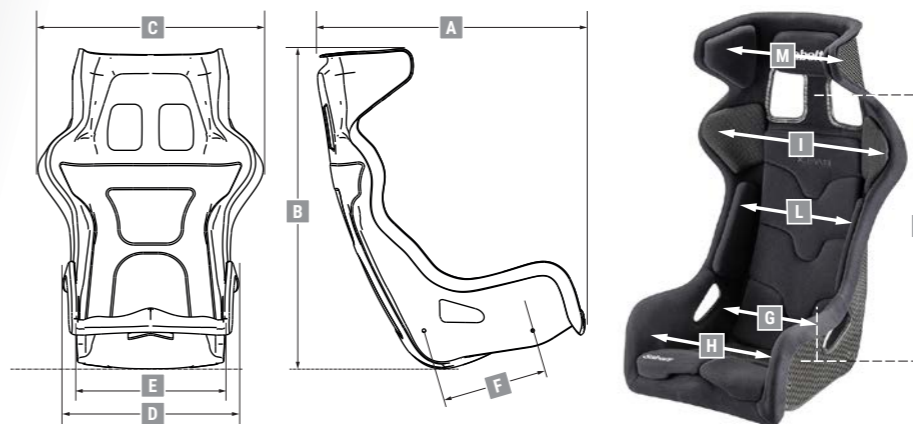
High side
protection

Shell leg separator

Backrest with
ergonomic curver.

Hole of bezel increased

Dedicated
antisubmarine



X-PAD CARBON	
SHELL DIMENSIONS (mm)	
A	550
B	900
C	600
D	396
E	390
F	290
⊕	4,9
INTERNAL SEAT DIMENSIONS (mm)	
G	362
H	368
I	447
L	358
M	338
N	661
⊕	6,3



FIA APPROVED

MANUFACTURER: SABELT
MODEL: X-PAD CARBON
HOM. NO: CS.418.19
FIA STANDARD: 8855-1999

SIZE L

X-PAD CARBON

RFSEXPADCARBON



PAD KIT

COLOUR	SIZE	CODE
	L	RCXPADKITLN

THE KIT INCLUDES ALL THE PADS
VISIBLE IN THE PICTURE



FIXING BRACKETS

F1

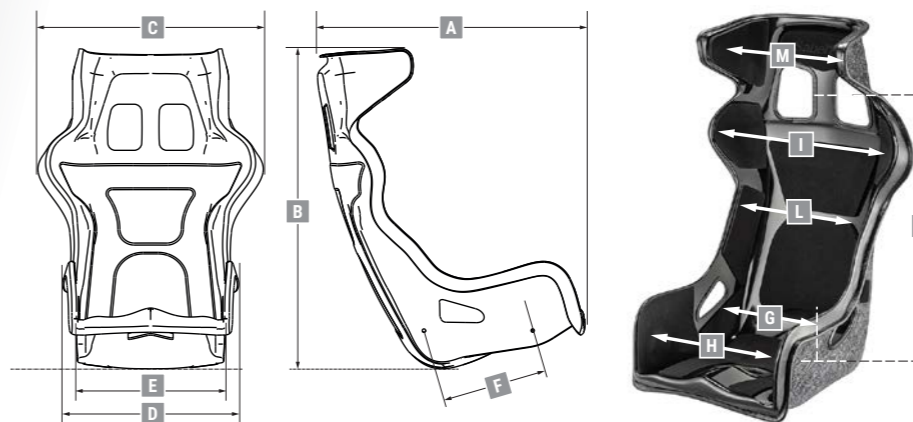


F2



X-PAD RALLYCROSS

»»» **DCT-SUPER NARROW**
head protection «««



X-PAD RALLYCROSS	
SHELL DIMENSIONS (mm)	
A	550
B	900
C	600
D	396
E	390
F	290
⊕	6,5
INTERNAL SEAT DIMENSIONS (mm)	
G	372
H	378
I	460
L	370
M	340
N	661
⊕	7,3



FIA APPROVED

MANUFACTURER: SABELT
MODEL: X-PAD
HOM. NO: CS.419.19-
FIA STANDARD: 8855-1999

SIZE L
X-PAD RALLYCROSS
RFSEXPADRCROSS

(SEAT ONLY
WITHOUT PADDING KIT)



PAD KIT

COLOUR	SIZE	CODE
■	L	RCXPADRCROSSABELT

THE KIT INCLUDES ALL THE PADS
VISIBLE IN THE PICTURE

EXTRA 2 PADS
30 x 30 cm INCLUDED



FIXING BRACKETS

F1



F2



X-PAD

»»» **DCT-SUPER NARROW**
head protection «««



Kinderpoint anti-slip fabric

ADS
Air Ducting System

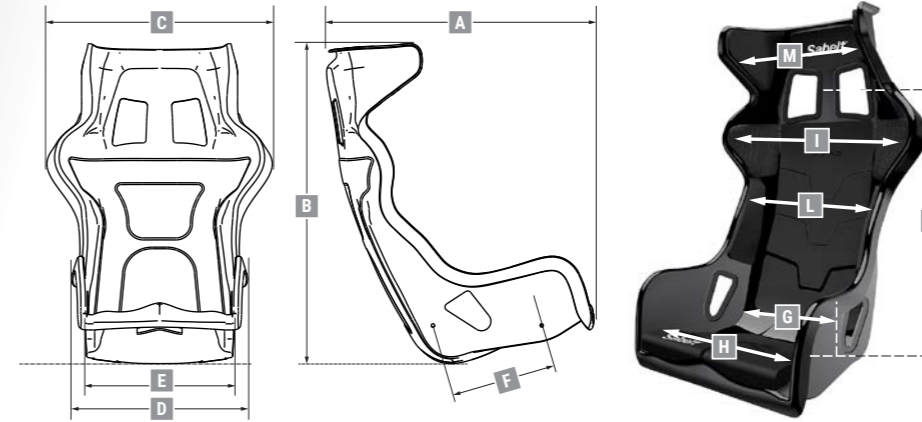
High side protection

Shell leg separator

Backrest with ergonomic curver.

Hole of bezel increased

Dedicated antisubmarine



X-PAD	
SHELL DIMENSIONS (mm)	
A	550
B	900
C	600
D	396
E	390
F	290
⊕	6,0
INTERNAL SEAT DIMENSIONS (mm)	
G	362
H	368
I	447
L	358
M	338
N	661
⊕	7,7

PAD KITS

THE KIT INCLUDES ALL THE PADS VISIBLE IN THE PICTURE

COLOUR	SIZE	CODE
■	L	RCXPADKITLN



FIA APPROVED

MANUFACTURER: SABELT
MODEL: X-PAD
HOM. NO: CS.419.19
FIA STANDARD: 8855-1999

SIZE L

X-PAD

RFSEXPAD



FIXING BRACKETS

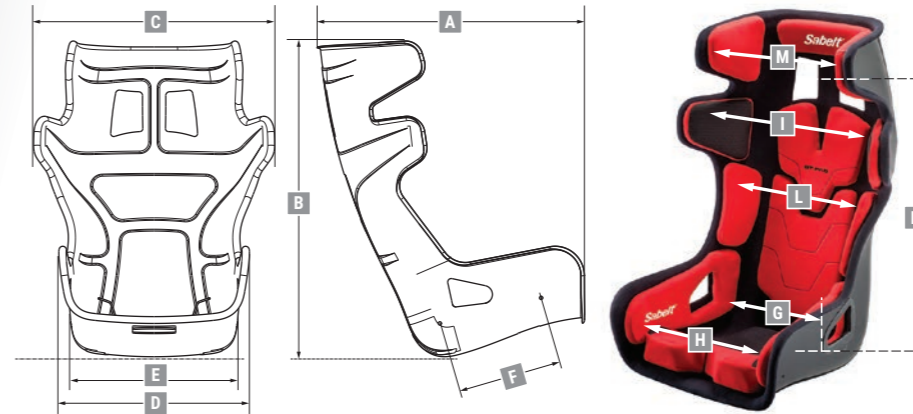
F1



F2



GT-PAD



	GT-PAD M	GT-PAD L	GT-PAD XL
SHELL DIMENSIONS (mm)			
A	744	878	
B	670	529	
C	471	290	
D	290	8,9	
E			
F			
G			
H			
I			
L			
M			
N			
	10,7	10,6	10,5

PAD KITS

THE KIT INCLUDES ALL THE PILLOWS VISIBLE IN THE PICTURE



COLOUR	SIZE	CODE
Black	M	RCGTPADKITMN
	L	RCGTPADKITLN
	XL	RCGTPADKITXLN

COLOUR	SIZE	CODE
Red	M	RCGTPADKITMR
	L	RCGTPADKITLR
	XL	RCGTPADKITXLR

ACCESSORIES



Lower cushion thickness 40 mm

RRGTPAD028



MANUFACTURER: SABELT
MODEL: GT-PAD
HOM. NO: CS.391.18
FIA STANDARD: 8855-1999

SIZE XL

GT-PAD

RFSEGTPAD *



* Attention: this code refers to the seat excluding the pad kits. The pad kits are provided/supplied separately.

FIXING BRACKETS

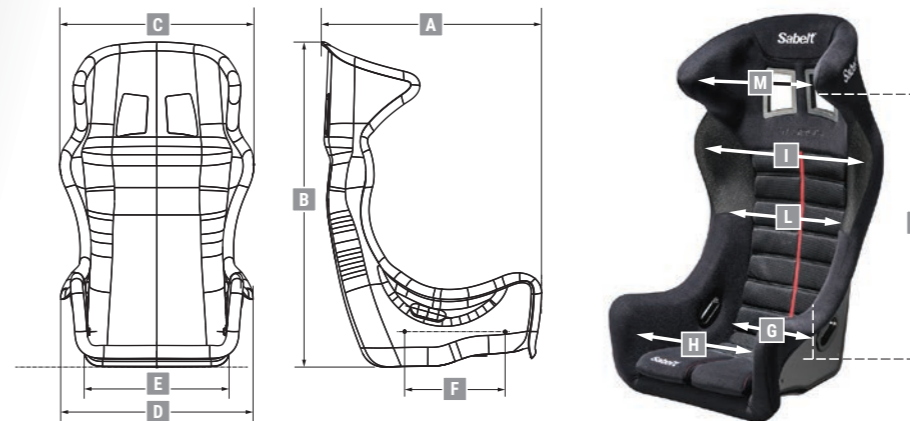
F1



F2



TAURUS



	TAURUS M	TAURUS	TAURUS MAX
SHELL DIMENSIONS (mm)			
A	543	550	586
B	925	979	980
C	579	582	588
D	475	481	519
E	377	392	411
F	290	290	290
⊕	8,4	9,0	9,7
INTERNAL SEAT DIMENSIONS (mm)			
G	300	318	326
H	364	373	393
I	486	501	512
L	345	362	393
M	341	357	394
N	685	717	716
⊕	10,5	11,4	11,4

SPARES AND ACCESSORIES



FIA APPROVED
 MANUFACTURER: SABELT
 MODEL: TAURUS TG M
 HOM. NO: CS.368.17
 FIA STANDARD: 8855-1999

SIZE M
 TAURUS M
 RFSETAURUSMN

FIA APPROVED
 MANUFACTURER: SABELT
 MODEL: TAURUS
 HOM. NO: CS.346.16
 FIA STANDARD: 8855-1999

SIZE L
 TAURUS
 RFSETAURUSN

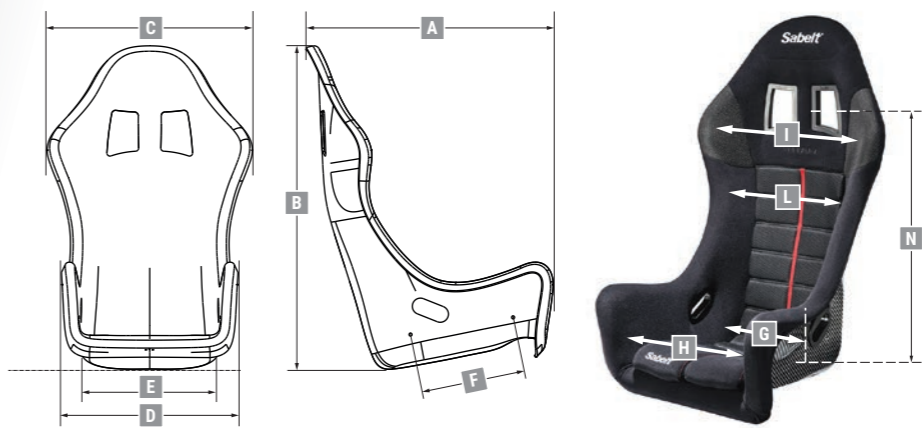
FIA APPROVED
 MANUFACTURER: SABELT
 MODEL: TAURUS MAX
 HOM. NO: CS.347.16
 FIA STANDARD: 8855-1999

SIZE XL
 TAURUS MAX
 RFSETAURUSXLN

FIXING BRACKETS

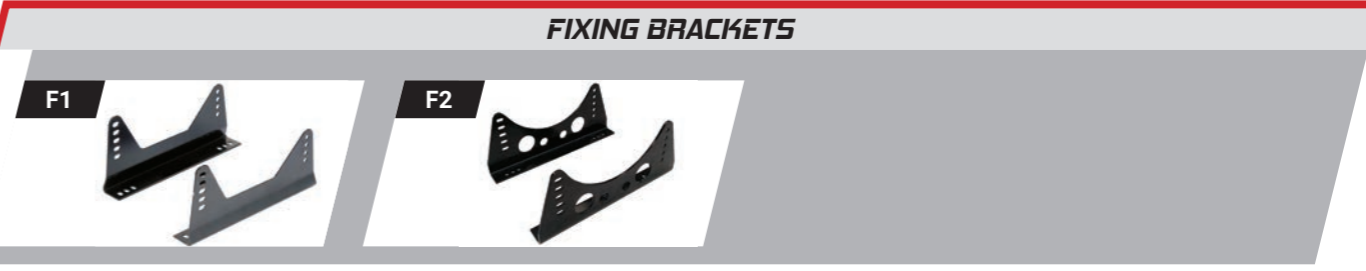


TITAN CARBON



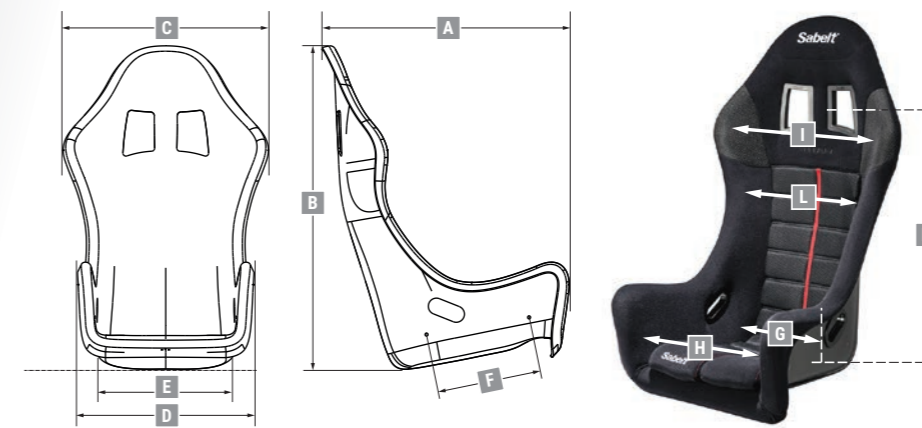
	TITAN CARBON	TITAN CARBON MAX
SHELL DIMENSIONS (mm)		
A	559	
B	935	
C	603	
D	525	
E	418	
F	290	
⊕	4,9	
INTERNAL SEAT DIMENSIONS (mm)		
G	316	341
H	383	403
I	502	530
L	383	400
M	-	-
N	657	657
⊕	7,1	6,9

SPARES AND ACCESSORIES





TITAN



	TITAN	TITAN MAX
SHELL DIMENSIONS (mm)		
A	600	602
B	945	957
C	584	606
D	487	506
E	392	415
F	290	290
📏	7,4	7,8
INTERNAL SEAT DIMENSIONS (mm)		
G	293	313
H	357	367
I	504	517
L	343	379
M	-	-
N	654	690
📏	9,5	9,9

SPARES AND ACCESSORIES



FIA APPROVED
 MANUFACTURER: SABELT
 MODEL: TITAN
 HOM. NO: CS.349.16
 FIA STANDARD: 8855-1999

SIZE L
 TITAN

RFSETITANN



FIA APPROVED
 MANUFACTURER: SABELT
 MODEL: TITAN MAX
 HOM. NO: CS.350.16
 FIA STANDARD: 8855-1999

SIZE XL
 TITAN MAX

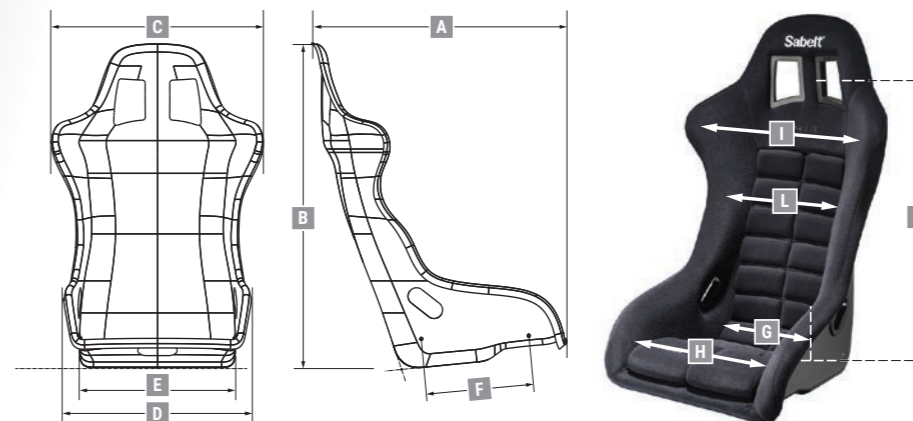
RFSETITANMAXN



FIXING BRACKETS



GT-3



GT-3	
SHELL DIMENSIONS (mm)	
A	460
B	920
C	592
D	539
E	416
F	290
⊕	7,2
INTERNAL SEAT DIMENSIONS (mm)	
G	355
H	386
I	469
L	354
M	-
N	706
⊕	9,8

SPARES AND ACCESSORIES



KIT KP



KIT KP



MANUFACTURER: SABELT
MODEL: GT-3
HOM. NO: CS.355.17
FIA STANDARD: 8855-1999

SIZE L

GT-3

RFSEGT3N



FIXING BRACKETS

F1

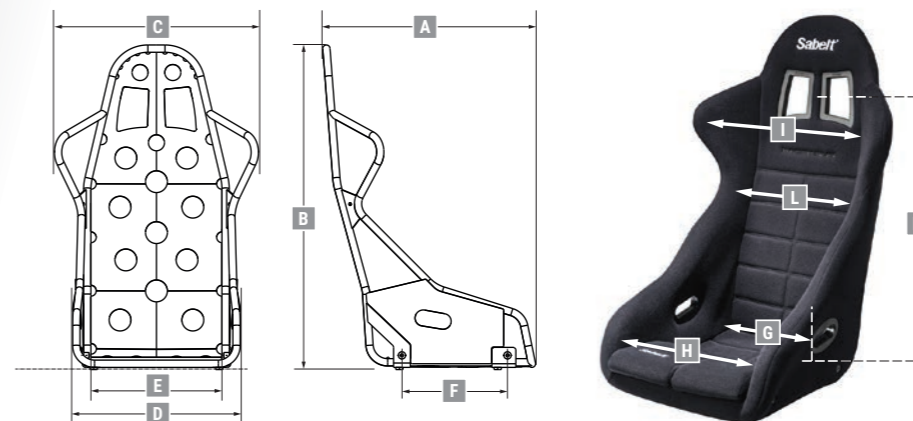


F2





RACER DUO



RACER DUO	
SHELL DIMENSIONS (mm)	
A	463
B	890
C	582
D	489
E	422
F	290
⊕	10,0
INTERNAL SEAT DIMENSIONS (mm)	
G	324
H	377
I	509
L	374
M	-
N	637
⊕	12,0

SPARES AND ACCESSORIES



KIT KP



MANUFACTURER: SABELT
 MODEL: RACER DUO
 HOM. NO: CS.387.17
 FIA STANDARD: 8855-1999

SIZE L

RACER DUO

RFSERACERN



FIXING BRACKETS

F1



F2



TUC SEAT



Vis a Vis configuration

From the collaboration between Sabelt and TUC comes a one-off seat that looks to the future. A monocoque seat with the highest technology designed to be a real NEST for the user on the move. It integrates a directional audio system, a smartphone station for charging the smartphone and finally an ambient light system all summed up in a shell with integrated seatbelts with maximum safety and technology.

RACEWEAR



NEW HOMOLOGATION

8856-2018

HERO SUPERLIGHT TS-10

• Size: 46-60

NEW



HERO GT-PRO TS-10

• Size: 46-66

NEW



CHALLENGE TS-2

• Size: 44-66

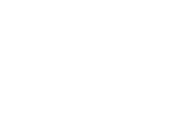
NEW



LASER TS-10/TS-2

• Size: ON DEMAND

NEW



UI-600

• Size: XS-XXL

NEW



HERO GT TS-9

• Size: 46-66



CHALLENGE TS-3

• Size: 46-66



TI-090

• Size: S-XXL



LASER TS-10/TS-2

• Size: ON DEMAND



UI-500

• Size: XS-XXL



UI-100

• Size: S-XL



TM-100

• Size: S-XXL



SUITS / UNDERWEAR

8856-2000

NO FIA

SHOES

HERO PRO TB-10

• Size: 36-48

NEW



LASER TB-3

• Size: 39-46

NEW



CHALLENGE TB-2

• Size: 36-48

NEW



CLASSIC TB-2

• Size: 36-47

NEW



HERO TB-9

• Size: 36-48



CHALLENGE TB-3

• Size: 36-48



CHALLENGE MB-3

• Size: 36-46

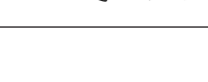


GLOVES

HERO SUPERLIGHT TG-10

• Size: 8-12

NEW



LASER TG-3

• Size: 8-12

NEW



CHALLENGE TG-2

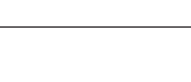
• Size: 8-12

NEW



HERO TG-9

• Size: 8-12



CHALLENGE TG-3

• Size: 8-12



Z120760

• Size: ONE SIZE



Z120560

• Size: ONE SIZE



EXCLUSIVE TECHNICAL SOLUTION
MADE IN SABELT

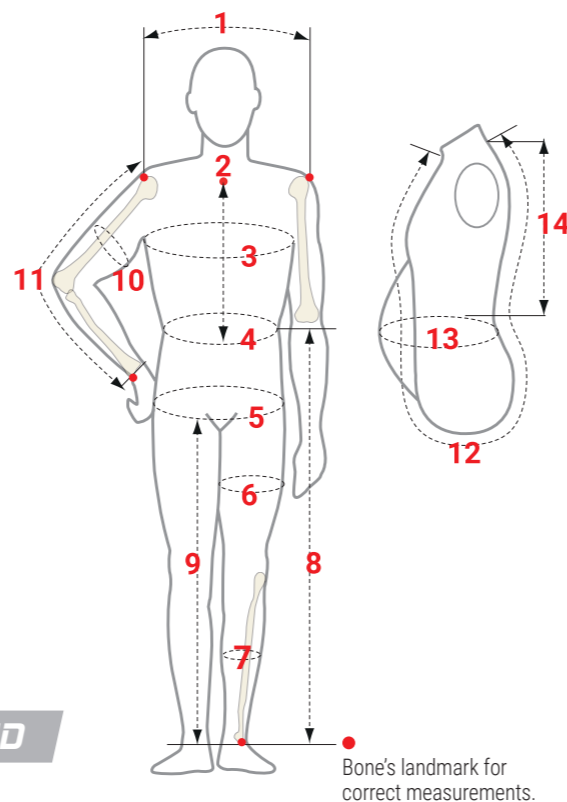


FRIENDLY

CUSTOMIZATION

MADE TO MEASURE TEMPLATE - INSTRUCTIONS

- 1 Shoulder breadth (from points of shoulders bones across back)
- 2 Body length from inside shoulder to waist
- 3 Chest circumference
- 4 Waist circumference
- 5 Hip circumference
- 6 Thigh circumference
- 7 Calf circumference
- 8 Outside leg length from waist to malleolus
- 9 Desired length from the crotch to ankle
- 10 Biceps circumference
- 11 Sleeve length from point of shoulder bone to wrist (armi bent)
- 12 Crotch length from front collar bone through top of inside leg to back neck
- 13 Maximum waist circumference
- 14 Length from neck to waist



AMERICAN FITTING AVAILABLE ON DEMAND

MADE TO MEASURE TEMPLATE - SHEET

Embroidery on belt: SI NO

Thread colour: _____

Name: _____

Blood group: _____

Flag: _____

Driver's name: _____

Height (inch): _____

Weight (lbs): _____

Desired fitting:
 close fitting loose fitting

MEASURE BOARD

1				8			
2				9			
3				10			
4				11			
5				12			
6				13			
7				14			

Notes: _____

* the measurements indicated are purely indicative and may vary depending on the fit desired by the end user

SUITS - STANDARD SIZE CHARTS

HERO TS-10	HERO TS-9, CHALLENGE TS-3						CHALLENGE TS-2 TM-100
SLIM FIT 8856-2018 TAGLIA / SIZE	8856-2000 TAGLIA / SIZES	TORACE CHEST	VITA WAIST	BACINO HIPS	PESO WEIGHT	ALTEZZA HEIGHT	
46	44	82-86	69-73	81-85	43-48	160-163	
48	46	86-90	73-77	85-89	49-54	164-166	XS
50	48	90-94	77-81	89-93	55-60	167-169	
52	50	94-98	81-85	93-97	61-66	170-172	S
54	52	98-102	85-89	97-101	67-72	173-175	
56	54	102-106	89-93	101-105	73-78	176-179	M
58	56	106-110	93-97	105-109	79-84	180-184	
60	58	110-114	97-101	109-113	85-90	185-187	L
-	60	114-118	101-105	113-117	91-96	188-190	
-	62	118-122	105-109	117-121	97-102	191-193	XL
-	64	122-126	109-113	121-125	103-108	194-196	
-	66	126-130	113-117	125-129	109-114	197-199	XXL

Sizes listed are in cm and are for body measurements, not for the suit.

UNDERWEAR - STANDARD SIZE CHARTS

	SIZES				
UI-600	XS-S	M-L		XL-XXL	
UI-500	XS-S	M-L		XL-XXL	
UI-100	S	M	L	XL	XXL
Torace/Chest	82-90	90-102	102-114	114-122	122-130
Vita/Waist	69-77	77-89	89-101	101-109	109-117
Bacino/Hips	81-89	89-101	101-113	113-121	121-129
Altezza/Height	162-166	167-175	176-187	188-193	194-199
Peso/Weight [kg]	43-54	55-72	73-90	91-102	103-114

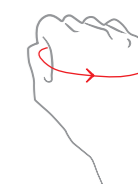
Sizes listed are in cm and are for body measurements, not for the underwear.

SHOES, SOCKS, GLOVES - STANDARD SIZE CHARTS

SHOES				SOCKS
Foot Length (cm)	Size EU	Size US	Size UK	Size
23	36	4	3,5	S
23,5	37	5	4	
24	38	6	5	
25	39	6,5	5,5	
25,5	40	7,5	6,5	M
26	41	8	7	
27	42	9	8	L
27,5	43	10	9	
28	44	10,5	9,5	XL
29	45	11,5	10,5	
29,5	46	12	11	
30	47	13	12	
31	48	14	13	



GLOVES		
Hand Dimensions (cm)	Size	
20-21	8	XS
21-22	9	S
22-23	10	M
23-24	11	L
24-25	12	XL





HERO SUPERLIGHT TS-10

NEW 8856-2018

 **EXCLUSIVE TECHNICAL SOLUTION**
MADE IN SABELT



 **APPROVED**

SIZES **46-60**

FIA 8856-2018

MANUFACTURER: SABELT
MODEL: HERO SUPERLIGHT TS-10
HOM. NO: DC.108.20-O
FIA STANDARD: 8856-2018

MADE IN ITALY

SANDWICH WEIGHT: 265 g/m²

AVAILABLE SFI 3.2A/5 - SFI 3.4



RFTITS10BLAZ..

RFTITS10NRBI..

RFTITS10RSBI..

RFTITS10BINR..

HERO GT PRO TS-10



HERO GT PRO TS-10

NEW 8856-2018

**EXCLUSIVE TECHNICAL SOLUTION
MADE IN SABELT**



FIA APPROVED

SIZES **46-60**

FIA 8856-2018

MANUFACTURER: SABELT
MODEL: HERO SUPERLIGHT TS-10
HOM. NO: DC.108.20-O
FIA STANDARD: 8856-2018

MADE IN ITALY

SANDWICH WEIGHT: 265 g/m²

AVAILABLE SFI 3.2A/5 - SFI 3.4



RFTIGTPROTS10RSBI.. RFTIGTPROTS10NRBI.. RFTIGTPROTS10BINR.. RFTIGTPROTS10BLBI..



HERO GT TS-9

FIA APPROVED SIZES **46-66** FIA 8856-2000
 MANUFACTURER: SABELT MODEL: HERO TS-9 HOM. NO: RS.300.16 FIA STANDARD: 8856-2000
MADE IN ITALY SANDWICH WEIGHT: 295 g/m²



RFTIGTTS9RS.. RFTIGTTS9BL.. RFTIGTTS9BGR.. RFTIGTTS9NRGR.. RFTIGTTS9NRGF.. RFTIGTTS9AFBL..



CHALLENGE TS-3



CHALLENGE TS-3



FIA APPROVED

SIZES 46-66

FIA 8856-2000

MANUFACTURER: SABELT
MODEL: CHALLENGE TS-3
HOM. NO: RS.298.16
FIA STANDARD: 8856-2000

MADE IN ITALY

SANDWICH WEIGHT: 380 g/m²



RFTITS3VR..

RFTITS3BR..

RFTITS3NG..

RFTITS3NR..

RFTITS3RS..

RFTITS3BL..

CHALLENGE TS-2

NEW 8856-2018



EXCLUSIVE TECHNICAL SOLUTION
MADE IN SABELT



Hidden shoulder handle

Lower neck collar

Internal elastic band



MANUFACTURER: SABELT
MODEL: CHALLENGE TS-2
HOM. NO.: ---
FIA STANDARD: 8856-2018

SIZES **44-66**

FIA 8856-2018

MADE IN ITALY

SANDWICH WEIGHT: 360 g/m²

AVAILABLE SFI 3.2A/5 - SFI 3.4



RFTITS2NR..

RFTITS2BI..

RFTITS2RS..

TI-090



RFTI090NR..

FIA APPROVED

MANUFACTURER: SABELT
MODEL: TI-090
HOM. NO: RS.269.15
FIA STANDARD: 8856-2000

SIZES **S-XXL**

FIA 8856-2000

PESO SANDWICH / SANDWICH WEIGHT: 395 g/m²

LASER TS-10 / TS-2

ON DEMAND

NEW 8856-2018

AVAILABLE ALSO IN 8856-2000 CONFIGURATION



FIA APPROVED

MANUFACTURER: SABELT
MODEL: HERO SUPERLIGHT TS-10
HOM. NO: TS-10
FIA STANDARD: 8856-2018

FIA APPROVED

MANUFACTURER: SABELT
MODEL: CHALLENGE TS-2
HOM. NO: TS-10
FIA STANDARD: 8856-2018

MADE IN ITALY



HERO PRO TB-10

S EXCLUSIVE TECHNICAL SOLUTION
MADE IN SABELT

HERO PRO TB-10

NEW 8856-2018

SUPERLIGHT



FIA APPROVED

SIZES 36-48

FIA 8856-2018

MANUFACTURER: SABELT
MODEL: HERO PRO TB-10
HOM. NO: DC.098.20-Z
FIA STANDARD: 8856-2018

MADE IN ITALY



RFTB10NR..



RFTB10RS..



RFTB10BL..



RFTB10BI..

LASER TB-3



EXCLUSIVE TECHNICAL SOLUTION
MADE IN SABELT



SIZES 39-46

FIA 8856-2018

MANUFACTURER: SABELT
MODEL: LASER TB-3
HOM. NO.:
FIA STANDARD: 8856-2018

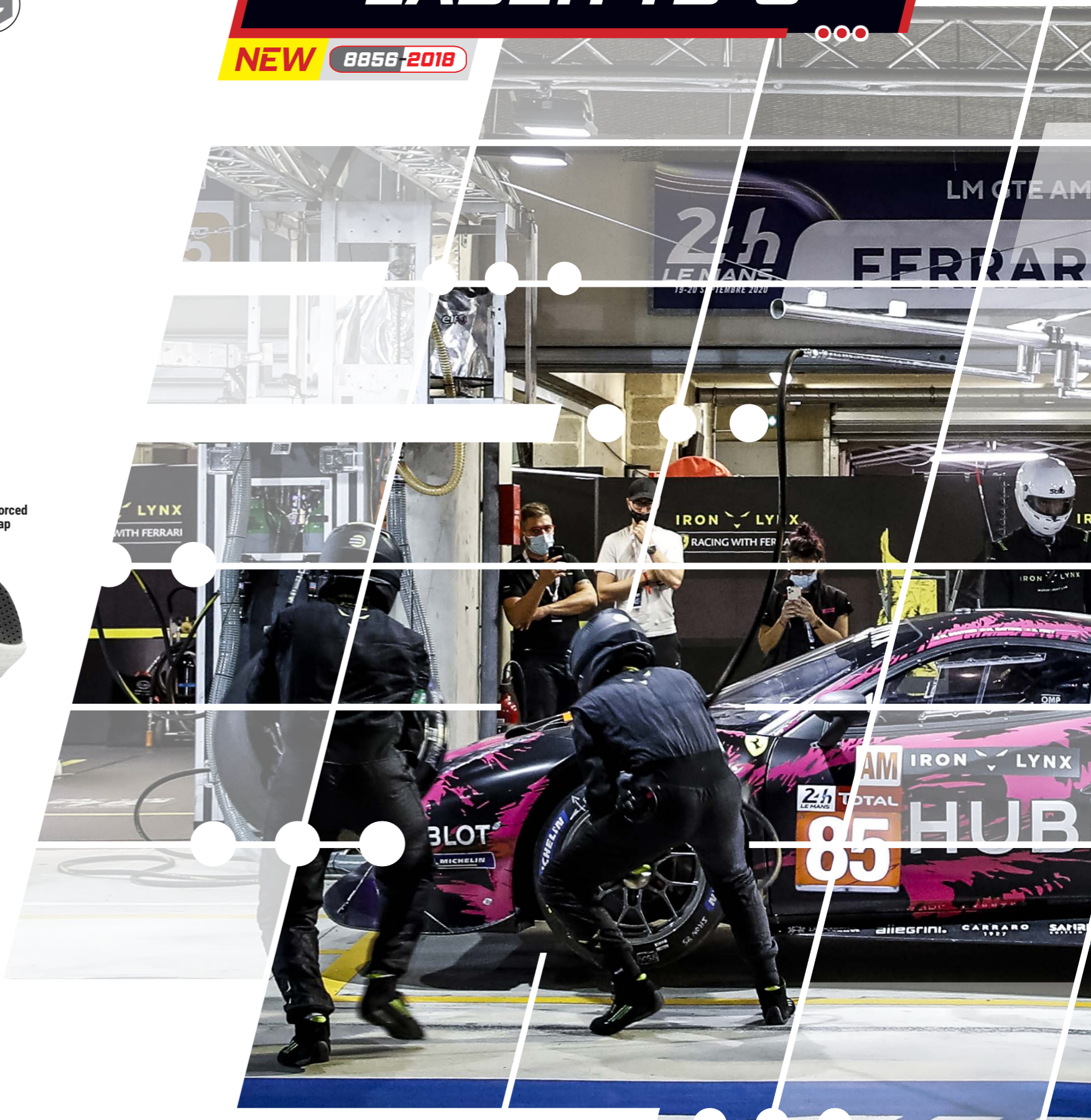
MADE IN ITALY



RFTB03LASERNR..

LASER TB-3

NEW 8856-2018



CHALLENGE TB-2



EXCLUSIVE TECHNICAL SOLUTION
MADE IN SABELT

NEW 8856-2018



FIA APPROVED

SIZES 36-48

FIA 8856-2018

MANUFACTURER: SABELT
MODEL: CHALLENGE TB-2
HOM. NO.:
FIA STANDARD: 8856-2018

MADE IN ITALY



RFTB02NR..

CLASSIC TB-2



EXCLUSIVE TECHNICAL SOLUTION
MADE IN SABELT

NEW 8856-2018



FIA APPROVED

SIZES 36-46

FIA 8856-2018

MANUFACTURER: SABELT
MODEL: CHALLENGE TB-2
HOM. NO.:
FIA STANDARD: 8856-2018

MADE IN ITALY



RFTB02CLASSICRS..

RFTB02CLASSICNR..

HERO TB-9



FIA APPROVED

SIZES **36-48**

FIA 8856-2000

MANUFACTURER: SABELT
MODEL: HERO TB-9
FIA STANDARD: 8856-2000

MADE IN ITALY



RFTB09BL..

RFTB09NR..

RFTB09RS..

RFTB09BL..

CHALLENGE MB-3

New mechanic shoe. Suede vamp. Wide sole, with a new anti-slip geometry to ensure safety and grip. Antistatic, flameproof and antifiammaand oils and hydrocarbons resistant mesh. Soft rear tongue to ensure better comfort. New coordinate image.

RFMB03NR..



Wide sole, with special grip design allowing easy bending.

FIA APPROVED

SIZES **36-46**

FIA 8856-2000

MADE IN ITALY

MANUFACTURER: SABELT
MODEL: CHALLENGE MB-3
FIA STANDARD: 8856-2000

CHALLENGE TB-3



FIA APPROVED

SIZES **36-46**

FIA 8856-2000

MADE IN ITALY

MANUFACTURER: SABELT
MODEL: CHALLENGE TB-3
FIA STANDARD: 8856-2000



RFTB03NRG..

RFTB03BL..

RFTB03RS..

RFTB03NRR..

HERO SUPERLIGHT TG-10

HERO SUPERLIGHT TG-10

NEW 8856-2018



Pre-curved design

Flame retardant printing

External stitching



Silicone palm

Internal soft pad

Elasticated wrist

In compliance with:
FIA Standard 8856-2018

Manufacturer name:
Sabelt

Homologation N°: DC.
Not valid after 20

FIA APPROVED

SIZES 8-12

FIA 8856-2018

MANUFACTURER: SABELT
MODEL: HERO SUPERLIGHT TG-10
HOM. NO: DC.081.20-G
FIA STANDARD: 8856-2018

MADE IN ITALY



RFTG10RS..

RFTG10BL..

RFTG10NR..

RFTG10BI..



CHALLENGE TG-2

CHALLENGE TG-2

NEW 8856-2018



Internal stitching

Flame retardant printing



Suede leather palm

In compliance with:
FIA Standard 8856-2018
Manufacturer name:
XXXXXX
Homologation N°: DC.XXX.XX.X
Not valid after: 20XX

FIA APPROVED

MANUFACTURER: SABELT
MODEL: CHALLENGE TG-2
HOM. NO: DC.XXX.XX-G
FIA STANDARD: 8856-2018

SIZES 8-12

FIA 8856-2018

MADE IN ITALY



RFTG02NR..



HERO TG-9



FIA APPROVED
 MANUFACTURER: SABELT
 MODEL: HERO TG-9
 FIA STANDARD: 8856-2000

SIZES 8-12
FIA 8856-2000

MADE IN ITALY



RFTG09GFN.. RFTG09NRN.. RFTG09RSN.. RFTG09BIN.. RFTG09BLN..

CHALLENGE TG-3



FIA APPROVED
 MANUFACTURER: SABELT
 MODEL: CHALLENGE TG-3
 FIA STANDARD: 8856-2000

SIZES 8-12
FIA 8856-2000

MADE IN ITALY



RFTG03RS.. RFTG03BL.. RFTG03NR..

LASER TG-3

NEW 8856-2018



EXCLUSIVE TECHNICAL SOLUTION
MADE IN SABELT



Internal stitching

Knuckle impact absorber

Total wrist protection strap



Leather palm grip insert

Wheel gun protection



In compliance with:
FIA Standard 8856-2018
Manufacturer name:
Sabelt
Homologation N°: DC.XXX.XXX
Not valid after: 20XX

FIA APPROVED

MANUFACTURER: SABELT
MODEL: LASER TG-2
HOM. NO: XX.XXX.XX-X
FIA STANDARD: 8856-2018

SIZES **8-12**

FIA 8856-2018

MADE IN ITALY



RFTG03LASERNR..

TM-100

Mechanic suit made of 100% cotton, TI-520 design, floating sleeves, waist stretch band, two pockets.

SIZES **S-XXL**

M14360NSC..

Floating sleeves

Waist stretch band

100% cotton fabric

Internal pockets



Z120560
ONE SIZE

Protective gloves and arm protections against mechanical and thermal risks. Cotton and Kevlar fabric. Protects till 300° C. In compliance with European directives: -89/686 (dexterity 4) EN420:2003, -EN388:2003. Cut resistance (5/5). Abrasion resistance (2/4). Tearing resistance (4/4). Flammability resistance (4/4). Heat contact resistance (2/4).



Z120760
ONE SIZE

UI-600

NEW 8856-2018



New Aramidic/Viscosa material

Slim fit



External seams

FIA APPROVED

SIZES ONE SIZE
FIA 8856-2018

MANUFACTURER: SABELT
MODEL: UI-600 BALACLAVA
HOM. NO: DC.099.20-B
FIA STANDARD: 8856-2018

Z150UI600BALB
 Z150UI600BALN

FIA APPROVED

SIZES XS-XXL
FIA 8856-2018

MANUFACTURER: SABELT
MODEL: UI-600 TOP
HOM. NO: DC.100.20 -T
FIA STANDARD: 8856-2018

Z150UI600TOPB
 Z150UI600TOPN

FIA APPROVED

SIZES XS-XXL
FIA 8856-2018

MANUFACTURER: SABELT
MODEL: UI-600 PANT
HOM. NO: DC.101.20-L
FIA STANDARD: 8856-2018

Z150UI600PANTB
 Z150UI600PANTN

**STRETCH FIT
SEAMLESS
UNDERWEAR**



100% Aramidic fiber

Professional hand linking

FIA APPROVED

SIZES S-XL
FIA 8856-2018

MANUFACTURER: SABELT
MODEL: UI-600 SOCKS
HOM. NO: DC.088.20-S
FIA STANDARD: 8856-2018

Z150UI600SOCKSB
 Z150UI600SOCKSN

S EXCLUSIVE TECHNICAL SOLUTION MADE IN SABELT



UI-500



Aramidic/Lenzing RF fiber

Slim fit

FIA APPROVED
 MANUFACTURER: SABELT
 MODEL: UI-500 SOTTOCASCO
 FIA STANDARD: 8856-2000

SIZES **ONE SIZE**
 FIA 8856-2000

Z150UI500BALB
 Z150UI500BALN

FIA APPROVED
 MANUFACTURER: SABELT
 MODEL: UI-500 TOP
 FIA STANDARD: 8856-2000

SIZES **XS-XXL**
 FIA 8856-2000

Z150UI500TOPB
 Z150UI500TOPN

FIA APPROVED
 MANUFACTURER: SABELT
 MODEL: UI-500 PANT
 FIA STANDARD: 8856-2000

SIZES **XS-XXL**
 FIA 8856-2000

Z150UI500PANTB
 Z150UI500PANTN

STRETCH FIT SEAMLESS UNDERWEAR



UI-100



New Aramidic/Viscosa material

Regular fit

FIA APPROVED
 MANUFACTURER: SABELT
 MODEL: UI-100 BALACLAVA
 FIA STANDARD: 8856-2000

SIZES **ONE SIZE**
 FIA 8856-2000

Z150UI100BALB
 Z150UI100BALN

FIA APPROVED
 MANUFACTURER: SABELT
 MODEL: UI-100 LONG SLEEVE
 FIA STANDARD: 8856-2000

SIZES **S-XL**
 FIA 8856-2000

Z150UI100TOPB
 Z150UI100TOPN

FIA APPROVED
 MANUFACTURER: SABELT
 MODEL: UI-100 PANTS
 FIA STANDARD: 8856-2000

SIZES **S-XL**
 FIA 8856-2000

Z150UI100PANTB
 Z150UI100PANTN

100% Aramidic fiber

Professional hand linking

FIA APPROVED
 MANUFACTURER: SABELT
 MODEL: UI-100 SOCKS
 FIA STANDARD: 8856-2000

SIZES **S-XL**
 FIA 8856-2000

Z150UI100SOCKSBB



**Only the best
become Abarth**

We choose our partners with the same care that we use to tune every single Abarth. That's why only brands who share our values, passion for competition and determination to outdo themselves in every daily challenge enter our "workshops".



@dadocris_@riccardo_moro_hp



FIA APPROVED

MANUFACTURER: SABELT
MODEL: CHALLENGE TS-3
HOM. NO: RS.298.16
FIA STANDARD: 8856-2000

SIZES **46-66**

FIA 8856-2000

RFTITS3RSAB..

FIA APPROVED

MANUFACTURER: SABELT
MODEL: CHALLENGE TS-3
HOM. NO: RS.298.16
FIA STANDARD: 8856-2000

SIZES **S-XL**

FIA 8856-2000

Z150UI100TOPAB

FIA APPROVED

MANUFACTURER: SABELT
MODEL: CHALLENGE TS-3
HOM. NO: RS.298.16
FIA STANDARD: 8856-2000

SIZES **8-12**

FIA 8856-2000

RFTG03RSAB..

FIA APPROVED

MANUFACTURER: SABELT
MODEL: CHALLENGE TS-3
HOM. NO: RS.298.16
FIA STANDARD: 8856-2000

SIZES **36-47**

FIA 8856-2000

RFTB03RSAB..

ABARTH

COLLECTION

STEERING WHEELS



SW-833

RFV02029
ø 330 mm

30% LIGHTER



SW-633

RFV02010X
ø 330 mm

NO STITCHING



SW-465

RFV02009X
ø 350 mm

NO STITCHING



SW-733

RFV02026
ø 330 mm

NO STITCHING



SW-635

RFV02007X
ø 350 mm

NO STITCHING



SW-390

RFV02005X
ø 350 mm

NO STITCHING



ACCESSORIES



QUICK RELEASE



Quick release steering boss for group N cars, conformity to FIA regulation, compatible with all Sabelt 6-slot steering wheels.

M220SR6GRN



Quick release steering boss to be welded for Touring/Rally cars, conformity to FIA regulation, compatible with all Sabelt 6-slot steering wheels.

M220SR6B

TOW STRAP



CCAC0023_A

CCAC0027_A

CCAC0024_A

CCAC0028_A

CCAC0026_A

CCAC0025_A

Length: 260 mm. Hole diameter: 15,5 mm.

DOOR STRAP



Door strap to be fixed on the door panel. Length: 220 mm. Hole diameter: 9.5 mm.

CCAC0043_A

NOTEBOOK



Size 22 x 17,5 cm
Z240600

CO-DRIVER POCKET



RFTINAVRS

RFTINAVBR

RFTINAVBI

RFTINAVNR

Nomex fabric. Velcro locking.
Size 17 x 23 cm.

SUIT BAG



Leather handle

Embroidered logo

Premium quality canvas



Hanger for drying

STANDARD COLOURS/CODES

RFBS0015 • 46x34x10 cm

WEEKEND BAG



Premium quality canvas

Internal pockets

Leather handle

Shoulder belt with snap hook

Leather reinforcement

Embroidered logo

STANDARD COLOURS/CODES

RFBS0016NR • RFBS0016RS • 55x37x23 cm

NEW

K-WAY



Regular fit

Nylon ripstop
water repellent

Taped seams

STANDARD COLOURS/CODES

RSPW014BL... • Sizes: XS - XXL

NEW

CO-DRIVER BAG



Co-Driver bag, very thin. Velcro back panel for door bars universal fixation, phone compartment and external pockets.

STANDARD COLOURS/CODES

RFBS0039 • 27x36x7 cm

PININFARINA PF-1

Shoe born from the collaboration between Sabelt and Pininfarina. The union of two Italian excellences to create an exclusive and iconic product. This model is characterized by Sabelt's Racing experience and by a unique and cool design which distinguishes Pininfarina's style.



STANDARD COLOURS/CODES

RFTBR4PIN.. • Sizes: 39 - 45





OFFICIAL SUPPLIER
SCUDERIA FERRARI



Sabelt

Discover other automotive seats on our website.