

Sabelt[®]

2019

2019 • CATALOGUE

Sabelt[®]

Sabelt

Sabelt[®]



OFFICIAL SUPPLIER
SCUDERIA FERRARI

Sabelt[®]



12
HARNESSES

56
NETS

60
SEATS

92
RACING WEAR

128
MECHANICS

134
STEERING WHEELS

138
ACCESSORIES

HERITAGE



Our personal history shows what we are able to be and identify what we could become. We have provided the top historical car manufacturers with innovative restraint systems for decades, combining a smart use of seat belts and seats for different applications: from the world of motorsport to the automotive industry and the aerospace. Top Formula 1 drivers past and present as Ayrton Senna, Michael Schumacher, Sebastian Vettel and Daniel Ricciardo have chosen to work and collaborate with us.

SAFETY



For Sabelt, safety is of the utmost importance: first in the car, supplying the best seat belts in the world, second for drivers all over categories and championships. We develop new technologies, new solutions and new materials: that's why we have expanded our offer. Today Sabelt is not only the European leader for safety belts but it is a company able to invest, to develop and to produce accessories, fire-proof wear and seats for every type of race. We have provided the top historical car manufacturers and drivers with innovative restraint systems for decades and we are the only one able to test components at extreme conditions thanks to an internal advanced dynamic crash test. To reach so important goals, we set high technology laboratories, we receive the best specialists of this sector and we choose the most reliable partners.



DESIGN

Sabelt offers high performance levels integrated with style and design. Each component is designed and engineered either exclusively by Sabelt in support with external Design&Style centres or in partnership with the client.



INNOVATION

We transform ideas into products. We collaborate with our customers to study new and better solutions and meet specific needs and new requirements. All our products are the result of a process that brings together various novel ideas with engineering and technology. The quality of Sabelt products is the result of intensive R&D which allows to achieve the highest levels of performance and safety.

OEM



**SPECIAL
APPLICATIONS**



Sabelt has developed and implemented a new business unit dedicated to application of seatbelts in niche markets, such as Military, Aviation, Aerospace, Tractors, Bus and many fields in which small customized products for niche markets may be requested. Thanks to a long-lasting experience in this field and to a fully equipped laboratory, Sabelt is able to produce and supply safety belts for several different applications.

HARNESSES



FIA 8853-2016

SALOON / RALLY

SILVER

CCA622SRDLPM

NEW



STEEL

CCS632SRDN



GOLD

CCG832FSR

NEW



CCA622SRDNI

NEW



CCS622SRUN



CCG622FSR

NEW



CCA622SRUN1



CCS633SRUN



SILVER

CCA622FRUN1

NEW



CCA633SRUN



STEEL

CCS622FRUN

NEW



8854/98

SALOON / RALLY

SILVER

CCA433SRDN

NEW



STEEL

CCS433SRDN

NEW



CCS433SRUN



SFI

SINGLE STRAP

SHOULDER

CASP2133_KIT

NEW



CASP2135_KIT

NEW



CASP2136_KIT

NEW



CASP2151_KIT

NEW



LAP

CAAD2140

NEW



CAAD2141

NEW



CAAD2142

NEW



CAAD2143

NEW



CAAD2154

NEW



CROTCH

CAC02075_KIT

NEW



CAC02076_KIT

NEW



INDYCAR

CFCI2294



CFCI2339



NASCAR

CFCI2190



CFCI2256



CFCI2257



ECE

CLUBMAN

CFCC4046 (no ECE)



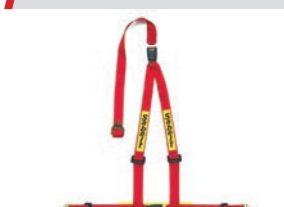
904020NP



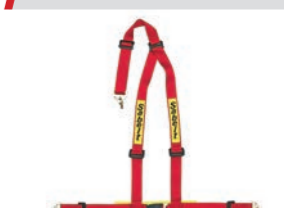
904070NP



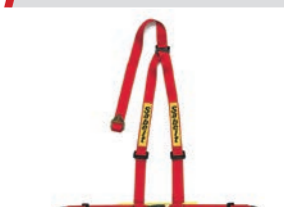
904059NP



904005N



904019N



BUCKLES



B1

Tongues entry designed to simplify the driver fastening. Machined from solid aluminium.



B5

Tongues entry designed to simplify the driver fastening. Quick release with spring ejectors. **255 g**



B2

With integrated crotch belt "T" type attachment. Aluminium. Patented buckle. **219 g**



B6

Developed with Formula1 Teams. Su-perlight buckle in machined from solid aluminium.



B3

For "Formula" safety belt developed in Formula1. Aluminium. Protection for the lever. **192 g**



B4

Buckle for 4 points safety belt. Dx fixed point. Aluminium. **184 g**

ADJUSTERS



A9

2" Quick release adjuster machined from solid aluminium. Developed in Formula1. **54 g**



A10

2" Quick release adjuster machined from solid aluminium. Developed for double shoulder belt. **74 g**



A1

Quick release adjuster for 3" webbing. Forged and anodized aluminium. **95 g**



A2

Quick release adjuster for 2" webbing. Forged and anodized aluminium. **70 g**



A3

Adjuster integrated to the buckle tongue designed for 2" webbing. Developed for GT/Endurance cars. Steel-aluminium. **123 g**



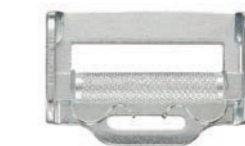
A4

Adjuster for 2" webbing. Steel-aluminium. **113 g**



A5

"America" adjuster for 3" webbing. Steel. **147 g**



A6

"America" adjuster for 2" webbing. Steel. **94 g**



A7

"Tribar" adjuster for 3" webbing. Steel. **110 g**



A8

"Tribar" adjuster for 2" webbing. Steel. **80 g**



A12

"Bufflug" steel adjuster. **63 g**



A11

Steel "Stop" adjuster for 2" webbing. **24 g**

FIXINGS



F1

Carabiner. Inox Steel. **24 g**



F2A

Snap hook in combination with A7 or A8. Steel. **77 g**



F2B

Sewn snap hook in combination with A7 or A8. Steel. **77 g**



F7

Titanium double fixing plate for 2" webbing. For M8 screw. **38 g**



F3A

Fixing plate in combination with A7 or A8. Steel. **63 g**



F3B

Sewn fixing plate in combination with A7 or A8. Steel. **63 g**



F5

"Wrap around" fixing in combination with A7 or A8.



F6

"Sewn loop" fixing.



F4

Sewn "P" type steel fixing plate. **47 g**



F8

Small Sewn fixing plate. **45 g**

TONGUES



T1

Lap belt tongue with ergonomic bend. Steel. **32 g**



T2

Shoulder belt tongue for 3" webbing. Steel. **30 g**



T3

Shoulder belt tongue for 2" webbing. Steel. **23 g**



T4

Titanium mini-tongue for CCG622FSR, CCG832FSR harnesses. **7 g**



T5

Titanium tongue for E1 harnesses. **9 g**



T6

Lap belt tongue with ergonomic bend. Titanium. **18 g**

OPTIONALS



O6

Intercom or Drink System cord.



O2

Logo printed directly on the webbing in high grip material for FHR.



O7

Hook and loop fastener on upper shoulder belt.



O4

Closure hook and loop fastener for adjustable straps.



O5

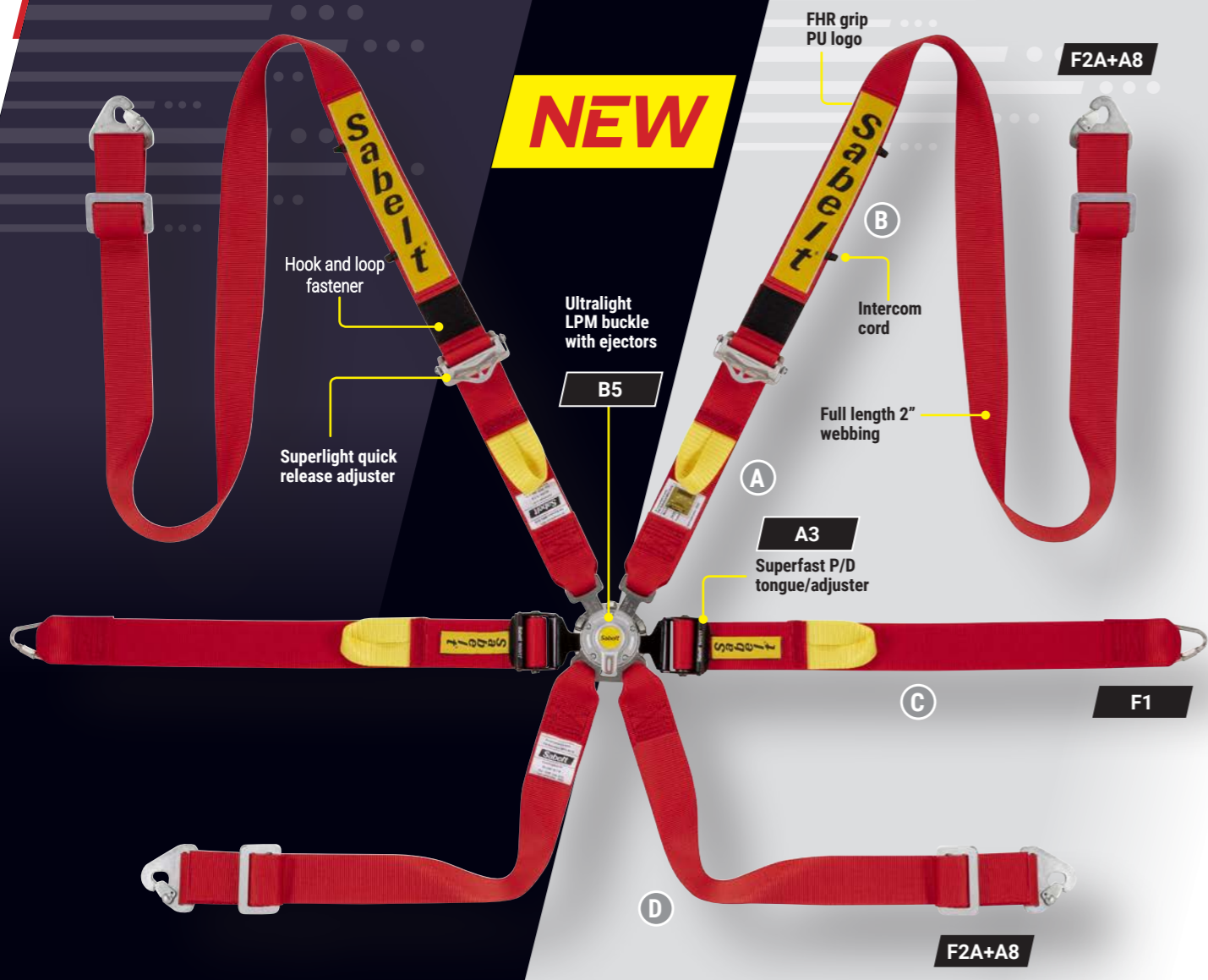
Ergonomic handle.

CCA622SRDLPM

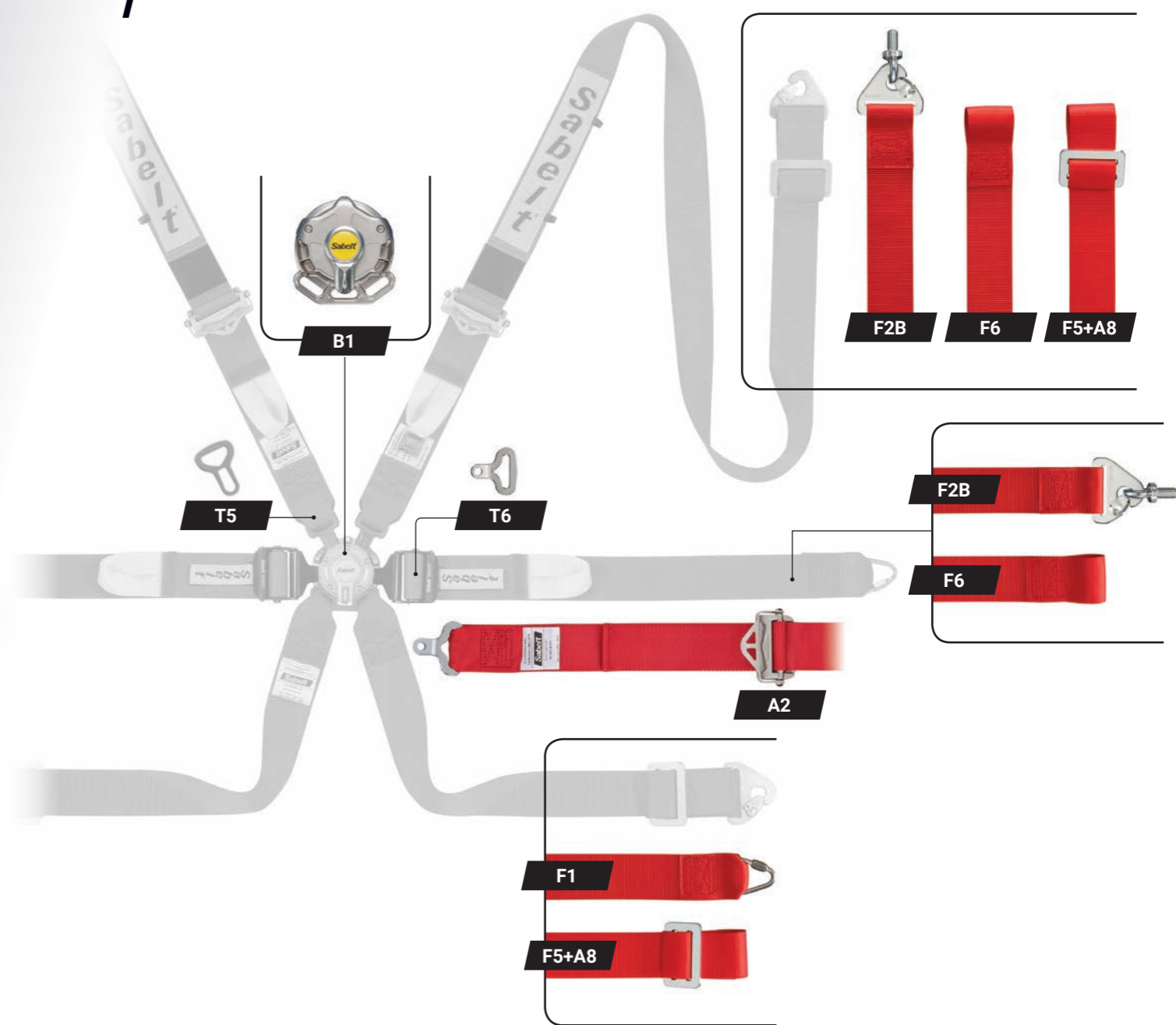
CCA622SRDLPM

STANDARD FEATURES

NEW



CONFIGURATIONS ON DEMAND



FIA APPROVED

SALOON

FIA 8853-2016

MANUFACTURER: SABELT
MODEL: E1
HOM. NO: SH.006.16-T-6
FIA STANDARD: 8853-2016

STANDARD MEASURES (mm)

A 380 • B 1700 • C 680 • D 850

STANDARD COLOURS/CODES

CCA622SRDLPM • CCA622SNDLPM • CCA622SBDLPM

OPTIONALS

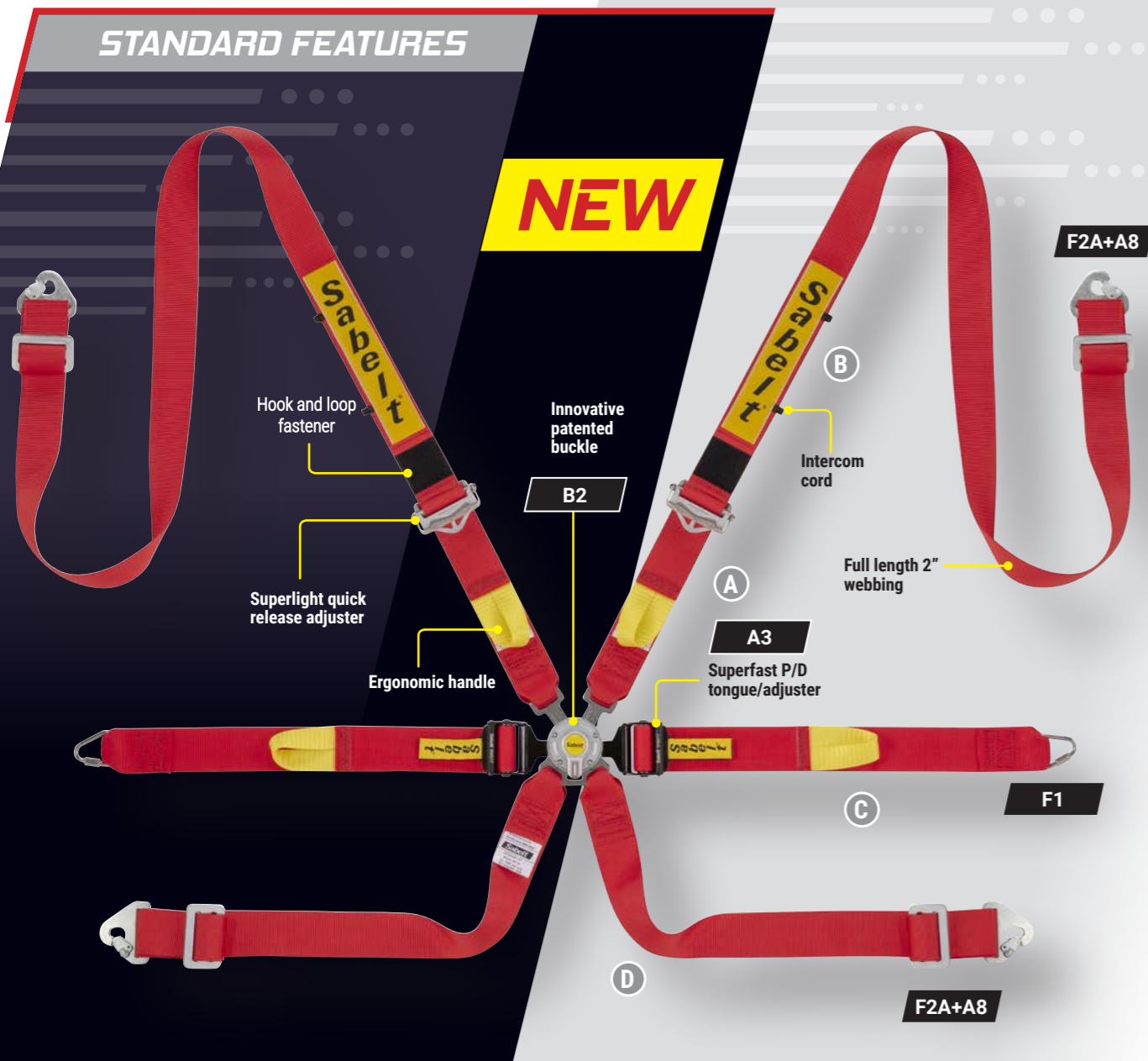


CCA622SRDN1

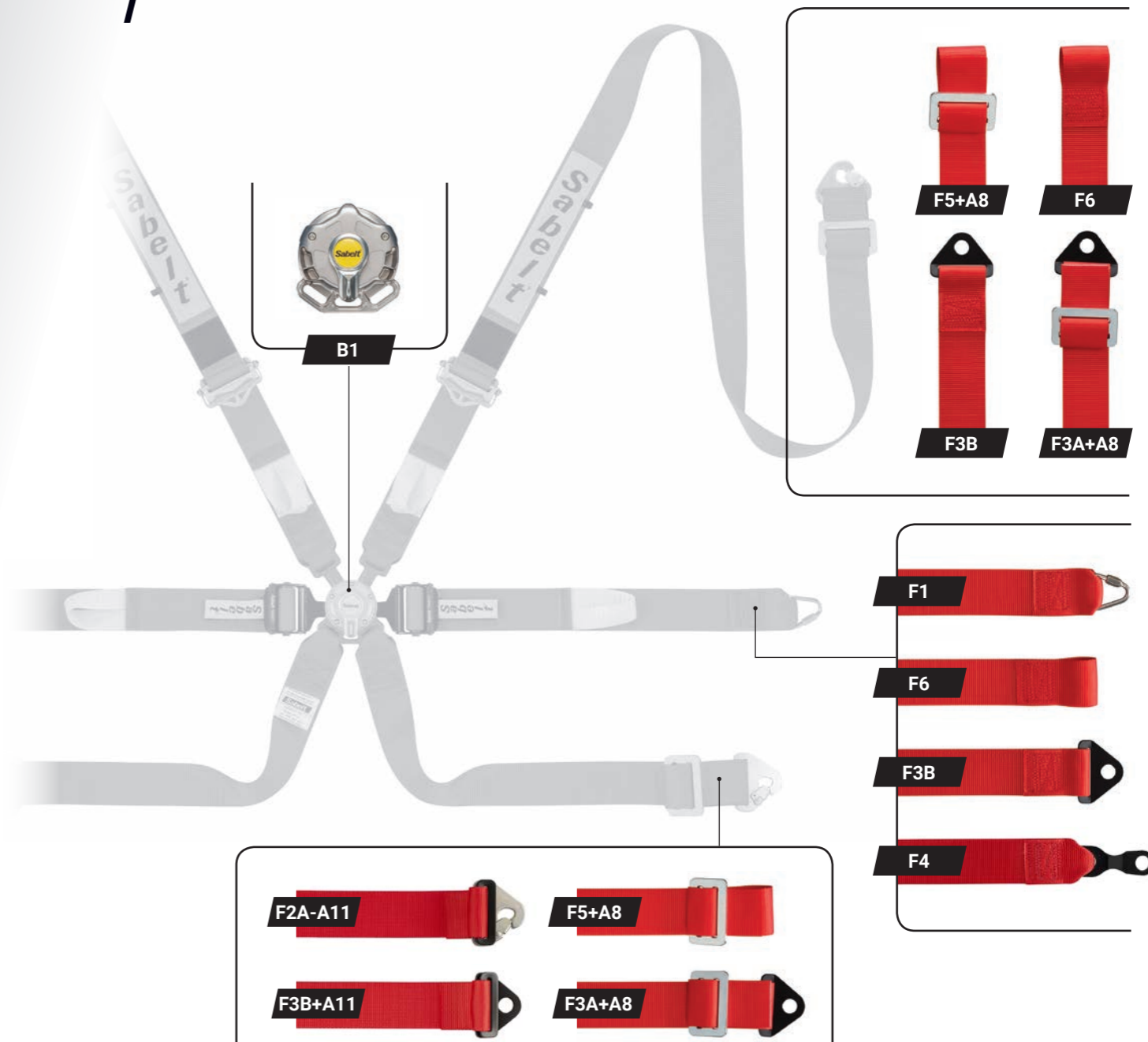
CCA622SRDN1

STANDARD FEATURES

NEW



CONFIGURATIONS ON DEMAND



FIA APPROVED

SALOON

FIA 8853-2016

MANUFACTURER: SABELT
MODEL: NEW SPEC SALOON
HOM. NO: SH.001.16-T-6
FIA STANDARD: 8853-2016

STANDARD MEASURES (mm)

A 380 • B 1700 • C 680 • D 850

STANDARD COLOURS/CODES

CCA622SRDN1 • CCA622SNDN1 • CCA622SBDN1

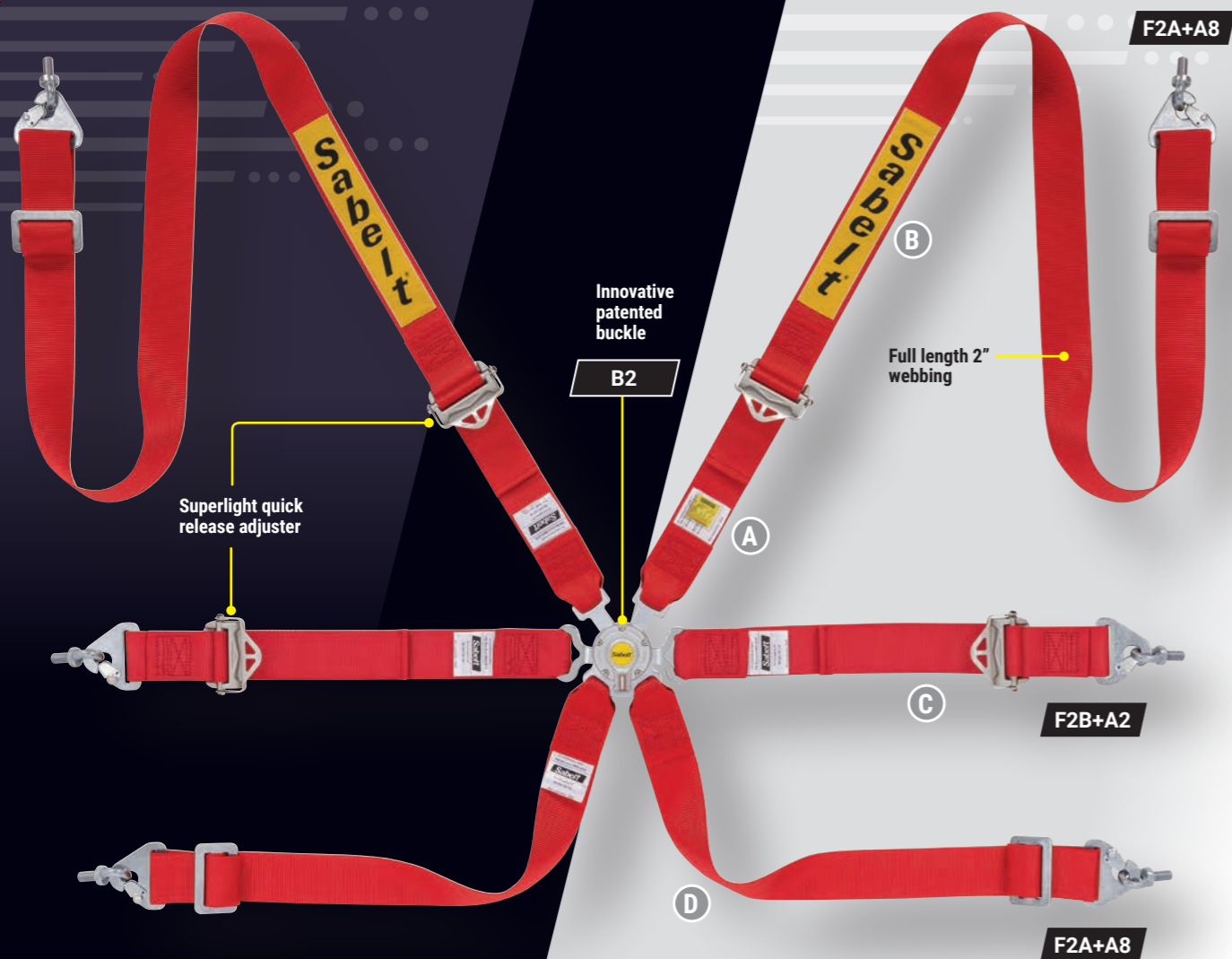
OPTIONALS



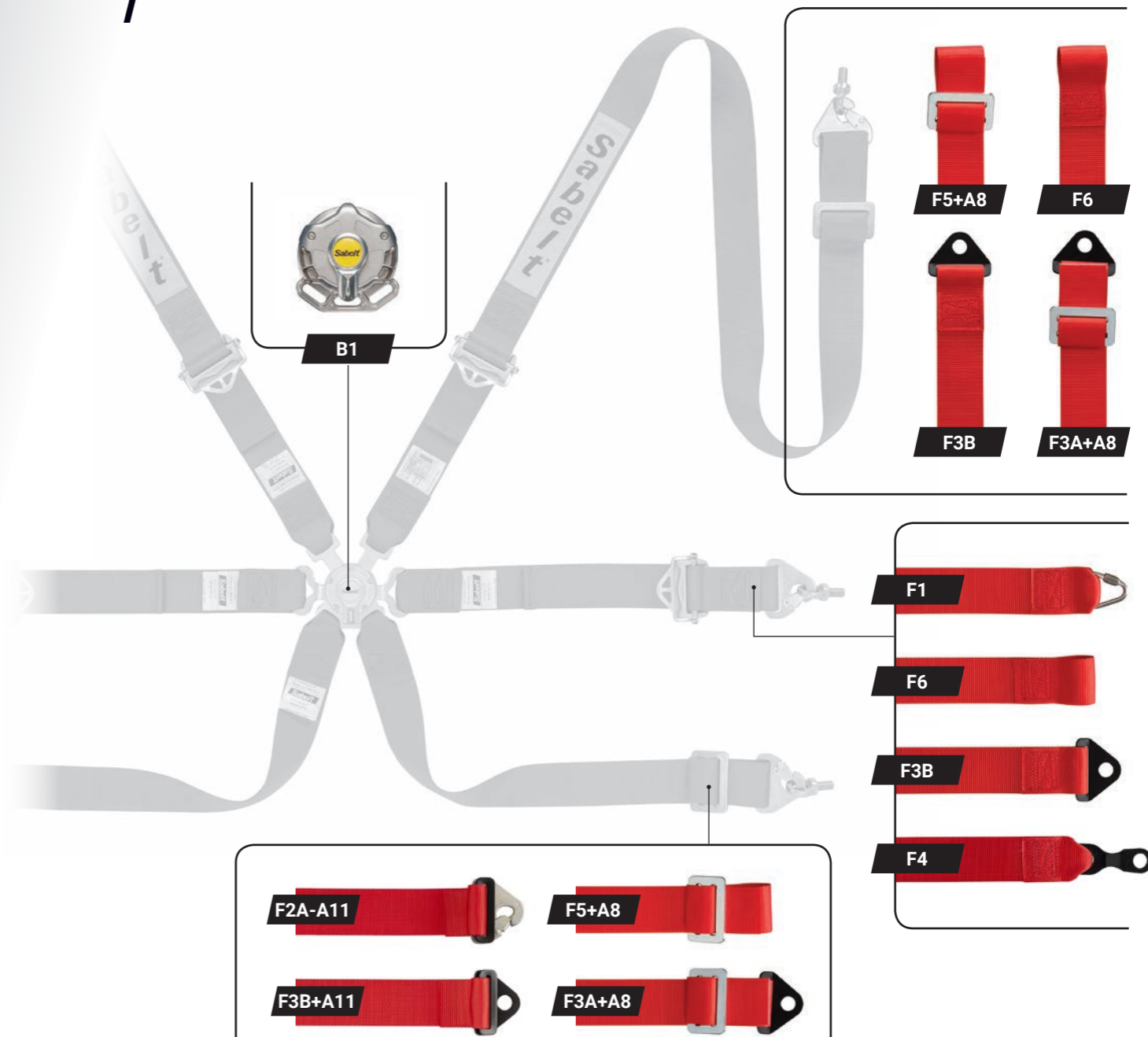
CCA622SRUN1

CCA622SRUN1

STANDARD FEATURES



CONFIGURATIONS ON DEMAND



SALOON / RALLY

FIA 8853-2016

MANUFACTURER: SABELT
MODEL: NEW SPEC SALOON
HOM. NO: SH.001.16-T-6
FIA STANDARD: 8853-2016

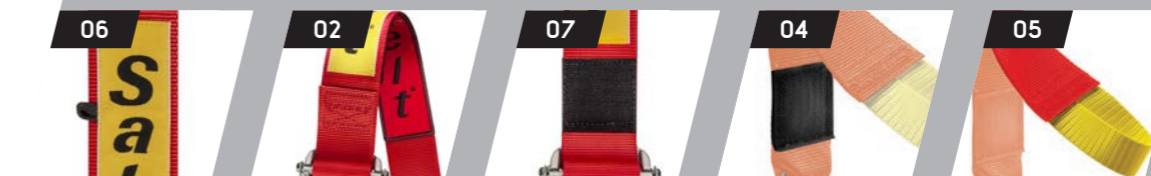
STANDARD MEASURES (mm)

A 380 • **B** 1700 • **C** 560 + 120 • **D** 850

STANDARD COLOURS/CODES

█ CCA622SRUN1 • █ CCA622SNUN1 • █ CCA622SBUN1

OPTIONALS



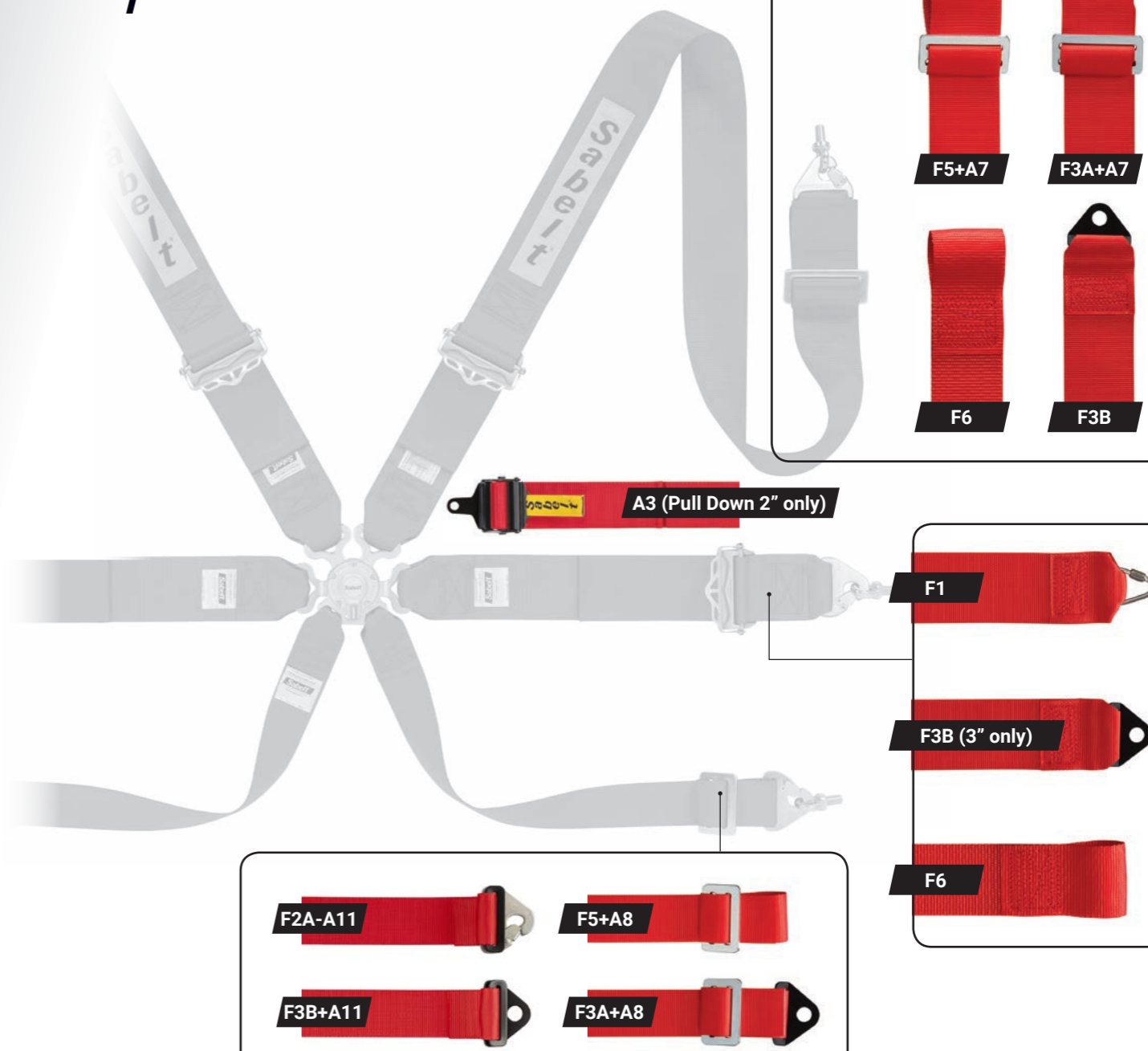
CCA633SRUN

CCA633SRUN

STANDARD FEATURES



CONFIGURATIONS ON DEMAND



SALOON

FIA 8853-2016

MANUFACTURER: SABELT
MODEL: NEW SPEC S3
HOM. NO: SH.031.17-T-6
FIA STANDARD: 8853-2016

STANDARD MEASURES (mm)

A 380 • B 1700 • C 560 + 120 • D 850

STANDARD COLOURS/CODES

CCA633SRUN • CCA633SNUN • CCA633SBUN

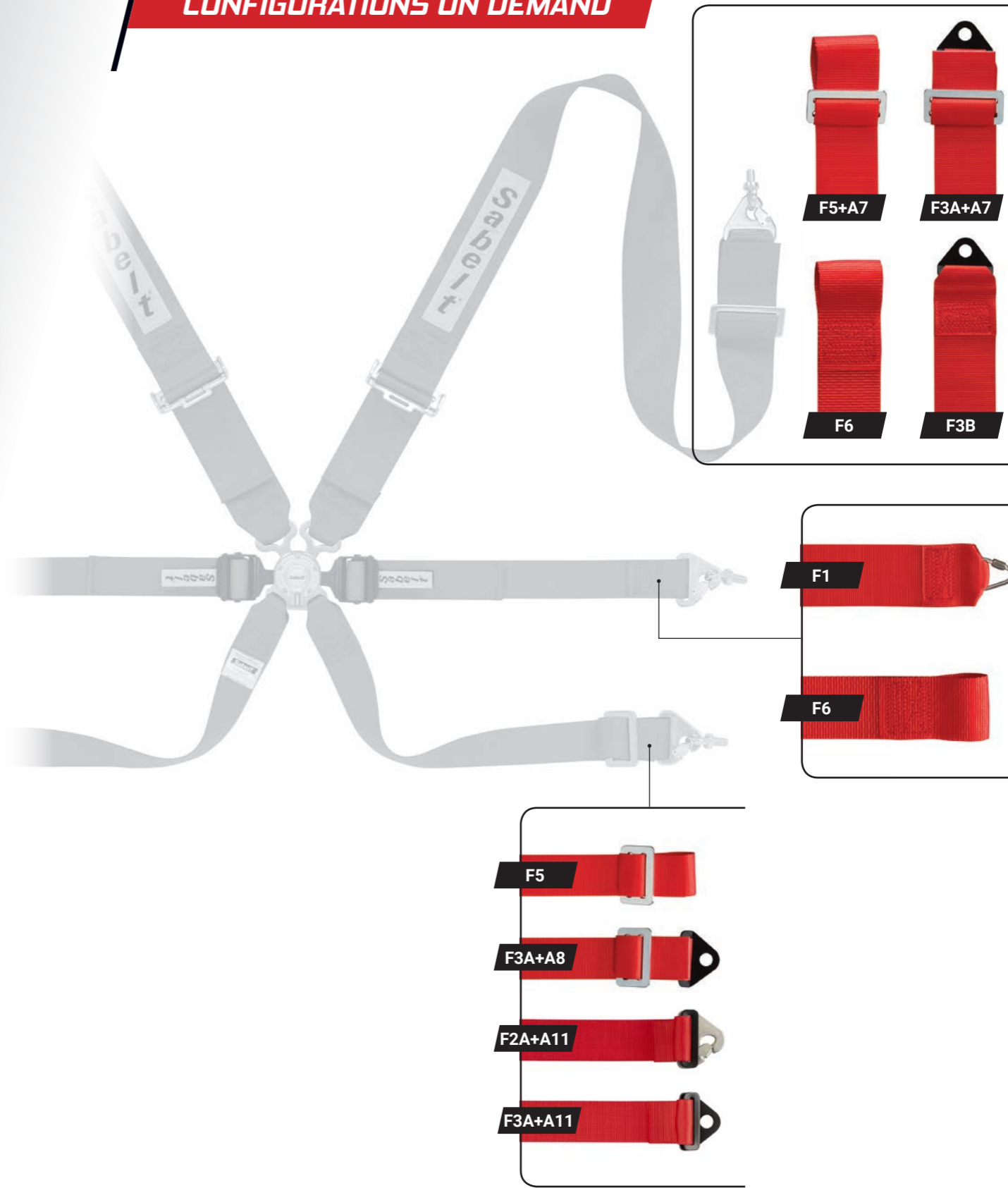
OPTIONALS



STANDARD FEATURES



CONFIGURATIONS ON DEMAND



SALOON

FIA 8853-2016

MANUFACTURER: SABELT
 MODEL: NEW SPEC S3
 HOM. NO: SH.031.17-T-6
 FIA STANDARD: 8853-2016

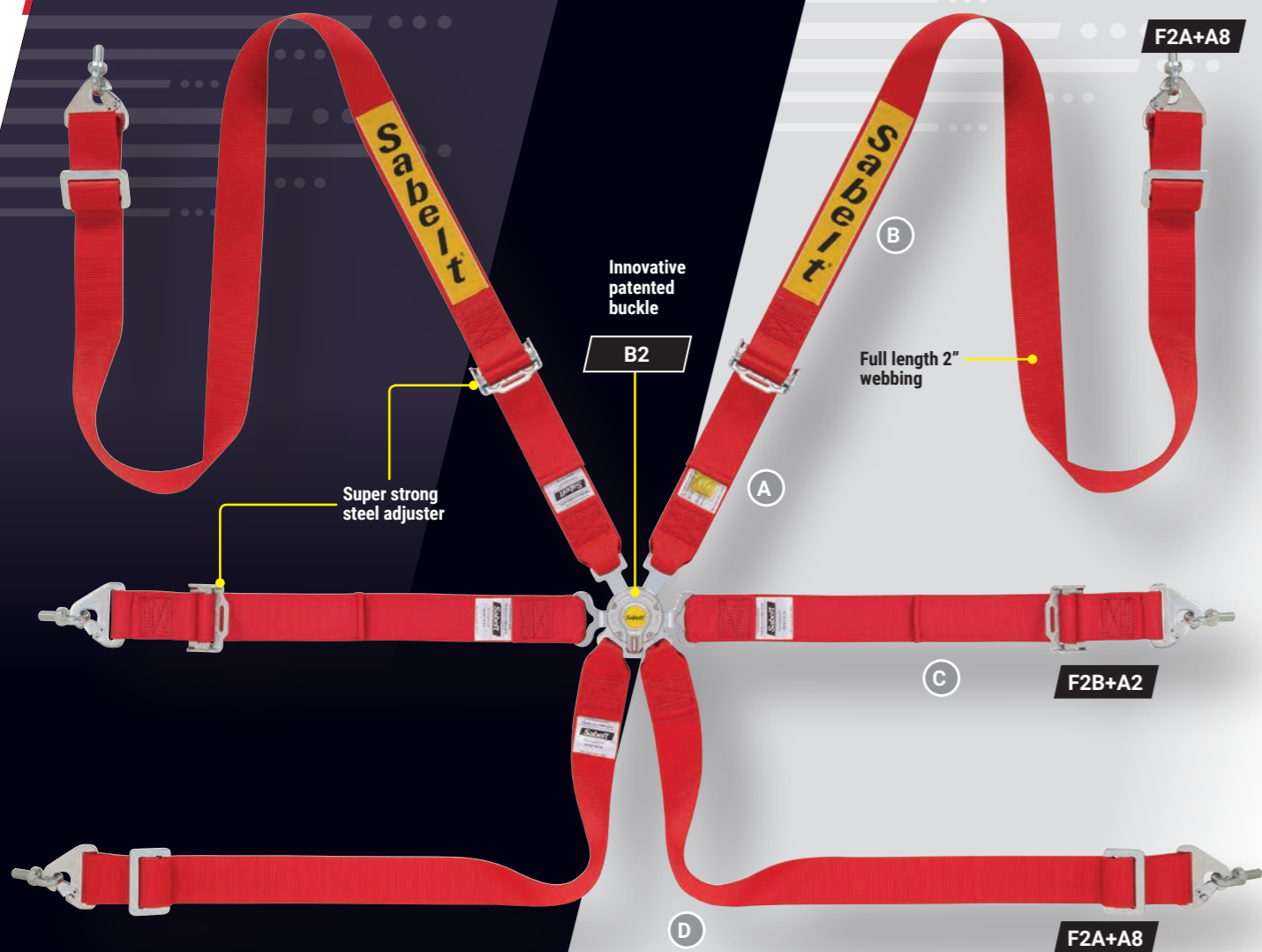
STANDARD MEASURES (mm)

A 380 • **B** 1700 • **C** 680 • **D** 850

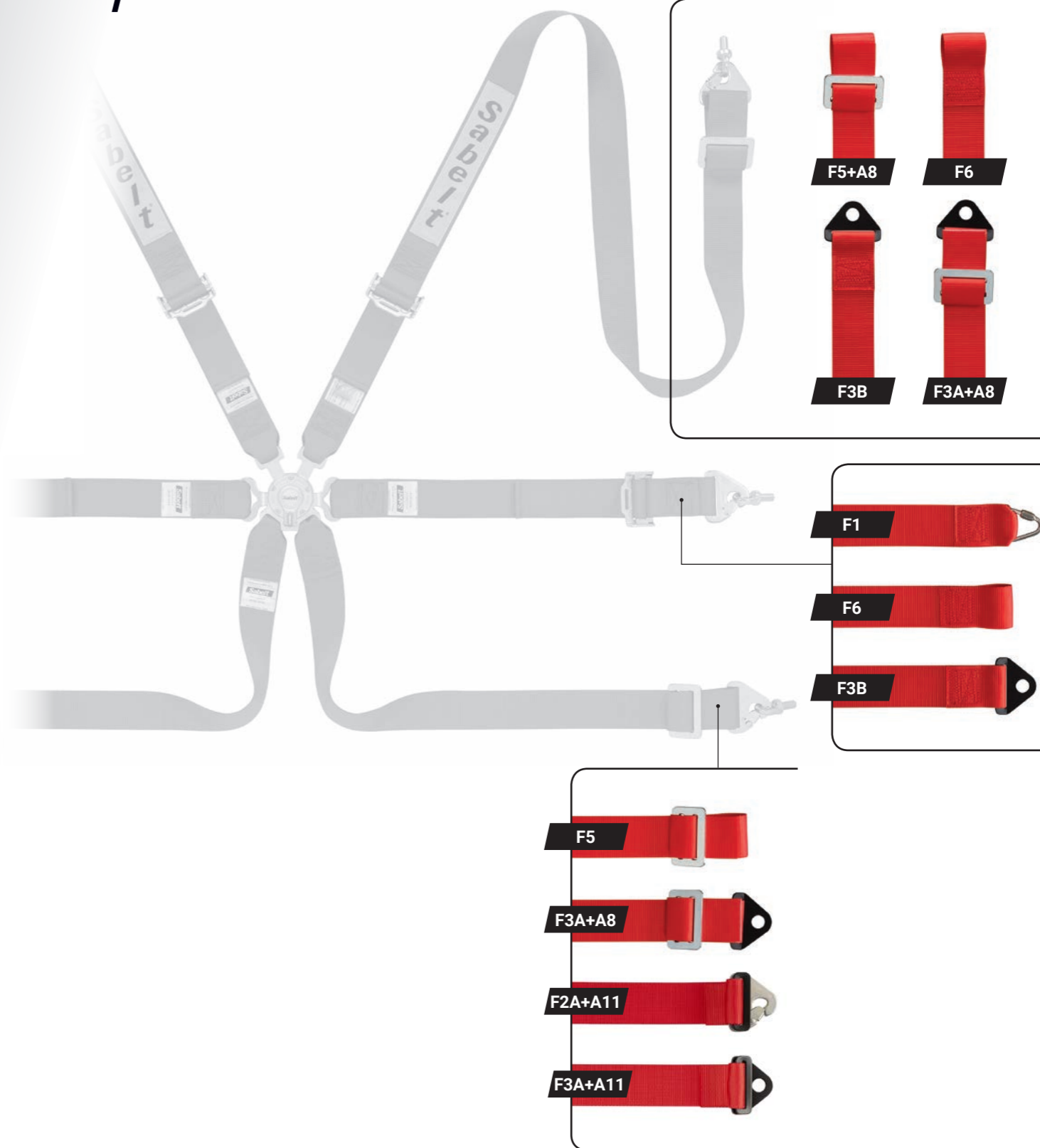
STANDARD COLOURS/CODES

■ CCS632SRDN • ■ CCS632SNDN • ■ CCS632SBDN

STANDARD FEATURES



CONFIGURATIONS ON DEMAND



FIA APPROVED

MANUFACTURER: SABELT
MODEL: NEW SPEC SALOON
HOM. NO: SH.001.16-T-6
FIA STANDARD: 8853-2016

SALOON

FIA 8853-2016

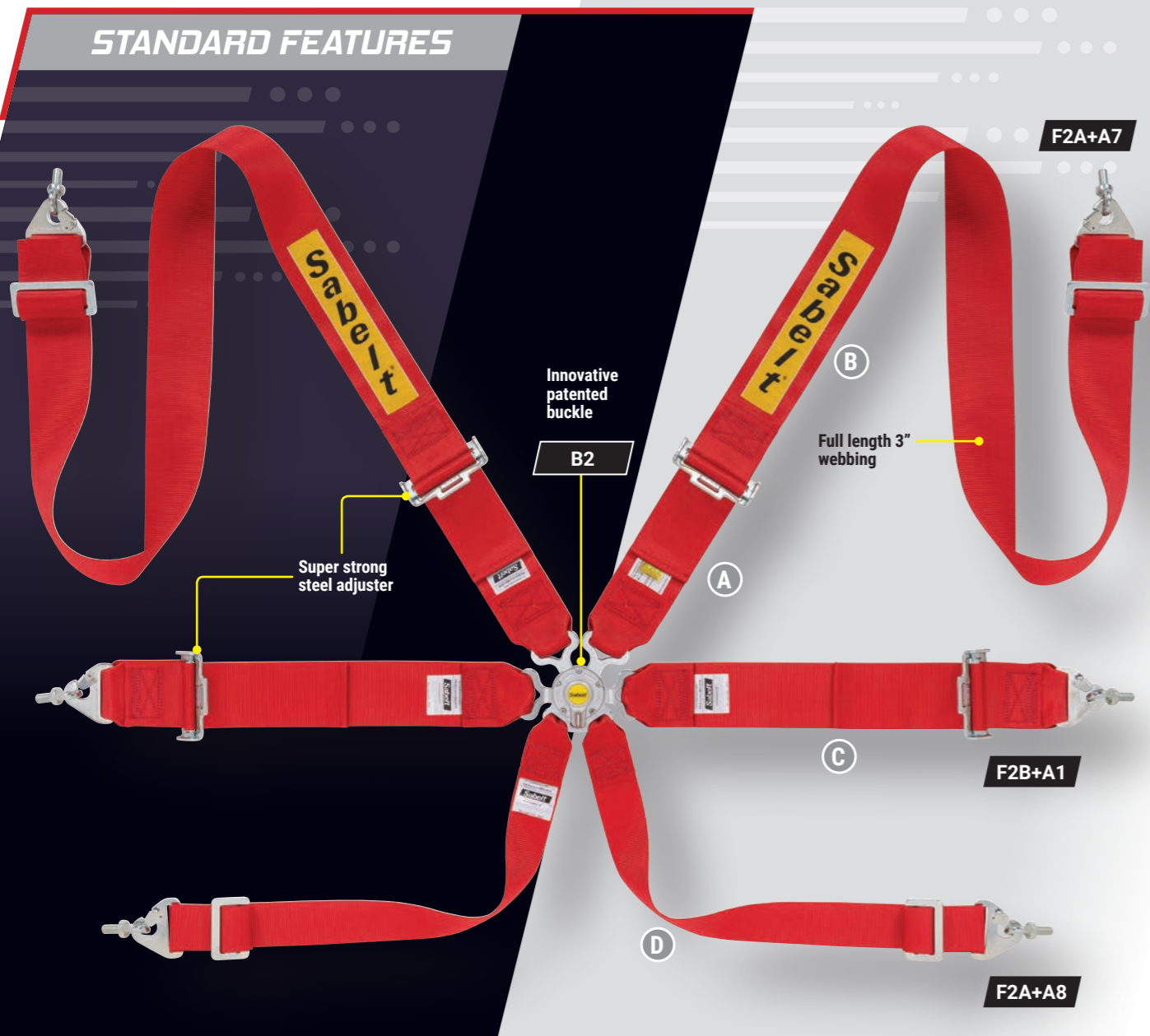
STANDARD MEASURES (mm)

A 380 • **B** 1700 • **C** 560 + 120 • **D** 850

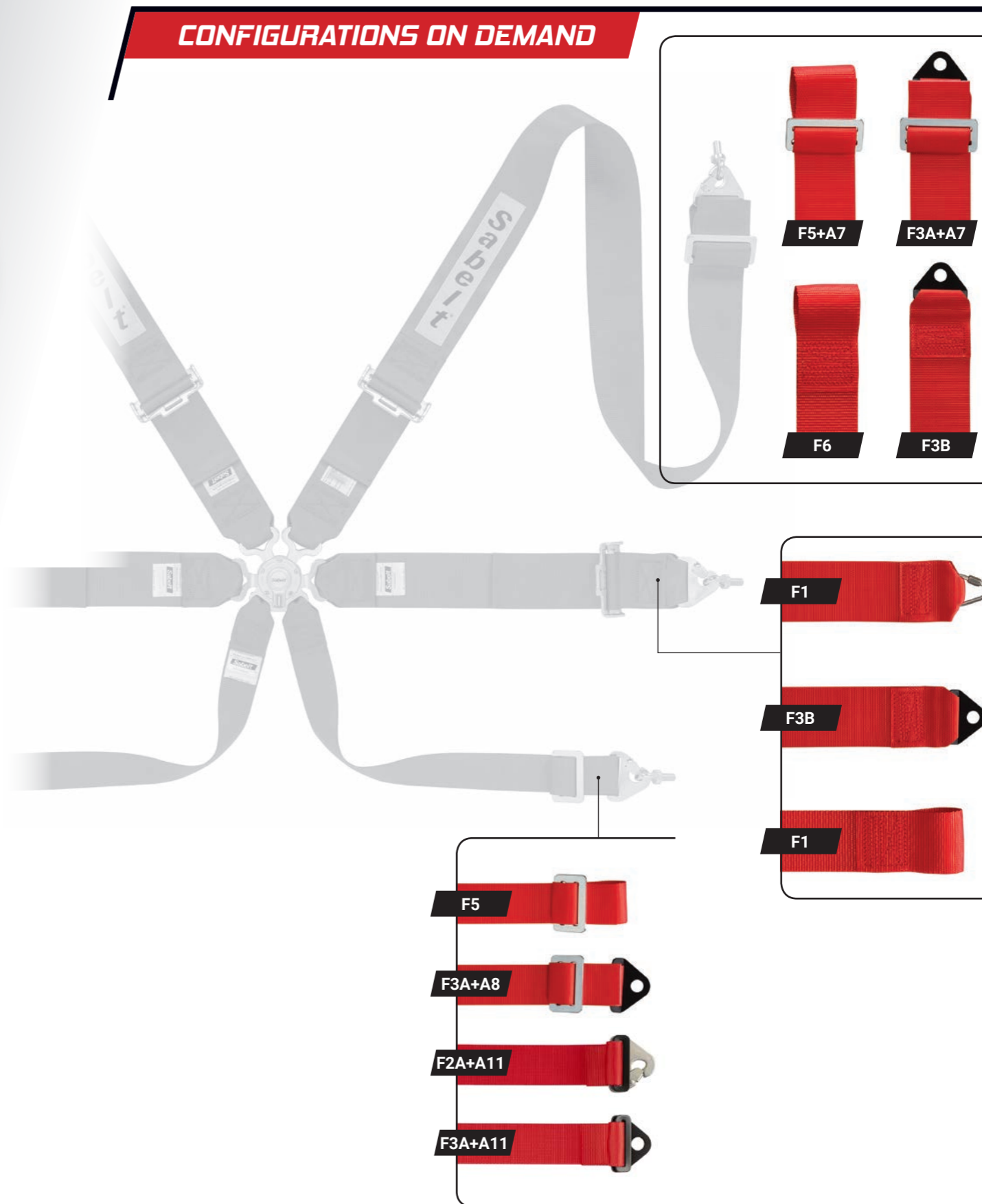
STANDARD COLOURS/CODES

■ CCS622SRUN • ■ CCS622SNUN • ■ CCS622SBUN

STANDARD FEATURES



CONFIGURATIONS ON DEMAND



FIA APPROVED

MANUFACTURER: SABELT
 MODEL: NEW SPEC S3
 HOM. NO: SH.031.17-T-6
 FIA STANDARD: 8853-2016

SALOON

FIA 8853-2016

STANDARD MEASURES (mm)

A 380 • **B** 1700 • **C** 560 + 120 • **D** 850

STANDARD COLOURS/CODES

■ CCS633SRUN • ■ CCS633SNUN • ■ CCS633SBUN

STANDARD FEATURES

NEW



FIA APPROVED

MANUFACTURER: SABELT
MODEL: ---
HOM. NO.: ---
FIA STANDARD: 8853-2016

FORMULA

FIA 8853-2016

STANDARD MEASURES (mm)

A 360 • B2 495+105 • B3 430 • C 975 • D 960
FULL Length FULL Length

STANDARD COLOURS/CODES

CCG832FSR • CCG832FSN

CCG622FSR

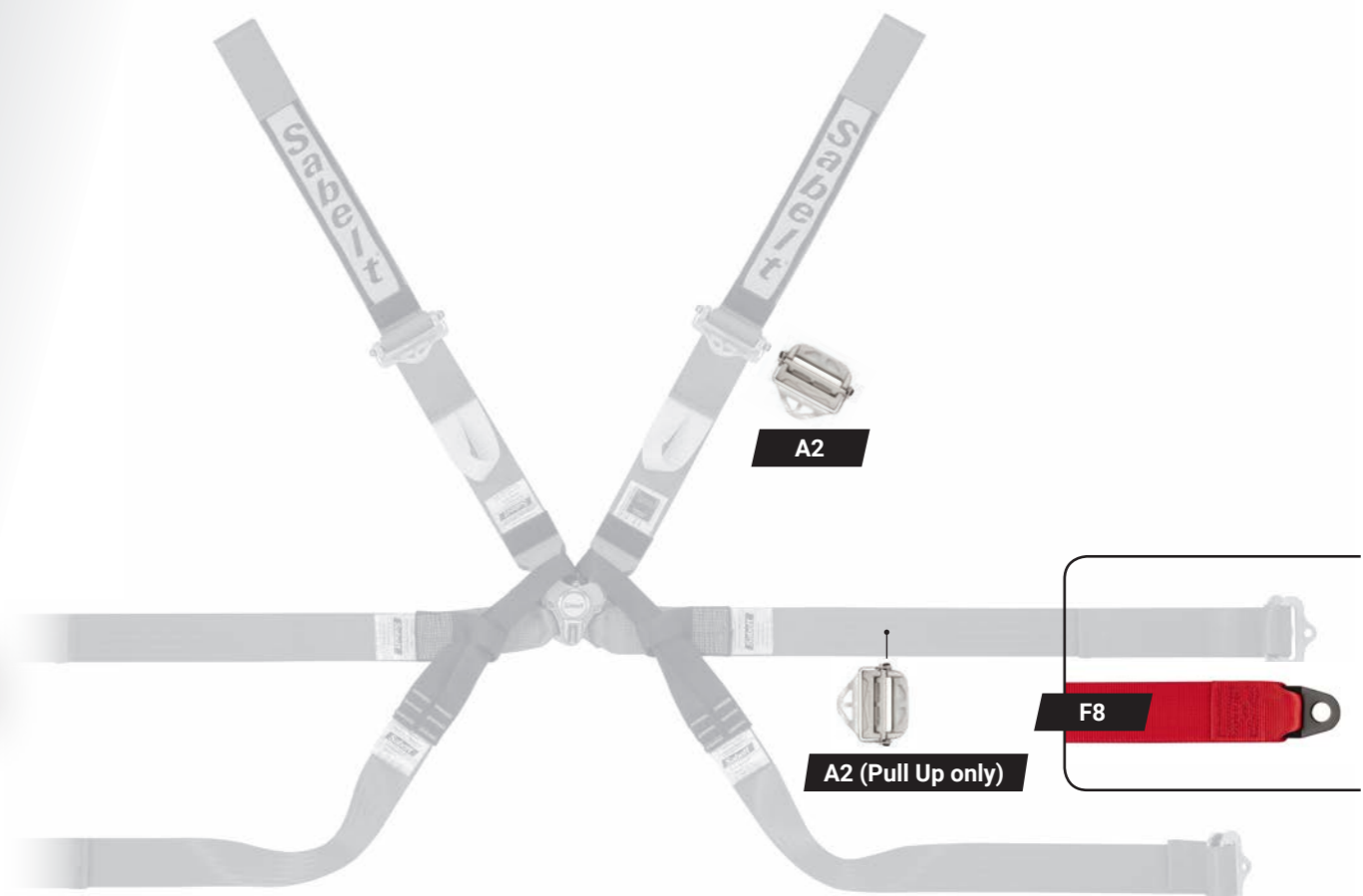
CCG622FSR

STANDARD FEATURES

NEW



CONFIGURATIONS ON DEMAND



FIA APPROVED

MANUFACTURER: SABELT
MODEL: NEW SPEC F3
HOM. NO: SH.047.18-T-6
FIA STANDARD: 8853-2016

FORMULA

FIA 8853-2016

STANDARD MEASURES (mm)

A 360 • **B** 370 • **C** 975 • **D** 960
FULL Length FULL Length

STANDARD COLOURS/CODES

■ CCG622FSR • ■ CCG622FSN

OPTIONALS



CCA622FRUN1

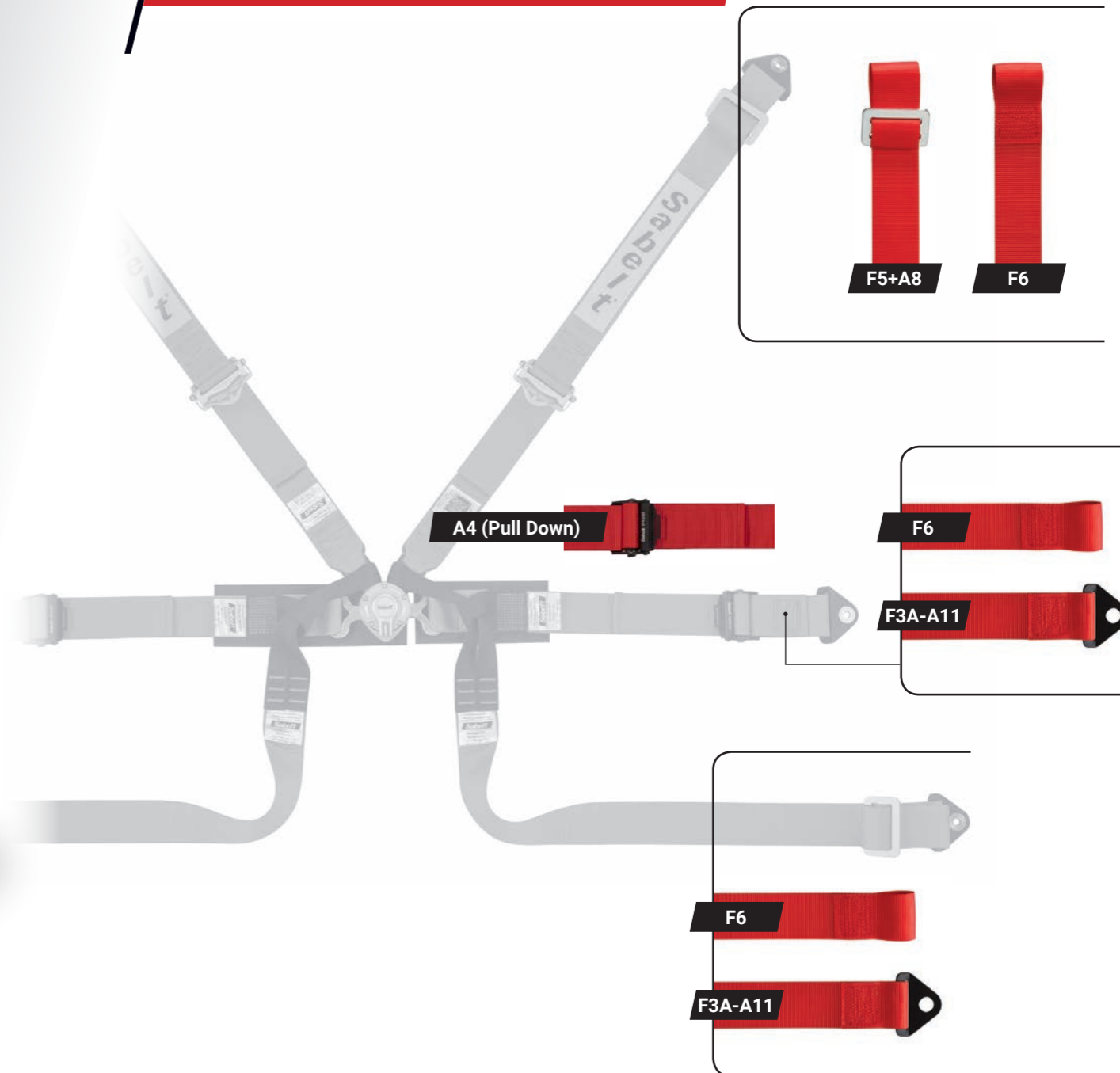
CCA622FRUN1

STANDARD FEATURES

NEW



CONFIGURATIONS ON DEMAND



FIA APPROVED

MANUFACTURER: SABELT
MODEL: NEW SPEC F2
HOM. NO: SH.033.17-T-6
FIA STANDARD: 8853-2016

FORMULA

FIA 8853-2016

STANDARD MEASURES (mm)

A 440 • B 700 • C 530 + 120 • D 1200

STANDARD COLOURS/CODES

CCA622FRUN1 • CCA622FNUN1 • CCA622FBUN1

OPTIONALS



CCS622FRUN

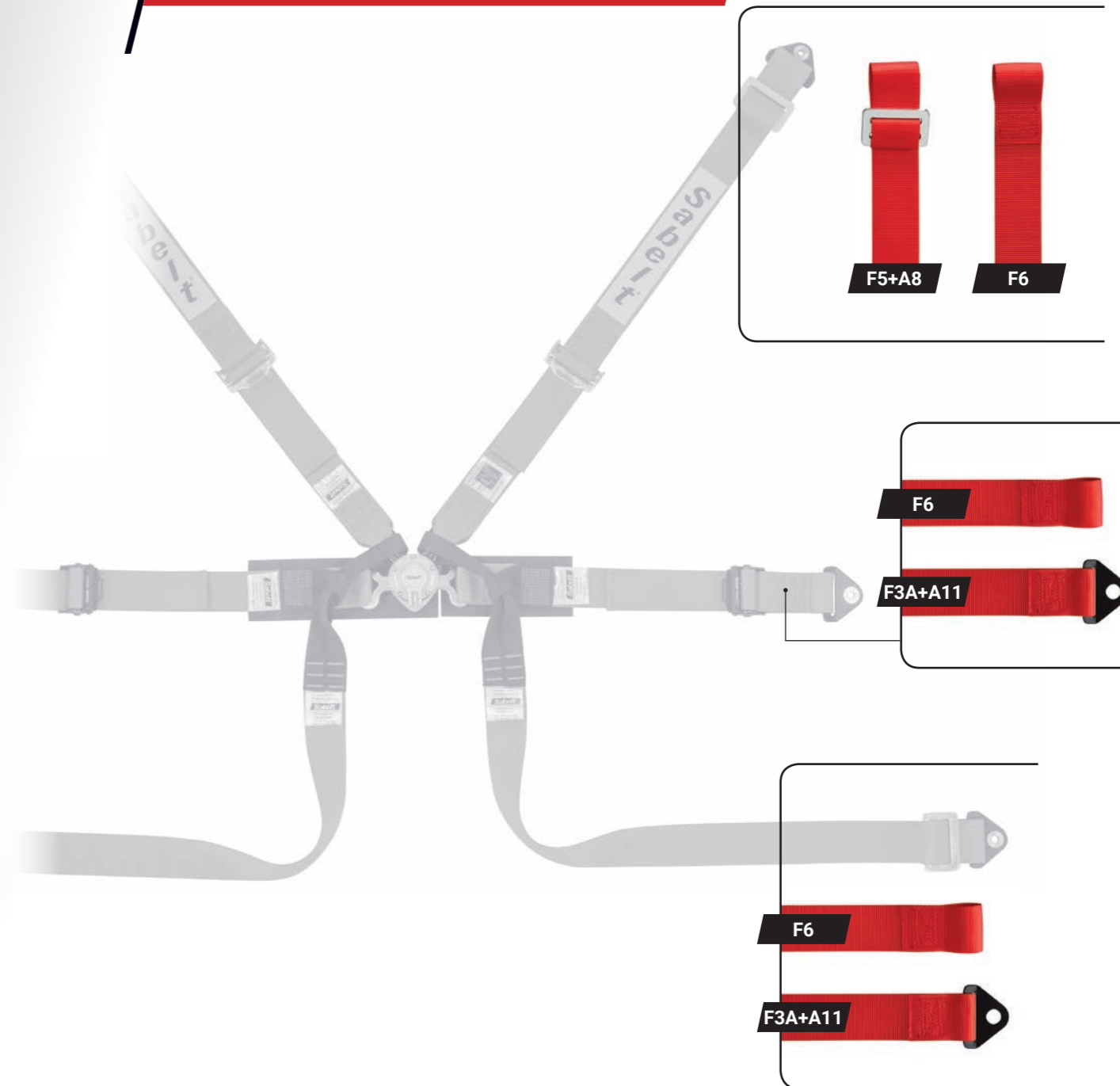
CCS622FRUN

STANDARD FEATURES

NEW



CONFIGURATIONS ON DEMAND



FIA APPROVED

MANUFACTURER: SABELT
MODEL: NEW SPEC F2
HOM. NO: SH.033.17-T-6
FIA STANDARD: 8853-2016

FORMULA

FIA 8853-2016

STANDARD MEASURES (mm)

A 440 • **B** 700 • **C** 530 + 120 • **D** 1200

STANDARD COLOURS/CODES

■ CCS622FRUN • ■ CCS622FNUN • ■ CCS622FBUN

CCA433SRDN

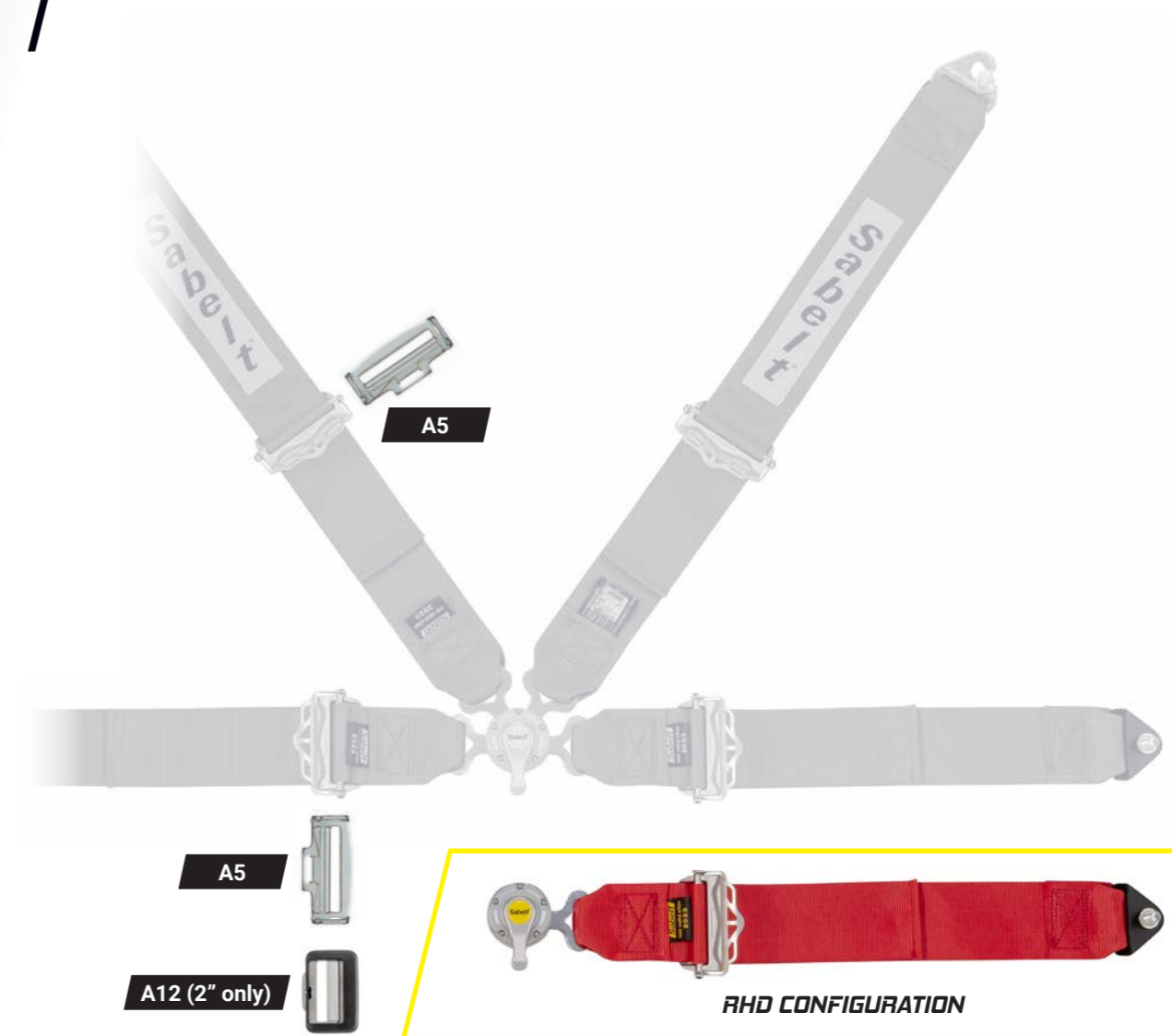
CCA433SRDN

STANDARD FEATURES

NEW



CONFIGURATIONS ON DEMAND



SALOON

FIA 8854/98

MANUFACTURER: SABELT
MODEL: TOP FORMULA
HOM. NO: B.122.T/98
FIA STANDARD: 8854/98

FOR KIT CAR "W"

STANDARD MEASURES (mm)

A 480 • **B** 450 • **C** 130+610

STANDARD COLOURS/CODES

■ CCA433SRDN • ■ CCA433SNDN • ■ CCA433SBDN

CCS433SRDN

CCS433SRDN

STANDARD FEATURES

NEW



LHD CONFIGURATION

CONFIGURATIONS ON DEMAND



RHD CONFIGURATION

FIA APPROVED

MANUFACTURER: SABELT
MODEL: TOP FORMULA
HOM. NO: B.122.T/98
FIA STANDARD: 8854/98

SALOON

FIA 8854/98

FOR KIT CAR "C"

STANDARD MEASURES (mm)

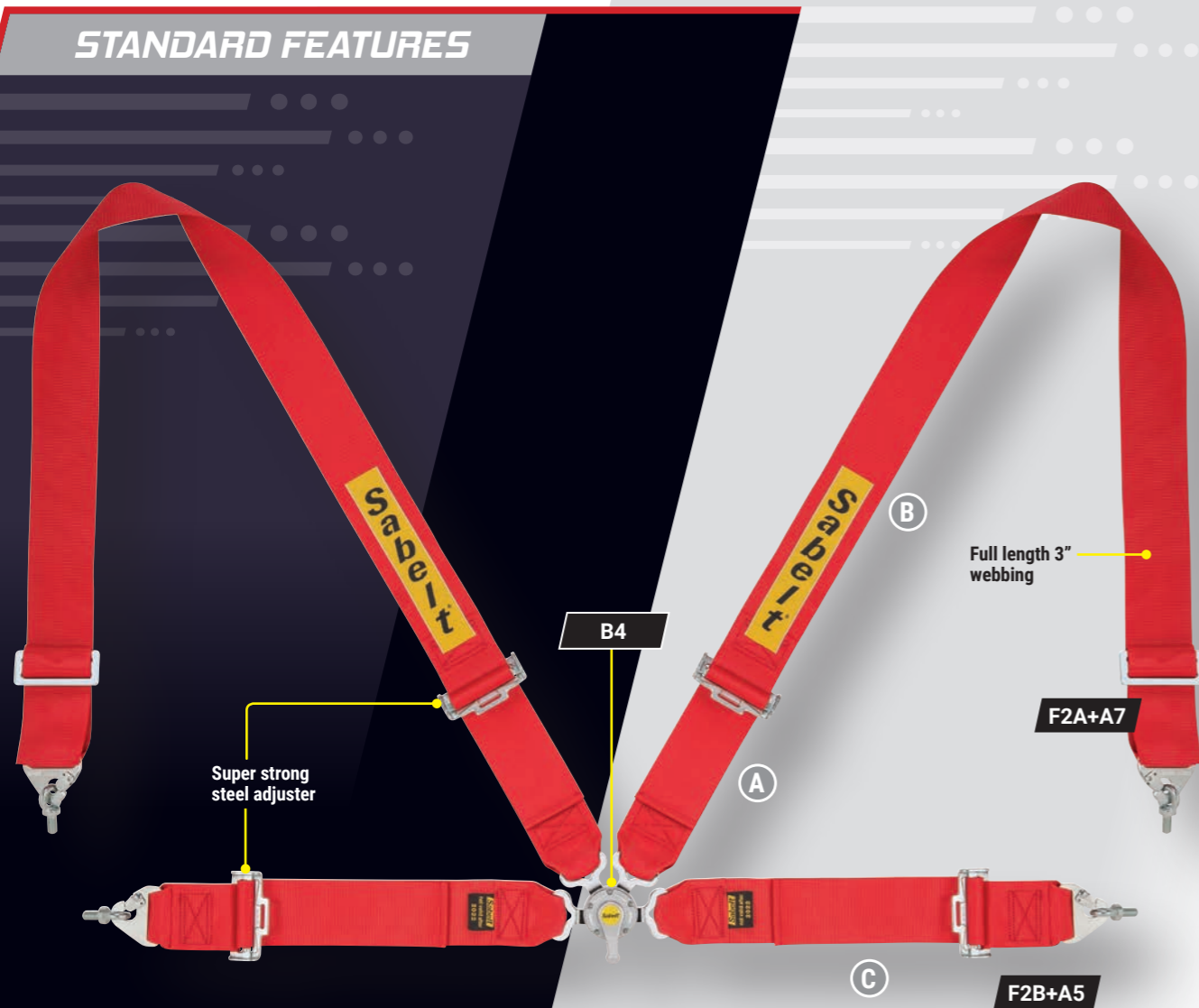
A 480 • B 450 • C 130+610

STANDARD COLOURS/CODES

CCS433SRDN • CCS433SNDN • CCS433SBDN

CCS433SRUN

STANDARD FEATURES



MANUFACTURER: SABELT
MODEL: TOP FORMULA
HOM. NO: B.122.T/98
FIA STANDARD: 8854/98

SALOON

FIA 8854/98

STANDARD MEASURES (mm)

A 380 • **B** 1700 • **C** 560 + 120

STANDARD COLOURS/CODES

■ CCS433SRUN • ■ CCS433SNUN • ■ CCS433SBUN

CROTCH STRAPS

To upgrade 4-point Belts 8854/98 to 6-Point 8853/98. **Warning:** only until "Not valid after 2022" produced until 2017 can be converted. The 4-point belts produced since 2018 cannot be converted.



T-TYPE - T-type crotch strap. Snap hook fixing with 7/16" eyebolt included. Adjustable length. New anatomical T-bar. 2" webbing. Fits to all Sabelt range of harnesses for saloon cars.

BOLT-IN V-TYPE - V-type crotch strap bolt-in. 2" webbing, adjustable length. Fits to all Sabelt range of harnesses for saloon cars.

SNAP HOOK V-TYPE - V-type crotch strap. Snap hook fixing with 7/16" eyebolt included. 2" webbing adjustable length. Fits to all Sabelt range of harnesses for saloon cars.

■ 414850E

■ 412850E

■ 411850E

■ 414853E

■ 412853E

■ 411853E

■ 414853ME

■ 412853ME

■ 411853ME

EYE BOLTS AND PLATES



407005

Standard eye-bolt diam. 7/16" UNF thread length 23 mm, 25 mm tot., 8.8.



CCM10018

Eye-bolt 7/16" UNF thread length 32 mm, 8.8



CCM10023

Eye-bolt metric M10 x 1.5 thread length 23 mm, 8.8. Does not comply with FIA requirements.



CCM10017 - WESTFIELD

Eye-bolt 50 mm. long, 7/16", 8.8



CCM10016

Eye-bolt back plate 65 mm x 65 mm x 3 mm 7/16" UNF thread welded nut, 40 mm2. Complies with FIA requirements.



SB/2049

Eye bolt back plate 50 x 25 mm, 6 mm thick, 7/16" UNF thread. Does not comply with FIA requirements.

PADS



Vep fabric shoulder cover. 75 mm (3") width. Hook and loop fastening.

■ 475040

■ 475020

■ 475010



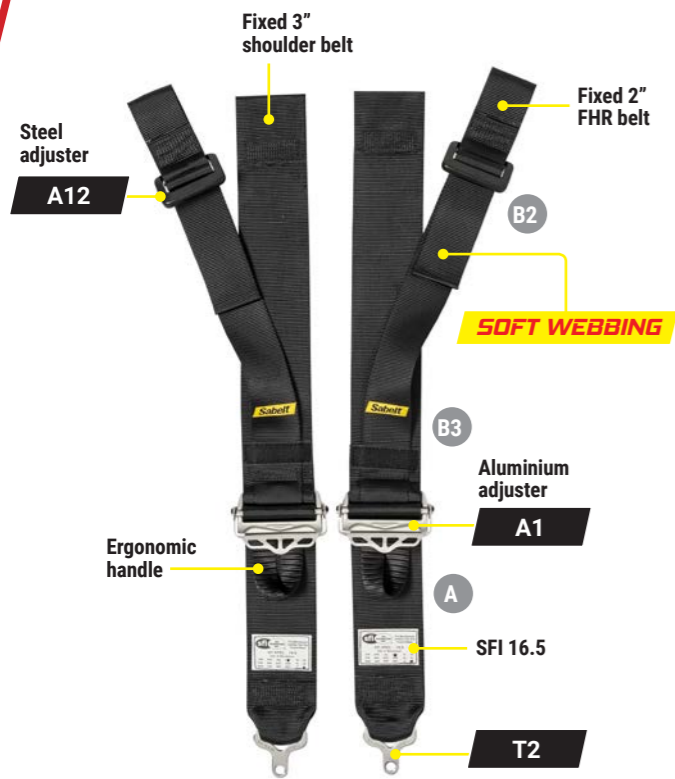
Vep fabric shoulder cover. 50 mm (2") width. hook and loop fastening.

■ 450040

■ 450020

■ 450010

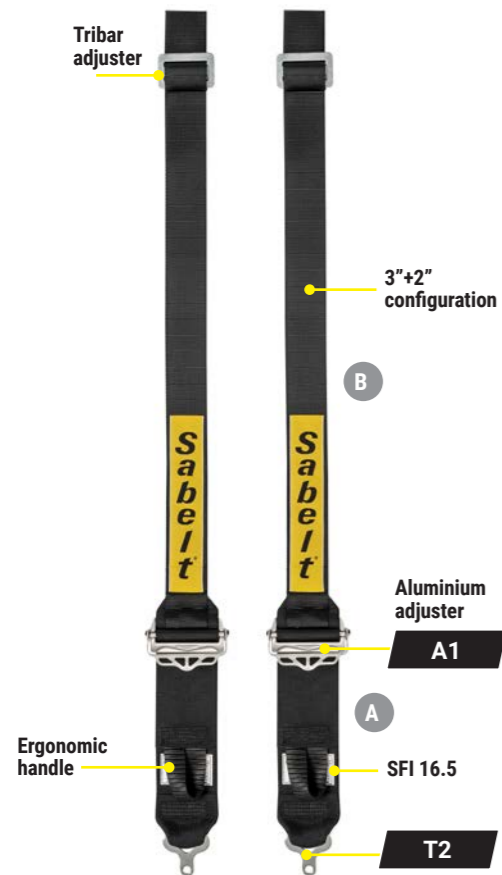
SHOULDER



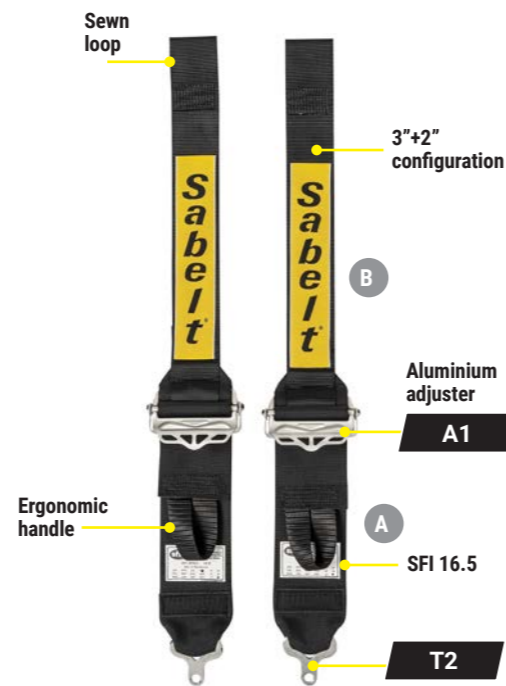
CASP2135_KIT STANDARD MEASURES (mm)
NEW A 280 • B3 (3") 430
 B2 (2") 515+100



CASP2151_KIT STANDARD MEASURES (mm)
NEW A 280 • B3 (3") 430
 B2 (2") 515+200



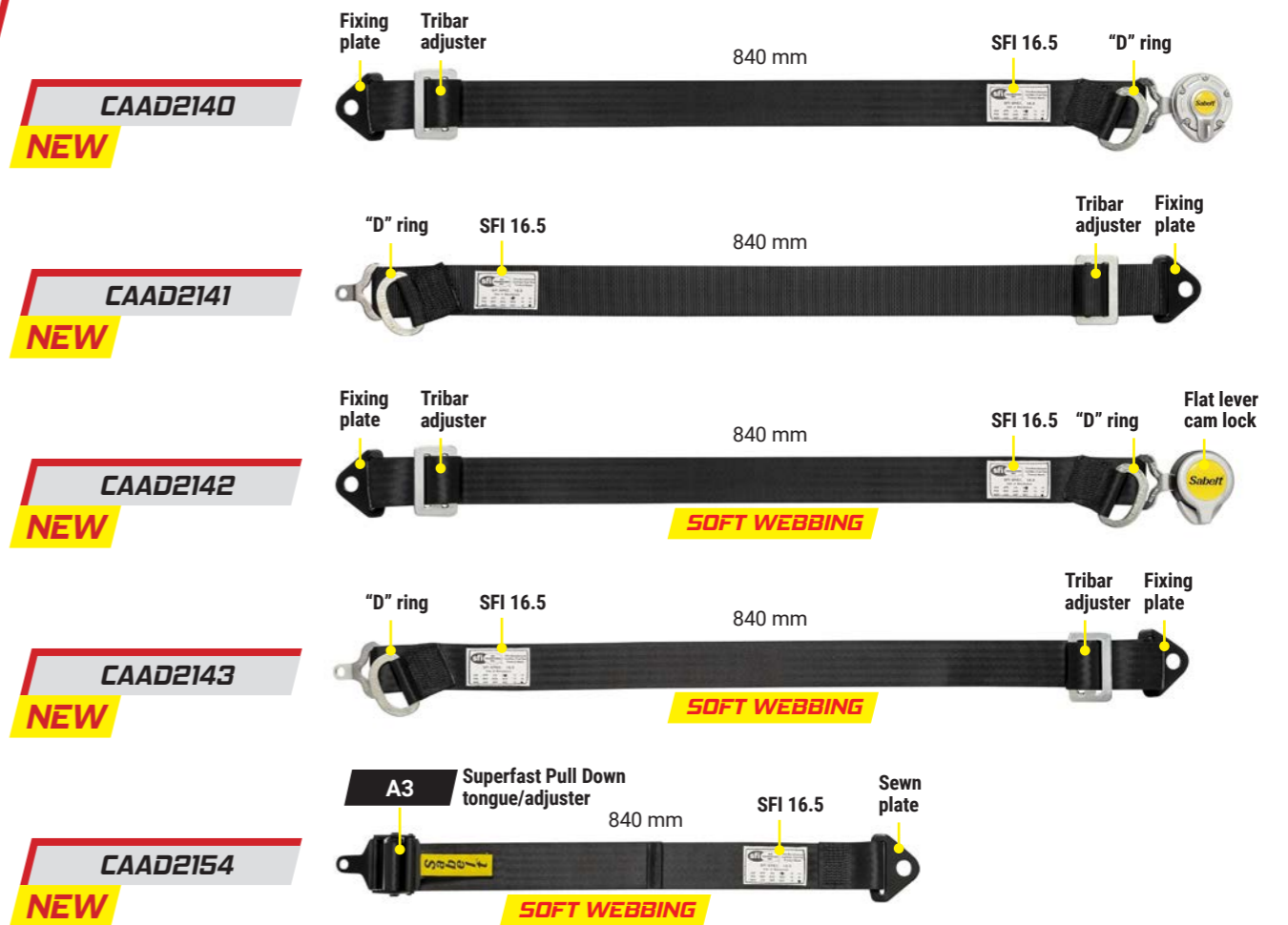
CASP2133_KIT STANDARD MEASURES (mm)
NEW A 410 • B 760



CASP2136_KIT STANDARD MEASURES (mm)
NEW A 355 • B 395

SFI 16.5 HARNESSSES

LAP



CROTCH



INDYCAR

CFCI2294

- SF116.5 Formula style (Indycar)
- Double shoulder • Shoulder 3": sewn loop
- Shoulder 2": sewn loop adjustable pull down
- Quick release 3" aluminum adjusters on shoulders
- Adjustable lap w/tribars • Lap belts Bolt in fixing
- Formula style crotches bolt in and stop



STANDARD COLOURS/CODES

■ CFCI2294

STANDARD MEASURES (mm)

A 335 • B3 (3") 430 • B2 (2") 515+120
C 550 • D 990

CFCI2339

- SF116.5 Formula style (Indycar)
- 3+2 shoulder belts
- Shoulder fixing: sewn loop or wrap around
- Quick release 3" aluminum adjusters on shoulders
- Adjustable lap w/tribars
- Flat lever camlock
- Formula style crotches bolt in and stop



STANDARD COLOURS/CODES

■ CFCI2339

STANDARD MEASURES (mm)

A 410 • B 760 • C 840
D 780



NASCAR

CFCI2256

- SF116.6 NASCAR • Double shoulder
- Shoulder 3": wrap around • Shoulder 2": wrap around pull up
- Quick release 3" and 2" aluminum adjusters on shoulders
- double pull down lap, 2" quick release adjuster integrated to camlock
- Lap belts Bolt in fixing • T-bar crotches style bolt in + tribar
- Negative G belt double bolt in

STANDARD COLOURS/CODES

■ CFCI2256

STANDARD MEASURES (mm)

A 350 • B3 455 • B2 100+400
C 550 • D 650 • Neg G 320



CFCI2190

- SF116.6 NASCAR • 3+2 shoulder belts
- Shoulder fixing: wrap around
- Quick release 3" aluminum adjusters on shoulders
- Adjustable lap w/tribars • Formula style crotches bolt in and stop
- Negative G belt double bolt in

STANDARD COLOURS/CODES

■ CFCI2190

STANDARD MEASURES (mm)

A 406 • B 760 • C 838
D 766 • Neg G 510



CFCI2257

- SF116.6 NASCAR • 3+2 shoulder belts
- Shoulder fixing: wrap around
- Quick release 3" aluminum adjusters on shoulders
- double pull down lap, 2" quick release adjuster integrated to camlock
- T-bar crotches style bolt in + tribar
- Negative G belt double bolt in

STANDARD COLOURS/CODES

■ CFCI2257

STANDARD MEASURES (mm)

A 350 • B 555 • C 590
D 510 • Neg G 475



CFCC4046

SALOON
4 FIXING POINTS
NOT Homologated

STANDARD COLOURS/CODES

- CFCC4046
- CFCC2046
- CFCC1046



AVAILABLE ON DEMAND

904059NP

SALOON
3 FIXING POINTS
Homologation: ECE

STANDARD COLOURS/CODES

- 904059NP
- 902059NP
- 901059NP
- 907059NP



Coppia cuscinetti coprispalla inclusa. Pair of shoulder pads included.

904020NP

SALOON
4 FIXING POINTS
Homologation: ECE

STANDARD COLOURS/CODES

- 904020NP
- 902020NP
- 901020NP
- 907020NP



Coppia cuscinetti coprispalla inclusa. Pair of shoulder pads included.

904005N

SALOON
3 FIXING POINTS
Homologation: ECE

STANDARD COLOURS/CODES

- 904005N
- 902005N
- 901005N
- 907005N



904070NP

SALOON
4 FIXING POINTS
Homologation: ECE

STANDARD COLOURS/CODES

- 904070NP
- 902070NP
- 901070NP
- 907070NP



Coppia cuscinetti coprispalla inclusa. Pair of shoulder pads included.

904019N

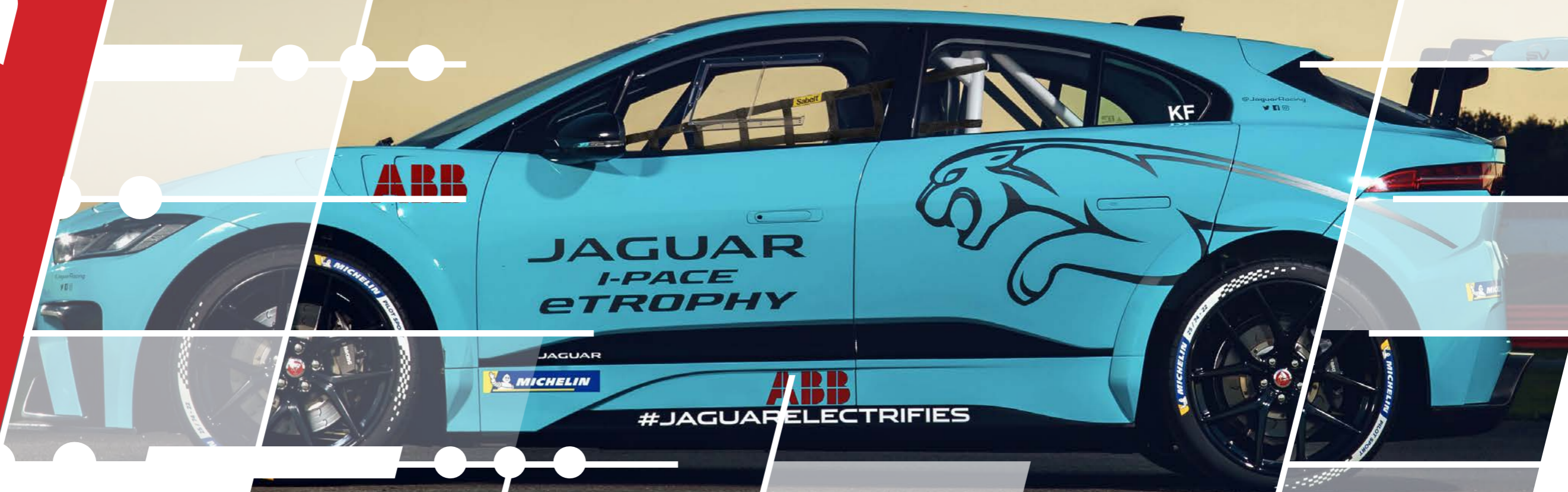
SALOON
3 FIXING POINTS
Homologation: ECE

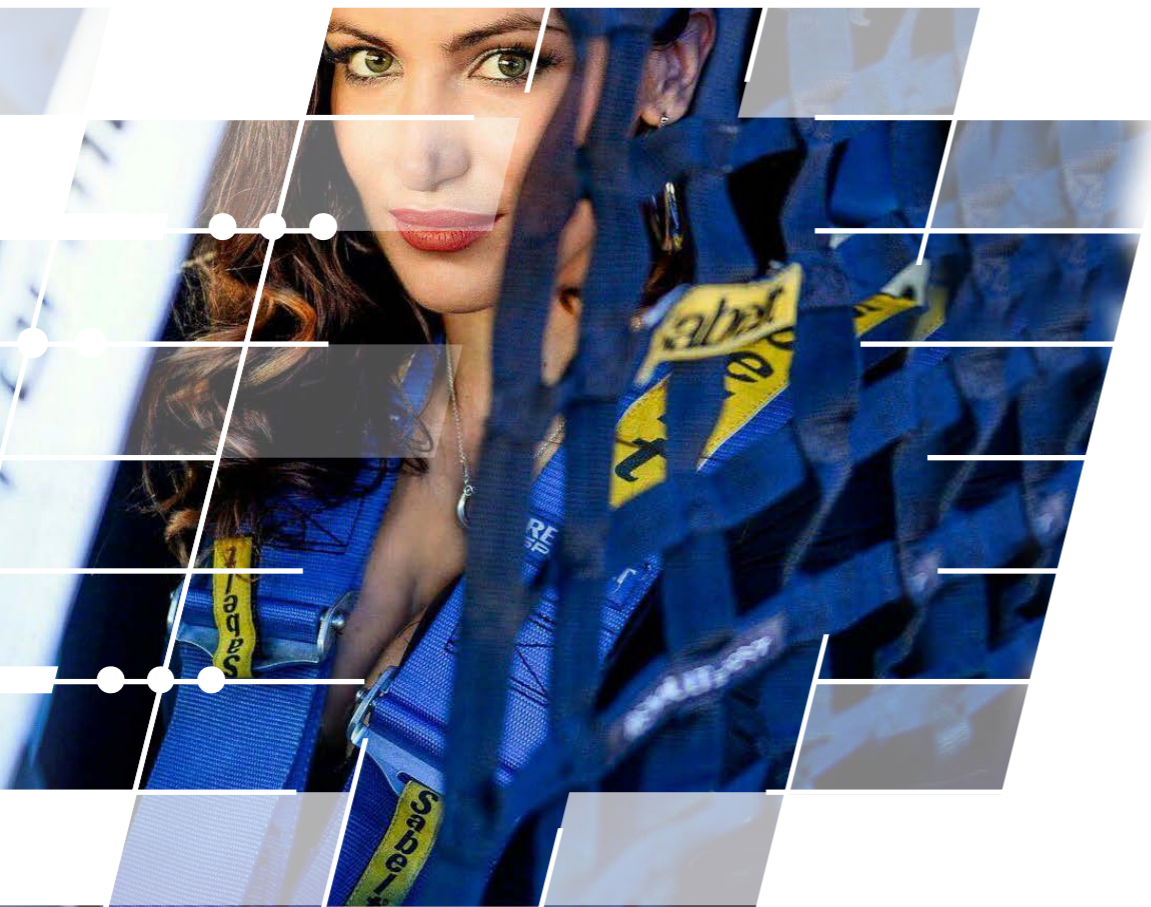
STANDARD COLOURS/CODES

- 904019N
- 902019N
- 901019N
- 907019N



NETS





Z280988

WINDOW NET

NEW

- Professional window net.
- Quick release with push button
 - Rollcage fixing clamps
 - Rigid metal bars
 - Tightening adjusters
 - Polyester webbing

In compliance with Fia regulation.



FCRN2000

RACING NET

NEW



MANUFACTURER: SABELT
MODEL: FCRN2000
HOM. NO: RN.015.18
FIA STANDARD: 8863-2013

LEFT VERSION
FCRN2000S01LH
RIGHT VERSION
FCRN2000S01RH

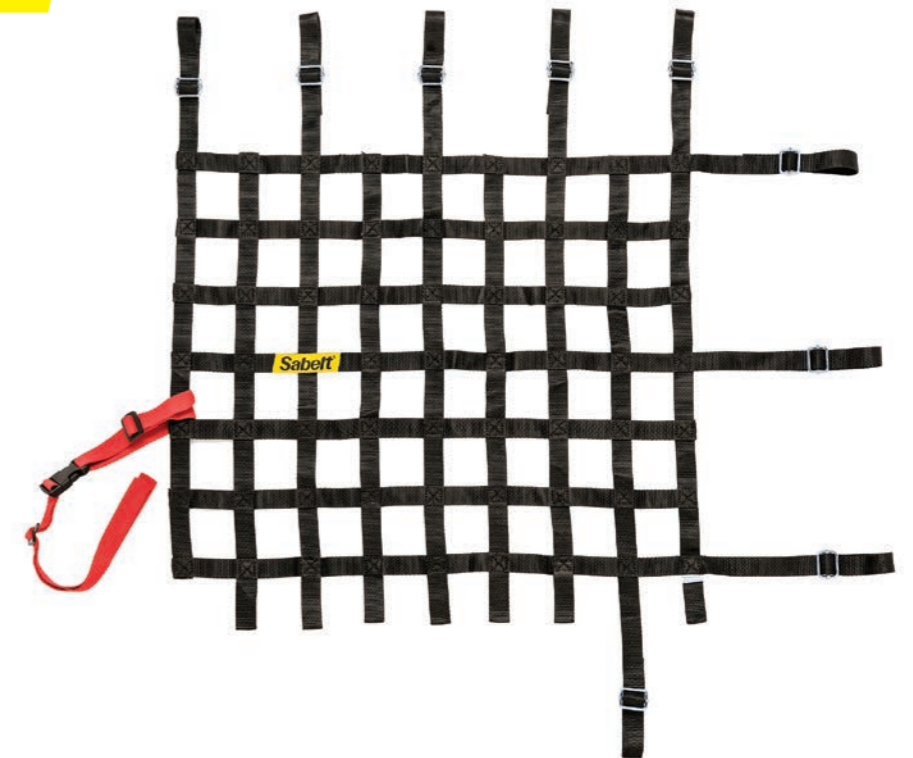
Z280985

WINDOW NET

NEW

- Professional window net
- Red webbing opening system
 - Rollcage mounting
 - Tightening adjusters
 - Polyester webbing

In compliance with Fia regulation.



SEATS



FIA 8862-2009

CIRCUIT only

GT-E

NEW

- Shell: **CARBON**
- Fixing: **BRACKETS**
- Size: **M**



GT-635 M

- Shell: **CARBON**
- Fixing: **SLIDERS**
- Size: **M**



GT-635 L

- Shell: **CARBON**
- Fixing: **SLIDERS**
- Size: **L**



GT-635 XL

- Shell: **CARBON**
- Fixing: **SLIDERS**
- Size: **XL**



SALOON / RALLY / CIRCUIT

GT-635 M

- Shell: **CARBON**
- Fixing: **BRACKETS**
- Size: **M**



GT-635 L

- Shell: **CARBON**
- Fixing: **BRACKETS**
- Size: **L**



GT-635 XL

- Shell: **CARBON**
- Fixing: **BRACKETS**
- Size: **XL**



GT-621

- Shell: **CARBON**
- Fixing: **BRACKETS**
- Size: **M**



GT-621

- Shell: **CARBON**
- Fixing: **BRACKETS**
- Size: **L**



FIA 8855-1999

HEAD PROTECTION

X-PAD

NEW

- Shell: **FIBERGLASS**
- Fixing: **BRACKETS**
- Size: **L**



GT-PAD

- Shell: **FIBERGLASS**
- Fixing: **BRACKETS**
- Size: **XL**



TAURUS M

- Shell: **FIBERGLASS**
- Fixing: **BRACKETS**
- Size: **M**



TAURUS L

- Shell: **FIBERGLASS**
- Fixing: **BRACKETS**
- Size: **L**



TAURUS XL

- Shell: **FIBERGLASS**
- Fixing: **BRACKETS**
- Size: **XL**



NO HEAD PROTECTION

TITAN CARBON L

- Shell: **CARBON**
- Fixing: **BRACKETS**
- Size: **L**



TITAN CARBON XL

- Shell: **CARBON**
- Fixing: **BRACKETS**
- Size: **XL**



TITAN L

- Shell: **FIBERGLASS**
- Fixing: **BRACKETS**
- Size: **L**



TITAN XL

- Shell: **FIBERGLASS**
- Fixing: **BRACKETS**
- Size: **XL**



GT-3

- Shell: **FIBERGLASS**
- Fixing: **BRACKETS**
- Size: **L**



RACER DUO

- Shell: **TUBULAR**
- Fixing: **BRACKETS**
- Size: **L**



SEATS ACCESSORIES AND SPARES

CUSHIONS



S1

Seatback cushion th. 20 mm

TITAN	RRTITAU002_A
TITAN MAX	RRTITAU003_A
TAURUS	RRTITAU002_A
TAURUS MAX	RRTITAU003_A



CS1

Lower cushion th. 20 mm

TITAN	RRTITAU004_A
TITAN MAX	RRTITAU007_A
TAURUS	RRTITAU004_A
TAURUS MAX	RRTITAU007_A



CS2

Lower cushion th. 40 mm

TITAN	RRTITAU005_A
TITAN MAX	RRTITAU008_A
TAURUS	RRTITAU005_A
TAURUS MAX	RRTITAU008_A



CS3

Lower cushion th. 50 mm

TITAN	RRTITAU006_A
TITAN MAX	RRTITAU009_A
TAURUS	RRTITAU006_A
TAURUS MAX	RRTITAU009_A



PG1

Leg cushion th. 40 mm

TITAN	RRTITAU010_A
TITAN MAX	RRTITAU012_A
TAURUS	RRTITAU010_A
TAURUS MAX	RRTITAU012_A



PG2

Leg cushion th. 50 mm

TITAN	RRTITAU011_A
TITAN MAX	RRTITAU013_A
TAURUS	RRTITAU011_A
TAURUS MAX	RRTITAU013_A



CPR

Lower back support

RRTITAU014_A



CL

Lumbar support

RRTITAU001_A

KIT - SET



KF

Seat cover kit.

GT-621 Size M	RRGT621019
GT-621 Size L	RRGT621020
GT-625 Size L	RRGT625018
GT-635 Size M	RRGT635015
GT-635 Size L	RRGT635016
GT-635 Size XL	RRGT635017



KFP

Seat cover kit with bezels.

TITAN	RRTITAN021
TITAN MAX	RRTITAN022
TITAN CARBON	RRTITCAR026
TITAN MAX CARBON	RRTITCAR027
TAURUS M	RRTAURUS023
TAURUS	RRTAURUS024
TAURUS MAX	RRTAURUS025

HARNESS SLOT



KP

Bezels for 8855 seats.

RRCB0028



MP

Bezel for GT-635 and GT-625.

RRCB0011

SEATS ACCESSORIES AND SPARES

FIXING FRAMES



F1 Z200087

Steel brackets, th. 3mm, in compliance with FIA.



F2 Z200058

Aluminium brackets, th. 5 mm, in compliance with FIA.



F3 Z200002

Sliders, travel 230 mm. No FIA.



F4 RCST635FIX

Steel brackets for GT-635, Fia homologated. Note: Specify the seat size during the order.



F5

Sliders for GT-635.

Size M RFST635SLIDINGM Size L / XL RFST635SLIDINGXL



F6 XRFST0007

Steel brackets for GT-621, FIA homologated.



NEW

F8 RFST0458

Steel brackets, th. 3mm, in compliance with FIA, for GT-PAD on F458, floor mounting or on F458 Challenge Sliders.



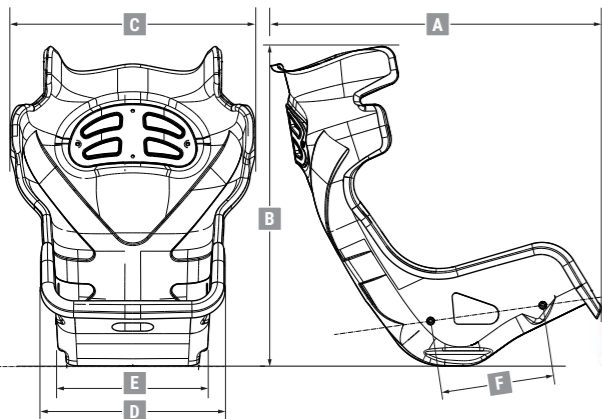
NEW

F10 RCST0005

Steel brackets for GT-E, FIA homologated.

LEGEND SEAT DIMENSIONS CHART

SHELL DIMENSIONS (mm)



A	Length
B	Height
C	External shoulder width
D	External lower frontal width
E	External lower rear width
F	Lateral interaxis distance
📏	Shell weight (kg)

INTERNAL SEAT DIMENSIONS (mm)



G	Rear lower cushion width
H	Frontal lower cushion width
I	Internal shoulder width
L	Central seatback width
M	Internal head protection width
N	Central bezel height
📏	Seat weight (kg)

MADE IN USA

Full Carbon, Textreme external layer (unique design).
Weight in compliance with new standards (42 lbs weight). Headrest included.
Low COG (center of gravity).
NASCAR Approved (69G sled test - SFI homologation - NASCAR 2015 quasi-static test).
Size M.
Shell made of seat + asymmetric headrest.
Designed along with one of the most prestigious NASCAR Team.
The seat is used and appreciated by several Top Drivers.



HOMOLOGATION
SFI 39.1

SIZE M
GT-910

SCOCCA - SHELL RFGT910M
POGGIATESTA - HEADREST RCGT911AM
POGGIATESTA +1" - HEADREST +1" RCGT913AM



Sabelt

GT-630 H

FIA APPROVED

MANUFACTURER: SABELT
MODEL: GT-630 H
HOM. NO: AS.047.16
FIA STANDARD: 8862-2009



**LIGHTNESS
HAS ITS WEIGHT**



Sabelt

NEW



Carbon shell

Kinderpoint anti-slip fabric



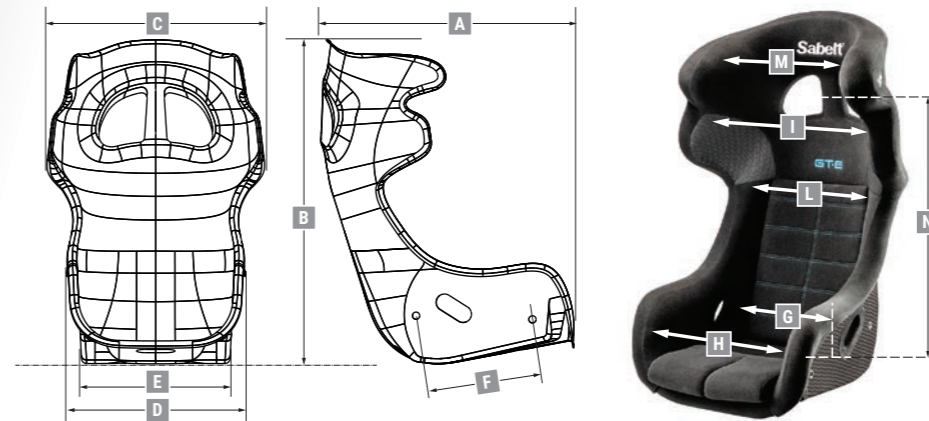
DCT Head protection

Fireproof fabric

High density foam

Separate leg cushion thickness 40 mm

Side fixings 290 mm



GT-E	
SHELL DIMENSIONS (mm)	
A	580
B	890
C	595
D	540
E	418
F	320
⊕	12,6
INTERNAL SEAT DIMENSIONS (mm)	
G	340
H	370
I	495
L	330
M	370
N	700
⊕	15,0



SIZE M

GT-E

RFSEGTE



CIRCUIT ONLY

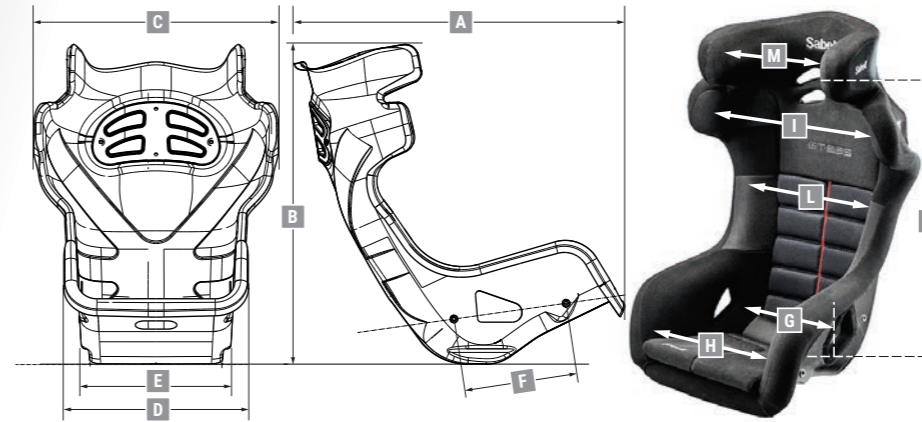


FIXING FRAMES

F10



GT-635



	GT-635 M	GT-635 L	GT-635 XL
SHELL DIMENSIONS (mm)			
A	530	540	540
B	910	930	930
C	656	676	676
D	472	502	502
E	400	430	430
F	290	290	290
⊕	8,4	11,3	11,3
INTERNAL SEAT DIMENSIONS (mm)			
G	316	337	357
H	349	364	384
I	541	546	566
L	368	417	437
M	317	325	325
N	670	656	656
⊕	10,9	13,8	13,5

SPARES AND ACCESSORIES



FIA APPROVED

MANUFACTURER: SABELT
MODEL: GT-635 M
HOM. NO: AS.057.16
FIA STANDARD: 8862-2009

SIZE M
GT-635 M



FOR SLIDING BRACKETS:
RFSEGT635DMN

WITH SLIDING BRACKETS:



CIRCUIT ONLY

FIA APPROVED

MANUFACTURER: SABELT
MODEL: GT-635-F M
HOM. NO: AS.060.16
FIA STANDARD: 8862-2009

SIZE M
GT-635 M



FOR FIXED BRACKETS:
RFSEGT635MN

WITH FIXED BRACKETS:



SALOON / RALLY / CIRCUIT

FIA APPROVED

MANUFACTURER: SABELT
MODEL: GT-635 XL
HOM. NO: AS.058.16
FIA STANDARD: 8862-2009

SIZE L
GT-635 L



FOR SLIDING BRACKETS:
RFSEGT635DLN

SIZE XL
GT-635 XL



FOR SLIDING BRACKETS:
RFSEGT635DXLN

FIA APPROVED

MANUFACTURER: SABELT
MODEL: GT-635-F XL
HOM. NO: AS.061.16
FIA STANDARD: 8862-2009

SIZE L
GT-635 L

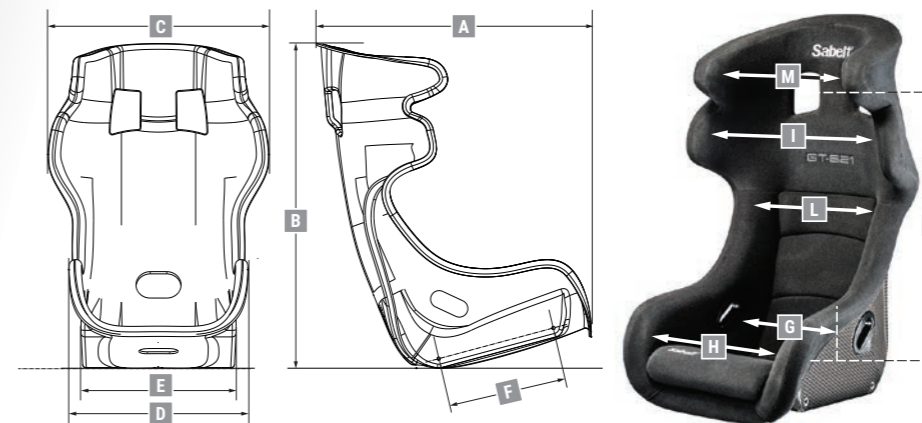


FOR FIXED BRACKETS:
RFSEGT635LN

SIZE XL
GT-635 XL



FOR FIXED BRACKETS:
RFSEGT635XLN



	GT-621 M	GT-621 L
SHELL DIMENSIONS (mm)		
A	567	
B	930	
C	611	
D	497	
E	409	
F	320	
🔒	8,5	
INTERNAL SEAT DIMENSIONS (mm)		
G	331	361
H	348	378
I	495	525
L	335	365
M	350	350
N	642	642
🔒	11,5	11,0

SPARES AND ACCESSORIES



KIT KF



SIZE M
GT-621 M



RFSEGT621MN

SIZE L
GT-621 L



RFSEGT621LN

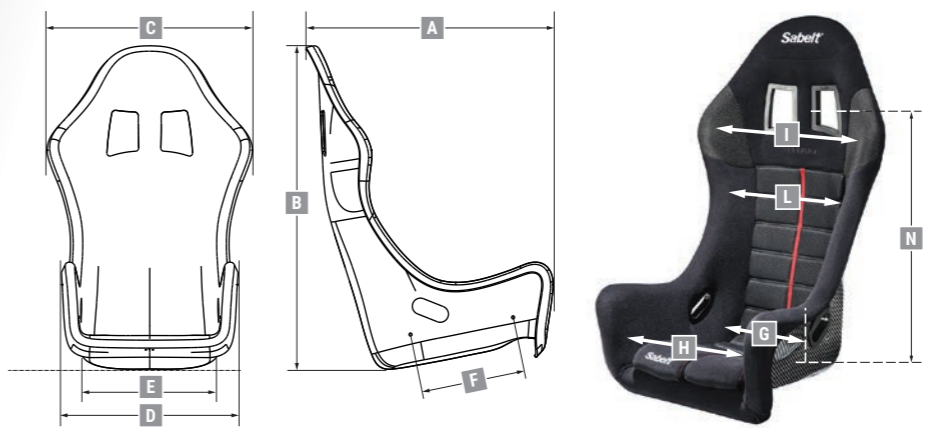
SALOON / RALLY / CIRCUIT

FIXING FRAMES



F6

TITAN CARBON



	TITAN CARBON	TITAN CARBON MAX
SHELL DIMENSIONS (mm)		
A	559	
B	935	
C	603	
D	525	
E	418	
F	290	
G	4,9	
INTERNAL SEAT DIMENSIONS (mm)		
G	316	341
H	383	403
I	502	530
L	383	400
M	-	-
N	657	657
	7,1	6,9

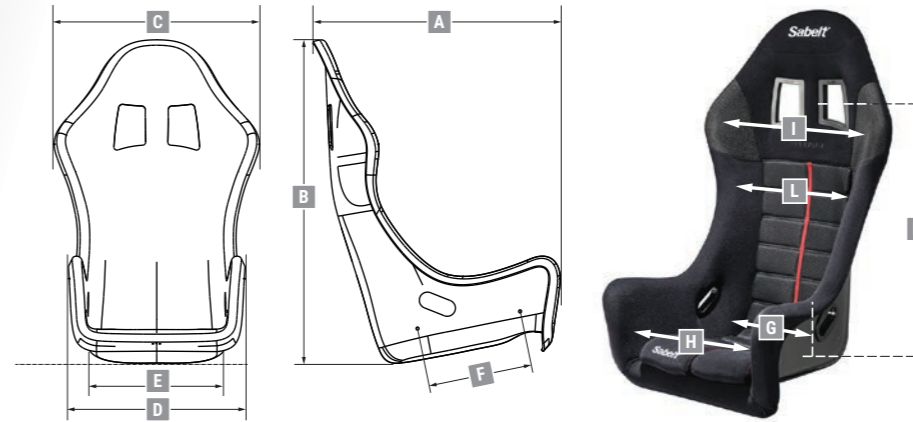
SPARES AND ACCESSORIES



FIXING FRAMES



TITAN



	TITAN	TITAN MAX
SHELL DIMENSIONS (mm)		
A	600	602
B	945	957
C	584	606
D	487	506
E	392	415
F	290	290
📏	7,4	7,8
INTERNAL SEAT DIMENSIONS (mm)		
G	293	313
H	357	367
I	504	517
L	343	379
M	-	-
N	654	690
📏	9,5	9,9

SPARES AND ACCESSORIES



FIXING FRAMES



FIA APPROVED
 MANUFACTURER: SABELT
 MODEL: TITAN
 HOM. NO: CS.349.16
 FIA STANDARD: 8855-1999

SIZE L
TITAN

RFSETITANLN



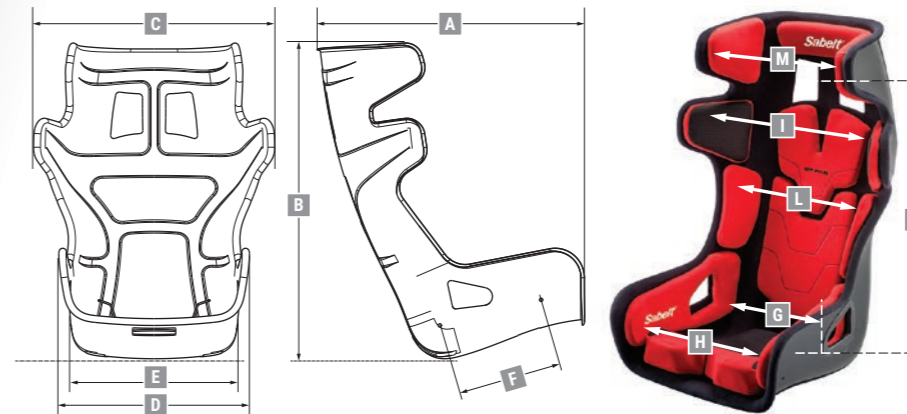
FIA APPROVED
 MANUFACTURER: SABELT
 MODEL: TITAN MAX
 HOM. NO: CS.350.16
 FIA STANDARD: 8855-1999

SIZE XL
TITAN MAX

RFSETITANXLN



GT-PAD



	GT-PAD M	GT-PAD L	GT-PAD XL
SHELL DIMENSIONS (mm)			
A	744	878	
B	670	529	
C	471	290	
D	290	8,9	
E			
F			
G			
H			
I			
L			
M			
N			
INTERNAL SEAT DIMENSIONS (mm)			
G	365	380	395
H	405	420	435
I	540	550	560
L	346	356	366
M	380	380	380
N	660	660	660
	10,7	10,6	10,5

PAD KITS

IL KIT COMPRENDE TUTTI I CUSCINI VISIBILI IN FIGURA
THE KIT INCLUDES ALL THE PILLOWS VISIBLE IN THE PICTURE



COLOUR	SIZE	CODE
Black	M	RCGTPADKITMN
	L	RCGTPADKITLN
	XL	RCGTPADKITXLN

COLOUR	SIZE	CODE
Red	M	RCGTPADKITMR
	L	RCGTPADKITLR
	XL	RCGTPADKITXLR

ACCESSORIES



Lower cushion thickness 40 mm

RRGTPAD028



MANUFACTURER: SABELT
MODEL: GT-PAD
HOM. NO: CS.391.18
FIA STANDARD: 8855-1999

SIZE XL

GT-PAD

RFSEGT PAD *



* Attention: this code refers to the seat excluding the pad kits.
The pad kits are provided/supplied separately.

FIXING FRAMES

F1



F2



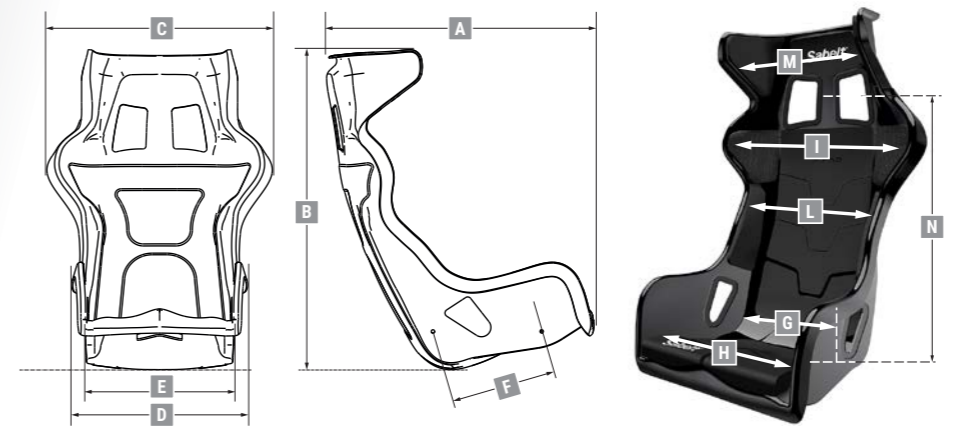
F8



X-PAD

DCT-SUPER NARROW
head protection

NEW



X-PAD	
SHELL DIMENSIONS (mm)	
A	550
B	900
C	600
D	396
E	390
F	290
G	-
INTERNAL SEAT DIMENSIONS (mm)	
G	362
H	368
I	447
L	358
M	338
N	661
O	-

PAD KITS

THE KIT INCLUDES ALL THE PILLOWS VISIBLE IN THE PICTURE

COLOUR	SIZE	CODE
Black	L	RCXPADKITLN



MANUFACTURER: SABELT
MODEL: X-PAD
HOM. NO: - - - - -
FIA STANDARD: 8855-1999

SIZE L

X-PAD

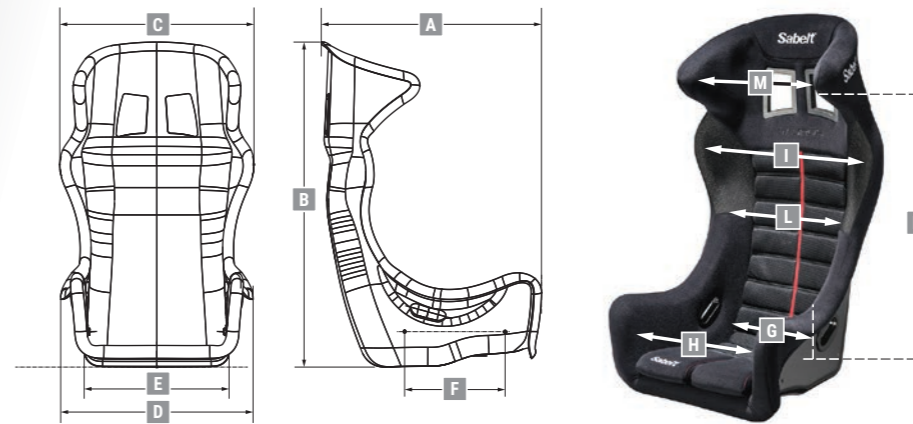
RFSEXPAD



FIXING FRAMES



TAURUS



	TAURUS M	TAURUS	TAURUS MAX
SHELL DIMENSIONS (mm)			
A	543	550	586
B	925	979	980
C	579	582	588
D	475	481	519
E	377	392	411
F	290	290	290
⊞	8,4	9,0	9,7
INTERNAL SEAT DIMENSIONS (mm)			
G	300	318	326
H	364	348	393
I	486	501	512
L	345	362	393
M	341	357	394
N	685	717	716
⊞	10,5	11,2	11,4

SPARES AND ACCESSORIES



FIXING FRAMES



FIA APPROVED
 MANUFACTURER: SABELT
 MODEL: TAURUS TG M
 HOM. NO: CS.368.17
 FIA STANDARD: 8855-1999

SIZE M
TAURUS M

RFSETAURUSMN



FIA APPROVED
 MANUFACTURER: SABELT
 MODEL: TAURUS
 HOM. NO: CS.346.16
 FIA STANDARD: 8855-1999

SIZE L
TAURUS

RFSETAURUSN

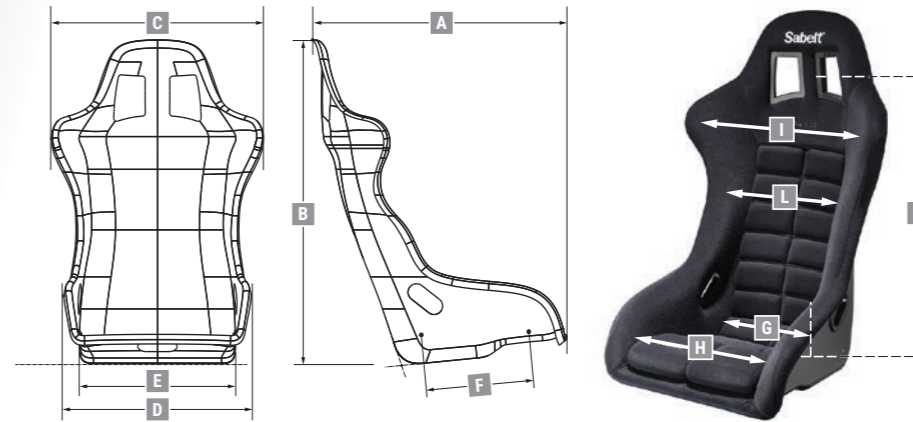


FIA APPROVED
 MANUFACTURER: SABELT
 MODEL: TAURUS MAX
 HOM. NO: CS.347.16
 FIA STANDARD: 8855-1999

SIZE XL
TAURUS MAX

RFSETAURUSXLN





GT-3	
SHELL DIMENSIONS (mm)	
A	460
B	920
C	592
D	539
E	416
F	290
🔒	7,2
INTERNAL SEAT DIMENSIONS (mm)	
G	355
H	386
I	469
L	354
M	-
N	706
🔒	9,8

SPARES AND ACCESSORIES



KIT KP



MANUFACTURER: SABELT
 MODEL: GT-3
 HOM. NO: CS.355.17
 FIA STANDARD: 8855-1999

SIZE L

GT-3

RFSEGT3N



FIXING FRAMES

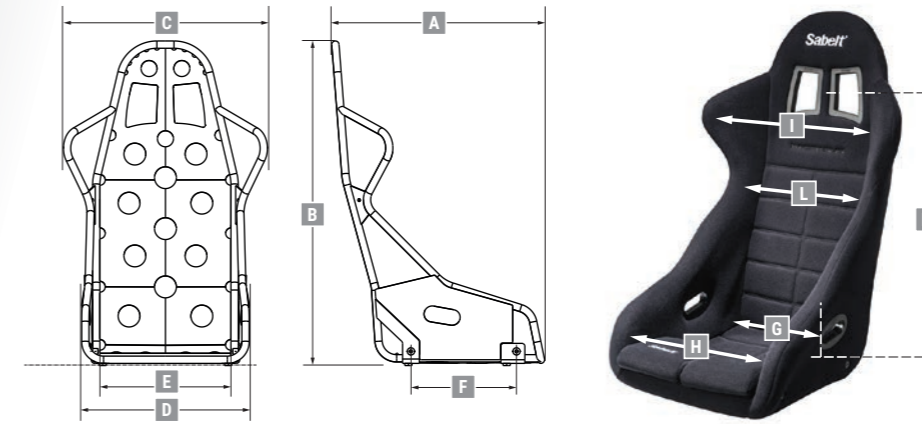
F1



F2



RACER DUO



RACER DUO	
SHELL DIMENSIONS (mm)	
A	463
B	890
C	582
D	489
E	422
F	290
🔒	10,0
INTERNAL SEAT DIMENSIONS (mm)	
G	324
H	377
I	509
L	374
M	-
N	637
🔒	12,0

SPARES AND ACCESSORIES



KIT KP



KIT KP



MANUFACTURER: SABELT
MODEL: RACER DUO
HOM. NO: CS.387.17
FIA STANDARD: 8855-1999

SIZE L
RACER DUO

RFSEACERDUON



FIXING FRAMES



F1



F2

RACEWEAR



SUITS

HERO TS-9

• Size: 46-66



DIAMOND TS-7

• Size: 46-66

NEW



CHALLENGE TS-3

• Size: 46-66



TI-090

• Size: S-XXL



UNDERWEAR

UI-500

• Size: XS-XXL

NEW



UI-100

• Size: S-XL



SHOES

HERO TB-9

• Size: 36-48

NEW



RS-402

• Size: 36-47



CHALLENGE TB-3

• Size: 36-48



GLOVES

HERO TG-9

• Size: 8-12

NEW



DIAMOND TG-7

• Size: 8-12



CHALLENGE TG-3

• Size: 8-12



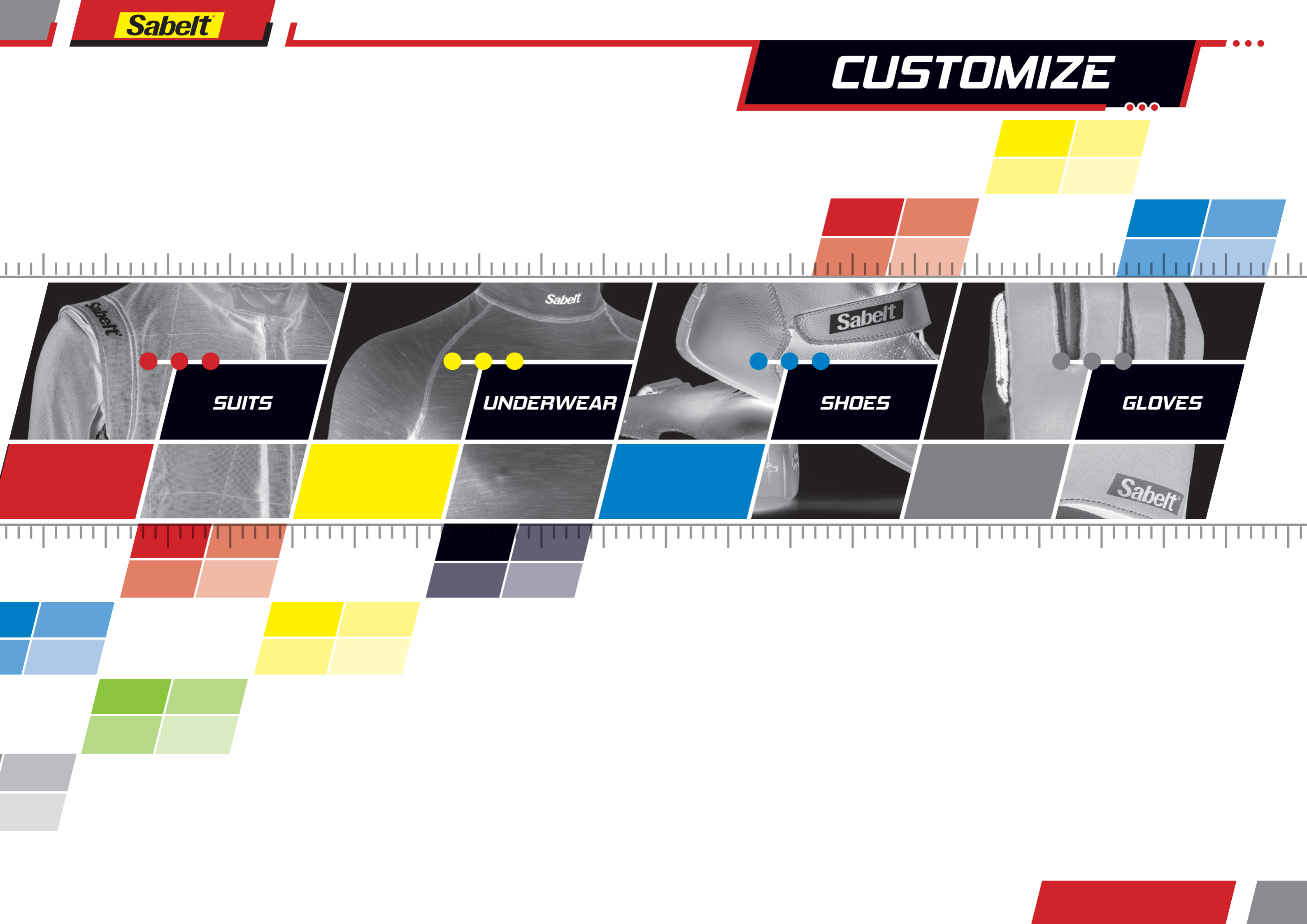
CUSTOMIZE

SUITS

UNDERWEAR

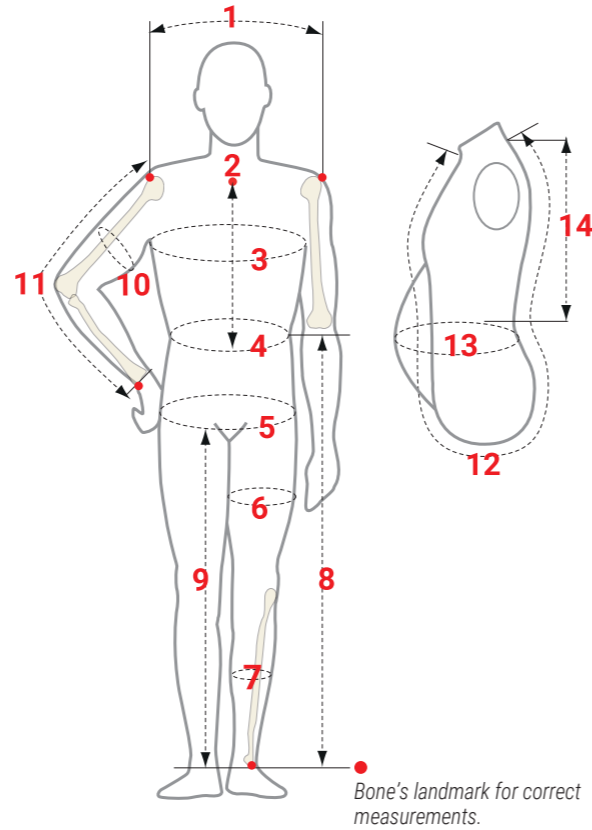
SHOES

GLOVES



MADE TO MEASURE TEMPLATE - INSTRUCTIONS

- 1 Shoulder breadth (from points of shoulders bones across back)
- 2 Body length from inside shoulder to waist
- 3 Chest circumference
- 4 Waist circumference
- 5 Hip circumference
- 6 Thigh circumference
- 7 Calf circumference
- 8 Outside leg length from waist to malleolus
- 9 Desired length from the crotch to ankle
- 10 Biceps circumference
- 11 Sleeve length from point of shoulder bone to wrist (armi bent)
- 12 Crotch length from front collar bone through top of inside leg to back neck
- 13 Maximum waist circumference
- 14 Length from neck to waist



**AMERICAN FITTING
AVAILABLE ON DEMAND**

MADE TO MEASURE TEMPLATE - SHEET

Embroidery on belt: YES NO

Thread colour: _____

Name: _____

Blood group: _____

Flag: _____

Driver's name: _____

Height (inch.): _____

Weight (lbs): _____

Desired fitting: close fitting loose fitting

MEASURE BOARD

1			
2			
3			
4			
5			
6			
7			
8			
9			
10			
11			
12			
13			
14			

* the measurements indicated are purely indicative and may vary depending on the fit desired by the end user

SUITS - STANDARD SIZE CHARTS

HERO, DIAMOND, CHALLENGE						TI-090 TM-100
TAGLIA SIZES	TORACE CHEST	VITA WAIST	BACINO HIPS	PESO WEIGHT	ALTEZZA HEIGHT	
44	82-86	69-73	81-85	43-48	160-163	XS
46	86-90	73-77	85-89	49-54	164-166	
48	90-94	77-81	89-93	55-60	167-169	S
50	94-98	81-85	93-97	61-66	170-172	
52	98-102	85-89	97-101	67-72	173-175	M
54	102-106	89-93	101-105	73-78	176-179	
56	106-110	93-97	105-109	79-84	180-184	L
58	110-114	97-101	109-113	85-90	185-187	
60	114-118	101-105	113-117	91-96	188-190	XL
62	118-122	105-109	117-121	97-102	191-193	
64	122-126	109-113	121-125	103-108	194-196	XXL
66	126-130	113-117	125-129	109-114	197-199	

Sizes listed are in cm and are for body measurements, not for the suit.

UNDERWEAR - STANDARD SIZE CHARTS

	SIZES				
	XS-S	M-L		XL-XXL	
UI-500					
UI-100	S	M	L	XL	XXL
Torace/Chest	82-90	90-102	102-114	114-122	122-130
Vita/Waist	69-77	77-89	89-101	101-109	109-117
Bacino/Hips	81-89	89-101	101-113	113-121	121-129
Altezza/Height	162-166	167-175	176-187	188-193	194-199
Peso/Weight [kg]	43-54	55-72	73-90	91-102	103-114

Sizes listed are in cm and are for body measurements, not for the underwear.

SHOES, SOCKS, GLOVES - STANDARD SIZE CHARTS

Foot Length (cm)	SHOES			SOCKS
	Size EU	Size US	Size UK	Size
23	36	4	3,5	S
23,5	37	5	4	
24	38	6	5	
25	39	6,5	5,5	M
25,5	40	7,5	6,5	
26	41	8	7	L
27	42	9	8	
27,5	43	10	9	XL
28	44	10,5	9,5	
29	45	11,5	10,5	
29,5	46	12	11	
30	47	12,5	11,5	



Hand Dimensions (cm)	GLOVES	
	Size	
20-21	8	XS
21-22	9	S
22-23	10	M
23-24	11	L
24-25	12	XL



SUITS



Sabelt

HERO TS-9

HERO TS-9



Hidden shoulder handle

Lower neck collar

Full floating sleeves

Flame retardant printing

Superlight external layer

295 g/m²

Pre-curved arms

Slim fit

Super breathable internal layers

Quadriaxial stretch panel

FIA APPROVED

SIZES 46-66

FIA 8856-2000

MANUFACTURER: SABELT
MODEL: HERO TS-9
HOM. NO: RS.300.16
FIA STANDARD: 8856-2000

PESO SANDWICH / SANDWICH WEIGHT: 295 g/m²



RFTITS9RS..

RFTITS9NR..

RFTITS9BI..

RFTITS9BR..

Sabelt

DIAMOND

DIAMOND TS-7



FIA APPROVED

SIZES 46-66

FIA 8856-2000

MANUFACTURER: SABELT
MODEL: DIAMOND TS-7
HOM. NO: RS.299.16
FIA STANDARD: 8856-2000

PESO SANDWICH / SANDWICH WEIGHT: 360 g/m²



RFTITS7RS..

RFTITS7BL..

RFTITS7BR..

RFTITS7VA..

RFTITS7GRS..

NEW

Sabelt

CHALLENGE TS-3

CHALLENGE TS-3



FIA APPROVED

SIZES 46-66

FIA 8856-2000

MANUFACTURER: SABELT
MODEL: CHALLENGE TS-3
HOM. NO: RS.298.16
FIA STANDARD: 8856-2000

PESO SANDWICH / SANDWICH WEIGHT: 380 g/m²



RFTITS3BR..

RFTITS3NG..

RFTITS3NR..

RFTITS3RS..

RFTITS3BL..

TI-090

TI-090



FIA APPROVED

MANUFACTURER: SABELT
MODEL: TI-090
HOM. NO: RS.269.15
FIA STANDARD: 8856-2000

SIZES **S-XXL**

FIA 8856-2000

PESO SANDWICH / SANDWICH WEIGHT: 395 g/m²



RFTI090NR..

Anti peeling material

Internal elastic band

Twill external layer

395 g/m²

Regular fit





**Only the best
become Abarth**

We choose our partners with the same care that we use to tune every single Abarth. That's why only brands who share our values, passion for competition and determination to outdo themselves in every daily challenge enter our "workshops".



FIA APPROVED

MANUFACTURER: SABELT
MODEL: CHALLENGE TS-3
HOM. NO: RS.298.16
FIA STANDARD: 8856-2000

SIZES **46-66**

FIA 8856-2000

RFTITS3RSAB..



FIA APPROVED

MANUFACTURER: SABELT
MODEL: CHALLENGE TS-3
HOM. NO: RS.298.16
FIA STANDARD: 8856-2000

SIZES **S-XL**

FIA 8856-2000

Z150UI100TOPAB



FIA APPROVED

MANUFACTURER: SABELT
MODEL: CHALLENGE TS-3
HOM. NO: RS.298.16
FIA STANDARD: 8856-2000

SIZES **8-12**

FIA 8856-2000

RFTG03RSAB..



FIA APPROVED

MANUFACTURER: SABELT
MODEL: CHALLENGE TS-3
HOM. NO: RS.298.16
FIA STANDARD: 8856-2000

SIZES **36-47**

FIA 8856-2000

RFTB03RSAB..

Sabelt

UNDERWEAR



Sabelt

UI-500

NEW



Aramid/Lenzing
RF fiber

Slim fit



MANUFACTURER: SABELT
MODEL: UI-500 SOTTOCASCO
FIA STANDARD: 8856-2000

SIZES **ONE SIZE**

FIA 8856-2000

Z150UI500BALB

Z150UI500BALN



MANUFACTURER: SABELT
MODEL: UI-500 TOP
FIA STANDARD: 8856-2000

SIZES **XS-XXL**

FIA 8856-2000

Z150UI500TOPB

Z150UI500TOPN



MANUFACTURER: SABELT
MODEL: UI-500 PANT
FIA STANDARD: 8856-2000

SIZES **XS-XXL**

FIA 8856-2000

Z150UI500PANTB

Z150UI500PANTN

**STRETCH FIT SEAMLESS
UNDERWEAR**



UI-100



New Aramid/Viscosa
material

Regular fit



MANUFACTURER: SABELT
MODEL: UI-100 BALACLAVA
FIA STANDARD: 8856-2000

SIZES **ONE SIZE**

FIA 8856-2000

Z150UI100BALB

Z150UI100BALN



MANUFACTURER: SABELT
MODEL: UI-100 LONG SLEEVE
FIA STANDARD: 8856-2000

SIZES **S-XL**

FIA 8856-2000

Z150UI100TOPB

Z150UI100TOPN



MANUFACTURER: SABELT
MODEL: UI-100 PANTS
FIA STANDARD: 8856-2000

SIZES **S-XL**

FIA 8856-2000

Z150UI100PANTB

Z150UI100PANTN

100%
Aramid fiber

Professional
hand linking



MANUFACTURER: SABELT
MODEL: UI-100 SOCKS
FIA STANDARD: 8856-2000

SIZES **S-XL**

FIA 8856-2000

Z150UI100SOCKSBB

SHOES



Sabelt

HERO TB-9

NEW



FIA APPROVED

MANUFACTURER: SABELT
MODEL: HERO TB-9
FIA STANDARD: 8856-2000

SIZES **36-48**

FIA 8856-2000



RFTB09BL..

RFTB09NR..

RFTB09RS..

NEW

RFTB09BL..

HERO TB-9



RS-402



FIA APPROVED
 MANUFACTURER: SABELT
 MODEL: RS-402
 FIA STANDARD: 8856-2000

SIZES **36-47**

FIA 8856-2000



RFRS402R..

RFRS402N..

UNTIL STOCK LAST

CHALLENGE TB-3



FIA APPROVED
 MANUFACTURER: SABELT
 MODEL: CHALLENGE TB-3
 FIA STANDARD: 8856-2000

SIZES **36-48**

FIA 8856-2000



RFTB03NRG..

RFTB03BL..

RFTB03RS..

RFTB03NRR..

GLOVES



Sabelt

HERO TG-9

NEW



FIA APPROVED

SIZES 8-12

MANUFACTURER: SABELT
MODEL: HERO TG-9
FIA STANDARD: 8856-2000

FIA 8856-2000



NEW

RFTG09GFN..

RFTG09NRN..

RFTG09RSN..

RFTG09BIN..

RFTG09BLN..

HERO TG-9



DIAMOND TG-7



FIA APPROVED SIZES **8-12**
 MANUFACTURER: SABELT
 MODEL: DIAMOND TG-7
 FIA STANDARD: 8856-2000
FIA 8856-2000



RFTG07RS.. RFTG07BL.. RFTG07NR..

CHALLENGE TG-3



FIA APPROVED SIZES **8-12**
 MANUFACTURER: SABELT
 MODEL: CHALLENGE TG-3
 FIA STANDARD: 8856-2000
FIA 8856-2000



RFTG03RS.. RFTG03BL.. RFTG03NR..

MECHANICS



Sabelt

MEC SUITS



MEC SUITS

ON DEMAND

NEW



FIA APPROVED

FIA 8856-2000

AVAILABLE WITH **TS-9 - TS-7 - TS-3** HOMOLOGATION



A DOUBLE BELT LOOP



B RADIO OR ACCESSORIES LOOP



C SHOULDER WIRE CORD



D KNEE PADDING



E BOOT CUT

TM-100

Mechanic suit made of 100% cotton, TI-520 design, floating sleeves, waist stretch band, two pockets.



SIZES **S-XXL**



M14360RSC..

M14360ASC..

M14360NSC..

CHALLENGE MB-3

New machanic shoe. Suede vamp. Wide sole, with a new anti-slip geometry to ensure safety and grip. Antistatic, flameproof and antifiammaand oils and hydrocarbons resistant mesh. Soft rear tongue to ensure better comfort. New coordinate image.

RFMB03NR..



Wide sole, with special grip design allowing easy bending.



SIZES **36-46**
FIA 8856-2000



Protective gloves and arm protections against mechanical and thermal risks. Cotton and Kevlar fabric. Protects till 300° C. In compliance with European directives: -89/686 (dexterity 4) EN420:2003, -EN388:2003.
Cut resistance (5/5).
Abrasion resistance (2/4).
Tearing resistance (4/4).
Flammability resistance (4/4).
Heat contact resistance (2/4).

< Z120560 Z120760 >
TAGLIA UNICA - ONE SIZE



STEERING WHEELS





SW-633

RFV02010X
 ø 330 mm

NO STITCHING



SW-465

RFV02009X
 ø 350 mm

NO STITCHING



SW-733

RFV02026
 ø 330 mm

NO STITCHING



SW-635

RFV02007X
 ø 350 mm

NO STITCHING



SW-390

RFV02005X
 ø 350 mm

NO STITCHING



ACCESSORIES



QUICK RELEASE



Quick release steering boss for group N cars, conformity to FIA regulation, compatible with all Sabelt 6-slot steering wheels.
M220SR6GRN



Quick release steering boss to be welded for Touring/Rally cars, conformity to FIA regulation, compatible with all Sabelt 6-slot steering wheels.
M220SR6B

TOW STRAP



CCAC0023

CCAC0027

CCAC0024

CCAC0028

CCAC0026

CCAC0025

Lunghezza: 260 mm. Diametro foro: 15,5 mm. Length: 260 mm. Hole diameter: 15,5 mm.

DOOR STRAP

NEW



Door strap to be fixed on the door panel. Length: 220 mm. Hole diameter: 9.5 mm.
CCAC0043

NOTEBOOK



Size 22 x 17,5 cm
Z240600

CO-DRIVER POCKET



RFTINAVRS

RFTINAVBR

RFTINAVBI

RFTINAVNR

Nomex fabric. Hook and loop fastener locking. Size 17 x 23 cm.

Sabelt

NEW

SUIT BAG



NEW

WEEKEND BAG



Sabelt

SPORTSWEAR



Rely only on high-grade automotive seats offered on our virtual shelves.