

polkaudio



ULTRA MARINE

OWNER'S MANUAL

MM651UM

MM6501UM

MM840UM

MM840UM-DVC

MM1040UM



FULL RANGE MM651UM & MM6501UM

Figure 1
MM651UM BASIC COAXIAL CONNECTION

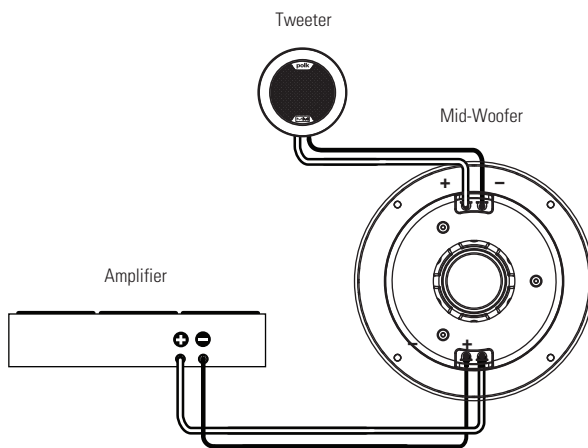
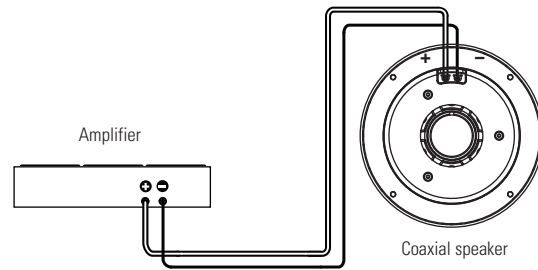
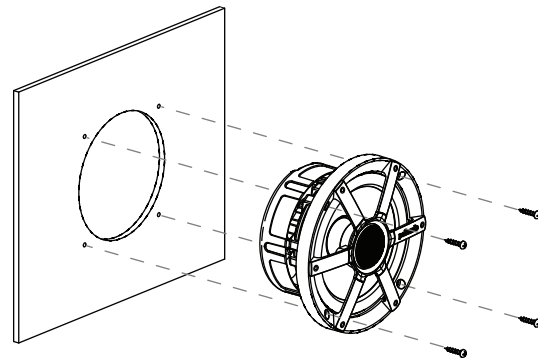


Figure 2
BASIC COMPONENT CONNECTION
INSTALLING MM6501UM

Figure 3
INSTALLING MM651UM & MM6501UM
ROUND MODELS



ENGLISH

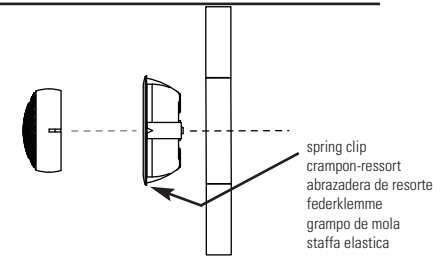
MM6501UM

Figure 4
Flush Mount
TWEETER MOUNTING

1. Check for proper clearance: The flush mount kit is 7/8" (22.2mm) deep.
2. Mark the center of the hole you want to cut. Then cut a 2" (50.8mm) diameter hole using a hole saw, drill bit or razor knife.

Note: The cup and spring clamp come pre-assembled as a single unit.

3. Route wires through the cutout and then through the round opening in the bottom of the cup.
4. Press the flush cup/spring clamp assembly into the cutout until the spring clamp arm's snap into place.



5. Connect wires from the tweeter terminals for the crossover to the tweeter itself using the faston connectors. Connect the red wire from the (+) positive terminal of the crossover tweeter output to the red positive (+) wire from the tweeter.

Note: Use the included extension wires if the tweeter leads aren't long enough.

6. Mount the tweeter by snapping it into the flush mount cup.

Figure 5 & 6
WI NG DIAG AMS FO MM840UM & MM1040UM
 (Single Voice Coil Hookup)

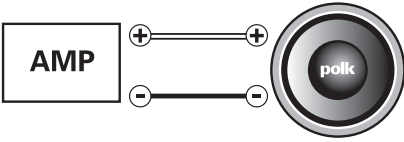


Figure 5
 Single 4 Ohm load.

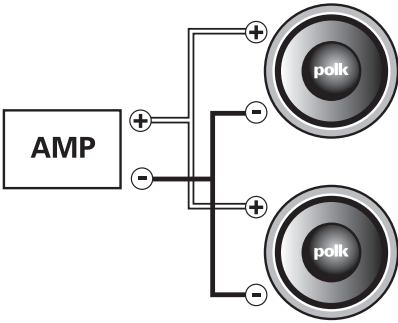


Figure 6
 ith speakers wired in parallel: Two 4 Ohm
 speakers will present a 2 Ohm load.

Figure 7
DUAL VOICE COIL WI NG DIAG AMS
FO MM840UM-DVC

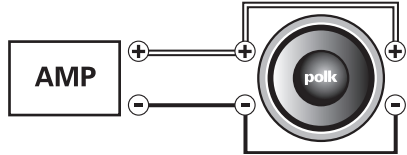


Figure 7
 ith coils in parallel, a dual 4 Ohms speaker will present
 a 2 Ohms load.

Figure 8, 9, 10 & 11
DUAL VOICE COIL WIRING DIAGRAMS
FOR MM840UM-DVC

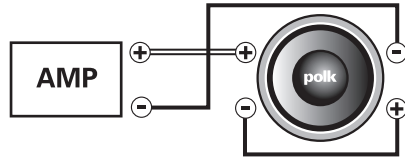


Figure 8
With coils wired in series, a dual 4 Ohms speaker will present an 8 Ohms load.

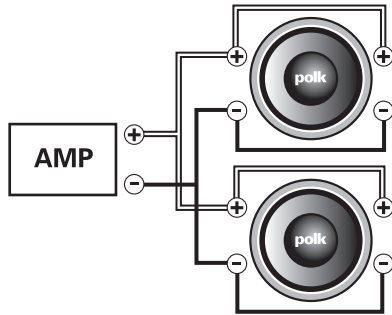


Figure 9
With coils and speakers wired in parallel, two dual 4 Ohms speakers will present a 1 Ohm load. (Not recommended unless amplifier is rated for 1 Ohm operation.)

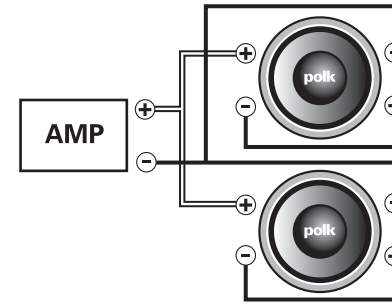


Figure 10
With the coils wired in series and the speakers wired in parallel, 2 dual 4 Ohms speakers will present a 4 Ohms load.

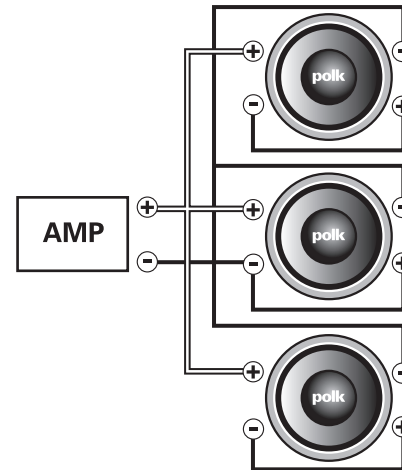


Figure 11
With the coils wired in series and the speakers wired in parallel, 3 dual 4 Ohms speakers will present a 2.7 Ohms load.

ENGLISH

MM Series Specifications For Ultra Marine Models

	MM651UM	MM6501UM	MM840UM	MM840UM-DVC	MM1040UM
Type	6 1/2" coaxial	6 1/2" component system	8" subwoofer	8" subwoofer	10" subwoofer
Driver complement	6 1/2" (165.1mm) mid/woofer	6 1/2" (165.1mm) mid/woofer	8" (203.2mm) subwoofer	8" (203.2mm) subwoofer	10" (254mm) subwoofer
Tweeter complement	1" (25.4mm) soft dome tweeter	1" (25.4mm) soft dome tweeter	n/a	n/a	n/a
Cutout dimensions	5 1/16" (128.6mm)	5 1/16" (128.6mm)	7 1/8" (181mm)	7 1/8" (181mm)	9 1/8" (231.8mm)
Mounting depth (top)	2 5/8" (67mm)	2 5/8" (67mm)	4 1/8" (105mm)	4 1/8" (105mm)	4 5/8" (117.5mm)
Mounting depth (bottom)	2 7/8" (73mm)	2 7/8" (73mm)	4 5/8" (117.5mm)	4 5/8" (117.5mm)	5 3/16" (132mm)
Peak Power handling	200W	250W	500 W	360 W	700W
Continuous Power handling	100W	125W	250 W	180 W	350W
Nominal Impedance	4 Ω	4 Ω	4 Ω	4 Ω	4 Ω
Frequency response	40-25kHz	40-25kHz	26-200Hz	30-200Hz	24-200Hz
Grille height	1 1/8" (28.6mm)	7/8" (22mm)	n/a	n/a	n/a
Sensitivity	92dB	92dB	89dB	85dB	91dB

ENGLISH

Thiele/Small Parameters

	MM840UM	MM840UM-DVC	MM1040UM
Fs (Hz)	35Hz	43Hz	35Hz
Re	3.25 Ω	6.25 Ω	3.25 Ω
Le	2.3mH	2.47mH	3.0mH
Qms	5.5	3.0	5.5
Qes	0.7	0.62	0.53
Qts	0.6	0.59	0.45
Vas	0.54ft ³ (15.4L)	0.55ft ³ (15.8L)	0.65ft ³ (18L)
Sd	35.65in ² (230cm ²)	35.65in ² (230cm ²)	54.25in ² (350cm ²)
Oneway/Excursion (Linear)	3/4" (20mm)	3/4" (20mm)	1" (25mm)