



**MILE
MARKER**
RECOVERYGEAR+

2017 PRODUCT CATALOG

WINCHES RECOVERY GEAR HUBS ACCESSORIES

TABLE OF CONTENTS

MILITARY WINCH SYSTEMS	1	Mile Marker is an approved Winch Manufacturer for the U.S. Military. See Why.
HYDRAULIC WINCH SYSTEMS	3	Legendary power and reliability makes the Mile Marker Hydraulic Winch System the outfit of choice of the U.S. Army and other tactical vehicles around the world.
ELECTRIC WINCH SYSTEMS	13	Mile Marker electric winches are an unmatched value in performance and reliability. See what makes them stand apart.
POWERSPORTS WINCH SYSTEMS	21	Mile Marker ATV and UTV winch systems pack unparalleled power in their bantam size. All metal construction creates an unmatched addition to your trail blazing.
MOUNTING SYSTEMS	25	Mile Markers winch mounts and bumpers are built under the same premise as our winches: Ready for Abuse.
JEEP & TRUCK ACCESSORIES	33	These products make your winching experience safer for you, easier on the trail, and offer protection for your investment.
RECOVERY GEAR & ACCESSORIES	41	These products make your winching experience safer for you, easier on the trail, and offer protection for your investment.
MANUAL LOCKING HUBS & DRIVETRAINS	49	From Lock Out Hubs, to Conversion Kits and Transfer Case Accessories, Mile Marker Drive Train Systems and Accessories offer reliable options for extreme traction.



MILE MARKER RECOVERY GEAR+

FROM THE BATTLEFIELD TO THE BACK 40

Mile Marker designs and manufactures innovative, high quality and highly durable products for your off-road vehicle. Our products include locking hubs, conversion kits, electric winches and our legendary hydraulic winch system. We are an ISO certified organization and a TACOM approved supplier to the US Military. For thirty years, Mile Marker has been manufacturing and supplying parts for a number of major OEM's.

Mile Marker products are available in many 4x4 retail shops in the US, and there are dealers in 46 countries throughout the world. Mile Marker is also an innovator. Our legendary, patented hydraulic winch is the only approved winch for the US Military's HMMWV (Humvee). This winch is powered by the power steering pump, allowing uninterrupted pulls for hours on end and operation in all climatic conditions. This is not only a great winch for the military, but for any serious off-roader.

When you need high quality, highly reliable, well-tested products for your ATV or 4x4, you can count on Mile Marker and our team of professionals to help you out.

The Mile Marker Mission:

“To provide our customers with the best possible product that has been *Tested to the Extreme* as established by their needs.”



MILE MARKER & THE MILITARY

As an approved supplier of winches for the U.S. Military's HMMWV (Humvee), all Mile Marker Military Hydraulic Winch Systems must meet or exceed the following list of Testing, Quality Assurance, and Military Standard Requirements for the U.S. Government. This is only a partial listing of the requirements met or exceeded by Mile Marker Hydraulic Winches.

SPECIFICATIONS

- Cable, Type I, Class 2, Construction 4, extra improved plow steel, galvanized, minimum .375-inch diameter, IAW RR-W-410, 100 feet minimum, lubricated with Amsoil MP/HD (heavy duty metal protector) and installed on winch drum.
- Cable, hook, fasteners and swaged sleeve assembled shall withstand a minimum pull of 14,400 lbs. without separation of assembly or deformation of hook.
- The winch assembly shall be compatible with hydraulic fluid IAW GM-6297M.
- Hydraulic motor shall be compatible with and function when subjected to fluid temperatures of -40 to +250 degrees Fahrenheit (-40.0 to +121.1 degrees Celsius) without leakage.

Performance requirements :

All performance requirements shall be initiated with winch assembly sealed to prevent contamination from dust, oil and water and start with five wraps of wire rope on the bare drum. Rated layer load requirements shall start on the third wrap of the tested layer. Also, the timing of the winch shall not be affected if the wire cable becomes cross wrapped. At that time, the winch shall be stopped and the cable shall be adjusted before continuing with remaining time.

A. Hot Temperature Requirements

The winch assembly shall be capable of pulling a minimum load of 9,000 lbs. on first layer for a minimum distance of 12 feet. Without stopping, the winch shall be capable of pulling a minimum load of 4,000 lbs. for 55 feet at a minimum ambient temperature of 125 degrees Fahrenheit (51.7 degrees Celsius) during test. Oil temperature may be cooled to 200 degrees Fahrenheit (93.3 degrees Celsius) if required.

B. Cold Temperature Requirements (low gear)

The winch assembly shall be capable of pulling a minimum load of 9,000 lbs. on the first layer for a minimum distance of 12 feet. Then, without stopping, the winch shall be capable of pulling a minimum load of 4,000 lbs. for 55 feet at a maximum ambient temperature of -40 degrees Fahrenheit (-40 degrees Celsius).

C. Functional Requirements (low gear)

The winch assembly shall be operated with a 24-28 VDC electrical power source and a 1.5 GPM 1300 PSI minimum to 4 GPM 1500 PSI maximum hydraulic power source. Winch shall be capable of continuously pulling a minimum line load of 4,000 lbs. for a minimum distance of 55 feet, within a maximum time period of 28 minutes at an ambient temperature of 60 to 90 degrees Fahrenheit (15.6 to 32.2 degrees Celsius).

D. Rated Layer Load Requirements

The winch assembly shall be capable of continuously pulling each layer of wire rope at the rated layer line load as specified in the following:

LOW GEAR

Layer number	1	2	3	4
Min. rated line load (lb.)	9000	7500	6100	5000
Rope capacity (ft.)	17	20	24	28
Max load/stall (lb.)	10500	9200	7900	6500
Max amp draw	2	2	2	2

HIGH GEAR

Layer number	1	2	3	4
Min. rated line load (lb.)	1200	1100	1000	800
Rope capacity (ft.)	17	20	24	28
Max load/stall (lb.)	1700	1600	1450	1400
Max amp draw	2	2	2	2

E. Durability Requirements (low gear)

The winch assembly shall be capable of completing a minimum of 50 durability cycles, one cycle shall be capable defined as follows: The winch assembly shall pull a minimum load of 4,000 lbs. a minimum distance of 60 feet within a maximum time period of 28 minutes, at an ambient temperature between 60 and 90 degrees Fahrenheit (15.6 to 32.2 degrees Celsius). At the start and every 10 cycles, check cable for wear.

F. Functional Requirements (high gear)

The winch assembly system shall be operated with a 24-28 VDC electrical power source and a 1.5 GPM 1300 PSI minimum to 4 GPM 1500 PSI maximum

hydraulic power source, winch shall be capable of continuously pulling a minimum line load of 600 lbs. for a minimum distance of 55 feet within a maximum time period of five minutes, at ambient temperatures between 60 and 90 degrees Fahrenheit (15.6 to 32.2 degrees Celsius).

G. Durability Requirements (high gear)

The winch assembly shall be capable of completing a minimum 50 durability cycles. One cycle means the winch assembly shall pull a minimum load of 600 lbs. a minimum distance of 55 feet within a maximum time period of five minutes, at an ambient temperature between 60 and 90 degrees Fahrenheit (15.6 to 32.2 degrees Celsius). At the start of each cycle and every 10 cycles, check cable for wear.

- The winch shall be equipped with two speed (gearing) settings (low and high). The winch shall also be equipped with a locking and free spool setting.
- The handles which engage and disengage the winch settings shall be permanently stamped IAW MIL-STD-130, with the words low, high and free. When levers are engaged in positions, as noted in the table below, the winch shall operate as indicated in mode columns below:

Lever #1	Lever #2	Position
Free	Free	Free spool
Low	High	Lock
Low	Free	Low gear
Free	High	High gear



- Unlimited duty cycle - pulls all day and night
- Powerful
- Rugged and reliable as a Humvee
- Thousands in use in the deserts, jungles, forests and anywhere there are Humvees
- Thoroughly tested by TACOM
- Waterproof
- Fast with 2 speeds
- Easily connects to the power steering pump (No PTO required)
- Allows you to use the vehicle's drive train in the recovery

Submergence Requirements:

- The winch solenoid assembly shall meet the requirements of MIL-STD-1184, type II, class II, test method 100.
- The winch solenoids shall be powered by a 24-28 VDC power source. A hydraulic pump shall provide 1300 PSI minimum pressure at 1.5 GPM minimum flow to the hydraulic motor, and a maximum of 3.5 GPM at 1500 PSI.
- Initial Production Inspection (IPI).
- Complete dimensional and tolerance verification.
- Complete performance verification of noted test requirements.
- Material/finish certification verification

THE U.S. MILITARY TRUSTS ONLY MILE MARKER HYDRAULIC WINCHES FOR THEIR HUMVEES (HMMWVS) - YOU CAN TOO.

Mile Marker sells a hydraulic winch for civilian and commercial applications. If you are a serious off-roader or have commercial trucks that travel off roads – you need a Mile Marker hydraulic winch. See page 3.

HYDRAULIC WINCHES

LEGENDARY POWER

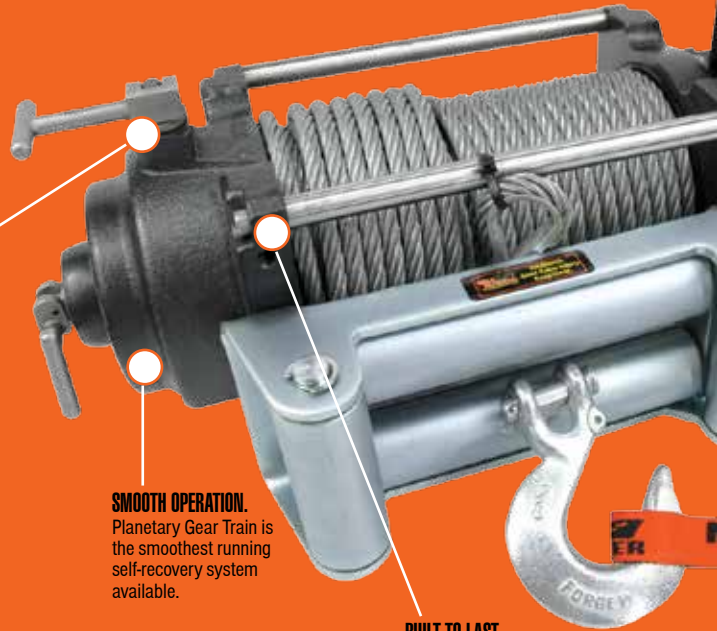
The Mile Marker Hydraulic Winch System has been a self-recovery icon for over 20 years. This legendary system utilizes the vehicle's OEM power steering pump as its power source. Every day, more than 200 million power steering pumps operate flawlessly. Used in all types of vehicles, under every condition, from 50 below to 135 degrees above, the pump must perform for years without service or adjustment. It has to withstand every type of abuse without failure. Having a built-in governor (the pressure relief valve), it is impossible to overload or overwork the pump.

TRUE CONTINUOUS DUTY CYCLE

Steering is arguably the most important function while driving, so the power steering pump has evolved into the most reliable system on vehicles today. Mile Marker chose to design a winch to use this continuous reliable power supply over the battery power used by competitors. After rigorous testing, we learned it was the right choice. The Mile Marker Hydraulic Winch can run continuously under load without any battery drain. This Hydraulic Winch System is the choice of the U.S Army, as Mile Marker became the primary self-recovery outfitter for the HMMWV (Humvee) as well as many other tactical vehicles around the globe.

ELEMENT-PROOF

Internally sealed with O-Rings in every critical part makes all of our Hydraulic Winches completely waterproof. Corrosion resistant exteriors features a ductile iron body (for the 12,000 pound), an aluminum body (for the 9,000 and 10,500 pound) and stainless steel tie bars and fasteners. That is why Mile Marker Hydraulic Winches are ready to take on ALL the elements.



TWO SPEED. Spool Cable and light loads quick and effortlessly in high gear; drop into low gear for serious pulling power.

SMOOTH OPERATION. Planetary Gear Train is the smoothest running self-recovery system available.

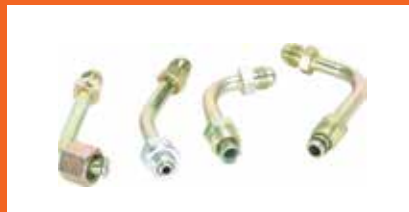
BUILT TO LAST. Heavy Duty Aluminum & Ductile Iron Bodies and Stainless Steel Hardware provide a lifetime of abuse.

INSTALLATION

The installation of one of the H Series models (H9000, H10500, and H12000) or HI Series models (HI9000, HI10500, and HI12000), requires a vehicle specific 34-Series or 35-Series valve adapter kit (see application charts on page 8).



34 SERIES



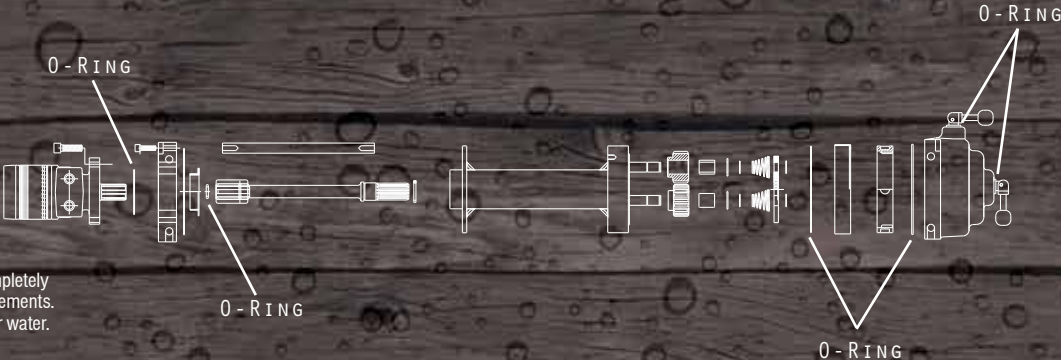
35 SERIES

Construction Highlights

The Mile Marker Hydraulic Winch Systems feature 6 seals throughout the assembly to keep any and all contaminants outside of the unit. The corrosion resistant, exterior construction features a ductile iron body (for the 12,000 pound), an aluminum body (for the 9,000 and 10,500 pound) and stainless steel tie bars and fasteners. Mile Marker has also implemented a submersible solenoid with marine-grade connections at the Remote Control plug and socket.



SUBMERSIBLE. Completely sealed from the elements. Can operate under water.



20 YEARS OF LEGENDARY POWER



TRUE CONTINUOUS DUTY-CYCLE



COMPLETELY ELEMENT PROOF CONSTRUCTION

**TEAM
ORANGE**



H SERIES

HYDRAULIC WINCHES

SPECIFICATIONS:

Gear Train:	Planetary
Gear Ratio:	6:1
Motor:	9k: 14 cubic inch 10.5k: 17.9 cubic inch 12k: 19.5 cubic inch
Control Pendant:	Not Included, Requires 34 Series Kit
Cable:	3/8" X 100' (nominal 14,400 lbs) (9.53 mm X 30.5 m)
Dimensions: (LxWxH)	22.5" X 6.5" X 7.8" (571.5mm X 198.1mm X 165.1mm)
Drum Size: Diameter/Length	2.5" X 9" (63.5 mm X 228.6 mm)
Net weight:	H9000, H10500: 93 lbs (42.2 kgs) H12000: 101 lbs (45.8 kgs)
Bolt Pattern:	4 Bolt Pattern, 4.5" X 10" (114.3 mm X 254 mm)
Power Steering Min. Requirements:	3.5 GPM @ 1500 psi (13.25 L/m @ 103.4 bars)

The Mile Marker H Series Hydraulic Winch can be mounted to the front or rear of the vehicle as a permanent or detachable recovery system. This system is independent from its solenoid control valve to give more freedom in mounting options and vehicle application. The installation of one of the H Series models (H9000, H10500, and H12000) requires a vehicle specific 34-Series valve adapter kit (see application chart on page 8).

FEATURES:

- 2 Speed
- Freespooling
- Mechanical Lock
- Can Use Underwater
- Corrosion Resistant
- Stainless Steel Tie Bars and Fasteners
- 100 Feet Galvanized Aircraft Cable
- Reversible Mounting on 3 Sides (H12000 Only)
- Ductile Iron Body (H12000 Only)
- Power Steering Pump Powered
- 100% Duty Cycle



H9000

9,000 LB (4082 kg) Capacity
PN: 70-50080C

H10500

10,500 LB (4763 kg) Capacity
PN: 70-50050C

H12000

12,000 LB (5443 kg) Capacity
PN: 70-52000C

PERFORMANCE:

9000

3.5 GPM @ 1500 PSI (13.25 L/m @ 103.4 bars)

Layer of Cable	1	2	3	4
Line speed - low gear (FPM)	6.16	7.48	8.8	10.5
Rated pull (lbs.)	9,000	7,300	6,200	5,400
Line speed - high gear (FPM)	33.6	38.4	48	57
Rated pull (lbs.)	1,500	1,200	1,000	900

10500

3.5 GPM @ 1500 PSI (13.25 L/m @ 103.4 bars)

Layer of Cable	1	2	3	4
Line speed - low gear (FPM)	5.65	6.43	7.41	8.58
Rated pull (lbs.)	10,500	8,500	7,400	6,400
Line speed - high gear (FPM)	31	36	42	48
Rated pull (lbs.)	1,600	1,300	1,200	1,000

12000

3.5 GPM @ 1500 PSI (13.25 L/m @ 103.4 bars)

Layer of Cable	1	2	3	4
Line speed - low gear (FPM)	5.65	6.43	7.41	8.58
Rated pull (lbs.)	12,000	9,400	8,200	7,000
Line speed - high gear (FPM)	31	36	42	48
Rated pull (lbs.)	2,000	1,550	1,350	1,150



REMOTE INCLUDED IN
34 SERIES KIT.



34 SERIES ADAPTER KIT REQUIRED - SEE
APPLICATION CHART ON PAGE 8.

HI SERIES

HYDRAULIC WINCH

SPECIFICATIONS:

Gear Train:	Planetary
Gear Ratio :	6:1
Motor:	9k: 14 cubic inch 10.5k: 17.9 cubic inch 12k: 19.5 cubic inch
Control Pendant:	Illuminated Joystick Remote, 12'
Cable:	3/8" X 100' (nominal 14,400 lbs) (9.53 mm X 30.5 m)
Dimensions:	21.9" X 7.8" HI9000 22.1" X 7.8" HI10500 22.5" X 7.8" HI12000
Drum Size: Diameter/Length	2.5" X 9" (63.5 mm X 228.6 mm)
Net weight:	HI9000, HI10500: 103 lbs (47 kgs) HI12000: 110 lbs (50 kgs)
Bolt Pattern:	4 Bolt Pattern, 4.5" X 10" (114.3 mm X 254 mm)
Power Steering Min. Requirements:	3.5 GPM @ 1500 psi (13.25 L/m @ 103.4 bars)

The Mile Marker HI Series Hydraulic Winch was intended for permanent mounting in the front or rear of a vehicle. The solenoid control valve is integrated into the winch body, and therefore always remains in the same location as the winch itself. These systems include all necessary hoses, solenoid control valve, remote control, roller fairlead with fasteners, and winch cable. To adapt to your vehicle's power steering pump, the HI Series winches (HI9000, HI10500, and HI12000) require a vehicle specific 35-series vehicle adapter kit (see page 8). Our HI Series is now also available in 24V.

FEATURES:

- 2 Speed
- Mechanical Lock
- Freespooling
- Integrated Solenoid Valve
- Can Use Underwater
- Corrosion Resistant
- Stainless Steel Tie Bars and Fasteners
- 100 Feet Galvanized Aircraft Cable
- Reversible Mounting on 3 Sides (HI12000 Only)
- Ductile Iron Body (HI12000 Only)
- Power Steering Pump Powered
- 100% Duty Cycle



HI9000

9,000 LB (4082 kg) Capacity
PN: 75-50085C

HI10500

10,500 LB (4763 kg) Capacity
PN: 75-50050C

HI12000

12,000 LB (5443 kg) Capacity
PN: 75-52000C

PERFORMANCE:

9000

3.5 GPM @ 1500 PSI (13.25 L/m @ 103.4 bars)

Layer of Cable	1	2	3	4
Line speed - low gear (FPM)	6.16	7.48	8.8	10.5
Rated pull (lbs.)	9,000	7,300	6,200	5,400
Line speed - high gear (FPM)	33.6	38.4	48	57
Rated pull (lbs.)	1,500	1,200	1,000	900

10500

3.5 GPM @ 1500 PSI (13.25 L/m @ 103.4 bars)

Layer of Cable	1	2	3	4
Line speed - low gear (FPM)	5.65	6.43	7.41	8.58
Rated pull (lbs.)	10,500	8,500	7,400	6,400
Line speed - high gear (FPM)	31	36	42	48
Rated pull (lbs.)	1,600	1,300	1,200	1,000

12000

3.5 GPM @ 1500 PSI (13.25 L/m @ 103.4 bars)

Layer of Cable	1	2	3	4
Line speed - low gear (FPM)	5.65	6.43	7.41	8.58
Rated pull (lbs.)	12,000	9,400	8,200	7,000
Line speed - high gear (FPM)	31	36	42	48
Rated pull (lbs.)	2,000	1,550	1,350	1,150



ILLUMINATED JOYSTICK REMOTE
CONTROL INCLUDED



35 SERIES ADAPTER KIT REQUIRED - SEE
APPLICATION CHART ON PAGE 8.

LOW-PRESSURE HYDRAULIC WINCH

**FOR JEEPS, LIGHT
DUTY TRUCKS,
& SUVs WITH AN OEM
POWER-STEERING
PUMP PRODUCING
LESS THAN 1500 P.S.I.**



Many of today's mid-sized trucks, Jeeps, and Sport-Utility-Vehicles do not produce the 1500 PSI necessary to reach the specifications of the hydraulic winches in the standard product line-up. For those looking to harness the legendary power of the Mile Marker hydraulic winch, but do not plan on upgrading any power-steering equipment, this is the model for you. The low-pressure hydraulic winch will pull 9,100 pounds at only 1100 PSI; a perfect combination for Jeep, Nissan, and Toyota applications.

FEATURES:

- 2 Speed
- Mechanical Lock
- Freespooling
- Integrated Solenoid Valve
- Can Use Underwater
- Corrosion Resistant
- Stainless Steel Tie Bars and Fasteners
- 100 Feet Galvanized Aircraft Cable
- Aluminum Body

SPECIFICATIONS:

Part Number	75-50058C
Rated line pull	9000 lbs (4082 Kg) @ 1100 PSI
Gear Train	Planetary
Gear Ratio	6:1
Motor	19.5 cubic inch
Control Pendant	Illuminated Joystick Remote, 12'
Cable	3/8" X 100' (nominal 14,400 lbs) (9.53 mm X 30.5 m)
Drum Size: Diameter/Length	2.5" X 9" (63.5 mm X 228.6 mm)
Net weight	103 lbs (47 kgs)
Bolt Pattern	4 Bolt Pattern, 4.5" X 10" (114.3 mm X 254 mm)

PERFORMANCE:

LAYER	LOAD	PSI	GPM
1	6700	900	3
1	7800	1000	3
1	9100	1100	3
1	10100	1200	3
1	11000	1300	3
1	12000	1400	3



**ILLUMINATED JOYSTICK REMOTE
CONTROL INCLUDED**



**35 SERIES ADAPTER KIT REQUIRED -
SEE APPLICATION CHART ON PAGE 8.**

HYDRAULIC

WINCH ADAPTER KITS



34KIT HSERIES
REMOTE SOLENOID VALVE

Included in Kit: 12 ft. lead remote control, All hoses and fittings included, Power in and Power out, Remote Solenoid-activated control valve (draws only 2 amps), Adapter for vehicle specific power steering pump. Rated to 7 gpm. Required for H Series Winches.

PART NUMBER:	APPLICATION
CHEVY/GMC	
34-5020-16	GM 2012-16 2500 and 3500 HD
34-5010-15	88+ GM C/K,99+ Tahoe/Suburban, Silverado
34-5020-14	72-87 GM C/K, 88-91 RV series
34-5010-12	GM S-series
34-5010-13	GM S-series w/4.3L Vortec
FORD	
34-5020-38	2012-2017 SuperDuty gas (w/o Hydroboost)
34-5020-38H	2012-2017 SuperDuty diesel (w/ Hydroboost)
34-5020-38GH	2012-2017 SuperDuty gas (w/ Hydroboost)
34-5020-38V	2012-2016 SuperDuty diesel (w/o Hydroboost)
34-5010-09	1997+ Ford F-150, Expedition
34-5020-07	78-96 Ford full size. 97-98 F250, F350
34-5010-07H	78-98 Ford full size (with hydroboost)
34-5020-06	72-77 Ford full size
34-5020-04	83-92 Ford Ranger, 90-94 Explorer
34-5020-05	92-96 Ford Ranger, 95-96 Explorer
34-5010-34	99-04 Ford 250, 350, 450, 550, Excursion
34-5020-35	2005-2010 Ford 250, 350,450, 550, Excursion
34-5020-10	02+ Ford Ranger/Sport Trac
34-5020-37	2011 Ford SuperDuty
DODGE	
34-5020-24	Dodge 5500 4x4
34-5010-20	Dodge Dakota 4 cylinder
34-5020-22	Dodge Dakota 6 & 8 cylinder
34-5020-23	Dodge 72-93 full size
34-5020-24	Dodge 94+full size
INTERNATIONAL	
34-5010-18	Truck & Scout
JEEP	
34-5010-50	Jeep Cherokee
34-5020-51	Jeep CJ, Scrambler
34-5020-55	Jeep YJ, TJ, JK & Rubicon
NISSAN	
34-5010-30	Nissan 86-93 except Pathfinder 91-95, 94-96 truck
34-5010-31	91-95 Nissan Pathfinder, 94-96 truck
TOYOTA	
34-5020-41	Toyota All
LAND ROVER	
34-5010-45	Land Rover Discovery
AM GENERAL	
34-5010-17	HI (Civilian)
34-5010-15	H2
GENERAL KIT	
34-5010-01	General kit; does not include PS pump
34-5011-00	Valve only; 24-volt system (No hose, fittings)
MEDIUM DUTY TRUCKS	
34-5010-80	(International 7400)



35KIT HISERIES
INTEGRATED SOLENOID VALVE

To be used to adapt power steering pump to HI Series Winch System. Includes vehicle specific power steering pump fittings and adapters.

PART NUMBER:	APPLICATION:
35-5020-16	GM 2012-17 2500 and 3500 HD
35-5020-15	2012-13 GM, Dodge, International, Chevrolet, H2
35-5020-22	2003 & up Dodge
35-5020-07	Ford, up to 1998
35-5020-34	Ford 1999 to 04; F-150 1997 to 04
35-5020-10	Ford SportTrac/Ranger
35-5020-51	Jeep
35-5020-31	Nissan
35-5020-41	Toyota
35-5020-25	Dodge 5500 4x4
35-5020-45	Land Rover
35-5020-17	AM General-Hummer H1
35-5020-35	2005-2010 Ford Super Duty
35-5020-36	2007 Ford F-550 Only
35-5020-37	2011 Ford SuperDuty
35-5020-38	2012-2017 SuperDuty gas (w/o Hydroboost)
35-5020-38H	2012-2016 SuperDuty diesel (w/ Hydroboost)
35-5020-38GH	2012-2017 SuperDuty gas (w/ Hydroboost)
35-5020-38V	2012-2016 SuperDuty diesel (w/ Vacuum boost)
35-5020-39V	2017 SuperDuty, 6.7 diesel, Vacuum Boost
35-5020-39H	2017 SuperDuty, 6.7 diesel, Hydroboost
35-5020-81	Chevy 5500



34KIT
VEHICLE SPECIFIC APPLICATIONS



35KIT
VEHICLE SPECIFIC APPLICATIONS

18K

HYDRAULIC WINCHES

Designed for heavy duty commercial, utility, and wrecker applications. Complete unit.

H18K Two Speed

18,000 LB (8,165 kg) @1500 PSI
PN: 70-58000C



SPECIFICATIONS:

Rated Line Pull:	18000 lbs (8164 Kg)
Gear Train:	Planetary, Hardened Steel Gear
Gear Ratio:	18:1 Low Gear, 6:1 High Gear
Motor:	11.9 C.I. (195 CC)
Dimensions (LxWxH):	24.01" X 9.99" X 9.96" Long Drum (610 mm X 254 mm X 253 mm)
Recommended Cable:	0.5" Galvanized Aircraft Cable Nominal Breaking Strength = 26,600 lbs
Drum Size	
Diameter/Length:	4.0" X 10" (101.6 mm X 254 mm) - Short Drum
Flange Diameter:	9" (228.6 mm)
Net Weight:	157 lbs (57.6 Kgs) without cable - Long Drum
Bolt Pattern:	11.48" X 8" (164.6 mm X 291.6 mm) - Long Drum 8 bolts, 5/8"-11
Complying Standards:	SAE J706

Short Drum Available Upon Special Order

FEATURES:

- 2 Speed winch
- Free Spooling
- Mechanical Lock
- Heavy Duty Disc Brake
- Heavy Duty Engagement Clutch
- Sealed Against Elements
- Can Use Underwater
- Corrosion Resistant Aluminum Body
- Stainless Steel Tie Bars
- 96' of 1/2" Cable Capacity
55' J706
on Short Drum (29.2 m of
12.7 mm cable)
- 168' of 1/2" (12.7 mm)
117' J706
Cable Capacity
on Long Drum
(56.4 m of 12.7 mm cable)

H18K One Speed

18,000 LB (8,165 kg) @2030 PSI
PN: 70-58010C



SPECIFICATIONS:

Rated Line Pull:	18000 lbs (8164 Kg)
Gear Train:	Planetary, Hardened Steel Gear
Gear Ratio:	36:01
Motor:	7.6 C.I. (124.9 CC)
Dimensions (LxWxH):	25.8" X 8.4" X 9.6" (656 mm X 214 mm X 245 mm)
Cable Size:	75' x 0.5" (22 m x 12.7 mm) Nominal Breaking Strength = 26,600 lbs
Drum Size	
Diameter/Length:	4 x 9.95" (102 mm x 253 mm)
Net Weight:	158.7 lbs (72 Kgs)
Bolt Pattern:	6.5" X 12" (165 mm X 304.8 mm) Outer 4.5" X 12" (114.3 mm X 304.8 mm) Inner
Complying Standards:	SAE J706

FEATURES:

- Free Spooling
- Mechanical Lock
- Heavy Duty Brake
- Heavy Duty Engagement Clutch
- Sealed Against Elements
- Can Use Underwater
- Corrosion Resistant Aluminum Body
- Stainless Steel Tie Bars
- Galvanized Aircraft Cable



REMOTE INCLUDED IN
34 SERIES KIT.



34 SERIES ADAPTER KIT REQUIRED.
SEE APPLICATION CHART ON PAGE 8.

18K

HYDRAULIC WINCHES

H18K Two Speed PERFORMANCE:

High Speed Performance Specification (max. 1500 PSI) (max 103.4 bars)

LAYER	Rated Line Pull		Line Speed						Cable Capacity			
			At 4 GPM (15.1 L/m)		At 10 GPM (38 L/m)		At 15 GPM (56.8.1 L/m)		Short Drum		Long Drum	
	Lbs	Kgs	fpm	mpm	fpm	mpm	fpm	mpm	ft	m	ft	m
1	6000	2722	11.8	3.6	29.5	9.0	51.1	15.6	10.6	3.1	20.6	6.3
2	4917	2230	14.4	4.4	36.0	11.0	62.4	19.0	23.3	7.0	45.0	13.7
3	4167	1890	17.0	5.2	42.5	13.0	73.7	22.5	37.6	11.5	74.0	22.6
4	3600	1633	19.6	6.0	49.1	15.0	85.1	25.9	54.7	16.7	106.0	32.3
5	3183	1444	22.3	6.8	55.6	17.0	96.4	29.4	74.0	22.6	144.0	43.9
6	2850	1293	24.9	7.6	62.2	19.0	107.8	32.9	96.0	29.3	185.0	56.4

* Layers 5 and 6 do not comply with SAE J706 Standard

Low Speed Performance Specification (max. 1500 PSI) (max 103.4 bars)

LAYER	Rated Line Pull		Line Speed						Cable Capacity			
			At 4 GPM (15.1 L/m)		At 10 GPM (38 L/m)		At 15 GPM (56.8.1 L/m)		Short Drum		Long Drum	
	Lbs	Kgs	fpm	mpm	fpm	mpm	fpm	mpm	ft	m	ft	m
1	18000	8165	3.9	1.2	9.8	3.0	17.0	5.2	10.6	3.1	20.6	6.3
2	14750	6690	4.8	1.5	12.0	3.7	20.8	6.3	23.3	7.0	45.0	13.7
3	12500	5670	5.7	1.7	14.2	4.3	24.6	7.5	37.6	11.5	74.0	22.6
4	10800	4899	6.5	2.0	16.4	5.0	28.4	8.6	54.7	16.7	106.0	32.3
5	9550	4332	7.4	2.3	18.5	5.7	32.1	9.8	74.0	22.6	144.0	43.9
6	8550	3878	8.3	2.5	20.7	6.3	35.9	11.0	96.0	29.3	185.0	56.4

* Layers 5 and 6 do not comply with SAE J706 Standard

H18K One Speed PERFORMANCE:

High Speed Performance Specification (max. 2030 PSI or 140BAR) (max 103.4 bars)

LAYER	Rated Line Pull		Line Speed				Cable Capacity	
			At 15 GPM (56.8.1 L/m)		At 20 GPM (75.71 L/m)			
	Lbs	Kgs	fpm	mpm	fpm	mpm	ft	m
1	18000	8165	14.9	4.5	17.4	5.3	21	6.4
2	14727	6680	18.2	5.5	21.3	6.5	46	14
3	12461	5652	21.5	6.6	25.6	7.8	75	22.9

* All layers comply with SAE J706 Standard

First Layer Performance

Line Load		Pressure drop at 15 GPM (56.8.1 L/m)		Pressure drop at 20 GPM (75.71 L/m)	
		psi	bar	psi	bar
Lb	Kgs				
0	0	113	7.8	592	40.8
3000	1361	345	23.8	763	52.6
6000	2722	599	41.3	940	64.8
9000	4082	867	59.8	1123	77.4
12000	5443	1137	78.4	1311	90.4
15000	6804	1446	99.7	1506	103.8
18000	8165	1617	11.5	1706	117.6

TOWING

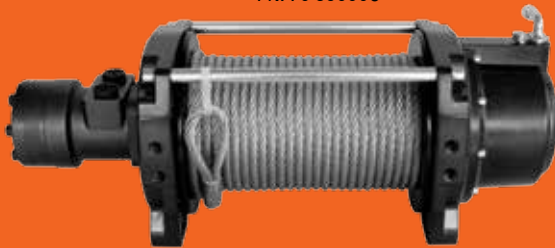
HYDRAULIC WINCH

HS9000 SAE REPLACEMENT RECOVERY WINCH

Designed for Tow, Trailers, and Utility Vehicles, the HS9000 is a reliable, high speed, **SAE J706** compliant winch that makes a great refitment alternative to OEM equipment. This winch utilizes planetary gear sets and a load holding brake, and is offered in both clockwise and counter-clockwise drum configurations. Remote control accessory kits are offered for manual and air powered equipment.

HS9000

Hydraulic Winch
PN: 70-59000C



Winch Cable Tension Plate
PN: 70591



Remote Pneumatic Clutch Kit
PN: 70593



Remote Manual Clutch Kit
PN: 70592

SPECIFICATIONS:

Part Number	70-59000C
Rated line pull	9000 lbs
Gear Train	Planetary, Hardened Steel Gear
Gear Ratio	27:1
Motor	4.91 C.I (80.6 CC)
Dimensions (LxWxH)	23.6"x8.43"x9.25" (600mmx214mmx235mm)
Recommended Cable	3/8" x 100' (9.5mmx30.5mm)
Drum Size: Diameter/Length	4" X 9.96" (102mm x 253mm)
Net Weight	78 lbs (no cable)
Bolt Pattern	Bottom: 114.3mmx165mmx304.8mm Side: 31.8x304.8mm
Complying Standards	SAE J706



AFFORDABLE DROP IN REPLACEMENT

HS9000 Winch (Clockwise): PN 70-59000C
Remote Manual Clutch Kit: PN 70592
Remote Pneumatic Clutch Kit: PN 70593
Winch Cable Tension Plate: PN 70591

PERFORMANCE:

Line Pull		Line Speed		
lb	kg	fpm	mpm	flow L/m
0	0	27.3	8.3	59
4000	2270	25.5	7.8	56.3
8000	4086	26.2	8	56.2
9000	5448	26.2	8	55.6

FEATURES:

- Free Spooling
- Mechanical Lock
- Automatic Load Holding Brake
- Heavy Duty Engagement Clutch
- Sealed Against Elements
- Corrosion Resistant Aluminum Body
- Cable Tension Plate Sold Separately
- Clutch Kits Sold Separately
- Clockwise & Counter-Clockwise Rotation
- Meets or exceeds SAE J706 Standards



**MILE
MARKER**
RECOVERYGEAR+



TEAM
ORANGE

ELECTRIC WINCHES



PERFORMANCE FIRST

The Mile Marker Electric Winch Line offers the off-road enthusiast a traditional alternative to our legendary Hydraulic System. These units were designed and constructed to define value: best performance per pound than any unit in their price range. Our dependable full size winches range from 8,000 pounds to 15,000 pounds in capacity, meaning we have the right winch for your vehicle. Mile Marker winches feature best in class working range line speeds. After years of motor tuning and gear ratio development for performance, Mile Marker turned their focus on creating the best equipped winch in the industry by sealing the units.

COMPLETELY SEALED

The evolution called for a design that can hold up to any element.

Like any tool, a winch spends most of its lifetime sitting on a vehicle unused. As it is exposed to the elements, **dormant parts can pit, rust, and corrode, leading to component failure.** But when a winch is called to action, regardless of how many times it has been plowed through the mud, how many river crossings it has made, or how many snow storms and rainy seasons have weathered it.....it must be ready to perform. Complete Sealing is crucial to eliminating this problem.

INDEPENDENT LAB CERTIFIED: IP68 DUST AND WATERPROOF

Some winches claim to be weatherproof or sealed, but Mile Marker's **PROJECT ES** winches were validated in an independent lab to be sealed to the IP68 Standard, the highest rating on the Ingress Protection (IP) scale for weatherproof sealing. What does that mean? The "Ingress Protection" scale is a universal standard that rates the degree of Solid Particle and Liquid Ingress protection, where the first digit refers to Solid Particles, and the second digit refers to Liquid Ingress.



SUBMERSIBLE SOLENOID.
Designed with marine-grade connections at the Remote Control plug and socket.

STAINLESS STEEL.
Bolts and Fasteners to prevent exterior corrosion even in the smallest places.

Solid Particle Protection (IP6x)

LEVEL	OBJECT SIZE	EFFECTIVE AGAINST
0	—	No protection against contact and ingress of objects
1	>50 mm	Any large surface of the body, such as the back of a hand, but no protection against deliberate contact with a body part
2	>12.5 mm	Fingers or similar objects
3	>2.5 mm	Tools, thick wires, etc.
4	>1 mm	Most wires, screws, etc.
5	Dust protected	Ingress of dust is not entirely prevented, but it must not enter in sufficient quantity to interfere with the satisfactory operation of the equipment; complete protection against contact
6	Dust tight	No ingress of dust; complete protection against contact

Liquid Ingress Protection (IPx8)

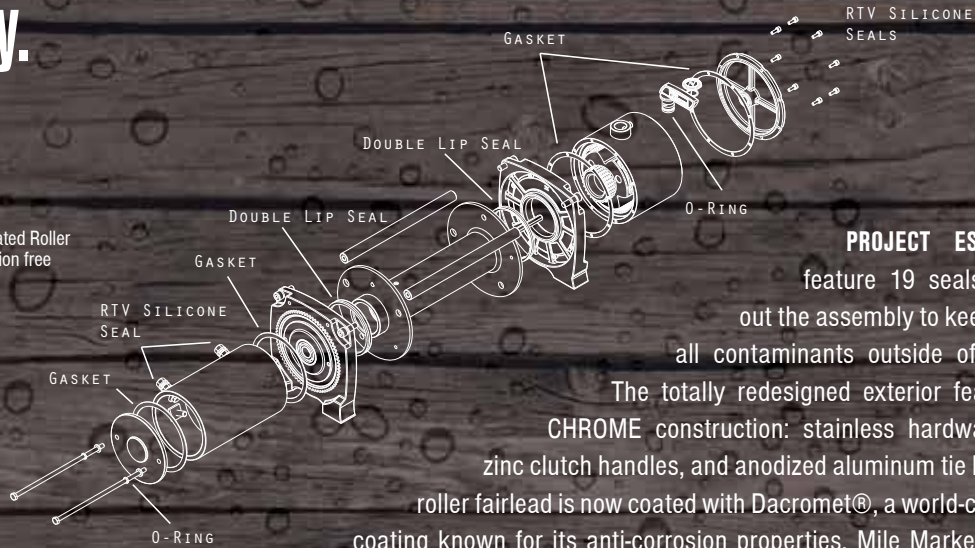
LEVEL	PROTECTED AGAINST	TESTING FOR	DETAILS
0	Not protected	—	—
1	Dripping water	Dripping water (vertically falling drops) shall have no harmful effect.	Test duration: 10 minutes Water equivalent to 1mm rainfall per minute
2	Dripping water when tilted up to 15°	Vertically dripping water shall have no harmful effect when the enclosure is tilted at an angle up to 15° from its normal position.	Test duration: 10 minutes Water equivalent to 3mm rainfall per minute
3	Spraying water	Water falling as a spray at any angle up to 60° from the vertical shall have no harmful effect.	Test duration: 5 minutes Water volume: 0.7 litres per minute Pressure: 80–100 kPa
4	Splashing water	Water splashing against the enclosure from any direction shall have no harmful effect.	Test duration: 5 minutes Water volume: 10 litres per minute Pressure: 80–100 kPa
5	Water jets	Water projected by a nozzle (6.3 mm) against enclosure from any direction shall have no harmful effects.	Test duration: at least 3 minutes Water volume: 12.5 litres per minute Pressure: 30 kPa at distance of 3m
6	Powerful water jets	Water projected in powerful jets (12.5 mm nozzle) against the enclosure from any direction shall have no harmful effects.	Test duration: at least 3 minutes Water volume: 100 litres per minute Pressure: 100 kPa at distance of 3m
7	Immersion up to 1 m	Ingress of water in harmful quantity shall not be possible when the enclosure is immersed in water under defined conditions of pressure and time (up to 1 m of submersion).	Test duration: 30 minutes Immersion at depth of 1m
8	Immersion beyond 1m	The equipment is suitable for continuous immersion in water under conditions which shall be specified by the manufacturer. Normally, this will mean that the equipment is hermetically sealed. However, with certain types of equipment, it can mean that water can enter but only in such a manner that it produces no harmful effects.	Test duration: continuous immersion in water. Depth specified by manufacturer

Construction Highlights

**Recovery.
Evolved.**



DACROMET® coated Roller Fairleads, corrosion free construction.



PROJECT ES Winches

feature 19 seals throughout the assembly to keep any and all contaminants outside of the unit.

The totally redesigned exterior features **NO CHROME** construction: stainless hardware, black zinc clutch handles, and anodized aluminum tie bars. Each roller fairlead is now coated with Dacromet®, a world-class metal coating known for its anti-corrosion properties. Mile Marker has also implemented a new submersible solenoid design with marine-grade connections at the Remote Control plug and socket.



COMPLETELY WATER-PROOF



COMPLETELY MUD-PROOF



COMPLETELY SNOW-PROOF

**TEAM
ORANGE**



SEC18 (es)

ELECTRIC WINCH



OUR STRONGEST ELECTRIC WINCH TO DATE.

Mile Marker's most powerful Electric winch to date: the SEC18(es). With 18,000 pounds of pulling and recovery power, this electric winch can be utilized in many applications from tow trucks to industrial DC; due to its relatively light weight and wide range of flow accommodations. The SEC18(es) features fast line speeds, is completely sealed, and meets SAE J706 Standards.



FEATURES:

- Load Holding Brake
- Fully Sealed
- Submersible, 500 Amp Solenoid
- Fast Line Speeds
- Clockable Gear Housing
- 75 Feet Galvanized Aircraft Cable

SPECIFICATIONS:

Part Number	77-50280W
Rated Line Pull:	18000 lbs (8172 Kg), Single Line
Gear Train:	3-Stage Planetary
Gear Ratio:	315:1
Motor:	12 Volt DC, input power 7.7hp (5.6 kw) 24 Volt DC, input power 7.7hp (5.6 kw)
Dimensions (LxWxH):	26 x 9.5 x 8.5 (661 x 241 x 216)
Cable:	Aircraft Steel Cable 1/2" x 75' (12.7mm x 24m)
Drum Size	4.0" X 10" (101.6 mm X 254 mm) - Short Drum
Diameter/Length:	9" (228.6 mm)
Flange Diameter:	9" (228.6 mm)
Net Weight:	158 lbs (71.7 Kgs)
Bolt Pattern:	11.48" X 8" (164.6 mm X 291.6 mm) - Long Drum 8 bolts, 5/8"-11
Complying Standards:	SAE J706

PERFORMANCE:

Line Pull		Line Speed				Motor Current	
lb	kg	fpm (12V)	mpm (12V)	fpm (24V)	mpm (24V)	amps @ 12 V	amps @ 24 V
0	0	23.6	7.2	27.9	8.5	68	25
6000	2720	10.2	3.1	12.5	3.8	235	150
8000	3630	9.2	2.8	7.5	2.3	282	176
10000	4540	4.9	1.5	6.9	2.1	310	185
12000	5440	3.9	1.2	5.9	1.8	378	198
15000	6800	3.3	1	4.6	1.4	420	213
18000	8170	2.6	0.8	3.6	1.1	469	233

TEAM
ORANGE

SEC15 (es)

ELECTRIC WINCHES



THE LIGHTEST, MOST COMPACT 15K WINCH IN THE INDUSTRY.

The lightest 15,000 pound winch in the industry! Weighing in at only 85 pounds, the SEC15 packs heavy duty power in its compact design. Featuring compact dimensions and 25% less weight than other winches in its class, the SEC15 mounts easily and is a great choice for full size trucks that are looking for big winch power without adding big winch weight to the vehicle's front end.

With Synthetic Rope

15,000 LB (6810 kg)
PN: 76-53260W



SPECIFICATIONS:

Rated line pull	15,000 lbs (6810 kgs), Single line
Gear Train	3 Stage Planetary
Gear Ratio	296:1
Motor	Series Wound, 6.8 hp (5 kw), 12 Volt, 24 volt available
Control Pendant	Power-In, Power-Out Remote, 12' (3.7 m)
Dimensions (LxWxH)	22.44" X 6.29" X 11.00" (570 mm X 160 mm X 280 mm)
Cable	3/8" X 79' (9.5 mm X 22 m)
Rope	3/8" X 78' (10.3 mm X 24 m)
Drum Size: Diameter/Length:	2.9" X 8.9" (75 mm X 228 mm)
Net weight	63.5 lbs (with Synthetic Rope) PN : 76-53260W
Net weight	85 lbs (with Aircraft Cable) PN : 76-50260W
Bolt Pattern	4 Bolt Pattern, 4.5" x 10" (114.3 mm X 114.3 mm)

FEATURES:

- 6.8 HP (5 kw) Series Wound Motor
- Fast Line Speeds
- Rugged Planetary Gear Sets
- Automatic Load Holding Brake
- Clockable Gear Side
- 79' of 10.3mm Galvanized Cable
- 78' of 10mm Synthetic Rope
- Includes 15' Recovery Strap
- Fully Sealed Winches
- Submersible, 500 Amp Solenoid
- Marine Grade Remote Control Connectors
- Corrosion-Free Construction
- Stainless Steel Hardware

With Aircraft Cable

15,000 LB (6810 kg)
PN: 76-50260W



PERFORMANCE:

Line Pull		Line Speed		Motor Current
lb	kg	fpm	mpm	amps @ 12 V
0	0	15.8	4.8	74
5000	2270	7.6	2.3	202
9000	4086	5.9	1.8	290
12000	5448	4.6	1.4	335
15000	6810	3.3	1	420



INCLUDES 15' RECOVERY STRAP



LIGHTEST, MOST COMPACT 15K
WINCH IN THE INDUSTRY



IDEAL FOR FULL SIZE TRUCKS



TEAM
ORANGE

FULL-SIZE

ELECTRIC WINCHES



PROVEN WINCH DESIGN AT AN UNMATCHED VALUE.

Heavy Duty Series Wound Motors and rugged planetary gear sets are the backbone of this expedition grade winch series. With robust controls, fully sealed solenoids and body, and an integrated kill switch, the SEC(es) series is a proven winch design at an unmatched value.

SEC12 (es)

12,000 LB (5443 kg)
PN: 76-50251BW



SPECIFICATIONS:

Gear Train	3 Stage Planetary
Gear Ratio (12K)	296:1
Gear Ratio (9.5K)	212:1
Motor	Series Wound, 4.8 hp (3.6 kw), 12 Volt, 24 volt available
Control Pendant	Power-In, Power-Out Remote, 12' (3.7 m)
Dimensions (LxWxH)	22.25" X 6.25" X 8.00" (565.2 mm X 158.8 mm X 203.2 mm)
Cable	3/8" X 100' (nominal 14,400 lbs, 6531 kg) (9.53 mm X 30.5 m)
Rope (Available)	3/8" X 100' (9.53 mm X 30.5 m)
Drum Size: (Diameter and length)	2.5" X 9" (63.5 mm X 228.6 mm)
Net weight	92 lbs (42 kg)
Bolt Pattern	4 Bolt Pattern, 4.5" x 10" (114.3 mm X 114.3 mm)

FEATURES:

- Powerful Series Wound Motor
- Fast Line Speeds
- Rugged Planetary Gear Sets
- Automatic Load Holding Brake
- Clockable Gear Side
- 100' of Galvanized Cable
- 100' of Synthetic Rope (Available upon request)
- Fully Sealed Winches
- Submersible, 500 Amp Solenoid
- Marine Grade Remote Control Connectors
- Corrosion-Free Construction
- Stainless Steel Hardware

SEC95 (es)

9,500 LB (4309 kg)
PN: 76-50246BW



PERFORMANCE (12K):

Line Pull		Line Speed		Motor Current
lb	kg	fpm	mpm	amps @ 12 V
0	0	23	7	90
2000	907	12.8	3.9	145
4000	1814	9.7	3.0	185
6000	2722	7.9	2.4	230
8000	3629	7.1	2.2	270
10000	4536	5.1	1.6	315
12000	5443	4.5	1.4	370

PERFORMANCE (9.5K):

Line Pull		Line Speed		Motor Current
lb	kg	fpm	mpm	amps @ 12 V
0	0	25.7	7.8	85
2000	907	15.1	4.6	150
4000	1814	10.5	3.2	210
6000	2722	7.9	2.4	270
8000	3629	5.9	1.8	320
9500	4309	4.3	1.3	375

TEAM
ORANGE

8000 POUND

ELECTRIC WINCHES



BEST WORKING RANGE PERFORMANCE IN THE INDUSTRY.

These no frills, down to business, 8,000 pound (3629 kg) winches feature a series-wound motor, and the best in class performance in the 2,000 pound to 6,000 pound load ranges. With warranty, and an attractive price, these winches redefine value and performance in the 8,000 pound winch class.

SEC8 SCOTT (es)

8,000 LB (3629 kg)
PN: 77-53141W



SPECIFICATIONS:

Rated line pull	8000 lbs (3629 Kg)
Gear Train	3 Stage Planetary
Gear Ratio	152:1
Motor	Series Wound, 4.8 hp (3.6 KW), 12 V
Control Pendant	Power-In, Power-Out Remote, 12' (3.7 m)
Dimensions (LxWxH)	21.50" X 6.25" X 8.00" (546.1 mm X 158.8 mm X 203.2 mm)
Rope	5/16" X 100' (nominal 15,000 lbs, 6804 kg) (7.94 mm X 28.5 m)
Cable	5/16" X 100' (nominal 9,800 lbs, 4445 kg) (7.94 mm X 30.5 m)
Drum Size: (Diameter and length)	2.5" X 9" (63.5 mm X 228.6 mm)
Net weight (Rope)	54 lbs (24.9 kg)
Net weight (Cable)	70 lbs (31.75 kg)
Bolt Pattern	4 Bolt Pattern, 4.5" x 10" (114.3 mm X 114.3 mm)

FEATURES:

- 4.8 HP Series Wound Motor
- Fast Line Speeds
- Rugged Planetary Gear Sets
- Automatic Load Holding Brake
- Clockable Gear Side
- 100' of Synthetic Rope
- 100' of Galvanized Cable
- Fully Sealed Winches
- Submersible, 500 Amp Solenoid
- Marine Grade Remote Control Connectors
- Corrosion-Free Construction
- Stainless Steel Hardware

SEC8 (es)

8,000 LB (3629 kg)
PN: 77-50141W



PERFORMANCE:

Line Pull		Line Speed		Motor Current
lb	kg	fpm	mpm	amps @ 12 V
0	0	26	7.9	95
2000	907	20	6	175
4000	1814	14	4.3	240
6000	2722	12	3.8	295
8000	3629	10.8	3.3	370

TEAM
ORANGE

SEC4500 (es)

TRAILER & UTILITY WINCH



VERSATILE DESIGN AND LOW AMPERAGE DRAW.

The SEC4500(es) is a versatile, utility recovery tool that serves large side by side units just as well as trailer duty. This winch revolutionizes efficiency and performance with its compact size, low amperage draw, and fast line speeds! The Mile Marker SEC4500(es) winch has also been updated to include a mounting plate, as well as an 8' Tow Strap for protecting valuable cargo from cable damage.



FEATURES:

- Low Amperage Draw
- Rugged Planetary Gear Sets
- Automatic Load Holding Brake
- Galvanized Roller Fairlead
- 80 Feet Galvanized Aircraft Cable
- Includes Mounting Plate
- Includes Tow Strap for Car Haulers

Ideal use: Car Trailers, Utility Trailers, UTVs, Compact SUVs

SPECIFICATIONS:

Part Number	76-50115BW
Rated line pull (single line)	4500 lbs (2043 kg)
Gear Train	3 Stage Planetary
Gear Ratio	150:1
Motor	12 V DC, input power: 3.7Hp (2.7kw)
Control Pendant	Illuminated Joystick Remote, 12' (3.7 m)
Dimensions (LxWxH)	17.2" X 6.2" X 7.3" (436 mm X 152 mm X 185 mm)
Cable	1/4" X 80' (nominal 7,000 lbs, 3175 kg) (5.45 mm X 25.9 m)
Drum Size: Diameter/Length	2.5" X 5.5" (63 mm X 140 mm)
Net weight	51 lbs (23 Kg) (with mounting bracket)
Bolt Pattern	6.535" X 4.5" (4 bolts), (165.9 mm X 114.3 mm)

PERFORMANCE:

Layer	Rated Line Pull		Cable Capacity	
	lb	kg	ft	meters
1	4500	2043	15	4.6
2	4264	1935	31.5	9.6
3	3725	1691	50	15.2
4	3307	1501	70	21.3

THE FASTEST, MOST POWERFUL 4500 IN ITS CLASS



TOW STRAP INCLUDED



MOUNTING PLATE INCLUDED

POWERSPORTS WINCHES



RUGGED, COMPACT, POWERFUL

The Mile Marker ATV and UTV winch line combines the powerful recovery power of their full size brothers in a rugged compact size. These mini-monsters combine all metal, planetary gear systems for unmatched reliability in an ATV recovery system.

The performance of the smaller Mile Marker winch line has allowed them to also function very well in trailer and utility applications. These winches pack enough punch to take on the most daunting task. Our PE4500 was the champion of utility, and now our NEW PE5000 packs the same punch in a more compact and light-weight body.

ELEMENT-SEALED

After years of motor tuning and gear ratio development for performance, Mile Marker turned their focus on creating the best equipped winch in the industry by sealing the units. Internally sealed with O-Rings in every critical part makes all of our ATV/UTV Winches completely waterproof and ready to take on ALL the elements.



WATERPROOF CONNECTORS.
Marine grade connectors at the control and solenoid slots.

HIGH OUTPUT MOTORS.
These winches pack enough punch to take on the most daunting task.

FAST LINE SPEEDS.
Our fastest ATV/UTV Winches ever!
Offered with Synthetic Rope or Cable.

INDEPENDENT LAB CERTIFIED: IP68 DUST AND WATERPROOF

Some winches claim to be weatherproof or sealed, but Mile Marker's **PROJECT ES** winches were validated in an independent lab to be sealed to the IP68 Standard, the highest rating on the Ingress Protection (IP) scale for weatherproof sealing. What does that mean? The "Ingress Protection" scale is a universal standard that rates the degree of Solid Particle and Liquid Ingress protection, where the first digit refers to Solid Particles, and the second digit refers to Liquid Ingress.

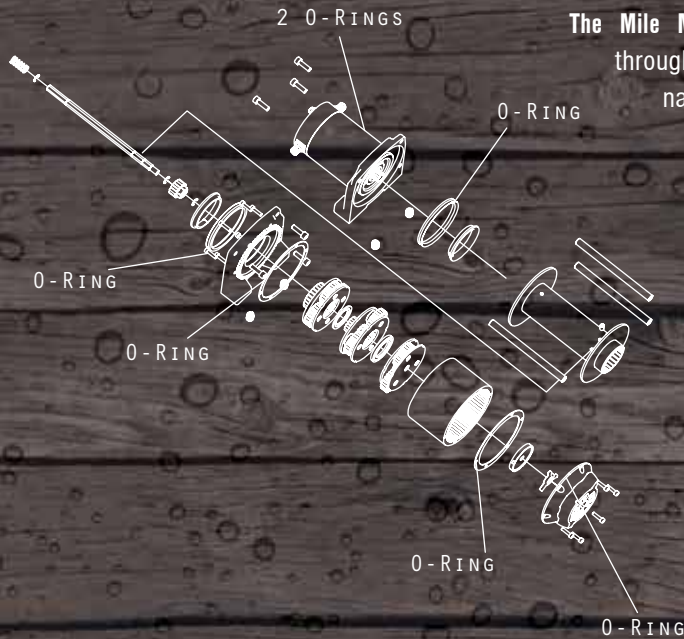
Solid Particle Protection (IP6x)

LEVEL	OBJECT SIZE	EFFECTIVE AGAINST
0	—	No protection against contact and ingress of objects
1	>50 mm	Any large surface of the body, such as the back of a hand, but no protection against deliberate contact with a body part
2	>12.5 mm	Fingers or similar objects
3	>2.5 mm	Tools, thick wires, etc.
4	>1 mm	Most wires, screws, etc.
5	Dust protected	Ingress of dust is not entirely prevented, but it must not enter in sufficient quantity to interfere with the satisfactory operation of the equipment; complete protection against contact
6	Dust tight	No ingress of dust; complete protection against contact

Liquid Ingress Protection (IPx8)

LEVEL	PROTECTED AGAINST	TESTING FOR	DETAILS
0	Not protected	—	—
1	Dripping water	Dripping water (vertically falling drops) shall have no harmful effect.	Test duration: 10 minutes Water equivalent to 1mm rainfall per minute
2	Dripping water when tilted up to 15°	Vertically dripping water shall have no harmful effect when the enclosure is tilted at an angle up to 15° from its normal position.	Test duration: 10 minutes Water equivalent to 3mm rainfall per minute
3	Spraying water	Water falling as a spray at any angle up to 60° from the vertical shall have no harmful effect.	Test duration: 5 minutes Water volume: 0.7 litres per minute Pressure: 80–100 kPa
4	Splashing water	Water splashing against the enclosure from any direction shall have no harmful effect.	Test duration: 5 minutes Water volume: 10 litres per minute Pressure: 80–100 kPa
5	Water jets	Water projected by a nozzle (6.3 mm) against enclosure from any direction shall have no harmful effects.	Test duration: at least 3 minutes Water volume: 12.5 litres per minute Pressure: 30 kPa at distance of 3m
6	Powerful water jets	Water projected in powerful jets (12.5 mm nozzle) against the enclosure from any direction shall have no harmful effects.	Test duration: at least 3 minutes Water volume: 100 litres per minute Pressure: 100 kPa at distance of 3m
7	Immersion up to 1 m	Ingress of water in harmful quantity shall not be possible when the enclosure is immersed in water under defined conditions of pressure and time (up to 1 m of submersion).	Test duration: 30 minutes Immersion at depth of 1m
8	Immersion beyond 1m	The equipment is suitable for continuous immersion in water under conditions which shall be specified by the manufacturer. Normally, this will mean that the equipment is hermetically sealed. However, with certain types of equipment, it can mean that water can enter but only in such a manner that it produces no harmful effects.	Test duration: continuous immersion in water Depth specified by manufacturer

Construction Highlights



The Mile Marker ATV/UTV Winch Systems feature seals throughout the assembly to keep any and all contaminants outside of the unit. Mile Marker has also implemented a submersible solenoid with marine-grade connections at the Remote Control plug and socket.



OUR FASTEST, MOST POWERFUL
ATV/UTV WINCHES



COMPLETELY ELEMENT SEALED



RUGGED COMPACT SIZE

TEAM
ORANGE



PE5000 (es)

SIDE-BY-SIDE UTILITY WINCH



Mile Marker's new UTV winch slams the raw recovery power of its full-size brothers into a sleek, compact package. This mini-monster features all-metal, planetary gear systems for unmatched reliability in a UTV recovery system. With a submersible, 300-amp solenoid, there is nowhere this winch can't go. The PE5000(es) Winch packs enough punch to take on the most daunting tasks.

Synthetic Rope

5,000 LB (2268 kg) Capacity
PN: 77-53120W



SPECIFICATIONS:

Rated line pull	5000lbs(2268kgs)
Gear Train:	3-Stage Planetary
Gear Ratio:	165:1
Motor:	12 Volt DC, input power 3.8hp (2.8 kw)
Control Pendant:	Power-In, Power-Out Remote
Cable or Rope:	1/4"×50' (6.35 mm X 15.24 m)
Drum Size: Diameter/Length	2.01"×5.4" (51.1 mm X 137.16 mm)
Net weight:	With Rope: 19 lbs (8.62 kgs) With Cable: 24 lbs (10.89 kgs)
Bolt Pattern:	3"×6.61", (79mm×168mm)
Winch Dimensions	15.62"×4.61"×4.72" (397mm×117mm×120mm)

FEATURES:

- Freespooling
- Fully Sealed
- Submersible, 300 Amp Solenoid
- High Output Motors
- Fast Line Speeds
- Marine Grade Remote Control Connectors
- Load Holding Brake
- Center Focused Drum
- Roller Fairlead
- New Hawse Fairlead Design
- 50' of Synthetic Rope or Cable

Cable

5,000 LB (2268 kg) Capacity
PN: 77-50120W



PERFORMANCE:

Line Pull		Line Speed 12V		Motor Current 12V
lbs	kgs	fpm	mpm	amp
0	0	20.7	6.3	34
2000	908	15.1	4.6	135
3000	1360	11.5	4	155
4000	1810	10.5	3.2	190
5000	2270	9.2	2.8	230

Mount Applications Available. Please Call For Info.



REDESIGNED HAWSE FAIRLEAD



COMPLETELY ELEMENT SEALED



THE LIGHTEST IN ITS CATEGORY

ATV

ELECTRIC WINCHES



Mile Marker's lineup of ATV winches boast top-of-the-line recovery speeds, an excellent braking system, and also feature Synthetic Rope as an option. These winches include both a handheld remote control, as well as a handlebar mounted remote control providing "power in" and "power out" functions. Mile Marker has also developed a new waterproof, 300 amp rated solenoid, giving maximum duty cycle to these bantam size power houses.



PE3.5 (es)

WITH SYNTHETIC ROPE

3,500 LB (1588 kg) Capacity
PN: 77-53112BW



PE3.5 (es)

3,500 LB (1588 kg) Capacity
PN: 77-50112BW



PE2.5 (es)

WITH SYNTHETIC ROPE

2,500 LB (1134 kg) Capacity
PN: 77-53105BW



PE2.5 (es)

2,500 LB (1134 kg) Capacity
PN: 77-50105BW

FEATURES:

- Fully Sealed
- Submersible, 300 Amp Solenoid
- High Output Motors
- Marine Grade Remote Control Connectors
- Load Holding Brake
- Fast Line Speeds
- 50' of Synthetic Rope or Cable
- Aluminum Hawse or Roller Fairlead
- All Metal Planetary Gearing
- Includes Handheld and Handlebar Controls
- Center Focused Drum
- Free Spooling

SPECIFICATIONS:

Rated line pull (single line)	PE3.5	3500 lbs (1588 kg) Single Line
Rated line pull (single line)	PE2.5	2500 lbs (1134 kg) Single Line
Gear Train	All	3 Stage Planetary
Gear Ratio	PE3.5	153:1
Gear Ratio	PE2.5	241:1
Motor	All	Permanent Magnet, 2 hp (1.5kw), 12 V DC
Control	All	Power-In, Power-Out Remote & Handlebar Remote
Dimensions (LxWxH)	PE3.5	13.0" X 4.1" X 4.2" (330 mm X 105 mm X 108 mm)
Dimensions (LxWxH)	PE2.5	13.0" X 4.18" X 4.3" (330 mm X 106.2 mm X 109.2 mm)
Synthetic Rope	Both Sizes	3/16" X 50' (nominal 5440 lbs, 2468 kg) (4.8 mm X 45.2 m)
Cable	PE 3.5	7/32" X 50' (nominal 5,600 lbs, 2540 kg) (5.45 mm X 45.2 m)
Cable	PE2.5	3/16" X 50' (nominal 4200 lbs, 1905 kg) (4.8 mm X 15.2 m)
Drum Size: Diameter/Length	PE3.5	1.5" X 3.15" (38.1 mm X 80 mm)
Drum Size: Diameter/Length	PE2.5	2" X 3.15" (50.8 mm X 80 mm)
Net weight (As seen in picture)	PE3.5 with Rope	15.9 lbs (7.2 kg)
Net weight (As seen in picture)	PE2.5 with Rope	14.8 lbs (6.7 kg)
Net weight (As seen in picture)	PE3.5 with Cable	20.7 lbs (9.4 kg)
Net weight (As seen in picture)	PE2.5 with Cable	18.5 lbs (8.4 kg)
Bolt Pattern	All	4 Bolt Pattern, 4.88" X 3" (124 mm X 76.2 mm)

PERFORMANCE: PE3.5 (es)

Line Pull		Line Speed		Motor Current
lb	kg	fpm	mpm	amps @ 12 V
0	0	19	5.8	43
500	227	16.2	4.9	62
1000	454	14.4	4.4	95
1500	680	13	3.9	110
2000	907	11.7	3.6	130
2500	1134	10.8	3.3	140
3000	1360	10.2	3.1	152
3500	1588	9.8	2.9	160

PERFORMANCE: PE2.5 (es)

Line Pull		Line Speed		Motor Current
lb	kg	fpm	mpm	amps @ 12 V
0	0	24	7.3	41
500	227	21.8	6.64	70
1000	454	17.1	5.2	100
2000	907	10.9	3.32	175
2500	1134	7.5	2.28	212

MOUNTING SYSTEMS

ATV/UTV Mounts

Mile Marker's New ATV Mounting Systems offer winch mounting options for a wide range of ATV and UTV applications.

Finished in High-Gloss, baked on powder coat, these high-quality steel mounts will provide the best way to incorporate your new winch to your quad.

27-28



Truck Mounts

Mile Marker's Truck Mounting Systems are available in bumper/grill-guard styles (Xtreme II Mounting Systems), as well as Channel mounting options.

Each mount is a fully welded steel product with a black powder-coat or chrome finish. Winch plates are 1/4" thick.

29-30



Channel & Receiver Mounts

The Detachable Winch Mounting system is designed to work in conjunction with a properly rated 2" receiver hitch. These mounting systems give you the freedom of switching your recovery outfit from front to rear or vehicle to vehicle.

The Detachable Mounting system is fully welded steel and finished in a black powder coat. For fast and easy removal, add one of our Quick Disconnect Kits, available for both Hydraulic and Electric Winches.

31-32



Jeep & Truck Accessories

Mile Marker introduces all new Jeep and truck mounts and accessories, which offer a wide range of options for your Jeep and Truck needs.

33-40





TEAM
ORANGE

ATV/UTV

MOUNTING SYSTEMS

Mile Marker's ATV Winch Mounts are constructed of heavy duty steel and are finished in a gloss black, baked-on powder coat to endure years of abuse. These mounts are designed to incorporate a Mile Marker winch system to your ATV with no change in the vehicle's handling. Each of our bolt-on ATV Winch Mounts includes all necessary hardware and mounting instructions for efficient installation. Each part number was designed for specific vehicle application; please see chart on opposite page for application guide.



Polaris Sportsman 700 (04)
PN: 52-1601



Yamaha Grizzly 660 (05)
PN: 51-1610

TEAM
ORANGE

ATV/UTV

MOUNT APPLICATION GUIDE

Year	Make & Model	Part Number
ARCTIC CAT		
08-14	1000 TRV (Two hole pattern)	51-1015
10-13	1000 Prowler	52-1612
09	1000 Prowler	52-1610
10-13	700 Prowler (All)	52-1612
08-09	700 Prowler	51-1860
07-15	700/Mud Pro/TRV/TBX/Diesel	51-1015
04	650 H1 Prowler	51-1860
05-10	650	51-1015
09-12	550 Prowler	52-1612
09	550 Prowler	52-1610
14	450 4x4	52-1513
10-12	450 4x4 (including TRV)	52-1512
11-13	425 CR 4x4	52-1513
05-14	400/450/500/550 (for 2 hole pattern)	51-1015
08-09	366/425	51-1012
08-11	366 4x4	52-1513
11-12	350 4x4	52-1513
BOBCAT		
12-14	3400 4x4 UTV	52-1626
BOMBARDIER/CAN-AM		
13-15	1000 Maverick	52-1621
11-15	800/1000 Commander	52-1620
12-14	800 MAX	51-1112
06-11	800 Outlander MAX 2-UP	52-1517
06-11	800/650 Outlander 4x4	52-1517
14-15	650 Outlander MAX	51-1112
06-12	650 Outlander MAX 2-UP	52-1517
02-05	Quest	51-1105
06-14	V-Twin 500/600/800	51-1112
07-11	500 Outlander / Outlander MAX 4x4	52-1517
04-12	400 Outlander MAX 2-UP	52-1521
03-14	400 Outlander 4x4	52-1521
03-06	330/400 Outlander	51-1110
CUB CADET		
07-14	Tracker / Volunteer	51-1822
HONDA		
09-13	Big Red 675	52-1613
14-16	700 Pioneer	52-1614
15	500 Pioneer	52-1619
03-15	680/650 Rincon	52-1524
03-15	680/650 Rincon	51-1230A
14-16	500 Foreman	52-1506
12-13	500 Foreman	52-1503
15-16	500 Foreman / Rubicon	52-1506
12-14	500 Foreman / Rubicon	52-1505
07-08	500 Foreman / Rubicon	52-1529
07-08	500 Foreman / Rubicon	51-1230A

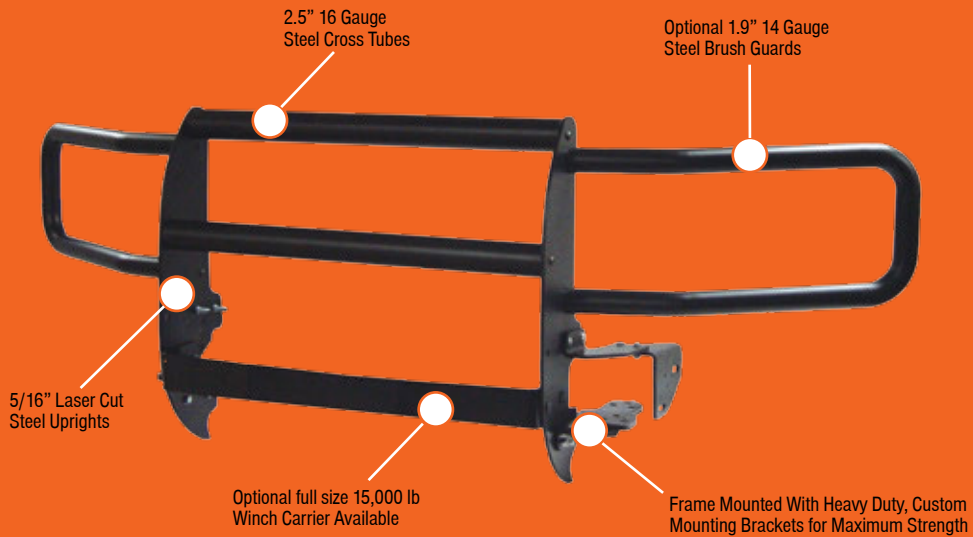
Year	Make & Model	Part Number
HONDA (continued)		
01-04	500 Rubicon	51-1210
07-13	TRX Rancher 420 (ALL)	52-1518
15-16	TRX 420 Rancher (Independent Rear)	52-1506
14	TRX 420 Rancher (Independent Rear)	52-1518
14-16	TRX 420 Rancher (Straight Axle)	52-1506
93-00	TRX 300	51-1240
97-16	TRX 250 Recon (ALL)	52-1574
JOHN DEERE		
13	Gator 855D	52-1622
12-13	Gator RSX 850i	52-1623
11-16	Gator 825i	52-1622
13-16	Gator XUV 550	52-1623
07-10	Gator XUV	51-1831
KAWASAKI		
15-16	MULE PRO-FXT	52-1632
09-16	09-15 4010 MULE(2&4DR) (Does not fit Diesel)	52-1508
05-16	610 MULE 4X4	52-1534
14-16	800 TERYX 4X4 (Including LE)	52-1611
08-13	800 / 750 Teryx 4x4	52-1549
12-14	800 / 750 Teryx 4 door	52-1611
08-15	750 Brute Force 4x4	52-1548
05-07	750 Brute Force 4x4	51-1340
10-12	650i Brute Force 4x4 (Independent Axle)	52-1548
06-09	650i Brute Force 4x4 (Independent Axle)	51-1340
05-13	650 Brute Force 4x4 (Straight Axle)	52-1536
05-11	650 Brute Force 4x4 (Straight Axle)	51-1315
02-04	650 Prairie 4x4	51-1305
03-11	360 Prairie 4x4	52-1531
12-14	300 Brute Force	52-1635
KUBOTA		
14	1120 / 900 RTV-X	52-1625
15	1100-C RTV-X	52-1625
08-09	1100 RTV	51-1812
08-13	900 RTV	52-1624
04-09	900 RTV	51-1812
12-14	400/500 RTV	52-1625
POLARIS		
14-15	RANGER RZR 1000 / RZR-4 1000	52-1608
15-16	1000 Sportsman	52-1604
15-16	1000 Scrambler XP	52-1604
15-16	Ranger RZR 900/900S	52-1608
11-14	RANGER RZR 900 / RZR 4 900	52-1609

Year	Make & Model	Part Number
POLARIS (continued)		
13-16	RANGER 900 XP (Including Crew) FULL SIZE	52-1606
11	RANGER 900 DIESEL	52-1615
14-16	850 Sportsman SP	52-1604
13-14	850 Scrambler	52-1604
09-16	850 Sportsman XP (Including Touring)	52-1604
08-14	RANGER RZR 800 / RZR S 800 / RZR 4 800	52-1607
10-14	RANGER 800	52-1615
13-14	RANGER 800 MIDSIZE	52-1618
11-14	800 Sportsman	52-1604
05-10	800 Sportsman	52-1601
14	Ace	52-1604
16	570 Ace	52-1604
12-14	570 RZR	52-1607
15	570 Ranger (Full Size)	52-1606
15-16	570 Ranger (Mid Size)	52-1618
14	570 Ranger	52-1618
14-16	570 Sportsman 4x4 (Including Touring)	52-1604
09-15	550 Sportsman XP (Including Touring/X2)	52-1604
11-13	500 Ranger (All)	52-1618
09-10	500 Ranger (All)	52-1615
11-13	500 Sportsman 4x4	52-1604
12-15	Ranger EV - Electric	52-1618
10-13	400 Ranger	52-1618
11-14	400 HO Sportsman 4x4	52-1604
08-09	400 Sportsman	51-1425
14	370 Ace 4x4	52-1604
15	325 Ranger ETX	52-1618
15	325 Sportsman ETX 4x4	52-1604
06-11	300 Hawkeye	51-1425
08-10	300 Sportsman	51-1425
SUZUKI		
08-16	King Quad 750	52-1554
09-16	King Quad 500	52-1554
07-10	King Quad 450	52-1554
08-16	King Quad 400	52-1605
YAMAHA		
15	700 Wolverine	52-1617
15	700 Viking-6 (6passenger)	52-1616
14-16	700 Viking	52-1616
08-13	700 Rhino	52-1552
16	700 Kodiak / Grizzly	52-1509
07-15	700 Grizzly 4x4 (All)	52-1547
04-07	660 Rhino	52-1552
09-14	550 Grizzly 4x4 (All Including Power Steering)	52-1547
09-14	450 Grizzly	52-1516
06-09	450 Rhino	52-1552
07-12	400 Big Bear	52-1568
07-14	350 Grizzly 2x4 / 4x4 (All)	52-1567
00-08	660 Grizzly	51-1605

XTREME II

TRUCK/SUV MOUNTING SYSTEMS

All Extreme II mounts incorporate a 1/4" thick mounting steel plate. These mounts can accommodate up to a 15,000 lb. Mile Marker winch. Optional "wrap-a-round" headlight hoops can be ordered and added to the Grill Guard. This mount is a favorite on fleet and utility vehicles.



Mount (With Brush Guard Hoops)



Mount (No Brush Guard Hoops)

TEAM
ORANGE

XTREME II

MOUNT APPLICATION GUIDE

This guide has been reduced to only show newer vehicles.

Year	Make & Model	Part Number & Mount Model			
		(Check Product Guide Below)		Grille Guard (up to 15,000 Lb winches)	Grille Guard (up to 15,000 Lb winches)
	FORD	CHROME	BLACK	CHROME	BLACK
2011-16	Super Duty F250-550 (23)	50-34644C	50-34644	50-26644C	50-26644
2017	Super Duty F250-550	50-34647C	50-34647	50-26647C	50-26647
2008-10	Super Duty F250-F550 (4) (23)	50-34642C	50-34642	50-26642C	50-26642
2010-14	F150 Raptor (23)	50-34639C	50-34639	50-26639C	50-26639
2015-17	F150	50-34650C	50-34650	50-26650C	50-26650
2009-14	F150 (4) (8) (16) (17) (22) (23)	50-34639C	50-34639	50-26639C	50-26639
2006-08	F150 (4) (5) (8)	50-34637C	50-34637	50-26637C	50-26637
2010-13	Expedition		50-34619		
CHEVROLET					
2015-17	Silverado 2500HD/3500 (16) (23)	50-34752C	50-34752	50-26736C	50-26736
2011-14	Silverado 2500HD/3500 (23)	50-34751C	50-34751	50-26751C	50-26751
2007-10	Silverado 2500HD/3500	50-34738C	50-34738	50-26738C	50-26738
2016-17	Silverado 1500	50-34746C	50-34746	50-26736C	50-26736
2014-17	Silverado 1500 (8) (23)	50-34736C	50-34736	50-26736C	50-26736
2007-13	Silverado 1500 (8) (23)	50-34735C	50-34735	50-26735C	50-26735
2003-07	Silverado/Classic 1500	50-34731C	50-34731		
2003-06	Avalanche w/o cladding	50-34731C	50-34731		
GMC					
2015-17	Sierra 2500HD/3500 (2) (3) (23)	50-34754C	50-34754		
2011-14	Sierra 2500HD/3500 (1) (23)	50-34751C	50-34751		
2015-17	Sierra 1500 (1) (6) (8) (23)	50-34749C	50-34749		
2007-13	Sierra 1500 (1) (8) (23)	50-34745C	50-34745		
DODGE					
2010-17	Ram 2500/3500 (23)	50-34669C	50-34669	50-26669C	50-26669
2007-17	Ram 3500-5500 Chassis Cab (23)		50-34665		50-34663
2009-17	Ram 1500 (6) (23)	50-34671C	50-34671	50-26669C	50-26669
NISSAN					
2005-12	Pathfinder (21)		50-34610		

Product Guide

- Will not fit Denali Models or Danali Style Grilles.
- Will not fit Z71 Models.
- Will not fit Hybrid Models.
- Will not fit Harley Davidson Models.
- Will not fit FX2 Sport, or '04 Heritage.
- Will not fit Ram Sport or Plastic Bumpers.
- Will not fit Ram Sport and Laramie Editions.
- On vehicles without tow hooks, trimming is required.
- Trimming may be required.
- Will fit Hybrid Models.
- Will not fit Laramie Edition.
- With tow hooks.
- Must remove tow hooks.
- F-150 EcoBoost models require Part #
- Will not fit Sierra "All Terrain" Edition.
- Will not fit Lariat Limited.
- Will not fit F-150 Raptor.
- Will fit F-150 Raptor Models.
- Will not fit Conversion Vans.
- EcoBoost relocation brackets are not available.
- Will ONLY hold 33600 Carrier.
- Will not fit F-150 EcoBoost.
- Interferes with front bumper sensors.
- Sensor Compliant.



CHANNEL MOUNTS

TRUCK/SUV MOUNTING SYSTEMS

Uses the simplicity of a one piece mount for your Utility Vehicle or Pick-up. These mounts are made from 1/4" high quality steel, and finished with a baked on black powder coat. The Universal Mount can be welded or bolted to adapt to any application. The Jeep mount is a ready bolt-on application for all Wrangler models.



UNIVERSAL CHANNEL MOUNT PN:50-87283



JEEP WRANGLER: TJ/YJ PN:60-50059



TRAILER MOUNTING PLATE PN:60-50015

TEAM
ORANGE





RECEIVER MOUNTS

RECEIVER MOUNTING SYSTEMS

Versatility, that's what Mile Marker's detachable winch mounts provide. Move your winch from front to back or to another vehicle. Simply add Quick Disconnect wiring and you're ready to work. The Mile Marker SUV/TRUCK Cradle Mount fits a 2" receiver hitch. The Mile Marker ATV/UTV Receiver Mount fits a 1 1/4" receiver hitch. Quick Disconnect kits are available for all models. Please see page 49.



NEW UTV RECEIVER MOUNT DESIGNED TO WORK WITH ALL NEW PE5000[ES] WINCHES PN: 51-06497



ATV RECEIVER MOUNT PN: 51-4677

TEAM
ORANGE



JEEP ACCESSORIES

BUMPERS, BRACKETS, LIGHTBARS AND STEPS



BULL BAR

PN # 52298

- 1.9" Diameter tubing
- Mounts to existing holes in the bumper
- Holds up to (2) 6" lights
- Black wrinkle finish
- Lights not included

JEEP FRONT BUMPER

PN # 52098

- Easy to install, no brackets needed
- Laser cut 3/16" steel plate material
- Black wrinkle finish
- Lights not included

Year	Description	Part #
	JEEP	BLACK
2007-16	Front Bumper - Winch Style	52098
2007-16	Rear Bumper (with Straight Tire Attachment)	52001
2007-16	Slant Tire Mount	52200
2007-16	Bull Bar	52298
2007-16	Tubular Steps (4 Door Models Only)	52398
2007-16	Rear Bumper (No Tire Attachment)	52498
2007-16	Light Bracket/Windshield Light Bracket	52598
2007-16	Cube Light Bracket Combo	52599
2007-16	Stage II Bumper	52100
2007-16	Jeep Screen	52698

JEEP ACCESSORIES

BUMPERS, BRACKETS, LIGHTBARS AND STEPS

(See page 33 for applications)



JEEP REAR BUMPER PN # 52001

- Bolt-on replacement
- Laser cut 3/16" steel plate material
- Brake light relocater included
- Black Wrinkle Powder coat finish
- Lights not included
- Features two Heim joints
- Comes with swing arm and straight tire carrier
- Optional slant tire carrier (PN # 94202)

JEEP STEPS

PN # 52398

- 1.9" Tubing with diamond plated steps
- Black Wrinkle Powder Coat Finish



LIGHT BRACKETS

PN # 52598

PN: # 52599 (Combo, as shown in picture)

- Easy to install
- 4.27Lbs
- Black Wrinkle Powder Coat Finish
- Lights not included

TRUCK ACCESSORIES

RACK SYSTEMS

- Commercial grade Headache Rack made for heavy duty use
- Vertical uprights made from 1/2" x 3" flat steel cross tubes
- Are 2" square, 14 gauge steel, feet are 3/16" x 3" x 24" steel
- Three applications fit all full size trucks
- Compatible with cross bed tool boxes

- Protects the back window from shifting cargo
- Built in tie down point on feet
- Available in black or white powder coat finish



PN # 20752B
Flat Iron Headache Rack
with Part #6124 louvered air flow tailgate

Optional UA finish available
by special order only



PN # 20750 with lights

- Includes flag mount and sign holders
- 2" x 1" rectangle 16 gauge steel tube frame
- Feet are 36" x 3.5"
- All racks must ship freight



Flat Iron Headache Rack Application Guide					
Year	Make and Model	Part Number		Measure	
		White	Black	Length	Height
1999-16	F250 - F550 Super Duty	20751	20751B	72.5"	29.375"
1978-98	F250 - F550	20750	20750B	70.75"	27.375"
2004-16	F150 (Except Heritage)	20752	20752B	70.5"	25.31"
2004	F150 Heritage	20750	20750B	70.75"	27.875"
1997-03	F150 Styleside	20750	20750B	70.75"	27.875"
1978-96	F150 Styleside	20750	20750B	70.75"	27.875"
2004-08	F150 Supercrew	20752	20752B	70.5"	25.31"
2001-03	F150 F250 LT Supercrew	20750	20750B	70.75"	27.875"
Chevrolet/GMC					
2015	Chevy Colorado	20754	20754B	CALL	CALL
2007-16	2500HD/3500	20752	20752B	70.5"	25.31"
1992-07	2500HD/3500	20750	20750B	70.75"	27.875"
2014-15	1500	20752	20752B	70.5"	25.31"
2007-13	1500	20750	20750B	70.75"	27.875"
1988-07	1500 Fleetside	20750	20750B	70.75"	27.875"
Dodge					
2010-16	Ram 2500/3500	20752*	20752B*	70.5"	25.31"
1994-09	Ram 2500/3500	20750*	20750B*	70.75"	27.875"
1994-16	Ram1500	20750*	20750B*	70.75"	27.875"
Toyota					
2007-15	Tundra	20750	20750B	70.75"	27.875"

* Will not fit trucks with Ram Box Beds. All Racks Must Ship freight.

* Measurements are based on headache racks height and width only. When adding the 24" foot, add approximately 1 1/2" to the height

*All Flat iron Headache Racks can be Ordered in a "Frame only style" (Special order only)

Escort Headache Racks		
Year	Make & Model	Part Number
	Ford	Black
1999-16	F-250 - F-550 Super Duty	51506B
1999-16	F-250 - F-550 SD Camper Shell Version	51510

TAILGATES

- Available in black powder coat finish with a black top bar or black powder coat finish with a stainless top bar
- Attractive, deep “V” tailgate allows for easier hitching for 5th wheel trailers
- Exceptional rear view visibility
- Constructed from heavy duty steel for years of service
- OEM style latches
- Easy installation
- Louvered Air Flow design reduces wind resistance to provide good fuel economy
- Made in USA



Black Louvered Air Flow Tailgate with Stainless Top Bar with Chrome Big Foot™ Headache Rack.



Black Louvered Air Flow Tailgate with Black Big Foot™ Headache Rack.

Airflow Tailgate Application Guide

Year	Make and Model	SS V-GATE	Black Louvered V-Gate	White Painted V-Gate	Black Painted V-Gate	White Painted Straight	Black Painted Straight
1999-16	F250 /F550 Super Duty*	5642	6142	6648	6648B	6618	6618B
1987-98	F250 /F550			6657**	6657B**	6607**	6607B**
2015-16	F150			6689	6689B	6639	6639B
2004-14	F150 (Except Heritage)*	5636	6136	6686**	6686B**	6636	6636B
2004	F150 Heritage	667	6167	6648	6648B	6618	6618B
1997-03	F150 (Except Supercrew)	667	6167	6648	6648B	6618	6618B
1987-96	F150	665		6657**	6657B**	6607**	6607B**
1980-86	All Pickups			6653**	6653B**	6603**	6603B**
1982-12	Ranger			6654**	6654B**	6604**	6604B**
Chevrolet/GMC							
2007-16	Silverado/Sierra 2500HD/3500*	5635	6135	6684	6684B	6634	6634B
2001-07	Silverado/Sierra 2500HD/3500 Classic		6166	6682**	6682B**	6632	6632B
1992-00	CK Pickups 2500/3500	668		6680**	6680B**	6630**	6630B**
1981-91	CK Pickups 2500/3500			6650**	6650B**	6600**	6600B**
2007-15	Silverado/Sierra/Classic 1500*	5635	6135	6684	6684B	6634	6634B
1999-07	Silverado/Sierra/Classic 1500		6166	6682**	6682B**	6632	6632B
1988-98	CK Pickups 1500	668		6680**	6680B**	6630**	6630B**
1981-87	CK Pickups 1500			6650**	6650B**	6600**	6600B**
2004-12	Colorado Canyon			6671**	6671B**	6621**	6621B**
1994-04	S-10/Sonoma Pickup			6691**	6691B**	6641**	6641B**
Dodge							
2010-16	Ram 2500/3500	5624	6124	6674**	6674B**	6624**	6624B**
2003-09	Ram 2500/3500		6164	6673**	6673B**	6623	6623B
1994-02	Ram 2500/3500	669	6169	6656**	6656B**	6606**	6606B**
1980-93	Ram 2500/3500			6666**	6666B**	6616**	6616B**
2009-16	Ram 1500*	5624	6124	6674**	6674B**	6624**	6624B**
2002-08	Ram 1500		6164	6673**	6673B**	6623	6623B
1994-01	Ram 1500	665	6169	6656**	6656B**	6606**	6606B**
1980-93	Ram 1500			6666**	6666B**	6616**	6616B**
1997-08	Dakota			6669**	6669B**	6619**	6619B**

*will not work with lift assist gates

**Special order item only, Allow 6-8 weeks

BAJA RAKS

- Universal top mounting plate that will hold light bars up to 50"
- Dual tubular frame for maximum strength
- 16 gauge removable side plates with stainless steel button head bolts



- Constructed out of 1.9" 14 gauge tubing
- Gives a wide Off-Road appearance from the side viewing angle
- Mounting foot has a built in tie down for securing items in bed

Baja Raks Application Guide		
Year	Make & Model	Part Number
Ford		
1999-16	F-250 - F-550 Super Duty	51739
2015-16	F-150	51750
2004-14	F-150 Supercrew (Non Heritage)	51736
2004-15	F-150 Raptor SVT	51736
Dodge		
2003-16	Ram 2500 - 3500	51760 *
Chevrolet/GMC		
2015-16	Silverado/Sierra 2500HD/3500	51738
2007-14	Silverado/Sierra 2500HD/3500	51735
2014-15	Silverado/Sierra 1500	51738
2007-13	Silverado/Sierra 1500	51735
Toyota		
2007-15	Tundra	51708

TEAM
ORANGE

BAJA BUMPER REPLACEMENTS

- 3/4" D rings
- Works with existing skid plate
- Winch controls accessible through the front entry points
- 7 gauge plated bumper that is laser cut, formed and welded together as one piece
- Offers maximum clearance
- Optional Bull Bar mounting surface of 18" for light bar
- Lights not included



Baja Bumper Replacements Guide

Year	Make & Model	Part Number
Ford		
2011-16	F-250 - F-550 Super Duty	58145
2011-16	Optional Bull Bar for F-250 - F-550 Super Duty	58045
2015-16	F-150	58150
2015-16	Optional Bull Bar for F-150	58050
2010-14	F-150 (Non-ECO boost)	58139
2010-15	F-150 Raptor SVT	58139RAP
2010-15	Optional Bull Bar for F150 Raptor SVT	58100
Dodge		
2010-16	Ram 2500 - 3500	58169
2010-16	Optional Bull Bar for Ram 2500 - 3500	58069
Chevrolet/GMC		
2015-16	Silverado 2500HD/3500 (New body style only)	58152
2015-16	Optional Bull Bar for Silverado 2500HD/3500 (New body style only)	58052
Toyota		
2014-15	Tundra	58106
2014-15	Optional Bull Bar for Tundra	58006

DIAMOND TREAD STEPS

- Wide 6" diamond top plate for stepping
- 1.9" 14 gauge tubing with 1/8th" thick diamond tread plate
- Strong, high strength steel brackets
- Black powder coat with gloss finish
- Offered in 3 different lengths



PN # 42751
Silverado/Sierra
1500/2500HD/3500
2007-2016

Diamond Tread Step Application Guide

Year	Make and Model	Part Number	Length
Ford			
1999-16	F250 - F550 Super Duty Crew Cab	42739*	95.0"
1999-16	F250 - F550 Super Duty Super Cab	42738	80.5"
1999-16	F250 - F550 Super Duty Regular Cab	42715	54.0"
Dodge			
2010-16	Ram 2500 - 5500 Mega Cab	42764*	95.0"
2010-16	Ram 2500 - 5500 Crew Cab - wheel to wheel	42701	95.0"
2010-16	Ram 2500 - 5500 Regular Cab	42722	54.0"
Chevrolet/GMC			
2007-16	Silverado/Sierra 1500/2500HD/3500 Crew Cab	42751*	95.0"
2007-16	Silverado/Sierra 1500/2500HD/3500 ExtCab 4 Door/DBL Cab	42752	80.5"
2007-16	Silverado/Sierra 1500/2500HD/3500 Regular Cab	42753	54.0"

* Represents Non UPS-able items that must Ship LTL Freight

RANCHER RUGGED STEPS

- Extra wide, 8.25" for sure footed step
- Strong, high strength steel brackets
- Vehicle specific brackets for easy installation
- 1.9" 14 gauge round tubing, with 2" 10 gauge steel runners for a debris free step

- Optional mud scrapper can be located at the front, middle or back
- Ultimate armor finish for extreme protection

Choose from 3 lengths

- 92.5"
- 80.5"
- 54"



PN # 42339
F250-F550 SD CREW CAB
1999-2016

The only finish in the country that has rock chip damage coverage

Rancher Rugged Steps Application Guide

Year	Make and Model	Part Number	Length
Ford			
1999-16	F250 - F550 Super Duty Crew Cab	42339*	92.5"
1999-16	F250 - F550 Super Duty SuperCab	42338	80.5"
1999-16	F250 - F550 Super Duty Regular Cab	42315	54.0"
Dodge			
2010-16	Ram 2500 - 5500 Crew Cab	42301*	92.5"
2003-09	Ram 2500 - 3500 Quad Cab	42360	80.5"
2010-16	Ram 2500 - 5500 Regular Cab	42322	54.0"
2003-09	Ram 2500 - 3500 Regular Cab	42323	54.0"
2009-16	Ram 1500 Crew Cab	42301*	92.5"
2009-16	Ram 1500 Quad Cab	42301*	92.5"
2009-16	Ram 1500 Regular Cab	42322	54.0"
2002-08	Ram 1500 Quad Cab	42360	80.5"
Chevrolet/GMC			
2007-16	Silverado/Sierra 1500/2500HD/3500 Crew Cab	42351*	92.5"
2007-16	Silverado/Sierra 1500/2500HD/3500 ExtCab 4 Door/DBL Cab	42352	80.5"
2007-16	Silverado/Sierra 1500/2500HD/3500 Regular Cab	42353	54.0"
	Diesel Urea Tank Bracket (EA)	42354	
Toyota			
2007-15	Tundra CrewMax	42396*	92.5"
2007-15	Tundra Double Cab	42395	80.5"
Accessories			
ALL	Mud Scrapper Set	42000	

* Represents Non UPS-able items that must Ship LTL Freight

OFF-ROAD RECOVERY KIT

RECOVERY GEAR

DON'T GET STUCK WITHOUT THEM

Conquering the off-road paths of the world can prove to be a tough adventure. Count on Mile Marker's new line of gear and accessories to level the playing field.



Off Road Recovery Kit

PN: 19-00100

This "Recovery In A Bag" winch kit includes everything you need to get you out of a pinch. The reflective Winch Dampener is the first of its kind to double as a self contained recovery kit. Integrated pockets on the inside house all of the essential gear: snatch block with grease fitting, powder coated shackles, a 15' recovery strap, and a pair of gloves. The durable carrying case has integrated pockets for essential gear, which also act to direct a loaded cable to the ground in the event of failure. The bag features a durable carrying handle, hand-stitched Recovery Gear logo, and reflective strips for high visibility.



DIRECTS CABLE TO GROUND IN EVENT OF FAILURE



INTEGRATED POCKETS FOR ESSENTIAL GEAR

RECOVERY GEAR

No matter what your off-roading needs, count on Mile Marker's Recovery Kits to conquer your next trail. From the essential gear in the Off-Road Kit, to the extreme gear in the Heavy Duty Kit, and the versatile gear in the ATV/UTV Kit. These Recovery Kits come fully equipped with everything you need to overcome the elements.



Heavy Duty Recovery Kit **PN: 19-00150**

Mile Marker's new Heavy Duty Winch Accessory Kit designed for the heaviest of tasks in recovery. This kit includes a 30K Snatch Block, a 10' Choker Chain, a 30' Recovery Strap, 2 3/4" alloy shackles, and a pair of leather gloves. These components are housed in a weather proof bag with removable work tray to keep everything in order.



ATV/UTV Recovery Kit **PN: 19-00105**

New ATV/UTV Recovery Kit includes everything that you need to push your trail blazing ATV/UTV to the limits: 2 powder coated shackles, two 1" X 8' Straps, a snatch block, and a pair of gloves all packaged in a durable carrying case that can be strapped virtually anywhere on your rig.



RECOVERY GEAR



Orange Powder Coated Shackles

3/4" Shackle PN: 60-50134

5/8" Shackle PN: 60-50158

Our orange powder coated shackles. Working load limit of 4.75 tons for the 3/4 inch shackles and 3.25 tons for the 5/8 inch shackles.



Steel Hitch Receiver With D-Ring

3/4" PN: 60-65000C

Our **New** zinc coated, forged cast, solid steel hitch receiver fits all standard Class III hitches with 2" receivers. Includes a 4-way hole system and a 3/4" Orange Shackle to meet any mounting needs.



Recovery gloves

(XL) PN: 30-19-G2

(L) PN: 30-19-G4

Our gloves feature cowhide palms with SBR padding to combat your hands from cable burrs and rope burns, while a combination of synthetic leather and neoprene lines the glove allowing excellent breathability and functional dexterity.



Tree Saver Strap 6'

4" X 6' PN: 19406

Be conscious of your environment with this 6 foot Tree Saver strap. This Tree Saver is rated to 50,000 pounds.



Recovery Strap 15' & 30'

3" X 15' PN: 19315

3" X 30' PN: 19330

These straps have built in blue lines that appear over time indicating that the strap is no longer safe to use & needs to be replaced. 30,000 Pound Rating.



ATV Recovery Strap 8'

1" X 8' PN: 19108

8 foot Recovery strap rated to 7,200 pounds, with reinforced eyelet on each end.



Industrial Snatch Block 30K

PN: 60-50185

Enables you to retrieve loads that are double a winch's capacity by reducing the load on the winch by half. It also facilitates winching from varying angles when straight ahead isn't the best option. 30,000 Pound capacity.



Heavy Duty Snatch Block 20K

PN: 60-50083

Enables you to retrieve loads that are double a winch's capacity by reducing the load on the winch by half. It also facilitates winching from varying angles when straight ahead isn't the best option. The Mile Marker 20K Snatch Block is a serviceable assembly featuring a grease fitting and brass bushing for years of trouble free duty.



ATV/UTV Snatch Block 8K

PN: 60-50105

Enables you to retrieve loads that are double a winch's capacity by reducing the load on the winch by half. It also facilitates winching from varying angles when straight ahead isn't the best option. The Mile Marker ATV snatch block is rated at 8,000 pounds.

**MILE
MARKER**
RECOVERYGEAR+



TEAM
ORANGE

PLUG & PLAY WIRELESS REMOTE

ACCESSORIES & COMPONENTS



WINCH WITHOUT WIRES

The industry's first truly wireless remote! Add a little convenience to your vehicle recovery: No more cutting and splicing, Mile Marker's new "Plug and Play" Wireless Remote Control is an effortless way to operate your winch. Simply plug the receiver in to your control box, and you are ready for wireless operation up to 50' away. The system includes a weatherproof, shock-resistant transmitter with dual-color operator feedback, and magnet-mounted receiver to get you up and running quickly. **Part Number 7076 can adapt to any electric winch, regardless of manufacturer.**

For All Electric Winches (Mile Marker winches and all other brands): PN 7076



WIRELESS OPERATION UP TO 50 FT AWAY



ADAPTS TO ANY ELECTRIC WINCH

ACCESSORIES & COMPONENTS

QUICK DISCONNECT KITS

These kits will enable you to utilize the Mile Marker winch as a portable system. Quick disconnect kits will allow for easy removal if used in conjunction with a receiver mount, and can be added to the front, rear, or both ends of the vehicle.

Electric Winches



Electric Front Quick Disconnect Kit
PN: 76-93-54000



Electric Rear Quick Disconnect Kit
PN: 76-93-53000

ATV/UTV Winches



ATV/UTV Front Quick Disconnects
PN: 93-53106



ATV/UTV Rear Quick Disconnects
10' PN: 93-53105 / 12' PN: 93-53108

Hydraulic Winches



Hydraulic Rear Quick Disconnect Kit
PN: 70-53000



Hydraulic Front Quick Disconnect Kit
PN: 70-54000



ACCESSORIES & COMPONENTS



Standard non (es) Solenoid (FULL SIZE WINCHES)
PN: 76-50140-06 For Permanent Magnet Motors
PN: 76-50151-06 For Series Wound Motors



Roller Fairlead Cover PN: 8402
 This impact resistant cover protects your Mile Marker WH-10 roller fairlead from weather and debris while adding a finished look to the front of your vehicle.



Neoprene Winch Covers
PN: 8503 FITS HYDRALIC WINCHES
PN: 8505 FITS ATV WINCHES
PN: 8506 FITS FULL SIZE WINCHES
 Wraps snugly around your winch for All-Weather protection.



Small Winch Rollers
PN: WH5 For winches 5000 Pounds ONLY
PN: WH4 For winches 4500 Pounds ONLY
PN: WH2 For winches 2000-3500 Pounds



WH-10 Roller Fairlead
 Universal Roller Fairlead works with 8000-12000 lb. Mile Marker, Warn, Ramsey or Superwinch winches. Also fits winch mount bumpers.



Aluminum Hawse Fairlead
 For Use With Synthetic Rope
PN: 19-52000 (ATV)
PN: 19-52001 (Full Size)
PN: 19-52004 (SEC4500 (es))
PN: 19-52005 (PE5000 (es))



Replacement Cable
PN: 19-50010C 5/16" X 100'
PN: 19-50020C 3/8" X 100'
 Galvanized aircraft cable with replaceable hook.



Synthetic Rope
 3/8" X 100' Assembly (16,200 lbs. Min Break Force)
PN: 19-52038-100C
 5/16" X 100' Assembly (11,700 lbs. Min Break Force)
PN: 19-52516-100C
 1/4" X 50' Assembly (7,740 lbs. Min Break Force)
PN: 19-52014-50
 3/16" X 50' Assembly (5,440 lbs. Min Break Force)
PN: 19-52316-50



Winch Isolator PN: 1903931
 Polyurethane isolator provides a clean and easy way to store the winch hook when not in use. Installed over the winch cable, the Winch Isolator nests with a roller and provides a convenient rest for the winch hook that also prevents it from rattling.



Hydraulic Remote PN: 93-50057
 For use with all Mile Marker Solenoid Controlled Hydraulic Winches with an IP67 connector



Handlebar Remote PN: 93-50106D
 For use with all Mile Marker ATV/UTV Project (ES) Winches. Adjustable mount provides accessible control to your trail blazing quad.



Electric Remote PN: 77-50141W-50
 For use with all [ES] Project Electric Winches with Standard Solenoids.

DRIVETRAIN SYSTEMS

CONVERSIONS AND ACCESSORIES

For owners of full time 4WD vehicles, here is a selection of products that allow for a variety of conversions. Count on these kits to reduce wear and tear on your drivetrain as well as saving at the gas pump. In some cases, these are the only kits available for your vehicle. In all cases, each kit has been carefully designed to provide years of trouble free service.



FORD & GM 203 N.P.

203 Transfer case without hubs	501
With premium 1/2 Ton hubs (also fits '78-'79 3/4 Ton)	502
With premium hubs fits '73-'77 3/4 Ton	503
With premium hubs 1 Ton GM, Ford	505
Bearing kit	701



AMC QUADRA-TRAC

BORG WARNER 1339 TRANSFER CASE. FITS '73-'79 VEHICLES ONLY.

Part-time conversion	
No hubs or chain (uses stock chain)	95-91204
Same as above w/ premium 1/2 Ton hubs	95-12204
Same as above with CJ hubs	95-15204

TEAM
ORANGE



MANUAL LOCKING HUBS

For 30 years, Mile Marker has been designing and manufacturing drivetrain components that were built for abuse. From Lock Out Hubs, to Conversion Kits and Transfer Case Accessories, these products and accessories are reliable options for extreme traction.



LOCK-OUT HUBS

Mile Marker Hubs are designed to exceed industry standards for the extreme off-roader expecting the best performance.

HUB SPECIFICATION GUIDE

Selectro PN	MM PN	Bolt Circle	# of Bolts	# of Splines	Axle O.D.	Selectro PN	MM PN	Bolt Circle	# of Bolts	# of Splines	Axle O.D.
11001			Internal	19	1.250	11025		3.875	6	16	1.250
	104		Internal	19	1.250	11026		3.125	8	16	1.250
	423	3.750	6	19	1.250	11027		4.000	6	16	1.250
	437	3.543	6	29	1.187		457	3.437	6	27	1.187
	430	3.260	6	27	1.094		432	3.750	6	24	1.250
	410	3.543	6	6	1.156	11034		3.960	8	30	1.312
	435	3.260	6	28	1.143	11035		4.375	6	21	1.375
11016		2.844	8	16	1.250	11038		5.563	8	30	1.594
11017		3.968	8	21	1.375		466	3.543	6	30	1.300
11018		3.750	6	10	1.125		490	3.543	6	26	1.100
	420	3.750	6	10	1.125		449SS		Internal	30	1.312
11021		4.375	6	21	1.375		459SS		Internal	35	1.500
11022		4.000	6	16	1.437	11162		5.563	8	34	1.750
	470	3.440	5	27	1.187	11165		5.563	16	34	1.750
	481	3.437	6	10	1.125	11166		5.375	8	34	1.750
	427	4.500	5	23	1.016	11167		5.080	8	16	1.580
	436	3.543	6	26	1.080	95-37044		4.500	5	19	1.250
							428	4.50	5	27	1.206



MADE FOR EXTREME TRACTION



BUILT FOR ABUSE

HUB APPLICATION GUIDE

DRIVETRAIN SYSTEMS

Vehicle Model/Year	Part Number	Nut Conversion*
AMC/JEEP		
CJ Universal '42-'71 (6-bolt 10-spline)	481	
CJ Universal '72-'80 (6-bolt 27-spline)	457	
Wagoneer, '71-'73	457	
CJ Universal '81-'86 (5-bolt 27-spline)	470	
J10 Pickup '74-'80	104, 302	
J20 Pickup '74-'77 (6 bolt 19-spline)	423	
J20 Pickup '78-'90	104, 302	
Wagoneer, Cherokee '74-'87	104, 302	
Gladiator, '74-'87	104, 302	
Military 1 1/4 Ton	11035-01	
M725, M726, M 728, M715	11035-01	
BRITISH LEYLAND		
Land Rover (6 bolt 10-spline axle)	420	
Land Rover (6 bolt 24-spline axle)	432	
Series I, II, III, All W.B.	432	
CHEVROLET/GMC		
Blazer, Suburban, Jimmy, '69-'91	104, 302	
1/2 Ton Pickup (K-10) '69-'87	104, 302	
3/4 Ton Pickup Chevy '78-'87	104, 302	
1/2 Ton Pick-up '54-'55	11027-01	
Chevy 3/4 & 1 Ton pick-up '54-'56	11027-01	
Chevy 1/2 Ton Pickup '56	11026-01	
GMC 1/2 Ton Pickup '56-'57	11026-01	
Chevy 1/2 Ton Pickup '57-'59	11016-01	
GMC 1/2 Ton Pickup '58-'59	11016-01	
Chevy 1/2 Ton Pickup '60-'68	11001-01	
Chevy 3/4T (K-20) Pickup '60-'77	423	
Chevy IT (K-30) Pickup '78-'87	449SS	
Chevy IT Dana 50 & 60 Axle '77-'87	449SS	
Chevy 3/4 & 1 Ton Pickup '57-'59	11025-01	
GMC 3/4 & 1 Ton Pickup '58-'59	11025-01	
GMC 350, 370, NAPCO Axle	11025-01	
CHRYSLER/PLYMOUTH/DODGE		
RAM Charger/Trail Duster '80-'93	104, 302	
1/2T W-100 P/U '69-'74, '80-'93	104, 302	
1/2T W-100 P/U '57-'68, (6 bolt 19-spline)	423	
3/4 Ton W-200 Pickup except full-time 4WD '57-'74	423	
1/2 Ton Military Pickup '41-'46	11027-01	
1 Ton W-300 Series '58-'67	11035-01	
1 Ton W-300 Series '68-'75	11017-01	
1 Ton W-300 Series '76-'89	11034-01	
1 Ton Dana 50 & 60 Axle '90-'93	449SS	
1 Ton WC-50, WC-60	11022-01	
Power Wagon '42-'56	11022-01	
1 Ton WM-300 '57-'75	11022-01	
FORD		
2005 + F-250, F-350 (NEW)	549	
Ranger, '98-'00	426	
Bronco '66-'87, '90-'96 A, B	104, 302	95-32720
Bronco II, Ranger, '83-'89 A, C	427**	95-27988
Explorer, '90-'94 A, C	428**	95-27997
Ranger, '90-'97 A, C	428**	95-27997
1/2 Ton Pickup '59-'87, '90-'96 A, B	104, 302	95-32720
3/4 Ton P/U w/Spline wheel hub A, B	104, 302	95-32720
3/4 Ton w/3500 axle '63-'77 ex. F/T	423	
SuperDuty F-250, 350,450,550, Excursion, '99-'04	449SS	
F-250 hd vty '59-'87, '90-'98 ex. F/T A, B	449SS	95-32721***

Vehicle Model/Year	Part Number	Nut Conversion*
FORD (CONTINUED)		
1 Ton Dana 50 & 60 Axle '76-'98 A, B	449SS	95-32721***
F-350, 450 Dana 50 & 60 Axle '76-'98 A, B	449SS	95-32721 ***
1 Ton Pickup '56-'72	11025-01	
F-600, F-700 4WD Conv '74-'83	11038-01	
RDS 75 Axle	11038-01	
RDS 90 Axle '84-'94	11162-01	
GEO		
Tracker (all)	436	
INTERNATIONAL HARVESTER		
Scout II (ex. F/T 4WD) '72-'80	457	
1/2 Ton Pickup '74-'75	457	
Travel-all 1/2 Ton '74-'75	457	
Scout '61-'71	481	
1/2 Ton Pickup '64-'73	104, 302	
Travel-all 1/2 Ton '64-'73	104, 302	
3/4 Ton Pickup '56-'75	423	
Travel-all 3/4 Ton '56-'75	423	
1 Ton with 9000# Axle 21 Spline	11021-01	
1 Ton H.D. 200 with FA-20 axle	11034-01	
International Hub	11166-01	
KIA		
Sportage and Grand Sportage '97-'02	460	
MAZDA		
Pickup '94-'97 A, Navajo '90-'94 A, C	428	95-27997
Mazda B3000/B4000 '01-'08	426	
NISSAN		
Hardbody '86 1/2-'89 (6 bolt 27-spline)	430	
Pathfinder '90-01	435	
Hardbody '90-'97	435	
1/2 Ton P/U '86 1/2-'89 (6 bolt 27-spline)	430	
Pathfinder '86 1/2-'89 (6 bolt 27-spline)	430	
Frontier '98-'04	435	
Xterra '00-'04	435	
Nissan '90-'96 (6 bolt 28-spline)	435	
ROCKWELL		
RDS 75 axle	11038-01	
RDS 90 axle	11162-01	
RDS 90 axle 16 hole	11165-01	
SUZUKI		
Jimmy '98 and earlier	438	
Samurai '99-'01	438	
Sierra, Samurai '82-'98	436	
Sidekick, X-90 '82-'98	438	
TOYOTA		
Land Crusier '63-'75, T100 '93-'98 C	490	95-29918
Land Cruiser, Pickup '76-'85 A	466	
Land Cruiser through '75	410	
4 Runner 4x4 Pickup '86 1/2-'94 A	490	
Pickup, Hilux, 4Runner '76-'98	490	95-29918
T-100 '93-'98 A	490	
Van Previa '86-'92 A	490	
HEAVY DUTY		
35 spline Dana 70 hub	459SS	

A. If OEM automatic hubs, a conversion kit is required to convert manual hubs.
 B. '73-'79 vehicles with full-time 4 wheel drive require a transfer case conversion kit. See 4x2 Conversion Kit.
 C. See Mile Marker manual hub applications for Supreme, Street Master, Chrome, and Stainless Steel hub to replace automatic hubs. Most of these conversion kits are required by Warn hubs, rather than Mile Marker hubs.
 **These hubs are a classic style "Top Hat" designed hub.
 *** Not required on these model years 99-04