

SafariJeeps

by Kargo Master

FROM ORDINARY
TO EXTRAORDINARY



CONGO CAGES

SAFARI BASKETS

• ACCESSORIES

GOING ON AN OUTDOOR ADVENTURE?

The unique Kargo Master Congo Cage is the strongest in the industry... strong enough to carry all of your recreational gear... surf boards, skies, canoes, kayaks, bikes, camping gear, spare tires...everything.

The Congo Cage is rock solid, made with 1 5/8" dia. high tensile strength steel tubing. No-Drill installation makes this system perfect for the do-it-yourselfer. Epoxy zinc primer and marine grade black gloss powder coat provide a durable and corrosion resistant finish. Hit the trail or the beach with a **Kargo Master Congo Cage**.

Part # 50301 – Jeep Congo Cage for CJ7 & YJ Up to 1995

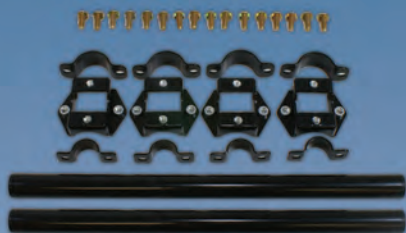
Part# 50311 – Jeep Congo Cage for TJ 1997 & Up

Part # 50331 – Jeep Congo Cage for TJ Unlimited 2005 & 2006

Part # 50341 – Jeep Congo Cage for JK 2 Door 2007 & Up

Part # 50351 – Jeep Congo Cage for JK 4 Door 2007 & Up

Learn more about our Congo Cage packages which includes a safari basket.



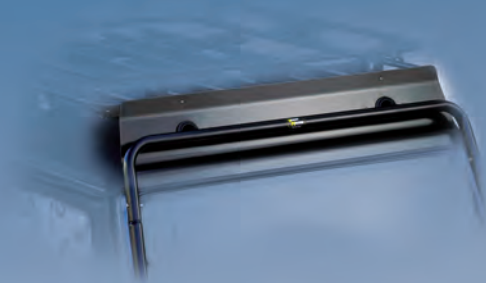
Part # 60121

Congo Cage Utility Cross Bars
Yakima accessories mount directly to these strong 1 1/8" dia. tubes.



Part # 60131

Brackets to Mount
Yakima Bar to Congo Cage



Part # 60161

Congo Cage Wind Deflector
Significantly reduces wind noise from factory fabric top, Congo Cage, and Safari Basket.
Your Jeep will run quieter than ever.



Part # 50561

Brackets to Mount Safari
Basket to Congo Cage



Part # 60141

Load/Hull Retainers
for Utility Cross Bars (4 per set)

SafariJeeps

by Kargo Master

Our stylish and durable Safari Basket racks are the best way to contain and transport the gear you need for big adventures. The 4" deep basket is highly crafted from 1" round steel tubing. Floor rails are made from lightweight rust proof 1" square aluminum tubing. Epoxy zinc primer and a marine grade black gloss powder coat provide a handsome, durable and rust resistant finish. These racks are sized to mount perfectly on our Congo Cages and to maximize the above roof carrying capacity of your Jeep or SUV.



◀ **Part # 50261**
Hood Safari Basket

Part # 50460 ▶

Weekender Safari Basket System
EZ On – EZ Off makes this Safari Basket system perfect for a weekend excursion. Includes Part # 50241 and Part # 50501



Bushman Steel Safari Baskets for Jeeps & SUVs

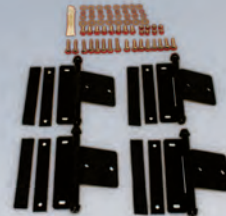
- Part # 50201** – Safari Basket - 42"W X 50"L
- Part # 50231** – Safari Basket - 52"W X 60"L
- Part # 50241** – Safari Basket - 52"W X 50"L
- Part # 50251** – Safari Basket - 52"W X 74"L



Part # 50501
Brackets to Mount Safari Basket on Jeep Roll Bar



Part # 50541
Brackets to Mount Safari Basket to Vehicle Rain Gutter



Part # 50721
Brackets to Mount Safari Basket to Fiberglass Roof



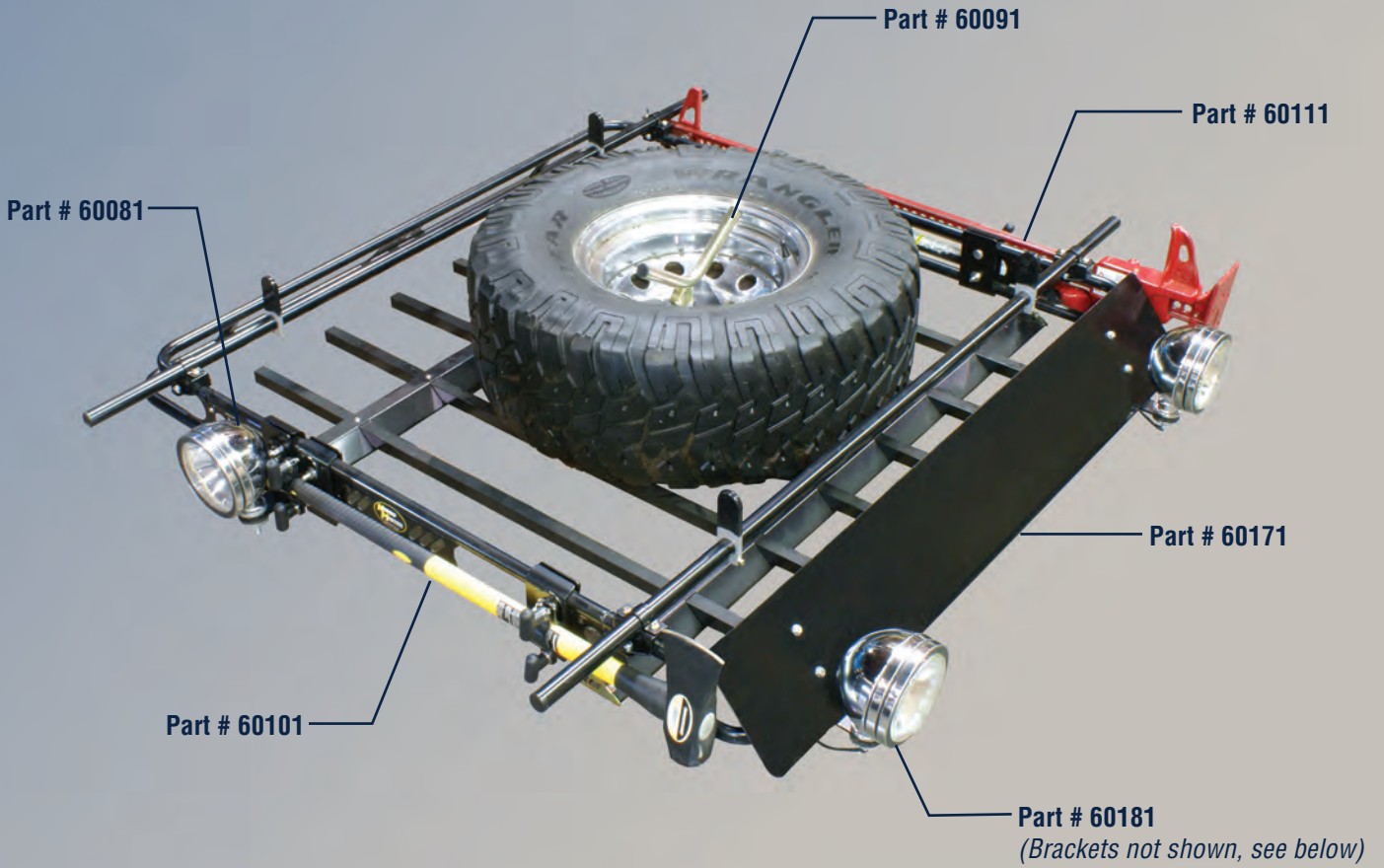
Part # 50621
Brackets to Mount Safari Basket to Cherokee XJ Factory Luggage Rack



Part # 50631
Brackets to Mount Safari Basket to Vehicle Factory Luggage Rack. Use these if luggage rack rails are on pedestals above the vehicle roof...i.e. if there is a space between roof and rails.



Part # 50611
Brackets to Mount Safari Basket to Vehicle Factory Luggage Rack. Use these if luggage rack rails are "C" channels mounted directly to vehicle roof, with slot in "C" channel opening up.



Part # 60171
Wind Deflector for
all 52" W Safari Baskets
*Significantly reduces wind
noise from Safari Basket.*



Part # 60181
Brackets to Mount
Lights on Front of
Safari Baskets (Pair)



Part # 60081
Brackets to Mount Lights
on Side of Safari Basket



Part # 60101
Brackets to Mount an Ax or
Shovel to Safari Basket



Part # 60111
Brackets to Mount A High
Lift Jack to Safari Basket



Part # 60091
Brackets to Secure Spare
Tire in Safari Basket



Part # 50400 - CJ/YJ Up to 1995 Systems
(includes part # 50301 + 50561+ 50231)

Part # 50410 - TJ 2 Door Up to 2005 Systems
(includes part # 50311 + 50561 + 50231)

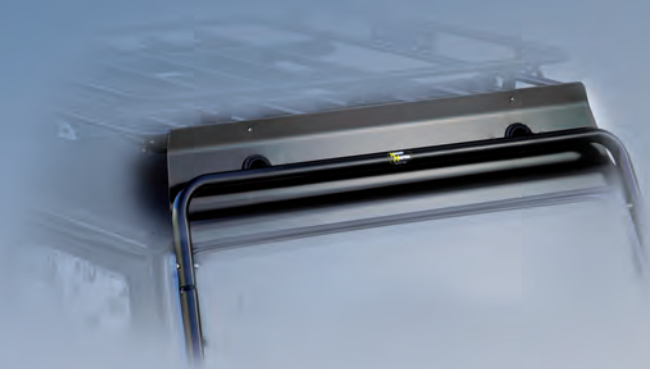
Part # 50420 - TJ Unlimited Up to 2006 Systems
(includes part # 50331 + 50561 + 50251)

Part # 50430 - JK 2 Door 2007 & Up Systems
(includes part # 50341 + 50561 + 50231)

Part # 50450 - JK 4 Door 2007 & Up Systems
(includes part # 50351 + 50561 + 50251)



◀ **Part # 60161**
Congo Cage Wind Deflector





SafariJeeps
by Kargo Master

FROM ORDINARY
TO EXTRAORDINARY