

**PRE-INSTALLATION INFORMATION**



**Input Voltage** 24V DC **OR** 75V DC Nominal

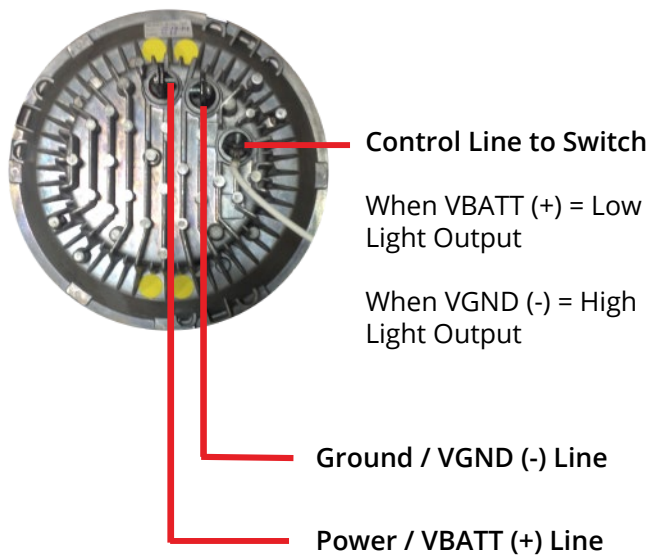
To properly install this light you should have a good understanding of automotive electrical procedures and systems, and proficiency in the installation of headlights.

**IF YOU DO NOT, PLEASE SEEK PROFESSIONAL ASSISTANCE.**

**PRODUCT WARRANTY:**

If you have issues with a J.W. Speaker product, please contact the authorized retailer where you purchased it.

**Headlight Wiring**  
 Rear Lamp Diagram



**Auxiliary/Ditch Light Wiring**  
 Rear Lamp Diagram

