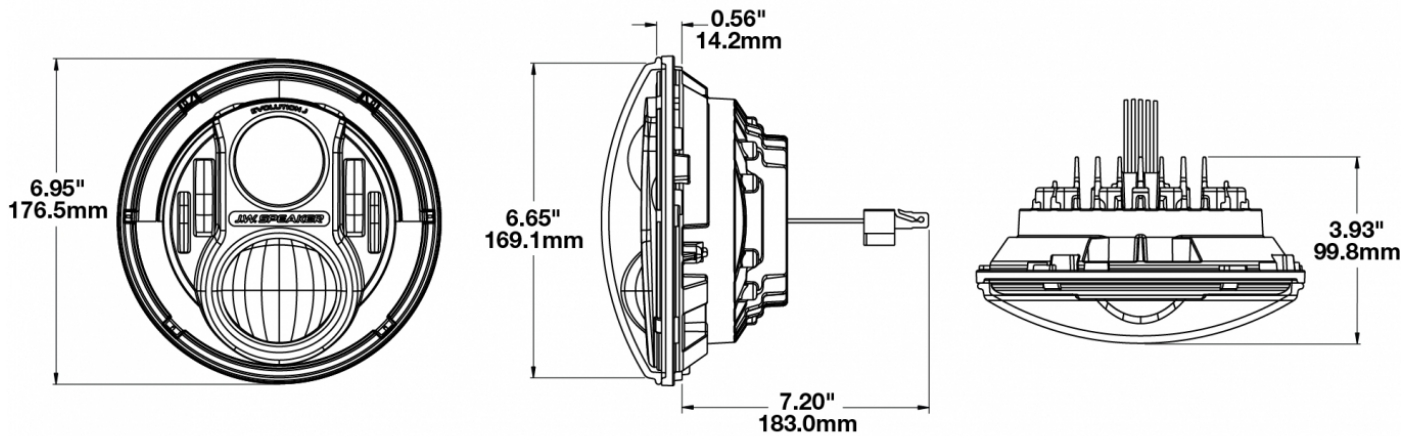




PRODUCT INFORMATION

Description	12V DOT LED High & Low Beam Headlights with Black Bezel - 2 Light Kit
Height	176.53 (mm) / 6.95 (in)
Width	176.53 (mm) / 6.95 (in)
Depth	99.82 (mm) / 3.93 (in)
Shape	Round
Outer Lens Material	Polycarbonate
Outer Lens Color	Clear
Housing Material	Die-Cast Aluminum
Housing Color	Gray
Bezel Color	Black
Retrofits	2D1 "PAR56" or 7" round headlights
Minimum Operating Temperature	-40 (°C) / -40 (°F)
Maximum Operating Temperature	65 (°C) / 149 (°F)
Connector or Wiring	DELPHI 15326813 (H13)
Product Weight	2.31 (lbs) / 1.05 (kgs)
Spec Sheet Printed	2016-07-07

PRODUCT DIMENSIONS



ELECTRICAL SPECIFICATIONS

Input Voltage	12 V DC
Operating Voltage	9-16 V DC
Transient Spike Protection	150V Peak @ 1 HZ-100 Pulses
Black Wire	Ground
White Wire	High Beam
Yellow Wire	Low Beam
Current Draw	4.00A @ 12V DC (High Beam) 2.70A @ 12V DC (Low Beam)

REGULATORY STANDARDS COMPLIANCE

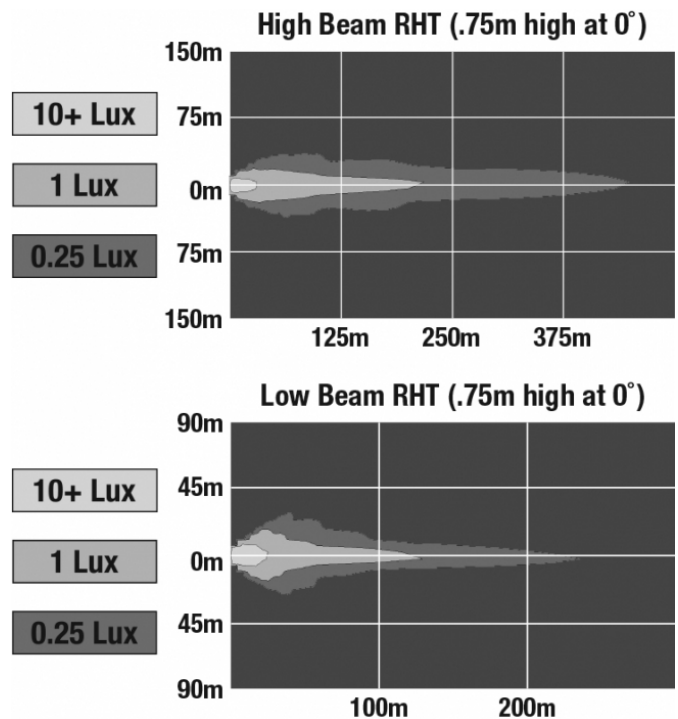


Buy America Standards
FMVSS 108 Table XIX
IEC IP67

Eco Friendly
FMVSS 108 Table XVIII

PHOTOMETRIC SPECIFICATIONS

Raw Lumen Output	2,610 (High Beam); 1,770 (Low Beam)
Effective Lumen Output	1,150 (High Beam); 750 (Low Beam)
Nominal LED Color Temperature	5000 (K)
Beam Pattern(s)	Forward Lighting - High Beam (DOT/ECE) Forward Lighting - Low Beam (DOT)



APPLICATIONS



ADDITIONAL INFORMATION

Headlight must be securely mounted and properly aimed such that the beam pattern cut off line complies with all applicable regulations. If you are not familiar with the legal requirements for aiming your headlights, please see a professional service provider. We recommend that headlights are aimed with a headlight aiming system for proper alignment. Designed specifically for Jeeps with integrated anti-flicker technology that eliminates flickering caused by the Jeep electrical system. Intended for use on 2007+ Jeep Wranglers & Jeep Wrangler Unlimited.

RELATED PRODUCTS



[Part Number 0550771](#)

12V DOT LED High & Low Beam Headlight with Black Bezel - 1 Light



[Part Number 0550781](#)

12V DOT LED High & Low Beam LED Headlight with Chrome Bezel - 1 Light



[Part Number 0550791](#)

12V ECE LED RHT High & Low Beam Headlight with FP, DRL, & Black Bezel - 1 Light



[Part Number 0550801](#)

12V ECE LED RHT High & Low Beam Headlight with FP, DRL, & Chrome Bezel - 1 Light



[Part Number 0550811](#)

12V ECE LED LHT High & Low Beam Headlight with FP, DRL, & Black Bezel - 1 Light



[Part Number 0550821](#)

12V ECE LED LHT High & Low Beam Headlight with FP, DRL, & Chrome Bezel - 1 Light



[Part Number 0551141](#)

12V DOT LED High & Low Beam Headlights with Chrome Bezel - 2 Light Kit



[Part Number 0551151](#)

12V ECE LED RHT High & Low Beam Headlight with FP, DRL, & Black Bezel - 2 Light Kit