

# THANK YOU FOR SELECTING A HUSKY FLOOR LINER FROM WINFIELD CONSUMER PRODUCTS

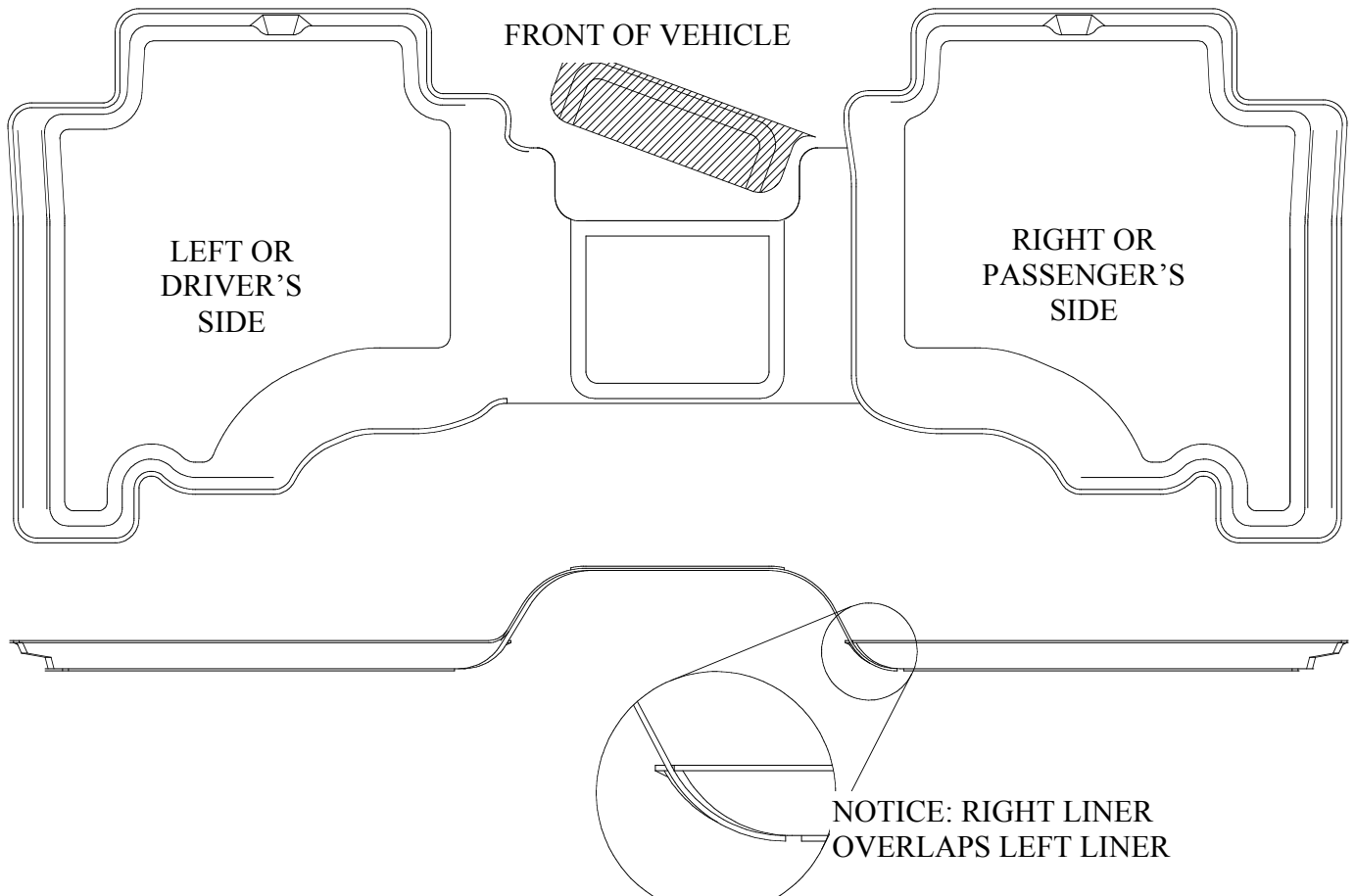
## CARE AND USE INSTRUCTIONS

---

Your new floor liner is custom molded to fit your particular vehicle. The liner is made to take the place of your factory floor mats. For correct fit, it is necessary to remove the factory floor mat before installing your new floor liner. *However, do not remove the factory-installed carpeting.*

Your liner is made from an engineering resin that is lightweight and extremely tough and durable. The easiest way to clean your liner is with a damp cloth or sponge. If using a cleaner, 409® or Glass Plus® work well. Use of Armor All®, Son-of-a-Gun® or similar items is discouraged as these products make the liner slick.

## INSTALLATION INSTRUCTIONS FOR YOUR JEEP GRAND CHEROKEE SEAT FLOOR LINER



GRAND CHEROKEE OWNERS WHOSE VEHICLE ARE EQUIPPED WITH THE FACTORY DVD PLAYER (ELECTRONIC INFOTAINMENT SYSTEM) WILL NEED TO TRIM THE CENTER HUMP PORTION OF THEIR DRIVER'S SIDE LINER TO ACCOMMODATE THIS OPTION. TRIM YOUR LINER AS SHOWN ABOVE USING THE MOLDED IN GROOVE AS A GUIDE (SEE PHOTOS ON BACK). A UTILITY KNIFE OR SCISSORS WORK WELL FOR TRIMMING.