



One Piece Grille Guard Installation Instructions

Part: # 4052/ 4059

Chevy Avalanche 1500 2002-2006

Click To Select:

4052

2002-2006 Chevy Avalanche 2/4WD

4059

2003-2006 Chevy Avalanche 1500 Series 2/4 WD



INSTALLATION INSTRUCTIONS

GRILL/ BRUSH GAURD PART #4052/ 4052-2
2002 – 2003 CHEVROLET AVALANCHE 1/2 TON 2/4WD

PARTS LIST

- | | |
|------------------------------|-------------------------|
| (1) FRONT BAR | (12) 7/16" FLAT WASHERS |
| (2) FRAME MOUNT BRACKETS | (6) 7/16" HEX LOCK NUTS |
| (6) 7/16" x 1 1/4" HEX BOLTS | |

PROCEDURE

1. Locate tow hooks from front of vehicle, and remove (2) factory tow hook mounting bolts per side. The first bolt is located on the underside of the frame rail, and the second bolt is on the outer side of the rail (see Figure 1.2).
2. Attach passenger Frame Mount Bracket to passenger-side frame rail as shown in Figure 1.2, and secure to outside of frame using factory bolts. Hand tighten and repeat for driver-side Frame Mount Bracket.
3. Line up the 3 holes on the lower portion of the Front Bar with the 3 holes on the inside of each of the Frame Mount Brackets and attach using (3) 7/16" x 1 1/4" hex bolts, (6) 7/16" flat washers, and (3) 7/16" hex lock nuts for each side. Hand tighten.
4. Align the left and right side of the Front Bar to the vehicle bumper, and when satisfied that the Bar is centered, tighten the (6) bolts supporting the Front Bar. The (4) Frame Mount Bracket bolts may now be tightened, to complete installation.

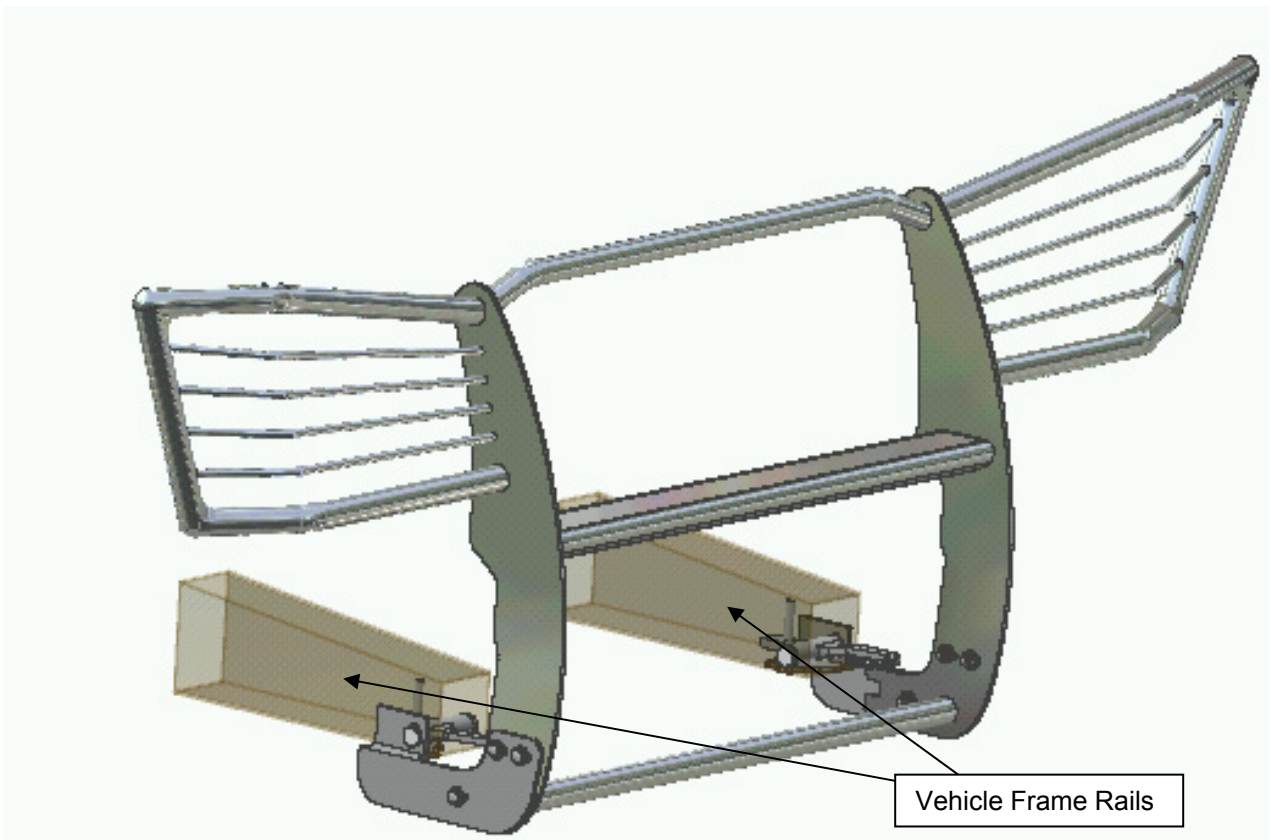


Figure 1.1 – Fully Assembled View

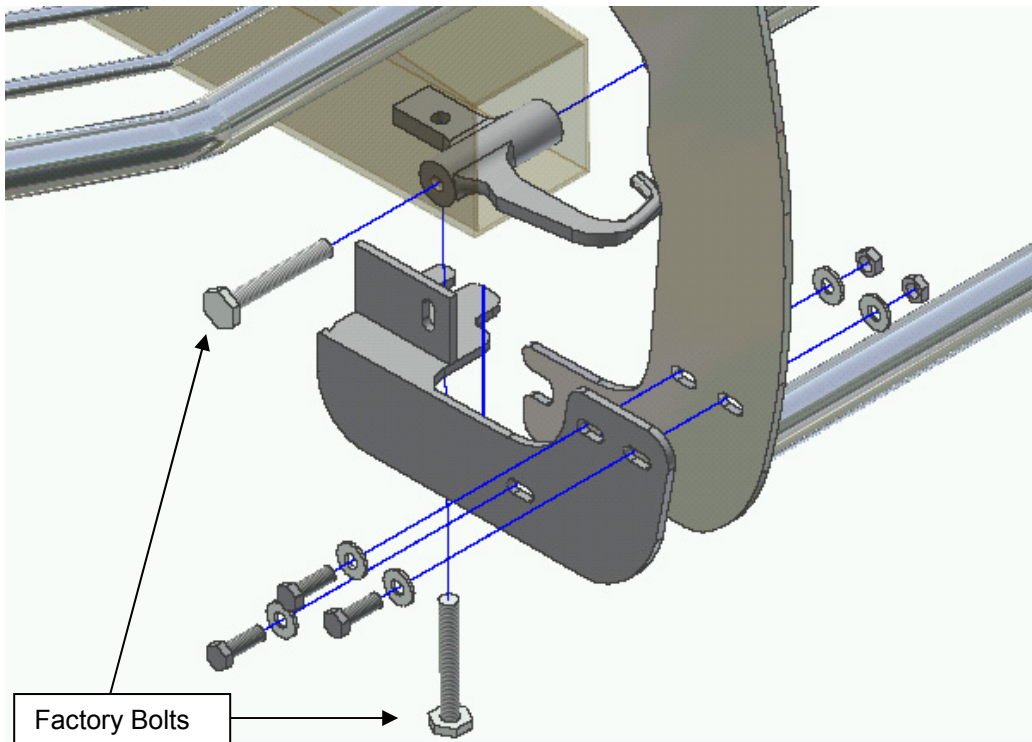


Figure 1.2 – Passenger-Side Mount Bracket



GRILLE GUARD

INSTALLATION INSTRUCTIONS FRONT BAR PART #4059 2003 CHEVY SILVERADO 1500 SERIES 2/4 WD 2003-05 AVALANCHE 1500

PARTS LIST

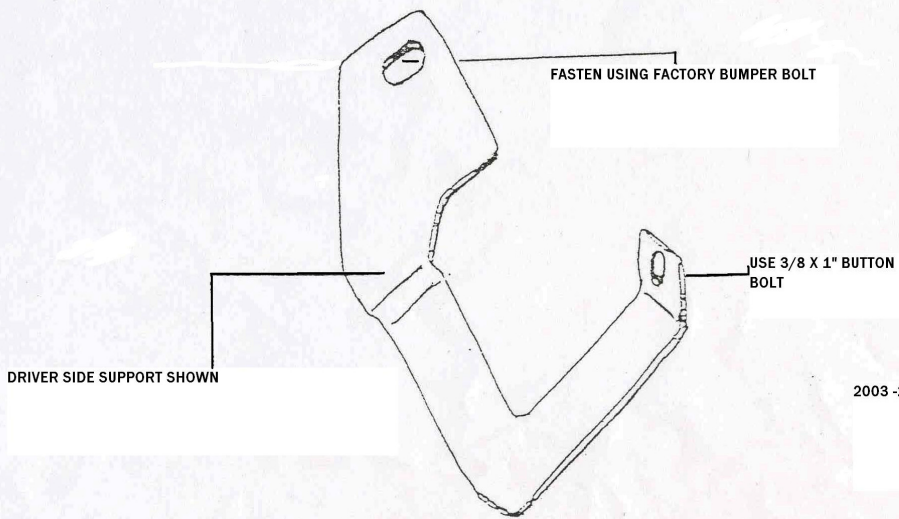
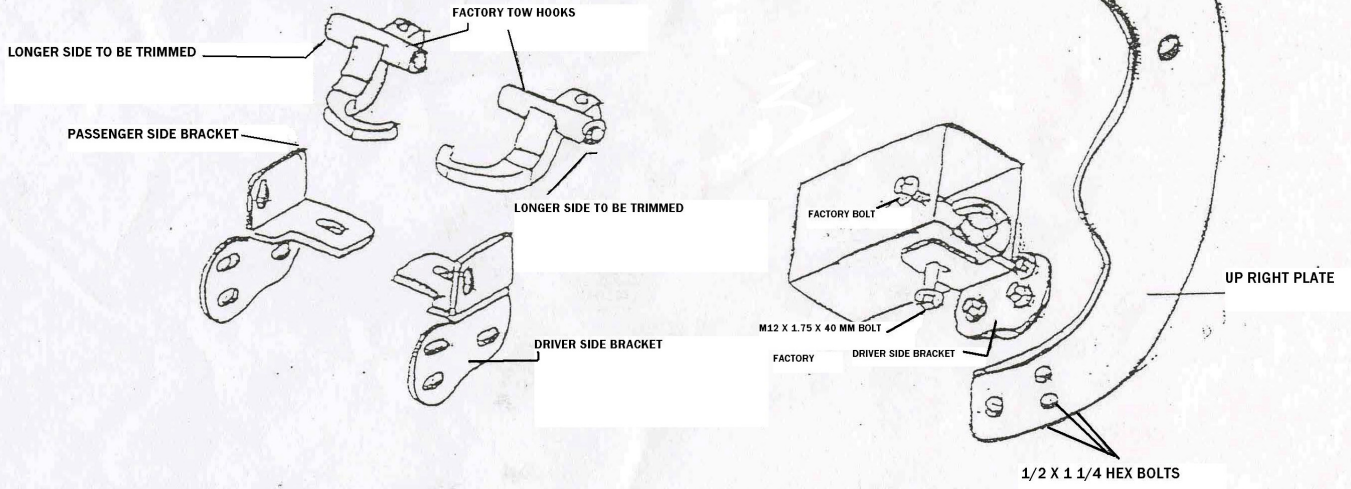
2- FRAME MOUNTING BRACKETS	2- 3/8 X 1" HEX BOLTS
2- TOP SUPPORT BRACKETS	2- 3/8 HEX NUTS
10- 1/2 X 1 1/4" HEX BOLTS	2- 3/8 FLAT WASHERS
10- 1/2 HEX NUTS	2- M12 X 1.75 X 40mm BOLTS
20- 1/2 FLAT WASHERS	

INSTALLING FRAME BRACKETS

1. Remove factory tow hooks from front section of vehicle (if equipped). NOTE: IF RE-USING TOW HOOK, YOU MUST SWITCH DRIVER FOR PASSENGER VISE-VERSA ,SOME MODELS DO NOT ALIGN COMPLETELY. YOU MUST TRIM OFF SMALL PORTION OFF THE TOW HOOK. Refer to illustration.
2. Attach the frame brackets as shown in illustration, using bolts, supplied in kit. Hand-tighten in case you have to adjust the front bar to align it.

INSTALLING THE FRONT BAR

1. Line up the 3 holes on the lower portion of the bar with the 3 holes in the frame brackets (inner edge). Attach front bar using 1/2 x 1 1/4" hex bolts, nuts, & washers. Hand tighten only.
2. Open hood and remove the rivets securing the top plastic trim panel (temporarily) from the vehicle to access the factory bumper bolts.
3. Proceed to install upper support brackets, remove factory bolts, place driver side bracket into area - re-use factory bolt – using 3/8 x 1 button bolts to go from bracket up-rights plates of grill guard as shown in illustration 3.
4. Align front bar assembly with front of the vehicle and secure all fasteners.
5. Re-attach the plastic trim panel.



2003 -2005 CHEVROLET SILVERADO 2/4WD 1500