

Roof Rack Universal Application

Medium: 59005-59015

Large: 59007-59017

Includes LR Models

- Part's List:

- Safari rack (x1)
- Hardware kit (x1):
 - a. - Plastic holder (x4)
 - b. - Fixation plate (x4)
 - c. - "U"-bolt (x4)
 - d. - Knob nut (x8)



- No tools are required to install this product.

- Cleaning and care instructions:

It's the customer responsibility to protect the finish with a non-abrasive automotive wax, (e.g. Pure Carnauba) on a regular basis. The use of any soap, polish, or wax that contains an abrasive is detrimental to the finish, as the compounds scratch the finish and cause corrosion voiding the warranty.

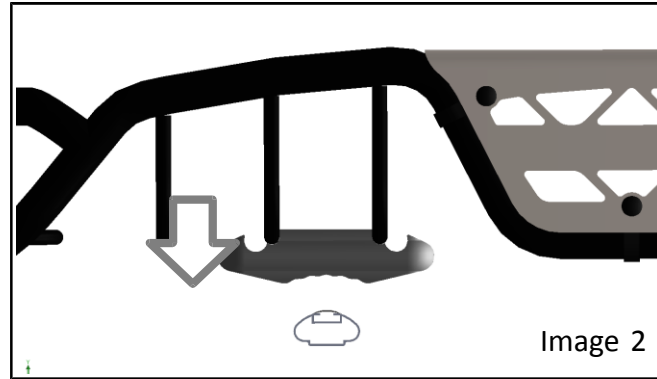
*Roof bars not included with this product.

- Steps:

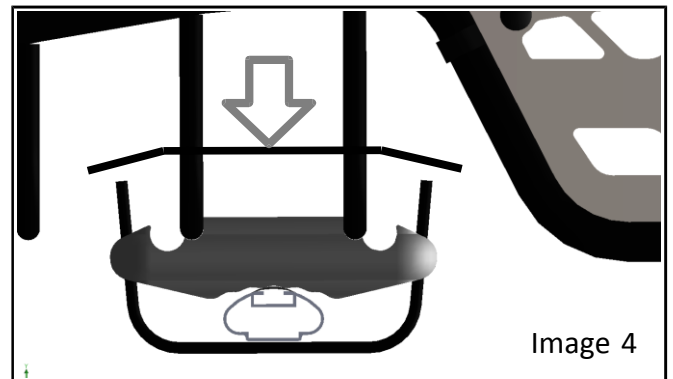
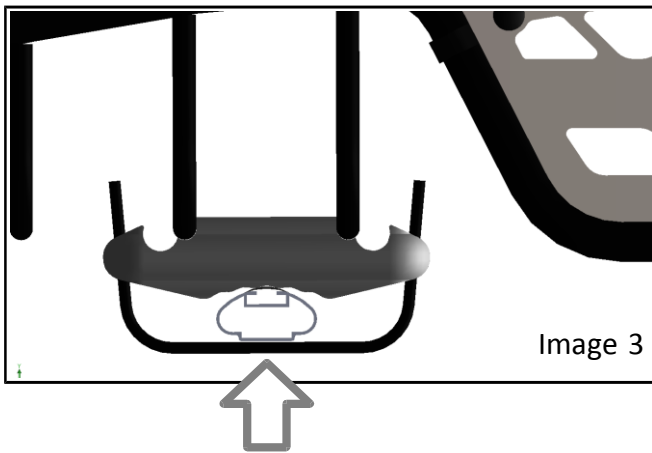
1. Read the installation instructions completely and verify that all the parts listed are accounted for. If you have defective, missing or damaged parts.
2. Place the (x4) plastic holders below the rack and close to the edges. Distribute them at the same distance from center then snap them between the cross tubes.



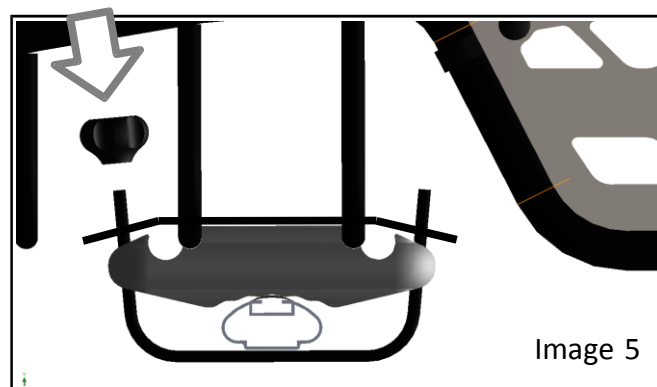
3. Place the Safari Rack with the plastic holders above the roof bars of your vehicle*. Note 1: It may be necessary to slide and relocate the roof bars to allow the installation.



4. Place the (x4) fixation plates above the cross tubes, align them with each plastic holder, then place the (x4) "U"-bolts below the roof bars.



5. Secure each thread of the "U"-bolt with a Knob nut.



6. Adjust and align the Safari Rack, then tighten all knob nuts.

7. Revise periodically to re-tighten the knob nuts if necessary.