

GO RHINO®

NEW PRODUCT SUPPLEMENT
SPRING 2021

Q2



Q2

NEW PRODUCT SUPPLEMENT SPRING 2021

- 2 ELEMENT BUMPER SERIES
- 4 4-CORE SYSTEM
- 6 XRS XTREME RACK SYSTEM
- 11 XRS BED CROSS RAILS
- 12 CEROS LOW PROFILE ROOF RACK
- 14 SRM SERIES ROOF RACKS
- 18 NEW FOR JEEP
- 20 NEW FOR TOYOTA 4RUNNER
- 21 NEW FOR TRUCKS
- 22 OVERVIEW: DOMINATOR XTREME
- 24 OVERVIEW: RB SERIES
- 25 OVERVIEW: SPORT BARS
- 26 OVERVIEW: BUMPERS
- 27 POP DISPLAY PROGRAM

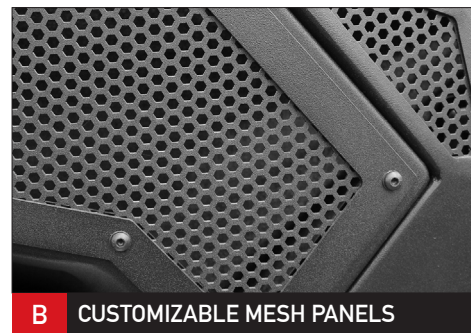


Element Bumper Series for 2016-2021 Toyota Tacoma

OFF-ROAD CAPABILITY AND MODERN STYLING MERGES FOR THIS POWERFUL NEW "STREET FIGHTER STYLE" BUMPER. OPTIONAL POWER BAR ALLOWS THE CENTER LIGHT BAR TO HIDE AWAY WITH A FLIP OF A SWITCH.

- A** Dramatically improves factory appearance and provides additional tire and ground clearance
- B** Mesh panels are paintable/customizable, reduce weight and improves air flow
- C** Multiple light pods can be added to each wing (three for each front, two for each rear) behind mesh
- D** 14 gauge 1/8" steel shell with 1/4" steel mounting brackets
- E** Exclusive, dual function 1-inch thick inverted tow hook/D-ring mounts that can fit up to 7/8" diameter pins
- F** Front bumper ships light-ready with static mounting plate for fixed 20" double row LED light bar*
- G** Patent-pending Power Bar accessory #340001T available. Panel hides double row light bar* at the flick of the switch
- H** Rear bumper works with factory hitches/tow light/plug packages
- I** Integrated rear license plate holes
- J** Utilizes factory license plate lights

*Front lights not included.
Some assembly required. Toyota 4Runner application coming soon. Note:
Trimming of front fascia required for Toyota Tacoma / 4Runner applications.



B CUSTOMIZABLE MESH PANELS



C LIGHT PODS MOUNTS*



E EXCLUSIVE TOW HOOK MOUNT



F SHIPS LIGHT BAR-READY*



G POWER BAR ACCESSORY*



G POWER BAR ACCESSORY*



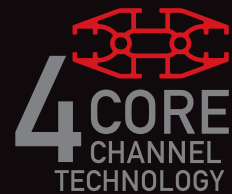
The 4-CORE Difference

SRM Racks | CEROS Racks | XRS Overland Series

EXCLUSIVE 4-CORE CROSSRAIL SYSTEM PROVIDES UNLIMITED ACCESSORY MOUNTING OPTIONS

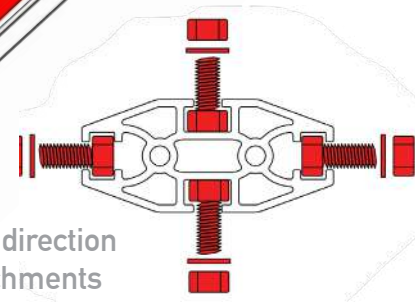
- Extruded track system features slots that accept 1/4-20 hex bolts
- Slotted rails on both sides of bar increases mountable surface area on the XRS Xtreme Rack - accessories can be mounted on top, sides, inside or outside
- Wide variety of Go Rhino accessories available
- Crossbars maintain exact 10-inch space on all SRM, CEROS and XRS products, allowing use of same accessories across product lines
- Mounting options for tents, camping gear, axes, shovels, traction boards, MOLLE/PALS gear, fire extinguishers and much more

SEE PAGES 6-17 FOR PRODUCTS WITH 4-CORE TECHNOLOGY.



Uses standard 1/4"x20 HEX Head cap screws

Multi-direction attachments



Slotted rails can mount many kinds of accessories with a simple bolt

Accepts Quick Release clamps



XRS Xtreme Rack System for JEEP® Gladiator JT

*THE XRS IS MORE THAN JUST A RACK...
IT'S A COMPLETE SYSTEM.*

THE FOUNDATION OF THE XRS SYSTEM IS THE XTREME RACK, WHICH HAS A CONTOURED, APPLICATION-SPECIFIC FIT, AND FEATURES GO RHINO'S EXCLUSIVE 4-CORE CROSSBAR SYSTEM.

- A** Equipped with Go Rhino's exclusive 4-CORE cross rails, the extruded track system that works with any 1/4x20 hex bolt, is Quick Fist®-compatible and provides unlimited accessory mounting options for gear and trail tools
- B** Compatible with most rooftop tents - 300 lb. dynamic and 600 lb. static weight rating
- C** Constructed with a combination of steel and aluminum for an optimum balance of strength and weight savings
- D** 2" diameter front and rear aluminum crossbars tie the rack together
- E** Uprights feature integrated MOLLE pattern holes, 1/4-20 threaded inserts at top and bottom, rear mounting holes for handles or other accessories and welded rods for additional tie downs
- F** Includes one Rhino Accessory Gear Plate that can be attached on top, sides or interior. Additional plates can be purchased (#5950020T).
- G** No drill, complete bolt-on installation. Available with factory bed track mounting systems or bed rail clamp on mounting brackets. Mounting brackets have built-in tie down points
- H** Wide variety of Go Rhino accessories available



Inset shown with: XRS Reel Handle Kit #5950100T, XRS Accessory Gear Table #5950110T, Trailline Rear Bumper #273120T, Recoil Hitch Step #HS2012T, Dominator Side Step #D64516, Jack Mount for JL/JT #701001T



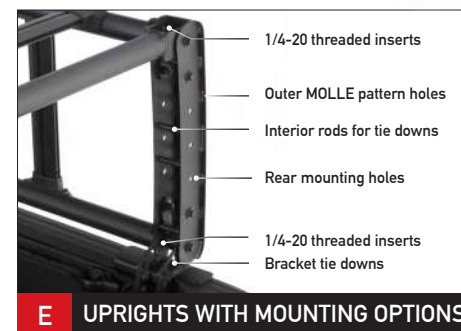
A 4-CORE CROSSBARS



A QUICK FIST® COMPATIBLE



D STEEL AND ALUMINUM



E UPRIGHTS WITH MOUNTING OPTIONS



F ACCESSORY GEAR PLATE



G BOLT-ON INSTALLATION

- 1/4-20 threaded inserts
- Outer MOLLE pattern holes
- Interior rods for tie downs
- Rear mounting holes
- 1/4-20 threaded inserts
- Bracket tie downs



XRS Accessory Gear Table

THE GO RHINO GEAR TABLE IS AN XTREME RACK (XRS) ACCESSORY THAT PROVIDES AN OUTDOOR WORK SURFACE WHILE DOUBLING YOUR STORAGE SPACE

- A** WHEN OPEN:
Table surface is lightweight, sanitary and easy to clean
- B** INTERIOR STORAGE:
Inside space allows for accessories up to three inches deep (such as shovels and axes) when strapped to rack.
- C** WHEN CLOSED:
Mounting points on outside provides additional storage space for a variety items, such as Max Trax, Tread Pro traction boards, Daystar cans, Jerry Cans, etc. (Accessories not included).

- Doubles the side of the rack's storage space by creating interior and exterior mounting areas
- Interior area up to three inches of depth for mounting axes / shovels
- Exterior (reverse side of tabletop) features mounting holes and MOLLE/PALS-compatible slots
- Attaches to both side of Xtreme Rack with easy, no-drill installation
- Designed for strength and weight savings
- Steel safety limits keeps table level - Table has 200 lb weight capacity to hold plenty of gear and tools
- Accommodations for a padlock for extra security

Rhino Accessory Gear Plate

THE PRODUCT YOU DIDN'T KNOW YOU NEEDED... 'TIL YOU SAW IT

- Countless combinations that provides the real estate needed for your accessories
- Easily bolts on to 4-CORE 10-inch spaced crossbars of the SRM, CEROS and XRS Series products
- Universal application: Rear mounting panel is drillable and can be mounted on any flat surface
- Specially designed to mount a variety of accessories from major manufacturers: Daystar Cam Cans, Tread Pro, Roto Pax, MOLLE/PALS, Max Trax and/or standard Jerry Cans

XRS Reel Handle Kit

THE GO RHINO REEL HANDLE KIT PROVIDES A PAIR OF STRONG GRAB HANDLES THAT DOUBLES AS TOW ROPE STORAGE

- GRAB HANDLE:** Sturdy handles bolt to various locations
- TOW STRAP REEL:** Double duty as rope/strap storage
- UNIVERSAL FIT:** Can mount to any flat surface
- Bolts to front, rear or both front and rear of Xtreme Rack with easy, no-drill installation
- Universal application: Flat mounting surface makes it a fit for many applications, including marine
- Fabricated tubular steel and black texture powdercoat
- Sold in pairs

4-CORE ACCESSORIES



Rhino Tie Downs

- Handy accessory for ropes, tie downs or bungee cords
- Fits anywhere on any 4-CORE system (SRM, CEROS or XRS) and future 4-CORE applications
- Sold in sets of four



XRS to SRM Connector

- Mounts the SRM600, SRM500 or SRM400 Roof Rack to the top of the Xtreme Rack
- Sold in sets of four



Rhino Quick Release Rooftop Tent Bracket Kit

- Designed to work with 4-CORE slotted cross rails on XRS Xtreme Rack or SRM500 Platform Roof Rack
- Easy, pull pin release allows you to avoid annoying tent straps or tie downs
- Sold in sets of four



Rhino Awning Bracket Kit

- Mounts awning to SRM, CEROS or XRS Series
- Specially designed to curve around the XRS Rack's endcaps and under the tent
- Multiple awning options: slots for standard awnings, larger slots for extra "Bat wing" style large awnings, and a slotted rail for custom configurations
- Sold in pairs



XRS Bed Cross Rails for Mid- and Full Size Truck Beds

- Handy truck bed rack system eliminated need for full size rack
- Equipped with Go Rhino's exclusive 4-CORE cross rails, the extruded track system that works with any 1/4x20 hex bolt, is Quick Fist®-compatible and provides unlimited accessory mounting options for gear and trail tools
- Solid 3/16" steel uprights with tie down points, bottle opener and bolt hole for 1/4-20 bolt or Quick release clamps
- 600 lbs. static maximum weight (300 lbs. dynamic), evenly distributed - Always check Vehicle Owner's Manual for each vehicle model's weight recommendation
- Available in two sizes: Mid size trucks (up to 36" inches wide) and full size trucks (up to 48" wide)
- No drilling required. Works with factory rails or Go Rhino clamping system - all mounting hardware included.
- Compatible with Go Rhino 4-CORE SRM400, SRM500 and SRM600 Roof Racks (racks sold separately)
- Optional cross bar accessory sold separately in two sizes: 36" - 5935010T; 48" - 5935011T
- Zinc-plated steel with textured black powder coat finish
- 5-Year Warranty

Note: Not compatible with bed covers.



Optional crossbar Rail Accessory Kit 36" or 48"



4-CORE CROSSBARS



MULTI-USE UPRIGHTS



WORKS ON FACTORY RAILS



OPTIONAL ACCESSORY



CEROS Low Profile Roof Rack for 2016-21 Toyota Tacoma

- A** Low profile aluminum construction for a sleek, aerodynamic look that will last the life of your vehicle
- B** Equipped with Go Rhino's exclusive 4-CORE cross rails, the extruded track system that works with any 1/4x20 hex bolt, is Quick Fist®-compatible and provides unlimited accessory mounting options for gear and trail tools
- C** Front 4-CORE rail supports front fairing and mounts individual lights and light bars easily and securely
- D** Four side panel slots with removable mesh screens fit most 6-inch single row (SR) lights, mounting brackets included
- E** Full front fairing with dropped front edge allows most single row LED light bars to remain flush with frame
- F** No drilling required, all steel mounting hardware included

Max weight: 150 lbs evenly distributed, including CEROS rack
Overall dimensions: 62" long, 47" wide
Textured black powder coat finish - 5 Year Warranty

APPLICATION-SPECIFIC FIT AND LOW PROFILE, AERODYNAMIC DESIGN

Go Rhino's CEROS Low Profile Roof Rack for the 2016+ Toyota Tacoma Crew Cab brings cutting edge style and practicality to this immensely popular light truck. The aerodynamic, low profile design contours the Tacoma's curves and uses factory mounting holes for easy, no-drill installation. The CEROS Rack utilizes Go Rhino's exclusive 4-CORE cross rails, an extruded track system that works with quick-release clamps or any 1/4-20 hex bolt. This system offers unlimited mounting options for accessories, gear and tools, which can be used interchangeably with Go Rhino's 4-CORE-based XRS Overland and SRM Roof Rack series. The frontmost crossbar supports the front fairing and can be used to mount light bars or multiple cube lights. The dropped edge of the fairing allows a single row light bar (sold separately) to remain flush with the frame's topline, maintaining the sleek, streamlined look. Two side panel openings with removable, rattle-proof mesh screens will fit most 6-inch single row (SR) lights. Strategic mounting slots along the frame lip allows zip ties to be used to secure and hide any wiring.



A AERODYNAMIC STYLE



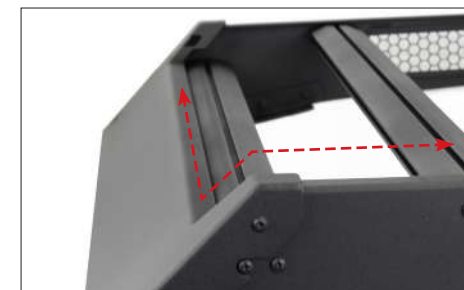
B 4-CORE CROSSBARS



C LIGHT-READY FRONT FAIRING



E LIGHT-READY SIDE PANELS



F DROPPED EDGE FOR LIGHT BAR



G NO DRILL INSTALLATION

SRM500

Universal Platform/Flat Roof Rack

FEATURE-LOADED FLAT RACK THAT IS THE IDEAL ROOFTOP TENT PLATFORM FOR THOSE SEEKING THE PERFECT OVERLANDING EXPERIENCE.

SRM600

Universal Basket Roof Rack

ALL THE FEATURES OF THE SRM500 + GUARD RAILS, FOR THOSE SEEKING A THREE-SIDED BASKET RACK

SRM500 / SRM600 FEATURES:

- A** 2" tubular basket-style (SRM600) and platform-style (SRM500) roof rack with textured black powdercoat finish
- B** Equipped with Go Rhino's exclusive 4-CORE cross rails, the extruded track system that works with any 1/4x20 hex bolt, is Quick Fist®-compatible and provides unlimited accessory mounting options for gear and trail tools
- C** Aircraft-grade aluminum with custom injection molded, reinforced nylon junctions for strength and weight savings
- D** Provides ample real estate at 52 inches wide and available in three lengths: 55-inch, 65-inch and 75-inch
- E** Front and rear crossmembers are predrilled for lights to be mounted
- F** Four Rhino Clamps (included) can mount to ANY crossbar system: OE crossbars, Thule®, Yakima®, etc.

SRM600 and SRM500 are 52" wide and available in three lengths: 55", 65" and 75"



SRM500
Universal Platform/Flat Roof Rack



SRM600
Universal Basket Roof Rack

5 YEAR WARRANTY ON TEXTURED POWDER COAT FINISH
NO DRILL EASY INSTALL **MADE IN NORTH AMERICA**



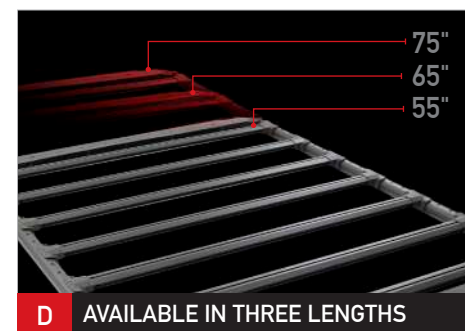
A 2" O.D. TUBING



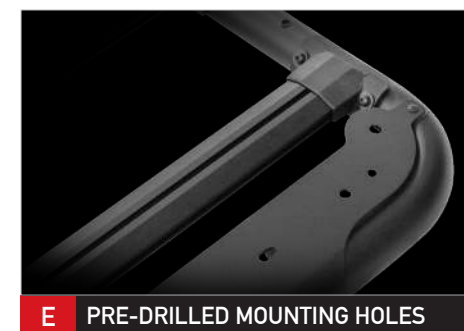
B 4-CORE CROSS RAILS



C REINFORCED NYLON JUNCTIONS



D AVAILABLE IN THREE LENGTHS



E PRE-DRILLED MOUNTING HOLES



F RHINO CLAMP FOR OE CROSSBARS

SRM MOUNTING OPTIONS



JEEP Roll Bar Mounting Kit

- Bolts directly on to roll bar of JEEP Wrangler JK or JL
- Perfect for mounting racks and roof top tents
- Works with or without hard top (drilling required)
- Max. load rating: 300 lbs dynamic, 600 lbs. static



Rain Gutter Mounting Kit

- Easy, bolt-on installation - no drilling required
- 4- or 6-piece option, depending on length of rack
- Steel rain gutters recommended, although they will work on any material
- Max load 150 lbs evenly distributed



Multi-Axis Mounting Kit

- Mounts with multiple degrees of rotation secures SRM 400/500/600 roof rack to any curved roof
- Universal application, sold in sets of four
- Drilling required



Fixed Mounting Kit

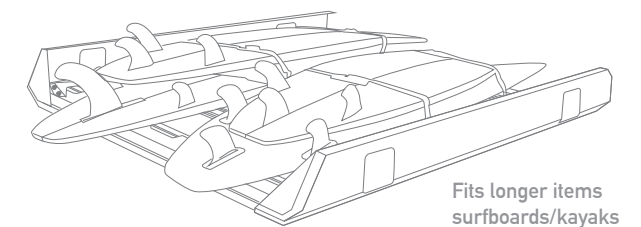
- Fixed mount secures SRM 400/500/600 roof rack to any flat roof or surface
- Universal application, sold in sets of four
- Drilling required



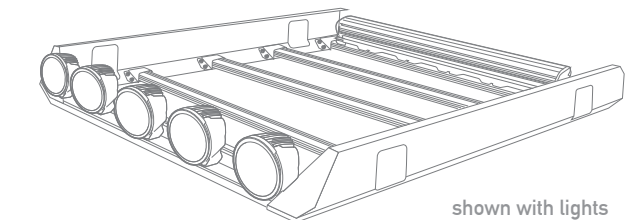
shown with fairings

SRM400 Fabricated Roof Rack

CUSTOMIZABLE RACK FEATURES REMOVABLE FAIRINGS TO ACCOMMODATE OVERSIZE ITEMS AND COUNTLESS LIGHT MOUNTING OPTIONS,



Fits longer items
surfboards/kayaks



shown with lights
(not included)

- Equipped with Go Rhino's exclusive 4-CORE cross rails, the extruded track system that works with any 1/4x20 hex bolt, is Quick Fist®-compatible and provides unlimited accessory mounting options for gear and trail tools
- Front fairing and rear cover are removable, exposing multiple mounting hole patterns for a variety of lighting styles
- Solid front fairing reduces wind noise while vented rear cover allows for air to escape
- Injection molded nylon junctions attach crossbars securely to pre-galvanized steel, fabricated side panels
- Integrated, side light mounts and hole patterns for multiple lighting options (lights not included)
- Four Rhino Clamps (included) can mount to ANY crossbar system: OE crossbars, Thule®, Yakima®, etc...
- Textured black powdercoat finish



4-CORE CROSS RAILS



SIDE LIGHT OPTIONS



PRE-GALVANIZED STEEL



VENTED REAR PANEL

Jack Mount

JEEP JK | JL | JT

- Frees up cargo space inside your vehicle.
- Mounts Hi-lift or farm-style tall Jack to the hood cowl and lower rocker panel of Jeep
- Easy bolt-on installation on to factory mounting points - no drilling required
- Exclusive triangular design and three-point mounting system eliminates rattling
- Textured black powder coat finish for corrosion resistance and durability.
- Compatible with XE Windshield Light Frame #730500T
- Works with all GR Side Steps except Frame Slider



Rockline Full Width Front Bumper

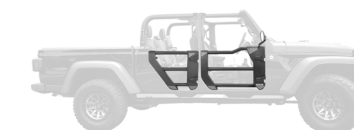
JEEP JK | JL | JT - New And Improved For 2021

- The 2021 upgrade features more clearance for increased articulation and tire size
- CNC laser cut and formed 3/16" steel with fully welded, hand finished seams
- Welded 1" patented Rhino Hooks with shackle mount
- Integrated mounting plate accommodates one 20" LED double row bar or up to four standard 3" cubes
- Customizable/paintable hex mesh covers
- Mounts up to 12,000 pound capacity winch
- Zinc plated with black textured powder coat finish
- Easy, bolt-on installation, no cutting or drilling required
- Flat tow compatible
- Optional Fairlead Mount #332000T and Lower Skid Plate #332110T (JK) #332100T(JL) available

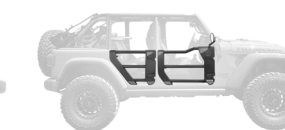
Trailline Tube Doors

- Open air, off-road tubular design contoured to JEEP frame
- 2-inch OD steel tubing with fully welded 16-gauge steel plates
- Cast steel hinges (with pins specific to JK and JL/JT) utilizes vehicle's factory nuts
- Includes pair of stylish and adjustable 6-inch DOT Mirrors
- Latch and hinge assemblies allows for proper alignment during installation; Multi-position limit straps included
- Anti-vibration rubber plungers
- Easy grip, ball-style double latches
- Sold in pairs (front pair or rear pair)
- Textured black powder coat
- 5 Year Warranty

DESCRIPTION	APPLICATION	PART NO.	JOBBER
Trailline Tube Doors - Front Pair	JEEP JL/JT	572601	399.95
Trailline Tube Doors - Front Pair	JEEP JK	572501	399.95
Trailline Tube Doors - Rear Pair	JEEP JL/JT	572602	399.95
Trailline Tube Doors - Rear Pair	JEEP JK	572502	399.95



JEEP GLADIATOR

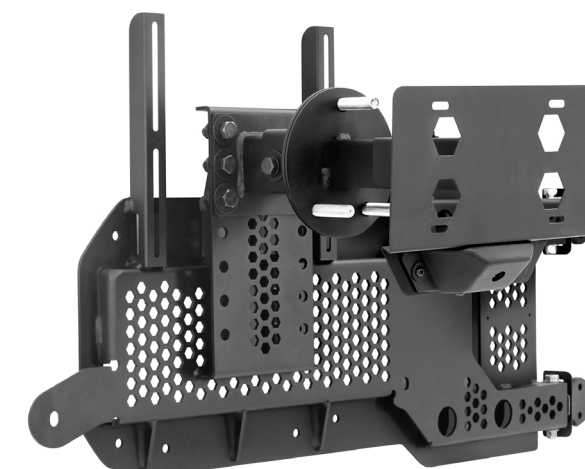


JEEP WRANGLER JK/JL

Windshield Light Bar

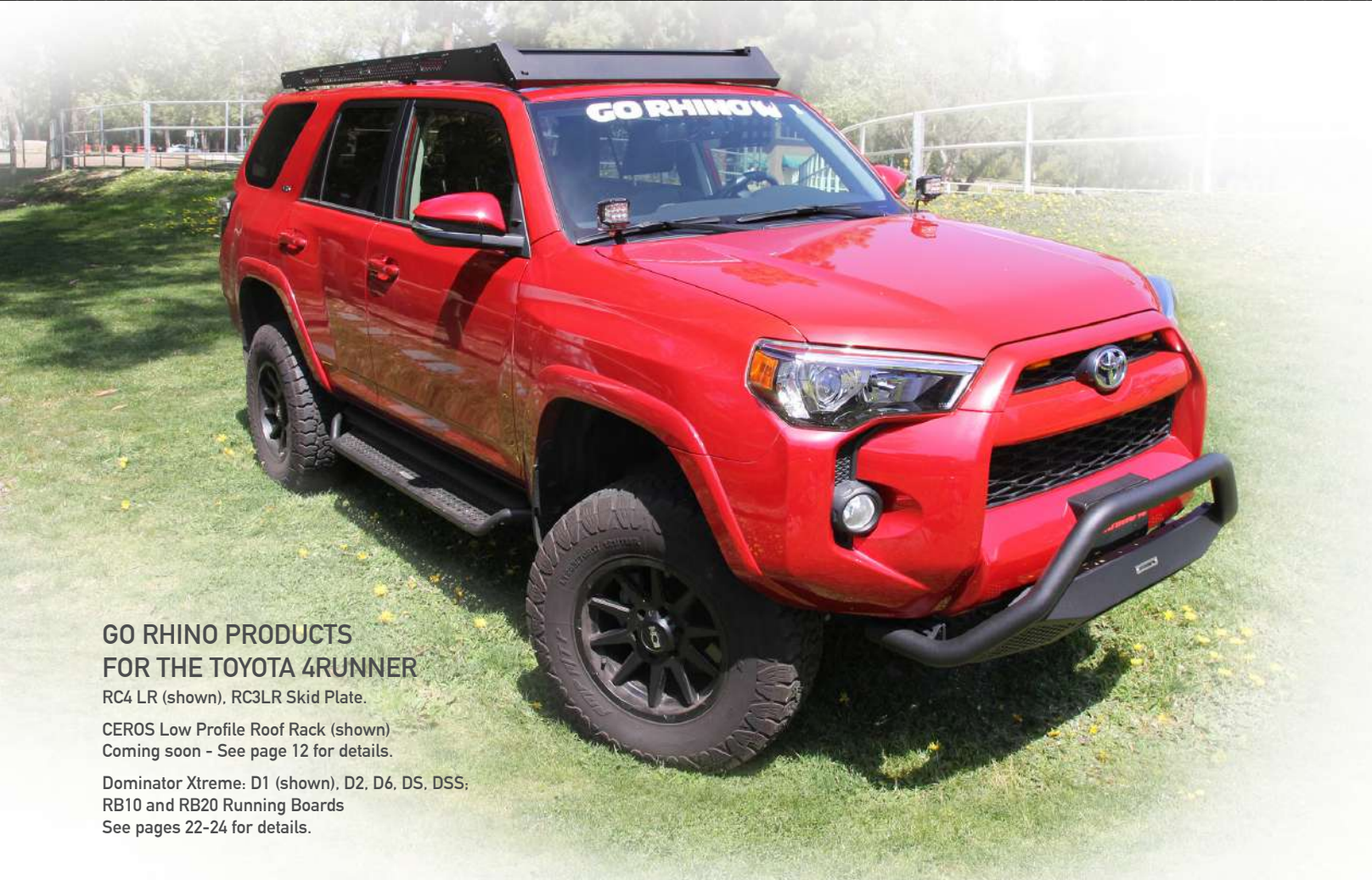
JEEP JK | JL | JT

- Allows a 50" LED light bar to be mounted across the top of windshield
- CNC laser cut and formed 3/16" steel prevents vibration and premature LED failure
- Full-size custom die cut rubber gasket keeps factory paint protected
- Fasteners coated in GEOMET Black for superior strength and corrosion resistance
- Zinc plated with black textured powder coat finish
- Easy, bolt-on installation with no cutting or drilling required



Rockline Low Profile Body Mount Tire Carrier

- Mounts up to a 40-inch tire
- Adjustable for wheel and tire width
- Includes license plate relocation mount, antenna mount, flag mount
- Works with, and includes mounting system for factory camera
- Utilizes factory third brake light
- Oil-impregnated bronze bushings never need to be lubricated
- 7-gauge (3/16") steel zinc plated
- Black textured powder coat



GO RHINO PRODUCTS FOR THE TOYOTA 4RUNNER

RC4 LR (shown), RC3LR Skid Plate.

CEROS Low Profile Roof Rack (shown)
Coming soon - See page 12 for details.

Dominator Xtreme: D1 (shown), D2, D6, DS, DSS,
RB10 and RB20 Running Boards
See pages 22-24 for details.



RC4 LR Bull Bar

- Aggressive looks with increased functionality.
- 2.5" tubular steel construction
- Hexagonal pattern design allows for air flow
- Pre-drilled light mounts
- Light mount for optional 20" LED single row light bar (light not included, compatible with most brands)
- Zinc-plated for superior corrosion protection
- Textured black powder coat finish



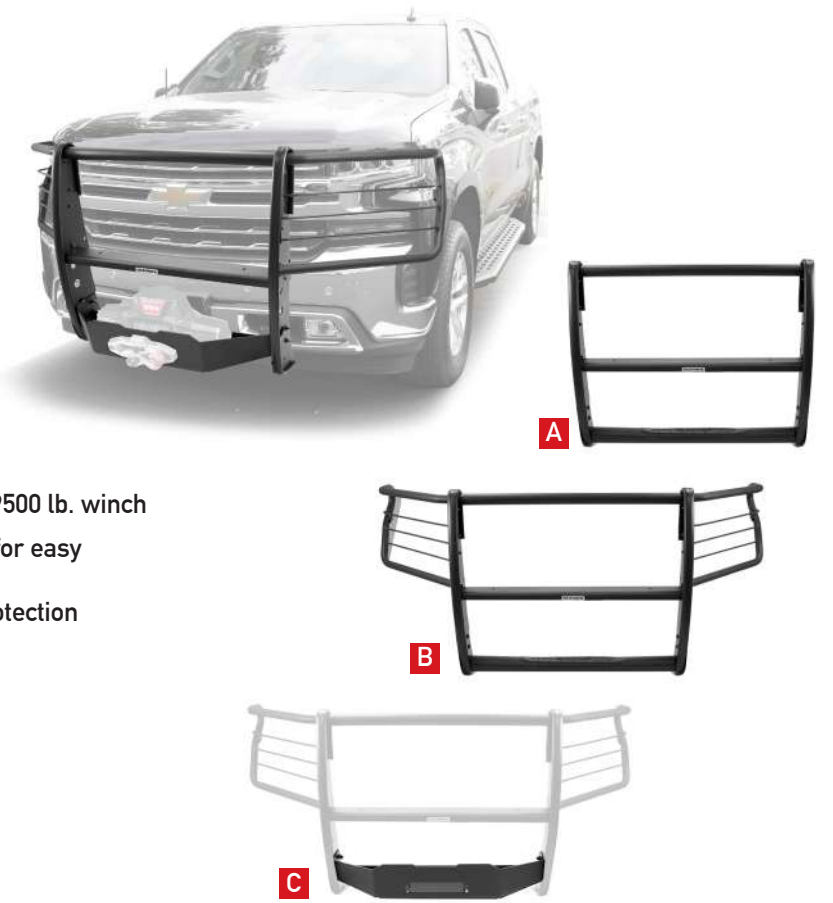
RC3 LR Skid Plate Bull Bar

- Unique combination of rock/splash guard, skid plate, non-slip step and recessed light mount
- Integrated galvanized steel patented front access step - US Patent No. 6,612,595
- Compatible with OEM front bumper mounted sensors
- Bolt-on polymer skid plate for additional protection
- Light mount for optional 20" LED single row light bar (light not included, compatible with all most brands)
- Zinc-plated for superior corrosion protection
- Textured black powder coat finish

3100 Series Grille Guard

New applications for 2021

- A** GRILLE GUARD:
Center Grille Guard only (no brush guards)
 - B** GRILLE GUARD:
Center Grille Guard with side brush guards
 - C** OPTIONAL WINCH TRAY:
Replaces bottom tube and accommodates up to 9500 lb. winch
- Front-end protection with built-in step, allowing for easy access to the hood - especially on lifted trucks.
 - Dresses up vehicle while adding rugged steel protection
 - Textured black powder coat finish

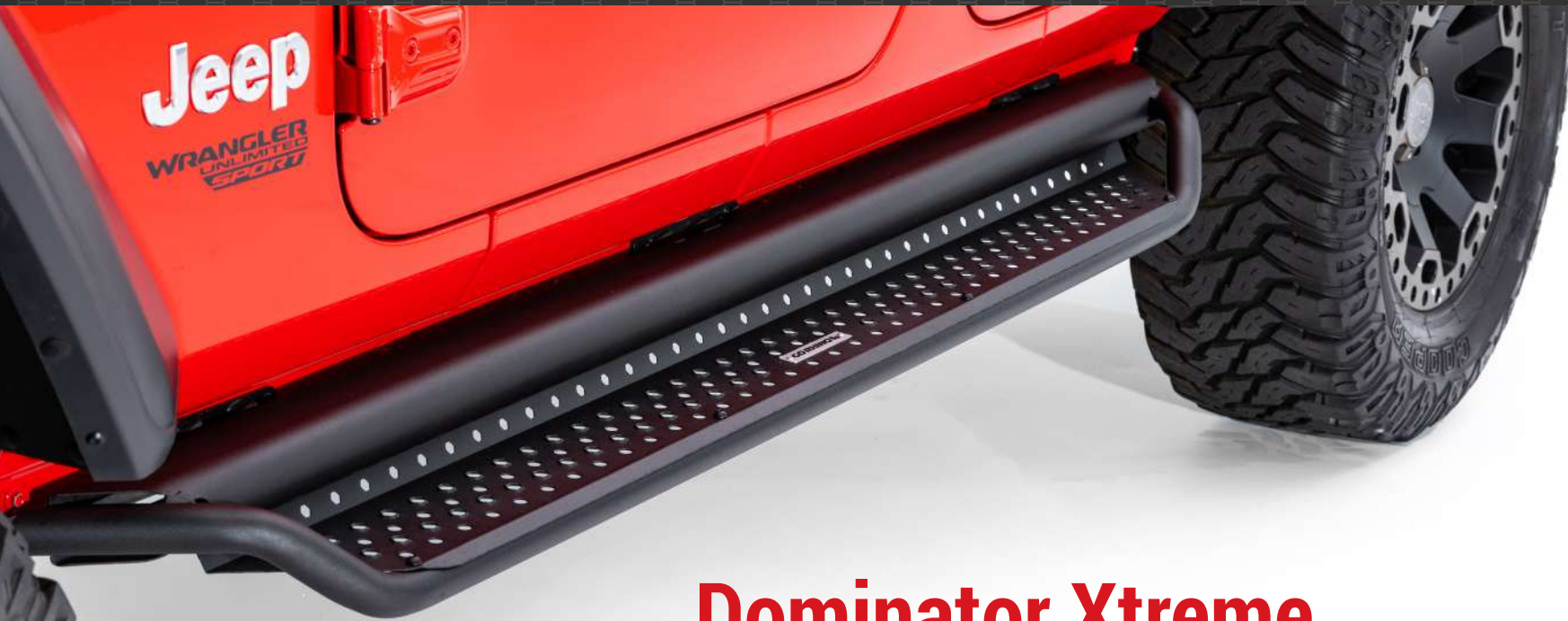


V3 Vertex

Universal Series Side Steps

- First in a new series of all-aluminum side steps with OEM style and quality
- Aerodynamic, countoured, five-inch wide ellipse-shaped board with textured black powdercoat finish
- Multi dimensional, anti-slip tire tread pattern polymer step pads with carved appearance
- Internal tracks allow for easy bracket attachment and hidden brackets
- Dual aluminum extrusion core and replaceable poly end caps
- Mounting bracket sold separately

Part numbers are for boards only. Additional part numbers available for board / bracket combinations. Call your sales rep for details



Dominator Xtreme Series Overview

5 Year Limited Warranty
Simple, no-drill installation on most applications

Please contact sales rep for part numbers and application data.

DOMINATOR XTREME D1 The Dominator 1-Piece Step (D1) features a single, full length drop down step. The step design allows users to access raised vehicles more easily and provides rocker panel protection at the same time.

- Full length drop down step
- Protects rocker panel from trail obstacles and road debris
- Steel step plate is removable and paintable
- Uses OEM step and rock rail mount locations



D1

DOMINATOR XTREME D2 The Dominator 2-Step (D2) welded sidebars are available in cab length and feature dropped hoop steps to make entry and exit easy.

- One-piece main bar constructed of round steel tubing
- Rugged style enhances truck appearance
- Dial hoop steps on each side
- Punched, galvanized steel step pads for extra no-slip grip
- Step plates are removable and paintable



D2

DOMINATOR XTREME DS The Dominator Slider (DS) features a full length rub rail and allows users to access raised vehicles more easily while providing rocker panel protection. The step pads can be mounted in different positions along the outer rail or removed entirely.

- Full length slider with outer rub rail and removable steel step pads
- Steel pads can be positioned in several locations along rub rail
- Great for high clearance use when step area is still needed
- Protects rocker panel from trail obstacles and road debris
- Uses OEM step and rock rail mount locations
- Select JEEP and Toyota applications only



DS

DOMINATOR XTREME DSS The Dominator Slider-Step (DSS) features a full length slider design on bottom surface and raised steel upper surface for safe grip. The step plate is removable for a minimal look or paintable for customization.

- Full length slider with outer rub rail and removable full length steel step
- Great for high clearance use when step area is still needed
- Protects rocker panel from trail obstacles and road debris
- Steel step plate is removable and paintable
- Uses OEM step and rock rail mount locations



DSS

DOMINATOR XTREME D6 The Dominator 6-inch Step (D6) features a wide step area and raised hex pattern for no-slip grip. The optional bolt-on 4-inch drop steps are ideal for trucks with lifts or larger wheels and tires.

- Dual purpose design and steel construction allows D6 to be used as a step and a rock slider
- Punched steel step plate area has raised hex pattern to provide no slip grip
- Mounts tight to rocker panel for maximum ground clearance and protection
- Optional bolt-on 4" drop steps available for use with lifted vehicles and larger tires



D6

RB Running Boards

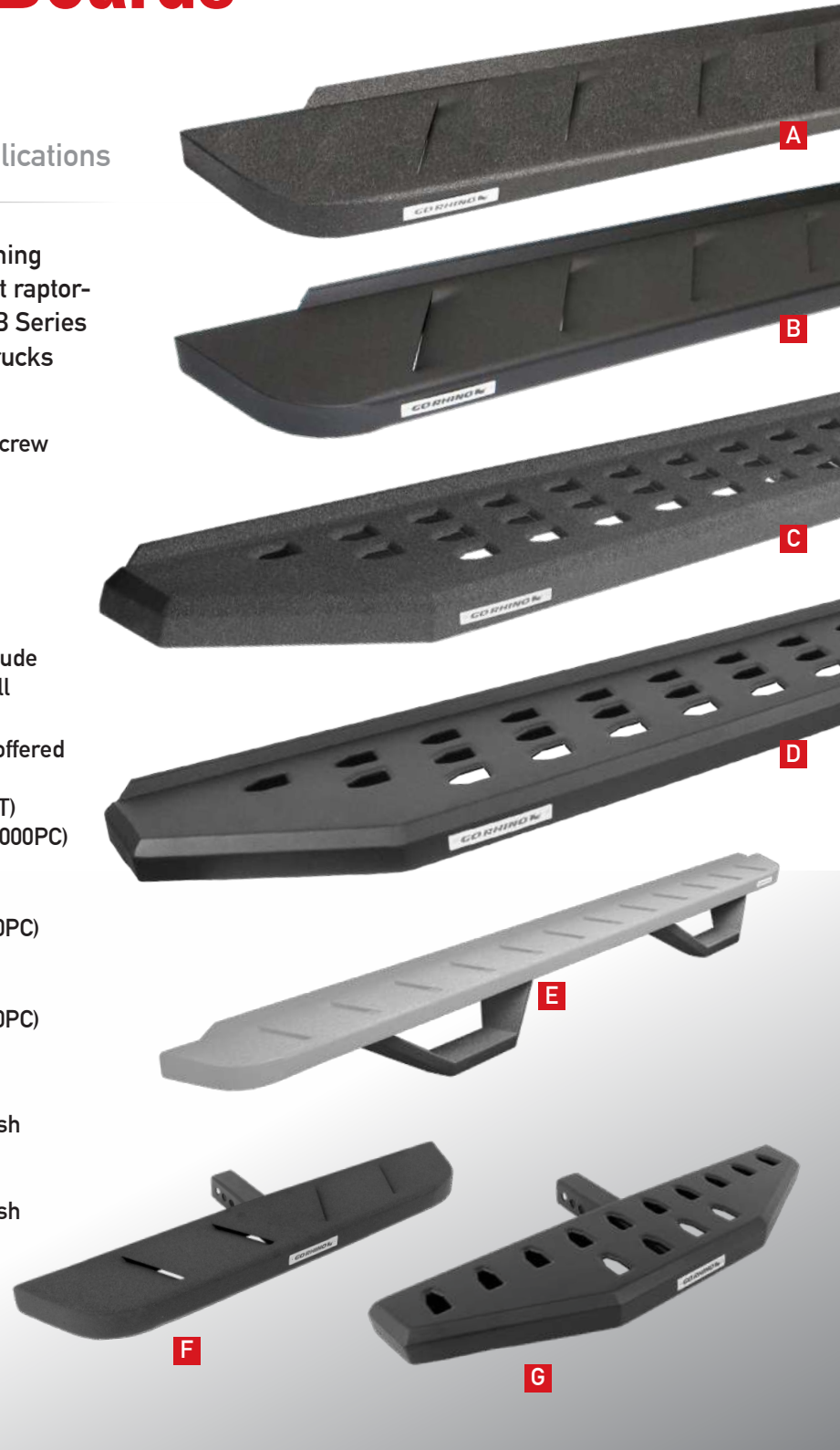
Series Overview

5 Year Limited Warranty
No-drill installation on most applications

Go Rhino's best-selling RB Series running boards gives Jeeps and truck the latest raptor-inspired style and function. Optional RB Series drop steps add style and function for trucks with larger wheels and tires or lifts.

- Cab length running boards for popular crew cab and extended cab trucks
- Constructed of galvanized steel
- Available in two finishes: Protective Bedliner coating or Textured Powder Coat for corrosion, impact and abrasion resistance
- Sold in vehicle-specific sets, which include mounting brackets for a simple, no-drill installation
- 4-inch drop down steps (sold in pairs) offered in two finishes: Protective Bedliner Coating (#69420000T) or Textured Black Powder Coat (#69420000PC)
- Matching RB10 Hitch Step Protective Bedliner Coating (#RB610T) or Textured Black Powder Coat (#RB610PC)
- Matching RB20 Hitch Step Protective Bedliner Coating (#RB620T) or Textured Black Powder Coat (#RB620PC)

- A** RB10 Bedliner Finish
- B** RB10 Textured Black Powder Coat Finish
- C** RB20 Bedliner Finish
- D** RB20 Textured Black Powder Coat Finish
- E** Optional 4-inch Drop Steps
- F** RB10 Hitch Step
- G** RB20 Hitch Step



Sport Bars

2.0 and 3.0 Overview

Compatible with most bed covers
Available in textured black or stainless steel finishes

SPORT BAR 2.0 is an amped up version of a classic favorite for most full size and mid size trucks and includes standard fixed mounts that can accommodate individual lights (up to 6") at one time. The optional power-actuated hideaway mount allows the lights to retract flush inside a protective light box.

- Standard fixed mount versions is compatible with lighting arrays including a variety of individual lights and LED bars up to 40".
- Removable side plates
- Patented powered actuated hideaway mount includes a wiring harness, switch, and allows for lights to retract when not in use (US Patent No. 10,189,395B2). Available with a complete Sport Bar kit or as a separate upgrade.
- Upgradeable to a power actuated version at any time
- Light bracket kit available (468301T) for mounting of smaller lights

SPORT BAR 3.0 is the perfect option for a more economic sport bar with a classic look.

- Classic styling and budget-friendly
- Constructed of durable steel materials
- Six pre-drilled holes provided to mount auxiliary lights or bar



- A** Sport Bar 2.0 Texture Black Finish
- B** Sport Bar 2.0 Stainless Steel
- C** Sport Bar 3.0 Texture Black Finish
- D** Sport Bar 3.0 Stainless Steel
- E** Optional power-actuated hideaway mount (lights not included)

Go Rhino Bumpers

ROCKLINE SERIES FOR JEEPS

STUBBY BUMPER SERIES



FULL WIDTH BUMPER SERIES



TRAILLINE SERIES FOR JEEPS

STUBBY BUMPER SERIES



STRAIGHT BUMPER SERIES



FULL WIDTH BUMPER SERIES



ACCESSORIES



BR BUMPER REPLACEMENT SERIES FOR LIGHT AND HD TRUCKS

BR5.5 SERIES



BR10.5 SERIES



BR20.5 SERIES



GORRHINO POP DISPLAY PROGRAM

SEMA
SHOW

2020 WINNER
BEST
MERCHANDISING
AWARD

UP TO A
\$1,000+ VALUE.
IT PAYS FOR
ITSELF!



TRUCK BUMPERS & BUMPER ACCESSORIES					
	Part Number	Application	Category	Ship Date	Page
Element Front Bumper w/Static Light Mount	34389T	Toyota Tacoma	Bumpers	Q2	2
Element Power Bar Accessory	340001T	Toyota Tacoma	Bumpers	Q2	2
Element Rear Bumper	38389T	Toyota Tacoma	Bumpers	Q2	2

XRS OVERLAND SERIES					
	Part Number	Application	Category	Ship Date	Page
XRS Xtreme Rack	5950000T	JEEP JT	Overland	Now	6
XRS Accessory Gear Table	5950110T	4-CORE	Overland	Now	8
XRS Reel Handle Kit	5950100T	Universal	Overland	Now	9
Rhino Accessory Gear Plate	5950020T	Universal	Overland	Now	9
Rhino Awning Bracket Kit	5950040T	4-CORE	Overland	Now	10
Rhino Quick Release Tent Bracket Kit	5950030T	4-CORE	Overland	Now	10
Rhino Tie Down Kit	5950130T	4-CORE	Overland	Now	10
XRS to SRM Connector Bracket	5950010T	4-CORE	Overland	Now	10
XRS Crossbars - Mid-Size Trucks	5935000T	Mid-Size Trucks	Roof / Bed	Q2	11
XRS Crossbars - Full-Size Trucks	5935001T	Full-Size Trucks	Roof / Bed	Q2	11
XRS Crossbars Accessory Kit - 36"	5935010T	Mid-Size Trucks	Roof / Bed	Q3	11
XRS Crossbars Accessory Kit - 48"	5935011T	Mid-Size Trucks	Roof / Bed	Q3	11

ROOF RACKS & CROSS BARS					
	Part Number	Application	Category	Ship Date	Page
CEROS Low Profile Roof Rack	5933000T	Toyota Tacoma	Roof / Bed	Q2	12
CEROS Low Profile Roof Rack	5933001T	Toyota 4Runner	Roof / Bed	Q3	12
SRM600 Roof Rack - Basket-Style 55"	5936055T	Universal	Roof / Bed	Now	14
SRM600 Roof Rack - Basket-Style 65"	5936065T	Universal	Roof / Bed	Now	14
SRM600 Roof Rack - Basket-Style 75"	5936075T	Universal	Roof / Bed	Now	14
SRM500 Roof Rack - Platform-Style 55"	5935055T	Universal	Roof / Bed	Now	14
SRM500 Roof Rack - Platform-Style 65"	5935065T	Universal	Roof / Bed	Now	14
SRM500 Roof Rack - Platform-Style 75"	5935075T	Universal	Roof / Bed	Now	14
SRM400 Roof Rack - Fabricated 48"	5934048T	Universal	Roof / Bed	Now	17
SRM400 Roof Rack - Fabricated 58"	5934058T	Universal	Roof / Bed	Now	17
SRM400 Roof Rack - Fabricated 68"	5934068T	Universal	Roof / Bed	Now	17
SRM Mounting Kit Multi-Axis Mount	5910000T	Universal	Roof / Bed	Now	16
SRM Mounting Kit Fixed Mount	5910001T	Universal	Roof / Bed	Now	16
SRM Mounting Kit Rain Gutter Mount, 4-Pc	5910010T	Universal	Roof / Bed	Now	16
SRM Mounting Kit Rain Gutter Mount, 6-Pc	5910011T	Universal	Roof / Bed	Now	16
SRM Mounting Kit Jeep JL Roll Bar Mount	5910012T	JEEP JL	Roof / Bed	Now	16
SRM Mounting Kit Jeep JK Roll Bar Mount	5910013T	JEEP JK	Roof / Bed	Now	16

JEEP ACCESSORIES					
	Part Number	Application	Category	Ship Date	Page
Jack Mount for Jeep JK	701003T	JEEP JK	Accessories	Now	18
Jack Mount for Jeep JL/Jeep JT	701001T	JEEP JL	Accessories	Now	18
Windshield 50" Light Bar Mount for Jeep JK	730503T	JEEP JK	Accessories	Now	18
Windshield 50" Light Bar Mount for Jeep JL	730500T	JEEP JL	Accessories	Now	18
Rockline Full Front Bumper	331200T	JEEP JK/ JL/ JT	Bumpers	Now	18
Rockline Full Front Bumper with Overrider	331201T	JEEP JK/ JL/ JT	Bumpers	Now	18
Rockline Low Profile Body Mount Tire Carrier	27137T	JEEP JL	Tire Carrier	Q2	19
Trailline Tube Doors Front pair, JK	572501T	JEEP JK	Accessories	Q2	19
Trailline Tube Doors Front pair, JL-JT	572601T	JEEP JL / JT	Accessories	Q2	19
Trailline Tube Doors Rear pair, JK	572502T	JEEP JK	Accessories	Q2	19
Trailline Tube Doors Rear pair, JL-JT	572602T	JEEP JL / JT	Accessories	Q2	19

FRONT END PROTECTION					
	Part Number	Application	Category	Ship Date	Page
RC3 LR Skid Plate (frame only)	55211T	Universal	Front Guards	Now	20
RC4 LR Bull Bar (frame only)	55411T	Universal	Front Guards	Now	20
3100 Series Grille Guards	3176T	Chevrolet 1500	Front Guards	Now	21
3100 Series Grille Guards w/Brush Guard	3176MT	Chevrolet 1500	Front Guards	Now	21
3100 Series Grille Guard Winch Mount Kit	31761T	Chevrolet 1500	Front Guards	Now	21
3100 Series Grille Guards	3296T	Ford F-150	Front Guards	Now	21
3100 Series Grille Guards w/Brush Guard	3296MT	Ford F-150	Front Guards	Now	21
3100 Series Grille Guard Winch Mount Kit	32961T	Ford F-150	Front Guards	Now	21
3100 Series Grille Guards	3130T	RAM 1500	Front Guards	Now	21
3100 Series Grille Guards w/Brush Guard	3130MT	RAM 1500	Front Guards	Now	21
3100 Series Grille Guard Winch Mount Kit	31301T	RAM 1500	Front Guards	Now	21

SIDE STEPS* (SEE NOTE)					
	Part Number	Application	Category	Ship Date	Page
V3 Vertex Side Steps 52" (bars only*)	V300052T	Universal	Side Steps	Q2	21
V3 Vertex Side Steps 73" (bars only*)	V300074T	Universal	Side Steps	Q2	21
V3 Vertex Side Steps 80" (bars only*)	V300080T	Universal	Side Steps	Q2	21
V3 Vertex Side Steps 87" (bars only*)	V300087T	Universal	Side Steps	Q2	21

*Part numbers are for boards only. Additional part numbers available for board / bracket combinations.