

# GORRHINO®

NEW PRODUCT SUPPLEMENT  
WINTER 2020-21

Q1







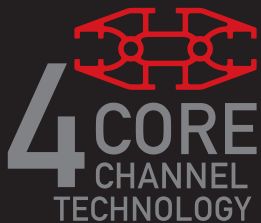


## The 4-CORE Difference

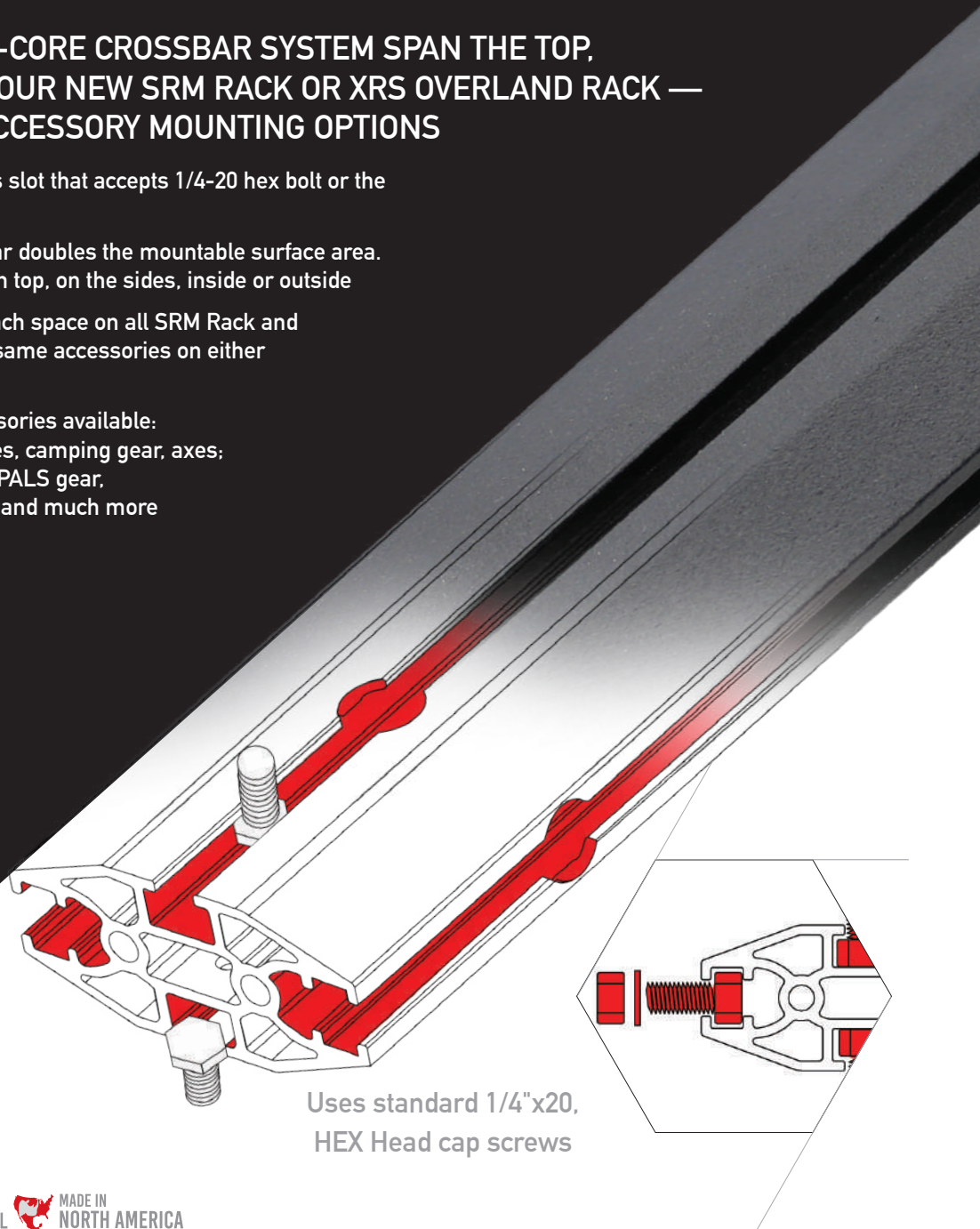
### For the new SRM Racks | XRS Overland Series

GO RHINO'S EXCLUSIVE 4-CORE CROSSBAR SYSTEM SPAN THE TOP, BOTTOM AND/OR SIDES YOUR NEW SRM RACK OR XRS OVERLAND RACK — PROVIDING UNLIMITED ACCESSORY MOUNTING OPTIONS

-  Extruded track system features slot that accepts 1/4-20 hex bolt or the Quick Fist clamp
-  Slotted rails on both sides of bar doubles the mountable surface area. Accessories can be mounted on top, on the sides, inside or outside
-  Crossbars maintain exact 10-inch space on all SRM Rack and XRS products, allowing use of same accessories on either product line
-  Wide variety of Go Rhino accessories available: Mounts options for tents, canoes, camping gear, axes; shovels, traction bars, MOLLE/PALS gear, fire extinguishers, first aid kits and much more



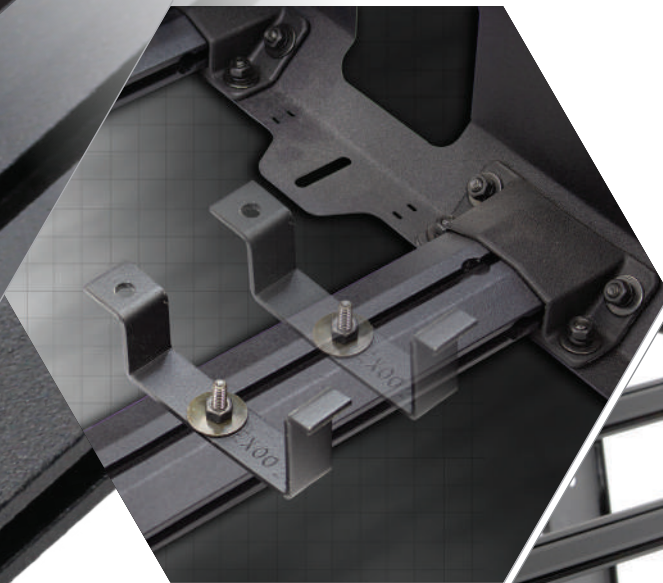
Available on:  
XRS Xtreme Rack  
SRM 400/500/600 Racks  
SRM 300 Series  
(Coming Soon)



Uses standard 1/4"x20,  
HEX Head cap screws



Slotted rails  
to mount  
multiple  
accessories.



Accepts Quick  
Fist clamps



LOCATION: GIR NATIONAL PARK, INDIA  
COORDINATES: 21.1243° N, 70.8242° E



# SRM500

## Universal Platform/Flat Roof Rack

FEATURE-LOADED FLAT RACK THAT IS THE IDEAL TENT PLATFORM FOR THOSE SEEKING THE PERFECT OVERLANDING EXPERIENCE.

# SRM600

## Universal Basket Roof Rack

ALL THE FEATURES OF THE SRM500 + GUARD RAILS, FOR THOSE SEEKING A THREE-SIDED BASKET RACK

### SRM500 / SRM600 FEATURES:

- A** 2" tubular basket-style (SRM600) and platform-style (SRM500) roof rack with textured black powdercoat finish
- B** Equipped with Go Rhino's exclusive 4-CORE crossbars, the extruded track system that works with any 1/4x20 hex bolt, is Quick Fist-compatible and provides unlimited accessory mounting options for gear and trail tools
- C** Aircraft-grade aluminum with custom injection molded, reinforced nylon junctions for strength and weight savings
- D** Provides ample real estate at 52 inches wide and available in three lengths: 55-inch, 65-inch and 75-inch
- E** Front and rear crossmembers are predrilled for lights to be mounted
- F** Four Rhino Clamps (included) can mount to ANY crossbar system: OE crossbars, Thule, Yakima, etc.

SRM600 and SRM500 are 52" wide and available in three lengths: 55", 65" and 75"



DESCRIPTION	55"	65"	75"
SRM600 Universal Basket-Style Roof Rack	5936055T	5936065T	5936075T
SRM500 Universal Platform-Style Roof Rack	5935055T	5935065T	5935075T

**5 YEAR WARRANTY**  
ON TEXTURED POWDER COAT FINISH  
LIFETIME STRUCTURAL WARRANTY

**NO DRILL EASY INSTALL**

**MADE IN NORTH AMERICA**



**A** 2" O.D. TUBING



**B** 4-CORE CROSSBARS



**C** REINFORCED NYLON JUNCTIONS

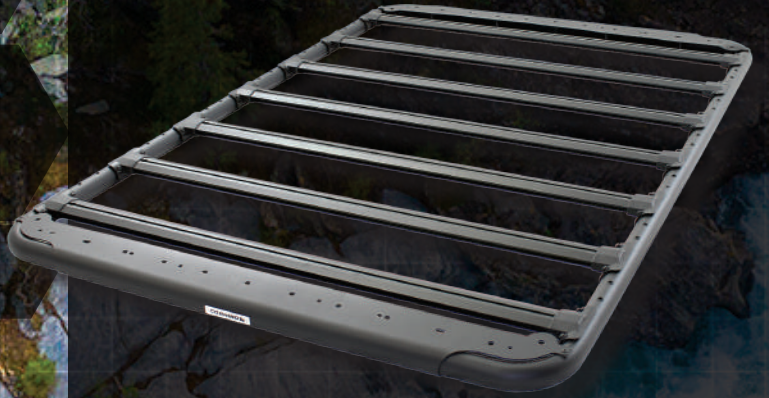




**LOCATION:** SOČA RIVER, SLOVENIA  
**COORDINATES:** 46°24'10"N 13°44'44"E ✓  
46.40278°N 13.74556°E

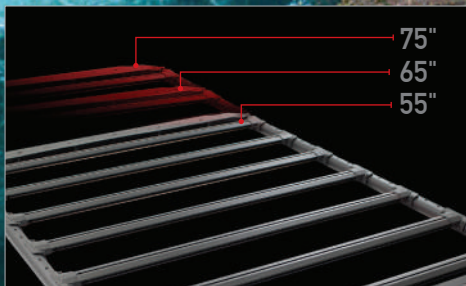
## SRM500

Universal Platform/Flat Roof Rack



## SRM600

Universal Basket Roof Rack



**D** AVAILABLE IN THREE LENGTHS



**E** PRE-DRILLED LIGHT HOLES

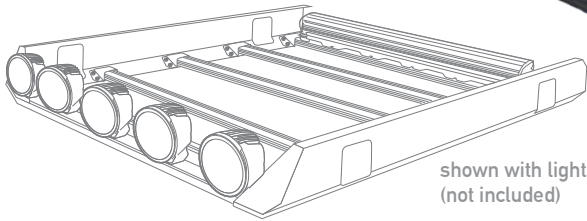


**F** RHINO CLAMP FOR OE CROSSBARS

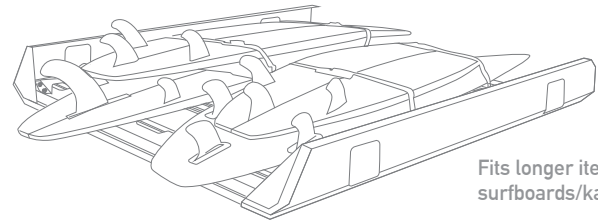




shown with fairings



shown with lights  
(not included)



Fits longer items  
surfboards/kayaks

## SRM400 Fabricated Roof Rack - Universal



CUSTOMIZABLE ROOF RACK FEATURES REMOVEABLE FAIRINGS TO ACCOMODATE OVERSIZE ITEMS AND MANY LIGHT MOUNTING OPTIONS.

- Equipped with Go Rhino's exclusive 4-CORE crossbars, an extruded track system that works with any 1/4-20 hex bolt, is Quick Fist-compatible and provides unlimited accessory mounting options for gear and trail tools
- Solid front fairing reduces wind noise while vented rear cover allows for air to escape
- Front fairing and rear cover are removeable exposing multiple mounting hole patterns for a variety of lighting styles
- Injection molded nylon junctions attach the crossbars securely to the pre-galvanized steel, fabricated side panels
- Integrated, side light mounts and hole patterns for multiple lighting options (lights not included)
- Four Rhino Clamps (included) can mount to ANY crossbar system: OE crossbars, Thule, Yakima, etc...
- Textured black powdercoat finish

DESCRIPTION	48"	58"	68"
SRM400 Universal Fabricated Roof Rack	5934048T	5934058T	5934068T

**5** YEAR WARRANTY  
ON TEXTURED POWDER COAT FINISH  
LIFETIME STRUCTURAL WARRANTY

**NO DRILL**  
EASY INSTALL

**MADE IN**  
NORTH AMERICA



4-CORE CROSSBARS



SIDE LIGHT OPTIONS



PRE-GALVANIZED STEEL



VENTED REAR PANEL



# Mounting Solutions

For Go Rhino's SRM600, SRM500 and SRM400 Roof Racks



## Rain Gutter Mounting Kit

- Easy, bolt-on installation - no drilling required
- 4- or 6-piece option, depending on length of rack
- Steel rain gutters recommended, although they will work on any material
- Max load 150 lbs evenly distributed

DESCRIPTION	4 PCS	6 PCS
Rain Gutter Mounting Kit for SRM600   SRM500   SRM400	5910010T	5910011T



## JEEP Roll Bar Mounting Kit

- Bolts directly on to roll bar of JEEP Wrangler JK or JL
- Perfect for mounting racks and roof top tents
- Works with or without hard top (drilling required)
- Max. load rating: 300 lbs dynamic, 600 lbs. static

DESCRIPTION	JK	JL
JEEP Wrangler Roll Bar Mounting Kit for SRM600   SRM500   SRM400	5910013T	5910012T



## Multi-Axis Mounting Kit (Patent Pending)

- Mounts with multiple degrees of rotation secures SRM 400/500/600 roof rack to any curved roof
- Universal application, sold in sets of four
- Drilling required

DESCRIPTION	PART NO.
Multi-Axis Mounting Kit for SRM600   SRM500   SRM400	5910000T



## Fixed Mounting Kit

- Fixed mount secures SRM 400/500/600 roof rack to any flat roof or surface
- Universal application, sold in sets of four
- Drilling required

DESCRIPTION	PART NO.
Fixed Mounting Kit for SRM600   SRM500   SRM400	5910001T



# XRS Xtreme Rack

## for 2020+ JEEP® Gladiator JT

*THE XRS IS MORE THAN JUST A RACK...  
IT'S A COMPLETE SYSTEM.*

THE FOUNDATION OF THE XRS SYSTEM IS THE XTREME RACK, WHICH HAS A CONTOURED, APPLICATION-SPECIFIC FIT, AND FEATURES GO RHINO'S EXCLUSIVE 4-CORE CROSSBAR SYSTEM.

- A** Equipped along top and sides with removeable 4-CORE crossbars, an extruded track system that works with Quick Fist clamps or any 1/4-20 hex bolt (which provides unlimited mounting options for accessories, gear and tools)
- B** Compatible with most rooftop tents - 300 lb. dynamic and 600 lb. static weight rating
- C** Steel and aluminum combination for strength and weight savings
- D** Front and rear aluminum crossbars with 3/8-16 threaded inserts and wiring access points for easy light mounting
- E** Uprights feature integrated MOLLE pattern holes, 1/4-20 threaded inserts at top and bottom, rear mounting holes for handles or other accessories and welded rods for additional tie downs
- F** Includes one Rhino Accessory Gear Plate that can be attached on top, sides or interior. Additional plates can be purchased (#5950020T).
- G** No drill, complete bolt-on installation. Available with factory bed track mounting systems or bed rail clamp on mounting brackets. Mounting brackets have built-in tie down points
- H** Wide variety of Go Rhino accessories available

### MORE APPLICATIONS COMING IN 2021

DESCRIPTION	APPLICATION	PART NO.
XRS Xtreme Rack	Jeep Gladiator	5950000T



**5 YEAR WARRANTY** ON TEXTURED POWDER COAT FINISH / LIFETIME STRUCTURAL WARRANTY

**NO DRILL EASY INSTALL**

**MADE IN NORTH AMERICA**



**A** 4-CORE CROSSBARS



**A** QUICK FIST COMPATIBLE

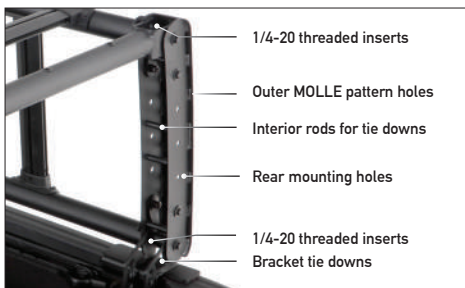


**D** LIGHT MOUNT HOLES





Shown (at left) with:  
 XRS Reel Handle Kit #5950110T,  
 XRS Accessory Gear Table #5950100T,  
 Trailline Rear Bumper #273120T,  
 Dominator Side Step #D64516, Jack Mount for JL/JT #701001T



**E** UPRIGHTS WITH MOUNTING OPTIONS



**F** ACCESSORY GEAR PLATE



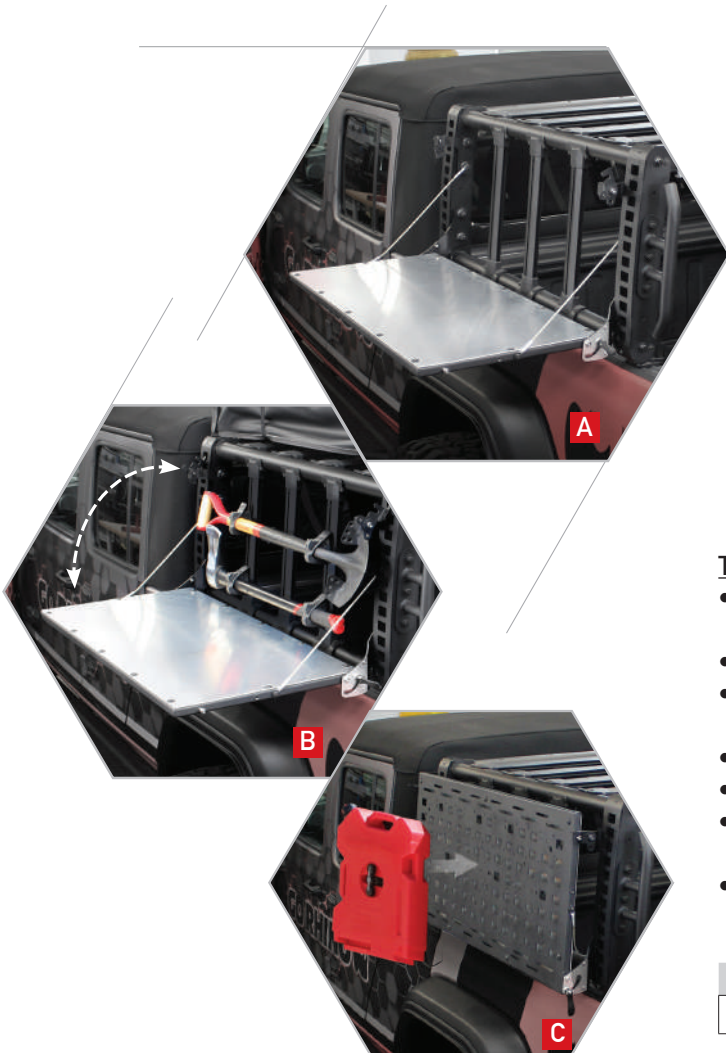
**G** BOLT-ON INSTALLATION



## XRS Accessory Gear Table

THE GO RHINO GEAR TABLE IS AN XTREME RACK (XRS) ACCESSORY THAT PROVIDES AN OUTDOOR WORK SURFACE WHILE DOUBLING YOUR STORAGE SPACE

- A** WHEN OPEN:  
Table surface is lightweight, sanitary and easy to clean
- B** INTERIOR STORAGE:  
Inside space allows for accessories up to three inches deep (such as shovels and axes) when strapped to rack.
- C** WHEN CLOSED:  
Mounting points on outside provides additional storage space for strapable items. Accessories not included.



### The XRS Accessory Gear Table...

- Doubles the side of the rack's storage space by creating interior and exterior mounting areas
- Interior area up to three inches of depth for mounting axes / shovels
- Exterior (reverse side of tabletop) features mounting holes and MOLLE/PALS-compatible slots
- Attaches to both side of Xtreme Rack with easy, no-drill installation
- Designed for strength and weight savings
- Steel safety limits keeps table level - Table has 200 lb weight capacity to hold plenty of gear and tools
- Accommodations for a padlock for extra security

DESCRIPTION	APPLICATION	PART NO.
XRS Accessory Gear Table	Xtreme Rack	5950110T





## XRS Reel Handle Kit

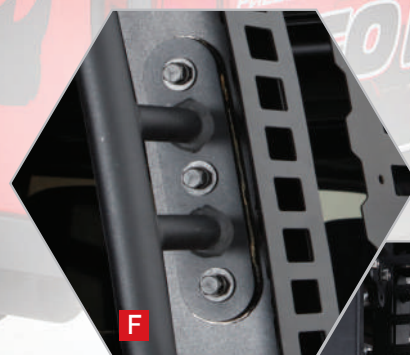
THE GO RHINO REEL HANDLE KIT PROVIDES A PAIR OF STRONG GRAB HANDLES THAT DOUBLES AS TOW ROPE STORAGE

**D** GRAB HANDLE: Sturdy handle bolts to either side (front or back) of rack, or both

**E** TOW STRAP REEL: Double duty as rope/strap storage

**F** UNIVERSAL FIT: Can mount to any flat surface

- Bolts to front or rear of Xtreme Rack - easy, no-drill installation
- Flat mounting surface makes it universal fit for many applications
- Fabricated tubular steel with black textured powdercoat
- Sold in pairs



DESCRIPTION	APPLICATION	PART NO.
Reel Handle Kit	Universal	5950100T

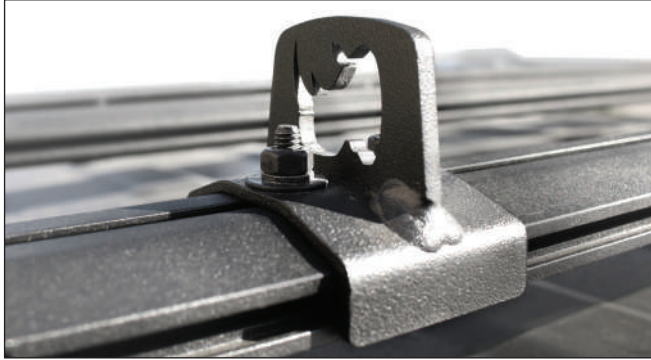
**5** YEAR WARRANTY  
ON TEXTURED POWDER COAT FINISH  
LIFETIME STRUCTURAL WARRANTY

**NO DRILL**  
EASY INSTALL

**MADE IN**  
NORTH AMERICA

## Rack Accessories

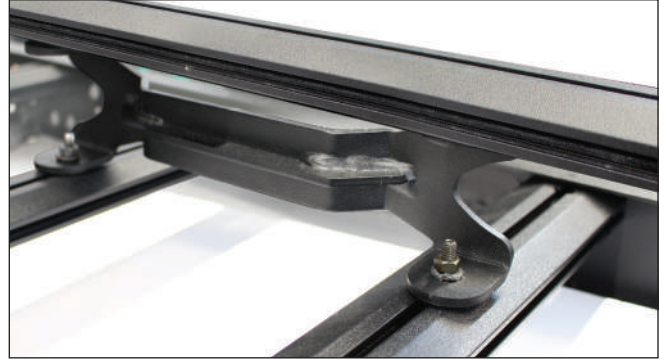
For Go Rhino's SRM Roof Racks and XRS Overland Xtreme Rack



### Rhino Tie Downs

- Handy accessory for ropes, tie downs or bungee cords
- Fits anywhere on any 4-CORE system (SRM Racks and XRS Xtreme Rack) and future 4-CORE applications
- Sold in sets of four

DESCRIPTION	APPLICATION	PART NO.
Rhino Tie Downs	4-CORE	5950130T



### XRS to SRM Connector

- Mounts the SRM600, SRM500 or SRM400 Roof Rack to the top of the Xtreme Rack
- Sold in sets of four

DESCRIPTION	APPLICATION	PART NO.
XRS to SRM Connector	4-CORE	5950010T



### Rhino Quick Release Tent Bracket Kit

- Designed to work with 4-CORE slotted crossbars on XRS Xtreme Rack or SRM500 Platform Roof Rack
- Easy, pull pin release allows you to avoid annoying tent straps or tie downs
- Sold in sets of four

DESCRIPTION	APPLICATION	PART NO.
Quick Release Tent Bracket Kit	4-CORE	5950030T



### Rhino Awning Bracket Kit

- Mounts awning to XRS Xtreme Rack or SRM500 Platform Roof Rack
- Specially designed to curve around the XRS Rack's endcaps and under the tent
- Multiple awning options: slots for standard awnings, larger slots for extra "Bat wing" style large awnings, and a slotted rail for custom configurations
- Sold in pairs

DESCRIPTION	APPLICATION	PART NO.
Rhino Awning Bracket Kit	XRS/SRM	5950040T

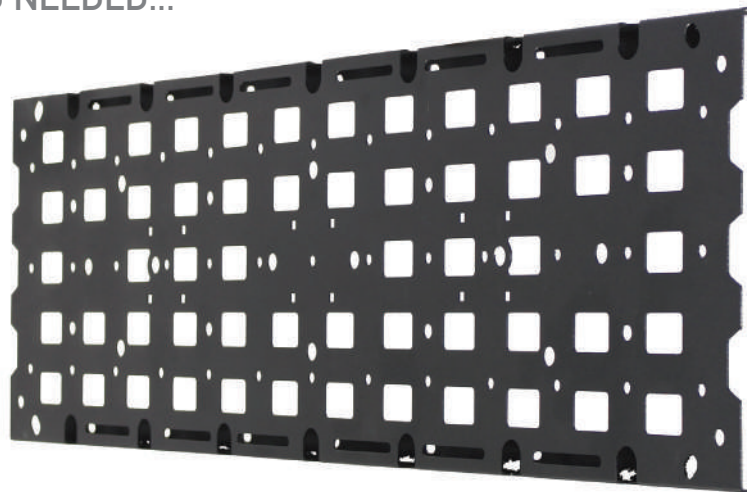




## Rhino Accessory Gear Plate

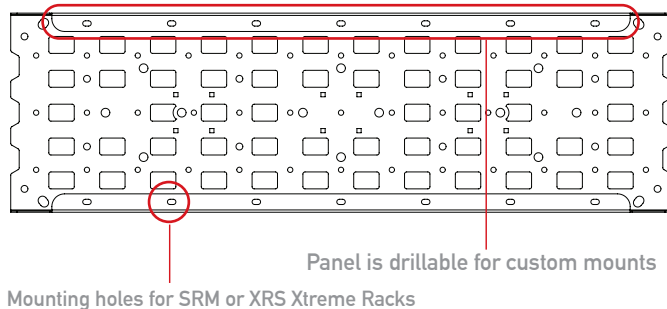
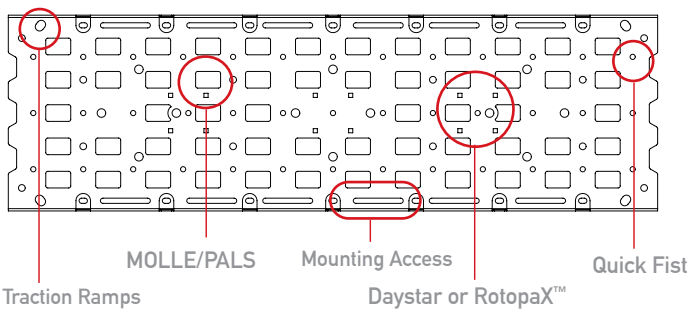
THE PRODUCT YOU DIDN'T KNOW YOU NEEDED...  
'TIL YOU SAW IT

- Countless combinations that provides the real estate needed all for your strapable gear
- Easily bolts on to 4-CORE 10-inch spaced crossbars of the SRM600 / 500 / 400 Roof Racks and XRS Xtreme Rack
- Universal fit - Rear mounting panel is drillable and can be mounted on any flat surface
- Specially designed to mount a variety of accessories from major manufacturers: Daystar, Cam Cans, Tread Pro, Roto Pax, MOLLE/PALS, Max Trax or Jerry Cans



FRONT (ACCESSORY SIDE)

BACK (MOUNTING SIDE)



DESCRIPTION	APPLICATION	PART NO.
Rhino Accessory Gear Plate (each)	Universal	5950020T

**5** YEAR WARRANTY  
ON TEXTURED POWDER COAT FINISH  
LIFETIME STRUCTURAL WARRANTY

**NO DRILL**  
EASY INSTALL

**MADE IN**  
NORTH AMERICA



# Element Bumper Series for 2016+ Toyota Tacoma

OFF-ROAD CAPABILITY AND MODERN STYLING MERGES FOR THIS POWERFUL NEW “STREET FIGHTER STYLE” BUMPER. OPTIONAL POWER BAR ALLOWS THE CENTER LIGHT BAR TO HIDE AWAY WITH A FLIP OF A SWITCH.

- A** Dramatically improves factory appearance and provides additional tire and ground clearance
- B** Mesh panels are paintable/customizable, reduce weight and improves air flow
- C** Multiple light pods can be added to each wing (three for each front, two for each rear) behind mesh
- D** 14 gauge 1/8" steel shell with 1/4" steel mounting brackets and exclusive, dual function tow hook mounts
- E** Front bumper ships light ready with a static mounting plate for a 20" double row LED light bar\* - Patent pending
- F** Power Bar accessory #340001T sold separately. Panel hides double row light bar\* at the flick of the switch
- G** Rear bumper works with factory hitches/tow light/plug packages and utilizes factory license plate lights

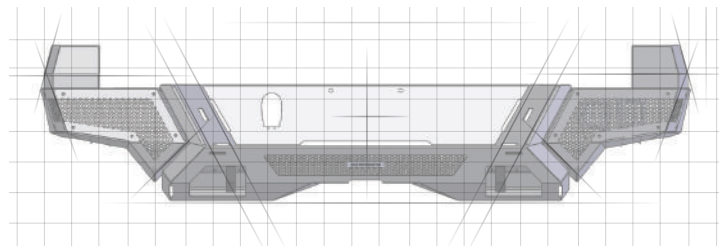
DESCRIPTION	FRONT	REAR	POWER BAR
Element Bumper for 2016+ Toyota Tacoma	34389T	38389T	340001T

Some assembly required. Trimming of front fascia required for Tacoma application (Note: Other applications currently in development will not require trimming). \*Lights not included.

**MORE APPLICATIONS COMING IN 2021**



**FRONT BUMPER**  
Available January 2021



**REAR BUMPER**  
Available January 2021



**B** CUSTOMOZABLE MESH PANELS



**C** LIGHT PODS MOUNTS\*



**D** EXCLUSIVE TOW HOOK MOUNT





LED POWER  
BAR OPENING



LED POWER  
BAR CLOSED



Shown with double row  
20" LED light bar



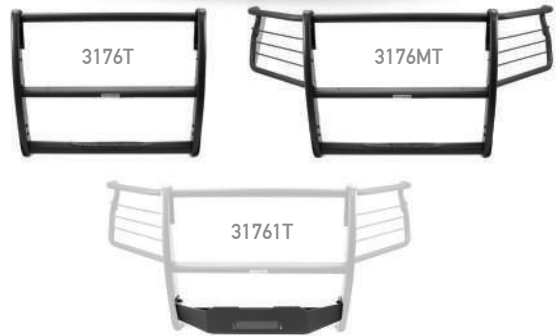


## 3100 Series Grille Guard for 2019+ Chevy Silverado

FRONT-END PROTECTION WITH BUILT-IN STEP, ALLOWING FOR EASY ACCESS TO THE HOOD - ESPECIALLY ON LIFTED TRUCKS.



- A** 3176T GRILLE GUARD:  
Center Grille Guard only (no brush guards)
- B** 3176MT GRILLE GUARD:  
Center Grille Guard with side brush guards
- A** 31761T WINCH TRAY:  
Optional Winch Tray Kit replaces bottom tube and accommodates up to 9500 lb. winch
- Dresses up the Silverado with patented combination of a rugged steel front-end protection and a handy bumper-level step for easy engine access
- Textured black powder coat finish  
\* F-150 + Ram coming soon



DESCRIPTION	CENTER GRILLE GUARD ONLY	GRILLE GUARD W/ BRUSH GUARDS	WINCH TRAY ACCESSORY
3100 Series Grille Guard for 2019+ Chevy 1500	3176T	3176MT	31761T

## Sport Bar 2.0 for 2019+ Chevy Silverado

CLASSIC FAVORITE NOW AVAILABLE FOR THE NEWEST CHEVROLET 1500.



- Compatible with most retractable and roll-up covers, and some folding bed covers.
- Standard fixed mount versions is compatible with lighting arrays including a variety of individual lights and LED bars up to 40".
- Patented powered actuated hide-away mount includes a wiring harness, switch, and allows for lights to retract when not in use.

DESCRIPTION	TEXTURED BLACK	STAINLESS
Sport Bar 2.0 for 2019+ Chevrolet Silverado	911010T	911010PS
Sport Bar 2.0 w/Powered Light Mount for 2019+ Chevrolet Silverado	911610T	911610PS





## RC3 LR

### Universal Light-Ready Skid Plate

UNIQUE COMBINATION OF  
ROCK/SPLASH GUARD,  
SKID PLATE, NON-SLIP STEP  
AND RECESSED LIGHT MOUNT

- Integrated galvanized steel patented front access step - US Patent No. 6,612,595
- Compatible with OEM bumper mounted front facing sensors
- Bolt-on polymer skid plate for additional protection from road debris
- Light mount for optional 20" LED single row light bar (light not included, compatible with all most brands)
- Zinc-plated for superior corrosion protection
- Textured black powder coat finish

DESCRIPTION	APPLICATION	PART NO.
RC3 LR (frame only*)	Universal	55211T



## RC4 LR

### Universal Light-Ready Bull Bar

AGGRESSIVE LOOKS WITH  
INCREASED FUNCTIONALITY.

- 2.5" tubular steel construction
- Hexagonal pattern design allows for air flow
- Pre-drilled light mounts
- Light mount for optional 20" LED single row light bar (light not included, compatible with most brands)
- Zinc-plated for superior corrosion protection
- Textured black powder coat finish

DESCRIPTION	APPLICATION	PART NO.
RC4 LR (frame only*)	Universal	55411T



Note: \*Prices shown for RC3/RC4 are for frame-only. Additional part numbers/pricing available for frame, light and bracket combinations. Call your sales rep for details.



## Windshield Light Bar for JEEP Wrangler or Gladiator

VIBRATION-FREE WINDSHIELD BRACKET FOR 50-INCH LIGHT BAR

- Allows a 50" LED light bar to be mounted across the top of windshield
- CNC laser cut and formed 3/16" steel prevents vibration and premature LED failure
- Full-size custom die cut rubber gasket keeps factory paint protected
- Fasteners coated in GEOMET Black for superior strength and corrosion resistance
- Zinc plated with black textured powder coat finish
- Easy, bolt-on installation with no cutting or drilling required



DESCRIPTION	JK	JL / JT
Windshield Light Bar for JEEP Wrangler and Gladiator	730503T	730500T

## Jack Mount for JEEP Wrangler or Gladiator™

FREE UP INTERIOR CARGO SPACE IN YOUR WRANGLER JK/JL OR GLADIATOR JT

- Mounts Hi-lift or farm-style tall Jack to the hood cowl and lower rocker panel of Jeep
- Easy bolt-on installation on to factory mounting points - no drilling required
- Exclusive triangular design and three-point mounting system eliminates rattling
- Frees up cargo space inside your vehicle.
- Textured black powder coat finish for corrosion resistance and durability.
- Can be used with Go Rhino XE Series Windshield Light Frame #730500T
- Works with all Go Rhino Side Steps except Frame Slider



DESCRIPTION	JK	JL / JT
Jack Mount for JEEP Wrangler and Gladiator	701003T	701001T

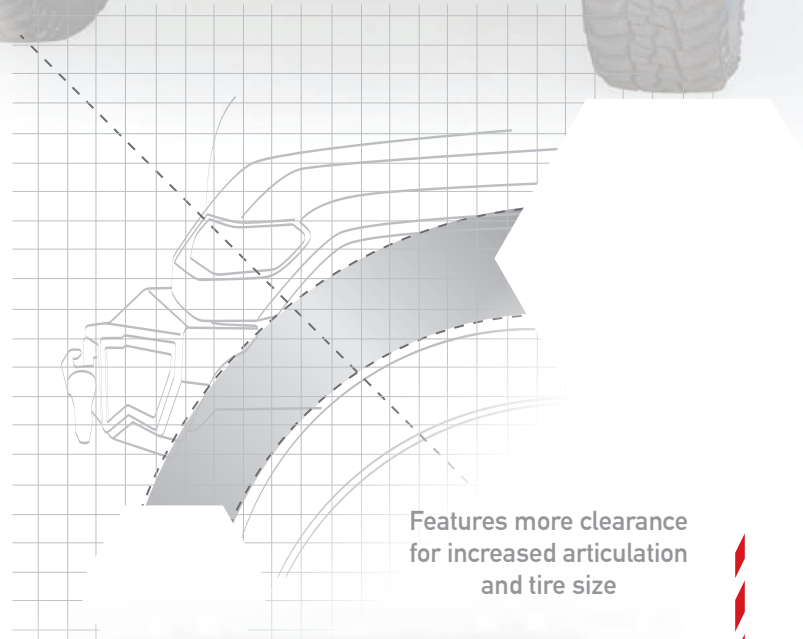


## Rockline

### Full Front Winch Bumper New And Improved For 2021

THE 2021 UPGRADE FEATURES  
MORE CLEARANCE FOR INCREASED  
ARTICULATION AND TIRE SIZE

- CNC laser cut and formed 3/16" steel with fully welded, hand finished seams
- Welded 1" patented Rhino Hooks with shackle mount
- Integrated mounting plate accommodates one 20" LED double row bar or up to four standard 3" cubes
- Signature hex mesh covers are customizable and paintable
- Mounts up to 12,000 pound capacity winch
- Zinc plated with black textured powder coat finish
- Easy, bolt-on installation with no cutting or drilling required
- Flat tow compatible
- Optional Fairlead Mount #332000T and Lower Skid Plate #332110T (JK) #332100T(JL) available



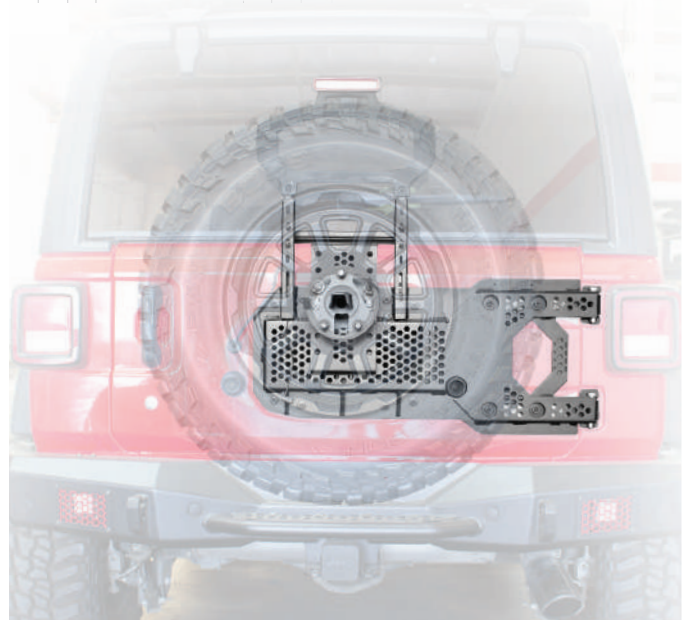
Features more clearance  
for increased articulation  
and tire size

DESCRIPTION	FRONT BUMPER	W/OVERRIDE
Jack Mount for JEEP Wrangler JK / JL	331200T	331201T

## Rockline

### Low Profile Body Mount Tire Carrier Coming Soon - Q1 2021

- Mounts up to a 40-inch tire
- Adjustable for wheel and tire width
- Includes license plate relocation mount, antenna mount, flag mount
- Works with, and includes mounting system for factory camera; Utilizes factory third brake light
- Oil-impregnated bronze bushings never need to be lubricated
- 7-gauge (3/16") steel zinc plated under black textured powder coat



DESCRIPTION	APPLICATION	PART NO.
Rockline Low Profile Tire Carrier	JEEP JL	27137T



## Hitch Steps

- Universal design fits all 2" hitch receivers
- Textured black powder coat finish
- Hitch pin and anti-rattle device not included
- Small, light-weight & easy to quickly remove & store
- Ships via small parcel services (UPS, FedEx & USPS)



### HS-10 Skid Plate Hitch Step

- Stamped steel tread on step
- Bolt-on skid plate on bottom

DESCRIPTION	PART NO.
HS-10 Skid Plate Hitch Step	HS1012T



### HS-20 Recoil Hitch Step

- Spring-loaded, flip-down step retracts when not in use
- Exclusive hex formed tread pattern on no-slip step
- Compact, easy to remove and store when not in use
- Vertical bumper surface protects vehicle

DESCRIPTION	PART NO.
HS-20 Recoil Hitch Step	HS2012T



### HS-30 Rhino Hitch Step

- Exclusive injection-molded, non-slip hex tread step pad

DESCRIPTION	PART NO.
HS-30 Rhino Hitch Step	HS3012T

## Application Updates

### RB10 Running Board for JEEP Wrangler JK and JL 2-Door

DESCRIPTION	BEDLINER	TEXT. BLACK
RB10 Running Board for JEEP Wrangler JK 2-Door	63492648T	63492648PC
RB10 Running Board for JEEP Wrangler JL 2-Door	63492748T	63492748PC

### Dominator Xtreme Side Steps for JEEP Wrangler JK and JL 2-Door

DESCRIPTION	JK 2-DOOR	JL 2-DOOR
Dominator Side Steps for JEEP Wrangler 2-Door	DSS4926T	DSS4927T

### Dominator Xtreme Bracket Kit for 14-20 Toyota 4Runner

DESCRIPTION	PART NO.
Dominator Bracket Kit for 14-20 Toyota 4Runner	D644253TK

### Dominator Xtreme DSS Side Step Universal Series Side Steps

DESCRIPTION	PART NO.
Dominator DS - 68" (New size)	DS60068T

### OE Extreme HD Side Step Universal Series Side Steps

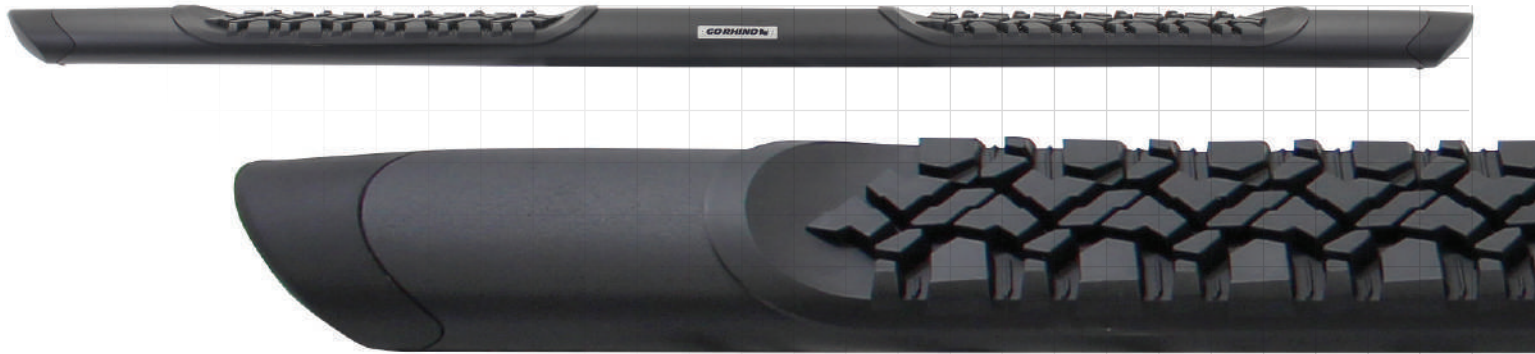
DESCRIPTION	52"	80"	87"
OE Extreme HD Side Step (bars only)	660352T	660380T	660387T

### BR5.5 Front Bumper For 2019-2020 Ram 1500

DESCRIPTION	PART NO.
BR5.5 Front Bumper	24130T



# Coming in Q1...

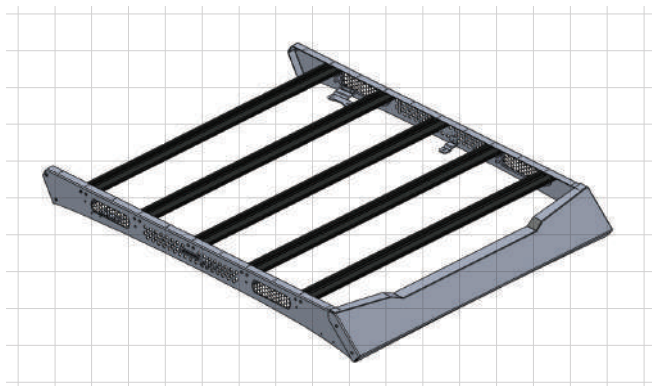


## V3 Vertex Universal Series Side Steps

- First in a new series of all-aluminum side steps with OEM style and quality
- Aerodynamic, countoured, five-inch wide ellipse-shaped board with textured black powdercoat finish
- Multi dimensional, anti-slip tire tread pattern on polymer step pads with carved appearance
- Internal tracks allow for easy bracket attachment and hidden brackets
- Dual aluminum extrusion core and replaceable poly end caps
- Mounting bracket sold separately

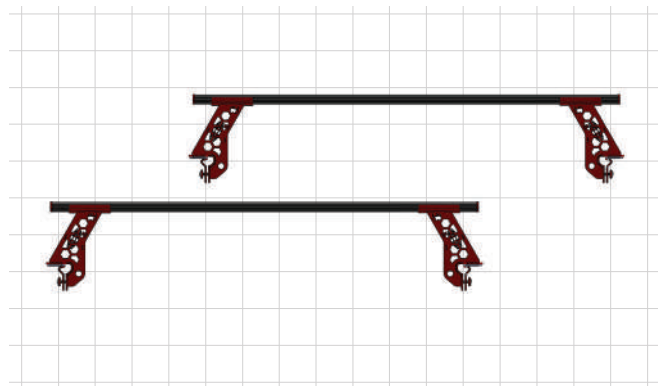
Part numbers are for boards only.  
Additional part numbers available for  
board / bracket combinations.

DESCRIPTION	52"	73"	80"	87"
V3 Vertex Universal Series Side steps	V300052T	V300074T	V300080T	V300087T



## SRM300 Tacoma Low Profile Roof Rack

DESCRIPTION	APPLICATION	PART NO.
SRM300 Low Profile Roof Rack	Tacoma	5933000T



## SRM50 Universal Bed Crossbars

DESCRIPTION	APPLICATION	PART NO.
SRM50 Bed Crossbars (pair)	Universal	5935000T



ROOF RACKS & CROSS BARS		Part Number	Application	Category	Ship Date	Page
SRM600	Roof Rack - Basket-Style 55"	5936055T	Universal	Roof / Bed	Now	4
SRM600	Roof Rack - Basket-Style 65"	5936065T	Universal	Roof / Bed	Now	4
SRM600	Roof Rack - Basket-Style 75"	5936075T	Universal	Roof / Bed	Now	4
SRM500	Roof Rack - Platform-Style 55"	5935055T	Universal	Roof / Bed	Now	5
SRM500	Roof Rack - Platform-Style 65"	5935065T	Universal	Roof / Bed	Now	5
SRM500	Roof Rack - Platform-Style 75"	5935075T	Universal	Roof / Bed	Now	5
SRM400	Roof Rack - Fabricated 48"	5934048T	Universal	Roof / Bed	Now	6
SRM400	Roof Rack - Fabricated 58"	5934058T	Universal	Roof / Bed	Now	6
SRM400	Roof Rack - Fabricated 68"	5934068T	Universal	Roof / Bed	Now	6
SRM600/500/400	Mounting Solutions	varies		Roof / Bed	Now	7
SRM300	Roof Rack - Low Profile	5933000T	Toyota Tacoma	Roof / Bed	January	21
SRM50	Bed Crossbars	5935000T	Universal	Roof / Bed	January	21

XRS OVERLAND SERIES		Part Number	Application	Category	Ship Date	Page
XRS	Bed Rack	5950000T	JEEP JT	Overland	Now	8
XRS	Accessory Gear Table	5950100T	Universal	Overland	Now	10
XRS	Reel Handle Kit	5950110T	Universal	Overland	Now	10
Rhino	Accessory Gear Plate	5950020T	Universal	Overland	Now	3
Rhino	Awning Bracket Kit	5950040T	Universal	Overland	Now	12
Rhino	Quick Release Tent Bracket Kit	5950030T	Universal	Overland	Now	12
Rhino	Tie Down Kit	5950130T	Universal	Overland	Now	12
XRS	to SRM Connector Bracket	5950010T	Universal	Overland	Now	12

BUMPERS & BUMPER ACCESSORIES		Part Number	Application	Category	Ship Date	Page
Element	Front Bumper	34389T	Toyota Tacoma	Bumpers	January	12
Element	Power Bar Accessory	340001T	Toyota Tacoma	Bumpers	January	12
Element	Rear Bumper	38389T	Toyota Tacoma	Bumpers	January	12
Rockline	Low Profile Body Mount Tire Carrier	27137T	JEEP JL	Tire Carrier	January	19
Rockline	Full Front Bumper	331200T	JEEP JK / JL	Bumpers	Now	19
Rockline	Full Front Bumper with Override	331201T	JEEP JK / JL	Bumpers	Now	19
BR5.5	Front Bumper	24130T	2019+ RAM 1500	Bumpers	Now	20

SPORT BARS		Part Number	Application	Category	Ship Date	Page
Sport Bar 2.0,	Textured Black	911010T	2019+ Chevy 1500	Sport Bars	Now	16
Sport Bar 2.0,	Polished Stainless Steel	911010PS	2019+ Chevy 1500	Sport Bars	Now	16
Sport Bar 2.0 w/Powered Mt.,	Textured Black	911610T	2019+ Chevy 1500	Sport Bars	Now	16
Sport Bar 2.0w/Powered Mt.	Polished Stainless	911610PS	2019+ Chevy 1500	Sport Bars	Now	16



# INDEX 2020-21 NEW PRODUCTS

FRONT END PROTECTION	Part Number	Application	Category	Ship Date	Page
<b>RC3 LR</b> Skid Plate (frame only)	55211T	Universal	Front Guards	Now	17
<b>RC4 LR</b> Bull Bar (frame only)	55411T	Universal	Front Guards	Now	17
<b>3100 Series</b> Grille Guards	3176T	Chevrolet 1500	Front Guards	Now	16
<b>3100 Series</b> Grille Guards w/Brush Guard	3176MT	Chevrolet 1500	Front Guards	Now	16
<b>3100 Series</b> Grille Guard Winch Mount Kit	31761T	Chevrolet 1500	Front Guards	Now	16

HITCH STEPS	Part Number	Application	Category	Ship Date	Page
<b>HS-10</b> Skid Plate Hitch Step	HS1012T	Universal	Hitch Steps	Now	20
<b>HS-20</b> Recoil Hitch Step	HS2012T	Universal	Hitch Steps	Now	20
<b>HS-30</b> Rhino Hitch Step	HS3012T	Universal	Hitch Steps	Now	20

JEEP ACCESSORIES	Part Number	Application	Category	Ship Date	Page
<b>Jack Mount</b> for Jeep JK	701003T	JEEP JK	Accessories	Now	18
<b>Jack Mount</b> for Jeep JL/Jeep JT	701001T	JEEP JL	Accessories	Now	18
<b>Windshield 50" Light Bar Mount</b> for Jeep JK	730503T	JEEP JK	Accessories	Now	18
<b>Windshield 50" Light Bar Mount</b> for Jeep JL	730500T	JEEP JL	Accessories	Now	18

SIDE STEPS* (SEE NOTE)	Part Number	Application	Category	Ship Date	Page
<b>V3 Vertex</b> Side Steps 52" (bars only*)	V300052T	Universal	Side Steps	January	21
<b>V3 Vertex</b> Side Steps 73" (bars only*)	V300073T	Universal	Side Steps	January	21
<b>V3 Vertex</b> Side Steps 80" (bars only*)	V300080T	Universal	Side Steps	January	21
<b>V3 Vertex</b> Side Steps 87" (bars only*)	V300087T	Universal	Side Steps	January	21
<b>OE Extreme</b> HD Side Step 52" (bars only*)	660352T	Universal	Side Steps	Now	20
<b>OE Extreme</b> HD Side Step 80" (bars only*)	660380T	Universal	Side Steps	Now	20
<b>OE Extreme</b> HD Side Step 87" (bars only*)	660387T	Universal	Side Steps	Now	20
<b>RB10 Running Board</b> Protective Bedliner Coating	63492648T	Jeep JK 2-Door	Running Board	Now	20
<b>RB10 Running Board</b> Textured Black	63492648PC	Jeep JK 2-Door	Running Board	Now	20
<b>RB10 Running Board</b> Protective Bedliner Coating	63492748T	Jeep JL 2-Door	Running Board	Now	20
<b>RB10 Running Board</b> Textured Black	63492748PC	Jeep JL 2-Door	Running Board	Now	20
<b>Dominator Xtreme Side Steps</b> for Jeep JK 2-Door	DSS4926T	Jeep JK 2-Door	Side Steps	Now	20
<b>Dominator Xtreme Side Steps</b> for Jeep JL 2-Door	DSS4927T	Jeep JL 2-Door	Side Steps	Now	20
<b>Dominator Xtreme Bracket Kit</b> for Toyota 4Runner	D64425TK	4 Runner	Side Steps	Now	20
<b>Dominator Xtreme DSS Side Step 68"</b>	DS60068T	Universal	Side Steps	Now	20

\*Part numbers are for boards only. Additional part numbers available for board / bracket combinations.

STORE MERCHANDISING	Part Number	Application	Category	Ship Date	Page
<b>P.O.P. Display Program</b>	EX0330	Universal	Merchandising	Now	



**WINNER**  
BEST NEW  
MERCHANDISING  
DISPLAY

**SEMA 360**

NOVEMBER 2-6, 2020

**NEW P.O.P. DISPLAY PROGRAM**

# DESIGN YOUR OWN DISPLAY

- 1** PICK YOUR PLACEMENT: FREE-STANDING OR SLATWALL
- 2** PICK YOUR PRODUCTS
- 3** PICK YOUR BRACKETS
- 4** PICK YOUR HEADER CARDS



**GORRHINO**

The Go Rhino Point of Purchase Program enhances the consumer's showroom experience suggesting how to penetrate a vehicle with Go Rhino products. Choose from a wide variety of displays supplemented by an array of support materials to help dress up the showroom with additional imagery and information. Posters, banners, brochures, and more are available to Go Rhino partners for a complete Go Rhino buying experience.

**[1] CHOOSE YOUR DISPLAY**

**A** FREE STANDING DISPLAY PART# EX0390 DIMENSIONS: 62" L x 48" H

**B** USE YOUR EXISTING SLAT WALL FOR A DISPLAY

**[2] CHOOSE YOUR PRODUCTS**

<p><b>A</b> RIG SERIES BULL BARS</p> <p>1 RIG FRONT BUMPER PART# 015611T</p> <p>2 RIG SHOULDER PLATE PART# 015211T</p> <p>3 RIG SLIP PART# 02002T</p> <p>4 RIG PART# 0204MP / 0204MT</p>	<p><b>B</b> DOMINATOR XTREME SIDE STEPS</p> <p>1 DOMINATOR D1 PART# 010002T</p> <p>2 DOMINATOR D4 PART# 040002T</p> <p>3 DOMINATOR D5S PART# 0504002T</p> <p>4 DOMINATOR D5 PART# 050002T</p>	<p><b>C</b> DIE XTREME SIDE STEPS</p> <p>1 6" DIE XTREME PART# 65002T</p> <p>2 5" DIE XTREME PART# 65002T</p> <p>3 6" DIE XTREME PART# 66002P</p> <p>4 DIE XTREME HD PART# 66002T</p>	<p><b>D</b> RIG SERIES RUNNING BOARDS</p> <p>1 RIG18 REDLINER COATING PART# 83000T</p> <p>2 RIG18 POWDER COAT PART# 8300MPC</p> <p>3 RIG18 REDLINER COATING PART# 84000T</p> <p>4 RIG18 REDLINER COATING PART# 8400MPC</p>	<p><b>E</b> ROOF RACKS</p> <p>1 SEM40 3 LENGTHS: 52" WIDE X 48" LONG, 66" LONG OR 66" LONG PART# 993002T / 993005T / 993007T</p> <p>2 SEM40 3 LENGTHS: 52" WIDE X 52" LONG, 66" LONG OR 72" LONG PART# 993002T / 993005T / 993007T</p> <p>3 SEM40 3 LENGTHS: 52" WIDE X 52" LONG, 66" LONG OR 72" LONG PART# 993002T / 993005T / 993007T</p> <p>4 SEM ROOF RACKS PART# EX0326</p>
--	---	---	--	---

**[3] CHOOSE YOUR MOUNTING BRACKETS**

BRACKETS FIT BOTH SLATWALL WALL MOUNTS OR FREE STANDING DISPLAYS

1 FOR RIG / OEX PART# EX0310	2 FOR DOMINATOR PART# EX0311	3 FOR RIG18/SEM RACKS PART# EX0312	4 FOR RIG1 / RIG PART# EX0313

**[4] CHOOSE YOUR HEADER CARDS**

1 RIG RUNNING BOARDS PART# EX0325

2 DIE XTREME SIDE STEPS PART# EX0330

3 DOMINATOR XTREME SIDE STEPS PART# EX0331

4 RIG FRONT BUMPER PART# EX0322