

SHOCKS



DIRT LOGIC SHOCKS®

The best shocks only get better with all new Stainless Steel and Aluminum construction.

High grade 304 Stainless Steel shock bodies eclipse all other shocks on the market for maximum corrosion resistance. Each Stainless Steel shock body receives a finely detailed machine finish for a stunning appearance.

Dirt Logic Stainless Steel reservoir shocks have been upgraded with black anodized 6061 Aluminum reservoir bodies. This includes both piggyback and remote reservoir shocks. The Aluminum reservoir construction allows for greater heat dissipation thereby keeping the shock cooler to reduce fade during aggressive offroad use.

Finally each Dirt Logic piston rod has been upgraded to a NitroSteel® material that is super hard while providing increased corrosion resistance compared to chromed piston rods.

Get the finest ride with maximum corrosion resistance only from Dirt Logic shocks.





4.0's

The Dirt Logic 4.0 provides the ultimate in hardcore offroad damping capacity with superior highway comfort in a big package. This massive high end shock is designed for full size vehicles that required the biggest and best Coilover shock in a bolt on configuration. Nothing else comes close.

SPECS

- 4.0" OD Stainless Steel body
- 3-5/8" OD Billet Aluminum Piston
- 1-1/4" NitroSteel® Black Piston Rod
- Adjustable Coilover construction
- 3/4" Spherical Ball Mounting Ends
- Non Reservoir, 4.0" OD Piggyback Resi or 4.0" OD Remote Resi

DIRT LOGIC SHOCKS®

2.5's

From our desert racing experience the Dirt Logic 2.5 has been developed for exceptional performance in a variety of Coilover applications. The Dirt Logic 2.5 will provide incredible damping capacity for aggressive offroad driving.

SPECS

- 2.50" OD Stainless Steel Body
- 2-1/4" OD Billet Aluminum Piston
- 7/8" NitroSteel® Black Piston Rod
- Eibach Coil Springs
- Adjustable Coilover Construction
- 5/8" Spherical Ball Mounting Ends
- Optional 2.50" OD Aluminum Reservoir w/-8 Stainless Steel O-ring Hose

2.25 BUMP STOPS

Race quality hydraulic Dirt Logic Bump Stops will aid in cushioning heavy suspension compression in severe use. The Dirt Logic 2.25 Bump Stops are available in kit form for specific applications or individually for custom applications.



2.25's

Dirt Logic 2.25's are designed to replace factory shocks with a larger, more robust configuration. The 2.25 size is what separates it from other replacement take apart shocks for a superior ride, both on and off road. Shocks are pretuned for each Fabtech suspension, accounting for larger tires, providing the finest all around damping.

SPECS

- 2.25" OD Stainless Steel Body
- 2" OD Billet Aluminum Piston
- 7/8" NitroSteel® Black Piston Rod
- Polyurethane Mounting Ends
- Optional 2.25" OD Aluminum Reservoir w/ -6 Stainless Steel O-ring Hose

2.0's

- 2.0" OD Plated Steel Body
- 1-5/8" OD Billet Aluminum Piston
- 7/8" Induction Hardened Chrome Steel Piston Rod
- Polyurethane Mounting Ends
- Optional 2.0" OD Aluminum Reservoir w/ -6 Stainless O-ring Hose



PERFORMANCE SHOCKS

Fabtech Performance Shocks have been designed to work in conjunction with each of our suspension systems, resulting in superior ride control. Features include high velocity 9-stage valving for excellent damping capabilities and a closed cell insert to reduce shock fade at high speeds.

SPECS

- Twin Tube Hydraulic Construction
- 9/16" Hardened Chrome Piston Rod
- 1-3/8" OD Piston
- Closed Cell Foam insert
- High Velocity 9-Stage Valving

STEALTH[®]

SHOCKS

Stealth is the first all black monotube shock absorber, with an identifiable raised metal nameplate, that represents the signature of quality you can rely on for a superior ride at an affordable price.

Stealth monotube shocks are built with a 46mm diameter high flow piston and vehicle specific valving, for a great ride with oversized tires. Each Stealth shock absorber has a free floating piston that separates the nitrogen gas charge from the oil to reduce shock fade in offroad conditions.

All Stealth shock absorbers feature Nitrocarburized piston rods that are superior to chromed rods in durability and corrosion resistance. These "Nitrocarb" piston rods are finished in matte black for a complete "black out" shock package.

SPECS

- Monotube construction
- 50mm OD DOM steel body
- 46mm High flow piston for best ride
- Vehicle specific valving designed for oversized tires
- Full floating piston separates gas from oil for a consistent ride
- 14mm Nitrocarb piston rod resists rock chips and corrosion
- All black finish with raised nameplate as a signature of quality

SHOCKS

LIFT	POSITION	ORDER QTY.	SIZE	DIRT LOGIC		OPTIONAL BILLET RESI CLAMPS	STEALTH MONOTUBE	PERFORMANCE TWIN TUBE
				NON RESI	RESI			
GM - 4WD								
COLORADO/CANYON								
2015								
2"	FRONT	1	2.50	FTS21222	-----	-----	-----	-----
2"	REAR	2	2.25	FTS811112	-----	-----	-----	-----
K1500 P/U								
2007-16								
2"	FRONT	1	2.50	FTS21203	FTS21179 (138)	-----	-----	-----
2"	REAR	2	2.25	FTS810322	FTS800322	FTS89935	FTS6265	FTS7265
4"	FRONT	1	2.50	FTS21223	FTS21181 (138)	-----	-----	-----
4"	REAR	2	2.25	FTS810152	FTS800152	FTS89935	FTS6333	FTS7333
6"	FRONT (141)	1	2.50	FTS21196	FTS21177 (138)	-----	-----	-----
6"	FRONT (141)	2	4.00	FTS835032	-----	-----	-----	-----
6"	REAR (141)(142)	2	2.25	FTS810562	-----	-----	FTS6240	FTS7240
6"	FRONT (142)	1	2.50	FTS21207	FTS21180 (138)	-----	-----	-----
6"	FRONT (142)	2	4.00	FTS835082	-----	-----	-----	-----
1999-06								
6"	FRONT	2	2.25	FTS810142	-----	-----	FTS6190	FTS7190
6"	FRONT DUAL (140)	4	2.00	FTS210501 (139)	-----	-----	FTS6009	FTS7052
6"	REAR	2	2.25	FTS810152	FTS800152	FTS89935	FTS6240	FTS7240
1988-98								
6"	FRONT	2	-----	-----	-----	-----	FTS6299	FTS7299
6"	REAR	2	-----	-----	-----	-----	FTS6266	FTS7266
K2500HD/K3500HD P/U								
2011-16								
3-4"	FRONT	2	2.25	FTS810932	FTS800932 (138)	-----	FTS6341	FTS7341
4"	FRONT DUAL (140)	4	2.00	-----	FTS80115	FTS89938	FTS6163	FTS7163
0-4"	REAR	2	2.25	FTS810942	-----	-----	FTS6019	FTS7299
6"	FRONT	2	2.25	FTS810882	FTS800882 (138)	-----	FTS6338	FTS7338
6"	FRONT DUAL (140)	4	2.00	-----	FTS80114	FTS89938	FTS6182	FTS7182
6"	REAR	2	2.25	FTS810892	FTS800892	FTS89935	FTS6064	FTS7333
2001-10								
6"	FRONT	2	2.25	FTS810172	-----	-----	FTS6191	FTS7191
6"	FRONT DUAL (140)	4	2.00	-----	FTS80112	FTS89938	-----	FTS7052
6"	REAR	2	2.25	FTS810182	FTS800182	FTS89935	FTS6064	FTS7333
8"	FRONT	2	2.25	FTS810202	-----	-----	FTS6192	FTS7192
8"	FRONT DUAL (140)	4	2.25	-----	FTS800162	FTS89935	-----	FTS7129
8"	REAR	2	2.25	FTS810212	FTS800212	FTS89935	FTS6063	FTS7266

SHOCKS

LIFT	POSITION	ORDER QTY.	SIZE	DIRT LOGIC		OPTIONAL BILLET RESI CLAMPS	STEALTH MONOTUBE	PERFORMANCE TWIN TUBE
				NON RESI	RESI			
GM - 4WD								
K1500 SUBURBAN/YUKON/TAHOE/AVALANCHE NON AUTORIDE								
2007-16								
4"	FRONT	1	2.50	FTS21223	FTS21181 (138)	-----	-----	-----
4"	REAR	2	2.25	FTS810032	FTS800032	FTS89935	FTS6299	FTS7299
6"	FRONT	1	2.50	FTS21196	FTS21177 (138)	-----	-----	-----
6"	REAR	2	2.25	FTS810502	-----	-----	-----	-----
2000-06								
6"	FRONT	2	-----	-----	-----	-----	FTS6190	FTS7190
SURBURBAN/TAHOE/BLAZER								
1992-99								
6"	FRONT	2	-----	-----	-----	-----	FTS6299	FTS7299
6"	REAR	2	-----	-----	-----	-----	FTS6266	FTS7266
GM - 2WD								
C1500 P/U								
2007-16								
2"	FRONT	1	2.50	FTS21203	FTS21179 (138)	-----	-----	-----
2"	REAR	2	2.25	FTS810322	FTS800322	FTS89935	FTS6265	FTS7265
3"	FRONT	1	2.50	FTS21198	-----	-----	-----	-----
3"	REAR	2	2.25	-----	FTS800322	FTS89935	-----	-----
4"	FRONT	1	2.50	FTS21223	FTS21181 (138)	-----	-----	-----
4"	REAR	2	2.25	FTS810152	FTS800152	FTS89935	FTS6333	FTS7333
6"	FRONT (141)	1	2.50	FTS21196	FTS21177 (138)	-----	-----	-----
6"	FRONT (141)	2	4.00	FTS835032	-----	-----	-----	-----
6"	REAR (141)(142)	2	2.25	FTS810742	-----	-----	FTS6333	FTS7333
6"	FRONT (142)	1	2.50	FTS21207	FTS21180 (138)	-----	-----	-----
6"	FRONT (142)	2	4.00	FTS835082	-----	-----	-----	-----
6.5"	FRONT	1	2.50	FTS21198	-----	-----	-----	-----
6.5"	REAR	2	2.25	FTS810742	-----	-----	-----	-----
C1500 EXTRA CAB 6 LUG W/TORSIONS								
2004-06								
7"	REAR	2	-----	-----	-----	-----	FTS6190	FTS7190

FOOTNOTES: 138. Includes resi frame mounts.
139. Order quantity of 2, Sold as pair.
140. For Fabtech dual shock kit.

141. For Fabtech 6" GEN I suspension.
142. For Fabtech 6" GEN II suspension.

SHOCKS

LIFT	POSITION	ORDER QTY.	DIRT LOGIC				OPTIONAL BILLET RESI CLAMPS	STEALTH MONOTUBE	PERFORMANCE TWIN TUBE
			SIZE	NON RESI	RESI				
GM - 2WD									
C1500 CREWCAB 6 LUG W/COIL SPRINGS									
2004-06									
7"	FRONT	2	-----	-----	-----	-----	FTS6331	FTS7331	
7"	REAR	2	-----	-----	-----	-----	FTS6194	FTS7194	
C1500 6 LUG W/COIL SPRINGS									
1999-06									
3"	FRONT	2	-----	-----	-----	-----	FTS6119	FTS7110	
3"	REAR	2	-----	-----	-----	-----	FTS6299	FTS7299	
C1500 EXTRA CAB W/COIL SPRINGS									
1999-06									
7"	FRONT	2	-----	-----	-----	-----	FTS6331	FTS7331	
7"	REAR	2	-----	-----	-----	-----	FTS6194	FTS7194	
1988-98 V8 ONLY									
7.5"	FRONT	2	-----	-----	-----	-----	FTS6330	FTS7330	
7.5"	REAR	2	-----	-----	-----	-----	FTS6333	FTS7333	
C1500 5 LUG/C2500 6 LUG P/U									
1988-98									
4"	FRONT	2	-----	-----	-----	-----	FTS6078	FTS7078	
4"	REAR	2	-----	-----	-----	-----	FTS6333	FTS7333	
C2500HD/C3500HD P/U									
2011-16									
3"-4"	FRONT	2	2.25	FTS810932	FTS800932 (138)	-----	FTS6341	FTS7341	
4"	FRONT DUAL (140)	4	2.00	-----	FTS80115	FTS89938	FTS6163	FTS7163	
0-4"	REAR	2	2.25	FTS810942	-----	-----	FTS6019	FTS7299	
6"	FRONT	2	2.25	FTS810882	FTS800882 (138)	FTS89935	FTS6338	FTS7338	
6"	FRONT DUAL (140)	4	2.00	-----	FTS80114 (139)	FTS89938	FTS6182	FTS7182	
6"	REAR	2	2.25	FTS810892	FTS800892	FTS89935	FTS6064	FTS7333	
2001-10									
6"	FRONT	2	2.25	FTS810172	-----	-----	FTS6191	FTS7191	
6"	FRONT DUAL (140)	4	2.00	-----	FTS80112 (139)	FTS89938	-----	FTS7052 (139)	
6"	REAR	2	2.25	FTS810182	FTS800182	FTS89935	FTS6064	FTS7333	
8"	FRONT	2	2.25	FTS810202	-----	-----	FTS6192	FTS7192	
8"	FRONT DUAL (140)	4	2.25	-----	FTS800162 (139)	FTS89935	-----	FTS7129 (139)	
8"	REAR	2	2.25	FTS810212	FTS800212	FTS89935	FTS6063	FTS7266	

FOOTNOTES:

138. Includes resi frame mounts.
139. Order quantity of 2, Sold as pair.

140. For Fabtech dual shock kit.
146. Order quantity of 2, Sold individually.

SHOCKS

LIFT	POSITION	ORDER QTY.	SIZE	DIRT LOGIC		OPTIONAL BILLET RESI CLAMPS	STEALTH MONOTUBE	PERFORMANCE TWIN TUBE
				NON RESI	RESI			
GM - 2WD								
C1500 SUBURBAN/YUKON/TAHOE/AVALANCHE AUTORIDE								
2007-16								
4"	FRONT	1	2.50	FTS21223	FTS21181 (138)	-----	-----	-----
4"	REAR	2	2.25	FTS810032	FTS800032	FTS89935	FTS6299	FTS7299
6"	FRONT	1	2.50	FTS21196	FTS21177 (138)	-----	-----	-----
6"	REAR	2	2.25	FTS810502	-----	-----	-----	-----
C1500 SUBURBAN/YUKON/TAHOE/AVALANCHE NON AUTORIDE								
2000-06								
6"	FRONT	2	-----	-----	-----	-----	FTS6190	FTS7190
SUBURBAN/TAHOE/BLAZER								
1992-99								
4"	FRONT	2	-----	-----	-----	-----	FTS6078	FTS7078
4"	REAR	2	-----	-----	-----	-----	FTS6333	FTS7333
FORD - 4WD								
F150								
2015-16								
4"	FRONT	1	2.50	FTS22183	FTS22185 (138)	-----	-----	FTS30503 (146)
4"	REAR	2	2.25	FTS810292	FTS800292	FTS89935	FTS6063	FTS7266
6"	FRONT	1	2.50	FTS221842	FTS22186 (138)	-----	-----	-----
6"	REAR	2	2.25	FTS810292	FTS800292	FTS89935	FTS6266	FTS7266
2014								
4"	FRONT	1	2.50	FTS22202	FTS22188 (138)	-----	-----	FTS30503 (146)
4"	REAR	2	2.25	FTS810292	FTS800292	FTS89935	FTS6063	FTS7266
6"	FRONT	1	2.50	FTS22201	FTS22187 (138)	-----	-----	-----
6"	REAR	2	2.25	FTS810292	FTS800292	FTS89935	FTS6266	FTS7266
2009-13								
2"	FRONT	1	2.50	FTS22200	FTS22191 (138)	-----	-----	-----
2"	REAR	2	2.25	FTS810322	FTS800322	FTS89935	-----	-----
4"	FRONT	1	2.50	FTS22199	FTS22189 (138)	-----	-----	FTS30502 (146)
4"	REAR	2	2.25	FTS810292	FTS800292	FTS89935	FTS6063	FTS7266
6"	FRONT	1	2.50	FTS22198	FTS22190 (138)	-----	-----	-----
6"	REAR	2	2.25	FTS810292	FTS800292	FTS89935	FTS6266	FTS7266
2004-08								
6"	FRONT	1	2.50	FTS220222	-----	-----	-----	-----
6"	REAR	2	2.25	FTS810292	FTS800292	FTS89935	FTS6266	FTS7266

SHOCKS

LIFT	POSITION	ORDER QTY.	DIRT LOGIC				OPTIONAL BILLET RESI CLAMPS	STEALTH MONOTUBE	PERFORMANCE TWIN TUBE
			SIZE	NON RESI	RESI				
FORD - 4WD									
F150 - CONTINUED									
1997-03									
6"	FRONT	2	-----	-----	-----	-----	FTS6159	FTS7159	
6"	REAR	2	-----	-----	-----	-----	FTS6238	FTS7238	
F250/F350									
2011-16									
4"	FRONT	2	2.25	FTS810962	FTS800962	FTS89935	FTS6236	FTS7236	
4"	FRONT	2	4.00	-----	FTS835222	-----	-----	-----	
4"	REAR	2	2.25	FTS810052	FTS800052	FTS89935	FTS6063	FTS7266	
6"	FRONT	2	2.25	FTS810382	-----	-----	FTS6188	FTS7188	
6"	REAR	2	2.25	FTS810052	FTS800052	FTS89935	FTS6063	FTS7266	
6"	FRONT	2	4.00	-----	FTS835002 (145)	-----	-----	-----	
6"	FRONT DUAL (140)	4	2.25	-----	FTS800082	FTS89937	FTS6019	FTS7299	
8"	FRONT	2	2.25	FTS810392	-----	-----	FTS6189	FTS7189	
8"	REAR	2	2.25	FTS810052	FTS800052	FTS89935	FTS6063	FTS7266	
8"	FRONT DUAL (140)	4	2.25	-----	FTS800092	FTS89937	FTS6064	FTS7333	
8"	FRONT	2	4.00	-----	FTS835012 (145)	-----	-----	-----	
10"	FRONT	2	2.25	FTS810392	-----	-----	-----	-----	
10"	REAR	2	2.25	FTS810652	FTS800652	FTS89935	-----	-----	
10"	FRONT	2	4.00	-----	FTS835012 (145)	-----	-----	-----	
10"	FRONT DUAL (140)	4	2.25	-----	FTS800682	FTS89937	-----	-----	
2008-10									
4"	FRONT	2	2.25	FTS810962	FTS800962	FTS89935	FTS6236	FTS7236	
4"	REAR	2	2.25	FTS810052	FTS800052	FTS89935	FTS6063	FTS7266	
6"	FRONT	2	2.25	FTS810382	-----	-----	FTS6188	FTS7188	
6"	REAR	2	2.25	FTS810052	FTS800052	FTS89935	FTS6063	FTS7266	
6"	FRONT	2	4.00	-----	FTS835002 (145)	-----	-----	-----	
6"	FRONT DUAL (140)	4	2.25	-----	FTS800082	FTS89937	FTS6019	FTS7299	
8"	FRONT	2	2.25	FTS810392	-----	-----	FTS6189	FTS7189	
8"	REAR	2	2.25	FTS810052	FTS800052	FTS89935	FTS6063	FTS7266	
8"	FRONT DUAL (140)	4	2.25	-----	FTS800092	FTS89937	FTS6064	FTS7333	
8"	FRONT	2	4.00	-----	FTS835012 (145)	-----	-----	-----	
10"	FRONT	2	2.25	FTS810392	-----	-----	-----	-----	
10"	REAR	2	2.25	FTS810652	FTS800652	FTS89935	-----	-----	
10"	FRONT	2	4.00	-----	FTS835012 (145)	-----	-----	-----	
10"	FRONT DUAL (140)	4	2.25	-----	FTS800682	FTS89937	-----	-----	

SHOCKS

LIFT	POSITION	ORDER QTY.	DIRT LOGIC				OPTIONAL BILLET RESI CLAMPS	STEALTH MONOTUBE	PERFORMANCE TWIN TUBE
			SIZE	NON RESI	RESI				
FORD - 4WD									
F250/F350 - CONTINUED									
2005-07									
4"	FRONT	2	2.25	FTS810962	FTS800962	FTS89935	FTS6236	FTS7236	
4"	REAR	2	2.25	FTS810052	FTS800052	FTS89935	FTS6063	FTS7266	
6"	FRONT	2	2.25	FTS810382	-----	-----	FTS6188	FTS7188	
6"	REAR	2	2.25	FTS810052	FTS800052	FTS89935	FTS6063	FTS7266	
6"	FRONT	2	4.00	-----	FTS835002 (145)	-----	-----	-----	
6"	FRONT DUAL (140)	4	2.25	-----	FTS800082	FTS89937	FTS6019	FTS7299	
8"	FRONT	2	2.25	FTS810392	-----	-----	FTS6189	FTS7189	
8"	REAR	2	2.25	FTS810052	FTS800052	FTS89935	FTS6063	FTS7266	
8"	FRONT DUAL (140)	4	2.25	-----	FTS800092	FTS89937	FTS6064	FTS7333	
8"	FRONT	2	4.00	-----	FTS835012 (145)	-----	-----	-----	
10"	FRONT	2	2.25	FTS810392	-----	-----	-----	-----	
10"	REAR	2	2.25	FTS810652	FTS800652	FTS89935	-----	-----	
10"	FRONT	2	4.00	-----	FTS835012 (145)	-----	-----	-----	
10"	FRONT DUAL (140)	4	2.25	-----	FTS800682	FTS89937	-----	-----	
1999-04									
3.5"	FRONT	2	-----	-----	-----	-----	FTS6018	FTS7265	
3.5"	REAR	2	-----	-----	-----	-----	FTS6064	FTS7333	
5.5"	FRONT	2	2.25	FTS810032	FTS800032	FTS89935	FTS6018	FTS7265	
3.5"/5.5"	FRONT DUAL (140)	4	2.25	-----	FTS800022	FTS89935	FTS6018	FTS7265	
5.5"/6"	REAR	2	2.25	FTS810052	FTS800052	FTS89935	FTS6063	FTS7266	
6"	FRONT	2	4.00	-----	FTS835002 (145)	-----	-----	-----	
8"	FRONT	2	2.25	FTS810112	FTS800112	FTS89935	FTS6064	FTS7333	
8"	FRONT	2	4.00	-----	FTS835012 (145)	-----	-----	-----	
8"	FRONT DUAL (140)	4	2.25	-----	FTS800102	-----	FTS6064	FTS7333	
8"	REAR	2	2.25	FTS810052	FTS800052	FTS89935	FTS6063	FTS7266	

FOOTNOTES: 140. For Fabtech dual shock kit.

145. For Fabtech coilover conversion kit.

SHOCKS

LIFT	POSITION	ORDER QTY.	SIZE	DIRT LOGIC		OPTIONAL BILLET RESI CLAMPS	STEALTH MONOTUBE	PERFORMANCE TWIN TUBE
				NON RESI	RESI			
FORD - 4WD								
F450/550								
2008-13								
4"	FRONT 8 LUG	2	2.25	FTS810962	FTS800962	FTS89935	FTS6236	FTS7236
4"	REAR 8 LUG	2	2.25	FTS810052	FTS800052	FTS89935	FTS6063	FTS7266
6"	FRONT 10 LUG	2	2.25	FTS810382	-----	-----	FTS6188	FTS7188
6"	FRONT 10 LUG	2	4.00	-----	FTS835002 (145)	-----	-----	-----
6"	REAR 10 LUG	2	2.25	FTS810052	FTS800052	FTS89935	FTS6063	FTS7266
8"	FRONT 8 LUG	2	2.25	FTS810392	-----	-----	FTS6189	FTS7189
8"	FRONT 8 LUG	2	4.00	-----	FTS835012 (145)	-----	-----	-----
8"	REAR 8 LUG	2	2.25	FTS810052	FTS800052	FTS89935	FTS6063	FTS7266
10"	FRONT 8 LUG	2	2.25	FTS810392	-----	-----	-----	-----
10"	FRONT 8 LUG	2	4.00	-----	FTS835012 (145)	-----	-----	-----
10"	REAR 8 LUG	2	2.25	FTS810652	FTS800652	FTS89935	-----	-----
EXPEDITION								
1997-02								
6"	FRONT	2	-----	-----	-----	-----	FTS6159	FTS7159
6"	REAR	2	-----	-----	-----	-----	FTS6299	FTS7299
EXCURSION								
2000-05								
3.5"	FRONT	2	-----	-----	-----	-----	FTS6018	FTS7265
3.5"	REAR	2	-----	-----	-----	-----	FTS6063	FTS7266
3.5"/5.5"	FRONT DUAL (140)	4	2.25	-----	FTS800022 5.5" ONLY	FTS89935	FTS6018	FTS7265
5.5"	FRONT	2	2.25	FTS810032	FTS800032	FTS89935	FTS6018	FTS7265
5.5"	REAR	2	2.25	FTS810122	FTS800122	FTS89935	FTS6063	FTS7266
6"	FRONT	2	4.00	-----	FTS835002 (145)	-----	-----	-----
6"	REAR	2	2.25	FTS810122	FTS800122	FTS89935	FTS6063	FTS7266
FORD - 2WD								
RANGER								
2001-08 W/TORSION BARS								
3"	FRONT	2	-----	-----	-----	-----	FTS6330	FTS7330
3"	REAR	2	-----	-----	-----	-----	FTS6333	FTS7333
1998-08 W/COIL SPRINGS								
2.5"	FRONT	2	-----	-----	-----	-----	FTS6119	FTS7119
2.5"	REAR	2	-----	-----	-----	-----	FTS6265	FTS7265

FOOTNOTES: 140. For Fabtech dual shock kit.

145. For Fabtech coilover conversion kit.

SHOCKS

LIFT	POSITION	ORDER QTY.	DIRT LOGIC				OPTIONAL BILLET RESI CLAMPS	STEALTH MONOTUBE	PERFORMANCE TWIN TUBE
			SIZE	NON RESI	RESI				
FORD - 2WD									
RANGER - CONTINUED									
1998-08 W/COIL SPRINGS									
3"	FRONT	2	----	-----	-----	-----	FTS6078	FTS7078	
3"	REAR	2	----	-----	-----	-----	FTS6265	FTS7265	
5.5"	FRONT	2	----	-----	-----	-----	FTS6119	FTS7119	
5.5"	REAR	2	----	-----	-----	-----	FTS6333	FTS7333	
F150									
2004-08									
6"	FRONT	1	2.50	FTS22195	-----	-----	-----	-----	
6"	REAR	2	2.25	FTS810332	FTS800332	FTS89935	FTS6333	FTS7333	
1997-03									
3.5"	FRONT	2	----	-----	-----	-----	FTS6119	FTS7110	
3.5"	REAR	2	----	-----	-----	-----	FTS6021	FTS7236	
7.5"	FRONT	2	----	-----	-----	-----	FTS6331	FTS7331	
7.5"	REAR	2	----	-----	-----	-----	FTS6238	FTS7238	
F250/F350									
2008-10									
6"	FRONT	2	----	-----	-----	-----	FTS6236	FTS7236	
6"	REAR	2	----	-----	-----	-----	FTS6064	FTS7333	
1999-04									
4"	FRONT	2	----	-----	-----	-----	FTS6331	FTS7160	
4"	REAR	2	----	-----	-----	-----	FTS6019	FTS7299	
6"	FRONT	2	----	-----	-----	-----	FTS6236	FTS7236	
6"	REAR	2	----	-----	-----	-----	FTS6064	FTS7333	
EXPEDITION									
1997-02									
6"	FRONT	2	----	-----	-----	-----	FTS6159	FTS7159	
6"	REAR	2	----	-----	-----	-----	FTS6299	FTS7299	
EXCURSION									
1999-04									
4"	FRONT	2	----	-----	-----	-----	FTS6331	FTS7160	
4"	REAR	2	----	-----	-----	-----	FTS6019	FTS7299	
6"	FRONT	2	----	-----	-----	-----	FTS6236	FTS7236	
6"	REAR	2	----	-----	-----	-----	FTS6064	FTS7333	

SHOCKS

LIFT	POSITION	ORDER QTY.	DIRT LOGIC				OPTIONAL BILLET RESI CLAMPS	STEALTH MONOTUBE	PERFORMANCE TWIN TUBE
			SIZE	NON RESI	RESI				
DODGE/RAM - 4WD									
1500									
2009-15									
6"	FRONT	1	2.50	FTS23157	FTS820452 (138)	-----	-----	-----	
6"	REAR	2	2.25	FTS810952	-----	-----	FTS6333	FTS7333	
2006-08									
6"	FRONT	1	2.50	FTS23157	FTS820452 (138)	-----	-----	-----	
6"	REAR	2	2.25	FTS810012	FTS800012	FTS89935	FTS6240	FTS7240	
2002-05									
6"	FRONT	2	2.25	FTS810002	-----	-----	FTS6159	FTS7159	
6"	REAR	2	2.25	FTS810012	FTS800012	FTS89935	FTS6240	FTS7240	
1994.5-01									
3"	FRONT	2	-----	-----	-----	-----	FTS6021	FTS7236	
3"	REAR	2	-----	-----	-----	-----	FTS6265	FTS7265	
5.5"	FRONT	2	-----	-----	-----	-----	FTS6237	FTS7237	
5.5"	REAR	2	-----	-----	-----	-----	FTS6335	FTS7335	
5.5"	FRONT DUAL (140)	4	-----	-----	-----	-----	FTS6265	FTS7265	
2500									
2014-16									
2.5"	FRONT	2	2.25	FTS810752	-----	-----	FTS6192	FTS7192	
2.5"	REAR	2	2.25	FTS811052	-----	-----	FTS6236	FTS7236	
5"	FRONT	2	2.25	FTS811032	FTS801032	FTS89935	FTS6343	FTS7343	
5"	REAR	2	2.25	FTS811042	-----	-----	FTS6344	FTS7344	
5"	FRONT DUAL (143)	2	2.25	FTS811062	FTS801062	FTS89935	FTS6345	FTS7345	
5"	FRONT	2	4.00	-----	FTS835102 (138)(145)	-----	-----	-----	
7"	FRONT	2	2.25	-----	FTS801072	FTS89935	FTS6346	FTS7346	
7"	REAR	2	2.25	FTS811172	-----	-----	FTS6348	FTS7348	
7"	FRONT DUAL (143)	2	2.25	-----	FTS801082	FTS89935	FTS6347	FTS7347	
7"	FRONT	2	4.00	-----	FTS835122 (138)(145)	-----	-----	-----	
2009-13									
4.5"	FRONT	2	2.25	FTS810402	-----	-----	FTS6237	FTS7237	
4.5"	REAR	2	2.25	FTS810362	FTS800362	FTS89935	FTS6064	FTS7333	
4.5"/6"	FRONT DUAL (140)	4	2.25	FTS810352	FTS800352	FTS89935	FTS6064	FTS7333	
6"	FRONT	2	2.25	FTS810722	-----	-----	FTS6189	FTS7189	
6"	REAR	2	2.25	FTS810532	FTS800532	FTS89935	FTS6063	FTS7266	

SHOCKS

LIFT	POSITION	ORDER QTY.	SIZE	DIRT LOGIC		OPTIONAL BILLET RESI CLAMPS	STEALTH MONOTUBE	PERFORMANCE TWIN TUBE
				NON RESI	RESI			
DODGE/RAM - 4WD								
2500 - CONTINUED								
2003-08								
4.5"	FRONT	2	2.25	FTS810402	-----	-----	FTS6237	FTS7237
4.5"	REAR	2	2.25	FTS810362	FTS800362	FTS89935	FTS6064	FTS7333
4.5"/6"	FRONT DUAL (140)	4	2.25	FTS810352	FTS800352	FTS89935	FTS6064	FTS7333
6"	FRONT	2	2.25	FTS810722	-----	-----	FTS6189	FTS7189
6"	REAR	2	2.25	FTS810532	FTS800532	FTS89935	FTS6063	FTS7266
1994-02								
5.5"	FRONT	2	-----	-----	-----	-----	FTS6237	FTS7237
5.5"	FRONT DUAL (140)	4					FTS6265	FTS7265
5.5"	REAR	2	-----	-----	-----	-----	FTS6335	FTS7335
3500								
2014-16 & 2013 W/FACTORY RADIUS ARM SUSPENSION								
2.5"	FRONT	2	2.25	FTS810752	-----	-----	FTS6192	FTS7192
2.5"	REAR	2	2.25	FTS810352	FTS800352	FTS89935	FTS6019	FTS7299
5"	FRONT	2	2.25	FTS811032	FTS801032	FTS89935	FTS6343	FTS7343
5"	REAR	2	2.25	FTS810362	FTS800362	FTS89935	FTS6335	FTS7335
5"	FRONT DUAL (143)	2	2.25	FTS811062	FTS801062	FTS89935	FTS6345	FTS7345
5"	FRONT	2	4.00	-----	FTS835102 (138)(145)	-----	-----	-----
7"	FRONT	2	2.25	FTS811072	FTS801072	FTS89935	FTS6346	FTS7346
7"	REAR	2	2.25	FTS811192	-----	-----	FTS6063	FTS7266
7"	FRONT DUAL (143)	2	2.25	FTS811082	FTS801082	FTS89935	FTS6347	FTS7347
7"	FRONT	2	4.00	-----	FTS835122 (138)(145)	-----	-----	-----
2009-13 W/FACTORY 4 LINK SUSPENSION								
4.5"	FRONT	2	2.25	FTS810402	-----	-----	FTS6237	FTS7237
4.5"	REAR	2	2.25	FTS810362	FTS800362	FTS89935	FTS6064	FTS7333
4.5"/6"	FRONT DUAL (140)	4	2.25	FTS810352	FTS800352	FTS89935	FTS6064	FTS7333
6"	FRONT	2	2.25	FTS810722	-----	-----	FTS6189	FTS7189
6"	REAR	2	2.25	FTS810532	FTS800532	FTS89935	FTS6063	FTS7266
2003-08								
4.5"	FRONT	2	2.25	FTS810402	-----	-----	FTS6237	FTS7237
4.5"	REAR	2	2.25	FTS810362	FTS800362	FTS89935	FTS6064	FTS7333
4.5"/6"	FRONT DUAL (140)	4	2.25	FTS810352	FTS800352	FTS89935	FTS6064	FTS7333
6"	FRONT	2	2.25	FTS810722			FTS6189	FTS7189
6"	REAR	2	2.25	FTS810532	FTS800532	FTS89935	FTS6063	FTS7266

FOOTNOTES: 138. Includes resi frame mounts.
140. For Fabtech dual shock kit.

143. Auxiliary position Fabtech dual shock kit.
145. For Fabtech coilover conversion kit.

SHOCKS

LIFT	POSITION	ORDER QTY.	DIRT LOGIC				OPTIONAL BILLET RESI CLAMPS	STEALTH MONOTUBE	PERFORMANCE TWIN TUBE
			SIZE	NON RESI	RESI				
DODGE/RAM - 4WD									
3500 - CONTINUED									
1994-02									
5.5"	FRONT	2	-----	-----	-----	-----	FTS6237	FTS7237	
5.5"	FRONT DUAL (140)	4	-----	-----	-----	-----	FTS6265	FTS7265	
5.5"	REAR	2	-----	-----	-----	-----	FTS6335	FTS7335	
DODGE/RAM - 2WD									
1500									
2006-07									
6"	FRONT	2	-----	-----	-----	-----	FTS6242	FTS7242	
6"	REAR	2	-----	-----	-----	-----	FTS6240	FTS7240	
2002-05									
6"	FRONT	2	-----	-----	-----	-----	-----	FTS7332	
6"	REAR	2	-----	-----	-----	-----	FTS6333	FTS7333	
1994-01									
3"	FRONT	2	-----	-----	-----	-----	FTS6119	FTS7119	
3"	REAR	2	-----	-----	-----	-----	FTS6299	FTS7299	
3.5"	FRONT	2	-----	-----	-----	-----	FTS6078	FTS7078	
3.5"	REAR	2	-----	-----	-----	-----	FTS6299	FTS7299	
6.5"	FRONT	2	-----	-----	-----	-----	FTS6119	FTS7119	
6.5"	REAR	2	-----	-----	-----	-----	FTS6333	FTS7333	
JEEP - 4WD									
JK									
2007-16									
3"	FRONT	2	2.25	FTS810582	FTS800582 (138)	FTS89935	FTS6021	FTS7236	
3"	REAR	2	2.25	FTS811092	FTS801092	FTS89935	FTS6265	FTS7265	
3"	FRONT (144)	2	2.25	FTS811182	FTS801182 (138)	FTS89935	FTS6016	-----	
3"	FRONT (144)	1	2.5	-----	FTS24137 (145)	FTS89940	-----	-----	
3"	REAR (144)	1	2.5	-----	FTS24153 (145)	-----	-----	-----	
5"	FRONT	2	2.25	FTS810222	FTS800222 (138)	FTS89935	FTS6016	FTS7188	
5"	REAR	2	2.25	FTS811102	FTS801102	FTS89935	FTS6349	FTS7194	
5"	FRONT	1	2.50	-----	FTS24106 (145)	FTS89940	-----	-----	
5"	REAR	1	2.50	-----	FTS24127 (145)	-----	-----	-----	

FOOTNOTES: 138. Includes resi frame mounts.
140. For Fabtech dual shock kit.

144. For Fabtech Long Travel suspension.
145. For Fabtech coilover conversion kit.

SHOCKS

LIFT	POSITION	ORDER QTY.	DIRT LOGIC				OPTIONAL BILLET RESI CLAMPS	STEALTH MONOTUBE	PERFORMANCE TWIN TUBE
			SIZE	NON RESI	RESI				
JEEP - 4WD									
TJ / LJ									
1997-06									
4"	FRONT	2	-----	-----	-----	-----	FTS6172	FTS7172	
4"	REAR	2	-----	-----	-----	-----	FTS6182	FTS7182	
6"	FRONT	2	2.25	FTS810222	FTS800222	FTS89935	FTS6174	FTS7174	
6"	REAR	2	2.25	FTS811102	FTS801102	FTS89935	FTS6349	FTS7194	
8"	FRONT	2	2.25	FTS810222	FTS800222	FTS89935	FTS6174	FTS7174	
8"	REAR	2	2.25	FTS811102	FTS801102	FTS89935	FTS6349	FTS7194	
YJ									
1987-95									
3.5"	FRONT	2	-----	-----	-----	-----	FTS6181	FTS7181	
3.5"	REAR	2	-----	-----	-----	-----	FTS6182	FTS7182	
XJ									
1984-01									
4"	FRONT	2	-----	-----	-----	-----	FTS6170	FTS7170	
4"	REAR	2	-----	-----	-----	-----	FTS6013	FTS7231	
ZJ									
1993-98									
1.75"	FRONT	2	-----	-----	-----	-----	FTS6170	FTS7170	
1.75"	REAR	2	-----	-----	-----	-----	FTS6013	FTS7231	
HUMMER - 4WD									
H2									
2003-08									
6"	FRONT	2	2.25	FTS810172	-----	-----	FTS6191	FTS7191	
6"	REAR	2	2.25	FTS810212	FTS800212	FTS89935	FTS6266	FTS7266	
6"	FRONT DUAL (140)	4	2.00	FTS80112	-----	-----	-----	-----	
NISSAN - 4WD									
FRONTIER									
2006-15									
6"	REAR	2	-----	-----	-----	-----	FTS6299	FTS7299	
TITAN									
2004-13									
6"	REAR	2	-----	-----	-----	-----	FTS6333	FTS7333	

SHOCKS

LIFT	POSITION	ORDER QTY.	SIZE	DIRT LOGIC		OPTIONAL BILLET RESI CLAMPS	STEALTH MONOTUBE	PERFORMANCE TWIN TUBE
				NON RESI	RESI			
NISSAN - 2WD								
FRONTIER								
2006-15								
6"	REAR	2	-----	-----	-----	-----	FTS6299	FTS7299
TITAN								
2004-13								
6"	REAR	2	-----	-----	-----	-----	FTS6333	FTS7333
TOYOTA - 4WD								
TACOMA								
2015-16 6 LUG								
6"	FRONT	1	2.50	FTS26059	FTS26055 (138)	-----	-----	-----
2005-14 6 LUG								
3"	FRONT	1	2.50	FTS26061	FTS26054 (138)	-----	-----	-----
3"	REAR	2	2.25	-----	FTS800692	FTS89935	-----	-----
6"	FRONT	1	2.50	FTS26059	FTS26055 (138)	-----	-----	-----
6"	REAR	2	2.25	FTS810372	FTS800372	FTS89935	FTS6181	FTS7181
1995.5-04 6 LUG								
0-3.5"	FRONT	1	2.50	FTS26057	-----	-----	-----	FTS2300S (146)
0-3.5"	REAR	2	2.25	FTS810302	FTS800302	FTS89935	FTS6013	FTS7231
6"	FRONT	2	-----	-----	-----	-----	-----	FTS70001S
6"	REAR	2	-----	-----	-----	-----	FTS6265	FTS7267
TUNDRA								
2007-16								
2"	FRONT	1	2.50	FTS26063	FTS26051 (138)	-----	-----	-----
2"	REAR	2	2.25	FTS810612	-----	-----	-----	-----
4"	FRONT	1	2.50	FTS26062	FTS26052 (138)	-----	-----	-----
4"	REAR	2	2.25	FTS810982	-----	-----	FTS6016	FTS7188
6"	FRONT	1	2.50	FTS26060	FTS26053 (138)	-----	-----	-----
6"	REAR	2	2.25	FTS810602	-----	-----	FTS6189	FTS7189
2000-06								
0-2.5"	FRONT	1	2.50	FTS26058	-----	-----	-----	FTS2300S (146)
0-2.5"	REAR	2	2.25	FTS810312	FTS800312	FTS89935	FTS6021	FTS7236

FOOTNOTES: 138. Includes resi frame mounts.
140. For Fabtech dual shock kit.

146. Order quantity of 2, Sold individually.

SHOCKS

LIFT	POSITION	ORDER QTY.	SIZE	DIRT LOGIC		OPTIONAL BILLET RESI CLAMPS	STEALTH MONOTUBE	PERFORMANCE TWIN TUBE
				NON RESI	RESI			
TOYOTA - 4WD								
FJ								
2006-13								
3"	FRONT	1	2.50	FTS26061	FTS26054 (138)	-----	-----	-----
3"	REAR	2	2.25	-----	FTS800692	FTS89935	-----	-----
6"	FRONT	1	2.50	FTS26059	FTS26055 (138)	-----	-----	-----
6"	REAR	2	2.25	FTS810542	-----	-----	FTS6017	FTS7237
TOYOTA - 2WD								
TACOMA								
2015-16 6 LUG								
6"	FRONT	1	2.50	FTS26059	FTS26055 (138)	-----	-----	-----
2005-14 6 LUG								
3"	FRONT	1	2.50	FTS26061	FTS26054 (138)	-----	-----	-----
3"	REAR	2	2.25	-----	FTS800692	FTS89935	-----	-----
6"	FRONT	1	2.50	FTS26059	FTS26055 (138)	-----	-----	-----
6"	REAR	2	2.25	FTS810372	FTS800372	FTS89935	FTS6181	FTS7181
1995.5-04 6 LUG								
0-3.5"	FRONT	1	2.50	FTS26057	-----	-----	-----	FTS2300S (140)
0-3.5"	REAR	2	2.25	FTS810302	FTS800302	FTS89935	FTS6013	FTS7231
6"	FRONT	2	-----	-----	-----	-----	-----	FTS70001S
6"	REAR	2	-----	-----	-----	-----	FTS6265	FTS7267
1995.5-04 5 LUG								
3"	FRONT	2	-----	-----	-----	-----	FTS6078	FTS7078
3"	REAR	2	-----	-----	-----	-----	FTS6163	FTS7163
PICKUP								
1984-95								
3.5"	FRONT	2	-----	-----	-----	-----	FTS6078	FTS7078
3.5"	REAR	2	-----	-----	-----	-----	FTS6163	FTS7163
TUNDRA								
2007-16								
2"	FRONT	1	2.50	FTS26063	FTS26051 (138)	-----	-----	-----
2"	REAR	2	2.25	FTS810612	-----	-----	-----	-----
4"	FRONT	1	2.50	FTS26062	FTS26052 (138)	-----	-----	-----
4"	REAR	2	2.25	FTS810982	-----	-----	FTS6016	FTS7188
6"	FRONT	1	2.50	FTS26060	FTS26053 (138)	-----	-----	-----
6"	REAR	2	2.25	FTS810602	-----	-----	FTS6189	FTS7189

SHOCKS

LIFT	POSITION	ORDER QTY.	SIZE	DIRT LOGIC		OPTIONAL BILLET RESI CLAMPS	STEALTH MONOTUBE	PERFORMANCE TWIN TUBE
				NON RESI	RESI			
TOYOTA - 2WD								
TUNDRA - CONTINUED								
2000-06								
0-2.5"	FRONT	1	2.50	FTS26058	-----	-----	-----	FTS2300S (146)
0-2.5"	REAR	2	2.25	FTS810312	FTS800312	FTS89935	FTS6021	FTS7236
FJ								
2006-13								
3"	FRONT	1	2.50	FTS26061	FTS26054 (138)	-----	-----	-----
3"	REAR	2	2.25	-----	FTS800692	FTS89935	-----	-----
6"	FRONT	1	2.50	FTS26059	FTS26055 (138)	-----	-----	-----
6"	REAR	2	2.25	FTS810542	-----	-----	FTS6017	FTS7237

FOOTNOTES: 138. Includes resi frame mounts.

146. Order quantity of 2, Sold individually.

UNIVERSAL SHOCKS

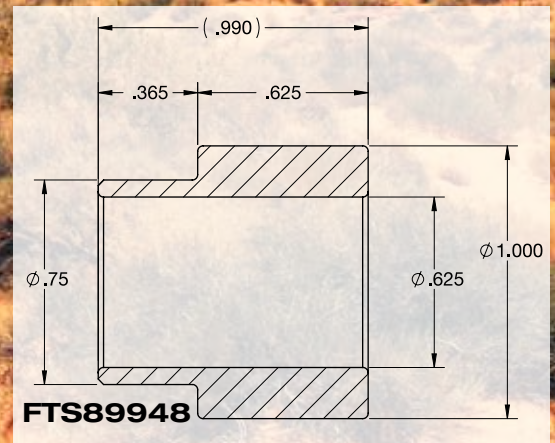
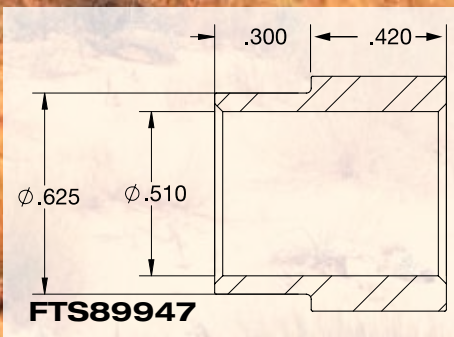
TRAVEL	2.25		2.5 COILOVER		2.5 NON COILOVER	
	RESI	NON RESI	RESI	NON RESI	RESI	NON RESI
DIRT LOGIC UNIVERSAL SHOCKS						
8" TRAVEL	FCS1106	FCS1100	FCS1206	FCS1200	FCS1218	FCS1212
10" TRAVEL	FCS1107	FCS1101	FCS1207	FCS1201	FCS1219	FCS1213
12" TRAVEL	FCS1108	FCS1102	FCS1208	FCS1202	FCS1220	FCS1214
14" TRAVEL	FCS1109	FCS1103	FCS1209	FCS1203	FCS1221	FCS1215
16" TRAVEL	FCS1110	FCS1104	FCS1210	FCS1204	FCS1222	FCS1216
18" TRAVEL	FCS1111	FCS1105	FCS1211	FCS1205	FCS1223	FCS1217

UNIVERSAL SHOCK DIMENSIONS

TRAVEL	RESI	EXTENDED	COLLAPSED		NON RESI	EXTENDED	COLLAPSED
2.25 UNIVERSAL							
8"	FCS1106	22.30	14.27		FCS1100	23.55	15.52
10"	FCS1107	26.30	16.27		FCS1101	27.93	17.89
12"	FCS1108	30.30	18.27		FCS1102	31.93	19.89
14"	FCS1109	34.30	20.27		FCS1103	36.05	22.02
16"	FCS1110	38.30	22.27		FCS1104	40.05	24.02
18"	FCS1111	40.30	24.27		FCS1105	44.05	26.02
2.5 UNIVERSAL COILOVER							
8"	FCS1206	24.02	15.98		FCS1200	24.72	16.72
10"	FCS1207	28.40	18.35		FCS1201	29.35	19.35
12"	FCS1208	32.65	20.60		FCS1202	33.78	21.78
14"	FCS1209	37.25	23.23		FCS1203	37.80	23.80
16"	FCS1210	41.02	24.98		FCS1204	44.98	25.89
18"	FCS1211	45.02	26.98		FCS1205	45.80	27.98
2.5 UNIVERSAL NON COILOVER							
8"	FCS1218	24.02	15.98		FCS1212	24.72	16.72
10"	FCS1219	28.40	18.35		FCS1213	29.35	19.35
12"	FCS1220	32.65	20.60		FCS1214	33.78	21.78
14"	FCS1221	37.25	23.23		FCS1215	37.80	23.80
16"	FCS1222	41.02	24.98		FCS1216	44.98	25.89
18"	FCS1223	45.02	26.98		FCS1217	45.80	27.98

SHOCK MISALIGNMENT KITS

DESCRIPTION	FITS DIRT LOGIC	PART #
5/8 - 1/2	2.0 / 2.25 / 2.5	FTS89947
3/4 - 5/8	4.0	FTS89948



STEERING STABILIZERS



VEHICLE	TYPE	PERFORMANCE	STEALTH	DIRT LOGIC
GM - 4WD				
K1500 P/U				
2007-16	DUAL	FTS21044BK (66)(109)	-----	-----
1999-06	SINGLE	FTS8002	FTS8034	-----
1988-98	SINGLE	FTS8005	FTS8045	-----
K2500HD/K3500HD P/U				
2011-16	SINGLE	FTS8028	FTS8044	-----
2001-10	SINGLE	FTS8004	-----	-----
2001-10	DUAL	FTS8010 (78)(109)	FTS8038 (78)(109)	-----
K1500 SUBURBAN/YUKON/TAHOE/AVALANCHE				
2007-16	DUAL	FTS21044BK (109)	-----	-----
2000-06	SINGLE	FTS8002	FTS8034	-----
SUBURBAN/TAHOE/BLAZER				
1992-99	SINGLE	FTS8005	FTS8039	-----
GM - 2WD				
C1500 P/U				
2007-16	DUAL	FTS21044BK (66)(109)	-----	-----
1999-06	DUAL	FTS8013 (109)	FTS8040 (109)	-----
1988-98 V8 Only	SINGLE	FTS8012	FTS8039	-----
C2500HD/C3500HD P/U				
2011-16	SINGLE	FTS8028	FTS8044	-----
2001-10	SINGLE	FTS8004	-----	-----
2001-10	DUAL	FTS8010 (78)(109)	FTS8038 (78)(109)	-----
C1500 SUBURBAN/YUKON/TAHOE/AVALANCHE				
2007-16	DUAL	FTS21044BK (109)	-----	-----
2000-06	SINGLE	FTS8012	FTS8034	-----
SUBURBAN/TAHOE/BLAZER				
1992-99	SINGLE	FTS8012	FTS8039	-----

STEERING STABILIZERS

VEHICLE	TYPE	PERFORMANCE	STEALTH	DIRT LOGIC
FORD - 4WD				
F150				
2004-08	DUAL	FTS8009 (109)(110)	FTS8037 (109)(110)	-----
1997-03	SINGLE	FTS8003	FTS8035	-----
F250/F350				
2008-16	SINGLE	FTS8051	FTS8048	-----
2008-16	DUAL	FTS8023	FTS8046	FTS220512
2008-16	DUAL WITH RESI	-----	-----	FTS221162
2005-07	SINGLE	FTS7006	FTS6604	-----
2005-07	DUAL	FTS8023	FTS8046	FTS220512
2005-07	DUAL WITH RESI	-----	-----	FTS221162
1999-04	SINGLE	FTS7001 (91)	-----	-----
1999-04	DUAL	FTS8008 (113)	FTS8036 (113)	-----
1999-04	DUAL OPPOSING	FTS8000 (113)	FTS8036 (113)	-----
1999-04	DUAL WITH RESI	-----	-----	FTS221152 (145)
EXPEDITION				
1997-02	SINGLE	FTS8003	-----	-----
EXCURSION				
2000-05	SINGLE	FTS7001	FTS6601	-----
2000-05	DUAL OPPOSING	FTS8000 (113)	FTS8036 (113)	-----
2000-05	DUAL	FTS8008 (113)	FTS8036 (113)	-----
FORD - 2WD				
F150				
2004-08	DUAL	FTS8009 (109)(110)	FTS8037 (109)(110)	-----
1997-03	SINGLE	FTS8019	-----	-----
F250/F350				
1999-04	DUAL	FTS8001	FTS8033	-----
EXPEDITION				
1997-02	SINGLE	FTS8019	-----	-----
EXCURSION				
1999-04	DUAL	FTS8001	FTS8033	-----

FOOTNOTES: 66. Does not work with Dirt Logic 4.0.
78. Cannot be used with FTS71002 tie rod kit.
91. Must use OEM steering stabilizer bracket.

109. For use with Fabtech crossmember system only.
110. Required aftermarket wheels with 5" back spacing.
113. For use with 5.5" & 8" leaf spring systems.
145. For Fabtech coilover conversion kit

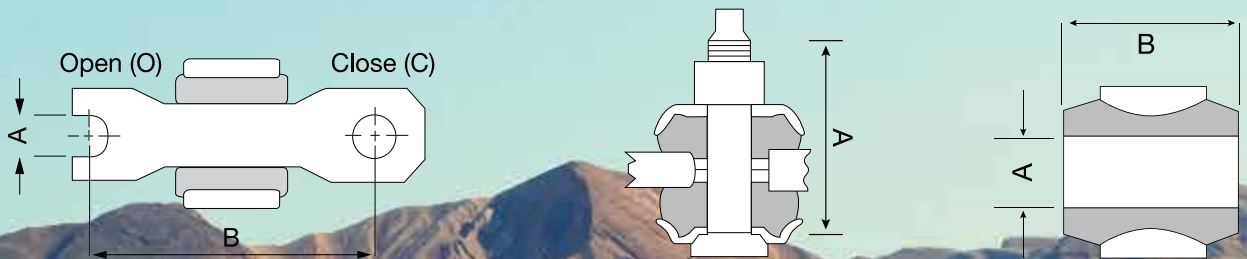
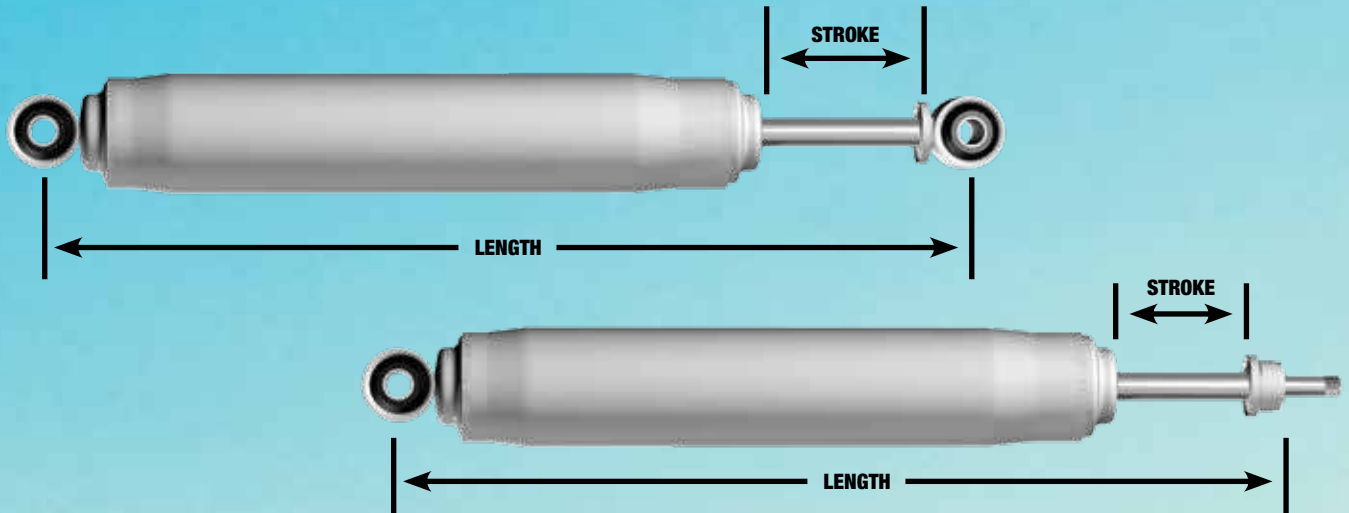
STEERING STABILIZERS

VEHICLE	TYPE	PERFORMANCE	STEALTH	DIRT LOGIC
DODGE/RAM - 4WD				
2500				
2014-16	SINGLE	FTS7001 (91)	-----	-----
2014-16	DUAL	FTS23060	FTS8047	FTS23164
3500				
2013-16	SINGLE	FTS7001 (91)	-----	-----
2013-16	DUAL	FTS23060	FTS8047	FTS23164
JEEP - 4WD				
JK				
2007-16	SINGLE	FTS8024	FTS6605	FTS240911
2007-16	DUAL	-----	FTS8053	-----
TJ/LJ				
1997-06	SINGLE	FTS8024	FTS6605	-----
YJ				
1987-95	SINGLE	FTS8024 (112)	FTS6605 (112)	-----
1987-95	SINGLE	FTS24049 (94)	-----	-----
XJ				
1984-01	SINGLE	FTS8024	FTS6605	-----
HUMMER - 4WD				
H2				
2003-08	SINGLE	FTS8004	-----	-----

FOOTNOTES: 91. Must use OEM steering stabilizer bracket.
94. For use with Crawler system.

112. For use with 3.5" leaf spring systems.

EXTENDED LENGTH - STROKE = COMPRESSED LENGTH



BAR PIN CODE	END TYPE	HOLE DIA. (A)	CENTER TO CENTER LENGTH (B)
BP4	OPEN	5/16"	2.6"
BP7	CLOSED	3/8"	2.45"
BP13	OPEN	3/8"	3.188"

STEAM CODE	LENGTH (A)	THREAD DIA.
S1	2 3/8"	3/8-18
S3	2"	3/8-24
S38	2 5/8"	1/2-20
S5	2 5/8"	1/2-13

LOOP CODE	BUSHING ID (A)	BUSHING OAL (B)
EB1	5/8	1.4
EB2	3/4	1.46

PART #	LENGTHS		STROKE	MOUNTS		BODY DIA
	EXTENDED	COLLAPSED		UPPER	LOWER	
STEALTH MONOTUBE						
FTS6063	32.45	19.76	12.69	EB1	EB1	50MM
FTS6266	32.45	19.76	12.69	EB1	EB1	50MM
FTS6335	29.92	19.05	10.87	EB1	EB1	50MM
FTS6348	29.07	18.30	10.77	EB1	S51	50MM
FTS6064	28.12	17.40	10.72	EB1	EB1	50MM
FTS6333	28.12	17.40	10.73	EB1	EB1	50MM
FTS6344	27.33	17.35	9.98	EB1	S51	50MM

SHOCK DIMENSIONS

PART #	LENGTHS		STROKE	MOUNTS		BODY DIA
	EXTENDED	COLLAPSED		UPPER	LOWER	
STEALTH MONOTUBE						
FTS6349	27.09	16.85	10.23	EB1	EB1	50MM
FTS6346	26.98	19.36	7.62	EB1	S51	50MM
FTS6299	25.88	16.24	9.64	EB1	EB1	50MM
FTS6019	25.69	16.62	9.07	EB1	EB1	50MM
FTS6343	25.02	17.70	7.33	EB1	S51	50MM
FTS6018	24.99	15.74	9.25	EB1	EB1	50MM
FTS6265	24.99	15.74	9.25	EB1	EB1	50MM
FTS6182	24.35	15.39	8.95	EB1	EB1	50MM
FTS6347	23.56	15.35	8.22	EB1	S51	50MM
FTS6013	22.40	14.33	8.07	EB1	EB1	50MM
FTS6231	21.76	13.99	7.77	EB1	EB1	50MM
FTS6345	21.60	14.27	7.33	EB1	S51	50MM
FTS6163	21.35	13.78	7.57	EB1	EB1	50MM
FTS6009	15.39	10.67	4.72	EB1	EB1	50MM
FTS6240	29.69	18.38	11.32	EB2	EB2	50MM
FTS6238	28.82	17.60	11.22	S3	EB1	50MM
FTS6181	27.53	16.91	10.62	S3	EB1	50MM
FTS6174	27.01	17.37	9.64	S3	BP4	50MM
FTS6017	26.02	17.37	8.66	S3	EB1	50MM
FTS6237	26.02	17.37	8.66	S3	EB1	50MM
FTS6172	24.65	15.41	9.24	S3	BP4	50MM
FTS6170	22.63	14.26	8.36	S3	BP4	50MM
FTS6331	22.63	14.26	8.36	S3	EB1	50MM
FTS6190	21.73	15.05	6.69	S3	CLEVIS	50MM
FTS6330	18.16	11.87	6.29	S3	EB1	50MM
FTS6119	16.21	10.80	5.41	S3	EB1	50MM
FTS6078	14.30	9.77	4.53	S3	EB1	50MM
FTS6011	14.29	9.77	4.52	S3	EB1	50MM
FTS6189	28.37	17.98	10.38	S51	EB1	50MM
FTS6188	27.24	17.35	9.89	S51	EB1	50MM
FTS6016	26.93	16.60	10.33	S51	EB1	50MM
FTS6021	24.88	15.53	9.35	S51	EB1	50MM
FTS6236	24.88	16.07	8.81	S51	EB1	50MM
FTS6192	23.95	15.54	8.41	S51	EB1	50MM
FTS6191	21.68	14.50	7.18	S51	EB1	50MM
FTS6338	20.37	13.10	7.28	S51	EB1	50MM
FTS6159	20.16	15.63	4.52	S51	EB1	50MM
FTS6341	19.14	13.59	5.55	BPOEM	CLEVIS	50MM

PART #	LENGTHS		STROKE	MOUNTS		BODY DIA
	EXTENDED	COLLAPSED		UPPER	LOWER	
PERFORMANCE TWINTUBE						
FTS7266	32.95	18.92	14.03	EB1	EB1	2.38
FTS7335	29.98	17.58	12.41	EB1	EB1	2.38
FTS7333	28.45	16.67	11.78	EB1	EB1	2.38
FTS7194	27.83	16.30	11.53	EB1	EB1	2.38
FTS7299	25.95	15.42	10.53	EB1	EB1	2.38
FTS7265	25.20	15.17	10.03	EB1	EB1	2.38
FTS7182	24.32	14.67	9.65	EB1	EB1	2.00
FTS7231	22.83	13.92	8.91	EB1	EB1	2.38
FTS7163	21.83	13.42	8.41	EB1	EB1	2.38
FTS7129	19.58	12.43	7.16	EB1	EB1	2.38
FTS7240	29.74	17.61	12.13	EB2	EB2	2.38
FTS7243	29.74	17.61	12.13	EB2	EB2	2.36
FTS7267	25.20	15.47	9.73	EB2	EB2	2.38
FTS7238	29.17	16.89	12.28	S1	EB1	2.38
FTS7174	28.78	16.62	12.16	S1	BP4	2.38
FTS7181	27.54	16.14	11.40	S1	EB1	2.00
FTS7237	26.05	15.40	10.66	S1	EB1	2.38
FTS7172	24.78	14.62	10.16	S1	BP4	2.38
FTS7170	22.82	13.62	9.20	S1	BP4	2.38
FTS7160	22.80	13.64	9.16	S1	EB1	2.00
FTS7331	22.43	13.70	8.73	S1	EB1	2.00
FTS7190	21.50	13.76	7.74	S1	CLEVIS	2.38
FTS7155	19.80	12.14	7.66	S1	EB1	2.38
FTS7242	18.92	12.00	6.92	S1	BP13	2.36
FTS7330	18.17	11.69	6.48	S1	EB1	2.00
FTS7110	16.21	10.68	5.53	S1	EB1	2.00
FTS7119	16.21	10.68	5.53	S1	EB1	2.00
FTS7078	14.30	9.52	4.78	S1	EB1	2.00
FTS7220	13.71	9.18	4.53	S1	EB1	2.00
FTS7348	29.17	16.89	12.28	S38	EB1	2.36
FTS7189	28.37	16.34	12.03	S38	EB1	2.38
FTS7188	27.37	16.09	11.28	S38	EB1	2.38
FTS7344	27.36	16.06	11.30	S38	EB1	2.36
FTS7346	26.80	19.64	7.16	S38	EB1	2.36
FTS7342	25.00	15.00	10.00	S38	EB1	2.38
FTS7343	24.80	17.00	7.80	S38	EB1	2.36
FTS7236	24.80	14.64	10.16	S38	EB1	2.38
FTS7192	23.69	14.16	9.53	S38	EB1	2.38

SHOCK DIMENSIONS

PART #	LENGTHS		STROKE	MOUNTS		BODY DIA
	EXTENDED	COLLAPSED		UPPER	LOWER	
PERFORMANCE TWINTUBE						
FTS7347	23.68	14.37	9.31	S38	EB1	2.36
FTS7191	21.69	13.16	8.53	S38	EB1	2.38
FTS7345	21.67	13.14	8.53	S38	EB1	2.36
FTS7338	20.56	12.75	7.81	S38	EB1	2.38
FTS7159	20.12	15.63	4.49	S38	EB1	2.00
FTS7332	18.12	11.71	6.41	S38	BP13	2.00
FTS7232	23.95	14.42	9.53	BP7	ES171	2.00
FTS7341	20.50	13.75	6.75	BPOEM	CLEVIS	2.00
FTS2300S	18.30	13.86	4.44	S1	BONDED BUSHING	2.00

STEERING STABILIZER DIMENSIONS

PART #	LENGTHS		STROKE	MOUNTS		BODY DIA
	EXTENDED	COLLAPSED		UPPER	LOWER	
STEALTH MONOTUBE						
FTS6601	23.87	14.59	9.28	EB1	EB1	50MM
FTS6602	20.34	12.44	7.90	S1	S1	50MM
FTS6603	19.59	11.89	7.70	S1	S1	50MM
FTS6604	27.07	16.13	10.95	S1	EB1	50MM
FTS6605	19.57	12.35	7.21	EB1	EB1	50MM
PERFORMANCE TWINTUBE						
FTS7001	23.95	14.42	9.53	EB1	EB1	2.00
FTS7002	20.39	12.11	8.28	S1	S1	2.38
FTS7003	19.73	12.12	7.61	EB1	EB1	1.75
FTS7004	19.59	11.61	7.98	S1	S1	1.75
FTS7005	19.33	12.16	7.17	EB1	EB1	2.00
FTS7006	27.07	15.76	11.31	S1	EB1	2.00
FTS7009	16.49	12.50	3.99	EB1	EB1	1.75
FTS8004	20.95	12.95	8.00	EB1	ES	2.38
FTS8024	19.73	12.12	7.61	EB1	EB1	1.75

DIRT LOGIC ACCESSORIES

AIR CHUCK

PART #	FTS89931
--------	----------

2.5 SPRING SLIDER

PART #	FTS89946
--------	----------

SPANNER WRENCH

DESCRIPTION	PART #
2.00	FTS98006
2.50	FTS98008
4.00	FTS89905
PERFORMANCE SHOCK	FTS98005

DIRT LOGIC 2.25 BUMP STOPS

DESCRIPTION	PART #
2.25" STROKE	FTS840052
4" STROKE	FTS840042
UNIVERSAL WELD IN CAN	FTS90079

*SOLD INDIVIDUALLY

REBUILD KITS

DESCRIPTION	PART #
2.25" RESI	FTS86150
2.25" NON RESI	FTS86151
2.50" RESI	FTS86152
2.50" NON RESI	FTS86153
4.00" PIGGY BACK	FTS86154
4.00" RESI	FTS86155
2.25" BUMP STOP	FTS86159
2.00" RESI	FTS86160
2.00" RESI EXT THREAD TOP CAP	FTS86161
2.00" NON RESI	FTS86162
1 GALLON OF OIL	FTS89102

ROD END & TOP CAP SPHERICAL BEARINGS

SIZE	FITS DIRT LOGIC	PART #
5/8"	2.0 / 2.25 / 2.5	FTS89933
3/4"	4.0	FTS89945
7/8"	2.5 / 4.0	FTS89934

*SOLD IN PAIRS

ALUMINUM RESI CLAMPS

CLAMP SIZE	MOUNT STYLE	PART #
2.25" - 2.25"	RESI - SHOCK BODY	FTS89935
2.25" - 1.5"	RESI - HOOP	FTS89936
2.25" - 1.75"	RESI - HOOP	FTS89937
2.0" - 2.25"	RESI - SHOCK BODY	FTS89938
2.5" - 2.5"	RESI - SHOCK BODY	FTS89939
2.5"-1.5"	RESI - HOOP	FTS89940

PERFORMANCE SHOCK BOOTS

COLOR	PART#
RED	FTS7000R
BLUE	FTS7000B
GREEN	FTS7000G
BLACK	FTS7000BK
YELLOW	FTS7000Y