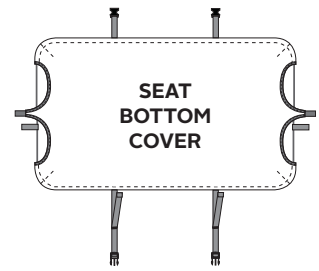


# Instructions: *Golf Car Seat Cover*



## Parts:



NO TOOLS  
REQUIRED



MILD SOAP



LINE DRY



DO NOT  
PACK WET

## **⚠ WARNING**

Be sure the seat cover does not interfere with the seat attachment mechanism when replacing the seat bottom after installation.

## **Important! Before Fitting!**

You may need to remove the seat bottom in order to fit the seat bottom cover.

## **Seat bottom cover installation:**

### **1. Fit the bottom cover on the seat top (Fig. 1, Fig. 2).**

You will need to remove your car seat bottom. Consult your golf car owner's manual. Find the "FRONT" label and position the cover so this label is at the front of the seat. Fit your cover over one end of your seat then pull it across the entire seat.

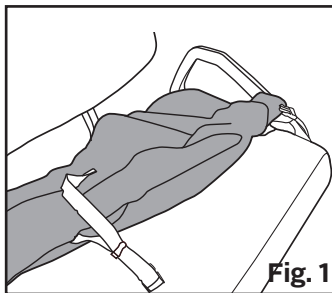


Fig. 1

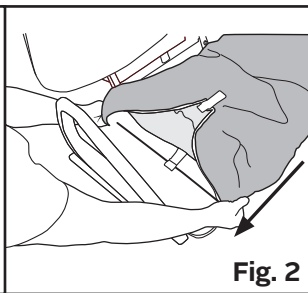


Fig. 2

### **2. Pull the elastic hem over the seat.**

On both ends of the seat, pull the exposed elastic hem cord over the end of the seat. In some cases, depending on the style of seat, you will have to pull it over the armrests (Fig. 3).

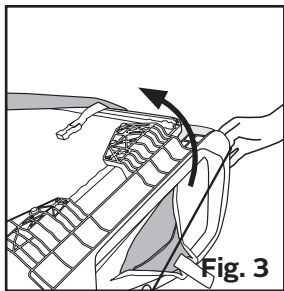


Fig. 3

### **3. Thread the attachment flap over the end of the seat.**

On both ends of the seat, pull the attachment flap over the end of the seat or under the armrest (Fig. 4).

Your seat should now look like the illustration below (Fig. 5) with the attachment webbing, attachment flaps and elastic seat hem showing.

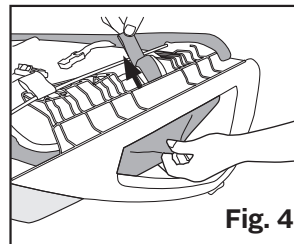


Fig. 4

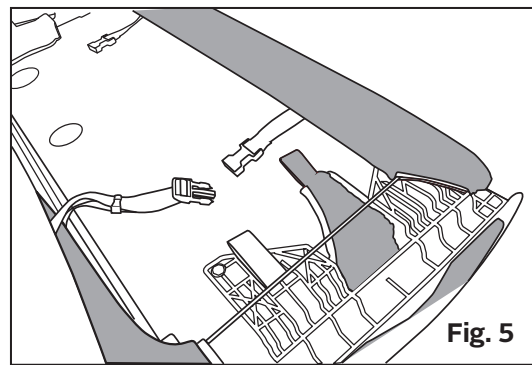
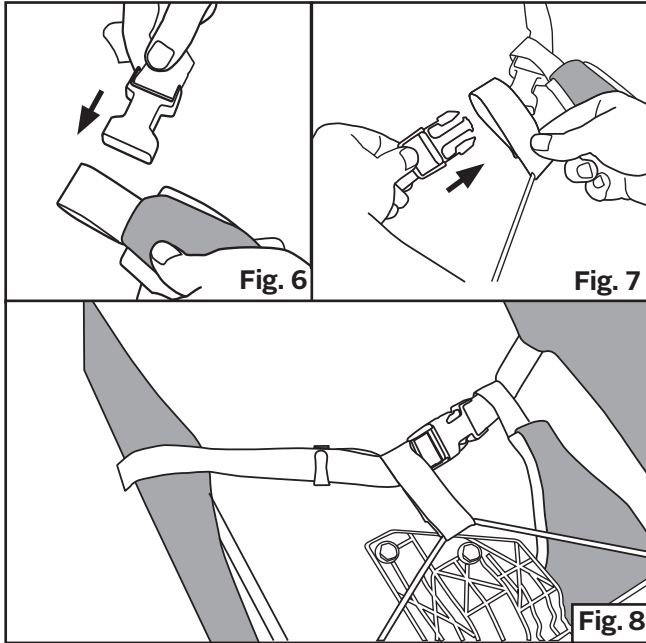


Fig. 5

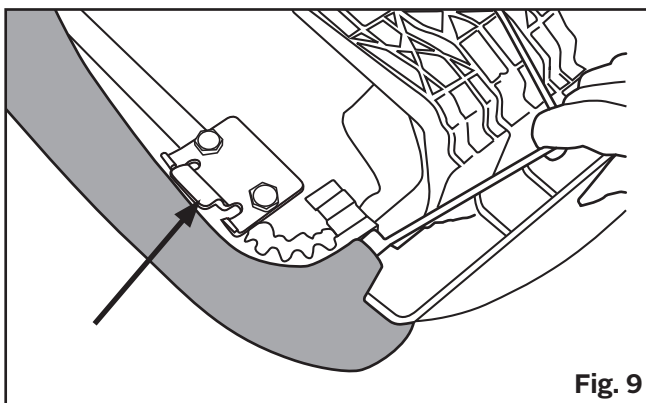
**4. Thread the webbing attachment straps through the attachment flap hoop and hem loop.**

Thread the webbing attachment straps with buckles through the loops at the ends of both the attachment flaps and the elastic hem. Once both loops are threaded with the webbing attachment straps, insert the side release buckles into one another. (Fig. 6, Fig. 7, Fig. 8).

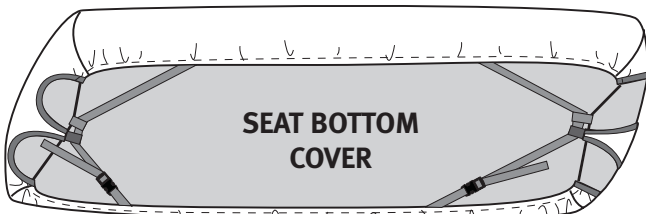


**5. ⚠️ WARNING Keep the seat attachment points clear.**

On some models of golf cars it is necessary to keep the seat cover clear of any metal tab fittings that keep the seat in place (Fig. 9). Failure to keep these attachment points clear will cause the seat to malfunction and could damage your cover.

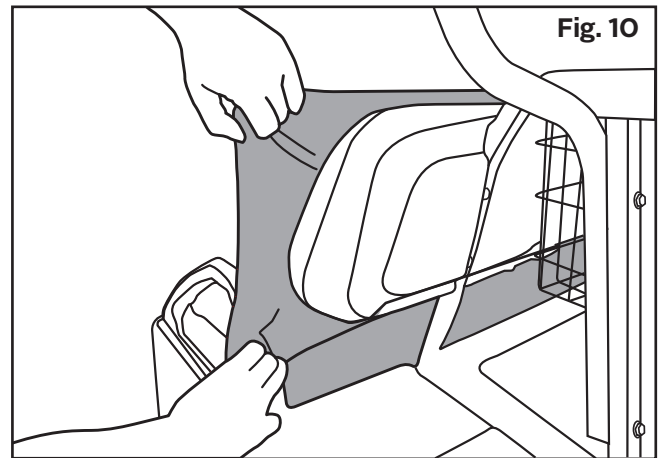


Correct installation of the seat bottom cover shown below:



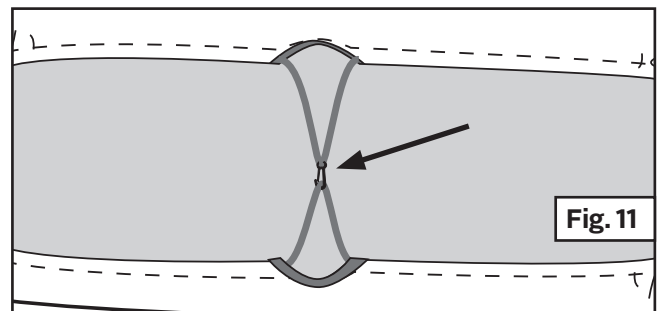
**Seat back cover installation:**

**1. Place the cover over one end of the seat back and pull the cover over the entire seat front (Fig. 10).**



**2. Attach the hem clip on the back of the cover.**

Hook the hem clip attached to the elastic hem to the opposite side of the seat hem (Fig. 11). Enjoy your seat covers!



**Cleaning**

Clean your cover with a soft brush and lukewarm water or machine wash in COLD water. DO NOT USE SOAP as it may remove the protective coatings. Line dry or machine dry on air or delicate.

**Storage**

To avoid mildew, be sure the cover is completely dry before you store it.