

Thank you for choosing our product. The following document helps to describe the installation process of this product.

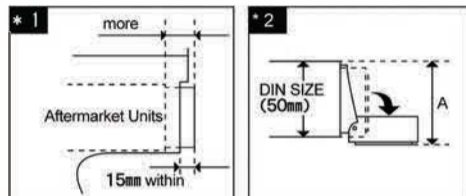
Vehicle Application	Model Year	Model Chassis Code
LEXUS RX300	1999~2003	MCU10W/15W, SXU10W/15W, ACU10W/15W

■ Features

• Accepts 1DIN applications.

■ Notes

• Aftermarket Unit should install back if the unit has more than 15mm thickness.
 • It should be within 50mm when the flip is opened.



■ Dimensions

※ External: 40×26.5×127mm (Width×Height×Depth) • Weight: 150g (without system components)

■ Package Content

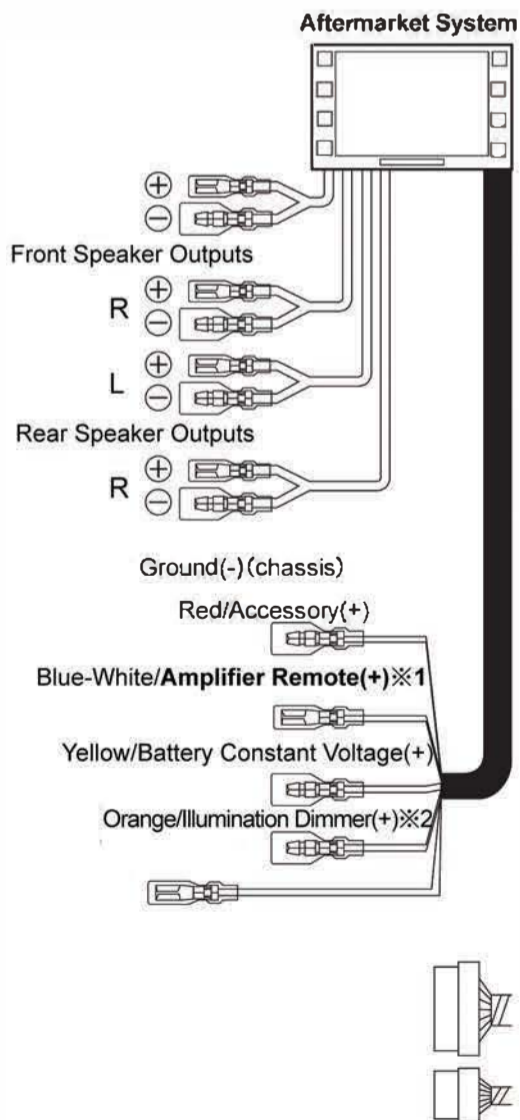
※ Face Trim Panel, Brackets, Installation Manual

■ Cautions and Disclaimers

Mount all components in locations that will not inhibit safe driving or obstruct the motions of various components of the vehicle functionality. Be cautious to not damage wires, piping, and tanks installed in the automobile. Avoid wet, dusty or extreme temperature areas for installation.

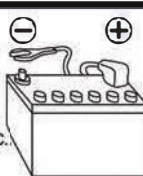
Any damages resulting to the aftermarket systems or damages to the vehicle resulting from improper installations or careless installation procedures are not covered by warranty nor are we responsible for injuries or damages resulting from installation process. Please observe caution when performing the installation.

② Wiring Diagram and Procedures



⚠ Upon Install Please Do the Following:

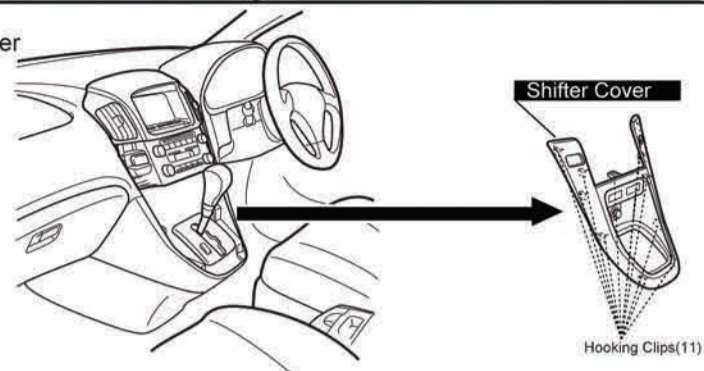
- ※ Always disconnect the negative (-) terminal of the vehicle battery and drain all capacitors before installation.
- ※ Protect all wire harness placed near any metal parts of the vehicle with loom or other wire protection.
- ※ Always check all vehicle functions AFTER completion, such as brake lamps, turn signals, wipers, etc.



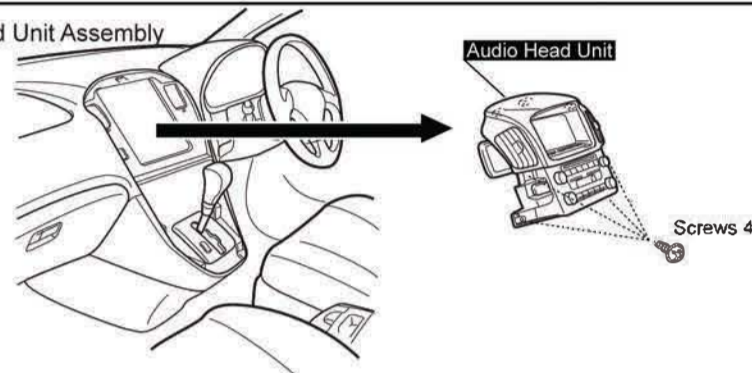
※ Before starting installation, verify that the original audio system in the vehicle is fully functional. This kit will not remedy any issues that existed before the installation or faults in the original systems in the vehicle.

① Removal of the Factory OEM Audio Head Unit

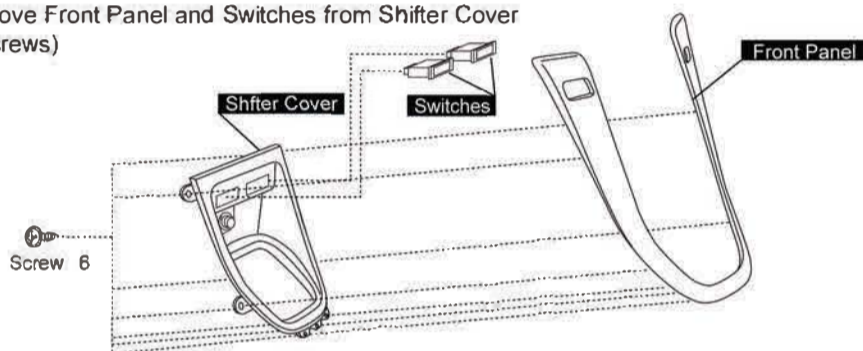
1. Remove Shifter Cover (4 hooking clips)



2. Remove Audio Head Unit Assembly (4 screws)

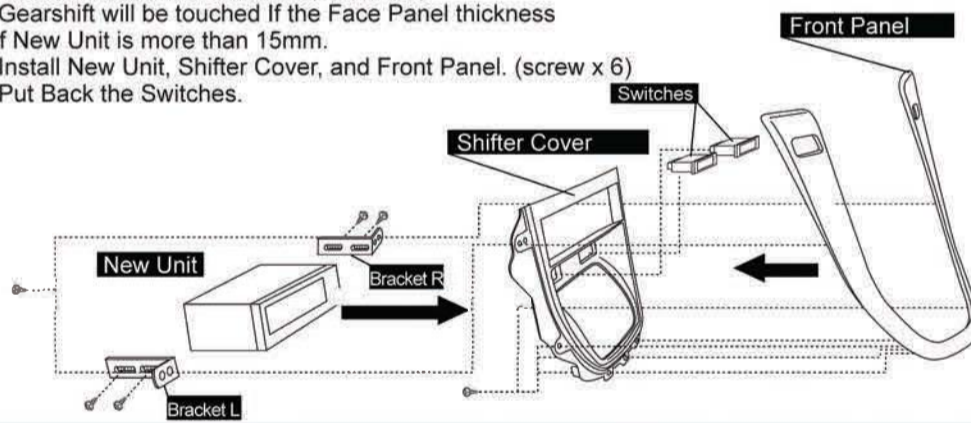


3. Remove Front Panel and Switches from Shifter Cover (6 screws)



③ Installation of the Aftermarket Head Unit

- Mount Brackets to New Unit. (screw x 2)
- Gearshift will be touched if the Face Panel thickness of New Unit is more than 15mm.
- Install New Unit, Shifter Cover, and Front Panel. (screw x 6)
- Put Back the Switches.



④ Verification of Operations and Features

- After installation, verify all functions of the aftermarket radio and functions of the vehicle. Use extreme caution to verify the operation of safety and operational features and equipments of the vehicle.
- When the both aftermarket radio and the factory radios are ON, the aftermarket radio will take the priority. (The power of the factory audio will not OFF automatically.) When Off aftermarket radio, it automatically switches to the factory radio.
- The tuner's sound only comes from the aftermarket radio which is connected with the antenna line. If you would like to hear the sound from both radios, please divide the antenna line into two and connect to each radio.
- When the gearshift is in Parking or Reverse, the aftermarket navigation monitor can touch with the gearshift. In that case please adjust the space by either closing the monitor or changing the gearshift.

