

# USER GUIDE AND INSTALLATION MANUAL UNIVERSAL POWER WINDOW SYSTEM



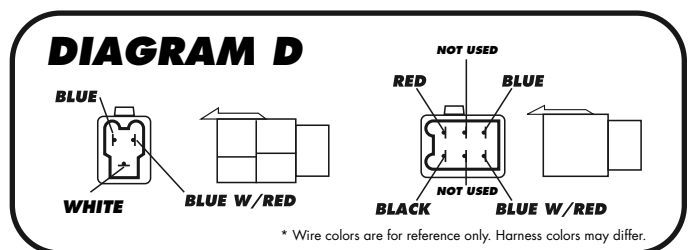
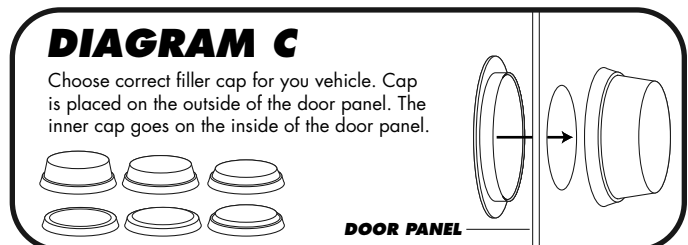
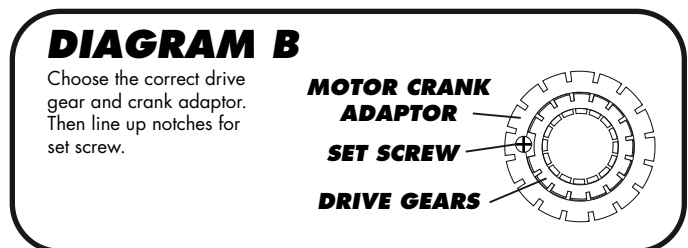
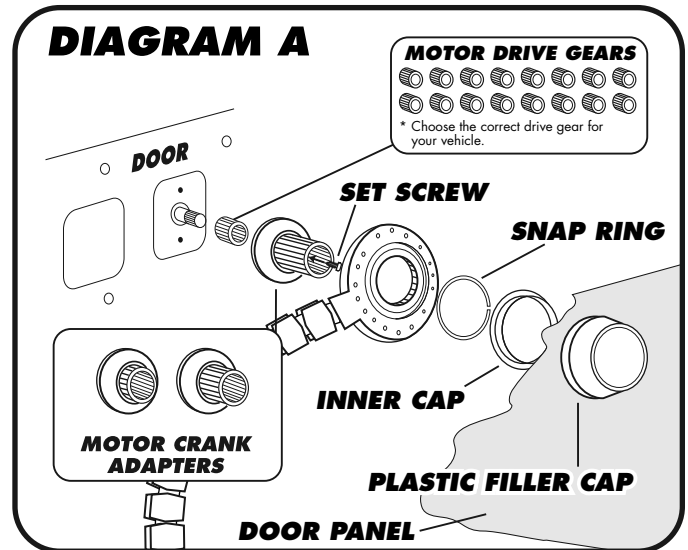
## PW4650- 2 Door Universal Power Window Kit with 3 Illuminated Switches

### INSTALLATION

- 1 Begin on the driver's side by carefully removing the door panel and hardware.
- 2 Find the proper motor drive gear for your vehicle using the provided adapters and assemble the gears as shown in Diagram A.
- 3 Hold gear-head on the shaft and move the motor end around and find a spot to mount it where it won't interfere with the door panel or other moving parts. In many vehicles it will be necessary to trim away some sheet metal to accommodate the motor. Roll the window up and down to check for clearance.
- 4 Attach the worm drive to the gears on the regulator
- 5 Insert ring clip to hold the worm on the gears.
- 6 Insert a small screw inbetween the inner and outer gears. See Diagram B.
- 7 Mount the motor in your selected location.
- 8 Secure the worm drive using bracketry supplied with the kit to mount motors as well.
- 9 Test fit the door panel to be sure of proper fitment.
- 10 With the door panel on loosely locate the proper filler cap and install. See Diagram C.
- 11 Repeat above steps on the opposite door.

### WIRING

- 1 Run the wire-loom across the underside of the dash and tie down with cable ties. Note. The group of four wires runs to the driver's side and the group of three wires runs to the passenger side.
- 2 Connect the power wire (RED) into a switched power source, preferably the keyed ACC. Note: Using a switched power source allows the window units to only work when the key is in the ON position.
- 3 Connect the ground wire (BLACK) to a clean chassis ground point.
- 4 Run wires into the door through the existing door looms. If this is not possible then holes should be drilled in the doorjamb and additional door looms used. It is important to use door looms to prevent the wires from becoming chaffed and shorting.
- 5 Connect the wires into the provided plugs shown in Diagram D. Mount the switches in an appropriate place on door panel. Use the provided template to determine the location. Note: In some vehicles you can mount the switch case over the motor crank adapter to hide your existing window crank hole.
- 6 Connect wires to the motor assembly. Use provided wire extension if needed. Be sure keep the wiring away from any moving parts.
- 7 Connect the wire-loom to the switch assembly.



- 8 Turn ignition key to the on position and test your power window system
- 9 Install door panel and hardware.
- 10 Install rubber adapter plug on the motor crank adapter.
- 11 Repeat above steps on the remaining doors.

**Tech Tip:** Be sure the stock hand crank is not bent, as it can cause the motor to struggle (or run roughly) and shorten its lifespan.

\*NOTE: THIS KIT DOES NOT INCLUDE RELAY, RELAY SOCKET, FUSES, OR ADDITIONAL WIRE. CONTACT YOUR SALES REP TO ORDER

