



# INSTALLATION INSTRUCTIONS

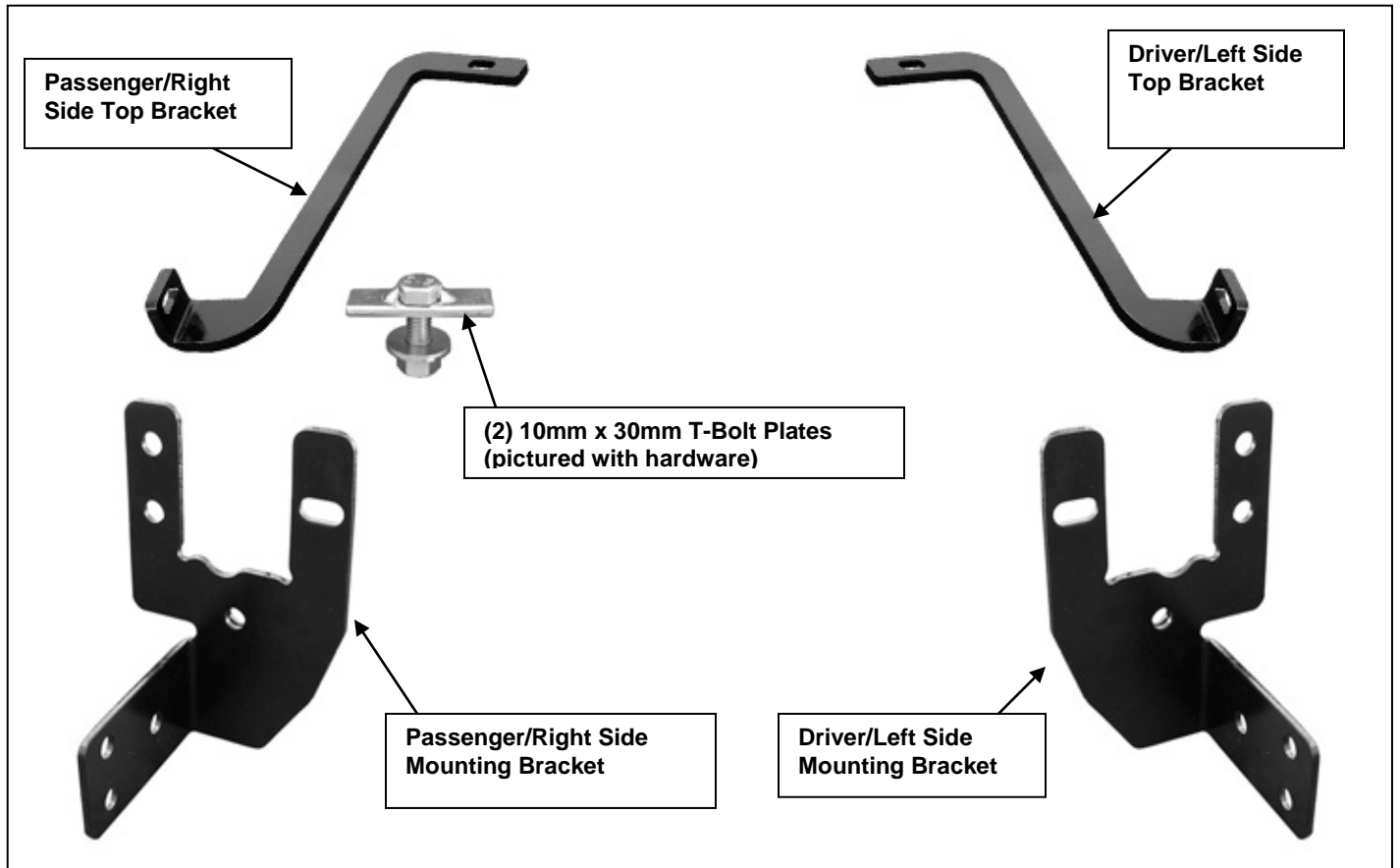
2005-2013 TACOMA GRILL GUARD

PART# 2054 / 2054-2

(Skid Plate Must be removed- If Equipped)

## PARTS LIST:

1	Grille Guard	16	12mm x 32mm OD x 3mm Flat Washers
1	Driver/Left Mounting Bracket	8	12mm Hex Nut
1	Passenger/Right Mounting Bracket	8	12mm lock washers
1	Driver/Left Top Bracket	2	10mm x 30mm Button Head Bolts
1	Passenger/Right Top Bracket	4	10mm x 27mm OD x 3mm Large Flat Washers
2	10mm x 30mm "T" Bolts	4	10mm Hex Nuts
2	12mm x 120mm Hex Bolts	4	10mm lock washers
6	12mm x 35mm Hex Bolts		



## PROCEDURE:

- 1. REMOVE CONTENTS FROM BOX. VERIFY ALL PARTS ARE PRESENT. READ INSTRUCTIONS CAREFULLY BEFORE STARTING INSTALLATION. DO NOT ATTEMPT INSTALLATION ALONE; PERSONAL INJURY OR DAMAGE TO THE TRUCK MAY RESULT.**
2. Starting on the driver/left side, remove the (3) factory nuts securing the bumper support to the end of the frame channel, **(Fig 1 - 3)**. Note: If vehicle is equipped with factory skid shield you will need to remove it, this will not be re-installed.
3. Line-up the (3) upper holes in the driver/left side Frame Mounting Bracket with the threaded studs in the end of the frame channel. Bolt the Bracket to the studs using the existing nuts removed in **Step 2, (Fig 1 - 3)**. Insert (1) 12mm x 120mm Hex Bolt with (1) 12mm Flat Washer through the lower mounting hole in the bracket and into the end of the frame channel. Use the included (1) 12mm Flat Washer and (1) 12mm Nylon Lock Nut to secure the Bracket to the lower mounting hole, **(Fig 1 & 3)**. Tighten hardware at this time.
4. Repeat **Steps 2 - 3** for passenger/right side Frame Mounting Bracket installation.
5. Open the hood on the vehicle. Locate the factory hole on each side of the bottom of the radiator support cross member behind the grille insert, **(passenger/right side pictured-Fig 4)**. Select (1) 10mm Bolt Plate. Insert the Bolt Plate through the back of the cross member and down through the hole in the bottom of the cross member, **(Fig 4 - 7)**.
6. Slide the driver/left side Top Bracket through the plastic grille opening and attach it to the previously inserted Bolt Plate using the included (1) 10mm Flat Washer and (1) 10mm Nylon Lock Nut, **(Fig 5)**. Do not tighten hardware. Repeat this Step for remaining Top Bracket installation, **(Fig 6)**.
7. With assistance, position the Grille Guard onto the inside of the Mounting Brackets. Use the included (6) 12mm x 35mm Hex Bolts, (12) 12mm Flat Washers and (6) 12mm Nylon Lock Nuts to attach the Grille Guard to the Mounting Brackets, **(Fig 2 & 3)**.
8. Line up the mounting hole in the passenger side Top Bracket with the corresponding hole in the upright on the Grille Guard. Bolt the Top Bracket to the Grille Guard with the included 10mm x 30mm Button Head Bolt, (1) 10mm Flat Washer and 10mm Nylon Lock Nut, **(Fig 7)**. Do not tighten hardware at this time. Repeat this Step to bolt the driver side Top Bracket to the Grille Guard.
9. Align the Grille Guard properly and tighten all hardware.
10. Do periodic inspections to the installation to make sure that all hardware is secure and tight.

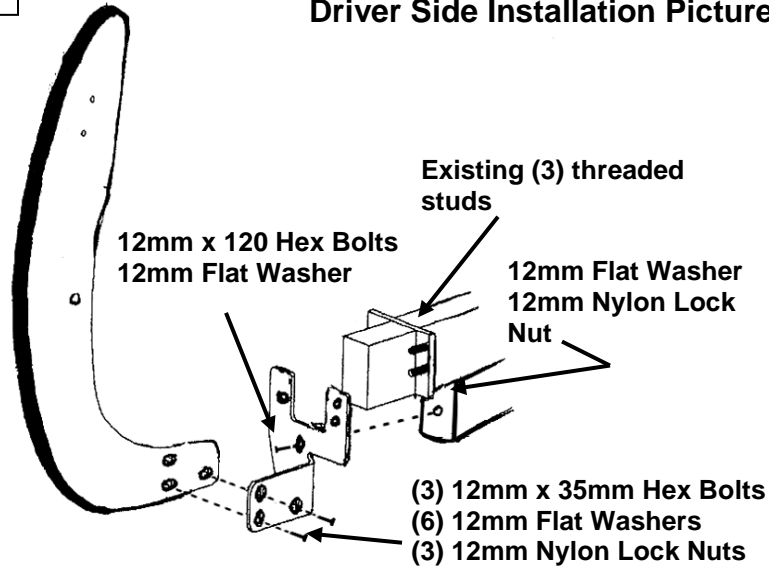
**To protect your investment**, wax this product after installing. Regular waxing is recommended to add a protective layer over the finish. Do not use any type of polish or wax that may contain abrasives that could damage the finish.

**For stainless steel:** Aluminum polish may be used to polish small scratches and scuffs on the finish. Mild soap may be used also to clean the Grille Guard.

**For gloss black finishes:** Mild soap may be used to clean the Grille Guard.

**Fig 1**

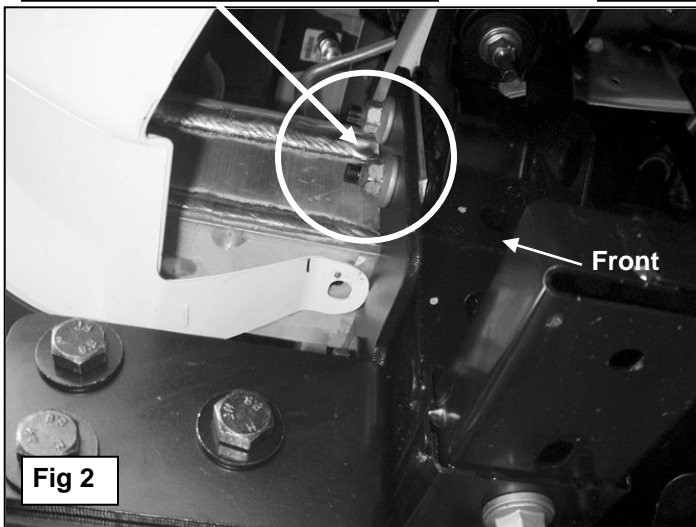
**Driver Side Installation Pictured**



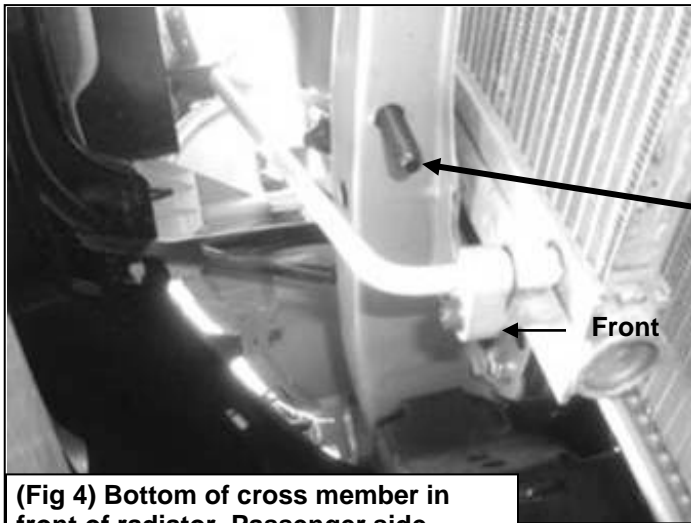
Factory hex nuts bolting driver side Frame Bracket to end of frame channel

(3) 12mm x 35mm Hex Bolts  
(6) 12mm Flat Washers  
(3) 12mm Nylon Lock Nuts

(1)12mm x 120 mm Hex Bolts  
(2)12mm Flat Washers  
(1)12mm Nylon Lock Nut

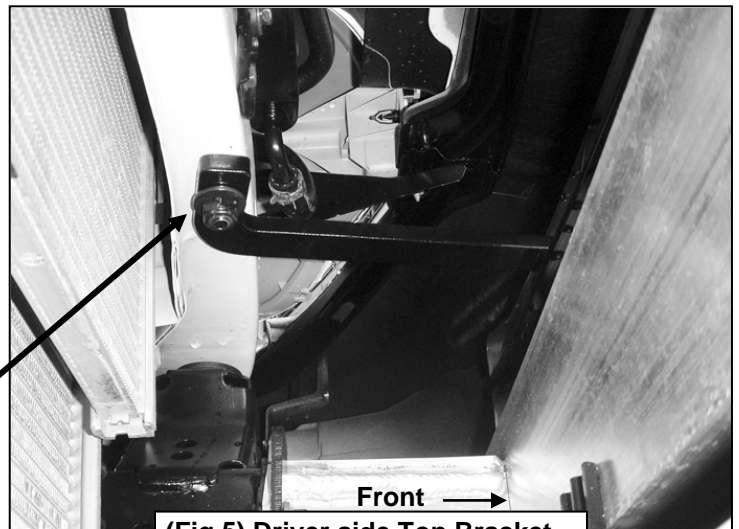


**NOTE:** It is not necessary but it may be easier to bolt the Top Brackets to the horizontal cross member in front of the radiator after the factory skid plate has been removed



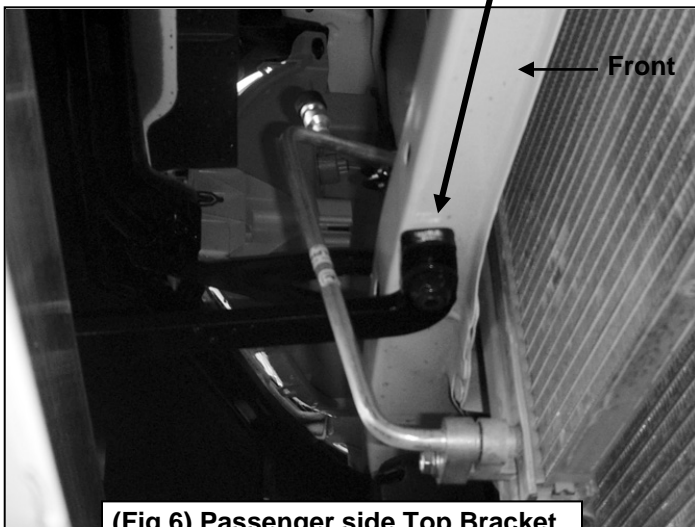
**(Fig 4)** Bottom of cross member in front of radiator. Passenger side pictured from below without skid plate

Insert T-Bolt Plate from behind and through hole in bottom of cross member



**(Fig 5)** Driver side Top Bracket installation pictured from below

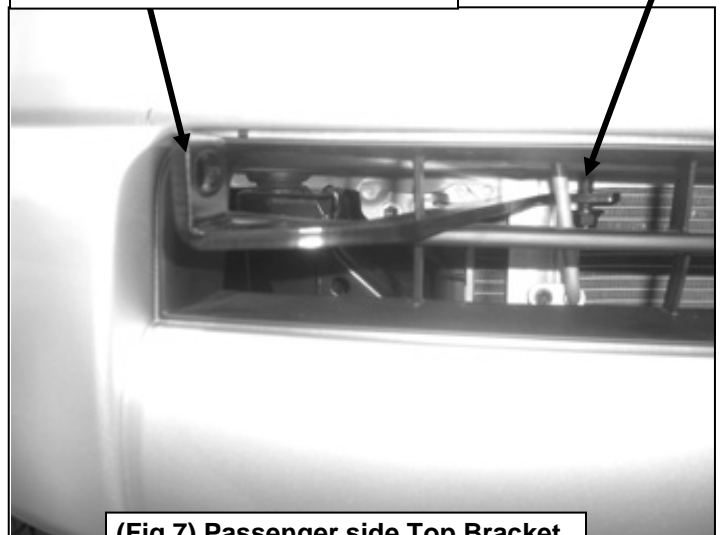
10mm T-Bolt Plate  
10mm Flat Washer  
10mm x 27mm Large Flat Washer  
10mm Nylon Lock Nut



**(Fig 6)** Passenger side Top Bracket installation pictured from below

Bolt the Top Bracket to the Grille Guard with the included:  
10mm x 30mm Button Head Bolt  
10mm Flat Washer  
10mm Nylon Lock Nut

T-Bolt Plate w/hardware



**(Fig 7)** Passenger side Top Bracket installation through grille opening