



**Demand the original.**

Axle Components | Driveshaft Components | Repair Kits

# Axle Components

OE Quality Driveline Components  
Designed for Chrysler – RAM Products





# Demand the original.

Axle Components | Driveshaft Components | Repair Kits

Only original equipment quality components are guaranteed to meet the same specifications as the parts they replace. AAM components mean performance to the vehicle manufacturer's standards.

## Reliable

AAM products are designed for long-term reliability.

## Durable

Advanced processes ensure AAM products withstand the high usage demand of all applications.

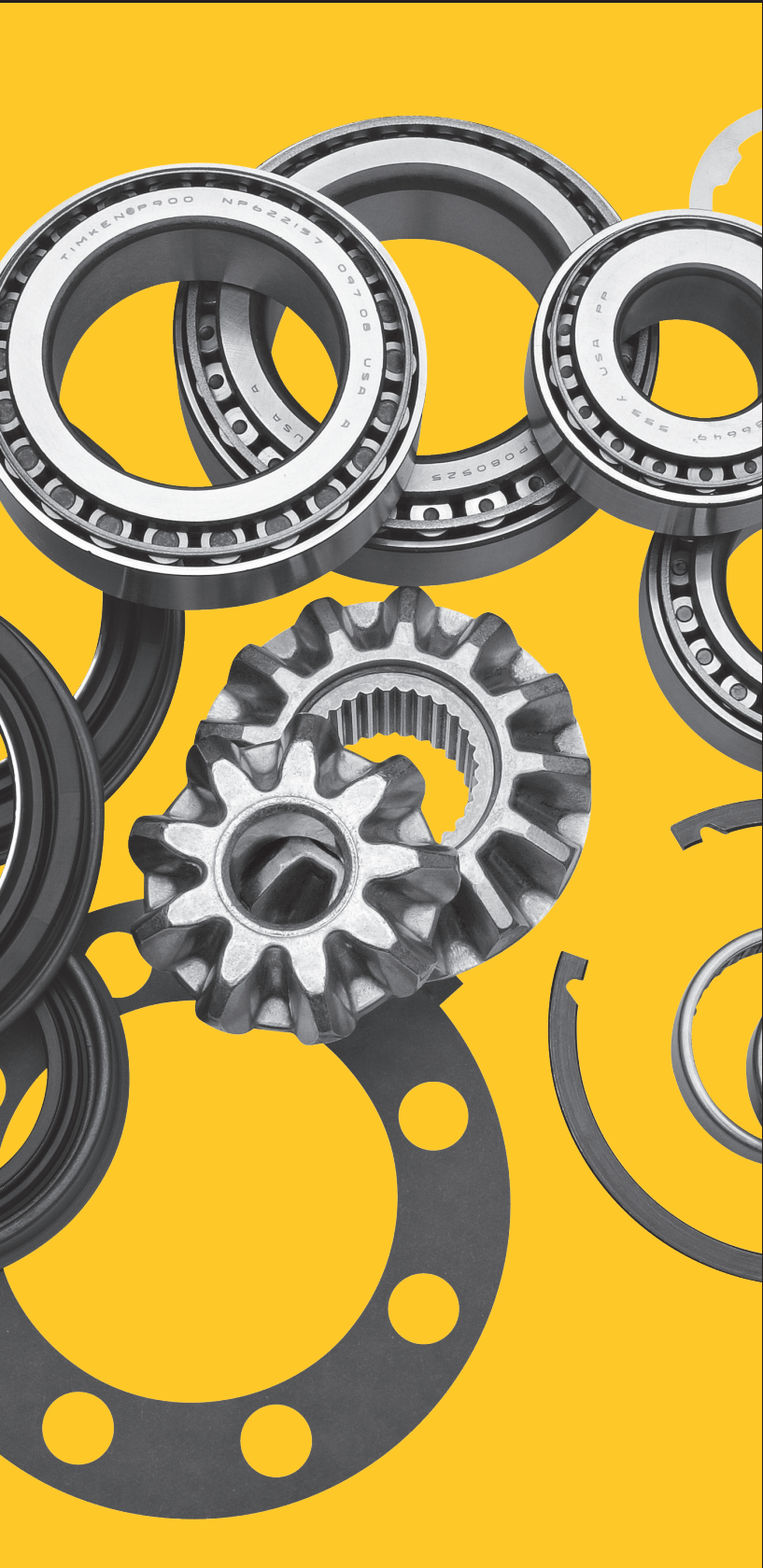
## Quality

AAM products are manufactured to the highest-quality standards that customers demand.

## Performance

AAM products are engineered, manufactured and validated to meet OEM specifications and ensure ultimate performance.





## **TABLE OF CONTENTS**

OE Quality Replacement Parts

Designed for Chrysler LLC. Products:

<b>AAM 925 Front Beam Axle - (12 Bolt)</b>	<b>6 – 7</b>
<b>AAM 925 Front Beam Axle - (14 Bolt)</b>	<b>8 – 15</b>
<b>AAM 1050 Rear Axle - (14 Bolt)</b>	<b>16 – 23</b>
<b>AAM 1150 Rear Axle - (14 Bolt)</b>	<b>24 – 29</b>
<b>AAM 1180 Rear Axle - (14 Bolt)</b>	<b>30 – 31</b>
<b>Safety Information</b>	<b>32</b>



# Demand the original.

Axle Components | Driveshaft Components | Repair Kits

## SUMMARY CHART

## ASSEMBLY SPECIFICATIONS

OEM	Make	Model	Year	Platform	Front Axles		Rear Axles				
					Chrysler	Chrysler	Chrysler	Chrysler	Chrysler	Chrysler	
					9.25" 14-Bolt Salisbury 5 Link	9.25" 12-Bolt Salisbury 3 Link	10.5" 14-Bolt Salisbury	11.5" 14-Bolt Salisbury 3 Link	11.5" 14-Bolt Salisbury 5 Link	11.8" 14-Bolt Salisbury	
Chrysler	RAM	Chrysler Dodge RAM Pickup 2500 HD	2003-2009 2009-2013	DR / DH DS / DJ	9.25" 14-Bolt Salisbury 5 Link		10.5" 14-Bolt Salisbury				
Chrysler	RAM	Chrysler Dodge RAM Pickup 3500	2003-2009 2009-2013	DR / DH DS / DJ	9.25" 14-Bolt Salisbury 5 Link			11.5" 14-Bolt Salisbury 3 Link			
Chrysler	RAM	Chrysler Chassis Cab - RAM 4000	2006+	DC DD				11.5" 14-Bolt Salisbury 3 Link			
Chrysler	RAM	Chrysler Dodge RAM Pickup 2500 HD	2014+	DJ		9.25" 12-Bolt Salisbury 3 Link			11.5" 14-Bolt Salisbury 5 Link		
Chrysler	RAM	Chrysler Dodge RAM Pickup 3500	2014+	D2		9.25" 12-Bolt Salisbury 3 Link			11.5" 14-Bolt Salisbury 5 Link	11.8" 14-Bolt Salisbury	





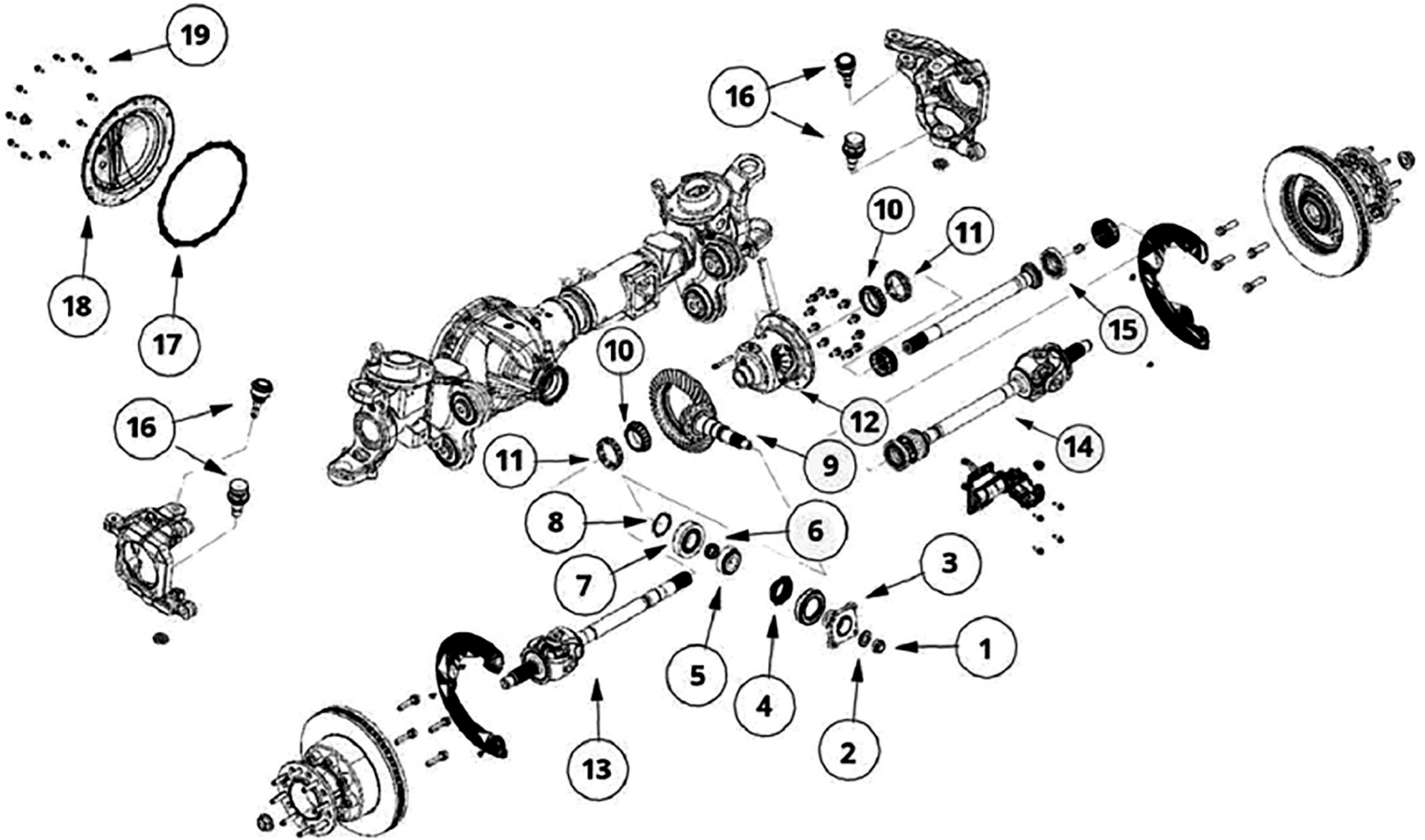


# Demand the original.

Axle Components | Driveshaft Components | Repair Kits

## AAM 925 12 Bolt

## 2014+ RAM - 3 Link Front Beam Axle



### 7410007 9.25" FRONT BEAM - BALL JOINT KIT RAM 2500/3500 MODEL YEAR 2014+

AAM PART #	DESCRIPTION	QTY
11516133	NUT, M16 (TORQ PREVAILING)	1
40067532	BALL JOINT, UPPER	1
40011986	BOLT	4
40090147	BALL JOINT, LOWER	1
40109770	NUT, M22 X 1.5	1

### 74067022 9.25" FRONT BEAM - MASTER BEARING KIT RAM 2500/3500 MODEL YEAR 2014+

AAM PART #	DESCRIPTION	QTY
11505123	DIFFERENTIAL BEARING ASSEMBLY	2
457108	PINION HEAD BEARING ASSEMBLY	1
9417781	PINION TAIL BEARING ASSEMBLY	1
14012691	COLLAPSIBLE SPACER	1
517900	PINION YOKE WASHER	1
9783762	PINION NUT	1
40017140	PINION SEAL	1

### VEHICLE REFERENCE GUIDE

RAM 2500/3500 2014+

ILL #	CATALOG PART NUMBER	AAM PART NUMBER	DESCRIPTION	REQ	MODEL YEAR
1	9783762		PINION NUT	1	2003+
2	517900		PINION WASHER	1	2003+
3	40112849		PINION FLANGE ASSEMBLY (W/SLEEVE)	1	2014+
4	40017140		PINION SEAL	1	2003+
5	9417781		PINION TAIL BEARING ASSEMBLY	1	2003+
6	14012691		COLLAPSIBLE SPACER	1	2003+
7	457108		PINION HEAD BEARING ASSEMBLY	1	2003+
8			PINION SHIM		
9	D925342GS-1	40104632	RING & PINION GEAR SET (3.42 RATIO)	1	2014+
9	D925373GS-2	40104636	RING & PINION GEAR SET (3.73 RATIO)	1	2014+
9	D925410GS-2	40104640	RING & PINION GEAR SET (4.10 RATIO)	1	2014+
9	D925444GS	40107027	RING & PINION GEAR SET (4.44 RATIO)	1	2014+
9	DPW925410GS1	40115803	RING & PINION GEAR SET (4.10 RATIO - POWERWAGON ONLY)	1	2014+
	40064367		RING GEAR BOLT W/ADHESIVE	12	2014+
10	11505123		DIFFERENTIAL BEARING ASSEMBLY	2	2003+
11	40088015		DIFFERENTIAL BEARING ADJUSTER	2	2014+
12	40089797		TRACRITE OPEN - DIFFERENTIAL ASSEMBLY OPEN W/ INTERNALS		2014+
12	40047279		TRACRITE EL - DIFFERENTIAL CASE & COIL ASSEMBLY W/ INTERNAL GEARS	POWERWAGON	2003+
13	40104193		AXLE SHAFT ASSEMBLY - LH 35 SPLINE	1	2014+
13	40120342		OUTER STUB - LH	1	2014+
13	40011848		DEFLECTOR - LH	1	2014+
13	40060431		INNER SHAFT - LH	1	2014+
13 / 14	74081555		U-JOINT - LH / RH	2	2010+
14	40104194		AXLE SHAFT ASSEMBLY - RH 35 SPLINE	1	2014+
14	40120342		OUTER STUB - RH	1	2014+
14	40011848		DEFLECTOR - RH	1	2014+
14	40099782		INNER SHAFT - RH	1	2014+
15	40114128		DISCONNECT INNER OUTPUT SHAFT ASSEMBLY	1	2014+
15	40009211		DISCONNECT SLEEVE	1	2014+
15	40116533		DISCONNECT ACTUATOR ASSEMBLY	1	2014+
15	40089728		DISCONNECT ACTUATOR BOLTS	4	2014+
15	40101394		DISCONNECT INNER OUTPUT SHAFT BALL BEARING	1	2014+
16	74100007		BALL JOINT KIT - UPPER & LOWER	2	2014+
17	40089793		COVER PAN GASKET	1	2014+
18	40087998		COVER PAN	1	2014+
19	40089728		COVER PAN BOLTS	12	2014+
	40042937		COVER PAN FILL PLUG	1	
<b>MISC PARTS</b>					
	40011965		TUBE SEAL	2	2003+
	40095152		VENT HOSE CONNECTOR		2014+
	14012707		LOCK, DIFFERENTIAL BEARING ADJUSTING NUT		2003+
	14012748		BOLT, DIFFERENTIAL ADJUSTER LOCK		2003+

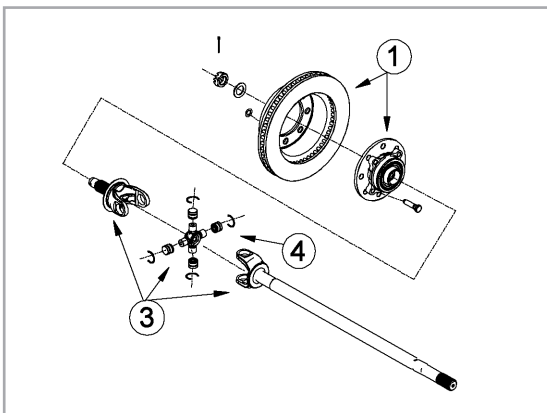
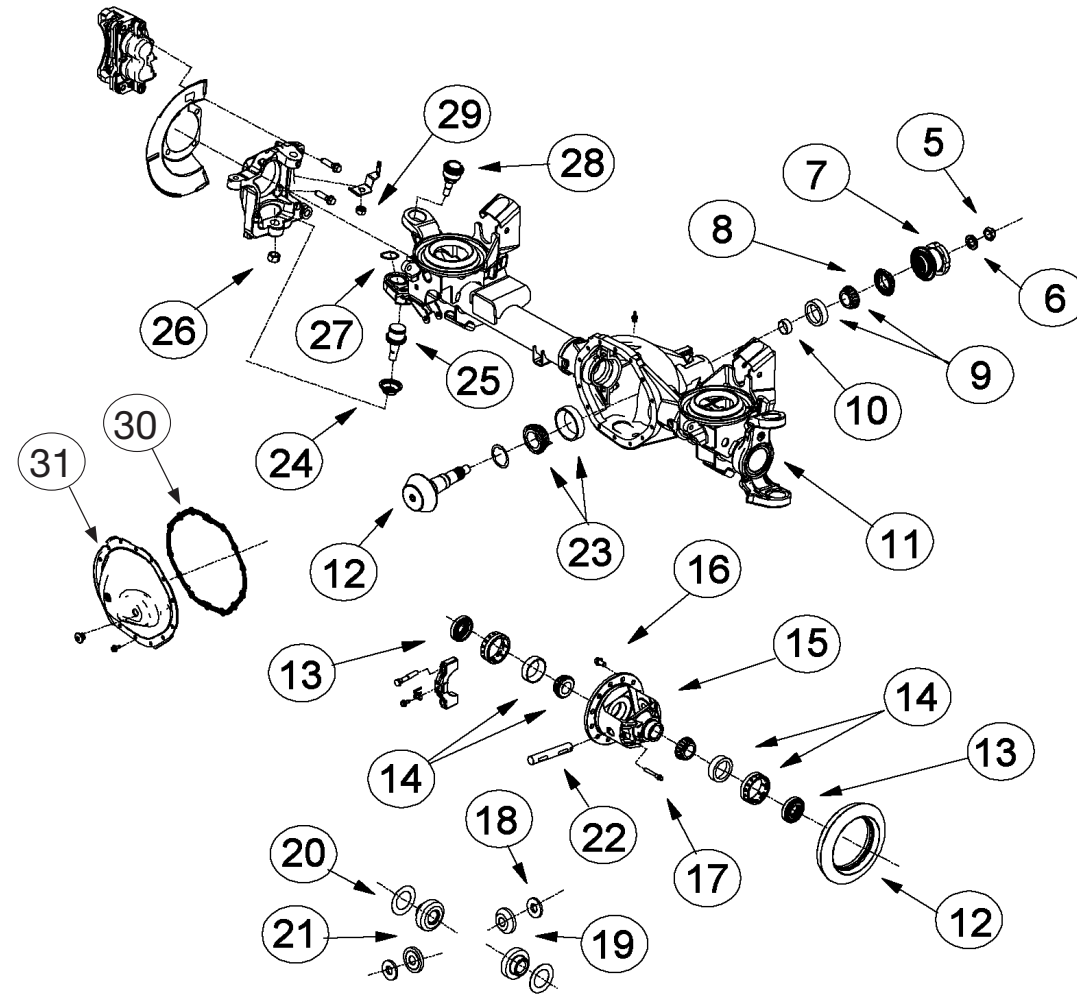


# Demand the original.

Axle Components | Driveshaft Components | Repair Kits

## AAM 925 14 BOLT

## RAM 9.25" Front Beam Axle



### VEHICLE REFERENCE GUIDE

RAM 2500/3500 2003-2013



ILL #	CATALOG PART NUMBER	AAM PART NUMBER	DESCRIPTION	REQ	USAGE	MODEL YEAR
1			HUB & ROTOR ASM (SINGLE WHEEL)		FOR REFERENCE ONLY	
2			HUB & ROTOR ASM (DUAL WHEEL)		FOR REFERENCE ONLY	
3	40020735		U-JOINT & AXLE SHAFT ASM - RH LONG	1	DR/DH	2003-2008
3	40020734		U-JOINT & AXLE SHAFT ASM - LH SHORT	1	DR/DH	2003-2008
3	40052461		U-JOINT & AXLE SHAFT ASM - RH LONG	1	DR/DH	2009
3	40060488		UJT & AXLE SHAFT ASM - LEFT HAND SHORT	1	DR/DH	2010-2013
3	40050487		UJT & AXLE SHAFT ASM - RIGHT HAND LONG	1	DR/DH	2010-2013
3	40022771		AXLE SHAFT LH INNER 1485 SERIES	1	DR/DH	2003-2008
3	40022772		AXLE SHAFT RH INNER 1485 SERIES	1	DR/DH	2003-2008
3	40060431		AXLE SHAFT LH INNER 1550 SERIES	1	DR/DH	2010-2013
3	40060439		AXLE SHAFT RH INNER 1550 SERIES	1	DR/DH	2010-2013
3	40060443		LH / RH OUTER AXLE SHAFT 1550 SERIES	1	DR/DH	2010-2013
3	40072773		RH INNER/OUTER COMPLETE AXLE ASSEMBLY 1550 SERIES	1	DR/DH	2010-2013
3	40072774		LH INNER/OUTER COMPLETE AXLE ASSMEBLY 1550 SERIES	1	DR/DH	2010-2013
5	9783762		PREVAILING TORQUE PINION NUT	1	DR/DH	2003+
6	517900		PINION NUT WASHER	1	DR/DH	2003+
7	40047860		PINION YOKE (PILOTED)	1	DR/DH	2003-2013
8	40017140		PINION SEAL	1	DR/DH	2003+
9	9417781		PINION TAIL BEARING ASSEMBLY	1	DR/DH	2003+
10	14012691		COLLAPSIBLE SPACER	1	DR/DH	2003+
11			HOUSING		FOR REFERENCE ONLY	
12	40045288		RING & PINION GEAR SET (3.42 RATIO; 2 CUT)	1	DH	2008-2013
12	40036546		RING & PINION GEAR SET (3.73 RATIO; 2 CUT)	1	DH	2007-2013
12	40041782		RING & PINION GEAR SET (4.10 RATIO; 2 CUT)	1	DH	2007-2013
13	40011965		OUTPUT SEAL	2	DR/DH	2003+
14	11505123		DIFFERENTIAL BEARING ASSEMBLY	1	DR/DH	2003+
15	40031460		DIFFERENTIAL OPEN CASE ASM (SPHERICAL BACK TRACRITE® OPEN; WITH INTERNALS)	1	DH	2007-2013
15	40035046		DIFFERENTIAL OPEN CASE ASSEMBLY (WITH INTERNALS)	1	DR/DH	2003-2006
15	40047279		DIFFERENTIAL CASE & COIL ASM (TRACRITE® EL; DIFF. WITH INTERNALS)	1	DR/DH	2005+
16	40031306		RING GEAR BOLT W/ D62 ADHESIVE	12	DR/DH	2003-2013
17	AVAILABLE IN KIT ONLY		PINION SHAFT LOCK SCREW	1	DR/DH	2003+
18	AVAILABLE IN KIT ONLY		PINION THRUST FLAT WASHER	2	DR/DH	2003-2006
18	AVAILABLE IN KIT ONLY		PINION THRUST SPHERICAL WASHER	2	DH	2007+
19	AVAILABLE IN KIT ONLY		PINION FLAT BACK GEAR	2	DR/DH	2003-2006
19	AVAILABLE IN KIT ONLY		SIDE SPHERICAL BACK GEAR	2	DH	2007+
20	AVAILABLE IN KIT ONLY		SIDE THRUST WASHER	2	DR/DH	2003+
21	AVAILABLE IN KIT ONLY		SIDE FLAT BACK GEAR	2	DR/DH	2003-2006
21	AVAILABLE IN KIT ONLY		SIDE GEAR	2	DH	2007+
22	AVAILABLE IN KIT ONLY		PINION SHAFT	1	DR/DH	2003+



# Demand the original.

Axle Components | Driveshaft Components | Repair Kits

## AAM 925 14 BOLT

## RAM 9.25" Front Beam Axle

ILL #	CATALOG PART NUMBER	AAM PART NUMBER	DESCRIPTION	REQ	USAGE	MODEL YEAR
23	457108		PINION HEAD BEARING ASSEMBLY	1	DR/DH	2003+
24	40010635		LOWER BALL JOINT SEAL	2	DR/DH	2003-2013
25	40010451		LOWER BALL JOINT	2	DR/DH	2003-2013
26	40012013		LOWER BALL JOINT NUT	2	DR/DH	2003-2013
27	40011969		RETAINING RING	2	DR/DH	2003+
28	70020760		UPPER BALL JOINT	2	DR/DH	2003+
29	11516843		UPPER BALL JOINT NUT	2	DR/DH	2003+
30	40011815		RUBBER OVER METAL COVERPAN GASKET	1	DR/DH	2003-2013
31	40063948		COVERPAN	1	DR/DH	2003-2013

### 74010009 9.25" FRONT BEAM - MASTER INSTALL KIT RAM 2500/3500 MODEL YEAR 2003-2013

### 74067022 9.25" FRONT BEAM - MASTER BEARING KIT RAM 2500/3500 MODEL YEAR 2003+

AAM PART #	DESCRIPTION	QTY
40011986	BOLT W/ WASHER & ADHESIVE	8
40011815	RUBBER OVER METAL COVERPAN GASKET	1
40021280	COTTER PIN	2
40010627	HUB NUT	2
40031306	RING GEAR BOLT W/ ADHESIVE	12
14012691	COLLAPSIBLE SPACER	1
	PINION SEAL SLEEVE	1
9783762	PREVAILING TORQUE PINION NUT	1
	PINION SHIM	18
40017140	TRIPLE LIP PINION SEAL	1
40011965	OUTPUT SEAL	2
40007601	MAGNETIC FILL/DRAIN PLUG	1
517900	PINION NUT WASHER	1
40010628	HUB NUT WASHER	2
40002169	COVERPAN BOLT W/ ADHESIVE	14

AAM PART #	DESCRIPTION	QTY
11505123	DIFFERENTIAL BEARING ASSEMBLY	2
457108	PINION HEAD BEARING ASSEMBLY	1
9417781	PINION TAIL BEARING ASSEMBLY	1
14012691	COLLAPSIBLE SPACER	1
517900	PINION YOKE WASHER	1
9783762	PINION NUT	1
40017140	PINION SEAL	1

#### VEHICLE REFERENCE GUIDE

RAM 2500/3500    2003-2013

**74042462 9.25" FRONT BEAM -  
33 TOOTH - DIFFERENTIAL GEAR KIT**

*RAM 2500/3500*

**MODEL YEAR 2007-2013**

AAM PART #	DESCRIPTION	QTY
	PINION GEAR	2
	SIDE THRUST WASHER	2
	SIDE GEAR	2
	PINION SHAFT SCREW	1
	PINION SHAFT	1
	PINION THRUST SPHERICAL WASHER	2

**74047037 9.25" FRONT BEAM -  
33 TOOTH - DIFFERENTIAL GEAR KIT**

*RAM 2500/3500*

**MODEL YEAR 2003-2006**

AAM PART #	DESCRIPTION	QTY
	PINION FLAT BACK GEAR	2
	PINION THRUST WASHER	2
	SIDE GEAR	2
	PINION SHAFT	1
	SIDE THRUST WASHER	2
	PINION SHAFT LOCK SCREW	1

**74100001 9.25" FRONT BEAM -  
BALL JOINT KIT**

*RAM 2500/3500*

**MODEL YEAR 2003-2013**

AAM PART #	DESCRIPTION	QTY
40010451	LOWER BALL JOINT	1
40020760	UPPER BALL JOINT	1
40010635	BALL JOINT SEAL	1
40011969	SNAP RING	1
40012013	M20 TORQUE PREVAILING NUT	1
11516133	M16 TORQUE PREVAILING NUT	1
40011986	WHEEL HUB BOLTS	4

**74050016 9.25" FRONT BEAM -  
OUTPUT SHAFT SEAL KIT**

*RAM 2500/3500*

**MODEL YEAR 2003-2013**

AAM PART #	DESCRIPTION	QTY
40011985	OUTPUT SEAL	2
40011986	BOLT W/ WASHER & ADHESIVE	8

**74030009 9.25" FRONT BEAM -  
COVERPAN KIT**

*RAM 2500/3500*

**MODEL YEAR 2003-2013**

AAM PART #	DESCRIPTION	QTY
40063948	COVERPAN	1
40011815	RUBBER OVER METAL COVERPAN GASKET	1
40002169	COVERPAN BOLT W/ ADHESIVE	14
40007601	MAGNETIC FILL/DRAIN PLUG	1

**74020009 9.25" FRONT BEAM -  
PINION SEAL KIT**

*RAM 2500/3500*

**MODEL YEAR 2003-2013**

AAM PART #	DESCRIPTION	QTY
40017140	PINION SEAL	1
14012691	COLLAPSIBLE SPACER	1
9783762	PREVAILING TORQUE PINION NUT	1
	PINION SEAL SLEEVE	1
517900	PINION NUT WASHER	1

**74110001 9.25" FRONT BEAM -  
WHEEL JOINT KIT (1485)**

*RAM 2500/3500*

**MODEL YEAR 2003-2009**

AAM PART #	DESCRIPTION	QTY
40022782	U JOINT 1485	2
40023193	RING, RETAINING	8
40011848	DEFLECTOR, AXLE HUB BRG	2
40011986	BOLT, FRONT WHEEL HUB	8
40010627	NUT, HUB	2
40010628	WASHER, HUB NUT	2
40021280	PIN, COTTER (HUB NUT RETAINER)	2

**74110002 9.25" FRONT BEAM -  
WHEEL JOINT KIT (1555)**

*RAM 2500/3500*

**MODEL YEAR 2010-2013**

AAM PART #	DESCRIPTION	QTY
40069856	U JOINT 1555	2
40023193	RING, RETAINING	8
40011848	DEFLECTOR, AXLE HUB BRG	2
40011986	BOLT, FRONT WHEEL HUB	8
40010627	NUT, HUB	2
40010628	WASHER, HUB NUT	2
40021280	PIN, COTTER (HUB NUT RETAINER)	2

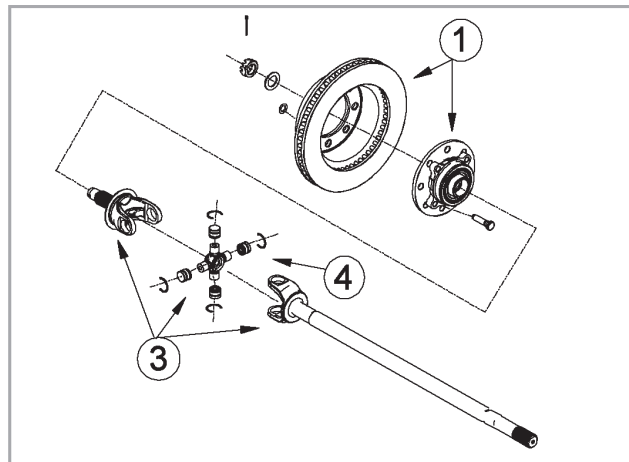
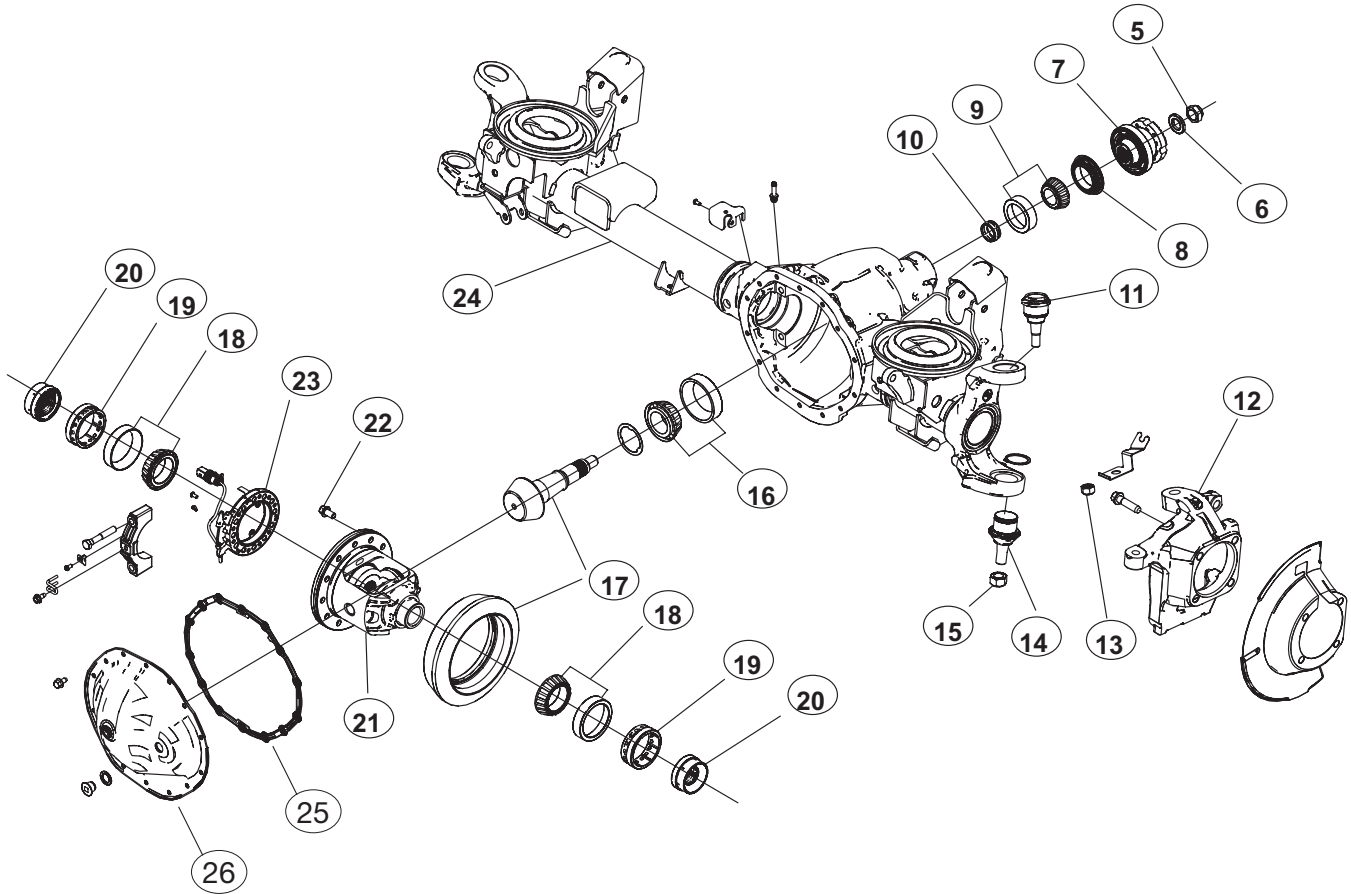


# Demand the original.

Axle Components | Driveshaft Components | Repair Kits

## AAM 925 14 BOLT with e-lock

## RAM 9.25" Front Beam Axle



### VEHICLE REFERENCE GUIDE

RAM 2500/3500 2003-2013

ILL #	CATALOG PART NUMBER	AAM PART NUMBER	DESCRIPTION	REQ	USAGE	MODEL YEAR
1			HUB & ROTOR ASM (SINGLE WHEEL)		FOR REFERENCE ONLY	
3	40020735		U-JOINT & AXLE SHAFT ASM - RH LONG	1	DR/DH	2005-2008
3	40020734		U-JOINT & AXLE SHAFT ASM - LH SHORT	1	DR/DH	2005-2008
3	40052461		U-JOINT & AXLE SHAFT ASM - RH LONG	1	DR/DH	2009-2013
4	40087025		U-JOINT - 1485	2	DR/DH	2005-2010
4	40068198		U-JOINT - 1555	2	DR/DH	2010+
5	9783762		PREVAILING TORQUE PINION NUT	1	DR/DH	2005+
6	517900		PINION NUT WASHER	1	DR/DH	2005+
7	40047860		PINION YOKE (PILOTED)	1	DR/DH	2005-2013
8	40047860		PINION YOKE (PILOTED)	1	DR/DH	2005-2013
9	9417781		PINION TAIL BEARING ASSEMBLY	1	DR/DH	2005+
10	14012691		COLLAPSIBLE SPACER	1	DR/DH	2005+
11	40020760		UPPER BALL JOINT	2	DR/DH	2005+
12			KNUCKLE		FOR REFERENCE ONLY	
13	11516843		UPPER BALL JOINT NUT	2	DR/DH	2005+
14	40010451		LOWER BALL JOINT	2	DR/DH	2005-2013
14	40010635		LOWER BALL JOINT SEAL	2	DR/DH	2005-2013
15	40012013		LOWER BALL JOINT NUT	2	DR/DH	2005-2013
16	457108		PINION HEAD BEARING ASSEMBLY	1	DR/DH	2005+
17	40022464		RING & PINION GEAR SET (4:56)	1	DR/DH	2005-2013
18	11505123		DIFFERENTIAL BEARING ASSEMBLY	1	DR/DH	2005+
19	14012753		DIFF. BEARING ADJUSTER NUT	2	DR/DH	2005+
20	40011965		AXLE SHAFT SEAL	2	DR/DH	2005+
21	40047279		DIFFERENTIAL CASE & COIL ASM (TRACRITE® EL; DIFF. WITH INTERNALS)	1	DR/DH	2005+
22	40031306		RING GEAR BOLT W. ADHESIVE	12	DR/DH	2005-2013
23	40042919		ASM COIL	1	DR/DH	2005+
24			HOUSING		FOR REFERENCE ONLY	
25	40011815		RUBBER OVER METAL COVERPAN GASKET	1	DR/DH	2005-2013
26	40063948		COVERPAN	1	DR/DH	2005-2013



# Demand the original.

Axle Components | Driveshaft Components | Repair Kits

## AAM 925 14 BOLT with e-lock

**74010009 9.25" FRONT BEAM -  
MASTER INSTALL KIT**  
RAM 2500/3500  
MODEL YEAR 2003-2013

AAM PART #	DESCRIPTION	QTY
40011986	BOLT W/ WASHER & ADHESIVE	8
40011815	RUBBER OVER METAL COVERPAN GASKET	1
40021280	COTTER PIN	2
40010627	HUB NUT	2
40031306	RING GEAR BOLT W/ ADHESIVE	12
14012691	COLLAPSIBLE SPACER	1
	PINION SEAL SLEEVE	1
9783762	PREVAILING TORQUE PINION NUT	1
	PINION SHIM	18
40017140	TRIPLE LIP PINION SEAL	1
40011965	OUTPUT SEAL	2
40007601	MAGNETIC FILL/DRAIN PLUG	1
517900	PINION NUT WASHER	1
40010628	HUB NUT WASHER	2
40002169	COVERPAN BOLT W/ ADHESIVE	14

**74067022 9.25" FRONT BEAM -  
MASTER BEARING KIT**  
RAM 2500/3500  
MODEL YEAR 2003+

AAM PART #	DESCRIPTION	QTY
11505123	DIFFERENTIAL BEARING ASSEMBLY	2
457108	PINION HEAD BEARING ASSEMBLY	1
9417781	PINION TAIL BEARING ASSEMBLY	1
14012691	COLLAPSIBLE SPACER	1
517900	PINION YOKE WASHER	1
9783762	PINION NUT	1
40017140	PINION SEAL	1

## RAM 9.25" Front Beam Axle

**74042462 9.25" FRONT BEAM -  
33 TOOTH - DIFFERENTIAL GEAR KIT**  
RAM 2500/3500  
MODEL YEAR 2007-2013

AAM PART #	DESCRIPTION	QTY
	PINION GEAR	2
	SIDE THRUST WASHER	2
	SIDE GEAR	2
	PINION SHAFT SCREW	1
	PINION SHAFT	1
	PINION THRUST SPHERICAL WASHER	2

**74047037 9.25" FRONT BEAM -  
33 TOOTH - DIFFERENTIAL GEAR KIT**  
RAM 2500/3500  
MODEL YEAR 2003-2006

AAM PART #	DESCRIPTION	QTY
	PINION FLAT BACK GEAR	2
	PINION THRUST WASHER	2
	SIDE GEAR	2
	PINION SHAFT	1
	SIDE THRUST WASHER	2
	PINION SHAFT LOCK SCREW	1

### VEHICLE REFERENCE GUIDE

RAM 2500/3500 2003-2013



**74050016 9.25" FRONT BEAM -  
OUTPUT SHAFT SEAL KIT**

*RAM 2500/3500*

**MODEL YEAR 2003-2013**

AAM PART #	DESCRIPTION	QTY
40011965	OUTPUT SEAL	2
40011986	BOLT W/ WASHER & ADHESIVE	8

**74030009 9.25" FRONT BEAM -  
COVERPAN KIT**

*RAM 2500/3500*

**MODEL YEAR 2003-2013**

AAM PART #	DESCRIPTION	QTY
40063948	COVERPAN	1
40011815	RUBBER OVER METAL COVERPAN GASKET	1
40002169	COVERPAN BOLT W/ ADHESIVE	14
40007601	MAGNETIC FILL/DRAIN PLUG	1

**74020009 9.25" FRONT BEAM -  
PINION SEAL KIT**

*RAM 2500/3500*

**MODEL YEAR 2003-2013**

AAM PART #	DESCRIPTION	QTY
40017140	PINION SEAL	1
14012691	COLLAPSIBLE SPACER	1
9783762	PREVAILING TORQUE PINION NUT	1
	PINION SEAL SLEEVE	1
517900	PINION NUT WASHER	1

**74100001 9.25" FRONT BEAM -  
BALL JOINT KIT**

*RAM 2500/3500*

**MODEL YEAR 2003-2013**

AAM PART #	DESCRIPTION	QTY
40010451	LOWER BALL JOINT	1
40020760	UPPER BALL JOINT	1
40010635	BALL JOINT SEAL	1
40011969	SNAP RING	1
40012013	M20 TORQUE PREVAILING NUT	1
11516133	M16 TORQUE PREVAILING NUT	1
40011986	WHEEL HUB BOLTS	4

**74110001 9.25" FRONT BEAM -  
WHEEL JOINT KIT (1485)**

*RAM 2500/3500*

**MODEL YEAR 2003-2009**

AAM PART #	DESCRIPTION	QTY
40022782	U JOINT 1485	2
40023193	RING, RETAINING	8
40011848	DEFLECTOR, AXLE HUB BRG	2
40011986	BOLT, FRONT WHEEL HUB	8
40010627	NUT, HUB	2
40010628	WASHER, HUB NUT	2
40021280	PIN, COTTER (HUB NUT RETAINER)	2

**74110002 9.25" FRONT BEAM -  
WHEEL JOINT KIT (1555)**

*RAM 2500/3500*

**MODEL YEAR 2010-2013**

AAM PART #	DESCRIPTION	QTY
40069856	U JOINT 1555	2
40023193	RING, RETAINING	8
40011848	DEFLECTOR, AXLE HUB BRG	2
40011986	BOLT, FRONT WHEEL HUB	8
40010627	NUT, HUB	2
40010628	WASHER, HUB NUT	2
40021280	PIN, COTTER (HUB NUT RETAINER)	2

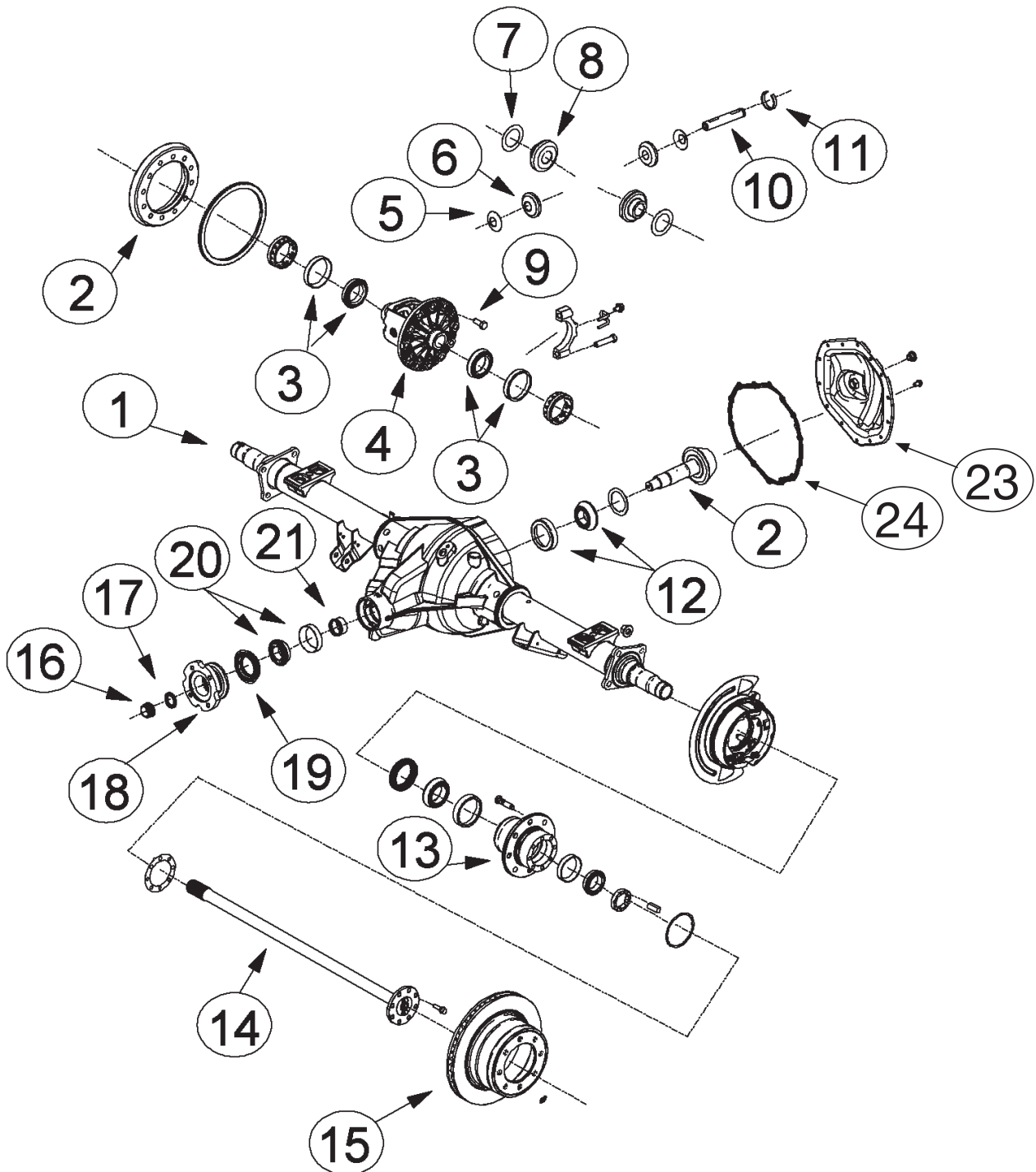


# Demand the original.

Axle Components | Driveshaft Components | Repair Kits

## AAM 1050 14 BOLT

## RAM 10.5" Rear Axle



### VEHICLE REFERENCE GUIDE

RAM 2500/3500 POWERWAGON

2003-2012

ILL #	CATALOG PART NUMBER	AAM PART NUMBER	DESCRIPTION	REQ	USAGE	MODEL YEAR
1			AXLE HOUSING		FOR REFERENCE ONLY	
2	40023039		RING & PINION GEAR SET (3.73 RATIO; 2 CUT)	1	RAM	2003-2012
2	40069922		RING & PINION GEAR SET (4.10 RATIO; 2 CUT)	1	RAM	2003-2012
3	9436881		DIFFERENTIAL BEARING ASSEMBLY	1	RAM	2003-2012
4	40008168		DIFFERENTIAL OPEN CASE (WITHOUT INTERNALS)	1	RAM	2003-2012
4	40008175		DIFFERENTIAL OPEN CASE ASSEMBLY (WITH INTERNALS)	1	RAM	2003-2012
4	40010351		DIFFERENTIAL CASE ASM (TRACRITE® GT)	1	RAM	2003-2012
4	40047275		DIFFERENTIAL CASE & COIL ASM. (TRACRITE® GTL - ELECTRONIC)		POWERWAGON	2003-2012
5	AVAILABLE IN KIT ONLY		PINION THRUST WASHER	2	RAM	2003-2012
6	AVAILABLE IN KIT ONLY		PINION GEAR	2	RAM	2003-2012
7	AVAILABLE IN KIT ONLY		SIDE THRUST WASHER	2	RAM	2003-2012
8	AVAILABLE IN KIT ONLY		SIDE GEAR	2	RAM	2003-2012
9	40022812		RING GEAR BOLT W/ ADHESIVE	12	RAM	2003-2012
10	AVAILABLE IN KIT ONLY		PINION SHAFT	1	RAM	2003-2012
11	40012808		PINION SHAFT RETAINING RING	1	RAM	2003-2012
12	40012648		PINION HEAD BEARING ASSEMBLY	1	RAM	2003-2012
13			SINGLE WHEEL HUB ASM		FOR REFERENCE ONLY	
14	40020768		AXLE SHAFT (935 MM; 30 TOOTH; 8 BOLT; DISC)	2	RAM	2003-2012
15			SINGLE WHEEL ROTOR		FOR REFERENCE ONLY	
16	40003027		PINION NUT	1	RAM	2003-2012
17	40003255		PINION NUT WASHER	1	RAM	2003-2012
18	40047864		PINION YOKE (PILOTED)	1	RAM	2003-2012
	40062272		PINION YOKE (PILOTED; SHORT 63:6)		RAM	2003-2012
19	40022855		PINION FLANGE	1	RAM	2003-2012
20	9418356		PINION TAIL BEARING ASSEMBLY	1	RAM	2003-2012
21	40010207		COLLAPSIBLE SPACER	1	RAM	2003-2012
23	40015796		COVERPAN	1	RAM	2003-2012
24	40011815		RUBBER OVER METAL COVERPAN GASKET	1	RAM	2003-2012



# Demand the original.

Axle Components | Driveshaft Components | Repair Kits

## AAM 1050 14 BOLT

### 74010013 10.5" REAR 14 BOLT - MASTER INSTALL KIT

RAM 2500/3500

MODEL YEAR 2003-2012

AAM PART #	DESCRIPTION	QTY
40002169	COVERPAN BOLT W/ ADHESIVE	14
40010027	RUBBER OVER METAL COVERPAN GASKET	1
26060977	PINION SEAL SLEEVE	1
40007601	MAGNETIC FILL/DRAIN PLUG	1
	TRIPLE LIP PINION SEAL	1
40010207	COLLAPSIBLE SPACER	1
40020799	HUB SEAL	2
	PINION SHIM	15
40020764	HEX BOLT W/ ADHESIVE	16
40022812	RING GEAR BOLT W/ ADHESIVE	12
40003255	PINION NUT WASHER	1
40003027	PINION NUT	1

### 74067010 10.5" REAR 14 BOLT - MASTER BEARING KIT

RAM 2500/3500

MODEL YEAR 2003-2012

AAM PART #	DESCRIPTION	QTY
9436881	DIFFERENTIAL BEARING ASSEMBLY	2
40012648	PINION HEAD BEARING ASSEMBLY	1
9418356	PINION TAIL BEARING ASSEMBLY	1
40010207	COLLAPSIBLE SPACER	1
40003255	PINION YOKE WASHER	1
40003027	PINION NUT	1
26064030	PINION SEAL	1

## RAM 10.5" Rear Axle

### 74049286 10.5" REAR 14 BOLT - 30 TOOTH - DIFFERENTIAL GEAR KIT

RAM 2500/3500

MODEL YEAR 2003-2012

AAM PART #	DESCRIPTION	QTY
	PINION GEAR	2
	SIDE THRUST WASHER	2
	SIDE GEAR	2
	PINION SHAFT	1
	PINION THRUST WASHER	2
	RETAINING RING	1

### 74070005 10.5" REAR SINGLE WHEEL - WHEEL END KIT

RAM 2500/3500

MODEL YEAR 2003-2012

AAM PART #	DESCRIPTION	QTY
40105400RACE	INNER WHEEL END RACE	1
40105400CONE	INNER WHEEL END BEARING	1
9428909	OUTER WHEEL END BEARING	1
9428539	OUTER WHEEL END RACE	1
40015029	HUB SEAL	2
341509	HUB NUT	2
40047505	HUB GASKET	2
	RETAINING RING - HUB	2
	HUB NUT LOCK	2
40020764	HEX BOLT W/ ADHESIVE	16

## VEHICLE REFERENCE GUIDE

RAM 2500/3500 2003-2012

**74030015 10.5" REAR 14 BOLT -  
COVERPAN KIT**

*RAM 2500/3500*

**MODEL YEAR 2003-2012**

AAM PART #	DESCRIPTION	QTY
40012622	COVERPAN	1
40010027	RUBBER OVER METAL COVERPAN GASKET	1
40002169	COVERPAN BOLT W/ ADHESIVE	14
40007601	MAGNETIC FILL/DRAIN PLUG	1

**74020012 10.5" REAR 14 BOLT -  
PINION SEAL KIT**

*RAM 2500/3500*

**MODEL YEAR 2003-2012**

AAM PART #	DESCRIPTION	QTY
	TRIPLE LIP PINION SEAL	1
40010207	COLLAPSIBLE SPACER	1
26060977	PINION SEAL SLEEVE	1
40003027	PINION NUT	1
40003255	PINION NUT WASHER	1

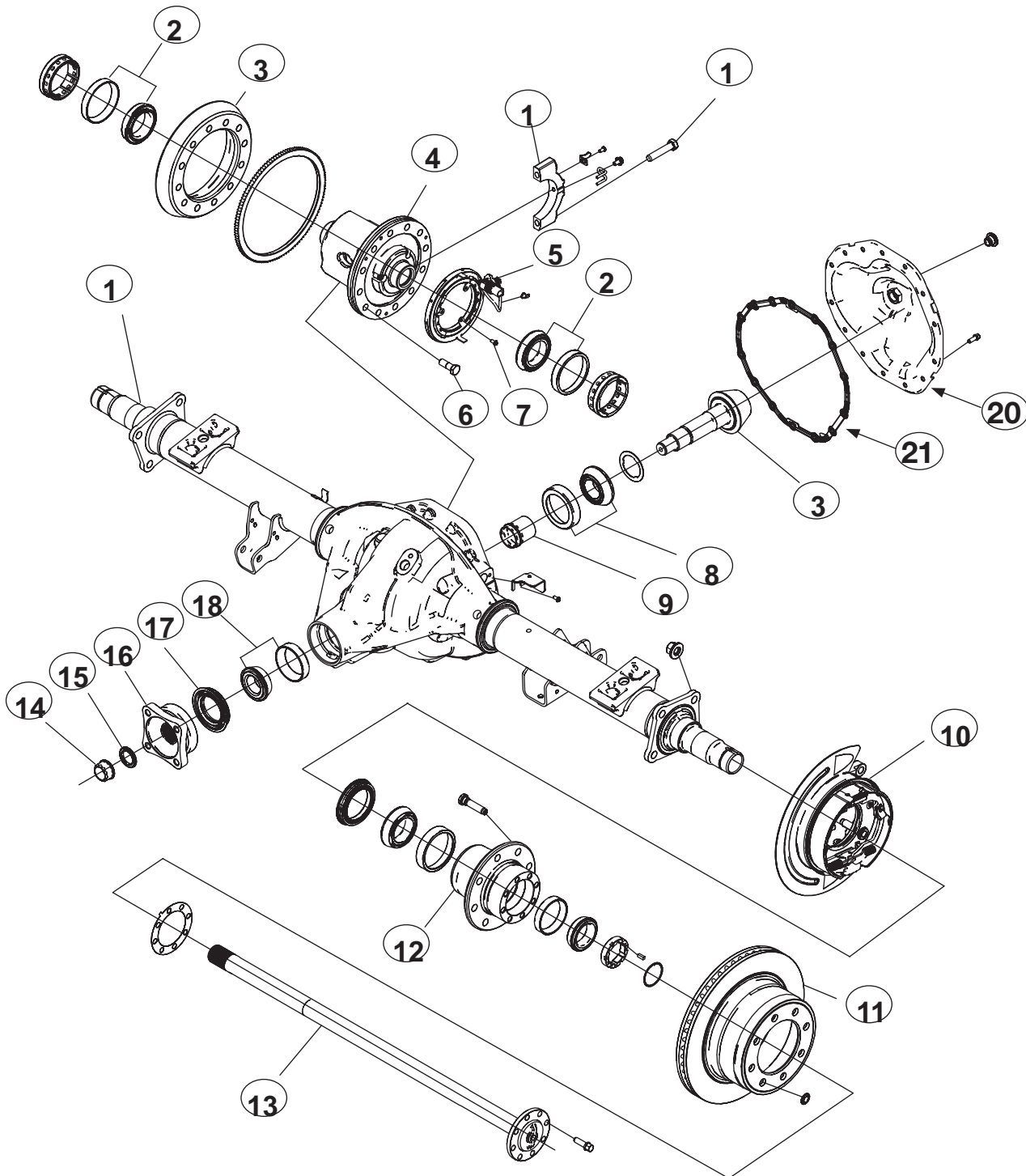


# Demand the original.

Axle Components | Driveshaft Components | Repair Kits

## AAM 1050 14 BOLT with e-lock

## RAM 10.5" Rear Axle



### VEHICLE REFERENCE GUIDE

RAM 2500/3500 POWERWAGON

2005-2012



ILL #	CATALOG PART NUMBER	AAM PART NUMBER	DESCRIPTION	REQ	USAGE	MODEL YEAR
1			AXLE HOUSING		FOR REFERENCE ONLY	
2	9436881		DIFFERENTIAL BEARING ASSEMBLY	2	DR/DH	2005-2012
3	40009354		RING & PINION GEAR SET (4.56 RATIO; 2 CUT)	1	DR/DH	2005-2012
4	40047275		DIFFERENTIAL CASE & COIL ASM. (TRACRITE® GTL - ELECTRONIC)	1	POWERWAGON	2005-2012
5			COIL ASM	1	DR/DH	2005-2012
6	40022812		RING GEAR BOLT W/ ADHESIVE	12	DR/DH	2005-2012
7	40030475		SCREW COIL TARGET BRACKET & CONNECTOR	5	DR/DH	2005-2012
8	40012648		PINION HEAD BEARING ASSEMBLY	1	DR/DH	2005-2012
9	40010207		COLLAPSIBLE SPACER	1	DR/DH	2005-2012
10			PARK BRAKE ASM		FOR REFERENCE ONLY	
11			ROTOR		FOR REFERENCE ONLY	
12			HUB ASM		FOR REFERENCE ONLY	
13	40022279		AXLE SHAFT (935 MM; 30 TOOTH; 8 BOLT)	2	DR/DH	2005-2012
14	40003027		PINION NUT	1	DR/DH	2005-2012
15	40003255		PINION NUT WASHER	1	DR/DH	2005-2012
16	40047864		PINION YOKE (PILOTED)	1	DR/DH	2005-2012
17	40022855		PINION FLANGE	1	DR/DH	2005-2012
18	9418356		PINION TAIL BEARING ASSEMBLY	1	DR/DH	2005-2012
20	40015796		COVERPAN	1	DR/DH	2005-2012
21	40011815		RUBBER OVER METAL COVERPAN GASKET	1	DR/DH	2005-2012



# Demand the original.

Axle Components | Driveshaft Components | Repair Kits

## AAM 1050 14 BOLT with e-lock

## RAM 10.5" Rear Axle

### 74010013 10.5" REAR 14 BOLT - MASTER INSTALL KIT

RAM 2500/3500

MODEL YEAR 2003-2012

AAM PART #	DESCRIPTION	QTY
40002169	COVERPAN BOLT W/ ADHESIVE	14
40010027	RUBBER OVER METAL COVERPAN GASKET	1
26060977	PINION SEAL SLEEVE	1
40007601	MAGNETIC FILL/DRAIN PLUG	1
	TRIPLE LIP PINION SEAL	1
40010207	COLLAPSIBLE SPACER	1
40020799	HUB SEAL	2
	PINION SHIM	15
40020764	HEX BOLT W/ ADHESIVE	16
40022812	RING GEAR BOLT W/ ADHESIVE	12
40003255	PINION NUT WASHER	1
40003027	PINION NUT	1

### 74049286 10.5" REAR 14 BOLT - 30 TOOTH - DIFFERENTIAL GEAR KIT

RAM 2500/3500

MODEL YEAR 2003-2012

AAM PART #	DESCRIPTION	QTY
	PINION GEAR	2
	SIDE THRUST WASHER	2
	SIDE GEAR	2
	PINION SHAFT	1
	PINION THRUST WASHER	2
	RETAINING RING	1

### 74067010 10.5" REAR 14 BOLT - MASTER BEARING KIT

RAM 2500/3500

MODEL YEAR 2003-2012

AAM PART #	DESCRIPTION	QTY
9436881	DIFFERENTIAL BEARING ASSEMBLY	2
40012648	PINION HEAD BEARING ASSEMBLY	1
9418356	PINION TAIL BEARING ASSEMBLY	1
40010207	COLLAPSIBLE SPACER	1
40003255	PINION YOKE WASHER	1
40003027	PINION NUT	1
26064030	PINION SEAL	1

### 74070005 10.5" REAR SINGLE WHEEL - WHEEL END KIT

RAM 2500/3500

MODEL YEAR 2003-2012

AAM PART #	DESCRIPTION	QTY
40105400RACE	INNER WHEEL END RACE	1
40105400CONE	INNER WHEEL END BEARING	1
9428909	OUTER WHEEL END BEARING	1
9428539	OUTER WHEEL END RACE	1
40015029	HUB SEAL	2
341509	HUB NUT	2
40047505	HUB GASKET	2
	RETAINING RING - HUB	2
	HUB NUT LOCK	2
40020764	HEX BOLT W/ ADHESIVE	16

## VEHICLE REFERENCE GUIDE

RAM 2500/3500 2003-2012

**74030015 10.5" REAR 14 BOLT -  
COVERPAN KIT**

*RAM 2500/3500*

**MODEL YEAR 2003-2012**

AAM PART #	DESCRIPTION	QTY
40012622	COVERPAN	1
40010027	RUBBER OVER METAL COVERPAN GASKET	1
40002169	COVERPAN BOLT W/ ADHESIVE	14
40007601	MAGNETIC FILL/DRAIN PLUG	1

**74020012 10.5" REAR 14 BOLT -  
PINION SEAL KIT**

*RAM 2500/3500*

**MODEL YEAR 2003-2012**

AAM PART #	DESCRIPTION	QTY
	TRIPLE LIP PINION SEAL	1
40010207	COLLAPSIBLE SPACER	1
26060977	PINION SEAL SLEEVE	1
40003027	PINION NUT	1
40003255	PINION NUT WASHER	1

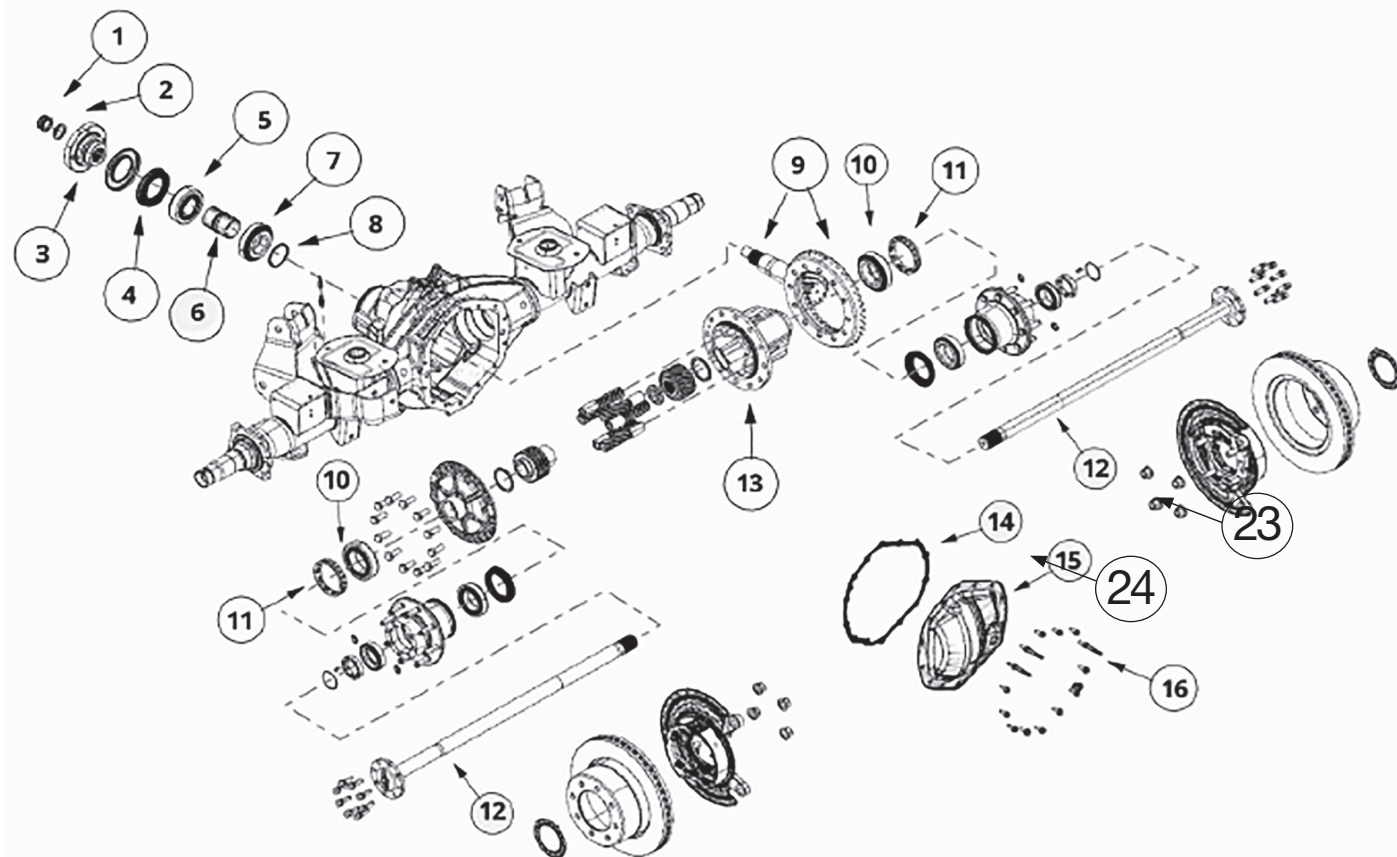


# Demand the original.

Axle Components | Driveshaft Components | Repair Kits

## AAM 1150 14 BOLT

## 2014+ RAM 11.5" Rear Axle Coil Spring Suspension



### VEHICLE REFERENCE GUIDE

RAM 2500 2014+

ILL #	CATALOG PART NUMBER	AAM PART NUMBER	DESCRIPTION	REQ	MODEL YEAR
1	40126149		PINION NUT	1	2014+
2	40003255		PINION WASHER	1	2003+
3	40118924		PINION FLANGE WITH DEFLECTOR	1	2014+
4	40113398		PINION SEAL	1	2014+
5	26064500		PINION TAIL BEARING ASSEMBLY	1	2003+
6	40112257		COLLAPSIBLE SPACER	1	2014+
7	40113396		PINION HEAD BEARING ASSEMBLY	1	2014+
8	40118411		PINION SHIM	1	2014+
9	D115342GSK-1	40112988	RING & PINION GEAR KIT (3.42 RATIO) KIT CONTAINS: PINION NUT, PINION SEAL, COLLA- SIBLE SPACER	1	2014+
9	D115373GSK-1	40112989	RING & PINION GEAR KIT (3.73 RATIO) KIT CONTAINS: PINION NUT, PINION SEAL, COLLA- SIBLE SPACER	1	2014+
9	D115410GSK-1	40112990	RING & PINION GEAR KIT (4.10 RATIO) KIT CONTAINS: PINION NUT, PINION SEAL, COLLA- SIBLE SPACER	1	2014+
	40022812		RING GEAR BOLTS	14	2003+
10	40016979		DIFFERENTIAL BEARING ASSEMBLY	2	2003+
11	40027067		NUT, DIFFERENTIAL BEARING ADJUSTER	2	2003+
12	40022279		AXLE SHAFT SW (935MM; 30 TOOTH; 8 BOLT) LH/RH	2	2003+
12	40022280		AXLE SHAFT DW (1019 MM; 30 TOOTH; 8 BOLT; DISC)	2	2003+
13	40146894		OPEN DIFFERENTIAL ASSEMBLY	1	2003+
13	40099548		TRACRITE GT LIMITED SLIP DIFFERENTIAL ASSEMBLY (3 PINION)	1	2003+
13	40134468		TRACRITE GTL LOCKING DIFFERENTIAL ASSEMBLY	POWERWAGON	2014+
14	40005967		COVER PAN GASKET	1	2003+
15	40013758		COVER PAN	1	2003+
16	40002169		COVER PAN BOLTS	14	2003+
	40042937		COVER PAN FILL PLUG	1	2003+
<b>MISC COMPONENTS</b>					
	40001358		LOCK, DIFFERENTIAL ADJUSTING NUT		
	14012748		BOLT, DIFFERENTIAL ADJUSTER LOCK		

**74067023 11.5" REAR 14 BOLT -  
MASTER BEARING KIT**  
*RAM 2500*  
**MODEL YEAR 2014+**

AAM PART #	DESCRIPTION	QTY
40016979	DIFFERENTIAL BEARING ASSEMBLY	2
40113396	PINION HEAD BEARING ASSEMBLY	1
26064500	PINION TAIL BEARING ASSEMBLY	1
40112257	COLLAPSIBLE SPACER	1
40003255	PINION FLANGE WASHER	1
40126149	PINION NUT	1
40113398	PINION SEAL	1

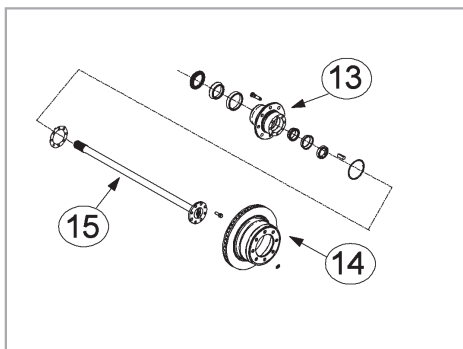
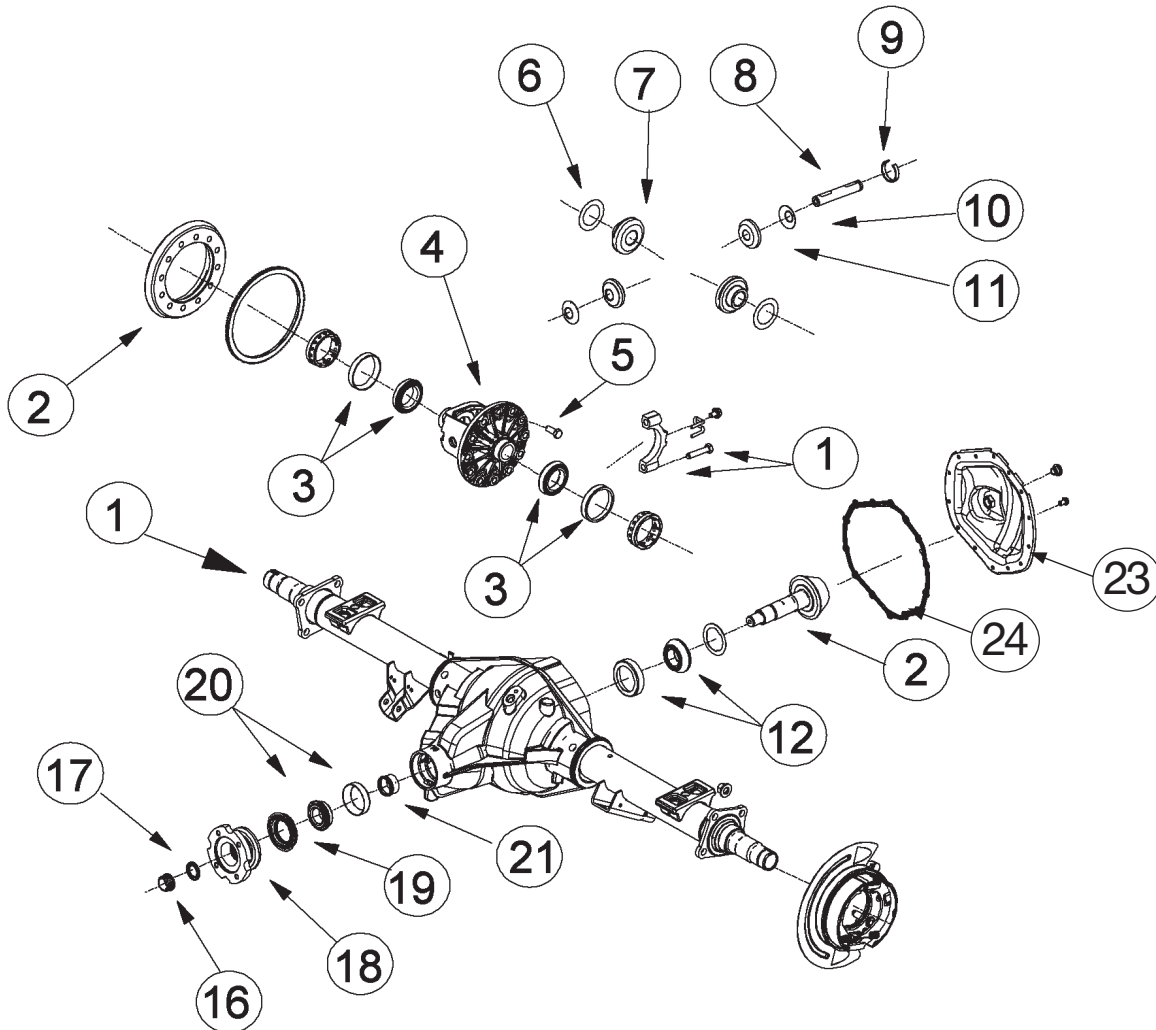


# Demand the original.

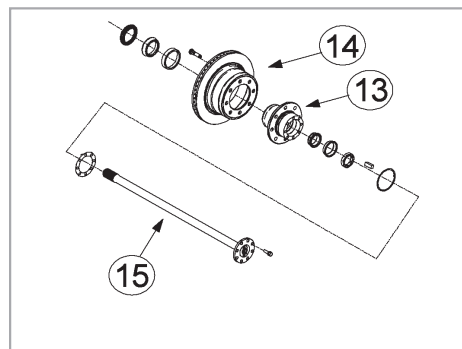
Axle Components | Driveshaft Components | Repair Kits

## AAM 1150 14 BOLT

## RAM 11.5" Rear Axle Leaf Spring Suspension



SINGLE WHEEL



DUAL WHEEL

### VEHICLE REFERENCE GUIDE

RAM 2500	2003-2013
RAM 3500	2003+



ILL #	CATALOG PART NUMBER	AAM PART NUMBER	DESCRIPTION	REQ	USAGE	MODEL YEAR
1			AXLE HOUSING		FOR REFERENCE ONLY	
2	40101174		RING & PINION GEAR KIT (3.42 RATIO)	1	RAM2500 RAM 3500	2003-2013 2003+
2	40101173		RING & PINION GEAR KIT (3.73 RATIO)	1	RAM2500 RAM 3500	2003-2013 2003+
2	40094550		RING & PINION GEAR KIT (4.10 RATIO)	1	RAM2500 RAM 3500	2003-2013 2003+
3	40016979		DIFFERENTIAL BEARING ASSEMBLY	2	RAM	2003-2013 2003+
4	40101021		DIFFERENTIAL OPEN CASE (WITHOUT INTERNALS)	1	RAM	2003+
4	40101020		DIFFERENTIAL OPEN CASE ASSEMBLY (WITH INTERNALS)	1	RAM	2003+
4	40099548		HELICAL LIMITED SLIP DIFF ASSEMBLY - TRACRITE® GT	1	RAM	2003+
5	40022812		RING GEAR BOLT W/ ADHESIVE	12	RAM	2003+
6	AVAILABLE IN KIT ONLY		SIDE THRUST WASHER	2	RAM	2003+
7	AVAILABLE IN KIT ONLY		SIDE GEAR	2	RAM	2003+
8	AVAILABLE IN KIT ONLY		PINION SHAFT	1	RAM	2003+
9	AVAILABLE IN KIT ONLY		PINION SHAFT RETAINING RING	1	RAM	2003+
10	AVAILABLE IN KIT ONLY		PINION THRUST WASHER	2	RAM	2003+
11	AVAILABLE IN KIT ONLY		PINION GEAR	2	RAM	2003+
12	26064500		PINION HEAD BEARING ASSEMBLY	1	RAM	2003+
12	40089893		PINION HEAD BEARING ASSEMBLY	1	RAM	2011+
13			SINGLE WHEEL HUB		FOR REFERENCE ONLY	
14			SINGLE WHEEL ROTOR		FOR REFERENCE ONLY	
14			HUB & ROTOR ASSEMBLY, DUAL WHEEL		FOR REFERENCE ONLY	
15	40022280		AXLE SHAFT (1019 MM; 30 TOOTH; 8 BOLT; DUAL WHEEL; DISC)	2	RAM	2003+
15	40041952		AXLE SHAFT (968 MM; 30 TOOTH; 8 BOLT; DISC)	2	RAM	2007+
15	40022279		AXLE SHAFT SW (935MM; 30 TOOTH; 8 BOLT) LH/RH	2	RAM	2003+
15	40042351		AXLE SHAFT DW (1023MM; 30 TOOTH; 8 BOLT) LH/RH	2	RAM	2003+
16	40003027		PINION NUT	1	RAM	2003+
17	40003255		PINION NUT WASHER	1	RAM	2003+
18	40062272		PINION YOKE (PILOTED; SHORT 63:6)	1	RAM	2003+
19	26064030		TRIPLE LIP PINION SEAL	1	RAM	2003+
20	9418356		PINION TAIL BEARING ASSEMBLY	1	RAM	2003+
21	40011051		COLLAPSIBLE SPACER	1	RAM	2003+
23	40013758		COVERPAN	1	RAM	2003+
24	40005967		RUBBER OVER METAL COVERPAN GASKET	1	RAM	2003+



# Demand the original.

Axle Components | Driveshaft Components | Repair Kits

## AAM 1150 14 Bolt

### 74010016 11.5" REAR 14 BOLT - MASTER INSTALL KIT

RAM 2500 2003-2013

RAM 3500 2003+

AAM PART #	DESCRIPTION	QTY
26060977	PINION SEAL SLEEVE	1
40001357	RUBBER OVER METAL COVERPAN GASKET	1
40005967	RUBBER OVER METAL COVERPAN GASKET	1
	PINION SHIM	18
40022812	RING GEAR BOLT W/ ADHESIVE	14
40020764	HEX BOLT W/ ADHESIVE	16
40007601	MAGNETIC FILL/DRAIN PLUG	1
40042937	FILL/DRAIN PLUG	1
40051851	HUB GASKET	4
40011051	COLLAPSIBLE SPACER	1
40041239	SPECIAL COVERPAN BOLT	2
40023476	WHEEL BOLT W/ ADHESIVE	16
40003027	PINION NUT	1
26064030	TRIPLE LIP PINION SEAL	2
40003255	PINION NUT WASHER	1
40002169	COVERPAN BOLT W/ ADHESIVE	14

### 74067011 11.5" REAR 14 BOLT - MASTER BEARING KIT

RAM 2500 2003-2013

RAM 3500 2003+

AAM PART #	DESCRIPTION	QTY
40016979	DIFFERENTIAL BEARING ASSEMBLY	2
26064500	PINION HEAD BEARING ASSEMBLY	1
9418356	PINION TAIL BEARING ASSEMBLY	1
40011051	COLLAPSIBLE SPACER	1
40003255	PINION FLANGE WASHER	1
40003027	PINION NUT	1
26064030	PINION SEAL	1

## RAM 11.5" Rear Axle

### 74046293 11.5" REAR 14 BOLT - 30 TOOTH - DIFFERENTIAL GEAR KIT

RAM 2500/3500

MODEL YEAR 2003-2010

AAM PART #	DESCRIPTION	QTY
	PINION GEAR	2
	SIDE THRUST WASHER	2
	PINION SHAFT RETAINING RING	1
	SIDE GEAR	2
	PINION SHAFT	1
	PINION THRUST WASHER	2

### 74020013 11.5" REAR 14 BOLT - PINION SEAL KIT

RAM 2500 2003-2013

RAM 3500 2003+

AAM PART #	DESCRIPTION	QTY
26064030	TRIPLE LIP PINION SEAL	1
40003255	PINION NUT WASHER	1
40011051	COLLAPSIBLE SPACER	1
40003027	PINION NUT	1
26060977	PINION SEAL SLEEVE	1

### 74030016 11.5" REAR STEEL - COVERPAN KIT

RAM 2500 2003-2013

RAM 3500 2003+

AAM PART #	DESCRIPTION	QTY
40013758	COVERPAN	1
40005967	RUBBER OVER METAL COVERPAN GASKET	1
40002169	COVERPAN BOLT W/ ADHESIVE	14
40007601	MAGNETIC FILL/DRAIN PLUG	1

#### VEHICLE REFERENCE GUIDE

RAM 2500	2003-2013
RAM 3500	2003+

**74070005 11.5" REAR SINGLE WHEEL -  
WHEEL END KIT**

*RAM 2500 2003-2013  
RAM 3500 2003+*

AAM PART #	DESCRIPTION	QTY
40105400RACE	INNER WHEEL END RACE	1
40105400CONE	INNER WHEEL END BEARING	1
9428909	OUTER WHEEL END BEARING	1
9428539	OUTER WHEEL END RACE	1
40015029	HUB SEAL	2
341509	HUB NUT	2
40047505	HUB GASKET	2
	RETAINING RING - HUB	2
	HUB NUT LOCK	2
40020764	HEX BOLT W/ ADHESIVE	16

**74070006 11.5" REAR DUAL WHEEL -  
WHEEL END KIT**

*RAM 2500 2003-2013  
RAM 3500 2003+*

AAM PART #	DESCRIPTION	QTY
40105402RACE	INNER WHEEL END RACE	1
40105402CONE	INNER WHEEL END BEARING	1
40012061	HUB SEAL	2
341509	HUB NUT	2
40047505	HUB GASKET	2
	RETAINING RING - HUB	2
	HUB NUT LOCK	2
40020764	HEX BOLT W/ ADHESIVE	16
9428909	OUTER WHEEL END BEARING	1
9428539	OUTER WHEEL END RACE	1

**74030017 11.5" REAR ALUMINUM -  
COVERPAN KIT**

*RAM 2500/3500  
MODEL YEAR 2003 to Current*

AAM PART #	DESCRIPTION	QTY
40057537	COVERPAN	1
40005967	RUBBER OVER METAL COVERPAN GASKET	1
40052287	COVERPAN BOLT W/ ADHESIVE	14
40007601	MAGNETIC FILL/DRAIN PLUG	1

**74067018 11.5" REAR 14 BOLT -  
MASTER BEARING KIT**

*RAM 2500 2011-2013  
RAM 3500 2011+*

AAM PART #	DESCRIPTION	QTY
40016979	DIFFERENTIAL BEARING ASSEMBLY	2
40089893	PINION HEAD BEARING ASSEMBLY	1
9418356	PINION TAIL BEARING ASSEMBLY	1
40011051	COLLAPSIBLE SPACER	1
40003255	PINION FLANGE WASHER	1
40003027	PINION NUT	1
26064030	PINION SEAL	1

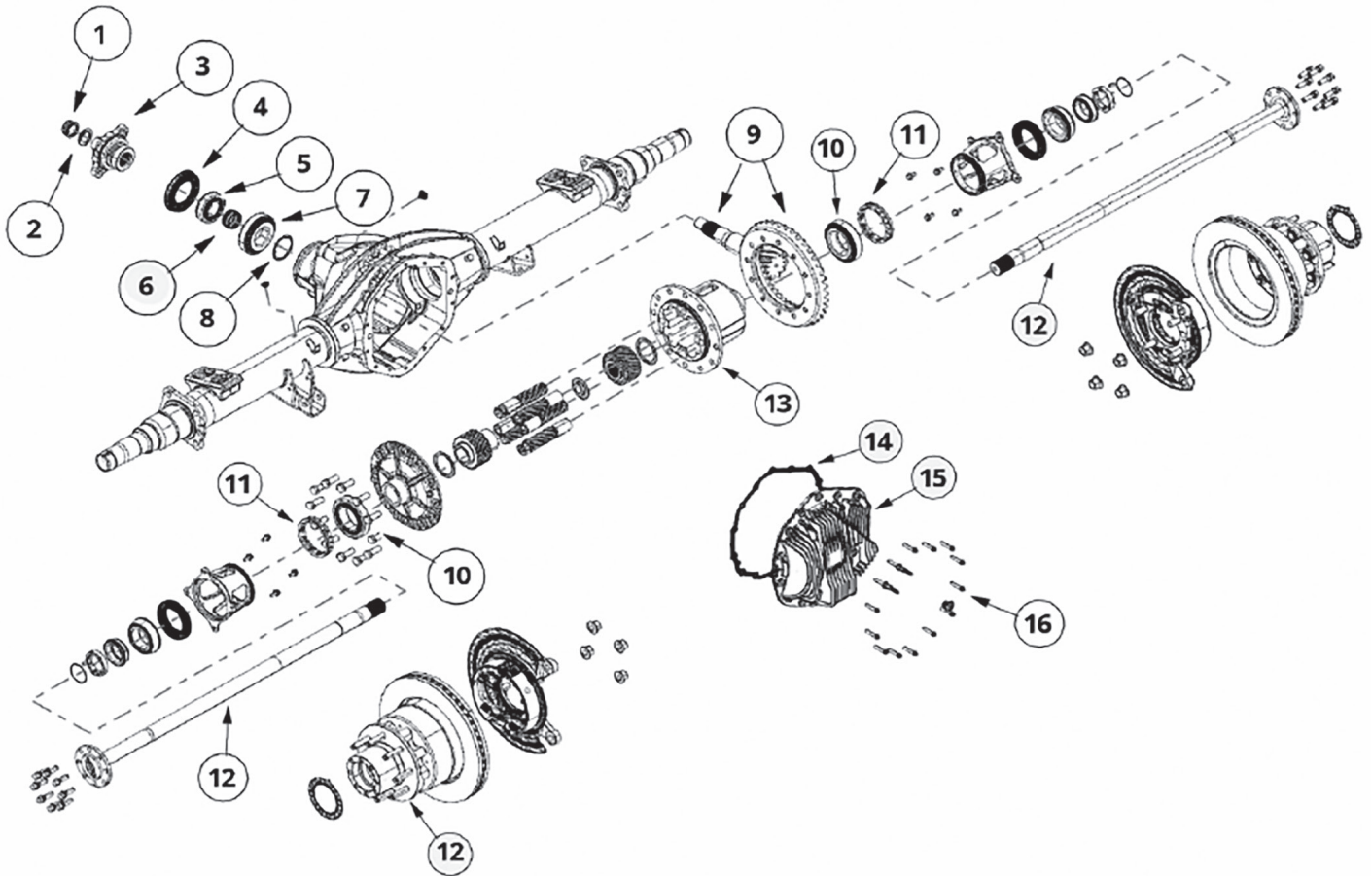


# Demand the original.

Axle Components | Driveshaft Components | Repair Kits

## AAM 1180 14 Bolt

## 2014+ RAM 3500 - 11.8" Rear Axle



### VEHICLE REFERENCE GUIDE

RAM 3500 DUAL REAR WHEEL 2014+

ILL #	CATALOG PART NUMBER	AAM PART NUMBER	DESCRIPTION	REQ	MODEL YEAR
1	40126149		PINION NUT	1	2014+
2	40003255		PINION WASHER	1	2003+
3	40062272		PINION FLANGE	1	2014+
4	40113398		PINION SEAL	1	2014+
5	9418356		PINION TAIL BEARING ASSEMBLY	1	
6	40011051		COLLAPSIBLE SPACER	1	2003+
7	40089893		PINION HEAD BEARING ASSEMBLY	1	
8			PINION SHIM	1	
9	D118373GSK1	40108500	RING & PINION GEAR KIT (3.73 RATIO) KIT CONTAINS: PINION NUT, PINION SEAL, COLLASIBLE SPACER	1	2014-2016
9	D118410GSK1	40108501	RING & PINION GEAR KIT (4.10 RATIO) KIT CONTAINS: PINION NUT, PINION SEAL, COLLASIBLE SPACER	1	2014-2016
9	D118373GSK2	40147619	RING & PINION GEAR KIT (3.73 RATIO) KIT CONTAINS: PINION NUT, PINION SEAL, COLLASIBLE SPACER	1	2016+
9	D118410GSK2	40142658	RING & PINION GEAR KIT (4.10 RATIO) KIT CONTAINS: PINION NUT, PINION SEAL, COLLASIBLE SPACER	1	2016+
	40022812		RING GEAR BOLTS	12	2003+
10	40016979		DIFFERENTIAL BEARING ASSEMBLY	2	2011+
11	40027067		DIFFERENTIAL BEARING ADJUSTER NUT	2	2003+
12	40022280		AXLE SHAFT DRW LH / RH 1019MM, 30 TOOTH, 8 BOLT	2	2003+
13	40099548		TRACRITE GT - HELICAL GEAR LIMITED SLIP DIFFERENTIAL ASSEMBLY (3 PINION)	1	2003+
14	40005967		COVER PAN GASKET	1	2007+
15	40057537	SEE KIT 74030017	COVER PAN - ALUMINUM	1	2003+
16	40052287		COVER PAN BOLTS	14	2009+

**74067024 11.8" REAR 14 BOLT -  
MASTER BEARING KIT**  
*RAM 3500*  
**MODEL YEAR 2014+**

AAM PART #	DESCRIPTION	QTY
40016979	DIFFERENTIAL BEARING ASSEMBLY	2
40089893	PINION HEAD BEARING ASSEMBLY	1
9418356	PINION TAIL BEARING ASSEMBLY	1
40011051	COLLAPSIBLE SPACER	1
40003255	PINION FLANGE WASHER	1
40126149	PINION NUT	1
40113398	PINION SEAL	1

**74030017 11.5"/11.8" REAR ALUMINUM -  
COVERPAN KIT**  
*RAM 2500/3500*  
**MODEL YEAR 2003 to Current**

AAM PART #	DESCRIPTION	QTY
40057537	COVERPAN	1
40005967	RUBBER OVER METAL COVERPAN GASKET	1
40052287	COVERPAN BOLT W/ ADHESIVE	14
40007601	MAGNETIC FILL/DRAIN PLUG	1



# Demand the original.

Axle Components | Driveshaft Components | Repair Kits

## Safety Information



**Warning – Failure to follow these instructions could affect vehicle performance and/or safety and result in personal injury or death.**

- **Do not convert or alter American Axle & Manufacturing axles except in accordance with vehicle manufacturer's instructions.**

American Axle & Manufacturing axles are designed to meet OE vehicle manufacturer's design and performance specifications. Improper conversion or alteration of these axles can damage the axles and/or other vehicle systems. Contact the OE manufacturer for specific directions and guidelines.

- **Do not change axle gear ratios on vehicles with anti-lock braking systems except in accordance with the vehicle manufacturer's instructions.**

Vehicles with anti-lock braking systems may utilize sensors and tone rings with the axle housing to ensure the functioning of the anti-lock brakes. Improperly changing the axle ratios may defeat the anti-lock braking system. If changing axle ratios will require changing the location of the tone ring on the ring gear flange to the location of the sensor in the axle housing, contact the OE manufacturer for specific directions and guidelines.

- **Do not reuse or substitute ring gear bolts.**

If you reuse a ring gear bolt or substitute an inferior-quality bolt, the bolt may loosen or back out of its threaded hole, causing severe damage to the axle gears and other components and possibly resulting in a sudden "locking up" of the axle and loss of control of the vehicle. Always use new bolts specifically recommended for the application and install bolts using proper tools and torquing to the proper specifications.



**CAUTION – Use of non-American Axle & Manufacturing parts may result in product failure and personal injury.**

American Axle & Manufacturing axles are designed for each model vehicle and manufactured and tested for safety and best performance. Replacement parts from other manufacturers may not be made to AAM's rigid quality standards. To be sure you're getting AAM quality, always use genuine AAM parts.



**This symbol warns of possible personal injury.**