



SUPERIOR AIRFLOW. SUPERIOR PERFORMANCE.®



PRODUCT CATALOG 2017



THE ORIGINAL PERFORMANCE
FILTER OF NASCAR





HIGH-FLOW TECHNOLOGY

PERFORMANCE & PROTECTION SINCE 1969

AUTOMOTIVE PERFORMANCE



- Performance Air Intake Systems
- High-Flow Air Filters™
- Washable Cabin Air Filters
- Performance Gold® Wrench-Off® Oil Filters

RACING PRODUCTS



- The Original Performance Filter of NASCAR®
- Filtration Products for Vehicles in Most Forms of Racing

POWERSPORTS FILTRATION



- Available for most On-Road/Off-Road Motorcycles, ATV, UTV, Side by Side, Watercraft, and Snowmobiles
- OE Replacement High-Flow Air Filters™, Premium Oil Filters, Performance Intake Systems and Filtration Accessories
- Designed to Increase Performance and Provide Excellent Filtration

HEAVY DUTY DIESEL FILTRATION



- Applications for Many Popular Applications
- Air filters are Easy to Clean and Use no Oil
- Heavy Duty Oil Filters feature a Welded Nut for Easy Removal

MOBILE AND AUXILIARY POWER EQUIPMENT



- Available for Many Outdoor and Industrial Applications
- Easy to Clean - Most Feature an Oil-Free Synthetic Filter Media

**HIGH-FLOW
AIR FILTERS™**



PAGE
2

**WASHABLE CABIN
AIR FILTERS**



PAGE
4

**PERFORMANCE
INTAKE SYSTEMS**



PAGE
6

**PERFORMANCE
OIL FILTERS**



PAGE
12



**SUPERIOR AIRFLOW.
SUPERIOR PERFORMANCE.®**

INDEX

SECTIONS

PAGES

Engine Air Filters, OE Replacements	
Benefits	2-3
Product Listings	174-452
Cleaning Instructions & Accessories	480-481
Light Duty Turbo Diesel Truck	9
Motorcycle and ATV	11
Agricultural and Heavy Duty	14-15
Mobile & Auxiliary Power Equipment	16
Intake Systems	
Benefits	6-9
Product Listings	84-173
Light Duty Turbo Diesel Truck	9
Spare Filters and Wraps	79-83
Oil Filters	
Benefits	12-13
Product Listings	174-452
Agricultural and Heavy Duty	13, 15
Cabin Air Filters, OE Replacements	
Benefits	4-5
Product Listings	453-463
Cleaning Instructions & Accessories	479, 481
Fuel Filters and Fuel Pumps	
Benefits	10
Product Listings	464-477
Universal/Clamp-On Air Filters	
Benefits	18
Listings by Size	46-64
Vent Filters and Breathers	20-21
Racing, Hot Rod, and Custom Products	22-36
Air Filter Accessories	37-38
Filter Wraps	39-44
Filter Dimensions by Size	65-78
Cleaning Products and Instructions	479-481

HIGH-FLOW OE REPLACEMENT AIR FILTERS

The 5-Minute Performance Upgrade

Never Replace Your Air Filter Again

- Designed to Increase Horsepower with up to 50% More Airflow
- Washable High-Flow Cotton Media
- Fits Directly into Your Factory Airbox in About 5 Minutes



- 10-Year/Million Mile Limited Warranty
- Up to 50,000 Miles Between Cleanings*
*Under normal highway driving conditions

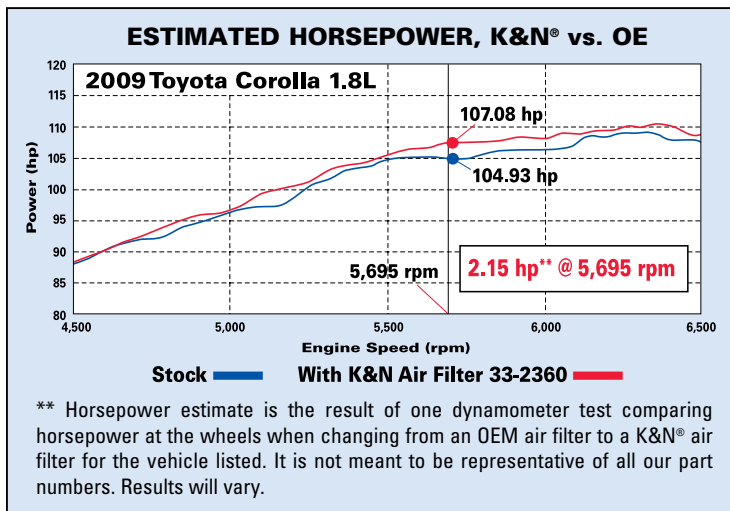
Won't Void
Vehicle
Warranty



Find parts for vehicles on pages
174-452

Designed to Increase Horsepower

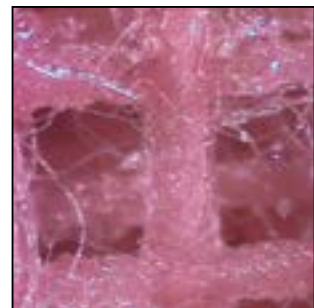
This is the original high-flow air filter invented by K&N®. It is made with layers of woven cotton for a washable filter that offers high airflow that can increase your car's horsepower and acceleration. For better performance and value over the life of your car, you cannot go wrong with our most popular product.



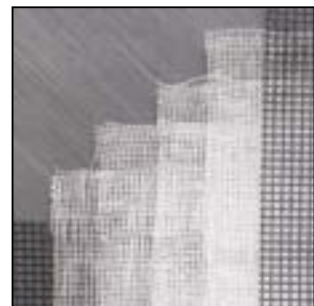
Save Money and Reduce Waste

One K&N® OE replacement air filter costs less than replacing disposable air filters over and over again. Washable air filters also help reduce the number of disposable air filters thrown into our landfills each year.

Thousands of microscopic cotton gauze fibers naturally hold specially designed oil in suspension to create a powerful filtering medium



Cotton breathes easier increasing airflow to help your car run better.



Filter media is shown before K&N® filter oil is applied.

HIGH-FLOW OE REPLACEMENT AIR FILTERS



The 5-Minute Performance Upgrade

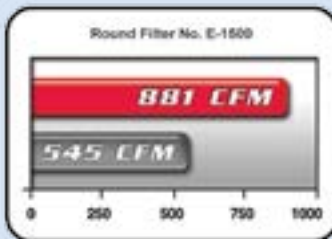
Designed to Improve Engine Performance



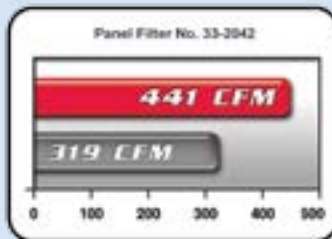
Built to Last for the Life of Your Car

AIRFLOW COMPARISON CHARTS†

These charts are examples of individual filters. Results will vary depending on part number and vehicle.



Average Disposable Aftermarket Air Filter



K&N Washable Reusable Air Filter

† Dust-free airflow tests performed on laboratory equipment. These tests measure airflow of clean air filters in cubic feet per minute (CFM) at 1 1/2" of water pressure drop. Actual airflow rates will vary for these or other part numbers.



Air Filter Testing

We invented high-flow cotton air filters to reduce air filter restriction while maintaining outstanding protection. A high-flow air filter can help your car run better by allowing an engine to breathe easier. Higher airflow with less restriction can increase horsepower and acceleration.

To help ensure we continue to deliver a quality product, we perform thousands of tests, including the following:

- Airflow and restriction test measurements
- Filtration efficiency in accordance with the ISO 5011 test protocol
- Vehicle horsepower testing on inertial dynamometers
- Vibration and heat cycling durability testing to simulate actual driving conditions

**WASHABLE
REUSABLE
PERFORMANCE®**



Easy to Install - Usually No Tools Required



Step 1: Open the vehicle's air box.



Step 2: Remove the disposable filter.



Step 3: Place the K&N Washable/Reusable Air Filter into the air box.



Step 4: Close the air box and apply the "Do Not Discard" decal.

K&N® OE replacement air filter #33-2342 installation shown on a 2011 Honda Civic 1.8L. Installation may vary for your vehicle.

WASHABLE CABIN AIR FILTERS

Never Replace Your Cabin Air Filter Again



- Cleans and Freshens Incoming Air
- Electrostatically Charged to Hold Dirt and Dust
- Helps Control Odors
- Helps Capture Most Mold, Mildew, Fungus, Spores, Bacteria, Germs, Pollen and Allergens
- Factory Fit - Pre-Treated and Ready to Install
- Easy to Clean and Reuse

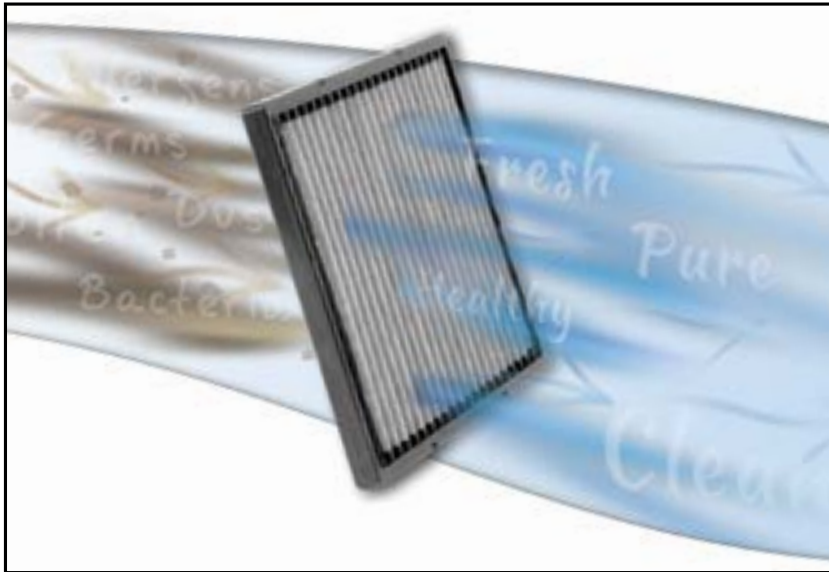


Over time, a K&N® cabin air filter will pay for itself when compared to purchasing disposable filters time and again. We are so confident in our cabin air filters that they are covered by a 10-year/100,000 mile limited warranty.



Look up the washable cabin air filter for your car on pages 453-463

Breathe Cleaner Air!



K&N® cabin air filters use a single layer of thermally bonded nonwoven synthetic material as a physical barrier to trap dust, pollen, leaves and other debris. With the aid of the K&N® Refresher™ spray, an electrostatic charge is able to help capture many types of mold, mildew, spores, fungus, bacteria and germs while helping to control odors. K&N® cabin air filters are designed to meet factory filtration requirements and typically flow more air than the average disposable paper cabin air filter. K&N® cabin air filters are built with molded urethane and wire screen ensuring long life, and the ability to be cleaned repeatedly.

99-6000

K&N® Refresher™ Kit
See page 481 for details

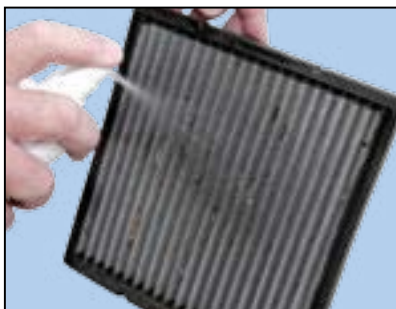
Cleans the Air, then Cleans up Easily

The ability to wash and reuse a filter is perhaps the most important feature offered by the new line of K&N® cabin air filters. This is excellent news for allergy sufferers, those with breathing difficulties, or vehicles operated in dirtier than normal environments. K&N® recommends servicing its cabin air filters at least every 12,000 miles. They can be cleaned in a few simple steps with the new K&N® Refresher™

Kit #99-6000. **The 99-6000 Refresher™ kit is not to be confused with K&N's traditional Recharger® kit used for our high-flow engine air filters.** Because the technology in our cabin air filters is different, the two cleaning kits cannot be substituted for one another. Each 99-6000 Refresher™ cabin air filter cleaning kit includes cleaning instructions.



1- Spray Cleaner



2- Rinse Filter



3- Apply Refresher™

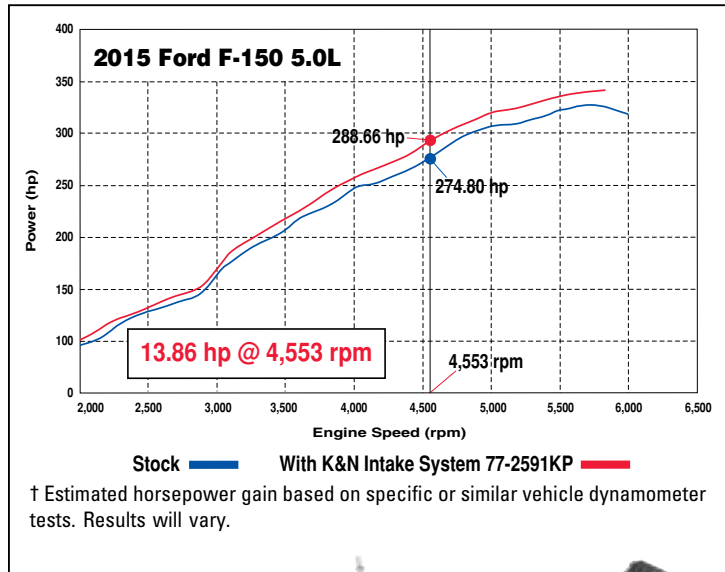


PERFORMANCE AIR INTAKE SYSTEMS

The Ultimate Power Upgrade

Get More Horsepower Than From a K&N® OE Replacement Air Filter Alone

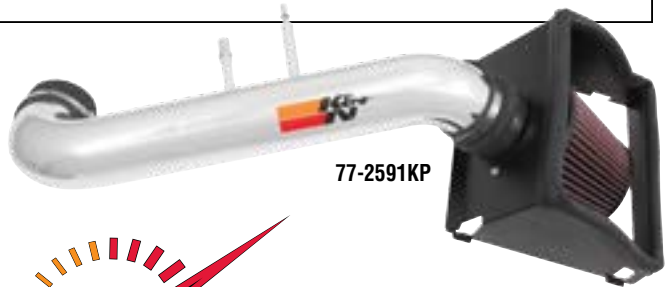
- Guaranteed to Increase Horsepower
- Washable and Reusable High-Flow Air Filter
- Easy to Install in 90 Minutes or Less
- Oversized Air Filter Can Go Up to 100,000 Miles Between Cleanings**
** Under normal highway driving conditions
- Better Engine Sound
- 10-Year/Million Mile Limited Warranty



A Complete Air Delivery System

K&N® intake systems completely replace the factory air intake assembly with an aerodynamically engineered tube and an oversized conical air filter. Most systems come with a heat shield to help isolate the air filter element from the warm air generated by the engine. Cooler air results in better performance and power.

A typical installation can be done with a screwdriver, pliers and a ratchet set in 90 minutes or less! We specifically engineer our kits to use factory holes and mounting points, making installation simple. The vast majority of our kits do NOT require any cutting or drilling.



GUARANTEED TO INCREASE HORSEPOWER



* Where applicable

PERFORMANCE AIR INTAKE SYSTEMS

**Over 600 intakes available,
and more on the way.**

The Ultimate Power Upgrade
Guaranteed to Increase Horsepower

Better Sound and More Power You Can Feel

You'll smile at your car's new sound. A K&N® intake system will make your car growl when under acceleration, yet stay quiet once at speed. You'll be thrilled when you feel the increased acceleration and horsepower. Plus you can feel confident knowing that your intake system is backed up by the best and largest aftermarket intake company in the World.

K&N® 10-Year/Million Mile Limited Warranty*

Each intake system we design is tested for durability and power improvement. From vibration stands to dynamometers, to over the road testing, we put our intake systems through rigorous requirements so we can back them up with our 10-year/million mile limited warranty.

Extend Your Cleaning Interval to 100,000 Miles

These intake systems come with oversized conical air filters that only require cleaning every 100,000 miles under normal highway driving conditions.



TUBES AND FINISHES

High Density Polyethylene (HDPE) Tubes

Some Part numbers starting with: 57, 63†

- Non-metallic rotationally molded tubes that help reduce turbulence and accelerate airflow into the engine for more power

Aluminum Tubes

Part numbers starting with: 69, 71, 77

- Free-flowing, mandrel-bent systems built for performance and show and available in an assortment of finishes

Carbon Fiber Tubes

Some part numbers starting with: 63†

- Lightweight, attractive and strong composite used in some of our complete air delivery systems



HDPE

Part numbers start with: 57, 63†



CARBON FIBER

Some part numbers starting with: 63†



SILVER

Part numbers end with: TS, KS



WRINKLE RED

Part numbers end with: TWR



BRIGHT

Part numbers end with: KP, TP, P



TEXTURED BLACK

Part numbers end with: TTK, KTK, TFK, TWK
and part numbers that start with: 71



RED

Part numbers end with: TR



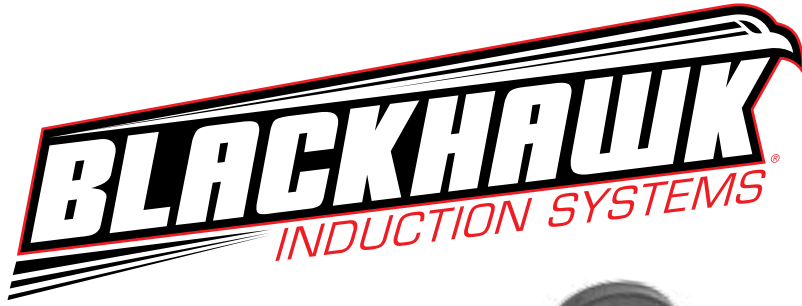
BLUE

Part numbers end with: TB

† Intake systems starting with 57 or 63 usually incorporate molded High Density Polyethylene Tubes.

BLACKHAWK INDUCTION™ INTAKE SYSTEMS

Blacked-Out Performance



Available for Select:
Gas Trucks,
Diesel Trucks
and Muscle Cars

Blackhawk Induction Systems™

- Guaranteed to Increase Horsepower
 - Better Engine Sound
 - 10-Year/Million Mile Limited Warranty
- Features Black Synthetic No-Oil
- Air Filters That Are Easy to Clean

Our blacked out intake systems give you a stealth look along with the added performance and killer sound that comes with traditional K&N® intakes. They feature an oil-free black synthetic performance air filter that is washable and re-usable. Just like other K&N® intake systems, they are guaranteed to increase horsepower and come with the K&N® 10-Year/Million Mile Limited Warranty.



Part numbers start with 71-
Find air intake systems for
your vehicle on pages 84-173



No Oil Required



Easy to Install in About 90 Minutes



Replacement Air Filters and Performance Intake Systems

Filtration for Demanding Vehicles and Drivers



Light Duty Turbo Diesel Truck Filtration

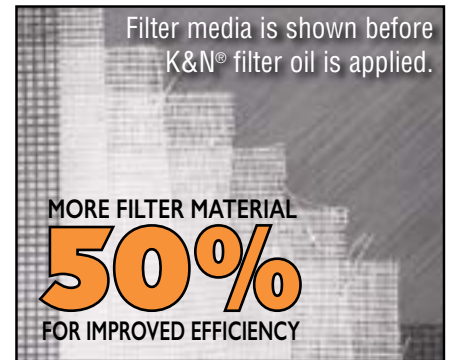
A diesel engine is a tough environment; that's why we build diesel air filters to even higher specifications. They typically use deeper pleats in larger sizes to increase surface area for more capacity and airflow. They contain more cotton in different grades and configurations to achieve higher levels of efficiency. When you put a K&N® diesel air filter to work, you can feel confident that you've got a product specially designed and tested for your diesel's specific engine demands.

High-Flow Diesel Intake Systems

- Guaranteed to Increase Horsepower
- Better Engine Sound
- 6 Layers of Extra Fine Weave Cotton
- Up to 100,000 Miles Between Cleanings†

+16 Estimated
Horsepower Gain*

Intake System 57-2576
2008-10 Ford F-250/F-350
6.4L Diesel



High-Flow Diesel Air Filters

- Designed to Increase Horsepower
- Washable and Reusable
- 6 Layers of Extra Fine Weave Cotton
- Up to 50,000 Miles Between Cleanings†
- 50-State Street Legal



K&N® high-flow diesel air filters are made with more layers of cotton filter media than our standard OE replacement air filters.



+10 Estimated
Horsepower Gain**

Air Filter E-0776
2003-09 Dodge Ram 2500/3500
5.9L Diesel



* Estimated horsepower gain based on specific or similar vehicle dynamometer tests. Results will vary. For more information see page 478 or look up vehicle and/or testing protocols at knfilters.com.

** Horsepower estimate is the result of one dynamometer test comparing horsepower at the wheels when changing from an OEM air filter to a K&N® air filter for the vehicle listed. It is not meant to be representative of all our part numbers. Results will vary.

† Under normal highway driving conditions.

PERFORMANCE FUEL FILTERS AND FUEL PUMPS

High Flow Rates and Superior Construction

Fuel Filters

- High Flow Rates, Efficiency and Capacity
- High Strength Carbon Steel Filter Housing
- High Performance Seam Exceeds OEM Pressure Requirements

K&N® performance fuel filters are a direct factory replacement filter and offer your engine the protection and quality expected from the makers of the World's Best Air Filter™. The high-performance cellulose glass media helps remove contaminants such as rust, dirt, scale and other foreign materials, providing excellent fuel system protection. K&N® performance fuel filters are specifically designed to keep your engine running clean and smooth even in harsh conditions.

K&N® performance fuel filters will replace a vehicle's factory fuel filter and are designed to meet or exceed OEM specifications. The fuel filter housing is made from high-strength carbon steel and powder coated for corrosion resistance. The high efficient, high capacity design is rated at 80 gallons per hour flow rates. The SAE J2044 compliant fuel connectors, and rolled seams exceed OEM



Gas Filters

Diesel Filters

pressure requirements. These quality factory replacement K&N® performance fuel filters are backed by a one-year replacement warranty for gasoline applications and a 90-day replacement warranty for diesel fuel filters. K&N® fuel filters deliver performance and confidence!

Fuel Pumps

- Compatible with Diesel, Biodiesel, Gasoline, E85, Methanol, Ethanol, Alcohol and Other Fuels
- Universal Design Fits Most Applications
- Pumps 15 Gallons Per Hour Between 1 and 2 psi
- Self-priming Design Provides a Quiet Running Volume
- Helps Eliminate Vapor Lock and Flooding
- Fuel Filter and Installation Hardware is Included

K&N® inline fuel pumps provide premium quality fuel system hardware with a universal design that fits a wide variety of applications. Compatible with most fuels, this self-regulating 12-volt pump helps prevent vapor lock and flooding. Engineered to pump 15 gallons per hour between 1 and 2 psi, this product comes with a fuel filter and includes all necessary installation hardware.

CAUTION: Not intended for aircraft use or fuel injection.

*For Cars, Trucks, RVs,
Generators, Marine,
Agricultural and Industrial*



81-0402

DESCRIPTION

1.0 - 2.0 PSI / 15 GPH, Gas Fuel
1.5 - 4.0 PSI / 25 GPH, Gas Fuel
4.0 - 7.0 PSI / 32 GPH, Gas Fuel
9.0 - 11.5 PSI / 34 GPH, Diesel Fuel

PART#

81-0400
81-0401
81-0402
81-0403

Upgrades for Powersports Vehicles

Providing Increased Performance, Long Life, and Ease of Maintenance

We have been manufacturing performance motorcycle air filters since the late 1960's. Designed to drop into your factory airbox, we offer over 600 stock replacement high-flow air filters, including products for cruisers, sportbikes, and ATVs. We also produce specialty air filters and performance air intake systems for select cruisers, and ATVs/side by sides.

Outside of air filtration, we manufacture premium oil filters that are built with synthetic media designed to be compatible with both synthetic and petroleum based oils. The special synthetic media is designed to withstand the high concentrates of synthetic racing oils while providing both high flow rates and outstanding filtration. K&N® oil filters deliver performance and confidence!

Powersports air and oil filters are included in this catalog.

Motorcycle and ATV air filters and oil filters are listed on pages 174-452



Other Specialty Powersports Performance Products



Performance Intake Systems*

For American V-Twin Motorcycles

- Better Engine Sound and Power You Can Feel
- Guaranteed to Increase Horsepower
- Replaces OE Air Filter Assembly
- Multiple Styles Available



Race-Spec High-Flow Air Filters™**

For Performance Track Bikes

- Purpose-Built for Racing
- Two-Ply Cotton Race Filter Media
- Specially Pleated for Low-Restriction

Note: Requires fuel-management modifications



Xstream® Series High-Flow Air Filters™

For Off-Road/Motocross Bikes

- Low Restriction Improves Throttle Response
- Excellent Filtration in Dusty Conditions
- Deep Pleats Provides High-Capacity
- Two-Piece Design Eases Installation



Aircharger® Intake Systems**

For ATV/UTV/Side by Sides

- Guaranteed to Increase Horsepower
- Completely Replaces OE Air Box Assembly
- Oversized Filter Provides High-Capacity
- Custom High-Flow Intake Tube



PERFORMANCE GOLD® OIL FILTERS

High-Flow Performance Made Easy

Our Premium Oil Filter

Part numbers starting with: HP

- Welded Nut on Canister for Easy Removal with a Standard Tool
- High Flow Rates and Efficiency
- Heavy Duty Canister Construction
- Great for Use with Conventional or Synthetic Oils



Premium Grade Wrench-Off® Oil Filters

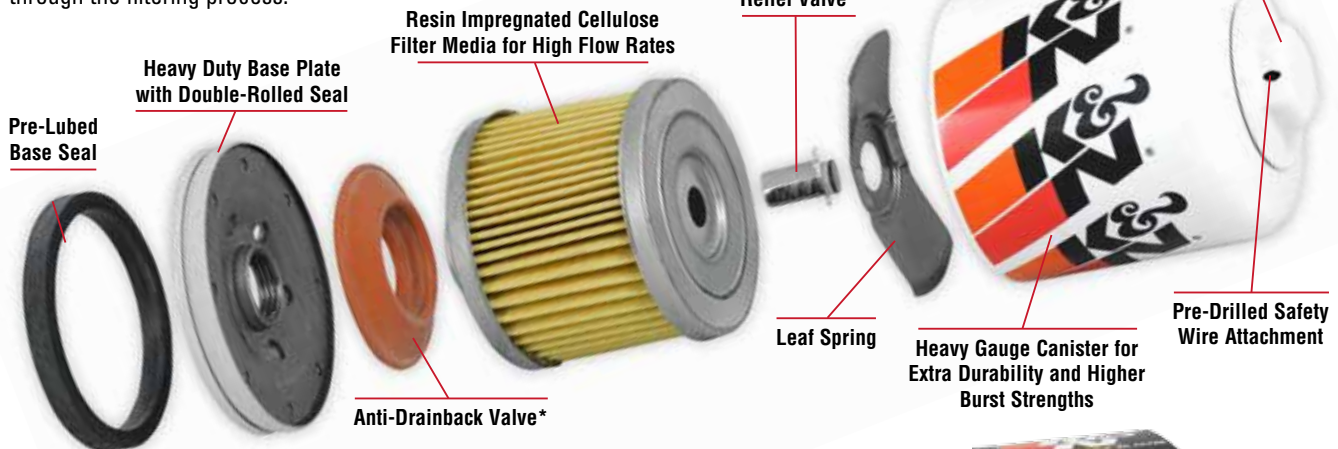
We've all been there: whether it's remembering where that filter removal wrench is; having oil leak all over your garage and yourself; or finally giving up and pounding a screwdriver through the filter just to get it off. Most of our oil filters come with a nut welded to the top of the canister so they can be easily wrenched-off with a standard tool.

High-Flow Rate

Our oil filters use resin impregnated cellulose filter media. This allows for higher flow rates while providing outstanding filtration. High filter flow rates are important in racing vehicles where heavier grade oil is used and the oil is pumped much faster than in a standard vehicle. When the engine is circulating oil at high GPM rates, the high-flow oil filter helps reduce the loss of pressure through the filtering process.

Heavy Duty Construction for Extreme Conditions

To satisfy the demands of racers, our premium Wrench-Off® oil filter has many features over and above the requirements of most vehicles. We use thicker canister walls for extra strength and durability which reduces the risk of damage from loose rocks and debris. The heavy duty construction will withstand higher oil pressures. The drilled hole in the nut is for a safety wire attachment. Required for many types of racing, the safety wire can prevent blown oil filters from falling on the track and presenting a hazard to other race vehicles. This extra engineering offers peace of mind for consumers who want only the best.



Extended Life Makes Dollars and Sense

Many vehicle manufacturers are now recommending average oil change intervals of 10,000 miles or longer for newer vehicles using certain synthetic motor oils.** K&N® premium Wrench-Off® oil filters are the perfect partner for synthetic oils and extended oil change intervals. Extending your oil change intervals can save you time and serious money. Don't let an oil filter designed to last 3,000 miles be the weak link in the chain. K&N's premium Wrench-Off® oil filters are built to go the distance.

* Where applicable

** Always follow the factory recommended oil change intervals found in your vehicle owners manual.



PERFORMANCE OIL FILTERS

For Cars, Trucks, Diesel, and Motorcycles

Delivering Performance and Confidence

PERFORMANCE SILVER™

For Professional Service Providers

- Designed for Better Engine Performance by Reducing Oil Filter Restriction
- Engineered to Handle All Grades of Synthetic and Conventional Motor Oils
- Pleated Filtration Media for Increased Capacity and Outstanding Filtration

Proud Sponsor of the

Part numbers starting with: PS



CARTRIDGE-STYLE OIL FILTERS

- High-Flow, Pleated Filter Media Provides Increased Capacity and Outstanding Filtration
- Engineered to Handle All Grades of Synthetic and Conventional Motor Oils, Including Blends
- Available for Powersports or Automotive Applications



POWERSPORTS

- 17mm Nut for Easy Wrench-Off®
- High-Flow Filtration Media Designed for Use with Today's Synthetic and Synthetic Blended Oils
- Heavy Duty Canister Construction for High Burst Strength



HEAVY DUTY DIESEL

- Sturdy 1-Inch Nut for Easy Wrench-Off®
- High Dirt Holding Capacity and Filtration Efficiency
- Heavy Gauge Canister for Increased Burst and Pulsation Fatigue Strength
- Excellent Cold Flow Characteristics for Engine Protection During Cold Start-Up



WASHABLE PERFORMANCE

The Last Oil Filter Your Car Will Need

- Never Needs To Be Replaced
- Cleans Easily with Soapy Water or in a Parts Washer
- Provides a Substantial Increase in Oil Flow When Compared To Standard Disposable Oil Filters
- K&N Million Mile Limited Warranty®
- Made in the USA with Premium Materials

Part numbers starting with: SS



REPLACEMENT O-RING KITS

- For use with K&N® reusable billet oil filters

DESCRIPTION	PART#
Small	SS-001
Medium	SS-002
Large	SS-003

NASCAR® is a registered trademark of the National Association for Stock Car Auto Racing, Inc.

COMMERCIAL GRADE HEAVY DUTY TRUCK AIR FILTERS

Custom Engineered for Class 6-8 Diesel Trucks

Hybrid Filtration Media – No Oil Required

K&N DIESEL



- Designed to Improve Horsepower
- Easy to Clean

Heavy Duty

- Motorhomes and Recreational Vehicles
- Class 6-8 Trucks and Diesel Equipment
- Bus/Fire/Transport Vehicles

DRYFLOW

AIR FILTER TECHNOLOGY

Commercial Grade Construction

Our diesel air filters are constructed with extra strength and reinforcements to withstand the harsh conditions that can be found in commercial use. The hybrid filter media is pleated and placed between two powder-coated aluminum screens for consistent surface area that can smooth and straighten airflow. The reinforced media is then held between a steel top plate or molded urethane end cap and a molded urethane seal or steel base flange. These ends are molded to a powder-coated steel cage to help withstand the extreme temperatures and pressures that can be present in large turbo diesel applications. This means the filters will not collapse or lose their seal even under the high levels of compression that may be encountered in commercial environments.

A Washable Diesel Air Filter

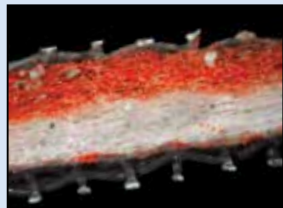
The power, durability and design of turbo diesel engines create unique air filtration demands. K&N® has developed a new line of washable heavy duty air filters using our hybrid filtration media. These depth loading air filters deliver very high filtration efficiency, large dust holding capacity and high airflow, making them perfect for large turbo diesel class 6-8 vehicles.



Spray on degreaser



Spray off dirt



Our robust hybrid filtration media is comprised of lofted non-woven synthetic fibers to create a three-dimensional media capable of providing high airflow and dirt capacity.

Designed To Improve Performance

Our heavy duty diesel air filters are designed to improve performance and durability. When air filter restriction becomes too high, simply wash the filter and it's ready to go again.

Robust Construction – Easy To Clean

These filters are very robust, which means they are nearly indestructible and can be cleaned over and over again. To clean, simply apply our special degreaser, part number 99-0638, and use a pressure washer, power sprayer or water hose nozzle to clean the dirt and grime out of the filter. Since they don't use any oil, you can be ready to get back on the road in minutes. The filter does not even have to be completely dry to be re-installed.

Commercial Grade Diesel Air Filter Warranty

These air filters are backed by a three-year/300,000-mile limited warranty. They are meant to be washed and reused over and over.



HEAVY DUTY AIR AND OIL FILTERS

Built Tough for Demanding Conditions

K&N® HEAVY DUTY AIR FILTER CROSS REFERENCE

K&N®	BALDWIN	CARQUEST	DONALDSON	FARR / RACOR	FLEETGUARD	FRAM	LUBER-FINER	NAPA	WIX
38-2000S*	PA4653	87818	•	400820014	•	•	•	2818	42818
38-2001S/R*	PA2721	88891	P537447	062891001	AH1104	CA7229	LAF1828	6891	46891
38-2002S/R*	PA2722	88893	P537448	062891002	AH1105	CA7230	LAF1848	6893	46893
38-2003R*	PA2723	88895	P537449	062891003	AH8505	CA7231	LAF1844	6895	46895
38-2006S*	PA3493	88748	P537454	114880003	AH1197	CA8130	LAF1934	6748	46748
38-2007S*	PA3556	88755	P537453	114500003	AH1193	CA6855	LAF2521	6755	46755
38-2008S*	PA2839	88623	P522874	•	AF25668	CA7113	LAF1839	6623	46623
38-2009R*	PA30073	83600	•	094973007	•	•	•	9660	49660
38-2011S*	RS3517	88744	P532966	•	AF25223	CA8193	LAF4498	6744	46744
38-2012S*	RS3518	88556	P527682	•	AF25139M	CA7140	LAF1849	6556	46556
38-2013S*	RS3548	88664	P533930	•	AF25355	CA8466	LAF3930	6664	46664
38-2014S*	PA3555	88759	P537452	114500002	AH1192	CA8129	LAF22026	6759	46759
38-2015R*	RS3539	88843	P534816	•	AF25247	CA8081	LAF4816	6843	46843
38-2016S*	RS4993	83708	P613333	•	AF25708M	CA11519	LAF5962	9708	49708
38-2017S*	PA2761	88506	R804759	•	AF4697	CA6696	LAF1947	6506	46506
38-2018S*	RS3750	87455	P549644	•	AF25598	CA9009	LAF5873	2455	42455
38-2019S*	RS3530	88745	P533235	•	AF25033	CA7466	LAF1953	6745	46745
38-2020S*	RS4859	88907	P614563	•	AF26667	CA9663	LAF2032	6907	46907
38-2021R*	RS3534	88863	P534925	•	AF25248	CA8231	LAF3302	6863	46863
38-2022S*	RS3516	88842	P534096	•	AF25219	CA7727	LAF2536	6842	46842
38-2023S*	RS4634	87808	P616691	•	AF26363	CA9869	LAF5114MXM	2808	42808
38-2024S*	RS3740	88772	P540388	•	AF25435	CA8598	LAF5722	6772	46772
38-2025S*	RS4642	83126	P606720	•	AF26163M	CA9901	LAF9201	9126	49126
38-2026S*	RS4636	88870	P606503	•	AF25707	CA9346	LAF9099	6870	46870
38-2027S*	RS4862	83088	P613336	•	AF26103	CA10305	LAF6663	9088	49088
38-2028S*	PA2456	87546	P181049	•	AF891	CA3273	LAF6453	2546	42546
38-2029S*	PA2705	88883	P153551	•	AF1968	CA3990	LAF3551	6883	46883
38-2030R*	PA2608	88868	P181186	•	AF996M	CA6918	LAF2608	6868	46868
38-2031S*	RS2863	88433	P527484	•	AF4878	CA7139	LAF1878	6433	46433
38-2032S*	PA2680	88882	P150695	•	AF1969	CA6512	LAF695	6882	46882
38-2033S*	PA3499	88904	P776157	•	AF25549	CA8003	LAF7472	6904	46904
38-2034R*	RS4572	87798	P544243	•	AF25955	CA9758	LAF6243	2798	42798
38-2035S*	RS5434	88932	P543614	•	AF27693	CA9856	LAF5633	6932	46932
38-2036R*	RS5287XP	93603XP	P614556	•	AF25144	•	LAF4556	500149	WA10149
38-2037R*	PA2317	87961	P181008	•	AF852	CA595	LAF6918	2961	42961
38-2038R*	PA2357	87661	P181009	•	AF865	CA596	LAF6880	2661	42661
38-2039R*	PA2493	87941	P181016	•	AF1616	CA2588	LAF8494	2941	42941
38-2040R*	PA2312	87966	P181007	•	AF853	CA1581	LAF7797	2966	42966
38-2042R*	PA2732	87610	P522293	•	AF4588M	CA3517A	LAF1770	2610	42610
38-2043R*	RS5288XP	93009	P614986	•	AF27948	•	LAF6986	500009	WA10009

K&N® HEAVY DUTY WRENCH-OFF® OIL FILTER CROSS REFERENCE

K&N®	BALDWIN	CARQUEST	DONALDSON	FLEETGUARD	FRAM	LUBER-FINER	NAPA	WIX
HP-8000	B495 B495-MPG B495-SS	85971 85971XD	P552100 ELF3998 LF9620	LF3620 LF3671	PH7405A PH7405	LFP2160 LFP2160XL	1971 1971XD	51971 51971XD
HP-8001	B76 B76-SS B7600-SS	85791 85791XD 85791XE	P553191 P554004 ELF7483 ELF7739	LF667 LF3379 LF9667	PH8842 PH49A HPH49A	LFP3191 LFP3191SC LFP3191XL	1791 1791XD 1791XE	51791 51791XD 51791XE
HP-8002	B99 B99-SS B99-MPG	85792 85792XD 85792XE	P554005 P554105 ELF7405	LF691 LF691A LF3374 LF3566 LF9691 LF9691A	PH3335 HPH3335 PH3426	LFP4005 LFP4005RN LFP4005SC LFP4005XL	1792P 1792XD 1792XE	51792 51792XD 51801
HP-8003	BD103 BD103-SS	85748 85748XD	P553000 ELF7300	LF3000 LF3639 LF9009	PH6349A HPH6349A HPH6349	LFP3000 LFP3000XL	1748 1748XD	51748 51748XD
HP-8006	BD7154	84745XD 84746XD	P559000 ELF7900	LF9031 LF9080	•	LFP9001	7745XD 7746XD	57745XD 57746XD
HP-8017	BT427	85602	P558616 ELF7345	LF3345	PH3900	LFP3900	1602	51602
HP-8021	BT237	85459	P554407	LF699 LF787	PH977A	LFP2292	1459	51459
HP-8025	BD7250	84744XD	P550656 P552025	LF9025	PH9971 PH9971A	LFP9025	7744XD	57744XD
HP-8026	P7235	84311	P550528	LF16166	CH9549	LP2017	7311	57311
HP-8027	P7188	84215	P550761	LF3914	CH9260	LP8741	7215	57215
HP-8028	P7230	84213	P550769 ELF7690	LF16046	CH9558	LP5048	7213	57213

*S = standard flow. R = reverse flow. Some air filters are available in both variations.

Cross references should be used for comparison of filters with similar dimensions. The user assumes all responsibility for verifying that filters are compatible with their vehicle before using these products. Damage may result if the user fails to ensure that the filter is compatible and seals properly before installing the product or operating the engine.

MOBILE AND AUXILIARY POWER EQUIPMENT AIR FILTERS

K&N® Goes Beyond Your Automotive Needs

Most Featuring Dryflow® Filter Media – No Oil Required

Washable and Reusable Air Filters for Generators, Landscape Equipment, Refrigeration Units and More

K&N® offers air filters for many types of mobile and auxiliary power equipment using our Dryflow® air filtration medium. Most of these filters are made from a non-woven synthetic material designed to be used dry with no oil required. This material makes these air filters very easy to clean using power washers, pressure sprayers or hose nozzles. Our Dryflow® filter has a lofted three-dimensional feature which adds depth loading and large dust holding capacities.



33-2238



E-4551

Popular Light Industrial Equipment Air Filters - Cross Reference

K&N	DESCRIPTION	OE	BALDWIN	DONALDSON	FLEETGUARD	FRAM	LUBER-FINER	WIX
E-4551	Onan 140-2897 Replacement	1402897	•	•	•	•	•	49697
E-4552	Onan 140-3071 Replacement	1403071	PA4632	P812440	AF25550	CA9248	LAF8388	46449
		•	RS3715	P822686	AF25745	•	•	•
		•	•	•	AH19082	•	•	•
E-4961	Round, Radial Seal, 4-1/8" OD, 10-3/4" HT, 5" HSG	•	RS3704	G057512	AF25551	CA9550	LAF22029	46438
		•	RS3716	P821575	AF25555	•	LAF8195	46439
		•	•	P831424	AF25575	•	•	46439FR
		•	•	•	AH19083	•	•	•
		•	•	•	AH19085	•	•	•

Popular Landscape Equipment Air Filters - Cross Reference

K&N	DESCRIPTION	OE	CRAFTSMAN	HONDA	JOHN DEERE	LOWES	TORO
33-2238	Briggs & Stratton 3-5 HP Horizontal Engine	399959	33055	17211ZL8000	LG491588JD	42868	1191909
		4101	3364	17211ZL8003	PT15853	•	•
		491588	33644	17211ZL8023	•	•	•
		5043B,D,H,K	•	•	•	•	•
		•	•	•	•	•	•
33-2240	Briggs & Stratton 18-22 HP Intek V-Twin	4209	33926	•	GY20575	188023	•
		4223	•	•	GY21056	•	•
		499486	•	•	MIU11286	•	•
		5063B,D,H	•	•	•	•	•
		5069H,K	•	•	•	•	•
		695667	•	•	•	•	•
		698754	•	•	•	•	•
33-2301	Honda GX610K1, GX620K1, GX670, GXV610K1, GXV670, & EB11000K1	17210ZJ1841	•	•	•	•	•
		17210ZJ1842	•	•	•	•	•
		17218ZJ1840	•	•	•	•	•
33-2421	SV470-620, 15-22 HP	2008302	•	•	•	249504	98018
		2008306	•	•	•	•	•
E-4518	Kohler CH18, CH25, & CV25 Models	2408303	•	•	•	•	•
E-4665	Briggs & Stratton 351400	392642	24150	•	LG394018JD	43612	394018S
		394018	•	•	•	•	•
		4135	•	•	•	•	•
		5050B,H,K	•	•	•	•	•
		•	•	•	•	•	•
E-4963	SV710, 20-27 HP	3208303	33180	•	MIU11943	249507	•
E-4965	Kawasaki FS481V-730V & FR651-FR691V, 22-26HP	110137047	•	•	•	•	•
		110137049	•	•	•	•	•
		490200M022	•	•	•	•	•
		999990384	•	•	•	•	•

Cross references should be used for comparison of filters with similar dimensions. The user assumes all responsibility for verifying that filters are compatible with their vehicle before using these products. Damage may result if the user fails to ensure that the filter is compatible and seals properly before installing the product or operating the engine.

THE ORIGINAL PERFORMANCE
FILTER OF NASCAR



Dedicated to NASCAR® Racing

K&N® traces its involvement with NASCAR® back to the 1970s, the early days of supplying parts for the NASCAR® Sprint Cup Series™ races at the old Riverside Speedway. And our dedication to racing is strengthened each time we develop our products at racetracks, and support race teams at all levels of NASCAR® competition.

From NASCAR® to Your Car

Now you can use the same air filter technology used in NASCAR® to improve the performance of your car. K&N® high flow air filters are specially designed to reduce airflow restriction and improve horsepower by using layers of cotton instead of paper media. Cotton breathes easier and is washable. One K&N® high flow replacement air filter can last for the life of your car and only needs to be cleaned every 50,000 miles under normal driving conditions. Better performance and longer life from K&N®, the original performance air filter of



As the title sponsor of the NASCAR® K&N Pro Series® East and West, K&N® is once again helping to support developing drivers.



This mirrors our 25 year commitment to grass-roots racing and local event sponsorship. This is the premier developmental series created by NASCAR® to help drivers learn the skills they will need to be able to compete at the national event level. So if you want all the thrills and chills of NASCAR® in a smaller setting, go check out a NASCAR® K&N Pro Series® race at one of the tracks near you.

NASCAR® is a registered trademark of the National Association for Stock Car Auto Racing, Inc.

2016 NASCAR® K&N PRO SERIES® SCHEDULE			
Pro Series West		Pro Series East	
Mar 18	Tucson, AZ	Feb 19	New Smyrna, FL
Mar 23	Bakersfield, CA	Apr 8	Greenville, SC
May 25	Irwindale, CA*	Apr 22	Bristol, TN
May 25	Irwindale, CA*	May 6	South Boston, VA*
May 13	Airway Heights, WA	May 6	South Boston, VA*
May 20	San Bernardino, CA	Jun 3	Millington, TN
Jun 10	Dacono, CO	Jul 1	Marne, MI
Jun 24	Sonoma, CA	Jul 8	Thompson, CN
Jul 28	Newton, IA	Jul 15	Loudon, NH
Aug 12	Monroe, WA	Jul 28	Newton, IA
Aug 26	Roseburg, OR	Aug 4	Watkins Glen, NY
Sep 30	Toelle, UT	Sep 2	TBA
Sep 24	Meridian, ID	Sep 16	Millville, NJ
Oct 14	Roseville, CA	Sep 29	Dover, DE
Nov 4	Bakersfield, CA		

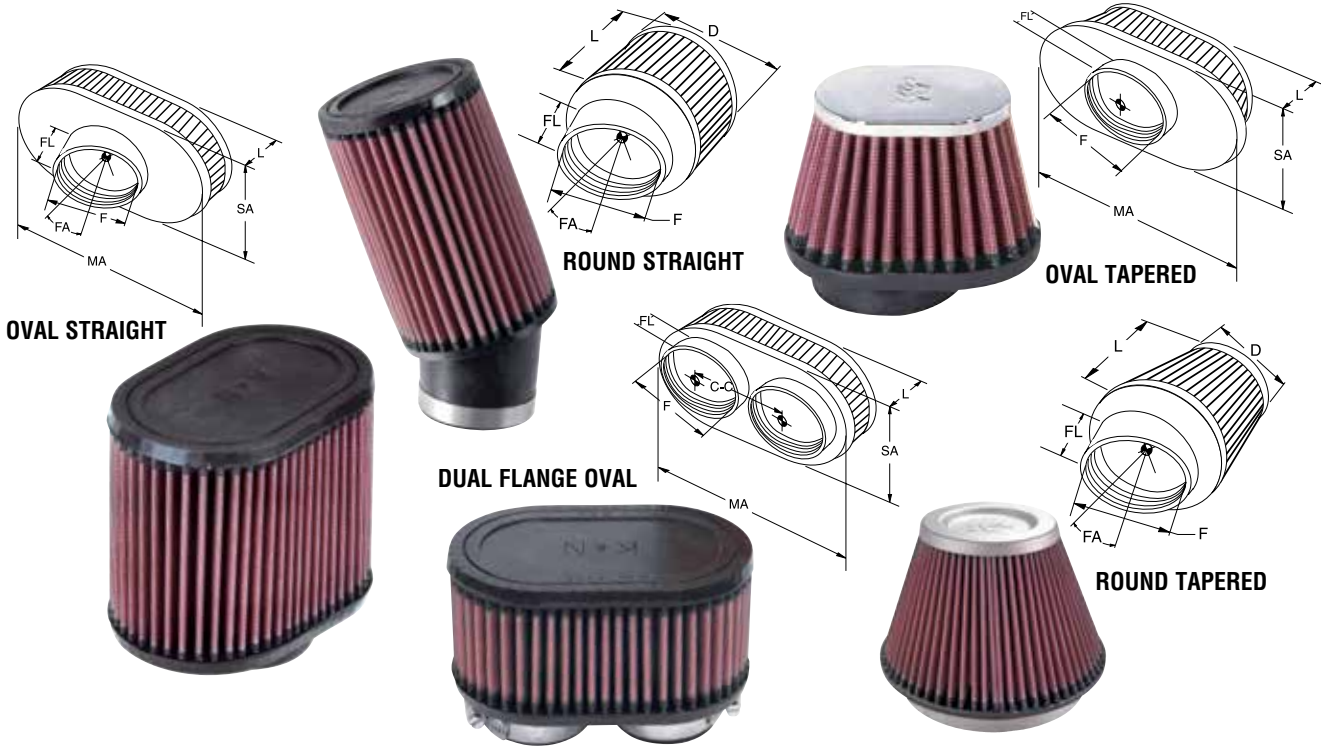
* 100-lap twin features



UNIVERSAL/CLAMP-ON AIR FILTERS

Universal Air Filter Specifications

K&N® universal air filters are designed and manufactured for a wide variety of applications. Regardless of the angle, offset, or diameter of the air intake, there is probably a K&N® universal air filter available for your equipment. All filters are constructed with ultra-strong molded pliable rubber flanges which absorb vibration and allow for secure attachment, and can also be stretched up to 1/16" (1.5 mm) to fit in-between sizes. K&N® universal air filters are available in round, tapered and oval designs, for just about any special application.



OVER 800 SIZES AVAILABLE
See pages 45-64 for complete dimensions

POPULAR SPECIALTY AIR FILTERS

ROUND TAPERED	FLANGE INSIDE DIA.	HEIGHT	OVAL STRAIGHT	FLANGE INSIDE DIA.	HEIGHT	ROUND STRAIGHT	FLANGE INSIDE DIA.	HEIGHT	OVAL TAPERED	FLANGE INSIDE DIA.	HEIGHT
RU-4960	2 3/4"	5 1/2"	RU-1820	2"	2 3/4"	RU-0210	1 11/16"	5"	RU-2780	2 7/16"	2 3/4"
RE-0930	3"	6"	RU-1390	2 7/16"	7"	RU-0800	2 7/16"	4"	RC-5040	3 1/2"	5 1/2"
RE-0870	4"	9"	RA-0770	2 9/16"	3"	RB-0910	3"	5"	RF-1040	4"	7 1/2"
RU-2800	5"	7"	RU-3620	3 1/2"	7"	RU-2820	3"	6 1/2"	RC-5102	4"	8 15/16"
RF-1041	6"	7 1/2"									

Black Universal Air Filters

K&N® black universal air filters are made from Dryflow® oil-free synthetic media. These low restriction clamp-on air filters are designed and manufactured for a wide variety of applications. When dirty they can be easily washed using K&N® synthetic air filter cleaner.



See page 481 for synthetic air filter cleaner

PART#	FLANGE INSIDE DIAMETER	HEIGHT	BASE OUTSIDE DIAMETER	TOP OUTSIDE DIAMETER
RU-5171HBK	4"	8"	8"	6 5/8"
RU-5283HBK	4 1/2"	8"	8"	6 5/8"
RU-3102HBK	6"	6"	7 1/2"	5 1/4"
RU-5177HBK	6"	7 1/2"	9"	6 5/8"
RU-3101HBK	6"	8"	7 1/2"	5 1/4"



These products are not street legal on vehicles with regulated emission control systems unless used as a direct replacement air filter for a street legal intake system.

UNIVERSAL/CUSTOM END CAP CLAMP-ON FILTERS

Composite

With advanced composite technology, carbon fiber provides incredible strength with minimal weight. Carbon fiber provides 1/3 less weight than a conventional filter top. Smooth, glass like appearance provides the ultimate in finish, fit, and function.



FLANGE DIAMETER		BASE OUTSIDE DIAMETER		TOP OUTSIDE DIAMETER		HEIGHT		FLANGE LENGTH		DESCRIPTION	AIR FILTER #	NOTE	FILTER WRAP PART #
INCH	MM	INCH	MM	INCH	MM	INCH	MM	INCH	MM				
1 15/16	49	3	76	3	76	3	76	5/8	16	Round Straight	RP-5164		22-8008PK
1 15/16	49	3	76	3	76	4	102	5/8	16	Round Straight	RP-5119		22-8009PK
3	76	6	152	5	127	6	152	1	25	Round Tapered	RP-5044		•
3	76	6	152	5	127	6	152	1 3/4	44	Round Tapered	RF-1047		25-3900
3 3/8	86	6	152	4 1/2	114	9	229	1/2	13	Round Tapered	RP-5118		RC-3690DK
3 1/2	89	5 1/2	140	4 1/2	114	6 1/2	165	1 1/4	32	Round Tapered	RP-4630		RC-4630DK
3 1/2	89	12 x 6	305 x 152	9 15/16 x 3 15/16	252 x 100	6	152	15/16	24	Oval Tapered	RF-1038	1	•
3 7/8	98	12 x 6	305 x 152	9 15/16 x 3 15/16	253 x 100	6	152	15/16	24	Oval Tapered	RP-5070	1	•
3 7/8	98	12 x 6	305 x 152	9 15/16 x 3 15/16	254 x 100	6	152	15/16	24	Oval Tapered	RP-5115		•
3 7/8	98	12 x 6	305 x 152	9 15/16 x 3 15/16	255 x 100	7	178	15/16	24	Oval Tapered	RP-5103		RP-5103DK
4	102	5 3/8	137	4	102	5 1/16	129	5/8	16	Round Tapered	RP-4930		RP-4660DK
4	102	5 3/8	137	4	102	5 1/2	140	5/8	16	Round Tapered	RP-4660		RP-4660DK
4	102	5 3/8	137	4	102	6 1/2	165	5/8	16	Round Tapered	RP-4980		RC-5149DK
4	102	5 3/8	137	4	102	7	178	5/8	16	Round Tapered	RP-4970		22-8032PK
4 1/8	105	18 3/4 x 5	476 x 127	16 3/4 x 3	425 x 76	4 13/16	122	2	51	Oval Tapered	RP-5135		RP-5135DK
4 1/4	108	5 7/8	149	4 1/2	114	6 3/4	171	5/8	16	Round Tapered	RP-5167		RF-1037DK
4 1/2	114	5 7/8	149	4	102	6	152	5/8	16	Round Tapered	RP-5101		RU-5168DK
4 1/2	114	5 7/8	149	4 1/2	114	6	152	5/8	16	Round Tapered	RP-4740		RF-1023DK
5	127	6 1/2	165	4 1/2	114	5 5/8	143	1	25	Round Tapered	RP-5113		RU-5147DK
6	152	7 1/2	191	4 1/2	114	4	102	1	25	Round Tapered	RP-4600		22-8036PK
6	152	7 1/2	191	5	127	6	152	1	25	Round Tapered	RP-5168		•
8 3/4 in x 3 1/4	222 x 83	18 3/4 x 5	476 x 127	16 3/4 x 3	425 x 76	4 13/16	122	2	51	Oval Tapered	RP-5161		RP-5135DK

Inverted

This unique approach to filter design and concept utilizes a filtering top that actually inverts, dropping into the cylinder of the filter! Surface area is greatly increased and designed to provide more filtration than other comparably sized products.



FLANGE INSIDE DIAMETER		BASE OUTSIDE DIAMETER		TOP OUTSIDE DIAMETER		DIAMETER		HEIGHT		DESCRIPTION	COLOR	AIR FILTER #
INCH	MM	INCH	MM	INCH	MM	INCH	MM	INCH	MM			
2 3/4	70	5 7/8	149	5 1/4	133	5	127	3/4	19	Round Tapered	Red	RR-2801
2 3/4	70	5 7/8	149	5 1/4	133	5	127	3/4	19	Round Tapered	Blue	RR-2802
2 3/4	70	5 7/8	149	5 1/4	133	5	127	3/4	19	Round Tapered	Polished	RR-2803
3	76	6	152	5 1/4	133	5	127	1 3/4	44	Round Tapered	Red	RR-3001
3	76	6	152	5 1/4	133	5	127	1 3/4	44	Round Tapered	Blue	RR-3002
3	76	6	152	5 1/4	133	5	127	1 3/4	44	Round Tapered	Polished	RR-3003
4, 3 1/2, 3	102/89/76	6	152	4 3/4	121	5 1/2	140	1 1/8	29	Adjustable Flange	Chrome/Blue	RG-1001BL
4, 3 1/2, 3	102/89/76	6	152	4 3/4	121	5 1/2	140	1 1/8	29	Adjustable Flange	Chrome/Red	RG-1001RD
4, 3 1/2, 3	102/89/76	6	152	4 3/4	121	5 1/2	140	1 1/8	29	Adjustable Flange	Chrome/White	RG-1001WT
4, 3 1/2, 3	102/89/76	6	152	4 3/4	121	9 1/2	241	1 1/8	29	Adjustable Flange	Chrome/Red	RG-1002RD

Titanium

When it comes to exotic race materials, titanium is well known for its lightweight and increased strength to weight ratio. Offering lighter weights than conventional filter tops and more rigidity, K&N® titanium top filters are the next generation in filter design.



FLANGE INSIDE DIAMETER		BASE OUTSIDE DIAMETER		TOP OUTSIDE DIAMETER		HEIGHT		FLANGE LENGTH		DESCRIPTION	AIR FILTER #	FILTER WRAP PART #
INCH	MM	INCH	MM	INCH	MM	INCH	MM	INCH	MM			
4 1/2	114	5 7/8	149	4 1/2	114	5	127	5/8	16	Round Tapered	RT-4610	25-3900
6	152	7 1/2	191	4 1/2	114	4	102	1	25	Round Tapered	RT-4600	22-8036PK
6	152	7 1/2	191	4 1/2	114	5	127	1	25	Round Tapered	RT-4590	22-8049DK

Notes: 1) Filter top has a 1 1/8" vent hole.

These products are not street legal on vehicles with regulated emission control systems unless used as a direct replacement air filter for a street legal intake system.

VENT FILTERS AND BREATHERS



The NASCAR® K&N Pro Series®

As the title sponsor of the NASCAR® K&N Pro Series® East and West, K&N® is once again helping to support developing drivers. This mirrors our 25 year commitment to grass-roots racing and local event sponsorship. This is the premier developmental series created by NASCAR® to help drivers learn the skills they will need to be able to compete at the national event level. So if you want all the thrills and chills of NASCAR® in a smaller setting, go check out a NASCAR® K&N Pro Series® race at one of the tracks near you.

Proud Sponsor of the



Steel Base Crankcase Vent Filters

One Piece Design For Competition Use

Steel base crankcase vent filters have vent tubes added to their base. Filters consist of a one piece design with a rubber or chrome top. Filters with mounting studs can be mounted remotely, but require vent hoses and clamps. Filters mounted direct can be pressed into rubber grommets in valve covers. All baseplates are chrome plated and tubes are zinc.

VENT DIAMETER	2" O.D.; 1 1/2" H RUBBER TOP	3" O.D.; 2" H RUBBER TOP	2" O.D.; 1 1/2" H CHROME TOP W/STUD	3" O.D.; 2" H CHROME TOP	3" O.D.; 2 1/2" H CHROME TOP
3/8" O.D.	62-1000	•	62-1090	•	•
1/2" O.D.	62-1010	62-1050	62-1100	62-1140	•
1/2" O.D.	62-1015 ²	•	•	•	•
1/2" O.D.	62-1250 ¹	•	62-1300 ¹	•	•
5/8" O.D.	62-1020	62-1060	62-1110	62-1150	•
3/4" O.D.	62-1030	62-1070	62-1120	62-1160	•
1" O.D.	62-1040	62-1080	62-1130	62-1170	62-1590WT ³

Notes: 1) Special 3" H Filter; 2) 2" Chrome Top.; 3) White media. Includes 1 1/4" grommet.



Rubber Base Crankcase Vent Filters

Designed to clamp directly to metal or plastic tubing. Ideal for engines, transmissions, oil and gas tanks on racing vehicles.

FLANGE I.D.	FILTER O.D.	FILTER HEIGHT	RUBBER TOP	CHROME TOP	CUSTOM TOP
5/16"	1 3/8"	1 1/8"	•	62-2470	•
3/8"	2"	1 1/2"	•	62-1320	62-1570
3/8" or 1/2"	2"	1 3/4"	•	62-1600 ¹	•
1/2"	2"	1 1/2"	•	62-1330	•
9/16"	1 3/8"	1 1/8"	•	62-2480	•
5/8"	2"	1 1/2"	•	62-1340	•
3/4"	1 3/8"	1 1/8"	62-1560	•	•
3/4"	2"	1 1/2"	•	62-1360	•
3/4"	2"	2 1/2"	RU-3630	•	•
1"	2"	1 1/2"	•	62-1370	•
1"	3"	2 1/4"	62-1410	62-1420	•
1 1/4"	3"	2 1/2"	62-1380	62-1390	62-1580
1 3/8"	3"	2 1/2"	62-1430	62-1440	•
1 1/2"	3"	2 1/2"	62-1450	62-1460	•
1 3/4"	3"	2 1/2"	62-1470	62-1480	•

Notes: 1) Available in three colors. Add BL to end for blue, RD for red, or WT for white.



Rubber Mounting Flange Covered Air Filters

Designed for round intake flanges. Easy to install. Rubber flange design grips securely. The flange can be stretched to fit in between sizes. Aluminum cover is anodized for durability.

FLANGE I.D.	BONNET O.D.	ELEMENT SIZE	AIR FILTER ONLY	ASSEMBLY#
1"	4"	3 1/2" OD x 3 1/2" H	RE-0200	54-1010
1 1/4"	4"	3 1/2" OD x 3 1/2" H	RE-0220	54-1020
1 1/2"	4"	3 1/2" OD x 3 1/2" H	RE-0240	54-1030
1 3/4"	4"	3 1/2" OD x 3 1/2" H	RE-0260	54-1040
2"	4"	3 1/2" OD x 3 1/2" H	RE-0280	54-1050
2 1/2"	5"	5" OD x 2 3/4" H	RE-0380	54-1110



Legal in California only for racing vehicles which may never be used, registered or licensed for use upon a highway.

NASCAR® is a registered trademark of the National Association for Stock Car Auto Racing, Inc.

Crankcase Vent Filters With and Without Deflector Shield

Universal mounting, for a wide variety of valve covers. All shields and top plates are chrome-plated for beauty and durability.



Style 1

Universal "push-in" filter for all valve covers. Note: Not recommended to be used as an oil filter plug, as repeated removal will damage the filter.

VENT FILTER SIZE	PART#
3" OD; 2 1/2" H; 1 1/4" hole, w/shield	62-1516
3" OD; 2 1/2" H; 1 1/4" hole, w/o shield	62-1490
2" OD; 2 1/4" H; 1 1/4" hole, w/o shield	62-1485
1 1/8" FLG-OD, 9/16" FLG ID, 2" OD, 2 1/8" H	62-1230

Style 4

Nylon reinforced adapter plus a 3" O.D. x 2 1/2" tall filter, with or without deflector shield. 3" tall universal mount, requires a 1 1/4" I.D. hole, and a 2" square, flat surface. Comes complete with mounting hardware.

DESCRIPTION	PART#
Without deflector shield	85-1221
With deflector shield	85-1222

Style 2

Universal "clamp-on" for valve covers with existing vent tubes. All filters are 3" O.D. with deflector shields and 2 1/2" tall.

VENT FLANGE DIAMETER	PART#
1" I.D.	62-1511
1 1/4" I.D.	62-1512
1 3/8" I.D.	62-1513
1 1/2" I.D.	62-1514
1 3/4" I.D.	62-1515

Ford Screw in Breather

This filter is designed to screw directly into threaded Ford valve covers with 1 1/4-7 thread pitch. Filter dimensions: 3" O.D. Chrome top 1 3/4" height. Flange dimension: 1 1/4" O.D., 3/4" L.

DESCRIPTION	PART#
Ford screw in breather	62-1495

Style 3

Zinc plated steel base plate with attached vent tube. Designed to push in to existing rubber breather grommets. All filters are 3" O.D. with deflector shields and 2 1/2" tall.

GROMMET SIZE	PART#
1/2" I.D.	62-1517
5/8" I.D.	62-1518
3/4" I.D.	62-1519
1" I.D.	62-1520

Nylon Reinforced 3" Tall Valve Cover Adapters

Requires a 1 1/2" I.D. flanged filter (purchased separately).

DESCRIPTION	PART#
Screws into Ford valve covers	85-1200
Screws into late GM valve covers	85-1210
Universal mount (see style 4)	85-1220

Tower Base Covered Crankcase Vent Filter with Multi-Hose Vents

Designed for VW and other like-size engines needing maximum crankcase breathing filtration. Saves blow-by oil while relieving crankcase pressure. K&N® air filter stops dirt from reaching oil supply. Bottom fitting should connect to engine's lowest pressure point (such as a rocker cover). Top side fitting should connect to engine's highest pressure point (such as the crankcase).

Cast Aluminum Tower: Universal mount, internal oil baffles, three 3/8" NPT outlets for braided hose fittings.

Chromed Steel Tower: No inner baffles. Adjustable steel mounting bracket and three 1/2" vent tubes for use with rubber slip-on hose.



62-1400

TOWER STYLE	TOWER DIMENSIONS	NUMBER OF OUTLETS	COVER DIAMETER & HEIGHT	ELEMENT DIAMETER & HEIGHT	REPLACEMENT ELEMENT PART#	COMPLETE ASSEMBLY PART#
Cast Aluminum	2 1/8" D x 4 3/4" H	3 - 3/8" NPT	4" OD x 3 1/2" H	3 1/2" x 3 1/2"	RE-0280	62-1400
Chromed Steel	2" D x 4" H	3 - 1/2" hose	4" OD x 3 1/2" H	3 1/2" x 3 1/2"	RE-0280	62-1210

Flat Base Covered Crankcase Vent Filters Remote Mount

Remote mount allows use of 1/2" or 3/8" ID vent hoses. Comes with satin anodized aluminum cover 4" in diameter and 3 1/2" high. Air filter is removable for easy servicing. Includes universal type mounting bracket for bolt-on or weld-on.

NUMBER OF OUTLETS	COVER DIAMETER & HEIGHT	ELEMENT DIAMETER & HEIGHT	REPLACEMENT ELEMENT PART#	COMPLETE ASSEMBLY PART#
2 - 1/2" hose	4" OD x 3 1/2" H	3 1/2" x 3 1/2"	E-3050	62-1180
3 - 1/2" hose	4" OD x 3 1/2" H	3 1/2" x 3 1/2"	E-3050	62-1190
3 - 3/8" hose	4" OD x 3 1/2" H	3 1/2" x 3 1/2"	E-3050	62-1200

Legal in California only for racing vehicles which may never be used, registered or licensed for use upon a highway.



XSTREAM® Air Filters Designed For Serious Racers

Xstream® air filters take performance to the next level with innovative K&N® airflow technology. They provide awesome airflow and outstanding filtration. In any form of racing, racers need all the protection and airflow they can get. Two styles of Xstream® air filters are available: standard tapered or reverse tapered (top is larger diameter).

FLANGE INSIDE DIAMETER		BASE OUTSIDE DIAMETER		TOP OUTSIDE DIAMETER		HEIGHT		FLANGE LENGTH		FLANGE TYPE	DESCRIPTION	AIR FILTER #	NOTE	FILTER WRAP PART #
INCH	MM	INCH	MM	INCH	MM	INCH	MM	INCH	MM					
2 13/32	61	4 23/32	120	3 31/32	101	3 3/4	95	3 11/32	85	Centered	Round Tapered	RX-5179		•
2 7/16	62	4	102	4	102	4 3/4	121	3/4	19	Centered	Round Straight	RX-4040-1	1	•
2 7/16	62	4 1/2	114	4	102	6 1/8	156	3	76	Angled - 20°	Round Tapered	RX-3800		RX-3820PK
2 7/16	62	4 1/2	114	6	152	6 1/8	156	3	76	Angled - 20°	Reverse Tapered	RX-3770	1	RX-3810DK
2 7/16	62	4 1/2	114	6	152	6 1/8	156	7/8	22	Centered	Reverse Tapered	RX-3810XD	2	RX-3810DK
2 1/2	64	4 1/2	114	4	102	3 13/16	97	3/4	19	Centered	Round Tapered	RX-4010		•
2 1/2	64	6	152	5	127	5 1/2	140	2	51	Centered	Round Tapered	RX-4950	1	RX-4990DK
2 1/2	64	6	152	5	127	6 1/2	165	2	51	Centered	Round Tapered	RX-4860	1	RX-4730DK
2 3/4	70	6	152	5	127	5 1/2	140	2	51	Centered	Round Tapered	RX-4960	1	RX-4990DK
2 3/4	70	6	152	5	127	6 1/2	165	2	51	Centered	Round Tapered	RX-4870		RX-4730DK
2 7/8	73	4 1/4	108	4	102	4 3/4	121	15/16	24	Centered	Round Tapered	RX-4020-1	1	•
3	76	4 1/2	114	6	152	4 5/8	117	7/8	22	Centered	Reverse Tapered	RX-3900-1	1	•
3	76	5	127	5	127	7	178	5/8	16	Centered	Round Straight	RX-2820	1, 3	22-8044PK
3	76	6	152	4	102	8 11/16	221	15/16	24	Centered	Round Tapered	RX-3990-1	1	•
3	76	6	152	5	127	5 9/16	141	1 7/8	48	Centered	Round Tapered	RX-4990	1	RX-4990DK
3	76	6	152	5	127	6 1/2	165	1 7/8	48	Centered	Round Tapered	RX-4730	1	RX-4730DK
3	76	6	152	5	127	6 1/2	165	1 7/8	48	Centered	Round Tapered	RX-4730XD	2	RX-4730DK
3	76	8 x 6	203 x 152	5	127	6 1/2	165	1 7/8	48	Centered	Oval Tapered	RX-4750	1	RF-1042DK
3 1/2	89	4	102	4	101.6	5 3/4	146	3/4	19	Centered	Round Straight	RX-4140		RU-1470PK
3 13/16	97	6 13/16	173	6	152	2 1/8	54	3/4	19	Centered	Round Tapered	RX-4130-1	1	•

Notes: 1) Filter has molded-in velocity stack. 2) Extreme duty off-road filter. 3) Open style top.

For Racing Vehicles Using VW Engines

Universal air filter designed for 2 1/16" VW Solex and 2 9/16" Zenith-Holley carburetors. One piece construction with a strong rubber base and flange that clamps directly to the carburetor. Some units have 1/2" vent kits included, for easy installation of vent hoses. Choice of show quality chrome or rubber top. Chrome adds a touch of class, rubber is great for rugged off-road use. Three shapes or styles and numerous heights available - see listings below.



VW Solex Carb With 2 1/16" Flange

FLANGE I.D.	FILTER DIMENSIONS	FILTER HEIGHT	RUBBER PART#	CHROME PART#
ROUND CENTER MOUNT				
2 1/16"	3 1/2"	4"	RA-0500	RA-050V
2 1/16"	3 1/2"	5"	RA-0510	N/A
2 1/16"	3 1/2"	6"	RA-0520	N/A
2 1/16"	4 1/2"	4"	RA-0530	N/A
2 1/16"	4 1/2"	5"	RA-0540	N/A
2 1/16"	5 1/2"	2"	RA-0550*	RA-055V*
2 1/16"	5 1/2"	3"	RA-0560*	RA-056V*
2 1/16"	5 1/2"	4"	RA-0570*	RA-057V*
2 1/16"	5 1/2"	5"	RA-0580*	RA-058V*
ROUND OFFSET MOUNT				
2 1/16"	6"	2"	RA-0450*	RA-045V*
2 1/16"	6"	3"	RA-0460*	RA-046V*
2 1/16"	6"	4"	RA-0470*	RA-047V*
OVAL OFFSET MOUNT				
2 1/16"	4 1/2" x 7"	1 1/2"	RA-0700*	RA-070V*
2 1/16"	4 1/2" x 7"	2"	RA-0710*	RA-071V*
2 1/16"	4 1/2" x 7"	3"	RA-0720*	RA-072V*

*1/2" vent comes as standard equipment.

Zenith-Holley Carb With 2 9/16" Flange

FLANGE I.D.	FILTER DIMENSIONS	FILTER HEIGHT	RUBBER PART#	CHROME PART#
ROUND CENTER MOUNT				
2 9/16"	4 1/2"	4"	RA-0600	N/A
2 9/16"	4 1/2"	5"	RA-0610	N/A
2 9/16"	5 1/2"	2"	RA-0620*	RA-062V*
2 9/16"	5 1/2"	3"	RA-0630*	RA-063V*
2 9/16"	5 1/2"	4"	RA-0640*	N/A
2 9/16"	5 1/2"	5"	RA-0650*	N/A
ROUND OFFSET MOUNT				
2 9/16"	6"	2"	RA-0660*	RA-066V*
2 9/16"	6"	3"	RA-0670*	RA-067V*
2 9/16"	6"	4"	RA-0680*	RA-068V*
OVAL OFFSET MOUNT				
2 9/16"	4 1/2" x 7"	1 1/2"	RA-0750*	RA-075V*
2 9/16"	4 1/2" x 7"	2"	RA-0760*	RA-076V*
2 9/16"	4 1/2" x 7"	3"	RA-0770*	RA-077V*

Carburetor Adapters

For remote mounting of air filter using smooth bore 3" I.D. hose. Do not use accordion flex hose as it restricts airflow and is difficult to seal properly.

CARBURETOR	FLANGE SIZE	ADAPTER O.D.	PART#
VW Solex	2 1/32"	3"	85-1010

Legal in California only for racing vehicles which may never be used, registered or licensed for use upon a highway. These filters are not applicable, nor intended for use on aircraft.

Individual Round Style Stacks

"Early Type" Fuel Injectors (Single Stacks) for Chevrolet, etc.

Filters designed to fit with cut velocity stacks, or straight pieces of exhaust tubing. Rubber filter bases come with molded in velocity stack type radius and step, for smooth bore down from element to tube. Each filter has a rubber top with a K&N® logo.

AIR FILTER MOUNTING FLANGE INSIDE DIA.	INJECTOR BORE SIZE INSIDE DIA.	AIR FILTER DIA. X LENGTH IN INCHES	STRAIGHT NECK MOUNTING FLANGE PART#	5° ANGLE NECK MOUNTING FLANGE PART#
1 7/8" (47.5mm)	1 13/16" (46mm)	3 1/2 x 4	RD-0450	N/A
		3 1/2 x 5	RD-0460	N/A
		3 1/2 x 6	RD-0470	N/A
2 1/8" (54mm)	2 1/16" (52.5mm)	3 1/2 x 4	RD-0500	RB-0500
		3 1/2 x 5	RD-0510	RB-0510
		3 1/2 x 6	RD-0520	RB-0520
2 1/4" (57mm)	2 3/16" (55.5mm)	3 1/2 x 4	RD-0600	RB-0600
		3 1/2 x 5	RD-0610	RB-0610
		3 1/2 x 6	RD-0620	RB-0620
2 1/2" (63.5mm)	2 7/16" (62mm)	3 1/2 x 4	RD-0700	RB-0700
		3 1/2 x 5	RD-0710	RB-0710
		3 1/2 x 6	RD-0720	RB-0720
2 5/8" (66.5mm)	2 9/16" (65mm)	4 x 4	N/A	RB-0800
		4 x 5	N/A	RB-0810
3" (76mm)	2 15/16" (74.5mm)	4 1/2 x 4	N/A	RB-0900
		4 1/2 x 5	N/A	RB-0910



RD-0620

Each filter sold individually.



Go to page 481 for air filter cleaning accessories

Kinsler Non-Siamesed Fuel Injector Stacks

Round filters fit uncut ram tube bells and clamp securely to the lip. Will fit any injection setup that has a minimum of 4 1/4" center to center, and parallel ram tubes. Each filter has a rubber top with a K&N® logo.

RAM TUBE	FILTER SIZE	INJECTOR MODEL#	PART# SINGLE
3 7/8"	4 1/4" B, 4" T, 6" H	N/A	RD-6000
3 5/8"	4" B, 3 3/4" T, 6" H	"351-F-8"	RD-6010
3 7/8"	4 1/4" B, 3 1/2" T, 4 1/4" H	N/A	RD-6020



RD-6000

Each filter sold individually.

Hilborn 4, Injectors Fitted to Honda & Kawasaki Engines in T.Q. Midgets

Air filters designed to fit over stock, uncut ram tubes. Filters come complete with rubber mounting adapters. To install, fit rubber adapters around ram tube bases and fit filters over ram tubes and clamp onto adapters in desired position. Air filters come with chrome end caps. Fits #45-K-4A and #45-H-4B Hilborn injectors and are packaged in sets of four. Filters measure 3" O.D. x 6" L and fit 1 1/2" Ram Tubes. Part# RD-1004



Hilborn Injectors for Blowers & Turbos

Air filters designed to fit over stock, uncut ram tubes. Filters come complete with rubber mounting adapters. To install, fit rubber adapter around ram tube base. On early screw-on ram tube type, cut adapter with razor blade and wrap around tube. Fit filter over ram tube and clamp onto adapter in desired position. Air filters come with chrome end caps.

DESCRIPTION	PART#
Hilborn Injector #525, for Magnuson Super Chargers. Used on American V-Twin and V.W. blown engines. Filter fits 2 1/8" ram tube. Measures 6" dia. top, 5 1/2" dia. base, 6" long	RD-1100
Hilborn Injector #523, for 60 c.i. Magnuson Blower Head. Filter fits 2 1/2" ram tube. Measures 7" dia. top, 7" dia. base, 6" long	RD-1200
Hilborn Injector #524, for 80 c.i. Magnuson Blower Head. Filter fits 3" ram tube. Measures 7" dia., 6" long	RD-1300
Hilborn Injector #F414A, for Turbocharged tractor, air filter clamps over 4" lip on cast ram tube. Air filter measures 7" dia., 6" long	RD-1400
Hilborn Injector #F414A, for Turbocharged tractor, air filter clamps over 4" lip on cast ram tube. Air filter measures 7" dia., 8" long	RD-1410



RD-1400

Note: 1) Rubber mounting adapter not required. Filter mounts directly to injector.

Legal in California only for racing vehicles which may never be used, registered or licensed for use upon a highway.

RACING, HOT ROD, & CUSTOM PRODUCTS

Dual Oval Style Stacks

"Late Type" Hilborn Siamese Stacks

Filters are designed to be used with stock, uncut, siamesed ram tubes. Comes with removable aluminum top plate. To install, push Ram Tubes through rubber base and clamp at desired height. Oval top plate measures 9"L x 5 1/2"W, total height is 6 3/4".

INJECTOR TUBE OUTSIDE DIAMETER	INJECTOR INSIDE DIAMETER	INJECTOR MODEL#	CENTER TO CENTER MEASUREMENT OF BORES	PART#
2 1/8" (54mm)	2 1/16" (52.5mm)	"R"	2.44"	RD-4200
2 1/4" (57mm)	2 3/16" (55.5mm)	"Q"	2.44"	RD-4400
2 1/2" (63.5mm)	2 7/16" (62mm)	"P"	2.70"	RD-4600**
2 5/8" (66.5mm)	2 1/2" (63.5mm)	"327-C-84"	2.70"	RD-4650
2 3/4" (70mm)	2 5/8" (66.5mm)	"327-C-8"	2.87"	RD-4669***
3" (76mm)	2 15/16" (74.5mm)	"F"	3.20"	RD-4800
3 1/8" (79.4mm)	3" (76mm)	"396-C-8M"	3.20"	RD-4850

**Adapter kit needed to convert air cleaner when equipped with 2 1/4" restrictor stacks (Part# 85-4600, kit includes 8 adapters).

***Packaged four per box. When ordering singles specify Part# RD-4660 right side or Part# RD-4670 left side.



RD-4600*

Kinsler-Siamese Stacks

Air filters are designed for use with the Kinsler fuel injection system for Pontiac and Chevrolet small block V8. Air filters come with removable top plate, to install, push injector tubes through rubber base and clamp at desired height. Oval top plate is 9"L x 5 1/2"W. Total height of air filter is 6 3/4".

INJECTOR TUBE OUTSIDE DIAMETER	INJECTOR INSIDE DIAMETER	INJECTOR MODEL#	CENTER TO CENTER MEASUREMENT OF BORES	PART#
2 3/8" (58mm)	2 1/4" (57mm)	N/A	2.80"	RD-5000
2 9/16" (65mm)	2 7/16" (62mm)	N/A	2.80"	RD-5010
2 5/8" (66.5mm)	2 1/2" (63.5mm)	N/A	2.80"	RD-5020



RD-5020*

"Late Type" Hilborn and Other Injectors for VW Air-Cooled Engines

Air filters designed to fit over stock, uncut ram tubes. Comes with removable aluminum top plate. To install, push ram tubes through rubber base and clamp at desired height. Oval top plate measures 9"L x 5 1/2"W, total height is 6 3/4".

AIR CLEANER MOUNTING FLANGE INSIDE DIAMETER	INJECTOR BORE SIZE INSIDE DIAMETER	HILBORN MODEL#	CENTER TO CENTER MEASUREMENT OF BORES	PART#
1 3/4" (44.5mm)	1 11/16" (43mm)	#1600 V-4	3.312"	RD-3400
1 7/8" (48mm)	1 13/16" (46mm)	31600 V-4B	3.312"	RD-3500
2 1/8" (54mm)	2 1/16" (52.5mm)	#2000 V-4	3.375"	RD-3600
1 3/4" (44.5mm)	1 11/16" (43mm)	ARPM Rotary F/I	2.700"	RD-4900



"Early Type" Hilborn and Other Injectors for VW Air-Cooled Engines

Air filters designed to fit over stock, uncut ram tubes. Fits early type tubes with right angle mounting flange, held on with four screws. Cleaners come complete with rubber mounting adapters. To install, cut adapter with a razor blade and wrap around ram tube. Drop one-piece filter over ram tubes and clamp onto adapters in desired position. Oval top plate measures 9"L x 5 1/2"W, total filter height is 6 3/4".

AIR CLEANER MOUNTING FLANGE INSIDE DIAMETER	INJECTOR BORE SIZE INSIDE DIAMETER	HILBORN MODEL#	CENTER TO CENTER MEASUREMENT OF BORES	PART#
1 3/4" (44.5mm)	1 11/16" (43mm)	(Early) 1600 V-4	3.312"	RD-3200



*Each filter sold individually.

Legal in California only for racing vehicles which may never be used, registered or licensed for use upon a highway.

Carbon Fiber Airboxes

If airflow is what you are looking for, a carbon fiber airbox is your ticket. This allows you to do away with clamping a filter on to each individual ram tube. Once the base has been put in place, simply slip the main filter assembly over the stacks. This airbox will allow your vehicle's engine to breathe all the clean air it needs to help you win. As with all K&N® filters, this is a washable and reusable air filter. Simply use our K&N® oil and cleaner to service your filter.



100-8570



Driver: Jason Johnson



100-8562



100-



85-83897

SPRINT CAR AIR BOX
GENERATION II



088056

2.75" Air Horn Seal

100-8559

Complete Sprint Car Air Box with 2.75" Air Horn Seals



088040

2.5" Air Horn Seal

DESCRIPTION	NOTE	PART#
AIR BOXES		
Small, 9 1/8" L x 6 3/4" W x 6 1/2" H	1, 4, 6, 8	100-8569
Medium, 19" L x 7" W x 6" H	1, 4, 6, 8	100-8570
Medium, 18 7/8" L x 6 1/4" W x 6 1/4" H	2, 4, 6, 9	100-8575
Medium, 19" L x 7" W x 4 3/8" H	1, 4, 6, 9	100-8578
Medium, 19" L x 7" W x 4 3/4" H	1, 4, 6, 9	100-8576
Gen 2, Large, 19" L x 14" W x 6 1/2" H	1, 3, 5, 8	100-8558
Gen 2, Large, 19" L x 14" W x 6 1/2" H	1, 3, 5, 8	100-8559
Large, 19" L x 14" W x 6 1/2" H	2, 3, 6, 7, 10	100-8562
Large with Solid Carbon Top, 19" L x 14" W x 6 1/2" H	1, 4, 6, 8, 10	100-8563
Large, 18 7/8" L x 13 3/4" W x 6 1/4" H	2, 4, 6, 9	100-8564
Large with Solid Carbon Top, 8 7/8" L x 13 3/4" W x 6 1/4" H	2, 4, 6, 9	100-8566
Large, 19" L x 14" W x 6 1/2" H	1, 4, 6, 8	100-8567
Large, 18 13/16" L x 13 3/4" W x 4 1/8" H	1, 4, 6, 8	100-8592
Large, 19" L x 14" W x 6 1/2" H	1, 4, 6, 7, 10	100-8568
Large, 18 13/16" L x 13 3/4" W x 4 1/8" H	2, 4, 6, 9	100-8591
Extra Large, 27 3/16" L x 16 1/8" W x 6" H	1, 4, 6, 9	100-8591
BASE ONLY		
Medium Solid Base with Rubber Insert, 19" L x 7" W x 1" H	8	100-8573
Medium Solid Base, 19" L x 7" W x 1" H	8	100-8577
Large Hilborn Rotary Injection Base Plate, 19" L x 14" W x 4 1/2" H	3	100-8574
Large Solid Base, 18 7/8" L x 13 3/4" W x 6 1/4" H	8	100-8565
Large Solid Base with Rubber Insert, 17" L x 14" W x 1" H	8	100-8571
Large Solid Base Without Rubber Insert 19" L x 14" W x 1" H	8	100-8590

Notes: 1) Includes spring clips; 2) No spring clips included; 3) Includes hardware; 4) No hardware included; 5) Includes air horn seals; 6) No air horn seals included; 7) Baseplate with holes; 8) Baseplate with no holes; 9) No base plate; 10) Baseplate has 6 3/4" center spread

Air Horn Seals

SIZE	PART#
2 1/2"	088040
2 3/4"	088056

Spring Clips

SIZE	PART#
4 Pack, .75" x 5.99"	85-83891
6 Pack, .75" x 5.99"	85-83893
4 Pack, .75" x 4.45"	85-83895
6 Pack, .75" x 4.45"	85-83897

PRECHARGERS®

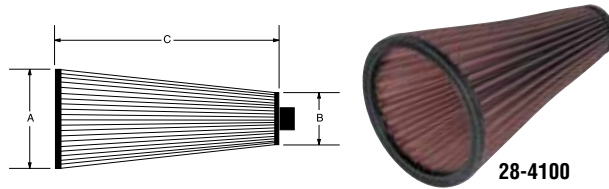
BOX SIZE	BLACK	RED	BLUE	YELLOW
Small	100-8569PK	100-8569PR	•	100-8569PY
Medium	100-8570PK	100-8570PR	•	100-8570PY
Large	100-8562PK	100-8562PR	100-8562PL	100-8562PY

Legal in California only for racing vehicles which may never be used, registered or licensed for use upon a highway.

Racing Cone Filters

Designed for Formula Atlantic and Super Vee style cars, these filters fit into the air scoops and allow plenty of fresh clean air to enter the engine, but keep racetrack debris from demolishing the engine. A hole at the small end of the filter allows debris to exit the air scoop. Designed for the vehicles listed below, but can probably be adapted to a wide variety of applications.

APPLICATION	A	B	C	PART#
Lola Sports 2000	5 7/8"	2"	10"	28-4100
Vestal Racing Cars	5 7/8"	2"	8"	28-4105
Tiga Sport 2000	5 1/2"	2"	16"	28-4115
83-85 Tiga Sport 2000	6 1/8"	3"	16"	28-4120
Ralt Formula Atlantic, Super Vee	4 7/8"	2"	16"	28-4125
Swift Sport 2000	5 3/4"	2"	16"	28-4130
Extension for 28-4130	8"	4 7/8"	11 5/8"	28-4131



28-4100

Drag Racing Scoop Filters

Engineered with two filter elements to provide maximum airflow and protection. Designed to fit specific scoop designs. Mounts inside the front lip of the scoop with Dzus fasteners.

DESCRIPTION	PART#
Harwood 3158 Scoop Filter	28-4215
Harwood 3153 Scoop Filter	28-4135
Harwood 3160, 3161, 3164, 3166 Scoop Filter	28-4145
Harwood 3160, 3161, 3164, 3166 SHORT Scoop Filter	28-4150
Harwood 3152 Scoop Filter	28-4155
Harwood 3182 Scoop Filter	28-4180
Quarter-Max RJF1 Scoop Filter	28-4140
Quarter-Max RJF1 SHORT Scoop Filter	28-4185
Don Davis Scoop Filter 10" depth	28-4195
Don Davis Scoop Filter 6" depth	28-4200
K&N Hood Scoop Filter, Fits 100-8505/100-8512	28-4215
K&N Hood Scoops Filter, 100-8506 and 100-8508	28-4210



Doorslammer Composite Hood Scoop

Created through CFD (computational fluid dynamics) and SolidWorks (CAD software) for a low drag design which resulted in 18-lb decrease in drag. Each hood scoop is made of carbon fiber and was designed to fit Pro Stock, Super Stock, Super Gas, Top Sportsman and Pro Mod cars.

DESCRIPTION	PART#
50 sq. inch, D-Shaped Opening, 10" Height	100-8506
50 sq. inch, D-Shaped Opening, 11" Height	100-8508
Gen 2, 50 sq. inch, D-Shaped Opening, 11" height	100-8515
Gen 2, 54 sq. inch, D-Shaped Opening, 11" height	100-8516
Gen 2, 58 sq. inch, D-Shaped Opening, 11" height	100-8517
Inner Hood Scoop Pan: 7.25" Dominator Carb	100-8509
Inner Hood Scoop Pan: 8.00" Braswell Carb	100-8510
Inner Hood Scoop Pan: 5.5" Braswell Carb	100-8520
Inner Hood Scoop Pan, No Holes	100-8514
Carbon Fiber Inner Scoop Liner Set	100-8511
Carbon Fiber Hood Scoop Plug for 50 sq. inch hood scoops	100-8519
Carbon Fiber Hood Scoop Plug for 58 sq. inch hood scoops	100-8518



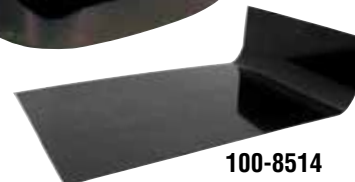
100-8517



100-8512



100-8503



100-8514

Composite Dragster Scoop

Our intake scoops have been designed with the latest technology available by taking the air principles and the cosmetic appeal of carbon fiber to produce an attractive air scoop.

DESCRIPTION	PART#
Scoop and Pan, 25 sq. inch opening	100-8503
Standard Holley® 4 BBL Filter Assembly, Scoop and Base	100-8504
Holley® Dominator Air Filter Assembly, Scoop and Base	100-8505
Gen 2 Scoop and Pan, 50 sq. inch opening	100-8512

Legal in California only for racing vehicles which may never be used, registered or licensed for use upon a highway.

Panel Air Filter for IRL Spec Lola Cars

K&N's high flow air filter for IRL spec Lola cars is 16 inches wide and almost 21 inches in length. Besides being used as a race car air filter, it is also a great filter for special projects that need a large panel air filter.



Assembly for Ford Focus Midget Series

This high-flow, washable and reusable assembly comes with instructions, mounting plate and all needed



DESCRIPTION	ASSEMBLY#	FILTER WRAP#
Ford Focus Midget Assembly	55-1040	55-1040DK

Drag Racing Base Mount Scoop Filters

Protect the engine in your drag car with these base mount scoop filters. Built with 2-ply cotton in the patented



66-3320R

Xstream® airflow top and 1-ply cotton in the filter for minimal airflow restriction. Each assembly includes a base plate and mounting hardware. They are designed to fit K&N® composite dragster scoops, as well as other popular scoops on the market.

DESCRIPTION	TOTAL HEIGHT**	BASE O.D.	TOP O.D.	FLANGE	PART#
Dominator Drag Race Assembly 11" O.D.	7 1/2"	11"	9"	7 5/16"	66-3300R
Dominator Drag Race Assembly 11" O.D., Harwood/Goza/Spitzer Bases	8 7/8"	11"	9"	7 5/16"	66-3310R
Dominator Drag Race Assembly 9" O.D. X 5" H	6 1/4"	9"	9"	7 5/16"	66-3320R
Dominator Drag Race Assembly 9" O.D. X 3" H	4 1/4"	9"	9"	7 5/16"	66-3330R
Drag Race Assembly with Std Holley Base	7 1/2"	11"	9"	5 1/8"	66-3340R
Xstream® Race Flow Top Only 9"	1"	9"	9"	•	66-0900R
Replacement Drag Race Filter; 11" O.D.	6 3/8"	11"	9"	•	28-4235
Replacement Drag Race Filter; 9" O.D. X 5" H	5"	9"	9"	•	28-4240
Replacement Drag Race Filter; 9" O.D. X 3" H	3"	9"	9"	•	28-4245
Base Plate; 11" Dia. x 7 5/16" Flange; TB/PC for 66-3300R	•	•	•	•	00301
Base Plate; 11" Dia. CR 5 1/8" Flange for 66-3040R	•	•	•	•	01988
Base Plate; 9" Dia., 7 5/16" Flange, TB/PC for 66-3320R, 66-3330R	•	•	•	•	03361
Adaptor; 11" O.D. x 7 5/16" Flange x 2" H for 66-3310R	•	•	•	•	21500

Xstream® Air Flow Tops

K&N® Xstream® air flow tops are innovative round filters designed to replace a metal air filter top. These filter lids add more filter area and are designed to increase horsepower and dirt capacity. Xstream® top adds approximately 1" to total height of assembly.



Assemblies come with black ring top. Blue, red, and polished tops sold separately.

Other colors available in 14" size only.

Xstream® Air-Flow Top Only

DESCRIPTION	DIA.	FLANGE	HEIGHT	PART#	COLOR
Top Only	9"	N/A	N/A	66-0901	Black
Top Only	11"	N/A	N/A	66-1101	Black
Top Only	14"	N/A	N/A	66-1401	Black
Top Only	14"	N/A	N/A	66-1401XB	Blue
Top Only	14"	N/A	N/A	66-1401XP	Polished
Top Only	14"	N/A	N/A	66-1401XR	Red
Top Only	16"	N/A	N/A	66-1601	Black

11" Assemblies

NECK FLANGE	ELEMENT HEIGHT	ELEMENT PART#	COMPLETE ASSEMBLY	TOTAL HEIGHT**	COLOR
5 1/8"	2 3/16"	E-1200	66-3110	3 1/2"	Black
5 1/8"	3 1/2"	E-1250	66-3120	4 3/4"	Black
5 1/8"	5"	E-3680	66-3130	6 1/4"	Black
7 5/16"	3 1/2"	E-1250	66-3140	4 1/2"	Black

9" Assemblies

NECK FLANGE	ELEMENT HEIGHT	ELEMENT PART#	COMPLETE ASSEMBLY	TOTAL HEIGHT**	COLOR
5 1/8"	2 7/8"	E-3530	66-3150	4 1/2"	Black
5 1/8"	2 7/8"	E-3530	66-3160	8 1/4"*	Black

* Velocity stack. ** Total Height= minimum clearance required above carburetor flange.

16" AIR-FLOW TOP 66-1601

- Increases High-Flow Filter Area
- Washable and Reusable
- Wide Range of Sizes and Applications



14" ASSEMBLY
66-3060

14" Assemblies

NECK FLANGE	ELEMENT HEIGHT	ELEMENT PART#	COMPLETE ASSEMBLY	TOTAL HEIGHT**	COLOR
STANDARD 9/16" RAISED BASE					
5 1/8"	2 5/16"	E-3740	66-3000	3 7/8"	Black
5 1/8"	3"	E-1650	66-3010	4 5/8"	Black
5 1/8"	4"	E-3750	66-3020	5 7/8"	Black
5 1/8"	5"	E-3760	66-3030	6 7/8"	Black
1 1/4" DROP BASE					
5 1/8"	3"	E-1650	66-3040	2 3/4"	Black
5 1/8"	4"	E-3750	66-3060	3 3/4"	Black
5 1/8"	5"	E-3760	66-3070	4 3/4"	Black
7/8" DROP BASE					
5 1/8"	3"	E-1650	66-3050	3 1/8"	Black
DOMINATOR					
7 5/16"	4"	E-3750	66-3080	5 1/2"	Black
7 5/16"	5"	E-3760	66-3090	6 1/2"	Black
7 5/16"	6"	E-3770	66-3100	7 1/2"	Black

Legal in California only for racing vehicles which may never be used, registered or licensed for use upon a highway.



Complete Assemblies

Fits single 5 1/8" flange carburetors.



DESCRIPTION	DIMENSIONS*	FLAMED DESIGN	SCALLOPED DESIGN	ELECTRIC DESIGN	REPLACEMENT FILTER
Large Oval	15" x 8 1/4" x 3"h	66-1470	66-1490	66-1510	E-3515
	15" x 8 1/4" x 5"h	66-1460	66-1480	66-1500	E-3514
Small Oval	11 7/8" x 8 3/8" x 3"h	66-1530	66-1550	66-1570	E-3505
	11 7/8" x 8 3/8" x 5"h	66-1520	66-1540	66-1560	E-3504

*Complete Assembly Dimensions

Billet Aluminum Spoked Lids

These 14" assemblies feature a billet aluminum spoked lid with a carbon fiber insert and include our popular 3" tall E-1650 element. Both fit 5 1/8" carburetor flanges and are available with either 1 1/4" drop base or standard 9/16" raised base.

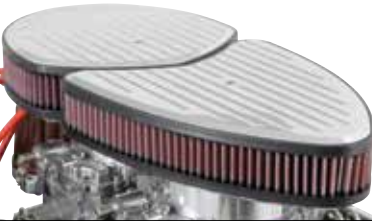


5 Spoke Round Design

DESCRIPTION	PART#
5 Spoke with 1 1/4" drop base; 2 3/4" total height	66-5090
5 Spoke with standard 9/16" raised base; 4 5/8" total height	66-5100
5 Spoke Top Plate	85-6848

10 Spoke Round Design

DESCRIPTION	PART#
10 Spoke with 1 1/4" drop base; 2 3/4" total height	66-5110
10 Spoke with standard 9/16" raised base; 4 5/8" total height	66-5120
10 Spoke Top Plate	85-6850



Dual Quad

Designed to fit 4-barrel carburetors with a 5 1/8" neck flange. The minimum center-to-center spacing required is 7 13/16". The filter is 2 1/2" tall and entire assembly height is 4 1/8". Total length depends on the distance between carburetors.

COMPLETE ASSEMBLY	FRONT ARROW	ARROW FILTER	REAR OVAL	OVAL FILTER
66-5080	66-5080F	E-3612	66-5080R	E-3614

Nostalgia Air Filter Kits

These custom air cleaner filter kits are designed for use on nostalgia engines. They incorporate our famous K&N® air filters and are designed to provide more airflow than other air filter kits of this type. Available in four different styles.

Four-Inch Chrome Top Sides Open

Round open style air filter kits fit nearly all early model carburetor's with 2 3/16" or 2 5/8" flange diameter. Assemblies are 4" in diameter and measure 3" from base to the top of the wing nut.



3 COMPLETE ASSEMBLIES	SINGLE ASSEMBLY	SINGLE FILTER
60-0403	60-0400	E-3120

Four-Inch Louvered Chrome Bonnet

Louvered bonnet air filter kits have a 4" O.D. base with a 2 5/8" flange and 2 3/16" flange adapter. The 4 5/8" O.D. Bonnet measures 3" total height**.



3 COMPLETE ASSEMBLIES	SINGLE ASSEMBLY	SINGLE FILTER
60-0503	60-0500	E-3120

**Total Height= minimum clearance required above carburetor flange

Four-Inch Finned Aluminum Top Filters

Round one-piece filters are molded into the aluminum base and finned top with an "as cast" finish that can be painted, polished or left as is. They fit carburetors with a 2 5/8" flange diameter and are held in place with a setscrew. These filters are 4" in diameter and measure 2 3/4" from base of flange to top.



DESCRIPTION	3 COMPLETE ASSEMBLIES	SINGLE ASSEMBLY
Four-Inch Finned Filter	60-0413	60-0410

Pontiac Tri-Power Air Cleaners - Chrome

Designed for Pontiac 389, 400, 421 and 428 engines equipped with Tri-Power. Available in two flange sizes 2 5/8" and 3 1/16". Some mounting flange sizes vary by model year. Make sure to measure before ordering.



DESCRIPTION	PART#
Single Assembly- 2 5/8"	60-1331
Single Assembly - 3 1/16"	60-1340
3 Complete Assemblies 2 5/8"	60-1333
One 2 5/8" + Two 3 1/16" Assemblies	60-1350
Single Replacement Element for all air filter kits	E-3200

Legal in California only for racing vehicles which may never be used, registered or licensed for use upon a highway.

Custom Air Filter Kits For Weber Carburetors

K&N® custom air filter kits are designed to allow the maximum performance from your carburetors, yet keep the dirt on the outside where it belongs. Show quality to fit racing vehicles with VW, Pinto or any other engine equipped with these performance carburetors. All air filter kits come with custom chrome top and base plates (except IDA Triple) and the famous K&N® high-flow washable air filter. All air filter kits are convenient to clean and service.



CARBURETOR	FILTER STYLE	OUTSIDE DIMENSION	HEIGHT	ELEMENT PART#	NOTE	ASSEMBLY PART#	CARBURETOR	FILTER STYLE	OUTSIDE DIMENSION	HEIGHT	ELEMENT PART#	NOTE	ASSEMBLY PART#
DAR, DIR, DIF 32/36	DDO	5 1/2" x 9"	1 3/4"	E-3441	2	56-1010	DFT	DDO	5 1/2" x 9"	3 1/4"	E-3461	•	56-1730
	DDO	5 1/2" x 9"	3 1/4"	E-3461	1, 2	56-1020	DG, DGV5A, DGAV, DGEV, DPS 32/36	DDO	3 1/4" x 4 3/8" top 4 1/2" x 7" base	4"	E-9141	10	56-9290
DCD, DAS, DCLD, DCS 28/36	DDO	4 1/2" x 7"	2 3/4"	E-3325	2	56-1640		DDO	4 1/2" x 7"	1 3/4"	E-3321	•	56-1030
DCN 40-14	DDO	4 1/2" x 7"	3 1/4"	E-3341	•	56-1080		DDO	4 1/2" x 7"	3 1/4"	E-3341	•	56-1040
DCNF 36, 40, 42, 44	DDO	4 1/2" x 7"	1 3/4"	E-3321	7	56-1110		DDO	5 1/2" x 9"	1 3/4"	E-3441	2	56-1070
	DDO	4 1/2" x 7"	3 1/4"	E-3341	7	56-1120		DDO	5 1/2" x 9"	3 1/4"	E-3461	2	56-1060
	DDO	5 1/2" x 9"	3 1/4"	E-3461	7	56-1130	IDA 48	DDO	5 1/2" x 9"	3 1/4"	E-3461	•	56-1210
DCOE 40, 42	SDO	4 1/2" x 7"	1 3/4"	E-3321	5	56-1270		DDO	5 1/2" x 9"	4 1/2"	E-3471	•	56-1220
	SDO	4 1/2" x 7"	3 1/4"	E-3341	6	56-1350		DDO	5 1/2" x 9"	5 1/2"	E-3481	•	56-1230
	SDO	5 1/2" x 9"	3 1/4"	E-3461	6	56-1360	IDA Triple 40, 46-Porsche F6 Eng.	DDO	5 1/2" x 12"	3 1/4"	E-3671	4	56-1770-2
DCOE 45, 48	SDO	4 1/2" x 7"	1 3/4"	E-3321	5	56-1310	IDF 40, 44, 48, 44MX	DDO	4 1/2" x 7"	1 3/4"	E-3321	•	56-1160
	SDO	5 1/2" x 9"	1 3/4"	E-3441	5	56-1330		DDO	4 1/2" x 7"	3 1/4"	E-3341	•	56-1170
	SDO	4 1/2" x 7"	3 1/4"	E-3341	6	56-1350		DDO	5 1/2" x 9"	3 1/4"	E-3461	•	56-1190
	SDO	5 1/2" x 9"	3 1/4"	E-3461	6	56-1360		DDO	5 1/2" x 9"	6"	E-3491	8, 9	56-1200
DCOE 50, DCOE SP48, 55	SDO	4 1/2" x 7"	3 1/4"	E-3341	6	56-1710							
DFB, DFD, DFE, DFV 32/36	DDO	5 1/2" x 9"	1 3/4"	E-3441	2	56-1010							
	DDO	5 1/2" x 9"	3 1/4"	E-3461	1, 2	56-1020							

Filter Styles: DDO= down draft oval; DDR= down draft round; SDO= side draft oval; SDR= side draft round; REC= rectangle.

Notes: 1) includes cast aluminum velocity stack; 2) 1/2" vent elbow included; 3) oval filter air filter kit is turned 90 degrees to the base of carburetor flange (4 stud base); 4) cast aluminum top and base powder coated black; 5) must remove Weber airhorns; 6) works with Weber airhorns; 7) mounting bolt kit included; 8) must use separate velocity stacks to mount filter; 9) new improved racing version has stronger center tree and 4 springs to hold top plate; 10) filter is turned 90 degrees to centerlines of carburetor bore; 11) filter is mounted centered to carburetor bores.

Custom Air Filter Kits For Single or Two-Barrel Carburetors

Designed to allow the maximum performance from your carburetors, K&N® custom air filter kits keep the dirt on the outside where it belongs. Show quality and ideal for racing vehicles, these air filter kits come with custom chrome top and base plates and a famous K&N® high-flow air filter. All air filter kits are convenient to clean and service.



CARBURETOR	FILTER STYLE	OUTSIDE DIMENSION	HEIGHT	ELEMENT PART#	NOTE	ASSEMBLY PART#	CARBURETOR	FILTER STYLE	OUTSIDE DIMENSION	HEIGHT	ELEMENT PART#	NOTE	ASSEMBLY PART#
Autolite 32/36 (2bbl.)	DDO	5 1/2" x 9"	1 3/4"	E-3441	3	56-1010	Motorcraft 32/36 (2bbl.)	DDO	5 1/2" x 9"	1 3/4"	E-3441	3	56-1010
	DDO	5 1/2" x 9"	3 1/4"	E-3461	2, 3	56-1020		DDO	5 1/2" x 9"	3 1/4"	E-3461	2, 3	56-1020
Dellorto DHLA - 40, 45, 48	SDO	4 1/2" x 7"	1 3/4"	E-3321	12	56-1310	SK Racing	SDO	4 1/2" x 7"	3 1/4"	E-3341	3	56-1010
	SDO	4 1/2" x 7"	3 1/4"	E-3341	•	56-1320		SDO	5 1/2" x 9"	3 1/4"	E-3461	2, 3	56-1020
	SDO	5 1/2" x 9"	1 3/4"	E-3441	12	56-1330	Solex 40 P11 (Porsche 912)	DDO	5 1/2" x 9"	3 1/4"	E-3461	15, 17	56-1255
Dellorto DRLA - 36, 40, 45, 48	DDO	4 1/2" x 7"	3 1/4"	E-3341	•	56-1691	Solex 34/34 Progressive	DDO	4 1/2" x 7"	1 3/4"	E-3321	3, 21	56-1701
	DDO	5 1/2" x 9"	3 1/4"	E-3461	•	56-1693		DDO	4 1/2" x 7"	3 1/4"	E-3341	3, 21	56-1703
Fomoco 32/36 (2bbl.)	DDO	5 1/2" x 9"	1 3/4"	E-3441	3	56-1010		DDO	5 1/2" x 9"	1 3/4"	E-3441	3, 20	56-1651
	DDO	5 1/2" x 9"	3 1/4"	E-3461	2, 3	56-1020	Stromberg 150	SDR	5 7/8"	1 3/4"	E-3211	•	56-1610
Hitachi (73-74 Datsun 240, 260Z)	SDR	5 7/8"	3 1/4"	E-3190	1, 11	56-1430	Stromberg 175	SDR	5 7/8"	1 3/4"	E-3211	•	56-1620
Hitachi	SDR	5 7/8"	2 1/4"	E-9143	•	56-9138		SDR	5 7/8"	3 1/4"	E-3213	•	56-1622
Holley 5200 w/EFC	DDO	4 1/2" x 7"	1 3/4"	E-3315	•	•	SU 1 1/4 Bore	SDR	5 7/8"	1 13/16"	E-3212	10, 17	56-1630
	DDO	4 1/2" x 7"	3 1/4"	E-3317	•	•	SU 1 1/2 Bore	SDR	5 7/8"	1 3/4"	E-3180	10	56-1390
ISO (70-72 Datsun 240Z)	SDR	5 7/8"	3 1/4"	E-3190	6, 10	56-1410	SU 1 1/2 Bore HIF4, HIF6, HIF38	SDR	5 7/8" b, 3 1/2" t	2 11/16"	E-9156	•	56-9320
Kadron-Solex H40 E/S (Brazil)	DDR	7"	4"	E-2510	13, 16	56-1490	SU 1 3/4 Bore (Not HIF6)	SDR	5 7/8"	1 3/4"	E-3180	10	56-1400
Mikuni - Solex 36 PHH	SDO	4 1/2" x 7"	1 3/4"	E-3321	•	56-1370	SU 1 3/4 Bore HIF6	SDR	5 7/8" b, 3 1/2" t	2 11/16"	E-9156	•	56-9330
Mikuni - Solex 40, 44, 48 PHH	SDO	4 1/2" x 7"	1 3/4"	E-3321	12	56-1310	SU 1 3/4 Bore HS6	SDR	5 7/8" b, 3 1/2" t	2 11/16"	E-9156	•	56-9327
	SDO	4 1/2" x 7"	3 1/4"	E-3341	•	56-1350	SU (70-72 Datsun 240Z)	SDR	5 7/8"	3 1/4"	E-3190	•	56-1430
	SDO	5 1/2" x 9"	1 3/4"	E-3441	12	56-1330	SU (73-74 Datsun 240, 260Z)	SDR	5 7/8"	3 1/4"	E-3190	1, 11	56-1430
	SDO	5 1/2" x 9"	3 1/4"	E-3461	•	56-1360							

Filter Styles: DDO= down draft oval; DDR= down draft round; SDO= side draft oval; SDR= side draft round; REC= rectangle.

Notes: 1) 1 15/16" x 19/16" rectangle opening in baseplate; 2) includes cast aluminum velocity stack; 3) 1/2" vent elbow included; 6) 1 3/4" opening in baseplate; 10) 2 bolt mount; 11) 3 bolt mount; 12) will not work with velocity stacks; 13) 2 5/8" flange, will not fit VW engine with large fan shrouds; 14) special offset base allows use of larger fan shrouds on VW engines; 15) mounting bolt kit included; 16) E-2410 fits original Kadron filter case; 17) includes optional vent; 20) filter is turned 90 degrees to centerlines of carburetor bore; 21) filter is mounted centered to carburetor bores.

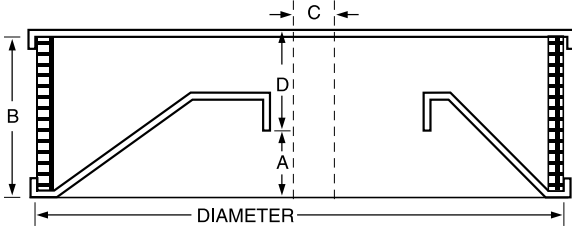
Legal in California only for racing vehicles which may never be used, registered or licensed for use upon a highway.

RACING, HOT ROD, & CUSTOM PRODUCTS

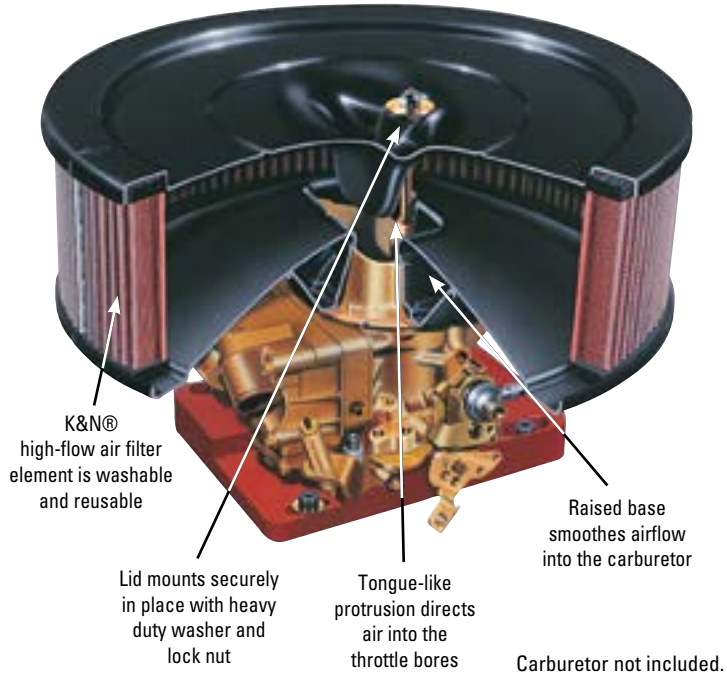
Flow Control Air Filter Kits

The flow control air filter kit utilizes a custom designed base in combination with a unique lid, featuring a tongue or protrusion, that is designed to reduce intake turbulence. The resulting smooth, laminar flow, enhances cylinder filling, horsepower, and torque. The filter element is the world famous K&N® high-flow air filter for the ultimate in airflow and filtration. This powerful combination is designed to increase horsepower.

FLOW CONTROL DIMENSIONS



PART#	DIAMETER	DROP "A"	ELE. HT. "B"	OFF SET "C"	HT. ABOVE CARB FLG. "D"
61-2000	14"	.343	4.0	1.0	3.75
61-2010	14"	.343	4.5	1.0	4.25
61-2020	14"	1.37	4.0	1.0	2.75
61-2030	14"	1.37	4.5	1.0	3.25
61-2040	14"	.625	4.5	0	4.18
61-4000	14"	.125	4.0	0	4.25
61-4010	14"	.125	4.5	0	4.75
61-4020	14"	.156	4.0	0	4.37
61-4030	14"	.156	4.5	0	4.87
61-4040	14"	.437	4.0	0	4.00
61-4050	14"	.437	4.5	0	4.50
61-6000	14"	.500	4.5	0	4.62
61-4500	16"	1.93	3.5	0	2.12
61-4520	16"	1.93	4.0	0	2.62



Replacement Filter Elements

Hundreds of sizes available. See pages 65-78.

DIMENSIONS	PART#	DIMENSIONS	PART#
14" x 2.5"	E-3735	14" x 5"	E-3760 ¹
14" x 3"	E-3737	14" x 6"	E-3770 ¹
14" x 3.5"	E-3745 ¹	16" x 3.5"	E-3804
14" x 4"	E-3730	16" x 4"	E-3806
14" x 4.5"	E-3732	16" x 4.5"	E-3808

1) Inner Support Wire

Flow Control Filter Clips

Filter clips are designed for added support around the outside of the complete air filter kit. Made of spring steel and black powder coated, these clips come in sets of four and are available for the flow control air filter kits listed.



Comes in sets of

FOR 14" ASSEMBLY	PART#
14" x 4.0"	85-83890
14" x 4.5"	85-83892
FOR 16" ASSEMBLY	

Deflector Shields for Flow Control Air Filter Kits

Designed to control heat and help direct airflow.

DESCRIPTION	PART#
14" x 4.0" Deflector Shield	85-54400
14" x 4.5" Deflector Shield	85-54450
16" x 3.5" Deflector Shield	85-56351
16" x 4.0" Deflector Shield	85-56401



Flow control air filter kit not included.

Legal in California only for racing vehicles which may never be used, registered or licensed for use upon a highway.

Flow Control: 4-Barrel Holley® Dominator

Designed for all Holley® HP Dominator carburetors. This flow control air filter kit takes full advantage of the 360° air delivery system by using K&N's 4 1/2" air filter. This air filter kit is designed to produce a whopping 1200 cfm at 1 1/2 inches of water pressure drop which should be more than enough air for any motorsports application!

DESCRIPTION	SIZE	PART#
Fits Holley Dominator and HP Series Carbs	14" x 4.5"	61-6000



Xstream® Flow Control Air Filter Kits

DESCRIPTION	FLANGE	COLOR	PART#
Flow Control for 4BI Holley®	No Choke	Black	66-3200
Flow Control for 4BI Holley®	With Choke	Black	66-3210
Flow Control for Holley® Dominator	All	Black	66-3220



Flow Control: 4-Barrel Holley®

With and Without Choke Tower

The inspiration for this particular air cleaner was the 390 cfm Holley®. Many tracks and racing organizations use this carburetor as a restrictor. Flows plenty on the 390 and you can pass it all the way up to the mighty 850 and it keeps on making horsepower. Available in two sizes. Comes complete with all necessary parts.

WITH CHOKE TOWER: For unmodified choke towers.

DESCRIPTION	14" x 4.0"	14" x 4.5"
With choke tower, Fits 390-800	61-4020	61-4030
With choke tower, Fits 830-850	61-4040	61-4050

WITHOUT CHOKE TOWER:

DESCRIPTION	14" x 4.0"	14" x 4.5"
Without choke tower	61-4000	61-4010

Flow Control: 4-Barrel Holley® Low Profile Without Choke Tower

This air cleaner is designed for installations with the carburetor mounted high against the hood. An engine requiring 700 cfm or more to develop a certain level of power will not work with hood clearance that will only allow 450 cfm. There are race cars with less than 1/2" between the hood and the vent tubes of the carb. This model of flow control is as low as is recommended to assure maximum airflow. It was necessary to enlarge the diameter to 16" to maintain airflow. Fits 390-850 Holley.

DESCRIPTION	16" x 3.5"	16" x 4.0"
Low Profile Without Choke Tower	61-4500	61-4520

Note: This model only works without the choke tower and works great with restrictor plate engines. Available in two sizes. Comes with all necessary parts.

Flow Control: 2-Barrel Rochester

DESCRIPTION	SIZE	PART#
Flow Control Air Filter Kit	14" x 4.5"	61-2040

The choice of quite a few racing associations, this carburetor is used in an attempt to equalize competition. If you have to use this carburetor, you should use this air cleaner. Clears the HEI distributor on the cast iron manifold. Only one size offered because only one size works.

Flow Control: 2-Barrel Holley®

With and Without Choke Tower

Fits the very popular 4412 Holley® 2-barrel by removing the choke assembly and leaving the choke tower untouched. The result is an increase in airflow. Two sizes available.

WITH CHOKE TOWER: For unmodified choke towers.

DESCRIPTION	14" x 4.0"	14" x 4.5"
With choke tower	61-2000	61-2010

WITHOUT CHOKE TOWER:

DESCRIPTION	14" x 4.0"	14" x 4.5"
Without choke tower	61-2020	61-2030

Legal in California only for racing vehicles which may never be used, registered or licensed for use upon a highway. These filters are not applicable, nor intended for use on aircraft. Unless specifically noted, these will not fit "HP" series carb.

Holley is a trademark of Holley Performance Products, Inc.

RACING, HOT ROD, & CUSTOM PRODUCTS

14-Inch Drop Base Air Filter Kits - Chrome

Low profile air cleaner drops filter 7/8" or 1 1/4" below carburetor flange. 5 1/8" flange fits most 4-barrel carburetors and four element heights fit a wide variety of applications. Note: 7/8" drop will fit carburetors with electric choke mechanisms.

NECK FLANGE	ELEMENT HEIGHT	ELEMENT	COMPLETE ASSEMBLY	TOTAL HEIGHT**
1 1/4" DROP BASE				
5 1/8"	3"	E-1650	60-1280 ^{*.2}	2.75"
5 1/8"	4"	E-3750	60-1290 ^{*.2}	3.75"
5 1/8"	5"	E-3760	60-1300 ^{*.2}	4.75"
5 1/8"	6"	E-3770	60-1310 ³	5.75"
7/8" DROP BASE				
5 1/8"	3"	E-1650	60-1430 ²	3.12"
5 1/8"	4"	E-3750	60-1440 ³	4.12"
5 1/8"	5"	E-3760	60-1450 ²	5.12"
5 1/8"	6"	E-3770	60-1460 ²	6.12"



14-Inch Air Filter kits - Chrome

Popular 14" chrome racing style filter kit. Raises element 9/16" above carburetor flange. 5 1/8" flange fits most 4-barrel carburetors. Four element heights to fit a wide variety of applications. Will clear HEI distributors.

NECK FLANGE HEIGHT**	ELEMENT HEIGHT	ELEMENT	COMPLETE ASSEMBLY	TOTAL
5 1/8"	2 5/16"	E-3740	60-1263 ¹	3.87"
5 1/8"	3"	E-1650	60-1264 ¹	4.62"
5 1/8"	4"	E-3750	60-1260 ¹	5.62"



11, 14 and 16-Inch Dominator Air Filter Kits - Chrome

These K&N® 11", 14" and 16" outer diameter race-ready air cleaners can flow the amount of air required for the Holley® Dominator carburetors. 11" and 14" kits have 7 5/16" flange base and a 3/4" rise velocity stack. 16" has 1" drop base.

NECK FLANGE	ELEMENT HEIGHT	ELEMENT	COMPLETE ASSEMBLY	TOTAL HEIGHT**
11" OD AIR FILTER				
7 5/16"	3 1/2"	E-1250	60-1230	4.50"
7 5/16"	5"	E-3680	60-1240	6.00"
7 5/16"	6"	E-3690	60-1250	7.00"
14" OD AIR FILTER				
7 5/16"	4"	E-3750	60-1235 ⁵	5.50"
7 5/16"	5"	E-3760	60-1245 ⁵	6.50"
7 5/16"	6"	E-3770	60-1255 ⁵	7.50"
16" OD AIR FILTER				
7 5/16"	3 1/2"	E-3804 ⁷	60-1640 ⁷	3.25"



11-Inch Air Filter Kits - Chrome

The perfect application for when space is a premium, yet high performance is required. Base is available in three (3) flange sizes and various heights to fit a wide variety of applications.

NECK FLANGE	ELEMENT HEIGHT	ELEMENT	COMPLETE ASSEMBLY	TOTAL HEIGHT**
2 5/8"	2 1/8"	E-1200	60-1130 ^{3,6}	3.12"
2 5/8"	3 1/2"	E-1250	60-1140 ^{3,6}	4.50"
5 1/8"	2 1/8"	E-1200	60-1170 ^{4,6}	3.12"
5 1/8"	2 3/16"	E-1200	60-1150 ⁵	3.37"
5 1/8"	3 1/2"	E-1250	60-1180 ⁴	4.75"
5 1/8"	5"	E-3680	60-1190 ⁵	6.00"
5 1/8"	5"	E-3680	60-1200 ^{4,6}	6.00"
5 1/8"	6"	E-3690	60-1210 ^{4,6}	7.00"
5 1/8"	6"	E-3690	60-1220 ⁵	7.00"



Notes: *Will not fit Edelbrock carbs with electric choke. ** Total Height= minimum clearance required above carburetor flange. 1) Includes vent kit; 2) Vent kit available, Part# 85-1190; 3) 1/2" vent tube on base; 4) 3/4" vent tube on base; 5) Top is chrome and base is Hi-Temp nylon; 6) Stainless steel top and chrome base; 7) 16" diameter.

Legal in California only for racing vehicles which may never be used, registered or licensed for use upon a highway. These filters are not applicable, nor intended for use on aircraft. Will not fit "HP" series carb.

9-Inch Air Filter Kits - Chrome

The ideal K&N® air filter kit when space is a problem. Five flange sizes and various heights assure a wide number of applications. Can be mounted on most dual carb setups. Polished stainless steel construction for top and base plates.

NECK FLANGE	ELEMENT HEIGHT	ELEMENT	COMPLETE ASSEMBLY	TOTAL HEIGHT**
2 5/8"	2"	E-3527	60-1070 ⁴	3.37"
2 5/8"	2 7/8"	E-3530	60-1080 ⁴	4.12"
3 1/16"	2 7/8"	E-3530	60-1090 ⁴	4.12"
4 7/32"	2 7/8"	E-3530	60-1100 ⁴	4.12"
5 1/8"	2"	E-3527	60-1110 ⁴	3.37"
5 1/8"	2 7/8"	E-3530	60-1120 ⁴	4.12"
5 1/8"	5"	E-3650	60-1365 ⁴	6.37"
7 5/16"	2 7/8"	E-3530	60-1370	4.12"
7 5/16"	5"	E-3650	60-1366	6.37"



7-Inch Air Filter Kits - Chrome

Ideal for that quality show car image. Four flange sizes to fit nearly all carburetors, even 5 1/8" flange 4 barrels.

NECK FLANGE	ELEMENT HEIGHT	ELEMENT	COMPLETE ASSEMBLY	TOTAL HEIGHT**
2 5/16"	2"	E-3360	60-1010 ³	3.06"
2 5/16"	3"	E-3380	60-1020 ³	4.06"
2 5/8"	2"	E-3360	60-1030 ³	3.12"
2 5/8"	3"	E-3380	60-1040 ³	4.12"
3 1/16"	2"	E-3360	60-1050 ³	3.12"
5 1/8"	2"	E-3402	60-1320	2.93"
5 1/8"	3"	E-3403	60-1330	3.93"



9-Inch Velocity Stack Air Filter Kits - Stainless Steel

Open 360° free breathing 9" air filter element on top of a 5" high stainless steel velocity stack base. Draws in cooler air away from engine heat. Engines equipped with the K&N® tall velocity stack air filter can produce more horsepower than those with no filter at all. All stainless steel tops and bases, highly polished to a mirror finish. Available with 5 1/8" flange to fit Holley®, Carter, or Rochester carburetors. Also available with 7 5/16" flange to fit Holley® Dominator carburetors. Choice of two element heights assures proper airflow for virtually any engine. Note: These K&N® assemblies are not U.S. Coast Guard approved for use as a flame arrestor.

NECK FLANGE	ELEMENT HEIGHT	ELEMENT	COMPLETE ASSEMBLY	TOTAL HEIGHT**
5 1/8"	2 7/8"	E-3530	58-1190	8.25"
5 1/8"	5"	E-3650	58-1191	10.50"
7 5/16"	2 7/8"	E-3530	58-1200	8.25"
7 5/16"	5"	E-3650	58-1210	10.50"



14-Inch Triangle Air Filter Kit - Chrome

K&N's custom chrome triangle filter kit is designed to make any engine compartment come to life. This triangle filter kit comes with a 3" high K&N® air filter, has smooth radius corners and fits most carburetors with 5 1/8" flange.

NECK FLANGE	ELEMENT HEIGHT	ELEMENT	COMPLETE ASSEMBLY	TOTAL HEIGHT**
5 1/8"	3"	E-3737	60-1470	3.62"



Notes: ** Total Height = minimum clearance required above carburetor flange. 1) Includes vent kit; 2) Vent kit available, Part# 85-1190; 3) 1/2 vent tube on base; 4) 3/4" vent tube on base; 5) Top is chrome and base is Hi-Temp nylon; 6) Stainless steel top and chrome base; 7) 16" diameter.

Legal in California only for racing vehicles which may never be used, registered or licensed for use upon a highway. These filters are not applicable, nor intended for use on aircraft. Will not fit "HP" series carb.

Holley is a trademark of Holley Performance Products, Inc.

Spun Aluminum Air Cleaner Lids with Bases

Works with Most 14- and 16-Inch Round Air Filters

These drop base spun aluminum air cleaner lids and bases use radius airflow to smooth the transition into the throat of the carburetor. Both lids and bases are raw while retaining the high tech spun aluminum look. Each lid features embossed K&N® logos. Made in the USA.

DESCRIPTION

14" outside diameter
16" outside diameter

PART#

85-6851
85-6852



85-6851



85-6852

Custom Lids

Xstream® Chevy & GMC Replacement Lids

Improve airflow and appearance on your late model Chevrolet-GMC truck and 1968 to 1995 GM vehicles with one of our new Xstream® air cleaner lids. Each lid comes in deep luster chrome with our Xstream® air flow top built in! These direct replacement lids are an inexpensive way to dress up your engine compartment and increase your airflow. **Part# 66-1201, 66-1202 (Black)**



Carbon Fiber Lid

Combines all the necessary features for racing with the good looks only carbon fiber can provide. Easy to install. This top lid fits K&N® air filter part numbers E-3740, E-1650, E-3743, E-3745, E-3730, E-3750, E-3732, E-3760, E-3770 or any round air filter with a 14" outside diameter. At 4.6 oz, this lid weighs 1/4 as much as our standard chrome top plate. Center rises 1". **Part# 85-6840**

Chrome Lid

This chrome plated steel top lid is stamped with the K&N® logo and is easy to install. It fits K&N® air filter part numbers E-3740, E-1650, E-3743, E-3745, E-3730, E-3750, E-3732, E-3760, E-3770 or any round air filter with a 14" outside diameter. Center rises 1". **Part# 85-6842**



Custom Air Filter Base Plates

K&N's 14" air filter plates are available separately for replacement or special applications. Base plates fit carburetors with 5 1/8" or 7 5/16" air horn flange. Drop base will clear most electric choke mechanisms, it may be necessary to space up baseplate with a locally available air cleaner spacer.

DESCRIPTION

DESCRIPTION	PART#
14" O.D. drop base, Chrome plated steel, 5 1/8" flange (drops filter 7/8" below carb flange)	85-3545
14" O.D. drop base Chrome plated steel, 5 1/8" flange (drops filter 1 1/4" below carb flange)	85-3549
14" O.D. flat base Chrome plated steel, 5 1/8" flange (raises filter 9/16" above carb flange)	85-1541
14" O.D. flat base Nylon reinforced plastic, 7 5/16" flange (raises filter 3/4" above carb flange)	85-3552
14" O.D. offset flat base, Chrome plated steel, 5 1/8" flange (sets filter 1 1/2" off carb flange)	85-3540
Offset stud for use with 85-3540	08006



85-3545



85-1541



85-3552



85-3549

Legal in California only for racing vehicles which may never be used, registered or licensed for use upon a highway. These filters are not applicable, nor intended for use on aircraft.

In-Line Fuel/Oil Filters



K&N® in-line fuel/oil filters can be used with a variety of oils and fuels including methanol. The filter material is made from stainless steel and the housing is anodized aluminum. These inline filters can be used in all forms of racing including, NASCAR®, drag racing, sprint car, and marine applications.

NASCAR® is a registered trademark of the National Association for Stock Car Auto Racing, Inc.

In-Line Fuel/Oil Filter

FITTING TYPE	FILTER SIZE	PART#
6AN	25 MICRON	81-1000 ¹
8AN	25 MICRON	81-1001 ¹
10AN	25 MICRON	81-1002
10AN	74 MICRON	81-1003
10 WIGGINS	25 MICRON	81-1004
12AN	25 MICRON	81-1005
12 WIGGINS	40 MICRON	81-1006
12 WIGGINS	25 MICRON	81-1007
16AN	74 MICRON	81-1012

1) Fuel filter only. Replacement element not sold separately.

Replacement In-Line Filter Elements

FILTER SIZE	PART#
25 MICRON	81-1008
40 MICRON	81-1009
74 MICRON	81-1010
100 MICRON	81-1011

Off-Road Filters

These off-road filters are designed to provide an outstanding combination of filtration and performance. Designed to achieve high, virtually unrestricted airflow while maintaining filtration levels critical to your engine.



DESCRIPTION	PART#
Covered Round Assembly with 3" outlet. Aluminum cover allows extra protection for filter element. Filter size 9" Dia. by 3" tall.	55-1120
Replacement Element	E-3600

Mini Plenum

Cast aluminum plenum designed to fit Weber DGV carburetors. Single or dual snorkel accepts 2 1/2" I.D. hose or 2 1/2" flanged K&N® universal air filter. Plenum diameter is 5 3/4" and the snout sticks out 4" from the center. 2 1/2" clearance needed above carburetor flange. Includes adaptor part# 85-1061.



85-8927

DESCRIPTION	PART#
Single Snout for Weber DGV series	85-8921
Dual Snout for Weber DGV series	85-8927

Custom Plenum

Cast aluminum plenum, finished with black powder coating and natural highlights. Designed to fit most 4 barrel carbs with a 5 1/8" flange. The plenum has a single snorkel outlet that can be fitted with a 4" I.D. hose running to a remote air filter. Or a K&N® universal filter with a 4" flange can be clamped directly on the snorkel. The outside diameter of the plenum is 9" and the snorkel sticks out 6" from the center of the plenum. Minimum clearance required above the carburetor flange is 3 1/8". Customer must provide 1/4"-20 hold down stud. **Part# 85-1060**

Note: The custom plenum is recommended for small displacement engines (less than 200 C.I.) or low revving V6-V8 engines. If the engine requires more than 45 sq. in. of filter area then the plenum should not be used because the carburetor would have to be re-jetted, resulting in a loss of high R.P.M. power.



Filter Minder®

The Filter Minder® monitors air filter restriction and indicates when an air filter should be serviced. As the air filter gets dirty, the yellow position indicator moves in the clear window of the Filter Minder® and locks at the highest point. It can even be read after the engine is turned off. The air filter should not be cleaned until the position indicator reaches the red zone. Reset the indicator to zero by pushing the yellow reset at the end of the Filter Minder®.

IMPORTANT NOTES:

Initial filter restriction may not occur until 50,000 miles or more depending on operating conditions. Diesel and off-road use requires more frequent cleanings. K&N® air filters become more efficient at stopping dirt as they build a dust film. The air filter should not be cleaned until the indicator reaches the red zone. Sometimes the position indicator can move in the window with a new air filter. This could be from high airflow engine requirements, high humidity, or rain. Do not be alarmed. The air filter should not be cleaned until the indicator reaches the red zone.



85-2445

85-2444

DESCRIPTION	PART#
1/8" pipe threaded Filter Minder®	85-2444
Grommet Mount Filter Minder®	85-2445

Filter Minder® is a registered trademark of Engineered Products Company.

Legal in California only for racing vehicles which may never be used, registered or licensed for use upon a highway. These filters are not applicable, nor intended for use on aircraft.

RACING, HOT ROD, & CUSTOM PRODUCTS

K&N® Stubstacks®

K&N® Stubstacks® are designed to reduce turbulence, improve metering accuracy, and increase the airflow by reducing restriction.

Stubstack® for Holley® 2300

Fits most Holley® 2300 Series carburetors. The Stubstack® is designed to fit 2-barrel popular models within this series. Holley carburetor list numbers are stamped on the choke horn. **Part# 85-0210**



MODEL	LIST NO./CFM	LIST NO./CFM	LIST NO./CFM
2300	0-7448/350	0-4412/500	0-6425/650

Stubstack® for Holley® Square Bore with Milled Choke Horn

This Stubstack® is designed to be used with Holley® 390-850cfm square bore carbs (4150/4160), that have had the choke horn milled off and still use an air cleaner. Eliminates the need for hand polishing and radius work. Will work with all K&N® custom chrome racing air cleaners, including tall velocity stack air



Stubstack® for Holley® Square Bore with Milled Choke Horn

This Stubstack® is designed to be used on Holley® 390-850cfm square bore carbs (4150/4160), that have had the choke horn milled off, but do not use an air cleaner. The full radius design helps to increase the airflow for drag racing. Will also hold down the base plate of a cold air scoop. Will not work with K&N® custom chrome racing air cleaners. **Part# 85-0500**



Stubstack® for Holley® Dominator

This Stubstack® is designed to be used on Holley® 1050 & 1150 cfm Dominator carbs. Will not allow use of a standard air cleaner housing, but it will hold down the base plate of a cold air scoop. Designed to straighten airflow and helps even out the flow to all four venturies. Decreases the restriction around the throttle bores. **Part# 85-0600**



AIR FILTER APPLICATION: The Stubstack® is designed to only work effectively with K&N® air filter elements and 360° custom air cleaner assemblies. If the Stubstack® is installed in an improper housing, the performance may actually drop! The minimum height above the stack needs to be at least 2 1/2" for proper operation. Will not fit "HP" series carb. Check the K&N custom assemblies that will work properly.

Stubstack® for Edelbrock Square-Bore Carburetors

Fits most Edelbrock Square-Bore carburetors. The Stubstack® is designed to fit almost every model within this series. This Stubstack® straightens and speeds up airflow, reduces turbulence, improves metering accuracy and increases airflow by reducing restriction. Available for the Edelbrock part numbers. Will also fit some Carter AFB models. **Part# 85-0700**



MODEL#	CFM RATING	CHOKE TYPE	MODEL#	CFM RATING	CHOKE TYPE
1400	600 cfm	electric choke	1406	600 cfm	electric choke
1404	500 cfm	manual choke	1407	750 cfm	manual choke
1405	600 cfm	manual choke	1411	750 cfm	electric choke

Stubstack® for Demon 4150-Style Carburetors

This Stubstack® is designed to be used on Holley® 4150-style Race Demon Carburetors from 650 to 1000 CFM. Will also fit King Demon Carburetors from 1000 to 1190 CFM. This Stubstack® straightens and speeds up airflow, reduces turbulence, improves metering accuracy and increases airflow by reducing restriction. **Part# 85-0800A**



K&N® Custom Chrome Assemblies Compatible with Stubstack® 85-0200, 85-0210 and 85-0700 Only!

PART#	DIAMETER	TOTAL HEIGHT
60-1180 (w/vent)	11" O.D.	4 1/2"
60-1190	11" O.D.	6"
60-1200 (w/vent)	11" O.D.	6"
60-1210 (w/vent)	11" O.D.	7"
60-1220	11" O.D.	7"
60-1260	14" O.D.	5 5/8"
60-1270	14" O.D.	6 5/8"
60-1300*	14" O.D.	4 3/4"
60-1310*	14" O.D.	5 3/4"



60-1180

Stubstack® for Holley® 4150/4160

Fits most Holley® 4150 and some 4160 Series carburetors with high and low choke horns. The 85-0200 is designed to fit 4-barrel popular models in this series. Holley carburetor list numbers are stamped on the choke horn. See the below chart for carburetor list numbers. **Part# 85-0200**



CARBURETOR LIST#	MODEL#	CFM RATING	CARBURETOR LIST#	MODEL#	CFM RATING	CARBURETOR LIST#	MODEL#	CFM RATING	CARBURETOR LIST#	MODEL#	CFM RATING	CARBURETOR LIST#	MODEL#	CFM RATING
0-1848-1	4160	465	0-4548	4160	450	0-4780-1**	4150	800	0-6919	4150	800	0-8006	4160	600
0-1849	4160	550	0-4776**	4150	600	0-4780-2**	4150	800	0-6979	4160	600	0-8007	4160	390
0-1850	4160	600	0-4776-1**	4150	600	0-4780-3**	4150	800	0-6979-1	4160	600	0-8156**	4150	750
0-1850-1	4160	600	0-4776-2**	4150	600	0-4781**	4150	850	0-6989	4160	600	0-8162**	4150	850
0-1850-2	4160	600	0-4777**	4150	650	0-4781-1**	4150	850	0-7009	4160	600	0-8181	4160	600
0-1850-3	4160	600	0-4777-1**	4150	650	0-4781-2**	4150	850	0-7009-1	4160	600	0-8804**	4150	830
0-1850-4	4160	600	0-4777-2**	4150	650	0-4788**	4150	830	0-7154	4160	600	0-9002	4182	600
0-2818	4150	600	0-4778**	4150	700	0-4788-1**	4150	830	0-7410	4150	340	0-9040	4160	600
0-2818-1	4150	600	0-4778-1**	4150	700	0-6109	4150	750	0-7411	4150	370	0-9210	4160	600
0-3310*	4150	780	0-4778-2**	4150	700	0-6299	4150	390	0-7448	2300	350	0-9219	4160	600
0-3310-1*	4150	780	0-4779**	4150	750	0-6299-1	4160	390	0-7985	4160	600	0-9254	4160	600
0-3310-2*	4160	750	0-4779-1**	4150	750	0-6619	4160	600	0-7986	4160	600	0-9379**	4150	750
0-4118*	4150	725	0-4779-2**	4150	750	0-6619-1	4160	600	0-7987	4160	600	0-9380**	4150	850
0-4452-1	4160	600	0-4779-5**	4150	750	0-6895	4150	390	0-8004	4160	600	0-9381**	4150	830
0-4452-2	4160	600	0-4780**	4150	800	0-6909	4160	600	0-8005	4160	600	0-9626	4160	600

Notes: *Indicates dual feed fuel bowls. **Indicates dual accel. pump & dual feed bowls.

Holley is a trademark of Holley Performance Products, Inc.

Legal in California only for racing vehicles which may never be used, registered or licensed for use upon a highway. These filters are not applicable, nor intended for use on aircraft.

Air Filter Adapters

- CAD Designed
- Made of High Quality Materials Such as Aluminum, Silicone or Reinforced Nylon
- One Year Limited Warranty

K&N® air filter adapters are perfect for the person looking to build their own intake system. Each component is designed with the latest CAD software to ensure exact tolerances and a perfect fit. Each adapter is configured to work in conjunction with K&N® high-flow air filters to ensure smooth non-turbulent air flow.



088010



08781

DESCRIPTION	ADAPTERS	PART#	GASKETS	PART#
TACOMA; 1995-99 L4-2.4L, 2.7L, 5" filter flange to mass air sensor	#230	08781	for #230 Adapter	09040
GM Truck/Corvette; 1999-04, 6" filter flange to mass air sensor	#240	08783	for #240 Adapter	09033
Ford Car/Truck V8, 1996-04, 6" flange filter to mass air sensor	#250	08785	for #250 Adapter	09984
Ford Car/Truck V6, 1997-04, 6" flange filter to mass air sensor	#290	21504	for #290 Adapter	09330
Ford/Mazda I4/V6, 1995-04, 5" flange filter to mass air sensor	#350	21510	for #350 Adapter	09202
Nissan 3.3L V6, 2001-04, 5" flange filter to mass air sensor	#360	21511	•	•
Mitsubishi I4, 2003-04, 6" flange filter to mass air sensor	#390	088010	•	•
Ford Super Charged V8, 2003-04, 6" flange filter to mass air sensor	#400	21513	for #400 Adapter	09067

Silicone Hose Couplers

- Made of the Highest Grade Silicone
- Standard Temperature Range of -65° F to 350° F



08761

08050

K&N® silicone hose couplers are made of the highest grade silicone for uniformity. They have a standard temperature range of -65° F to 350° F, and are available in an assortment of sizes ranging from 2 1/8" - 5". Hump hoses also available. One year limited warranty.

DESCRIPTION	PART#	DESCRIPTION	PART#
2.125" Dia. x 2" L	85-1170	2.5" to 3.25" Step	084050
2.25" Dia. x 2" L	85-1160	2.75" to 2.38" Step	088003
2.5" Dia. x 2" L	08284	2.75" to 3" Step	08096
2.63" Dia. x 1.75" L	08108	3.25" to 3" Step	08186
2.75" Dia. x 1.50" L	08179	3.5" to 3" Step	08724
2.75" Dia. x 2" L	08756	3.5" to 3.25" Step	08051
3" Dia. x 1.75" L	08190	3.75" x 1.75" L	08536
3" Dia. x 2.5" L	08192	3.75" x 2.25" L	08760
3.25" Dia. x 2" L	08690	4" x 1.25" L	08712
3.5" Dia. x 2" L	08698	4" x 1.5" L	08755
3.63" Dia. x 2.5" L	08456	4" x 2" L	08761
3" Dia. to 2.5" Step	08713	4" x 3.5" Step	08050
2.375" to 3" Step	08188	4.5" x 1.75" L	08540

90 Degree Angled Silicone Hose Couplers



084088

DESCRIPTION	PART#
4" ID to 3.5" ID, Reinforced, Wrapped	08498
2 3/4" ID, Reinforced	084027
3" to 2 3/4" ID, Reinforced	084012
4" to 3 1/2" ID, Molded	084086
3 1/2" ID, Molded	084088
5 1/2" x 3" ID Oval to 3 1/2" ID, Round Tapered, Molded	084094
3 1/4" ID, Molded	084095
2 3/4" ID, Reinforced	08480
3 1/2" ID, Reinforced	08502
3 1/4" to 3" ID, Molded	08629
2 3/4" ID, Transition, with 3" Offset, Reinforced	084082

Weld-On MAF Sensor Adapters

- Precision CNC Machined from 6061 Aluminum
- CAD Design for Accurate Mass Air Flow Sensor Readings
- One Year Limited Warranty



08954

DESCRIPTION	PART#
A2; 2005-06 Toyota Tundra V6, 2003-08 Mazda RX8	08951
A3; Toyota, Mazda, Subaru	08952
A4; Ford, GMC, Pontiac, Chevy, Isuzu, Nissan, Infiniti, Audi, VW, Toyota	08954
A5; Ford, GM, Toyota	08955
A7; Toyota	08978

Custom Air Filter Accessories

FOR 9" CUSTOM AIR FILTER KITS

PART#	PART#
5 1/8" Flange, Base Plate	03351
5 1/8" Flange, Velocity Stack 5" High	03418
7 5/16" Flange, Base Plate	03365
7 5/16" Flange, Velocity Stack 5" High	00283
7 5/16" Flange, Top Plate	06883

FOR 11" CUSTOM AIR FILTER KITS

PART#	PART#
5 1/8" Flange, Base Plate	01988
7 5/16" Flange, Base Plate	01518

16" CUSTOM AIR FILTER KITS

DELLORTO	PART#	DELLORTO	PART#
RAM PIPE DSS 40/20	85-5029A	RAM PIPE 45/20	85-5032A
RAM PIPE DSS 40/30	85-5030A	RAM PIPE DSS 45/40	85-5034A
RAM PIPE DSS 40/40	85-5031A		
WEBER	PART#	WEBER	PART#
RAM PIPE	85-5042A	RAM PIPE WSS 45/16	85-5045A
RAM PIPE WSS 40/26	85-5043A	RAM PIPE WSS 45/26	85-5046A
RAM PIPE WSS 40/39	85-5044A	RAM PIPE WSS 45/39	85-5047A

Legal in California only for racing vehicles which may never be used, registered or licensed for use upon a highway. These filters are not applicable, nor intended for use on aircraft.

ACCESSORIES

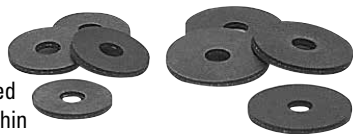
Valve Cover and Filter Vent Tubes



Universal adapters for smog tubes, crankcase and valve cover vents. Requires drilling hole in air filter base or valve cover. All come with mounting hardware and gasket.

DESCRIPTION	PART#
Steel 1/2" flange, 3/4" long, requires 5/8" hole	85-1050
Plastic straight adapter fits 5/8" to 3/4" hose	85-1130
Plastic 90° elbow fits 5/8" hose, requires 7/8" hole	85-1190
Plastic 90° elbow fits 1/2" hose, requires 9/16" hole	85-1120
Plastic 90° elbow fits 3/8" hose, uses rubber grommet	85-1140
Plastic 90° elbow fits 1/2" hose, uses rubber grommet	85-1150
Plastic screw-in for Ford valve covers, for mounting 1 1/2" I.D. CV filter	85-1200
Plastic screw-in for late GM valve covers, for mounting 1 1/2" I.D. CV filter	85-1210
Plastic universal mount, for any flat surface. Use 1 1/2" I.D. CV filter	85-1210

Reinforced Rubber Washers



Made of 1/8" thick reinforced neoprene rubber. Ideal for thin panels, fenders, number plates, air cleaner lids and other items that need to be rubber mounted.

DESCRIPTION	PART#
1) 1" O.D., 1/4" hole (12-10 packs per card)	81-0150
1) 1" O.D., 1/4" hole (single 10 pack)	81-0151
2) 1 1/4" O.D., 5/16" hole (12-8 packs per card)	81-0160
2) 1 1/4" O.D., 5/16" hole (single 8 pack)	81-0161

K&N® Air Filter Gaskets

Gaskets used between air filter base and mounting flange of carburetor. All gaskets are full sets and packed on display card.



85-9988*

DESCRIPTION	PART#
2 and 4-barrel with 5 1/8" neck (1/8" thick)	85-9988*
Dellorto DHLA 40-48	85-9635
Dellorto DRLA 45, 48	85-9783
Holley 5200 with EFC solenoid	85-9424
Solex 40 PII	85-9494
SU 1 1/2"	85-9715
Weber DCNF 36,40,42,44	85-9447
Weber DCOE 40-48 without air horns	85-9635
Weber DCOE 45-48 with air horns	85-9681
Weber DFB,DFD,DFE,DFV,DIF,DIR,DAR 32/36; Autolite 32/36;	
Holley 5200,5210 32/36; Motorcraft 32/36	85-9424
Weber DGV,DGV5A,DGAV,DGEV,DPS 32/36	85-9541
Weber IDA 48 (2-barrel)	85-9471
Weber IDF 40,44,48,48MX	85-9776

*85-9988 gaskets are made of reinforced neoprene rubber. All other gaskets listed are AN890 Armstrong paper gasket material.

Carburetor Covers

K&N® carburetor covers for 5 1/8" standard and 7 5/16" dominator carburetors.



DESCRIPTION	BLACK	RED	ORANGE
5 1/8"	85-8913CK	85-8913CR	85-8913CO
7 5/16"	85-8932CK	85-8932CR	85-8932CO

Carburetor Adapter Flanges

Quick convenient way to adapt K&N® universal filter to carburetor with flat flange.



CARBURETOR FLANGE SIZE	BOLT CIRCLE	ADAPTER O.D.	ADAPTER WIDTH	ADAPTER PART#
1 1/8" bore, 2-bolt	1 3/8"	2 3/4"	7/8"	85-1070
1" bore, 2-bolt	45mm	2 7/16"	5/8"	85-1090
1" bore, 2-bolt	40mm	2"	5/8"	85-1180

Marine Style Vent Hose Adapters



These vents mount in between the top and bottom plates of custom chrome air filter assemblies. Vent tube accommodates breather hose without drilling filter base.

HOSE SIZE	2 3/4" FILTER HT	4" FILTER HT	6" FILTER HT
1/4"	85-1325	85-1425	85-1625
3/8"	85-1337	85-1437	85-1637
1/2"	85-1350	85-1450	85-1650
5/8"	85-1362	85-1462	85-1662
3/4"	85-1375	85-1475	85-1675

Fuel Line "T" Fitting

Maximum flow, durable, light weight, easy to use. One size fits 1/4" to 3/8" I.D. hose.



81-0271

DESCRIPTION	PART#
Packed 12 per card	81-0270
Packed 1 per card	81-0271

Air Filter Hardware Kits

All kits are packaged on attractive display card.



85-7848

DESCRIPTION	PART#
5mm x 12mm Hex head bolts, 5mm wafer washers (6 each)	85-7855
6mm x 12mm Hex head bolts, 6mm locknuts, 6mm wafer washers (4 each)	85-7863
1/4-20 Clip nuts, 1/4-20 x 3/4" Phillips head (2 each)	85-8362
Washers: Stalen, 6mm wave, 5mm wave (6 each)	85-8221
O-ring for Weber IDA (2 each)	85-7728
O-ring for Weber DCOE (2 each)	85-7752
10-24 Acorn nuts, 10-24 wave washers (6 each)	85-7493
5mm x 10mm Socket head bolts, 5mm wave washers (4 each)	85-7848

Legal in California only for racing vehicles which may never be used, registered or licensed for use upon a highway. These filters are not applicable, nor intended for use on aircraft.

PRECHARGER®

The K&N® Precharger® is a specially designed filter wrap made to extend the service interval of your K&N® air filter when used in very dusty conditions. They are made from durable polyester material containing uniform micron openings. The Precharger will stop small dirt particles; yet add little restriction to the airflow of the filter. The Precharger is designed to be run dry and can be cleaned with K&N filter cleaner. The Precharger is custom made to fit each application. Double stitched elastic openings assure that the Precharger will stay in place. The Prechargers are available in a variety of colors.



DRYCHARGER®

K&N® Drychargers® are manufactured from a durable polyester material and are pre-treated with a proprietary hydrophobic process designed to prevent splashes of water or mud from saturating your K&N® air filter. The Drycharger will also stop small dirt particles; yet add little restriction to the airflow of the filter. Please be aware the Drycharger is water repellent, not water proof. Depending on conditions and usage the water repellent treatment is good for 1 to 2 years.

FILTER WRAPS – ROUND STRAIGHT

I.D.	HEIGHT	DESCRIPTION	PART#	I.D.	HEIGHT	DESCRIPTION	PART#
2" (51mm)	3" (76mm)	Dry-Black	62-1300DK	5" (127mm)	6" (152mm)	Pre-Black	YA-4504PK
2.5" (64mm)	10.75" (273mm)	Dry-Black	PL-5008DK	5" (127mm)	7" (178mm)	Pre-Black	22-8044PK
2.75" (70mm)	2.813" (71mm)	Dry-Black	E-4142DK	5.25" (133mm)	4.75" (121mm)	Dry-Black	SU-7005DK
3" (76mm)	12.5" (318mm)	Dry-Black	E-3810DK	5.25" (133mm)	6.25" (159mm)	Dry-Black	AC-1012DK
3" (76mm)	2.5" (64mm)	Pre-Black	RU-0150PK	5.5" (140mm)	2.25" (57mm)	Dry-Black	E-4665DK
3" (76mm)	3" (76mm)	Pre-Black	22-8008PK	5.5" (140mm)	5.5" (140mm)	Dry-Black	KA-7508DK
3" (76mm)	4" (102mm)	Pre-Black	22-8009PK	5.5" (140mm)	3" (76mm)	Pre-Black	22-8015PK
3" (76mm)	5" (127mm)	Pre-Black	RU-0210PK	5.5" (140mm)	5" (127mm)	Pre-Black	22-8016PK
3" (76mm)	6" (152mm)	Pre-Black	22-8010PK	5.563" (141mm)	6" (152mm)	Dry-Black	PL-3214DK
3" (76mm)	11.125" (283mm)	Dry-Black	PL-1014-1DK	6" (152mm)	6" (152mm)	Dry-Black	22-8045DK
3.25" (83mm)	7.063" (179mm)	Dry-Black	E-4510DK	6" (152mm)	1.75" (44mm)	Pre-Black	E-3211PK
3.25" (83mm)	2.5" (64mm)	Pre-Black	22-8007PK	6" (152mm)	1.75" (44mm)	Pre-Blue	E-3211PL
3.25" (83mm)	3.5" (89mm)	Pre-Black	AC-3098PK	6" (152mm)	1.75" (44mm)	Pre-Red	E-3211PR
3.313" (84mm)	5.5" (140mm)	Pre-Black	YA-2597PK	6" (152mm)	2" (51mm)	Pre-Black	22-8017PK
3.5" (89mm)	1.5" (38mm)	Dry-Black	RC-0170DK	6" (152mm)	3.25" (83mm)	Pre-Black	E-3190PK
3.5" (89mm)	4" (102mm)	Pre-Black	RU-0500PK	6" (152mm)	3.25" (83mm)	Pre-Blue	E-3190PL
3.5" (89mm)	5" (127mm)	Pre-Black	RU-0510PK	6" (152mm)	3.25" (83mm)	Pre-Red	E-3190PR
3.5" (89mm)	5" (127mm)	Pre-Blue	RU-0510PL	6" (152mm)	3.25" (83mm)	Pre-Yellow	E-3190PY
3.5" (89mm)	5" (127mm)	Pre-Red	RU-0510PR	6" (152mm)	3.5" (89mm)	Pre-Black	22-8018PK
3.5" (89mm)	5" (127mm)	Pre-Yellow	RU-0510PY	6.188" (157mm)	7.563" (192mm)	Dry-Black	E-4710DK
3.5" (89mm)	6" (152mm)	Pre-Black	RU-0520PK	6.25" (159mm)	1.5" (38mm)	Dry-Black	RC-3028DK
3.625" (92mm)	9" (229mm)	Pre-Black	YA-4350PK	6.25" (159mm)	1.5" (38mm)	Dry-Blue	RC-3028DL
3.875" (98mm)	4.25" (108mm)	Pre-Red	HA-3098PR	6.25" (159mm)	1.5" (38mm)	Dry-Red	RC-3028DR
3.875" (98mm)	4.313" (110mm)	Pre-Red	HA-2090PR	6.25" (159mm)	1.5" (38mm)	Dry-Yellow	RC-3028DY
3.875" (98mm)	5.875" (149mm)	Pre-Black	YA-3504PK	7" (178mm)	2" (51mm)	Dry-Black	E-4521DK
3.938" (100mm)	5.625" (143mm)	Pre-Black	YA-4001PK	7" (178mm)	2.25" (57mm)	Dry-Black	E-4518DK
4" (102mm)	7" (178mm)	Dry-Black	PL-5006DK	7" (178mm)	2" (51mm)	Pre-Black	E-3360PK
4" (102mm)	4" (102mm)	Pre-Black	22-8011PK	7" (178mm)	2" (51mm)	Pre-Red	E-3360PR
4" (102mm)	4.25" (108mm)	Pre-Black	PL-1004PK	7" (178mm)	3" (76mm)	Pre-Black	E-3380PK
4" (102mm)	5" (127mm)	Pre-Black	RU-1460PK	7" (178mm)	3" (76mm)	Pre-Blue	E-3380PL
4" (102mm)	6" (152mm)	Pre-Black	RU-1470PK	7" (178mm)	3" (76mm)	Pre-Red	E-3380PR
4" (102mm)	7" (178mm)	Pre-Black	PL-1003PK	7" (178mm)	3" (76mm)	Pre-Black	RU-0980PK
4" (102mm)	7" (178mm)	Pre-Black	RU-1480PK	7" (178mm)	4" (102mm)	Pre-Black	22-8019PK
4.5" (114mm)	4" (102mm)	Dry-Black	RB-0900DK	7" (178mm)	4" (102mm)	Pre-Black	E-2510PK
4.5" (114mm)	3.563" (90mm)	Pre-Blue	KA-2288PL	7" (178mm)	4" (102mm)	Pre-Blue	E-2510PL
4.5" (114mm)	3.625" (92mm)	Pre-Blue	KA-4093PL	7" (178mm)	4" (102mm)	Pre-Red	E-2510PR
4.5" (114mm)	4" (102mm)	Pre-Black	22-8012PK	7" (178mm)	4" (102mm)	Pre-Yellow	E-2510PY
4.5" (114mm)	5" (127mm)	Pre-Black	22-8013PK	7" (178mm)	5" (127mm)	Pre-Black	22-8020PK
4.5" (114mm)	6" (152mm)	Pre-Red	HA-4504PR	7" (178mm)	6" (152mm)	Pre-Black	22-8021PK
4.625" (117mm)	5" (127mm)	Pre-Red	HA-3094PR	7" (178mm)	9" (229mm)	Pre-Black	22-8022PK
4.75" (121mm)	4.625" (117mm)	Pre-Black	HA-5000PK	7.5" (191mm)	2.25" (57mm)	Pre-Black	RK-3901PK
5" (127mm)	5" (127mm)	Dry-Black	RC-5182DK	7.625" (194mm)	10" (254mm)	Dry-Red	RU-3270DR
5" (127mm)	5.5" (140mm)	Dry-Black	CM-4508DK	9" (229mm)	2" (51mm)	Pre-Black	E-3527PK
5" (127mm)	6.625" (168mm)	Dry-Black	KA-4508DK	9" (229mm)	2" (51mm)	Pre-Blue	E-3527PL
5" (127mm)	7.25" (184mm)	Dry-Black	PL-8007DK	9" (229mm)	2" (51mm)	Pre-Red	E-3527PR
5" (127mm)	3.688" (94mm)	Pre-Yellow	SU-4250PY	9" (229mm)	2" (51mm)	Pre-Yellow	E-3527PY
5" (127mm)	4" (102mm)	Pre-Black	22-8014PK	9" (229mm)	3" (76mm)	Pre-Black	E-3530PK
5" (127mm)	5" (127mm)	Pre-Black	RU-2430PK	9" (229mm)	3" (76mm)	Pre-Blue	E-3530PL

FILTER WRAPS

FILTER WRAPS – ROUND STRAIGHT CONTINUED

I.D.	HEIGHT	DESCRIPTION	PART#
9" (229mm)	3" (76mm)	Pre-Red	E-3530PR
9" (229mm)	3" (76mm)	Pre-Yellow	E-3530PY
9" (229mm)	5" (127mm)	Pre-Black	E-3650PK
9" (229mm)	5" (127mm)	Pre-Blue	E-3650PL
9" (229mm)	5" (127mm)	Pre-Red	E-3650PR
9" (229mm)	5" (127mm)	Pre-Yellow	E-3650PY
11" (279mm)	2" (51mm)	Pre-Black	22-8000PK
11" (279mm)	3.5" (89mm)	Pre-Black	E-1250PK
11" (279mm)	3.5" (89mm)	Pre-Blue	E-1250PL
11" (279mm)	3.5" (89mm)	Pre-Red	E-1250PR
11" (279mm)	3.5" (89mm)	Pre-Yellow	E-1250PY
11" (279mm)	4" (102mm)	Pre-Black	22-8001PK
11" (279mm)	5" (127mm)	Pre-Black	E-3680PK
11" (279mm)	5" (127mm)	Pre-Blue	E-3680PL
11" (279mm)	5" (127mm)	Pre-Red	E-3680PR
11" (279mm)	6" (152mm)	Pre-Black	E-3690PK
11" (279mm)	6" (152mm)	Pre-Blue	E-3690PL
11" (279mm)	6" (152mm)	Pre-Red	E-3690PR
11" (279mm)	6" (152mm)	Pre-Yellow	E-3690PY
11.75" (298mm)	2.5" (64mm)	Dry-Black	E-3016DK
14" (356mm)	2.25" (57mm)	Pre-Black	22-1422PK
14" (356mm)	2.25" (57mm)	Pre-Blue	22-1422PL
14" (356mm)	2.25" (57mm)	Pre-Red	22-1422PR
14" (356mm)	2.25" (57mm)	Pre-Yellow	22-1422PY
14" (356mm)	2.25" (57mm)	Pre-Black	E-3740PK
14" (356mm)	2.25" (57mm)	Pre-Blue	E-3740PL
14" (356mm)	2.25" (57mm)	Pre-Red	E-3740PR
14" (356mm)	2.25" (57mm)	Pre-Yellow	E-3740PY
14" (356mm)	3" (76mm)	Pre-Black	22-1430PK
14" (356mm)	3" (76mm)	Pre-Blue	22-1430PL

I.D.	HEIGHT	DESCRIPTION	PART#
14" (356mm)	3" (76mm)	Pre-Blue	22-1430PL
14" (356mm)	3" (76mm)	Pre-Red	22-1430PR
14" (356mm)	3" (76mm)	Pre-Yellow	22-1430PY
14" (356mm)	3" (76mm)	Pre-Black	E-1650PK
14" (356mm)	3" (76mm)	Pre-Blue	E-1650PL
14" (356mm)	3" (76mm)	Pre-Red	E-1650PR
14" (356mm)	3" (76mm)	Pre-Yellow	E-1650PY
14" (356mm)	4" (102mm)	Pre-Black	22-1440PK
14" (356mm)	4" (102mm)	Pre-Blue	22-1440PL
14" (356mm)	4" (102mm)	Pre-Red	22-1440PR
14" (356mm)	4" (102mm)	Pre-Yellow	22-1440PY
14" (356mm)	4" (102mm)	Pre-Black	E-3750PK
14" (356mm)	4" (102mm)	Pre-Blue	E-3750PL
14" (356mm)	4" (102mm)	Pre-Red	E-3750PR
14" (356mm)	4" (102mm)	Pre-Yellow	E-3750PY
14" (356mm)	5" (127mm)	Pre-Black	22-1450PK
14" (356mm)	5" (127mm)	Pre-Blue	22-1450PL
14" (356mm)	5" (127mm)	Pre-Red	22-1450PR
14" (356mm)	5" (127mm)	Pre-Yellow	22-1450PY
14" (356mm)	5" (127mm)	Pre-Black	E-3760PK
14" (356mm)	5" (127mm)	Pre-Blue	E-3760PL
14" (356mm)	5" (127mm)	Pre-Red	E-3760PR
14" (356mm)	5" (127mm)	Pre-Yellow	E-3760PY
14" (356mm)	6" (152mm)	Pre-Black	E-3770PK
14" (356mm)	6" (152mm)	Pre-Blue	E-3770PL
14" (356mm)	6" (152mm)	Pre-Red	E-3770PR
14" (356mm)	6" (152mm)	Pre-Yellow	E-3770PY
16" (406mm)	2" (51mm)	Pre-Black	22-8002PK
16" (406mm)	4" (102mm)	Pre-Black	22-8004PK

FILTER WRAPS – ROUND TAPERED

BASE I.D.	TOP I.D.	HEIGHT	DESC.	PART#
2.25" (57mm)	2" (51mm)	2.5" (64mm)	Pre-Black	RC-2540PK
2.5" (64mm)	2" (51mm)	2.25" (57mm)	Pre-Black	RC-0790PK
3" (76mm)	2" (51mm)	3" (76mm)	Pre-Black	22-8028PK
3" (76mm)	2" (51mm)	4" (102mm)	Pre-Black	22-8048PK
3.5" (89mm)	2" (51mm)	4" (102mm)	Pre-Black	RC-1200PK
3.75" (95mm)	2" (51mm)	5" (127mm)	Pre-Black	22-8029PK
3.875" (98mm)	3.5" (89mm)	3.813" (97mm)	Pre-Red	HA-3500PR
4" (102mm)	3.75" (95mm)	1.5" (38mm)	Dry-Black	59-2045DK
4" (102mm)	2" (51mm)	6" (152mm)	Dry-Black	22-8030DK
4.313" (110mm)	4.25" (108mm)	5.313" (135mm)	Pre-Black	KA-3603PK
4.375" (111mm)	4.5" (114mm)	4.5" (114mm)	Pre-Red	HA-2504PR
4.5" (114mm)	3.5" (89mm)	2.5" (64mm)	Dry-Red	22-2042PR
4.5" (114mm)	3" (76mm)	4" (102mm)	Dry-Blue	22-2040PL
4.5" (114mm)	3" (76mm)	4" (102mm)	Dry-Red	22-2040PR
4.5" (114mm)	3.5" (89mm)	4" (102mm)	Pre-Black	AC-4096PK
4.5" (114mm)	3.5" (89mm)	5.375" (137mm)	Pre-Black	SU-4002PK
4.5" (114mm)	4" (102mm)	6.125" (156mm)	Pre-Black	RX-3820PK
4.5" (114mm)	4" (102mm)	6.125" (156mm)	Pre-Red	RX-3820PR
4.5" (114mm)	4" (102mm)	6.5" (165mm)	Pre-Black	22-8031PK
4.625" (117mm)	3.75" (95mm)	3.438" (87mm)	Pre-Black	22-8088PK
4.625" (117mm)	3.5" (89mm)	6.75" (171mm)	Dry-Black	YA-3502DK
4.625" (117mm)	3.5" (89mm)	6.75" (171mm)	Pre-Black	YA-3502PK
4.688" (119mm)	3.5" (89mm)	4.875" (124mm)	Dry-Black	RC-9350DK
4.688" (119mm)	3.5" (89mm)	4.875" (124mm)	Dry-Blue	RC-9350DL
4.688" (119mm)	3.5" (89mm)	4.875" (124mm)	Dry-Red	RC-9350DR
4.688" (119mm)	3.5" (89mm)	4.875" (124mm)	Dry-Yellow	RC-9350DY
4.75" (121mm)	4.5" (114mm)	4.75" (121mm)	Dry-Black	HA-6806DK
4.75" (121mm)	3.5" (89mm)	5.875" (149mm)	Dry-Black	RC-9310DK
4.75" (121mm)	3.5" (89mm)	7" (178mm)	Dry-Black	RU-3130DK
4.75" (121mm)	3.5" (89mm)	6" (152mm)	Pre-Red	HA-4250PR
5" (127mm)	4" (102mm)	6" (152mm)	Dry-Black	PL-5207DK

BASE I.D.	TOP I.D.	HEIGHT	DESC.	PART#
5" (127mm)	4" (102mm)	6" (152mm)	Dry-Black	RC-4650DK
5" (127mm)	4" (102mm)	6" (152mm)	Dry-Blue	RC-4650DL
5" (127mm)	4" (102mm)	6" (152mm)	Dry-Red	RC-4650DR
5" (127mm)	4" (102mm)	6" (152mm)	Dry-Yellow	RC-4650DY
5" (127mm)	4" (102mm)	7.875" (200mm)	Dry-Black	RC-4690DK
5" (127mm)	4" (102mm)	7.875" (200mm)	Dry-Blue	RC-4690DL
5" (127mm)	4" (102mm)	7.875" (200mm)	Dry-Red	RC-4690DR
5" (127mm)	4" (102mm)	7.875" (200mm)	Dry-Yellow	RC-4690DY
5" (127mm)	4.5" (114mm)	4.5" (114mm)	Pre-Red	HA-4400PR
5" (127mm)	4" (102mm)	7" (178mm)	Pre-Black	22-8032PK
5" (127mm)	4.75" (121mm)	8" (203mm)	Pre-Black	RE-0910PK
5.125" (130mm)	3.5" (89mm)	6" (152mm)	Dry-Black	RC-4160DK
5.125" (130mm)	4.5" (114mm)	4.188" (106mm)	Pre-Red	HA-3093PR
5.25" (133mm)	3" (76mm)	6" (152mm)	Dry-Blue	22-2030PL
5.25" (133mm)	3" (76mm)	6" (152mm)	Dry-Red	22-2030PR
5.375" (137mm)	4" (102mm)	5.5" (140mm)	Dry-Black	RP-4660DK
5.375" (137mm)	4" (102mm)	5.5" (140mm)	Dry-Blue	RP-4660DL
5.375" (137mm)	4" (102mm)	5.5" (140mm)	Dry-Red	RP-4660DR
5.375" (137mm)	4" (102mm)	5.5" (140mm)	Dry-Yellow	RP-4660DY
5.375" (137mm)	4" (102mm)	6.5" (165mm)	Dry-Black	RC-5149DK
5.375" (137mm)	4.375" (111mm)	7" (178mm)	Dry-Black	RU-2590DK
5.375" (137mm)	4.375" (111mm)	3.5" (89mm)	Pre-Red	HA-2440PR
5.5" (140mm)	4.5" (114mm)	6.5" (165mm)	Dry-Black	RC-4630DK
5.5" (140mm)	4.5" (114mm)	6.5" (165mm)	Dry-Blue	RC-4630DL
5.5" (140mm)	4.5" (114mm)	6.5" (165mm)	Dry-Red	RC-4630DR
5.5" (140mm)	4.5" (114mm)	6.5" (165mm)	Dry-Yellow	RC-4630DY
5.5" (140mm)	4" (102mm)	8" (203mm)	Dry-Black	RF-1045DK
5.5" (140mm)	4" (102mm)	8" (203mm)	Dry-Blue	RF-1045DL
5.5" (140mm)	4" (102mm)	8" (203mm)	Dry-Red	RF-1045DR
5.5" (140mm)	4" (102mm)	8" (203mm)	Dry-Yellow	RF-1045DY
5.75" (146mm)	4.5" (114mm)	6" (152mm)	Dry-Black	RF-1023DK

FILTER WRAPS – ROUND TAPERED CONTINUED

BASE I.D.	TOP I.D.	HEIGHT	DESC.	PART#	BASE I.D.	TOP I.D.	HEIGHT	DESC.	PART#
5.75" (146mm)	4.5" (114mm)	6" (152mm)	Dry-Blue	RF-1023DL	6.75" (171mm)	5.875" (149mm)	9.5" (241mm)	Dry-Black	RU-5045DK
5.75" (146mm)	4.5" (114mm)	6" (152mm)	Dry-Red	RF-1023DR	7" (178mm)	3.75" (95mm)	1" (25mm)	Dry-Black	E-2435DK
5.75" (146mm)	3.5" (89mm)	6" (152mm)	Dry-Black	RF-1035DK	7.375" (187mm)	6.625" (168mm)	7.875" (200mm)	Dry-Black	RC-4900DK
5.75" (146mm)	3.5" (89mm)	6" (152mm)	Dry-Blue	RF-1035DL	7.375" (187mm)	6.625" (168mm)	7.875" (200mm)	Dry-Blue	RC-4900DL
5.75" (146mm)	3.5" (89mm)	6" (152mm)	Dry-Red	RF-1035DR	7.375" (187mm)	6.625" (168mm)	7.875" (200mm)	Dry-Red	RC-4900DR
5.75" (146mm)	3.5" (89mm)	6" (152mm)	Dry-Yellow	RF-1035DY	7.375" (187mm)	6.625" (168mm)	7.875" (200mm)	Dry-Yellow	RC-4900DY
5.813" (148mm)	4" (102mm)	6" (152mm)	Dry-Black	RU-5168DK	7.5" (191mm)	7" (178mm)	11" (279mm)	Dry-Black	RF-1026DK
5.875" (149mm)	4.938" (125mm)	4" (102mm)	Pre-Yellow	SU-5098PY	7.5" (191mm)	7" (178mm)	11" (279mm)	Dry-Blue	RF-1026DL
5.875" (149mm)	5" (127mm)	6" (152mm)	Pre-Black	RU-3480PK	7.5" (191mm)	7" (178mm)	11" (279mm)	Dry-Red	RF-1026DR
6" (152mm)	5" (127mm)	5.563" (141mm)	Dry-Black	RX-4990DK	7.5" (191mm)	7" (178mm)	18" (457mm)	Dry-Black	RC-3070DK
6" (152mm)	5" (127mm)	5.563" (141mm)	Dry-Blue	RX-4990DL	7.5" (191mm)	5.875" (149mm)	3" (76mm)	Dry-Black	RF-1028DK
6" (152mm)	5" (127mm)	5.563" (141mm)	Dry-Red	RX-4990DR	7.5" (191mm)	5.875" (149mm)	3" (76mm)	Dry-Blue	RF-1028DL
6" (152mm)	5" (127mm)	5.563" (141mm)	Dry-Yellow	RX-4990DY	7.5" (191mm)	5.875" (149mm)	3" (76mm)	Dry-Red	RF-1028DR
6" (152mm)	5" (127mm)	6.5" (165mm)	Dry-Black	RX-4730DK	7.5" (191mm)	5.875" (149mm)	3" (76mm)	Dry-Yellow	RF-1028DY
6" (152mm)	5" (127mm)	6.5" (165mm)	Dry-Blue	RX-4730DL	7.5" (191mm)	5" (127mm)	4" (102mm)	Dry-Black	RF-1009DK
6" (152mm)	5" (127mm)	6.5" (165mm)	Dry-Red	RX-4730DR	7.5" (191mm)	5" (127mm)	4" (102mm)	Dry-Blue	RF-1009DL
6" (152mm)	5" (127mm)	6.5" (165mm)	Dry-Yellow	RX-4730DY	7.5" (191mm)	5" (127mm)	4" (102mm)	Dry-Red	RF-1009DR
6" (152mm)	4" (102mm)	6.75" (171mm)	Dry-Black	RC-4700DK	7.5" (191mm)	5" (127mm)	4" (102mm)	Dry-Yellow	RF-1009DY
6" (152mm)	4" (102mm)	6.75" (171mm)	Dry-Blue	RC-4700DL	7.5" (191mm)	5" (127mm)	5" (127mm)	Dry-Black	22-8049DK
6" (152mm)	4" (102mm)	6.75" (171mm)	Dry-Red	RC-4700DR	7.5" (191mm)	5.875" (149mm)	6" (152mm)	Dry-Black	RC-5173DK
6" (152mm)	4" (102mm)	6.75" (171mm)	Dry-Yellow	RC-4700DY	7.5" (191mm)	5" (127mm)	6" (152mm)	Dry-Black	RF-1036DK
6" (152mm)	5" (127mm)	7" (178mm)	Dry-Black	RC-5100DK	7.5" (191mm)	5" (127mm)	6" (152mm)	Dry-Blue	RF-1036DL
6" (152mm)	5" (127mm)	7" (178mm)	Dry-Blue	RC-5100DL	7.5" (191mm)	5" (127mm)	6" (152mm)	Dry-Yellow	RF-1036DY
6" (152mm)	5" (127mm)	7" (178mm)	Dry-Red	RC-5100DR	7.5" (191mm)	4.5" (114mm)	6" (152mm)	Dry-Black	RF-1048DK
6" (152mm)	5" (127mm)	7" (178mm)	Dry-Yellow	RC-5100DY	7.5" (191mm)	4.5" (114mm)	6" (152mm)	Dry-Blue	RF-1048DL
6" (152mm)	4.5" (114mm)	7" (178mm)	Dry-Black	RF-1015DK	7.5" (191mm)	4.5" (114mm)	6" (152mm)	Dry-Red	RF-1048DR
6" (152mm)	4.5" (114mm)	7" (178mm)	Dry-Blue	RF-1015DL	7.5" (191mm)	4.5" (114mm)	6" (152mm)	Dry-Yellow	RF-1048DY
6" (152mm)	4.5" (114mm)	7" (178mm)	Dry-Red	RF-1015DR	7.5" (191mm)	4.5" (114mm)	6.5" (165mm)	Dry-Black	RC-5107DK
6" (152mm)	4.5" (114mm)	7" (178mm)	Dry-Yellow	RF-1015DY	7.5" (191mm)	4.5" (114mm)	6.5" (165mm)	Dry-Blue	RC-5107DL
6" (152mm)	4.5" (114mm)	8" (203mm)	Dry-Black	RC-5106DK	7.5" (191mm)	4.5" (114mm)	6.5" (165mm)	Dry-Red	RC-5107DR
6" (152mm)	4.5" (114mm)	8" (203mm)	Dry-Blue	RC-5106DL	7.5" (191mm)	4.5" (114mm)	6.5" (165mm)	Dry-Yellow	RC-5107DY
6" (152mm)	4.5" (114mm)	8" (203mm)	Dry-Red	RC-5106DR	7.5" (191mm)	5.875" (149mm)	6.5" (165mm)	Dry-Black	RF-1014DK
6" (152mm)	4.5" (114mm)	8" (203mm)	Dry-Yellow	RC-5106DY	7.5" (191mm)	5.875" (149mm)	6.5" (165mm)	Dry-Blue	RF-1014DL
6" (152mm)	4.5" (114mm)	9" (229mm)	Dry-Black	RC-3690DK	7.5" (191mm)	5.875" (149mm)	6.5" (165mm)	Dry-Red	RF-1014DR
6" (152mm)	4.5" (114mm)	9" (229mm)	Dry-Blue	RC-3690DL	7.5" (191mm)	5.875" (149mm)	6.5" (165mm)	Dry-Yellow	RF-1014DY
6" (152mm)	4.5" (114mm)	9" (229mm)	Dry-Red	RC-3690DR	7.5" (191mm)	5" (127mm)	6.5" (165mm)	Dry-Black	RF-1042DK
6" (152mm)	4.5" (114mm)	9" (229mm)	Dry-Yellow	RC-3690DY	7.5" (191mm)	5" (127mm)	6.5" (165mm)	Dry-Blue	RF-1042DL
6" (152mm)	4.625" (117mm)	12" (305mm)	Pre-Black	22-8034PK	7.5" (191mm)	5" (127mm)	6.5" (165mm)	Dry-Red	RF-1042DR
6" (152mm)	4.625" (117mm)	14" (356mm)	Pre-Black	22-8035PK	7.5" (191mm)	5" (127mm)	6.5" (165mm)	Dry-Yellow	RF-1042DY
6" (152mm)	4.625" (117mm)	6" (152mm)	Pre-Black	22-8033PK	7.5" (191mm)	5.125" (130mm)	7" (178mm)	Dry-Black	RF-1029DK
6" (152mm)	4.625" (117mm)	9" (229mm)	Pre-Black	RE-0810PK	7.5" (191mm)	5.125" (130mm)	7" (178mm)	Dry-Blue	RF-1029DL
6.125" (156mm)	5.125" (130mm)	3.938" (100mm)	Dry-Black	SU-4506DK	7.5" (191mm)	5.125" (130mm)	7" (178mm)	Dry-Red	RF-1029DR
6.25" (159mm)	5.5" (140mm)	2.125" (54mm)	Dry-Black	HD-0800DK	7.5" (191mm)	5.125" (130mm)	7" (178mm)	Dry-Yellow	RF-1029DY
6.25" (159mm)	4.375" (111mm)	4.125" (105mm)	Dry-Black	RU-5163DK	7.5" (191mm)	5" (127mm)	7.5" (191mm)	Dry-Black	RF-1041DK
6.313" (160mm)	5.438" (138mm)	3" (76mm)	Pre-Black	SU-4000PK	7.5" (191mm)	5" (127mm)	7.5" (191mm)	Dry-Blue	RF-1041DL
6.5" (165mm)	4.5" (114mm)	5.5" (140mm)	Dry-Black	RU-5147DK	7.5" (191mm)	5" (127mm)	7.5" (191mm)	Dry-Red	RF-1041DR
6.5" (165mm)	4.5" (114mm)	6" (152mm)	Dry-Black	RC-5060DK	7.5" (191mm)	5" (127mm)	7.5" (191mm)	Dry-Yellow	RF-1041DY
6.5" (165mm)	4.5" (114mm)	6" (152mm)	Dry-Blue	RC-5060DL	7.5" (191mm)	5" (127mm)	8" (203mm)	Dry-Black	22-8038DK
6.5" (165mm)	4.5" (114mm)	6" (152mm)	Dry-Red	RC-5060DR	7.5" (191mm)	7" (178mm)	8" (203mm)	Dry-Black	RF-1017DK
6.5" (165mm)	4.5" (114mm)	6" (152mm)	Dry-Yellow	RC-5060DY	7.5" (191mm)	7" (178mm)	8" (203mm)	Dry-Blue	RF-1017DL
6.5" (165mm)	5" (127mm)	6.5" (165mm)	Dry-Black	RF-1037DK	7.5" (191mm)	7" (178mm)	8" (203mm)	Dry-Red	RF-1017DR
6.5" (165mm)	5" (127mm)	6.5" (165mm)	Dry-Blue	RF-1037DL	7.5" (191mm)	7" (178mm)	8" (203mm)	Dry-Yellow	RF-1017DY
6.5" (165mm)	5" (127mm)	6.5" (165mm)	Dry-Red	RF-1037DR	7.5" (191mm)	5" (127mm)	8" (203mm)	Dry-Black	RF-1020DK
6.5" (165mm)	5" (127mm)	6.5" (165mm)	Dry-Yellow	RF-1037DY	7.5" (191mm)	5" (127mm)	8" (203mm)	Dry-Red	RF-1020DR
6.5" (165mm)	4.5" (114mm)	7" (178mm)	Dry-Black	RF-1032DK	7.5" (191mm)	5.875" (149mm)	8.5" (216mm)	Dry-Blue	RF-1020DL
6.5" (165mm)	4.5" (114mm)	7" (178mm)	Dry-Blue	RF-1032DL	7.5" (191mm)	5.875" (149mm)	8.5" (216mm)	Dry-Yellow	RF-1020DY
6.5" (165mm)	4.5" (114mm)	7" (178mm)	Dry-Red	RF-1032DR	7.5" (191mm)	4.5" (114mm)	9" (229mm)	Dry-Black	RC-5046DK
6.5" (165mm)	4.5" (114mm)	7" (178mm)	Dry-Yellow	RF-1032DY	7.5" (191mm)	4.5" (114mm)	9" (229mm)	Dry-Blue	RC-5046DL
6.5" (165mm)	4.5" (114mm)	8" (203mm)	Dry-Black	RF-1027DK	7.5" (191mm)	4.5" (114mm)	9" (229mm)	Dry-Red	RC-5046DR
6.5" (165mm)	4.5" (114mm)	8" (203mm)	Dry-Blue	RF-1027DL	7.5" (191mm)	4.5" (114mm)	9" (229mm)	Dry-Yellow	RC-5046DY
6.5" (165mm)	4.5" (114mm)	8" (203mm)	Dry-Red	RF-1027DR	7.5" (191mm)	5" (127mm)	4" (102mm)	Pre-Black	22-8036PK
6.5" (165mm)	4.5" (114mm)	8" (203mm)	Dry-Yellow	RF-1027DY	7.5" (191mm)	7" (178mm)	8" (203mm)	Pre-Black	22-8050PK
6.625" (168mm)	5.25" (133mm)	9.5" (241mm)	Dry-Black	RC-4780DK	8" (203mm)	6.625" (168mm)	10.5" (267mm)	Dry-Black	RC-5166DK
6.625" (168mm)	6.25" (159mm)	9.5" (241mm)	Dry-Blue	RC-4780DL	8" (203mm)	7" (178mm)	13" (330mm)	Dry-Black	RC-5165DK
6.625" (168mm)	5.25" (133mm)	9.5" (241mm)	Dry-Red	RC-4780DR	8" (203mm)	6.625" (168mm)	8" (203mm)	Dry-Black	RC-5112DK
6.625" (168mm)	5.25" (133mm)	9.5" (241mm)	Dry-Yellow	RC-4780DY	9" (229mm)	6.625" (168mm)	7.5" (191mm)	Dry-Black	RC-5139DK

FILTER WRAPS

FILTER WRAPS – OVAL TAPERED

BASE" SIDE LENGTH	BASE" SIDE WIDTH	TOP" SIDE LENGTH	TOP" SIDE WIDTH	HEIGHT	DESC.	PART#
3" (76mm)	3.75" (95mm)	3" (76mm)	2" (51mm)	6" (152mm)	Dry-Black	RC-3680DK
4" (102mm)	3" (76mm)	3" (76mm)	2" (51mm)	2.75" (70mm)	Dry-Black	RC-1820DK
4" (102mm)	3" (76mm)	3.5" (89mm)	2.5" (64mm)	2.75" (70mm)	Dry-Black	RU-0981DK
4" (102mm)	3" (76mm)	3" (76mm)	2" (51mm)	4" (102mm)	Dry-Black	RC-2890DK
4" (102mm)	3.25" (83mm)	3.5" (89mm)	2.5" (64mm)	7" (178mm)	Dry-Black	SN-2560DK
4.5" (114mm)	3.75" (95mm)	3.5" (89mm)	2.5" (64mm)	2.75" (70mm)	Dry-Black	RU-2780DK
5.625" (143mm)	4.125" (105mm)	4.5" (114mm)	3.25" (83mm)	2.5" (64mm)	Pre-Blue	KA-6589PL
6" (152mm)	3.75" (95mm)	4.25" (108mm)	3.25" (83mm)	5" (127mm)	Pre-Black	RU-4720PK
6.25" (159mm)	3.75" (95mm)	4.5" (114mm)	3.5" (89mm)	6.75" (171mm)	Pre-Black	RU-4710PK
6.375" (162mm)	4.75" (121mm)	4.5" (114mm)	3.25" (83mm)	2.75" (70mm)	Pre-Black	YA-2088PK
6.5" (165mm)	4.5" (114mm)	9" (229mm)	5.5" (140mm)	6.25" (159mm)	Pre-Black	RD-4200PK
6.5" (165mm)	4.5" (114mm)	9" (229mm)	5.5" (140mm)	6.25" (159mm)	Pre-Blue	RD-4200PL
6.5" (165mm)	4.5" (114mm)	9" (229mm)	5.5" (140mm)	6.25" (159mm)	Pre-Red	RD-4200PR
6.5" (165mm)	4.5" (114mm)	9" (229mm)	5.5" (140mm)	6.25" (159mm)	Pre-Yellow	RD-4200PY
7" (178mm)	4.5" (114mm)	6.25" (159mm)	4" (102mm)	3" (76mm)	Dry-Blue	22-2015PL
7" (178mm)	4.5" (114mm)	6.25" (159mm)	4" (102mm)	3" (76mm)	Dry-Red	22-2015PR
7" (178mm)	5.5" (140mm)	5.25" (133mm)	4.25" (108mm)	5" (127mm)	Dry-Black	RC-70031DK
7.75" (197mm)	5.5" (140mm)	6.25" (159mm)	4" (102mm)	5" (127mm)	Dry-Black	RF-1001DK
7.75" (197mm)	5.5" (140mm)	6.25" (159mm)	4" (102mm)	5" (127mm)	Dry-Blue	RF-1001DL
7.75" (197mm)	5.5" (140mm)	6.25" (159mm)	4" (102mm)	5" (127mm)	Dry-Red	RF-1001DR
7.75" (197mm)	5.5" (140mm)	6.25" (159mm)	4" (102mm)	5" (127mm)	Dry-Yellow	RF-1001DY
8.5" (216mm)	5.25" (133mm)	6.25" (159mm)	4" (102mm)	5.5" (140mm)	Dry-Black	RC-5040DK
8.5" (216mm)	5.25" (133mm)	6.25" (159mm)	4" (102mm)	5.5" (140mm)	Dry-Blue	RC-5040DL
8.5" (216mm)	5.25" (133mm)	6.25" (159mm)	4" (102mm)	5.5" (140mm)	Dry-Red	RC-5040DR
8.5" (216mm)	5.25" (133mm)	6.25" (159mm)	4" (102mm)	5.5" (140mm)	Dry-Yellow	RC-5040DY
8.75" (222mm)	5" (127mm)	6.25" (159mm)	4" (102mm)	9" (229mm)	Dry-Black	RF-1012DK
8.75" (222mm)	5" (127mm)	6.25" (159mm)	4" (102mm)	9" (229mm)	Dry-Blue	RF-1012DL
8.75" (222mm)	5" (127mm)	6.25" (159mm)	4" (102mm)	9" (229mm)	Dry-Red	RF-1012DR
8.75" (222mm)	5" (127mm)	6.25" (159mm)	4" (102mm)	9" (229mm)	Dry-Yellow	RF-1012DY
9" (229mm)	5.75" (146mm)	7" (178mm)	4.5" (114mm)	7.5" (191mm)	Dry-Black	RF-1034DK
9" (229mm)	5.75" (146mm)	7" (178mm)	4.5" (114mm)	7.5" (191mm)	Dry-Blue	RF-1034DL
9" (229mm)	5.75" (146mm)	7" (178mm)	4.5" (114mm)	7.5" (191mm)	Dry-Red	RF-1034DR
9" (229mm)	5.75" (146mm)	7" (178mm)	4.5" (114mm)	7.5" (191mm)	Dry-Yellow	RF-1034DY
9.25" (235mm)	6.25" (159mm)	7" (178mm)	4.5" (114mm)	10" (254mm)	Dry-Black	RF-1024DK
9.25" (235mm)	6.25" (159mm)	7" (178mm)	4.5" (114mm)	10" (254mm)	Dry-Blue	RF-1024DL
9.25" (235mm)	6.25" (159mm)	7" (178mm)	4.5" (114mm)	10" (254mm)	Dry-Red	RF-1024DR
9.25" (235mm)	6.25" (159mm)	7" (178mm)	4.5" (114mm)	10" (254mm)	Dry-Yellow	RF-1024DY
9.5" (241mm)	6.75" (171mm)	9" (229mm)	5.5" (140mm)	8.938" (227mm)	Dry-Black	RC-5102DK
9.5" (241mm)	6.75" (171mm)	9" (229mm)	5.5" (140mm)	8.938" (227mm)	Dry-Blue	RC-5102DL
9.5" (241mm)	6.75" (171mm)	9" (229mm)	5.5" (140mm)	8.938" (227mm)	Dry-Red	RC-5102DR
9.5" (241mm)	6.75" (171mm)	9" (229mm)	5.5" (140mm)	8.938" (227mm)	Dry-Yellow	RC-5102DY
12" (305mm)	6" (152mm)	9.938" (252mm)	3.938" (100mm)	7" (178mm)	Dry-Black	RP-5103DK
12" (305mm)	6" (152mm)	9.938" (252mm)	3.938" (100mm)	7" (178mm)	Dry-Blue	RP-5103DL
12" (305mm)	6" (152mm)	9.938" (252mm)	3.938" (100mm)	7" (178mm)	Dry-Red	RP-5103DR
12" (305mm)	6" (152mm)	9.938" (252mm)	3.938" (100mm)	7" (178mm)	Dry-Yellow	RP-5103DY
18.75" (476mm)	5" (127mm)	16.75" (425mm)	3" (76mm)	4.813" (122mm)	Dry-Black	RP-5135DK

FILTER WRAPS – RECTANGLE STRAIGHT

LENGTH	WIDTH	HEIGHT	DESC.	PART#	LENGTH	WIDTH	HEIGHT	DESC.	PART#
6.75" (171mm)	4.5" (114mm)	1.5" (38mm)	Pre-Black	22-8039PK	9.125" (232mm)	6.75" (171mm)	6.5" (165mm)	Pre-Yellow	100-8569PY
6.75" (171mm)	4.5" (114mm)	2.5" (64mm)	Pre-Black	22-8040PK	19" (483mm)	14" (356mm)	4.5" (114mm)	Dry-Black	100-8592DK
6.75" (171mm)	4.5" (114mm)	3" (76mm)	Pre-Black	22-8041PK	19" (483mm)	7" (178mm)	5.375" (137mm)	Pre-Black	100-8576PK
6.75" (171mm)	4.5" (114mm)	4" (102mm)	Pre-Black	22-8042PK	19" (483mm)	14" (356mm)	6.5" (165mm)	Pre-Black	100-8562PK
7.5" (191mm)	6.125" (156mm)	1.75" (44mm)	Pre-Black	E-3960PK	19" (483mm)	7" (178mm)	7.5" (191mm)	Pre-Black	100-8570PK
7.5" (191mm)	6.125" (156mm)	1.75" (44mm)	Pre-Blue	E-3960PL	19" (483mm)	7" (178mm)	7.5" (191mm)	Pre-Red	100-8570PR
7.5" (191mm)	6.125" (156mm)	1.75" (44mm)	Pre-Red	E-3960PR	19" (483mm)	7" (178mm)	7.5" (191mm)	Pre-Yellow	100-8570PY
7.5" (191mm)	6.125" (156mm)	1.75" (44mm)	Pre-Yellow	E-3960PY	24" (610mm)	18" (457mm)	10" (254mm)	Pre-Blue	100-8562PL
9.125" (232mm)	6.75" (171mm)	6.5" (165mm)	Pre-Black	100-8569PK	24" (610mm)	18" (457mm)	10" (254mm)	Pre-Red	100-8562PR
9.125" (232mm)	6.75" (171mm)	6.5" (165mm)	Pre-Red	100-8569PK	24" (610mm)	18" (457mm)	10" (254mm)	Pre-Yellow	100-8562PY

FILTER WRAPS – OVAL STRAIGHT

INSIDE LENGTH	INSIDE WIDTH	HEIGHT	DESC.	PART#	INSIDE LENGTH	INSIDE WIDTH	HEIGHT	DESC.	PART#
4" (102mm)	3" (76mm)	2" (51mm)	Dry-Black	E-4515DK	7.5" (191mm)	5.5" (140mm)	4.75" (121mm)	Dry-Black	KA-7408DK
4" (102mm)	3" (76mm)	2.75" (70mm)	Dry-Black	E-4516DK	7.75" (197mm)	4.75" (121mm)	2.5" (64mm)	Pre-Red	HA-6592PR
4.5" (114mm)	3.75" (95mm)	6" (152mm)	Pre-Black	RU-1230PK	7.75" (197mm)	5.875" (149mm)	5.063" (129mm)	Pre-Black	KA-7504PK
4.5" (114mm)	3.75" (95mm)	7" (178mm)	Pre-Black	RU-1240PK	9" (229mm)	5.5" (140mm)	2.5" (64mm)	Dry-Blue	22-2840PL
4.5" (114mm)	3.75" (95mm)	9" (229mm)	Pre-Black	RU-1260PK	9" (229mm)	5.5" (140mm)	2.5" (64mm)	Dry-Red	22-2840PR
6.5" (165mm)	4.625" (117mm)	7.875" (200mm)	Dry-Black	YA-7008DK	9" (229mm)	5.5" (140mm)	2" (51mm)	Pre-Black	E-3441PK
6.625" (168mm)	4.625" (117mm)	2.875" (73mm)	Pre-Yellow	SU-6590PY	9" (229mm)	5.5" (140mm)	2" (51mm)	Pre-Blue	E-3441PL
6.625" (168mm)	3.813" (97mm)	3.438" (87mm)	Pre-Black	PL-1002PK	9" (229mm)	5.5" (140mm)	2" (51mm)	Pre-Yellow	E-3441PY
7" (178mm)	4.5" (114mm)	2" (51mm)	Dry-Blue	22-2000PL	9" (229mm)	5.5" (140mm)	3.5" (89mm)	Pre-Black	E-3461PK
7" (178mm)	4.5" (114mm)	2" (51mm)	Dry-Red	22-2000PR	9" (229mm)	5.5" (140mm)	3.5" (89mm)	Pre-Red	E-3461PR
7" (178mm)	4.5" (114mm)	3" (76mm)	Dry-Blue	22-2020PL	9" (229mm)	5.5" (140mm)	3.5" (89mm)	Pre-Yellow	E-3461PY
7" (178mm)	4.5" (114mm)	3" (76mm)	Dry-Red	22-2020PR	9" (229mm)	5.5" (140mm)	6" (152mm)	Pre-Black	E-3491PK
7" (178mm)	4.5" (114mm)	2" (51mm)	Pre-Black	E-3321PK	9" (229mm)	5.5" (140mm)	6" (152mm)	Pre-Blue	E-3491PL
7" (178mm)	4.5" (114mm)	2" (51mm)	Pre-Blue	E-3321PL	9" (229mm)	5.5" (140mm)	6" (152mm)	Pre-Red	E-3491PR
7" (178mm)	4.5" (114mm)	2" (51mm)	Pre-Red	E-3321PR	9" (229mm)	5.5" (140mm)	6" (152mm)	Pre-Yellow	E-3491PY
7" (178mm)	4.5" (114mm)	2" (51mm)	Pre-Yellow	E-3321PY	9" (229mm)	5.5" (140mm)	6.5" (165mm)	Pre-Black	RD-5000PK
7" (178mm)	4.5" (114mm)	2.25" (57mm)	Pre-Black	RK-3902PK	9" (229mm)	5.5" (140mm)	6.5" (165mm)	Pre-Blue	RD-5000PL
7" (178mm)	4.5" (114mm)	3.5" (89mm)	Pre-Black	E-3341PK	9" (229mm)	5.5" (140mm)	6.5" (165mm)	Pre-Red	RD-5000PR
7" (178mm)	4.5" (114mm)	3.5" (89mm)	Pre-Blue	E-3341PL	9.5" (241mm)	8.375" (213mm)	2.125" (54mm)	Dry-Black	E-3495PK
7" (178mm)	4.5" (114mm)	3.5" (89mm)	Pre-Red	E-3341PR	12" (305mm)	5.5" (140mm)	3.5" (89mm)	Pre-Black	E-3671PK
7" (178mm)	4.5" (114mm)	3.5" (89mm)	Pre-Yellow	E-3341PY	12" (305mm)	5.5" (140mm)	3.5" (89mm)	Pre-Red	E-3671PR
7.375" (187mm)	4" (102mm)	2.063" (52mm)	Pre-Red	HA-1312PR	12" (305mm)	5.5" (140mm)	6" (152mm)	Pre-Black	22-8027PK
7.375" (187mm)	4" (102mm)	2.563" (65mm)	Pre-Red	HA-1315PR					

FILTER WRAPS – ROUND REVERSE TAPERED

BASE I.D.	TOP I.D.	HEIGHT	DESC.	PART#	BASE I.D.	TOP I.D.	HEIGHT	DESC.	PART#
3.375" (86mm)	3.5" (89mm)	4.125" (105mm)	Pre-Black	SU-2504PK	4.5" (114mm)	6" (152mm)	6.125" (156mm)	Dry-Black	RX-3810DK
3.813" (97mm)	3.875" (98mm)	8.125" (206mm)	Pre-Black	YA-6504PK	4.5" (114mm)	6" (152mm)	6.125" (156mm)	Dry-Red	RX-3810DR
4.5" (114mm)	6" (152mm)	6.125" (156mm)	Dry-Black	RX-3810DK	6.25" (159mm)	7" (178mm)	3.625" (92mm)	Dry-Black	HD-0700DK

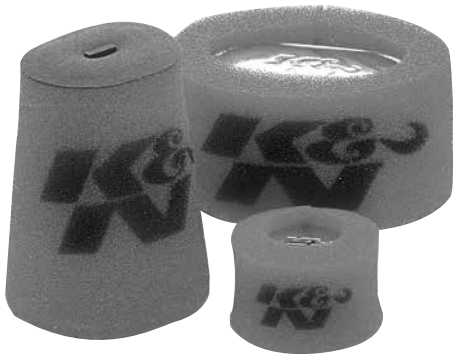
FILTER WRAPS – UNIQUE

DESCRIPTION	PART#	DESCRIPTION	PART#
Dry-Black	KT-4511DK	Dry-Black	KA-4408DK
Dry-Black	YA-4510DK	Pre-Black	KA-6503PK
Dry-Black	YA-4514DK	Dry-Black	KT-5201DK
Dry-Black	E-4967DK	Dry-Black	RC-5052DK
Dry-Black	SU-6596DK	Dry-Black	YA-4098-1DK
Dry-Black	HA-2591DK	Dry-Black	YA-4503DK
Dry-Black	HA-4503DK	Dry-Black	YA-6601DK

FILTER WRAPS – UNIVERSAL

LENGTH	WIDTH	DESC.	PART#	LENGTH	WIDTH	DESC.	PART#
7" (178mm)	7" (178mm)	Dry-Black	SU-4002-TDK	9.75" (248mm)	5.75" (146mm)	Dry-Black	YA-3502-TDK
7.125" (181mm)	7.125" (181mm)	Dry-Black	YA-4504-TDK	9.875" (251mm)	7.125" (181mm)	Dry-Black	HA-4504-TDK
8.25" (210mm)	6.75" (171mm)	Dry-Black	HA-4099-TDK	10.25" (260mm)	6.875" (175mm)	Dry-Black	YA-6601-TDK
8.25" (210mm)	6.75" (171mm)	Pre-Black	HA-4099-TPK	58" (1473mm)	36" (914mm)	Dry-Black	25-3901

PRE-CLEANER WRAPS



Developed for only the dustiest of conditions, the K&N® pre-cleaner is a specially designed foam filter wrap made to extend the service interval of your K&N® air filter. Made from large, open cell foam, the pre-cleaner will trap dust and dirt, yet add only a small amount of restriction to the airflow of your filter.

- Custom made to fit specific applications
- Also sold in universal cut-to-fit sizes
- Red pre-cleaners are designed to be used with foam filter oil (purchased locally), pre-cleaners must be cleaned with K&N® cleaner or soap and water

Round Straight

DESCRIPTION	I.D.	HEIGHT	PART#
Pre-Cleaner-Red	4.5" (114 mm)	1.5" (38 mm)	25-0330
Pre-Cleaner-Red	3" (76 mm)	2.5" (64 mm)	25-1480
Pre-Cleaner-Red	3.75" (95 mm)	6" (152 mm)	25-1770
Pre-Cleaner-Red	14" (356 mm)	4" (102 mm)	25-3750
Pre-Cleaner-Red	14" (356 mm)	5" (127 mm)	25-3760
Pre-Cleaner-Red	14" (356 mm)	6" (152 mm)	25-3770
Pre-Cleaner-Charcoal-Dry	14" (356 mm)	4" (102 mm)	25-5500
Pre-Cleaner-Charcoal-Dry	14" (356 mm)	5" (127 mm)	25-5600
Pre-Cleaner-Charcoal-Dry	14" (356 mm)	6" (152 mm)	25-5700
Pre-Cleaner-Charcoal-Dry	16" (406 mm)	3" (76 mm)	25-5200
Pre-Cleaner-Charcoal-Dry	16" (406 mm)	4" (102 mm)	25-5300
Pre-Cleaner-Charcoal-Dry	16" (406 mm)	5" (127 mm)	25-5400



25-3770

Round Tapered

DESCRIPTION	BASE I.D.	TOP I.D.	HEIGHT	PART#
Pre-Cleaner-Yellow	3.125" (79 mm)	3" (76 mm)	3.375" (86 mm)	25-2588
Pre-Cleaner-Red	6" (152 mm)	5" (127 mm)	14" (356 mm)	25-0880
Pre-Cleaner-Red	6" (152 mm)	5" (127 mm)	9" (229 mm)	25-0810
Pre-Cleaner-Red	7" (178 mm)	4.5" (114 mm)	4.875" (124 mm)	25-6601
Pre-Cleaner-Charcoal-Dry	8" (203 mm)	6.625" (168 mm)	12" (305 mm)	25-5166



25-5166

Oval Straight

DESCRIPTION	INSIDE LENGTH	INSIDE WIDTH	HEIGHT	PART#
Pre-Cleaner-Red	4.5" (114 mm)	3.25" (83 mm)	1.5" (38 mm)	25-4250
Pre-Cleaner-Red	5.5" (140 mm)	4.25" (108 mm)	2" (51 mm)	25-1691
Pre-Cleaner-Red	7" (178 mm)	4.5" (114 mm)	3.25" (83 mm)	25-3340
Pre-Cleaner-Red	7" (178 mm)	4.5" (114 mm)	6" (152 mm)	25-3346
Pre-Cleaner-Red	9" (229 mm)	5.5" (140 mm)	3.25" (83 mm)	25-3460
Pre-Cleaner-Red	9" (229 mm)	5.5" (140 mm)	6" (152 mm)	25-3490
Pre-Cleaner-Red	20" (508 mm)	9" (229 mm)	3" (76 mm)	25-1963
Pre-Cleaner-Red	20" (508 mm)	9" (229 mm)	4.5" (114 mm)	25-1964
Pre-Cleaner-Red	20" (508 mm)	9" (229 mm)	6" (152 mm)	25-1966



25-1966

Universal

DESCRIPTION	WIDTH	LENGTH	PART#
Pre-Cleaner-Red	7" (178 mm)	48" (1219 mm)	25-3900
Pre-Cleaner-Red	18" (457 mm)	48" (1219 mm)	25-3918
Pre-Cleaner-Red	24" (610 mm)	48" (1219 mm)	25-3924
Pre-Cleaner-Red	30" (762 mm)	48" (1219 mm)	25-3930





SPECIAL FILTERS TO CLAMP DIRECTLY ON GM TPI THROTTLE BODIES USING 1990-92 STOCK GM OR DIGITAL FUEL INJECTION COMPUTER. WILL NOT WORK ON ENGINES THAT USE A MASS-AIR SENSOR.

2 15/16" x 4 3/4" oval mounting flange	4 3/4" x 6 1/2" oval base	3 1/4" x 4 1/2" stainless steel oval top	5 5/8" filter height, 7/8" flange length	RC-5000
2 15/16" x 4 3/4" oval mounting flange	4 3/4" x 6 1/2" oval base	3 1/4" x 4 1/2" rubber oval top	3 1/2" filter height, 7/8" flange length	RU-5004
2 15/16" x 4 3/4" oval mounting flange	4 3/4" x 6 1/2" oval base	3 1/4" x 4 1/2" stainless steel oval top	3 1/2" filter height, 7/8" flange length	RC-5004
2 15/16" x 4 3/4" oval mounting flange	4 1/2" x 7" oval base	4 1/2" x 7" chrome oval top	2" filter height, 3/4" flange length	RC-5010
2 15/16" x 4 3/4" oval mounting flange	5 1/4" x 8 5/8" oval base	4" x 6 1/4" stainless steel oval top	5 1/2" filter height, 7/8" flange length	RC-5050
3 15/16" x 6 1/4" oval mounting flange	5 1/2" x 7 3/4" oval base	4" x 6 1/4" stainless steel oval top	5" filter height, 7/8" flange length	RF-1001



RM-3001

RM-3501

SPECIAL FILTERS WITH METAL BASE AND FLANGES, TO ALLOW MOUNTING THE FILTER WITH A HOSE, IDEAL FOR HIGH TEMPERATURE APPLICATIONS SUCH AS TURBOCHARGERS.

3" Outside diameter round mounting flange, 7" filter diameter, 7" chrome top w/1" hole, 6" filter height, 1 5/8" flange length **RM-3001**
 3 1/2" Outside diameter round mounting flange, 4 1/2" x 7" oval base, 4 1/2" x 7" stainless steel top, 3 1/2" filter height, 5/8" flange length **RM-3501**



SPECIAL FILTERS WITH THREADS IN THE TOP-PLATE TO AID IN MOUNTING, OR TO AFFIX COVERS/SHIELDS.

1 1/4" round mounting flange, 3 1/2" filter diameter, rubber top, 1/4-20 threads, 3 1/2" filter height, 5/8" flange length **RE-0220**
 1 3/4" round mounting flange, 3 1/2" filter diameter, rubber top, 1/4-20 threads, 3 1/2" filter height, 5/8" flange length **RE-0260**
 2" round mounting flange, 3" base diameter, 3 1/2" rubber top, 1/4-20 threads, 3 1/2" filter height, 5/8" flange length **RE-0280**
 2 1/2" round mounting flange, 5" base diameter, 5 1/2" metal top, 1/4-20 threads, 2 3/4" filter height, 5/8" flange length **RE-0380**



SPECIAL FILTERS WITH DUAL OVAL MOUNTING FLANGES, SOLD IN TWO-PACKS ONLY.

2 3/16" x 2 7/8" flanges, 5" x 6" rectangle base, 3 1/4" x 4 1/4" rubber oval top, 4" filter height, 11/16" flange length, 3 1/8 c-c spacing **RU-2952**



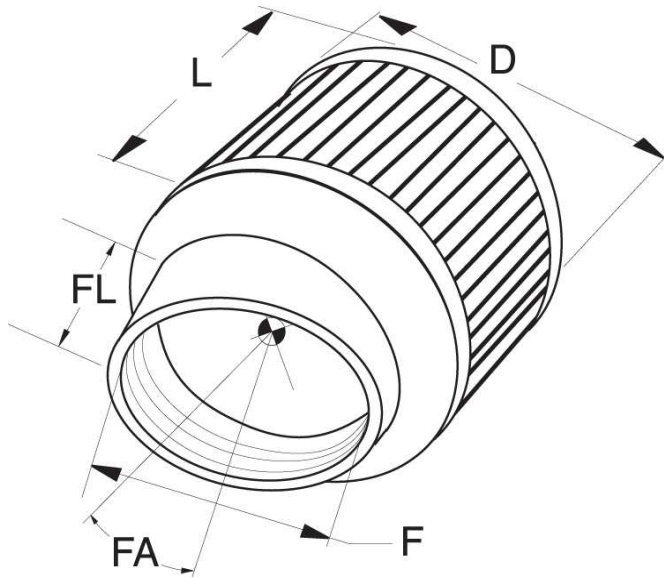
RU-3460

OTHER

1 1/2" x 2 1/4" Oval mounting offset flange, 3 3/4" x 3 7/16" rect. base, 3 3/8" x 2 3/4" rectangle top, 2 1/4" filter height, 3/4" flange length **RU-3450**
 1 15/16" Outside dia. round mounting offset flange, 3 7/8" x 3 7/16" rect. base, 3 3/8" x 2 3/4" rectangle top, 2 1/4" filter height, 1/2" flange length **RU-3460**
 1 1/4" Inside diameter round centered flange, 3 7/8" x 3 7/16" rectangle base, tapered, 2 1/4" filter height, 1/2" flange length **RU-3410**
 3 3/16" Outside diameter flange, 4 1/2" x 6 1/4" base, chrome top, 11 3/8" filter height, 3/4" flange length **RF-1011**

Legal in California only for racing vehicles which may never be used, registered or licensed for use upon a highway. These filters are not applicable, nor intended for use on aircraft.

Round Straight



When selecting one of K&N's universal round straight air filters, you should consider the following dimensions as they relate to the specification chart:

(F) Mounting Flange Inside Diameter - This is the most critical dimension and should be very close to the diameter of the application's inlet flange. The flange will stretch up to 1/16" for those in-between sizes.

(D) Filter Diameter - This is the overall diameter of the filter. Always use the largest diameter practical for maximum filtration.

(L) Filter Length - This dimension is the length of the filter body only, it does not include the flange length. Always use the longest filter practical for maximum filtration.

(FA/FL) Flange Angle and/or Length - If no angle is listed in the specifications table, then the flange is straight. Any angle listed is in degrees and can be utilized when space is a problem.

(FO) Flange Offset - In some cases the center of the flange is offset from the center of the filter base in order to provide a better fit.

(F) Mounting Flange Inside Diameter		(D) Filter Diameter		(L) Filter Length		(FL) Flange Length		(FA) Flange Style		(FO) Flange Offset		Rubber End Cap Part #	Chrome End Cap Part #	Custom End Cap Part #	Filter Wraps Part #
Inch	mm	Inch	mm	Inch	mm	Inch	mm	Type	Angle	Inch	mm				
														RE-5287	
5/16	8	1-3/8	35	1-1/8	29	7/16	11	Centered						62-2470	
3/8	10	2	51	1-1/2	38	3/8	10	Centered						62-1570 ²⁸	
		2	51	1-1/2	38	7/16	11	Centered					62-1320		
		2	51	1-3/4	44	1/2	13	Centered					62-1600WT-		
		2	51	1-3/4	44	5	127	Centered					62-1600RD-		
1/2	13	2	51	1-1/2	38	7/16	11	Centered					62-1330		
11/20	14	1-3/8	35	1-1/8	29	219/500	11	Centered					62-2480		
9/16	14	2	51	2-1/8	54	1	25	Centered					62-1230		
5/8	16	1-3/8	35	1-1/8	29	3/8	10	Centered				RU-3230			
		2	51	1-1/2	38	7/16	11	Centered					62-1340		
3/4	19	1-3/8	35	1-1/8	29	7/16	11	Centered				62-1560			
		2	51	1-1/2	38	7/16	11	Centered						62-1360	
		2	51	2-1/2	64	5/8	16	Centered				RU-3630			
1	25	2	51	1-1/2	38	5/8	16	Centered					62-1370		
		3	76	2-1/4	57	5/8	16	Centered					62-1420		RU-0150PK
		3	76	2-3/8	60	7/16	11	Centered				62-1410			RU-0150PK
1-1/16	27	3	76	3	76	5/8	16	Centered				R-1040			22-8008PK
1-1/4	32	3	76	2-1/2	64	5/8	16	Centered				62-1380			RU-0150PK
		3	76	2-1/2	64	5/8	16	Centered						62-1580	
		3	76	2-1/2	64	7/8	22	Centered						62-1390	RU-0150PK
		3	76	3	76	5/8	16	Centered				RU-0060			22-8008PK
		3	76	4	102	5/8	16	Centered				RU-0070			22-8009PK
		3	76	4	102	3/4	19	Angled	20°			RU-0100			22-8009PK
		3	76	5	127	5/8	16	Centered				RU-0080			RU-0210PK
		3	76	5	127	3/4	19	Angled	20°			RU-0110			RU-0210PK

1) 1/4-20 Jack Nut Into Top 2) Base Has (2) 7/8" Vents 3) Base Has 1/2" Vent 4) Base Has 1/32" Vent 5) Base Has 1/4" Vent 6) Base Has 11/16" Vent 7) Base Has 1-1/8" Vent 8) Base Has 13/16" Vent 9) Base Has 13/32" Vent 10) Base Has 13/64" Vent 11) Base Has 2-3/16" Square Inlet 12) Base Has 15/64" Vent 13) Base Has 19/32" Vent 14) Base Has 21/32" Vent 15) Base Has 25/64" Vent 16) Base Has 29/32" Vent 17) Base Has 3/16" Vent 18) Base Has 3/4" Vent 19) Base Has 3/8" Vent 20) Base Has 31/64" Vent 21) Base Has 35/64" Vent 22) Base Has 45/64" Vent 23) Base Has 5/16" Vent 24) Base Has 5/8" Vent 25) Base Has 55/64" Vent 26) Base Has 7/16" Vent 27) Base Has 7/8" Vent 28) Base Has 9/16" Vent 29) Base Has Opt. 1/2" Vent 30) Base Has 23/32" Vent 31) Base Has 25/32" Vent 32) Filter Has Molded-in Velocity Stack 33) Filter Is Reverse Tapered 34) Fits Legend/Dwarf Race Cars w/FJ1200 Motors 35) Base Has 15/32" Vent 36) Top Plate Has 1/4-20 Stud 37) Top-Plate Has 6MM Stud 39) Offset Is Vertical 41) Offset Is Vertical And To The Right 42) Top Has 1/2" Vent 43) Top Has 1-1/16" Center Hole 44) Top Has 21/32" Center Hole 45) Top Has 23/32" Center Hole 46) Top Has 5/32" Center Hole 47) Top Has 7/16" Center Hole 48) Base Has 11/32" Vent 49) Top Has 1/4" Center Hole 50) Top Has 1-7/16" Center Hole 51) 2-1/2" Adapter Included 52) Top Has 5/8" Vent 53) Tapered Insert Included 5" to 4-3/8" 54) Filter Has Thru Hole 2-3/4" x 1-5/8"

Round Straight



(F) Mounting Flange Inside Diameter		(D) Filter Diameter		(L) Filter Length		(FL) Flange Length		(FA) Flange Style		(FO) Flange Offset		Rubber End Cap Part #	Chrome End Cap Part #	Custom End Cap Part #	Filter Wraps Part #		
Inch	mm	Inch	mm	Inch	mm	Inch	mm	Type	Angle	Inch	mm						
1-3/8	35	3	76	2-1/2	64	7/16	11	Centered					62-1440		RU-0150PK		
		3	76	2-1/2	64	5/8	16	Centered				62-1430			RU-0150PK		
1-1/2	38	3	76	2-1/2	64	7/16	11	Centered					62-1460		RU-0150PK		
		3	76	2-1/2	64	5/8	16	Centered				62-1450			RU-0150PK		
		3	76	3	76	5/8	16	Centered				RU-0155					
		3	76	4	102	5/8	16	Centered				RU-0160				22-8009PK	
1-9/16	40	3	76	2	51	5/8	16	Centered					RC-0840		RU-0150PK		
		3	76	2-1/4	57	5/8	16	Centered					RC-0880		RU-0150PK		
		3	76	2-1/2	64	5/8	16	Centered				RU-2310	RC-0160		RU-0150PK		
		3	76	3	76	5/8	16	Centered					RC-0870		22-8008PK		
		3-1/2	89	1-1/2	38	5/8	16	Centered					RC-0170		RC-0170DK		
1-11/16	43	3	76	2-1/2	64	5/8	16	Centered				RU-1130	RC-1130		RU-0150PK		
		3	76	3	76	5/8	16	Centered					RC-1120		22-8008PK		
		3	76	4	102	5/8	16	Centered				RU-0200			22-8009PK		
		3	76	5	127	5/8	16	Centered				RU-0210			RU-0210PK		
		3	76	6	152	1-1/2	38	Angled	40°			R-1030				22-8010PK	
		3-1/2	89	2	51	5/8	16	Centered						RC-0190			
		3-1/2	89	10	254	5/8	16	Centered					RU-3850			25-3918	
		4	102	2	51	5/8	16	Centered					RU-0260				
1-3/4	44	5-1/4	133	2	51	5/8	16	Offset		3/4	19	RU-0310					
		3	76	2	51	5/8	16	Centered					RU-2570			RU-0150PK	
		3	76	2-1/2	64	5/8	16	Centered					62-1470		62-1480	RU-0150PK	
		3	76	3	76	5/8	16	Centered					RU-2685				
		3	76	6	152	5/8	16	Centered					RU-2575				
		3-1/2	89	1-1/2	38	5/8	16	Centered						RC-2870		RC-0170DK	
		3-1/2	89	4	102	5/8	16	Centered					KA-2712				
		3-1/2	89	4-1/2	114	1	25	Angled	10°				RU-1030				RU-0510PK
		3-1/2	89	5	127	5/8	16	Centered					RU-0360				25-1770
		3-1/2	89	5	127	3/4	19	Angled	10°				RU-1040				25-1770
		3-1/2	89	6	152	5/8	16	Centered					R-1050				25-1770
		3-1/2	89	6	152	3/4	19	Angled	10°				RU-1050				RU-0520PK
		4-1/2	114	1-1/2	38	5/8	16	Offset			9/16	14			RC-0330		25-0330
4-1/2	114	1-1/2	38	5/8	16	Centered						RU-0340	RC-0340		25-0330		
4-1/2	114	2	51	5/8	16	Centered						RU-0370	RC-0370				
1-13/16	46	3	76	2-1/4	57	5/8	16	Centered					RC-0910		RU-0150PK		
		3	76	2-1/4	57	1	25	Centered					RC-2620		RU-0150PK		
		3	76	3	76	5/8	16	Centered					RC-0890		22-8008PK		
		5-1/2	140	3	76	5/8	16	Offset			15/16	24	RU-0350			22-8015PK	
1-7/8	48	3	76	1-1/2	38	5/8	16	Centered					RU-2560				
		3	76	2	51	5/8	16	Centered					RU-3350			RU-0150PK	
		3	76	4	102	5/8	16	Centered					RU-0400			22-8009PK	
		3	76	4	102	1	25	Angled	10°				RU-1280	RC-1280		22-8009PK	
		3	76	5	127	5/8	16	Centered					RU-0410	RC-0410		RU-0210PK	
		3	76	6	152	5/8	16	Centered					RU-0420			22-8010PK	

1) 1/4-20 Jack Nut Into Top 2) Base Has (2) 7/8" Vents 3) Base Has 1/2" Vent 4) Base Has 1/32" Vent 5) Base Has 1/4" Vent 6) Base Has 11/16" Vent 7) Base Has 1-1/8" Vent 8) Base Has 13/16" Vent 9) Base Has 13/32" Vent 10) Base Has 13/64" Vent 11) Base Has 2-3/16" Square Inlet 12) Base Has 15/64" Vent 13) Base Has 19/32" Vent 14) Base Has 21/32" Vent 15) Base Has 25/64" Vent 16) Base Has 29/32" Vent 17) Base Has 3/16" Vent 18) Base Has 3/4" Vent 19) Base Has 3/8" Vent 20) Base Has 31/64" Vent 21) Base Has 35/64" Vent 22) Base Has 45/64" Vent 23) Base Has 5/16" Vent 24) Base Has 5/8" Vent 25) Base Has 55/64" Vent 26) Base Has 7/16" Vent 27) Base Has 7/8" Vent 28) Base Has 9/16" Vent 29) Base Has Opt. 1/2" Vent 30) Base Has 23/32" Vent 31) Base Has 25/32" Vent 32) Filter Has Molded-in Velocity Stack 33) Filter Is Reverse Tapered 34) Fits Legend/Dwarf Race Cars w/F1200 Motors 35) Base Has 15/32" Vent 36) Top Plate Has 1/4-20 Stud 37) Top-Plate Has 6MM Stud 39) Offset Is Vertical 41) Offset Is Vertical And To The Right 42) Top Has 1/2" Vent 43) Top Has 1-1/16" Center Hole 44) Top Has 21/32" Center Hole 45) Top Has 23/32" Center Hole 46) Top Has 5/32" Center Hole 47) Top Has 7/16" Center Hole 48) Base Has 11/32" Vent 49) Top Has 1/4" Center Hole 50) Top Has 1-7/16" Center Hole 51) 2-1/2" Adapter Included 52) Top Has 5/8" Vent 53) Tapered Insert Included 5" to 4-3/8" 54) Filter Has Thru Hole 2-3/4" x 1-5/8"



Round Straight

(F) Mounting Flange Inside Diameter		(D) Filter Diameter		(L) Filter Length		(FL) Flange Length		(FA) Flange Style		(FO) Flange Offset		Rubber End Cap Part #	Chrome End Cap Part #	Custom End Cap Part #	Filter Wraps Part #	
Inch	mm	Inch	mm	Inch	mm	Inch	mm	Type	Angle	Inch	mm					
1-7/8	48	3-1/2	89	4	102	5/8	16	Centered				RD-0450			RU-0500PK	
		3-1/2	89	5	127	5/8	16	Centered				RD-0460			25-1770	
		3-1/2	89	6	152	5/8	16	Centered				RD-0470			25-1770	
1-15/16	49	3	76	2	51	5/8	16	Centered				RU-2700			RU-0150PK	
		3	76	2-1/2	64	5/8	16	Centered				RU-2760			RU-0150PK	
		3	76	3	76	5/8	16	Centered				RP-5164			22-8008PK	
		3	76	4	102	5/8	16	Centered				RP-5119			22-8009PK	
		3-1/2	89	4	102	2	51	Angled	20°			RU-1400			RU-0500PK	
		3-1/2	89	5	127	2	51	Angled	20°			RU-1410			25-1770	
		3-1/2	89	6	152	2	51	Angled	20°			RU-1420			25-1770	
2	51	5-1/8	130	2	51	11/16	17	Offset		1	25		RC-2400			
		5-3/8	137	2	51	5/8	16	Centered					RC-2440			
		7	178	9	229	5/8	16	Centered					41-1000 ²		22-8022PK	
2-1/16	52	3	76	2-1/2	64	5/8	16	Centered				RU-1880	RC-1880		RU-0150PK	
		3	76	3	76	5/8	16	Centered					RC-1890		22-8008PK	
		3-1/2	89	3	76	5/8	16	Centered					RC-1150			
		3-1/2	89	4	102	5/8	16	Centered					RU-0500	RC-0500		RU-0500PK
		3-1/2	89	4	102	7/8	22	Centered					RA-0500			RU-0500PK
		3-1/2	89	5	127	5/8	16	Centered					RU-0510			25-1770
		3-1/2	89	5	127	3/4	19	Angled	10°				RU-1060			25-1770
		3-1/2	89	5	127	7/8	22	Centered					RA-0510			25-1770
		3-1/2	89	5	127	2-1/2	64	Angled	17°				RU-1780			25-1770
		3-1/2	89	6	152	5/8	16	Centered					RU-0520			25-1770
		3-1/2	89	6	152	3/4	19	Angled	10°				RU-1070			25-1770
		3-1/2	89	6	152	7/8	22	Centered					RA-0520			25-1770
		4-1/2	114	4	102	7/8	22	Centered					RA-0530			22-8012PK
		4-1/2	114	5	127	7/8	22	Centered					RA-0540			22-8013PK
		5-1/2	140	2	51	5/8	16	Offset			5/16	8	RU-0570			
		5-1/2	140	2	51	7/8	22	Centered					RA-0550 ⁵	RA-055V ⁵		
5-1/2	140	3	76	7/8	22	Centered					RA-0560 ⁵	RA-056V ⁵		22-8015PK		
5-1/2	140	4	102	7/8	22	Centered					RA-0570 ⁵	RA-057V ⁵				
5-1/2	140	5	127	7/8	22	Centered					RA-0580 ⁵	RA-058V ⁵		22-8016PK		
5-7/8	149	2	51	7/8	22	Offset			1-1/8	29	RA-0450 ⁵	RA-045V ⁵		22-8017PK		
5-7/8	149	3	76	7/8	22	Offset			1-1/8	29	RA-0460 ⁵	RA-046V ⁵		22-8018PK		
5-7/8	149	4	102	7/8	22	Offset			1-1/8	29	RA-0470 ⁵	RA-047V ⁵				
2-1/8	54	3	76	3	76	5/8	16	Centered					RC-1910		22-8008PK	
		3-1/2	89	4	102	7/8	22	Centered				RD-0500			RU-0500PK	
		3-1/2	89	4	102	1	25	Angled	5°			RB-0500			RU-0500PK	
		3-1/2	89	5	127	7/8	22	Centered				RD-0510			25-1770	
		3-1/2	89	5	127	1	25	Angled	5°			RB-0510	RC-0510		RA-0510DB	
		3-1/2	89	6	152	7/8	22	Centered				RD-0520			25-1770	
3-1/2	89	6	152	1	25	Angled	5°			RB-0520			25-1770			
2-5/32	55	3-9/16	90	5-9/16	141	7/16	11	Centered						DU-8015		
2-1/4	57	3-1/2	89	1-1/4	32	5/8	16	Centered					RC-2880		RC-0170DK	
		3-1/2	89	2	51	5/8	16	Centered					RC-1900			

1) 1/4-20 Jack Nut Into Top 2) Base Has (2) 7/8" Vents 3) Base Has 1/2" Vent 4) Base Has 1/32" Vent 5) Base Has 1/4" Vent 6) Base Has 11/16" Vent 7) Base Has 1-1/8" Vent 8) Base Has 13/16" Vent 9) Base Has 13/32" Vent 10) Base Has 13/64" Vent 11) Base Has 2-3/16" Square Inlet 12) Base Has 15/64" Vent 13) Base Has 19/32" Vent 14) Base Has 21/32" Vent 15) Base Has 25/64" Vent 16) Base Has 29/32" Vent 17) Base Has 3/16" Vent 18) Base Has 3/4" Vent 19) Base Has 3/8" Vent 20) Base Has 31/64" Vent 21) Base Has 35/64" Vent 22) Base Has 45/64" Vent 23) Base Has 5/16" Vent 24) Base Has 5/8" Vent 25) Base Has 55/64" Vent 26) Base Has 7/16" Vent 27) Base Has 7/8" Vent 28) Base Has 9/16" Vent 29) Base Has Opt. 1/2" Vent 30) Base Has 23/32" Vent 31) Base Has 25/32" Vent 32) Filter Has Molded-in Velocity Stack 33) Filter Is Reverse Tapered 34) Fits Legend/Dwarf Race Cars w/FJ1200 Motors 35) Base Has 15/32" Vent 36) Top Plate Has 1/4-20 Stud 37) Top-Plate Has 6MM Stud 39) Offset Is Vertical 41) Offset Is Vertical And To The Right 42) Top Has 1/2" Vent 43) Top Has 1-1/16" Center Hole 44) Top Has 21/32" Center Hole 45) Top Has 23/32" Center Hole 46) Top Has 5/32" Center Hole 47) Top Has 7/16" Center Hole 48) Base Has 11/32" Vent 49) Top Has 1/4" Center Hole 50) Top Has 1-7/16" Center Hole 51) 2-1/2" Adapter Included 52) Top Has 5/8" Vent 53) Tapered Insert Included 5" to 4-3/8" 54) Filter has Thru Hole 2-3/4" x 1-5/8"

Round Straight



(F) Mounting Flange Inside Diameter		(D) Filter Diameter		(L) Filter Length		(FL) Flange Length		(FA) Flange Style		(FO) Flange Offset		Rubber End Cap Part #	Chrome End Cap Part #	Custom End Cap Part #	Filter Wraps Part #
Inch	mm	Inch	mm	Inch	mm	Inch	mm	Type	Angle	Inch	mm				
2-1/4	57	3-1/2	89	4	102	5/8	16	Centered				RU-0600			RU-0500PK
		3-1/2	89	4	102	1	25	Angled	5°			RB-0600			RU-0500PK
		3-1/2	89	4	102	1	25	Angled	20°			RU-1700			RU-0500PK
		3-1/2	89	5	127	5/8	16	Centered				RU-0610			25-1770
		3-1/2	89	5	127	3/4	19	Angled	10°			RU-1080			25-1770
		3-1/2	89	5	127	1	25	Angled	5°			RB-0610			25-1770
		3-1/2	89	5	127	1	25	Angled	20°			RU-1710			25-1770
		3-1/2	89	6	152	5/8	16	Centered				RU-0620			25-1770
		3-1/2	89	6	152	3/4	19	Angled	10°			RU-1090			25-1770
		3-1/2	89	6	152	1	25	Angled	5°			RB-0620			25-1770
		3-1/2	89	6	152	1	25	Angled	20°			RU-1720			25-1770
		3-1/2	89	10	254	5/8	16	Centered				RU-3840			25-3918
		4-1/2	114	2	51	5/8	16	Offset		5/16	8		RC-1950		
		4-1/2	114	4	102	5/8	16	Centered				RU-0630			22-8012PK
		4-1/2	114	5	127	5/8	16	Centered				RU-0640			22-8013PK
		5-1/2	140	2-1/2	64	5/8	16	Offset		13/16	21	RU-0650	RC-0650		
		5-1/2	140	3	76	5/8	16	Offset		13/16	21	RU-0660			22-8015PK
		5-1/2	140	3-1/2	89	5/8	16	Centered				RU-0690			
		5-1/2	140	5	127	5/8	16	Offset		13/16	21	RU-0680			22-8016PK
		7	178	9	229	5/8	16	Centered					41-1100 ²		22-8022PK
2-3/8	60	4-7/16	113	6-1/16	154	3/4	19	Centered				CM-8012			
2-7/16	62	3-1/2	89	4	102	5/8	16	Centered				RU-0800			RU-0500PK
		3-1/2	89	5	127	5/8	16	Centered				RU-0810			25-1770
		3-1/2	89	6	152	5/8	16	Centered				RU-0820 ⁴			25-1770
		3-1/2	89	6	152	1-1/8	29	Centered				RU-3030			25-1770
		3-3/4	95	2	51	2	51	Angled	20°			RU-1730			
		3-3/4	95	4	102	2	51	Angled	20°			RU-1750			22-8011PK
		3-3/4	95	5	127	2	51	Angled	20°			RU-1760			RU-1460PK
		3-3/4	95	6	152	2	51	Angled	20°			RU-1770			RU-1470PK
		4	102	4-3/4	121	3/4	19	Centered						RX-4040-1 ^{1,15}	
		4-1/2	114	4	102	5/8	16	Centered				RU-0830			22-8012PK
		4-1/2	114	5	127	5/8	16	Centered				RU-0840			22-8013PK
		5	127	3	76	5/8	16	Centered					RC-0860		22-8015PK
		5-1/8	130	2	51	5/8	16	Centered					RC-0850		
		5-1/2	140	3	76	5/8	16	Offset		1/2	13	RU-0870			22-8015PK
		5-1/2	140	4	102	5/8	16	Offset		1/2	13	RU-0880			
		5-1/2	140	6	152	5/8	16	Offset		1/2	13	RU-1000			22-8045DK
2-1/2	64	3-1/2	89	4	102	5/8	16	Centered				RD-0700			RU-0500PK
		3-1/2	89	4	102	1	25	Angled	5°			RB-0700			RU-0500PK
		3-1/2	89	5	127	5/8	16	Centered				RD-0710			25-1770
		3-1/2	89	5	127	1	25	Angled	5°			RB-0710			25-1770
		3-1/2	89	6	152	5/8	16	Centered				RD-0720			25-1770
		3-1/2	89	6	152	1	25	Angled	5°			RB-0720			25-1770
		5-9/16	141	6	152	3/4	19	Centered				PL-3214			PL-3214DK
		7	178	9	229	5/8	16	Centered					41-1200 ²		22-8022PK

1) 1/4-20 Jack Nut Into Top 2) Base Has (2) 7/8" Vents 3) Base Has 1/2" Vent 4) Base Has 1/32" Vent 5) Base Has 1/4" Vent 6) Base Has 11/16" Vent 7) Base Has 1-1/8" Vent 8) Base Has 13/16" Vent 9) Base Has 13/32" Vent 10) Base Has 13/64" Vent 11) Base Has 2-3/16" Square Inlet 12) Base Has 15/64" Vent 13) Base Has 19/32" Vent 14) Base Has 21/32" Vent 15) Base Has 25/64" Vent 16) Base Has 29/32" Vent 17) Base Has 3/16" Vent 18) Base Has 3/4" Vent 19) Base Has 3/8" Vent 20) Base Has 31/64" Vent 21) Base Has 35/64" Vent 22) Base Has 45/64" Vent 23) Base Has 5/16" Vent 24) Base Has 5/8" Vent 25) Base Has 55/64" Vent 26) Base Has 7/16" Vent 27) Base Has 7/8" Vent 28) Base Has 9/16" Vent 29) Base Has Opt. 1/2" Vent 30) Base Has 23/32" Vent 31) Base Has 25/32" Vent 32) Filter Has Molded-in Velocity Stack 33) Filter Is Reverse Tapered 34) Fits Legend/Dwarf Race Cars w/F1200 Motors 35) Base Has 15/32" Vent 36) Top Plate Has 1/4-20 Stud 37) Top-Plate Has 6MM Stud 39) Offset Is Vertical 41) Offset Is Vertical And To The Right 42) Top Has 1/2" Vent 43) Top Has 1-1/16" Center Hole 44) Top Has 21/32" Center Hole 45) Top Has 23/32" Center Hole 46) Top Has 5/32" Center Hole 47) Top Has 7/16" Center Hole 48) Base Has 11/32" Vent 49) Top Has 1/4" Center Hole 50) Top Has 1-7/16" Center Hole 51) 2-1/2" Adapter Included 52) Top Has 5/8" Vent 53) Tapered Insert Included 5° to 4-3/8" 54) Filter has Thru Hole 2-3/4" x 1-5/8"



Round Straight

(F) Mounting Flange Inside Diameter		(D) Filter Diameter		(L) Filter Length		(FL) Flange Length		(FA) Flange Style		(FO) Flange Offset		Rubber End Cap Part #	Chrome End Cap Part #	Custom End Cap Part #	Filter Wraps Part #	
Inch	mm	Inch	mm	Inch	mm	Inch	mm	Type	Angle	Inch	mm					
2-9/16	65	4-1/2	114	4	102	3/4	19	Centered				RA-0600			22-8012PK	
		4-1/2	114	5	127	3/4	19	Centered				RA-0610			22-8013PK	
		5-1/2	140	2	51	3/4	19	Centered				RA-0620 ⁵	RA-062V ⁵			
		5-1/2	140	3	76	3/4	19	Centered				RA-0630 ⁵	RA-063V ⁵		22-8015PK	
		5-1/2	140	4	102	3/4	19	Centered				RA-0640 ⁵				
		5-1/2	140	5	127	3/4	19	Centered				RA-0650 ⁵			22-8016PK	
		5-7/8	149	3	76	7/8	22	Offset		13/16	21			RA-067V ⁵		
		5-7/8	149	4	102	7/8	22	Offset		13/16	21	RA-0680 ⁵				
		6	152	2	51	7/8	22	Offset		13/16	21	RA-0660 ⁵	RA-066V ⁵			22-8017PK
		6	152	3	76	7/8	22	Offset		13/16	21	RA-0670 ⁵				
2-5/8	67	4	102	4	102	1	25	Angled	5°			RB-0800			22-8011PK	
		4	102	5	127	1	25	Angled	5°			RB-0810			25-1770	
		4-1/2	114	2	51	5/8	16	Centered				RU-2630				
		4-1/2	114	3	76	5/8	16	Centered				RU-2640				
		4-1/2	114	4	102	5/8	16	Centered				RU-2650			22-8012PK	
2-11/16	68	4-1/16	103	7	178	3/4	19	Centered				RX-5032				
		4-1/2	114	4	102	5/8	16	Centered				RU-0900			22-8012PK	
		4-1/2	114	5	127	5/8	16	Centered				RU-0910			22-8013PK	
2-3/4	70	4	102	5	127	1	25	Angled	10°			RU-1460			RU-1460PK	
		4	102	6	152	1	25	Angled	10°			RU-1470			25-1770	
		4	102	6	152	2	51	Angled	20°			RU-3190			25-1770	
		4	102	7	178	1	25	Angled	10°			RU-1480			RU-1480PK	
		5-1/8	130	2	51	5/8	16	Centered					RC-0920			
		5-1/8	130	3	76	5/8	16	Centered					RC-0930			22-8015PK
		5-1/2	140	3	76	5/8	16	Offset		7/16	11	RU-0940			22-8015PK	
		5-1/2	140	4	102	5/8	16	Offset		7/16	11	RU-0950				
		5-1/2	140	5	127	5/8	16	Offset		7/16	11	RU-0960			22-8016PK	
		7	178	3	76	5/8	16	Offset		11/16	17	RU-0980			RU-0980PK	
2-7/8	73	4	102	5-3/8	137	5/8	16	Centered				RU-2410			25-3900	
		4	102	6	152	5/8	16	Centered				RU-1620			25-1770	
		4-1/2	114	5	127	5/8	16	Centered				RU-3710	RC-3710		HA-3094PR	
		4-1/2	114	6-1/8	156	5/8	16	Centered				E-1989			RX-3820PK	
		4-7/8	124	7-1/4	184	11/16	17	Centered				E-1988				
2-29/32	74	4-15/16	125	5-29/32	150	11/16	17	Centered				RC-9070				
3	76	4-5/16	110	4	102	1	25	Angled	5°			RB-0900			22-8012PK	
		4-5/16	110	5	127	1	25	Angled	5°			RB-0910			22-8013PK	
		5	127	3	76	5/8	16	Centered				RU-2420			22-8015PK	
		5	127	5	127	5/8	16	Centered				RU-2430		RC-5182XD	RU-2430PK	
		5	127	6-1/2	165	5/8	16	Centered				RU-2820			22-8044PK	
		5	127	7	178	5/8	16	Centered						RX-2820 ¹⁵	22-8044PK	
		5	127	9	229	5/8	16	Centered					RC-2530 ^{2,33}		25-3918	
		7	178	2	51	5/8	16	Offset		7/8	22	RA-0970 ⁴	RA-097V ⁴			
7	178	3	76	5/8	16	Offset		7/8	22	RA-0980 ⁴	RA-098V ⁴		RU-0980PK			

1) 1/4-20 Jack Nut Into Top 2) Base Has (2) 7/8" Vents 3) Base Has 1/2" Vent 4) Base Has 1/32" Vent 5) Base Has 1/4" Vent 6) Base Has 11/16" Vent 7) Base Has 1-1/8" Vent 8) Base Has 13/16" Vent 9) Base Has 13/32" Vent 10) Base Has 13/64" Vent 11) Base Has 2-3/16" Square Inlet 12) Base Has 15/64" Vent 13) Base Has 19/32" Vent 14) Base Has 21/32" Vent 15) Base Has 25/64" Vent 16) Base Has 29/32" Vent 17) Base Has 3/16" Vent 18) Base Has 3/4" Vent 19) Base Has 3/8" Vent 20) Base Has 31/64" Vent 21) Base Has 35/64" Vent 22) Base Has 45/64" Vent 23) Base Has 5/16" Vent 24) Base Has 5/8" Vent 25) Base Has 55/64" Vent 26) Base Has 7/16" Vent 27) Base Has 7/8" Vent 28) Base Has 9/16" Vent 29) Base Has Opt. 1/2" Vent 30) Base Has 23/32" Vent 31) Base Has 25/32" Vent 32) Filter Has Molded-in Velocity Stack 33) Filter Is Reverse Tapered 34) Fits Legend/Dwarf Race Cars w/FJ1200 Motors 35) Base Has 15/32" Vent 36) Top Plate Has 1/4-20 Stud 37) Top Plate Has 6MM Stud 39) Offset Is Vertical 41) Offset Is Vertical And To The Right 42) Top Has 1/2" Vent 43) Top Has 1-1/16" Center Hole 44) Top Has 21/32" Center Hole 45) Top Has 23/32" Center Hole 46) Top Has 5/32" Center Hole 47) Top Has 7/16" Center Hole 48) Base Has 11/32" Vent 49) Top Has 1/4" Center Hole 50) Top Has 1-7/16" Center Hole 51) 2-1/2" Adapter Included 52) Top Has 5/8" Vent 53) Tapered Insert Included 5" to 4-3/8" 54) Filter has Thru Hole 2-3/4" x 1-5/8"

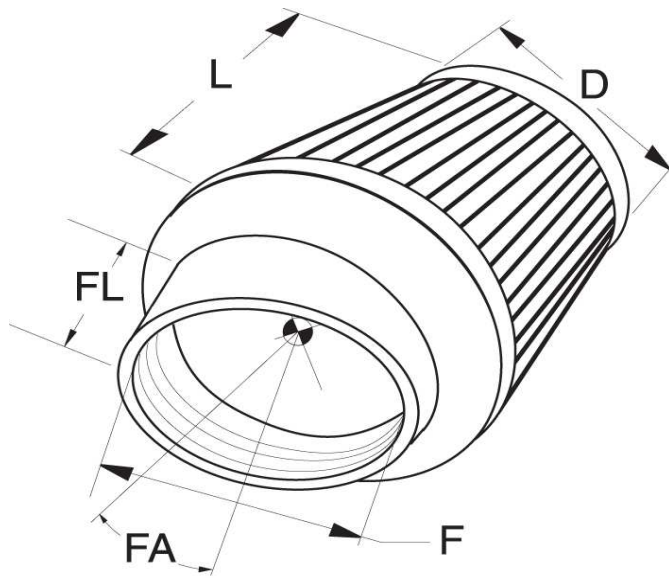
Round Straight



(F) Mounting Flange Inside Diameter		(D) Filter Diameter		(L) Filter Length		(FL) Flange Length		(FA) Flange Style		(FO) Flange Offset		Rubber End Cap Part #	Chrome End Cap Part #	Custom End Cap Part #	Filter Wraps Part #
Inch	mm	Inch	mm	Inch	mm	Inch	mm	Type	Angle	Inch	mm				
3	76	7	178	3	76	1-1/8	29	Offset		1-1/16	27		RC-3140		RU-0980PK
		7	178	4	102	5/8	16	Offset		7/8	22	RA-0990 ⁴	RA-099V ⁴		22-8019PK
		7	178	6	152	1	25	Centered					RD-1300		22-8021PK
3-1/16	78	6-7/8	175	5-15/16	151	9/16	14	Centered				RU-9040			
		7	178	3	76	5/8	16	Centered				RA-0950 ⁴	RA-095V ⁴		RU-0980PK
		7	178	4	102	5/8	16	Centered				RA-0960 ⁴	RA-096V ⁴		22-8019PK
		7	178	6	152	5/8	16	Centered				RU-9004			22-8021PK
3-1/8	79	5	127	1-7/8	48	3/4	19	Offset		1	25	YA-6598			
		6	152	4-1/4	108	5/8	16	Centered				E-2996			
3-5/16	84	5-3/8	137	6-3/16	157	5/8	16	Centered				E-1998			
		5-13/16	148	7-1/4	184	3/4	19	Centered				E-0774			
3-3/8	86	4-7/8	124	12-1/4	311	0	0	Centered				CM-9715			
		5-13/16	148	7-1/4	184	5/8	16	Centered				E-1009			
3-1/2	89	4-1/2	114	2-1/4	57									RE-5286	RE-5286DK
		5	127	3	76	5/8	16	Centered				RU-1790	RC-1790		22-8015PK
		5	127	5-5/8	143	5/8	16	Centered				RU-5114			CM-4508DK
		5	127	8-1/2	216	5/8	16	Centered				RU-1785			
3-17/32	90	4	102	5-31/32	152	23/32	18	Centered						RX-4140 ¹⁵	RU-1470PK
3-5/8	92	5-13/16	148	7-1/4	184	3/4	19	Centered				E-0773			
4	102	6-1/4	159	6	152	13/16	21	Centered				E-1996			
		6-1/4	159	7-3/4	197	13/16	21	Centered				E-2999			
		7	178	6	152	5/8	16	Centered					RD-1400 ⁵¹		22-8020PK
		7	178	6	152	1	25	Centered				RD-1450			22-8021PK
		7	178	8	203	5/8	16	Centered					RD-1410		
		7	178	9	229	1	25	Centered				RD-1460			22-8022PK
		7	178	18	457	5/8	16	Centered					41-1400 ²		25-3918
5	127	6-1/2	165	9	229	1	25	Centered				RU-3020			22-8022PK
		6-1/2	165	10	254	1	25	Centered				RU-3220			22-8022PK
5-1/2	140	7	178	9	229	1	25	Centered					RC-3150 ²		22-8022PK
6	152	7-1/2	191	4-1/2	114	1	25	Centered				RU-1850			
		7-1/2	191	6	152	1	25	Centered				RU-3060			25-3900
		7-1/2	191	8	203	1	25	Centered				RU-3260			
		7-1/2	191	10	254	1	25	Centered				RU-3270			RU-3270DR
		7-1/2	191	12	305	1	25	Centered				RU-3040			25-3918

1) 1/4-20 Jack Nut Into Top 2) Base Has (2) 7/8" Vents 3) Base Has 1/2" Vent 4) Base Has 1/32" Vent 5) Base Has 1/4" Vent 6) Base Has 11/16" Vent 7) Base Has 1-1/8" Vent 8) Base Has 13/16" Vent 9) Base Has 13/32" Vent 10) Base Has 13/64" Vent 11) Base Has 2-3/16" Square Inlet 12) Base Has 15/64" Vent 13) Base Has 19/32" Vent 14) Base Has 21/32" Vent 15) Base Has 25/64" Vent 16) Base Has 29/32" Vent 17) Base Has 3/16" Vent 18) Base Has 3/4" Vent 19) Base Has 3/8" Vent 20) Base Has 31/64" Vent 21) Base Has 35/64" Vent 22) Base Has 45/64" Vent 23) Base Has 5/16" Vent 24) Base Has 5/8" Vent 25) Base Has 55/64" Vent 26) Base Has 7/16" Vent 27) Base Has 7/8" Vent 28) Base Has 9/16" Vent 29) Base Has Opt. 1/2" Vent 30) Base Has 23/32" Vent 31) Base Has 25/32" Vent 32) Filter Has Molded-in Velocity Stack 33) Filter Is Reverse Tapered 34) Fits Legend/Dwarf Race Cars w/FJ1200 Motors 35) Base Has 15/32" Vent 36) Top Plate Has 1/4-20 Stud 37) Top-Plate Has 6MM Stud 39) Offset Is Vertical 41) Offset Is Vertical And To The Right 42) Top Has 1/2" Vent 43) Top Has 1-1/16" Center Hole 44) Top Has 21/32" Center Hole 45) Top Has 23/32" Center Hole 46) Top Has 5/32" Center Hole 47) Top Has 7/16" Center Hole 48) Base Has 11/32" Vent 49) Top Has 1/4" Center Hole 50) Top Has 1-7/16" Center Hole 51) 2-1/2" Adapter Included 52) Top Has 5/8" Vent 53) Tapered Insert Included 5" to 4-3/8" 54) Filter has Thru Hole 2-3/4" x 1-5/8"

Round Tapered



When selecting one of K&N's universal round tapered air filters, you should consider the following dimensions as they relate to the specification chart:

(F) Mounting Flange Inside Diameter - This is the most critical dimension and should be very close to the diameter of the application's inlet flange. The flange will stretch up to 1/16" for those in-between sizes.

(D) Filter Diameter - This is the outside diameter of the filter. Always use the largest diameter practical for maximum filtration.

(L) Filter Length - This dimension is the length of the filter body only, it does not include the flange length. Always use the longest filter practical for maximum filtration.

(FA/FL) Flange Angle and/or Length - If no angle is listed in the specifications table, then the flange is straight. Any angle listed is in degrees and can be utilized when space is a problem.

(FO) Flange Offset - In some cases the center of the flange is offset from the center of the filter base in order to provide a better fit.

(F) Mounting Flange Inside Diameter		(D) Filter Base Diameter		(D) Filter Top Diameter		(L) Filter Length		(FL) Flange Length		(FA) Flange Style	(FO) Flange Offset	Rubber End Cap Part #	Chrome End Cap Part #	Custom End Cap Part #	Filter Wraps Part #	
Inch	mm	Inch	mm	Inch	mm	Inch	mm	Inch	mm	Type	Angle	Inch	mm			
5/16	8	1-3/8	35	1	25	1	25	5/8	16	Centered		RU-3490				
		1-3/8	35	1	25	1-3/8	35	3/8	10	Centered		RU-3170				
1	25	2-7/8	73	3-1/2	89	3-1/2	89	5/8	16	Centered		RE-0200 ²⁰				
1-1/8	29	2-1/4	57	2	51	2-1/2	64	5/8	16	Centered			RC-2540			RC-2540PK
1-1/4	32	2-7/8	73	3-1/2	89	3-1/2	89	5/8	16	Centered		RE-0220 ²⁰				
		2-15/16	75	3-1/2	89	2-7/16	62	5/8	16	Centered		RE-0230 ²⁰				
1-3/8	35	2-1/2	64	2	51	2-1/4	57	5/8	16	Centered			RC-0790			RC-0790PK
1-1/2	38	3	76	3-1/2	89	3-1/2	89	5/8	16	Centered		RE-0240 ²⁰				
1-9/16	40	2-5/8	67	2	51	3	76	5/8	16	Centered			RC-2290			22-8028PK
		3	76	2	51	3	76	5/8	16	Centered			RC-2310			22-8028PK
1-11/16	43	3	76	2	51	2-3/8	60	5/8	16	Centered			RC-2490			
		3	76	2	51	2-3/4	70	5/8	16	Centered		R-1070	RC-1070			22-8028PK
		3	76	2	51	4	102	1-1/2	38	Angled	40°	R-1100				22-8048PK
		3-1/2	89	2	51	4	102	5/8	16	Centered		R-1080				22-8029PK
1-3/4	44	3	76	2	51	2-1/2	64	5/8	16	Centered		RU-2690				
		3	76	3-1/2	89	3-1/2	89	5/8	16	Centered		RE-0260 ¹				
		4-3/8	111	3	76	2-1/2	64	5/8	16	Centered		RU-2680				
		4-1/2	114	3	76	2-1/2	64	5/8	16	Offset		9/16 14	RU-2740			
1-13/16	46	3	76	2	51	2-1/2	64	5/8	16	Centered		RU-2930				22-8028PK
		3	76	2	51	3	76	5/8	16	Centered		RU-2320	RC-2320			22-8028PK
1-7/8	48	3	76	2	51	2	51	5/8	16	Centered		RU-2550	RC-2550			
		3	76	2	51	3	76	5/8	16	Centered		R-1090	RC-1090			22-8028PK
		3	76	2	51	3-11/16	94	1	25	Angled	10°		RC-1290			22-8048PK
1-15/16	49	3	76	2	51	2-1/2	64	5/8	16	Centered		RU-2660	RC-2500			22-8028PK
		3	76	2	51	3	76	5/8	16	Centered		R-1060	RC-1060			22-8028PK

1) 1/4-20 Jack Nut Into Top 2) Base Has (2) 7/8" Vents 3) Base Has 1/2" Vent 4) Base Has 1/32" Vent 5) Base Has 1/4" Vent 6) Base Has 11/16" Vent 7) Base Has 1-1/8" Vent 8) Base Has 13/16" Vent 9) Base Has 13/32" Vent 10) Base Has 13/64" Vent 11) Base Has 2-3/16" Square Inlet 12) Base Has 15/64" Vent 13) Base Has 19/32" Vent 14) Base Has 21/32" Vent 15) Base Has 25/64" Vent 16) Base Has 29/32" Vent 17) Base Has 3/16" Vent 18) Base Has 3/4" Vent 19) Base Has 3/8" Vent 20) Base Has 31/64" Vent 21) Base Has 35/64" Vent 22) Base Has 45/64" Vent 23) Base Has 5/16" Vent 24) Base Has 5/8" Vent 25) Base Has 55/64" Vent 26) Base Has 7/16" Vent 27) Base Has 7/8" Vent 28) Base Has 9/16" Vent 29) Base Has Opt. 1/2" Vent 30) Base Has 23/32" Vent 31) Base Has 25/32" Vent 32) Filter Has Molded-in Velocity Stack 33) Filter Is Reverse Tapered 34) Fits Legend/Dwarf Race Cars w/FJ1200 Motors 35) Base Has 15/32" Vent 36) Top Plate Has 1/4-20 Stud 37) Top-Plate Has 6MM Stud 39) Offset Is Vertical 41) Offset Is Vertical And To The Right 42) Top Has 1/2" Vent 43) Top Has 1-1/16" Center Hole 44) Top Has 21/32" Center Hole 45) Top Has 23/32" Center Hole 46) Top Has 5/32" Center Hole 47) Top Has 7/16" Center Hole 48) Base Has 11/32" Vent 49) Top Has 1/4" Center Hole 50) Top Has 1-7/16" Center Hole 51) 2-1/2" Adapter Included 52) Top Has 5/8" Vent 53) Tapered Insert Included 5" to 4-3/8" 54) Filter has Thru Hole 2-3/4" x 1-5/8"

(F) Mounting Flange Inside Diameter		(D) Filter Base Diameter		(D) Filter Top Diameter		(L) Filter Length		(FL) Flange Length		(FA) Flange Style		(FO) Flange Offset		Rubber End Cap Part #	Chrome End Cap Part #	Custom End Cap Part #	Filter Wraps Part #	
Inch	mm	Inch	mm	Inch	mm	Inch	mm	Inch	mm	Type	Angle	Inch	mm					
2	51	3	76	3-1/2	89	3-1/2	89	5/8	16	Centered				RE-0280 ²⁰				
		3-1/8	79	2	51	3	76	5/8	16	Centered					RU-2580	RC-2580		22-8028PK
		5-3/16	132	3-1/2	89	3-7/16	87	1-3/8	35	Offset			21/32	17			RC-8350 ³⁷	
		5-3/16	132	3-1/2	89	3-11/16	94	1-3/8	35	Offset			21/32	17			RC-9920 ^{34,19}	
		6-7/8	175	5-7/8	149	2-9/16	65	1-3/4	44	Offset			7/8	22			RC-70018 ^{3,19,5}	
2-1/16	52	3-1/4	83	3	76	4	102	5/8	16	Centered						RC-1350		
		3-1/2	89	2	51	4	102	5/8	16	Centered					RU-1200	RC-1200		22-8029PK
		3-1/2	89	3	76	4	102	7/8	22	Centered					RA-050V			
		3-9/16	90	3-1/2	89	4-7/8	124	5/8	16	Centered					RC-8170			
2-1/8	54	3	76	2	51	2-3/4	70	5/8	16	Centered						RC-2340		22-8028PK
		3	76	2	51	3	76	5/8	16	Centered						RC-2330		22-8028PK
		3-1/2	89	2	51	4	102	5/8	16	Centered						RC-1920		22-8029PK
		4-1/2	114	3-1/2	89	4-3/4	121	13/16	21	Centered						RC-4890		
		5-3/16	132	3-1/2	89	5-1/2	140	7/8	22	Offset			19/32	15			RC-8090 ⁴⁴	
2-3/16	56	6-13/16	173	5-7/8	149	2-9/16	65	1-3/4	44	Offset					RC-5154 ³			
2-1/4	57	3-1/2	89	2	51	4	102	5/8	16	Centered				R-1260	RC-1250		22-8029PK	
		5	127	3-1/2	89	3-9/16	90	11/16	17	Centered					RC-9220 ¹¹			
		5-1/8	130	4-5/8	117	6	152	5/8	16	Centered					RU-3560		25-3900	
		6-13/16	173	5-7/8	149	2-9/16	65	1-3/4	44	Centered					RC-70021 ²⁸			
2-9/32	58	4-17/32	115	3-1/2	89	4-15/16	125	2-13/32	61	Centered					RC-5157			
2-3/8	60	4-5/8	117	3-1/2	89	4-13/16	122	13/16	21	Centered						RC-9380		
		5-3/16	132	3-1/2	89	3-3/4	95	23/32	18	Offset			17/32	13			RC-1624	
		5-3/16	132	3-1/2	89	4-3/16	106	5/8	16	Offset			19/32	15			RC-9830 ⁶	
		5-3/16	132	3-1/2	89	4-11/32	110	3/4	19	Offset			19/32	15			RC-8490 ¹⁸	
		5-3/16	132	3-1/2	89	4-5/16	110	3/4	19	Offset			21/32	17			RC-9390	
2-13/32	61	4-23/32	120	3-31/32	101	5-63/100	143	3-11/32	85	Centered						RX-5179		
2-7/16	62	3-1/2	89	2	51	5	127	5/8	16	Centered				SN-2570			SN-2570PK	
		3-3/4	95	3	76	4	102	2	51	Angled	20°				SN-2530		SN-2530PK	
		3-3/4	95	3	76	5	127	2	51	Angled	20°				SN-2520		SN-2520PK	
		3-3/4	95	3	76	6	152	2	51	Angled	20°				SN-2510		SN-2510PK	
		4-7/16	113	4	102	3-3/4	95	7/8	22	Centered						RX-4010		
		4-1/2	114	4	102	6-1/8	156	7/8	22	Centered						RX-3820-1 ^{1,15}	RX-3820PK	
		4-1/2	114	4	102	6-9/16	167	2-15/16	75	Angled	20°					RX-3800 ¹⁵	RX-3820PK	
		4-1/2	114	6	152	6-1/8	156	7/8	22	Centered						RX-3810XD ^{1,15}	RX-3810DK	
		4-1/2	114	6	152	6-9/16	167	2-7/8	73	Angled	20°					RX-3770 ^{1,15}	RX-3810DK	
		5-1/8	130	3-1/2	89	6	152	5/8	16	Centered						RC-4160		RC-4160DK
		5-1/2	140	4-1/2	114	4	102	5/8	16	Offset			1/2	13	R-1380			
2-1/2	64	4-1/2	114	3-1/2	89	3-3/16	81	3/4	19	Centered						RC-8100		
		4-1/2	114	3-1/2	89	5	127	3/4	19	Centered						RC-9630		RC-9350DK
		4-1/2	114	3-1/2	89	6	152	3/4	19	Centered						RC-5062XD		RC-5062DK
		4-21/32	118	3-1/2	89	3-7/8	98	13/16	21	Centered						RC-9080		
		4-21/32	118	3-1/2	89	4-7/8	124	13/16	21	Centered						RC-9800		
		4-21/32	118	3-1/2	89	5-15/16	151	13/16	21	Centered						RC-9360		
5	127	5-1/2	140	2-3/4	70	5/8	16	Centered							RE-0380			

1) 1/4-20 Jack Nut Into Top 2) Base Has (2) 7/8" Vents 3) Base Has 1/2" Vent 4) Base Has 1/32" Vent 5) Base Has 1/4" Vent 6) Base Has 11/16" Vent 7) Base Has 1-1/8" Vent 8) Base Has 13/16" Vent 9) Base Has 13/32" Vent 10) Base Has 13/64" Vent 11) Base Has 2-3/16" Square Inlet 12) Base Has 15/64" Vent 13) Base Has 19/32" Vent 14) Base Has 21/32" Vent 15) Base Has 25/64" Vent 16) Base Has 29/32" Vent 17) Base Has 3/16" Vent 18) Base Has 3/4" Vent 19) Base Has 3/8" Vent 20) Base Has 31/64" Vent 21) Base Has 35/64" Vent 22) Base Has 45/64" Vent 23) Base Has 5/16" Vent 24) Base Has 5/8" Vent 25) Base Has 55/64" Vent 26) Base Has 7/16" Vent 27) Base Has 7/8" Vent 28) Base Has 9/16" Vent 29) Base Has Opt. 1/2" Vent 30) Base Has 23/32" Vent 31) Base Has 25/32" Vent 32) Filter Has Molded-in Velocity Stack 33) Filter Is Reverse Tapered 34) Fits Legend/Dwarf Race Cars w/FJ1200 Motors 35) Base Has 15/32" Vent 36) Top Plate Has 1/4-20 Stud 37) Top-Plate Has 6MM Stud 39) Offset Is Vertical 41) Offset Is Vertical And To The Right 42) Top Has 1/2" Vent 43) Top Has 1-1/16" Center Hole 44) Top Has 21/32" Center Hole 45) Top Has 23/32" Center Hole 46) Top Has 5/32" Center Hole 47) Top Has 7/16" Center Hole 48) Base Has 11/32" Vent 49) Top Has 1/4" Center Hole 50) Top Has 1-7/16" Center Hole 51) 2-1/2" Adapter Included 52) Top Has 5/8" Vent 53) Tapered Insert Included 5" to 4-3/8" 54) Filter has Thru Hole 2-3/4" x 1-5/8"



Round Tapered

(F) Mounting Flange Inside Diameter		(D) Filter Base Diameter		(D) Filter Top Diameter		(L) Filter Length		(FL) Flange Length		(FA) Flange Style		(FO) Flange Offset		Rubber End Cap Part #	Chrome End Cap Part #	Custom End Cap Part #	Filter Wraps Part #	
Inch	mm	Inch	mm	Inch	mm	Inch	mm	Inch	mm	Type	Angle	Inch	mm					
2-1/2	64	5-3/16	132	3-1/2	89	3-3/4	95	11/16	17	Offset		19/32	15		RC-9700			
		5-3/16	132	3-1/2	89	4-9/16	116	3/4	19	Offset		11/16	17		RC-9780			
		5-3/16	132	3-1/2	89	4-9/16	116	3/4	19	Offset		19/32	15		RC-9490	RC-8320 ³⁷		
		5-3/16	132	3-1/2	89	4-11/16	119	3/4	19	Offset		19/32	15		RC-9690 ²¹			
		5-3/16	132	3-1/2	89	5-15/16	151	3/4	19	Offset		19/32	15		RC-9510 ²¹			
		5-1/4	133	2-1/2	64	5-3/4	146	1-1/2	38	Angled	20°				RU-5006			
		5-1/4	133	2-1/2	64	5-3/4	146	1-1/2	38	Centered					RU-5005			
		5-1/4	133	3-1/2	89	4-1/2	114	11/16	17	Offset		5/8	16			RC-9420 ⁶		
		5-1/4	133	5-1/2	140	1-7/8	48	5/8	16	Centered							ML-0850	
		5-3/8	137	5-1/2	140	5-7/8	149	3/4	19	Centered					E-1006			
		5-1/2	140	4-1/2	114	6	152	3/4	19	Centered						RC-4670		RF-1023DK
		6	152	5	127	5	127	2	51	Centered					RU-5174			RX-4990DK
		6	152	5	127	5-1/2	140	2	51	Centered					RU-4950		RX-4950 ¹	RX-4990DK
6	152	5	127	6-1/2	165	2	51	Centered					RU-4860		RX-4860 ¹	RX-4730DK		
6-11/16	170	3-1/2	89	7-1/16	179	13/16	21	Offset		1	25			RC-9300 ^{31,3}				
6-27/32	174	5-27/32	148	2-9/16	65	1-25/32	45	Angled	30°					RC-5049				
2-9/16	65	6-7/8	175	5-7/8	149	2-1/2	64	1-11/16	43	Offset		7/8	22		RC-4620 ⁴			
2-5/8	67	5-3/16	132	3-1/2	89	4-1/2	114	3/4	19	Offset		21/32	17		RC-9250			
		5-3/16	132	3-1/2	89	6	152	3/4	19	Offset		1-1/2	38		RC-9340			
2-11/16	68	4-7/16	113	3-1/2	89	4-7/16	113	5/8	16	Centered					RC-9280			
		4-1/2	114	3	76	5	127	5/8	16	Centered					RC-4340		SN-2520PK	
		5-3/16	132	3-1/2	89	4-5/16	110	3/4	19	Offset		9/16	14		RC-8070 ²³			
		5-3/16	132	3-1/2	89	4-3/8	111	3/4	19	Offset		9/16	14		RC-9400 ^{22,24}			
		5-3/16	132	3-1/2	89	4-7/16	113	3/4	19	Offset		9/16	14		RC-9650			
		5-3/16	132	3-1/2	89	4-1/2	114	3/4	19	Offset		9/16	14		RC-9580 ²⁵			
		5-3/16	132	3-1/2	89	4-9/16	116	3/4	19	Offset		9/16	14		RC-9440 ²¹			
		5-3/16	132	3-1/2	89	4-9/16	116	5/8	16	Offset		19/32	15		RC-9560			
		5-3/16	132	3-1/2	89	6	152	3/4	19	Offset		19/32	15		RC-9680 ¹⁷			
		5-3/16	132	3-1/2	89	6	152	3/4	19	Offset		9/16	14		RC-9590 ¹⁷			
		5-3/16	132	4	102	3-7/16	87	3/4	19	Offset		19/32	15		RU-9160			
		5-3/4	146	3-1/2	89	4-1/2	114	3/4	19	Offset		1/2	13			RC-9940 ^{8,30}		
		5-3/4	146	3-1/2	89	6-5/8	168	3/4	19	Offset		1-1/2	38			RC-1586 ²⁶		
5-25/32	147	3-1/2	89	4-9/16	116	5/8	16	Offset		1/2	13			RC-9730 ^{35,37}				
2-23/32	69	6-11/16	170	3-1/2	89	7-23/32	196	5/8	16	Offset		1	25		RC-9290			
2-3/4	70	3-3/4	95	4	102	5-9/16	141	13/16	21	Centered				RU-5090			RC-9310DK	
		4	102	2	51	6	152	1	25	Angled	10°			RU-3120			22-8030DK	
		4	102	2	51	7	178	1	25	Angled	10°			RU-3590				
		4	102	3	76	5	127	1	25	Angled	10°				SN-2590		SN-2590PK	
		4	102	3	76	6	152	1	25	Angled	10°				SN-2600		SN-2600PK	
		4	102	3	76	6	152	2	51	Angled	20°				SN-2620		SN-2620PK	
		4-1/2	114	3	76	4	102	5/8	16	Centered					SN-2580		SN-2580PK	
		4-11/16	119	3-1/2	89	4-1/16	103	3/4	19	Centered					RC-9870			
		4-11/16	119	3-1/2	89	4-7/8	124	13/16	21	Centered					RC-9350		RC-9350DK	
		4-11/16	119	3-1/2	89	5-5/16	135	13/16	21	Centered					RC-8340			
4-11/16	119	3-1/2	89	6	152	3/4	19	Centered					RC-5159					

1) 1/4-20 Jack Nut Into Top 2) Base Has (2) 7/8" Vents 3) Base Has 1/2" Vent 4) Base Has 1/32" Vent 5) Base Has 1/4" Vent 6) Base Has 11/16" Vent 7) Base Has 1-1/8" Vent 8) Base Has 13/16" Vent 9) Base Has 13/32" Vent 10) Base Has 13/64" Vent 11) Base Has 2-3/16" Square Inlet 12) Base Has 15/64" Vent 13) Base Has 19/32" Vent 14) Base Has 21/32" Vent 15) Base Has 25/64" Vent 16) Base Has 29/32" Vent 17) Base Has 3/16" Vent 18) Base Has 3/4" Vent 19) Base Has 3/8" Vent 20) Base Has 31/64" Vent 21) Base Has 35/64" Vent 22) Base Has 45/64" Vent 23) Base Has 5/16" Vent 24) Base Has 5/8" Vent 25) Base Has 55/64" Vent 26) Base Has 7/16" Vent 27) Base Has 7/8" Vent 28) Base Has 9/16" Vent 29) Base Has Opt. 1/2" Vent 30) Base Has 23/32" Vent 31) Base Has 25/32" Vent 32) Filter Has Molded-in Velocity Stack 33) Filter Is Reverse Tapered 34) Fits Legend/Dwarf Race Cars w/F1J200 Motors 35) Base Has 15/32" Vent 36) Top Plate Has 1/4-20 Stud 37) Top-Plate Has 6MM Stud 39) Offset Is Vertical 41) Offset Is Vertical And To The Right 42) Top Has 1/2" Vent 43) Top Has 1-1/16" Center Hole 44) Top Has 21/32" Center Hole 45) Top Has 23/32" Center Hole 46) Top Has 5/32" Center Hole 47) Top Has 7/16" Center Hole 48) Base Has 11/32" Vent 49) Top Has 1/4" Center Hole 50) Top Has 1-7/16" Center Hole 51) 2-1/2" Adapter Included 52) Top Has 5/8" Vent 53) Tapered Insert Included 5" to 4-3/8" 54) Filter has Thru Hole 2-3/4" x 1-5/8"

(F) Mounting Flange Inside Diameter		(D) Filter Base Diameter		(D) Filter Top Diameter		(L) Filter Length		(FL) Flange Length		(FA) Flange Style		(FO) Flange Offset		Rubber End Cap Part #	Chrome End Cap Part #	Custom End Cap Part #	Filter Wraps Part #
Inch	mm	Inch	mm	Inch	mm	Inch	mm	Inch	mm	Type	Angle	Inch	mm				
2-3/4	70	4-3/4	121	3-1/2	89	5-7/8	149	13/16	21	Centered					RC-9310		RC-9310DK
		4-3/4	121	4	102	7-7/8	200	13/16	21	Centered					RC-5144		RC-4690DK
		5-1/16	129	3-1/2	89	3-3/16	81	3/4	19	Centered					RC-5127		
		5-1/16	129	3-1/2	89	4	102	3/4	19	Centered					RC-5128		
		5-1/16	129	3-1/2	89	4-3/8	111	3/4	19	Centered					RC-5135		
		5-1/16	129	3-1/2	89	5-1/2	140	3/4	19	Centered					RC-5131		
		5-3/16	132	3-1/2	89	4-11/32	110	3/4	19	Offset		19/32	15		RC-8410	¹⁷	
		5-3/16	132	3-1/2	89	4-5/16	110	3/4	19	Offset		1/2	13		RC-4490	^{6,23}	
		5-3/16	132	3-1/2	89	4-3/8	111	3/4	19	Offset		17/32	13		RC-9980	^{21,22}	
		5-3/16	132	3-1/2	89	4-31/32	126	5/8	16	Offset		19/32	15		RC-8470	^{38,40}	
		5-3/16	132	3-1/2	89	5-1/8	130	3/4	19	Offset		11/16	17		RC-4500	²	25-3900
		5-1/2	140	4-1/2	114	7	178	2-1/2	64	Angled	30°				RC-4790		25-3900
		5-3/4	146	5-15/16	151	7-11/16	195	7/16	11	Centered						RR-3004	
		5-7/8	149	4-1/2	114	5	127	3/4	19	Centered					RC-5284		
		5-7/8	149	4-3/4	121	2-5/8	67	3/4	19	Centered				RU-3390			
		5-7/8	149	4-3/4	121	5	127	3/4	19	Centered				RU-4450			25-3900
		5-7/8	149	4-3/4	121	7	178	3/4	19	Centered				RU-3610			25-3900
		5-7/8	149	5-1/4	133	5	127	3/4	19	Centered						RR-2803	
		6	152	5	127	5-1/2	140	2	51	Centered				RU-4960XD		RX-4960 ¹	RX-4990DK
		6	152	5	127	6-1/2	165	2	51	Centered				RU-4870		RX-4870	RX-4730DK
		6	152	5-1/4	133	5-1/4	133	1-1/2	38	Centered				RU-3103HB			
		6-3/4	171	5-7/8	149	3-1/4	83	3/4	19	Centered					RC-4850	¹	E-2232
		6-7/8	175	5-7/8	149	2-5/8	67	3/4	19	Centered					RC-9880		
2-13/16	71	4-7/16	113	3-1/2	89	5	127	3-9/16	90	Centered					RC-4510	⁶	25-3900
		6-7/8	175	5-7/8	149	3-1/8	79	3/4	19	Offset		3/4	19		RC-4640	⁴	
2-27/32	72	5-3/16	132	3-3/4	95	3-3/4	95	3/4	19	Offset		9/16	14	RU-5146			
2-7/8	73	4	102	3	76	5	127	5/8	16	Centered					RC-2600		25-3900
		4-1/4	108	4	102	4-3/4	121	15/16	24	Centered						RX-4020-1 ¹	
		4-1/2	114	3-1/2	89	5-7/8	149	3/4	19	Centered					RC-5136		25-3900
		5-3/16	132	3-1/2	89	4-7/16	113	3/4	19	Offset		15/32	12		RC-4570	⁶	
		5-3/16	132	3-1/2	89	4-1/2	114	2-7/8	73	Offset		1/2	13		RC-8390		
2-29/32	74	4-21/32	118	2-5/16	59	5-29/32	150	23/32	18	Centered				RU-9220			25-3900
2-15/16	75	6-3/4	171	5-7/8	149	3-1/8	79	3/4	19	Offset		13/16	21		RC-4770	⁴	
3	76	4-1/2	114	3-1/2	89	4-5/16	110	3/4	19	Centered					RC-9410		
		4-1/2	114	3-1/2	89	5-3/4	146	3/4	19	Centered				RU-5111			25-3900
		4-1/2	114	6	152	4-5/8	117	7/8	22	Centered						RX-3900-1 ¹	
		5	127	3-1/2	89	4-5/8	117	3/4	19	Centered					RC-9480		
		5	127	3-1/2	89	5-15/16	151	3/4	19	Centered					RC-9640		
		5	127	3-1/2	89	6	152	1-3/4	44	Centered					RF-1039		RC-4160DK
		5	127	4	102	6	152	1-3/4	44	Centered					RC-4650		RC-4650DK
		5	127	4	102	7-7/8	200	1-1/4	32	Centered					RC-4690		RC-4690DK
		5	127	4-1/2	114	5	127	1-3/4	44	Centered					RC-3870		25-3900
		5	127	4-1/2	114	6-1/2	165	1-13/16	46	Centered					RF-1030		RC-4630DK
		5	127	4-5/8	117	4	102	1-3/4	44	Centered				RU-3700			22-8014PK
		5	127	4-5/8	117	8	203	1-3/4	44	Centered				RE-0910			RE-0910PK

1) 1/4-20 Jack Nut Into Top 2) Base Has (2) 7/8" Vents 3) Base Has 1/2" Vent 4) Base Has 1/32" Vent 5) Base Has 1/4" Vent 6) Base Has 11/16" Vent 7) Base Has 1-1/8" Vent 8) Base Has 13/16" Vent 9) Base Has 13/32" Vent 10) Base Has 13/64" Vent 11) Base Has 2-3/16" Square Inlet 12) Base Has 15/64" Vent 13) Base Has 19/32" Vent 14) Base Has 21/32" Vent 15) Base Has 25/64" Vent 16) Base Has 29/32" Vent 17) Base Has 3/16" Vent 18) Base Has 3/4" Vent 19) Base Has 3/8" Vent 20) Base Has 31/64" Vent 21) Base Has 35/64" Vent 22) Base Has 45/64" Vent 23) Base Has 5/16" Vent 24) Base Has 5/8" Vent 25) Base Has 55/64" Vent 26) Base Has 7/16" Vent 27) Base Has 7/8" Vent 28) Base Has 9/16" Vent 29) Base Has Opt. 1/2" Vent 30) Base Has 23/32" Vent 31) Base Has 25/32" Vent 32) Filter Has Molded-in Velocity Stack 33) Filter Is Reverse Tapered 34) Fits Legend/Dwarf Race Cars w/FJ1200 Motors 35) Base Has 15/32" Vent 36) Top Plate Has 1/4-20 Stud 37) Top-Plate Has 6MM Stud 39) Offset Is Vertical 41) Offset Is Vertical And To The Right 42) Top Has 1/2" Vent 43) Top Has 1-1/16" Center Hole 44) Top Has 21/32" Center Hole 45) Top Has 23/32" Center Hole 46) Top Has 5/32" Center Hole 47) Top Has 7/16" Center Hole 48) Base Has 11/32" Vent 49) Top Has 1/4" Center Hole 50) Top Has 1-7/16" Center Hole 51) 2-1/2" Adapter Included 52) Top Has 5/8" Vent 53) Tapered Insert Included 5" to 4-3/8" 54) Filter has Thru Hole 2-3/4" x 1-5/8"



Round Tapered

(F) Mounting Flange Inside Diameter		(D) Filter Base Diameter		(D) Filter Top Diameter		(L) Filter Length		(FL) Flange Length		(FA) Flange Style		(FO) Flange Offset		Rubber End Cap Part #	Chrome End Cap Part #	Custom End Cap Part #	Filter Wraps Part #
Inch	mm	Inch	mm	Inch	mm	Inch	mm	Inch	mm	Type	Angle	Inch	mm				
3	76	5-1/8	130	5-3/8	137	4-1/2	114	1-1/2	38	Centered						HA-4099	22-8016PK
		6	152	3-1/2	89	6	152	1-3/4	44	Centered					RC-4290		
		6	152	4	102	5	127	1-3/4	44	Centered			RU-3580				25-3900
		6	152	4	102	6-3/4	171	1-3/4	44	Centered				RC-4700			RC-4700DK
		6	152	4	102	8-11/16	221	15/16	24	Centered						RX-3990-1 ¹	
		6	152	4-1/2	114	6	152	1-3/4	44	Centered					RC-4180		22-8033PK
		6	152	4-1/2	114	8	203	1-3/4	44	Centered					RC-5106		RC-5106DK
		6	152	4-5/8	117	6	152	1-3/4	44	Centered			RE-0930				22-8033PK
		6	152	4-5/8	117	9	229	1-3/4	44	Centered			RE-0810				25-0810
		6	152	4-5/8	117	12	305	1-3/4	44	Centered			RE-0800				22-8034PK
		6	152	4-5/8	117	14	356	1-3/4	44	Centered			RE-0820				22-8035PK
		6	152	4-3/4	121	6	152	1-3/4	44	Centered			RE-0930-L				
		6	152	5	127	5	127	1-3/4	44	Centered			RU-5176				RX-4990DK
		6	152	5	127	5-9/16	141	1-3/4	44	Centered			RU-4990			RX-4990 ¹	RX-4990DK
		6	152	5	127	6	152	1-3/4	44	Centered					RF-1047		25-3900
		6	152	5	127	6-1/2	165	1-3/4	44	Centered			RU-4730			RX-4730XD ¹	RX-4730DK
		6	152	5-1/8	130	5	127	1-3/4	44	Centered			RU-3570				RX-4990DK
		6	152	5-1/4	133	5	127	1-3/4	44	Centered						RR-3003	
		6	152	5-7/8	149	6	152	1-3/4	44	Centered					RD-1100		
3-1/8	79	4-7/8	124	3-1/2	89	5-7/16	138	23/32	18	Centered					RC-9240		
		4-15/16	125	3-1/2	89	3-15/16	100	3/4	19	Centered					RC-9270		
		4-15/16	125	3-1/2	89	4-3/8	111	15/16	24	Centered					RC-9160		
		4-15/16	125	3-1/2	89	4-5/8	117	3/4	19	Centered					RC-8220		
		4-15/16	125	3-1/2	89	6	152	15/16	24	Centered					RC-8250		
		5	127	3-1/2	89	6	152	3/4	19	Centered					RC-9320		RC-4160DK
		6	152	4-5/8	117	14	356	1-3/4	44	Centered			RE-0940				
		6	152	5	127	7	178	1-3/4	44	Centered					RC-5100		RC-5100DK
3-5/32	80	5-3/4	146	3-1/2	89	4-7/16	113	3/4	19	Offset		1/2	13		RC-9110 ⁴		
		5-25/32	147	3-1/2	89	4-17/32	115	25/32	20	Offset		15/32	12		RC-9670 ¹⁶		
		5-25/32	147	3-1/2	89	4-17/32	115	3/4	19	Offset		1/2	13		RC-9910		
		5-25/32	147	3-1/2	89	5-15/32	139	3/4	19	Offset		1/2	13		RC-8370 ⁴⁰		
		5-25/32	147	3-1/2	89	7-23/32	196	5/8	16	Centered					RC-9950 ^{38,19,1}		
		6-15/16	176	3-1/2	89	7	178	3/4	19	Offset		25/32	20		RC-8450		
3-1/4	83	4-15/16	125	3-1/2	89	4-7/8	124	15/16	24	Centered					RC-9610		
		5-1/2	140	4-1/2	114	8	203	5/8	16	Centered					RF-1025 ¹⁹		RC-5106DK
		5-1/2	140	4-11/16	119	8	203	1-5/8	41	Centered			RU-5122				RC-5106DK
		5-3/4	146	3-1/2	89	4-25/32	121	3/4	19	Offset		9/16	14		RC-9660 ⁴		
		5-3/4	146	3-1/2	89	5-7/16	138	25/32	20	Offset		7/16	11		RC-1637		
		5-3/4	146	3-1/2	89	6-5/8	168	3/4	19	Offset		1/2	13		RC-4560 ²		25-3900
		5-3/4	146	3-1/2	89	6-11/16	170	3/4	19	Offset		1/2	13		RC-4470		25-3900
3-5/16	84	3-15/16	100	3-7/16	87	5-1/8	130	1/2	13	Centered						YA-4003	KA-3603PK
		4-3/4	121	3-1/2	89	4-3/8	111	3/4	19	Centered					RC-9770		
		4-3/4	121	3-1/2	89	6	152	3/4	19	Centered					RC-4540		25-3900
		4-3/4	121	3-1/2	89	6-1/2	165	5/8	16	Centered			RU-2710	RC-2710			25-3900
		4-7/8	124	4	102	4-1/4	108	15/16	24	Centered						RX-4120-1 ¹	

1) 1/4-20 Jack Nut Into Top 2) Base Has (2) 7/8" Vents 3) Base Has 1/2" Vent 4) Base Has 1/32" Vent 5) Base Has 1/4" Vent 6) Base Has 11/16" Vent 7) Base Has 1-1/8" Vent 8) Base Has 13/16" Vent 9) Base Has 13/32" Vent 10) Base Has 13/64" Vent 11) Base Has 2-3/16" Square Inlet 12) Base Has 15/64" Vent 13) Base Has 19/32" Vent 14) Base Has 21/32" Vent 15) Base Has 25/64" Vent 16) Base Has 29/32" Vent 17) Base Has 3/16" Vent 18) Base Has 3/4" Vent 19) Base Has 3/8" Vent 20) Base Has 31/64" Vent 21) Base Has 35/64" Vent 22) Base Has 45/64" Vent 23) Base Has 5/16" Vent 24) Base Has 5/8" Vent 25) Base Has 55/64" Vent 26) Base Has 7/16" Vent 27) Base Has 7/8" Vent 28) Base Has 9/16" Vent 29) Base Has Opt. 1/2" Vent 30) Base Has 23/32" Vent 31) Base Has 25/32" Vent 32) Filter Has Molded-in Velocity Stack 33) Filter Is Reverse Tapered 34) Fits Legend/Dwarf Race Cars w/F1J200 Motors 35) Base Has 15/32" Vent 36) Top Plate Has 1/4-20 Stud 37) Top-Plate Has 6MM Stud 39) Offset Is Vertical 41) Offset Is Vertical And To The Right 42) Top Has 1/2" Vent 43) Top Has 1-1/16" Center Hole 44) Top Has 21/32" Center Hole 45) Top Has 23/32" Center Hole 46) Top Has 5/32" Center Hole 47) Top Has 7/16" Center Hole 48) Base Has 11/32" Vent 49) Top Has 1/4" Center Hole 50) Top Has 1-7/16" Center Hole 51) 2-1/2" Adapter Included 52) Top Has 5/8" Vent 53) Tapered Insert Included 5" to 4-3/8" 54) Filter has Thru Hole 2-3/4" x 1-5/8"

(F) Mounting Flange Inside Diameter		(D) Filter Base Diameter		(D) Filter Top Diameter		(L) Filter Length		(FL) Flange Length		(FA) Flange Style		(FO) Flange Offset		Rubber End Cap Part #	Chrome End Cap Part #	Custom End Cap Part #	Filter Wraps Part #
Inch	mm	Inch	mm	Inch	mm	Inch	mm	Inch	mm	Type	Angle	Inch	mm				
3-5/16	84	5-3/4	146	3-1/2	89	5-7/16	138	25/32	20	Offset		7/16	11		RC-8110 ²⁸		
3-3/8	86	4-15/16	125	3-1/2	89	3-7/8	98	15/16	24	Centered					RC-9790		
		5-3/4	146	3-1/2	89	4-1/4	108	3/4	19	Offset		9/16	14		RC-8200 ^{3,4}		
		5-3/4	146	3-1/2	89	4-7/16	113	3/4	19	Offset		9/16	14		RC-9970 ⁴		
		5-3/4	146	3-1/2	89	4-7/8	124	3/4	19	Offset		9/16	14		RC-8000 ¹⁸		
		5-3/4	146	3-1/2	89	5-7/16	138	3/4	19	Offset		5/8	16		RC-9120 ³⁵		
		5-3/4	146	3-1/2	89	6-15/16	176	3/4	19	Offset		9/16	14		RC-8150		
		5-13/16	148	4	102	6	152	5/8	16	Centered				RU-5168			RU-5168DK
		6	152	4-1/2	114	9	229	3/4	19	Centered						RP-5118	RC-3690DK
3-13/32	87	5-13/16	148	3-1/2	89	7-27/32	199	3/4	19	Offset		1	25		RC-8260 ³⁸		
3-1/2	89	4-5/8	117	3-1/2	89	3	76	5/8	16	Centered				RU-4410			
		4-5/8	117	3-1/2	89	4-1/2	114	5/8	16	Centered				RU-2790			
		4-5/8	117	3-1/2	89	5-1/2	140	5/8	16	Centered				RU-3550			25-3900
		4-5/8	117	3-1/2	89	7	178	5/8	16	Centered				RU-3130-L			RU-3130DK
		5	127	3-1/2	89	4	102	5/8	16	Centered				RU-2990			
		5	127	5-1/8	130	2	51	5/8	16	Centered					RC-4230 ¹⁶		
		5-1/2	140	4	102	8	203	1-1/4	32	Centered					RF-1045		RF-1045DK
		5-1/2	140	4-1/2	114	6-1/2	165	1-1/4	32	Centered					RC-4630XD	RP-4630	RC-4630DK
		5-1/2	140	4-1/2	114	8	203	1-1/4	32	Centered					RC-4760		RC-5106DK
		5-3/4	146	3-1/2	89	6	152	1-3/4	44	Angled	10°				RF-1035		RF-1035DK
		5-3/4	146	3-3/4	95	6	152	1-3/4	44	Angled	10°				RF-1031		RU-5168DK
		5-3/4	146	4-1/2	114	6	152	1-3/4	44	Angled	10°				RF-1023		22-8033PK
		5-3/4	146	5	127	7	178	1-3/4	44	Angled	10°				RF-1016 ²		25-3900
		5-3/4	146	5	127	8	203	1-3/4	44	Angled	10°				RF-1003 ²		
		5-3/4	146	5	127	12-1/8	308	1-3/4	44	Angled	10°				RF-1004 ²		
		6	152	4-1/2	114	9	229	1-3/4	44	Centered					RC-3690		RC-3690DK
		6	152	4-5/8	117	6	152	1-3/4	44	Centered					RE-0950		22-8033PK
		6	152	4-5/8	117	9	229	1-3/4	44	Centered					RE-0920		RE-0810PK
		6	152	5-1/4	133	9-1/2	241	1-1/2	38	Centered					RU-3105HB		
		8	203	6-5/8	168	8	203	1-1/2	38	Centered					RC-5112		RC-5112DK
		8	203	7	178	12-1/2	318	1-1/2	38	Centered					RC-5165		RC-5165DK
3-5/8	92	4	102	3-3/4	95	6	152	5/8	16	Centered				RD-6010			
3-3/4	95	5-3/8	137	4-3/8	111	5	127	5/8	16	Centered				RU-4250			25-3900
		5-3/8	137	4-3/8	111	7	178	5/8	16	Centered				RU-3530			RU-2590DK
		5-3/4	146	3-1/2	89	6-3/4	171	3/4	19	Offset		1/2	13		RC-8480		25-3900
3-13/16	97	6-13/16	173	6	152	2-1/8	54	3/4	19	Centered						RX-4130-1 ¹	
3-7/8	98	4-1/4	108	3-1/2	89	4-1/4	108	7/16	11	Centered				RD-6020			
		4-1/4	108	4	102	6	152	7/16	11	Centered				RD-6000			22-8031PK
		6-3/4	171	5-7/8	149	2-3/4	70	3/4	19	Offset		3/8	10		RC-4840 ⁴		
3-27/32	98	6-7/8	175	5-7/8	149	2-25/32	71	3/4	19	Offset		7/16	11		RC-9600		
		6-7/8	175	5-7/8	149	3-3/16	81	3/4	19	Offset		13/32	10		RC-9990 ²⁴		
3-7/8	98	6-15/16	176	3-1/2	89	7-23/32	196	5/8	16	Offset		3/8	10		RC-9540		
3-27/32	98	6-15/16	176	5-13/16	148	3-1/16	78	3/4	19	Offset		197/5	10		RC-9860 ¹⁴		
		6-15/16	176	5-7/8	149	2-5/8	67	3/4	19	Offset		7/16	11		RC-9520 ²⁸		

1) 1/4-20 Jack Nut Into Top 2) Base Has (2) 7/8" Vents 3) Base Has 1/2" Vent 4) Base Has 1/32" Vent 5) Base Has 1/4" Vent 6) Base Has 11/16" Vent 7) Base Has 1-1/8" Vent 8) Base Has 13/16" Vent 9) Base Has 13/32" Vent 10) Base Has 13/64" Vent 11) Base Has 2-3/16" Square Inlet 12) Base Has 15/64" Vent 13) Base Has 19/32" Vent 14) Base Has 21/32" Vent 15) Base Has 25/64" Vent 16) Base Has 29/32" Vent 17) Base Has 3/16" Vent 18) Base Has 3/4" Vent 19) Base Has 3/8" Vent 20) Base Has 31/64" Vent 21) Base Has 35/64" Vent 22) Base Has 45/64" Vent 23) Base Has 5/16" Vent 24) Base Has 5/8" Vent 25) Base Has 55/64" Vent 26) Base Has 7/16" Vent 27) Base Has 7/8" Vent 28) Base Has 9/16" Vent 29) Base Has Opt. 1/2" Vent 30) Base Has 23/32" Vent 31) Base Has 25/32" Vent 32) Filter Has Molded-in Velocity Stack 33) Filter Is Reverse Tapered 34) Fits Legend/Dwarf Race Cars w/FJ1200 Motors 35) Base Has 15/32" Vent 36) Top Plate Has 1/4-20 Stud 37) Top-Plate Has GMM Stud 39) Offset Is Vertical 41) Offset Is Vertical And To The Right 42) Top Has 1/2" Vent 43) Top Has 1-1/16" Center Hole 44) Top Has 21/32" Center Hole 45) Top Has 23/32" Center Hole 46) Top Has 5/32" Center Hole 47) Top Has 7/16" Center Hole 48) Base Has 11/32" Vent 49) Top Has 1/4" Center Hole 50) Top Has 1-7/16" Center Hole 51) 2-1/2" Adapter Included 52) Top Has 5/8" Vent 53) Tapered Insert Included 5" to 4-3/8" 54) Filter has Thru Hole 2-3/4" x 1-5/8"



Round Tapered

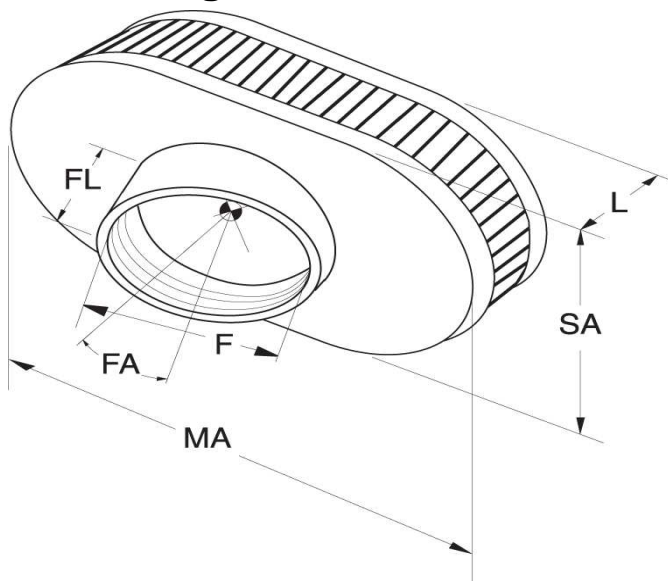
(F) Mounting Flange Inside Diameter		(D) Filter Base Diameter		(D) Filter Top Diameter		(L) Filter Length		(FL) Flange Length		(FA) Flange Style		(FO) Flange Offset		Rubber End Cap Part #	Chrome End Cap Part #	Custom End Cap Part #	Filter Wraps Part #
Inch	mm	Inch	mm	Inch	mm	Inch	mm	Inch	mm	Type	Angle	Inch	mm				
3-7/8	98	7-1/2	191	5-1/8	130	7	178	1-1/2	38	Centered					RF-1029 ¹⁹		RF-1029DK
3-15/16	100	5-7/16	138	4-1/2	114	3-5/8	92	3/4	19	Centered					RC-5057		
		5-7/16	138	4-1/2	114	6	152	3/4	19	Centered						RF-1633 ⁴⁷	
		5-1/2	140	4-1/2	114	3-1/4	83	3/4	19	Centered						RC-5153	
		5-1/2	140	4-1/2	114	4-1/2	114	3/4	19	Centered						RC-5059	
		5-1/2	140	4-1/2	114	5	127	3/4	19	Centered						RC-5156	
		5-1/2	140	4-1/2	114	5-15/16	151	3/4	19	Centered						RC-5053	
4	102	5-3/8	137	3-1/2	89	6	152	5/8	16	Centered			RU-5141 ³⁵				RP-4660DK
		5-3/8	137	4	102	5-1/16	129	5/8	16	Centered						RP-4930	RP-4660DK
		5-3/8	137	4	102	5-1/2	140	5/8	16	Centered						RP-4660	RP-4660DK
		5-3/8	137	4	102	6-1/2	165	5/8	16	Centered					RC-5149	RP-4980	RC-5149DK
		5-3/8	137	4	102	7	178	5/8	16	Centered						RP-4970	22-8032PK
		5-3/8	137	4-3/8	111	3-1/2	89	5/8	16	Centered				RU-2510			
		5-3/8	137	4-3/8	111	5	127	5/8	16	Centered				RU-2520			25-3900
		5-3/8	137	4-3/8	111	7	178	5/8	16	Centered				RU-2590			RU-2590DK
		5-3/8	137	4-1/2	114	5	127	5/8	16	Centered					RC-3600		25-3900
		5-3/8	137	4-1/2	114	6	152	5/8	16	Centered					RF-1049 ³		RF-1023DK
		5-3/8	137	4-1/2	114	7-1/2	191	5/8	16	Centered					RF-1007 ²		
		5-3/8	137	4-1/2	114	8	203	5/8	16	Centered					RC-4580		
		5-3/8	137	5	127	6-1/2	165	5/8	16	Centered					RF-1018 ⁴²		25-3900
		5-1/2	140	7	178	6	152	3/4	19	Centered					RD-1200 ⁵¹		
		6	152	4	102	7	178	1-3/4	44	Centered					RC-4680		RF-1032DK
		6	152	4	102	8	203	1-3/4	44	Centered					RF-1046		
		6	152	4-1/2	114	7	178	5/8	16	Centered					RF-1015		RF-1015DK
		6	152	4-5/8	117	9	229	1-3/4	44	Centered					RE-0870-L		25-0810
		6	152	4-5/8	117	12	305	1-3/4	44	Centered					RE-0860		22-8034PK
		6	152	4-5/8	117	14	356	1-3/4	44	Centered					RE-0880		22-8035PK
		6	152	4-3/4	121	5-1/2	140	1-1/8	29	Centered					RG-1001WT		
		6	152	4-3/4	121	8-5/8	219	1	25	Centered					E-1997		
6	152	4-3/4	121	9-1/2	241	1-1/8	29	Centered					RG-1002RD				
6-1/2	165	4-1/2	114	6	152	1-3/4	44	Centered					RC-5060		RC-5060DK		
6-1/2	165	4-1/2	114	7	178	1-3/4	44	Centered					RF-1032		RF-1032DK		
6-1/2	165	4-1/2	114	8	203	1-3/4	44	Centered					RF-1027		RF-1027DK		
6-5/8	168	5-1/4	133	9-1/2	241	1-11/16	43	Centered						RC-4780 ^{2,29,30}	RC-4780DK		
6-3/4	171	5-7/8	149	9-1/2	241	1-3/4	44	Centered					RU-5045		RU-5045DK		
6-7/8	175	5-7/8	149	2-3/4	70	3/4	19	Offset			1/2	13		RC-9500 ¹⁹			
8	203	6-5/8	168	8	203	1-1/2	38	Centered					RU-5171HB			25-5166	
8	203	6-5/8	168	12	305	1-1/2	38	Centered							RC-5171	25-5166	
4-1/16	103	6-7/8	175	5-7/8	149	2-3/16	56	3/4	19	Offset		15/32	12		RC-4480 ⁴		
		6-7/8	175	5-7/8	149	3-1/8	79	3/4	19	Offset		9/32	7		RC-9470 ⁴⁸		
4-1/8	105	7-3/8	187	6-5/8	168	7-7/8	200	1-1/8	29	Centered						RC-4900 ²⁹	RC-4900DK
		7-3/8	187	7	178	11-1/2	292	1-1/8	29	Centered					RC-5181		RF-1026DK
4-1/4	108	5-1/2	140	5-11/32	136	6	152	843/1000	21	Centered					RC-1645		
		5-7/8	149	4-1/2	114	6-3/4	171	5/8	16	Centered						RP-5167	RF-1037DK

1) 1/4-20 Jack Nut Into Top 2) Base Has (2) 7/8" Vents 3) Base Has 1/2" Vent 4) Base Has 1/32" Vent 5) Base Has 1/4" Vent 6) Base Has 11/16" Vent 7) Base Has 1-1/8" Vent 8) Base Has 13/16" Vent 9) Base Has 13/32" Vent 10) Base Has 13/64" Vent 11) Base Has 2-3/16" Square Inlet 12) Base Has 15/64" Vent 13) Base Has 19/32" Vent 14) Base Has 21/32" Vent 15) Base Has 25/64" Vent 16) Base Has 29/32" Vent 17) Base Has 3/16" Vent 18) Base Has 3/4" Vent 19) Base Has 3/8" Vent 20) Base Has 31/64" Vent 21) Base Has 35/64" Vent 22) Base Has 45/64" Vent 23) Base Has 5/16" Vent 24) Base Has 5/8" Vent 25) Base Has 55/64" Vent 26) Base Has 7/16" Vent 27) Base Has 7/8" Vent 28) Base Has 9/16" Vent 29) Base Has Opt. 1/2" Vent 30) Base Has 23/32" Vent 31) Base Has 25/32" Vent 32) Filter Has Molded-in Velocity Stack 33) Filter Is Reverse Tapered 34) Fits Legend/Dwarf Race Cars w/FJ1200 Motors 35) Base Has 15/32" Vent 36) Top Plate Has 1/4-20 Stud 37) Top-Plate Has 6MM Stud 39) Offset Is Vertical 41) Offset Is Vertical And To The Right 42) Top Has 1/2" Vent 43) Top Has 1-1/16" Center Hole 44) Top Has 21/32" Center Hole 45) Top Has 23/32" Center Hole 46) Top Has 5/32" Center Hole 47) Top Has 7/16" Center Hole 48) Base Has 11/32" Vent 49) Top Has 1/4" Center Hole 50) Top Has 1-7/16" Center Hole 51) 2-1/2" Adapter Included 52) Top Has 5/8" Vent 53) Tapered Insert Included 5" to 4-3/8" 54) Filter has Thru Hole 2-3/4" x 1-5/8"

(F) Mounting Flange Inside Diameter		(D) Filter Base Diameter		(D) Filter Top Diameter		(L) Filter Length		(FL) Flange Length		(FA) Flange Style		(FO) Flange Offset		Rubber End Cap Part #	Chrome End Cap Part #	Custom End Cap Part #	Filter Wraps Part #	
Inch	mm	Inch	mm	Inch	mm	Inch	mm	Inch	mm	Type	Angle	Inch	mm					
4-3/8	111	5-1/2	140	3-1/2	89	2-3/4	70	7/8	22	Centered					RC-9460			
		5-1/2	140	3-1/2	89	3-5/16	84	7/8	22	Centered					RC-9890			
		5-1/2	140	3-1/2	89	5-3/16	132	15/16	24	Centered					RC-9210			
		6	152	4-5/8	117	6-1/2	165	1-1/4	32	Angled	10°			RU-5061				RX-4990DK
4-1/2	114	5-7/8	149	4	102	6	152	5/8	16	Centered						RP-5101	RU-5168DK	
		5-7/8	149	4-1/2	114	4-1/2	114	5/8	16	Centered					RF-1005			
		5-7/8	149	4-1/2	114	5	127	5/8	16	Centered						RT-4610	25-3900	
		5-7/8	149	4-1/2	114	6	152	5/8	16	Centered			RU-4740		RP-4740		RF-1023DK	
		5-7/8	149	4-1/2	114	8-3/8	213	5/8	16	Centered					RF-1008		RC-5106DK	
		5-7/8	149	5	127	3-1/4	83	5/8	16	Centered				RU-3110				
		5-7/8	149	5	127	6	152	5/8	16	Centered				RU-3480			RU-3480PK	
		5-7/8	149	5-1/8	130	5	127	5/8	16	Centered				RU-4260			25-3900	
		8	203	6-5/8	168	8	203	1-1/2	38	Centered				RU-5283HB				RC-5112DK
		8	203	6-5/8	168	8	203	1-3/8	35	Centered						RC-5283 ²⁹		RC-5112DK
		8	203	6-5/8	168	12	305	1-3/8	35	Centered						RC-5166		25-5166
4-7/8	124	9	229	6-5/8	168	7-15/16	202	1-1/4	32	Centered			RU-5172				RC-5139DK	
5	127	6-1/2	165	4-3/8	111	7	178	1	25	Centered			RU-2800				25-3900	
		6-1/2	165	4-1/2	114	4-1/8	105	1	25	Centered			RU-5163				RU-5163DK	
		6-1/2	165	4-1/2	114	5-1/2	140	1	25	Centered			RU-5147				RU-5147DK	
		6-1/2	165	4-1/2	114	5-5/8	143	1	25	Centered						RP-5113	RU-5147DK	
		6-1/2	165	5	127	6-1/2	165	1	25	Centered					RF-1037		RF-1037DK	
		6-1/2	165	6-3/4	171	5	127	1	25	Centered				RU-5109			25-3900	
5-5/8	143	7-1/2	191	5-3/4	146	8	203	1-1/8	29	Centered			E-1993					
6	152	7-1/2	191	4-1/2	114	4	102	1	25	Centered			RU-4600			RT-4600	22-8036PK	
		7-1/2	191	4-1/2	114	5	127	1	25	Centered						RT-4590	22-8049DK	
		7-1/2	191	4-1/2	114	5	127	5/8	16	Centered					RC-5138		22-8049DK	
		7-1/2	191	4-1/2	114	6	152	5/8	16	Centered					RF-1048		RF-1048DK	
		7-1/2	191	4-1/2	114	6-1/2	165	5/8	16	Centered					RC-5107		RC-5107DK	
		7-1/2	191	4-1/2	114	9	229	5/8	16	Centered					RC-5046		RC-5046DK	
		7-1/2	191	5	127	5	127	1	25	Centered					RC-2960XD		22-8049DK	
		7-1/2	191	5	127	6	152	1	25	Centered				RU-3100	RF-1036	RP-5168	RF-1036DK	
		7-1/2	191	5	127	6	152	5/8	16	Centered					RF-1043		22-8037PK	
		7-1/2	191	5	127	6-1/2	165	1	25	Centered					RF-1042XD		RF-1042DK	
		7-1/2	191	5	127	7-1/2	191	1	25	Centered					RF-1041		RF-1041DK	
		7-1/2	191	5	127	8	203	1	25	Centered				RU-3050	RF-1020		RF-1020DK	
		7-1/2	191	5	127	8	203	5/8	16	Centered					RF-1044XD		RF-1020DK	
		7-1/2	191	5	127	10	254	1	25	Centered				RU-3280				
		7-1/2	191	5-1/8	130	4	102	1	25	Centered					RF-1009			22-8036PK
		7-1/2	191	5-1/8	130	5	127	1	25	Centered					RC-2960			22-8049DK
		7-1/2	191	5-1/4	133	6	152	1	25	Centered					RU-3102HB			
7-1/2	191	5-1/4	133	7-1/2	191	1	25	Centered					RU-3101HB					
7-1/2	191	5-7/8	149	3	76	1	25	Centered					RF-1028			RF-1028DK		
7-1/2	191	5-7/8	149	6	152	1	25	Centered					RC-4940			RC-5173DK		
7-1/2	191	5-7/8	149	6	152	5/8	16	Centered					RC-5173			RC-5173DK		
7-1/2	191	5-7/8	149	6-1/2	165	1	25	Centered					RF-1014			RF-1014DK		

1) 1/4-20 Jack Nut Into Top 2) Base Has (2) 7/8" Vents 3) Base Has 1/2" Vent 4) Base Has 1/32" Vent 5) Base Has 1/4" Vent 6) Base Has 11/16" Vent 7) Base Has 1-1/8" Vent 8) Base Has 13/16" Vent 9) Base Has 13/32" Vent 10) Base Has 13/64" Vent 11) Base Has 2-3/16" Square Inlet 12) Base Has 15/64" Vent 13) Base Has 19/32" Vent 14) Base Has 21/32" Vent 15) Base Has 25/64" Vent 16) Base Has 29/32" Vent 17) Base Has 3/16" Vent 18) Base Has 3/4" Vent 19) Base Has 3/8" Vent 20) Base Has 31/64" Vent 21) Base Has 35/64" Vent 22) Base Has 45/64" Vent 23) Base Has 5/16" Vent 24) Base Has 5/8" Vent 25) Base Has 55/64" Vent 26) Base Has 7/16" Vent 27) Base Has 7/8" Vent 28) Base Has 9/16" Vent 29) Base Has Opt. 1/2" Vent 30) Base Has 23/32" Vent 31) Base Has 25/32" Vent 32) Filter Has Molded-in Velocity Stack 33) Filter Is Reverse Tapered 34) Fits Legend/Dwarf Race Cars w/FJ1200 Motors 35) Base Has 15/32" Vent 36) Top Plate Has 1/4-20 Stud 37) Top-Plate Has 6MM Stud 39) Offset Is Vertical 41) Offset Is Vertical And To The Right 42) Top Has 1/2" Vent 43) Top Has 1-1/16" Center Hole 44) Top Has 21/32" Center Hole 45) Top Has 23/32" Center Hole 46) Top Has 5/32" Center Hole 47) Top Has 7/16" Center Hole 48) Base Has 11/32" Vent 49) Top Has 1/4" Center Hole 50) Top Has 1-7/16" Center Hole 51) 2-1/2" Adapter Included 52) Top Has 5/8" Vent 53) Tapered Insert Included 5" to 4-3/8" 54) Filter has Thru Hole 2-3/4" x 1-5/8"

Oval Straight



When selecting one of K&N's universal oval air filters, you should consider the following dimensions as they relate to the specification chart:

(F) Mounting Flange Inside Diameter - This is the most critical dimension and should be very close to the diameter of the application's inlet flange. The flange will stretch up to 1/16" for those in-between sizes.

(MA / SA) Filter Oval Dimensions - This is the length and width of the filter. Always use the largest filter practical to fit the application.

(L) Filter Length - This dimension is the length of the filter body only, it does not include the flange length. Always use the longest filter practical for maximum filtration.

(FA / FL) Flange Angle and/or Length - If no angle is listed in the specifications table, then the flange is straight. Any angle listed is in degrees and can be utilized when space is a problem.

(FO) Flange Offset - In some cases the center of the flange is offset from the center of the filter base in order to provide a better fit.

(F) Mounting Flange Inside Diameter		(MA/SA) Filter Dimensions		(L) Filter Length		(FL) Flange Length		(FA) Flange Style		(FO) Flange Offset		Rubber End Cap Part #	Chrome End Cap Part #	Filter Wraps ¹⁴ Part #
Inch	mm	Inch	mm	Inch	mm	Inch	mm	Type	Angle	Inch	mm			
1-1/2	38	3-3/4x4-1/2	95x114	2-3/4	70	1	25	Angled	30°			R-0640		
2-1/16	52	4-1/2x7	114x178	1-1/2	38	7/8	22	Offset		1/2	13	RA-0700 ⁵	RA-070V ⁵	22-2000PL
		4-1/2x7	114x178	2	51	7/8	22	Offset		1/2	13	RA-0710 ⁵	RA-071V ⁵	22-2000PL
		4-1/2x7	114x178	3	76	7/8	22	Offset		1/2	13	RA-0720 ⁵	RA-072V ⁵	22-2020PL
2-1/4	57	4x6-1/4	102x159	4-1/2	114	1	25	Angled	10°			RU-1320		
		4x6-1/4	102x159	6	152	1	25	Angled	10°			RU-1330		
		3-3/4x4-1/2	95x114	4	102	5/8	16	Centered				RU-0990		
		3-3/4x4-1/2	95x114	5	127	5/8	16	Centered				RU-1100		
		3-3/4x4-1/2	95x114	5	127	1	25	Angled	10°			RU-1140		
		3-3/4x4-1/2	95x114	6	152	1	25	Angled	10°			RU-1150		RU-1230PK
		3-3/4x4-1/2	95x114	2	51	5/8	16	Centered				R-1390		22-8023PK
2-7/16	62	4x6-1/4	102x159	4-1/2	114	1	25	Angled	10°			RU-1340		
		4x6-1/4	102x159	5	127	1	25	Angled	10°			RU-1350		
		4x6-1/4	102x159	6	152	1	25	Angled	10°			RU-1360		
		4-1/2x7	114x178	2	51	5/8	16	Centered					RC-1980	22-2000PL
		3-1/4x4-3/8	83x111	6-3/4	171	1-1/8	29	Centered				AT-6091		
		3-3/4x4-1/2	95x114	5	127	5/8	16	Centered				RU-1180		
		3-3/4x4-1/2	95x114	5	127	1	25	Angled	10°			RU-1220		
		3-3/4x4-1/2	95x114	5	127	1-1/4	32	Angled	20°			RU-1371 ²¹		
		3-3/4x4-1/2	95x114	6	152	1	25	Angled	10°			RU-1230		RU-1230PK
		3-3/4x4-1/2	95x114	6	152	1-1/4	32	Angled	20°			RU-1380		RU-1230PK
		3-3/4x4-1/2	95x114	7	178	5/8	16	Centered				RU-1810		RU-1240PK
		3-3/4x4-1/2	95x114	7	178	1	25	Angled	10°			RU-1240		RU-1240PK
		3-3/4x4-1/2	95x114	7	178	1-1/4	32	Angled	20°			RU-1390		RU-1240PK
3-3/4x4-1/2	95x114	9	229	1	25	Angled	10°			RU-1260		RU-1260PK		
2-1/2	64	3-3/4x4-1/2	95x114	7	178	2-1/8	54	Angled	10°			RU-1830		RU-1240PK

1) 1/4-20 Jack Nut Into Top 2) Base Has (2) 7/8" Vents 3) Base Has 1/2" Vent 4) Base Has 1/32" Vent 5) Base Has 1/4" Vent 6) Base Has 11/16" Vent 7) Base Has 1-1/8" Vent 8) Base Has 13/16" Vent 9) Base Has 13/32" Vent 10) Base Has 13/64" Vent 11) Base Has 2-3/16" Square Inlet 12) Base Has 15/64" Vent 13) Base Has 19/32" Vent 14) Base Has 21/32" Vent 15) Base Has 25/64" Vent 16) Base Has 29/32" Vent 17) Base Has 3/16" Vent 18) Base Has 3/4" Vent 19) Base Has 3/8" Vent 20) Base Has 31/64" Vent 21) Base Has 35/64" Vent 22) Base Has 45/64" Vent 23) Base Has 5/16" Vent 24) Base Has 5/8" Vent 25) Base Has 55/64" Vent 26) Base Has 7/16" Vent 27) Base Has 7/8" Vent 28) Base Has 9/16" Vent 29) Base Has Opt. 1/2" Vent 30) Base Has 23/32" Vent 31) Base Has 25/32" Vent 32) Filter Has Molded-in Velocity Stack 33) Filter Is Reverse Tapered 34) Fits Legend/Dwarf Race Cars w/FJ1200 Motors 35) Base Has 15/32" Vent 36) Top Plate Has 1/4-20 Stud 37) Top-Plate Has 6MM Stud 39) Offset Is Vertical 41) Offset Is Vertical And To The Right 42) Top Has 1/2" Vent 43) Top Has 1-1/16" Center Hole 44) Top Has 21/32" Center Hole 45) Top Has 23/32" Center Hole 46) Top Has 5/32" Center Hole 47) Top Has 7/16" Center Hole 48) Base Has 11/32" Vent 49) Top Has 1/4" Center Hole 50) Top Has 1-7/16" Center Hole 51) 2-1/2" Adapter Included 52) Top Has 5/8" Vent 53) Tapered Insert Included 5" to 4-3/8" 54) Filter has Thru Hole 2-3/4" x 1-5/8"

(F) Mounting Flange Inside Diameter		(MA/SA) Filter Dimensions		(L) Filter Length		(FL) Flange Length		(FA) Flange Style		(FO) Flange Offset		Rubber End Cap Part #	Chrome End Cap Part #	Filter Wraps ¹⁴ Part #
Inch	mm	Inch	mm	Inch	mm	Inch	mm	Type	Angle	Inch	mm			
2-1/2	64	3-3/4x4-1/2	95x114	9	229	2-1/8	54	Angled	10°			RU-1840		RU-1260PK
2-9/16	65	4-1/2x7	114x178	1-1/2	38	7/8	22	Offset		1/2	13	RA-0750	RA-075V	22-2000PL
		4-1/2x7	114x178	2	51	7/8	22	Offset		1/2	13	RA-0760	RA-076V	22-2000PL
		4-1/2x7	114x178	3	76	7/8	22	Offset		1/2	13	RA-0770	RA-077V	22-2020PL
2-3/4	70	4x6-1/4	102x159	5	127	5/8	16	Centered				RU-1500	RC-1500	
		4x6-1/4	102x159	5	127	1	25	Angled	10°			RU-1530		
		4x6-1/4	102x159	6	152	1	25	Angled	10°			RU-1540	RC-1540	
		4x6-1/4	102x159	7	178	5/8	16	Centered				RU-1520	RC-1520	
		4x6-1/4	102x159	7	178	1	25	Angled	10°			RU-1550		
		4-1/2x7	114x178	2	51	5/8	16	Centered					RC-2000	22-2000PL
		4-1/2x7	114x178	3	76	5/8	16	Centered					RC-2860	22-2020PL
3-1/2	89	4-1/2x7	114x178	7	178	5/8	16	Centered				RU-3620		
		4-1/2x7	114x178	3-1/2	89	5/8	16	Centered					RC-3180	E-3341PK

PART NUMBER
RU-1840



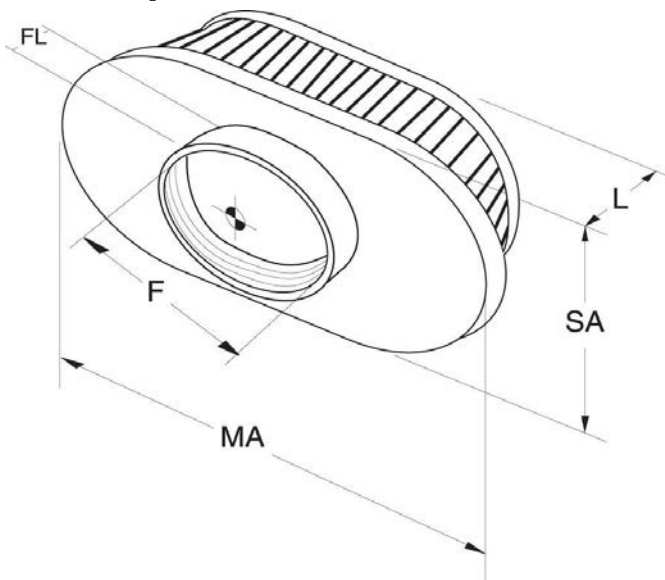
PART NUMBER
RU-1500



PART NUMBER
RU-1390

1) 1/4-20 Jack Nut Into Top 2) Base Has (2) 7/8" Vents 3) Base Has 1/2" Vent 4) Base Has 1/32" Vent 5) Base Has 1/4" Vent 6) Base Has 11/16" Vent 7) Base Has 1-1/8" Vent 8) Base Has 13/16" Vent 9) Base Has 13/32" Vent 10) Base Has 13/64" Vent 11) Base Has 2-3/16" Square Inlet 12) Base Has 15/64" Vent 13) Base Has 19/32" Vent 14) Base Has 21/32" Vent 15) Base Has 25/64" Vent 16) Base Has 29/32" Vent 17) Base Has 3/16" Vent 18) Base Has 3/4" Vent 19) Base Has 3/8" Vent 20) Base Has 31/64" Vent 21) Base Has 35/64" Vent 22) Base Has 45/64" Vent 23) Base Has 5/16" Vent 24) Base Has 5/8" Vent 25) Base Has 55/64" Vent 26) Base Has 7/16" Vent 27) Base Has 7/8" Vent 28) Base Has 9/16" Vent 29) Base Has Opt. 1/2" Vent 30) Base Has 23/32" Vent 31) Base Has 25/32" Vent 32) Filter Has Molded-in Velocity Stack 33) Filter Is Reverse Tapered 34) Fits Legend/Dwarf Race Cars w/FJ1200 Motors 35) Base Has 15/32" Vent 36) Top Plate Has 1/4-20 Stud 37) Top-Plate Has 6MM Stud 39) Offset Is Vertical 41) Offset Is Vertical And To The Right 42) Top Has 1/2" Vent 43) Top Has 1-1/16" Center Hole 44) Top Has 21/32" Center Hole 45) Top Has 23/32" Center Hole 46) Top Has 5/32" Center Hole 47) Top Has 7/16" Center Hole 48) Base Has 11/32" Vent 49) Top Has 1/4" Center Hole 50) Top Has 1-7/16" Center Hole 51) 2-1/2" Adapter Included 52) Top Has 5/8" Vent 53) Tapered Insert Included 5" to 4-3/8" 54) Filter has Thru Hole 2-3/4" x 1-5/8"

Oval Tapered



When selecting one of K&N's universal oval air filters, you should consider the following dimensions as they relate to the specification chart:

(F) Mounting Flange Inside Diameter - This is the most critical dimension and should be very close to the diameter of the application's inlet flange. The flange will stretch up to 1/16" for those in-between sizes.

(MA / SA) Filter Oval Dimensions - This is the length and width of the filter. Always use the largest filter practical to fit the application.

(L) Filter Length - This dimension is the length of the filter body only, it does not include the flange length. Always use the longest filter practical for maximum filtration.

(FA / FL) Flange Angle and/or Length - If no angle is listed in the specifications table, then the flange is straight. Any angle listed is in degrees and can be utilized when space is a problem.

(FO) Flange Offset - In some cases the center of the flange is offset from the center of the filter base in order to provide a better fit.

(F) Mounting Flange Inside Diameter	(MA/SA) Filter Base Dimensions		(MA/SA) Filter Top Dimensions		(L) Filter Length		(FL) Flange Length		(FA) Flange Style	(FO) Flange Offset		Rubber End Cap Part #	Chrome End Cap Part #	Custom End Cap Part #	Filter Wraps Part #
	Inch	mm	Inch	mm	Inch	mm	Inch	mm	Type Angle	Inch	mm				
1-3/4 44	2-7/8x4	73x102	2x3	51x76	2-3/4	70	5/8	16	Offset	1/2	13		RC-2450 ⁷		RC-1820DK
	3x4	76x102	2-1/2x3-1/2	64x89	2-3/4	70	5/8	16	Offset	1/2	13	RU-2450 ⁷			RU-0981DK
2 51	3x4	76x102	2x3	51x76	2-3/4	70	5/8	16	Offset	1/2	13		RC-1820 ⁷		RC-1820DK
	3x4	76x102	2x3	51x76	5	127	5/8	16	Offset	1/2	13		RC-2770 ⁷		
	3x4	76x102	2-1/2x3-1/2	64x89	2-3/4	70	5/8	16	Offset	1/2	13	RU-1820 ⁷			RU-0981DK
2-1/8 54	2-7/8x4	73x102	2-1/2x3-1/2	64x89	4	102	5/8	16	Offset	7/16	11	RU-2980 ⁷			
	3x4	76x102	2x3	51x76	2-3/4	70	5/8	16	Offset	7/16	11		RC-0981		RC-1820DK
	3x4	76x102	2x3	51x76	4	102	5/8	16	Offset	7/16	11		RC-2900 ⁷		RC-2890DK
	3x4	76x102	2-1/2x3-1/2	64x89	2-3/4	70	5/8	16	Offset	7/16	11	RU-3010 ⁹			RU-0981DK
	3x4	76x102	2-1/2x3-1/2	64x89	4	102	5/8	16	Offset	7/16	11	RU-2810 ⁷			
	3x4	76x102	2-1/2x3-1/2	64x89	5	127	5/8	16	Offset	7/16	11	RU-2750 ⁷			
2-3/8 60	3-1/2x4-7/8	89x124	2x3	51x76	5-1/2	140	7/8	22	Centered				RC-70040		
	4-1/2x5-3/16	114x132	3-5/16x3-1/2	84x89	4-13/32	112	3/4	19	Offset	5/8	16		RC-70032 ⁴		
2-7/16 62	3-3/4x4-1/2	95x114	2x3	51x76	4	102	5/8	16	Centered					RE-0961	RE-0961DK
	3-3/4x4-1/2	95x114	2x3	51x76	6	152	5/8	16	Centered				RC-3680		22-8051PK
	3-3/4x4-1/2	95x114	2-1/2x3-1/2	64x89	2-3/4	70	5/8	16	Centered			RU-2780 ⁷			RU-2780DK
	3-3/4x4-1/2	95x114	2-1/2x3-1/2	64x89	3-1/2	89	5/8	16	Centered			RU-3780			
	3-3/4x4-1/2	95x114	2-1/2x3-1/2	64x89	5	127	1-1/4	32	Angled 20°			SN-2540			SN-2540PK
	3-3/4x4-1/2	95x114	2-1/2x3-1/2	64x89	6	152	1-1/4	32	Angled 20°			SN-2550			SN-2550PK
	3-3/4x4-1/2	95x114	2-1/2x3-1/2	64x89	6	152	5/8	16	Centered					RE-0960	
2-1/2 64	4-7/32x4-17/32	107x115	3-5/16x4-7/16	84x113	5-1/2	140	2-7/16	62	Angled 9°				RC-70050		
2-3/4 70	3-3/4x4-3/4	95x121	4x4	102x102	5-9/16	141	13/16	21	Centered					RX-5090 ¹	
3 76	6x8	152x203	5x5	127x127	6-1/2	165	1-7/8	48	Centered					RX-4750 ¹	RF-1042DK
3-1/2 89	5-1/4x8-1/2	133x216	4x6-1/4	102x159	5-1/2	140	3/4	19	Centered				RC-5040		RC-5040DK

1) 1/4-20 Jack Nut Into Top 2) Base Has (2) 7/8" Vents 3) Base Has 1/2" Vent 4) Base Has 1/32" Vent 5) Base Has 1/4" Vent 6) Base Has 11/16" Vent 7) Base Has 1-1/8" Vent 8) Base Has 13/16" Vent 9) Base Has 13/32" Vent 10) Base Has 13/64" Vent 11) Base Has 2-3/16" Square Inlet 12) Base Has 15/64" Vent 13) Base Has 19/32" Vent 14) Base Has 21/32" Vent 15) Base Has 25/64" Vent 16) Base Has 29/32" Vent 17) Base Has 3/16" Vent 18) Base Has 3/4" Vent 19) Base Has 3/8" Vent 20) Base Has 31/64" Vent 21) Base Has 35/64" Vent 22) Base Has 45/64" Vent 23) Base Has 5/16" Vent 24) Base Has 5/8" Vent 25) Base Has 55/64" Vent 26) Base Has 7/16" Vent 27) Base Has 7/8" Vent 28) Base Has 9/16" Vent 29) Base Has Opt. 1/2" Vent 30) Base Has 23/32" Vent 31) Base Has 25/32" Vent 32) Filter Has Molded-in Velocity Stack 33) Filter Is Reverse Tapered 34) Fits Legend/Dwarf Race Cars w/FJ1200 Motors 35) Base Has 15/32" Vent 36) Top Plate Has 1/4-20 Stud 37) Top-Plate Has 6MM Stud 39) Offset Is Vertical 41) Offset Is Vertical And To The Right 42) Top Has 1/2" Vent 43) Top Has 1-1/16" Center Hole 44) Top Has 21/32" Center Hole 45) Top Has 23/32" Center Hole 46) Top Has 5/32" Center Hole 47) Top Has 7/16" Center Hole 48) Base Has 11/32" Vent 49) Top Has 1/4" Center Hole 50) Top Has 1-7/16" Center Hole 51) 2-1/2" Adapter Included 52) Top Has 5/8" Vent 53) Tapered Insert Included 5" to 4-3/8" 54) Filter Has Thru Hole 2-3/4" x 1-5/8"

(F) Mounting Flange Inside Diameter		(MA/SA) Filter Base Dimensions		(MA/SA) Filter Top Dimensions		(L) Filter Length		(FL) Flange Length		(FA) Flange Style	(FO) Flange Offset	Rubber End Cap Part #	Chrome End Cap Part #	Custom End Cap Part #	Filter Wraps Part #	
Inch	mm	Inch	mm	Inch	mm	Inch	mm	Inch	mm	Type Angle	Inch mm					
3-1/2	89	5-3/4x5-3/4	146x146	3-1/4x4-1/2	83x114	6	152	1-3/4	44	Angled 10°			RC-4400			
		5-3/4x5-3/4	146x146	3-1/4x4-1/2	83x114	7	178	1-3/4	44	Angled 10°				RF-1033		
		6x6	152x152	3-3/4x4-1/2	95x114	5	127	1-3/4	44	Centered		RU-4190				
3-11/16	94	5-1/2x8-3/4	140x222	3-3/16x6-3/8	81x162	7	178	2-1/8	54	Centered				RP-5285		
3-9/17	199	5-3/8x7-1/2	137x191	3-5/16x4-7/16	84x113	6-1/2	165	1-3/8	35	Centered					RC-5152	
3-29/32	99	5-1/2x7-1/2	140x191	3-5/16x4-1/2	84x114	6-1/2	165	1-1/2	38	Centered					RC-5132	
3-15/16	100	5-1/4x6-15/16	133x176	3-1/4x4-1/2	83x114	4-15/16	125	1-15/32	37	Centered			RC-1681 ²⁶			
		5-5/16x6-7/8	135x175	3-1/4x4-1/2	83x114	5	127	1-1/2	38	Centered			RC-70031		RC-70031DK	
		5-5/16x6-11/16	135x170	3-1/4x4-1/2	83x114	5	127	1-15/32	37	Centered			RC-1605 ⁵			
		5-5/16x7-1/8	135x181	3-1/4x4-1/2	83x114	5	127	1-7/16	37	Centered			RC-5129 ³			
		5-5/16x7-1/8	135x181	3-1/2x3-1/2	89x89	5	127	1-15/16	49	Centered			RC-5056 ^{37,3}			
		5-3/8x7-1/2	137x191	3-5/16x4-7/16	84x113	4-3/4	121	1-7/16	37	Centered			RC-1680 ^{5,18}			
		5-7/16x7-7/16	138x189	3-1/4x4-7/16	83x113	4-13/16	122	1-7/16	37	Centered			RC-70002 ²⁴			
		5-7/16x7-7/16	138x189	3-1/4x4-7/16	83x113	6-3/4	171	1-7/16	37	Centered			RC-1677 ^{18,3}			
		5-7/16x7-7/16	138x189	4-1/2x4-1/2	114x114	6-13/16	173	1-7/16	37	Centered			RC-70030 ³			
		5-7/16x7-7/16	138x189	4-1/2x4-1/2	114x114	6-7/8	175	1-7/16	37	Centered			RC-5055 ¹⁹			
4	102	5-3/8x7-1/2	137x191	3-5/16x4-1/2	84x114	8-1/16	205	1-3/8	35	Centered					RC-5126	
		5-3/4x9	146x229	4-1/2x7	114x178	4	102	1-1/2	38	Centered					RC-5148	
		5-3/4x9	146x229	4-1/2x7	114x178	7-1/2	191	1-1/2	38	Centered					RF-1040	RF-1034DK
		5-3/4x9	146x229	4-1/2x7	114x178	7-1/2	191	5/8	16	Centered					RF-1034	RF-1034DK
		6-3/4x9-1/2	171x241	5-1/2x9	140x229	8-15/16	227	1-7/8	48	Offset		1-1/2 38			RC-5102 ^{2,29}	RC-5102DK
4-1/2	114	5-7/8x5-7/8	149x149	3-1/4x4-1/2	83x114	8	203	5/8	16	Centered					RF-1021	
		6-1/4x9-1/4	159x235	4-1/2x7	114x178	10	254	5/8	16	Centered					RF-1024 ³	RF-1024DK
6	152	6-1/4x8-1/4	159x210	4x6-1/4	102x159	5	127	1	25	Centered					RC-3160	
		6-1/4x8-1/4	159x210	4-1/2x7	114x178	3-1/4	83	1	25	Centered					RF-1002	

PART NUMBER
RC-5132

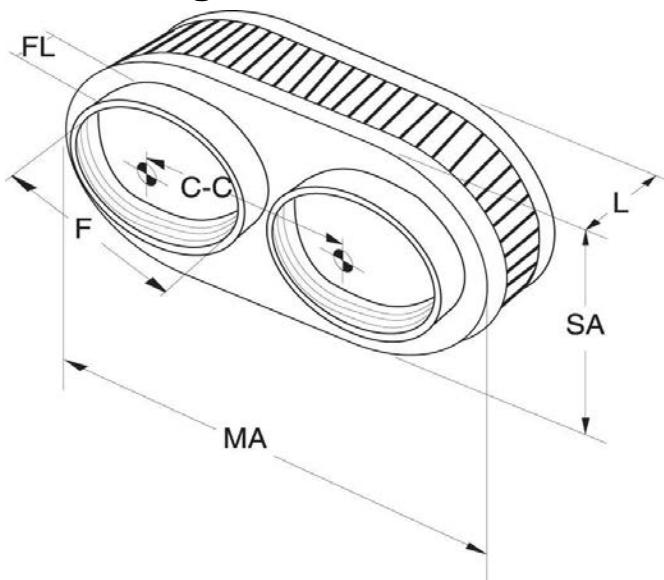


PART NUMBER
RE-0960



1) 1/4-20 Jack Nut Into Top 2) Base Has (2) 7/8" Vents 3) Base Has 1/2" Vent 4) Base Has 1/32" Vent 5) Base Has 1/4" Vent 6) Base Has 11/16" Vent 7) Base Has 1-1/8" Vent 8) Base Has 13/16" Vent 9) Base Has 13/32" Vent 10) Base Has 13/64" Vent 11) Base Has 2-3/16" Square Inlet 12) Base Has 15/64" Vent 13) Base Has 19/32" Vent 14) Base Has 21/32" Vent 15) Base Has 25/64" Vent 16) Base Has 29/32" Vent 17) Base Has 3/16" Vent 18) Base Has 3/4" Vent 19) Base Has 3/8" Vent 20) Base Has 31/64" Vent 21) Base Has 35/64" Vent 22) Base Has 45/64" Vent 23) Base Has 5/16" Vent 24) Base Has 5/8" Vent 25) Base Has 55/64" Vent 26) Base Has 7/16" Vent 27) Base Has 7/8" Vent 28) Base Has 9/16" Vent 29) Base Has Opt. 1/2" Vent 30) Base Has 23/32" Vent 31) Base Has 25/32" Vent 32) Filter Has Molded-in Velocity Stack 33) Filter Is Reverse Tapered 34) Fits Legend/Dwarf Race Cars w/F1200 Motors 35) Base Has 15/32" Vent 36) Top Plate Has 1/4-20 Stud 37) Top-Plate Has 6MM Stud 39) Offset Is Vertical 41) Offset Is Vertical And To The Right 42) Top Has 1/2" Vent 43) Top Has 1-1/16" Center Hole 44) Top Has 21/32" Center Hole 45) Top Has 23/32" Center Hole 46) Top Has 5/32" Center Hole 47) Top Has 7/16" Center Hole 48) Base Has 11/32" Vent 49) Top Has 1/4" Center Hole 50) Top Has 1-7/16" Center Hole 51) 2-1/2" Adapter Included 52) Top Has 5/8" Vent 53) Tapered Insert Included 5" to 4-3/8" 54) Filter has Thru Hole 2-3/4" x 1-5/8"

Dual Flange Oval



When selecting one of K&N's universal dual flange air filters, you should consider the following dimensions as they relate to the specification chart:

(F) Mounting Flange Inside Diameter - This is the most critical dimension and should be very close to the diameter of the application's inlet flange. The flange will stretch up to 1/16" for those in-between sizes.

(MA / SA) Filter Oval Dimensions - This is the length and width of the filter. Always use the largest filter practical to fit the application.

(L) Filter Length - This dimension is the length of the filter body only, it does not include the flange length. Always use the longest filter practical for maximum filtration.

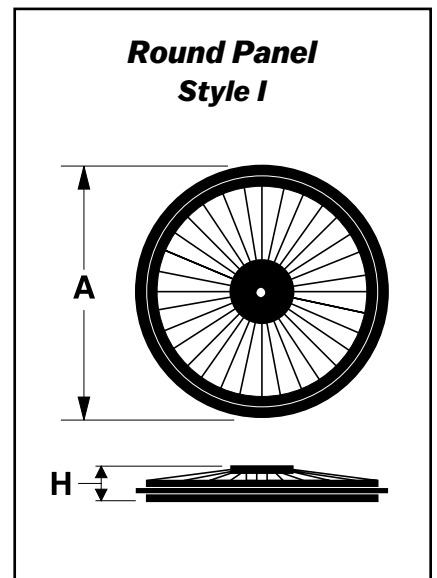
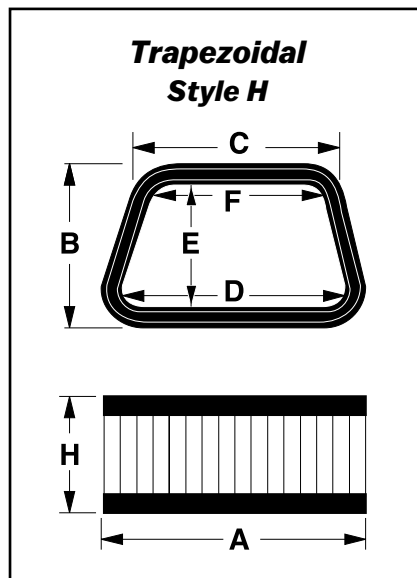
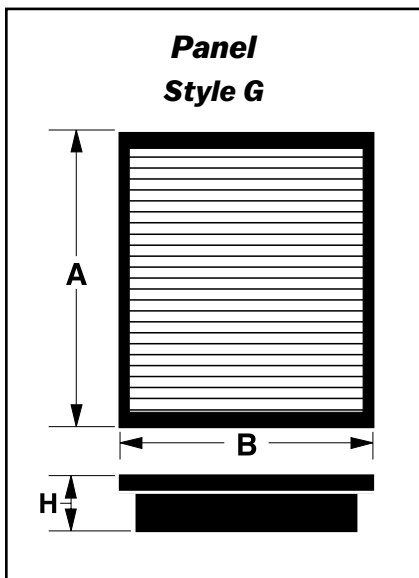
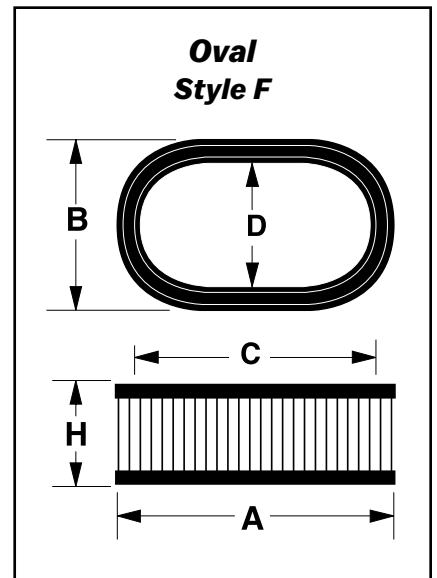
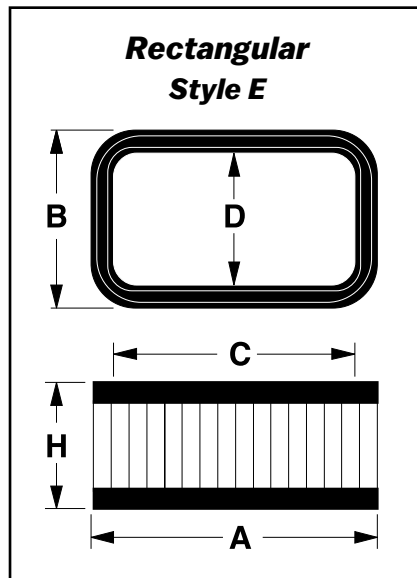
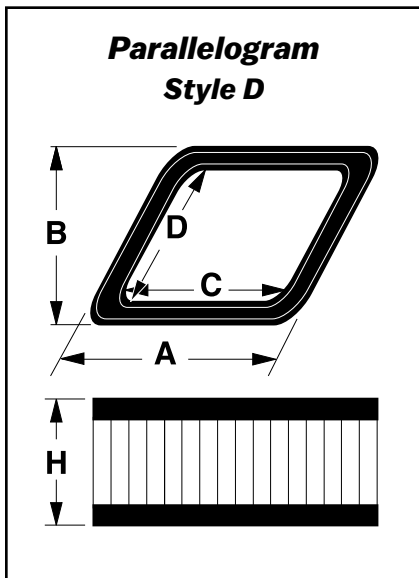
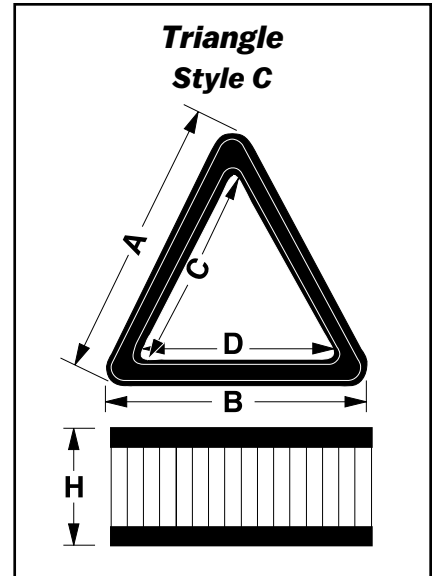
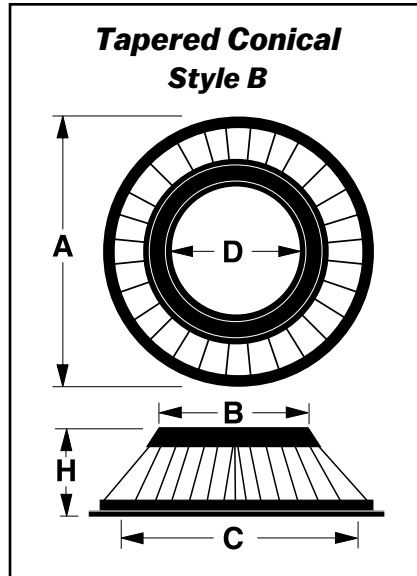
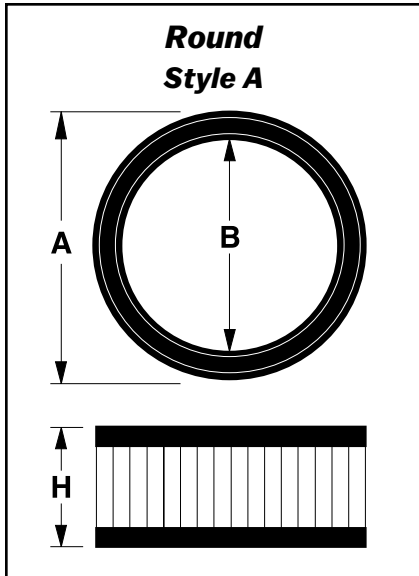
(FA / FL) Flange Angle and/or Length - If no angle is listed in the specifications table, then the flange is straight. Any angle listed is in degrees and can be utilized when space is a problem.

(FO) Flange Offset - In some cases the center of the flange is offset from the center of the filter base in order to provide a better fit.

(C-C) Flange Center to Center - For dual flange filters, this is the flange spacing. This dimension should be within 2mm for proper fit on the application.

(F) Mounting Flange Inside Diameter		(MA/SA) Filter Base Dimensions		(MA/SA) Filter Top Dimensions		(L) Filter Length		(FL) Flange Length		(FA) Flange Style	(FO) Flange Offset	(C-C) Flange Ctr to Ctr		Rubber End Cap Part #	Chrome End Cap Part #	Filter Wraps Part #	
Inch	mm	Inch	mm	Inch	mm	Inch	mm	Inch	mm	Type	Angle	Inch	mm	Inch	mm		
1-9/16	40	4-1/2x7	114x178	4-1/2x7	114x178	2	51	5/8	16	Offset		1-1/8	29	3	76	RC-2240	
1-7/8	48	3-7/8x6-1/8	98x156	3-7/8x6-1/8	98x156	3	76	5/8	16	Offset		3/8	10	2-5/8	67	R-0990 ¹⁰	
2	51	4x6-1/4	102x159	4x6-1/4	102x159	2	51	5/8	16	Offset		1/4	6	2-5/8	67	RC-2370	
		4x6-1/4	102x159	4x6-1/4	102x159	3-1/4	83	5/8	16	Offset		1/4	6	2-5/8	67	RC-4350	
2-1/16	52	3-3/4x8-1/2	95x216	3-3/4x8-1/2	95x216	1-3/4	44	5/8	16	Centered				5	127	RC-3240	
		3-3/4x8-1/2	95x216	3-3/4x8-1/2	95x216	2-3/8	60	5/8	16	Centered				3-3/4	95	RC-2820	
		3-3/4x8-1/2	95x216	3-3/4x8-1/2	95x216	2-3/8	60	5/8	16	Centered				5	127	RC-2720	
		3-3/4x6-1/4	95x159	3-3/4x6-1/4	95x159	3	76	5/8	16	Centered				3-1/16	78	R-2300	
2-1/8	54	4x6	102x152	3-3/4x4-1/2	95x114	4	102	5/8	16	Centered				2-15/16	75	RU-2850	
		4x6-1/4	102x159	4x6-1/4	102x159	1-3/4	44	5/8	16	Centered				2-15/16	75	RC-2380	
		4x6-1/4	102x159	4x6-1/4	102x159	2	51	3/4	19	Centered				2-5/8	67	RC-2360	
		4x6-1/4	102x159	4x6-1/4	102x159	3	76	3/8	10	Centered				3-1/8	79	RC-3510 ³²	
2-3/8	60	3-5/8x7-3/8	92x187	3-5/8x7-3/8	92x187	3	76	5/8	16	Centered				4-3/16	106	RU-2970	
		3-3/4x6-1/4	95x159	3-7/16x4-7/16	87x113	6-3/4	171	3/8	10	Centered				3	76	RU-4710	RU-4710PK
		3-3/4x6-1/4	95x159	3-3/4x6-1/4	95x159	3	76	3/8	10	Centered				3	76	RU-2920	
		3-3/4x6-1/4	95x159	4-7/16x3-7/16	113x87	5	127	3/8	10	Centered				3	76	RU-4720	RU-4720PK
2-3/4	70	5-1/2x9	140x229	5-1/2x9	140x229	2	51	3/4	19	Centered				4-1/16	103	RC-2830	22-2840PL
		5-1/2x9	140x229	5-1/2x9	140x229	2-1/2	64	3/4	19	Centered				4-1/16	103	RC-2840	22-2840PL

1) 1/4-20 Jack Nut Into Top 2) Base Has (2) 7/8" Vents 3) Base Has 1/2" Vent 4) Base Has 1/32" Vent 5) Base Has 1/4" Vent 6) Base Has 11/16" Vent 7) Base Has 1-1/8" Vent 8) Base Has 13/16" Vent 9) Base Has 13/32" Vent 10) Base Has 13/64" Vent 11) Base Has 2-3/16" Square Inlet 12) Base Has 15/64" Vent 13) Base Has 19/32" Vent 14) Base Has 21/32" Vent 15) Base Has 25/64" Vent 16) Base Has 29/32" Vent 17) Base Has 3/16" Vent 18) Base Has 3/4" Vent 19) Base Has 3/8" Vent 20) Base Has 31/64" Vent 21) Base Has 35/64" Vent 22) Base Has 45/64" Vent 23) Base Has 5/16" Vent 24) Base Has 5/8" Vent 25) Base Has 55/64" Vent 26) Base Has 7/16" Vent 27) Base Has 7/8" Vent 28) Base Has 9/16" Vent 29) Base Has Opt. 1/2" Vent 30) Base Has 23/32" Vent 31) Base Has 25/32" Vent 32) Filter Has Molded-in Velocity Stack 33) Filter Is Reverse Tapered 34) Fits Legend/Dwarf Race Cars w/F1200 Motors 35) Base Has 15/32" Vent 36) Top Plate Has 1/4-20 Stud 37) Top-Plate Has 6MM Stud 39) Offset Is Vertical 41) Offset Is Vertical And To The Right 42) Top Has 1/2" Vent 43) Top Has 1-1/16" Center Hole 44) Top Has 21/32" Center Hole 45) Top Has 23/32" Center Hole 46) Top Has 5/32" Center Hole 47) Top Has 7/16" Center Hole 48) Base Has 11/32" Vent 49) Top Has 1/4" Center Hole 50) Top Has 1-7/16" Center Hole 51) 2-1/2" Adapter Included 52) Top Has 5/8" Vent 53) Tapered Insert Included 5" to 4-3/8" 54) Filter has Thru Hole 2-3/4" x 1-5/8"



Filter Dimensions by Size



Part #	Style	A	B	C	D	E	F	H	Part #	Style	A	B	C	D	E	F	H	
Round Filters									Round Filters									
E-3009	A	2.000	1.063					1.063	YA-7086	A	4.000	2.063						5.875
E-4142	A	2.750	1.438					2.813	DU-0202	A	4.125	2.875						2.438
E-9234 ³	A	2.813	1.250					2.688	E-4961 ³	A	4.125	2.625						10.750
E-2010	A	3.000	1.750					2.500	E-9245	A	4.125	2.750						5.945
E-4188 ³	A	3.000	2.000					1.438	HA-0301 ¹	A	4.125	1.750						3.625
E-4210	A	3.000	2.125					3.125	YA-2588 ³	A	4.125	2.750						2.250
HA-1088 ³	A	3.000	1.688					3.000	E-4450	A	4.188	2.875						4.875
HD-2492	A	3.000	2.000					5.000	HA-6089 ³	A	4.188	2.875						3.875
KA-5090 ³	A	3.000	2.000					3.438	KA-6085 ³	A	4.188	2.875						1.625
E-4284	A	3.250	2.250					2.000	PL-5008 ³	A	4.188	2.500						10.750
E-4510	A	3.250	1.625					7.063	SU-8087 ³	A	4.188	2.125						3.000
YA-2597 ³	A	3.313	1.875					5.500	AL-6502	A	4.250	3.000						3.125
E-4495 ³	A	3.375	1.938					7.250	E-2876	A	4.250	2.875						9.313
CG-0100	A	3.500	2.500					4.563	E-4370	A	4.250	2.000						3.750
DU-1006	A	3.500	2.000					5.500	HA-0300	A	4.250	3.125						2.125
DU-6908	A	3.500	2.000					5.500	HA-0850 ³	A	4.250	3.000						5.313
E-2040	A	3.500	2.438					6.625	KA-4010	A	4.250	3.000						4.375
E-3050	A	3.500	2.438					3.500	SU-1284 ³	A	4.250	2.938						5.094
E-4552 ³	A	3.500	1.875					7.125	YA-6608 ³	A	4.250	2.813						4.000
E-9257	A	3.500	2.000					5.500	BD-6502 ³	A	4.313	2.750						5.000
HA-0510 ³	A	3.500	2.062					5.000	E-2864	A	4.313	2.563						9.938
HA-4020 ³	A	3.500	2.250					5.188	E-9242	A	4.313	2.438						5.938
KA-1200	A	3.500	2.500					5.375	KA-3603 ³	A	4.313	2.938						5.313
KA-6201 ³	A	3.500	1.813					7.188	BM-0400	A	4.375	3.000						3.375
KA-7583	A	3.500	2.438					4.813	BM-1298	A	4.375	3.000						3.188
YA-0587 ³	A	3.500	2.375					3.250	E-2190	A	4.375	2.875						5.750
KA-0018 ¹	A	3.543	2.165					6.457	E-2862	A	4.375	2.625						10.500
BM-0100	A	3.563	2.438					2.813	E-4400	A	4.375	3.000						2.313
E-4527 ³	A	3.563	2.375					4.250	E-4420	A	4.375	3.000						3.313
HA-3010	A	3.563	2.125					5.313	E-4430	A	4.375	3.000						4.875
E-2401	A	3.625	2.375					7.875	E-9238	A	4.375	3.000						7.000
E-4513 ³	A	3.625	1.625					2.875	YA-6092	A	4.375	2.563						4.688
HA-2501 ³	A	3.625	1.438					4.125	E-2230	A	4.438	3.000						3.688
KA-0750	A	3.625	2.375					7.438	E-4490	A	4.438	3.000						7.000
KA-7500	A	3.625	2.375					6.813	E-4517 ¹	A	4.438	2.500						3.625
KA-7580	A	3.625	2.375					4.625	E-9000	A	4.438	3.063						9.438
YA-4350 ³	A	3.625	2.625					9.000	E-9104	A	4.438	2.625						6.750
YA-1308 ³	A	3.688	2.094					5.875	E-9256	A	4.438	2.625						8.625
HA-5094 ³	A	3.750	2.500					5.313	KA-1408	A	4.438	3.188						3.563
SU-7503	A	3.750	2.750					4.500	E-0770	A	4.500	3.063						5.625
E-9025	A	3.781	2.844					2.781	E-2240	A	4.500	3.313						4.813
E-3120	A	3.875	2.875					2.000	E-2658	A	4.500	2.688						9.875
E-3130	A	3.875	2.875					3.250	E-9060	A	4.500	2.750						11.313
E-9260	A	3.875	2.125					11.875	HA-1000 ³	A	4.500	2.250						2.250
HA-1326	A	3.875	2.500					4.125	HA-4400 ³	A	4.500	3.125						4.500
HA-2090 ³	A	3.875	1.688					4.313	HA-5083 ³	A	4.500	2.750						3.750
HA-2597 ³	A	3.875	1.500					4.000	KA-2288 ³	A	4.500	2.000						3.563
HA-3098 ³	A	3.875	1.875					4.250	KA-4093 ³	A	4.500	2.813						3.875
HA-5100 ³	A	3.875	2.375					4.438	PL-1001	A	4.500	3.250						4.375
YA-3504 ³	A	3.875	2.500					5.875	YA-6089	A	4.500	2.500						4.125
YA-4001 ³	A	3.938	1.938					5.875	YA-7585	A	4.500	2.500						4.875
E-4310	A	4.000	2.375					2.750	E-9123	A	4.625	2.750						16.031
E-4550 ²	A	4.000	2.750					3.188	E-9131	A	4.625	3.375						9.563
HA-2410 ³	A	4.000	2.875					5.250	RO-5010	A	4.687	3.687						3.125
HA-4435 ³	A	4.000	2.625					6.000	HA-5000 ³	A	4.750	3.125						4.625
HA-9002 ³	A	4.000	2.750					5.375	TB-0100	A	4.750	3.250						1.625
KA-1199	A	4.000	2.875					4.688	BM-0200	A	4.813	3.125						4.500
KA-1203 ³	A	4.000	3.000					2.000	E-9001	A	4.813	2.125						1.750
PL-1003 ³	A	4.000	2.500					7.000	E-1007 ³	A	4.875	3.313						5.938
PL-1004 ³	A	4.000	2.500					4.250	HA-0001	A	4.875	3.625						3.188
PL-1710 ³	A	4.000	2.500					4.188	E-0771	A	4.938	3.125						6.813
YA-2598 ³	A	4.000	1.875					3.750	E-2244	A	4.938	3.500						8.625
YA-4085	A	4.000	2.063					4.125	E-2429	A	4.938	3.188						6.750



Filter Dimensions by Size

Part #	Style	A	B	C	D	E	F	H	Part #	Style	A	B	C	D	E	F	H
Round Filters									Round Filters								
AL-1001 ³	A	5.000	3.750					4.312	E-0890	A	5.625	3.625					5.938
E-0850	A	5.000	3.750					4.938	E-0930	A	5.625	3.625					3.938
E-0870	A	5.000	3.750					5.250	E-2220	A	5.625	3.000					4.938
E-2231 ³	A	5.000	3.625					9.000	E-2222	A	5.625	3.000					4.000
E-2290 ³	A	5.000	2.750					3.875	E-2447	A	5.625	3.875					7.250
E-2291 ³	A	5.000	2.750					3.875	E-2997 ³	A	5.625	3.000					5.063
E-3140	A	5.000	3.750					3.563	E-3220	A	5.625	4.500					2.000
E-4962 ³	A	5.000	3.375					12.375	E-3221	A	5.625	4.625					2.000
E-9183	A	5.000	3.625					6.438	E-3223	A	5.625	4.625					2.000
HA-2420 ³	A	5.000	3.000					3.500	E-3230	A	5.625	4.500					4.375
HA-4350	A	5.000	3.000					5.000	KA-1596 ³	A	5.625	4.500					2.000
KA-4508 ³	A	5.000	3.438					7.375	YA-0086	A	5.625	4.500					4.188
PL-8715 ³	A	5.000	2.500					11.063	YA-8502 ³	A	5.625	3.875					3.000
SU-4250	A	5.000	3.625					3.563	E-9228	A	5.709	4.094					9.250
AL-1098 ³	A	5.063	3.875					4.750	E-0775	A	5.750	4.000					7.250
E-2310	A	5.063	3.250					6.688	E-2020	A	5.750	0					9.063
E-2400	A	5.063	3.625					3.688	E-2416 ^{1,3}	A	5.750	4.000					10.000
E-2984 ²	A	5.063	2.563					11.375	E-2995 ³	A	5.750	3.750					10.188
CM-8016 ³	A	5.125	3.313					9.688	E-9240	A	5.750	4.000					8.500
E-2021 ³	A	5.125	3.156					4.500	E-2986 ³	A	5.813	3.438					8.125
E-2402 ¹	A	5.125	3.625					12.188	E-2991 ³	A	5.813	3.438					8.625
E-9002	A	5.125	3.750					4.938	E-9282 ³	A	5.827	3.071					6.614
E-9053	A	5.125	3.750					9.938	E-2410	A	5.875	4.375					3.000
E-9139	A	5.125	3.750					7.063	E-2415	A	5.875	3.250					6.125
E-9235	A	5.125	3.750					10.375	E-2417	A	5.875	3.250					7.625
E-0777 ³	A	5.250	3.313					7.125	E-3180	A	5.875	4.500					1.750
E-1008 ¹	A	5.250	3.375					13.125	E-3190	A	5.875	4.500					3.250
E-2012 ³	A	5.250	3.625					10.000	E-3210	A	5.875	4.500					3.500
E-4800 ^{1,3}	A	5.250	2.563					11.375	E-3211	A	5.875	4.875					1.750
E-4810 ^{1,3}	A	5.250	2.625					11.313	E-3212	A	5.875	4.875					1.813
HD-0300	A	5.250	4.000					2.000	E-3213	A	5.875	4.875					2.063
E-9231-1	A	5.281	3.375					11.313	E-3214	A	5.875	4.875					6.125
E-1986	A	5.313	3.313					13.250	E-3218	A	5.875	4.875					3.250
E-2345	A	5.313	3.500					6.375	E-3956 ³	A	5.875	3.250					6.000
E-2350	A	5.313	3.500					6.500	E-4530	A	5.875	3.250					3.125
E-2380	A	5.313	3.500					8.750	E-9029	A	5.875	4.500					5.875
E-3506	A	5.313	4.063					2.375	E-9143	A	5.875	4.875					2.125
E-0900	A	5.375	3.750					3.188	E-9144	A	5.875	4.875					2.500
E-2320	A	5.375	3.500					2.375	E-9145	A	5.875	4.875					3.219
E-2321	A	5.375	3.500					2.250	HA-1185	A	5.875	4.500					2.875
E-2330	A	5.375	3.500					2.563	E-1990 ³	A	5.938	3.125					9.938
E-2340	A	5.375	3.500					4.250	E-9140	A	5.969	4.000					3.844
E-2351	A	5.375	3.500					6.500	E-1983	A	6.000	3.625					7.375
E-2360	A	5.375	3.500					6.313	E-2420	A	6.000	4.250					3.875
E-2381	A	5.375	3.500					8.625	E-2430	A	6.000	4.250					3.250
E-2450	A	5.375	3.625					5.875	E-3002	A	6.000	4.250					5.750
E-2457	A	5.375	3.625					9.125	E-3224	A	6.000	4.625					2.063
E-3200	A	5.375	4.000					2.000	E-3225	A	6.000	4.625					2.188
E-3205	A	5.375	4.000					2.250	E-3226	A	6.000	4.625					2.500
E-9108	A	5.375	3.500					4.875	E-3971	A	6.000	4.625					2.750
E-9130	A	5.375	3.500					4.938	HD-0500	A	6.000	4.750					2.250
E-9134	A	5.375	3.500					7.000	HD-0918 ³	A	6.000	5.063					2.813
E-9251	A	5.375	3.500					9.000	HU-0600 ¹	A	6.000	4.000					2.125
E-1992	A	5.438	3.438					6.063	E-9283	A	6.031	3.469					11.969
E-9244 ³	A	5.438	3.600					9.500	E-1796 ^{1,3}	A	6.063	3.750					9.500
DU-0100	A	5.500	3.625					2.875	E-2470	A	6.063	4.688					1.875
E-2210 ³	A	5.500	2.750					6.500	E-2473	A	6.063	4.688					2.250
E-2455	A	5.500	3.750					5.438	E-2860 ^{1,3}	A	6.063	3.500					12.875
E-9268 ³	A	5.500	3.750					9.875	E-3350	A	6.063	4.688					2.250
KA-1100	A	5.500	4.375					3.000	E-4583	A	6.063	4.688					3.000
PL-1014 ³	A	5.563	3.000					11.125	E-4964	A	6.063	4.688					1.875
E-0655	A	5.625	3.000					6.063	E-9280 ³	A	6.063	3.438					9.750
E-0661 ³	A	5.625	3.063					6.750	E-0664 ³	A	6.125	3.938					7.313

Filter Dimensions by Size



Part #	Style	A	B	C	D	E	F	H	Part #	Style	A	B	C	D	E	F	H
Round Filters									Round Filters								
E-2370	A	6.125	4.250			2.188			E-4518	A	7.000	5.500					2.938
E-2987 ³	A	6.125	3.125			4.813			E-4521	A	7.000	5.500					2.500
E-2988 ³	A	6.125	3.000			7.813			E-4522	A	7.000	5.500					1.750
E-3330	A	6.125	5.125			2.063			E-4655	A	7.000	5.500					1.750
E-4710	A	6.188	4.438			7.563			E-4660	A	7.000	5.500					2.000
E-2993 ³	A	6.250	2.750			8.250			E-4665	A	7.000	5.500					2.250
E-3290	A	6.250	5.250			1.500			HD-0600 ³	A	7.000	5.000					1.938
E-3300	A	6.250	5.250			2.750			KA-8095	A	7.000	6.000					2.500
E-3310	A	6.250	5.250			3.000			E-2553	A	7.250	4.625					4.375
E-3320	A	6.250	5.250			1.750			E-4680 ¹	A	7.250	4.750					8.000
E-3322	A	6.250	5.250			2.500			E-4690	A	7.250	5.250					5.500
E-3323	A	6.250	5.250			2.750			AC-1012 ³	A	7.313	5.875					6.438
E-3340	A	6.250	5.250			3.250			AC-7014 ³	A	7.313	5.313					5.750
E-3344	A	6.250	5.250			4.000			E-2601	A	7.375	6.125					2.188
E-3346	A	6.250	5.250			6.000			E-2444 ^{1,3}	A	7.500	4.125					5.500
E-9267 ¹	A	6.250	3.625			5.688			E-2536	A	7.500	5.000					4.344
E-9187	A	6.313	3.625			9.313			E-2560	A	7.500	5.500					4.250
E-0656 ³	A	6.375	4.688			12.188			E-2566	A	7.500	5.625					2.063
E-3237	A	6.375	5.000			1.500			E-3336	A	7.500	6.125					2.250
E-3240	A	6.375	5.000			1.750			E-9225	A	7.500	5.750					2.500
E-3243	A	6.375	5.000			2.063			HU-1200 ¹	A	7.563	6.250					2.875
E-3250	A	6.375	5.000			2.250			E-1000	A	7.750	6.375					3.000
E-3260	A	6.375	5.000			2.500			E-3410	A	7.750	6.750					2.063
E-3270	A	6.375	5.000			3.250			E-3440	A	7.750	6.250					1.750
E-3280	A	6.375	5.000			3.625			E-3450	A	7.750	6.250					2.500
E-3282	A	6.375	5.000			3.750			E-3460	A	7.750	6.375					3.250
E-3284	A	6.375	5.000			4.000			E-3470	A	7.750	6.375					4.500
E-9184	A	6.375	4.750			4.875			E-3480	A	7.750	6.375					5.500
E-9216	A	6.496	4.724			4.449			E-3490	A	7.750	6.250					6.000
E-2017 ¹	A	6.500	4.750			9.313			E-4425	A	7.750	6.375					2.188
E-2023	A	6.500	3.250			5.750			E-9050	A	7.750	6.750					2.500
E-2475	A	6.500	4.000			4.000			E-9052	A	7.750	6.750					3.250
E-4595 ¹	A	6.500	4.000			1.625			E-9054	A	7.750	6.750					1.750
E-4600 ¹	A	6.500	4.000			5.750			E-1015	A	8.000	6.750					2.438
E-4610 ¹	A	6.500	4.000			7.063			E-1023 ^{1,3}	A	8.000	4.500					9.250
E-4969 ^{1,3}	A	6.500	3.625			13.813			E-2015 ³	A	8.000	4.500					4.625
E-4974 ^{1,3}	A	6.500	4.938			12.125			E-2615 ^{1,3}	A	8.000	4.500					8.000
E-9011 ¹	A	6.500	4.000			9.125			E-2875 ³	A	8.000	5.000					6.000
E-9033 ¹	A	6.500	4.000			6.938			E-4720	A	8.000	5.500					2.125
E-9270	A	6.563	4.750			5.938			E-4730 ¹	A	8.000	6.000					8.000
E-2485	A	6.750	4.250			3.563			RF-1022 ³	A	8.000	5.000					6.000
E-2487	A	6.750	4.250			5.500			NO-0100	A	8.125	6.875					2.875
E-2488	A	6.750	4.250			2.750			E-2570	A	8.188	6.250					1.875
E-4640	A	6.750	5.000			2.250			E-2600	A	8.188	6.250					2.188
E-4650	A	6.750	5.000			6.625			E-0662 ³	A	8.250	5.250					4.250
E-2443	A	6.813	4.313			5.813			E-1025	A	8.250	6.875					2.500
E-2440	A	6.875	4.375			5.625			E-1040	A	8.313	6.313					3.250
E-9252	A	6.890	4.882			4.843			E-9173	A	8.344	6.625					2.313
E-2022 ³	A	6.906	6.811			5.331			E-3492	A	8.500	6.625					2.375
E-0990	A	7.000	5.188			4.625			E-1010	A	9.000	7.000					2.875
E-2490	A	7.000	5.188			2.375			E-1050	A	9.000	7.000					2.000
E-2500	A	7.000	5.188			2.563			E-1700 ^{1,3}	A	9.000	5.250					12.938
E-2510	A	7.000	5.188			2.750			E-2585	A	9.000	7.000					1.813
E-2520	A	7.000	5.188			3.188			E-2620	A	9.000	7.125					1.875
E-2530	A	7.000	5.188			5.063			E-2630	A	9.000	7.125					2.000
E-2540	A	7.000	5.188			2.188			E-2640	A	9.000	7.125					2.250
E-2550	A	7.000	5.188			3.125			E-2660	A	9.000	7.125					2.500
E-3360	A	7.000	5.188			2.000			E-2670	A	9.000	7.125					2.375
E-3380	A	7.000	5.188			3.000			E-2710	A	9.000	7.500					2.000
E-3390	A	7.000	5.188			3.750			E-2720	A	9.000	7.500					2.500
E-3400	A	7.000	5.188			4.000			E-3500	A	9.000	7.000					3.000
E-3402	A	7.000	5.500			2.000			E-3510	A	9.000	7.500					2.000
E-3403	A	7.000	5.500			3.000			E-3527	A	9.000	8.000					2.000



Filter Dimensions by Size

Part #	Style	A	B	C	D	E	F	H	Part #	Style	A	B	C	D	E	F	H
Round Filters									Round Filters								
E-3530	A	9.000	8.000					2.875	E-2780	A	10.500	8.500					2.000
E-3532	A	9.000	8.000					3.750	E-2790	A	10.500	8.500					2.188
E-3534	A	9.000	8.000					3.313	E-2800	A	10.500	8.500					3.250
E-3550 ¹	A	9.000	7.500					2.750	HA-1191	A	10.563	8.813					2.875
E-3551	A	9.000	8.000					3.500	E-1211	A	10.630	8.740					2.480
E-3600	A	9.000	7.000					3.500	E-1180	A	11.000	9.250					1.750
E-3640	A	9.000	7.500					4.000	E-1200	A	11.000	9.000					2.188
E-3650 ¹	A	9.000	7.500					5.000	E-1210	A	11.000	9.250					2.313
E-3657 ¹	A	9.000	7.500					7.000	E-1220	A	11.000	9.250					2.500
E-3659 ¹	A	9.000	7.500					9.000	E-1230	A	11.000	9.250					3.000
E-3660 ¹	A	9.000	7.500					10.000	E-1240	A	11.000	9.250					2.750
E-4780	A	9.000	7.000					6.625	E-1250	A	11.000	9.250					3.500
E-3620	A	9.125	7.875					2.000	E-1290	A	11.000	9.000					2.750
E-3630	A	9.125	7.875					3.500	E-1300	A	11.000	9.000					2.625
E-9092	A	9.125	7.375					1.938	E-1325	A	11.000	9.000					1.938
E-9135	A	9.188	7.313					2.438	E-1460	A	11.000	8.375					4.938
E-1100	A	9.250	7.500					2.750	E-1461	A	11.000	8.375					4.438
E-1110	A	9.250	7.500					2.625	E-2830	A	11.000	9.250					2.375
E-1112	A	9.250	7.500					2.375	E-2840	A	11.000	9.250					3.125
E-2700	A	9.250	7.250					2.750	E-3680	A	11.000	9.250					5.000
E-2723	A	9.250	6.750					3.125	E-3681 ¹	A	11.000	9.000					5.000
E-2725	A	9.250	6.750					3.375	E-3690	A	11.000	9.250					6.000
E-2750	A	9.250	7.500					1.938	E-3691 ¹	A	11.000	9.000					6.000
E-2755	A	9.250	7.500					2.438	E-3692	A	11.000	9.250					4.000
E-1115	A	9.313	7.500					2.500	E-3693 ¹	A	11.000	9.000					8.000
E-1117	A	9.313	7.500					1.688	E-4830	A	11.000	8.500					3.375
E-9122	A	9.500	7.677					1.969	E-1280	A	11.250	9.375					1.750
E-9101	A	9.528	7.677					1.772	E-1350	A	11.250	9.500					2.125
E-1065	A	9.625	8.375					2.813	E-1360	A	11.250	9.375					2.375
E-3670	A	9.625	8.375					3.250	E-2690	A	11.250	8.750					1.563
E-3674	A	9.625	8.375					6.000	E-2850	A	11.250	9.500					1.875
E-9193 ³	A	9.646	0.591					0.906	E-2870	A	11.250	8.875					4.250
E-2610	A	9.750	7.875					2.250	E-9190	A	11.299	8.661					4.094
E-2680	A	9.750	7.875					2.750	E-1320	A	11.375	8.875					5.563
E-2730	A	9.750	7.875					1.688	E-1991	A	11.375	9.375					3.125
E-2734	A	9.750	7.875					1.750	E-2820	A	11.500	9.500					2.000
E-2740	A	9.750	7.875					2.000	E-3695	A	11.500	9.500					2.375
E-2760	A	9.750	7.875					2.375	E-1420	A	11.875	9.813					5.500
E-2810	A	9.750	8.000					2.563	E-1447	A	11.875	9.813					2.125
E-2813	A	9.750	8.000					2.875	E-1450	A	11.875	9.813					2.500
E-3675	A	9.875	8.875					2.500	E-1500	A	11.875	9.813					3.438
E-1035	A	10.000	8.625					2.438	E-1520	A	11.875	9.813					3.000
E-1068	A	10.000	8.375					2.000	E-1410	A	12.000	9.813					3.125
E-1070	A	10.000	8.000					2.000	E-1430	A	12.375	10.875					2.938
E-1080	A	10.000	8.000					2.250	E-1440	A	12.500	10.000					5.500
E-1088	A	10.000	8.000					2.063	E-1510	A	12.500	10.750					2.625
E-1090	A	10.000	8.000					2.313	E-1515	A	12.500	10.750					2.000
E-1095	A	10.000	8.000					2.563	E-1530	A	12.500	11.000					2.750
E-1120	A	10.000	8.000					3.000	E-1535	A	12.500	11.000					2.875
E-1150	A	10.000	8.000					3.500	E-1540	A	12.500	11.000					3.500
E-1170	A	10.000	8.000					6.000	E-2855	A	12.500	10.000					2.000
E-2764	A	10.000	8.000					2.500	E-3021 ¹	A	12.500	11.000					2.125
E-2861	A	10.000	8.375					3.000	E-2865	A	13.000	11.125					2.313
E-3678	A	10.000	8.250					2.750	E-3036	A	13.000	11.125					6.000
E-3679	A	10.000	8.000					3.750	E-1590	A	13.125	11.625					2.563
E-4790	A	10.000	7.375					2.750	E-3698	A	13.125	11.438					2.750
E-4820	A	10.000	7.375					5.500	E-3699	A	13.125	11.438					4.000
E-9031	A	10.000	7.375					3.688	E-3705	A	13.125	11.625					3.250
E-9080	A	10.000	8.000					2.750	E-1550	A	13.250	11.250					1.875
E-2650	A	10.125	8.375					3.438	E-1560	A	13.250	11.250					2.188
E-9103	A	10.236	8.268					2.087	E-1570	A	13.250	11.500					2.875
E-1030	A	10.375	8.500					2.250	E-1577	A	13.250	11.500					2.750
E-2770	A	10.500	8.500					1.750	E-1580	A	13.250	11.250					2.500

Filter Dimensions by Size



Part #	Style	A	B	C	D	E	F	H	Part #	Style	A	B	C	D	E	F	H
Round Filters									Tapered Conical Filters								
E-2872	A	13.250	11.500					3.125	SU-2588 ³	B	3.125	3.000	0	0			3.375
E-3700	A	13.250	11.250					4.000	SU-1250 ³	B	3.500	3.000	2.250	0			5.625
E-2859	A	13.500	11.750					1.500	HA-6098	B	3.813	3.500	2.313				5.438
E-3710	A	13.500	11.750					2.000	HA-3500 ³	B	3.875	3.500	1.875				3.875
E-3717	A	13.500	11.750					2.500	HA-1004 ³	B	4.000	3.750	2.750				5.000
E-3720	A	13.500	11.750					2.750	HA-1004R ³	B	4.000	3.750	4.000				5.000
E-3723	A	13.500	11.750					3.000	HA-0700 ³	B	4.125	3.750	2.375				5.250
E-1690	A	13.750	11.750					4.031	RG-1003RD. ³	B	4.500	3.500	2.750				4.500
E-1695	A	13.750	11.750					5.500	RK-3800 ³	B	4.500	5.500	5.625				2.000
E-1650	A	14.000	12.000					3.063	RK-380E ³	B	4.500	5.500	2.625				2.000
E-3027R	A	14.000	12.250					3.000	SU-4002 ³	B	4.500	3.500	2.875	0			5.375
E-3028R	A	14.000	12.250					3.250	SU-5002 ³	B	4.500	3.500	2.875	0			5.500
E-3029R	A	14.000	12.250					3.500	KA-8088	B	4.625	3.438	3.813	2.438			3.438
E-3030R	A	14.000	12.250					3.750	YA-3502 ³	B	4.625	3.500	0	0			6.750
E-3031R	A	14.000	12.250					4.000	YA-8096 ³	B	4.625	3.750	0	0			3.438
E-3032R	A	14.000	12.250					2.000	E-2985 ³	B	4.750	3.625	3.125				7.875
E-3728R	A	14.000	12.500					3.500	E-4505	B	4.750	3.500	3.500	2.250			2.500
E-3730	A	14.000	12.000					4.000	HA-0900 ³	B	4.750	5.000	3.750				3.875
E-3732	A	14.000	12.000					4.500	HA-2504 ³	B	4.750	4.500	0	0			4.500
E-3735	A	14.000	12.688					2.500	HA-3350 ³	B	4.750	4.500	0	0			5.000
E-3737	A	14.000	12.688					3.000	HA-4250 ³	B	4.750	3.500	0				6.000
E-3740	A	14.000	12.000					2.313	SU-8086 ³	B	4.750	3.750	3.500				3.250
E-3742	A	14.000	12.000					2.813	KA-7512 ³	B	4.813	4.625	3.375				7.688
E-3743 ¹	A	14.000	12.000					3.063	28-4125	B	4.875	2.000	3.875	0.500			16.000
E-3745 ¹	A	14.000	12.000					3.500	HA-7580 ³	B	5.000	4.250	3.000				3.625
E-3750 ¹	A	14.000	12.000					4.000	SU-7588 ³	B	5.000	3.500	0				4.000
E-3760 ¹	A	14.000	12.000					5.000	SU-7592 ³	B	5.000	3.500	0				4.000
E-3770 ¹	A	14.000	12.000					6.000	KA-7513 ³	B	5.031	4.625	3.000				7.563
E-3978XD ²	A	14.000	11.500					5.000	HA-3093 ³	B	5.125	4.500	0	0			4.188
E-3979XD ²	A	14.000	11.500					4.000	ML-0920 ³	B	5.250	5.500	0	0			1.875
E-2866	A	14.750	13.000					2.500	HA-2440 ³	B	5.375	4.375	0				3.500
E-2867	A	14.750	13.000					3.250	28-4115 ³	B	5.500	2.000	4.500				16.000
E-3807R	A	15.938	13.313					3.875	28-4130	B	5.750	2.000	4.750	0.500			16.000
E-3022R	A	16.000	14.250					3.000	E-9156	B	5.750	3.500	4.687	2.062			2.000
E-3023R	A	16.000	14.250					3.250	HA-1100	B	5.750	5.375	0				2.250
E-3024R	A	16.000	14.250					3.500	KA-1000 ³	B	5.750	3.938	4.125	0			3.563
E-3025R	A	16.000	14.250					3.750	28-4100	B	5.875	2.000	4.875	0.500			10.000
E-3026R	A	16.000	14.250					4.000	28-4105	B	5.875	2.000	4.875	0.500			8.000
E-3976XD ²	A	16.000	13.000					5.000	SU-5098	B	5.875	4.938	4.000	3.188			4.000
E-3977XD ²	A	16.000	13.000					4.000	RE-0850 ³	B	6.000	4.625	4.000				6.000
E-3802R	A	16.125	14.375					3.000	28-4120	B	6.125	3.000	5.125	1.000			16.000
E-3804R	A	16.125	14.375					3.500	E-3007 ³	B	6.250	7.000	5.375				2.750
E-3806R	A	16.125	14.375					4.000	E-3010 ³	B	6.250	7.000	5.375				3.250
E-1910	A	16.188	13.375					3.000	E-3227 ³	B	6.250	7.000	5.375				2.750
E-3780	A	16.188	13.375					2.250	E-3228 ³	B	6.250	7.000	5.375				3.250
E-3786	A	16.188	13.375					3.500	SU-4000 ³	B	6.313	5.438	5.125				3.000
E-3800	A	16.188	13.375					4.000	E-0940 ³	B	6.500	3.000	3.250	0			7.375
E-3804	A	16.250	14.500					3.500	E-0998 ³	B	6.500	3.000	3.250	0			7.625
E-3804NO	A	16.250	14.500					3.500	KA-1287	B	6.500	4.750	5.313	3.625			2.750
E-3806	A	16.250	14.500					4.063	RU-2805XD ³	B	6.500	4.250	5.000				8.000
E-3806NO	A	16.250	14.500					4.063	RU-5163XD ³	B	6.500	4.500	5.000				4.125
E-3808	A	16.250	14.500					4.500	E-3020	B	6.625	5.125	5.250	0			6.000
E-3973	A	16.250	14.500					10.000	E-4910 ³	B	6.625	5.125	5.250				10.000
E-3974	A	16.250	14.500					20.000	E-0996 ³	B	6.906	4.000	3.375				5.000
E-3813 ¹	A	17.000	14.500					3.500	E-0995 ³	B	6.938	3.000	3.375	0			6.750
E-3814 ¹	A	17.000	14.500					4.000	E-9132 ³	B	7.047	3.563	4.685				2.244
E-3815 ¹	A	17.000	14.500					5.000	E-2315	B	7.188	5.313	3.938	3.313			3.438
E-3816 ¹	A	17.000	14.500					6.000	E-3521	B	7.375	5.375	6.375	4.375			3.375
E-1920 ¹	A	18.250	15.625					2.750	RP-2960 ³	B	7.500	5.125	6.000				5.000
E-3018	A	20.000	17.500					2.125	RU-3106HB† ³	B	7.500	5.250	6.000				4.875
E-3820 ¹	A	20.000	17.500					4.000	28-4131	B	8.000	4.875	6.750	3.813			11.625
E-3825 ¹	A	20.000	17.500					6.000	E-0945 ³	B	8.000	3.875	4.438				8.000
									KA-2504	B	8.500	6.000	0				3.250



Filter Dimensions by Size

Part #	Style	A	B	C	D	E	F	H	Part #	Style	A	B	C	D	E	F	H
Tapered Conical Filters									Oval Filters								
E-2605-1 ³	B	8.813	5.000	7.125				3.125	YA-0075 ³	F	4.250	3.000	3.250	2.000			3.500
E-3012 ³	B	9.000	4.000	7.500				10.000	TB-1610 ³	F	4.375	3.438	3.313	2.438			5.125
E-3520	B	9.000	7.000	7.250	5.250			3.500	SU-2391 ³	F	4.500	3.250	3.063	2.250			4.000
E-2606 ³	B	10.125	6.000	7.313				3.000	SU-4230	F	4.500	3.250	0	0			4.125
E-9192 ³	B	10.500	9.000	9.750	7.500			1.250	KA-7587	F	4.625	2.250	3.625	1.313			4.469
28-4215 ³	B	11.000	5.875	9.000				8.875	HA-0750 ³	F	4.750	3.500	3.500	2.250			4.125
E-9233 ³	B	12.750	9.438	10.438				2.500	YA-1078 ³	F	4.750	3.125	3.750	2.125			2.375
E-3013	B	18.500	16.500	15.000	15.000			2.125	KA-1192	F	5.000	4.125	3.000	2.125			6.313
									YA-4092 ³	F	5.000	4.875	4.000	2.750			2.688
									YA-1399 ³	F	5.375	3.750	3.313	1.656			3.750
									HA-0008	F	5.500	3.375	4.188	2.125			2.625
YA-4074	C	3.000		2.000				4.875	KA-0800 ³	F	5.500	4.000	4.250	2.750			2.875
TB-0410 ³	C	7.500		6.250				1.625	SU-1691 ³	F	5.500	4.250	4.500	3.250			2.000
E-1970	C	16.250		14.000				1.750	KA-6589	F	5.625	4.125	4.125	2.625			2.500
									E-9241	F	5.750	4.063	4.625	3.000			6.250
									HA-1187 ³	F	6.000	3.500	4.750	2.250			5.000
									HA-7500 ³	F	6.000	3.500	4.250	1.750			2.875
YA-1201	E	3.750	3.688	2.125	1.172			2.000	YA-1089	F	6.125	4.813	3.875	2.625			4.250
YA-0700	E	4.000	2.625	0	0			3.500	YA-6094	F	6.125	4.813	3.875	2.625			4.000
YA-2305	E	4.063	3.813	2.750	2.563			2.313	TB-2204	F	6.188	4.000	4.563	4.250			6.813
YA-1100	E	4.250	4.250	0	0			3.000	KA-1150 ³	F	6.250	4.000	5.000	2.750			3.688
YA-5001	E	4.250	0	0	4.000			3.000	YA-1550 ³	F	6.250	4.000	5.000	2.750			2.500
YA-1050 ³	E	4.563	4.000	0	0			3.000	YA-6098 ^{1,3}	F	6.250	4.938	4.250	3.000			3.000
KA-1600 ³	E	4.750	4.375	3.750	3.375			3.375	HA-1210 ³	F	6.375	4.375	5.125	3.125			2.313
YA-1892 ³	E	5.250	2.875	0	0			2.625	YA-2088	F	6.375	4.750	5.375	3.750			2.750
E-3900	E	6.625	4.250	5.875	3.375			1.688	HA-8080 ³	F	6.500	4.625	5.250	3.375			3.688
E-3910	E	6.625	4.250	5.875	3.375			1.875	SU-0007-A ³	F	6.500	4.250	0	0			4.000
E-3920	E	6.625	4.250	5.875	3.375			3.000	E-1004	F	6.625	4.625	5.250	3.250			8.375
E-3930	E	6.625	4.250	5.875	3.375			3.500	E-2292	F	6.625	2.750	5.625	1.750			2.375
E-3951	E	6.750	4.500	5.750	3.500			1.875	E-2873	F	6.625	5.625	5.375	4.375			7.000
E-3952	E	6.750	4.500	5.750	3.500			2.500	PL-1002	F	6.625	3.813	5.375	2.625			3.438
E-3953	E	6.750	4.500	5.750	3.500			3.000	SU-3590	F	6.625	3.750	5.625	2.750			2.500
E-3954	E	6.750	4.500	5.750	3.500			4.125	SU-6590 ³	F	6.625	4.625	5.250	3.250			2.875
E-4965	E	6.813	2.750	0.875	1.500			3.000	TB-9002	F	6.688	4.688	5.438	3.438			4.250
KA-4091	E	7.000	3.875	0	0			3.188	E-4511 ³	F	6.750	2.375	5.500	1.125			1.938
E-9038-1	E	7.441	6.260	6.102	4.921			2.283	E-4551 ²	F	6.813	4.188	5.188	2.563			4.000
E-9040-1	E	7.480	6.102	6.102	4.921			3.661	E-9269	F	6.875	5.250	4.344	2.875			9.313
E-3960	E	7.500	6.125	6.125	4.750			1.750	HD-2084	F	6.875	5.875	5.625	4.500			2.375
HD-1388 ³	E	8.438	5.250	0	0			1.750	E-3321	F	7.000	4.500	6.125	3.625			1.750
HD-8834	E	8.438	5.250	0	0			1.500	E-3324	F	7.000	4.500	6.125	3.625			2.250
E-9138	E	8.469	6.625	6.844	4.688			3.719	E-3325	F	7.000	4.500	6.125	3.625			2.750
E-9165	E	8.781	5.438	6.969	3.625			4.656	E-3341	F	7.000	4.500	6.125	3.625			3.313
SU-1200 ³	E	10.250	2.875	9.500	1.750			1.875	HA-0800	F	7.000	4.500	5.750	3.250			4.650
KA-0883 ³	E	11.250	3.500	0	0			2.188	HA-8084 ³	F	7.000	4.500	5.750	3.250			3.813
E-2925	E	11.500	8.500	9.500	6.500			2.750	HA-8085 ³	F	7.000	4.500	5.750	3.250			3.813
E-9071	E	12.000	9.000	10.750	7.750			1.688	HA-2584	F	7.125	5.000	5.875	3.750			2.750
KA-9084 ³	E	12.000	2.750	10.969	1.188			2.563	HA-1312 ³	F	7.375	4.000	6.125	2.750			2.063
E-9030	E	13.000	7.625	11.250	5.875			2.000	HA-1314 ³	F	7.375	4.000	6.125	2.750			2.313
E-2930	E	14.750	12.000	13.375	10.625			2.250	HA-1315 ³	F	7.375	4.000	6.125	2.750			2.500
E-9068	E	17.008	12.008	15.433	10.433			3.780	E-9281 ³	F	7.438	5.500	4.500	2.563			9.656
E-9017	E	17.188	6.063	15.750	4.625			2.125	YA-1300	F	7.500	1.625	6.500	0.750			2.875
E-9079	E	17.188	6.063	15.750	4.625			1.688	YA-1285 ³	F	7.625	3.250	5.188	1.344			4.563
E-9082	E	17.188	6.063	15.750	4.625			2.625	HA-1302	F	7.750	3.313	3.438	2.031			4.563
E-9083	E	17.188	6.063	15.750	4.625			3.625	HA-6592 ³	F	7.750	4.750	6.875	2.938			2.500
									E-1931	F	7.875	5.063	6.625	3.813			4.250
									SU-7596 ³	F	8.000	5.375	0	0			3.250
HA-4098 ³	F	3.750	2.938	2.375	1.500			5.688	HA-1079 ³	F	8.500	3.750	6.750	2.000			2.500
E-3019	F	4.000	2.875	1.313	1.250			2.813	HA-1250 ³	F	8.500	3.750	6.500	1.750			3.188
E-4516	F	4.000	2.875	1.375	1.250			2.813	E-3014 ³	F	8.813	6.188	0	0			1.625
HA-0201 ³	F	4.000	2.875	1.313	1.250			2.875	E-1935	F	8.875	4.375	6.875	2.375			5.875
E-4250	F	4.063	3.063	2.813	1.813			1.625	E-2890	F	8.875	4.375	6.875	2.375			3.750
TB-8002	F	4.250	3.313	0	0			5.500	E-3441	F	8.875	5.250	7.375	3.750			1.750
TB-9004	F	4.250	3.313	0	0			6.750	E-3442	F	8.875	5.250	7.375	3.750			2.000

Oval Filters

Filter Dimensions by Size



Part #	Style	A	B	C	D	E	F	H	Part #	Style	A	B	C	D	E	F	H
Oval Filters									Oval Filters								
E-3461	F	8.875	5.250	7.500	3.986			3.250	E-2950 ¹	F	24.125	5.625	22.750	4.250			2.438
E-3471	F	8.875	5.250	7.375	3.750			4.500	E-2960 ¹	F	24.125	5.625	22.750	4.250			2.125
E-3481	F	8.875	5.250	7.375	3.750			5.500	Panel Filters								
E-3491	F	8.875	5.250	7.375	3.750			6.000	BM-6507	G	4.875	3.125					1.563
AC-1009 ³	F	8.938	5.875	7.563	4.500			2.000	BM-6012	G	5.063	3.625					1.563
E-2871	F	9.000	5.375	6.500	2.875			5.750	HA-0502	G	5.125	4.375					1.000
E-3445	F	9.000	5.500	8.000	4.500			1.750	33-2238	G	5.188	4.438					0.625
E-3446	F	9.000	5.500	8.000	4.500			2.750	YA-1306	G	5.438	4.625					1.125
E-3017	F	9.250	8.750	7.469	6.969			3.000	YA-1602-U	G	5.438	4.313					0.688
E-3495	F	9.250	8.375	7.938	7.063			2.125	KT-1211	G	5.563	4.313					1.563
E-3040 ³	F	9.375	6.125	8.063	1.625			2.250	BM-1199	G	5.625	4.313					1.313
E-9032	F	9.750	6.750	6.875	3.750			4.250	33-2709	G	5.750	5.750					0.875
HD-0200	F	9.750	5.500	8.375	4.250			2.063	KA-0009	G	5.750	5.250					0.688
HD-2075	F	9.750	5.500	8.375	4.250			2.438	BM-1204	G	5.875	3.500					1.250
HD-2076	F	9.750	5.500	8.375	4.250			3.000	YA-5008	G	5.875	4.375					1.000
HD-2078	F	9.750	5.625	8.375	4.375			3.000	YA-3215	G	5.938	4.438					1.500
MG-0100	F	10.000	6.250	8.500	4.750			2.250	BM-8006	G	6.000	3.625					1.438
E-1940	F	10.438	8.438	8.875	6.875			1.875	MG-0001	G	6.000	4.438					1.219
E-1950	F	10.625	9.250	9.125	7.750			2.125	BA-1801	G	6.250	5.500					0.688
E-1955	F	10.625	9.250	9.125	7.750			4.000	BA-2201	G	6.281	5.625					0.938
E-2980	F	10.750	8.500	9.000	6.625			1.750	33-2633	G	6.375	4.625					0.938
E-2983	F	10.750	8.500	9.000	6.625			2.438	HA-2511	G	6.438	4.438					0.938
E-9236	F	11.031	9.594	7.323	5.906			2.441	YA-2002	G	6.438	4.500					0.500
E-1957	F	11.063	6.500	9.625	5.000			3.500	33-2008-1	G	6.625	6.625					1.625
E-2920	F	11.125	9.250	9.188	7.313			1.844	33-2060	G	6.625	6.188					1.063
E-1959	F	11.250	6.750	9.500	5.000			2.250	33-2561	G	6.693	11.344					1.188
E-2863	F	11.250	10.250	9.500	8.500			2.500	33-2359	G	6.750	5.813					1.250
E-2877 ³	F	11.250	7.875	8.250	4.875			3.750	33-2459	G	6.750	6.000					1.063
E-9172	F	11.406	7.188	9.500	5.438			1.500	BM-1113	G	6.750	4.500					1.500
E-9136	F	11.438	7.875	9.625	6.125			2.375	33-2422	G	6.813	6.688					1.000
E-3504	F	11.500	8.125	9.750	6.375			4.000	33-2544	G	6.938	3.500					0.875
E-3505	F	11.500	8.125	9.750	6.375			2.000	33-5006	G	6.938	5.625					1.000
E-0785 ³	F	11.750	5.875	0	0			9.000	AL-6505	G	6.938	3.500					1.500
E-3671	F	12.000	5.250	10.750	4.000			3.250	33-2159	G	7.063	5.438					1.188
E-3672	F	12.000	5.250	10.750	4.000			2.250	33-2485	G	7.063	4.688					1.125
E-3676	F	12.000	5.250	10.750	4.000			5.625	33-2399	G	7.125	6.625					1.000
E-9166	F	12.219	7.219	10.433	5.512			3.071	33-2433	G	7.125	6.000					1.250
E-1946	F	12.250	5.500	9.688	3.000			6.000	CM-9910	G	7.125	4.938					1.500
E-2428	F	12.250	9.000	11.375	8.125			2.375	AL-4506	G	7.188	5.125					1.000
TB-0300	F	12.250	4.750	10.750	3.250			1.500	33-2860	G	7.250	3.000					1.188
E-2874	F	12.375	8.500	9.875	6.000			2.250	PL-1608	G	7.250	4.250					1.000
E-3122	F	12.625	5.000	10.875	3.250			2.375	DU-1112	G	7.281	6.875					1.000
E-9110	F	12.625	9.000	10.875	7.250			1.750	DU-1112R	G	7.281	6.875					1.000
E-2940	F	12.750	8.500	10.500	5.875			2.500	AL-1111	G	7.313	5.625					1.188
E-2990	F	12.875	4.875	11.250	3.000			3.188	KT-1113	G	7.313	5.500					1.625
E-9090 ³	F	13.000	8.375	11.750	7.125			1.813	33-2307	G	7.375	4.313					0.938
E-9091	F	13.875	9.500	12.000	7.625			1.875	33-2348	G	7.375	7.000					0.938
E-1958	F	14.250	7.750	12.500	6.000			1.938	AL-1004	G	7.375	5.188					0.813
E-9201	F	14.500	8.000	11.750	5.250			2.875	HD-1208	G	7.375	3.750					0.875
E-2970	F	14.625	6.500	12.375	4.250			1.844	KA-7589	G	7.375	5.688					0.625
E-3514	F	14.625	7.750	13.000	6.188			4.000	PL-1115	G	7.375	7.500					1.313
E-3515	F	14.625	7.750	13.000	6.188			2.000	KA-9915	G	7.438	4.875					1.313
E-2880	F	15.750	4.625	14.000	2.875			1.938	33-2880	G	7.500	6.500					1.063
E-2910	F	16.125	5.500	14.500	3.625			2.375	SU-9094	G	7.500	7.250					0.625
E-2900	F	16.250	5.500	14.500	3.625			2.000	33-2022	G	7.563	5.938					1.563
E-9178	F	17.500	9.875	15.750	8.125			2.250	33-2162	G	7.563	6.125					0.875
E-1980	F	19.750	15.750	17.750	13.750			2.000	33-2464	G	7.563	7.125					1.188
E-3840	F	19.750	15.750	17.750	13.750			3.000	33-2836	G	7.563	6.875					1.000
E-1960	F	20.813	9.500	18.313	7.000			1.813	YA-1208	G	7.563	5.063					1.000
E-1963	F	20.813	9.500	18.313	7.000			3.000	33-2790	G	7.594	6.219					0.969
E-1966	F	20.813	9.500	18.313	7.000			6.000	33-2491	G	7.625	7.438					1.625
E-3035	F	20.813	9.500	18.313	7.000			4.000	SU-2513	G	7.625	4.031					1.000
E-3001	F	22.000	11.125	20.125	9.250			6.000									



Filter Dimensions by Size

Part #	Style	A	B	C	D	E	F	H	Part #	Style	A	B	C	D	E	F	H
Panel Filters									Panel Filters								
SU-6000	G	7.625	5.313					0.813	KT-6907	G	8.625	4.625					1.000
SU-6505	G	7.625	5.250					0.875	33-2435	G	8.688	7.344					1.125
TB-6000	G	7.625	3.938					0.813	BM-2605	G	8.688	7.688					0.938
33-2143	G	7.688	6.063					1.125	33-2036	G	8.750	6.500					1.000
SU-1014	G	7.688	4.625					1.125	33-2304	G	8.750	8.563					0.938
33-2564	G	7.750	5.813					1.125	33-2954	G	8.750	4.750					1.125
33-5033	G	7.750	6.563					2.063	33-3029	G	8.750	8.375					1.188
33-2736	G	7.781	5.938					1.188	CG-9002	G	8.750	5.250					1.000
33-2092	G	7.813	3.625					1.125	SU-6303	G	8.750	4.500					1.250
KT-6908	G	7.813	4.750					1.625	33-2073	G	8.813	8.188					0.938
33-5027	G	7.844	5.594					1.031	33-2120	G	8.813	6.500					1.125
33-2044	G	7.875	7.000					1.125	33-2301	G	8.813	6.500					1.063
33-2104	G	7.875	7.563					0.938	33-2409	G	8.813	6.625					1.000
33-2440	G	7.875	7.063					1.438	33-2702	G	8.813	8.563					1.063
33-2955	G	7.875	6.375					1.063	YA-8596	G	8.813	4.500					0.875
33-2827	G	7.952	7.520					1.188	33-2045	G	8.875	8.875					0.875
TB-1213	G	7.969	3.875					1.063	33-2067	G	8.875	7.375					1.000
33-2006	G	8.000	5.125					1.563	33-2400	G	8.875	8.625					1.000
33-2380	G	8.000	7.500					1.000	33-2671	G	8.875	6.500					0.938
33-2788	G	8.000	9.313					1.188	33-2682	G	8.875	5.250					1.063
33-2935	G	8.000	8.313					1.000	33-2972	G	8.875	8.250					1.625
33-3060	G	8.000	7.500					1.000	BM-1611	G	8.875	4.000					1.625
33-5034	G	8.000	7.313					0.938	33-2288	G	8.938	8.625					1.000
33-5043	G	8.000	6.000					1.125	33-2338	G	8.938	6.063					0.938
BM-0300	G	8.000	6.375					1.688	33-2990	G	8.938	8.000					1.250
33-2098	G	8.063	6.375					1.000	33-2027	G	9.000	7.750					1.500
33-2222	G	8.063	5.875					1.125	33-2106-1	G	9.000	7.688					1.188
33-2234	G	8.063	7.125					1.000	33-2224	G	9.000	7.438					1.125
33-5002	G	8.063	6.063					1.125	33-2237	G	9.000	7.500					1.188
33-2421	G	8.125	7.625					1.375	33-2533	G	9.000	6.438					0.813
33-2813	G	8.125	6.688					1.125	33-2993	G	9.000	4.625					1.625
33-2971	G	8.125	7.875					1.625	33-3030	G	9.000	5.313					1.031
CM-9908	G	8.125	5.250					0.875	33-5007	G	9.000	6.313					1.188
33-2740	G	8.156	6.688					1.250	33-5038	G	9.000	6.813					1.063
33-2866	G	8.188	6.500					1.250	33-5042	G	9.000	8.438					1.031
33-3040	G	8.188	7.750					1.188	TB-9097	G	9.000	3.938					1.063
33-2003	G	8.250	8.125					1.563	33-5014	G	9.031	5.313					1.000
33-2340	G	8.250	6.250					1.125	33-2155	G	9.063	7.938					1.000
33-2436	G	8.250	9.813					1.125	33-2455	G	9.063	8.625					1.063
33-3011	G	8.250	7.875					1.000	33-2944	G	9.063	6.438					1.125
AL-1002	G	8.250	5.375					1.000	33-5015	G	9.063	5.438					1.000
DU-9098	G	8.250	8.250					1.188	33-5037	G	9.063	8.563					1.000
KA-2508	G	8.250	5.375					0.625	33-2076	G	9.125	9.188					1.250
33-2105	G	8.313	8.063					2.000	33-2117	G	9.125	7.750					1.188
33-2795	G	8.313	8.000					1.000	33-2156	G	9.125	7.063					1.063
33-3000	G	8.313	5.125					1.000	33-2375	G	9.125	5.250					0.875
33-3056	G	8.313	5.250					1.500	33-2479	G	9.125	4.000					1.031
33-3031	G	8.375	6.375					1.500	33-2586	G	9.125	3.563					0.938
33-3043	G	8.375	5.250					1.250	33-2679	G	9.125	6.125					0.938
SU-7593	G	8.375	7.375					0.688	33-2824	G	9.125	5.750					1.063
33-2239	G	8.438	6.375					0.875	BM-1010	G	9.125	6.156					1.125
HA-1010	G	8.438	3.000					1.125	BM-1010R	G	9.125	6.156					1.125
YA-1709	G	8.438	5.563					1.000	33-2285	G	9.188	8.563					0.813
33-2037	G	8.500	5.875					0.875	33-2452	G	9.188	9.000					1.000
33-2853	G	8.500	6.500					0.938	33-2470	G	9.188	9.000					1.125
33-2914	G	8.500	6.688					0.938	33-2547	G	9.188	5.125					1.188
33-3046	G	8.500	4.938					0.875	33-2873	G	9.188	8.063					1.000
BA-2012	G	8.500	3.938					1.125	33-3003	G	9.188	8.375					1.063
DU-0900	G	8.500	8.375					0.750	33-2070	G	9.250	6.875					1.000
KT-6912	G	8.500	4.500					1.625	33-2227	G	9.250	7.500					1.125
PL-5003	G	8.500	8.438					1.063	33-2334	G	9.250	8.750					1.188
YA-1113	G	8.500	4.000					0.875	33-2398	G	9.250	8.875					1.000
33-2074	G	8.625	8.000					1.688	33-2418	G	9.250	8.125					1.250

Filter Dimensions by Size



Part #	Style	A	B	C	D	E	F	H	Part #	Style	A	B	C	D	E	F	H
Panel Filters									Panel Filters								
33-2430	G	9.250	8.125					1.250	33-2182	G	9.688	6.563					1.125
33-2733	G	9.250	9.000					1.188	33-2265	G	9.688	8.250					1.375
33-2767	G	9.250	7.750					1.125	33-2833	G	9.688	8.313					1.063
33-2887	G	9.250	7.500					1.188	33-2034	G	9.750	5.938					1.000
33-2927	G	9.250	5.500					1.125	33-2077	G	9.750	9.625					1.063
33-2933	G	9.250	8.000					1.000	33-2093	G	9.750	6.250					1.125
33-2978	G	9.250	7.000					1.063	33-2161	G	9.750	6.188					1.063
33-5032	G	9.250	7.375					1.125	33-2204	G	9.750	8.250					1.063
33-5045	G	9.281	7.219					1.063	33-2211	G	9.750	4.688					0.813
33-2072	G	9.313	7.438					1.000	33-2445	G	9.750	6.313					1.000
33-2188	G	9.313	7.375					1.125	33-2748-1	G	9.750	6.750					0.938
33-2206	G	9.313	8.375					1.063	33-2949	G	9.750	5.875					1.000
33-2996	G	9.313	8.688					1.563	33-2960	G	9.750	5.125					1.000
33-2119	G	9.375	8.000					1.188	33-2979	G	9.750	3.625					1.250
33-2231	G	9.375	6.875					1.063	33-3010	G	9.750	6.313					1.000
33-2245	G	9.375	6.500					1.125	33-2112	G	9.813	8.813					1.188
33-2305	G	9.375	7.063					0.938	33-2149	G	9.813	8.188					1.125
33-2310	G	9.375	7.125					1.125	33-2500	G	9.813	6.000					1.188
33-2419	G	9.375	8.375					1.250	33-2525	G	9.813	6.500					0.875
33-2423	G	9.375	8.375					1.125	33-3009	G	9.813	5.125					1.000
33-2468	G	9.375	7.250					1.063	33-3052	G	9.844	5.813					1.063
33-2639	G	9.375	6.875					1.188	33-2013	G	9.875	8.250					1.625
33-2771	G	9.375	7.375					1.125	33-2041-1	G	9.875	6.188					0.938
33-2826	G	9.375	5.500					0.938	33-2125	G	9.875	8.250					0.750
33-2951	G	9.375	9.375					1.375	33-2147	G	9.875	8.000					0.875
33-2992	G	9.375	7.688					1.625	33-2151	G	9.875	8.375					1.938
33-3006	G	9.375	4.875					1.125	33-2167	G	9.875	7.875					0.938
33-3014	G	9.375	6.750					1.188	33-2680	G	9.875	5.938					1.188
33-2113	G	9.438	5.688					0.875	33-2929	G	9.875	5.250					1.125
33-2318	G	9.438	7.125					1.125	33-3016	G	9.875	4.875					1.125
33-2595	G	9.438	6.406					1.188	33-3024	G	9.875	7.938					1.375
33-2658	G	9.438	8.594					1.188	33-3053	G	9.875	8.063					1.500
33-3058	G	9.438	7.500					1.188	33-5044	G	9.875	5.438					1.500
33-2063-1	G	9.500	7.188					1.063	TB-6713	G	9.875	5.063					0.875
33-2242	G	9.500	6.063					1.125	33-2033	G	9.938	9.938					0.875
33-2373	G	9.500	8.500					1.250	33-2050-1	G	9.938	6.750					1.063
33-2476	G	9.500	6.750					1.125	33-2095	G	9.938	8.875					1.063
33-2548-A	G	9.500	8.250					1.063	33-2137	G	9.938	8.500					1.063
33-2957	G	9.500	7.188					1.625	33-2142	G	9.938	8.250					1.188
33-3019	G	9.500	6.625					1.438	33-2150	G	9.938	7.063					0.875
33-5050	G	9.500	6.438					1.000	33-2153	G	9.938	7.438					1.125
33-2890	G	9.528	8.937					1.250	33-2675	G	9.938	8.250					1.125
33-2054	G	9.563	8.125					1.313	33-2744	G	9.938	8.938					1.188
33-2136	G	9.563	7.125					1.000	33-2794	G	9.938	8.000					0.906
33-2199	G	9.563	7.625					0.938	33-2804	G	9.938	6.875					1.188
33-2282	G	9.563	6.375					0.938	33-3002	G	9.938	9.250					1.375
33-2429	G	9.563	7.875					0.875	33-2059	G	10.000	5.750					1.063
33-2510	G	9.563	6.688					1.250	33-2081	G	10.000	7.625					1.250
33-2918	G	9.563	9.563					0.938	33-2094	G	10.000	4.813					1.125
33-2134	G	9.625	6.188					0.875	33-2107	G	10.000	7.250					1.188
33-2241	G	9.625	8.125					1.375	33-2187	G	10.000	7.188					0.813
33-2360	G	9.625	6.938					1.000	33-2201	G	10.000	6.813					1.188
33-2443	G	9.625	8.750					1.125	33-2627	G	10.000	7.125					1.063
33-2457	G	9.625	8.875					1.250	33-2862	G	10.000	8.500					1.125
33-2802	G	9.625	8.000					1.000	33-2930	G	10.000	4.625					1.000
33-2849	G	9.625	7.500					1.250	33-2964	G	10.000	9.750					1.625
33-2881	G	9.625	4.563					1.125	33-3018	G	10.000	4.813					1.563
33-2952	G	9.625	4.750					1.500	33-5016	G	10.000	6.813					0.875
33-2968	G	9.625	5.750					1.625	SU-6509	G	10.000	9.938					1.000
33-3038	G	9.625	6.563					1.969	33-2026	G	10.063	6.813					1.188
33-5000	G	9.625	7.813					1.563	33-2055	G	10.063	5.500					0.875
33-2793	G	9.645	7.717					0.938	33-2205	G	10.063	9.125					1.125
33-2170	G	9.688	8.188					1.313	33-2351	G	10.063	6.313					1.188



Filter Dimensions by Size

Part #	Style	A	B	C	D	E	F	H	Part #	Style	A	B	C	D	E	F	H
Panel Filters									Panel Filters								
33-2676	G	10.063	6.375					0.938	33-2958	G	10.500	8.750					1.000
33-2977	G	10.063	4.063					0.875	33-2966	G	10.500	10.281					1.250
33-3059	G	10.063	7.938					1.156	33-2974	G	10.500	6.563					1.125
33-5021	G	10.063	10.000					0.875	33-2980	G	10.500	7.438					1.438
YA-1009	G	10.063	5.813					0.813	33-2997	G	10.500	8.563					1.250
YA-1009R	G	10.063	5.813					0.813	33-3008	G	10.500	5.688					1.438
33-2131	G	10.125	4.563					0.813	33-3051	G	10.500	10.250					1.250
33-2198	G	10.125	6.938					0.875	33-2290	G	10.563	4.563					1.250
33-2451	G	10.125	6.500					0.875	33-2672	G	10.563	6.750					0.813
33-2700	G	10.125	8.125					0.875	33-5009	G	10.563	7.313					1.125
33-2729	G	10.125	4.125					0.875	33-2002	G	10.625	5.000					1.625
33-2800	G	10.125	8.750					1.000	33-2010	G	10.625	6.125					1.375
33-2973	G	10.125	7.250					1.125	33-2268	G	10.625	7.375					1.250
33-3015	G	10.125	8.188					1.500	33-2354	G	10.625	5.313					1.000
33-3050	G	10.125	7.438					1.063	33-2378	G	10.625	6.875					1.000
33-3054	G	10.125	8.250					1.500	33-2392	G	10.625	7.438					1.438
33-2727	G	10.156	4.938					1.250	33-2472	G	10.625	5.750					1.000
33-2009	G	10.188	6.625					1.250	33-2521	G	10.625	7.375					0.875
33-2016	G	10.188	8.750					1.625	33-2953	G	10.625	9.250					1.125
33-2298	G	10.188	9.500					1.000	33-2963	G	10.625	10.000					0.875
33-2473	G	10.188	6.375					1.063	33-3007	G	10.625	4.875					1.563
33-2664	G	10.188	10.063					1.188	33-2053	G	10.688	8.125					1.313
33-2753	G	10.188	7.000					1.063	33-2086	G	10.688	8.000					1.125
33-3027	G	10.188	3.688					1.438	33-2087	G	10.688	5.188					1.313
33-5020	G	10.188	10.000					0.875	33-2270	G	10.688	6.375					1.063
33-2477	G	10.219	7.875					1.125	33-2316	G	10.688	7.938					1.063
33-2157	G	10.250	6.500					1.125	33-2649	G	10.688	7.125					1.125
33-2403	G	10.250	8.000					1.000	33-2846	G	10.688	6.750					1.250
33-2415	G	10.250	6.500					0.938	33-2981	G	10.688	5.438					1.063
33-2417	G	10.250	4.313					1.250	33-2124	G	10.750	6.563					0.813
33-2734	G	10.250	9.625					1.188	33-2180	G	10.750	5.563					0.938
33-2934	G	10.250	8.000					1.125	33-2246	G	10.750	9.750					0.875
33-2961	G	10.250	6.688					1.250	33-2428	G	10.750	10.250					1.250
33-2986	G	10.250	3.750					1.500	33-2480	G	10.750	7.125					1.188
33-2995	G	10.250	6.875					1.500	33-2759	G	10.750	8.625					1.188
TB-1011	G	10.250	5.375					1.063	33-2839	G	10.750	7.188					1.188
33-2168	G	10.313	7.063					1.125	33-5030	G	10.750	10.000					1.063
33-2209	G	10.313	8.250					1.125	33-3034	G	10.781	6.813					1.000
33-2312	G	10.313	7.500					0.938	33-2068	G	10.813	6.563					1.063
33-2737	G	10.313	7.938					1.125	33-2293	G	10.813	7.313					1.125
33-2874	G	10.313	6.844					1.188	33-2484	G	10.813	7.625					1.063
33-5053	G	10.313	7.375					1.438	33-2861	G	10.813	7.000					1.188
33-5054	G	10.313	7.375					1.438	33-2017	G	10.875	10.250					1.188
HA-6414	G	10.313	5.313					1.313	33-2126	G	10.875	5.250					0.750
33-2069	G	10.375	8.938					0.938	33-2229	G	10.875	7.313					1.125
33-2196	G	10.375	5.625					1.188	33-2397	G	10.875	7.125					1.000
33-2437	G	10.375	7.500					1.500	33-2663	G	10.875	6.250					1.125
33-2444	G	10.375	10.250					1.188	33-2886	G	10.875	6.750					1.250
33-2667	G	10.375	6.625					1.188	33-2998	G	10.875	6.563					1.625
33-2819	G	10.375	5.625					1.063	33-2999	G	10.875	6.438					1.063
33-2185	G	10.438	4.500					1.188	33-5024	G	10.875	9.375					2.375
33-2357	G	10.438	6.250					1.063	33-2091-1	G	10.938	7.125					0.938
33-2453	G	10.438	9.000					1.000	33-2166	G	10.938	6.188					1.125
33-2647	G	10.438	4.125					1.125	33-2253	G	10.938	9.750					0.938
33-3004	G	10.438	7.375					1.000	33-2325	G	10.938	9.750					0.938
33-2049	G	10.500	6.625					1.000	33-2877	G	10.938	7.438					1.125
33-2141-1	G	10.500	7.875					0.938	33-2921	G	10.938	6.375					0.813
33-2381	G	10.500	7.188					1.125	33-5031	G	10.938	7.500					1.000
33-2385	G	10.500	9.875					1.000	KA-6512	G	10.938	4.625					1.938
33-2414	G	10.500	7.063					1.250	33-2031-2	G	11.000	6.563					1.125
33-2424	G	10.500	6.250					1.188	33-2075	G	11.000	6.563					1.063
33-2761	G	10.500	4.563					1.188	33-2110	G	11.000	7.313					1.125
33-2762	G	10.500	4.188					1.188	33-2232	G	11.000	6.563					1.063

Filter Dimensions by Size



Part #	Style	A	B	C	D	E	F	H	Part #	Style	A	B	C	D	E	F	H
Panel Filters									Panel Filters								
33-2249	G	11.000	9.063					0.938	33-2970	G	11.375	8.000					0.875
33-2297	G	11.000	9.875					1.625	33-2991	G	11.375	7.000					1.688
33-2343	G	11.000	6.250					0.875	33-3025	G	11.375	8.156					0.938
33-2439	G	11.000	8.875					1.250	33-5058	G	11.375	11.000					1.438
33-2448	G	11.000	9.000					1.000	HA-1313	G	11.375	6.813					0.875
33-2454	G	11.000	7.000					1.000	33-2603	G	11.406	5.313					0.719
33-2969	G	11.000	7.875					1.000	33-2195	G	11.438	7.875					0.938
33-5005	G	11.000	10.031					2.250	33-2225	G	11.438	5.813					1.125
33-5011	G	11.000	8.000					1.063	33-2233	G	11.438	8.500					1.125
DU-9001	G	11.000	8.563					0.938	33-2295	G	11.438	8.313					1.063
KA-6005	G	11.000	4.563					1.500	33-2314	G	11.438	9.063					1.063
33-2080	G	11.063	7.063					1.063	33-2725	G	11.438	3.375					1.125
33-2296	G	11.063	9.125					0.938	33-2787	G	11.438	9.125					1.188
33-2526	G	11.063	8.188					1.188	33-2040	G	11.500	9.188					0.875
33-2870	G	11.063	4.813					1.125	33-2042	G	11.500	6.000					1.125
33-3023	G	11.063	8.000					1.625	33-2213	G	11.500	8.688					1.188
33-5018	G	11.063	3.813					0.813	33-2254	G	11.500	7.313					1.125
33-5036	G	11.063	9.250					0.875	33-2363	G	11.500	9.000					1.125
DU-6202	G	11.063	8.563					0.875	33-2410	G	11.500	7.156					1.875
33-2221	G	11.125	7.375					1.125	33-2420	G	11.500	8.500					1.625
33-2458	G	11.125	10.500					1.000	33-2492	G	11.500	6.188					1.188
33-2494	G	11.125	7.625					1.313	33-2589	G	11.500	6.406					1.188
33-2532	G	11.125	10.438					1.188	33-2673	G	11.500	3.938					1.188
33-2841	G	11.125	6.313					1.000	33-2703	G	11.500	8.813					1.000
33-2931	G	11.125	3.875					1.000	33-3048	G	11.500	3.563					1.500
33-5026	G	11.125	7.813					1.438	33-2273	G	11.563	6.750					1.125
33-2746	G	11.156	10.313					1.188	33-3005	G	11.563	7.000					1.250
33-3035	G	11.156	9.125					1.219	33-5041	G	11.594	6.594					1.000
33-2024	G	11.188	6.125					1.125	33-2038	G	11.625	7.125					0.875
33-2255	G	11.188	5.813					1.125	33-2228	G	11.625	6.375					1.125
33-2336	G	11.188	6.625					0.938	33-2315	G	11.625	7.125					1.313
33-2755	G	11.188	8.346					1.250	33-2434	G	11.625	9.125					1.625
33-2779	G	11.188	9.938					1.125	33-2447	G	11.625	8.313					1.000
33-2012	G	11.250	7.500					1.500	33-2699	G	11.625	3.313					1.125
33-2015	G	11.250	8.875					1.063	33-2850	G	11.625	6.000					1.188
33-2127	G	11.250	6.500					1.813	33-5013	G	11.625	6.875					1.000
33-2212	G	11.250	8.000					1.125	33-5023	G	11.625	8.313					1.500
33-2223	G	11.250	6.563					0.875	BU-1108	G	11.625	7.375					0.750
33-2272	G	11.250	7.563					1.125	33-2065	G	11.688	5.313					0.875
33-2371	G	11.250	5.375					1.000	33-2271	G	11.688	9.250					0.938
33-2483	G	11.250	10.000					1.250	33-2308	G	11.688	5.438					1.000
33-2497	G	11.250	9.875					1.250	33-2333	G	11.688	8.813					1.125
33-2513	G	11.250	6.563					1.188	33-2337	G	11.688	9.188					1.000
33-2543	G	11.250	8.188					1.188	33-2475	G	11.688	7.125					1.250
33-2708	G	11.250	7.250					0.813	33-2481	G	11.688	7.813					1.063
33-2956	G	11.250	9.000					1.438	33-2593	G	11.688	7.913					1.188
PL-5712	G	11.250	8.188					1.438	33-2982	G	11.688	7.813					1.063
33-2289	G	11.313	9.000					1.000	33-2994	G	11.688	11.063					1.219
33-2976	G	11.313	10.375					1.688	33-2057	G	11.750	8.250					0.938
33-5035	G	11.313	9.563					1.063	33-2096	G	11.750	6.563					1.000
PL-9011	G	11.313	9.875					1.500	33-2370	G	11.750	7.813					1.000
33-5029	G	11.344	10.375					1.500	33-2493	G	11.750	9.000					1.188
33-2048	G	11.375	9.625					1.063	33-2632	G	11.750	6.250					1.000
33-2116	G	11.375	9.000					0.938	33-2705	G	11.750	6.625					1.250
33-2139	G	11.375	9.688					0.875	33-5022	G	11.750	5.875					1.031
33-2235	G	11.375	9.000					0.938	33-2207	G	11.813	7.438					1.000
33-2252	G	11.375	5.875					1.000	33-2463	G	11.813	5.875					1.063
33-2286	G	11.375	9.625					1.000	33-5017	G	11.813	10.313					1.625
33-2287	G	11.375	8.500					0.938	33-2505	G	11.844	3.500					0.938
33-2300	G	11.375	5.875					1.063	33-2056	G	11.875	10.750					1.750
33-2442	G	11.375	10.125					1.000	33-2203	G	11.875	8.250					1.063
33-2469	G	11.375	6.500					1.000	33-2275	G	11.875	8.438					0.938
33-2962	G	11.375	10.125					1.625	33-2366	G	11.875	7.000					1.125



Filter Dimensions by Size

Part #	Style	A	B	C	D	E	F	H	Part #	Style	A	B	C	D	E	F	H
Panel Filters									Panel Filters								
33-2427	G	11.875	9.000					1.000	33-2030	G	12.375	6.313					0.875
33-2461	G	11.875	6.688					1.063	33-2052	G	12.375	7.500					1.000
33-2851	G	11.875	6.813					1.188	33-2266	G	12.375	6.563					1.000
33-2852	G	11.875	9.313					1.063	33-2319	G	12.375	10.875					1.500
33-2926	G	11.875	5.625					1.500	33-2465	G	12.375	10.125					1.188
33-5047	G	11.875	10.250					1.625	33-2922	G	12.375	5.875					1.000
33-2085	G	11.938	5.188					1.125	33-2965	G	12.375	4.500					1.250
33-2218	G	11.938	5.250					1.250	33-2983	G	12.375	10.250					1.625
33-2335	G	11.938	6.313					1.063	33-2129	G	12.438	9.813					1.188
33-2482	G	11.938	6.500					1.063	33-2764	G	12.438	10.813					1.063
33-2772	G	11.938	4.375					1.125	33-2835	G	12.438	6.313					0.875
33-2858	G	11.938	6.750					1.188	HY-6510	G	12.438	10.000					1.188
33-2988	G	11.938	5.438					1.625	33-2005	G	12.500	7.063					1.313
33-5025	G	11.938	7.250					1.000	33-2066-1	G	12.500	6.938					1.063
33-2079	G	12.000	7.125					1.125	33-2135	G	12.500	9.875					1.625
33-2165	G	12.000	5.750					1.125	33-2321	G	12.500	6.750					0.938
33-2309	G	12.000	6.813					0.938	33-2438	G	12.500	9.188					1.750
33-2358	G	12.000	7.625					0.938	33-2441	G	12.500	8.125					1.000
33-2368	G	12.000	6.500					0.875	33-2749	G	12.500	8.375					1.125
33-2383	G	12.000	6.875					1.000	33-2816	G	12.500	7.500					0.875
33-2395	G	12.000	6.750					0.938	33-2847	G	12.500	4.438					1.125
33-2425	G	12.000	5.625					1.250	KA-6009	G	12.500	6.500					0.875
33-2487	G	12.000	4.500					1.000	KA-6009R	G	12.500	6.500					0.875
33-2489	G	12.000	7.875					1.313	33-2115-1	G	12.563	5.813					1.063
33-2653-2	G	12.000	8.938					1.063	33-2260	G	12.563	7.563					0.938
33-2768	G	12.000	7.188					1.125	33-2474	G	12.563	5.250					1.625
33-2867	G	12.000	7.375					1.188	33-5048	G	12.563	8.500					1.500
33-2950	G	12.000	9.500					1.125	33-2177-1	G	12.625	6.813					0.938
33-2029	G	12.063	7.125					1.125	33-2197	G	12.625	5.250					1.125
33-2144	G	12.063	9.188					0.875	33-2278	G	12.625	6.875					1.000
33-2190	G	12.063	7.063					1.063	33-2910	G	12.625	6.000					0.875
33-2215	G	12.063	3.875					1.125	33-2945	G	12.625	5.000					1.563
33-2256	G	12.063	4.625					1.125	33-2959	G	12.625	10.000					1.750
33-2462	G	12.063	9.750					1.188	33-2178	G	12.688	6.125					0.938
33-2831	G	12.063	7.688					1.250	33-2539	G	12.688	6.000					1.188
33-5039	G	12.063	8.188					1.625	33-2743	G	12.688	3.813					1.125
33-2145-1	G	12.125	7.250					1.125	33-2848	G	12.688	9.750					1.188
33-2184	G	12.125	7.375					1.125	33-3045	G	12.688	9.438					1.500
33-2405	G	12.125	6.125					1.000	33-2078	G	12.750	5.750					1.063
33-2498	G	12.125	7.625					1.125	33-2176	G	12.750	8.313					1.125
33-2739	G	12.125	5.813					1.125	33-2306	G	12.750	9.500					1.063
HA-0513	G	12.125	4.813					1.063	33-2387	G	12.750	12.000					1.375
33-2163	G	12.188	6.188					0.875	33-2023	G	12.813	5.750					1.188
33-2279	G	12.188	6.875					1.000	33-2121-1	G	12.813	7.688					1.000
33-2426	G	12.188	10.500					1.438	33-2140-1	G	12.813	7.688					0.875
33-2499	G	12.188	7.500					1.000	33-2490	G	12.813	6.250					1.375
33-2843	G	12.188	6.125					0.938	33-2766	G	12.813	10.438					1.063
33-2032	G	12.250	7.125					1.063	33-2449	G	12.875	4.250					2.250
33-2064	G	12.250	7.938					1.000	33-2842	G	12.875	6.063					0.938
33-2374	G	12.250	5.250					1.125	33-2928	G	12.875	6.000					1.125
33-2431	G	12.250	9.625					1.250	33-2939	G	12.875	6.938					1.500
33-2924	G	12.250	7.953					0.875	33-2277	G	12.938	5.625					0.938
33-2967	G	12.250	10.063					1.000	33-2317	G	12.938	7.625					0.938
33-2099	G	12.313	5.875					1.125	33-2683	G	12.938	6.188					1.125
33-2108	G	12.313	7.938					1.188	33-2546	G	12.969	8.858					0.875
33-2146	G	12.313	9.188					0.875	33-2299	G	13.000	5.625					0.875
33-2160	G	12.313	9.188					0.875	33-2347	G	13.000	5.563					0.938
33-2226	G	12.313	6.188					1.125	33-2362	G	13.000	6.750					1.000
33-2496	G	12.313	10.313					1.188	33-2678	G	13.000	6.000					1.125
33-2728	G	12.313	4.813					1.000	33-2844	G	13.000	4.000					1.125
33-2798	G	12.313	6.125					0.875	CM-8011	G	13.000	10.500					1.063
33-2943	G	12.313	10.750					1.625	33-2043	G	13.063	9.438					1.063
33-2408	G	12.344	9.813					0.813	33-2183	G	13.063	7.375					1.125

Filter Dimensions by Size



Part #	Style	A	B	C	D	E	F	H	Part #	Style	A	B	C	D	E	F	H
Panel Filters									Panel Filters								
33-2210	G	13.063	5.563					1.125	33-2164	G	14.125	9.313					0.938
33-2486	G	13.063	5.375					0.750	33-2987	G	14.188	8.250					1.688
33-2747	G	13.063	7.375					1.125	33-2936	G	14.250	5.750					0.875
33-2001	G	13.125	5.000					1.563	33-3001	G	14.250	6.188					0.938
33-2046	G	13.125	5.250					1.063	33-2172	G	14.375	5.250					1.063
33-2466	G	13.125	9.438					2.063	33-2386	G	14.375	5.125					1.125
33-2538	G	13.125	6.313					1.188	33-2697	G	14.375	5.813					1.125
33-2248	G	13.188	7.250					1.500	33-2834	G	14.375	6.750					1.250
33-2446	G	13.188	6.375					1.000	KT-9504	G	14.375	6.188					1.500
33-2750	G	13.188	8.063					1.188	33-2460	G	14.438	9.125					1.750
33-2763	G	13.188	6.500					1.188	33-2559	G	14.438	10.063					0.875
33-2989	G	13.188	9.063					1.250	KT-9907	G	14.438	6.188					1.500
33-2456	G	13.250	12.438					1.000	33-2154	G	14.500	6.500					0.938
TB-9091	G	13.250	4.938					0.438	33-2349	G	14.563	9.375					0.813
33-2169	G	13.313	6.688					1.188	33-3036	G	14.594	8.406					1.344
33-2382	G	13.313	6.563					1.125	33-2344	G	14.625	6.250					1.000
33-2677	G	13.313	3.875					0.875	PL-2415	G	14.625	9.438					0.750
33-3026	G	13.313	11.813					1.625	33-2502	G	14.656	4.500					1.406
33-5019	G	13.313	9.313					1.500	33-2864	G	14.688	3.250					1.188
33-5052	G	13.313	6.375					1.063	KY-2911	G	14.688	6.563					0.875
HA-2513	G	13.313	9.313					1.500	33-2284	G	14.750	8.875					0.938
33-2018	G	13.375	6.563					1.563	33-2369	G	14.750	9.500					0.875
33-2251	G	13.375	11.125					1.000	33-2432	G	14.750	9.000					1.125
33-2645	G	13.375	9.188					1.063	33-2932	G	14.750	5.750					1.625
33-2648	G	13.375	6.875					1.188	33-2549	G	14.813	6.625					1.125
33-2084	G	13.438	6.625					1.125	33-2264	G	14.875	6.125					1.188
33-2114	G	13.438	6.250					1.125	33-2471	G	14.875	5.313					1.125
33-2175	G	13.438	6.625					1.063	33-2573	G	14.875	5.813					1.125
33-2865	G	13.438	5.313					1.188	33-2730	G	14.875	5.563					0.875
33-2123	G	13.500	7.125					1.563	33-2915	G	15.063	7.000					1.063
33-2384	G	13.500	8.750					1.125	HA-2714	G	15.063	5.500					0.875
33-3042	G	13.500	4.500					1.125	33-2324	G	15.125	7.188					0.938
33-2122	G	13.563	6.688					1.125	33-2570	G	15.250	6.063					0.875
33-3047	G	13.563	3.625					1.625	33-2745	G	15.250	6.375					1.063
33-5040	G	13.563	5.625					1.125	33-2857	G	15.250	7.313					1.188
33-2670	G	13.625	7.125					1.500	33-2313	G	15.313	7.250					1.000
33-2975	G	13.625	8.000					1.563	33-2353	G	15.313	8.188					1.000
HA-7008	G	13.625	8.250					1.438	33-2132	G	15.563	5.813					1.125
33-2181	G	13.688	5.188					1.250	33-2545	G	15.625	8.719					0.875
33-3044	G	13.688	8.063					1.063	33-2004	G	15.750	7.000					1.688
33-2051	G	13.750	4.125					1.063	33-5008	G	15.750	7.063					0.750
33-2058	G	13.750	5.125					1.125	33-2062-1	G	15.938	7.813					1.500
33-2152	G	13.750	8.375					1.188	33-2014	G	16.000	7.750					1.063
33-2247	G	13.750	9.313					1.563	33-2118	G	16.000	8.000					1.000
33-2339	G	13.750	4.813					1.188	33-2322	G	16.000	7.875					1.125
33-3039	G	13.750	5.313					1.188	33-2111	G	16.063	8.000					1.125
HA-1213	G	13.750	6.125					1.000	33-3033	G	16.188	8.563					1.375
33-2626	G	13.781	5.906					1.188	33-2912	G	16.313	8.875					1.125
33-2269	G	13.875	8.375					1.188	YA-2406	G	16.438	5.313					0.875
33-2391	G	13.875	10.313					1.625	33-2011	G	16.500	5.750					0.719
33-2406	G	13.875	9.375					1.125	33-2985	G	16.688	7.875					1.000
33-2916	G	13.875	4.125					1.125	33-2937	G	16.750	3.750					1.063
33-2577	G	13.938	9.567					1.250	33-2331	G	16.813	5.000					1.188
33-3021	G	13.938	9.063					1.688	33-2035	G	17.563	10.625					1.063
33-3022	G	13.938	9.063					1.688	33-2193	G	18.250	3.250					1.125
33-2128	G	14.000	7.188					1.250	33-2640	G	18.813	5.688					1.188
33-2394	G	14.000	11.750					1.000	33-2591	G	20.250	6.188					0.938
33-2530	G	14.000	8.000					0.875	33-2807	G	20.344	4.531					0.969
33-2891	G	14.000	10.344					1.344	33-2189	G	20.500	6.938					1.063
33-2925	G	14.000	3.250					1.125	33-2244	G	20.563	3.313					1.125
33-3028	G	14.000	5.813					2.688	33-2706	G	22.313	6.375					1.000
33-5010	G	14.000	6.750					2.375									
33-2130	G	14.063	6.000					1.125									



Intake System Spare Filters and Wraps

Intake System	Spare Filter	Filter Wrap	Intake System	Spare Filter	Filter Wrap	Intake System	Spare Filter	Filter Wrap
57-1000	RC-4690	RC-4690DK	57-1550	RP-4660	RP-4660DK	57-2553	RF-1041	RF-1041DK
57-1001	RC-4630	RC-4630DK	57-1551	RP-4660	RP-4660DK	57-2554	RF-1037	RF-1037DK
57-1002	RU-4730	RX-4730DK	57-1552	RU-4730	RX-4730DK	57-2555	RF-1041	RF-1041DK
57-1003	RF-1032	RF-1032DK	57-1553	RF-1048	RF-1048DK	57-2556	RF-1020	RF-1020DK
57-1120	RX-4730XD	RX-4730DK	57-1554	RF-1041	RF-1041DK	57-2557	RF-1020	RF-1020DK
57-1121	RC-2960XD	22-8049DK	57-1555	RF-1042	RF-1042DK	57-2558	RC-5046	RC-5046DK
57-1122	RE-0960		57-1556	RF-1042	RF-1042DK	57-2559	RX-4990	RX-4990DK
57-1122P	RC-3680	RC-3680DK	57-1557	RC-5142	RC-5112DK	57-2560	RX-4860	RX-4730DK
57-1124	RC-4630XD	RC-4630DK	57-1558	RF-1048	RF-1048DK	57-2561	RU-4990	RX-4990DK
57-1125	RE-0960		57-1559	RF-1048	RF-1048DK	57-2562	RC-4630	RC-4630DK
57-1125P	RE-0960		57-1560	RU-3570	RX-4990DK	57-2563	RF-1041	RF-1041DK
57-1126	RE-0960		57-1561	RF-1044	RF-1020DK	57-2564	RF-1048	RF-1048DK
57-1126P	RC-3680	RC-3680DK	57-1562	RC-5283	RC-5112DK	57-2565	RF-1048	RF-1048DK
57-1128	RC-5182XD	RC-5182DK	57-1563	RF-1041	RF-1041DK	57-2566	RF-1048	RF-1048DK
57-1129	RC-5062XD	RC-5062DK	57-1564	RF-1042	RF-1042DK	57-2567	RC-5046	RC-5046DK
57-1500-1	RF-1001	RF-1001DK	57-1565	RF-1042	RF-1042DK	57-2568	RF-1020	RF-1020DK
57-1501	E-3742	E-1650PK	57-1566	RF-1048	RF-1048DK	57-2569	RF-1041	RF-1041DK
57-1502	E-1650	E-1650PK	57-1567	RU-4990	RX-4990DK	57-2570	RC-5046	RC-5046DK
57-1503-1	E-3740	E-3740PK	57-2500	RF-1028	RF-1028DK	57-2571	RF-1048	RF-1048DK
57-1506-2	RF-1027	RF-1027DK	57-2501	RF-1003		57-2572	RC-5046	RC-5046DK
57-1507	RF-1027	RF-1027DK	57-2502	RF-1004		57-2573	RF-1048	RF-1048DK
57-1508	RF-1033		57-2503	RF-1012	RF-1012DK	57-2574	RF-1041	RF-1041DK
57-1509-1	RC-4680	RF-1032DK	57-2505-1	RF-1016	RF-5100DK	57-2575	RC-5173	RC-5173DK
57-1511-2	RC-4680	RF-1032DK	57-2507	RF-1025	RC-5106DK	57-2576	RU-5172	RC-5139DK
57-1512	RF-1039	RC-4160DK	57-2510-1	RF-1017	22-8050PK	57-2577	RC-4381	RF-1036DK
57-1513-1	RF-1045	RF-1045DK	57-2511	RF-1014	RF-1014DK	57-2578	33-2431	
57-1514-1	RF-1045	RF-1045DK	57-2513-1	RF-1014	RF-1014DK	57-2579	RF-1044	RF-1020DK
57-1515-1	RP-4660	RP-4660DK	57-2514-4	RF-1020	RF-1020DK	57-2580	RC-5173	RC-5173DK
57-1516	RC-5040	RC-5040DK	57-2516	RF-1026	RF-1026DK	57-2581	RC-5173	RC-5173DK
57-1517-2	RC-4680	RF-1032DK	57-2517	RF-1003		57-2582	RC-5282	
57-1518	RC-4690	RC-4690DK	57-2519-3	RF-1036	RF-1036DK	57-2583	RC-5173	RC-5173DK
57-1519	RC-4690	RC-4690DK	57-2523-2	RF-1048	RF-1048DK	57-2584	RC-5173	RC-5173DK
57-1520	RC-4690	RC-4690DK	57-2524-2	RF-1044	RF-1020DK	57-2585	RC-1637	
57-1521	RC-4630	RC-4630DK	57-2525-2	RF-1044	RF-1020DK	57-2587	RU-4960	RX-4990DK
57-1522	RX-4730	RX-4730DK	57-2526-2	RP-4740	RF-1023DK	57-2591	RC-5173	RC-5173DK
57-1523	RX-4730	RX-4730DK	57-2527	RF-1048	RF-1048DK	57-3000	RC-5179	RC-5139DK
57-1524	RX-4990	RX-4990DK	57-2528	RF-1048	RF-1048DK	57-3009	RF-1023	22-8033PK
57-1525	RC-4780	RC-4780DK	57-2529-1	RF-1048	RF-1048DK	57-3010-1	RF-1015	RF-1015DK
57-1526	RC-4700	RC-4700DK	57-2530	RC-4780	RC-4780DK	57-3011	RF-1021	
57-1527-1	RC-4680	RF-1032DK	57-2531	RC-4780	RC-4780DK	57-3012	RF-1018	
57-1528	RC-5060	RC-5060DK	57-2532	RC-4940	RC-5173DK	57-3013-2	RF-1024	RF-1024DK
57-1529	RF-1040	RF-1034DK	57-2533	RX-4730	RX-4730DK	57-3014	E-3750	E-3750PK
57-1530-1	RF-1020	RF-1020DK	57-2534	RX-4730	RX-4730DK	57-3016-1	RF-1040	RF-1034DK
57-1531	RP-4660	RP-4660DK	57-2535	RF-1037	RF-1037DK	57-3017-2	RF-1035	RF-1035DK
57-1532	RC-4780	RC-4780DK	57-2536	RF-1048	RF-1048DK	57-3020	RF-1038	
57-1533	RF-1040	RF-1034DK	57-2537	RF-1048	RF-1048DK	57-3021-1	RF-1041	RF-1041DK
57-1534	RU-5141	RP-4660DK	57-2538	RF-1020	RF-1020DK	57-3022-2	RF-1050	
57-1535	RP-4660	RP-4660DK	57-2539	RF-1048	RF-1048DK	57-3023-1	RF-1042	RF-1042DK
57-1536	RX-2820	22-8044PK	57-2540	RF-1037	RF-1037DK	57-3024	RC-4650	RC-4650DK
57-1537	RF-1040	RF-1034DK	57-2541	RC-5046	RC-5046DK	57-3025-1	RC-4650	RC-4650DK
57-1538	RC-5138	22-8049DK	57-2542	RC-3690	RC-3690DK	57-3026	RF-1032	RF-1032DK
57-1539	RC-5138	22-8049DK	57-2543	RF-1041	RF-1041DK	57-3027	RF-1032	RF-1032DK
57-1540	RF-1048	RF-1048DK	57-2544	RF-1041	RF-1041DK	57-3028	E-1240	
57-1541	RF-1024	RF-1024DK	57-2545	RC-5046	RC-5046DK	57-3029	E-1230	
57-1542	RF-1042	RF-1042DK	57-2546-1	RC-5178		57-3030-1	RF-1041	RF-1041DK
57-1543	RF-1048	RF-1048DK	57-2547	RP-5101	RU-5168DK	57-3031-1	RF-1041	RF-1041DK
57-1544	RF-1048	RF-1048DK	57-2548	RC-5046	RC-5046DK	57-3032	RF-1041	RF-1041DK
57-1545	RF-1048	RF-1048DK	57-2549	RC-5046	RC-5046DK	57-3033	RF-1041	RF-1041DK
57-1546	RF-1048	RF-1048DK	57-2550	RC-5046	RC-5046DK	57-3034	RC-4900	RC-4900DK
57-1547	RF-1048	RF-1048DK	57-2551	RF-1020	RF-1020DK	57-3035	RP-5070	
57-1548	RF-1048	RF-1048DK	57-2552	RF-1037	RF-1037DK	57-3036	RC-4630	RC-4630DK

Filter Wrap Suffix K = Black, L = Blue, R=Red, Y=Yellow

Intake System Spare Filters and Wraps



Intake System	Spare Filter	Filter Wrap	Intake System	Spare Filter	Filter Wrap	Intake System	Spare Filter	Filter Wrap
57-3037	RP-5103	RP-5103DK	57-6013	RF-1037	RF-1037DK	63-2578	RF-1048	RF-1048DK
57-3038	RF-1041	RF-1041DK	57-6014	RF-1014	RF-1014DK	63-2582	RC-5282	
57-3039	RF-1040	RF-1034DK	57-6015	RC-4180	22-8033PK	63-2585	RC-1637	
57-3040	RF-1048	RF-1048DK	57-7000	RP-4630	RC-4630DK	63-2586	RC-1637	
57-3041	RP-5105		57-7001	RP-5167	RF-1037DK	63-2587	RU-4960	RX-4990DK
57-3042	RF-1048	RF-1048DK	57-9000	RF-1002		63-2588	RU-4600	22-8036PK
57-3043	RF-1048	RF-1048DK	57-9001	RF-1009	22-8036PK	63-2589	RC-2960	22-8049DK
57-3044	RF-1048	RF-1048DK	57-9004	RC-2960	22-8049DK	63-2590	RC-2960	22-8049DK
57-3045	RF-1040	RF-1034DK	57-9005	RC-2960	22-8049DK	63-2591	RC-5173	RC-5173DK
57-3046	RP-5115		57-9006	RF-1009	22-8036PK	63-2592	RC-5173	RC-5173DK
57-3047	RC-4900	RC-4900DK	57-9008	RF-1009	22-8036PK	63-2593	RF-1042	RF-1042DK
57-3048	RF-1032	RF-1032DK	57-9011	RC-4630	RC-4630DK	63-2594	RC-2960	22-8049DK
57-3049	RF-1048	RF-1048DK	57-9012	RF-1037	RF-1037DK	63-2595	RC-5173	RC-5173DK
57-3050	RF-1041	RF-1041DK	57-9013	RF-1029	RF-1029DK	63-2596	RC-5173	RC-5173DK
57-3051	RF-1048	RF-1048DK	57-9014-1	RF-1045	RF-1045DK	63-3037	RP-5103	RP-5103DK
57-3052	RP-5135	RP-5135DK	57-9015-1	RC-4700	RC-4700DK	63-3052	RP-5135	RP-5135DK
57-3053	RF-1048	RF-1048DK	57-9016-1	RF-1037	RF-1037DK	63-3053	RF-1048	RF-1048DK
57-3054	RC-2960	22-8049DK	57-9017	RF-1045	RF-1045DK	63-3056	RC-5149	RC-5149DK
57-3055	RP-5115		57-9018	RP-4980	RC-5149DK	63-3059	RF-1048	RF-1048DK
57-3056	RC-5149	RC-5149DK	57-9019	RC-4700	RC-4700DK	63-3060-1	RP-5161	RP-5135DK
57-3057	RC-5179	RC-5139DK	57-9020	RC-5100	RC-5100DK	63-3062	RU-4730	RX-4730DK
57-3058	RF-1042	RF-1042DK	57-9021	RC-5100	RC-5100DK	63-3064-1	RF-1048	RF-1048DK
57-3061	RF-1032	RF-1032DK	57-9024	RF-1029	RF-1029DK	63-3065	RF-1048	RF-1048DK
57-3062	RU-4730	RX-4730DK	57-9025	RF-1048	RF-1048DK	63-3069	E-1989	RX-3820PK
57-3063	RF-1042	RF-1042DK	57-9027	E-3034		63-3071	RC-5138	22-8049DK
57-3066	RC-5179	RC-5139DK	57-9031	33-2387		63-3072	RC-5138	22-8049DK
57-3067	RF-1042	RF-1042DK	57-9036	33-5017		63-3073	RP-5161	RP-5135DK
57-3068	RC-2960	22-8049DK	63-1007-1	E-3750	E-3750PK	63-3074	RF-1042	RF-1042DK
57-3069	E-1989	RX-3820PK	63-1008	RF-1014	RF-1014DK	63-3075	RF-1042	RF-1042DK
57-3070	RF-1042XD	RF-1042DK	63-1014	RF-1012	RF-1012DK	63-3078	RC-5107	RC-5107DK
57-3074	33-2434		63-1016	RF-1030	RC-4630DK	63-3079	RP-5168	
57-3075	33-2434		63-1017	RF-1030	RC-4630DK	63-3080	RP-5161	RP-5135DK
57-3077	RC-5179	RC-5139DK	63-1019	RC-4400		63-3081	RP-5285	
57-3078	RC-5107	RC-5107DK	63-1043	RC-4700	RC-4700DK	63-3082	RF-1041	RF-1041DK
57-3079	RP-5168		63-1050	RP-5070		63-3083	RF-1009	22-8036PK
57-3082	RF-1041	RF-1041DK	63-1058	RC-5100	RC-5100DK	63-3084	RC-5138	22-8049DK
57-3500	RF-1007		63-1094	RC-5138	22-8049DK	63-3085	RF-1041	RF-1041DK
57-3501	RF-1005		63-1101	RX-4990	RX-4990DK	63-3086	33-2411	
57-3502	RC-2960	22-8049DK	63-1114	RF-1042	RF-1042DK	63-3087	RC-5179	RC-5139DK
57-3503	RF-1007		63-1116	RC-5138	22-8049DK	63-3088	RF-1042XD	RF-1042DK
57-3504	RF-1008	RC-5106DK	63-1529	RF-1040	RF-1034DK	63-3089	RC-2960XD	22-8049DK
57-3506	RF-1013	RF-1036DK	63-1537	RF-1040	RF-1034DK	63-3090	RP-5285	
57-3509	RF-1030	RC-4630DK	63-1551	RP-4660	RP-4660DK	63-3091	RU-5176	RX-4990DK
57-3512	RC-4550	RF-1023DK	63-1552	RU-4730	RX-4730DK	63-3092	RF-1042	RF-1042DK
57-3513	RP-4970	22-8032PK	63-1560	RU-3570	RX-4990DK	63-3514	RP-4980	RC-5149DK
57-3514	RP-4980	RC-5149DK	63-1561	RF-1044	RF-1020DK	63-5301	RU-4600	22-8036PK
57-3515	RC-4760	RC-5106DK	63-1562	RC-5283	RC-5112DK	63-5506	RU-5147	RU-5147DK
57-5001	RF-1009	22-8036PK	63-1563	RF-1041	RF-1041DK	63-6012	RF-1044	RF-1020DK
57-5005	RF-1002		63-1564	RF-1042	RF-1042DK	63-6014	RF-1014	RF-1014DK
57-5300	33-2448		63-1565	RF-1042	RF-1042DK	63-7001	RP-5167	RF-1037DK
57-5500	RF-1022		63-1566	RF-1048	RF-1048DK	63-9022	RC-5100	RC-5100DK
57-5504-1	RF-1019		63-1567	RU-4990	RX-4990DK	63-9023	RC-5100	RC-5100DK
57-5505	RF-1001	RF-1001DK	63-1568	33-5005		63-9025	RF-1042	RF-1042DK
57-6000	RC-2960	22-8049DK	63-1569	RF-1048	RF-1048DK	63-9026	RF-1042	RF-1042DK
57-6001	RF-1010		63-1570	RC-2960	22-8049DK	63-9027	RF-1042	RF-1042DK
57-6002	RF-1011		63-1571	RF-1042XD	RF-1042DK	63-9028	RF-1042	RF-1042DK
57-6003	RC-2960	22-8049DK	63-1572	RU-4600	22-8036PK	63-9029	RF-1048	RF-1048DK
57-6005	RX-4750	RF-1042DK	63-1573	RF-1048	RF-1048DK	63-9030	RC-5046	RC-5046DK
57-6010	RF-1037	RF-1037DK	63-1700	RC-5062XD	RC-5062DK	63-9031-1	RF-1042	RF-1042DK
57-6011	RF-1037	RF-1037DK	63-2565	RF-1048	RF-1048DK	63-9032-1	RF-1041	RF-1041DK
57-6012	RF-1044	RF-1020DK	63-2572	RC-5046	RC-5046DK	63-9033	RF-1020	RF-1020DK

Filter Wrap Suffix K = Black, L = Blue, R=Red, Y=Yellow



Intake System Spare Filters and Wraps

Intake System	Spare Filter	Filter Wrap	Intake System	Spare Filter	Filter Wrap	Intake System	Spare Filter	Filter Wrap
63-9034	RF-1048	RF-1048DK	69-2022TS	RC-9630	RC-9350DK	69-3531TS	RF-1048	RF-1048DK
63-9035	RF-1042XD	RF-1042DK	69-2023TS	RU-4960	RX-4990DK	69-3532TTK	RU-5122	RC-5106DK
63-9036	RF-1044	RF-1020DK	69-2024TTK	RC-5144	RC-4690DK	69-3533TTK	RC-9350	RC-9350DK
63-9037	RF-1042XD	RF-1042DK	69-2025TS	RU-4960	RX-4990DK	69-3534TTK	RF-1048	RF-1048DK
63-9038	33-2453		69-2026TTK	RU-5176	RX-4990DK	69-3535TP	RC-2960	22-8049DK
63-9039	RC-2960	22-8049DK	69-2027TS	RC-5138	22-8049DK	69-3536TTK	RC-2960	22-8049DK
69-0015TR	RU-4870	RX-4730DK	69-2520TP	RU-4950	RX-4990DK	69-3537TS	RU-4990	RX-4990DK
69-0015TS	RU-4870	RX-4730DK	69-2520TR	RU-4950	RX-4990DK	69-3538TTK	RP-2960	
69-0017TS	RX-4730	RX-4730DK	69-2521TB	RU-4950	RX-4990DK	69-4000TB	RU-4860	RX-4730DK
69-0021TB	RU-4870	RX-4730DK	69-2521TP	RU-4950	RX-4990DK	69-4000TS	RU-4860	RX-4730DK
69-0021TS	RU-4870	RX-4730DK	69-2526TP	RF-1042	RF-1042DK	69-4002TB	RC-9310	RC-9310DK
69-0025TP	RU-4870	RX-4730DK	69-2527TTR	RF-1048	RF-1048DK	69-4510TS	RU-4960	RX-4990DK
69-0026TS	RC-4630XD	RC-4630DK	69-2528TTK	RF-1048	RF-1048DK	69-4515TS	RU-5147	RU-5147DK
69-0500TS	RU-4950	RX-4990DK	69-2541TB	RU-4950	RX-4990DK	69-4516TS	RU-4990	RX-4990DK
69-0500TWR	RU-4950	RX-4990DK	69-2541TP	RU-4950	RX-4990DK	69-4517TTK	RU-5147	RU-5147DK
69-0502TWR	RU-4860	RX-4730DK	69-2542TS	RU-4860	RX-4730DK	69-4518TTK	RC-4470	RC-4700DK
69-1005TB	RC-4290		69-2543TTK	RU-4730	RX-4730DK	69-4519TP	RF-1042	RF-1042DK
69-1005TR	RC-4290		69-2544TP	RF-1042	RF-1042DK	69-4520TP	RF-1042	RF-1042DK
69-1007TS	RU-4950	RX-4990DK	69-2545TP	RF-1042	RF-1042DK	69-4521TS	RU-5147	RU-5147DK
69-1008TB	RU-4950	RX-4990DK	69-2546TS	RF-1048	RF-1048DK	69-4522TS	RU-5147	RU-5147DK
69-1008TS	RU-4950	RX-4990DK	69-2547TS	RU-4990	RX-4990DK	69-4523TP	RC-5107	RC-5107DK
69-1009TP	RU-4870	RX-4730DK	69-2548TS	RU-3560		69-4524TS	RU-4960XD	RX-4990DK
69-1009TR	RU-4870	RX-4730DK	69-2549TS	RU-4960	RX-4990DK	69-4525TS	RU-4960XD	RX-4990DK
69-1009TWR	RU-4870	RX-4730DK	69-2550TTK	RF-1041	RF-1041DK	69-4526TS	RF-1048	RF-1048DK
69-1010TP	RU-4870	RX-4730DK	69-2551TS	RU-4990	RX-4990DK	69-4527TS	RC-2960XD	22-8049DK
69-1011TP	RU-4860	RX-4730DK	69-3002TS	RC-9350	RC-9350DK	69-4528TS	RC-5107	RC-5107DK
69-1013TS	RU-4950	RX-4990DK	69-3300TP	RU-4960	RX-4990DK	69-4529TS	RU-4960	RX-4990DK
69-1014TS	RU-5147	RU-5147DK	69-3300TR	RU-4960	RX-4990DK	69-4530TS	RC-5138	22-8049DK
69-1015TB	RU-4960	RX-4990DK	69-3300TS	RU-4960	RX-4990DK	69-4531TTK	RU-5176	RX-4990DK
69-1015TP	RU-4960	RX-4990DK	69-3301TB	RU-4950	RX-4990DK	69-4532TTK	RU-5176	RX-4990DK
69-1016-1TS	RU-5163	RU-5163DK	69-3301TP	RU-4950	RX-4990DK	69-4533TTK	RP-5168	
69-1017TTK	RC-9350	RC-9350DK	69-3301TS	RU-4960	RX-4990DK	69-4534TP	RF-1042	RF-1042DK
69-1018TS	RX-4950	RX-4990DK	69-3302TB	RC-9310	RC-9310DK	69-4536TS	RU-5163	RU-5163DK
69-1019TS	RU-4600	22-8036PK	69-3302TP	RC-9310	RC-9310DK	69-4900TB	RC-9350	RC-9350DK
69-1020TS	RU-4600	22-8036PK	69-3302TS	RC-9310	RC-9310DK	69-4900TS	RC-9350	RC-9350DK
69-1040TP	RU-4990	RX-4990DK	69-3303TS	RC-9800		69-5300TR	RU-4870	RX-4730DK
69-1040TWR	RU-4990	RX-4990DK	69-3500TB	RU-4990	RX-4990DK	69-5300TS	RU-4870	RX-4730DK
69-1203TP	RU-4950	RX-4990DK	69-3500TP	RU-4990	RX-4990DK	69-5301TTK	RC-5138	22-8049DK
69-1206TP	RU-4870	RX-4730DK	69-3510TB	RU-4860	RX-4730DK	69-5302TTK	RP-4600	22-8036PK
69-1207TP	RU-4960	RX-4990DK	69-3510TP	RU-4860	RX-4730DK	69-5303TS	RU-4600	22-8036PK
69-1207TR	RU-4960	RX-4990DK	69-3511TP	RU-4960	RX-4990DK	69-5304TS	RU-4600	22-8036PK
69-1208TS	RU-4950	RX-4990DK	69-3511TR	RU-4960	RX-4990DK	69-5305TP	RU-4870	RX-4730DK
69-1209TS	RU-4870	RX-4730DK	69-3512TP	RU-4950	RX-4990DK	69-5306TS	RU-4990	RX-4990DK
69-1210TS	RC-4630	RC-4630DK	69-3512TR	RU-4950	RX-4990DK	69-5307TTK	RU-4600	22-8036PK
69-1211TTK	RU-3570	RX-4990DK	69-3513TTK	RU-4950	RX-4990DK	69-5308TS	RU-4600	22-8036PK
69-1212TS	RC-4630XD	RC-4630DK	69-3514TTK	RU-4960	RX-4990DK	69-5309TS	RF-1048	RF-1048DK
69-1213TS	RU-4960XD	RX-4990DK	69-3515TS	RU-5176	RX-4990DK	69-5310TS	RC-5138	22-8049DK
69-1302TP	RU-4870	RX-4730DK	69-3516TTK	RU-4960XD	RX-4990DK	69-5311TTK	RC-4630XD	RC-4630DK
69-1500TP	RC-9310	RC-9310DK	69-3517TS	RC-5284		69-5312TS	RU-4990	RX-4990DK
69-1500TWR	RC-9310	RC-9310DK	69-3518TS	RU-4600	22-8036PK	69-5313TS	RU-4600	22-8036PK
69-1502TP	RU-4950	RX-4990DK	69-3520TP	RU-5122	RC-5106DK	69-5314TS	RU-4600	22-8036PK
69-1502TS	RU-4950	RX-4990DK	69-3521TP	RF-1036	RF-1036DK	69-5315TS	RU-4600	22-8036PK
69-1503TS	RC-5138	22-8049DK	69-3522TP	RF-1048	RF-1048DK	69-5316TS	RX-4730XD	RX-4730DK
69-2001TS	RP-5113	RU-5147DK	69-3523KP	RF-1048	RF-1048DK	69-6000TP	RU-4870	RX-4730DK
69-2001TWK	RP-5113	RU-5147DK	69-3524TP	RF-1036	RF-1036DK	69-6000TR	RU-4870	RX-4730DK
69-2003TFK	RU-5147	RU-5147DK	69-3525TS	RC-4381	RF-1036DK	69-6010TR	RU-4950	RX-4990DK
69-2004TTK	RU-4960	RX-4990DK	69-3526TP	RF-1048	RF-1048DK	69-6010TS	RU-4950	RX-4990DK
69-2005TTK	RC-5144	RC-4690DK	69-3527TP	RF-1048	RF-1048DK	69-6011TS	RU-4960	RX-4990DK
69-2020TP	RC-9350	RC-9350DK	69-3528TS	RF-1048	RF-1048DK	69-6012TS	RU-4960	RX-4990DK
69-2020TR	RC-9350	RC-9350DK	69-3529TP	RC-2960XD	22-8049DK	69-6013TTK	RU-4960XD	RX-4990DK
69-2021TP	RU-4950	RX-4990DK	69-3530TS	RC-9630	RC-9350DK	69-6020TR	RU-4950	RX-4990DK

Filter Wrap Suffix K = Black, L = Blue, R=Red, Y=Yellow

Intake System Spare Filters and Wraps



Intake System	Spare Filter	Filter Wrap	Intake System	Spare Filter	Filter Wrap	Intake System	Spare Filter	Filter Wrap
69-6020TS	RU-4950	RX-4990DK	69-8004TTK	RP-5113	RU-5147DK	69-9502TP	RP-5118	RC-3690DK
69-6025TS	RU-4870	RX-4730DK	69-8005TWR	RP-5113	RU-5147DK	69-9503TFK	RU-4960	RX-4990DK
69-6026TS	RU-4870	RX-4730DK	69-8006TTK	RU-4960	RX-4990DK	69-9504TTK	RX-4730XD	RX-4730DK
69-6027TTK	RU-4870	RX-4730DK	69-8007TWR	RU-4870	RX-4730DK	69-9505T	RF-1047	
69-6028TTK	RU-4960	RX-4990DK	69-8008TTK	RU-4960	RX-4990DK	69-9506TTK	RC-9350	RC-9350DK
69-6030-1TFK	RU-5123		69-8250TS	RU-4990	RX-4990DK	69-9507TTK	RU-4990	RX-4990DK
69-6031TS	RU-4960XD	RX-4990DK	69-8250TWR	RU-4990	RX-4990DK	69-9508T	RU-3570	RX-4990DK
69-6032TS	RU-4990	RX-4990DK	69-8251TB	RC-9350	RC-9350DK	69-9509TTK	RU-4990	RX-4990DK
69-6033TTK	RU-4960XD	RX-4990DK	69-8251TS	RC-9350	RC-9350DK	69-9750TS	RC-9630	RC-9350DK
69-6501TB	RU-4730	RX-4730DK	69-8400TR	RU-4960	RX-4990DK	69-9750TWR	RC-9630	RC-9350DK
69-6501TP	RU-4730	RX-4730DK	69-8400TS	RU-4960	RX-4990DK	69-9751TB	RC-9630	RC-9350DK
69-6502TR	RU-4730	RX-4730DK	69-8431TP	RU-4990	RX-4990DK	69-9751TS	RC-9630	RC-9350DK
69-6506TR	RU-4730	RX-4730DK	69-8432TS	RU-4990	RX-4990DK	69-9752TB	RU-4960	RX-4990DK
69-6506TS	RU-4730	RX-4730DK	69-8433TTK	RP-5182		69-9752TP	RU-4960	RX-4990DK
69-6540TB	RU-4730	RX-4730DK	69-8520TR	RU-4870	RX-4730DK	69-9754TS	RC-9350	RC-9350DK
69-6540TP	RU-4730	RX-4730DK	69-8520TS	RU-4870	RX-4730DK	69-9756TFK	RU-4960	RX-4990DK
69-6543TP	RP-4600	22-8036PK	69-8522TS	RU-4870	RX-4730DK	71-1532	RU-5171HBK	RC-5112DK
69-6543TR	RP-4600	22-8036PK	69-8600TP	RU-4960	RX-4990DK	71-1533	RU-3105HBK	
69-6544TS	RU-4950	RX-4990DK	69-8600TR	RU-4960	RX-4990DK	71-1542	RU-3102HBK	
69-6545T	RP-4600	22-8036PK	69-8601TP	RU-4960	RX-4990DK	71-1557	RU-5171HBK	RC-5112DK
69-6546TWR	RF-1047		69-8601TR	RU-4960	RX-4990DK	71-1561	RU-3101HBK	
69-7000TP	RU-4960	RX-4990DK	69-8605TS	RU-4860	RX-4730DK	71-1562	RU-5283HBK	RC-5112DK
69-7000TR	RU-4960	RX-4990DK	69-8606TB	RU-4950	RX-4990DK	71-1566	RU-3102HBK	
69-7001TTK	RU-3700	22-8014PK	69-8606TP	RU-4950	RX-4990DK	71-2545	RU-3102HBK	
69-7002TTK	RC-2960	22-8049DK	69-8607TB	RU-4960	RX-4990DK	71-2556	RU-3101HBK	
69-7003TTK	RC-5128		69-8607TS	RU-4960	RX-4990DK	71-2576	RU-5283HBK	RC-5112DK
69-7060TS	RU-4870	RX-4730DK	69-8608TFK	E-3038		71-2581	RU-3102HBK	
69-7061TS	RU-4990	RX-4990DK	69-8609TTK	RU-4960	RX-4990DK	71-2582	RU-5177HBK	RC-5139DK
69-7062TTK	RU-4990	RX-4990DK	69-8610TTK	RU-4990	RX-4990DK	71-2584	RU-3102HBK	
69-7063TTK	RF-1048	RF-1048DK	69-8611TS	RU-4990	RX-4990DK	71-2591	RU-3102HBK	
69-7064TS	RX-4730XD	RX-4730DK	69-8612TFK	RU-5174	RX-4990DK	71-3058	RU-3102HBK	
69-7070TB	RU-4990	RX-4990DK	69-8613TS	RU-3570	RX-4990DK	71-3066	RU-5177HBK	RC-5139DK
69-7070TP	RU-4990	RX-4990DK	69-8614TS	RU-4860	RX-4730DK	71-3070	RU-3101HBK	
69-7071TS	RU-4960	RX-4990DK	69-8615TS	RC-4630	RC-4630DK	71-3082	RU-3101HBK	
69-7075TS	RU-4600	22-8036PK	69-8616TS	RP-4600	22-8036PK	71-3088	RU-3101HBK	
69-7076TS	RU-4600	22-8036PK	69-8617TTK	RU-4990	RX-4990DK	71-3092	RU-3102HBK	
69-7077TTK	RC-9350	RC-9350DK	69-8618TS	RU-4990	RX-4990DK	71-3527	RU-3102HBK	
69-7078TS	RU-4960XD	RX-4990DK	69-8619TS	RC-4630XD	RC-4630DK	71-3535	RU-3102HBK	
69-7079TS	RC-5128		69-8620TTK	RF-1048	RF-1048DK	71-4519	RU-3102HBK	
69-7080-1TS	RU-4730	RX-4730DK	69-8700TP	RU-4960	RX-4990DK	71-7078	RU-3103HBK	
69-7081-1TS	RU-4960	RX-4990DK	69-8701TP	RU-5176	RX-4990DK	71-9039	RU-3102HBK	
69-7082TS	RU-4960	RX-4990DK	69-8702TP	RU-4990	RX-4990DK	77-1513KP	RF-1045	RF-1045DK
69-7083TS	RU-4960XD	RX-4990DK	69-8703TS	RT-4600	22-8036PK	77-1516KP	RU-4990	RX-4990DK
69-7200TP	RC-5138	22-8049DK	69-8704TP	33-2452		77-1526KP	RU-4870	RX-4730DK
69-7201TP	RF-1048	RF-1048DK	69-8750TR	RU-4870	RX-4730DK	77-1529KP	RC-5106	RC-5106DK
69-7202-1TTK	RF-1023	22-8033PK	69-8750TS	RU-4870	RX-4730DK	77-1533KP	RC-3690	RC-3690DK
69-7501TB	RC-9630	RC-9350DK	69-8751TP	RU-4960	RX-4990DK	77-1538KP	RC-3690	RC-3690DK
69-7501TS	RC-9630	RC-9350DK	69-8751TR	RU-4960	RX-4990DK	77-1539KP	RC-3690	RC-3690DK
69-7502TB	RC-5136	RC-9310DK	69-8752TR	RU-4870	RX-4730DK	77-1540KP	RF-1048	RF-1048DK
69-7502TP	RC-5136	RC-9310DK	69-8752TS	RU-4870	RX-4730DK	77-1545KP	RF-1048	RF-1048DK
69-7502TS	RC-5136	RC-9310DK	69-8753TR	RC-5144	RC-4690DK	77-1546KP	RF-1048	RF-1048DK
69-7503TB	RC-9310	RC-9310DK	69-8753TS	RC-5144	RC-4690DK	77-1547KP	RF-1048	RF-1048DK
69-7503TS	RC-9310	RC-9310DK	69-8754TP	RU-4960	RX-4990DK	77-1548KP	RF-1048	RF-1048DK
69-7505TP	RC-9350	RC-9350DK	69-8754TR	RU-4960	RX-4990DK	77-1549KP	RF-1048	RF-1048DK
69-7505TS	RC-9350	RC-9350DK	69-8756TB	RU-4950	RX-4990DK	77-1553KP	RU-4730	RX-4730DK
69-7800TB	RU-5090	RC-9310DK	69-8756TP	RU-4950	RX-4990DK	77-1554KP	RF-1041	RF-1041DK
69-7800TS	RU-5090	RC-9310DK	69-8757TTK	RU-4960XD	RX-4990DK	77-1558KP	RF-1048	RF-1048DK
69-8001TS	RP-5113	RU-5147DK	69-9000TS	RU-4730	RX-4730DK	77-1559KP	RF-1048	RF-1048DK
69-8001TWR	RP-5113	RU-5147DK	69-9501TB	RU-4960	RX-4990DK	77-1560KTK	RF-1041	RF-1041DK
69-8002TS	RP-5113	RU-5147DK	69-9501TP	RU-4960	RX-4990DK	77-1561KP	RF-1044	RF-1020DK
69-8003TFK	RP-5113	RU-5147DK	69-9502TB	RP-5118	RC-3690DK	77-1562KTK	RF-1042	RF-1042DK



Intake System Spare Filters and Wraps

Intake System	Spare Filter	Filter Wrap	Intake System	Spare Filter	Filter Wrap
77-1563KP	RF-1041	RF-1041DK	77-3088KP	RF-1042XD	RF-1042DK
77-1564KS	RF-1042	RF-1042DK	77-3089KP	RC-2960XD	22-8049DK
77-1565KS	RU-4600	22-8036PK	77-3090KTK	RF-1041	RF-1041DK
77-1566KP	RF-1048	RF-1048DK	77-3515KP	RC-4470	RC-4700DK
77-1567KS	RF-1042	RF-1042DK	77-6012KP	RC-5046	RC-5046DK
77-1568KTK	RF-1048	RF-1048DK	77-6014-1KP	RF-1014	RF-1014DK
77-1569KS	RF-1048	RF-1048DK	77-6016KS	RC-4381	RF-1036DK
77-1570KS	RC-2960	22-8049DK	77-9015KP	RF-1042	RF-1042DK
77-1571KP	RF-1044	RF-1020DK	77-9016KP	RF-1037	RF-1037DK
77-1572KS	RF-1042	RF-1042DK	77-9020KP	RC-2960	22-8049DK
77-2514KP	RC-5046	RC-5046DK	77-9022KP	RF-1048	RF-1048DK
77-2529KP	RF-1048	RF-1048DK	77-9023KP	RF-1048	RF-1048DK
77-2550KP	RC-5107	RC-5107DK	77-9025KP	RF-1048	RF-1048DK
77-2552KP	RF-1037	RF-1037DK	77-9026KP	RF-1042	RF-1042DK
77-2556KP	RC-5046	RC-5046DK	77-9027KP	RF-1042	RF-1042DK
77-2557KP	RF-1020	RF-1020DK	77-9028KP	RF-1042	RF-1042DK
77-2561KP	RF-1048	RF-1048DK	77-9029KP	RF-1048	RF-1048DK
77-2568KP	RF-1020	RF-1020DK	77-9030KP	RF-1048	RF-1048DK
77-2569KP	RF-1041	RF-1041DK	77-9031-1KP	RF-1042	RF-1042DK
77-2570KTK	RC-5046	RC-5046DK	77-9032-1KP	RU-5045	RU-5045DK
77-2573KP	RF-1048	RF-1048DK	77-9033KP	RF-1020	RF-1020DK
77-2574KS	RF-1042	RF-1042DK	77-9034KP	RF-1048	RF-1048DK
77-2575KS	RF-1048	RF-1048DK	77-9035KP	RF-1042XD	RF-1042DK
77-2576KTK	RC-2960XDE		77-9036KP	RF-1044	RF-1020DK
77-2577KTK	RC-5173	RC-5173DK	77-9037KP	RF-1042XD	RF-1042DK
77-2578KS	RF-1048	RF-1048DK	77-9039KP	RC-2960	22-8049DK
77-2579KTK	RF-1044XD	RF-1020DK			
77-2580KP	RC-5173	RC-5173DK			
77-2581KP	RC-5173	RC-5173DK			
77-2582KTK	RC-5173	RC-5173DK			
77-2583KS	RF-1048	RF-1048DK			
77-2584KP	RC-5173	RC-5173DK			
77-2585KS	RC-5173	RC-5173DK			
77-2586KS	RF-1048	RF-1048DK			
77-2587KS	RF-1048	RF-1048DK			
77-2591KP	RC-5173	RC-5173DK			
77-3000KS	RF-1037	RF-1037DK			
77-3021KP	RC-5046	RC-5046DK			
77-3023KP	RC-5046	RC-5046DK			
77-3031KP	RC-5046	RC-5046DK			
77-3034KP	RC-5112	RC-5112DK			
77-3036KP	RU-4730	RX-4730DK			
77-3037KP	RF-1041	RF-1041DK			
77-3043KP	RF-1048	RF-1048DK			
77-3044KP	RF-1048	RF-1048DK			
77-3047KP	RC-5112	RC-5112DK			
77-3050KP	RF-1041	RF-1041DK			
77-3058KP	RF-1042	RF-1042DK			
77-3062KP	RU-4730	RX-4730DK			
77-3063KTK	RC-5165	RC-5165DK			
77-3064KTK	RC-5181	RF-1026DK			
77-3065KP	RF-1048	RF-1048DK			
77-3070KP	RF-1042	RF-1042DK			
77-3071KS	RC-5138	22-8049DK			
77-3076KTK	RF-1042XD	RF-1042DK			
77-3077KP	RC-5179	RC-5139DK			
77-3078KTK	RC-2960	22-8049DK			
77-3082KP	RF-1041	RF-1041DK			
77-3085KP	RF-1041	RF-1041DK			
77-3086KTK	RF-1041	RF-1041DK			
77-3087KP	RC-5179	RC-5139DK			

Filter Wrap Suffix K = Black, L = Blue, R=Red, Y=Yellow



Vehicle	Engine Type	Part Number	Estimated Horsepower*	Vehicle	Engine Type	Part Number	Estimated Horsepower*
2016 ACURA				2005 ACURA			
ILX	2.4L L4 F/I	69-1503TS ²	6.4 @ 6069	EL	1.7L L4 F/I	69-1008TS ²	5.0 @ 5200
2015 ACURA						69-1008TB ²	5.0 @ 5200
ILX	2.4L L4 F/I	69-1019TS ²	10.6 @ 5400	RSX	2.0L L4 F/I	69-0015TR ¹	2.8 @ 6500
TLX	3.5L V6 F/I	69-1212TS ²	7.4 @ 5429			69-0015TS ¹	2.8 @ 6500
2014 ACURA				RSX Type-S	2.0L L4 F/I	69-1009TWR ¹	10.5 @ 7014
ILX	2.4L L4 F/I	69-1019TS ¹	10.6 @ 5400			69-1009TP ¹	10.5 @ 7014
TL	3.5L V6 F/I	69-1210TS ¹	10.2 @ 5217	TL	3.2L V6 F/I	69-1009TR ¹	10.5 @ 7014
TSX	2.4L L4 F/I	69-0026TS ¹	7.9 @ 5400			69-0021TS ¹	6.8 @ 5501
2013 ACURA				TSX	2.4L L4 F/I	69-0021TB ¹	6.8 @ 5501
ILX	2.4L L4 F/I	69-1019TS ¹	10.6 @ 5400			69-0025TP ¹	4.2 @ 5300
TL	3.5L V6 F/I	69-1210TS ¹	10.2 @ 5217	2004 ACURA			
TSX	2.4L L4 F/I	69-0026TS ¹	7.9 @ 5400	EL	1.7L L4 F/I	69-1008TS ²	5.0 @ 5200
2012 ACURA						69-1008TB ²	5.0 @ 5200
TL	3.5L V6 F/I	69-1210TS ¹	10.2 @ 5217	RSX	2.0L L4 F/I	69-0015TR ¹	2.8 @ 6500
TSX	2.4L L4 F/I	69-0026TS ¹	7.9 @ 5400			69-0015TS ¹	2.8 @ 6500
2011 ACURA				RSX Type-S	2.0L L4 F/I	69-1009TR ¹	10.5 @ 7014
RDX	2.3L L4 F/I	69-0017TS ¹	8.8 @ 5047			69-1009TP ¹	10.5 @ 7014
TL	3.5L V6 F/I - w/Mass Air	69-1210TS ¹	10.2 @ 5217	TL	3.2L V6 F/I	69-1009TWR ¹	10.5 @ 7014
TSX	2.4L L4 F/I	69-0026TS ¹	7.9 @ 5400			69-0021TB ¹	6.8 @ 5501
2010 ACURA				TSX	2.4L L4 F/I	69-0021TS ¹	6.8 @ 5501
RDX	2.3L L4 F/I	69-0017TS ¹	8.8 @ 5047			69-0025TP ¹	4.2 @ 5300
TL	3.5L V6 F/I - w/Mass Air	69-1210TS ¹	10.2 @ 5217	2003 ACURA			
TL	3.7L V6 F/I - w/Mass Air	69-1210TS ¹	10.2 @ 5217	EL	1.7L L4 F/I	69-1008TS ²	5.0 @ 5200
TSX	2.4L L4 F/I	69-0026TS ¹	7.9 @ 5400			69-1008TB ²	5.0 @ 5200
2009 ACURA				RSX	2.0L L4 F/I	69-0015TR ¹	2.8 @ 6500
RDX	2.3L L4 F/I	69-0017TS ¹	8.8 @ 5047			69-0015TS ¹	2.8 @ 6500
TL	3.5L V6 F/I - w/Mass Air	69-1210TS ¹	10.2 @ 5217	RSX Type-S	2.0L L4 F/I	69-1009TP ¹	10.5 @ 7014
TL	3.7L V6 F/I	69-1210TS ¹	10.2 @ 5217			69-1009TR ¹	10.5 @ 7014
TSX	2.4L L4 F/I	69-0026TS ¹	7.9 @ 5400			69-1009TWR ¹	10.5 @ 7014
2008 ACURA				2002 ACURA			
RDX	2.3L L4 F/I	69-0017TS ¹	8.8 @ 5047	EL	1.7L L4 F/I	69-1008TS ²	5.0 @ 5200
TL	3.2L V6 F/I	69-0021TB ¹	6.8 @ 5501			69-1008TB ²	5.0 @ 5200
		69-0021TS ¹	6.8 @ 5501	RSX	2.0L L4 F/I	69-0015TS ¹	2.8 @ 6500
TL	3.5L V6 F/I - w/Mass Air	69-1210TS ¹	10.2 @ 5217			69-0015TR ¹	2.8 @ 6500
TSX	2.4L L4 F/I	69-0025TP ¹	4.2 @ 5300	RSX Type-S	2.0L L4 F/I	69-1009TWR ¹	10.5 @ 7014
2007 ACURA						69-1009TR ¹	10.5 @ 7014
RDX	2.3L L4 F/I	69-0017TS ¹	8.8 @ 5047			69-1009TP ¹	10.5 @ 7014
TL	3.2L V6 F/I	69-0021TS ¹	6.8 @ 5501	2001 ACURA			
		69-0021TB ¹	6.8 @ 5501	EL	1.7L L4 F/I	69-1008TS ²	5.0 @ 5200
TL	3.5L V6 F/I - w/Mass Air	69-1210TS ¹	10.2 @ 5217			69-1008TB ²	5.0 @ 5200
TSX	2.4L L4 F/I	69-0025TP ¹	4.2 @ 5300	Integra GS-R	1.8L L4 F/I	57-3509 ¹	5.5 @ 7200
2006 ACURA				2000 ACURA			
RSX	2.0L L4 F/I	69-0015TS ¹	2.8 @ 6500	Integra GS-R	1.8L L4 F/I	57-3509 ¹	5.5 @ 7200
		69-0015TR ¹	2.8 @ 6500	1999 ACURA			
RSX Type-S	2.0L L4 F/I	69-1009TP ¹	10.5 @ 7014	Integra GS-R	1.8L L4 F/I	57-3509 ¹	5.5 @ 7200
		69-1009TWR ¹	10.5 @ 7014	1998 ACURA			
		69-1009TR ¹	10.5 @ 7014	Integra GS-R	1.8L L4 F/I	57-3509 ¹	5.5 @ 7200
TL	3.2L V6 F/I	69-0021TS ¹	6.8 @ 5501	1997 ACURA			
		69-0021TB ¹	6.8 @ 5501	Integra GS-R	1.8L L4 F/I	57-3509 ¹	5.5 @ 7200
TSX	2.4L L4 F/I	69-0025TP ¹	4.2 @ 5300	1996 ACURA			
				Integra GS-R	1.8L L4 F/I	57-3509 ¹	5.5 @ 7200

1) Street legal in all US states. 2) Not legal for sale or use on any pollution controlled motor vehicle in California or states adopting California emission procedures. * Estimated horsepower gains are based on specific or similar vehicle dyno tests. Results will vary. See Page 478 for more information. See page 7 for information on intake tube materials/colors.



AIR INTAKE SYSTEMS

ACURA

Vehicle	Engine Type	Part Number	Estimated Horsepower*	Vehicle	Engine Type	Part Number	Estimated Horsepower*
1995 ACURA				2004 ALFA ROMEO			
Integra	1.8L L4 F/I	57-3506 ¹	6.1 @ 6300	147	2.0L L4 F/I	69-0500TS ²	
Integra GS-R	1.8L L4 F/I	57-3509 ¹	5.5 @ 7200	156	1.6L L4 F/I	69-0502TWR ²	
1994 ACURA				156	1.8L L4 F/I	69-0502TWR ²	
Integra	1.8L L4 F/I	57-3506 ¹	6.1 @ 6300	2003 ALFA ROMEO			
Integra GS-R	1.8L L4 F/I	57-3509 ¹	5.5 @ 7200	147	2.0L L4 F/I	69-0500TS ²	
NSX	3.0L V6 F/I	57-3502 ¹				69-0500TWR ²	
1993 ACURA				156	1.6L L4 F/I	69-0502TWR ²	
Integra	1.8L L4 F/I	57-3501 ¹		156	1.8L L4 F/I	69-0502TWR ²	
Integra GS-R	1.7L L4 F/I	57-3501 ¹		2002 ALFA ROMEO			
NSX	3.0L V6 F/I	57-3502 ¹		147	1.6L L4 F/I	69-0500TS ²	
1992 ACURA						69-0500TWR ²	
Integra	1.8L L4 F/I	57-3501 ¹		147	2.0L L4 F/I	69-0500TS ²	
Integra GS-R	1.7L L4 F/I	57-3501 ¹				69-0500TWR ²	
NSX	3.0L V6 F/I	57-3502 ¹		156	1.6L L4 F/I	69-0502TWR ²	
1991 ACURA				156	2.0L L4 F/I	69-0502TWR ²	
Integra	1.8L L4 F/I	57-3501 ¹		2001 ALFA ROMEO			
NSX	3.0L V6 F/I	57-3502 ¹		147	1.6L L4 F/I	69-0500TWR ²	
1990 ACURA						69-0500TS ²	
Integra	1.8L L4 F/I	57-3501 ¹		147	2.0L L4 F/I	69-0500TWR ²	
1989 ACURA						69-0500TS ²	
Integra	1.6L L4 F/I	57-3500 ¹		156	1.6L L4 F/I	69-0502TWR ²	
1988 ACURA				156	1.8L L4 F/I	69-0502TWR ²	
Integra	1.6L L4 F/I	57-3500 ¹		156	2.0L L4 F/I	69-0502TWR ²	
1987 ACURA				2000 ALFA ROMEO			
Integra	1.6L L4 F/I	57-3500 ¹		147	1.6L L4 F/I	69-0500TS ²	
1986 ACURA						69-0500TWR ²	
Integra	1.6L L4 F/I	57-3500 ¹		156	1.8L L4 F/I	69-0502TWR ²	
2008 ALFA ROMEO				156	2.0L L4 F/I	69-0502TWR ²	
147	1.6L L4 F/I	69-0500TWR ²		1999 ALFA ROMEO			
147	2.0L L4 F/I	69-0500TWR ²		156	1.6L L4 F/I	69-0502TWR ²	
2007 ALFA ROMEO				156	2.0L L4 F/I	69-0502TWR ²	
147	1.6L L4 F/I	69-0500TWR ²		1998 ALFA ROMEO			
147	2.0L L4 F/I	69-0500TWR ²		156	1.6L L4 F/I	69-0502TWR ²	
		69-0500TS ²		156	1.8L L4 F/I	69-0502TWR ²	
2006 ALFA ROMEO				156	2.0L L4 F/I	69-0502TWR ²	
147	1.6L L4 F/I	69-0500TWR ²		2015 AUDI			
147	2.0L L4 F/I	69-0500TWR ²		A4	2.0L L4 F/I - US	69-9508T ²	15.5 @ 3600
		69-0500TS ²		A5	2.0L L4 F/I - US	69-9508T ²	15.5 @ 3600
156	1.6L L4 F/I	69-0502TWR ²		A6	2.0L L4 F/I - US	69-9508T ²	15.5 @ 3600
2005 ALFA ROMEO				2014 AUDI			
147	1.6L L4 F/I	69-0500TS ²		A4	2.0L L4 F/I - US	69-9508T ²	15.5 @ 3600
		69-0500TWR ²		A5	2.0L L4 F/I - US	69-9508T ²	15.5 @ 3600
147	2.0L L4 F/I	69-0500TWR ²		A6	2.0L L4 F/I - US	69-9508T ²	15.5 @ 3600
		69-0500TS ²		2013 AUDI			
156	1.6L L4 F/I	69-0502TWR ²		A3	2.0L L4 F/I - US, Exc. LEV2 SULEV Test Group DADXXV02.03PA	69-9504TTK ¹	9.2 @ 4853
156	1.8L L4 F/I	69-0502TWR ²		A4	2.0L L4 F/I - Non-US, Exc. Right Hand Drive	69-9505T ²	13.6 @ 4500
2004 ALFA ROMEO				A4	2.0L L4 F/I - US	69-9505T ¹	13.6 @ 4500
147	1.6L L4 F/I	69-0500TWR ²		2012 AUDI			
		69-0500TS ²		A3	1.8L L4 F/I	69-9756TFK ²	3.3 @ 3400
147	2.0L L4 F/I	69-0500TWR ²		A3	2.0L L4 DSL	69-9756TFK ²	3.3 @ 3400

1) Street legal in all US states. 2) Not legal for sale or use on any pollution controlled motor vehicle in California or states adopting California emission procedures. * Estimated horsepower gains are based on specific or similar vehicle dyno tests. Results will vary. See Page 478 for more information. See page 7 for information on intake tube materials/colors.



Vehicle	Engine Type	Part Number	Estimated Horsepower*	Vehicle	Engine Type	Part Number	Estimated Horsepower*
2012 AUDI				2008 AUDI			
A3	2.0L L4 F/I - Non-US	69-9756TFK ²	3.3 @ 3400	A3	2.0L L4 F/I - US, Exc. LEV2 SULEV Test Group 8ADXV02.03PA	69-9504TTK ¹	9.2 @ 4853
A3	2.0L L4 F/I - US, Exc. LEV2 SULEV Test Group CADXV02.03PA	69-9504TTK ¹	9.2 @ 4853	A3 Quattro	2.0L L4 F/I - Turbo, 200BHP	69-9503TFK ²	18.6 @ 4500
A4	2.0L L4 F/I - Non-US, Exc. Right Hand Drive	69-9505T ²	13.6 @ 4500	TT	2.0L L4 DSL	69-9756TFK ²	3.3 @ 3400
A4	2.0L L4 F/I - US	69-9505T ¹	13.6 @ 4500	2007 AUDI			
2011 AUDI				A3	1.8L L4 F/I	69-9756TFK ²	3.3 @ 3400
A3	1.6L L4 DSL	69-9756TFK ²	3.3 @ 3400	A3	1.9L L4 DSL	69-9756TFK ²	3.3 @ 3400
A3	1.8L L4 F/I	69-9756TFK ²	3.3 @ 3400	A3	2.0L L4 DSL	69-9756TFK ²	3.3 @ 3400
A3	2.0L L4 DSL	69-9756TFK ²	3.3 @ 3400	A3	2.0L L4 F/I - Turbo	69-9503TFK ¹	18.6 @ 4500
A3	2.0L L4 F/I - 211BHP	69-9756TFK ²	3.3 @ 3400	A3	2.0L L4 F/I - Turbo, 200BHP	69-9503TFK ²	18.6 @ 4500
A3	2.0L L4 F/I - US, Exc. LEV2 SULEV Test Group BADXV02.03PA	69-9504TTK ¹	9.2 @ 4853	A3 Quattro	2.0L L4 F/I - Turbo, 200BHP	69-9503TFK ²	18.6 @ 4500
A4	2.0L L4 F/I - Non-US, Exc. Right Hand Drive	69-9505T ²	13.6 @ 4500	2006 AUDI			
A4	2.0L L4 F/I - US	69-9505T ¹	13.6 @ 4500	A3	1.9L L4 DSL	69-9756TFK ²	3.3 @ 3400
2010 AUDI				A3	2.0L L4 DSL	69-9756TFK ²	3.3 @ 3400
A3	1.6L L4 DSL	69-9756TFK ²	3.3 @ 3400	A3	2.0L L4 F/I - Turbo	69-9503TFK ¹	18.6 @ 4500
A3	1.8L L4 F/I	69-9756TFK ²	3.3 @ 3400	A3	2.0L L4 F/I - Turbo, 200BHP	69-9503TFK ²	18.6 @ 4500
A3	1.9L L4 DSL	69-9756TFK ²	3.3 @ 3400	A3 Quattro	2.0L L4 F/I - Turbo, 200BHP	69-9503TFK ²	18.6 @ 4500
A3	2.0L L4 DSL	69-9756TFK ²	3.3 @ 3400	2005 AUDI			
A3	2.0L L4 F/I - Non-US	69-9756TFK ²	3.3 @ 3400	A3	1.9L L4 DSL	69-9756TFK ²	3.3 @ 3400
A3	2.0L L4 F/I - US, Exc. LEV2 SULEV Test Group AADXV02.03PA	69-9504TTK ¹	9.2 @ 4853	A3	2.0L L4 DSL	69-9756TFK ²	3.3 @ 3400
A4	2.0L L4 F/I - Non-US, Exc. Right Hand Drive	69-9505T ²	18.1 @ 4435	A3	2.0L L4 F/I - Turbo	69-9503TFK ²	18.6 @ 4500
A4	2.0L L4 F/I - US	69-9505T ¹	18.1 @ 4435	A3 Quattro	2.0L L4 F/I - Turbo	69-9503TFK ²	18.6 @ 4500
A4 Cabriolet	2.0L L4 F/I - Non-US, Exc. Right Hand Drive	69-9505T ²	13.6 @ 4500	2004 AUDI			
A4 Quattro	2.0L L4 F/I - Non-US	69-9505T ²	13.6 @ 4500	A3	1.9L L4 DSL	69-9756TFK ²	3.3 @ 3400
A4 Quattro Cabriolet	2.0L L4 F/I - Non-US	69-9505T ²	13.6 @ 4500	A3	2.0L L4 DSL	69-9756TFK ²	3.3 @ 3400
2009 AUDI				A3	2.0L L4 F/I - Turbo	69-9503TFK ²	18.6 @ 4500
A3	1.6L L4 DSL	69-9756TFK ²	3.3 @ 3400	A3 Quattro	2.0L L4 F/I - Turbo	69-9503TFK ²	18.6 @ 4500
A3	1.8L L4 F/I	69-9756TFK ²	3.3 @ 3400	2003 AUDI			
A3	1.9L L4 DSL	69-9756TFK ²	3.3 @ 3400	A3	1.8L L4 F/I - 150/180BHP, w/Aux. Air Pump	69-9501TP ²	10.0 @ 5079
A3	2.0L L4 DSL	69-9756TFK ²	3.3 @ 3400			69-9501TB ²	10.0 @ 5079
A3	2.0L L4 F/I - Non-US	69-9756TFK ²	3.3 @ 3400	A3	1.9L L4 DSL	69-9756TFK ²	3.3 @ 3400
A3	2.0L L4 F/I - US, Exc. LEV2 SULEV Test Group 9ADXV02.03PA	69-9504TTK ¹	9.2 @ 4853	A3	2.0L L4 DSL	69-9756TFK ²	3.3 @ 3400
A4	2.0L L4 F/I - Non-US, Exc. Right Hand Drive	69-9505T ²	13.6 @ 4500	A3	2.0L L4 F/I - Turbo	69-9503TFK ²	18.6 @ 4500
A4	2.0L L4 F/I - US	69-9505T ¹	13.6 @ 4500	2002 AUDI			
A4 Cabriolet	2.0L L4 F/I - Non-US, Exc. Right Hand Drive	69-9505T ²	13.6 @ 4500	A3	1.8L L4 F/I - 150/180BHP, w/Aux. Air Pump	69-9501TB ²	10.0 @ 5079
A4 Quattro	2.0L L4 F/I - Non-US, Exc. Right Hand Drive	69-9505T ²	13.6 @ 4500			69-9501TP ²	10.0 @ 5079
A4 Quattro Cabriolet	2.0L L4 F/I - Non-US, Exc. Right Hand Drive	69-9505T ²	13.6 @ 4500	2001 AUDI			
TT	2.0L L4 DSL	69-9756TFK ²	3.3 @ 3400	A3	1.8L L4 F/I - 150/180BHP, w/Aux. Air Pump	69-9501TB ²	10.0 @ 5079
2008 AUDI						69-9501TP ²	10.0 @ 5079
A3	1.8L L4 F/I	69-9756TFK ²	3.3 @ 3400				
A3	1.9L L4 DSL	69-9756TFK ²	3.3 @ 3400				
A3	2.0L L4 DSL	69-9756TFK ²	3.3 @ 3400				
A3	2.0L L4 F/I - Non-US, Turbo, 200BHP	69-9503TFK ²	18.6 @ 4500				

1) Street legal in all US states. 2) Not legal for sale or use on any pollution controlled motor vehicle in California or states adopting California emission procedures. * Estimated horsepower gains are based on specific or similar vehicle dyno tests. Results will vary. See Page 478 for more information. See page 7 for information on intake tube materials/colors.



AIR INTAKE SYSTEMS

AUDI

Vehicle	Engine Type	Part Number	Estimated Horsepower*	Vehicle	Engine Type	Part Number	Estimated Horsepower*
2000 AUDI				2012 BMW			
A3	1.8L L4 F/I - 150/180BHP, w/Aux. Air Pump	69-9501TP ²	10.0 @ 5079	335i	3.0L L6 F/I - Exc. E92	69-2027TS ²	8.3 @ 5200
		69-9501TB ²	10.0 @ 5079	535i	3.0L L6 F/I	63-1132 ²	13.5 @ 6300
2017 BMW				2011 BMW			
216i Active Tourer	1.5L L3 F/I	69-2026TTK ²	6.5 @ 3200	535i GT	3.0L L6 F/I	63-1132 ²	13.5 @ 6300
216i Gran Tourer	1.5L L3 F/I	69-2026TTK ²	6.5 @ 3200	535i GT xDrive	3.0L L6 F/I	63-1132 ²	13.5 @ 6300
218i Active Tourer	1.5L L3 F/I	69-2026TTK ²	6.5 @ 3200	535i xDrive	3.0L L6 F/I	63-1132 ²	13.5 @ 6300
218i Gran Tourer	1.5L L3 F/I	69-2026TTK ²	6.5 @ 3200	M3	4.0L V8 F/I	63-1116 ²	13.4 @ 6000
220i Active Tourer	2.0L L4 F/I	69-2026TTK ²	6.5 @ 3200	2010 BMW			
220i Gran Tourer	2.0L L4 F/I	69-2026TTK ²	6.5 @ 3200	M3	4.0L V8 F/I	63-1116 ²	13.4 @ 6000
225i Active Tourer	2.0L L4 F/I	69-2026TTK ²	6.5 @ 3200	2009 BMW			
225xe Active Tourer	1.5L L3 F/I	69-2026TTK ²	6.5 @ 3200	M3	4.0L V8 F/I	63-1116 ²	13.4 @ 6000
2016 BMW				2008 BMW			
216i Active Tourer	1.5L L3 F/I	69-2026TTK ²	6.5 @ 3200	M3	4.0L V8 F/I	63-1116 ²	13.4 @ 6000
216i Gran Tourer	1.5L L3 F/I	69-2026TTK ²	6.5 @ 3200	M5	5.0L V10 F/I - Non-US	69-2003TFK ²	20.8 @ 5700
218i Active Tourer	1.5L L3 F/I	69-2026TTK ²	6.5 @ 3200	M6	5.0L V10 F/I - Non-US	69-2003TFK ²	20.8 @ 5700
218i Gran Tourer	1.5L L3 F/I	69-2026TTK ²	6.5 @ 3200	2007 BMW			
220i Active Tourer	2.0L L4 F/I	69-2026TTK ²	6.5 @ 3200	M5	5.0L V10 F/I	69-2003TFK ²	20.8 @ 5700
220i Gran Tourer	2.0L L4 F/I	69-2026TTK ²	6.5 @ 3200	M6	5.0L V10 F/I - Non-US	69-2003TFK ²	20.8 @ 5700
225i Active Tourer	2.0L L4 F/I	69-2026TTK ²	6.5 @ 3200	2006 BMW			
225xe Active Tourer	1.5L L3 F/I	69-2026TTK ²	6.5 @ 3200	M5	5.0L V10 F/I	69-2003TFK ²	20.8 @ 5700
535i	3.0L L6 F/I	63-1132 ²	13.5 @ 6300	M6	5.0L V10 F/I - Non-US	69-2003TFK ²	20.8 @ 5700
535i GT	3.0L L6 F/I	63-1132 ²	13.5 @ 6300	2005 BMW			
535i GT xDrive	3.0L L6 F/I	63-1132 ²	13.5 @ 6300	325Ci	2.5L L6 F/I - US, Exc. PZEV Eng. Family 5BMXV02.5M56	57-1002 ¹	9.7 @ 6090
535i xDrive	3.0L L6 F/I	63-1132 ²	13.5 @ 6300	325i	2.5L L6 F/I - US, Exc. PZEV Eng. Family 5BMXV02.5M56	57-1002 ¹	9.7 @ 6090
2015 BMW				325Xi	2.5L L6 F/I - US	57-1002 ¹	9.7 @ 6090
218i Active Tourer	1.5L L3 F/I	69-2026TTK ²	6.5 @ 3200	330Ci	3.0L L6 F/I - US	57-1001 ¹	11.5 @ 6030
218i Gran Tourer	1.5L L3 F/I	69-2026TTK ²	6.5 @ 3200	330i	3.0L L6 F/I - US	57-1001 ¹	11.5 @ 6030
220i Active Tourer	2.0L L4 F/I	69-2026TTK ²	6.5 @ 3200	330Xi	3.0L L6 F/I - US	57-1001 ¹	11.5 @ 6030
220i Gran Tourer	2.0L L4 F/I	69-2026TTK ²	6.5 @ 3200	M3	3.2L L6 F/I	57-1003 ¹	17.8 @ 7400
335i	3.0L L6 F/I	69-2027TS ²	8.3 @ 5200	M3	3.2L L6 F/I - US	69-2001TWK ¹	9.1 @ 6000
535i	3.0L L6 F/I	63-1132 ²	13.5 @ 6300			69-2001TS ¹	9.1 @ 6000
535i GT	3.0L L6 F/I	63-1132 ²	13.5 @ 6300	M5	5.0L V10 F/I	69-2003TFK ²	20.8 @ 5700
535i GT xDrive	3.0L L6 F/I	63-1132 ²	13.5 @ 6300	M6	5.0L V10 F/I	69-2003TFK ²	20.8 @ 5700
535i xDrive	3.0L L6 F/I	63-1132 ²	13.5 @ 6300	2004 BMW			
2014 BMW				325Ci	2.5L L6 F/I - US	57-1002 ¹	9.7 @ 6090
218i Active Tourer	1.5L L3 F/I	69-2026TTK ²	6.5 @ 3200	325i	2.5L L6 F/I - US	57-1002 ¹	9.7 @ 6090
220i Active Tourer	2.0L L4 F/I	69-2026TTK ²	6.5 @ 3200	325Xi	2.5L L6 F/I - US	57-1002 ¹	9.7 @ 6090
220i Gran Tourer	2.0L L4 F/I	69-2026TTK ²	6.5 @ 3200	330Ci	3.0L L6 F/I - US	57-1001 ¹	11.5 @ 6030
335i	3.0L L6 F/I	69-2027TS ²	8.3 @ 5200	330i	3.0L L6 F/I - US	57-1001 ¹	11.5 @ 6030
535i	3.0L L6 F/I	63-1132 ²	13.5 @ 6300	330Xi	3.0L L6 F/I - US	57-1001 ¹	11.5 @ 6030
535i GT	3.0L L6 F/I	63-1132 ²	13.5 @ 6300	M3	3.2L L6 F/I	57-1003 ¹	17.8 @ 7400
535i GT xDrive	3.0L L6 F/I	63-1132 ²	13.5 @ 6300	M3	3.2L L6 F/I - US	69-2001TS ¹	9.1 @ 6000
535i xDrive	3.0L L6 F/I	63-1132 ²	13.5 @ 6300			69-2001TWK ¹	9.1 @ 6000
2013 BMW							
335i	3.0L L6 F/I	69-2027TS ²	8.3 @ 5200				
335i Coupe	3.0L L6 F/I	69-2027TS ²	8.3 @ 5200				
535i	3.0L L6 F/I	63-1132 ²	13.5 @ 6300				
535i GT	3.0L L6 F/I	63-1132 ²	13.5 @ 6300				
535i GT xDrive	3.0L L6 F/I	63-1132 ²	13.5 @ 6300				
535i xDrive	3.0L L6 F/I	63-1132 ²	13.5 @ 6300				
M3	4.0L V8 F/I	63-1116 ²	13.4 @ 6000				

1) Street legal in all US states. 2) Not legal for sale or use on any pollution controlled motor vehicle in California or states adopting California emission procedures. * Estimated horsepower gains are based on specific or similar vehicle dyno tests. Results will vary. See Page 478 for more information. See page 7 for information on intake tube materials/colors.



Vehicle	Engine Type	Part Number	Estimated Horsepower*	Vehicle	Engine Type	Part Number	Estimated Horsepower*
2003 BMW				1997 BMW			
325Ci	2.5L L6 F/I - US	57-1002 ¹	9.7 @ 6090	328i	2.8L L6 F/I - US	57-1000 ¹	8.7 @ 6300
325i	2.5L L6 F/I - US	57-1002 ¹	9.7 @ 6090	328iS	2.8L L6 F/I - US, E36	57-1000 ¹	8.7 @ 6300
325Xi	2.5L L6 F/I - US	57-1002 ¹	9.7 @ 6090	M3	3.2L L6 F/I - US	57-1000 ¹	8.7 @ 6300
330Ci	3.0L L6 F/I - US	57-1001 ¹	11.5 @ 6030	1996 BMW			
330i	3.0L L6 F/I - US	57-1001 ¹	11.5 @ 6030	328Ci	2.8L L6 F/I - US, E36	57-1000 ¹	8.7 @ 6300
330Xi	3.0L L6 F/I - US	57-1001 ¹	11.5 @ 6030	328i	2.8L L6 F/I - US	57-1000 ¹	8.7 @ 6300
M3	3.2L L6 F/I	57-1003 ¹	17.8 @ 7400	328iS	2.8L L6 F/I - US, E36	57-1000 ¹	8.7 @ 6300
M3	3.2L L6 F/I - US	69-2001TWK ¹	9.1 @ 6000	M3	3.2L L6 F/I - US	57-1000 ¹	8.7 @ 6300
		69-2001TS ¹	9.1 @ 6000	1995 BMW			
2002 BMW				325Ci	2.5L L6 F/I - US, E36	57-1000 ¹	8.7 @ 6300
325Ci	2.5L L6 F/I - US	57-1002 ¹	9.7 @ 6090	325i	2.5L L6 F/I - US	57-1000 ¹	8.7 @ 6300
325i	2.5L L6 F/I - US	57-1002 ¹	9.7 @ 6090	325iS	2.5L L6 F/I - US, E36	57-1000 ¹	8.7 @ 6300
325Xi	2.5L L6 F/I - US	57-1002 ¹	9.7 @ 6090	328Ci	2.8L L6 F/I - US, E36	57-1000 ¹	8.7 @ 6300
330Ci	3.0L L6 F/I - US	57-1001 ¹	11.5 @ 6030	M3	3.0L L6 F/I - US	57-1000 ¹	8.7 @ 6300
330i	3.0L L6 F/I - US	57-1001 ¹	11.5 @ 6030	1994 BMW			
330Xi	3.0L L6 F/I - US	57-1001 ¹	11.5 @ 6030	325Ci	2.5L L6 F/I - US, E36	57-1000 ¹	8.7 @ 6300
M3	3.2L L6 F/I	57-1003 ¹	17.8 @ 7400	325i	2.5L L6 F/I - US	57-1000 ¹	8.7 @ 6300
M3	3.2L L6 F/I - US	69-2001TWK ¹	9.1 @ 6000	325iS	2.5L L6 F/I - US, E36	57-1000 ¹	8.7 @ 6300
		69-2001TS ¹	9.1 @ 6000	1993 BMW			
2001 BMW				325Ci	2.5L L6 F/I - US, E36	57-1000 ¹	8.7 @ 6300
325Ci	2.5L L6 F/I - US	57-1002 ¹	9.7 @ 6090	325i	2.5L L6 F/I - US	57-1000 ¹	8.7 @ 6300
325i	2.5L L6 F/I - US	57-1002 ¹	9.7 @ 6090	325iS	2.5L L6 F/I - US	57-1000 ¹	8.7 @ 6300
330Ci	3.0L L6 F/I - US	57-1001 ¹	11.5 @ 6030	1992 BMW			
330i	3.0L L6 F/I - US	57-1001 ¹	11.5 @ 6030	325Ci	2.5L L6 F/I - US, E36	57-1000 ¹	8.7 @ 6300
M3	3.2L L6 F/I	57-1003 ¹	17.8 @ 7400	325i	2.5L L6 F/I - US	57-1000 ¹	8.7 @ 6300
M3	3.2L L6 F/I - US	69-2001TS ¹	9.1 @ 6000	325iS	2.5L L6 F/I - US, E36	57-1000 ¹	8.7 @ 6300
		69-2001TWK ¹	9.1 @ 6000	2016 BUICK			
2000 BMW				Verano	2.0L L4 F/I	69-4536TS ²	9.0 @ 5140
323Ci	2.5L L6 F/I - US	57-1002 ¹	9.7 @ 6090	2015 BUICK			
323i	2.5L L6 F/I - US	57-1002 ¹	9.7 @ 6090	Verano	2.0L L4 F/I	69-4536TS ²	9.0 @ 5140
328Ci	2.8L L6 F/I - US	57-1002 ¹	9.7 @ 6090	2014 BUICK			
328i	2.8L L6 F/I - US	57-1002 ¹	9.7 @ 6090	Verano	2.0L L4 F/I	69-4536TS ²	9.0 @ 5140
1999 BMW				2013 BUICK			
323Ci	2.5L L6 F/I - US	57-1002 ¹	9.7 @ 6090	Regal	2.0L L4 F/I	69-4532TTK ²	15.9 @ 4887
323Ci	2.5L L6 F/I - US, E36	57-1000 ¹	8.7 @ 6300	2012 BUICK			
323i	2.5L L6 F/I - E46	57-1002 ¹	9.7 @ 6090	Regal	2.0L L4 F/I	69-4532TTK ²	15.9 @ 4887
323iS	2.5L L6 F/I - US, E36	57-1000 ¹	8.7 @ 6300	2011 BUICK			
328i	2.8L L6 F/I - US, E36	57-1000 ¹	8.7 @ 6300	Regal	2.0L L4 F/I	69-4532TTK ²	15.9 @ 4887
328i	2.8L L6 F/I - US, E46	57-1002 ¹	9.7 @ 6090	2017 CADILLAC			
328ic	2.8L L6 F/I - US, E36	57-1000 ¹	8.7 @ 6300	ATS-V	3.6L V6 F/I	63-3093 ²	
328iS	2.8L L6 F/I - US	57-1000 ¹	8.7 @ 6300	Escalade	6.2L V8 F/I	77-3082KP ²	10.2 @ 4996
M3	3.2L L6 F/I - US	57-1000 ¹	8.7 @ 6300			63-3082 ²	10.7 @ 5341
1998 BMW						71-3082 ²	8.3 @ 5338
323Ci	2.5L L6 F/I - US, E36	57-1000 ¹	8.7 @ 6300	Escalade ESV	6.2L V8 F/I	77-3082KP ²	10.2 @ 4996
323iS	2.5L L6 F/I - US, E36	57-1000 ¹	8.7 @ 6300			71-3082 ²	8.3 @ 5338
328Ci	2.8L L6 F/I - US, E36	57-1000 ¹	8.7 @ 6300			63-3082 ²	10.7 @ 5341
328i	2.8L L6 F/I - US	57-1000 ¹	8.7 @ 6300	2016 CADILLAC			
328ic	2.8L L6 F/I - US	57-1000 ¹	8.7 @ 6300	ATS	2.5L L4 F/I	63-3083 ²	8.3 @ 5332
328iS	2.8L L6 F/I - US, E36	57-1000 ¹	8.7 @ 6300	ATS-V	3.6L V6 F/I	63-3093 ²	
M3	3.2L L6 F/I - US	57-1000 ¹	8.7 @ 6300	Escalade	6.2L V8 F/I	71-3082 ²	8.3 @ 5338
1997 BMW							
323iS	2.5L L6 F/I - US, E36	57-1000 ¹	8.7 @ 6300				
328Ci	2.8L L6 F/I - US, E36	57-1000 ¹	8.7 @ 6300				

1) Street legal in all US states. 2) Not legal for sale or use on any pollution controlled motor vehicle in California or states adopting California emission procedures. * Estimated horsepower gains are based on specific or similar vehicle dyno tests. Results will vary. See Page 478 for more information. See page 7 for information on intake tube materials/colors.



AIR INTAKE SYSTEMS

CADILLAC

Vehicle	Engine Type	Part Number	Estimated Horsepower*	Vehicle	Engine Type	Part Number	Estimated Horsepower*
2016 CADILLAC				2012 CADILLAC			
Escalade	6.2L V8 F/I	77-3082KP ²	10.2 @ 4996	Escalade	6.2L V8 F/I	77-3070KP ¹	9.9 @ 5342
		63-3082 ²	10.7 @ 5341	Escalade ESV	6.2L V8 F/I	71-3070 ¹	12.2 @ 5342
Escalade ESV	6.2L V8 F/I	77-3082KP ²	10.2 @ 4996	57-3070 ¹	10.3 @ 5342	77-3070KP ¹	9.9 @ 5342
		63-3082 ²	10.7 @ 5341	71-3070 ¹	12.2 @ 5342	77-3070KP ¹	9.9 @ 5342
		71-3082 ²	8.3 @ 5338	77-3070KP ¹	10.3 @ 5342	57-3070 ¹	10.3 @ 5342
2015 CADILLAC				2011 CADILLAC			
ATS	2.5L L4 F/I	63-3083 ²	8.3 @ 5332	CTS	3.6L V6 F/I	69-4528TS ²	12.3 @ 6508
ATS	3.6L V6 F/I	63-3084 ²	16.3 @ 5369	CTS-V	6.2L V8 F/I	69-4530TS ²	25.6 @ 4931
CTS	3.6L V6 F/I	63-3084 ²	16.3 @ 5369	63-3086 ²	20.1 @ 4493	71-3070 ¹	12.2 @ 5342
CTS-V	6.2L V8 F/I	69-4530TS ²	25.6 @ 4931	Escalade	6.2L V8 F/I	77-3070KP ¹	9.9 @ 5342
		63-3086 ²	20.1 @ 4493	71-3082 ¹	8.3 @ 5338	57-3070 ¹	10.3 @ 5342
		57-3082 ¹	10.2 @ 4996	63-3082 ²	10.7 @ 5341	77-3070KP ¹	9.9 @ 5342
Escalade	6.2L V8 F/I	77-3082KP ¹	10.2 @ 4996	Escalade ESV	6.2L V8 F/I	71-3070 ¹	12.2 @ 5342
		57-3082 ¹	10.2 @ 4996	77-3070KP ¹	9.9 @ 5342	57-3070 ¹	10.3 @ 5342
		63-3082 ²	10.7 @ 5341	57-3070 ¹	10.3 @ 5342	77-3070KP ¹	9.9 @ 5342
		71-3082 ¹	8.3 @ 5338	77-3070KP ¹	9.9 @ 5342	71-3070 ¹	12.2 @ 5342
Escalade ESV	6.2L V8 F/I	77-3082KP ¹	10.2 @ 4996	Escalade EXT	6.2L V8 F/I	77-3070KP ¹	9.9 @ 5342
		57-3082 ¹	10.2 @ 4996	71-3070 ¹	12.2 @ 5342	77-3070KP ¹	9.9 @ 5342
		63-3082 ²	10.7 @ 5341	57-3070 ¹	10.3 @ 5342	57-3070 ¹	10.3 @ 5342
		71-3082 ¹	8.3 @ 5338	77-3070KP ¹	9.9 @ 5342	71-3070 ¹	12.2 @ 5342
2014 CADILLAC				2010 CADILLAC			
ATS	2.5L L4 F/I	63-3083 ²	8.3 @ 5332	CTS	3.6L V6 F/I	69-4528TS ²	12.3 @ 6508
ATS	3.6L V6 F/I	63-3084 ²	16.3 @ 5369	CTS-V	6.2L V8 F/I	69-4530TS ²	25.6 @ 4931
CTS	3.6L V6 F/I	63-3084 ²	16.3 @ 5369	63-3086 ²	20.1 @ 4493	71-3070 ¹	12.2 @ 5342
CTS-V	6.2L V8 F/I	63-3086 ²	20.1 @ 4493	Escalade	6.2L V8 F/I	57-3070 ¹	10.3 @ 5342
		69-4530TS ²	25.6 @ 4931	71-3070 ¹	12.2 @ 5342	77-3070KP ¹	9.9 @ 5342
		57-3070 ¹	10.3 @ 5342	77-3070KP ¹	9.9 @ 5342	71-3070 ¹	12.2 @ 5342
Escalade	6.2L V8 F/I	71-3070 ¹	12.2 @ 5342	Escalade ESV	6.2L V8 F/I	57-3070 ¹	10.3 @ 5342
		77-3070KP ¹	9.9 @ 5342	77-3070KP ¹	9.9 @ 5342	77-3070KP ¹	9.9 @ 5342
		77-3070KP ¹	9.9 @ 5342	57-3070 ¹	10.3 @ 5342	77-3070KP ¹	9.9 @ 5342
		71-3070 ¹	12.2 @ 5342	77-3070KP ¹	9.9 @ 5342	71-3070 ¹	12.2 @ 5342
Escalade ESV	6.2L V8 F/I	57-3070 ¹	10.3 @ 5342	Escalade EXT	6.2L V8 F/I	57-3070 ¹	10.3 @ 5342
		77-3070KP ¹	9.9 @ 5342	71-3070 ¹	12.2 @ 5342	77-3070KP ¹	9.9 @ 5342
		77-3070KP ¹	9.9 @ 5342	57-3070 ¹	10.3 @ 5342	77-3070KP ¹	9.9 @ 5342
		71-3070 ¹	12.2 @ 5342	77-3070KP ¹	9.9 @ 5342	71-3070 ¹	12.2 @ 5342
2013 CADILLAC				2009 CADILLAC			
ATS	2.5L L4 F/I	63-3083 ²	8.3 @ 5332	CTS	3.6L V6 F/I	69-4528TS ²	12.3 @ 6508
ATS	3.6L V6 F/I	63-3084 ²	16.3 @ 5369	CTS-V	6.2L V8 F/I	69-4530TS ²	25.6 @ 4931
CTS	3.0L V6 F/I	69-4527TS ²	11.5 @ 6605	63-3086 ²	20.1 @ 4493	57-3070 ¹	10.3 @ 5342
CTS-V	6.2L V8 F/I	69-4527TS ²	11.5 @ 6605	Escalade	6.2L V8 F/I	77-3070KP ¹	9.9 @ 5342
		69-4530TS ²	25.6 @ 4931	71-3070 ¹	12.2 @ 5342	71-3070 ¹	12.2 @ 5342
		63-3086 ²	20.1 @ 4493	77-3070KP ¹	9.9 @ 5342	77-3070KP ¹	9.9 @ 5342
Escalade	6.2L V8 F/I	71-3070 ¹	12.2 @ 5342	Escalade ESV	6.2L V8 F/I	57-3070 ¹	10.3 @ 5342
		77-3070KP ¹	9.9 @ 5342	77-3070KP ¹	9.9 @ 5342	71-3070 ¹	12.2 @ 5342
		57-3070 ¹	10.3 @ 5342	57-3070 ¹	10.3 @ 5342	77-3070KP ¹	9.9 @ 5342
		77-3070KP ¹	9.9 @ 5342	71-3070 ¹	12.2 @ 5342	77-3070KP ¹	9.9 @ 5342
Escalade ESV	6.2L V8 F/I	71-3070 ¹	12.2 @ 5342	Escalade EXT	6.2L V8 F/I	57-3070 ¹	10.3 @ 5342
		57-3070 ¹	10.3 @ 5342	71-3070 ¹	12.2 @ 5342	71-3070 ¹	12.2 @ 5342
		77-3070KP ¹	9.9 @ 5342	77-3070KP ¹	9.9 @ 5342	71-3070 ¹	12.2 @ 5342
		71-3070 ¹	12.2 @ 5342	57-3070 ¹	10.3 @ 5342	71-3070 ¹	12.2 @ 5342
Escalade EXT	6.2L V8 F/I	77-3070KP ¹	9.9 @ 5342	2008 CADILLAC			
		57-3070 ¹	10.3 @ 5342	CTS	3.6L V6 F/I	69-4528TS ²	12.3 @ 6508
		77-3070KP ¹	9.9 @ 5342	Escalade	6.2L V8 F/I	71-3058 ¹	10.2 @ 4900
		57-3070 ¹	10.3 @ 5342	77-3058KP ¹	12.5 @ 4917	57-3058 ¹	17.6 @ 4917
2012 CADILLAC				2008 CADILLAC			
CTS	3.0L V6 F/I	69-4527TS ¹	11.5 @ 6605	Escalade ESV	6.2L V8 F/I	71-3058 ¹	10.2 @ 4900
CTS	3.6L V6 F/I	69-4527TS ¹	11.5 @ 6605	77-3058KP ¹	12.5 @ 4917	77-3058KP ¹	12.5 @ 4917
CTS-V	6.2L V8 F/I	69-4530TS ²	25.6 @ 4931	57-3058 ¹	17.6 @ 4917	77-3058KP ¹	12.5 @ 4917
		63-3086 ²	20.1 @ 4493	71-3058 ¹	10.2 @ 4900	77-3058KP ¹	12.5 @ 4917
Escalade	6.2L V8 F/I	71-3070 ¹	12.2 @ 5342	57-3058 ¹	17.6 @ 4917	77-3058KP ¹	12.5 @ 4917
		57-3070 ¹	10.3 @ 5342	57-3058 ¹	17.6 @ 4917	77-3058KP ¹	12.5 @ 4917

1) Street legal in all US states. 2) Not legal for sale or use on any pollution controlled motor vehicle in California or states adopting California emission procedures. * Estimated horsepower gains are based on specific or similar vehicle dyno tests. Results will vary. See Page 478 for more information. See page 7 for information on intake tube materials/colors.



Vehicle	Engine Type	Part Number	Estimated Horsepower*	Vehicle	Engine Type	Part Number	Estimated Horsepower*
2008 CADILLAC				2003 CADILLAC			
Escalade EXT	6.2L V8 F/I	77-3058KP ¹	12.5 @ 4917	Escalade ESV	6.0L V8 F/I	57-3023-1 ¹	14.3 @ 5018
		71-3058 ¹	10.2 @ 4900			77-3023KP ¹	14.1 @ 4897
		57-3058 ¹	17.6 @ 4917			77-3023KP ¹	14.1 @ 4897
						57-3023-1 ¹	14.3 @ 5018
2007 CADILLAC				2002 CADILLAC			
CTS-V	6.0L V8 F/I	57-3068 ¹	17.1 @ 5117	Escalade	5.3L V8 F/I	57-3023-1 ¹	14.3 @ 5018
Escalade	6.2L V8 F/I	57-3058 ¹	17.6 @ 4917			77-3023KP ¹	8.2 @ 5067
		71-3058 ¹	10.2 @ 4900			77-3023KP ¹	8.2 @ 5067
		77-3058KP ¹	12.5 @ 4917	57-3023-1 ¹	14.3 @ 5018		
Escalade ESV	6.2L V8 F/I	77-3058KP ¹	12.5 @ 4917				
		71-3058 ¹	10.2 @ 4900				
		57-3058 ¹	17.6 @ 4917				
Escalade EXT	6.2L V8 F/I	71-3058 ¹	10.2 @ 4900	2017 CAN-AM			
		77-3058KP ¹	12.5 @ 4917	Maverick 1000R	976	63-1140 ²	
		57-3058 ¹	17.6 @ 4917	Turbo			
				Maverick 1000R	976	63-1140 ²	
				Turbo X ds			
2006 CADILLAC				Maverick 1000R	976	63-1140 ²	
CTS	2.8L V6 F/I	57-3042 ¹	14.2 @ 6283	Turbo X rs			
		57-3042 ¹	14.2 @ 6283				
CTS-V	6.0L V8 F/I	57-3068 ¹	17.1 @ 5117	2016 CAN-AM			
		57-3050 ¹	11.9 @ 5367	Maverick 1000R	976	63-1135 ²	
Escalade	6.0L V8 F/I	77-3050KP ¹	8.4 @ 5336	Maverick 1000R	976	63-1135 ²	
		77-3050KP ¹	8.4 @ 5336	DPS			
Escalade ESV	6.0L V8 F/I	57-3050 ¹	11.9 @ 5367	Maverick 1000R	976	63-1140 ²	
		77-3050KP ¹	8.4 @ 5336	Turbo X ds			
Escalade EXT	6.0L V8 F/I	77-3050KP ¹	8.4 @ 5336	Maverick 1000R	976	63-1140 ²	
		57-3050 ¹	11.9 @ 5367	Turbo X rs			
				Maverick 1000R X	976	63-1135 ²	
				ds			
2005 CADILLAC				Maverick 1000R X	976	63-1135 ²	
CTS	2.8L V6 F/I	57-3042 ¹	14.2 @ 6283	mr DPS			
		57-3042 ¹	14.2 @ 6283	Maverick 1000R X	976	63-1135 ²	
CTS-V	5.7L V8 F/I	57-3054 ¹	19.1 @ 5100	xc DPS			
		57-3050 ¹	11.9 @ 5367	Maverick 1000R XC	976	63-1135 ²	
Escalade	5.3L V8 F/I	77-3050KP ¹	8.4 @ 5336	Maverick Max 1000R	976	63-1135 ²	
		57-3050 ¹	11.9 @ 5367	Maverick Max 1000R	976	63-1135 ²	
Escalade	6.0L V8 F/I	77-3050KP ¹	8.4 @ 5336	DPS			
		77-3050KP ¹	8.4 @ 5336	Maverick Max 1000R	976	63-1135 ²	
Escalade ESV	6.0L V8 F/I	57-3050 ¹	11.9 @ 5367	X ds			
		77-3050KP ¹	8.4 @ 5336	2015 CAN-AM			
Escalade EXT	6.0L V8 F/I	77-3050KP ¹	8.4 @ 5336	Maverick 1000R	976	63-1135 ²	
		57-3050 ¹	11.9 @ 5367	Maverick 1000R	976	63-1140 ²	
				Turbo X ds			
				Maverick 1000R X	976	63-1135 ²	
2004 CADILLAC				ds			
CTS	3.2L V6 F/I	57-3040 ¹	12.9 @ 6048	Maverick 1000R X	976	63-1135 ²	
		57-3042 ¹	14.2 @ 6283	mr DPS			
CTS-V	5.7L V8 F/I	57-3054 ¹	19.1 @ 5100	Maverick 1000R X	976	63-1135 ²	
		57-3050 ¹	11.9 @ 5367	ds			
Escalade	5.3L V8 F/I	77-3023KP ¹	8.2 @ 5067	Maverick 1000R X	976	63-1135 ²	
		57-3023-1 ¹	14.3 @ 5018	mr DPS			
Escalade	6.0L V8 F/I	57-3023-1 ¹	14.3 @ 5018	Maverick 1000R X rs	976	63-1135 ²	
		77-3023KP ¹	8.2 @ 5067	DPS			
Escalade ESV	6.0L V8 F/I	77-3023KP ¹	8.2 @ 5067	Maverick 1000R X	976	63-1135 ²	
		57-3023-1 ¹	14.3 @ 5018	xc DPS			
Escalade EXT	6.0L V8 F/I	77-3023KP ¹	8.2 @ 5067	Maverick Max 1000R	976	63-1135 ²	
		57-3023-1 ¹	14.3 @ 5018	Maverick Max 1000R	976	63-1140 ²	
				Turbo X ds			
				Maverick Max 1000R	976	63-1135 ²	
2003 CADILLAC				X ds			
CTS	3.2L V6 F/I	57-3040 ¹	12.9 @ 6048	Maverick Max 1000R	976	63-1135 ²	
		57-3023-1 ¹	14.3 @ 5018	X rs DPS			
Escalade	5.3L V8 F/I	77-3023KP ¹	8.2 @ 5067	2017 CHEVROLET			
		57-3023-1 ¹	14.1 @ 4897	Camaro	3.6L V6 F/I	69-4535TP ²	21.3 @ 5900
Escalade	6.0L V8 F/I	77-3023KP ¹	14.1 @ 4897				
		57-3023-1 ¹	14.3 @ 5018				

1) Street legal in all US states. 2) Not legal for sale or use on any pollution controlled motor vehicle in California or states adopting California emission procedures. * Estimated horsepower gains are based on specific or similar vehicle dyno tests. Results will vary. See Page 478 for more information. See page 7 for information on intake tube materials/colors.



AIR INTAKE SYSTEMS

CHEVROLET

Vehicle	Engine Type	Part Number	Estimated Horsepower*	Vehicle	Engine Type	Part Number	Estimated Horsepower*
2017 CHEVROLET				2016 CHEVROLET			
Camaro	3.6L V6 F/I	63-3094 ²	21.2 @ 5900	Suburban	5.3L V8 F/I	77-3082KP ²	10.2 @ 4996
Camaro SS	6.2L V8 F/I	69-4534TP ²	15.2 @ 4833			71-3082 ²	8.3 @ 5338
		71-3092 ²	20.7 @ 4805			63-3082 ²	10.7 @ 5341
		63-3092 ²	24.5 @ 4726	Tahoe	5.3L V8 F/I	77-3082KP ²	10.2 @ 4996
Colorado	2.8L L4 DSL	63-3095 ²				63-3082 ²	10.7 @ 5341
Equinox	2.4L L4 F/I	77-3071KS ²	9.3 @ 4600			71-3082 ²	8.3 @ 5338
Silverado 1500	4.3L V6 F/I	63-3085 ²	10.2 @ 5245	2015 CHEVROLET			
		77-3085KP ²	10.0 @ 5285	Camaro	3.6L V6 F/I	69-4523TP ²	15.6 @ 5800
Silverado 1500	5.3L V8 F/I	63-3082 ²	10.7 @ 5341			63-3078 ²	11.4 @ 5800
		71-3082 ²	8.3 @ 5338	Camaro	7.0L V8 F/I	69-4533TTK ²	19.7 @ 4980
		77-3082KP ²	10.2 @ 4996	Camaro SS	6.2L V8 F/I	63-3074 ²	18.6 @ 5161
Silverado 1500	6.2L V8 F/I	77-3082KP ²	10.2 @ 4996			69-4519TP ²	18.1 @ 5200
		71-3082 ²	8.3 @ 5338			71-4519 ²	17.6 @ 5191
		63-3082 ²	10.7 @ 5341	Camaro ZL1	6.2L V8 F/I	63-3079 ²	25.4 @ 4053
Sonic	1.8L L4 F/I	69-4525TS ²	5.1 @ 6003	Colorado	2.5L L4 F/I	77-3089KP ²	12.4 @ 5105
Suburban	5.3L V8 F/I	77-3082KP ²	10.2 @ 4996			63-3089 ²	9.9 @ 5310
		63-3082 ²	10.7 @ 5341	Colorado	3.6L V6 F/I	77-3088KP ²	10.3 @ 5823
		71-3082 ²	8.3 @ 5338			71-3088 ²	15.7 @ 5823
Tahoe	5.3L V8 F/I	77-3082KP ²	10.2 @ 4996			63-3088 ²	19.4 @ 3551
		63-3082 ²	10.7 @ 5341	Corvette	6.2L V8 F/I - Exc. Z06	63-3081 ²	12.5 @ 4998
		71-3082 ²	8.3 @ 5338	Corvette Z06	6.2L V8 F/I	63-3090 ²	50.7 @ 5340
2016 CHEVROLET				Cruze	1.4L L4 F/I	69-4521TS ²	6.5 @ 5000
Camaro	3.6L V6 F/I	63-3094 ²	21.2 @ 5900	Cruze	2.0L L4 DSL	69-4531TTK ²	12.6 @ 3188
		69-4535TP ²	21.3 @ 5900	Equinox	2.4L L4 F/I	77-3071KS ²	9.3 @ 4600
Camaro SS	6.2L V8 F/I	63-3092 ²	24.5 @ 4726	Malibu	2.0L L4 F/I	63-3091 ²	14.2 @ 5489
		69-4534TP ²	15.2 @ 4833	Malibu	2.5L L4 F/I	69-4529TS ²	8.2 @ 6321
		71-3092 ²	20.7 @ 4805	Silverado 1500	4.3L V6 F/I	77-3085KP ²	10.0 @ 5285
Colorado	2.5L L4 F/I	77-3089KP ²	12.4 @ 5105			63-3085 ²	10.2 @ 5245
		63-3089 ²	9.9 @ 5310	Silverado 1500	5.3L V8 F/I	77-3082KP ²	10.2 @ 4996
Colorado	2.8L L4 DSL	63-3095 ²				71-3082 ²	8.3 @ 5338
Colorado	3.6L V6 F/I	63-3088 ²	19.4 @ 3551			63-3082 ²	10.7 @ 5341
		77-3088KP ²	10.3 @ 5823	Silverado 1500	6.2L V8 F/I	63-3082 ²	10.7 @ 5341
		71-3088 ²	15.7 @ 5823			77-3082KP ²	10.2 @ 4996
Corvette	6.2L V8 F/I	63-3081 ²	12.5 @ 4998			71-3082 ²	8.3 @ 5338
Corvette Z06	6.2L V8 F/I	63-3090 ²	50.7 @ 5340	Silverado 2500 HD	6.0L V8 F/I	77-3086KTK ²	9.5 @ 4950
Cruze Limited	1.4L L4 F/I	69-4521TS ²	6.5 @ 5000	Silverado 2500 HD	6.6L V8 DSL	63-3087 ²	24.1 @ 2950
Equinox	2.4L L4 F/I	77-3071KS ²	9.3 @ 4600			77-3087KP ²	19.9 @ 2950
Malibu	2.5L L4 F/I	69-4529TS ²	8.2 @ 6321	Silverado 3500 HD	6.0L V8 F/I	77-3086KTK ²	9.5 @ 4950
Silverado 1500	4.3L V6 F/I	77-3085KP ²	10.0 @ 5285	Silverado 3500 HD	6.6L V8 DSL	77-3087KP ²	19.9 @ 2950
		63-3085 ²	10.2 @ 5245			63-3087 ²	24.1 @ 2950
Silverado 1500	5.3L V8 F/I	63-3082 ²	10.7 @ 5341	Sonic	1.4L L4 F/I	69-4524TS ²	7.0 @ 5474
		71-3082 ²	8.3 @ 5338	Sonic	1.8L L4 F/I	69-4525TS ²	5.1 @ 6003
		77-3082KP ²	10.2 @ 4996	SS	6.2L V8 F/I	63-3071 ²	10.4 @ 4707
Silverado 1500	6.2L V8 F/I	63-3082 ²	10.7 @ 5341	Suburban	5.3L V8 F/I	77-3082KP ¹	10.2 @ 4996
		77-3082KP ²	10.2 @ 4996			71-3082 ¹	8.3 @ 5338
		71-3082 ²	8.3 @ 5338			57-3082 ¹	
Silverado 2500 HD	6.0L V8 F/I	77-3090KTK ²	7.6 @ 4450			63-3082 ²	10.7 @ 5341
Silverado 2500 HD	6.6L V8 DSL	63-3087 ²	24.1 @ 2950	Tahoe	5.3L V8 F/I	71-3082 ¹	8.3 @ 5338
		77-3087KP ²	19.9 @ 2950			63-3082 ²	15.4 @ 5341
Silverado 3500 HD	6.0L V8 F/I	77-3090KTK ²	7.6 @ 4450			77-3082KP ¹	13.5 @ 5341
Silverado 3500 HD	6.6L V8 DSL	77-3087KP ²	19.9 @ 2950			57-3082 ¹	15.4 @ 5341
		63-3087 ²	24.1 @ 2950	2014 CHEVROLET			
Sonic	1.4L L4 F/I	69-4524TS ²	7.0 @ 5474	Camaro	3.6L V6 F/I	69-4523TP ¹	15.6 @ 5800
Sonic	1.8L L4 F/I	69-4525TS ²	5.1 @ 6003			63-3078 ²	11.4 @ 5800
SS	6.2L V8 F/I	63-3071 ²	10.4 @ 4707			57-3075 ¹	4.8 @ 6045

1) Street legal in all US states. 2) Not legal for sale or use on any pollution controlled motor vehicle in California or states adopting California emission procedures. * Estimated horsepower gains are based on specific or similar vehicle dyno tests. Results will vary. See Page 478 for more information. See page 7 for information on intake tube materials/colors.



Vehicle	Engine Type	Part Number	Estimated Horsepower*	Vehicle	Engine Type	Part Number	Estimated Horsepower*
2014 CHEVROLET				2013 CHEVROLET			
Camaro	3.6L V6 F/I	57-3078 ¹	13.1 @ 5800	Cruze	1.8L L4 F/I - US	69-4522TS ²	5.7 @ 5940
Camaro	7.0L V8 F/I	69-4533TTK ²	19.7 @ 4980	Equinox	2.4L L4 F/I	77-3071KS ²	9.3 @ 4600
Camaro SS	6.2L V8 F/I	71-4519 ²	17.6 @ 5191	Impala	3.6L V6 F/I	69-4526TS ²	11.7 @ 6218
		69-4519TP ²	18.1 @ 5200	Malibu	2.0L L4 F/I	63-3091 ²	14.2 @ 5489
		63-3074 ²	18.6 @ 5161	Malibu	2.5L L4 F/I	69-4529TS ²	8.2 @ 6321
		57-3074 ¹	6.5 @ 5844	Silverado 1500	4.8L V8 F/I	77-3070KP ¹	9.9 @ 5342
Camaro ZL1	6.2L V8 F/I	57-3079 ¹				71-3070 ¹	12.2 @ 5342
		63-3079 ²	25.4 @ 4053			57-3070 ¹	10.3 @ 5342
Corvette	6.2L V8 F/I	63-3081 ²	12.5 @ 4998	Silverado 1500	5.3L V8 F/I	71-3070 ¹	12.2 @ 5342
Cruze	1.4L L4 F/I	69-4521TS ¹	6.5 @ 5000			77-3070KP ¹	9.9 @ 5342
Cruze	1.8L L4 F/I - US	69-4522TS ²	5.7 @ 5940	Silverado 1500	6.2L V8 F/I	57-3070 ¹	10.3 @ 5342
Cruze	2.0L L4 DSL	69-4531TTK ²	12.6 @ 3188			71-3070 ¹	12.2 @ 5342
Equinox	2.4L L4 F/I	77-3071KS ²	9.3 @ 4600	Silverado 1500	6.2L V8 F/I	57-3070 ¹	10.3 @ 5342
Impala Limited	3.6L V6 F/I	69-4526TS ²	11.7 @ 6218			77-3070KP ¹	9.9 @ 5342
Malibu	2.0L L4 F/I	63-3091 ²	14.2 @ 5489	Silverado 2500 HD	6.0L V8 F/I	77-3076KTK ¹	10.2 @ 5033
Malibu	2.5L L4 F/I	69-4529TS ²	8.2 @ 6321	Silverado 2500 HD	6.6L V8 DSL	77-3077KP ¹	12.2 @ 2850
Silverado 1500	4.3L V6 F/I	77-3085KP ²	10.0 @ 5285			57-3077 ¹	19.3 @ 2420
		63-3085 ²	10.2 @ 5245	Silverado 3500 HD	6.0L V8 F/I	77-3076KTK ¹	10.2 @ 5033
Silverado 1500	5.3L V8 F/I	71-3082 ¹	8.3 @ 5338	Silverado 3500 HD	6.6L V8 DSL	57-3077 ¹	19.3 @ 2420
		77-3082KP ¹	12.3 @ 5237			77-3077KP ¹	12.2 @ 2850
		63-3082 ²	10.7 @ 5341	Sonic	1.4L L4 F/I	69-4524TS ²	7.0 @ 5474
		57-3082 ¹	10.7 @ 5341	Sonic	1.8L L4 F/I	69-4525TS ²	5.1 @ 6003
Silverado 1500	6.2L V8 F/I	77-3082KP ¹	10.2 @ 4996	Suburban 1500	5.3L V8 F/I	77-3070KP ¹	9.9 @ 5342
		71-3082 ¹	9.1 @ 4996			71-3070 ¹	12.2 @ 5342
		57-3082 ¹	13.8 @ 5227			57-3070 ¹	10.3 @ 5342
Silverado 2500 HD	6.6L V8 DSL	63-3082 ²	13.8 @ 5227	Tahoe	5.3L V8 F/I	77-3070KP ¹	9.9 @ 5342
		57-3077 ¹	19.3 @ 2420			57-3070 ¹	10.3 @ 5342
		77-3077KP ¹	12.2 @ 2850			71-3070 ¹	12.2 @ 5342
Silverado 3500 HD	6.6L V8 DSL	77-3077KP ¹	12.2 @ 2850	2012 CHEVROLET			
		57-3077 ¹	19.3 @ 2420	Avalanche	5.3L V8 F/I	57-3070 ¹	10.3 @ 5342
Sonic	1.4L L4 F/I	69-4524TS ²	7.0 @ 5474			77-3070KP ¹	9.9 @ 5342
Sonic	1.8L L4 F/I	69-4525TS ²	5.1 @ 6003	Camaro	3.6L V6 F/I	71-3070 ¹	12.2 @ 5342
SS	6.2L V8 F/I	63-3071 ²	10.4 @ 4707			69-4523TP ¹	15.6 @ 5800
Suburban 1500	5.3L V8 F/I	57-3070 ¹	10.3 @ 5342			63-3078 ²	13.1 @ 5800
		71-3070 ¹	12.2 @ 5342			57-3078 ¹	13.1 @ 5800
		77-3070KP ¹	9.9 @ 5342	Camaro SS	6.2L V8 F/I	57-3074 ¹	6.5 @ 5844
Tahoe	5.3L V8 F/I	71-3070 ¹	12.2 @ 5342			71-4519 ²	17.6 @ 5191
		57-3070 ¹	10.3 @ 5342			69-4519TP ²	18.1 @ 5200
		77-3070KP ¹	9.9 @ 5342			63-3074 ²	18.6 @ 5161
2013 CHEVROLET				Camaro ZL1	6.2L V8 F/I	63-3079 ²	31.7 @ 4300
Avalanche	5.3L V8 F/I	77-3070KP ¹	9.9 @ 5342	Colorado	2.9L L4 F/I	63-3064-1 ²	9.0 @ 4862
		57-3070 ¹	10.3 @ 5342	Colorado	3.7L L5 F/I	77-3065KP ²	7.2 @ 4533
		71-3070 ¹	12.2 @ 5342			63-3065 ²	11.0 @ 4754
Camaro	3.6L V6 F/I	63-3078 ²	11.4 @ 5800	Corvette	6.2L V8 F/I	63-3073 ²	17.7 @ 4750
		57-3078 ¹	13.1 @ 5800	Corvette ZR1	6.2L V8 F/I	63-3080 ²	27.1 @ 5948
		69-4523TP ¹	15.6 @ 5800	Cruze	1.4L L4 F/I	69-4521TS ¹	6.5 @ 5000
		57-3075 ¹	4.8 @ 6045	Cruze	1.8L L4 F/I - US	69-4522TS ¹	5.7 @ 5940
Camaro SS	6.2L V8 F/I	71-4519 ²	17.6 @ 5191			77-3071KS ²	9.3 @ 4600
		57-3074 ¹	6.5 @ 5844	Equinox	2.4L L4 F/I	77-3078KTK ¹	6.5 @ 4900
		69-4519TP ²	18.1 @ 5200	Equinox	3.0L V6 F/I	77-3070KP ¹	9.9 @ 5342
		63-3074 ²	18.6 @ 5161	Silverado 1500	4.8L V8 F/I	71-3070 ¹	12.2 @ 5342
Camaro ZL1	6.2L V8 F/I	63-3079 ²	25.4 @ 4053			57-3070 ¹	10.3 @ 5342
Corvette	6.2L V8 F/I	63-3073 ²	17.7 @ 4750	Silverado 1500	5.3L V8 F/I	77-3070KP ¹	9.9 @ 5342
Corvette ZR1	6.2L V8 F/I	63-3080 ²	27.1 @ 5948			57-3070 ¹	10.3 @ 5342
Cruze	1.4L L4 F/I	69-4521TS ¹	6.5 @ 5000				

1) Street legal in all US states. 2) Not legal for sale or use on any pollution controlled motor vehicle in California or states adopting California emission procedures. * Estimated horsepower gains are based on specific or similar vehicle dyno tests. Results will vary. See Page 478 for more information. See page 7 for information on intake tube materials/colors.



AIR INTAKE SYSTEMS

CHEVROLET

Vehicle	Engine Type	Part Number	Estimated Horsepower*	Vehicle	Engine Type	Part Number	Estimated Horsepower*
2012 CHEVROLET				2011 CHEVROLET			
Silverado 1500	5.3L V8 F/I	71-3070 ¹	12.2 @ 5342	Silverado 3500 HD	6.6L V8 DSL	57-3077 ¹	19.3 @ 2420
Silverado 1500	6.2L V8 F/I	77-3070KP ¹	9.9 @ 5342	Suburban 1500	5.3L V8 F/I	57-3070 ¹	10.3 @ 5342
		57-3070 ¹	10.3 @ 5342			71-3070 ¹	12.2 @ 5342
		71-3070 ¹	12.2 @ 5342			77-3070KP ¹	9.9 @ 5342
Silverado 2500 HD	6.0L V8 F/I	77-3076KTK ¹	10.2 @ 5033	Tahoe	5.3L V8 F/I	57-3070 ¹	10.3 @ 5342
Silverado 2500 HD	6.6L V8 DSL	77-3077KP ¹	12.2 @ 2850			77-3070KP ¹	9.9 @ 5342
		57-3077 ¹	19.3 @ 2420			71-3070 ¹	12.2 @ 5342
Silverado 3500 HD	6.0L V8 F/I	77-3076KTK ¹	10.2 @ 5033	2010 CHEVROLET			
Silverado 3500 HD	6.6L V8 DSL	57-3077 ¹	19.3 @ 2420	Avalanche	5.3L V8 F/I	71-3070 ¹	12.2 @ 5342
		77-3077KP ¹	12.2 @ 2850			77-3070KP ¹	9.9 @ 5342
Sonic	1.4L L4 F/I	69-4524TS ²	7.0 @ 5474			57-3070 ¹	10.3 @ 5342
Sonic	1.8L L4 F/I	69-4525TS ²	5.1 @ 6003	Camaro	3.6L V6 F/I	69-4520TP ²	13.4 @ 6200
Suburban 1500	5.3L V8 F/I	77-3070KP ¹	9.9 @ 5342			63-3075 ²	15.0 @ 6200
		57-3070 ¹	10.3 @ 5342			57-3075 ¹	4.8 @ 6045
		71-3070 ¹	12.2 @ 5342	Camaro SS	6.2L V8 F/I	69-4519TP ²	18.1 @ 5200
Tahoe	5.3L V8 F/I	77-3070KP ¹	9.9 @ 5342			63-3074 ²	18.6 @ 5161
		71-3070 ¹	12.2 @ 5342			71-4519 ²	17.6 @ 5191
		57-3070 ¹	10.3 @ 5342			57-3074 ¹	6.5 @ 5844
2011 CHEVROLET						69-4518TTK ¹	12.2 @ 4600
Avalanche	5.3L V8 F/I	77-3070KP ¹	9.9 @ 5342	Cobalt	2.0L L4 F/I	69-4515TS ²	6.6 @ 4800
		57-3070 ¹	10.3 @ 5342	Cobalt	2.2L L4 F/I	63-3064-1 ²	9.0 @ 4862
		71-3070 ¹	12.2 @ 5342	Colorado	2.9L L4 F/I	63-3065 ²	11.0 @ 4754
Camaro	3.6L V6 F/I	63-3078 ²	11.4 @ 5800	Colorado	3.7L L5 F/I	77-3065KP ²	7.2 @ 4533
		69-4520TP ²	13.4 @ 6200	Corvette	6.2L V8 F/I	63-3073 ²	17.7 @ 4750
		57-3075 ¹	4.8 @ 6045	Corvette ZR1	6.2L V8 F/I	63-3080 ²	27.1 @ 5948
Camaro SS	6.2L V8 F/I	69-4519TP ²	18.1 @ 5200	Equinox	2.4L L4 F/I	77-3071KS ¹	9.3 @ 4600
		71-4519 ²	17.6 @ 5191	Equinox	3.0L V6 F/I	77-3078KTK ¹	6.5 @ 4900
		57-3074 ¹	6.5 @ 5844	HHR	2.0L L4 F/I	57-3069 ¹	9.4 @ 5068
		63-3074 ²	18.6 @ 5161			63-3069 ²	9.4 @ 5068
Colorado	2.9L L4 F/I	63-3064-1 ²	9.0 @ 4862	HHR	2.2L L4 F/I	57-3056 ¹	9.3 @ 5325
Colorado	3.7L L5 F/I	77-3065KP ²	7.2 @ 4533	HHR	2.4L L4 F/I	63-3056 ²	9.3 @ 5325
		63-3065 ²	11.0 @ 4754	HHR	2.4L L4 F/I	57-3056 ¹	9.3 @ 5325
Corvette	6.2L V8 F/I	63-3073 ²	17.7 @ 4750			63-3056 ²	9.3 @ 5325
Corvette ZR1	6.2L V8 F/I	63-3080 ²	27.1 @ 5948	Silverado 1500	4.8L V8 F/I	77-3070KP ¹	9.9 @ 5342
Cruze	1.4L L4 F/I	69-4521TS ¹	6.5 @ 5000			57-3070 ¹	10.3 @ 5342
Cruze	1.8L L4 F/I - US	69-4522TS ¹	5.7 @ 5940			71-3070 ¹	12.2 @ 5342
Equinox	2.4L L4 F/I	77-3071KS ¹	9.3 @ 4600	Silverado 1500	5.3L V8 F/I	57-3070 ¹	10.3 @ 5342
Equinox	3.0L V6 F/I	77-3078KTK ¹	6.5 @ 4900			71-3070 ¹	12.2 @ 5342
HHR	2.2L L4 F/I	63-3056 ²	9.3 @ 5325			77-3070KP ¹	9.9 @ 5342
		57-3056 ¹	9.3 @ 5325	Silverado 1500	6.2L V8 F/I	77-3070KP ¹	9.9 @ 5342
HHR	2.4L L4 F/I	63-3056 ²	9.3 @ 5325			71-3070 ¹	12.2 @ 5342
Silverado 1500	4.8L V8 F/I	77-3070KP ¹	9.9 @ 5342			57-3070 ¹	10.3 @ 5342
		57-3070 ¹	10.3 @ 5342	Silverado 2500 HD	6.6L V8 DSL	57-3066 ¹	19.7 @ 2900
		71-3070 ¹	12.2 @ 5342			71-3066 ¹	12.5 @ 2638
Silverado 1500	5.3L V8 F/I	77-3070KP ¹	9.9 @ 5342	Silverado 3500 HD	6.6L V8 DSL	71-3066 ¹	12.5 @ 2638
		57-3070 ¹	10.3 @ 5342			57-3066 ¹	19.7 @ 2900
		71-3070 ¹	12.2 @ 5342	Suburban 1500	5.3L V8 F/I	77-3070KP ¹	9.9 @ 5342
Silverado 1500	6.2L V8 F/I	77-3070KP ¹	9.9 @ 5342			57-3070 ¹	10.3 @ 5342
		57-3070 ¹	10.3 @ 5342			71-3070 ¹	12.2 @ 5342
		71-3070 ¹	12.2 @ 5342	Tahoe	5.3L V8 F/I	77-3070KP ¹	9.7 @ 5342
Silverado 2500 HD	6.0L V8 F/I	77-3076KTK ¹	10.2 @ 5033			57-3070 ¹	10.3 @ 5342
Silverado 2500 HD	6.6L V8 DSL	57-3077 ¹	19.3 @ 2420			71-3070 ¹	12.2 @ 5342
		77-3077KP ¹	12.2 @ 2850	2009 CHEVROLET			
Silverado 3500 HD	6.0L V8 F/I	77-3076KTK ¹	10.2 @ 5033	Avalanche	5.3L V8 F/I	57-3070 ¹	10.3 @ 5342
Silverado 3500 HD	6.6L V8 DSL	77-3077KP ¹	12.2 @ 2850			71-3070 ¹	12.2 @ 5342

1) Street legal in all US states. 2) Not legal for sale or use on any pollution controlled motor vehicle in California or states adopting California emission procedures. * Estimated horsepower gains are based on specific or similar vehicle dyno tests. Results will vary. See Page 478 for more information. See page 7 for information on intake tube materials/colors.

CHEVROLET

AIR INTAKE SYSTEMS



Vehicle	Engine Type	Part Number	Estimated Horsepower*	Vehicle	Engine Type	Part Number	Estimated Horsepower*
2009 CHEVROLET				2008 CHEVROLET			
Avalanche	5.3L V8 F/I	77-3070KP ¹	9.9 @ 5342	Avalanche	6.0L V8 F/I	57-3058 ¹	17.6 @ 4917
Avalanche	6.0L V8 F/I	71-3070 ¹	12.2 @ 5342			77-3058KP ¹	12.5 @ 4917
		57-3070 ¹	10.3 @ 5342			71-3058 ¹	10.2 @ 4900
		77-3070KP ¹	9.9 @ 5342	Cheyenne 2500	5.3L V8 F/I	77-3058KP ²	12.5 @ 4917
Cheyenne 2500	5.3L V8 F/I	77-3058KP ²	12.5 @ 4917	Cobalt	2.0L L4 F/I	69-4518TTK ¹	12.2 @ 4600
Cobalt	2.0L L4 F/I	69-4518TTK ¹	12.4 @ 4600	Cobalt	2.2L L4 F/I	69-4515TS ²	6.6 @ 4800
Cobalt	2.2L L4 F/I	69-4515TS ²	6.6 @ 4800	Cobalt	2.4L L4 F/I	69-4517TTK ¹	15.9 @ 5900
Colorado	2.9L L4 F/I	63-3064-1 ²	9.0 @ 4862	Colorado	2.9L L4 F/I	63-3064-1 ²	9.0 @ 4862
Colorado	3.7L L5 F/I	63-3065 ²	11.0 @ 4754	Colorado	3.7L L5 F/I	63-3065 ²	11.0 @ 4754
		77-3065KP ²	7.2 @ 4533			77-3065KP ²	7.2 @ 4533
Corvette	6.2L V8 F/I	63-3073 ²	17.7 @ 4750	Corvette	6.2L V8 F/I	63-3073 ²	17.7 @ 4750
Corvette Z06	7.0L V8 F/I	63-3060-1 ²	27.2 @ 5600	Corvette Z06	7.0L V8 F/I	63-3060-1 ²	27.2 @ 5600
Corvette ZR1	6.2L V8 F/I	63-3080 ²	27.1 @ 5948	HHR	2.0L L4 F/I	63-3069 ²	9.4 @ 5068
HHR	2.0L L4 F/I	57-3069 ¹	9.4 @ 5068			57-3069 ¹	9.4 @ 5068
		63-3069 ²	9.4 @ 5068	HHR	2.4L L4 F/I	57-3056 ¹	9.3 @ 5325
HHR	2.4L L4 F/I	57-3056 ¹	9.3 @ 5325			63-3056 ²	9.3 @ 5325
		63-3056 ²	9.3 @ 5325	Impala	5.3L V8 F/I	63-3059 ²	13.5 @ 5222
Impala	5.3L V8 F/I	63-3059 ²	13.5 @ 5222	Silverado 1500	4.8L V8 F/I	71-3058 ¹	10.2 @ 4900
Silverado 1500	4.8L V8 F/I	71-3070 ¹	12.2 @ 5342			57-3058 ¹	17.6 @ 4917
		77-3070KP ¹	9.9 @ 5342			77-3058KP ¹	12.5 @ 4917
		57-3070 ¹	10.3 @ 5342	Silverado 1500	5.3L V8 F/I	57-3058 ¹	17.6 @ 4917
Silverado 1500	5.3L V8 F/I	71-3070 ¹	12.2 @ 5342			77-3058KP ¹	12.5 @ 4917
		77-3070KP ¹	9.9 @ 5342			71-3058 ¹	10.2 @ 4900
		57-3070 ¹	10.3 @ 5342	Silverado 1500	6.0L V8 F/I	77-3058KP ¹	12.5 @ 4917
Silverado 1500	6.0L V8 F/I	77-3070KP ¹	9.9 @ 5342			71-3058 ¹	10.2 @ 4900
		71-3070 ¹	12.2 @ 5342	Silverado 1500	6.0L V8 F/I	57-3058 ¹	17.6 @ 4917
		57-3070 ¹	10.3 @ 5342	Silverado 2500 HD	6.0L V8 F/I	57-3067 ¹	11.4 @ 4500
Silverado 1500	6.2L V8 F/I	57-3070 ¹	16.6 @ 5342	Silverado 2500 HD	6.6L V8 DSL	71-3066 ¹	12.5 @ 2638
		71-3070 ¹	12.2 @ 5342			57-3066 ¹	19.7 @ 2900
		77-3070KP ¹	10.8 @ 5342	Silverado 3500 HD	6.0L V8 F/I	57-3067 ¹	11.4 @ 4500
Silverado 2500 HD	6.6L V8 DSL	71-3066 ¹	12.5 @ 2638	Silverado 3500 HD	6.6L V8 DSL	57-3066 ¹	19.7 @ 2900
		57-3066 ¹	19.7 @ 2900			71-3066 ¹	12.5 @ 2638
Silverado 3500 HD	6.6L V8 DSL	71-3066 ¹	12.5 @ 2638	Suburban 1500	5.3L V8 F/I	77-3058KP ¹	12.5 @ 4917
		57-3066 ¹	19.7 @ 2900			57-3058 ¹	17.6 @ 4917
Suburban 1500	5.3L V8 F/I	57-3070 ¹	10.3 @ 5342	Suburban 1500	6.0L V8 F/I	71-3058 ¹	10.2 @ 4900
		71-3070 ¹	12.2 @ 5342			77-3058KP ¹	12.5 @ 4917
		77-3070KP ¹	9.9 @ 5342			57-3058 ¹	17.6 @ 4917
Suburban 1500	6.0L V8 F/I	77-3070KP ¹	9.9 @ 5342	Tahoe	4.8L V8 F/I	77-3058KP ¹	12.5 @ 4917
		71-3070 ¹	12.2 @ 5342			71-3058 ¹	10.2 @ 4900
		57-3070 ¹	10.3 @ 5342	Tahoe	5.3L V8 F/I	57-3058 ¹	17.6 @ 4917
Tahoe	4.8L V8 F/I	77-3070KP ¹	9.9 @ 5342			71-3058 ¹	10.2 @ 4900
		71-3070 ¹	12.2 @ 5342	Tahoe	5.3L V8 F/I	77-3058KP ¹	12.5 @ 4917
		57-3070 ¹	10.3 @ 5342			57-3058 ¹	17.6 @ 4917
Tahoe	5.3L V8 F/I	57-3070 ¹	10.3 @ 5342	TrailBlazer	4.2L L6 F/I	63-3062 ²	9.5 @ 4725
		71-3070 ¹	12.2 @ 5342			77-3062KP ²	9.3 @ 4850
		77-3070KP ¹	9.9 @ 5342	TrailBlazer	6.0L V8 F/I	57-3061 ¹	19.2 @ 5331
Tahoe	6.2L V8 F/I	71-3070 ¹	12.2 @ 5342				
		57-3070 ¹	10.3 @ 5342	2007 CHEVROLET			
		77-3070KP ¹	9.9 @ 5342	Avalanche	5.3L V8 F/I	71-3058 ¹	10.2 @ 4900
TrailBlazer	4.2L L6 F/I	63-3062 ²	9.5 @ 4725			77-3058KP ¹	12.5 @ 4917
		77-3062KP ²	9.3 @ 4850			57-3058 ¹	17.6 @ 4917
2008 CHEVROLET				Avalanche	6.0L V8 F/I	77-3058KP ¹	12.5 @ 4917
Avalanche	5.3L V8 F/I	77-3058KP ¹	12.5 @ 4917			71-3058 ¹	10.2 @ 4900
		57-3058 ¹	17.6 @ 4917			57-3058 ¹	17.6 @ 4917
		71-3058 ¹	10.2 @ 4900	Cheyenne 2500	5.3L V8 F/I	77-3058KP ²	12.5 @ 4917

1) Street legal in all US states. 2) Not legal for sale or use on any pollution controlled motor vehicle in California or states adopting California emission procedures. * Estimated horsepower gains are based on specific or similar vehicle dyno tests. Results will vary. See Page 478 for more information. See page 7 for information on intake tube materials/colors.



AIR INTAKE SYSTEMS

CHEVROLET

Vehicle	Engine Type	Part Number	Estimated Horsepower*	Vehicle	Engine Type	Part Number	Estimated Horsepower*
2007 CHEVROLET				2007 CHEVROLET			
Cobalt	2.2L L4 F/I	69-4515TS ²	6.6 @ 4800	Silverado 3500 Classic	8.1L V8 F/I	57-3030-1 ¹	17.3 @ 4559
Cobalt	2.4L L4 F/I	69-4517TTK ¹	15.9 @ 5900	Silverado 3500 HD	6.0L V8 F/I	57-3067 ¹	11.4 @ 4500
Colorado	2.9L L4 F/I	63-3064-1 ²	9.0 @ 4862	Silverado 3500 HD	6.6L V8 DSL	71-3066 ¹	12.5 @ 2638
Colorado	3.7L L5 F/I	77-3065KP ²	7.2 @ 4533			57-3066 ¹	19.7 @ 2900
		63-3065 ²	11.0 @ 4754	Silverado SS Classic	6.0L V8 F/I	57-3050 ¹	11.9 @ 5367
Corvette	6.0L V8 F/I	63-3052 ²	10.1 @ 6000			77-3050KP ¹	8.4 @ 5336
Corvette Z06	7.0L V8 F/I	63-3060-1 ²	27.2 @ 5600	Suburban 1500	5.3L V8 F/I	57-3058 ¹	17.6 @ 4917
HHR	2.4L L4 F/I	57-3056 ¹	9.3 @ 5325			71-3058 ¹	10.2 @ 4900
Impala	5.3L V8 F/I	63-3059 ²	13.5 @ 5222	Suburban 1500	6.0L V8 F/I	77-3058KP ¹	12.5 @ 4917
Monte Carlo	5.3L V8 F/I	63-3059 ²	13.5 @ 5222			71-3058 ¹	10.2 @ 4900
Silverado 1500	4.8L V8 F/I	57-3058 ¹	17.6 @ 4917	Suburban 1500	6.0L V8 F/I	77-3058KP ¹	12.5 @ 4917
		71-3058 ¹	10.2 @ 4900			71-3058 ¹	10.2 @ 4900
Silverado 1500	5.3L V8 F/I	77-3058KP ¹	12.5 @ 4917	Suburban 2500	6.0L V8 F/I	57-3063 ¹	11.6 @ 5075
		57-3058 ¹	17.6 @ 4917	Tahoe	4.8L V8 F/I	77-3058KP ¹	12.5 @ 4917
		71-3058 ¹	10.2 @ 4900			71-3058 ¹	10.2 @ 4900
Silverado 1500	6.0L V8 F/I	77-3058KP ¹	12.5 @ 4917	Tahoe	5.3L V8 F/I	57-3058 ¹	17.6 @ 4917
		71-3058 ¹	17.6 @ 4917			77-3058KP ¹	12.5 @ 4917
Silverado 1500 Classic	4.3L V6 F/I	57-3038 ¹	8.2 @ 4544	Tahoe	5.3L V8 F/I	57-3058 ¹	17.6 @ 4917
Silverado 1500 Classic	4.8L V8 F/I	77-3050KP ¹	8.4 @ 5336			77-3058KP ¹	12.5 @ 4917
		57-3050 ¹	11.9 @ 5367	TrailBlazer	4.2L L6 F/I	71-3058 ¹	10.2 @ 4900
Silverado 1500 Classic	5.3L V8 F/I	57-3050 ¹	11.9 @ 5367	TrailBlazer	6.0L V8 F/I	77-3062KP ²	9.3 @ 4850
		77-3050KP ¹	8.4 @ 5336			63-3062 ²	9.5 @ 4725
Silverado 1500 Classic	6.0L V8 F/I	57-3023-1 ¹	14.3 @ 5018	2006 CHEVROLET		57-3061 ¹	19.2 @ 5331
		77-3023KP ¹	8.2 @ 5067	Avalanche 1500	5.3L V8 F/I	77-3062KP ²	9.3 @ 4850
Silverado 1500 HD Classic	6.0L V8 F/I	77-3023KP ¹	8.2 @ 5067	Avalanche 2500	8.1L V8 F/I	63-3062 ²	9.5 @ 4725
		57-3023-1 ¹	14.3 @ 5018	Cobalt	2.0L L4 F/I	57-3061 ¹	19.2 @ 5331
Silverado 2500 HD	6.0L V8 F/I	57-3067 ¹	11.4 @ 4500	Cobalt	2.2L L4 F/I	77-3050KP ¹	8.4 @ 5336
Silverado 2500 HD	6.6L V8 DSL	57-3066 ¹	19.7 @ 2900	Cobalt	2.4L L4 F/I	57-3032 ¹	13.0 @ 4231
		71-3066 ¹	12.5 @ 2638	Colorado	2.8L L4 F/I	69-4516TS ¹	8.1 @ 5829
Silverado 2500 HD Classic	6.0L V8 F/I	57-3031-1 ¹	20.3 @ 4894	Colorado	3.5L L5 F/I	69-4515TS ¹	6.6 @ 4800
		77-3031KP ¹	17.4 @ 5024	Corvette	6.0L V8 F/I	69-4517TTK ¹	15.9 @ 5900
Silverado 2500 HD Classic	6.6L V8 DSL	57-3057 ¹	22.1 @ 2860	Corvette Z06	7.0L V8 F/I	57-3051 ¹	11.5 @ 5863
		57-3000 ¹	15.4 @ 2911	HHR	2.4L L4 F/I	77-3043KP ¹	9.2 @ 6057
Silverado 2500 HD Classic	8.1L V8 F/I	57-3030-1 ¹	17.3 @ 4559	Impala	5.3L V8 F/I	57-3043 ¹	18.6 @ 6001
Silverado 3500 Classic	6.0L V8 F/I	57-3031-1 ¹	20.3 @ 4894	Monte Carlo	5.3L V8 F/I	63-3052 ²	10.1 @ 6000
		77-3031KP ¹	17.4 @ 5024	Silverado 1500	4.3L V6 F/I	63-3060-1 ²	27.2 @ 5600
Silverado 3500 Classic	6.6L V8 DSL	57-3000 ¹	15.4 @ 2911	Silverado 1500	4.8L V8 F/I	57-3056 ¹	9.3 @ 5325
		57-3057 ¹	22.1 @ 2860			63-3059 ²	13.5 @ 5222
				Silverado 1500	5.3L V8 F/I	63-3059 ²	13.5 @ 5222
						57-3038 ¹	8.2 @ 4544
				Silverado 1500	6.0L V8 F/I	77-3050KP ¹	8.4 @ 5336
						57-3050 ¹	11.9 @ 5367
				Silverado 1500	6.0L V8 F/I	77-3050KP ¹	8.4 @ 5336
						57-3050 ¹	11.9 @ 5367
				Silverado 1500 HD	6.0L V8 F/I	77-3050KP ¹	11.9 @ 5367
						77-3050KP ¹	8.4 @ 5336
				Silverado 2500 HD	6.0L V8 F/I	57-3050 ¹	11.9 @ 5367
						77-3023KP ¹	8.2 @ 5067
				Silverado 2500 HD	6.0L V8 F/I	57-3023-1 ¹	14.3 @ 5018
						77-3031KP ¹	17.4 @ 5024
				Silverado 2500 HD	6.6L V8 DSL	57-3031-1 ¹	20.3 @ 4894
						57-3031KP ¹	17.4 @ 5024
				Silverado 2500 HD	6.6L V8 DSL	57-3057 ¹	22.1 @ 2860
						57-3000 ¹	15.4 @ 2911
				Silverado 2500 HD	8.1L V8 F/I	57-3030-1 ¹	17.3 @ 4559
				Silverado 3500	6.0L V8 F/I	77-3031KP ¹	17.4 @ 5024
						57-3031-1 ¹	20.3 @ 4894

1) Street legal in all US states. 2) Not legal for sale or use on any pollution controlled motor vehicle in California or states adopting California emission procedures. * Estimated horsepower gains are based on specific or similar vehicle dyno tests. Results will vary. See Page 478 for more information. See page 7 for information on intake tube materials/colors.

CHEVROLET

AIR INTAKE SYSTEMS



Vehicle	Engine Type	Part Number	Estimated Horsepower*	Vehicle	Engine Type	Part Number	Estimated Horsepower*
2006 CHEVROLET				2005 CHEVROLET			
Silverado 3500	6.6L V8 DSL	57-3057 ¹	22.1 @ 2860	Silverado 3500	6.6L V8 DSL - w/Panel Filter	77-3047KP ¹	20.1 @ 3158
		57-3000 ¹	15.4 @ 2911	Silverado 3500	6.6L V8 DSL - w/Round Filter	57-3000 ¹	15.4 @ 2911
Silverado 3500	8.1L V8 F/I	57-3030-1 ¹	17.3 @ 4559			57-3057 ¹	22.1 @ 2860
Silverado SS	6.0L V8 F/I	77-3050KP ¹	8.4 @ 5336	Silverado 3500	8.1L V8 F/I	57-3030-1 ¹	17.3 @ 4559
		57-3050 ¹	11.9 @ 5367	Silverado SS	6.0L V8 F/I	57-3050 ¹	11.9 @ 5367
Sonora	5.3L V8 F/I	77-3050KP ²	8.4 @ 5336	Silverado 3500	8.1L V8 F/I	57-3030-1 ¹	17.3 @ 4559
SSR	6.0L V8 F/I	57-3055 ¹	13.8 @ 4700	Silverado SS	6.0L V8 F/I	57-3050 ¹	11.9 @ 5367
Suburban 1500	5.3L V8 F/I	57-3050 ¹	11.9 @ 5367			77-3050KP ¹	8.4 @ 5336
		77-3050KP ¹	8.4 @ 5336	Sonora	5.3L V8 F/I	77-3050KP ²	8.4 @ 5336
Suburban 1500	6.0L V8 F/I	77-3023KP ¹	8.2 @ 5067	SSR	6.0L V8 F/I	57-3055 ¹	13.8 @ 4700
		57-3023-1 ¹	14.3 @ 5018	Suburban 1500	5.3L V8 F/I	77-3050KP ¹	8.4 @ 5336
Suburban 2500	6.0L V8 F/I	77-3023KP ¹	8.2 @ 5067			57-3050 ¹	11.9 @ 5367
		57-3023-1 ¹	14.3 @ 5018	Suburban 2500	6.0L V8 F/I	77-3023KP ¹	8.2 @ 5067
Suburban 2500	8.1L V8 F/I	57-3032 ¹	13.0 @ 4231			57-3023-1 ¹	14.3 @ 5018
Tahoe	4.8L V8 F/I	77-3050KP ¹	8.4 @ 5336	Suburban 2500	8.1L V8 F/I	57-3032 ¹	13.0 @ 4231
		57-3050 ¹	11.9 @ 5367	Tahoe	4.8L V8 F/I	77-3050KP ¹	8.4 @ 5336
Tahoe	5.3L V8 F/I	77-3050KP ¹	8.4 @ 5336			57-3050 ¹	11.9 @ 5367
		57-3050 ¹	11.9 @ 5367	Tahoe	5.3L V8 F/I	57-3050 ¹	11.9 @ 5367
TrailBlazer	4.2L L6 F/I	57-3062 ¹	9.5 @ 4725			77-3050KP ¹	8.4 @ 5336
		77-3062KP ¹	9.3 @ 4850	TrailBlazer	4.2L L6 F/I	77-3036KP ¹	10.9 @ 5474
TrailBlazer	6.0L V8 F/I	57-3061 ¹	19.2 @ 5331			57-3036 ¹	9.3 @ 5623
2005 CHEVROLET				2004 CHEVROLET			
Avalanche 1500	5.3L V8 F/I	77-3050KP ¹	8.4 @ 5336	Avalanche 1500	5.3L V8 F/I	77-3023KP ¹	8.2 @ 5067
		57-3050 ¹	11.9 @ 5367			57-3033 ¹	10.2 @ 5244
Avalanche 2500	8.1L V8 F/I	57-3032 ¹	13.0 @ 4231	Avalanche 2500	8.1L V8 F/I	57-3032 ¹	13.0 @ 4231
Blazer	4.3L V6 F/I	57-3017-2 ¹	7.4 @ 4671	Blazer	4.3L V6 F/I	57-3017-2 ¹	7.4 @ 4671
Cavalier	2.2L L4 F/I	69-4510TS ¹	5.4 @ 5223	Cavalier	2.2L L4 F/I	69-4510TS ¹	5.4 @ 5223
Cobalt	2.0L L4 F/I	69-4516TS ¹	8.1 @ 5829	Colorado	2.8L L4 F/I	57-3051 ¹	11.5 @ 5863
Cobalt	2.2L L4 F/I	69-4515TS ¹	6.6 @ 4800	Colorado	3.5L L5 F/I	57-3043 ¹	18.6 @ 6001
Colorado	2.8L L4 F/I	57-3051 ¹	11.5 @ 5863			77-3043KP ¹	9.2 @ 6057
Colorado	3.5L L5 F/I	77-3043KP ¹	9.2 @ 6057	Corvette	5.7L V8 F/I	57-3035 ¹	11.4 @ 4700
		57-3043 ¹	18.6 @ 6001	Corvette Z06	5.7L V8 F/I	63-1050 ²	11.4 @ 4700
Corvette	6.0L V8 F/I	57-3052 ¹	10.1 @ 6000	Impala	3.8L V6 F/I	57-3045 ¹	13.3 @ 5224
Impala	3.8L V6 F/I	57-3045 ¹	13.3 @ 5224	Monte Carlo	3.8L V6 F/I	57-3045 ¹	13.3 @ 5224
Monte Carlo	3.8L V6 F/I	57-3045 ¹	13.3 @ 5224	S10 Pickup	4.3L V6 F/I	57-3017-2 ¹	7.4 @ 4671
Silverado 1500	4.3L V6 F/I	57-3038 ¹	8.2 @ 4544	Silverado 1500	4.3L V6 F/I	57-3038 ¹	8.2 @ 4544
Silverado 1500	4.8L V8 F/I	57-3050 ¹	11.9 @ 5367	Silverado 1500	4.8L V8 F/I	57-3021-1 ¹	9.1 @ 5352
		77-3050KP ¹	8.4 @ 5336			77-3021KP ¹	8.2 @ 5067
Silverado 1500	5.3L V8 F/I	57-3050 ¹	11.9 @ 5367	Silverado 1500	5.3L V8 F/I	77-3021KP ¹	8.2 @ 5067
		77-3050KP ¹	8.4 @ 5336			57-3021-1 ¹	9.1 @ 5352
Silverado 1500 HD	6.0L V8 F/I	77-3023KP ¹	8.2 @ 5067	Silverado 2500	6.0L V8 F/I	77-3023KP ¹	8.2 @ 5067
		57-3023-1 ¹	14.3 @ 5018			57-3023-1 ¹	14.3 @ 5018
Silverado 2500 HD	6.0L V8 F/I	77-3031KP ¹	17.4 @ 5024	Silverado 2500 HD	6.0L V8 F/I	57-3031-1 ¹	20.3 @ 4894
		57-3031-1 ¹	20.3 @ 4894			77-3031KP ¹	17.4 @ 5024
Silverado 2500 HD	6.6L V8 DSL - w/Panel Filter	77-3047KP ¹	20.1 @ 3158	Silverado 2500 HD	6.6L V8 DSL - LB7	57-3034 ¹	16.3 @ 3246
		57-3047 ¹	20.1 @ 3157			77-3034KP ¹	12.6 @ 3246
Silverado 2500 HD	6.6L V8 DSL - w/Round Filter	57-3000 ¹	15.4 @ 2911	Silverado 2500 HD	6.6L V8 DSL - LLY	77-3047KP ¹	20.1 @ 3157
		57-3057 ¹	22.1 @ 2860			57-3047 ¹	20.1 @ 3157
Silverado 2500 HD	8.1L V8 F/I	57-3030-1 ¹	17.3 @ 4559	Silverado 2500 HD	8.1L V8 F/I	57-3030-1 ¹	17.3 @ 4559
Silverado 3500	6.0L V8 F/I	77-3031KP ¹	17.4 @ 5024	Silverado 3500	6.0L V8 F/I	77-3031KP ¹	17.4 @ 5024
		57-3031-1 ¹	20.3 @ 4894			57-3031-1 ¹	20.3 @ 4894
Silverado 3500	6.6L V8 DSL - w/Panel Filter	57-3047 ¹	20.1 @ 3157	Silverado 3500	6.6L V8 DSL - LLY	57-3047 ¹	20.1 @ 3157
						77-3047KP ¹	20.1 @ 3158

1) Street legal in all US states. 2) Not legal for sale or use on any pollution controlled motor vehicle in California or states adopting California emission procedures. * Estimated horsepower gains are based on specific or similar vehicle dyno tests. Results will vary. See Page 478 for more information. See page 7 for information on intake tube materials/colors.



AIR INTAKE SYSTEMS

CHEVROLET

Vehicle	Engine Type	Part Number	Estimated Horsepower*	Vehicle	Engine Type	Part Number	Estimated Horsepower*
2004 CHEVROLET				2003 CHEVROLET			
Silverado 3500	8.1L V8 F/I	57-3030-1 ¹	17.3 @ 4559	Suburban 2500	8.1L V8 F/I	57-3032 ¹	13.0 @ 4231
Silverado SS	6.0L V8 F/I	57-3023-1 ¹	14.3 @ 5018	Tahoe	4.8L V8 F/I	57-3023-1 ¹	14.3 @ 5018
		77-3023KP ¹	8.2 @ 5067			77-3023KP ¹	8.2 @ 5067
Sonora	5.3L V8 F/I	77-3023KP ²	8.2 @ 5067	Tahoe	5.3L V8 F/I	77-3023KP ¹	8.2 @ 5067
SSR	5.3L V8 F/I	57-3046 ¹	5.4 @ 5200			57-3023-1 ¹	14.3 @ 5018
Suburban 1500	5.3L V8 F/I	77-3023KP ¹	8.2 @ 5067	TrailBlazer	4.2L L6 F/I	57-3036 ¹	9.3 @ 5623
		57-3023-1 ¹	14.3 @ 5018			77-3036KP ¹	10.9 @ 5474
Suburban 2500	6.0L V8 F/I	77-3023KP ¹	8.2 @ 5067	TrailBlazer	5.3L V8 F/I	57-3048 ¹	19.3 @ 5133
		57-3023-1 ¹	14.3 @ 5018	2002 CHEVROLET			
Suburban 2500	8.1L V8 F/I	57-3032 ¹	13.0 @ 4231	Avalanche 1500	5.3L V8 F/I	57-3033 ¹	10.2 @ 5244
Tahoe	4.8L V8 F/I	77-3023KP ¹	8.2 @ 5067			77-3023KP ¹	8.2 @ 5067
		57-3023-1 ¹	14.3 @ 5018	Avalanche 2500	8.1L V8 F/I	57-3032 ¹	13.0 @ 4231
Tahoe	5.3L V8 F/I	77-3023KP ¹	8.2 @ 5067	Blazer	4.3L V6 F/I	57-3017-2 ¹	7.4 @ 4671
		57-3023-1 ¹	14.3 @ 5018	Camaro	3.8L V6 F/I	57-3041 ¹	6.8 @ 5066
TrailBlazer	4.2L L6 F/I	77-3036KP ¹	10.9 @ 5474	Camaro	5.7L V8 F/I	57-3022-2 ¹	14.7 @ 5300
		57-3036 ¹	9.3 @ 5623	Cavalier	2.2L L4 F/I - Exc. OHV	69-4510TS ¹	5.4 @ 5223
TrailBlazer	5.3L V8 F/I	57-3048 ¹	19.3 @ 5133	Corvette	5.7L V8 F/I	57-3035 ¹	11.4 @ 4700
2003 CHEVROLET				Corvette Z06	5.7L V8 F/I	63-1050 ²	11.4 @ 4700
Avalanche 1500	5.3L V8 F/I	57-3033 ¹	10.2 @ 5244	Impala	3.8L V6 F/I	57-3045 ¹	13.3 @ 5224
		77-3023KP ¹	8.2 @ 5067	Monte Carlo	3.8L V6 F/I	57-3045 ¹	13.3 @ 5224
Avalanche 2500	8.1L V8 F/I	57-3032 ¹	13.0 @ 4231	S10 Pickup	2.2L L4 F/I	57-3025-1 ¹	6.7 @ 4700
Blazer	4.3L V6 F/I	57-3017-2 ¹	7.4 @ 4671	S10 Pickup	4.3L V6 F/I	57-3017-2 ¹	7.4 @ 4671
Cavalier	2.2L L4 F/I	69-4510TS ¹	5.4 @ 5223	Silverado 1500	4.3L V6 F/I	57-3038 ¹	8.2 @ 4544
Corvette	5.7L V8 F/I	57-3035 ¹	11.4 @ 4700	Silverado 1500	4.8L V8 F/I	57-3021-1 ¹	9.1 @ 5352
Corvette Z06	5.7L V8 F/I	63-1050 ²	11.4 @ 4700			77-3021KP ¹	8.2 @ 5067
Impala	3.8L V6 F/I	57-3045 ¹	13.3 @ 5224	Silverado 1500	5.3L V8 F/I	57-3021-1 ¹	9.1 @ 5352
Monte Carlo	3.8L V6 F/I	57-3045 ¹	13.3 @ 5224			77-3021KP ¹	8.2 @ 5067
S10 Pickup	2.2L L4 F/I	57-3025-1 ¹	6.7 @ 4700	Silverado 1500 HD	6.0L V8 F/I	77-3023KP ¹	8.2 @ 5067
S10 Pickup	4.3L V6 F/I	57-3017-2 ¹	7.4 @ 4671			57-3023-1 ¹	14.3 @ 5018
Silverado 1500	4.3L V6 F/I	57-3038 ¹	8.2 @ 4544	Silverado 2500	5.3L V8 F/I	77-3021KP ¹	8.2 @ 5067
Silverado 1500	4.8L V8 F/I	57-3021-1 ¹	9.1 @ 5352			57-3021-1 ¹	9.1 @ 5352
		77-3021KP ¹	8.2 @ 5067	Silverado 2500	6.0L V8 F/I	77-3023KP ¹	8.2 @ 5067
Silverado 1500	5.3L V8 F/I	57-3021-1 ¹	9.1 @ 5352			57-3023-1 ¹	14.3 @ 5018
		77-3021KP ¹	8.2 @ 5067	Silverado 2500 HD	6.0L V8 F/I	77-3031KP ¹	17.4 @ 5024
Silverado 1500 HD	6.0L V8 F/I	57-3023-1 ¹	14.3 @ 5018			57-3031-1 ¹	20.3 @ 4894
		77-3023KP ¹	8.2 @ 5067	Silverado 2500 HD	6.6L V8 DSL	77-3034KP ¹	12.6 @ 3246
Silverado 2500	6.0L V8 F/I	57-3023-1 ¹	14.3 @ 5018			57-3034 ¹	16.3 @ 2750
		77-3023KP ¹	8.2 @ 5067	Silverado 2500 HD	8.1L V8 F/I	57-3030-1 ¹	17.3 @ 4559
Silverado 2500 HD	6.0L V8 F/I	77-3031KP ¹	17.4 @ 5024	Silverado 3500	5.3L V8 F/I	57-3021-1 ¹	9.1 @ 5352
		57-3031-1 ¹	20.3 @ 4894			77-3021KP ¹	8.2 @ 5067
Silverado 2500 HD	6.6L V8 DSL	57-3034 ¹	16.3 @ 2750	Silverado 3500	6.0L V8 F/I	77-3031KP ¹	17.4 @ 5024
		77-3034KP ¹	12.6 @ 3246			57-3031-1 ¹	20.3 @ 4894
Silverado 2500 HD	8.1L V8 F/I	57-3030-1 ¹	17.3 @ 4559	Silverado 3500	6.6L V8 DSL	77-3034KP ¹	12.6 @ 3246
Silverado 3500	6.0L V8 F/I	77-3031KP ¹	17.4 @ 5024			57-3034 ¹	16.3 @ 2750
		57-3031-1 ¹	20.3 @ 4894	Silverado 3500	8.1L V8 F/I	57-3030-1 ¹	17.3 @ 4559
Silverado 3500	6.6L V8 DSL	57-3034 ¹	16.3 @ 2750	Suburban 1500	5.3L V8 F/I	57-3023-1 ¹	14.3 @ 5018
		77-3034KP ¹	12.6 @ 3246			77-3023KP ¹	8.2 @ 5067
Silverado 3500	8.1L V8 F/I	57-3030-1 ¹	17.3 @ 4559	Suburban 2500	6.0L V8 F/I	57-3023-1 ¹	14.3 @ 5018
Silverado SS	6.0L V8 F/I	77-3023KP ¹	8.2 @ 5067			77-3023KP ¹	8.2 @ 5067
		57-3023-1 ¹	14.3 @ 5018	Suburban 2500	8.1L V8 F/I	57-3032 ¹	13.0 @ 4231
SSR	5.3L V8 F/I	57-3046 ¹	5.4 @ 5200	Tahoe	4.8L V8 F/I	77-3023KP ¹	8.2 @ 5067
Suburban 1500	5.3L V8 F/I	77-3023KP ¹	8.2 @ 5067			57-3023-1 ¹	14.3 @ 5018
		57-3023-1 ¹	14.3 @ 5018	Tahoe	5.3L V8 F/I	77-3023KP ¹	8.2 @ 5067
Suburban 2500	6.0L V8 F/I	77-3023KP ¹	8.2 @ 5067			57-3023-1 ¹	14.3 @ 5018
		57-3023-1 ¹	14.3 @ 5018	TrailBlazer	4.2L L6 F/I	77-3036KP ¹	10.9 @ 5474

1) Street legal in all US states. 2) Not legal for sale or use on any pollution controlled motor vehicle in California or states adopting California emission procedures. * Estimated horsepower gains are based on specific or similar vehicle dyno tests. Results will vary. See Page 478 for more information. See page 7 for information on intake tube materials/colors.



Vehicle	Engine Type	Part Number	Estimated Horsepower*	Vehicle	Engine Type	Part Number	Estimated Horsepower*
2002 CHEVROLET				2000 CHEVROLET			
TrailBlazer	4.2L L6 F/I	57-3036 ¹	9.3 @ 5623	S10 Pickup	2.2L L4 F/I	57-3025-1 ¹	6.7 @ 4700
2001 CHEVROLET				S10 Pickup	4.3L V6 F/I	57-3017-2 ¹	7.4 @ 4672
Blazer	4.3L V6 F/I	57-3017-2 ¹	7.4 @ 4671	Silverado 1500	4.3L V6 F/I	57-3038 ¹	8.2 @ 4544
Camaro	3.8L V6 F/I	57-3041 ¹	6.8 @ 5066	Silverado 1500	4.8L V8 F/I	77-3021KP ¹	8.2 @ 5067
Camaro	5.7L V8 F/I	57-3022-2 ¹	14.7 @ 5300		57-3021-1 ¹	9.1 @ 5352	
Corvette	5.7L V8 F/I	57-3035 ¹	11.4 @ 4700	Silverado 1500	5.3L V8 F/I	77-3021KP ¹	8.2 @ 5067
Corvette Z06	5.7L V8 F/I	63-1050 ²	11.4 @ 4700		57-3021-1 ¹	9.1 @ 5352	
Impala	3.8L V6 F/I	57-3045 ¹	13.3 @ 5224	Silverado 2500	5.3L V8 F/I	57-3023-1 ¹	14.3 @ 5018
Monte Carlo	3.8L V6 F/I	57-3045 ¹	13.3 @ 5224		77-3023KP ¹	8.2 @ 5067	
S10 Pickup	2.2L L4 F/I	57-3025-1 ¹	6.7 @ 4700	Silverado 2500	6.0L V8 F/I	57-3023-1 ¹	14.3 @ 5018
S10 Pickup	4.3L V6 F/I	57-3017-2 ¹	7.4 @ 4671		77-3023KP ¹	8.2 @ 5067	
Silverado 1500	4.3L V6 F/I	57-3038 ¹	8.2 @ 4544	Suburban 1500	5.3L V8 F/I	57-3023-1 ¹	14.3 @ 5018
Silverado 1500	4.8L V8 F/I	77-3021KP ¹	8.2 @ 5067		77-3023KP ¹	8.2 @ 5067	
		57-3021-1 ¹	9.1 @ 5352	Suburban 1500	5.7L V8 F/I	57-3013-2 ¹	9.5 @ 4918
Silverado 1500	5.3L V8 F/I	77-3021KP ¹	8.2 @ 5067	Suburban 2500	5.3L V8 F/I	77-3023KP ¹	8.2 @ 5067
		57-3021-1 ¹	9.1 @ 5352		57-3023-1 ¹	14.3 @ 5018	
Silverado 1500 HD	6.0L V8 F/I	77-3023KP ¹	8.2 @ 5067	Suburban 2500	6.0L V8 F/I	77-3023KP ¹	8.2 @ 5067
		57-3023-1 ¹	14.3 @ 5018		57-3023-1 ¹	14.3 @ 5018	
Silverado 2500	6.0L V8 F/I	77-3023KP ¹	8.2 @ 5067	Tahoe	4.8L V8 F/I	77-3023KP ¹	8.2 @ 5067
		57-3023-1 ¹	14.3 @ 5018		57-3023-1 ¹	14.3 @ 5018	
Silverado 2500 HD	6.0L V8 F/I	77-3031KP ¹	17.4 @ 5024	Tahoe	5.3L V8 F/I	77-3023KP ¹	8.2 @ 5067
		57-3031-1 ¹	20.3 @ 4894		57-3023-1 ¹	14.3 @ 5018	
Silverado 2500 HD	6.6L V8 DSL	57-3034 ¹	16.3 @ 2750	Tahoe	5.7L V8 F/I	57-3013-2 ¹	9.5 @ 4918
		77-3034KP ¹	12.6 @ 3246				
Silverado 2500 HD	8.1L V8 F/I	57-3030-1 ¹	17.3 @ 4559	1999 CHEVROLET			
Silverado 3500	6.0L V8 F/I	57-3031-1 ¹	20.3 @ 4894	Blazer	4.3L V6 F/I	57-3017-2 ¹	7.4 @ 4671
		77-3031KP ¹	17.4 @ 5024	C35	5.7L V8 F/I	57-3013-2 ¹	9.5 @ 4918
Silverado 3500	6.6L V8 DSL	57-3034 ¹	16.3 @ 2750	C1500	5.0L V8 F/I	57-3013-2 ¹	9.5 @ 4918
		77-3034KP ¹	12.6 @ 3246	C1500	5.7L V8 F/I	57-3013-2 ¹	9.5 @ 4918
Silverado 3500	8.1L V8 F/I	57-3030-1 ¹	17.3 @ 4559	C1500 Suburban	5.7L V8 F/I	57-3013-2 ¹	9.5 @ 4918
Suburban 1500	5.3L V8 F/I	77-3023KP ¹	8.2 @ 5067	C2500	5.0L V8 F/I	57-3013-2 ¹	9.5 @ 4918
		57-3023-1 ¹	14.3 @ 5018	C2500	5.7L V8 F/I	57-3013-2 ¹	9.5 @ 4918
Suburban 2500	6.0L V8 F/I	77-3023KP ¹	8.2 @ 5067	C2500	7.4L V8 F/I	57-3016-1 ¹	21.5 @ 4078
		57-3023-1 ¹	14.3 @ 5018	C2500 Suburban	5.7L V8 F/I	57-3013-2 ¹	9.5 @ 4918
Suburban 2500	8.1L V8 F/I	57-3032 ¹	13.0 @ 4231	C2500 Suburban	7.4L V8 F/I	57-3016-1 ¹	21.5 @ 4078
Tahoe	4.8L V8 F/I	57-3023-1 ¹	14.3 @ 5018	C3500	5.7L V8 F/I	57-3013-2 ¹	9.5 @ 4918
		77-3023KP ¹	8.2 @ 5067	C3500	7.4L V8 F/I	57-3016-1 ¹	21.5 @ 4078
Tahoe	5.3L V8 F/I	57-3023-1 ¹	14.3 @ 5018	Camaro	3.8L V6 F/I	57-3041 ¹	6.8 @ 5066
		77-3023KP ¹	8.2 @ 5067	Camaro	5.7L V8 F/I	57-3022-2 ¹	14.7 @ 5300
				Corvette	5.7L V8 F/I	57-3020 ¹	18.3 @ 5600
				K1500	5.0L V8 F/I	57-3013-2 ¹	9.5 @ 4918
				K1500	5.7L V8 F/I	57-3013-2 ¹	9.5 @ 4918
				K1500 Suburban	5.7L V8 F/I	57-3013-2 ¹	9.5 @ 4918
				K2500	5.0L V8 F/I	57-3013-2 ¹	9.5 @ 4918
				K2500	5.7L V8 F/I	57-3013-2 ¹	9.5 @ 4918
				K2500	7.4L V8 F/I	57-3016-1 ¹	21.5 @ 4078
				K2500 Suburban	5.7L V8 F/I	57-3013-2 ¹	9.5 @ 4918
				K2500 Suburban	7.4L V8 F/I	57-3016-1 ¹	21.5 @ 4078
				K3500	5.7L V8 F/I	57-3013-2 ¹	9.5 @ 4918
				K3500	7.4L V8 F/I	57-3016-1 ¹	21.5 @ 4078
				S10 Pickup	2.2L L4 F/I	57-3025-1 ¹	6.7 @ 4700
				S10 Pickup	4.3L V6 F/I	57-3017-2 ¹	7.4 @ 4671
				Silverado 1500	4.3L V6 F/I	57-3038 ¹	8.2 @ 4544
				Silverado 1500	4.8L V8 F/I	57-3021-1 ¹	9.1 @ 5352
					77-3021KP ¹	8.2 @ 5067	
				Silverado 1500	5.3L V8 F/I	77-3021KP ¹	8.2 @ 5067

1) Street legal in all US states. 2) Not legal for sale or use on any pollution controlled motor vehicle in California or states adopting California emission procedures. * Estimated horsepower gains are based on specific or similar vehicle dyno tests. Results will vary. See Page 478 for more information. See page 7 for information on intake tube materials/colors.



AIR INTAKE SYSTEMS

CHEVROLET

Vehicle	Engine Type	Part Number	Estimated Horsepower*	Vehicle	Engine Type	Part Number	Estimated Horsepower*
1999 CHEVROLET				1997 CHEVROLET			
Silverado 1500	5.3L V8 F/I	57-3021-1 ¹	9.1 @ 5352	K2500	5.7L V8 F/I	57-3013-2 ¹	9.5 @ 4918
Silverado 2500	5.3L V8 F/I	77-3023KP ¹	8.2 @ 5067	K2500	7.4L V8 F/I	57-3016-1 ¹	21.5 @ 4078
		57-3023-1 ¹	14.3 @ 5018	K2500 Suburban	5.7L V8 F/I	57-3013-2 ¹	9.5 @ 4918
Silverado 2500	6.0L V8 F/I	57-3023-1 ¹	14.3 @ 5018	K2500 Suburban	7.4L V8 F/I	57-3016-1 ¹	21.5 @ 4078
		77-3023KP ¹	8.2 @ 5067	K3500	5.7L V8 F/I	57-3013-2 ¹	9.5 @ 4918
Tahoe	5.7L V8 F/I	57-3013-2 ¹	9.5 @ 4918	K3500	7.4L V8 F/I	57-3016-1 ¹	21.5 @ 4078
1998 CHEVROLET				S10 Pickup			
Blazer	4.3L V6 F/I	57-3017-2 ¹	7.4 @ 4671	S10 Pickup	2.2L L4 F/I	57-3024 ¹	7.5 @ 5224
C35	5.7L V8 F/I	57-3013-2 ¹	9.5 @ 4918	Tahoe	4.3L V6 F/I	57-3017-2 ¹	7.4 @ 4671
C1500	4.3L V6 F/I	57-3039 ¹	6.0 @ 4476		5.7L V8 F/I	57-3013-2 ¹	9.5 @ 4918
C1500	5.0L V8 F/I	57-3013-2 ¹	9.5 @ 4918	1996 CHEVROLET			
C1500	5.7L V8 F/I	57-3013-2 ¹	9.5 @ 4918	Blazer	4.3L V6 F/I	57-3017-2 ¹	7.4 @ 4671
C1500 Suburban	5.7L V8 F/I	57-3013-2 ¹	9.5 @ 4918	C1500	4.3L V6 F/I	57-3039 ¹	6.0 @ 4476
C2500	5.0L V8 F/I	57-3013-2 ¹	9.5 @ 4918	C1500	5.0L V8 F/I	57-3013-2 ¹	9.5 @ 4918
C2500	5.7L V8 F/I	57-3013-2 ¹	9.5 @ 4918	C1500	5.7L V8 F/I	57-3013-2 ¹	9.5 @ 4918
C2500	7.4L V8 F/I	57-3016-1 ¹	21.5 @ 4078	C1500 Suburban	5.7L V8 F/I	57-3013-2 ¹	9.5 @ 4918
C2500 Suburban	5.7L V8 F/I	57-3013-2 ¹	9.5 @ 4918	C2500	5.7L V8 F/I	57-3013-2 ¹	9.5 @ 4918
C2500 Suburban	7.4L V8 F/I	57-3016-1 ¹	21.5 @ 4078	C2500 Suburban	7.4L V8 F/I	57-3013-2 ¹	9.5 @ 4918
C3500	5.7L V8 F/I	57-3013-2 ¹	9.5 @ 4918	C2500 Suburban	7.4L V8 F/I	57-3016-1 ¹	21.5 @ 4078
C3500	7.4L V8 F/I	57-3016-1 ¹	21.5 @ 4078	C3500	5.7L V8 F/I	57-3013-2 ¹	9.5 @ 4918
Camaro	5.7L V8 F/I	57-3022-2 ¹	14.7 @ 5300	C3500	7.4L V8 F/I	57-3016-1 ¹	21.5 @ 4078
Corvette	5.7L V8 F/I	57-3020 ¹	18.3 @ 5500	Camaro	5.7L V8 F/I - w/o Ram Air or Traction Control	57-3010-1 ¹	18.3 @ 5333
K1500	5.0L V8 F/I	57-3013-2 ¹	9.5 @ 4918	Caprice	5.7L V8 F/I	57-3011 ¹	18.8 @ 4760
K1500	5.7L V8 F/I	57-3013-2 ¹	9.5 @ 4918	Impala SS	5.7L V8 F/I	57-3011 ¹	18.8 @ 4760
K1500 Suburban	5.7L V8 F/I	57-3013-2 ¹	9.5 @ 4918	K1500	4.3L V6 F/I	57-3039 ¹	6.0 @ 4476
K2500	5.0L V8 F/I	57-3013-2 ¹	9.5 @ 4918	K1500	5.0L V8 F/I	57-3013-2 ¹	9.5 @ 4918
K2500	5.7L V8 F/I	57-3013-2 ¹	9.5 @ 4918	K1500	5.7L V8 F/I	57-3013-2 ¹	9.5 @ 4918
K2500	7.4L V8 F/I	57-3016-1 ¹	21.5 @ 4078	K1500 Suburban	5.7L V8 F/I	57-3013-2 ¹	9.5 @ 4918
K2500 Suburban	5.7L V8 F/I	57-3013-2 ¹	9.5 @ 4918	K2500	5.7L V8 F/I	57-3013-2 ¹	9.5 @ 4918
K2500 Suburban	7.4L V8 F/I	57-3016-1 ¹	21.5 @ 4078	K2500	7.4L V8 F/I	57-3016-1 ¹	21.5 @ 4078
K3500	5.7L V8 F/I	57-3013-2 ¹	9.5 @ 4918	K2500 Suburban	5.7L V8 F/I	57-3013-2 ¹	9.5 @ 4918
K3500	7.4L V8 F/I	57-3016-1 ¹	21.5 @ 4078	K2500 Suburban	7.4L V8 F/I	57-3016-1 ¹	21.5 @ 4078
S10 Pickup	2.2L L4 F/I	57-3025-1 ¹	6.7 @ 4700	K3500	5.7L V8 F/I	57-3013-2 ¹	9.5 @ 4918
S10 Pickup	4.3L V6 F/I	57-3017-2 ¹	7.4 @ 4671	K3500	7.4L V8 F/I	57-3016-1 ¹	21.5 @ 4078
Tahoe	5.7L V8 F/I	57-3013-2 ¹	9.5 @ 4918	S10 Pickup	2.2L L4 F/I	57-3024 ¹	7.5 @ 5224
1997 CHEVROLET				S10 Pickup			
Blazer	4.3L V6 F/I	57-3017-2 ¹	7.4 @ 4671	S10 Pickup	4.3L V6 F/I	57-3017-2 ¹	7.4 @ 4671
C35	5.7L V8 F/I	57-3013-2 ¹	9.5 @ 4918	Tahoe	5.7L V8 F/I	57-3013-2 ¹	9.5 @ 4918
C1500	4.3L V6 F/I	57-3039 ¹	6.0 @ 4476	1995 CHEVROLET			
C1500	5.0L V8 F/I	57-3013-2 ¹	9.5 @ 4918	Blazer	4.3L V6 F/I	57-3009 ¹	7.1 @ 4571
C1500	5.7L V8 F/I	57-3013-2 ¹	9.5 @ 4918	C35	5.7L V8 F/I	63-1007-1 ²	6.7 @ 4107
C1500 Suburban	5.7L V8 F/I	57-3013-2 ¹	9.5 @ 4918			57-3026 ¹	6.7 @ 4107
C2500	5.7L V8 F/I	57-3013-2 ¹	9.5 @ 4918	C1500	5.0L V8 F/I	57-3026 ¹	6.7 @ 4107
C2500	7.4L V8 F/I	57-3016-1 ¹	21.5 @ 4078			63-1007-1 ²	6.7 @ 4107
C2500 Suburban	5.7L V8 F/I	57-3013-2 ¹	9.5 @ 4918	C1500	5.7L V8 F/I	57-3026 ¹	6.7 @ 4107
C2500 Suburban	7.4L V8 F/I	57-3016-1 ¹	21.5 @ 4078			63-1007-1 ²	6.7 @ 4107
C3500	5.7L V8 F/I	57-3013-2 ¹	9.5 @ 4918	C1500 Suburban	5.7L V8 F/I	57-3026 ¹	6.7 @ 4107
C3500	7.4L V8 F/I	57-3016-1 ¹	21.5 @ 4078			63-1007-1 ²	6.7 @ 4107
Camaro	5.7L V8 F/I - w/o Ram Air or Traction Control	57-3010-1 ¹	18.3 @ 5331	C2500	5.0L V8 F/I	57-3026 ¹	6.7 @ 4107
Corvette	5.7L V8 F/I	57-3020 ¹	18.3 @ 5500			63-1007-1 ²	6.7 @ 4107
K1500	4.3L V6 F/I	57-3039 ¹	6.0 @ 4476	C2500	5.7L V8 F/I	57-3026 ¹	6.7 @ 4107
K1500	5.0L V8 F/I	57-3013-2 ¹	9.5 @ 4918			63-1007-1 ²	6.7 @ 4107
K1500	5.7L V8 F/I	57-3013-2 ¹	9.5 @ 4918	C2500	7.4L V8 F/I	57-3027 ¹	7.4 @ 3571
K1500 Suburban	5.7L V8 F/I	57-3013-2 ¹	9.5 @ 4918			63-1007-1 ²	6.7 @ 4107
				C2500	7.4L V8 F/I - w/o heat stove	57-3014 ¹	17.6 @ 3811

1) Street legal in all US states. 2) Not legal for sale or use on any pollution controlled motor vehicle in California or states adopting California emission procedures. * Estimated horsepower gains are based on specific or similar vehicle dyno tests. Results will vary. See Page 478 for more information. See page 7 for information on intake tube materials/colors.

CHEVROLET

AIR INTAKE SYSTEMS



Vehicle	Engine Type	Part Number	Estimated Horsepower*	Vehicle	Engine Type	Part Number	Estimated Horsepower*
1995 CHEVROLET				1994 CHEVROLET			
C2500 Suburban	5.7L V8 F/I	63-1007-1 ²	6.7 @ 4107	C2500	5.0L V8 F/I	57-3026 ¹	6.7 @ 4107
		57-3026 ¹	6.7 @ 4107			63-1007-1 ²	6.7 @ 4107
C2500 Suburban	7.4L V8 F/I	63-1007-1 ²	6.7 @ 4107	C2500	5.7L V8 F/I	63-1007-1 ²	6.7 @ 4107
		57-3027 ¹	7.4 @ 3571			57-3026 ¹	6.7 @ 4107
C2500 Suburban	7.4L V8 F/I - w/o heat stove	57-3014 ¹	17.6 @ 3811	C2500	7.4L V8 F/I	57-3027 ¹	7.4 @ 3571
C3500	5.7L V8 F/I	63-1007-1 ²	6.7 @ 4107			63-1007-1 ²	6.7 @ 4107
		57-3026 ¹	6.7 @ 4107	C2500	7.4L V8 F/I - w/o heat stove	57-3014 ¹	17.6 @ 3811
C3500	7.4L V8 F/I	63-1007-1 ²	6.7 @ 4107	C2500 Suburban	5.7L V8 F/I	57-3026 ¹	6.7 @ 4107
		57-3027 ¹	7.4 @ 3571			63-1007-1 ²	6.7 @ 4107
C3500	7.4L V8 F/I - w/o heat stove	57-3014 ¹	17.6 @ 3810	C2500 Suburban	7.4L V8 F/I	57-3027 ¹	7.4 @ 3571
Camaro	3.4L V6 F/I - w/o Ram Air or Traction Control	57-3010-1 ¹	18.3 @ 5331			63-1007-1 ²	6.7 @ 4107
Camaro	5.7L V8 F/I - w/o Ram Air or Traction Control	57-3010-1 ¹	18.3 @ 5331	C2500 Suburban	7.4L V8 F/I - w/o heat stove	57-3014 ¹	17.6 @ 3811
Caprice	5.7L V8 F/I	57-3011 ¹	18.8 @ 4760	C3500	5.7L V8 F/I	63-1007-1 ²	6.7 @ 4107
Impala SS	5.7L V8 F/I	57-3011 ¹	18.8 @ 4760			57-3026 ¹	6.7 @ 4107
K1500	5.0L V8 F/I	57-3026 ¹	6.7 @ 4107	C3500	7.4L V8 F/I	63-1007-1 ²	6.7 @ 4107
		63-1007-1 ²	6.7 @ 4107			57-3027 ¹	7.4 @ 3571
K1500	5.7L V8 F/I	57-3026 ¹	6.7 @ 4107	C3500	7.4L V8 F/I - w/o heat stove	57-3014 ¹	17.6 @ 3811
		63-1007-1 ²	6.7 @ 4107	Camaro	3.4L V6 F/I - w/o Ram Air or Traction Control	57-3010-1 ¹	18.3 @ 5331
K1500 Suburban	5.7L V8 F/I	63-1007-1 ²	6.7 @ 4107	Camaro	5.7L V8 F/I - w/o Ram Air or Traction Control	57-3010-1 ¹	18.3 @ 5331
		57-3026 ¹	6.7 @ 4107	Caprice	5.7L V8 F/I	57-3011 ¹	18.8 @ 4760
K2500	5.0L V8 F/I	63-1007-1 ²	6.7 @ 4107	Impala SS	5.7L V8 F/I	57-3011 ¹	18.8 @ 4760
		57-3026 ¹	6.7 @ 4107	K1500	5.0L V8 F/I	63-1007-1 ²	6.7 @ 4107
K2500	5.7L V8 F/I	63-1007-1 ²	6.7 @ 4107			57-3026 ¹	6.7 @ 4107
		57-3026 ¹	6.7 @ 4107	K1500	5.7L V8 F/I	63-1007-1 ²	6.7 @ 4107
K2500	7.4L V8 F/I	57-3027 ¹	7.4 @ 3571			57-3026 ¹	10.3 @ 4237
		63-1007-1 ²	6.7 @ 4107	K1500 Suburban	5.7L V8 F/I	57-3026 ¹	10.3 @ 4237
K2500	7.4L V8 F/I - w/o heat stove	57-3014 ¹	17.6 @ 3811			63-1007-1 ²	6.7 @ 4107
K2500 Suburban	5.7L V8 F/I	63-1007-1 ²	6.7 @ 4107	K2500	5.0L V8 F/I	63-1007-1 ²	6.7 @ 4107
		57-3026 ¹	6.7 @ 4107			57-3026 ¹	6.7 @ 4107
K2500 Suburban	7.4L V8 F/I	57-3027 ¹	7.4 @ 3571	K2500	5.7L V8 F/I	57-3026 ¹	6.7 @ 4107
		63-1007-1 ²	6.7 @ 4107			63-1007-1 ²	6.7 @ 4107
K2500 Suburban	7.4L V8 F/I - w/o heat stove	57-3014 ¹	17.6 @ 3811	K2500	7.4L V8 F/I	63-1007-1 ²	6.7 @ 4107
K3500	5.7L V8 F/I	63-1007-1 ²	6.7 @ 4107			57-3027 ¹	7.4 @ 3571
		57-3026 ¹	6.7 @ 4107	K2500	7.4L V8 F/I - w/o heat stove	57-3014 ¹	17.6 @ 3811
K3500	7.4L V8 F/I	63-1007-1 ²	6.7 @ 4107	K2500 Suburban	5.7L V8 F/I	63-1007-1 ²	6.7 @ 4107
		57-3027 ¹	7.4 @ 3571			57-3026 ¹	6.7 @ 4107
K3500	7.4L V8 F/I - w/o heat stove	57-3014 ¹	17.6 @ 3811	K2500 Suburban	7.4L V8 F/I	57-3027 ¹	7.4 @ 3571
S10 Pickup	2.2L L4 F/I	57-3024 ¹	7.5 @ 5224			63-1007-1 ²	6.7 @ 4107
S10 Pickup	4.3L V6 CPI	57-3009 ¹	7.1 @ 4572	K2500 Suburban	7.4L V8 F/I - w/o heat stove	57-3014 ¹	17.6 @ 3811
S10 Pickup	4.3L V6 TBI	57-3029 ¹	4.7 @ 3971	K3500	5.7L V8 F/I	57-3026 ¹	6.7 @ 4107
Tahoe	5.7L V8 F/I	63-1007-1 ²	6.7 @ 4107			63-1007-1 ²	6.7 @ 4107
		57-3026 ¹	6.7 @ 4107	K3500	7.4L V8 F/I	57-3027 ¹	7.4 @ 3571
1994 CHEVROLET						63-1007-1 ²	6.7 @ 4107
Blazer	5.7L V8 F/I	63-1007-1 ²	6.7 @ 4107	K3500	7.4L V8 F/I - w/o heat stove	57-3014 ¹	17.6 @ 3811
		57-3026 ¹	6.7 @ 4107	S10 Blazer	4.3L V6 TBI	57-3029 ¹	4.7 @ 3971
C1500	5.0L V8 F/I	63-1007-1 ²	6.7 @ 4107	S10 Pickup	2.2L L4 F/I	57-3024 ¹	7.5 @ 5224
		57-3026 ¹	6.7 @ 4107	S10 Pickup	4.3L V6 CPI	57-3009 ¹	7.1 @ 4571
C1500	5.7L V8 F/I	63-1007-1 ²	6.7 @ 4107	S10 Pickup	4.3L V6 TBI	57-3029 ¹	4.7 @ 3971
		57-3026 ¹	10.3 @ 4237	1993 CHEVROLET			
C1500 Suburban	5.7L V8 F/I	63-1007-1 ²	6.7 @ 4107	Blazer	5.7L V8 F/I	63-1007-1 ²	6.7 @ 4107
		57-3026 ¹	10.3 @ 4237			57-3026 ¹	6.7 @ 4107

1) Street legal in all US states. 2) Not legal for sale or use on any pollution controlled motor vehicle in California or states adopting California emission procedures. * Estimated horsepower gains are based on specific or similar vehicle dyno tests. Results will vary. See Page 478 for more information. See page 7 for information on intake tube materials/colors.



AIR INTAKE SYSTEMS

CHEVROLET

Vehicle	Engine Type	Part Number	Estimated Horsepower*	Vehicle	Engine Type	Part Number	Estimated Horsepower*
1993 CHEVROLET				1993 CHEVROLET			
C1500	5.0L V8 F/I	63-1007-1 ² 57-3026 ¹	6.7 @ 4107 6.7 @ 4107	S10 Pickup	4.3L V6 TBI	57-3028 ¹	
C1500	5.7L V8 F/I	63-1007-1 ² 57-3026 ¹	6.7 @ 4107 6.7 @ 4107	1992 CHEVROLET			
C1500	7.4L V8 F/I	63-1007-1 ² 57-3027 ¹	6.7 @ 4107 7.4 @ 3571	Blazer	5.7L V8 F/I	63-1007-1 ² 57-3026 ¹	6.7 @ 4107 6.7 @ 4107
C1500 Suburban	5.7L V8 F/I	63-1007-1 ² 57-3026 ¹	6.7 @ 4107 6.7 @ 4107	C1500	5.0L V8 F/I	63-1007-1 ² 57-3026 ¹	6.7 @ 4107 6.7 @ 4107
C2500	5.0L V8 F/I	63-1007-1 ² 57-3026 ¹	6.7 @ 4107 6.7 @ 4107	C1500	5.7L V8 F/I	63-1007-1 ² 57-3026 ¹	6.7 @ 4107 6.7 @ 4107
C2500	5.7L V8 F/I	63-1007-1 ² 57-3026 ¹	6.7 @ 4107 6.7 @ 4107	C1500	7.4L V8 F/I	63-1007-1 ² 57-3027 ¹	6.7 @ 4107 7.4 @ 3571
C2500	7.4L V8 F/I	63-1007-1 ² 57-3027 ¹	6.7 @ 4107 7.4 @ 3571	C1500 Suburban	5.7L V8 F/I	63-1007-1 ² 57-3026 ¹	6.7 @ 4107 6.7 @ 4107
C2500	7.4L V8 F/I - w/o heat stove	57-3014 ¹	17.6 @ 3811	C2500	5.0L V8 F/I	63-1007-1 ² 57-3026 ¹	6.7 @ 4107 6.7 @ 4107
C2500 Suburban	5.7L V8 F/I	57-3026 ¹ 63-1007-1 ²	6.7 @ 4107 6.7 @ 4107	C2500	5.7L V8 F/I	63-1007-1 ² 57-3026 ¹	6.7 @ 4107 6.7 @ 4107
C2500 Suburban	7.4L V8 F/I	57-3027 ¹ 63-1007-1 ²	7.4 @ 3571 6.7 @ 4107	C2500	7.4L V8 F/I	63-1007-1 ² 57-3027 ¹	6.7 @ 4107 7.4 @ 3571
C2500 Suburban	7.4L V8 F/I - w/o heat stove	57-3014 ¹	17.6 @ 3811	C2500	7.4L V8 F/I - w/o heat stove	57-3014 ¹	17.6 @ 3811
C3500	5.7L V8 F/I	63-1007-1 ² 57-3026 ¹	6.7 @ 4107 6.7 @ 4107	C2500 Suburban	5.7L V8 F/I	57-3026 ¹ 63-1007-1 ²	6.7 @ 4107 6.7 @ 4107
C3500	7.4L V8 F/I	63-1007-1 ² 57-3027 ¹	6.7 @ 4107 7.4 @ 3571	C2500 Suburban	7.4L V8 F/I	57-3027 ¹ 63-1007-1 ²	7.4 @ 3571 6.7 @ 4107
C3500	7.4L V8 F/I - w/o heat stove	57-3014 ¹	17.6 @ 3811	C2500 Suburban	7.4L V8 F/I - w/o heat stove	57-3014 ¹	17.6 @ 3811
Camaro	3.4L V6 F/I - w/o Ram Air or Traction Control	57-3010-1 ¹	18.3 @ 5331	C3500	5.7L V8 F/I	63-1007-1 ² 57-3026 ¹	6.7 @ 4107 6.7 @ 4107
Camaro	5.7L V8 F/I - w/o Ram Air or Traction Control	57-3010-1 ¹	18.3 @ 5331	C3500	7.4L V8 F/I	63-1007-1 ² 57-3027 ¹	6.7 @ 4107 7.4 @ 3571
K1500	5.0L V8 F/I	63-1007-1 ² 57-3026 ¹	6.7 @ 4107 6.7 @ 4107	C3500	7.4L V8 F/I - w/o heat stove	57-3014 ¹	17.6 @ 3811
K1500	5.7L V8 F/I	57-3026 ¹ 63-1007-1 ²	6.7 @ 4107 6.7 @ 4107	K1500	5.0L V8 F/I	57-3026 ¹ 63-1007-1 ²	6.7 @ 4107 6.7 @ 4107
K1500 Suburban	5.7L V8 F/I	57-3026 ¹ 63-1007-1 ²	6.7 @ 4107 6.7 @ 4107	K1500	5.7L V8 F/I	57-3026 ¹ 63-1007-1 ²	6.7 @ 4107 6.7 @ 4107
K2500	5.0L V8 F/I	57-3026 ¹ 63-1007-1 ²	6.7 @ 4107 6.7 @ 4107	K1500 Suburban	5.7L V8 F/I	57-3026 ¹ 63-1007-1 ²	6.7 @ 4107 6.7 @ 4107
K2500	5.7L V8 F/I	57-3026 ¹ 63-1007-1 ²	6.7 @ 4107 6.7 @ 4107	K2500	5.0L V8 F/I	57-3026 ¹ 63-1007-1 ²	6.7 @ 4107 6.7 @ 4107
K2500	7.4L V8 F/I	63-1007-1 ² 57-3027 ¹	6.7 @ 4107 7.4 @ 3571	K2500	5.7L V8 F/I	57-3026 ¹ 63-1007-1 ²	6.7 @ 4107 6.7 @ 4107
K2500	7.4L V8 F/I - w/o heat stove	57-3014 ¹	17.6 @ 3811	K2500	7.4L V8 F/I	57-3027 ¹ 63-1007-1 ²	7.4 @ 3571 6.7 @ 4107
K2500 Suburban	5.7L V8 F/I	57-3026 ¹ 63-1007-1 ²	6.7 @ 4107 6.7 @ 4107	K2500	7.4L V8 F/I - w/o heat stove	57-3014 ¹	17.6 @ 3811
K2500 Suburban	7.4L V8 F/I	63-1007-1 ² 57-3027 ¹	6.7 @ 4107 7.4 @ 3571	K2500 Suburban	5.7L V8 F/I	63-1007-1 ² 57-3026 ¹	6.7 @ 4107 6.7 @ 4107
K2500 Suburban	7.4L V8 F/I - w/o heat stove	57-3014 ¹	17.6 @ 3811	K2500 Suburban	7.4L V8 F/I	63-1007-1 ² 57-3027 ¹	6.7 @ 4107 7.4 @ 3571
K3500	5.7L V8 F/I	57-3026 ¹ 63-1007-1 ²	6.7 @ 4107 6.7 @ 4107	K2500 Suburban	7.4L V8 F/I - w/o heat stove	57-3014 ¹	17.6 @ 3811
K3500	7.4L V8 F/I	57-3027 ¹ 63-1007-1 ²	7.4 @ 3571 6.7 @ 4107	K3500	5.7L V8 F/I	63-1007-1 ² 57-3026 ¹	6.7 @ 4107 6.7 @ 4107
K3500	7.4L V8 F/I - w/o heat stove	57-3014 ¹	17.6 @ 3811	K3500	7.4L V8 F/I	63-1007-1 ² 57-3027 ¹	6.7 @ 4107 7.4 @ 3571
S10 Blazer	4.3L V6 TBI	57-3028 ¹		K3500	7.4L V8 F/I - w/o heat stove	57-3014 ¹	17.6 @ 3811

1) Street legal in all US states. 2) Not legal for sale or use on any pollution controlled motor vehicle in California or states adopting California emission procedures. * Estimated horsepower gains are based on specific or similar vehicle dyno tests. Results will vary. See Page 478 for more information. See page 7 for information on intake tube materials/colors.

CHEVROLET

AIR INTAKE SYSTEMS



Vehicle	Engine Type	Part Number	Estimated Horsepower*	Vehicle	Engine Type	Part Number	Estimated Horsepower*
1992 CHEVROLET				1990 CHEVROLET			
S10 Pickup	4.3L V6 TBI	57-3028 ¹		C3500	5.7L V8 F/I	57-3026 ¹	6.7 @ 4107
1991 CHEVROLET						63-1007-1 ²	6.7 @ 4107
Blazer	5.7L V8 F/I	63-1007-1 ²	6.7 @ 4107	C3500	7.4L V8 F/I	57-3027 ¹	7.4 @ 3571
C1500	5.0L V8 F/I	63-1007-1 ²	6.7 @ 4107			63-1007-1 ²	6.7 @ 4107
		57-3026 ¹	6.7 @ 4107	K1500	5.0L V8 F/I	63-1007-1 ²	6.7 @ 4107
C1500	5.7L V8 F/I	63-1007-1 ²	6.7 @ 4107			57-3026 ¹	6.7 @ 4107
		57-3026 ¹	6.7 @ 4107	K1500	5.7L V8 F/I	63-1007-1 ²	6.7 @ 4107
C1500	7.4L V8 F/I	63-1007-1 ²	6.7 @ 4107			57-3026 ¹	6.7 @ 4107
		57-3027 ¹	7.4 @ 3571	K2500	5.0L V8 F/I	63-1007-1 ²	6.7 @ 4107
C2500	5.0L V8 F/I	63-1007-1 ²	6.7 @ 4107			57-3026 ¹	6.7 @ 4107
		57-3026 ¹	6.7 @ 4107	K2500	5.7L V8 F/I	63-1007-1 ²	6.7 @ 4107
C2500	5.7L V8 F/I	63-1007-1 ²	6.7 @ 4107			57-3026 ¹	6.7 @ 4107
		57-3026 ¹	6.7 @ 4107	K3500	5.7L V8 F/I	63-1007-1 ²	6.7 @ 4107
C2500	7.4L V8 F/I	63-1007-1 ²	6.7 @ 4107			57-3026 ¹	6.7 @ 4107
		57-3027 ¹	7.4 @ 3571	K3500	7.4L V8 F/I	63-1007-1 ²	6.7 @ 4107
C3500	5.7L V8 F/I	63-1007-1 ²	6.7 @ 4107			57-3027 ¹	7.4 @ 3571
		57-3026 ¹	6.7 @ 4107	R1500 Suburban	5.7L V8 F/I	63-1007-1 ²	6.7 @ 4107
C3500	7.4L V8 F/I	63-1007-1 ²	6.7 @ 4107	R2500 Suburban	5.7L V8 F/I	63-1007-1 ²	6.7 @ 4107
		57-3027 ¹	7.4 @ 3571	R2500 Suburban	7.4L V8 F/I	63-1007-1 ²	6.7 @ 4107
K1500	5.0L V8 F/I	63-1007-1 ²	6.7 @ 4107	R3500	5.7L V8 F/I	63-1007-1 ²	6.7 @ 4107
		57-3026 ¹	6.7 @ 4107	R3500	7.4L V8 F/I	63-1007-1 ²	6.7 @ 4107
K1500	5.7L V8 F/I	63-1007-1 ²	6.7 @ 4107	S10 Blazer	4.3L V6 F/I	57-3028 ¹	
		57-3026 ¹	6.7 @ 4107	S10 Pickup	4.3L V6 F/I	57-3028 ¹	
K2500	5.0L V8 F/I	63-1007-1 ²	6.7 @ 4107	V1500 Suburban	5.7L V8 F/I	63-1007-1 ²	6.7 @ 4107
		57-3026 ¹	6.7 @ 4107	V2500 Suburban	5.7L V8 F/I	63-1007-1 ²	6.7 @ 4107
K2500	5.7L V8 F/I	63-1007-1 ²	6.7 @ 4107	V2500 Suburban	7.4L V8 F/I	63-1007-1 ²	6.7 @ 4107
		57-3026 ¹	6.7 @ 4107	V3500	5.7L V8 F/I	63-1007-1 ²	6.7 @ 4107
K2500	7.4L V8 F/I	63-1007-1 ²	6.7 @ 4107	V3500	7.4L V8 F/I	63-1007-1 ²	6.7 @ 4107
		57-3027 ¹	7.4 @ 3571	1989 CHEVROLET			
K3500	5.7L V8 F/I	63-1007-1 ²	6.7 @ 4107	Blazer	5.7L V8 F/I	63-1007-1 ²	6.7 @ 4107
		57-3026 ¹	6.7 @ 4107	C1500	5.0L V8 F/I	63-1007-1 ²	6.7 @ 4107
K3500	7.4L V8 F/I	63-1007-1 ²	6.7 @ 4107			57-3026 ¹	6.7 @ 4107
		57-3027 ¹	7.4 @ 3571	C1500	5.7L V8 F/I	63-1007-1 ²	6.7 @ 4107
R1500 Suburban	5.7L V8 F/I	63-1007-1 ²	6.7 @ 4107			57-3026 ¹	6.7 @ 4107
R2500 Suburban	5.7L V8 F/I	63-1007-1 ²	6.7 @ 4107	C2500	5.0L V8 F/I	63-1007-1 ²	6.7 @ 4107
R2500 Suburban	7.4L V8 F/I	63-1007-1 ²	6.7 @ 4107			57-3026 ¹	6.7 @ 4107
R3500	5.7L V8 F/I	63-1007-1 ²	6.7 @ 4107	C2500	5.7L V8 F/I	63-1007-1 ²	6.7 @ 4107
R3500	7.4L V8 F/I	63-1007-1 ²	6.7 @ 4107			57-3026 ¹	6.7 @ 4107
S10 Blazer	4.3L V6 F/I	57-3028 ¹		C3500	5.7L V8 F/I	63-1007-1 ²	6.7 @ 4107
S10 Pickup	4.3L V6 F/I	57-3028 ¹				57-3026 ¹	6.7 @ 4107
V1500 Suburban	5.7L V8 F/I	63-1007-1 ²	6.7 @ 4107	C3500	7.4L V8 F/I	63-1007-1 ²	6.7 @ 4107
V2500 Suburban	5.7L V8 F/I	63-1007-1 ²	6.7 @ 4107			57-3027 ¹	7.4 @ 3573
V3500	5.7L V8 F/I	63-1007-1 ²	6.7 @ 4107	K1500	5.0L V8 F/I	63-1007-1 ²	6.7 @ 4107
V3500	7.4L V8 F/I	63-1007-1 ²	6.7 @ 4107			57-3026 ¹	6.7 @ 4107
1990 CHEVROLET				K1500	5.7L V8 F/I	63-1007-1 ²	6.7 @ 4107
Blazer	5.7L V8 F/I	63-1007-1 ²	6.7 @ 4107			57-3026 ¹	6.7 @ 4107
C1500	5.0L V8 F/I	63-1007-1 ²	6.7 @ 4107	K2500	5.0L V8 F/I	57-3026 ¹	6.7 @ 4107
		57-3026 ¹	6.7 @ 4107			63-1007-1 ²	6.7 @ 4107
C1500	5.7L V8 F/I	63-1007-1 ²	6.7 @ 4107	K2500	5.7L V8 F/I	63-1007-1 ²	6.7 @ 4107
		57-3026 ¹	6.7 @ 4107			57-3026 ¹	6.7 @ 4107
C1500	7.4L V8 F/I	63-1007-1 ²	6.7 @ 4107	K3500	5.7L V8 F/I	63-1007-1 ²	6.7 @ 4107
		63-1007-1 ²	6.7 @ 4107			57-3026 ¹	6.7 @ 4107
C2500	5.0L V8 F/I	63-1007-1 ²	6.7 @ 4107	K3500	7.4L V8 F/I	63-1007-1 ²	6.7 @ 4107
		57-3026 ¹	6.7 @ 4107			57-3027 ¹	7.4 @ 3571
C2500	5.7L V8 F/I	57-3026 ¹	6.7 @ 4107	R1500 Suburban	5.7L V8 F/I	63-1007-1 ²	6.7 @ 4107
		63-1007-1 ²	6.7 @ 4107				

1) Street legal in all US states. 2) Not legal for sale or use on any pollution controlled motor vehicle in California or states adopting California emission procedures. * Estimated horsepower gains are based on specific or similar vehicle dyno tests. Results will vary. See Page 478 for more information. See page 7 for information on intake tube materials/colors.



AIR INTAKE SYSTEMS

CHEVROLET

Vehicle	Engine Type	Part Number	Estimated Horsepower*	Vehicle	Engine Type	Part Number	Estimated Horsepower*
1989 CHEVROLET				2017 CHRYSLER			
R2500	5.7L V8 F/I	63-1007-1 ²	6.7 @ 4107	300	5.7L V8 F/I - Exc. Shaker Hood	71-1542 ²	14.1 @ 4188
R2500	7.4L V8 F/I	63-1007-1 ²	6.7 @ 4107			63-1114 ²	11.8 @ 4513
R2500 Suburban	5.7L V8 F/I	63-1007-1 ²	6.7 @ 4107	2016 CHRYSLER			
R2500 Suburban	7.4L V8 F/I	63-1007-1 ²	6.7 @ 4107	200	2.4L L4 F/I	69-2551TS ²	4.7 @ 3987
R3500	5.7L V8 F/I	63-1007-1 ²	6.7 @ 4107	200	3.6L V6 F/I	63-1572 ²	10.5 @ 5010
R3500	7.4L V8 F/I	63-1007-1 ²	6.7 @ 4107	300	3.6L V6 F/I	63-1564 ²	8.1 @ 5231
S10 Blazer	4.3L V6 F/I	57-3028 ¹				69-2544TP ²	7.4 @ 5095
S10 Pickup	4.3L V6 F/I	57-3028 ¹		300C	5.7L V8 F/I - Exc. Shaker Hood	71-1542 ²	14.1 @ 4188
V1500 Suburban	5.7L V8 F/I	63-1007-1 ²	6.7 @ 4107			63-1114 ²	11.8 @ 4513
V2500 Suburban	5.7L V8 F/I	63-1007-1 ²	6.7 @ 4107			69-2526TP ²	11.7 @ 4854
V3500	7.4L V8 F/I	63-1007-1 ²	6.7 @ 4107	2015 CHRYSLER			
1988 CHEVROLET				200	2.4L L4 F/I	69-2551TS ²	4.7 @ 3987
Blazer	5.7L V8 F/I	63-1007-1 ²	6.7 @ 4107	200	3.6L V6 F/I	63-1572 ²	10.5 @ 5010
C1500	5.0L V8 F/I	57-3026 ¹	6.7 @ 4107	300	3.6L V6 F/I	69-2544TP ²	7.4 @ 5095
		63-1007-1 ²	6.7 @ 4107			63-1564 ²	8.1 @ 5231
C1500	5.7L V8 F/I	57-3026 ¹	6.7 @ 4107	300	6.4L V8 F/I	69-2545TP ²	22.2 @ 5216
		63-1007-1 ²	6.7 @ 4107			71-2545 ²	9.1 @ 4564
C2500	5.0L V8 F/I	57-3026 ¹	6.7 @ 4107	300C	3.6L V6 F/I	63-1565 ²	21.9 @ 5216
		63-1007-1 ²	6.7 @ 4107			63-1564 ²	8.1 @ 5231
C2500	5.7L V8 F/I	57-3026 ¹	6.7 @ 4107	300C	5.7L V8 F/I - Exc. Shaker Hood	69-2544TP ²	7.4 @ 5095
		63-1007-1 ²	6.7 @ 4107			71-1542 ²	14.1 @ 4188
C3500	5.7L V8 F/I	57-3026 ¹	6.7 @ 4107			63-1114 ²	11.8 @ 4513
		63-1007-1 ²	6.7 @ 4107	300S	5.7L V8 F/I - Exc. Shaker Hood	69-2526TP ²	11.7 @ 4854
C3500	7.4L V8 F/I	57-3027 ¹	7.4 @ 3571			63-1114 ²	11.8 @ 4513
		63-1007-1 ²	6.7 @ 4107			69-2526TP ²	11.7 @ 4854
K1500	5.0L V8 F/I	57-3026 ¹	6.7 @ 4107	2014 CHRYSLER			
		63-1007-1 ²	6.7 @ 4107	200	2.4L L4 F/I	69-2549TS ²	11.0 @ 5645
K1500	5.7L V8 F/I	57-3026 ¹	6.7 @ 4107	300	3.6L V6 F/I	69-2544TP ¹	7.4 @ 5095
		63-1007-1 ²	6.7 @ 4107			63-1564 ²	8.1 @ 5231
K2500	5.0L V8 F/I	57-3026 ¹	6.7 @ 4107			57-1564 ¹	8.1 @ 5231
		63-1007-1 ²	6.7 @ 4107	300	6.4L V8 F/I	71-2545 ¹	9.1 @ 4564
K2500	5.7L V8 F/I	57-3026 ¹	6.7 @ 4107			63-1565 ²	21.9 @ 5216
		63-1007-1 ²	6.7 @ 4107	300C	3.6L V6 F/I	69-2545TP ¹	22.2 @ 5216
K3500	5.7L V8 F/I	57-3026 ¹	6.7 @ 4107			57-1565 ¹	21.9 @ 5216
		63-1007-1 ²	6.7 @ 4107	300C	5.7L V8 F/I	63-1564 ²	8.1 @ 5231
K3500	7.4L V8 F/I	57-3027 ¹	7.4 @ 3571			69-2544TP ¹	7.4 @ 5095
		63-1007-1 ²	6.7 @ 4107	300C	5.7L V8 F/I	57-1564 ¹	8.1 @ 5231
R10 Suburban	5.7L V8 F/I	63-1007-1 ²	6.7 @ 4107			69-2526TP ¹	11.7 @ 4854
R20	5.7L V8 F/I	63-1007-1 ²	6.7 @ 4107			71-1542 ²	14.1 @ 4188
R20	7.4L V8 F/I	63-1007-1 ²	6.7 @ 4107			57-1542 ¹	21.1 @ 5216
R20 Suburban	5.7L V8 F/I	63-1007-1 ²	6.7 @ 4107			63-1114 ²	11.8 @ 4513
R20 Suburban	7.4L V8 F/I	63-1007-1 ²	6.7 @ 4107	2013 CHRYSLER			
R30	5.7L V8 F/I	63-1007-1 ²	6.7 @ 4107	200	2.4L L4 F/I	69-2549TS ²	11.0 @ 5645
R30	7.4L V8 F/I	63-1007-1 ²	6.7 @ 4107	300	3.6L V6 F/I	63-1564 ²	8.1 @ 5231
S10 Blazer	4.3L V6 F/I	57-3028 ¹				69-2544TP ¹	7.4 @ 5095
S10 Pickup	4.3L V6 F/I	57-3028 ¹				57-1564 ¹	8.1 @ 5231
V10 Suburban	5.7L V8 F/I	63-1007-1 ²	6.7 @ 4107			69-2545TP ¹	22.2 @ 5216
V20 Suburban	5.7L V8 F/I	63-1007-1 ²	6.7 @ 4107			71-2545 ¹	9.1 @ 4564
V20 Suburban	7.4L V8 F/I	63-1007-1 ²	6.7 @ 4107	2017 CHRYSLER			
V30	7.4L V8 F/I	63-1007-1 ²	6.7 @ 4107	200	2.4L L4 F/I	69-2549TS ²	11.0 @ 5645
		57-3027 ¹	7.4 @ 3571	300	3.6L V6 F/I	63-1564 ²	8.1 @ 5231
2017 CHRYSLER						69-2544TP ¹	7.4 @ 5095
200	2.4L L4 F/I	69-2551TS ²	4.7 @ 3987			57-1564 ¹	8.1 @ 5231
300	5.7L V8 F/I - Exc. Shaker Hood	69-2526TP ²	11.7 @ 4854	300	6.4L V8 F/I	69-2545TP ¹	22.2 @ 5216
						71-2545 ¹	9.1 @ 4564

1) Street legal in all US states. 2) Not legal for sale or use on any pollution controlled motor vehicle in California or states adopting California emission procedures. * Estimated horsepower gains are based on specific or similar vehicle dyno tests. Results will vary. See Page 478 for more information. See page 7 for information on intake tube materials/colors.

CHRYSLER

AIR INTAKE SYSTEMS



Vehicle	Engine Type	Part Number	Estimated Horsepower*	Vehicle	Engine Type	Part Number	Estimated Horsepower*
2013 CHRYSLER				2008 CHRYSLER			
300	6.4L V8 F/I	57-1565 ¹	21.9 @ 5216	300C	6.1L V8 F/I	69-2526TP ¹	11.7 @ 4854
		63-1565 ²	21.9 @ 5216			71-1542 ²	14.1 @ 4188
300C	5.7L V8 F/I	69-2526TP ¹	11.7 @ 4854			57-1542 ¹	21.1 @ 5216
		71-1542 ²	14.1 @ 4188	PT Cruiser	2.4L L4 F/I - Exc. Turbo	57-1550 ¹	7.2 @ 5004
		57-1542 ¹	21.1 @ 5216	PT Cruiser	2.4L L4 F/I - Turbo	69-2541TP ¹	11.1 @ 4508
		63-1114 ²	11.8 @ 4513			63-1551 ²	12.1 @ 5086
						69-2541TB ¹	11.1 @ 4508
						57-1551 ¹	12.1 @ 5086
2012 CHRYSLER				2007 CHRYSLER			
200	2.4L L4 F/I	69-2549TS ²	11.0 @ 5645	300	2.7L V6 F/I	57-1544 ¹	7.3 @ 5693
200	3.6L V6 F/I	69-2546TS ²	8.4 @ 5506	300	3.5L V6 F/I	57-1543 ¹	11.7 @ 6215
300	3.6L V6 F/I	69-2544TP ¹	7.4 @ 5095	300C	5.7L V8 F/I	69-2526TP ¹	11.7 @ 4854
		63-1564 ²	8.1 @ 5231			71-1542 ²	14.1 @ 4188
		57-1564 ¹	8.1 @ 5231			57-1542 ¹	21.1 @ 5216
300	6.4L V8 F/I	71-2545 ¹	9.1 @ 4564	300C	6.1L V8 F/I	71-1542 ²	14.1 @ 4188
		69-2545TP ¹	22.2 @ 5216			57-1542 ¹	21.1 @ 5216
		63-1565 ²	21.9 @ 5216	300C	6.1L V8 F/I	71-1542 ²	14.1 @ 4188
		57-1565 ¹	21.9 @ 5216			57-1542 ¹	21.1 @ 5216
300C	5.7L V8 F/I	71-1542 ²	14.1 @ 4188	Aspen	5.7L V8 F/I	69-2526TP ¹	11.7 @ 4854
		57-1542 ¹	21.1 @ 5216			77-1539KP ¹	15.6 @ 5148
		69-2526TP ¹	11.7 @ 4854			57-1539 ¹	17.5 @ 5053
		63-1114 ²	11.8 @ 4513	PT Cruiser	2.4L L4 F/I - Exc. Turbo	57-1550 ¹	7.2 @ 5004
				PT Cruiser	2.4L L4 F/I - Turbo	69-2541TP ¹	11.1 @ 4508
						57-1551 ¹	12.1 @ 5086
						69-2541TB ¹	11.1 @ 4508
						63-1551 ²	12.1 @ 5086
2011 CHRYSLER				2006 CHRYSLER			
300	3.6L V6 F/I	63-1564 ²	8.1 @ 5231	300	2.7L V6 F/I	57-1544 ¹	7.3 @ 5693
		69-2544TP ¹	7.4 @ 5095	300	3.5L V6 F/I	57-1543 ¹	11.7 @ 6215
		57-1564 ¹	8.1 @ 5231	300C	5.7L V8 F/I	71-1542 ²	14.1 @ 4188
300C	5.7L V8 F/I	69-2526TP ¹	11.7 @ 4854			69-2526TP ¹	18.2 @ 5217
		71-1542 ²	14.1 @ 4188			57-1542 ¹	21.1 @ 5216
		63-1114 ²	11.8 @ 4513	300C	6.1L V8 F/I	71-1542 ²	14.1 @ 4188
		57-1542 ¹	21.1 @ 5216			69-2526TP ¹	11.7 @ 4854
						57-1542 ¹	21.1 @ 5216
				PT Cruiser	2.4L L4 F/I - Exc. Turbo	57-1550 ¹	7.2 @ 5004
				PT Cruiser	2.4L L4 F/I - Turbo	69-2541TP ¹	11.1 @ 4508
						69-2541TB ¹	11.1 @ 4508
						57-1551 ¹	12.1 @ 5086
2010 CHRYSLER				2005 CHRYSLER			
300	2.7L V6 F/I	57-1544 ¹	7.3 @ 5693	300	2.7L V6 F/I	57-1544 ¹	7.3 @ 5693
300	3.5L V6 F/I	57-1543 ¹	11.7 @ 6215	300	3.5L V6 F/I	57-1543 ¹	11.7 @ 6215
300C	5.7L V8 F/I	71-1542 ²	14.1 @ 4188	300C	5.7L V8 F/I	71-1542 ²	14.1 @ 4188
		69-2526TP ¹	11.7 @ 4854			57-1542 ¹	21.1 @ 5216
		57-1542 ¹	21.1 @ 5216	300C	6.1L V8 F/I	69-2526TP ¹	11.7 @ 4854
300C	6.1L V8 F/I	69-2526TP ¹	11.7 @ 4854			69-2526TP ¹	11.7 @ 4854
		71-1542 ²	14.1 @ 4188			71-1542 ²	14.1 @ 4188
		57-1542 ¹	21.1 @ 5216			57-1542 ¹	21.1 @ 5216
PT Cruiser	2.4L L4 F/I - Exc. Turbo	57-1550 ¹	7.2 @ 5004	Neon II	2.0L L4 F/I	69-2520TP ²	5.3 @ 4641
						69-2520TR ²	5.3 @ 4641
				PT Cruiser	2.4L L4 F/I - Exc. Turbo	57-1515-1 ¹	5.9 @ 5486
				PT Cruiser	2.4L L4 F/I - Turbo	69-2541TP ¹	11.1 @ 4508
						69-2541TB ¹	11.1 @ 4508
						57-1531 ¹	12.0 @ 5086
2009 CHRYSLER				2004 CHRYSLER			
300	2.7L V6 F/I	57-1544 ¹	7.3 @ 5693	300M	3.5L V6 F/I	57-1522 ¹	8.5 @ 5482
300	3.5L V6 F/I	57-1543 ¹	11.7 @ 6215				
300C	5.7L V8 F/I	71-1542 ²	14.1 @ 4188				
		69-2526TP ¹	11.7 @ 4854				
		57-1542 ¹	21.1 @ 5216				
300C	6.1L V8 F/I	71-1542 ²	14.1 @ 4188				
		69-2526TP ¹	11.7 @ 4854				
		57-1542 ¹	21.1 @ 5216				
PT Cruiser	2.4L L4 F/I - Exc. Turbo	57-1550 ¹	7.2 @ 5004				

1) Street legal in all US states. 2) Not legal for sale or use on any pollution controlled motor vehicle in California or states adopting California emission procedures. * Estimated horsepower gains are based on specific or similar vehicle dyno tests. Results will vary. See Page 478 for more information. See page 7 for information on intake tube materials/colors.



AIR INTAKE SYSTEMS

CHRYSLER

Vehicle	Engine Type	Part Number	Estimated Horsepower*	Vehicle	Engine Type	Part Number	Estimated Horsepower*
2004 CHRYSLER				2017 DODGE			
Neon II	2.0L L4 F/I	69-2520TR ²	5.3 @ 4641	Challenger	5.7L V8 F/I - Exc. Shaker Hood	69-2526TP ²	11.7 @ 4854
		69-2520TP ²	5.3 @ 4641			63-1114 ²	11.8 @ 4513
PT Cruiser	2.4L L4 F/I - Exc. Turbo	57-1515-1 ¹	5.9 @ 5486	Charger	5.7L V8 F/I - Exc. Shaker Hood	71-1542 ²	14.1 @ 4188
PT Cruiser	2.4L L4 F/I - Turbo	69-2541TP ¹	11.1 @ 4508			63-1114 ²	11.8 @ 4513
		69-2541TB ¹	11.1 @ 4508			69-2526TP ²	11.7 @ 4854
		57-1531 ¹	12.0 @ 5086				
2003 CHRYSLER				2016 DODGE			
300M	3.5L V6 F/I	57-1522 ¹	8.5 @ 5482	Durango	3.6L V6 F/I	77-1572KS ²	11.5 @ 6000
Neon II	2.0L L4 F/I	69-2520TR ²	5.3 @ 4641	Durango	5.7L V8 F/I	63-1563 ²	17.0 @ 4944
		69-2520TP ²	5.3 @ 4641				
PT Cruiser	2.4L L4 F/I - Exc. Turbo	57-1515-1 ¹	5.9 @ 5486	2016 DODGE			
PT Cruiser	2.4L L4 F/I - Turbo	69-2541TP ¹	11.1 @ 4508	1500	3.0L V6 DSL	63-1571 ²	11.2 @ 3300
		57-1531 ¹	12.0 @ 5086	1500	3.6L V6 F/I	77-1564KS ²	12.0 @ 6371
		69-2541TB ¹	11.1 @ 4508	1500	5.7L V8 F/I	71-1561 ²	7.2 @ 4643
2002 CHRYSLER						77-1561KP ²	10.3 @ 4382
300M	3.5L V6 F/I	57-1522 ¹	8.5 @ 5482	2500		63-1561 ²	15.7 @ 4688
Neon	2.0L L4 F/I	69-2520TR ²	5.3 @ 4641		5.7L V8 F/I	77-1561KP ²	10.3 @ 4382
		69-2520TP ²	5.3 @ 4641			71-1561 ²	7.2 @ 4643
Neon II	2.0L L4 F/I	69-2520TR ²	5.3 @ 4641			63-1561 ²	15.7 @ 4688
		69-2520TP ²	5.3 @ 4641	2500	6.4L V8 F/I	77-1568KTK ²	15.6 @ 5005
PT Cruiser	2.4L L4 F/I	57-1515-1 ¹	5.9 @ 5486	2500	6.7L L6 DSL	63-1568 ²	14.7 @ 2500
2001 CHRYSLER				3500	6.4L V8 F/I	77-1568KTK ²	15.6 @ 5005
300M	3.5L V6 F/I	57-1522 ¹	8.5 @ 5482	3500	6.7L L6 DSL	63-1568 ²	14.7 @ 2500
Neon	2.0L L4 F/I	69-2520TR ²	5.3 @ 4641	Challenger	3.6L V6 F/I	69-2544TP ²	7.4 @ 5095
		69-2520TP ²	5.3 @ 4641	Challenger		63-1564 ²	8.1 @ 5231
Neon II	2.0L L4 F/I	69-2520TR ²	5.3 @ 4641		5.7L V8 F/I - Exc. Shaker Hood	71-1542 ²	14.1 @ 4188
		69-2520TP ²	5.3 @ 4641			69-2526TP ²	11.7 @ 4854
PT Cruiser	2.4L L4 F/I	57-1515-1 ¹	5.9 @ 5486			63-1114 ²	11.8 @ 4513
2000 CHRYSLER				Challenger	6.2L V8 F/I	69-2550TTK ²	39.0 @ 5713
300M	3.5L V6 F/I	57-1522 ¹	8.5 @ 5482	Challenger	6.4L V8 F/I - Exc. Shaker Hood	71-2545 ²	9.1 @ 4564
Neon	2.0L L4 F/I	69-2520TR ²	5.3 @ 4641			63-1565 ²	21.9 @ 5216
		69-2520TP ²	5.3 @ 4641			69-2545TP ²	22.2 @ 5216
Neon II	2.0L L4 F/I	69-2520TR ²	5.3 @ 4641	Charger	3.6L V6 F/I	63-1564 ²	8.1 @ 5231
		69-2520TP ²	5.3 @ 4641	Charger		69-2544TP ²	7.4 @ 5095
PT Cruiser	2.4L L4 F/I	57-1515-1 ¹	5.9 @ 5486		5.7L V8 F/I - Exc. Shaker Hood	71-1542 ²	14.1 @ 4188
1999 CHRYSLER						69-2526TP ²	11.7 @ 4854
Neon II	2.0L L4 F/I	69-2520TR ²	5.3 @ 4641			63-1114 ²	11.8 @ 4513
		69-2520TP ²	5.3 @ 4641	Charger	3.6L V6 F/I	63-1564 ²	8.1 @ 5231
2017 DODGE				Charger		69-2544TP ²	7.4 @ 5095
1500	3.6L V6 F/I	77-1564KS ²	12.0 @ 6371			71-1542 ²	14.1 @ 4188
1500	5.7L V8 F/I	77-1561KP ²	10.3 @ 4382			69-2526TP ²	11.7 @ 4854
		71-1561 ²	7.2 @ 4643	Charger	6.2L V8 F/I	69-2550TTK ²	39.0 @ 5713
		63-1561 ²	15.7 @ 4688	Charger	6.4L V8 F/I	69-2545TP ²	22.2 @ 5216
2500	5.7L V8 F/I	77-1561KP ²	10.3 @ 4382			63-1565 ²	21.9 @ 5216
		63-1561 ²	15.7 @ 4688			71-2545 ²	9.1 @ 4564
		71-1561 ²	7.2 @ 4643	Dart	1.4L L4 F/I	69-2552TS ²	9.9 @ 5038
2500	6.4L V8 F/I	77-1568KTK ²	15.6 @ 5005	Dart	2.0L L4 F/I	69-2547TS ²	3.9 @ 5955
2500	6.7L L6 DSL	63-1568 ²	14.7 @ 2500	Durango	3.6L V6 F/I	77-1572KS ²	11.5 @ 6000
3500	5.7L V8 F/I	77-1561KP ²	10.3 @ 4382	Durango	5.7L V8 F/I	63-1563 ²	17.0 @ 4944
		71-1561 ²	7.2 @ 4643	Viper	8.4L V10 F/I	69-2528TTK ²	26.7 @ 5201
		63-1561 ²	15.7 @ 4688	2015 DODGE			
3500	6.4L V8 F/I	77-1568KTK ²	15.6 @ 5005	1500	3.0L V6 DSL	63-1571 ²	11.2 @ 3300
3500	6.7L L6 DSL	63-1568 ²	14.7 @ 2500	1500	3.6L V6 F/I	77-1564KS ²	12.0 @ 6371
Challenger	5.7L V8 F/I - Exc. Shaker Hood	71-1542 ²	14.1 @ 4188	1500	5.7L V8 F/I	71-1561 ²	7.2 @ 4643

1) Street legal in all US states. 2) Not legal for sale or use on any pollution controlled motor vehicle in California or states adopting California emission procedures. * Estimated horsepower gains are based on specific or similar vehicle dyno tests. Results will vary. See Page 478 for more information. See page 7 for information on intake tube materials/colors.



Vehicle	Engine Type	Part Number	Estimated Horsepower*	Vehicle	Engine Type	Part Number	Estimated Horsepower*
2015 DODGE				2014 DODGE			
1500	5.7L V8 F/I	77-1561KP ²	10.3 @ 4382	Charger	5.7L V8 F/I	71-1542 ²	14.1 @ 4188
		63-1561 ²	15.7 @ 4688			57-1542 ¹	21.1 @ 5216
2500	5.7L V8 F/I	77-1561KP ²	10.3 @ 4382	Charger	6.4L V8 F/I	69-2545TP ¹	22.2 @ 5216
		71-1561 ²	7.2 @ 4643			57-1565 ¹	21.9 @ 5216
		63-1561 ²	15.7 @ 4688			71-2545 ¹	9.1 @ 4564
2500	6.4L V8 F/I	77-1568KTK ²	15.6 @ 5005			63-1565 ²	21.9 @ 5216
2500	6.7L L6 DSL	63-1568 ²	14.7 @ 2500	Dart	1.4L L4 F/I	69-2548TS ¹	7.3 @ 4467
3500	6.4L V8 F/I	77-1568KTK ²	15.6 @ 5005	Dart	2.0L L4 F/I	69-2547TS ¹	3.9 @ 5955
3500	6.7L L6 DSL	63-1568 ²	14.7 @ 2500	Durango	3.6L V6 F/I	77-1560KTK ¹	10.8 @ 5447
Challenger	3.6L V6 F/I	63-1564 ²	8.1 @ 5231	Durango	5.7L V8 F/I	77-1563KP ¹	15.0 @ 4500
		69-2544TP ²	7.4 @ 5095			63-1563 ²	17.0 @ 4944
Challenger	5.7L V8 F/I - Exc. Shaker Hood	71-1542 ²	14.1 @ 4188			57-1563 ¹	17.0 @ 4944
		63-1114 ²	11.8 @ 4513	Ram 1500 Pickup	3.0L V6 DSL	63-1571 ²	11.2 @ 3300
		69-2526TP ²	11.7 @ 4854	Ram 1500 Pickup	3.6L V6 F/I	77-1564KS ²	12.0 @ 6371
				Ram 1500 Pickup	5.7L V8 F/I	77-1561KP ¹	10.3 @ 4382
						71-1561 ¹	7.2 @ 4643
Challenger	6.2L V8 F/I	69-2550TTK ²	39.0 @ 5713			63-1561 ²	15.7 @ 4688
Challenger	6.4L V8 F/I	63-1565 ²	21.9 @ 5216			57-1561 ¹	15.7 @ 4688
		69-2545TP ²	22.2 @ 5216	Ram 2500 Pickup	5.7L V8 F/I	71-1561 ¹	7.2 @ 4643
		71-2545 ²	9.1 @ 4564			77-1561KP ¹	10.3 @ 4382
Charger	3.6L V6 F/I	63-1564 ²	8.1 @ 5231			63-1561 ²	15.7 @ 4688
		69-2544TP ²	7.4 @ 5095			57-1561 ¹	15.7 @ 4688
Charger	5.7L V8 F/I - Exc. Shaker Hood	69-2526TP ²	11.7 @ 4854	Ram 2500 Pickup	6.4L V8 F/I	77-1568KTK ²	15.6 @ 5005
		71-1542 ²	14.1 @ 4188	Ram 2500 Pickup	6.7L L6 DSL	63-1568 ²	14.7 @ 2500
		63-1114 ²	11.8 @ 4513	Ram 3500 Pickup	6.4L V8 F/I	77-1568KTK ²	15.6 @ 5005
				Ram 3500 Pickup	6.7L L6 DSL	63-1568 ²	14.7 @ 2500
Charger	6.2L V8 F/I	69-2550TTK ²	39.0 @ 5713	Viper	8.4L V10 F/I	69-2528TTK ²	13.9 @ 5273
Charger	6.4L V8 F/I	71-2545 ²	9.1 @ 4564	2013 DODGE			
		69-2545TP ²	22.2 @ 5216	Avenger	2.4L L4 F/I	69-2549TS ²	11.0 @ 5645
		63-1565 ²	21.9 @ 5216	Avenger	3.6L V6 F/I	69-2546TS ¹	8.4 @ 5506
Dart	1.4L L4 F/I	69-2552TS ²	9.9 @ 5038	Challenger	3.6L V6 F/I	63-1564 ²	8.1 @ 5231
Dart	2.0L L4 F/I	69-2547TS ²	3.9 @ 5955			69-2544TP ¹	7.4 @ 5095
Durango	3.6L V6 F/I	77-1560KTK ²	10.8 @ 5447			57-1564 ¹	8.1 @ 5231
Durango	5.7L V8 F/I	77-1563KP ²	15.0 @ 4500	Challenger	5.7L V8 F/I	71-1542 ²	14.1 @ 4188
		63-1563 ²	17.0 @ 4944			63-1114 ²	11.8 @ 4513
Viper	8.4L V10 F/I	69-2528TTK ²	13.9 @ 5273			69-2526TP ¹	11.7 @ 4854
						57-1542 ¹	21.1 @ 5216
2014 DODGE				Challenger	6.4L V8 F/I	69-2545TP ¹	22.2 @ 5216
Avenger	2.4L L4 F/I	69-2549TS ²	11.0 @ 5645			71-2545 ¹	9.1 @ 4564
Avenger	3.6L V6 F/I	69-2546TS ²	8.4 @ 5506			63-1565 ²	21.9 @ 5216
Challenger	3.6L V6 F/I	69-2544TP ¹	7.4 @ 5095			57-1565 ¹	21.9 @ 5216
		63-1564 ²	8.1 @ 5231	Charger	3.6L V6 F/I	57-1564 ¹	8.1 @ 5231
		57-1564 ¹	8.1 @ 5231			63-1564 ²	8.1 @ 5231
Challenger	5.7L V8 F/I	71-1542 ²	14.1 @ 4188			69-2544TP ¹	7.4 @ 5095
		69-2526TP ¹	11.7 @ 4854	Charger	5.7L V8 F/I	69-2526TP ¹	11.7 @ 4854
		57-1542 ¹	21.1 @ 5216			63-1114 ²	11.8 @ 4513
		63-1114 ²	11.8 @ 4513			57-1542 ¹	21.1 @ 5216
Challenger	6.4L V8 F/I	71-2545 ¹	9.1 @ 4564			71-1542 ²	14.1 @ 4188
		57-1565 ¹	21.9 @ 5216	Charger	6.4L V8 F/I	71-2545 ¹	9.1 @ 4564
		69-2545TP ¹	22.2 @ 5216			69-2545TP ¹	22.2 @ 5216
		63-1565 ²	21.9 @ 5216			63-1565 ²	21.9 @ 5216
Charger	3.6L V6 F/I	69-2544TP ¹	7.4 @ 5095			57-1565 ¹	21.9 @ 5216
		57-1564 ¹	8.1 @ 5231	Dart	1.4L L4 F/I	69-2548TS ¹	7.3 @ 4467
		63-1564 ²	8.1 @ 5231	Dart	2.0L L4 F/I	69-2547TS ¹	3.9 @ 5955
Charger	5.7L V8 F/I	69-2526TP ¹	11.7 @ 4854	Durango	3.6L V6 F/I	77-1560KTK ¹	10.8 @ 5447
		63-1114 ²	11.8 @ 4513				

1) Street legal in all US states. 2) Not legal for sale or use on any pollution controlled motor vehicle in California or states adopting California emission procedures. * Estimated horsepower gains are based on specific or similar vehicle dyno tests. Results will vary. See Page 478 for more information. See page 7 for information on intake tube materials/colors.



AIR INTAKE SYSTEMS

DODGE

Vehicle	Engine Type	Part Number	Estimated Horsepower*	Vehicle	Engine Type	Part Number	Estimated Horsepower*
2013 DODGE				2012 DODGE			
Durango	5.7L V8 F/I	57-1563 ¹	17.0 @ 4944	Ram 3500 Pickup	6.7L L6 DSL	63-1562 ²	8.2 @ 2919
		63-1563 ²	17.0 @ 4944			71-1562 ¹	7.2 @ 3010
		77-1563KP ¹	15.0 @ 4500			57-1562 ¹	8.2 @ 2919
Ram 1500 Pickup	3.6L V6 F/I	77-1564KS ²	12.0 @ 6371	2011 DODGE			
Ram 1500 Pickup	4.7L V8 F/I	77-1571KP ²	10.1 @ 5436	Avenger	3.6L V6 F/I	69-2546TS ¹	8.4 @ 5506
Ram 1500 Pickup	5.7L V8 F/I	71-1561 ¹	7.2 @ 4643	Challenger	3.6L V6 F/I	69-2544TP ¹	7.4 @ 5095
		63-1561 ²	15.7 @ 4688			63-1564 ²	8.1 @ 5231
		57-1561 ¹	15.7 @ 4688			57-1564 ¹	8.1 @ 5231
		77-1561KP ¹	10.3 @ 4382	Challenger	5.7L V8 F/I	63-1114 ²	11.8 @ 4513
Ram 2500 Pickup	5.7L V8 F/I	77-1561KP ¹	10.3 @ 4382			57-1542 ¹	21.1 @ 5216
		63-1561 ²	15.7 @ 4688			71-1542 ²	14.1 @ 4188
		71-1561 ¹	7.2 @ 4643			69-2526TP ¹	11.7 @ 4854
		57-1561 ¹	15.7 @ 4688	Challenger	6.4L V8 F/I	63-1565 ²	21.9 @ 5216
Ram 2500 Pickup	6.7L L6 DSL	63-1568 ²	14.7 @ 2500			69-2545TP ¹	22.2 @ 5216
Ram 3500 Pickup	6.7L L6 DSL	63-1568 ²	14.7 @ 2500			71-2545 ¹	9.1 @ 4564
Viper	8.4L V10 F/I	69-2528TTK ¹	13.9 @ 5273			57-1565 ¹	21.9 @ 5216
2012 DODGE				Charger	3.6L V6 F/I	69-2544TP ¹	7.4 @ 5095
Avenger	2.4L L4 F/I	69-2549TS ²	11.0 @ 5645			63-1564 ²	8.1 @ 5231
Avenger	3.6L V6 F/I	69-2546TS ¹	8.4 @ 5506			57-1564 ¹	8.1 @ 5231
Challenger	3.6L V6 F/I	57-1564 ¹	8.1 @ 5231	Charger	5.7L V8 F/I	71-1542 ²	14.1 @ 4188
		63-1564 ²	8.1 @ 5231			69-2526TP ¹	11.7 @ 4854
		69-2544TP ¹	7.4 @ 5095			57-1542 ¹	21.1 @ 5216
Challenger	5.7L V8 F/I	63-1114 ²	11.8 @ 4513	Durango	3.6L V6 F/I	63-1114 ²	11.8 @ 4513
		69-2526TP ¹	11.7 @ 4854	Durango	5.7L V8 F/I	77-1560KTK ¹	10.8 @ 5447
		71-1542 ²	14.1 @ 4188			63-1563 ²	17.0 @ 4944
		57-1542 ¹	21.1 @ 5216			77-1563KP ¹	15.0 @ 4500
Challenger	6.4L V8 F/I	71-2545 ¹	9.1 @ 4564			57-1563 ¹	17.0 @ 4944
		69-2545TP ¹	22.2 @ 5216	Nitro	3.7L V6 F/I	77-1562KTK ¹	9.2 @ 4876
		63-1565 ²	21.9 @ 5216	Nitro	4.0L V6 F/I	57-1556 ¹	8.7 @ 5006
		57-1565 ¹	21.9 @ 5216	Ram 1500 Pickup	3.7L V6 F/I	63-1537 ²	7.4 @ 5223
Charger	3.6L V6 F/I	69-2544TP ¹	7.4 @ 5095	Ram 1500 Pickup	4.7L V8 F/I	77-1529KP ¹	6.8 @ 4743
		63-1564 ²	8.1 @ 5231			63-1529 ²	10.8 @ 4695
		57-1564 ¹	8.1 @ 5231			57-1529 ¹	8.6 @ 4688
Charger	5.7L V8 F/I	69-2526TP ¹	11.7 @ 4854	Ram 1500 Pickup	5.7L V8 F/I	77-1561KP ¹	10.3 @ 4382
		63-1114 ²	11.8 @ 4513			63-1561 ²	15.7 @ 4688
		57-1542 ¹	21.1 @ 5216			71-1561 ¹	7.2 @ 4643
		71-1542 ²	14.1 @ 4188			57-1561 ¹	15.7 @ 4688
Charger	6.4L V8 F/I	71-2545 ¹	9.1 @ 4564	Ram 2500 Pickup	6.7L L6 DSL	71-1562 ¹	7.2 @ 3010
		69-2545TP ¹	22.2 @ 5216			57-1562 ¹	8.2 @ 2919
		63-1565 ²	21.9 @ 5216			63-1562 ²	8.2 @ 2919
		57-1565 ¹	21.9 @ 5216	Ram 3500 Pickup	6.7L L6 DSL	71-1562 ¹	7.2 @ 3010
Durango	3.6L V6 F/I	77-1560KTK ¹	10.8 @ 5447			57-1562 ¹	8.2 @ 2919
Durango	5.7L V8 F/I	77-1563KP ¹	15.0 @ 4500			63-1562 ²	8.2 @ 2919
		57-1563 ¹	17.0 @ 4944	2010 DODGE			
		63-1563 ²	17.0 @ 4944	Avenger	2.4L L4 F/I	69-2542TS ²	9.4 @ 5969
Ram 1500 Pickup	4.7L V8 F/I	57-1529 ¹	8.6 @ 4688	Avenger	3.5L V6 F/I	69-2543TTK ¹	12.3 @ 5493
		63-1529 ²	8.6 @ 4688	Caliber	1.8L L4 F/I	57-1552 ¹	7.9 @ 4557
		77-1529KP ¹	6.8 @ 4743	Caliber	2.0L L4 F/I	57-1552 ¹	7.9 @ 4557
Ram 1500 Pickup	5.7L V8 F/I	71-1561 ¹	7.2 @ 4643	Caliber	2.4L L4 F/I	57-1552 ¹	7.9 @ 4557
		57-1561 ¹	15.7 @ 4688	Challenger	3.5L V6 F/I	57-1543 ¹	11.7 @ 6215
		77-1561KP ¹	10.3 @ 4382	Challenger	5.7L V8 F/I	71-1542 ²	14.1 @ 4188
		63-1561 ²	15.7 @ 4688			57-1542 ¹	21.1 @ 5216
Ram 2500 Pickup	6.7L L6 DSL	63-1562 ²	8.2 @ 2919			69-2526TP ¹	11.7 @ 4854
		71-1562 ¹	7.2 @ 3010	Challenger	6.1L V8 F/I	57-1542 ¹	21.1 @ 5216
		57-1562 ¹	8.2 @ 2919			71-1542 ²	14.1 @ 4188

1) Street legal in all US states. 2) Not legal for sale or use on any pollution controlled motor vehicle in California or states adopting California emission procedures. * Estimated horsepower gains are based on specific or similar vehicle dyno tests. Results will vary. See Page 478 for more information. See page 7 for information on intake tube materials/colors.

DODGE

AIR INTAKE SYSTEMS



Vehicle	Engine Type	Part Number	Estimated Horsepower*	Vehicle	Engine Type	Part Number	Estimated Horsepower*
2010 DODGE				2009 DODGE			
Challenger	6.1L V8 F/I	69-2526TP ¹	11.7 @ 4854	Durango	5.7L V8 F/I	77-1539KP ¹	15.6 @ 5148
Charger	2.7L V6 F/I	57-1544 ¹	7.3 @ 5693			63-1094 ²	17.5 @ 5053
Charger	3.5L V6 F/I	57-1543 ¹	11.7 @ 6215			57-1539 ¹	17.5 @ 5053
Charger	5.7L V8 F/I	71-1542 ²	14.1 @ 4188	Nitro	4.0L V6 F/I	57-1556 ¹	8.7 @ 5006
		69-2526TP ¹	11.7 @ 4854	Ram 1500 Pickup	3.7L V6 F/I	57-1537 ¹	7.4 @ 5223
		57-1542 ¹	21.1 @ 5216	Ram 1500 Pickup	4.7L V8 F/I	77-1529KP ¹	6.8 @ 4743
Charger	6.1L V8 F/I	69-2526TP ¹	11.7 @ 4854			63-1529 ²	8.6 @ 4688
		71-1542 ²	14.1 @ 4188			57-1529 ¹	8.6 @ 4688
		57-1542 ¹	21.1 @ 5216	Ram 1500 Pickup	5.7L V8 F/I	77-1561KP ¹	10.3 @ 4382
Dakota	4.7L V8 F/I	57-1546 ¹	9.2 @ 4524			63-1561 ²	15.7 @ 4688
		77-1546KP ¹	7.3 @ 4475			57-1561 ¹	15.7 @ 4688
Nitro	3.7L V6 F/I	77-1562KTK ¹	9.2 @ 4876	Ram 2500 Pickup	6.7L L6 DSL	71-1557 ¹	20.6 @ 2500
Nitro	4.0L V6 F/I	57-1556 ¹	8.7 @ 5006			57-1557 ¹	20.6 @ 2500
Ram 1500 Pickup	3.7L V6 F/I	57-1537 ¹	7.4 @ 5223	Ram 3500 Pickup	6.7L L6 DSL	57-1557 ¹	20.6 @ 2500
Ram 1500 Pickup	4.7L V8 F/I	77-1529KP ¹	6.8 @ 4743			71-1557 ¹	9.3 @ 2950
		63-1529 ²	8.6 @ 4688	Viper	8.4L V10 F/I	69-2527TTR ¹	18.7 @ 5300
		57-1529 ¹	8.6 @ 4688				
Ram 1500 Pickup	5.7L V8 F/I	77-1561KP ¹	10.3 @ 4382	2008 DODGE			
		63-1561 ²	15.7 @ 4688	Avenger	2.4L L4 F/I	69-2542TS ²	9.4 @ 5369
		57-1561 ¹	15.7 @ 4688	Avenger	3.5L V6 F/I	69-2543TTK ¹	12.3 @ 5493
		71-1561 ¹	7.2 @ 4643	Caliber	1.8L L4 F/I	57-1552 ¹	7.9 @ 4557
Ram 2500 Pickup	6.7L L6 DSL	63-1562 ²	8.2 @ 2919	Caliber	2.0L L4 F/I	57-1552 ¹	7.9 @ 4557
		57-1562 ¹	8.2 @ 2919	Caliber	2.4L L4 F/I	57-1552 ¹	7.9 @ 4557
		71-1562 ¹	7.2 @ 3010	Caliber SRT-4	2.4L L4 F/I	63-1560 ²	10.9 @ 5500
Ram 3500 Pickup	6.7L L6 DSL	63-1562 ²	8.2 @ 2919			57-1560 ¹	10.9 @ 5500
		57-1562 ¹	8.2 @ 2919	Challenger	6.1L V8 F/I	71-1542 ²	14.1 @ 4188
		71-1562 ¹	7.2 @ 3010			57-1542 ¹	31.4 @ 5217
Viper	8.4L V10 F/I	69-2527TTR ¹	18.7 @ 5300			69-2526TP ¹	11.7 @ 4854
				Charger	2.7L V6 F/I	57-1544 ¹	7.3 @ 5693
2009 DODGE				Charger	3.5L V6 F/I	57-1543 ¹	11.7 @ 6215
Avenger	2.4L L4 F/I	69-2542TS ²	9.4 @ 5969	Charger	5.7L V8 F/I	69-2526TP ¹	11.7 @ 4854
Avenger	3.5L V6 F/I	69-2543TTK ¹	12.3 @ 5493			71-1542 ²	14.1 @ 4188
Caliber	1.8L L4 F/I	57-1552 ¹	7.9 @ 4557			57-1542 ¹	21.1 @ 5216
Caliber	2.0L L4 F/I	57-1552 ¹	7.9 @ 4557	Charger	6.1L V8 F/I	71-1542 ²	14.1 @ 4188
Caliber	2.4L L4 F/I	57-1552 ¹	7.9 @ 4557			57-1542 ¹	21.1 @ 5216
Caliber SRT-4	2.4L L4 F/I	63-1560 ²	10.9 @ 5500			69-2526TP ¹	11.7 @ 4854
		57-1560 ¹	10.9 @ 5500	Dakota	3.7L V6 F/I	57-1558 ¹	9.2 @ 4200
Challenger	3.5L V6 F/I	57-1543 ¹	11.7 @ 6215			77-1558KP ¹	6.1 @ 4200
Challenger	5.7L V8 F/I	71-1542 ²	14.1 @ 4188	Dakota	4.7L V8 F/I	57-1546 ¹	9.2 @ 4524
		57-1542 ¹	21.1 @ 5216			77-1546KP ¹	7.3 @ 4475
		69-2526TP ¹	11.7 @ 4854	Durango	4.7L V8 F/I	57-1538 ¹	16.8 @ 4588
Challenger	6.1L V8 F/I	71-1542 ²	14.1 @ 4188			77-1538KP ¹	8.9 @ 4406
		69-2526TP ¹	11.7 @ 4854	Durango	5.7L V8 F/I	57-1539 ¹	17.5 @ 5053
		57-1542 ¹	21.1 @ 5216			77-1539KP ¹	15.6 @ 5148
Charger	2.7L V6 F/I	57-1544 ¹	7.3 @ 5693	Magnum	2.7L V6 F/I	57-1544 ¹	7.3 @ 5693
Charger	3.5L V6 F/I	57-1543 ¹	11.7 @ 6215	Magnum	3.5L V6 F/I	57-1543 ¹	11.7 @ 6215
Charger	5.7L V8 F/I	69-2526TP ¹	11.7 @ 4854	Magnum	5.7L V8 F/I	69-2526TP ¹	11.7 @ 4854
		71-1542 ²	14.1 @ 4188			71-1542 ²	14.1 @ 4188
		57-1542 ¹	21.1 @ 5216			57-1542 ¹	21.1 @ 5216
Charger	6.1L V8 F/I	71-1542 ²	14.1 @ 4188	Magnum	6.1L V8 F/I	71-1542 ²	14.1 @ 4188
		57-1542 ¹	21.1 @ 5216			69-2526TP ¹	11.7 @ 4854
		69-2526TP ¹	11.7 @ 4854	Nitro	3.7L V6 F/I	77-1554KP ¹	11.6 @ 4270
Dakota	4.7L V8 F/I	57-1546 ¹	9.2 @ 4524			57-1554 ¹	11.7 @ 4270
		77-1546KP ¹	7.3 @ 4475	Nitro	4.0L V6 F/I	57-1556 ¹	8.7 @ 5006
Durango	4.7L V8 F/I	77-1538KP ¹	8.9 @ 4406				
		57-1538 ¹	16.8 @ 4588				

1) Street legal in all US states. 2) Not legal for sale or use on any pollution controlled motor vehicle in California or states adopting California emission procedures. * Estimated horsepower gains are based on specific or similar vehicle dyno tests. Results will vary. See Page 478 for more information. See page 7 for information on intake tube materials/colors.



AIR INTAKE SYSTEMS

DODGE

Vehicle	Engine Type	Part Number	Estimated Horsepower*	Vehicle	Engine Type	Part Number	Estimated Horsepower*
2008 DODGE				2007 DODGE			
Ram 1500 Pickup	3.7L V6 F/I	57-1537 ¹	7.4 @ 5223	Ram 2500 Pickup	5.7L V8 F/I	77-1533KP ¹	8.3 @ 5391
Ram 1500 Pickup	4.7L V8 F/I	77-1529KP ¹	6.8 @ 4743			71-1533 ²	9.6 @ 5341
		57-1529 ¹	8.6 @ 4688			57-1533 ¹	10.5 @ 5445
		63-1529 ²	8.6 @ 4688	Ram 2500 Pickup	5.9L L6 DSL	71-1532 ¹	8.1 @ 2400
Ram 1500 Pickup	5.7L V8 F/I	77-1533KP ¹	8.3 @ 5391			57-1532 ¹	11.0 @ 2852
		57-1533 ¹	10.5 @ 5445	Ram 2500 Pickup	6.7L L6 DSL	71-1557 ¹	9.3 @ 2950
		71-1533 ²	9.6 @ 5341			57-1557 ¹	20.6 @ 2500
Ram 2500 Pickup	5.7L V8 F/I	77-1533KP ¹	8.3 @ 5391	Ram 3500 Pickup	5.7L V8 F/I	77-1533KP ¹	8.3 @ 5391
		71-1533 ²	9.6 @ 5341			71-1533 ²	9.6 @ 5341
		57-1533 ¹	10.5 @ 5445	Ram 3500 Pickup	5.9L L6 DSL	71-1532 ¹	8.1 @ 2400
Ram 2500 Pickup	6.7L L6 DSL	71-1557 ¹	9.3 @ 2950			71-1532 ¹	11.0 @ 2852
		57-1557 ¹	20.6 @ 2500	Ram 3500 Pickup	6.7L L6 DSL	71-1557 ¹	9.3 @ 2950
Ram 3500 Pickup	5.7L V8 F/I	77-1533KP ¹	8.3 @ 5391			57-1557 ¹	20.6 @ 2500
		71-1533 ²	9.6 @ 5341	2006 DODGE			
		57-1533 ¹	10.5 @ 5445	Charger	2.7L V6 F/I	57-1544 ¹	7.3 @ 5693
Ram 3500 Pickup	6.7L L6 DSL	71-1557 ¹	9.3 @ 2950	Charger	3.5L V6 F/I	57-1543 ¹	11.7 @ 6215
		57-1557 ¹	20.6 @ 2500	Charger	5.7L V8 F/I	71-1542 ²	14.1 @ 4188
Viper	8.4L V10 F/I	69-2527TTR ¹	18.7 @ 5300			69-2526TP ¹	11.7 @ 4854
2007 DODGE						57-1542 ¹	21.1 @ 5216
Caliber	1.8L L4 F/I	57-1552 ¹	7.9 @ 4557	Charger	6.1L V8 F/I	71-1542 ²	14.1 @ 4188
Caliber	2.0L L4 F/I	57-1552 ¹	7.9 @ 4557			69-2526TP ¹	11.7 @ 4854
Caliber	2.4L L4 F/I	57-1552 ¹	7.9 @ 4557			57-1542 ¹	21.1 @ 5216
Charger	2.7L V6 F/I	57-1544 ¹	7.3 @ 5693	Dakota	3.7L V6 F/I	77-1547KP ¹	6.0 @ 4943
Charger	3.5L V6 F/I	57-1543 ¹	11.7 @ 6215			57-1547 ¹	8.7 @ 4749
Charger	5.7L V8 F/I	71-1542 ²	14.1 @ 4188	Dakota	4.7L V8 F/I	77-1546KP ¹	7.3 @ 4475
		69-2526TP ¹	11.7 @ 4854			57-1546 ¹	9.2 @ 4524
		57-1542 ¹	21.1 @ 5216	Durango	4.7L V8 F/I	77-1538KP ¹	8.9 @ 4406
Charger	6.1L V8 F/I	71-1542 ²	14.1 @ 4188			57-1538 ¹	16.8 @ 4588
		69-2526TP ¹	11.7 @ 4854	Durango	5.7L V8 F/I	77-1539KP ¹	15.6 @ 5148
		57-1542 ¹	21.1 @ 5216			57-1539 ¹	17.5 @ 5053
Dakota	3.7L V6 F/I	77-1558KP ¹	6.1 @ 4200	Durango	5.7L V8 F/I	77-1539KP ¹	15.6 @ 5148
		57-1558 ¹	9.2 @ 4200			57-1539 ¹	17.5 @ 5053
Dakota	4.7L V8 F/I	77-1546KP ¹	7.3 @ 4475	Magnum	2.7L V6 F/I	57-1544 ¹	7.3 @ 5693
		57-1546 ¹	9.2 @ 4524	Magnum	3.5L V6 F/I	57-1543 ¹	11.7 @ 6215
Durango	4.7L V8 F/I	77-1538KP ¹	8.9 @ 4406	Magnum	5.7L V8 F/I	71-1542 ²	14.1 @ 4188
		57-1538 ¹	16.8 @ 4588			69-2526TP ¹	11.7 @ 4854
Durango	5.7L V8 F/I	77-1539KP ¹	15.6 @ 5148	Magnum	6.1L V8 F/I	57-1542 ¹	21.1 @ 5216
		57-1539 ¹	17.5 @ 5053			69-2526TP ¹	11.7 @ 4854
Magnum	2.7L V6 F/I	57-1544 ¹	7.3 @ 5693	Ram 1500 Pickup	3.7L V6 F/I	71-1542 ²	14.1 @ 4188
Magnum	3.5L V6 F/I	57-1543 ¹	11.7 @ 6215			57-1537 ¹	7.4 @ 5223
Magnum	5.7L V8 F/I	71-1542 ¹	21.1 @ 5216	Ram 1500 Pickup	4.7L V8 F/I	77-1529KP ¹	6.8 @ 4743
		69-2526TP ¹	11.7 @ 4854			57-1529 ¹	8.6 @ 4688
Magnum	6.1L V8 F/I	71-1542 ²	14.1 @ 4188	Ram 1500 Pickup	5.7L V8 F/I	71-1533 ²	9.6 @ 5341
		57-1542 ¹	21.1 @ 5216			77-1533KP ¹	8.3 @ 5391
		69-2526TP ¹	11.7 @ 4854	Ram 2500 Pickup	5.7L V8 F/I	57-1533 ²	9.6 @ 5341
Nitro	3.7L V6 F/I	77-1554KP ¹	11.6 @ 4270			71-1533 ¹	10.5 @ 5445
		57-1554 ¹	11.7 @ 4270	Ram 2500 Pickup	5.9L L6 DSL	77-1533KP ¹	8.3 @ 5391
Nitro	4.0L V6 F/I	57-1556 ¹	8.7 @ 5006			57-1532 ¹	11.0 @ 2852
Ram 1500 Pickup	3.7L V6 F/I	57-1537 ¹	7.4 @ 5223	Ram 2500 Pickup	5.9L L6 DSL	71-1532 ¹	8.1 @ 2400
Ram 1500 Pickup	4.7L V8 F/I	77-1529KP ¹	6.8 @ 4743			77-1533KP ¹	8.3 @ 5391
		57-1529 ¹	8.6 @ 4688	Ram 3500 Pickup	5.7L V8 F/I	57-1533 ¹	10.5 @ 5445
Ram 1500 Pickup	5.7L V8 F/I	77-1533KP ¹	8.3 @ 5391			71-1533 ²	9.6 @ 5341
		71-1533 ²	9.6 @ 5341	Ram 3500 Pickup	5.9L L6 DSL	71-1532 ¹	8.1 @ 2400
		57-1533 ¹	10.5 @ 5445			57-1532 ¹	11.0 @ 2852

1) Street legal in all US states. 2) Not legal for sale or use on any pollution controlled motor vehicle in California or states adopting California emission procedures. * Estimated horsepower gains are based on specific or similar vehicle dyno tests. Results will vary. See Page 478 for more information. See page 7 for information on intake tube materials/colors.



Vehicle	Engine Type	Part Number	Estimated Horsepower*	Vehicle	Engine Type	Part Number	Estimated Horsepower*
2006 DODGE				2004 DODGE			
Ram SRT-10	8.3L V10 F/I	57-1541 ¹	19.8 @ 4867	Ram 1500 Pickup	3.7L V6 F/I	57-1537 ¹	7.4 @ 5223
Viper	8.3L V10 F/I	57-1536 ¹	14.1 @ 5300	Ram 1500 Pickup	4.7L V8 F/I	77-1529KP ¹	6.8 @ 4743
2005 DODGE				2003 DODGE			
Dakota	3.7L V6 F/I	77-1547KP ¹	6.0 @ 4943	Dakota	4.7L V8 F/I	77-1516KP ¹	7.7 @ 4722
Dakota	4.7L V8 F/I	57-1547 ¹	8.7 @ 4749	Dakota	5.9L V8 F/I	57-1516 ¹	8.0 @ 4470
Durango	4.7L V8 F/I	77-1546KP ¹	7.3 @ 4475	Durango	4.7L V8 F/I	57-1517-2 ¹	11.7 @ 4553
Durango	4.7L V8 F/I	57-1546 ¹	9.2 @ 4524	Durango	5.9L V8 F/I	77-1516KP ¹	7.7 @ 4722
Durango	5.7L V8 F/I	77-1538KP ¹	8.9 @ 4406	Durango	2.7L V6 F/I	57-1516 ¹	8.0 @ 4470
Durango	5.7L V8 F/I	57-1538 ¹	16.8 @ 4588	Durango	3.5L V6 F/I	57-1517-2 ¹	11.7 @ 4553
Durango	5.7L V8 F/I	57-1539 ¹	17.5 @ 5053	Intrepid	2.7L V6 F/I	57-1523 ¹	4.5 @ 5939
Magnum	2.7L V6 F/I	77-1539KP ¹	15.6 @ 5148	Intrepid	3.5L V6 F/I	57-1522 ¹	8.5 @ 5482
Magnum	3.5L V6 F/I	57-1544 ¹	7.3 @ 5693	Neon	2.0L L4 F/I	69-2520TR ¹	5.3 @ 4641
Magnum	5.7L V8 F/I	57-1543 ¹	11.7 @ 6214	Neon R/T	2.0L L4 F/I	69-2520TP ¹	5.3 @ 4641
Neon	2.0L L4 F/I	69-2526TP ¹	11.7 @ 4854	Neon SRT-4	2.4L L4 F/I	69-2520TR ¹	5.3 @ 4641
Neon	2.0L L4 F/I	71-1542 ²	14.1 @ 4188	Neon SRT-4	2.4L L4 F/I	69-2520TP ¹	5.3 @ 4641
Neon	2.0L L4 F/I	57-1542 ¹	21.1 @ 5216	Neon SRT-4	2.4L L4 F/I	57-1534 ¹	4.8 @ 5600
Neon SRT-4	2.4L L4 F/I	69-2520TR ¹	5.3 @ 4641	Neon SRT-4	2.4L L4 F/I	69-2521TP ¹	12.2 @ 5312
Neon SRT-4	2.4L L4 F/I	57-1534 ¹	4.8 @ 5600	Neon SRT-4	2.4L L4 F/I	69-2521TB ¹	12.2 @ 5312
Neon SRT-4	2.4L L4 F/I	69-2520TP ¹	5.3 @ 4641	Ram 1500 Pickup	3.7L V6 F/I	57-1535 ¹	9.8 @ 5500
Neon SRT-4	2.4L L4 F/I	69-2521TB ¹	12.2 @ 5312	Ram 1500 Pickup	4.7L V8 F/I	57-1537 ¹	7.4 @ 5223
Neon SRT-4	2.4L L4 F/I	69-2521TP ¹	12.2 @ 5312	Ram 1500 Pickup	4.7L V8 F/I	77-1529KP ¹	6.8 @ 4743
Ram 1500 Pickup	3.7L V6 F/I	57-1535 ¹	9.8 @ 5500	Ram 1500 Pickup	5.7L V8 F/I	57-1529 ¹	8.6 @ 4688
Ram 1500 Pickup	4.7L V8 F/I	57-1537 ¹	7.4 @ 5223	Ram 1500 Pickup	5.7L V8 F/I	77-1533KP ¹	8.3 @ 5391
Ram 1500 Pickup	4.7L V8 F/I	77-1529KP ¹	6.8 @ 4743	Ram 1500 Pickup	5.7L V8 F/I	71-1533 ²	9.6 @ 5341
Ram 1500 Pickup	5.7L V8 F/I	57-1529 ¹	8.6 @ 4688	Ram 1500 Pickup	5.7L V8 F/I	57-1533 ¹	10.5 @ 5445
Ram 1500 Pickup	5.7L V8 F/I	71-1533 ²	9.6 @ 5341	Ram 1500 Pickup	5.9L V8 F/I	57-1530-1 ¹	8.7 @ 4362
Ram 1500 Pickup	5.7L V8 F/I	77-1533KP ¹	8.3 @ 5391	Ram 1500 Pickup	5.7L V8 F/I	77-1533KP ¹	8.3 @ 5391
Ram 1500 Pickup	5.7L V8 F/I	57-1533 ²	10.5 @ 5445	Ram 1500 Pickup	5.7L V8 F/I	71-1533 ²	9.6 @ 5341
Ram 1500 Pickup	5.7L V8 F/I	57-1533 ¹	10.5 @ 5445	Ram 1500 Pickup	5.7L V8 F/I	57-1533 ¹	10.5 @ 5445
Ram 1500 Pickup	5.7L V8 F/I	77-1533KP ¹	8.3 @ 5391	Ram 1500 Pickup	5.9L L6 DSL	71-1532 ¹	8.1 @ 2400
Ram 1500 Pickup	5.7L V8 F/I	57-1532 ²	9.6 @ 5341	Ram 1500 Pickup	5.9L L6 DSL	57-1532 ¹	11.0 @ 2852
Ram 1500 Pickup	5.7L V8 F/I	71-1533 ¹	10.5 @ 5445	Ram 1500 Pickup	5.9L L6 DSL	57-1532 ¹	11.0 @ 2852
Ram 1500 Pickup	5.9L L6 DSL	57-1532 ¹	11.0 @ 2852	Ram 1500 Pickup	5.9L L6 DSL	77-1533KP ¹	8.3 @ 5391
Ram 1500 Pickup	5.9L L6 DSL	71-1532 ¹	8.1 @ 2400	Ram 1500 Pickup	5.9L L6 DSL	71-1533 ²	9.6 @ 5341
Ram 1500 Pickup	5.9L L6 DSL	71-1533 ²	9.6 @ 5341	Ram 1500 Pickup	5.9L L6 DSL	57-1533 ¹	10.5 @ 5445
Ram 1500 Pickup	5.9L L6 DSL	77-1533KP ¹	8.3 @ 5391	Ram 1500 Pickup	5.9L L6 DSL	71-1532 ¹	8.1 @ 2400
Ram 1500 Pickup	5.9L L6 DSL	57-1533 ¹	10.5 @ 5445	Ram 1500 Pickup	5.9L L6 DSL	57-1532 ¹	11.0 @ 2852
Ram 1500 Pickup	5.9L L6 DSL	71-1532 ¹	8.1 @ 2400	Ram 1500 Pickup	5.9L L6 DSL	77-1533KP ¹	8.3 @ 5391
Ram 1500 Pickup	5.9L L6 DSL	57-1532 ¹	11.0 @ 2852	Ram 1500 Pickup	5.9L L6 DSL	71-1533 ²	9.6 @ 5341
Ram SRT-10	8.3L V10 F/I	57-1541 ¹	19.8 @ 4867	Ram 1500 Pickup	5.9L L6 DSL	57-1533 ¹	10.5 @ 5445
Viper	8.3L V10 F/I	57-1536 ¹	14.1 @ 5300	Ram 1500 Pickup	5.9L L6 DSL	71-1532 ¹	8.1 @ 2400
2004 DODGE				2003 DODGE			
Dakota	4.7L V8 F/I	77-1516KP ¹	7.7 @ 4722	Viper	8.3L V10 F/I	57-1536 ¹	14.1 @ 5300
Dakota	4.7L V8 F/I	57-1516 ¹	8.0 @ 4470				
Durango	4.7L V8 F/I	77-1538KP ¹	8.9 @ 4406				
Durango	4.7L V8 F/I	57-1538 ¹	16.8 @ 4588				
Durango	5.7L V8 F/I	77-1539KP ¹	15.6 @ 5148				
Durango	5.7L V8 F/I	57-1539 ¹	17.5 @ 5053				
Intrepid	2.7L V6 F/I	57-1523 ¹	4.5 @ 5939				
Intrepid SXT	3.5L V6 F/I	57-1522 ¹	8.5 @ 5482				
Neon	2.0L L4 F/I	69-2520TR ¹	5.3 @ 4641				
Neon	2.0L L4 F/I	69-2520TP ¹	5.3 @ 4641				
Neon	2.0L L4 F/I	57-1534 ¹	4.8 @ 5600				
Neon SRT-4	2.4L L4 F/I	69-2521TP ¹	12.2 @ 5312				
Neon SRT-4	2.4L L4 F/I	69-2521TB ¹	12.2 @ 5312				
Neon SRT-4	2.4L L4 F/I	57-1535 ¹	9.8 @ 5500				

1) Street legal in all US states. 2) Not legal for sale or use on any pollution controlled motor vehicle in California or states adopting California emission procedures. * Estimated horsepower gains are based on specific or similar vehicle dyno tests. Results will vary. See Page 478 for more information. See page 7 for information on intake tube materials/colors.



AIR INTAKE SYSTEMS

DODGE

Vehicle	Engine Type	Part Number	Estimated Horsepower*	Vehicle	Engine Type	Part Number	Estimated Horsepower*
2002 DODGE				2000 DODGE			
Dakota	4.7L V8 F/I	77-1516KP ¹	7.7 @ 4722	Dakota	4.7L V8 F/I	57-1516 ¹	8.0 @ 4470
		57-1516 ¹	8.0 @ 4470	Dakota	5.9L V8 F/I	57-1517-2 ¹	11.7 @ 4553
Dakota	5.9L V8 F/I	57-1517-2 ¹	11.7 @ 4553	Durango	4.7L V8 F/I	77-1516KP ¹	7.7 @ 4722
Durango	4.7L V8 F/I	77-1516KP ¹	7.7 @ 4722			57-1516 ¹	8.0 @ 4470
		57-1516 ¹	8.0 @ 4470	Durango	5.2L V8 F/I	57-1517-2 ¹	11.7 @ 4553
Durango	5.9L V8 F/I	57-1517-2 ¹	11.7 @ 4553	Durango	5.9L V8 F/I	57-1517-2 ¹	11.7 @ 4553
Intrepid	2.7L V6 F/I	57-1523 ¹	4.5 @ 5939	Intrepid	2.7L V6 F/I	57-1523 ¹	4.5 @ 5939
Intrepid	3.5L V6 F/I	57-1522 ¹	8.5 @ 5482	Intrepid	3.5L V6 F/I	57-1522 ¹	8.5 @ 5482
Neon	2.0L L4 F/I	69-2520TR ¹	5.3 @ 4641	Neon	2.0L L4 F/I	69-2520TR ¹	5.3 @ 4641
		69-2520TP ¹	5.3 @ 4641			69-2520TP ¹	5.3 @ 4641
		57-1534 ¹	4.8 @ 5600			57-1534 ¹	4.8 @ 5600
Neon ACR	2.0L L4 F/I	69-2520TR ¹	5.3 @ 4641	Ram 1500 Pickup	3.9L V6 F/I	57-1527-1 ¹	5.3 @ 3884
		69-2520TP ¹	5.3 @ 4641			57-1503-1 ¹	
		57-1534 ¹	4.8 @ 5600	Ram 1500 Pickup	5.2L V8 F/I	57-1511-2 ¹	11.8 @ 4248
Neon R/T	2.0L L4 F/I	69-2520TR ¹	5.3 @ 4641	Ram 1500 Pickup	5.9L V8 F/I	57-1511-2 ¹	11.8 @ 4248
		69-2520TP ¹	5.3 @ 4641	Ram 2500 Pickup	5.9L L6 DSL	57-1525 ¹	9.2 @ 2560
		57-1534 ¹	4.8 @ 5600	Ram 2500 Pickup	5.9L V8 F/I	57-1511-2 ¹	11.8 @ 4248
Ram 1500 Pickup	3.7L V6 F/I	57-1537 ¹	7.4 @ 5223	Ram 2500 Pickup	8.0L V10 F/I	57-1507 ¹	15.8 @ 4128
Ram 1500 Pickup	4.7L V8 F/I	77-1529KP ¹	6.8 @ 4743	Ram 3500 Pickup	5.9L L6 DSL	57-1525 ¹	9.2 @ 2560
		57-1529 ¹	8.6 @ 4688	Ram 3500 Pickup	8.0L V10 F/I	57-1507 ¹	15.8 @ 4128
Ram 1500 Pickup	5.9L V8 F/I	57-1530-1 ¹	8.7 @ 4362	1999 DODGE			
Ram 2500 Pickup	5.9L L6 DSL	57-1525 ¹	9.2 @ 2560	Avenger	2.5L V6 F/I	57-1524 ¹	4.3 @ 5576
Ram 2500 Pickup	5.9L V8 F/I	57-1511-2 ¹	11.8 @ 4248	Dakota	5.2L V8 F/I	57-1509-1 ¹	10.7 @ 4580
Ram 2500 Pickup	8.0L V10 F/I	57-1507 ¹	15.8 @ 4128	Dakota	5.9L V8 F/I	57-1509-1 ¹	10.7 @ 4580
Ram 3500 Pickup	5.9L L6 DSL	57-1525 ¹	9.2 @ 2560	Durango	5.2L V8 F/I	57-1509-1 ¹	10.7 @ 4580
Ram 3500 Pickup	8.0L V10 F/I	57-1507 ¹	15.8 @ 4128	Durango	5.9L V8 F/I	57-1509-1 ¹	10.7 @ 4580
2001 DODGE				Intrepid	2.7L V6 F/I	57-1523 ¹	4.5 @ 5939
Dakota	4.7L V8 F/I	77-1516KP ¹	7.7 @ 4722	Neon	2.0L L4 F/I - SOHC	57-1512 ¹	6.0 @ 5810
		57-1516 ¹	8.0 @ 4470	Ram 1500 Pickup	3.9L V6 F/I	57-1527-1 ¹	5.3 @ 3884
Dakota	5.9L V8 F/I	57-1517-2 ¹	11.7 @ 4553			57-1503-1 ¹	
Durango	4.7L V8 F/I	77-1516KP ¹	7.7 @ 4722	Ram 1500 Pickup	5.2L V8 F/I	57-1511-2 ¹	11.8 @ 4248
		57-1516 ¹	8.0 @ 4470	Ram 1500 Pickup	5.9L V8 F/I	57-1511-2 ¹	11.8 @ 4248
Durango	5.9L V8 F/I	57-1517-2 ¹	11.7 @ 4553	Ram 2500 Pickup	5.9L L6 DSL	57-1525 ¹	9.2 @ 2560
Intrepid	2.7L V6 F/I	57-1523 ¹	4.5 @ 5939	Ram 2500 Pickup	5.9L V8 F/I	57-1511-2 ¹	11.8 @ 4248
Intrepid	3.5L V6 F/I	57-1522 ¹	8.5 @ 5482	Ram 2500 Pickup	8.0L V10 F/I	57-1507 ¹	15.8 @ 4128
Neon	2.0L L4 F/I	69-2520TR ¹	5.3 @ 4641	Ram 3500 Pickup	5.9L L6 DSL	57-1525 ¹	9.2 @ 2560
		69-2520TP ¹	5.3 @ 4641	Ram 3500 Pickup	8.0L V10 F/I	57-1507 ¹	15.8 @ 4128
		57-1534 ¹	4.8 @ 5600	1998 DODGE			
Neon ACR	2.0L L4 F/I	69-2520TR ¹	5.3 @ 4641	Avenger	2.5L V6 F/I	57-1524 ¹	4.3 @ 5576
		69-2520TP ¹	5.3 @ 4641	Dakota	5.2L V8 F/I	57-1509-1 ¹	10.7 @ 4580
		57-1534 ¹	4.8 @ 5600	Dakota	5.9L V8 F/I	57-1509-1 ¹	10.7 @ 4580
Neon R/T	2.0L L4 F/I	69-2520TR ¹	5.3 @ 4641	Durango	5.2L V8 F/I	57-1509-1 ¹	10.7 @ 4580
		69-2520TP ¹	5.3 @ 4641	Durango	5.9L V8 F/I	57-1509-1 ¹	10.7 @ 4580
		57-1534 ¹	4.8 @ 5600	Intrepid	2.7L V6 F/I	57-1523 ¹	4.5 @ 5939
Ram 1500 Pickup	3.9L V6 F/I	57-1527-1 ¹	5.3 @ 3884	Neon	2.0L L4 F/I - SOHC	57-1512 ¹	6.0 @ 5810
Ram 1500 Pickup	5.2L V8 F/I	57-1511-2 ¹	11.8 @ 4248	Ram 1500 Pickup	3.9L V6 F/I	57-1527-1 ¹	5.3 @ 3884
Ram 1500 Pickup	5.9L V8 F/I	57-1511-2 ¹	11.8 @ 4248			57-1503-1 ¹	
Ram 2500 Pickup	5.9L L6 DSL	57-1525 ¹	9.2 @ 2560	Ram 1500 Pickup	5.2L V8 F/I	57-1511-2 ¹	11.8 @ 4248
Ram 2500 Pickup	5.9L V8 F/I	57-1511-2 ¹	11.8 @ 4248	Ram 1500 Pickup	5.9L V8 F/I	57-1511-2 ¹	11.8 @ 4248
Ram 2500 Pickup	8.0L V10 F/I	57-1507 ¹	15.8 @ 4128	Ram 2500	5.2L V8 F/I	57-1511-2 ¹	11.8 @ 4248
Ram 3500 Pickup	5.9L L6 DSL	57-1525 ¹	9.2 @ 2560	Ram 2500 Pickup	5.2L V8 F/I	57-1511-2 ¹	11.8 @ 4248
Ram 3500 Pickup	8.0L V10 F/I	57-1507 ¹	15.8 @ 4128	Ram 2500 Pickup	5.9L L6 DSL	57-1525 ¹	9.2 @ 2560
2000 DODGE				Ram 2500 Pickup	5.9L V8 F/I	57-1511-2 ¹	11.8 @ 4248
Avenger	2.5L V6 F/I	57-1524 ¹	4.3 @ 5576	Ram 2500 Pickup	8.0L V10 F/I	57-1507 ¹	15.8 @ 4128
Dakota	4.7L V8 F/I	77-1516KP ¹	7.7 @ 4722	Ram 3500 Pickup	5.9L L6 DSL	57-1525 ¹	9.2 @ 2560

1) Street legal in all US states. 2) Not legal for sale or use on any pollution controlled motor vehicle in California or states adopting California emission procedures. * Estimated horsepower gains are based on specific or similar vehicle dyno tests. Results will vary. See Page 478 for more information. See page 7 for information on intake tube materials/colors.

DODGE

AIR INTAKE SYSTEMS



Vehicle	Engine Type	Part Number	Estimated Horsepower*	Vehicle	Engine Type	Part Number	Estimated Horsepower*
1998 DODGE				1994 DODGE			
Ram 3500 Pickup	8.0L V10 F/I	57-1507 ¹	15.8 @ 4128	Ram 2500 Pickup	5.2L V8 F/I	57-1511-2 ¹	11.8 @ 4248
Viper	8.0L V10 F/I	57-1508 ¹	13.4 @ 5363	Ram 2500 Pickup	5.9L L6 DSL	57-1525 ¹	9.2 @ 2560
1997 DODGE				1993 DODGE			
Dakota	5.2L V8 F/I	57-1509-1 ¹	10.7 @ 4580	D150	3.9L V6 F/I	57-1502 ¹	
Neon	2.0L L4 F/I - SOHC	57-1512 ¹	6.0 @ 5810	D150	5.2L V8 F/I	57-1502 ¹	
Ram 1500 Pickup	3.9L V6 F/I	57-1527-1 ¹	5.3 @ 3884	D150	5.9L V8 F/I	57-1502 ¹	
Ram 1500 Pickup	5.2L V8 F/I	57-1511-2 ¹	11.8 @ 4248	D250	3.9L V6 F/I	57-1502 ¹	
Ram 1500 Pickup	5.9L V8 F/I	57-1511-2 ¹	11.8 @ 4248	D250	5.2L V8 F/I	57-1502 ¹	
Ram 2500 Pickup	5.9L L6 DSL	57-1525 ¹	9.2 @ 2560	D250	5.9L V8 F/I	57-1502 ¹	
Ram 2500 Pickup	5.9L V8 F/I	57-1511-2 ¹	11.8 @ 4248	D250	5.9L V8 F/I	57-1502 ¹	
Ram 2500 Pickup	8.0L V10 F/I	57-1507 ¹	15.8 @ 4128	D350	5.9L V8 F/I	57-1502 ¹	
Ram 2500 Pickup	8.0L V10 F/I	57-1507 ¹	15.8 @ 4128	Dakota	3.9L V6 F/I	57-1501 ¹	6.4 @ 4352
Ram 3500 Pickup	5.9L L6 DSL	57-1525 ¹	9.2 @ 2560	Dakota	5.2L V8 F/I	57-1501 ¹	6.4 @ 4352
Ram 3500 Pickup	8.0L V10 F/I	57-1507 ¹	15.8 @ 4128	Stealth	3.0L V6 F/I	57-1500-1 ¹	
Viper	8.0L V10 F/I	57-1508 ¹	13.4 @ 5363	W150	3.9L V6 F/I	57-1502 ¹	
1996 DODGE				1992 DODGE			
Dakota	3.9L V6 F/I	57-1501 ¹	6.4 @ 4352	D150	3.9L V6 F/I	57-1502 ¹	
Dakota	5.2L V8 F/I	57-1501 ¹	6.4 @ 4352	D150	5.2L V8 F/I	57-1502 ¹	
Neon	2.0L L4 F/I - SOHC	57-1512 ¹	6.0 @ 5810	D250	3.9L V6 F/I	57-1502 ¹	
Ram 1500 Pickup	3.9L V6 F/I	57-1527-1 ¹	5.3 @ 3884	D250	5.2L V8 F/I	57-1502 ¹	
Ram 1500 Pickup	5.2L V8 F/I	57-1511-2 ¹	11.8 @ 4248	D250	5.9L V8 F/I	57-1502 ¹	
Ram 1500 Pickup	5.9L V8 F/I	57-1511-2 ¹	11.8 @ 4248	D350	5.9L V8 F/I	57-1502 ¹	
Ram 2500 Pickup	5.2L V8 F/I	57-1511-2 ¹	11.8 @ 4248	Dakota	3.9L V6 F/I	57-1501 ¹	6.4 @ 4352
Ram 2500 Pickup	5.9L L6 DSL	57-1525 ¹	9.2 @ 2560	Dakota	5.2L V8 F/I	57-1501 ¹	6.4 @ 4352
Ram 2500 Pickup	5.9L V8 F/I	57-1511-2 ¹	11.8 @ 4248	Ramcharger	5.9L V8 F/I	57-1502 ¹	
Ram 2500 Pickup	8.0L V10 F/I	57-1507 ¹	15.8 @ 4128	Stealth	3.0L V6 F/I	57-1500-1 ¹	
Ram 3500 Pickup	5.9L L6 DSL	57-1525 ¹	9.2 @ 2560	W150	3.9L V6 F/I	57-1502 ¹	
Ram 3500 Pickup	8.0L V10 F/I	57-1507 ¹	15.8 @ 4128	W150	5.2L V8 F/I	57-1502 ¹	
Stealth	3.0L V6 F/I	57-1500-1 ¹		W250	5.2L V8 F/I	57-1502 ¹	
Viper	8.0L V10 F/I	57-1508 ¹	13.4 @ 5363	W250	5.9L V8 F/I	57-1502 ¹	
1995 DODGE				1991 DODGE			
Dakota	3.9L V6 F/I	57-1501 ¹	6.4 @ 4352	Stealth	3.0L V6 F/I	57-1500-1 ¹	
Dakota	5.2L V8 F/I	57-1501 ¹	6.4 @ 4352	1998 EAGLE			
Neon	2.0L L4 F/I - SOHC	57-1512 ¹	6.0 @ 5810	Talon TSi	2.0L L4 F/I	57-5504-1 ¹	7.7 @ 5900
Ram 1500 Pickup	3.9L V6 F/I	57-1527-1 ¹	5.3 @ 3884	1997 EAGLE			
Ram 1500 Pickup	5.2L V8 F/I	57-1511-2 ¹	11.8 @ 4248	Talon TSi	2.0L L4 F/I	57-5504-1 ¹	7.7 @ 5900
Ram 1500 Pickup	5.9L V8 F/I	57-1511-2 ¹	11.8 @ 4248	1996 EAGLE			
Ram 2500 Pickup	5.2L V8 F/I	57-1511-2 ¹	11.8 @ 4248	Talon TSi	2.0L L4 F/I	57-5504-1 ¹	7.7 @ 5900
Ram 2500 Pickup	5.9L L6 DSL	57-1525 ¹	9.2 @ 2560	1995 EAGLE			
Ram 2500 Pickup	5.9L V8 F/I	57-1511-2 ¹	11.8 @ 4248	Talon TSi	2.0L L4 F/I	57-5504-1 ¹	7.7 @ 5900
Ram 2500 Pickup	8.0L V10 F/I	57-1507 ¹	15.8 @ 4128	1993 EAGLE			
Ram 2500 Pickup	8.0L V10 F/I	57-1507 ¹	15.8 @ 4128	Talon	2.0L L4 F/I - Exc. Turbo	57-5500 ¹	
Ram 3500 Pickup	5.9L L6 DSL	57-1525 ¹	9.2 @ 2560				
Ram 3500 Pickup	8.0L V10 F/I	57-1507 ¹	15.8 @ 4128				
Stealth	3.0L V6 F/I	57-1500-1 ¹					
Viper	8.0L V10 F/I	57-1508 ¹	13.4 @ 5363				
1994 DODGE							
Dakota	3.9L V6 F/I	57-1501 ¹	6.4 @ 4352				
Dakota	5.2L V8 F/I	57-1501 ¹	6.4 @ 4352				
Ram 1500 Pickup	3.9L V6 F/I	57-1527-1 ¹	5.3 @ 3884				
Ram 1500 Pickup	5.2L V8 F/I	57-1511-2 ¹	11.8 @ 4248				
Ram 1500 Pickup	5.9L V8 F/I	57-1511-2 ¹	11.8 @ 4248				

1) Street legal in all US states. 2) Not legal for sale or use on any pollution controlled motor vehicle in California or states adopting California emission procedures. * Estimated horsepower gains are based on specific or similar vehicle dyno tests. Results will vary. See Page 478 for more information. See page 7 for information on intake tube materials/colors.



AIR INTAKE SYSTEMS

EAGLE

Vehicle	Engine Type	Part Number	Estimated Horsepower*	Vehicle	Engine Type	Part Number	Estimated Horsepower*
1992 EAGLE				2002 FIAT			
Talon	2.0L L4 F/I - Exc. Turbo	57-5500 ¹		Stilo	2.4L L5 F/I	69-3302TB ²	
1991 EAGLE				2001 FIAT			
Talon	2.0L L4 F/I - Exc. Turbo	57-5500 ¹		Punto	1.8L L4 F/I	69-3300TS ²	
1990 EAGLE						69-3300TR ²	
Talon	2.0L L4 F/I - Exc. Turbo	57-5500 ¹				69-3300TP ²	
2016 FIAT				Stilo	2.4L L5 F/I	69-3302TS ²	
500	1.4L L4 F/I - US, w/Auto Trans.	69-3303TS ²	3.9 @ 4503			69-3302TP ²	
2015 FIAT						69-3302TB ²	
500	1.4L L4 F/I - US, w/Auto Trans.	69-3303TS ¹	3.9 @ 4503	2000 FIAT			
2014 FIAT				Punto	1.8L L4 F/I	69-3300TS ²	
500	1.4L L4 F/I - US, w/Auto Trans.	69-3303TS ¹	3.9 @ 4503			69-3300TR ²	
500 Abarth	1.4L L4 F/I - US	63-1700 ²	5.4 @ 5342			69-3300TP ²	
2013 FIAT				1999 FIAT			
500	1.4L L4 F/I - US, w/Auto Trans.	69-3303TS ¹	3.9 @ 4503	Punto	1.8L L4 F/I	69-3300TS ²	
500 Abarth	1.4L L4 F/I - US	63-1700 ²	5.4 @ 5342			69-3300TR ²	
2012 FIAT						69-3300TP ²	
500	1.4L L4 F/I - US, w/Auto Trans.	69-3303TS ¹	3.9 @ 4503	2017 FORD			
2006 FIAT				Expedition	3.5L V6 F/I	63-2595 ²	6.9 @ 4100
Stilo	2.4L L5 F/I	69-3302TS ²		Explorer	2.3L L4 F/I	77-2587KS ²	11.1 @ 5433
		69-3302TP ²		Explorer	3.5L V6 F/I - Exc. Turbo	77-2575KS ²	13.6 @ 5500
		69-3302TB ²		Explorer	3.5L V6 F/I - Turbo	69-3531TS ²	12.1 @ 5327
2005 FIAT				F150	2.7L V6 F/I	63-2593 ²	19.4 @ 4500
Stilo	2.4L L5 F/I	69-3302TS ²		F150	5.0L V8 F/I	77-2591KP ²	13.9 @ 4553
		69-3302TP ²				71-2591 ²	11.4 @ 4553
		69-3302TB ²				63-2591 ²	12.7 @ 4555
2004 FIAT				Fiesta	1.6L L4 F/I	69-3530TS ²	3.8 @ 4518
Punto	1.8L L4 F/I	69-3300TS ²		Flex	3.5L V6 F/I - Turbo	69-3531TS ²	12.1 @ 5327
		69-3300TR ²		Focus	2.0L L4 F/I - US, Exc. Turbo	69-3517TS ²	10.0 @ 5872
		69-3300TP ²		Focus ST	2.0L L4 F/I	69-3518TS ²	7.4 @ 5130
Stilo	2.4L L5 F/I	69-3302TS ²		Fusion	2.5L L4 F/I	69-3533TTK ²	6.7 @ 5929
		69-3302TP ²		Mustang	2.3L L4 F/I	63-2589 ²	15.7 @ 4224
		69-3302TB ²		Mustang	3.7L V6 F/I	69-3536TTK ²	12.4 @ 5186
2003 FIAT				Mustang GT	5.0L V8 F/I	71-3535 ²	18.7 @ 5216
Stilo	1.6L L4 F/I	69-3301TS ²				69-3535TP ²	19.3 @ 5287
		69-3301TP ²				63-2590 ²	17.4 @ 5287
		69-3301TB ²		Mustang Shelby	5.2L V8 F/I	69-3538TTK ²	18.1 @ 6400
Stilo	2.4L L5 F/I	69-3302TS ²		Taurus SHO	3.5L V6 F/I - Turbo	69-3531TS ²	12.1 @ 5327
		69-3302TP ²		2016 FORD			
		69-3302TB ²		E350 Cutaway	5.4L V8 F/I	77-2570KTK ²	17.5 @ 4101
2002 FIAT				E350 Cutaway	6.8L V10 F/I	77-2570KTK ²	17.5 @ 4101
Punto	1.8L L4 F/I	69-3300TS ²		E350 Super Duty	5.4L V8 F/I	77-2570KTK ²	17.5 @ 4101
		69-3300TR ²		E350 Super Duty	6.8L V10 F/I	77-2570KTK ²	17.5 @ 4101
		69-3300TP ²		E450 Cutaway	5.4L V8 F/I	77-2570KTK ²	17.5 @ 4101
Stilo	1.6L L4 F/I	69-3301TS ²		E450 Cutaway	6.8L V10 F/I	77-2570KTK ²	17.5 @ 4101
		69-3301TP ²		E450 Super Duty	5.4L V8 F/I	77-2570KTK ²	17.5 @ 4101
		69-3301TB ²		E450 Super Duty	6.8L V10 F/I	77-2570KTK ²	17.5 @ 4101
Stilo	2.4L L5 F/I	69-3302TS ²		Escape	1.6L L4 F/I	69-3537TS ²	19.1 @ 4503
		69-3302TP ²		Escape	2.0L L4 F/I	69-3537TS ²	19.1 @ 4503
				Expedition	3.5L V6 F/I	63-2595 ²	6.9 @ 4100
				Explorer	3.5L V6 F/I - Exc. Turbo	77-2575KS ²	13.6 @ 5500
				Explorer	3.5L V6 F/I - Turbo	69-3531TS ²	12.1 @ 5327
				F150	2.7L V6 F/I	63-2593 ²	19.4 @ 4500
				F150	3.5L V6 F/I - Exc. Turbo	63-2596 ²	12.3 @ 5686

1) Street legal in all US states. 2) Not legal for sale or use on any pollution controlled motor vehicle in California or states adopting California emission procedures. * Estimated horsepower gains are based on specific or similar vehicle dyno tests. Results will vary. See Page 478 for more information. See page 7 for information on intake tube materials/colors.

FORD

AIR INTAKE SYSTEMS



Vehicle	Engine Type	Part Number	Estimated Horsepower*	Vehicle	Engine Type	Part Number	Estimated Horsepower*
2016 FORD				2015 FORD			
F150	3.5L V6 F/I - Turbo	63-2592 ²	23.0 @ 3505	F150	5.0L V8 F/I	57-2591 ¹	12.7 @ 4555
F150	5.0L V8 F/I	77-2591KP ²	13.9 @ 4553	F250 Super Duty	6.2L V8 F/I	77-2582KTK ²	13.6 @ 4497
		71-2591 ²	11.4 @ 4553	F250 Super Duty	6.7L V8 DSL	71-2582 ²	13.8 @ 2200
		63-2591 ²	12.7 @ 4555			63-2582 ²	11.9 @ 2700
F250 Super Duty	6.2L V8 F/I	77-2582KTK ²	13.6 @ 4497	F350 Super Duty	6.2L V8 F/I	77-2582KTK ²	13.6 @ 4497
F250 Super Duty	6.7L V8 DSL	71-2582 ²	13.8 @ 2200	F350 Super Duty	6.7L V8 DSL	71-2582 ²	13.8 @ 2200
		63-2582 ²	11.9 @ 2700			63-2582 ²	11.9 @ 2700
F350 Super Duty	6.2L V8 F/I	77-2582KTK ²	13.6 @ 4497	F450 Super Duty	6.7L V8 DSL	71-2582 ²	13.8 @ 2200
F350 Super Duty	6.7L V8 DSL	71-2582 ²	13.8 @ 2200	F450 Super Duty	6.7L V8 DSL	63-2582 ²	11.9 @ 2700
		63-2582 ²	11.9 @ 2700			71-2582 ²	13.8 @ 2200
F450	6.7L V8 DSL	71-2582 ²	13.8 @ 2200	F550 Super Duty	6.7L V8 DSL	71-2582 ²	13.8 @ 2200
		63-2582 ²	11.9 @ 2700			63-2582 ²	11.9 @ 2700
F450 Super Duty	6.7L V8 DSL	71-2582 ²	13.8 @ 2200	Fiesta	1.6L L4 F/I	69-3530TS ²	3.8 @ 4518
		63-2582 ²	11.9 @ 2700	Fiesta ST	1.6L L4 F/I	63-2587 ²	7.2 @ 5210
F550	6.7L V8 DSL	71-2582 ²	13.8 @ 2200	Flex	3.5L V6 F/I - Exc. Turbo	77-2576KTK ²	13.2 @ 5698
		63-2582 ²	11.9 @ 2700	Flex	3.5L V6 F/I - Turbo	69-3531TS ²	12.1 @ 5327
F550 Super Duty	6.7L V8 DSL	71-2582 ²	13.8 @ 2200	Focus	2.0L L4 F/I - US, Exc. Turbo	69-3517TS ²	10.0 @ 5872
		63-2582 ²	11.9 @ 2700	Focus ST	2.0L L4 F/I	69-3518TS ²	7.4 @ 5130
Fiesta	1.6L L4 F/I	69-3530TS ²	3.8 @ 4518	Fusion	1.5L L4 F/I	63-2588 ²	8.4 @ 5063
Fiesta ST	1.6L L4 F/I - Non-US	63-2587 ²	7.2 @ 5210	Fusion	1.6L L4 F/I	63-2586 ²	5.4 @ 5751
Flex	3.5L V6 F/I - Exc. Turbo	77-2576KTK ²	13.2 @ 5698	Fusion	2.0L L4 F/I - Turbo	63-2585 ²	10.1 @ 5185
Flex	3.5L V6 F/I - Turbo	69-3531TS ²	12.1 @ 5327	Fusion	2.5L L4 F/I	69-3533TTK ²	6.7 @ 5929
Focus	2.0L L4 F/I - US, Exc. Turbo	69-3517TS ²	10.0 @ 5872	Mondeo V	2.0L L4 F/I - Exc. Hybrid	63-2585 ²	10.1 @ 5185
Focus ST	2.0L L4 F/I	69-3518TS ²	7.4 @ 5130	Mustang	2.3L L4 F/I	63-2589 ²	15.7 @ 4224
Fusion	1.5L L4 F/I	63-2588 ²	8.4 @ 5063	Mustang	3.7L V6 F/I	69-3536TTK ²	12.4 @ 5186
Fusion	2.0L L4 F/I - Turbo	63-2585 ²	10.1 @ 5185			63-2594 ²	7.5 @ 5401
Fusion	2.5L L4 F/I	69-3533TTK ²	6.7 @ 5929	Mustang GT	5.0L V8 F/I	71-3535 ²	18.7 @ 5216
Mustang	2.3L L4 F/I	63-2589 ²	15.7 @ 4224			69-3535TP ²	19.3 @ 5287
Mustang	3.7L V6 F/I	69-3536TTK ²	12.4 @ 5186	Taurus	3.5L V6 F/I - Exc. Turbo	77-2576KTK ²	13.2 @ 5698
Mustang GT	5.0L V8 F/I	71-3535 ²	18.7 @ 5216	Taurus SHO	3.5L V6 F/I - Turbo	69-3531TS ²	12.1 @ 5327
		69-3535TP ²	19.3 @ 5287	2014 FORD			
		63-2590 ²	17.4 @ 5287	E150	5.4L V8 F/I	77-2570KTK ²	17.5 @ 4101
Mustang Shelby	5.2L V8 F/I	69-3538TTK ²	18.1 @ 6400	E150 Wagon	5.4L V8 F/I	77-2570KTK ²	17.5 @ 4101
Taurus	3.5L V6 F/I - Exc. Turbo	77-2576KTK ²	13.2 @ 5698	E250	5.4L V8 F/I	77-2570KTK ¹	17.5 @ 4101
2015 FORD				E250	6.8L V10 F/I	77-2570KTK ¹	17.5 @ 4101
E350 Cutaway	5.4L V8 F/I	77-2570KTK ²	17.5 @ 4101	E350 Super Duty	5.4L V8 F/I	77-2570KTK ¹	17.5 @ 4101
E350 Cutaway	6.8L V10 F/I	77-2570KTK ²	17.5 @ 4101	E350 Super Duty	6.8L V10 F/I	77-2570KTK ¹	17.5 @ 4101
E350 Super Duty	5.4L V8 F/I	77-2570KTK ²	17.5 @ 4101	E350 Wagon	5.4L V8 F/I	77-2570KTK ¹	17.5 @ 4101
E350 Super Duty	6.8L V10 F/I	77-2570KTK ²	17.5 @ 4101	E350 Wagon	6.8L V10 F/I	77-2570KTK ¹	17.5 @ 4101
E450 Cutaway	5.4L V8 F/I	77-2570KTK ²	17.5 @ 4101	E450 Super Duty	5.4L V8 F/I	77-2570KTK ²	17.5 @ 4101
E450 Cutaway	6.8L V10 F/I	77-2570KTK ²	17.5 @ 4101	E450 Super Duty	6.8L V10 F/I	77-2570KTK ²	17.5 @ 4101
E450 Super Duty	5.4L V8 F/I	77-2570KTK ²	17.5 @ 4101	E550 Super Duty	6.8L V10 F/I	77-2570KTK ²	17.5 @ 4101
E450 Super Duty	6.8L V10 F/I	77-2570KTK ²	17.5 @ 4101	Edge	2.0L L4 F/I	77-2586KS ¹	8.4 @ 5497
Escape	1.6L L4 F/I	69-3537TS ²	19.1 @ 4503	Edge	3.5L V6 F/I	77-2583KS ²	9.2 @ 4950
Escape	2.0L L4 F/I	69-3537TS ²	19.1 @ 4503	Edge	3.7L V6 F/I	77-2583KS ¹	9.2 @ 4950
Expedition	3.5L V6 F/I	63-2595 ²	6.9 @ 4100	Escape	1.6L L4 F/I	69-3537TS ²	19.1 @ 4503
Explorer	2.0L L4 F/I	77-2587KS ²	11.1 @ 5433	Escape	2.0L L4 F/I	69-3537TS ²	19.1 @ 4503
Explorer	3.5L V6 F/I - Exc. Turbo	77-2575KS ²	13.6 @ 5500	Expedition	5.4L V8 F/I	57-2575 ¹	11.0 @ 4600
Explorer Sport	3.5L V6 F/I - Turbo	69-3531TS ²	12.1 @ 5327	Explorer	2.0L L4 F/I	77-2587KS ²	11.1 @ 5433
F150	2.7L V6 F/I	63-2593 ²	19.4 @ 4500	Explorer	3.5L V6 F/I - Exc. Turbo	77-2575KS ¹	13.6 @ 5500
F150	3.5L V6 F/I - Exc. Turbo	63-2596 ²	12.3 @ 5686	Explorer Sport	3.5L V6 F/I - Turbo	69-3531TS ¹	12.1 @ 5327
F150	3.5L V6 F/I - Turbo	63-2592 ²	23.0 @ 3505	F150	3.5L V6 F/I	57-2583 ¹	11.1 @ 4318
F150	5.0L V8 F/I	77-2591KP ¹	13.9 @ 4553	F150	3.7L V6 F/I	77-2585KS ¹	11.9 @ 5536
		71-2591 ¹	11.4 @ 4553	F150	5.0L V8 F/I	77-2581KP ¹	9.9 @ 5508
		63-2591 ²	12.7 @ 4555				

1) Street legal in all US states. 2) Not legal for sale or use on any pollution controlled motor vehicle in California or states adopting California emission procedures. * Estimated horsepower gains are based on specific or similar vehicle dyno tests. Results will vary. See Page 478 for more information. See page 7 for information on intake tube materials/colors.



AIR INTAKE SYSTEMS

FORD

Vehicle	Engine Type	Part Number	Estimated Horsepower*	Vehicle	Engine Type	Part Number	Estimated Horsepower*
2014 FORD				2013 FORD			
F150	5.0L V8 F/I	71-2581 ²	8.0 @ 5006	Edge	3.5L V6 F/I	77-2583KS ¹	9.2 @ 4950
		57-2581 ¹	12.1 @ 5304	Edge	3.7L V6 F/I	77-2583KS ¹	9.2 @ 4950
F150 SVT Raptor	6.2L V8 F/I	77-2579KTK ¹	20.0 @ 4830	Escape	1.6L L4 F/I	69-3537TS ²	19.1 @ 4503
F250 Super Duty	6.2L V8 F/I	77-2582KTK ¹	13.6 @ 4497	Escape	2.0L L4 F/I	69-3537TS ²	19.1 @ 4503
F250 Super Duty	6.7L V8 DSL	71-2582 ¹	13.8 @ 2200	Expedition	5.4L V8 F/I	57-2575 ¹	11.0 @ 4600
		63-2582 ²	11.9 @ 2700	Explorer	3.5L V6 F/I - Exc. Turbo	77-2575KS ¹	13.6 @ 5500
		57-2582 ¹	11.9 @ 2700	Explorer Sport	3.5L V6 F/I - Turbo	69-3531TS ¹	13.0 @ 4800
F350 Super Duty	6.2L V8 F/I	77-2582KTK ¹	13.6 @ 4497	F150	3.5L V6 F/I	57-2583 ¹	11.9 @ 4312
F350 Super Duty	6.7L V8 DSL	71-2582 ¹	13.8 @ 2200	F150	3.7L V6 F/I	77-2585KS ¹	11.9 @ 5536
		63-2582 ²	11.9 @ 2700	F150	5.0L V8 F/I	77-2581KP ¹	9.9 @ 5508
		57-2582 ¹	11.9 @ 2700			71-2581 ²	8.0 @ 5006
F450 Super Duty	6.7L V8 DSL	71-2582 ¹	13.8 @ 2200			57-2581 ¹	12.1 @ 5304
		63-2582 ²	11.9 @ 2700	F150 SVT Raptor	6.2L V8 F/I	77-2579KTK ¹	20.0 @ 4830
		57-2582 ¹	11.9 @ 2700	F250 Super Duty	6.2L V8 F/I	77-2582KTK ¹	13.6 @ 4497
F550 Super Duty	6.7L V8 DSL	71-2582 ¹	13.8 @ 2200	F250 Super Duty	6.7L V8 DSL	71-2582 ¹	13.8 @ 2200
		63-2582 ²	11.9 @ 2700			63-2582 ²	11.9 @ 2700
		57-2582 ¹	11.9 @ 2700			57-2582 ¹	11.9 @ 2700
Fiesta	1.6L L4 F/I	69-3530TS ²	3.8 @ 4518	F350 Super Duty	6.2L V8 F/I	77-2582KTK ¹	13.6 @ 4497
Fiesta ST	1.6L L4 F/I	63-2587 ²	7.2 @ 5210	F350 Super Duty	6.7L V8 DSL	71-2582 ¹	13.8 @ 2200
		57-2587 ¹	7.2 @ 5210			63-2582 ²	11.9 @ 2700
Flex	3.5L V6 F/I - Exc. Turbo	77-2576KTK ¹	13.2 @ 5698			57-2582 ¹	11.9 @ 2700
Flex	3.5L V6 F/I - Turbo	69-3531TS ²	12.1 @ 5327	F450 Super Duty	6.7L V8 DSL	71-2582 ¹	13.8 @ 2200
Focus	2.0L L4 F/I - US, Exc. Turbo, Exc. LEV2 SULEV Test Group EFMXV02.0VZ2	69-3517TS ¹	10.0 @ 5872			63-2582 ²	11.9 @ 2700
				F550 Super Duty	6.7L V8 DSL	71-2582 ¹	13.8 @ 2200
Focus ST	2.0L L4 F/I	69-3518TS ¹	7.4 @ 5130			63-2582 ²	11.9 @ 2700
Fusion	1.5L L4 F/I	63-2588 ²	8.4 @ 5063			57-2582 ¹	11.9 @ 2700
Fusion	1.6L L4 F/I	63-2586 ²	5.4 @ 5751	Fiesta	1.6L L4 F/I - Non-US, Exc. Turbo	69-3530TS ²	3.8 @ 4518
Fusion	2.0L L4 F/I - Turbo	63-2585 ²	10.1 @ 5185	Fiesta	1.6L L4 F/I - US	69-3530TS ¹	3.8 @ 4518
		57-2585 ¹	10.1 @ 5185	Flex	3.5L V6 F/I - Exc. Turbo	77-2576KTK ¹	13.2 @ 5698
Fusion	2.5L L4 F/I	69-3533TTK ¹	6.7 @ 5929	Focus	2.0L L4 F/I - US, Exc. Turbo, Exc. LEV2 SULEV Test Group DFMXV02.0VZ2	69-3517TS ¹	10.0 @ 5872
Mondeo V	2.0L L4 F/I - Exc. Hybrid	63-2585 ²	10.1 @ 5185			69-3518TS ¹	7.4 @ 5130
Mustang	3.7L V6 F/I	69-3529TP ¹	11.8 @ 5900	Focus ST	2.0L L4 F/I	69-3518TS ¹	7.4 @ 5130
Mustang GT	5.0L V8 F/I	71-3527 ²	14.3 @ 4808	Fusion	1.6L L4 F/I	63-2586 ²	5.4 @ 5751
		69-3527TP ²	19.6 @ 5100	Fusion	2.0L L4 F/I - Turbo	63-2585 ²	10.1 @ 5185
		63-2578 ²	20.3 @ 5400			57-2585 ¹	10.1 @ 5185
		63-2500 ²		Fusion	2.5L L4 F/I	69-3533TTK ²	6.7 @ 5929
		57-2578 ¹	10.1 @ 5379	Mustang	3.7L V6 F/I	69-3529TP ¹	11.8 @ 5900
		57-2579 ¹	30.5 @ 5200	Mustang Boss 302	5.0L V8 F/I	69-3534TTK ²	17.0 @ 6700
Mustang Shelby GT500	5.8L V8 F/I	57-2579 ¹	30.5 @ 5200	Mustang GT	5.0L V8 F/I	71-3527 ²	14.3 @ 4808
Taurus	3.5L V6 F/I - Exc. Turbo	77-2576KTK ¹	13.2 @ 5698			69-3527TP ²	19.6 @ 5100
Taurus SHO	3.5L V6 F/I - Turbo	69-3531TS ¹	12.1 @ 5327			63-2578 ²	20.3 @ 5400
						63-2500 ²	
						57-2578 ¹	10.1 @ 5379
						57-2579 ¹	30.5 @ 5200
2013 FORD				2012 FORD			
E150	5.4L V8 F/I	77-2570KTK ¹	17.5 @ 4101	Mustang Shelby GT500	5.8L V8 F/I	57-2579 ¹	30.5 @ 5200
E150 Wagon	5.4L V8 F/I	77-2570KTK ¹	17.5 @ 4101	Taurus	3.5L V6 F/I - Exc. Turbo	77-2576KTK ¹	13.2 @ 5698
E250	5.4L V8 F/I	77-2570KTK ¹	17.5 @ 4101	Taurus SHO	3.5L V6 F/I - Turbo	69-3531TS ¹	12.1 @ 5327
E250	6.8L V10 F/I	77-2570KTK ¹	17.5 @ 4101				
E350 Super Duty	5.4L V8 F/I	77-2570KTK ¹	17.5 @ 4101				
E350 Super Duty	6.8L V10 F/I	77-2570KTK ¹	17.5 @ 4101				
E350 Wagon	5.4L V8 F/I	77-2570KTK ¹	17.5 @ 4101				
E350 Wagon	6.8L V10 F/I	77-2570KTK ¹	17.5 @ 4101				
E450 Super Duty	5.4L V8 F/I	77-2570KTK ²	17.5 @ 4101				
E450 Super Duty	6.8L V10 F/I	77-2570KTK ²	17.5 @ 4101				
E550 Super Duty	6.8L V10 F/I	77-2570KTK ²	17.5 @ 4101				
Edge	2.0L L4 F/I	77-2586KS ¹	8.4 @ 5497				

1) Street legal in all US states. 2) Not legal for sale or use on any pollution controlled motor vehicle in California or states adopting California emission procedures. * Estimated horsepower gains are based on specific or similar vehicle dyno tests. Results will vary. See Page 478 for more information. See page 7 for information on intake tube materials/colors.

FORD

AIR INTAKE SYSTEMS



Vehicle	Engine Type	Part Number	Estimated Horsepower*	Vehicle	Engine Type	Part Number	Estimated Horsepower*
2012 FORD				2011 FORD			
E350 Super Duty	6.8L V10 F/I	77-2570KTK ¹	17.5 @ 4101	E150 Wagon	5.4L V8 F/I	77-2570KTK ¹	17.5 @ 4101
E350 Wagon	5.4L V8 F/I	77-2570KTK ¹	17.5 @ 4101	E250	5.4L V8 F/I	77-2570KTK ¹	17.5 @ 4101
E350 Wagon	6.8L V10 F/I	77-2570KTK ¹	17.5 @ 4101	E250	6.8L V10 F/I	77-2570KTK ¹	17.5 @ 4101
E450 Super Duty	5.4L V8 F/I	77-2570KTK ¹	17.5 @ 4101	E350 Super Duty	5.4L V8 F/I	77-2570KTK ¹	17.5 @ 4101
E450 Super Duty	6.8L V10 F/I	77-2570KTK ¹	17.5 @ 4101	E350 Super Duty	6.8L V10 F/I	77-2570KTK ¹	17.5 @ 4101
E550 Super Duty	6.8L V10 F/I	77-2570KTK ²	17.5 @ 4101	E350 Wagon	5.4L V8 F/I	77-2570KTK ¹	17.5 @ 4101
Edge	2.0L L4 F/I	77-2586KS ¹	8.4 @ 5497	E350 Wagon	6.8L V10 F/I	77-2570KTK ¹	17.5 @ 4101
Edge	3.5L V6 F/I	77-2583KS ¹	9.2 @ 4950	E450 Super Duty	5.4L V8 F/I	77-2570KTK ¹	17.5 @ 4101
Edge	3.7L V6 F/I	77-2583KS ¹	9.2 @ 4950	E450 Super Duty	6.8L V10 F/I	77-2570KTK ¹	17.5 @ 4101
Expedition	5.4L V8 F/I	57-2575 ¹	11.0 @ 4600	E550 Super Duty	6.8L V10 F/I	77-2570KTK ²	17.5 @ 4101
Explorer	3.5L V6 F/I	77-2575KS ¹	13.6 @ 5500	Edge	3.5L V6 F/I	77-2583KS ¹	9.2 @ 4950
F150	3.5L V6 F/I	57-2583 ¹	11.1 @ 4318	Edge	3.7L V6 F/I	77-2583KS ¹	9.2 @ 4950
F150	3.7L V6 F/I	77-2585KS ¹	11.9 @ 5536	Expedition	5.4L V8 F/I	57-2575 ¹	11.0 @ 4600
F150	5.0L V8 F/I	77-2581KP ¹	9.9 @ 5508	Explorer	3.5L V6 F/I	77-2575KS ¹	13.6 @ 5500
		71-2581 ²	8.0 @ 5006	F150	3.5L V6 F/I	57-2583 ¹	11.1 @ 4318
		57-2581 ¹	12.1 @ 5304	F150	5.0L V8 F/I	77-2581KP ¹	9.9 @ 5508
F150	6.2L V8 F/I	77-2584KP ¹	18.7 @ 5267			71-2581 ²	8.0 @ 5006
		71-2584 ²	20.4 @ 5347			57-2581 ¹	12.1 @ 5304
		57-2584 ¹	27.2 @ 5347	F150	6.2L V8 F/I	77-2584KP ¹	18.7 @ 5267
F150 SVT Raptor	6.2L V8 F/I	77-2579KTK ¹	20.0 @ 4830			71-2584 ²	20.4 @ 5347
F250 Super Duty	6.2L V8 F/I	77-2582KTK ¹	13.6 @ 4497			57-2584 ¹	27.2 @ 5347
F250 Super Duty	6.7L V8 DSL	71-2582 ¹	13.8 @ 2200	F150 Platinum	6.2L V8 F/I	77-2584KP ¹	18.7 @ 5267
		63-2582 ²	11.9 @ 2700			71-2584 ²	20.4 @ 5347
		57-2582 ¹	11.9 @ 2700			57-2584 ¹	27.2 @ 5347
F350 Super Duty	6.2L V8 F/I	77-2582KTK ¹	13.6 @ 4497	F150 SVT Raptor	6.2L V8 F/I	77-2579KTK ¹	20.0 @ 4830
F350 Super Duty	6.7L V8 DSL	71-2582 ¹	13.8 @ 2200	F250 Super Duty	6.2L V8 F/I	77-2582KTK ¹	13.6 @ 4497
		63-2582 ²	11.9 @ 2700	F250 Super Duty	6.7L V8 DSL	71-2582 ¹	13.8 @ 2200
		57-2582 ¹	11.9 @ 2700			63-2582 ²	11.9 @ 2700
F450 Super Duty	6.7L V8 DSL	71-2582 ¹	13.8 @ 2200			57-2582 ¹	11.9 @ 2700
		63-2582 ²	11.9 @ 2700	F350 Super Duty	6.2L V8 F/I	77-2582KTK ¹	13.6 @ 4497
		57-2582 ¹	11.9 @ 2700	F350 Super Duty	6.7L V8 DSL	71-2582 ¹	13.8 @ 2200
F550 Super Duty	6.7L V8 DSL	71-2582 ¹	13.8 @ 2200			63-2582 ²	11.9 @ 2700
		63-2582 ²	11.9 @ 2700	F450 Super Duty	6.7L V8 DSL	71-2582 ¹	13.8 @ 2200
		57-2582 ¹	11.9 @ 2700			57-2582 ¹	11.9 @ 2700
Fiesta	1.6L L4 F/I	69-3530TS ¹	3.8 @ 4518	F550 Super Duty	6.7L V8 DSL	71-2582 ¹	13.8 @ 2200
Fiesta VI	1.6L L4 F/I	69-3530TS ²	3.8 @ 4518			63-2582 ²	11.9 @ 2700
Flex	3.5L V6 F/I - Exc. Turbo	77-2578KS ¹	9.2 @ 4914			57-2582 ¹	11.9 @ 2700
Focus	2.0L L4 F/I - US, Exc. LEV2 SULEV Test Group CFMXV02.0VZ2	69-3517TS ¹	10.0 @ 5872			71-2582 ¹	13.8 @ 2200
						63-2582 ²	11.9 @ 2700
Fusion	2.5L L4 F/I	69-3514TTK ¹	6.0 @ 4200	Fiesta	1.6L L4 F/I	69-3530TS ¹	3.8 @ 4518
Mustang	3.7L V6 F/I	69-3529TP ¹	11.8 @ 5900	Fiesta VI	1.6L L4 F/I	69-3530TS ²	3.8 @ 4518
Mustang Boss 302	5.0L V8 F/I	69-3534TTK ²	17.0 @ 6700	Flex	3.5L V6 F/I - Exc. Turbo	77-2578KS ¹	9.2 @ 4914
Mustang GT	5.0L V8 F/I	71-3527 ²	14.3 @ 4808	Focus	2.0L L4 F/I - PZEV	69-3516TTK ²	5.8 @ 5000
		69-3527TP ²	19.6 @ 5100	Fusion	2.5L L4 F/I	69-3514TTK ¹	6.0 @ 4200
		63-2578 ²	20.3 @ 5400	Mustang	3.7L V6 F/I	69-3529TP ¹	11.8 @ 5900
		63-2500 ²		Mustang GT	5.0L V8 F/I	71-3527 ²	14.3 @ 4808
		57-2578 ¹	10.1 @ 5379			69-3527TP ²	19.6 @ 5100
Mustang Shelby GT500	5.4L V8 F/I	57-2579 ¹	30.5 @ 5200			63-2578 ²	20.3 @ 5400
						63-2500 ²	
Taurus	3.5L V6 F/I - Exc. Turbo	69-3528TS ¹	11.6 @ 4044	Mustang Shelby GT500	5.4L V8 F/I	57-2578 ¹	10.1 @ 5379
Taurus SHO	3.5L V6 F/I - Turbo	69-3531TS ¹	12.1 @ 5327	Ranger	4.0L V6 F/I	77-2561KP ¹	11.2 @ 4950
						57-2561 ¹	13.5 @ 5129
2011 FORD							
Crown Victoria	4.6L V8 F/I - Exc. Police Package	69-3532TTK ¹	10.2 @ 4491	Taurus	3.5L V6 F/I - Exc. Turbo	69-3528TS ¹	11.7 @ 4044
E150	5.4L V8 F/I	77-2570KTK ¹	17.5 @ 4101	Taurus SHO	3.5L V6 F/I - Turbo	69-3531TS ¹	12.1 @ 5327

1) Street legal in all US states. 2) Not legal for sale or use on any pollution controlled motor vehicle in California or states adopting California emission procedures. * Estimated horsepower gains are based on specific or similar vehicle dyno tests. Results will vary. See Page 478 for more information. See page 7 for information on intake tube materials/colors.



AIR INTAKE SYSTEMS

FORD

Vehicle	Engine Type	Part Number	Estimated Horsepower*	Vehicle	Engine Type	Part Number	Estimated Horsepower*
2010 FORD				2009 FORD			
Crown Victoria	4.6L V8 F/I - Exc. Police Package	69-3532TTK ¹	10.2 @ 4491	E550 Super Duty	6.8L V10 F/I	77-2570KTK ²	17.5 @ 4101
E150	5.4L V8 F/I	77-2570KTK ¹	17.5 @ 4101	Edge	3.5L V6 F/I	77-2574KS ¹	11.2 @ 5797
E150 Wagon	5.4L V8 F/I	77-2570KTK ¹	17.5 @ 4101	Expedition	5.4L V8 F/I	57-2575 ¹	11.0 @ 4600
E250	5.4L V8 F/I	77-2570KTK ¹	17.5 @ 4101	F150	4.6L V8 F/I - w/3 Valve VIN 8	77-2580KP ¹	15.1 @ 4650
E250	6.8L V10 F/I	77-2570KTK ¹	17.5 @ 4101			57-2580 ¹	16.1 @ 4650
E350 Super Duty	5.4L V8 F/I	77-2570KTK ¹	17.5 @ 4101	F150	5.4L V8 F/I	57-2575 ¹	11.0 @ 4600
E350 Super Duty	6.8L V10 F/I	77-2570KTK ¹	17.5 @ 4101	F250 Super Duty	5.4L V8 F/I	77-2577KTK ¹	13.9 @ 4077
E350 Wagon	5.4L V8 F/I	77-2570KTK ¹	17.5 @ 4101	F250 Super Duty	6.4L V8 DSL	71-2576 ¹	11.1 @ 2460
E350 Wagon	6.8L V10 F/I	77-2570KTK ¹	17.5 @ 4101			57-2576 ¹	16.4 @ 2600
E450 Super Duty	5.4L V8 F/I	77-2570KTK ¹	17.5 @ 4101	F350 Super Duty	5.4L V8 F/I	77-2577KTK ¹	13.9 @ 4077
E450 Super Duty	6.8L V10 F/I	77-2570KTK ¹	17.5 @ 4101	F350 Super Duty	6.4L V8 DSL	71-2576 ¹	11.1 @ 2460
E550 Super Duty	6.8L V10 F/I	77-2570KTK ²	17.5 @ 4101			57-2576 ¹	16.4 @ 2600
Edge	3.5L V6 F/I	77-2574KS ¹	11.2 @ 5797	F450 Super Duty	6.4L V8 DSL	71-2576 ¹	11.1 @ 2460
Expedition	5.4L V8 F/I	57-2575 ¹	11.0 @ 4600			57-2576 ¹	16.4 @ 2600
F150	4.6L V8 F/I - w/3 Valve VIN 8	77-2580KP ¹	15.1 @ 4650	F550 Super Duty	6.4L V8 DSL	71-2576 ²	11.1 @ 2460
		57-2580 ¹	16.1 @ 4650			57-2576 ¹	16.4 @ 2600
F150	5.4L V8 F/I	57-2575 ¹	12.5 @ 4600	Fiesta VI	1.6L L4 F/I	69-3530TS ²	3.8 @ 4518
F150 SVT Raptor	5.4L V8 F/I	57-2575 ¹	11.0 @ 4600	Flex	3.5L V6 F/I	77-2578KS ¹	9.2 @ 4914
F150 SVT Raptor	6.2L V8 F/I	77-2579KTK ¹	20.0 @ 4830	Focus	2.0L L4 F/I - Exc. LEV2 SULEV Test Group 9FMXV02.0VZP & 9FMXV02.0VZX	69-3513TTK ¹	5.2 @ 5400
F250 Super Duty	5.4L V8 F/I	77-2577KTK ¹	13.9 @ 4077	Fusion	2.3L L4 F/I - Exc. LEV2 SULEV Test Group 9FMXV02.3VZT	69-3514TTK ¹	6.0 @ 4200
F250 Super Duty	6.4L V8 DSL	71-2576 ¹	11.1 @ 2460			69-3515TS ¹	11.9 @ 5001
		57-2576 ¹	16.4 @ 2600	Fusion	3.0L V6 F/I	69-3515TS ¹	11.9 @ 5001
F350 Super Duty	5.4L V8 F/I	77-2577KTK ¹	13.9 @ 4077	Mustang	4.0L V6 F/I	69-3522TP ¹	7.1 @ 5200
F350 Super Duty	6.4L V8 DSL	71-2576 ¹	11.1 @ 2460			57-2566 ¹	7.5 @ 4996
		57-2576 ¹	16.4 @ 2600	Mustang GT	4.6L V8 F/I	69-3523KP ²	8.8 @ 5208
F450 Super Duty	6.4L V8 DSL	71-2576 ¹	11.1 @ 2460			63-2565 ²	15.3 @ 6000
		57-2576 ¹	16.4 @ 2600	Mustang Shelby	5.4L V8 F/I	57-2571 ¹	57.0 @ 5900
F550 Super Duty	6.4L V8 DSL	71-2576 ²	11.1 @ 2460	Ranger	4.0L V6 F/I	77-2561KP ¹	11.2 @ 4950
		57-2576 ¹	16.4 @ 2600			57-2561 ¹	13.5 @ 5129
Fiesta VI	1.6L L4 F/I	69-3530TS ²	3.8 @ 4518	2008 FORD			
Flex	3.5L V6 F/I - Exc. Turbo	77-2578KS ¹	9.2 @ 4914	Crown Victoria	4.6L V8 F/I - Exc. Police Package	69-3532TTK ¹	10.2 @ 4491
Focus	2.0L L4 F/I - PZEV	69-3516TTK ²	5.8 @ 5000	E150	5.4L V8 F/I	77-2570KTK ¹	17.5 @ 4101
Fusion	2.5L L4 F/I	69-3514TTK ¹	6.0 @ 4200	E150 Wagon	5.4L V8 F/I	77-2570KTK ¹	17.5 @ 4101
Mustang	4.0L V6 F/I	69-3525TS ¹	5.2 @ 4700	E250	5.4L V8 F/I	77-2570KTK ¹	17.5 @ 4101
		57-2577 ¹	7.4 @ 4700	E250	6.8L V10 F/I	77-2570KTK ¹	17.5 @ 4101
Mustang GT	4.6L V8 F/I	69-3526TP ²	9.5 @ 5000	E350 Super Duty	5.4L V8 F/I	77-2570KTK ¹	17.5 @ 4101
Mustang Shelby GT500	5.4L V8 F/I	57-2579 ¹	30.5 @ 5200	E350 Super Duty	6.8L V10 F/I	77-2570KTK ¹	17.5 @ 4101
Ranger	4.0L V6 F/I	77-2561KP ¹	11.2 @ 4950	E350 Wagon	5.4L V8 F/I	77-2570KTK ¹	17.5 @ 4101
		57-2561 ¹	13.5 @ 5129	E350 Wagon	6.8L V10 F/I	77-2570KTK ¹	17.5 @ 4101
Taurus	3.5L V6 F/I	69-3528TS ¹	11.6 @ 4044	E450 Super Duty	5.4L V8 F/I	77-2570KTK ¹	17.5 @ 4101
2009 FORD				E450 Super Duty	6.8L V10 F/I	77-2570KTK ¹	17.5 @ 4101
Crown Victoria	4.6L V8 F/I - Exc. Police Package	69-3532TTK ¹	10.2 @ 4491	E550 Super Duty	6.8L V10 F/I	77-2570KTK ²	17.5 @ 4101
E150	5.4L V8 F/I	77-2570KTK ¹	17.5 @ 4101	Edge	3.5L V6 F/I	77-2574KS ¹	11.2 @ 5797
E150 Wagon	5.4L V8 F/I	77-2570KTK ¹	17.5 @ 4101	Expedition	5.4L V8 F/I	57-2575 ¹	11.0 @ 4600
E250	5.4L V8 F/I	77-2570KTK ¹	17.5 @ 4101	Explorer	4.6L V8 F/I	77-2573KP ¹	10.0 @ 4700
E250	6.8L V10 F/I	77-2570KTK ¹	17.5 @ 4101			57-2573 ¹	11.0 @ 4500
E350 Super Duty	5.4L V8 F/I	77-2570KTK ¹	17.5 @ 4101	F150	4.2L V6 F/I	63-2572 ²	7.4 @ 4016
E350 Super Duty	6.8L V10 F/I	77-2570KTK ¹	17.5 @ 4101			57-2572 ¹	7.4 @ 4106
E350 Wagon	5.4L V8 F/I	77-2570KTK ¹	17.5 @ 4101	F150	4.6L V8 F/I	57-2574 ¹	9.9 @ 4200
E350 Wagon	6.8L V10 F/I	77-2570KTK ¹	17.5 @ 4101	F150	5.4L V8 F/I	77-2556KP ¹	9.6 @ 3724
E450 Super Duty	5.4L V8 F/I	77-2570KTK ¹	17.5 @ 4101			71-2556 ¹	11.5 @ 3800
E450 Super Duty	6.8L V10 F/I	77-2570KTK ¹	17.5 @ 4101				

1) Street legal in all US states. 2) Not legal for sale or use on any pollution controlled motor vehicle in California or states adopting California emission procedures. * Estimated horsepower gains are based on specific or similar vehicle dyno tests. Results will vary. See Page 478 for more information. See page 7 for information on intake tube materials/colors.

FORD

AIR INTAKE SYSTEMS



Vehicle	Engine Type	Part Number	Estimated Horsepower*	Vehicle	Engine Type	Part Number	Estimated Horsepower*
2008 FORD				2007 FORD			
F150	5.4L V8 F/I	57-2556 ¹	15.5 @ 3829	F350 Harley Davidson Super Duty	6.0L V8 DSL	57-2546-1 ¹	15.5 @ 3426
F250 Super Duty	5.4L V8 F/I	77-2577KTK ¹	13.9 @ 4077	F350 Super Duty	6.0L V8 DSL	57-2546-1 ¹	15.5 @ 3426
F250 Super Duty	6.4L V8 DSL	71-2576 ¹	11.1 @ 2460	F450 Super Duty	6.0L V8 DSL	57-2546-1 ¹	15.5 @ 3426
		57-2576 ¹	16.4 @ 2600	F550 Super Duty	6.0L V8 DSL	57-2546-1 ¹	15.5 @ 3426
F350 Super Duty	5.4L V8 F/I	77-2577KTK ¹	13.9 @ 4077	Fiesta V	2.0L L4 F/I	69-4002TB ²	
F350 Super Duty	6.4L V8 DSL	71-2576 ¹	11.1 @ 2460	Focus	2.0L L4 F/I - Exc. LEV2 SULEV Test Group	69-3513TTK ¹	5.2 @ 5400
		57-2576 ¹	16.4 @ 2600	Focus	2.3L L4 F/I - Exc. PZEV Eng. Family	69-3512TR ¹	8.5 @ 5800
F450 Super Duty	6.4L V8 DSL	71-2576 ¹	11.1 @ 2460		5FMXV02.01GB		
F550 Super Duty	6.4L V8 DSL	71-2576 ²	11.1 @ 2460			69-3512TP ²	8.5 @ 5800
		57-2576 ¹	16.4 @ 2600	Fusion	2.3L L4 F/I - Exc. LEV2 SULEV Test Group	69-3514TTK ¹	6.0 @ 4200
Fiesta V	2.0L L4 F/I	69-4002TB ²		Fusion Lobo	3.0L V6 F/I	69-3515TS ¹	11.9 @ 5001
Fiesta VI	1.6L L4 F/I	69-3530TS ²	3.8 @ 4518		5.4L V8 F/I	77-2556KP ²	9.6 @ 3724
Focus	2.0L L4 F/I - Exc. LEV2 SULEV Test Group	69-3513TTK ¹	5.2 @ 5400	Mustang	4.0L V6 F/I	71-2556 ²	11.5 @ 3800
	8FMXV02.0VZP					69-3522TP ¹	7.1 @ 5200
Fusion	2.3L L4 F/I - Exc. LEV2 SULEV Test Group	69-3514TTK ¹	6.0 @ 4200	Mustang GT	4.6L V8 F/I	57-2566 ¹	7.5 @ 4996
	8FMXV02.3VZT					69-3523KP ²	8.8 @ 5208
Fusion	3.0L V6 F/I	69-3515TS ¹	11.9 @ 5001	Mustang GT	4.6L V8 F/I	63-2565 ²	15.3 @ 6000
Mustang	4.0L V6 F/I	69-3522TP ¹	7.1 @ 5200	Mustang Shelby	5.4L V8 F/I	57-2571 ¹	57.0 @ 5900
		57-2566 ¹	7.5 @ 4996	Ranger	3.0L V6 F/I	57-2560 ¹	10.0 @ 4921
Mustang GT	4.6L V8 F/I	69-3523KP ²	8.8 @ 5208	Ranger	4.0L V6 F/I	77-2561KP ¹	11.2 @ 4950
		63-2565 ²	15.3 @ 6000			57-2561 ¹	13.5 @ 5129
Mustang Shelby	5.4L V8 F/I	57-2571 ¹	57.0 @ 5900	2007 FORD			
Ranger	3.0L V6 F/I	57-2560 ¹	10.0 @ 4921	Crown Victoria	4.6L V8 F/I - Exc. Police Package	69-3532TTK ¹	10.2 @ 4491
Ranger	4.0L V6 F/I	77-2561KP ¹	11.2 @ 4950	E150	5.4L V8 F/I	77-2570KTK ¹	17.5 @ 4101
		57-2561 ¹	13.5 @ 5129	E150 Wagon	5.4L V8 F/I	77-2570KTK ¹	17.5 @ 4101
2007 FORD				E250	5.4L V8 F/I	77-2570KTK ¹	17.5 @ 4101
Crown Victoria	4.6L V8 F/I - Exc. Police Package	69-3532TTK ¹	10.2 @ 4491	E250	6.8L V10 F/I	77-2570KTK ¹	17.5 @ 4101
E150	5.4L V8 F/I	77-2570KTK ¹	17.5 @ 4101	E350 Super Duty	5.4L V8 F/I	77-2570KTK ¹	17.5 @ 4101
E150 Wagon	5.4L V8 F/I	77-2570KTK ¹	17.5 @ 4101	E350 Super Duty	6.8L V10 F/I	77-2570KTK ¹	17.5 @ 4101
E250	5.4L V8 F/I	77-2570KTK ¹	17.5 @ 4101	E350 Wagon	5.4L V8 F/I	77-2570KTK ¹	17.5 @ 4101
E250	6.8L V10 F/I	77-2570KTK ¹	17.5 @ 4101	E350 Wagon	6.8L V10 F/I	77-2570KTK ¹	17.5 @ 4101
E350 Super Duty	5.4L V8 F/I	77-2570KTK ¹	17.5 @ 4101	E450 Super Duty	5.4L V8 F/I	77-2570KTK ¹	17.5 @ 4101
E350 Super Duty	6.8L V10 F/I	77-2570KTK ¹	17.5 @ 4101	E450 Super Duty	6.8L V10 F/I	77-2570KTK ¹	17.5 @ 4101
E350 Wagon	5.4L V8 F/I	77-2570KTK ¹	17.5 @ 4101	E550 Super Duty	6.8L V10 F/I	77-2570KTK ²	17.5 @ 4101
E350 Wagon	6.8L V10 F/I	77-2570KTK ¹	17.5 @ 4101	Edge	3.5L V6 F/I	77-2574KS ¹	11.2 @ 5797
E450 Super Duty	5.4L V8 F/I	77-2570KTK ¹	17.5 @ 4101	Expedition	5.4L V8 F/I	57-2575 ¹	11.0 @ 4600
E450 Super Duty	6.8L V10 F/I	77-2570KTK ¹	17.5 @ 4101	Explorer	4.6L V8 F/I	77-2573KP ¹	10.0 @ 4700
E550 Super Duty	6.8L V10 F/I	77-2570KTK ²	17.5 @ 4101			57-2573 ¹	11.0 @ 4500
Edge	3.5L V6 F/I	77-2574KS ¹	11.2 @ 5797	F150	4.2L V6 F/I	63-2572 ²	7.4 @ 4016
Expedition	5.4L V8 F/I	57-2575 ¹	11.0 @ 4600			57-2572 ¹	7.4 @ 4106
Explorer	4.6L V8 F/I	77-2573KP ¹	10.0 @ 4700	F150	4.6L V8 F/I	57-2574 ¹	9.9 @ 4200
		57-2573 ¹	11.0 @ 4500	F150	5.4L V8 F/I	77-2556KP ¹	9.6 @ 3724
F150	4.2L V6 F/I	63-2572 ²	7.4 @ 4016			71-2556 ¹	11.5 @ 3800
F150	4.6L V8 F/I	57-2574 ¹	9.9 @ 4200	F250 Harley Davidson Super Duty	6.0L V8 DSL	57-2546-1 ¹	15.5 @ 3426
F150	5.4L V8 F/I	77-2556KP ¹	9.6 @ 3724	F250 Super Duty	6.0L V8 DSL	57-2546-1 ¹	15.5 @ 3426
		71-2556 ¹	11.5 @ 3800	F250 Super Duty	6.0L V8 DSL	57-2546-1 ¹	15.5 @ 3426
		57-2556 ¹	15.5 @ 3829				
F250 Harley Davidson Super Duty	6.0L V8 DSL	57-2546-1 ¹	15.5 @ 3426	F250 Super Duty	5.4L V8 F/I	57-2570 ¹	21.5 @ 4387
F250 Super Duty	6.0L V8 DSL	57-2546-1 ¹	15.5 @ 3426	F250 Super Duty	6.0L V8 DSL	57-2546-1 ¹	15.5 @ 3426

1) Street legal in all US states. 2) Not legal for sale or use on any pollution controlled motor vehicle in California or states adopting California emission procedures. * Estimated horsepower gains are based on specific or similar vehicle dyno tests. Results will vary. See Page 478 for more information. See page 7 for information on intake tube materials/colors.



AIR INTAKE SYSTEMS

FORD

Vehicle	Engine Type	Part Number	Estimated Horsepower*	Vehicle	Engine Type	Part Number	Estimated Horsepower*
2006 FORD				2005 FORD			
F250 Super Duty	6.8L V10 F/I	57-2567 ¹	16.2 @ 4450	F150	5.4L V8 F/I	71-2556 ¹	11.5 @ 3800
F350	5.4L V8 F/I	57-2570 ¹	21.5 @ 4387			57-2556 ¹	15.5 @ 3829
F350 Cutaway	6.0L V8 DSL	57-2546-1 ¹	15.5 @ 3426	F250 Harley Davidson Super Duty	6.0L V8 DSL	57-2546-1 ¹	15.5 @ 3426
F350 Harley Davidson Super Duty	6.0L V8 DSL	57-2546-1 ¹	15.5 @ 3426	F250 Harley Davidson Super Duty	6.8L V10 F/I	57-2567 ¹	16.2 @ 4450
F350 Super Duty	5.4L V8 F/I	57-2570 ¹	21.5 @ 4387	F250 Super Duty	5.4L V8 F/I	57-2570 ¹	21.5 @ 4387
F350 Super Duty	6.0L V8 DSL	57-2546-1 ¹	15.5 @ 3426	F250 Super Duty	6.0L V8 DSL	57-2546-1 ¹	15.5 @ 3426
F350 Super Duty	6.8L V10 F/I	57-2567 ¹	16.2 @ 4450	F250 Super Duty	6.8L V10 F/I	57-2567 ¹	16.2 @ 4450
F450 Super Duty	6.0L V8 DSL	57-2546-1 ¹	15.5 @ 3426	F350	5.4L V8 F/I	57-2570 ¹	21.5 @ 4387
F550 Super Duty	6.0L V8 DSL	57-2546-1 ¹	15.5 @ 3426	F350 Harley Davidson Super Duty	6.0L V8 DSL	57-2546-1 ¹	15.5 @ 3426
Fiesta V	2.0L L4 F/I	69-4002TB ²		F350 Harley Davidson Super Duty	6.8L V10 F/I	57-2567 ¹	16.2 @ 4450
Focus	2.3L L4 F/I - Exc. PZEV Eng. Family 5FMXV02.01GB	69-3512TR ¹	8.5 @ 5800	F350 Harley Davidson Super Duty	6.8L V10 F/I	57-2567 ¹	16.2 @ 4450
		69-3512TP ²	8.5 @ 5800	F350 Super Duty	5.4L V8 F/I	57-2570 ¹	21.5 @ 4387
Fusion	2.3L L4 F/I - Exc. LEV2 SULEV Test Group 6FMXV02.31ZA	69-3514TTK ¹	6.0 @ 4200	F350 Super Duty	6.0L V8 DSL	57-2546-1 ¹	15.5 @ 3426
Fusion	3.0L V6 F/I	69-3515TS ¹	11.9 @ 5001	F350 Super Duty	6.8L V10 F/I	57-2567 ¹	16.2 @ 4450
Lobo	4.6L V8 F/I	77-2569KP ²	7.7 @ 4775	F450 Super Duty	6.0L V8 DSL	57-2546-1 ¹	15.5 @ 3426
Lobo	5.4L V8 F/I	77-2556KP ²	9.6 @ 3724	F550 Super Duty	6.0L V8 DSL	57-2546-1 ¹	15.5 @ 3426
		71-2556 ²	11.5 @ 3800	Fiesta V	2.0L L4 F/I	69-4002TB ²	
Mustang	4.0L V6 F/I	69-3522TP ¹	7.1 @ 5200	Focus	2.0L L4 F/I - Exc. PZEV Eng. Family 5FMXV02.01GB	57-2559 ¹	11.9 @ 5797
		57-2566 ¹	7.5 @ 4996				
Mustang GT	4.6L V8 F/I	69-3523KP ¹	8.8 @ 5208	Focus	2.3L L4 F/I - Exc. PZEV Eng. Family 5FMXV02.01GB	69-3512TR ¹	8.5 @ 5800
		57-2565 ¹	15.3 @ 6000			69-3512TP ²	8.5 @ 5800
Ranger	3.0L V6 F/I	57-2560 ¹	10.0 @ 4921				
Ranger	4.0L V6 F/I	77-2561KP ¹	11.2 @ 4950				
		57-2561 ¹	13.5 @ 5129				
						57-2559 ¹	11.9 @ 5797
2005 FORD				2004 FORD			
Crown Victoria	4.6L V8 F/I - Exc. Police Package	69-3532TTK ¹	10.2 @ 4491	Lobo	4.6L V8 F/I	77-2557KP ²	9.3 @ 4724
E150	5.4L V8 F/I	77-2570KTK ¹	17.5 @ 4101	Lobo	5.4L V8 F/I	77-2556KP ²	9.6 @ 3724
E150 Club Wagon	5.4L V8 F/I	77-2570KTK ¹	17.5 @ 4101			71-2556 ²	11.5 @ 3800
E250	5.4L V8 F/I	77-2570KTK ¹	17.5 @ 4101	Mustang	4.0L V6 F/I	69-3522TP ¹	7.1 @ 5200
E250	6.8L V10 F/I	77-2570KTK ¹	17.5 @ 4101			57-2566 ¹	7.5 @ 4596
E250 Club Wagon	5.4L V8 F/I	77-2570KTK ¹	17.5 @ 4101	Mustang GT	4.6L V8 F/I	69-3523KP ¹	8.8 @ 5208
E350 Club Wagon	5.4L V8 F/I	77-2570KTK ¹	17.5 @ 4101			57-2565 ¹	15.3 @ 6000
E350 Club Wagon	6.8L V10 F/I	77-2570KTK ¹	17.5 @ 4101	Ranger	3.0L V6 F/I	57-2560 ¹	10.0 @ 4921
E350 Super Duty	5.4L V8 F/I	77-2570KTK ¹	17.5 @ 4101	Ranger	4.0L V6 F/I	77-2561KP ¹	11.2 @ 4950
E350 Super Duty	6.8L V10 F/I	77-2570KTK ¹	17.5 @ 4101			57-2561 ¹	13.5 @ 5129
E450 Super Duty	5.4L V8 F/I	77-2570KTK ¹	17.5 @ 4101	Thunderbird	3.9L V8 F/I	69-3520TP ¹	8.0 @ 5379
E450 Super Duty	6.8L V10 F/I	77-2570KTK ¹	17.5 @ 4101			57-2562 ¹	15.8 @ 6000
E550 Super Duty	6.8L V10 F/I	77-2570KTK ²	17.5 @ 4101				
Excursion	5.4L V8 F/I	57-2570 ¹	21.5 @ 4387				
Excursion	6.0L V8 DSL	57-2546-1 ¹	15.5 @ 3426				
Excursion	6.8L V10 F/I	57-2524-2 ¹	12.0 @ 4140				
Expedition	5.4L V8 F/I	77-2556KP ¹	9.6 @ 3724				
		71-2556 ¹	11.5 @ 3800				
		57-2556 ¹	15.5 @ 3829				
Explorer	4.6L V8 F/I	57-2564 ¹	10.4 @ 4921				
F150	4.2L V6 F/I	57-2572 ¹	7.4 @ 4106				
F150	4.6L V8 F/I	77-2557KP ¹	9.3 @ 4724				
		57-2557 ¹	7.8 @ 4828				
F150	5.4L V8 F/I	77-2556KP ¹	9.6 @ 3724				

1) Street legal in all US states. 2) Not legal for sale or use on any pollution controlled motor vehicle in California or states adopting California emission procedures. * Estimated horsepower gains are based on specific or similar vehicle dyno tests. Results will vary. See Page 478 for more information. See page 7 for information on intake tube materials/colors.

FORD

AIR INTAKE SYSTEMS



Vehicle	Engine Type	Part Number	Estimated Horsepower*	Vehicle	Engine Type	Part Number	Estimated Horsepower*
2004 FORD				2004 FORD			
E450 Super Duty	6.8L V10 F/I	77-2570KTK ¹	17.5 @ 4101	Mustang Mach 1	4.6L V8 F/I	57-2555 ¹	12.6 @ 5100
E550 Super Duty	6.8L V10 F/I	77-2570KTK ²	17.5 @ 4101	Mustang SVT Cobra	4.6L V8 F/I	57-2545 ¹	30.3 @ 5900
Excursion	5.4L V8 F/I	57-2525-2 ¹	11.6 @ 4480	Ranger	3.0L V6 F/I	57-2560 ¹	10.0 @ 4921
Excursion	6.0L V8 DSL	57-2546-1 ¹	15.5 @ 3426	Ranger	4.0L V6 F/I	77-2561KP ¹	11.2 @ 4950
Excursion	6.8L V10 F/I	57-2524-2 ¹	12.0 @ 4140			57-2561 ¹	13.5 @ 5129
Expedition	4.6L V8 F/I	77-2514KP ¹	9.7 @ 4093	Thunderbird	3.9L V8 F/I	69-3520TP ¹	8.0 @ 5379
		57-2538 ¹	10.2 @ 4618			57-2562 ¹	15.8 @ 6000
Expedition	5.4L V8 F/I	77-2514KP ¹	9.7 @ 4093	2003 FORD			
		57-2538 ¹	10.2 @ 4618	Crown Victoria	4.6L V8 F/I	57-2553 ¹	13.1 @ 4979
Explorer	4.6L V8 F/I	57-2564 ¹	10.4 @ 4921	E150	5.4L V8 F/I	77-2570KTK ¹	17.5 @ 4101
Explorer Sport Trac	4.0L V6 F/I	77-2529KP ¹	5.3 @ 5095	E150 Club Wagon	5.4L V8 F/I	77-2570KTK ¹	17.5 @ 4101
		57-2529-1 ¹	6.9 @ 5244	E250	5.4L V8 F/I	77-2570KTK ¹	17.5 @ 4101
F150	4.2L V6 F/I	77-2550KP ¹	6.2 @ 4567	E250	6.8L V10 F/I	77-2570KTK ¹	17.5 @ 4101
		57-2550 ¹	7.6 @ 4891	E250	5.4L V8 F/I	77-2570KTK ¹	17.5 @ 4101
F150	4.6L V8 F/I	77-2557KP ¹	9.3 @ 4724	E350 Club Wagon	5.4L V8 F/I	77-2570KTK ¹	17.5 @ 4101
		57-2557 ¹	7.8 @ 4828	E350 Club Wagon	6.8L V10 F/I	77-2570KTK ¹	17.5 @ 4101
F150	5.4L V8 F/I	77-2556KP ¹	9.6 @ 3724	E350 Super Duty	5.4L V8 F/I	77-2570KTK ¹	17.5 @ 4101
		71-2556 ¹	11.5 @ 3800	E350 Super Duty	6.8L V10 F/I	77-2570KTK ¹	17.5 @ 4101
		57-2556 ¹	15.5 @ 3829	E450 Super Duty	5.4L V8 F/I	77-2570KTK ¹	17.5 @ 4101
F150 Heritage	4.2L V6 F/I	77-2550KP ¹	6.2 @ 4567	E450 Super Duty	6.8L V10 F/I	77-2570KTK ¹	17.5 @ 4101
		57-2550 ¹	7.6 @ 4891	E550 Super Duty	6.8L V10 F/I	77-2570KTK ¹	17.5 @ 4101
F150 Heritage	4.6L V8 F/I	77-2514KP ¹	9.7 @ 4093	Escort ZX2	2.0L L4 F/I	69-3500TP ¹	4.6 @ 5700
		57-2541 ¹	13.1 @ 4562			69-3500TB ¹	4.6 @ 5700
F150 Heritage	5.4L V8 F/I	57-2541 ¹	13.1 @ 4562	Excursion	5.4L V8 F/I	57-2525-2 ¹	11.6 @ 4480
F150 Lightning	5.4L V8 F/I	57-2549 ¹	15.6 @ 5162	Excursion	6.0L V8 DSL	57-2546-1 ¹	15.5 @ 3426
F250 Harley Davidson Super Duty	6.0L V8 DSL	57-2546-1 ¹	15.5 @ 3426	Excursion	6.8L V10 F/I	57-2524-2 ¹	12.0 @ 4140
F250 Super Duty	5.4L V8 F/I	57-2525-2 ¹	11.6 @ 4480	Excursion	7.3L V8 DSL	57-2530 ¹	14.9 @ 2925
F250 Super Duty	6.0L V8 DSL	57-2546-1 ¹	15.5 @ 3426	Expedition	4.6L V8 F/I	77-2514KP ¹	9.7 @ 4093
F350	5.4L V8 F/I	57-2525-2 ¹	11.6 @ 4480			57-2538 ¹	10.2 @ 4618
F350 Super Duty	5.4L V8 F/I	57-2525-2 ¹	11.6 @ 4480	Expedition	5.4L V8 F/I	77-2514KP ¹	9.7 @ 4093
F350 Super Duty	6.0L V8 DSL	57-2546-1 ¹	15.5 @ 3426			57-2538 ¹	10.2 @ 4618
F350 Super Duty	6.8L V10 F/I	57-2524-2 ¹	12.0 @ 4140	Explorer	4.0L V6 F/I	57-2537 ¹	7.3 @ 4890
F350 Super Duty	6.8L V10 F/I	57-2524-2 ¹	12.0 @ 4140	Explorer	4.6L V8 F/I	57-2539 ¹	8.6 @ 4486
F450 Super Duty	6.0L V8 DSL	57-2546-1 ¹	15.5 @ 3426	Explorer Sport	4.0L V6 F/I	77-2529KP ¹	5.3 @ 5095
F550 Super Duty	6.0L V8 DSL	57-2546-1 ¹	15.5 @ 3426			57-2529-1 ¹	6.9 @ 5244
Focus	1.8L L4 F/I	69-4000TS ²		Explorer Sport Trac	4.0L V6 F/I	77-2529KP ¹	5.3 @ 5095
		69-4000TB ²				57-2529-1 ¹	6.9 @ 5244
Focus	2.0L L4 F/I - DOHC	57-2526-2 ¹	3.2 @ 5100	F150	4.2L V6 F/I	77-2550KP ¹	6.2 @ 4567
Focus	2.0L L4 F/I - Non-US	69-4000TS ²				57-2550 ¹	7.6 @ 4891
		69-4000TB ²		F150	4.6L V8 F/I	77-2514KP ¹	9.7 @ 4093
Focus	2.3L L4 F/I	69-3512TR ²	8.5 @ 5800			57-2541 ¹	13.1 @ 4562
		69-3512TP ²	8.5 @ 5800	F150	5.4L V8 F/I	77-2514KP ¹	9.7 @ 4093
		63-1101 ²	11.9 @ 5797			57-2541 ¹	13.1 @ 4562
Focus ST170	2.0L L4 F/I	69-3511TR ²	6.2 @ 5000	F150 Harley Davidson	5.4L V8 F/I	57-2549 ¹	15.6 @ 5162
		69-3511TP ²	6.2 @ 5000	F150 Lightning	5.4L V8 F/I	57-2549 ¹	15.6 @ 5162
Focus SVT	2.0L L4 F/I	69-3511TR ¹	6.2 @ 5000	F250 Super Duty	5.4L V8 F/I	57-2525-2 ¹	11.6 @ 4480
		69-3511TP ¹	6.2 @ 5000	F250 Super Duty	6.0L V8 DSL	57-2546-1 ¹	15.5 @ 3426
		57-2547 ¹	5.5 @ 6500	F250 Super Duty	6.8L V10 F/I	57-2524-2 ¹	12.0 @ 4140
Lobo	4.6L V8 F/I	77-2557KP ²	9.3 @ 4724	F250 Super Duty	7.3L V8 DSL	57-2530 ¹	14.9 @ 2925
Lobo	5.4L V8 F/I	77-2556KP ²	9.6 @ 3724	F350 Super Duty	5.4L V8 F/I	57-2525-2 ¹	11.6 @ 4480
		71-2556 ²	11.5 @ 3800	F350 Super Duty	6.0L V8 DSL	57-2546-1 ¹	15.5 @ 3426
Mustang	3.8L V6 F/I	57-2532 ¹	6.9 @ 4825	F350 Super Duty	6.8L V10 F/I	57-2524-2 ¹	12.0 @ 4140
Mustang GT	4.6L V8 F/I	69-3521TP ¹	6.8 @ 4600	F350 Super Duty	7.3L V8 DSL	57-2530 ¹	14.9 @ 2925
		57-2519-3 ¹	10.1 @ 4945	F450 Super Duty	6.0L V8 DSL	57-2546-1 ¹	15.5 @ 3426
				F550 Super Duty	6.0L V8 DSL	57-2546-1 ¹	15.5 @ 3426

1) Street legal in all US states. 2) Not legal for sale or use on any pollution controlled motor vehicle in California or states adopting California emission procedures. * Estimated horsepower gains are based on specific or similar vehicle dyno tests. Results will vary. See Page 478 for more information. See page 7 for information on intake tube materials/colors.



AIR INTAKE SYSTEMS

FORD

Vehicle	Engine Type	Part Number	Estimated Horsepower*	Vehicle	Engine Type	Part Number	Estimated Horsepower*
2003 FORD				2002 FORD			
Focus	1.8L L4 F/I	69-4000TS ²		Expedition	4.6L V8 F/I	57-2514-4 ¹	9.8 @ 4198
		69-4000TB ²		Expedition	5.4L V8 F/I	77-2514KP ¹	9.7 @ 4093
Focus	2.0L L4 F/I - DOHC	69-3510TP ¹	3.9 @ 2931			57-2541 ¹	13.1 @ 4562
		69-3510TB ¹	3.9 @ 2931			57-2514-4 ¹	9.8 @ 4198
		57-2526-2 ¹	3.2 @ 5100	Explorer	4.0L V6 F/I	57-2537 ¹	7.3 @ 4889
Focus	2.0L L4 F/I - Non-US	69-4000TS ²		Explorer	4.6L V8 F/I	57-2539 ¹	8.6 @ 4486
		69-4000TB ²		Explorer Sport	4.0L V6 F/I	77-2529KP ¹	5.3 @ 5095
Focus	2.3L L4 F/I	69-3512TR ²	8.5 @ 5800			57-2529-1 ¹	6.9 @ 5244
		69-3512TP ²	8.5 @ 5800	Explorer Sport Trac	4.0L V6 F/I	77-2529KP ¹	5.3 @ 5095
		63-1101 ²	11.9 @ 5797			57-2529-1 ¹	6.9 @ 5244
Focus ST170	2.0L L4 F/I	69-3511TR ²	6.2 @ 5000	F150	4.2L V6 F/I	77-2550KP ¹	6.2 @ 4567
		69-3511TP ²	6.2 @ 5000			57-2550 ¹	7.6 @ 4891
Focus SVT	2.0L L4 F/I	69-3511TR ¹	6.2 @ 5000	F150	4.6L V8 F/I	77-2514KP ¹	9.7 @ 4093
		69-3511TP ¹	6.2 @ 5000			57-2541 ¹	13.1 @ 4562
		57-2547 ¹	5.5 @ 6500			57-2514-4 ¹	9.8 @ 4198
Lobo	5.4L V8 F/I	77-2514KP ²	9.7 @ 4093	F150	5.4L V8 F/I	77-2514KP ¹	9.7 @ 4093
Mustang	3.8L V6 F/I	57-2532 ¹	6.9 @ 4825			57-2541 ¹	13.1 @ 4562
Mustang GT	4.6L V8 F/I	69-3521TP ¹	6.8 @ 4600			57-2514-4 ¹	9.8 @ 4198
		57-2519-3 ¹	10.1 @ 4945	F150 Harley Davidson	5.4L V8 F/I	57-2549 ¹	15.6 @ 5162
Mustang Mach 1	4.6L V8 F/I	57-2555 ¹	12.6 @ 5100	F150 Lightning	5.4L V8 F/I	57-2549 ¹	15.6 @ 5162
Mustang SVT Cobra	4.6L V8 F/I	57-2545 ¹	30.3 @ 5900	F250 Super Duty	5.4L V8 F/I	57-2525-2 ¹	11.6 @ 4480
Ranger	2.3L L4 F/I	77-2552KP ¹	6.1 @ 4498	F250 Super Duty	6.8L V10 F/I	57-2524-2 ¹	12.0 @ 4140
		57-2552 ¹	6.8 @ 4874	F250 Super Duty	7.3L V8 DSL	57-2530 ¹	14.9 @ 2925
Ranger	3.0L V6 F/I	57-2554 ¹	9.4 @ 4848	F350 Super Duty	5.4L V8 F/I	57-2525-2 ¹	11.6 @ 4480
Ranger	4.0L V6 F/I	77-2529KP ¹	5.3 @ 5095	F350 Super Duty	6.8L V10 F/I	57-2524-2 ¹	12.0 @ 4140
		57-2529-1 ¹	6.9 @ 5244	F350 Super Duty	7.3L V8 DSL	57-2530 ¹	14.9 @ 2925
Thunderbird	3.9L V8 F/I	69-3520TP ¹	8.0 @ 5379	Focus	1.8L L4 F/I	69-4000TS ²	
		57-2562 ¹	15.8 @ 6000			69-4000TB ²	
2002 FORD				Focus	2.0L L4 F/I - DOHC	69-3510TP ¹	3.9 @ 2931
Crown Victoria	4.6L V8 F/I	57-2544 ¹	16.9 @ 5000			69-3510TB ¹	3.9 @ 2931
E150	5.4L V8 F/I	77-2570KTK ¹	17.5 @ 4101			57-2526-2 ¹	3.2 @ 5100
E150 Econoline	5.4L V8 F/I	77-2570KTK ¹	17.5 @ 4101	Focus	2.0L L4 F/I - Non-US	69-4000TS ²	
E150 Econoline Club Wagon	5.4L V8 F/I	77-2570KTK ¹	17.5 @ 4101			69-4000TB ²	
E250	6.8L V10 F/I	77-2570KTK ¹	17.5 @ 4101	Focus ST170	2.0L L4 F/I	69-3511TR ²	6.2 @ 5000
E250 Econoline	5.4L V8 F/I	77-2570KTK ¹	17.5 @ 4101			69-3511TP ²	6.2 @ 5000
E350 Club Wagon	5.4L V8 F/I	77-2570KTK ¹	17.5 @ 4101	Focus SVT	2.0L L4 F/I	69-3511TR ¹	6.2 @ 5000
E350 Econoline Club Wagon	5.4L V8 F/I	77-2570KTK ¹	17.5 @ 4101			69-3511TP ¹	6.2 @ 5000
E350 Econoline Club Wagon	6.8L V10 F/I	77-2570KTK ¹	17.5 @ 4101			57-2547 ¹	5.5 @ 6500
E350 Econoline Club Wagon	6.8L V10 F/I	77-2570KTK ¹	17.5 @ 4101	Lobo	5.4L V8 F/I	77-2514KP ²	9.7 @ 4093
E350 Super Duty	5.4L V8 F/I	77-2570KTK ¹	17.5 @ 4101	Mustang	3.8L V6 F/I	57-2532 ¹	6.9 @ 4825
E350 Super Duty	6.8L V10 F/I	77-2570KTK ¹	17.5 @ 4101	Mustang GT	4.6L V8 F/I	69-3521TP ¹	6.8 @ 4600
E450 Econoline Super Duty	5.4L V8 F/I	77-2570KTK ¹	17.5 @ 4101			63-1008 ²	4.5 @ 4216
E450 Econoline Super Duty	6.8L V10 F/I	77-2570KTK ¹	17.5 @ 4101	Ranger	2.3L L4 F/I	57-2519-3 ¹	10.1 @ 4945
E550 Econoline Super Duty	6.8L V10 F/I	77-2570KTK ¹	17.5 @ 4101			77-2552KP ¹	6.1 @ 4498
Escort ZX2	2.0L L4 F/I	69-3500TP ¹	4.6 @ 5700	Ranger	3.0L V6 F/I	57-2552 ¹	6.8 @ 4874
		69-3500TB ¹	4.6 @ 5700	Ranger	4.0L V6 F/I	57-2554 ¹	9.4 @ 4848
Excursion	5.4L V8 F/I	57-2525-2 ¹	11.6 @ 4482	Ranger		77-2529KP ¹	5.3 @ 5095
Excursion	6.8L V10 F/I	57-2524-2 ¹	12.0 @ 4140			57-2529-1 ¹	6.9 @ 5244
Excursion	7.3L V8 DSL	57-2530 ¹	14.9 @ 2925	2001 FORD			
Expedition	4.6L V8 F/I	77-2514KP ¹	9.7 @ 4093	Crown Victoria	4.6L V8 F/I	57-2544 ¹	16.9 @ 5000
		57-2541 ¹	13.1 @ 4562	E150 Econoline	5.4L V8 F/I	77-2570KTK ¹	17.5 @ 4101
				E150 Econoline Club Wagon	5.4L V8 F/I	77-2570KTK ¹	17.5 @ 4101
				E250	6.8L V10 F/I	77-2570KTK ¹	17.5 @ 4101
				E250 Econoline	5.4L V8 F/I	77-2570KTK ¹	17.5 @ 4101

1) Street legal in all US states. 2) Not legal for sale or use on any pollution controlled motor vehicle in California or states adopting California emission procedures. * Estimated horsepower gains are based on specific or similar vehicle dyno tests. Results will vary. See Page 478 for more information. See page 7 for information on intake tube materials/colors.

FORD

AIR INTAKE SYSTEMS



Vehicle	Engine Type	Part Number	Estimated Horsepower*	Vehicle	Engine Type	Part Number	Estimated Horsepower*
2001 FORD				2001 FORD			
E350 Econoline Club Wagon	5.4L V8 F/I	77-2570KTK ¹	17.5 @ 4101	Focus	2.0L L4 F/I - Non-US	69-4000TB ²	
E350 Econoline Club Wagon	6.8L V10 F/I	77-2570KTK ¹	17.5 @ 4101	Lobo	5.4L V8 F/I	77-2514KP ²	9.7 @ 4093
E350 Super Duty	5.4L V8 F/I	77-2570KTK ¹	17.5 @ 4101	Mustang	3.8L V6 F/I	57-2532 ¹	6.9 @ 4825
E350 Super Duty	6.8L V10 F/I	77-2570KTK ¹	17.5 @ 4101	Mustang GT	4.6L V8 F/I	69-3524TP ¹	6.8 @ 4600
E450 Econoline Super Duty	5.4L V8 F/I	77-2570KTK ¹	17.5 @ 4101		63-1008 ²		4.5 @ 4216
E450 Econoline Super Duty	6.8L V10 F/I	77-2570KTK ¹	17.5 @ 4101	Mustang GT Bullitt	4.6L V8 F/I	57-2519-3 ¹	10.1 @ 4945
E550 Econoline Super Duty	6.8L V10 F/I	77-2570KTK ²	17.5 @ 4101	Mustang SVT Cobra	4.6L V8 F/I	57-2523-2 ¹	12.1 @ 5860
Escort ZX2	2.0L L4 F/I	69-3500TP ¹	4.6 @ 5700			63-1008 ²	4.5 @ 4216
		69-3500TB ¹	4.6 @ 5700	Ranger	2.3L L4 F/I	57-2523-2 ¹	12.1 @ 5860
Excursion	5.4L V8 F/I	57-2525-2 ¹	11.6 @ 4480			77-2552KP ¹	6.1 @ 4498
Excursion	6.8L V10 F/I	57-2524-2 ¹	12.0 @ 4140	Ranger	2.5L L4 F/I	57-2552 ¹	6.8 @ 4874
Excursion	7.3L V8 DSL	57-2530 ¹	14.9 @ 2925	Ranger	3.0L V6 F/I	57-2540 ¹	6.6 @ 5000
Expedition	4.6L V8 F/I	77-2514KP ¹	9.7 @ 4093	Ranger	4.0L V6 F/I	57-2533 ¹	5.5 @ 4721
		57-2541 ¹	13.1 @ 4562			77-2529KP ¹	5.3 @ 5095
		57-2514-4 ¹	9.8 @ 4198			57-2529-1 ¹	6.9 @ 5244
Expedition	5.4L V8 F/I	77-2514KP ¹	9.7 @ 4093	2000 FORD			
		57-2541 ¹	13.1 @ 4562	Crown Victoria	4.6L V8 F/I	57-2544 ¹	16.9 @ 5000
		57-2514-4 ¹	9.8 @ 4198	E150 Econoline	5.4L V8 F/I	77-2570KTK ¹	17.5 @ 4101
Explorer	4.0L V6 F/I	77-2529KP ¹	5.3 @ 5095	E150 Econoline Club Wagon	5.4L V8 F/I	77-2570KTK ¹	17.5 @ 4101
		57-2529-1 ¹	6.9 @ 5244	E250	6.8L V10 F/I	77-2570KTK ¹	17.5 @ 4101
Explorer Sport	4.0L V6 F/I	77-2529KP ¹	5.3 @ 5095	E250 Econoline	5.4L V8 F/I	77-2570KTK ¹	17.5 @ 4101
		57-2529-1 ¹	6.9 @ 5244	E350 Econoline	5.4L V8 F/I	77-2570KTK ¹	17.5 @ 4101
Explorer Sport Trac	4.0L V6 F/I - from 7/00	77-2529KP ¹	5.3 @ 5095	E350 Econoline Club Wagon	5.4L V8 F/I	77-2570KTK ¹	17.5 @ 4101
		57-2529-1 ¹	6.9 @ 5244	E350 Econoline Club Wagon	6.8L V10 F/I	77-2570KTK ¹	17.5 @ 4101
Explorer Sport Trac	4.0L V6 F/I - to 7/00	57-2528 ¹	8.6 @ 5303	E350 Super Duty	5.4L V8 F/I	77-2570KTK ¹	17.5 @ 4101
F150	4.2L V6 F/I	77-2550KP ¹	6.2 @ 4567	E350 Super Duty	6.8L V10 F/I	77-2570KTK ¹	17.5 @ 4101
		57-2550 ¹	7.6 @ 4891	E450 Econoline Super Duty	5.4L V8 F/I	77-2570KTK ¹	17.5 @ 4101
F150	4.6L V8 F/I	77-2514KP ¹	9.7 @ 4093	E450 Econoline Super Duty	6.8L V10 F/I	77-2570KTK ¹	17.5 @ 4101
		57-2541 ¹	13.1 @ 4562	E550 Econoline Super Duty	6.8L V10 F/I	77-2570KTK ²	17.5 @ 4101
		57-2514-4 ¹	9.8 @ 4198	Escort ZX2	2.0L L4 F/I	69-3500TP ¹	4.6 @ 5700
F150	5.4L V8 F/I	77-2514KP ¹	9.7 @ 4093			69-3500TB ¹	4.6 @ 5700
		57-2541 ¹	13.1 @ 4562	Excursion	5.4L V8 F/I	57-2525-2 ¹	11.6 @ 4480
		57-2514-4 ¹	9.8 @ 4198	Excursion	6.8L V10 F/I	57-2524-2 ¹	12.0 @ 4140
F150 Harley Davidson	5.4L V8 F/I	77-2514KP ¹	9.7 @ 4093	Excursion	7.3L V8 DSL	57-2530 ¹	14.9 @ 2925
		57-2541 ¹	13.1 @ 4562	Expedition	4.6L V8 F/I	77-2514KP ¹	9.7 @ 4093
		57-2514-4 ¹	9.8 @ 4198			57-2541 ¹	13.1 @ 4562
F150 Lightning	5.4L V8 F/I	57-2549 ¹	15.6 @ 5162	Expedition	5.4L V8 F/I	77-2514KP ¹	9.7 @ 4093
F250 Super Duty	5.4L V8 F/I	57-2525-2 ¹	11.6 @ 4480			57-2541 ¹	13.1 @ 4562
F250 Super Duty	6.8L V10 F/I	57-2524-2 ¹	12.0 @ 4140	Explorer	4.0L V6 F/I - OHV	57-2514-4 ¹	9.8 @ 4198
F250 Super Duty	7.3L V8 DSL	57-2530 ¹	14.9 @ 2925			77-2527KP ²	8.4 @ 4476
F350 Super Duty	5.4L V8 F/I	57-2525-2 ¹	11.6 @ 4480	Explorer	4.0L V6 F/I - SOHC	57-2527 ¹	3.2 @ 3969
F350 Super Duty	6.8L V10 F/I	57-2524-2 ¹	12.0 @ 4140			77-2528KP ²	12.0 @ 4764
F350 Super Duty	7.3L V8 DSL	57-2530 ¹	14.9 @ 2925	F150	4.2L V6 F/I	57-2528 ¹	8.6 @ 5303
Focus	1.8L L4 F/I	69-4000TS ²				77-2550KP ¹	6.2 @ 4567
		69-4000TB ²		F150	4.6L V8 F/I	57-2550 ¹	7.6 @ 4891
Focus	2.0L L4 F/I - DOHC	69-3510TP ¹	3.9 @ 2931			77-2514KP ¹	9.7 @ 4093
		69-3510TB ¹	3.9 @ 2931	F150	5.4L V8 F/I	57-2541 ¹	13.1 @ 4562
		57-2526-2 ¹	3.2 @ 5100			57-2514-4 ¹	9.8 @ 4198
Focus	2.0L L4 F/I - Non-US	69-4000TS ²		F150	5.4L V8 F/I	77-2514KP ¹	9.7 @ 4093

1) Street legal in all US states. 2) Not legal for sale or use on any pollution controlled motor vehicle in California or states adopting California emission procedures. * Estimated horsepower gains are based on specific or similar vehicle dyno tests. Results will vary. See Page 478 for more information. See page 7 for information on intake tube materials/colors.



AIR INTAKE SYSTEMS

FORD

Vehicle	Engine Type	Part Number	Estimated Horsepower*	Vehicle	Engine Type	Part Number	Estimated Horsepower*
2000 FORD				1999 FORD			
F150	5.4L V8 F/I	57-2541 ¹	13.1 @ 4562	Expedition	5.4L V8 F/I	57-2514-4 ¹	9.8 @ 4198
		57-2514-4 ¹	9.8 @ 4198	Explorer	4.0L V6 F/I - OHV	77-2527KP ²	8.4 @ 4476
F150 Harley Davidson	5.4L V8 F/I	77-2514KP ¹	9.7 @ 4093			57-2527 ¹	3.2 @ 3969
		57-2541 ¹	13.1 @ 4562	Explorer	4.0L V6 F/I - SOHC	77-2528KP ²	12.0 @ 4764
		57-2514-4 ¹	9.8 @ 4198			57-2528 ¹	8.6 @ 5303
F150 Lightning	5.4L V8 F/I	57-2548 ¹	15.3 @ 5000	F150	4.2L V6 F/I	77-2550KP ¹	6.2 @ 4567
F250 Super Duty	5.4L V8 F/I	57-2525-2 ¹	11.6 @ 4480			57-2550 ¹	7.6 @ 4891
F250 Super Duty	6.8L V10 F/I	57-2524-2 ¹	12.0 @ 4140	F150	4.6L V8 F/I	77-2514KP ¹	9.7 @ 4093
F250 Super Duty	7.3L V8 DSL	57-2530 ¹	14.9 @ 2925			57-2541 ¹	13.1 @ 4562
F350 Super Duty	5.4L V8 F/I	57-2525-2 ¹	11.6 @ 4480	F150	5.4L V8 F/I	77-2514KP ¹	9.7 @ 4093
F350 Super Duty	6.8L V10 F/I	57-2524-2 ¹	12.0 @ 4140			57-2541 ¹	13.1 @ 4562
F350 Super Duty	7.3L V8 DSL	57-2530 ¹	14.9 @ 2925	F150 Lightning	5.4L V8 F/I	57-2548 ¹	15.3 @ 4974
Focus	1.8L L4 F/I	69-4000TS ²		F250	4.6L V8 F/I	77-2514KP ¹	9.7 @ 4093
		69-4000TB ²		F250	5.4L V8 F/I	77-2514KP ¹	9.7 @ 4093
Focus	2.0L L4 F/I - DOHC	69-3510TP ¹	3.9 @ 2931			57-2525-2 ¹	11.6 @ 4480
		69-3510TB ¹	3.9 @ 2931	F250 Super Duty	5.4L V8 F/I	57-2525-2 ¹	11.6 @ 4480
		57-2526-2 ¹	3.2 @ 5100	F250 Super Duty	6.8L V10 F/I	57-2524-2 ¹	12.0 @ 4140
Focus	2.0L L4 F/I - Non-US	69-4000TS ²		F250 Super Duty	7.3L V8 DSL - from 12/98	57-2530 ¹	14.9 @ 2925
		69-4000TB ²				57-2530 ¹	14.9 @ 2925
Mustang	3.8L V6 F/I	57-2532 ¹	6.9 @ 4820	F350 Super Duty	5.4L V8 F/I	57-2525-2 ¹	11.6 @ 4480
Mustang GT	4.6L V8 F/I	69-3524TP ¹	6.8 @ 4600	F350 Super Duty	6.8L V10 F/I	57-2524-2 ¹	12.0 @ 4140
		63-1008 ²	4.5 @ 4216	F350 Super Duty	7.3L V8 DSL - from 12/98	57-2530 ¹	14.9 @ 2925
		57-2519-3 ¹	10.1 @ 4945	F450 Super Duty	6.8L V10 F/I	57-2524-2 ¹	12.0 @ 4140
Mustang SVT Cobra	4.6L V8 F/I	63-1008 ²	4.5 @ 4216	F450 Super Duty	7.3L V8 DSL - from 12/98	57-2530 ¹	14.9 @ 2925
Ranger	2.5L L4 F/I	57-2540 ¹	6.6 @ 5000	F550 Super Duty	6.8L V10 F/I	57-2524-2 ¹	12.0 @ 4140
Ranger	3.0L V6 F/I	57-2533 ¹	5.5 @ 4721	F550 Super Duty	7.3L V8 DSL - from 12/98	57-2530 ¹	14.9 @ 2925
Ranger	4.0L V6 F/I	57-2527 ¹	3.2 @ 3969			69-4000TS ²	
Ranger	4.0L V6 F/I - OHV	77-2527KP ²	8.4 @ 4476	Focus	1.8L L4 F/I	69-4000TB ²	
Ranger	4.0L V6 F/I - SOHC	77-2528KP ²	12.0 @ 4764			69-4000TS ²	
1999 FORD				Focus	2.0L L4 F/I	69-4000TB ²	
Crown Victoria	4.6L V8 F/I	57-2544 ¹	16.9 @ 5000			69-4000TB ²	
E150 Econoline	5.4L V8 F/I	77-2570KTK ¹	17.5 @ 4101	Mustang	3.8L V6 F/I	57-2532 ¹	6.9 @ 4825
E150 Econoline Club Wagon	5.4L V8 F/I	77-2570KTK ¹	17.5 @ 4101	Mustang GT	4.6L V8 F/I	69-3524TP ¹	6.8 @ 4600
E250	6.8L V10 F/I	77-2570KTK ¹	17.5 @ 4101			63-1008 ²	4.5 @ 4216
E250 Econoline	5.4L V8 F/I	77-2570KTK ¹	17.5 @ 4101	Mustang SVT Cobra	4.6L V8 F/I	57-2519-3 ¹	10.1 @ 4945
E350 Econoline	5.4L V8 F/I	77-2570KTK ¹	17.5 @ 4101			63-1008 ²	4.5 @ 4216
E350 Econoline Club Wagon	5.4L V8 F/I	77-2570KTK ¹	17.5 @ 4101			57-2523-2 ¹	12.1 @ 5860
E350 Econoline Club Wagon	6.8L V10 F/I	77-2570KTK ¹	17.5 @ 4101	Ranger	2.5L L4 F/I	57-2540 ¹	6.6 @ 5000
E350 Super Duty	5.4L V8 F/I	77-2570KTK ¹	17.5 @ 4101	Ranger	3.0L V6 F/I	57-2533 ¹	5.5 @ 4721
E350 Super Duty	6.8L V10 F/I	77-2570KTK ¹	17.5 @ 4101	Ranger	4.0L V6 F/I	57-2527 ¹	3.2 @ 3969
E450 Econoline Super Duty	5.4L V8 F/I	77-2570KTK ¹	17.5 @ 4101	Ranger	4.0L V6 F/I - OHV	77-2527KP ²	8.4 @ 4476
E450 Econoline Super Duty	6.8L V10 F/I	77-2570KTK ¹	17.5 @ 4101	Ranger	4.0L V6 F/I - SOHC	77-2528KP ²	12.0 @ 4764
E550 Econoline Super Duty	6.8L V10 F/I	77-2570KTK ²	17.5 @ 4101	1998 FORD			
Expedition	4.6L V8 F/I	77-2514KP ¹	9.7 @ 4093	E150 Econoline	5.4L V8 F/I	77-2570KTK ¹	17.5 @ 4101
		57-2541 ¹	13.1 @ 4562	E150 Econoline Club Wagon	5.4L V8 F/I	77-2570KTK ¹	17.5 @ 4101
		57-2514-4 ¹	9.8 @ 4198	E250	6.8L V10 F/I	77-2570KTK ¹	17.5 @ 4101
Expedition	5.4L V8 F/I	77-2514KP ¹	9.7 @ 4093	E250 Econoline	5.4L V8 F/I	77-2570KTK ¹	17.5 @ 4101
		57-2541 ¹	13.1 @ 4562	E350 Econoline	5.4L V8 F/I	77-2570KTK ¹	17.5 @ 4101
				E350 Econoline Club Wagon	6.8L V10 F/I	77-2570KTK ¹	17.5 @ 4101
					5.4L V8 F/I	77-2570KTK ¹	17.5 @ 4101

1) Street legal in all US states. 2) Not legal for sale or use on any pollution controlled motor vehicle in California or states adopting California emission procedures. * Estimated horsepower gains are based on specific or similar vehicle dyno tests. Results will vary. See Page 478 for more information. See page 7 for information on intake tube materials/colors.

FORD

AIR INTAKE SYSTEMS



Vehicle	Engine Type	Part Number	Estimated Horsepower*	Vehicle	Engine Type	Part Number	Estimated Horsepower*
1998 FORD				1997 FORD			
E350 Econoline Club Wagon	6.8L V10 F/I	77-2570KTK ¹	17.5 @ 4101	E450 Econoline Super Duty	5.4L V8 F/I	77-2570KTK ¹	17.5 @ 4101
E450 Econoline Super Duty	5.4L V8 F/I	77-2570KTK ¹	17.5 @ 4101	E450 Econoline Super Duty	6.8L V10 F/I	77-2570KTK ¹	17.5 @ 4101
E450 Econoline Super Duty	6.8L V10 F/I	77-2570KTK ¹	17.5 @ 4101	E550 Econoline Super Duty Expedition	6.8L V10 F/I	77-2570KTK ²	17.5 @ 4101
E550 Econoline Super Duty Expedition	6.8L V10 F/I	77-2570KTK ²	17.5 @ 4101	Expedition	4.6L V8 F/I	77-2514KP ¹	9.7 @ 4093
Expedition	4.6L V8 F/I	77-2514KP ¹	9.7 @ 4093	Expedition	5.4L V8 F/I	77-2514KP ¹	9.7 @ 4093
Expedition	5.4L V8 F/I	77-2514KP ¹	9.7 @ 4093	Expedition	5.4L V8 F/I	77-2514KP ¹	9.7 @ 4093
Explorer	4.0L V6 F/I - OHV	77-2527KP ²	8.4 @ 4476	Explorer	4.0L V6 F/I - OHV	77-2527KP ²	8.4 @ 4476
Explorer	4.0L V6 F/I - SOHC	77-2528KP ²	12.0 @ 4764	Explorer	4.0L V6 F/I - SOHC	77-2528KP ²	12.0 @ 4764
F150	4.2L V6 F/I	77-2550KP ¹	6.2 @ 4567	Explorer	5.0L V8 F/I - w/Round Filter	57-2513-1 ¹	5.9 @ 4202
F150	4.6L V8 F/I	77-2514KP ¹	9.7 @ 4093	F150	4.2L V6 F/I	77-2550KP ¹	6.2 @ 4567
F150	5.4L V8 F/I	77-2514KP ¹	13.1 @ 4562	F150	4.6L V8 F/I	77-2514KP ¹	9.7 @ 4093
F250	4.6L V8 F/I	77-2514KP ¹	9.7 @ 4093	F150	5.4L V8 F/I	77-2514KP ¹	9.7 @ 4093
F250	5.4L V8 F/I	77-2514KP ¹	9.7 @ 4093	F250	4.6L V8 F/I	77-2514KP ¹	9.7 @ 4093
Focus	1.8L L4 F/I	69-4000TS ²	6.8 @ 4600	F250	5.4L V8 F/I	77-2514KP ¹	9.7 @ 4093
Focus	2.0L L4 F/I	69-4000TS ²	4.5 @ 4216	F250	7.3L V8 DSL	57-2531 ¹	9.8 @ 3022
Mustang GT	4.6L V8 F/I	69-3524TP ¹	6.8 @ 4600	F250	7.5L V8 F/I - w/Mass Air	57-2516 ¹	9.8 @ 3787
Mustang SVT Cobra	4.6L V8 F/I	63-1008 ²	4.5 @ 4216	F250	7.5L V8 F/I - w/o Mass Air	63-1014 ²	9.8 @ 3787
Ranger	2.5L L4 F/I	57-2540 ¹	10.1 @ 4945	F350	7.3L V8 DSL	57-2531 ¹	9.8 @ 3022
Ranger	3.0L V6 F/I	57-2533 ¹	12.1 @ 5860	F350	7.5L V8 F/I - w/Mass Air	57-2516 ¹	9.4 @ 3787
Ranger	4.0L V6 F/I - OHV	77-2527KP ²	6.6 @ 5000	F350	7.5L V8 F/I - w/o Mass Air	63-1014 ²	9.4 @ 3787
Ranger	4.0L V6 F/I - SOHC	77-2528KP ²	5.5 @ 4721	Mustang GT	4.6L V8 F/I	69-3524TP ¹	6.8 @ 4600
			8.4 @ 4476	Mustang SVT Cobra	4.6L V8 F/I	63-1008 ²	4.5 @ 4216
			3.2 @ 3970	Probe	2.5L V6 F/I - US	57-2507 ¹	6.1 @ 5200
			12.0 @ 4764	Ranger	2.3L L4 F/I - w/Manual Trans.	57-2535 ¹	6.1 @ 5200
1997 FORD				Ranger	4.0L V6 F/I	77-2527KP ²	8.4 @ 4476
E150 Econoline Club Wagon	5.4L V8 F/I	77-2570KTK ¹	17.5 @ 4101	Ranger	4.0L V6 F/I - w/Panel Filter	57-2527 ¹	3.2 @ 3969
E250	6.8L V10 F/I	77-2570KTK ¹	17.5 @ 4101	Ranger	4.0L V6 F/I - w/Round Filter	57-2513-1 ¹	5.9 @ 4202
E250 Econoline	5.4L V8 F/I	77-2570KTK ¹	17.5 @ 4101	Thunderbird	3.8L V6 F/I	57-2505-1 ¹	4.7 @ 3418
E350 Econoline	5.4L V8 F/I	77-2570KTK ¹	17.5 @ 4101	Thunderbird	4.6L V8 F/I	57-2505-1 ¹	4.7 @ 3418
E350 Econoline Club Wagon	6.8L V10 F/I	77-2570KTK ¹	17.5 @ 4101	1996 FORD			
E350 Econoline Club Wagon	6.8L V10 F/I	77-2570KTK ¹	17.5 @ 4101	Bronco	5.0L V8 F/I - w/Mass Air	57-2543 ¹	10.2 @ 4201
						57-2510-1 ¹	9.7 @ 4313

1) Street legal in all US states. 2) Not legal for sale or use on any pollution controlled motor vehicle in California or states adopting California emission procedures. * Estimated horsepower gains are based on specific or similar vehicle dyno tests. Results will vary. See Page 478 for more information. See page 7 for information on intake tube materials/colors.



AIR INTAKE SYSTEMS

FORD

Vehicle	Engine Type	Part Number	Estimated Horsepower*	Vehicle	Engine Type	Part Number	Estimated Horsepower*
1996 FORD				1995 FORD			
Bronco	5.0L V8 F/I - w/o Mass Air	63-1014 ²	9.4 @ 3787	Bronco	5.8L V8 F/I - w/Mass Air	57-2543 ¹	10.2 @ 4201
Bronco	5.8L V8 F/I - w/Mass Air	57-2543 ¹	10.2 @ 4201	Bronco	57-2510-1 ¹	57-2510-1 ¹	9.7 @ 4313
Bronco	5.8L V8 F/I - w/o Mass Air	63-1014 ²	9.4 @ 3787	Bronco	5.8L V8 F/I - w/o Mass Air	57-2542 ¹	9.3 @ 3696
Explorer	4.0L V6 F/I	57-2536 ¹	5.9 @ 4202	Escort GT Explorer	57-2503 ¹	57-2503 ¹	5.3 @ 3654
Explorer	5.0L V8 F/I	57-2513-1 ¹	5.9 @ 4202	Explorer	57-2536 ¹	57-2513-1 ¹	5.9 @ 4202
F150	4.9L L6 F/I - w/Mass Air	57-2510-1 ¹	9.7 @ 4313	F150	4.9L L6 F/I - w/Mass Air	57-2510-1 ¹	9.7 @ 4313
F150	4.9L L6 F/I - w/o Mass Air	63-1014 ²	9.4 @ 3787	F150	4.9L L6 F/I - w/o Mass Air	57-2503 ¹	5.3 @ 3654
F150	5.0L V8 F/I - w/Mass Air	57-2543 ¹	10.2 @ 4201	F150	5.0L V8 F/I - w/Mass Air	57-2543 ¹	10.2 @ 4201
F150	5.0L V8 F/I - w/o Mass Air	63-1014 ²	9.4 @ 3787	F150	57-2510-1 ¹	57-2510-1 ¹	9.7 @ 4313
F150	5.8L V8 F/I - w/Mass Air	57-2543 ¹	10.2 @ 4201	F150	5.0L V8 F/I - w/o Mass Air	57-2503 ¹	5.3 @ 3654
F150	5.8L V8 F/I - w/o Mass Air	63-1014 ²	9.4 @ 3787	F150	57-2542 ¹	57-2542 ¹	9.3 @ 3696
F250	4.9L L6 F/I - w/Mass Air	57-2510-1 ¹	9.7 @ 4313	F150	5.8L V8 F/I - w/Mass Air	57-2543 ¹	10.2 @ 4201
F250	4.9L L6 F/I - w/o Mass Air	63-1014 ²	9.4 @ 3787	F150	57-2510-1 ¹	57-2510-1 ¹	9.7 @ 4313
F250	5.0L V8 F/I - w/Mass Air	57-2510-1 ¹	9.7 @ 4313	F150 Lightning F250	5.8L V8 F/I - w/o Mass Air	57-2542 ¹	9.3 @ 3696
F250	5.0L V8 F/I - w/o Mass Air	63-1014 ²	9.4 @ 3787	F250	57-2503 ¹	57-2503 ¹	5.3 @ 3654
F250	5.8L V8 F/I - w/Mass Air	57-2510-1 ¹	9.7 @ 4313	F250	5.8L V8 F/I	57-2517 ¹	6.3 @ 4296
F250	5.8L V8 F/I - w/o Mass Air	63-1014 ²	9.4 @ 3787	F250	4.9L L6 F/I - w/o Mass Air	57-2503 ¹	5.3 @ 3654
F250	7.3L V8 DSL	57-2531 ¹	9.8 @ 3022	F250	4.9L V8 F/I - w/o Mass Air	57-2503 ¹	5.3 @ 3654
F250	7.5L V8 F/I - w/Mass Air	57-2516 ¹	9.8 @ 3022	F250	5.0L V8 F/I - w/o Mass Air	57-2503 ¹	5.3 @ 3654
F250	7.5L V8 F/I - w/o Mass Air	63-1014 ²	9.4 @ 3787	F250	5.8L V8 F/I - w/Mass Air	57-2543 ¹	10.2 @ 4201
F350	4.9L L6 F/I - w/Mass Air	57-2510-1 ¹	9.7 @ 4313	F250	57-2510-1 ¹	57-2510-1 ¹	9.7 @ 4313
F350	4.9L L6 F/I - w/o Mass Air	63-1014 ²	9.4 @ 3787	F250	5.8L V8 F/I - w/o Mass Air	57-2503 ¹	5.3 @ 3654
F350	5.8L V8 F/I - w/Mass Air	57-2510-1 ¹	9.7 @ 4313	F250	7.3L V8 DSL	57-2531 ¹	9.8 @ 3022
F350	5.8L V8 F/I - w/o Mass Air	63-1014 ²	9.4 @ 3787	F250	7.5L V8 F/I - w/o Mass Air	57-2503 ¹	5.3 @ 3654
F350	7.3L V8 DSL	57-2531 ¹	9.8 @ 3022	F350	4.9L L6 F/I - w/o Mass Air	57-2503 ¹	5.3 @ 3654
F350	7.5L V8 F/I - w/Mass Air	57-2516 ¹	9.8 @ 3022	F350	5.8L V8 F/I - w/Mass Air	57-2543 ¹	10.2 @ 4201
F350	7.5L V8 F/I - w/o Mass Air	63-1014 ²	9.4 @ 3787	F350	57-2510-1 ¹	57-2510-1 ¹	9.7 @ 4313
Mustang GT	4.6L V8 F/I	69-3524TP ¹	6.8 @ 4600	F350	5.8L V8 F/I - w/o Mass Air	57-2503 ¹	5.3 @ 3654
		63-1008 ²	4.5 @ 4216	F350	7.3L V8 DSL	57-2531 ¹	9.8 @ 3022
		57-2519-3 ¹	10.1 @ 4945	Mustang	7.5L V8 F/I - w/o Mass Air	57-2503 ¹	5.3 @ 3654
Mustang SVT Cobra	4.6L V8 F/I	63-1008 ²	4.5 @ 4216	Mustang SVT Cobra	5.0L V8 F/I	57-2511 ¹	13.0 @ 4801
Probe	2.5L V6 F/I - US	57-2507 ¹	12.1 @ 5860	Probe	5.0L V8 F/I	57-2511 ¹	13.0 @ 4801
Ranger	2.3L L4 F/I - w/Manual Trans.	57-2535 ¹	6.1 @ 5200	Ranger	2.5L V6 F/I - US	57-2507 ¹	6.1 @ 5200
Ranger	4.0L V6 F/I	57-2513-1 ¹	6.1 @ 5200	Ranger	2.3L L4 F/I - w/Manual Trans.	57-2535 ¹	6.1 @ 5200
Thunderbird	3.8L V6 F/I	57-2505-1 ¹	4.7 @ 3418	Ranger	4.0L V6 F/I	57-2513-1 ¹	6.1 @ 5200
Thunderbird	4.6L V8 F/I	57-2505-1 ¹	4.7 @ 3418	Thunderbird	3.8L V6 F/I - Exc. S/C	57-2505-1 ¹	4.7 @ 3418
				Thunderbird	4.6L V8 F/I	57-2505-1 ¹	4.7 @ 3418
1995 FORD				1994 FORD			
Bronco	5.0L V8 F/I - w/Mass Air	57-2543 ¹	10.2 @ 4201	Bronco	5.0L V8 F/I - w/Mass Air	57-2543 ¹	10.2 @ 4201
		57-2510-1 ¹	9.7 @ 4313			57-2510-1 ¹	9.7 @ 4313
Bronco	5.0L V8 F/I - w/o Mass Air	57-2542 ¹	9.3 @ 3696	Bronco	5.0L V8 F/I - w/o Mass Air	57-2542 ¹	9.3 @ 3696
		57-2503 ¹	5.3 @ 3654			57-2503 ¹	5.3 @ 3654

1) Street legal in all US states. 2) Not legal for sale or use on any pollution controlled motor vehicle in California or states adopting California emission procedures. * Estimated horsepower gains are based on specific or similar vehicle dyno tests. Results will vary. See Page 478 for more information. See page 7 for information on intake tube materials/colors.

FORD

AIR INTAKE SYSTEMS



Vehicle	Engine Type	Part Number	Estimated Horsepower*	Vehicle	Engine Type	Part Number	Estimated Horsepower*
1994 FORD				1992 FORD			
Bronco	5.8L V8 F/I - w/o Mass Air	57-2542 ¹	9.3 @ 3696	Bronco	5.0L V8 F/I	57-2542 ¹	9.3 @ 3696
		57-2503 ¹	5.3 @ 3654			57-2503 ¹	5.3 @ 3654
Escort GT	1.8L L4 F/I	57-2500 ¹		Bronco	5.8L V8 F/I	57-2542 ¹	9.3 @ 3696
F150	4.9L L6 F/I - w/o Mass Air	57-2503 ¹	5.3 @ 3654	Escort GT	1.8L L4 F/I	57-2500 ¹	
		57-2543 ¹	10.2 @ 4201	F150	4.9L L6 F/I	57-2503 ¹	5.3 @ 3654
F150	5.0L V8 F/I - w/Mass Air	57-2510-1 ¹	9.7 @ 4313	F150	5.0L V8 F/I	57-2542 ¹	9.3 @ 3696
		57-2542 ¹	9.3 @ 3696	F150	5.0L V8 F/I	57-2503 ¹	5.3 @ 3654
F150	5.0L V8 F/I - w/o Mass Air	57-2503 ¹	5.3 @ 3654	F150	5.8L V8 F/I	57-2542 ¹	9.3 @ 3696
		57-2542 ¹	9.3 @ 3696	F250	5.8L V8 F/I	57-2503 ¹	5.3 @ 3654
F150	5.8L V8 F/I - w/o Mass Air	57-2542 ¹	9.3 @ 3696	F250	7.5L V8 F/I	57-2503 ¹	5.3 @ 3654
		57-2503 ¹	5.3 @ 3654	F350	5.8L V8 F/I	57-2503 ¹	5.3 @ 3654
F150 Lightning	5.8L V8 F/I	57-2517 ¹	6.3 @ 4296	F350	7.5L V8 F/I	57-2503 ¹	5.3 @ 3654
F250	4.9L L6 F/I - w/o Mass Air	57-2503 ¹	5.3 @ 3654	Mustang	5.0L V8 F/I	57-2502 ¹	6.8 @ 4706
		57-2531 ¹	9.8 @ 3022	Thunderbird	3.8L V6 F/I - Exc. S/C	57-2505-1 ¹	4.7 @ 3418
F250	5.0L V8 F/I - w/o Mass Air	57-2503 ¹	5.3 @ 3654	Thunderbird	5.0L V8 F/I	57-2505-1 ¹	4.7 @ 3418
		57-2503 ¹	5.3 @ 3654	1991 FORD			
F250	5.8L V8 F/I - w/o Mass Air	57-2503 ¹	5.3 @ 3654	Bronco	4.9L L6 F/I	57-2503 ¹	5.3 @ 3654
		57-2531 ¹	9.8 @ 3022	Bronco	5.0L V8 F/I	57-2542 ¹	9.3 @ 3696
F250	7.3L V8 DSL - VIN F	57-2503 ¹	5.3 @ 3654	Bronco	5.8L V8 F/I	57-2542 ¹	9.3 @ 3696
		57-2503 ¹	5.3 @ 3654	Bronco	5.8L V8 F/I	57-2503 ¹	5.3 @ 3654
F250	7.5L V8 F/I - w/o Mass Air	57-2503 ¹	5.3 @ 3654	Escort GT	1.8L L4 F/I	57-2500 ¹	
		57-2503 ¹	5.3 @ 3654	F150	4.9L L6 F/I	57-2503 ¹	5.3 @ 3654
F350	4.9L L6 F/I - w/o Mass Air	57-2503 ¹	5.3 @ 3654	F150	5.0L V8 F/I	57-2542 ¹	9.3 @ 3696
		57-2503 ¹	5.3 @ 3654	F150	5.0L V8 F/I	57-2503 ¹	5.3 @ 3654
F350	5.8L V8 F/I - w/o Mass Air	57-2503 ¹	5.3 @ 3654	F150	5.8L V8 F/I	57-2542 ¹	9.3 @ 3696
		57-2503 ¹	5.3 @ 3654	F150	5.8L V8 F/I	57-2503 ¹	5.3 @ 3654
F350	7.3L V8 DSL - VIN F	57-2531 ¹	9.8 @ 3022	F250	4.9L L6 F/I	57-2503 ¹	5.3 @ 3654
		57-2503 ¹	5.3 @ 3654	F250	5.8L V8 F/I	57-2503 ¹	5.3 @ 3654
F350	7.5L V8 F/I - w/o Mass Air	57-2503 ¹	5.3 @ 3654	F250	7.5L V8 F/I	57-2503 ¹	5.3 @ 3654
		57-2503 ¹	5.3 @ 3654	F350	5.8L V8 F/I	57-2503 ¹	5.3 @ 3654
Mustang	5.0L V8 F/I	57-2511 ¹	13.0 @ 4800	F350	7.5L V8 F/I	57-2503 ¹	5.3 @ 3654
Mustang SVT Cobra	5.0L V8 F/I	57-2511 ¹	13.0 @ 4801	Mustang	5.0L V8 F/I	57-2502 ¹	6.8 @ 4706
Probe	2.5L V6 F/I - US	57-2507 ¹		Thunderbird	3.8L V6 F/I - Exc. S/C	57-2505-1 ¹	4.7 @ 3418
Thunderbird	3.8L V6 F/I - Exc. S/C	57-2505-1 ¹	4.7 @ 3418	Thunderbird	5.0L V8 F/I	57-2505-1 ¹	4.7 @ 3418
Thunderbird	4.6L V8 F/I	57-2505-1 ¹	4.7 @ 3418	1990 FORD			
1993 FORD				Bronco	4.9L L6 F/I	57-2503 ¹	5.3 @ 3654
Bronco	5.0L V8 F/I	57-2542 ¹	9.3 @ 3696	Bronco	5.0L V8 F/I	57-2542 ¹	9.3 @ 3696
		57-2503 ¹	5.3 @ 3654	Bronco	5.8L V8 F/I	57-2503 ¹	5.3 @ 3654
Bronco	5.8L V8 F/I	57-2542 ¹	9.3 @ 3696	Bronco	5.8L V8 F/I	57-2542 ¹	9.3 @ 3696
		57-2503 ¹	5.3 @ 3654	Bronco	5.8L V8 F/I	57-2503 ¹	5.3 @ 3654
Escort GT	1.8L L4 F/I	57-2500 ¹		F150	4.9L L6 F/I	57-2503 ¹	5.3 @ 3654
F150	4.9L L6 F/I	57-2503 ¹	5.3 @ 3654	F150	5.0L V8 F/I	57-2542 ¹	9.3 @ 3696
		57-2542 ¹	9.3 @ 3696	F150	5.0L V8 F/I	57-2503 ¹	5.3 @ 3654
F150	5.0L V8 F/I	57-2503 ¹	5.3 @ 3654	F150	5.8L V8 F/I	57-2542 ¹	9.3 @ 3696
		57-2542 ¹	9.3 @ 3696	F150	5.8L V8 F/I	57-2503 ¹	5.3 @ 3654
F150	5.8L V8 F/I	57-2542 ¹	9.3 @ 3696	F150	4.9L L6 F/I	57-2503 ¹	5.3 @ 3654
		57-2503 ¹	5.3 @ 3654	F150	5.0L V8 F/I	57-2542 ¹	9.3 @ 3696
F150 Lightning	5.8L V8 F/I	57-2517 ¹	6.3 @ 4296	F150	5.8L V8 F/I	57-2542 ¹	9.3 @ 3696
		57-2503 ¹	5.3 @ 3654	F150	5.8L V8 F/I	57-2503 ¹	5.3 @ 3654
F250	5.8L V8 F/I	57-2503 ¹	5.3 @ 3654	F250	4.9L L6 F/I	57-2503 ¹	5.3 @ 3654
		57-2503 ¹	5.3 @ 3654	F250	5.8L V8 F/I	57-2503 ¹	5.3 @ 3654
F250	7.5L V8 F/I	57-2503 ¹	5.3 @ 3654	F250	7.5L V8 F/I	57-2503 ¹	5.3 @ 3654
		57-2503 ¹	5.3 @ 3654	F250	5.8L V8 F/I	57-2503 ¹	5.3 @ 3654
F350	5.8L V8 F/I	57-2503 ¹	5.3 @ 3654	F350	5.8L V8 F/I	57-2503 ¹	5.3 @ 3654
		57-2503 ¹	5.3 @ 3654	F350	7.5L V8 F/I	57-2503 ¹	5.3 @ 3654
F350	7.5L V8 F/I	57-2503 ¹	5.3 @ 3654	F350	5.0L V8 F/I	57-2502 ¹	6.8 @ 4706
		57-2503 ¹	5.3 @ 3654	1992 FORD			
Mustang	5.0L V8 F/I	57-2502 ¹	6.8 @ 4706	Bronco	4.9L L6 F/I	57-2503 ¹	5.3 @ 3654
Probe	2.5L V6 F/I	57-2507 ¹		Bronco	5.0L V8 F/I	57-2542 ¹	9.3 @ 3696
Thunderbird	3.8L V6 F/I - Exc. S/C	57-2505-1 ¹	4.7 @ 3418	Bronco	5.8L V8 F/I	57-2542 ¹	9.3 @ 3696
Thunderbird	5.0L V8 F/I	57-2505-1 ¹	4.7 @ 3418	Bronco	5.8L V8 F/I	57-2503 ¹	5.3 @ 3654
1992 FORD				F150	4.9L L6 F/I	57-2503 ¹	5.3 @ 3654
Bronco	4.9L L6 F/I	57-2503 ¹	5.3 @ 3654	F150	5.0L V8 F/I	57-2542 ¹	9.3 @ 3696
		57-2503 ¹	5.3 @ 3654	F150	5.0L V8 F/I	57-2503 ¹	5.3 @ 3654

1) Street legal in all US states. 2) Not legal for sale or use on any pollution controlled motor vehicle in California or states adopting California emission procedures. * Estimated horsepower gains are based on specific or similar vehicle dyno tests. Results will vary. See Page 478 for more information. See page 7 for information on intake tube materials/colors.



AIR INTAKE SYSTEMS

FORD

Vehicle	Engine Type	Part Number	Estimated Horsepower*	Vehicle	Engine Type	Part Number	Estimated Horsepower*
1989 FORD				1988 FORD			
Bronco	4.9L L6 F/I - w/o Mass Air	57-2503 ¹	5.3 @ 3654	F350	4.9L L6 F/I - w/o Mass Air	57-2503 ¹	5.3 @ 3654
Bronco	5.0L V8 F/I - w/o Mass Air	57-2542 ¹	9.3 @ 3696	F350	5.8L V8 F/I - w/o Mass Air	57-2503 ¹	5.3 @ 3654
		57-2503 ¹	5.3 @ 3654	F350	7.5L V8 F/I - w/o Mass Air	57-2503 ¹	5.3 @ 3654
Bronco	5.8L V8 F/I - w/o Mass Air	57-2542 ¹	9.3 @ 3696	Mustang	5.0L V8 F/I - w/o Mass Air	57-2501 ¹	
		57-2503 ¹	5.3 @ 3654	1987 FORD			
F150	4.9L L6 F/I - w/o Mass Air	57-2503 ¹	5.3 @ 3654	Mustang	5.0L V8 F/I	57-2501 ¹	
F150	5.0L V8 F/I - w/o Mass Air	57-2542 ¹	9.3 @ 3696	1986 FORD			
		57-2503 ¹	5.3 @ 3654	Mustang	5.0L V8 F/I	57-2501 ¹	
F150	5.8L V8 F/I - w/o Mass Air	57-2542 ¹	9.3 @ 3696	2017 GMC			
		57-2503 ¹	5.3 @ 3654	Sierra	5.3L V8 F/I	77-3082KP ²	10.2 @ 4996
F250	4.9L L6 F/I - w/o Mass Air	57-2503 ¹	5.3 @ 3654			71-3082 ²	8.3 @ 5338
F250	5.0L V8 F/I - w/o Mass Air	57-2542 ¹	9.3 @ 3696	Sierra	6.2L V8 F/I	63-3082 ²	10.7 @ 5341
		57-2503 ¹	5.3 @ 3654			77-3082KP ²	10.2 @ 4996
F250	5.8L V8 F/I - w/o Mass Air	57-2503 ¹	5.3 @ 3654	Sierra 1500	4.3L V6 F/I	71-3082 ²	8.3 @ 5338
F250	7.5L V8 F/I - w/o Mass Air	57-2503 ¹	5.3 @ 3654			63-3082 ²	10.7 @ 5341
F350	4.9L L6 F/I - w/o Mass Air	57-2503 ¹	5.3 @ 3654	Sierra 1500	5.3L V8 F/I	77-3085KP ²	10.0 @ 5285
F350	5.8L V8 F/I - w/o Mass Air	57-2503 ¹	5.3 @ 3654			63-3085 ²	10.2 @ 5245
F350	7.5L V8 F/I - w/o Mass Air	57-2503 ¹	5.3 @ 3654	Sierra 1500	6.2L V8 F/I	77-3082KP ²	10.2 @ 4996
Mustang	5.0L V8 F/I	57-2502 ¹	6.8 @ 4706			71-3082 ²	8.3 @ 5338
1988 FORD						63-3082 ²	10.7 @ 5341
Bronco	4.9L L6 F/I - w/o Mass Air	57-2503 ¹	5.3 @ 3654	Terrain	2.4L L4 F/I	77-3071KS ²	9.3 @ 4600
Bronco	5.0L V8 F/I - w/o Mass Air	57-2542 ¹	9.3 @ 3696	Yukon	5.3L V8 F/I	77-3082KP ²	10.2 @ 4996
		57-2503 ¹	5.3 @ 3654			71-3082 ²	8.3 @ 5338
Bronco	5.8L V8 F/I - w/o Mass Air	57-2542 ¹	9.3 @ 3696	Yukon Denali	6.2L V8 F/I	63-3082 ²	10.7 @ 5341
		57-2503 ¹	5.3 @ 3654			77-3082KP ²	10.2 @ 4996
F Super Duty	7.5L V8 F/I - w/o Mass Air	57-2503 ¹	5.3 @ 3654	Yukon Denali XL	6.2L V8 F/I	71-3082 ²	8.3 @ 5338
F150	4.9L L6 F/I - w/o Mass Air	57-2503 ¹	5.3 @ 3654			63-3082 ²	10.7 @ 5341
F150	5.0L V8 F/I - w/o Mass Air	57-2542 ¹	9.3 @ 3696	Yukon XL	5.3L V8 F/I	77-3082KP ²	10.2 @ 4996
		57-2503 ¹	5.3 @ 3654			71-3082 ²	8.3 @ 5338
F150	5.8L V8 F/I - w/o Mass Air	57-2542 ¹	9.3 @ 3696			63-3082 ²	10.7 @ 5341
		57-2503 ¹	5.3 @ 3654	2016 GMC			
F250	4.9L L6 F/I - w/o Mass Air	57-2503 ¹	5.3 @ 3654	Canyon	2.5L L4 F/I	77-3089KP ²	12.4 @ 5105
F250	5.0L V8 F/I - w/o Mass Air	57-2503 ¹	5.3 @ 3654			63-3089 ²	9.9 @ 5310
		57-2503 ¹	5.3 @ 3654	Canyon	3.6L V6 F/I	77-3088KP ²	10.3 @ 5823
F250	5.8L V8 F/I - w/o Mass Air	57-2503 ¹	5.3 @ 3654			71-3088 ²	15.7 @ 5823
		57-2503 ¹	5.3 @ 3654	Sierra 1500	4.3L V6 F/I	63-3088 ²	19.4 @ 3551
F250	7.5L V8 F/I - w/o Mass Air	57-2503 ¹	5.3 @ 3654			77-3085KP ²	10.0 @ 5285
		57-2503 ¹	5.3 @ 3654	Sierra 1500	5.3L V8 F/I	63-3085 ²	10.2 @ 5245
F250	4.9L L6 F/I - w/o Mass Air	57-2503 ¹	5.3 @ 3654			77-3082KP ²	10.2 @ 4996
F250	5.0L V8 F/I - w/o Mass Air	57-2503 ¹	5.3 @ 3654			71-3082 ²	8.3 @ 5338
		57-2503 ¹	5.3 @ 3654	Sierra 1500	6.2L V8 F/I	63-3082 ²	10.7 @ 5341
F250	5.8L V8 F/I - w/o Mass Air	57-2503 ¹	5.3 @ 3654			77-3082KP ²	10.2 @ 4996
		57-2503 ¹	5.3 @ 3654			71-3082 ²	8.3 @ 5338
F250	7.5L V8 F/I - w/o Mass Air	57-2503 ¹	5.3 @ 3654	Sierra 2500 HD	6.0L V8 F/I	63-3082 ²	10.7 @ 5341
		57-2503 ¹	5.3 @ 3654			77-3090KTK ²	7.6 @ 4450
				Sierra 2500 HD	6.6L V8 DSL	77-3087KP ²	19.9 @ 2950

1) Street legal in all US states. 2) Not legal for sale or use on any pollution controlled motor vehicle in California or states adopting California emission procedures. * Estimated horsepower gains are based on specific or similar vehicle dyno tests. Results will vary. See Page 478 for more information. See page 7 for information on intake tube materials/colors.



Vehicle	Engine Type	Part Number	Estimated Horsepower*	Vehicle	Engine Type	Part Number	Estimated Horsepower*
2016 GMC				2014 GMC			
Sierra 2500 HD	6.6L V8 DSL	63-3087 ²	24.1 @ 2950	Sierra 1500	4.3L V6 F/I	63-3085 ²	10.2 @ 5245
Sierra 3500 HD	6.0L V8 F/I	77-3090KTK ²	7.6 @ 4450	Sierra 1500	5.3L V8 F/I	77-3082KP ¹	10.2 @ 4996
Sierra 3500 HD	6.6L V8 DSL	77-3087KP ²	19.9 @ 2950			71-3082 ¹	8.3 @ 5338
		63-3087 ²	24.1 @ 2950			63-3082 ²	10.7 @ 5341
Terrain	2.4L L4 F/I	77-3071KS ²	9.3 @ 4600			57-3082 ¹	
Yukon	5.3L V8 F/I	77-3082KP ²	10.2 @ 4996	Sierra 1500	6.2L V8 F/I	77-3082KP ¹	10.2 @ 4996
		71-3082 ²	8.3 @ 5338			71-3082 ¹	8.3 @ 5338
		63-3082 ²	10.7 @ 5341			63-3082 ²	10.7 @ 5341
Yukon Denali	6.2L V8 F/I	77-3082KP ²	10.2 @ 4996			57-3082 ¹	
		71-3082 ²	8.3 @ 5338	Sierra 2500 HD	6.6L V8 DSL	77-3077KP ¹	12.2 @ 2850
		63-3082 ²	10.7 @ 5341			57-3077 ¹	19.3 @ 2420
Yukon Denali XL	6.2L V8 F/I	77-3082KP ²	10.2 @ 4996	Sierra 3500 HD	6.6L V8 DSL	77-3077KP ¹	12.2 @ 2850
		71-3082 ²	8.3 @ 5338			57-3077 ¹	19.3 @ 2420
		63-3082 ²	10.7 @ 5341	Terrain	2.4L L4 F/I	77-3071KS ²	9.3 @ 4600
Yukon XL	5.3L V8 F/I	77-3082KP ²	10.2 @ 4996	Yukon	5.3L V8 F/I	77-3070KP ¹	9.9 @ 5342
		71-3082 ²	8.3 @ 5338			71-3070 ¹	12.2 @ 5342
		63-3082 ²	10.7 @ 5341			57-3070 ¹	10.3 @ 5342
2015 GMC				Yukon Denali	6.2L V8 F/I	77-3070KP ¹	9.9 @ 5342
Canyon	2.5L L4 F/I	77-3089KP ²	12.4 @ 5105			71-3070 ¹	12.2 @ 5342
		63-3089 ²	9.9 @ 5310			57-3070 ¹	10.3 @ 5342
Canyon	3.6L V6 F/I	77-3088KP ²	10.3 @ 5823	Yukon Denali XL	6.2L V8 F/I	77-3070KP ¹	9.9 @ 5342
		71-3088 ²	15.7 @ 5823			71-3070 ¹	12.2 @ 5342
		63-3088 ²	19.4 @ 3551			57-3070 ¹	10.3 @ 5342
Sierra 1500	4.3L V6 F/I	77-3085KP ²	10.0 @ 5285	Yukon XL 1500	5.3L V8 F/I	77-3070KP ¹	9.9 @ 5342
		63-3085 ²	10.2 @ 5245			71-3070 ¹	12.2 @ 5342
Sierra 1500	5.3L V8 F/I	77-3082KP ²	10.2 @ 4996			57-3070 ¹	10.3 @ 5342
		71-3082 ²	8.3 @ 5338	2013 GMC			
		63-3082 ²	10.7 @ 5341	Sierra 1500	4.8L V8 F/I	77-3070KP ¹	9.9 @ 5342
Sierra 1500	6.2L V8 F/I	77-3082KP ²	10.2 @ 4996			71-3070 ¹	12.2 @ 5342
		71-3082 ²	8.3 @ 5338			57-3070 ¹	10.3 @ 5342
		63-3082 ²	10.7 @ 5341	Sierra 1500	5.3L V8 F/I	77-3070KP ¹	9.9 @ 5342
Sierra 2500 HD	6.0L V8 F/I	77-3086KTK ²	9.5 @ 4950			71-3070 ¹	12.2 @ 5342
Sierra 2500 HD	6.6L V8 DSL	77-3087KP ²	19.9 @ 2950			57-3070 ¹	10.3 @ 5342
		63-3087 ²	24.1 @ 2950	Sierra 1500	6.2L V8 F/I	77-3070KP ¹	9.9 @ 5342
Sierra 3500 HD	6.0L V8 F/I	77-3086KTK ²	9.5 @ 4950			71-3070 ¹	12.2 @ 5342
Sierra 3500 HD	6.6L V8 DSL	77-3087KP ²	19.9 @ 2950			57-3070 ¹	10.3 @ 5342
		63-3087 ²	24.1 @ 2950	Sierra 2500 HD	6.6L V8 DSL	77-3077KP ¹	12.2 @ 2850
Yukon	5.3L V8 F/I	77-3082KP ¹	10.2 @ 4996			57-3077 ¹	19.3 @ 2420
		71-3082 ¹	8.3 @ 5338	Sierra 3500 HD	6.6L V8 DSL	77-3077KP ¹	12.2 @ 2850
		63-3082 ²	10.7 @ 5341			57-3077 ¹	19.3 @ 2420
		57-3082 ¹		Sierra Denali	6.2L V8 F/I	77-3070KP ¹	9.9 @ 5342
Yukon Denali	6.2L V8 F/I	77-3082KP ¹	10.2 @ 4996			71-3070 ¹	12.2 @ 5342
		71-3082 ¹	8.3 @ 5338			57-3070 ¹	10.3 @ 5342
		63-3082 ²	10.7 @ 5341	Terrain	2.4L L4 F/I	77-3071KS ²	9.3 @ 4600
		57-3082 ¹		Yukon	5.3L V8 F/I	77-3070KP ¹	9.9 @ 5342
Yukon Denali XL	6.2L V8 F/I	77-3082KP ¹	10.2 @ 4996			71-3070 ¹	12.2 @ 5342
		71-3082 ¹	8.3 @ 5338			57-3070 ¹	10.3 @ 5342
		63-3082 ²	10.7 @ 5341	Yukon Denali	6.2L V8 F/I	77-3070KP ¹	9.9 @ 5342
		57-3082 ¹				71-3070 ¹	12.2 @ 5342
Yukon XL	5.3L V8 F/I	77-3082KP ¹	10.2 @ 4996			57-3070 ¹	10.3 @ 5342
		71-3082 ¹	8.3 @ 5338	Yukon Denali XL	6.2L V8 F/I	77-3070KP ¹	9.9 @ 5342
		63-3082 ²	10.7 @ 5341			71-3070 ¹	12.2 @ 5342
		57-3082 ¹				57-3070 ¹	10.3 @ 5342
2014 GMC				Yukon XL 1500	5.3L V8 F/I	77-3070KP ¹	9.9 @ 5342
Sierra 1500	4.3L V6 F/I	77-3085KP ²	10.0 @ 5285			71-3070 ¹	12.2 @ 5342

1) Street legal in all US states. 2) Not legal for sale or use on any pollution controlled motor vehicle in California or states adopting California emission procedures. * Estimated horsepower gains are based on specific or similar vehicle dyno tests. Results will vary. See Page 478 for more information. See page 7 for information on intake tube materials/colors.



AIR INTAKE SYSTEMS

GMC

Vehicle	Engine Type	Part Number	Estimated Horsepower*	Vehicle	Engine Type	Part Number	Estimated Horsepower*
2013 GMC				2011 GMC			
Yukon XL 1500	5.3L V8 F/I	57-3070 ¹	10.3 @ 5342	Sierra 3500 HD	6.6L V8 DSL	77-3077KP ¹	12.2 @ 2850
Yukon XL 1500	6.2L V8 F/I	77-3070KP ¹	9.9 @ 5342			57-3077 ¹	19.3 @ 2420
2012 GMC				Sierra Denali	6.2L V8 F/I	77-3070KP ¹	9.9 @ 5342
Canyon	2.9L L4 F/I	63-3064-1 ²	9.0 @ 4862			71-3070 ¹	12.2 @ 5342
Canyon	3.7L L5 F/I	77-3065KP ²	7.2 @ 4533	Terrain	2.4L L4 F/I	77-3071KS ¹	9.3 @ 4600
		63-3065 ²	11.0 @ 4754	Terrain	3.0L V6 F/I	77-3078KTK ¹	6.5 @ 4900
Sierra 1500	4.8L V8 F/I	77-3070KP ¹	9.9 @ 5342	Yukon	4.8L V8 F/I	77-3070KP ¹	9.9 @ 5342
		71-3070 ¹	12.2 @ 5342			71-3070 ¹	12.2 @ 5342
		57-3070 ¹	10.3 @ 5342	Yukon	5.3L V8 F/I	77-3070KP ¹	9.9 @ 5342
Sierra 1500	5.3L V8 F/I	77-3070KP ¹	9.9 @ 5342			71-3070 ¹	12.2 @ 5342
		71-3070 ¹	12.2 @ 5342			57-3070 ¹	10.3 @ 5342
		57-3070 ¹	10.3 @ 5342	Yukon	6.2L V8 F/I	77-3070KP ¹	9.9 @ 5342
Sierra 1500	6.2L V8 F/I	77-3070KP ¹	9.9 @ 5342			71-3070 ¹	12.2 @ 5342
		71-3070 ¹	12.2 @ 5342	Yukon Denali	6.2L V8 F/I	77-3070KP ¹	9.9 @ 5342
		57-3070 ¹	10.3 @ 5342			71-3070 ¹	12.2 @ 5342
Sierra 2500 HD	6.0L V8 F/I	77-3076KTK ¹	10.2 @ 5033			57-3070 ¹	10.3 @ 5342
Sierra 2500 HD	6.6L V8 DSL	77-3077KP ¹	12.2 @ 2850	Yukon Denali	6.2L V8 F/I	77-3070KP ¹	9.9 @ 5342
		57-3077 ¹	19.3 @ 2420			71-3070 ¹	12.2 @ 5342
Sierra 3500 HD	6.0L V8 F/I	77-3076KTK ¹	10.2 @ 5033	Yukon Denali XL	6.2L V8 F/I	77-3070KP ¹	9.9 @ 5342
Sierra 3500 HD	6.6L V8 DSL	77-3077KP ¹	12.2 @ 2850			71-3070 ¹	12.2 @ 5342
		57-3077 ¹	19.3 @ 2420	Yukon XL 1500	5.3L V8 F/I	77-3070KP ¹	9.9 @ 5342
Sierra Denali	6.2L V8 F/I	77-3070KP ¹	9.9 @ 5342			71-3070 ¹	12.2 @ 5342
		71-3070 ¹	12.2 @ 5342	Yukon XL 1500	6.2L V8 F/I	77-3070KP ¹	9.9 @ 5342
		57-3070 ¹	10.3 @ 5342			71-3070 ¹	12.2 @ 5342
Terrain	2.4L L4 F/I	77-3071KS ²	9.3 @ 4600			57-3070 ¹	10.3 @ 5342
Terrain	3.0L V6 F/I	77-3078KTK ¹	6.5 @ 4900			77-3070KP ¹	9.9 @ 5342
Yukon	5.3L V8 F/I	77-3070KP ¹	9.9 @ 5342			71-3070 ¹	12.2 @ 5342
		71-3070 ¹	12.2 @ 5342			57-3070 ¹	10.3 @ 5342
		57-3070 ¹	10.3 @ 5342	2010 GMC			
Yukon Denali	6.2L V8 F/I	77-3070KP ¹	9.9 @ 5342	Canyon	2.9L L4 F/I	63-3064-1 ²	9.0 @ 4862
		71-3070 ¹	12.2 @ 5342	Canyon	3.7L L5 F/I	77-3065KP ²	7.2 @ 4533
		57-3070 ¹	10.3 @ 5342			63-3065 ²	11.0 @ 4754
Yukon Denali XL	6.2L V8 F/I	77-3070KP ¹	9.9 @ 5342	Sierra 1500	4.8L V8 F/I	77-3070KP ¹	9.9 @ 5342
		71-3070 ¹	12.2 @ 5342			71-3070 ¹	12.2 @ 5342
		57-3070 ¹	10.3 @ 5342	Sierra 1500	5.3L V8 F/I	77-3070KP ¹	9.9 @ 5342
Yukon XL 1500	5.3L V8 F/I	77-3070KP ¹	9.9 @ 5342			71-3070 ¹	12.2 @ 5342
		71-3070 ¹	12.2 @ 5342			57-3070 ¹	10.3 @ 5342
		57-3070 ¹	10.3 @ 5342	Sierra 1500	6.2L V8 F/I	77-3070KP ¹	9.9 @ 5342
2011 GMC						71-3070 ¹	12.2 @ 5342
Canyon	2.9L L4 F/I	63-3064-1 ²	9.0 @ 4862			57-3070 ¹	10.3 @ 5342
Canyon	3.7L L5 F/I	77-3065KP ²	7.2 @ 4533	Sierra 2500 HD	6.6L V8 DSL	71-3066 ¹	12.5 @ 2638
		63-3065 ²	11.0 @ 4754			57-3066 ¹	19.7 @ 2900
Sierra 1500	4.8L V8 F/I	77-3070KP ¹	9.9 @ 5342	Sierra 3500 HD	6.6L V8 DSL	71-3066 ¹	12.5 @ 2638
		71-3070 ¹	12.2 @ 5342			57-3066 ¹	19.7 @ 2900
		57-3070 ¹	10.3 @ 5342	Sierra Denali	6.2L V8 F/I	77-3070KP ¹	9.9 @ 5342
Sierra 1500	5.3L V8 F/I	77-3070KP ¹	9.9 @ 5342			71-3070 ¹	12.2 @ 5342
		71-3070 ¹	12.2 @ 5342			57-3070 ¹	10.3 @ 5342
		57-3070 ¹	12.8 @ 5342	Terrain	2.4L L4 F/I	77-3071KS ¹	9.3 @ 4600
Sierra 1500	6.2L V8 F/I	77-3070KP ¹	9.9 @ 5342	Terrain	3.0L V6 F/I	77-3078KTK ¹	6.5 @ 4900
		71-3070 ¹	12.2 @ 5342	Yukon	4.8L V8 F/I	77-3070KP ¹	9.9 @ 5342
		57-3070 ¹	10.3 @ 5342			71-3070 ¹	12.2 @ 5342
Sierra 2500 HD	6.0L V8 F/I	77-3076KTK ¹	10.2 @ 5033			57-3070 ¹	10.3 @ 5342
Sierra 2500 HD	6.6L V8 DSL	77-3077KP ¹	12.2 @ 2850	Yukon	5.3L V8 F/I	77-3070KP ¹	9.9 @ 5342
		57-3077 ¹	19.3 @ 2420			71-3070 ¹	12.2 @ 5342
Sierra 3500 HD	6.0L V8 F/I	77-3076KTK ¹	10.2 @ 5033				

1) Street legal in all US states. 2) Not legal for sale or use on any pollution controlled motor vehicle in California or states adopting California emission procedures. * Estimated horsepower gains are based on specific or similar vehicle dyno tests. Results will vary. See Page 478 for more information. See page 7 for information on intake tube materials/colors.



Vehicle	Engine Type	Part Number	Estimated Horsepower*	Vehicle	Engine Type	Part Number	Estimated Horsepower*
2010 GMC				2009 GMC			
Yukon	5.3L V8 F/I	57-3070 ¹	10.3 @ 5342	Yukon XL 1500	6.2L V8 F/I	77-3070KP ¹	9.9 @ 5342
Yukon Denali	6.2L V8 F/I	77-3070KP ¹	9.9 @ 5342			71-3070 ¹	12.2 @ 5342
		71-3070 ¹	12.2 @ 5342			57-3070 ¹	10.3 @ 5342
		57-3070 ¹	10.3 @ 5342	2008 GMC			
Yukon Denali XL	6.2L V8 F/I	77-3070KP ¹	9.9 @ 5342	Canyon	2.9L L4 F/I	63-3064-1 ²	9.0 @ 4862
		71-3070 ¹	12.2 @ 5342	Canyon	3.7L L5 F/I	77-3065KP ²	7.2 @ 4533
		57-3070 ¹	10.3 @ 5342			63-3065 ²	11.0 @ 4754
Yukon XL 1500	5.3L V8 F/I	77-3070KP ¹	9.9 @ 5342	Envoy	4.2L L6 F/I	77-3062KP ²	9.3 @ 4850
		71-3070 ¹	12.2 @ 5342			63-3062 ²	9.5 @ 4725
		57-3070 ¹	10.3 @ 5342	Sierra 1500	4.8L V8 F/I	77-3058KP ¹	12.5 @ 4917
Yukon XL 1500	6.2L V8 F/I	77-3070KP ¹	9.9 @ 5342			71-3058 ¹	10.2 @ 4900
		71-3070 ¹	12.2 @ 5342			57-3058 ¹	17.6 @ 4917
		57-3070 ¹	10.3 @ 5342	Sierra 1500	5.3L V8 F/I	77-3058KP ¹	12.5 @ 4917
2009 GMC						71-3058 ¹	10.2 @ 4900
Canyon	2.9L L4 F/I	63-3064-1 ²	9.0 @ 4862			57-3058 ¹	17.6 @ 4917
Canyon	3.7L L5 F/I	77-3065KP ²	7.2 @ 4533	Sierra 1500	6.0L V8 F/I	77-3058KP ¹	12.5 @ 4917
		63-3065 ²	11.0 @ 4754			71-3058 ¹	10.2 @ 4900
Envoy	4.2L L6 F/I	77-3062KP ²	9.3 @ 4850			57-3058 ¹	17.6 @ 4917
		63-3062 ²	9.5 @ 4725	Sierra 2500 HD	6.0L V8 F/I	57-3067 ¹	11.4 @ 4500
Sierra 1500	4.8L V8 F/I	77-3070KP ¹	9.9 @ 5342	Sierra 2500 HD	6.6L V8 DSL	71-3066 ¹	12.5 @ 2638
		71-3070 ¹	12.2 @ 5342			57-3066 ¹	19.7 @ 2900
		57-3070 ¹	10.3 @ 5342	Sierra 3500 HD	6.0L V8 F/I	57-3067 ¹	11.4 @ 4500
Sierra 1500	5.3L V8 F/I	77-3070KP ¹	9.9 @ 5342	Sierra 3500 HD	6.6L V8 DSL	71-3066 ¹	12.5 @ 2638
		71-3070 ¹	12.2 @ 5342			57-3066 ¹	19.7 @ 2900
		57-3070 ¹	10.3 @ 5342	Sierra Denali	6.2L V8 F/I	77-3058KP ¹	12.5 @ 4917
Sierra 1500	6.0L V8 F/I	77-3070KP ¹	9.9 @ 5342			71-3058 ¹	10.2 @ 4900
		71-3070 ¹	12.2 @ 5342	Yukon	4.8L V8 F/I	57-3058 ¹	17.6 @ 4917
		57-3070 ¹	10.3 @ 5342			77-3058KP ¹	12.5 @ 4917
Sierra 1500	6.2L V8 F/I	77-3070KP ¹	9.9 @ 5342			71-3058 ¹	10.2 @ 4900
		71-3070 ¹	12.2 @ 5342	Yukon	5.3L V8 F/I	57-3058 ¹	17.6 @ 4917
		57-3070 ¹	10.3 @ 5342			77-3058KP ¹	12.5 @ 4917
Sierra 2500 HD	6.6L V8 DSL	71-3066 ¹	12.5 @ 2638	Yukon	6.0L V8 F/I	71-3058 ¹	10.2 @ 4900
		57-3066 ¹	19.7 @ 2900			57-3058 ¹	17.6 @ 4917
Sierra 3500 HD	6.6L V8 DSL	71-3066 ¹	12.5 @ 2638	Yukon Denali	6.2L V8 F/I	77-3058KP ¹	12.5 @ 4917
		57-3066 ¹	19.7 @ 2900			71-3058 ¹	10.2 @ 4900
Sierra Denali	6.2L V8 F/I	77-3070KP ¹	9.9 @ 5342			57-3058 ¹	17.6 @ 4917
		71-3070 ¹	12.2 @ 5342	Yukon XL 1500	5.3L V8 F/I	77-3058KP ¹	12.5 @ 4917
		57-3070 ¹	10.3 @ 5342			71-3058 ¹	10.2 @ 4900
Yukon	4.8L V8 F/I	77-3070KP ¹	9.9 @ 5342			57-3058 ¹	17.6 @ 4917
		71-3070 ¹	12.2 @ 5342	Yukon XL 1500	6.0L V8 F/I	77-3058KP ¹	12.5 @ 4917
		57-3070 ¹	10.3 @ 5342			71-3058 ¹	10.2 @ 4900
Yukon	5.3L V8 F/I	77-3070KP ¹	9.9 @ 5342			57-3058 ¹	17.6 @ 4917
		71-3070 ¹	12.2 @ 5342	Yukon XL 1500	6.2L V8 F/I	77-3058KP ¹	12.5 @ 4917
		57-3070 ¹	10.3 @ 5342	Denali			
Yukon Denali	6.2L V8 F/I	77-3070KP ¹	9.9 @ 5342			71-3058 ¹	10.2 @ 4900
		71-3070 ¹	12.2 @ 5342			57-3058 ¹	17.6 @ 4917
		57-3070 ¹	10.3 @ 5342	2007 GMC			
Yukon Denali XL	6.2L V8 F/I	77-3070KP ¹	9.9 @ 5342	Canyon	2.9L L4 F/I	63-3064-1 ²	9.0 @ 4862
		71-3070 ¹	12.2 @ 5342	Canyon	3.7L L5 F/I	77-3065KP ²	7.2 @ 4533
		57-3070 ¹	10.3 @ 5342			63-3065 ²	11.0 @ 4754
Yukon XL 1500	5.3L V8 F/I	77-3070KP ¹	9.9 @ 5342	Envoy	4.2L L6 F/I	77-3062KP ²	9.3 @ 4850
		71-3070 ¹	12.2 @ 5342			63-3062 ²	9.5 @ 4725
		57-3070 ¹	10.3 @ 5342	Sierra 1500	4.8L V8 F/I	77-3058KP ¹	12.5 @ 4917
Yukon XL 1500	6.0L V8 F/I	77-3070KP ¹	9.9 @ 5342				
		71-3070 ¹	12.2 @ 5342				

1) Street legal in all US states. 2) Not legal for sale or use on any pollution controlled motor vehicle in California or states adopting California emission procedures. * Estimated horsepower gains are based on specific or similar vehicle dyno tests. Results will vary. See Page 478 for more information. See page 7 for information on intake tube materials/colors.



AIR INTAKE SYSTEMS

GMC

Vehicle	Engine Type	Part Number	Estimated Horsepower*	Vehicle	Engine Type	Part Number	Estimated Horsepower*
2007 GMC				2007 GMC			
Sierra 1500	4.8L V8 F/I	71-3058 ¹	10.2 @ 4900	Yukon XL 1500	6.0L V8 F/I	77-3058KP ¹	12.5 @ 4917
		57-3058 ¹	17.6 @ 4917			71-3058 ¹	10.2 @ 4900
Sierra 1500	5.3L V8 F/I	77-3058KP ¹	12.5 @ 4917	Yukon XL 1500	6.2L V8 F/I	57-3058 ¹	17.6 @ 4917
		71-3058 ¹	10.2 @ 4900	Denali		77-3058KP ¹	12.5 @ 4917
		57-3058 ¹	17.6 @ 4917			71-3058 ¹	10.2 @ 4900
Sierra 1500	6.0L V8 F/I	77-3058KP ¹	10.7 @ 4900			57-3058 ¹	17.6 @ 4917
		71-3058 ¹	10.2 @ 4900				
		57-3058 ¹	17.6 @ 4917	Yukon XL 2500	6.0L V8 F/I	57-3063 ¹	11.6 @ 5075
Sierra 1500 Classic	4.3L V6 F/I	57-3038 ¹	8.2 @ 4544	2006 GMC			
Sierra 1500 Classic	4.8L V8 F/I	77-3050KP ¹	8.4 @ 5336	Canyon	2.8L L4 F/I	57-3051 ¹	11.5 @ 5863
		57-3050 ¹	11.9 @ 5367	Canyon	3.5L L5 F/I	77-3043KP ¹	9.2 @ 6057
Sierra 1500 Classic	5.3L V8 F/I	77-3050KP ¹	8.4 @ 5336			57-3043 ¹	18.6 @ 6001
		57-3050 ¹	11.9 @ 5367	Envoy	4.2L L6 F/I	77-3062KP ¹	9.3 @ 4850
Sierra 1500 HD Classic	6.0L V8 F/I	77-3023KP ¹	8.2 @ 5067			57-3062 ¹	9.5 @ 4725
		57-3023-1 ¹	14.3 @ 5018	Sierra 1500	4.3L V6 F/I	57-3038 ¹	8.2 @ 4544
Sierra 2500 HD	6.0L V8 F/I	57-3067 ¹	11.4 @ 4500	Sierra 1500	4.8L V8 F/I	77-3050KP ¹	8.4 @ 5336
Sierra 2500 HD	6.6L V8 DSL	71-3066 ¹	12.5 @ 2638			57-3050 ¹	11.9 @ 5367
		57-3066 ¹	19.7 @ 2900	Sierra 1500	5.3L V8 F/I	77-3050KP ¹	8.4 @ 5336
Sierra 2500 HD Classic	6.0L V8 F/I	77-3031KP ¹	17.4 @ 5024			57-3050 ¹	11.9 @ 5367
		57-3031-1 ¹	20.3 @ 4894	Sierra 1500	6.0L V8 F/I	77-3050KP ¹	8.4 @ 5336
Sierra 2500 HD Classic	6.6L V8 DSL	57-3057 ¹	22.1 @ 2860			57-3050 ¹	11.9 @ 5367
		57-3000 ¹	15.4 @ 2911	Sierra 1500 HD	6.0L V8 F/I	77-3023KP ¹	8.2 @ 5067
Sierra 2500 HD Classic	8.1L V8 F/I	57-3030-1 ¹	17.3 @ 4559			57-3023-1 ¹	14.3 @ 5018
Sierra 3500 Classic	6.0L V8 F/I	77-3031KP ¹	17.4 @ 5024	Sierra 2500 HD	6.0L V8 F/I	77-3031KP ¹	17.4 @ 5024
		57-3031-1 ¹	20.3 @ 4894			57-3031-1 ¹	20.3 @ 4894
Sierra 3500 Classic	6.6L V8 DSL	57-3057 ¹	22.1 @ 2860	Sierra 2500 HD	6.6L V8 DSL	57-3057 ¹	22.1 @ 2860
		57-3000 ¹	15.4 @ 2911			57-3000 ¹	15.4 @ 2911
Sierra 3500 Classic	8.1L V8 F/I	57-3030-1 ¹	17.3 @ 4559	Sierra 2500 HD	8.1L V8 F/I	57-3030-1 ¹	17.3 @ 4559
Sierra 3500 HD	6.0L V8 F/I	57-3067 ¹	11.4 @ 4500	Sierra 3500	6.0L V8 F/I	77-3031KP ¹	17.4 @ 5024
Sierra 3500 HD	6.6L V8 DSL	71-3066 ¹	12.5 @ 2638			57-3031-1 ¹	20.3 @ 4894
		57-3066 ¹	19.7 @ 2900	Sierra 3500	6.6L V8 DSL	57-3057 ¹	22.1 @ 2860
Sierra Denali	6.2L V8 F/I	77-3058KP ¹	12.5 @ 4917			57-3000 ¹	15.4 @ 2911
		71-3058 ¹	10.2 @ 4900	Sierra 3500	8.1L V8 F/I	57-3030-1 ¹	17.3 @ 4559
		57-3058 ¹	17.6 @ 4917	Sierra Denali	6.0L V8 F/I	77-3050KP ¹	8.4 @ 5336
Sierra Denali Classic	6.0L V8 F/I	77-3050KP ¹	8.4 @ 5336			57-3050 ¹	11.9 @ 5367
		57-3050 ¹	11.9 @ 5367	Yukon	4.8L V8 F/I	77-3050KP ¹	8.4 @ 5336
Yukon	4.8L V8 F/I	77-3058KP ¹	12.5 @ 4917			57-3050 ¹	11.9 @ 5367
		71-3058 ¹	10.2 @ 4900	Yukon Denali	6.0L V8 F/I	77-3050KP ¹	8.4 @ 5336
		57-3058 ¹	17.6 @ 4917			57-3050 ¹	11.9 @ 5367
Yukon	5.3L V8 F/I	77-3058KP ¹	12.5 @ 4917	Yukon Denali XL	6.0L V8 F/I	77-3050KP ¹	8.4 @ 5336
		71-3058 ¹	10.2 @ 4900			57-3050 ¹	11.9 @ 5367
		57-3058 ¹	17.6 @ 4917	Yukon XL 1500	5.3L V8 F/I	77-3050KP ¹	8.4 @ 5336
Yukon Denali	6.2L V8 F/I	77-3058KP ¹	12.5 @ 4917			57-3050 ¹	11.9 @ 5367
		71-3058 ¹	10.2 @ 4900	Yukon XL 2500	6.0L V8 F/I	77-3023KP ¹	8.2 @ 5067
		57-3058 ¹	17.6 @ 4917			57-3023-1 ¹	14.3 @ 5018
Yukon XL 1500	5.3L V8 F/I	77-3058KP ¹	12.5 @ 4917	Yukon XL 2500	8.1L V8 F/I	57-3032 ¹	13.0 @ 4231
		71-3058 ¹	10.2 @ 4900	2005 GMC			
		57-3058 ¹	17.6 @ 4917	Canyon	2.8L L4 F/I	57-3051 ¹	11.5 @ 5863
				Canyon	3.5L L5 F/I	77-3043KP ¹	9.2 @ 6057
						57-3043 ¹	18.6 @ 6001
				Envoy	4.2L L6 F/I	77-3036KP ¹	10.9 @ 5474

1) Street legal in all US states. 2) Not legal for sale or use on any pollution controlled motor vehicle in California or states adopting California emission procedures. * Estimated horsepower gains are based on specific or similar vehicle dyno tests. Results will vary. See Page 478 for more information. See page 7 for information on intake tube materials/colors.



Vehicle	Engine Type	Part Number	Estimated Horsepower*	Vehicle	Engine Type	Part Number	Estimated Horsepower*
2005 GMC				2004 GMC			
Envoy	4.2L L6 F/I	57-3036 ¹	9.3 @ 5623	Sierra 2500	6.0L V8 F/I	77-3023KP ¹	8.2 @ 5067
Sierra 1500	4.3L V6 F/I	57-3038 ¹	8.2 @ 4544			57-3023-1 ¹	14.3 @ 5018
Sierra 1500	4.8L V8 F/I	77-3050KP ¹	8.4 @ 5336	Sierra 2500 HD	6.0L V8 F/I	77-3031KP ¹	17.4 @ 5024
		57-3050 ¹	11.9 @ 5367			57-3031-1 ¹	20.3 @ 4894
Sierra 1500	5.3L V8 F/I	77-3050KP ¹	8.4 @ 5336	Sierra 2500 HD	6.6L V8 DSL - LB7	77-3034KP ¹	12.6 @ 3246
		57-3050 ¹	11.9 @ 5367			57-3034 ¹	16.3 @ 2750
Sierra 1500	6.0L V8 F/I	77-3050KP ¹	8.4 @ 5336	Sierra 2500 HD	6.6L V8 DSL - LLY	77-3047KP ¹	20.1 @ 3158
		57-3050 ¹	11.9 @ 5367			57-3047 ¹	20.1 @ 3157
Sierra 1500 HD	6.0L V8 F/I	77-3023KP ¹	8.2 @ 5067	Sierra 2500 HD	8.1L V8 F/I	57-3030-1 ¹	17.3 @ 4559
		57-3023-1 ¹	14.3 @ 5018	Sierra 3500	6.0L V8 F/I	77-3031KP ¹	17.4 @ 5024
Sierra 2500 HD	6.0L V8 F/I	77-3031KP ¹	17.4 @ 5024			57-3031-1 ¹	20.3 @ 4894
		57-3031-1 ¹	20.3 @ 4894	Sierra 3500	6.6L V8 DSL - LB7	77-3034KP ¹	12.6 @ 3246
Sierra 2500 HD	6.6L V8 DSL - w/Panel Filter	77-3047KP ¹	20.1 @ 3158			57-3034 ¹	16.3 @ 2750
		57-3047 ¹	20.1 @ 3157	Sierra 3500	6.6L V8 DSL - LLY	77-3047KP ¹	20.1 @ 3158
						57-3047 ¹	20.1 @ 3157
Sierra 2500 HD	6.6L V8 DSL - w/Round Filter	57-3057 ¹	22.1 @ 2860	Sierra 3500	8.1L V8 F/I	57-3030-1 ¹	17.3 @ 4559
		57-3000 ¹	15.4 @ 2911	Sierra Denali	6.0L V8 F/I	77-3023KP ¹	8.2 @ 5067
						57-3023-1 ¹	14.3 @ 5018
Sierra 2500 HD	8.1L V8 F/I	57-3030-1 ¹	17.3 @ 4559	Sonoma	4.3L V6 F/I	57-3017-2 ¹	7.4 @ 4671
Sierra 3500	6.0L V8 F/I	77-3031KP ¹	17.4 @ 5024	Yukon	4.8L V8 F/I	77-3023KP ¹	8.2 @ 5067
		57-3031-1 ¹	20.3 @ 4894			57-3023-1 ¹	14.3 @ 5018
Sierra 3500	6.6L V8 DSL - w/Panel Filter	77-3047KP ¹	20.1 @ 3158	Yukon	5.3L V8 F/I	77-3023KP ¹	8.2 @ 5067
		57-3047 ¹	20.1 @ 3157			57-3023-1 ¹	14.3 @ 5018
				Yukon Denali	6.0L V8 F/I	77-3023KP ¹	8.2 @ 5067
Sierra 3500	6.6L V8 DSL - w/Round Filter	57-3057 ¹	22.1 @ 2860			57-3023-1 ¹	14.3 @ 5018
		57-3000 ¹	15.4 @ 2911	Yukon Denali XL	6.0L V8 F/I	77-3023KP ¹	8.2 @ 5067
						57-3023-1 ¹	14.3 @ 5018
Sierra 3500	8.1L V8 F/I	57-3030-1 ¹	17.3 @ 4559	Yukon XL 1500	5.3L V8 F/I	77-3023KP ¹	8.2 @ 5067
Sierra Denali	6.0L V8 F/I	77-3050KP ¹	8.4 @ 5336			57-3023-1 ¹	14.3 @ 5018
		57-3050 ¹	11.9 @ 5367	Yukon XL 2500	6.0L V8 F/I	77-3023KP ¹	8.2 @ 5067
Yukon	4.8L V8 F/I	77-3050KP ¹	8.4 @ 5336			57-3023-1 ¹	14.3 @ 5018
		57-3050 ¹	11.9 @ 5367	Yukon XL 2500	8.1L V8 F/I	57-3032 ¹	13.0 @ 4231
Yukon	5.3L V8 F/I	77-3050KP ¹	8.4 @ 5336				
		57-3050 ¹	11.9 @ 5367	2003 GMC			
Yukon Denali	6.0L V8 F/I	77-3050KP ¹	8.4 @ 5336	Envoy	4.2L L6 F/I	77-3036KP ¹	10.9 @ 5474
		57-3050 ¹	11.9 @ 5367			57-3036 ¹	9.3 @ 5623
Yukon Denali XL	6.0L V8 F/I	77-3050KP ¹	8.4 @ 5336	Envoy	5.3L V8 F/I	57-3048 ¹	19.3 @ 5133
		57-3050 ¹	11.9 @ 5367	Sierra 1500	4.3L V6 F/I	57-3038 ¹	8.2 @ 4544
Yukon XL 1500	5.3L V8 F/I	77-3050KP ¹	8.4 @ 5336	Sierra 1500	4.8L V8 F/I	77-3021KP ¹	8.2 @ 5067
		57-3050 ¹	11.9 @ 5367			57-3021-1 ¹	9.1 @ 5352
Yukon XL 2500	6.0L V8 F/I	77-3023KP ¹	8.2 @ 5067	Sierra 1500	5.3L V8 F/I	77-3021KP ¹	8.2 @ 5067
		57-3023-1 ¹	14.3 @ 5018			57-3021-1 ¹	9.1 @ 5352
Yukon XL 2500	8.1L V8 F/I	57-3032 ¹	13.0 @ 4231	Sierra 1500 HD	6.0L V8 F/I	77-3023KP ¹	8.2 @ 5067
						57-3023-1 ¹	14.3 @ 5018
2004 GMC				Sierra 2500	6.0L V8 F/I	77-3023KP ¹	8.2 @ 5067
Canyon	2.8L L4 F/I	57-3051 ¹	11.5 @ 5863			57-3023-1 ¹	14.3 @ 5018
Canyon	3.5L L5 F/I	77-3043KP ¹	9.2 @ 6057	Sierra 2500 HD	6.0L V8 F/I	77-3031KP ¹	17.4 @ 5024
		57-3043 ¹	18.6 @ 6001			57-3031-1 ¹	20.3 @ 4894
Envoy	4.2L L6 F/I	77-3036KP ¹	10.9 @ 5474	Sierra 2500 HD	6.6L V8 DSL	77-3034KP ¹	12.6 @ 3246
		57-3036 ¹	9.3 @ 5623			57-3034 ¹	16.3 @ 2750
Envoy	5.3L V8 F/I	57-3048 ¹	19.3 @ 5133	Sierra 2500 HD	8.1L V8 F/I	57-3030-1 ¹	17.3 @ 4559
Sierra 1500	4.3L V6 F/I	57-3038 ¹	8.2 @ 4544	Sierra 3500	6.0L V8 F/I	77-3031KP ¹	17.4 @ 5024
Sierra 1500	4.8L V8 F/I	77-3021KP ¹	8.2 @ 5067			57-3031-1 ¹	20.3 @ 4894
		57-3021-1 ¹	9.1 @ 5352	Sierra 3500	6.6L V8 DSL	77-3034KP ¹	12.6 @ 3246
Sierra 1500	5.3L V8 F/I	77-3021KP ¹	8.2 @ 5067			57-3034 ¹	16.3 @ 2750
		57-3021-1 ¹	9.1 @ 5352	Sierra 3500	8.1L V8 F/I	57-3030-1 ¹	17.3 @ 4559

1) Street legal in all US states. 2) Not legal for sale or use on any pollution controlled motor vehicle in California or states adopting California emission procedures. * Estimated horsepower gains are based on specific or similar vehicle dyno tests. Results will vary. See Page 478 for more information. See page 7 for information on intake tube materials/colors.



AIR INTAKE SYSTEMS

GMC

Vehicle	Engine Type	Part Number	Estimated Horsepower*	Vehicle	Engine Type	Part Number	Estimated Horsepower*
2003 GMC				2002 GMC			
Sierra Denali	6.0L V8 F/I	77-3023KP ¹	8.2 @ 5067	Yukon XL 2500	8.1L V8 F/I	57-3032 ¹	13.0 @ 4231
		57-3023-1 ¹	14.3 @ 5018	2001 GMC			
Sonoma	2.2L L4 F/I	57-3025-1 ¹	6.7 @ 4700	Jimmy	4.3L V6 F/I	57-3017-2 ¹	7.4 @ 4671
Sonoma	4.3L V6 F/I	57-3017-2 ¹	7.4 @ 4671	Sierra 1500	4.3L V6 F/I	57-3038 ¹	8.2 @ 4544
Yukon	4.8L V8 F/I	77-3023KP ¹	8.2 @ 5067	Sierra 1500	4.8L V8 F/I	77-3021KP ¹	8.2 @ 5067
		57-3023-1 ¹	14.3 @ 5018			57-3021-1 ¹	9.1 @ 5352
Yukon	5.3L V8 F/I	77-3023KP ¹	8.2 @ 5067	Sierra 1500	5.3L V8 F/I	77-3021KP ¹	8.2 @ 5067
		57-3023-1 ¹	14.3 @ 5018			57-3021-1 ¹	9.1 @ 5352
Yukon Denali	6.0L V8 F/I	77-3023KP ¹	8.2 @ 5067	Sierra 1500	6.0L V8 F/I	77-3023KP ¹	8.2 @ 5067
		57-3023-1 ¹	14.3 @ 5018			57-3023-1 ¹	14.3 @ 5018
Yukon Denali XL	6.0L V8 F/I	77-3023KP ¹	8.2 @ 5067	Sierra 1500 HD	6.0L V8 F/I	77-3023KP ¹	8.2 @ 5067
		57-3023-1 ¹	14.3 @ 5018			57-3023-1 ¹	14.3 @ 5018
Yukon XL 1500	5.3L V8 F/I	77-3023KP ¹	8.2 @ 5067	Sierra 2500	6.0L V8 F/I	77-3023KP ¹	8.2 @ 5067
		57-3023-1 ¹	14.3 @ 5018			57-3023-1 ¹	14.3 @ 5018
Yukon XL 2500	6.0L V8 F/I	77-3023KP ¹	8.2 @ 5067	Sierra 2500 HD	6.0L V8 F/I	77-3031KP ¹	17.4 @ 5024
		57-3023-1 ¹	14.3 @ 5018			57-3031-1 ¹	20.3 @ 4894
Yukon XL 2500	8.1L V8 F/I	57-3032 ¹	13.0 @ 4231	Sierra 2500 HD	6.6L V8 DSL	77-3034KP ¹	12.6 @ 3246
2002 GMC						57-3034 ¹	16.3 @ 2750
Envoy	4.2L L6 F/I	77-3036KP ¹	10.9 @ 5474	Sierra 2500 HD	8.1L V8 F/I	57-3030-1 ¹	17.3 @ 4559
		57-3036 ¹	9.3 @ 5623	Sierra 3500	6.0L V8 F/I	77-3031KP ¹	17.4 @ 5024
Sierra 1500	4.3L V6 F/I	57-3038 ¹	8.2 @ 4544			57-3031-1 ¹	20.3 @ 4894
Sierra 1500	4.8L V8 F/I	77-3021KP ¹	8.2 @ 5067	Sierra 3500	6.6L V8 DSL	77-3034KP ¹	12.6 @ 3246
		57-3021-1 ¹	9.1 @ 5352			57-3034 ¹	16.3 @ 2750
Sierra 1500	5.3L V8 F/I	77-3021KP ¹	8.2 @ 5067	Sierra 3500	8.1L V8 F/I	57-3030-1 ¹	17.3 @ 4559
		57-3021-1 ¹	9.1 @ 5352	Sierra C3	6.0L V8 F/I	77-3023KP ¹	8.2 @ 5067
Sierra 1500 HD	6.0L V8 F/I	77-3023KP ¹	8.2 @ 5067			57-3023-1 ¹	14.3 @ 5018
		57-3023-1 ¹	14.3 @ 5018	Sonoma	2.2L L4 F/I	57-3025-1 ¹	6.7 @ 4700
Sierra 2500	6.0L V8 F/I	77-3023KP ¹	8.2 @ 5067	Sonoma	4.3L V6 F/I	57-3017-2 ¹	7.4 @ 4671
		57-3023-1 ¹	14.3 @ 5018	Yukon	4.8L V8 F/I	77-3023KP ¹	8.2 @ 5067
Sierra 2500 HD	6.0L V8 F/I	77-3031KP ¹	17.4 @ 5024			57-3023-1 ¹	14.3 @ 5018
		57-3031-1 ¹	20.3 @ 4894	Yukon	5.3L V8 F/I	77-3023KP ¹	8.2 @ 5067
Sierra 2500 HD	6.6L V8 DSL	77-3034KP ¹	12.6 @ 3246			57-3023-1 ¹	14.3 @ 5018
		57-3034 ¹	16.3 @ 2750	Yukon Denali	6.0L V8 F/I	77-3023KP ¹	8.2 @ 5067
Sierra 2500 HD	8.1L V8 F/I	57-3030-1 ¹	17.3 @ 4559			57-3023-1 ¹	14.3 @ 5018
Sierra 3500	6.0L V8 F/I	77-3031KP ¹	17.4 @ 5024	Yukon Denali XL	6.0L V8 F/I	77-3023KP ¹	8.2 @ 5067
		57-3031-1 ¹	20.3 @ 4894			57-3023-1 ¹	14.3 @ 5018
Sierra 3500	6.6L V8 DSL	77-3034KP ¹	12.6 @ 3246	Yukon XL 1500	5.3L V8 F/I	77-3023KP ¹	8.2 @ 5067
		57-3034 ¹	16.3 @ 2750			57-3023-1 ¹	14.3 @ 5018
Sierra 3500	8.1L V8 F/I	57-3030-1 ¹	17.3 @ 4559	Yukon XL 2500	6.0L V8 F/I	77-3023KP ¹	8.2 @ 5067
Sierra Denali	6.0L V8 F/I	77-3023KP ¹	8.2 @ 5067			57-3023-1 ¹	14.3 @ 5018
		57-3023-1 ¹	14.3 @ 5018	Yukon XL 2500	8.1L V8 F/I	57-3032 ¹	13.0 @ 4231
Sonoma	2.2L L4 F/I	57-3025-1 ¹	6.7 @ 4700	2000 GMC			
Sonoma	4.3L V6 F/I	57-3017-2 ¹	7.4 @ 4671	C2500	5.7L V8 F/I	57-3013-2 ¹	9.5 @ 4918
Yukon	4.8L V8 F/I	77-3023KP ¹	8.2 @ 5067	C2500	7.4L V8 F/I	57-3016-1 ¹	21.5 @ 4078
		57-3023-1 ¹	14.3 @ 5018	C3500	5.7L V8 F/I	57-3013-2 ¹	9.5 @ 4918
Yukon	5.3L V8 F/I	77-3023KP ¹	8.2 @ 5067	C3500	7.4L V8 F/I	57-3016-1 ¹	21.5 @ 4078
		57-3023-1 ¹	14.3 @ 5018	Jimmy	4.3L V6 F/I	57-3017-2 ¹	7.4 @ 4671
Yukon Denali	6.0L V8 F/I	77-3023KP ¹	8.2 @ 5067	K2500	5.7L V8 F/I	57-3013-2 ¹	9.5 @ 4918
		57-3023-1 ¹	14.3 @ 5018	K2500	7.4L V8 F/I	57-3016-1 ¹	21.5 @ 4078
Yukon Denali XL	6.0L V8 F/I	77-3023KP ¹	8.2 @ 5067	K3500	5.7L V8 F/I	57-3013-2 ¹	9.5 @ 4918
		57-3023-1 ¹	14.3 @ 5018	K3500	7.4L V8 F/I	57-3016-1 ¹	21.5 @ 4078
Yukon XL 1500	5.3L V8 F/I	77-3023KP ¹	8.2 @ 5067	Sierra 1500	4.3L V6 F/I	57-3038 ¹	8.2 @ 4544
		57-3023-1 ¹	14.3 @ 5018	Sierra 1500	4.8L V8 F/I	77-3021KP ¹	8.2 @ 5067
Yukon XL 2500	6.0L V8 F/I	77-3023KP ¹	8.2 @ 5067			57-3021-1 ¹	9.1 @ 5352
		57-3023-1 ¹	14.3 @ 5018	Sierra 1500	5.3L V8 F/I	77-3021KP ¹	8.2 @ 5067

1) Street legal in all US states. 2) Not legal for sale or use on any pollution controlled motor vehicle in California or states adopting California emission procedures. * Estimated horsepower gains are based on specific or similar vehicle dyno tests. Results will vary. See Page 478 for more information. See page 7 for information on intake tube materials/colors.



Vehicle	Engine Type	Part Number	Estimated Horsepower*	Vehicle	Engine Type	Part Number	Estimated Horsepower*
2000 GMC				1998 GMC			
Sierra 1500	5.3L V8 F/I	57-3021-1 ¹	9.1 @ 5352	C2500	5.7L V8 F/I	57-3013-2 ¹	9.5 @ 4918
Sierra 2500	5.3L V8 F/I	77-3023KP ¹	8.2 @ 5067	C2500	7.4L V8 F/I	57-3016-1 ¹	21.5 @ 4078
		57-3023-1 ¹	14.3 @ 5018	C2500 Suburban	5.7L V8 F/I	57-3013-2 ¹	9.5 @ 4918
Sierra 2500	6.0L V8 F/I	77-3023KP ¹	8.2 @ 5067	C2500 Suburban	7.4L V8 F/I	57-3016-1 ¹	21.5 @ 4078
		57-3023-1 ¹	14.3 @ 5018	C3500	5.7L V8 F/I	57-3013-2 ¹	9.5 @ 4918
Sonoma	2.2L L4 F/I	57-3025-1 ¹	6.7 @ 4700	C3500	7.4L V8 F/I	57-3016-1 ¹	21.5 @ 4078
Sonoma	4.3L V6 F/I	57-3017-2 ¹	7.4 @ 4671	Jimmy	4.3L V6 F/I	57-3017-2 ¹	7.4 @ 4671
Yukon	4.8L V8 F/I	77-3023KP ¹	8.2 @ 5067	K1500	5.0L V8 F/I	57-3013-2 ¹	9.5 @ 4918
		57-3023-1 ¹	14.3 @ 5018	K1500	5.7L V8 F/I	57-3013-2 ¹	9.5 @ 4918
Yukon	5.3L V8 F/I	77-3023KP ¹	8.2 @ 5067	K1500 Suburban	5.7L V8 F/I	57-3013-2 ¹	9.5 @ 4918
		57-3023-1 ¹	14.3 @ 5018	K2500	5.0L V8 F/I	57-3013-2 ¹	9.5 @ 4918
Yukon Denali	5.7L V8 F/I	57-3013-2 ¹	9.5 @ 4918	K2500	5.7L V8 F/I	57-3013-2 ¹	9.5 @ 4918
Yukon XL 1500	5.3L V8 F/I	77-3023KP ¹	8.2 @ 5067	K2500	7.4L V8 F/I	57-3016-1 ¹	21.5 @ 4078
		57-3023-1 ¹	14.3 @ 5018	K2500 Suburban	5.7L V8 F/I	57-3013-2 ¹	9.5 @ 4918
Yukon XL 2500	6.0L V8 F/I	77-3023KP ¹	8.2 @ 5067	K2500 Suburban	7.4L V8 F/I	57-3016-1 ¹	21.5 @ 4078
		57-3023-1 ¹	14.3 @ 5018	K3500	5.7L V8 F/I	57-3013-2 ¹	9.5 @ 4918
1999 GMC				1997 GMC			
C1500	5.0L V8 F/I	57-3013-2 ¹	9.5 @ 4918	Sonoma	2.2L L4 F/I	57-3025-1 ¹	6.7 @ 4700
C1500	5.7L V8 F/I	57-3013-2 ¹	9.5 @ 4918	Sonoma	4.3L V6 F/I	57-3017-2 ¹	7.4 @ 4671
C1500 Suburban	5.7L V8 F/I	57-3013-2 ¹	9.5 @ 4918	Yukon	5.7L V8 F/I	57-3013-2 ¹	9.5 @ 4918
C2500	5.0L V8 F/I	57-3013-2 ¹	9.5 @ 4918	1996 GMC			
C2500	5.7L V8 F/I	57-3013-2 ¹	9.5 @ 4918	C1500	4.3L V6 F/I	57-3039 ¹	6.0 @ 4476
C2500	7.4L V8 F/I	57-3016-1 ¹	21.5 @ 4078	C1500	5.0L V8 F/I	57-3013-2 ¹	9.5 @ 4918
C2500 Suburban	5.7L V8 F/I	57-3013-2 ¹	9.5 @ 4918	C1500	5.7L V8 F/I	57-3013-2 ¹	9.5 @ 4918
C2500 Suburban	7.4L V8 F/I	57-3016-1 ¹	21.5 @ 4078	C1500 Suburban	5.7L V8 F/I	57-3013-2 ¹	9.5 @ 4918
C3500	5.7L V8 F/I	57-3013-2 ¹	9.5 @ 4918	C2500	5.0L V8 F/I	57-3013-2 ¹	9.5 @ 4918
C3500	7.4L V8 F/I	57-3016-1 ¹	21.5 @ 4078	C2500	5.7L V8 F/I	57-3013-2 ¹	9.5 @ 4918
Jimmy	4.3L V6 F/I	57-3017-2 ¹	7.4 @ 4671	C2500	7.4L V8 F/I	57-3016-1 ¹	21.5 @ 4078
K1500	5.0L V8 F/I	57-3013-2 ¹	9.5 @ 4918	C2500 Suburban	5.7L V8 F/I	57-3013-2 ¹	9.5 @ 4918
K1500	5.7L V8 F/I	57-3013-2 ¹	9.5 @ 4918	C2500 Suburban	7.4L V8 F/I	57-3016-1 ¹	21.5 @ 4078
K1500 Suburban	5.7L V8 F/I	57-3013-2 ¹	9.5 @ 4918	C3500	5.7L V8 F/I	57-3013-2 ¹	9.5 @ 4918
K2500	5.7L V8 F/I	57-3013-2 ¹	9.5 @ 4918	C3500	7.4L V8 F/I	57-3016-1 ¹	21.5 @ 4078
K2500	7.4L V8 F/I	57-3016-1 ¹	21.5 @ 4078	Jimmy	4.3L V6 F/I	57-3017-2 ¹	7.4 @ 4671
K2500 Suburban	5.7L V8 F/I	57-3013-2 ¹	9.5 @ 4918	K1500	4.3L V6 F/I	57-3039 ¹	6.0 @ 4476
K2500 Suburban	7.4L V8 F/I	57-3016-1 ¹	21.5 @ 4078	K1500	5.0L V8 F/I	57-3013-2 ¹	9.5 @ 4918
K3500	5.7L V8 F/I	57-3013-2 ¹	9.5 @ 4918	K1500	5.7L V8 F/I	57-3013-2 ¹	9.5 @ 4918
K3500	7.4L V8 F/I	57-3016-1 ¹	21.5 @ 4078	K1500 Suburban	5.7L V8 F/I	57-3013-2 ¹	9.5 @ 4918
Sierra 1500	4.3L V6 F/I	57-3038 ¹	8.2 @ 4544	K2500	5.0L V8 F/I	57-3013-2 ¹	9.5 @ 4918
Sierra 1500	4.8L V8 F/I	77-3021KP ¹	8.2 @ 5067	K2500	5.7L V8 F/I	57-3013-2 ¹	9.5 @ 4918
		57-3021-1 ¹	9.1 @ 5352	K2500	7.4L V8 F/I	57-3016-1 ¹	21.5 @ 4078
Sierra 1500	5.3L V8 F/I	77-3021KP ¹	8.2 @ 5067	K2500 Suburban	5.7L V8 F/I	57-3013-2 ¹	9.5 @ 4918
		57-3021-1 ¹	9.1 @ 5352	K2500 Suburban	7.4L V8 F/I	57-3016-1 ¹	21.5 @ 4078
Sierra 2500	5.3L V8 F/I	77-3023KP ¹	8.2 @ 5067	K3500	5.7L V8 F/I	57-3013-2 ¹	9.5 @ 4918
		57-3023-1 ¹	14.3 @ 5018	K3500	7.4L V8 F/I	57-3016-1 ¹	21.5 @ 4078
Sierra 2500	6.0L V8 F/I	77-3023KP ¹	8.2 @ 5067	Sonoma	2.2L L4 F/I	57-3024 ¹	7.5 @ 5224
		57-3023-1 ¹	14.3 @ 5018	Sonoma	4.3L V6 F/I	57-3017-2 ¹	7.4 @ 4671
Sonoma	2.2L L4 F/I	57-3025-1 ¹	6.7 @ 4700	Yukon	5.7L V8 F/I	57-3013-2 ¹	9.5 @ 4918
Sonoma	4.3L V6 F/I	57-3017-2 ¹	7.4 @ 4671	1998 GMC			
Yukon	5.7L V8 F/I	57-3013-2 ¹	9.5 @ 4918	C1500	4.3L V6 F/I	57-3039 ¹	6.0 @ 4476
Yukon Denali	5.7L V8 F/I	57-3013-2 ¹	9.5 @ 4918	C1500	5.0L V8 F/I	57-3013-2 ¹	9.5 @ 4918
1998 GMC				C1500	5.7L V8 F/I	57-3013-2 ¹	9.5 @ 4918
C1500	4.3L V6 F/I	57-3039 ¹	6.0 @ 4476	C1500 Suburban	5.7L V8 F/I	57-3013-2 ¹	9.5 @ 4918
C1500	5.0L V8 F/I	57-3013-2 ¹	9.5 @ 4918	C2500	5.0L V8 F/I	57-3013-2 ¹	9.5 @ 4918
C1500	5.7L V8 F/I	57-3013-2 ¹	9.5 @ 4918	C2500	5.7L V8 F/I	57-3013-2 ¹	9.5 @ 4918
C1500 Suburban	5.7L V8 F/I	57-3013-2 ¹	9.5 @ 4918	C2500	7.4L V8 F/I	57-3016-1 ¹	21.5 @ 4078

1) Street legal in all US states. 2) Not legal for sale or use on any pollution controlled motor vehicle in California or states adopting California emission procedures. * Estimated horsepower gains are based on specific or similar vehicle dyno tests. Results will vary. See Page 478 for more information. See page 7 for information on intake tube materials/colors



AIR INTAKE SYSTEMS

GMC

Vehicle	Engine Type	Part Number	Estimated Horsepower*	Vehicle	Engine Type	Part Number	Estimated Horsepower*
1996 GMC				1995 GMC			
C2500 Suburban	5.7L V8 F/I	57-3013-2 ¹	9.5 @ 4918	K2500	7.4L V8 F/I	57-3027 ¹	7.4 @ 3571
C2500 Suburban	7.4L V8 F/I	57-3016-1 ¹	21.5 @ 4078	K2500	7.4L V8 F/I - w/o heat stove	57-3014 ¹	17.6 @ 3811
C3500	5.7L V8 F/I	57-3013-2 ¹	9.5 @ 4918	K2500 Suburban	5.7L V8 F/I	63-1007-1 ²	6.7 @ 4107
C3500	7.4L V8 F/I	57-3016-1 ¹	21.5 @ 4078		57-3026 ¹		6.7 @ 4107
Jimmy	4.3L V6 F/I	57-3017-2 ¹	7.4 @ 4671	K2500 Suburban	7.4L V8 F/I	63-1007-1 ²	6.7 @ 4107
K1500	4.3L V6 F/I	57-3039 ¹	6.0 @ 4476		57-3027 ¹		7.4 @ 3571
K1500	5.0L V8 F/I	57-3013-2 ¹	9.5 @ 4918	K2500 Suburban	7.4L V8 F/I - w/o heat stove	57-3014 ¹	17.6 @ 3811
K1500	5.7L V8 F/I	57-3013-2 ¹	9.5 @ 4918	K3500	5.7L V8 F/I	63-1007-1 ²	6.7 @ 4107
K1500 Suburban	5.7L V8 F/I	57-3013-2 ¹	9.5 @ 4918		57-3026 ¹		6.7 @ 4107
K2500	5.0L V8 F/I	57-3013-2 ¹	9.5 @ 4918	K3500	7.4L V8 F/I	63-1007-1 ²	6.7 @ 4107
K2500	5.7L V8 F/I	57-3013-2 ¹	9.5 @ 4918		57-3027 ¹		7.4 @ 3571
K2500	7.4L V8 F/I	57-3016-1 ¹	21.5 @ 4078	K3500	7.4L V8 F/I - w/o heat stove	57-3014 ¹	17.6 @ 3811
K2500 Suburban	5.7L V8 F/I	57-3013-2 ¹	9.5 @ 4918	Sonoma	2.2L L4 F/I	57-3024 ¹	7.5 @ 5224
K2500 Suburban	7.4L V8 F/I	57-3016-1 ¹	21.5 @ 4078	Sonoma	4.3L V6 CPI	57-3009 ¹	7.1 @ 4571
K3500	5.7L V8 F/I	57-3013-2 ¹	9.5 @ 4918	Sonoma	4.3L V6 TBI	57-3029 ¹	4.7 @ 3971
K3500	7.4L V8 F/I	57-3016-1 ¹	21.5 @ 4078	Yukon	5.7L V8 F/I	63-1007-1 ²	6.7 @ 4107
Sonoma	2.2L L4 F/I	57-3024 ¹	7.5 @ 5224		57-3026 ¹		6.7 @ 4107
Sonoma	4.3L V6 F/I	57-3017-2 ¹	7.4 @ 4671	1994 GMC			
Yukon	5.7L V8 F/I	57-3013-2 ¹	9.5 @ 4918	C1500	5.0L V8 F/I	63-1007-1 ²	6.7 @ 4107
						57-3026 ¹	6.7 @ 4107
				C1500	5.7L V8 F/I	63-1007-1 ²	6.7 @ 4107
						57-3026 ¹	6.7 @ 4107
				C1500 Suburban	5.7L V8 F/I	63-1007-1 ²	6.7 @ 4107
						57-3026 ¹	6.7 @ 4107
				C2500	5.0L V8 F/I	63-1007-1 ²	6.7 @ 4107
				C2500	5.7L V8 F/I	63-1007-1 ²	6.7 @ 4107
						57-3026 ¹	6.7 @ 4107
				C2500	7.4L V8 F/I	63-1007-1 ²	6.7 @ 4107
						57-3027 ¹	7.4 @ 3571
				C2500	7.4L V8 F/I - w/o heat stove	57-3014 ¹	17.6 @ 3811
				C2500 Suburban	5.7L V8 F/I	63-1007-1 ²	6.7 @ 4107
						57-3026 ¹	6.7 @ 4107
				C2500 Suburban	7.4L V8 F/I	63-1007-1 ²	6.7 @ 4107
						57-3027 ¹	7.4 @ 3571
				C2500 Suburban	7.4L V8 F/I - w/o heat stove	57-3014 ¹	17.6 @ 3811
				C3500	5.7L V8 F/I	63-1007-1 ²	6.7 @ 4107
						57-3026 ¹	6.7 @ 4107
				C3500	7.4L V8 F/I	63-1007-1 ²	6.7 @ 4107
						57-3027 ¹	7.4 @ 3571
				C3500	7.4L V8 F/I - w/o heat stove	57-3014 ¹	17.6 @ 3811
				Jimmy	4.3L V6 TBI	57-3029 ¹	4.7 @ 3971
				K1500	5.0L V8 F/I	63-1007-1 ²	6.7 @ 4107
						57-3026 ¹	6.7 @ 4107
				K1500	5.7L V8 F/I	63-1007-1 ²	6.7 @ 4107
						57-3026 ¹	6.7 @ 4107
				K1500 Suburban	5.7L V8 F/I	63-1007-1 ²	6.7 @ 4107
						57-3026 ¹	6.7 @ 4107
				K2500	5.0L V8 F/I	63-1007-1 ²	6.7 @ 4107
				K2500	5.7L V8 F/I	63-1007-1 ²	6.7 @ 4107
						57-3026 ¹	6.7 @ 4107
				K2500	7.4L V8 F/I	63-1007-1 ²	6.7 @ 4107
						57-3027 ¹	7.4 @ 3571

1) Street legal in all US states. 2) Not legal for sale or use on any pollution controlled motor vehicle in California or states adopting California emission procedures. * Estimated horsepower gains are based on specific or similar vehicle dyno tests. Results will vary. See Page 478 for more information. See page 7 for information on intake tube materials/colors.



Vehicle	Engine Type	Part Number	Estimated Horsepower*	Vehicle	Engine Type	Part Number	Estimated Horsepower*
1994 GMC				1993 GMC			
K2500	7.4L V8 F/I - w/o heat stove	57-3014 ¹	17.6 @ 3811	K2500 Suburban	5.7L V8 F/I	57-3026 ¹	6.7 @ 4107
K2500 Suburban	5.7L V8 F/I	63-1007-1 ² 57-3026 ¹	6.7 @ 4107 6.7 @ 4107	K2500 Suburban	7.4L V8 F/I	63-1007-1 ² 57-3027 ¹	6.7 @ 4107 7.4 @ 3571
K2500 Suburban	7.4L V8 F/I	63-1007-1 ² 57-3027 ¹	6.7 @ 4107 7.4 @ 3571	K2500 Suburban	7.4L V8 F/I - w/o heat stove	57-3014 ¹	17.6 @ 3811
K2500 Suburban	7.4L V8 F/I - w/o heat stove	57-3014 ¹	17.6 @ 3811	K3500	5.7L V8 F/I	63-1007-1 ² 57-3026 ¹	6.7 @ 4107 6.7 @ 4107
K3500	5.7L V8 F/I	63-1007-1 ² 57-3026 ¹	6.7 @ 4107 6.7 @ 4107	K3500	7.4L V8 F/I	63-1007-1 ² 57-3027 ¹	6.7 @ 4107 7.4 @ 3571
K3500	7.4L V8 F/I	63-1007-1 ² 57-3027 ¹	6.7 @ 4107 7.4 @ 3571	K3500	7.4L V8 F/I - w/o heat stove	57-3014 ¹	17.6 @ 3811
K3500	7.4L V8 F/I - w/o heat stove	57-3014 ¹	17.6 @ 3811	Sonoma	4.3L V6 TBI	57-3028 ¹	
Sonoma	2.2L L4 F/I	57-3024 ¹	7.5 @ 5224	Yukon	5.7L V8 F/I	63-1007-1 ² 57-3026 ¹	6.7 @ 4107 6.7 @ 4107
Sonoma	4.3L V6 CPI	57-3009 ¹	7.1 @ 4571	1992 GMC			
Sonoma	4.3L V6 TBI	57-3029 ¹	4.7 @ 3971	C1500	5.0L V8 F/I	63-1007-1 ² 57-3026 ¹	6.7 @ 4107 6.7 @ 4107
Yukon	5.7L V8 F/I	63-1007-1 ² 57-3026 ¹	6.7 @ 4107 6.7 @ 4107	C1500	5.7L V8 F/I	63-1007-1 ² 57-3026 ¹	6.7 @ 4107 6.7 @ 4107
1993 GMC				C1500 Suburban	5.7L V8 F/I	63-1007-1 ² 57-3026 ¹	6.7 @ 4107 6.7 @ 4107
C1500	5.0L V8 F/I	63-1007-1 ² 57-3026 ¹	6.7 @ 4107 6.7 @ 4107	C2500	5.0L V8 F/I	63-1007-1 ² 57-3026 ¹	6.7 @ 4107 6.7 @ 4107
C1500	5.7L V8 F/I	63-1007-1 ² 57-3026 ¹	6.7 @ 4107 6.7 @ 4107	C2500	5.7L V8 F/I	63-1007-1 ² 57-3026 ¹	6.7 @ 4107 6.7 @ 4107
C1500 Suburban	5.7L V8 F/I	63-1007-1 ² 57-3026 ¹	6.7 @ 4107 6.7 @ 4107	C2500	7.4L V8 F/I	63-1007-1 ² 57-3027 ¹	6.7 @ 4107 7.4 @ 3571
C2500	5.7L V8 F/I	63-1007-1 ² 57-3026 ¹	6.7 @ 4107 6.7 @ 4107	C2500	7.4L V8 F/I - w/o heat stove	57-3014 ¹	17.6 @ 3811
C2500	7.4L V8 F/I	63-1007-1 ² 57-3027 ¹	6.7 @ 4107 7.4 @ 3571	C2500 Suburban	5.7L V8 F/I	63-1007-1 ² 57-3026 ¹	6.7 @ 4107 6.7 @ 4107
C2500	7.4L V8 F/I - w/o heat stove	57-3014 ¹	17.6 @ 3811	C2500 Suburban	7.4L V8 F/I	63-1007-1 ² 57-3027 ¹	6.7 @ 4107 7.4 @ 3571
C2500 Suburban	5.7L V8 F/I	63-1007-1 ² 57-3026 ¹	6.7 @ 4107 6.7 @ 4107	C2500 Suburban	7.4L V8 F/I - w/o heat stove	57-3014 ¹	17.6 @ 3811
C2500 Suburban	7.4L V8 F/I	63-1007-1 ² 57-3027 ¹	6.7 @ 4107 7.4 @ 3571	C3500	7.4L V8 F/I - w/o heat stove	57-3014 ¹	17.6 @ 3811
C2500 Suburban	7.4L V8 F/I - w/o heat stove	57-3014 ¹	17.6 @ 3811	C3500	5.7L V8 F/I	63-1007-1 ² 57-3026 ¹	6.7 @ 4107 6.7 @ 4107
C3500	5.7L V8 F/I	63-1007-1 ² 57-3026 ¹	6.7 @ 4107 6.7 @ 4107	C3500	7.4L V8 F/I	63-1007-1 ² 57-3027 ¹	6.7 @ 4107 7.4 @ 3571
C3500	7.4L V8 F/I	63-1007-1 ² 57-3027 ¹	6.7 @ 4107 7.4 @ 3571	C3500	7.4L V8 F/I - w/o heat stove	57-3014 ¹	17.6 @ 3811
C3500	7.4L V8 F/I - w/o heat stove	57-3014 ¹	17.6 @ 3811	Jimmy	4.3L V6 TBI	57-3028 ¹	
Jimmy	4.3L V6 TBI	57-3028 ¹		K1500	5.0L V8 F/I	63-1007-1 ² 57-3026 ¹	6.7 @ 4107 6.7 @ 4107
K1500	5.0L V8 F/I	63-1007-1 ² 57-3026 ¹	6.7 @ 4107 6.7 @ 4107	K1500	5.7L V8 F/I	63-1007-1 ² 57-3026 ¹	6.7 @ 4107 6.7 @ 4107
K1500	5.7L V8 F/I	63-1007-1 ² 57-3026 ¹	6.7 @ 4107 6.7 @ 4107	K1500	7.4L V8 F/I	63-1007-1 ² 57-3027 ¹	6.7 @ 4107 7.4 @ 3571
K1500 Suburban	5.7L V8 F/I	63-1007-1 ² 57-3026 ¹	6.7 @ 4107 6.7 @ 4107	K1500	7.4L V8 F/I - w/o heat stove	57-3014 ¹	17.6 @ 3811
K2500	5.7L V8 F/I	63-1007-1 ² 57-3026 ¹	6.7 @ 4107 6.7 @ 4107	K2500	5.7L V8 F/I	63-1007-1 ² 57-3026 ¹	6.7 @ 4107 6.7 @ 4107
K2500	7.4L V8 F/I	63-1007-1 ² 57-3027 ¹	6.7 @ 4107 7.4 @ 3571	K2500	7.4L V8 F/I	63-1007-1 ² 57-3027 ¹	6.7 @ 4107 7.4 @ 3571
K2500	7.4L V8 F/I - w/o heat stove	57-3014 ¹	17.6 @ 3811	K2500	7.4L V8 F/I - w/o heat stove	57-3014 ¹	17.6 @ 3811
K2500	7.4L V8 F/I - w/o heat stove	57-3014 ¹	17.6 @ 3811	K2500 Suburban	5.7L V8 F/I	63-1007-1 ² 57-3026 ¹	6.7 @ 4107 6.7 @ 4107
K2500 Suburban	5.7L V8 F/I	63-1007-1 ² 57-3026 ¹	6.7 @ 4107 6.7 @ 4107	K2500 Suburban	7.4L V8 F/I	63-1007-1 ² 57-3027 ¹	6.7 @ 4107 7.4 @ 3571

1) Street legal in all US states. 2) Not legal for sale or use on any pollution controlled motor vehicle in California or states adopting California emission procedures. * Estimated horsepower gains are based on specific or similar vehicle dyno tests. Results will vary. See Page 478 for more information. See page 7 for information on intake tube materials/colors.



AIR INTAKE SYSTEMS

GMC

Vehicle	Engine Type	Part Number	Estimated Horsepower*	Vehicle	Engine Type	Part Number	Estimated Horsepower*
1992 GMC				1990 GMC			
K2500 Suburban	7.4L V8 F/I - w/o heat stove	57-3014 ¹	17.6 @ 3811	C2500	5.0L V8 F/I	57-3026 ¹	6.7 @ 4107
K3500	5.7L V8 F/I	63-1007-1 ²	6.7 @ 4107	C2500	5.7L V8 F/I	63-1007-1 ²	6.7 @ 4107
		57-3026 ¹	6.7 @ 4107			57-3026 ¹	6.7 @ 4107
K3500	7.4L V8 F/I	63-1007-1 ²	6.7 @ 4107	C3500	5.7L V8 F/I	63-1007-1 ²	6.7 @ 4107
		57-3027 ¹	7.4 @ 3571			57-3026 ¹	6.7 @ 4107
K3500	7.4L V8 F/I - w/o heat stove	57-3014 ¹	17.6 @ 3811	C3500	7.4L V8 F/I	63-1007-1 ²	6.7 @ 4107
						57-3027 ¹	7.4 @ 3571
Sonoma	4.3L V6 TBI	57-3028 ¹		Jimmy	5.7L V8 F/I	63-1007-1 ²	6.7 @ 4107
Yukon	5.7L V8 F/I	63-1007-1 ²	6.7 @ 4107	K1500	5.0L V8 F/I	63-1007-1 ²	6.7 @ 4107
		57-3026 ¹	6.7 @ 4107			57-3026 ¹	6.7 @ 4107
1991 GMC				K1500	5.7L V8 F/I	63-1007-1 ²	6.7 @ 4107
C1500	5.0L V8 F/I	63-1007-1 ²	6.7 @ 4107	K2500	5.0L V8 F/I	63-1007-1 ²	6.7 @ 4107
		57-3026 ¹	6.7 @ 4107			57-3026 ¹	6.7 @ 4107
C1500	5.7L V8 F/I	63-1007-1 ²	6.7 @ 4107	K2500	5.7L V8 F/I	63-1007-1 ²	6.7 @ 4107
		57-3026 ¹	6.7 @ 4107			57-3026 ¹	6.7 @ 4107
C2500	5.0L V8 F/I	63-1007-1 ²	6.7 @ 4107	K3500	5.7L V8 F/I	63-1007-1 ²	6.7 @ 4107
		57-3026 ¹	6.7 @ 4107			57-3026 ¹	6.7 @ 4107
C2500	5.7L V8 F/I	63-1007-1 ²	6.7 @ 4107	K3500	7.4L V8 F/I	63-1007-1 ²	6.7 @ 4107
		57-3026 ¹	6.7 @ 4107			57-3027 ¹	7.4 @ 3571
C2500	7.4L V8 F/I	63-1007-1 ²	6.7 @ 4107	R1500 Suburban	5.7L V8 F/I	63-1007-1 ²	6.7 @ 4107
		57-3027 ¹	7.4 @ 3571	R2500 Suburban	5.7L V8 F/I	63-1007-1 ²	6.7 @ 4107
C3500	5.7L V8 F/I	63-1007-1 ²	6.7 @ 4107	R2500 Suburban	7.4L V8 F/I	63-1007-1 ²	6.7 @ 4107
		57-3026 ¹	6.7 @ 4107	R3500	5.7L V8 F/I	63-1007-1 ²	6.7 @ 4107
C3500	7.4L V8 F/I	63-1007-1 ²	6.7 @ 4107	R3500	7.4L V8 F/I	63-1007-1 ²	6.7 @ 4107
		57-3027 ¹	7.4 @ 3571	S15 Jimmy	4.3L V6 TBI	57-3028 ¹	
Jimmy	5.7L V8 F/I	63-1007-1 ²	6.7 @ 4107	S15 Pickup	4.3L V6 TBI	57-3028 ¹	
K1500	5.0L V8 F/I	63-1007-1 ²	6.7 @ 4107	V1500 Suburban	5.7L V8 F/I	63-1007-1 ²	6.7 @ 4107
		57-3026 ¹	6.7 @ 4107	V2500 Suburban	5.7L V8 F/I	63-1007-1 ²	6.7 @ 4107
K1500	5.7L V8 F/I	63-1007-1 ²	6.7 @ 4107	V3500	5.7L V8 F/I	63-1007-1 ²	6.7 @ 4107
		57-3026 ¹	6.7 @ 4107	V3500	7.4L V8 F/I	63-1007-1 ²	6.7 @ 4107
K2500	5.0L V8 F/I	63-1007-1 ²	6.7 @ 4107			57-3027 ¹	7.4 @ 3571
		57-3026 ¹	6.7 @ 4107	1989 GMC			
K2500	5.7L V8 F/I	63-1007-1 ²	6.7 @ 4107	C1500	5.0L V8 F/I	63-1007-1 ²	6.7 @ 4107
		57-3026 ¹	6.7 @ 4107			57-3026 ¹	6.7 @ 4107
K2500	7.4L V8 F/I	63-1007-1 ²	6.7 @ 4107	C1500	5.7L V8 F/I	63-1007-1 ²	6.7 @ 4107
		57-3027 ¹	7.4 @ 3571			57-3026 ¹	6.7 @ 4107
K3500	7.4L V8 F/I	63-1007-1 ²	6.7 @ 4107	C2500	5.0L V8 F/I	63-1007-1 ²	6.7 @ 4107
		57-3027 ¹	7.4 @ 3571			57-3026 ¹	6.7 @ 4107
R1500 Suburban	5.7L V8 F/I	63-1007-1 ²	6.7 @ 4107	C2500	5.7L V8 F/I	63-1007-1 ²	6.7 @ 4107
R2500 Suburban	5.7L V8 F/I	63-1007-1 ²	6.7 @ 4107			57-3026 ¹	6.7 @ 4107
R2500 Suburban	7.4L V8 F/I	63-1007-1 ²	6.7 @ 4107	C3500	5.7L V8 F/I	63-1007-1 ²	6.7 @ 4107
R3500	5.7L V8 F/I	63-1007-1 ²	6.7 @ 4107			57-3026 ¹	6.7 @ 4107
R3500	7.4L V8 F/I	63-1007-1 ²	6.7 @ 4107	C3500	7.4L V8 F/I	63-1007-1 ²	6.7 @ 4107
S15 Jimmy	4.3L V6 F/I	57-3028 ¹				57-3027 ¹	7.4 @ 3571
Sonoma	4.3L V6 F/I	57-3028 ¹		Jimmy	5.7L V8 F/I	63-1007-1 ²	6.7 @ 4107
V1500 Suburban	5.7L V8 F/I	63-1007-1 ²	6.7 @ 4107	K1500	5.0L V8 F/I	63-1007-1 ²	6.7 @ 4107
V2500 Suburban	5.7L V8 F/I	63-1007-1 ²	6.7 @ 4107			57-3026 ¹	6.7 @ 4107
V3500	5.7L V8 F/I	63-1007-1 ²	6.7 @ 4107	K1500	5.7L V8 F/I	63-1007-1 ²	6.7 @ 4107
V3500	7.4L V8 F/I	63-1007-1 ²	6.7 @ 4107			57-3026 ¹	6.7 @ 4107
1990 GMC				K2500	5.7L V8 F/I	63-1007-1 ²	6.7 @ 4107
C1500	5.0L V8 F/I	63-1007-1 ²	6.7 @ 4107			57-3026 ¹	6.7 @ 4107
		57-3026 ¹	6.7 @ 4107	K3500	5.7L V8 F/I	63-1007-1 ²	6.7 @ 4107
C1500	5.7L V8 F/I	63-1007-1 ²	6.7 @ 4107			57-3026 ¹	6.7 @ 4107
		57-3026 ¹	6.7 @ 4107	K3500	7.4L V8 F/I	63-1007-1 ²	6.7 @ 4107
C2500	5.0L V8 F/I	63-1007-1 ²	6.7 @ 4107			57-3027 ¹	7.4 @ 3571

1) Street legal in all US states. 2) Not legal for sale or use on any pollution controlled motor vehicle in California or states adopting California emission procedures. * Estimated horsepower gains are based on specific or similar vehicle dyno tests. Results will vary. See Page 478 for more information. See page 7 for information on intake tube materials/colors.



Vehicle	Engine Type	Part Number	Estimated Horsepower*	Vehicle	Engine Type	Part Number	Estimated Horsepower*
1989 GMC				2016 HONDA			
K3500	7.4L V8 F/I	57-3027 ¹	7.4 @ 3571	Accord	2.4L L4 F/I	69-1213TS ²	5.2 @ 5378
R1500 Suburban	5.7L V8 F/I	63-1007-1 ²	6.7 @ 4107	Accord	3.5L V6 F/I	69-1212TS ²	7.4 @ 5429
R2500	5.7L V8 F/I	63-1007-1 ²	6.7 @ 4107	Civic	1.5L L4 F/I	63-3516 ²	
		57-3026 ¹	6.7 @ 4107	Civic	2.0L L4 F/I - Exc. DX	63-3517 ²	
R2500 Suburban	5.7L V8 F/I	63-1007-1 ²	6.7 @ 4107	CR-Z	1.5L L4 F/I	69-1018TS ²	4.8 @ 5049
R2500 Suburban	7.4L V8 F/I	63-1007-1 ²	6.7 @ 4107	2015 HONDA			
R3500	5.7L V8 F/I	63-1007-1 ²	6.7 @ 4107	Accord	2.4L L4 F/I	69-1213TS ²	5.2 @ 5378
R3500	7.4L V8 F/I	63-1007-1 ²	6.7 @ 4107	Accord	3.5L V6 F/I	69-1212TS ²	7.4 @ 5429
S15 Jimmy	4.3L V6 TBI	57-3028 ¹		Civic	1.8L L4 F/I	69-1020TS ²	3.2 @ 5424
S15 Pickup	4.3L V6 TBI	57-3028 ¹		Civic Si	2.4L L4 F/I	69-1019TS ²	10.6 @ 5400
V1500 Suburban	5.7L V8 F/I	63-1007-1 ²	6.7 @ 4107	CR-Z	1.5L L4 F/I	69-1018TS ²	4.8 @ 5049
V2500 Suburban	5.7L V8 F/I	63-1007-1 ²	6.7 @ 4107	2014 HONDA			
V3500	5.7L V8 F/I	63-1007-1 ²	6.7 @ 4107	Accord	2.4L L4 F/I - Exc. LEV2 SULEV Test Group EHNXV02.46C3	69-1213TS ¹	5.2 @ 5378
V3500	7.4L V8 F/I	63-1007-1 ²	6.7 @ 4107	Accord	3.5L V6 F/I - Exc. LEV2 SULEV Test Group EHNXV03.5SC3	69-1212TS ¹	7.4 @ 5429
1988 GMC				Civic	1.8L L4 F/I - Exc. LEV2 SULEV Test Group EHNXV01.8WC2	69-1020TS ¹	3.2 @ 5424
C1500	5.0L V8 F/I	63-1007-1 ²	6.7 @ 4107	Civic Si	2.4L L4 F/I	69-1019TS ¹	10.6 @ 5400
		57-3026 ¹	6.7 @ 4107	CR-Z	1.5L L4 F/I	69-1018TS ²	4.8 @ 5049
C1500	5.7L V8 F/I	63-1007-1 ²	6.7 @ 4107	2013 HONDA			
		57-3026 ¹	6.7 @ 4107	Accord	2.4L L4 F/I - Exc. LEV2 SULEV Test Group DHNXV02.4NC3	69-1213TS ¹	5.2 @ 5378
C2500	5.0L V8 F/I	63-1007-1 ²	6.7 @ 4107	Accord	3.5L V6 F/I - Exc. LEV2 SULEV Test Group DHNXV03.5VC3	69-1212TS ¹	7.4 @ 5429
		57-3026 ¹	6.7 @ 4107	Civic	1.8L L4 F/I - Exc. LEV2 SULEV Test Group DHNXV01.82C2	69-1020TS ¹	3.2 @ 5424
C2500	5.7L V8 F/I	63-1007-1 ²	6.7 @ 4107	Civic Si	2.4L L4 F/I	69-1019TS ¹	10.6 @ 5400
		57-3026 ¹	6.7 @ 4107	CR-Z	1.5L L4 F/I	69-1018TS ²	4.8 @ 5049
C3500	5.7L V8 F/I	63-1007-1 ²	6.7 @ 4107	Fit	1.5L L4 F/I	69-1017TTK ¹	4.5 @ 5900
		57-3026 ¹	6.7 @ 4107	2012 HONDA			
C3500	7.4L V8 F/I	63-1007-1 ²	6.7 @ 4107	Accord	2.4L L4 F/I - Exc. LEV2 SULEV Test Group CHNXV02.4MC3	69-1211TTK ¹	11.1 @ 5600
		57-3027 ¹	7.4 @ 3571	Accord	3.5L V6 F/I	69-1210TS ¹	10.2 @ 5217
Jimmy	5.7L V8 F/I	63-1007-1 ²	6.7 @ 4107	Civic	1.8L L4 F/I - Exc. LEV2 SULEV Test Group CHNXV01.8VC2	69-1020TS ¹	3.2 @ 5424
K1500	5.0L V8 F/I	63-1007-1 ²	6.7 @ 4107	Civic Si	2.4L L4 F/I	69-1019TS ¹	10.6 @ 5400
		57-3026 ¹	6.7 @ 4107	Crosstour	3.5L V6 F/I	69-1210TS ¹	10.2 @ 5217
K1500	5.7L V8 F/I	63-1007-1 ²	6.7 @ 4107	CR-Z	1.5L L4 F/I	69-1018TS ²	4.8 @ 5049
		57-3026 ¹	6.7 @ 4107	Fit	1.5L L4 F/I	69-1017TTK ¹	4.5 @ 5900
K2500	5.0L V8 F/I	63-1007-1 ²	6.7 @ 4107	2011 HONDA			
		57-3026 ¹	6.7 @ 4107	Accord	2.4L L4 F/I - Exc. LEV2 SULEV Test Group BHNXV02.4RC3	69-1211TTK ¹	11.1 @ 5600
K2500	5.7L V8 F/I	63-1007-1 ²	6.7 @ 4107	Accord	3.5L V6 F/I - w/Mass Air	69-1210TS ¹	10.2 @ 5217
		57-3026 ¹	6.7 @ 4107	Accord Crosstour	3.5L V6 F/I - w/Mass Air	69-1210TS ¹	10.2 @ 5217
K3500	5.7L V8 F/I	63-1007-1 ²	6.7 @ 4107	Civic	1.8L L4 F/I - US	69-1013TS ¹	5.7 @ 5700
		57-3027 ¹	7.4 @ 3571	Civic Si	2.0L L4 F/I	69-1014TS ¹	7.0 @ 6700
R1500 Suburban	5.7L V8 F/I	63-1007-1 ²	6.7 @ 4107	CR-Z	1.5L L4 F/I	69-1018TS ²	4.8 @ 5049
R2500	5.7L V8 F/I	63-1007-1 ²	6.7 @ 4107	Fit	1.5L L4 F/I	69-1017TTK ¹	4.5 @ 5900
R2500	7.4L V8 F/I	63-1007-1 ²	6.7 @ 4107	2017 HONDA			
R2500 Suburban	5.7L V8 F/I	63-1007-1 ²	6.7 @ 4107	Accord	2.4L L4 F/I	69-1213TS ²	5.2 @ 5378
R2500 Suburban	7.4L V8 F/I	63-1007-1 ²	6.7 @ 4107	Accord	3.5L V6 F/I	69-1212TS ²	7.4 @ 5429
S15 Jimmy	4.3L V6 F/I	57-3028 ¹					
S15 Pickup	4.3L V6 F/I	57-3028 ¹					
V1500 Suburban	5.7L V8 F/I	63-1007-1 ²	6.7 @ 4107				
V2500 Suburban	5.7L V8 F/I	63-1007-1 ²	6.7 @ 4107				
V3500	5.7L V8 F/I	63-1007-1 ²	6.7 @ 4107				
V3500	7.4L V8 F/I	63-1007-1 ²	6.7 @ 4107				

1) Street legal in all US states. 2) Not legal for sale or use on any pollution controlled motor vehicle in California or states adopting California emission procedures. * Estimated horsepower gains are based on specific or similar vehicle dyno tests. Results will vary. See Page 478 for more information. See page 7 for information on intake tube materials/colors.



AIR INTAKE SYSTEMS

HONDA

Vehicle	Engine Type	Part Number	Estimated Horsepower*	Vehicle	Engine Type	Part Number	Estimated Horsepower*
2010 HONDA				2006 HONDA			
Accord	2.4L L4 F/I - Exc. LEV2 SULEV Test Group AHNXV02.4KC3	69-1211TTK ¹	11.1 @ 5600	Accord	2.4L L4 F/I - w/o Mass Air, Not CARB exempt for LEV2 SULEV Engines	69-1206TP ¹	3.9 @ 5097
Accord	3.5L V6 F/I - w/Mass Air	69-1210TS ¹	10.2 @ 5217	Accord	3.0L V6 F/I	69-1207TR ¹	10.4 @ 5522
Accord Crosstour	3.5L V6 F/I - w/Mass Air	69-1210TS ¹	10.2 @ 5217	Accord		69-1207TP ¹	10.4 @ 5522
Civic	1.8L L4 F/I - US	69-1013TS ¹	5.7 @ 5700	Accord VIII	2.0L L4 F/I - Non-US	69-1206TP ²	3.9 @ 5097
Civic Si	2.0L L4 F/I	69-1014TS ¹	7.0 @ 6700	Accord VIII	2.4L L4 F/I - Non-US	69-1206TP ²	3.9 @ 5097
Fit	1.5L L4 F/I	69-1017TTK ¹	4.5 @ 5900			69-0025TP ²	4.2 @ 5300
2009 HONDA				Civic	1.8L L4 F/I - US	69-1013TS ¹	5.7 @ 5700
Accord	2.4L L4 F/I - Exc. LEV2 SULEV Test Group 9HNXV02.4TC3	69-1211TTK ¹	11.1 @ 5600	Civic GX	1.8L L4 F/I - US	69-1013TS ¹	5.7 @ 5700
Accord	3.5L V6 F/I - Exc. LEV2 SULEV Test Group 9HNXV03.5EC3	69-1210TS ¹	10.2 @ 5217	Civic Si	2.0L L4 F/I	69-1014TS ¹	7.0 @ 6700
Civic	1.8L L4 F/I - US	69-1013TS ¹	5.7 @ 5700	Civic VI	1.6L L4 F/I	69-1008TS ²	5.0 @ 5200
Civic GX	1.8L L4 F/I - US	69-1013TS ¹	5.7 @ 5700			69-1008TB ²	5.0 @ 5200
Civic Si	2.0L L4 F/I	69-1014TS ¹	7.0 @ 6700	Element	2.4L L4 F/I	69-1015TP ¹	7.0 @ 4800
Fit	1.5L L4 F/I	69-1017TTK ¹	4.5 @ 5900			69-1015TB ¹	7.0 @ 4800
2008 HONDA				Ridgeline	3.5L V6 F/I	77-3515KP ¹	9.7 @ 5159
Accord	2.4L L4 F/I - Exc. LEV2 SULEV Test Group 8HNXV02.4EMC	69-1211TTK ¹	11.1 @ 5600			57-3515 ¹	10.7 @ 5159
Accord	3.5L V6 F/I - Exc. LEV2 SULEV Test Group 8HNXV03.5BMC	69-1210TS ¹	10.2 @ 5217	S2000	2.0L L4 F/I	69-1040TWR ²	5.6 @ 5220
Accord VIII	2.0L L4 F/I - Non-US	69-1206TP ²	3.9 @ 5097			69-1040TP ²	5.6 @ 5220
Accord VIII	2.4L L4 F/I - Non-US	69-1206TP ²	3.9 @ 5097	S2000	2.2L L4 F/I	63-3514 ²	9.6 @ 6500
		69-0025TP ²	4.2 @ 5300			57-3514 ¹	9.6 @ 6400
Civic	1.8L L4 F/I - US	69-1013TS ¹	5.7 @ 5700	2005 HONDA			
Civic GX	1.8L L4 F/I - US	69-1013TS ¹	5.7 @ 5700	Accord	2.4L L4 F/I - SULEV	69-1209TS ¹	7.1 @ 5111
Civic Si	2.0L L4 F/I	69-1014TS ¹	7.0 @ 6700	Accord	2.4L L4 F/I - w/o Mass Air, Not CARB exempt for LEV2 SULEV Engines	69-1206TP ¹	3.9 @ 5097
Fit	1.5L L4 F/I	69-1016-1TS ¹	5.0 @ 5500	Accord	3.0L V6 F/I	69-1207TR ¹	10.4 @ 5522
Ridgeline	3.5L V6 F/I	77-3515KP ¹	9.7 @ 5159			69-1207TP ¹	10.4 @ 5522
		57-3515 ¹	10.7 @ 5159	Accord VIII	2.0L L4 F/I - Non-US	69-1206TP ²	3.9 @ 5097
S2000	2.2L L4 F/I	63-3514 ²	9.6 @ 6500	Accord VIII	2.4L L4 F/I - Non-US	69-1206TP ²	3.9 @ 5097
		57-3514 ¹	9.6 @ 6400			69-0025TP ²	4.2 @ 5300
2007 HONDA				Civic DX	1.7L L4 F/I	69-1008TS ¹	5.0 @ 5200
Accord	2.4L L4 F/I - SULEV	69-1209TS ¹	7.1 @ 5111			69-1008TB ¹	5.0 @ 5200
Accord	3.0L V6 F/I	69-1207TR ¹	10.4 @ 5522			57-3513 ¹	4.8 @ 6200
		69-1207TP ¹	10.4 @ 5522	Civic EX	1.7L L4 F/I	69-1008TS ¹	5.0 @ 5200
Accord VIII	2.0L L4 F/I - Non-US	69-1206TP ²	3.9 @ 5097			69-1008TB ¹	5.0 @ 5200
Accord VIII	2.4L L4 F/I - Non-US	69-1206TP ²	3.9 @ 5097	Civic LX	1.7L L4 F/I	57-3513 ¹	4.8 @ 6200
		69-0025TP ²	4.2 @ 5300			69-1008TS ¹	5.0 @ 5200
Civic	1.8L L4 F/I - US	69-1013TS ¹	5.7 @ 5700			69-1008TB ¹	5.0 @ 5200
Civic GX	1.8L L4 F/I - US	69-1013TS ¹	5.7 @ 5700	Civic Si	1.7L L4 F/I	57-3513 ¹	4.8 @ 6200
Civic Si	2.0L L4 F/I	69-1014TS ¹	7.0 @ 6700			69-1008TS ¹	5.0 @ 5200
Fit	1.5L L4 F/I	69-1016-1TS ¹	5.0 @ 5500	Civic Si	1.7L L4 F/I	69-1008TB ²	5.0 @ 5200
Ridgeline	3.5L V6 F/I	77-3515KP ¹	9.7 @ 5159			69-1008TB ²	5.0 @ 5200
		57-3515 ¹	10.7 @ 5159	Civic Si	2.0L L4 F/I	69-1009TWR ¹	10.5 @ 7014
S2000	2.0L L4 F/I	69-1040TWR ²	5.6 @ 5220			69-1009TR ¹	10.5 @ 7014
		69-1040TP ²	5.6 @ 5220	Civic Value Package	1.7L L4 F/I	69-1009TP ¹	10.5 @ 7014
		63-3514 ²	9.6 @ 6500			69-1008TS ²	5.0 @ 5200
S2000	2.2L L4 F/I	57-3514 ¹	9.6 @ 6400	Civic VI	1.6L L4 F/I	69-1008TB ²	5.0 @ 5200
2006 HONDA						69-1008TB ²	5.0 @ 5200
Accord	2.4L L4 F/I - SULEV	69-1209TS ¹	7.1 @ 5111	Civic VI	1.7L L4 F/I	69-1007TS ²	4.8 @ 6237
						69-1008TS ²	5.0 @ 5200
				Civic VI	1.7L L4 F/I - w/Manual Trans.	69-1007TS ²	4.8 @ 6237
				Civic VI	2.0L L4 F/I - 200BHP	69-1009TWR ²	10.5 @ 7014

1) Street legal in all US states. 2) Not legal for sale or use on any pollution controlled motor vehicle in California or states adopting California emission procedures. * Estimated horsepower gains are based on specific or similar vehicle dyno tests. Results will vary. See Page 478 for more information. See page 7 for information on intake tube materials/colors.

HONDA

AIR INTAKE SYSTEMS



Vehicle	Engine Type	Part Number	Estimated Horsepower*	Vehicle	Engine Type	Part Number	Estimated Horsepower*
2005 HONDA				2004 HONDA			
Civic VI	2.0L L4 F/I - 200BHP	69-1009TR ²	10.5 @ 7014	CR-V	2.4L L4 F/I	69-0015TS ¹	2.8 @ 6500
		69-1009TP ²	10.5 @ 7014			69-0015TR ¹	2.8 @ 6500
Element	2.4L L4 F/I	69-1015TP ¹	7.0 @ 4800	Element	2.4L L4 F/I	69-1015TP ¹	7.0 @ 4800
		69-1015TB ¹	7.0 @ 4800			69-1015TB ¹	7.0 @ 4800
S2000	2.0L L4 F/I	69-1040TWR ²	5.6 @ 5220	S2000	2.0L L4 F/I	69-1040TWR ²	5.6 @ 5220
		69-1040TP ²	5.6 @ 5220			69-1040TP ²	5.6 @ 5220
		63-3514 ²	9.6 @ 6500			63-3514 ²	9.6 @ 6500
S2000	2.2L L4 F/I	69-1040TWR ¹	5.6 @ 5220	S2000	2.2L L4 F/I	69-1040TWR ¹	5.6 @ 5220
		69-1040TP ¹	5.6 @ 5220			69-1040TP ¹	5.6 @ 5220
		57-3514 ¹	9.6 @ 6400			57-3514 ¹	9.6 @ 6400
TRX450R	444	63-1127 ²	3.0 @ 6200	TRX450R	444	63-1127 ²	3.0 @ 6200
2004 HONDA				2003 HONDA			
Accord	2.4L L4 F/I - SULEV	69-1209TS ¹	7.1 @ 5111	Accord	2.4L L4 F/I - w/o Mass Air, Not CARB exempt for LEV2 SULEV Engines	69-1206TP ¹	3.9 @ 5097
Accord	2.4L L4 F/I - w/o Mass Air, Not CARB exempt for LEV2 SULEV Engines	69-1206TP ¹	3.9 @ 5097				
				Accord	3.0L V6 F/I	69-1207TR ¹	10.4 @ 5522
Accord	3.0L V6 F/I	69-1207TR ¹	10.4 @ 5522			69-1207TP ¹	10.4 @ 5522
		69-1207TP ¹	10.4 @ 5522	Accord VIII	2.0L L4 F/I - Non-US	69-1206TP ²	3.9 @ 5097
Accord VIII	2.0L L4 F/I - Non-US	69-1206TP ²	3.9 @ 5097	Accord VIII	2.4L L4 F/I - Non-US	69-1206TP ²	3.9 @ 5097
Accord VIII	2.4L L4 F/I - Non-US	69-1206TP ²	3.9 @ 5097			69-0025TP ²	4.2 @ 5300
		69-0025TP ²	4.2 @ 5300	Civic DX	1.7L L4 F/I	69-1008TS ¹	5.0 @ 5200
Civic DX	1.7L L4 F/I	69-1008TS ¹	5.0 @ 5200			69-1008TB ¹	5.0 @ 5200
		69-1008TB ¹	5.0 @ 5200			57-3513 ¹	4.8 @ 6200
		57-3513 ¹	4.8 @ 6200	Civic DX	1.7L L4 F/I - w/Manual Trans.	69-1007TS ¹	4.8 @ 6237
Civic DX	1.7L L4 F/I - w/Manual Trans.	69-1007TS ¹	4.8 @ 6237	Civic EX	1.7L L4 F/I	69-1008TS ¹	5.0 @ 5200
Civic EX	1.7L L4 F/I	69-1008TS ¹	5.0 @ 5200			69-1008TB ¹	5.0 @ 5200
		69-1008TB ¹	5.0 @ 5200			57-3513 ¹	4.8 @ 6200
		57-3513 ¹	4.8 @ 6200	Civic EX	1.7L L4 F/I - w/Manual Trans.	69-1007TS ¹	4.8 @ 6237
Civic EX	1.7L L4 F/I - w/Manual Trans.	69-1007TS ¹	4.8 @ 6237	Civic HX	1.7L L4 F/I - w/Manual Trans.	69-1007TS ²	4.8 @ 6237
Civic HX	1.7L L4 F/I - w/Manual Trans.	69-1007TS ²	4.8 @ 6237	Civic LX	1.7L L4 F/I	69-1008TS ¹	5.0 @ 5200
Civic LX	1.7L L4 F/I	69-1008TS ¹	5.0 @ 5200			69-1008TB ¹	5.0 @ 5200
		69-1008TB ¹	5.0 @ 5200			57-3513 ¹	4.8 @ 6200
		57-3513 ¹	4.8 @ 6200	Civic LX	1.7L L4 F/I - w/Manual Trans.	69-1007TS ¹	4.8 @ 6237
Civic LX	1.7L L4 F/I - w/Manual Trans.	69-1007TS ¹	4.8 @ 6237	Civic Si	1.7L L4 F/I	69-1008TS ²	5.0 @ 5200
Civic Si	1.7L L4 F/I	69-1008TS ²	5.0 @ 5200			69-1008TB ²	5.0 @ 5200
		69-1008TB ²	5.0 @ 5200	Civic Si	1.7L L4 F/I - w/Manual Trans.	69-1007TS ²	4.8 @ 6237
Civic Si	1.7L L4 F/I - w/Manual Trans.	69-1007TS ²	4.8 @ 6237	Civic Si	2.0L L4 F/I	69-1009TWR ¹	10.5 @ 7014
Civic Si	2.0L L4 F/I	69-1009TWR ¹	10.5 @ 7014			69-1009TR ¹	10.5 @ 7014
		69-1009TR ¹	10.5 @ 7014	Civic VI	1.6L L4 F/I	69-1008TS ²	5.0 @ 5200
		69-1009TP ¹	10.5 @ 7014			69-1008TB ²	5.0 @ 5200
Civic Value Package	1.7L L4 F/I	69-1008TS ²	5.0 @ 5200	Civic VI	1.7L L4 F/I	69-1007TS ²	4.8 @ 6237
		69-1008TB ²	5.0 @ 5200			69-1008TS ²	5.0 @ 5200
Civic Value Package	1.7L L4 F/I - w/Manual Trans.	69-1007TS ²	4.8 @ 6237	Civic VI	1.7L L4 F/I - 5 spd.	69-1007TS ²	4.8 @ 6237
Civic VI	1.6L L4 F/I	69-1008TS ²	5.0 @ 5200	Civic VI	2.0L L4 F/I	69-1009TWR ²	10.5 @ 7014
		69-1008TB ²	5.0 @ 5200			69-1009TR ²	10.5 @ 7014
		69-1007TS ²	4.8 @ 6237	CR-V	2.4L L4 F/I	69-0015TS ¹	2.8 @ 6500
Civic VI	1.7L L4 F/I	69-1008TS ²	5.0 @ 5200			69-0015TR ¹	2.8 @ 6500
		69-1008TB ²	5.0 @ 5200	Element	2.4L L4 F/I	69-1015TP ¹	7.0 @ 4800
Civic VI	1.7L L4 F/I - 5 spd.	69-1007TS ²	4.8 @ 6237			69-1015TB ¹	7.0 @ 4800
Civic VI	2.0L L4 F/I - 200BHP	69-1009TWR ²	10.5 @ 7014				
		69-1009TR ²	10.5 @ 7014				
		69-1009TP ²	10.5 @ 7014				

1) Street legal in all US states. 2) Not legal for sale or use on any pollution controlled motor vehicle in California or states adopting California emission procedures. * Estimated horsepower gains are based on specific or similar vehicle dyno tests. Results will vary. See Page 478 for more information. See page 7 for information on intake tube materials/colors.



AIR INTAKE SYSTEMS

HONDA

Vehicle	Engine Type	Part Number	Estimated Horsepower*	Vehicle	Engine Type	Part Number	Estimated Horsepower*
2003 HONDA				2001 HONDA			
S2000	2.0L L4 F/I	69-1040TWR ¹	5.6 @ 5220	Civic EX	1.7L L4 F/I - w/Manual Trans.	69-1007TS ¹	4.8 @ 6237
		69-1040TP ¹	5.6 @ 5220	Civic HX	1.7L L4 F/I - w/Manual Trans.	69-1007TS ²	4.8 @ 6237
		57-3514 ¹	9.6 @ 6400	Civic LX	1.7L L4 F/I	69-1008TS ¹	5.0 @ 5200
2002 HONDA						69-1008TB ¹	5.0 @ 5200
Accord	3.0L V6 F/I	69-1203TP ¹	9.4 @ 5924			57-3513 ¹	4.8 @ 6200
Accord VII	2.2L L4 F/I	69-1500TWR ²	13.0 @ 7000	Civic LX	1.7L L4 F/I - w/Manual Trans.	69-1007TS ¹	4.8 @ 6237
		69-1500TP ²	13.0 @ 7000	Civic V	1.5L L4 F/I - 3/4-Door	69-1011TP ²	5.3 @ 4692
Civic DX	1.7L L4 F/I	69-1008TS ¹	5.0 @ 5200	Civic VI	1.6L L4 F/I	69-1008TS ²	5.0 @ 5200
		69-1008TB ¹	5.0 @ 5200			69-1008TB ²	5.0 @ 5200
		57-3513 ¹	4.8 @ 6200			69-1007TS ²	4.8 @ 6237
Civic DX	1.7L L4 F/I - w/Manual Trans.	69-1007TS ¹	4.8 @ 6237	Civic VI	1.7L L4 F/I	69-1008TS ²	5.0 @ 5200
Civic EX	1.7L L4 F/I	69-1008TS ¹	5.0 @ 5200			69-1008TB ²	5.0 @ 5200
		69-1008TB ¹	5.0 @ 5200			69-1007TS ²	4.8 @ 6237
		57-3513 ¹	4.8 @ 6200	Civic VI	2.0L L4 F/I	69-1009TWR ²	10.5 @ 7014
Civic EX	1.7L L4 F/I - w/Manual Trans.	69-1007TS ¹	4.8 @ 6237			69-1009TR ²	10.5 @ 7014
Civic HX	1.7L L4 F/I - w/Manual Trans.	69-1007TS ²	4.8 @ 6237	S2000	2.0L L4 F/I	69-1040TWR ¹	5.6 @ 5220
Civic LX	1.7L L4 F/I	69-1008TS ¹	5.0 @ 5200			69-1040TP ¹	5.6 @ 5220
		69-1008TB ¹	5.0 @ 5200			57-3514 ¹	9.6 @ 6400
		57-3513 ¹	4.8 @ 6200	2000 HONDA			
Civic LX	1.7L L4 F/I - w/Manual Trans.	69-1007TS ¹	4.8 @ 6237	Accord	3.0L V6 F/I	69-1203TP ¹	9.4 @ 5924
Civic Si	1.7L L4 F/I	69-1008TS ²	5.0 @ 5200	Accord VII	2.2L L4 F/I	69-1500TWR ²	13.0 @ 7000
		69-1008TB ²	5.0 @ 5200			69-1500TP ²	13.0 @ 7000
Civic Si	1.7L L4 F/I - w/Manual Trans.	69-1007TS ²	4.8 @ 6237	Civic EX	1.6L L4 F/I	69-1011TP ¹	5.3 @ 4692
Civic Si	2.0L L4 F/I	69-1009TWR ¹	10.5 @ 7014	Civic Si	1.6L L4 F/I	69-1010TP ¹	10.6 @ 7100
		69-1009TR ¹	10.5 @ 7014			57-3512 ¹	5.8 @ 7500
		69-1009TP ¹	10.5 @ 7014	Civic Type R	2.0L L4 F/I	69-1009TWR ²	10.5 @ 7014
Civic VI	1.6L L4 F/I	69-1008TS ²	5.0 @ 5200			69-1009TR ²	10.5 @ 7014
		69-1008TB ²	5.0 @ 5200			69-1009TP ²	10.5 @ 7014
		69-1007TS ²	4.8 @ 6237	Civic V	1.5L L4 F/I - 3/4-Door	69-1011TP ²	5.3 @ 4692
Civic VI	1.7L L4 F/I	69-1008TS ²	5.0 @ 5200	S2000	2.0L L4 F/I	69-1040TWR ¹	5.6 @ 5220
		69-1008TB ²	5.0 @ 5200			69-1040TP ¹	5.6 @ 5220
		69-1007TS ²	4.8 @ 6237			57-3514 ¹	9.6 @ 6400
Civic VI	2.0L L4 F/I	69-1009TWR ²	10.5 @ 7014	1999 HONDA			
		69-1009TR ²	10.5 @ 7014	Accord	3.0L V6 F/I	69-1203TP ¹	9.4 @ 5924
		69-1009TP ²	10.5 @ 7014	Accord VII	2.2L L4 F/I	69-1500TWR ²	13.0 @ 7000
CR-V	2.4L L4 F/I	69-0015TS ¹	2.8 @ 6500			69-1500TP ²	13.0 @ 7000
		69-0015TR ¹	2.8 @ 6500	Civic EX	1.6L L4 F/I	69-1011TP ¹	5.3 @ 4692
S2000	2.0L L4 F/I	69-1040TWR ¹	5.6 @ 5220	Civic HX	1.6L L4 F/I - w/Manual Trans.	63-1016 ²	5.6 @ 7200
		69-1040TP ¹	5.6 @ 5220	Civic Si	1.6L L4 F/I	69-1010TP ¹	10.6 @ 7100
		57-3514 ¹	9.6 @ 6400			57-3512 ¹	5.8 @ 7500
2001 HONDA				Civic V	1.5L L4 F/I - 3/4-Door	69-1011TP ²	5.3 @ 4692
Accord	3.0L V6 F/I	69-1203TP ¹	9.4 @ 5924	Prelude	2.2L L4 F/I - US	69-1302TP ¹	7.1 @ 6821
Accord VII	2.2L L4 F/I	69-1500TWR ²	13.0 @ 7000	S2000	2.0L L4 F/I	69-1040TWR ²	5.6 @ 5220
		69-1500TP ²	13.0 @ 7000			69-1040TP ²	5.6 @ 5220
Civic DX	1.7L L4 F/I	69-1008TS ¹	5.0 @ 5200	1998 HONDA			
		69-1008TB ¹	5.0 @ 5200	Accord VII	2.2L L4 F/I	69-1500TWR ²	13.0 @ 7000
		57-3513 ¹	4.8 @ 6200			69-1500TP ²	13.0 @ 7000
Civic DX	1.7L L4 F/I - w/Manual Trans.	69-1007TS ¹	4.8 @ 6237	Civic EX	1.6L L4 F/I	69-1011TP ¹	5.3 @ 4692
Civic EX	1.7L L4 F/I	69-1008TS ¹	5.0 @ 5200			63-1016 ²	5.6 @ 7200
		69-1008TB ¹	5.0 @ 5200	Civic HX	1.6L L4 F/I - w/Manual Trans.	63-1016 ²	5.6 @ 7200
		57-3513 ¹	4.8 @ 6200				

1) Street legal in all US states. 2) Not legal for sale or use on any pollution controlled motor vehicle in California or states adopting California emission procedures. * Estimated horsepower gains are based on specific or similar vehicle dyno tests. Results will vary. See Page 478 for more information. See page 7 for information on intake tube materials/colors.



Vehicle	Engine Type	Part Number	Estimated Horsepower*	Vehicle	Engine Type	Part Number	Estimated Horsepower*
1998 HONDA				1993 HONDA			
Civic V	1.5L L4 F/I - 3/4-Door	69-1011TP ²	5.3 @ 4692	Civic del Sol	1.6L L4 F/I	57-3504 ¹	3.7 @ 6100
Prelude	2.2L L4 F/I - US	69-1302TP ¹	7.1 @ 6821	Civic DX	1.5L L4 F/I	63-1017 ²	4.7 @ 6000
1997 HONDA				1992 HONDA			
Accord	2.2L L4 F/I	69-1208TS ¹	5.9 @ 5411	Civic DX Hatchback	1.5L L4 F/I	63-1017 ²	4.7 @ 6000
Accord V	2.2L L4 F/I	69-1208TS ²	5.9 @ 5411	Civic EX	1.6L L4 F/I	63-1017 ²	4.7 @ 6000
Accord VI	2.2L L4 F/I	69-1208TS ²	5.9 @ 5411	Civic IV	1.5L L4 F/I - 90BHP	69-1502TS ²	3.7 @ 6100
Civic EX	1.6L L4 F/I	69-1011TP ¹	5.3 @ 4692			69-1502TP ²	
Civic HX	1.6L L4 F/I - w/Manual Trans.	63-1016 ²	5.6 @ 7200	Civic LX	1.5L L4 F/I	63-1017 ²	4.7 @ 6000
Civic V	1.5L L4 F/I - 3/4-Door	69-1011TP ²	5.3 @ 4692	Civic Si	1.6L L4 F/I	63-1017 ²	4.7 @ 6100
Prelude	2.2L L4 F/I - US	69-1302TP ¹	7.1 @ 6821				4.7 @ 6000
1996 HONDA				1991 HONDA			
Accord	2.2L L4 F/I	69-1208TS ¹	5.9 @ 5411	Civic	1.5L L4 F/I - Exc. HF	57-3503 ¹	4.4 @ 5416
Accord V	2.2L L4 F/I	69-1208TS ²	5.9 @ 5411	Civic	1.6L L4 F/I	57-3503 ¹	4.4 @ 5416
Accord VI	2.2L L4 F/I	69-1208TS ²	5.9 @ 5411	Civic IV	1.5L L4 F/I - 90BHP	69-1502TS ²	
Civic EX	1.6L L4 F/I	69-1011TP ¹	5.3 @ 4692			69-1502TP ²	
Civic HX	1.6L L4 F/I - w/Manual Trans.	63-1016 ²	5.6 @ 7200	CRX	1.5L L4 F/I - Exc. HF	57-3503 ¹	4.4 @ 5416
Civic V	1.5L L4 F/I	69-1011TP ²	5.3 @ 4692	CRX	1.6L L4 F/I	57-3503 ¹	4.4 @ 5416
1995 HONDA				1990 HONDA			
Accord	2.2L L4 F/I	69-1208TS ¹	5.9 @ 5411	Civic	1.5L L4 F/I	57-3503 ¹	4.4 @ 5416
Civic del Sol	1.5L L4 F/I	57-3504 ¹	3.7 @ 6100	Civic	1.6L L4 F/I	57-3503 ¹	4.4 @ 5416
Civic del Sol	1.6L L4 F/I	57-3504 ¹	3.7 @ 6100	CRX	1.5L L4 F/I - Exc. HF	57-3503 ¹	4.4 @ 5416
Civic DX	1.5L L4 F/I	63-1017 ²	4.7 @ 6000	CRX	1.6L L4 F/I	57-3503 ¹	4.4 @ 5416
Civic DX Hatchback	1.5L L4 F/I	57-3504 ¹	3.7 @ 6100	1989 HONDA			
Civic EX	1.6L L4 F/I	63-1017 ²	4.7 @ 6000	Civic	1.5L L4 F/I	57-3503 ¹	4.4 @ 5416
Civic IV	1.5L L4 F/I - 90BHP	69-1502TS ²		Civic	1.6L L4 F/I	57-3503 ¹	4.4 @ 5416
		69-1502TP ²		CRX	1.5L L4 F/I - Exc. HF	57-3503 ¹	4.4 @ 5416
Civic LX	1.5L L4 F/I	63-1017 ²	4.7 @ 6000	CRX	1.6L L4 F/I	57-3503 ¹	4.4 @ 5416
Civic Si	1.6L L4 F/I	63-1017 ²	4.7 @ 6000	1988 HONDA			
Civic V	1.5L L4 F/I	69-1011TP ²	5.3 @ 4692	Civic	1.5L L4 F/I	57-3503 ¹	4.4 @ 5416
1994 HONDA				2009 HUMMER			
Accord	2.2L L4 F/I	69-1208TS ¹	5.9 @ 5411	H2	6.2L V8 F/I	77-3037KP ¹	9.8 @ 4558
Civic CX	1.5L L4 F/I	63-1017 ²	4.7 @ 6000			63-3037 ²	11.4 @ 4524
Civic del Sol	1.5L L4 F/I	57-3504 ¹	3.7 @ 6100			57-3037 ¹	11.4 @ 4524
Civic del Sol	1.6L L4 F/I	57-3504 ¹	3.7 @ 6100	H3	3.7L L5 F/I	77-3065KP ²	7.2 @ 4533
Civic DX	1.5L L4 F/I	63-1017 ²	4.7 @ 6000			63-3065 ²	11.0 @ 4754
Civic DX Hatchback	1.5L L4 F/I	57-3504 ¹	3.7 @ 6100	H3T	3.7L L5 F/I	77-3065KP ²	7.2 @ 4533
Civic EX	1.6L L4 F/I	63-1017 ²	4.7 @ 6000			63-3065 ²	11.0 @ 4754
Civic IV	1.5L L4 F/I - 90BHP	69-1502TS ²		2008 HUMMER			
		69-1502TP ²		H2	6.2L V8 F/I	77-3037KP ¹	9.8 @ 4558
Civic LX	1.5L L4 F/I	63-1017 ²	4.7 @ 6000				
		57-3504 ¹	3.7 @ 6100				
Civic Si	1.6L L4 F/I	63-1017 ²	4.7 @ 6000				
		57-3504 ¹	3.7 @ 6100				
1993 HONDA							
Civic del Sol	1.5L L4 F/I	57-3504 ¹	3.7 @ 6100				

1) Street legal in all US states. 2) Not legal for sale or use on any pollution controlled motor vehicle in California or states adopting California emission procedures. * Estimated horsepower gains are based on specific or similar vehicle dyno tests. Results will vary. See Page 478 for more information. See page 7 for information on intake tube materials/colors.



AIR INTAKE SYSTEMS

HUMMER

Vehicle	Engine Type	Part Number	Estimated Horsepower*	Vehicle	Engine Type	Part Number	Estimated Horsepower*
2008 HUMMER				2013 HYUNDAI			
H2	6.2L V8 F/I	63-3037 ²	11.4 @ 4524	Elantra	1.8L L4 F/I	69-5303TS ²	5.6 @ 5383
		57-3037 ¹	11.4 @ 4524	Elantra Coupe	1.8L L4 F/I	69-5303TS ²	5.6 @ 5383
H3	3.7L L5 F/I	77-3065KP ²	7.2 @ 4533	Elantra GT	1.8L L4 F/I	69-5303TS ²	5.6 @ 5383
		63-3065 ²	11.0 @ 4754	Genesis Coupe	2.0L L4 F/I	69-5311TTK ¹	16.7 @ 4014
2007 HUMMER				Genesis Coupe	3.8L V6 F/I	69-5310TS ¹	8.9 @ 6180
H2	6.0L V8 F/I	77-3037KP ¹	9.8 @ 4558	Santa Fe	2.4L L4 F/I	63-5301 ²	3.7 @ 5591
		57-3037 ¹	11.4 @ 4524	Sonata	2.0L L4 F/I	69-5309TS ¹	7.6 @ 4861
H3	3.7L L5 F/I	77-3065KP ²	7.2 @ 4533	Sonata	2.4L L4 F/I	57-5300 ¹	4.8 @ 5588
		63-3065 ²	11.0 @ 4754	Sonata	2.4L L4 F/I - Exc. LEV2 SULEV Test Group	69-5301TTK ¹	7.8 @ 5147
2006 HUMMER				Veloster	1.6L L4 F/I	69-5304TS ¹	6.5 @ 6400
H2	6.0L V8 F/I	77-3037KP ¹	9.8 @ 4558	Veloster Turbo	1.6L L4 F/I	69-5312TS ¹	12.9 @ 4547
		57-3037 ¹	11.4 @ 4524	2012 HYUNDAI			
H3	3.5L L5 F/I	77-3044KP ¹	16.2 @ 5849	Elantra	1.8L L4 F/I	69-5303TS ²	5.6 @ 5383
		57-3043 ¹	18.6 @ 6001	Genesis Coupe	2.0L L4 F/I	69-5302TTK ²	7.0 @ 4000
2005 HUMMER				Sonata	2.0L L4 F/I	69-5309TS ¹	7.6 @ 4861
H2	6.0L V8 F/I	77-3037KP ¹	9.8 @ 4558	Sonata	2.4L L4 F/I - Exc. LEV2 SULEV Test Group	69-5301TTK ¹	7.8 @ 5147
		57-3037 ¹	11.4 @ 4524	Veloster	1.6L L4 F/I	69-5304TS ¹	6.5 @ 6400
2004 HUMMER				2011 HYUNDAI			
H2	6.0L V8 F/I	77-3037KP ¹	9.8 @ 4558	Elantra	1.8L L4 F/I	69-5303TS ²	5.6 @ 5383
		57-3037 ¹	11.4 @ 4524	Genesis Coupe	2.0L L4 F/I	69-5302TTK ²	7.0 @ 4000
2003 HUMMER				Sonata	2.0L L4 F/I	69-5309TS ¹	7.6 @ 4861
H2	6.0L V8 F/I	77-3037KP ¹	9.8 @ 4558	Sonata	2.4L L4 F/I - Exc. LEV2 SULEV Test Group	69-5301TTK ¹	7.8 @ 5147
		57-3037 ¹	11.4 @ 4524	Veloster	1.6L L4 F/I - Non-US	69-5304TS ²	6.5 @ 6400
2017 HYUNDAI				2010 HYUNDAI			
Elantra	2.0L L4 F/I - Exc. SULEV	69-5315TS ²	5.2 @ 6120	Genesis Coupe	2.0L L4 F/I	69-5302TTK ²	7.0 @ 4000
2016 HYUNDAI				2005 HYUNDAI			
Elantra	1.8L L4 F/I	69-5315TS ²	5.2 @ 6120	Coupe	2.7L V6 F/I	69-5300TS ²	10.0 @ 5000
Elantra	2.0L L4 F/I	69-5315TS ²	5.2 @ 6120			69-5300TR ²	10.0 @ 5000
Genesis Coupe	3.8L V6 F/I	69-5310TS ²	8.9 @ 6180	Tiburon GT	2.7L V6 F/I	69-5300TS ¹	10.0 @ 5000
Santa Fe	2.4L L4 F/I	63-5301 ²	3.7 @ 5591			69-5300TR ¹	10.0 @ 5000
Veloster	1.6L L4 F/I	69-5304TS ²	6.5 @ 6400	2004 HYUNDAI			
Veloster Turbo	1.6L L4 F/I	69-5312TS ²	12.9 @ 4547	Coupe	2.7L V6 F/I	69-5300TS ²	10.0 @ 5000
2015 HYUNDAI						69-5300TR ²	10.0 @ 5000
Elantra	1.8L L4 F/I	69-5315TS ²	5.2 @ 6120	Tiburon GT	2.7L V6 F/I	69-5300TS ¹	10.0 @ 5000
Elantra	2.0L L4 F/I	69-5315TS ²	5.2 @ 6120			69-5300TR ¹	10.0 @ 5000
Genesis Coupe	3.8L V6 F/I	69-5310TS ²	8.9 @ 6180	2003 HYUNDAI			
Santa Fe	2.4L L4 F/I	63-5301 ²	3.7 @ 5591	Coupe	2.7L V6 F/I	69-5300TS ²	10.0 @ 5000
Veloster	1.6L L4 F/I	69-5304TS ²	6.5 @ 6400			69-5300TR ²	10.0 @ 5000
Veloster Turbo	1.6L L4 F/I	69-5312TS ²	12.9 @ 4547	Tiburon GT	2.7L V6 F/I	69-5300TS ¹	10.0 @ 5000
2014 HYUNDAI						69-5300TR ¹	10.0 @ 5000
Elantra	1.8L L4 F/I	69-5315TS ²	5.2 @ 6120	2002 HYUNDAI			
Elantra Coupe	2.0L L4 F/I	69-5315TS ²	5.2 @ 6120	Coupe	2.7L V6 F/I	69-5300TS ²	10.0 @ 5000
Elantra GT	2.0L L4 F/I	69-5315TS ²	5.2 @ 6120			69-5300TR ²	10.0 @ 5000
Genesis Coupe	2.0L L4 F/I	69-5311TTK ²	16.7 @ 4014	2015 INFINITI			
Genesis Coupe	3.8L V6 F/I	69-5310TS ²	8.9 @ 6180	Q50	3.7L V6 F/I	69-7083TS ²	6.2 @ 5473
Santa Fe	2.4L L4 F/I	63-5301 ²	3.7 @ 5591	QX60	3.5L V6 F/I	69-7063TTK ²	7.1 @ 5354
Sonata	2.0L L4 F/I	69-5309TS ¹	7.6 @ 4861	2014 INFINITI			
Sonata	2.4L L4 F/I - Exc. LEV2 SULEV Test Group	69-5301TTK ¹	7.8 @ 5147	Q50	3.7L V6 F/I	69-7083TS ²	6.2 @ 5473
	EHYXV02.42JP						
Veloster	1.6L L4 F/I	69-5304TS ²	6.5 @ 6400				
Veloster Turbo	1.6L L4 F/I	69-5312TS ¹	12.9 @ 4547				

1) Street legal in all US states. 2) Not legal for sale or use on any pollution controlled motor vehicle in California or states adopting California emission procedures. * Estimated horsepower gains are based on specific or similar vehicle dyno tests. Results will vary. See Page 478 for more information. See page 7 for information on intake tube materials/colors.



Vehicle	Engine Type	Part Number	Estimated Horsepower*	Vehicle	Engine Type	Part Number	Estimated Horsepower*
2014 INFINITI				2003 INFINITI			
QX60	3.5L V6 F/I	69-7063TTK ¹	7.1 @ 5354	G35	3.5L V6 F/I - Sedan	69-7081-1TS ¹	5.1 @ 5688
2013 INFINITI				2008 ISUZU			
G37	3.7L V6 F/I	71-7078 ²	9.3 @ 6500	Ascender	4.2L L6 F/I	77-3062KP ²	9.3 @ 4850
		69-7078TS ¹	14.2 @ 5600			63-3062 ²	9.5 @ 4725
JX35	3.5L V6 F/I	69-7063TTK ¹	7.1 @ 5354	2007 ISUZU			
2012 INFINITI				Ascender	4.2L L6 F/I	77-3062KP ²	9.3 @ 4850
G37	3.7L V6 F/I	71-7078 ²	9.3 @ 6500			63-3062 ²	9.5 @ 4725
		69-7078TS ¹	14.2 @ 5600	2006 ISUZU			
2011 INFINITI				Ascender	4.2L L6 F/I	77-3062KP ¹	9.3 @ 4850
G37	3.7L V6 F/I	71-7078 ²	9.3 @ 6500			57-3062 ¹	9.5 @ 4725
		69-7078TS ¹	14.2 @ 5600	2017 JEEP			
2010 INFINITI				Cherokee	2.4L L4 F/I	77-1570KS ²	3.4 @ 4100
G37	3.7L V6 F/I	71-7078 ²	9.3 @ 6500	Cherokee	3.2L V6 F/I	77-1569KS ²	8.3 @ 5998
		69-7078TS ¹	14.2 @ 5600			63-1569 ²	7.5 @ 5998
QX56	5.6L V8 F/I	77-6012KP ¹	7.3 @ 4914	Compass	2.0L L4 F/I	63-1567 ²	6.3 @ 4397
		63-6012 ²	11.2 @ 5073	Compass	2.4L L4 F/I	63-1567 ²	6.3 @ 4397
		57-6012 ¹	11.2 @ 5073	Grand Cherokee	3.6L V6 F/I	77-1572KS ²	11.5 @ 6000
2009 INFINITI				Patriot	2.0L L4 F/I	63-1567 ²	6.3 @ 4397
G37	3.7L V6 F/I	71-7078 ²	9.3 @ 6500	Patriot	2.4L L4 F/I	63-1567 ²	6.3 @ 4397
		69-7078TS ¹	14.2 @ 5600	Wrangler	3.6L V6 F/I	77-1566KP ²	10.2 @ 5600
QX56	5.6L V8 F/I	77-6012KP ¹	7.3 @ 4914			71-1566 ²	7.3 @ 5600
		63-6012 ²	11.2 @ 5073			63-1573 ²	6.6 @ 5200
		57-6012 ¹	11.2 @ 5073	2016 JEEP			
2008 INFINITI				Cherokee	2.4L L4 F/I	77-1570KS ²	3.4 @ 4100
G35	3.5L V6 F/I - Sedan	69-7082TS ¹	8.1 @ 5960	Cherokee	3.2L V6 F/I	77-1569KS ²	8.3 @ 5998
G37	3.7L V6 F/I	71-7078 ²	9.3 @ 6500			63-1569 ²	7.5 @ 5998
		69-7078TS ¹	14.2 @ 5600	Compass	2.0L L4 F/I	63-1567 ²	6.3 @ 4397
QX56	5.6L V8 F/I	77-6012KP ¹	7.3 @ 4914	Compass	2.4L L4 F/I	63-1567 ²	6.3 @ 4397
		63-6012 ²	11.2 @ 5073	Grand Cherokee	3.0L V6 DSL	63-1570 ²	12.7 @ 2900
		57-6012 ¹	11.2 @ 5073	Grand Cherokee	3.6L V6 F/I	77-1572KS ²	11.5 @ 6000
2007 INFINITI				Grand Cherokee	5.7L V8 F/I	63-1563 ²	17.0 @ 4944
G35	3.5L V6 F/I - Sedan	69-7082TS ¹	8.1 @ 5960	Grand Cherokee	6.4L V8 F/I	77-1567KS ²	27.9 @ 5700
QX56	5.6L V8 F/I	77-6012KP ¹	7.3 @ 4914	Patriot	2.0L L4 F/I	63-1567 ²	6.3 @ 4397
		57-6012 ¹	11.2 @ 5073	Patriot	2.4L L4 F/I	63-1567 ²	6.3 @ 4397
2006 INFINITI				Renegade	2.4L L4 F/I	77-1565KS ²	9.5 @ 5100
G35	3.5L V6 F/I - Coupe	69-7080-1TS ¹	9.5 @ 6101	Wrangler	3.6L V6 F/I	77-1566KP ²	10.2 @ 5600
G35	3.5L V6 F/I - Sedan	69-7081-1TS ¹	5.1 @ 5688			71-1566 ²	7.3 @ 5600
QX56	5.6L V8 F/I	77-6012KP ¹	7.3 @ 4914			63-1573 ²	6.6 @ 5200
		57-6012 ¹	11.2 @ 5073	2015 JEEP			
2005 INFINITI				Cherokee	2.4L L4 F/I	77-1570KS ²	3.4 @ 4100
G35	3.5L V6 F/I - Coupe	69-7080-1TS ¹	9.5 @ 6101	Cherokee	3.2L V6 F/I	77-1569KS ²	8.3 @ 5998
G35	3.5L V6 F/I - Sedan	69-7081-1TS ¹	5.1 @ 5688			63-1569 ²	7.5 @ 5998
QX56	5.6L V8 F/I	77-6012KP ¹	7.3 @ 4914	Compass	2.0L L4 F/I	63-1567 ²	6.3 @ 4397
		57-6012 ¹	11.2 @ 5073	Compass	2.4L L4 F/I	63-1567 ²	6.3 @ 4397
2004 INFINITI				Grand Cherokee	3.0L V6 DSL	63-1570 ²	12.7 @ 2900
G35	3.5L V6 F/I - Coupe	69-7080-1TS ¹	9.5 @ 6101	Grand Cherokee	3.6L V6 F/I	77-1560KTK ²	10.8 @ 5447
G35	3.5L V6 F/I - Sedan	69-7081-1TS ¹	5.1 @ 5688	Grand Cherokee	5.7L V8 F/I	77-1563KP ²	15.0 @ 4500
QX56	5.6L V8 F/I	77-6012KP ¹	7.3 @ 4914			63-1563 ²	17.0 @ 4944
		57-6012 ¹	11.2 @ 5073	Grand Cherokee	6.4L V8 F/I	77-1567KS ²	27.9 @ 5700
2003 INFINITI				Patriot	2.0L L4 F/I	63-1567 ²	6.3 @ 4397
G35	3.5L V6 F/I - Coupe	69-7080-1TS ¹	9.5 @ 6101	Patriot	2.4L L4 F/I	63-1567 ²	6.3 @ 4397

1) Street legal in all US states. 2) Not legal for sale or use on any pollution controlled motor vehicle in California or states adopting California emission procedures. * Estimated horsepower gains are based on specific or similar vehicle dyno tests. Results will vary. See Page 478 for more information. See page 7 for information on intake tube materials/colors.



AIR INTAKE SYSTEMS

JEEP

Vehicle	Engine Type	Part Number	Estimated Horsepower*	Vehicle	Engine Type	Part Number	Estimated Horsepower*
2015 JEEP				2012 JEEP			
Renegade	2.4L L4 F/I	77-1565KS ²	9.5 @ 5100	Grand Cherokee	5.7L V8 F/I	63-1563 ²	17.0 @ 4944
Wrangler	3.6L V6 F/I	77-1566KP ²	10.2 @ 5600			57-1563 ¹	17.0 @ 4944
		71-1566 ²	7.3 @ 5600	Grand Cherokee	6.4L V8 F/I	77-1567KS ²	27.9 @ 5700
		63-1573 ²	6.6 @ 5200	Liberty	3.7L V6 F/I	77-1562KTK ¹	9.2 @ 4876
		63-1566 ²	12.2 @ 5600	Patriot	2.0L L4 F/I	63-1567 ²	6.3 @ 4397
2014 JEEP						57-1567 ¹	6.3 @ 4397
Cherokee	2.4L L4 F/I	77-1570KS ²	3.4 @ 4100	Patriot	2.4L L4 F/I	63-1567 ²	6.3 @ 4397
Cherokee	3.2L V6 F/I	77-1569KS ²	8.3 @ 5998			57-1567 ¹	6.3 @ 4397
		63-1569 ²	7.5 @ 5998	Wrangler	3.6L V6 F/I	77-1566KP ¹	10.2 @ 5600
Compass	2.0L L4 F/I	63-1567 ²	6.3 @ 4397			71-1566 ²	7.3 @ 5600
		57-1567 ¹	6.3 @ 4397			63-1573 ²	6.6 @ 5200
Compass	2.4L L4 F/I	63-1567 ²	6.3 @ 4397			63-1566 ²	12.2 @ 5600
		57-1567 ¹	6.3 @ 4397			57-1566 ¹	12.2 @ 5600
Grand Cherokee	3.0L V6 DSL	63-1570 ²	12.7 @ 2900	2011 JEEP			
Grand Cherokee	3.6L V6 F/I	77-1560KTK ²	10.8 @ 5447	Compass	2.0L L4 F/I	63-1567 ²	6.3 @ 4397
Grand Cherokee	5.7L V8 F/I	77-1563KP ¹	15.0 @ 4500			57-1567 ¹	6.3 @ 4397
		63-1563 ²	17.0 @ 4944	Compass	2.4L L4 F/I	63-1567 ²	6.3 @ 4397
		57-1563 ¹	17.0 @ 4944			57-1567 ¹	6.3 @ 4397
Grand Cherokee	6.4L V8 F/I	77-1567KS ²	27.9 @ 5700	Grand Cherokee	3.6L V6 F/I	77-1560KTK ²	10.8 @ 5447
Patriot	2.0L L4 F/I	63-1567 ²	6.3 @ 4397	Grand Cherokee	5.7L V8 F/I	77-1563KP ¹	15.0 @ 4500
		57-1567 ¹	6.3 @ 4397			63-1563 ²	17.0 @ 4944
Patriot	2.4L L4 F/I	63-1567 ²	6.3 @ 4397			57-1563 ¹	17.0 @ 4944
		57-1567 ¹	6.3 @ 4397	Liberty	3.7L V6 F/I	77-1562KTK ¹	9.2 @ 4876
Wrangler	3.6L V6 F/I	77-1566KP ¹	10.2 @ 5600	Patriot	2.0L L4 F/I	63-1567 ²	6.3 @ 4397
		71-1566 ²	7.3 @ 5600			57-1567 ¹	6.3 @ 4397
		63-1573 ²	6.6 @ 5200	Patriot	2.4L L4 F/I	63-1567 ²	6.3 @ 4397
		63-1566 ²	12.2 @ 5600			57-1567 ¹	6.3 @ 4397
		57-1566 ¹		Wrangler	3.8L V6 F/I	77-1553KP ¹	7.9 @ 4807
2013 JEEP						63-1574 ²	
Compass	2.0L L4 F/I	63-1567 ²	6.3 @ 4397			57-1553 ¹	8.2 @ 4807
		57-1567 ¹	6.3 @ 4397	2010 JEEP			
Compass	2.4L L4 F/I	63-1567 ²	6.3 @ 4397	Commander	3.7L V6 F/I	77-1545KP ¹	6.9 @ 5184
		57-1567 ¹	6.3 @ 4397			57-1545 ¹	7.5 @ 5132
Grand Cherokee	3.6L V6 F/I	77-1560KTK ²	10.8 @ 5447	Commander	5.7L V8 F/I	77-1549KP ¹	12.9 @ 5046
Grand Cherokee	5.7L V8 F/I	77-1563KP ¹	15.0 @ 4500			57-1549 ¹	15.3 @ 5046
		63-1563 ²	17.0 @ 4944	Compass	2.0L L4 F/I	63-1552 ²	7.9 @ 4557
		57-1563 ¹	17.0 @ 4944	Compass	2.4L L4 F/I	57-1552 ¹	7.9 @ 4557
Grand Cherokee	6.4L V8 F/I	77-1567KS ²	27.9 @ 5700	Grand Cherokee	3.7L V6 F/I	77-1545KP ¹	6.9 @ 5184
Patriot	2.0L L4 F/I	63-1567 ²	6.3 @ 4397			57-1545 ¹	7.5 @ 5132
		57-1567 ¹	6.3 @ 4397	Grand Cherokee	5.7L V8 F/I	77-1549KP ¹	12.9 @ 5046
Patriot	2.4L L4 F/I	63-1567 ²	6.3 @ 4397			57-1549 ¹	15.3 @ 5046
		57-1567 ¹	6.3 @ 4397	Grand Cherokee	6.1L V8 F/I	57-1555 ¹	12.0 @ 5000
Wrangler	3.6L V6 F/I	77-1566KP ¹	10.2 @ 5600	Liberty	3.7L V6 F/I	77-1562KTK ¹	9.2 @ 4876
		71-1566 ²	7.3 @ 5600	Patriot	2.0L L4 F/I	57-1552 ¹	7.9 @ 4557
		63-1573 ²	6.6 @ 5200	Patriot	2.4L L4 F/I	57-1552 ¹	7.9 @ 4557
		63-1566 ²	12.2 @ 5600	Wrangler	3.8L V6 F/I	77-1553KP ¹	7.9 @ 4807
		57-1566 ¹				63-1574 ²	
2012 JEEP						57-1553 ¹	8.2 @ 4807
Compass	2.0L L4 F/I	63-1567 ²	6.3 @ 4397	2009 JEEP			
		57-1567 ¹	6.3 @ 4397	Commander	3.7L V6 F/I	77-1545KP ¹	6.9 @ 5184
Compass	2.4L L4 F/I	63-1567 ²	6.3 @ 4397			57-1545 ¹	7.5 @ 5132
		57-1567 ¹	6.3 @ 4397	Commander	4.7L V8 F/I	77-1548KP ¹	7.7 @ 4397
Grand Cherokee	3.6L V6 F/I	77-1560KTK ²	10.8 @ 5447			57-1548 ¹	9.5 @ 4397
Grand Cherokee	5.7L V8 F/I	77-1563KP ¹	15.0 @ 4500	Commander	5.7L V8 F/I	77-1549KP ¹	12.9 @ 5046

1) Street legal in all US states. 2) Not legal for sale or use on any pollution controlled motor vehicle in California or states adopting California emission procedures. * Estimated horsepower gains are based on specific or similar vehicle dyno tests. Results will vary. See Page 478 for more information. See page 7 for information on intake tube materials/colors.



Vehicle	Engine Type	Part Number	Estimated Horsepower*	Vehicle	Engine Type	Part Number	Estimated Horsepower*
2009 JEEP				2007 JEEP			
Commander	5.7L V8 F/I	57-1549 ¹	15.3 @ 5046	Grand Cherokee	6.1L V8 F/I	57-1555 ¹	12.0 @ 5000
Compass	2.0L L4 F/I	63-1552 ²	7.9 @ 4557	Grand Cherokee III	5.7L V8 F/I	57-1549 ²	15.3 @ 5046
Compass	2.4L L4 F/I	57-1552 ¹	7.9 @ 4557	Liberty	3.7L V6 F/I	77-1540KP ¹	5.9 @ 4054
Grand Cherokee	3.7L V6 F/I	77-1545KP ¹	6.9 @ 5184			57-1540 ¹	6.4 @ 5274
		57-1545 ¹	7.5 @ 5132	Patriot	2.4L L4 F/I	57-1552 ¹	7.9 @ 4557
Grand Cherokee	4.7L V8 F/I	77-1548KP ¹	7.7 @ 4397	Wrangler	3.8L V6 F/I	77-1553KP ¹	7.9 @ 4807
		57-1548 ¹	9.5 @ 4397			63-1574 ²	
Grand Cherokee	5.7L V8 F/I	77-1549KP ¹	12.9 @ 5046			57-1553 ¹	8.2 @ 4807
		57-1549 ¹	15.3 @ 5046	2006 JEEP			
Grand Cherokee	6.1L V8 F/I	57-1555 ¹	12.0 @ 5000	Commander	3.7L V6 F/I	77-1545KP ¹	6.9 @ 5184
Liberty	3.7L V6 F/I	77-1559KP ¹	10.0 @ 4800			57-1545 ¹	7.5 @ 5132
		57-1559 ¹	11.3 @ 4800	Commander	4.7L V8 F/I	77-1548KP ¹	7.7 @ 4397
Patriot	2.0L L4 F/I	57-1552 ¹	7.9 @ 4557			57-1548 ¹	9.5 @ 4397
Patriot	2.4L L4 F/I	57-1552 ¹	7.9 @ 4557	Commander	5.7L V8 F/I	77-1549KP ¹	12.9 @ 5046
Wrangler	3.8L V6 F/I	77-1553KP ¹	7.9 @ 4807			57-1549 ¹	15.3 @ 5046
		63-1574 ²		Grand Cherokee	3.7L V6 F/I	77-1545KP ¹	6.9 @ 5184
		57-1553 ¹	8.2 @ 4807			57-1545 ¹	7.5 @ 5132
2008 JEEP				Grand Cherokee	4.7L V8 F/I	77-1548KP ¹	7.7 @ 4397
Commander	3.7L V6 F/I	77-1545KP ¹	6.9 @ 5184			57-1548 ¹	9.5 @ 4397
		57-1545 ¹	7.5 @ 5132	Grand Cherokee	5.7L V8 F/I	77-1549KP ¹	12.9 @ 5046
Commander	4.7L V8 F/I	77-1548KP ¹	7.7 @ 4397			57-1549 ¹	15.3 @ 5046
		57-1548 ¹	9.5 @ 4397	Grand Cherokee	6.1L V8 F/I	57-1555 ¹	12.0 @ 5000
Commander	5.7L V8 F/I	77-1549KP ¹	12.9 @ 5046	Grand Cherokee III	5.7L V8 F/I	57-1549 ²	15.3 @ 5046
		57-1549 ¹	15.3 @ 5046	Liberty	3.7L V6 F/I	77-1540KP ¹	5.9 @ 4054
Compass	2.0L L4 F/I	63-1552 ²	7.9 @ 4557			57-1540 ¹	6.4 @ 5274
Compass	2.4L L4 F/I	57-1552 ¹	7.9 @ 4557	TJ	4.0L L6 F/I	57-1514-1 ¹	12.1 @ 4623
Grand Cherokee	3.7L V6 F/I	77-1545KP ¹	6.9 @ 5184	Wrangler	4.0L L6 F/I	57-1514-1 ¹	12.1 @ 4623
		57-1545 ¹	7.5 @ 5132	2005 JEEP			
Grand Cherokee	4.7L V8 F/I	77-1548KP ¹	7.7 @ 4397	Grand Cherokee	3.7L V6 F/I	77-1545KP ¹	6.9 @ 5184
		57-1548 ¹	9.5 @ 4397			57-1545 ¹	7.5 @ 5132
Grand Cherokee	5.7L V8 F/I	77-1549KP ¹	12.9 @ 5046	Grand Cherokee	4.7L V8 F/I	77-1548KP ¹	7.7 @ 4397
		57-1549 ¹	15.3 @ 5046			57-1548 ¹	9.5 @ 4997
Grand Cherokee	6.1L V8 F/I	57-1555 ¹	12.0 @ 5000	Grand Cherokee	5.7L V8 F/I	77-1549KP ¹	12.9 @ 5046
Liberty	3.7L V6 F/I	77-1559KP ¹	10.0 @ 4800			57-1549 ¹	15.3 @ 5046
		57-1559 ¹	11.3 @ 4800	Grand Cherokee III	5.7L V8 F/I	57-1549 ²	15.3 @ 5046
Patriot	2.0L L4 F/I	57-1552 ¹	7.9 @ 4557	Liberty	3.7L V6 F/I	77-1540KP ¹	5.9 @ 4054
Patriot	2.4L L4 F/I	57-1552 ¹	7.9 @ 4557			57-1540 ¹	6.4 @ 5274
Wrangler	3.8L V6 F/I	77-1553KP ¹	7.9 @ 4807	TJ	4.0L L6 F/I	57-1514-1 ¹	12.1 @ 4623
		63-1574 ²		Wrangler	4.0L L6 F/I	57-1514-1 ¹	12.1 @ 4623
		57-1553 ¹	8.2 @ 4807	2004 JEEP			
2007 JEEP				Grand Cherokee	4.0L L6 F/I	77-1526KP ¹	6.7 @ 4492
Commander	3.7L V6 F/I	77-1545KP ¹	6.9 @ 5184			57-1526 ¹	7.7 @ 4711
		57-1545 ¹	7.5 @ 5132	Grand Cherokee	4.7L V8 F/I	77-1513KP ¹	9.2 @ 4680
Commander	4.7L V8 F/I	77-1548KP ¹	7.7 @ 4397			57-1513-1 ¹	13.1 @ 4765
		57-1548 ¹	9.5 @ 4397	Liberty	3.7L V6 F/I	77-1540KP ¹	5.9 @ 4054
Commander	5.7L V8 F/I	77-1549KP ¹	12.9 @ 5046			57-1540 ¹	6.4 @ 5274
		57-1549 ¹	15.3 @ 5046	TJ	4.0L L6 F/I	57-1514-1 ¹	12.1 @ 4623
Compass	2.0L L4 F/I	57-1552 ¹	7.9 @ 4557	Wrangler	4.0L L6 F/I	57-1514-1 ¹	12.1 @ 4623
Compass	2.4L L4 F/I	57-1552 ¹	7.9 @ 4557	2003 JEEP			
Grand Cherokee	3.7L V6 F/I	77-1545KP ¹	6.9 @ 5184	Grand Cherokee	4.0L L6 F/I	77-1526KP ¹	6.7 @ 4492
		57-1545 ¹	7.5 @ 5132			57-1526 ¹	7.7 @ 4711
Grand Cherokee	4.7L V8 F/I	77-1548KP ¹	7.7 @ 4397	Grand Cherokee	4.7L V8 F/I	77-1513KP ¹	9.2 @ 4680
		57-1548 ¹	9.5 @ 4397			57-1513-1 ¹	13.1 @ 4765
Grand Cherokee	5.7L V8 F/I	77-1549KP ¹	12.9 @ 5046	Liberty	3.7L V6 F/I	77-1540KP ¹	5.9 @ 4054
		57-1549 ¹	15.3 @ 5046			57-1540 ¹	6.4 @ 5274

1) Street legal in all US states. 2) Not legal for sale or use on any pollution controlled motor vehicle in California or states adopting California emission procedures. * Estimated horsepower gains are based on specific or similar vehicle dyno tests. Results will vary. See Page 478 for more information. See page 7 for information on intake tube materials/colors.



AIR INTAKE SYSTEMS

JEEP

Vehicle	Engine Type	Part Number	Estimated Horsepower*	Vehicle	Engine Type	Part Number	Estimated Horsepower*
2003 JEEP				1995 JEEP			
TJ	4.0L L6 F/I	57-1514-1 ¹	12.1 @ 4623	Cherokee	4.0L L6 F/I	57-1519 ¹	7.1 @ 4548
Wrangler	4.0L L6 F/I	57-1514-1 ¹	12.1 @ 4623	Grand Cherokee	4.0L L6 F/I	57-1520 ¹	7.7 @ 4684
2002 JEEP				1994 JEEP			
Grand Cherokee	4.0L L6 F/I	77-1526KP ¹	6.7 @ 4492	Grand Cherokee	5.2L V8 F/I	57-1506-2 ¹	24.7 @ 4335
		57-1526 ¹	7.7 @ 4711	Wrangler	4.0L L6 F/I - Exc. ABS	57-1521 ¹	12.7 @ 4800
Grand Cherokee	4.7L V8 F/I	77-1513KP ¹	9.2 @ 4680	1993 JEEP			
		57-1513-1 ¹	13.1 @ 4765	Cherokee	4.0L L6 F/I	57-1519 ¹	7.1 @ 4548
Liberty	3.7L V6 F/I	57-1528 ¹	8.5 @ 5047	Grand Cherokee	4.0L L6 F/I	57-1520 ¹	7.7 @ 4684
TJ	4.0L L6 F/I	57-1514-1 ¹	12.1 @ 4623	Grand Cherokee	5.2L V8 F/I	57-1506-2 ¹	24.7 @ 4335
Wrangler	4.0L L6 F/I	57-1514-1 ¹	12.1 @ 4623	Wrangler	4.0L L6 F/I - Exc. ABS	57-1521 ¹	12.7 @ 4800
2001 JEEP				1992 JEEP			
Cherokee	4.0L L6 F/I	57-1518 ¹	7.9 @ 4511	Cherokee	4.0L L6 F/I	57-1519 ¹	7.1 @ 4548
Grand Cherokee	4.0L L6 F/I	77-1526KP ¹	6.7 @ 4492	Wrangler	4.0L L6 F/I - Exc. ABS	57-1521 ¹	12.7 @ 4800
		57-1526 ¹	7.7 @ 4711	1991 JEEP			
Grand Cherokee	4.7L V8 F/I	77-1513KP ¹	9.2 @ 4680	Cherokee	4.0L L6 F/I	57-1519 ¹	7.1 @ 4548
		57-1513-1 ¹	13.1 @ 4765	Wrangler	4.0L L6 F/I - Exc. ABS	57-1521 ¹	12.7 @ 4800
TJ	4.0L L6 F/I	57-1514-1 ¹	12.1 @ 4623	2016 KIA			
Wrangler	4.0L L6 F/I	57-1514-1 ¹	12.1 @ 4623	Forte Koup	1.6L L4 F/I	69-5316TS ²	7.0 @ 5382
2000 JEEP				2015 KIA			
Cherokee	4.0L L6 F/I	57-1518 ¹	7.9 @ 4511	Forte Koup	1.6L L4 F/I	69-5316TS ²	7.0 @ 5382
Grand Cherokee	4.0L L6 F/I	77-1526KP ¹	6.7 @ 4492	Forte5	1.6L L4 F/I	69-5316TS ²	7.0 @ 5382
		57-1526 ¹	7.7 @ 4711	Optima	2.4L L4 F/I	69-5301TTK ²	7.8 @ 5147
Grand Cherokee	4.7L V8 F/I	77-1513KP ¹	9.2 @ 4680	Soul	2.0L L4 F/I	69-5313TS ²	5.3 @ 5852
		57-1513-1 ¹	13.1 @ 4765	2014 KIA			
TJ	4.0L L6 F/I	57-1514-1 ¹	12.1 @ 4623	Forte	2.0L L4 F/I	69-5314TS ²	8.2 @ 5467
Wrangler	4.0L L6 F/I	57-1514-1 ¹	12.1 @ 4623	Forte Koup	1.6L L4 F/I	69-5316TS ²	7.0 @ 5382
1999 JEEP				2013 KIA			
Cherokee	4.0L L6 F/I	57-1518 ¹	7.9 @ 4511	Forte Koup	2.0L L4 F/I	69-5307TTK ²	7.5 @ 5501
Grand Cherokee	4.0L L6 F/I	77-1526KP ¹	6.7 @ 4492	Forte Koup	2.4L L4 F/I	69-5307TTK ²	7.5 @ 5501
		57-1526 ¹	7.7 @ 4711	Forte5	2.0L L4 F/I	69-5307TTK ²	7.5 @ 5501
Grand Cherokee	4.7L V8 F/I	77-1513KP ¹	9.2 @ 4680	Optima	2.0L L4 F/I	69-5309TS ¹	7.6 @ 4861
		57-1513-1 ¹	13.1 @ 4765	Optima	2.4L L4 F/I	69-5301TTK ²	7.8 @ 5147
TJ	4.0L L6 F/I	57-1514-1 ¹	12.1 @ 4623	Soul	2.0L L4 F/I	69-5313TS ¹	5.3 @ 5852
Wrangler	4.0L L6 F/I	57-1514-1 ¹	12.1 @ 4623	2012 KIA			
1998 JEEP				2011 KIA			
Cherokee	4.0L L6 F/I	57-1518 ¹	7.9 @ 4511	Forte	2.0L L4 F/I	69-5307TTK ²	7.5 @ 5501
Grand Cherokee	4.0L L6 F/I	57-1520 ¹	7.7 @ 4684	Forte Koup	2.4L L4 F/I	69-5307TTK ²	7.5 @ 5501
Grand Cherokee	5.2L V8 F/I	57-1506-2 ¹	24.7 @ 4335	Optima	2.0L L4 F/I	69-5309TS ¹	7.6 @ 4861
Grand Cherokee	5.9L V8 F/I	57-1506-2 ¹	24.7 @ 4335	Optima	2.4L L4 F/I	69-5301TTK ²	7.8 @ 5147
TJ	4.0L L6 F/I	57-1514-1 ¹	12.1 @ 4623			57-5300 ¹	4.8 @ 5588
Wrangler	4.0L L6 F/I	57-1514-1 ¹	12.1 @ 4623	Soul	2.0L L4 F/I	69-5308TS ¹	5.1 @ 5664
1997 JEEP				2010 KIA			
Cherokee	4.0L L6 F/I	57-1518 ¹	7.9 @ 4511	Forte	2.0L L4 F/I	69-5307TTK ²	7.5 @ 5501
Grand Cherokee	4.0L L6 F/I	57-1520 ¹	7.7 @ 4984	Forte Koup	2.4L L4 F/I	69-5307TTK ²	7.5 @ 5501
Grand Cherokee	5.2L V8 F/I	57-1506-2 ¹	24.7 @ 4335	Optima	2.0L L4 F/I	69-5309TS ¹	7.6 @ 4861
TJ	4.0L L6 F/I	57-1514-1 ¹	12.1 @ 4623	Soul	2.0L L4 F/I	69-5308TS ¹	5.1 @ 5664
Wrangler	4.0L L6 F/I	57-1514-1 ¹	12.1 @ 4623	2009 KIA			
1996 JEEP				2008 KIA			
Cherokee	4.0L L6 F/I	57-1518 ¹	7.9 @ 4511	Forte	2.0L L4 F/I	69-5307TTK ²	7.5 @ 5501
Grand Cherokee	4.0L L6 F/I	57-1520 ¹	7.7 @ 4684	Forte Koup	2.4L L4 F/I	69-5307TTK ²	7.5 @ 5501
Grand Cherokee	5.2L V8 F/I	57-1506-2 ¹	24.7 @ 4335	Optima	2.0L L4 F/I	69-5309TS ¹	7.6 @ 4861
				Soul	2.0L L4 F/I	69-5308TS ¹	5.1 @ 5664

1) Street legal in all US states. 2) Not legal for sale or use on any pollution controlled motor vehicle in California or states adopting California emission procedures. * Estimated horsepower gains are based on specific or similar vehicle dyno tests. Results will vary. See Page 478 for more information. See page 7 for information on intake tube materials/colors.



Vehicle	Engine Type	Part Number	Estimated Horsepower*	Vehicle	Engine Type	Part Number	Estimated Horsepower*
2011 KIA				2010 LEXUS			
Forte Koup	2.4L L4 F/I	69-5307TTK ²	7.5 @ 5501	GS350	3.5L V6 F/I	69-8702TP ²	18.1 @ 5751
Optima	2.0L L4 F/I	69-5309TS ¹	7.6 @ 4861	IS F	5.0L V8 F/I	69-8703TS ²	22.4 @ 6145
Soul	2.0L L4 F/I	69-5306TS ¹	5.1 @ 5300	IS250	2.5L V6 F/I	69-8701TP ²	12.1 @ 5852
2010 KIA				2009 LEXUS			
Forte	2.0L L4 F/I	69-5307TTK ²	7.5 @ 5501	GS350	3.5L V6 F/I	69-8702TP ²	18.1 @ 5751
Forte Koup	2.4L L4 F/I	69-5307TTK ²	7.5 @ 5501	IS F	5.0L V8 F/I	69-8703TS ²	22.4 @ 6145
Soul	2.0L L4 F/I	69-5306TS ¹	5.1 @ 5300	IS250	2.5L V6 F/I	69-8701TP ²	12.1 @ 5852
2008 KIA				2008 LEXUS			
Spectra	2.0L L4 F/I - Exc. LEV2 SULEV Test Group 8KMXV02.0LPC	69-5305TP ¹	7.2 @ 5800	GS350	3.5L V6 F/I	69-8702TP ²	18.1 @ 5751
2007 KIA				2007 LEXUS			
Spectra	2.0L L4 F/I - Exc. LEV2 SULEV Test Group 7KMXV02.0LPC	69-5305TP ¹	7.2 @ 5800	IS F	5.0L V8 F/I	69-8703TS ²	28.1 @ 5900
2006 KIA				2006 LEXUS			
Spectra	2.0L L4 F/I - Exc. LEV2 SULEV Test Group 6KMXV02.0LPC	69-5305TP ¹	7.2 @ 5800	IS250	2.5L V6 F/I	69-8701TP ²	12.1 @ 5852
Spectra5	2.0L L4 F/I - Exc. LEV2 SULEV Test Group 6KMXV02.0LPC	69-5305TP ¹	7.2 @ 5800	IS350	3.5L V6 F/I	69-8701TP ²	12.1 @ 5852
2005 KIA				2005 LEXUS			
Spectra	2.0L L4 F/I - Exc. LEV2 SULEV Test Group 5KMXV02.0LPC	69-5305TP ¹	7.2 @ 5800	IS250	2.5L V6 F/I	69-8701TP ²	12.1 @ 5852
Spectra5	2.0L L4 F/I - Exc. LEV2 SULEV Test Group 5KMXV02.0LPC	69-5305TP ¹	7.3 @ 5800	IS300	3.0L L6 F/I	69-8700TP ¹	9.4 @ 5850
2017 LEXUS				2004 LEXUS			
RC F	5.0L V8 F/I	63-9038 ²	13.6 @ 6100	IS300	3.0L L6 F/I	69-8700TP ¹	9.4 @ 5850
2016 LEXUS				2003 LEXUS			
RC F	5.0L V8 F/I	63-9038 ²	13.6 @ 6100	IS300	3.0L L6 F/I	69-8700TP ¹	9.4 @ 5850
2015 LEXUS				2002 LEXUS			
IS250	2.5L V6 F/I	69-8704TP ²	12.6 @ 5498	IS300	3.0L L6 F/I	69-8700TP ¹	9.4 @ 5850
IS350	3.5L V6 F/I	69-8704TP ²	12.6 @ 5498	2001 LEXUS			
RC F	5.0L V8 F/I	63-9038 ²	13.6 @ 6100	IS300	3.0L L6 F/I	69-8700TP ¹	9.4 @ 5850
RC350	3.5L V6 F/I	69-8704TP ²	12.6 @ 5498	2000 LEXUS			
2014 LEXUS				1999 LEXUS			
GS350	3.5L V6 F/I	69-8704TP ¹	12.6 @ 5498	GS400	4.0L V8 F/I	57-9011 ¹	9.3 @ 5978
IS350	3.5L V6 F/I	69-8704TP ¹	12.6 @ 5498	1998 LEXUS			
2013 LEXUS				2017 LINCOLN			
GS350	3.5L V6 F/I	69-8704TP ¹	12.6 @ 5498	Navigator	3.5L V6 F/I	63-2595 ²	6.9 @ 4100
IS250	2.5L V6 F/I	69-8701TP ²	12.1 @ 5852	2016 LINCOLN			
IS250	2.5L V6 F/I - Non-US, To 2/13	69-8701TP ²	12.1 @ 5852	Navigator	3.5L V6 F/I	63-2595 ²	6.9 @ 4100
IS350	3.5L V6 F/I	69-8704TP ¹	12.6 @ 5498	2015 LINCOLN			
2012 LEXUS				2014 LINCOLN			
IS F	5.0L V8 F/I	69-8703TS ²	22.4 @ 6145	Navigator	3.5L V6 F/I	63-2595 ²	6.9 @ 4100
IS250	2.5L V6 F/I	69-8701TP ²	12.1 @ 5852	2013 LINCOLN			
2011 LEXUS				2012 LINCOLN			
GS350	3.5L V6 F/I	69-8702TP ²	18.1 @ 5751	Navigator	3.5L V6 F/I	63-2595 ²	6.9 @ 4100
IS F	5.0L V8 F/I	69-8703TS ²	22.4 @ 6145	2011 LINCOLN			
IS250	2.5L V6 F/I	69-8701TP ²	12.1 @ 5852	Navigator	3.5L V6 F/I	63-2595 ²	6.9 @ 4100
IS350	3.5L V6 F/I	69-8701TP ²	12.1 @ 5852	2010 LINCOLN			
				Navigator			
				3.5L V6 F/I 63-2595 ² 6.9 @ 4100			

1) Street legal in all US states. 2) Not legal for sale or use on any pollution controlled motor vehicle in California or states adopting California emission procedures. * Estimated horsepower gains are based on specific or similar vehicle dyno tests. Results will vary. See Page 478 for more information. See page 7 for information on intake tube materials/colors.



AIR INTAKE SYSTEMS

LINCOLN

Vehicle	Engine Type	Part Number	Estimated Horsepower*	Vehicle	Engine Type	Part Number	Estimated Horsepower*
2014 LINCOLN				2017 MAZDA			
Navigator	5.4L V8 F/I	57-2575 ¹	11.0 @ 4600	3	2.0L L4 F/I	69-6033TTK ²	5.5 @ 4982
2013 LINCOLN				3	2.5L L4 F/I	69-6032TS ²	5.7 @ 4844
Navigator	5.4L V8 F/I	57-2575 ¹	11.0 @ 4600	6	2.5L L4 F/I	69-6032TS ²	5.7 @ 4844
2012 LINCOLN				2016 MAZDA			
Navigator	5.4L V8 F/I	57-2575 ¹	11.0 @ 4600	3	2.0L L4 F/I	69-6033TTK ²	5.5 @ 4982
2011 LINCOLN				3	2.5L L4 F/I	69-6032TS ²	5.7 @ 4844
Navigator	5.4L V8 F/I	57-2575 ¹	11.0 @ 4600	6	2.5L L4 F/I	69-6032TS ²	5.7 @ 4844
2010 LINCOLN				2015 MAZDA			
Navigator	5.4L V8 F/I	57-2575 ¹	11.0 @ 4600	3	2.0L L4 F/I	69-6033TTK ²	5.5 @ 4982
2009 LINCOLN				3	2.5L L4 F/I	69-6032TS ²	5.7 @ 4844
Navigator	5.4L V8 F/I	57-2575 ¹	11.0 @ 4600	6	2.5L L4 F/I	69-6032TS ²	5.7 @ 4844
2008 LINCOLN				2014 MAZDA			
Mark LT	5.4L V8 F/I	77-2556KP ¹	9.6 @ 3724	3	2.0L L4 F/I	69-6033TTK ¹	5.5 @ 4982
		71-2556 ¹	11.5 @ 3800	3	2.5L L4 F/I	69-6032TS ²	5.7 @ 4844
		57-2556 ¹	15.5 @ 3829	6	2.5L L4 F/I	69-6032TS ²	5.7 @ 4844
Navigator	5.4L V8 F/I	57-2575 ¹	11.0 @ 4600	2013 MAZDA			
2007 LINCOLN				3	2.0L L4 F/I - Eng. Skyactiv, Exc. LEV2 SULEV Test Group DTKXV02.ONC1	69-6033TTK ¹	5.5 @ 4982
Mark LT	5.4L V8 F/I	77-2556KP ¹	9.6 @ 3724	3	2.0L L4 F/I - Exc. Eng. Skyactiv	69-6031TS ²	5.6 @ 5743
		71-2556 ¹	11.5 @ 3800	6	2.5L L4 F/I	69-6028TTK ²	5.5 @ 5100
		57-2556 ¹	15.5 @ 3829	Mazdaspeed3	2.3L L4 F/I	69-6012TS ¹	24.2 @ 5000
Navigator	5.4L V8 F/I	57-2575 ¹	11.0 @ 4600	2012 MAZDA			
2006 LINCOLN				3	2.0L L4 F/I - Exc. Eng. Skyactiv	69-6031TS ²	5.6 @ 5743
LS	3.9L V8 F/I	69-3520TP ¹	8.0 @ 5379	3	2.5L L4 F/I	69-6013TTK ²	6.7 @ 5604
Mark LT	5.4L V8 F/I	77-2556KP ¹	9.6 @ 3724	6	2.5L L4 F/I	69-6028TTK ²	5.5 @ 5100
		71-2556 ¹	11.5 @ 3800	Mazdaspeed3	2.3L L4 F/I	69-6012TS ¹	24.2 @ 5000
		57-2556 ¹	15.5 @ 3829	2011 MAZDA			
2005 LINCOLN				3	2.0L L4 F/I	69-6031TS ²	5.6 @ 5743
LS	3.9L V8 F/I	69-3520TP ¹	8.0 @ 5379	3	2.5L L4 F/I	69-6013TTK ²	6.7 @ 5604
2004 LINCOLN				6	2.5L L4 F/I	69-6028TTK ²	5.5 @ 5100
LS	3.9L V8 F/I	69-3520TP ¹	8.0 @ 5379	Mazdaspeed3	2.3L L4 F/I	69-6012TS ¹	24.2 @ 5000
Navigator	5.4L V8 F/I	57-2551 ¹	15.5 @ 5049	RX-8	1.3L R2 F/I	69-6030-1TFK ²	11.2 @ 8660
2003 LINCOLN				2010 MAZDA			
LS	3.9L V8 F/I	69-3520TP ¹	8.0 @ 5379	3	2.5L L4 F/I	69-6013TTK ²	6.7 @ 5604
Navigator	5.4L V8 F/I	57-2551 ¹	15.5 @ 5049	6	2.5L L4 F/I	69-6028TTK ²	5.5 @ 5100
2002 LINCOLN				Mazdaspeed3	2.3L L4 F/I	69-6012TS ¹	24.2 @ 5000
Navigator	5.4L V8 F/I	57-2558 ¹	15.1 @ 4649	RX-8	1.3L R2 F/I	69-6030-1TFK ²	11.2 @ 8660
2001 LINCOLN				2009 MAZDA			
Navigator	5.4L V8 F/I	57-2558 ¹	15.1 @ 4649	3	2.0L L4 F/I	69-6010TS ²	5.7 @ 4764
2000 LINCOLN				3	2.3L L4 F/I - Exc. Turbo	69-6010TR ²	5.7 @ 4764
Navigator	5.4L V8 F/I	57-2558 ¹	15.1 @ 4649	6	2.5L L4 F/I	69-6010TR ²	5.7 @ 4764
1999 LINCOLN				6	2.5L L4 F/I	69-6028TTK ²	5.5 @ 5100
Navigator	5.4L V8 F/I - SOHC	77-2514KP ¹	9.7 @ 4093	B4000	4.0L V6 F/I	77-2561KP ¹	11.2 @ 4950
		57-2541 ¹	13.1 @ 4562			57-2561 ¹	13.5 @ 5129
		57-2514-4 ¹	9.8 @ 4198	Mazdaspeed3	2.3L L4 F/I	69-6011TS ¹	25.7 @ 4300
1998 LINCOLN				RX-8	1.3L R2 F/I	69-6030-1TFK ¹	11.2 @ 8660
Navigator	5.4L V8 F/I	77-2514KP ¹	9.7 @ 4093	2008 MAZDA			
		57-2541 ¹	13.1 @ 4562	3	2.0L L4 F/I	69-6010TS ²	5.7 @ 4764
		57-2514-4 ¹	9.8 @ 4198			69-6010TR ²	5.7 @ 4764

1) Street legal in all US states. 2) Not legal for sale or use on any pollution controlled motor vehicle in California or states adopting California emission procedures. * Estimated horsepower gains are based on specific or similar vehicle dyno tests. Results will vary. See Page 478 for more information. See page 7 for information on intake tube materials/colors.



Vehicle	Engine Type	Part Number	Estimated Horsepower*	Vehicle	Engine Type	Part Number	Estimated Horsepower*
2008 MAZDA				2005 MAZDA			
3	2.3L L4 F/I	69-6010TS ²	5.7 @ 4764	MX-5 II	1.8L L4 F/I	69-6000TP ²	3.6 @ 6499
		69-6010TR ²	5.7 @ 4764	RX-8	1.3L R2 F/I	69-6030-1TFK ¹	11.2 @ 8660
5 Van	2.3L L4 F/I	69-6010TS ¹	5.7 @ 4764	2004 MAZDA			
6	2.3L L4 F/I - Exc. LEV2 SULEV Test Group 8TKXV02.3NH2	69-6027TTK ¹	11.9 @ 5400	3	2.0L L4 F/I - Non-US	69-6010TS ²	5.7 @ 4764
B3000	3.0L V6 F/I	57-2560 ¹	10.0 @ 4921			69-6010TR ²	5.7 @ 4764
B4000	4.0L V6 F/I	77-2561KP ¹	11.2 @ 4950	3	2.3L L4 F/I	69-6010TS ¹	5.7 @ 4764
		57-2561 ¹	13.5 @ 5129	6	2.3L L4 F/I - US	69-6010TR ¹	5.7 @ 4764
Mazdaspeed3	2.3L L4 F/I	69-6011TS ¹	25.7 @ 4300	6	3.0L V6 F/I	69-6025TS ¹	6.2 @ 5051
RX-8	1.3L R2 F/I	69-6030-1TFK ¹	11.2 @ 8660	6	3.0L V6 F/I	69-6026TS ¹	6.6 @ 4700
2007 MAZDA				B3000	3.0L V6 F/I	57-2560 ¹	10.0 @ 4921
3	2.0L L4 F/I	69-6010TS ²	5.7 @ 4764	B4000	4.0L V6 F/I	77-2561KP ¹	11.2 @ 4950
		69-6010TR ²	5.7 @ 4764			57-2561 ¹	13.5 @ 5129
3	2.3L L4 F/I	69-6010TS ²	5.7 @ 4764	Miata	1.8L L4 F/I	69-6000TR ¹	3.6 @ 6499
		69-6010TR ²	5.7 @ 4764			69-6000TP ¹	3.6 @ 6499
5 Van	2.3L L4 F/I	69-6010TS ¹	5.7 @ 4764	MX-5 II	1.8L L4 F/I	69-6000TR ²	3.6 @ 6499
		69-6010TR ¹	5.7 @ 4764	RX-8	1.3L R2 F/I	69-6030-1TFK ¹	11.2 @ 8660
6	2.3L L4 F/I - Exc. LEV2 SULEV Test Group 7TKXV02.3NH1	69-6027TTK ¹	11.9 @ 5400	2003 MAZDA			
6	3.0L V6 F/I	69-6026TS ¹	6.6 @ 4700	3	2.0L L4 F/I	69-6010TS ²	5.7 @ 4764
B3000	3.0L V6 F/I	57-2560 ¹	10.0 @ 4921			69-6010TR ²	5.7 @ 4764
B4000	4.0L V6 F/I	77-2561KP ¹	11.2 @ 4950	6	2.3L L4 F/I - US	69-6025TS ¹	6.2 @ 5051
		57-2561 ¹	13.5 @ 5129	6	3.0L V6 F/I	69-6026TS ¹	6.6 @ 4700
Mazdaspeed3	2.3L L4 F/I	69-6011TS ¹	25.7 @ 4300	B2300	2.3L L4 F/I	77-2552KP ¹	6.1 @ 4498
RX-8	1.3L R2 F/I	69-6030-1TFK ¹	11.2 @ 8660			57-2552 ¹	6.8 @ 4874
2006 MAZDA				B3000	3.0L V6 F/I	57-2554 ¹	9.4 @ 4848
3	2.0L L4 F/I	69-6010TS ²	5.7 @ 4764	B4000	4.0L V6 F/I	77-2529KP ¹	5.3 @ 5095
		69-6010TR ²	5.7 @ 4764			57-2529-1 ¹	6.9 @ 5244
3	2.3L L4 F/I	69-6010TS ²	5.7 @ 4764	Miata	1.8L L4 F/I	69-6000TR ¹	3.6 @ 6499
		69-6010TR ²	5.7 @ 4764			69-6000TP ¹	3.6 @ 6499
5	2.3L L4 F/I	69-6010TS ¹	5.7 @ 4764	MX-5 II	1.8L L4 F/I	69-6000TR ²	3.6 @ 6499
		69-6010TR ¹	5.7 @ 4764	Protege	2.0L L4 F/I	69-6000TP ²	3.6 @ 6499
6	2.3L L4 F/I - US, Exc. LEV2 SULEV Test Group 6TKXV02.3NG2	69-6025TS ¹	6.2 @ 5051	Protege5	2.0L L4 F/I	69-6020TS ¹	5.0 @ 3568
6	3.0L V6 F/I	69-6026TS ¹	6.6 @ 4700			69-6020TR ¹	5.0 @ 3568
B3000	3.0L V6 F/I	57-2560 ¹	10.0 @ 4921	RX-8	1.3L R2 F/I	69-6030-1TFK ¹	11.2 @ 8660
B4000	4.0L V6 F/I	77-2561KP ¹	11.2 @ 4950	2002 MAZDA			
		57-2561 ¹	13.5 @ 5129	B2300	2.3L L4 F/I	77-2552KP ¹	6.1 @ 4498
RX-8	1.3L R2 F/I	69-6030-1TFK ¹	11.2 @ 8660			57-2552 ¹	6.8 @ 4874
2005 MAZDA				B3000	3.0L V6 F/I	57-2554 ¹	9.4 @ 4848
3	2.0L L4 F/I	69-6010TS ²	5.7 @ 4764	B4000	4.0L V6 F/I	77-2529KP ¹	5.3 @ 5095
		69-6010TR ²	5.7 @ 4764			57-2529-1 ¹	6.9 @ 5244
3	2.3L L4 F/I	69-6010TS ²	5.7 @ 4764	Miata	1.8L L4 F/I	69-6000TR ¹	3.6 @ 6499
		69-6010TR ²	5.7 @ 4764			69-6000TP ¹	3.6 @ 6499
6	2.3L L4 F/I - US, Exc. LEV2 SULEV Test Group 5TKXV02.3NG1	69-6025TS ¹	6.2 @ 5051	MP3	2.0L L4 F/I	69-6020TS ¹	5.0 @ 3568
6	3.0L V6 F/I	69-6026TS ¹	6.6 @ 4700			69-6020TR ¹	5.0 @ 3568
B3000	3.0L V6 F/I	57-2560 ¹	10.0 @ 4921	MX-5 II	1.8L L4 F/I	69-6000TR ²	3.6 @ 6499
B4000	4.0L V6 F/I	77-2561KP ¹	11.2 @ 4950			69-6000TP ²	3.6 @ 6499
		57-2561 ¹	13.5 @ 5129	Protege	2.0L L4 F/I	69-6020TS ¹	5.0 @ 3568
Miata	1.8L L4 F/I	69-6000TR ¹	3.6 @ 6499	Protege5	2.0L L4 F/I	69-6020TR ¹	5.0 @ 3568
		69-6000TP ¹	3.6 @ 6499			69-6020TS ¹	5.0 @ 3568
MX-5 II	1.8L L4 F/I	69-6000TR ²	3.6 @ 6499	2001 MAZDA			
		69-6000TR ²	3.6 @ 6499	B2300	2.3L L4 F/I	77-2552KP ¹	6.1 @ 4498

1) Street legal in all US states. 2) Not legal for sale or use on any pollution controlled motor vehicle in California or states adopting California emission procedures. * Estimated horsepower gains are based on specific or similar vehicle dyno tests. Results will vary. See Page 478 for more information. See page 7 for information on intake tube materials/colors.



AIR INTAKE SYSTEMS

MAZDA

Vehicle	Engine Type	Part Number	Estimated Horsepower*	Vehicle	Engine Type	Part Number	Estimated Horsepower*
2001 MAZDA				1991 MAZDA			
B2300	2.3L L4 F/I	57-2552 ¹	6.8 @ 4874	Miata	1.6L L4 F/I	57-5001 ¹	4.1 @ 5828
B2500	2.5L L4 F/I	57-2540 ¹	6.6 @ 5000	1990 MAZDA			
B3000	3.0L V6 F/I	57-2533 ¹	5.5 @ 4721	Miata	1.6L L4 F/I	57-5001 ¹	4.1 @ 5828
B4000	4.0L V6 F/I	77-2529KP ¹	5.3 @ 5095	1988 MAZDA			
		57-2529-1 ¹	6.9 @ 5244	RX-7	1.3L R2 F/I - Exc. Turbo	57-5005 ¹	
Miata	1.8L L4 F/I	69-6000TR ¹	3.6 @ 6499	1987 MAZDA			
		69-6000TP ¹	3.6 @ 6499	RX-7	1.3L R2 F/I - Exc. Turbo	57-5005 ¹	
MX-5 II	1.8L L4 F/I	69-6000TR ²	3.6 @ 6499	1986 MAZDA			
		69-6000TP ²	3.6 @ 6499	RX-7	1.3L R2 F/I - Exc. Turbo	57-5005 ¹	
2000 MAZDA				2011 MERCURY			
B2500	2.5L L4 F/I	57-2540 ¹	6.6 @ 5000	Grand Marquis	4.6L V8 F/I	69-3532TTK ¹	10.2 @ 4491
B3000	3.0L V6 F/I	57-2533 ¹	5.5 @ 4721	2010 MERCURY			
B4000	4.0L V6 F/I	57-2527 ¹	3.2 @ 3969	Grand Marquis	4.6L V8 F/I	69-3532TTK ¹	10.2 @ 4491
Miata	1.8L L4 F/I	69-6000TR ¹	3.6 @ 6499	2009 MERCURY			
		69-6000TP ¹	3.6 @ 6499	Grand Marquis	4.6L V8 F/I	69-3532TTK ¹	10.2 @ 4491
MX-5 II	1.8L L4 F/I	69-6000TR ²	3.6 @ 6499	2008 MERCURY			
		69-6000TP ²	3.6 @ 6499	Grand Marquis	4.6L V8 F/I	69-3532TTK ¹	10.2 @ 4491
1999 MAZDA				2007 MERCURY			
B2500	2.5L L4 F/I	57-2540 ¹	6.6 @ 5000	Grand Marquis	4.6L V8 F/I	69-3532TTK ¹	10.2 @ 4491
B3000	3.0L V6 F/I	57-2533 ¹	5.5 @ 4721	2006 MERCURY			
B4000	4.0L V6 F/I	57-2527 ¹	3.2 @ 3969	Grand Marquis	4.6L V8 F/I	69-3532TTK ¹	10.2 @ 4491
Miata	1.8L L4 F/I	69-6000TR ¹	3.6 @ 6499	2005 MERCURY			
		69-6000TP ¹	3.6 @ 6499	Grand Marquis	4.6L V8 F/I	69-3532TTK ¹	10.2 @ 4491
MX-5 II	1.8L L4 F/I	69-6000TR ²	3.6 @ 6499	Mountaineer	4.6L V8 F/I	57-2564 ¹	10.4 @ 4921
		69-6000TP ²	3.6 @ 6499	2004 MERCURY			
1998 MAZDA				Grand Marquis	4.6L V8 F/I	69-3532TTK ¹	10.2 @ 4491
B2500	2.5L L4 F/I	57-2540 ¹	6.6 @ 5000	Marauder	4.6L V8 F/I	57-2563 ¹	17.3 @ 5675
B3000	3.0L V6 F/I	57-2533 ¹	5.5 @ 4721	Mountaineer	4.6L V8 F/I	57-2564 ¹	10.4 @ 4921
B4000	4.0L V6 F/I	57-2527 ¹	3.2 @ 3969	2003 MERCURY			
Miata	1.8L L4 F/I	69-6000TR ²	3.6 @ 6499	Marauder	4.6L V8 F/I	57-2563 ¹	17.3 @ 5675
		69-6000TP ²	3.6 @ 6499	Mountaineer	4.0L V6 F/I	57-2537 ¹	7.3 @ 4890
MX-5 II	1.8L L4 F/I	69-6000TR ²	3.6 @ 6499	Mountaineer	4.6L V8 F/I	57-2539 ¹	8.6 @ 4486
		69-6000TP ²	3.6 @ 6499	2002 MERCURY			
1997 MAZDA				Mountaineer	4.0L V6 F/I	57-2537 ¹	7.3 @ 4890
B2300	2.3L L4 F/I - w/Manual Trans.	57-2535 ¹	6.1 @ 5200	Mountaineer	4.6L V8 F/I	57-2539 ¹	8.6 @ 4486
B4000	4.0L V6 F/I	57-2527 ¹	3.2 @ 3969	2001 MERCURY			
MX-6	2.5L V6 F/I	57-2507 ¹		Cougar	2.5L V6 F/I	57-2534 ¹	8.9 @ 6189
1996 MAZDA				2000 MERCURY			
B2300	2.3L L4 F/I - w/Manual Trans.	57-2535 ¹	6.1 @ 5200	Cougar	2.5L V6 F/I	57-2534 ¹	8.9 @ 6189
MX-6	2.5L V6 F/I	57-2507 ¹		1997 MERCURY			
1995 MAZDA				Cougar	3.8L V6 F/I	57-2505-1 ¹	4.7 @ 3418
B2300	2.3L L4 F/I - w/Manual Trans.	57-2535 ¹	6.1 @ 5200	Cougar	4.6L V8 F/I	57-2505-1 ¹	4.7 @ 3418
MX-6	2.5L V6 F/I	57-2507 ¹		Mountaineer	5.0L V8 F/I - w/Round Filter	57-2513-1 ¹	
1994 MAZDA				1996 MERCURY			
MX-6	2.5L V6 F/I	57-2507 ¹		Cougar	3.8L V6 F/I	57-2505-1 ¹	4.7 @ 3418
1993 MAZDA				Cougar	4.6L V8 F/I	57-2505-1 ¹	4.7 @ 3418
Miata	1.6L L4 F/I	57-5001 ¹	4.1 @ 5828	1992 MAZDA			
MX-6	2.5L V6 F/I	57-2507 ¹		Miata	1.6L L4 F/I	57-5001 ¹	4.1 @ 5828

1) Street legal in all US states. 2) Not legal for sale or use on any pollution controlled motor vehicle in California or states adopting California emission procedures. * Estimated horsepower gains are based on specific or similar vehicle dyno tests. Results will vary. See Page 478 for more information. See page 7 for information on intake tube materials/colors.

MERCURY

AIR INTAKE SYSTEMS



Vehicle	Engine Type	Part Number	Estimated Horsepower*	Vehicle	Engine Type	Part Number	Estimated Horsepower*
1995 MERCURY				2010 MINI			
Cougar	3.8L V6 F/I	57-2505-1 ¹	4.7 @ 3418	Cooper	1.6L L4 F/I - Non-US, w/Manual Trans.	69-2022TS ²	
Cougar	4.6L V8 F/I	57-2505-1 ¹	4.7 @ 3418	Cooper	1.6L L4 F/I - US	69-2005TTK ¹	4.1 @ 5300
1994 MERCURY				Cooper Clubman	1.6L L4 F/I - w/Manual Trans.	69-2022TS ²	
Cougar	3.8L V6 F/I	57-2505-1 ¹	4.7 @ 3418	Cooper S	1.6L L4 F/I - US	69-2004TTK ¹	11.2 @ 4700
Cougar	4.6L V8 F/I	57-2505-1 ¹	4.7 @ 3418	2009 MINI			
1993 MERCURY				Cooper	1.6L L4 F/I - US	69-2005TTK ¹	4.1 @ 5300
Cougar	3.8L V6 F/I	57-2505-1 ¹	4.7 @ 3418	Cooper	1.6L L4 F/I - w/Manual Trans.	69-2022TS ²	
Cougar	5.0L V8 F/I	57-2505-1 ¹	4.7 @ 3418	Cooper Clubman	1.6L L4 F/I - US	69-2005TTK ¹	4.1 @ 5300
1992 MERCURY				Cooper Clubman	1.6L L4 F/I - w/Manual Trans.	69-2022TS ²	
Cougar	3.8L V6 F/I	57-2505-1 ¹	4.7 @ 3418	Cooper S	1.6L L4 F/I - US	69-2004TTK ¹	11.2 @ 4700
Cougar	5.0L V8 F/I	57-2505-1 ¹	4.7 @ 3418	2008 MINI			
1991 MERCURY				Cooper	1.6L L4 F/I - Non-US, Coupe, w/Manual Trans.	69-2022TS ²	
Cougar	3.8L V6 F/I	57-2505-1 ¹	4.7 @ 3418	Cooper	1.6L L4 F/I - US	69-2005TTK ¹	4.1 @ 5300
Cougar	5.0L V8 F/I	57-2505-1 ¹	4.7 @ 3418	Cooper Clubman	1.6L L4 F/I - US	69-2005TTK ¹	4.1 @ 5300
2016 MINI				Cooper S	1.6L L4 F/I - US	69-2004TTK ¹	11.2 @ 4700
Cooper	1.5L L3 F/I	69-2026TTK ²	6.5 @ 3200	Cooper S	1.4L L4 F/I - Exc., Convertible	69-2022TS ²	
Cooper Clubman	1.5L L3 F/I	69-2026TTK ²	6.5 @ 3200	2007 MINI			
Cooper John	2.0L L4 F/I	69-2026TTK ²	9.0 @ 5400	Cooper	1.6L L4 F/I - Non-US, Coupe, w/Manual Trans.	69-2022TS ²	
Cooper Works				Cooper	1.6L L4 F/I - US	69-2005TTK ¹	4.1 @ 5300
Cooper S	2.0L L4 F/I	69-2026TTK ²	6.5 @ 3200	Cooper S	1.6L L4 F/I - Convertible	69-2021TP ¹	4.1 @ 5997
2015 MINI				Cooper S	1.6L L4 F/I - US, Coupe	69-2004TTK ¹	11.2 @ 4700
Cooper	1.5L L3 F/I	69-2026TTK ²	6.5 @ 3200	One	1.4L L4 F/I - Exc., Convertible	69-2022TS ²	
Cooper S	1.6L L4 F/I	69-2023TS ²	8.5 @ 5200	2006 MINI			
Cooper S	2.0L L4 F/I	69-2026TTK ²	6.5 @ 3200	Cooper	1.6L L4 F/I	69-2020TR ¹	4.3 @ 5950
2014 MINI				Cooper S	1.6L L4 F/I - w/Manual Trans.	69-2021TP ¹	4.1 @ 5997
Cooper	1.5L L3 F/I	69-2026TTK ²	6.5 @ 3200	Cooper S	1.6L L4 F/I	69-2020TR ²	4.3 @ 5950
Cooper	1.6L L4 F/I - US	69-2024TTK ¹	3.0 @ 5504	One	1.6L L4 F/I	69-2020TP ²	4.3 @ 5950
Cooper John	1.6L L4 F/I	69-2025TS ²	6.0 @ 5602	Works	1.6L L4 F/I	69-2021TP ²	4.1 @ 5997
Cooper Works				2005 MINI			
Cooper S	1.6L L4 F/I	69-2023TS ²	8.5 @ 5200	Cooper	1.6L L4 F/I	69-2020TR ¹	4.3 @ 5950
Cooper S	2.0L L4 F/I	69-2026TTK ²	6.5 @ 3200	Cooper S	1.6L L4 F/I	69-2020TP ¹	4.3 @ 5950
2013 MINI				One	1.6L L4 F/I	69-2021TP ¹	4.1 @ 5997
Cooper	1.6L L4 F/I - US	69-2024TTK ¹	3.0 @ 5504	One	1.6L L4 F/I	69-2020TR ²	4.3 @ 5950
Cooper John	1.6L L4 F/I	69-2025TS ²	6.0 @ 5602	Works	1.6L L4 F/I	69-2020TP ²	4.3 @ 5950
Cooper Works GP				Works	1.6L L4 F/I	69-2021TP ²	4.1 @ 5997
Cooper S	1.6L L4 F/I	69-2023TS ²	8.5 @ 5200	2004 MINI			
2012 MINI				Cooper	1.6L L4 F/I	69-2020TR ¹	4.3 @ 5950
Cooper	1.6L L4 F/I - US	69-2024TTK ¹	3.0 @ 5504	Cooper S	1.6L L4 F/I	69-2020TP ¹	4.3 @ 5950
Cooper John	1.6L L4 F/I	69-2025TS ¹	6.0 @ 5602	One	1.6L L4 F/I	69-2021TP ¹	4.1 @ 5997
Cooper Works				One	1.6L L4 F/I	69-2020TR ²	4.3 @ 5950
Cooper S	1.6L L4 F/I	69-2023TS ¹	8.5 @ 5200	Works	1.6L L4 F/I	69-2020TP ²	4.3 @ 5950
Cooper S Clubman	1.6L L4 F/I	69-2023TS ¹	8.5 @ 5200	Works	1.6L L4 F/I	69-2021TP ²	4.1 @ 5997
2011 MINI				2003 MINI			
Cooper	1.6L L4 F/I - US	69-2005TTK ¹	4.1 @ 5300	Cooper	1.6L L4 F/I	69-2020TR ¹	4.3 @ 5950
Cooper John	1.6L L4 F/I	69-2025TS ¹	6.0 @ 5602	Cooper S	1.6L L4 F/I	69-2020TP ¹	4.3 @ 5950
Cooper Works				Cooper S	1.6L L4 F/I	69-2021TP ¹	4.1 @ 5997
Cooper John	1.6L L4 F/I	69-2025TS ¹	6.0 @ 5602	One	1.6L L4 F/I	69-2020TR ²	4.3 @ 5950
Cooper Works				Works	1.6L L4 F/I	69-2020TP ²	4.3 @ 5950
Cooper Works Clubman				Works	1.6L L4 F/I	69-2021TP ²	4.1 @ 5997
Cooper S	1.6L L4 F/I	69-2023TS ¹	8.5 @ 5200	2002 MINI			
Cooper S Clubman	1.6L L4 F/I	69-2023TS ¹	8.5 @ 5200	Cooper	1.6L L4 F/I	69-2020TR ¹	4.3 @ 5950
				Cooper S	1.6L L4 F/I	69-2020TP ¹	4.3 @ 5950
				Cooper S	1.6L L4 F/I	69-2021TP ¹	4.1 @ 5997

1) Street legal in all US states. 2) Not legal for sale or use on any pollution controlled motor vehicle in California or states adopting California emission procedures. * Estimated horsepower gains are based on specific or similar vehicle dyno tests. Results will vary. See Page 478 for more information. See page 7 for information on intake tube materials/colors.



AIR INTAKE SYSTEMS

MINI

Vehicle	Engine Type	Part Number	Estimated Horsepower*	Vehicle	Engine Type	Part Number	Estimated Horsepower*
2003 MINI				2010 MITSUBISHI			
One	1.6L L4 F/I	69-2020TR ²	4.3 @ 5950	Eclipse	3.8L V6 F/I	69-6502TR ¹	13.1 @ 5400
		69-2020TP ²	4.3 @ 5950	Lancer	2.0L L4 F/I - Exc. LEV2 SULEV Test Group AMTXV02.0G6G	69-6544TS ¹	6.7 @ 5100
Works	1.6L L4 F/I	69-2021TP ²	4.1 @ 5997	Lancer	2.4L L4 F/I - Exc. LEV2 SULEV Test Group AMTXV02.4G6G	69-6544TS ¹	6.7 @ 5100
2002 MINI				2009 MITSUBISHI			
Cooper	1.6L L4 F/I	69-2020TR ¹	4.3 @ 5950	Eclipse	3.8L V6 F/I	69-6502TR ¹	13.1 @ 5400
		69-2020TP ¹	4.3 @ 5950	Lancer	2.0L L4 F/I - Exc. LEV2 SULEV Test Group 9MTXV02.0G6G	69-6544TS ¹	6.7 @ 5100
Cooper S	1.6L L4 F/I	69-2021TP ¹	4.1 @ 5997	Lancer	2.4L L4 F/I - Exc. LEV2 SULEV Test Group 9MTXV02.0G6G	69-6544TS ¹	6.7 @ 5100
One	1.6L L4 F/I	69-2020TR ²	4.3 @ 5950	Lancer Evolution GSR	2.0L L4 F/I	69-6546TWR ¹	21.4 @ 6100
		69-2020TP ²	4.3 @ 5950	2008 MITSUBISHI			
2001 MINI				2007 MITSUBISHI			
Cooper	1.6L L4 F/I	69-2020TR ²	4.3 @ 5950	Eclipse	3.8L V6 F/I	69-6502TR ¹	13.1 @ 5400
		69-2020TP ²	4.3 @ 5950	Lancer	2.0L L4 F/I	69-6544TS ¹	6.7 @ 5100
One	1.6L L4 F/I	69-2020TR ²	4.3 @ 5950	Lancer Evolution GSR	2.0L L4 F/I	69-6546TWR ¹	21.4 @ 6100
		69-2020TP ²	4.3 @ 5950	Raider	3.7L V6 F/I	77-1558KP ¹	6.1 @ 4200
2000 MINI				2006 MITSUBISHI			
Cooper	1.6L L4 F/I	69-2020TR ²	4.3 @ 5950	Eclipse	3.8L V6 F/I	69-6502TR ¹	13.1 @ 5400
		69-2020TP ²	4.3 @ 5950	Lancer	2.0L L4 F/I	69-6540TP ¹	4.3 @ 4491
2016 MITSUBISHI				2005 MITSUBISHI			
Lancer	2.0L L4 F/I - w/Manual Trans.	63-5506 ²	5.4 @ 5216	Eclipse	2.4L L4 F/I	69-6506TS ²	5.9 @ 4213
Lancer	2.4L L4 F/I - w/Manual Trans.	63-5506 ²	5.4 @ 5216	Eclipse	3.0L V6 F/I	69-6506TR ¹	5.9 @ 4213
2015 MITSUBISHI				2004 MITSUBISHI			
Lancer	2.0L L4 F/I - w/Manual Trans.	63-5506 ²	5.4 @ 5216	Eclipse	2.4L L4 F/I	69-6506TS ¹	5.9 @ 4213
Lancer	2.4L L4 F/I - w/Manual Trans.	63-5506 ²	5.4 @ 5216	Eclipse	3.0L V6 F/I	69-6506TR ¹	5.9 @ 4213
Lancer Evolution GSR	2.0L L4 F/I	69-6546TWR ²	21.4 @ 6100	Eclipse GT	3.0L V6 F/I	69-6501TP ¹	6.9 @ 5800
2014 MITSUBISHI				2003 MITSUBISHI			
Lancer	2.0L L4 F/I	69-6544TS ¹	6.7 @ 5100	Lancer	2.0L L4 F/I	69-6544TS ¹	6.7 @ 5100
Lancer	2.4L L4 F/I	69-6544TS ¹	6.7 @ 5100	Lancer	2.4L L4 F/I	69-6544TS ¹	6.7 @ 5100
Lancer Evolution GSR	2.0L L4 F/I	69-6546TWR ²	21.4 @ 6100	Lancer Evolution GSR	2.0L L4 F/I	69-6546TWR ¹	21.4 @ 6100
2013 MITSUBISHI				2012 MITSUBISHI			
Lancer	2.0L L4 F/I	69-6544TS ¹	6.7 @ 5100	Lancer	2.0L L4 F/I	69-6544TS ¹	6.7 @ 5100
Lancer	2.4L L4 F/I	69-6544TS ¹	6.7 @ 5100	Lancer	2.4L L4 F/I	69-6544TS ¹	6.7 @ 5100
Lancer Evolution GSR	2.0L L4 F/I	69-6546TWR ¹	21.4 @ 6100	Lancer Evolution GSR	2.0L L4 F/I	69-6546TWR ¹	21.4 @ 6100
2012 MITSUBISHI				2011 MITSUBISHI			
Lancer	2.0L L4 F/I	69-6544TS ¹	6.7 @ 5100	Eclipse	3.8L V6 F/I	69-6502TR ¹	13.1 @ 5400
Lancer	2.4L L4 F/I	69-6544TS ¹	6.7 @ 5100	Lancer	2.0L L4 F/I - Exc. LEV2 SULEV Test Group BMTXV02.4G6G	69-6544TS ¹	6.7 @ 5100
Lancer Evolution GSR	2.0L L4 F/I	69-6546TWR ¹	21.4 @ 6100	Lancer	2.4L L4 F/I - Exc. LEV2 SULEV Test Group BMTXV02.4G6G	69-6544TS ¹	6.7 @ 5100
2011 MITSUBISHI				2010 MITSUBISHI			
Eclipse	3.8L V6 F/I	69-6502TR ¹	13.1 @ 5400	Eclipse	3.8L V6 F/I	69-6502TR ¹	13.1 @ 5400
Lancer	2.0L L4 F/I - Exc. LEV2 SULEV Test Group BMTXV02.4G6G	69-6544TS ¹	6.7 @ 5100	Lancer	2.0L L4 F/I - Exc. LEV2 SULEV Test Group AMTXV02.0G6G	69-6544TS ¹	6.7 @ 5100
Lancer	2.4L L4 F/I - Exc. LEV2 SULEV Test Group BMTXV02.4G6G	69-6544TS ¹	6.7 @ 5100	Lancer	2.4L L4 F/I - Exc. LEV2 SULEV Test Group AMTXV02.4G6G	69-6544TS ¹	6.7 @ 5100
Lancer Evolution GSR	2.0L L4 F/I	69-6546TWR ¹	21.4 @ 6100	Lancer Evolution GSR	2.0L L4 F/I	69-6546TWR ¹	21.4 @ 6100

1) Street legal in all US states. 2) Not legal for sale or use on any pollution controlled motor vehicle in California or states adopting California emission procedures. * Estimated horsepower gains are based on specific or similar vehicle dyno tests. Results will vary. See Page 478 for more information. See page 7 for information on intake tube materials/colors.

MITSUBISHI

AIR INTAKE SYSTEMS



Vehicle	Engine Type	Part Number	Estimated Horsepower*	Vehicle	Engine Type	Part Number	Estimated Horsepower*
2004 MITSUBISHI				1994 MITSUBISHI			
Eclipse GT	3.0L V6 F/I	69-6501TB ¹	6.9 @ 5800	3000GT	3.0L V6 F/I	57-1500-1 ¹	
		57-5505 ¹	5.4 @ 5500	1993 MITSUBISHI			
Lancer	2.0L L4 F/I	69-6540TP ¹	4.3 @ 4491	3000GT	3.0L V6 F/I	57-1500-1 ¹	
		69-6540TB ¹	4.3 @ 4491	Eclipse	2.0L L4 F/I - Exc. Turbo	57-5500 ¹	
Lancer Evolution	2.0L L4 F/I	69-6543TR ¹	12.9 @ 5200	1992 MITSUBISHI			
		69-6543TP ¹	12.9 @ 5200	3000GT	3.0L V6 F/I	57-1500-1 ¹	
2003 MITSUBISHI				Eclipse	2.0L L4 F/I - Exc. Turbo	57-5500 ¹	
Eclipse	2.4L L4 F/I	69-6506TS ¹	5.9 @ 4213	1991 MITSUBISHI			
		69-6506TR ¹	5.9 @ 4213	3000GT	3.0L V6 F/I	57-1500-1 ¹	
Eclipse	3.0L V6 F/I	57-5505 ¹	5.4 @ 5500	Eclipse	2.0L L4 F/I - Exc. Turbo	57-5500 ¹	
Eclipse GT	3.0L V6 F/I	69-6501TP ¹	6.9 @ 5800	1990 MITSUBISHI			
		69-6501TB ¹	6.9 @ 5800	Eclipse	2.0L L4 F/I - Exc. Turbo	57-5500 ¹	
		57-5505 ¹	5.4 @ 5500	2017 NISSAN			
Lancer	2.0L L4 F/I	69-6540TP ¹	4.3 @ 4491	370Z	3.7L V6 F/I	71-7078 ²	9.3 @ 6500
		69-6540TB ¹	4.3 @ 4491			69-7078TS ²	14.2 @ 5600
Lancer Evolution	2.0L L4 F/I	69-6543TR ¹	12.9 @ 5200	Altima	2.5L L4 F/I	69-7064TS ²	
		69-6543TP ¹	12.9 @ 5200	Frontier	4.0L V6 F/I	77-6014-1KP ²	11.6 @ 5200
2002 MITSUBISHI						63-6014 ²	14.3 @ 5075
Eclipse	2.4L L4 F/I	69-6506TS ¹	5.9 @ 4213	Maxima	3.5L V6 F/I	69-7002TTK ²	13.3 @ 5249
		69-6506TR ¹	5.9 @ 4213	2016 NISSAN			
Eclipse	3.0L V6 F/I	69-6501TP ¹	6.9 @ 5800	370Z	3.7L V6 F/I	71-7078 ²	9.3 @ 6500
		69-6501TB ¹	6.9 @ 5800			69-7078TS ²	14.2 @ 5600
		57-5505 ¹	5.4 @ 5500	Altima	2.5L L4 F/I	69-7064TS ²	
Lancer	2.0L L4 F/I	69-6540TP ¹	4.3 @ 4491	Altima	3.5L V6 F/I	69-7063TTK ²	7.1 @ 5354
		69-6540TB ¹	4.3 @ 4491	Frontier	4.0L V6 F/I	77-6014-1KP ²	11.6 @ 5200
2001 MITSUBISHI						63-6014 ²	14.3 @ 5075
Eclipse	2.4L L4 F/I	69-6506TS ¹	5.9 @ 4213	Maxima	3.5L V6 F/I	69-7002TTK ²	13.3 @ 5249
		69-6506TR ¹	5.9 @ 4213	Pathfinder	3.5L V6 F/I	69-7063TTK ²	7.1 @ 5354
Eclipse	3.0L V6 F/I	69-6501TP ¹	6.9 @ 5800	Titan XD	5.0L V8 DSL	77-6017KS ²	
		69-6501TB ¹	6.9 @ 5800			63-6017 ²	
		57-5505 ¹	5.4 @ 5500	2015 NISSAN			
2000 MITSUBISHI				370Z	3.7L V6 F/I	71-7078 ²	9.3 @ 6500
Eclipse	2.4L L4 F/I	69-6506TS ¹	5.9 @ 4213			69-7078TS ²	14.2 @ 5600
		69-6506TR ¹	5.9 @ 4213	Altima	2.5L L4 F/I	69-7064TS ²	
Eclipse	3.0L V6 F/I	69-6501TP ¹	6.9 @ 5800	Altima	3.5L V6 F/I	69-7063TTK ²	7.1 @ 5354
		69-6501TB ¹	6.9 @ 5800	Armada	5.6L V8 F/I	77-6012KP ²	7.3 @ 4914
		57-5505 ¹	5.4 @ 5500			63-6012 ²	11.2 @ 5073
1999 MITSUBISHI				Frontier	4.0L V6 F/I	77-6014-1KP ²	11.6 @ 5200
3000GT	3.0L V6 F/I	57-1500-1 ¹				63-6014 ²	14.3 @ 5075
Eclipse	2.0L L4 F/I - Turbo	57-5504-1 ¹	7.7 @ 5900	Juke	1.6L L4 F/I - Non-US, Turbo	69-7079TS ²	7.2 @ 5936
1998 MITSUBISHI						69-7002TTK ²	13.3 @ 5249
3000GT	3.0L V6 F/I	57-1500-1 ¹		Maxima	3.5L V6 F/I	69-7063TTK ²	7.1 @ 5354
Eclipse	2.0L L4 F/I - Turbo	57-5504-1 ¹	7.7 @ 5900	Pathfinder	3.5L V6 F/I	69-7003TTK ²	2.4 @ 5255
1997 MITSUBISHI				Sentra	1.8L L4 F/I	77-6012KP ²	7.3 @ 4914
3000GT	3.0L V6 F/I	57-1500-1 ¹		Titan	5.6L V8 F/I	77-6012KP ²	7.3 @ 4914
Eclipse	2.0L L4 F/I - Turbo	57-5504-1 ¹	7.7 @ 5900			63-6012 ²	11.2 @ 5073
1996 MITSUBISHI				Xterra	4.0L V6 F/I	77-6014-1KP ²	11.6 @ 5200
3000GT	3.0L V6 F/I	57-1500-1 ¹				63-6014 ²	14.3 @ 5075
Eclipse	2.0L L4 F/I - Turbo	57-5504-1 ¹	7.7 @ 5900	2014 NISSAN			
1995 MITSUBISHI				370Z	3.7L V6 F/I	71-7078 ²	9.3 @ 6500
3000GT	3.0L V6 F/I	57-1500-1 ¹				69-7078TS ¹	14.2 @ 5600
Eclipse	2.0L L4 F/I - Turbo	57-5504-1 ¹	7.7 @ 5900	Altima	2.5L L4 F/I - Exc. LEV2 SULEV Test Group ENSXV02.585A	69-7064TS ¹	

1) Street legal in all US states. 2) Not legal for sale or use on any pollution controlled motor vehicle in California or states adopting California emission procedures. * Estimated horsepower gains are based on specific or similar vehicle dyno tests. Results will vary. See Page 478 for more information. See page 7 for information on intake tube materials/colors.



AIR INTAKE SYSTEMS

NISSAN

Vehicle	Engine Type	Part Number	Estimated Horsepower*	Vehicle	Engine Type	Part Number	Estimated Horsepower*
2014 NISSAN				2012 NISSAN			
Altima	3.5L V6 F/I	69-7063TTK ¹	7.1 @ 5354	Pathfinder	4.0L V6 F/I	63-6014 ²	14.3 @ 5075
Armada	5.6L V8 F/I	77-6012KP ¹	7.3 @ 4914			57-6014 ¹	14.3 @ 5075
		63-6012 ²	11.2 @ 5073	Pathfinder	5.6L V8 F/I	77-6016KS ¹	10.8 @ 5137
		57-6012 ¹	11.2 @ 5073	Sentra	2.5L L4 F/I	69-7001TTK ¹	6.7 @ 5900
Frontier	4.0L V6 F/I	77-6014-1KP ¹	11.6 @ 5200	Titan	5.6L V8 F/I	77-6012KP ¹	7.3 @ 4914
		63-6014 ²	14.3 @ 5075			63-6012 ²	11.2 @ 5073
		57-6014 ¹	14.3 @ 5075			57-6012 ¹	11.2 @ 5073
Juke	1.6L L4 F/I - Turbo	69-7079TS ¹	7.2 @ 5936	Xterra	4.0L V6 F/I	77-6014-1KP ¹	11.6 @ 5200
Maxima	3.5L V6 F/I	69-7002TTK ¹	13.3 @ 5249			63-6014 ²	14.3 @ 5075
Pathfinder	3.5L V6 F/I	69-7063TTK ¹	7.1 @ 5354			57-6014 ¹	14.3 @ 5075
Sentra	1.8L L4 F/I	69-7003TTK ¹	2.4 @ 5255	2011 NISSAN			
Titan	5.6L V8 F/I	77-6012KP ¹	7.3 @ 4914	370Z	3.7L V6 F/I	71-7078 ²	9.3 @ 6500
		63-6012 ²	11.2 @ 5073			69-7078TS ¹	14.2 @ 5600
		57-6012 ¹	11.2 @ 5073	Altima	2.5L L4 F/I - Exc. LEV2 SULEV Test Group BNSXV02.585A	69-7061TS ¹	6.9 @ 4927
Xterra	4.0L V6 F/I	77-6014-1KP ¹	11.6 @ 5200	Altima	3.5L V6 F/I	69-7062TTK ¹	9.4 @ 4300
		63-6014 ²	14.3 @ 5075	Armada	5.6L V8 F/I	77-6012KP ¹	7.3 @ 4914
		57-6014 ¹	14.3 @ 5075			63-6012 ²	11.2 @ 5073
2013 NISSAN						57-6012 ¹	11.2 @ 5073
370Z	3.7L V6 F/I	71-7078 ²	9.3 @ 6500	Frontier	4.0L V6 F/I	77-6014-1KP ¹	11.6 @ 5200
		69-7078TS ¹	14.2 @ 5600			63-6014 ²	14.3 @ 5075
Altima	2.5L L4 F/I - Exc. LEV2 SULEV Test Group DNSXV02.585A	69-7064TS ¹	7.8 @ 41			57-6014 ¹	14.3 @ 5075
Altima	3.5L V6 F/I	69-7063TTK ¹	7.1 @ 5354	Maxima	3.5L V6 F/I	69-7002TTK ¹	13.3 @ 5249
Altima Coupe	2.5L L4 F/I	69-7061TS ¹	6.9 @ 4927	Pathfinder	4.0L V6 F/I	77-6014-1KP ¹	11.6 @ 5200
Armada	5.6L V8 F/I	77-6012KP ¹	7.3 @ 4914			63-6014 ²	14.3 @ 5075
		63-6012 ²	11.2 @ 5073			57-6014 ¹	14.3 @ 5075
		57-6012 ¹	11.2 @ 5073	Pathfinder	5.6L V8 F/I	77-6016KS ¹	10.8 @ 5137
Frontier	4.0L V6 F/I	77-6014-1KP ¹	11.6 @ 5200	Sentra	2.5L L4 F/I	69-7001TTK ¹	6.7 @ 5900
		63-6014 ²	14.3 @ 5075	Titan	5.6L V8 F/I	77-6012KP ¹	7.3 @ 4914
		57-6014 ¹	14.3 @ 5075			63-6012 ²	11.2 @ 5073
Juke	1.6L L4 F/I - Turbo	69-7079TS ¹	7.2 @ 5936			57-6012 ¹	11.2 @ 5073
Maxima	3.5L V6 F/I	69-7002TTK ¹	13.3 @ 5249	Xterra	4.0L V6 F/I	77-6014-1KP ¹	11.6 @ 5200
Pathfinder	3.5L V6 F/I	69-7063TTK ¹	7.1 @ 5354			63-6014 ²	14.3 @ 5075
Sentra	1.8L L4 F/I	69-7003TTK ¹	2.4 @ 5255			57-6014 ¹	14.3 @ 5075
Titan	5.6L V8 F/I	77-6012KP ¹	7.3 @ 4914	2010 NISSAN			
		63-6012 ²	11.2 @ 5073	370Z	3.7L V6 F/I	71-7078 ²	9.3 @ 6500
		57-6012 ¹	11.2 @ 5073			69-7078TS ¹	14.2 @ 5600
Xterra	4.0L V6 F/I	77-6014-1KP ¹	11.6 @ 5200	Altima	2.5L L4 F/I - Exc. LEV2 SULEV Test Group ANSXV02.585A	69-7061TS ¹	6.9 @ 4927
		63-6014 ²	14.3 @ 5075	Altima	3.5L V6 F/I	69-7062TTK ¹	9.4 @ 4300
		57-6014 ¹	14.3 @ 5075	Armada	5.6L V8 F/I	77-6012KP ¹	7.3 @ 4914
2012 NISSAN						63-6012 ²	11.2 @ 5073
370Z	3.7L V6 F/I	71-7078 ²	9.3 @ 6500			57-6012 ¹	11.2 @ 5073
		69-7078TS ¹	14.2 @ 5600	Cube	1.8L L4 F/I	69-7077TTK ¹	7.8 @ 4886
Altima	2.5L L4 F/I	69-7061TS ¹	6.9 @ 4927	Frontier	4.0L V6 F/I	77-6014-1KP ¹	11.6 @ 5200
Altima	3.5L V6 F/I	69-7062TTK ¹	9.4 @ 4300			63-6014 ²	14.3 @ 5075
Armada	5.6L V8 F/I	77-6012KP ¹	7.3 @ 4914			57-6014 ¹	14.3 @ 5075
		63-6012 ²	11.2 @ 5073	Maxima	3.5L V6 F/I	69-7002TTK ¹	13.3 @ 5249
		57-6012 ¹	11.2 @ 5073	Pathfinder	4.0L V6 F/I	77-6014-1KP ¹	11.6 @ 5200
Frontier	4.0L V6 F/I	77-6014-1KP ¹	11.6 @ 5200			63-6014 ²	14.3 @ 5075
		63-6014 ²	14.3 @ 5075			57-6014 ¹	14.3 @ 5075
		57-6014 ¹	14.3 @ 5075	Pathfinder	5.6L V8 F/I	77-6016KS ¹	10.8 @ 5137
Juke	1.6L L4 F/I - Non-US, Turbo	69-7079TS ²	7.2 @ 5936	Sentra	2.5L L4 F/I	69-7001TTK ¹	6.7 @ 5900
Maxima	3.5L V6 F/I	69-7002TTK ¹	13.3 @ 5249	Titan	5.6L V8 F/I	77-6012KP ¹	7.3 @ 4914
Pathfinder	4.0L V6 F/I	77-6014-1KP ¹	11.6 @ 5200				

1) Street legal in all US states. 2) Not legal for sale or use on any pollution controlled motor vehicle in California or states adopting California emission procedures. * Estimated horsepower gains are based on specific or similar vehicle dyno tests. Results will vary. See Page 478 for more information. See page 7 for information on intake tube materials/colors.

NISSAN

AIR INTAKE SYSTEMS



Vehicle	Engine Type	Part Number	Estimated Horsepower*	Vehicle	Engine Type	Part Number	Estimated Horsepower*
2010 NISSAN				2007 NISSAN			
Titan	5.6L V8 F/I	63-6012 ²	11.2 @ 5073	350Z	3.5L V6 F/I	69-7071TS ¹	8.2 @ 5800
		57-6012 ¹	11.2 @ 5073	Altima	2.5L L4 F/I - Exc. LEV2 SULEV Test Group 7NSXV02.585A	69-7061TS ¹	6.9 @ 4927
Xterra	4.0L V6 F/I	77-6014-1KP ¹	11.6 @ 5200	Altima	3.5L V6 F/I	69-7062TTK ¹	9.4 @ 4300
		63-6014 ²	14.3 @ 5075	Armada	5.6L V8 F/I	77-6012KP ¹	7.3 @ 4914
		57-6014 ¹	14.3 @ 5075			57-6012 ¹	11.2 @ 5073
2009 NISSAN				Frontier	4.0L V6 F/I	77-6014-1KP ¹	11.6 @ 5200
370Z	3.7L V6 F/I	71-7078 ²	9.3 @ 6500			57-6014 ¹	14.3 @ 5075
		69-7078TS ¹	14.2 @ 5600	Maxima	3.5L V6 F/I	57-6015 ¹	7.4 @ 5001
Altima	2.5L L4 F/I - Exc. LEV2 SULEV Test Group 9NSXV02.585A	69-7061TS ¹	6.9 @ 4927	Pathfinder	4.0L V6 F/I	77-6014-1KP ¹	11.6 @ 5200
Altima	3.5L V6 F/I	69-7062TTK ¹	9.4 @ 4300			57-6014 ¹	14.3 @ 5075
Armada	5.6L V8 F/I	77-6012KP ¹	7.3 @ 4914	Sentra	2.5L L4 F/I	69-7001TTK ¹	6.7 @ 5900
		63-6012 ²	11.2 @ 5073	Titan	5.6L V8 F/I	77-6012KP ¹	7.3 @ 4914
		57-6012 ¹	11.2 @ 5073			57-6012 ¹	11.2 @ 5073
Cube	1.8L L4 F/I	69-7077TTK ¹	7.8 @ 4886	Xterra	4.0L V6 F/I	77-6014-1KP ¹	11.6 @ 5200
Frontier	4.0L V6 F/I	77-6014-1KP ¹	11.6 @ 5200			57-6014 ¹	14.3 @ 5075
		63-6014 ²	14.3 @ 5075	2006 NISSAN			
		57-6014 ¹	14.3 @ 5075	350Z	3.5L V6 F/I	69-7070TP ¹	7.7 @ 6208
Maxima	3.5L V6 F/I	69-7002TTK ¹	13.3 @ 5249			69-7070TB ¹	7.7 @ 6208
Pathfinder	4.0L V6 F/I	77-6014-1KP ¹	11.6 @ 5200			57-6013 ¹	10.7 @ 5500
		63-6014 ²	14.3 @ 5075	Altima	2.5L L4 F/I - Exc. LEV2 SULEV Test Group 6NSXV02.585A	69-7060TS ¹	7.0 @ 5498
		57-6014 ¹	14.3 @ 5075	Altima	3.5L V6 F/I	57-6015 ¹	7.4 @ 5001
Pathfinder	5.6L V8 F/I	77-6016KS ¹	10.8 @ 5137	Armada	5.6L V8 F/I	77-6012KP ¹	7.3 @ 4914
Sentra	2.5L L4 F/I	69-7001TTK ¹	6.7 @ 5900			57-6012 ¹	11.2 @ 5073
Titan	5.6L V8 F/I	77-6012KP ¹	7.3 @ 4914	Frontier	4.0L V6 F/I	77-6014-1KP ¹	11.6 @ 5200
		63-6012 ²	11.2 @ 5073			57-6014 ¹	14.3 @ 5075
		57-6012 ¹	11.2 @ 5073	Maxima	3.5L V6 F/I	57-6015 ¹	7.4 @ 5001
Xterra	4.0L V6 F/I	77-6014-1KP ¹	11.6 @ 5200	Pathfinder	4.0L V6 F/I	77-6014-1KP ¹	11.6 @ 5200
		63-6014 ²	14.3 @ 5075			57-6014 ¹	14.3 @ 5075
		57-6014 ¹	14.3 @ 5075	Sentra	2.5L L4 F/I	69-7000TR ¹	7.7 @ 5253
2008 NISSAN						69-7000TP ¹	7.7 @ 5253
350Z	3.5L V6 F/I	69-7071TS ¹	8.2 @ 5800	Titan	5.6L V8 F/I	77-6012KP ¹	7.3 @ 4914
Altima	2.5L L4 F/I - Exc. LEV2 SULEV Test Group 8NSXV02.585A	69-7061TS ¹	6.9 @ 4927			57-6012 ¹	11.2 @ 5073
Altima	3.5L V6 F/I	69-7062TTK ¹	9.4 @ 4300	Xterra	4.0L V6 F/I	77-6014-1KP ¹	11.6 @ 5200
Armada	5.6L V8 F/I	77-6012KP ¹	7.3 @ 4914			57-6014 ¹	14.3 @ 5075
		63-6012 ²	11.2 @ 5073	2005 NISSAN			
		57-6012 ¹	11.2 @ 5073	350Z	3.5L V6 F/I	69-7070TP ¹	7.7 @ 6208
Frontier	4.0L V6 F/I	77-6014-1KP ¹	11.6 @ 5200			69-7070TB ¹	7.7 @ 6208
		63-6014 ²	14.3 @ 5075			57-6013 ¹	10.7 @ 5500
		57-6014 ¹	14.3 @ 5075	Altima	2.5L L4 F/I - Exc. LEV2 SULEV Test Group 5NSXV02.585A	69-7060TS ¹	7.0 @ 5498
Maxima	3.5L V6 F/I	57-6015 ¹	7.4 @ 5001	Altima	3.5L V6 F/I	57-6015 ¹	7.4 @ 5001
Pathfinder	4.0L V6 F/I	77-6014-1KP ¹	11.6 @ 5200	Armada	5.6L V8 F/I	77-6012KP ¹	7.3 @ 4914
		63-6014 ²	14.3 @ 5075			57-6012 ¹	11.2 @ 5073
		57-6014 ¹	14.3 @ 5075	Frontier	4.0L V6 F/I	77-6014-1KP ¹	11.6 @ 5200
Pathfinder	5.6L V8 F/I	77-6016KS ¹	10.8 @ 5137			57-6014 ¹	14.3 @ 5075
Sentra	2.5L L4 F/I	69-7001TTK ¹	6.7 @ 5900	Maxima	3.5L V6 F/I	57-6015 ¹	7.4 @ 5001
Titan	5.6L V8 F/I	77-6012KP ¹	7.3 @ 4914	Pathfinder	4.0L V6 F/I	77-6014-1KP ¹	11.6 @ 5200
		63-6012 ²	11.2 @ 5073			57-6014 ¹	14.3 @ 5075
		57-6012 ¹	11.2 @ 5073	Sentra	2.5L L4 F/I	69-7000TR ¹	7.7 @ 5253
Xterra	4.0L V6 F/I	77-6014-1KP ¹	11.6 @ 5200			69-7000TP ¹	7.7 @ 5253
		63-6014 ²	14.3 @ 5075	Titan	5.6L V8 F/I	77-6012KP ¹	7.3 @ 4914
		57-6014 ¹	14.3 @ 5075			57-6012 ¹	11.2 @ 5073

1) Street legal in all US states. 2) Not legal for sale or use on any pollution controlled motor vehicle in California or states adopting California emission procedures. * Estimated horsepower gains are based on specific or similar vehicle dyno tests. Results will vary. See Page 478 for more information. See page 7 for information on intake tube materials/colors.



AIR INTAKE SYSTEMS

NISSAN

Vehicle	Engine Type	Part Number	Estimated Horsepower*	Vehicle	Engine Type	Part Number	Estimated Horsepower*
2005 NISSAN				1999 NISSAN			
Xterra	4.0L V6 F/I	77-6014-1KP ¹	11.6 @ 5200	Frontier	3.3L V6 F/I	57-6005 ¹	5.5 @ 4847
		57-6014 ¹	14.3 @ 5075	1998 NISSAN			
2004 NISSAN				240SX			
350Z	3.5L V6 F/I	69-7070TP ¹	7.7 @ 6208		2.4L L4 F/I	69-7076TS ¹	4.9 @ 4471
		69-7070TB ¹	7.7 @ 6208	1997 NISSAN			
		57-6013 ¹	10.7 @ 5500	240SX			
Altima	2.5L L4 F/I - Exc. LEV2 SULEV Test Group 4NSXV02.585A	69-7060TS ¹	7.0 @ 5498		2.4L L4 F/I	69-7076TS ¹	4.9 @ 4471
Altima	3.5L V6 F/I	57-6015 ¹	7.4 @ 5001	1996 NISSAN			
Frontier	3.3L V6 F/I - Exc. S/C	57-6005 ¹	5.5 @ 4847	240SX			
Frontier	3.3L V6 F/I - S/C	57-6010 ¹	12.7 @ 4824		2.4L L4 F/I	69-7076TS ¹	4.9 @ 4471
Maxima	3.5L V6 F/I	57-6015 ¹	7.4 @ 5001	1995 NISSAN			
Pathfinder	3.5L V6 F/I	57-6011 ¹	14.5 @ 5918	240SX			
Pathfinder	5.6L V8 F/I	77-6012KP ¹	7.3 @ 4914		2.4L L4 F/I	69-7076TS ¹	4.9 @ 4471
		57-6012 ¹	11.2 @ 5073	1994 NISSAN			
Pathfinder Armada	5.6L V8 F/I	77-6012KP ¹	7.3 @ 4914	240SX			
		57-6012 ¹	11.2 @ 5073		2.4L L4 F/I	69-7075TS ¹	10.7 @ 4500
Sentra	2.5L L4 F/I	69-7000TR ¹	7.7 @ 5253	Sentra	2.0L L4 F/I	57-6003 ¹	
		69-7000TP ¹	7.7 @ 5253	1993 NISSAN			
Titan	5.6L V8 F/I	77-6012KP ¹	7.3 @ 4914	240SX			
		57-6012 ¹	11.2 @ 5073		2.4L L4 F/I	69-7075TS ¹	10.7 @ 4500
Xterra	3.3L V6 F/I - Exc. S/C	57-6005 ¹	5.5 @ 4847	300ZX			
Xterra	3.3L V6 F/I - S/C	57-6010 ¹	12.7 @ 4824		3.0L V6 F/I	57-6001 ¹	
				Sentra	2.0L L4 F/I	57-6003 ¹	
2003 NISSAN				1992 NISSAN			
350Z	3.5L V6 F/I	69-7070TP ¹	7.7 @ 6208	240SX			
		69-7070TB ¹	7.7 @ 6208		2.4L L4 F/I	69-7075TS ¹	10.7 @ 4500
		57-6013 ¹	10.7 @ 5500	300ZX			
Altima	2.5L L4 F/I	69-7060TS ¹	7.0 @ 5498		3.0L V6 F/I	57-6001 ¹	
Frontier	3.3L V6 F/I - Exc. S/C	57-6005 ¹	5.5 @ 4847	Sentra	2.0L L4 F/I	57-6003 ¹	
Frontier	3.3L V6 F/I - S/C	57-6010 ¹	12.7 @ 4824	1991 NISSAN			
Pathfinder	3.5L V6 F/I	57-6011 ¹	14.5 @ 5918	240SX			
Sentra	2.5L L4 F/I	69-7000TR ¹	7.7 @ 5253		2.4L L4 F/I	69-7075TS ¹	10.7 @ 4500
		69-7000TP ¹	7.7 @ 5253	300ZX			
Xterra	3.3L V6 F/I - Exc. S/C	57-6005 ¹	5.5 @ 4847		3.0L V6 F/I	57-6001 ¹	
Xterra	3.3L V6 F/I - S/C	57-6010 ¹	12.7 @ 4824	Sentra	2.0L L4 F/I	57-6003 ¹	
2002 NISSAN				1990 NISSAN			
Altima	2.5L L4 F/I	69-7060TS ¹	7.0 @ 5498	240SX			
Frontier	3.3L V6 F/I - Exc. S/C	57-6005 ¹	5.5 @ 4847		2.4L L4 F/I	69-7075TS ¹	10.7 @ 4500
Frontier	3.3L V6 F/I - S/C	57-6010 ¹	12.7 @ 4824	300ZX			
Pathfinder	3.5L V6 F/I	57-6011 ¹	14.5 @ 5918		3.0L V6 F/I	57-6001 ¹	
Sentra	2.5L L4 F/I	69-7000TR ¹	7.7 @ 5253	Sentra	2.0L L4 F/I	57-6003 ¹	
		69-7000TP ¹	7.7 @ 5253	1989 NISSAN			
Xterra	3.3L V6 F/I - Exc. S/C	57-6005 ¹	5.5 @ 4847	240SX			
Xterra	3.3L V6 F/I - S/C	57-6010 ¹	12.7 @ 4824		2.4L L4 F/I	69-7075TS ¹	10.7 @ 4500
2001 NISSAN				300ZX			
Frontier	3.3L V6 F/I - Exc. S/C	57-6005 ¹	5.5 @ 4847		3.0L V6 F/I	57-6002 ¹	
Frontier	3.3L V6 F/I - S/C	57-6010 ¹	12.7 @ 4824	1988 NISSAN			
Pathfinder	3.5L V6 F/I	57-6011 ¹	14.5 @ 5918	300ZX			
Xterra	3.3L V6 F/I	57-6005 ¹	5.5 @ 4847		3.0L V6 F/I	57-6002 ¹	
2000 NISSAN				1987 NISSAN			
Frontier	3.3L V6 F/I	57-6005 ¹	5.5 @ 4847	300ZX			
Xterra	3.3L V6 F/I	57-6005 ¹	5.5 @ 4847		3.0L V6 F/I	57-6002 ¹	
2000 NISSAN				1986 NISSAN			
Frontier	3.3L V6 F/I	57-6005 ¹	5.5 @ 4847	300ZX			
Xterra	3.3L V6 F/I	57-6005 ¹	5.5 @ 4847		3.0L V6 F/I	57-6002 ¹	
2000 NISSAN				1985 NISSAN			
Frontier	3.3L V6 F/I	57-6005 ¹	5.5 @ 4847	300ZX			
Xterra	3.3L V6 F/I	57-6005 ¹	5.5 @ 4847		3.0L V6 F/I	57-6002 ¹	
2000 NISSAN				1984 NISSAN			
Frontier	3.3L V6 F/I	57-6005 ¹	5.5 @ 4847	300ZX			
Xterra	3.3L V6 F/I	57-6005 ¹	5.5 @ 4847		3.0L V6 F/I	57-6002 ¹	
2000 NISSAN				2004 OLDSMOBILE			
Frontier	3.3L V6 F/I	57-6005 ¹	5.5 @ 4847	Bravada	4.2L L6 F/I	77-3036KP ¹	10.9 @ 5474
Xterra	3.3L V6 F/I	57-6005 ¹	5.5 @ 4847			57-3036 ¹	9.3 @ 5623
2000 NISSAN				2003 OLDSMOBILE			
Frontier	3.3L V6 F/I	57-6005 ¹	5.5 @ 4847	Bravada	4.2L L6 F/I	77-3036KP ¹	10.9 @ 5474
Xterra	3.3L V6 F/I	57-6005 ¹	5.5 @ 4847			57-3036 ¹	9.3 @ 5623

1) Street legal in all US states. 2) Not legal for sale or use on any pollution controlled motor vehicle in California or states adopting California emission procedures. * Estimated horsepower gains are based on specific or similar vehicle dyno tests. Results will vary. See Page 478 for more information. See page 7 for information on intake tube materials/colors.

OLDSMOBILE

AIR INTAKE SYSTEMS



Vehicle	Engine Type	Part Number	Estimated Horsepower*	Vehicle	Engine Type	Part Number	Estimated Horsepower*
2002 OLDSMOBILE				2005 PONTIAC			
Bravada	4.2L L6 F/I	77-3036KP ¹ 57-3036 ¹	10.9 @ 5474 9.3 @ 5623	Vibe GT	1.8L L4 F/I	69-8601TR ² 69-8601TP ²	11.9 @ 7700 11.9 @ 7700
1999 PLYMOUTH				2004 PONTIAC			
Neon	2.0L L4 F/I - SOHC	57-1512 ¹	6.0 @ 5810	Grand Prix	3.8L V6 F/I	57-3049 ¹	16.8 @ 5248
1998 PLYMOUTH				GTO	5.7L V8 F/I	69-7200TP ¹ 57-3044 ¹	15.4 @ 5100 18.6 @ 5818
Neon	2.0L L4 F/I - SOHC	57-1512 ¹	6.0 @ 5810	Sunfire	2.2L L4 F/I	69-4510TS ¹	5.4 @ 5223
1997 PLYMOUTH				Vibe	1.8L L4 F/I	69-8600TR ¹ 69-8600TP ¹	8.7 @ 6250 8.7 @ 6250
Neon	2.0L L4 F/I - SOHC	57-1512 ¹	6.0 @ 5810	Vibe GT	1.8L L4 F/I	69-8601TR ¹ 69-8601TP ¹	11.9 @ 7700 11.9 @ 7700
1996 PLYMOUTH				2003 PONTIAC			
Neon	2.0L L4 F/I - SOHC	57-1512 ¹	6.0 @ 5810	Grand Prix	3.8L V6 F/I	57-3045 ¹	13.3 @ 5224
1995 PLYMOUTH				Sunfire	2.2L L4 F/I	69-4510TS ¹	5.4 @ 5223
Neon	2.0L L4 F/I - SOHC	57-1512 ¹	6.0 @ 5810	Vibe	1.8L L4 F/I	69-8600TR ¹ 69-8600TP ¹	8.7 @ 6250 8.7 @ 6250
1993 PLYMOUTH				Vibe GT	1.8L L4 F/I	69-8601TR ¹ 69-8601TP ¹	11.9 @ 7700 11.9 @ 7700
Laser	2.0L L4 F/I - Exc. Turbo	57-5500 ¹		2002 PONTIAC			
1992 PLYMOUTH				Firebird	3.8L V6 F/I	57-3041 ¹	6.8 @ 5066
Laser	2.0L L4 F/I - Exc. Turbo	57-5500 ¹		Firebird	5.7L V8 F/I	57-3022-2 ¹	14.7 @ 5300
1991 PLYMOUTH				Grand Prix	3.8L V6 F/I	57-3045 ¹	13.3 @ 5224
Laser	2.0L L4 F/I - Exc. Turbo	57-5500 ¹		Sunfire	2.2L L4 F/I - Exc. OHV	69-4510TS ¹	5.4 @ 5223
1990 PLYMOUTH				2001 PONTIAC			
Laser	2.0L L4 F/I - Exc. Turbo	57-5500 ¹		Firebird	3.8L V6 F/I	57-3041 ¹	6.8 @ 5066
2010 PONTIAC				Firebird	5.7L V8 F/I	57-3022-2 ¹	14.7 @ 5300
G6	3.5L V6 F/I	69-7202-1TTK ²	5.2 @ 5196	Grand Prix	3.8L V6 F/I	57-3045 ¹	13.3 @ 5224
2009 PONTIAC				2000 PONTIAC			
G6	3.5L V6 F/I	69-7202-1TTK ²	5.2 @ 5196	Firebird	3.8L V6 F/I	57-3041 ¹	6.8 @ 5066
G8	3.6L V6 F/I	63-3072 ²	10.7 @ 6200	Firebird	5.7L V8 F/I	57-3022-2 ¹	14.7 @ 5300
G8	6.0L V8 F/I	63-3071 ²	10.4 @ 4707	Grand Prix	3.8L V6 F/I	57-3045 ¹	13.3 @ 5224
Solstice	2.4L L4 F/I	69-8432TS ¹	5.4 @ 4700	1999 PONTIAC			
2008 PONTIAC				Firebird	3.8L V6 F/I	57-3041 ¹	6.8 @ 5066
G6	3.5L V6 F/I	69-7202-1TTK ²	5.2 @ 5196	Firebird	5.7L V8 F/I	57-3022-2 ¹	14.7 @ 5300
G8	3.6L V6 F/I	63-3072 ²	10.7 @ 6200	Grand Prix	3.8L V6 F/I	57-3045 ¹	13.3 @ 5224
G8	6.0L V8 F/I	63-3071 ²	11.9 @ 4700	1998 PONTIAC			
Grand Prix	5.3L V8 F/I	63-3059 ²	13.5 @ 5222	Firebird	5.7L V8 F/I	57-3022-2 ¹	14.7 @ 5300
Solstice	2.0L L4 F/I	69-8433TTK ¹	11.0 @ 4900	1997 PONTIAC			
Solstice	2.4L L4 F/I	69-8432TS ¹	5.4 @ 4700	Firebird	5.7L V8 F/I - w/o Ram Air or Traction Control	57-3010-1 ¹	18.3 @ 5331
2007 PONTIAC				1996 PONTIAC			
G6	3.5L V6 F/I	69-7202-1TTK ¹	5.2 @ 5196	Firebird	5.7L V8 F/I - w/o Ram Air or Traction Control	57-3010-1 ¹	18.3 @ 5331
Grand Prix	5.3L V8 F/I	63-3059 ²	13.5 @ 5222	1995 PONTIAC			
Solstice	2.4L L4 F/I	69-8432TS ¹	5.4 @ 4700	Firebird	3.4L V6 F/I - w/o Ram Air or Traction Control	57-3010-1 ¹	18.3 @ 5331
2006 PONTIAC				Firebird	5.7L V8 F/I - w/o Ram Air or Traction Control	57-3010-1 ¹	18.3 @ 5331
G6	3.5L V6 F/I	69-7202-1TTK ¹	5.2 @ 5196	1994 PONTIAC			
Grand Prix	5.3L V8 F/I	63-3059 ²	13.5 @ 5222	Firebird	3.4L V6 F/I - w/o Ram Air or Traction Control	57-3010-1 ¹	18.3 @ 5331
GTO	6.0L V8 F/I	63-3053 ²	14.0 @ 5700	Firebird	5.7L V8 F/I - w/o Ram Air or Traction Control	57-3010-1 ¹	18.3 @ 5331
Solstice	2.4L L4 F/I	69-8432TS ¹	5.4 @ 4700	2005 PONTIAC			
Vibe GT	1.8L L4 F/I	69-8601TR ² 69-8601TP ²	11.9 @ 7700 11.9 @ 7700	G6	3.5L V6 F/I	69-7202-1TTK ¹	5.2 @ 5196
2005 PONTIAC				Grand Prix	3.8L V6 F/I	57-3049 ¹	16.8 @ 5248
G6	3.5L V6 F/I	69-7202-1TTK ¹	5.2 @ 5196	GTO	6.0L V8 F/I	69-7201TP ¹ 57-3053 ¹	10.3 @ 5100 14.0 @ 5700
Grand Prix	3.8L V6 F/I	57-3049 ¹	16.8 @ 5248				
GTO	6.0L V8 F/I	69-7201TP ¹ 57-3053 ¹	10.3 @ 5100 14.0 @ 5700				

1) Street legal in all US states. 2) Not legal for sale or use on any pollution controlled motor vehicle in California or states adopting California emission procedures. * Estimated horsepower gains are based on specific or similar vehicle dyno tests. Results will vary. See Page 478 for more information. See page 7 for information on intake tube materials/colors.



AIR INTAKE SYSTEMS

PONTIAC

Vehicle	Engine Type	Part Number	Estimated Horsepower*	Vehicle	Engine Type	Part Number	Estimated Horsepower*
1993 PONTIAC				2015 RAM			
Firebird	3.4L V6 F/I - w/o Ram Air or Traction Control	57-3010-1 ¹	18.3 @ 5331	1500	3.0L V6 DSL	63-1571 ²	11.2 @ 3300
Firebird	5.7L V8 F/I - w/o Ram Air or Traction Control	57-3010-1 ¹	18.3 @ 5331	1500	3.6L V6 F/I	77-1564KS ²	12.0 @ 6371
				1500	5.7L V8 F/I	77-1561KP ²	10.3 @ 4382
						71-1561 ²	7.2 @ 4643
						63-1561 ²	15.7 @ 4688
2007 PORSCHE					5.7L V8 F/I	77-1561KP ²	10.3 @ 4382
911 GT3	3.6L H6 F/I	63-7001 ²	24.6 @ 6726	2500		71-1561 ²	7.2 @ 4643
		57-7001 ¹	24.6 @ 6726			63-1561 ²	15.7 @ 4688
2005 PORSCHE					6.4L V8 F/I	77-1568KTK ²	15.6 @ 5005
911	3.6L H6 F/I - Exc. Turbo	57-7000 ¹	23.8 @ 5500	2500	6.7L L6 DSL	63-1568 ²	14.7 @ 2500
2004 PORSCHE				3500	6.4L V8 F/I	77-1568KTK ²	15.6 @ 5005
911	3.6L H6 F/I - Exc. Turbo	57-7000 ¹	23.8 @ 5500	3500	6.7L L6 DSL	63-1568 ²	14.7 @ 2500
2003 PORSCHE				2014 RAM			
911 Carrera	3.6L H6 F/I	57-7000 ¹	23.8 @ 5500	1500	3.0L V6 DSL	63-1571 ²	11.2 @ 3300
2002 PORSCHE				1500	3.6L V6 F/I	77-1564KS ²	12.0 @ 6371
911	3.6L H6 F/I	57-7000 ¹	23.8 @ 5500	1500	5.7L V8 F/I	77-1561KP ¹	10.3 @ 4382
911 Carrera	3.6L H6 F/I	57-7000 ¹	23.8 @ 5500	1500		71-1561 ¹	7.2 @ 4643
2001 PORSCHE						63-1561 ²	15.7 @ 4688
911	3.4L H6 F/I	57-7000 ¹	23.8 @ 5500			57-1561 ¹	15.7 @ 4688
911	3.6L H6 F/I - US	57-7000 ¹	23.8 @ 5500	2500	5.7L V8 F/I	77-1561KP ¹	10.3 @ 4382
2000 PORSCHE						71-1561 ¹	7.2 @ 4643
911	3.4L H6 F/I	57-7000 ¹	23.8 @ 5500			63-1561 ²	15.7 @ 4688
1999 PORSCHE				2500	6.4L V8 F/I	77-1568KTK ²	15.6 @ 5005
911	3.4L H6 F/I	57-7000 ¹	23.8 @ 5500	2500	6.7L L6 DSL	63-1568 ²	14.7 @ 2500
2017 RAM				3500	6.4L V8 F/I	77-1568KTK ²	15.6 @ 5005
1500	3.6L V6 F/I	77-1564KS ²	12.0 @ 6371	3500	6.7L L6 DSL	63-1568 ²	14.7 @ 2500
1500	5.7L V8 F/I	77-1561KP ²	10.3 @ 4382	2013 RAM			
		71-1561 ²	7.2 @ 4643	1500	3.6L V6 F/I	77-1564KS ²	12.0 @ 6371
		63-1561 ²	15.7 @ 4688	1500	4.7L V8 F/I	77-1571KP ²	10.1 @ 5436
2500	5.7L V8 F/I	77-1561KP ²	10.3 @ 4382	1500	5.7L V8 F/I	77-1561KP ¹	10.3 @ 4382
		71-1561 ²	7.2 @ 4643			71-1561 ¹	7.2 @ 4643
		63-1561 ²	15.7 @ 4688			63-1561 ²	15.7 @ 4688
2500	6.4L V8 F/I	77-1568KTK ²	15.6 @ 5005			57-1561 ¹	15.7 @ 4688
2500	6.7L L6 DSL	63-1568 ²	14.7 @ 2500	2500	5.7L V8 F/I	77-1561KP ¹	10.3 @ 4382
3500	5.7L V8 F/I	77-1561KP ²	10.3 @ 4382			71-1561 ¹	7.2 @ 4643
		71-1561 ²	7.2 @ 4643			63-1561 ²	15.7 @ 4688
		63-1561 ²	15.7 @ 4688			57-1561 ¹	15.7 @ 4688
3500	6.4L V8 F/I	77-1568KTK ²	15.6 @ 5005	2500	6.7L L6 DSL	63-1568 ²	14.7 @ 2500
3500	6.7L L6 DSL	63-1568 ²	14.7 @ 2500	3500	6.7L L6 DSL	63-1568 ²	14.7 @ 2500
2016 RAM				2012 RAM			
1500	3.0L V6 DSL	63-1571 ²	11.2 @ 3300	1500	4.7L V8 F/I	77-1529KP ¹	6.8 @ 4743
1500	3.6L V6 F/I	77-1564KS ²	12.0 @ 6371			63-1529 ²	8.6 @ 4688
1500	5.7L V8 F/I	77-1561KP ²	10.3 @ 4382			57-1529 ¹	8.6 @ 4688
		71-1561 ²	7.2 @ 4643	1500	5.7L V8 F/I	77-1561KP ¹	10.3 @ 4382
		63-1561 ²	15.7 @ 4688			71-1561 ¹	7.2 @ 4643
2500	5.7L V8 F/I	77-1561KP ²	10.3 @ 4382			63-1561 ²	15.7 @ 4688
		71-1561 ²	7.2 @ 4643			57-1561 ¹	15.7 @ 4688
		63-1561 ²	15.7 @ 4688	2500	6.7L L6 DSL	71-1562 ¹	7.2 @ 3010
2500	6.4L V8 F/I	77-1568KTK ²	15.6 @ 5005			63-1562 ²	8.2 @ 2919
2500	6.7L L6 DSL	63-1568 ²	14.7 @ 2500	3500	6.7L L6 DSL	57-1562 ¹	8.2 @ 2919
3500	6.4L V8 F/I	77-1568KTK ²	15.6 @ 5005			71-1562 ¹	7.2 @ 3010
3500	6.7L L6 DSL	63-1568 ²	14.7 @ 2500			63-1562 ²	8.2 @ 2919
						57-1562 ¹	8.2 @ 2919

1) Street legal in all US states. 2) Not legal for sale or use on any pollution controlled motor vehicle in California or states adopting California emission procedures. * Estimated horsepower gains are based on specific or similar vehicle dyno tests. Results will vary. See Page 478 for more information. See page 7 for information on intake tube materials/colors.

RAM

AIR INTAKE SYSTEMS



Vehicle	Engine Type	Part Number	Estimated Horsepower*	Vehicle	Engine Type	Part Number	Estimated Horsepower*
2012 RAM				2005 SATURN			
Ram Pickup	4.7L V8 F/I	77-1529KP ¹	6.8 @ 4743	Ion	2.0L L4 F/I	69-8431TP ¹	14.4 @ 6000
		63-1529 ²	8.6 @ 4688	Vue	3.5L V6 F/I	77-3000KS ¹	11.8 @ 5420
		57-1529 ¹	8.6 @ 4688	2004 SATURN			
2011 RAM				Ion	2.0L L4 F/I	69-8431TP ¹	14.4 @ 6000
1500	3.7L V6 F/I	63-1537 ²	7.4 @ 5223	Vue	3.5L V6 F/I	77-3000KS ¹	11.8 @ 5420
1500	4.7L V8 F/I	77-1529KP ¹	6.8 @ 4743	1996 SATURN			
		63-1529 ²	10.8 @ 4695	SC2	1.9L L4 F/I - Exc. TLEV models	57-3012 ¹	
		57-1529 ¹	8.6 @ 4688	SL2	1.9L L4 F/I - Exc. TLEV models	57-3012 ¹	
1500	5.7L V8 F/I	77-1561KP ¹	10.3 @ 4382	SW2	1.9L L4 F/I - Exc. TLEV models	57-3012 ¹	
		71-1561 ¹	7.2 @ 4643	1995 SATURN			
		63-1561 ²	15.7 @ 4688	SC2	1.9L L4 F/I	57-3012 ¹	
		57-1561 ¹	15.7 @ 4688	SL2	1.9L L4 F/I	57-3012 ¹	
2500	6.7L L6 DSL	71-1562 ¹	7.2 @ 3010	SW2	1.9L L4 F/I	57-3012 ¹	
		63-1562 ²	8.2 @ 2919	1994 SATURN			
		57-1562 ¹	8.2 @ 2919	SC2	1.9L L4 F/I	57-3012 ¹	
3500	6.7L L6 DSL	71-1562 ¹	7.2 @ 3010	SL2	1.9L L4 F/I	57-3012 ¹	
		63-1562 ²	8.2 @ 2919	SW2	1.9L L4 F/I	57-3012 ¹	
		57-1562 ¹	8.2 @ 2919	1993 SATURN			
Ram Pickup	3.7L V6 F/I	63-1537 ²	7.4 @ 5223	SC2	1.9L L4 F/I	57-3012 ¹	
Ram Pickup	4.7L V8 F/I	77-1529KP ¹	6.8 @ 4743	SL2	1.9L L4 F/I	57-3012 ¹	
		63-1529 ²	8.6 @ 4688	SW2	1.9L L4 F/I	57-3012 ¹	
		57-1529 ¹	8.6 @ 4688	1992 SATURN			
Ram Pickup	5.7L V8 F/I	77-1561KP ¹	10.3 @ 4382	SC	1.9L L4 F/I	57-3012 ¹	
		71-1561 ¹	7.2 @ 4643	SL2	1.9L L4 F/I	57-3012 ¹	
		63-1561 ²	15.7 @ 4688	1991 SATURN			
		57-1561 ¹	15.7 @ 4688	SC	1.9L L4 F/I	57-3012 ¹	
Ram Pickup	6.7L L6 DSL	71-1562 ¹	7.2 @ 3010	SL2	1.9L L4 F/I	57-3012 ¹	
		63-1562 ²	8.2 @ 2919	2016 SCION			
		57-1562 ¹	8.2 @ 2919	FR-S	2.0L H4 F/I	69-8619TS ²	6.7 @ 6670
2010 RAM				tC	2.5L L4 F/I	69-8616TS ²	6.1 @ 5712
1500	3.7L V6 F/I	57-1537 ¹	7.4 @ 5223	2015 SCION			
2500	6.7L L6 DSL	71-1562 ¹	7.2 @ 3010	FR-S	2.0L H4 F/I	69-8619TS ²	6.7 @ 6670
		63-1562 ²	8.2 @ 2919	tC	2.5L L4 F/I	69-8616TS ²	6.1 @ 5712
		57-1562 ¹	8.2 @ 2919	xB	2.4L L4 F/I	69-8613TS ²	9.1 @ 5026
Ram Pickup	5.7L V8 F/I	77-1561KP ¹	10.3 @ 4382	2014 SCION			
		71-1561 ¹	7.2 @ 4643	FR-S	2.0L H4 F/I	69-8619TS ¹	6.7 @ 6670
		63-1561 ²	15.7 @ 4688	tC	2.5L L4 F/I	69-8616TS ²	6.1 @ 5712
		57-1561 ¹	15.7 @ 4688	xB	2.4L L4 F/I	69-8613TS ²	9.1 @ 5026
Ram Pickup	6.7L L6 DSL	71-1562 ¹	7.2 @ 3010	2013 SCION			
		63-1562 ²	8.2 @ 2919	FR-S	2.0L H4 F/I	69-8619TS ¹	6.7 @ 6670
		57-1562 ¹	8.2 @ 2919	tC	2.5L L4 F/I	69-8616TS ²	6.1 @ 5712
2009 SATURN				xB	2.4L L4 F/I	69-8613TS ²	9.1 @ 5026
Sky	2.4L L4 F/I	69-8432TS ¹	5.4 @ 4700	2012 SCION			
2008 SATURN				tC	2.5L L4 F/I	69-8616TS ²	6.1 @ 5712
Sky	2.0L L4 F/I	69-8433TTK ¹	11.0 @ 4900	xB	2.4L L4 F/I	69-8613TS ²	9.1 @ 5026
Sky	2.4L L4 F/I	69-8432TS ¹	5.4 @ 4700	xD	1.8L L4 F/I	69-8615TS ²	5.5 @ 5300
2007 SATURN				2011 SCION			
Sky	2.4L L4 F/I	69-8432TS ¹	5.4 @ 4700	tC	2.5L L4 F/I	69-8616TS ²	6.1 @ 5712
Vue	3.5L V6 F/I	77-3000KS ¹	11.8 @ 5420	xB	2.4L L4 F/I	69-8613TS ²	9.1 @ 5026
2006 SATURN							
Ion	2.0L L4 F/I	69-8431TP ¹	14.4 @ 6000				
Vue	3.5L V6 F/I	77-3000KS ¹	11.8 @ 5420				

1) Street legal in all US states. 2) Not legal for sale or use on any pollution controlled motor vehicle in California or states adopting California emission procedures. * Estimated horsepower gains are based on specific or similar vehicle dyno tests. Results will vary. See Page 478 for more information. See page 7 for information on intake tube materials/colors.



AIR INTAKE SYSTEMS

SCION

Vehicle	Engine Type	Part Number	Estimated Horsepower*	Vehicle	Engine Type	Part Number	Estimated Horsepower*
2011 SCION				2016 SUBARU			
xD	1.8L L4 F/I	69-8615TS ²	5.5 @ 5300	BRZ	2.0L H4 F/I	69-8619TS ²	6.7 @ 6670
2010 SCION				Impreza WRX STI	2.5L H4 F/I	69-8007TWR ²	34.3 @ 5400
tC	2.4L L4 F/I	69-8614TS ²	8.1 @ 5467	WRX	2.0L H4 F/I	69-8006TTK ²	9.2 @ 4800
xB	2.4L L4 F/I	69-8613TS ²	9.1 @ 5026	WRX STI	2.5L H4 F/I	69-8007TWR ²	34.3 @ 5400
xD	1.8L L4 F/I	69-8615TS ²	5.5 @ 5300	2015 SUBARU			
2009 SCION				BRZ	2.0L H4 F/I	69-8619TS ²	6.7 @ 6670
tC	2.4L L4 F/I	69-8614TS ²	8.1 @ 5467	Impreza	2.0L H4 F/I	69-8008TTK ²	7.2 @ 5712
xB	2.4L L4 F/I	69-8613TS ²	9.1 @ 5026	Impreza WRX STI	2.5L H4 F/I	69-8007TWR ²	34.3 @ 5400
xD	1.8L L4 F/I	69-8615TS ²	5.5 @ 5300	WRX	2.0L H4 F/I	69-8006TTK ²	9.2 @ 4800
2008 SCION				WRX STI	2.5L H4 F/I	69-8007TWR ²	34.3 @ 5400
tC	2.4L L4 F/I	69-8614TS ²	8.1 @ 5467	2014 SUBARU			
xB	2.4L L4 F/I	69-8613TS ²	9.1 @ 5026	BRZ	2.0L H4 F/I	69-8619TS ¹	6.7 @ 6670
xD	1.8L L4 F/I	69-8615TS ²	5.5 @ 5300	Impreza	2.0L H4 F/I	69-8008TTK ²	7.2 @ 5712
2007 SCION				Impreza WRX	2.5L H4 F/I	69-8004TTK ¹	14.3 @ 5228
tC	2.4L L4 F/I	69-8614TS ²	8.1 @ 5467	Impreza WRX STI	2.5L H4 F/I	69-8005TWR ²	17.5 @ 5260
xA	1.5L L4 F/I	69-8606TP ²	4.4 @ 4925	WRX STI	2.5L H4 F/I	69-8005TWR ²	17.5 @ 5260
		69-8606TB ²	4.4 @ 4925	2013 SUBARU			
xB	1.5L L4 F/I	69-8605TS ²	8.0 @ 5450	BRZ	2.0L H4 F/I	69-8619TS ¹	6.7 @ 6670
2006 SCION				Impreza WRX	2.5L H4 F/I	69-8004TTK ¹	14.3 @ 5228
tC	2.4L L4 F/I	69-8608TFK ¹	7.6 @ 5000	Impreza WRX STI	2.5L H4 F/I	69-8005TWR ¹	17.5 @ 5260
		69-8607TS ²	6.0 @ 5412	2012 SUBARU			
		69-8607TB ²	6.0 @ 5412	Impreza WRX	2.5L H4 F/I	69-8004TTK ¹	14.3 @ 5228
xA	1.5L L4 F/I	69-8606TP ²	4.4 @ 4925	Impreza WRX STI	2.5L H4 F/I	69-8005TWR ¹	17.5 @ 5260
		69-8606TB ²	4.4 @ 4925	2011 SUBARU			
xB	1.5L L4 F/I	69-8605TS ²	8.0 @ 5450	Impreza WRX	2.5L H4 F/I	69-8004TTK ¹	14.3 @ 5228
2005 SCION				Impreza WRX STI	2.5L H4 F/I	69-8005TWR ¹	17.5 @ 5260
tC	2.4L L4 F/I	69-8608TFK ¹	7.6 @ 5000	2010 SUBARU			
		69-8607TS ²	6.0 @ 5412	Impreza WRX	2.5L H4 F/I	69-8004TTK ¹	14.3 @ 5228
		69-8607TB ²	6.0 @ 5412	Impreza WRX STI	2.5L H4 F/I	69-8005TWR ¹	17.5 @ 5260
xA	1.5L L4 F/I	69-8606TP ¹	4.4 @ 4925	2009 SUBARU			
		69-8606TB ¹	4.4 @ 4925	Impreza WRX	2.5L H4 F/I	69-8004TTK ¹	14.3 @ 5228
xB	1.5L L4 F/I	69-8605TS ¹	8.0 @ 5450	Impreza WRX STI	2.5L H4 F/I	69-8005TWR ¹	17.5 @ 5260
2004 SCION				Legacy GT	2.5L H4 F/I	69-8003TFK ¹	14.9 @ 4700
xA	1.5L L4 F/I	69-8606TP ¹	4.4 @ 4925	2008 SUBARU			
		69-8606TB ¹	4.4 @ 4925	Impreza WRX	2.5L H4 F/I - US	69-8004TTK ¹	14.3 @ 5228
xB	1.5L L4 F/I	69-8605TS ¹	8.0 @ 5450	Impreza WRX STI	2.5L H4 F/I	69-8005TWR ¹	17.5 @ 5260
2003 SCION				Legacy GT	2.5L H4 F/I	69-8003TFK ¹	14.9 @ 4700
xA	1.5L L4 F/I	69-8606TP ¹	4.4 @ 4925	2007 SUBARU			
		69-8606TB ¹	4.4 @ 4925	Impreza WRX	2.0L H4 F/I	69-8001TWR ²	15.9 @ 5050
xB	1.5L L4 F/I	69-8605TS ¹	8.0 @ 5450			69-8001TS ²	15.9 @ 5050
2015 SRT				Impreza WRX	2.5L H4 F/I	69-8001TWR ¹	15.9 @ 5050
Viper	8.4L V10 F/I	69-2528TTK ²	13.9 @ 5273			69-8001TS ¹	15.9 @ 5050
2014 SRT				Impreza WRX STI	2.0L H4 F/I	69-8001TWR ²	15.9 @ 5050
Viper	8.4L V10 F/I	69-2528TTK ²	13.9 @ 5273			69-8001TS ²	15.9 @ 5050
2013 SRT				Impreza WRX STI	2.5L H4 F/I	69-8001TWR ¹	15.9 @ 5050
Viper	8.4L V10 F/I	69-2528TTK ¹	13.9 @ 5273			69-8001TS ¹	15.9 @ 5050
2017 SUBARU				Legacy GT	2.5L H4 F/I	69-8003TFK ¹	14.9 @ 4700
BRZ	2.0L H4 F/I	69-8619TS ²	6.7 @ 6670	2006 SUBARU			
WRX	2.0L H4 F/I	69-8006TTK ²	9.2 @ 4800	Forester Turbo	2.5L H4 F/I - Turbo	69-8002TS ¹	17.7 @ 5484
WRX STI	2.5L H4 F/I	69-8007TWR ²	34.3 @ 5400	Impreza WRX	2.0L H4 F/I	69-8001TWR ²	15.9 @ 5050
						69-8001TS ²	15.9 @ 5050
				Impreza WRX	2.5L H4 F/I	69-8001TWR ¹	15.9 @ 5050

1) Street legal in all US states. 2) Not legal for sale or use on any pollution controlled motor vehicle in California or states adopting California emission procedures. * Estimated horsepower gains are based on specific or similar vehicle dyno tests. Results will vary. See Page 478 for more information. See page 7 for information on intake tube materials/colors.

SUBARU

AIR INTAKE SYSTEMS



Vehicle	Engine Type	Part Number	Estimated Horsepower*	Vehicle	Engine Type	Part Number	Estimated Horsepower*
2006 SUBARU				2017 TOYOTA			
Impreza WRX	2.5L H4 F/I	69-8001TS ¹	15.9 @ 5050	86	2.0L H4 F/I	69-8619TS ²	6.7 @ 6670
Impreza WRX STi	2.0L H4 F/I	69-8001TWR ²	15.9 @ 5050	Camry	2.5L L4 F/I	69-8620TTK ²	5.8 @ 5605
		69-8001TS ²	15.9 @ 5050	Camry	3.5L V6 F/I	69-8618TS ²	7.1 @ 5914
Impreza WRX STi	2.5L H4 F/I	69-8001TWR ¹	15.9 @ 5050	Tacoma	2.7L L4 F/I	63-9026 ²	7.4 @ 4600
		69-8001TS ¹	15.9 @ 5050	Tacoma	3.5L V6 F/I	77-9039KP ²	18.8 @ 5429
Legacy GT	2.5L H4 F/I	69-8003TFK ¹	14.9 @ 4700			71-9039 ²	15.6 @ 5446
						63-9039 ²	17.0 @ 5374
2005 SUBARU						77-9035KP ²	10.2 @ 5280
Forester Turbo	2.5L H4 F/I - Turbo	69-8002TS ¹	17.7 @ 5484	Tundra	4.6L V8 F/I	63-9035 ²	13.8 @ 5517
Impreza WRX	2.0L H4 F/I	69-8001TWR ¹	15.9 @ 5050			77-9036KP ²	7.2 @ 5490
		69-8001TS ¹	15.9 @ 5050	Tundra	5.7L V8 F/I	63-9036 ²	9.3 @ 5497
Impreza WRX STi	2.0L H4 F/I	69-8001TWR ²	15.9 @ 5050	Yaris	1.5L L4 F/I	69-8612TFK ²	4.6 @ 5089
		69-8001TS ²	15.9 @ 5050	2016 TOYOTA			
Impreza WRX STi	2.5L H4 F/I	69-8001TWR ¹	15.9 @ 5050	4 Runner	4.0L V6 F/I	63-9034 ²	12.2 @ 4600
		69-8001TS ¹	15.9 @ 5050	86	2.0L H4 F/I	69-8619TS ²	6.7 @ 6670
Legacy GT	2.5L H4 F/I	69-8003TFK ¹	14.9 @ 4700	Avalon	3.5L V6 F/I	69-8618TS ²	7.1 @ 5914
2004 SUBARU				Camry	2.5L L4 F/I	69-8620TTK ²	5.8 @ 5605
Forester Turbo	2.5L H4 F/I - Turbo	69-8002TS ¹	17.7 @ 5484	Camry	3.5L V6 F/I	69-8618TS ²	7.1 @ 5914
Impreza WRX	2.0L H4 F/I	69-8001TWR ¹	15.9 @ 5050	Corolla	1.8L L4 F/I - Exc. Eco	69-8757TTK ²	6.4 @ 5323
		69-8001TS ¹	15.9 @ 5050	GT 86	2.0L H4 F/I	69-8619TS ²	6.7 @ 6670
Impreza WRX STi	2.0L H4 F/I	69-8001TWR ²	15.9 @ 5050	Land Cruiser	5.7L V8 F/I	77-9040KP ²	
		69-8001TS ²	15.9 @ 5050			63-9040 ²	
Impreza WRX STi	2.5L H4 F/I	69-8001TWR ¹	15.9 @ 5050	Tacoma	2.7L L4 F/I	77-9026KP ²	5.7 @ 4600
		69-8001TS ¹	15.9 @ 5050			63-9026 ²	7.4 @ 4600
2003 SUBARU				Tacoma	3.5L V6 F/I	77-9039KP ²	18.8 @ 5429
Impreza WRX	2.0L H4 F/I	69-8001TWR ¹	15.9 @ 5050			71-9039 ²	15.6 @ 5446
		69-8001TS ¹	15.9 @ 5050			63-9039 ²	17.0 @ 5374
Impreza WRX STi	2.0L H4 F/I	69-8001TWR ²	15.9 @ 5050	Tundra	4.6L V8 F/I	77-9035KP ²	10.2 @ 5280
		69-8001TS ²	15.9 @ 5050			63-9035 ²	13.8 @ 5517
2002 SUBARU				Tundra	5.7L V8 F/I	77-9036KP ²	7.2 @ 5490
Impreza WRX	2.0L H4 F/I	69-8001TWR ¹	15.9 @ 5050			63-9036 ²	9.3 @ 5497
		69-8001TS ¹	15.9 @ 5050	Yaris	1.5L L4 F/I	69-8612TFK ²	4.6 @ 5089
Impreza WRX STi	2.0L H4 F/I	69-8001TWR ²	15.9 @ 5050	2015 TOYOTA			
		69-8001TS ²	15.9 @ 5050	4 Runner	4.0L V6 F/I	77-9034KP ²	11.1 @ 4862
2001 SUBARU						63-9034 ²	12.2 @ 4600
Impreza WRX	2.0L H4 F/I	69-8001TWR ²	15.9 @ 5050	86	2.0L H4 F/I	69-8619TS ²	6.7 @ 6670
		69-8001TS ²	15.9 @ 5050	Avalon	3.5L V6 F/I	69-8618TS ²	7.1 @ 5914
2000 SUBARU				Camry	2.5L L4 F/I	69-8620TTK ²	5.8 @ 5605
Impreza WRX	2.0L H4 F/I	69-8001TWR ²	15.9 @ 5050	Camry	3.5L V6 F/I	69-8618TS ²	7.1 @ 5914
		69-8001TS ²	15.9 @ 5050	Corolla	1.8L L4 F/I - Exc. Eco	69-8757TTK ²	6.4 @ 5323
2008 SUZUKI				GT 86	2.0L H4 F/I	69-8619TS ²	6.7 @ 6670
LTR450 QuadRacer	450	63-1128 ²	2.7 @ 6600	Tacoma	2.7L L4 F/I	77-9026KP ²	5.7 @ 4600
						63-9026 ²	7.4 @ 4600
2007 SUZUKI				Tacoma	4.0L V6 F/I	77-9037KP ²	7.6 @ 4976
LTR450 QuadRacer	450	63-1128 ²	2.7 @ 6600			63-9037 ²	8.7 @ 5100
2006 SUZUKI				Tundra	4.6L V8 F/I	77-9035KP ²	10.2 @ 5280
LTR450 QuadRacer	450	63-1128 ²	2.7 @ 6600			63-9035 ²	13.8 @ 5517
2003 SUZUKI						57-9036 ¹	5.8 @ 5508
Aerio	2.0L L4 F/I	69-8400TS ¹	7.3 @ 5900	Tundra	5.7L V8 F/I	77-9036KP ²	7.2 @ 5490
		69-8400TR ¹	7.3 @ 5900			63-9036 ²	9.3 @ 5497
2002 SUZUKI						57-9036 ¹	5.8 @ 5508
Aerio	2.0L L4 F/I	69-8400TS ¹	7.3 @ 5900	Venza	2.7L L4 F/I	69-8617TTK ²	4.8 @ 5654
		69-8400TR ¹	7.3 @ 5900	Venza	3.5L V6 F/I	69-8611TS ²	11.7 @ 4800
				Yaris	1.5L L4 F/I	69-8612TFK ²	4.6 @ 5089

1) Street legal in all US states. 2) Not legal for sale or use on any pollution controlled motor vehicle in California or states adopting California emission procedures. * Estimated horsepower gains are based on specific or similar vehicle dyno tests. Results will vary. See Page 478 for more information. See page 7 for information on intake tube materials/colors.



AIR INTAKE SYSTEMS

TOYOTA

Vehicle	Engine Type	Part Number	Estimated Horsepower*	Vehicle	Engine Type	Part Number	Estimated Horsepower*
2014 TOYOTA				2012 TOYOTA			
4 Runner	4.0L V6 F/I	77-9034KP ²	11.1 @ 4862	Camry	3.5L V6 F/I	69-8618TS ²	7.1 @ 5914
		63-9034 ²	12.2 @ 4600	Corolla	1.8L L4 F/I	69-8757TTK ²	6.4 @ 5323
86	2.0L H4 F/I	69-8619TS ²	6.7 @ 6670	FJ Cruiser	4.0L V6 F/I	77-9034KP ²	11.1 @ 4862
Avalon	3.5L V6 F/I	69-8618TS ²	7.1 @ 5914			63-9034 ²	12.2 @ 4600
Camry	2.5L L4 F/I	69-8620TTK ²	5.8 @ 5605	GT 86	2.0L H4 F/I	69-8619TS ²	6.7 @ 6670
Camry	3.5L V6 F/I	69-8618TS ²	7.1 @ 5914	Matrix	2.4L L4 F/I	69-8613TS ²	9.1 @ 5026
Corolla	1.8L L4 F/I - Exc. Eco	69-8757TTK ²	6.4 @ 5323	Sequoia	5.7L V8 F/I	57-9031 ¹	5.9 @ 5080
FJ Cruiser	4.0L V6 F/I	77-9034KP ²	11.1 @ 4862	Tacoma	2.7L L4 F/I	77-9026KP ²	5.7 @ 4600
		63-9034 ²	12.2 @ 4600			63-9026 ²	7.4 @ 4600
GT 86	2.0L H4 F/I	69-8619TS ²	6.7 @ 6670	Tacoma	4.0L V6 F/I	77-9037KP ²	7.6 @ 4976
Tacoma	2.7L L4 F/I	77-9026KP ²	5.7 @ 4600			63-9037 ²	8.7 @ 5100
		63-9026 ²	7.4 @ 4600			57-9025 ¹	8.9 @ 4857
Tacoma	4.0L V6 F/I	77-9037KP ²	7.6 @ 4976	Tundra	4.6L V8 F/I	77-9035KP ²	10.2 @ 5280
		63-9037 ²	8.7 @ 5100			63-9035 ²	13.8 @ 5517
		57-9025 ¹	8.9 @ 4857	Tundra	5.7L V8 F/I	77-9036KP ²	7.2 @ 5490
Tundra	4.6L V8 F/I	77-9035KP ²	10.2 @ 5280			63-9036 ²	9.3 @ 5497
		63-9035 ²	13.8 @ 5517	Venza	3.5L V6 F/I	57-9031 ¹	5.9 @ 5080
		57-9036 ¹	5.8 @ 5508	Yaris	1.5L L4 F/I	69-8611TS ²	11.7 @ 4800
Tundra	5.7L V8 F/I	77-9036KP ²	7.2 @ 5490			69-8612TFK ²	4.6 @ 5089
		63-9036 ²	9.3 @ 5497	2011 TOYOTA			
		57-9036 ¹	5.8 @ 5508	4 Runner	4.0L V6 F/I	77-9034KP ²	11.1 @ 4862
Venza	2.7L L4 F/I	69-8617TTK ²	4.8 @ 5654			63-9034 ²	12.2 @ 4600
Venza	3.5L V6 F/I	69-8611TS ²	11.7 @ 4800	Camry	2.5L L4 F/I	69-8617TTK ²	4.8 @ 5654
Yaris	1.5L L4 F/I	69-8612TFK ²	4.6 @ 5089	Camry	3.5L V6 F/I	69-8611TS ²	11.7 @ 4800
2013 TOYOTA				Corolla	1.8L L4 F/I	69-8757TTK ²	6.4 @ 5323
4 Runner	4.0L V6 F/I	77-9034KP ²	11.1 @ 4862	FJ Cruiser	4.0L V6 F/I	77-9034KP ²	12.2 @ 4596
		63-9034 ²	12.2 @ 4600			77-9034KP ²	11.1 @ 4862
86	2.0L H4 F/I	69-8619TS ²	6.7 @ 6670			63-9034 ²	12.3 @ 4862
Avalon	3.5L V6 F/I	69-8618TS ²	7.1 @ 5914	Matrix	2.4L L4 F/I	69-8613TS ²	9.1 @ 5026
Camry	2.5L L4 F/I	69-8620TTK ²	5.8 @ 5605	Sequoia	4.6L V8 F/I	77-9035KP ²	10.2 @ 5280
Camry	3.5L V6 F/I	69-8618TS ²	7.1 @ 5914	Sequoia	5.7L V8 F/I	77-9031-1KP ²	13.4 @ 5142
Corolla	1.8L L4 F/I	69-8757TTK ²	6.4 @ 5323			63-9031-1 ²	13.1 @ 5282
FJ Cruiser	4.0L V6 F/I	77-9034KP ²	11.1 @ 4862	Tacoma	2.7L L4 F/I	57-9031 ¹	5.9 @ 5080
		63-9034 ²	14.6 @ 4862			77-9026KP ²	5.7 @ 4600
GT 86	2.0L H4 F/I	69-8619TS ²	6.7 @ 6670			63-9026 ²	7.4 @ 4600
Matrix	2.4L L4 F/I	69-8613TS ²	9.1 @ 5026	Tacoma	4.0L V6 F/I	77-9025KP ²	10.2 @ 5174
Sequoia	5.7L V8 F/I	57-9031 ¹	5.9 @ 5080			63-9025 ²	10.3 @ 4979
Tacoma	2.7L L4 F/I	77-9026KP ²	5.7 @ 4600	Tundra	4.6L V8 F/I	57-9025 ¹	8.9 @ 4857
		63-9026 ²	7.4 @ 4600			77-9035KP ²	10.2 @ 5280
Tacoma	4.0L V6 F/I	77-9037KP ²	7.6 @ 4976	Tundra	5.7L V8 F/I	63-9035 ²	13.8 @ 5517
		63-9037 ²	8.7 @ 5100			77-9031-1KP ²	13.4 @ 5142
		57-9025 ¹	8.9 @ 4857	Venza	3.5L V6 F/I	63-9031-1 ²	13.1 @ 5282
Tundra	4.6L V8 F/I	77-9035KP ²	10.2 @ 5280			57-9031 ¹	5.9 @ 5080
		63-9035 ²	13.8 @ 5517	Yaris	1.5L L4 F/I	69-8611TS ²	11.7 @ 4800
Tundra	5.7L V8 F/I	77-9036KP ²	7.2 @ 5490	Yaris	1.8L L4 F/I	69-8612TFK ²	4.6 @ 5089
		63-9036 ²	9.3 @ 5497			69-8615TS ²	5.5 @ 5300
		57-9031 ¹	5.9 @ 5080	2010 TOYOTA			
Venza	2.7L L4 F/I	69-8617TTK ²	4.8 @ 5654	4 Runner	4.0L V6 F/I	77-9034KP ²	11.1 @ 4862
Venza	3.5L V6 F/I	69-8611TS ²	11.7 @ 4800			63-9034 ²	12.2 @ 4600
Yaris	1.5L L4 F/I	69-8612TFK ²	4.6 @ 5089	Camry	2.5L L4 F/I	69-8617TTK ²	4.8 @ 5654
2012 TOYOTA				Camry	3.5L V6 F/I	69-8611TS ²	11.7 @ 4800
4 Runner	4.0L V6 F/I	77-9034KP ²	11.1 @ 4862	Corolla	1.8L L4 F/I	69-8757TTK ²	6.4 @ 5323
		63-9034 ²	12.2 @ 4600	FJ Cruiser	4.0L V6 F/I	77-9034KP ²	13.6 @ 5000
86	2.0L H4 F/I	69-8619TS ²	6.7 @ 6670			63-9034 ²	12.2 @ 4600
Camry	2.5L L4 F/I	69-8620TTK ²	5.8 @ 5605	Matrix	2.4L L4 F/I	69-8613TS ²	9.1 @ 5026

1) Street legal in all US states. 2) Not legal for sale or use on any pollution controlled motor vehicle in California or states adopting California emission procedures. * Estimated horsepower gains are based on specific or similar vehicle dyno tests. Results will vary. See Page 478 for more information. See page 7 for information on intake tube materials/colors.

TOYOTA

AIR INTAKE SYSTEMS



Vehicle	Engine Type	Part Number	Estimated Horsepower*	Vehicle	Engine Type	Part Number	Estimated Horsepower*
2010 TOYOTA				2008 TOYOTA			
Sequoia	4.6L V8 F/I	77-9035KP ²	10.2 @ 5280	Camry	2.4L L4 F/I	69-8610TTK ²	14.3 @ 5639
Sequoia	5.7L V8 F/I	77-9031-1KP ²	13.4 @ 5142	Camry	3.5L V6 F/I	69-8611TS ²	11.7 @ 4800
		63-9031-1 ²	13.1 @ 5282	FJ Cruiser	4.0L V6 F/I	77-9030KP ²	8.2 @ 4785
		57-9031 ¹	5.9 @ 5080			63-9030 ²	11.9 @ 4785
Tacoma	2.7L L4 F/I	77-9026KP ²	5.7 @ 4600	Sequoia	4.7L V8 F/I	77-9032-1KP ²	9.0 @ 4717
		63-9026 ²	7.4 @ 4600			63-9032-1 ²	8.1 @ 4717
Tacoma	4.0L V6 F/I	77-9025KP ²	10.2 @ 5174	Sequoia	5.7L V8 F/I	77-9031-1KP ²	13.4 @ 5142
		63-9025 ²	10.3 @ 4979			63-9031-1 ²	13.1 @ 5282
		57-9025 ¹	8.9 @ 4857			57-9031 ¹	5.9 @ 5080
Tundra	4.0L V6 F/I	77-9033KP ²	9.7 @ 4743	Tacoma	2.7L L4 F/I	77-9026KP ²	5.7 @ 4600
		63-9033 ²	9.7 @ 4742			63-9026 ²	7.4 @ 4600
Tundra	4.6L V8 F/I	77-9035KP ²	10.2 @ 5280	Tacoma	4.0L V6 F/I	77-9025KP ²	10.2 @ 5174
		63-9035 ²	13.8 @ 5517			63-9025 ²	10.3 @ 4979
Tundra	5.7L V8 F/I	77-9031-1KP ²	13.4 @ 5142			57-9025 ¹	8.9 @ 4857
		63-9031-1 ²	13.1 @ 5282	Tundra	4.0L V6 F/I	77-9033KP ²	9.7 @ 4743
		57-9031 ¹	5.9 @ 5080			63-9033 ²	9.7 @ 4742
Venza	3.5L V6 F/I	69-8611TS ²	11.7 @ 4800	Tundra	4.7L V8 F/I	77-9032-1KP ²	9.0 @ 4717
Yaris	1.5L L4 F/I	69-8612TFK ²	4.6 @ 5089			63-9032-1 ²	8.1 @ 4717
Yaris	1.8L L4 F/I	69-8615TS ²	5.5 @ 5300	Tundra	5.7L V8 F/I	77-9031-1KP ²	13.4 @ 5142
2009 TOYOTA						63-9031-1 ²	13.1 @ 5282
Camry	2.4L L4 F/I	69-8610TTK ²	14.3 @ 5639			57-9031 ¹	5.9 @ 5080
Camry	3.5L V6 F/I	69-8611TS ²	11.7 @ 4800	Yaris	1.5L L4 F/I	69-8612TFK ²	4.6 @ 5089
Corolla	1.8L L4 F/I	69-8757TTK ²	6.4 @ 5323	Yaris	1.8L L4 F/I	69-8615TS ²	5.5 @ 5300
FJ Cruiser	4.0L V6 F/I	77-9030KP ²	8.2 @ 4785	2007 TOYOTA			
		63-9030 ²	11.9 @ 4785	4 Runner	4.0L V6 F/I	77-9023KP ²	7.9 @ 5189
Matrix	2.4L L4 F/I	69-8613TS ²	9.1 @ 5026			63-9023 ²	9.2 @ 5388
Sequoia	4.7L V8 F/I	77-9032-1KP ²	9.0 @ 4717	4 Runner	4.7L V8 F/I	77-9029KP ²	7.4 @ 5270
		63-9032-1 ²	8.1 @ 4717			63-9029 ²	12.3 @ 5270
Sequoia	5.7L V8 F/I	77-9031-1KP ²	13.4 @ 5142	Avensis	1.8L L4 F/I	69-8754TR ²	
		63-9031-1 ²	13.1 @ 5282			69-8754TP ²	
		57-9031 ¹	5.9 @ 5080	Avensis	2.0L L4 F/I	69-8754TR ²	
Tacoma	2.7L L4 F/I	77-9026KP ²	5.7 @ 4600			69-8754TP ²	
		63-9026 ²	7.4 @ 4600	Camry	2.4L L4 F/I	69-8610TTK ²	14.3 @ 5639
Tacoma	4.0L V6 F/I	77-9025KP ²	10.2 @ 5174	Camry	3.5L V6 F/I	69-8611TS ²	11.7 @ 4800
		63-9025 ²	10.3 @ 4979	Corolla	1.4L L4 F/I	69-8754TR ²	
		57-9025 ¹	8.9 @ 4857			69-8754TP ²	
Tundra	4.0L V6 F/I	77-9033KP ²	9.7 @ 4743	Corolla	1.6L L4 F/I	69-8754TR ²	
		63-9033 ²	9.7 @ 4742			69-8754TP ²	
Tundra	4.7L V8 F/I	77-9032-1KP ²	9.0 @ 4717	Corolla	1.8L L4 F/I - Non-US	69-8751TR ²	
		63-9032-1 ²	8.1 @ 4717			69-8751TP ²	
Tundra	5.7L V8 F/I	77-9031-1KP ²	13.4 @ 5142	FJ Cruiser	4.0L V6 F/I	77-9030KP ²	8.2 @ 4785
		63-9031-1 ²	13.1 @ 5282			63-9030 ²	11.9 @ 4785
		57-9031 ¹	5.9 @ 5080	Sequoia	4.7L V8 F/I	77-9027KP ²	8.7 @ 5465
Venza	3.5L V6 F/I	69-8611TS ²	11.7 @ 4800			63-9027 ²	9.5 @ 5472
Yaris	1.5L L4 F/I	69-8612TFK ²	4.6 @ 5089	Tacoma	2.7L L4 F/I	77-9026KP ²	5.7 @ 4600
Yaris	1.8L L4 F/I	69-8615TS ²	5.5 @ 5300			63-9026 ²	7.4 @ 4600
2008 TOYOTA				Tacoma	4.0L V6 F/I	77-9025KP ²	10.2 @ 5174
4 Runner	4.0L V6 F/I	77-9023KP ²	7.9 @ 5189			63-9025 ²	10.3 @ 4979
		63-9023 ²	9.2 @ 5388			57-9025 ¹	8.9 @ 4857
4 Runner	4.7L V8 F/I	77-9029KP ²	7.4 @ 5270	Tundra	4.0L V6 F/I	77-9033KP ²	9.7 @ 4743
		63-9029 ²	12.3 @ 5270			63-9033 ²	9.7 @ 4742
Avensis	1.8L L4 F/I	69-8754TR ²		Tundra	4.7L V8 F/I	77-9032-1KP ²	9.0 @ 4717
		69-8754TP ²				63-9032-1 ²	8.1 @ 4717
Avensis	2.0L L4 F/I	69-8754TR ²		Tundra	5.7L V8 F/I	77-9031-1KP ²	13.4 @ 5142
		69-8754TP ²				63-9031-1 ²	13.1 @ 5282

1) Street legal in all US states. 2) Not legal for sale or use on any pollution controlled motor vehicle in California or states adopting California emission procedures. * Estimated horsepower gains are based on specific or similar vehicle dyno tests. Results will vary. See Page 478 for more information. See page 7 for information on intake tube materials/colors.



AIR INTAKE SYSTEMS

TOYOTA

Vehicle	Engine Type	Part Number	Estimated Horsepower*	Vehicle	Engine Type	Part Number	Estimated Horsepower*
2007 TOYOTA				2005 TOYOTA			
Tundra	5.7L V8 F/I	57-9031 ¹	5.9 @ 5080	Celica	1.8L L4 F/I - 192BHP	69-8752TR ²	
Yaris	1.5L L4 F/I	69-8612TFK ²	4.6 @ 5089	Corolla	1.4L L4 F/I	69-8754TR ²	
Yaris	1.8L L4 F/I	69-8615TS ²	5.5 @ 5300			69-8754TP ²	
2006 TOYOTA				Corolla	1.6L L4 F/I	69-8754TR ²	
4 Runner	4.0L V6 F/I	77-9023KP ²	7.9 @ 5189			69-8754TP ²	
		63-9023 ²	9.2 @ 5388	Corolla	1.8L L4 F/I - Non-US	69-8751TR ²	
4 Runner	4.7L V8 F/I	77-9029KP ²	7.4 @ 5270			69-8751TP ²	
		63-9029 ²	12.3 @ 5270	Land Cruiser	4.7L V8 F/I	57-9021 ¹	8.5 @ 4138
Avensis	1.6L L4 F/I	69-8754TR ²		Matrix XRS	1.8L L4 F/I	69-8601TR ²	11.9 @ 7700
		69-8754TP ²				69-8601TP ²	11.9 @ 7700
Avensis	1.8L L4 F/I	69-8754TR ²		Sequoia	4.7L V8 F/I	77-9027KP ²	8.7 @ 5465
		69-8754TP ²				63-9027 ²	9.5 @ 5472
Avensis	2.0L L4 F/I	69-8754TR ²				57-9027 ¹	9.6 @ 4306
		69-8754TP ²		Solara	2.4L L4 F/I	69-8609TTK ²	6.4 @ 5600
Camry	2.4L L4 F/I	69-8609TTK ²	6.4 @ 5600	Tacoma	2.7L L4 F/I	77-9026KP ²	5.7 @ 4600
Celica	1.8L L4 F/I - 143BHP	69-8750TS ²				63-9026 ²	7.4 @ 4600
		69-8750TR ²		Tacoma	4.0L V6 F/I	77-9025KP ²	10.2 @ 5174
Celica	1.8L L4 F/I - 192BHP	69-8752TS ²				63-9025 ²	10.3 @ 4979
		69-8752TR ²				57-9025 ¹	8.9 @ 4857
Corolla	1.4L L4 F/I	69-8754TR ²		Tundra	4.0L V6 F/I	77-9028KP ²	8.3 @ 5159
		69-8754TP ²				63-9028 ²	11.4 @ 5159
Corolla	1.6L L4 F/I	69-8754TR ²		Tundra	4.7L V8 F/I	77-9027KP ²	8.7 @ 5465
		69-8754TP ²				63-9027 ²	9.5 @ 5472
Corolla	1.8L L4 F/I - Non-US	69-8751TR ²				57-9027 ¹	9.6 @ 4306
		69-8751TP ²		Yaris	1.5L L4 F/I - 105BHP	69-8756TP ²	
Matrix XRS	1.8L L4 F/I	69-8601TR ²	11.9 @ 7700			69-8756TB ²	
		69-8601TP ²	11.9 @ 7700	2004 TOYOTA			
Sequoia	4.7L V8 F/I	77-9027KP ²	8.7 @ 5465	4 Runner	4.0L V6 F/I	77-9023KP ²	7.9 @ 5189
		63-9027 ²	9.5 @ 5472			63-9023 ²	9.2 @ 5388
		57-9027 ¹	9.6 @ 4306	4 Runner	4.7L V8 F/I	77-9022KP ²	12.8 @ 5007
Solara	2.4L L4 F/I	69-8609TTK ²	6.4 @ 5600			63-9022 ²	13.5 @ 5011
Tacoma	2.7L L4 F/I	77-9026KP ²	5.7 @ 4600	Avensis	1.6L L4 F/I	69-8754TR ²	
		63-9026 ²	7.4 @ 4600			69-8754TP ²	
Tacoma	4.0L V6 F/I	77-9025KP ²	10.2 @ 5174	Avensis	1.8L L4 F/I	69-8754TR ²	
		63-9025 ²	10.3 @ 4979			69-8754TP ²	
		57-9025 ¹	8.9 @ 4857	Avensis	2.0L L4 F/I	69-8754TR ²	
Tundra	4.0L V6 F/I	77-9028KP ²	8.3 @ 5159			69-8754TP ²	
		63-9028 ²	11.4 @ 5159	Camry	2.4L L4 F/I	69-8609TTK ²	6.4 @ 5600
Tundra	4.7L V8 F/I	77-9027KP ²	8.7 @ 5465	Celica	1.8L L4 F/I - 143BHP	69-8750TS ²	
		63-9027 ²	9.5 @ 5472			69-8750TR ²	
		57-9027 ¹	9.6 @ 4306	Celica	1.8L L4 F/I - 192BHP	69-8752TS ²	
Yaris	1.5L L4 F/I	69-8612TFK ²	4.6 @ 5089			69-8752TR ²	
2005 TOYOTA				Celica GT	1.8L L4 F/I	69-8520TS ¹	5.9 @ 6400
4 Runner	4.0L V6 F/I	77-9023KP ²	7.9 @ 5189			69-8520TR ¹	5.9 @ 6400
		63-9023 ²	9.2 @ 5388	Celica GTS	1.8L L4 F/I	69-8522TS ¹	7.5 @ 6362
4 Runner	4.7L V8 F/I	77-9029KP ²	7.4 @ 5270	Corolla	1.4L L4 F/I	69-8754TR ²	
		63-9029 ²	12.3 @ 5270			69-8754TP ²	
Avensis	1.8L L4 F/I	69-8754TR ²		Corolla	1.6L L4 F/I	69-8754TR ²	
		69-8754TP ²				69-8754TP ²	
Avensis	2.0L L4 F/I	69-8754TR ²		Corolla	1.8L L4 F/I - Non-US	69-8751TR ²	
		69-8754TP ²				69-8751TP ²	
Camry	2.4L L4 F/I	69-8609TTK ²	6.4 @ 5600	Corolla	1.8L L4 F/I - US	69-8600TR ¹	8.7 @ 6250
Celica	1.8L L4 F/I - 143BHP	69-8750TS ²				69-8600TP ¹	8.7 @ 6250
		69-8750TR ²		Land Cruiser	4.7L V8 F/I	57-9021 ¹	8.5 @ 4138
Celica	1.8L L4 F/I - 192BHP	69-8752TS ²		Matrix XR	1.8L L4 F/I	69-8600TR ¹	8.7 @ 6250

1) Street legal in all US states. 2) Not legal for sale or use on any pollution controlled motor vehicle in California or states adopting California emission procedures. * Estimated horsepower gains are based on specific or similar vehicle dyno tests. Results will vary. See Page 478 for more information. See page 7 for information on intake tube materials/colors.

TOYOTA

AIR INTAKE SYSTEMS



Vehicle	Engine Type	Part Number	Estimated Horsepower*	Vehicle	Engine Type	Part Number	Estimated Horsepower*
2004 TOYOTA				2003 TOYOTA			
Matrix XR	1.8L L4 F/I	69-8600TP ¹	8.7 @ 6250	Tacoma	2.7L L4 F/I	57-9016-1 ¹	6.2 @ 4200
Matrix XRS	1.8L L4 F/I	69-8601TR ¹	11.9 @ 7700	Tacoma	3.4L V6 F/I	77-9015KP ¹	9.3 @ 4620
		69-8601TP ¹	11.9 @ 7700			57-9015-1 ¹	9.4 @ 4842
Sequoia	4.7L V8 F/I	77-9020KP ¹	10.1 @ 5022	Tundra	3.4L V6 F/I	63-1043 ²	5.0 @ 4752
		57-9020 ¹	13.7 @ 4842	Tundra	4.7L V8 F/I	77-9020KP ²	10.1 @ 5022
Solara	2.4L L4 F/I	69-8609TTK ²	6.4 @ 5600			63-1058 ²	13.7 @ 4842
Tacoma	2.4L L4 F/I	77-9016KP ¹	5.4 @ 4365	Yaris	1.5L L4 F/I - 105BHP	69-8756TP ²	
		57-9016-1 ¹	6.2 @ 4200			69-8756TB ²	
Tacoma	2.7L L4 F/I	77-9016KP ¹	5.4 @ 4365	2002 TOYOTA			
		57-9016-1 ¹	6.2 @ 4200	4 Runner	3.4L V6 F/I	77-9015KP ¹	9.3 @ 4620
Tacoma	3.4L V6 F/I	77-9015KP ¹	9.3 @ 4620			57-9015-1 ¹	9.4 @ 4842
		57-9015-1 ¹	9.4 @ 4842	Camry	2.4L L4 F/I	69-8609TTK ¹	6.4 @ 5600
Tundra	3.4L V6 F/I	63-1043 ²	5.0 @ 4752	Celica	1.8L L4 F/I - 143BHP	69-8750TS ²	
Tundra	4.7L V8 F/I	77-9020KP ²	10.1 @ 5022			69-8750TR ²	
		63-1058 ²	13.7 @ 4842	Celica	1.8L L4 F/I - 192BHP	69-8752TS ²	
Yaris	1.5L L4 F/I - 105BHP	69-8756TP ²				69-8752TR ²	
		69-8756TB ²		Celica GT	1.8L L4 F/I	69-8520TS ¹	5.9 @ 6400
2003 TOYOTA						69-8520TR ¹	5.9 @ 6400
4 Runner	4.0L V6 F/I	77-9023KP ²	7.9 @ 5189	Celica GTS	1.8L L4 F/I	69-8522TS ¹	7.5 @ 6362
		63-9023 ²	9.2 @ 5388	Corolla	1.4L L4 F/I	69-8754TR ²	
4 Runner	4.7L V8 F/I	77-9022KP ²	12.8 @ 5007			69-8754TP ²	
		63-9022 ²	13.5 @ 5011	Corolla	1.6L L4 F/I	69-8754TR ²	
Avensis	1.6L L4 F/I	69-8754TR ²				69-8754TP ²	
		69-8754TP ²		Corolla	1.8L L4 F/I	69-8600TR ¹	8.7 @ 6250
Avensis	1.8L L4 F/I	69-8754TR ²				69-8600TP ¹	8.7 @ 6250
		69-8754TP ²		Corolla	1.8L L4 F/I - Non-US	69-8751TR ²	
Avensis	2.0L L4 F/I	69-8754TR ²				69-8751TP ²	
		69-8754TP ²		Land Cruiser	4.7L V8 F/I	57-9021 ¹	8.5 @ 4138
Camry	2.4L L4 F/I	69-8609TTK ¹	6.4 @ 5600	Sequoia	4.7L V8 F/I	77-9020KP ¹	10.1 @ 5022
Celica	1.8L L4 F/I - 143BHP	69-8750TS ²				57-9020 ¹	13.7 @ 4842
		69-8750TR ²		Solara	2.4L L4 F/I	69-8609TTK ¹	6.4 @ 5600
Celica	1.8L L4 F/I - 192BHP	69-8752TS ²		Tacoma	2.4L L4 F/I	77-9016KP ¹	5.4 @ 4365
		69-8752TR ²				57-9016-1 ¹	6.2 @ 4200
Celica GT	1.8L L4 F/I	69-8520TS ¹	5.9 @ 6400	Tacoma	2.7L L4 F/I	77-9016KP ¹	5.4 @ 4365
		69-8520TR ¹	5.9 @ 6400			57-9016-1 ¹	6.2 @ 4200
Celica GTS	1.8L L4 F/I	69-8522TS ¹	7.5 @ 6362	Tacoma	3.4L V6 F/I	77-9015KP ¹	9.3 @ 4620
Corolla	1.4L L4 F/I	69-8754TR ²				57-9015-1 ¹	9.4 @ 4842
		69-8754TP ²		Tundra	3.4L V6 F/I	57-9019 ¹	5.0 @ 4752
Corolla	1.6L L4 F/I	69-8754TR ²		Tundra	4.7L V8 F/I	77-9020KP ¹	10.1 @ 5022
		69-8754TP ²				57-9020 ¹	13.7 @ 4842
Corolla	1.8L L4 F/I - Non-US	69-8751TR ²		Yaris	1.5L L4 F/I - 105BHP	69-8756TP ²	
		69-8751TP ²				69-8756TB ²	
Corolla	1.8L L4 F/I - US	69-8600TR ¹	8.7 @ 6250	2001 TOYOTA			
		69-8600TP ¹	8.7 @ 6250	4 Runner	3.4L V6 F/I	77-9015KP ¹	9.3 @ 4620
Land Cruiser	4.7L V8 F/I	57-9021 ¹	8.5 @ 4138			57-9015-1 ¹	9.4 @ 4842
Matrix XR	1.8L L4 F/I	69-8600TR ¹	8.7 @ 6250	Celica	1.8L L4 F/I - 143BHP	69-8750TS ²	
		69-8600TP ¹	8.7 @ 6250			69-8750TR ²	
Matrix XRS	1.8L L4 F/I	69-8601TR ¹	11.9 @ 7700	Celica	1.8L L4 F/I - 192BHP	69-8752TS ²	
		69-8601TP ¹	11.9 @ 7700			69-8752TR ²	
Sequoia	4.7L V8 F/I	77-9020KP ¹	10.1 @ 5022	Celica GT	1.8L L4 F/I	69-8520TS ¹	5.9 @ 6400
		57-9020 ¹	13.7 @ 4842			69-8520TR ¹	5.9 @ 6400
Solara	2.4L L4 F/I	69-8609TTK ¹	6.4 @ 5600	Celica GTS	1.8L L4 F/I	69-8522TS ¹	7.5 @ 6362
Tacoma	2.4L L4 F/I	77-9016KP ¹	5.4 @ 4365	Corolla	1.8L L4 F/I - Non-US	69-8751TR ²	
		57-9016-1 ¹	6.2 @ 4200			69-8751TP ²	
Tacoma	2.7L L4 F/I	77-9016KP ¹	5.4 @ 4365	Land Cruiser	4.7L V8 F/I	57-9021 ¹	8.5 @ 4138

1) Street legal in all US states. 2) Not legal for sale or use on any pollution controlled motor vehicle in California or states adopting California emission procedures. * Estimated horsepower gains are based on specific or similar vehicle dyno tests. Results will vary. See Page 478 for more information. See page 7 for information on intake tube materials/colors.



AIR INTAKE SYSTEMS

TOYOTA

Vehicle	Engine Type	Part Number	Estimated Horsepower*	Vehicle	Engine Type	Part Number	Estimated Horsepower*
2001 TOYOTA				1998 TOYOTA			
Sequoia	4.7L V8 F/I	77-9020KP ¹	10.1 @ 5022	Tacoma	2.4L L4 F/I	57-9012 ¹	5.7 @ 4727
		57-9017 ¹	11.7 @ 5108	Tacoma	2.7L L4 F/I	57-9012 ¹	5.7 @ 4727
Tacoma	2.4L L4 F/I	77-9016KP ¹	5.4 @ 4365	Tacoma	3.4L V6 F/I	57-9013 ¹	6.2 @ 4848
		57-9016-1 ¹	6.2 @ 4200	1997 TOYOTA			
Tacoma	2.7L L4 F/I	77-9016KP ¹	5.4 @ 4365	4 Runner	2.7L L4 F/I	57-9012 ¹	5.7 @ 4727
		57-9016-1 ¹	6.2 @ 4200	4 Runner	3.4L V6 F/I	57-9013 ¹	6.2 @ 4848
Tacoma	3.4L V6 F/I	77-9015KP ¹	9.3 @ 4620	T100	3.4L V6 F/I	57-9024 ¹	9.1 @ 4847
		57-9015-1 ¹	9.4 @ 4842	Tacoma	2.4L L4 F/I	57-9012 ¹	5.7 @ 4727
Tundra	3.4L V6 F/I	57-9019 ¹	5.0 @ 4752	Tacoma	2.7L L4 F/I	57-9012 ¹	5.7 @ 4727
Tundra	4.7L V8 F/I	77-9020KP ¹	10.1 @ 5022	Tacoma	3.4L V6 F/I	57-9013 ¹	6.2 @ 4848
		57-9014-1 ¹	14.2 @ 5027	1996 TOYOTA			
Yaris	1.5L L4 F/I - 105BHP	69-8756TP ²		4 Runner	2.7L L4 F/I	57-9012 ¹	5.7 @ 4727
		69-8756TB ²		4 Runner	3.4L V6 F/I	57-9013 ¹	6.2 @ 4848
2000 TOYOTA				T100	3.4L V6 F/I	57-9024 ¹	9.1 @ 4847
4 Runner	2.7L L4 F/I	77-9016KP ¹	5.4 @ 4365	Tacoma	2.4L L4 F/I	57-9012 ¹	5.7 @ 4727
		57-9016-1 ¹	6.2 @ 4200	Tacoma	2.7L L4 F/I	57-9012 ¹	5.7 @ 4727
4 Runner	3.4L V6 F/I	77-9015KP ¹	9.3 @ 4620	Tacoma	3.4L V6 F/I	57-9013 ¹	6.2 @ 4848
		57-9015-1 ¹	9.4 @ 4842	1995 TOYOTA			
Celica	1.8L L4 F/I - 143BHP	69-8750TS ²		4 Runner	2.4L L4 F/I	57-9008 ¹	5.1 @ 4700
		69-8750TR ²		4 Runner	3.0L V6 F/I	57-9006 ¹	3.3 @ 4405
Celica	1.8L L4 F/I - 192BHP	69-8752TS ²		MR2	2.0L L4 F/I	57-9001 ¹	6.1 @ 5500
		69-8752TR ²		Pickup	2.4L L4 F/I	57-9008 ¹	5.1 @ 4700
Celica GT	1.8L L4 F/I	69-8520TS ¹	5.9 @ 6400	Pickup	3.0L V6 F/I	57-9006 ¹	3.3 @ 4405
		69-8520TR ¹	5.9 @ 6400	Supra	3.0L L6 F/I - Turbo	57-9004 ¹	8.3 @ 5306
Celica GTS	1.8L L4 F/I	69-8522TS ¹	7.5 @ 6362	T100	3.4L V6 F/I	57-9024 ¹	9.1 @ 4847
Land Cruiser	4.7L V8 F/I	57-9021 ¹	8.5 @ 4138	Tacoma	2.4L L4 F/I	57-9012 ¹	5.7 @ 4727
Tacoma	2.4L L4 F/I	77-9016KP ¹	5.4 @ 4365	Tacoma	2.7L L4 F/I	57-9012 ¹	5.7 @ 4727
		57-9016-1 ¹	6.2 @ 4200	Tacoma	3.4L V6 F/I	57-9013 ¹	6.2 @ 4848
Tacoma	2.7L L4 F/I	77-9016KP ¹	5.4 @ 4365	1994 TOYOTA			
		57-9016-1 ¹	6.2 @ 4200	4 Runner	2.4L L4 F/I	57-9008 ¹	5.1 @ 4700
Tacoma	3.4L V6 F/I	77-9015KP ¹	9.3 @ 4620	4 Runner	3.0L V6 F/I	57-9006 ¹	3.3 @ 4405
		57-9015-1 ¹	9.4 @ 4842	MR2	2.0L L4 F/I	57-9001 ¹	6.1 @ 5500
Tundra	3.4L V6 F/I	57-9019 ¹	5.0 @ 4752	Pickup	2.4L L4 F/I	57-9008 ¹	5.1 @ 4700
Tundra	4.7L V8 F/I	77-9020KP ¹	10.1 @ 5022	Pickup	3.0L V6 F/I	57-9006 ¹	3.3 @ 4405
		57-9014-1 ¹	14.2 @ 5027	Supra	3.0L L6 F/I - Turbo	57-9004 ¹	8.3 @ 5306
Yaris	1.3L L4 F/I	69-8606TP ¹	4.4 @ 4925	1993 TOYOTA			
		69-8606TB ¹	4.4 @ 4925	4 Runner	2.4L L4 F/I	57-9008 ¹	5.1 @ 4700
1999 TOYOTA				4 Runner	3.0L V6 F/I	57-9006 ¹	3.3 @ 4405
4 Runner	2.7L L4 F/I	57-9012 ¹	5.7 @ 4727	MR2	2.0L L4 F/I	57-9001 ¹	6.1 @ 5500
4 Runner	3.4L V6 F/I	77-9015KP ¹	9.3 @ 4620	Pickup	2.4L L4 F/I	57-9008 ¹	5.1 @ 4700
		57-9015-1 ¹	9.4 @ 4842	Pickup	3.0L V6 F/I	57-9006 ¹	3.3 @ 4405
Celica	1.8L L4 F/I - 143BHP	69-8750TS ²		Supra	3.0L L6 F/I - Exc. Turbo	57-9005 ¹	
		69-8750TR ²		Supra	3.0L L6 F/I - Turbo	57-9004 ¹	8.3 @ 5306
Land Cruiser	4.7L V8 F/I	57-9021 ¹	8.5 @ 4138	1992 TOYOTA			
Tacoma	2.4L L4 F/I	57-9012 ¹	5.7 @ 4727	4 Runner	2.4L L4 F/I	57-9008 ¹	5.1 @ 4700
Tacoma	2.7L L4 F/I	57-9012 ¹	5.7 @ 4727	4 Runner	3.0L V6 F/I	57-9006 ¹	3.3 @ 4405
Tacoma	3.4L V6 F/I	77-9015KP ¹	9.3 @ 4620	MR2	2.0L L4 F/I	57-9001 ¹	6.1 @ 5500
		57-9015-1 ¹	9.4 @ 4842	Pickup	2.4L L4 F/I	57-9008 ¹	5.1 @ 4700
Yaris	1.3L L4 F/I	69-8606TP ¹	4.4 @ 4925	Pickup	3.0L V6 F/I	57-9006 ¹	3.3 @ 4405
		69-8606TB ¹	4.4 @ 4925	Supra	3.0L L6 F/I - Exc. Turbo	57-9005 ¹	
1998 TOYOTA				Supra	3.0L L6 F/I - Turbo	57-9004 ¹	8.3 @ 5306
4 Runner	2.7L L4 F/I	57-9012 ¹	5.7 @ 4727	1991 TOYOTA			
4 Runner	3.4L V6 F/I	57-9013 ¹	6.2 @ 4848	4 Runner	2.4L L4 F/I	57-9008 ¹	5.1 @ 4700
T100	3.4L V6 F/I	57-9024 ¹	9.1 @ 4847				

1) Street legal in all US states. 2) Not legal for sale or use on any pollution controlled motor vehicle in California or states adopting California emission procedures. * Estimated horsepower gains are based on specific or similar vehicle dyno tests. Results will vary. See Page 478 for more information. See page 7 for information on intake tube materials/colors.



Vehicle	Engine Type	Part Number	Estimated Horsepower*	Vehicle	Engine Type	Part Number	Estimated Horsepower*
1991 TOYOTA				2014 VOLKSWAGEN			
4 Runner	3.0L V6 F/I	57-9006 ¹	3.3 @ 4405	Beetle	1.6L L4 DSL	69-9756TFK ²	3.3 @ 3400
MR2	2.0L L4 F/I	57-9001 ¹	6.1 @ 5500	CC	1.8L L4 F/I	69-9756TFK ²	3.3 @ 3400
Pickup	2.4L L4 F/I	57-9008 ¹	5.1 @ 4700	CC	2.0L L4 F/I - US, Exc. LEV2 SULEV Test Group EVWXV02.03PA	69-9504TTK ¹	9.2 @ 4853
Pickup	3.0L V6 F/I	57-9006 ¹	3.3 @ 4405	Eos	2.0L L4 DSL	69-9756TFK ²	3.3 @ 3400
Supra	3.0L L6 F/I - Exc. Turbo	57-9005 ¹		Eos	2.0L L4 F/I - Non-US	69-9756TFK ²	3.3 @ 3400
Supra	3.0L L6 F/I - Turbo	57-9004 ¹	8.3 @ 5306	Eos	2.0L L4 F/I - US	69-9504TTK ¹	9.2 @ 4853
1990 TOYOTA				Golf Plus	1.6L L4 DSL	69-9756TFK ²	3.3 @ 3400
4 Runner	2.4L L4 F/I	57-9008 ¹	5.1 @ 4700	Golf Plus	2.0L L4 DSL	69-9756TFK ²	3.3 @ 3400
4 Runner	3.0L V6 F/I	57-9006 ¹	3.3 @ 4405	Jetta	1.8L L4 F/I - US	69-9507TTK ²	3.8 @ 3545
MR2	2.0L L4 F/I - Turbo	57-9001 ¹	6.1 @ 5500	Jetta	2.0L L4 DSL	69-9509TTK ²	5.5 @ 3300
Pickup	2.4L L4 F/I	57-9008 ¹	5.1 @ 4700	Jetta GLi	2.0L L4 F/I - US	69-9507TTK ²	3.8 @ 3545
Pickup	3.0L V6 F/I	57-9006 ¹	3.3 @ 4405	Jetta V	1.6L L4 DSL	69-9756TFK ²	3.3 @ 3400
Supra	3.0L L6 F/I - Exc. Turbo	57-9005 ¹		Jetta V	2.0L L4 DSL	69-9756TFK ²	3.3 @ 3400
Supra	3.0L L6 F/I - Turbo	57-9004 ¹	8.3 @ 5306	Passat	1.6L L4 DSL	69-9756TFK ²	3.3 @ 3400
1989 TOYOTA				Passat	1.8L L4 F/I - Non-US	69-9756TFK ²	3.3 @ 3400
4 Runner	2.4L L4 F/I	57-9008 ¹	5.1 @ 4700	Passat	2.0L L4 DSL - Non-US	69-9756TFK ²	3.3 @ 3400
4 Runner	3.0L V6 F/I	57-9006 ¹	3.3 @ 4405	Passat	2.0L L4 F/I - Non-US	69-9756TFK ²	3.3 @ 3400
Pickup	2.4L L4 F/I	57-9008 ¹	5.1 @ 4700	Tiguan	2.0L L4 F/I - US	69-9504TTK ¹	9.2 @ 4853
Pickup	3.0L V6 F/I	57-9006 ¹	3.3 @ 4405	2013 VOLKSWAGEN			
Supra	3.0L L6 F/I - Exc. Turbo	57-9005 ¹		Caddy IV	1.6L L4 DSL	69-9756TFK ²	3.3 @ 3400
Supra	3.0L L6 F/I - Turbo	57-9004 ¹	8.3 @ 5306	Caddy IV	2.0L L4 DSL	69-9756TFK ²	3.3 @ 3400
1988 TOYOTA				CC	1.8L L4 F/I	69-9756TFK ²	3.3 @ 3400
4 Runner	2.4L L4 F/I	57-9008 ¹	5.1 @ 4700	CC	2.0L L4 DSL	69-9756TFK ²	3.3 @ 3400
4 Runner	3.0L V6 F/I	57-9006 ¹	3.3 @ 4405	CC	2.0L L4 F/I - Non-US	69-9756TFK ²	3.3 @ 3400
Pickup	2.4L L4 F/I	57-9008 ¹	5.1 @ 4700	CC	2.0L L4 F/I - US, Exc. LEV2 SULEV Test Group DVWXV02.03PA	69-9504TTK ¹	9.2 @ 4853
Pickup	3.0L V6 F/I	57-9006 ¹	3.3 @ 4405	Eos	2.0L L4 DSL	69-9756TFK ²	3.3 @ 3400
Supra	3.0L L6 F/I - Exc. Turbo	57-9005 ¹		Eos	2.0L L4 F/I - Non-US	69-9756TFK ²	3.3 @ 3400
Supra	3.0L L6 F/I - Turbo	57-9004 ¹	8.3 @ 5306	Eos	2.0L L4 F/I - US	69-9504TTK ¹	9.2 @ 4853
1987 TOYOTA				Golf Plus	1.6L L4 DSL	69-9756TFK ²	3.3 @ 3400
Corolla	1.6L L4 F/I	57-9000 ¹		Golf Plus	2.0L L4 DSL	69-9756TFK ²	3.3 @ 3400
Corolla Sport GTS	1.6L L4 F/I	57-9000 ¹		Golf VI	1.6L L4 DSL	69-9756TFK ²	3.3 @ 3400
Supra	3.0L L6 F/I - Exc. Turbo	57-9005 ¹		Golf VI	1.8L L4 F/I	69-9756TFK ²	3.3 @ 3400
Supra	3.0L L6 F/I - Turbo	57-9004 ¹	8.3 @ 5306	Golf VI	2.0L L4 DSL	69-9756TFK ²	3.3 @ 3400
1986 TOYOTA				Golf VI	2.0L L4 F/I - 211BHP	69-9756TFK ²	3.3 @ 3400
Corolla	1.6L L4 F/I	57-9000 ¹		GTI	2.0L L4 F/I - US, Exc. LEV2 SULEV Test Group DAD XV02.03PA	69-9504TTK ¹	9.2 @ 4853
Supra	3.0L L6 F/I	57-9005 ¹		Jetta	2.0L L4 DSL	69-9509TTK ²	5.5 @ 3300
1985 TOYOTA				Jetta GLi	2.0L L4 F/I - US, Exc. LEV2 SULEV Test Group DVWXV02.03PA	69-9504TTK ¹	9.2 @ 4853
Corolla	1.6L L4 F/I	57-9000 ¹		Jetta V	1.6L L4 DSL	69-9756TFK ²	3.3 @ 3400
2016 VOLKSWAGEN				Jetta V	2.0L L4 DSL	69-9756TFK ²	3.3 @ 3400
CC	2.0L L4 F/I - US	69-9504TTK ²	9.2 @ 4853	Jetta V	2.0L L4 F/I	69-9756TFK ²	3.3 @ 3400
Jetta	1.8L L4 F/I - US	69-9507TTK ²	3.8 @ 3545	Passat	1.6L L4 DSL	69-9756TFK ²	3.3 @ 3400
Jetta GLi	2.0L L4 F/I - US	69-9507TTK ²	3.8 @ 3545	Passat	1.8L L4 F/I	69-9756TFK ²	3.3 @ 3400
Passat	1.8L L4 F/I - US	69-9507TTK ²	3.8 @ 3545	Passat	2.0L L4 DSL - Non-US	69-9756TFK ²	3.3 @ 3400
Tiguan	2.0L L4 F/I - US	69-9504TTK ²	9.2 @ 4853	Passat	2.0L L4 F/I - Non-US	69-9756TFK ²	3.3 @ 3400
2015 VOLKSWAGEN				Scirocco	2.0L L4 DSL	69-9756TFK ²	3.3 @ 3400
Golf	1.8L L4 F/I - US	69-9506TTK ²	12.9 @ 3933	Scirocco	2.0L L4 F/I - 211BHP	69-9756TFK ²	3.3 @ 3400
GTI	2.0L L4 F/I - US	69-9506TTK ²	12.9 @ 3933	Sharan II	2.0L L4 DSL	69-9756TFK ²	3.3 @ 3400
Jetta	1.8L L4 F/I - US	69-9507TTK ²	3.8 @ 3545	Sharan II	2.0L L4 F/I	69-9756TFK ²	3.3 @ 3400
Jetta GLi	2.0L L4 F/I - US	69-9507TTK ²	3.8 @ 3545	Tiguan	2.0L L4 DSL - Non-US	69-9756TFK ²	3.3 @ 3400
Passat	1.8L L4 F/I - US	69-9507TTK ²	3.8 @ 3545	Tiguan	2.0L L4 F/I - Non-US	69-9756TFK ²	3.3 @ 3400
Tiguan	2.0L L4 F/I - US	69-9504TTK ²	9.2 @ 4853				

1) Street legal in all US states. 2) Not legal for sale or use on any pollution controlled motor vehicle in California or states adopting California emission procedures. * Estimated horsepower gains are based on specific or similar vehicle dyno tests. Results will vary. See Page 478 for more information. See page 7 for information on intake tube materials/colors.



AIR INTAKE SYSTEMS

VOLKSWAGEN

Vehicle	Engine Type	Part Number	Estimated Horsepower*	Vehicle	Engine Type	Part Number	Estimated Horsepower*
2013 VOLKSWAGEN				2011 VOLKSWAGEN			
Tiguan	2.0L L4 F/I - US	69-9504TTK ¹	9.2 @ 4853	Sharan II	2.0L L4 F/I	69-9756TFK ²	3.3 @ 3400
Touran	1.6L L4 DSL	69-9756TFK ²	3.3 @ 3400	Tiguan	2.0L L4 F/I - US	69-9504TTK ¹	9.2 @ 4853
2012 VOLKSWAGEN				2010 VOLKSWAGEN			
Caddy IV	1.6L L4 DSL	69-9756TFK ²	3.3 @ 3400	CC	2.0L L4 F/I - US, Exc. LEV2 SULEV Test Group AVWXV02.03PA	69-9504TTK ¹	9.2 @ 4853
CC	1.8L L4 F/I	69-9756TFK ²	3.3 @ 3400	Eos	2.0L L4 F/I - US	69-9504TTK ¹	9.2 @ 4853
CC	2.0L L4 DSL	69-9756TFK ²	3.3 @ 3400	Golf Plus	1.6L L4 DSL	69-9756TFK ²	3.3 @ 3400
CC	2.0L L4 F/I - Non-US	69-9756TFK ²	3.3 @ 3400	Golf Plus	2.0L L4 DSL	69-9756TFK ²	3.3 @ 3400
CC	2.0L L4 F/I - US, Exc. LEV2 SULEV Test Group CVWXV02.03PA	69-9504TTK ¹	9.2 @ 4853	Golf VI	1.6L L4 DSL	69-9756TFK ²	3.3 @ 3400
Eos	2.0L L4 F/I - Non-US	69-9756TFK ²	3.3 @ 3400	Golf VI	1.8L L4 F/I	69-9756TFK ²	3.3 @ 3400
Eos	2.0L L4 F/I - US	69-9504TTK ¹	9.2 @ 4853	Golf VI	2.0L L4 DSL	69-9756TFK ²	3.3 @ 3400
Golf Plus	1.6L L4 DSL	69-9756TFK ²	3.3 @ 3400	Golf VI	2.0L L4 F/I - 211BHP	69-9756TFK ²	3.3 @ 3400
Golf Plus	2.0L L4 DSL	69-9756TFK ²	3.3 @ 3400	GTI	2.0L L4 F/I - US, Exc. LEV2 SULEV Test Group CADXV02.03PA	69-9504TTK ¹	9.2 @ 4853
Golf VI	1.6L L4 DSL	69-9756TFK ²	3.3 @ 3400	Jetta GLi	2.0L L4 F/I - US, Exc. LEV2 SULEV Test Group CVWXV02.03PA	69-9504TTK ¹	9.2 @ 4853
Golf VI	1.8L L4 F/I	69-9756TFK ²	3.3 @ 3400	Passat	2.0L L4 F/I - US, Exc. LEV2 SULEV Test Group AVWXV02.03PA	69-9504TTK ¹	9.2 @ 4853
Golf VI	2.0L L4 DSL	69-9756TFK ²	3.3 @ 3400	Passat CC	1.8L L4 F/I	69-9756TFK ²	3.3 @ 3400
Golf VI	2.0L L4 F/I - 211BHP	69-9756TFK ²	3.3 @ 3400	Passat CC	2.0L L4 DSL	69-9756TFK ²	3.3 @ 3400
GTI	2.0L L4 F/I - US, Exc. LEV2 SULEV Test Group CADXV02.03PA	69-9504TTK ¹	9.2 @ 4853	Scirocco	2.0L L4 DSL	69-9756TFK ²	3.3 @ 3400
Jetta GLi	2.0L L4 F/I - US, Exc. LEV2 SULEV Test Group CVWXV02.03PA	69-9504TTK ¹	9.2 @ 4853	Scirocco	2.0L L4 F/I - 211BHP	69-9756TFK ²	3.3 @ 3400
Jetta V	1.6L L4 DSL	69-9756TFK ²	3.3 @ 3400	Sharan II	2.0L L4 DSL	69-9756TFK ²	3.3 @ 3400
Jetta V	2.0L L4 DSL	69-9756TFK ²	3.3 @ 3400	Tiguan	2.0L L4 F/I - US	69-9504TTK ¹	9.2 @ 4853
Jetta V	2.0L L4 F/I	69-9756TFK ²	3.3 @ 3400	Touran	2.0L L4 DSL	69-9756TFK ²	3.3 @ 3400
Passat	1.6L L4 DSL	69-9756TFK ²	3.3 @ 3400	2009 VOLKSWAGEN			
Passat	1.8L L4 F/I	69-9756TFK ²	3.3 @ 3400	CC	2.0L L4 F/I - US	69-9504TTK ¹	9.2 @ 4853
Passat CC	1.8L L4 F/I	69-9756TFK ²	3.3 @ 3400	Eos	2.0L L4 DSL	69-9756TFK ²	3.3 @ 3400
Passat CC	2.0L L4 DSL	69-9756TFK ²	3.3 @ 3400	Eos	2.0L L4 F/I - US	69-9504TTK ¹	9.2 @ 4853
Scirocco	2.0L L4 DSL	69-9756TFK ²	3.3 @ 3400	Golf V	1.9L L4 DSL	69-9756TFK ²	3.3 @ 3400
Scirocco	2.0L L4 F/I - 211BHP	69-9756TFK ²	3.3 @ 3400	Golf V	2.0L L4 DSL	69-9756TFK ²	3.3 @ 3400
Sharan II	2.0L L4 DSL	69-9756TFK ²	3.3 @ 3400	Golf VI	1.8L L4 F/I	69-9756TFK ²	3.3 @ 3400
Sharan II	2.0L L4 F/I	69-9756TFK ²	3.3 @ 3400	Golf VI	2.0L L4 DSL	69-9756TFK ²	3.3 @ 3400
Tiguan	2.0L L4 F/I - US	69-9504TTK ¹	9.2 @ 4853	Golf VI	2.0L L4 F/I - 211BHP	69-9756TFK ²	3.3 @ 3400
Touran	2.0L L4 DSL	69-9756TFK ²	3.3 @ 3400	GTI	2.0L L4 F/I - US, Exc. LEV2 SULEV Test Group 9ADXV02.03PA	69-9504TTK ¹	9.2 @ 4853
2011 VOLKSWAGEN				2009 VOLKSWAGEN			
Caddy IV	1.6L L4 DSL	69-9756TFK ²	3.3 @ 3400	CC	2.0L L4 F/I - US	69-9504TTK ¹	9.2 @ 4853
CC	2.0L L4 F/I - US, Exc. LEV2 SULEV Test Group BVWXV02.03PA	69-9504TTK ¹	9.2 @ 4853	Eos	2.0L L4 DSL	69-9756TFK ²	3.3 @ 3400
Eos	2.0L L4 F/I - US	69-9504TTK ¹	9.2 @ 4853	Eos	2.0L L4 F/I - US	69-9504TTK ¹	9.2 @ 4853
Golf Plus	1.6L L4 DSL	69-9756TFK ²	3.3 @ 3400	Golf V	1.9L L4 DSL	69-9756TFK ²	3.3 @ 3400
Golf Plus	2.0L L4 DSL	69-9756TFK ²	3.3 @ 3400	Golf V	2.0L L4 DSL	69-9756TFK ²	3.3 @ 3400
Golf VI	1.6L L4 DSL	69-9756TFK ²	3.3 @ 3400	Golf VI	1.8L L4 F/I	69-9756TFK ²	3.3 @ 3400
Golf VI	1.8L L4 F/I	69-9756TFK ²	3.3 @ 3400	Golf VI	2.0L L4 DSL	69-9756TFK ²	3.3 @ 3400
Golf VI	2.0L L4 DSL	69-9756TFK ²	3.3 @ 3400	Golf VI	2.0L L4 F/I - 211BHP	69-9756TFK ²	3.3 @ 3400
Golf VI	2.0L L4 F/I - 211BHP	69-9756TFK ²	3.3 @ 3400	GTI	2.0L L4 F/I - US, Exc. LEV2 SULEV Test Group 9ADXV02.03PA	69-9504TTK ¹	9.2 @ 4853
GTI	2.0L L4 F/I - US, Exc. LEV2 SULEV Test Group BADXV02.03PA	69-9504TTK ¹	9.2 @ 4853	Jetta GLi	2.0L L4 F/I - US, Exc. LEV2 SULEV Test Group 9ADXV02.03PA	69-9504TTK ¹	9.2 @ 4853
Passat	1.6L L4 DSL	69-9756TFK ²	3.3 @ 3400	Jetta V	1.9L L4 DSL	69-9756TFK ²	3.3 @ 3400
Passat CC	1.8L L4 F/I	69-9756TFK ²	3.3 @ 3400	Jetta V	2.0L L4 DSL	69-9756TFK ²	3.3 @ 3400
Passat CC	2.0L L4 DSL	69-9756TFK ²	3.3 @ 3400	Passat	1.8L L4 F/I	69-9756TFK ²	3.3 @ 3400
Scirocco	2.0L L4 DSL	69-9756TFK ²	3.3 @ 3400	Passat	1.9L L4 DSL	69-9756TFK ²	3.3 @ 3400
Scirocco	2.0L L4 F/I - 211BHP	69-9756TFK ²	3.3 @ 3400	Passat	2.0L L4 DSL	69-9756TFK ²	3.3 @ 3400
Sharan II	2.0L L4 DSL	69-9756TFK ²	3.3 @ 3400	Passat	2.0L L4 F/I - US	69-9504TTK ¹	9.2 @ 4853
Sharan II	2.0L L4 F/I	69-9756TFK ²	3.3 @ 3400	Passat CC	1.8L L4 F/I	69-9756TFK ²	3.3 @ 3400
Tiguan	2.0L L4 F/I - US	69-9504TTK ¹	9.2 @ 4853	Passat CC	2.0L L4 DSL	69-9756TFK ²	3.3 @ 3400
Touran	2.0L L4 DSL	69-9756TFK ²	3.3 @ 3400	Scirocco	2.0L L4 DSL	69-9756TFK ²	3.3 @ 3400
Touran	2.0L L4 F/I - 211BHP	69-9756TFK ²	3.3 @ 3400	Scirocco	2.0L L4 F/I - 211BHP	69-9756TFK ²	3.3 @ 3400
Touran	2.0L L4 DSL	69-9756TFK ²	3.3 @ 3400	Tiguan	2.0L L4 F/I - US	69-9504TTK ¹	9.2 @ 4853
Touran	2.0L L4 F/I - 211BHP	69-9756TFK ²	3.3 @ 3400	Touran	1.9L L4 DSL	69-9756TFK ²	3.3 @ 3400
Touran	2.0L L4 DSL	69-9756TFK ²	3.3 @ 3400	Touran	2.0L L4 DSL	69-9756TFK ²	3.3 @ 3400

1) Street legal in all US states. 2) Not legal for sale or use on any pollution controlled motor vehicle in California or states adopting California emission procedures. * Estimated horsepower gains are based on specific or similar vehicle dyno tests. Results will vary. See Page 478 for more information. See page 7 for information on intake tube materials/colors.

VOLKSWAGEN

AIR INTAKE SYSTEMS



Vehicle	Engine Type	Part Number	Estimated Horsepower*	Vehicle	Engine Type	Part Number	Estimated Horsepower*
2008 VOLKSWAGEN				2006 VOLKSWAGEN			
Eos	2.0L L4 DSL	69-9756TFK ²	3.3 @ 3400	Golf V	2.0L L4 F/I - 200BHP	69-9503TFK ²	18.6 @ 4500
Eos	2.0L L4 F/I - 150BHP	69-9754TS ²		Golf V GTI	2.0L L4 F/I	69-9503TFK ²	18.6 @ 4500
Eos	2.0L L4 F/I - 200BHP	69-9503TFK ²	18.6 @ 4500	GTI	2.0L L4 F/I	69-9503TFK ¹	18.6 @ 4500
Golf Plus	1.9L L4 DSL	69-9756TFK ²	3.3 @ 3400	Jetta GLi	2.0L L4 F/I	69-9503TFK ¹	18.6 @ 4500
Golf Plus	2.0L L4 DSL	69-9756TFK ²	3.3 @ 3400	Jetta V	1.9L L4 DSL - Non-US	69-9756TFK ²	3.3 @ 3400
Golf V	1.9L L4 DSL	69-9756TFK ²	3.3 @ 3400	Jetta V	2.0L L4 DSL	69-9756TFK ²	3.3 @ 3400
Golf V	2.0L L4 DSL	69-9756TFK ²	3.3 @ 3400	Jetta V	2.0L L4 F/I - 150BHP	69-9754TS ²	
Golf V	2.0L L4 F/I - 200BHP	69-9503TFK ²	18.6 @ 4500	Jetta V	2.0L L4 F/I - 200BHP	69-9503TFK ²	18.6 @ 4500
Golf V GTI	2.0L L4 F/I	69-9503TFK ²	18.6 @ 4500	Passat	1.9L L4 DSL	69-9756TFK ²	3.3 @ 3400
Golf VI	2.0L L4 DSL	69-9756TFK ²	3.3 @ 3400	Passat	2.0L L4 DSL	69-9756TFK ²	3.3 @ 3400
GTI	2.0L L4 F/I	69-9503TFK ¹	18.6 @ 4500	Passat	2.0L L4 F/I - Non-US, 200BHP	69-9503TFK ²	18.6 @ 4500
Jetta V	1.9L L4 DSL	69-9756TFK ²	3.3 @ 3400	Touran	2.0L L4 DSL	69-9756TFK ²	3.3 @ 3400
Jetta V	2.0L L4 DSL	69-9756TFK ²	3.3 @ 3400	2005 VOLKSWAGEN			
Jetta V	2.0L L4 F/I - 150BHP	69-9754TS ²		Bora	1.4L L4 F/I	69-9751TS ²	
Jetta V	2.0L L4 F/I - 200BHP	69-9503TFK ²	18.6 @ 4500			69-9751TB ²	
Passat	1.8L L4 F/I	69-9756TFK ²	3.3 @ 3400	Bora	1.6L L4 F/I - 105BHP	69-9751TS ²	
Passat	1.9L L4 DSL	69-9756TFK ²	3.3 @ 3400			69-9751TB ²	
Passat	2.0L L4 DSL	69-9756TFK ²	3.3 @ 3400	Bora	1.8L L4 F/I - 180BHP	69-9501TP ²	10.0 @ 5079
Passat	2.0L L4 F/I - Non-US, 200BHP	69-9503TFK ²	18.6 @ 4500			69-9501TB ²	10.0 @ 5079
Scirocco	2.0L L4 DSL	69-9756TFK ²	3.3 @ 3400	Bora	2.0L L4 F/I - w/Eng. AAP	69-9501TP ²	10.0 @ 5079
Scirocco	2.0L L4 F/I - 211BHP	69-9756TFK ²	3.3 @ 3400			69-9501TB ²	10.0 @ 5079
Touran	2.0L L4 DSL	69-9756TFK ²	3.3 @ 3400	Bora	2.3L V5 F/I	69-8250TWR ²	
2007 VOLKSWAGEN						69-8250TS ²	
Eos	2.0L L4 DSL	69-9756TFK ²	3.3 @ 3400	Golf	2.0L L4 F/I	69-9501TP ¹	10.0 @ 5079
Eos	2.0L L4 F/I - 150BHP	69-9754TS ²				69-9501TB ¹	10.0 @ 5079
Eos	2.0L L4 F/I - 200BHP	69-9503TFK ²	18.6 @ 4500	Golf GTI	1.8L L4 F/I	69-9501TP ¹	10.0 @ 5079
Golf Plus	1.9L L4 DSL	69-9756TFK ²	3.3 @ 3400			69-9501TB ¹	10.0 @ 5079
Golf Plus	2.0L L4 DSL	69-9756TFK ²	3.3 @ 3400	Golf Plus	1.9L L4 DSL	69-9756TFK ²	3.3 @ 3400
Golf Plus	2.0L L4 F/I	69-9754TS ²		Golf Plus	2.0L L4 DSL	69-9756TFK ²	3.3 @ 3400
Golf V	1.9L L4 DSL	69-9756TFK ²	3.3 @ 3400	Golf Plus	2.0L L4 F/I	69-9754TS ²	
Golf V	2.0L L4 DSL	69-9756TFK ²	3.3 @ 3400	Golf V	1.9L L4 DSL	69-9756TFK ²	3.3 @ 3400
Golf V	2.0L L4 F/I - 150BHP	69-9754TS ²		Golf V	2.0L L4 DSL	69-9756TFK ²	3.3 @ 3400
Golf V	2.0L L4 F/I - 200BHP	69-9503TFK ²	18.6 @ 4500	Golf V	2.0L L4 F/I - 150BHP	69-9754TS ²	
Golf V GTI	2.0L L4 F/I	69-9503TFK ²	18.6 @ 4500	Golf V	2.0L L4 F/I - 200BHP	69-9503TFK ²	18.6 @ 4500
GTI	2.0L L4 F/I	69-9503TFK ¹	18.6 @ 4500	Golf V	2.0L L4 F/I	69-9503TFK ²	18.6 @ 4500
Jetta GLi	2.0L L4 F/I	69-9503TFK ¹	18.6 @ 4500	Golf V GTI	2.0L L4 F/I	69-9503TFK ²	18.6 @ 4500
Jetta V	1.9L L4 DSL	69-9756TFK ²	3.3 @ 3400	Jetta V	1.9L L4 DSL	69-9756TFK ²	3.3 @ 3400
Jetta V	2.0L L4 DSL	69-9756TFK ²	3.3 @ 3400	Jetta V	2.0L L4 DSL	69-9756TFK ²	3.3 @ 3400
Jetta V	2.0L L4 F/I - 150BHP	69-9754TS ²		Jetta V	2.0L L4 F/I - 150BHP	69-9754TS ²	
Jetta V	2.0L L4 F/I - 200BHP	69-9503TFK ²	18.6 @ 4500	Jetta V	2.0L L4 F/I - 200BHP	69-9503TFK ²	18.6 @ 4500
Passat	1.9L L4 DSL	69-9756TFK ²	3.3 @ 3400	Passat	1.9L L4 DSL - 3C Model	69-9756TFK ²	3.3 @ 3400
Passat	2.0L L4 DSL	69-9756TFK ²	3.3 @ 3400	Passat	2.0L L4 DSL - 3C Model	69-9756TFK ²	3.3 @ 3400
Passat	2.0L L4 F/I - Non-US, 200BHP	69-9503TFK ²	18.6 @ 4500	Passat	2.0L L4 F/I - Non-US, 200BHP, 3C Model	69-9503TFK ²	18.6 @ 4500
Touran	1.9L L4 DSL	69-9756TFK ²	3.3 @ 3400	Touran	1.9L L4 DSL	69-9756TFK ²	3.3 @ 3400
2006 VOLKSWAGEN				Touran	2.0L L4 DSL	69-9756TFK ²	3.3 @ 3400
Eos	2.0L L4 DSL	69-9756TFK ²	3.3 @ 3400	2004 VOLKSWAGEN			
Eos	2.0L L4 F/I - 150BHP	69-9754TS ²		Bora	1.4L L4 F/I	69-9751TS ²	
Eos	2.0L L4 F/I - 200BHP	69-9503TFK ²	18.6 @ 4500			69-9751TB ²	
Golf Plus	1.9L L4 DSL	69-9756TFK ²	3.3 @ 3400	Bora	1.6L L4 F/I - 105BHP	69-9751TS ²	
Golf Plus	2.0L L4 DSL	69-9756TFK ²	3.3 @ 3400			69-9751TB ²	
Golf Plus	2.0L L4 F/I	69-9754TS ²		Bora	1.8L L4 F/I - 180BHP	69-9501TP ²	10.0 @ 5079
Golf V	1.9L L4 DSL	69-9756TFK ²	3.3 @ 3400			69-9501TB ²	10.0 @ 5079
Golf V	2.0L L4 DSL	69-9756TFK ²	3.3 @ 3400				
Golf V	2.0L L4 F/I - 150BHP	69-9754TS ²					

1) Street legal in all US states. 2) Not legal for sale or use on any pollution controlled motor vehicle in California or states adopting California emission procedures. * Estimated horsepower gains are based on specific or similar vehicle dyno tests. Results will vary. See Page 478 for more information. See page 7 for information on intake tube materials/colors.



AIR INTAKE SYSTEMS

VOLKSWAGEN

Vehicle	Engine Type	Part Number	Estimated Horsepower*	Vehicle	Engine Type	Part Number	Estimated Horsepower*
2004 VOLKSWAGEN				2003 VOLKSWAGEN			
Bora	2.0L L4 F/I - w/Eng. AAP	69-9501TP ²	10.0 @ 5079	Bora	2.0L L4 F/I - w/Eng. AAP	69-9501TB ²	10.0 @ 5079
		69-9501TB ²	10.0 @ 5079	Bora	2.3L V5 F/I	69-8250TWR ²	
						69-8250TS ²	
Bora	2.3L V5 F/I	69-8250TWR ²		Bora	2.8L V6 F/I	69-8250TWR ²	
		69-8250TS ²				69-8250TS ²	
Golf	2.0L L4 F/I - US	69-9501TP ¹	10.0 @ 5079	Golf	2.0L L4 F/I - US	69-9501TP ¹	10.0 @ 5079
		69-9501TB ¹	10.0 @ 5079			69-9501TB ¹	10.0 @ 5079
Golf GTI	1.8L L4 F/I - US	69-9501TP ¹	10.0 @ 5079	Golf GTI	1.8L L4 F/I - US	69-9501TP ¹	10.0 @ 5079
		69-9501TB ¹	10.0 @ 5079			69-9501TB ¹	10.0 @ 5079
Golf IV	1.4L L4 F/I	69-9751TS ²		Golf IV	1.4L L4 F/I	69-9751TS ²	
		69-9751TB ²				69-9751TB ²	
Golf IV	1.6L L4 F/I - 102/105BHP	69-9751TS ²		Golf IV	1.6L L4 F/I - 102/105BHP	69-9751TS ²	
		69-9751TB ²				69-9751TB ²	
Golf IV	1.8L L4 F/I - 150BHP, w/Eng. AAP	69-9501TP ²	10.0 @ 5079	Golf IV	1.8L L4 F/I - 150BHP, w/Eng. AAP	69-9501TP ²	10.0 @ 5079
		69-9501TB ²	10.0 @ 5079			69-9501TB ²	10.0 @ 5079
Golf IV	2.0L L4 F/I	69-9501TP ²	10.0 @ 5079	Golf IV	2.0L L4 F/I	69-9501TP ²	10.0 @ 5079
		69-9501TB ²	10.0 @ 5079			69-9501TB ²	10.0 @ 5079
Golf IV	2.3L L5 F/I - 170BHP	69-8250TWR ²		Golf IV	2.3L L5 F/I - 170BHP	69-8250TWR ²	
		69-8250TS ²				69-8250TS ²	
Golf IV	2.8L V6 F/I	69-8250TWR ²		Golf IV	2.8L V6 F/I	69-8250TWR ²	
		69-8250TS ²				69-8250TS ²	
Golf IV	3.2L V6 F/I	69-9502TP ²	17.7 @ 5684	Golf IV	3.2L V6 F/I	69-9502TP ²	17.7 @ 5684
		69-9502TB ²	17.7 @ 5684			69-9502TB ²	17.7 @ 5684
Golf IV GTI	1.8L L4 F/I - w/Eng. AAP	69-9501TP ²	10.0 @ 5079	Golf IV GTI	1.8L L4 F/I - w/Eng. AAP	69-9501TP ²	10.0 @ 5079
		69-9501TB ²	10.0 @ 5079			69-9501TB ²	10.0 @ 5079
Golf Plus	2.0L L4 DSL	69-9756TFK ²	3.3 @ 3400	Golf V	1.9L L4 DSL	69-9756TFK ²	3.3 @ 3400
Golf R32	3.2L V6 F/I	69-9502TP ¹	17.7 @ 5684	Golf V	2.0L L4 DSL	69-9756TFK ²	3.3 @ 3400
		69-9502TB ¹	17.7 @ 5684	Jetta	1.8L L4 F/I - Exc. LEV2 SULEV Test Group 3VWXV02.0227	69-9501TP ¹	10.0 @ 5079
Golf V	1.9L L4 DSL	69-9756TFK ²	3.3 @ 3400			69-9501TB ¹	10.0 @ 5079
Golf V	2.0L L4 DSL	69-9756TFK ²	3.3 @ 3400				
Golf V	2.0L L4 F/I - 150BHP	69-9754TS ²					
Golf V	2.0L L4 F/I - 200BHP	69-9503TFK ²	18.6 @ 4500				
Golf V GTI	2.0L L4 F/I	69-9503TFK ²	18.6 @ 4500	Jetta	2.0L L4 F/I - Exc. LEV2 SULEV Test Group 3VWXV02.0227	69-9501TP ¹	10.0 @ 5079
Jetta	1.8L L4 F/I - Exc. LEV2 SULEV Test Group 4VWXV02.0227	69-9501TP ¹	10.0 @ 5079			69-9501TB ¹	10.0 @ 5079
		69-9501TB ¹	10.0 @ 5079	Touran	1.9L L4 DSL	69-9756TFK ²	3.3 @ 3400
Jetta	2.0L L4 F/I - Exc. LEV2 SULEV Test Group 4VWXV02.0227	69-9501TP ¹	10.0 @ 5079	2002 VOLKSWAGEN			
		69-9501TB ¹	10.0 @ 5079	Bora	1.4L L4 F/I	69-9751TS ²	
						69-9751TB ²	
Touran	1.9L L4 DSL	69-9756TFK ²	3.3 @ 3400	Bora	1.6L L4 F/I - 105BHP	69-9751TS ²	
						69-9751TB ²	
2003 VOLKSWAGEN				Bora	1.8L L4 F/I - 180BHP	69-9501TP ²	10.0 @ 5079
Bora	1.4L L4 F/I	69-9751TS ²				69-9501TB ²	10.0 @ 5079
		69-9751TB ²		Bora	2.3L V5 F/I	69-8250TWR ²	
Bora	1.6L L4 F/I - 105BHP	69-9751TS ²				69-8250TS ²	
		69-9751TB ²		Bora	2.8L V6 F/I	69-8250TWR ²	
Bora	1.8L L4 F/I - 180BHP	69-9501TP ²	10.0 @ 5079			69-8250TS ²	
		69-9501TB ²	10.0 @ 5079	Golf	2.0L L4 F/I - US	69-9501TP ¹	10.0 @ 5079
Bora	2.0L L4 F/I - w/Eng. AAP	69-9501TP ²	10.0 @ 5079			69-9501TB ¹	10.0 @ 5079
				Golf GTI	1.8L L4 F/I - US	69-9501TP ¹	10.0 @ 5079

1) Street legal in all US states. 2) Not legal for sale or use on any pollution controlled motor vehicle in California or states adopting California emission procedures. * Estimated horsepower gains are based on specific or similar vehicle dyno tests. Results will vary. See Page 478 for more information. See page 7 for information on intake tube materials/colors.

VOLKSWAGEN

AIR INTAKE SYSTEMS



Vehicle	Engine Type	Part Number	Estimated Horsepower*	Vehicle	Engine Type	Part Number	Estimated Horsepower*
2002 VOLKSWAGEN				2001 VOLKSWAGEN			
Golf GTI	1.8L L4 F/I - US	69-9501TB ¹	10.0 @ 5079	Golf IV	2.0L L4 F/I - w/Eng. AAP	69-9501TP ²	10.0 @ 5079
Golf IV	1.4L L4 F/I	69-9751TS ²				69-9501TB ²	10.0 @ 5079
		69-9751TB ²		Golf IV	2.3L L5 F/I - 170BHP	69-8250TWR ²	
Golf IV	1.6L L4 F/I - 102/105BHP	69-9751TS ²				69-8250TS ²	
		69-9751TB ²		Golf IV	2.8L V6 F/I	69-8250TWR ²	
Golf IV	1.8L L4 F/I - 150BHP, w/Eng. AAP	69-9501TP ²	10.0 @ 5079	Golf IV	2.8L V6 F/I	69-8250TS ²	
		69-9501TB ²	10.0 @ 5079	Golf IV GTI	1.8L L4 F/I - w/Eng. AAP	69-9501TP ²	10.0 @ 5079
Golf IV	2.0L L4 F/I	69-9501TP ²	10.0 @ 5079			69-9501TB ²	10.0 @ 5079
		69-9501TB ²	10.0 @ 5079	Jetta	1.8L L4 F/I	69-9501TP ¹	10.0 @ 5079
Golf IV	2.3L L5 F/I - 170BHP	69-8250TWR ²				69-9501TB ¹	10.0 @ 5079
		69-8250TS ²		Jetta	2.0L L4 F/I	69-9501TP ¹	10.0 @ 5079
Golf IV	2.8L V6 F/I	69-8250TWR ²				69-9501TB ¹	10.0 @ 5079
		69-8250TS ²		Polo	1.6L L4 F/I - Type 6N	69-9750TWR ²	
Golf IV	3.2L V6 F/I	69-9502TP ²	17.7 @ 5684			69-9750TS ²	
		69-9502TB ²	17.7 @ 5684	2000 VOLKSWAGEN			
Golf IV GTI	1.8L L4 F/I - w/Eng. AAP	69-9501TP ²	10.0 @ 5079	Bora	1.4L L4 F/I	69-9751TS ²	
		69-9501TB ²	10.0 @ 5079			69-9751TB ²	
Jetta	1.8L L4 F/I	69-9501TP ¹	10.0 @ 5079	Bora	1.8L L4 F/I - 180BHP	69-9501TP ²	10.0 @ 5079
		69-9501TB ¹	10.0 @ 5079			69-9501TB ²	10.0 @ 5079
Jetta	2.0L L4 F/I	69-9501TP ¹	10.0 @ 5079	Bora	2.0L L4 F/I - Exc. Eng. AAP	69-9752TP ²	8.0 @ 6000
		69-9501TB ¹	10.0 @ 5079			69-9752TB ²	8.0 @ 6000
2001 VOLKSWAGEN				Bora	2.0L L4 F/I - w/Eng. AAP	69-9501TP ²	10.0 @ 5079
Bora	1.6L L4 F/I - 105BHP	69-9751TS ²				69-9501TB ²	10.0 @ 5079
		69-9751TB ²		Bora	2.3L V5 F/I - 170BHP	69-8250TWR ²	
Bora	1.8L L4 F/I - 180BHP	69-9501TP ²	10.0 @ 5079			69-8250TS ²	
		69-9501TB ²	10.0 @ 5079	Bora	2.8L V6 F/I	69-8250TWR ²	
Bora	2.0L L4 F/I - w/Eng. AAP	69-9501TP ²	10.0 @ 5079			69-8250TS ²	
		69-9501TB ²	10.0 @ 5079	Golf	2.0L L4 F/I	69-9501TP ¹	10.0 @ 5079
Bora	2.3L V5 F/I	69-8250TWR ²				69-9501TB ¹	10.0 @ 5079
		69-8250TS ²		Golf IV	1.4L L4 F/I	69-9751TS ²	
Bora	2.8L V6 F/I	69-8250TWR ²				69-9751TB ²	
		69-8250TS ²		Golf IV	1.6L L4 F/I - 102/105BHP	69-9751TS ²	
Golf	1.8L L4 F/I - US	69-9501TP ²	10.0 @ 5079			69-9751TB ²	
		69-9501TB ²	10.0 @ 5079	Golf IV	1.8L L4 F/I - 150BHP, w/Eng. AAP	69-9501TP ²	10.0 @ 5079
Golf	2.0L L4 F/I	69-9501TP ¹	10.0 @ 5079			69-9501TB ²	10.0 @ 5079
		69-9501TB ¹	10.0 @ 5079	Golf IV	2.0L L4 F/I - Exc. Eng. AAP	69-9752TP ²	8.0 @ 6000
Golf GTI	1.8L L4 F/I - US	69-9501TP ¹	10.0 @ 5079			69-9752TB ²	8.0 @ 6000
		69-9501TB ¹	10.0 @ 5079	Golf IV	2.0L L4 F/I - w/Eng. AAP	69-9501TP ²	10.0 @ 5079
Golf IV	1.4L L4 F/I	69-9751TS ²				69-9501TB ²	10.0 @ 5079
		69-9751TB ²		Golf IV	2.3L L5 F/I - 170BHP	69-8250TWR ²	
Golf IV	1.6L L4 F/I - 102/105BHP	69-9751TS ²				69-8250TS ²	
		69-9751TB ²		Golf IV	2.8L V6 F/I	69-8250TWR ²	
Golf IV	1.8L L4 F/I - 150BHP, w/Eng. AAP	69-9501TP ²	10.0 @ 5079			69-8250TS ²	
		69-9501TB ²	10.0 @ 5079	Golf IV	1.8L L4 F/I - w/Eng. AAP	69-9501TP ²	10.0 @ 5079
Golf IV	2.0L L4 F/I - Exc. Eng. AAP	69-9752TP ²	8.0 @ 6000			69-9501TB ²	10.0 @ 5079
		69-9752TB ²	8.0 @ 6000	Golf IV GTI	1.8L L4 F/I - w/Eng. AAP	69-9501TP ²	10.0 @ 5079
						69-9501TB ²	10.0 @ 5079

1) Street legal in all US states. 2) Not legal for sale or use on any pollution controlled motor vehicle in California or states adopting California emission procedures. * Estimated horsepower gains are based on specific or similar vehicle dyno tests. Results will vary. See Page 478 for more information. See page 7 for information on intake tube materials/colors.



AIR INTAKE SYSTEMS

VOLKSWAGEN

Vehicle	Engine Type	Part Number	Estimated Horsepower*	Vehicle	Engine Type	Part Number	Estimated Horsepower*
2000 VOLKSWAGEN				2010 VOLVO			
Jetta	1.8L L4 F/I	69-9501TP ¹	10.0 @ 5079	V50	2.5L L5 F/I - Non-US	69-9000TS ²	14.6 @ 3925
		69-9501TB ¹	10.0 @ 5079	2009 VOLVO			
Jetta	2.0L L4 F/I	69-9501TP ¹	10.0 @ 5079	C30	2.5L L5 F/I	69-9000TS ¹	14.6 @ 3925
		69-9501TB ¹	10.0 @ 5079	S40 II	2.5L L5 F/I	69-9000TS ²	14.6 @ 3925
Polo	1.6L L4 F/I - Type 6N	69-9750TWR ²		V50	2.5L L5 F/I - Non-US	69-9000TS ²	14.6 @ 3925
		69-9750TS ²		2008 VOLVO			
1999 VOLKSWAGEN				C30	2.5L L5 F/I	69-9000TS ¹	14.6 @ 3925
Bora	2.0L L4 F/I - Exc. Eng. AAP	69-9752TP ²	8.0 @ 6000	S40 II	2.5L L5 F/I	69-9000TS ²	14.6 @ 3925
		69-9752TB ²	8.0 @ 6000	V50	2.5L L5 F/I - Non-US	69-9000TS ²	14.6 @ 3925
Bora	2.8L V6 F/I	69-8250TWR ²		2007 VOLVO			
		69-8250TS ²		C30	2.5L L5 F/I	69-9000TS ¹	14.6 @ 3925
Golf IV	1.4L L4 F/I	69-9751TS ²		S40 II	2.5L L5 F/I	69-9000TS ²	14.6 @ 3925
		69-9751TB ²		V50	2.5L L5 F/I - Non-US	69-9000TS ²	14.6 @ 3925
Golf IV	1.8L L4 F/I - w/Eng. AAP	69-9501TP ²	10.0 @ 5079	2006 VOLVO			
		69-9501TB ²	10.0 @ 5079	C30	2.5L L5 F/I	69-9000TS ¹	14.6 @ 3925
Golf IV	2.0L L4 F/I - Exc. Eng. AAP	69-9752TP ²	8.0 @ 6000	S40	2.5L L5 F/I	69-9000TS ¹	14.6 @ 3925
		69-9752TB ²	8.0 @ 6000	S40 II	2.5L L5 F/I	69-9000TS ²	14.6 @ 3925
Golf IV	2.0L L4 F/I - w/Eng. AAP	69-9501TP ²	10.0 @ 5079	V50	2.5L L5 F/I - Non-US	69-9000TS ²	14.6 @ 3925
		69-9501TB ²	10.0 @ 5079	2005 VOLVO			
Golf IV	2.8L V6 F/I	69-8250TWR ²		S40	2.5L L5 F/I	69-9000TS ¹	14.6 @ 3925
		69-8250TS ²		S40 II	2.5L L5 F/I	69-9000TS ²	14.6 @ 3925
Golf IV GTI	1.8L L4 F/I	69-9501TP ²	10.0 @ 5079	V50	2.5L L5 F/I - Non-US	69-9000TS ²	14.6 @ 3925
		69-9501TB ²	10.0 @ 5079	2004 VOLVO			
Polo	1.6L L4 F/I - Type 6N, 120/125BHP	69-9750TS ²		S40	2.5L L5 F/I	69-9000TS ¹	14.6 @ 3925
Polo	1.6L L4 F/I - Type 6N, Exc., 75BHP	69-9750TWR ²		S40 II	2.5L L5 F/I	69-9000TS ²	14.6 @ 3925
		69-9750TS ²		V50	2.5L L5 F/I	69-9000TS ²	14.6 @ 3925
1998 VOLKSWAGEN				2012 VOLVO			
Golf IV	1.4L L4 F/I	69-9751TS ²		C30	2.5L L5 F/I - Non-US	69-9000TS ²	14.6 @ 3925
		69-9751TB ²		S40 II	2.5L L5 F/I	69-9000TS ²	14.6 @ 3925
Golf IV	2.0L L4 F/I - Exc. Eng. AAP	69-9752TP ²	8.0 @ 6000	2011 VOLVO			
		69-9752TB ²	8.0 @ 6000	C30	2.5L L5 F/I - Non-US	69-9000TS ²	14.6 @ 3925
Golf IV	2.0L L4 F/I - w/Eng. AAP	69-9501TP ²	10.0 @ 5079	S40 II	2.5L L5 F/I - Non-US	69-9000TS ²	14.6 @ 3925
		69-9501TB ²	10.0 @ 5079	V50	2.5L L5 F/I - Non-US	69-9000TS ²	14.6 @ 3925
Polo	1.6L L4 F/I - Type 6N, 120/125BHP	69-9750TWR ²		2010 VOLVO			
		69-9750TS ²		C30	2.5L L5 F/I	69-9000TS ¹	14.6 @ 3925
				S40 II	2.5L L5 F/I - Non-US	69-9000TS ²	14.6 @ 3925

1) Street legal in all US states. 2) Not legal for sale or use on any pollution controlled motor vehicle in California or states adopting California emission procedures. * Estimated horsepower gains are based on specific or similar vehicle dyno tests. Results will vary. See Page 478 for more information. See page 7 for information on intake tube materials/colors.

ABARTH

AIR & OIL FILTERS



Vehicle	Engine Type	Air Filter	Oil Filter
2017 ABARTH			
124 Spider	1.4L L4 F/I	33-5040	
2016 ABARTH			
124 Spider	1.4L L4 F/I	33-5040	
2017 ACURA			
ILX	2.4L L4 F/I	33-5035	HP-1010 ¹
MDX	3.5L V6 F/I	33-5041	HP-1010 ¹
NSX	3.5L V6 F/I	33-2473*	
RDX	3.5L V6 F/I	33-2489	HP-1010 ¹
RLX	3.5L V6 F/I	33-5011	HP-1010 ¹
TLX	2.4L L4 F/I	33-2498	HP-1010 ¹
TLX	3.5L V6 F/I	33-2499	HP-1010 ¹
2016 ACURA			
ILX	2.4L L4 F/I	33-5035 ♦+	HP-1010 ¹
MDX	3.5L V6 F/I	33-5041+	HP-1010 ¹
RDX	3.5L V6 F/I	33-2489+	HP-1010 ¹
RLX	3.5L V6 F/I	33-5011+	HP-1010 ¹
TLX	2.4L L4 F/I	33-2498+	HP-1010 ¹
TLX	3.5L V6 F/I	33-2499+	HP-1010 ¹
2015 ACURA			
ILX	1.5L L4 F/I		HP-1010 ¹
ILX	2.0L L4 F/I	33-2468+	HP-1010 ¹
ILX	2.4L L4 F/I	33-2473 ♦+	HP-1010 ¹
MDX	3.5L V6 F/I	33-5013+	HP-1010 ¹
RDX	3.5L V6 F/I	33-2489+	HP-1010 ¹
RLX	3.5L V6 F/I	33-5011+	HP-1010 ¹
TL	3.5L V6 F/I		HP-1010 ¹
TL	3.7L V6 F/I		HP-1010 ¹
TLX	2.4L L4 F/I	33-2498+	HP-1010 ¹
TLX	3.5L V6 F/I	33-2499 ♦+	HP-1010 ¹
TSX	2.4L L4 F/I		HP-1010 ¹
TSX	3.5L V6 F/I		HP-1010 ¹
2014 ACURA			
ILX	1.5L L4 F/I	33-2348+	HP-1010 ¹
ILX	2.0L L4 F/I	33-2468+	HP-1010 ¹
ILX	2.4L L4 F/I	33-2473 ♦+	HP-1010 ¹
MDX	3.5L V6 F/I	33-5013+	HP-1010 ¹
RDX	3.5L V6 F/I	33-2489+	HP-1010 ¹
RLX	3.5L V6 F/I	33-5011+	HP-1010 ¹
TL	3.5L V6 F/I	33-2403 ♦+	HP-1010 ¹
TL	3.7L V6 F/I	33-2403+	HP-1010 ¹
TSX	2.4L L4 F/I	33-2430 ♦+	HP-1010 ¹
2013 ACURA			
ILX	1.5L L4 F/I	33-2348+	HP-1010 ¹
ILX	2.0L L4 F/I	33-2468+	HP-1010 ¹
ILX	2.4L L4 F/I	33-2473 ♦+	HP-1010 ¹
MDX	3.7L V6 F/I	33-2454+	HP-1010 ¹
RDX	3.5L V6 F/I	33-2489+	HP-1010 ¹
TL	3.5L V6 F/I	33-2403 ♦+	HP-1010 ¹
TL	3.7L V6 F/I	33-2403+	HP-1010 ¹
TSX	2.4L L4 F/I	33-2430 ♦+	HP-1010 ¹
TSX	3.5L V6 F/I	33-2403+	HP-1010 ¹
2012 ACURA			
MDX	3.7L V6 F/I	33-2454+	HP-1010 ¹
RDX	2.3L L4 F/I	33-2382+	HP-1010 ¹
RL	3.7L V6 F/I	33-2425+	HP-1010 ¹
TL	3.5L V6 F/I	33-2403 ♦+	HP-1010 ¹
TL	3.7L V6 F/I	33-2403+	HP-1010 ¹
TSX	2.4L L4 F/I	33-2430 ♦+	HP-1010 ¹
TSX	3.5L V6 F/I	33-2403+	HP-1010 ¹

Vehicle	Engine Type	Air Filter	Oil Filter
2012 ACURA			
ZDX	3.7L V6 F/I	33-2454+	HP-1010 ¹
2011 ACURA			
CSX	2.0L L4 F/I		HP-1010 ¹
MDX	3.7L V6 F/I	33-2454+	HP-1010 ¹
RDX	2.3L L4 F/I	33-2382 ♦+	HP-1010 ¹
RL	3.7L V6 F/I	33-2425+	
TL	3.5L V6 F/I	33-2403 ♦+	HP-1010 ¹
TL	3.7L V6 F/I	33-2403+	HP-1010 ¹
TSX	2.4L L4 F/I	33-2430 ♦+	HP-1010 ¹
TSX	3.5L V6 F/I	33-2403+	
2010 ACURA			
CSX	2.0L L4 F/I		HP-1010 ¹
MDX	3.7L V6 F/I	33-2454+	HP-1010 ¹
RDX	2.3L L4 F/I	33-2382 ♦+	HP-1010 ¹
RL	3.7L V6 F/I	33-2425+	HP-1010 ¹
TL	3.5L V6 F/I	33-2403 ♦+	HP-1010 ¹
TL	3.7L V6 F/I	33-2403 ♦+	HP-1010 ¹
TSX	2.4L L4 F/I	33-2430 ♦+	HP-1010 ¹
TSX	3.5L V6 F/I	33-2403+	HP-1010 ¹
ZDX	3.7L V6 F/I	33-2454+	HP-1010 ¹
2009 ACURA			
CSX	2.0L L4 F/I		HP-1010 ¹
MDX	3.7L V6 F/I	33-2383+	HP-1010 ¹
RDX	2.3L L4 F/I	33-2382 ♦+	HP-1010 ¹
RL	3.7L V6 F/I	33-2425+	HP-1010 ¹
TL	3.5L V6 F/I	33-2403 ♦+	HP-1010 ¹
TL	3.7L V6 F/I	33-2403 ♦+	HP-1010 ¹
TSX	2.4L L4 F/I	33-2430 ♦+	HP-1010 ¹
2008 ACURA			
CSX	2.0L L4 F/I		HP-1010 ¹
MDX	3.7L V6 F/I	33-2383+	HP-1010 ¹
RDX	2.3L L4 F/I	33-2382 ♦+	HP-1010 ¹
RL	3.5L V6 F/I	33-2299+	HP-1010 ¹
TL	3.2L V6 F/I	33-2379 ♦+	HP-1010 ¹
TL	3.5L V6 F/I	33-2379 ♦+	HP-1010 ¹
TSX	2.4L L4 F/I	33-2276 ♦+	HP-1010 ¹
2007 ACURA			
CSX	2.0L L4 F/I		HP-1010 ¹
MDX	3.7L V6 F/I	33-2383+	HP-1010 ¹
RDX	2.3L L4 F/I	33-2382 ♦+	HP-1010 ¹
RL	3.5L V6 F/I	33-2299+	HP-1010 ¹
RSX	2.0L L4 F/I	E-2429	
TL	3.2L V6 F/I	33-2379 ♦+	HP-1010 ¹
TL	3.5L V6 F/I	33-2379 ♦+	HP-1010 ¹
TSX	2.4L L4 F/I	33-2276 ♦+	HP-1010 ¹
2006 ACURA			
CSX	2.0L L4 F/I		HP-1010 ¹
MDX	3.5L V6 F/I	33-2200+	HP-1010 ¹
RL	3.5L V6 F/I	33-2299+	HP-1010 ¹
RSX	2.0L L4 F/I	E-2429 ♦+	HP-1010 ¹
RSX Type-S	2.0L L4 F/I	E-2429 ♦+	HP-1010 ¹
TL	3.2L V6 F/I	33-2299 ♦+	HP-1010 ¹
TSX	2.4L L4 F/I	33-2276 ♦+	HP-1010 ¹
2005 ACURA			
EL	1.7L L4 F/I		HP-1010 ¹
MDX	3.5L V6 F/I	33-2200+	HP-1010 ¹
NSX	3.2L V6 F/I	33-2713	
RL	3.5L V6 F/I	33-2299+	HP-1010 ¹
RSX	2.0L L4 F/I	E-2429 ♦+	HP-1010 ¹

* 2 filters required

♦ Intake System Available - see page 84 +Cabin Air Filter Available - see page 453 1- Performance Silver Oil Filter Also Available



AIR & OIL FILTERS

ACURA

Vehicle	Engine Type	Air Filter	Oil Filter
2005 ACURA			
RSX Type-S	2.0L L4 F/I	E-2429 ♦♦	HP-1010 ¹
TL	3.2L V6 F/I	33-2299 ♦♦	HP-1010 ¹
TSX	2.4L L4 F/I	33-2276 ♦♦	HP-1010 ¹
2004 ACURA			
EL	1.7L L4 F/I		HP-1010 ¹
MDX	3.5L V6 F/I	33-2200 ⁺	HP-1010 ¹
NSX	3.2L V6 F/I	33-2713	
RL	3.5L V6 F/I	33-2179	HP-1004 ¹
RSX	2.0L L4 F/I	E-2429 ♦♦	HP-1010 ¹
RSX Type-S	2.0L L4 F/I	E-2429 ♦♦	HP-1010 ¹
TL	3.2L V6 F/I	33-2299 ♦♦	HP-1010 ¹
TSX	2.4L L4 F/I	33-2276 ♦♦	HP-1010 ¹
2003 ACURA			
CL	3.2L V6 F/I	33-2133 ⁺	HP-1004 ¹
CL Type-S	3.2L V6 F/I	33-2178 ⁺	HP-1004 ¹
MDX	3.5L V6 F/I	33-2200 ⁺	HP-1010 ¹
RL	3.5L V6 F/I	33-2179	HP-1004 ¹
RSX	2.0L L4 F/I	E-2429 ♦♦	HP-1010 ¹
RSX Type-S	2.0L L4 F/I	E-2429 ♦♦	HP-1010 ¹
TL	3.2L V6 F/I	33-2133 ⁺	HP-1004 ¹
TL Type-S	3.2L V6 F/I	33-2178 ⁺	HP-1004 ¹
2002 ACURA			
CL	3.2L V6 F/I	33-2133 ⁺	HP-1004 ¹
CL Type-S	3.2L V6 F/I	33-2178 ⁺	HP-1004 ¹
EL	1.7L L4 F/I	33-2192 ♦♦	HP-1004 ¹
MDX	3.5L V6 F/I	33-2200 ⁺	HP-1004 ¹
NSX	3.2L V6 F/I	33-2713	
RL	3.5L V6 F/I	33-2179	HP-1004 ¹
RSX	2.0L L4 F/I	E-2429 ♦♦	HP-1010 ¹
RSX Type-S	2.0L L4 F/I	E-2429 ♦♦	HP-1010 ¹
TL	3.2L V6 F/I	33-2133 ⁺	HP-1004 ¹
TL Type-S	3.2L V6 F/I	33-2178 ⁺	HP-1004 ¹
2001 ACURA			
CL	3.2L V6 F/I	33-2133 ⁺	HP-1004 ¹
CL Type-S	3.2L V6 F/I	33-2178 ⁺	HP-1004 ¹
EL	1.7L L4 F/I	33-2192 ♦	HP-1004 ¹
Integra	1.8L L4 F/I	E-2427	HP-1004 ¹
Integra GS-R	1.8L L4 F/I	E-2427 ♦	HP-1004 ¹
Integra Type R	1.8L L4 F/I	E-2427	HP-1004 ¹
MDX	3.5L V6 F/I	33-2200 ⁺	HP-1004 ¹
TL	3.2L V6 F/I	33-2133 ⁺	HP-1004 ¹
2000 ACURA			
EL	1.6L L4 F/I		HP-1004 ¹
Integra	1.8L L4 F/I	E-2427	HP-1004 ¹
Integra GS-R	1.8L L4 F/I	E-2427 ♦	HP-1004 ¹
Integra Type R	1.8L L4 F/I	E-2427	HP-1004 ¹
NSX	3.2L V6 F/I	33-2713	
RL	3.5L V6 F/I	33-2179	HP-1004 ¹
TL	3.2L V6 F/I	33-2133 ⁺	HP-1004 ¹
1999 ACURA			
CL	2.3L L4 F/I	33-2071	HP-1004 ¹
CL	3.0L V6 F/I	33-2100	HP-1004 ¹
EL	1.6L L4 F/I		HP-1004 ¹
Integra	1.8L L4 F/I	E-2427	HP-1004 ¹
Integra GS-R	1.8L L4 F/I	E-2427 ♦	HP-1004 ¹
Integra Type R	1.8L L4 F/I	E-2427	HP-1004 ¹
RL	3.5L V6 F/I	33-2179	HP-1004 ¹
TL	3.2L V6 F/I	33-2133 ⁺	HP-1004 ¹

Vehicle	Engine Type	Air Filter	Oil Filter
1998 ACURA			
CL	2.3L L4 F/I	33-2071	HP-1004 ¹
CL	3.0L V6 F/I	33-2100	HP-1004 ¹
EL	1.6L L4 F/I		HP-1004 ¹
Integra	1.8L L4 F/I	E-2427	HP-1004 ¹
Integra GS-R	1.8L L4 F/I	E-2427 ♦	HP-1004 ¹
Integra Type R	1.8L L4 F/I	E-2427	HP-1004 ¹
RL	3.5L V6 F/I	33-2179	HP-1004 ¹
TL	2.5L L5 F/I	33-2267	
TL	3.2L V6 F/I	33-2089	
1997 ACURA			
CL	2.2L L4 F/I	33-2071	HP-1004 ¹
CL	3.0L V6 F/I	33-2100	HP-1004 ¹
Integra	1.8L L4 F/I	E-2427	HP-1004 ¹
Integra GS-R	1.8L L4 F/I	E-2427 ♦	HP-1004 ¹
Integra Type R	1.8L L4 F/I	E-2427	HP-1004 ¹
RL	3.5L V6 F/I	33-2179	HP-1004 ¹
TL	2.5L L5 F/I	33-2267	HP-1004 ¹
TL	3.2L V6 F/I	33-2089	
1996 ACURA			
Integra	1.8L L4 F/I	E-2427	HP-1004 ¹
Integra GS-R	1.8L L4 F/I	E-2427 ♦	HP-1004 ¹
NSX	3.0L V6 F/I	33-2713	
RL	3.5L V6 F/I	33-2179	HP-1004 ¹
TL	3.2L V6 F/I	33-2089	
1995 ACURA			
Integra	1.8L L4 F/I	E-2427 ♦	HP-1004 ¹
Integra GS-R	1.8L L4 F/I	E-2427 ♦	HP-1004 ¹
Legend	3.2L V6 F/I	33-2089	
NSX	3.0L V6 F/I	33-2713	
1994 ACURA			
Integra	1.8L L4 F/I	E-2427 ♦	HP-1004 ¹
Integra GS-R	1.8L L4 F/I	E-2427 ♦	HP-1004 ¹
Legend	3.2L V6 F/I	33-2089	
NSX	3.0L V6 F/I	33-2713 ♦	
1993 ACURA			
Integra	1.8L L4 F/I	33-2028 ♦	HP-1004 ¹
Integra GS-R	1.7L L4 F/I	33-2028 ♦	HP-1004 ¹
Legend	3.2L V6 F/I	33-2089	
1992 ACURA			
Integra	1.8L L4 F/I	33-2028 ♦	HP-1004 ¹
Integra GS-R	1.7L L4 F/I	33-2028 ♦	HP-1004 ¹
Legend	3.2L V6 F/I	33-2089	
NSX	3.0L V6 F/I	33-2713 ♦	
1991 ACURA			
Integra	1.8L L4 F/I	33-2028 ♦	HP-1004 ¹
Legend	3.2L V6 F/I	33-2089	
NSX	3.0L V6 F/I	33-2713 ♦	
1990 ACURA			
Integra	1.8L L4 F/I	33-2028 ♦	HP-1004 ¹
Legend	2.7L V6 F/I	E-0999	
1989 ACURA			
Legend	2.7L V6 F/I	E-0999	
1988 ACURA			
Legend	2.7L V6 F/I	E-0999	
2017 ALFA ROMEO			
4C	1.7L L4 F/I	E-2995	
Giulietta	1.4L L4 F/I	E-2991	

* 2 filters required

♦ Intake System Available - see page 84 +Cabin Air Filter Available - see page 453 1- Performance Silver Oil Filter Also Available

ALFA ROMEO

AIR & OIL FILTERS



Vehicle	Engine Type	Air Filter	Oil Filter
2017 ALFA ROMEO			
Giulietta	1.6L L4 DSL - 120BHP	E-2991	
Giulietta	1.7L L4 F/I	E-2986	
Giulietta	2.0L L4 DSL	E-2991	
Mito	0.9L L2 F/I	33-2981	
Mito	1.4L L4 F/I - Exc. Turbo	33-2842 ♦	
Mito	1.4L L4 F/I - Turbo	33-2935 ♦	
Mito	1.6L L4 DSL	33-2935 ♦	
2016 ALFA ROMEO			
4C	1.7L L4 F/I	E-2995	
Giulietta	1.4L L4 F/I	E-2991	
Giulietta	2.0L L4 DSL	E-2991	
2015 ALFA ROMEO			
4C	1.7L L4 F/I	E-2995	
2014 ALFA ROMEO			
4C	1.7L L4 F/I	E-2995	
2013 ALFA ROMEO			
Mito	1.4L L4 F/I - Turbo	33-2935 ♦	
2012 ALFA ROMEO			
Giulietta	1.4L L4 F/I	E-2991	
2009 ALFA ROMEO			
Mito	1.4L L4 F/I - Exc. Turbo	33-2842 ♦	
Mito	1.4L L4 F/I - Turbo	33-2935 ♦	
2008 ALFA ROMEO			
159	2.4L L5 DSL	E-9281	
2006 ALFA ROMEO			
147	1.9L L4 DSL	33-2228	
159	1.9L L4 F/I	E-9281	PS-7000
2005 ALFA ROMEO			
147	1.6L L4 F/I	33-2218 ♦	
2004 ALFA ROMEO			
GT	1.9L L4 DSL	33-2228	
2002 ALFA ROMEO			
147	2.0L L4 F/I	33-2218 ♦	
1991 ALFA ROMEO			
164	3.0L V6 F/I	33-2645	
Spider	2.0L L4 F/I	33-2546	
1990 ALFA ROMEO			
Spider	2.0L L4 F/I	33-2546	
1988 ALFA ROMEO			
Spider	2.0L L4 F/I	33-2546	HP-2004 ¹
1986 ALFA ROMEO			
Spider	2.0L L4 F/I	33-2546	HP-2004 ¹
1974 ALFA ROMEO			
2000	2.0L L4 CARB	E-2040	
2000 AM GENERAL			
Hummer	6.5L V8 DSL	E-1700	
1998 AM GENERAL			
Hummer	6.5L V8 DSL	E-1700	HP-3002 ¹
1996 AM GENERAL			
Hummer	6.5L V8 DSL	E-1700	HP-3002 ¹
1995 AM GENERAL			
Hummer	6.5L V8 DSL	E-1700	

Vehicle	Engine Type	Air Filter	Oil Filter
1994 AM GENERAL			
Hummer	6.5L V8 DSL	E-1700	
1993 AM GENERAL			
Hummer	6.2L V8 DSL	E-1700	HP-3002 ¹
1992 AM GENERAL			
Hummer	6.2L V8 DSL		HP-3002 ¹
1970 AMC			
AMX	390 V8 CARB	E-1957	
1969 AMC			
AMX	390 V8 CARB	E-1957	
2016 APRILIA			
RS4 125	124		KN-563
RSV4 RF	1000		KN-138
RSV4 RF LE	1000		KN-138
RSV4 RR	1000		KN-138
Tuono 1000 R Factory	1077	AL-1010	
Tuono 1000 R Factory	1077 - Race Specific	AL-1010R	
Tuono V4 1100 Factory ABS	1077	AL-1010	KN-138
Tuono V4 1100 Factory ABS	1077 - Race Specific	AL-1010R	KN-138
Tuono V4 1100RR ABS	1077	AL-1010	KN-138
Tuono V4 1100RR ABS	1077 - Race Specific	AL-1010R	KN-138
2015 APRILIA			
Caponord 1200 ABS Rally	1197	AL-1111	
Caponord 1200 ABS Travel Pack	1197	AL-1111	
Shiver 750	750		KN-184
Tuono V4 1100 Factory ABS	1077	AL-1010	KN-138
Tuono V4 1100 Factory ABS	1077 - Race Specific	AL-1010R	KN-138
Tuono V4 1100RR ABS	1077		KN-138
Tuono V4 R APRC ABS	1000	AL-1010	KN-138
Tuono V4 R APRC ABS	1000 - Race Specific	AL-1010R	KN-138
2014 APRILIA			
Caponord 1200 Shiver 750	1197 750	AL-1111	KN-184
Tuono V4 R APRC ABS	1000	AL-1010	
Tuono V4 R APRC ABS	1000 - Race Specific	AL-1010R	
2013 APRILIA			
Dorsoduro 1200 RSV 1000 R	1197 998	AL-1111 AL-1004	KN-138
RSV 1000 R Factory RSV4 Factory APRC ABS	998 1000	AL-1004 AL-1010	KN-138
RSV4 Factory APRC ABS	1000 - Race Specific	AL-1010R	
RSV4 R APRC ABS RSV4 R APRC ABS	1000 1000 - Race Specific	AL-1010 AL-1010R	
Shiver 750 SL750 Shiver ABS	750 750		KN-184 KN-184

* 2 filters required ♦ Intake System Available - see page 84 +Cabin Air Filter Available - see page 453 1- Performance Silver Oil Filter Also Available



AIR & OIL FILTERS

APRILIA

Vehicle	Engine Type	Air Filter	Oil Filter
2013 APRILIA			
Tuono V4 R	1000		KN-138
Tuono V4 R APRC	1000	AL-1010	
Tuono V4 R APRC	1000 - Race Specific	AL-1010R	
2012 APRILIA			
Dorsoduro 1200	1197	AL-1111	
RSV4 R	1000	AL-1010	
RSV4 R	1000 - Race Specific	AL-1010R	
Shiver 750	750		KN-184
Tuono V4 R	1000	AL-1010	KN-138
Tuono V4 R	1000 - Race Specific	AL-1010R	KN-138
Tuono V4 R APRC	1000	AL-1010	
Tuono V4 R APRC	1000 - Race Specific	AL-1010R	
2011 APRILIA			
Dorsoduro 1200	1197	AL-1111	
RSV4 R	1000	AL-1010	KN-138
RSV4 R	1000 - Race Specific	AL-1010R	KN-138
2010 APRILIA			
RSV4 Factory	1000	AL-1010	KN-138
RSV4 Factory	1000 - Race Specific	AL-1010R	KN-138
RSV4 R	1000	AL-1010	
RSV4 R	1000 - Race Specific	AL-1010R	
Shiver 750	750		KN-184
SXV 550	549	AL-4506	KN-563
2009 APRILIA			
Mana 850 GT ABS	839	MG-0001	
RSV 1000 R	998	AL-1004	
RSV 1000 R	998 - OEM AP0256187	AL-1004	KN-152
RSV 1000 R	998 - OEM AP0956745	AL-1004	KN-564
RSV 1000 R Factory	998	AL-1004	
RSV 1000 R Factory	998 - OEM AP0256187	AL-1004	KN-152
RSV 1000 R Factory	998 - OEM AP0956745	AL-1004	KN-564
Shiver 750	750		KN-184
SL750 Shiver ABS	750		KN-184
Tuono 1000 R	998		KN-152
Factory			
2008 APRILIA			
RSV 1000 R	998	AL-1004	
RSV 1000 R	998 - OEM AP0256187	AL-1004	KN-152
RSV 1000 R Factory	998	AL-1004	
RSV 1000 R Factory	998 - OEM AP0256187	AL-1004	KN-152
RSV 1000 R Factory	998 - OEM AP0956745	AL-1004	KN-564
Shiver 750	750		KN-184
SXV 550	549		KN-563
Tuono 1000 R	998	AL-1004	
Factory			
Tuono 1000 R	998 - OEM AP0256187	AL-1004	KN-152
Factory			
Tuono 1000 R	998 - OEM AP0956745	AL-1004	KN-564
Factory			
2007 APRILIA			
RSV 1000 R	998	AL-1004	
RSV 1000 R	998 - OEM AP0256187	AL-1004	KN-152
RSV 1000 R	998 - OEM AP0956745	AL-1004	KN-564
RSV 1000 R Factory	998	AL-1004	
RSV 1000 R Factory	998 - OEM AP0256187	AL-1004	KN-152
RSV 1000 R Factory	998 - OEM AP0956745	AL-1004	KN-564
RXV 450 Enduro	449		KN-563
SXV 550	549	AL-4506	KN-563
Tuono 1000 R	998	AL-1004	
Tuono 1000 R	998 - OEM AP0256187	AL-1004	KN-152

Vehicle	Engine Type	Air Filter	Oil Filter
2007 APRILIA			
Tuono 1000 R	998 - OEM AP0956745	AL-1004	KN-564
2006 APRILIA			
Tuono 1000 R	998	AL-1004	
Tuono 1000 R	998 - OEM AP0256187	AL-1004	KN-152
Tuono 1000 R	998 - OEM AP0956745	AL-1004	KN-564
Tuono 1000 R	998	AL-1004	
Factory			
Tuono 1000 R	998 - OEM AP0256187	AL-1004	KN-152
Factory			
Tuono 1000 R	998 - OEM AP0956745	AL-1004	KN-564
Factory			
2003 APRILIA			
RSV Mille	998	AL-1001	KN-152
RSV Mille R Haga	998 - OEM AP0256187		KN-152
RSV Mille R Haga	998 - OEM AP0956745		KN-564
Tuono Fighter	998	AL-1001	
Tuono Fighter	998 - OEM AP0256187	AL-1001	KN-152
Tuono Fighter	998 - OEM AP0956745	AL-1001	KN-564
2002 APRILIA			
RSV Mille	998	AL-1001	
RSV Mille	998 - OEM AP0256187	AL-1001	KN-152
RSV Mille	998 - OEM AP0956745	AL-1001	KN-564
RSV Mille R	998 - OEM AP0256187		KN-152
RSV Mille R	998 - OEM AP0956745		KN-564
2001 APRILIA			
Pegaso 650 i.e.	652		KN-151
RSV Mille	998	AL-1001	
RSV Mille	998 - OEM AP0256187	AL-1001	KN-152
RSV Mille	998 - OEM AP0956745	AL-1001	KN-564
RSV Mille R	998 - OEM AP0256187		KN-152
RSV Mille R	998 - OEM AP0956745		KN-564
RSV Mille SP	998	AL-1098	
RSV Mille SP	998 - OEM AP0256187	AL-1098	KN-152
RSV Mille SP	998 - OEM AP0956745	AL-1098	KN-564
2000 APRILIA			
RSV Mille	998	AL-1098	
RSV Mille	998 - OEM AP0256187	AL-1098	KN-152
RSV Mille	998 - OEM AP0956745	AL-1098	KN-564
RSV Mille R	998	AL-1001	
RSV Mille R	998 - OEM AP0256187	AL-1001	KN-152
RSV Mille R	998 - OEM AP0956745	AL-1001	KN-564
RSV Mille SP	998 - OEM AP0256187		KN-152
RSV Mille SP	998 - OEM AP0956745		KN-564
2016 ARCTIC CAT			
500	443		KN-621
1000 XT	951		KN-621
Alterra 700XT	695		KN-621
HDX 700XT	695		KN-621
Wildcat Sport	700	AC-7014	
Wildcat Sport LTD	700		KN-621
Wildcat Sport XT	700		KN-621
Wildcat Trail	700	AC-7014	KN-621
Wildcat Trail LTD	700		KN-621
Wildcat Trail SE	700	AC-7014	KN-621
Wildcat Trail XT	700		KN-621
Wildcat X	951	AC-1012	
Wildcat X LTD	951	AC-1012	KN-621
Wildcat X SE	951	AC-1012	KN-621
Wildcat X Special Edition	951	AC-1012	KN-621

* 2 filters required

◆ Intake System Available - see page 84 + Cabin Air Filter Available - see page 453 1- Performance Silver Oil Filter Also Available

ARCTIC CAT

AIR & OIL FILTERS



Vehicle	Engine Type	Air Filter	Oil Filter
2015 ARCTIC CAT			
400	366		KN-621
450	443		KN-621
500	443		KN-621
700 XT	695	AC-7009	
1000 XT	951		KN-621
TRV500	443		KN-621
Wildcat 1000	1000		KN-621
Wildcat Sport	700	AC-7014	KN-621
Wildcat Sport LTD	700		KN-621
Wildcat Sport XT	700		KN-621
Wildcat Trail	700	AC-7014	KN-621
Wildcat Trail LTD	700		KN-621
Wildcat Trail XT	700	AC-7014	KN-621
Wildcat X 1000	951	AC-1012	KN-621
Wildcat X LTD	951	AC-1012	
XR550 LTD	545		KN-621
XR550 XT	545		KN-621
XR700 LTD	695		KN-621
XR700 XT	695		KN-621

Vehicle	Engine Type	Air Filter	Oil Filter
2014 ARCTIC CAT			
550 LTD	545	AC-7009	KN-621
550 XT	545	AC-7009	KN-621
700	695	AC-7009	KN-621
700 XT	695	AC-7009	KN-621
700i LTD	695	AC-7009	KN-621
1000 XT	951	AC-1009	KN-621
Wildcat 4 1000	1000	AC-1012	
Wildcat 1000	1000	AC-1012	KN-621
Wildcat 1000 LTD	1000	AC-1012	KN-621
Wildcat Trail	700	AC-7014	
Wildcat Trail XT	700	AC-7014	
Wildcat X 1000	951	AC-1012	KN-621
Wildcat X LTD	951	AC-1012	

Vehicle	Engine Type	Air Filter	Oil Filter
2013 ARCTIC CAT			
700 XT	695	AC-7009	KN-621
1000 XT	951	AC-1009	KN-621
Prowler HDX 700i	695	AC-7009	KN-621
Wildcat 4 1000	1000	AC-1012	
Wildcat 1000	1000	AC-1012	KN-621
Wildcat 1000 LTD	1000	AC-1012	KN-621
Wildcat X 1000	951	AC-1012	KN-621

Vehicle	Engine Type	Air Filter	Oil Filter
2012 ARCTIC CAT			
550 4x4 Auto	545		KN-621
550i GT	550	AC-7009	
700 H1 EFI	695	AC-7009	KN-621
700i	700	AC-7009	
700i GT	700	AC-7009	KN-621
700i LTD	700	AC-7009	KN-621
1000i GT	951	AC-1009	
Wildcat 1000	1000	AC-1012	

Vehicle	Engine Type	Air Filter	Oil Filter
2011 ARCTIC CAT			
550 H1 EFI	545	AC-7009	
700 H1 EFI	695	AC-7009	KN-621
700 H1 EFI Mudpro	695	AC-7009	KN-621

Vehicle	Engine Type	Air Filter	Oil Filter
2010 ARCTIC CAT			
550 H1 EFI	545	AC-7009	KN-621
700 H1 EFI	695	AC-7009	KN-621
700 H1 EFI Mudpro	695	AC-7009	KN-621
Prowler XTZ 1000 H2 EFI	951	AC-7009	KN-621

Vehicle	Engine Type	Air Filter	Oil Filter
2009 ARCTIC CAT			
366 4x4 Auto	366		KN-621
400 4x4 Auto TRV	400	AC-4004	
550 H1 EFI	545	AC-7009	KN-621
700 H1 EFI	695	AC-7009	KN-621
700 H1 EFI LE	695	AC-7009	KN-621
700 H1 EFI Mudpro	695	AC-7009	KN-621
700 H1 EFI SE	695	AC-7009	KN-621
Thundercat	951	AC-1009	KN-621

Vehicle	Engine Type	Air Filter	Oil Filter
2008 ARCTIC CAT			
366 4x4 Auto	366		KN-621
400 4x4 Auto	400	AC-4004	KN-138
500 4x4 Auto	500	AC-4004	KN-621
500 4x4 Auto M4	500	AC-4004	KN-621
500 4x4 Auto TRV	500	AC-4004	KN-621
650 H1 4x4 Auto	641	AC-7009	KN-621
650 H1 4x4 Auto TRV	641	AC-7009	KN-621
700 EFI 4x4 Auto	700		KN-621
700 EFI 4x4 Auto M4	700		KN-621
700 EFI 4x4 Auto TRV LE	700		KN-621
700 H1 EFI	695	AC-7009	KN-621
700 H1 EFI 4x4 Auto SE	695		KN-621
DVX400	400	SU-4002	
Prowler XT 650 4x4 Auto M4	650	AC-7009	
Thundercat	1000	AC-1009	KN-621

Vehicle	Engine Type	Air Filter	Oil Filter
2007 ARCTIC CAT			
400 4x4	400	AC-4004	KN-138
400 4x4 Auto	400	AC-4004	KN-138
400 4x4 Auto LE	400	AC-4004	KN-138
400 4x4 Auto TRV Plus	400	AC-4004	KN-138
500 4x4	500		KN-138
500 4x4 Auto	500	AC-4004	KN-138
650 H1 4x4 Auto	641	AC-4004	KN-621
650 H1 4x4 Auto LE	641	AC-4004	KN-621
650 H1 4x4 Auto TBX	641	AC-4004	KN-621
650 H1 4x4 Auto TRV Plus	641	AC-4004	KN-621
700 EFI 4x4 Auto	700		KN-621
700 EFI 4x4 Auto LE	700		KN-621
DVX400	400	SU-4002	KN-139
DVX400 TS	400	SU-4002	KN-139

Vehicle	Engine Type	Air Filter	Oil Filter
2006 ARCTIC CAT			
400 4x4	400	AC-4004	KN-138
400 4x4 Auto	400	AC-4004	KN-138
400 4x4 Auto LE	400	AC-4004	KN-138
400 4x4 Auto TBX	400	AC-4004	KN-138
400 4x4 Auto TRV	400	AC-4004	KN-138
400 4x4 Auto VP	400	AC-4096-1	KN-138
400 4x4 VP	400	AC-4096-1	KN-138
500 4x4	500		KN-138
500 4x4 Auto	500	AC-4004	KN-138
500 4x4 Auto LE	500	AC-4004	KN-138
500 4x4 Auto TBX	500	AC-4004	KN-138
500 4x4 Auto TRV	500	AC-4004	KN-138
650 H1 4x4 SE	650	AC-6504	KN-621
650 V2 4x4	650	AC-6504	KN-204
650 V2 4x4 LE TS	650	AC-6504	KN-204
DVX400	400	SU-4002	KN-139
DVX400 TS	400	SU-4002	KN-139

* 2 filters required

◆ Intake System Available - see page 84 + Cabin Air Filter Available - see page 453 1- Performance Silver Oil Filter Also Available



AIR & OIL FILTERS

ARCTIC CAT

Vehicle	Engine Type	Air Filter	Oil Filter
2005 ARCTIC CAT			
250 2x4	249	AC-3098	KN-132
400 4x4	400	AC-4096-1	KN-138
400 4x4 Auto	400	AC-4096-1	KN-138
400 4x4 Auto LE	400	AC-4096-1	KN-138
400 4x4 Auto TBX	400	AC-4096-1	KN-138
400 4x4 Auto VP	400	AC-4096-1	KN-138
400 4x4 VP	400	AC-4096-1	KN-138
500 4x4	500	AC-4004	KN-138
500 4x4 Auto	500	AC-4004	KN-138
500 4x4 Auto LE	500	AC-4004	KN-138
500 4x4 Auto TBX	500	AC-4004	KN-138
500 4x4 Auto TRV	500		KN-138
650 V2 4x4 Auto	650	AC-6504	KN-204
650 V2 4x4 Auto LE	650	AC-6504	KN-204
2004 ARCTIC CAT			
300 4x4	280	AC-3098	KN-132
300 4x4 MRP	280	AC-3098	KN-132
400 4x4	400	AC-4096-1	KN-138
400 4x4 ACT	400	AC-4096-1	KN-138
400 4x4 Auto	400	AC-4096-1	KN-138
400 4x4 Auto ACT	400	AC-4096-1	KN-138
400 4x4 Auto TBX	400	AC-4096-1	KN-138
500 4x4	500		KN-138
500 4x4 Auto	500		KN-138
500 4x4 Auto MRP	500		KN-138
500 4x4 Auto TBX	500		KN-138
500 4x4 Auto TRV	500		KN-138
500 4x4 MRP	500		KN-138
650 4x4 Auto	650		KN-204
650 4x4 Auto LE	650	AC-6504	KN-204
650 V2 4x4 Auto	650		KN-204
650 V2 4x4 Auto LE	650		KN-204
DVX400	400	SU-4002	KN-139
2003 ARCTIC CAT			
300 4x4	280	AC-3098	KN-132
400 4x4	400	AC-4096-1	KN-138
400 4x4 ACT	400	AC-4096-1	KN-138
400 4x4 Auto	400	AC-4096-1	KN-138
400 4x4 Auto ACT	400	AC-4096-1	KN-138
400 4x4 Auto MRP	400	AC-4096-1	KN-138
500 4x4	500		KN-138
500 4x4 Auto	500		KN-138
500 4x4 Auto MRP	500		KN-138
500 4x4 Auto TBX	500		KN-138
500 4x4 MRP	500		KN-138
2002 ARCTIC CAT			
400 4x4	400	AC-4096-1	KN-138
500 4x4 Auto	500	AC-4096-1	KN-138
500 4x4 Auto TBX	500	AC-4096-1	KN-138
2001 ARCTIC CAT			
250 2x4	249	AC-3098	KN-132
300 4x4	280	AC-3098	KN-132
400 4x4	400	AC-4096-1	KN-138
500 4x4 Auto	500	AC-4096-1	KN-138
2000 ARCTIC CAT			
300 4x4	280	AC-3098	KN-132
500 4x4 Auto	500	AC-4096-1	KN-138
1999 ARCTIC CAT			
300 4x4	280	AC-3098	KN-132
500 4x4	487	AC-4096-1	KN-138

Vehicle	Engine Type	Air Filter	Oil Filter
1998 ARCTIC CAT			
300 4x4	280	AC-3098	KN-132
1996 ARCTIC CAT			
454 4x4	454	AC-4096-1	KN-138
2017 AUDI			
A1	1.0L L3 F/I	33-3037	
A1	1.4L L3 DSL	33-3044	
A1	1.4L L4 F/I	33-3004	
A1	1.6L L4 DSL	33-3035	
A1	1.8L L4 F/I	33-3035	
A3	1.0L L3 F/I	33-3037+	
A3	1.4L L4 F/I	33-3004+	HP-1002 ¹
A3	1.6L L4 DSL	33-3005+	
A3	2.0L L4 DSL	33-3005+	
A3	2.0L L4 F/I	33-3005+	
A3 Sportback e-tron	1.4L L4 F/I	33-3004+	HP-1002 ¹
A5	2.0L L4 DSL		PS-3004
A5 Quattro	2.0L L4 DSL		PS-3004
A6	1.8L L4 F/I	E-2987	
A6	2.0L L4 DSL	E-2987	
A6	2.0L L4 F/I	E-2987	
A6	3.0L V6 DSL	E-1983	
A6	3.0L V6 F/I	E-1983	
A6 Quattro	2.0L L4 F/I	E-2987	
A6 Quattro	3.0L V6 F/I	E-1983	
A7	1.8L L4 F/I	E-2987	
A7	2.0L L4 F/I	E-2987	
A7	3.0L V6 DSL	E-1983	
A7	3.0L V6 F/I	E-1983	
A7 Quattro	2.0L L4 F/I	E-2987	
A8	3.0L V6 DSL	E-2999	
A8	3.0L V6 F/I	E-2999	
A8	4.0L V8 F/I	E-2999	
A8 Quattro	3.0L V6 DSL	E-2999	
A8 Quattro	3.0L V6 F/I	E-2999	
A8 Quattro	4.0L V8 F/I	E-2999	
A8 Quattro	4.2L V8 DSL	E-2999*	
Q2	1.0L L3 F/I	33-3037+	
Q2	1.4L L4 F/I	33-3004+	
Q2	1.6L L4 DSL	33-3005+	
Q2	2.0L L4 DSL	33-3005+	
Q3	1.4L L4 F/I	33-3004+	
Q3	2.0L L4 DSL	33-2865+	PS-3004
Q3	2.0L L4 F/I	33-2865+	
Q3	2.5L L5 F/I	33-2384+	
Q3 Quattro	2.0L L4 DSL	33-2865+	PS-3004
Q3 Quattro	2.0L L4 F/I	33-2865+	
Q5	2.0L L4 F/I	33-2945	PS-7015
Q5	3.0L V6 DSL		PS-7015
Q5	3.0L V6 F/I	E-1987	PS-7015
R8	5.2L V10 F/I	E-0658	
RS3	2.5L L5 F/I	33-3036+	
RS6	4.0L V8 F/I	E-0664	
RS7	4.0L V8 F/I	E-0664	
S1	2.0L L4 F/I	33-3035	
S3	2.0L L4 F/I	33-3005+	
S5	3.0L V6 F/I	E-1987	PS-7015
S6	4.0L V8 F/I	E-1983	
S7	4.0L V8 F/I	E-1983	
SQ5	3.0L V6 F/I		PS-7015
TT	1.8L L4 F/I	33-3005	
TT	2.0L L4 F/I	33-3005+	
TT Quattro	2.0L L4 F/I	33-3005+	

* 2 filters required

◆ Intake System Available - see page 84 + Cabin Air Filter Available - see page 453 1- Performance Silver Oil Filter Also Available



Vehicle	Engine Type	Air Filter	Oil Filter	Vehicle	Engine Type	Air Filter	Oil Filter
2017 AUDI				2015 AUDI			
TT RS	2.5L L5 F/I	33-3036+		A4	2.0L L4 F/I	33-2945 ♦	PS-3004
TTS	2.0L L4 F/I	33-3005+		A4	3.0L V6 DSL	E-1987	
2016 AUDI				A4	3.0L V6 F/I	E-1987	
A1	1.6L L4 DSL	33-3035		A4 allroad	2.0L L4 F/I		PS-3004
A1	1.8L L4 F/I	33-3035		A4 Quattro	2.0L L4 F/I	33-2945	PS-3004
A3	1.2L L4 F/I	33-3004+		A4 Quattro	3.0L V6 DSL	E-1987	
A3	1.4L L4 F/I	33-3004+	HP-1002 ¹	A4 Quattro	3.0L V6 F/I	E-1987	
A3	1.8L L4 F/I	33-3005+		A5	2.0L L4 DSL - Exc. 190BHP	33-2945	
A3	2.0L L4 DSL	33-3005+		A5	2.0L L4 F/I	33-2945 ♦	PS-3004
A3	2.0L L4 F/I	33-3005+		A5 Quattro	2.0L L4 F/I	33-2945	PS-3004
A3 Quattro	2.0L L4 F/I	33-3005+		A5 Quattro	3.0L V6 DSL	E-1987	
A3 Sportback e-tron	1.4L L4 F/I	33-3004+	HP-1002 ¹	A5 Quattro	3.0L V6 F/I	E-1987	
A4	2.0L L4 F/I	33-2945	PS-3004	A6	2.0L L4 DSL	E-2987	
A4 allroad	2.0L L4 F/I		PS-3004	A6	2.0L L4 F/I	E-2987 ♦	
A4 Quattro	2.0L L4 F/I	33-2945	PS-3004	A6	3.0L V6 DSL	E-1983	
A5	2.0L L4 DSL - Exc. 190BHP	33-2945		A6	3.0L V6 F/I	E-1983	PS-7015
A5	2.0L L4 F/I	33-2945	PS-3004	A6 Quattro	2.0L L4 F/I	E-2987	PS-3004
A5 Quattro	2.0L L4 F/I	33-2945	PS-3004	A6 Quattro	3.0L V6 DSL	E-1983	
A6	2.0L L4 DSL	E-2987		A6 Quattro	3.0L V6 F/I	E-1983	PS-7015
A6	2.0L L4 F/I	E-2987		A7 Quattro	3.0L V6 DSL	E-1983	
A6	3.0L V6 DSL	E-1983		A7 Quattro	3.0L V6 F/I	E-1983	PS-7015
A6	3.0L V6 F/I	E-1983		A8 Quattro	3.0L V6 DSL	E-2999	
A6 Quattro	2.0L L4 F/I	E-2987		A8 Quattro	3.0L V6 F/I	E-2999	
A6 Quattro	3.0L V6 DSL	E-1983		A8 Quattro	4.0L V8 F/I	E-2999	
A6 Quattro	3.0L V6 F/I	E-1983		Q3	2.0L L4 DSL	33-2865+	
A7 Quattro	3.0L V6 DSL	E-1983		Q3	2.0L L4 F/I	33-2865+	
A7 Quattro	3.0L V6 F/I	E-1983	PS-7015	Q3 Quattro	2.0L L4 F/I	33-2865+	PS-3004
A8	4.0L V8 F/I	E-2999		Q5	2.0L L4 DSL - Exc. 190BHP	33-2945	
A8 Quattro	4.0L V8 F/I	E-2999		Q5	2.0L L4 F/I	33-2945	PS-3004
Q3	2.0L L4 DSL	33-2865+		Q5	3.0L V6 DSL	E-1987	
Q3	2.0L L4 F/I	33-2865+		Q5	3.0L V6 F/I	E-1987	PS-7015
Q3 Quattro	2.0L L4 F/I	33-2865+	PS-3004	Q7	3.0L V6 F/I		PS-7015
Q5	2.0L L4 DSL - Exc. 190BHP	33-2945		R8	4.2L V8 F/I - w/Manual Trans.	E-0668	
Q5	2.0L L4 F/I	33-2945	PS-3004	R8	5.2L V10 F/I - w/Auto Trans.	E-0658	
Q5	3.0L V6 DSL	E-1987		R8	5.2L V10 F/I - w/Manual Trans.	E-0669	
Q5	3.0L V6 F/I	E-1987	PS-7015	RS3	2.5L L5 F/I	33-3036	
RS3	2.5L L5 F/I	33-3036+		RS4	4.2L V8 F/I - Left Side Airbox	33-3031	
RS6	4.0L V8 F/I	E-0664		RS4	4.2L V8 F/I - Right Side Airbox	33-3032	
RS7	4.0L V8 F/I	E-0664		RS5	4.2L V8 F/I - Left Side Airbox	33-3031	
S1	2.0L L4 F/I	33-3035		RS5	4.2L V8 F/I - Right Side Airbox	33-3032	
S3	2.0L L4 F/I	33-3005+		RS6	4.0L V8 F/I	E-0664	
S4	3.0L V6 F/I	E-1987	PS-7015	RS7	4.0L V8 F/I	E-0664	
S5	3.0L V6 F/I	E-1987	PS-7015	S1	2.0L L4 F/I	33-3035	
S6	4.0L V8 F/I	E-1983		S3	2.0L L4 F/I	33-3005	
S7	4.0L V8 F/I	E-1983		S4	3.0L V6 F/I	E-1987	PS-7015
SQ5	3.0L V6 DSL	E-1987		S5	3.0L V6 F/I	E-1987	PS-7015
SQ5	3.0L V6 F/I		PS-7015	S6	4.0L V8 F/I	E-1983	
TT	2.0L L4 DSL	33-3005+		S7	4.0L V8 F/I	E-1983	
TT	2.0L L4 F/I	33-3005+		SQ5	3.0L V6 F/I		PS-7015
TT Quattro	2.0L L4 F/I	33-3005+		TT	2.0L L4 DSL	33-3005+	
TTS	2.0L L4 F/I	33-3005+		TT	2.0L L4 F/I	33-3005+	
2015 AUDI				TT Quattro	2.0L L4 F/I	33-3005+	
A1	1.4L L4 F/I	33-3004 ♦		TT Quattro	2.0L L4 F/I - Eng. CETA	33-3005	PS-3004
A3	1.4L L4 F/I	33-3004+		TT RS	2.5L L5 F/I		PS-7010
A3	1.8L L4 F/I	33-3005+		TTS	2.0L L4 F/I		PS-7010
A3	2.0L L4 DSL	33-3005+	PS-7031				
A3	2.0L L4 F/I	33-3005+					
A3 Quattro	2.0L L4 F/I	33-3005+					
A4	1.8L L4 F/I	33-2945					
A4	2.0L L4 DSL - Exc. 190BHP	33-2945					

* 2 filters required

♦ Intake System Available - see page 84 +Cabin Air Filter Available - see page 453 1- Performance Silver Oil Filter Also Available



AIR & OIL FILTERS

AUDI

Vehicle	Engine Type	Air Filter	Oil Filter	Vehicle	Engine Type	Air Filter	Oil Filter
2014 AUDI				2013 AUDI			
A1	1.4L L4 F/I	E-2997 ♦		A3	2.0L L4 DSL - US	33-2865 ♦♦	PS-7031
A3	1.4L L4 F/I	33-3004+		A3	2.0L L4 F/I		PS-3004
A3	1.6L L4 DSL	33-3005+		A3	2.0L L4 F/I - Non-US	33-3005 ♦♦	PS-3004
A3	1.8L L4 F/I	33-3005+		A3	2.0L L4 F/I - US	33-2865 ♦♦	PS-3004
A3	2.0L L4 DSL	33-3005+	PS-7031	A3 Quattro	2.0L L4 F/I		PS-3004
A4	1.8L L4 F/I	33-2945		A3 Quattro	2.0L L4 F/I - US	33-2865+	PS-3004
A4	2.0L L4 DSL	33-2945		A4	1.8L L4 F/I	33-2945	
A4	2.0L L4 F/I	33-2945 ♦♦	PS-3004	A4	2.0L L4 DSL	33-2945	
A4 allroad	2.0L L4 F/I	33-2945+	PS-3004	A4	2.0L L4 F/I	33-2945 ♦♦	PS-3004
A4 Quattro	2.0L L4 F/I	33-2945+	PS-3004	A4 allroad	2.0L L4 F/I	33-2945+	PS-3004
A4 Quattro	3.0L V6 DSL	E-1987		A4 Quattro	2.0L L4 F/I	33-2945+	PS-3004
A4 Quattro	3.0L V6 F/I	E-1987		A4 Quattro	3.0L V6 DSL	E-1987	
A5	2.0L L4 DSL - Exc. 190BHP	33-2945		A4 Quattro	3.0L V6 F/I	E-1987	
A5	2.0L L4 F/I	33-2945 ♦♦	PS-3004	A5	2.0L L4 DSL - From 9/13, Exc. 190BHP	33-2945	
A5 Quattro	2.0L L4 DSL - Exc. 190BHP	33-2945		A5	2.0L L4 F/I	33-2945+	PS-3004
A5 Quattro	2.0L L4 F/I	33-2945+	PS-3004	A5 Quattro	2.0L L4 DSL - From 9/13, Exc. 190BHP	33-2945	
A5 Quattro	3.0L V6 DSL	E-1987		A5 Quattro	2.0L L4 F/I	33-2945+	PS-3004
A5 Quattro	3.0L V6 F/I	E-1987		A5 Quattro	3.0L V6 DSL	E-1987	
A6	2.0L L4 DSL	E-2987		A5 Quattro	3.0L V6 F/I	E-1987	
A6	2.0L L4 F/I	E-2987 ♦	PS-3004	A6	2.0L L4 DSL	E-2987	
A6	3.0L V6 DSL	E-1983		A6	2.0L L4 F/I	E-2987	PS-3004
A6	3.0L V6 F/I	E-1983	PS-7015	A6	3.0L V6 DSL	E-1983	
A6 Quattro	2.0L L4 F/I		PS-3004	A6	3.0L V6 F/I	E-1983	
A6 Quattro	3.0L V6 F/I		PS-7015	A6 Quattro	2.0L L4 F/I	E-2987	PS-3004
A7 Quattro	3.0L V6 DSL	E-1983		A6 Quattro	3.0L V6 DSL	E-1983	
A7 Quattro	3.0L V6 F/I	E-1983	PS-7015	A6 Quattro	3.0L V6 F/I	E-1983	PS-7015
A8 Quattro	3.0L V6 DSL	E-2999		A7	3.0L V6 DSL	E-1983	
A8 Quattro	3.0L V6 F/I	E-2999		A7 Quattro	3.0L V6 DSL	E-1983	
A8 Quattro	4.0L V8 F/I	E-2999		A7 Quattro	3.0L V6 F/I	E-1983	PS-7015
A6 Quattro RS6 allroad	3.0L V6 DSL	E-1983		A8	3.0L V6 DSL	E-2999	
Q5	2.0L L4 F/I	33-2945+		A8 Quattro	3.0L V6 DSL	E-2999	
Q5	2.0L L4 DSL - Exc. 190BHP	33-2945		A8 Quattro	3.0L V6 F/I	E-2999	PS-7015
Q5	2.0L L4 F/I	33-2945+	PS-3004	A8 Quattro	4.0L V8 F/I	E-2999	
Q5	3.0L V6 DSL	E-1987		A8 Quattro	4.2L V8 F/I	E-1996*	
Q5	3.0L V6 F/I	E-1987+	PS-7015	allroad	2.0L L4 F/I	33-2945+	PS-3004
Q7	3.0L V6 DSL	33-2857		Q5	2.0L L4 DSL	33-2945	
Q7	3.0L V6 F/I	33-2857	PS-7015	Q5	2.0L L4 F/I	33-2945+	PS-3004
R8	4.2L V8 F/I - w/Manual Trans.	E-0668		Q5	3.0L V6 DSL	E-1987	
R8	5.2L V10 F/I - w/Auto Trans.	E-0658		Q5	3.0L V6 F/I	E-1987+	PS-7015
R8	5.2L V10 F/I - w/Manual Trans.	E-0669		Q5	3.2L V6 F/I	E-1987	
RS5	4.2L V8 F/I - Left Side Airbox	33-3031+		Q7	3.0L V6 DSL	33-2857	
RS5	4.2L V8 F/I - Right Side Airbox	33-3032+		Q7	3.0L V6 F/I	33-2857	PS-7015
RS7	4.0L V8 F/I	E-0664		R8	4.2L V8 F/I	E-0668	
S3	2.0L V4 F/I	33-3005+		R8	5.2L V10 F/I	E-0669	
S4	3.0L V6 F/I	E-1987+	PS-7015	RS5	4.2L V8 F/I - Left Side Airbox	33-3031+	
S5	3.0L V6 F/I	E-1987+	PS-7015	RS5	4.2L V8 F/I - Right Side Airbox	33-3032+	
S6	4.0L V8 F/I	E-1983		RS6	4.0L V8 F/I	E-0664	
S7	4.0L V8 F/I	E-1983		RS7	4.0L V8 F/I	E-0664	
SQ5	3.0L V6 F/I		PS-7015	S3	2.0L L4 F/I	33-3005 ♦♦	
TT Quattro	2.0L L4 F/I	33-2865+	PS-7010	S4	3.0L V6 F/I	E-1987+	PS-7015
TT RS	2.5L L5 F/I	33-2384		S5	3.0L V6 F/I	E-1987+	PS-7015
TTS	2.0L L4 F/I	33-2384	PS-7010	S6	4.0L V8 F/I	E-1983	
2013 AUDI				2012 AUDI			
A1	1.4L L4 F/I	E-2997 ♦		A1	1.4L L4 F/I	E-2997 ♦	
A3	1.4L L4 F/I	33-3004+					
A3	2.0L L4 DSL		PS-7031				
A3	2.0L L4 DSL - Non-US	33-3005 ♦♦	PS-7031				

* 2 filters required

♦ Intake System Available - see page 84 +Cabin Air Filter Available - see page 453 1- Performance Silver Oil Filter Also Available



Vehicle	Engine Type	Air Filter	Oil Filter	Vehicle	Engine Type	Air Filter	Oil Filter
2012 AUDI				2011 AUDI			
A3	2.0L L4 DSL	33-2865 ♦♦	PS-7031	A6	3.0L V6 DSL - from 9/11	E-1983	
A3	2.0L L4 F/I	33-2865 ♦♦	PS-3004	A6 Quattro	3.0L V6 DSL - from 9/11	E-1983	
A3 Quattro	2.0L L4 F/I	33-2865+	PS-3004	A6 Quattro	3.0L V6 F/I		PS-7015
A4	1.8L L4 F/I	33-2945		A6 Quattro	3.0L V6 F/I - from 9/11	E-1983	PS-7015
A4	2.0L L4 DSL	33-2945		A8 Quattro	4.2L V8 DSL	E-2999*	
A4	2.0L L4 F/I	33-2945 ♦♦	PS-3004	A8 Quattro	4.2L V8 F/I	E-1996*	
A4 Quattro	2.0L L4 F/I	33-2945+	PS-3004	Q5	2.0L L4 DSL	33-2945	
A4 Quattro	3.0L V6 DSL	E-1987		Q5	2.0L L4 F/I	33-2945+	PS-3004
A4 Quattro	3.0L V6 F/I	E-1987		Q5	3.2L V6 F/I	E-1987+	PS-7015
A5	2.0L L4 DSL	33-2945		Q7	3.0L V6 DSL	33-2857	
A5	2.0L L4 F/I	33-2945+	PS-3004	Q7	3.0L V6 F/I	33-2857	PS-7015
A5 Quattro	2.0L L4 F/I	33-2945+	PS-3004	R8	4.2L V8 F/I	E-0668	
A5 Quattro	3.0L V6 DSL	E-1987		R8	5.2L V10 F/I	E-0669	
A5 Quattro	3.0L V6 F/I	E-1987		RS5	4.2L V8 F/I - Left Side Airbox	33-3031	
A6	2.0L L4 DSL	E-2987		RS5	4.2L V8 F/I - Right Side Airbox	33-3032	
A6	2.0L L4 F/I	E-2987	PS-3004	S4	3.0L V6 F/I	E-1987+	PS-7015
A6	3.0L V6 DSL	E-1983		S5	3.0L V6 F/I	E-1987+	PS-7015
A6	3.0L V6 F/I	E-1983	PS-7015	S5	4.2L V8 F/I	E-1987+	
A6 Quattro	3.0L V6 DSL	E-1983		S6	5.2L V10 F/I	E-2996*	
A6 Quattro	3.0L V6 F/I	E-1983	PS-7015	TT Quattro	2.0L L4 F/I	33-2865+	
A7	3.0L V6 DSL	E-1983				33-2865 ♦♦	
A7 Quattro	3.0L V6 DSL	E-1983		TTS	2.0L L4 F/I	33-2384	PS-3004
A7 Quattro	3.0L V6 F/I	E-1983	PS-7015	2010 AUDI			
A8 Quattro	3.0L V6 DSL	E-2999		A3	2.0L L4 DSL	33-2865 ♦♦	PS-7031
A8 Quattro	3.0L V6 F/I	E-2999		A3	2.0L L4 F/I	33-2865 ♦♦	
A8 Quattro	4.2L V8 DSL	E-2999*				33-2865 ♦♦	
A8 Quattro	4.2L V8 F/I	E-1996*		A3	2.0L L4 F/I - Turbo	33-2865	PS-3004
Q5	2.0L L4 DSL	33-2945		A3 Quattro	2.0L L4 F/I	33-2865+	PS-3004
Q5	2.0L L4 F/I	33-2945+	PS-3004	A4	1.8L L4 F/I	33-2945	
Q5	3.0L V6 DSL	E-1987		A4	2.0L L4 DSL	33-2945	
Q5	3.0L V6 F/I	E-1987		A4	2.0L L4 F/I	33-2945 ♦♦	PS-3004
Q5	3.2L V6 F/I	E-1987+	PS-7015	A4 Cabriolet	2.0L L4 F/I	33-2209 ♦♦	PS-3004
Q7	3.0L V6 DSL	33-2857		A4 Quattro	2.0L L4 F/I	33-2945 ♦♦	PS-3004
Q7	3.0L V6 F/I	33-2857	PS-7015	A4 Quattro Cabriolet	2.0L L4 F/I	33-2945 ♦♦	PS-3004
Q7	4.2L V8 DSL	33-2857*		A5	2.0L L4 DSL	33-2945	
R8	4.2L V8 F/I	E-0668		A5	2.0L L4 F/I		PS-3004
R8	5.2L V10 F/I	E-0669		A5	2.0L L4 F/I - Non-US	33-2945+	PS-3004
RS3	2.5L L5 F/I	33-2384+		A5 Quattro	2.0L L4 F/I		PS-3004
S4	3.0L V6 F/I	E-1987+	PS-7015	A5 Quattro	3.2L V6 F/I	E-1987+	PS-7015
S5	3.0L V6 F/I	E-1987+	PS-7015	A6	2.0L L4 DSL	E-9282	
S5	4.2L V8 F/I	E-1987+		A6	2.0L L4 F/I	E-9282	
TT	2.0L L4 DSL	33-2865 ♦		A6	3.0L V6 F/I		PS-7015
TT	2.0L L4 F/I	33-2865 ♦		A6	3.0L V6 F/I		PS-7015
TT Quattro	2.0L L4 F/I	33-2865+		A6 Quattro	3.0L V6 F/I		
TT RS	2.5L L5 F/I	33-2384	PS-7010	A8 Quattro	4.2L V8 DSL - 351BHP	E-2999*	
TTS	2.0L L4 F/I	33-2384	PS-7010	A8 Quattro	4.2L V8 DSL - Exc., 351BHP	E-0775*	
2011 AUDI				A8 Quattro	4.2L V8 F/I	E-0775	
A1	1.4L L4 F/I	E-2997 ♦		A8 Quattro	4.2L V8 F/I - 371BHP	E-1996*	
A3	2.0L L4 DSL	33-2865 ♦♦	PS-7031	A8 Quattro	4.2L V8 F/I - Exc., 371BHP	E-0775	
A3	2.0L L4 F/I	33-2865 ♦♦	PS-3004	Q5	2.0L L4 DSL	33-2945	
A3 Quattro	2.0L L4 F/I	33-2865+	PS-3004	Q5	2.0L L4 F/I	33-2945	
A4	1.8L L4 F/I	33-2945		Q5	3.2L V6 F/I	E-1987+	PS-7015
A4	2.0L L4 DSL	33-2945		Q7	3.0L V6 DSL	33-2857	
A4	2.0L L4 F/I	33-2945 ♦♦	PS-3004	Q7	3.0L V6 F/I	33-2857	
A4 Quattro	2.0L L4 F/I	33-2945+	PS-3004	Q7	3.6L V6 F/I	33-2857	
A5	2.0L L4 DSL	33-2945		Q7	4.2L V8 DSL	33-2857*	
A5	2.0L L4 F/I	33-2945+	PS-3004	Q7	4.2L V8 F/I	33-2857	
A5 Quattro	2.0L L4 F/I	33-2945+	PS-3004	R8	4.2L V8 F/I	E-0668	
A6	2.0L L4 DSL - 4G2, 4G5 Models	E-2987		R8	5.2L V10 F/I	E-0669	
A6	2.0L L4 F/I - 4G2, 4G5 Models	E-2987					

* 2 filters required

♦ Intake System Available - see page 84 +Cabin Air Filter Available - see page 453 1- Performance Silver Oil Filter Also Available



AIR & OIL FILTERS

AUDI

Vehicle	Engine Type	Air Filter	Oil Filter	Vehicle	Engine Type	Air Filter	Oil Filter
2010 AUDI				2008 AUDI			
RS5	4.2L V8 F/I - Left Side Airbox	33-3031		A4	2.0L L4 F/I		PS-7010
RS5	4.2L V8 F/I - Right Side Airbox	33-3032		A4	2.0L L4 F/I - US	33-2209	PS-7010
S3	2.0L L4 F/I		HP-2005 ¹	A4 Quattro	2.0L L4 F/I		PS-7010
S4	3.0L V6 F/I	E-1987+	PS-7015	A4 Quattro	2.0L L4 F/I - US	33-2209	PS-7010
S5	3.0L V6 F/I	E-1987+	PS-7015	A4 Quattro	3.2L V6 F/I		PS-7015
S5	4.2L V8 F/I	E-1987+		A4 Quattro	3.2L V6 F/I - Non-US	E-1987	PS-7015
S6	5.2L V10 F/I	E-2996*		A4 Quattro	3.2L V6 F/I - US	33-2209	PS-7015
S8	5.2L V10 F/I	E-1992*		A5	2.7L V6 DSL	E-1987	
TT	2.0L L4 DSL	33-2865 ♦		A5 Quattro	3.2L V6 F/I		PS-7015
TT	2.0L L4 F/I	33-2865		A5 Quattro	3.2L V6 F/I - Non-US	E-1987+	PS-7015
TT Quattro	2.0L L4 F/I	33-2865+		A6	3.2L V6 F/I		PS-7015
TTS	2.0L L4 F/I	33-2384	PS-3004	A6 Quattro	3.2L V6 F/I		PS-7015
2009 AUDI				2007 AUDI			
A3	2.0L L4 DSL	33-2865 ♦♦		A3	1.8L L4 F/I	33-2865 ♦♦	
A3	2.0L L4 F/I	33-2865 ♦♦		A3	2.0L L4 DSL	33-2865 ♦♦	
		33-2865 ♦♦		A3	2.0L L4 F/I		PS-7010
A3	2.0L L4 F/I - Turbo	33-2865	PS-3004	A3	2.0L L4 F/I - Exc. Turbo	E-2014 ♦♦	PS-7010
A3 Quattro	2.0L L4 F/I	33-2865+	PS-3004	A3	2.0L L4 F/I - Turbo	33-2888 ♦♦	PS-7010
A4	1.8L L4 F/I	33-2945		A3	2.0L L4 F/I - Turbo	33-2888 ♦♦	PS-7010
A4	2.0L L4 DSL	33-2945		A3	2.0L L4 F/I - Turbo	33-2888 ♦♦	PS-7010
A4	2.0L L4 F/I	33-2945 ♦♦	PS-3004	A3 Quattro	2.0L L4 F/I		PS-7010
A4 Cabriolet	2.0L L4 F/I	33-2209 ♦	PS-3004	A3 Quattro	2.0L L4 F/I - Exc. Turbo	E-2014 ♦	PS-7010
A4 Quattro	2.0L L4 F/I	33-2945 ♦♦	PS-3004	A3 Quattro	2.0L L4 F/I - Turbo	33-2888 ♦	PS-7010
A4 Quattro	3.2L V6 F/I	E-1987+	PS-7015	A3 Quattro	3.2L V6 F/I		PS-7031
A4 Quattro Cabriolet	2.0L L4 F/I	33-2209 ♦	PS-3004	A3 Quattro	3.2L V6 F/I - US	33-2384 ♦♦	PS-7031
A4 Quattro Cabriolet	3.2L V6 F/I	33-2209+	PS-7015	A4	1.8L L4 F/I - 163BHP	33-2209	
A5 Quattro	3.2L V6 F/I	E-1987+	PS-7015	A4	1.8L L4 F/I - Exc. 163BHP	33-2945	
A6	2.0L L4 DSL	E-9282		A4	2.0L L4 DSL	33-2209	
A6	2.0L L4 F/I	E-9282		A4	2.0L L4 F/I	33-2209	PS-7010
A6 Quattro	3.0L V6 F/I		PS-7015	A4	3.2L V6 F/I	33-2209	
A6 Quattro	3.2L V6 F/I		PS-7015	A4 Quattro	2.0L L4 F/I	33-2209	PS-7010
A8 Quattro	4.2L V8 DSL	E-0775*		A4 Quattro	3.2L V6 F/I	33-2209	PS-7015
A8 Quattro	4.2L V8 F/I	E-0775		A6	3.2L V6 F/I		PS-7015
Q5	3.2L V6 F/I	E-1987+	PS-7015	A6 Quattro	3.2L V6 F/I		PS-7015
Q7	3.0L V6 DSL	33-2857		A8 Quattro	4.2L V8 DSL	E-0775*	
Q7	3.6L V6 F/I	33-2857	PS-7005	A8 Quattro	4.2L V8 F/I	E-0775	
R8	4.2L V8 F/I	E-0668		A8 Quattro	6.0L W12 F/I - Non-US	E-1992*	
R8	5.2L V10 F/I	E-0669		Q7	3.0L V6 DSL	33-2857	
S5	4.2L V8 F/I	E-1987+		Q7	3.6L V6 F/I	33-2857	PS-7005
S6	5.2L V10 F/I	E-2996*		Q7	4.2L V8 DSL	33-2857*	
S8	5.2L V10 F/I	E-1992*		Q7	4.2L V8 F/I	33-2857*	
TT	2.0L L4 DSL	33-2865 ♦		RS4	4.2L V8 F/I	33-2209	
TT	2.0L L4 F/I	33-2888+	PS-3004	S4	4.2L V8 F/I	33-2209	
TT Quattro	2.0L L4 F/I	33-2865+					
TT Quattro	3.2L V6 F/I	33-2384+	PS-7031				
TTS	2.0L L4 F/I		PS-3004				
2008 AUDI							
A3	1.8L L4 F/I	33-2865 ♦♦					
A3	2.0L L4 DSL	33-2865 ♦♦					
A3	2.0L L4 F/I - Non-US, Exc. Turbo	E-2014 ♦♦					
A3	2.0L L4 F/I - Non-US, Turbo	33-2888 ♦♦					
A3	2.0L L4 F/I - Turbo		PS-3004				
A3	2.0L L4 F/I - US	33-2888 ♦♦					
A3	2.0L L4 F/I - US, Turbo		PS-3004				
A3 Quattro	2.0L L4 F/I - Exc. Turbo	E-2014 ♦					
A3 Quattro	2.0L L4 F/I - Turbo	33-2888 ♦	PS-3004				
A3 Quattro	3.2L V6 F/I	33-2384* ♦♦	PS-7031				
A4	1.8L L4 F/I	33-2945					
A4	2.0L L4 DSL	33-2945					

* 2 filters required

♦ Intake System Available - see page 84 + Cabin Air Filter Available - see page 453 1- Performance Silver Oil Filter Also Available



Vehicle	Engine Type	Air Filter	Oil Filter	Vehicle	Engine Type	Air Filter	Oil Filter
2007 AUDI				2005 AUDI			
S6	5.2L V10 F/I	E-2996*		RS4	4.2L V8 F/I	33-2209	
S8	5.2L V10 F/I	E-1992*		S4	4.2L V8 F/I	33-2209	
TT	2.0L L4 F/I	33-2888 ♦	PS-7010	TT	1.8L L4 F/I	33-2128 ♦	HP-2005 ¹
TT Quattro	3.2L V6 F/I - Non-US	33-2384				33-2128 ♦+	HP-2005 ¹
TT Quattro	3.2L V6 F/I - US	33-2857		TT Quattro	1.8L L4 F/I	33-2128 ♦+	HP-2005 ¹
2006 AUDI						33-2128 ♦	HP-2005 ¹
A3	2.0L L4 DSL	33-2865 ♦+		TT Quattro	3.2L V6 F/I		PS-7031
A3	2.0L L4 F/I		PS-7010	TT Quattro	3.2L V6 F/I - Non-US	33-2128	PS-7031
A3	2.0L L4 F/I - Exc. Turbo	E-2014 ♦+	PS-7010	TT Quattro	3.2L V6 F/I - US	33-2857+	PS-7031
A3	2.0L L4 F/I - Turbo	33-2888 ♦+	PS-7010	2004 AUDI			
		33-2888 ♦+	PS-7010	A3	2.0L L4 DSL	33-2865 ♦+	
A3 Quattro	2.0L L4 F/I		PS-7010	A3	2.0L L4 F/I		PS-7010
A3 Quattro	2.0L L4 F/I - Exc. Turbo	E-2014 ♦	PS-7010	A3	2.0L L4 F/I - Exc. Turbo	E-2014 ♦+	PS-7010
A3 Quattro	2.0L L4 F/I - Turbo	33-2888 ♦	PS-7010	A3 Quattro	2.0L L4 F/I		PS-7010
A3 Quattro	3.2L V6 F/I		PS-7031	A3 Quattro	2.0L L4 F/I - Exc. Turbo	E-2014 ♦+	PS-7010
A3 Quattro	3.2L V6 F/I - US	33-2384 ♦+	PS-7031	A3 Quattro	3.2L V6 F/I	33-2384 ♦+	
A4	1.8L L4 F/I	33-2209	HP-3001 ¹	A4	1.8L L4 F/I	33-2209 ♦	HP-3001 ¹
A4	2.0L L4 DSL	33-2209		A4	1.9L L4 DSL	33-2209 ♦	
A4	2.0L L4 F/I	33-2209	PS-7010	A4	2.0L L4 DSL	33-2209	
A4	3.2L V6 F/I	33-2209		A4	2.0L L4 F/I	33-2209	
A4 Quattro	2.0L L4 F/I	33-2209	PS-7010	A4	2.0L L4 F/I - Turbo	33-2209	PS-7010
A4 Quattro	3.0L V6 F/I	33-2209		A4	3.0L V6 DSL	33-2209	
A4 Quattro	3.2L V6 F/I	33-2209	PS-7015	A4	3.0L V6 F/I	33-2209	
A6	2.0L L4 DSL	E-9282		A4 Quattro	1.8L L4 F/I	33-2209	HP-3001 ¹
A6	2.0L L4 F/I	E-9282		A4 Quattro	3.0L V6 F/I	33-2209	
A6	3.2L V6 F/I		PS-7015	A6	3.0L V6 F/I - US	33-2125	
A6 Quattro	3.2L V6 F/I		PS-7015	A6 Quattro	2.7L V6 F/I	33-2125	
A8 Quattro	4.2L V8 DSL	E-0775*		A6 Quattro	3.0L V6 F/I	33-2125	
A8 Quattro	4.2L V8 F/I	E-0775		A6 Quattro	4.2L V8 F/I - Non-US	33-2125	
A8 Quattro	6.0L W12 F/I - Non-US	E-1992*		A6 Quattro	4.2L V8 F/I - US	33-2125	
RS4	4.2L V8 F/I	33-2209		A8 Quattro	4.2L V8 F/I	E-0775	
S4	4.2L V8 F/I	33-2209		A6 Quattro RS6	4.2L V8 F/I	33-2866*	
TT Quattro	1.8L L4 F/I	33-2128 ♦+	HP-2005 ¹	Allroad Quattro	2.7L V6 F/I	33-2125	
		33-2128 ♦	HP-2005 ¹	Cabriolet	3.0L V6 F/I	33-2209	
TT Quattro	3.2L V6 F/I		PS-7031	S4	4.2L V8 F/I	33-2209	
TT Quattro	3.2L V6 F/I - Non-US, BHE Eng.	33-2128	PS-7031	TT	1.8L L4 F/I	33-2128 ♦+	HP-2005 ¹
TT Quattro	3.2L V6 F/I - Non-US, BUB Eng.	33-2384	PS-7031			33-2128 ♦	HP-2005 ¹
TT Quattro	3.2L V6 F/I - US	33-2857+	PS-7031	TT Quattro	1.8L L4 F/I	33-2128 ♦+	HP-2005 ¹
2005 AUDI						33-2128 ♦	HP-2005 ¹
A3	2.0L L4 DSL	33-2865 ♦+		TT Quattro	3.2L V6 F/I	33-2128+	PS-7031
A3	2.0L L4 F/I		PS-7010	2003 AUDI			
A3	2.0L L4 F/I - Exc. Turbo	E-2014 ♦+	PS-7010	A4	1.8L L4 F/I	33-2209 ♦	HP-3001 ¹
A3	2.0L L4 F/I - Turbo	33-2888 ♦+	PS-7010	A4	1.9L L4 DSL	33-2209 ♦	
A3 Quattro	2.0L L4 F/I		PS-7010	A4	2.0L L4 F/I	33-2209	
A3 Quattro	2.0L L4 F/I - Exc. Turbo	E-2014 ♦+	PS-7010	A4	3.0L V6 F/I	33-2209	
A3 Quattro	2.0L L4 F/I - Turbo	33-2888 ♦+	PS-7010	A4 Quattro	1.8L L4 F/I	33-2209	HP-3001 ¹
A3 Quattro	3.2L V6 F/I	33-2384 ♦+		A4 Quattro	3.0L V6 F/I	33-2209	
A4	1.8L L4 F/I	33-2209	HP-3001 ¹	A6	3.0L V6 F/I	33-2125	
A4	2.0L L4 DSL	33-2209		A6 Quattro	2.7L V6 F/I	33-2125	
A4	2.0L L4 F/I	33-2209	PS-7010	A6 Quattro	3.0L V6 F/I	33-2125	
A4	3.0L V6 DSL	33-2209		A6 Quattro	4.2L V8 F/I - Non-US	33-2125	
A4	3.0L V6 F/I	33-2209		A6 Quattro	4.2L V8 F/I - US	33-2125	
A4 Quattro	1.8L L4 F/I	33-2209	HP-3001 ¹	A8	3.7L V8 F/I - w/Panel Filter	33-2779	
A4 Quattro	2.0L L4 F/I	33-2209	PS-7010	A8 Quattro	4.2L V8 F/I	33-2779	
A4 Quattro	3.0L V6 F/I	33-2209		A6 Quattro RS6	4.2L V8 F/I - Non-US	33-2866*	
A4 Quattro	3.2L V6 F/I	33-2209	PS-7015	Allroad Quattro	2.7L V6 F/I	33-2125	
A6 Quattro	3.2L V6 F/I		PS-7015	RS6	4.2L V8 F/I	33-2866*	HP-2005 ¹
A8 Quattro	4.2L V8 DSL	E-0775*		S6	4.2L V8 F/I	33-2125	
A8 Quattro	4.2L V8 F/I	E-0775		TT	1.8L L4 F/I	33-2128 ♦	HP-2005 ¹
Allroad Quattro	2.7L V6 F/I	33-2125				33-2128 ♦+	HP-2005 ¹
				TT Quattro	1.8L L4 F/I	33-2128 ♦+	HP-2005 ¹

* 2 filters required

♦ Intake System Available - see page 84 + Cabin Air Filter Available - see page 453 1- Performance Silver Oil Filter Also Available



AIR & OIL FILTERS

AUDI

Vehicle	Engine Type	Air Filter	Oil Filter
2003 AUDI			
TT Quattro	1.8L L4 F/I	33-2128 ♦	HP-2005 ¹
2002 AUDI			
A3	1.8L L4 F/I	33-2128 ♦+	HP-2005 ¹
A4	1.8L L4 F/I	33-2209 ♦	HP-3001 ¹
A4	1.9L L4 DSL	33-2209 ♦	
A4	3.0L V6 F/I	33-2209	
A4 Quattro	1.8L L4 F/I	33-2209	HP-3001 ¹
A4 Quattro	3.0L V6 F/I	33-2209	
A6	3.0L V6 F/I	33-2125	
A6 Quattro	2.7L V6 F/I	33-2125	
A6 Quattro	3.0L V6 F/I	33-2125	
A6 Quattro	4.2L V8 F/I - Non-US	33-2125	
A6 Quattro	4.2L V8 F/I - US	33-2125	
A6 Quattro RS6	4.2L V8 F/I - Non-US	33-2866*	
Allroad Quattro	2.7L V6 F/I	33-2125	
S4	2.7L V6 F/I	33-2125	
S6	4.2L V8 F/I	33-2125	
S8	4.2L V8 F/I	33-2779	
TT	1.8L L4 F/I	33-2128 ♦+	HP-2005 ¹
		33-2128 ♦	HP-2005 ¹
TT Quattro	1.8L L4 F/I	33-2128 ♦	HP-2005 ¹
		33-2128 ♦+	HP-2005 ¹
2001 AUDI			
A3	1.8L L4 F/I	33-2128 ♦+	HP-2005 ¹
A4	1.8L L4 F/I	33-2125 ♦	HP-3001 ¹
A4 Quattro	1.8L L4 F/I	33-2125	HP-3001 ¹
A4 Quattro	2.8L V6 F/I	33-2125	
A6	2.7L V6 F/I	33-2125	
A6 Quattro	2.7L V6 F/I	33-2125	
A6 Quattro	2.8L V6 F/I	33-2125 ♦	
A6 Quattro	4.2L V8 F/I	33-2125	
A8 Quattro	4.2L V8 F/I	33-2779	
A8 Quattro	4.2L V8 F/I - ABZ Eng.	33-2779	PS-7005
Allroad Quattro	2.7L V6 F/I	33-2125	
S3	1.8L L4 F/I	33-2128 ♦	
S4	2.7L V6 F/I	33-2125 ♦	
S8	4.2L V8 F/I	33-2779	
TT	1.8L L4 F/I	33-2128 ♦	HP-2005 ¹
		33-2128 ♦+	HP-2005 ¹
TT Quattro	1.8L L4 F/I	33-2128 ♦+	HP-2005 ¹
2000 AUDI			
A3	1.8L L4 F/I	33-2128 ♦+	HP-2005 ¹
A4	1.8L L4 F/I	33-2125 ♦	HP-3001 ¹
A4 Quattro	1.8L L4 F/I	33-2125	HP-3001 ¹
A4 Quattro	2.8L V6 F/I	33-2125	
A6 Quattro	2.7L V6 F/I	33-2125	
A6 Quattro	2.8L V6 F/I	33-2125 ♦	
A6 Quattro	4.2L V8 F/I	33-2125	
A8 Quattro	4.2L V8 F/I	33-2779	
S4	2.7L V6 F/I	33-2125 ♦	
TT	1.8L L4 F/I	33-2128 ♦+	HP-2005 ¹
		33-2128 ♦	HP-2005 ¹
TT Quattro	1.8L L4 F/I	33-2128 ♦+	HP-2005 ¹
1999 AUDI			
A3	1.8L L4 F/I	33-2128 ♦+	HP-2005 ¹
A4	1.8L L4 F/I	33-2125 ♦	HP-3001 ¹
A4	2.8L V6 F/I	33-2125 ♦	
A4 Quattro	1.8L L4 F/I	33-2125 ♦	HP-3001 ¹
A4 Quattro	2.8L V6 F/I	33-2125 ♦	
A6 Quattro	2.8L V6 F/I	33-2125 ♦	

Vehicle	Engine Type	Air Filter	Oil Filter
1998 AUDI			
A4	1.8L L4 F/I	33-2125 ♦	HP-3001 ¹
A4	2.8L V6 F/I	33-2125 ♦	HP-3001 ¹
A4 Quattro	1.8L L4 F/I	33-2125 ♦	HP-3001 ¹
A4 Quattro	2.8L V6 F/I	33-2125 ♦	HP-3001 ¹
A6 Quattro	2.8L V6 F/I		HP-3001 ¹
A6 Quattro	2.8L V6 F/I - Sedan	33-2125 ♦	HP-3001
A6 Quattro	2.8L V6 F/I - Wagon	33-2029 ♦	HP-3001
1997 AUDI			
A3	1.8L L4 F/I	33-2128 ♦	HP-2005 ¹
A4	1.8L L4 F/I	33-2125 ♦	HP-3001 ¹
A4 Quattro	1.8L L4 F/I	33-2125 ♦	HP-3001 ¹
A4 Quattro	2.8L V6 F/I	33-2125 ♦	HP-3001 ¹
A6 Quattro	2.8L V6 F/I	33-2029 ♦	HP-3001 ¹
1996 AUDI			
A4 Quattro	2.8L V6 F/I	33-2125 ♦	HP-3001 ¹
A6 Quattro	2.8L V6 F/I		HP-3001 ¹
1982 AUSTIN			
Ambassador	2.0L L4 CARB - HL single carb.	E-2470	
2017 BMW			
116d	1.5L L3 DSL	33-2990	
116i	1.5L L3 F/I	33-2990	
118d	2.0L L4 DSL	33-2990	
118i	1.5L L3 F/I	33-2990	
120d	2.0L L4 DSL	33-2990	
120i	2.0L L4 F/I	33-3051	
125d	2.0L L4 DSL	33-2990	
125i	2.0L L4 F/I	33-3051	
214d Active Tourer	1.5L L3 DSL	33-3025	
214d Gran Tourer	1.5L L3 DSL	33-3025	
216d Active Tourer	1.5L L3 DSL	33-3025	
216d Gran Tourer	1.5L L3 DSL	33-3025	
216i Active Tourer	1.5L L3 F/I	33-3025 ♦	
216i Gran Tourer	1.5L L3 F/I	33-3025 ♦	
218d	2.0L L4 DSL	33-2990	
218d Active Tourer	2.0L L4 DSL	33-3025	
218d Gran Tourer	2.0L L4 DSL	33-3025	
218i	1.5L L3 F/I	33-2990	
218i Active Tourer	1.5L L3 F/I	33-3025 ♦	
218i Gran Tourer	1.5L L3 F/I	33-3025 ♦	
220D	2.0L L4 DSL	33-2990	
220d Active Tourer	2.0L L4 DSL	33-3025	
220d Gran Tourer	2.0L L4 DSL	33-3025	
220i	2.0L L4 F/I	33-3051	
220i Active Tourer	2.0L L4 F/I	33-3025 ♦	
220i Gran Tourer	2.0L L4 F/I	33-3025 ♦	
225d	2.0L L4 DSL	33-2990	
225i Active Tourer	2.0L L4 F/I	33-3025 ♦	
225xe Active Tourer	1.5L L3 F/I	33-3025 ♦	
228i	2.0L L4 F/I		PS-7014
228i xDrive	2.0L L4 F/I		PS-7014
230i	2.0L L4 F/I	33-3051	
316D	2.0L L4 DSL	33-2990	
318d	2.0L L4 DSL	33-2990	
318d GT	2.0L L4 DSL	33-2990	
318i	1.5L L3 F/I	33-2990	
320D	2.0L L4 DSL	33-2990	
320d GT	2.0L L4 DSL	33-2990	
320i	2.0L L4 F/I	33-3051	PS-7014
320i GT	2.0L L4 F/I	33-3051	PS-7014
320i xDrive	2.0L L4 F/I		PS-7014

* 2 filters required

♦ Intake System Available - see page 84 +Cabin Air Filter Available - see page 453 1- Performance Silver Oil Filter Also Available



Vehicle	Engine Type	Air Filter	Oil Filter	Vehicle	Engine Type	Air Filter	Oil Filter
2017 BMW				2017 BMW			
325d	2.0L L4 DSL	33-2990		X3 sDrive20i	2.0L L4 F/I	33-2465	
325d GT	2.0L L4 DSL	33-2990		X3 xDrive 20d	2.0L L4 DSL	33-3042	
330D	3.0L L6 DSL	33-3028		X3 xDrive 30d	3.0L L6 DSL	33-3028	
330d GT	3.0L L6 DSL	33-3028		X3 xDrive 35d	3.0L L6 DSL	33-3028	
330e	2.0L L4 F/I	33-3051		X3 xDrive20i	2.0L L4 F/I	33-2465	
330i	2.0L L4 F/I	33-3051		X3 xDrive28i	2.0L L4 F/I	33-2465	
330i GT	2.0L L4 F/I	33-3051		X3 xDrive35i	3.0L L6 F/I	33-2428	
330i GT xDrive	2.0L L4 F/I	33-3051		X4	2.0L L4 DSL	33-3042	
335d	3.0L L6 DSL	33-3028		X4	2.0L L4 F/I	33-2465	PS-7014
335d GT	3.0L L6 DSL	33-3028		X4	3.0L L6 DSL	33-3028	
340i	3.0L L6 F/I	33-3051		X4	3.0L L6 F/I	33-2428	PS-7014
340i GT	2.0L L4 F/I	33-3051		X5	3.0L L6 F/I	33-2428	PS-7014
340i GT xDrive	3.0L L6 F/I	33-3051		X5	4.4L V8 F/I - Exc. M	E-0659*	
418d	2.0L L4 DSL	33-2990		X5 M50d	3.0L L6 DSL	33-3028	
420d	2.0L L4 DSL	33-2990		X5 xDrive 25d	2.0L L4 DSL	33-3042	
420i	2.0L L4 F/I	33-3051		X5 xDrive30d	3.0L L6 DSL	33-3028	
425d	2.0L L4 DSL	33-2990		X5 xDrive35i	3.0L L6 F/I	33-2428	PS-7014
430d	3.0L L6 DSL	33-3028		X5 xDrive40d	3.0L L6 DSL	33-3028	
430i	2.0L L4 F/I	33-3051		X6	3.0L L6 F/I	33-2428	PS-7014
435d	3.0L L6 DSL	33-3028		X6	4.4L V8 F/I - Exc. M	E-0659*	
440i	3.0L L6 F/I	33-3051		X6 M50d	3.0L L6 DSL	33-3028	
518d	2.0L L4 DSL - F10/F11	33-3042		X6 xDrive 30d	3.0L L6 DSL	33-3028	
520d	2.0L L4 DSL - F10/F11	33-3042		X6 xDrive 40d	3.0L L6 DSL	33-3028	
520i	2.0L L4 F/I - F10/F11	33-2963		X6 xDrive35i	3.0L L6 F/I	33-2428	PS-7014
528i	2.0L L4 F/I - F10/F11	33-2963		Z4	2.0L L4 F/I	33-2963	PS-7014
530d	3.0L L6 DSL - F10/F11	33-3028		Z4	3.0L L6 F/I	33-2367	PS-7014
530d GT	3.0L L6 DSL	33-3028		Z4 sDrive 18i	2.0L L4 F/I	33-2963	PS-7014
535d	3.0L L6 DSL - F10/F11	33-3028		Z4 sDrive 20i	2.0L L4 F/I	33-2963	PS-7014
535d GT	3.0L L6 DSL	33-3028		Z4 sDrive 28i	2.0L L4 F/I	33-2963	PS-7014
535i	3.0L L6 F/I		PS-7014	Z4 sDrive 35i	3.0L L6 F/I	33-2367	
535i	3.0L L6 F/I - F10/F11	33-2428	PS-7014	2016 BMW			
535i GT	3.0L L6 F/I	33-2428	PS-7014	116d	1.5L L3 DSL	33-2990	
535i GT xDrive	3.0L L6 F/I		PS-7014	118i	1.5L L3 F/I	33-2990	
640d	3.0L L6 DSL	33-3028		120i	1.6L L4 F/I - From 6/16	33-3051	
640i	3.0L L6 F/I	33-2428	PS-7014	120i	1.6L L4 F/I - To 5/16	33-2990	
640i Gran Coupe	3.0L L6 F/I		PS-7014	125i	2.0L L4 F/I - From 6/16	33-3051	
640i xDrive	3.0L L6 F/I		PS-7014	125i	2.0L L4 F/I - To 5/16	33-2990	
640i xDrive Gran Coupe	3.0L L6 F/I		PS-7014	220i	2.0L L4 F/I - From 6/16	33-3051	
i8	1.5L L3 F/I	33-2997		220i	2.0L L4 F/I - To 5/16	33-2990	
M2	3.0L L6 F/I	33-2997		220i Active Tourer	2.0L L4 F/I	33-3025 ♦	
M3	3.0L L6 F/I	33-2488	PS-7014	220i Gran Tourer	2.0L L4 F/I	33-3025 ♦	
M4	3.0L L6 F/I	33-2488	PS-7014	228i	2.0L L4 F/I	33-2990	PS-7014
M5	4.4L V8 F/I - F10/F11	33-2488		228i xDrive	2.0L L4 F/I	33-2990	PS-7014
M6	4.4L V8 F/I	33-2488		230i	2.0L L4 F/I	33-3051	
M6 Gran Coupe	4.4L V8 F/I	33-2488		320i	2.0L L4 F/I		PS-7014
M140i	3.0L L6 F/I	33-3051		320i	2.0L L4 F/I - Non-US	33-3051	PS-7014
M240i	3.0L L6 F/I	33-3051		320i	2.0L L4 F/I - US	33-2990	PS-7014
M550d	3.0L L6 DSL - F10/F11	33-3028		320i GT	2.0L L4 F/I		PS-7014
R1200GS	1200	BM-1113		320i GT	2.0L L4 F/I - From 6/16	33-3051	PS-7014
R1200GS Adventure	1200	BM-1113		320i GT	2.0L L4 F/I - To 5/16	33-2990	PS-7014
R1200RT	1200	BM-1113		320i xDrive	2.0L L4 F/I		PS-7014
X1 16d	1.5L L3 DSL	33-3025		320i xDrive	2.0L L4 F/I - US	33-2990	PS-7014
X1 18d	2.0L L4 DSL	33-3025		328i	2.0L L4 F/I	33-2990	PS-7014
X1 18i	1.5L L3 F/I	33-3025		328i GT	2.0L L4 F/I	33-2990	PS-7014
X1 20d	2.0L L4 DSL	33-3025		328i GT xDrive	2.0L L4 F/I	33-2990	PS-7014
X1 20i	2.0L L4 F/I	33-3025		328i xDrive	2.0L L4 F/I	33-2990	PS-7014
X1 25d	2.0L L4 DSL	33-3025		330i	2.0L L4 F/I	33-3051	
X1 25i	2.0L L4 F/I	33-3025		330i GT	2.0L L4 F/I	33-3051	
X3	2.0L L4 DSL		PS-7014	335i GT	3.0L L6 F/I	33-2997	PS-7014
X3	2.0L L4 F/I	33-2465	PS-7014	335i GT xDrive	3.0L L6 F/I	33-2997	PS-7014
X3	3.0L L6 F/I	33-2428	PS-7014	340i	3.0L L6 F/I	33-3051	
X3 sDrive 18d	2.0L L4 DSL	33-3042		340i GT	2.0L L4 F/I	33-3051	

* 2 filters required

♦ Intake System Available - see page 84 +Cabin Air Filter Available - see page 453 1- Performance Silver Oil Filter Also Available



AIR & OIL FILTERS

BMW

Vehicle	Engine Type	Air Filter	Oil Filter	Vehicle	Engine Type	Air Filter	Oil Filter
2016 BMW				2016 BMW			
340i xDrive	3.0L L6 F/I	33-3051		X3 xDrive20i	2.0L L4 F/I	33-2465	PS-7014
420i	2.0L L4 F/I	33-3051		X3 xDrive28i	2.0L L4 F/I	33-2465	PS-7014
428i	2.0L L4 F/I	33-2990	PS-7014	X3 xDrive35i	3.0L L6 F/I	33-2428	PS-7014
428i Gran Coupe	2.0L L4 F/I	33-2990	PS-7014	X4	2.0L L4 DSL	33-3042	
428i xDrive	2.0L L4 F/I	33-2990	PS-7014	X4	2.0L L4 F/I	33-2465	
428i xDrive Gran Coupe	2.0L L4 F/I	33-2990	PS-7014	X4	3.0L L6 DSL	33-3028	PS-7014
430i	2.0L L4 F/I	33-3051		X4	3.0L L6 F/I	33-2428	PS-7014
435i	3.0L L6 F/I	33-2997	PS-7014	X5	3.0L L6 DSL	33-3028	
435i Gran Coupe	3.0L L6 F/I	33-2997	PS-7014	X5	3.0L L6 F/I	33-2428	PS-7014
435i xDrive	3.0L L6 F/I	33-2997	PS-7014	X5	4.4L V8 F/I - Exc. M	E-0659*	
435i xDrive Gran Coupe	3.0L L6 F/I	33-2997	PS-7014	X5 M50d	3.0L L6 DSL	33-3028	
440i	3.0L L6 F/I	33-3051		X5 xDrive 25d	2.0L L4 DSL	33-3042	
528i	2.0L L4 F/I	33-2963	PS-7014	X5 xDrive30d	3.0L L6 DSL	33-3028	
528i xDrive	2.0L L4 F/I	33-2963	PS-7014	X5 xDrive35i	3.0L L6 F/I	33-2428	PS-7014
535i	3.0L L6 F/I	33-2428 ♦	PS-7014	X5 xDrive40d	3.0L L6 DSL	33-3028	
535i GT	3.0L L6 F/I	33-2428 ♦	PS-7014	X6	3.0L L6 F/I	33-2428	
535i GT xDrive	3.0L L6 F/I	33-2428 ♦	PS-7014	X6	4.4L V8 F/I - Exc. M	E-0659*	
535i xDrive	3.0L L6 F/I	33-2428 ♦	PS-7014	X6 M50d	3.0L L6 DSL	33-3028	
C650 Sport	647	BM-6012		X6 xDrive35i	3.0L L6 F/I	33-2428	
C650GT	647	BM-6012		2015 BMW			
F700GS	798	BM-8006	KN-160	120i	1.6L L4 F/I	33-2990	
F800GS	798	BM-8006	KN-160	135i	3.0L L6 F/I		PS-7014
F800GS Adventure	798	BM-8006	KN-160	228i	2.0L L4 F/I	33-2990	PS-7014
F800R	798		KN-160	228i xDrive	2.0L L4 F/I	33-2990	PS-7014
G650GS	650	BM-6501		320D	2.0L L4 DSL	33-2990	
i8	1.5L L3 F/I	33-2997		320d GT	2.0L L4 DSL	33-2990	
K1600GT	1600	BM-1611	KN-160	320i	1.6L L4 F/I	33-2990	PS-7014
K1600GTL	1600	BM-1611	KN-160	320i	2.0L L4 F/I		PS-7014
K1600GTL Exclusive	1600	BM-1611	KN-160	320i	2.0L L4 F/I - Non-US, From 8/15	33-3051	PS-7014
M2	3.0L L6 F/I	33-2997		320i	2.0L L4 F/I - Non-US, To 7/15	33-2990	PS-7014
M3	3.0L L6 F/I	33-2488	PS-7014	320i	2.0L L4 F/I - US	33-2990	PS-7014
M4	3.0L L6 F/I	33-2488	PS-7014	320i GT	2.0L L4 F/I	33-2990	PS-7014
M5	4.4L V8 F/I	33-2488		320i xDrive	2.0L L4 F/I	33-2990	PS-7014
M6	4.4L V8 F/I	33-2488		325d	2.0L L4 DSL	33-2990	
M6 Gran Coupe	4.4L V8 F/I	33-2488		325d GT	2.0L L4 DSL	33-2990	
M235i	3.0L L6 F/I	33-2997	PS-7014	328i	2.0L L4 F/I	33-2990	PS-7014
M235i xDrive	3.0L L6 F/I	33-2997	PS-7014	328i GT	2.0L L4 F/I	33-2990	PS-7014
M240i	3.0L L6 F/I	33-3051		328i GT xDrive	2.0L L4 F/I	33-2990	PS-7014
R nineT	1170	BM-1204		328i xDrive	2.0L L4 F/I	33-2990	PS-7014
R nineT Scrambler	1170	BM-1204		330i	2.0L L4 F/I	33-3051	
R1200GS	1200	BM-1113	KN-160	335i	3.0L L6 F/I	33-2997 ♦	PS-7014
R1200GS Adventure	1200	BM-1113	KN-160	335i GT	3.0L L6 F/I	33-2997	PS-7014
R1200R	1170		KN-160	335i GT xDrive	3.0L L6 F/I	33-2997	PS-7014
R1200RS	1170	BM-1113	KN-160	335i xDrive	3.0L L6 F/I	33-2997	PS-7014
R1200RT	1200	BM-1113	KN-160	340i	3.0L L6 F/I	33-3051	
S1000R	999	BM-1010	KN-160	428i	2.0L L4 F/I	33-2990	PS-7014
S1000R	999 - Race Specific	BM-1010R	KN-160	428i Gran Coupe	2.0L L4 F/I	33-2990	PS-7014
S1000RR	999	BM-1010	KN-160	428i xDrive	2.0L L4 F/I	33-2990	PS-7014
S1000RR	999 - Race Specific	BM-1010R	KN-160	428i xDrive Gran Coupe	2.0L L4 F/I	33-2990	PS-7014
S1000XR	999	BM-1010	KN-160	435i	3.0L L6 F/I	33-2997	PS-7014
S1000XR	999 - Race Specific	BM-1010R	KN-160	435i Gran Coupe	3.0L L6 F/I	33-2997	PS-7014
X1 18d	2.0L L4 DSL	33-3025		435i xDrive	3.0L L6 F/I	33-2997	PS-7014
X1 20d	2.0L L4 DSL	33-3025		435i xDrive Gran Coupe	3.0L L6 F/I	33-2997	PS-7014
X1 20i	2.0L L4 F/I	33-3025		520i	2.0L L4 F/I	33-2963	
X1 25d	2.0L L4 DSL	33-3025		528i	2.0L L4 F/I	33-2963	PS-7014
X1 25i	2.0L L4 F/I	33-3025		528i xDrive	2.0L L4 F/I	33-2963	PS-7014
X1 28i	2.0L L4 F/I	33-3025		535i	3.0L L6 F/I	33-2428 ♦	PS-7014
X3	2.0L L4 F/I	33-2465		535i GT	3.0L L6 F/I	33-2428 ♦	PS-7014
X3 sDrive 18d	2.0L L4 DSL	33-3042		535i GT xDrive	3.0L L6 F/I	33-2428 ♦	PS-7014
X3 sDrive20i	2.0L L4 F/I	33-2465	PS-7014				
X3 xDrive 20d	2.0L L4 DSL	33-3042					

* 2 filters required

♦ Intake System Available - see page 84 +Cabin Air Filter Available - see page 453 1- Performance Silver Oil Filter Also Available



Vehicle	Engine Type	Air Filter	Oil Filter	Vehicle	Engine Type	Air Filter	Oil Filter
2015 BMW				2015 BMW			
535i xDrive	3.0L L6 F/I	33-2428 ♦	PS-7014	X6	4.4L V8 F/I - Exc. M	E-0659*	
C650GT	647	BM-6012	KN-164	X6 M50d	3.0L L6 DSL	33-3028	
F700GS	798	BM-8006	KN-160	X6 xDrive 30d	3.0L L6 DSL	33-3028	
F800GS	798	BM-8006	KN-160	X6 xDrive35i	3.0L L6 F/I	33-2428	PS-7014
F800GS Adventure	798	BM-8006	KN-160	2014 BMW			
F800GT	798	BM-8006	KN-160	116i	1.6L L4 F/I	33-2990	
F800R	798	BM-8006	KN-160	118i	1.6L L4 F/I	33-2990	
G650GS	650	BM-6501	KN-151	135i	3.0L L6 F/I	33-2458	PS-7014
G650GS Sertao	650	BM-6501	KN-151	228i	2.0L L4 F/I	33-2990	PS-7014
K1300S	1300	BM-1205*	KN-160	316i	1.6L L4 F/I	33-2990	
K1600GT	1600	BM-1611	KN-164	320D	2.0L L4 DSL	33-2990	
K1600GTL	1600	BM-1611	KN-164	320d GT	2.0L L4 DSL	33-2990	
K1600GTL Exclusive	1600	BM-1611	KN-164	320i	1.6L L4 F/I	33-2990	
M3	3.0L L6 F/I	33-2488	PS-7014	320i	2.0L L4 F/I	33-2990	PS-7014
M4	3.0L L6 F/I	33-2488	PS-7014	320i GT	2.0L L4 F/I	33-2990	PS-7014
M5	4.4L V8 F/I	33-2488		320i xDrive	2.0L L4 F/I	33-2990	PS-7014
M6	4.4L V8 F/I	33-2488		328i	2.0L L4 F/I	33-2990	PS-7014
M6 Gran Coupe	4.4L V8 F/I	33-2488		328i GT	2.0L L4 F/I	33-2990	PS-7014
M235i	3.0L L6 F/I	33-2997	PS-7014	328i GT xDrive	2.0L L4 F/I	33-2990	PS-7014
M235i xDrive	3.0L L6 F/I	33-2997	PS-7014	328i xDrive	2.0L L4 F/I	33-2990	PS-7014
R nineT	1170	BM-1204	KN-164	335i	3.0L L6 F/I	33-2997 ♦	PS-7014
R1200GS	1200	BM-1113	KN-160	335i GT	3.0L L6 F/I	33-2997	PS-7014
R1200GS Adventure	1200	BM-1113	KN-160	335i GT xDrive	3.0L L6 F/I	33-2997	PS-7014
R1200R	1170		KN-160	335i xDrive	3.0L L6 F/I	33-2997	PS-7014
R1200R	1170 - Liquid Cooled Eng.	BM-1113	KN-160	335is	3.0L L6 F/I	33-2367	PS-7014
R1200R	1200 - Air Cooled Eng.	BM-1204	KN-160	428i	2.0L L4 F/I	33-2990	PS-7014
R1200RS	1170		KN-160	428i xDrive	2.0L L4 F/I	33-2990	PS-7014
R1200RS	1170 - Air Cooled Eng.	BM-1204	KN-160	435i	3.0L L6 F/I	33-2997	PS-7014
R1200RS	1170 - Liquid Cooled Eng.	BM-1113	KN-160	435i xDrive	3.0L L6 F/I	33-2997	PS-7014
R1200RT	1200	BM-1113	KN-160	528i	2.0L L4 F/I	33-2963	PS-7014
S1000R	999	BM-1010	KN-160	528i xDrive	2.0L L4 F/I	33-2963	PS-7014
S1000R	999 - Race Specific	BM-1010R	KN-160	535d xDrive	3.0L L6 DSL	33-3028	
S1000RR	999	BM-1010	KN-160	535i	3.0L L6 F/I	33-2428 ♦	PS-7014
S1000RR	999 - Race Specific	BM-1010R	KN-160	535i GT	3.0L L6 F/I	33-2428 ♦	PS-7014
S1000XR	999	BM-1010	KN-160	535i GT xDrive	3.0L L6 F/I	33-2428 ♦	PS-7014
S1000XR	999 - Race Specific	BM-1010R	KN-160	535i xDrive	3.0L L6 F/I	33-2428 ♦	PS-7014
X1	2.0L L4 F/I	33-2963		640i Gran Coupe	3.0L L6 F/I	33-2428	
X1 18d	2.0L L4 DSL - E84	33-2942		640i xDrive Gran Coupe	3.0L L6 F/I	33-2428	
X1 20d	2.0L L4 DSL - E84	33-2942		C600 Sport	647	BM-6012	KN-164
X1 20i	2.0L L4 F/I		PS-7014	C650GT	647		KN-164
X1 20i	2.0L L4 F/I - E84	33-2963	PS-7014	F700GS	798	BM-8006	KN-160
X1 25d	2.0L L4 DSL - E84	33-2942		F800GS	798	BM-8006	KN-164
X1 28i	2.0L L4 F/I		PS-7014	F800GS Adventure	798	BM-8006	KN-164
X1 28i	2.0L L4 F/I - E84	33-2963	PS-7014	F800GT	798	BM-8006	KN-160
X1 28i	2.0L L4 F/I - F48	33-3025	PS-7014	G650GS	650	BM-6501	KN-151
X3 sDrive20i	2.0L L4 F/I	33-2465		G650GS Sertao	650	BM-6501	KN-151
X3 xDrive 20d	2.0L L4 DSL	33-3042		HP4	999	BM-1010	KN-160
X3 xDrive28i	2.0L L4 F/I	33-2465	PS-7014	HP4 Competition	999	BM-1010	KN-160
X3 xDrive35i	3.0L L6 F/I	33-2428	PS-7014	HP4 Competition	999 - Race Specific	BM-1010R	KN-160
X4	2.0L L4 DSL	33-3042		K1300S	1300	BM-1205*	
X4	2.0L L4 F/I	33-2465	PS-7014	K1600GT	1600	BM-1611	KN-164
X4	3.0L L6 F/I	33-2428		K1600GT Sport	1600	BM-1611	KN-164
X5	3.0L L6 F/I	33-2428	PS-7014	K1600GTL	1600	BM-1611	KN-164
X5	4.4L V8 F/I - Exc. M	E-0659*		K1600GTL Exclusive	1600	BM-1611	KN-164
X5 M50d	3.0L L6 DSL	33-3028		M3	3.0L L6 F/I	33-2488	
X5 xDrive30d	3.0L L6 DSL	33-3028		M4	3.0L L6 F/I	33-2488	
X5 xDrive35d	3.0L L6 DSL	33-3028		M5	4.4L V8 F/I	33-2488	
X5 xDrive35i	3.0L L6 F/I	33-2428	PS-7014	M6	4.4L V8 F/I	33-2488	
X5 xDrive40d	3.0L L6 DSL	33-3028		M6 Gran Coupe	4.4L V8 F/I	33-2488	
X6	3.0L L6 F/I	33-2428	PS-7014	M235i	3.0L L6 F/I	33-2997	PS-7014
				R nineT	1170	BM-1204	KN-164

* 2 filters required ♦ Intake System Available - see page 84 +Cabin Air Filter Available - see page 453 1- Performance Silver Oil Filter Also Available



AIR & OIL FILTERS

BMW

Vehicle	Engine Type	Air Filter	Oil Filter	Vehicle	Engine Type	Air Filter	Oil Filter
2014 BMW				2013 BMW			
R1200GS	1200	BM-1113	KN-160	ActiveHybrid 3	3.0L L6 F/I	33-2997	PS-7014
R1200GS Adventure	1200	BM-1113	KN-160	C600 Sport	647	BM-6012	KN-164
R1200R	1200	BM-1204	KN-160	C650GT	647	BM-6012	KN-164
R1200RT	1200	BM-1113	KN-160	F700GS	798	BM-8006	KN-160
S1000R	999	BM-1010	KN-160	F800GS	798	BM-8006	KN-164
S1000R	999 - Race Specific	BM-1010R	KN-160	F800GT	798	BM-8006	KN-160
S1000RR	999	BM-1010	KN-160	F800R	798	BM-8006	KN-160
S1000RR	999 - Race Specific	BM-1010R	KN-160	G650GS	650	BM-6501	KN-151
X1	2.0L L4 F/I	33-2963		G650GS Sertao	650	BM-6501	KN-151
X1 16d	2.0L L4 DSL	33-2942		HP4	999	BM-1010	KN-160
X1 18d	2.0L L4 DSL	33-2942		K1300R	1300	BM-1205	
X1 20d	2.0L L4 DSL	33-2942		K1300S	1300	BM-1205*	KN-160
X1 20i	2.0L L4 F/I	33-2963	PS-7014	K1300S 30 Jahre	1300	BM-1205*	KN-160
X1 25d	2.0L L4 DSL	33-2942		K-Modelle			
X1 28i	2.0L L4 F/I	33-2963	PS-7014	K1600GT	1600	BM-1611	
X1 xDrive35i	3.0L L6 F/I	33-2458		K1600GTL	1600	BM-1611	
X3 20i	2.0L L4 F/I	33-2465		M3	4.0L V8 F/I	E-2994 ♦	
X3 xDrive28i	2.0L L4 F/I	33-2465	PS-7014	M5	4.4L V8 F/I	33-2488	
X3 xDrive35i	3.0L L6 F/I	33-2428	PS-7014	M6	4.4L V8 F/I	33-2488	
X5	3.0L L6 F/I	33-2428	PS-7014	M135i	3.0L L6 F/I	33-2997	
X5 M	4.4L V8 F/I	33-2449		R1200GS	1170		KN-160
X5 M50d	3.0L L6 DSL	33-3028		R1200GS	1170 - Air Cooled Eng.	BM-1204	KN-160
X5 xDrive30d	3.0L L6 DSL	33-3028		R1200GS	1170 - Water Cooled Eng.	BM-1113	KN-160
X5 xDrive35d	3.0L L6 DSL	33-3028		R1200GS Adventure	1200	BM-1204	KN-160
X5 xDrive35i	3.0L L6 F/I	33-2428	PS-7014	R1200R	1200	BM-1204	KN-160
X5 xDrive40d	3.0L L6 DSL	33-3028		R1200RT	1200	BM-1204	KN-164
X6 M	4.4L V8 F/I	33-2449		S1000RR	990	BM-1010	KN-160
Z4 sDrive 35i	3.0L L6 F/I	33-2367		S1000RR	990 - Race Specific	BM-1010R	KN-160
2013 BMW				2012 BMW			
116i	1.6L L4 F/I	33-2990		X1 16d	2.0L L4 DSL	33-2942	
118d	2.0L L4 DSL	33-2990		X1 18d	2.0L L4 DSL	33-2942	
118i	1.6L L4 F/I	33-2990		X1 20d	2.0L L4 DSL	33-2942	
128i	3.0L L6 F/I	33-2332	PS-7014	X1 20i	2.0L L4 F/I	33-2963	PS-7014
135i	3.0L L6 F/I	33-2458	PS-7014	X1 25d	2.0L L4 DSL	33-2942	
135is	3.0L L6 F/I	33-2458	PS-7014	X1 28i	2.0L L4 F/I	33-2963	PS-7014
316i	1.6L L4 F/I	33-2990		X1 35i	3.0L L6 F/I	33-2458	PS-7014
320D	2.0L L4 DSL	33-2990		X1 xDrive28i	2.0L L4 F/I	33-2963	PS-7014
320d GT	2.0L L4 DSL	33-2990		X3 20i	2.0L L4 F/I	33-2465	
320i	1.6L L4 F/I	33-2990		X3 xDrive28i	2.0L L4 F/I	33-2465	PS-7014
320i	2.0L L4 F/I	33-2990	PS-7014	X3 xDrive28i	3.0L L6 F/I	33-2428	
320i GT	2.0L L4 F/I	33-2990	PS-7014	X3 xDrive35i	3.0L L6 F/I	33-2428	PS-7014
320i xDrive	2.0L L4 F/I	33-2990	PS-7014	X5	3.0L L6 F/I	33-2428	PS-7014
328i	2.0L L4 F/I	33-2990	PS-7014	X5 M	4.4L V8 F/I	33-2449	
328i	3.0L L6 F/I	33-2332	PS-7014	X5 M50d	3.0L L6 DSL	33-3028	
328i GT	2.0L L4 F/I	33-2990	PS-7014	X5 xDrive30d	3.0L L6 DSL	33-3028	
328i xDrive	2.0L L4 F/I	33-2990	PS-7014	X5 xDrive35d	3.0L L6 DSL	33-2959	
328i xDrive	3.0L L6 F/I	33-2332	PS-7014	X5 xDrive40d	3.0L L6 DSL	33-3028	
335i	3.0L L6 F/I	33-2997 ♦	PS-7014	X6	3.0L L6 F/I	33-2428	PS-7014
335i Coupe	3.0L L6 F/I	33-2458 ♦	PS-7014	X6 M	4.4L V8 F/I	33-2449	
335i GT	3.0L L6 F/I	33-2997	PS-7014	X6 M50d	3.0L L6 DSL	33-3028	
335i xDrive	3.0L L6 F/I	33-2997	PS-7014	Z4 sDrive 20i	2.0L L4 F/I	33-2963	
335i xDrive Coupe	3.0L L6 F/I	33-2458	PS-7014	Z4 sDrive 28i	2.0L L4 F/I	33-2963	
335is	3.0L L6 F/I	33-2367	PS-7014	Z4 sDrive 35i	3.0L L6 F/I	33-2367	
520i	2.0L L4 F/I	33-2963		2012 BMW			
528i	2.0L L4 F/I	33-2963	PS-7014	1 Series M	3.0L L6 F/I	33-2367	
528i xDrive	2.0L L4 F/I	33-2963	PS-7014	116i	1.6L L4 F/I	33-2990	
535i	3.0L L6 F/I	33-2428 ♦	PS-7014	118i	1.6L L4 F/I	33-2990	
535i GT	3.0L L6 F/I	33-2428 ♦	PS-7014	120d	2.0L L4 DSL	33-2990	
535i GT xDrive	3.0L L6 F/I	33-2428 ♦	PS-7014	128i	3.0L L6 F/I	33-2332	PS-7014
535i xDrive	3.0L L6 F/I	33-2428 ♦	PS-7014	135i	3.0L L6 F/I	33-2458	PS-7014
640i	3.0L L6 F/I	33-2428	PS-7014	320D	2.0L L4 DSL - Exc. F30/F31	33-2942 ♦	
640i Gran Coupe	3.0L L6 F/I	33-2428	PS-7014	320D	2.0L L4 DSL - F30/F31	33-2990 ♦	

* 2 filters required

♦ Intake System Available - see page 84 +Cabin Air Filter Available - see page 453 1- Performance Silver Oil Filter Also Available



Vehicle	Engine Type	Air Filter	Oil Filter	Vehicle	Engine Type	Air Filter	Oil Filter
2012 BMW				2012 BMW			
320i	1.6L L4 F/I	33-2990		X5 M	4.4L V8 F/I	33-2449	
320i	2.0L L4 F/I		PS-7014	X5 M50d	3.0L L6 DSL	33-3028	
320i	2.0L L4 F/I - Exc. F30/F31	E-2021	PS-7014	X5 xDrive35d	3.0L L6 DSL - US	33-2959	
320i	2.0L L4 F/I - F30/F31	33-2990	PS-7014	X6	3.0L L6 F/I	33-2428	PS-7014
325i	3.0L L6 F/I - E90/91/92/93	33-2332		X6 M	4.4L V8 F/I	33-2449	
328i	2.0L L4 F/I - Non-US	33-2990		X6 M50d	3.0L L6 DSL	33-3028	
328i	2.0L L4 F/I - US, F30	33-2990		Z4	3.0L L6 F/I	33-2367	PS-7014
328i	3.0L L6 F/I	33-2332	PS-7014	Z4 sDrive 20i	2.0L L4 F/I	33-2963	
328i xDrive	3.0L L6 F/I	33-2332	PS-7014	Z4 sDrive 28i	2.0L L4 F/I	33-2963	
335i	3.0L L6 F/I		PS-7014	2011 BMW			
335i	3.0L L6 F/I - Exc. F30	33-2458	PS-7014	1 Series M	3.0L L6 F/I	33-2367	PS-7014
		33-2458 ♦	PS-7014	116i	2.0L L4 F/I	RC-9350	
335i	3.0L L6 F/I - Non-US, F30/F31	33-2997	PS-7014	120d	2.0L L4 DSL - F20	33-2990 ♦	
335i	3.0L L6 F/I - US, F30 Sedan	33-2997 ♦	PS-7014	120i	2.0L L4 F/I	E-2021 ♦	
335i xDrive	3.0L L6 F/I	33-2458	PS-7014	128i	3.0L L6 F/I	33-2332	PS-7014
335is	3.0L L6 F/I	33-2367	PS-7014	135i	3.0L L6 F/I	33-2458	PS-7014
520i	2.0L L4 F/I	33-2963		316i	1.6L L4 F/I - Exc. N45N Eng.	RC-9350	
528i	2.0L L4 F/I	33-2963	PS-7014	316i	1.6L L4 F/I - N45N Eng	E-2021	
528i xDrive	2.0L L4 F/I	33-2963	PS-7014	318d	2.0L L4 DSL	33-2942 ♦	
530d	3.0L L6 DSL	33-3028		318i	2.0L L4 F/I	E-2021 ♦	
530d GT	3.0L L6 DSL - 258BHP	33-3028		320D	2.0L L4 DSL	33-2942 ♦	
535i	3.0L L6 F/I	33-2428 ♦	PS-7014	320i	2.0L L4 F/I	E-2021 ♦	
535i GT	3.0L L6 F/I	33-2428 ♦	PS-7014	323i	2.5L L6 F/I		PS-7014
535i GT xDrive	3.0L L6 F/I	33-2428 ♦	PS-7014	325i	3.0L L6 F/I	33-2332	
535i xDrive	3.0L L6 F/I	33-2428 ♦	PS-7014	328i	3.0L L6 F/I	33-2332	PS-7014
C600 Sport	647		KN-164	328i xDrive	3.0L L6 F/I	33-2332	PS-7014
C650GT	647		KN-164	330D	3.0L L6 DSL	33-2942	
F650GS	798	BM-8006	KN-160	330i	3.0L L6 F/I	33-2332	
F800GS	798	BM-8006	KN-160	335d	3.0L L6 DSL	33-2942	
F800R	798	BM-8006	KN-160	335i	3.0L L6 F/I	33-2458	PS-7014
F800ST	798	BM-8006		335i xDrive	3.0L L6 F/I	33-2458	PS-7014
G650GS	650	BM-6501	KN-151	335is	3.0L L6 F/I	33-2367	PS-7014
G650GS Sertao	650	BM-6501	KN-151	520i	2.0L L4 F/I - China	33-2970	
K1300R	1300	BM-1205		520i	2.0L L4 F/I - from 9/11	33-2963	
K1300S	1300	BM-1205*	KN-160	528i	2.0L L4 F/I	33-2963	
K1600GT	1600	BM-1611		528i	3.0L L6 F/I	33-2970	PS-7014
K1600GTL	1600	BM-1611		528i xDrive	3.0L L6 F/I		PS-7014
M3	4.0L V8 F/I	E-2994 ♦		528i xDrive	3.0L L6 F/I - Non-US, F10	33-2970	PS-7014
M5	4.4L V8 F/I	33-2488		535i	3.0L L6 F/I	33-2428 ♦	PS-7014
M6	4.4L V8 F/I	33-2488		535i GT	3.0L L6 F/I	33-2428 ♦	PS-7014
R1200GS	1200	BM-1204	KN-164	535i GT xDrive	3.0L L6 F/I	33-2428 ♦	PS-7014
R1200GS Adventure	1200	BM-1204	KN-164	535i xDrive	3.0L L6 F/I	33-2428 ♦	PS-7014
R1200R	1200	BM-1204	KN-164	650i	4.8L V8 F/I - E63/E64	33-2294+	
R1200RT	1200	BM-1204	KN-164	740i	3.0L L6 F/I	33-2428	PS-7014
S1000RR	990	BM-1010	KN-160	740Li	3.0L L6 F/I	33-2428	
S1000RR	990 - Race Specific	BM-1010R	KN-160	F650GS	798	BM-8006	KN-160
X1 16d	2.0L L4 DSL	33-2942		F800GS	798	BM-8006	KN-160
X1 18d	2.0L L4 DSL	33-2942 ♦		F800R	798	BM-8006	KN-160
X1 20d	2.0L L4 DSL	33-2942 ♦		F800ST	798	BM-8006	
X1 20i	2.0L L4 F/I	33-2963	PS-7014	G650GS	650	BM-6501	KN-151
X1 23d	2.0L L4 DSL	33-2942 ♦		K1300R	1300	BM-1205	
X1 25d	2.0L L4 DSL	33-2942		K1300S	1300	BM-1205*	KN-160
X1 28i	2.0L L4 F/I	33-2963	PS-7014	K1600GT	1600	BM-1611	
X3 20i	2.0L L4 F/I	33-2465		K1600GTL	1600	BM-1611	
X3 xDrive28i	2.0L L4 F/I	33-2465	PS-7014	M3	4.0L V8 F/I	E-2994 ♦	
X3 xDrive28i	3.0L L6 F/I		PS-7014	M5	4.4L V8 F/I	33-2488	
X3 xDrive28i	3.0L L6 F/I - Exc. Turbo	33-2465	PS-7014	R1200GS	1200	BM-1204	KN-164
X3 xDrive28i	3.0L L6 F/I - Turbo	33-2428	PS-7014	R1200GS Adventure	1200	BM-1204	KN-164
X3 xDrive35i	3.0L L6 F/I - Turbo	33-2428	PS-7014	R1200R	1200		KN-164
X5	3.0L L6 F/I	33-2428	PS-7014	R1200R Classic	1200		KN-164
				R1200RT	1200	BM-1204	KN-164

* 2 filters required

♦ Intake System Available - see page 84 +Cabin Air Filter Available - see page 453 1- Performance Silver Oil Filter Also Available



AIR & OIL FILTERS

BMW

Vehicle	Engine Type	Air Filter	Oil Filter	Vehicle	Engine Type	Air Filter	Oil Filter
2011 BMW				2010 BMW			
S1000RR	990	BM-1010	KN-160	535i GT	3.0L L6 F/I	33-2428+	PS-7014
S1000RR	990 - Race Specific	BM-1010R	KN-160	535i xDrive	3.0L L6 F/I	33-2367+	PS-7014
X3	3.0L L6 F/I - Exc. Turbo	33-2465		550i	4.8L V8 F/I	33-2294+	
X3	3.0L L6 F/I - US, Turbo, Non-US, F25	33-2428		650i	4.8L V8 F/I	33-2294+	
X3 20i	2.0L L4 F/I	33-2465		F650GS	798	BM-8006	KN-160
X3 xDrive 35d	3.0L L6 DSL	33-3028		F800GS	798	BM-8006	KN-160
X3 xDrive28i	3.0L L6 F/I		PS-7014	F800R	798	BM-8006	KN-164
X3 xDrive28i	3.0L L6 F/I - Exc. Turbo	33-2465	PS-7014	F800ST	798	BM-8006	
X3 xDrive35i	3.0L L6 F/I - Turbo		PS-7014	G450X	450		KN-611
X3 xDrive35i	3.0L L6 F/I - US, Turbo, Non-US, F25	33-2428		G650GS	650	BM-6501	KN-151
X5	3.0L L6 F/I	33-2428	PS-7014	K1300GT	1300	BM-1205	KN-160
X5 M	4.4L V8 F/I	33-2449		K1300GT SE	1300	BM-1205	KN-160
X5 xDrive35d	3.0L L6 DSL	33-2959		K1300S	1300	BM-1205*	KN-160
X6	3.0L L6 F/I	33-2428	PS-7014	M3	4.0L V8 F/I	E-2994 ♦	
X6 M	4.4L V8 F/I	33-2449		M5	5.0L V10 F/I		PS-7032
Z4	3.0L L6 F/I		PS-7014	M5	5.0L V10 F/I - Left Side Airbox	33-2352+	PS-7032
Z4	3.0L L6 F/I - Exc. Turbo	33-2963	PS-7014	M5	5.0L V10 F/I - Right Side Airbox	33-2350+	PS-7032
Z4	3.0L L6 F/I - Turbo	33-2367	PS-7014	M6	5.0L V10 F/I		PS-7032
2010 BMW				M6	5.0L V10 F/I - Left Side Airbox	33-2352+	PS-7032
116i	1.6L L4 F/I	E-2021		M6	5.0L V10 F/I - Right Side Airbox	33-2350+	PS-7032
116i	2.0L L4 F/I	RC-9350		R1200GS	1200	BM-1204	KN-164
118i	2.0L L4 F/I	E-2021 ♦		R1200GS Adventure	1200	BM-1204	KN-164
120i	2.0L L4 F/I	E-2021 ♦		R1200R	1200		KN-164
128i	3.0L L6 F/I	33-2332	PS-7014	R1200RT	1200	BM-1204	KN-164
135i	3.0L L6 F/I		PS-7014	S1000RR	990	BM-1010	KN-160
135i	3.0L L6 F/I - N54 Eng.	33-2367	PS-7014	S1000RR	990 - Race Specific	BM-1010R	KN-160
135i	3.0L L6 F/I - N55 Eng.	33-2458	PS-7014	X3	3.0L L6 F/I		PS-7014
135i	3.0L L6 F/I - US	33-2367	PS-7014	X3	3.0L L6 F/I - Non-US, E83	33-2372	PS-7014
316i	1.6L L4 F/I - Exc. N45N Eng.	RC-9350		X3	3.0L L6 F/I - Non-US, F25	33-2428	PS-7014
318i	2.0L L4 F/I	E-2021 ♦		X3	3.0L L6 F/I - US	33-2372	PS-7014
320D	2.0L L4 DSL	33-2942 ♦		X5	3.0L L6 F/I		PS-7014
320i	2.0L L4 F/I	E-2021 ♦		X5	3.0L L6 F/I - US	33-2406	PS-7014
323i	2.5L L6 F/I		PS-7014	X5	4.8L V8 F/I	33-2407	
325i	2.5L L6 F/I		PS-7014	X5 M	4.4L V8 F/I	33-2449	
325i	3.0L L6 F/I - w/Panel Filter	33-2332		X5 xDrive30d	3.0L L6 DSL - to 3/10	E-2657	
328i	3.0L L6 F/I	33-2332	PS-7014	X5 xDrive35d	3.0L L6 DSL	33-2959	
328i xDrive	3.0L L6 F/I	33-2332	PS-7014	X5 xDrive35i	3.0L L6 F/I		PS-7014
330i	3.0L L6 F/I - w/Panel Filter	33-2332		X5 xDrive35i	3.0L L6 F/I - Non-US	33-2428	PS-7014
330i	3.0L L6 F/I - w/Round Filter	E-2022		X6	3.0L L6 F/I	33-2428	PS-7014
335d	3.0L L6 DSL	33-2942		X6 M	4.4L V8 F/I	33-2449	
335i	3.0L L6 F/I		PS-7014	X6 xDrive 30d	3.0L L6 DSL - to 3/10	E-2657	
335i	3.0L L6 F/I - Non-US, N54 Eng.	33-2367	PS-7014	X6 xDrive 35d	3.0L L6 DSL	33-2959	
335i	3.0L L6 F/I - US	33-2367	PS-7014	Z4	3.0L L6 F/I		PS-7014
335i xDrive	3.0L L6 F/I		PS-7014	Z4	3.0L L6 F/I - Exc. Turbo	33-2963	PS-7014
335i xDrive	3.0L L6 F/I - US	33-2367	PS-7014	Z4	3.0L L6 F/I - Non-US, 23i, 30i	33-2963	PS-7014
520d	2.0L L4 DSL	33-2943+		Z4	3.0L L6 F/I - Non-US, 35i	33-2367	PS-7014
528i	3.0L L6 F/I		PS-7014	Z4	3.0L L6 F/I - Turbo	33-2367	PS-7014
528i	3.0L L6 F/I - Non-US, E60, E61	33-2292	PS-7014	2009 BMW			
528i	3.0L L6 F/I - Non-US, F10, F11	33-2970	PS-7014	116i	2.0L L4 F/I	RC-9350	
528i	3.0L L6 F/I - US	33-2292	PS-7014	125i	3.0L L6 F/I	E-2022	
528i xDrive	3.0L L6 F/I		PS-7014	128i	3.0L L6 F/I	33-2332	PS-7014
528i xDrive	3.0L L6 F/I - Non-US, E60, E61	33-2292	PS-7014	135i	3.0L L6 F/I		PS-7014
528i xDrive	3.0L L6 F/I - Non-US, F10	33-2970	PS-7014	135i	3.0L L6 F/I - Non-US, N54 Eng.	33-2367	PS-7014
528i xDrive	3.0L L6 F/I - US	33-2292	PS-7014	135i	3.0L L6 F/I - US	33-2367	PS-7014
535i	3.0L L6 F/I	33-2367+	PS-7014	318i	2.0L L4 F/I	E-2021 ♦	
				320D	2.0L L4 DSL	33-2942 ♦	

* 2 filters required

♦ Intake System Available - see page 84 +Cabin Air Filter Available - see page 453 1- Performance Silver Oil Filter Also Available



Vehicle	Engine Type	Air Filter	Oil Filter	Vehicle	Engine Type	Air Filter	Oil Filter
2009 BMW				2008 BMW			
320i	2.0L L4 F/I	E-2021 ♦		116i	1.6L L4 F/I	E-2021	
325i	2.5L L6 F/I		PS-7007	118d	2.0L L4 DSL	33-2942 ♦	
325i	3.0L L6 F/I	E-2022		118i	2.0L L4 F/I	E-2021 ♦	
328i	3.0L L6 F/I	33-2332	PS-7014	120d	2.0L L4 DSL	33-2942 ♦	
328i xDrive	3.0L L6 F/I	33-2332	PS-7014	120i	2.0L L4 F/I	E-2021 ♦	
328xi	3.0L L6 F/I	33-2332		123d	2.0L L4 DSL	33-2942 ♦	
330i	3.0L L6 F/I	E-2022		128i	3.0L L6 F/I	33-2332	PS-7014
335d	3.0L L6 DSL	33-2942		135i	3.0L L6 F/I	33-2367	PS-7014
335i	3.0L L6 F/I	33-2367	PS-7014	316i	1.6L L4 F/I - Exc. N45N Eng.	RC-9350	
335i xDrive	3.0L L6 F/I	33-2367	PS-7014	318i	2.0L L4 F/I	E-2021 ♦	
520d	2.0L L4 DSL	33-2943+		320D	2.0L L4 DSL	33-2942 ♦	
528i	3.0L L6 F/I	33-2292	PS-7014	320i	2.0L L4 F/I	E-2021 ♦	
528i xDrive	3.0L L6 F/I	33-2292	PS-7014	323i	2.5L L6 F/I - Non-US	E-2022	
535i	3.0L L6 F/I	33-2367+	PS-7014	325i	2.5L L6 F/I	E-2022	PS-7007
535i GT	3.0L L6 F/I	33-2428+		328i	3.0L L6 F/I	33-2332	PS-7014
535i xDrive	3.0L L6 F/I	33-2367	PS-7014	328xi	3.0L L6 F/I	33-2332	PS-7014
550i	4.8L V8 F/I	33-2294+		330i	3.0L L6 F/I - Non-US	E-2022	PS-7007
650i	4.8L V8 F/I	33-2294+		335d	3.0L L6 DSL	33-2942	
F650GS	652	BM-8006	KN-160	335i	3.0L L6 F/I	33-2367	PS-7014
F800GS	798	BM-8006	KN-160	335xi	3.0L L6 F/I	33-2367	PS-7014
F800R	798		KN-164	525d	2.5L L6 DSL	E-2657+	
F800ST	798	BM-8006	KN-164	528i	3.0L L6 F/I	33-2292	PS-7014
G450X	450		KN-611	528xi	3.0L L6 F/I	33-2292	PS-7014
G650 Xcountry	650	BM-6507	KN-151	530i	3.0L L6 F/I	33-2292+	
G650GS	650	BM-6501	KN-151	535i	3.0L L6 F/I	33-2367+	PS-7014
K1200LT	1170	BM-1299		535xi	3.0L L6 F/I	33-2367	PS-7014
K1300GT	1300	BM-1205	KN-160	550i	4.8L V8 F/I	33-2294+	
K1300S	1300	BM-1205*	KN-160	650i	4.8L V8 F/I	33-2294+	
M3	4.0L V8 F/I - Non-US	E-2994 ♦		750i	4.8L V8 F/I - Non-US	33-2254*	
M3	4.0L V8 F/I - US	E-1994 ♦		750i	4.8L V8 F/I - US	33-2410	
M5	5.0L V10 F/I		PS-7032	750iL	4.8L V8 F/I - Non-US	33-2254*	
M5	5.0L V10 F/I - Left Side Airbox	33-2352+	PS-7032	750Li	4.8L V8 F/I - US	33-2410	
M5	5.0L V10 F/I - Right Side Airbox	33-2350+	PS-7032	F650GS	652	BM-8006	KN-160
M6	5.0L V10 F/I		PS-7032	F800GS	798	BM-8006	KN-160
M6	5.0L V10 F/I - Left Side Airbox	33-2352+	PS-7032	F800S	798	BM-8006	KN-164
M6	5.0L V10 F/I - Right Side Airbox	33-2350+	PS-7032	F800ST	798	BM-8006	KN-164
R1200 HP2 Sport	1200		KN-164	G650 Xcountry	650	BM-6507	
R1200GS	1170	BM-1204	KN-164	K1200GT	1157	BM-1205	KN-160
R1200GS Adventure	1170	BM-1204	KN-164	K1200LT	1170	BM-1299	KN-163
R1200R	1170		KN-164	K1200S	1157	BM-1205*	KN-160
R1200RT	1170	BM-1204	KN-164	M3	4.0L V8 F/I - Non-US	E-2994 ♦	
S1000RR	990	BM-1010	KN-164	M3	4.0L V8 F/I - US	E-1994 ♦	
S1000RR	990 - Race Specific	BM-1010R	KN-164	M5	5.0L V10 F/I		PS-7032
X3	3.0L L6 F/I	33-2372	PS-7014	M5	5.0L V10 F/I - Left Side Airbox	33-2352 ♦+	PS-7032
X3 Si	2.5L L6 F/I	33-2372	PS-7007	M5	5.0L V10 F/I - Right Side Airbox	33-2350 ♦+	PS-7032
X5	3.0L L6 F/I	33-2406	PS-7014	M6	5.0L V10 F/I		PS-7032
X5	4.8L V8 F/I	33-2407		M6	5.0L V10 F/I - Left Side Airbox	33-2352 ♦+	PS-7032
X5 M	4.4L V8 F/I	33-2449		M6	5.0L V10 F/I - Right Side Airbox	33-2350 ♦+	PS-7032
X5 xDrive30d	3.0L L6 DSL	E-2657		R1200GS	1170	BM-1204	KN-164
X5 xDrive35d	3.0L L6 DSL	33-2959		R1200GS Adventure	1170	BM-1204	KN-164
X6	3.0L L6 F/I	33-2428	PS-7014	R1200GS HP2	1170	BM-1204	KN-164
X6 M	4.4L V8 F/I	33-2449		R1200R	1170	BM-1204	KN-164
X6 xDrive 30d	3.0L L6 DSL	E-2657		R1200RT	1170	BM-1204	KN-164
X6 xDrive 35d	3.0L L6 DSL	33-2959		X3	3.0L L6 DSL - Exc. SD	E-2657	
Z4	3.0L L6 F/I	33-2372	PS-7014	X3	3.0L L6 F/I	33-2372	PS-7014
Z4	3.0L L6 F/I - Non-US, 23i, 30i	33-2963	PS-7014	X3 Si	2.5L L6 F/I	33-2372	PS-7007
Z4	3.0L L6 F/I - Non-US, 35i	33-2367	PS-7014	X3 Si	3.0L L6 F/I	33-2372	PS-7014
Z4	3.2L L6 F/I	33-2292		X5	3.0L L6 F/I	33-2406	PS-7014
				X5	4.8L V8 F/I	33-2407	

* 2 filters required

♦ Intake System Available - see page 84 +Cabin Air Filter Available - see page 453 1- Performance Silver Oil Filter Also Available



AIR & OIL FILTERS

BMW

Vehicle	Engine Type	Air Filter	Oil Filter	Vehicle	Engine Type	Air Filter	Oil Filter
2008 BMW				2007 BMW			
X5 xDrive30d	3.0L L6 DSL	E-2657		R1200GS HP2	1170	BM-1204	KN-164
X5 xDrive35d	3.0L L6 DSL	33-2959		R1200R	1170	BM-1204	KN-164
Z4	3.0L L6 F/I	33-2372	PS-7014	R1200RT	1170	BM-1204	KN-164
Z4	3.2L L6 F/I	33-2292		R1200S	1170	BM-1204	KN-164
2007 BMW				2006 BMW			
116i	1.6L L4 F/I	E-2021 ♦		X3	3.0L L6 DSL - Exc. SD	E-2657	
118d	2.0L L4 DSL - 143BHP, from 3/07	33-2942 ♦		X3	3.0L L6 F/I	33-2372	PS-7014
118i	2.0L L4 F/I	E-2021 ♦		X3 Si	2.5L L6 F/I	33-2372	
120i	2.0L L4 F/I	E-2021 ♦		X3 Si	3.0L L6 F/I	33-2372	PS-7014
316i	1.6L L4 F/I	RC-9350		X5	3.0L L6 DSL	E-2657	
318d	2.0L L4 DSL - 143BHP, from 9/07	33-2942 ♦		X5	3.0L L6 F/I	33-2406	PS-7014
318i	2.0L L4 F/I	E-2021 ♦		X5	4.4L V8 F/I	33-2149	
320D	2.0L L4 DSL - 177BHP, from 3/07	33-2942 ♦		X5	4.8L V8 F/I	33-2407	
320i	2.0L L4 F/I	E-2021 ♦		X5 xDrive35d	3.0L L6 DSL	33-2959	
323i	2.5L L6 F/I - Non-US	E-2022		Z4	3.0L L6 F/I	33-2372	PS-7014
325Ci	2.5L L6 F/I	33-2231	PS-7007	Z4	3.2L L6 F/I	33-2292	
325i	2.5L L6 F/I	E-2022	PS-7007	2006 BMW			
328i	3.0L L6 F/I	33-2332	PS-7014	116i	1.6L L4 F/I	E-2021 ♦	
328xi	3.0L L6 F/I	33-2332	PS-7014	130i	3.0L L6 F/I	E-2022	
330i	3.0L L6 F/I	E-2022	PS-7007	316i	1.6L L4 F/I	RC-9350	
335d	3.0L L6 DSL	33-2942		318i	2.0L L4 F/I	E-2021 ♦	
335i	3.0L L6 F/I	33-2367	PS-7014	320i	2.0L L4 F/I	E-2021 ♦	
335xi	3.0L L6 F/I	33-2367	PS-7014	323i	2.5L L6 F/I - Non-US	E-2022	
523i	2.5L L6 F/I	33-2292+		325Ci	2.5L L6 F/I	33-2231	PS-7014
525i	2.5L L6 F/I	33-2292+	PS-7007	325i	2.5L L6 F/I		PS-7007
525i	3.0L L6 F/I	33-2292+	PS-7014	325i	3.0L L6 F/I		PS-7014
525xi	3.0L L6 F/I	33-2292	PS-7014	325i	3.0L L6 F/I - Non-US	E-2022	PS-7014
530i	3.0L L6 F/I	33-2292+	PS-7014	325i	3.0L L6 F/I - US	33-2332	PS-7014
530xi	3.0L L6 F/I	33-2292	PS-7014	325Xi	3.0L L6 F/I	33-2332	PS-7014
540i	4.0L V8 F/I	33-2294+		330Ci	3.0L L6 F/I	33-2231	PS-7014
550i	4.8L V8 F/I	33-2294+		330D	3.0L L6 DSL	E-2657 ♦	
630i	3.0L L6 F/I	33-2292+		330i	3.0L L6 F/I		PS-7014
650i	4.8L V8 F/I	33-2294+		330i	3.0L L6 F/I - Non-US	E-2022	PS-7014
750i	4.8L V8 F/I - Non-US	33-2254*		330i	3.0L L6 F/I - US	33-2332	PS-7014
750i	4.8L V8 F/I - US	33-2410		330Xi	3.0L L6 F/I		PS-7014
750iL	4.8L V8 F/I - Non-US	33-2254*		330Xi	3.0L L6 F/I - Non-US	E-2022	PS-7014
750Li	4.8L V8 F/I - US	33-2410		330Xi	3.0L L6 F/I - US	33-2332	PS-7014
F650GS	652	BM-6501	KN-151	335i	3.0L L6 F/I	33-2367	
F650GS Dakar	652	BM-6501	KN-151	523i	2.5L L6 F/I	33-2292+	
F800S	798	BM-8006	KN-164	525i	2.5L L6 F/I	33-2292+	PS-7007
F800ST	798	BM-8006	KN-164	525xi	3.0L L6 F/I	33-2292	PS-7014
G650 Xchallenge	650	BM-6507		530d	3.0L L6 DSL	E-2657+	
G650 Xcountry	650	BM-6507	KN-151	530i	3.0L L6 F/I	33-2292+	PS-7007
G650 Xmoto	650	BM-6507	KN-151	530xi	3.0L L6 F/I	33-2292	PS-7014
K1200GT	1157	BM-1205	KN-160	550i	4.8L V8 F/I	33-2294+	
K1200LT	1170	BM-1299	KN-163	650i	4.8L V8 F/I	33-2294+	
K1200R	1200	BM-1205	KN-160	750i	4.8L V8 F/I	33-2254*	
K1200R Sport	1157	BM-1205	KN-160	750iL	4.8L V8 F/I	33-2254*	
K1200S	1157	BM-1205*	KN-160	750Li	4.8L V8 F/I	33-2254*	
M3	3.2L L6 F/I	33-2231		760Li	6.0L V12 F/I	33-2254*	
M5	5.0L V10 F/I		PS-7032	F650CS	652		KN-151
M5	5.0L V10 F/I - Left Side Airbox	33-2352 ♦♦	PS-7032	F650GS	652	BM-6501	KN-151
M5	5.0L V10 F/I - Right Side Airbox	33-2350 ♦♦	PS-7032	F650GS Dakar	652	BM-6501	KN-151
M6	5.0L V10 F/I		PS-7032	F800S	798		KN-164
M6	5.0L V10 F/I - Left Side Airbox	33-2352 ♦♦	PS-7032	F800ST	798	BM-8006	KN-164
M6	5.0L V10 F/I - Right Side Airbox	33-2350 ♦♦	PS-7032	HP2 Enduro	1170		KN-164
R1200GS	1170	BM-1204	KN-164	K1200GT	1157	BM-1205	KN-160
R1200GS Adventure	1170	BM-1204	KN-164	K1200LT	1170	BM-1299	KN-163
				K1200R	1200	BM-1205	KN-160
				K1200S	1157	BM-1205*	KN-160
				M3	3.2L L6 F/I	33-2231	

* 2 filters required ♦ Intake System Available - see page 84 + Cabin Air Filter Available - see page 453 1- Performance Silver Oil Filter Also Available



Vehicle	Engine Type	Air Filter	Oil Filter
2006 BMW			
M5	5.0L V10 F/I		PS-7032
M5	5.0L V10 F/I - Left Side Airbox	33-2352 ♦♦	PS-7032
M5	5.0L V10 F/I - Right Side Airbox	33-2350 ♦♦	PS-7032
M6	5.0L V10 F/I		PS-7032
M6	5.0L V10 F/I - Left Side Airbox	33-2352 ♦♦	PS-7032
M6	5.0L V10 F/I - Right Side Airbox	33-2350 ♦♦	PS-7032
R1200GS	1170	BM-1204	KN-164
R1200GS Adventure	1170	BM-1204	KN-164
R1200GS HP2	1170	BM-1204	KN-164
R1200RT	1170	BM-1204	KN-164
X3	2.5L L6 F/I		PS-7007
X3	2.5L L6 F/I - Non-US, to 8/06	33-2070	PS-7007
X3	3.0L L6 DSL - Exc. SD	E-2657	
X3	3.0L L6 F/I	33-2231	PS-7007
X3 Si	2.5L L6 F/I		PS-7007
X3 Si	2.5L L6 F/I - Non-US, from 6/06	33-2372	PS-7007
X3 Si	3.0L L6 F/I		PS-7007
X3 Si	3.0L L6 F/I - Non-US, from 9/06	33-2372	PS-7007
X5	3.0L L6 DSL	E-2657	
X5	3.0L L6 F/I	33-2255	PS-7007
X5	4.4L V8 F/I	33-2149	PS-7006
X5	4.4L V8 F/I - Exc. E53	33-2149	PS-7006
X5	4.8L V8 F/I	33-2149	
Z4	3.0L L6 F/I	33-2372	PS-7014
Z4	3.2L L6 F/I - Non-US	33-2292	

Vehicle	Engine Type	Air Filter	Oil Filter
2005 BMW			
116i	1.6L L4 F/I	E-2021 ♦	
318i	2.0L L4 F/I - 129BHP	E-2021 ♦	
320i	2.0L L4 F/I	E-2021 ♦	
320i	2.2L L6 F/I	33-2231 ♦	
325Ci	2.5L L6 F/I	33-2231 ♦	PS-7007
325i	2.5L L6 F/I		PS-7007
325i	2.5L L6 F/I - 192BHP	33-2231 ♦	PS-7007
325i	2.5L L6 F/I - 218BHP	E-2022 ♦	PS-7007
325i	2.5L L6 F/I - US	33-2231 ♦	PS-7007
325Xi	2.5L L6 F/I	33-2231 ♦	PS-7007
330Ci	3.0L L6 F/I		PS-7007
330Ci	3.0L L6 F/I - Non-US	E-2022 ♦	PS-7007
330Ci	3.0L L6 F/I - US	33-2231 ♦	PS-7007
330i	3.0L L6 F/I		PS-7007
330i	3.0L L6 F/I - Non-US	E-2022 ♦	PS-7007
330i	3.0L L6 F/I - US	33-2231 ♦	PS-7007
330Xi	3.0L L6 F/I		PS-7007
330Xi	3.0L L6 F/I - Non-US	E-2022 ♦	PS-7007
330Xi	3.0L L6 F/I - US	33-2231 ♦	PS-7007
525d	2.5L L6 DSL	E-2657+	
525i	2.5L L6 F/I	33-2292+	PS-7007
530d	3.0L L6 DSL	E-2657+	
530i	3.0L L6 F/I	33-2292+	PS-7007
540i	4.0L V8 F/I	33-2294+	
545i	4.4L V8 F/I	33-2294+	
550i	4.8L V8 F/I	33-2294+	
645Ci	4.4L V8 F/I	33-2294+	
745i	4.4L V8 F/I	33-2254	
745Li	4.4L V8 F/I	33-2254	
750iL	4.8L V8 F/I	33-2254*	
F650CS ABS	652	BM-6507	
F650GS	652	BM-6501	KN-151

Vehicle	Engine Type	Air Filter	Oil Filter
2005 BMW			
F650GS ABS	652	BM-6501	KN-151
F650GS Dakar	652	BM-6501	KN-151
F650GS Dakar ABS	652	BM-6501	KN-151
K1200LT	1170	BM-1299	KN-163
K1200LT SE	1200	BM-1299	KN-163
K1200S	1157	BM-1205*	KN-160
M3	3.2L L6 F/I	33-2231 ♦	
M5	5.0L V10 F/I - Left Side Airbox	33-2352 ♦♦	
M5	5.0L V10 F/I - Right Side Airbox	33-2350 ♦♦	
M6	5.0L V10 F/I - Left Side Airbox	33-2352 ♦♦	
M6	5.0L V10 F/I - Right Side Airbox	33-2350 ♦♦	
R1150GS Adventure	1150		KN-163
R1150RT	1150		KN-163
R1200GS	1170	BM-1204	KN-164
R1200GS Adventure	1170	BM-1204	KN-164
R1200GS HP2	1170	BM-1204	KN-164
R1200RT	1170	BM-1204	KN-164
R1200ST	1170		KN-164
X3	2.5L L6 F/I		PS-7007
X3	2.5L L6 F/I - Non-US	33-2070	PS-7007
X3	2.5L L6 F/I - US	33-2231	PS-7007
X3	3.0L L6 DSL	E-2657	
X3	3.0L L6 F/I	33-2231	PS-7007
X5	3.0L L6 DSL	E-2657	
X5	3.0L L6 F/I	33-2255	PS-7007
X5	4.4L V8 F/I	33-2149	
X5	4.8L V8 F/I	33-2149	
Z4	2.2L L6 F/I	33-2070 ♦	PS-7007
Z4	2.5L L6 F/I	33-2070	PS-7007
Z4	3.0L L6 F/I	33-2070	PS-7007

Vehicle	Engine Type	Air Filter	Oil Filter
2004 BMW			
116i	1.6L L4 F/I	E-2021 ♦	
120i	2.0L L4 F/I	E-2021 ♦	
318i	2.0L L4 F/I	E-2232	
320Ci	2.2L L6 F/I	33-2231 ♦	PS-7007
320i	2.2L L6 F/I	33-2231 ♦	PS-7007
325Ci	2.5L L6 F/I	33-2231 ♦	PS-7007
325i	2.5L L6 F/I	33-2231 ♦	PS-7007
325Xi	2.5L L6 F/I	33-2231 ♦	PS-7007
330Ci	3.0L L6 F/I	33-2231 ♦	PS-7007
330i	3.0L L6 F/I	33-2231 ♦	PS-7007
330Xi	3.0L L6 F/I	33-2231 ♦	PS-7007
525i	2.5L L6 F/I		PS-7007
525i	2.5L L6 F/I - E39	33-2070 ♦♦	PS-7007
525i	2.5L L6 F/I - E60, E61	33-2292 ♦♦	PS-7007
525i	2.5L L6 F/I - US	33-2292	PS-7007
530i	3.0L L6 F/I		PS-7007
530i	3.0L L6 F/I - E39	33-2070+	PS-7007
530i	3.0L L6 F/I - E60, E61	33-2292+	PS-7007
530i	3.0L L6 F/I - US	33-2292	PS-7007
545i	4.4L V8 F/I	33-2294+	
645Ci	4.4L V8 F/I	33-2294+	
745i	4.4L V8 F/I	33-2254	
745Li	4.4L V8 F/I	33-2254	
760Li	6.0L V12 F/I	33-2254*	
F650GS	652	BM-6501	KN-151
F650GS Dakar	652	BM-6501	KN-151
F650GS Dakar ABS	652	BM-6501	KN-151
K1200GT	1157	BM-1299	
M3	3.2L L6 F/I	33-2231 ♦	

* 2 filters required

♦ Intake System Available - see page 84 +Cabin Air Filter Available - see page 453 1- Performance Silver Oil Filter Also Available



AIR & OIL FILTERS

BMW

Vehicle	Engine Type	Air Filter	Oil Filter	Vehicle	Engine Type	Air Filter	Oil Filter
2004 BMW				2003 BMW			
M5	5.0L V8 F/I	33-2142*		M3	3.2L L6 F/I	33-2231 ♦	
R1100S	1100	BM-1199	KN-163	M5	4.9L V8 F/I		PS-7006
R1100S ABS	1100	BM-1199	KN-163	M5	5.0L V8 F/I	33-2142*	PS-7006
R1100S Boxer Cup Replica	1100	BM-1199	KN-163	R1100S Boxer Cup Replica	1100	BM-1199	KN-163
R1100S Prep	1100		KN-163	R1150GS	1150	BM-0400	KN-163
R1150GS	1150		KN-163	R1150GS Adventure	1150	BM-0400	KN-163
R1150GS Adventure	1150	BM-0400	KN-163	R1150GS Sport	1150	BM-0400	KN-163
R1150R	1150	BM-0400	KN-163	R1150R	1150	BM-0400	KN-163
R1150R Rockster	1150	BM-0400	KN-163	R1150RS	1150	BM-0400	KN-163
R1150R Rockster Edition 80	1150	BM-0400	KN-163	R1150RT	1150	BM-0400	KN-163
R1150RS	1150	BM-0400	KN-163	R1200CL	1200	BM-1298	KN-163
R1150RT	1150	BM-0400	KN-163	X5	3.0L L6 DSL	E-2657	
R1200C Classic	1200		KN-163	X5	3.0L L6 F/I	33-2255	PS-7007
R1200C Montauk	1200	BM-1298	KN-163	X5	4.4L V8 F/I	33-2149	PS-7006
R1200CL	1200	BM-1298	KN-163	X5	4.6L V8 F/I	33-2149	
R1200GS	1170	BM-1204	KN-164	Z4	2.2L L6 F/I	33-2070 ♦	
X3	2.5L L6 F/I		PS-7007	Z4	2.5L L6 F/I	33-2070	PS-7007
X3	2.5L L6 F/I - Non-US	33-2070	PS-7007	Z4	3.0L L6 F/I	33-2070	PS-7007
X3	2.5L L6 F/I - US	33-2231	PS-7007	2002 BMW			
X3	3.0L L6 DSL	E-2657		318i	2.0L L4 F/I	E-2232	
X3	3.0L L6 F/I	33-2231	PS-7007	320i	2.2L L6 F/I	33-2231 ♦	PS-7007
X5	3.0L L6 DSL	E-2657		325Ci	2.5L L6 F/I	33-2231 ♦	PS-7007
X5	3.0L L6 F/I	33-2255	PS-7007	325i	2.5L L6 F/I	33-2231 ♦	PS-7007
X5	4.4L V8 F/I	33-2149		325Ti	2.5L L6 F/I	33-2231 ♦	
X5	4.8L V8 F/I	33-2149		325Xi	2.5L L6 F/I	33-2231 ♦	PS-7007
Z4	2.5L L6 F/I	33-2070	PS-7007	330Ci	3.0L L6 F/I	33-2231 ♦	PS-7007
Z4	3.0L L6 F/I	33-2070	PS-7007	330i	3.0L L6 F/I	33-2231 ♦	PS-7007
2003 BMW				330Xi	3.0L L6 F/I	33-2231 ♦	PS-7007
318Ci	2.0L L4 F/I	E-2232		525i	2.5L L6 F/I	33-2070 ♦	PS-7007
320D	2.0L L4 DSL	E-2653		530i	3.0L L6 F/I	33-2070	PS-7007
320i	2.2L L6 F/I	33-2231 ♦	PS-7007	540i	4.4L V8 F/I	33-2142	PS-7006
325Ci	2.5L L6 F/I	33-2231 ♦	PS-7007	745i	4.4L V8 F/I	33-2254	
325i	2.5L L6 F/I	33-2231 ♦	PS-7007	745Li	4.4L V8 F/I	33-2254	
325Ti	2.5L L6 F/I	33-2231 ♦	PS-7007	F650CS	652	BM-6507	KN-151
325Xi	2.5L L6 F/I	33-2231 ♦	PS-7007	F650GS	650	BM-6501	KN-151
330Ci	3.0L L6 F/I	33-2231 ♦	PS-7007	F650GS ABS	650	BM-6501	KN-151
330i	3.0L L6 F/I	33-2231 ♦	PS-7007	F650GS Dakar	650	BM-6501	KN-151
330Xi	3.0L L6 F/I	33-2231 ♦	PS-7007	F650GS Dakar ABS	650	BM-6501	KN-151
525i	2.5L L6 F/I		PS-7007	K1200LT	1200	BM-1299	KN-163
525i	2.5L L6 F/I - E39	33-2070 ♦♦	PS-7007	K1200LT ABS	1200	BM-1299	KN-163
525i	2.5L L6 F/I - E60, E61	33-2292 ♦♦	PS-7007	K1200LT Lux	1200	BM-1299	KN-163
525i	2.5L L6 F/I - US	33-2070	PS-7007	K1200LT SE	1200	BM-1299	KN-163
530i	3.0L L6 F/I		PS-7007	K1200LTC	1200	BM-1299	KN-163
530i	3.0L L6 F/I - E39	33-2070+	PS-7007	K1200RS	1200	BM-1299	KN-163
530i	3.0L L6 F/I - E60	33-2292+	PS-7007	K1200RS SE	1200		KN-163
530i	3.0L L6 F/I - US	33-2070	PS-7007	M3	3.2L L6 F/I	33-2231 ♦	
540i	4.4L V8 F/I	33-2142	PS-7006	M5	4.9L V8 F/I		PS-7006
745i	4.4L V8 F/I	33-2254		M5	5.0L V8 F/I	33-2142*	PS-7006
745Li	4.4L V8 F/I	33-2254		R1100S	1100		KN-163
F650CS	652	BM-6507		R1100S ABS	1100	BM-1199	KN-163
F650CS ABS	652	BM-6507	KN-151	R1100S Boxer Cup	1100		KN-163
F650GS	650	BM-6501	KN-151	R1150GS	1150	BM-0400	KN-163
F650GS ABS	650	BM-6501	KN-151	R1150GS Adventure	1150	BM-0400	KN-163
F650GS Dakar	650	BM-6501	KN-151	R1150R	1150	BM-0400	KN-163
F650GS Dakar ABS	650	BM-6501	KN-151	R1150RS	1150	BM-0400	KN-163
K1200GT	1157	BM-1299		R1150RS SE	1150		KN-163
K1200LT	1200	BM-1299	KN-163	R1150RT	1150	BM-0400	KN-163
K1200LT Exodus	1200	BM-1299	KN-163	X5	3.0L L6 DSL	E-2657	
K1200RS	1200	BM-1299	KN-163	X5	3.0L L6 F/I	33-2255	PS-7007
K1200RS SE	1200		KN-163	X5	4.4L V8 F/I	33-2149	PS-7006
				X5	4.6L V8 F/I	33-2149	PS-7006

* 2 filters required

♦ Intake System Available - see page 84 +Cabin Air Filter Available - see page 453 1- Performance Silver Oil Filter Also Available



Vehicle	Engine Type	Air Filter	Oil Filter
2002 BMW			
Z3	2.5L L6 F/I	33-2070	PS-7007
Z3	3.0L L6 F/I	33-2070 ♦	PS-7007
2001 BMW			
318i	1.9L L4 F/I	33-2231 ♦	
318i	2.0L L4 F/I	E-2232	
320i	2.2L L6 F/I	33-2231 ♦	PS-7007
323i	2.5L L6 F/I		PS-7007
325Ci	2.5L L6 F/I	33-2231 ♦	PS-7007
325i	2.5L L6 F/I	33-2231 ♦	PS-7007
325Ti	2.5L L6 F/I	33-2231 ♦	
325Xi	2.5L L6 F/I	33-2231 ♦	PS-7007
330Ci	3.0L L6 F/I	33-2231 ♦	PS-7007
330i	3.0L L6 F/I	33-2231 ♦	PS-7007
330Xi	3.0L L6 F/I	33-2231 ♦	PS-7007
525i	2.5L L6 F/I	33-2070 ♦	PS-7007
530i	3.0L L6 F/I	33-2070	PS-7007
540i	4.4L V8 F/I	33-2142	PS-7006
740i	4.4L V8 F/I		PS-7006
740i	4.4L V8 F/I - Non-US	33-2675	PS-7006
740i	4.4L V8 F/I - US	33-2142	PS-7006
740iL	4.0L V8 F/I		PS-7006
740iL	4.0L V8 F/I - Non-US	33-2675	PS-7006
740iL	4.4L V8 F/I		PS-7006
740iL	4.4L V8 F/I - Non-US	33-2675	PS-7006
740iL	4.4L V8 F/I - US	33-2142	PS-7006
745i	4.4L V8 F/I	33-2254	
750iL	5.4L V12 F/I	33-2255*	
F650GS	650	BM-6501	KN-151
F650GS ABS	650	BM-6501	KN-151
F650GS Dakar	650	BM-6501	KN-151
K1200LTC	1200		KN-163
K1200RS	1200		KN-163
M3	3.2L L6 F/I	33-2231 ♦	
M5	4.9L V8 F/I		PS-7006
M5	5.0L V8 F/I	33-2142*	PS-7006
R1150GS	1150	BM-0400	KN-163
R1150RT	1150	BM-0400	KN-163
R1200C Classic	1200		KN-163
X5	3.0L L6 DSL	E-2657	
X5	3.0L L6 F/I	33-2255	PS-7007
X5	4.4L V8 F/I	33-2149	PS-7006
Z3	2.5L L6 F/I	33-2070	PS-7007
Z3	3.0L L6 F/I	33-2070 ♦	PS-7007
Z3	3.2L L6 F/I	33-2070 ♦	

Vehicle	Engine Type	Air Filter	Oil Filter
2000 BMW			
316i	1.9L L4 F/I	33-2231 ♦	
318Ci	1.9L L4 F/I	33-2231 ♦	
318i	1.9L L4 F/I	33-2231 ♦	
320i	2.0L L6 F/I	33-2231 ♦	
320i	2.2L L6 F/I	33-2231 ♦	PS-7007
323Ci	2.5L L6 F/I	33-2231 ♦	PS-7007
323i	2.5L L6 F/I	33-2231 ♦	PS-7007
323Ti	2.5L L6 F/I	33-2070 ♦	PS-7007
325i	2.5L L6 F/I	33-2231 ♦	PS-7007
328Ci	2.8L L6 F/I	33-2231 ♦	PS-7007
328i	2.8L L6 F/I	33-2231 ♦	PS-7007
330Ci	3.0L L6 F/I	33-2231 ♦	PS-7007
525i	2.5L L6 F/I	33-2070 ♦	PS-7007
528i	2.8L L6 F/I	33-2070 ♦	PS-7007
530i	3.0L L6 F/I	33-2070	
540i	4.4L V8 F/I	33-2142	PS-7006
740i	4.4L V8 F/I		PS-7006

Vehicle	Engine Type	Air Filter	Oil Filter
2000 BMW			
740i	4.4L V8 F/I - Non-US	33-2675	PS-7006
740i	4.4L V8 F/I - US	33-2142	PS-7006
740iL	4.4L V8 F/I		PS-7006
740iL	4.4L V8 F/I - Non-US	33-2675	PS-7006
740iL	4.4L V8 F/I - US	33-2142	PS-7006
F650GS ABS	650	BM-6501	
K1200LT	1200	BM-1299	KN-163
K1200LTC	1200	BM-1299	KN-163
K1200LTI Icon	1200	BM-1299	KN-163
K1200LTS	1200	BM-1299	KN-163
M3	3.2L L6 F/I	33-2231	
M5	4.9L V8 F/I		PS-7006
M5	5.0L V8 F/I	33-2142*	PS-7006
R1100R	1100	BM-0400	KN-163
R1100R ABS	1100	BM-0400	KN-163
R1100RS ABS	1100	BM-0400	KN-163
R1100RS Special Edition	1100	BM-0400	KN-163
R1100RT	1100	BM-0400	KN-163
R1100RT SE	1100	BM-0400	KN-163
R1100S	1100		KN-163
R1100SA	1100	BM-1199	KN-163
R1100SA SE	1100	BM-1199	KN-163
R1150GS	1150	BM-0400	KN-163
R1200C Avantgarde	1200		KN-163
R1200C Classic	1170		KN-163
R1200C Cruiser	1170		KN-163
R1200C Euro	1170		KN-163
R1200C Montana	1170		KN-163
R1200C Phoenix	1170		KN-163
X5	4.4L V8 F/I	33-2149	
Z3	2.2L L6 F/I	33-2070 ♦	PS-7007
Z3	2.5L L6 F/I	33-2070	PS-7007
Z3	2.8L L6 F/I	33-2070 ♦	PS-7007
Z3	3.2L L6 F/I	33-2070 ♦	

Vehicle	Engine Type	Air Filter	Oil Filter
1999 BMW			
316i	1.9L L4 F/I	33-2231 ♦	
318i	1.9L L4 F/I	33-2231 ♦	
320i	2.0L L6 F/I - E36	33-2070 ♦	
320i	2.0L L6 F/I - E46	33-2231 ♦	
323Ci	2.5L L6 F/I	33-2070 ♦	PS-7007
323Ci	2.5L L6 F/I - E46	33-2231 ♦	PS-7007
323i	2.5L L6 F/I		PS-7007
323i	2.5L L6 F/I - E36	33-2070 ♦	PS-7007
323i	2.5L L6 F/I - E46	33-2231 ♦	PS-7007
323iS	2.5L L6 F/I	33-2070 ♦	PS-7007
328i	2.8L L6 F/I		PS-7007
328i	2.8L L6 F/I - Non-US, E36	33-2070 ♦	PS-7007
328i	2.8L L6 F/I - Non-US, E46	33-2231 ♦	PS-7007
328i	2.8L L6 F/I - US	33-2070 ♦	PS-7007
328ic	2.8L L6 F/I		PS-7007
328ic	2.8L L6 F/I - US, E36	33-2070 ♦	PS-7007
328iS	2.8L L6 F/I		PS-7007
328iS	2.8L L6 F/I - US	33-2070 ♦	PS-7007
528i	2.8L L6 F/I	33-2070 ♦	PS-7007
540i	4.4L V8 F/I	33-2142	PS-7006
740iL	4.4L V8 F/I		PS-7006
740iL	4.4L V8 F/I - Non-US	33-2675	PS-7006
740iL	4.4L V8 F/I - US	33-2142	PS-7006
F650	650		KN-151
F650 Enduro	650		KN-151

* 2 filters required

♦ Intake System Available - see page 84 +Cabin Air Filter Available - see page 453 1- Performance Silver Oil Filter Also Available



AIR & OIL FILTERS

BMW

Vehicle	Engine Type	Air Filter	Oil Filter	Vehicle	Engine Type	Air Filter	Oil Filter
1999 BMW				1998 BMW			
F650 Funduro	650		KN-151	R1200C Cruiser	1170	BM-1298	
F650 SE	650		KN-151	R1200C Euro	1170	BM-1298	KN-163
F650ST	650		KN-151	Z3	1.9L L4 F/I	33-2733 ♦	
K1200LT	1200	BM-1299	KN-163	Z3	2.8L L6 F/I	33-2070 ♦	PS-7007
K1200LTC	1200	BM-1299	KN-163	Z3	3.2L L6 F/I	33-2070 ♦	
K1200LTI Icon	1200	BM-1299	KN-163	1997 BMW			
K1200LTS	1200	BM-1299	KN-163	318i	1.8L L4 F/I	33-2733 ♦	
K1200RS	1200	BM-1299	KN-163	318i	1.9L L4 F/I - Non-US	33-2231	
K1200RS Dakar	1200	BM-1299	KN-163	318i	1.9L L4 F/I - US	33-2733	
M Coupe	3.2L L6 F/I	33-2070		318iC	1.9L L4 F/I - US	33-2733	
M3	3.0L L6 F/I	33-2070 ♦		318iS	1.8L L4 F/I	33-2733	
M3	3.2L L6 F/I	33-2070 ♦		318iS	1.9L L4 F/I	33-2733 ♦	
R1100R	1100	BM-0400	KN-163	318ti	1.9L L4 F/I	33-2733 ♦	
R1100R SE	1100	BM-0400	KN-163	323i	2.5L L6 F/I	33-2070 ♦	
R1100RS ABS	1100	BM-0400	KN-163	323iS	2.5L L6 F/I	33-2070 ♦	
R1100RT	1100	BM-0400	KN-163	325i	2.5L L6 F/I	33-2070 ♦	
R1100S	1100	BM-1199	KN-163	328Ci	2.8L L6 F/I	33-2070 ♦	
R1100S ABS	1100	BM-1199	KN-163	328i	2.8L L6 F/I	33-2070 ♦	PS-7007
Z3	2.0L L6 F/I	33-2070 ♦		328iS	2.8L L6 F/I	33-2070 ♦	PS-7007
Z3	2.5L L6 F/I	33-2070	PS-7007	528i	2.8L L6 F/I	33-2070	PS-7007
Z3	2.8L L6 F/I	33-2070 ♦	PS-7007	540i	4.4L V8 F/I	33-2142	PS-7006
Z3	3.2L L6 F/I	33-2070 ♦		740iL	4.4L V8 F/I	33-2675	PS-7006
1998 BMW				F650 Funduro	650		KN-151
318i	1.8L L4 F/I	33-2733 ♦		F650ST	650		KN-151
318i	1.9L L4 F/I - Non-US	33-2231 ♦		M3	3.0L L6 F/I	33-2070 ♦	
318i	1.9L L4 F/I - US	33-2733 ♦		M3	3.2L L6 F/I	33-2070 ♦	
318iS	1.9L L4 F/I	33-2733 ♦		R1100RT	1100	BM-0400	
318ti	1.9L L4 F/I	33-2733 ♦		R1100RTL	1100	BM-0400	
320i	2.0L L6 F/I - E46	33-2231 ♦		Z3	1.9L L4 F/I	33-2733 ♦	
323i	2.5L L6 F/I		PS-7007	Z3	2.8L L6 F/I	33-2070 ♦	PS-7007
323i	2.5L L6 F/I - E36	33-2070 ♦	PS-7007	1996 BMW			
323i	2.5L L6 F/I - E46	33-2231 ♦	PS-7007	318i	1.9L L4 F/I - Non-US	33-2231	
323i	2.5L L6 F/I - US	33-2070	PS-7007	318i	1.9L L4 F/I - US	33-2733	
323iS	2.5L L6 F/I	33-2070 ♦	PS-7007	318iC	1.9L L4 F/I - US	33-2733	
325i	2.5L L6 F/I	33-2070 ♦		318iS	1.8L L4 F/I	33-2733	
325td	2.5L L6 DSL	33-2706		318iS	1.9L L4 F/I	33-2733 ♦	
325tds	2.5L L6 DSL	33-2706		318tds	1.8L L4 DSL	33-2745	
328i	2.8L L6 F/I		PS-7007	318ti	1.9L L4 F/I	33-2733 ♦	
328i	2.8L L6 F/I - Non-US, E36	33-2070 ♦	PS-7007	320i	2.0L L6 F/I	33-2070 ♦	
328i	2.8L L6 F/I - Non-US, E46	33-2231 ♦	PS-7007	325i	2.5L L6 F/I	33-2070 ♦	PS-7007
328i	2.8L L6 F/I - US	33-2070 ♦	PS-7007	325td	2.5L L6 DSL	33-2706	
328ic	2.8L L6 F/I - US	33-2070 ♦	PS-7007	325tds	2.5L L6 DSL	33-2706	
328iS	2.8L L6 F/I	33-2070 ♦	PS-7007	328i	2.8L L6 F/I	33-2070 ♦	PS-7007
525tds	2.5L L6 DSL	33-2706		328iS	2.8L L6 F/I	33-2070 ♦	PS-7007
528i	2.8L L6 F/I	33-2070 ♦	PS-7007	M3	3.0L L6 F/I	33-2070 ♦	
540i	4.4L V8 F/I	33-2142	PS-7006	M3	3.2L L6 F/I	33-2070 ♦	
740i	4.4L V8 F/I	33-2675	PS-7006	R850R ABS	832	BM-0400	KN-163
740iL	4.0L V8 F/I	33-2675	PS-7006	R1100R	1100		KN-163
740iL	4.4L V8 F/I	33-2675	PS-7006	R1100R ABS	1100		KN-163
750iL	5.4L V12 F/I	33-2255*		R1100RS ABS	1100	BM-0400	KN-163
F650 Funduro	650		KN-151	R1100RSL	1100	BM-0400	
K1200RS	1200	BM-1299	KN-163	R1100RT	1100	BM-0400	
M3	3.0L L6 F/I	33-2070 ♦		R1100RTL	1100	BM-0400	
M3	3.2L L6 F/I	33-2070 ♦		Z3	1.9L L4 F/I	33-2733 ♦	
R1100GS ABS	1100		KN-163	1995 BMW			
R1100R	1100		KN-163	318i	1.8L L4 F/I - Non-US, from 9/95	33-2733 ♦	
R1100R ABS	1100	BM-0400	KN-163	318i	1.8L L4 F/I - Non-US, to 8/95	33-2059 ♦	
R1100RS ABS	1100	BM-0400	KN-163	318i	1.8L L4 F/I - US	33-2733	
R1100RT	1100	BM-0400		318iC	1.8L L4 F/I	33-2733	
R1200C	1170	BM-1298	KN-163	318iS	1.8L L4 F/I	33-2733 ♦	
R1200C Classic	1170	BM-1298	KN-163				

* 2 filters required

♦ Intake System Available - see page 84 +Cabin Air Filter Available - see page 453 1- Performance Silver Oil Filter Also Available



Vehicle	Engine Type	Air Filter	Oil Filter
1995 BMW			
318ti	1.8L L4 F/I	33-2733 ♦	
325i	2.5L L6 F/I	33-2070 ♦	
325iS	2.5L L6 F/I	33-2070 ♦	
328i	2.8L L6 F/I	33-2070 ♦	PS-7007
525i	2.5L L6 F/I	33-2078 ♦	
525iT	2.5L L6 F/I	33-2078	
525iX	2.5L L6 F/I	33-2078	
525tds	2.5L L6 DSL - Left Hand Drive	33-2706	
530i	3.0L V8 F/I	33-2675	
530i	3.0L V8 F/I - w/ Plastic Center Tube	33-2675	PS-7006
530iT	3.0L V8 F/I	33-2675	PS-7006
540i	4.0L V8 F/I	33-2675	
540i	4.0L V8 F/I - w/ Plastic Center Tube	33-2675	PS-7006
740i	4.0L V8 F/I	33-2675	
740i	4.0L V8 F/I - w/ Plastic Center Tube	33-2675	PS-7006
740iL	4.0L V8 F/I	33-2675	
740iL	4.0L V8 F/I - w/ Plastic Center Tube	33-2675	PS-7006
750iL	5.4L V12 F/I	33-2255*	
M3	3.0L L6 F/I	33-2070 ♦	
M3	3.2L L6 F/I	33-2070 ♦	
R1100GS ABS	1100		KN-163
R1100R	1100	BM-0400	KN-163
R1100R ABS	1100	BM-0400	KN-163
R1100RA/S ABS	1100	BM-0400	KN-163
R1100RS ABS	1100	BM-0400	KN-163
R1100RS ABS Special Edition	1100	BM-0400	KN-163
R1100RSL	1100	BM-0400	
R1100RSL ABS Special Edition	1100	BM-0400	
R1100RT	1100	BM-0400	KN-163

Vehicle	Engine Type	Air Filter	Oil Filter
1994 BMW			
318i	1.8L L4 F/I	33-2059 ♦	
318iC	1.8L L4 F/I	33-2059	
318iS	1.8L L4 F/I - Non-US	33-2733 ♦	
318iS	1.8L L4 F/I - US	33-2059	
320i	2.0L L6 F/I	33-2070 ♦	
325i	2.5L L6 F/I	33-2070 ♦	
325iS	2.5L L6 F/I	33-2070 ♦	
325tds	2.5L L6 DSL	33-2706	
525i	2.5L L6 F/I	33-2078 ♦	
525iT	2.5L L6 F/I	33-2078	
525iX	2.5L L6 F/I	33-2078	
530i	3.0L V8 F/I	33-2675	
530iT	3.0L V8 F/I	33-2675	PS-7006
540i	4.0L V8 F/I	33-2675	
540i	4.0L V8 F/I - w/ Plastic Center Tube	33-2675	PS-7006
740iL	4.0L V8 F/I	33-2675	
R1100RS ABS	1100		KN-163
R1100RS ABS Special Edition	1100		KN-163

Vehicle	Engine Type	Air Filter	Oil Filter
1993 BMW			
318i	1.8L L4 F/I - US	33-2059	
318iS	1.8L L4 F/I - Non-US, from 12/93	33-2733 ♦	
318iS	1.8L L4 F/I - Non-US, to 11/93	33-2059 ♦	
318iS	1.8L L4 F/I - US	33-2059	

Vehicle	Engine Type	Air Filter	Oil Filter
1993 BMW			
325i	2.5L L6 F/I - Non-US, 12v		HP-2005 ¹
325i	2.5L L6 F/I - Non-US, E30	33-2059 ♦	
325i	2.5L L6 F/I - Non-US, E36	33-2070 ♦	
325i	2.5L L6 F/I - US	33-2070 ♦	
325i	2.5L L6 F/I - US, SOHC		HP-2005 ¹
325iS	2.5L L6 F/I	33-2070 ♦	
325iX	2.5L L6 F/I	33-2059 ♦	
325tds	2.5L L6 DSL	33-2706	
525i	2.5L L6 F/I	33-2078 ♦	
525iT	2.5L L6 F/I	33-2078	
525iX	2.5L L6 F/I	33-2078	

Vehicle	Engine Type	Air Filter	Oil Filter
1992 BMW			
318i	1.8L L4 F/I	33-2059 ♦	
318iC	1.8L L4 F/I	33-2059	
318iS	1.8L L4 F/I	33-2059	
320i	2.0L L6 F/I	33-2070	
320i	2.0L L6 F/I - E36	33-2070 ♦	
325i	2.5L L6 F/I	33-2070 ♦	
325i	2.5L L6 F/I - 12v	33-2070	HP-2005 ¹
325i	2.5L L6 F/I - E30	33-2059 ♦	
325i	2.5L L6 F/I - E36	33-2070 ♦	
325i	2.5L L6 F/I - SOHC	33-2070	HP-2005 ¹
325iS	2.5L L6 F/I	33-2070 ♦	
325iX	2.5L L6 F/I	33-2059 ♦	
525i	2.5L L6 F/I	33-2078 ♦	
525iX	2.5L L6 F/I	33-2078	
535i	3.5L L6 F/I	33-2573 ♦	
K75S ABS	750		KN-163

Vehicle	Engine Type	Air Filter	Oil Filter
1991 BMW			
318i	1.8L L4 F/I	33-2059 ♦	
318iC	1.8L L4 F/I	33-2059	
318iS	1.8L L4 F/I	33-2059	
325i	2.5L L6 F/I	33-2059	HP-2005 ¹
325i	2.5L L6 F/I - E30	33-2059 ♦	HP-2005
325i	2.5L L6 F/I - E36	33-2070 ♦	HP-2005
325iX	2.5L L6 F/I	33-2059 ♦	
525i	2.5L L6 F/I - US, M20 Eng.		HP-2005 ¹
525iX	2.5L L6 F/I	33-2078	
535i	3.5L L6 F/I	33-2573 ♦	

Vehicle	Engine Type	Air Filter	Oil Filter
1990 BMW			
325i	2.5L L6 F/I	33-2059 ♦	HP-2005 ¹
325iS	2.5L L6 F/I	33-2059	HP-2005 ¹
325iX	2.5L L6 F/I	33-2059 ♦	HP-2005 ¹
525i	2.5L L6 F/I - 170BHP	33-2059 ♦	
525i	2.5L L6 F/I - 192BHP	33-2078 ♦	
525i	2.5L L6 F/I - US	33-2059	HP-2005 ¹
535i	3.5L L6 F/I	33-2573 ♦	
M3	2.3L L4 F/I	33-2005	

Vehicle	Engine Type	Air Filter	Oil Filter
1989 BMW			
318iS	1.8L L4 F/I	33-2059	
325i	2.5L L6 F/I	33-2059 ♦	HP-2005 ¹
325iS	2.5L L6 F/I	33-2059	HP-2005 ¹
325iX	2.5L L6 F/I	33-2059 ♦	HP-2005 ¹
535i	3.5L L6 F/I	33-2573 ♦	

Vehicle	Engine Type	Air Filter	Oil Filter
1988 BMW			
325	2.7L L6 F/I	33-2059	HP-2005 ¹
325e	2.7L L6 F/I	33-2059	HP-2005 ¹
325i	2.5L L6 F/I	33-2059 ♦	HP-2005 ¹

* 2 filters required

♦ Intake System Available - see page 84 +Cabin Air Filter Available - see page 453 1- Performance Silver Oil Filter Also Available



AIR & OIL FILTERS

BMW

Vehicle	Engine Type	Air Filter	Oil Filter	Vehicle	Engine Type	Air Filter	Oil Filter
1988 BMW				1974 BMW			
325iS	2.5L L6 F/I	33-2059	HP-2005 ¹	3.0CSi	3.0L L6 F/I	E-2630*	
325iX	2.5L L6 F/I	33-2059 ♦	HP-2005 ¹	3.0CSi	3.0L L6 F/I - until Vin 3223675	33-2530	
535iS	3.5L L6 F/I	33-2005		2002	2.0L L4 F/I - w/Auto Trans.	E-2850	
K100LT	1000		KN-163	2002	2.0L L4 F/I - w/Manual Trans.	E-2630	
K100RS	1000		KN-163	2002tii	2.0L L4 F/I	E-2290	
K100RS ABS	1000		KN-163	1973 BMW			
M3	2.3L L4 F/I	33-2005		2002	2.0L L4 F/I - w/Manual Trans.	E-2630	
M6	3.5L L6 F/I	33-2559		2002tii	2.0L L4 F/I	E-2290	
M635CSi	3.5L L6 F/I	33-2559		R75/5	750	BM-0200	
1987 BMW				2006 BOMBARDIER			
325	2.7L L6 F/I		HP-2005 ¹	DS650X	644	BD-6500	KN-152
325e	2.7L L6 F/I	33-2059	HP-2005 ¹	Outlander 400 HO 4x4	400	BD-3303	KN-152
325i	2.5L L6 F/I	33-2059 ♦	HP-2005 ¹	Outlander 400 HO 4x4 XT	400	BD-3303	KN-152
325iS	2.5L L6 F/I	33-2059	HP-2005 ¹	Outlander 650 HO 4x4 EFI XT	650	BD-6506	KN-152
325iX	2.5L L6 F/I	33-2059 ♦		Outlander 800 HO 4x4 EFI	800	BD-6506	KN-152
535i	3.5L L6 F/I	33-2005		Outlander 800 HO 4x4 EFI XT	800	BD-6506	KN-152
1986 BMW				Outlander Max 400 HO XT	400	BD-3303	KN-152
325e	2.7L L6 F/I	33-2059	HP-2005 ¹	Outlander Max 800 HO EFI 4x4	800	BD-6506	KN-152
325i	2.5L L6 F/I	33-2059 ♦		Outlander Max 800 HO EFI 4x4 XT	800	BD-6506	KN-152
325iX	2.5L L6 F/I	33-2059 ♦		2005 BOMBARDIER			
535i	3.5L L6 F/I	33-2005		DS650	650	BD-6500	KN-152
R80RT	800	BM-0300	KN-161	DS650X	644	BD-6500	KN-152
1985 BMW				Outlander 400 HO 4x4	400	BD-3303	KN-152
318i	1.8L L4 F/I	33-2005 ♦		Outlander 400 HO 4x4 XT	400	BD-3303	KN-152
325e	2.7L L6 F/I	33-2005	HP-2005 ¹	Outlander Max 400 HO XT	400	BD-3303	KN-152
535i	3.5L L6 F/I	33-2005		Traxter 500 Auto CVT	498		KN-556
635CSi	3.5L L6 F/I	33-2005		Traxter 650 Auto CVT	650		KN-556
K100	1000	BM-2605	KN-163	Traxter 650 Auto CVT XT	650		KN-556
K100LT	1000	BM-2605	KN-163	Traxter Max 650 Auto CVT XT	650		KN-556
K100RS	1000	BM-2605	KN-163	2004 BOMBARDIER			
K100RT	1000	BM-2605	KN-163	DS650	650	BD-6500	KN-152
1984 BMW				DS650 Baja	650	BD-6500	KN-152
318i	1.8L L4 F/I	33-2005 ♦		DS650 Baja X	650	BD-6500	KN-152
1983 BMW				Outlander 330 HO 4x4	330	BD-3303	KN-152
318i	1.8L L4 F/I	33-2005 ♦		Outlander 400 HO 4x4	400	BD-3303	KN-152
320i	1.8L L4 F/I	33-2005		Outlander 400 HO 4x4 XT	400	BD-3303	KN-152
320i	2.0L L6 F/I	33-2005 ♦		Outlander Max 400 HO XT	400	BD-3303	KN-152
R80RT	800	BM-0200		Quest 500	495	BD-6502	KN-556
R100RS	1000	BM-0300		Quest 650 Max	650	BD-6502	KN-556
R100RT	1000	BM-0300		Traxter 500 Auto XT	500	BD-6502	KN-557
1979 BMW				Traxter 500 XT	500		KN-557
635CSi	3.5L L6 F/I	33-2005		2003 BOMBARDIER			
1978 BMW				DS650	644	BD-6500	KN-152
R100/7	1000	BM-0200					
1977 BMW							
1502	1.6L L4 CARB	E-2630					
R100/7	1000	BM-0200					
R100S	1000	BM-0300					
R100S	1000 - w/o oil cooler	BM-0300	KN-161				
1976 BMW							
2002tii	2.0L L4 F/I	E-2290					
R90/6	900	BM-0200					
R90S	900	BM-0200					
1975 BMW							
2002	2.0L L4 CARB - Non-US	E-2630					
2002tii	2.0L L4 F/I	E-2290					

* 2 filters required

♦ Intake System Available - see page 84 +Cabin Air Filter Available - see page 453 1- Performance Silver Oil Filter Also Available



Vehicle	Engine Type	Air Filter	Oil Filter
2003 BOMBARDIER			
DS650 Baja	644	BD-6500	KN-152
DS650 Racer	644	BD-6500	KN-152
Outlander 400 HO 4x4	400	BD-3303	KN-152
Outlander 400 HO 4x4 XT	400	BD-3303	KN-152
Quest 500	495		KN-556
Quest 650	644		KN-556
Quest 650 XT	650		KN-556
Traxter 500 Autoshift XT	500	BD-6502	KN-557
Traxter 500 XT	500		KN-557

2002 BOMBARDIER			
DS650	644	BD-6500	
DS650 Baja	644	BD-6500	KN-152
DS650 Racer	644	BD-6500	
Quest 650	644		KN-556
Quest 650 XT	650		KN-556

2001 BOMBARDIER			
DS650	644	BD-6500	KN-152
DS650 Racer	644	BD-6500	KN-152
Traxter 500 Autoshift	500	BD-6502	KN-557
Traxter 500 XL	498		KN-557
Traxter 500 XT	500	BD-6502	KN-557

2000 BOMBARDIER			
DS650	644	BD-6500	KN-151
DS650 Racer	644	BD-6500	KN-151
Traxter 500 XL	498		KN-557
Traxter 500 XT	500		KN-557

1999 BOMBARDIER			
Traxter 500 XL	500		KN-557
Traxter 500 XT	500		KN-557

2010 BUELL			
1125R	1125	BU-1108	
Lightning CityX XB9SX	900	BU-9003	

2009 BUELL			
1125CR	1125	BU-1108	KN-564
1125R	1125	BU-1108	KN-564
Blast	500	BU-5000	KN-177
Firebolt XB12R	1168	BU-9003	KN-177
Lightning CityX XB9SX	900	BU-9003	KN-177
Lightning Long XB12SS	1200	BU-9003	KN-177
Lightning XB12SCG	1200	BU-9003	
Ulysses XB12X	1168	BU-9003	KN-177
Ulysses XB12XT	1168	BU-9003	KN-177

2008 BUELL			
1125R	1125	BU-1108	
Blast	480	BU-5000	KN-177
Firebolt XB12R	1168	BU-9003	KN-177
Lightning Long XB12SS	1200	BU-9003	
Lightning XB12S	1200	BU-9003	
Lightning XB12SCG	1200	BU-9003	KN-177
Lightning XB12STT	1200	BU-9003	KN-177
Ulysses XB12X	1168	BU-9003	KN-177
Ulysses XB12XT	1168	BU-9003	KN-177

Vehicle	Engine Type	Air Filter	Oil Filter
2007 BUELL			
Blast	480	BU-5000	KN-177
Firebolt XB9R	961	BU-9003	
Firebolt XB12R	1168	BU-9003	KN-177
Lightning Long XB12SS	1200	BU-9003	
Lightning XB12S	1200	BU-9003	KN-177
Lightning XB12SCG	1200	BU-9003	KN-177
Lightning XB12STT	1200	BU-9003	KN-177
Ulysses XB12X	1168	BU-9003	KN-177

2006 BUELL			
Blast	480	BU-5000	KN-177
Firebolt XB9R	961	BU-9003	
Firebolt XB12R	1168	BU-9003	KN-177
Lightning CityX XB9SX	900	BU-9003	KN-177
Lightning Long XB12SS	1200	BU-9003	KN-177
Lightning XB12S	1200	BU-9003	KN-177
Lightning XB12SCG	1200	BU-9003	KN-177
Ulysses XB12X	1168	BU-9003	KN-177

2005 BUELL			
Blast	480	BU-5000	KN-177
Firebolt XB9R	961	BU-9003	
Firebolt XB12R	1168	BU-9003	KN-177
Lightning XB12S	1200	BU-9003	KN-177
Lightning XB12SCG	1200	BU-9003	KN-177

2004 BUELL			
Blast	480	BU-5000	KN-177
Firebolt XB9R	961	BU-9003	
Firebolt XB12R	1168	BU-9003	KN-177
Lightning XB12S	1200	BU-9003	KN-177

2003 BUELL			
Blast	480	BU-5000	KN-177
Firebolt XB9R	961	BU-9003	KN-177
Lightning XB9S	900	BU-9003	KN-177

2002 BUELL			
Blast	480	BU-5000	KN-177
M2 Cyclone	1168	BU-1297	KN-171C
M2 Cyclone Low	1168	BU-1297	KN-171C
X1 Lightning	1200		KN-171C

2001 BUELL			
Blast	480	BU-5000	KN-177
M2 Cyclone	1168		KN-171C
X1 Lightning	1200		KN-171C

2000 BUELL			
Blast	480	BU-5000	KN-177
M2 Cyclone	1168	BU-1297	KN-171C
X1 Lightning	1200	BU-1297	KN-171C
M2 Cyclone	1168		KN-171C
X1 Lightning	1200	BU-1297	KN-171C
S1 White Lightning	1200	BU-1297	KN-171C
S3T Thunderbolt	1168		KN-171C

1996 BUELL			
S1 Lightning	1168		KN-171C
S2 Thunderbolt	1168		KN-171C

2017 BUICK			
Cascada	1.6L L4 F/I	33-2966	
Enclave	3.6L V6 F/I	33-2394	HP-2011 ¹

* 2 filters required

◆ Intake System Available - see page 84 +Cabin Air Filter Available - see page 453 1- Performance Silver Oil Filter Also Available



AIR & OIL FILTERS

BUICK

Vehicle	Engine Type	Air Filter	Oil Filter
2017 BUICK			
Encore	1.4L L4 F/I	33-5007	
Encore	1.4L L4 F/I - LE2 Eng.	33-5007	HP-1017 ¹
Encore	1.4L L4 F/I - LUV Eng.	33-5007	PS-7027
Envision	2.0L L4 F/I		HP-1017 ¹
Envision	2.5L L4 F/I		HP-1017 ¹
LaCrosse	3.6L V6 F/I		HP-2011 ¹
Regal	2.0L L4 F/I	33-2497	HP-1017 ¹
Regal	2.4L L4 F/I		PS-7000
Verano	2.4L L4 F/I	33-2966	PS-7000

2016 BUICK			
Enclave	3.6L V6 F/I	33-2394+	HP-2011 ¹
Encore	1.4L L4 F/I	33-5007+	PS-7027
LaCrosse	3.6L V6 F/I	33-2442	HP-2011 ¹
Regal	2.0L L4 F/I	33-2497	HP-1017 ¹
Regal	2.4L L4 F/I		PS-7000
Verano	2.0L L4 F/I		PS-7000
Verano	2.4L L4 F/I	33-2966	PS-7000

2015 BUICK			
Enclave	3.6L V6 F/I	33-2394+	HP-2011 ¹
Encore	1.4L L4 F/I	33-5007+	PS-7027
LaCrosse	2.4L L4 F/I	33-2442+	
LaCrosse	3.6L V6 F/I	33-2442+	HP-2011 ¹
Regal	2.0L L4 F/I	33-2497+	HP-1017 ¹
Regal	2.4L L4 F/I	33-2442+	PS-7000
Verano	2.0L L4 F/I	33-2964 ♦+	PS-7000
		33-2964 ♦	PS-7000
Verano	2.4L L4 F/I	33-2966+	PS-7000

2014 BUICK			
Enclave	3.6L V6 F/I	33-2394+	HP-2011 ¹
Encore	1.4L L4 F/I	33-5007+	PS-7027
LaCrosse	2.4L L4 F/I	33-2442+	PS-7000
LaCrosse	3.6L V6 F/I	33-2442+	HP-2011 ¹
Regal	2.0L L4 F/I	33-2497+	HP-1017 ¹
Regal	2.4L L4 F/I	33-2442+	PS-7000
Verano	2.0L L4 F/I	33-2964 ♦+	PS-7000
Verano	2.4L L4 F/I	33-2966+	PS-7000

2013 BUICK			
Enclave	3.6L V6 F/I	33-2394+	HP-2011 ¹
Encore	1.4L L4 F/I	33-5007+	PS-7027
LaCrosse	2.4L L4 F/I	33-2442+	PS-7000
LaCrosse	3.6L V6 F/I	33-2442+	HP-2011 ¹
Regal	2.0L L4 F/I	33-2442 ♦+	PS-7000
Regal	2.4L L4 F/I	33-2442+	PS-7000
Verano	2.0L L4 F/I	33-2964+	PS-7000
Verano	2.4L L4 F/I	33-2966+	PS-7000

2012 BUICK			
Enclave	3.6L V6 F/I	33-2394+	HP-2011 ¹
LaCrosse	2.4L L4 F/I	33-2442+	PS-7000
LaCrosse	3.6L V6 F/I	33-2442+	HP-2011 ¹
Regal	2.0L L4 F/I	33-2442 ♦+	PS-7000
Regal	2.4L L4 F/I	33-2442+	PS-7000
Verano	2.4L L4 F/I	33-2966+	PS-7000

2011 BUICK			
Enclave	3.6L V6 F/I	33-2394+	HP-2011 ¹
LaCrosse	2.4L L4 F/I	33-2442+	PS-7000
LaCrosse	3.6L V6 F/I	33-2442+	HP-2011 ¹
Lucerne	3.9L V6 F/I	33-2296+	HP-2006 ¹
Regal	2.0L L4 F/I	33-2442 ♦+	PS-7000
Regal	2.4L L4 F/I	33-2442+	PS-7000

Vehicle	Engine Type	Air Filter	Oil Filter
2010 BUICK			
Enclave	3.6L V6 F/I	33-2394+	HP-1017 ¹
LaCrosse	3.0L V6 F/I	33-2442+	HP-1017 ¹
LaCrosse	3.6L V6 F/I	33-2442+	HP-1017 ¹
Lucerne	3.9L V6 F/I	33-2296+	HP-2006 ¹
Lucerne	4.6L V8 F/I	33-2296+	

2009 BUICK			
Enclave	3.6L V6 F/I	33-2394+	HP-1017 ¹
LaCrosse	3.8L V6 F/I	33-2316+	HP-1001 ¹
Lucerne	3.9L V6 F/I	33-2296+	HP-2006 ¹

2008 BUICK			
Allure	3.8L V6 F/I	33-2316+	HP-1001 ¹
Enclave	3.6L V6 F/I	33-2394+	HP-1017 ¹
LaCrosse	3.6L V6 F/I	33-2316+	
LaCrosse	3.8L V6 F/I	33-2316+	HP-1001 ¹
LaCrosse	5.3L V8 F/I	33-2334+	HP-1017 ¹
Lucerne	3.8L V6 F/I	33-2296+	HP-1001 ¹
Lucerne	4.6L V8 F/I	33-2296+	HP-2006 ¹

2007 BUICK			
LaCrosse	3.6L V6 F/I	33-2316+	HP-2006 ¹
LaCrosse	3.8L V6 F/I	33-2316+	HP-1001 ¹
Lucerne	3.8L V6 F/I	33-2296+	HP-1001 ¹
Lucerne	4.6L V8 F/I	33-2296+	HP-2006 ¹
Rendezvous	3.5L V6 F/I	33-2318+	HP-1001 ¹

2006 BUICK			
LaCrosse	3.6L V6 F/I	33-2316+	HP-2006 ¹
LaCrosse	3.8L V6 F/I	33-2316+	HP-1001 ¹
Lucerne	3.8L V6 F/I	33-2296+	HP-1001 ¹
Lucerne	4.6L V8 F/I	33-2296+	HP-2006 ¹
Rainier	4.2L L6 F/I	E-1009	HP-2006 ¹
Rainier	5.3L V8 F/I	E-1009	HP-1007 ¹
Rendezvous	3.5L V6 F/I	33-2318+	HP-1001 ¹

2005 BUICK			
Allure	3.8L V6 F/I		HP-1001 ¹
Century	3.1L V6 F/I	33-2141-1+	HP-1001 ¹
LaCrosse	3.6L V6 F/I	33-2316+	HP-2006 ¹
LaCrosse	3.8L V6 F/I	33-2316+	HP-1001 ¹
LeSabre	3.8L V6 F/I	33-2141-1+	HP-1001 ¹
Park Avenue	3.8L V6 F/I	33-2086	HP-1001 ¹
Rainier	4.2L L6 F/I	E-1009	HP-2006 ¹
Rainier	5.3L V8 F/I	E-1009	
Rendezvous	3.4L V6 F/I	33-2156+	HP-1001 ¹
Terraza	3.5L V6 F/I	33-2318+	

2004 BUICK			
Century	3.1L V6 F/I	33-2141-1+	HP-1001 ¹
LeSabre	3.8L V6 F/I	33-2141-1+	HP-1001 ¹
Park Avenue	3.8L V6 F/I	33-2086	HP-1001 ¹
Rainier	4.2L L6 F/I	E-1009	HP-2006 ¹
Rainier	5.3L V8 F/I	E-1009	HP-1007 ¹
Regal	3.8L V6 F/I	33-2141-1+	HP-1001 ¹
Rendezvous	3.4L V6 F/I	33-2156+	HP-1001 ¹

2003 BUICK			
Century	3.1L V6 F/I	33-2141-1+	HP-1001 ¹
LeSabre	3.8L V6 F/I	33-2141-1+	HP-1001 ¹
Park Avenue	3.8L V6 F/I	33-2086	HP-1001 ¹
Regal	3.8L V6 F/I	33-2141-1+	HP-1001 ¹
Rendezvous	3.4L V6 F/I	33-2156+	HP-1001 ¹

2002 BUICK			
Century	3.1L V6 F/I	33-2141-1+	HP-1001 ¹
LeSabre	3.8L V6 F/I	33-2141-1+	HP-1001 ¹

* 2 filters required

♦ Intake System Available - see page 84 +Cabin Air Filter Available - see page 453 1- Performance Silver Oil Filter Also Available



Vehicle	Engine Type	Air Filter	Oil Filter
2002 BUICK			
Park Avenue	3.8L V6 F/I	33-2086	HP-1001 ¹
Regal	3.8L V6 F/I	33-2141-1+	HP-1001 ¹
Rendezvous	3.4L V6 F/I	33-2156+	HP-1001 ¹
2001 BUICK			
Century	3.1L V6 F/I	33-2141-1+	HP-1001 ¹
LeSabre	3.8L V6 F/I	33-2141-1+	HP-1001 ¹
Park Avenue	3.8L V6 F/I	33-2086	HP-1001 ¹
Regal	3.8L V6 F/I	33-2141-1+	HP-1001 ¹
2000 BUICK			
Century	3.1L V6 F/I	33-2141-1+	HP-1001 ¹
LeSabre	3.8L V6 F/I	33-2141-1+	HP-1001 ¹
Park Avenue	3.8L V6 F/I	33-2086	HP-1001 ¹
Regal	3.8L V6 F/I	33-2141-1+	HP-1001 ¹
1999 BUICK			
Century	3.1L V6 F/I	33-2141-1+	HP-1001 ¹
LeSabre	3.8L V6 F/I	33-2086	HP-1001 ¹
Park Avenue	3.8L V6 F/I	33-2086	HP-1001 ¹
Regal	3.8L V6 F/I	33-2141-1+	HP-1001 ¹
Riviera	3.8L V6 F/I	33-2250	HP-1001 ¹
1998 BUICK			
Century	3.1L V6 F/I	33-2063-1+	HP-1001 ¹
LeSabre	3.8L V6 F/I	33-2086	HP-1001 ¹
Park Avenue	3.8L V6 F/I	33-2086	HP-1001 ¹
Regal	3.8L V6 F/I	33-2063-1+	HP-1001 ¹
Riviera	3.8L V6 F/I	33-2250	HP-1001 ¹
1997 BUICK			
LeSabre	3.8L V6 F/I	33-2086	HP-1001 ¹
Park Avenue	3.8L V6 F/I	33-2086	HP-1001 ¹
Regal	3.8L V6 F/I	33-2063-1+	HP-1001 ¹
Riviera	3.8L V6 F/I	33-2086	HP-1001 ¹
1996 BUICK			
Century	3.1L V6 F/I	E-0890	HP-1001 ¹
LeSabre	3.8L V6 F/I	33-2086	
Park Avenue	3.8L V6 F/I	33-2086	HP-1001 ¹
Regal	3.8L V6 F/I	33-2063-1	HP-1001 ¹
Riviera	3.8L V6 F/I	33-2086	HP-1001 ¹
Roadmaster	5.7L V8 F/I	33-2057	HP-2001 ¹
1995 BUICK			
LeSabre	3.8L V6 F/I	33-2086	HP-1001 ¹
Riviera	3.8L V6 F/I	33-2086	HP-1001 ¹
Roadmaster	5.7L V8 F/I	33-2057	HP-2001 ¹
1994 BUICK			
LeSabre	3.8L V6 F/I	33-2086	HP-1001 ¹
Regal	3.8L V6 F/I	33-2063-1	HP-1001 ¹
Roadmaster	5.7L V8 F/I	33-2057	HP-2001 ¹
1993 BUICK			
Century	3.3L V6 F/I	33-2022	HP-1001 ¹
Roadmaster	5.7L V8 F/I	33-2051	HP-2002 ¹
1992 BUICK			
LeSabre	3.8L V6 F/I	33-2086	HP-1001 ¹
Roadmaster	5.7L V8 F/I	33-2051	HP-2002 ¹
1991 BUICK			
LeSabre	3.8L V6 F/I	33-2022	
Regal	3.8L V6 F/I	E-0890	
1990 BUICK			
Reatta	3.8L V6 F/I	33-2022	

Vehicle	Engine Type	Air Filter	Oil Filter
1989 BUICK			
LeSabre	3.8L V6 F/I	33-2022	
1987 BUICK			
Regal	3.8L V6 CARB	E-1150	HP-1001 ¹
Regal	3.8L V6 F/I	E-0870	HP-1001 ¹
Regal	5.0L V8 CARB	E-1500	HP-2006 ¹
1986 BUICK			
Regal	3.8L V6 CARB	E-1150	HP-1001 ¹
Regal	3.8L V6 F/I	E-0870	HP-1001 ¹
Regal	5.0L V8 CARB	E-1500	HP-2006 ¹
1985 BUICK			
Regal	3.8L V6 CARB	E-1150	HP-1001 ¹
Regal	3.8L V6 F/I	E-0870	HP-1001 ¹
1984 BUICK			
Regal	3.8L V6 CARB	E-1150	HP-1001 ¹
Regal	3.8L V6 F/I	E-0870	HP-1001 ¹
1973 BUICK			
Riviera	455 V8 CARB	E-1650	
1972 BUICK			
GS 455	455 V8 CARB	E-1650	
Skylark	350 V8 CARB	E-1450	HP-2003 ¹
1971 BUICK			
GS 455	455 V8 CARB	E-1650	
Skylark Custom	350 V8 CARB		HP-2003 ¹
1970 BUICK			
GS 455	455 V8 CARB	E-1650	HP-2003 ¹
Riviera	455 V8 CARB	E-1650	HP-2003 ¹
Skylark	350 V8 CARB		HP-2003 ¹
Skylark	350 V8 CARB - Exc. GS Series	E-1450	HP-2003
Skylark	350 V8 CARB - GS Series	E-1650	HP-2003
1969 BUICK			
Skylark	350 V8 CARB	E-1450	HP-2003 ¹
1968 BUICK			
Skylark	350 V8 4 BBL.	E-1650	
Skylark	350 V8 CARB - 4 BBL	E-1650	
Wildcat	430 V8 CARB	E-1650	
2017 CADILLAC			
ATS	2.0L L4 F/I	33-2496	HP-1017 ¹
ATS	2.5L L4 F/I		HP-1017 ¹
ATS	3.6L V6 F/I	33-2496	HP-2011 ¹
ATS-V	3.6L V6 F/I		HP-2011 ¹
CT6	2.0L L4 F/I	33-5052	HP-1017 ¹
CT6	3.0L V6 F/I		HP-2011 ¹
CT6	3.0L V6 F/I - Left Side Airbox	33-5053	HP-2011
CT6	3.0L V6 F/I - Right Side Airbox	33-5054	HP-2011
CT6	3.6L V6 F/I		HP-2011 ¹
CTS	2.0L L4 F/I	33-2496	HP-1017 ¹
CTS	3.6L V6 F/I	33-2496	HP-2011 ¹
CTS V-Sport	3.6L V6 F/I	33-5028	HP-2011 ¹
CTS-V	6.2L V8 F/I		HP-1017 ¹
Escalade	6.2L V8 F/I		HP-2011 ¹
Escalade ESV	6.2L V8 F/I		HP-2011 ¹
XT5	3.6L V6 F/I		HP-2011 ¹
XTS	3.6L V6 F/I	33-2483	HP-2011 ¹

* 2 filters required

◆ Intake System Available - see page 84 +Cabin Air Filter Available - see page 453 1- Performance Silver Oil Filter Also Available



AIR & OIL FILTERS

CADILLAC

Vehicle	Engine Type	Air Filter	Oil Filter
2016 CADILLAC			
ATS	2.0L L4 F/I	33-2496	HP-1017 ¹
ATS	2.5L L4 F/I	33-2496 ♦	HP-1017 ¹
ATS	3.6L V6 F/I	33-2496	HP-2011 ¹
ATS-V	3.6L V6 F/I	E-0650* ♦	HP-2011 ¹
CT6	2.0L L4 F/I	33-5052	
CT6	3.0L V6 F/I		HP-2011 ¹
CT6	3.0L V6 F/I - Left Side Airbox	33-5053	HP-2011
CT6	3.0L V6 F/I - Right Side Airbox	33-5054	HP-2011
CT6	3.6L V6 F/I		HP-2011 ¹
CTS	2.0L L4 F/I	33-2496	HP-1017 ¹
CTS	3.6L V6 F/I	33-2496	HP-2011 ¹
CTS V-Sport	3.6L V6 F/I	33-5028	HP-2011 ¹
CTS-V	6.2L V8 F/I		HP-1017 ¹
ELR	1.4L L4 F/I	33-2464	
Escalade	6.2L V8 F/I	33-2135 ♦+	HP-2011 ¹
Escalade ESV	6.2L V8 F/I	33-2135 ♦+	HP-2011 ¹
SRX	3.6L V6 F/I	33-2444+	HP-2011 ¹
XTS	3.6L V6 F/I	33-2483	HP-2011 ¹

Vehicle	Engine Type	Air Filter	Oil Filter
2015 CADILLAC			
ATS	2.0L L4 F/I	33-2496	HP-1017 ¹
ATS	2.5L L4 F/I	33-2496 ♦	HP-1017 ¹
ATS	3.6L V6 F/I	33-2496 ♦	PS-7003
CTS	2.0L L4 F/I	33-2496+	HP-1017 ¹
CTS	3.6L V6 F/I	33-2496 ♦+	PS-7003
CTS V-Sport	3.6L V6 F/I	33-5028+	HP-2011 ¹
CTS-V	6.2L V8 F/I	33-2411 ♦+	HP-1017 ¹
Escalade	6.0L V8 F/I	HP-1017 ¹	
Escalade	6.2L V8 F/I	33-2135 ♦+	HP-1017 ¹
Escalade ESV	6.2L V8 F/I	33-2135 ♦+	HP-1017 ¹
SRX	3.6L V6 F/I	33-2444+	HP-2011 ¹
XTS	3.6L V6 F/I	33-2483	HP-2011 ¹

Vehicle	Engine Type	Air Filter	Oil Filter
2014 CADILLAC			
ATS	2.0L L4 F/I	33-2496	HP-1017 ¹
ATS	2.5L L4 F/I	33-2496 ♦	HP-1017 ¹
ATS	3.6L V6 F/I	33-2496 ♦	PS-7003
CTS	2.0L L4 F/I	33-2496	HP-1017 ¹
CTS	3.0L V6 F/I		PS-7003
CTS	3.0L V6 F/I - Exc. Sedan	33-2411 +	PS-7003
CTS	3.6L V6 F/I		PS-7003
CTS	3.6L V6 F/I - Exc. Coupe & Wagon	33-2496 ♦+	PS-7003
CTS	3.6L V6 F/I - Exc. Sedan	33-2411 ♦+	PS-7003
CTS	6.2L V8 F/I		HP-1017 ¹
CTS V-Sport	3.6L V6 F/I	33-5028+	PS-7003
CTS-V	6.2L V8 F/I	33-2411 ♦+	HP-1017 ¹
Escalade	6.2L V8 F/I	33-2135 ♦	HP-1017 ¹
Escalade ESV	6.2L V8 F/I	33-2135 ♦	HP-1017 ¹
SRX	3.6L V6 F/I	33-2444+	HP-2011 ¹
XTS	3.6L V6 F/I	33-2483	HP-2011 ¹

Vehicle	Engine Type	Air Filter	Oil Filter
2013 CADILLAC			
ATS	2.0L L4 F/I	33-2496	HP-1017 ¹
ATS	2.5L L4 F/I	33-2496 ♦	HP-1017 ¹
ATS	3.6L V6 F/I	33-2496 ♦	PS-7003
CTS	3.0L V6 F/I	33-2411 ♦+	PS-7003
CTS	3.6L V6 F/I	33-2411 ♦+	PS-7003
CTS-V	6.2L V8 F/I	33-2411 ♦+	HP-1017 ¹
Escalade	6.0L V8 F/I	33-2135	HP-1017 ¹
Escalade	6.2L V8 F/I	33-2135 ♦	HP-1017 ¹
Escalade ESV	6.2L V8 F/I	33-2135 ♦	HP-1017 ¹

Vehicle	Engine Type	Air Filter	Oil Filter
2013 CADILLAC			
Escalade EXT	6.2L V8 F/I	33-2135 ♦	HP-1017 ¹
SRX	3.6L V6 F/I	33-2444+	HP-2011 ¹
XTS	3.6L V6 F/I	33-2483	HP-2011 ¹

Vehicle	Engine Type	Air Filter	Oil Filter
2012 CADILLAC			
CTS	3.0L V6 F/I	33-2411 ♦+	PS-7003
CTS	3.6L V6 F/I	33-2411 ♦+	PS-7003
CTS-V	6.2L V8 F/I	33-2411 ♦+	HP-1017 ¹
Escalade	6.0L V8 F/I	33-2135	
Escalade	6.2L V8 F/I	33-2135 ♦	HP-1017 ¹
Escalade ESV	6.2L V8 F/I	33-2135 ♦	HP-1017 ¹
Escalade EXT	6.2L V8 F/I	33-2135 ♦	HP-1017 ¹
SRX	3.6L V6 F/I	33-2444+	HP-2011 ¹

Vehicle	Engine Type	Air Filter	Oil Filter
2011 CADILLAC			
CTS	3.0L V6 F/I	33-2411 +	PS-7003
CTS	3.6L V6 F/I	33-2411 ♦+	PS-7003
CTS-V	6.2L V8 F/I	33-2411 ♦+	HP-1017 ¹
DTS	4.6L V8 F/I	33-2296+	HP-2006 ¹
Escalade	6.0L V8 F/I	33-2135	HP-1017 ¹
Escalade	6.2L V8 F/I	33-2135 ♦	HP-1017 ¹
Escalade ESV	6.2L V8 F/I	33-2135 ♦	HP-1017 ¹
Escalade EXT	6.2L V8 F/I	33-2135 ♦	HP-1017 ¹
SRX	2.8L V6 F/I		PS-7003
SRX	3.0L V6 F/I	33-2444+	HP-2011 ¹
STS	3.6L V6 F/I	33-2356+	PS-7003

Vehicle	Engine Type	Air Filter	Oil Filter
2010 CADILLAC			
CTS	3.0L V6 F/I	33-2411 +	PS-7003
CTS	3.6L V6 F/I	33-2411 ♦+	PS-7003
CTS-V	6.2L V8 F/I	33-2411 ♦	HP-1017 ¹
DTS	4.6L V8 F/I	33-2296+	HP-2006 ¹
Escalade	6.0L V8 F/I	33-2135	HP-1017 ¹
Escalade	6.2L V8 F/I	33-2135 ♦	HP-1017 ¹
Escalade ESV	6.2L V8 F/I	33-2135 ♦	HP-1017 ¹
Escalade EXT	6.2L V8 F/I	33-2135 ♦	HP-1017 ¹
SRX	2.8L V6 F/I	33-2444+	PS-7003
SRX	3.0L V6 F/I	33-2444+	HP-1017 ¹

Vehicle	Engine Type	Air Filter	Oil Filter
2009 CADILLAC			
CTS	3.6L V6 F/I	33-2411 ♦+	PS-7003
CTS-V	6.2L V8 F/I	33-2411 ♦+	HP-1017 ¹
DTS	4.6L V8 F/I	33-2296+	HP-2006 ¹
Escalade	6.0L V8 F/I	33-2135	HP-1017 ¹
Escalade	6.2L V8 F/I	33-2135 ♦	HP-1017 ¹
Escalade ESV	6.2L V8 F/I	33-2135 ♦	HP-1017 ¹
Escalade EXT	6.2L V8 F/I	33-2135 ♦	HP-1017 ¹
SRX	3.6L V6 F/I	33-2356+	PS-7003
STS	3.6L V6 F/I	33-2356+	PS-7003
STS	4.6L V8 F/I	33-2356+	HP-2006 ¹
STS-V	4.4L V8 F/I	E-1995+	HP-2010 ¹
XLR	4.6L V8 F/I	33-2305*	HP-2006 ¹

Vehicle	Engine Type	Air Filter	Oil Filter
2008 CADILLAC			
CTS	2.8L V6 F/I	33-2411	
CTS	3.6L V6 F/I	33-2411 ♦+	PS-7003
DTS	4.6L V8 F/I	33-2296+	HP-2006 ¹
Escalade	6.2L V8 F/I	33-2135 ♦	HP-1017 ¹
Escalade ESV	6.2L V8 F/I	33-2135 ♦	HP-1017 ¹
Escalade EXT	6.2L V8 F/I	33-2135 ♦	HP-1017 ¹
SRX	3.6L V6 F/I	33-2356+	PS-7003
SRX	4.6L V8 F/I	33-2356+	HP-2006 ¹
STS	3.6L V6 F/I	33-2356+	PS-7003
STS	4.6L V8 F/I	33-2356+	HP-2006 ¹
STS-V	4.4L V8 F/I	E-1995+	

* 2 filters required

♦ Intake System Available - see page 84 +Cabin Air Filter Available - see page 453 1- Performance Silver Oil Filter Also Available



Vehicle	Engine Type	Air Filter	Oil Filter
2008 CADILLAC			
XLR	4.4L V8 F/I	33-2305*	
XLR	4.6L V8 F/I	33-2305*	HP-2006 ¹
2007 CADILLAC			
CTS	2.8L V6 F/I	33-2251+	PS-7003
CTS	3.6L V6 F/I	33-2251+	PS-7003
CTS-V	6.0L V8 F/I	33-2649♦♦	HP-1017 ¹
DTS	4.6L V8 F/I	33-2296+	HP-2006 ¹
Escalade	6.2L V8 F/I	33-2135♦	HP-1017 ¹
Escalade ESV	6.2L V8 F/I	33-2135♦	HP-1017 ¹
Escalade EXT	6.2L V8 F/I	33-2135♦	HP-1017 ¹
SRX	3.6L V6 F/I	33-2356+	PS-7003
SRX	4.6L V8 F/I	33-2356+	HP-2006 ¹
STS	3.6L V6 F/I	33-2356+	PS-7003
STS	4.6L V8 F/I	33-2356+	HP-2006 ¹
STS-V	4.4L V8 F/I	E-1995+	
XLR	4.6L V8 F/I	33-2305*	HP-2006 ¹
2006 CADILLAC			
CTS	2.8L V6 F/I	33-2251♦♦	PS-7003
CTS	3.6L V6 F/I	33-2251♦♦	PS-7003
CTS-V	6.0L V8 F/I	33-2649♦♦	HP-1007 ¹
DTS	4.6L V8 F/I	33-2296+	HP-2006 ¹
Escalade	6.0L V8 F/I	33-2135♦	HP-1007 ¹
Escalade ESV	6.0L V8 F/I	33-2135♦	HP-1007 ¹
Escalade EXT	6.0L V8 F/I	33-2135♦	HP-1007 ¹
SRX	3.6L V6 F/I	33-2356+	PS-7003
SRX	4.6L V8 F/I	33-2356+	HP-2006 ¹
STS	3.6L V6 F/I	33-2356+	PS-7003
STS	4.6L V8 F/I	33-2356+	HP-2006 ¹
STS-V	4.4L V8 F/I	E-1995+	
XLR	4.6L V8 F/I	33-2305*	HP-2006 ¹
2005 CADILLAC			
CTS	2.8L V6 F/I	33-2251♦♦	PS-7003
CTS	3.6L V6 F/I	33-2251♦♦	PS-7003
CTS-V	5.7L V8 F/I	33-2649♦♦	HP-1007 ¹
DeVille	4.6L V8 F/I	33-2063-1+	HP-2006 ¹
Escalade	5.3L V8 F/I	33-2135♦	HP-1007 ¹
Escalade	6.0L V8 F/I	33-2135♦	HP-1007 ¹
Escalade ESV	6.0L V8 F/I	33-2135♦	HP-1007 ¹
Escalade EXT	6.0L V8 F/I	33-2135♦	HP-1007 ¹
SRX	3.6L V6 F/I	33-2356+	PS-7003
SRX	4.6L V8 F/I	33-2356+	HP-2006 ¹
STS	3.6L V6 F/I	33-2356+	PS-7003
STS	4.6L V8 F/I	33-2356+	HP-2006 ¹
XLR	4.6L V8 F/I	33-2305*	HP-2006 ¹
2004 CADILLAC			
CTS	3.2L V6 F/I	33-2251♦♦	
CTS	3.6L V6 F/I	33-2251♦♦	PS-7003
CTS-V	5.7L V8 F/I	33-2649♦♦	HP-1007 ¹
DeVille	4.6L V8 F/I	33-2063-1+	HP-2006 ¹
Escalade	5.3L V8 F/I	33-2129♦	HP-1007 ¹
Escalade	6.0L V8 F/I	33-2135♦	HP-1007 ¹
Escalade ESV	6.0L V8 F/I	33-2135♦	HP-1007 ¹
Escalade EXT	6.0L V8 F/I	33-2135♦	HP-1007 ¹
Seville	4.6L V8 F/I	33-2063-1	HP-2006 ¹
SRX	3.6L V6 F/I	33-2356+	PS-7003
SRX	4.6L V8 F/I	33-2356+	HP-2006 ¹
XLR	4.6L V8 F/I		HP-2006 ¹
2003 CADILLAC			
CTS	3.2L V6 F/I	33-2251♦♦	
DeVille	4.6L V8 F/I	33-2063-1+	HP-2006 ¹

Vehicle	Engine Type	Air Filter	Oil Filter
2003 CADILLAC			
Escalade	5.3L V8 F/I	33-2129♦	HP-1007 ¹
Escalade	6.0L V8 F/I	33-2135♦	HP-1007 ¹
Escalade ESV	6.0L V8 F/I	33-2135♦	HP-1007 ¹
Escalade EXT	6.0L V8 F/I	33-2135♦	HP-1007 ¹
Seville	4.6L V8 F/I	33-2063-1	HP-2006 ¹
2002 CADILLAC			
DeVille	4.6L V8 F/I	33-2063-1+	HP-2006 ¹
Eldorado	4.6L V8 F/I		HP-2006 ¹
Escalade	5.3L V8 F/I	33-2129♦+	HP-2006 ¹
Escalade	6.0L V8 F/I	33-2135♦+	HP-2006 ¹
Seville	4.6L V8 F/I	33-2063-1	HP-2006 ¹
2001 CADILLAC			
DeVille	4.6L V8 F/I	33-2063-1+	HP-2006 ¹
Eldorado	4.6L V8 F/I		HP-2006 ¹
Seville	4.6L V8 F/I	33-2063-1	HP-2006 ¹
2000 CADILLAC			
DeVille	4.6L V8 F/I	33-2063-1+	HP-2006 ¹
Eldorado	4.6L V8 F/I		HP-2006 ¹
Escalade	5.7L V8 F/I	E-1796	HP-2001 ¹
Seville	4.6L V8 F/I	33-2063-1	HP-2006 ¹
1999 CADILLAC			
DeVille	4.6L V8 F/I		HP-2006 ¹
Eldorado	4.6L V8 F/I		HP-2006 ¹
Escalade	5.7L V8 F/I	E-1796	HP-2001 ¹
Seville	4.6L V8 F/I	33-2063-1	HP-2006 ¹
1998 CADILLAC			
DeVille	4.6L V8 F/I		HP-2006 ¹
Eldorado	4.6L V8 F/I		HP-2006 ¹
Seville	4.6L V8 F/I	33-2063-1	HP-2006 ¹
1997 CADILLAC			
DeVille	4.6L V8 F/I		HP-2006 ¹
Eldorado	4.6L V8 F/I		HP-2006 ¹
Seville	4.6L V8 F/I		HP-2006 ¹
1996 CADILLAC			
DeVille	4.6L V8 F/I		HP-2006 ¹
Eldorado	4.6L V8 F/I		HP-2006 ¹
Fleetwood	5.7L V8 F/I	33-2057	HP-2001 ¹
Seville	4.6L V8 F/I		HP-2006 ¹
1995 CADILLAC			
DeVille	4.6L V8 F/I	33-2086	HP-2006 ¹
DeVille	4.9L V8 F/I	33-2086	HP-2006 ¹
Eldorado	4.6L V8 F/I	33-2086	HP-2006 ¹
Fleetwood	5.7L V8 F/I	33-2057	HP-2001 ¹
Seville	4.6L V8 F/I		HP-2006 ¹
1994 CADILLAC			
DeVille	4.9L V8 F/I		HP-2006 ¹
Fleetwood	5.7L V8 F/I	33-2057	HP-2001 ¹
Seville	4.6L V8 F/I		HP-2006 ¹
1993 CADILLAC			
Allante	4.6L V8 F/I		HP-2006 ¹
DeVille	4.9L V8 F/I		HP-2006 ¹
Fleetwood	5.7L V8 F/I	E-1500	HP-2002 ¹
1992 CADILLAC			
DeVille	4.9L V8 F/I		HP-2006 ¹
1991 CADILLAC			
DeVille	4.9L V8 F/I		HP-2006 ¹

* 2 filters required

♦ Intake System Available - see page 84 +Cabin Air Filter Available - see page 453 1- Performance Silver Oil Filter Also Available



AIR & OIL FILTERS

CADILLAC

Vehicle	Engine Type	Air Filter	Oil Filter
1990 CADILLAC			
DeVille	4.5L V8 F/I	33-2086	HP-2006 ¹
Eldorado	4.5L V8 F/I		HP-2006 ¹
1989 CADILLAC			
DeVille	4.5L V8 F/I	33-2086	HP-2006 ¹
Seville	4.5L V8 F/I		HP-2006 ¹
1988 CADILLAC			
Brougham	5.0L V8 CARB	E-1690	HP-2006 ¹
DeVille	4.5L V8 F/I	33-2086	HP-2006 ¹
1969 CADILLAC			
DeVille	472 V8 CARB	E-1510	HP-2003 ¹
1968 CADILLAC			
DeVille	472 V8 CARB	E-1510	HP-2003 ¹
2017 CAN-AM			
Commander 800R	800	CM-8011	
Commander 800R	800	CM-8011	
DPS			
Commander 800R XT	800	CM-8011	
Commander 1000	976	CM-8011	
DPS			
Commander 1000	976	CM-8011	
LTD			
Commander 1000	976	CM-8011	
Mossy Oak Hunting Edition			
Commander 1000 XT	976	CM-8011	
Commander 1000	976	CM-8011	
XT-P			
Defender DPS HD8	800	CM-8016	
Defender DPS HD10	976	CM-8016	
Defender HD8	800	CM-8016	
Defender HD10	976	CM-8016	
Defender HD10	976	CM-8016	
Mossy Oak Hunting Ed.			
Defender Max HD8	800	CM-8016	
DPS			
Defender Max HD8	800	CM-8016	
XT			
Defender Max HD10	976	CM-8016	
DPS			
Defender Max HD10	976	CM-8016	
XT			
Defender XT Cab	976	CM-8016	
HD10			
Defender XT HD8	800	CM-8016	
Defender XT HD10	976	CM-8016	
Defender XT HD100	976	CM-8016	
Maverick 1000R DPS	976	CM-8011	
Maverick 1000R	976	CM-9715	
Turbo			
Maverick 1000R	976	CM-9715	
Turbo X ds			
Maverick 1000R	976	CM-9715	
Turbo X rs			
Maverick 1000R X xc	976	CM-8011	
Maverick 1000R XC	976	CM-8011	
Maverick Max 1000R	976	CM-8011	
DPS			
Maverick Max 1000R	976	CM-9715	
Turbo			
Maverick Max 1000R	976	CM-9715	
Turbo X ds			
Maverick Max 1000R	976	CM-9715	
Turbo X rs			
Maverick Max 1000R	976	CM-8011	
X ds			
Outlander 570 DPS	570	CM-8012	
Outlander 570 XT	570	CM-8012	KN-152
Outlander 650 EFI	650	CM-8012	
Outlander 650 EFI	650	CM-8012	KN-152
DPS			
Outlander 650 EFI XT	650	CM-8012	KN-152
Outlander 650 X mr	650	CM-8012	KN-152
Outlander 850 DPS	854	CM-8012	
Outlander 850 X mr	854	CM-8012	KN-152
Outlander 850 XT	854	CM-8012	KN-152

Vehicle	Engine Type	Air Filter	Oil Filter
2017 CAN-AM			
Maverick Max 1000R	976	CM-9715	
Turbo X rs			
Maverick Max 1000R	976	CM-8011	
X mr			
Spyder F3-S Daytona	1330	CM-1314	
SE6			
Spyder F3-S Daytona	1330	CM-1314	
SM6			
Spyder F3-S SE6	1330	CM-1314	
Spyder F3-S SM6	1330	CM-1314	
Spyder F3-T SE6	1330	CM-1314	
Spyder F3-T SM6	1330	CM-1314	
Spyder RT Limited	1330	CM-1314	
SE6			
Spyder RT SE6	1330	CM-1314	
Spyder RT SM6	1330	CM-1314	
Spyder RT-S SE6	1330	CM-1314	
2016 CAN-AM			
Commander 800R	800	CM-8011	KN-152
Commander 800R	800	CM-8011	KN-152
DPS			
Commander 800R XT	800	CM-8011	KN-152
Commander 1000 XT	976	CM-8011	
Commander 1000	976	CM-8011	KN-152
XT-P			
Defender DPS HD8	800	CM-8016	KN-152
Defender DPS HD10	976	CM-8016	KN-152
Defender HD8	800	CM-8016	
Defender HD10	976	CM-8016	
Defender XT HD8	800	CM-8016	
Defender XT HD10	976	CM-8016	KN-152
Maverick 1000R	976	CM-8011	KN-152
Maverick 1000R DPS	976	CM-8011	KN-152
Maverick 1000R	976	CM-9715	KN-152
Turbo			
Maverick 1000R	976	CM-9715	KN-152
Turbo X ds			
Maverick 1000R	976	CM-9715	KN-152
Turbo X rs			
Maverick 1000R X ds	976	CM-8011	KN-152
Maverick 1000R X mr	976	CM-8011	KN-152
DPS			
Maverick 1000R X xc	976	CM-8011	KN-152
DPS			
Maverick 1000R XC	976	CM-8011	KN-152
Maverick Max 1000R	976	CM-8011	
DPS			
Maverick Max 1000R	976	CM-9715	KN-152
Turbo			
Maverick Max 1000R	976	CM-9715	KN-152
Turbo X ds			
Maverick Max 1000R	976	CM-9715	KN-152
Turbo X rs			
Maverick Max 1000R	976	CM-8011	
X ds			
Outlander 570 DPS	570	CM-8012	
Outlander 570 XT	570	CM-8012	KN-152
Outlander 650 EFI	650	CM-8012	
Outlander 650 EFI	650	CM-8012	KN-152
DPS			
Outlander 650 EFI XT	650	CM-8012	KN-152
Outlander 650 X mr	650	CM-8012	KN-152
Outlander 850 DPS	854	CM-8012	
Outlander 850 X mr	854	CM-8012	KN-152
Outlander 850 XT	854	CM-8012	KN-152

* 2 filters required ♦ Intake System Available - see page 84 + Cabin Air Filter Available - see page 453 1- Performance Silver Oil Filter Also Available



Vehicle	Engine Type	Air Filter	Oil Filter	Vehicle	Engine Type	Air Filter	Oil Filter
2016 CAN-AM				2015 CAN-AM			
Outlander 850 XT-P	854	CM-8012	KN-152	Maverick 1000R X ds	976		KN-152
Outlander 1000 EFI	1000	CM-8012	KN-152	Maverick 1000R X ds	976 - Exc. Turbo	CM-8011	KN-152
DPS				Maverick 1000R X mr	976	CM-8011	KN-152
Outlander 1000 EFI	1000	CM-8012	KN-152	DPS			
XT				Maverick 1000R X rs	976	CM-8011	KN-152
Outlander 1000 EFI	1000	CM-8012	KN-152	DPS			
XT-P				Maverick 1000R X xc	976	CM-8011	KN-152
Outlander 1000 X mr	1000		KN-152	DPS			
Outlander L 450	450	CM-8012	KN-152	Maverick Max 1000R	976	CM-8011	KN-152
Outlander L 450 DPS	450	CM-8012	KN-152	Maverick Max 1000R	976	CM-9715	KN-152
Outlander L 570	570	CM-8012	KN-152	Turbo X ds			
Outlander L 570 LE	570	CM-8012	KN-152	Maverick Max 1000R	976		KN-152
Outlander L 570	570	CM-8012	KN-152	X ds			
Mossy Oak Hunting Edition				Maverick Max 1000R	976 - Exc. Turbo	CM-8011	KN-152
Outlander L 570 X mr	570		KN-152	X ds			
Outlander L 570 DPS	570	CM-8012	KN-152	Maverick Max 1000R	976	CM-8011	KN-152
Outlander L Max 450	450	CM-8012		X rs DPS			
DPS				Outlander 500 EFI	500	CM-8012	KN-152
Outlander L Max 570	570	CM-8012		DPS			
Outlander L Max 570	570	CM-8012	KN-152	Outlander 500 EFI XT	500	CM-8012	KN-152
DPS				Outlander 650 EFI	650	CM-8012	
Outlander LX MR 570	570	CM-8012	KN-152	Outlander 650 EFI	650	CM-8012	KN-152
Outlander Max 650	650	CM-8012		DPS			
EFI DPS				Outlander 650 EFI XT	650	CM-8012	KN-152
Outlander Max 650	650	CM-8012	KN-152	Outlander 650 X mr	650	CM-8012	KN-152
EFI XT				Outlander 800R EFI	800	CM-8012	
Outlander Max 850	850	CM-8012		Outlander 800R EFI	800	CM-8012	KN-152
XT				DPS			
Outlander Max 850	850	CM-8012	KN-152	Outlander 800R EFI	800	CM-8012	KN-152
XT-P				X mr			
Outlander Max 1000	1000	CM-8012		Outlander 800R EFI	800	CM-8012	KN-152
EFI LTD				XT			
Outlander Max 1000	1000	CM-8012	KN-152	Outlander 800R EFI	800	CM-8012	KN-152
EFI XT				XT-P			
Outlander Max 1000	1000	CM-8012	KN-152	Outlander 1000 EFI	1000	CM-8012	
EFI XT-P				DPS			
Renegade 570	570	CM-8012	KN-152	Outlander 1000 EFI	1000	CM-8012	KN-152
Renegade 850	850	CM-8012	KN-152	XT			
Renegade 850 X xc	850	CM-8012	KN-152	Outlander 1000 EFI	1000	CM-8012	KN-152
Renegade 1000	976	CM-8012	KN-152	XT-P			
Renegade 1000 X mr	976	CM-8012	KN-152	Outlander 1000 X mr	1000	CM-8012	KN-152
Renegade 1000 X xc	976	CM-8012	KN-152	Outlander L 450	450	CM-8012	KN-152
Spyder F3 Limited	1330	CM-1314		Outlander L 450 DPS	450	CM-8012	KN-152
SE6				Outlander L 500	500	CM-8012	KN-152
Spyder F3 SE6	1330	CM-1314		Outlander L 500 DPS	500	CM-8012	KN-152
Spyder F3-S SE6	1330	CM-1314		Outlander L Max 500	500	CM-8012	
Spyder F3-T SE6	1330	CM-1314		DPS			
Spyder RT Limited	1330	CM-1314		Outlander Max 650	650	CM-8012	
SE6				EFI			
Spyder RT SE6	1330	CM-1314		Outlander Max 650	650	CM-8012	KN-152
Spyder RT-S Special	1330	CM-1314		EFI DPS			
Series SE6				Outlander Max 650	650	CM-8012	KN-152
2015 CAN-AM				2015 CAN-AM			
Commander 800R	800	CM-8011	KN-152	Outlander Max 800R	800	CM-8012	KN-152
Commander 800R	800	CM-8011	KN-152	EFI XT-P			
DPS				Outlander Max 1000	1000	CM-8012	
Commander 800R XT	800	CM-8011	KN-152	EFI X mr			
Commander 1000 XT	976	CM-8011	KN-152	Outlander Max 1000	1000	CM-8012	KN-152
Commander 1000	976	CM-8011	KN-152	EFI XT			
XT-P				Outlander Max 1000	1000	CM-8012	KN-152
DS450 X mx	450	CM-4508	KN-560	EFI XT-P			
Maverick 1000R	976	CM-8011	KN-152	Renegade 500	500	CM-8012	KN-152
Maverick 1000R	976	CM-9715	KN-152	Renegade 800R	800	CM-8012	KN-152
Turbo X ds				Renegade 800R X xc	800	CM-8012	KN-152
				Renegade 1000 X xc	976	CM-8012	

* 2 filters required

◆ Intake System Available - see page 84 + Cabin Air Filter Available - see page 453 1- Performance Silver Oil Filter Also Available



AIR & OIL FILTERS

CAN-AM

Vehicle	Engine Type	Air Filter	Oil Filter	Vehicle	Engine Type	Air Filter	Oil Filter
2015 CAN-AM				2014 CAN-AM			
Spyder F3 SE6	1330	CM-1314		Outlander Max 1000	1000	CM-8012	KN-152
Spyder F3 SM6	1330	CM-1314		EFI XT-P			
Spyder F3-S SE6	1330	CM-1314		Renegade 800R	800	CM-8012	KN-152
Spyder F3-S SM6	1330	CM-1314		Renegade 800R X xc	800	CM-8012	KN-152
Spyder RS SM5	998	CM-9910		Renegade 1000 X xc	976	CM-8012	KN-152
Spyder RS-S SE5	998	CM-9910		Spyder RS	998	CM-9910	
Spyder RS-S SM5	998	CM-9910		Spyder RS SE5	998	CM-9910	
Spyder RT Limited SE6	1330	CM-1314		Spyder RS SM5	998	CM-9910	
Spyder RT SE6	1330	CM-1314		Spyder RS-S SE5	998	CM-9910	
Spyder RT-S SE6	1330	CM-1314		Spyder RS-S SM5	998	CM-9910	
Spyder RT-S SM6	1330	CM-1314		Spyder RT Limited SE6	1330	CM-1314	
Spyder ST Limited SE5	998	CM-9910		Spyder RT SE6	1330	CM-1314	
Spyder ST-S SE5	998	CM-9910		Spyder RT SM6	1330	CM-1314	
2014 CAN-AM				2013 CAN-AM			
Commander 800R	800	CM-8011	KN-152	Commander 800R	800	CM-8011	KN-152
Commander 800R DPS	800	CM-8011	KN-152	Commander 800R XT	800	CM-8011	KN-152
Commander 800R XT	800	CM-8011	KN-152	Commander 1000 XT	976	CM-8011	
Commander 1000 XT	976	CM-8011	KN-152	Commander 1000 XT-P	976	CM-8011	
Commander 1000 XT-P	976	CM-8011	KN-152	Commander 1000	976	CM-8011	
DS450 X mx	450	CM-4508	KN-560	XT-P			
Maverick 1000R	976	CM-8011	KN-152	Maverick 1000R	976	CM-8011	
Maverick Max 1000R	976	CM-8011	KN-152	Maverick X mr 1000R	976	CM-8011	KN-152
Maverick Max X rs	976	CM-8011	KN-152	Maverick X rs 1000R	976	CM-8011	KN-152
DPS 1000R				Maverick X rs DPS 1000R	976	CM-8011	KN-152
Maverick X mr 1000R	976	CM-8011	KN-152	Maverick X xc DPS 1000R	976	CM-8011	
Maverick X rs 1000R	976	CM-8011	KN-152	Outlander 500 EFI	500	CM-8012	
Maverick X rs DPS 1000R	976	CM-8011	KN-152	DPS			
Maverick X xc DPS 1000R	976	CM-8011		Outlander 500 EFI XT	500	CM-8012	KN-152
Outlander 500 EFI	500	CM-8012		Outlander 650 EFI	650	CM-8012	
Outlander 500 EFI XT	500	CM-8012	KN-152	Outlander 650 EFI DPS	650	CM-8012	KN-152
Outlander 650 EFI	650	CM-8012		Outlander 650 EFI XT	650	CM-8012	KN-152
Outlander 650 EFI DPS	650	CM-8012	KN-152	Outlander 650 X mr	650	CM-8012	
Outlander 650 EFI XT	650	CM-8012	KN-152	Outlander 800R EFI	800	CM-8012	KN-152
Outlander 650 X mr	650	CM-8012	KN-152	Outlander 800R EFI DPS	800	CM-8012	KN-152
Outlander 800R EFI	800	CM-8012		Outlander 800R EFI X mr	800	CM-8012	KN-152
Outlander 800R EFI DPS	800	CM-8012	KN-152	Outlander 800R EFI XT	800	CM-8012	KN-152
Outlander 800R EFI XT	800	CM-8012	KN-152	Outlander 800R EFI XT-P	800	CM-8012	KN-152
Outlander 800R EFI XT-P	800	CM-8012	KN-152	Outlander 1000 EFI	1000	CM-8012	KN-152
Outlander 1000 EFI	1000	CM-8012	KN-152	DPS			
Outlander 1000 EFI XT	1000	CM-8012	KN-152	Outlander 1000 EFI XT	1000	CM-8012	KN-152
Outlander 1000 EFI XT-P	1000	CM-8012	KN-152	Outlander 1000 EFI XT-P	1000	CM-8012	KN-152
Outlander 1000 X mr	1000	CM-8012	KN-152	Outlander 1000 X mr	1000	CM-8012	KN-152
Outlander Max 500 EFI XT	500	CM-8012		Outlander Max 500 EFI DPS	500	CM-8012	
Outlander Max 650 EFI DPS	650	CM-8012	KN-152	Outlander Max 650 EFI DPS	650	CM-8012	
Outlander Max 650 EFI XT	650	CM-8012	KN-152	Outlander Max 650 EFI XT	650	CM-8012	KN-152
Outlander Max 800R EFI XT-P	800	CM-8012		Outlander Max 800R EFI XT	800	CM-8012	
Outlander Max 1000 EFI XT	1000	CM-8012	KN-152	Outlander Max 800R EFI XT	800	CM-8012	
				Outlander Max 800R EFI XT-P	800	CM-8012	

* 2 filters required

◆ Intake System Available - see page 84 +Cabin Air Filter Available - see page 453 1- Performance Silver Oil Filter Also Available



Vehicle	Engine Type	Air Filter	Oil Filter	Vehicle	Engine Type	Air Filter	Oil Filter
2013 CAN-AM				2012 CAN-AM			
Outlander Max 1000 EFI XT	1000	CM-8012		Spyder RT Limited SE5	998	CM-9910	KN-564
Outlander Max 1000 EFI XT-P	1000	CM-8012	KN-152	Spyder RT Limited SE5	998 - Transmission Filter	CM-9910	KN-559
Renegade 500	500	CM-8012		Spyder RT SE5 A/C	998	CM-9910	KN-564
Spyder RS SE5	998	CM-9910		Spyder RT SE5 A/C	998 - Transmission Filter	CM-9910	KN-559
Spyder RS SM5	998	CM-9910		Spyder RT SM5	998	CM-9910	KN-564
Spyder RS-S SE5	998	CM-9910		Spyder RT SM5 A/C	998	CM-9910	KN-564
Spyder RS-S SM5	998	CM-9910		Spyder RT SM5 A/C	998 - Transmission Filter	CM-9910	KN-559
Spyder RT Limited SE5	998	CM-9910	KN-564	Spyder RT-S SE5	998	CM-9910	KN-564
Spyder RT SE5	998	CM-9910	KN-564	Spyder RT-S SE5	998 - Transmission Filter	CM-9910	KN-559
Spyder RT SM5	998	CM-9910	KN-564	2011 CAN-AM			
Spyder RT-S SE5	998	CM-9910	KN-564	Commander 800R	800	CM-8011	
Spyder ST Limited SE5	998	CM-9910		Commander 800R XT	800	CM-8011	KN-152
Spyder ST SE5	998	CM-9910		Commander 1000	976	CM-8011	KN-152
Spyder ST-S SE5	998	CM-9910		Commander 1000 X	976	CM-8011	KN-152
Spyder ST-S SM5	998	CM-9910		Commander 1000 XT	976	CM-8011	KN-152
2012 CAN-AM				DS450 EFI X mx	450	CM-4508	KN-560
Commander 800R	800	CM-8011		Outlander 400 EFI XT	400		KN-152
Commander 800R XT	800	CM-8011	KN-152	Outlander 500 EFI	500	BD-6506	KN-152
Commander 1000	976	CM-8011		Outlander 500 EFI XT	500	BD-6506	KN-152
Commander 1000 LTD	976	CM-8011		Outlander 650 EFI	650		KN-152
Commander 1000 X	976	CM-8011		Outlander 650 EFI XT	650		KN-152
Commander 1000 XT	976	CM-8011	KN-152	Outlander 650 EFI XT-P	650		KN-152
DS450 EFI X xc	450	CM-4508	KN-560	Outlander 800R EFI	800		KN-152
Outlander 500 EFI	500	BD-6506	KN-152	Outlander 800R EFI XT	800		KN-152
Outlander 500 EFI XT	500	BD-6506	KN-152	Outlander 800R EFI XT-P	800		KN-152
Outlander 650 EFI	650		KN-152	Outlander 800R EFI	800		KN-152
Outlander 650 EFI XT	650		KN-152	Outlander Max 650 EFI XT	650		KN-152
Outlander 800R EFI	800	CM-8012	KN-152	Outlander Max 650 EFI XT-P	650		KN-152
Outlander 800R EFI X mr	800		KN-152	Outlander Max 800R EFI	800		KN-152
Outlander 800R EFI XT	800	CM-8012	KN-152	Outlander Max 800R EFI LTD	800		KN-152
Outlander 1000 EFI	1000	CM-8012	KN-152	Outlander Max 800R EFI XT	800		KN-152
Outlander 1000 EFI XT	1000	CM-8012	KN-152	Outlander Max 800R EFI XT-P	800		KN-152
Outlander Max 650 EFI XT	650		KN-152	Renegade 800R	800		KN-152
Outlander Max 650 EFI XT-P	650		KN-152	Renegade 800R X xc	800		KN-152
Outlander Max 800R EFI	800		KN-152	Spyder RS SE5	998	CM-9908	KN-564
Outlander Max 800R EFI LTD	800		KN-152	Spyder RS-S SE5	998	CM-9908	KN-564
Outlander Max 800R EFI XT	800		KN-152	Spyder RT Limited SE5	998	CM-9910	KN-564
Outlander Max 800R EFI XT-P	800		KN-152	Spyder RT Limited SE5	998 - Transmission Filter	CM-9910	KN-559
Renegade 800R	800	CM-8012		Spyder RT SE5	998	CM-9910	KN-564
Renegade 800R EFI X xc	800	CM-8012	KN-152	Spyder RT SE5	998 - Transmission Filter	CM-9910	KN-559
Renegade 800R X xc	800	CM-8012	KN-152	Spyder RT SE5 A/C	998	CM-9910	KN-564
Spyder RS SE5	998		KN-564	Spyder RT SE5 A/C	998 - Transmission Filter	CM-9910	KN-559
Spyder RS SE5	998 - Transmission Filter		KN-559	Spyder RT SM5	998	CM-9910	KN-564
Spyder RS SM5	998	CM-9908	KN-564	Spyder RT SM5 A/C	998	CM-9910	KN-564
Spyder RS SM5	998 - Transmission Filter	CM-9908	KN-559	2010 CAN-AM			
Spyder RS-S SE5	998	CM-9908	KN-564	Outlander 400 HO EFI	400		KN-152
Spyder RS-S SE5	998 - Transmission Filter	CM-9908	KN-559	Outlander 400 HO EFI XT	400		KN-152
Spyder RS-S SM5	998	CM-9908	KN-564				

* 2 filters required

◆ Intake System Available - see page 84 + Cabin Air Filter Available - see page 453 1- Performance Silver Oil Filter Also Available



AIR & OIL FILTERS

CAN-AM

Vehicle	Engine Type	Air Filter	Oil Filter	Vehicle	Engine Type	Air Filter	Oil Filter
2010 CAN-AM				2008 CAN-AM			
Outlander 500 EFI XT	500	BD-6506	KN-152	Outlander 500 HO	500		KN-152
Outlander 650 EFI	650		KN-152	4x4 EFI			
Outlander 800R EFI	800		KN-152	Outlander 500 HO	500	BD-6506	KN-152
Outlander 800R EFI XT	800		KN-152	4x4 EFI XT			
Outlander Max 650 EFI XT	650		KN-152	Outlander 650 HO	650	BD-6506	KN-152
Outlander Max 800R EFI XT	800		KN-152	4x4 EFI XT			
Renegade 800 X	800		KN-152	Outlander 800 HO	800	BD-6506	KN-152
Renegade 800 X xc	800		KN-152	4x4 EFI			
Renegade 800R	800		KN-152	Outlander 800 HO	800	BD-6506	KN-152
Renegade 800R X xc	800		KN-152	4x4 EFI			
Spyder RS SE5	998	CM-9908	KN-564	Outlander 800 HO	800	BD-6506	KN-152
Spyder RS SE5	998 - Transmission Filter	CM-9908	KN-559	4x4 EFI XT			
Spyder RS SM5	998	CM-9908		Outlander Max 500 HO EFI XT	500	BD-6506	KN-152
Spyder RT SE5	998	CM-9910	KN-564	Outlander Max 650 HO EFI	650	BD-6506	KN-152
Spyder RT SE5	998 - Transmission Filter	CM-9910	KN-559	Outlander Max 650 HO EFI XT	650	BD-6506	KN-152
Spyder RT SE5 A/C	998	CM-9910	KN-564	Outlander Max 800 HO EFI LTD	800	BD-6506	KN-152
Spyder RT SE5 A/C	998 - Transmission Filter	CM-9910	KN-559	Outlander Max 800 HO EFI XT	800	BD-6506	KN-152
Spyder RT SM5	998	CM-9910	KN-564	Renegade 500	500	BD-6506	KN-152
Spyder RT SM5	998 - Transmission Filter	CM-9910	KN-559	Renegade 800	800	BD-6506	KN-152
Spyder RT SM5 A/C	998	CM-9910	KN-564	Renegade 800 X	800	BD-6506	KN-152
Spyder RT SM5 A/C	998 - Transmission Filter	CM-9910	KN-559	Spyder GS - SE5	990	CM-9908	KN-564
				Spyder GS - SE5	990 - Transmission Filter	CM-9908	KN-559
				Spyder GS - SM5	990	CM-9908	KN-564
				Spyder GS - SM5	990 - Transmission Filter	CM-9908	KN-559
2009 CAN-AM				2007 CAN-AM			
DS450 EFI X xc	450	CM-4508		Outlander 400 HO	400	BD-3303	KN-152
Outlander 400 HO EFI	400		KN-152	Outlander 400 HO XT	400	BD-3303	KN-152
Outlander 400 HO EFI XT	400		KN-152	Outlander 500 HO	500	BD-6506	KN-152
Outlander 500 HO 4x4 EFI XT	500	BD-6506	KN-152	4x4 EFI			
Outlander 650 EFI XT	650	BD-6506	KN-152	Outlander 500 HO	500	BD-6506	KN-152
Outlander 800R EFI	800		KN-152	4x4 EFI XT			
Outlander 800R EFI XT	800		KN-152	Outlander 650 HO	650	BD-6506	KN-152
Outlander Max 650 EFI XT	650	BD-6506	KN-152	4x4 EFI XT			
Outlander Max 800R EFI LTD	800		KN-152	Outlander 650 HO	650	BD-6506	KN-152
Outlander Max 800R EFI XT	800		KN-152	EFI 4x4			
Renegade 800	800		KN-152	Outlander 800 HO	800	BD-6506	KN-152
Renegade 800 X	800		KN-152	4x4 EFI			
Spyder GS - SM5	998	CM-9908	KN-564	Outlander 800 HO	800	BD-6506	KN-152
Spyder GS - SM5	998 - Transmission Filter	CM-9908	KN-559	4x4 EFI XT			
Spyder RS SE5	998	CM-9908	KN-564	Outlander Max 400 HO XT	400	BD-3303	KN-152
Spyder RS SE5	998 - Transmission Filter	CM-9908	KN-559	Outlander Max 500 HO EFI XT	500	BD-6506	KN-152
Spyder RS SM5	998	CM-9908	KN-564	Outlander Max 650 HO EFI XT	650	BD-6506	KN-152
Spyder RS SM5	998 - Transmission Filter	CM-9908	KN-559	Outlander Max 800 HO EFI	800	BD-6506	KN-152
				Outlander Max 800 HO EFI LTD	800	BD-6506	KN-152
				Outlander Max 800 HO EFI XT	800	BD-6506	KN-152
				Renegade 800	800	BD-6506	KN-152
2008 CAN-AM				2017 CHEVROLET			
DS450	450	CM-4508	KN-560	Camaro	2.0L L4 F/I	33-2496	HP-1017 ¹
DS450X	450	CM-4508	KN-560	Camaro	3.6L V6 F/I	33-2496 ♦	HP-2011 ¹
Outlander 400 HO EFI	400		KN-152	Camaro SS	6.2L V8 F/I	33-5047 ♦	HP-1017 ¹
Outlander 400 HO EFI XT	400		KN-152	Camaro ZL1	6.2L V8 F/I		HP-1017 ¹
Outlander 400 HO XT	400	BD-3303	KN-152	Caprice	3.6L V6 F/I		PS-7003
				Caprice	6.0L V8 F/I		HP-1017 ¹
				City Express	2.0L L4 F/I		HP-1008 ¹
				Colorado	2.5L L4 F/I	33-5030	HP-1017 ¹

* 2 filters required

♦ Intake System Available - see page 84 +Cabin Air Filter Available - see page 453 1- Performance Silver Oil Filter Also Available



Vehicle	Engine Type	Air Filter	Oil Filter	Vehicle	Engine Type	Air Filter	Oil Filter
2017 CHEVROLET				2016 CHEVROLET			
Colorado	2.8L L4 DSL	33-5030 ♦		Impala Limited Police	3.6L V6 F/I	33-2475	
Colorado	3.6L V6 F/I		PS-7003	Impala Limited Police	3.6L V6 F/I - Police	33-2475	HP-1017 ¹
Corvette	6.2L V8 F/I	E-0665	HP-1017 ¹	Malibu	1.8L L4 F/I		PS-7027
Corvette Z06	6.2L V8 F/I	E-0665	HP-1017 ¹	Malibu	2.0L L4 F/I		HP-1017 ¹
Cruze	1.4L L4 F/I	E-0650	HP-1017 ¹	Malibu	2.5L L4 F/I	33-2497 ♦	HP-1017 ¹
Equinox	2.4L L4 F/I	33-2439 ♦	PS-7000	Silverado 1500	4.3L V6 F/I	33-2129 ♦+	HP-2011 ¹
Equinox	3.6L V6 F/I	33-2439	HP-2011 ¹	Silverado 1500	5.3L V8 F/I	33-2129 ♦+	HP-2011 ¹
Express 2500	4.8L V8 F/I		HP-1017 ¹	Silverado 1500	6.2L V8 F/I	33-2135 ♦+	HP-2011 ¹
Express 2500	6.0L V8 F/I		HP-1017 ¹	Silverado 2500	5.3L V8 F/I		HP-2011 ¹
Express 3500	4.8L V8 F/I		HP-1017 ¹	Silverado 2500 HD	6.0L V8 F/I	33-2135 ♦+	HP-1017 ¹
Express 3500	6.0L V8 F/I		HP-1017 ¹	Silverado 2500 HD	6.6L V8 DSL	33-2466 ♦+	HP-3003 ¹
Impala	2.5L L4 F/I		HP-1017 ¹	Silverado 3500	6.0L V8 F/I		HP-1017 ¹
Impala	3.6L V6 F/I	33-2483	HP-1017 ¹	Silverado 3500 HD	6.0L V8 F/I	33-2135 ♦+	HP-1017 ¹
Malibu	1.8L L4 F/I		PS-7027	Silverado 3500 HD	6.6L V8 DSL	33-2466 ♦+	HP-3003 ¹
Malibu	2.0L L4 F/I		HP-1017 ¹	Sonic	1.4L L4 F/I	33-2476 ♦+	PS-7027
S10	2.5L L4 F/I	E-0645		Sonic	1.8L L4 F/I	33-2476 ♦+	PS-7027
S10	2.8L L4 DSL	E-0645		Spark	1.4L L4 F/I	33-5043+	HP-1017 ¹
Silverado 1500	4.3L V6 F/I	33-2129 ♦	HP-2011 ¹	SS	6.2L V8 F/I	33-2919 ♦	HP-1017 ¹
Silverado 1500	5.3L V8 F/I	33-2129 ♦	HP-2011 ¹	Suburban	5.3L V8 F/I	33-2129 ♦+	HP-2011 ¹
Silverado 1500	6.2L V8 F/I	33-2135 ♦	HP-2011 ¹	Suburban	6.0L V8 F/I		HP-1017 ¹
Silverado 2500	5.3L V8 F/I		HP-2011 ¹	Suburban 3500 HD	6.0L V8 F/I		HP-1017 ¹
Silverado 2500 HD	6.0L V8 F/I		HP-1017 ¹	Tahoe	5.3L V8 F/I	33-2129 ♦+	HP-2011 ¹
Silverado 2500 HD	6.2L V8 F/I		HP-1017 ¹	Traverse	3.6L V6 F/I	33-2394+	HP-2011 ¹
Silverado 2500 HD	6.6L V8 DSL		HP-3003 ¹	Trax	1.4L L4 F/I	33-5007	PS-7027
Silverado 3500 HD	6.0L V8 F/I		HP-1017 ¹	2015 CHEVROLET			
Silverado 3500 HD	6.2L V8 F/I		HP-1017 ¹	Aveo	1.6L L4 F/I		HP-1001 ¹
Silverado 3500 HD	6.6L V8 DSL		HP-3003 ¹	Camaro	3.6L V6 F/I	33-2434 ♦+	PS-7003
Sonic	1.4L L4 F/I	33-2476	PS-7027	Camaro	7.0L V8 F/I		HP-1017 ¹
Sonic	1.8L L4 F/I	33-2476 ♦	PS-7027	Camaro SS	6.2L V8 F/I	33-2434 ♦+	HP-1017 ¹
Spark	1.4L L4 F/I	33-5043		Camaro ZL1	6.2L V8 F/I	33-2434 ♦+	HP-1017 ¹
SS	6.2L V8 F/I	33-2919	HP-1017 ¹	Caprice	6.0L V8 F/I		HP-1017 ¹
Suburban	5.3L V8 F/I		HP-2011 ¹	Captiva Sport	2.4L L4 F/I		PS-7000
Suburban 3500 HD	6.0L V8 F/I		HP-1017 ¹	Captiva Sport	2.4L L4 F/I - US	33-2404+	PS-7000
Tahoe	5.3L V8 F/I		HP-2011 ¹	City Express	2.0L L4 F/I		HP-1008 ¹
TrailBlazer	2.8L L4 DSL	E-0645		Colorado	2.5L L4 F/I	33-5030 ♦+	HP-1017 ¹
TrailBlazer	3.6L V6 F/I	E-0645		Colorado	3.6L V6 F/I	33-5030 ♦+	PS-7003
Traverse	3.6L V6 F/I	33-2394	HP-2011 ¹	Corvette	6.2L V8 F/I	E-0665 ♦	HP-1017 ¹
Trax	1.4L L4 F/I	33-5007	PS-7027	Corvette Z06	6.2L V8 F/I	E-0665 ♦	HP-1017 ¹
2016 CHEVROLET				Cruze	1.4L L4 F/I	33-2966 ♦+	PS-7027
Camaro	2.0L L4 F/I	33-2496	HP-1017 ¹	Cruze	1.8L L4 F/I	33-2964+	PS-7027
Camaro	3.6L V6 F/I	33-2496 ♦	HP-2011 ¹	Cruze	2.0L L4 DSL	33-2966 ♦+	
Camaro SS	6.2L V8 F/I	33-5047 ♦	HP-1017 ¹	Equinox	2.4L L4 F/I	33-2439 ♦+	PS-7000
Caprice	6.0L V8 F/I		HP-1017 ¹	Equinox	3.6L V6 F/I	33-2439+	HP-2011 ¹
Colorado	2.5L L4 F/I	33-5030 ♦+	HP-1017 ¹	Express 1500	4.3L V6 F/I		HP-1001 ¹
Colorado	2.8L L4 DSL	33-5030 ♦+		Express 1500	5.3L V8 F/I		HP-1017 ¹
Colorado	3.6L V6 F/I	33-5030 ♦+	PS-7003	Express 2500	4.8L V8 F/I	E-1986	HP-1017 ¹
Corvette	6.2L V8 F/I	E-0665 ♦	HP-1017 ¹	Express 2500	6.0L V8 F/I	E-1986	HP-1017 ¹
Corvette Z06	6.2L V8 F/I	E-0665 ♦	HP-1017 ¹	Express 3500	6.0L V8 F/I	E-1986	HP-1017 ¹
Cruze	1.4L L4 F/I	E-0650	PS-7027	Express 4500	6.0L V8 F/I		HP-1017 ¹
Cruze	1.8L L4 F/I		PS-7027	Impala	2.4L L4 F/I		PS-7000
Cruze Limited	1.4L L4 F/I	33-2966 ♦	PS-7027	Impala	2.5L L4 F/I	33-2497	HP-1017 ¹
Cruze Limited	1.8L L4 F/I		PS-7027	Impala	3.6L V6 F/I	33-2483	HP-2011 ¹
Equinox	2.4L L4 F/I	33-2439 ♦+	PS-7000	Impala Limited	3.6L V6 F/I	33-2475	HP-2011 ¹
Equinox	3.6L V6 F/I	33-2439+	HP-2011 ¹	Impala Limited Police	3.6L V6 F/I	33-2475	HP-1017 ¹
Express 2500	4.8L V8 F/I		HP-1017 ¹	Malibu	2.0L L4 F/I	33-2497 ♦+	HP-1017 ¹
Express 2500	6.0L V8 F/I		HP-1017 ¹	Malibu	2.4L L4 F/I		PS-7000
Express 3500	6.0L V8 F/I		HP-1017 ¹	Malibu	2.5L L4 F/I	33-2497 ♦+	HP-1017 ¹
Impala	2.5L L4 F/I		HP-1017 ¹	Orlando	2.4L L4 F/I		PS-7000
Impala	3.6L V6 F/I	33-2483	HP-2011 ¹	Silverado 1500	4.3L V6 F/I	33-2129 ♦+	HP-2011 ¹
Impala Limited	3.6L V6 F/I	33-2475		Silverado 1500	5.3L V8 F/I	33-2129 ♦+	HP-2011 ¹
Impala Limited	3.6L V6 F/I - Exc. Police	33-2475	HP-2011 ¹	Silverado 1500	6.2L V8 F/I	33-2135 ♦+	HP-2011 ¹
				Silverado 2500	5.3L V8 F/I		HP-2011 ¹

* 2 filters required

♦ Intake System Available - see page 84 +Cabin Air Filter Available - see page 453 1- Performance Silver Oil Filter Also Available



AIR & OIL FILTERS

CHEVROLET

Vehicle	Engine Type	Air Filter	Oil Filter
2015 CHEVROLET			
Silverado 2500 HD	6.0L V8 F/I	33-2135 ♦♦	HP-1017 ¹
Silverado 2500 HD	6.6L V8 DSL	33-2466 ♦♦	HP-3003 ¹
Silverado 3500	6.0L V8 F/I		HP-1017 ¹
Silverado 3500 HD	6.0L V8 F/I	33-2135 ♦♦	HP-1017 ¹
Silverado 3500 HD	6.6L V8 DSL	33-2466 ♦♦	HP-3003 ¹
Sonic	1.4L L4 F/I	33-2476 ♦♦	PS-7027
Sonic	1.8L L4 F/I	33-2476 ♦♦	PS-7027
Spark	1.2L L4 F/I	33-2492+	
SS	6.2L V8 F/I	33-2919 ♦	HP-1017 ¹
Suburban	5.3L V8 F/I	33-2129 ♦♦	HP-1017 ¹
Tahoe	5.3L V8 F/I	33-2129 ♦♦	HP-1017 ¹
Traverse	3.6L V6 F/I	33-2394+	HP-2011 ¹
Trax	1.4L L4 F/I	33-5007+	PS-7027
Volt	1.4L L4 F/I	33-2464+	

Vehicle	Engine Type	Air Filter	Oil Filter
2014 CHEVROLET			
Aveo	1.4L L4 F/I	33-2476	
Aveo	1.6L L4 F/I		HP-1001 ¹
Camaro	3.6L V6 F/I	33-2434 ♦♦	PS-7003
Camaro	7.0L V8 F/I		HP-1017 ¹
Camaro SS	6.2L V8 F/I	33-2434 ♦♦	HP-1017 ¹
Camaro ZL1	6.2L V8 F/I	33-2434 ♦♦	HP-1017 ¹
Caprice	6.0L V8 F/I		HP-1017 ¹
Captiva Sport	2.2L L4 DSL	33-2956	
Captiva Sport	2.4L L4 F/I		PS-7000
Captiva Sport	2.4L L4 F/I - Non-US	33-2956+	PS-7000
Captiva Sport	2.4L L4 F/I - US	33-2404+	PS-7000
Cheyenne	5.3L V8 F/I		HP-1017 ¹
Corvette	6.2L V8 F/I	E-0665 ♦	HP-1017 ¹
Cruze	1.4L L4 F/I	33-2966 ♦♦	PS-7027
Cruze	1.6L L4 F/I	33-2964	
Cruze	1.7L L4 DSL	33-2966	
Cruze	1.8L L4 F/I	33-2964 ♦♦	PS-7027
Cruze	2.0L L4 DSL	33-2966 ♦♦	
Equinox	2.4L L4 F/I	33-2439 ♦♦	PS-7000
Equinox	3.6L V6 F/I	33-2439+	HP-2011 ¹
Express 1500	4.3L V6 F/I	E-1986	HP-1001 ¹
Express 1500	5.3L V8 F/I		HP-1017 ¹
Express 2500	4.8L V8 F/I	E-1986	HP-1017 ¹
Express 2500	6.0L V8 F/I	E-1986	
Express 3500	6.0L V8 F/I	E-1986	HP-1017 ¹
Express 4500	6.0L V8 F/I		HP-1017 ¹
Impala	2.4L L4 F/I		PS-7000
Impala	2.5L L4 F/I	33-2497	HP-1017 ¹
Impala	3.6L V6 F/I	33-2483	HP-1017 ¹
Impala Limited	3.6L V6 F/I	33-2475 ♦	HP-1017 ¹
Malibu	2.0L L4 F/I	33-2497 ♦♦	HP-1017 ¹
Malibu	2.4L L4 F/I	33-2442+	PS-7000
Malibu	2.5L L4 F/I	33-2497 ♦♦	HP-1017 ¹
Silverado 1500	4.3L V6 F/I	33-2129 ♦♦	HP-2011 ¹
Silverado 1500	5.3L V8 F/I	33-2129 ♦♦	HP-2011 ¹
Silverado 1500	6.2L V8 F/I	33-2135 ♦♦	HP-2011 ¹
Silverado 2500	5.3L V8 F/I		HP-1017 ¹
Silverado 2500 HD	6.0L V8 F/I	33-2135	HP-1017 ¹
Silverado 2500 HD	6.6L V8 DSL	33-2466 ♦	HP-3003 ¹
Silverado 3500 HD	6.0L V8 F/I	33-2135	HP-1017 ¹
Silverado 3500 HD	6.6L V8 DSL	33-2466 ♦	HP-3003 ¹
Sonic	1.4L L4 F/I	33-2476 ♦♦	PS-7027
Sonic	1.8L L4 F/I	33-2476 ♦♦	PS-7027
Spark	1.0L L4 F/I	33-3001	
Spark	1.2L L4 F/I - Non-US	33-3001+	
Spark	1.2L L4 F/I - US	33-2492+	
SS	6.2L V8 F/I	33-2919 ♦	HP-1017 ¹

Vehicle	Engine Type	Air Filter	Oil Filter
2014 CHEVROLET			
Suburban 1500	5.3L V8 F/I	33-2129 ♦	HP-1017 ¹
Tahoe	5.3L V8 F/I	33-2129 ♦	HP-1017 ¹
Tahoe Hybrid	6.0L V8 F/I	33-2135	HP-1017 ¹
Traverse	3.6L V6 F/I	33-2394+	HP-2011 ¹
Trax	1.4L L4 F/I	33-5007	PS-7027
Trax	1.8L L4 F/I		PS-7027
Volt	1.4L L4 F/I	33-2464+	

Vehicle	Engine Type	Air Filter	Oil Filter
2013 CHEVROLET			
Avalanche	5.3L V8 F/I	33-2129 ♦	HP-1017 ¹
Aveo	1.6L L4 F/I	33-2476	HP-1001 ¹
Beat	1.0L L3 DSL	33-3019	
Camaro	3.6L V6 F/I	33-2434 ♦♦	PS-7003
Camaro SS	6.2L V8 F/I	33-2434 ♦♦	HP-1017 ¹
Camaro ZL1	6.2L V8 F/I	33-2434 ♦♦	HP-1017 ¹
Caprice	6.0L V8 F/I		HP-1017 ¹
Captiva Sport	2.2L L4 DSL	33-2956	
Captiva Sport	2.4L L4 F/I		PS-7000
Captiva Sport	2.4L L4 F/I - Non-US	33-2956+	PS-7000
Captiva Sport	2.4L L4 F/I - US	33-2404+	PS-7000
Corvette	6.2L V8 F/I	E-0782 ♦	HP-1017 ¹
Corvette Z06	7.0L V8 F/I	E-0782	HP-1017 ¹
Corvette ZR1	6.2L V8 F/I	E-0786 ♦	HP-1017 ¹
Cruze	1.4L L4 F/I	33-2966 ♦♦	PS-7027
Cruze	1.6L L4 F/I	33-2964	
Cruze	1.7L L4 DSL	33-2966	
Cruze	1.8L L4 F/I	33-2964 ♦♦	PS-7027
Cruze	2.0L L4 DSL	33-2966	
Equinox	2.4L L4 F/I	33-2439 ♦♦	PS-7000
Equinox	3.6L V6 F/I	33-2439+	HP-2011 ¹
Express 1500	4.3L V6 F/I	E-1986	
Express 1500	5.3L V8 F/I	E-1986	HP-1017 ¹
Express 2500	4.8L V8 F/I	E-1986	
Express 2500	6.0L V8 F/I	E-1986	
Express 3500	6.0L V8 F/I	E-1986	HP-1017 ¹
Impala	3.6L V6 F/I	33-2475 ♦♦	HP-2011 ¹
Malibu	2.0L L4 F/I	33-2497 ♦♦	HP-1017 ¹
Malibu	2.4L L4 F/I	33-2442+	PS-7000
Malibu	2.5L L4 F/I	33-2497 ♦♦	HP-1017 ¹
Silverado 1500	4.3L V6 F/I	33-2129	HP-1001 ¹
Silverado 1500	4.8L V8 F/I	33-2129 ♦	HP-1017 ¹
Silverado 1500	5.3L V8 F/I	33-2129 ♦	HP-1017 ¹
Silverado 1500	6.2L V8 F/I	33-2135 ♦	HP-1017 ¹
Silverado 1500 Hybrid	6.0L V8 F/I	33-2135	HP-1017 ¹
Silverado 2500 HD	6.0L V8 F/I	33-2135 ♦	HP-1017 ¹
Silverado 2500 HD	6.6L V8 DSL	33-2466 ♦	HP-3003 ¹
Silverado 3500 HD	6.0L V8 F/I	33-2135 ♦	HP-1017 ¹
Silverado 3500 HD	6.6L V8 DSL	33-2466 ♦	HP-3003 ¹
Sonic	1.4L L4 F/I	33-2476 ♦♦	PS-7027
Sonic	1.8L L4 F/I	33-2476 ♦♦	PS-7027
Spark	1.0L L4 F/I	33-3001	
Spark	1.2L L4 F/I - Non-US	33-3001	
Spark	1.2L L4 F/I - US	33-2492+	
Suburban 1500	5.3L V8 F/I	33-2129 ♦	HP-1017 ¹
Suburban 1500	6.0L V8 F/I		HP-1017 ¹
Suburban 2500	6.0L V8 F/I	33-2135	HP-1017 ¹
Tahoe	5.3L V8 F/I	33-2129 ♦	HP-1017 ¹
Tahoe Hybrid	6.0L V8 F/I	33-2135	HP-1017 ¹
Traverse	3.6L V6 F/I	33-2394+	HP-2011 ¹
Trax	1.4L L4 F/I	33-5007	PS-7027
Volt	1.4L L4 F/I	33-2464+	

Vehicle	Engine Type	Air Filter	Oil Filter
2012 CHEVROLET			
Avalanche	5.3L V8 F/I	33-2129 ♦	HP-1017 ¹

* 2 filters required ♦ Intake System Available - see page 84 +Cabin Air Filter Available - see page 453 1- Performance Silver Oil Filter Also Available

CHEVROLET

AIR & OIL FILTERS



Vehicle	Engine Type	Air Filter	Oil Filter	Vehicle	Engine Type	Air Filter	Oil Filter
2012 CHEVROLET				2011 CHEVROLET			
Aveo	1.2L L4 F/I	33-2476		Aveo	1.4L L4 F/I	33-2476	
Aveo	1.4L L4 F/I	33-2476		Aveo	1.6L L4 F/I		PS-7027
Aveo	1.6L L4 F/I	33-2476	HP-1001 ¹	Aveo	1.6L L4 F/I - Non-US	33-2476	PS-7027
Beat	1.0L L3 DSL	33-3019		Aveo	1.6L L4 F/I - US	33-2320	PS-7027
Camaro	3.6L V6 F/I	33-2434 ♦♦	PS-7003	Aveo5	1.6L L4 F/I	33-2320	PS-7027
Camaro SS	6.2L V8 F/I	33-2434 ♦♦	HP-1017 ¹	Beat	1.0L L3 DSL	33-3019	
Camaro ZL1	6.2L V8 F/I	33-2434 ♦♦	HP-1017 ¹	Camaro	3.6L V6 F/I	33-2434 ♦♦	PS-7003
Caprice	6.0L V8 F/I		HP-1017 ¹	Camaro SS	6.2L V8 F/I	33-2434 ♦♦	HP-1017 ¹
Captiva Sport	2.4L L4 F/I		PS-7000			33-2434 ♦	HP-1017 ¹
Captiva Sport	2.4L L4 F/I - Non-US	33-2956+	PS-7000	Caprice	6.0L V8 F/I		HP-1017 ¹
Captiva Sport	2.4L L4 F/I - US	33-2404+	PS-7000	Captiva Sport	2.4L L4 F/I	33-2956+	
Captiva Sport	3.0L V6 F/I	33-2404+	HP-2011 ¹	Chevy	1.6L L4 F/I		HP-1001 ¹
Chevy	1.6L L4 F/I		HP-1001 ¹	Colorado	2.9L L4 F/I	33-2408 ♦	HP-1007 ¹
Cheyenne	5.3L V8 F/I		HP-1017 ¹	Colorado	3.7L L5 F/I	33-2408 ♦	HP-2006 ¹
Colorado	2.9L L4 F/I	33-2408 ♦	HP-1007 ¹	Colorado	5.3L V8 F/I	33-2408	HP-1017 ¹
Colorado	3.7L L5 F/I	33-2408 ♦	HP-2006 ¹	Corvette	6.2L V8 F/I	E-0782 ♦	HP-1017 ¹
Colorado	5.3L V8 F/I	33-2408	HP-1017 ¹	Corvette Z06	7.0L V8 F/I	E-0782	HP-1017 ¹
Corvette	6.2L V8 F/I	E-0782 ♦	HP-1017 ¹	Corvette ZR1	6.2L V8 F/I	E-0786 ♦	HP-1017 ¹
Corvette Z06	7.0L V8 F/I	E-0782	HP-1017 ¹	Cruze	1.4L L4 F/I	33-2966 ♦♦	PS-7027
Corvette ZR1	6.2L V8 F/I	E-0786 ♦	HP-1017 ¹	Cruze	1.6L L4 F/I	33-2964	
Cruze	1.4L L4 F/I	33-2966 ♦♦	PS-7027	Cruze	1.7L L4 DSL	33-2966	
Cruze	1.6L L4 F/I	33-2964		Cruze	1.8L L4 F/I	33-2964 ♦♦	PS-7027
Cruze	1.7L L4 DSL	33-2966		Cruze	2.0L L4 DSL	33-2966	
Cruze	1.8L L4 F/I	33-2964 ♦♦	PS-7027	Equinox	2.4L L4 F/I	33-2439 ♦♦	PS-7000
Cruze	2.0L L4 DSL	33-2966		Equinox	3.0L V6 F/I	33-2439 ♦♦	HP-2011 ¹
Equinox	2.4L L4 F/I	33-2439 ♦♦	PS-7000	Express 1500	4.3L V6 F/I	E-1986	
Equinox	3.0L V6 F/I	33-2439 ♦♦	HP-2011 ¹	Express 1500	5.3L V8 F/I	E-1986	HP-1017 ¹
Express 1500	4.3L V6 F/I	E-1986		Express 2500	4.8L V8 F/I	E-1986	
Express 1500	5.3L V8 F/I	E-1986	HP-1017 ¹	Express 2500	6.0L V8 F/I	E-1986	HP-1017 ¹
Express 2500	4.8L V8 F/I	E-1986	HP-1017 ¹	Express 3500	6.0L V8 F/I	E-1986	HP-1017 ¹
Express 2500	6.0L V8 F/I	E-1986		HHR	2.2L L4 F/I	33-2339 ♦♦	PS-7000
Express 3500	4.8L V8 F/I	E-1986		HHR	2.4L L4 F/I	33-2339 ♦♦	PS-7000
Express 3500	6.0L V8 F/I	E-1986		Impala	3.5L V6 F/I	33-2334+	HP-2006 ¹
Impala	3.6L V6 F/I	33-2475+	HP-1017 ¹	Impala	3.9L V6 F/I	33-2334+	HP-2006 ¹
Malibu	2.4L L4 F/I	33-2296	PS-7000	Malibu	2.4L L4 F/I	33-2296	PS-7000
Malibu	3.6L V6 F/I	33-2296	HP-1017 ¹	Malibu	3.6L V6 F/I	33-2296	HP-1017 ¹
Orlando	2.0L L4 DSL	33-2966		Silverado 1500	4.3L V6 F/I	33-2129	HP-1001 ¹
Orlando	2.4L L4 F/I		PS-7000	Silverado 1500	4.8L V8 F/I	33-2129 ♦	HP-1017 ¹
Silverado 1500	4.3L V6 F/I	33-2129	HP-1001 ¹	Silverado 1500	5.3L V8 F/I	33-2129 ♦	HP-1017 ¹
Silverado 1500	4.8L V8 F/I	33-2129 ♦	HP-1017 ¹	Silverado 1500	6.2L V8 F/I	33-2135 ♦	HP-1017 ¹
Silverado 1500	5.3L V8 F/I	33-2129 ♦	HP-1017 ¹	Silverado 1500 Hybrid	6.0L V8 F/I	33-2135	HP-1017 ¹
Silverado 1500	6.2L V8 F/I	33-2135 ♦	HP-1017 ¹	Silverado 2500	5.3L V8 F/I		HP-1017 ¹
Silverado 1500 Hybrid	6.0L V8 F/I	33-2135	HP-1017 ¹	Silverado 2500 HD	6.0L V8 F/I	33-2135 ♦	HP-1017 ¹
Silverado 2500 HD	6.0L V8 F/I	33-2135 ♦	HP-1017 ¹	Silverado 2500 HD	6.6L V8 DSL	33-2466 ♦	HP-3003 ¹
Silverado 2500 HD	6.6L V8 DSL	33-2466 ♦	HP-3003 ¹	Silverado 3500 HD	6.0L V8 F/I	33-2135 ♦	HP-1017 ¹
Silverado 3500 HD	6.0L V8 F/I	33-2135 ♦	HP-1017 ¹	Silverado 3500 HD	6.6L V8 DSL	33-2466 ♦	HP-3003 ¹
Silverado 3500 HD	6.6L V8 DSL	33-2466 ♦	HP-3003 ¹	Spark	1.0L L4 F/I	33-3001	
Sonic	1.4L L4 F/I	33-2476 ♦♦	PS-7027	Suburban 1500	5.3L V8 F/I	33-2129 ♦	HP-1017 ¹
Sonic	1.8L L4 F/I	33-2476 ♦♦	PS-7027	Suburban 2500	6.0L V8 F/I	33-2135	HP-1017 ¹
Spark	1.0L L4 F/I	33-3001		Tahoe	5.3L V8 F/I	33-2129 ♦	HP-1017 ¹
Spark	1.2L L4 F/I	33-3001		Tahoe Hybrid	6.0L V8 F/I	33-2135	HP-1017 ¹
Suburban 1500	5.3L V8 F/I	33-2129 ♦	HP-1017 ¹	Traverse	3.6L V6 F/I	33-2394+	HP-2011 ¹
Suburban 1500	6.0L V8 F/I		HP-1017 ¹	Volt	1.4L L4 F/I	33-2464+	
Suburban 2500	6.0L V8 F/I	33-2135	HP-1017 ¹	2010 CHEVROLET			
Tahoe	5.3L V8 F/I	33-2129 ♦	HP-1017 ¹	Avalanche	5.3L V8 F/I	33-2129 ♦	HP-1017 ¹
Tahoe Hybrid	6.0L V8 F/I	33-2135	HP-1017 ¹	Aveo	1.4L L4 F/I	33-2320	
Traverse	3.6L V6 F/I	33-2394+	HP-2011 ¹	Aveo	1.6L L4 F/I	33-2320	PS-7027
Volt	1.4L L4 F/I	33-2464+		Aveo5	1.6L L4 F/I	33-2320	PS-7027
2011 CHEVROLET				Camaro	3.6L V6 F/I	33-2434 ♦♦	PS-7003
Avalanche	5.3L V8 F/I	33-2129 ♦	HP-1017 ¹	Camaro SS	6.2L V8 F/I	33-2434 ♦♦	HP-1017 ¹
Aveo	1.2L L4 F/I	33-2476		Chevy	1.6L L4 F/I		HP-1001 ¹
Aveo	1.3L L4 DSL	33-2476		Cheyenne	5.3L V8 F/I		HP-1017 ¹
				Cobalt	2.0L L4 F/I	33-2311 ♦♦	PS-7000

* 2 filters required

♦ Intake System Available - see page 84 +Cabin Air Filter Available - see page 453 1- Performance Silver Oil Filter Also Available



AIR & OIL FILTERS

CHEVROLET

Vehicle	Engine Type	Air Filter	Oil Filter	Vehicle	Engine Type	Air Filter	Oil Filter
2010 CHEVROLET				2009 CHEVROLET			
Cobalt	2.2L L4 F/I	33-2311 ♦+	PS-7000	HHR	2.4L L4 F/I	33-2339 ♦+	PS-7000
Colorado	2.9L L4 F/I	33-2408 ♦	HP-1007 ¹	Impala	3.5L V6 F/I	33-2334+	HP-2006 ¹
Colorado	3.7L L5 F/I	33-2408 ♦	HP-2006 ¹	Impala	3.9L V6 F/I	33-2334+	HP-2006 ¹
Colorado	5.3L V8 F/I	33-2408	HP-1017 ¹	Impala	5.3L V8 F/I	33-2334 ♦+	HP-1017 ¹
Corvette	6.2L V8 F/I	E-0782 ♦	HP-1017 ¹	Malibu	2.4L L4 F/I	33-2296	PS-7000
Corvette Z06	7.0L V8 F/I	E-0782	HP-1017 ¹	Malibu	3.5L V6 F/I	33-2296	HP-2006 ¹
Corvette ZR1	6.2L V8 F/I	E-0786 ♦	HP-1017 ¹	Malibu	3.6L V6 F/I	33-2296	HP-1017 ¹
Cruze	1.6L L4 F/I	33-2964		Silverado 1500	4.3L V6 F/I	33-2129	HP-1001 ¹
Cruze	1.8L L4 F/I	33-2964	PS-7027	Silverado 1500	4.8L V8 F/I	33-2129 ♦	HP-1017 ¹
Cruze	2.0L L4 DSL	33-2966		Silverado 1500	5.3L V8 F/I	33-2129 ♦	HP-1017 ¹
Epica	2.0L L4 F/I	33-2253		Silverado 1500	6.0L V8 F/I	33-2135 ♦	HP-1017 ¹
Equinox	2.4L L4 F/I	33-2439 ♦+	PS-7000	Silverado 1500	6.2L V8 F/I	33-2135 ♦	HP-1017 ¹
Equinox	3.0L V6 F/I	33-2439 ♦+	HP-1017 ¹	Silverado 1500 Hybrid	6.0L V8 F/I	33-2135	HP-1017 ¹
Express 1500	4.3L V6 F/I	E-1986		Silverado 2500	5.3L V8 F/I		HP-1017 ¹
Express 1500	5.3L V8 F/I	E-1986	HP-1017 ¹	Silverado 2500 HD	6.0L V8 F/I	33-2135 ♦	HP-1017 ¹
Express 3500	6.0L V8 F/I	E-1986		Silverado 2500 HD	6.6L V8 DSL	E-0781 ♦	HP-3003 ¹
HHR	2.0L L4 F/I	E-1989 ♦+	PS-7000	Silverado 3500 HD	6.0L V8 F/I	33-2135 ♦	HP-1017 ¹
HHR	2.2L L4 F/I	33-2339 ♦+	PS-7000	Silverado 3500 HD	6.6L V8 DSL	E-0781 ♦	HP-3003 ¹
HHR	2.4L L4 F/I	33-2339 ♦+	PS-7000	Suburban 1500	5.3L V8 F/I	33-2129 ♦	HP-1017 ¹
Impala	3.5L V6 F/I	33-2334+	HP-2006 ¹	Suburban 1500	6.0L V8 F/I	33-2135 ♦	
Impala	3.9L V6 F/I	33-2334+	HP-2006 ¹	Suburban 2500	6.0L V8 F/I	33-2135	HP-1017 ¹
Malibu	2.4L L4 F/I	33-2296	PS-7000	Tahoe	4.8L V8 F/I	33-2129 ♦	HP-1017 ¹
Malibu	3.5L V6 F/I	33-2334	HP-2006 ¹	Tahoe	5.3L V8 F/I	33-2129 ♦	HP-1017 ¹
Malibu	3.6L V6 F/I	33-2296	HP-1017 ¹	Tahoe	6.2L V8 F/I	33-2135 ♦	HP-1017 ¹
Silverado 1500	4.3L V6 F/I	33-2129	HP-1001 ¹	Tahoe Hybrid	6.0L V8 F/I	33-2135	HP-1017 ¹
Silverado 1500	4.8L V8 F/I	33-2129 ♦	HP-1017 ¹	TrailBlazer	4.2L L6 F/I	E-1009 ♦	HP-2006 ¹
Silverado 1500	5.3L V8 F/I	33-2129 ♦	HP-1017 ¹	TrailBlazer	5.3L V8 F/I	E-1009	
Silverado 1500	6.2L V8 F/I	33-2135 ♦	HP-1017 ¹	TrailBlazer	6.0L V8 F/I	E-1009	HP-1017 ¹
Silverado 1500 Hybrid	6.0L V8 F/I	33-2135	HP-1017 ¹	Traverse	3.6L V6 F/I	33-2394+	HP-1017 ¹
Silverado 2500 HD	6.0L V8 F/I	33-2135 ♦	HP-1017 ¹	2008 CHEVROLET			
Silverado 2500 HD	6.6L V8 DSL	E-0781 ♦	HP-3003 ¹	Avalanche	5.3L V8 F/I	33-2129 ♦	HP-1017 ¹
Silverado 3500 HD	6.0L V8 F/I	33-2135 ♦	HP-1017 ¹	Avalanche	6.0L V8 F/I	33-2135 ♦	HP-1017 ¹
Silverado 3500 HD	6.6L V8 DSL	E-0781 ♦	HP-3003 ¹	Aveo	1.2L L4 F/I	33-2320	
Suburban 1500	5.3L V8 F/I	33-2129 ♦	HP-1017 ¹	Aveo	1.4L L4 F/I	33-2320	
Suburban 1500	6.0L V8 F/I		HP-1017 ¹	Aveo	1.6L L4 F/I	33-2320	HP-1001 ¹
Suburban 2500	6.0L V8 F/I	33-2135	HP-1017 ¹	Aveo5	1.6L L4 F/I		HP-1001 ¹
Tahoe	5.3L V8 F/I	33-2129 ♦	HP-1017 ¹	C4500 Kodiak	6.6L V8 DSL		HP-3003 ¹
Tahoe Hybrid	6.0L V8 F/I	33-2135	HP-1017 ¹	C5500 Kodiak	6.6L V8 DSL		HP-3003 ¹
Traverse	3.6L V6 F/I	33-2394+	HP-1017 ¹	Captiva	3.2L V6 F/I	33-2956	
2009 CHEVROLET				Chevy	1.6L L4 F/I		HP-1001 ¹
Avalanche	5.3L V8 F/I	33-2129 ♦	HP-1017 ¹	Chevyenne 2500	5.3L V8 F/I		HP-1007 ¹
Avalanche	6.0L V8 F/I	33-2135 ♦	HP-1017 ¹	Cobalt	2.0L L4 F/I	33-2311 ♦+	PS-7000
Aveo	1.4L L4 F/I	33-2320		Cobalt	2.2L L4 F/I	33-2311 ♦+	PS-7000
Aveo	1.6L L4 F/I	33-2320	PS-7027	Cobalt	2.4L L4 F/I	33-2311 ♦+	PS-7000
Aveo5	1.6L L4 F/I	33-2320	PS-7027	Colorado	2.9L L4 F/I	33-2408 ♦	HP-1007 ¹
C5500 Kodiak	6.6L V8 DSL		HP-3003 ¹	Colorado	3.7L L5 F/I	33-2408 ♦	HP-2006 ¹
Chevy	1.6L L4 F/I		HP-1001 ¹	Corsa	1.8L L4 F/I		HP-1001 ¹
Cobalt	2.0L L4 F/I	33-2311 ♦+	PS-7000	Corvette	6.2L V8 F/I	E-0782 ♦	HP-1017 ¹
Cobalt	2.2L L4 F/I	33-2311 ♦+	PS-7000	Corvette Z06	7.0L V8 F/I	E-0782 ♦	HP-1017 ¹
Colorado	2.9L L4 F/I	33-2408 ♦	HP-1007 ¹	Equinox	3.4L V6 F/I	33-2296	HP-1001 ¹
Colorado	3.7L L5 F/I	33-2408 ♦	HP-2006 ¹	Equinox	3.6L V6 F/I	33-2296	HP-1017 ¹
Colorado	5.3L V8 F/I	33-2408	HP-1017 ¹	Express 1500	4.3L V6 F/I	E-1986	HP-1001 ¹
Corvette	6.2L V8 F/I	E-0782 ♦	HP-1017 ¹	Express 1500	5.3L V8 F/I	E-1986	HP-1017 ¹
Corvette Z06	7.0L V8 F/I	E-0782 ♦	HP-1017 ¹	Express 2500	4.8L V8 F/I	E-1986	
Corvette ZR1	6.2L V8 F/I	E-0786 ♦	HP-1017 ¹	Express 2500	6.0L V8 F/I	E-1986	
Cruze	1.6L L4 F/I	33-2964		Express 3500	4.8L V8 F/I	E-1986	
Cruze	2.0L L4 DSL	33-2966		Express 3500	6.0L V8 F/I	E-1986	HP-1017 ¹
Equinox	3.4L V6 F/I	33-2296	HP-1001 ¹	Express 3500	6.6L V8 DSL		HP-3003 ¹
Equinox	3.6L V6 F/I	33-2296	HP-1017 ¹	HHR	2.0L L4 F/I	E-1989 ♦+	PS-7000
Express 1500	5.3L V8 F/I	E-1986		HHR	2.2L L4 F/I	33-2339+	PS-7000
HHR	2.0L L4 F/I	E-1989 ♦+	PS-7000	HHR	2.4L L4 F/I	33-2339 ♦+	PS-7000
HHR	2.2L L4 F/I	33-2339+	PS-7000	Impala	3.5L V6 F/I	33-2334+	HP-2006 ¹

* 2 filters required

♦ Intake System Available - see page 84 +Cabin Air Filter Available - see page 453 1- Performance Silver Oil Filter Also Available



Vehicle	Engine Type	Air Filter	Oil Filter	Vehicle	Engine Type	Air Filter	Oil Filter
2008 CHEVROLET				2007 CHEVROLET			
Impala	3.9L V6 F/I	33-2334+	HP-2006 ¹	Monte Carlo	5.3L V8 F/I	33-2334 ♦+	HP-1017 ¹
Impala	5.3L V8 F/I	33-2334 ♦+	HP-1017 ¹	Silverado 1500	4.3L V6 F/I	33-2129	HP-1001 ¹
Malibu	2.2L L4 F/I		PS-7000	Silverado 1500	4.8L V8 F/I	33-2129 ♦	HP-1017 ¹
Malibu	2.4L L4 F/I	33-2296	PS-7000	Silverado 1500	5.3L V8 F/I	33-2129 ♦	HP-1017 ¹
Malibu	3.5L V6 F/I	33-2315	HP-2006 ¹	Silverado 1500	6.0L V8 F/I	33-2135 ♦	HP-1017 ¹
Malibu	3.6L V6 F/I	33-2296	HP-1017 ¹	Silverado 1500	4.3L V6 F/I	33-2129 ♦	HP-1001 ¹
Silverado 1500	4.3L V6 F/I	33-2129	HP-1001 ¹	Classic			
Silverado 1500	4.8L V8 F/I	33-2129 ♦	HP-1017 ¹	Silverado 1500	4.8L V8 F/I	33-2129 ♦	HP-1017 ¹
Silverado 1500	5.3L V8 F/I	33-2129 ♦	HP-1017 ¹	Classic			
Silverado 1500	6.0L V8 F/I	33-2135 ♦	HP-1017 ¹	Silverado 1500	5.3L V8 F/I	33-2129 ♦	HP-1017 ¹
Silverado 2500	5.3L V8 F/I		HP-1017 ¹	Classic			
Silverado 2500 HD	6.0L V8 F/I	33-2135 ♦	HP-1017 ¹	Silverado 1500	6.0L V8 F/I	33-2135 ♦	HP-1017 ¹
Silverado 2500 HD	6.6L V8 DSL	E-0781 ♦	HP-3003 ¹	Silverado 1500 HD	6.0L V8 F/I	33-2135 ♦	HP-1017 ¹
Silverado 3500 HD	6.0L V8 F/I	33-2135 ♦	HP-1017 ¹	Classic			
Silverado 3500 HD	6.6L V8 DSL	E-0781 ♦	HP-3003 ¹	Silverado 2500	5.3L V8 F/I		HP-1017 ¹
Suburban 1500	5.3L V8 F/I	33-2129 ♦	HP-1017 ¹	Silverado 2500 HD	6.0L V8 F/I	33-2135 ♦	HP-1017 ¹
Suburban 1500	6.0L V8 F/I	33-2135 ♦	HP-1017 ¹	Silverado 2500 HD	6.6L V8 DSL	E-0781 ♦	HP-3003 ¹
Suburban 2500	6.0L V8 F/I	33-2135	HP-1017 ¹	Silverado 2500 HD	6.0L V8 F/I	33-2135 ♦	HP-1017 ¹
Tahoe	4.8L V8 F/I	33-2129 ♦	HP-1017 ¹	Classic			
Tahoe	5.3L V8 F/I	33-2129 ♦	HP-1017 ¹	Silverado 2500 HD	6.6L V8 DSL	E-0781 ♦	HP-3003 ¹
Tahoe Hybrid	6.0L V8 F/I	33-2135	HP-1017 ¹	Classic			
TrailBlazer	4.2L L6 F/I	E-1009 ♦	HP-2006 ¹	Silverado 2500 HD	8.1L V8 F/I	33-2135 ♦	HP-1011 ¹
TrailBlazer	5.3L V8 F/I	E-1009	HP-1017 ¹	Classic			
TrailBlazer	6.0L V8 F/I	E-1009 ♦	HP-1017 ¹	Silverado 3500	6.0L V8 F/I	33-2135 ♦	HP-1017 ¹
Uplander	3.9L V6 F/I	33-2318+	HP-2006 ¹	Classic			
2007 CHEVROLET				2006 CHEVROLET			
Avalanche	5.3L V8 F/I	33-2129 ♦	HP-1017 ¹	Silverado 3500	8.1L V8 F/I	33-2135 ♦	
Avalanche	6.0L V8 F/I	33-2135 ♦	HP-1017 ¹	Classic			
Aveo	1.2L L4 F/I	33-2320		Silverado 3500 HD	6.0L V8 F/I	33-2135 ♦	HP-1017 ¹
Aveo	1.4L L4 F/I	33-2320		Silverado 3500 HD	6.6L V8 DSL	E-0781 ♦	HP-3003 ¹
Aveo	1.6L L4 F/I	33-2320	HP-1001 ¹	Silverado SS	6.0L V8 F/I	33-2135	HP-1017 ¹
Aveo5	1.6L L4 F/I		HP-1001 ¹	Silverado SS Classic	6.0L V8 F/I	33-2135 ♦	HP-1017 ¹
Blazer	4.3L V6 F/I	33-2042		Suburban 1500	5.3L V8 F/I	33-2129 ♦	HP-1017 ¹
Blazer	4.3L V6 F/I - 2WD	33-2042	HP-1001 ¹	Suburban 1500	6.0L V8 F/I	33-2135 ♦	HP-1017 ¹
Blazer	4.3L V6 F/I - 4WD	33-2042	HP-2001 ¹	Suburban 2500	6.0L V8 F/I	33-2135 ♦	HP-1017 ¹
C4500 Kodiak	6.6L V8 DSL		HP-3003 ¹	Tahoe	4.8L V8 F/I	33-2129 ♦	HP-1017 ¹
C5500 Kodiak	6.6L V8 DSL		HP-3003 ¹	Tahoe	5.3L V8 F/I	33-2129 ♦	HP-1017 ¹
Camaro	5.7L V8 F/I	33-2118	HP-1007 ¹	TrailBlazer	4.2L L6 F/I	E-1009 ♦	HP-2006 ¹
Chevy II	1.6L L4 F/I		HP-1001 ¹	TrailBlazer	5.3L V8 F/I	E-1009	HP-1017 ¹
Cheyenne 2500	5.3L V8 F/I		HP-1007 ¹	TrailBlazer	6.0L V8 F/I	E-1009 ♦	HP-1017 ¹
Cobalt	2.0L L4 F/I	E-0777+	PS-7000	Uplander	3.9L V6 F/I	33-2318+	HP-2006 ¹
Cobalt	2.2L L4 F/I	33-2311 ♦+	PS-7000	2006 CHEVROLET			
Cobalt	2.4L L4 F/I	33-2311 ♦+	PS-7000	Avalanche 1500	5.3L V8 F/I	33-2129 ♦	HP-1007 ¹
Colorado	2.9L L4 F/I	E-0773 ♦	HP-1007 ¹	Avalanche 2500	8.1L V8 F/I	33-2135 ♦	HP-1011 ¹
Colorado	3.7L L5 F/I	E-0773 ♦	HP-2006 ¹	Aveo	1.2L L4 F/I	33-2320	
Corvette	6.0L V8 F/I	33-2305* ♦	HP-1017 ¹	Aveo	1.4L L4 F/I	33-2320	
Corvette Z06	7.0L V8 F/I	E-0782 ♦	HP-1017 ¹	Aveo	1.6L L4 F/I	33-2320	HP-1001 ¹
Equinox	3.4L V6 F/I	33-2296	HP-1001 ¹	Aveo5	1.6L L4 F/I		HP-1001 ¹
Express 1500	4.3L V6 F/I	E-1008		Blazer	4.3L V6 F/I	33-2042	
Express 1500	5.3L V8 F/I	E-1008		Blazer	4.3L V6 F/I - 2WD	33-2042	HP-1001 ¹
Express 2500	4.8L V8 F/I	E-1008		Blazer	4.3L V6 F/I - 4WD	33-2042	HP-2001 ¹
Express 2500	6.0L V8 F/I	E-1008		Camaro	5.7L V8 F/I	33-2118	HP-1007 ¹
Express 3500	6.0L V8 F/I	E-1008	HP-1017 ¹	Chevy	1.6L L4 F/I		HP-1001 ¹
HHR	2.2L L4 F/I	33-2339+	PS-7000	Cheyenne	5.3L V8 F/I		HP-1007 ¹
HHR	2.4L L4 F/I	33-2339 ♦+	PS-7000	Cobalt	2.0L L4 F/I	E-0777 ♦+	PS-7000
Impala	3.5L V6 F/I	33-2334+	HP-2006 ¹	Cobalt	2.2L L4 F/I	33-2311 ♦+	PS-7000
Impala	3.9L V6 F/I	33-2334+	HP-2006 ¹	Cobalt	2.4L L4 F/I	33-2311 ♦+	PS-7000
Impala	5.3L V8 F/I	33-2334 ♦+	HP-1017 ¹	Colorado	2.8L L4 F/I	E-0773 ♦	HP-1007 ¹
Malibu	2.2L L4 F/I	33-2310	PS-7000	Colorado	3.5L L5 F/I	E-0773 ♦	HP-2006 ¹
Malibu	3.5L V6 F/I	33-2315	HP-2006 ¹	Corsa	1.8L L4 F/I - SOHC		HP-1001 ¹
Malibu	3.9L V6 F/I	33-2315	HP-2006 ¹	Corvette	6.0L V8 F/I	33-2305* ♦	HP-1007 ¹
Monte Carlo	3.5L V6 F/I	33-2334+	HP-2006 ¹	Corvette Z06	7.0L V8 F/I	E-0782 ♦	HP-1017 ¹

* 2 filters required

♦ Intake System Available - see page 84 +Cabin Air Filter Available - see page 453 1- Performance Silver Oil Filter Also Available



AIR & OIL FILTERS

CHEVROLET

Vehicle	Engine Type	Air Filter	Oil Filter	Vehicle	Engine Type	Air Filter	Oil Filter
2006 CHEVROLET				2005 CHEVROLET			
Equinox	3.4L V6 F/I	33-2296	HP-1001 ¹	Equinox	3.4L V6 F/I	33-2296	HP-1001 ¹
Express 1500	4.3L V6 F/I	E-1008	HP-1001 ¹	Express 1500	4.3L V6 F/I	E-1008	
Express 1500	5.3L V8 F/I	E-1008	HP-1007 ¹	Express 1500	5.3L V8 F/I	E-1008	HP-1007 ¹
Express 2500	4.8L V8 F/I	E-1008	HP-1007 ¹	Express 2500	4.8L V8 F/I	E-1008	HP-1007 ¹
Express 2500	6.0L V8 F/I	E-1008	HP-1007 ¹	Express 2500	5.3L V8 F/I	E-1008	
Express 2500	6.6L V8 DSL	E-0783	HP-3003 ¹	Express 2500	6.0L V8 F/I	E-1008	HP-1007 ¹
Express 3500	6.0L V8 F/I	E-1008	HP-1007 ¹	Express 3500	6.0L V8 F/I	E-1008	HP-1007 ¹
Express 3500	6.6L V8 DSL	E-0783	HP-3003 ¹	Impala	3.4L V6 F/I	33-2141-1+	HP-1001 ¹
HHR	2.2L L4 F/I	33-2339+	PS-7000	Impala	3.8L V6 F/I	33-2141-1♦+	HP-1001 ¹
HHR	2.4L L4 F/I	33-2339♦+	PS-7000	Malibu	2.2L L4 F/I	33-2310	PS-7000
Impala	3.5L V6 F/I	33-2334+	HP-2006 ¹	Malibu	3.5L V6 F/I	33-2310	HP-1001 ¹
Impala	3.9L V6 F/I	33-2334+	HP-2006 ¹	Monte Carlo	3.4L V6 F/I	33-2141-1+	HP-1001 ¹
Impala	5.3L V8 F/I	33-2334♦+	HP-1007 ¹	Monte Carlo	3.8L V6 F/I	33-2141-1♦+	HP-1001 ¹
Malibu	2.2L L4 F/I	33-2310	PS-7000	Optra	2.0L L4 F/I		HP-1001 ¹
Malibu	3.5L V6 F/I	33-2310	HP-1001 ¹	Silverado 1500	4.3L V6 F/I	33-2129♦	HP-1001 ¹
Malibu	3.9L V6 F/I	33-2315	HP-2006 ¹	Silverado 1500	4.8L V8 F/I	33-2129♦	HP-1007 ¹
Monte Carlo	3.5L V6 F/I	33-2334+	HP-2006 ¹	Silverado 1500	5.3L V8 F/I	33-2129♦	HP-1007 ¹
Monte Carlo	3.9L V6 F/I	33-2334+	HP-2006 ¹	Silverado 1500 HD	6.0L V8 F/I	33-2135♦	HP-1007 ¹
Monte Carlo	5.3L V8 F/I	33-2334♦+	HP-1007 ¹	Silverado 2500 HD	6.0L V8 F/I	33-2135♦	HP-1007 ¹
Silverado 1500	4.3L V6 F/I	33-2129♦	HP-1001 ¹	Silverado 2500 HD	6.6L V8 DSL		HP-3003 ¹
Silverado 1500	4.8L V8 F/I	33-2129♦	HP-1007 ¹	Silverado 2500 HD	6.6L V8 DSL - w/Panel Filter	33-2135♦	HP-3003
Silverado 1500	5.3L V8 F/I	33-2129♦	HP-1007 ¹	Silverado 2500 HD	6.6L V8 DSL - w/Round Filter	E-0781♦	HP-3003
Silverado 1500	6.0L V8 F/I	33-2135♦	HP-1007 ¹	Silverado 2500 HD	8.1L V8 F/I	33-2135♦	HP-1011 ¹
Silverado 1500 HD	6.0L V8 F/I	33-2135♦	HP-1007 ¹	Silverado 3500	6.0L V8 F/I	33-2135♦	HP-1007 ¹
Silverado 2500 HD	6.0L V8 F/I	33-2135♦	HP-1007 ¹	Silverado 3500	6.6L V8 DSL		HP-3003 ¹
Silverado 2500 HD	6.6L V8 DSL	E-0781♦	HP-3003 ¹	Silverado 3500	6.6L V8 DSL - w/Panel Filter	33-2135♦	HP-3003
Silverado 2500 HD	8.1L V8 F/I	33-2135♦	HP-1011 ¹	Silverado 3500	6.6L V8 DSL - w/Round Filter	E-0781♦	HP-3003
Silverado 3500	6.0L V8 F/I	33-2135♦	HP-1007 ¹	Silverado 3500	8.1L V8 F/I	33-2135♦	HP-1011 ¹
Silverado 3500	6.6L V8 DSL	E-0781♦	HP-3003 ¹	Silverado SS	6.0L V8 F/I	33-2135♦	HP-1007 ¹
Silverado 3500	8.1L V8 F/I	33-2135♦	HP-1011 ¹	SSR	6.0L V8 F/I	33-2322♦	HP-1007 ¹
Silverado 3500	6.0L V8 F/I	33-2135♦	HP-1007 ¹	Suburban 1500	5.3L V8 F/I	33-2129♦	HP-1007 ¹
SSR	6.0L V8 F/I	33-2322♦	HP-1007 ¹	Suburban 1500	6.0L V8 F/I	33-2135♦	HP-1007 ¹
Suburban 1500	5.3L V8 F/I	33-2129♦	HP-1007 ¹	Suburban 2500	6.0L V8 F/I	33-2135♦	HP-1007 ¹
Suburban 1500	6.0L V8 F/I	33-2135♦	HP-1007 ¹	Suburban 2500	8.1L V8 F/I	33-2135♦	HP-1011 ¹
Suburban 2500	6.0L V8 F/I	33-2135♦	HP-1007 ¹	Tahoe	4.8L V8 F/I	33-2129♦	HP-1007 ¹
Suburban 2500	8.1L V8 F/I	33-2135♦	HP-1011 ¹	Tahoe	5.3L V8 F/I	33-2129♦	HP-1007 ¹
Tahoe	4.8L V8 F/I	33-2129♦	HP-1007 ¹	TrailBlazer	4.2L L6 F/I	E-1009♦	HP-2006 ¹
Tahoe	5.3L V8 F/I	33-2129♦	HP-1007 ¹	TrailBlazer	5.3L V8 F/I	E-1009	HP-1007 ¹
TrailBlazer	4.2L L6 F/I	E-1009♦	HP-2006 ¹	TrailBlazer	6.0L V8 F/I	E-1009♦	HP-1007 ¹
TrailBlazer	5.3L V8 F/I	E-1009	HP-1007 ¹	Uplander	3.5L V6 F/I	33-2318+	HP-1001 ¹
TrailBlazer	6.0L V8 F/I	E-1009♦	HP-1007 ¹				
Uplander	3.5L V6 F/I	33-2318+	HP-1001 ¹	2004 CHEVROLET			
2005 CHEVROLET				Astro	4.3L V6 F/I	33-2225	HP-1001 ¹
Astro	4.3L V6 F/I	33-2225	HP-1001 ¹	Avalanche 1500	5.3L V8 F/I	33-2129♦	HP-1007 ¹
Avalanche 1500	5.3L V8 F/I	33-2129♦	HP-1007 ¹	Avalanche 2500	8.1L V8 F/I	33-2135♦	HP-1011 ¹
Avalanche 2500	8.1L V8 F/I	33-2135♦	HP-1011 ¹	Aveo	1.6L L4 F/I	33-2320	HP-1001 ¹
Aveo	1.6L L4 F/I	33-2320	HP-1001 ¹	Blazer	4.3L V6 F/I	33-2042♦	
Blazer	4.3L V6 F/I	33-2042♦		Blazer	4.3L V6 F/I - 2WD	33-2042	HP-1001 ¹
Blazer	4.3L V6 F/I - 2WD	33-2042	HP-1001 ¹	Blazer	4.3L V6 F/I - 4WD	33-2042	HP-2001 ¹
Blazer	4.3L V6 F/I - 4WD	33-2042	HP-2001 ¹	Camaro	5.7L V8 F/I	33-2118	HP-1007 ¹
Camaro	5.7L V8 F/I	33-2118	HP-1007 ¹	Cavalier	2.2L L4 F/I	33-2143♦	PS-7000
Cavalier	2.2L L4 F/I	33-2143♦	PS-7000	Chevy	1.6L L4 F/I		HP-1001 ¹
Chevy	1.6L L4 F/I		HP-1001 ¹	Classic	2.2L L4 F/I	33-2121-1	PS-7000
Cheyenne	5.3L V8 F/I		HP-1007 ¹	Colorado	2.8L L4 F/I	E-0773♦	HP-1007 ¹
Classic	2.2L L4 F/I	33-2121-1	PS-7000	Colorado	3.5L L5 F/I	E-0773♦	HP-2006 ¹
Cobalt	2.0L L4 F/I	E-0777♦+	PS-7000	Corvette	5.7L V8 F/I	33-2111♦	HP-1007 ¹
Cobalt	2.2L L4 F/I	33-2311♦+	PS-7000	Corvette Z06	5.7L V8 F/I	33-2111♦	HP-1007 ¹
Cobalt	2.4L L4 F/I	33-2311		Express 1500	4.3L V6 F/I	E-1008	HP-1001 ¹
Colorado	2.8L L4 F/I	E-0773♦	HP-1007 ¹	Express 1500	5.3L V8 F/I	E-1008	HP-1007 ¹
Colorado	3.5L L5 F/I	E-0773♦	HP-2006 ¹	Express 2500	4.8L V8 F/I	E-1008	HP-1007 ¹
Corsa	1.8L L4 F/I - SOHC		HP-1001 ¹	Express 2500	6.0L V8 F/I	E-1008	HP-1007 ¹
Corvette	6.0L V8 F/I	33-2305*♦	HP-1007 ¹	Express 3500	6.0L V8 F/I	E-1008	HP-1007 ¹
				Impala	3.4L V6 F/I	33-2141-1+	HP-1001 ¹

* 2 filters required

♦Intake System Available - see page 84 +Cabin Air Filter Available - see page 453 1- Performance Silver Oil Filter Also Available



Vehicle	Engine Type	Air Filter	Oil Filter	Vehicle	Engine Type	Air Filter	Oil Filter
2004 CHEVROLET				2003 CHEVROLET			
Impala	3.8L V6 F/I	33-2141-1 ♦+	HP-1001 ¹	Silverado 2500	6.0L V8 F/I	33-2135 ♦	HP-1007 ¹
Malibu	2.2L L4 F/I	33-2310	PS-7000	Silverado 2500 HD	6.0L V8 F/I	33-2135 ♦	HP-1007 ¹
Malibu	3.5L V6 F/I	33-2310	HP-1001 ¹	Silverado 2500 HD	6.6L V8 DSL	33-2135 ♦	HP-3003 ¹
Monte Carlo	3.4L V6 F/I	33-2141-1+	HP-1001 ¹	Silverado 2500 HD	8.1L V8 F/I	33-2135 ♦	HP-1011 ¹
Monte Carlo	3.8L V6 F/I	33-2141-1 ♦+	HP-1001 ¹	Silverado 3500	6.0L V8 F/I	33-2135 ♦	
S10 Pickup	4.3L V6 F/I	33-2042 ♦	HP-1001 ¹	Silverado 3500	6.6L V8 DSL	33-2135 ♦	HP-3003 ¹
Silverado 1500	4.3L V6 F/I	33-2129 ♦	HP-1001 ¹	Silverado 3500	8.1L V8 F/I	33-2135 ♦	HP-1011 ¹
Silverado 1500	4.8L V8 F/I	33-2129 ♦	HP-1007 ¹	Silverado SS	6.0L V8 F/I	33-2135 ♦	HP-1007 ¹
Silverado 1500	5.3L V8 F/I	33-2129 ♦	HP-1007 ¹	SSR	5.3L V8 F/I		HP-1007 ¹
Silverado 2500	5.3L V8 F/I		HP-1007 ¹	Suburban 1500	5.3L V8 F/I	33-2129 ♦	HP-1007 ¹
Silverado 2500	6.0L V8 F/I	33-2135 ♦	HP-1007 ¹	Suburban 2500	6.0L V8 F/I	33-2135 ♦	HP-1007 ¹
Silverado 2500 HD	6.0L V8 F/I	33-2135 ♦	HP-1007 ¹	Suburban 2500	8.1L V8 F/I	33-2135 ♦	HP-1011 ¹
Silverado 2500 HD	6.6L V8 DSL	33-2135 ♦	HP-3003 ¹	Tahoe	4.8L V8 F/I	33-2129 ♦	HP-1007 ¹
Silverado 2500 HD	8.1L V8 F/I	33-2135 ♦	HP-1011 ¹	Tahoe	5.3L V8 F/I	33-2129 ♦	HP-1007 ¹
Silverado 3500	6.0L V8 F/I	33-2135 ♦	HP-1007 ¹	Tracker	2.0L L4 F/I	33-2155	HP-1003 ¹
Silverado 3500	6.6L V8 DSL	33-2135 ♦	HP-3003 ¹	Tracker	2.5L V6 F/I	33-2155	HP-1002 ¹
Silverado 3500	6.6L V8 DSL - LB7	33-2135	HP-3003 ¹	TrailBlazer	4.2L L6 F/I	E-1009 ♦	HP-2006 ¹
Silverado 3500	8.1L V8 F/I	33-2135 ♦	HP-1011 ¹	TrailBlazer	5.3L V8 F/I	E-1009 ♦	HP-1007 ¹
Silverado SS	6.0L V8 F/I	33-2135 ♦	HP-1007 ¹	Venture	3.4L V6 F/I	33-2156+	HP-1001 ¹
SSR	5.3L V8 F/I	33-2322 ♦	HP-1007 ¹	2002 CHEVROLET			
Suburban 1500	5.3L V8 F/I	33-2129 ♦	HP-1007 ¹	Astro	4.3L V6 F/I	33-2225	HP-1001 ¹
Suburban 2500	6.0L V8 F/I	33-2135 ♦	HP-1007 ¹	Avalanche 1500	5.3L V8 F/I	33-2129 ♦+	HP-2006 ¹
Suburban 2500	8.1L V8 F/I	33-2135 ♦	HP-1011 ¹	Avalanche 2500	8.1L V8 F/I	33-2135 ♦+	HP-1011 ¹
Tahoe	4.8L V8 F/I	33-2129 ♦	HP-1007 ¹	Blazer	4.3L V6 F/I	33-2042 ♦	
Tahoe	5.3L V8 F/I	33-2129 ♦	HP-1007 ¹	Blazer	4.3L V6 F/I - 2WD	33-2042	HP-1001 ¹
Tracker	2.5L V6 F/I	33-2155	HP-1002 ¹	Blazer	4.3L V6 F/I - 4WD	33-2042	HP-2001 ¹
TrailBlazer	4.2L L6 F/I	E-1009 ♦	HP-2006 ¹	C3500HD	8.1L V8 F/I	33-2135	HP-1011 ¹
TrailBlazer	5.3L V8 F/I	E-1009 ♦	HP-1007 ¹	Camaro	3.8L V6 F/I	33-2118 ♦	HP-1001 ¹
Venture	3.4L V6 F/I	33-2156+	HP-1001 ¹	Camaro	5.7L V8 F/I	33-2118 ♦	HP-1007 ¹
2003 CHEVROLET				Cavalier	2.2L L4 F/I	33-2143	PS-7000
Astro	4.3L V6 F/I	33-2225	HP-1001 ¹			33-2143 ♦	PS-7000
Avalanche 1500	5.3L V8 F/I	33-2129 ♦	HP-1007 ¹	Cavalier	2.4L L4 F/I	33-2143	HP-1007 ¹
Avalanche 2500	8.1L V8 F/I	33-2135 ♦	HP-1011 ¹	Chevy Pickup	1.6L L4 F/I		HP-1001 ¹
Blazer	3.0L V6 F/I - China	E-2017		Corvette	5.7L V8 F/I	33-2111 ♦	HP-1007 ¹
Blazer	4.3L V6 F/I	33-2042 ♦		Corvette Z06	5.7L V8 F/I	33-2111 ♦	HP-1007 ¹
Blazer	4.3L V6 F/I - 2WD	33-2042	HP-1001 ¹	Express 1500	5.7L V8 F/I	E-1008	HP-3002 ¹
Blazer	4.3L V6 F/I - 4WD	33-2042	HP-2001 ¹	Express 2500	5.0L V8 F/I	E-1008	
Camaro	5.7L V8 F/I	33-2118	HP-1007 ¹	Express 2500	5.7L V8 F/I	E-1008	
Cavalier	2.2L L4 F/I	33-2143	PS-7000	Express 3500	5.7L V8 F/I	E-1008	HP-3002 ¹
		33-2143 ♦	PS-7000	Express 3500	8.1L V8 F/I	E-1008	
Chevy Pickup	1.6L L4 F/I		HP-1001 ¹	Impala	3.4L V6 F/I	33-2141-1+	HP-1001 ¹
Corsa	1.8L L4 F/I - SOHC		HP-1001 ¹	Impala	3.8L V6 F/I	33-2141-1 ♦+	HP-1001 ¹
Corvette	5.7L V8 F/I	33-2111 ♦	HP-1007 ¹	Malibu	3.1L V6 F/I	33-2121-1	HP-1001 ¹
Corvette Z06	5.7L V8 F/I	33-2111 ♦	HP-1007 ¹	Monte Carlo	3.4L V6 F/I	33-2141-1+	HP-1001 ¹
Express 1500	4.3L V6 F/I	E-1008		Monte Carlo	3.8L V6 F/I	33-2141-1 ♦+	HP-1001 ¹
Express 1500	5.3L V8 F/I	E-1008	HP-1007 ¹	Prizm	1.8L L4 F/I		HP-1003 ¹
Express 2500	6.0L V8 F/I	E-1008		S10 Pickup	2.2L L4 F/I	33-2042 ♦	HP-1001 ¹
Express 3500	6.0L V8 F/I	E-1008	HP-1007 ¹	S10 Pickup	4.3L V6 F/I	33-2042 ♦	
Impala	3.4L V6 F/I	33-2141-1+	HP-1001 ¹	S10 Pickup	4.3L V6 F/I - 2WD	33-2042	HP-1001 ¹
Impala	3.8L V6 F/I	33-2141-1 ♦+	HP-1001 ¹	S10 Pickup	4.3L V6 F/I - 4WD	33-2042	HP-2001 ¹
Malibu	3.1L V6 F/I	33-2121-1	HP-1001 ¹	Silverado 1500	4.3L V6 F/I	33-2129 ♦+	HP-1001 ¹
Monte Carlo	3.4L V6 F/I	33-2141-1+	HP-1001 ¹	Silverado 1500	4.8L V8 F/I	33-2129 ♦+	HP-2006 ¹
Monte Carlo	3.8L V6 F/I	33-2141-1 ♦+	HP-1001 ¹	Silverado 1500	5.3L V8 F/I	33-2129 ♦+	HP-2006 ¹
S10 Pickup	2.2L L4 F/I	33-2042 ♦	HP-1001 ¹	Silverado 1500 HD	6.0L V8 F/I	33-2135 ♦+	HP-2006 ¹
S10 Pickup	4.3L V6 F/I	33-2042 ♦		Silverado 2500	5.3L V8 F/I	33-2129 ♦+	HP-2006 ¹
S10 Pickup	4.3L V6 F/I - 2WD	33-2042	HP-1001 ¹	Silverado 2500	6.0L V8 F/I	33-2135 ♦+	HP-2006 ¹
S10 Pickup	4.3L V6 F/I - 4WD	33-2042	HP-2001 ¹	Silverado 2500 HD	6.0L V8 F/I	33-2135 ♦+	HP-2006 ¹
Silverado 1500	4.3L V6 F/I	33-2129 ♦	HP-1001 ¹	Silverado 2500 HD	6.6L V8 DSL	33-2135 ♦+	HP-3003 ¹
Silverado 1500	4.8L V8 F/I	33-2129 ♦	HP-1007 ¹	Silverado 2500 HD	8.1L V8 F/I	33-2135 ♦+	HP-1011 ¹
Silverado 1500	5.3L V8 F/I	33-2129 ♦	HP-1007 ¹	Silverado 3500	6.0L V8 F/I	33-2135 ♦+	HP-2006 ¹
Silverado 1500 HD	6.0L V8 F/I	33-2135 ♦	HP-1007 ¹	Silverado 3500	6.6L V8 DSL	33-2135 ♦+	HP-3003 ¹
Silverado 2500	5.3L V8 F/I		HP-1007 ¹	Silverado 3500	8.1L V8 F/I	33-2135 ♦+	HP-1011 ¹

* 2 filters required

♦ Intake System Available - see page 84 +Cabin Air Filter Available - see page 453 1- Performance Silver Oil Filter Also Available



AIR & OIL FILTERS

CHEVROLET

Vehicle	Engine Type	Air Filter	Oil Filter
2002 CHEVROLET			
Suburban 1500	5.3L V8 F/I	33-2129 ♦♦	HP-2006 ¹
Suburban 1500	5.7L V8 F/I		HP-2006 ¹
Suburban 2500	6.0L V8 F/I	33-2135 ♦♦	HP-2006 ¹
Suburban 2500	8.1L V8 F/I	33-2135 ♦♦	HP-1011 ¹
Tahoe	4.8L V8 F/I	33-2129 ♦♦	HP-2006 ¹
Tahoe	5.3L V8 F/I	33-2129 ♦♦	HP-2006 ¹
Tracker	2.0L L4 F/I	33-2155	HP-1003 ¹
Tracker	2.5L V6 F/I	33-2155	HP-1002 ¹
TrailBlazer	4.2L L6 F/I	E-1009 ♦	HP-2006 ¹
Venture	3.4L V6 F/I	33-2156 ⁺	HP-1001 ¹

Vehicle	Engine Type	Air Filter	Oil Filter
2001 CHEVROLET			
Astro	4.3L V6 F/I	33-2225	HP-1001 ¹
Blazer	4.3L V6 F/I	33-2042 ♦	
Blazer	4.3L V6 F/I - 2WD	33-2042	HP-1001 ¹
Blazer	4.3L V6 F/I - 4WD	33-2042	HP-2001 ¹
C3500	8.1L V8 F/I	33-2135	
C3500HD	6.5L V8 DSL		HP-3002 ¹
C3500HD	8.1L V8 F/I	33-2135	HP-1011 ¹
Camaro	3.8L V6 F/I	33-2118 ♦	HP-1001 ¹
Camaro	5.7L V8 F/I	33-2118 ♦	HP-1007 ¹
Cavalier	2.2L L4 F/I	33-2143	HP-1001 ¹
Cavalier	2.4L L4 F/I	33-2143	HP-1007 ¹
Chevy Pickup	1.6L L4 F/I		HP-1001 ¹
Corvette	5.7L V8 F/I	33-2111 ♦	HP-1007 ¹
Corvette Z06	5.7L V8 F/I	33-2111 ♦	HP-1007 ¹
Express 1500	4.3L V6 F/I	E-1008	
Express 1500	5.7L V8 F/I	E-1008	HP-3002 ¹
Express 2500	5.7L V8 F/I	E-1008	
Express 3500	5.7L V8 F/I	E-1008	HP-3002 ¹
Express 3500	8.1L V8 F/I	E-1008	
Impala	3.4L V6 F/I	33-2141-1 ⁺	HP-1001 ¹
Impala	3.8L V6 F/I	33-2141-1 ♦♦	HP-1001 ¹
Lumina	3.1L V6 F/I	33-2063-1	HP-1001 ¹
Malibu	3.1L V6 F/I	33-2121-1	HP-1001 ¹
Monte Carlo	3.4L V6 F/I	33-2141-1 ⁺	HP-1001 ¹
Monte Carlo	3.8L V6 F/I	33-2141-1 ♦♦	HP-1001 ¹
Prizm	1.8L L4 F/I		HP-1003 ¹
S10 Pickup	2.2L L4 F/I	33-2042 ♦	HP-1001 ¹
S10 Pickup	4.3L V6 F/I	33-2042 ♦	
S10 Pickup	4.3L V6 F/I - 2WD	33-2042	HP-1001 ¹
S10 Pickup	4.3L V6 F/I - 4WD	33-2042	HP-2001 ¹
Silverado 1500	4.3L V6 F/I	33-2129 ♦♦	HP-1001 ¹
Silverado 1500	4.8L V8 F/I	33-2129 ♦♦	HP-2006 ¹
Silverado 1500	5.3L V8 F/I	33-2129 ♦♦	HP-2006 ¹
Silverado 1500 HD	6.0L V8 F/I	33-2135 ♦♦	HP-2006 ¹
Silverado 2500	6.0L V8 F/I	33-2135 ♦♦	HP-2006 ¹
Silverado 2500 HD	6.0L V8 F/I	33-2135 ♦♦	HP-2006 ¹
Silverado 2500 HD	6.6L V8 DSL	33-2135 ♦♦	HP-3003 ¹
Silverado 2500 HD	8.1L V8 F/I	33-2135 ♦♦	HP-1011 ¹
Silverado 3500	6.0L V8 F/I	33-2135 ♦♦	HP-2006 ¹
Silverado 3500	6.6L V8 DSL	33-2135 ♦♦	HP-3003 ¹
Silverado 3500	8.1L V8 F/I	33-2135 ♦♦	HP-1011 ¹
Sonora	5.7L V8 F/I		HP-3002 ¹
Suburban 1500	5.3L V8 F/I	33-2129 ♦♦	HP-2006 ¹
Suburban 2500	6.0L V8 F/I	33-2135 ♦♦	HP-2006 ¹
Suburban 2500	8.1L V8 F/I	33-2135 ♦♦	HP-1011 ¹
Tahoe	4.8L V8 F/I	33-2129 ♦♦	HP-2006 ¹
Tahoe	5.3L V8 F/I	33-2129 ♦♦	HP-2006 ¹
Tracker	2.0L L4 F/I	33-2155	HP-1003 ¹
Tracker	2.5L V6 F/I	33-2155	HP-1002 ¹
Venture	3.4L V6 F/I	33-2156 ⁺	HP-1001 ¹

Vehicle	Engine Type	Air Filter	Oil Filter
2000 CHEVROLET			
Astro	4.3L V6 F/I	33-2225	HP-1001 ¹
Avalanche 2500	8.1L V8 F/I	33-2135	
Blazer	2.4L L4 F/I	E-2016	
Blazer	4.3L V6 F/I	33-2042 ♦	
Blazer	4.3L V6 F/I - 2WD	33-2042	HP-1001 ¹
Blazer	4.3L V6 F/I - 4WD	33-2042	HP-2001 ¹
C1500	5.7L V8 F/I		HP-3002 ¹
C2500	5.7L V8 F/I	E-1796 ♦	HP-3002 ¹
C2500	6.5L V8 DSL	E-1796	HP-3002 ¹
C2500	7.4L V8 F/I	E-1796 ♦	HP-3002 ¹
C3500	5.7L V8 F/I	E-1796 ♦	HP-3002 ¹
C3500	6.5L V8 DSL	E-1796	
C3500	7.4L V8 F/I	E-1796 ♦	HP-3002 ¹
C3500HD	6.5L V8 DSL	E-1796	HP-3002 ¹
C3500HD	7.4L V8 F/I	E-1796	HP-3002 ¹
Camaro	3.8L V6 F/I	33-2118 ♦	HP-1001 ¹
Camaro	5.7L V8 F/I	33-2118 ♦	HP-1007 ¹
Cavalier	2.2L L4 F/I	33-2143	HP-1001 ¹
Cavalier	2.4L L4 F/I	33-2143	HP-1007 ¹
Chevy Pickup	1.6L L4 F/I		HP-1001 ¹
Corvette	5.7L V8 F/I	33-2111 ♦	HP-1007 ¹
Express 1500	5.7L V8 F/I	33-2111	HP-3002 ¹
Express 3500	5.7L V8 F/I	33-2111	HP-3002 ¹
Express 3500	7.4L V8 F/I	33-2111	
Express 3500	7.4L V8 F/I - Short Filter	33-2111	HP-1011 ¹
Express 3500	7.4L V8 F/I - Tall Filter	33-2111	HP-3002 ¹
Impala	3.4L V6 F/I	33-2141-1 ⁺	HP-1001 ¹
Impala	3.8L V6 F/I	33-2141-1 ♦♦	HP-1001 ¹
K2500	5.7L V8 F/I	E-1796 ♦	HP-2001 ¹
K2500	6.5L V8 DSL	E-1796	HP-3002 ¹
K2500	7.4L V8 F/I	E-1796 ♦	HP-1011 ¹
K3500	5.7L V8 F/I	E-1796 ♦	
K3500	6.5L V8 DSL	E-1796	HP-3002 ¹
K3500	7.4L V8 F/I	E-1796 ♦	HP-1011 ¹
Malibu	3.1L V6 F/I	33-2121-1	HP-1001 ¹
Metro	1.3L L4 F/I	E-9132	HP-1002 ¹
Monte Carlo	3.4L V6 F/I	33-2141-1 ⁺	HP-1001 ¹
Monte Carlo	3.8L V6 F/I	33-2141-1 ♦♦	HP-1001 ¹
Prizm	1.8L L4 F/I		HP-1003 ¹
S10 Pickup	2.2L L4 F/I	33-2042 ♦	HP-1001 ¹
S10 Pickup	4.3L V6 F/I	33-2042 ♦	
S10 Pickup	4.3L V6 F/I - 2WD	33-2042	HP-1001 ¹
S10 Pickup	4.3L V6 F/I - 4WD	33-2042	HP-2001 ¹
Silverado 1500	4.3L V6 F/I	33-2129 ♦♦	HP-2001 ¹
Silverado 1500	4.8L V8 F/I	33-2129 ♦♦	HP-2006 ¹
Silverado 1500	5.3L V8 F/I	33-2129 ♦♦	HP-2006 ¹
Silverado 2500	5.3L V8 F/I	33-2129 ♦♦	HP-2006 ¹
Silverado 2500	6.0L V8 F/I	33-2135 ♦♦	HP-2006 ¹
Silverado 2500	6.0L V8 F/I	33-2129 ♦♦	HP-2006 ¹
Suburban 1500	5.3L V8 F/I	33-2129 ♦♦	HP-2006 ¹
Suburban 2500	6.0L V8 F/I	33-2135 ♦♦	HP-2006 ¹
Tahoe	4.8L V8 F/I	33-2129 ♦♦	HP-2006 ¹
Tahoe	5.3L V8 F/I	33-2129 ♦♦	HP-2006 ¹
Tahoe	5.7L V8 F/I	E-1796 ♦	
Tahoe	5.7L V8 F/I - 2WD	E-1796	HP-3002 ¹
Tahoe	5.7L V8 F/I - 4WD	E-1796	HP-2001 ¹
Tracker	2.0L L4 F/I	33-2155	HP-1003 ¹

Vehicle	Engine Type	Air Filter	Oil Filter
1999 CHEVROLET			
Astro	4.3L V6 F/I	33-2225	HP-2001 ¹
Blazer	4.3L V6 F/I	33-2042 ♦	HP-2001 ¹
C1500	4.3L V8 F/I		HP-2001 ¹
C1500	5.0L V8 F/I	E-1796 ♦	HP-3002 ¹
C1500	5.7L V8 F/I	E-1796 ♦	HP-3002 ¹

* 2 filters required

♦ Intake System Available - see page 84 +Cabin Air Filter Available - see page 453 1- Performance Silver Oil Filter Also Available



Vehicle	Engine Type	Air Filter	Oil Filter	Vehicle	Engine Type	Air Filter	Oil Filter
1999 CHEVROLET				1998 CHEVROLET			
C1500 Suburban	5.7L V8 F/I	E-1796 ♦	HP-3002 ¹	C1500	5.0L V8 F/I	E-1796 ♦	HP-3002 ¹
C1500 Suburban	6.5L V8 DSL	E-1796	HP-3002 ¹	C1500	5.7L V8 F/I	E-1796 ♦	HP-3002 ¹
C2500	5.7L V8 F/I	E-1796 ♦	HP-3002 ¹	C1500	6.5L V8 DSL	E-1796	HP-3002 ¹
C2500	6.5L V8 DSL	E-1796		C1500 Suburban	5.7L V8 F/I	E-1796 ♦	HP-3002 ¹
C2500	7.4L V8 F/I	E-1796 ♦	HP-3002 ¹	C1500 Suburban	6.5L V8 DSL	E-1796	HP-3002 ¹
C2500 Suburban	5.7L V8 F/I	E-1796 ♦	HP-3002 ¹	C2500	5.0L V8 F/I	E-1796 ♦	
C2500 Suburban	6.5L V8 DSL	E-1796	HP-3002 ¹	C2500	5.7L V8 F/I	E-1796 ♦	HP-3002 ¹
C2500 Suburban	7.4L V8 F/I	E-1796 ♦	HP-3002 ¹	C2500	6.5L V8 DSL	E-1796	HP-3002 ¹
C3500	5.7L V8 F/I	E-1796 ♦	HP-3002 ¹	C2500	7.4L V8 F/I	E-1796 ♦	HP-3002 ¹
C3500	7.4L V8 F/I	E-1796 ♦	HP-3002 ¹	C2500 Suburban	5.7L V8 F/I	E-1796 ♦	HP-3002 ¹
C3500HD	6.5L V8 DSL	E-1796		C2500 Suburban	6.5L V8 DSL	E-1796	HP-3002 ¹
C3500HD	7.4L V8 F/I	E-1796	HP-3002 ¹	C2500 Suburban	7.4L V8 F/I	E-1796 ♦	HP-3002 ¹
Camaro	3.8L V6 F/I	33-2118 ♦	HP-1001 ¹	C3500	5.7L V8 F/I	E-1796 ♦	HP-3002 ¹
Camaro	5.7L V8 F/I	33-2118 ♦	HP-1007 ¹	C3500	6.5L V8 DSL	E-1796	HP-3002 ¹
Cavalier	2.2L L4 F/I	33-2143	HP-1001 ¹	C3500	7.4L V8 F/I	E-1796 ♦	HP-3002 ¹
Cavalier	2.4L L4 F/I	33-2143	HP-1007 ¹	C3500HD	6.5L V8 DSL	E-1796	HP-3002 ¹
Chevy Pickup	1.6L L4 F/I		HP-1001 ¹	C3500HD	7.4L V8 F/I	E-1796	HP-3002 ¹
Corvette	5.7L V8 F/I	33-2111 ♦	HP-1007 ¹	Camaro	3.8L V6 F/I	33-2118	HP-1001 ¹
Express 1500	5.7L V8 F/I	33-2111	HP-3002 ¹	Camaro	5.7L V8 F/I	33-2118 ♦	HP-1007 ¹
Express 2500	5.7L V8 F/I	33-2111	HP-3002 ¹	Cavalier	2.2L L4 F/I	33-2143	HP-1001 ¹
Express 3500	5.7L V8 F/I	33-2111	HP-3002 ¹	Cavalier	2.4L L4 F/I	33-2143	HP-1007 ¹
Express 3500	7.4L V8 F/I - Tall Filter		HP-3002 ¹	Cheyenne	5.7L V8 F/I		HP-3002 ¹
K1500	5.0L V8 F/I	E-1796 ♦	HP-2001 ¹	Corvette	5.7L V8 F/I	33-2111 ♦	HP-1007 ¹
K1500	5.7L V8 F/I	E-1796 ♦	HP-2001 ¹	Express 1500	5.7L V8 F/I	33-2111	HP-3002 ¹
K1500 Suburban	5.7L V8 F/I	E-1796 ♦	HP-2001 ¹	K1500	4.3L V6 F/I	E-1796	HP-2001 ¹
K2500	5.7L V8 F/I	E-1796 ♦	HP-2001 ¹	K1500	5.0L V8 F/I	E-1796 ♦	HP-2001 ¹
K2500	6.5L V8 DSL	E-1796	HP-3002 ¹	K1500	5.7L V8 F/I	E-1796 ♦	HP-2001 ¹
K2500	7.4L V8 F/I	E-1796 ♦	HP-1011 ¹	K1500	6.5L V8 DSL	E-1796	HP-3002 ¹
K2500 Suburban	5.7L V8 F/I	E-1796 ♦	HP-2001 ¹	K1500 Suburban	5.7L V8 F/I	E-1796 ♦	HP-2001 ¹
K2500 Suburban	6.5L V8 DSL	E-1796	HP-3002 ¹	K1500 Suburban	6.5L V8 DSL	E-1796	HP-3002 ¹
K2500 Suburban	7.4L V8 F/I	E-1796 ♦	HP-1011 ¹	K2500	5.7L V8 F/I	E-1796 ♦	HP-2001 ¹
K3500	5.7L V8 F/I	E-1796 ♦		K2500	6.5L V8 DSL	E-1796	HP-3002 ¹
K3500	6.5L V8 DSL	E-1796		K2500	7.4L V8 F/I	E-1796 ♦	HP-3002 ¹
K3500	7.4L V8 F/I	E-1796 ♦	HP-1011 ¹	K2500 Suburban	5.7L V8 F/I	E-1796 ♦	HP-2001 ¹
Lumina	3.1L V6 F/I	33-2063-1	HP-1001 ¹	K2500 Suburban	6.5L V8 DSL	E-1796	HP-3002 ¹
Malibu	2.4L L4 F/I	33-2121-1	HP-1007 ¹	K2500 Suburban	7.4L V8 F/I	E-1796 ♦	HP-3002 ¹
Malibu	3.1L V6 F/I	33-2121-1	HP-1001 ¹	K3500	5.7L V8 F/I	E-1796 ♦	HP-2001 ¹
Metro	1.0L L3 F/I		HP-1002 ¹	K3500	6.5L V8 DSL	E-1796	HP-3002 ¹
Metro	1.3L L4 F/I	E-9132	HP-1002 ¹	K3500	7.4L V8 F/I	E-1796 ♦	HP-3002 ¹
Monte Carlo	3.1L V6 F/I	33-2063-1+	HP-1001 ¹	Lumina	3.1L V6 F/I	33-2063-1	HP-1001 ¹
Monte Carlo	3.8L V6 F/I	33-2063-1+	HP-1001 ¹	Lumina	3.8L V6 F/I	33-2063-1	HP-1001 ¹
Prizm	1.8L L4 F/I	33-2672	HP-1003 ¹	Malibu	2.4L L4 F/I	33-2121-1	HP-1007 ¹
S10 Pickup	2.2L L4 F/I	33-2042 ♦	HP-1001 ¹	Malibu	3.1L V6 F/I	33-2121-1	HP-1001 ¹
S10 Pickup	4.3L V6 F/I	33-2042 ♦	HP-2001 ¹	Metro	1.0L L3 F/I		HP-1002 ¹
Silverado	5.7L V8 F/I - 2WD		HP-3002 ¹	Monte Carlo	3.8L V6 F/I	33-2063-1+	HP-1001 ¹
Silverado	5.7L V8 F/I - 4WD		HP-2001 ¹	P30	7.4L V8 F/I	33-2111	HP-3002 ¹
Silverado 1500	4.3L V6 F/I	33-2129 ♦♦	HP-2001 ¹	Prizm	1.8L L4 F/I	33-2672	HP-1003 ¹
Silverado 1500	4.8L V8 F/I	33-2129 ♦♦	HP-2006 ¹	S10 Pickup	2.2L L4 F/I	33-2042 ♦	HP-1001 ¹
Silverado 1500	5.3L V8 F/I	33-2129 ♦♦	HP-2006 ¹	S10 Pickup	4.3L V6 F/I	33-2042 ♦	HP-2001 ¹
Silverado 2500	5.3L V8 F/I	33-2129 ♦♦	HP-2006 ¹	Tahoe	5.7L V8 F/I	E-1796 ♦	
Silverado 2500	6.0L V8 F/I	33-2135 ♦♦	HP-2006 ¹	Tahoe	5.7L V8 F/I - 2WD	E-1796	HP-3002 ¹
Tahoe	5.7L V8 F/I	E-1796 ♦		Tahoe	5.7L V8 F/I - 4WD	E-1796	HP-2001 ¹
Tahoe	5.7L V8 F/I - 2WD	E-1796	HP-3002 ¹	Tahoe	6.5L V8 DSL	E-1796	
Tahoe	5.7L V8 F/I - 4WD	E-1796	HP-2001 ¹	Tracker	1.6L L4 F/I	33-2065	HP-1002 ¹
Tahoe	6.5L V8 DSL	E-1796	HP-3002 ¹	1997 CHEVROLET			
Tracker	1.6L L4 F/I	33-2155		Astro	4.3L V6 F/I	33-2225	HP-2001 ¹
Tracker	2.0L L4 F/I	33-2155	HP-1003 ¹	Blazer	4.3L V6 F/I	33-2042 ♦	HP-2001 ¹
Venture	3.4L V6 F/I	33-2156	HP-1001 ¹	C1500	4.3L V6 F/I	E-1796 ♦	HP-2001 ¹
1998 CHEVROLET				C1500	5.0L V8 F/I	E-1796 ♦	HP-3002 ¹
Astro	4.3L V6 F/I	33-2225	HP-2001 ¹	C1500	5.7L V8 F/I	E-1796 ♦	HP-3002 ¹
Blazer	4.3L V6 F/I	33-2042 ♦	HP-2001 ¹	C1500	6.5L V8 DSL	E-1796	HP-3002 ¹
C1500	4.3L V6 F/I	E-1796 ♦	HP-2001 ¹	C1500 Suburban	5.7L V8 F/I	E-1796 ♦	HP-3002 ¹

* 2 filters required

♦ Intake System Available - see page 84 +Cabin Air Filter Available - see page 453 1- Performance Silver Oil Filter Also Available



AIR & OIL FILTERS

CHEVROLET

Vehicle	Engine Type	Air Filter	Oil Filter	Vehicle	Engine Type	Air Filter	Oil Filter
1997 CHEVROLET				1996 CHEVROLET			
C1500 Suburban	6.5L V8 DSL	E-1796	HP-3002 ¹	C2500 Suburban	6.5L V8 DSL	33-2062-1	HP-3002 ¹
C2500	5.7L V8 F/I	E-1796 ♦	HP-3002 ¹	C2500 Suburban	7.4L V8 F/I	E-1796 ♦	HP-3002 ¹
C2500	6.5L V8 DSL	E-1796	HP-3002 ¹	C3500	6.5L V8 DSL	33-2062-1	HP-3002 ¹
C2500	7.4L V8 F/I	E-1796 ♦	HP-3002 ¹	C3500	7.4L V8 F/I	E-1796 ♦	HP-3002 ¹
C2500 Suburban	5.7L V8 F/I	E-1796 ♦	HP-3002 ¹	C3500HD	6.5L V8 DSL	33-2062-1	HP-3002 ¹
C2500 Suburban	6.5L V8 DSL	E-1796	HP-3002 ¹	C3500HD	7.4L V8 F/I	E-1796	HP-3002 ¹
C2500 Suburban	7.4L V8 F/I	E-1796 ♦	HP-3002 ¹	Camaro	3.8L V6 F/I	33-2042	HP-1001 ¹
C3500	5.7L V8 F/I	E-1796 ♦	HP-3002 ¹	Camaro	5.7L V8 F/I	HP-2002 ¹	HP-2002 ¹
C3500	6.5L V8 DSL	E-1796	HP-3002 ¹	Camaro	5.7L V8 F/I - w/o Ram Air	33-2042 ♦	HP-2002
C3500	7.4L V8 F/I	E-1796 ♦	HP-3002 ¹	Camaro	5.7L V8 F/I - w/Ram Air	33-2084 ♦	HP-2002
C3500HD	6.5L V8 DSL	E-1796	HP-3002 ¹	Cavalier	2.2L L4 F/I	33-2143	HP-1001 ¹
C3500HD	7.4L V8 F/I	E-1796	HP-3002 ¹	Cavalier	2.4L L4 F/I	33-2143	HP-1007 ¹
Camaro	3.8L V6 F/I	33-2042	HP-1001 ¹	Chevyenne	5.7L V8 F/I	HP-3002 ¹	HP-3002 ¹
Camaro	5.7L V8 F/I	HP-2002 ¹	HP-2002 ¹	Corvette	5.7L V8 F/I	33-2035	HP-2001 ¹
Camaro	5.7L V8 F/I - w/Ram Air	33-2084 ♦	HP-2002	G30	5.7L V8 F/I		HP-3002 ¹
Cavalier	2.2L L4 F/I	33-2143	HP-1001 ¹	Impala SS	5.7L V8 F/I	33-2057 ♦	HP-2001 ¹
Cavalier	2.4L L4 F/I	33-2143	HP-1007 ¹	K1500	4.3L V6 F/I	E-1796 ♦	HP-2001 ¹
Chevyenne	5.7L V8 F/I	HP-3002 ¹	HP-3002 ¹	K1500	5.0L V8 F/I	E-1796 ♦	HP-2001 ¹
Corvette	5.7L V8 F/I	33-2111 ♦	HP-1007 ¹	K1500	5.7L V8 F/I	E-1796 ♦	HP-2001 ¹
Express 1500	5.7L V8 F/I	33-2111	HP-3002 ¹	K1500 Suburban	5.7L V8 F/I	E-1796 ♦	HP-2001 ¹
K1500	4.3L V6 F/I	E-1796 ♦	HP-2001 ¹	K1500 Suburban	6.5L V8 DSL	33-2062-1	HP-3002 ¹
K1500	5.0L V8 F/I	E-1796 ♦	HP-2001 ¹	K2500	5.7L V8 F/I	E-1796 ♦	HP-2001 ¹
K1500	5.7L V8 F/I	E-1796 ♦	HP-2001 ¹	K2500	6.5L V8 DSL	33-2062-1	HP-3002 ¹
K1500	6.5L V8 DSL	E-1796	HP-3002 ¹	K2500	7.4L V8 F/I	E-1796 ♦	HP-3002 ¹
K1500 Suburban	5.7L V8 F/I	E-1796 ♦	HP-2001 ¹	K2500 Suburban	5.7L V8 F/I	E-1796 ♦	HP-2001 ¹
K1500 Suburban	6.5L V8 DSL	E-1796	HP-3002 ¹	K2500 Suburban	6.5L V8 DSL	33-2062-1	HP-3002 ¹
K2500	5.7L V8 F/I	E-1796 ♦	HP-2001 ¹	K2500 Suburban	7.4L V8 F/I	E-1796 ♦	HP-3002 ¹
K2500	6.5L V8 DSL	E-1796	HP-3002 ¹	K3500	6.5L V8 DSL	33-2062-1	HP-3002 ¹
K2500	7.4L V8 F/I	E-1796 ♦	HP-3002 ¹	K3500	7.4L V8 F/I	E-1796 ♦	HP-3002 ¹
K2500 Suburban	5.7L V8 F/I	E-1796 ♦	HP-2001 ¹	Lumina	3.1L V6 F/I	33-2063-1	HP-1001 ¹
K2500 Suburban	6.5L V8 DSL	E-1796	HP-3002 ¹	Monte Carlo	3.1L V6 F/I	33-2063-1	HP-1001 ¹
K2500 Suburban	7.4L V8 F/I	E-1796 ♦	HP-3002 ¹	S10 Pickup	2.2L L4 F/I	33-2042 ♦	HP-1001 ¹
K3500	5.7L V8 F/I	E-1796 ♦	HP-3002 ¹	S10 Pickup	4.3L V6 F/I	33-2042 ♦	HP-2001 ¹
K3500	6.5L V8 DSL	E-1796	HP-3002 ¹	Silverado	5.7L V8 F/I		HP-3002 ¹
K3500	7.4L V8 F/I	E-1796 ♦	HP-3002 ¹	Tahoe	5.7L V8 F/I	E-1796 ♦	
Lumina	3.1L V6 F/I	33-2063-1	HP-1001 ¹	Tahoe	5.7L V8 F/I - 2WD	E-1796	HP-3002 ¹
Malibu	3.1L V6 F/I	33-2121-1	HP-1001 ¹	Tahoe	5.7L V8 F/I - 4WD	E-1796	HP-2001 ¹
Monte Carlo	3.1L V6 F/I	33-2063-1+	HP-1001 ¹	Tahoe	6.5L V8 DSL		HP-3002 ¹
Monte Carlo	3.4L V6 F/I	33-2063-1+	HP-2001 ¹				
P30	7.4L V8 F/I	E-1420	HP-3002 ¹	1995 CHEVROLET			
S10 Pickup	2.2L L4 F/I	33-2042 ♦	HP-1001 ¹	Astro	4.3L V6 F/I	33-2042	HP-2001 ¹
S10 Pickup	4.3L V6 F/I	33-2042 ♦	HP-2001 ¹	Blazer	4.3L V6 F/I	33-2042 ♦	HP-2001 ¹
Silverado	5.7L V8 F/I		HP-3002 ¹	C1500	4.3L V6 F/I	E-1150	HP-2001 ¹
Tahoe	5.7L V8 F/I	E-1796 ♦		C1500	5.0L V8 F/I	E-1500 ♦	HP-3002 ¹
Tahoe	5.7L V8 F/I - 2WD	E-1796	HP-3002 ¹	C1500	5.7L V8 F/I	E-1500 ♦	HP-3002 ¹
Tahoe	5.7L V8 F/I - 4WD	E-1796	HP-2001 ¹	C1500	6.5L V8 DSL - Exc. Turbo	E-1690	HP-3002 ¹
Tahoe	6.5L V8 DSL	E-1796	HP-3002 ¹	C1500	6.5L V8 DSL - Turbo	33-2062-1	HP-3002 ¹
1996 CHEVROLET				C1500 Suburban	5.7L V8 F/I	E-1500 ♦	HP-3002 ¹
Astro	4.3L V6 F/I	33-2225	HP-2001 ¹	C1500 Suburban	6.5L V8 DSL	33-2062-1	HP-3002 ¹
Blazer	4.3L V6 F/I	33-2042 ♦	HP-2001 ¹	C2500	5.7L V8 F/I	E-1500 ♦	HP-3002 ¹
C1500	4.3L V6 F/I	E-1796 ♦	HP-2001 ¹	C2500	6.5L V8 DSL - Exc. Turbo	E-1690	HP-3002 ¹
C1500	5.0L V8 F/I	E-1796 ♦	HP-3002 ¹	C2500	6.5L V8 DSL - Turbo	33-2062-1	HP-3002 ¹
C1500	5.7L V8 F/I	E-1796 ♦	HP-3002 ¹	C2500	7.4L V8 F/I	E-1500 ♦	HP-3002 ¹
C1500	6.5L V8 DSL	33-2062-1	HP-3002 ¹	C2500 Suburban	5.7L V8 F/I	E-1500 ♦	HP-3002 ¹
C1500 Suburban	5.7L V8 F/I	E-1796 ♦	HP-3002 ¹	C2500 Suburban	6.5L V8 DSL	33-2062-1	HP-3002 ¹
C1500 Suburban	6.5L V8 DSL	33-2062-1	HP-3002 ¹	C2500 Suburban	7.4L V8 F/I	E-1500 ♦	HP-3002 ¹
C2500	5.7L V8 F/I	E-1796 ♦	HP-3002 ¹	C3500	5.7L V8 F/I	E-1500 ♦	HP-3002 ¹
C2500	6.5L V8 DSL	33-2062-1	HP-3002 ¹	C3500	6.5L V8 DSL	33-2062-1	HP-3002 ¹
C2500	7.4L V8 F/I	E-1796 ♦	HP-3002 ¹	C3500	7.4L V8 F/I	E-1500 ♦	HP-3002 ¹
C2500 Suburban	5.7L V8 F/I	E-1796 ♦	HP-3002 ¹	C3500HD	5.7L V8 F/I	E-1500	HP-3002 ¹

* 2 filters required

♦ Intake System Available - see page 84 +Cabin Air Filter Available - see page 453 1- Performance Silver Oil Filter Also Available



Vehicle	Engine Type	Air Filter	Oil Filter	Vehicle	Engine Type	Air Filter	Oil Filter
1995 CHEVROLET				1994 CHEVROLET			
C3500HD	6.5L V8 DSL	33-2062-1	HP-3002 ¹	C2500 Suburban	5.7L V8 F/I	E-1500 ♦	HP-3002 ¹
C3500HD	7.4L V8 F/I	E-1500	HP-3002 ¹	C2500 Suburban	6.5L V8 DSL	33-2062-1	HP-3002 ¹
Camaro	3.4L V6 F/I	33-2042 ♦	HP-1001 ¹	C2500 Suburban	7.4L V8 F/I	E-1500 ♦	HP-3002 ¹
Camaro	3.8L V6 F/I	33-2042	HP-1001 ¹	C3500	5.7L V8 F/I		HP-3002 ¹
Camaro	5.7L V8 F/I	33-2042 ♦	HP-2002 ¹	C3500	6.5L V8 DSL	33-2062-1	HP-3002 ¹
Caprice	4.3L V8 F/I	33-2057	HP-2001 ¹	C3500	7.4L V8 F/I	E-1500 ♦	HP-3002 ¹
Caprice	5.7L V8 F/I	33-2057 ♦	HP-2001 ¹	C3500HD	5.7L V8 F/I	E-1500	HP-3002 ¹
Cavalier	2.2L L4 F/I	33-2143	HP-1001 ¹	C3500HD	6.5L V8 DSL	33-2062-1	HP-3002 ¹
Cheyenne	5.7L V8 F/I		HP-3002 ¹	C3500HD	7.4L V8 F/I	E-1500	HP-3002 ¹
Corvette	5.7L V8 F/I	33-2035	HP-2001 ¹	Camaro	3.4L V6 F/I	33-2042 ♦	HP-1001 ¹
Corvette ZR1	5.7L V8 F/I	33-2035	HP-2007	Camaro	5.7L V8 F/I	33-2042 ♦	HP-2002 ¹
G20	5.7L V8 F/I	E-1150	HP-3002 ¹	Caprice	4.3L V8 F/I	33-2057	HP-2001 ¹
Impala SS	5.7L V8 F/I	33-2057 ♦	HP-2001 ¹	Caprice	5.7L V8 F/I	33-2057 ♦	HP-2001 ¹
K1500	4.3L V6 F/I	E-1150	HP-2001 ¹	Cavalier	2.2L L4 F/I	33-2022	HP-1001 ¹
K1500	5.0L V8 F/I	E-1500 ♦	HP-2001 ¹	Cavalier Z24	3.1L V6 F/I	E-0890	HP-1001 ¹
K1500	5.7L V8 F/I	E-1500 ♦	HP-2001 ¹	Corvette	5.7L V8 F/I	33-2035	HP-2001 ¹
K1500	6.5L V8 DSL - Exc. Turbo	E-1690	HP-3002 ¹	Corvette ZR1	5.7L V8 F/I	33-2035	HP-2007
K1500	6.5L V8 DSL - Turbo	33-2062-1	HP-3002 ¹	Impala SS	5.7L V8 F/I	33-2057 ♦	HP-2001 ¹
K1500 Suburban	5.7L V8 F/I	E-1500 ♦	HP-2001 ¹	K1500	4.3L V6 F/I	E-1150	HP-2001 ¹
K1500 Suburban	6.5L V8 DSL	33-2062-1	HP-3002 ¹	K1500	5.0L V8 F/I	E-1500 ♦	HP-2001 ¹
K2500	5.7L V8 F/I	E-1500 ♦	HP-2001 ¹	K1500	5.7L V8 F/I	E-1500 ♦	HP-2001 ¹
K2500	6.5L V8 DSL - Exc. Turbo	E-1690	HP-3002 ¹	K1500	6.5L V8 DSL		HP-3002 ¹
K2500	6.5L V8 DSL - Turbo	33-2062-1	HP-3002 ¹	K1500	6.5L V8 DSL - Exc. Turbo	E-1690	HP-3002
K2500	7.4L V8 F/I	E-1500 ♦	HP-3002 ¹	K1500	6.5L V8 DSL - Turbo	33-2062-1	HP-3002 ¹
K2500 Suburban	5.7L V8 F/I	E-1500 ♦	HP-2001 ¹	K1500 Suburban	5.7L V8 F/I	E-1500 ♦	HP-2001 ¹
K2500 Suburban	6.5L V8 DSL	33-2062-1	HP-3002 ¹	K1500 Suburban	6.5L V8 DSL	33-2062-1	HP-3002 ¹
K2500 Suburban	7.4L V8 F/I	E-1500 ♦	HP-3002 ¹	K2500	5.7L V8 F/I	E-1500 ♦	HP-2001 ¹
K3500	6.5L V8 DSL	33-2062-1	HP-3002 ¹	K2500	6.5L V8 DSL - Exc. Turbo	E-1690	HP-3002 ¹
K3500	7.4L V8 F/I	E-1500 ♦	HP-3002 ¹	K2500	6.5L V8 DSL - Turbo	33-2062-1	HP-3002 ¹
Lumina	3.1L V6 F/I	33-2063-1	HP-1001 ¹	K2500	7.4L V8 F/I	E-1500 ♦	HP-3002 ¹
Lumina APV	3.1L V6 F/I	E-1065	HP-1001 ¹	K2500 Suburban	5.7L V8 F/I	E-1500 ♦	HP-2001 ¹
Monte Carlo	3.1L V6 F/I	33-2063-1	HP-1001 ¹	K2500 Suburban	6.5L V8 DSL	33-2062-1	HP-3002 ¹
P30	7.4L V8 F/I	E-1500	HP-3002 ¹	K2500 Suburban	7.4L V8 F/I	E-1500 ♦	HP-3002 ¹
S10 Pickup	2.2L L4 F/I	33-2042 ♦	HP-1001 ¹	K3500	6.5L V8 DSL	33-2062-1	HP-3002 ¹
S10 Pickup	4.3L V6 CPI	33-2042 ♦	HP-2001 ¹	K3500	7.4L V8 F/I	E-1500 ♦	HP-3002 ¹
S10 Pickup	4.3L V6 TBI	E-1065 ♦	HP-2001 ¹	P30	7.4L V8 F/I	E-1500	HP-3002 ¹
Silverado	5.7L V8 F/I		HP-3002 ¹	S10 Blazer	4.3L V6 CPI	33-2042	HP-2001 ¹
Tahoe	5.7L V8 F/I	E-1500 ♦		S10 Blazer	4.3L V6 TBI	E-1065 ♦	HP-2001 ¹
Tahoe	5.7L V8 F/I - 2WD	E-1500	HP-3002 ¹	S10 Pickup	2.2L L4 F/I	33-2042 ♦	HP-1001 ¹
Tahoe	5.7L V8 F/I - 4WD	E-1500	HP-2001 ¹	S10 Pickup	4.3L V6 CPI	33-2042 ♦	HP-2001 ¹
				S10 Pickup	4.3L V6 TBI	E-1065 ♦	HP-2001 ¹
				Silverado	5.7L V8 F/I		HP-3002 ¹
1994 CHEVROLET				1993 CHEVROLET			
Astro	4.3L V6 CPI	33-2042	HP-2001 ¹	Blazer	5.7L V8 F/I	E-1500 ♦	
Astro	4.3L V6 TBI	E-1065	HP-2001 ¹	Blazer	5.7L V8 F/I - 2WD	E-1500	HP-3002 ¹
Blazer	5.7L V8 F/I	E-1500 ♦		Blazer	5.7L V8 F/I - 4WD	E-1500	HP-2001 ¹
Blazer	5.7L V8 F/I - 2WD	E-1500	HP-3002 ¹	C1500	4.3L V6 F/I	E-1150	HP-2001 ¹
Blazer	5.7L V8 F/I - 4WD	E-1500	HP-2001 ¹	C1500	5.0L V8 F/I	E-1500 ♦	HP-3002 ¹
Blazer	6.5L V8 DSL	33-2062-1	HP-3002 ¹	C1500	5.7L V8 F/I	E-1500 ♦	HP-3002 ¹
C1500	4.3L V6 F/I	E-1150	HP-2001 ¹	C1500	7.4L V8 F/I	E-1500 ♦	HP-3002 ¹
C1500	5.0L V8 F/I	E-1500 ♦	HP-3002 ¹	C1500 Suburban	5.7L V8 F/I	E-1500 ♦	HP-3002 ¹
C1500	5.7L V8 F/I	E-1500 ♦	HP-3002 ¹	C2500	5.7L V8 F/I	E-1500 ♦	HP-3002 ¹
C1500	6.5L V8 DSL		HP-3002 ¹	C2500 Suburban	5.7L V8 F/I	E-1500 ♦	HP-3002 ¹
C1500	6.5L V8 DSL - Exc. Turbo	E-1690	HP-3002	C2500 Suburban	6.5L V8 DSL	33-2062-1	HP-3002 ¹
C1500	6.5L V8 DSL - Turbo	33-2062-1	HP-3002	C2500 Suburban	7.4L V8 F/I	E-1500 ♦	HP-3002 ¹
C1500 Suburban	5.7L V8 F/I	E-1500 ♦	HP-3002 ¹	C3500	6.5L V8 DSL	33-2062-1	HP-3002 ¹
C1500 Suburban	6.5L V8 DSL	33-2062-1	HP-3002 ¹	C3500	7.4L V8 F/I	E-1500 ♦	HP-3002 ¹
C2500	5.7L V8 F/I	E-1500 ♦	HP-3002 ¹	C3500	7.4L V8 F/I	E-1500 ♦	HP-3002 ¹
C2500	6.5L V8 DSL		HP-3002 ¹	C3500HD	6.5L V8 DSL	33-2062-1	HP-3002 ¹
C2500	6.5L V8 DSL - Exc. Turbo	E-1690	HP-3002	C3500HD	7.4L V8 F/I	E-1500	HP-3002 ¹
C2500	6.5L V8 DSL - Turbo	33-2062-1	HP-3002 ¹	Camaro	3.4L V6 F/I	33-2042 ♦	HP-1001 ¹
C2500	7.4L V8 F/I	E-1500 ♦	HP-3002 ¹	Camaro	5.7L V8 F/I	33-2042 ♦	HP-2002 ¹

* 2 filters required

♦ Intake System Available - see page 84 +Cabin Air Filter Available - see page 453 1- Performance Silver Oil Filter Also Available



AIR & OIL FILTERS

CHEVROLET

Vehicle	Engine Type	Air Filter	Oil Filter
1993 CHEVROLET			
Caprice	5.0L V8 F/I	33-2051	HP-2002 ¹
Caprice	5.7L V8 F/I	33-2051	HP-2002 ¹
Cavalier	2.2L L4 F/I	33-2022	
Corvette	5.7L V8 F/I	33-2035	HP-2001 ¹
Corvette ZR1	5.7L V8 F/I	33-2035	HP-2007
G20	5.7L V8 F/I		HP-3002 ¹
K1500	4.3L V6 F/I	E-1150	HP-2001 ¹
K1500	5.0L V8 F/I	E-1500 ♦	HP-2001 ¹
K1500	5.7L V8 F/I	E-1500 ♦	HP-2001 ¹
K1500	6.2L V8 DSL	E-1690	HP-3002 ¹
K1500 Suburban	5.7L V8 F/I	E-1500 ♦	HP-2001 ¹
K2500	5.7L V8 F/I	E-1500 ♦	HP-2001 ¹
K2500	6.5L V8 DSL	33-2062-1	HP-3002 ¹
K2500	7.4L V8 F/I	E-1500 ♦	HP-3002 ¹
K2500 Suburban	5.7L V8 F/I	E-1500 ♦	HP-2001 ¹
K2500 Suburban	7.4L V8 F/I	E-1500 ♦	HP-3002 ¹
K3500	6.5L V8 DSL	33-2062-1	HP-3002 ¹
K3500	7.4L V8 F/I	E-1500 ♦	HP-3002 ¹
Lumina	3.1L V6 F/I	33-2038	HP-1001 ¹
Lumina	3.4L V6 F/I	33-2038	
Lumina APV	3.1L V6 F/I	E-1065	HP-1001 ¹
S10 Blazer	4.3L V6 CPI	33-2042	HP-2001 ¹
S10 Blazer	4.3L V6 TBI	E-1065 ♦	HP-2001 ¹
S10 Pickup	2.8L V6 F/I	E-1065	HP-2001 ¹
S10 Pickup	4.3L V6 CPI	33-2042	HP-2001 ¹
S10 Pickup	4.3L V6 TBI	E-1065 ♦	HP-2001 ¹

Vehicle	Engine Type	Air Filter	Oil Filter
1992 CHEVROLET			
Astro	4.3L V6 TBI	E-1065	
Blazer	5.7L V8 F/I	E-1500 ♦	
Blazer	5.7L V8 F/I - 2WD	E-1500	HP-3002 ¹
Blazer	5.7L V8 F/I - 4WD	E-1500	HP-2001 ¹
C1500	4.3L V6 F/I	E-1150	HP-2001 ¹
C1500	5.0L V8 F/I	E-1500 ♦	HP-3002 ¹
C1500	5.7L V8 F/I	E-1500 ♦	HP-3002 ¹
C1500	7.4L V8 F/I	E-1500 ♦	HP-3002 ¹
C1500 Suburban	5.7L V8 F/I	E-1500 ♦	HP-3002 ¹
C2500	5.7L V8 F/I	E-1500 ♦	HP-3002 ¹
C2500 Suburban	5.7L V8 F/I	E-1500 ♦	HP-3002 ¹
C2500 Suburban	7.4L V8 F/I	E-1500 ♦	HP-3002 ¹
C3500	7.4L V8 F/I	E-1500 ♦	HP-3002 ¹
C3500HD	7.4L V8 F/I	E-1500	HP-3002 ¹
Camaro	3.1L V6 F/I	E-0890	HP-2001 ¹
Camaro	5.0L V8 TBI	E-1450	HP-2002 ¹
Camaro	5.0L V8 TPI	33-2008-1*	HP-2002 ¹
Camaro	5.7L V8 TPI	33-2008-1*	HP-2002 ¹
Caprice	5.0L V8 F/I	33-2051	HP-2002 ¹
Caprice	5.7L V8 F/I	33-2051	HP-2002 ¹
Corvette	5.7L V8 F/I	33-2035	HP-2001 ¹
Corvette ZR1	5.7L V8 F/I	33-2035	HP-2007
K1500	4.3L V6 F/I	E-1150	HP-2001 ¹
K1500	5.0L V8 F/I	E-1500 ♦	HP-2001 ¹
K1500	5.7L V8 F/I	E-1500 ♦	HP-2001 ¹
K1500 Suburban	5.7L V8 F/I	E-1500 ♦	HP-2001 ¹
K2500	5.7L V8 F/I	E-1500 ♦	HP-2001 ¹
K2500 Suburban	5.7L V8 F/I	E-1500 ♦	HP-2001 ¹
K2500 Suburban	7.4L V8 F/I	E-1500 ♦	HP-3002 ¹
K3500	7.4L V8 F/I	HP-3002 ¹	
S10 Blazer	4.3L V6 CPI	33-2042	HP-2001 ¹
S10 Pickup	2.5L L4 F/I	E-1015	HP-1001 ¹
S10 Pickup	2.8L V6 F/I	E-1065	HP-2001 ¹
S10 Pickup	4.3L V6 CPI	33-2042	HP-2001 ¹
S10 Pickup	4.3L V6 TBI	E-1065 ♦	HP-2001 ¹

Vehicle	Engine Type	Air Filter	Oil Filter
1991 CHEVROLET			
Blazer	5.7L V8 F/I	E-1500 ♦	HP-3002 ¹
C1500	4.3L V6 F/I	E-1150	HP-2001 ¹
C1500	5.0L V8 F/I	E-1500 ♦	HP-3002 ¹
C1500	5.7L V8 F/I	E-1500 ♦	HP-3002 ¹
C1500	7.4L V8 F/I		HP-3002 ¹
C1500	7.4L V8 F/I - w/3-7/16 inch Tall Filter	E-1500 ♦	HP-3002
C1500	7.4L V8 F/I - w/5-1/2 inch Tall Filter	E-1420 ♦	HP-3002
C2500	5.7L V8 F/I	E-1500 ♦	HP-3002 ¹
C3500	7.4L V8 F/I		HP-3002 ¹
C3500HD	7.4L V8 F/I		HP-3002 ¹
C3500HD	7.4L V8 F/I - w/3-7/16 inch Tall Filter	E-1500	HP-3002
C3500HD	7.4L V8 F/I - w/5-1/2 inch Tall Filter	E-1420	HP-3002
Camaro	3.1L V6 F/I	E-0890	HP-2001 ¹
Camaro	5.0L V8 TBI	E-1450	HP-2002 ¹
Camaro	5.0L V8 TPI	33-2008-1*	HP-2002 ¹
Camaro	5.7L V8 TPI	33-2008-1*	HP-2002 ¹
Caprice	5.0L V8 F/I	33-2051	HP-2002 ¹
Caprice	5.7L V8 F/I	33-2051	HP-2002 ¹
Corvette	5.7L V8 F/I	33-2035	HP-2002 ¹
Corvette ZR1	5.7L V8 F/I	33-2035	HP-2007
G20	5.7L V8 F/I		HP-3002 ¹
K1500	4.3L V6 F/I	E-1150	HP-2001 ¹
K1500	5.0L V8 F/I	E-1500 ♦	HP-2001 ¹
K1500	5.7L V8 F/I	E-1500 ♦	HP-2001 ¹
K2500	5.7L V8 F/I	E-1500 ♦	HP-2001 ¹
R1500 Suburban	5.7L V8 F/I	E-1500 ♦	HP-3002 ¹
S10 Blazer	4.3L V6 F/I	E-1065 ♦	HP-2001 ¹
S10 Pickup	2.5L L4 F/I	E-1015	HP-1001 ¹
S10 Pickup	2.8L V6 F/I	E-1065	HP-2001 ¹
S10 Pickup	4.3L V6 F/I	E-1065 ♦	HP-2001 ¹
V1500 Suburban	5.7L V8 F/I	E-1500 ♦	HP-3002 ¹
V2500 Suburban	5.7L V8 F/I	E-1500 ♦	HP-3002 ¹

Vehicle	Engine Type	Air Filter	Oil Filter
1990 CHEVROLET			
Beretta	3.1L V6 F/I	33-2037	
Blazer	5.7L V8 F/I	E-1500 ♦	HP-3002 ¹
C1500	4.3L V6 F/I	E-1150	HP-2001 ¹
C1500	5.0L V8 F/I	E-1500 ♦	HP-3002 ¹
C1500	5.7L V8 F/I	E-1500 ♦	HP-3002 ¹
C1500	6.2L V8 DSL		HP-3002 ¹
C1500	7.4L V8 F/I		HP-3002 ¹
C1500	7.4L V8 F/I - w/3-7/16 inch Tall Filter	E-1500 ♦	HP-3002
C1500	7.4L V8 F/I - w/5-1/2 inch Tall Filter	E-1420 ♦	HP-3002
C2500	5.7L V8 F/I	E-1500 ♦	HP-3002 ¹
C3500	7.4L V8 F/I		HP-3002 ¹
C3500	7.4L V8 F/I - w/3-7/16 inch Tall Filter	E-1500 ♦	HP-3002
C3500	7.4L V8 F/I - w/5-1/2 inch Tall Filter	E-1420 ♦	HP-3002
Camaro	5.0L V8 TBI	E-1450	HP-2002 ¹
Camaro	5.0L V8 TPI	33-2008-1*	HP-2002 ¹
Camaro	5.7L V8 F/I	33-2008-1*	HP-2002 ¹
Caprice	5.0L V8 CARB		HP-2006 ¹
Caprice	5.0L V8 F/I	E-1500	HP-2002 ¹
Caprice	5.7L V8 F/I	E-1500	HP-2002 ¹
Corvette	5.7L V8 F/I	33-2035	HP-2002 ¹
Corvette ZR1	5.7L V8 F/I	33-2035	HP-2007
K1500	4.3L V6 F/I	E-1150	HP-2001 ¹
K1500	5.0L V8 F/I	E-1500 ♦	HP-2001 ¹
K1500	5.7L V8 F/I	E-1500 ♦	HP-2001 ¹

* 2 filters required

♦ Intake System Available - see page 84 +Cabin Air Filter Available - see page 453 1- Performance Silver Oil Filter Also Available

CHEVROLET

AIR & OIL FILTERS



Vehicle	Engine Type	Air Filter	Oil Filter
1990 CHEVROLET			
K2500	5.7L V8 F/I	E-1500 ♦	HP-2001 ¹
K3500	7.4L V8 F/I		HP-3002 ¹
K3500	7.4L V8 F/I - w/3-7/16 inch Tall Filter	E-1500 ♦	HP-3002
K3500	7.4L V8 F/I - w/5-1/2 inch Tall Filter	E-1420 ♦	HP-3002
R1500 Suburban	5.7L V8 F/I	E-1500 ♦	HP-3002 ¹
S10 Blazer	4.3L V6 F/I	E-1065 ♦	HP-2001 ¹
S10 Pickup	4.3L V6 F/I	E-1065 ♦	HP-2001 ¹
V1500 Suburban	5.7L V8 F/I	E-1500 ♦	HP-3002 ¹

Vehicle	Engine Type	Air Filter	Oil Filter
1989 CHEVROLET			
Blazer	5.7L V8 F/I	E-1500 ♦	HP-3002 ¹
C1500	4.3L V6 F/I	E-1150	HP-2001 ¹
C1500	5.0L V8 F/I	E-1500 ♦	HP-3002 ¹
C1500	5.7L V8 F/I	E-1500 ♦	HP-3002 ¹
C1500	6.2L V8 DSL		HP-3002 ¹
C2500	5.7L V8 F/I	E-1500 ♦	HP-3002 ¹
C3500	7.4L V8 F/I		HP-3002 ¹
C3500	7.4L V8 F/I - w/3-7/16 inch Tall Filter	E-1500 ♦	HP-3002
Camaro	2.8L V6 F/I	33-2008-1*	HP-2001 ¹
Camaro	5.0L V8 MFI	33-2008-1*	HP-2002 ¹
Camaro	5.0L V8 TBI	E-1450	HP-2002 ¹
Camaro	5.7L V8 F/I	33-2008-1*	HP-2002 ¹
Caprice	5.0L V8 CARB		HP-2006 ¹
Caprice	5.0L V8 F/I	E-1500	HP-2002 ¹
Caprice	5.7L V8 F/I	E-1500	
Caprice	5.7L V8 F/I - w/o oil cooler	E-1500	HP-3002 ¹
Caprice	5.7L V8 F/I - w/oil cooler	E-1500	HP-2002 ¹
Cavalier Z24	2.8L V6 F/I	E-0890	HP-1001 ¹
Corvette	5.7L V8 F/I	33-2014	HP-2002 ¹
K1500	4.3L V6 F/I	E-1150	HP-2001 ¹
K1500	5.0L V8 F/I	E-1500 ♦	HP-2001 ¹
K1500	5.7L V8 F/I	E-1500 ♦	HP-2001 ¹
K2500	5.7L V8 F/I	E-1500 ♦	HP-2001 ¹
K3500	7.4L V8 F/I		HP-3002 ¹
K3500	7.4L V8 F/I - w/3-7/16 inch Tall Filter	E-1500 ♦	HP-3002
K3500	7.4L V8 F/I - w/5-1/2 inch Tall Filter	E-1420 ♦	HP-3002
R1500 Suburban	5.7L V8 F/I	E-1500 ♦	HP-3002 ¹
R2500 Suburban	7.4L V8 F/I		HP-3002 ¹
S10 Blazer	4.3L V6 F/I	E-1065 ♦	HP-2001 ¹
S10 Pickup	2.5L L4 F/I	E-1015	HP-1001 ¹
S10 Pickup	2.8L V6 F/I	E-1065	
S10 Pickup	2.8L V6 F/I - 2WD	E-1065	HP-2001 ¹
S10 Pickup	2.8L V6 F/I - 4WD	E-1065	HP-1001 ¹
S10 Pickup	4.3L V6 F/I	E-1065 ♦	HP-2001 ¹
V1500 Suburban	5.7L V8 F/I	E-1500 ♦	HP-3002 ¹
V2500 Suburban	5.7L V8 F/I		HP-3002 ¹

Vehicle	Engine Type	Air Filter	Oil Filter
1988 CHEVROLET			
Beretta	2.8L V6 F/I	E-0930	
Blazer	5.7L V8 F/I	E-1500 ♦	HP-3002 ¹
C1500	4.3L V6 F/I	E-1150	HP-2001 ¹
C1500	5.0L V8 F/I	E-1500 ♦	HP-3002 ¹
C1500	5.7L V8 F/I	E-1500 ♦	HP-3002 ¹
C2500	5.7L V8 F/I	E-1500 ♦	HP-3002 ¹
C3500	7.4L V8 F/I		HP-3002 ¹
C3500	7.4L V8 F/I - w/3-7/16 inch Tall Filter	E-1500 ♦	HP-3002
C3500	7.4L V8 F/I - w/5-1/2 inch Tall Filter	E-1420 ♦	HP-3002
Camaro	2.8L V6 F/I	33-2008-1*	HP-1001 ¹

Vehicle	Engine Type	Air Filter	Oil Filter
1988 CHEVROLET			
Camaro	5.0L V8 MFI	33-2008-1*	HP-2002 ¹
Camaro	5.0L V8 TBI	E-1450	HP-2002 ¹
Camaro	5.7L V8 F/I	33-2008-1*	HP-2002 ¹
Caprice	5.0L V8 CARB	E-1500	
Caprice	5.0L V8 CARB - w/Chevrolet Eng.	E-1500	HP-2002 ¹
Caprice	5.0L V8 CARB - w/Oldsmobile Eng.	E-1500	HP-2006 ¹
Caprice	5.7L V8 CARB - w/o oil cooler		HP-3002 ¹
Corvette	5.7L V8 F/I	33-2014	HP-2002 ¹
K1500	5.0L V8 F/I	E-1500 ♦	
K1500	5.7L V8 F/I	E-1500 ♦	HP-2001 ¹
K2500	5.7L V8 F/I	E-1500 ♦	HP-2001 ¹
K3500	7.4L V8 F/I		HP-3002 ¹
K3500	7.4L V8 F/I - w/3-7/16 inch Tall Filter	E-1500 ♦	HP-3002
Monte Carlo	5.0L V8 CARB	E-1500	HP-2002 ¹
R10 Suburban	5.7L V8 F/I	E-1500 ♦	HP-3002 ¹
S10 Blazer	4.3L V6 F/I	E-1065 ♦	HP-2001 ¹
S10 Pickup	2.5L L4 F/I	E-1015	HP-1001 ¹
S10 Pickup	2.8L V6 F/I	E-1065	
S10 Pickup	2.8L V6 F/I - 2WD	E-1065	HP-2001 ¹
S10 Pickup	2.8L V6 F/I - 4WD	E-1065	HP-1001 ¹
S10 Pickup	4.3L V6 F/I	E-1065 ♦	HP-2001 ¹
V10 Suburban	5.7L V8 F/I	E-1500 ♦	HP-3002 ¹
V20 Suburban	5.7L V8 F/I	E-1500 ♦	HP-3002 ¹

Vehicle	Engine Type	Air Filter	Oil Filter
1987 CHEVROLET			
Blazer	5.0L V8 F/I	E-1500	HP-3002 ¹
Blazer	5.7L V8 F/I	E-1500	HP-3002 ¹
C10	5.7L V8 CARB		HP-3002 ¹
C20	5.7L V8 CARB		HP-3002 ¹
C30 Truck	5.7L V8 CARB		HP-3002 ¹
Camaro	2.8L V6 F/I	33-2008-1*	HP-1001 ¹
Camaro	5.0L V8 CARB	E-1450	HP-2002 ¹
Camaro	5.0L V8 F/I	33-2008-1*	HP-2002 ¹
Camaro	5.7L V8 F/I	33-2008-1*	HP-2002 ¹
Caprice	5.0L V8 CARB	E-1500	
Caprice	5.0L V8 CARB - w/Chevrolet Eng.	E-1500	HP-2002 ¹
Caprice	5.0L V8 CARB - w/Oldsmobile Eng.	E-1500	HP-2006 ¹
Caprice	5.7L V8 CARB	E-1500	
Caprice	5.7L V8 CARB - w/o oil cooler	E-1500	HP-3002 ¹
Caprice	5.7L V8 CARB - w/oil cooler	E-1500	HP-2002 ¹
Corvette	5.7L V8 F/I	33-2014	HP-2002 ¹
El Camino	4.3L V6 F/I	E-1450	HP-2001 ¹
El Camino	5.0L V8 CARB	E-1500	HP-2002 ¹
Monte Carlo	5.0L V8 CARB	E-1500	HP-2002 ¹
P30	7.4L V8 CARB		HP-3002 ¹
R10 Suburban	5.7L V8 F/I	E-1500	HP-3002 ¹
R10 Truck	5.0L V8 F/I	E-1500	HP-3002 ¹
R10 Truck	5.7L V8 F/I	E-1500	HP-3002 ¹
R20	5.7L V8 F/I		HP-3002 ¹
R20 Suburban	5.7L V8 F/I	E-1500	HP-3002 ¹
S10 Blazer	2.8L V6 F/I	E-1065	
S10 Blazer	2.8L V6 F/I - 2WD	E-1065	HP-2001 ¹
S10 Blazer	2.8L V6 F/I - 4WD	E-1065	HP-1001 ¹
S10 Pickup	2.5L L4 F/I	E-1015	HP-1001 ¹
S10 Pickup	2.8L V6 F/I	E-1065	
S10 Pickup	2.8L V6 F/I - 2WD	E-1065	HP-2001 ¹
S10 Pickup	2.8L V6 F/I - 4WD	E-1065	HP-1001 ¹
V10	5.0L V8 F/I		HP-3002 ¹

* 2 filters required

♦ Intake System Available - see page 84 +Cabin Air Filter Available - see page 453 1- Performance Silver Oil Filter Also Available



AIR & OIL FILTERS

CHEVROLET

Vehicle	Engine Type	Air Filter	Oil Filter
1987 CHEVROLET			
V10	5.7L V8 F/I	E-1500	HP-3002 ¹
V10 Suburban	5.7L V8 F/I	E-1500	HP-3002 ¹
V20	5.7L V8 F/I	E-1500	HP-3002 ¹
V20 Suburban	5.7L V8 F/I	E-1500	HP-3002 ¹
V30	7.4L V8 CARB		HP-3002 ¹
V30	7.4L V8 F/I		HP-3002 ¹
V30	7.4L V8 F/I - w/3-7/16 inch Tall Filter	E-1500	HP-3002

Vehicle	Engine Type	Air Filter	Oil Filter
1986 CHEVROLET			
C10	4.3L V6 CARB	E-1150	HP-2001 ¹
C10	5.0L V8 CARB	E-1420	HP-3002 ¹
C10	5.7L V8 CARB	E-1420	HP-3002 ¹
C10	6.2L V8 DSL	E-1690	HP-3002 ¹
C10 Suburban	5.0L V8 CARB	E-1420	HP-3002 ¹
C10 Suburban	5.7L V8 CARB	E-1420	HP-3002 ¹
C10 Suburban	6.2L V8 DSL	E-1690	HP-3002 ¹
C20	5.7L V8 CARB	E-1420	HP-3002 ¹
C20 Suburban	5.7L V8 CARB	E-1420	HP-3002 ¹
C20 Suburban	7.4L V8 CARB		HP-3002 ¹
C20 Suburban	7.4L V8 CARB - w/3-7/16 inch Tall Filter	E-1500	HP-3002
C20 Suburban	7.4L V8 CARB - w/5-1/2 inch Tall Filter	E-1420	HP-3002
C30 Truck	7.4L V8 CARB		HP-3002 ¹
Camaro	2.8L V6 F/I	33-2008-1*	HP-1001 ¹
Camaro	5.0L V8 CARB	E-1450	HP-2002 ¹
Camaro	5.0L V8 F/I	33-2008-1*	HP-2002 ¹
Caprice	5.0L V8 CARB - w/Oldsmobile Eng.		HP-2006 ¹
Corvette	5.7L V8 F/I	33-2014	HP-2002 ¹
El Camino	4.3L V6 F/I	E-1450	HP-2001 ¹
El Camino	5.0L V8 CARB	E-1500	HP-2002 ¹
K5 Blazer	5.0L V8 CARB		HP-3002 ¹
K5 Blazer	5.7L V8 CARB	E-1420	HP-3002 ¹
K5 Blazer	6.2L V8 DSL	E-1690	HP-3002 ¹
K10	5.0L V8 CARB	E-1420	HP-3002 ¹
K10	5.7L V8 CARB	E-1420	HP-3002 ¹
K10 Suburban	5.0L V8 CARB	E-1420	HP-3002 ¹
K10 Suburban	5.7L V8 CARB	E-1420	HP-3002 ¹
K20	5.7L V8 CARB	E-1420	HP-3002 ¹
K20 Suburban	5.7L V8 CARB	E-1420	HP-3002 ¹
K30	6.2L V8 DSL	E-1690	HP-3002 ¹
K30	7.4L V8 CARB		HP-3002 ¹
Monte Carlo	4.3L V6 F/I		HP-2001 ¹
Monte Carlo	5.0L V8 CARB	E-1500	HP-2002 ¹
S10 Pickup	2.5L L4 F/I	E-1015	HP-1001 ¹
S10 Pickup	2.8L V6 F/I	E-1065	
S10 Pickup	2.8L V6 F/I - 2WD	E-1065	HP-2001 ¹
S10 Pickup	2.8L V6 F/I - 4WD	E-1065	HP-1001 ¹

Vehicle	Engine Type	Air Filter	Oil Filter
1985 CHEVROLET			
C10	4.3L V6 CARB	E-1500	HP-2001 ¹
C10	5.0L V8 CARB	E-1420	HP-3002 ¹
C10	5.7L V8 CARB		HP-3002 ¹
C10	5.7L V8 CARB - w/3-7/16 inch Tall Filter	E-1500	HP-3002
C10	5.7L V8 CARB - w/5-1/2 inch Tall Filter	E-1420	HP-3002
C10	6.2L V8 DSL	E-1690	HP-3002 ¹
C10 Suburban	5.0L V8 CARB	E-1420	HP-3002 ¹
C10 Suburban	5.7L V8 CARB	E-1420	HP-3002 ¹
C10 Suburban	6.2L V8 DSL	E-1690	HP-3002 ¹
C20	5.7L V8 CARB		HP-3002 ¹
C20	5.7L V8 CARB - w/3-7/16 inch Tall Filter	E-1500	HP-3002

Vehicle	Engine Type	Air Filter	Oil Filter
1985 CHEVROLET			
C20	5.7L V8 CARB - w/5-1/2 inch Tall Filter	E-1420	HP-3002
C20 Suburban	5.7L V8 CARB	E-1420	HP-3002 ¹
C20 Suburban	7.4L V8 CARB		HP-3002 ¹
C20 Suburban	7.4L V8 CARB - w/3-7/16 inch Tall Filter	E-1500	HP-3002
C30 Truck	5.7L V8 CARB		HP-3002 ¹
C30 Truck	5.7L V8 CARB - w/3-7/16 inch Tall Filter	E-1500	HP-3002
C30 Truck	7.4L V8 CARB		HP-3002 ¹
C30 Truck	7.4L V8 CARB - w/3-7/16 inch Tall Filter	E-1500	HP-3002
C30 Truck	7.4L V8 CARB - w/5-1/2 inch Tall Filter	E-1420	HP-3002
Camaro	2.8L V6 F/I	33-2008-1*	HP-1001 ¹
Camaro	5.0L V8 CARB	E-1450	HP-2002 ¹
Camaro	5.0L V8 F/I	33-2008-1*	HP-2002 ¹
Caprice	5.0L V8 CARB	E-1500	HP-2002 ¹
Caprice	5.7L V8 CARB	E-1500	HP-3002 ¹
Caprice	5.7L V8 DSL	E-1690	HP-2006 ¹
Corvette	5.7L V8 F/I	33-2014	HP-2002 ¹
El Camino	5.0L V8 CARB	E-1500	HP-2002 ¹
K5 Blazer	5.0L V8 CARB		HP-3002 ¹
K5 Blazer	5.7L V8 CARB	E-1420	HP-3002 ¹
K5 Blazer	6.2L V8 DSL	E-1690	HP-3002 ¹
K10	5.0L V8 CARB	E-1420	HP-3002 ¹
K10	5.7L V8 CARB	E-1420	HP-3002 ¹
K10	5.7L V8 CARB - w/3-7/16 inch Tall Filter	E-1500	HP-3002
K10	5.7L V8 CARB - w/5-1/2 inch Tall Filter	E-1420	HP-3002
K10 Suburban	5.0L V8 CARB	E-1420	HP-3002 ¹
K10 Suburban	5.7L V8 CARB	E-1420	HP-3002 ¹
K20	5.7L V8 CARB		HP-3002 ¹
K20	5.7L V8 CARB - w/3-7/16 inch Tall Filter	E-1500	HP-3002
K20	5.7L V8 CARB - w/5-1/2 inch Tall Filter	E-1420	HP-3002
K20 Suburban	5.7L V8 CARB	E-1420	HP-3002 ¹
K30	6.2L V8 DSL		HP-3002 ¹
K30	7.4L V8 CARB		HP-3002 ¹
Monte Carlo	5.0L V8 CARB	E-1500	HP-2002 ¹
S10 Blazer	2.8L V6 CARB	E-1035	
S10 Blazer	2.8L V6 CARB - 2WD	E-1035	HP-2001 ¹
S10 Blazer	2.8L V6 CARB - 4WD	E-1035	HP-1001 ¹
S10 Pickup	2.5L L4 F/I	E-1015	
S10 Pickup	2.8L V6 CARB	E-1035	
S10 Pickup	2.8L V6 CARB - 2WD	E-1035	HP-2001 ¹
S10 Pickup	2.8L V6 CARB - 4WD	E-1035	HP-1001 ¹

Vehicle	Engine Type	Air Filter	Oil Filter
1984 CHEVROLET			
C10	5.0L V8 CARB	E-1420	HP-3002 ¹
C10	5.7L V8 CARB		HP-3002 ¹
C10	5.7L V8 CARB - w/3-7/16 inch Tall Filter	E-1500	HP-3002
C10	5.7L V8 CARB - w/5-1/2 inch Tall Filter	E-1420	HP-3002
C10 Suburban	5.0L V8 CARB	E-1420	HP-3002 ¹
C10 Suburban	5.7L V8 CARB	E-1420	HP-3002 ¹
C20	5.7L V8 CARB		HP-3002 ¹
C20	5.7L V8 CARB - w/3-7/16 inch Tall Filter	E-1500	HP-3002
C20	5.7L V8 CARB - w/5-1/2 inch Tall Filter	E-1420	HP-3002
C20 Suburban	5.7L V8 CARB	E-1420	HP-3002 ¹
C20 Suburban	6.2L V8 DSL	E-1690	HP-3002 ¹
C20 Suburban	7.4L V8 CARB		HP-3002 ¹

* 2 filters required

◆ Intake System Available - see page 84 +Cabin Air Filter Available - see page 453 1- Performance Silver Oil Filter Also Available

CHEVROLET

AIR & OIL FILTERS



Vehicle	Engine Type	Air Filter	Oil Filter
1984 CHEVROLET			
C20 Suburban	7.4L V8 CARB - w/3-7/16 inch Tall Filter	E-1500	HP-3002
C30 Truck	7.4L V8 CARB		HP-3002 ¹
Camaro	5.0L V8 CARB	E-1450	HP-2002 ¹
Caprice	5.0L V8 CARB	E-1500	HP-2002 ¹
Corvette	5.7L V8 F/I	E-1984	HP-2002 ¹
El Camino	5.0L V8 CARB	E-1500	HP-2002 ¹
El Camino	5.7L V8 DSL	E-1690	HP-2006 ¹
K5 Blazer	5.7L V8 CARB	E-1420	HP-3002 ¹
K5 Blazer	6.2L V8 DSL	E-1690	HP-3002 ¹
K10	5.0L V8 CARB	E-1420	HP-3002 ¹
K10	5.7L V8 CARB		HP-3002 ¹
K10	5.7L V8 CARB - w/3-7/16 inch Tall Filter	E-1500	HP-3002
K10	5.7L V8 CARB - w/5-1/2 inch Tall Filter	E-1420	HP-3002
K10 Suburban	5.0L V8 CARB	E-1420	HP-3002 ¹
K10 Suburban	5.7L V8 CARB	E-1420	HP-3002 ¹
K20	5.7L V8 CARB		HP-3002 ¹
K20	5.7L V8 CARB - w/3-7/16 inch Tall Filter	E-1500	HP-3002
K20	5.7L V8 CARB - w/5-1/2 inch Tall Filter	E-1420	HP-3002
K20 Suburban	5.7L V8 CARB	E-1420	HP-3002 ¹
K30	6.2L V8 DSL	E-1690	HP-3002 ¹
Monte Carlo	5.0L V8 CARB	E-1500	HP-2002 ¹
Monte Carlo	5.7L V8 DSL	E-1690	HP-2006 ¹
S10 Pickup	2.8L V6 CARB	E-1035	
S10 Pickup	2.8L V6 CARB - 2WD	E-1035	HP-2001 ¹
S10 Pickup	2.8L V6 CARB - 4WD	E-1035	HP-1001 ¹

1983 CHEVROLET			
C10	5.0L V8 CARB	E-1420	HP-3002 ¹
C10	5.7L V8 CARB - 2qt. Spin On		HP-6002 ¹
C10	5.7L V8 CARB - w/3-7/16 inch Tall Filter	E-1500	
C10	5.7L V8 CARB - w/5-1/2 inch Tall Filter	E-1420	
C10	5.7L V8 CARB - w/o 2qt. Spin On		HP-3002 ¹
C10	6.2L V8 DSL		HP-3002 ¹
C10 Suburban	5.0L V8 CARB	E-1420	HP-3002 ¹
C10 Suburban	5.7L V8 CARB	E-1420	
C10 Suburban	5.7L V8 CARB - 2qt. Spin On	E-1420	HP-6002 ¹
C10 Suburban	5.7L V8 CARB - w/o 2qt. Spin On	E-1420	HP-3002 ¹
C10 Suburban	6.2L V8 DSL	E-1690	HP-3002 ¹
C20	5.7L V8 CARB - w/o 2qt. Spin On		HP-3002 ¹
C20 Suburban	5.7L V8 CARB - w/o 2qt. Spin On		HP-3002 ¹
C20 Suburban	7.4L V8 CARB		HP-3002 ¹
Camaro	5.0L V8 CARB	E-1450	HP-2002 ¹
Camaro	5.0L V8 F/I	E-1117*	HP-2002 ¹
El Camino	5.0L V8 CARB	E-1500	HP-2002 ¹
K10	5.0L V8 CARB	E-1420	HP-3002 ¹
K10	5.7L V8 CARB - 2qt. Spin On		HP-6002 ¹
K10	5.7L V8 CARB - w/3-7/16 inch Tall Filter	E-1500	
K10	5.7L V8 CARB - w/5-1/2 inch Tall Filter	E-1420	
K10	5.7L V8 CARB - w/o 2qt. Spin On		HP-3002 ¹
K10 Suburban	5.0L V8 CARB	E-1420	HP-3002 ¹
K10 Suburban	5.7L V8 CARB	E-1420	
K10 Suburban	5.7L V8 CARB - 2qt. Spin On	E-1420	HP-6002 ¹

Vehicle	Engine Type	Air Filter	Oil Filter
1983 CHEVROLET			
K10 Suburban	5.7L V8 CARB - w/o 2qt. Spin On	E-1420	HP-3002 ¹
K20	5.7L V8 CARB - w/3-7/16 inch Tall Filter	E-1500	
K20	5.7L V8 CARB - w/o 2qt. Spin On		HP-3002 ¹
K20 Suburban	5.7L V8 CARB		HP-3002 ¹
Monte Carlo	5.0L V8 CARB	E-1500	HP-2002 ¹
S10 Pickup	2.8L V6 CARB	E-1035	
S10 Pickup	2.8L V6 CARB - 2WD	E-1035	HP-2001 ¹
S10 Pickup	2.8L V6 CARB - 4WD	E-1035	HP-1001 ¹

1982 CHEVROLET			
C10	5.0L V8 CARB	E-1150	HP-3002 ¹
C10	5.7L V8 CARB	E-1420	
C10	5.7L V8 CARB - 2qt. Spin On	E-1420	HP-6002 ¹
C10	5.7L V8 CARB - w/o 2qt. Spin On	E-1420	HP-3002 ¹
C10	6.2L V8 DSL	E-1690	HP-3002 ¹
C10 Suburban	5.0L V8 CARB	E-1420	HP-3002 ¹
C10 Suburban	5.7L V8 CARB	E-1420	
C10 Suburban	5.7L V8 CARB - 2qt. Spin On	E-1420	HP-6002 ¹
C10 Suburban	5.7L V8 CARB - w/o 2qt. Spin On	E-1420	HP-3002 ¹
C10 Suburban	6.2L V8 DSL	E-1690	HP-3002 ¹
Camaro	5.0L V8 CARB	E-1450	HP-2002 ¹
Camaro	5.0L V8 F/I	E-1117*	HP-2002 ¹
Corvette	5.7L V8 F/I	E-1117*	HP-2002 ¹
El Camino	5.0L V8 CARB	E-1500	HP-2002 ¹
K10	5.7L V8 CARB	E-1420	
K10	5.7L V8 CARB - 2qt. Spin On	E-1420	HP-6002 ¹
K10	5.7L V8 CARB - w/o 2qt. Spin On	E-1420	HP-3002 ¹
K10 Suburban	5.7L V8 CARB	E-1420	
K10 Suburban	5.7L V8 CARB - 2qt. Spin On	E-1420	HP-6002 ¹
K10 Suburban	5.7L V8 CARB - w/o 2qt. Spin On	E-1420	HP-3002 ¹

1981 CHEVROLET			
C10	4.1L L6 CARB	E-1030	HP-2002 ¹
C10	5.0L V8 2 BBL.	E-1150	HP-3002 ¹
C10	5.0L V8 4 BBL.	E-1420	HP-3002 ¹
C10	5.7L V8 CARB	E-1420	
C10	5.7L V8 CARB - 2qt. Spin On	E-1420	HP-6002 ¹
C10	5.7L V8 CARB - w/o 2qt. Spin On	E-1420	HP-3002 ¹
C10	5.7L V8 DSL	E-1690	HP-2006 ¹
C10 Suburban	5.0L V8 2 BBL.	E-1150	HP-3002 ¹
C10 Suburban	5.0L V8 4 BBL.	E-1420	HP-3002 ¹
C10 Suburban	5.7L V8 CARB	E-1420	
C10 Suburban	5.7L V8 CARB - 2qt. Spin On	E-1420	HP-6002 ¹
C10 Suburban	5.7L V8 CARB - w/o 2qt. Spin On	E-1420	HP-3002 ¹
Camaro	5.0L V8 CARB	E-1500	HP-2002 ¹
Camaro	5.7L V8 CARB	E-1500	HP-2002 ¹
Corvette	5.7L V8 CARB	E-1500	HP-2002 ¹
El Camino	5.0L V8 CARB	E-1500	HP-2002 ¹
K10	5.7L V8 CARB - w/o 2qt. Spin On		HP-3002 ¹
K10 Suburban	5.7L V8 CARB - w/o 2qt. Spin On		HP-3002 ¹
Malibu	5.7L V8 CARB	E-1500	HP-2002 ¹

* 2 filters required

◆ Intake System Available - see page 84 +Cabin Air Filter Available - see page 453 1- Performance Silver Oil Filter Also Available



AIR & OIL FILTERS

CHEVROLET

Vehicle	Engine Type	Air Filter	Oil Filter	Vehicle	Engine Type	Air Filter	Oil Filter
1980 CHEVROLET				1979 CHEVROLET			
C10	305 V8 CARB		HP-3002 ¹	C10	350 V8 DSL	E-1690	HP-2006 ¹
C10	350 V8 2 BBL.	E-1150	HP-3002 ¹	C10	454 V8 CARB	E-1500	
C10	350 V8 4 BBL. - 2qt. Spin On		HP-6002 ¹	C10	454 V8 CARB - 2qt. Spin On	E-1500	HP-6002 ¹
C10	350 V8 4 BBL. - w/3-7/16 inch Tall Filter	E-1500		C10	454 V8 CARB - w/o 2qt. Spin On	E-1500	HP-3002 ¹
C10	350 V8 4 BBL. - w/5-1/2 inch Tall Filter	E-1420		C10 Suburban	305 V8 CARB	E-1150	HP-3002 ¹
C10	350 V8 4 BBL. - w/o 2qt. Spin On		HP-3002 ¹	C10 Suburban	350 V8 CARB	E-1450	
C10	350 V8 DSL	E-1690	HP-2006 ¹	C10 Suburban	350 V8 CARB - 2qt. Spin On	E-1450	HP-6002 ¹
C10	454 V8 CARB - w/o 2qt. Spin On		HP-3002 ¹	C10 Suburban	350 V8 CARB - w/o 2qt. Spin On	E-1450	HP-3002 ¹
C10 Suburban	250 L6 CARB		HP-2002 ¹	C10 Suburban	350 V8 DSL	E-1690	HP-2006 ¹
C10 Suburban	305 V8 CARB		HP-3002 ¹	C10 Suburban	454 V8 CARB	E-1500	
C10 Suburban	350 V8 CARB - 2qt. Spin On		HP-6002 ¹	C10 Suburban	454 V8 CARB - 2qt. Spin On	E-1500	HP-6002 ¹
C10 Suburban	350 V8 CARB - w/3-7/16 inch Tall Filter	E-1500		C10 Suburban	454 V8 CARB - w/o 2qt. Spin On	E-1500	HP-3002 ¹
C10 Suburban	350 V8 CARB - w/5-1/2 inch Tall Filter	E-1420		C20	350 V8 CARB - w/o 2qt. Spin On		HP-3002 ¹
C10 Suburban	350 V8 CARB - w/o 2qt. Spin On		HP-3002 ¹	C20 Suburban	350 V8 CARB	E-1450	
C10 Suburban	350 V8 DSL	E-1690	HP-2006 ¹	C20 Suburban	350 V8 CARB - 2qt. Spin On	E-1450	HP-6002 ¹
C10 Suburban	454 V8 CARB - w/o 2qt. Spin On		HP-3002 ¹	C20 Suburban	350 V8 CARB - w/o 2qt. Spin On	E-1450	HP-3002 ¹
C20	350 V8 2 BBL.	E-1150	HP-3002 ¹	C20 Suburban	454 V8 CARB - w/o 2qt. Spin On		HP-3002 ¹
C20	350 V8 4 BBL. - w/3-7/16 inch Tall Filter	E-1500		Camaro	305 V8 CARB	E-1070	HP-2002 ¹
C20	350 V8 4 BBL. - w/o 2qt. Spin On		HP-3002 ¹	Camaro	350 V8 CARB	E-1500	HP-2002 ¹
C20	350 V8 4 BBL. - w/o 2qt. Spin On		HP-3002 ¹	Corvette	350 V8 CARB	E-1500	HP-2002 ¹
C20 Suburban	350 V8 CARB - 2qt. Spin On		HP-6002 ¹	El Camino	350 V8 CARB	E-1500	HP-2002 ¹
C20 Suburban	350 V8 CARB - w/3-7/16 inch Tall Filter	E-1500		K5 Blazer	350 V8 CARB	E-1500	
C20 Suburban	350 V8 CARB - w/5-1/2 inch Tall Filter	E-1420		K5 Blazer	350 V8 CARB - 2qt. Spin On	E-1500	HP-6002 ¹
C20 Suburban	350 V8 CARB - w/o 2qt. Spin On		HP-3002 ¹	K5 Blazer	350 V8 CARB - w/o 2qt. Spin On	E-1500	HP-3002 ¹
Camaro	350 V8 CARB	E-1500	HP-2002 ¹	K10	350 V8 CARB	E-1450	
Corvette	350 V8 CARB	E-1500	HP-2002 ¹	K10	350 V8 CARB - 2qt. Spin On	E-1450	HP-6002 ¹
El Camino	305 V8 CARB	E-1500	HP-2002 ¹	K10	350 V8 CARB - w/o 2qt. Spin On	E-1450	HP-3002 ¹
K10	350 V8 CARB - 2qt. Spin On		HP-6002 ¹	K10	454 V8 CARB	E-1500	
K10	350 V8 CARB - w/3-7/16 inch Tall Filter	E-1500		K10	454 V8 CARB - w/o 2qt. Spin On	E-1500	HP-3002 ¹
K10	350 V8 CARB - w/5-1/2 inch Tall Filter	E-1420		K10 Suburban	350 V8 CARB	E-1450	
K10	350 V8 CARB - w/o 2qt. Spin On		HP-3002 ¹	K10 Suburban	350 V8 CARB - 2qt. Spin On	E-1450	HP-6002 ¹
K10 Suburban	350 V8 CARB - 2qt. Spin On		HP-6002 ¹	K10 Suburban	350 V8 CARB - w/o 2qt. Spin On	E-1450	HP-3002 ¹
K10 Suburban	350 V8 CARB - w/3-7/16 inch Tall Filter	E-1500		K20	350 V8 CARB	E-1450	
K10 Suburban	350 V8 CARB - w/5-1/2 inch Tall Filter	E-1420		K20	350 V8 CARB - 2qt. Spin On	E-1450	HP-6002 ¹
K10 Suburban	350 V8 CARB - w/o 2qt. Spin On		HP-3002 ¹	K20	350 V8 CARB - w/o 2qt. Spin On	E-1450	HP-3002 ¹
K20	350 V8 CARB - w/o 2qt. Spin On		HP-3002 ¹	K20 Suburban	350 V8 CARB	E-1500	
K20 Suburban	350 V8 2 BBL.	E-1150	HP-3002 ¹	K20 Suburban	350 V8 CARB - 2qt. Spin On	E-1500	HP-6002 ¹
K20 Suburban	350 V8 4 BBL. - w/3-7/16 inch Tall Filter	E-1500		K20 Suburban	350 V8 CARB - w/o 2qt. Spin On	E-1500	HP-3002 ¹
K20 Suburban	350 V8 4 BBL. - w/o 2qt. Spin On		HP-3002 ¹	Malibu	350 V8 CARB	E-1500	HP-2002 ¹
Malibu	350 V8 CARB	E-1500	HP-2002 ¹	1978 CHEVROLET			
1979 CHEVROLET				C10	350 V8 CARB	E-1450	
C10	305 V8 CARB	E-1150	HP-3002 ¹	C10	350 V8 CARB - 2qt. Spin On	E-1450	HP-6002 ¹
C10	350 V8 CARB	E-1450		C10	350 V8 CARB - w/o 2qt. Spin On	E-1450	HP-3002 ¹
C10	350 V8 CARB - 2qt. Spin On	E-1450	HP-6002 ¹	C10	350 V8 DSL	E-1690	HP-2003 ¹
C10	350 V8 CARB - w/o 2qt. Spin On	E-1450	HP-3002 ¹	C10	454 V8 CARB	E-1500	
				C10	454 V8 CARB - w/o 2qt. Spin On	E-1500	HP-3002 ¹
				C10 Suburban	350 V8 CARB	E-1500	

* 2 filters required

◆ Intake System Available - see page 84 +Cabin Air Filter Available - see page 453 1- Performance Silver Oil Filter Also Available

CHEVROLET

AIR & OIL FILTERS



Vehicle	Engine Type	Air Filter	Oil Filter
1978 CHEVROLET			
C10 Suburban	350 V8 CARB - 2qt. Spin On	E-1500	HP-6002 ¹
C10 Suburban	350 V8 CARB - w/o 2qt. Spin On	E-1500	HP-3002 ¹
C10 Suburban	350 V8 DSL	E-1690	HP-2003 ¹
C10 Suburban	454 V8 CARB	E-1500	
C10 Suburban	454 V8 CARB - w/o 2qt. Spin On	E-1500	HP-3002 ¹
C20	350 V8 CARB - w/o 2qt. Spin On		HP-3002 ¹
C20 Suburban	350 V8 CARB - w/o 2qt. Spin On		HP-3002 ¹
C30 Truck	454 V8 CARB	E-1500	
C30 Truck	454 V8 CARB - w/o 2qt. Spin On	E-1500	HP-3002 ¹
Camaro	350 V8 CARB	E-1500	HP-2002 ¹
Corvette	350 V8 CARB	E-1500	HP-2002 ¹
El Camino	350 V8 CARB	E-1500	HP-2002 ¹
K5 Blazer	350 V8 CARB	E-1500	
K5 Blazer	350 V8 CARB - w/o 2qt. Spin On	E-1500	HP-3002 ¹
K10	350 V8 CARB	E-1450	
K10	350 V8 CARB - 2qt. Spin On	E-1450	HP-6002 ¹
K10	350 V8 CARB - w/o 2qt. Spin On	E-1450	HP-3002 ¹
K10 Suburban	350 V8 CARB	E-1450	
K10 Suburban	350 V8 CARB - 2qt. Spin On	E-1450	HP-6002 ¹
K10 Suburban	350 V8 CARB - w/o 2qt. Spin On	E-1450	HP-3002 ¹
K20	350 V8 CARB - w/o 2qt. Spin On		HP-3002 ¹
K20 Suburban	350 V8 CARB	E-1450	
K20 Suburban	350 V8 CARB - 2qt. Spin On	E-1450	HP-6002 ¹
K20 Suburban	350 V8 CARB - w/o 2qt. Spin On	E-1450	HP-3002 ¹
Malibu	350 V8 CARB	E-1500	HP-2002 ¹
Monte Carlo	305 V8 CARB		HP-2002 ¹
Nova	350 V8 CARB	E-1500	HP-2002 ¹

1977 CHEVROLET			
C10	350 V8 CARB	E-1500	
C10	350 V8 CARB - 2qt. Spin On	E-1500	HP-6002 ¹
C10	350 V8 CARB - w/o 2qt. Spin On	E-1500	HP-3002 ¹
C10 Suburban	350 V8 CARB	E-1500	
C10 Suburban	350 V8 CARB - 2qt. Spin On	E-1500	HP-6002 ¹
C10 Suburban	350 V8 CARB - w/o 2qt. Spin On	E-1500	HP-3002 ¹
C20	350 V8 CARB	E-1500	
C20	350 V8 CARB - w/o 2qt. Spin On	E-1500	HP-3002 ¹
C20 Suburban	350 V8 CARB	E-1500	
C20 Suburban	350 V8 CARB - 2qt. Spin On	E-1500	HP-6002 ¹
C20 Suburban	350 V8 CARB - w/o 2qt. Spin On	E-1500	HP-3002 ¹
C30 Truck	454 V8 CARB - w/o 2qt. Spin On		HP-3002 ¹
Camaro	350 V8 CARB	E-1500	HP-2002 ¹
Corvette	350 V8 CARB	E-1500	HP-2002 ¹
El Camino	350 V8 CARB	E-1500	HP-3002 ¹
K5 Blazer	350 V8 CARB - w/o 2qt. Spin On		HP-3002 ¹
K10	350 V8 CARB	E-1500	
K10	350 V8 CARB - 2qt. Spin On	E-1500	HP-6002 ¹

Vehicle	Engine Type	Air Filter	Oil Filter
1977 CHEVROLET			
K10	350 V8 CARB - w/o 2qt. Spin On	E-1500	HP-3002 ¹
K10 Suburban	350 V8 CARB	E-1500	
K10 Suburban	350 V8 CARB - 2qt. Spin On	E-1500	HP-6002 ¹
K10 Suburban	350 V8 CARB - w/o 2qt. Spin On	E-1500	HP-3002 ¹
K20	350 V8 CARB - w/o 2qt. Spin On		HP-3002 ¹
K20 Suburban	350 V8 CARB	E-1500	
K20 Suburban	350 V8 CARB - w/o 2qt. Spin On	E-1500	HP-3002 ¹
Monte Carlo	350 V8 CARB	E-1500	HP-2002 ¹
Nova	350 V8 CARB	E-1500	HP-2002 ¹

1976 CHEVROLET			
C10	350 V8 CARB	E-1500	
C10	350 V8 CARB - 2qt. Spin On	E-1500	HP-6002 ¹
C10	350 V8 CARB - w/o 2qt. Spin On	E-1500	HP-3002 ¹
C10	454 V8 CARB - w/o 2qt. Spin On		HP-3002 ¹
C10 Suburban	350 V8 CARB	E-1500	
C10 Suburban	350 V8 CARB - 2qt. Spin On	E-1500	HP-6002 ¹
C10 Suburban	350 V8 CARB - w/o 2qt. Spin On	E-1500	HP-3002 ¹
C10 Suburban	454 V8 CARB - w/o 2qt. Spin On		HP-3002 ¹
C20	350 V8 CARB	E-1500	
C20	350 V8 CARB - w/o 2qt. Spin On	E-1500	HP-3002 ¹
C20 Suburban	350 V8 CARB	E-1500	
C20 Suburban	350 V8 CARB - w/o 2qt. Spin On	E-1500	HP-3002 ¹
C30 Truck	454 V8 CARB	E-1500	
C30 Truck	454 V8 CARB - w/o 2qt. Spin On	E-1500	HP-3002 ¹
Camaro	350 V8 CARB	E-1500	HP-2002 ¹
Corvette	350 V8 CARB	E-1500	HP-2002 ¹
K10	350 V8 CARB	E-1500	
K10	350 V8 CARB - 2qt. Spin On	E-1500	HP-6002 ¹
K10	350 V8 CARB - w/o 2qt. Spin On	E-1500	HP-3002 ¹
K10 Suburban	350 V8 CARB	E-1500	
K10 Suburban	350 V8 CARB - 2qt. Spin On	E-1500	HP-6002 ¹
K10 Suburban	350 V8 CARB - w/o 2qt. Spin On	E-1500	HP-3002 ¹
Nova	350 V8 CARB	E-1500	HP-2002 ¹

1975 CHEVROLET			
C10	350 V8 2 BBL.	E-1450	
C10	350 V8 2 BBL. - 2qt. Spin On	E-1450	HP-6002 ¹
C10	350 V8 2 BBL. - w/o 2qt. Spin On	E-1450	HP-3002 ¹
C10	350 V8 4 BBL.	E-1500	
C10	350 V8 4 BBL. - 2qt. Spin On	E-1500	HP-6002 ¹
C10	350 V8 4 BBL. - w/o 2qt. Spin On	E-1500	HP-3002 ¹
C10	454 V8 CARB	E-1500	
C10	454 V8 CARB - w/o 2qt. Spin On	E-1500	HP-3002 ¹
C10 Suburban	350 V8 2 BBL.	E-1450	
C10 Suburban	350 V8 2 BBL. - 2qt. Spin On	E-1450	HP-6002 ¹
C10 Suburban	350 V8 2 BBL. - w/o 2qt. Spin On	E-1450	HP-3002 ¹
C10 Suburban	350 V8 4 BBL.	E-1500	

* 2 filters required

◆ Intake System Available - see page 84 +Cabin Air Filter Available - see page 453 1- Performance Silver Oil Filter Also Available



AIR & OIL FILTERS

CHEVROLET

Vehicle	Engine Type	Air Filter	Oil Filter
1975 CHEVROLET			
C10 Suburban	350 V8 4 BBL. - 2qt. Spin On	E-1500	HP-6002 ¹
C10 Suburban	350 V8 4 BBL. - w/o 2qt. Spin On	E-1500	HP-3002 ¹
C10 Suburban	454 V8 CARB	E-1500	
C10 Suburban	454 V8 CARB - 2qt. Spin On	E-1500	HP-6002 ¹
C10 Suburban	454 V8 CARB - w/o 2qt. Spin On	E-1500	HP-3002 ¹
C20	350 V8 2 BBL. - w/o 2qt. Spin On		HP-3002 ¹
C20	350 V8 4 BBL.	E-1500	
C20	350 V8 4 BBL. - w/o 2qt. Spin On	E-1500	HP-3002 ¹
C20 Suburban	350 V8 2 BBL. - w/o 2qt. Spin On		HP-3002 ¹
C20 Suburban	350 V8 4 BBL.	E-1500	
C20 Suburban	350 V8 4 BBL. - w/o 2qt. Spin On	E-1500	HP-3002 ¹
C20 Suburban	454 V8 CARB - w/o 2qt. Spin On		HP-3002 ¹
C30 Truck	454 V8 CARB - w/o 2qt. Spin On		HP-3002 ¹
Camaro	350 V8 2 BBL.	E-1450	HP-2002 ¹
Camaro	350 V8 4 BBL.	E-1500	HP-2002 ¹
Caprice	350 V8 2 BBL.	E-1500	HP-2002 ¹
Caprice	350 V8 4 BBL.	E-1500	HP-2002 ¹
Corvette	350 V8 CARB	E-1500	HP-2002 ¹
K5 Blazer	350 V8 2 BBL.	E-1450	
K5 Blazer	350 V8 2 BBL. - w/o 2qt. Spin On	E-1450	HP-3002 ¹
K5 Blazer	350 V8 4 BBL.	E-1500	
K5 Blazer	350 V8 4 BBL. - w/o 2qt. Spin On	E-1500	HP-3002 ¹
K10	350 V8 2 BBL.	E-1450	
K10	350 V8 2 BBL. - 2qt. Spin On	E-1450	HP-6002 ¹
K10	350 V8 2 BBL. - w/o 2qt. Spin On	E-1450	HP-3002 ¹
K10	350 V8 4 BBL.	E-1500	
K10	350 V8 4 BBL. - 2qt. Spin On	E-1500	HP-6002 ¹
K10	350 V8 4 BBL. - w/o 2qt. Spin On	E-1500	HP-3002 ¹
K10 Suburban	350 V8 2 BBL.	E-1450	
K10 Suburban	350 V8 2 BBL. - 2qt. Spin On	E-1450	HP-6002 ¹
K10 Suburban	350 V8 2 BBL. - w/o 2qt. Spin On	E-1450	HP-3002 ¹
K10 Suburban	350 V8 4 BBL.	E-1500	
K10 Suburban	350 V8 4 BBL. - 2qt. Spin On	E-1500	HP-6002 ¹
K10 Suburban	350 V8 4 BBL. - w/o 2qt. Spin On	E-1500	HP-3002 ¹
Nova	350 V8 2 BBL.	E-1450	HP-2002 ¹
Nova	350 V8 4 BBL.	E-1500	HP-2002 ¹

Vehicle	Engine Type	Air Filter	Oil Filter
1974 CHEVROLET			
Blazer	350 V8 2 BBL. - w/o 2qt. Spin On		HP-3002 ¹
Blazer	350 V8 4 BBL.	E-1150	
Blazer	350 V8 4 BBL. - w/o 2qt. Spin On	E-1150	HP-3002 ¹
C10 Pickup	350 V8 2 BBL.	E-1450	
C10 Pickup	350 V8 2 BBL. - 2qt. Spin On	E-1450	HP-6002 ¹
C10 Pickup	350 V8 2 BBL. - w/o 2qt. Spin On	E-1450	HP-3002 ¹
C10 Pickup	350 V8 4 BBL.	E-1500	
C10 Pickup	350 V8 4 BBL. - 2qt. Spin On	E-1500	HP-6002 ¹
C10 Pickup	350 V8 4 BBL. - w/o 2qt. Spin On	E-1500	HP-3002 ¹

Vehicle	Engine Type	Air Filter	Oil Filter
1974 CHEVROLET			
C10 Pickup	454 V8 CARB	E-1500	
C10 Pickup	454 V8 CARB - w/o 2qt. Spin On	E-1500	HP-3002 ¹
C20 Pickup	454 V8 CARB - w/o 2qt. Spin On		HP-3002 ¹
Camaro	350 V8 CARB	E-1450	HP-2002 ¹
Camaro Z28	350 V8 CARB	E-1650	HP-2002 ¹
Corvette	350 V8 CARB	E-1500	HP-2002 ¹
Corvette	454 V8 CARB	E-1500	HP-2002 ¹
El Camino	350 V8 CARB		HP-3002 ¹
K10 Pickup	350 V8 2 BBL. - w/o 2qt. Spin On		HP-3002 ¹
K10 Pickup	350 V8 4 BBL.	E-1500	
K10 Pickup	350 V8 4 BBL. - w/o 2qt. Spin On	E-1500	HP-3002 ¹
Nova	350 V8 CARB	E-1450	HP-2002 ¹

Vehicle	Engine Type	Air Filter	Oil Filter
1973 CHEVROLET			
Blazer	307 V8 CARB		HP-3002 ¹
C10 Pickup	350 V8 CARB	E-1500	HP-3002 ¹
C10 Pickup	454 V8 CARB	E-1500	HP-3002 ¹
C20 Pickup	350 V8 CARB		HP-3002 ¹
C20 Pickup	454 V8 CARB		HP-3002 ¹
Camaro	350 V8 CARB		HP-2002 ¹
Camaro	350 V8 CARB - Exc. Z28	E-1450	HP-2002
Camaro	350 V8 CARB - Z28	E-1650	HP-2002
Chevelle	454 V8 CARB	E-1500	HP-2002 ¹
Corvette	350 V8 CARB		HP-2002 ¹
Corvette	350 V8 CARB - Exc. Hi Perf.	E-1450	HP-2002
Corvette	350 V8 CARB - Hi Perf.	E-1650	HP-2002
Corvette	454 V8 CARB	E-1450	HP-2002 ¹
El Camino	350 V8 CARB	E-1500	HP-3002 ¹
Impala	350 V8 CARB	E-1500	HP-2002 ¹
K10 Pickup	350 V8 CARB	E-1500	HP-3002 ¹
Nova	350 V8 CARB	E-1450	HP-2002 ¹

Vehicle	Engine Type	Air Filter	Oil Filter
1972 CHEVROLET			
Blazer	350 V8 CARB	E-1450	HP-3002 ¹
C10 Pickup	250 L6 CARB		HP-2002 ¹
C10 Pickup	250 L6 CARB - w/o Power Brakes	E-1070	HP-2002
C10 Pickup	250 L6 CARB - w/Power Brakes	E-1120	HP-2002
C10 Pickup	307 V8 CARB	E-1150	HP-3002 ¹
C10 Pickup	350 V8 2 BBL.	E-1450	HP-3002 ¹
C10 Pickup	350 V8 2 BBL. - VIN H	E-1450	HP-3002
C10 Pickup	350 V8 4 BBL.	E-1500	HP-3002 ¹
C10 Pickup	402 V8 CARB	E-1450	HP-3002 ¹
C10 Suburban	350 V8 CARB		HP-3002 ¹
C20 Pickup	350 V8 CARB	E-1500	HP-3002 ¹
C20 Pickup	402 V8 CARB		HP-3002 ¹
Camaro	307 V8 CARB		HP-2002 ¹
Camaro	350 V8 CARB	E-1450	HP-2002 ¹
Camaro	402 V8 CARB	E-1450	HP-2002 ¹
Camaro Z28	350 V8 CARB	E-1650	HP-2002 ¹
Chevelle	350 V8 CARB	E-1500	HP-2002 ¹
Chevelle	402 V8 CARB		HP-2002 ¹
Chevelle	402 V8 CARB - w/o A/C	E-1500	HP-2002
Chevelle	454 V8 CARB		HP-2002 ¹
Chevelle	454 V8 CARB - w/hood scoop	E-1650	HP-2002
Chevelle	454 V8 CARB - w/o hood scoop	E-1450	HP-2002
Corvette	350 V8 CARB		HP-2002 ¹
Corvette	350 V8 CARB - w/ Rochester Carb.	E-1450	HP-2002

* 2 filters required

◆ Intake System Available - see page 84 + Cabin Air Filter Available - see page 453 1- Performance Silver Oil Filter Also Available



Vehicle	Engine Type	Air Filter	Oil Filter
1972 CHEVROLET			
Corvette	350 V8 CARB - w/Holley Carb.	E-1650	HP-2002
Corvette	454 V8 CARB	E-1450	HP-2002 ¹
El Camino	350 V8 CARB	E-1500	HP-3002 ¹
Impala	350 V8 CARB	E-1500	HP-2002 ¹
K10 Pickup	350 V8 CARB	E-1500	HP-3002 ¹
K20 Pickup	350 V8 CARB	E-1500	HP-3002 ¹
Monte Carlo	350 V8 CARB	E-1500	HP-2002 ¹
Nova	350 V8 CARB	E-1450	HP-2002 ¹

Vehicle	Engine Type	Air Filter	Oil Filter
1971 CHEVROLET			
C10 Pickup	307 V8 CARB		HP-3002 ¹
C10 Pickup	350 V8 CARB	E-1450	HP-3002 ¹
C10 Pickup	402 V8 CARB	E-1450	HP-3002 ¹
C20 Pickup	350 V8 CARB		HP-3002 ¹
Camaro	350 V8 CARB		HP-2002 ¹
Camaro	350 V8 CARB - Exc. Z28	E-1450	HP-2002
Camaro	350 V8 CARB - Z28	E-1650	HP-2002
Camaro	402 V8 CARB	E-1450	HP-2002 ¹
Chevelle	307 V8 CARB	E-1070	HP-2002 ¹
Chevelle	350 V8 CARB	E-1500	HP-2002 ¹
Chevelle	400 V8 CARB	E-1500	HP-2002 ¹
Chevelle	454 V8 CARB	E-1650	HP-2002 ¹
Chevelle SS	454 V8 CARB		HP-2002 ¹
Chevelle SS	454 V8 CARB - w/o A/C	E-1450	HP-2002
Corvette	350 V8 CARB		HP-2002 ¹
Corvette	350 V8 CARB - w/Rochester Carb.	E-1450	HP-2002
Corvette	350 V8 CARB - w/Holley Carb.	E-1650	HP-2002
Corvette	454 V8 CARB		HP-2002 ¹
Corvette	454 V8 CARB - w/Rochester Carb.	E-1450	HP-2002
Corvette	454 V8 CARB - w/Holley Carb.	E-1650	HP-2002
El Camino	350 V8 CARB	E-1500	HP-3002 ¹
El Camino	454 V8 CARB - Hi Perf.	E-1650	
Monte Carlo	350 V8 CARB	E-1500	HP-2002 ¹
Nova	350 V8 CARB	E-1450	HP-2002 ¹

Vehicle	Engine Type	Air Filter	Oil Filter
1970 CHEVROLET			
C10 Pickup	350 V8 CARB	E-1450	HP-3002 ¹
C10 Pickup	402 V8 CARB	E-1450	HP-3002 ¹
C20 Pickup	350 V8 CARB	E-1450	HP-3002 ¹
Camaro	250 L6 CARB		HP-2002 ¹
Camaro	350 V8 CARB	E-1450	HP-2002 ¹
Camaro	396 V8 CARB	E-1650	HP-2002 ¹
Camaro	402 V8 CARB	E-1650	HP-2002 ¹
Chevelle	350 V8 CARB	E-1500	HP-2002 ¹
Chevelle	396 V8 CARB	E-1650	HP-2002 ¹
Chevelle	400 V8 CARB	E-1500	HP-2002 ¹
Chevelle		E-1650	HP-2002 ¹
Chevelle	402 V8 CARB	E-1650	HP-2002 ¹
Chevelle	454 V8 CARB	E-1650	HP-2002 ¹
Corvette	350 V8 CARB		HP-2002 ¹
Corvette	350 V8 CARB - w/High Output	E-1650	HP-2002
Corvette	350 V8 CARB - w/High Output	E-1450	HP-2002
Corvette	454 V8 CARB	E-1650	HP-2002 ¹
El Camino	350 V8 CARB	E-1500	HP-3002 ¹
El Camino	454 V8 CARB	E-1650	HP-3002 ¹
Impala	350 V8 CARB	E-1500	HP-2002 ¹
K10 Pickup	350 V8 CARB		HP-3002 ¹
Monte Carlo	350 V8 CARB	E-1500	HP-2002 ¹
Monte Carlo	454 V8 CARB	E-1500	HP-2002 ¹

Vehicle	Engine Type	Air Filter	Oil Filter
1970 CHEVROLET			
Nova	350 V8 CARB	E-1450	HP-1011 ¹
Nova	396 V8 CARB	E-1650	HP-1011 ¹
Nova	402 V8 CARB	E-1650	

Vehicle	Engine Type	Air Filter	Oil Filter
1969 CHEVROLET			
C10 Pickup	250 L6 CARB		HP-2002 ¹
C10 Pickup	307 V8 CARB		HP-3002 ¹
C10 Pickup	350 V8 CARB	E-1450	HP-2002 ¹
C10 Pickup	396 V8 CARB		HP-2002 ¹
C10 Pickup	396 V8 CARB - Exc. Hi Perf.	E-1450	HP-2002
C10 Pickup	396 V8 CARB - Hi Perf.	E-1650	HP-2002
C20 Pickup	350 V8 CARB	E-1450	
C20 Pickup	396 V8 CARB - Hi Perf.	E-1650	
Camaro	302 V8 CARB	E-1650	HP-2002 ¹
Camaro	307 V8 CARB	E-1070	HP-2002 ¹
Camaro	327 V8 CARB	E-1070	HP-2002 ¹
Camaro	350 V8 2 BBL.	E-1450	HP-2002 ¹
Camaro	350 V8 4 BBL.	E-1500	HP-2002 ¹
Camaro	396 V8 CARB	E-1650	HP-2002 ¹
Camaro	427 V8 CARB	E-1650	
Chevelle	350 V8 CARB	E-1500	HP-2002 ¹
Chevelle	396 V8 CARB	E-1450	HP-2002 ¹
Chevelle Malibu	307 V8 CARB	E-1500	HP-2002 ¹
Corvette	350 V8 CARB	E-1650	HP-2002 ¹
Corvette	427 V8 3x2BBL.	E-1970	HP-2002 ¹
Corvette	427 V8 4 BBL.	E-1650	HP-2002 ¹
El Camino	350 V8 CARB	E-1500	HP-2002 ¹
El Camino	396 V8 CARB	E-1450	HP-2002 ¹
Impala	350 V8 CARB	E-1500	HP-2002 ¹
Impala	427 V8 CARB	E-1650	HP-2002 ¹
Nova	350 V8 CARB		HP-2002 ¹
Nova	350 V8 CARB - Exc. Hi Perf.	E-1500	HP-2002
Nova	350 V8 CARB - Hi Perf.	E-1650	HP-2002
Nova	396 V8 CARB		HP-2002 ¹
Nova	396 V8 CARB - Exc. Hi Perf.	E-1450	HP-2002
Nova	396 V8 CARB - Hi Perf.	E-1650	HP-2002

Vehicle	Engine Type	Air Filter	Oil Filter
1968 CHEVROLET			
C10 Pickup	327 V8 CARB	E-1450	
C10 Pickup	396 V8 CARB		HP-2002 ¹
C10 Pickup	396 V8 CARB - Exc. Hi Perf.	E-1450	HP-2002
C10 Pickup	396 V8 CARB - Hi Perf.	E-1650	HP-2002
Camaro	302 V8 CARB	E-1650	HP-2002 ¹
Camaro	307 V8 CARB	E-1650	
Camaro	327 V8 2 BBL.	E-1070	HP-2002 ¹
Camaro	327 V8 4 BBL.		HP-2002 ¹
Camaro	327 V8 4 BBL. - Exc. Hi Perf.	E-1500	HP-2002
Camaro	327 V8 4 BBL. - Hi Perf.	E-1650	HP-2002
Camaro	350 V8 CARB	E-1500	HP-2002 ¹
Camaro	396 V8 CARB	E-1650	HP-2002 ¹
Chevelle	327 V8 CARB		HP-2002 ¹
Chevelle	327 V8 CARB - Exc. Hi Perf.	E-1500	HP-2002
Chevelle	327 V8 CARB - Hi Perf.	E-1650	HP-2002
Chevelle	396 V8 CARB		HP-2002 ¹
Chevelle	396 V8 CARB - Exc. Hi Perf.	E-1450	HP-2002
Chevelle	396 V8 CARB - Hi Perf.	E-1650	HP-2002
Chevelle Malibu	307 V8 CARB	E-1500	HP-2002 ¹
Chevy II	350 V8 CARB		HP-2002 ¹

* 2 filters required

◆ Intake System Available - see page 84 +Cabin Air Filter Available - see page 453 1- Performance Silver Oil Filter Also Available



AIR & OIL FILTERS

CHEVROLET

Vehicle	Engine Type	Air Filter	Oil Filter
1968 CHEVROLET			
Chevy II	350 V8 CARB - Exc. Hi Perf.	E-1500	HP-2002
Chevy II	350 V8 CARB - Hi Perf.	E-1650	HP-2002
Chevy II	396 V8 CARB - Hi Perf.	E-1650	
Corvette	327 V8 CARB	E-1650	HP-2002 ¹
Corvette	427 V8 3x2BBL.	E-1970	HP-2002 ¹
Corvette	427 V8 4 BBL.	E-1650	HP-2002 ¹
El Camino	396 V8 CARB	E-1450	HP-2002 ¹
Impala	327 V8 CARB	E-1500	HP-2002 ¹
Impala	427 V8 CARB	E-1650	HP-2002 ¹

Vehicle	Engine Type	Air Filter	Oil Filter
1967 CHEVROLET			
C10 Pickup	250 L6 CARB		HP-2002 ¹
C10 Pickup	250 L6 CARB - Heavy Duty Filter	E-1150	HP-2002
C10 Pickup	250 L6 CARB - w/Std. Filter	E-1070	HP-2002
C10 Pickup	327 V8 CARB	E-1230	
Camaro	302 V8 CARB	E-1650	HP-2002 ¹
Camaro	327 V8 2 BBL.	E-1070	
Camaro	327 V8 2 BBL. - Exc. Cart. Type	E-1070	HP-2002 ¹
Camaro	327 V8 4 BBL.	E-1650	
Camaro	327 V8 4 BBL. - Exc. Cart. Type	E-1650	HP-2002 ¹
Camaro	350 V8 CARB	E-1650	
Camaro	350 V8 CARB - Exc. Cart. Type	E-1650	HP-2002 ¹
Camaro	396 V8 CARB	E-1650	
Camaro	396 V8 CARB - Exc. Cart. Type	E-1650	HP-2002 ¹
Chevelle	283 V8 CARB	E-1230	
Chevelle	283 V8 CARB - Exc. Cart. Type	E-1230	HP-2002 ¹
Chevelle	327 V8 CARB	E-1650	
Chevelle	327 V8 CARB - Exc. Cart. Type	E-1650	HP-2002 ¹
Chevelle	396 V8 CARB	E-1650	
Chevelle	396 V8 CARB - Exc. Cart. Type	E-1650	HP-2002 ¹
Chevy II	327 V8 CARB	E-1230	
Chevy II	327 V8 CARB - Exc. Cart. Type	E-1230	HP-2002 ¹
Corvette	327 V8 CARB	E-1650	
Corvette	327 V8 CARB - Exc. Cart. Type	E-1650	HP-2002 ¹
Corvette	427 V8 3x2BBL.	E-1970	
Corvette	427 V8 3x2BBL. - Exc. Cart. Type	E-1970	HP-2002 ¹
Corvette	427 V8 4 BBL.	E-1650	
Corvette	427 V8 4 BBL. - Exc. Cart. Type	E-1650	HP-2002 ¹
El Camino	327 V8 CARB		HP-2002 ¹
El Camino	396 V8 CARB	E-1650	
Impala	327 V8 CARB	E-1650	
Impala	327 V8 CARB - Exc. Cart. Type	E-1650	HP-2002 ¹
Impala	396 V8 CARB	E-1650	
Impala	427 V8 CARB	E-1650	
Impala	427 V8 CARB - Exc. Cart. Type	E-1650	HP-2002 ¹
Nova	327 V8 CARB	E-1230	HP-2002 ¹

Vehicle	Engine Type	Air Filter	Oil Filter
1966 CHEVROLET			
C10 Pickup	250 L6 CARB		HP-2002 ¹
C10 Pickup	250 L6 CARB - Heavy Duty Filter	E-1150	HP-2002
C10 Pickup	250 L6 CARB - w/Std. Filter	E-1070	HP-2002
C10 Pickup	283 V8 CARB	E-1230	

Vehicle	Engine Type	Air Filter	Oil Filter
1966 CHEVROLET			
C10 Pickup	327 V8 CARB	E-1230	
Chevelle	283 V8 CARB - Exc. Cart. Type		HP-2002 ¹
Chevelle	327 V8 CARB	E-1650	
Chevelle	327 V8 CARB - Exc. Cart. Type	E-1650	HP-2002 ¹
Chevelle	396 V8 CARB	E-1650	
Chevelle	396 V8 CARB - Exc. Cart. Type	E-1650	HP-2002 ¹
Chevy II	327 V8 CARB	E-1650	HP-2002 ¹
Corvair	164 H6 CARB - Exc. Turbo	E-1150	
Corvette	327 V8 CARB	E-1650	
Corvette	327 V8 CARB - Exc. Cart. Type	E-1650	HP-2002 ¹
Corvette	427 V8 CARB	E-1650	
Corvette	427 V8 CARB - Exc. Cart. Type	E-1650	HP-2002 ¹
El Camino	327 V8 CARB	E-1650	
Impala	283 V8 CARB	E-1230	
Impala	283 V8 CARB - Exc. Cart. Type	E-1230	HP-2002 ¹
Impala	327 V8 CARB	E-1650	
Impala	327 V8 CARB - Exc. Cart. Type	E-1650	HP-2002 ¹
Impala	396 V8 CARB	E-1650	
Impala	396 V8 CARB - Exc. Cart. Type	E-1650	HP-2002 ¹
Impala	427 V8 CARB	E-1650	
K10 Pickup	292 L6 CARB	E-1170	
Nova	327 V8 CARB		HP-2002 ¹

Vehicle	Engine Type	Air Filter	Oil Filter
1965 CHEVROLET			
C10 Pickup	230 L6 CARB		HP-2002 ¹
C10 Pickup	230 L6 CARB - Heavy Duty Filter	E-1150	HP-2002
C10 Pickup	283 V8 CARB	E-1230	
C10 Pickup	327 V8 CARB	E-1230	
Chevelle	327 V8 CARB	E-1230	
Chevelle	327 V8 CARB - Exc. Cart. Type	E-1230	HP-2002 ¹
Chevelle	396 V8 CARB	E-1650	
Chevelle	396 V8 CARB - Exc. Cart. Type	E-1650	HP-2002 ¹
Corvair	164 H6 CARB - w/ A/C	E-0900	
Corvair	164 H6 CARB - w/o A/C	E-1150	
Corvette	327 V8 CARB	E-1515	
Corvette	327 V8 CARB - Exc. Cart. Type	E-1515	HP-2002 ¹
Corvette	396 V8 CARB	E-1650	
Corvette	396 V8 CARB - Exc. Cart. Type	E-1650	HP-2002 ¹
Corvette	5.3L V8 F/I - Exc. Cart. Type		HP-2002 ¹
El Camino	327 V8 CARB	E-1230	
Impala	327 V8 CARB	E-1650	
Impala	327 V8 CARB - Exc. Cart. Type	E-1650	HP-2002 ¹
Impala	396 V8 CARB	E-1650	
Impala	396 V8 CARB - Exc. Cart. Type	E-1650	HP-2002 ¹

Vehicle	Engine Type	Air Filter	Oil Filter
1964 CHEVROLET			
C10 Pickup	230 L6 CARB		HP-2002 ¹
C10 Pickup	230 L6 CARB - Heavy Duty Filter	E-1150	HP-2002
C10 Pickup	230 L6 CARB - w/Std. Filter	E-1070	HP-2002
C10 Pickup	327 V8 CARB	E-1230	
Chevelle	327 V8 CARB	E-1230	

* 2 filters required

◆ Intake System Available - see page 84 + Cabin Air Filter Available - see page 453 1- Performance Silver Oil Filter Also Available

CHEVROLET

AIR & OIL FILTERS



Vehicle	Engine Type	Air Filter	Oil Filter
1964 CHEVROLET			
Chevelle	327 V8 CARB - Exc. Cart. Type	E-1230	HP-2002 ¹
Chevy II	283 V8 CARB	E-1230	
Chevy II	283 V8 CARB - Exc. Cart. Type	E-1230	HP-2002 ¹
Corvair	164 H6 CARB	E-0900	
Corvette	327 V8 CARB	E-1515	
Corvette	327 V8 CARB - Exc. Cart. Type	E-1515	HP-2002 ¹
Corvette	5.3L V8 F/I - Exc. Cart. Type		HP-2002 ¹
Impala	283 V8 CARB	E-1230	
Impala	283 V8 CARB - Exc. Cart. Type	E-1230	HP-2002 ¹
Impala	327 V8 CARB	E-1230	
Impala	327 V8 CARB - Exc. Cart. Type	E-1230	HP-2002 ¹
Impala	409 V8 CARB	E-1230	
Impala	409 V8 CARB - Exc. Cart. Type	E-1230	HP-2002 ¹

1963 CHEVROLET			
Chevy II	283 V8 CARB	E-1230	
Chevy II	283 V8 CARB - Exc. Cart. Type	E-1230	HP-2002 ¹
Corvair	145 H6 CARB	E-0900	
Corvette	327 V8 CARB	E-1515	
Corvette	327 V8 CARB - Exc. Cart. Type	E-1515	HP-2002 ¹
Corvette	5.3L V8 F/I - Exc. Cart. Type		HP-2002 ¹
Impala	283 V8 CARB	E-1230	
Impala	283 V8 CARB - Exc. Cart. Type	E-1230	HP-2002 ¹
Impala	327 V8 CARB	E-1230	
Impala	327 V8 CARB - Exc. Cart. Type	E-1230	HP-2002 ¹
Nova	283 V8 CARB - Exc. Cart. Type		HP-2002 ¹

1962 CHEVROLET			
Corvair	145 H6 CARB	E-0900	
Corvette	327 V8 CARB - Exc. Cart. Type		HP-2002 ¹
Corvette	5.3L V8 F/I - Exc. Cart. Type		HP-2002 ¹
Impala	327 V8 CARB	E-1230	
Impala	327 V8 CARB - Exc. Cart. Type	E-1230	HP-2002 ¹
Impala	409 V8 CARB	E-1230	
Impala	409 V8 CARB - Exc. Cart. Type	E-1230	HP-2002 ¹

1961 CHEVROLET			
Corvette	283 V8 CARB - Exc. Cart. Type		HP-2002 ¹

1960 CHEVROLET			
Corvette	283 V8 CARB	E-1230	
Corvette	283 V8 CARB - Exc. Cart. Type	E-1230	HP-2002 ¹

1959 CHEVROLET			
Corvette	4.6L V8 F/I	E-1935	

2017 CHRYSLER			
200	2.4L L4 F/I	33-5025 ♦	HP-1017 ¹
200	3.6L V6 F/I	33-5025	PS-7026
300	3.0L V6 F/I		PS-7026
300	3.6L V6 F/I	33-2460	PS-7026
300	5.7L V8 F/I	33-2460 ♦	HP-1017 ¹
Pacifica	3.6L V6 F/I		PS-7026

2016 CHRYSLER			
200	2.4L L4 F/I	33-5025 ♦	HP-1017 ¹
200	3.6L V6 F/I	33-5025 ♦	PS-7026
300	3.6L V6 F/I	33-2460 ♦+	PS-7026
300	6.4L V8 F/I	33-2460	
300C	5.7L V8 F/I	33-2460 ♦+	HP-2010 ¹
300S	5.7L V8 F/I	33-2460+	HP-2010 ¹
Town & Country	3.6L V6 F/I	33-2462	PS-7026

2015 CHRYSLER			
200	2.4L L4 F/I	33-5025 ♦	HP-1017 ¹
200	3.6L V6 F/I	33-5025 ♦	PS-7026
300	3.6L V6 F/I	33-2460 ♦+	PS-7026
300	6.4L V8 F/I	33-2460 ♦	HP-2010 ¹
300C	3.6L V6 F/I	33-2460 ♦+	PS-7026
300C	5.7L V8 F/I	33-2460 ♦+	HP-2010 ¹
300S	5.7L V8 F/I	33-2460 ♦+	HP-2010 ¹
Town & Country	3.6L V6 F/I	33-2462+	PS-7026

2014 CHRYSLER			
200	2.4L L4 F/I	33-2373 ♦+	HP-1017 ¹
200	3.6L V6 F/I	33-2470+	PS-7026
300	3.6L V6 F/I	33-2460 ♦+	PS-7026
300	6.4L V8 F/I	33-2460 ♦+	HP-2010 ¹
300C	3.6L V6 F/I	33-2460 ♦+	PS-7026
300C	5.7L V8 F/I	33-2460 ♦+	HP-2010 ¹
300S	5.7L V8 F/I	33-2460+	HP-2010 ¹
Town & Country	3.6L V6 F/I	33-2462+	PS-7026

2013 CHRYSLER			
200	2.4L L4 F/I	33-2373 ♦+	HP-1017 ¹
200	3.6L V6 F/I	33-2470+	PS-7025
300	3.6L V6 F/I	33-2460 ♦+	PS-7025
300	6.4L V8 F/I	33-2460 ♦+	HP-2010 ¹
300C	5.7L V8 F/I	33-2460 ♦+	HP-2010 ¹
300S	5.7L V8 F/I	33-2460+	HP-2010 ¹
Town & Country	3.6L V6 F/I	33-2462+	PS-7025

2012 CHRYSLER			
200	2.4L L4 F/I	33-2373 ♦+	HP-1017 ¹
200	3.6L V6 F/I	33-2470 ♦+	PS-7025
300	3.6L V6 F/I	33-2460 ♦+	PS-7025
300	6.4L V8 F/I	33-2460 ♦+	HP-2010 ¹
300C	5.7L V8 F/I	33-2460 ♦+	HP-2010 ¹
300S	5.7L V8 F/I	33-2460+	HP-2010 ¹
Town & Country	3.6L V6 F/I	33-2462+	PS-7025

2011 CHRYSLER			
200	2.4L L4 F/I	33-2373+	HP-1017 ¹
200	3.6L V6 F/I	33-2470+	PS-7025
300	3.6L V6 F/I	33-2460 ♦+	PS-7025
300C	5.7L V8 F/I	33-2460 ♦+	HP-2010 ¹
Town & Country	3.6L V6 F/I	33-2462+	PS-7025

2010 CHRYSLER			
300	2.7L V6 F/I	33-2295 ♦+	HP-1017 ¹
300	3.5L V6 F/I	33-2295 ♦+	HP-1017 ¹
300C	3.0L V6 DSL	33-2304	
300C	5.7L V8 F/I	33-2295 ♦+	HP-2010 ¹
300C	6.1L V8 F/I	33-2295 ♦+	HP-2010 ¹
PT Cruiser	2.4L L4 F/I	33-2351 ♦	HP-1002 ¹
Sebring	2.4L L4 F/I	33-2373+	HP-1017 ¹
Sebring	2.7L V6 F/I	33-2373+	HP-1017 ¹
Sebring	3.5L V6 F/I	33-2373+	
Town & Country	3.3L V6 F/I	33-2419+	HP-1002 ¹
Town & Country	3.8L V6 F/I	33-2419+	HP-1002 ¹

* 2 filters required

♦ Intake System Available - see page 84 +Cabin Air Filter Available - see page 453 1- Performance Silver Oil Filter Also Available



AIR & OIL FILTERS

CHRYSLER

Vehicle	Engine Type	Air Filter	Oil Filter
2010 CHRYSLER			
Town & Country	4.0L V6 F/I	33-2419+	HP-1017 ¹
2009 CHRYSLER			
300	2.7L V6 F/I	33-2295 ♦+	HP-1017 ¹
300	3.5L V6 F/I	33-2295 ♦+	HP-2010 ¹
300C	5.7L V8 F/I	33-2295 ♦+	HP-2010 ¹
Aspen	5.7L V8 F/I	33-2288	HP-2010 ¹
PT Cruiser	2.4L L4 F/I	33-2351	33-2351 ♦
PT Cruiser	2.4L L4 F/I - Exc. Turbo	33-2351	HP-1002 ¹
PT Cruiser	2.4L L4 F/I - Turbo	33-2351	HP-2009 ¹
Sebring	2.4L L4 F/I	33-2373+	HP-1017 ¹
Town & Country Van	3.3L V6 F/I	33-2419+	
Town & Country Van	3.8L V6 F/I	33-2419+	HP-1002 ¹
Town & Country Van	4.0L V6 F/I	33-2419+	HP-1017 ¹
2008 CHRYSLER			
300	2.7L V6 F/I	33-2295 ♦+	HP-2010 ¹
300	3.5L V6 F/I	33-2295 ♦+	HP-2010 ¹
300C	2.7L V6 F/I	33-2295	HP-2010 ¹
300C	3.5L V6 F/I	33-2295	HP-2010 ¹
300C	5.7L V8 F/I	33-2295 ♦+	HP-2010 ¹
300C	6.1L V8 F/I	33-2295 ♦+	HP-2010 ¹
Aspen	4.7L V8 F/I	33-2288	HP-2010 ¹
Aspen	5.7L V8 F/I	33-2288	HP-2010 ¹
Crossfire	3.2L V6 F/I	33-2290*	PS-7004
Pacifica	4.0L V6 F/I	33-2283+	HP-2004 ¹
PT Cruiser	1.6L L4 F/I	33-2351	
PT Cruiser	2.4L L4 F/I	33-2351 ♦	33-2351 ♦
PT Cruiser	2.4L L4 F/I - Exc. Turbo	33-2351	HP-1002 ¹
PT Cruiser	2.4L L4 F/I - Turbo	33-2351	HP-2009 ¹
Sebring	2.0L L4 DSL	33-2373	
Sebring	2.0L L4 F/I	33-2373	
Sebring	2.4L L4 F/I	33-2373+	HP-1017 ¹
Sebring	2.7L V6 F/I	33-2373+	HP-2010 ¹
Sebring	3.5L V6 F/I	33-2373+	
Sebring	3.5L V6 F/I - 22mm Thread	33-2373	HP-2010 ¹
Sebring	3.5L V6 F/I - 3/4 thread	33-2373	HP-2004 ¹
Town & Country Van	3.3L V6 F/I	33-2419+	HP-1002 ¹
Town & Country Van	3.8L V6 F/I	33-2419+	HP-1002 ¹
Town & Country Van	4.0L V6 F/I	33-2419+	HP-2004 ¹
2007 CHRYSLER			
300	2.7L V6 F/I	33-2295 ♦+	HP-2004 ¹
300	3.5L V6 F/I	33-2295 ♦+	HP-2004 ¹
300C	2.7L V6 F/I	33-2295	HP-2004 ¹
300C	3.0L V6 DSL	33-2304	
300C	3.5L V6 F/I	33-2295	HP-2004 ¹
300C	5.7L V8 F/I	33-2295 ♦+	HP-2004 ¹
300C	6.1L V8 F/I	33-2295 ♦+	HP-2004 ¹
Aspen	4.7L V8 F/I	33-2288	HP-2004 ¹
Aspen	5.7L V8 F/I	33-2288 ♦	HP-2004 ¹
Crossfire	3.2L V6 F/I	33-2290*	PS-7004
Crossfire SRT-6	3.2L V6 F/I	33-2256*	PS-7004
Pacifica	3.8L V6 F/I	33-2283+	
Pacifica	4.0L V6 F/I	33-2283+	HP-2004 ¹
PT Cruiser	1.6L L4 F/I	33-2351	
PT Cruiser	2.4L L4 F/I	33-2351 ♦	33-2351 ♦
PT Cruiser	2.4L L4 F/I - Exc. Turbo	33-2351	HP-1002 ¹
PT Cruiser	2.4L L4 F/I - Turbo	33-2351	HP-2009 ¹
PT Cruiser	2.4L L4 F/I - Exc. Turbo	33-2351	HP-1002 ¹
PT Cruiser	2.4L L4 F/I - Turbo	33-2351	HP-2009 ¹
Sebring	2.4L L4 F/I	33-2373+	HP-1017 ¹

Vehicle	Engine Type	Air Filter	Oil Filter
2007 CHRYSLER			
Sebring	2.7L V6 F/I	33-2373+	HP-2004 ¹
Sebring	3.5L V6 F/I	33-2373+	HP-2004 ¹
Town & Country Van	3.3L V6 F/I	33-2206+	HP-1002 ¹
Town & Country Van	3.8L V6 F/I	33-2206+	HP-1002 ¹
2006 CHRYSLER			
300	2.7L V6 F/I	33-2295 ♦+	HP-2004 ¹
300	3.5L V6 F/I	33-2295 ♦+	HP-2004 ¹
300C	3.0L V6 DSL	33-2304	
300C	3.5L V6 F/I	33-2295	HP-2004 ¹
300C	5.7L V8 F/I	33-2295 ♦+	HP-2004 ¹
300C	6.1L V8 F/I	33-2295 ♦+	HP-2004 ¹
Crossfire	3.2L V6 F/I	33-2290*	PS-7004
Crossfire SRT-6	3.2L V6 F/I	33-2256*	PS-7004
Pacifica	3.5L V6 F/I	33-2283+	HP-2004 ¹
Pacifica	3.8L V6 F/I	33-2283+	HP-2004 ¹
PT Cruiser	1.6L L4 F/I	33-2351	
PT Cruiser	2.4L L4 F/I	33-2351 ♦	33-2351 ♦
PT Cruiser	2.4L L4 F/I - Exc. Turbo	33-2351	HP-1002 ¹
PT Cruiser	2.4L L4 F/I - Turbo	33-2351	HP-2009 ¹
Sebring	2.4L L4 F/I	E-1007	HP-1002 ¹
Sebring	2.7L V6 F/I	E-1007	HP-2004 ¹
Town & Country Van	3.3L V6 F/I	33-2206+	HP-2004 ¹
Town & Country Van	3.8L V6 F/I	33-2206+	HP-2004 ¹
2005 CHRYSLER			
300	2.7L V6 F/I	33-2295 ♦+	HP-2004 ¹
300	3.5L V6 F/I	33-2295 ♦+	HP-2004 ¹
300C	3.0L V6 DSL	33-2304	
300C	3.5L V6 F/I	33-2295+	HP-2004 ¹
300C	5.7L V8 F/I	33-2295 ♦+	HP-2004 ¹
300C	6.1L V8 F/I	33-2295 ♦+	HP-2004 ¹
Crossfire	3.2L V6 F/I	33-2290*	PS-7004
Crossfire SRT-6	3.2L V6 F/I	33-2256*	PS-7004
Pacifica	3.5L V6 F/I	33-2283+	HP-2004 ¹
Pacifica	3.8L V6 F/I	33-2283+	HP-2004 ¹
PT Cruiser	1.6L L4 F/I	33-2153	
PT Cruiser	2.0L L4 F/I	33-2153 ♦	33-2153 ♦
PT Cruiser	2.4L L4 F/I	33-2153 ♦	33-2153 ♦
PT Cruiser	2.4L L4 F/I - Exc. Turbo	33-2153	HP-1002 ¹
PT Cruiser	2.4L L4 F/I - Turbo	33-2153	HP-2009 ¹
Sebring	2.4L L4 F/I - DOHC	E-1007	HP-1002 ¹
Sebring	2.4L L4 F/I - Non-US	E-1007	
Sebring	2.4L L4 F/I - SOHC	33-2072	HP-1010 ¹
Sebring	2.7L V6 F/I	E-1007	HP-2004 ¹
Town & Country Van	3.3L V6 F/I	33-2206+	HP-2004 ¹
Town & Country Van	3.8L V6 F/I	33-2206+	HP-2004 ¹
		33-2206	HP-2004 ¹
2004 CHRYSLER			
300M	3.5L V6 F/I	33-2136 ♦	HP-2004 ¹
Crossfire	3.2L V6 F/I	33-2290*	PS-7004
Pacifica	3.5L V6 F/I	33-2283+	HP-2004 ¹
PT Cruiser	2.0L L4 F/I	33-2153 ♦	
PT Cruiser	2.4L L4 F/I	33-2153 ♦	33-2153 ♦
PT Cruiser	2.4L L4 F/I - Exc. Turbo	33-2153	HP-1002 ¹
PT Cruiser	2.4L L4 F/I - Turbo	33-2153	HP-2009 ¹
Sebring	2.4L L4 F/I	E-1007	
Sebring	2.4L L4 F/I - DOHC	E-1007	HP-1002 ¹
Sebring	2.4L L4 F/I - SOHC	E-1007	HP-1010 ¹
Sebring	2.7L V6 F/I	E-1007	HP-2004 ¹

* 2 filters required

♦ Intake System Available - see page 84 +Cabin Air Filter Available - see page 453 1- Performance Silver Oil Filter Also Available



Vehicle	Engine Type	Air Filter	Oil Filter
2004 CHRYSLER			
Sebring	3.0L V6 F/I	33-2072	HP-1004 ¹
Town & Country Van	3.3L V6 F/I	33-2206+	
Town & Country Van	3.8L V6 F/I	33-2206+	HP-2004 ¹
2003 CHRYSLER			
300M	3.5L V6 F/I	33-2136 ♦	HP-2004 ¹
PT Cruiser	1.6L L4 F/I	33-2153	
PT Cruiser	2.0L L4 F/I	33-2153 ♦	
PT Cruiser	2.4L L4 F/I	33-2153 ♦	
PT Cruiser	2.4L L4 F/I - Exc. Turbo	33-2153	HP-1002 ¹
PT Cruiser	2.4L L4 F/I - Turbo	33-2153	HP-2009 ¹
Sebring	2.4L L4 F/I - DOHC		HP-1002 ¹
Sebring	2.4L L4 F/I - Non-US	E-1007	
Sebring	2.7L V6 F/I	E-1007	HP-2004 ¹
Town & Country Van	3.3L V6 F/I	33-2206+	
Town & Country Van	3.8L V6 F/I	33-2206+	HP-2004 ¹
2002 CHRYSLER			
300M	3.5L V6 F/I	33-2136 ♦	HP-2004 ¹
Concorde	3.5L V6 F/I	33-2136	
Neon	2.0L L4 F/I	E-1006 ♦	HP-1002 ¹
Neon II	2.0L L4 F/I	E-1006 ♦	HP-1002 ¹
PT Cruiser	2.0L L4 F/I	33-2153 ♦	
PT Cruiser	2.4L L4 F/I	33-2153 ♦	HP-1002 ¹
Sebring	2.4L L4 F/I - DOHC	E-1007	
Sebring	2.4L L4 F/I - Non-US	E-1007	
Sebring	2.7L V6 F/I	E-1007	HP-2004 ¹
Town & Country Van	3.3L V6 F/I	33-2206+	
Town & Country Van	3.8L V6 F/I	33-2206+	HP-2004 ¹
2001 CHRYSLER			
300M	3.5L V6 F/I	33-2136 ♦	HP-2004 ¹
Neon	2.0L L4 F/I	E-1006 ♦	
Neon II	2.0L L4 F/I	E-1006 ♦	
PT Cruiser	2.0L L4 F/I	33-2153 ♦	
PT Cruiser	2.4L L4 F/I	33-2153 ♦	HP-1002 ¹
Sebring	2.7L V6 F/I	E-1007	HP-2004 ¹
Sebring	3.0L V6 F/I	33-2072	HP-1004 ¹
Town & Country Van	3.8L V6 F/I	33-2206+	HP-2004 ¹
2000 CHRYSLER			
300M	3.5L V6 F/I	33-2136 ♦	HP-2004 ¹
Concorde	3.2L V6 F/I	33-2136	HP-2004 ¹
Neon II	2.0L L4 F/I	E-1006 ♦	HP-1002 ¹
Sebring	2.5L V6 F/I - VIN H	33-2067	HP-2004 ¹
Sebring	2.5L V6 F/I - VIN N	33-2072	HP-2004 ¹
Town & Country Van	3.3L V6 F/I	33-2087	HP-2004 ¹
1999 CHRYSLER			
300M	3.5L V6 F/I	33-2136	HP-2004 ¹
LHS	3.5L V6 F/I	33-2136	HP-2004 ¹
Sebring	2.5L V6 F/I - VIN H	33-2067	HP-2004 ¹
Sebring	2.5L V6 F/I - VIN N	33-2072	HP-2004 ¹
1998 CHRYSLER			
Cirrus	2.5L V6 F/I	33-2067	HP-2004 ¹
Sebring	2.5L V6 F/I - VIN H	33-2067	HP-2004 ¹
Sebring	2.5L V6 F/I - VIN N	33-2072	HP-2004 ¹
1997 CHRYSLER			
Sebring	2.5L V6 F/I - VIN H	33-2067	HP-2004 ¹
Sebring	2.5L V6 F/I - VIN N	33-2072	HP-2004 ¹
1988 CHRYSLER			
Conquest	2.6L L4 F/I	E-2873	

Vehicle	Engine Type	Air Filter	Oil Filter
1987 CHRYSLER			
Conquest	2.6L L4 F/I	E-2873	
1959 CHRYSLER			
300	413 V8 CARB	E-1959	
1958 CHRYSLER			
300	392 V8 CARB	E-1959	
2017 CITROEN			
Berlingo	1.2L L3 F/I	33-3039	
Berlingo	1.6L L4 DSL	33-2119	
Berlingo	1.6L L4 F/I	33-2941	
C1 II	1.0L L3 F/I	33-2485	
C1 II	1.2L L3 F/I	33-3006	
C3 III	1.2L L3 F/I - Exc. Turbo	33-3006+	
C3 III	1.2L L3 F/I - Turbo	33-3039+	
C3 III	1.6L L4 DSL	33-2119+	
C3 Picasso	1.2L L3 F/I	33-3039+	
C3 Picasso	1.4L L4 F/I	33-2941+	
C3 Picasso	1.6L L4 DSL	33-2119+	
C4 Aircross	1.6L L4 DSL	33-2975	
C4 Cactus	1.2L L3 F/I - Exc. Turbo	33-3006+	
C4 Cactus	1.2L L3 F/I - Turbo	33-3039+	
C4 Cactus	1.6L L4 DSL	33-2119+	
C4 II	1.2L L3 F/I	33-3039+	
C4 II	1.6L L4 DSL	33-2119+	
C4 Picasso	1.2L L3 F/I	33-3039	
C4 Picasso	1.6L L4 DSL	33-2119	
C4 Picasso	1.6L L4 F/I	33-2936	
C-Elysee	1.2L L3 F/I - Exc. Turbo	33-3006	
C-Elysee	1.6L L4 DSL	33-2975	
DS3	1.2L L3 F/I - Exc. Turbo	33-3006+	
DS3	1.2L L3 F/I - Turbo	33-3039+	
DS3	1.6L L4 DSL	33-2119+	
DS3	1.6L L4 F/I	33-2936+	
DS4	1.2L L3 F/I	33-3039	
DS4	1.6L L4 DSL	33-2119	
DS4	1.6L L4 F/I	33-2936	
DS4	2.0L L4 DSL	33-2998	
DS5	1.6L L4 DSL	33-2119	
DS5	1.6L L4 F/I	33-2936	
DS5	2.0L L4 DSL	33-2998	
Jumper	2.0L L4 DSL	E-9283	
Jumpy	1.6L L4 DSL	33-2119	
Nemo	1.3L L4 DSL	33-2984	
Spacetourer	1.6L L4 DSL	33-2119	
2016 CITROEN			
C4 Cactus	1.2L L3 F/I - Turbo	33-3039+	
2015 CITROEN			
DS3	1.6L L4 DSL - 100/120BHP	33-2119+	
2013 CITROEN			
DS3	1.6L L4 DSL	33-2975+	
DS3	1.6L L4 F/I - Exc. Turbo	33-2941+	
DS3	1.6L L4 F/I - Turbo	33-2936+	
2012 CITROEN			
DS3	1.6L L4 DSL	33-2975+	
DS3	1.6L L4 F/I - Exc. Turbo	33-2941+	
DS3	1.6L L4 F/I - Turbo	33-2936+	
DS4	1.6L L4 DSL	33-2975	
DS4	1.6L L4 F/I - Turbo	33-2936	

* 2 filters required ♦ Intake System Available - see page 84 +Cabin Air Filter Available - see page 453 1- Performance Silver Oil Filter Also Available



AIR & OIL FILTERS

CITROEN

Vehicle	Engine Type	Air Filter	Oil Filter
2010 CITROEN			
C4	1.6L L4 DSL - 92/112BHP	33-2975 ♦	
C4	1.6L L4 F/I - Turbo	33-2936 ♦	
C4 II	1.6L L4 DSL	33-2975+	
C4 II	1.6L L4 F/I - Exc. Turbo	33-2941+	
C4 II	1.6L L4 F/I - Turbo	33-2936+	
C4 Picasso	1.6L L4 DSL - 110BHP	33-2847 ♦	
C4 Picasso	1.6L L4 DSL - 112BHP	33-2975 ♦	
C4 Picasso	1.6L L4 F/I - Exc. Turbo	33-2941 ♦	
C4 Picasso	1.6L L4 F/I - Turbo	33-2936 ♦	
DS3	1.6L L4 DSL	33-2975+	
DS3	1.6L L4 F/I - Exc. Turbo	33-2941+	
DS3	1.6L L4 F/I - Turbo	33-2936+	
Xsara Picasso	1.6L L4 F/I	33-2937 ♦	

2009 CITROEN			
C2	1.6L L4 F/I	33-2844 ♦♦	
C4	2.0L L4 F/I - 140BHP	33-2957	
C4 Picasso	2.0L L4 F/I	33-2957 ♦	

2008 CITROEN			
C4	1.6L L4 F/I - to 9/08	33-2937 ♦	
C4	2.0L L4 F/I - 140BHP	33-2957 ♦	
C4 Picasso	2.0L L4 F/I	33-2957 ♦	

2007 CITROEN			
C4	1.6L L4 F/I	33-2937 ♦	
C4	2.0L L4 F/I - 140BHP	33-2957 ♦	
C4 Picasso	2.0L L4 F/I	33-2957 ♦	
C5	2.0L L4 F/I	33-2911	

2006 CITROEN			
C4	1.6L L4 F/I	33-2937 ♦	
C4	2.0L L4 F/I - 140BHP	33-2957 ♦	
C4 Picasso	2.0L L4 F/I	33-2957 ♦	
Xsara Picasso	1.6L L4 F/I	33-2937 ♦	

2005 CITROEN			
C4	1.6L L4 DSL	33-2847 ♦	
C4	1.6L L4 F/I	33-2937 ♦	

2004 CITROEN			
C4	1.6L L4 F/I	33-2937 ♦	

2003 CITROEN			
Berlingo	1.9L L4 DSL - DW8B Eng.	E-9256	

2003 DAEWOO			
Leganza	2.2L L4 F/I	33-2800	

2002 DAEWOO			
Leganza	2.2L L4 F/I	33-2800	

2001 DAEWOO			
Matiz	0.8L L3 F/I	33-2827	

2000 DAEWOO			
Lanos	1.5L L4 F/I	33-2795	
Matiz	0.8L L3 F/I	33-2827	

1999 DAEWOO			
Matiz	0.8L L3 F/I	33-2827	

2012 DAIHATSU			
Terios	1.5L L4 F/I - Non-US	33-2967	

2009 DAIHATSU			
Terios	1.5L L4 F/I - Non-US	33-2967	
Terios	1.5L L4 F/I - US	33-2989	

Vehicle	Engine Type	Air Filter	Oil Filter
2008 DAIHATSU			
Materia	1.3L L4 F/I	33-2967 ♦	
Terios	1.5L L4 F/I - Non-US	33-2967	
Terios	1.5L L4 F/I - US	33-2989	

1994 DAIHATSU			
Mira	.66L L3 F/I - Turbo	33-2633	

1990 DAIHATSU			
Feroza	1.6L L4 CARB	E-9191	

2017 DODGE			
1500	3.0L V6 DSL	33-2247	
1500	3.6L V6 F/I	33-2247 ♦	PS-7026
1500	5.7L V8 F/I	33-2247 ♦	HP-1017 ¹
2500	5.7L V8 F/I	33-2247 ♦	HP-1017 ¹
2500	6.4L V8 F/I	33-2247 ♦	HP-1017 ¹
2500	6.7L L6 DSL		HP-4003 ¹
3500	5.7L V8 F/I	33-2247 ♦	HP-1017 ¹
3500	6.4L V8 F/I	33-2247 ♦	HP-1017 ¹
3500	6.7L L6 DSL	33-5005 ♦	HP-4003 ¹
4500	6.4L V8 F/I		HP-1017 ¹
4500	6.7L L6 DSL		HP-4003 ¹
5500	6.4L V8 F/I		HP-1017 ¹
5500	6.7L L6 DSL		HP-4003 ¹
Challenger	3.6L V6 F/I	33-2460	PS-7026
Challenger	5.7L V8 F/I	33-2460 ♦	HP-1017 ¹
Challenger	6.2L V8 F/I	33-2460	HP-2010 ¹
Challenger	6.4L V8 F/I	33-2460	
Charger	3.6L V6 F/I	33-2460	PS-7026
Charger	5.7L V8 F/I	33-2460 ♦	HP-1017 ¹
Charger	6.4L V8 F/I	33-2460	
Durango	3.6L V6 F/I	33-2457 ♦	PS-7026
Durango	5.7L V8 F/I	33-2457 ♦	HP-1017 ¹
Grand Caravan	3.6L V6 F/I	33-2462	PS-7026
Journey	2.4L L4 F/I	33-2423	HP-1017 ¹
Journey	3.6L V6 F/I	33-2470	PS-7026
ProMaster 1500	3.0L L4 DSL	E-9283	
ProMaster 1500	3.6L V6 F/I	E-0656	PS-7026
ProMaster 2500	3.0L L4 DSL	E-9283	
ProMaster 2500	3.6L V6 F/I	E-0656	PS-7026
ProMaster 3500	3.0L L4 DSL	E-9283	
ProMaster 3500	3.6L V6 F/I	E-0656	PS-7026
Viper	8.4L V10 F/I	33-2432	HP-2010 ¹

2016 DODGE			
1500	3.0L V6 DSL	33-2247 ♦	
1500	3.6L V6 F/I	33-2247 ♦	PS-7026
1500	5.7L V8 F/I	33-2247 ♦	HP-1017 ¹
2500	5.7L V8 F/I	33-2247 ♦	HP-1017 ¹
2500	6.4L V8 F/I	33-2247 ♦	HP-1017 ¹
2500	6.7L L6 DSL	33-5005 ♦	HP-4003 ¹
3500	5.7L V8 F/I	33-2247	HP-1017 ¹
3500	6.4L V8 F/I	33-2247 ♦	HP-1017 ¹
3500	6.7L L6 DSL	33-5005 ♦	HP-4003 ¹
4500	6.4L V8 F/I	33-2247	
4500	6.7L L6 DSL	33-5005	HP-4003 ¹
5500	6.4L V8 F/I	33-2247	HP-1017 ¹
5500	6.7L L6 DSL	33-5005	HP-4003 ¹
Challenger	3.6L V6 F/I	33-2460 ♦♦	PS-7026
Challenger	5.7L V8 F/I	33-2460 ♦♦	HP-2010 ¹
Challenger	6.2L V8 F/I	33-2460 ♦♦	HP-2010 ¹
Challenger	6.4L V8 F/I	33-2460+	HP-2010 ¹
		33-2460 ♦♦	HP-2010 ¹
Charger	3.6L V6 F/I	33-2460 ♦♦	PS-7026
Charger	5.7L V8 F/I	33-2460 ♦♦	HP-2010 ¹

* 2 filters required

♦ Intake System Available - see page 84 +Cabin Air Filter Available - see page 453 1- Performance Silver Oil Filter Also Available



Vehicle	Engine Type	Air Filter	Oil Filter
2016 DODGE			
Charger	6.2L V8 F/I	33-2460 ♦♦	HP-2010 ¹
Charger	6.4L V8 F/I	33-2460 ♦♦	HP-2010 ¹
Dart	1.4L L4 F/I	33-2491 ♦	
Dart	2.0L L4 F/I	33-2491 ♦	HP-1017 ¹
Dart	2.4L L4 F/I	33-2491	HP-1017 ¹
Durango	3.6L V6 F/I	33-2457 ♦♦	PS-7026
Durango	5.7L V8 F/I	33-2457 ♦♦	HP-1017 ¹
Grand Caravan	3.6L V6 F/I	33-2462	PS-7026
Journey	2.4L L4 F/I	33-2423+	HP-1017 ¹
Journey	3.6L V6 F/I	33-2470+	PS-7026
Viper	8.4L V10 F/I	33-2432 ♦	HP-2010 ¹

Vehicle	Engine Type	Air Filter	Oil Filter
2015 DODGE			
1500	3.0L V6 DSL	33-2247 ♦	
1500	3.6L V6 F/I	33-2247 ♦	PS-7026
1500	5.7L V8 F/I	33-2247 ♦	HP-1017 ¹
2500	5.7L V8 F/I	33-2247 ♦	HP-1017 ¹
2500	6.4L V8 F/I	33-2247 ♦	HP-1017 ¹
2500	6.7L L6 DSL	33-5005 ♦	HP-4003 ¹
3500	5.7L V8 F/I	33-2247	HP-1017 ¹
3500	6.4L V8 F/I	33-2247 ♦	HP-1017 ¹
3500	6.7L L6 DSL	33-5005 ♦	HP-4003 ¹
4500	6.7L L6 DSL	33-5005	HP-4003 ¹
5500	6.7L L6 DSL	33-5005	HP-4003 ¹
Avenger	2.4L L4 F/I		HP-1017 ¹
Challenger	3.6L V6 F/I	33-2460 ♦♦	PS-7026
Challenger	5.7L V8 F/I	33-2460 ♦♦	HP-2010 ¹
Challenger	6.2L V8 F/I	33-2460 ♦♦	HP-2010 ¹
Challenger	6.4L V8 F/I	33-2460 ♦♦	HP-2010 ¹
Charger	3.6L V6 F/I	33-2460 ♦♦	PS-7026
Charger	5.7L V8 F/I	33-2460 ♦♦	HP-2010 ¹
Charger	6.2L V8 F/I	33-2460 ♦♦	HP-2010 ¹
Charger	6.4L V8 F/I	33-2460 ♦♦	HP-2010 ¹
Dart	1.4L L4 F/I	33-2491 ♦	
Dart	2.0L L4 F/I	33-2491 ♦	HP-1017 ¹
Dart	2.4L L4 F/I	33-2491	HP-1017 ¹
Durango	3.6L V6 F/I	33-2457 ♦♦	PS-7026
Durango	5.7L V8 F/I	33-2457 ♦♦	HP-2010 ¹
Grand Caravan	3.6L V6 F/I	33-2462+	PS-7026
Journey	2.4L L4 F/I	33-2423+	HP-1017 ¹
Journey	3.6L V6 F/I	33-2470+	PS-7026
Viper	8.4L V10 F/I	33-2432 ♦	HP-1017 ¹

Vehicle	Engine Type	Air Filter	Oil Filter
2014 DODGE			
4500	6.4L V8 F/I	33-2247	
5500	6.4L V8 F/I	33-2247	HP-1017 ¹
Avenger	2.4L L4 F/I	33-2373 ♦♦	HP-1017 ¹
Avenger	3.6L V6 F/I	33-2470 ♦♦	PS-7026
Challenger	3.6L V6 F/I	33-2460 ♦♦	PS-7026
Challenger	5.7L V8 F/I	33-2460 ♦♦	HP-2010 ¹
Challenger	6.4L V8 F/I	33-2460 ♦♦	HP-2010 ¹
Charger	3.6L V6 F/I	33-2460 ♦♦	PS-7026
Charger	5.7L V8 F/I	33-2460 ♦♦	HP-2010 ¹
Charger	6.4L V8 F/I	33-2460 ♦♦	HP-2010 ¹
Dart	1.4L L4 F/I	33-2491 ♦	
Dart	2.0L L4 F/I	33-2491 ♦	HP-1017 ¹
Dart	2.4L L4 F/I	33-2491	HP-1017 ¹
Durango	3.6L V6 F/I	33-2457 ♦♦	PS-7026
Durango	5.7L V8 F/I	33-2457 ♦♦	HP-2010 ¹
Grand Caravan	3.6L V6 F/I	33-2462+	PS-7026
Journey	2.4L L4 F/I	33-2423+	HP-1017 ¹
Journey	3.6L V6 F/I	33-2470+	PS-7026
Ram 1500 Pickup	3.0L V6 DSL	33-2247 ♦	
Ram 1500 Pickup	3.6L V6 F/I	33-2247 ♦	PS-7026

Vehicle	Engine Type	Air Filter	Oil Filter
2014 DODGE			
Ram 1500 Pickup	5.7L V8 F/I	33-2247 ♦	HP-1017 ¹
Ram 2500 Pickup	5.7L V8 F/I	33-2247 ♦	HP-1017 ¹
Ram 2500 Pickup	6.4L V8 F/I	33-2247 ♦	HP-1017 ¹
Ram 2500 Pickup	6.7L L6 DSL	33-5005 ♦	HP-4003 ¹
Ram 3500 Pickup	5.7L V8 F/I	33-2247	
Ram 3500 Pickup	6.4L V8 F/I	33-2247 ♦	HP-1017 ¹
Ram 3500 Pickup	6.7L L6 DSL	33-5005 ♦	HP-4003 ¹
Ram 4500	6.7L L6 DSL	33-5005	HP-4003 ¹
Ram 5500	6.7L L6 DSL	33-5005	HP-4003 ¹
Viper	8.4L V10 F/I	33-2432 ♦	

Vehicle	Engine Type	Air Filter	Oil Filter
2013 DODGE			
Avenger	2.4L L4 F/I	33-2373 ♦♦	HP-1017 ¹
Avenger	3.6L V6 F/I	33-2470 ♦♦	PS-7026
Cargo Van	3.6L V6 F/I	33-2462	
Challenger	3.6L V6 F/I	33-2460 ♦♦	PS-7026
Challenger	5.7L V8 F/I	33-2460 ♦♦	HP-2010 ¹
Challenger	6.4L V8 F/I	33-2460 ♦♦	HP-2010 ¹
Charger	3.6L V6 F/I	33-2460 ♦♦	PS-7026
Charger	5.7L V8 F/I	33-2460 ♦♦	HP-2010 ¹
Charger	6.4L V8 F/I	33-2460 ♦♦	HP-2010 ¹
Dart	1.4L L4 F/I	33-2491 ♦	
Dart	2.0L L4 F/I	33-2491 ♦	HP-1017 ¹
Dart	2.4L L4 F/I	33-2491	HP-1017 ¹
Durango	3.6L V6 F/I	33-2457 ♦♦	PS-7026
Durango	5.7L V8 F/I	33-2457 ♦♦	HP-2010 ¹
Grand Caravan	3.6L V6 F/I	33-2462+	PS-7026
Journey	2.4L L4 F/I	33-2423+	HP-1017 ¹
Journey	3.6L V6 F/I	33-2470+	PS-7026
Ram 1500 Pickup	3.6L V6 F/I	33-2247 ♦	PS-7026
Ram 1500 Pickup	4.7L V8 F/I	33-2247 ♦	HP-2010 ¹
Ram 1500 Pickup	5.7L V8 F/I	33-2247 ♦	HP-1017 ¹
Ram 2500 Pickup	5.7L V8 F/I	33-2247 ♦	HP-1017 ¹
Ram 2500 Pickup	6.7L L6 DSL	33-5005 ♦	HP-4003 ¹
Ram 3500 Pickup	5.7L V8 F/I	33-2247	HP-1017 ¹
Ram 3500 Pickup	6.7L L6 DSL	33-5005 ♦	HP-4003 ¹
Ram 4500	6.7L L6 DSL	33-5005	
Ram 5500	6.7L L6 DSL	33-5005	HP-4003 ¹
Viper	8.4L V10 F/I	33-2432 ♦	

Vehicle	Engine Type	Air Filter	Oil Filter
2012 DODGE			
Avenger	2.4L L4 F/I	33-2373 ♦♦	HP-1017 ¹
Avenger	3.6L V6 F/I	33-2470 ♦♦	PS-7026
Caliber	2.0L L4 F/I	E-1998+	HP-1017 ¹
Caliber	2.4L L4 F/I		HP-1017 ¹
Cargo Van	3.6L V6 F/I	33-2462+	
Challenger	3.6L V6 F/I	33-2460 ♦♦	PS-7026
Challenger	5.7L V8 F/I	33-2460 ♦♦	HP-2010 ¹
Challenger	6.4L V8 F/I	33-2460 ♦♦	HP-2010 ¹
Charger	3.6L V6 F/I	33-2460 ♦♦	PS-7026
Charger	5.7L V8 F/I	33-2460 ♦♦	HP-2010 ¹
Charger	6.4L V8 F/I	33-2460 ♦♦	HP-2010 ¹
Dakota	3.7L V6 F/I		HP-2011 ¹
Durango	3.6L V6 F/I	33-2457 ♦♦	PS-7026
Durango	5.7L V8 F/I	33-2457 ♦♦	HP-2010 ¹
Grand Caravan	3.6L V6 F/I	33-2462+	PS-7026
Journey	2.4L L4 F/I	33-2423+	HP-1017 ¹
Journey	3.6L V6 F/I	33-2470+	PS-7026
Ram 1500 Pickup	3.7L V6 F/I	33-2247	HP-2011 ¹
Ram 1500 Pickup	4.7L V8 F/I	33-2247 ♦	HP-2010 ¹
Ram 1500 Pickup	5.7L V8 F/I	33-2247 ♦	HP-2010 ¹
Ram 2500 Pickup	5.7L V8 F/I	33-2247	HP-2010 ¹
Ram 2500 Pickup	6.7L L6 DSL	E-0787 ♦	HP-4003 ¹
Ram 3500 Pickup	5.7L V8 F/I	33-2247	HP-2010 ¹

* 2 filters required ♦ Intake System Available - see page 84 + Cabin Air Filter Available - see page 453 1- Performance Silver Oil Filter Also Available



AIR & OIL FILTERS

DODGE

Vehicle	Engine Type	Air Filter	Oil Filter
2012 DODGE			
Ram 3500 Pickup	6.7L L6 DSL	E-0787 ♦	HP-4003 ¹
Ram 4500	6.7L L6 DSL	E-0787	HP-4003 ¹
Ram 5500	6.7L L6 DSL	E-0787	HP-4003 ¹

2011 DODGE			
Avenger	2.4L L4 F/I	33-2373+	HP-1017 ¹
Avenger	3.6L V6 F/I	33-2470 ♦♦	PS-7025
Caliber	2.0L L4 F/I	E-1998+	HP-1017 ¹
Caliber	2.4L L4 F/I	E-1998+	HP-1017 ¹
Challenger	3.6L V6 F/I	33-2460 ♦♦	PS-7025
Challenger	5.7L V8 F/I	33-2460 ♦♦	HP-2010 ¹
Challenger	6.4L V8 F/I	33-2460 ♦♦	HP-2010 ¹
Charger	3.6L V6 F/I	33-2460 ♦♦	PS-7025
Charger	5.7L V8 F/I	33-2460 ♦♦	HP-2010 ¹
Dakota	3.7L V6 F/I	33-2175	HP-2011 ¹
Dakota	4.7L V8 F/I	33-2175	HP-2010 ¹
Durango	3.6L V6 F/I	33-2457 ♦♦	PS-7025
Durango	5.7L V8 F/I	33-2457 ♦♦	HP-2010 ¹
Grand Caravan	3.6L V6 F/I	33-2462+	PS-7025
Journey	2.4L L4 F/I	33-2423+	HP-1017 ¹
Journey	3.6L V6 F/I	33-2470+	PS-7025
Nitro	3.7L V6 F/I	33-2363 ♦	HP-2011 ¹
Nitro	4.0L V6 F/I	33-2363 ♦	HP-1017 ¹
Ram 1500 Pickup	3.7L V6 F/I	33-2247 ♦	HP-2011 ¹
Ram 1500 Pickup	4.7L V8 F/I	33-2247 ♦	HP-2010 ¹
Ram 1500 Pickup	5.7L V8 F/I	33-2247 ♦	HP-2010 ¹
Ram 2500 Pickup	5.7L V8 F/I	33-2247	HP-2010 ¹
Ram 2500 Pickup	6.7L L6 DSL	E-0787 ♦	HP-4003 ¹
Ram 3500 Pickup	5.7L V8 F/I	33-2247	HP-2010 ¹
Ram 3500 Pickup	6.7L L6 DSL	E-0787 ♦	HP-4003 ¹
Ram 4500	6.7L L6 DSL	E-0787	HP-4003 ¹
Ram 5500	6.7L L6 DSL	E-0787	HP-4003 ¹

2010 DODGE			
Avenger	2.0L L4 DSL	33-2373	
Avenger	2.4L L4 F/I	33-2373 ♦♦	HP-1017 ¹
Avenger	2.7L V6 F/I	33-2373+	HP-1017 ¹
Avenger	3.5L V6 F/I	33-2373 ♦♦	HP-1017 ¹
Caliber	2.0L L4 DSL	33-2362	
Caliber	2.0L L4 F/I	33-2362 ♦♦	HP-1017 ¹
Caliber	2.4L L4 F/I	33-2362 ♦♦	HP-1017 ¹
Challenger	3.5L V6 F/I	33-2295 ♦♦	HP-1017 ¹
Challenger	5.7L V8 F/I	33-2295 ♦♦	HP-2010 ¹
Challenger	6.1L V8 F/I	33-2295 ♦♦	HP-2010 ¹
Charger	2.7L V6 F/I	33-2295 ♦♦	HP-1017 ¹
Charger	3.5L V6 F/I	33-2295 ♦♦	HP-1017 ¹
Charger	5.7L V8 F/I	33-2295 ♦♦	HP-2010 ¹
Charger	6.1L V8 F/I	33-2295 ♦♦	HP-2010 ¹
Dakota	3.7L V6 F/I	33-2175	HP-2011 ¹
Dakota	4.7L V8 F/I	33-2175 ♦	HP-2010 ¹
Grand Caravan	3.3L V6 F/I	33-2419+	HP-1002 ¹
Grand Caravan	3.8L V6 F/I	33-2419+	HP-1002 ¹
Grand Caravan	4.0L V6 F/I	33-2419+	HP-1017 ¹
Journey	2.0L L4 DSL	33-2423	
Journey	2.4L L4 F/I	33-2423+	HP-1017 ¹
Journey	2.7L V6 F/I	33-2423	
Journey	3.5L V6 F/I	33-2423+	HP-1017 ¹
Nitro	3.7L V6 F/I	33-2363 ♦	HP-2011 ¹
Nitro	4.0L V6 F/I	33-2363 ♦	HP-1017 ¹
Ram 1500 Pickup	3.7L V6 F/I	33-2247 ♦	HP-2011 ¹
Ram 1500 Pickup	4.7L V8 F/I	33-2247 ♦	HP-2010 ¹
Ram 1500 Pickup	5.7L V8 F/I	33-2247 ♦	HP-2010 ¹
Ram 2500 Pickup	5.7L V8 F/I	33-2247	HP-2010 ¹
Ram 2500 Pickup	5.9L L6 DSL		HP-4003 ¹

Vehicle	Engine Type	Air Filter	Oil Filter
2010 DODGE			
Ram 2500 Pickup	6.7L L6 DSL	E-0787 ♦	HP-4003 ¹
Ram 3500 Pickup	6.7L L6 DSL	E-0787 ♦	HP-4003 ¹
Ram 4500	6.7L L6 DSL	E-0787	
Ram 5500	6.7L L6 DSL	E-0787	
Viper	8.4L V10 F/I	33-2432 ♦	HP-2010 ¹

2009 DODGE			
Avenger	2.4L L4 F/I	33-2373 ♦♦	HP-1017 ¹
Avenger	2.7L V6 F/I	33-2373+	HP-2010 ¹
Avenger	3.5L V6 F/I	33-2373 ♦♦	HP-2010 ¹
Caliber	1.8L L4 F/I	33-2362 ♦♦	HP-1017 ¹
Caliber	2.0L L4 DSL	33-2362	
Caliber	2.0L L4 F/I	33-2362 ♦♦	HP-1017 ¹
Caliber	2.4L L4 F/I	33-2362 ♦♦	HP-1017 ¹
Caliber SRT-4	2.4L L4 F/I	E-1988 ♦♦	HP-2010 ¹
Challenger	3.5L V6 F/I	33-2295 ♦♦	HP-1017 ¹
Challenger	5.7L V8 F/I	33-2295 ♦♦	HP-2010 ¹
Challenger	6.1L V8 F/I	33-2295 ♦♦	HP-2010 ¹
Charger	2.7L V6 F/I	33-2295 ♦♦	HP-1017 ¹
Charger	3.5L V6 F/I	33-2295 ♦♦	HP-2010 ¹
Charger	5.7L V8 F/I	33-2295 ♦♦	HP-2010 ¹
Charger	6.1L V8 F/I	33-2295 ♦♦	HP-2010 ¹
Dakota	3.7L V6 F/I	33-2175	HP-2011 ¹
Dakota	4.7L V8 F/I	33-2175 ♦	HP-2010 ¹
Durango	4.7L V8 F/I	33-2288 ♦	HP-2010 ¹
Durango	5.7L V8 F/I	33-2288 ♦	HP-2010 ¹
Durango Hybrid	5.7L V8 F/I	E-1991	HP-2010 ¹
Grand Caravan	3.3L V6 F/I	33-2419+	HP-1002 ¹
Grand Caravan	3.8L V6 F/I	33-2419+	HP-1002 ¹
Grand Caravan	4.0L V6 F/I	33-2419+	HP-1017 ¹
Journey	2.4L L4 F/I	33-2423+	HP-1017 ¹
Journey	3.5L V6 F/I	33-2423+	HP-1017 ¹
Nitro	3.7L V6 F/I	33-2363	HP-2011 ¹
Nitro	4.0L V6 F/I	33-2363 ♦	HP-1017 ¹
Ram 1500 Pickup	3.7L V6 F/I	33-2247 ♦	HP-2011 ¹
Ram 1500 Pickup	4.7L V8 F/I	33-2247 ♦	HP-2010 ¹
Ram 1500 Pickup	5.7L V8 F/I	33-2247 ♦	HP-2010 ¹
Ram 2500 Pickup	5.7L V8 F/I	33-2247	HP-2010 ¹
Ram 2500 Pickup	5.9L L6 DSL	E-0776	HP-4003 ¹
Ram 2500 Pickup	6.7L L6 DSL	E-0784 ♦	HP-4003 ¹
Ram 3500 Pickup	5.9L L6 DSL	E-0776	HP-4003 ¹
Ram 3500 Pickup	6.7L L6 DSL	E-0784 ♦	HP-4003 ¹
Ram 5500	6.7L L6 DSL		HP-4003 ¹
Viper	8.4L V10 F/I	33-2432 ♦	HP-2010 ¹

2008 DODGE			
Avenger	2.0L L4 DSL	33-2373	
Avenger	2.0L L4 F/I		HP-1017 ¹
Avenger	2.4L L4 F/I	33-2373 ♦♦	HP-1017 ¹
Avenger	2.7L V6 F/I	33-2373+	HP-2010 ¹
Avenger	3.5L V6 F/I	33-2373 ♦♦	
Avenger	3.5L V6 F/I - 22mm Thread	33-2373	HP-2010 ¹
Avenger	3.5L V6 F/I - 3/4 thread	33-2373	HP-2004 ¹
Caliber	1.8L L4 F/I	33-2362 ♦♦	HP-1017 ¹
Caliber	2.0L L4 DSL	33-2362	
Caliber	2.0L L4 F/I	33-2362 ♦♦	HP-1017 ¹
Caliber	2.4L L4 F/I	33-2362 ♦♦	HP-1017 ¹
Caliber SRT-4	2.4L L4 F/I	E-1988 ♦♦	HP-2010 ¹
Caravan	3.3L V6 F/I	33-2419	
Challenger	6.1L V8 F/I	33-2295 ♦♦	HP-2010 ¹
Charger	2.7L V6 F/I	33-2295 ♦♦	HP-2010 ¹
Charger	3.5L V6 F/I	33-2295 ♦♦	HP-2010 ¹
Charger	5.7L V8 F/I	33-2295 ♦♦	HP-2010 ¹

* 2 filters required

♦ Intake System Available - see page 84 +Cabin Air Filter Available - see page 453 1- Performance Silver Oil Filter Also Available



Vehicle	Engine Type	Air Filter	Oil Filter
2008 DODGE			
Charger	6.1L V8 F/I	33-2295 ♦+	HP-2010 ¹
Dakota	3.7L V6 F/I	33-2175 ♦	HP-2009 ¹
Dakota	4.7L V8 F/I	33-2175 ♦	HP-2010 ¹
Durango	3.7L V6 F/I	33-2288	
Durango	4.7L V8 F/I	33-2288 ♦	HP-2010 ¹
Durango	5.7L V8 F/I	33-2288 ♦	HP-2010 ¹
Grand Caravan	3.3L V6 F/I	33-2419 +	HP-1002 ¹
Grand Caravan	3.8L V6 F/I	33-2419 +	HP-1002 ¹
Grand Caravan	4.0L V6 F/I	33-2419 +	HP-2004 ¹
Magnum	2.7L V6 F/I	33-2295 ♦+	HP-2010 ¹
Magnum	3.5L V6 F/I	33-2295 ♦+	HP-2010 ¹
Magnum	5.7L V8 F/I	33-2295 ♦+	HP-2010 ¹
Nitro	2.8L L4 DSL	33-2363	
Nitro	3.7L V6 F/I	33-2363 ♦	HP-2009 ¹
Nitro	4.0L V6 F/I	33-2363 ♦	HP-2004 ¹
Ram 1500 Pickup	3.7L V6 F/I	33-2247 ♦	HP-2009 ¹
Ram 1500 Pickup	4.7L V8 F/I	33-2247 ♦	HP-2010 ¹
Ram 1500 Pickup	5.7L V8 F/I	33-2247 ♦	HP-2010 ¹
Ram 2500 Pickup	5.7L V8 F/I	33-2247 ♦	HP-2010 ¹
Ram 2500 Pickup	5.9L L6 DSL	E-0776	HP-4003 ¹
Ram 2500 Pickup	6.7L L6 DSL	E-0784 ♦	HP-4003 ¹
Ram 3500 Pickup	5.7L V8 F/I	33-2247 ♦	
Ram 3500 Pickup	5.9L L6 DSL	E-0776	HP-4003 ¹
Ram 3500 Pickup	6.7L L6 DSL	E-0784 ♦	HP-4003 ¹
Ram 4500	6.7L L6 DSL		HP-4003 ¹
Ram 5500	6.7L L6 DSL		HP-4003 ¹
Sprinter 2500	3.0L V6 DSL	33-2391	PS-7028
Sprinter 2500	3.5L V6 F/I	33-2391	
Sprinter 3500	3.0L V6 DSL	33-2391	PS-7028
Viper	8.4L V10 F/I	33-2432 ♦	

2007 DODGE			
Avenger	2.0L L4 DSL	33-2373	
Caliber	1.8L L4 F/I	33-2362 ♦+	HP-1017 ¹
Caliber	2.0L L4 DSL	33-2362	
Caliber	2.0L L4 F/I	33-2362 ♦+	HP-1017 ¹
Caliber	2.4L L4 F/I	33-2362 ♦+	HP-1017 ¹
Caravan	3.3L V6 F/I	33-2206 +	HP-1002 ¹
Charger	2.7L V6 F/I	33-2295 ♦+	HP-2004 ¹
Charger	3.5L V6 F/I	33-2295 ♦+	HP-2004 ¹
Charger	5.7L V8 F/I	33-2295 ♦+	HP-2004 ¹
Charger	6.1L V8 F/I	33-2295 ♦+	HP-2004 ¹
Dakota	3.7L V6 F/I	33-2175 ♦	HP-2009 ¹
Dakota	4.7L V8 F/I	33-2175 ♦	HP-2004 ¹
Durango	4.7L V8 F/I	33-2288 ♦	HP-2004 ¹
Durango	5.7L V8 F/I	33-2288 ♦	HP-2004 ¹
Grand Caravan	3.3L V6 F/I	33-2206 +	HP-1002 ¹
Grand Caravan	3.8L V6 F/I	33-2206 +	HP-1002 ¹
Magnum	2.7L V6 F/I	33-2295 ♦+	HP-2004 ¹
Magnum	3.5L V6 F/I	33-2295 ♦+	HP-2004 ¹
Magnum	5.7L V8 F/I	33-2295 ♦+	HP-2004 ¹
Magnum	6.1L V8 F/I	33-2295 ♦+	HP-2004 ¹
Nitro	2.8L L4 DSL	33-2363	
Nitro	3.7L V6 F/I	33-2363 ♦	HP-2009 ¹
Nitro	4.0L V6 F/I	33-2363 ♦	HP-2004 ¹
Ram 1500 Pickup	3.7L V6 F/I	33-2247 ♦	HP-2009 ¹
Ram 1500 Pickup	4.7L V8 F/I	33-2247 ♦	HP-2004 ¹
Ram 1500 Pickup	5.7L V8 F/I	33-2247 ♦	HP-2004 ¹
Ram 2500 Pickup	5.7L V8 F/I	33-2247 ♦	HP-2004 ¹
Ram 2500 Pickup	5.9L L6 DSL	E-0776 ♦	HP-4003 ¹
Ram 2500 Pickup	6.7L L6 DSL	E-0784 ♦	HP-4003 ¹
Ram 3500 Pickup	5.7L V8 F/I	33-2247 ♦	HP-2004 ¹
Ram 3500 Pickup	5.9L L6 DSL	E-0776 ♦	HP-4003 ¹

Vehicle	Engine Type	Air Filter	Oil Filter
2007 DODGE			
Ram 3500 Pickup	6.7L L6 DSL	E-0784 ♦	HP-4003 ¹
Sprinter 2500	3.0L V6 DSL	33-2391	PS-7028
Sprinter 3500	3.0L V6 DSL	33-2391	
2006 DODGE			
Caravan	3.3L V6 F/I	33-2206 +	HP-2004 ¹
Charger	2.7L V6 F/I	33-2295 ♦+	HP-2004 ¹
Charger	3.5L V6 F/I	33-2295 ♦+	HP-2004 ¹
Charger	5.7L V8 F/I	33-2295 ♦+	HP-2004 ¹
Charger	6.1L V8 F/I	33-2295 ♦+	HP-2004 ¹
Dakota	3.7L V6 F/I	33-2175 ♦	HP-2009 ¹
Dakota	4.7L V8 F/I	33-2175 ♦	HP-2004 ¹
Durango	3.7L V6 F/I	33-2288	HP-2009 ¹
Durango	4.7L V8 F/I	33-2288 ♦	HP-2004 ¹
Durango	5.7L V8 F/I	33-2288 ♦	HP-2004 ¹
Grand Caravan	3.3L V6 F/I	33-2206 +	HP-2004 ¹
Grand Caravan	3.8L V6 F/I	33-2206 +	HP-2004 ¹
Magnum	2.7L V6 F/I	33-2295 ♦+	HP-2004 ¹
Magnum	3.5L V6 F/I	33-2295 ♦+	HP-2004 ¹
Magnum	5.7L V8 F/I	33-2295 ♦+	HP-2004 ¹
Magnum	6.1L V8 F/I	33-2295 ♦+	HP-2004 ¹
Ram 1500 Pickup	3.7L V6 F/I	33-2247 ♦	HP-2009 ¹
Ram 1500 Pickup	4.7L V8 F/I	33-2247 ♦	HP-2004 ¹
Ram 1500 Pickup	5.7L V8 F/I	33-2247 ♦	HP-2004 ¹
Ram 2500 Pickup	5.7L V8 F/I	33-2247 ♦	HP-2004 ¹
Ram 2500 Pickup	5.9L L6 DSL	E-0776 ♦	HP-4003 ¹
Ram 3500 Pickup	5.7L V8 F/I	33-2247 ♦	HP-2004 ¹
Ram 3500 Pickup	5.9L L6 DSL	E-0776 ♦	HP-4003 ¹
Ram SRT-10	8.3L V10 F/I	33-2297 ♦	HP-2004 ¹
Sprinter 2500	2.7L L5 DSL	33-2319	PS-7004
Sprinter 3500	2.7L L5 DSL	33-2319	PS-7004
Stratus	2.0L L4 F/I		HP-1002 ¹
Stratus	2.4L L4 F/I	E-1007	HP-1002 ¹
Stratus	2.7L V6 F/I	E-1007	HP-2004 ¹
Viper	8.3L V10 F/I		HP-2004 ¹

2005 DODGE			
Caravan	2.4L L4 F/I	33-2206 +	
Caravan	3.3L V6 F/I	33-2206 +	HP-2004 ¹
Dakota	3.7L V6 F/I	33-2175 ♦	HP-2009 ¹
Dakota	4.7L V8 F/I	33-2175 ♦	HP-2004 ¹
Durango	3.7L V6 F/I	33-2288	HP-2009 ¹
Durango	4.7L V8 F/I	33-2288 ♦	HP-2004 ¹
Durango	5.7L V8 F/I	33-2288 ♦	HP-2004 ¹
Grand Caravan	3.3L V6 F/I	33-2206 +	HP-2004 ¹
Grand Caravan	3.8L V6 F/I	33-2206 +	HP-2004 ¹
Magnum	2.7L V6 F/I	33-2295 ♦+	HP-2004 ¹
Magnum	3.5L V6 F/I	33-2295 ♦+	HP-2004 ¹
Magnum	5.7L V8 F/I	33-2295 ♦+	HP-2004 ¹
Neon	2.0L L4 F/I	E-1006 ♦	HP-1002 ¹
Neon SRT-4	2.4L L4 F/I	E-1006 ♦	HP-2009 ¹
Ram 1500 Pickup	3.7L V6 F/I	33-2247 ♦	HP-2009 ¹
Ram 1500 Pickup	4.7L V8 F/I	33-2247 ♦	HP-2004 ¹
Ram 1500 Pickup	5.7L V8 F/I	33-2247 ♦	HP-2004 ¹
Ram 2500 Pickup	5.7L V8 F/I	33-2247 ♦	HP-2004 ¹
Ram 2500 Pickup	5.9L L6 DSL	E-0776 ♦	HP-4003 ¹
Ram 3500 Pickup	5.7L V8 F/I	33-2247 ♦	HP-2004 ¹
Ram 3500 Pickup	5.9L L6 DSL	E-0776 ♦	HP-4003 ¹
Ram SRT-10	8.3L V10 F/I	33-2297 ♦	HP-2004 ¹
Sprinter 2500	2.7L L5 DSL	33-2319	PS-7004
Sprinter 3500	2.7L L5 DSL	33-2319	PS-7004
Stratus	2.4L L4 F/I - Coupe	33-2072	HP-1010 ¹
Stratus	2.4L L4 F/I - Sedan	E-1007	HP-1002 ¹
Stratus	2.7L V6 F/I	E-1007	HP-2004 ¹

* 2 filters required

♦ Intake System Available - see page 84 +Cabin Air Filter Available - see page 453 1- Performance Silver Oil Filter Also Available



AIR & OIL FILTERS

DODGE

Vehicle	Engine Type	Air Filter	Oil Filter
2005 DODGE			
Stratus	3.0L V6 F/I		HP-1004 ¹
SX 2.0	2.0L L4 F/I	E-1006	HP-1002 ¹
Viper	8.3L V10 F/I		HP-2004 ¹
2004 DODGE			
Caravan	3.3L V6 F/I	33-2206+	
Dakota	3.7L V6 F/I	33-2175	HP-2009 ¹
Dakota	4.7L V8 F/I	33-2175 ♦	HP-2004 ¹
Durango	4.7L V8 F/I	33-2288 ♦	HP-2004 ¹
Durango	5.7L V8 F/I	33-2288 ♦	HP-2004 ¹
Grand Caravan	3.3L V6 F/I	33-2206+	
Grand Caravan	3.8L V6 F/I	33-2206+	HP-2004 ¹
Intrepid	2.7L V6 F/I	33-2136 ♦	HP-2004 ¹
Intrepid	3.5L V6 F/I	33-2136	HP-2004 ¹
Intrepid SXT	3.5L V6 F/I		HP-2004 ¹
Neon	2.0L L4 F/I	E-1006 ♦	HP-1002 ¹
Neon SRT-4	2.4L L4 F/I	E-1006 ♦	HP-2009 ¹
Ram 1500 Pickup	3.7L V6 F/I	33-2247 ♦	HP-2009 ¹
Ram 1500 Pickup	4.7L V8 F/I	33-2247 ♦	HP-2004 ¹
Ram 1500 Pickup	5.7L V8 F/I	33-2247 ♦	HP-2004 ¹
Ram 2500 Pickup	5.7L V8 F/I	33-2247 ♦	HP-2004 ¹
Ram 2500 Pickup	5.9L L6 DSL	E-0776 ♦	HP-4003 ¹
Ram 3500 Pickup	5.7L V8 F/I	33-2247 ♦	HP-2004 ¹
Ram 3500 Pickup	5.9L L6 DSL	E-0776 ♦	HP-4003 ¹
Ram SRT-10	8.3L V10 F/I	33-2297 ♦	HP-2004 ¹
Sprinter 2500	2.7L L5 DSL	33-2319	PS-7004
Sprinter 3500	2.7L L5 DSL	33-2319	
Stratus	2.4L L4 F/I - Coupe	33-2072	HP-1010 ¹
Stratus	2.4L L4 F/I - Sedan	E-1007	HP-1002 ¹
Stratus	2.7L V6 F/I	E-1007	HP-2004 ¹
Stratus	3.0L V6 F/I	33-2072	HP-1004 ¹
SX 2.0	2.0L L4 F/I	E-1006	HP-1002 ¹
Viper	8.3L V10 F/I		HP-2004 ¹

Vehicle	Engine Type	Air Filter	Oil Filter
2003 DODGE			
Caravan	3.3L V6 F/I	33-2206+	HP-2004 ¹
Dakota	3.9L V6 F/I	33-2175	HP-2004 ¹
Dakota	4.7L V8 F/I	33-2175 ♦	HP-2004 ¹
Dakota	5.9L V8 F/I	33-2175 ♦	HP-2004 ¹
Durango	4.7L V8 F/I	33-2175 ♦	HP-2004 ¹
Durango	5.9L V8 F/I	33-2175 ♦	HP-2004 ¹
Grand Caravan	3.3L V6 F/I	33-2206+	HP-2004 ¹
Grand Caravan	3.8L V6 F/I	33-2206+	HP-2004 ¹
Neon	2.0L L4 F/I	E-1006 ♦	HP-1002 ¹
Neon R/T	2.0L L4 F/I	E-1006 ♦	HP-1002 ¹
Neon SRT-4	2.4L L4 F/I	E-1006 ♦	HP-2009 ¹
Ram 1500 Pickup	3.7L V6 F/I	33-2247 ♦	HP-2009 ¹
Ram 1500 Pickup	4.7L V8 F/I	33-2247 ♦	HP-2004 ¹
Ram 1500 Pickup	5.7L V8 F/I	33-2247 ♦	HP-2004 ¹
Ram 1500 Pickup	5.9L V8 F/I	33-2247 ♦	HP-2004 ¹
Ram 1500 Van	5.2L V8 F/I	E-1100	HP-2004 ¹
Ram 2500 Pickup	5.7L V8 F/I	33-2247 ♦	HP-2004 ¹
Ram 2500 Pickup	5.9L L6 DSL	E-0776 ♦	HP-4003 ¹
Ram 2500 Pickup	8.0L V10 F/I	33-2247	HP-2004 ¹
Ram 2500 Van	5.9L V8 F/I	E-1100	HP-2004 ¹
Ram 3500 Pickup	5.7L V8 F/I	33-2247 ♦	HP-2004 ¹
Ram 3500 Pickup	5.9L L6 DSL	E-0776 ♦	HP-4003 ¹
Ram 3500 Pickup	8.0L V10 F/I	33-2247	HP-2004 ¹
Stratus	2.4L L4 F/I - Coupe	33-2072	HP-1010 ¹
Stratus	2.4L L4 F/I - Sedan	E-1007	HP-1002 ¹
Stratus	3.0L V6 F/I	33-2072	HP-1004 ¹
SX 2.0	2.0L L4 F/I		HP-1002 ¹
Viper	8.3L V10 F/I		HP-2004 ¹

Vehicle	Engine Type	Air Filter	Oil Filter
2002 DODGE			
Caravan	3.3L V6 F/I	33-2206+	HP-2004 ¹
Dakota	3.9L V6 F/I	33-2175	HP-2004 ¹
Dakota	4.7L V8 F/I	33-2175 ♦	HP-2004 ¹
Dakota	5.9L V8 F/I	33-2175 ♦	HP-2004 ¹
Durango	4.7L V8 F/I	33-2175 ♦	HP-2004 ¹
Durango	5.9L V8 F/I	33-2175 ♦	HP-2004 ¹
Grand Caravan	3.3L V6 F/I	33-2206+	HP-2004 ¹
Grand Caravan	3.8L V6 F/I	33-2206+	HP-2004 ¹
Intrepid	2.7L V6 F/I	33-2136 ♦	HP-2004 ¹
Intrepid	3.5L V6 F/I	33-2136 ♦	HP-2004 ¹
Neon	2.0L L4 F/I	E-1006 ♦	HP-1002 ¹
Neon ACR	2.0L L4 F/I	E-1006 ♦	HP-1002 ¹
Neon R/T	2.0L L4 F/I	E-1006 ♦	HP-1002 ¹
Ram 1500 Pickup	3.7L V6 F/I	33-2247 ♦	HP-2009 ¹
Ram 1500 Pickup	4.7L V8 F/I	33-2247 ♦	HP-2004 ¹
Ram 1500 Pickup	5.9L V8 F/I	33-2247 ♦	HP-2004 ¹
Ram 1500 Van	5.2L V8 F/I	E-1100	HP-2004 ¹
Ram 1500 Van	5.9L V8 F/I	E-1100	HP-2004 ¹
Ram 2500 Pickup	5.9L L6 DSL	33-2056 ♦	HP-4003 ¹
Ram 2500 Pickup	5.9L V8 F/I	33-2084 ♦	HP-2004 ¹
Ram 2500 Pickup	8.0L V10 F/I	33-2058 ♦	HP-2004 ¹
Ram 2500 Van	5.9L V8 F/I	E-1100	HP-2004 ¹
Ram 3500 Pickup	5.9L L6 DSL	33-2056 ♦	HP-4003 ¹
Ram 3500 Pickup	5.9L V8 F/I	33-2084	HP-2004 ¹
Ram 3500 Pickup	8.0L V10 F/I	33-2058 ♦	
Stratus	2.4L L4 F/I - Coupe	33-2072	HP-1010 ¹
Stratus	2.4L L4 F/I - Sedan	E-1007	HP-1002 ¹
Stratus	2.7L V6 F/I	E-1007	HP-2004 ¹
Stratus	3.0L V6 F/I	33-2072	HP-1004 ¹
Viper	8.0L V10 F/I	33-2085*	HP-2004 ¹

Vehicle	Engine Type	Air Filter	Oil Filter
2001 DODGE			
Caravan	3.3L V6 F/I	33-2206+	HP-2004 ¹
Dakota	2.5L L4 F/I	33-2175	HP-2004 ¹
Dakota	3.9L V6 F/I	33-2175	HP-2004 ¹
Dakota	4.7L V8 F/I	33-2175 ♦	HP-2004 ¹
Dakota	5.9L V8 F/I	33-2175 ♦	HP-2004 ¹
Durango	4.7L V8 F/I	33-2175 ♦	HP-2004 ¹
Durango	5.9L V8 F/I	33-2175 ♦	HP-2004 ¹
Grand Caravan	3.3L V6 F/I	33-2206+	HP-2004 ¹
Grand Caravan	3.8L V6 F/I	33-2206+	HP-2004 ¹
Neon	2.0L L4 F/I	E-1006 ♦	HP-1002 ¹
Neon ACR	2.0L L4 F/I	E-1006 ♦	HP-1002 ¹
Neon R/T	2.0L L4 F/I	E-1006 ♦	HP-1002 ¹
Ram 1500 Pickup	3.9L V6 F/I	33-2084 ♦	HP-2004 ¹
Ram 1500 Pickup	5.2L V8 F/I	33-2084 ♦	HP-2004 ¹
Ram 1500 Pickup	5.9L V8 F/I	33-2084 ♦	HP-2004 ¹
Ram 1500 Van	5.2L V8 F/I	E-1100	HP-2004 ¹
Ram 2500 Pickup	5.9L L6 DSL	33-2056 ♦	HP-4003 ¹
Ram 2500 Pickup	5.9L V8 F/I	33-2084 ♦	HP-2004 ¹
Ram 2500 Pickup	8.0L V10 F/I	33-2058 ♦	HP-2004 ¹
Ram 2500 Van	5.2L V8 F/I	E-1100	HP-2004 ¹
Ram 2500 Van	5.9L V8 F/I	E-1100	HP-2004 ¹
Ram 3500 Pickup	5.9L L6 DSL	33-2056 ♦	HP-4003 ¹
Ram 3500 Pickup	5.9L V8 F/I	33-2084	HP-2004 ¹
Ram 3500 Pickup	8.0L V10 F/I	33-2058 ♦	HP-2004 ¹
Stratus	2.4L L4 F/I - Coupe	33-2072	HP-1010 ¹
Stratus	2.4L L4 F/I - Sedan	E-1007	HP-1002 ¹
Stratus	3.0L V6 F/I	33-2072	HP-1004 ¹
Viper	8.0L V10 F/I	33-2085*	HP-2004 ¹

Vehicle	Engine Type	Air Filter	Oil Filter
2000 DODGE			
Avenger	2.5L V6 F/I	33-2072 ♦	HP-2004 ¹
Dakota	2.5L L4 F/I	33-2175	HP-2004 ¹

* 2 filters required

♦ Intake System Available - see page 84 +Cabin Air Filter Available - see page 453 1- Performance Silver Oil Filter Also Available



Vehicle	Engine Type	Air Filter	Oil Filter
2000 DODGE			
Dakota	3.9L V6 F/I	33-2175	HP-2004 ¹
Dakota	4.7L V8 F/I	33-2175 ♦	HP-2004 ¹
Dakota	5.9L V8 F/I	33-2175 ♦	HP-2004 ¹
Durango	4.7L V8 F/I	33-2175 ♦	HP-2004 ¹
Durango	5.2L V8 F/I	33-2175 ♦	HP-2004 ¹
Durango	5.9L V8 F/I	33-2175 ♦	HP-2004 ¹
Grand Caravan	3.3L V6 F/I	33-2087	HP-2004 ¹
Intrepid	2.7L V6 F/I	33-2136 ♦	HP-2004 ¹
Intrepid	3.2L V6 F/I	33-2136	HP-2004 ¹
Intrepid	3.5L V6 F/I	33-2136 ♦	HP-2004 ¹
Neon	2.0L L4 F/I	E-1006 ♦	HP-1002 ¹
Ram 1500 Pickup	3.9L V6 F/I	33-2084 ♦	HP-2004 ¹
Ram 1500 Pickup	5.2L V8 F/I	33-2084 ♦	HP-2004 ¹
Ram 1500 Pickup	5.9L V8 F/I	33-2084 ♦	HP-2004 ¹
Ram 1500 Van	5.9L V8 F/I	E-1100	HP-2004 ¹
Ram 2500 Pickup	5.9L L6 DSL	33-2056 ♦	HP-4003 ¹
Ram 2500 Pickup	5.9L V8 F/I	33-2084 ♦	HP-2004 ¹
Ram 2500 Pickup	8.0L V10 F/I	33-2058 ♦	HP-2004 ¹
Ram 2500 Van	5.9L V8 F/I	E-1100	HP-2004 ¹
Ram 3500 Pickup	5.9L L6 DSL	33-2056 ♦	HP-4003 ¹
Ram 3500 Pickup	5.9L V8 F/I	33-2084	HP-2004 ¹
Stratus	2.4L L4 F/I	33-2067	HP-1002 ¹
Viper	8.0L V10 F/I	33-2085*	HP-2004 ¹

Vehicle	Engine Type	Air Filter	Oil Filter
1999 DODGE			
Dakota	2.5L L4 F/I	33-2175	HP-2004 ¹
Dakota	3.9L V6 F/I	33-2175	HP-2004 ¹
Dakota	5.2L V8 F/I	33-2175 ♦	HP-2004 ¹
Dakota	5.9L V8 F/I	33-2175 ♦	HP-2004 ¹
Durango	3.9L V6 F/I	33-2175	
Durango	5.2L V8 F/I	33-2175 ♦	HP-2004 ¹
Durango	5.9L V8 F/I	33-2175 ♦	HP-2004 ¹
Intrepid	3.2L V6 F/I	33-2136	HP-2004 ¹
Neon	2.0L L4 F/I	33-2087	HP-1002 ¹
		33-2087 ♦	HP-1002 ¹
Ram 1500 Pickup	3.9L V6 F/I	33-2084 ♦	HP-2004 ¹
Ram 1500 Pickup	5.2L V8 F/I	33-2084 ♦	HP-2004 ¹
Ram 1500 Pickup	5.9L V8 F/I	33-2084 ♦	HP-2004 ¹
Ram 1500 Van	5.2L V8 F/I	E-1100	HP-2004 ¹
Ram 2500 Pickup	5.9L L6 DSL	33-2056 ♦	HP-4003 ¹
Ram 2500 Pickup	5.9L V8 F/I	33-2084 ♦	HP-2004 ¹
Ram 2500 Pickup	8.0L V10 F/I	33-2058 ♦	HP-2004 ¹
Ram 2500 Van	5.9L V8 F/I	E-1100	HP-2004 ¹
Ram 3500 Pickup	5.9L L6 DSL	33-2056 ♦	HP-4003 ¹
Ram 3500 Pickup	5.9L V8 F/I	33-2084	HP-2004 ¹
Ram 3500 Pickup	8.0L V10 F/I	33-2058 ♦	HP-2004 ¹
Stratus	2.4L L4 F/I	33-2067	
Viper	8.0L V10 F/I	33-2085*	HP-2004 ¹

Vehicle	Engine Type	Air Filter	Oil Filter
1998 DODGE			
Dakota	2.5L L4 F/I	33-2175	HP-2004 ¹
Dakota	3.9L V6 F/I	33-2175	HP-2004 ¹
Dakota	5.2L V8 F/I	33-2175 ♦	HP-2004 ¹
Dakota	5.9L V8 F/I	33-2175 ♦	HP-2004 ¹
Durango	5.2L V8 F/I	33-2175 ♦	HP-2004 ¹
Durango	5.9L V8 F/I	33-2175 ♦	HP-2004 ¹
Intrepid	3.2L V6 F/I	33-2136	
Neon	2.0L L4 F/I	33-2087	HP-1002 ¹
		33-2087 ♦	HP-1002 ¹
Ram 1500 Pickup	3.9L V6 F/I	33-2084 ♦	HP-2004 ¹
Ram 1500 Pickup	5.2L V8 F/I	33-2084 ♦	HP-2004 ¹
Ram 1500 Pickup	5.9L V8 F/I	33-2084 ♦	HP-2004 ¹
Ram 2500 Pickup	5.2L V8 F/I	33-2084 ♦	HP-2004 ¹
Ram 2500 Pickup	5.9L L6 DSL	33-2056 ♦	HP-4003 ¹

Vehicle	Engine Type	Air Filter	Oil Filter
1998 DODGE			
Ram 2500 Pickup	5.9L V8 F/I	33-2084 ♦	HP-2004 ¹
Ram 2500 Pickup	8.0L V10 F/I	33-2058 ♦	HP-2004 ¹
Ram 3500 Pickup	5.9L L6 DSL	33-2056 ♦	HP-4003 ¹
Ram 3500 Pickup	5.9L V8 F/I	33-2084	HP-2004 ¹
Ram 3500 Pickup	8.0L V10 F/I	33-2058 ♦	HP-2004 ¹
Stratus	2.4L L4 F/I	33-2067	
Viper	8.0L V10 F/I	33-2085* ♦	HP-2004 ¹

Vehicle	Engine Type	Air Filter	Oil Filter
1997 DODGE			
Dakota	2.5L L4 F/I	33-2175	HP-2004 ¹
Dakota	3.9L V6 F/I	33-2175	HP-2004 ¹
Dakota	5.2L V8 F/I	33-2175 ♦	HP-2004 ¹
Intrepid	3.5L V6 F/I	33-2066-1	HP-2004 ¹
Neon	2.0L L4 F/I	33-2087	HP-1002 ¹
		33-2087 ♦	HP-1002 ¹
Ram 1500 Pickup	3.9L V6 F/I	33-2084 ♦	HP-2004 ¹
Ram 1500 Pickup	5.2L V8 F/I	33-2084 ♦	HP-2004 ¹
Ram 1500 Pickup	5.9L V8 F/I	33-2084 ♦	HP-2004 ¹
Ram 2500 Pickup	5.9L L6 DSL	33-2056 ♦	HP-4003 ¹
Ram 2500 Pickup	5.9L V8 F/I	33-2084 ♦	HP-2004 ¹
Ram 2500 Pickup	8.0L V10 F/I	33-2058 ♦	HP-2004 ¹
Ram 3500 Pickup	5.9L L6 DSL	33-2056 ♦	HP-4003 ¹
Ram 3500 Pickup	5.9L V8 F/I	33-2084	HP-2004 ¹
Ram 3500 Pickup	8.0L V10 F/I	33-2058 ♦	HP-2004 ¹
Stratus	2.4L L4 F/I	33-2067	HP-1002 ¹
Viper	8.0L V10 F/I	33-2085* ♦	HP-2004 ¹

Vehicle	Engine Type	Air Filter	Oil Filter
1996 DODGE			
Dakota	2.5L L4 F/I	33-2006	HP-2004 ¹
Dakota	3.9L V6 F/I	E-1100 ♦	HP-2004 ¹
Dakota	5.2L V8 F/I	E-1100 ♦	HP-2004 ¹
Neon	2.0L L4 F/I	33-2087	HP-1002 ¹
		33-2087 ♦	HP-1002 ¹
Ram 1500 Pickup	3.9L V6 F/I	33-2084 ♦	HP-2004 ¹
Ram 1500 Pickup	5.2L V8 F/I	33-2084 ♦	HP-2004 ¹
Ram 1500 Pickup	5.9L V8 F/I	33-2084 ♦	HP-2004 ¹
Ram 2500 Pickup	5.9L L6 DSL	33-2056 ♦	HP-4003 ¹
Ram 2500 Pickup	5.9L V8 F/I	33-2084 ♦	HP-2004 ¹
Ram 2500 Pickup	8.0L V10 F/I	33-2058 ♦	HP-2004 ¹
Ram 3500 Pickup	5.9L L6 DSL	33-2056 ♦	HP-4003 ¹
Ram 3500 Pickup	5.9L V8 F/I	33-2084	HP-2004 ¹
Ram 3500 Pickup	8.0L V10 F/I	33-2058 ♦	HP-2004 ¹
Viper	8.0L V10 F/I	33-2085* ♦	HP-2004 ¹

Vehicle	Engine Type	Air Filter	Oil Filter
1995 DODGE			
Dakota	3.9L V6 F/I	E-1100 ♦	HP-2004 ¹
Dakota	5.2L V8 F/I	E-1100 ♦	HP-2004 ¹
Neon	2.0L L4 F/I	33-2087	HP-1002 ¹
		33-2087 ♦	HP-1002 ¹
Ram 1500 Pickup	3.9L V6 F/I	33-2084 ♦	HP-2004 ¹
Ram 1500 Pickup	5.2L V8 F/I	33-2084 ♦	HP-2004 ¹
Ram 1500 Pickup	5.9L V8 F/I	33-2084 ♦	HP-2004 ¹
Ram 2500 Pickup	5.9L L6 DSL	33-2056 ♦	HP-4003 ¹
Ram 2500 Pickup	5.9L V8 F/I	33-2084 ♦	HP-2004 ¹
Ram 2500 Pickup	8.0L V10 F/I	33-2058 ♦	HP-2004 ¹
Ram 3500 Pickup	5.9L L6 DSL	33-2056 ♦	HP-4003 ¹
Ram 3500 Pickup	5.9L V8 F/I	33-2084	HP-2004 ¹
Ram 3500 Pickup	8.0L V10 F/I	33-2058 ♦	HP-2004 ¹
Stealth	3.0L V6 F/I	33-2045 ♦	HP-1004 ¹
Viper	8.0L V10 F/I	33-2085* ♦	

Vehicle	Engine Type	Air Filter	Oil Filter
1994 DODGE			
Dakota	3.9L V6 F/I	E-1100 ♦	HP-2004 ¹
Dakota	5.2L V8 F/I	E-1100 ♦	HP-2004 ¹
Ram 1500 Pickup	3.9L V6 F/I	33-2084 ♦	HP-2004 ¹

* 2 filters required

♦ Intake System Available - see page 84 +Cabin Air Filter Available - see page 453 1- Performance Silver Oil Filter Also Available



AIR & OIL FILTERS

DODGE

Vehicle	Engine Type	Air Filter	Oil Filter
1994 DODGE			
Ram 1500 Pickup	5.2L V8 F/I	33-2084 ♦	HP-2004 ¹
Ram 1500 Pickup	5.9L V8 F/I	33-2084 ♦	HP-2004 ¹
Ram 2500 Pickup	5.9L L6 DSL	33-2056 ♦	HP-4003 ¹
Ram 2500 Pickup	5.9L V8 F/I	33-2084 ♦	HP-2004 ¹
Ram 2500 Pickup	8.0L V10 F/I	33-2058 ♦	HP-2004 ¹
Ram 3500 Pickup	5.9L L6 DSL	33-2056 ♦	HP-4003 ¹
Ram 3500 Pickup	5.9L V8 F/I	33-2084	HP-2004 ¹
Stealth	3.0L V6 F/I	33-2045 ♦	HP-1004 ¹
Viper	8.0L V10 F/I	33-2085*	HP-2004 ¹

Vehicle	Engine Type	Air Filter	Oil Filter
1993 DODGE			
D150	5.2L V8 F/I	E-1100 ♦	HP-2004 ¹
D250	5.9L L6 DSL	E-1023	HP-4003 ¹
D250	5.9L V8 F/I	E-1100 ♦	HP-2004 ¹
D350	5.9L L6 DSL	E-1023	HP-4003 ¹
D350	5.9L V8 F/I	E-1100 ♦	HP-2004 ¹
Dakota	3.9L V6 F/I	E-1100 ♦	HP-2004 ¹
Dakota	5.2L V8 F/I	E-1100 ♦	HP-2004 ¹
Stealth	3.0L V6 F/I	33-2045 ♦	HP-1004 ¹
Viper	8.0L V10 F/I	33-2085*	HP-2004 ¹
W250	5.2L V8 F/I		HP-2004 ¹
W250	5.9L L6 DSL	E-1023	HP-4003 ¹
W250	5.9L V8 F/I	E-1100 ♦	HP-2004 ¹
W350	5.9L L6 DSL	E-1023	HP-4003 ¹
W350	5.9L V8 F/I	E-1100 ♦	HP-2004 ¹

Vehicle	Engine Type	Air Filter	Oil Filter
1992 DODGE			
D150	5.2L V8 F/I		HP-2004 ¹
D250	5.9L L6 DSL	E-1023	HP-4003 ¹
D250	5.9L V8 F/I	E-1100 ♦	HP-2004 ¹
D350	5.9L L6 DSL	E-1023	HP-4003 ¹
D350	5.9L V8 F/I	E-1100 ♦	HP-2004 ¹
Dakota	3.9L V6 F/I	E-1100 ♦	HP-2004 ¹
Dakota	5.2L V8 F/I	E-1100 ♦	HP-2004 ¹
Stealth	3.0L V6 F/I	33-2045 ♦	HP-1004 ¹
W250	5.9L L6 DSL	E-1023	HP-4003 ¹
W250	5.9L V8 F/I	E-1100 ♦	HP-2004 ¹
W350	5.9L L6 DSL	E-1023	HP-4003 ¹
W350	5.9L V8 F/I	E-1100 ♦	HP-2004 ¹

Vehicle	Engine Type	Air Filter	Oil Filter
1991 DODGE			
D150	5.2L V8 F/I		HP-2004 ¹
D250	5.9L L6 DSL	E-1023	HP-4003 ¹
D250	5.9L V8 F/I	E-1100	HP-2004 ¹
D350	5.9L L6 DSL	E-1023	HP-4003 ¹
D350	5.9L V8 F/I	E-1100	HP-2004 ¹
Dakota	5.2L V8 F/I	E-1100	HP-2004 ¹
Stealth	3.0L V6 F/I	33-2045 ♦	HP-1004 ¹
W250	5.9L L6 DSL	E-1023	HP-4003 ¹
W250	5.9L V8 F/I	E-1100	HP-2004 ¹
W350	5.9L L6 DSL	E-1023	HP-4003 ¹
W350	5.9L V8 F/I	E-1100	HP-2004 ¹

Vehicle	Engine Type	Air Filter	Oil Filter
1990 DODGE			
D150	5.2L V8 F/I	E-1100	HP-2004 ¹
D250	5.9L L6 DSL	E-1023	HP-4003 ¹
D250	5.9L V8 CARB		HP-3001 ¹
D250	5.9L V8 F/I	E-1100	HP-2004 ¹
D350	5.9L L6 DSL	E-1023	HP-4003 ¹
D350	5.9L V8 F/I	E-1100	HP-2004 ¹
Dakota	3.9L V6 F/I	E-1100	HP-1002 ¹
Daytona	2.5L L4 F/I - Turbo	33-2039	
W250	5.9L L6 DSL	E-1023	HP-4003 ¹
W250	5.9L V8 F/I	E-1100	HP-2004 ¹

Vehicle	Engine Type	Air Filter	Oil Filter
1990 DODGE			
W350	5.9L L6 DSL	E-1023	HP-4003 ¹
1989 DODGE			
D100	5.2L V8 F/I	E-1100	HP-2004 ¹
D150	5.2L V8 F/I	E-1100	HP-2004 ¹
D250	5.9L L6 DSL	E-1023	HP-4003 ¹
D250	5.9L V8 F/I	E-1100	HP-2004 ¹
D350	5.9L L6 DSL	E-1023	HP-4003 ¹
Dakota	3.9L V6 F/I	E-1290	HP-1002 ¹
Dakota	5.2L V8 F/I		HP-2004 ¹
Ramcharger	5.2L V8 F/I	E-1100	HP-2004 ¹
W250	5.9L L6 DSL	E-1023	HP-4003 ¹
W250	5.9L V8 F/I	E-1100	HP-2004 ¹
W350	5.9L L6 DSL	E-1023	

Vehicle	Engine Type	Air Filter	Oil Filter
1988 DODGE			
Dakota	3.9L V6 F/I	E-1290	HP-1002 ¹

Vehicle	Engine Type	Air Filter	Oil Filter
1987 DODGE			
D150	5.2L V8 CARB	E-1100	HP-2004 ¹
Dakota	3.9L V6 CARB	E-1100	HP-1002 ¹
Raider	2.6L L4 CARB	E-2723	

Vehicle	Engine Type	Air Filter	Oil Filter
1986 DODGE			
D150	5.2L V8 CARB	E-1100	HP-2004 ¹
Daytona	2.2L L4 F/I		HP-1002 ¹
Daytona	2.2L L4 F/I - Exc. Turbo	E-1923	HP-1002
Daytona	2.2L L4 F/I - Turbo	33-2006	HP-1002
W150	5.2L V8 CARB	E-1100	HP-2004 ¹

Vehicle	Engine Type	Air Filter	Oil Filter
1985 DODGE			
D150	5.2L V8 CARB	E-1100	HP-2004 ¹
Ramcharger	5.2L V8 CARB		HP-2004 ¹

Vehicle	Engine Type	Air Filter	Oil Filter
1979 DODGE			
B200 Van	360 V8 2 BBL.	E-1100	HP-2004 ¹
B200 Van	360 V8 4 BBL.	E-1530	HP-2004 ¹

Vehicle	Engine Type	Air Filter	Oil Filter
1978 DODGE			
D150	360 V8 CARB	E-1250	
D300	440 V8 CARB	E-1250	

Vehicle	Engine Type	Air Filter	Oil Filter
1977 DODGE			
B200 Van	360 V8 CARB	E-1250	

Vehicle	Engine Type	Air Filter	Oil Filter
1974 DODGE			
Charger	400 V8 CARB		HP-2004 ¹

Vehicle	Engine Type	Air Filter	Oil Filter
1973 DODGE			
Challenger	340 V8 CARB	E-1530	HP-2004 ¹
Charger	440 V8 CARB		HP-2004 ¹

Vehicle	Engine Type	Air Filter	Oil Filter
1972 DODGE			
Charger	440 V8 3x2BBL.	E-1980	HP-3001 ¹
Charger	440 V8 4 BBL.	E-1530	HP-3001 ¹

Vehicle	Engine Type	Air Filter	Oil Filter
1971 DODGE			
Challenger	340 V8 3x2BBL.	E-1980	
Challenger	440 V8 CARB	E-1980	HP-3001 ¹
Charger	440 V8 3x2BBL.	E-1980	HP-3001 ¹
Charger	440 V8 4 BBL.	E-1530	HP-3001 ¹
Dart	340 V8 CARB		HP-3001 ¹

Vehicle	Engine Type	Air Filter	Oil Filter
1970 DODGE			
Challenger	340 V8 3x2BBL.	E-1980	HP-3001 ¹
Challenger	340 V8 4 BBL.	E-1530	HP-3001 ¹
Challenger	383 V8 CARB	E-1530	HP-3001 ¹
Challenger	426 V8 CARB	E-1980	HP-3001 ¹
Challenger	440 V8 3x2BBL.	E-1980	HP-3001 ¹

* 2 filters required

♦ Intake System Available - see page 84 +Cabin Air Filter Available - see page 453 1- Performance Silver Oil Filter Also Available



Vehicle	Engine Type	Air Filter	Oil Filter
1970 DODGE			
Challenger	440 V8 4 BBL.		HP-3001 ¹
Challenger	440 V8 4 BBL. - Dual Snorkel	E-1530	HP-3001
Challenger	440 V8 4 BBL. - single snorkel	E-1540	HP-3001
Charger	383 V8 CARB	E-1530	HP-3001 ¹
Charger	426 V8 CARB	E-1980	HP-3001 ¹
Charger	440 V8 3x2BBL.	E-1980	HP-3001 ¹
Charger	440 V8 4 BBL.		HP-3001 ¹
Charger	440 V8 4 BBL. - Dual Snorkel	E-1530	HP-3001
Charger	440 V8 4 BBL. - single snorkel	E-1540	HP-3001
Coronet	440 V8 3x2BBL.	E-1980	
Dart	340 V8 CARB	E-1530	HP-3001 ¹

Vehicle	Engine Type	Air Filter	Oil Filter
1969 DODGE			
Charger	383 V8 CARB		HP-3001 ¹
Charger	383 V8 CARB - w/air control	E-1450	HP-3001
Charger	383 V8 CARB - w/o air control	E-1540	HP-3001
Charger	426 V8 CARB	E-1980	HP-3001 ¹
Charger	440 V8 CARB		HP-3001 ¹
Charger	440 V8 CARB - w/o snorkel	E-1530	HP-3001
Charger	440 V8 CARB - w/snorkel	E-1540	HP-3001
Coronet	383 V8 CARB		HP-3001 ¹
Coronet	426 V8 CARB	E-1980	
Coronet	440 V8 CARB		HP-3001 ¹
Coronet	440 V8 CARB - w/Ram Air	E-1980	HP-3001
Dart	340 V8 CARB	E-1530	HP-3001 ¹

Vehicle	Engine Type	Air Filter	Oil Filter
1968 DODGE			
Charger	383 V8 CARB		HP-3001 ¹
Charger	426 V8 CARB	E-1980	HP-3001 ¹
Charger	440 V8 CARB		HP-3001 ¹
Charger	440 V8 CARB - w/o snorkel	E-1530	HP-3001
Charger	440 V8 CARB - w/snorkel	E-1540	HP-3001
Coronet	440 V8 CARB		HP-3001 ¹
Coronet	440 V8 CARB - w/o snorkel	E-1530	HP-3001
Coronet	440 V8 CARB - w/snorkel	E-1540	HP-3001
Dart	340 V8 CARB	E-1530	HP-3001 ¹

Vehicle	Engine Type	Air Filter	Oil Filter
1967 DODGE			
Charger	440 V8 CARB		HP-3001 ¹
Coronet	440 V8 CARB		HP-3001 ¹

Vehicle	Engine Type	Air Filter	Oil Filter
1966 DODGE			
Charger	383 V8 CARB		HP-3001 ¹
Charger	426 V8 CARB	E-1980	
Coronet	426 V8 CARB	E-1980	HP-3001 ¹

Vehicle	Engine Type	Air Filter	Oil Filter
2016 DUCATI			
959 Panigale	959	DU-1112	KN-159
959 Panigale	959 - Race Specific	DU-1112R	KN-159
1198 Panigale R	1198	DU-1112	KN-159
1299 Panigale	1285	DU-1112	KN-159
1299 Panigale	1285 - Race Specific	DU-1112R	KN-159
1299 Panigale R	1285	DU-1112	KN-159
1299 Panigale R	1285 - Race Specific	DU-1112R	KN-159
1299 Panigale S	1285	DU-1112	KN-159
1299 Panigale S	1285 - Race Specific	DU-1112R	KN-159

Vehicle	Engine Type	Air Filter	Oil Filter
2016 DUCATI			
1299 Panigale S	1285	DU-1112	KN-159
Anniversario			
1299 Panigale S	1285 - Race Specific	DU-1112R	KN-159
Anniversario			
Diavel	1198	DU-1007	KN-153
Diavel Carbon	1198	DU-1007	KN-153
Diavel Carbon	1198 - Race Specific	DU-1007R	KN-153
Monster 821	821	DU-1006	KN-153
Monster 821 Dark	821	DU-1006	KN-153
Monster 821 Stripe	821	DU-1006	KN-153
Monster 1200	1198		KN-153
Monster 1200 R	1198	DU-1006	KN-153
Monster 1200s	1198	DU-1006	KN-153
Multistrada 1200	1198	DU-1112	KN-153
Multistrada 1200	1198	DU-1112	KN-153
Enduro			
Multistrada 1200	1198 - Race Specific	DU-1112R	KN-153
Enduro			
Multistrada 1200	1198	DU-1112	KN-153
Pikes Peak			
Multistrada 1200	1198 - Race Specific	DU-1112R	KN-153
Pikes Peak			
Multistrada 1200s	1198	DU-1112	KN-153
Multistrada 1200s	1198 - Race Specific	DU-1112R	KN-153
Scrambler Classic	803	DU-8015	KN-153
Scrambler Flat Track Pro	803	DU-8015	KN-153
Scrambler Full Throttle	803	DU-8015	KN-153
Scrambler Icon	803	DU-8015	KN-153
Scrambler Sixty2	399	DU-8015	KN-153
Scrambler Urban	803	DU-8015	KN-153
Enduro			

Vehicle	Engine Type	Air Filter	Oil Filter
2015 DUCATI			
899 Panigale	898	DU-1112	KN-159
899 Panigale	898 - Race Specific	DU-1112R	KN-159
1199 Panigale R	1198	DU-1112	KN-159
1199 Panigale R	1198 - Race Specific	DU-1112R	KN-159
1200 Panigale	1285		KN-159
1200 Panigale S	1285		KN-159
1299 Panigale	1285	DU-1112	KN-159
1299 Panigale	1285 - Race Specific	DU-1112R	KN-159
1299 Panigale R	1285	DU-1112	KN-159
1299 Panigale R	1285 - Race Specific	DU-1112R	KN-159
1299 Panigale S	1285	DU-1112	KN-159
1299 Panigale S	1285 - Race Specific	DU-1112R	KN-159
Diavel	1198	DU-1007	KN-153
Diavel	1198 - Race Specific	DU-1007R	KN-153
Diavel Carbon	1198	DU-1007	KN-153
Diavel Carbon	1198 - Race Specific	DU-1007R	KN-153
Diavel Titanium	1198	DU-1007	KN-153
Diavel Titanium	1198 - Race Specific	DU-1007R	KN-153
Hypermotard	821	DU-1006	KN-153
Hypermotard SP	821	DU-1006	KN-153
Hyperstrada	821	DU-1006	KN-153
Monster 821	821	DU-1006	KN-153
Monster 821 Dark	821	DU-1006	KN-153
Monster 821 Stripe	821	DU-1006	KN-153
Monster 1200	1198	DU-1006	KN-153
Monster 1200s	1198	DU-1006	KN-153
Monster 1200s Stripe	1198	DU-1006	KN-153
Multistrada 1200	1198	DU-1112	KN-153
Multistrada 1200	1198 - Race Specific	DU-1112R	KN-153
Multistrada 1200s	1198	DU-1112	KN-153

* 2 filters required

◆ Intake System Available - see page 84 +Cabin Air Filter Available - see page 453 1- Performance Silver Oil Filter Also Available



AIR & OIL FILTERS

DUCATI

Vehicle	Engine Type	Air Filter	Oil Filter	Vehicle	Engine Type	Air Filter	Oil Filter
2015 DUCATI				2013 DUCATI			
Multistrada 1200s	1198 - Race Specific	DU-1112R	KN-153	Diavel Strada	1198	DU-1007	KN-153
Multistrada 1200s Dair	1198	DU-1112	KN-153	Diavel Strada	1198 - Race Specific	DU-1007R	KN-153
Multistrada 1200s Dair	1198 - Race Specific	DU-1112R	KN-153	Hypermotard	821	DU-1006	KN-153
Scrambler Classic	803	DU-8015	KN-153	Hypermotard SP	821	DU-1006	KN-153
Scrambler Full Throttle	803	DU-8015	KN-153	Hyperstrada	821	DU-1006	KN-153
Scrambler Icon	803	DU-8015	KN-153	Monster 696	696	DU-6908	KN-153
Scrambler Urban Enduro	803	DU-8015	KN-153	Monster 796	796	DU-6908	KN-153
Streetfighter	848	DU-1007	KN-153	Monster 1100 EVO	1100	DU-6908	KN-153
Streetfighter	848 - Race Specific	DU-1007R	KN-153	Multistrada 1200	1198	DU-1210	KN-153
2014 DUCATI				Multistrada 1200s	1198	DU-1210	KN-153
899 Panigale	898	DU-1112		Granturismo			
899 Panigale	898 - Race Specific	DU-1112R		Multistrada 1200s	1198	DU-1210	KN-153
1199 Panigale	1198	DU-1112	KN-159	Sport			
1199 Panigale	1198 - Race Specific	DU-1112R	KN-159	Multistrada 1200s	1198	DU-1210	KN-153
1199 Panigale R	1198	DU-1112	KN-159	Touring			
1199 Panigale R	1198 - Race Specific	DU-1112R	KN-159	Streetfighter	848	DU-1007	KN-153
1199 Panigale S	1198	DU-1112	KN-159	Streetfighter	848 - Race Specific	DU-1007R	KN-153
1199 Panigale S	1198 - Race Specific	DU-1112R	KN-159	2012 DUCATI			
Diavel Carbon	1198		KN-153	848 EVO	848	DU-1007	KN-153
Diavel Dark	1198		KN-153	848 EVO	848 - Race Specific	DU-1007R	KN-153
Diavel Strada	1198	DU-1007	KN-153	1199 Panigale	1198	DU-1112	KN-159
Hypermotard	821	DU-1006	KN-153	1199 Panigale	1198 - Race Specific	DU-1112R	KN-159
Hypermotard SP	821	DU-1006	KN-153	1199 Panigale S	1198	DU-1112	KN-159
Hyperstrada	821	DU-1006	KN-153	1199 Panigale S	1198 - Race Specific	DU-1112R	KN-159
Monster 696	696	DU-6908	KN-153	1199 Panigale S	1198	DU-1112	KN-159
Monster 696 ABS	696	DU-6908	KN-153	Tricolore			
Monster 796	803	DU-1006	KN-153	1199 Panigale S	1198 - Race Specific	DU-1112R	KN-159
Monster 796 ABS	803	DU-1006	KN-153	Tricolore			
Monster 1200	1198	DU-1006	KN-153	Diavel	1198	DU-1007	KN-153
Monster 1200s	1198	DU-1006	KN-153	Diavel AMG	1198	DU-1007	KN-153
Multistrada 1200	1198	DU-1210	KN-153	Diavel AMG	1198 - Race Specific	DU-1007R	KN-153
Multistrada 1200s	1198	DU-1210	KN-153	Diavel Carbon	1198	DU-1007	KN-153
Granturismo				Diavel Carbon	1198 - Race Specific	DU-1007R	KN-153
Multistrada 1200s	1198	DU-1210	KN-153	Diavel Cromo	1198	DU-1007	KN-153
Pikes Peak				Hypermotard 796	796	DU-1006	KN-153
Multistrada 1200s	1198	DU-1210	KN-153	Hypermotard 1100 EVO	1100		KN-153
Multistrada 1200s Sport	1198	DU-1210	KN-153	Hypermotard 1100 EVO SP	1100	DU-1006	KN-153
Multistrada 1200s Touring	1198	DU-1210	KN-153	Monster 696	696	DU-6908	KN-153
Streetfighter	848	DU-1007	KN-153	Monster 796	796	DU-6908	KN-153
2013 DUCATI				Monster 1100 EVO	1100	DU-6908	KN-153
848 EVO	848	DU-1007	KN-153	Multistrada 1200	1198	DU-1210	KN-153
848 EVO	848 - Race Specific	DU-1007R	KN-153	Multistrada 1200s	1198	DU-1210	KN-153
1199 Panigale	1198	DU-1112	KN-159	Pikes Peak			
1199 Panigale	1198 - Race Specific	DU-1112R	KN-159	Multistrada 1200s	1198	DU-1210	KN-153
1199 Panigale R	1198	DU-1112	KN-159	Sport			
1199 Panigale R	1198 - Race Specific	DU-1112R	KN-159	Multistrada 1200s	1198	DU-1210	KN-153
1199 Panigale S	1198	DU-1112	KN-159	Touring			
1199 Panigale S	1198 - Race Specific	DU-1112R	KN-159	Streetfighter	848	DU-1007	KN-153
1199 Panigale S	1198	DU-1112	KN-159	Streetfighter	848 - Race Specific	DU-1007R	KN-153
1199 Panigale S	1198 - Race Specific	DU-1112R	KN-159	2011 DUCATI			
Tricolore				848 EVO	848	DU-1007	KN-153
1199 Panigale S	1198 - Race Specific	DU-1112R	KN-159	848 EVO	848 - Race Specific	DU-1007R	KN-153
Tricolore				1198	1198	DU-1007	KN-153
Diavel	1198	DU-1007	KN-153	1198	1198 - Race Specific	DU-1007R	KN-153
Diavel	1198 - Race Specific	DU-1007R	KN-153	1198R Corse	1198	DU-1007	KN-153
Diavel Carbon	1198	DU-1007	KN-153	1198R Corse	1198 - Race Specific	DU-1007R	KN-153
Diavel Carbon	1198 - Race Specific	DU-1007R	KN-153	1198S	1198	DU-1007	KN-153
Diavel Dark	1198	DU-1007	KN-153	1198S	1198 - Race Specific	DU-1007R	KN-153
Diavel Dark	1198 - Race Specific	DU-1007R	KN-153	1198SP	1198	DU-1007	KN-153

* 2 filters required

◆ Intake System Available - see page 84 +Cabin Air Filter Available - see page 453 1- Performance Silver Oil Filter Also Available



Vehicle	Engine Type	Air Filter	Oil Filter	Vehicle	Engine Type	Air Filter	Oil Filter
2011 DUCATI				2008 DUCATI			
1198SP	1198 - Race Specific	DU-1007R	KN-153	Monster S2R 1000	992	DU-9001	KN-153
Diavel	1198	DU-1007	KN-153	Monster S4Rs	997		KN-153
Diavel Carbon	1198	DU-1007	KN-153	Testastretta			
Diavel Carbon	1198 - Race Specific	DU-1007R	KN-153	Multistrada 1100s	1078	DU-1004	KN-153
Monster 696	696	DU-6908	KN-153	2007 DUCATI			
Monster 796	796	DU-6908	KN-153	800SS	800		KN-153
Multistrada 1200	1198		KN-153	1098	1098	DU-1007	KN-153
Multistrada 1200	1198 - Non-US, Exc. ABS	DU-1007	KN-153	1098	1098 - Race Specific	DU-1007R	KN-153
Multistrada 1200	1198 - US	DU-1210	KN-153	1098s	1098	DU-1007	KN-153
Multistrada 1200s	1198	DU-1210	KN-153	1098s	1098 - Race Specific	DU-1007R	KN-153
Streetfighter S	1099	DU-1007	KN-153	1098s Tricolore	1098	DU-1007	KN-153
2010 DUCATI				1098s Tricolore	1098 - Race Specific	DU-1007R	KN-153
848 EVO	848	DU-1007	KN-153	GT1000	992	DU-1006	KN-153
848 EVO	848 - Race Specific	DU-1007R	KN-153	Monster 695	695	DU-9001	KN-153
1198	1198	DU-1007	KN-153	Monster S2R 1000	992	DU-9001	KN-153
1198R Corse	1198	DU-1007	KN-153	Monster S2R 800	803	DU-9001	
1198S	1198	DU-1007	KN-153	Monster S4R	997		KN-153
1198S	1198 - Race Specific	DU-1007R	KN-153	Testastretta			
1198S Corse	1198	DU-1007	KN-153	Monster S4Rs	997	DU-9001	KN-153
1198S Corse	1198 - Race Specific	DU-1007R	KN-153	Testastretta			
Hypermotard 796	796	DU-1006	KN-153	Multistrada 1100s	1078	DU-1004	KN-153
Hypermotard 1100 EVO	1100	DU-1006	KN-153	ST3S ABS	992		KN-153
Hypermotard 1100 EVO SP	1100	DU-1006	KN-153	2006 DUCATI			
Monster 696	696	DU-6908	KN-153	749	749		KN-153
Monster 1100s	1100	DU-6908	KN-153	749 Dark	749		KN-153
Multistrada 1200s	1200	DU-1210	KN-153	749R	749		KN-153
Multistrada 1200s Sport	1198	DU-1210	KN-153	749S	749		KN-153
Multistrada 1200s Touring	1198	DU-1210	KN-153	999	999		KN-153
Streetfighter	1100	DU-1007	KN-153	999R	999		KN-153
Streetfighter	1100 - Race Specific	DU-1007R	KN-153	999R Xerox	999		KN-153
Streetfighter S	1100	DU-1007	KN-153	999S	999		KN-153
Streetfighter S	1100 - Race Specific	DU-1007R	KN-153	Monster 620	620	DU-9001	KN-153
2009 DUCATI				Monster 620 Dark	620	DU-9001	KN-153
848	848	DU-1007	KN-153	Monster S2R	803		KN-153
848	848 - Race Specific	DU-1007R	KN-153	Monster S2R 1000	992	DU-9001	KN-153
1198	1198	DU-1007	KN-153	Monster S2R Dark	803	DU-9001	KN-153
1198	1198 - Race Specific	DU-1007R	KN-153	Multistrada 620	620	DU-1004	KN-153
1198S	1198	DU-1007	KN-153	Multistrada 620 Dark	620	DU-1004	KN-153
1198S	1198 - Race Specific	DU-1007R	KN-153	Paul Smart 1000 LE	992	DU-1006	KN-153
GT1000 Touring	992		KN-153	Sport 1000	992	DU-1006	KN-153
Hypermotard 1100s	1079	DU-1006	KN-153	ST3	992		KN-153
Monster 696	696	DU-6908	KN-153	ST3S ABS	992	DU-9098	KN-153
Monster 1100	1100	DU-6908	KN-153	2005 DUCATI			
Monster 1100s	1100	DU-6908	KN-153	749	749		KN-153
Multistrada 1100s	1078	DU-1004	KN-153	749 Dark	749		KN-153
2008 DUCATI				749R	749		KN-153
848	848	DU-1007	KN-153	749S	749		KN-153
848	848 - Race Specific	DU-1007R	KN-153	999	999		KN-153
1098	1098	DU-1007	KN-153	999R	999		KN-153
1098	1098 - Race Specific	DU-1007R	KN-153	999S	999		KN-153
1098R	1198	DU-1007	KN-153	Monster 620	620	DU-9001	KN-153
1098s	1098	DU-1007	KN-153	Monster 620 Dark	620	DU-9001	KN-153
1098s	1098 - Race Specific	DU-1007R	KN-153	Monster 620 Dark i.e.	620		KN-153
Hypermotard 1100	1079	DU-1006	KN-153	Monster 620 Dark MD	620	DU-9001	KN-153
Hypermotard 1100s	1079	DU-1006	KN-153	Monster 620 i.e.	620		KN-153
Monster 695	696	DU-9001	KN-153	Monster S2R Dark	803		KN-153
Monster 696	696	DU-6908	KN-153	Monster S4R	996	DU-9001	KN-153
2004 DUCATI				Multistrada 1000s DS	999	DU-1004	KN-153
				ST3	992		KN-153
				749	749		KN-153

* 2 filters required

◆ Intake System Available - see page 84 +Cabin Air Filter Available - see page 453 1- Performance Silver Oil Filter Also Available



AIR & OIL FILTERS

DUCATI

Vehicle	Engine Type	Air Filter	Oil Filter	Vehicle	Engine Type	Air Filter	Oil Filter
2004 DUCATI				2001 DUCATI			
749R	749		KN-153	Monster 900 Dark	904		KN-153
749S	749		KN-153	Monster 900 Metallic	904		KN-153
999	999		KN-153	Monster 900s	904	DU-9098	KN-153
999R	999		KN-153	Monster S4	916	DU-9001	KN-153
999R FILA	999		KN-153	ST2	944		KN-153
999S	999		KN-153	ST4	992		KN-153
Monster 620 Dark i.e.	620		KN-153	ST4s	992		KN-153
Monster 620 Dark MD	620		KN-153	2000 DUCATI			
Monster 620 i.e.	620		KN-153	748	748		KN-153
Monster 800	800		KN-153	748R	748		KN-153
Monster 1000	1000		KN-153	748S	748		KN-153
Monster 1000s	1000	DU-9001	KN-153	750SS i.e.	750	DU-9098	KN-153
Monster S4R	916		KN-153	900SS i.e.	900	DU-9098	KN-153
Multistrada 1000 DS	1000	DU-1004	KN-153	996 Biposto	996		KN-153
ST4S ABS	992		KN-153	Monster 750	750		KN-153
2003 DUCATI				Monster 750 Dark	750	DU-9098	KN-153
749	749		KN-153	Monster 750 Metallic	750		KN-153
749S	749		KN-153	Monster 900 Cromo	900		KN-153
800 Sport	800		KN-153	Monster 900 Dark	900	DU-9098	KN-153
999	999		KN-153	Monster 900 i.e.	904	DU-9098	KN-153
999R	999		KN-153	Monster 900s	900	DU-9098	KN-153
999R FILA	999		KN-153	1999 DUCATI			
999S	999		KN-153	748	748		KN-153
Monster 620 Dark	618		KN-153	748 Biposto	748		KN-153
Monster 620 i.e.	620		KN-153	748 SPS	748		KN-153
Monster 620s	620		KN-153	750SS	742	DU-9098	KN-153
Monster 800 Dark	800		KN-153	900SS	904	DU-9098	KN-153
Monster 800s	800		KN-153	996 Biposto	996		KN-153
ST4s	992		KN-153	Monster 600	600		KN-153
ST4S ABS	992	DU-9098	KN-153	Monster 600 City	600		KN-153
2002 DUCATI				Monster 600 Dark	600		KN-153
750SS i.e.	750		KN-153	Monster 600 Dark	600		KN-153
900SS i.e.	900		KN-153	City			
998S	998		KN-153	Monster 750	750	DU-9098	KN-153
998S Bayliss	998		KN-153	Monster 750 City	750	DU-9098	KN-153
998S Bostrom	998		KN-153	Monster 750 Dark	750	DU-9098	KN-153
998S Monoposto	998		KN-153	Monster 750 Dark	750	DU-9098	KN-153
Monster 620	620	DU-9001	KN-153	City			
Monster 620s	620	DU-6202	KN-153	Monster 900 City	900		KN-153
Monster 750	750	DU-9001	KN-153	Monster 900 Cromo	900		KN-153
Monster 750 Dark	750	DU-9001	KN-153	Monster 900s	900		KN-153
Monster 750 Metallic	750	DU-9001	KN-153	ST2	944		KN-153
Monster 900 Dark	900		KN-153	ST4	916		KN-153
Monster 900 i.e.	904		KN-153	1998 DUCATI			
ST4s	992	DU-9098	KN-153	748	748		KN-153
2001 DUCATI				748 Biposto	748		KN-153
748	748		KN-153	748 SP	748		KN-153
748R	748		KN-153	M750 Monster	750		KN-153
748S	748		KN-153	Monster 600 Dark	600	DU-0900	KN-153
900SS i.e.	900		KN-153	Monster 900	904		KN-153
996 Biposto	996		KN-153	Monster 900 Cromo	904		KN-153
996R	996		KN-153	Monster 900 Dark	904		KN-153
996S Monoposto	996		KN-153	Monster 900s	904	DU-0900	KN-153
Monster 600	600		KN-153	1996 DUCATI			
Monster 600 Dark	600	DU-0900	KN-153	900SS	904	DU-0900	KN-153
Monster 600 Metallic	600		KN-153	Monster 900	904		KN-153
Monster 750	750	DU-9098	KN-153	1995 DUCATI			
Monster 750 Dark	750	DU-9098	KN-153	900SS	904	DU-0900	KN-153
Monster 750 Metallic	750	DU-9098	KN-153	916 SP	916		KN-153
Monster 900	904		KN-153	916 Strada	916		KN-153
Monster 900 Cromo	900	DU-0900	KN-153				

* 2 filters required ♦ Intake System Available - see page 84 + Cabin Air Filter Available - see page 453 1- Performance Silver Oil Filter Also Available



Vehicle	Engine Type	Air Filter	Oil Filter	Vehicle	Engine Type	Air Filter	Oil Filter
1995 DUCATI				2005 FERRARI			
Monster 900	904	DU-0900	KN-153	F430	4.3L V8 F/I	33-2494*	
1994 DUCATI				2004 FERRARI			
900SS	904		KN-153	360	3.6L V8 F/I	33-2494	
Monster 900	904	DU-0900	KN-153	2003 FERRARI			
1993 DUCATI				360	3.6L V8 F/I	33-2494	
900SS	904		KN-153	2001 FERRARI			
1992 DUCATI				360	3.6L V8 F/I	33-2494	
907 i.e.	907		KN-153	2000 FERRARI			
1988 DUCATI				360	3.6L V8 F/I	33-2494	
750 Paso	750		KN-153	1978 FERRARI			
1987 DUCATI				308 GTB	3.0L V8 CARB	E-2930	
750 Paso	750		KN-153	2017 FIAT			
1978 DUCATI				124 Spider	1.4L L4 F/I	33-5040	
Desmo	900	DU-0202		500	0.9L L2 F/I - Exc. Turbo	33-3046	
1998 EAGLE				500	0.9L L2 F/I - Turbo	33-2981	
Talon TSi	2.0L L4 F/I		HP-1010 ¹	500	1.2L L4 F/I	33-2931	
1997 EAGLE				500L	0.9L L2 F/I - Turbo	33-2981	
Talon	2.0L L4 F/I	33-2072	HP-2004 ¹	500L	1.4L L4 F/I - Exc. Turbo	33-2842	
Talon TSi	2.0L L4 F/I	33-2072 ♦	HP-1010 ¹	500L	1.4L L4 F/I - Turbo	33-5015	
1996 EAGLE				500L	1.6L L4 DSL	33-5015	
Talon TSi	2.0L L4 F/I	33-2072 ♦	HP-1010 ¹	500X	1.4L L4 F/I	33-5034	
1995 EAGLE				500X	1.6L L4 DSL	33-5034	
Talon	2.0L L4 F/I		HP-2004 ¹	500X	1.6L L4 F/I	33-5034	
Talon TSi	2.0L L4 F/I	33-2072 ♦	HP-1010 ¹	500X	2.0L L4 DSL	33-5034	
1994 EAGLE				500X	2.4L L4 F/I		HP-1017 ¹
Talon	2.0L L4 F/I	E-2875		Aegea	1.4L L4 F/I - Exc. Turbo	33-2842	
1993 EAGLE				Doblo	1.4L L4 F/I - Exc. Turbo	33-2842	
Talon	2.0L L4 F/I	E-2875	HP-1010 ¹	Doblo	1.4L L4 F/I - Turbo	33-3014	
		E-2875 ♦	HP-1010 ¹	Doblo	1.6L L4 DSL	33-2935	
1992 EAGLE				Doblo	2.0L L4 DSL	33-2935	
Talon	2.0L L4 F/I	E-2875	HP-1005	Ducato	2.0L L4 DSL	E-9283	
		E-2875 ♦	HP-1005	Ducato	2.3L L4 DSL	E-9283	
1991 EAGLE				Ducato	3.0L L4 DSL	E-9283	
Talon	2.0L L4 F/I	E-2875	HP-1005	Ducato	3.0L L4 F/I	E-9283	
		E-2875 ♦	HP-1005	Egea	1.4L L4 F/I - Exc. Turbo	33-2842	
1990 EAGLE				Fiorino	1.4L L4 F/I - 73BHP	33-2299	
Talon	2.0L L4 F/I	E-2875	HP-1005	Fiorino	1.4L L4 F/I - 78BHP	33-2931	
		E-2875 ♦	HP-1005	Panda III	0.9L L2 F/I - Exc. Turbo	33-3046	
2010 FERRARI				Panda III	0.9L L2 F/I - Turbo	33-2981	
430	4.3L V8 F/I	33-2494*		Panda III	1.2L L4 F/I	33-2931	
F430	4.3L V8 F/I	33-2494*		Panda III	1.3L L4 DSL - Euro 5	33-2984	
2009 FERRARI				Pratico	1.6L L4 DSL	33-2935	
430	4.3L V8 F/I	33-2494*		Pratico	2.0L L4 DSL	33-2935	
F430	4.3L V8 F/I	33-2494*		Punto	0.9L L2 F/I	33-2981	
2008 FERRARI				Punto	1.2L L4 F/I	33-2931	
430	4.3L V8 F/I	33-2494*		Punto	1.4L L4 F/I - 8v	33-2931	
F430	4.3L V8 F/I	33-2494*		Qubo	1.4L L4 F/I - 73BHP	33-2299	
2007 FERRARI				Qubo	1.4L L4 F/I - 78BHP	33-2931	
430	4.3L V8 F/I	33-2494*		Talento II	1.6L L4 DSL	33-3054	
F430	4.3L V8 F/I	33-2494*		2016 FIAT			
2006 FERRARI				500	0.9L L2 F/I - Exc. Turbo	33-3046	
F430	4.3L V8 F/I	33-2494*		500	0.9L L2 F/I - Turbo	33-2981	
				500	1.2L L4 F/I	33-2931	
				500	1.4L L4 F/I - US, Exc. Turbo	33-2471	♦
				500	1.4L L4 F/I - US, Turbo	33-2487	♦
				500L	0.9L L2 F/I - Turbo	33-2981	
				500L	1.3L L4 DSL	33-2984	

* 2 filters required

♦ Intake System Available - see page 84 +Cabin Air Filter Available - see page 453 1- Performance Silver Oil Filter Also Available



AIR & OIL FILTERS

FIAT

Vehicle	Engine Type	Air Filter	Oil Filter	Vehicle	Engine Type	Air Filter	Oil Filter
2016 FIAT				2013 FIAT			
500L	1.4L L4 F/I - Non-US, Exc. Turbo	33-2842		500	1.4L L4 F/I - US, Exc. Turbo	33-2471	
500L	1.6L L4 DSL	33-5015				33-2471 ♦	
500X	1.4L L4 F/I	33-5034		500	1.4L L4 F/I - US, Turbo	33-2487	
500X	1.6L L4 DSL	33-5034		500 Abarth	1.4L L4 F/I - Non-US, Turbo	33-3014 ♦	
500X	1.6L L4 F/I	33-5034		500 Abarth	1.4L L4 F/I - US, Turbo	33-2487 ♦	
500X	2.0L L4 DSL	33-5034		500L	0.9L L2 F/I - Turbo	33-2981	
500X	2.4L L4 F/I	33-5034	HP-1017 ¹	500L	1.3L L4 DSL	33-2984	
2015 FIAT				2012 FIAT			
500	0.9L L2 F/I - Exc. Turbo	33-3046		500	0.9L L2 F/I - Exc. Turbo	33-3046	
500	0.9L L2 F/I - Turbo	33-2981		500	0.9L L2 F/I - Turbo	33-2981	
500	1.2L L4 F/I	33-2931 ♦		500	1.2L L4 F/I	33-2931 ♦	
500	1.3L L4 DSL	33-2984		500	1.3L L4 DSL	33-2984	
500	1.4L L4 F/I - Non-US, Exc. Turbo	33-2842		500	1.4L L4 F/I - Non-US, Exc. Turbo	33-2842 ♦	
		33-2842 ♦		500	1.4L L4 F/I - Non-US, Turbo	33-3014	
500	1.4L L4 F/I - Non-US, Turbo	33-3014		500	1.4L L4 F/I - US, Exc. Turbo	33-2471	
		33-3014 ♦				33-2471 ♦	
500	1.4L L4 F/I - US, Exc. Turbo	33-2471		500	1.4L L4 F/I - US, Turbo	33-2487	
		33-2471 ♦		500L	0.9L L2 F/I - Turbo	33-2981	
500	1.4L L4 F/I - US, Turbo	33-2487		500L	1.3L L4 DSL	33-2984	
		33-2487 ♦		500L	1.4L L4 F/I - Non-US, Exc. Turbo	33-2842	
500L	0.9L L2 F/I - Turbo	33-2981		500L	1.4L L4 F/I - Non-US, Exc. Turbo	33-2842	
500L	1.3L L4 DSL	33-2984		Punto Evo	1.6L L4 DSL	E-2995	
500L	1.4L L4 F/I - Non-US, Exc. Turbo	33-2842		2011 FIAT			
500L	1.4L L4 F/I - Turbo	33-5015		500	1.4L L4 F/I		HP-1010 ¹
500L	1.6L L4 DSL	33-5015		500	1.4L L4 F/I - Exc. Turbo	33-2842 ♦	HP-1010
500X	1.4L L4 F/I	33-5034		500	1.4L L4 F/I - Turbo	33-3014	HP-1010
500X	1.6L L4 DSL	33-5034		Punto Evo	1.4L L4 F/I - Turbo	33-2935 ♦	
500X	1.6L L4 F/I	33-5034		Punto Evo	1.6L L4 DSL	E-2995	
500X	2.0L L4 DSL	33-5034		2010 FIAT			
2014 FIAT				2009 FIAT			
500	1.2L L4 F/I	33-2931 ♦		Grande Punto	1.6L L4 DSL	E-2995	
500	1.4L L4 F/I - Exc. Turbo	33-2471		Punto Evo	1.4L L4 F/I - Turbo	33-2935 ♦	
500	1.4L L4 F/I - Non-US, Turbo	33-3014		2008 FIAT			
500	1.4L L4 F/I - US, Exc. Turbo	33-2471 ♦		Bravo	1.4L L4 F/I - Turbo	E-2995 ♦	
500	1.4L L4 F/I - US, Turbo	33-2487		Grande Punto	1.4L L4 F/I - Turbo	33-2935 ♦	
500 Abarth	1.4L L4 F/I - Non-US, Turbo	33-3014 ♦		2007 FIAT			
500 Abarth	1.4L L4 F/I - US, Turbo	33-2487 ♦		2006 FIAT			
500L	0.9L L2 F/I - Turbo	33-2981		2005 FIAT			
500L	1.3L L4 DSL	33-2984		2004 FIAT			
500L	1.4L L4 F/I - Non-US, Exc. Turbo	33-2842		2003 FIAT			
500L	1.4L L4 F/I - US	33-5015		2002 FIAT			
500L	1.6L L4 DSL	33-5015		2001 FIAT			
500X	1.4L L4 F/I	33-5034		Punto	1.2L L4 F/I - 16v	33-2197 ♦	
500X	1.6L L4 DSL	33-5034		Punto	1.2L L4 F/I - 60BHP, 8v, Series II	E-2863 ♦	
500X	1.6L L4 F/I	33-5034		Punto	1.2L L4 F/I - OEM 46481588, 16v	33-2171 ♦	
2013 FIAT				1998 FIAT			
500	0.9L L2 F/I - Exc. Turbo	33-3046		Seicento	0.9L L4 F/I	33-2682	
500	0.9L L2 F/I - Turbo	33-2981		1996 FIAT			
500	1.2L L4 F/I	33-2931 ♦		Uno	1.4L L4 F/I - Turbo	33-2525	
500	1.3L L4 DSL	33-2984		1991 FIAT			
500	1.4L L4 F/I - Non-US, Exc. Turbo	33-2842		Uno	1.4L L4 F/I - Turbo	33-2525 ♦	
500	1.4L L4 F/I - Non-US, Turbo	33-3014		1981 FIAT			
				124	2.0L L4 CARB	33-2001	

* 2 filters required

♦ Intake System Available - see page 84 +Cabin Air Filter Available - see page 453 1- Performance Silver Oil Filter Also Available



Vehicle	Engine Type	Air Filter	Oil Filter	Vehicle	Engine Type	Air Filter	Oil Filter
1981 FIAT				2017 FORD			
124	2.0L L4 F/I	33-2001	HP-2004 ¹	Focus III	1.5L L4 DSL	E-2993 ♦	
1980 FIAT				Focus III	1.5L L4 F/I	E-2993 ♦	
124	2.0L L4 CARB	33-2001	HP-2004 ¹	Focus III	1.6L L4 F/I	E-2993 ♦	
124	2.0L L4 F/I	33-2001	HP-2004 ¹	Focus III	2.0L L4 DSL	E-2993 ♦	
1979 FIAT				Focus III	2.0L L4 F/I	E-2993 ♦	HP-1002 ¹
124	2.0L L4 CARB	33-2001		Focus III	2.3L L4 F/I	E-2993 ♦	
1978 FIAT				Focus RS	2.3L L4 F/I	E-2993 ♦	
124	1.8L L4 CARB	E-2670		Focus ST	2.0L L4 DSL	E-2993 ♦	HP-1002 ¹
2017 FORD				Focus ST	2.0L L4 F/I	E-2993 ♦	HP-1002 ¹
B-Max	1.0L L3 F/I	33-2955		Fusion	1.5L L4 F/I	33-5000	HP-1002 ¹
B-Max	1.4L L4 F/I	33-2955		Fusion	2.0L L4 F/I	33-5001	HP-1002 ¹
B-Max	1.5L L4 DSL	33-2955		Fusion	2.0L L4 F/I - Turbo	33-5000	HP-1002
B-Max	1.6L L4 F/I	33-2955		Fusion	2.5L L4 F/I	33-5000 ♦	HP-1002 ¹
C-Max	2.0L L4 F/I		HP-1002 ¹	Fusion	2.7L V6 F/I	33-5000	
C-Max II	1.0L L3 F/I	E-2993 ♦		Galaxy III	1.5L L4 F/I	33-5000+	
C-Max II	1.5L L4 DSL	E-2993 ♦		Galaxy III	2.0L L4 DSL	33-5000+	
C-Max II	1.5L L4 F/I	E-2993 ♦		Galaxy III	2.0L L4 F/I	33-5000+	
C-Max II	1.6L L4 F/I	E-2993 ♦		Grand C-Max	1.0L L3 F/I	E-2993 ♦	
C-Max II	2.0L L4 DSL	E-2993 ♦		Grand C-Max	1.5L L4 DSL	E-2993 ♦	
E350 Cutaway	6.8L V10 F/I		HP-2010 ¹	Grand C-Max	1.5L L4 F/I	E-2993 ♦	
E350 Super Duty	6.8L V10 F/I		HP-2010 ¹	Grand C-Max	1.6L L4 F/I	E-2993 ♦	
E450 Cutaway	6.8L V10 F/I		HP-2010 ¹	Grand C-Max	2.0L L4 DSL	E-2993 ♦	
E450 Motorhome	6.8L V10 F/I		HP-2010 ¹	Grand C-Max	2.0L L4 DSL	E-2993 ♦	
E450 Super Duty	6.8L V10 F/I		HP-2010 ¹	Grand C-Max	2.0L L4 F/I	33-2955	
EcoSport	1.0L L3 F/I	33-2955		KA Plus	1.2L L4 F/I	33-5000+	
EcoSport	1.5L L4 DSL	33-2955		Mondeo V	1.0L L3 F/I	33-5000+	
EcoSport	1.5L L4 F/I	33-2955		Mondeo V	1.5L L4 DSL	33-5000+	
Edge	2.0L L4 F/I		HP-1002 ¹	Mondeo V	1.5L L4 F/I	33-5000+	
Edge	3.5L V6 F/I		HP-2011 ¹	Mondeo V	2.0L L4 DSL	33-5000+	
Escape	1.5L L4 F/I	E-2993	HP-1002 ¹	Mondeo V	2.0L L4 F/I - Exc.	33-5000+	
Escape	1.6L L4 F/I		HP-1002 ¹	Mondeo V	Hybrid	33-5000+	
Escape	2.0L L4 F/I	E-2993	HP-1002 ¹	Mondeo V	2.0L L4 F/I - w/Hybrid	33-5001+	
Escape	2.5L L4 F/I		HP-1002 ¹	Mustang	2.3L L4 F/I	33-5029 ♦	HP-1002 ¹
Expedition	3.5L V6 F/I	33-2385 ♦	HP-2011 ¹	Mustang	3.7L V6 F/I	33-5029 ♦	HP-2011 ¹
Explorer	2.3L L4 F/I	33-2395 ♦	HP-1002 ¹	Mustang GT	5.0L V8 F/I	33-5029 ♦	HP-2011 ¹
Explorer	3.5L V6 F/I	33-2395 ♦	HP-2011 ¹	Police Interceptor Sedan	2.0L L4 F/I		HP-1002 ¹
F53	6.8L V10 F/I		HP-2010 ¹	Police Interceptor Utility	3.5L V6 F/I		HP-2011 ¹
F150	2.7L V6 F/I	33-2385 ♦		Police Interceptor Utility	3.7L V6 F/I		HP-2011 ¹
F150	3.5L V6 F/I	33-2385	HP-2011 ¹	Ranger	2.2L L4 DSL	E-0662	
F150	5.0L V8 F/I	33-2385 ♦	HP-2011 ¹	Ranger	3.2L L5 DSL	E-0662	
F250 Super Duty	6.2L V8 F/I	E-0644	HP-2010 ¹	S-Max II	1.5L L4 F/I	33-5000+	
F250 Super Duty	6.7L V8 DSL	E-0644	HP-4005	S-Max II	2.0L L4 DSL	33-5000+	
F350 Super Duty	6.2L V8 F/I	E-0644	HP-2010 ¹	S-Max II	2.0L L4 F/I	33-5000+	
F350 Super Duty	6.7L V8 DSL	E-0644	HP-4005	Taurus	2.0L L4 F/I		HP-1002 ¹
F450 Super Duty	6.2L V8 F/I	E-0644	HP-2010 ¹	Taurus	3.5L V6 F/I		HP-2011 ¹
F450 Super Duty	6.7L V8 DSL	E-0644	HP-4005	Taurus SHO	3.5L V6 F/I		HP-2011 ¹
F550 Super Duty	6.7L V8 DSL	E-0644	HP-4005	Tourneo Connect	1.0L L3 F/I	E-2993 ♦	
F650	6.8L V10 F/I		HP-2010 ¹	Tourneo Connect	1.5L L4 DSL	E-2993 ♦	
Fiesta	1.0L L3 F/I		HP-1002 ¹	Tourneo Courier	1.0L L3 F/I	33-2955	
Fiesta	1.6L L4 F/I		HP-1002 ¹	Tourneo Courier	1.5L L4 DSL	33-2955	
Fiesta ST	1.6L L4 F/I	33-2955	HP-1002 ¹	Tourneo Custom	2.2L L4 DSL	33-3026	
Fiesta VI	1.0L L3 F/I	33-2955		Transit	2.2L L4 DSL	33-3026	PS-7010
Fiesta VI	1.25L L4 F/I	33-2955		Transit 150	3.2L L5 DSL		HP-2011 ¹
Fiesta VI	1.4L L4 F/I	33-2955		Transit 150	3.5L V6 F/I		HP-2011 ¹
Fiesta VI	1.5L L4 DSL	33-2955		Transit 150	3.7L V6 F/I		HP-2011 ¹
Fiesta VI	1.6L L4 F/I	33-2955		Transit 250	3.2L L5 DSL		HP-2011 ¹
Flex	3.5L V6 F/I		HP-2011 ¹	Transit 250	3.5L V6 F/I		HP-2011 ¹
Focus	1.0L L3 F/I		HP-1002 ¹	Transit 250	3.7L V6 F/I		HP-2011 ¹
Focus	2.0L L4 F/I		HP-1002 ¹	Transit 250	3.7L V6 F/I		HP-2011 ¹
Focus	2.3L L4 F/I		HP-1002 ¹	Transit 350	3.2L L5 DSL		HP-2011 ¹
Focus III	1.0L L3 F/I	E-2993 ♦	HP-1002 ¹	Transit 350	3.5L V6 F/I		HP-2011 ¹
				Transit 350	3.7L V6 F/I		HP-2011 ¹
				Transit 350 HD	3.2L L5 DSL		HP-2011 ¹

* 2 filters required

♦ Intake System Available - see page 84 +Cabin Air Filter Available - see page 453 1- Performance Silver Oil Filter Also Available



AIR & OIL FILTERS

FORD

Vehicle	Engine Type	Air Filter	Oil Filter	Vehicle	Engine Type	Air Filter	Oil Filter
2017 FORD				2016 FORD			
Transit 350 HD	3.5L V6 F/I		HP-2011 ¹	Focus III	2.0L L4 F/I	E-2993 ♦	HP-1002 ¹
Transit 350 HD	3.7L V6 F/I		HP-2011 ¹	Focus III	2.3L L4 F/I	E-2993 ♦	
Transit Connect	1.0L L3 F/I	E-2993 ♦		Focus RS	2.3L L4 F/I	E-2993 ♦	
Transit Connect	1.5L L4 DSL	E-2993 ♦		Focus ST	2.0L L4 DSL	E-2993 ♦	
Transit Connect	1.6L L4 F/I		HP-1002 ¹	Focus ST	2.0L L4 F/I	E-2993 ♦	HP-1002 ¹
Transit Connect	2.5L L4 F/I		HP-1002 ¹	Fusion	1.5L L4 F/I	33-5000 ♦+	HP-1002 ¹
Transit Courier	1.0L L3 F/I	33-2955		Fusion	1.6L L4 F/I		HP-1002 ¹
Transit Courier	1.5L L4 DSL	33-2955		Fusion	2.0L L4 F/I		HP-1002 ¹
Transit Custom	2.2L L4 DSL	33-3026		Fusion	2.0L L4 F/I - Exc. Turbo	33-5001+	HP-1002
2016 FORD				Fusion	2.0L L4 F/I - Turbo	33-5000 ♦+	HP-1002
C-Max	2.0L L4 F/I	33-5001	HP-1002 ¹	Fusion	2.5L L4 F/I	33-5000 ♦+	HP-1002 ¹
C-Max	2.0L L4 F/I - w/Hybrid	33-5001	HP-1002 ¹	Kuga II	1.5L L4 F/I	E-2993	
C-Max II	2.0L L4 DSL	E-2993 ♦		Mondeo V	1.5L L4 DSL	33-5000+	
E350 Super Duty	5.4L V8 F/I	E-0945 ♦	HP-2010 ¹	Mondeo V	1.5L L4 F/I	33-5000+	
E350 Super Duty	6.8L V10 F/I	E-0945 ♦	HP-2010 ¹	Mustang	2.3L L4 F/I	33-5029 ♦	HP-1002 ¹
E450 Cutaway	6.8L V10 F/I		HP-2010 ¹	Mustang	3.7L V6 F/I	33-5029 ♦	HP-2011 ¹
E450 Super Duty	5.4L V8 F/I	E-0945 ♦		Mustang GT	5.0L V8 F/I	33-5029 ♦	HP-2011 ¹
E450 Super Duty	6.8L V10 F/I		HP-2010 ¹	Police Interceptor Sedan	3.5L V6 F/I		HP-2011 ¹
EcoSport	1.5L L4 DSL	33-2955		Police Interceptor Sedan	3.7L V6 F/I		HP-2011 ¹
EcoSport	1.5L L4 F/I	33-2955		Police Interceptor Utility	3.5L V6 F/I		HP-2011 ¹
Edge	2.0L L4 F/I	33-5000+	HP-1002 ¹	Police Interceptor Utility	3.7L V6 F/I		HP-2011 ¹
Edge	2.7L V6 F/I	33-5000+	PS-7037				
Edge	3.5L V6 F/I	33-5000+	HP-2011 ¹				
Escape	1.6L L4 F/I	E-2993 ♦	HP-1002 ¹				
Escape	2.0L L4 F/I	E-2993 ♦	HP-1002 ¹	Ranger	2.2L L4 DSL	E-0662	
Escape	2.5L L4 F/I	33-5002	HP-1002 ¹	Ranger	3.2L L5 DSL	E-0662	
Expedition	3.5L V6 F/I	33-2385 ♦	HP-2011 ¹	Taurus	2.0L L4 F/I	33-2395	HP-1002 ¹
Explorer	2.3L L4 F/I	33-2395 ♦	HP-1002 ¹	Taurus	3.5L V6 F/I	33-2395 ♦	HP-2011 ¹
Explorer	3.5L V6 F/I	33-2395 ♦	HP-2011 ¹	Taurus	3.7L V6 F/I		HP-2011 ¹
F150	2.7L V6 F/I	33-2385 ♦+	PS-7037				
F150	3.5L V6 F/I	33-2385 ♦+	HP-2011 ¹	Taurus SHO	3.5L V6 F/I	33-2395 ♦	HP-2011 ¹
F150	5.0L V8 F/I	33-2385 ♦+	HP-2011 ¹	Territory	4.0L L6 F/I	33-2950	
F250 Super Duty	6.2L V8 F/I	33-2385 ♦	HP-2010 ¹	Transit 150	3.2L L5 DSL	33-5024	
F250 Super Duty	6.7L V8 DSL	33-5010 ♦	HP-4005	Transit 150	3.5L V6 F/I	33-5024	HP-2011 ¹
F350 Super Duty	6.2L V8 F/I	33-2385 ♦	HP-2010 ¹	Transit 150	3.7L V6 F/I	33-5024	HP-2011 ¹
F350 Super Duty	6.7L V8 DSL	33-5010 ♦	HP-4005	Transit 250	3.2L L5 DSL	33-5024	HP-2011 ¹
F450	6.7L V8 DSL	33-5010 ♦		Transit 250	3.5L V6 F/I	33-5024	HP-2011 ¹
F450	6.8L V10 F/I		HP-2010 ¹	Transit 250	3.7L V6 F/I	33-5024	HP-2011 ¹
F450 Super Duty	6.7L V8 DSL	33-5010 ♦	HP-4005	Transit 250	3.7L V6 F/I	33-5024	HP-2011 ¹
F450 Super Duty	6.8L V10 F/I		HP-2010 ¹	Transit 350	3.2L L5 DSL	33-5024	HP-2011 ¹
F550	6.7L V8 DSL	33-5010 ♦		Transit 350	3.5L V6 F/I	33-5024	HP-2011 ¹
F550	6.8L V10 F/I		HP-2010 ¹	Transit 350	3.7L V6 F/I	33-5024	HP-2011 ¹
F550 Super Duty	6.7L V8 DSL	33-5010 ♦	HP-4005	Transit 350 HD	3.2L L5 DSL	33-5024	HP-2011 ¹
F550 Super Duty	6.8L V10 F/I		HP-2010 ¹	Transit 350 HD	3.5L V6 F/I	33-5024	HP-2011 ¹
Falcon	4.0L L6 F/I	33-2950		Transit 350 HD	3.7L V6 F/I	33-5024	HP-2011 ¹
Fiesta	1.0L L3 F/I		HP-1002 ¹	Transit Connect	1.5L L4 DSL	E-2993 ♦	
Fiesta	1.6L L4 F/I	33-2955 ♦	HP-1002 ¹	Transit Connect	1.6L L4 DSL	E-2993 ♦	
Fiesta ST	1.6L L4 F/I	33-2955 ♦	HP-1002 ¹	Transit Connect	1.6L L4 F/I	E-2993 ♦	HP-1002 ¹
Fiesta VI	1.0L L3 F/I	33-2955		Transit Connect	2.5L L4 F/I	33-2436	HP-1002 ¹
Fiesta VI	1.25L L4 F/I	33-2955		Transit Custom	2.2L L4 DSL	33-3026	
Fiesta VI	1.4L L4 F/I	33-2955					
Fiesta VI	1.5L L4 DSL	33-2955					
Fiesta VI	1.6L L4 F/I	33-2955					
Flex	3.5L V6 F/I	33-2395 ♦	HP-2011 ¹				
Focus	1.0L L3 F/I	E-2993	HP-1002 ¹				
Focus	2.0L L4 F/I	E-2993 ♦	HP-1002 ¹				
Focus	2.3L L4 F/I	E-2993					
Focus III	1.0L L3 F/I	E-2993 ♦	HP-1002 ¹				
Focus III	1.5L L4 DSL	E-2993 ♦					
Focus III	1.5L L4 F/I	E-2993 ♦					
Focus III	1.6L L4 F/I	E-2993 ♦					
Focus III	2.0L L4 DSL	E-2993 ♦					
2015 FORD							
C-Max	2.0L L4 F/I	33-5001	HP-1002 ¹				
C-Max II	2.0L L4 DSL	E-2993 ♦					
E350 Cutaway	6.8L V10 F/I		HP-2010 ¹				
E350 Super Duty	5.4L V8 F/I	E-0945 ♦	HP-2010 ¹				
E350 Super Duty	6.8L V10 F/I	E-0945 ♦	HP-2010 ¹				
E450 Cutaway	6.8L V10 F/I		HP-2010 ¹				
E450 Super Duty	5.4L V8 F/I	E-0945 ♦					
E450 Super Duty	6.8L V10 F/I	E-0945 ♦	HP-2010 ¹				
EcoSport	1.5L L4 DSL	33-2955					
EcoSport	1.5L L4 F/I	33-2955					
Edge	2.0L L4 F/I	33-5000+	HP-1002 ¹				
Edge	2.7L V6 F/I	33-5000+	PS-7037				
Edge	3.5L V6 F/I	33-5000+	HP-2011 ¹				

* 2 filters required ♦ Intake System Available - see page 84 +Cabin Air Filter Available - see page 453 1- Performance Silver Oil Filter Also Available

FORD

AIR & OIL FILTERS



Vehicle	Engine Type	Air Filter	Oil Filter
2015 FORD			
Edge	3.7L V6 F/I		HP-2011 ¹
Escape	1.6L L4 F/I	E-2993 ◆	HP-1002 ¹
Escape	2.0L L4 F/I	E-2993 ◆	HP-1002 ¹
Escape	2.5L L4 F/I	33-5002	HP-1002 ¹
Expedition	3.5L V6 F/I	33-2385 ◆	HP-2011 ¹
Expedition	5.4L V8 F/I		HP-2010 ¹
Explorer	2.0L L4 F/I	33-2395 ◆+	HP-1002 ¹
Explorer	3.5L V6 F/I	33-2395 ◆+	HP-2011 ¹
Explorer Sport	3.5L V6 F/I	33-2395 ◆+	HP-2011 ¹
F150	2.7L V6 F/I	33-2385 ◆+	PS-7037
F150	3.5L V6 F/I	33-2385 ◆+	HP-2011 ¹
F150	3.7L V6 F/I		HP-2011 ¹
F150	5.0L V8 F/I	33-2385 ◆+	HP-2011 ¹
F150	6.2L V8 F/I		HP-2010 ¹
F250 Super Duty	6.2L V8 F/I	33-2385 ◆	HP-2010 ¹
F250 Super Duty	6.7L V8 DSL	33-5010 ◆	HP-4005
F350 Super Duty	6.2L V8 F/I	33-2385	HP-2010 ¹
		33-2385 ◆	HP-2010 ¹

F350 Super Duty	6.7L V8 DSL	33-5010 ◆	HP-4005
F450 Super Duty	6.2L V8 F/I	33-2385	HP-2010 ¹
F450 Super Duty	6.7L V8 DSL	33-5010 ◆	HP-4005
F450 Super Duty	6.8L V10 F/I	33-2385	HP-2010 ¹
F550 Super Duty	6.7L V8 DSL	33-5010 ◆	HP-4005
F550 Super Duty	6.8L V10 F/I	33-2385	HP-2010 ¹
Falcon	4.0L L6 F/I	33-2950	
Fiesta	1.0L L3 F/I		HP-1002 ¹
Fiesta	1.6L L4 F/I	33-2955 ◆	HP-1002 ¹
Fiesta Ikon	1.6L L4 F/I	33-2955	HP-1002 ¹
Fiesta ST	1.6L L4 F/I	33-2955 ◆	HP-1002 ¹
Fiesta VI	1.0L L3 F/I	33-2955	HP-1002 ¹
Fiesta VI	1.25L L4 F/I	33-2955	
Fiesta VI	1.4L L4 F/I	33-2955	
Fiesta VI	1.5L L4 DSL	33-2955	
Fiesta VI	1.6L L4 DSL	33-2955	
Fiesta VI	1.6L L4 F/I	33-2955	HP-1002 ¹
Flex	3.5L V6 F/I	33-2395 ◆+	HP-2011 ¹
Focus	1.0L L3 F/I	E-2993	HP-1002 ¹
Focus	2.0L L4 F/I	E-2993 ◆	HP-1002 ¹
Focus III	1.0L L3 F/I	E-2993 ◆	HP-1002 ¹
Focus III	1.5L L4 DSL	E-2993 ◆	
Focus III	1.5L L4 F/I	E-2993 ◆	
Focus III	1.6L L4 DSL	E-2993	
Focus III	1.6L L4 F/I	E-2993 ◆	
Focus III	2.0L L4 DSL	E-2993 ◆	
Focus III	2.0L L4 F/I	E-2993 ◆	HP-1002 ¹
Focus ST	2.0L L4 DSL	E-2993 ◆	
Focus ST	2.0L L4 F/I	E-2993 ◆	HP-1002 ¹
Fusion	1.5L L4 F/I	33-5000 ◆+	HP-1002 ¹
Fusion	1.6L L4 F/I		HP-1002 ¹
Fusion	2.0L L4 F/I		HP-1002 ¹
Fusion	2.0L L4 F/I - Exc. Turbo	33-5001+	HP-1002
Fusion	2.0L L4 F/I - Turbo	33-5000 ◆+	HP-1002
Fusion	2.5L L4 F/I	33-5000 ◆+	HP-1002 ¹
Mondeo V	2.0L L4 DSL	33-5000+	
Mondeo V	2.0L L4 F/I - Exc. Hybrid	33-5000 ◆+	
Mustang	2.3L L4 F/I	33-5029 ◆	HP-1002 ¹
Mustang	3.7L V6 F/I	33-5029 ◆	HP-2011 ¹
Mustang GT	5.0L V8 F/I	33-5029 ◆	HP-2011 ¹
Police Interceptor Sedan	3.5L V6 F/I		HP-2011 ¹
Police Interceptor Sedan	3.7L V6 F/I		HP-2011 ¹

Vehicle	Engine Type	Air Filter	Oil Filter
2015 FORD			
Police Interceptor Utility	3.5L V6 F/I		HP-2011 ¹
Police Interceptor Utility	3.7L V6 F/I		HP-2011 ¹
Ranger	2.2L L4 DSL	E-0662	
Ranger	2.5L L4 F/I	E-0662	
Ranger	3.2L L5 DSL	E-0662	
Taurus	2.0L L4 F/I	33-2395+	HP-1002 ¹
Taurus	3.5L V6 F/I	33-2395 ◆+	HP-2011 ¹
Taurus SHO	3.5L V6 F/I	33-2395 ◆+	HP-2011 ¹
Transit	2.2L L4 DSL	33-3026	
Transit 150	3.2L L5 DSL	33-5024	
Transit 150	3.5L V6 F/I	33-5024	HP-2011 ¹
Transit 150	3.7L V6 F/I	33-5024	HP-2011 ¹
Transit 250	3.2L L5 DSL	33-5024	HP-2011 ¹
Transit 250	3.5L V6 F/I	33-5024	HP-2011 ¹
Transit 250	3.7L V6 F/I	33-5024	HP-2011 ¹
Transit 350	3.2L L5 DSL	33-5024	HP-2011 ¹
Transit 350	3.5L V6 F/I	33-5024	HP-2011 ¹
Transit 350	3.7L V6 F/I	33-5024	HP-2011 ¹
Transit 350 HD	3.2L L5 DSL	33-5024	HP-2011 ¹
Transit 350 HD	3.5L V6 F/I	33-5024	HP-2011 ¹
Transit 350 HD	3.7L V6 F/I	33-5024	HP-2011 ¹
Transit Connect	1.0L L3 F/I	E-2993 ◆	
Transit Connect	1.6L L4 DSL	E-2993 ◆	
Transit Connect	1.6L L4 F/I	E-2993 ◆	HP-1002 ¹
Transit Connect	2.5L L4 F/I	33-5002	HP-1002 ¹
Transit Custom	2.2L L4 DSL	33-3026	

Vehicle	Engine Type	Air Filter	Oil Filter
2014 FORD			
C-Max	2.0L L4 F/I	33-5001	HP-1002 ¹
C-Max II	2.0L L4 DSL	E-2993 ◆	
E150	4.6L V8 F/I	E-0945	HP-2010 ¹
E150	5.4L V8 F/I	E-0945 ◆	HP-2010 ¹
E250	4.6L V8 F/I	E-0945	HP-2010 ¹
E250	5.4L V8 F/I	E-0945 ◆	
E350 Super Duty	5.4L V8 F/I	E-0945 ◆	HP-2010 ¹
E350 Super Duty	6.8L V10 F/I	E-0945 ◆	HP-2010 ¹
E450 Super Duty	5.4L V8 F/I	E-0945 ◆	
E450 Super Duty	6.8L V10 F/I	E-0945 ◆	HP-2010 ¹
Edge	2.0L L4 F/I	33-2395 ◆+	HP-1002 ¹
Edge	3.5L V6 F/I	33-2395 ◆+	HP-2011 ¹
Edge	3.7L V6 F/I	33-2395 ◆+	HP-2011 ¹
Escape	1.6L L4 F/I	E-2993 ◆	HP-1002 ¹
Escape	2.0L L4 F/I	E-2993 ◆	HP-1002 ¹
Escape	2.5L L4 F/I	33-5002	HP-1002 ¹
Expedition	5.4L V8 F/I	33-2385 ◆	HP-2010 ¹
Explorer	2.0L L4 F/I	33-2395 ◆+	HP-1002 ¹
Explorer	3.5L V6 F/I	33-2395 ◆+	HP-2011 ¹
Explorer Sport	3.5L V6 F/I	33-2395 ◆+	HP-2011 ¹
F150	3.5L V6 F/I	33-2385 ◆	HP-2011 ¹
F150	3.7L V6 F/I	33-2385 ◆	HP-2011 ¹
F150	5.0L V8 F/I	33-2385 ◆	HP-2011 ¹
F150	6.2L V8 F/I	33-2385	HP-2010 ¹
F150 SVT Raptor	6.2L V8 F/I	33-2385 ◆	HP-2010 ¹
F250 Super Duty	6.2L V8 F/I	33-2385 ◆	HP-2010 ¹
F250 Super Duty	6.7L V8 DSL	33-5010 ◆	HP-4005
F350 Super Duty	6.2L V8 F/I	33-2385 ◆	HP-2010 ¹
F350 Super Duty	6.7L V8 DSL	33-5010 ◆	HP-4005
F450 Super Duty	6.7L V8 DSL	33-5010 ◆	HP-4005
F450 Super Duty	6.8L V10 F/I	33-2385	HP-2010 ¹
F550 Super Duty	6.7L V8 DSL	33-5010 ◆	HP-4005
F550 Super Duty	6.8L V10 F/I	33-2385	HP-2010 ¹

* 2 filters required

◆ Intake System Available - see page 84 +Cabin Air Filter Available - see page 453 1- Performance Silver Oil Filter Also Available



AIR & OIL FILTERS

FORD

Vehicle	Engine Type	Air Filter	Oil Filter	Vehicle	Engine Type	Air Filter	Oil Filter
2014 FORD				2013 FORD			
Falcon	4.0L L6 F/I	33-2950		Expedition	5.4L V8 F/I	33-2385 ◆	HP-2010 ¹
Fiesta	1.0L L3 F/I		HP-1002 ¹	Explorer	2.0L L4 F/I	33-2395+	HP-1002 ¹
Fiesta	1.6L L4 F/I	33-2955 ◆	HP-1002 ¹	Explorer	3.5L V6 F/I	33-2395 ◆+	HP-2011 ¹
Fiesta Ikon	1.6L L4 F/I	33-2955	HP-1002 ¹	Explorer Sport	3.5L V6 F/I	33-2395 ◆+	HP-2011 ¹
Fiesta ST	1.6L L4 F/I	33-2955 ◆	HP-1002 ¹	F150	3.5L V6 F/I	33-2385 ◆	HP-2011 ¹
Fiesta VI	1.0L L3 F/I	33-2955	HP-1002 ¹	F150	3.7L V6 F/I	33-2385 ◆	HP-2011 ¹
Fiesta VI	1.25L L4 F/I	33-2955		F150	5.0L V8 F/I	33-2385 ◆	HP-2011 ¹
Fiesta VI	1.4L L4 F/I	33-2955		F150	6.2L V8 F/I	33-2385	HP-2010 ¹
Fiesta VI	1.5L L4 DSL	33-2955		F150 SVT Raptor	6.2L V8 F/I	33-2385 ◆	HP-2010 ¹
Fiesta VI	1.6L L4 DSL	33-2955		F250 Super Duty	6.2L V8 F/I	33-2385 ◆	HP-2010 ¹
Fiesta VI	1.6L L4 F/I	33-2955	HP-1002 ¹	F250 Super Duty	6.7L V8 DSL	33-5010 ◆	HP-4005
Flex	3.5L V6 F/I	33-2395 ◆+	HP-2011 ¹	F350 Super Duty	6.2L V8 F/I	33-2385 ◆	HP-2010 ¹
Focus	2.0L L4 F/I	E-2993 ◆	HP-1002 ¹	F350 Super Duty	6.7L V8 DSL	33-5010 ◆	HP-4005
Focus III	1.0L L3 F/I	E-2993 ◆		F450 Super Duty	6.7L V8 DSL	33-5010 ◆	HP-4005
Focus III	1.5L L4 F/I	E-2993 ◆		F450 Super Duty	6.8L V10 F/I	33-2385	HP-2010 ¹
Focus III	1.6L L4 DSL	E-2993 ◆		F550 Super Duty	6.7L V8 DSL	33-5010 ◆	
Focus III	1.6L L4 F/I	E-2993 ◆		F550 Super Duty	6.8L V10 F/I	33-2385	HP-2010 ¹
Focus III	2.0L L4 DSL	E-2993 ◆		F650	6.7L L6 DSL	33-5010	
Focus III	2.0L L4 F/I	E-2993 ◆	HP-1002 ¹	F650	6.8L V10 F/I	33-2385	
Focus ST	2.0L L4 DSL	E-2993 ◆		Falcon	4.0L L6 F/I	33-2950	
Focus ST	2.0L L4 F/I	E-2993 ◆	HP-1002 ¹	Fiesta	1.6L L4 F/I	33-2955 ◆	HP-1002 ¹
Fusion	1.5L L4 F/I	33-5000 ◆+	HP-1002 ¹	Fiesta Ikon	1.6L L4 F/I		HP-1002 ¹
Fusion	1.6L L4 F/I	33-5000 ◆+	HP-1002 ¹	Fiesta VI	1.0L L3 F/I	33-2955	
Fusion	2.0L L4 F/I		HP-1002 ¹	Fiesta VI	1.25L L4 F/I	33-2955	
Fusion	2.0L L4 F/I - Exc. Turbo	33-5001+	HP-1002	Fiesta VI	1.4L L4 DSL	33-2955	
Fusion	2.0L L4 F/I - Turbo	33-5000 ◆+	HP-1002	Fiesta VI	1.4L L4 F/I	33-2955	
Fusion	2.5L L4 F/I	33-5000 ◆+	HP-1002 ¹	Fiesta VI	1.5L L4 DSL	33-2955	
Kuga	2.5L L5 F/I	33-2873		Fiesta VI	1.6L L4 DSL	33-2955	
Mustang	3.7L V6 F/I	33-2431 ◆+	HP-2011 ¹	Fiesta VI	1.6L L4 F/I	33-2955	HP-1002 ¹
Mustang GT	5.0L V8 F/I	33-2431 ◆+	HP-2011 ¹	Flex	3.5L V6 F/I	33-2395+	HP-2011 ¹
Mustang Shelby GT500	5.8L V8 F/I	E-1993 ◆+	HP-2010 ¹	Focus	2.0L L4 F/I	E-2993 ◆	HP-1002 ¹
Ranger	2.2L L4 DSL	E-0662		Focus III	1.0L L3 F/I	E-2993 ◆	
Ranger	2.5L L4 F/I	E-0662		Focus III	1.6L L4 DSL	E-2993 ◆	
Ranger	3.2L L5 DSL	E-0662		Focus III	1.6L L4 F/I	E-2993 ◆	
Taurus	2.0L L4 F/I	33-2395+	HP-1002 ¹	Focus III	2.0L L4 DSL	E-2993 ◆	
Taurus	3.5L V6 F/I	33-2395 ◆+	HP-2011 ¹	Focus III	2.0L L4 F/I	E-2993 ◆	HP-1002 ¹
Taurus SHO	3.5L V6 F/I	33-2395 ◆+	HP-2011 ¹	Focus ST	2.0L L4 F/I	E-2993 ◆	HP-1002 ¹
Transit	2.2L L4 DSL	33-3026		Fusion	1.6L L4 F/I	33-5000 ◆+	HP-1002 ¹
Transit Connect	1.6L L4 DSL	E-2993 ◆		Fusion	2.0L L4 F/I		HP-1002 ¹
Transit Connect	1.6L L4 F/I	E-2993 ◆	HP-1002 ¹	Fusion	2.0L L4 F/I - Exc. Turbo	33-5001+	HP-1002
Transit Connect	2.5L L4 F/I	33-5002	HP-1002 ¹	Fusion	2.0L L4 F/I - Turbo	33-5000 ◆+	HP-1002
Transit Custom	2.2L L4 DSL	33-3026		Fusion	2.5L L4 F/I	33-5000 ◆+	HP-1002 ¹
2013 FORD				2012 FORD			
C-Max	2.0L L4 F/I	33-5001	HP-1002 ¹	E150	4.6L V8 F/I	E-0945	HP-2010 ¹
C-Max II	1.0L L3 F/I	E-2993 ◆		Mustang	3.7L V6 F/I	33-2431 ◆+	HP-2011 ¹
C-Max II	1.6L L4 DSL	E-2993 ◆		Mustang	5.4L V8 F/I		HP-2010 ¹
C-Max II	1.6L L4 F/I	E-2993 ◆		Mustang Boss 302	5.0L V8 F/I	33-2431 ◆+	HP-2011 ¹
C-Max II	2.0L L4 DSL	E-2993 ◆		Mustang GT	5.0L V8 F/I	33-2431 ◆+	HP-2011 ¹
E150	4.6L V8 F/I	E-0945	HP-2010 ¹	Mustang Shelby GT500	5.8L V8 F/I	E-1993 ◆+	HP-2010 ¹
E150	5.4L V8 F/I	E-0945 ◆	HP-2010 ¹	Police Interceptor Sedan	3.5L V6 F/I		HP-2011 ¹
E250	4.6L V8 F/I	E-0945		Police Interceptor Utility	3.7L V6 F/I		HP-2011 ¹
E250	5.4L V8 F/I	E-0945 ◆		Ranger	2.2L L4 DSL	E-0662	
E350 Super Duty	5.4L V8 F/I	E-0945 ◆	HP-2010 ¹	Ranger	2.5L L4 F/I	E-0662	
E350 Super Duty	6.8L V10 F/I	E-0945 ◆	HP-2010 ¹	Ranger	3.2L L5 DSL	E-0662	
E450 Super Duty	6.8L V10 F/I	E-0945 ◆	HP-2010 ¹	Taurus	2.0L L4 F/I	33-2395+	HP-1002 ¹
Edge	2.0L L4 F/I	33-2395 ◆+	HP-1002 ¹	Taurus	3.5L V6 F/I	33-2395 ◆+	HP-2011 ¹
Edge	3.5L V6 F/I	33-2395 ◆+	HP-2011 ¹	Taurus SHO	3.5L V6 F/I	33-2395 ◆+	HP-2011 ¹
Edge	3.7L V6 F/I	33-2395 ◆+	HP-2011 ¹	Transit Connect	2.0L L4 F/I	33-2436	HP-1002 ¹
Escape	1.6L L4 F/I	E-2993 ◆	HP-1002 ¹				
Escape	2.0L L4 F/I	E-2993 ◆	HP-1002 ¹				
Escape	2.5L L4 F/I	33-5002	HP-1002 ¹				

* 2 filters required

◆ Intake System Available - see page 84 +Cabin Air Filter Available - see page 453 1- Performance Silver Oil Filter Also Available

FORD

AIR & OIL FILTERS



Vehicle	Engine Type	Air Filter	Oil Filter
2012 FORD			
E150	5.4L V8 F/I	E-0945 ♦	HP-2010 ¹
E250	4.6L V8 F/I	E-0945	HP-2010 ¹
E250	5.4L V8 F/I	E-0945 ♦	
E250 Super Duty	6.8L V10 F/I	E-0945	HP-2010 ¹
E350 Super Duty	5.4L V8 F/I	E-0945 ♦	HP-2010 ¹
E350 Super Duty	6.8L V10 F/I	E-0945 ♦	HP-2010 ¹
E450 Super Duty	6.8L V10 F/I	E-0945 ♦	HP-2010 ¹
Edge	2.0L L4 F/I	33-2395 ♦+	HP-1002 ¹
Edge	3.5L V6 F/I	33-2395 ♦+	HP-2011 ¹
Edge	3.7L V6 F/I	33-2395 ♦+	HP-2011 ¹
Escape	2.5L L4 F/I	33-2187	HP-1002 ¹
Escape	3.0L V6 F/I	E-1990	HP-2011 ¹
Escape Hybrid	2.5L L4 F/I	33-2347	HP-1002 ¹
Expedition	5.4L V8 F/I	33-2385 ♦	HP-2010 ¹
Explorer	2.0L L4 F/I	33-2395+	HP-1002 ¹
Explorer	3.5L V6 F/I	33-2395 ♦+	HP-2011 ¹
F150	3.5L V6 F/I	33-2385 ♦	HP-2011 ¹
F150	3.7L V6 F/I	33-2385 ♦	HP-2011 ¹
F150	5.0L V8 F/I	33-2385 ♦	HP-2011 ¹
F150	6.2L V8 F/I	33-2385 ♦	HP-2010 ¹
F150 SVT Raptor	6.2L V8 F/I	33-2385 ♦	HP-2010 ¹
F250 Super Duty	6.2L V8 F/I	33-2385 ♦	HP-2010 ¹
F250 Super Duty	6.7L V8 DSL	33-5010 ♦	HP-4005
F350 Super Duty	6.2L V8 F/I	33-2385 ♦	HP-2010 ¹
F350 Super Duty	6.7L V8 DSL	33-5010 ♦	HP-4005
F450 Super Duty	6.7L V8 DSL	33-5010 ♦	HP-4005
F450 Super Duty	6.8L V10 F/I	33-2385	HP-2010 ¹
F550 Super Duty	6.7L V8 DSL	33-5010 ♦	HP-4005
F550 Super Duty	6.8L V10 F/I	33-2385	HP-2010 ¹
F650	6.7L L6 DSL	33-5010	
F650	6.8L V10 F/I	33-2385	HP-2010 ¹
Falcon	4.0L L6 F/I	33-2950	
Fiesta	1.6L L4 F/I	33-2955 ♦	HP-1002 ¹
Fiesta Ikon	1.6L L4 F/I		HP-1002 ¹
Fiesta VI	1.0L L3 F/I	33-2955	
Fiesta VI	1.25L L4 F/I	33-2955 ♦	
Fiesta VI	1.4L L4 DSL	33-2955	
Fiesta VI	1.4L L4 F/I	33-2955	
Fiesta VI	1.5L L4 DSL	33-2955	
Fiesta VI	1.6L L4 DSL	33-2955	
Fiesta VI	1.6L L4 F/I	33-2955 ♦	HP-1002 ¹
Flex	3.5L V6 F/I	33-2395+	HP-2011 ¹
		33-2395 ♦+	HP-2011 ¹
Focus	2.0L L4 F/I	E-2993 ♦	HP-1002 ¹
Focus III	1.0L L3 F/I	E-2993 ♦	
Focus III	1.6L L4 DSL	E-2993 ♦	
Focus III	1.6L L4 F/I	E-2993 ♦	
Focus III	2.0L L4 DSL	E-2993 ♦	
Focus III	2.0L L4 F/I	E-2993 ♦	HP-1002 ¹
Fusion	1.4L L4 F/I	33-2853	
Fusion	1.6L L4 F/I	33-2853	
Fusion	2.5L L4 F/I	33-2357 ♦+	HP-1002 ¹
Fusion	3.0L V6 F/I	33-2340+	HP-2011 ¹
Fusion	3.5L V6 F/I	33-2395+	HP-2011 ¹
Mondeo IV	2.0L L4 DSL	33-2393	
Mondeo IV	2.0L L4 F/I	33-2393	
Mustang	3.7L V6 F/I	33-2431 ♦+	HP-2011 ¹
Mustang Boss 302	5.0L V8 F/I	33-2431 ♦+	HP-2011 ¹
Mustang GT	5.0L V8 F/I	33-2431 ♦+	HP-2011 ¹
Mustang Shelby GT500	5.4L V8 F/I	E-1993 ♦+	HP-2010 ¹
Ranger	2.2L L4 DSL	E-0662	
Ranger	2.3L L4 F/I		HP-1002 ¹

Vehicle	Engine Type	Air Filter	Oil Filter
2012 FORD			
Ranger	2.5L L4 F/I	E-0662	
Ranger	3.2L L5 DSL	E-0662	
Taurus	3.5L V6 F/I	33-2395 ♦+	HP-2011 ¹
Taurus SHO	3.5L V6 F/I	33-2395 ♦+	HP-2011 ¹
Territory	2.7L V6 DSL	33-2950	
Transit Connect	2.0L L4 F/I	33-2436	HP-1002 ¹
2011 FORD			
Crown Victoria	4.6L V8 F/I	33-2272 ♦	HP-2010 ¹
Crown Victoria Police Interceptor	4.6L V8 F/I	33-2272	HP-1002 ¹
E150	4.6L V8 F/I	E-0945	HP-2010 ¹
E150	5.4L V8 F/I	E-0945 ♦	HP-2010 ¹
E250	4.6L V8 F/I	E-0945	HP-2010 ¹
E250	5.4L V8 F/I	E-0945 ♦	HP-2010 ¹
E350 Super Duty	5.4L V8 F/I	E-0945 ♦	HP-2010 ¹
E350 Super Duty	6.8L V10 F/I	E-0945 ♦	HP-2010 ¹
E450 Super Duty	6.8L V10 F/I	E-0945 ♦	HP-2010 ¹
Edge	3.5L V6 F/I	33-2395 ♦+	HP-2011 ¹
Edge	3.7L V6 F/I	33-2395 ♦+	HP-2011 ¹
Escape	2.5L L4 F/I	33-2187	HP-1002 ¹
Escape	3.0L V6 F/I	E-1990	HP-2011 ¹
Escape Hybrid	2.5L L4 F/I	33-2347	HP-1002 ¹
Expedition	5.4L V8 F/I	33-2385 ♦	HP-2010 ¹
Explorer	2.0L L4 F/I		HP-1002 ¹
Explorer	3.5L V6 F/I	33-2395 ♦+	HP-2011 ¹
F150	3.5L V6 F/I	33-2385 ♦	HP-2011 ¹
F150	3.7L V6 F/I	33-2385	HP-2011 ¹
F150	4.6L V8 F/I	33-2385	
F150	5.0L V8 F/I	33-2385 ♦	HP-2011 ¹
F150	5.4L V8 F/I	33-2385	
F150	6.2L V8 F/I	33-2385 ♦	HP-2010 ¹
F150 Platinum	6.2L V8 F/I	33-2385 ♦	HP-2010 ¹
F150 SVT Raptor	6.2L V8 F/I	33-2385 ♦	HP-2010 ¹
F250 Super Duty	6.2L V8 F/I	33-2385 ♦	HP-2010 ¹
F250 Super Duty	6.7L V8 DSL	33-5010 ♦	HP-4005
F250 Super Duty	6.8L V10 F/I	33-2385	HP-2010 ¹
F350 Super Duty	6.2L V8 F/I	33-2385 ♦	HP-2010 ¹
F350 Super Duty	6.7L V8 DSL	33-5010 ♦	HP-4005
F350 Super Duty	6.8L V10 F/I	33-2385	HP-2010 ¹
F450 Super Duty	6.7L V8 DSL	33-5010 ♦	HP-4005
F450 Super Duty	6.8L V10 F/I	33-2385	HP-2010 ¹
F550 Super Duty	6.7L V8 DSL	33-5010 ♦	
F550 Super Duty	6.8L V10 F/I	33-2385	HP-2010 ¹
F650	6.7L L6 DSL	33-5010	
Falcon	4.0L L6 F/I	33-2950	
Fiesta	1.6L L4 F/I	33-2955 ♦	HP-1002 ¹
Fiesta Ikon	1.6L L4 F/I		HP-1002 ¹
Fiesta VI	1.25L L4 F/I	33-2955 ♦	
Fiesta VI	1.4L L4 F/I	33-2955 ♦	
Fiesta VI	1.6L L4 DSL	33-2955	
Fiesta VI	1.6L L4 F/I	33-2955 ♦	HP-1002 ¹
Flex	3.5L V6 F/I	33-2395+	HP-2011 ¹
		33-2395 ♦+	HP-2011 ¹
Focus	2.0L L4 F/I		HP-1002 ¹
Focus	2.0L L4 F/I - US	33-2401 ♦	HP-1002
Focus Europa	2.0L L4 F/I		HP-1002 ¹
Focus III	1.6L L4 DSL	E-2993 ♦	
Focus III	1.6L L4 F/I	E-2993 ♦	
Focus III	2.0L L4 DSL	E-2993 ♦	
Fusion	1.4L L4 F/I	33-2853	
Fusion	1.6L L4 F/I	33-2853	
Fusion	2.5L L4 F/I	33-2357 ♦+	HP-1002 ¹

* 2 filters required

♦ Intake System Available - see page 84 +Cabin Air Filter Available - see page 453 1- Performance Silver Oil Filter Also Available



AIR & OIL FILTERS

FORD

Vehicle	Engine Type	Air Filter	Oil Filter	Vehicle	Engine Type	Air Filter	Oil Filter
2011 FORD				2010 FORD			
Fusion	3.0L V6 F/I	33-2340+	HP-2011 ¹	Focus II	1.6L L4 DSL	E-2993 ♦	
Fusion	3.5L V6 F/I	33-2395+	HP-2011 ¹	Focus II	1.6L L4 F/I	E-2993 ♦	
Kuga	2.0L L4 DSL	E-2993 ♦		Focus II	1.8L L4 F/I	E-2993 ♦	
Mustang	3.7L V6 F/I	33-2431 ♦+	HP-2011 ¹	Focus II	2.0L L4 F/I	E-2993 ♦	HP-1002 ¹
Mustang GT	5.0L V8 F/I	33-2431 ♦+	HP-2011 ¹	Focus II	2.5L L5 F/I - RS	E-2993 ♦	
Mustang Shelby GT500	5.4L V8 F/I	E-1993 ♦+	HP-2010 ¹	Focus III	1.6L L4 DSL	E-2993 ♦	
Ranger	2.3L L4 F/I	33-2106-1	HP-1002 ¹	Focus III	1.6L L4 F/I	E-2993 ♦	
Ranger	4.0L V6 F/I	33-2106-1 ♦	HP-2010 ¹	Focus III	2.0L L4 DSL	E-2993 ♦	
S-Max	2.0L L4 DSL	33-2393		Fusion	1.4L L4 F/I	33-2853	
S-Max	2.0L L4 F/I	33-2393		Fusion	1.6L L4 F/I	33-2853	
Taurus	3.5L V6 F/I	33-2395 ♦+	HP-2011 ¹	Fusion	2.5L L4 F/I	33-2357 ♦+	HP-1002 ¹
Taurus SHO	3.5L V6 F/I	33-2395 ♦+	HP-2011 ¹	Fusion	3.0L V6 F/I	33-2340+	HP-2011 ¹
Transit Connect	2.0L L4 F/I	33-2436	HP-1002 ¹	Fusion	3.5L V6 F/I	33-2395+	HP-2011 ¹
2010 FORD				2010 FORD			
Crown Victoria	4.6L V8 F/I	33-2272 ♦	HP-2010 ¹	Fusion Hybrid	2.5L L4 F/I		HP-1002 ¹
Crown Victoria Police Interceptor	4.6L V8 F/I	33-2272	HP-1002 ¹	Mustang	4.0L V6 F/I	33-2298 ♦+	HP-2010 ¹
E150	4.6L V8 F/I	E-0945	HP-2010 ¹	Mustang	4.6L V8 F/I	33-2431+	HP-2010 ¹
E150	5.4L V8 F/I	E-0945 ♦	HP-2010 ¹	Mustang GT	4.6L V8 F/I	33-2431 ♦+	HP-2010 ¹
E250	4.6L V8 F/I	E-0945		Mustang Shelby GT500	5.4L V8 F/I	E-1993 ♦+	HP-2010 ¹
E250	5.4L V8 F/I	E-0945 ♦		Ranger	2.3L L4 F/I	33-2106-1	HP-1002 ¹
E350 Super Duty	5.4L V8 F/I	E-0945 ♦	HP-2010 ¹	Ranger	4.0L V6 F/I	33-2106-1 ♦	HP-2010 ¹
E350 Super Duty	6.0L V8 DSL	33-2341	PS-7009	Taurus	3.5L V6 F/I	33-2395 ♦+	HP-2011 ¹
E350 Super Duty	6.8L V10 F/I	E-0945 ♦	HP-2010 ¹	Taurus SHO	3.5L V6 F/I	33-2395+	HP-2011 ¹
E450 Super Duty	6.0L V8 DSL	33-2341	PS-7009	Territory	4.0L L6 F/I	33-2950	
E450 Super Duty	6.8L V10 F/I	E-0945 ♦	HP-2010 ¹	Transit Connect	2.0L L4 F/I	33-2436	HP-1002 ¹
Edge	3.5L V6 F/I	33-2395 ♦+	HP-2011 ¹	2009 FORD			
Escape	2.5L L4 F/I	33-2187	HP-1002 ¹	Crown Victoria	4.6L V8 F/I	33-2272 ♦	
Escape	3.0L V6 F/I	E-1990	HP-2011 ¹	Crown Victoria	4.6L V8 F/I - After 11/13/08	33-2272	HP-2010 ¹
Escape Hybrid	2.5L L4 F/I	33-2347	HP-1002 ¹	Crown Victoria Police Interceptor	4.6L V8 F/I	33-2272	
Expedition	5.4L V8 F/I	33-2385 ♦	HP-2010 ¹	Crown Victoria Police Interceptor	4.6L V8 F/I - After 11/13/08	33-2272	HP-1002 ¹
Explorer	4.0L V6 F/I	33-2366	HP-2010 ¹	E150	4.6L V8 F/I	E-0945	HP-2010 ¹
Explorer	4.6L V8 F/I	33-2353	HP-2010 ¹	E150	5.4L V8 F/I	E-0945 ♦	HP-2010 ¹
Explorer Sport Trac	4.0L V6 F/I	33-2366	HP-2010 ¹	E250	4.6L V8 F/I	E-0945	
Explorer Sport Trac	4.6L V8 F/I	33-2353	HP-2010 ¹	E250	5.4L V8 F/I	E-0945 ♦	
F150	4.6L V8 F/I	33-2385	HP-2010 ¹	E350 Super Duty	5.4L V8 F/I	E-0945 ♦	HP-2010 ¹
F150	5.4L V8 F/I	33-2385 ♦	HP-2010 ¹	E350 Super Duty	6.0L V8 DSL	33-2341	PS-7009
F150 SVT Raptor	5.4L V8 F/I	33-2385 ♦	HP-2010 ¹	E350 Super Duty	6.8L V10 F/I	E-0945 ♦	HP-2010 ¹
F150 SVT Raptor	6.2L V8 F/I	33-2385 ♦	HP-2010 ¹	E450 Super Duty	6.8L V10 F/I	E-0945 ♦	HP-2010 ¹
F250 Super Duty	5.4L V8 F/I	33-2385 ♦	HP-2010 ¹	Edge	3.5L V6 F/I	33-2395 ♦+	
F250 Super Duty	6.4L V8 DSL	E-0785 ♦	PS-7009	Edge	3.5L V6 F/I - Built After 1/15/09	33-2395	HP-2011 ¹
F250 Super Duty	6.8L V10 F/I	33-2385	HP-2010 ¹	Edge	3.5L V6 F/I - Built Before 1/15/09	33-2395	HP-2009 ¹
F350 Super Duty	5.4L V8 F/I	33-2385 ♦	HP-2010 ¹	Escape	2.5L L4 F/I	33-2187	
F350 Super Duty	6.4L V8 DSL	E-0785 ♦	PS-7009	Escape	2.5L L4 F/I - Cartridge	33-2187	PS-7013
F350 Super Duty	6.8L V10 F/I	33-2385	HP-2010 ¹	Escape	2.5L L4 F/I - Spin On	33-2187	HP-1002 ¹
F450 Super Duty	6.4L V8 DSL	E-0785 ♦	PS-7009	Escape	3.0L V6 F/I	E-1990	HP-2011 ¹
F550 Super Duty	6.4L V8 DSL	E-0785 ♦		Escape Hybrid	2.5L L4 F/I	33-2347	
F550 Super Duty	6.8L V10 F/I	33-2385		Escape Hybrid	2.5L L4 F/I - Cartridge	33-2347	PS-7013
Falcon	4.0L L6 F/I	33-2950		Escape Hybrid	2.5L L4 F/I - Spin On	33-2347	HP-1002 ¹
Fiesta	1.6L L4 F/I		HP-2009 ¹	Expedition	5.4L V8 F/I	33-2385 ♦	HP-2010 ¹
Fiesta VI	1.4L L4 DSL	33-2840		Explorer	4.0L V6 F/I	33-2366	HP-2010 ¹
Fiesta VI	1.4L L4 F/I	33-2955 ♦		Explorer	4.6L V8 F/I	33-2353	HP-2010 ¹
Fiesta VI	1.6L L4 DSL	33-2955		Explorer Sport Trac	4.0L V6 F/I	33-2366	HP-2010 ¹
Fiesta VI	1.6L L4 F/I	33-2955 ♦	HP-1002 ¹	Explorer Sport Trac	4.6L V8 F/I	33-2353	HP-2010 ¹
Flex	3.5L V6 F/I	33-2395+	HP-2011 ¹	F150	4.6L V8 F/I	33-2385	
Focus	2.0L L4 F/I		HP-1002 ¹	F150	4.6L V8 F/I	33-2385 ♦	
Focus	2.0L L4 F/I - US	33-2401 ♦	HP-1002	F150	4.6L V8 F/I - 22mm Thread	33-2385	HP-2010 ¹
Focus Europa	2.0L L4 F/I		HP-1002 ¹	F150	4.6L V8 F/I - 3/4 thread	33-2385	HP-2009 ¹
Focus II	1.4L L4 F/I	E-2993 ♦		F150	5.4L V8 F/I	33-2385 ♦	HP-2010 ¹

* 2 filters required

♦ Intake System Available - see page 84 +Cabin Air Filter Available - see page 453 1- Performance Silver Oil Filter Also Available



Vehicle	Engine Type	Air Filter	Oil Filter	Vehicle	Engine Type	Air Filter	Oil Filter
2009 FORD				2008 FORD			
F250 Super Duty	5.4L V8 F/I	33-2385 ♦	HP-2010 ¹	Escape	3.0L V6 F/I	33-2187	HP-2010 ¹
F250 Super Duty	6.4L V8 DSL	E-0785 ♦	PS-7009	Escape Hybrid	2.3L L4 F/I	33-2347	PS-7013
F250 Super Duty	6.8L V10 F/I	33-2385	HP-2010 ¹	Expedition	5.4L V8 F/I	33-2385 ♦	HP-2010 ¹
F350 Super Duty	5.4L V8 F/I	33-2385 ♦	HP-2010 ¹	Explorer	4.0L V6 F/I	33-2366	HP-2010 ¹
F350 Super Duty	6.4L V8 DSL	E-0785 ♦	PS-7009	Explorer	4.6L V8 F/I	33-2353 ♦	HP-2010 ¹
F350 Super Duty	6.8L V10 F/I	33-2385	HP-2010 ¹	Explorer Sport Trac	4.0L V6 F/I	33-2366	HP-2010 ¹
F450 Super Duty	6.4L V8 DSL	E-0785 ♦	PS-7009	Explorer Sport Trac	4.6L V8 F/I	33-2353	HP-2010 ¹
F450 Super Duty	6.8L V10 F/I	33-2385		F150	4.2L V6 F/I	E-0945 ♦	HP-2009 ¹
F550 Super Duty	6.4L V8 DSL	E-0785 ♦		F150	4.6L V8 F/I	E-0945 ♦	
Falcon	4.0L L6 F/I	33-2950		F150	4.6L V8 F/I - 22mm Thread	E-0945	HP-2010 ¹
Fiesta	1.6L L4 F/I		HP-2009 ¹	F150	4.6L V8 F/I - 3/4 thread	E-0945	HP-2009 ¹
Fiesta VI	1.25L L4 F/I	33-2955 ♦		F150	5.4L V8 F/I	33-2287 ♦	HP-2010 ¹
Fiesta VI	1.6L L4 DSL	33-2955		F250 Super Duty	5.4L V8 F/I	33-2385 ♦	HP-2010 ¹
Fiesta VI	1.6L L4 F/I	33-2955 ♦		F250 Super Duty	6.4L V8 DSL	E-0785 ♦	PS-7009
Flex	3.5L V6 F/I	33-2395 ♦		F250 Super Duty	6.8L V10 F/I	33-2385	HP-2010 ¹
Flex	3.5L V6 F/I - Built After 1/15/09	33-2395	HP-2011 ¹	F350	5.4L V8 F/I	33-2385	
Flex	3.5L V6 F/I - Built Before 1/15/09	33-2395	HP-2009 ¹	F350 Super Duty	5.4L V8 F/I	33-2385 ♦	HP-2010 ¹
Focus	2.0L L4 F/I		HP-1002 ¹	F350 Super Duty	6.4L V8 DSL	E-0785 ♦	PS-7009
Focus	2.0L L4 F/I - US	33-2401 ♦	HP-1002	F350 Super Duty	6.8L V10 F/I	33-2385	HP-2010 ¹
Focus II	1.4L L4 F/I	E-2993 ♦		F450 Super Duty	6.4L V8 DSL	E-0785 ♦	PS-7009
Focus II	1.6L L4 DSL	E-2993 ♦		F450 Super Duty	6.8L V10 F/I	33-2385	HP-2010 ¹
Focus II	1.6L L4 F/I	E-2993 ♦		F550 Super Duty	6.4L V8 DSL	E-0785 ♦	PS-7009
Focus II	1.8L L4 F/I	E-2993 ♦		F550 Super Duty	6.8L V10 F/I	33-2385	HP-2010 ¹
Focus II	2.0L L4 DSL	E-2993 ♦		Falcon	4.0L L6 F/I	33-2950	
Focus II	2.0L L4 F/I	E-2993 ♦		Fiesta	1.6L L4 F/I		HP-2009 ¹
Focus II	2.5L L5 F/I - RS	E-2993 ♦		Fiesta Ikon	1.6L L4 F/I		HP-2009 ¹
Focus II	2.5L L5 F/I - ST	33-2873 ♦		Fiesta V	1.6L L4 DSL	33-2883	
Fusion	1.4L L4 F/I	33-2853		Fiesta V	1.6L L4 F/I	33-2853 ♦	HP-2009 ¹
Fusion	1.6L L4 F/I	33-2853		Fiesta V	2.0L L4 F/I	33-2880 ♦	
Fusion	2.3L L4 F/I	33-2357 ♦	PS-7013	Fiesta VI	1.25L L4 F/I	33-2955 ♦	
Fusion	3.0L V6 F/I	33-2340 ♦	HP-2010 ¹	Fiesta VI	1.4L L4 F/I	33-2955 ♦	
Mustang	4.0L V6 F/I	33-2298 ♦+	HP-2010 ¹	Fiesta VI	1.6L L4 DSL	33-2955	
Mustang	4.6L V8 F/I	33-2298+	HP-2010 ¹	Fiesta VI	1.6L L4 F/I	33-2955 ♦	
Mustang Bullitt	4.6L V8 F/I	E-1997+	HP-2010 ¹	Focus	2.0L L4 F/I		HP-1002 ¹
Mustang GT	4.6L V8 F/I	33-2298 ♦+	HP-2010 ¹	Focus	2.0L L4 F/I - US, Exc. PZEV	33-2401 ♦	HP-1002
Mustang Shelby	5.4L V8 F/I	33-2365 ♦+	HP-2010 ¹	Focus II	1.4L L4 F/I	E-2993 ♦	
Ranger	2.3L L4 F/I	33-2106-1	HP-1002 ¹	Focus II	1.6L L4 DSL	E-2993 ♦	
Ranger	4.0L V6 F/I	33-2106-1 ♦	HP-2010 ¹	Focus II	1.6L L4 F/I	E-2993 ♦	
Taurus	3.5L V6 F/I	33-2395		Focus II	1.8L L4 DSL	E-2993 ♦	
Taurus	3.5L V6 F/I - Built After 1/15/09	33-2395	HP-2011 ¹	Focus II	1.8L L4 F/I	E-2993 ♦	
Taurus	3.5L V6 F/I - Built Before 1/15/09	33-2395	HP-2009 ¹	Focus II	2.0L L4 DSL	E-2993 ♦	
Taurus X	3.5L V6 F/I	33-2395	HP-2009 ¹	Focus II	2.0L L4 F/I	E-2993 ♦	
Territory	4.0L L6 F/I	33-2950		Focus II	2.5L L5 F/I	33-2873 ♦	
2008 FORD				Fusion	1.4L L4 F/I	33-2853	
Crown Victoria	4.6L V8 F/I	33-2272 ♦	HP-2010 ¹	Fusion	1.6L L4 F/I	33-2853	
Crown Victoria Police Interceptor	4.6L V8 F/I	33-2272	HP-2010 ¹	Fusion	2.3L L4 F/I	33-2357 ♦	PS-7013
E150	4.6L V8 F/I	E-0945	HP-2010 ¹	Fusion	3.0L V6 F/I	33-2340 ♦	HP-2010 ¹
E150	5.4L V8 F/I	E-0945 ♦	HP-2010 ¹	Mondeo IV	2.0L L4 DSL	33-2393	
E250	4.6L V8 F/I	E-0945		Mondeo IV	2.0L L4 F/I	33-2393 ♦	
E250	5.4L V8 F/I	E-0945 ♦		Mustang	4.0L V6 F/I	33-2298 ♦+	HP-2010 ¹
E350 Super Duty	5.4L V8 F/I	E-0945 ♦	HP-2010 ¹	Mustang	4.6L V8 F/I	33-2298+	HP-2010 ¹
E350 Super Duty	6.0L V8 DSL	33-2341	PS-7009	Mustang Bullitt	4.6L V8 F/I	E-1997+	HP-2010 ¹
E350 Super Duty	6.8L V10 F/I	E-0945 ♦	HP-2010 ¹	Mustang GT	4.6L V8 F/I	33-2298 ♦+	HP-2010 ¹
E450 Super Duty	6.0L V8 DSL	33-2341	PS-7009	Mustang Shelby	5.4L V8 F/I	33-2365 ♦+	HP-2010 ¹
E450 Super Duty	6.8L V10 F/I	E-0945 ♦	HP-2010 ¹	Ranger	2.3L L4 F/I	33-2106-1	HP-1002 ¹
Edge	3.5L V6 F/I	33-2395 ♦+	HP-2009 ¹	Ranger	2.5L L4 DSL	E-2296	
Escape	2.3L L4 F/I	33-2187		Ranger	3.0L L6 DSL	E-2296	
Escape	2.3L L4 F/I - Cartridge	33-2187	PS-7013	Ranger	3.0L V6 F/I	33-2106-1 ♦	HP-2009 ¹
Escape	2.3L L4 F/I - Spin On	33-2187	HP-1002 ¹	Ranger	4.0L V6 F/I	33-2106-1 ♦	HP-2010 ¹
				Taurus	3.5L V6 F/I	33-2395	HP-2009 ¹
				Taurus X	3.5L V6 F/I	33-2395	HP-2009 ¹

* 2 filters required

♦ Intake System Available - see page 84 +Cabin Air Filter Available - see page 453 1- Performance Silver Oil Filter Also Available



AIR & OIL FILTERS

FORD

Vehicle	Engine Type	Air Filter	Oil Filter	Vehicle	Engine Type	Air Filter	Oil Filter
2008 FORD				2007 FORD			
Territory	4.0L L6 F/I	33-2950		Focus	2.3L L4 F/I		HP-1002 ¹
2007 FORD				Focus C-Max	1.6L L4 DSL - to 5/07	33-2874	
Crown Victoria	4.6L V8 F/I	33-2272 ♦	HP-2010 ¹	Focus C-Max	1.6L L4 F/I - to 5/07	33-2877	
Crown Victoria Police Interceptor	4.6L V8 F/I	33-2272	HP-2010 ¹	Focus C-Max	1.8L L4 DSL - to 5/07	33-2886	
E150	4.6L V8 F/I	E-0945	HP-2010 ¹	Focus C-Max	1.8L L4 F/I - to 5/07	33-2877	
E150	5.4L V8 F/I	E-0945 ♦	HP-2010 ¹	Focus C-Max	2.0L L4 DSL	33-2886	
E250	4.6L V8 F/I	E-0945	HP-2010 ¹	Focus C-Max	2.0L L4 F/I	33-2877 ♦	
E250	5.4L V8 F/I	E-0945 ♦	HP-2010 ¹	Focus II	1.4L L4 F/I - from 8/07	E-2993 ♦	
E350 Super Duty	5.4L V8 F/I	E-0945 ♦	HP-2010 ¹	Focus II	1.4L L4 F/I - to 7/07	33-2877 ♦	
E350 Super Duty	6.0L V8 DSL	33-2341	PS-7009	Focus II	1.6L L4 DSL - from 8/07	E-2993 ♦	
E350 Super Duty	6.8L V10 F/I	E-0945 ♦		Focus II	1.6L L4 F/I - from 8/07	E-2993 ♦	
E450 Super Duty	6.0L V8 DSL	33-2341	PS-7009	Focus II	1.6L L4 F/I - to 7/07	33-2877 ♦	
E450 Super Duty	6.8L V10 F/I	E-0945 ♦	HP-2010 ¹	Focus II	1.8L L4 DSL - from 8/07	E-2993 ♦	
Edge	3.5L V6 F/I	33-2395 ♦+	HP-2009 ¹	Focus II	1.8L L4 DSL - to 7/07	33-2886 ♦	
Escape	2.3L L4 F/I	33-2187		Focus II	1.8L L4 F/I - from 8/07	E-2993 ♦	
Escape	2.3L L4 F/I - Cartridge	33-2187	PS-7013	Focus II	1.8L L4 F/I - to 7/07	33-2877 ♦	
Escape	2.3L L4 F/I - Spin On	33-2187	HP-1002 ¹	Focus II	2.0L L4 DSL - from 8/07	E-2993 ♦	
Escape	3.0L V6 F/I	33-2187	HP-2010 ¹	Focus II	2.0L L4 DSL - to 7/07	33-2886 ♦	
Escape Hybrid	2.3L L4 F/I	33-2347	PS-7013	Focus II	2.0L L4 F/I - from 8/07	E-2993 ♦	
Expedition	5.4L V8 F/I	33-2385 ♦	HP-2010 ¹	Focus II	2.0L L4 F/I - to 7/07	33-2877 ♦	
Explorer	4.0L V6 F/I	33-2366	HP-2010 ¹	Focus II	2.5L L5 F/I	33-2873 ♦	
Explorer	4.6L V8 F/I	33-2353 ♦	HP-2010 ¹	Freestyle	3.0L V6 F/I	33-2308	HP-2010 ¹
Explorer Sport Trac	4.0L V6 F/I	33-2366	HP-2010 ¹	Fusion	1.6L L4 DSL	33-2883	
Explorer Sport Trac	4.6L V8 F/I	33-2353	HP-2010 ¹	Fusion	1.6L L4 F/I	33-2853	
F150	4.2L V6 F/I	E-0945 ♦	HP-2009 ¹	Fusion	2.3L L4 F/I	33-2357 ♦	PS-7013
F150	4.6L V8 F/I	E-0945 ♦		Fusion	3.0L V6 F/I	33-2340 ♦	HP-2010 ¹
F150	4.6L V8 F/I - 22mm Thread	E-0945	HP-2010 ¹	Fusion	2.0L L4 F/I	33-2393 ♦	PS-7013
F150	4.6L V8 F/I - 3/4 thread	E-0945	HP-2009 ¹	Mondeo IV	4.0L V6 F/I	33-2298 ♦+	HP-2010 ¹
F150	5.4L V8 F/I	33-2287 ♦	HP-2010 ¹	Mustang	4.6L V8 F/I	33-2298+	HP-2010 ¹
F250 Custom Chassis	6.8L V10 F/I - Class A	33-2313		Mustang	4.6L V8 F/I	33-2298 ♦+	HP-2010 ¹
F250 Harley Davidson Super Duty	6.0L V8 DSL	E-0780 ♦	PS-7009	Mustang GT	5.4L V8 F/I	33-2365 ♦+	HP-2010 ¹
F250 Super Duty	5.4L V8 F/I	33-2287	HP-2010 ¹	Mustang Shelby	2.3L L4 F/I	33-2106-1	HP-1002 ¹
F250 Super Duty	6.0L V8 DSL	E-0772 ♦	PS-7009	Ranger	2.5L L4 DSL	E-2296	
F250 Super Duty	6.0L V8 DSL	E-0780 ♦	PS-7009	Ranger	3.0L L6 DSL	E-2296	
F250 Super Duty	6.8L V10 F/I	33-2313	HP-2010 ¹	Ranger	3.0L V6 F/I	33-2106-1 ♦	HP-2009 ¹
F350 Cutaway	6.0L V8 DSL - Class C	E-0772 ♦		Ranger	4.0L V6 F/I	33-2106-1 ♦	HP-2010 ¹
F350 Cutaway	6.8L V10 F/I - Class C	33-2313		Taurus	3.0L V6 F/I	33-2150	HP-2009 ¹
F350 Harley Davidson Super Duty	6.0L V8 DSL	E-0780 ♦	PS-7009	Transit	2.4L L4 DSL	33-2861	
F350 Super Duty	5.4L V8 F/I	33-2287	HP-2010 ¹	2006 FORD			
F350 Super Duty	6.0L V8 DSL	E-0780 ♦	PS-7009	Crown Victoria	4.6L V8 F/I	33-2272 ♦	HP-2010 ¹
F350 Super Duty	6.8L V10 F/I	33-2313	HP-2010 ¹	Crown Victoria Police Interceptor	4.6L V8 F/I	33-2272	HP-2010 ¹
F450 Cutaway	6.8L V10 F/I - Class C	33-2313		E150	4.6L V8 F/I	E-0945	HP-2010 ¹
F450 Super Duty	6.0L V8 DSL	E-0780 ♦	PS-7009	E150	5.4L V8 F/I	E-0945 ♦	HP-2010 ¹
F450 Super Duty	6.8L V10 F/I	33-2313	HP-2010 ¹	E250	4.6L V8 F/I	E-0945	HP-2010 ¹
F450 Super Duty	6.0L V8 DSL	E-0780 ♦	PS-7009	E250	5.4L V8 F/I	E-0945 ♦	HP-2010 ¹
F550 Super Duty	6.8L V10 F/I	33-2313	HP-2010 ¹	E350 Cutaway	5.4L V8 F/I - Class C	E-0945 ♦	
Falcon	4.0L V6 F/I	33-2852		E350 Cutaway	6.0L V8 DSL - Class C	33-2341	
Falcon	4.0L V6 F/I - DOHC	33-2852	HP-3001 ¹	E350 Cutaway	6.8L V10 F/I - Class C	E-0945 ♦	
Falcon	5.4L V8 F/I	33-2852		E350 Super Duty	5.4L V8 F/I	E-0945 ♦	HP-2010 ¹
Fiesta	1.6L L4 F/I		HP-2009 ¹	E350 Super Duty	6.0L V8 DSL	33-2341	PS-7009
Fiesta Ikon	1.6L L4 F/I		HP-1002 ¹	E350 Super Duty	6.8L V10 F/I	E-0945 ♦	HP-2010 ¹
Fiesta V	1.4L L4 DSL	33-2840 ♦		E450 Super Duty	6.0L V8 DSL	33-2341	PS-7009
Fiesta V	1.4L L4 F/I	33-2853 ♦		E450 Super Duty	6.8L V10 F/I	E-0945 ♦	HP-2010 ¹
Fiesta V	1.6L L4 DSL	33-2883		Escape	2.3L L4 F/I	33-2187	
Fiesta V	1.6L L4 F/I	33-2853 ♦	HP-2009 ¹	Escape	2.3L L4 F/I - Cartridge	33-2187	PS-7013
Fiesta V	2.0L L4 F/I	33-2880 ♦		Escape	2.3L L4 F/I - Spin On	33-2187	HP-1002 ¹
Five Hundred	3.0L V6 F/I	33-2308	HP-2010 ¹	Escape	3.0L V6 F/I	33-2187	HP-2010 ¹
Focus	2.0L L4 F/I		HP-1002 ¹	Escape Hybrid	2.3L L4 F/I	33-2347	PS-7013

* 2 filters required

♦ Intake System Available - see page 84 +Cabin Air Filter Available - see page 453 1- Performance Silver Oil Filter Also Available



Vehicle	Engine Type	Air Filter	Oil Filter
2006 FORD			
Expedition	5.4L V8 F/I	33-2287 ♦	HP-2010 ¹
Explorer	4.0L V6 F/I	33-2366	HP-2010 ¹
Explorer	4.6L V8 F/I	33-2353 ♦	HP-2010 ¹
Explorer Sport Trac	4.0L V6 F/I	33-2366	HP-2010 ¹
F150	4.2L V6 F/I	E-0945 ♦	HP-2009 ¹
F150	4.6L V8 F/I	E-0945 ♦	
F150	4.6L V8 F/I - 22mm Thread	E-0945	HP-2010 ¹
F150	4.6L V8 F/I - 3/4 thread	E-0945	HP-2009 ¹
F150	5.4L V8 F/I	33-2287 ♦	HP-2010 ¹
F250 Custom Chassis	6.8L V10 F/I - Class A	33-2313	
F250 Harley Davidson Super Duty	6.0L V8 DSL	E-0780 ♦	PS-7009
F250 Super Duty	5.4L V8 F/I	33-2287 ♦	HP-2010 ¹
F250 Super Duty	6.0L V8 DSL	E-0780 ♦	PS-7009
F250 Super Duty	6.8L V10 F/I	33-2313	HP-2010 ¹
F350	5.4L V8 F/I	33-2287 ♦	
F350 Cutaway	5.4L V8 F/I - Class C	33-2287	
F350 Cutaway	6.0L V8 DSL - Class C	E-0772 ♦	
F350 Cutaway	6.8L V10 F/I - Class C	33-2313	
F350 Harley Davidson Super Duty	6.0L V8 DSL	E-0780 ♦	PS-7009
F350 Super Duty	5.4L V8 F/I	33-2287 ♦	HP-2010 ¹
F350 Super Duty	6.0L V8 DSL	E-0780 ♦	PS-7009
F350 Super Duty	6.8L V10 F/I	33-2313 ♦	HP-2010 ¹
F450 Cutaway	6.8L V10 F/I - Class C	33-2313	
F450 Super Duty	6.0L V8 DSL	E-0780 ♦	PS-7009
F450 Super Duty	6.8L V10 F/I		HP-2010 ¹
F550 Cutaway	6.8L V10 F/I - Class C	33-2313	
F550 Super Duty	6.0L V8 DSL	E-0780 ♦	PS-7009
F550 Super Duty	6.8L V10 F/I		HP-2010 ¹
Fairmont	4.0L V6 F/I	33-2852	
Falcon	4.0L V6 F/I	33-2852	
Falcon	4.0L V6 F/I - DOHC	33-2852	HP-3001 ¹
Falcon	4.0L V6 F/I - SOHC	33-2852	HP-2010 ¹
Falcon	5.4L V8 F/I	33-2852	
Fiesta	1.6L L4 F/I		HP-2009 ¹
Fiesta Ikon	1.6L L4 F/I		HP-1002 ¹
Fiesta V	1.6L L4 DSL	33-2883	
Fiesta V	1.6L L4 F/I	33-2853 ♦	HP-2009 ¹
Fiesta V	2.0L L4 F/I	33-2880 ♦	
Five Hundred	3.0L V6 F/I	33-2308	HP-2010 ¹
Focus	2.0L L4 F/I		HP-1002 ¹
Focus	2.3L L4 F/I		HP-1002 ¹
Focus C-Max	1.6L L4 DSL	33-2874	
Focus C-Max	1.6L L4 F/I	33-2877	
Focus C-Max	1.8L L4 DSL	33-2886	
Focus C-Max	1.8L L4 F/I	33-2877 ♦	
Focus C-Max	2.0L L4 DSL	33-2886	
Focus C-Max	2.0L L4 F/I	33-2877 ♦	
Focus II	1.6L L4 DSL	33-2874 ♦	
Focus II	1.6L L4 F/I	33-2877 ♦	
Focus II	1.8L L4 DSL	33-2886	
Focus II	1.8L L4 F/I	33-2877 ♦	
Focus II	2.0L L4 DSL	33-2886 ♦	
Focus II	2.0L L4 F/I	33-2877 ♦	
Focus II	2.5L L5 F/I	33-2873 ♦	
Freestar	3.9L V6 F/I	33-2321+	
Freestar	4.2L V6 F/I	33-2321+	HP-2009 ¹
Freestyle	3.0L V6 F/I	33-2308	HP-2010 ¹
Fusion	1.6L L4 DSL	33-2883	
Fusion	1.6L L4 F/I	33-2853	

Vehicle	Engine Type	Air Filter	Oil Filter
2006 FORD			
Fusion	2.3L L4 F/I	33-2357 ♦	PS-7013
Fusion	3.0L V6 F/I	33-2340 ♦	HP-2010 ¹
GT	5.4L V8 F/I	33-2317*	PS-7007
Mondeo III	2.0L L4 DSL	33-2210 ♦	
Mondeo III	2.0L L4 F/I	33-2210 ♦	PS-7013
Mustang	4.0L V6 F/I	33-2298 ♦+	HP-2010 ¹
Mustang GT	4.6L V8 F/I	33-2298 ♦+	HP-2010 ¹
Ranger	2.3L L4 F/I	33-2106-1	HP-1002 ¹
Ranger	2.5L L4 DSL - from 7/06	E-2296	
Ranger	2.5L L4 DSL - to 6/06	33-2167	
Ranger	3.0L L6 DSL	E-2296	
Ranger	3.0L V6 F/I	33-2106-1 ♦	HP-2009 ¹
Ranger	4.0L V6 F/I	33-2106-1 ♦	HP-2010 ¹
Taurus	3.0L V6 F/I	33-2150	HP-2009 ¹
2005 FORD			
Crown Victoria	4.6L V8 F/I	33-2272 ♦	HP-2010 ¹
Crown Victoria Police Interceptor	4.6L V8 F/I	33-2272	HP-2010 ¹
E150	4.6L V8 F/I	E-0945	HP-2010 ¹
E150	5.4L V8 F/I	E-0945 ♦	HP-2010 ¹
E150 Club Wagon	4.6L V8 F/I	E-0945	HP-2010 ¹
E150 Club Wagon	5.4L V8 F/I	E-0945 ♦	HP-2010 ¹
E250	5.4L V8 F/I	E-0945 ♦	
E250 Club Wagon	5.4L V8 F/I	E-0945 ♦	HP-2010 ¹
E350 Club Wagon	6.0L V8 DSL	33-2341	PS-7009
E350 Club Wagon	6.8L V10 F/I	E-0945 ♦	
E350 Super Duty	5.4L V8 F/I	E-0945 ♦	HP-2010 ¹
E350 Super Duty	6.0L V8 DSL	33-2341	PS-7009
E350 Super Duty	6.8L V10 F/I	E-0945 ♦	HP-2010 ¹
E450 Super Duty	6.0L V8 DSL	33-2341	PS-7009
E450 Super Duty	6.8L V10 F/I	E-0945 ♦	HP-2010 ¹
Escape	2.3L L4 F/I	33-2187	
Escape	2.3L L4 F/I - Cartridge	33-2187	PS-7018
Escape	2.3L L4 F/I - Spin On	33-2187	HP-1002 ¹
Escape	3.0L V6 F/I	33-2187	HP-2010 ¹
Escape Hybrid	2.3L L4 F/I	33-2347	PS-7013
Excursion	5.4L V8 F/I		HP-2010 ¹
Excursion	5.4L V8 F/I - w/Panel Filter	33-2287 ♦	HP-2010
Excursion	5.4L V8 F/I - w/Round Filter	E-0945 ♦	HP-2010
Excursion	6.0L V8 DSL	E-0780 ♦	PS-7009
Excursion	6.8L V10 F/I	E-0945 ♦	HP-2010 ¹
Expedition	5.4L V8 F/I	33-2287 ♦	HP-2010 ¹
Explorer	4.0L V6 F/I	33-2207	HP-2010 ¹
Explorer	4.6L V8 F/I	33-2207 ♦	HP-2010 ¹
Explorer Sport Trac	4.0L V6 F/I	33-2106-1	HP-2010 ¹
F150	4.2L V6 F/I	E-0945 ♦	HP-2009 ¹
F150	4.6L V8 F/I	E-0945 ♦	
F150	4.6L V8 F/I - 22mm Thread	E-0945	HP-2010 ¹
F150	4.6L V8 F/I - 3/4 thread	E-0945	HP-2009 ¹
F150	5.4L V8 F/I	33-2287 ♦	HP-2010 ¹
F250 Harley Davidson Super Duty	6.0L V8 DSL	E-0780 ♦	PS-7009
F250 Harley Davidson Super Duty	6.8L V10 F/I		HP-2010 ¹
F250 Super Duty	5.4L V8 F/I	33-2287 ♦	HP-2010 ¹
F250 Super Duty	6.0L V8 DSL	E-0780 ♦	PS-7009
F250 Super Duty	6.8L V10 F/I	33-2313 ♦	HP-2010 ¹
F350	5.4L V8 F/I	33-2287 ♦	
F350 Harley Davidson Super Duty	6.0L V8 DSL	E-0780 ♦	PS-7009

* 2 filters required

♦ Intake System Available - see page 84 +Cabin Air Filter Available - see page 453 1- Performance Silver Oil Filter Also Available



AIR & OIL FILTERS

FORD

Vehicle	Engine Type	Air Filter	Oil Filter	Vehicle	Engine Type	Air Filter	Oil Filter
2005 FORD				2004 FORD			
F350 Super Duty	5.4L V8 F/I	33-2287 ♦	HP-2010 ¹	Escape	2.0L L4 F/I	33-2187	HP-2009 ¹
F350 Super Duty	6.0L V8 DSL	E-0780 ♦	PS-7009	Escape	3.0L V6 F/I	33-2187	HP-2010 ¹
F350 Super Duty	6.8L V10 F/I	33-2313 ♦	HP-2010 ¹	Excursion	5.4L V8 F/I	E-0945 ♦	HP-2010 ¹
F450 Super Duty	6.0L V8 DSL	E-0780 ♦	PS-7009	Excursion	6.0L V8 DSL	E-0780 ♦	PS-7009
F550 Super Duty	6.0L V8 DSL	E-0780 ♦	PS-7009	Excursion	6.8L V10 F/I	E-0945 ♦	HP-2010 ¹
Falcon	4.0L V6 F/I	33-2852		Expedition	4.6L V8 F/I	E-0945 ♦	HP-2010 ¹
Falcon	5.4L V8 F/I - DOHC	E-0945		Expedition	5.4L V8 F/I	E-0945 ♦	HP-2010 ¹
Falcon	5.4L V8 F/I - SOHC	33-2852		Explorer	4.0L V6 F/I	33-2207	HP-2010 ¹
Fiesta	1.6L L4 F/I		HP-2009 ¹	Explorer	4.6L V8 F/I	33-2207 ♦	HP-2010 ¹
Fiesta Ikon	1.6L L4 F/I		HP-1002 ¹	Explorer Sport	4.0L V6 F/I	33-2106-1	HP-2010 ¹
Fiesta V	1.6L L4 DSL	33-2883		Explorer Sport Trac	4.0L V6 F/I	33-2106-1 ♦	HP-2010 ¹
Fiesta V	1.6L L4 F/I	33-2853 ♦	HP-2009 ¹	F150	4.2L V6 F/I	E-0945 ♦	HP-2009 ¹
Fiesta V	2.0L L4 F/I	33-2880 ♦		F150	4.6L V8 F/I	E-0945 ♦	
Five Hundred	3.0L V6 F/I	33-2308	HP-2010 ¹	F150	4.6L V8 F/I - 22mm Thread	E-0945	HP-2010 ¹
Focus	2.0L L4 F/I		HP-1002 ¹	F150	4.6L V8 F/I - 3/4 thread	E-0945	HP-2009 ¹
Focus	2.3L L4 F/I		HP-1002 ¹	F150	5.4L V8 F/I	33-2287 ♦	HP-2010 ¹
Focus C-Max	1.6L L4 DSL	33-2874		F150 Heritage	4.2L V6 F/I	E-0945 ♦	HP-2009 ¹
Focus C-Max	1.6L L4 F/I	33-2877		F150 Heritage	4.6L V8 F/I	E-0945 ♦	HP-2010 ¹
Focus C-Max	1.8L L4 DSL	33-2886		F150 Heritage	5.4L V8 F/I	E-0945 ♦	HP-2010 ¹
Focus C-Max	1.8L L4 F/I	33-2877 ♦		F150 Lightning	5.4L V8 F/I	33-2140-1 ♦	HP-2010 ¹
Focus C-Max	2.0L L4 DSL	33-2886		F250 Harley	6.0L V8 DSL	E-0780 ♦	PS-7009
Focus C-Max	2.0L L4 F/I	33-2877 ♦		Davidson Super Duty			
Focus II	1.4L L4 F/I	33-2877 ♦		F250 Harley	6.8L V10 F/I		HP-2010 ¹
Focus II	1.6L L4 DSL	33-2874 ♦		Davidson Super Duty			
Focus II	1.6L L4 F/I	33-2877 ♦		F250 Super Duty	5.4L V8 F/I	E-0945 ♦	HP-2010 ¹
Focus II	1.8L L4 DSL	33-2886		F250 Super Duty	6.0L V8 DSL	E-0780 ♦	PS-7009
Focus II	1.8L L4 F/I	33-2877 ♦		F250 Super Duty	6.8L V10 F/I	E-0945 ♦	HP-2010 ¹
Focus II	2.0L L4 DSL	33-2886 ♦		F350	5.4L V8 F/I	E-0945 ♦	
Focus II	2.0L L4 F/I	33-2877 ♦		F350 Harley	6.0L V8 DSL	E-0780	PS-7009
Focus II	2.5L L5 F/I	33-2873 ♦		Davidson Super Duty			
Freestar	3.9L V6 F/I	33-2321+		F350 Harley	6.8L V10 F/I		HP-2010 ¹
Freestar	4.2L V6 F/I	33-2321+	HP-2009 ¹	Davidson Super Duty			
Freestyle	3.0L V6 F/I	33-2308	HP-2010 ¹	F350 Super Duty	5.4L V8 F/I	E-0945 ♦	HP-2010 ¹
GT	5.4L V8 F/I	33-2317*	PS-7007	F350 Super Duty	6.0L V8 DSL	E-0780 ♦	PS-7009
Mustang	4.0L V6 F/I	33-2298 ♦+	HP-2010 ¹	F350 Super Duty	6.8L V10 F/I	E-0945 ♦	HP-2010 ¹
Mustang GT	4.6L V8 F/I	33-2298 ♦+	HP-2010 ¹	F450 Super Duty	6.0L V8 DSL	E-0780 ♦	PS-7009
Ranger	2.3L L4 F/I	33-2106-1	HP-2009 ¹	F450 Super Duty	6.8L V10 F/I	E-0945	
Ranger	2.5L L4 DSL	33-2167		F550 Super Duty	6.0L V8 DSL	E-0780 ♦	PS-7009
Ranger	3.0L V6 F/I	33-2106-1 ♦	HP-2009 ¹	F550 Super Duty	6.8L V10 F/I	E-0945	
Ranger	4.0L V6 F/I	33-2106-1 ♦	HP-2010 ¹	Falcon	4.0L V6 F/I	33-2852	
Taurus	3.0L V6 F/I	33-2150		Falcon	5.4L V8 F/I - SOHC	33-2852	
Taurus	3.0L V6 F/I - DOHC	33-2150	HP-2010 ¹	Focus	1.6L L4 F/I	33-2819 ♦	
Taurus	3.0L V6 F/I - OHV	33-2150	HP-2009 ¹	Focus	1.8L L4 DSL	33-2819 ♦	
Thunderbird	3.9L V8 F/I	33-2266 ♦+	HP-1014	Focus	1.8L L4 F/I	33-2819 ♦	
2004 FORD				Focus	2.0L L4 F/I - DOHC		HP-2009 ¹
Crown Victoria	4.6L V8 F/I	33-2272 ♦	HP-2010 ¹	Focus	2.0L L4 F/I - Non-US	33-2819 ♦	
Crown Victoria Police Interceptor	4.6L V8 F/I	33-2272	HP-2010 ¹	Focus	2.0L L4 F/I - SOHC		HP-2009 ¹
E150	4.6L V8 F/I	E-0945	HP-2010 ¹	Focus	2.3L L4 F/I		HP-1002 ¹
E150	5.4L V8 F/I	E-0945 ♦	HP-2010 ¹	Focus C-Max	1.6L L4 DSL	33-2874	
E150 Club Wagon	4.6L V8 F/I	E-0945	HP-2010 ¹	Focus C-Max	1.6L L4 F/I	33-2877	
E150 Club Wagon	5.4L V8 F/I	E-0945 ♦	HP-2010 ¹	Focus C-Max	1.8L L4 DSL	33-2886	
E250	4.6L V8 F/I	E-0945		Focus C-Max	1.8L L4 F/I	33-2877 ♦	
E250	5.4L V8 F/I	E-0945 ♦	HP-2010 ¹	Focus C-Max	2.0L L4 DSL	33-2886	
E350 Club Wagon	5.4L V8 F/I	E-0945 ♦		Focus C-Max	2.0L L4 F/I	33-2877 ♦	
E350 Club Wagon	6.0L V8 DSL	33-2341	PS-7009	Focus II	1.6L L4 DSL	33-2874 ♦	
E350 Super Duty	5.4L V8 F/I	E-0945 ♦	HP-2010 ¹	Focus II	1.6L L4 F/I	33-2877 ♦	
E350 Super Duty	6.0L V8 DSL	33-2341	PS-7009	Focus II	1.8L L4 F/I	33-2877 ♦	
E350 Super Duty	6.8L V10 F/I	E-0945 ♦	HP-2010 ¹	Focus II	2.0L L4 DSL	33-2886 ♦	
E450 Motorhome	6.8L V10 F/I - Class C	E-0945 ♦		Focus II	2.0L L4 F/I	33-2877 ♦	
E450 Super Duty	6.0L V8 DSL	33-2341	PS-7009	Focus RS	2.0L L4 F/I	33-2266 ♦	
E450 Super Duty	6.8L V10 F/I	E-0945 ♦	HP-2010 ¹	Focus ST170	2.0L L4 F/I	33-2819 ♦	
				Focus SVT	2.0L L4 F/I	33-2819 ♦	HP-2009 ¹
				Freestar	3.9L V6 F/I		HP-2009 ¹

* 2 filters required

♦ Intake System Available - see page 84 +Cabin Air Filter Available - see page 453 1- Performance Silver Oil Filter Also Available

FORD

AIR & OIL FILTERS



Vehicle	Engine Type	Air Filter	Oil Filter	Vehicle	Engine Type	Air Filter	Oil Filter
2004 FORD				2003 FORD			
Freestar	4.2L V6 F/I		HP-2009 ¹	F350 Super Duty	6.8L V10 F/I	E-0945 ♦	HP-2010 ¹
Mondeo III	2.0L L4 DSL	33-2210 ♦		F350 Super Duty	7.3L V8 DSL	33-2248 ♦	HP-6001 ¹
Mondeo III	2.0L L4 F/I	33-2210 ♦	PS-7013	F450 Super Duty	6.0L V8 DSL	E-0780 ♦	PS-7009
Mondeo III	3.0L V6 F/I	33-2210 ♦		F450 Super Duty	6.8L V10 F/I	E-0945	
Mustang	3.8L V6 F/I	E-0940 ♦	HP-2009 ¹	F450 Super Duty	7.3L V8 DSL	33-2248	HP-6001 ¹
Mustang	3.9L V6 F/I	E-0940	HP-2009 ¹	F550 Super Duty	6.0L V8 DSL	E-0780 ♦	PS-7009
Mustang GT	4.6L V8 F/I	E-0945 ♦	HP-2010 ¹	F550 Super Duty	6.8L V10 F/I	E-0945	
Mustang Mach 1	4.6L V8 F/I	E-0945 ♦	HP-2010 ¹	F550 Super Duty	7.3L V8 DSL	33-2248	HP-6001 ¹
Mustang SVT Cobra	4.6L V8 F/I	E-0945 ♦	HP-2010 ¹	Falcon	4.0L V6 F/I	33-2852	
Ranger	2.3L L4 F/I	33-2106-1	HP-2009 ¹	Falcon	4.0L V6 F/I - DOHC	33-2852	HP-3001 ¹
Ranger	2.5L L4 DSL	33-2167		Falcon	5.4L V8 F/I		HP-2010 ¹
Ranger	3.0L V6 F/I	33-2106-1 ♦	HP-2009 ¹	Falcon	5.4L V8 F/I - DOHC	E-0945	HP-2010
Ranger	4.0L V6 F/I	33-2106-1 ♦	HP-2010 ¹	Falcon	5.4L V8 F/I - SOHC	33-2852	HP-2010
Taurus	3.0L V6 F/I	33-2150		Focus	1.6L L4 F/I	33-2819 ♦	
Taurus	3.0L V6 F/I - DOHC	33-2150	HP-2010 ¹	Focus	1.8L L4 DSL	33-2819 ♦	
Taurus	3.0L V6 F/I - OHV	33-2150	HP-2009 ¹	Focus	1.8L L4 F/I	33-2819 ♦	
Thunderbird	3.9L V8 F/I	33-2266 ♦+	HP-1014	Focus	2.0L L4 F/I	33-2819 ♦	HP-2009 ¹
2003 FORD				2002 FORD			
Crown Victoria	4.6L V8 F/I	33-2272 ♦	HP-2010 ¹	Focus	2.3L L4 F/I		HP-2009 ¹
E150	4.2L V6 F/I	E-0945	HP-2009 ¹	Focus C-Max	1.6L L4 DSL	33-2874	
E150	4.6L V8 F/I	E-0945	HP-2010 ¹	Focus C-Max	1.6L L4 F/I	33-2877	
E150	5.4L V8 F/I	E-0945 ♦	HP-2010 ¹	Focus C-Max	1.8L L4 DSL	33-2886	
E150 Club Wagon	4.2L V6 F/I	E-0945	HP-2009 ¹	Focus C-Max	1.8L L4 F/I	33-2877 ♦	
E150 Club Wagon	4.6L V8 F/I	E-0945	HP-2010 ¹	Focus RS	2.0L L4 F/I	33-2266 ♦	
E150 Club Wagon	5.4L V8 F/I	E-0945 ♦	HP-2010 ¹	Focus ST170	2.0L L4 F/I	33-2819 ♦	
E250	4.6L V8 F/I	E-0945		Focus SVT	2.0L L4 F/I	33-2819 ♦	HP-2009 ¹
E250	5.4L V8 F/I	E-0945 ♦	HP-2010 ¹	Mustang	3.8L V6 F/I	E-0940 ♦	HP-2009 ¹
E350 Club Wagon	5.4L V8 F/I	E-0945 ♦		Mustang	4.6L V8 F/I	E-0945	HP-2010 ¹
E350 Club Wagon	7.3L V8 DSL	33-2127*	HP-6001 ¹	Mustang GT	4.6L V8 F/I	E-0945 ♦	HP-2010 ¹
E350 Super Duty	5.4L V8 F/I	E-0945 ♦	HP-2010 ¹	Mustang Mach 1	4.6L V8 F/I	E-0945 ♦	HP-2010 ¹
E350 Super Duty	6.8L V10 F/I	E-0945 ♦	HP-2010 ¹	Mustang SVT Cobra	4.6L V8 F/I	E-0945 ♦	HP-2010 ¹
E350 Super Duty	7.3L V8 DSL	33-2127*	HP-6001 ¹	Ranger	2.3L L4 F/I	33-2106-1 ♦	HP-2009 ¹
E450 Super Duty	6.8L V10 F/I	E-0945 ♦	HP-2010 ¹	Ranger	2.5L L4 DSL	33-2167	
E450 Super Duty	7.3L V8 DSL	33-2127*	HP-6001 ¹	Ranger	3.0L V6 F/I	33-2106-1 ♦	HP-2009 ¹
E450 Super Duty Stripped Chassis	6.8L V10 F/I	E-0945	HP-2010 ¹	Ranger	4.0L V6 F/I	33-2106-1 ♦	HP-2010 ¹
E450 Super Duty Stripped Chassis	7.3L V8 DSL	33-2127*	HP-6001 ¹	Taurus	3.0L V6 F/I	33-2150	
Escape	2.0L L4 F/I	33-2187	HP-2009 ¹	Taurus	3.0L V6 F/I - DOHC	33-2150	HP-2010 ¹
Escape	3.0L V6 F/I	33-2187	HP-2010 ¹	Taurus	3.0L V6 F/I - OHV	33-2150	HP-2009 ¹
Escort ZX2	2.0L L4 F/I	E-0995 ♦	HP-2009 ¹	Thunderbird	3.9L V8 F/I	33-2266 ♦+	HP-1014
Excursion	5.4L V8 F/I	E-0945 ♦	HP-2010 ¹	Windstar	3.8L V6 F/I	E-0995+	HP-2009 ¹
Excursion	6.0L V8 DSL	E-0780 ♦	PS-7009	2002 FORD			
Excursion	6.8L V10 F/I	E-0945 ♦	HP-2010 ¹	Crown Victoria	4.6L V8 F/I	33-2272 ♦	HP-2010 ¹
Excursion	7.3L V8 DSL	33-2248 ♦	HP-6001 ¹	E150	5.4L V8 F/I	E-0945 ♦	
Expedition	4.6L V8 F/I	E-0945 ♦	HP-2010 ¹	E150 Econoline	4.2L V6 F/I	E-0945	
Expedition	5.4L V8 F/I	E-0945 ♦	HP-2010 ¹	E150 Econoline	4.6L V8 F/I	E-0945	
Explorer	4.0L V6 F/I	33-2207 ♦	HP-2010 ¹	E150 Econoline	5.4L V8 F/I	E-0945 ♦	HP-2010 ¹
Explorer	4.6L V8 F/I	33-2207 ♦	HP-2010 ¹	E150 Econoline Club Wagon	4.2L V6 F/I	E-0945	
Explorer Sport	4.0L V6 F/I	33-2106-1 ♦	HP-2010 ¹	E150 Econoline Club Wagon	4.6L V8 F/I	E-0945	
Explorer Sport Trac	4.0L V6 F/I	33-2106-1 ♦	HP-2010 ¹	E150 Econoline Club Wagon	5.4L V8 F/I	E-0945 ♦	HP-2010 ¹
F150	4.2L V6 F/I	E-0945 ♦	HP-2009 ¹	E250 Econoline	5.4L V8 F/I	E-0945 ♦	HP-2010 ¹
F150	4.6L V8 F/I	E-0945 ♦	HP-2010 ¹	E350 Econoline Club Wagon	6.8L V10 F/I	E-0945 ♦	
F150	5.4L V8 F/I	E-0945 ♦	HP-2010 ¹	E350 Econoline Club Wagon	7.3L V8 DSL	33-2127*	HP-6001 ¹
F150 Harley Davidson	5.4L V8 F/I	33-2140-1 ♦	HP-2010 ¹	E350 Super Duty	5.4L V8 F/I	E-0945 ♦	
F150 Lightning	5.4L V8 F/I	33-2140-1 ♦	HP-2010 ¹	E350 Super Duty	6.8L V10 F/I	E-0945 ♦	HP-2010 ¹
F250 Super Duty	5.4L V8 F/I	E-0945 ♦	HP-2010 ¹	E350 Super Duty	7.3L V8 DSL	33-2127*	HP-6001 ¹
F250 Super Duty	6.0L V8 DSL	E-0780 ♦	PS-7009	E450 Econoline Super Duty	6.8L V10 F/I	E-0945 ♦	
F250 Super Duty	6.8L V10 F/I	E-0945 ♦	HP-2010 ¹				
F250 Super Duty	7.3L V8 DSL	33-2248 ♦	HP-6001 ¹				
F350 Super Duty	5.4L V8 F/I	E-0945 ♦	HP-2010 ¹				
F350 Super Duty	6.0L V8 DSL	E-0780 ♦	PS-7009				

* 2 filters required

♦ Intake System Available - see page 84 +Cabin Air Filter Available - see page 453 1- Performance Silver Oil Filter Also Available



AIR & OIL FILTERS

FORD

Vehicle	Engine Type	Air Filter	Oil Filter	Vehicle	Engine Type	Air Filter	Oil Filter
2002 FORD				2001 FORD			
E450 Econoline Super Duty	7.3L V8 DSL	33-2127*	HP-6001 ¹	E150 Econoline Club Wagon	5.4L V8 F/I	E-0945 ♦	
E450 Econoline Super Duty Stripped	6.8L V10 F/I	E-0945	HP-2010 ¹	E250 Econoline	5.4L V8 F/I	E-0945 ♦	HP-2010 ¹
E450 Econoline Super Duty Stripped	7.3L V8 DSL	33-2127*	HP-6001 ¹	E350 Econoline Club Wagon	5.4L V8 F/I	E-0945 ♦	
Escape	2.0L L4 F/I	33-2187	HP-2009 ¹	E350 Econoline Club Wagon	7.3L V8 DSL	33-2127*	HP-6001 ¹
Escape	3.0L V6 F/I	33-2187	HP-2010 ¹	E350 Super Duty	5.4L V8 F/I	E-0945 ♦	
Escort	2.0L L4 F/I	E-0995	HP-2009 ¹	E350 Super Duty	6.8L V10 F/I	E-0945 ♦	
Escort ZX2	2.0L L4 F/I	E-0995 ♦	HP-2009 ¹	E350 Super Duty	7.3L V8 DSL	33-2127*	HP-6001 ¹
Excursion	5.4L V8 F/I	E-0945 ♦	HP-2010 ¹	E450 Econoline Super Duty	6.8L V10 F/I	E-0945 ♦	HP-2010 ¹
Excursion	6.8L V10 F/I	E-0945 ♦	HP-2010 ¹	E450 Econoline Super Duty Stripped	6.8L V10 F/I	E-0945	HP-2010 ¹
Excursion	7.3L V8 DSL	33-2248 ♦	HP-6001 ¹	Escape	2.0L L4 F/I	33-2187	HP-2009 ¹
Expedition	4.6L V8 F/I	E-0945 ♦	HP-2010 ¹	Escape	3.0L V6 F/I	33-2187	HP-2010 ¹
Expedition	5.4L V8 F/I	E-0945 ♦	HP-2010 ¹	Escape	2.0L L4 F/I	E-0995	HP-2009 ¹
Explorer	4.0L V6 F/I	33-2207 ♦	HP-2010 ¹	Escort ZX2	2.0L L4 F/I	E-0995 ♦	HP-2009 ¹
Explorer	4.6L V8 F/I	33-2207 ♦	HP-2010 ¹	Excursion	5.4L V8 F/I	E-0945 ♦	HP-2010 ¹
Explorer Sport	4.0L V6 F/I	33-2106-1 ♦	HP-2010 ¹	Excursion	6.8L V10 F/I	E-0945 ♦	HP-2010 ¹
Explorer Sport Trac	4.0L V6 F/I	33-2106-1 ♦	HP-2010 ¹	Excursion	7.3L V8 DSL	33-2248 ♦	HP-6001 ¹
F150	4.2L V6 F/I	E-0945 ♦	HP-2009 ¹	Expedition	4.6L V8 F/I	E-0945 ♦	HP-2010 ¹
F150	4.6L V8 F/I	E-0945 ♦	HP-2010 ¹	Expedition	5.4L V8 F/I	E-0945 ♦	HP-2010 ¹
F150	5.4L V8 F/I	E-0945 ♦	HP-2010 ¹	Explorer	4.0L V6 F/I	33-2106-1 ♦	
F150 Harley Davidson	5.4L V8 F/I	33-2140-1 ♦	HP-2010 ¹	Explorer	4.0L V6 F/I - 22mm Thread	33-2106-1	HP-2010 ¹
F150 Lightning	5.4L V8 F/I	33-2140-1 ♦	HP-2010 ¹	Explorer	4.0L V6 F/I - 3/4 thread	33-2106-1	HP-3001 ¹
F250 Super Duty	5.4L V8 F/I	E-0945 ♦	HP-2010 ¹	Explorer	5.0L V8 F/I	33-2106-1	HP-2010 ¹
F250 Super Duty	6.8L V10 F/I	E-0945 ♦	HP-2010 ¹	Explorer Sport	4.0L V6 F/I	33-2106-1 ♦	
F250 Super Duty	7.3L V8 DSL	33-2248 ♦	HP-6001 ¹	Explorer Sport	4.0L V6 F/I - 22mm Thread	33-2106-1	HP-2010 ¹
F350 Super Duty	5.4L V8 F/I	E-0945 ♦	HP-2010 ¹	Explorer Sport	4.0L V6 F/I - 3/4 thread	33-2106-1	HP-3001 ¹
F350 Super Duty	6.8L V10 F/I	E-0945 ♦	HP-2010 ¹	Explorer Sport Trac	4.0L V6 F/I	33-2106-1 ♦	
F350 Super Duty	7.3L V8 DSL	33-2248 ♦	HP-6001 ¹	Explorer Sport Trac	4.0L V6 F/I - 22mm Thread	33-2106-1	HP-2010 ¹
F450 Super Duty	6.8L V10 F/I	E-0945	HP-2010 ¹	Explorer Sport Trac	4.0L V6 F/I - 3/4 thread	33-2106-1	HP-3001 ¹
F450 Super Duty	7.3L V8 DSL	33-2248	HP-6001 ¹	F150	4.2L V6 F/I	E-0945 ♦	HP-2009 ¹
F550 Super Duty	7.3L V8 DSL	33-2248	HP-6001 ¹	F150	4.6L V8 F/I	E-0945 ♦	HP-2010 ¹
Fairmont	5.4L V8 F/I	33-2852		F150	5.4L V8 F/I	E-0945 ♦	HP-2010 ¹
Falcon	4.0L V6 F/I - From 10/02	33-2852		F150 Harley Davidson	5.4L V8 F/I	E-0945 ♦	HP-2010 ¹
Focus	1.4L L4 F/I	33-2819 ♦		F150 Lightning	5.4L V8 F/I	33-2140-1 ♦	HP-2010 ¹
Focus	1.6L L4 F/I	33-2819 ♦		F250 Super Duty	5.4L V8 F/I	E-0945 ♦	HP-2010 ¹
Focus	1.8L L4 DSL	33-2819 ♦		F250 Super Duty	6.8L V10 F/I	E-0945 ♦	HP-2010 ¹
Focus	1.8L L4 F/I	33-2819 ♦		F250 Super Duty	7.3L V8 DSL	33-2248 ♦	HP-6001 ¹
Focus	2.0L L4 F/I	33-2819 ♦	HP-2009 ¹	F350 Super Duty	5.4L V8 F/I	E-0945 ♦	HP-2010 ¹
Focus RS	2.0L L4 F/I	33-2266 ♦		F350 Super Duty	6.8L V10 F/I	E-0945 ♦	HP-2010 ¹
Focus ST170	2.0L L4 F/I	33-2819 ♦		F350 Super Duty	7.3L V8 DSL	33-2248 ♦	HP-6001 ¹
Focus SVT	2.0L L4 F/I	33-2819 ♦	HP-2009 ¹	F450 Super Duty	6.8L V10 F/I	E-0945	
Mustang	3.8L V6 F/I	E-0940 ♦	HP-2009 ¹	F450 Super Duty	7.3L V8 DSL	33-2248	HP-6001 ¹
Mustang	4.6L V8 F/I	E-0945	HP-2010 ¹	F550 Super Duty	6.8L V10 F/I	E-0945	
Mustang GT	4.6L V8 F/I	E-0945 ♦	HP-2010 ¹	F550 Super Duty	7.3L V8 DSL	33-2248	HP-6001 ¹
Ranger	2.3L L4 F/I	33-2106-1 ♦	HP-2009 ¹	Falcon	4.0L V6 F/I	33-2015	
Ranger	2.5L L4 DSL	33-2167		Focus	1.4L L4 F/I	33-2819 ♦	
Ranger	3.0L V6 F/I	33-2106-1 ♦	HP-2009 ¹	Focus	1.6L L4 F/I	33-2819 ♦	
Ranger	4.0L V6 F/I	33-2106-1 ♦	HP-2010 ¹	Focus	1.8L L4 DSL	33-2819 ♦	
Taurus	3.0L V6 F/I	33-2150		Focus	1.8L L4 F/I	33-2819 ♦	
Taurus	3.0L V6 F/I - DOHC	33-2150	HP-2010 ¹	Focus	2.0L L4 F/I	33-2819 ♦	HP-2009 ¹
Taurus	3.0L V6 F/I - OHV	33-2150	HP-2009 ¹	Focus		33-2819 ♦	HP-2009 ¹
Thunderbird	3.9L V8 F/I	33-2266+	HP-1014	Mustang	3.8L V6 F/I	E-0940 ♦	HP-2009 ¹
Windstar	3.8L V6 F/I	E-0995+	HP-2009 ¹	Mustang	4.6L V8 F/I	E-0945	HP-2010 ¹
2001 FORD				Mustang GT	4.6L V8 F/I	E-0945 ♦	HP-2010 ¹
Crown Victoria	4.6L V8 F/I	33-2272 ♦	HP-2010 ¹	Mustang GT Bullitt	4.6L V8 F/I	E-0945 ♦	HP-2010 ¹
E150 Econoline Club Wagon	4.6L V8 F/I	E-0945		Mustang SVT Cobra	4.6L V8 F/I	E-0945 ♦	HP-2010 ¹
				Ranger	2.3L L4 F/I	33-2106-1 ♦	HP-2009 ¹

* 2 filters required

♦ Intake System Available - see page 84 +Cabin Air Filter Available - see page 453 1- Performance Silver Oil Filter Also Available



Vehicle	Engine Type	Air Filter	Oil Filter
2001 FORD			
Ranger	2.5L L4 DSL	33-2167	
Ranger	2.5L L4 F/I	33-2106-1 ♦	HP-2009 ¹
Ranger	3.0L V6 F/I	33-2106-1 ♦	HP-2009 ¹
Ranger	4.0L V6 F/I	33-2106-1 ♦	HP-2010 ¹
Taurus	3.0L V6 F/I	33-2150	
Taurus	3.0L V6 F/I - DOHC	33-2150	HP-2010 ¹
Taurus	3.0L V6 F/I - OHV	33-2150	HP-2009 ¹
Windstar	3.8L V6 F/I	E-0995+	HP-2009 ¹

Vehicle	Engine Type	Air Filter	Oil Filter
2000 FORD			
Contour	2.0L L4 F/I	33-2132	
Contour	2.5L V6 F/I	33-2115-1	HP-2010 ¹
Contour SVT	2.5L V6 F/I	E-0998	HP-2010 ¹
Crown Victoria	4.6L V8 F/I	33-2272 ♦	HP-2010 ¹
E150 Econoline	4.2L V6 F/I	E-0945	
E150 Econoline	4.6L V8 F/I	E-0945	
E150 Econoline	5.4L V8 F/I	E-0945 ♦	HP-2010 ¹
E150 Econoline Club Wagon	4.2L V6 F/I	E-0945	
E150 Econoline Club Wagon	4.6L V8 F/I	E-0945	HP-2010 ¹
E150 Econoline Club Wagon	5.4L V8 F/I	E-0945 ♦	HP-2010 ¹
E250 Econoline	4.2L V6 F/I	E-0945	
E250 Econoline	5.4L V8 F/I	E-0945 ♦	HP-2010 ¹
E350 Econoline Club Wagon	6.8L V10 F/I	E-0945 ♦	
E350 Econoline Club Wagon	7.3L V8 DSL	33-2127*	HP-6001 ¹
E350 Super Duty	5.4L V8 F/I	E-0945 ♦	
E350 Super Duty	6.8L V10 F/I	E-0945 ♦	HP-2010 ¹
E350 Super Duty	7.3L V8 DSL	33-2127*	HP-6001 ¹
E450 Econoline Super Duty	6.8L V10 F/I	E-0945 ♦	HP-2010 ¹
E450 Econoline Super Duty	7.3L V8 DSL	33-2127*	HP-6001 ¹
E450 Econoline Super Duty Stripped	6.8L V10 F/I	E-0945	HP-2010 ¹
E450 Econoline Super Duty Stripped	7.3L V8 DSL	33-2127*	HP-6001 ¹
Escort	2.0L L4 F/I	E-0995	HP-2009 ¹
Escort ZX2	2.0L L4 F/I	E-0995 ♦	HP-2009 ¹
Excursion	5.4L V8 F/I	E-0945 ♦	HP-2010 ¹
Excursion	6.8L V10 F/I	E-0945 ♦	HP-2010 ¹
Excursion	7.3L V8 DSL	33-2248 ♦	HP-6001 ¹
Expedition	4.6L V8 F/I	E-0945 ♦	HP-2010 ¹
Expedition	5.4L V8 F/I	E-0945 ♦	HP-2010 ¹
Explorer	4.0L V6 F/I	33-2106-1 ♦	HP-3001 ¹
Explorer	5.0L V8 F/I	33-2106-1	HP-2010 ¹
Explorer Sport	4.0L V6 F/I	33-2106-1	HP-3001 ¹
F150	4.2L V6 F/I	E-0945 ♦	HP-2009 ¹
F150	4.6L V8 F/I	E-0945 ♦	HP-2010 ¹
F150	5.4L V8 F/I	E-0945 ♦	HP-2010 ¹
F150 Harley Davidson	5.4L V8 F/I	E-0945 ♦	HP-2010 ¹
F150 Lightning	5.4L V8 F/I	33-2140-1 ♦	HP-2010 ¹
F250 Super Duty	5.4L V8 F/I	E-0945 ♦	HP-2010 ¹
F250 Super Duty	6.8L V10 F/I	E-0945 ♦	HP-2010 ¹
F250 Super Duty	7.3L V8 DSL	33-2248 ♦	HP-6001 ¹
F350 Super Duty	5.4L V8 F/I	E-0945	HP-2010 ¹
F350 Super Duty		E-0945 ♦	HP-2010 ¹
F350 Super Duty	6.8L V10 F/I	E-0945 ♦	HP-2010 ¹
F350 Super Duty	7.3L V8 DSL	33-2248 ♦	HP-6001 ¹
F450 Super Duty	6.8L V10 F/I	E-0945	HP-2010 ¹

Vehicle	Engine Type	Air Filter	Oil Filter
2000 FORD			
F450 Super Duty	7.3L V8 DSL	33-2248	HP-6001 ¹
F550 Super Duty	6.8L V10 F/I	E-0945	HP-2010 ¹
F550 Super Duty	7.3L V8 DSL	33-2248	HP-6001 ¹
Focus	1.4L L4 F/I	33-2819 ♦	
Focus	1.6L L4 F/I	33-2819 ♦	
Focus	1.8L L4 DSL	33-2819 ♦	
Focus	1.8L L4 F/I	33-2819 ♦	
Focus	2.0L L4 F/I	33-2819 ♦	HP-2009 ¹
		33-2819 ♦	HP-2009 ¹
Mustang	3.8L V6 F/I	E-0940 ♦	HP-2009 ¹
Mustang	4.6L V8 F/I	E-0945	HP-2010 ¹
Mustang GT	4.6L V8 F/I	E-0945 ♦	HP-2010 ¹
Mustang SVT Cobra	4.6L V8 F/I	E-0945 ♦	HP-2010 ¹
Mustang SVT Cobra R	5.4L V8 F/I		HP-2010 ¹
Ranger	2.5L L4 DSL	33-2167	
Ranger	2.5L L4 F/I	33-2106-1 ♦	HP-2009 ¹
Ranger	3.0L V6 F/I	33-2106-1 ♦	HP-2009 ¹
Ranger	4.0L V6 F/I	33-2106-1 ♦	HP-3001 ¹
Taurus	3.0L V6 F/I	33-2150	
Taurus	3.0L V6 F/I - DOHC	33-2150	HP-2010 ¹
Taurus	3.0L V6 F/I - OHV	33-2150	HP-2009 ¹
Windstar	3.0L V6 F/I	E-0995+	HP-2009 ¹
Windstar	3.8L V6 F/I	E-0995+	HP-2009 ¹

Vehicle	Engine Type	Air Filter	Oil Filter
1999 FORD			
Contour	2.0L L4 F/I	33-2132	HP-2009 ¹
Contour	2.5L V6 F/I	33-2115-1	HP-2010 ¹
Contour SVT	2.5L V6 F/I	E-0998	HP-2010 ¹
Crown Victoria	4.6L V8 F/I	33-2272 ♦	HP-2010 ¹
E150 Econoline	4.2L V6 F/I	E-0945	HP-2009 ¹
E150 Econoline	4.6L V8 F/I	E-0945	HP-2010 ¹
E150 Econoline	5.4L V8 F/I	E-0945 ♦	
E150 Econoline Club Wagon	4.2L V6 F/I	E-0945	HP-2009 ¹
E150 Econoline Club Wagon	4.6L V8 F/I	E-0945	HP-2010 ¹
E150 Econoline Club Wagon	5.4L V8 F/I	E-0945 ♦	HP-2010 ¹
E250 Econoline	5.4L V8 F/I	E-0945 ♦	
E350 Econoline Club Wagon	6.8L V10 F/I	E-0945 ♦	
E350 Super Duty	6.8L V10 F/I	E-0945 ♦	HP-2010 ¹
E350 Super Duty	7.3L V8 DSL	33-2127*	HP-6001 ¹
E450 Econoline Super Duty	6.8L V10 F/I	E-0945 ♦	HP-2010 ¹
E550 Econoline Super Duty	6.8L V10 F/I	E-0945 ♦	
Escort	2.0L L4 F/I	E-0995	HP-2009 ¹
Escort ZX2	2.0L L4 F/I	E-0995	HP-2009 ¹
Expedition	4.6L V8 F/I	E-0945 ♦	HP-2010 ¹
Expedition	5.4L V8 F/I	E-0945 ♦	HP-2010 ¹
Explorer	4.0L V6 F/I	33-2106-1 ♦	HP-3001 ¹
Explorer	5.0L V8 F/I	33-2106-1	HP-2010 ¹
F150	4.2L V6 F/I	E-0945 ♦	HP-2009 ¹
F150	4.6L V8 F/I	E-0945 ♦	HP-2010 ¹
F150	5.4L V8 F/I	E-0945 ♦	HP-2010 ¹
F150 Lightning	5.4L V8 F/I	33-2140-1 ♦	HP-2010 ¹
F250	4.6L V8 F/I	E-0945 ♦	
F250	5.4L V8 F/I	E-0945 ♦	HP-2010 ¹
F250 Super Duty	5.4L V8 F/I	E-0945 ♦	HP-2010 ¹
F250 Super Duty	6.8L V10 F/I	E-0945 ♦	HP-2010 ¹
F250 Super Duty	7.3L V8 DSL		HP-6001 ¹

* 2 filters required

♦ Intake System Available - see page 84 +Cabin Air Filter Available - see page 453 1- Performance Silver Oil Filter Also Available



AIR & OIL FILTERS

FORD

Vehicle	Engine Type	Air Filter	Oil Filter	Vehicle	Engine Type	Air Filter	Oil Filter
1999 FORD				1998 FORD			
F250 Super Duty	7.3L V8 DSL - from 12/98	33-2248 ♦	HP-6001	Explorer	4.0L V6 F/I - w/Round Filter	E-0996 ♦	HP-3001
F250 Super Duty	7.3L V8 DSL - to 12/98	33-2123 ♦	HP-6001	Explorer	4.8L V6 F/I		HP-2010 ¹
F350 Super Duty	5.4L V8 F/I	E-0945	HP-2010 ¹	Explorer	5.0L V8 F/I		HP-2010 ¹
F350 Super Duty	6.8L V10 F/I	E-0945 ♦	HP-2010 ¹	Explorer	5.0L V8 F/I - w/Panel Filter	33-2106-1	HP-2010
F350 Super Duty	7.3L V8 DSL	E-0945 ♦	HP-6001 ¹	Explorer	5.0L V8 F/I - w/Round Filter	E-0996	HP-2010
F350 Super Duty	7.3L V8 DSL - from 12/98	33-2248 ♦	HP-6001	F150	4.2L V6 F/I	E-0945 ♦	HP-2009 ¹
F350 Super Duty	7.3L V8 DSL - to 12/98	33-2123 ♦	HP-6001	F150	4.6L V8 F/I	E-0945 ♦	HP-2010 ¹
F450 Super Duty	6.8L V10 F/I	E-0945 ♦		F150	5.4L V8 F/I	E-0945 ♦	HP-2010 ¹
F450 Super Duty	7.3L V8 DSL		HP-6001 ¹	F250	4.6L V8 F/I	E-0945 ♦	HP-2010 ¹
F450 Super Duty	7.3L V8 DSL - from 12/98	33-2248 ♦	HP-6001	F250	5.4L V8 F/I	E-0945 ♦	HP-2010 ¹
F450 Super Duty	7.3L V8 DSL - to 12/98	33-2123 ♦	HP-6001	Mustang	3.8L V6 F/I	E-0940	HP-2009 ¹
F550 Super Duty	6.8L V10 F/I	E-0945 ♦		Mustang	4.6L V8 F/I	E-0945	HP-2010 ¹
F550 Super Duty	7.3L V8 DSL		HP-6001 ¹	Mustang GT	4.6L V8 F/I	E-0945 ♦	HP-2010 ¹
F550 Super Duty	7.3L V8 DSL - from 12/98	33-2248 ♦	HP-6001	Mustang SVT Cobra	4.6L V8 F/I	E-0945 ♦	HP-2010 ¹
F550 Super Duty	7.3L V8 DSL - to 12/98	33-2123 ♦	HP-6001	Ranger	2.5L L4 F/I	33-2106-1 ♦	HP-2009 ¹
Mustang	3.8L V6 F/I	E-0940 ♦	HP-2009 ¹	Ranger	3.0L V6 F/I	33-2106-1 ♦	HP-2009 ¹
Mustang	4.6L V8 F/I	E-0945	HP-2010 ¹	Ranger	4.0L V6 F/I	33-2106-1 ♦	HP-3001 ¹
Mustang GT	4.6L V8 F/I	E-0945 ♦	HP-2010 ¹	Taurus	3.0L V6 F/I	33-2107	
Mustang SVT Cobra	4.6L V8 F/I	E-0945 ♦	HP-2010 ¹	Taurus	3.0L V6 F/I - DOHC	33-2107	HP-2010 ¹
Ranger	2.5L L4 DSL	33-2167		Taurus	3.0L V6 F/I - OHV	33-2107	HP-2009 ¹
Ranger	2.5L L4 F/I	33-2106-1 ♦	HP-2009 ¹	Taurus	3.4L V8 F/I	33-2150	HP-2009 ¹
Ranger	3.0L V6 F/I	33-2106-1 ♦	HP-2009 ¹	Taurus	3.0L V6 F/I		HP-2009 ¹
Ranger	4.0L V6 F/I	33-2106-1 ♦	HP-3001 ¹	Taurus	3.8L V6 F/I	E-0995	HP-2009 ¹
Taurus	3.0L V6 F/I	33-2107		Windstar	3.0L V6 F/I		HP-2009 ¹
Taurus	3.0L V6 F/I - DOHC	33-2107	HP-2010 ¹	Windstar	3.8L V6 F/I		HP-2009 ¹
Taurus	3.0L V6 F/I - OHV	33-2107	HP-2009 ¹				
Taurus	3.4L V8 F/I	33-2150	HP-2009 ¹				
Windstar	3.8L V6 F/I	E-0995+	HP-2009 ¹				
1998 FORD				1997 FORD			
Contour	2.0L L4 F/I	33-2132	HP-2009 ¹	Crown Victoria	4.6L V8 F/I	33-2272	HP-2010 ¹
Contour SVT	2.5L V6 F/I	E-0998	HP-2010 ¹	E150 Econoline	4.6L V8 F/I	E-0945	
Crown Victoria	4.6L V8 F/I	33-2272	HP-2010 ¹	E150 Econoline	5.4L V8 F/I	E-0945 ♦	
E150 Econoline	4.6L V8 F/I	E-0945		E150 Econoline Club Wagon	4.6L V8 F/I	E-0945	
E150 Econoline Club Wagon	4.6L V8 F/I	E-0945	HP-2010 ¹	E150 Econoline Club Wagon	5.4L V8 F/I	E-0945 ♦	HP-2010 ¹
E250 Econoline	5.4L V8 F/I	E-0945 ♦	HP-2010 ¹	E250 Econoline	5.4L V8 F/I	E-0945 ♦	
E350 Econoline	5.4L V8 F/I	E-0945 ♦		E350 Econoline	6.8L V10 F/I	E-0945 ♦	
E350 Econoline	6.8L V10 F/I	E-0945 ♦		E350 Econoline	7.3L V8 DSL	33-2127*	HP-6001 ¹
E350 Econoline	7.3L V8 DSL	33-2127*	HP-6001 ¹	E350 Econoline Club Wagon	5.4L V8 F/I	E-0945 ♦	
E350 Econoline Club Wagon	5.4L V8 F/I	E-0945 ♦	HP-2010 ¹	E350 Econoline Club Wagon	6.8L V10 F/I	E-0945 ♦	HP-2010 ¹
E350 Econoline Club Wagon	6.8L V10 F/I	E-0945 ♦		E350 Econoline Club Wagon	7.3L V8 DSL	33-2127*	HP-6001 ¹
E350 Econoline Club Wagon	7.3L V8 DSL	33-2127*	HP-6001 ¹	E450 Econoline Super Duty	6.8L V10 F/I	E-0945 ♦	
E450 Econoline Super Duty	6.8L V10 F/I	E-0945 ♦		Escort	2.0L L4 F/I	E-0995	HP-2009 ¹
Econoline Super Duty	6.8L V10 F/I	E-0945	HP-2010 ¹	Escort VII	2.0L L4 F/I	33-2627	
Escort	2.0L L4 F/I	E-0995	HP-2009 ¹	Escort ZX2	2.0L L4 F/I	E-0995	HP-2009 ¹
Escort VII	2.0L L4 F/I	33-2627		Expedition	4.6L V8 F/I	E-0945 ♦	HP-2010 ¹
Escort ZX2	2.0L L4 F/I	E-0995	HP-2009 ¹	Expedition	5.4L V8 F/I	E-0945 ♦	HP-2010 ¹
Expedition	4.6L V8 F/I	E-0945 ♦	HP-2010 ¹	Explorer	4.0L V6 F/I		HP-3001 ¹
Expedition	5.4L V8 F/I	E-0945 ♦	HP-2010 ¹	Explorer	4.0L V6 F/I - w/Panel Filter	33-2106-1 ♦	HP-3001
Explorer	4.0L V6 F/I		HP-3001 ¹	Explorer	4.0L V6 F/I - w/Panel Filter	33-2106-1 ♦	HP-3001
Explorer	4.0L V6 F/I - w/Panel Filter	33-2106-1 ♦	HP-3001	Explorer	4.0L V6 F/I - w/Round Filter	E-0996 ♦	HP-3001
Explorer	4.0L V6 F/I - w/Panel Filter	33-2106-1 ♦	HP-3001	Explorer	5.0L V8 F/I		HP-2010 ¹
Explorer	4.0L V6 F/I - w/Panel Filter	E-0996 ♦	HP-3001	Explorer	5.0L V8 F/I - w/Panel Filter	33-2106-1 ♦	HP-2010
				Explorer	5.0L V8 F/I - w/Round Filter	E-0996 ♦	HP-2010
				F53	7.5L V8 F/I	33-2023	HP-3001 ¹
				F150	4.2L V6 F/I	E-0945 ♦	HP-2009 ¹
				F150	4.6L V8 F/I	E-0945 ♦	HP-2010 ¹

* 2 filters required

♦ Intake System Available - see page 84 +Cabin Air Filter Available - see page 453 1- Performance Silver Oil Filter Also Available



Vehicle	Engine Type	Air Filter	Oil Filter	Vehicle	Engine Type	Air Filter	Oil Filter
1997 FORD				1996 FORD			
F150	4.9L L6 F/I		HP-3001 ¹	F250	7.3L V8 DSL	E-1946 ♦	HP-6001 ¹
F150	5.4L V8 F/I	E-0945 ♦	HP-2010 ¹	F250	7.5L V8 F/I	33-2023 ♦	HP-3001 ¹
F250	4.6L V8 F/I	E-0945 ♦		F350	5.8L V8 F/I	33-2023 ♦	HP-2010 ¹
F250	5.4L V8 F/I	E-0945 ♦	HP-2010 ¹	F350	7.3L V8 DSL	E-1946 ♦	HP-6001 ¹
F250	5.8L V8 F/I	33-2023	HP-2010 ¹	F350	7.5L V8 F/I	33-2023 ♦	HP-3001 ¹
F250	7.3L V8 DSL	E-1946 ♦	HP-6001 ¹	F450	7.3L V8 DSL	E-1946	HP-6001 ¹
F250	7.5L V8 F/I	33-2023 ♦	HP-3001 ¹	Mustang	3.8L V6 F/I	E-0940	HP-2009 ¹
F350	5.8L V8 F/I	33-2023	HP-2010 ¹	Mustang	4.6L V8 F/I	E-0945	HP-2010 ¹
F350	7.3L V8 DSL	E-1946 ♦	HP-6001 ¹	Mustang GT	4.6L V8 F/I	E-0945 ♦	HP-2010 ¹
F350	7.5L V8 F/I	33-2023 ♦	HP-3001 ¹	Mustang SVT Cobra	4.6L V8 F/I	E-0945 ♦	HP-2010 ¹
F450	7.3L V8 DSL	E-1946	HP-6001 ¹	Probe	2.0L L4 F/I - Non-US	33-2676	
Mustang	3.8L V6 F/I	E-0940	HP-2009 ¹	Probe	2.0L L4 F/I - US	33-2049	
Mustang	4.6L V8 F/I	E-0945	HP-2010 ¹	Probe	2.5L V6 F/I - Non-US	33-2676	
Mustang GT	4.6L V8 F/I	E-0945 ♦	HP-2010 ¹	Probe	2.5L V6 F/I - US	33-2049 ♦	HP-1010 ¹
Mustang SVT Cobra	4.6L V8 F/I	E-0945 ♦	HP-2010 ¹	Ranger	2.3L L4 F/I	E-0995	HP-3001 ¹
Ranger	2.3L L4 F/I	E-0995	HP-3001 ¹			E-0995 ♦	HP-3001 ¹
		E-0995 ♦	HP-3001 ¹	Ranger	3.0L V6 F/I	E-0995	HP-2009 ¹
Ranger	3.0L V6 F/I	E-0995	HP-2009 ¹	Ranger	4.0L V6 F/I	E-0995 ♦	HP-3001 ¹
Ranger	4.0L V6 F/I		HP-3001 ¹	Taurus	3.0L V6 F/I	33-2107	HP-2009 ¹
Ranger	4.0L V6 F/I - w/Round Filter	E-0995 ♦	HP-3001	Taurus LX	3.0L V6 F/I	33-2107	HP-2010 ¹
Taurus	3.0L V6 F/I	33-2107	HP-2009 ¹	Thunderbird	3.8L V6 F/I	33-2033 ♦	HP-2009 ¹
Taurus	3.4L V8 F/I	33-2107	HP-2009 ¹	Thunderbird	4.6L V8 F/I	33-2033 ♦	HP-2010 ¹
Taurus LX	3.0L V6 F/I	33-2107	HP-2010 ¹	Windstar	3.8L V6 F/I	E-0995	HP-2009 ¹
Thunderbird	3.8L V6 F/I	33-2033 ♦	HP-2009 ¹				
Thunderbird	4.6L V8 F/I	33-2033 ♦	HP-2010 ¹	1995 FORD			
1996 FORD				Aspire	1.3L L4 F/I		HP-1004 ¹
Bronco	5.0L V8 F/I	33-2023 ♦	HP-3001 ¹	Bronco	5.0L V8 F/I	33-2023 ♦	HP-3001 ¹
Bronco	5.8L V8 F/I	33-2023 ♦	HP-2010 ¹	Bronco	5.8L V8 F/I	33-2023 ♦	HP-2010 ¹
Contour	2.0L L4 F/I	33-2132		Crown Victoria	4.6L V8 F/I	33-2272	HP-2010 ¹
Crown Victoria	4.6L V8 F/I	33-2272	HP-2010 ¹	E150 Econoline	5.0L V8 F/I	33-2023	HP-3001 ¹
E150 Econoline	5.8L V8 F/I	33-2023		E150 Econoline Club Wagon	5.0L V8 F/I	33-2023	HP-3001 ¹
E150 Econoline	5.8L V8 F/I - w/o oil cooler	33-2023	HP-3001 ¹	E150 Econoline Club Wagon	5.8L V8 F/I	33-2023	HP-3001 ¹
E150 Econoline Club Wagon	5.0L V8 F/I	33-2023	HP-3001 ¹	E150 Econoline Club Wagon	5.8L V8 F/I - w/o oil cooler	33-2023	HP-3001 ¹
E150 Econoline Club Wagon	5.8L V8 F/I	33-2023		E150 Econoline Club Wagon	5.8L V8 F/I - w/oil cooler	33-2023	HP-2010 ¹
E150 Econoline Club Wagon	5.8L V8 F/I - w/o oil cooler	33-2023	HP-3001 ¹	E350 Econoline	7.3L V8 DSL	33-2127*	HP-6001 ¹
E150 Econoline Club Wagon	5.8L V8 F/I - w/oil cooler	33-2023	HP-2010 ¹	E350 Econoline	7.5L V8 F/I	33-2099	HP-3001 ¹
E350 Econoline	7.3L V8 DSL	33-2127*	HP-6001 ¹	E350 Econoline Club Wagon	5.8L V8 F/I	33-2023	
E350 Econoline	7.5L V8 F/I	33-2099	HP-3001 ¹	E350 Econoline Club Wagon	5.8L V8 F/I - w/oil cooler	33-2023	HP-2010 ¹
E350 Econoline Club Wagon	5.8L V8 F/I	33-2023		E350 Econoline Club Wagon	7.3L V8 DSL	33-2127*	HP-6001 ¹
E350 Econoline Club Wagon	5.8L V8 F/I - w/o oil cooler	33-2023	HP-3001 ¹	E350 Econoline Club Wagon	7.3L V8 DSL	33-2127*	HP-6001 ¹
E350 Econoline Club Wagon	5.8L V8 F/I - w/oil cooler	33-2023	HP-2010 ¹	E350 Econoline Club Wagon	7.5L V8 F/I	33-2099	HP-3001 ¹
E350 Econoline Club Wagon	7.3L V8 DSL	33-2127*	HP-6001 ¹	Econoline Super Duty	7.5L V8 F/I		HP-3001 ¹
E350 Econoline Club Wagon	7.5L V8 F/I	33-2099	HP-3001 ¹	Escort	1.9L L4 F/I	33-2126	
Econoline Super Duty	7.5L V8 F/I		HP-3001 ¹	Explorer	4.0L V6 F/I	E-0995 ♦	HP-3001 ¹
Escort	1.9L L4 F/I	33-2126		Explorer	5.0L V8 F/I	E-0996 ♦	HP-2010 ¹
Explorer	4.0L V6 F/I	E-0995 ♦	HP-3001 ¹	F53	7.5L V8 F/I	33-2023	HP-3001 ¹
Explorer	5.0L V8 F/I	E-0996 ♦	HP-2010 ¹	F150	7.5L V8 F/I	33-2023	HP-3001 ¹
F53	7.5L V8 F/I	33-2023	HP-3001 ¹	F150	4.9L L6 F/I	33-2023 ♦	HP-3001 ¹
F150	4.9L L6 F/I	33-2023 ♦	HP-3001 ¹	F150	5.0L V8 F/I	33-2023 ♦	HP-3001 ¹
F150	5.0L V8 F/I	33-2023 ♦	HP-3001 ¹	F150	5.8L V8 F/I	33-2023 ♦	HP-2010 ¹
F150	5.8L V8 F/I	33-2023 ♦	HP-2010 ¹	F150 Lightning	5.8L V8 F/I	33-2023 ♦	HP-2010 ¹
F250	5.0L V8 F/I	33-2023 ♦	HP-3001 ¹	F250	5.8L V8 F/I	33-2023 ♦	HP-2010 ¹
F250	5.8L V8 F/I	33-2023 ♦	HP-2010 ¹	F250	7.3L V8 DSL	E-1946 ♦	HP-6001 ¹
				F250	7.5L V8 F/I	33-2023 ♦	HP-3001 ¹
				F350	5.8L V8 F/I	33-2023 ♦	HP-2010 ¹
				F350	7.3L V8 DSL	E-1946 ♦	HP-6001 ¹
				F350	7.5L V8 F/I	33-2023 ♦	HP-3001 ¹
				Mustang	3.8L V6 F/I	E-0940	HP-2009 ¹
				Mustang	5.0L V8 F/I	E-0940 ♦	HP-3001 ¹
				Mustang	5.8L V8 F/I	E-0945	HP-3001 ¹
				Mustang SVT Cobra	5.0L V8 F/I	E-0940 ♦	HP-2004 ¹
				Probe	2.5L V6 F/I - Non-US	33-2676	
				Probe	2.5L V6 F/I - US	33-2049 ♦	HP-1010 ¹
				Ranger	2.3L L4 F/I	E-0995	HP-3001 ¹

* 2 filters required

♦ Intake System Available - see page 84 +Cabin Air Filter Available - see page 453 1- Performance Silver Oil Filter Also Available



AIR & OIL FILTERS

FORD

Vehicle	Engine Type	Air Filter	Oil Filter	Vehicle	Engine Type	Air Filter	Oil Filter
1995 FORD				1993 FORD			
Ranger	2.3L L4 F/I	E-0995 ♦	HP-3001 ¹	Bronco	5.8L V8 F/I	33-2023 ♦	HP-3001 ¹
Ranger	3.0L V6 F/I	E-0995	HP-2009 ¹	Crown Victoria	4.6L V8 F/I	33-2272	HP-2010 ¹
Ranger	4.0L V6 F/I	E-0995 ♦	HP-3001 ¹	E150 Econoline	5.8L V8 F/I	33-2023	HP-3001 ¹
Taurus	3.0L V6 F/I	33-2024	HP-2009 ¹	E150 Econoline Club Wagon	5.8L V8 F/I	33-2023	HP-3001 ¹
Taurus SHO	3.0L V6 F/I	33-2040	HP-2009 ¹	E350 Econoline	7.3L V8 DSL	E-1461	HP-4002
Taurus SHO	3.2L V6 F/I	33-2040	HP-2009 ¹	E350 Econoline	7.5L V8 F/I	33-2023	HP-3001 ¹
Thunderbird	3.8L V6 F/I	33-2033	HP-2009 ¹	E350 Econoline Club Wagon	5.8L V8 F/I	33-2023	HP-3001 ¹
Thunderbird	4.6L V8 F/I	33-2033 ♦	HP-2009 ¹	E350 Econoline Club Wagon	7.3L V8 DSL	E-1461	HP-4002
Windstar	3.8L V6 F/I	33-2033 ♦	HP-2010 ¹	E350 Econoline Club Wagon	7.5L V8 F/I	33-2023	HP-3001 ¹
1994 FORD				1992 FORD			
Bronco	5.0L V8 F/I	33-2023 ♦	HP-3001 ¹	Bronco	5.0L V8 F/I	33-2023 ♦	HP-3001 ¹
Bronco	5.8L V8 F/I	33-2023 ♦	HP-2010 ¹	Bronco	5.8L V8 F/I	33-2023 ♦	HP-3001 ¹
Crown Victoria	4.6L V8 F/I	33-2272	HP-2010 ¹	Crown Victoria	4.6L V8 F/I	33-2272	HP-2010 ¹
E150 Econoline Club Wagon	5.8L V8 F/I	33-2023	HP-3001 ¹	E350 Econoline	5.8L V8 F/I	33-2023	HP-3001 ¹
E350 Econoline	7.3L V8 DSL	E-1461		E350 Econoline	7.5L V8 F/I	33-2023	HP-3001 ¹
E350 Econoline	7.5L V8 F/I	33-2023	HP-3001 ¹	E350 Econoline Club Wagon	5.8L V8 F/I	33-2023	HP-3001 ¹
E350 Econoline Club Wagon	5.8L V8 F/I	33-2023	HP-3001 ¹	E350 Econoline Club Wagon	7.3L V8 DSL	E-1461	
E350 Econoline Club Wagon	7.3L V8 DSL	E-1461		E350 Econoline Club Wagon	7.5L V8 F/I	33-2023	HP-3001 ¹
E350 Econoline Club Wagon	7.5L V8 F/I	33-2023	HP-3001 ¹	Escort	1.9L L4 F/I	33-2126	HP-2009 ¹
Escort	1.9L L4 F/I	33-2126	HP-2009 ¹	Escort GT	1.8L L4 F/I	33-2034 ♦	HP-1008 ¹
Escort GT	1.8L L4 F/I	33-2034 ♦		Explorer	4.0L V6 F/I	33-2024	HP-3001 ¹
Explorer	4.0L V6 F/I	33-2024	HP-3001 ¹	F150	4.9L L6 F/I	33-2023 ♦	HP-3001 ¹
F150	3.8L V6 F/I		HP-2009 ¹	F150	5.0L V8 F/I	33-2023 ♦	HP-3001 ¹
F150	4.9L L6 F/I	33-2023 ♦	HP-3001 ¹	F150	5.8L V8 F/I	33-2023 ♦	HP-3001 ¹
F150	5.0L V8 F/I	33-2023 ♦	HP-3001 ¹	F150 Lightning	5.8L V8 F/I	33-2023 ♦	HP-3001 ¹
F150	5.8L V8 F/I	33-2023 ♦	HP-2010 ¹	F250	5.0L V8 F/I	33-2023	HP-3001 ¹
F150 Lightning	5.8L V8 F/I	33-2023 ♦	HP-2010 ¹	F250	5.8L V8 F/I	33-2023 ♦	HP-3001 ¹
F250	5.0L V8 F/I	33-2023 ♦	HP-3001 ¹	F250	7.3L V8 DSL		HP-4002
F250	5.8L V8 F/I	33-2023 ♦	HP-2010 ¹	F250	7.3L V8 DSL - Exc. Turbo	E-1460	HP-4002
F250	7.3L V8 DSL - VIN F	E-1946 ♦	HP-6001 ¹	F250	7.3L V8 DSL - Turbo	33-2088	HP-4002
F250	7.3L V8 DSL - VIN K	33-2088	HP-4002	F250	7.5L V8 F/I	33-2023 ♦	HP-3001 ¹
F250	7.3L V8 DSL - VIN M	E-1460	HP-4002	F350	5.8L V8 F/I	33-2023 ♦	
F250	7.5L V8 F/I	33-2023 ♦	HP-3001 ¹	F350	7.3L V8 DSL		HP-4002
F350	5.8L V8 F/I	33-2023 ♦	HP-2010 ¹	F350	7.3L V8 DSL - Exc. Turbo	E-1460	HP-4002
F350	7.3L V8 DSL - VIN F	E-1946 ♦	HP-6001 ¹	F350	7.3L V8 DSL - Turbo	33-2088	HP-4002
F350	7.3L V8 DSL - VIN K	33-2088	HP-4002	F350	7.5L V8 F/I	33-2023 ♦	HP-3001 ¹
F350	7.3L V8 DSL - VIN M	E-1460	HP-4002	Mustang	2.3L L4 F/I	33-2044	HP-3001 ¹
F350	7.5L V8 F/I	33-2023 ♦	HP-3001 ¹	Mustang	5.0L V8 F/I	33-2015 ♦	HP-3001 ¹
Falcon	4.0L V6 F/I	33-2708		Probe	2.5L V6 F/I	33-2049 ♦	HP-1010 ¹
Mustang	3.8L V6 F/I	E-0940	HP-2009 ¹	Ranger	2.3L L4 F/I	33-2024	HP-3001 ¹
Mustang	5.0L V8 F/I	E-0940 ♦	HP-3001 ¹	Ranger	3.0L V6 F/I	33-2024	HP-2009 ¹
Mustang SVT Cobra	5.0L V8 F/I	E-0940 ♦	HP-2004 ¹	Ranger	4.0L V6 F/I	33-2024	HP-3001 ¹
Probe	2.0L L4 F/I - Non-US, from 3/94	33-2676		Sierra	2.0L L4 F/I - 220BHP	33-2532 ♦	
Probe	2.0L L4 F/I - US	33-2049	HP-1006	Sierra	2.0L L4 F/I - Exc., 220BHP	33-2013 ♦	
Probe	2.5L V6 F/I - Non-US, from 3/94	33-2676		Taurus SHO	3.0L V6 F/I	33-2040	HP-2009 ¹
Probe	2.5L V6 F/I - US	33-2049 ♦	HP-1010 ¹	Taurus SHO	3.2L V6 F/I	33-2040	
Ranger	2.3L L4 F/I	33-2024	HP-3001 ¹	Thunderbird	3.8L V6 F/I	33-2033	HP-2009 ¹
Ranger	3.0L V6 F/I	33-2024	HP-2009 ¹	Thunderbird	3.8L V6 F/I	33-2033 ♦	HP-2009 ¹
Ranger	4.0L V6 F/I	33-2024	HP-3001 ¹				
Scorpio	2.4L V6 F/I	33-2013					
Taurus SHO	3.0L V6 F/I	33-2040	HP-2009 ¹				
Thunderbird	3.8L V6 F/I	33-2033	HP-2009 ¹				
Thunderbird	3.8L V6 F/I	33-2033 ♦	HP-2009 ¹				
Thunderbird	4.6L V8 F/I	33-2033 ♦	HP-2010 ¹				
1993 FORD							
Bronco	5.0L V8 F/I	33-2023 ♦	HP-3001 ¹				

* 2 filters required ♦ Intake System Available - see page 84 +Cabin Air Filter Available - see page 453 1- Performance Silver Oil Filter Also Available



Vehicle	Engine Type	Air Filter	Oil Filter
1992 FORD			
F250	7.3L V8 DSL	E-1460	HP-4002
F250	7.5L V8 F/I	33-2023 ♦	HP-3001 ¹
F350	5.8L V8 F/I	33-2023 ♦	HP-3001 ¹
F350	7.3L V8 DSL	E-1460	HP-4002
F350	7.5L V8 F/I	33-2023 ♦	HP-3001 ¹
Mustang	2.3L L4 F/I	33-2044	HP-3001 ¹
Mustang	5.0L V8 F/I	33-2015 ♦	HP-3001 ¹
Ranger	2.3L L4 F/I	33-2024	HP-3001 ¹
Ranger	2.9L V6 F/I	33-2024	HP-3001 ¹
Ranger	3.0L V6 F/I	33-2024	HP-2009 ¹
Ranger	4.0L V6 F/I	33-2024	HP-3001 ¹
Scorpio	2.5L L4 DSL - 69BHP	E-3740	
Scorpio	2.9L V6 F/I - 12v	33-2013 ♦	
Sierra	2.0L L4 F/I - Exc., 220BHP	33-2013 ♦	
Taurus SHO	3.0L V6 F/I	33-2040	HP-2009 ¹
Thunderbird	3.8L V6 F/I	33-2033	HP-2009 ¹
		33-2033 ♦	HP-2009 ¹
Transit 86	2.0L L4 CARB	E-9031	

Vehicle	Engine Type	Air Filter	Oil Filter
1991 FORD			
Bronco	5.0L V8 F/I	33-2023 ♦	HP-3001 ¹
Bronco	5.8L V8 F/I	33-2023 ♦	HP-3001 ¹
E150 Econoline	5.0L V8 F/I	33-2023	HP-3001 ¹
E150 Econoline Club Wagon	5.0L V8 F/I	33-2023	HP-3001 ¹
E350 Econoline	7.5L V8 F/I	33-2023	HP-3001 ¹
E350 Econoline Club Wagon	7.5L V8 F/I	33-2023	HP-3001 ¹
Escort	1.9L L4 F/I	33-2126	
Escort GT	1.8L L4 F/I	33-2034 ♦	HP-1008 ¹
Explorer	4.0L V6 F/I	33-2024	HP-3001 ¹
F150	4.9L L6 F/I	33-2023 ♦	HP-3001 ¹
F150	5.0L V8 F/I	33-2023 ♦	HP-3001 ¹
F150	5.8L V8 F/I	33-2023 ♦	HP-3001 ¹
F250	5.0L V8 F/I	33-2023	HP-3001 ¹
F250	5.8L V8 F/I	33-2023 ♦	HP-3001 ¹
F250	7.3L V8 DSL	E-1460	HP-4002
F250	7.5L V8 F/I	33-2023 ♦	HP-3001 ¹
F350	7.3L V8 DSL	E-1460	HP-4002
F350	7.5L V8 F/I	33-2023 ♦	HP-3001 ¹
Granada	2.9L V6 F/I - 4WD	33-2013 ♦	
LTD Crown Victoria	5.0L V8 F/I	33-2195	HP-3001 ¹
Mustang	2.3L L4 F/I	33-2044	HP-3001 ¹
Mustang	5.0L V8 F/I	33-2015 ♦	HP-3001 ¹
Ranger	2.3L L4 F/I	33-2024	HP-3001 ¹
Ranger	2.9L V6 F/I	33-2024	HP-3001 ¹
Ranger	3.0L V6 F/I	33-2024	HP-2009 ¹
Ranger	4.0L V6 F/I	33-2024	HP-3001 ¹
Sierra	2.0L L4 F/I - 220BHP	33-2532 ♦	
Sierra	2.0L L4 F/I - Exc., 220BHP	33-2013 ♦	
Taurus SHO	3.0L V6 F/I	33-2040	HP-2009 ¹

Vehicle	Engine Type	Air Filter	Oil Filter
1990 FORD			
Bronco	5.0L V8 F/I	33-2023 ♦	HP-3001 ¹
Bronco	5.8L V8 F/I	33-2023 ♦	HP-3001 ¹
Bronco II	2.9L V6 F/I	33-2024	HP-3001 ¹
E350 Econoline	7.5L V8 F/I	33-2023	HP-3001 ¹
E350 Econoline Club Wagon	7.5L V8 F/I	33-2023	HP-3001 ¹
F150	4.9L L6 F/I	33-2023 ♦	HP-3001 ¹
F150	5.0L V8 CARB		HP-3001 ¹
F150	5.0L V8 F/I	33-2023 ♦	HP-3001 ¹
F150	5.8L V8 F/I	33-2023 ♦	HP-3001 ¹

Vehicle	Engine Type	Air Filter	Oil Filter
1990 FORD			
F250	4.9L L6 F/I	33-2023 ♦	HP-3001 ¹
F250	5.0L V8 F/I	33-2023	HP-3001 ¹
F250	5.8L V8 F/I	33-2023 ♦	HP-3001 ¹
F250	7.3L V8 DSL	E-1460	HP-4002
F250	7.5L V8 F/I	33-2023 ♦	HP-3001 ¹
F350	7.3L V8 DSL	E-1460	HP-4002
F350	7.5L V8 F/I	33-2023 ♦	HP-3001 ¹
LTD Crown Victoria	5.0L V8 F/I	33-2195	HP-3001 ¹
Mustang	2.3L L4 F/I	33-2044	HP-3001 ¹
Mustang	5.0L V8 F/I	33-2015 ♦	HP-3001 ¹
Ranger	2.3L L4 F/I	33-2024	HP-3001 ¹
Ranger	2.9L V6 F/I	33-2024	HP-3001 ¹
Ranger	4.0L V6 F/I	33-2024	HP-3001 ¹
Sierra	2.0L L4 F/I - 220/240BHP	33-2532 ♦	
Sierra	2.0L L4 F/I - Exc., 204/220BHP	33-2013 ♦	
Thunderbird	3.8L V6 F/I	33-2033	HP-2009 ¹

Vehicle	Engine Type	Air Filter	Oil Filter
1989 FORD			
Bronco	5.0L V8 F/I	33-2023 ♦	HP-3001 ¹
Bronco	5.8L V8 F/I	33-2023 ♦	HP-3001 ¹
Bronco II	2.9L V6 F/I	33-2024	HP-3001 ¹
E150 Econoline Club Wagon	5.0L V8 F/I	33-2023	
E350 Econoline	7.5L V8 F/I	33-2023	HP-3001 ¹
E350 Econoline Club Wagon	7.5L V8 F/I	33-2023	HP-3001 ¹
F150	4.9L L6 F/I	33-2023 ♦	HP-3001 ¹
F150	5.0L V8 CARB		HP-3001 ¹
F150	5.0L V8 F/I	33-2023 ♦	HP-3001 ¹
F150	5.8L V8 F/I	33-2023 ♦	HP-3001 ¹
F250	5.0L V8 F/I	33-2023 ♦	HP-3001 ¹
F250	5.8L V8 F/I	33-2023 ♦	HP-3001 ¹
F250	7.3L V8 DSL	E-1460	HP-4002
F250	7.5L V8 F/I	33-2023 ♦	HP-3001 ¹
F350	7.3L V8 DSL	E-1460	HP-4002
F350	7.5L V8 F/I	33-2023 ♦	HP-3001 ¹
LTD Crown Victoria	5.0L V8 F/I	33-2195	HP-3001 ¹
Mustang	2.3L L4 F/I	33-2044	HP-3001 ¹
Mustang	5.0L V8 F/I	33-2015 ♦	HP-3001 ¹
Probe	2.2L L4 F/I	33-2026	HP-1010 ¹
Ranger	2.3L L4 F/I	33-2024	HP-3001 ¹
Ranger	2.9L V6 F/I	33-2024	HP-3001 ¹
Sierra	2.0L L4 F/I - 204BHP	33-2532 ♦	
Sierra	2.0L L4 F/I - Exc., 204BHP	33-2013 ♦	
Taurus SHO	3.0L V6 F/I	33-2040	HP-2009 ¹
Thunderbird	3.8L V6 F/I	33-2033	HP-2009 ¹

Vehicle	Engine Type	Air Filter	Oil Filter
1988 FORD			
Bronco	5.0L V8 F/I	33-2023 ♦	HP-3001 ¹
Bronco	5.8L V8 F/I	33-2023 ♦	HP-3001 ¹
Bronco II	2.9L V6 F/I	33-2024	HP-3001 ¹
E350 Econoline	7.5L V8 F/I	33-2023	HP-3001 ¹
E350 Econoline Club Wagon	5.8L V8 F/I	33-2023	HP-3001 ¹
E350 Econoline Club Wagon	7.5L V8 F/I	33-2023	HP-3001 ¹
F150	4.9L L6 F/I	33-2023 ♦	HP-3001 ¹
F150	5.0L V8 CARB		HP-3001 ¹
F150	5.0L V8 F/I	33-2023 ♦	HP-3001 ¹
F150	5.8L V8 F/I	33-2023 ♦	HP-3001 ¹
F250	5.0L V8 F/I	33-2023 ♦	HP-3001 ¹
F250	5.8L V8 F/I	33-2023 ♦	HP-3001 ¹

* 2 filters required

♦ Intake System Available - see page 84 +Cabin Air Filter Available - see page 453 1- Performance Silver Oil Filter Also Available



AIR & OIL FILTERS

FORD

Vehicle	Engine Type	Air Filter	Oil Filter
1988 FORD			
F250	7.3L V8 DSL	E-1460	HP-4002
F250	7.5L V8 F/I	33-2023 ♦	HP-3001 ¹
F350	7.3L V8 DSL	E-1460	HP-4002
F350	7.5L V8 F/I	33-2023 ♦	HP-3001 ¹
LTD Crown Victoria	5.0L V8 F/I	33-2195	HP-3001 ¹
Mustang	2.3L L4 F/I	33-2044	HP-3001 ¹
Mustang	5.0L V8 F/I	33-2015 ♦	HP-3001 ¹
Ranger	2.0L L4 CARB	E-1088	HP-3001 ¹
Ranger	2.3L L4 F/I	33-2002	HP-3001 ¹
Ranger	2.9L V6 F/I	33-2024	HP-3001 ¹
Sierra	2.0L L4 F/I - 204BHP	33-2532 ♦	
Sierra	2.0L L4 F/I - Exc., 204BHP	33-2013 ♦	
Thunderbird	2.3L L4 F/I	E-1931	HP-2004 ¹
Thunderbird	5.0L V8 F/I	33-2015	HP-3001 ¹

Vehicle	Engine Type	Air Filter	Oil Filter
1987 FORD			
Bronco	5.0L V8 F/I	33-2023	HP-3001 ¹
Bronco	5.8L V8 CARB	E-1570	HP-3001 ¹
Bronco II	2.9L V6 F/I	33-2002	HP-3001 ¹
E350 Econoline	7.5L V8 CARB		HP-3001 ¹
E350 Econoline	7.5L V8 F/I	33-2023	HP-3001 ¹
E350 Econoline Club Wagon	7.5L V8 CARB	E-1570	HP-3001 ¹
F150	4.9L L6 F/I	33-2023	HP-3001 ¹
F150	5.0L V8 CARB		HP-3001 ¹
F150	5.0L V8 F/I	33-2023	HP-3001 ¹
F150	5.8L V8 CARB	E-1570	HP-3001 ¹
F250	6.9L V8 DSL	E-1460	HP-4002
F250	7.5L V8 CARB	E-1570	HP-3001 ¹
LTD Crown Victoria	5.0L V8 F/I	33-2195	HP-3001 ¹
Mustang	2.3L L4 F/I	33-2044	HP-3001 ¹
Mustang	5.0L V8 F/I	33-2015 ♦	HP-3001 ¹
Ranger	2.3L L4 F/I	33-2002	HP-3001 ¹
Ranger	2.9L V6 F/I	33-2002	HP-3001 ¹
Scorpio	2.5L L4 DSL	E-3740	
Sierra	2.0L L4 F/I - 204BHP	33-2532 ♦	
Sierra	2.0L L4 F/I - Exc., 204BHP	33-2013 ♦	
Thunderbird	2.3L L4 F/I	E-1931	HP-2004 ¹
Thunderbird	5.0L V8 F/I	33-2015	HP-3001 ¹

Vehicle	Engine Type	Air Filter	Oil Filter
1986 FORD			
Bronco	5.0L V8 F/I	33-2012	HP-3001 ¹
Bronco	5.8L V8 CARB	E-1570	HP-3001 ¹
Bronco II	2.9L V6 F/I	33-2002	HP-3001 ¹
F150	4.9L L6 CARB	E-1350	HP-3001 ¹
F150	5.0L V8 CARB		HP-3001 ¹
F150	5.0L V8 F/I	33-2012	HP-3001 ¹
F150	5.8L V8 CARB	E-1570	HP-3001 ¹
F250	5.8L V8 CARB	E-1570	HP-3001 ¹
F250	6.9L V8 DSL	E-1460	HP-4002
F250	7.5L V8 CARB	E-1570	HP-3001 ¹
F350	6.9L V8 DSL	E-1460	HP-4002
F350	7.5L V8 CARB	E-1570	HP-3001 ¹
Mustang	2.3L L4 CARB	E-1200	HP-3001 ¹
Mustang	2.3L L4 F/I	E-1931	HP-2004 ¹
Mustang	3.8L V6 F/I	E-1325	
Mustang	5.0L V8 F/I	33-2015 ♦	HP-3001 ¹
Ranger	2.3L L4 F/I	33-2002	HP-3001 ¹
Ranger	2.9L V6 F/I	33-2002	HP-3001 ¹
Thunderbird	5.0L V8 F/I	33-2015	

Vehicle	Engine Type	Air Filter	Oil Filter
1985 FORD			
Bronco	5.0L V8 F/I	33-2012	HP-3001 ¹

Vehicle	Engine Type	Air Filter	Oil Filter
1985 FORD			
Bronco	5.8L V8 2 BBL.	E-1290	HP-3001 ¹
Bronco	5.8L V8 4 BBL.	E-1570	HP-3001 ¹
Bronco II	2.8L V6 CARB	E-1280	HP-3001 ¹
E350 Econoline	7.5L V8 CARB		HP-3001 ¹
E350 Econoline Club Wagon	7.5L V8 CARB	E-1570	HP-3001 ¹
Escort	1.6L L4 CARB	E-1958	
F150	4.9L L6 CARB	E-1350	HP-3001 ¹
F150	5.0L V8 CARB	E-1290	HP-3001 ¹
F150	5.0L V8 F/I	33-2012	HP-3001 ¹
F150	5.8L V8 2 BBL.	E-1290	HP-3001 ¹
F150	5.8L V8 4 BBL.	E-1570	HP-3001 ¹
F250	5.8L V8 2 BBL.	E-1290	HP-3001 ¹
F250	5.8L V8 4 BBL.	E-1570	HP-3001 ¹
F250	6.9L V8 DSL	E-1460	HP-4002
F250	7.5L V8 CARB	E-1570	HP-3001 ¹
F350	6.9L V8 DSL	E-1460	
Granada	2.5L L4 DSL	E-3740	
LTD	5.0L V8 F/I		HP-3001 ¹
Mustang	2.3L L4 CARB	E-1200	HP-3001 ¹
Mustang	2.3L L4 F/I	E-1931	HP-2004 ¹
Mustang	5.0L V8 CARB	E-1535	HP-3001 ¹
Ranger	2.0L L4 CARB	E-1088	HP-3001 ¹
Ranger	2.3L L4 F/I	33-2002	HP-3001 ¹
Ranger	2.8L V6 CARB	E-1280	HP-3001 ¹
Scorpio	2.5L L4 DSL	E-3740	
Sierra	2.0L L4 F/I	33-2013	

Vehicle	Engine Type	Air Filter	Oil Filter
1984 FORD			
Bronco	5.0L V8 CARB	E-1290	HP-3001 ¹
Bronco	5.8L V8 2 BBL.	E-1290	HP-3001 ¹
Bronco	5.8L V8 4 BBL.	E-1570	HP-3001 ¹
Bronco II	2.8L V6 CARB	E-1280	HP-3001 ¹
Escort	1.6L L4 CARB	E-1958	
Escort III	1.6L L4 CARB - 79BHP	E-1280	
F150	4.9L L6 CARB	E-1350	HP-3001 ¹
F150	5.0L V8 CARB	E-1290	HP-3001 ¹
F150	5.8L V8 CARB	E-1290	HP-3001 ¹
F250	6.9L V8 DSL	E-1460	HP-4002
Granada	2.5L L4 DSL	E-3740	
Mustang	2.3L L4 CARB	E-1200	
Mustang	5.0L V8 CARB	E-1535	HP-2004 ¹
Mustang	5.0L V8 F/I	E-1535	HP-3001 ¹

Vehicle	Engine Type	Air Filter	Oil Filter
1983 FORD			
F150	4.9L L6 CARB	E-1350	HP-3001 ¹
F150	5.0L V8 CARB	E-1290	HP-3001 ¹
Mustang	3.8L V6 CARB	E-1325	
Mustang	5.0L V8 CARB	E-1535	HP-3001 ¹

Vehicle	Engine Type	Air Filter	Oil Filter
1982 FORD			
F150	5.0L V8 CARB	E-1290	HP-3001 ¹
Granada	2.5L L4 DSL	E-3740	
Mustang	5.0L V8 CARB	E-1290	HP-3001 ¹

Vehicle	Engine Type	Air Filter	Oil Filter
1981 FORD			
F150	4.9L L6 CARB	E-1040	HP-3001 ¹
F150	5.0L V8 CARB	E-1290	HP-3001 ¹
F150	5.8L V8 CARB		HP-3001 ¹

Vehicle	Engine Type	Air Filter	Oil Filter
1980 FORD			
F100	300 L6 CARB		HP-3001 ¹
F150	302 V8 CARB	E-1290	HP-3001 ¹
Mustang	5.0L V8 CARB		HP-2004 ¹

* 2 filters required

♦ Intake System Available - see page 84 +Cabin Air Filter Available - see page 453 1- Performance Silver Oil Filter Also Available



Vehicle	Engine Type	Air Filter	Oil Filter
1979 FORD			
Bronco	351 V8 CARB	E-1290	HP-3001 ¹
Bronco	400 V8 CARB	E-1290	HP-3001 ¹
F100	302 V8 CARB	E-1290	HP-3001 ¹
F150	302 V8 CARB	E-1290	HP-3001 ¹
F150	351 V8 CARB	E-1290	HP-3001 ¹
F150	400 V8 CARB	E-1290	HP-3001 ¹
F150	460 V8 CARB	E-1570	HP-3001 ¹
F250	351 V8 CARB	E-1290	HP-3001 ¹
F250	400 V8 CARB	E-1290	HP-3001 ¹
F250	460 V8 CARB	E-1570	HP-3001 ¹
Mustang	302 V8 CARB	E-1180	HP-3001 ¹

Vehicle	Engine Type	Air Filter	Oil Filter
1978 FORD			
Bronco	351 V8 CARB	E-1290	HP-3001 ¹
Bronco	400 V8 CARB	E-1290	HP-3001 ¹
F150	300 L6 CARB		HP-3001 ¹
F150	302 V8 CARB	E-1290	HP-3001 ¹
F150	351 V8 CARB	E-1290	HP-3001 ¹
F150	400 V8 CARB	E-1290	HP-3001 ¹
F150	460 V8 CARB	E-1570	HP-3001 ¹
F250	351 V8 CARB	E-1290	HP-3001 ¹
F250	400 V8 CARB	E-1290	HP-3001 ¹
F250	460 V8 CARB	E-1570	HP-3001 ¹
Mustang II	140 L4 CARB		HP-3001 ¹
Mustang II	302 V8 CARB	E-1180	HP-2004 ¹

Vehicle	Engine Type	Air Filter	Oil Filter
1977 FORD			
Bronco	302 V8 CARB	E-1040	HP-3001 ¹
F100	302 V8 CARB		HP-3001 ¹
F150	300 L6 CARB	E-1200	HP-3001 ¹
F150	302 V8 CARB		HP-3001 ¹
F150	351 V8 CARB	E-1290	HP-3001 ¹
F150	400 V8 CARB	E-1290	HP-3001 ¹
F150	460 V8 CARB	E-1570	HP-3001 ¹
F250	351 V8 CARB	E-1290	HP-3001 ¹
F250	400 V8 CARB	E-1290	HP-3001 ¹
F250	460 V8 CARB	E-1570	HP-3001 ¹
Mustang II	302 V8 CARB	E-1180	HP-3001 ¹
Mustang II	302 V8 CARB - Short Filter	E-1180	HP-2004 ¹
Mustang II	302 V8 CARB - Tall Filter	E-1180	HP-3001 ¹

Vehicle	Engine Type	Air Filter	Oil Filter
1976 FORD			
Bronco	302 V8 CARB	E-1040	HP-3001 ¹
F150	360 V8 CARB		HP-3001 ¹
F150	390 V8 CARB		HP-3001 ¹
F250	360 V8 CARB	E-1570	HP-3001 ¹
F250	390 V8 CARB	E-1570	HP-3001 ¹
F250	460 V8 CARB		HP-3001 ¹
Mustang II	302 V8 CARB	E-1550	
Mustang II	302 V8 CARB - Short Filter	E-1550	HP-2004 ¹
Mustang II	302 V8 CARB - Tall Filter	E-1550	HP-3001 ¹

Vehicle	Engine Type	Air Filter	Oil Filter
1975 FORD			
Bronco	302 V8 CARB	E-1040	HP-3001 ¹
F250	390 V8 CARB	E-1570	HP-3001 ¹
F250	460 V8 CARB	E-1570	HP-3001 ¹
Mustang II	302 V8 CARB	E-1550	

Vehicle	Engine Type	Air Filter	Oil Filter
1974 FORD			
Bronco	302 V8 CARB	E-1040	
Bronco	302 V8 CARB - Exc. Cart. Type	E-1040	HP-3001 ¹

Vehicle	Engine Type	Air Filter	Oil Filter
1973 FORD			
Bronco	302 V8 CARB	E-1040	
Bronco	302 V8 CARB - Exc. Cart. Type	E-1040	HP-3001 ¹
F100 Pickup	302 V8 CARB	E-1290	HP-3001 ¹
F250 Pickup	360 V8 CARB	E-1570	HP-3001 ¹
F250 Pickup	390 V8 CARB		HP-3001 ¹
Mustang	302 V8 CARB	E-1325	HP-3001 ¹
Mustang	351 V8 CARB		HP-3001 ¹
Mustang	351 V8 CARB - Exc. Police Package	E-1580	HP-3001
Mustang	351 V8 CARB - Police Package	E-1570	HP-3001

Vehicle	Engine Type	Air Filter	Oil Filter
1972 FORD			
Bronco	302 V8 CARB	E-1040	
Bronco	302 V8 CARB - Exc. Cart. Type	E-1040	HP-3001 ¹
F100 Pickup	302 V8 CARB	E-1570	HP-3001 ¹
F100 Pickup	360 V8 CARB	E-1570	HP-3001 ¹
F100 Pickup	390 V8 CARB		HP-3001 ¹
F250 Pickup	390 V8 CARB		HP-3001 ¹
Mustang	302 V8 CARB	E-1300	HP-3001 ¹
Mustang	351 V8 CARB		HP-3001 ¹
Mustang	351 V8 CARB - w/o Ram Air	E-1300	HP-3001
Mustang	351 V8 CARB - w/Ram Air	E-1570	HP-3001

Vehicle	Engine Type	Air Filter	Oil Filter
1971 FORD			
Bronco	302 V8 CARB	E-1040	
Bronco	302 V8 CARB - Exc. Cart. Type	E-1040	HP-3001 ¹
F100 Pickup	302 V8 CARB	E-1570	HP-3001 ¹
F100 Pickup	360 V8 CARB		HP-3001 ¹
F100 Pickup	390 V8 CARB		HP-3001 ¹
Mustang	302 V8 CARB		HP-3001 ¹
Mustang	302 V8 CARB - w/o Ram Air	E-1560	HP-3001
Mustang	302 V8 CARB - w/Ram Air	E-1570	HP-3001
Mustang	351 V8 2 BBL.	E-1570	HP-3001 ¹
Mustang	351 V8 4 BBL.	E-1560	HP-3001 ¹
Mustang	429 V8 CARB		HP-3001 ¹
Mustang	429 V8 CARB - SCJ, w/o Ram Air, GPD Carb.	E-1560	HP-3001
Mustang	429 V8 CARB - w/Ram Air, w/ Rochester Carb.	E-1570	HP-3001
Mustang Boss 302	302 V8 CARB		HP-3001 ¹
Mustang Boss 302	302 V8 CARB - w/o Ram Air	E-1560	HP-3001
Mustang Boss 302	302 V8 CARB - w/Ram Air	E-1570	HP-3001
Torino	351 V8 CARB		HP-3001 ¹

Vehicle	Engine Type	Air Filter	Oil Filter
1970 FORD			
Bronco	302 V8 CARB	E-1040	
Bronco	302 V8 CARB - Exc. Cart. Type	E-1040	HP-3001 ¹
F100 Pickup	302 V8 CARB	E-1570	HP-3001 ¹
F100 Pickup	390 V8 CARB	E-1570	HP-3001 ¹
Mustang	302 V8 2 BBL.	E-1570	HP-3001 ¹
Mustang	302 V8 4 BBL.	E-1560	HP-3001 ¹
Mustang	351 V8 2 BBL.		HP-3001 ¹
Mustang	351 V8 2 BBL. - w/o Ram Air	E-1570	HP-3001
Mustang	351 V8 2 BBL. - w/Ram Air	E-1580	HP-3001
Mustang	351 V8 4 BBL.		HP-3001 ¹
Mustang	351 V8 4 BBL. - w/o Ram Air	E-1570	HP-3001

* 2 filters required

◆ Intake System Available - see page 84 +Cabin Air Filter Available - see page 453 1- Performance Silver Oil Filter Also Available



AIR & OIL FILTERS

FORD

Vehicle	Engine Type	Air Filter	Oil Filter
1970 FORD			
Mustang	351 V8 4 BBL. - w/Ram Air	E-1580	HP-3001
Mustang	428 V8 CARB	E-1560	HP-3001 ¹
Mustang	429 V8 CARB	E-1560	HP-3001 ¹
Mustang Boss 302	302 V8 4 BBL.	E-1560	HP-3001 ¹
Torino	429 V8 CARB		HP-3001 ¹
Torino	429 V8 CARB - VIN C	E-1560	HP-3001
Torino	429 V8 CARB - VIN J	E-1570	HP-3001
Torino	429 V8 CARB - VIN N	E-1580	HP-3001

1969 FORD			
Bronco	302 V8 CARB	E-1040	
Bronco	302 V8 CARB - Exc. Cart. Type	E-1040	HP-3001 ¹
F100 Pickup	302 V8 CARB	E-1040	HP-3001 ¹
F100 Pickup	360 V8 CARB	E-1570	HP-3001 ¹
F100 Pickup	390 V8 CARB		HP-3001 ¹
F250 Pickup	390 V8 CARB		HP-3001 ¹
F250 Pickup	390 V8 CARB - w/Rochester Carb.	E-1570	HP-3001
F250 Pickup	390 V8 CARB - w/GPD Carb.	E-1560	HP-3001
Mustang	302 V8 CARB	E-1570	HP-3001 ¹
Mustang	351 V8 CARB	E-1570	HP-3001 ¹
Mustang	390 V8 CARB	E-1570	HP-3001 ¹
Mustang	428 V8 CARB	E-1560	HP-3001 ¹
Mustang	429 V8 CARB	E-1560	HP-3001 ¹
Mustang Boss 302	302 V8 CARB	E-1570	HP-3001 ¹
Torino	351 V8 CARB		HP-3001 ¹
Torino	428 V8 CARB		HP-3001 ¹

1968 FORD			
F100 Pickup	360 V8 CARB	E-1570	HP-3001 ¹
F100 Pickup	390 V8 CARB	E-1570	HP-3001 ¹
F250 Pickup	390 V8 CARB		HP-3001 ¹
Galaxie 500	390 V8 CARB		HP-3001 ¹
Mustang	200 L6 CARB	E-1030	HP-3001 ¹
Mustang	289 V8 CARB	E-1570	HP-3001 ¹
Mustang	302 V8 CARB	E-1570	HP-3001 ¹
Mustang	390 V8 CARB	E-1570	HP-3001 ¹
Mustang	427 V8 CARB	E-1560	HP-3001 ¹
Mustang	428 V8 CARB	E-1560	HP-3001 ¹

1967 FORD			
Bronco	289 V8 CARB		HP-3001 ¹
Cortina Mk2	1.3L L4 CARB	E-2473	
F100 Pickup	352 V8 CARB	E-1110	
F100 Pickup	352 V8 CARB - 2WD	E-1110	HP-3001 ¹
Fairlane	390 V8 CARB	E-1090	HP-3001 ¹
Fairlane	427 V8 CARB	E-1960	HP-3001 ¹
Galaxie 500	390 V8 CARB	E-1090	HP-3001 ¹
Galaxie 500	427 V8 CARB	E-1560	HP-3001 ¹
Mustang	200 L6 CARB	E-1080	HP-3001 ¹
Mustang	289 V8 CARB	E-1040	HP-3001 ¹
Mustang	390 V8 CARB	E-1560	HP-3001 ¹

1966 FORD			
Bronco	289 V8 CARB	E-1040	HP-3001 ¹
Cortina GT	1.5L L4 CARB	E-2640	
F100 Pickup	352 V8 CARB	E-1110	
F100 Pickup	352 V8 CARB - Exc. Cart. Type	E-1110	HP-3001 ¹
Fairlane	289 V8 CARB		HP-3001 ¹
Fairlane	390 V8 CARB	E-1090	HP-3001 ¹
Fairlane	427 V8 CARB	E-1960	HP-3001 ¹
Galaxie 500	390 V8 CARB	E-1090	HP-3001 ¹

Vehicle	Engine Type	Air Filter	Oil Filter
1966 FORD			
Galaxie 500	427 V8 CARB		HP-3001 ¹
Mustang	200 L6 CARB	E-1080	HP-3001 ¹
Mustang	289 V8 CARB	E-1090	HP-3001 ¹

1965 FORD			
F100 Pickup	352 V8 CARB	E-1110	
F100 Pickup	352 V8 CARB - Spin On	E-1110	HP-3001 ¹
Falcon	289 V8 2 BBL.	E-2865	HP-3001 ¹
Falcon	289 V8 4 BBL.	E-1040	HP-3001 ¹
Falcon Sedan Delivery	289 V8 2 BBL.	E-2865	HP-3001 ¹
Falcon Sedan Delivery	289 V8 4 BBL.	E-1040	HP-3001 ¹
Galaxie 500	427 V8 CARB	E-1960	
Galaxie 500	390 V8 CARB		HP-3001 ¹
Galaxie 500	427 V8 CARB	E-1960	HP-3001 ¹
Mustang	170 L6 CARB	E-1080	HP-3001 ¹
Mustang	200 L6 CARB	E-1080	HP-3001 ¹
Mustang	289 V8 CARB		HP-3001 ¹
Mustang	289 V8 CARB - Exc. Hi Perf.	E-1090	HP-3001
Mustang	289 V8 CARB - Hi Perf.	E-1560	HP-3001
Thunderbird	390 V8 CARB		HP-3001 ¹
Thunderbird	390 V8 CARB - Calif.	E-1080	HP-3001
Thunderbird	390 V8 CARB - Exc. Calif	E-1090	HP-3001

1964 FORD			
Fairlane	427 V8 CARB	E-1960	HP-3001 ¹
Falcon	260 V8 CARB		HP-3001 ¹
Falcon	289 V8 CARB	E-1040	HP-3001 ¹
Falcon Sedan Delivery	260 V8 CARB		HP-3001 ¹
Galaxie	390 V8 CARB	E-1960	
Galaxie 500	390 V8 CARB	E-1960	HP-3001 ¹
Mustang	289 V8 CARB		HP-3001 ¹
Mustang	289 V8 CARB - Exc. Hi Perf.	E-1080	HP-3001
Mustang	289 V8 CARB - Hi Perf.	E-1090	HP-3001
Thunderbird	390 V8 CARB	E-1110	HP-3001 ¹

1963 FORD			
Falcon	260 V8 CARB		HP-3001 ¹
Falcon Sedan Delivery	260 V8 CARB		HP-3001 ¹
Galaxie	406 V8 CARB	E-1960	HP-3001 ¹
Galaxie 500	390 V8 CARB	E-1110	HP-3001 ¹
Galaxie 500	406 V8 CARB	E-1960	HP-3001 ¹
Thunderbird	390 V8 CARB	E-1110	HP-3001 ¹

1962 FORD			
Galaxie	390 V8 CARB	E-1960	
Galaxie 500	390 V8 CARB	E-1960	
Galaxie 500	406 V8 CARB		HP-3001 ¹
Thunderbird	390 V8 CARB		HP-3001 ¹
Thunderbird	410 V8 CARB	E-1960	

1957 FORD			
Thunderbird	312 V8 CARB		HP-3001 ¹

2016 FREIGHTLINER			
Sprinter 3500	3.0L V6 DSL		PS-7028

2015 FREIGHTLINER			
Sprinter 2500	3.0L V6 DSL		PS-7028
Sprinter 3500	3.0L V6 DSL		PS-7028

* 2 filters required

♦ Intake System Available - see page 84 +Cabin Air Filter Available - see page 453 1- Performance Silver Oil Filter Also Available



Vehicle	Engine Type	Air Filter	Oil Filter
2013 FREIGHTLINER			
Sprinter 3500	3.0L V6 DSL		PS-7028
2012 FREIGHTLINER			
Sprinter 2500	3.0L V6 DSL		PS-7028
2006 FREIGHTLINER			
Sprinter 2500	2.7L L5 DSL		PS-7004
Sprinter 3500	2.7L L5 DSL		PS-7004
2005 FREIGHTLINER			
Sprinter 2500	2.7L L5 DSL		PS-7004
Sprinter 3500	2.7L L5 DSL		PS-7004
2004 FREIGHTLINER			
Sprinter 2500	2.7L L5 DSL		PS-7004
Sprinter 3500	2.7L L5 DSL		PS-7004
2003 FREIGHTLINER			
Sprinter 2500	2.7L L5 DSL		PS-7004
Sprinter 3500	2.7L L5 DSL		PS-7004
2017 GENESIS			
G90	5.0L V8 F/I - Left Side Airbox	33-5021	
G90	5.0L V8 F/I - Right Side Airbox	33-5020	
1997 GEO			
Metro	1.0L L3 F/I		HP-1002 ¹
Metro	1.3L L4 F/I		HP-1002 ¹
Prizm	1.6L L4 F/I	33-2672	HP-1003 ¹
Tracker	1.6L L4 F/I	33-2065	HP-1002 ¹
1996 GEO			
Metro	1.0L L3 F/I		HP-1002 ¹
Prizm	1.6L L4 F/I	33-2672	HP-1003 ¹
Prizm	1.8L L4 F/I	33-2672	HP-1003 ¹
Tracker	1.6L L4 F/I	33-2065	HP-1002 ¹
1995 GEO			
Metro	1.0L L3 F/I		HP-1002 ¹
Prizm	1.6L L4 F/I	33-2672	HP-1003 ¹
Tracker	1.6L L4 F/I		HP-1002 ¹
Tracker	1.6L L4 F/I - VIN 6	33-2065	HP-1002
Tracker	1.6L L4 F/I - VIN U	33-2700	HP-1002
1994 GEO			
Metro	1.0L L3 F/I		HP-1002 ¹
Prizm	1.6L L4 F/I	33-2672	
Tracker	1.6L L4 F/I		HP-1002 ¹
Tracker	1.6L L4 F/I - VIN 6	33-2065	HP-1002
Tracker	1.6L L4 F/I - VIN U	33-2700	HP-1002
1993 GEO			
Metro	1.0L L3 F/I		HP-1002 ¹
Prizm	1.6L L4 F/I		HP-1003 ¹
Tracker	1.6L L4 F/I	33-2700	
1992 GEO			
Metro	1.0L L3 F/I		HP-1002 ¹
Tracker	1.6L L4 F/I	33-2700	HP-1002 ¹
1991 GEO			
Metro	1.0L L3 F/I		HP-1002 ¹
Tracker	1.6L L4 F/I	33-2700	HP-1002 ¹
2017 GMC			
Acadia	2.5L L4 F/I		HP-1017 ¹
Acadia	3.6L V6 F/I		HP-2011 ¹
Acadia Limited	3.6L V6 F/I	33-2394	HP-2011 ¹

Vehicle	Engine Type	Air Filter	Oil Filter
2017 GMC			
Canyon	2.5L L4 F/I	33-5030	HP-1017 ¹
Canyon	2.8L L4 DSL	33-5030	
Canyon	3.6L V6 F/I		PS-7003
Savana 2500	4.8L V8 F/I		HP-1017 ¹
Savana 2500	6.0L V8 F/I		HP-1017 ¹
Savana 3500	4.8L V8 F/I		HP-1017 ¹
Savana 3500	6.0L V8 F/I		HP-1017 ¹
Sierra	5.3L V8 F/I		HP-2011 ¹
Sierra	6.2L V8 F/I		HP-2011 ¹
Sierra 1500	4.3L V6 F/I	33-2129 ♦	HP-2011 ¹
Sierra 1500	5.3L V8 F/I	33-2129 ♦	HP-2011 ¹
Sierra 1500	6.2L V8 F/I	33-2135 ♦	HP-2011 ¹
Sierra 2500 HD	6.0L V8 F/I		HP-1017 ¹
Sierra 2500 HD	6.6L V8 DSL		HP-3003 ¹
Sierra 3500 HD	6.0L V8 F/I		HP-1017 ¹
Sierra 3500 HD	6.6L V8 DSL		HP-3003 ¹
Terrain	2.4L L4 F/I	33-2439 ♦	PS-7000
Terrain	3.6L V6 F/I	33-2439	HP-2011 ¹
Yukon	5.3L V8 F/I		HP-2011 ¹
Yukon Denali	6.2L V8 F/I		HP-2011 ¹
Yukon Denali XL	6.2L V8 F/I		HP-2011 ¹
Yukon XL	5.3L V8 F/I		HP-2011 ¹
2016 GMC			
Acadia	3.6L V6 F/I	33-2394	HP-2011 ¹
Canyon	2.5L L4 F/I	33-5030 ♦+	HP-1017 ¹
Canyon	2.8L L4 DSL	33-5030+	
Canyon	3.6L V6 F/I	33-5030 ♦+	PS-7003
Savana 2500	6.0L V8 F/I		HP-1017 ¹
Savana 3500	6.6L V8 DSL		HP-3003 ¹
Sierra 1500	4.3L V6 F/I		HP-2011 ¹
Sierra 1500	5.3L V8 F/I	33-2129 ♦+	HP-2011 ¹
Sierra 1500	6.2L V8 F/I	33-2135 ♦+	HP-2011 ¹
Sierra 2500 HD	6.0L V8 F/I	33-2135 ♦+	HP-1017 ¹
Sierra 2500 HD	6.6L V8 DSL	33-2466 ♦+	HP-3003 ¹
Sierra 3500 HD	6.0L V8 F/I	33-2135 ♦+	HP-1017 ¹
Sierra 3500 HD	6.6L V8 DSL	33-2466 ♦+	HP-3003 ¹
Terrain	2.4L L4 F/I	33-2439 ♦+	PS-7000
Terrain	3.6L V6 F/I	33-2439+	HP-2011 ¹
Yukon	5.3L V8 F/I	33-2129 ♦+	HP-2011 ¹
Yukon Denali	6.2L V8 F/I	33-2135 ♦+	HP-2011 ¹
Yukon Denali XL	6.2L V8 F/I	33-2135 ♦+	HP-2011 ¹
Yukon XL	5.3L V8 F/I		HP-2011 ¹
2015 GMC			
Acadia	3.6L V6 F/I	33-2394+	HP-2011 ¹
Canyon	2.5L L4 F/I	33-5030 ♦+	HP-1017 ¹
Canyon	3.6L V6 F/I	33-5030 ♦+	PS-7003
Savana 1500	5.3L V8 F/I		HP-1017 ¹
Savana 2500	4.8L V8 F/I	E-1986	HP-1017 ¹
Savana 2500	6.0L V8 F/I	E-1986	HP-1017 ¹
Savana 3500	6.0L V8 F/I	E-1986	
Sierra	5.3L V8 F/I	33-2129+	HP-2011 ¹
Sierra 1500	4.3L V6 F/I	33-2129 ♦+	HP-2011 ¹
Sierra 1500	5.3L V8 F/I	33-2129 ♦+	HP-2011 ¹
Sierra 1500	6.2L V8 F/I	33-2135 ♦+	HP-2011 ¹
Sierra 2500 HD	6.0L V8 F/I	33-2135 ♦+	HP-1017 ¹
Sierra 2500 HD	6.6L V8 DSL	33-2466 ♦+	HP-3003 ¹
Sierra 3500 HD	6.0L V8 F/I	33-2135 ♦+	HP-1017 ¹
Sierra 3500 HD	6.6L V8 DSL	33-2466 ♦+	HP-3003 ¹
Terrain	2.4L L4 F/I	33-2439+	PS-7000
Terrain	3.6L V6 F/I	33-2439+	HP-2011 ¹
Yukon	5.3L V8 F/I	33-2129 ♦+	HP-1017 ¹
Yukon Denali	6.2L V8 F/I	33-2135 ♦+	HP-1017 ¹

* 2 filters required ♦ Intake System Available - see page 84 + Cabin Air Filter Available - see page 453 1- Performance Silver Oil Filter Also Available



AIR & OIL FILTERS

GMC

Vehicle	Engine Type	Air Filter	Oil Filter
---------	-------------	------------	------------

2015 GMC

Yukon Denali XL	6.2L V8 F/I	33-2135 ♦♦	HP-1017 ¹
Yukon XL	5.3L V8 F/I	33-2129 ♦♦	HP-1017 ¹

2014 GMC

Acadia	3.6L V6 F/I	33-2394 ⁺	HP-2011 ¹
Savana 1500	4.3L V6 F/I	E-1986	HP-1001 ¹
Savana 1500	5.3L V8 F/I		HP-1017 ¹
Savana 2500	4.8L V8 F/I	E-1986	
Savana 2500	6.0L V8 F/I	E-1986	
Sierra 1500	4.3L V6 F/I	33-2129 ♦♦	HP-2011 ¹
Sierra 1500	5.3L V8 F/I	33-2129 ♦♦	HP-1017 ¹
Sierra 1500	6.2L V8 F/I	33-2135 ♦♦	HP-2011 ¹
Sierra 2500 HD	6.0L V8 F/I	33-2135	HP-1017 ¹
Sierra 2500 HD	6.6L V8 DSL	33-2466 ♦	HP-3003 ¹
Sierra 3500 HD	6.0L V8 F/I	33-2135	HP-1017 ¹
Sierra 3500 HD	6.6L V8 DSL	33-2466 ♦	HP-3003 ¹
Sierra Denali	6.2L V8 F/I	33-2135	HP-1017 ¹
Terrain	2.4L L4 F/I	33-2439 ♦♦	PS-7000
Terrain	3.6L V6 F/I	33-2439 ⁺	HP-2011 ¹
Yukon	5.3L V8 F/I	33-2129 ♦	HP-1017 ¹
Yukon Denali	6.2L V8 F/I	33-2135 ♦	HP-1017 ¹
Yukon Denali XL	6.2L V8 F/I	33-2135 ♦	HP-1017 ¹
Yukon XL 1500	5.3L V8 F/I	33-2129 ♦	HP-1017 ¹
Yukon XL 1500	6.2L V8 F/I	33-2135	

2013 GMC

Acadia	3.6L V6 F/I	33-2394 ⁺	HP-2011 ¹
Savana 1500	5.3L V8 F/I	E-1986	HP-1017 ¹
Savana 3500	6.0L V8 F/I	E-1986	
Sierra 1500	4.3L V6 F/I	33-2129	HP-1001 ¹
Sierra 1500	4.8L V8 F/I	33-2129 ♦	HP-1017 ¹
Sierra 1500	5.3L V8 F/I	33-2129 ♦	HP-1017 ¹
Sierra 1500	6.2L V8 F/I	33-2135 ♦	HP-1017 ¹
Sierra 1500 Hybrid	6.0L V8 F/I	33-2135	HP-1017 ¹
Sierra 2500 HD	6.0L V8 F/I	33-2135	HP-1017 ¹
Sierra 2500 HD	6.6L V8 DSL	33-2466 ♦	HP-3003 ¹
Sierra 3500 HD	6.0L V8 F/I	33-2135	HP-1017 ¹
Sierra 3500 HD	6.6L V8 DSL	33-2466 ♦	HP-3003 ¹
Sierra Denali	6.2L V8 F/I	33-2135 ♦	HP-1017 ¹
Terrain	2.4L L4 F/I	33-2439 ♦♦	PS-7000
Terrain	3.6L V6 F/I	33-2439 ⁺	HP-2011 ¹
Yukon	5.3L V8 F/I	33-2129 ♦	HP-1017 ¹
Yukon Denali	6.2L V8 F/I	33-2135 ♦	HP-1017 ¹
Yukon Denali Hybrid	6.0L V8 F/I	33-2135	HP-1017 ¹
Yukon Denali XL	6.2L V8 F/I	33-2135 ♦	HP-1017 ¹
Yukon XL 1500	5.3L V8 F/I	33-2129 ♦	HP-1017 ¹
Yukon XL 1500	6.2L V8 F/I	33-2135 ♦	HP-1017 ¹
Yukon XL 2500	6.0L V8 F/I	33-2135	

2012 GMC

Acadia	3.6L V6 F/I	33-2394 ⁺	HP-2011 ¹
Canyon	2.9L L4 F/I	33-2408 ♦	HP-1007 ¹
Canyon	3.7L L5 F/I	33-2408 ♦	HP-2006 ¹
Canyon	5.3L V8 F/I	33-2408	HP-1017 ¹
Savana 1500	5.3L V8 F/I	E-1986	HP-1017 ¹
Sierra 1500	4.3L V6 F/I	33-2129	HP-1001 ¹
Sierra 1500	4.8L V8 F/I	33-2129 ♦	HP-1017 ¹
Sierra 1500	5.3L V8 F/I	33-2129 ♦	HP-1017 ¹
Sierra 1500	6.2L V8 F/I	33-2135 ♦	HP-1017 ¹
Sierra 1500 Hybrid	6.0L V8 F/I	33-2135	HP-1017 ¹
Sierra 2500 HD	6.0L V8 F/I	33-2135 ♦	HP-1017 ¹
Sierra 2500 HD	6.6L V8 DSL	33-2466 ♦	HP-3003 ¹
Sierra 3500 HD	6.0L V8 F/I	33-2135 ♦	
Sierra 3500 HD	6.6L V8 DSL	33-2466 ♦	HP-3003 ¹

Vehicle	Engine Type	Air Filter	Oil Filter
---------	-------------	------------	------------

2012 GMC

Sierra Denali	6.2L V8 F/I	33-2135 ♦	HP-1017 ¹
Terrain	2.4L L4 F/I	33-2439 ♦♦	PS-7000
Terrain	3.0L V6 F/I	33-2439 ♦♦	HP-2011 ¹
Yukon	5.3L V8 F/I	33-2129 ♦	HP-1017 ¹
Yukon Denali	6.2L V8 F/I	33-2135 ♦	HP-1017 ¹
Yukon Denali Hybrid	6.0L V8 F/I	33-2135	HP-1017 ¹
Yukon Denali XL	6.2L V8 F/I	33-2135 ♦	HP-1017 ¹
Yukon XL 1500	5.3L V8 F/I	33-2129 ♦	HP-1017 ¹
Yukon XL 2500	6.0L V8 F/I	33-2135	

2011 GMC

Acadia	3.6L V6 F/I	33-2394 ⁺	HP-2011 ¹
Canyon	2.9L L4 F/I	33-2408 ♦	HP-1007 ¹
Canyon	3.7L L5 F/I	33-2408 ♦	HP-2006 ¹
Canyon	5.3L V8 F/I	33-2408	HP-1017 ¹
Savana 1500	5.3L V8 F/I	E-1986	HP-1017 ¹
Sierra 1500	4.3L V6 F/I	33-2129	HP-1001 ¹
Sierra 1500	4.8L V8 F/I	33-2129 ♦	HP-1017 ¹
Sierra 1500	5.3L V8 F/I	33-2129 ♦	HP-1017 ¹
Sierra 1500	6.2L V8 F/I	33-2135 ♦	HP-1017 ¹
Sierra 1500 Hybrid	6.0L V8 F/I	33-2135	HP-1017 ¹
Sierra 2500 HD	6.0L V8 F/I	33-2135 ♦	HP-1017 ¹
Sierra 2500 HD	6.6L V8 DSL	33-2466 ♦	HP-3003 ¹
Sierra 3500 HD	6.0L V8 F/I	33-2135 ♦	HP-1017 ¹
Sierra 3500 HD	6.6L V8 DSL	33-2466 ♦	HP-3003 ¹
Sierra Denali	6.2L V8 F/I	33-2135 ♦	HP-1017 ¹
Terrain	2.4L L4 F/I	33-2439 ♦♦	PS-7000
Terrain	3.0L V6 F/I	33-2439 ♦♦	HP-2011 ¹
Yukon	5.3L V8 F/I	33-2129 ♦	HP-1017 ¹
Yukon Denali	6.2L V8 F/I	33-2135 ♦	HP-1017 ¹
Yukon Denali Hybrid	6.0L V8 F/I	33-2135	HP-1017 ¹
Yukon Denali XL	6.2L V8 F/I	33-2135 ♦	HP-1017 ¹
Yukon Hybrid	6.0L V8 F/I	33-2135	
Yukon XL 1500	5.3L V8 F/I	33-2129 ♦	HP-1017 ¹
Yukon XL 1500	6.2L V8 F/I	33-2135 ♦	HP-1017 ¹
Yukon XL 2500	6.0L V8 F/I	33-2135	HP-1017 ¹

2010 GMC

Acadia	3.6L V6 F/I	33-2394 ⁺	HP-1017 ¹
Canyon	2.9L L4 F/I	33-2408 ♦	HP-1007 ¹
Canyon	3.7L L5 F/I	33-2408 ♦	HP-2006 ¹
Canyon	5.3L V8 F/I	33-2408	HP-1017 ¹
Savana 1500	5.3L V8 F/I	E-1986	HP-1017 ¹
Savana 2500	6.0L V8 F/I	E-1986	
Savana 3500	6.0L V8 F/I	E-1986	
Sierra 1500	4.3L V6 F/I	33-2129	HP-1001 ¹
Sierra 1500	4.8L V8 F/I	33-2129 ♦	HP-1017 ¹
Sierra 1500	5.3L V8 F/I	33-2129 ♦	HP-1017 ¹
Sierra 1500	6.2L V8 F/I	33-2135 ♦	HP-1017 ¹
Sierra 1500 Hybrid	6.0L V8 F/I	33-2135	HP-1017 ¹
Sierra 2500 HD	6.0L V8 F/I	33-2135 ♦	HP-1017 ¹
Sierra 2500 HD	6.6L V8 DSL	E-0781 ♦	HP-3003 ¹
Sierra 3500 HD	6.0L V8 F/I	33-2135 ♦	
Sierra 3500 HD	6.6L V8 DSL	E-0781 ♦	HP-3003 ¹
Sierra Denali	6.2L V8 F/I	33-2135 ♦	HP-1017 ¹
Terrain	2.4L L4 F/I	33-2439 ♦♦	PS-7000
Terrain	3.0L V6 F/I	33-2439 ♦♦	HP-1017 ¹
Yukon	5.3L V8 F/I	33-2129 ♦	HP-1017 ¹
Yukon Denali	6.2L V8 F/I	33-2135 ♦	HP-1017 ¹
Yukon Denali Hybrid	6.0L V8 F/I	33-2135	HP-1017 ¹
Yukon Denali XL	6.2L V8 F/I	33-2135 ♦	HP-1017 ¹
Yukon XL 1500	5.3L V8 F/I	33-2129 ♦	HP-1017 ¹
Yukon XL 1500	6.2L V8 F/I	33-2135 ♦	HP-1017 ¹

* 2 filters required

♦ Intake System Available - see page 84 +Cabin Air Filter Available - see page 453 1- Performance Silver Oil Filter Also Available



Vehicle	Engine Type	Air Filter	Oil Filter
2010 GMC			
Yukon XL 2500	6.0L V8 F/I	33-2135	HP-1017 ¹
2009 GMC			
Acadia	3.6L V6 F/I	33-2394+	HP-1017 ¹
Canyon	2.9L L4 F/I	33-2408 ♦	HP-1007 ¹
Canyon	3.7L L5 F/I	33-2408 ♦	HP-2006 ¹
Canyon	5.3L V8 F/I	33-2408	HP-1017 ¹
Envoy	4.2L L6 F/I	E-1009 ♦	HP-2006 ¹
Savana 1500	5.3L V8 F/I	E-1986	HP-1017 ¹
Savana 3500	6.0L V8 F/I	E-1986	
Sierra 1500	4.3L V6 F/I	33-2129	HP-1001 ¹
Sierra 1500	4.8L V8 F/I	33-2129 ♦	HP-1017 ¹
Sierra 1500	5.3L V8 F/I	33-2129 ♦	HP-1017 ¹
Sierra 1500	6.0L V8 F/I	33-2135 ♦	HP-1017 ¹
Sierra 1500	6.2L V8 F/I	33-2135 ♦	HP-1017 ¹
Sierra 1500 Hybrid	6.0L V8 F/I	33-2135	HP-1017 ¹
Sierra 2500 HD	6.0L V8 F/I	33-2135 ♦	HP-1017 ¹
Sierra 2500 HD	6.6L V8 DSL	E-0781 ♦	HP-3003 ¹
Sierra 3500 HD	6.0L V8 F/I	33-2135 ♦	HP-1017 ¹
Sierra 3500 HD	6.6L V8 DSL	E-0781 ♦	HP-3003 ¹
Sierra Denali	6.2L V8 F/I	33-2135 ♦	HP-1017 ¹
Yukon	4.8L V8 F/I	33-2129 ♦	
Yukon	5.3L V8 F/I	33-2129 ♦	HP-1017 ¹
Yukon Denali	6.2L V8 F/I	33-2135 ♦	HP-1017 ¹
Yukon Denali XL	6.2L V8 F/I	33-2135 ♦	HP-1017 ¹
Yukon Hybrid	6.0L V8 F/I	33-2135	
Yukon XL 1500	5.3L V8 F/I	33-2129 ♦	HP-1017 ¹
Yukon XL 2500	6.0L V8 F/I	33-2135	
2008 GMC			
Acadia	3.6L V6 F/I	33-2394+	HP-1017 ¹
Canyon	2.9L L4 F/I	33-2408 ♦	HP-1007 ¹
Canyon	3.7L L5 F/I	33-2408 ♦	HP-2006 ¹
Envoy	4.2L L6 F/I	E-1009 ♦	HP-2006 ¹
Envoy Denali	5.3L V8 F/I	E-1009	HP-1017 ¹
Savana 1500	4.3L V6 F/I	E-1986	
Savana 1500	5.3L V8 F/I	E-1986	HP-1017 ¹
Savana 3500	6.0L V8 F/I	E-1986	
Sierra 1500	4.3L V6 F/I	33-2129	HP-1001 ¹
Sierra 1500	4.8L V8 F/I	33-2129 ♦	HP-1017 ¹
Sierra 1500	5.3L V8 F/I	33-2129 ♦	HP-1017 ¹
Sierra 1500	6.0L V8 F/I	33-2135 ♦	HP-1017 ¹
Sierra 2500 HD	6.0L V8 F/I	33-2135 ♦	HP-1017 ¹
Sierra 2500 HD	6.6L V8 DSL	E-0781 ♦	HP-3003 ¹
Sierra 3500 HD	6.6L V8 DSL	E-0781 ♦	HP-3003 ¹
Sierra Denali	6.2L V8 F/I	33-2135 ♦	HP-1017 ¹
Yukon	4.8L V8 F/I	33-2129 ♦	
Yukon	5.3L V8 F/I	33-2129 ♦	HP-1017 ¹
Yukon Denali	6.2L V8 F/I	33-2135 ♦	HP-1017 ¹
Yukon Hybrid	6.0L V8 F/I	33-2135	HP-1017 ¹
Yukon XL 1500	5.3L V8 F/I	33-2129 ♦	HP-1017 ¹
Yukon XL 1500	6.0L V8 F/I	33-2135 ♦	
Yukon XL 1500 Denali	6.2L V8 F/I	33-2135 ♦	HP-1017 ¹
Yukon XL 2500	6.0L V8 F/I	33-2135	HP-1017 ¹
2007 GMC			
Acadia	3.6L V6 F/I	33-2394+	HP-1017 ¹
Canyon	2.9L L4 F/I	E-0773 ♦	HP-1007 ¹
Canyon	3.7L L5 F/I	E-0773 ♦	HP-2006 ¹
Envoy	4.2L L6 F/I	E-1009 ♦	HP-2006 ¹
Envoy Denali	5.3L V8 F/I	E-1009	HP-1017 ¹
Savana 1500	5.3L V8 F/I	E-1008	HP-1017 ¹
Savana 2500	4.8L V8 F/I	E-1008	

Vehicle	Engine Type	Air Filter	Oil Filter
2007 GMC			
Savana 3500	6.0L V8 F/I	E-1008	
Sierra	5.3L V8 F/I	33-2129	HP-1017 ¹
Sierra 1500	4.3L V6 F/I	33-2129	HP-1001 ¹
Sierra 1500	4.8L V8 F/I	33-2129 ♦	HP-1017 ¹
Sierra 1500	5.3L V8 F/I	33-2129 ♦	HP-1017 ¹
Sierra 1500	6.0L V8 F/I	33-2135 ♦	HP-1017 ¹
Sierra 1500 Classic	4.3L V6 F/I	33-2129	HP-1001 ¹
Sierra 1500 Classic	4.8L V8 F/I	33-2129 ♦	HP-1017 ¹
Sierra 1500 Classic	5.3L V8 F/I	33-2129 ♦	HP-1017 ¹
Sierra 1500 HD	6.0L V8 F/I	33-2135	HP-1017 ¹
Sierra 1500 HD Classic	6.0L V8 F/I	33-2135 ♦	HP-1017 ¹
Sierra 2500 HD	6.0L V8 F/I	33-2135 ♦	HP-1017 ¹
Sierra 2500 HD Classic	6.6L V8 DSL	E-0781 ♦	HP-3003 ¹
Sierra 2500 HD Classic	6.0L V8 F/I	33-2135 ♦	HP-1017 ¹
Sierra 2500 HD Classic	6.6L V8 DSL	E-0781 ♦	HP-3003 ¹
Sierra 2500 HD Classic	8.1L V8 F/I	33-2135 ♦	HP-1011 ¹
Sierra 3500 Classic	6.0L V8 F/I	33-2135 ♦	HP-1017 ¹
Sierra 3500 Classic	6.6L V8 DSL	E-0781 ♦	HP-3003 ¹
Sierra 3500 HD	6.6L V8 DSL	E-0781 ♦	HP-3003 ¹
Sierra Denali	6.2L V8 F/I	33-2135 ♦	HP-1017 ¹
Sierra Denali Classic	6.0L V8 F/I	33-2135 ♦	HP-1017 ¹
Yukon	4.8L V8 F/I	33-2129	HP-1017 ¹
Yukon	5.3L V8 F/I	33-2129 ♦	HP-1017 ¹
Yukon Denali	6.2L V8 F/I	33-2135 ♦	HP-1017 ¹
Yukon XL 1500	5.3L V8 F/I	33-2129 ♦	HP-1017 ¹
Yukon XL 1500	6.0L V8 F/I	33-2135 ♦	HP-1017 ¹
Yukon XL 1500 Denali	6.2L V8 F/I	33-2135 ♦	HP-1017 ¹
Yukon XL 2500	6.0L V8 F/I	33-2135 ♦	HP-1017 ¹
2006 GMC			
Canyon	2.8L L4 F/I	E-0773 ♦	HP-1007 ¹
Canyon	3.5L L5 F/I	E-0773 ♦	HP-2006 ¹
Envoy	4.2L L6 F/I	E-1009 ♦	HP-2006 ¹
Envoy Denali	5.3L V8 F/I	E-1009	HP-1007 ¹
Savana 1500	4.3L V6 F/I	E-1008	
Savana 1500	5.3L V8 F/I	E-1008	HP-1007 ¹
Savana 2500	4.8L V8 F/I	E-1008	
Savana 2500	6.0L V8 F/I	E-1008	
Savana 2500	6.6L V8 DSL		HP-3003 ¹
Savana 3500	6.0L V8 F/I	E-1008	
Savana 3500	6.6L V8 DSL		HP-3003 ¹
Sierra 1500	4.3L V6 F/I	33-2129 ♦	HP-1001 ¹
Sierra 1500	4.8L V8 F/I	33-2129 ♦	HP-1007 ¹
Sierra 1500	5.3L V8 F/I	33-2129 ♦	HP-1007 ¹
Sierra 1500	6.0L V8 F/I	33-2135 ♦	HP-1007 ¹
Sierra 1500 HD	6.0L V8 F/I	33-2135 ♦	HP-1007 ¹
Sierra 2500 HD	6.0L V8 F/I	33-2135 ♦	HP-1007 ¹
Sierra 2500 HD	6.6L V8 DSL	E-0781 ♦	HP-3003 ¹
Sierra 2500 HD	8.1L V8 F/I	33-2135 ♦	HP-1011 ¹
Sierra 3500	6.0L V8 F/I	33-2135 ♦	HP-1007 ¹
Sierra 3500	6.6L V8 DSL	E-0781 ♦	HP-3003 ¹
Sierra Denali	6.0L V8 F/I	33-2135 ♦	HP-1007 ¹
Yukon	4.8L V8 F/I	33-2129 ♦	HP-1007 ¹
Yukon	5.3L V8 F/I	33-2129 ♦	HP-1007 ¹
Yukon Denali	6.0L V8 F/I	33-2135 ♦	HP-1007 ¹
Yukon Denali XL	6.0L V8 F/I	33-2135 ♦	HP-1007 ¹
Yukon XL 1500	5.3L V8 F/I	33-2129 ♦	HP-1007 ¹
Yukon XL 2500	6.0L V8 F/I	33-2135 ♦	HP-1007 ¹

* 2 filters required

♦ Intake System Available - see page 84 +Cabin Air Filter Available - see page 453 1- Performance Silver Oil Filter Also Available



AIR & OIL FILTERS

GMC

Vehicle	Engine Type	Air Filter	Oil Filter
2005 GMC			
Canyon	2.8L L4 F/I	E-0773 ♦	HP-1007 ¹
Canyon	3.5L L5 F/I	E-0773 ♦	HP-2006 ¹
Envoy	4.2L L6 F/I	E-1009 ♦	HP-2006 ¹
Envoy	5.3L V8 F/I	E-1009	HP-1007 ¹
Jimmy	4.3L V6 F/I	33-2042	HP-2001 ¹
Safari	4.3L V6 F/I	33-2225	HP-1001 ¹
Savana 1500	5.3L V8 F/I	E-1008	HP-1007 ¹
Savana 2500	4.8L V8 F/I	E-1008	
Savana 3500	6.0L V8 F/I	E-1008	
Sierra 1500	4.3L V6 F/I	33-2129 ♦	HP-1001 ¹
Sierra 1500	4.8L V8 F/I	33-2129 ♦	HP-1007 ¹
Sierra 1500	5.3L V8 F/I	33-2129 ♦	HP-1007 ¹
Sierra 1500	6.0L V8 F/I	33-2135 ♦	HP-1007 ¹
Sierra 1500 HD	6.0L V8 F/I	33-2135 ♦	HP-1007 ¹
Sierra 2500 HD	6.0L V8 F/I	33-2135 ♦	HP-1007 ¹
Sierra 2500 HD	6.6L V8 DSL		HP-3003 ¹
Sierra 2500 HD	6.6L V8 DSL - w/Panel Filter	33-2135 ♦	HP-3003
Sierra 2500 HD	6.6L V8 DSL - w/Round Filter	E-0781 ♦	HP-3003
Sierra 2500 HD	8.1L V8 F/I	33-2135 ♦	HP-1011 ¹
Sierra 3500	6.0L V8 F/I	33-2135 ♦	HP-1007 ¹
Sierra 3500	6.6L V8 DSL		HP-3003 ¹
Sierra 3500	6.6L V8 DSL - w/Panel Filter	33-2135 ♦	HP-3003
Sierra 3500	6.6L V8 DSL - w/Round Filter	E-0781 ♦	HP-3003
Sierra Denali	6.0L V8 F/I	33-2135 ♦	HP-1007 ¹
Yukon	4.8L V8 F/I	33-2129 ♦	HP-1007 ¹
Yukon	5.3L V8 F/I	33-2129 ♦	HP-1007 ¹
Yukon Denali	6.0L V8 F/I	33-2135 ♦	HP-1007 ¹
Yukon Denali XL	6.0L V8 F/I	33-2135 ♦	HP-1007 ¹
Yukon XL 1500	5.3L V8 F/I	33-2129 ♦	HP-1007 ¹
Yukon XL 2500	6.0L V8 F/I	33-2135 ♦	HP-1007 ¹
Yukon XL 2500	8.1L V8 F/I	33-2135 ♦	HP-1011 ¹

Vehicle	Engine Type	Air Filter	Oil Filter
2004 GMC			
Canyon	2.8L L4 F/I	E-0773 ♦	HP-1007 ¹
Canyon	3.5L L5 F/I	E-0773 ♦	HP-2006 ¹
Envoy	4.2L L6 F/I	E-1009 ♦	HP-2006 ¹
Envoy	5.3L V8 F/I	E-1009 ♦	HP-1007 ¹
Safari	4.3L V6 F/I	33-2225	
Savana 1500	5.3L V8 F/I	E-1008	HP-1007 ¹
Savana 2500	6.0L V8 F/I	E-1008	
Savana 3500	4.8L V8 F/I	E-1008	
Savana 3500	6.0L V8 F/I	E-1008	
Sierra 1500	4.3L V6 F/I	33-2129 ♦	HP-1001 ¹
Sierra 1500	4.8L V8 F/I	33-2129 ♦	HP-1007 ¹
Sierra 1500	5.3L V8 F/I	33-2129 ♦	HP-1007 ¹
Sierra 2500	6.0L V8 F/I	33-2135 ♦	HP-1007 ¹
Sierra 2500 HD	6.0L V8 F/I	33-2135 ♦	HP-1007 ¹
Sierra 2500 HD	6.6L V8 DSL	33-2135 ♦	HP-3003 ¹
Sierra 2500 HD	8.1L V8 F/I	33-2135 ♦	HP-1011 ¹
Sierra 3500	6.6L V8 DSL	33-2135 ♦	HP-3003 ¹
Sierra Denali	6.0L V8 F/I	33-2135 ♦	HP-1007 ¹
Yukon	4.8L V8 F/I	33-2129 ♦	HP-1007 ¹
Yukon	5.3L V8 F/I	33-2129 ♦	HP-1007 ¹
Yukon Denali	6.0L V8 F/I	33-2135 ♦	HP-1007 ¹
Yukon Denali XL	6.0L V8 F/I	33-2135 ♦	HP-1007 ¹
Yukon XL 1500	5.3L V8 F/I	33-2129 ♦	HP-1007 ¹
Yukon XL 2500	6.0L V8 F/I	33-2135 ♦	HP-1007 ¹
Yukon XL 2500	8.1L V8 F/I	33-2135 ♦	

Vehicle	Engine Type	Air Filter	Oil Filter
2003 GMC			
Envoy	4.2L L6 F/I	E-1009 ♦	HP-2006 ¹

Vehicle	Engine Type	Air Filter	Oil Filter
2003 GMC			
Envoy	5.3L V8 F/I	E-1009 ♦	HP-1007 ¹
Jimmy	4.3L V6 F/I	33-2042	
Jimmy	4.3L V6 F/I - 2WD	33-2042	HP-1001 ¹
Jimmy	4.3L V6 F/I - 4WD	33-2042	HP-2001 ¹
Safari	4.3L V6 F/I	33-2225	
Savana 1500	4.3L V6 F/I	E-1008	
Savana 1500	5.3L V8 F/I	E-1008	HP-1007 ¹
Savana 2500	5.3L V8 F/I	E-1008	
Savana 3500	6.0L V8 F/I	E-1008	HP-1007 ¹
Sierra 1500	4.3L V6 F/I	33-2129 ♦	HP-1001 ¹
Sierra 1500	4.8L V8 F/I	33-2129 ♦	HP-1007 ¹
Sierra 1500	5.3L V8 F/I	33-2129 ♦	HP-1007 ¹
Sierra 1500 HD	6.0L V8 F/I	33-2135 ♦	HP-1007 ¹
Sierra 2500	6.0L V8 F/I	33-2135 ♦	HP-1007 ¹
Sierra 2500 HD	6.0L V8 F/I	33-2135 ♦	HP-1007 ¹
Sierra 2500 HD	6.6L V8 DSL	33-2135 ♦	HP-3003 ¹
Sierra 2500 HD	8.1L V8 F/I	33-2135 ♦	HP-1011 ¹
Sierra 3500	6.6L V8 DSL	33-2135 ♦	HP-3003 ¹
Sierra 3500	8.1L V8 F/I	33-2135 ♦	
Sierra Denali	6.0L V8 F/I	33-2135 ♦	HP-1007 ¹
Sonoma	2.2L L4 F/I	33-2042 ♦	HP-1001 ¹
Sonoma	4.3L V6 F/I	33-2042 ♦	
Sonoma	4.3L V6 F/I - 2WD	33-2042	HP-1001 ¹
Sonoma	4.3L V6 F/I - 4WD	33-2042	HP-2001 ¹
Yukon	4.8L V8 F/I	33-2129 ♦	HP-1007 ¹
Yukon	5.3L V8 F/I	33-2129 ♦	HP-1007 ¹
Yukon Denali	6.0L V8 F/I	33-2135 ♦	HP-1007 ¹
Yukon Denali XL	6.0L V8 F/I	33-2135 ♦	HP-1007 ¹
Yukon XL 1500	5.3L V8 F/I	33-2129 ♦	HP-1007 ¹
Yukon XL 2500	6.0L V8 F/I	33-2135 ♦	HP-1007 ¹
Yukon XL 2500	8.1L V8 F/I	33-2135 ♦	HP-1011 ¹

Vehicle	Engine Type	Air Filter	Oil Filter
2002 GMC			
Envoy	4.2L L6 F/I	E-1009 ♦	HP-2006 ¹
Jimmy	4.3L V6 F/I	33-2042	
Jimmy	4.3L V6 F/I - 2WD	33-2042	HP-1001 ¹
Jimmy	4.3L V6 F/I - 4WD	33-2042	HP-2001 ¹
Safari	4.3L V6 F/I	33-2225	HP-1001 ¹
Savana 1500	5.7L V8 F/I	E-1008	HP-3002 ¹
Sierra 1500	4.3L V6 F/I	33-2129 ♦+	HP-1001 ¹
Sierra 1500	4.8L V8 F/I	33-2129 ♦+	HP-2006 ¹
Sierra 1500	5.3L V8 F/I	33-2129 ♦+	HP-2006 ¹
Sierra 1500 HD	6.0L V8 F/I	33-2135 ♦+	HP-2006 ¹
Sierra 2500	6.0L V8 F/I	33-2135 ♦+	HP-2006 ¹
Sierra 2500 HD	6.0L V8 F/I	33-2135 ♦+	HP-2006 ¹
Sierra 2500 HD	6.6L V8 DSL	33-2135 ♦+	HP-3003 ¹
Sierra 2500 HD	8.1L V8 F/I	33-2135 ♦+	HP-1011 ¹
Sierra 3500	6.6L V8 DSL	33-2135 ♦+	HP-3003 ¹
Sierra 3500	8.1L V8 F/I	33-2135 ♦+	
Sierra Denali	6.0L V8 F/I	33-2135 ♦	HP-2006 ¹
Sonoma	2.2L L4 F/I	33-2042 ♦	HP-1001 ¹
Sonoma	4.3L V6 F/I	33-2042 ♦	HP-1001 ¹
Yukon	4.8L V8 F/I	33-2129 ♦+	HP-2006 ¹
Yukon	5.3L V8 F/I	33-2129 ♦+	HP-2006 ¹
Yukon Denali	6.0L V8 F/I	33-2135 ♦+	HP-2006 ¹
Yukon Denali XL	6.0L V8 F/I	33-2135 ♦+	HP-2006 ¹
Yukon XL 1500	5.3L V8 F/I	33-2129 ♦+	HP-2006 ¹
Yukon XL 2500	6.0L V8 F/I	33-2135 ♦+	HP-2006 ¹
Yukon XL 2500	8.1L V8 F/I	33-2135 ♦+	HP-1011 ¹

Vehicle	Engine Type	Air Filter	Oil Filter
2001 GMC			
Jimmy	4.3L V6 F/I	33-2042 ♦	
Jimmy	4.3L V6 F/I - 2WD	33-2042	HP-1001 ¹
Jimmy	4.3L V6 F/I - 4WD	33-2042	HP-2001 ¹

* 2 filters required

♦ Intake System Available - see page 84 +Cabin Air Filter Available - see page 453 1- Performance Silver Oil Filter Also Available



Vehicle	Engine Type	Air Filter	Oil Filter
2001 GMC			
Savana 1500	5.7L V8 F/I	E-1008	
Savana 2500	5.7L V8 F/I	E-1008	
Savana 3500	5.7L V8 F/I	E-1008	
Sierra 1500	4.3L V6 F/I	33-2129 ♦♦	HP-1001 ¹
Sierra 1500	4.8L V8 F/I	33-2129 ♦♦	HP-2006 ¹
Sierra 1500	5.3L V8 F/I	33-2129 ♦♦	HP-2006 ¹
Sierra 1500	6.0L V8 F/I	33-2135 ♦♦	HP-2006 ¹
Sierra 1500 HD	6.0L V8 F/I	33-2135 ♦♦	HP-2006 ¹
Sierra 2500	6.0L V8 F/I	33-2135 ♦♦	HP-2006 ¹
Sierra 2500 HD	6.0L V8 F/I	33-2135 ♦♦	HP-2006 ¹
Sierra 2500 HD	6.6L V8 DSL	33-2135 ♦♦	HP-3003 ¹
Sierra 2500 HD	8.1L V8 F/I	33-2135 ♦♦	HP-1011 ¹
Sierra 3500	6.0L V8 F/I	33-2135 ♦♦	
Sierra 3500	6.6L V8 DSL	33-2135 ♦♦	HP-3003 ¹
Sierra 3500	8.1L V8 F/I	33-2135 ♦♦	HP-1011 ¹
Sierra C3	6.0L V8 F/I	33-2135 ♦♦	HP-2006 ¹
Sonoma	2.2L L4 F/I	33-2042 ♦	HP-1001 ¹
Sonoma	4.3L V6 F/I	33-2042 ♦	
Sonoma	4.3L V6 F/I - 2WD	33-2042	HP-1001 ¹
Sonoma	4.3L V6 F/I - 4WD	33-2042	HP-2001 ¹
Yukon	4.8L V8 F/I	33-2129 ♦♦	HP-2006 ¹
Yukon	5.3L V8 F/I	33-2129 ♦♦	HP-2006 ¹
Yukon Denali	6.0L V8 F/I	33-2135 ♦♦	HP-2006 ¹
Yukon Denali XL	6.0L V8 F/I	33-2135 ♦♦	HP-2006 ¹
Yukon XL 1500	5.3L V8 F/I	33-2129 ♦♦	HP-2006 ¹
Yukon XL 2500	6.0L V8 F/I	33-2135 ♦♦	HP-2006 ¹
Yukon XL 2500	8.1L V8 F/I	33-2135 ♦♦	HP-1011 ¹

2000 GMC			
C2500	5.7L V8 F/I	E-1796 ♦	
C2500	7.4L V8 F/I	E-1796 ♦	
C3500	5.7L V8 F/I	E-1796 ♦	
C3500	7.4L V8 F/I	E-1796 ♦	HP-3002 ¹
Jimmy	4.3L V6 F/I	33-2042 ♦	HP-1001 ¹
K2500	5.7L V8 F/I	E-1796 ♦	HP-2001 ¹
K2500	7.4L V8 F/I	E-1796 ♦	
K3500	5.7L V8 F/I	E-1796 ♦	
K3500	7.4L V8 F/I	E-1796 ♦	
Safari	4.3L V6 F/I	33-2225	HP-1001 ¹
Savana 1500	5.7L V8 F/I	33-2111	HP-3002 ¹
Sierra 1500	4.3L V6 F/I	33-2129 ♦♦	HP-1001 ¹
Sierra 1500	4.8L V8 F/I	33-2129 ♦♦	HP-2006 ¹
Sierra 1500	5.3L V8 F/I	33-2129 ♦♦	HP-2006 ¹
Sierra 2500	5.3L V8 F/I	33-2129 ♦♦	HP-2006 ¹
Sierra 2500	6.0L V8 F/I	33-2135 ♦♦	HP-2006 ¹
Sonoma	2.2L L4 F/I	33-2042 ♦	HP-1001 ¹
Sonoma	4.3L V6 F/I	33-2042 ♦	HP-1001 ¹
Yukon	4.8L V8 F/I	33-2129 ♦♦	
Yukon	5.3L V8 F/I	33-2129 ♦♦	HP-2006 ¹
Yukon Denali	5.7L V8 F/I	E-1796 ♦	HP-2001 ¹
Yukon XL 1500	5.3L V8 F/I	33-2129 ♦♦	HP-2006 ¹
Yukon XL 2500	6.0L V8 F/I	33-2135 ♦♦	HP-2006 ¹

1999 GMC			
C1500	5.0L V8 F/I	E-1796 ♦	HP-3002 ¹
C1500	5.7L V8 F/I	E-1796 ♦	HP-3002 ¹
C1500 Suburban	5.7L V8 F/I	E-1796 ♦	HP-3002 ¹
C2500	5.7L V8 F/I	E-1796 ♦	HP-3002 ¹
C2500	7.4L V8 F/I	E-1796 ♦	
C2500 Suburban	5.7L V8 F/I	E-1796 ♦	HP-3002 ¹
C2500 Suburban	7.4L V8 F/I	E-1796 ♦	HP-3002 ¹
C3500	6.5L V8 DSL	E-1796	
C3500	7.4L V8 F/I	E-1796 ♦	
Jimmy	4.3L V6 F/I	33-2042 ♦	HP-2001 ¹

Vehicle	Engine Type	Air Filter	Oil Filter
1999 GMC			
K1500	5.0L V8 F/I	E-1796 ♦	
K1500	5.7L V8 F/I	E-1796 ♦	HP-2001 ¹
K1500 Suburban	5.7L V8 F/I	E-1796 ♦	HP-2001 ¹
K2500	5.7L V8 F/I	E-1796 ♦	HP-2001 ¹
K2500	7.4L V8 F/I	E-1796 ♦	
K2500 Suburban	5.7L V8 F/I	E-1796 ♦	HP-2001 ¹
K2500 Suburban	6.5L V8 DSL	E-1796	
K2500 Suburban	7.4L V8 F/I	E-1796 ♦	HP-1011 ¹
K3500	7.4L V8 F/I	E-1796 ♦	
Safari	4.3L V6 F/I	33-2225	
Sierra 1500	4.3L V6 F/I	33-2129 ♦♦	HP-2001 ¹
Sierra 1500	4.8L V8 F/I	33-2129 ♦♦	HP-2006 ¹
Sierra 1500	5.3L V8 F/I	33-2129 ♦♦	HP-2006 ¹
Sierra 2500	6.0L V8 F/I	33-2135 ♦♦	HP-2006 ¹
Sonoma	2.2L L4 F/I	33-2042 ♦	HP-1001 ¹
Sonoma	4.3L V6 F/I	33-2042 ♦	HP-2001 ¹
Yukon	5.7L V8 F/I	E-1796 ♦	
Yukon	5.7L V8 F/I - 2WD	E-1796	HP-3002 ¹
Yukon	5.7L V8 F/I - 4WD	E-1796	HP-2001 ¹
Yukon Denali	5.7L V8 F/I	E-1796 ♦	HP-2001 ¹
Yukon Denali	6.5L V8 DSL	E-1796	

1998 GMC			
C1500	4.3L V6 F/I	E-1796 ♦	HP-2001 ¹
C1500	5.0L V8 F/I	E-1796 ♦	HP-3002 ¹
C1500	5.7L V8 F/I	E-1796 ♦	HP-3002 ¹
C1500	6.5L V8 DSL	E-1796	
C1500 Suburban	5.7L V8 F/I	E-1796 ♦	HP-3002 ¹
C1500 Suburban	6.5L V8 DSL	E-1796	
C2500	5.7L V8 F/I	E-1796 ♦	HP-3002 ¹
C2500	7.4L V8 F/I	E-1796 ♦	
C2500 Suburban	5.7L V8 F/I	E-1796 ♦	HP-3002 ¹
C2500 Suburban	7.4L V8 F/I	E-1796 ♦	HP-3002 ¹
C3500	6.5L V8 DSL	E-1796	
C3500	7.4L V8 F/I	E-1796 ♦	
Jimmy	4.3L V6 F/I	33-2042 ♦	HP-2001 ¹
K1500	4.3L V6 F/I	E-1796	HP-2001 ¹
K1500	5.0L V8 F/I	E-1796 ♦	HP-2001 ¹
K1500	5.7L V8 F/I	E-1796 ♦	HP-2001 ¹
K1500	6.5L V8 DSL	E-1796	
K1500 Suburban	5.7L V8 F/I	E-1796 ♦	HP-2001 ¹
K1500 Suburban	6.5L V8 DSL	E-1796	
K2500	5.7L V8 F/I	E-1796 ♦	HP-2001 ¹
K2500	6.5L V8 DSL	E-1796	HP-3002 ¹
K2500	7.4L V8 F/I	E-1796 ♦	HP-3002 ¹
K2500 Suburban	5.7L V8 F/I	E-1796 ♦	HP-2001 ¹
K2500 Suburban	6.5L V8 DSL	E-1796	HP-3002 ¹
K2500 Suburban	7.4L V8 F/I	E-1796 ♦	HP-3002 ¹
K3500	6.5L V8 DSL	E-1796	
K3500	7.4L V8 F/I	E-1796 ♦	HP-3002 ¹
Sonoma	2.2L L4 F/I	33-2042 ♦	HP-1001 ¹
Sonoma	4.3L V6 F/I	33-2042 ♦	HP-2001 ¹
Yukon	5.7L V8 F/I	E-1796 ♦	
Yukon	5.7L V8 F/I - 2WD	E-1796	HP-3002 ¹
Yukon	5.7L V8 F/I - 4WD	E-1796	HP-2001 ¹

1997 GMC			
C1500	4.3L V6 F/I	E-1796 ♦	HP-2001 ¹
C1500	5.0L V8 F/I	E-1796 ♦	HP-3002 ¹
C1500	5.7L V8 F/I	E-1796 ♦	HP-3002 ¹
C1500 Suburban	5.7L V8 F/I	E-1796 ♦	HP-3002 ¹
C2500	5.7L V8 F/I	E-1796 ♦	
C2500	7.4L V8 F/I	E-1796 ♦	
C2500 Suburban	5.7L V8 F/I	E-1796 ♦	HP-3002 ¹

* 2 filters required

♦ Intake System Available - see page 84 +Cabin Air Filter Available - see page 453 1- Performance Silver Oil Filter Also Available



AIR & OIL FILTERS

GMC

Vehicle	Engine Type	Air Filter	Oil Filter	Vehicle	Engine Type	Air Filter	Oil Filter
1997 GMC				1995 GMC			
C2500 Suburban	7.4L V8 F/I	E-1796 ♦		K2500	6.5L V8 DSL	33-2062-1	HP-3002 ¹
Jimmy	4.3L V6 F/I		HP-2001 ¹	K2500 Suburban	5.7L V8 F/I	E-1500 ♦	HP-2001 ¹
K1500	4.3L V6 F/I	E-1796 ♦		K2500 Suburban	6.5L V8 DSL	33-2062-1	HP-3002 ¹
K1500	5.0L V8 F/I	E-1796 ♦	HP-2001 ¹	K2500 Suburban	7.4L V8 F/I	E-1500 ♦	HP-3002 ¹
K1500	5.7L V8 F/I	E-1796 ♦	HP-2001 ¹	K3500	6.5L V8 DSL	33-2062-1	HP-3002 ¹
K1500	6.5L V8 DSL	E-1796		Sonoma	2.2L L4 F/I	33-2042 ♦	HP-1001 ¹
K1500 Suburban	5.7L V8 F/I	E-1796 ♦	HP-2001 ¹	Sonoma	4.3L V6 CPI	33-2042 ♦	HP-2001 ¹
K1500 Suburban	6.5L V8 DSL	E-1796		Sonoma	4.3L V6 TBI	E-1065 ♦	HP-2001 ¹
K2500	5.7L V8 F/I	E-1796 ♦	HP-2001 ¹	Yukon	5.7L V8 F/I	E-1500 ♦	
K2500	6.5L V8 DSL	E-1796		Yukon	5.7L V8 F/I - 2WD	E-1500	HP-3002 ¹
K2500	7.4L V8 F/I	E-1796 ♦	HP-3002 ¹	Yukon	5.7L V8 F/I - 4WD	E-1500	HP-2001 ¹
K2500 Suburban	5.7L V8 F/I	E-1796 ♦	HP-2001 ¹	1994 GMC			
K2500 Suburban	6.5L V8 DSL	E-1796	HP-3002 ¹	C1500	4.3L V6 F/I	E-1150	HP-2001 ¹
K2500 Suburban	7.4L V8 F/I	E-1796 ♦	HP-3002 ¹	C1500	5.0L V8 F/I	E-1500 ♦	HP-3002 ¹
K3500	6.5L V8 DSL	E-1796		C1500	5.7L V8 F/I	E-1500 ♦	HP-3002 ¹
K3500	7.4L V8 F/I	E-1796 ♦	HP-3002 ¹	C1500 Suburban	5.7L V8 F/I	E-1500 ♦	HP-3002 ¹
Safari	4.3L V6 F/I	33-2225	HP-2001 ¹	C2500	5.7L V8 F/I		HP-3002 ¹
Savana 1500	5.7L V8 F/I	33-2111	HP-3002 ¹	C2500 Suburban	5.7L V8 F/I		HP-3002 ¹
Sonoma	4.3L V6 F/I	33-2042 ♦	HP-2001 ¹	Jimmy	4.3L V6 CPI	33-2042	HP-2001 ¹
Yukon	5.7L V8 F/I	E-1796 ♦		Jimmy	4.3L V6 TBI	E-1065 ♦	HP-2001 ¹
Yukon	5.7L V8 F/I - 2WD	E-1796	HP-3002 ¹	K1500	4.3L V6 F/I	E-1150	HP-2001 ¹
Yukon	5.7L V8 F/I - 4WD	E-1796	HP-2001 ¹	K1500	5.7L V8 F/I	E-1500 ♦	HP-2001 ¹
1996 GMC				K1500 Suburban	5.7L V8 F/I	E-1500 ♦	HP-2001 ¹
C1500	4.3L V6 F/I	E-1796 ♦	HP-2001 ¹	K2500	5.7L V8 F/I	E-1500 ♦	HP-2001 ¹
C1500	5.0L V8 F/I	E-1796 ♦	HP-3002 ¹	K2500	6.5L V8 DSL - Exc.	E-1690	HP-3002 ¹
C1500	5.7L V8 F/I	E-1796 ♦	HP-3002 ¹		Turbo		
C1500 Suburban	5.7L V8 F/I	E-1796 ♦	HP-3002 ¹	K2500	6.5L V8 DSL - Turbo	33-2062-1	HP-3002 ¹
C2500	5.7L V8 F/I	E-1796 ♦		K2500 Suburban	5.7L V8 F/I	E-1500 ♦	HP-2001 ¹
C2500	7.4L V8 F/I	E-1796 ♦		K2500 Suburban	6.5L V8 DSL	33-2062-1	HP-3002 ¹
C2500 Suburban	5.7L V8 F/I	E-1796 ♦		K2500 Suburban	7.4L V8 F/I	E-1500 ♦	HP-3002 ¹
C2500 Suburban	7.4L V8 F/I	E-1796 ♦		Safari	4.3L V6 CPI	33-2042	HP-2001 ¹
C3500	7.4L V8 F/I	E-1796 ♦		Safari	4.3L V6 TBI	E-1065	HP-2001 ¹
Jimmy	4.3L V6 F/I	33-2042 ♦	HP-2001 ¹	Sonoma	2.2L L4 F/I	33-2042 ♦	
K1500	4.3L V6 F/I	E-1796 ♦		Sonoma	4.3L V6 CPI	33-2042 ♦	HP-2001 ¹
K1500	5.0L V8 F/I	E-1796 ♦	HP-2001 ¹	Sonoma	4.3L V6 TBI	E-1065 ♦	HP-2001 ¹
K1500	5.7L V8 F/I	E-1796 ♦	HP-2001 ¹	Yukon	5.7L V8 F/I	E-1500 ♦	
K1500 Suburban	5.7L V8 F/I	E-1796 ♦	HP-2001 ¹	Yukon	5.7L V8 F/I - 2WD	E-1500	HP-3002 ¹
K2500	5.7L V8 F/I	E-1796 ♦	HP-2001 ¹	Yukon	5.7L V8 F/I - 4WD	E-1500	HP-2001 ¹
K2500	7.4L V8 F/I	E-1796 ♦	HP-3002 ¹	1993 GMC			
K2500 Suburban	5.7L V8 F/I	E-1796 ♦	HP-2001 ¹	C1500	4.3L V6 F/I	E-1150	HP-2001 ¹
K2500 Suburban	6.5L V8 DSL	33-2062-1	HP-3002 ¹	C1500	5.0L V8 F/I	E-1500 ♦	HP-3002 ¹
K2500 Suburban	7.4L V8 F/I	E-1796 ♦	HP-3002 ¹	C1500	5.7L V8 F/I	E-1500 ♦	HP-3002 ¹
K3500	7.4L V8 F/I	E-1796 ♦		C1500 Suburban	5.7L V8 F/I	E-1500 ♦	HP-3002 ¹
Sonoma	2.2L L4 F/I	33-2042 ♦	HP-1001 ¹	C2500	5.7L V8 F/I	E-1500 ♦	HP-3002 ¹
Sonoma	4.3L V6 F/I	33-2042 ♦	HP-2001 ¹	C2500 Suburban	5.7L V8 F/I	E-1500 ♦	HP-3002 ¹
Yukon	5.7L V8 F/I	E-1796 ♦		Jimmy	4.3L V6 CPI	33-2042	HP-2001 ¹
Yukon	5.7L V8 F/I - 2WD	E-1796	HP-3002 ¹	Jimmy	4.3L V6 TBI	E-1065 ♦	HP-2001 ¹
Yukon	5.7L V8 F/I - 4WD	E-1796	HP-2001 ¹	K1500	4.3L V6 F/I	E-1150	
1995 GMC				K1500	5.7L V8 F/I	E-1500 ♦	HP-2001 ¹
C1500	4.3L V6 F/I	E-1150	HP-2001 ¹	K1500 Suburban	5.7L V8 F/I	E-1500 ♦	HP-2001 ¹
C1500	5.0L V8 F/I	E-1500 ♦	HP-3002 ¹	K2500	5.7L V8 F/I	E-1500 ♦	HP-2001 ¹
C1500	5.7L V8 F/I	E-1500 ♦	HP-3002 ¹	K2500 Suburban	5.7L V8 F/I	E-1500 ♦	HP-3002 ¹
C1500 Suburban	5.7L V8 F/I	E-1500 ♦	HP-3002 ¹	K2500 Suburban	7.4L V8 F/I	E-1500 ♦	HP-3002 ¹
C2500	5.7L V8 F/I	E-1500 ♦	HP-3002 ¹	Sonoma	4.3L V6 CPI	33-2042	HP-2001 ¹
C2500 Suburban	5.7L V8 F/I	E-1500 ♦	HP-3002 ¹	Sonoma	4.3L V6 TBI	E-1065 ♦	HP-2001 ¹
Jimmy	4.3L V6 F/I	33-2042 ♦	HP-2001 ¹	Typhoon	4.3L V6 F/I	33-2042	HP-2001 ¹
K1500	5.0L V8 F/I	E-1500 ♦	HP-2001 ¹	Yukon	5.7L V8 F/I	E-1500 ♦	
K1500	5.7L V8 F/I	E-1500 ♦	HP-2001 ¹	Yukon	5.7L V8 F/I - 2WD	E-1500	HP-3002 ¹
K1500	6.5L V8 DSL	33-2062-1	HP-3002 ¹	Yukon	5.7L V8 F/I - 4WD	E-1500	HP-2001 ¹
K1500 Suburban	5.7L V8 F/I	E-1500 ♦	HP-2001 ¹	1992 GMC			
K1500 Suburban	6.5L V8 DSL	33-2062-1	HP-3002 ¹	C1500	4.3L V6 F/I	E-1150	HP-2001 ¹
K2500	5.7L V8 F/I	E-1500 ♦	HP-2001 ¹				

* 2 filters required

♦ Intake System Available - see page 84 +Cabin Air Filter Available - see page 453 1- Performance Silver Oil Filter Also Available



Vehicle	Engine Type	Air Filter	Oil Filter
1992 GMC			
C1500	5.0L V8 F/I		HP-3002 ¹
C1500	5.7L V8 F/I	E-1500 ♦	HP-3002 ¹
C1500 Suburban	5.7L V8 F/I	E-1500 ♦	HP-3002 ¹
G2500	5.7L V8 F/I		HP-3002 ¹
K1500	5.7L V8 F/I	E-1500 ♦	HP-2001 ¹
K1500 Suburban	5.7L V8 F/I	E-1500 ♦	HP-2001 ¹
Sonoma	4.3L V6 CPI	33-2042	HP-2001 ¹
Sonoma	4.3L V6 TBI	E-1065 ♦	HP-2001 ¹
Typhoon	4.3L V6 F/I	33-2042	HP-2001 ¹
Yukon	5.7L V8 F/I	E-1500 ♦	
Yukon	5.7L V8 F/I - 2WD	E-1500	HP-3002 ¹
Yukon	5.7L V8 F/I - 4WD	E-1500	HP-2001 ¹

Vehicle	Engine Type	Air Filter	Oil Filter
1991 GMC			
C1500	5.0L V8 F/I	E-1500 ♦	HP-3002 ¹
C1500	5.7L V8 F/I	E-1500 ♦	HP-3002 ¹
C2500	5.7L V8 F/I		HP-3002 ¹
K1500	5.7L V8 F/I	E-1500 ♦	HP-2001 ¹
K2500	5.7L V8 F/I	E-1500 ♦	HP-2001 ¹
Sonoma	4.3L V6 F/I	E-1065 ♦	HP-2001 ¹
Syclone	4.3L V6 F/I	33-2042	HP-2001 ¹

Vehicle	Engine Type	Air Filter	Oil Filter
1990 GMC			
C1500	4.3L V6 F/I	E-1150	
C1500	5.0L V8 F/I	E-1500 ♦	HP-3002 ¹
C1500	5.7L V8 F/I	E-1500 ♦	HP-3002 ¹
Jimmy	5.7L V8 F/I		HP-3002 ¹
K1500	5.7L V8 F/I	E-1500 ♦	HP-2001 ¹
K2500	5.7L V8 F/I	E-1500 ♦	

Vehicle	Engine Type	Air Filter	Oil Filter
1989 GMC			
C1500	5.0L V8 F/I	E-1500 ♦	HP-3002 ¹
C1500	5.7L V8 F/I	E-1500 ♦	HP-3002 ¹
C2500	5.7L V8 F/I		HP-3002 ¹
Jimmy	5.7L V8 F/I	E-1500 ♦	HP-2001 ¹
K1500	5.7L V8 F/I	E-1500 ♦	HP-2001 ¹
K2500	5.7L V8 F/I	E-1500 ♦	HP-3002 ¹

Vehicle	Engine Type	Air Filter	Oil Filter
1988 GMC			
C1500	5.0L V8 F/I	E-1500 ♦	HP-3002 ¹
C1500	5.7L V8 F/I	E-1500 ♦	HP-3002 ¹
K1500	5.7L V8 F/I	E-1500 ♦	HP-2001 ¹

Vehicle	Engine Type	Air Filter	Oil Filter
1987 GMC			
Jimmy	5.7L V8 F/I		HP-3002 ¹
R1500	5.0L V8 F/I	E-1500	HP-3002 ¹
R1500	5.7L V8 F/I	E-1500	HP-3002 ¹
R1500 Suburban	5.0L V8 F/I	E-1500	HP-3002 ¹
R1500 Suburban	5.7L V8 F/I	E-1500	HP-3002 ¹
V1500 Suburban	5.7L V8 F/I		HP-3002 ¹

Vehicle	Engine Type	Air Filter	Oil Filter
1986 GMC			
C1500	5.0L V8 CARB		HP-3002 ¹
C1500	5.0L V8 CARB - w/3-7/16 inch Tall Filter	E-1500	HP-3002
C1500	5.7L V8 CARB	E-1420	HP-3002 ¹
C1500 Suburban	5.0L V8 CARB		HP-3002 ¹
C1500 Suburban	5.7L V8 CARB	E-1420	HP-3002 ¹
K1500	5.7L V8 CARB		HP-3002 ¹
K1500 Suburban	5.7L V8 CARB		HP-3002 ¹

Vehicle	Engine Type	Air Filter	Oil Filter
1985 GMC			
C1500	5.7L V8 CARB		HP-3002 ¹
C1500	5.7L V8 CARB - w/3-7/16 inch Tall Filter	E-1500	HP-3002
C1500 Suburban	5.7L V8 CARB		HP-3002 ¹
K1500	5.0L V8 CARB		HP-3002 ¹

Vehicle	Engine Type	Air Filter	Oil Filter
1985 GMC			
K1500	5.7L V8 CARB		HP-3002 ¹
K1500	5.7L V8 CARB - w/3-7/16 inch Tall Filter	E-1500	HP-3002
K1500 Suburban	5.0L V8 CARB		HP-3002 ¹
K1500 Suburban	5.7L V8 CARB		HP-3002 ¹
K2500	5.7L V8 CARB		HP-3002 ¹
K2500	5.7L V8 CARB - w/3-7/16 inch Tall Filter	E-1500	HP-3002
K2500 Suburban	5.7L V8 CARB		HP-3002 ¹

Vehicle	Engine Type	Air Filter	Oil Filter
1983 GMC			
C1500 Suburban	5.0L V8 CARB		HP-3002 ¹

Vehicle	Engine Type	Air Filter	Oil Filter
1981 GMC			
C1500	5.7L V8 CARB - w/o 2qt. Spin On		HP-3002 ¹
C1500 Suburban	5.7L V8 CARB		HP-3002 ¹

Vehicle	Engine Type	Air Filter	Oil Filter
1979 GMC			
C1500	350 V8 CARB	E-1450	
C1500	350 V8 CARB - 2qt. Spin On	E-1450	HP-6002 ¹
C1500	350 V8 CARB - w/o 2qt. Spin On	E-1450	HP-3002 ¹
C1500	350 V8 DSL	E-1690	HP-2006 ¹
C1500 Suburban	350 V8 CARB	E-1500	
C1500 Suburban	350 V8 CARB - w/o 2qt. Spin On	E-1500	HP-3002 ¹
C1500 Suburban	350 V8 DSL	E-1690	HP-2006 ¹

Vehicle	Engine Type	Air Filter	Oil Filter
1978 GMC			
C15 Suburban	350 V8 CARB		HP-3002 ¹
K25 Suburban	350 V8 CARB	E-1500	HP-3002 ¹

Vehicle	Engine Type	Air Filter	Oil Filter
1970 GMC			
C15/C1500 Pickup	350 V8 CARB	E-1450	
C15/C1500 Pickup	350 V8 CARB - 2qt. Spin On	E-1450	HP-6002 ¹
C15/C1500 Pickup	350 V8 CARB - w/o 2qt. Spin On	E-1450	HP-3002 ¹

Vehicle	Engine Type	Air Filter	Oil Filter
2017 HARLEY DAVIDSON			
FLHR Road King	107 CI		HD-1717
FLHTCU Electra Glide Ultra Classic	107 CI		HD-1717
FLHTCUTG Tri Glide Ultra	107 CI		HD-1717
FLHTK Ultra Limited	107 CI		HD-1717
FLHTKL Ultra Limited Low	107 CI		HD-1717
FLHX Street Glide	107 CI		HD-1717
FLHXS Street Glide Special	107 CI		HD-1717
FLRT Freewheeler	107 CI		HD-1717
FLS Softail Slim	103 CI		HD-1614
FLSTC Heritage Softail Classic	103 CI		HD-1614
FLSTF Fat Boy	103 CI		HD-1614
FLSTFB Softail Fat Boy Lo	103 CI		HD-1614
FLSTN Softail Deluxe	103 CI		HD-1614
FLTRU Road Glide Ultra	107 CI		HD-1717
FLTRX Road Glide	107 CI		HD-1717
FLTRXS Road Glide Special	107 CI		HD-1717
FXDB Dyna Street Bob	103 CI		HD-1611
FXDF Fat Bob	103 CI		HD-0910

* 2 filters required

♦ Intake System Available - see page 84 +Cabin Air Filter Available - see page 453 1- Performance Silver Oil Filter Also Available



AIR & OIL FILTERS

HARLEY DAVIDSON

Vehicle	Engine Type	Air Filter	Oil Filter	Vehicle	Engine Type	Air Filter	Oil Filter
2017 HARLEY DAVIDSON				2016 HARLEY DAVIDSON			
FXDL Dyna Low Rider	103 CI	HD-0910		FXDL Dyna Low Rider	103 CI	HD-0910	KN-171C
FXDWG Dyna Wide Glide	103 CI	HD-0910		FXDL Dyna Low Rider - Non-US	103 CI	HD-9608	KN-171C
FXSB Breakout	103 CI	HD-1614		FXDLS Low Rider S	110 CI		KN-171C
VRSCDX Night Rod Special	76 CI	HD-1102		FXDWG Dyna Wide Glide	103 CI	HD-0910	KN-171C
VRSCF V-Rod Muscle	76 CI	HD-1102		FXDWG Dyna Wide Glide - Non-US	103 CI	HD-9608	KN-171C
XG500 Street	30 CI	HD-4915		FXSB Breakout	103 CI	HD-1614	KN-171C
XG750 Street	46 CI	HD-4915		VRSCDX Night Rod Special	76 CI	HD-1102	
XL883L SuperLow	54 CI	HD-1212		VRSCF V-Rod Muscle	76 CI	HD-1102	
XL883N Iron	54 CI	HD-1212		XG500 Street	30 CI	HD-4915	KN-204
XL1200C Sportster Custom	74 CI	HD-1212		XG750 Street	46 CI	HD-4915	KN-204
XL1200T SuperLow	74 CI	HD-1212		XL883L SuperLow	54 CI	HD-1212	KN-171C
XL1200X Forty-Eight	74 CI	HD-1212		XL883N Iron	54 CI	HD-1212	KN-171C
XL1200XC Sportster Roadster	74 CI	HD-1212		XL1200C Sportster Custom	74 CI	HD-1212	KN-171C
FLD Switchback	103 CI	HD-0910	KN-171C	XL1200T SuperLow	74 CI	HD-1212	KN-171C
FLD Switchback - Non-US	103 CI	HD-9608	KN-171C	XL1200V Seventy-Two	74 CI	HD-1212	KN-171C
FLHR Road King	103 CI	HD-1614	KN-171C	XL1200X Forty-Eight	74 CI	HD-1212	KN-171C
FLHSSE CVO Street Glide	110 CI		KN-171C	XL1200XC Sportster Roadster	74 CI	HD-1212	
FLHTCU Electra Glide Ultra Classic	103 CI	HD-1614	KN-171C	FLD Switchback	103 CI	HD-9608	KN-171C
FLHTCUL Electra Glide Ultra Classic Low	103 CI	HD-1614	KN-171C	FLHR Road King	103 CI	HD-1614	KN-171C
FLHTCUTG Tri Glide Ultra	103 CI	HD-1614	KN-171C	FLHTCU Electra Glide Ultra Classic	103 CI	HD-1614	KN-171C
FLHTK Ultra Limited	103 CI	HD-1614	KN-171C	FLHTCUL Electra Glide Ultra Classic Low	103 CI	HD-1614	KN-171C
FLHTKL Ultra Limited Low	103 CI	HD-1614	KN-171C	FLHTCUTG Tri Glide Ultra	103 CI	HD-1614	KN-171C
FLHTKSE CVO Limited	110 CI	HD-0910	KN-171C	FLHTK Ultra Limited	103 CI	HD-1614	KN-171C
FLHX Electra Glide Special	103 CI	HD-1614		FLHTKL Ultra Limited Low	103 CI	HD-1614	KN-171C
FLHX Street Glide	103 CI	HD-1614	KN-171C	FLHTKSE CVO Limited	110 CI	HD-0910	KN-171C
FLHXS Street Glide Special	103 CI	HD-1614	KN-171C	FLHX Street Glide	103 CI	HD-1614	KN-171C
FLHXSE CVO Street Glide	110 CI	HD-0910		FLHXS Street Glide Special	103 CI	HD-1614	KN-171C
FLRT Freewheeler	103 CI	HD-1614	KN-171C	FLHXSE CVO Street Glide	110 CI	HD-0910	KN-171C
FLS Softail Slim	103 CI	HD-1614	KN-171C	FLRT Freewheeler	103 CI	HD-1614	KN-171C
FLSS Softail Slim S	110 CI		KN-171C	FLS Softail Slim	103 CI	HD-1611	KN-171C
FLSTC Heritage Softail Classic	103 CI	HD-1614	KN-171C	FLSTC Heritage Softail Classic	103 CI	HD-1499	KN-171C
FLSTF Fat Boy	103 CI	HD-1614	KN-171C	FLSTF Fat Boy	103 CI	HD-1499	KN-171C
FLSTFB Softail Fat Boy Lo	103 CI	HD-1614	KN-171C	FLSTFB Softail Fat Boy Lo	103 CI	HD-1499	KN-171C
FLSTFBS Fat Boy S	110 CI		KN-171C	FLSTN Softail Deluxe	103 CI	HD-1499	KN-171C
FLSTN Softail Deluxe	103 CI	HD-1614	KN-171C	FLSTNSE CVO Softail Deluxe	110 CI	HD-0910	KN-171C
FLTRU Road Glide Ultra	103 CI	HD-1614	KN-171C	FLTRUSE CVO Road Glide Ultra	110 CI	HD-0910	KN-171C
FLTRUSE CVO Road Glide Ultra	110 CI	HD-0910	KN-171C	FLTRX Road Glide	103 CI	HD-1614	KN-171C
FLTRX Road Glide	103 CI	HD-1614	KN-171C	FLTRXS Road Glide Special	103 CI	HD-1614	KN-171C
FLTRXS Road Glide Special	103 CI	HD-1614	KN-171C	FXDB Dyna Street Bob	103 CI	HD-1611	KN-171C
FXDB Dyna Street Bob	103 CI	HD-1611	KN-171C	FXDF Fat Bob	103 CI		KN-171C
FXDF Fat Bob	103 CI	HD-0910	KN-171C	FXDL Dyna Low Rider	103 CI	HD-9608	KN-171C
FXDF Fat Bob - Non-US	103 CI	HD-9608	KN-171C				

* 2 filters required

◆ Intake System Available - see page 84 +Cabin Air Filter Available - see page 453 1- Performance Silver Oil Filter Also Available



Vehicle	Engine Type	Air Filter	Oil Filter	Vehicle	Engine Type	Air Filter	Oil Filter
2015 HARLEY DAVIDSON				2013 HARLEY DAVIDSON			
FXDWG Dyna Wide Glide	103 CI	HD-9608	KN-171C	FLD Switchback	103 CI	HD-9608	KN-171C
FXSB Breakout	103 CI	HD-1499	KN-171C	FLHR Road King	103 CI	HD-1508	KN-171C
VRSCDX Night Rod Special	76 CI	HD-1102	KN-174C	FLHRC Road King Classic	103 CI	HD-1508	KN-171C
VRSCF V-Rod Muscle	76 CI	HD-1102	KN-174C	FLHRSE5 CVO Road King	110 CI	HD-0910	KN-171C
XG500 Street	30 CI	HD-4915	KN-204	FLHTC Electra Glide Classic	103 CI	HD-1508	KN-171C
XG750 Street	46 CI	HD-4915	KN-204	FLHTCU Ultra	103 CI	HD-1508	KN-171C
XL883L SuperLow	54 CI	HD-1212	KN-171C	Classic Electra Glide			
XL883N Iron	54 CI	HD-1212	KN-171C	FLHTCUSE8 CVO	110 CI	HD-0910	KN-171C
XL1200C Sportster Custom	74 CI	HD-1212	KN-171C	Ultra Classic Electra Glide F/I			
XL1200T SuperLow	74 CI	HD-1212	KN-171C	FLHTCUTG Tri Glide Ultra Classic	103 CI	HD-1508	KN-171C
XL1200V Seventy-Two	74 CI	HD-1212	KN-171C	FLHTK Electra Glide Ultra Limited	103 CI	HD-1508	KN-171C
XL1200X Forty-Eight	74 CI	HD-1212	KN-171C	FLHX Street Glide	103 CI	HD-1508	KN-171C
FLD Switchback	103 CI	HD-9608	KN-171C	FLS Softail Slim	103 CI	HD-1611	KN-171C
FLHR Road King	103 CI	HD-1614	KN-171C	FLSTC Heritage Softail Classic	103 CI	HD-1499	KN-171C
FLHRSE6 CVO Road King	110 CI		KN-171C	FLSTF Fat Boy	103 CI	HD-1499	KN-171C
FLHTCU Electra Glide Ultra Classic	103 CI	HD-1614	KN-171C	FLSTFB Softail Fat Boy Lo	103 CI	HD-1499	KN-171C
FLHTCUTG Tri Glide Ultra	103 CI	HD-1614	KN-171C	FLSTN Softail Deluxe	103 CI	HD-1499	KN-171C
FLHTK Electra Glide Ultra Limited	103 CI	HD-1614	KN-171C	FLTRU Road Glide Ultra	103 CI	HD-1508	KN-171C
FLHTKSE CVO Limited	110 CI	HD-0910	KN-171C	FLTRX Road Glide Custom	103 CI	HD-1508	KN-171C
FLHX Street Glide	103 CI	HD-1614	KN-171C	FLTRXSE CVO Road Glide Custom	96 CI		KN-171C
FLHXS Street Glide Special	103 CI	HD-1614	KN-171C	FXDB Dyna Street Bob	96 CI	HD-9608	KN-171C
FLS Softail Slim	103 CI	HD-1611	KN-171C	FXDC Dyna Super Glide Custom	96 CI	HD-9608	KN-171C
FLSTC Heritage Softail Classic	103 CI	HD-1499	KN-171C	FXDC Super Glide Custom	96 CI	HD-9608	KN-171C
FLSTF Fat Boy	103 CI	HD-1499	KN-171C	FXDF Fat Bob	103 CI	HD-9608	KN-171C
FLSTFB Softail Fat Boy Lo	103 CI	HD-1499	KN-171C	FXDWG Dyna Wide Glide	103 CI	HD-9608	KN-171C
FLSTN Softail Deluxe	103 CI	HD-1499	KN-171C	FXS Blackline	103 CI	HD-1611	KN-171C
FLSTNSE CVO Softail Deluxe	110 CI	HD-0910	KN-171C	FXSBSE CVO Breakout	110 CI		KN-171C
FXDB Dyna Street Bob	103 CI	HD-1611	KN-171C	VRSCDX Night Rod Special	76 CI	HD-1102	
FXDC Dyna Super Glide Custom	103 CI	HD-9608	KN-171C	VRSCF V-Rod Muscle	76 CI	HD-1102	
FXDF Fat Bob	103 CI	HD-9608	KN-171C	XL883L SuperLow	54 CI	HD-8834	KN-170C
FXDL Dyna Low Rider	103 CI	HD-9608	KN-171C	XL883N Iron	54 CI	HD-8834	KN-170C
FXDWG Dyna Wide Glide	103 CI	HD-9608	KN-171C	XL1200C Sportster Custom	74 CI	HD-8834	KN-170C
FXSB Breakout	103 CI	HD-1499	KN-171C	XL1200V Seventy-Two	74 CI	HD-1212	KN-170C
FXSBSE CVO Breakout	103 CI		KN-171C	XL1200X Forty-Eight	74 CI	HD-8834	KN-170C
VRSCDX Night Rod Special	76 CI	HD-1102		FLD Switchback	103 CI	HD-9608	KN-171C
VRSCF V-Rod Muscle	76 CI	HD-1102		FLHP Road King Police	103 CI	HD-1508	
XG750 Street	46 CI		KN-204	FLHR Road King	103 CI	HD-1508	KN-171C
XL883L SuperLow	54 CI	HD-1212	KN-170C	FLHRC Road King Classic	103 CI	HD-1508	KN-171C
XL883N Iron	54 CI	HD-1212	KN-170C	FLHTC Electra Glide Classic	103 CI	HD-1508	KN-171C
XL1200C Sportster Custom	74 CI	HD-1212	KN-170C	FLHTCU Electra Glide Ultra Classic	103 CI	HD-1508	KN-171C
XL1200T SuperLow	74 CI	HD-1212		FLHTCUSE7 CVO	110 CI	HD-0910	KN-171C
XL1200V Seventy-Two	74 CI	HD-1212	KN-170C	Ultra Classic Electra Glide			
XL1200X Forty-Eight	74 CI	HD-1212	KN-170C				

* 2 filters required

◆ Intake System Available - see page 84 +Cabin Air Filter Available - see page 453 1- Performance Silver Oil Filter Also Available



AIR & OIL FILTERS

HARLEY DAVIDSON

Vehicle	Engine Type	Air Filter	Oil Filter	Vehicle	Engine Type	Air Filter	Oil Filter
2012 HARLEY DAVIDSON				2011 HARLEY DAVIDSON			
FLHTCUTG Tri Glide Ultra Classic	103 CI	HD-1508	KN-171C	FLHTP Electra Glide Police	103 CI	HD-1508	
FLHTK Electra Glide Ultra Limited	103 CI	HD-1508	KN-171C	FLHX Street Glide	96 CI	HD-1508	KN-171C
FLHTP Electra Glide Police	103 CI	HD-1508		FLHXSE2 CVO Street Glide	110 CI	HD-0910	KN-171C
FLHX Street Glide	103 CI	HD-1508	KN-171C	FLHXXX Street Glide Trike	103 CI	HD-1508	KN-171C
FLHXSE3 CVO Street Glide	110 CI	HD-0910	KN-171C	FLSTC Heritage Softail Classic	96 CI	HD-1499	KN-171C
FLS Softail Slim	103 CI	HD-1611	KN-171C	FLSTF Fat Boy	96 CI	HD-1499	KN-171C
FLSTC Heritage Softail Classic	103 CI	HD-1499	KN-171C	FLSTFB Softail Fat Boy Lo	96 CI	HD-1499	KN-171C
FLSTF Fat Boy	103 CI	HD-1499	KN-171C	FLSTN Softail Deluxe	96 CI	HD-1499	KN-171C
FLSTFB Softail Fat Boy Lo	103 CI	HD-1499	KN-171C	FLSTSB Softail Cross Bones	96 CI	HD-1611	KN-171C
FLSTN Softail Deluxe	103 CI	HD-1499	KN-171C	FLSTSE CVO Softail Convertible	110 CI	HD-0910	KN-171C
FLSTSE CVO Softail Convertible	110 CI	HD-0910	KN-171C	FLTRU Road Glide Ultra	103 CI	HD-1508	KN-171C
FLTRU Road Glide Ultra	103 CI	HD-1508	KN-171C	FLTRUSE CVO Road Glide Ultra	110 CI	HD-0910	KN-171C
FLTRX Road Glide Custom	103 CI	HD-1508	KN-171C	FLTRX Road Glide Custom	96 CI	HD-1508	KN-171C
FLTRXSE CVO Road Glide Custom	96 CI		KN-171C	FXCWC Rocker C	96 CI		KN-171C
FXDB Dyna Street Bob	96 CI	HD-9608	KN-171C	FXDB Dyna Street Bob	96 CI	HD-9608	KN-171C
FXDC Dyna Super Glide Custom	96 CI	HD-9608	KN-171C	FXDC Dyna Super Glide Custom	96 CI	HD-9608	KN-171C
FXDF Fat Bob	103 CI	HD-9608	KN-171C	FXDF Fat Bob	96 CI	HD-9608	KN-171C
FXDWG Dyna Wide Glide	103 CI	HD-9608	KN-171C	FXDWG Dyna Wide Glide	96 CI	HD-9608	KN-171C
FXS Blackline	103 CI	HD-1611	KN-171C	FXS Blackline	103 CI	HD-1611	KN-171C
VRSCDX 10th Anniversary Edition	76 CI	HD-1102		VRSCDX Night Rod Special	76 CI	HD-1102	
VRSCDX Night Rod Special	76 CI	HD-1102		VRSCF V-Rod Muscle	76 CI	HD-1102	
VRSCF V-Rod Muscle	76 CI	HD-1102		XL883L SuperLow	54 CI	HD-8834	KN-170C
XL883L SuperLow	54 CI	HD-8834	KN-170C	XL883N Iron	54 CI	HD-8834	KN-170C
XL883N Iron	54 CI	HD-8834	KN-170C	XL1200C Sportster Custom	74 CI	HD-8834	KN-170C
XL883R Sportster Roadster	54 CI	HD-8834	KN-170C	XL1200N Sportster Nightster	74 CI	HD-8834	KN-170C
XL1200C Sportster Custom	74 CI	HD-8834	KN-170C	XL1200V Seventy-Two	74 CI	HD-1212	
XL1200N Sportster Nightster	74 CI	HD-8834	KN-170C	XL1200X Forty-Eight	74 CI	HD-8834	KN-170C
XL1200V Seventy-Two	74 CI	HD-1212		XR1200X Sportster	74 CI	HD-1208	KN-170C
XL1200X Forty-Eight	74 CI	HD-8834	KN-170C	2010 HARLEY DAVIDSON			
XR1200X Sportster	74 CI	HD-1208	KN-170C	FLHP Road King Police	103 CI	HD-1508	
2011 HARLEY DAVIDSON				FLHR Road King	96 CI	HD-1508	KN-171C
FLHP Road King Police	103 CI	HD-1508		FLHRC Road King Classic	96 CI	HD-1508	KN-171C
FLHR Road King	96 CI	HD-1508	KN-171C	FLHT Electra Glide Standard	96 CI	HD-1508	
FLHRC Road King Classic	103 CI	HD-1508	KN-171C	FLHTC Electra Glide Classic	96 CI	HD-1508	KN-171C
FLHTC Electra Glide Classic	96 CI	HD-1508	KN-171C	FLHTCU Ultra Classic Electra Glide	96 CI	HD-1508	KN-171C
FLHTCU Ultra Classic Electra Glide	96 CI	HD-1508	KN-171C	FLHTCUSE5 CVO Ultra Classic Electra Glide	110 CI	HD-1508	KN-171C
FLHTCUSE6 CVO Ultra Classic Electra Glide	110 CI	HD-0910	KN-171C	FLHTCUTG Tri Glide Ultra Classic	103 CI	HD-1508	KN-171C
FLHTCUSE6 CVO Ultra Classic Electra Glide	110 CI	HD-0910	KN-171C	FLHTK Electra Glide Ultra Limited	103 CI	HD-1508	KN-171C
FLHTCUTG Tri Glide Ultra Classic	103 CI	HD-1508	KN-171C	FLHTP Electra Glide Police	103 CI	HD-1508	
FLHTK Electra Glide Ultra Limited	103 CI	HD-1508	KN-171C	FLHX Street Glide	96 CI	HD-1508	KN-171C

* 2 filters required

◆ Intake System Available - see page 84 +Cabin Air Filter Available - see page 453 1- Performance Silver Oil Filter Also Available



Vehicle	Engine Type	Air Filter	Oil Filter	Vehicle	Engine Type	Air Filter	Oil Filter
2010 HARLEY DAVIDSON				2009 HARLEY DAVIDSON			
FLHXSE CVO Street Glide	110 CI	HD-0910	KN-171C	FLSTN Softail Deluxe	96 CI	HD-1499	KN-171C
FLHXXX Street Glide Trike	103 CI	HD-1508	KN-171C	FLSTSB Softail Cross Bones	96 CI		KN-171C
FLSTC Heritage Softail Classic	96 CI	HD-1499	KN-171C	FLTR Road Glide	96 CI	HD-1508	KN-171C
FLSTF Fat Boy	96 CI	HD-1499	KN-171C	FLTRSE3 CVO Road Glide	110 CI	HD-0910	KN-171C
FLSTFB Softail Fat Boy Lo	96 CI	HD-1499	KN-171C	FXCWC Rocker C	96 CI	HD-1499	KN-171C
FLSTN Softail Deluxe	96 CI	HD-1499	KN-171C	FXD Dyna Super Glide	96 CI	HD-9608	KN-171C
FLSTSB Softail Cross Bones	96 CI		KN-171C	FXDB Dyna Street Bob	96 CI	HD-9608	KN-171C
FLSTSE CVO Softail Convertible	110 CI	HD-0910	KN-171C	FXDC Dyna Super Glide Custom	96 CI	HD-9608	KN-171C
FLTR Road Glide	96 CI	HD-1508	KN-171C	FXDF Fat Bob	96 CI	HD-9608	KN-171C
FLTRX Road Glide Custom	96 CI	HD-1508	KN-171C	FXDFSE CVO Fat Bob	110 CI		KN-171C
FXCWC Rocker C	96 CI		KN-171C	FXDL Dyna Low Rider	96 CI	HD-9608	KN-171C
FXD Dyna Super Glide	96 CI	HD-9608		FXSTB Night Train	96 CI	HD-1499	KN-171C
FXDB Dyna Street Bob	96 CI	HD-9608	KN-171C	FXSTC Softail Custom	96 CI	HD-1499	KN-171C
FXDC Dyna Super Glide Custom	96 CI	HD-9608	KN-171C	FXSTSSE3 CVO Softail Springer	110 CI		KN-171C
FXDF Fat Bob	96 CI	HD-9608	KN-171C	VRSCAW V-Rod	69 CI	HD-1102	KN-174C
FXDWG Dyna Wide Glide	96 CI	HD-9608	KN-171C	VRSCDX Night Rod Special	76 CI	HD-1102	KN-174C
FXSTC Softail Custom	96 CI	HD-1499	KN-171C	VRSCF V-Rod Muscle	76 CI	HD-1102	KN-174C
VRSCAW V-Rod	69 CI	HD-1102		XL883C Sportster Custom	54 CI	HD-8834	KN-170C
VRSCDX Night Rod Special	76 CI	HD-1102	KN-174C	XL883L Sportster Low	54 CI	HD-8834	KN-170C
VRSCF V-Rod Muscle	76 CI	HD-1102	KN-174C	XL883N Iron	54 CI	HD-8834	KN-170C
XL883C Sportster Custom	54 CI	HD-8834	KN-170C	XL1200C Sportster Custom	74 CI	HD-8834	KN-170C
XL883L Sportster Low	54 CI	HD-8834	KN-170C	XL1200L Sportster Low	74 CI	HD-8834	KN-170C
XL883N Iron	54 CI	HD-8834	KN-170C	XL1200N Sportster Nightster	74 CI	HD-8834	KN-170C
XL1200C Sportster Custom	74 CI	HD-8834	KN-170C	XR1200	74 CI	HD-1208	KN-170C
XL1200N Sportster Nightster	74 CI	HD-8834	KN-170C	FLHR Road King	96 CI	HD-1508	KN-171C
XL1200X Forty-Eight	74 CI	HD-8834	KN-170C	FLHRC Road King Classic	96 CI	HD-1508	KN-171C
XR1200X Sportster	74 CI	HD-1208	KN-170C	FLHT Electra Glide Standard	96 CI	HD-1508	KN-171C
FLHP Road King Police	103 CI	HD-1508	KN-171C	FLHTC Electra Glide Classic	96 CI	HD-1508	KN-171C
FLHR Road King	96 CI	HD-1508	KN-171C	FLHTCU Ultra Classic Electra Glide	96 CI	HD-1508	KN-171C
FLHRC Road King Classic	96 CI	HD-1508	KN-171C	FLHTCUSE3 Screamin Eagle Ultra Classic Electra Gl	110 CI	HD-1508	KN-171C
FLHT Electra Glide Standard	96 CI	HD-1508	KN-171C	FLHX Street Glide	96 CI	HD-1508	KN-171C
FLHTC Electra Glide Classic	96 CI	HD-1508	KN-171C	FLSTC Heritage Softail Classic	96 CI	HD-1499	KN-171C
FLHTCU Ultra Classic Electra Glide	96 CI	HD-1508	KN-171C	FLSTF Fat Boy	96 CI	HD-1499	KN-171C
FLHTCUSE4 CVO Ultra Classic Electra Glide	110 CI	HD-1508	KN-171C	FLSTN Softail Deluxe	96 CI	HD-1499	KN-171C
FLHTCUTG Tri Glide Ultra Classic	103 CI	HD-1508	KN-171C	FLSTSB Softail Cross Bones	96 CI		KN-171C
FLHTP Electra Glide Police	103 CI	HD-1508	KN-171C	FLTR Road Glide	96 CI	HD-1508	KN-171C
FLHX Street Glide	96 CI	HD-1508	KN-171C	FXCW Rocker	96 CI	HD-1499	KN-171C
FLSTC Heritage Softail Classic	96 CI	HD-1499	KN-171C	FXCWC Rocker C	96 CI	HD-1499	KN-171C
FLSTF Fat Boy	96 CI	HD-1499	KN-171C	FXD Dyna Super Glide	96 CI	HD-9608	KN-171C

* 2 filters required

◆ Intake System Available - see page 84 +Cabin Air Filter Available - see page 453 1- Performance Silver Oil Filter Also Available



AIR & OIL FILTERS

HARLEY DAVIDSON

Vehicle	Engine Type	Air Filter	Oil Filter	Vehicle	Engine Type	Air Filter	Oil Filter
2008 HARLEY DAVIDSON				2007 HARLEY DAVIDSON			
FXDB Dyna Street Bob	96 CI	HD-9608	KN-171C	FXDC Super Glide Custom	96 CI	HD-1499	KN-171C
FXDC Super Glide Custom	96 CI	HD-9608	KN-171C	FXDL Dyna Low Rider	96 CI	HD-1499	KN-171C
FXDF Fat Bob	96 CI	HD-9608	KN-171C	FXDSE Screamin Eagle Dyna	110 CI		KN-171C
FXDL Dyna Low Rider	96 CI	HD-9608	KN-171C	FXDWG Dyna Wide Glide	96 CI	HD-1499	KN-171C
FXDSE2 Screamin Eagle Dyna	110 CI		KN-171C	FXST Softail Standard	96 CI	HD-1499	KN-171C
FXDWG Dyna Wide Glide	96 CI	HD-9608	KN-171C	FXSTB Night Train	96 CI	HD-1499	KN-171C
FXSTB Night Train	96 CI	HD-1499	KN-171C	FXSTC Softail Custom	96 CI	HD-1499	KN-171C
FXSTC Softail Custom	96 CI	HD-1499	KN-171C	FXSTD Softail Deuce	96 CI	HD-1499	KN-171C
FXSTSSE2 Screamin Eagle Softail Springer	110 CI		KN-171C	FXSTSSE Screamin Eagle Softail Springer	110 CI		KN-171C
VRSCAW V-Rod	69 CI	HD-1102	KN-174C	VRSCAW V-Rod	69 CI	HD-1102	KN-174C
VRSCD Night Rod	76 CI	HD-1102	KN-174C	VRSCD Night Rod	69 CI	HD-1102	KN-174C
VRSCDX Night Rod Special	76 CI	HD-1102	KN-174C	VRSCDX Night Rod Special	69 CI	HD-1102	KN-174C
XL883 Sportster	54 CI	HD-8834	KN-170C	VRSCR Street Rod	69 CI	HD-1102	
XL883C Sportster Custom	54 CI	HD-8834	KN-170C	VRSCX V-Rod	76 CI	HD-1102	KN-174C
XL883L Sportster Low	54 CI	HD-8834	KN-170C	XL50 50th Anniversary Sportster	74 CI	HD-8834	KN-170C
XL1200C Sportster Custom	74 CI	HD-8834	KN-170C	XL883 Sportster	54 CI	HD-8834	KN-170C
XL1200L Sportster Low	74 CI	HD-8834	KN-170C	XL883C Sportster Custom	54 CI	HD-8834	KN-170C
XL1200N Sportster Nightster	74 CI	HD-8834	KN-170C	XL883L Sportster Low	54 CI	HD-8834	KN-170C
XL1200R Sportster Roadster	74 CI	HD-8834	KN-170C	XL883R Sportster	54 CI	HD-8834	KN-170C
XR1200	74 CI	HD-1208		XL1200C Sportster Custom	74 CI	HD-8834	KN-170C
FLHR Road King	96 CI	HD-1499	KN-171C	XL1200L Sportster Low	74 CI	HD-8834	KN-170C
FLHRC Road King Classic	96 CI	HD-1499	KN-171C	XL1200N Sportster Nightster	74 CI	HD-8834	KN-170C
FLHRS Road King Custom	96 CI	HD-1499	KN-171C	XL1200R Sportster Roadster	74 CI	HD-8834	KN-170C
FLHRSE3 Screamin Eagle Road King	110 CI		KN-171C	XR1200	74 CI	HD-1208	
FLHT Electra Glide Standard	96 CI	HD-1499	KN-171C	FLHR Road King	88 CI	HD-1499	KN-171C
FLHTC Electra Glide Classic	96 CI	HD-1499	KN-171C	FLHRCI Road King Classic F/I	88 CI	HD-1499	KN-171C
FLHTCI Electra Glide Classic F/I	88 CI	HD-1499	KN-171C	FLHRS Road King Custom	88 CI	HD-1499	KN-171C
FLHTCU Ultra Classic Electra Glide	96 CI	HD-1499	KN-171C	FLHRSI Road King Custom F/I	88 CI	HD-1499	KN-171C
FLHTCUSE2 Screamin Eagle Ultra Classic Electra Gli	110 CI		KN-171C	FLHT Electra Glide Standard	88 CI	HD-1499	KN-171C
FLHTP Electra Glide Police	103 CI	HD-1499		FLHTC Electra Glide Classic F/I	88 CI	HD-1499	KN-171C
FLHX Street Glide	96 CI	HD-1499	KN-171C	FLHTCU Ultra Classic Electra Glide	96 CI	HD-1499	KN-171C
FLSTC Heritage Softail Classic	96 CI	HD-1499	KN-171C	FLHTCUI Electra Glide Ultra Classic F/I	88 CI	HD-1499	KN-171C
FLSTF Fat Boy	96 CI	HD-1499	KN-171C	FLHTCUSE Screamin Eagle Ultra Classic Electra Glid	103 CI	HD-1499	
FLSTN Softail Deluxe	96 CI	HD-1499	KN-171C	FLHTI Electra Glide Standard F/I	88 CI	HD-1499	KN-171C
FLSTSC Softail Springer Classic	96 CI	HD-1499	KN-171C	FLHX Street Glide	88 CI	HD-1499	KN-171C
FLTR Road Glide	96 CI	HD-1499	KN-171C	FLHXI Street Glide F/I	88 CI	HD-1499	KN-171C
FXD Dyna Super Glide	96 CI	HD-1499	KN-171C	FLST Heritage Softail	88 CI	HD-1499	KN-171C
FXDB Dyna Street Bob	96 CI	HD-1499	KN-171C	FLSTC Heritage Softail Classic	88 CI	HD-1499	
				FLSTCI Heritage Softail Classic F/I	88 CI	HD-1499	KN-171C
				FLSTF Fat Boy	88 CI	HD-1499	KN-171C
					96 CI		KN-171C

* 2 filters required ♦ Intake System Available - see page 84 + Cabin Air Filter Available - see page 453 1- Performance Silver Oil Filter Also Available



Vehicle	Engine Type	Air Filter	Oil Filter	Vehicle	Engine Type	Air Filter	Oil Filter
2006 HARLEY DAVIDSON				2005 HARLEY DAVIDSON			
FLSTFI Fat Boy F/I	88 CI	HD-1499	KN-171C	FLHRSI Road King	88 CI	HD-1499	KN-171C
FLSTI Heritage	88 CI	HD-1499	KN-171C	Custom F/I			
Softail F/I				FLHT Electra Glide	88 CI	HD-1499	KN-171C
FLSTN Softail Deluxe	88 CI	HD-1499	KN-171C	Standard			
FLSTNI Softail	88 CI	HD-1499	KN-171C	FLHTC Electra Glide	88 CI	HD-1499	KN-171C
Deluxe F/I				Classic			
FLSTSCI Softail	88 CI		KN-171C	FLHTCI Electra Glide	88 CI	HD-1499	KN-171C
Springer Classic F/I				Classic F/I			
FLTR Road Glide	88 CI		KN-171C	FLHTCSE2 Screamin	103 CI		KN-171C
FLTRI Road Glide F/I	88 CI	HD-1499	KN-171C	Eagle Electra Glide 2			
FXDBI Street Bob F/I	88 CI	HD-1499	KN-171C	FLHTCUI Electra	88 CI	HD-1499	KN-171C
FXDCI Dyna Super	88 CI	HD-1499	KN-171C	Glide Ultra Classic F/I			
Glide Custom F/I				FLHTI Electra Glide	88 CI	HD-1499	KN-171C
FXDI Dyna Super	88 CI	HD-1499	KN-171C	Standard F/I			
Glide F/I				FLSTC Heritage	88 CI	HD-1499	
FXDI35 35th Anniv.	88 CI	HD-1499	KN-171C	Softail Classic			
Super Glide F/I				FLSTCI Heritage	88 CI	HD-1499	KN-171C
FXDL Dyna Low	88 CI	HD-1499	KN-171C	Softail Classic F/I			
Rider				FLSTF Fat Boy	88 CI	HD-1499	KN-171C
FXDLI Dyna Low	88 CI	HD-1499	KN-171C		96 CI		KN-171C
Rider F/I				FLSTFI Fat Boy F/I	88 CI	HD-1499	KN-171C
FXDWG Dyna Wide	88 CI	HD-1499	KN-171C	FLSTFI Fat Boy F/I	95 CI	HD-0800	KN-171C
Glide				15th Anniv.			
FXDWGI Dyna Wide	88 CI	HD-1499	KN-171C	FLSTFSE Screamin	103 CI	HD-0800	KN-171C
Glide F/I				Eagle Fat Boy			
FXST Softail	88 CI	HD-1499	KN-171C	FLSTN Softail Deluxe	88 CI	HD-1499	KN-171C
Standard				FLSTNI Softail	88 CI	HD-1499	KN-171C
FXSTB Night Train	88 CI	HD-1499	KN-171C	Deluxe F/I			
FXSTBI Night Train	88 CI	HD-1499	KN-171C	FLSTSC Softail	88 CI	HD-1499	KN-171C
F/I				Springer Classic			
FXSTD Softail Deuce	88 CI	HD-1499	KN-171C	FLSTSCI Softail	88 CI	HD-1499	KN-171C
FXSTDI Softail Deuce	88 CI	HD-1499	KN-171C	Springer Classic F/I			
F/I				FLTR Road Glide	88 CI		KN-171C
FXSTI Softail	88 CI	HD-1499	KN-171C	FLTRI Road Glide F/I	88 CI	HD-1499	KN-171C
Standard F/I				FXD Dyna Super	88 CI	HD-1499	
FXSTSI Springer	88 CI	HD-1499	KN-171C	Glide			
Softail F/I				FXDCI Dyna Super	88 CI	HD-1499	KN-171C
VRSCA V-Rod	69 CI	HD-1102	KN-174C	Glide Custom F/I			
VRSCD Night Rod	69 CI	HD-1102	KN-174C	FXDI Dyna Super	88 CI	HD-1499	KN-171C
VRSCR Street Rod	69 CI	HD-1102	KN-174C	Glide F/I			
VRSCSE2 Screamin	76 CI	HD-1102	KN-174C	FXDL Dyna Low	88 CI	HD-1499	KN-171C
Eagle V-Rod				Rider			
XL883 Sportster	54 CI	HD-8834	KN-170C	FXDLI Dyna Low	88 CI	HD-1499	KN-171C
XL883C Sportster	54 CI	HD-8834	KN-170C	Rider F/I			
Custom				FXDWG Dyna Wide	88 CI	HD-1499	KN-171C
XL883L Sportster	54 CI	HD-8834	KN-170C	Glide			
Low				FXDWGI Dyna Wide	88 CI	HD-1499	KN-171C
XL883R Sportster	54 CI	HD-8834	KN-170C	Glide F/I			
XL1200C Sportster	74 CI	HD-8834	KN-170C	FXDXI Dyna Super	88 CI	HD-1499	KN-171C
Custom				Glide Sport F/I			
XL1200L Sportster	74 CI	HD-8834	KN-170C	FXST Softail	88 CI	HD-1499	KN-171C
Low				Standard			
XL1200R Sportster	74 CI	HD-8834	KN-170C	FXSTB Night Train	88 CI	HD-1499	KN-171C
Roadster				FXSTBI Night Train	88 CI	HD-1499	KN-171C
XLH883 Sportster	54 CI		KN-170C	F/I			
XLH883 Sportster	54 CI	HD-8834	KN-170C	FXSTD Softail Deuce	88 CI	HD-1499	KN-171C
Custom				FXSTDI Softail Deuce	88 CI	HD-1499	KN-171C
XLH883L Sportster	54 CI		KN-170C	F/I			
Low				FXSTI Softail	88 CI	HD-1499	KN-171C
XLH883R Sportster R	54 CI		KN-170C	Standard F/I			
FLHR Road King	88 CI	HD-1499	KN-171C	FXSTS Springer	88 CI	HD-1499	KN-171C
FLHRCI Road King	88 CI	HD-1499	KN-171C	Softail			
Classic F/I				FXSTSI Springer	88 CI	HD-1499	KN-171C
FLHRI Road King F/I	88 CI	HD-1499	KN-171C	Softail F/I			
FLHRS Road King	88 CI	HD-1499	KN-171C	VRSCA V-Rod	69 CI	HD-1102	KN-174C
Custom				VRSCB V-Rod	69 CI	HD-1102	KN-174C
				XL883 Sportster	54 CI	HD-8834	KN-170C

* 2 filters required

◆ Intake System Available - see page 84 +Cabin Air Filter Available - see page 453 1- Performance Silver Oil Filter Also Available



AIR & OIL FILTERS

HARLEY DAVIDSON

Vehicle	Engine Type	Air Filter	Oil Filter	Vehicle	Engine Type	Air Filter	Oil Filter
2005 HARLEY DAVIDSON				2004 HARLEY DAVIDSON			
XL883C Sportster Custom	54 CI	HD-8834	KN-170C	FXSTDSE2 Screamin Eagle Softail Duce 2	95 CI		KN-171C
XL883L Sportster Low	54 CI	HD-8834	KN-170C	FXSTI Softail Standard F/I	88 CI	HD-1499	KN-171C
XL883R Sportster	54 CI	HD-8834	KN-170C	FXSTS Springer Softail	88 CI	HD-1499	KN-171C
XL1200C Sportster Custom	74 CI	HD-8834	KN-170C	FXSTSI Springer Softail F/I	88 CI	HD-1499	KN-171C
XL1200R Sportster Roadster	74 CI	HD-8834	KN-170C	VRSCA V-Rod	69 CI	HD-1102	KN-174C
XLH883 Sportster	54 CI		KN-170C	VRSCB V-Rod	69 CI	HD-1102	KN-174C
XLH883 Sportster Custom	54 CI		KN-170C	XL883 Sportster	54 CI	HD-8834	KN-170C
XLH883L Sportster Low	54 CI		KN-170C	XL883C Sportster Custom	54 CI	HD-8834	KN-170C
FLHR Road King	88 CI	HD-1499	KN-171C	XL883L Sportster Low	54 CI		KN-170C
FLHRCI Road King Classic F/I	88 CI	HD-1499	KN-171C	XL883R Sportster	54 CI		KN-170C
FLHRI Road King F/I	88 CI	HD-1499	KN-171C	XL1200C Sportster Custom	74 CI	HD-8834	KN-170C
FLHRS Road King Custom	88 CI	HD-1499	KN-171C	XL1200R Sportster Roadster	74 CI	HD-8834	KN-170C
FLHRSI Road King Custom F/I	88 CI	HD-1499	KN-171C	XLH883 Sportster	54 CI		KN-170C
FLHT Electra Glide Standard	88 CI	HD-1499	KN-171C	XLH883 Sportster Custom	54 CI		KN-170C
FLHTC Electra Glide Classic	88 CI	HD-1499	KN-171C	FLHR Road King	88 CI	HD-1499	KN-171C
FLHTCI Electra Glide Classic F/I	88 CI	HD-1499	KN-171C	FLHRCI Road King Classic F/I	88 CI	HD-1499	KN-171C
FLHTCSE Screamin Eagle Electra Glide	103 CI		KN-171C	FLHRI Road King F/I	88 CI	HD-1499	KN-171C
FLHTCUI Electra Glide Ultra Classic F/I	88 CI	HD-1499	KN-171C	FLHT Electra Glide Standard	88 CI	HD-1499	KN-171C
FLHTI Electra Glide Standard F/I	88 CI	HD-1499	KN-171C	FLHTC Electra Glide Classic	88 CI	HD-1499	KN-171C
FLSTC Heritage Softail Classic	88 CI	HD-1499	KN-171C	FLHTCI Electra Glide Classic F/I	88 CI	HD-1499	KN-171C
FLSTCI Heritage Softail Classic F/I	88 CI	HD-1499	KN-171C	FLHTCSE Screamin Eagle Electra Glide	103 CI		KN-171C
FLSTF Fat Boy	88 CI	HD-1499	KN-171C	FLHTCUI Electra Glide Ultra Classic F/I	88 CI	HD-1499	KN-171C
	96 CI		KN-171C	FLHTI Electra Glide Standard F/I	88 CI	HD-1499	KN-171C
FLSTFI Fat Boy F/I	88 CI	HD-1499	KN-171C	FLSTC Heritage Softail Classic	88 CI	HD-1499	KN-171C
FLTR Road Glide	88 CI		KN-171C	FLHTI Electra Glide Standard F/I	88 CI	HD-1499	KN-171C
FLTRI Road Glide F/I	88 CI	HD-1499	KN-171C	FLHTSEI Screamin Eagle Road King F/I	103 CI		KN-171C
FXD Dyna Super Glide	88 CI	HD-1499		FLSTC Heritage Softail Classic	88 CI	HD-1499	KN-171C
FXDI Dyna Super Glide F/I	88 CI	HD-1499	KN-171C	FLSTCI Heritage Softail Classic F/I	88 CI	HD-1499	KN-171C
FXDL Dyna Low Rider	88 CI	HD-1499	KN-171C	FLSTF Fat Boy	88 CI	HD-1499	KN-171C
FXDLI Dyna Low Rider F/I	88 CI	HD-1499	KN-171C		96 CI		KN-171C
FXDWG Dyna Wide Glide	88 CI	HD-1499	KN-171C	FLSTFI Fat Boy F/I	88 CI	HD-1499	KN-171C
FXDWGI Dyna Wide Glide F/I	88 CI	HD-1499	KN-171C	FLSTS Heritage Springer	88 CI		KN-171C
FXDX Dyna Super Glide Sport	88 CI		KN-171C	FLSTSI Heritage Springer F/I	88 CI	HD-1499	KN-171C
FXDXI Dyna Super Glide Sport F/I	88 CI	HD-1499	KN-171C	FLTR Road Glide	88 CI		KN-171C
FXST Softail Standard	88 CI	HD-1499	KN-171C	FLTRI Road Glide F/I	88 CI	HD-1499	KN-171C
FXSTB Night Train	88 CI	HD-1499	KN-171C	FXD Dyna Super Glide	88 CI	HD-1499	KN-171C
FXSTBI Night Train F/I	88 CI	HD-1499	KN-171C	FXDL Dyna Low Rider	88 CI	HD-1499	KN-171C
FXSTD Softail Duce	88 CI	HD-1499	KN-171C	FXDWG Dyna Wide Glide	88 CI	HD-1499	KN-171C
FXSTDI Softail Duce F/I	88 CI	HD-1499	KN-171C	FXDX Dyna Super Glide Sport	88 CI	HD-1499	KN-171C
				FXST Softail Standard	88 CI	HD-1499	KN-171C
				FXSTB Night Train	88 CI	HD-1499	KN-171C
				FXSTBI Night Train F/I	88 CI	HD-1499	KN-171C
				FXSTD Softail Duce	88 CI	HD-1499	KN-171C
				FXSTDI Softail Duce F/I	88 CI	HD-1499	KN-171C

* 2 filters required ♦ Intake System Available - see page 84 +Cabin Air Filter Available - see page 453 1- Performance Silver Oil Filter Also Available



Vehicle	Engine Type	Air Filter	Oil Filter	Vehicle	Engine Type	Air Filter	Oil Filter
2003 HARLEY DAVIDSON				2002 HARLEY DAVIDSON			
FXSTD Softail Deuce	88 CI	HD-1499	KN-171C	XL883C Sportster Custom	54 CI	HD-1388	KN-170C
FXSTDI Softail Deuce F/I	88 CI	HD-1499	KN-171C	XL883R Sportster	54 CI	HD-1388	KN-170C
FXSTDSE Screamin Eagle Softail Deuce	95 CI		KN-171C	XL1200C Sportster Custom	74 CI	HD-1388	KN-170C
FXSTI Softail Standard F/I	88 CI	HD-1499	KN-171C	XL1200S Sportster Sport	74 CI	HD-1388	KN-170C
FXSTSI Springer Softail F/I	88 CI		KN-171C	XLH883 Sportster Custom	54 CI	HD-1388	KN-170C
VRSCA V-Rod	69 CI	HD-1102	KN-174C	XLH883 Sportster Hugger	54 CI	HD-1388	KN-170C
XL883C Sportster Custom	54 CI	HD-1388	KN-170C	XLH1200 Sportster	74 CI	HD-1388	KN-170C
XL883R Sportster	54 CI	HD-1388	KN-170C	FLHR Road King	88 CI	HD-1499	KN-171C
XL1200C Sportster Custom	74 CI	HD-1388	KN-170C	FLHRCI Road King Classic F/I	88 CI	HD-8899	KN-171C
XL1200S Sportster Sport	74 CI	HD-1388	KN-170C	FLHRI Electra Glide Road King F/I	88 CI	HD-8899	KN-171C
XLH883 Sportster	54 CI	HD-1388	KN-170C	FLHRI Road King F/I	88 CI	HD-8899	KN-171C
XLH883 Sportster Custom	54 CI	HD-1388	KN-170C	FLHT Electra Glide Standard	88 CI	HD-1499	KN-171C
XLH883 Sportster Hugger	54 CI	HD-1388	KN-170C	FLHTC Electra Glide Classic	88 CI	HD-1499	KN-171C
XLH1200 Sportster	73 CI	HD-1388	KN-170C	FLHTCI Electra Glide Classic F/I	88 CI	HD-8899	KN-171C
FLHR Road King	88 CI	HD-1499	KN-171C	FLHTCUI Electra Glide Ultra Classic F/I	88 CI	HD-8899	KN-171C
FLHRCI Road King Classic F/I	88 CI	HD-1499	KN-171C	FLSTC Heritage Softail Classic	88 CI	HD-1499	KN-171C
FLHRI Road King F/I	88 CI	HD-1499	KN-171C	FLSTCI Heritage Softail Classic F/I	88 CI	HD-8899	KN-171C
FLHT Electra Glide Standard	88 CI	HD-1499	KN-171C	FLSTF Fat Boy	88 CI	HD-1499	KN-171C
FLHTC Electra Glide Classic	88 CI	HD-1499	KN-171C	FLSTFI Fat Boy F/I	88 CI	HD-1499	KN-171C
FLHTCI Electra Glide Classic F/I	88 CI	HD-1499	KN-171C	FLSTS Heritage Springer	88 CI		KN-171C
FLHTCUI Electra Glide Ultra Classic F/I	88 CI	HD-1499	KN-171C	FLTR Road Glide	88 CI	HD-1499	KN-171C
FLSTC Heritage Softail Classic	88 CI	HD-1499	KN-171C	FLTRI Road Glide F/I	88 CI	HD-8899	KN-171C
FLSTCI Heritage Softail Classic F/I	88 CI	HD-1499	KN-171C	FLTRSEI2 Screamin Eagle Road Glide 2 F/I	95 CI	HD-0800	KN-171C
FLSTF Fat Boy	88 CI	HD-1499	KN-171C	FXD Dyna Super Glide	88 CI	HD-1499	KN-171C
FLSTFI Fat Boy F/I	88 CI	HD-1499	KN-171C	FXDL Dyna Low Rider	88 CI	HD-1499	KN-171C
FLTR Road Glide	88 CI	HD-1499	KN-171C	FXDWG Dyna Wide Glide	88 CI	HD-1499	KN-171C
FLTRI Road Glide F/I	88 CI	HD-1499	KN-171C	FXDX Dyna Super Glide Sport	88 CI	HD-1499	KN-171C
FXD Dyna Super Glide	88 CI	HD-1499	KN-171C	FXDXT Dyna Super Glide T-Sport	88 CI		KN-171C
FXDL Dyna Low Rider	88 CI	HD-1499	KN-171C	FXST Softail Standard	88 CI	HD-1499	KN-171C
FXDWG Dyna Wide Glide	88 CI	HD-1499	KN-171C	FXSTB Night Train	88 CI	HD-1499	KN-171C
FXDX Dyna Super Glide Sport	88 CI	HD-1499	KN-171C	FXSTBI Night Train F/I	88 CI	HD-1499	KN-171C
FXDXT Dyna Super Glide T-Sport	88 CI		KN-171C	FXSTD Softail Deuce	88 CI	HD-1499	KN-171C
FXST Softail Standard	88 CI	HD-1499	KN-171C	FXSTDI Softail Deuce F/I	88 CI	HD-1499	KN-171C
FXSTB Night Train	88 CI	HD-1499	KN-171C	FXSTI Softail Standard F/I	88 CI	HD-1499	KN-171C
FXSTBI Night Train F/I	88 CI		KN-171C	FXSTS Springer Softail	88 CI		KN-171C
FXSTD Softail Deuce	88 CI	HD-1499	KN-171C	XL1200C Sportster Custom	74 CI	HD-1388	KN-170C
FXSTDI Softail Deuce F/I	88 CI	HD-1499	KN-171C	XL1200S Sportster Sport	74 CI	HD-1388	KN-170C
FXSTI Softail Standard F/I	88 CI	HD-1499	KN-171C	XLH883 Sportster	54 CI	HD-1388	KN-170C
FXSTS Springer Softail	88 CI		KN-171C				
XL1200C Sportster Custom	74 CI	HD-1388	KN-170C				
XL1200S Sportster Sport	74 CI	HD-1388	KN-170C				
XLH883 Sportster	54 CI	HD-1388	KN-170C				

* 2 filters required

◆ Intake System Available - see page 84 + Cabin Air Filter Available - see page 453 1- Performance Silver Oil Filter Also Available



AIR & OIL FILTERS

HARLEY DAVIDSON

Vehicle	Engine Type	Air Filter	Oil Filter	Vehicle	Engine Type	Air Filter	Oil Filter
2001 HARLEY DAVIDSON				1999 HARLEY DAVIDSON			
XLH883 Sportster Custom	54 CI	HD-1388	KN-170C	FLSTC Heritage Softail Classic - Non-US	82 CI	HD-1396	
XLH883 Sportster Hugger	54 CI	HD-1388	KN-170C	FLSTF Fat Boy	82 CI	HD-1390	KN-170C
XLH1200 Sportster	74 CI	HD-1388	KN-170C	FLSTF Fat Boy - Non-US	82 CI	HD-1396	
FLHR Road King	88 CI	HD-1499	KN-171C	FLSTS Heritage Springer	82 CI	HD-1390	KN-170C
FLHRCI Road King Classic F/I	88 CI	HD-8899	KN-171C	FLTR Road Glide	88 CI	HD-1499	KN-171C
FLHRI Electra Glide Road King F/I	88 CI	HD-8899	KN-171C	FLTRI Road Glide F/I	88 CI	HD-8899	KN-171C
FLHRI Road King F/I	88 CI	HD-8899		FXD Dyna Super Glide	88 CI	HD-1499	KN-171C
FLHT Electra Glide Standard	88 CI	HD-1499	KN-171C	FXDL Dyna Low Rider	88 CI	HD-1499	KN-171C
FLHTC Electra Glide Classic	88 CI	HD-1499	KN-171C	FXDS Dyna Convertible	88 CI		KN-171C
FLHTCI Electra Glide Classic F/I	88 CI	HD-8899	KN-171C	FXDWG Dyna Wide Glide	88 CI	HD-1499	KN-171C
FLHTCUI Electra Glide Ultra Classic F/I	88 CI	HD-8899	KN-171C	FXDX Dyna Super Glide Sport	88 CI	HD-1499	KN-171C
FLSTC Heritage Softail Classic	88 CI	HD-1499	KN-171C	FXST Softail Standard	82 CI	HD-1390	
FLSTF Fat Boy	88 CI	HD-1499	KN-171C	FXSTB Night Train	82 CI	HD-1390	KN-170C
FLSTS Heritage Springer	88 CI	HD-1499	KN-171C	FXSTC Softail Custom	82 CI	HD-1390	KN-170C
FLTR Road Glide	88 CI		KN-171C	FXSTC Softail Custom - Non-US	82 CI	HD-1396	
FLTRI Road Glide F/I	88 CI	HD-8899	KN-171C	FXSTS Springer Softail	82 CI	HD-1390	KN-170C
FXD Dyna Super Glide	88 CI	HD-1499	KN-171C	FXSTS Springer Softail - Non-US	82 CI	HD-1396	
FXDL Dyna Low Rider	88 CI	HD-1499	KN-171C	XL53C Sportster Custom	54 CI		KN-170C
FXDS Dyna Convertible	88 CI	HD-1499	KN-171C	XL1200C Sportster Custom	74 CI	HD-1388	KN-170C
FXDWG Dyna Wide Glide	88 CI	HD-1499	KN-171C	XL1200S Sportster Sport	74 CI	HD-1388	KN-170C
FXDX Dyna Super Glide Sport	88 CI	HD-1499	KN-171C	XLH883 Sportster	54 CI	HD-1388	KN-170C
FXST Softail Standard	88 CI	HD-1499	KN-171C	XLH883 Sportster Custom	54 CI	HD-1388	KN-170C
FXSTB Night Train	88 CI	HD-1499	KN-171C	XLH883 Sportster Hugger	54 CI	HD-1388	KN-170C
FXSTC Softail Custom	82 CI		KN-171C	XLH1200 Sportster	74 CI	HD-1388	KN-170C
FXSTD Softail Deuce	88 CI	HD-1499	KN-171C	FLHR Road King	82 CI	HD-1390	KN-170C
FXSTS Springer Softail	88 CI	HD-1499	KN-171C	FLHRI Electra Glide Road King F/I	82 CI	HD-1395	
XL1200C Sportster Custom	74 CI	HD-1388	KN-170C	FLHT Electra Glide	82 CI		KN-170C
XL1200S Sportster Sport	74 CI	HD-1388	KN-170C	FLHT Electra Glide - Non-US	82 CI	HD-1396	
XLH883 Sportster	54 CI	HD-1388	KN-170C	FLHT Electra Glide Standard	82 CI	HD-1390	KN-170C
XLH883 Sportster Custom	54 CI	HD-1388	KN-170C	FLHTC Electra Glide Classic	82 CI	HD-1390	KN-170C
XLH883 Sportster Hugger	54 CI	HD-1388	KN-170C	FLHTC Electra Glide Classic - Non-US	82 CI	HD-1396	
XLH1200 Sportster	74 CI	HD-1388	KN-170C	FLHTCI Electra Glide Classic F/I	82 CI	HD-1395	KN-170C
FLHR Road King	88 CI	HD-1499	KN-171C	FLHTCUI Electra Glide Ultra Classic F/I	82 CI	HD-1395	KN-170C
FLHRCI Road King Classic F/I	88 CI	HD-8899	KN-171C	FLSTC Heritage Softail Classic	82 CI	HD-1390	KN-170C
FLHT Electra Glide Standard	88 CI	HD-1499	KN-171C	FLSTC Heritage Softail Classic - Non-US	82 CI	HD-1396	
FLHTC Electra Glide Classic	88 CI	HD-1499	KN-171C	FLSTF Fat Boy	82 CI	HD-1390	KN-170C
FLHTCI Electra Glide Classic F/I	88 CI	HD-8899	KN-171C	FLSTF Fat Boy - Non-US	82 CI	HD-1396	
FLHTCUI Electra Glide Ultra Classic F/I	88 CI	HD-8899	KN-171C				
FLSTC Heritage Softail Classic	82 CI	HD-1390	KN-170C				

* 2 filters required

◆ Intake System Available - see page 84 +Cabin Air Filter Available - see page 453 1- Performance Silver Oil Filter Also Available



Vehicle	Engine Type	Air Filter	Oil Filter	Vehicle	Engine Type	Air Filter	Oil Filter
1998 HARLEY DAVIDSON				1997 HARLEY DAVIDSON			
FLSTN Heritage Softail Special	82 CI		KN-170C	FLSTS Heritage Springer	82 CI	HD-1390	KN-170C
FLSTS Heritage Springer	82 CI	HD-1390	KN-170C	FXD Dyna Super Glide	82 CI	HD-1390	KN-173C
FLTR Road Glide	82 CI		KN-170C	FXD Dyna Super Glide - Non-US	82 CI	HD-1396	
FLTRI Road Glide F/I	82 CI	HD-1395	KN-170C	FXDL Dyna Low Rider	82 CI	HD-1390	KN-173C
FXD Dyna Super Glide	82 CI	HD-1390	KN-173C	FXDL Dyna Low Rider - Non-US	82 CI	HD-1396	
FXD Dyna Super Glide - Non-US	82 CI	HD-1396		FXDS Dyna Convertible	82 CI	HD-1390	KN-173C
FXDL Dyna Low Rider	82 CI	HD-1390	KN-173C	FXDWG Dyna Wide Glide	82 CI	HD-1390	KN-173C
FXDL Dyna Low Rider - Non-US	82 CI	HD-1396		FXDWG Dyna Wide Glide - Non-US	82 CI	HD-1396	
FXDS Dyna Convertible	82 CI	HD-1390	KN-173C	FXSTC Softail Custom	82 CI	HD-1390	KN-170C
FXDS Dyna Convertible - Non-US	82 CI	HD-1396		FXSTC Softail Custom - Non-US	82 CI	HD-1396	
FXDWG Dyna Wide Glide	82 CI	HD-1390	KN-173C	FXSTS Springer Softail	82 CI	HD-1390	KN-170C
FXDWG Dyna Wide Glide - Non-US	82 CI	HD-1396		FXSTS Springer Softail - Non-US	82 CI	HD-1396	
FXSTC Softail Custom	82 CI	HD-1390	KN-170C	XL1200C Sportster Custom	74 CI	HD-1388	KN-170C
FXSTC Softail Custom - Non-US	82 CI	HD-1396		XL1200S Sportster Sport	74 CI	HD-1388	KN-170C
FXSTS Springer Softail	82 CI	HD-1390	KN-170C	XLH883 Sportster	54 CI	HD-1388	KN-170C
FXSTS Springer Softail - Non-US	82 CI	HD-1396		XLH883 Sportster Hugger	54 CI	HD-1388	KN-170C
XL1200C Sportster Custom	74 CI	HD-1388	KN-170C	XLH1200 Sportster	74 CI	HD-1388	KN-170C
XL1200S Sportster Sport	74 CI	HD-1388	KN-170C	FLHR Road King	82 CI	HD-1390	KN-170C
XLH883 Sportster	54 CI	HD-1388	KN-170C	FLHR Road King - Non-US	82 CI	HD-1396	
XLH883 Sportster Hugger	54 CI	HD-1388	KN-170C	FLHRI Electra Glide Road King F/I	82 CI	HD-1395	KN-171C
XLH1200 Sportster	74 CI	HD-1388	KN-170C	FLHT Electra Glide Standard	82 CI	HD-1396	KN-170C
FLHR Road King	82 CI	HD-1390	KN-170C	FLHTC Electra Glide Classic	82 CI	HD-1390	KN-170C
FLHR Road King - Non-US	82 CI	HD-1396		FLHTC Electra Glide Classic - Non-US	82 CI	HD-1396	
FLHRI Electra Glide Road King F/I	82 CI	HD-1395		FLHTCU Electra Glide Ultra Classic	82 CI	HD-1390	KN-170C
FLHT Electra Glide Standard	82 CI	HD-1390	KN-170C	FLHTCU Electra Glide Ultra Classic - Non-US	82 CI	HD-1396	
FLHT Electra Glide Standard	82 CI	HD-1390	KN-170C	FLHTCUI Electra Glide Ultra Classic F/I	82 CI	HD-1395	KN-170C
FLHTC Electra Glide Classic	82 CI	HD-1390	KN-170C	FLSTC Heritage Softail Classic	82 CI	HD-1390	KN-170C
FLHTC Electra Glide Classic - Non-US	82 CI	HD-1396		FLSTC Heritage Softail Classic - Non-US	82 CI	HD-1396	
FLHTCU Electra Glide Ultra Classic	82 CI	HD-1390	KN-170C	FLSTF Fat Boy	82 CI	HD-1390	KN-170C
FLHTCU Electra Glide Ultra Classic - Non-US	82 CI	HD-1396		FLSTF Fat Boy - Non-US	82 CI	HD-1396	
FLHTCUI Electra Glide Ultra Classic F/I	82 CI	HD-1395	KN-170C	FLSTN Heritage Softail Special	82 CI	HD-1390	KN-170C
FLSTC Heritage Softail Classic	82 CI	HD-1390	KN-170C	FLSTN Heritage Softail Special - Non-US	82 CI	HD-1396	
FLSTC Heritage Softail Classic - Non-US	82 CI	HD-1396		FLSTF Fat Boy	82 CI	HD-1390	KN-170C
FLSTF Fat Boy	82 CI	HD-1390	KN-170C	FLSTF Fat Boy - Non-US	82 CI	HD-1396	
FLSTF Fat Boy - Non-US	82 CI	HD-1396		FXD Dyna Super Glide	82 CI	HD-1390	KN-173C

* 2 filters required

◆ Intake System Available - see page 84 +Cabin Air Filter Available - see page 453 1- Performance Silver Oil Filter Also Available



AIR & OIL FILTERS

HARLEY DAVIDSON

Vehicle	Engine Type	Air Filter	Oil Filter	Vehicle	Engine Type	Air Filter	Oil Filter
1996 HARLEY DAVIDSON				1995 HARLEY DAVIDSON			
FXD Dyna Super Glide - Non-US	82 CI	HD-1396		FXDWG Dyna Wide Glide	82 CI	HD-1390	KN-173C
FXDL Dyna Low Rider	82 CI	HD-1390	KN-173C	FXDWG Dyna Wide Glide - Non-US	82 CI	HD-1396	
FXDL Dyna Low Rider - Non-US	82 CI	HD-1396		FXSTC Softail Custom	82 CI	HD-1390	KN-170C
FXDS Dyna Convertible	82 CI	HD-1390	KN-173C	FXSTC Softail Custom - Non-US	82 CI	HD-1396	
FXDS Dyna Convertible - Non-US	82 CI	HD-1396		FXSTS Springer Softail	82 CI	HD-1390	KN-170C
FXDWG Dyna Wide Glide	82 CI	HD-1390	KN-173C	FXSTSB Bad Boy	82 CI	HD-1390	
FXDWG Dyna Wide Glide - Non-US	82 CI	HD-1396		FXSTSB Bad Boy - Non-US	82 CI	HD-1396	
FXSTC Softail Custom	82 CI	HD-1390	KN-170C	XLH883 Sportster	54 CI	HD-1388	KN-170C
FXSTC Softail Custom - Non-US	82 CI	HD-1396		XLH883 Sportster Deluxe	54 CI	HD-1388	KN-170C
FXSTS Springer Softail	82 CI	HD-1390	KN-170C	XLH883 Sportster Hugger	54 CI	HD-1388	KN-170C
FXSTSB Bad Boy	82 CI		KN-170C	XLH1200 Sportster	74 CI	HD-1388	KN-170C
XL1200C Sportster Custom	74 CI	HD-1388	KN-170C	FLHTC Electra Glide Classic	82 CI	HD-1390	KN-170C
XL1200S Sportster Sport	74 CI	HD-1388	KN-170C	FLHTCU Electra Glide Ultra Classic	82 CI	HD-1390	KN-170C
XLH883 Sportster	54 CI	HD-1388	KN-170C	FLSTC Heritage Softail Classic	82 CI	HD-1390	KN-170C
XLH883 Sportster Hugger	54 CI	HD-1388	KN-170C	FLSTF Fat Boy	82 CI	HD-1390	KN-170C
XLH1200 Sportster	74 CI	HD-1388	KN-170C	FXDL Dyna Low Rider	82 CI	HD-1390	KN-173C
1995 HARLEY DAVIDSON				FXDS Dyna Low Rider Conv.	82 CI	HD-1390	
FLHR Road King	82 CI	HD-1390		FXDWG Dyna Wide Glide	82 CI	HD-1390	KN-173C
FLHR Road King - Non-US	82 CI	HD-1396		FXMLR Low Rider Custom	82 CI		KN-170C
FLHT Electra Glide Standard	82 CI	HD-1390	KN-170C	FXR Super Glide	82 CI		KN-170C
FLHTC Electra Glide Classic	82 CI	HD-1390	KN-170C	FXRS Low Rider	82 CI		KN-170C
FLHTC Electra Glide Classic - Non-US	82 CI	HD-1396		FXRS Low Rider Conv.	82 CI		KN-170C
FLHTCU Electra Glide Ultra Classic	82 CI	HD-1390	KN-170C	FXSTC Softail Custom	82 CI	HD-1390	KN-170C
FLHTCU Electra Glide Ultra Classic - Non-US	82 CI	HD-1396		FXSTS Springer Softail	82 CI		KN-170C
FLHTCUI Electra Glide Ultra Classic F/I	82 CI		KN-170C	XLH883 Sportster	54 CI	HD-1388	KN-170C
FLSTC Heritage Softail Classic	82 CI	HD-1390	KN-170C	XLH883 Sportster Deluxe	54 CI	HD-1388	KN-170C
FLSTC Heritage Softail Classic - Non-US	82 CI	HD-1396		XLH883 Sportster Hugger	54 CI	HD-1388	KN-170C
FLSTF Fat Boy	82 CI	HD-1390	KN-170C	XLH1200 Sportster	74 CI	HD-1388	KN-170C
FLSTF Fat Boy - Non-US	82 CI	HD-1396		FLHS Electra Glide Sport	82 CI	HD-1390	KN-170C
FLSTN Heritage Softail Nostalgia	82 CI	HD-1390		FLHTC Electra Glide Classic	82 CI	HD-1390	KN-170C
FLSTN Heritage Softail Special	82 CI		KN-170C	FLHTCU Electra Glide Ultra Classic	82 CI	HD-1390	KN-170C
FXD Dyna Super Glide	82 CI	HD-1390		FLHTCU Electra Glide Ultra Classic Annv.	82 CI	HD-1390	KN-170C
FXD Dyna Super Glide - Non-US	82 CI	HD-1396		FLSTC Heritage Softail Classic	82 CI	HD-1390	KN-170C
FXDL Dyna Low Rider	82 CI	HD-1390	KN-173C	FLSTF Fat Boy	82 CI	HD-1390	KN-170C
FXDL Dyna Low Rider - Non-US	82 CI	HD-1396		FLSTN Heritage Softail Nostalgia	82 CI	HD-1390	
				FXDL Dyna Low Rider	82 CI	HD-1390	KN-173C
				FXDWG Dyna Wide Glide	82 CI	HD-1390	KN-173C

* 2 filters required

◆ Intake System Available - see page 84 +Cabin Air Filter Available - see page 453 1- Performance Silver Oil Filter Also Available



Vehicle	Engine Type	Air Filter	Oil Filter	Vehicle	Engine Type	Air Filter	Oil Filter
1993 HARLEY DAVIDSON				1990 HARLEY DAVIDSON			
FXLR Low Rider Custom Annv.	82 CI		KN-170C	FLHTCU Electra Glide Ultra Classic	82 CI	HD-1390	KN-170C
FXR Super Glide	82 CI	HD-1390	KN-170C	FLST Heritage Softail	82 CI	HD-1390	KN-170C
FXRS Low Rider Conv.	82 CI	HD-1390	KN-170C	FLSTC Heritage Softail Classic	82 CI	HD-1390	KN-170C
FXSTC Softail Custom	82 CI	HD-1390	KN-170C	FLSTF Fat Boy	82 CI		KN-170C
XLH883 Sportster	54 CI	HD-1388	KN-170C	FXR Super Glide	82 CI	HD-1390	KN-170C
XLH883 Sportster Deluxe	54 CI	HD-1388	KN-170C	FXRS Low Rider Conv.	82 CI		KN-170C
XLH883 Sportster Hugger	54 CI	HD-1388	KN-170C	FXST Softail Custom	82 CI	HD-1390	KN-170C
XLH1200 Sportster	74 CI	HD-1388	KN-170C	FXSTC Softail Custom	82 CI	HD-1390	KN-170C
FLHS Electra Glide Sport	82 CI		KN-170C	XLH883 Sportster Deluxe	54 CI	HD-1388	KN-170C
FLHTC Electra Glide Classic	82 CI	HD-1390	KN-170C	XLH883 Sportster Hugger	54 CI	HD-1388	KN-170C
FLHTCU Electra Glide Ultra Classic	82 CI		KN-170C	XLH1200 Sportster	74 CI	HD-1388	KN-170C
FLSTC Heritage Softail Classic	82 CI	HD-1390	KN-170C	FLHS Electra Glide Sport	82 CI		KN-170C
FLSTF Fat Boy	82 CI	HD-1390	KN-170C	FLHTC Electra Glide Classic	82 CI	HD-2086	KN-170C
FXDC Dyna Glide Custom	82 CI	HD-1390	KN-173C	FLHTCU Electra Glide Ultra Classic	82 CI	HD-2086	KN-170C
FXR Super Glide	82 CI	HD-1390	KN-170C	FLSTC Heritage Softail Classic	82 CI		KN-170C
FXRS Low Rider	82 CI		KN-170C	FXR Super Glide	82 CI	HD-2086	KN-170C
FXRS Low Rider Conv.	82 CI	HD-1390	KN-170C	FXRS Low Rider	82 CI		KN-170C
FXSTC Softail Custom	82 CI	HD-1390	KN-170C	FXRS Low Rider Conv.	82 CI	HD-2086	KN-170C
FXSTS Springer Softail	82 CI	HD-1390	KN-170C	FXSTC Softail Custom	82 CI	HD-2086	KN-170C
XLH883 Sportster	54 CI	HD-1388	KN-170C	XLH883 Sportster	54 CI	HD-1388	KN-170C
XLH883 Sportster Deluxe	54 CI	HD-1388	KN-170C	XLH883 Sportster Deluxe	54 CI	HD-1388	KN-170C
XLH883 Sportster Hugger	54 CI	HD-1388	KN-170C	XLH883 Sportster Hugger	54 CI	HD-1388	KN-170C
XLH1200 Sportster	74 CI	HD-1388	KN-170C	XLH1200 Sportster	74 CI	HD-1388	KN-170C
1991 HARLEY DAVIDSON				1988 HARLEY DAVIDSON			
FLHS Electra Glide Sport	82 CI		KN-170C	FLHTC Electra Glide Classic	82 CI		KN-170C
FLHTC Electra Glide Classic	82 CI	HD-1390	KN-170C	FLST Heritage Softail	82 CI		KN-170C
FLHTCU Electra Glide Ultra Classic	82 CI		KN-170C	FLSTC Heritage Softail Classic	82 CI		KN-170C
FLSTC Heritage Softail Classic	82 CI	HD-1390	KN-170C	FXR Super Glide	82 CI		KN-170C
FLSTF Fat Boy	82 CI	HD-1390	KN-170C	FXRS Low Rider	82 CI		KN-170C
FXR Super Glide	82 CI	HD-1390	KN-170C	FXRS Low Rider Sport	82 CI	HD-2086	
FXRS Low Rider	82 CI		KN-170C	FXSTC Softail Custom	82 CI		KN-170C
FXRS Low Rider Conv.	82 CI	HD-1390	KN-170C	XLH883 Sportster	54 CI	HD-1388	KN-170C
FXSTC Softail Custom	82 CI	HD-1390	KN-170C	XLH883 Sportster Deluxe	54 CI	HD-1388	KN-170C
FXSTS Springer Softail	82 CI		KN-170C	XLH883 Sportster Hugger	54 CI	HD-1388	KN-170C
XLH883 Sportster	54 CI	HD-1388	KN-170C	XLH1200 Sportster	74 CI		KN-170C
XLH883 Sportster Deluxe	54 CI	HD-1388	KN-170C	FLHTC Electra Glide Classic	82 CI	HD-2086	KN-170C
XLH883 Sportster Hugger	54 CI	HD-1388	KN-170C	FLST Heritage Softail	82 CI		KN-170C
XLH1200 Sportster	74 CI	HD-1388	KN-170C	FXLR Low Rider Custom	82 CI	HD-2086	KN-170C
FLHS Electra Glide Sport	82 CI	HD-1390	KN-170C	FXR Super Glide	82 CI		KN-170C
FLHTC Electra Glide Classic	82 CI	HD-1390	KN-170C	FXST Softail	82 CI		KN-170C
				FXSTC Softail Custom	82 CI	HD-2086	KN-170C

* 2 filters required

◆ Intake System Available - see page 84 +Cabin Air Filter Available - see page 453 1- Performance Silver Oil Filter Also Available



AIR & OIL FILTERS

HARLEY DAVIDSON

Vehicle	Engine Type	Air Filter	Oil Filter
1987 HARLEY DAVIDSON			
XLH883 Sportster	54 CI	HD-2085	KN-170C
XLH883 Sportster Deluxe	54 CI	HD-2085	KN-170C
XLH883 Sportster Hugger F/I	54 CI	HD-2085	KN-170C
XLH1100 Sportster	67 CI		KN-170C
FLHTC Electra Glide Classic	82 CI		KN-170C
FLST Heritage Softail	82 CI	HD-2086	
FLSTC Heritage Softail Classic	82 CI		KN-170C
FXR Super Glide	82 CI		KN-170C
FXRS Low Rider Sport	82 CI	HD-2086	
XLH883 Sportster	54 CI	HD-2085	KN-170C
XLH883 Sportster Deluxe	54 CI	HD-2085	KN-170C
XLH1000 Sportster	61 CI		KN-170C
XLH1100 Sportster	67 CI		KN-170C
1985 HARLEY DAVIDSON			
FLHT Electra Glide	82 CI		KN-170C
FLHTC Electra Glide Classic	82 CI		KN-170C
FXEF Super Glide Fat Bob	82 CI		KN-172C
FXR Super Glide	82 CI		KN-170C
FXRS Low Glide	82 CI	HD-2084	
FXST Softail	82 CI		KN-170C
FXWG Wide Glide	82 CI		KN-172C
XL1000 Sportster	61 CI - from late 1984		KN-170C
XLH1000 Sportster	61 CI	HD-2076	
FLH Electra Glide	82 CI	HD-2084	KN-172C
FLH Electra Glide Special	82 CI	HD-2084	
FXST Softail	82 CI		KN-170C
FXWG Wide Glide	82 CI		KN-172C
XLH1000 Sportster	61 CI	HD-2076	
XR1000 Cafe Racer	61 CI - Req Both Filters, w/o Vent	RU-1370	
XR1000 Cafe Racer	61 CI - Req Both Filters, w/Vent	RU-1371	
1983 HARLEY DAVIDSON			
FXWG Wide Glide	82 CI		KN-172C
XLH883	54 CI		KN-172C
XLH1000 Sportster	61 CI	HD-2076	
XR1000 Cafe Racer	61 CI - Req Both Filters, w/o Vent	RU-1370	
FLH Electra Glide	82 CI		KN-172C
FXR Super Glide II	82 CI		KN-170C
XLH1000 Sportster	61 CI	HD-2078	
XLH1100 Sportster	67 CI		KN-172C
XLS1000 Roadster	61 CI		KN-172C
1981 HARLEY DAVIDSON			
FXS Low Rider	82 CI	HD-2078	
XLH1000 Sportster	61 CI	HD-2078	
1980 HARLEY DAVIDSON			
FLH Electra Glide Classic	82 CI	HD-2078	
FLT	82 CI		KN-170C
FLT80 Tour Glide	82 CI	HD-2078	KN-170C
FLTC Tour Glide Classic	82 CI		KN-170C
XLH1000 Sportster	61 CI	HD-2078	

Vehicle	Engine Type	Air Filter	Oil Filter
1980 HARLEY DAVIDSON			
XLH1200 Sportster	74 CI		KN-172C
XLS1000 Roadster	61 CI		KN-172C
1979 HARLEY DAVIDSON			
FLH Electra Glide Classic	82 CI	HD-2078	
XLH1000 Sportster	61 CI	HD-2078	
1978 HARLEY DAVIDSON			
FLH Electra Glide	74 CI	HD-2075	KN-178
FXE Super Glide	74 CI - Early Models	HD-2076	
FXS Low Rider	74 CI	HD-2076	
XLCH1000 Sportster	61 CI	HD-2076	
XLH1000 Sportster	61 CI	HD-2076	
1977 HARLEY DAVIDSON			
FLH Electra Glide	74 CI	HD-2075	KN-178
FLH Electra Glide Classic	74 CI	HD-2075	
FXE Super Glide	74 CI	HD-2076	
FXS Low Rider	74 CI	HD-2076	
XLCH1000 Sportster	61 CI	HD-2076	
XLH1000 Sportster	61 CI	HD-2076	KN-178
1976 HARLEY DAVIDSON			
FLH Electra Glide	74 CI	HD-2075	KN-178
FXE Super Glide	74 CI	HD-2076	
XLCH1000 Sportster	61 CI	HD-2076	
XLH1000 Sportster	61 CI	HD-2076	
1975 HARLEY DAVIDSON			
FLH Electra Glide	74 CI	HD-0200	
XLCH1000 Sportster	61 CI	HD-2075	
XLH1000 Sportster	61 CI	HD-2075	
1974 HARLEY DAVIDSON			
FLH Electra Glide	74 CI	HD-0200	
1973 HARLEY DAVIDSON			
FLH Electra Glide	74 CI	HD-0200	
SR100	100	HD-0300	
1971 HARLEY DAVIDSON			
FLH Electra Glide	74 CI	HD-0200	
1970 HARLEY DAVIDSON			
FLH Electra Glide	74 CI	HD-0200	
1967 HARLEY DAVIDSON			
FX 74ci models	74 CI	HD-0200	
1955 HARLEY DAVIDSON			
74ci V-Twin	74 CI - OHV	E-2470	
1954 HARLEY DAVIDSON			
45ci V-Twin	45 CI - Flat Head	E-2470	
1946 HARLEY DAVIDSON			
45ci V-Twin	45 CI - Flat Head	E-2470	
1941 HARLEY DAVIDSON			
45ci V-Twin	45 CI - Flat Head	E-2470	
2017 HONDA			
Accord	2.4L L4 F/I	33-2498 ♦	HP-1010 ¹
Accord	3.5L V6 F/I	33-2499 ♦	HP-1010 ¹
Accord Hybrid	2.0L L4 F/I	33-5006	HP-1010 ¹
Civic	1.5L L4 F/I	33-5044	HP-1010 ¹
Civic	2.0L L4 F/I	33-5045	HP-1010 ¹
Civic IX	1.6L L4 DSL	33-3012	
Civic IX	1.8L L4 F/I	33-2468	

* 2 filters required ♦ Intake System Available - see page 84 +Cabin Air Filter Available - see page 453 1- Performance Silver Oil Filter Also Available



Vehicle	Engine Type	Air Filter	Oil Filter	Vehicle	Engine Type	Air Filter	Oil Filter
2017 HONDA				2016 HONDA			
Civic IX Type R	2.0L L4 F/I	33-3058	HP-1010 ¹	CBR1000RR SP	999	HA-1008	KN-204
Civic Type R	2.0L L4 F/I	33-3058	HP-1010 ¹	Repsol Edition			
Civic X	1.6L L4 DSL	33-3012		CBR1000RR SP	999 - Race Specific	HA-1008R	KN-204
CRF150F	150	HA-1503		Repsol Edition			
CRF150R	150	HA-1507		City	1.5L L4 DSL	33-3038	
CRF230F	230	HA-1503		Civic	1.5L L4 F/I	33-5044 ♦	HP-1010 ¹
CRF250R	250	HA-4513XD		Civic	2.0L L4 F/I	33-5045	HP-1010 ¹
CRF250X	249	HA-2505XD				33-5045 ♦	HP-1010 ¹
CRF450X	449	HA-2505XD		Civic IX	1.6L L4 DSL	33-3012	
Fit	1.5L L4 F/I	33-5027	HP-1010 ¹	Civic IX	1.8L L4 F/I	33-2468	
Grom 125	125	HA-1313		Civic IX Type R	2.0L L4 F/I	33-3058	
HR-V	1.5L L4 F/I	33-5027+		Civic Type R	2.0L L4 F/I	33-3058	
HR-V	1.8L L4 F/I	33-5037+	HP-1010 ¹	CRF150F	150	HA-1503	
Jazz	1.3L L4 F/I	33-5027		CRF150R	150	HA-1507	KN-116
Pilot	3.5L V6 F/I		HP-1010 ¹	CRF150R Expert	150	HA-1507	KN-116
Ridgeline	3.5L V6 F/I	33-5041	HP-1010 ¹	CRF230F	230	HA-1503	
SXS500M2 Pioneer	475	HA-5015		CRF250L	250	HA-2513	
SXS700M2 Pioneer	675	HA-5000		CRF250M	250	HA-2513	
SXS700M4 Pioneer	675	HA-5000		CRF250R	250	HA-4513XD	KN-116
700-4				CRF250X	249	HA-2505XD	KN-116
TRX250X	250	HA-2501		CRF450R	449	HA-4513XD	KN-116
TRX420FA2 FourTrax	420	HA-5000		CRF450X	449	HA-2505XD	KN-116
Rancher 4x4 AT DCT				CRF1000L Africa	998		KN-204
w/EPS				Twin			
TRX420FA5 FourTrax	420	HA-5000		CRF1000L Africa	998		KN-204
Rancher 4x4 Auto				Twin ABS			
DCT IRS				CRF1000L Africa	998		KN-204
TRX420FA6 FourTrax	420	HA-5000		Twin DCT			
Rancher 4x4 Auto				CR-V	2.4L L4 F/I	33-5031+	HP-1010 ¹
DCT IRS EPS				CR-Z	1.5L L4 F/I	33-2459 ♦	HP-1010 ¹
TRX420FE1 FourTrax	420	HA-5000		CTX700 DCT ABS	670	HA-7012	KN-204
Rancher 4x4 ES				CTX700N DCT ABS	670	HA-7012	KN-204
TRX420FM1	420	HA-5000		Fit	1.5L L4 F/I	33-5027+	HP-1010 ¹
FourTrax Rancher				GL1800 Gold Wing	1832	HA-1801	
4x4				Airbag			
TRX420TM1	420	HA-5000		GL1800B Gold Wing	1832	HA-1801	KN-204
FourTrax Rancher				F6B			
TRX680FA Rincon	680	HA-6806		GL1800B Gold Wing	1832	HA-1801	KN-204
XR650L	650	HA-6592		F6B Deluxe			
2016 HONDA				GL1800HPNM Gold	1832	HA-1801	KN-204
Accord	2.4L L4 F/I	33-2498 ♦♦	HP-1010 ¹	Wing ACN XM ABS			
Accord	3.5L V6 F/I	33-2499 ♦♦	HP-1010 ¹	HR-V	1.5L L4 F/I	33-5027+	
Amaze	1.5L L4 DSL	33-3038		HR-V	1.8L L4 F/I	33-5037+	HP-1010 ¹
CB300F	286	HA-2511	KN-112	Jazz	1.3L L4 F/I	33-5027	
CB500F	471	HA-5013	KN-204	MSX125	125	HA-1313	
CB500F ABS	471	HA-5013	KN-204	NC700X	670	HA-7012	KN-204
CB500X	471	HA-5013	KN-204	NC700X DCT ABS	670	HA-7012	KN-204
CB500X ABS	471	HA-5013	KN-204	NC750X	745	HA-7012	KN-204
CB650F	649	HA-6414	KN-204	NPS50 Ruckus	49	HA-0502	
CB1000R	998	HA-1009	KN-204	NSS300A Forza ABS	279	HA-2714	
CB1100	1140	HA-1301	KN-204	Odyssey	3.5L V6 F/I	33-2461+	HP-1010 ¹
CBR125R	125	HA-1502		Pilot	3.5L V6 F/I	33-5041+	HP-1010 ¹
CBR300R	286	HA-2511	KN-112	S660	0.7L L3 F/I	33-3056	
CBR300R ABS	286	HA-2511	KN-112	SH125i	125	HA-1513	
CBR500R	471	HA-5013	KN-204	SH150i	153	HA-1513	
CBR500R ABS	471	HA-5013	KN-204	SXS10M3 Pioneer	999		KN-114
CBR600RR	599	HA-6007	KN-204	SXS10M3P Pioneer	999		KN-114
CBR600RR	599 - Race Specific	HA-6007R	KN-204	SXS10M5D Pioneer	999		KN-114
CBR600RR ABS	599	HA-6007	KN-204	SXS10M5P Pioneer	999		KN-114
CBR600RR ABS	599 - Race Specific	HA-6007R	KN-204	SXS500M2 Pioneer	475	HA-5015	KN-113
CBR650F	649	HA-6414	KN-204	SXS700M2 Pioneer	675	HA-5000	KN-111
CBR650F ABS	649	HA-6414	KN-204	SXS700M4 Pioneer	675	HA-5000	KN-111
CBR1000RR	999	HA-1008	KN-204	700-4			
CBR1000RR	999 - Race Specific	HA-1008R	KN-204	TRX250X	250	HA-2501	

* 2 filters required

♦ Intake System Available - see page 84 +Cabin Air Filter Available - see page 453 1- Performance Silver Oil Filter Also Available



AIR & OIL FILTERS

HONDA

Vehicle	Engine Type	Air Filter	Oil Filter	Vehicle	Engine Type	Air Filter	Oil Filter
2016 HONDA				2015 HONDA			
TRX420FA1 FourTrax 420 Rancher 4x4 AT DCT		HA-5000	KN-114	Accord	3.5L V6 F/I	33-2499 ♦♦	HP-1010 ¹
TRX420FA2 FourTrax 420 Rancher 4x4 AT DCT w/EPS		HA-5000	KN-114	Accord Hybrid	2.0L L4 F/I	33-5006+	HP-1010 ¹
TRX420FA5 FourTrax 420 Rancher 4x4 Auto DCT IRS		HA-5000	KN-114	Accord IX	2.0L L4 F/I	33-3003	
TRX420FA6 FourTrax 420 Rancher 4x4 Auto DCT IRS EPS		HA-5000	KN-114	Accord IX	2.4L L4 F/I	33-2430	HP-1010 ¹
TRX420FE1 FourTrax 420 Rancher 4x4 ES		HA-5000	KN-113	Amaze	1.5L L4 DSL	33-3038	
TRX420FM1 FourTrax 420 Rancher 4x4		HA-5000	KN-113	CB300F	286	HA-2511	KN-112
TRX420FM2 FourTrax 420 Rancher 4x4 w/EPS		HA-5000	KN-113	CB500F	471	HA-5013	KN-204
TRX420TE1 FourTrax 420 Rancher ES		HA-5000	KN-113	CB500F ABS	471	HA-5013	KN-204
TRX420TM1 FourTrax 420 Rancher 4x4		HA-5000	KN-113	CB500X	471	HA-5013	KN-204
TRX500FA5 FourTrax 475 Foreman Rubicon Auto DCT		HA-6806	KN-114	CB500X ABS	471	HA-5013	KN-204
TRX500FA6 FourTrax 475 Foreman Rubicon Auto DCT EPS		HA-6806	KN-114	CB650F	649	HA-6414	KN-204
TRX500FA7 FourTrax 475 Foreman Rubicon Auto DCT EPS			KN-114	CB1000R	998	HA-1009	KN-204
TRX500FE1 FourTrax 475 Foreman 4x4 ES		HA-5000	KN-113	CB1100	1140	HA-1301	
TRX500FE2 FourTrax 475 Foreman 4x4 w/EPS		HA-5000	KN-113	CBR125R	125	HA-1502	
TRX500FM1 FourTrax 475 Foreman 4x4		HA-5000	KN-113	CBR300R	286	HA-2511	KN-112
TRX500FM2 FourTrax 475 Foreman 4x4 w/EPS		HA-5000	KN-113	CBR300R ABS	286	HA-2511	KN-112
TRX500FM5 FourTrax 475 Foreman Rubicon		HA-6806	KN-113	CBR500R	471	HA-5013	KN-204
TRX500FM6 FourTrax 475 Foreman Rubicon EPS DLX		HA-6806	KN-113	CBR500R ABS	471	HA-5013	KN-204
TRX500FM7 FourTrax 475 Foreman Rubicon			KN-113	CBR600RR	599	HA-6007	KN-204
TRX680FA Rincon	680	HA-6806	KN-111	CBR600RR	599 - Race Specific	HA-6007R	KN-204
TRX500FA6D FourTrax 475 Foreman Rubicon Auto DCT EPS D		HA-6806		CBR600RR ABS	599	HA-6007	KN-204
VFR1200X DCT	1237		KN-204	CBR600RR ABS	599 - Race Specific	HA-6007R	KN-204
VT750C2B Shadow Phantom	745		KN-204	CBR650F	649	HA-6414	KN-204
VT1300CR Stateline	1312		KN-204	CBR650F ABS	649	HA-6414	KN-204
VT1300CX Fury	1312	HA-1310	KN-204	CBR1000RR	999	HA-1008	KN-204
XR650L	650	HA-6592	KN-112	CBR1000RR	999 - Race Specific	HA-1008R	KN-204
				CBR1000RR ABS	999	HA-1008	KN-204
				CBR1000RR ABS	999 - Race Specific	HA-1008R	KN-204
				CBR1000RR SP	999	HA-1008	KN-204
				Repsol Edition CBR1000RR SP Repsol Edition	999 - Race Specific	HA-1008R	KN-204
				City	1.5L L4 DSL	33-3038	
				Civic	1.5L L4 F/I	33-2348+	HP-1010 ¹
				Civic	1.8L L4 F/I	33-2468 ♦♦	HP-1010 ¹
				Civic IX	1.6L L4 DSL	33-3012	
				Civic IX	1.8L L4 F/I	33-2468	HP-1010 ¹
				Civic IX Type R	2.0L L4 F/I	33-3058	
				Civic Si	2.4L L4 F/I	33-2473 ♦♦	HP-1010 ¹
				Civic Type R	2.0L L4 F/I	33-3058	
				CMX250C Rebel	234	HA-2596	KN-204
				CRF150F	150	HA-1503	
				CRF150R	150	HA-1507	KN-116
				CRF150R Expert	150	HA-1507	
				CRF230F	230	HA-1503	
				CRF250L	250	HA-2513	KN-112
				CRF250M	250	HA-2513	
				CRF250R	250	HA-4513XD	KN-116
				CRF250X	249	HA-2505XD	KN-116
				CRF450R	449	HA-4513XD	KN-116
				CRF450X	449	HA-2505XD	KN-116
				Crosstour	2.4L L4 F/I	33-2402	
				Crosstour	3.5L V6 F/I	33-2403	HP-1010 ¹
				CR-V	2.4L L4 F/I	33-5031+	HP-1010 ¹
				CR-Z	1.5L L4 F/I	33-2459 ♦♦	HP-1010 ¹
				CTX700	670	HA-7012	KN-204
				CTX700 DCT ABS	670	HA-7012	KN-204
				CTX700N	670	HA-7012	KN-204
				CTX700N DCT ABS	670	HA-7012	KN-204
				Fit	1.5L L4 F/I	33-5027+	HP-1010 ¹
				GL1800 Gold Wing Airbag	1832	HA-1801	KN-204
				GL1800 Valkyrie	1832	HA-1801	
2015 HONDA							
Accord	2.4L L4 F/I	33-2498 ♦♦	HP-1010 ¹				

* 2 filters required ♦ Intake System Available - see page 84 +Cabin Air Filter Available - see page 453 1- Performance Silver Oil Filter Also Available



Vehicle	Engine Type	Air Filter	Oil Filter	Vehicle	Engine Type	Air Filter	Oil Filter
2015 HONDA				2015 HONDA			
GL1800B Gold Wing F6B	1832	HA-1801	KN-204	TRX500FE1 FourTrax Foreman 4x4 ES	475	HA-5000	KN-113
GL1800B Gold Wing F6B Deluxe	1832	HA-1801	KN-204	TRX500FE2 FourTrax Foreman 4x4 w/EPS	475	HA-5000	KN-113
GL1800HP Gold Wing AC	1832	HA-1801	KN-204	TRX500FM1 FourTrax Foreman 4x4	475	HA-5000	KN-113
GL1800HPNM Gold Wing ACN XM	1832	HA-1801	KN-204	TRX500FM2 FourTrax Foreman 4x4 w/EPS	475	HA-5000	KN-113
GL1800HPNM Gold Wing ACN XM ABS	1832	HA-1801	KN-204	TRX500FM5 FourTrax Foreman Rubicon	475	HA-6806	KN-113
Grom 125	125	HA-1313		TRX500FM6 FourTrax Foreman Rubicon EPS	475	HA-6806	KN-113
HR-V	1.5L L4 F/I	33-5027+		TRX500FM6D FourTrax Foreman Rubicon EPS DLX	475	HA-6806	KN-113
Jazz	1.2L L4 F/I	33-2422		TRX680FA Rincon	680	HA-6806	KN-111
Jazz	1.3L L4 F/I - From 6/15	33-5027		TRX500FA6D FourTrax Foreman Rubicon Auto DCT	475	HA-6806	KN-114
Jazz	1.3L L4 F/I - To 5/15	33-2433		EPS D			
Jazz	1.4L L4 F/I	33-2422		Vezei	1.5L L4 F/I	33-5027	
MSX125	125	HA-1313		VFR800 Crossrunner	782	HA-8098	KN-204
NC700X	670	HA-7012	KN-204	VFR800 Interceptor	782	HA-8098	KN-204
NC700X DCT ABS	670	HA-7012	KN-204	VFR800D Interceptor DLX	782	HA-8098	KN-204
NC750	745		KN-204	VFR1200 Crosstourer	1237	HA-1110	KN-204
NC750J NM4 Vultus	745	HA-7012	KN-204	VT750C Shadow Aero	745	HA-7504	KN-204
NC750S	745	HA-7012	KN-204	VT750C2B Shadow Phantom	745	HA-7504	KN-204
NC750X	745	HA-7012	KN-204	VT750CA Shadow Aero ABS	745	HA-7504	KN-204
NCH50 Metropolitan	49	HA-0513		VT1300CR Stateline	1312		KN-204
NPS50 Ruckus	49	HA-0502		VT1300CT Interstate	1312		KN-204
NSS300 Forza	279	HA-2714	KN-204	VT1300CX Fury	1312	HA-1310	KN-204
Odyssey	3.5L V6 F/I	33-2461+	HP-1010 ¹	XR650L	650	HA-6592	KN-112
Pilot	3.5L V6 F/I	33-2309+	HP-1010 ¹	2014 HONDA			
S660	0.7L L3 F/I	33-3056		Accord	2.4L L4 F/I	33-2498 ♦♦	HP-1010 ¹
SH125i	125	HA-1513		Accord	3.5L V6 F/I	33-2499 ♦♦	HP-1010 ¹
SH150i	153	HA-1513		Accord Hybrid	2.0L L4 F/I	33-5006+	HP-1010 ¹
SXS500M2 Pioneer	475	HA-5015	KN-113	Accord IX	2.0L L4 F/I	33-3003	
SXS700M2 Pioneer	675	HA-5000	KN-111	Accord IX	2.4L L4 F/I	33-2430	HP-1010 ¹
SXS700M4 Pioneer 700-4	675	HA-5000	KN-111	CB500F	471	HA-5013	KN-204
TRX90X	90	HA-1088		CB500F ABS	471	HA-5013	KN-204
TRX250X	250	HA-2501		CB500X	471	HA-5013	KN-204
TRX420FA1 FourTrax Rancher 4x4 AT DCT	420	HA-5000	KN-114	CB500X ABS	471	HA-5013	KN-204
TRX420FA2 FourTrax Rancher 4x4 AT DCT w/EPS	420	HA-5000	KN-114	CB650F	649	HA-6414	KN-204
TRX420FA5 FourTrax Rancher 4x4 Auto DCT IRS	420	HA-5000	KN-114	CB1000R	998	HA-1009	KN-204
TRX420FA6 FourTrax Rancher 4x4 Auto DCT IRS EPS	420	HA-5000	KN-114	CB1100	1140	HA-1301	KN-204
TRX420FE1 FourTrax Rancher 4x4 ES	420	HA-5000	KN-113	CB1100 ABS	1140	HA-1301	KN-204
TRX420FM1 FourTrax Rancher 4x4	420	HA-5000	KN-113	CB1100 DLX	1140	HA-1301	KN-204
TRX420FM2 FourTrax Rancher 4x4 w/EPS	420	HA-5000	KN-113	CBF1000 F	1000	HA-1009	
TRX420TE1 FourTrax Rancher ES	420	HA-5000	KN-113	CBR125R	125	HA-1502	
TRX420TM1 FourTrax Rancher	420	HA-5000	KN-113	CBR500R	471	HA-5013	KN-204
TRX500FA5 FourTrax Foreman Rubicon Auto DCT	475	HA-6806	KN-114	CBR500R ABS	471	HA-5013	KN-204
TRX500FA6 FourTrax Foreman Rubicon Auto DCT EPS	475	HA-6806	KN-114	CBR600RR	599	HA-6007	KN-204
				CBR600RR	599 - Race Specific	HA-6007R	KN-204
				CBR600RR ABS	599	HA-6007	KN-204
				CBR600RR ABS	599 - Race Specific	HA-6007R	KN-204
				CBR650F	649	HA-6414	KN-204
				CBR650F ABS	649	HA-6414	KN-204

* 2 filters required ♦ Intake System Available - see page 84 + Cabin Air Filter Available - see page 453 1- Performance Silver Oil Filter Also Available



AIR & OIL FILTERS

HONDA

Vehicle	Engine Type	Air Filter	Oil Filter	Vehicle	Engine Type	Air Filter	Oil Filter
2014 HONDA				2014 HONDA			
CBR1000RR	999	HA-1008	KN-204	SH300i	300	HA-3011	
CBR1000RR	999 - Race Specific	HA-1008R	KN-204	ST1300	1261		KN-204
CBR1000RR ABS	999	HA-1008	KN-204	SXS700M2 Pioneer	675	HA-5000	KN-111
CBR1000RR ABS	999 - Race Specific	HA-1008R	KN-204	SXS700M4 Pioneer	675	HA-5000	KN-111
CBR1000RR SP	999	HA-1008	KN-204	700-4			
CBR1000RR SP	999 - Race Specific	HA-1008R	KN-204	TRX250TE Recon ES	250	HA-2501	
City	1.5L L4 DSL	33-3038		TRX250TM Recon	250	HA-2501	
City	1.5L L4 F/I	33-3030		TRX250X	250	HA-2501	
Civic	1.5L L4 F/I	33-2348+	HP-1010 ¹	TRX400X	400	HA-4099	KN-113
Civic	1.8L L4 F/I	33-2468 ♦+	HP-1010 ¹	TRX420FA Rancher	420	HA-5000	KN-114
Civic IX	1.6L L4 DSL	33-3012		AT			
Civic IX	1.8L L4 F/I	33-2468	HP-1010 ¹	TRX420FA1 FourTrax	420	HA-5000	KN-114
Civic IX	2.2L L4 DSL	33-3012		Rancher 4x4 AT DCT			
Civic Si	2.4L L4 F/I	33-2473 ♦+	HP-1010 ¹	TRX420FA2 FourTrax	420	HA-5000	KN-114
CMX250C Rebel	234	HA-2596		Rancher 4x4 AT DCT			
CRF150F	150	HA-1503	KN-116	w/EPS			
CRF150R	150		KN-116	TRX420FE1 FourTrax	420	HA-5000	
CRF150R Expert	150	HA-1507	KN-116	Rancher 4x4 ES			
CRF230F	230	HA-1503		TRX420FE1 FourTrax	420 - w/Manual Trans.	HA-5000	KN-113
CRF250L	250	HA-2513	KN-112	Rancher 4x4 ES			
CRF250M	250	HA-2513		TRX420FM1	420	HA-5000	
CRF250R	250	HA-4513XD	KN-116	FourTrax Rancher			
CRF250X	249		KN-116	4x4			
CRF450R	449	HA-4513XD	KN-116	TRX420FM1	420 - w/Manual Trans.	HA-5000	KN-113
CRF450X	449	HA-2505XD	KN-116	FourTrax Rancher			
Crosstour	2.4L L4 F/I	33-2402+	HP-1010 ¹	4x4			
Crosstour	3.5L V6 F/I	33-2403+	HP-1010 ¹	TRX420FM2	420	HA-5000	
CR-V	2.4L L4 F/I	33-2477+	HP-1010 ¹	FourTrax Rancher			
CR-Z	1.5L L4 F/I	33-2459 ♦+	HP-1010 ¹	4x4 w/EPS			
CTX700	670	HA-7012	KN-204	TRX420FPA Rancher	420	HA-5000	KN-114
CTX700 DCT ABS	670	HA-7012	KN-204	AT 4x4 w/PS			
CTX700N	670	HA-7012	KN-204	TRX420TE1 FourTrax	420	HA-5000	
CTX700N DCT ABS	670	HA-7012	KN-204	Rancher ES			
CTX1300	1261	HA-1302	KN-204	TRX420TE1 FourTrax	420 - w/Manual Trans.	HA-5000	KN-113
CTX1300 Deluxe	1261	HA-1302	KN-204	Rancher ES			
Fit	1.5L L4 F/I		HP-1010 ¹	TRX420TM1	420	HA-5000	
GL1800 Gold Wing	1832	HA-1801	KN-204	FourTrax Rancher			
Airbag				TRX420TM1	420 - w/Manual Trans.	HA-5000	KN-113
GL1800 Valkyrie	1832	HA-1801	KN-204	FourTrax Rancher			
GL1800 Valkyrie ABS	1832	HA-1801	KN-204	TRX450ER	450	BD-6500	KN-116
GL1800B Gold Wing	1832	HA-1801	KN-204	TRX500FA Foreman	499	HA-6806	KN-111
F6B				Rubicon			
GL1800B Gold Wing	1832	HA-1801	KN-204	TRX500FE1 FourTrax	475	HA-5000	KN-113
F6B Deluxe				Foreman 4x4 ES			
GL1800HP Gold	1832	HA-1801	KN-204	TRX500FE2 FourTrax	475	HA-5000	KN-113
Wing AC				Foreman 4x4 w/EPS			
GL1800HPNM Gold	1832	HA-1801	KN-204	TRX500FM1	475	HA-5000	KN-113
Wing ACN XM ABS				FourTrax Foreman			
Grom 125	125	HA-1313		4x4			
Jazz	1.4L L4 F/I	33-2422		TRX500FM2	475	HA-5000	
MSX125	125	HA-1313		FourTrax Foreman			
NC700X	670	HA-7012	KN-204	4x4 w/EPS			
NC700X DCT ABS	670	HA-7012	KN-204	TRX500FPA	500	HA-6806	KN-111
NC750X	745	HA-7012	KN-204	FourTrax Foreman			
NCH50 Metropolitan	49	HA-0513		Rubicon w/EPS			
NPS50 Ruckus	49	HA-0502		TRX680FA Rincon	680	HA-6806	KN-111
NSS300 Forza	279	HA-2714	KN-204	VFR800 Crossrunner	782	HA-8098	
NSS300A Forza ABS	279	HA-2714	KN-204	VFR800 Interceptor	782	HA-8098	KN-204
Odyssey	3.5L V6 F/I	33-2461+	HP-1010 ¹	VFR800D Interceptor	782	HA-8098	KN-204
PCX125	125	HA-1213		DLX			
PCX150	153	HA-1213		VT13CX Fury	1312	HA-1310	KN-204
Pilot	3.5L V6 F/I	33-2309+	HP-1010 ¹	VT750C Shadow	745	HA-7504	KN-204
Ridgeline	3.5L V6 F/I	33-2323+	HP-1010 ¹	Aero			

* 2 filters required ♦ Intake System Available - see page 84 + Cabin Air Filter Available - see page 453 1- Performance Silver Oil Filter Also Available



Vehicle	Engine Type	Air Filter	Oil Filter	Vehicle	Engine Type	Air Filter	Oil Filter
2014 HONDA				2013 HONDA			
VT750C2 Shadow Spirit	745	HA-7504	KN-204	GL1800HP Gold Wing AC	1832	HA-1801	KN-204
VT750C2 Shadow Spirit ABS	745	HA-7504	KN-204	GL1800HPNM Gold Wing ACN XM ABS	1832	HA-1801	KN-204
VT750C2B Shadow Phantom	745	HA-7504	KN-204	Insight	1.3L L4 F/I	33-2433+	HP-1010 ¹
VT1300CR Stateline	1312		KN-204	Jazz	1.4L L4 F/I	33-2422	
VT1300CT Interstate	1312		KN-204	MSX125	125	HA-1313	
XR650L	650	HA-6592	KN-112	MUV700 Big Red	675	HA-5000	KN-111
2013 HONDA				NC700X	670	HA-7012	KN-204
Accord	2.4L L4 F/I	33-2498 ♦♦	HP-1010 ¹	NC700X DCT ABS	670	HA-7012	KN-204
Accord	3.5L V6 F/I	33-2499 ♦♦	HP-1010 ¹	NCH50 Metropolitan	49	HA-0513	
Accord IX	2.0L L4 F/I	33-3003		NPS50 Ruckus	49	HA-0502	
Accord IX	2.4L L4 F/I	33-2430	HP-1010 ¹	Odyssey	3.5L V6 F/I	33-2461+	HP-1010 ¹
CB500F	471	HA-5013	KN-204	PCX125	125	HA-1213	
CB500F ABS	471	HA-5013	KN-204	PCX150	153	HA-1213	
CB500X	471	HA-5013	KN-204	Pilot	3.5L V6 F/I	33-2309+	HP-1010 ¹
CB500X ABS	471	HA-5013	KN-204	Ridgeline	3.5L V6 F/I	33-2323+	HP-1010 ¹
CB600F Hornet	599	HA-5907		SH125i	125	HA-1513	
CB1000R	998	HA-1009	KN-204	SH150i	153	HA-1513	
CB1100	1140	HA-1301	KN-204	TRX250TE Recon ES	250	HA-2501	
CB1100 ABS	1140	HA-1301	KN-204	TRX250X	250	HA-2501	
CBF600	599	HA-5907		TRX400X	400	HA-4099	KN-113
CBR125R	125	HA-1502		TRX420FA Rancher AT	420	HA-4207	KN-114
CBR250R	249	HA-2511	KN-112	TRX420FE FourTrax Rancher 4X4 ES	420	HA-4207	
CBR250R ABS	249	HA-2511	KN-112	TRX420FE FourTrax Rancher 4X4 ES	420 - w/Manual Trans.	HA-4207	KN-113
CBR500R	471	HA-5013	KN-204	TRX420FM FourTrax Rancher 4X4	420	HA-4207	
CBR500R ABS	471	HA-5013	KN-204	TRX420FM FourTrax Rancher 4X4	420 - w/Manual Trans.	HA-4207	KN-113
CBR600RR	599	HA-6007	KN-204	TRX420FM FourTrax Rancher 4X4	420	HA-4207	
CBR600RR	599 - Race Specific	HA-6007R	KN-204	TRX420FPA Rancher AT 4x4 w/PS	420	HA-4207	KN-114
CBR1000RR	999	HA-1008	KN-204	TRX420FPE Rancher ES 4x4 w/PS	420 - w/Manual Trans.	HA-4207	KN-113
CBR1000RR	999 - Race Specific	HA-1008R	KN-204	TRX420FPE Rancher 4x4 w/PS	420 - w/Manual Trans.	HA-4207	KN-113
CBR1000RR ABS	999	HA-1008	KN-204	TRX420FPM Rancher 4x4 w/PS	420	HA-4207	
CBR1000RR ABS	999 - Race Specific	HA-1008R	KN-204	TRX420FPM Rancher 4x4 w/PS	420 - w/Manual Trans.	HA-4207	KN-113
City	1.5L L4 F/I		HP-1010 ¹	TRX420TE FourTrax Rancher ES	420	HA-4207	KN-113
Civic	1.5L L4 F/I	33-2348+	HP-1010 ¹	TRX420TE FourTrax Rancher ES	420 - w/Manual Trans.	HA-4207	KN-113
Civic	1.8L L4 F/I	33-2468 ♦♦	HP-1010 ¹	TRX420TM FourTrax Rancher	420	HA-4207	
Civic IX	1.6L L4 DSL	33-3012		TRX420TM FourTrax Rancher	420 - w/Manual Trans.	HA-4207	KN-113
Civic IX	1.8L L4 F/I	33-2468	HP-1010 ¹	TRX450ER	450	BD-6500	KN-116
Civic IX	2.2L L4 DSL	33-3012		TRX500FA Foreman Rubicon	499	HA-6806	KN-111
Civic Si	2.4L L4 F/I	33-2473 ♦♦	HP-1010 ¹	TRX500FE FourTrax Foreman 4x4 ES	475	HA-5000	KN-113
CMX250C Rebel	234	HA-2596		TRX500FM FourTrax Foreman 4x4	475	HA-5000	KN-113
CRF100F	100	HA-1088		TRX500FPA FourTrax Foreman	500	HA-6806	KN-111
CRF150F	150	HA-1503	KN-116	FourTrax Foreman Rubicon w/EPS			
CRF150R	150	HA-1507	KN-116	TRX500FPE Foreman 4x4 ES w/PS	500	HA-5000	KN-113
CRF150R Expert	150	HA-1507	KN-116	TRX500FPM Foreman 4x4 w/PS	500	HA-5000	KN-113
CRF230F	230	HA-1503		TRX680FA Rincon	680	HA-6806	KN-111
CRF250L	250	HA-2513	KN-112				
CRF250R	250	HA-4509XD	KN-116				
CRF250X	249		KN-116				
CRF450R	449	HA-4513XD	KN-116				
Crosstour	2.4L L4 F/I	33-2402+	HP-1010 ¹				
Crosstour	3.5L V6 F/I	33-2403+	HP-1010 ¹				
CR-V	2.4L L4 F/I	33-2477+	HP-1010 ¹				
CR-Z	1.5L L4 F/I	33-2459 ♦♦	HP-1010 ¹				
Fit	1.5L L4 F/I	33-2422 ♦♦	HP-1010 ¹				
FSC600 Silver Wing	582	HA-6002	KN-204				
GL1800 Gold Wing Airbag	1832	HA-1801	KN-204				
GL1800B Gold Wing F6B	1832	HA-1801	KN-204				
GL1800B Gold Wing F6B Deluxe	1832	HA-1801	KN-204				

* 2 filters required ♦ Intake System Available - see page 84 +Cabin Air Filter Available - see page 453 1- Performance Silver Oil Filter Also Available



AIR & OIL FILTERS

HONDA

Vehicle	Engine Type	Air Filter	Oil Filter	Vehicle	Engine Type	Air Filter	Oil Filter
2013 HONDA				2012 HONDA			
VT750 C2B Shadow Phantom	745	HA-7504	KN-204	GL1800HP Gold Wing AC	1832	HA-1801	KN-204
VT750 RS Shadow	745	HA-7504	KN-204	GL1800HPNA Gold Wing ACN ABS	1832	HA-1801	KN-204
VT750C Shadow Aero	745	HA-7504	KN-204	GL1800HPNM Gold Wing ACN XM	1832	HA-1801	KN-204
VT750C2 Shadow Spirit ABS	745		KN-204	GL1800HPNM Gold Wing ACN XM ABS	1832	HA-1801	KN-204
VT1300CR Stateline	1312	HA-1310	KN-204	Insight	1.3L L4 F/I	33-2433+	HP-1010 ¹
VT1300CS Sabre	1312		KN-204	Jazz	1.2L L4 F/I	33-2422	
VT1300CT Interstate	1312	HA-1310	KN-204	Jazz	1.4L L4 F/I	33-2422	
VT1300CX Fury	1312	HA-1310	KN-204	MUV700 Big Red	675	HA-5000	
XR650L	650	HA-6592	KN-112	NC700S	670	HA-7012	KN-204
2012 HONDA				NC700X	670	HA-7012	KN-204
Accord	2.0L L4 F/I	33-3003		NC700X DCT ABS	670	HA-7012	KN-204
Accord	2.4L L4 F/I	33-2402 ♦♦	HP-1010 ¹	NPS50 Ruckus	49	HA-0502	
Accord	3.5L V6 F/I	33-2403 ♦♦	HP-1010 ¹	Odyssey	3.5L V6 F/I	33-2461+	HP-1010 ¹
Accord IX	2.0L L4 F/I	33-3003		PCX125	125	HA-1211	
Accord IX	2.4L L4 F/I	33-2430	HP-1010 ¹	Pilot	3.5L V6 F/I	33-2309+	HP-1010 ¹
CB600F Hornet	599	HA-5907	KN-204	PS150i	150	HA-1510	
CB1000R	998	HA-1009	KN-204	Ridgeline	3.5L V6 F/I	33-2323+	HP-1010 ¹
CB1300	1300	HA-1301		SH150i	150	HA-1510	
CB1300S	1300	HA-1301	KN-204	ST1300	1261		KN-204
CBF600	599	HA-5907		TRX250TE Recon ES	250	HA-2501	
CBF1000 F	1000	HA-1009	KN-204	TRX250X	250	HA-2501	
CBR125R	125	HA-1502		TRX400X	400	HA-4099	KN-113
CBR250R	249	HA-2511	KN-112	TRX420FA Rancher AT	420	HA-4207	KN-114
CBR600F	599	HA-5907	KN-204	TRX420FE FourTrax Rancher 4X4 ES	420	HA-4207	
CBR600RR	599	HA-6007	KN-204	TRX420FE FourTrax Rancher 4X4 ES	420 - w/Manual Trans.	HA-4207	KN-113
CBR600RR	599 - Race Specific	HA-6007R	KN-204	TRX420FM FourTrax Rancher 4X4	420	HA-4207	
CBR1000RR	999	HA-1008	KN-204	TRX420FM FourTrax Rancher 4X4	420 - w/Manual Trans.	HA-4207	KN-113
CBR1000RR	999 - Race Specific	HA-1008R	KN-204	TRX420FPA Rancher AT 4x4 w/PS	420	HA-4207	KN-114
CBR1000RR ABS	999	HA-1008	KN-204	TRX420FPE Rancher ES 4x4 w/PS	420	HA-4207	
CBR1000RR ABS	999 - Race Specific	HA-1008R	KN-204	TRX420FPE Rancher ES 4x4 w/PS	420 - w/Manual Trans.	HA-4207	KN-113
City	1.5L L4 F/I		HP-1010 ¹	TRX420TM FourTrax Rancher	420	HA-4207	
Civic	1.5L L4 F/I	33-2348+	HP-1010 ¹	TRX420TM FourTrax Rancher	420 - w/Manual Trans.	HA-4207	KN-113
Civic	1.8L L4 F/I	33-2468 ♦♦	HP-1010 ¹	TRX450ER	450	BD-6500	KN-116
Civic IX	1.8L L4 F/I	33-2468	HP-1010 ¹	TRX450R	450	BD-6500	KN-116
Civic IX	2.2L L4 DSL	33-3012		TRX500FA Foreman Rubicon	499	HA-6806	KN-111
Civic Si	2.4L L4 F/I	33-2473 ♦♦	HP-1010 ¹	TRX500FE FourTrax Foreman 4x4 ES	475	HA-5000	KN-113
CMX250C Rebel	234	HA-2596		TRX500FM FourTrax Foreman 4x4	475	HA-5000	KN-113
CRF100F	100	HA-1088		TRX500FPE Foreman 4x4 ES w/PS	500	HA-5000	KN-113
CRF150F	150	HA-1503	KN-116	TRX680FA Rincon	680	HA-6806	KN-111
CRF150R	150		KN-116	VFR1200 Crosstourer	1237	HA-1110	
CRF150R Expert	150	HA-1507	KN-116	VFR1200F	1237	HA-1110	KN-204
CRF230F	230	HA-1503		VFR1200F DCT	1237	HA-1110	KN-204
CRF250R	250	HA-4509XD	KN-116	VT750 C2 Shadow Phantom	745	HA-7504	KN-204
CRF250X	249	HA-2505XD	KN-116	VT750 C2B Shadow Phantom	745	HA-7504	KN-204
CRF450R	444	HA-4509XD	KN-116	VT750C Shadow Aero	745	HA-7504	KN-204
CRF450X	449	HA-2505XD	KN-116				
Crosstour	2.4L L4 F/I	33-2402+	HP-1010 ¹				
Crosstour	3.5L V6 F/I	33-2403 ♦♦	HP-1010 ¹				
CR-V	2.4L L4 F/I		HP-1010 ¹				
CR-V	2.4L L4 F/I - US	33-2477+	HP-1010				
CR-V III	2.0L L4 F/I	33-2961					
CR-V III	2.4L L4 F/I		HP-1010 ¹				
CR-V III	2.4L L4 F/I - Non-US	33-2437	HP-1010				
CR-Z	1.5L L4 F/I	33-2459 ♦♦	HP-1010 ¹				
Fit	1.5L L4 F/I	33-2422 ♦♦	HP-1010 ¹				
GL1800 Gold Wing Airbag	1832	HA-1801	KN-204				
GL1800A Gold Wing ABS	1832	HA-1801	KN-204				

* 2 filters required ♦ Intake System Available - see page 84 + Cabin Air Filter Available - see page 453 1- Performance Silver Oil Filter Also Available



Vehicle	Engine Type	Air Filter	Oil Filter	Vehicle	Engine Type	Air Filter	Oil Filter
2012 HONDA				2011 HONDA			
VT1300CR Stateline	1312	HA-1310	KN-204	TRX420TM FourTrax Rancher	420	HA-4207	
VT1300CT Interstate	1312	HA-1310	KN-204	TRX420TM FourTrax Rancher	420 - w/Manual Trans.	HA-4207	KN-113
VT1300CX Fury	1312	HA-1310	KN-204	TRX500FA Foreman Rubicon	500	HA-5000	KN-111
XR650L	650	HA-6592	KN-112	TRX500FE FourTrax Foreman 4x4 ES	475	HA-5000	KN-113
2011 HONDA				2010 HONDA			
Accord	2.0L L4 F/I	33-3003		Accord	2.0L L4 F/I	33-3003	
Accord	2.4L L4 F/I	33-2402 ♦♦	HP-1010 ¹	Accord	2.4L L4 F/I		HP-1010 ¹
Accord	3.5L V6 F/I	33-2403 ♦♦	HP-1010 ¹	Accord	2.4L L4 F/I - US	33-2402 ♦♦	HP-1010
Accord Crosstour	3.5L V6 F/I	33-2403 ♦♦	HP-1010 ¹	Accord	3.5L V6 F/I	33-2403 ♦♦	HP-1010 ¹
Accord IX	2.0L L4 F/I	33-3003		Accord Crosstour	3.5L V6 F/I	33-2403 ♦♦	HP-1010 ¹
Accord IX	2.4L L4 F/I	33-2430	HP-1010 ¹	Accord IX	2.0L L4 F/I	33-3003	
CB600F Hornet	599	HA-5907		Accord IX	2.4L L4 F/I	33-2430	HP-1010 ¹
CB1000R	998	HA-1009	KN-204	CB600F Hornet	599	HA-5907	KN-204
CBF600S	599	HA-5907		CB1000R	998	HA-1009	KN-204
CBF1000	1000		KN-204	CBF600	599	HA-5907	KN-204
CBF1000 F	1000	HA-1009	KN-204	CBF600S	599	HA-5907	KN-204
CBR125R	125	HA-1502		CBF1000 F	1000	HA-1009	
CBR250R	249	HA-2511	KN-112	CBF1000 F Travel	1000	HA-1009	
CBR600F	599	HA-5907		CBR125R	125	HA-1502	
CBR600RR	599	HA-6007	KN-204	CBR600RR	599	HA-6007	KN-204
CBR600RR	599 - Race Specific	HA-6007R	KN-204	CBR600RR	599 - Race Specific	HA-6007R	KN-204
CBR1000RR	999	HA-1008	KN-204	CBR600RR ABS	599	HA-6007	KN-204
CBR1000RR	999 - Race Specific	HA-1008R	KN-204	CBR600RR ABS	599 - Race Specific	HA-6007R	KN-204
City	1.5L L4 F/I		HP-1010 ¹	CBR1000RR	999	HA-1008	KN-204
Civic	1.3L L4 F/I	33-2348+	HP-1010 ¹	CBR1000RR	999 - Race Specific	HA-1008R	KN-204
Civic	1.8L L4 F/I	33-2342 ♦♦	HP-1010 ¹	City	1.5L L4 F/I		HP-1010 ¹
Civic GX	1.8L L4 F/I	33-2342+	HP-1010 ¹	Civic	1.3L L4 F/I	33-2348+	HP-1010 ¹
Civic Si	2.0L L4 F/I	33-2343 ♦♦	HP-1010 ¹	Civic	1.8L L4 F/I	33-2342 ♦♦	HP-1010 ¹
Civic VII	1.3L L4 F/I	33-2348	HP-1010 ¹	Civic GX	1.8L L4 F/I	33-2342+	HP-1010 ¹
Civic VIII	1.8L L4 F/I	33-2342 ♦	HP-1010 ¹	Civic Si	2.0L L4 F/I	33-2343 ♦♦	HP-1010 ¹
CRF250R	250	HA-4509XD	KN-116	Civic VII	1.3L L4 F/I	33-2348	HP-1010 ¹
CRF450R	444	HA-4509XD	KN-116	Civic VIII	1.8L L4 F/I	33-2342 ♦	HP-1010 ¹
CR-V	2.4L L4 F/I	33-2437+	HP-1010 ¹	Civic VIII	2.0L L4 F/I	33-2948	HP-1010 ¹
CR-V III	2.0L L4 F/I	33-2961		CRF150R	150		KN-116
CR-Z	1.5L L4 F/I	33-2459 ♦♦	HP-1010 ¹	CRF150R Expert	150	HA-1507	KN-116
Element	2.4L L4 F/I	33-2343+	HP-1010 ¹	CRF250R	250	HA-4509XD	KN-116
Fit	1.5L L4 F/I	33-2422 ♦♦	HP-1010 ¹	CRF450R	444	HA-4509XD	KN-116
Insight	1.3L L4 F/I	33-2433+	HP-1010 ¹	CR-V	2.4L L4 F/I	33-2437+	HP-1010 ¹
Jazz	1.4L L4 F/I	33-2422		CR-V III	2.0L L4 F/I	33-2961	
NPS50 Ruckus	49	HA-0502		CR-V III	2.2L L4 DSL - 140BHP	33-2982	
Odyssey	3.5L V6 F/I	33-2461+	HP-1010 ¹	Element	2.4L L4 F/I	33-2343+	HP-1010 ¹
PCX125	125	HA-1211		Fit	1.5L L4 F/I	33-2422 ♦♦	HP-1010 ¹
Pilot	3.5L V6 F/I	33-2309+	HP-1010 ¹	GL1800 Gold Wing Airbag	1832	HA-1801	
Ridgeline	3.5L V6 F/I	33-2323+	HP-1010 ¹	GL1800A Gold Wing ABS	1832	HA-1801	KN-204
TRX250TE Recon ES	250	HA-2501		GL1800HP Gold Wing AC	1832	HA-1801	KN-204
TRX250TM Recon	250	HA-2501		GL1800HPN Gold Wing ACN	1832	HA-1801	KN-204
TRX250X	250	HA-2501					
TRX420FA Rancher AT	420	HA-4207	KN-114				
TRX420FE FourTrax Rancher 4X4 ES	420	HA-4207					
TRX420FE FourTrax Rancher 4X4 ES	420 - w/Manual Trans.	HA-4207	KN-113				
TRX420FM FourTrax Rancher 4X4	420	HA-4207					
TRX420FM FourTrax Rancher 4X4	420 - w/Manual Trans.	HA-4207	KN-113				
TRX420FPA Rancher AT 4x4 w/PS	420	HA-4207	KN-114				
TRX420FPE Rancher ES 4x4 w/PS	420	HA-4207					
TRX420FPE Rancher ES 4x4 w/PS	420 - w/Manual Trans.	HA-4207	KN-113				

* 2 filters required ♦ Intake System Available - see page 84 + Cabin Air Filter Available - see page 453 1- Performance Silver Oil Filter Also Available



AIR & OIL FILTERS

HONDA

Vehicle	Engine Type	Air Filter	Oil Filter	Vehicle	Engine Type	Air Filter	Oil Filter
2010 HONDA				2009 HONDA			
GL1800HPNA Gold Wing ACN ABS	1832	HA-1801	KN-204	CBF1000 F Ltd. Ed.	1000		KN-204
Insight	1.3L L4 F/I	33-2433+	HP-1010 ¹	CBF1000 F Travel	1000		KN-204
Jazz	1.4L L4 F/I	33-2422		CBR600RR	599	HA-6007	KN-204
MUV700 Big Red	675	HA-5000	KN-111	CBR600RR	599 - Race Specific	HA-6007R	KN-204
NHX110	110	HA-1010		CBR600RR ABS	599	HA-6007	KN-204
NPS50 Ruckus	49	HA-0502		CBR600RR ABS	599 - Race Specific	HA-6007R	KN-204
NT700V Deauville	700	HA-7010	KN-204	CBR1000RR	999	HA-1008	KN-204
NT700VA	700	HA-7010	KN-204	CBR1000RR	999 - Race Specific	HA-1008R	KN-204
NT700VAA	700		KN-204	Civic	1.3L L4 F/I	33-2348+	HP-1010 ¹
Odyssey	3.5L V6 F/I	33-2309+	HP-1010 ¹	Civic	1.8L L4 F/I	33-2342 ♦+	HP-1010 ¹
Pilot	3.5L V6 F/I	33-2309+	HP-1010 ¹	Civic GX	1.8L L4 F/I	33-2342 ♦+	HP-1010 ¹
Ridgeline	3.5L V6 F/I	33-2323+	HP-1010 ¹	Civic Si	2.0L L4 F/I	33-2343 ♦+	HP-1010 ¹
SH150i	150	HA-1510		Civic VII	1.3L L4 F/I	33-2348	HP-1010 ¹
ST1300	1261	HA-1302	KN-204	Civic VIII	1.8L L4 F/I	33-2342 ♦	HP-1010 ¹
ST1300 ABS	1261	HA-1302	KN-204	Civic VIII	2.0L L4 F/I	33-2948 ♦	
TRX420FA Rancher AT	420	HA-4207	KN-114	CRF100F	100	HA-1088	
TRX420FE FourTrax Rancher 4X4 ES	420	HA-4207		CRF150F	150	HA-1503	
TRX420FE FourTrax Rancher 4X4 ES	420 - w/Manual Trans.	HA-4207	KN-113	CRF150R	150	HA-1507	KN-116
TRX420FM FourTrax Rancher 4X4	420	HA-4207		CRF150R Expert	150	HA-1507	KN-116
TRX420FM FourTrax Rancher 4X4	420 - w/Manual Trans.	HA-4207	KN-113	CRF230F	230	HA-1503	
TRX420FPA Rancher AT 4x4 w/PS	420	HA-4207	KN-114	CRF250R	250	HA-4503XD	KN-116
TRX420FPE Rancher ES 4x4 w/PS	420	HA-4207		CRF250X	250	HA-2505XD	KN-116
TRX420FPE Rancher ES 4x4 w/PS	420 - w/Manual Trans.	HA-4207	KN-113	CRF450R	444	HA-4509XD	KN-116
TRX420FPM Rancher 4x4 w/PS	420	HA-4207		CRF450X	444	HA-2505XD	KN-116
TRX420FPM Rancher 4x4 w/PS	420 - w/Manual Trans.	HA-4207	KN-113	CR-V	2.4L L4 F/I	33-2377+	HP-1010 ¹
TRX420TE FourTrax Rancher ES	420	HA-4207		CR-V III	2.0L L4 F/I	33-2961	
TRX420TE FourTrax Rancher ES	420 - w/Manual Trans.	HA-4207	KN-113	CR-V III	2.2L L4 DSL	33-2982	
TRX420TM FourTrax Rancher	420	HA-4207		Element	2.4L L4 F/I	33-2343+	HP-1010 ¹
TRX420TM FourTrax Rancher	420 - w/Manual Trans.	HA-4207	KN-113	Fit	1.5L L4 F/I	33-2422 ♦+	HP-1010 ¹
VFR1200F	1237	HA-1110	KN-204	GL1800HP Gold Wing AC	1800	HA-1801	KN-204
VFR1200F DCT	1237	HA-1110	KN-204	GL1800HPN Gold Wing ACN	1800	HA-1801	KN-204
VT750 C2B Shadow Phantom	750	HA-7504	KN-204	GL1800HPNA Gold Wing ACN ABS	1800	HA-1801	KN-204
VT750 RS Shadow	750	HA-7504	KN-204	Jazz	1.5L L4 F/I	33-2422	
VT1300CR Stateline	1312	HA-1310	KN-204	MUV700 Big Red	675	HA-5000	
VT1300CS Sabre	1312	HA-1310	KN-204	NPS50 Ruckus	49	HA-0502	
VT1300CT Interstate	1312	HA-1310	KN-204	NSA700 DN-01	700	HA-6708	KN-204
VT1300CX Fury	1312	HA-1310	KN-204	Odyssey	3.5L V6 F/I	33-2309+	HP-1010 ¹
XL700V Transalp	700	HA-7008		Pilot	3.5L V6 F/I	33-2309+	HP-1010 ¹
				Ridgeline	3.5L V6 F/I	33-2323+	HP-1010 ¹
				S2000	2.2L L4 F/I	E-2435	HP-1004 ¹
				SH300i	300	HA-3011	
				ST1300	1300	HA-1302	KN-204
				ST1300 Pan	1300		KN-204
				European			
				TRX250TE Recon ES	250	HA-2501	
				TRX250X	250	HA-2501	
				TRX400X	400	HA-4099	KN-113
				TRX420FA Rancher AT	420	HA-4207	KN-114
				TRX420FE FourTrax Rancher 4X4 ES	420	HA-4207	
				TRX420FE FourTrax Rancher 4X4 ES	420 - w/Manual Trans.	HA-4207	KN-113
				TRX420FM FourTrax Rancher 4X4	420	HA-4207	
				TRX420FM FourTrax Rancher 4X4	420 - w/Manual Trans.	HA-4207	KN-113
				TRX420FPA Rancher AT 4x4 w/PS	420	HA-4207	KN-114
2009 HONDA							
Accord	2.0L L4 F/I	33-3003					
Accord	2.4L L4 F/I		HP-1010 ¹				
Accord	2.4L L4 F/I - US	33-2402 ♦+	HP-1010				
Accord	3.5L V6 F/I	33-2403 ♦+	HP-1010 ¹				
Accord IX	2.0L L4 F/I	33-3003					
Accord IX	2.4L L4 F/I	33-2430					
CB600F Hornet	599	HA-5907					
CB1000R	998	HA-1009	KN-204				
CBF600S	599	HA-5907					
CBF1000 F	1000		KN-204				

* 2 filters required

♦ Intake System Available - see page 84 + Cabin Air Filter Available - see page 453 1- Performance Silver Oil Filter Also Available



Vehicle	Engine Type	Air Filter	Oil Filter	Vehicle	Engine Type	Air Filter	Oil Filter
2009 HONDA				2008 HONDA			
TRX420FPE Rancher ES 4x4 w/PS	420	HA-4207		CRF450X	444	HA-2505XD	KN-116
TRX420FPE Rancher ES 4x4 w/PS	420 - w/Manual Trans.	HA-4207	KN-113	CR-V	2.4L L4 F/I	33-2377+	HP-1010 ¹
TRX450ER	450	BD-6500	KN-116	CR-V III	2.0L L4 F/I	33-2961	
TRX450R	450	BD-6500	KN-116	CR-V III	2.2L L4 DSL	33-2982	
TRX500FA Foreman Rubicon	500	HA-5000	KN-111	Element	2.4L L4 F/I	33-2343+	HP-1010 ¹
TRX500FE FourTrax Foreman 4x4 ES	475	HA-5000	KN-113	Fit	1.5L L4 F/I	33-2359 ♦+	HP-1010 ¹
TRX500FM FourTrax Foreman 4x4	475	HA-5000	KN-113	GL1800 Gold Wing Airbag	1800	HA-1801	KN-204
TRX500FPM Foreman 4x4 w/PS	500	HA-5000		GL1800HPN Gold Wing ACN	1800	HA-1801	KN-204
TRX680FA Rincon	680	HA-6806	KN-111	GL1800HPNA Gold Wing ACN ABS	1800	HA-1801	KN-204
TRX700XX	700	HA-6808	KN-112	GL1800P Gold Wing PA	1800	HA-1801	KN-204
VFR800 Interceptor	782	HA-8098	KN-204	Jazz	1.4L L4 F/I - OEM 17201PWA010	33-2917 ♦	
VT750C Shadow Aero	750	HA-7504	KN-204	Jazz	1.4L L4 F/I - OEM 17220REAZ00	33-2872 ♦	
VT750C2 Shadow Spirit	750	HA-7504	KN-204	Odyssey	3.5L V6 F/I	33-2309+	HP-1010 ¹
VTX1300C	1300	HA-1330	KN-204	Pilot	3.5L V6 F/I	33-2200+	HP-1010 ¹
VTX1300R	1300	HA-1330	KN-204	Ridgeline	3.5L V6 F/I	33-2323 ♦+	HP-1010 ¹
VTX1300T	1300	HA-1330	KN-204	S2000	2.2L L4 F/I	E-2435 ♦	HP-1004 ¹
XL700V Transalp	700	HA-7008	KN-204	ST1300	1300	HA-1302	KN-204
XL1000 Varadero	1000	HA-1003		ST1300 Pan European	1300		KN-204
XR650L	650	HA-6592	KN-112	TRX250EX	225	HA-2501	
2008 HONDA				TRX300EX	300	HA-3094	KN-113
Accord	2.4L L4 F/I		HP-1010 ¹	TRX400EX	397	HA-4099	KN-113
Accord	2.4L L4 F/I - US	33-2402 ♦+	HP-1010	TRX420FE FourTrax Rancher 4X4 ES	420	HA-4207	
Accord	3.5L V6 F/I	33-2403 ♦+	HP-1010 ¹	TRX420FE FourTrax Rancher 4X4 ES	420 - w/Manual Trans.	HA-4207	KN-113
Accord IX	2.0L L4 F/I	33-3003		TRX420FM FourTrax Rancher 4X4	420	HA-4207	
Accord IX	2.4L L4 F/I	33-2430		TRX420FM FourTrax Rancher 4X4	420 - w/Manual Trans.	HA-4207	KN-113
Accord VIII	2.0L L4 F/I - Non-US	33-2276 ♦		TRX420TE FourTrax Rancher ES	420	HA-4207	
Accord VIII	2.4L L4 F/I - Non-US	33-2276 ♦	HP-1010 ¹	TRX420TE FourTrax Rancher ES	420 - w/Manual Trans.	HA-4207	KN-113
CB600 Hornet	600		KN-204	TRX420TM FourTrax Rancher	420	HA-4207	
CB600F Hornet	599	HA-5907	KN-204	TRX420TM FourTrax Rancher	420 - w/Manual Trans.	HA-4207	KN-113
CB1000R	998	HA-1009	KN-204	TRX450ER	450	BD-6500	KN-116
CBF600	599	HA-5907		TRX450R	450	BD-6500	KN-116
CBF600S	599	HA-5907	KN-204	TRX500FA Foreman Rubicon	500	HA-5000	KN-111
CBF1000 F	1000		KN-204	TRX500FE FourTrax Foreman 4x4 ES	475	HA-5000	KN-113
CBF1000 F Travel	1000		KN-204	TRX500FM FourTrax Foreman 4x4	475	HA-5000	KN-113
CBR125R	125	HA-1502		TRX500FPE Foreman 4x4 ES w/PS	500	HA-5000	KN-113
CBR600RR	599	HA-6007	KN-204	TRX500FPM Foreman 4x4 w/PS	500	HA-5000	KN-113
CBR600RR	599 - Race Specific	HA-6007R	KN-204	TRX680FA Rincon	680	HA-6806	KN-111
CBR1000RR	999	HA-1008	KN-204	TRX700XX	700	HA-6808	KN-112
CBR1000RR	999 - Race Specific	HA-1008R	KN-204	VFR800 Interceptor	782	HA-8098	KN-204
CHF50 Metropolitan	50	HA-0502		VFR800A Interceptor ABS	782	HA-8098	KN-204
Civic	1.3L L4 F/I	33-2348+	HP-1010 ¹	VT750C Shadow	750	HA-7504	KN-204
Civic	1.8L L4 F/I	33-2342 ♦+	HP-1010 ¹	VT750C Shadow Aero	750	HA-7504	KN-204
Civic GX	1.8L L4 F/I	33-2342 ♦+	HP-1010 ¹	VT750C2 Shadow Spirit	750	HA-7504	KN-204
Civic Si	2.0L L4 F/I	33-2343 ♦+	HP-1010 ¹				
Civic VII	1.3L L4 F/I	33-2348	HP-1010 ¹				
Civic VIII	1.8L L4 F/I	33-2342 ♦	HP-1010 ¹				
Civic VIII	2.0L L4 F/I	33-2948 ♦					
CMX250C Rebel	234	HA-2596					
CRF150F	150	HA-1503					
CRF150R	150	HA-1507	KN-116				
CRF150R Expert	150	HA-1507	KN-116				
CRF230F	230	HA-1503					
CRF250R	250	HA-4503XD	KN-116				
CRF250X	250	HA-2505XD	KN-116				
CRF450R	444	HA-4503XD	KN-116				

* 2 filters required

♦ Intake System Available - see page 84 +Cabin Air Filter Available - see page 453 1- Performance Silver Oil Filter Also Available



AIR & OIL FILTERS

HONDA

Vehicle	Engine Type	Air Filter	Oil Filter	Vehicle	Engine Type	Air Filter	Oil Filter
2008 HONDA				2007 HONDA			
VTX1300C	1300	HA-1330	KN-204	Jazz	1.2L L4 F/I - OEM 17220REAZ00	33-2872	
VTX1300R	1300	HA-1330	KN-204	Jazz	1.4L L4 F/I - OEM 17220REAZ00	33-2872 ♦	
VTX1300T	1300	HA-1330	KN-204	NPS50 Ruckus	49	HA-0502	
VTX1800C	1795	HA-1802	KN-204	Odyssey	3.5L V6 F/I	33-2309+	HP-1010 ¹
VTX1800F	1795	HA-1802	KN-204	Pilot	3.5L V6 F/I	33-2200+	HP-1010 ¹
VTX1800N	1795	HA-1802	KN-204	Ridgeline	3.5L V6 F/I	33-2323 ♦+	HP-1010 ¹
VTX1800T	1795	HA-1802	KN-204	S2000	2.0L L4 F/I	E-2435 ♦	HP-1004 ¹
XL700V Transalp	700	HA-7008		S2000	2.2L L4 F/I	E-2435 ♦	HP-1004 ¹
XL1000 Varadero	1000	HA-1003	KN-204	SH150i	150	HA-1510	
XR650L	650	HA-6592	KN-112	ST1300	1300	HA-1302	KN-204
2007 HONDA				ST1300 Pan	1300	HA-1302	KN-204
919	919	HA-9002	KN-204	European			
Accord	2.4L L4 F/I	33-2276 ♦+	HP-1010 ¹	TRX250EX	225	HA-2501	
Accord	3.0L V6 F/I	33-2277 ♦+	HP-1010 ¹	TRX250TE Recon ES	250	HA-2501	
Accord Hybrid	3.0L V6 F/I	33-2299+	HP-1010 ¹	TRX250TM Recon	250	HA-2501	
Accord VIII	2.0L L4 F/I - Non-US	33-2276 ♦		TRX300EX	300	HA-3094	KN-113
Accord VIII	2.4L L4 F/I - Non-US	33-2276 ♦	HP-1010 ¹	TRX400EX	397	HA-4099	KN-113
ARX1200N3 Aquatrax F-12	1235		KN-204	TRX400FA Rancher AT	400	HA-3500	KN-111
ARX1200T3 Aquatrax F-12X	1235		KN-204	TRX420FE FourTrax Rancher 4X4 ES	420	HA-4207	
CB600F	599	HA-5907		TRX420FE FourTrax Rancher 4X4 ES	420 - w/Manual Trans.	HA-4207	KN-113
CB900F	919	HA-9002	KN-204	TRX420FM FourTrax Rancher 4X4 ES	420	HA-4207	
CBF600	599	HA-5907		TRX420FM FourTrax Rancher 4X4	420	HA-4207	
CBF600S	599	HA-5907	KN-204	TRX420FM FourTrax Rancher 4X4	420 - w/Manual Trans.	HA-4207	KN-113
CBR125R	125	HA-1502		TRX420TE FourTrax Rancher ES	420	HA-4207	
CBR600F	600		KN-204	TRX420TE FourTrax Rancher ES	420 - w/Manual Trans.	HA-4207	KN-113
CBR600RR	599	HA-6007	KN-204	TRX420TM FourTrax Rancher	420	HA-4207	
CBR600RR	599 - Race Specific	HA-6007R	KN-204	TRX420TM FourTrax Rancher	420 - w/Manual Trans.	HA-4207	KN-113
CBR1000RR	999	HA-1004	KN-204	TRX450ER	450	BD-6500	KN-116
CBR1000RR	999 - Race Specific	HA-1004R	KN-204	TRX450R	450	BD-6500	KN-116
Civic	1.3L L4 F/I	33-2348+	HP-1010 ¹	TRX500FA Foreman Rubicon	500	HA-5000	KN-111
Civic	1.8L L4 F/I	33-2342 ♦+	HP-1010 ¹	TRX500FE FourTrax Foreman 4x4 ES	475	HA-5000	KN-113
Civic GX	1.8L L4 F/I	33-2342 ♦+	HP-1010 ¹	TRX500FGA	500	HA-5000	KN-111
Civic Si	2.0L L4 F/I	33-2343 ♦+	HP-1010 ¹	Foreman Rubicon GPScape			
Civic VII	1.3L L4 F/I	33-2348	HP-1010 ¹	TRX500FM FourTrax Foreman 4x4	475	HA-5000	KN-113
Civic VIII	1.8L L4 F/I	33-2342 ♦	HP-1010 ¹	TRX500FPE	500	HA-5000	
Civic VIII	2.0L L4 F/I	33-2948 ♦		Foreman 4x4 ES w/PS			
CMX250C Rebel	234	HA-2596		TRX680FA Rincon	680	HA-6806	KN-111
CRF100F	100	HA-1088		TRX680FGA Rincon	680	HA-6806	KN-111
CRF150F	150	HA-1503		GPScape			
CRF150R	150	HA-1507	KN-116	VFR800 Interceptor	782	HA-8098	KN-204
CRF150R Expert	150	HA-1507	KN-116	VFR800A Interceptor	782	HA-8098	KN-204
CRF230F	230	HA-1503		ABS			
CRF250R	250	HA-4503XD	KN-116	VT600C Shadow VLX	600	HA-6199	KN-303
CRF250X	250	HA-2505XD	KN-116	VT600CD Shadow	600	HA-6199	KN-303
CRF450R	444	HA-4503XD	KN-116	VLX Deluxe			
CRF450X	444	HA-2505XD	KN-116	VT750C Shadow	750	HA-7504	KN-204
CR-V	2.4L L4 F/I	33-2377+	HP-1010 ¹	Aero			
CR-V II	2.2L L4 DSL	33-2982		VT750C2 Shadow	750	HA-7504	KN-204
CR-V III	2.0L L4 F/I	33-2961		Spirit			
CR-V III	2.2L L4 DSL	33-2982		VT750DC Shadow	750	HA-7500	KN-303
Element	2.4L L4 F/I	33-2343+	HP-1010 ¹	Spirit			
Fit	1.5L L4 F/I	33-2359 ♦+	HP-1010 ¹				
GL1800 Gold Wing Airbag	1800	HA-1801	KN-204				
GL1800HPN Gold Wing ACN	1800	HA-1801	KN-204				
GL1800HPNA Gold Wing ACN ABS	1800	HA-1801	KN-204				
GL1800P Gold Wing PA	1800	HA-1801	KN-204				

* 2 filters required

♦ Intake System Available - see page 84 +Cabin Air Filter Available - see page 453 1- Performance Silver Oil Filter Also Available



Vehicle	Engine Type	Air Filter	Oil Filter	Vehicle	Engine Type	Air Filter	Oil Filter
2007 HONDA				2006 HONDA			
VT1100C Shadow Spirit	1100	HA-1187	KN-303	GL1800HP Gold Wing AC	1800	HA-1801	KN-204
VT1100C2 Shadow Sabre	1100	HA-1187	KN-303	GL1800HPN Gold Wing ACN	1800	HA-1801	KN-204
VTX1300C	1300	HA-1330	KN-204	GL1800HPNA Gold Wing ACN ABS	1800	HA-1801	KN-204
VTX1300R	1300	HA-1330	KN-204	GL1800P Gold Wing PA	1800	HA-1801	KN-204
VTX1300S	1300	HA-1330	KN-204	Insight	1.0L L3 F/I	33-2180	
VTX1800C	1795	HA-1802	KN-204	Jazz	1.4L L4 F/I - OEM 17201PWA010	33-2917 ♦	
VTX1800F	1795	HA-1802	KN-204	Jazz	1.4L L4 F/I - OEM 17220REAZ00	33-2872 ♦	
VTX1800R	1795	HA-1802	KN-204	NPS50 Ruckus	49	HA-0502	
VTX1800T	1795	HA-1802	KN-204	NPS50S Ruckus	49	HA-0502	
XR650L	650	HA-6592	KN-112	Odyssey	3.5L V6 F/I	33-2309+	HP-1010 ¹
XR650R	650	HA-6500		Pilot	3.5L V6 F/I	33-2200+	HP-1010 ¹
2006 HONDA				Ridgeline	3.5L V6 F/I	33-2323 ♦+	HP-1010 ¹
599	599	HA-6098	KN-204	S2000	2.0L L4 F/I	E-2435 ♦	HP-1004 ¹
919	919	HA-9002	KN-204	S2000	2.2L L4 F/I	E-2435 ♦	HP-1004 ¹
Accord	2.4L L4 F/I	33-2276 ♦+	HP-1010 ¹	ST1300	1300	HA-1302	KN-204
Accord	3.0L V6 F/I	33-2277 ♦+	HP-1010 ¹	ST1300 Pan European	1300	HA-1302	KN-204
Accord Hybrid	3.0L V6 F/I	33-2299+	HP-1010 ¹	TRX90	90	HA-1088	
Accord VIII	2.0L L4 F/I - Non-US	33-2276 ♦		TRX250EX	225	HA-2501	
Accord VIII	2.4L L4 F/I - Non-US	33-2276 ♦	HP-1010 ¹	TRX250TE Recon ES	250	HA-2501	
ARX1200N3 Aquatrax F-12	1235		KN-204	TRX250TM Recon	250	HA-2501	
ARX1200T2 Aquatrax R-12X	1235		KN-204	TRX300EX	300	HA-3094	KN-113
ARX1200T3 Aquatrax F-12X	1235		KN-204	TRX350FE Rancher 4x4 ES	350	HA-3500	KN-113
CB600 Hornet	600	HA-6098	KN-204	TRX350FM Rancher 4x4	350	HA-3500	KN-113
CB600F	600		KN-204	TRX350TE Rancher ES	350	HA-3500	KN-113
CB600F Hornet	600		KN-204	TRX350TM Rancher	350	HA-3500	KN-113
CB900F	919		KN-204	TRX400EX	397	HA-4099	KN-113
CBF600S	599	HA-6098		TRX400FA Rancher AT	400	HA-3500	KN-111
CBR125R	125	HA-1502		TRX400FGA Rancher	397	HA-3500	KN-111
CBR600F	600	HA-6001	KN-204	AT GPScape			
CBR600F4i	600	HA-6001	KN-204	TRX450ER	450	BD-6500	KN-116
CBR600RR	599	HA-6003	KN-204	TRX450R	450	BD-6500	KN-116
CBR1000RR	999	HA-1004	KN-204	TRX500FA Foreman Rubicon	500	HA-5000	KN-111
CBR1000RR	999 - Race Specific	HA-1004R	KN-204	TRX500FE FourTrax Foreman 4x4 ES	475	HA-5000	KN-113
CHF50 Metropolitan	50	HA-0502		TRX500FGA Foreman Rubicon GPScape	500	HA-5000	KN-111
Civic	1.3L L4 F/I	33-2348+	HP-1010 ¹	TRX500FM FourTrax Foreman 4x4	475	HA-5000	KN-113
Civic	1.8L L4 F/I	33-2342 ♦+	HP-1010 ¹	TRX500TM Foreman	500	HA-5000	KN-113
Civic GX	1.8L L4 F/I	33-2342 ♦+	HP-1010 ¹	TRX680FA Rincon	680	HA-6806	KN-111
Civic Si	2.0L L4 F/I	33-2343 ♦+	HP-1010 ¹	VFR800 Interceptor	782	HA-8098	KN-204
Civic VI	1.6L L4 F/I - Exc., Sedan	33-2243 ♦		VFR800A Interceptor ABS	782	HA-8098	KN-204
Civic VII	1.3L L4 F/I	33-2348	HP-1010 ¹	VT600C Shadow VLX	600	HA-6199	KN-303
Civic VII	2.0L L4 F/I	E-2429 ♦		VT600CD Shadow VLX Deluxe	600	HA-6199	KN-303
Civic VIII	1.8L L4 F/I	33-2342 ♦	HP-1010 ¹	VT750C Shadow Aero	745	HA-7504	KN-204
CMX250C Rebel	234	HA-2596		VT750C2 Shadow Spirit	750	HA-7504	KN-204
CRF80F	80	HA-1088		VT750DC Shadow Spirit	750	HA-7500	KN-303
CRF100F	100	HA-1088		VT1100C Shadow Spirit	1100	HA-1187	KN-303
CRF150F	150	HA-1503					
CRF230F	230	HA-1503					
CRF250R	250	HA-4503XD	KN-116				
CRF250X	250	HA-2505XD	KN-116				
CRF450R	444	HA-4503XD	KN-116				
CRF450X	444	HA-2505XD	KN-116				
CR-V	2.4L L4 F/I	E-2429+	HP-1010 ¹				
CR-V II	2.0L L4 F/I	E-2429					
CR-V II	2.2L L4 DSL	33-2982					
Element	2.4L L4 F/I	E-0771 ♦+	HP-1010 ¹				
Fit	1.5L L4 F/I		HP-1010 ¹				

* 2 filters required

♦ Intake System Available - see page 84 + Cabin Air Filter Available - see page 453 1- Performance Silver Oil Filter Also Available



AIR & OIL FILTERS

HONDA

Vehicle	Engine Type	Air Filter	Oil Filter	Vehicle	Engine Type	Air Filter	Oil Filter
2006 HONDA				2005 HONDA			
VT1100C2 Shadow Sabre	1100	HA-1187	KN-303	CRF150F	150	HA-1503	
VTX1300C	1300	HA-1330	KN-204	CRF230F	230	HA-1503	
VTX1300R	1300	HA-1330	KN-204	CRF250R	250	HA-4503XD	KN-116
VTX1300S	1300	HA-1330	KN-204	CRF250X	250	HA-2505XD	KN-116
VTX1800C	1795	HA-1802	KN-204	CRF450R	444	HA-4503XD	KN-116
VTX1800F	1800	HA-1802	KN-204	CRF450X	444	HA-2505XD	KN-116
VTX1800N	1800	HA-1802	KN-204	CR-V	2.4L L4 F/I	E-2429+	HP-1010 ¹
VTX1800R	1800	HA-1802	KN-204	CR-V II	2.0L L4 F/I	E-2429	
VTX1800S	1800	HA-1802	KN-204	CR-V II	2.2L L4 DSL	33-2982	
XL650V Transalp	650	HA-6501	KN-303	Element	2.4L L4 F/I	E-0771 ♦+	HP-1010 ¹
XL1000 Varadero	1000	HA-1003	KN-204	FSC600 Silver Wing	582	HA-6002	KN-204
XR650L	650	HA-6592	KN-112	GL1800 Gold Wing	1800	HA-1801	KN-204
XR650R	650	HA-6500		GL1800A Gold Wing ABS	1800	HA-1801	KN-204
2005 HONDA				Jazz	1.2L L4 F/I - OEM 17220REAZ00	33-2872	
919	919	HA-9002	KN-204	Jazz	1.4L L4 F/I - OEM 17201PWA010	33-2917 ♦	
Accord	2.4L L4 F/I	33-2276 ♦+	HP-1010 ¹	Jazz	1.4L L4 F/I - OEM 17220REAZ00	33-2872 ♦	
Accord	3.0L V6 F/I	33-2277 ♦+	HP-1010 ¹	Odyssey	3.5L V6 F/I	33-2309+	HP-1010 ¹
Accord Hybrid	3.0L V6 F/I	33-2299+	HP-1010 ¹	Pilot	3.5L V6 F/I	33-2200+	HP-1010 ¹
Accord VIII	2.0L L4 F/I - Non-US	33-2276 ♦		S2000	2.0L L4 F/I	E-2435 ♦	HP-1004 ¹
Accord VIII	2.4L L4 F/I - Non-US	33-2276 ♦	HP-1010 ¹	S2000	2.2L L4 F/I	E-2435 ♦	HP-1004 ¹
ARX1200N2 Aquatrax R-12	1235		KN-204	SH150i	150	HA-1510	
ARX1200N3 Aquatrax F-12	1235		KN-204	ST1300	1300	HA-1302	KN-204
ARX1200T2 Aquatrax R-12X	1235		KN-204	ST1300 Pan European	1300	HA-1302	KN-204
ARX1200T3 Aquatrax F-12X	1235		KN-204	TRX250EX	225	HA-2501	
CB600F Hornet	600		KN-204	TRX250TE Recon ES	250	HA-2501	
CB900F	919	HA-9002	KN-204	TRX250TM Recon	250	HA-2501	
CB1300 Super Four	1300	HA-1301	KN-204	TRX300EX	300	HA-3094	KN-113
CBF600S	599	HA-6098		TRX350FE Rancher 4x4 ES	350	HA-3500	KN-113
CBR600F	600	HA-6001	KN-204	TRX350FM Rancher 4x4	350	HA-3500	KN-113
CBR600F4i	600	HA-6001	KN-204	TRX350TE Rancher ES	350	HA-3500	KN-113
CBR600RR	599	HA-6003	KN-204	TRX350TM Rancher	325	HA-3500	KN-113
CBR1000RR	999	HA-1004	KN-204	TRX400EX	397	HA-4099	KN-113
CBR1000RR	999 - Race Specific	HA-1004R	KN-204	TRX400FA Rancher AT	400	HA-3500	KN-111
CBR1100XX Super Blackbird	1100	HA-1199		TRX400FGA Rancher	397	HA-3500	KN-111
CHF50 Metropolitan	50	HA-0502		AT GPScape			
Civic	1.3L L4 F/I	33-2338+	HP-1010 ¹	TRX450R	444	HA-4504	KN-116
Civic DX	1.7L L4 F/I	33-2192 ♦+	HP-1010 ¹	TRX500FA Foreman	500	HA-5000	KN-111
Civic EX	1.7L L4 F/I	33-2192 ♦+	HP-1010 ¹	Rubicon			
Civic GX	1.7L L4 F/I	33-2192+	HP-1010 ¹	TRX500FE FourTrax Foreman 4x4 ES	475	HA-5000	KN-113
Civic HX	1.7L L4 F/I	33-2192+	HP-1010 ¹	TRX500FGA	500	HA-5000	KN-111
Civic LX	1.7L L4 F/I	33-2192 ♦+	HP-1010 ¹	Foreman Rubicon			
Civic Reverb	1.7L L4 F/I	33-2192+	HP-1010 ¹	GPScape			
Civic Si	1.7L L4 F/I	33-2192 ♦+	HP-1010 ¹	TRX500FM FourTrax Foreman 4x4	475	HA-5000	KN-113
Civic Si	2.0L L4 F/I	E-2429 ♦+	HP-1010 ¹	TRX500TM Foreman	500	HA-5000	KN-113
Civic Value Package	1.7L L4 F/I	33-2192 ♦+	HP-1010 ¹	TRX650FA Rincon	644	HA-5000	KN-111
Civic VI	1.3L L4 F/I		HP-1010 ¹	TRX650FGA Rincon	650	HA-5000	KN-111
Civic VI	1.4L L4 F/I	33-2243 ♦		GPScape			
Civic VI	1.6L L4 F/I - Exc., Sedan	33-2243 ♦		VFR800 Interceptor	782	HA-8098	KN-204
Civic VI	1.7L L4 F/I	33-2192 ♦	HP-1010 ¹	VFR800A Interceptor ABS	782	HA-8098	KN-204
Civic VI	2.0L L4 F/I	E-2429 ♦		VT600C Shadow VLX	600	HA-6199	KN-303
Civic VII	1.3L L4 F/I		HP-1010 ¹	VT600CD Shadow	600	HA-6199	KN-303
Civic VIII	1.8L L4 F/I	33-2342 ♦		VLX Deluxe			
CMX250C Rebel	234	HA-2596					
CR85R Expert	86	HA-8086					
CRF80F	80	HA-1088					
CRF100F	100	HA-1088					

* 2 filters required ♦ Intake System Available - see page 84 + Cabin Air Filter Available - see page 453 1- Performance Silver Oil Filter Also Available



Vehicle	Engine Type	Air Filter	Oil Filter	Vehicle	Engine Type	Air Filter	Oil Filter
2005 HONDA				2004 HONDA			
VT750C Shadow Aero	750	HA-7504	KN-204	Civic VI	2.0L L4 F/I	E-2429 ♦	
VT750C2 Shadow Spirit	750	HA-7504	KN-204	CMX250C Rebel	234	HA-2596	
VT750DC Shadow Spirit	750	HA-7500	KN-303	CR85R Expert	85	HA-8086	
VT1100C Shadow Spirit	1100	HA-1187	KN-303	CRF80F	80	HA-1088	
VT1100C2 Shadow Sabre	1100	HA-1187	KN-303	CRF100F	100	HA-1088	
VTX1300C	1284	HA-1330	KN-204	CRF150F	150	HA-1503	
VTX1300R	1284	HA-1330	KN-204	CRF230F	230	HA-1503	
VTX1300S	1284	HA-1330	KN-204	CRF250R	250	HA-4503XD	KN-116
VTX1800C	1795	HA-1802	KN-204	CRF250X	250	HA-2505XD	KN-116
VTX1800F	1800	HA-1802	KN-204	CRF450R	444	HA-4503XD	KN-116
VTX1800N	1800	HA-1802	KN-204	CR-V	2.4L L4 F/I	E-2429 ♦♦	HP-1010 ¹
VTX1800R	1800	HA-1802	KN-204	CR-V II	2.0L L4 F/I	E-2429	
VTX1800S	1800	HA-1802	KN-204	CR-V II	2.2L L4 DSL	33-2982	
XL650V Transalp	650	HA-6501	KN-303	Element	2.4L L4 F/I	E-0771 ♦♦	HP-1010 ¹
XR650L	650	HA-6592	KN-112	FSC600 Silver Wing	582	HA-6002	KN-204
XR650R	650	HA-6500		GL1800 Gold Wing	1800	HA-1801	KN-204
				GL1800A Gold Wing	1800	HA-1801	KN-204
				ABS			
				Jazz	1.4L L4 F/I - OEM 17201PWA010	33-2917 ♦	
				Jazz	1.4L L4 F/I - OEM 17220REA200	33-2872 ♦	
				Jazz	1.5L L4 F/I - OEM 17220REA200	33-2872	
				NRX1800 Valkyrie	1832		KN-204
				Rune			
				Odyssey	3.5L V6 F/I	33-2174+	HP-1004 ¹
				Pilot	3.5L V6 F/I	33-2200+	HP-1010 ¹
				RC51	990	HA-5100	KN-204
				S2000	2.0L L4 F/I	E-2435 ♦	HP-1004 ¹
				S2000	2.2L L4 F/I	E-2435 ♦	HP-1004 ¹
				ST1300	1300	HA-1302	KN-204
				ST1300 Pan	1300	HA-1302	KN-204
				European			
				TRX250EX	225	HA-2501	
				TRX250TE Recon ES	250	HA-2501	
				TRX250TM Recon	250	HA-2501	
				TRX300EX	300	HA-3094	KN-113
				TRX350FE Rancher	350	HA-3500	KN-113
				4x4 ES			
				TRX350FM Rancher	350	HA-3500	KN-113
				4x4			
				TRX350TE Rancher	350	HA-3500	KN-113
				ES			
				TRX350TM Rancher	325	HA-3500	KN-113
				TRX400EX	397	HA-4099	KN-113
				TRX400FA Rancher	400	HA-3500	KN-111
				AT			
				TRX400FGA Rancher	397	HA-3500	KN-111
				AT GPScape			
				TRX450FE Foreman	450	HA-3098	KN-113
				ES			
				TRX450FM Foreman	450	HA-3098	KN-113
				S			
				TRX450R	444	HA-4504	KN-116
				TRX500FA Foreman	500	HA-5000	KN-111
				Rubicon			
				TRX500FGA	500	HA-5000	KN-111
				Foreman Rubicon			
				GPScape			
				TRX650FA Rincon	644	HA-5000	KN-111
				TRX650FGA Rincon	650	HA-5000	KN-111
				GPScape			
				VFR800 Interceptor	782	HA-8098	KN-204
				VT600C Shadow VLX	600	HA-6199	KN-303

* 2 filters required

♦ Intake System Available - see page 84 +Cabin Air Filter Available - see page 453 1- Performance Silver Oil Filter Also Available



AIR & OIL FILTERS

HONDA

Vehicle	Engine Type	Air Filter	Oil Filter	Vehicle	Engine Type	Air Filter	Oil Filter
2004 HONDA				2003 HONDA			
VT600CD Shadow	600	HA-6199	KN-303	CRF450R	444	HA-4503XD	KN-116
VLX Deluxe				CR-V	2.4L L4 F/I	E-2429 ♦♦	HP-1010 ¹
VT750C Shadow	750	HA-7504	KN-204	CR-V II	2.0L L4 F/I	E-2429	
Aero				Element	2.4L L4 F/I	E-0771 ♦♦	HP-1010 ¹
VT750C2 Shadow	750		KN-204	FSC600 Silver Wing	582	HA-6002	KN-204
Spirit				GL1500C Valkyrie	1500	HA-1596	KN-303
VT750DC Shadow	750		KN-303	GL1800 Gold Wing	1800	HA-1801	KN-204
Spirit				GL1800A Gold Wing	1800	HA-1801	KN-204
VT1100C Shadow	1100	HA-1187	KN-303	ABS			
Spirit				Jazz	1.4L L4 F/I - OEM 17201PWA010	33-2917 ♦	
VT1100C2 Shadow	1100	HA-1187	KN-303	Jazz	1.4L L4 F/I - OEM 17220REAZ00	33-2872 ♦	
Sabre				Odyssey	3.5L V6 F/I	33-2174+	HP-1004 ¹
VTR1000 Super	1000	HA-0011		Pilot	3.5L V6 F/I	33-2200+	HP-1004 ¹
Hawk				RC51	990	HA-5100	KN-204
VTX1300 Retro	1284	HA-1330	KN-204	S2000	2.0L L4 F/I	E-2435 ♦	HP-1004 ¹
VTX1300C	1284	HA-1330	KN-204	ST1300	1300	HA-1302	KN-204
VTX1300S	1284	HA-1330	KN-204	ST1300 Pan	1300	HA-1302	KN-204
VTX1800C	1795	HA-1802	KN-204	European			
VTX1800N	1800	HA-1802	KN-204	TRX250EX	225	HA-2501	
VTX1800R	1800	HA-1802	KN-204	TRX250TE Recon ES	250	HA-2501	
XL1000 Varadero	1000	HA-1003		TRX250TM Recon	250	HA-2501	
XR250R	250	HA-1312	KN-112	TRX300EX	300	HA-3094	KN-113
XR400R	397	HA-1314	KN-112	TRX350FE Rancher	350	HA-3500	KN-113
XR650L	650	HA-6592	KN-112	4x4 ES			
2003 HONDA				TRX350FM Rancher	350	HA-3500	KN-113
919	919	HA-9002	KN-204	4x4			
Accord	2.4L L4 F/I	33-2276 ♦♦	HP-1010 ¹	TRX350TE Rancher	350	HA-3500	KN-113
Accord	3.0L V6 F/I	33-2277 ♦♦	HP-1010 ¹	ES			
Accord VII	1.8L L4 F/I	33-2124		TRX350TM Rancher	325	HA-3500	KN-113
Accord VII	2.0L L4 F/I	33-2124		TRX400EX	397	HA-4099	KN-113
Accord VII	3.0L V6 F/I	33-2133	HP-1004 ¹	TRX400FW Foreman	395	HA-3098	KN-113
Accord VIII	2.0L L4 F/I - Non-US	33-2276 ♦		4x4			
Accord VIII	2.4L L4 F/I - Non-US	33-2276 ♦	HP-1010 ¹	TRX450FE Foreman	433	HA-3098	KN-113
ARX1200T3 Aquatrax	1235		KN-204	ES			
F-12X				TRX450FM Foreman	433	HA-3098	KN-113
CB600 Hornet	600	HA-6098	KN-303	S			
CB750 Nighthawk	750	HA-7591	KN-303	TRX500FA Foreman	500	HA-5000	KN-111
CB900F	919	HA-9002	KN-204	Rubicon			
CBR600F4i	600	HA-6001	KN-204	TRX650FA Rincon	644	HA-5000	KN-111
CBR600RR	599	HA-6003	KN-204	VF750C Magna	750	HA-7594	KN-303
CBR900RR Fireblade	900	HA-9502	KN-204	VFR800 Interceptor	782	HA-8098	KN-204
CBR954RR	954	HA-9502	KN-204	VFR800A Interceptor	782	HA-8098	KN-204
CBR1100XX Super	1100	HA-1199	KN-303	ABS			
Blackbird				VT600C Shadow VLX	600	HA-6199	KN-303
Civic	1.3L L4 F/I	33-2338+	HP-1010 ¹	VT600CD Shadow	600	HA-6199	KN-303
Civic DX	1.7L L4 F/I	33-2192 ♦♦	HP-1010 ¹	VLX Deluxe			
		33-2192 ♦♦	HP-1010 ¹	VT750CD Shadow	750	HA-7500	KN-303
Civic EX	1.7L L4 F/I	33-2192 ♦♦	HP-1010 ¹	A.C.E. Deluxe			
		33-2192 ♦♦	HP-1010 ¹	VT750DC Shadow	750	HA-7500	KN-303
Civic GX	1.7L L4 F/I	33-2192+	HP-1010 ¹	Spirit			
Civic HX	1.7L L4 F/I	33-2192+	HP-1010 ¹	VT1100C Shadow	1100	HA-1187	KN-303
		33-2192 ♦♦	HP-1010 ¹	Spirit			
Civic LX	1.7L L4 F/I	33-2192 ♦♦	HP-1010 ¹	VT1100C2 Shadow	1100	HA-1187	KN-303
		33-2192 ♦♦	HP-1010 ¹	Sabre			
Civic Si	1.7L L4 F/I	33-2192 ♦♦	HP-1010 ¹	VTR1000 Super	1000	HA-0011	KN-204
Civic Si	2.0L L4 F/I	E-2429 ♦♦	HP-1010 ¹	Hawk			
Civic VI	1.4L L4 F/I	33-2243 ♦		VTX1300S	1284	HA-1330	KN-204
Civic VI	1.6L L4 F/I - Exc., Sedan	33-2243 ♦		VTX1800 Retro	1795	HA-1802	KN-204
Civic VI	1.7L L4 F/I	33-2192 ♦	HP-1010 ¹	VTX1800C	1795	HA-1802	KN-204
Civic VI	2.0L L4 F/I	E-2429 ♦		VTX1800R	1795	HA-1802	KN-204
CMX250C Rebel	234	HA-2596		VTX1800S	1800	HA-1802	KN-204
CRF150F	150	HA-1503		XR80R	80	HA-1088	
CRF230F	230	HA-1503		XR100R	100	HA-1088	
				XR250R	250	HA-1312	KN-112

* 2 filters required

♦ Intake System Available - see page 84 +Cabin Air Filter Available - see page 453 1- Performance Silver Oil Filter Also Available



Vehicle	Engine Type	Air Filter	Oil Filter	Vehicle	Engine Type	Air Filter	Oil Filter
2003 HONDA				2002 HONDA			
XR400R	400	HA-1314	KN-112	TRX350TE Rancher ES	350	HA-3500	KN-113
XR650L	650	HA-6592	KN-112	TRX350TM Rancher	325	HA-3500	KN-113
XR650R	650	HA-6500	KN-112	TRX400EX	397	HA-4099	KN-113
2002 HONDA				2002 HONDA			
919	919	HA-9002	KN-204	TRX400FW Foreman 4x4	395	HA-3098	KN-113
Accord	2.3L L4 F/I	33-2124+	HP-1004 ¹	TRX450FE Foreman ES	433	HA-3098	KN-113
Accord	3.0L V6 F/I	33-2133 ♦+	HP-1004 ¹	TRX450FM Foreman S	450	HA-3098	KN-113
Accord VII	1.8L L4 F/I	33-2124		TRX450S Foreman S	450		KN-113
Accord VII	2.0L L4 F/I	33-2124		TRX500FA Foreman Rubicon	500	HA-5000	KN-111
Accord VII	2.2L L4 F/I	33-2124 ♦		VF750C Magna	750	HA-7594	KN-303
Accord VII	3.0L V6 F/I	33-2133	HP-1004 ¹	VFR800 Interceptor	782	HA-8098	KN-204
ARX1200N3 Aquatrax F-12	1235		KN-204	VFR800A Interceptor ABS	782	HA-8098	KN-204
ARX1200T3 Aquatrax F-12X	1235		KN-204	VT600C Shadow VLX	600	HA-6199	KN-303
CB600 Hornet	600	HA-6098		VT600CD Shadow VLX Deluxe	600	HA-6199	KN-303
CB750 Nighthawk	750	HA-7591	KN-303	VT750C Shadow	750		KN-303
CB900F	919	HA-9002	KN-204	VT750CD Shadow A.C.E. Deluxe	750	HA-7500	KN-303
CBR600F4i	600	HA-6001	KN-204	VT750DC Shadow Spirit	750	HA-7500	KN-303
CBR900RR Fireblade	900	HA-9502	KN-303	VT1100C Shadow Spirit	1100	HA-1187	KN-303
CBR954RR	954	HA-9502	KN-204	VT1100C2 Shadow Sabre	1100	HA-1187	KN-303
CBR1100XX Super Blackbird	1100	HA-1199	KN-303	VTR1000 Firestorm	1000	HA-0011	KN-303
Civic DX	1.7L L4 F/I	33-2192 ♦+	HP-1010 ¹	VTR1000 Super Hawk	1000	HA-0011	KN-204
		33-2192 ♦+	HP-1010 ¹	VTX1800 Retro	1795	HA-1802	KN-204
Civic EX	1.7L L4 F/I	33-2192 ♦+	HP-1010 ¹	VTX1800C	1795	HA-1802	KN-204
		33-2192 ♦+	HP-1010 ¹	VTX1800R	1795	HA-1802	KN-204
Civic GX	1.7L L4 F/I	33-2192+	HP-1010 ¹	VTX1800S	1800	HA-1802	KN-204
Civic HX	1.7L L4 F/I	33-2192+	HP-1010 ¹	XL1000 Varadero	1000	HA-0011	KN-303
		33-2192 ♦+	HP-1010 ¹	XR80R	80	HA-1088	
Civic LX	1.7L L4 F/I	33-2192 ♦+	HP-1010 ¹	XR100R	100	HA-1088	
		33-2192 ♦+	HP-1010 ¹	XR200R	200	HA-2584	
Civic Si	1.7L L4 F/I	33-2192 ♦+	HP-1010 ¹	XR250R	250	HA-1312	KN-112
		33-2192 ♦+	HP-1010 ¹	XR400R	400	HA-1314	KN-112
Civic Si	2.0L L4 F/I	E-2429 ♦+	HP-1010 ¹	XR650L	650	HA-6592	KN-112
CMX250C Rebel	234	HA-2596		XR650R	650	HA-6500	KN-112
CRF450R	444	HA-4502	KN-116	2001 HONDA			
CR-V	2.4L L4 F/I	E-2429 ♦+	HP-1010 ¹	Accord	2.3L L4 F/I	33-2124+	HP-1004 ¹
CR-V I	2.0L L4 F/I	33-2104		Accord	3.0L V6 F/I	33-2133 ♦+	HP-1004 ¹
CR-V II	2.0L L4 F/I	E-2429		Accord VII	1.8L L4 F/I	33-2124	
GL1500C Valkyrie	1520	HA-1596	KN-303	Accord VII	2.0L L4 F/I	33-2124	
GL1800 Gold Wing	1800	HA-1801	KN-204	Accord VII	2.2L L4 F/I	33-2124 ♦	
GL1800A Gold Wing ABS	1800	HA-1801	KN-204	Accord VII	3.0L V6 F/I	33-2133	HP-1004 ¹
Insight	1.0L L3 F/I	33-2180		CBR600 Sport	600		KN-204
Jazz	1.2L L4 F/I - OEM 17220REAZ00	33-2872		CBR600F	600	HA-6001	KN-204
Jazz	1.4L L4 F/I - OEM 17201PWA010	33-2917 ♦		CBR600F4i	600	HA-6001	KN-204
Jazz	1.4L L4 F/I - OEM 17220REAZ00	33-2872 ♦		CBR900RR Fireblade	900	HA-9200	KN-303
Odyssey	3.5L V6 F/I	33-2174+	HP-1004 ¹	CBR929RR	929	HA-9200	KN-204
RC51	990	HA-5100	KN-204	CBR1100XX Super Blackbird	1100	HA-1199	KN-303
S2000	2.0L L4 F/I	E-2435 ♦	HP-1004 ¹	Civic DX	1.7L L4 F/I	33-2192 ♦+	HP-1010 ¹
ST1100	1100		KN-303			33-2192 ♦+	HP-1010 ¹
TRX250EX	225	HA-2501		Civic EX	1.7L L4 F/I	33-2192 ♦+	HP-1010 ¹
TRX250TE Recon ES	250	HA-2501				33-2192 ♦+	HP-1010 ¹
TRX250TM Recon	250	HA-2501		Civic GX	1.7L L4 F/I		HP-1010 ¹
TRX300EX	300	HA-3094	KN-113	Civic HX	1.7L L4 F/I	33-2192+	HP-1010 ¹
TRX350FE Rancher 4x4 ES	350	HA-3500	KN-113				
TRX350FM Rancher 4x4	350	HA-3500	KN-113				

* 2 filters required ♦ Intake System Available - see page 84 + Cabin Air Filter Available - see page 453 1- Performance Silver Oil Filter Also Available



AIR & OIL FILTERS

HONDA

Vehicle	Engine Type	Air Filter	Oil Filter	Vehicle	Engine Type	Air Filter	Oil Filter
2001 HONDA				2000 HONDA			
Civic HX	1.7L L4 F/I	33-2192 ♦♦	HP-1010 ¹	Accord	2.3L L4 F/I	33-2124+	HP-1004 ¹
Civic LX	1.7L L4 F/I	33-2192 ♦♦	HP-1010 ¹	Accord	3.0L V6 F/I	33-2133 ♦♦	HP-1004 ¹
		33-2192 ♦♦	HP-1010 ¹	Accord VII	1.8L L4 F/I	33-2124	
CMX250C Rebel	234	HA-2596		Accord VII	2.0L L4 F/I	33-2124	
CR125R	125	HA-2591		Accord VII	2.2L L4 F/I	33-2124 ♦	
CR250R	250	HA-2591		Accord VII	3.0L V6 F/I	33-2133	HP-1004 ¹
CR-V	2.0L L4 F/I	33-2104	HP-1004 ¹	CB400 VTEC	400	HA-4098	
CR-V I	2.0L L4 F/I	33-2104	HP-1004 ¹	CB400SF	400	HA-4020	
GL1500 Valkyrie	1520	HA-1596	KN-303	CB600 Hornet	600	HA-6098	
Interstate				CBR600F4	600	HA-6099	KN-303
GL1500C Valkyrie	1520	HA-1596	KN-303	CBR900RR Fireblade	900	HA-9200	KN-303
GL1800 Gold Wing	1800	HA-1801	KN-204	CBR929RR	929	HA-9200	KN-204
GL1800A Gold Wing	1800	HA-1801	KN-204	CBR1100XX Super	1100	HA-1199	KN-303
ABS				Blackbird			
Insight	1.0L L3 F/I	33-2180	HP-1008 ¹	Civic CX	1.6L L4 F/I	33-2120	HP-1004 ¹
Odyssey	3.5L V6 F/I	33-2174+	HP-1004 ¹	Civic DX	1.6L L4 F/I	33-2120	HP-1004 ¹
Passport	3.2L V6 F/I	33-2108	HP-1004 ¹	Civic EX	1.6L L4 F/I	33-2104 ♦	HP-1004 ¹
Prelude	2.2L L4 F/I	33-2090	HP-1004 ¹	Civic GX	1.6L L4 F/I	33-2104	HP-1004 ¹
Prelude V	2.2L L4 F/I		HP-1004 ¹	Civic HX	1.6L L4 F/I	33-2104	HP-1004 ¹
RC51	990	HA-5100	KN-204	Civic LX	1.6L L4 F/I	33-2120	HP-1004 ¹
S2000	2.0L L4 F/I	E-2435 ♦	HP-1004 ¹	Civic Si	1.6L L4 F/I	33-2104 ♦	HP-1004 ¹
TRX250 Recon	250	HA-2597		Civic V	1.4L L4 F/I - D14A3 Eng, D14A4 Eng.	33-2036 ♦	
TRX250EX	225	HA-2501		Civic V	1.4L L4 F/I - D14A7 Eng., D14A8 Eng.	33-2047 ♦	
TRX300EX	300	HA-3094	KN-113	Civic V	1.5L L4 F/I - 3/4-Door	33-2104 ♦	
TRX350FE Rancher	350	HA-3500	KN-113	Civic V	1.5L L4 F/I - 5-door & AeroDeck	33-2047 ♦	
4x4 ES				Civic V	1.6L L4 F/I - 105BHP	33-2036 ♦	
TRX350FM Rancher	350	HA-3500	KN-113	Civic V	1.6L L4 F/I - 114/160BHP	33-2104 ♦	
4x4				Civic V	1.6L L4 F/I - 116/125BHP	33-2047 ♦	
TRX350TE Rancher	350	HA-3500	KN-113	Civic V	1.8L L4 F/I	33-2234 ♦	
ES				Civic V	2.0L L4 DSL	33-2761	
TRX350TM Rancher	350	HA-3500	KN-113	CR250R	250	HA-2591	
TRX400EX	397	HA-4099	KN-113	CR-V	2.0L L4 F/I	33-2104	HP-1004 ¹
TRX400FW Foreman	395	HA-3098	KN-113	CR-V I	2.0L L4 F/I	33-2104	HP-1004 ¹
4x4				GL1500 Valkyrie	1520	HA-1596	KN-303
TRX450ES Foreman	433	HA-3098	KN-113	Interstate			
ES				GL1500A Gold Wing	1520	HA-8088	KN-303
TRX450S Foreman S	450	HA-3098	KN-113	Aspenade			
TRX500FA Foreman	500	HA-5000	KN-111	GL1500C Valkyrie	1520	HA-1596	KN-303
Rubicon				GL1500CT Valkyrie	1520	HA-1596	KN-303
VF750C Magna	750	HA-7594	KN-303	Tourer			
VFR800 Interceptor	782	HA-8098	KN-303	GL1500SE Gold	1520	HA-8088	KN-303
VT600C Shadow VLX	600	HA-6199	KN-303	Wing SE			
VT600CD Shadow	600	HA-6199	KN-303	Insight	1.0L L3 F/I	33-2180	HP-1008 ¹
VLX Deluxe				Integra Type R	1.8L L4 F/I	E-2427	
VT750 C2 Shadow	750	HA-7500	KN-303	Odyssey	3.5L V6 F/I	33-2174+	HP-1004 ¹
VT750C Shadow	750	HA-7500	KN-303	Passport	3.2L V6 F/I	33-2108	HP-1004 ¹
VT750CD Shadow	750	HA-7500	KN-303	Prelude	2.2L L4 F/I	33-2090	HP-1004 ¹
A.C.E. Deluxe				Prelude V	2.0L L4 F/I	33-2090	
VT750DC Shadow	750	HA-7500	KN-303	Prelude V	2.2L L4 F/I	33-2090	HP-1004 ¹
Spirit				RC51	990	HA-5100	
VT1100C Shadow	1100	HA-1187	KN-303	S2000	2.0L L4 F/I	E-2435 ♦	HP-1004 ¹
Spirit				ST1100 Pan	1100		KN-303
VT1100C2 Shadow	1100	HA-1187	KN-303	European			
Sabre				TRX250 Recon	250	HA-2597	
VT1100C3 Shadow	1100	HA-1187		TRX300 Fourtrax	280	HA-3098	KN-113
Aero				TRX300EX	300	HA-3094	KN-113
VTR1000 Super	1000	HA-0011		TRX300FW Fourtrax	300	HA-3098	KN-113
Hawk				4x4			
XR100R	100	HA-1088		TRX350FE Rancher	350	HA-3500	KN-113
XR200R	200	HA-2584		4x4 ES			
XR250R	250	HA-1312					
XR400R	400	HA-1314	KN-112				
XR650L	650	HA-6592	KN-112				
XR650R	650	HA-6500	KN-112				

* 2 filters required ♦ Intake System Available - see page 84 + Cabin Air Filter Available - see page 453 1- Performance Silver Oil Filter Also Available

HONDA

AIR & OIL FILTERS



Vehicle	Engine Type	Air Filter	Oil Filter	Vehicle	Engine Type	Air Filter	Oil Filter
2000 HONDA				1999 HONDA			
TRX350FM Rancher 4x4	350	HA-3500	KN-113	Civic V	1.6L L4 F/I - 105BHP	33-2036 ♦	
TRX350TE Rancher ES	350	HA-3500	KN-113	Civic V	1.6L L4 F/I - 114/160BHP	33-2104 ♦	
TRX400EX	397	HA-4099	KN-113	Civic V	1.6L L4 F/I - 116/125BHP	33-2047 ♦	
TRX400FW Foreman 4x4	395	HA-3098	KN-113	Civic V	1.8L L4 F/I	33-2234 ♦	
TRX450ES Foreman ES	433	HA-3098	KN-113	Civic V	2.0L L4 DSL	33-2761	
TRX450S Foreman S	450	HA-3098	KN-113	Civic Value Package CR125R	1.6L L4 F/I 125	33-2104	HP-1004 ¹
VF750C Magna	750	HA-7594	KN-303	CR-V	2.0L L4 F/I	33-2104	HP-1004 ¹
VFR800 Interceptor	782	HA-8098	KN-303	CR-V I	2.0L L4 F/I	33-2104	HP-1004 ¹
VT600C Shadow VLX	600	HA-6199	KN-303	GL1500 Valkyrie Interstate	1520	HA-1596	KN-303
VT600CD Shadow VLX Deluxe	600	HA-6199	KN-303	GL1500A Gold Wing Aspencade	1520	HA-8088	KN-303
VT750C Shadow	750		KN-303	GL1500C Valkyrie	1520	HA-1596	KN-303
VT750C Shadow A.C.E.	750	HA-7500	KN-303	GL1500CT Valkyrie Tourer	1520	HA-1596	KN-303
VT750CD Shadow Deluxe	750	HA-7500	KN-303	GL1500SE Gold Wing SE	1520	HA-8088	KN-303
VT1100C Shadow Spirit	1100	HA-1187	KN-303	Integra Type R	1.8L L4 F/I	E-2427	
VT1100C2 Shadow Sabre	1100	HA-1187	KN-303	Odyssey	3.5L V6 F/I	33-2174+	HP-1004 ¹
VT1100C3 Shadow Aero	1100	HA-1187	KN-303	Passport	3.2L V6 F/I	33-2108	HP-1004 ¹
VTR1000 Firestorm	1000	HA-0011		Prelude	2.2L L4 F/I	33-2090 ♦	HP-1004 ¹
VTR1000 Super Hawk	1000	HA-0011	KN-204	Prelude V	2.0L L4 F/I	33-2090	
XL1000 Varadero	1000	HA-0011		Prelude V	2.2L L4 F/I	33-2090	HP-1004 ¹
XR100R	100	HA-1088		S2000	2.0L L4 F/I	E-2435 ♦	
XR200R	200	HA-2584		TRX250 Recon	250	HA-2597	
XR250R	250	HA-1312	KN-112	TRX300 Fourtrax	280	HA-3098	KN-113
XR400R	400	HA-1314	KN-112	TRX300EX	300	HA-3094	KN-113
XR600R	600		KN-112	TRX300FW Fourtrax 4x4	300	HA-3098	KN-113
XR650L	650	HA-6592	KN-112	TRX400EX	397	HA-4099	KN-113
XR650R	650	HA-6500	KN-112	TRX400FW Foreman 4x4	395	HA-3098	KN-113
1999 HONDA				TRX450ES Foreman ES	433	HA-3098	KN-113
Accord	2.3L L4 F/I	33-2124+	HP-1004 ¹	TRX450S Foreman S	450	HA-3098	KN-113
Accord	3.0L V6 F/I	33-2133 ♦+	HP-1004 ¹	VF750C Magna	739	HA-7594	KN-303
Accord VII	1.8L L4 F/I	33-2124		VFR800 Interceptor	782	HA-8098	KN-303
Accord VII	2.0L L4 F/I	33-2124		VT600C Shadow VLX	600	HA-6199	KN-303
Accord VII	2.2L L4 F/I	33-2124 ♦		VT600CD Shadow VLX Deluxe	600	HA-6199	KN-303
Accord VII	3.0L V6 F/I	33-2133	HP-1004 ¹	VT750C Shadow	750		KN-303
CB400 VTEC	400	HA-4098		VT750C Shadow A.C.E.	750	HA-7500	KN-303
CB750 Nighthawk	750	HA-7591	KN-303	VT750CD Shadow Deluxe	750	HA-7500	
CBR600F4	600	HA-6099	KN-303	VT1100C Shadow Spirit	1100	HA-1187	KN-303
CBR900RR	900	HA-9092-A	KN-303	VT1100C2 Shadow A.C.E.	1100	HA-1187	
CBR1100XX Super Blackbird	1100	HA-1199	KN-303	VT1100C3 Shadow Aero	1100	HA-1187	KN-303
Civic CX	1.6L L4 F/I	33-2120	HP-1004 ¹	VTR1000 Firestorm	1000	HA-0011	
Civic DX	1.6L L4 F/I	33-2120	HP-1004 ¹	VTR1000 Super Hawk	1000	HA-0011	KN-204
Civic EX	1.6L L4 F/I	33-2104 ♦	HP-1004 ¹	XR250R	250	HA-1312	KN-112
Civic GX	1.6L L4 F/I	33-2104	HP-1004 ¹	XR400R	400	HA-1314	KN-112
Civic HX	1.6L L4 F/I	33-2104	HP-1004 ¹	XR650L	650	HA-6592	
Civic LX	1.6L L4 F/I	33-2120	HP-1004 ¹	1998 HONDA			
Civic Si	1.6L L4 F/I	33-2104 ♦	HP-1004 ¹	Accord	2.3L L4 F/I - Non-US	33-2613	
Civic V	1.4L L4 F/I - D14A3 Eng, D14A4 Eng.	33-2036 ♦		Accord	2.3L L4 F/I - US	33-2124+	HP-1004 ¹
Civic V	1.4L L4 F/I - D14A7 Eng., D14A8 Eng.	33-2047 ♦		Accord	3.0L V6 F/I	33-2133+	HP-1004 ¹
Civic V	1.5L L4 F/I - 3/4-Door	33-2104 ♦		Accord V	2.0L L4 F/I - F20B Eng.	33-2071 ♦	
Civic V	1.5L L4 F/I - 5-door & AeroDeck	33-2047 ♦					

* 2 filters required

♦ Intake System Available - see page 84 +Cabin Air Filter Available - see page 453 1- Performance Silver Oil Filter Also Available



AIR & OIL FILTERS

HONDA

Vehicle	Engine Type	Air Filter	Oil Filter
1998 HONDA			
Accord V	2.0L L4 F/I - F20Z Eng.	33-2613 ♦	
Accord V	2.2L L4 F/I	33-2071	HP-1004 ¹
Accord VI	1.8L L4 F/I	33-2613	
Accord VI	2.0L L4 DSL	33-2761	
Accord VI	2.0L L4 F/I	33-2613 ♦	
Accord VI	2.2L L4 F/I	33-2613	HP-1004 ¹
Accord VII	1.8L L4 F/I	33-2124	
Accord VII	2.0L L4 F/I	33-2124	
Accord VII	2.2L L4 F/I	33-2124 ♦	
Accord VII	3.0L V6 F/I	33-2133	HP-1004 ¹
CB400 VTEC	400	HA-4098	
CB750 Nighthawk	750	HA-7591	KN-303
CBR600F3	600	HA-6095	KN-303
CBR900RR	900	HA-9092-A	KN-303
CBR1100XX Super Blackbird	1100	HA-1197	KN-303
Civic CX	1.6L L4 F/I	33-2120	HP-1004 ¹
Civic del Sol	1.6L L4 F/I	33-2047	
Civic DX	1.6L L4 F/I	33-2120	HP-1004 ¹
Civic EX	1.6L L4 F/I	33-2104 ♦	HP-1004 ¹
Civic GX	1.6L L4 F/I	33-2104	HP-1004 ¹
Civic HX	1.6L L4 F/I	33-2104	HP-1004 ¹
		33-2104 ♦	HP-1004 ¹
Civic LX	1.6L L4 F/I	33-2120	HP-1004 ¹
Civic Si	1.6L L4 F/I	33-2104	HP-1004 ¹
Civic V	1.4L L4 F/I - D14A3 Eng, D14A4 Eng.	33-2036 ♦	
Civic V	1.4L L4 F/I - D14A7 Eng., D14A8 Eng.	33-2047 ♦	
Civic V	1.5L L4 F/I - 3/4-Door	33-2104 ♦	
Civic V	1.5L L4 F/I - 5-door & AeroDeck	33-2047 ♦	
Civic V	1.6L L4 F/I - 105BHP	33-2036 ♦	
Civic V	1.6L L4 F/I - 114/160BHP	33-2104 ♦	
Civic V	1.6L L4 F/I - 116/125BHP	33-2047 ♦	
Civic V	1.8L L4 F/I	33-2234 ♦	
Civic V	2.0L L4 DSL	33-2761	
CR250R	250	HA-2591	
CR-V	2.0L L4 F/I	33-2104	HP-1004 ¹
CR-V I	2.0L L4 F/I	33-2104	HP-1004 ¹
GL1500A Gold Wing Aspencade	1520	HA-8088	KN-303
GL1500C Valkyrie	1520	HA-1596	KN-303
GL1500CT Valkyrie Tourer	1520	HA-1596	KN-303
GL1500SE Gold Wing SE	1520	HA-8088	KN-303
Integra Type R	1.8L L4 F/I	E-2427	
Odyssey	2.3L L4 F/I	33-2071	HP-1004 ¹
Passport	3.2L V6 F/I	33-2108	HP-1004 ¹
PC800 Pacific Coast	800	HA-8089	KN-303
Prelude	2.2L L4 F/I	33-2090 ♦	HP-1004 ¹
Prelude V	2.0L L4 F/I	33-2090	
Prelude V	2.2L L4 F/I	33-2090	HP-1004 ¹
TRX250 Recon	225	HA-2597	
TRX300 Fourtrax	280	HA-3098	KN-113
TRX300EX	300	HA-3094	KN-113
TRX300FW Fourtrax 4x4	300	HA-3098	KN-113
TRX400FW Foreman 4x4	395	HA-3098	KN-113
TRX450ES Foreman ES	433	HA-3098	KN-113
TRX450S Foreman S	450	HA-3098	KN-113

Vehicle	Engine Type	Air Filter	Oil Filter
1998 HONDA			
VF750C Magna	739	HA-7594	KN-303
VF750C2 Magna Deluxe	750	HA-7594	
VFR800 Interceptor	782	HA-8098	KN-303
VT600C Shadow VLX	600	HA-6088	KN-303
VT750C Shadow A.C.E.	750	HA-7500	KN-303
VT750CD Shadow Deluxe	750	HA-7500	KN-303
VT1100C Shadow	1100	HA-1187	KN-303
VT1100C Shadow Spirit	1100	HA-1187	KN-303
VT1100C2 Shadow A.C.E.	1100	HA-1187	KN-303
VT1100C3 Shadow Aero	1100	HA-1187	KN-303
VT1100T Shadow A.C.E. Tourer	1100	HA-1187	KN-303
VTR1000 Firestorm	1000	HA-0011	KN-303
VTR1000 Super Hawk	1000	HA-0011	KN-204
XR400R	400	HA-1314	KN-112
1997 HONDA			
Accord	2.2L L4 F/I		HP-1004 ¹
Accord	2.2L L4 F/I - US	33-2071 ♦	HP-1004
Accord	2.3L L4 F/I	33-2071	
Accord	2.7L V6 F/I	33-2100	HP-1004 ¹
Accord V	2.0L L4 F/I - F20B Eng.	33-2071 ♦	
Accord V	2.0L L4 F/I - F20Z Eng.	33-2613 ♦	
Accord V	2.2L L4 F/I	33-2071 ♦	HP-1004 ¹
Accord VI	1.8L L4 F/I	33-2613	
Accord VI	2.0L L4 DSL	33-2761	
Accord VI	2.0L L4 F/I	33-2613 ♦	
Accord VI	2.2L L4 F/I	33-2613 ♦	
CB750 Nighthawk	750	HA-7591	KN-303
CBR600F3	600	HA-6095	KN-303
CBR900RR	900	HA-9092-A	KN-303
CBR1100XX Super Blackbird	1100	HA-1197	KN-303
Civic CX	1.6L L4 F/I	33-2120	HP-1004 ¹
Civic del Sol	1.6L L4 F/I	33-2047	HP-1004 ¹
Civic DX	1.6L L4 F/I	33-2120	HP-1004 ¹
Civic EX	1.6L L4 F/I	33-2104 ♦	HP-1004 ¹
Civic HX	1.6L L4 F/I	33-2104	HP-1004 ¹
		33-2104 ♦	HP-1004 ¹
Civic IV	1.4L L4 F/I	33-2047	
Civic IV	1.6L L4 F/I	33-2047 ♦	
Civic LX	1.6L L4 F/I	33-2120	HP-1004 ¹
Civic Si	1.6L L4 F/I	33-2104	HP-1004 ¹
Civic V	1.4L L4 F/I - D14A3 Eng, D14A4 Eng.	33-2036 ♦	
Civic V	1.4L L4 F/I - D14A7 Eng., D14A8 Eng.	33-2047 ♦	
Civic V	1.5L L4 F/I - 3/4-Door	33-2104 ♦	
Civic V	1.5L L4 F/I - 5-door & AeroDeck	33-2047 ♦	
Civic V	1.6L L4 F/I - 105BHP	33-2036 ♦	
Civic V	1.6L L4 F/I - 114/160BHP	33-2104 ♦	
Civic V	1.6L L4 F/I - 116/125BHP	33-2047 ♦	
Civic V	1.8L L4 F/I	33-2234 ♦	
Civic V	2.0L L4 DSL	33-2761	
CR125R	125	HA-2591	
CR500R	500	HA-2591	

* 2 filters required ♦ Intake System Available - see page 84 + Cabin Air Filter Available - see page 453 1- Performance Silver Oil Filter Also Available



Vehicle	Engine Type	Air Filter	Oil Filter	Vehicle	Engine Type	Air Filter	Oil Filter
1997 HONDA				1996 HONDA			
CR-V	2.0L L4 F/I	33-2104	HP-1004 ¹	Civic Si	1.6L L4 F/I	33-2104	HP-1004 ¹
CR-V I	2.0L L4 F/I	33-2104	HP-1004 ¹	Civic V	1.4L L4 F/I	33-2036 ♦	
GL1500A Gold Wing	1520	HA-8088	KN-303	Civic V	1.5L L4 F/I	33-2104 ♦	
Aspencafe				Civic V	1.6L L4 F/I - 105BHP	33-2036 ♦	
GL1500C Valkyrie	1520	HA-1596	KN-303	Civic V	1.6L L4 F/I - 114/160BHP	33-2104 ♦	
GL1500CT Valkyrie	1520	HA-1596	KN-303	Civic V	1.6L L4 F/I - 116/125BHP	33-2047 ♦	
Tourer				CR250R	250	HA-2591	
GL1500SE Gold Wing SE	1520	HA-8088	KN-303	GL1500A Gold Wing Aspencafe	1520	HA-8088	KN-303
Odyssey	2.2L L4 F/I	33-2071	HP-1004 ¹	GL1500SE Gold Wing SE	1520	HA-8088	KN-303
Prelude	2.2L L4 F/I	33-2090 ♦	HP-1004 ¹	PC800 Pacific Coast	800	HA-8089	KN-303
Prelude V	2.0L L4 F/I	33-2090		Prelude	2.2L L4 F/I	33-2090 ♦	HP-1004 ¹
Prelude V	2.2L L4 F/I	33-2090	HP-1004 ¹	Prelude	2.3L L4 F/I	33-2090	HP-1004 ¹
ST1100	1100	HA-1191	KN-303	Prelude IV	2.2L L4 F/I	33-2090 ♦	HP-1004 ¹
ST1100 ABS II	1100		KN-303	Prelude IV	2.3L L4 F/I	33-2090 ♦	HP-1004 ¹
ST1100 Pan	1100		KN-303	Prelude V	2.2L L4 F/I	33-2090	HP-1004 ¹
European				TRX300 Fourtrax	280	HA-3093	KN-113
TRX300 Fourtrax	280	HA-3093	KN-113	TRX300EX	300	HA-3094	KN-113
TRX300EX	300	HA-3094	KN-113	TRX300FW Fourtrax 4x4	300	HA-3093	KN-113
TRX300FW Fourtrax 4x4	300	HA-3093	KN-113	TRX300FW Fourtrax 4x4	300	HA-3093	KN-113
TRX400FW Foreman 4x4	395	HA-3093	KN-113	TRX400FW Foreman 4x4	395	HA-3093	KN-113
VF750C Magna	739	HA-7594	KN-303	VF750C Magna	739	HA-7594	KN-303
VFR750F Interceptor	739	HA-0003	KN-303	VF750CD Magna Deluxe	750	HA-7594	KN-303
VT600C Shadow VLX	600	HA-6088	KN-303	VFR750F Interceptor	739		KN-303
VT600CD Shadow VLX Deluxe	600	HA-6088	KN-303	VT600C Shadow VLX	600	HA-6088	KN-303
VT750C Shadow	750		KN-303	VT600CD Shadow VLX Deluxe	600	HA-6088	KN-303
VT1100C Shadow	1100	HA-1187	KN-303	VT1100C Shadow	1100	HA-1187	KN-303
VT1100C Shadow Spirit	1100	HA-1187	KN-303	VT1100C2 Shadow A.C.E.	1100	HA-1187	KN-303
VT1100C2 Shadow A.C.E.	1100	HA-1187	KN-303	XR250R	250	HA-1312	
XR250R	250	HA-1312		XR400R	400	HA-1314	KN-112
XR400R	400	HA-1314	KN-112	XR600R	600	HA-1315	KN-112
XR600R	600	HA-1315	KN-112	XR650L	650	HA-6592	
XR650L	650	HA-6592		1995 HONDA			
1996 HONDA				Accord	2.2L L4 F/I	33-2071 ♦	HP-1004 ¹
Accord	2.2L L4 F/I		HP-1004 ¹	Accord	2.7L V6 F/I	33-2100	HP-1004 ¹
Accord	2.7L V6 F/I	33-2100	HP-1004 ¹	Accord EX	2.2L L4 F/I	33-2071	HP-1004 ¹
Accord V	2.0L L4 F/I - F20B Eng.	33-2071 ♦		Accord V	2.0L L4 F/I - F20B Eng.	33-2071 ♦	
Accord V	2.0L L4 F/I - F20Z Eng.	33-2613 ♦		Accord V	2.0L L4 F/I - F20Z Eng.	33-2613 ♦	
Accord V	2.2L L4 F/I	33-2071 ♦	HP-1004 ¹	Accord V	2.2L L4 F/I	33-2071	HP-1004 ¹
Accord V	2.3L L4 F/I	33-2613		Accord V	2.3L L4 F/I	33-2613	
Accord VI	1.8L L4 F/I	33-2613		CB750 Nighthawk	750	HA-7591	KN-303
Accord VI	2.0L L4 DSL	33-2761		CBR600F3	600	HA-6095	KN-303
Accord VI	2.0L L4 F/I	33-2613 ♦		CBR900RR	900	HA-9092-A	KN-303
Accord VI	2.2L L4 F/I	33-2613 ♦	HP-1004 ¹	Civic Coupe	1.6L L4 F/I	33-2047	
CB750 Nighthawk	750	HA-7591	KN-303	Civic Coupe	1.6L L4 F/I - 105BHP, D16Y7 Eng.	33-2036	
CB1000 Big One	1006	HA-1013-1		Civic CX	1.5L L4 F/I		HP-1004 ¹
CBR600F3	600	HA-6095	KN-303	Civic CX	1.5L L4 F/I - US	33-2047	HP-1004
CBR900RR	900	HA-9092-A	KN-303	Civic del Sol	1.5L L4 F/I	33-2047 ♦	HP-1004 ¹
CBR1000F	1006	HA-1087	KN-303	Civic del Sol	1.6L L4 F/I	33-2047 ♦	HP-1004 ¹
Civic CX	1.6L L4 F/I	33-2120	HP-1004 ¹	Civic DX	1.5L L4 F/I		HP-1004 ¹
Civic del Sol	1.6L L4 F/I	33-2047	HP-1004 ¹	Civic DX	1.5L L4 F/I - US	33-2047 ♦	HP-1004
Civic DX	1.6L L4 F/I	33-2120	HP-1004 ¹	Civic DX Hatchback	1.5L L4 F/I		HP-1004 ¹
Civic EX	1.6L L4 F/I	33-2120 ♦	HP-1004 ¹	Civic DX Hatchback	1.5L L4 F/I - US	33-2047 ♦	HP-1004
Civic HX	1.6L L4 F/I	33-2104	HP-1004 ¹	Civic EX	1.6L L4 F/I	33-2047 ♦	HP-1004 ¹
		33-2104 ♦	HP-1004 ¹	Civic II	1.6L L4 F/I	33-2025	
Civic IV	1.4L L4 F/I	33-2047		Civic IV	1.4L L4 F/I	33-2047	
Civic IV	1.6L L4 F/I	33-2047 ♦		Civic IV	1.5L L4 F/I	33-2047 ♦	
Civic LX	1.6L L4 F/I	33-2120	HP-1004 ¹				

* 2 filters required

♦ Intake System Available - see page 84 + Cabin Air Filter Available - see page 453 1- Performance Silver Oil Filter Also Available



AIR & OIL FILTERS

HONDA

Vehicle	Engine Type	Air Filter	Oil Filter	Vehicle	Engine Type	Air Filter	Oil Filter
1995 HONDA				1994 HONDA			
Civic IV	1.6L L4 F/I	33-2047 ♦		GL1500A Gold Wing	1520	HA-8088	KN-303
Civic LX	1.5L L4 F/I		HP-1004 ¹	Aspencade			
Civic LX	1.5L L4 F/I - US	33-2047 ♦	HP-1004	GL1500SE Gold Wing SE	1520	HA-8088	
Civic Si	1.6L L4 F/I	33-2047 ♦	HP-1004 ¹	PC800 Pacific Coast	800	HA-8089	
Civic V	1.4L L4 F/I	33-2036 ♦		Prelude	2.2L L4 F/I	33-2090 ♦	HP-1004 ¹
Civic V	1.5L L4 F/I	33-2104 ♦		Prelude	2.3L L4 F/I	33-2090	HP-1004 ¹
Civic V	1.6L L4 F/I - 105BHP	33-2036 ♦		Prelude IV	2.2L L4 F/I	33-2090 ♦	HP-1004 ¹
Civic V	1.6L L4 F/I - 114/160BHP	33-2104 ♦		Prelude IV	2.3L L4 F/I	33-2090 ♦	HP-1004 ¹
Civic V	1.6L L4 F/I - 116/125BHP	33-2047 ♦		TRX300 Fourtrax	280	HA-3093	KN-113
Civic VX	1.5L L4 F/I		HP-1004 ¹	TRX300EX	300	HA-3094	
Civic VX	1.5L L4 F/I - US	33-2047	HP-1004	TRX300FW Fourtrax 4x4	300	HA-3093	KN-113
GL1500A Gold Wing	1520	HA-8088	KN-303	VF750C Magna	739	HA-7594	KN-303
Aspencade				VFR750F Interceptor	739	HA-0003	KN-303
GL1500SE Gold Wing SE	1520	HA-8088	KN-303	VT600C Shadow VLX	600	HA-6088	KN-303
Odyssey	2.2L L4 F/I	33-2071	HP-1004 ¹	VT600CD Shadow	600	HA-6088	KN-303
Passport	3.2L V6 F/I	33-2064		VLX Deluxe			
Prelude	2.2L L4 F/I	33-2090 ♦	HP-1004 ¹	VT1100C Shadow	1100	HA-1187	KN-303
Prelude	2.3L L4 F/I	33-2090	HP-1004 ¹	XR650L	650	HA-6592	KN-112
Prelude IV	2.2L L4 F/I	33-2090 ♦	HP-1004 ¹	1993 HONDA			
Prelude IV	2.3L L4 F/I	33-2090 ♦	HP-1004 ¹	Accord	2.2L L4 F/I	33-2613	HP-1004 ¹
TRX300 Fourtrax	280	HA-3093	KN-113	Accord IV	2.0L L4 F/I - 133BHP	33-2613	
TRX300EX	300	HA-3094	KN-113	Accord IV	2.0L L4 F/I - Exc., 133BHP	E-9180	
TRX300FW Fourtrax 4x4	300	HA-3093	KN-113	Accord IV	2.2L L4 F/I	33-2613	HP-1004 ¹
TRX400FW Foreman 4x4	395	HA-3093	KN-113	Accord V	2.0L L4 F/I - F20B Eng.	33-2071 ♦	
VF750C Magna	739	HA-7594	KN-303	Accord V	2.0L L4 F/I - F20Z Eng.	33-2613 ♦	
VF750CD Magna Deluxe	750	HA-7594	KN-303	Accord V	2.2L L4 F/I	33-2071	HP-1004 ¹
VFR750F Interceptor	739	HA-0003	KN-303	Accord V	2.3L L4 F/I	33-2613	
VT600C Shadow VLX	600	HA-6088	KN-303	CB750 Nighthawk	750	HA-7591	KN-303
VT1100C Shadow	1100	HA-1187	KN-303	CBR600F2	600	HA-6091	KN-303
VT1100C2 Shadow	1100	HA-1187	KN-303	CBR900RR	900	HA-9092-A	KN-303
A.C.E.				CBR1000F	1006	HA-1087	KN-303
XR250R	250	HA-1312	KN-112	Civic CX	1.5L L4 F/I	33-2047	HP-1004 ¹
XR600R	600	HA-1315	KN-112	Civic del Sol	1.5L L4 F/I	33-2047 ♦	HP-1004 ¹
XR650L	650	HA-6592		Civic del Sol	1.6L L4 F/I	33-2047 ♦	HP-1004 ¹
1994 HONDA				Civic DX	1.5L L4 F/I	33-2047 ♦	HP-1004 ¹
Accord	2.2L L4 F/I	33-2071 ♦	HP-1004 ¹	Civic DX Hatchback	1.5L L4 F/I	33-2047 ♦	HP-1004 ¹
Accord EX	2.2L L4 F/I	33-2071	HP-1004 ¹	Civic EX	1.6L L4 F/I	33-2047 ♦	HP-1004 ¹
Accord V	2.0L L4 F/I - F20B Eng.	33-2071 ♦		Civic II	1.6L L4 F/I	33-2025	
Accord V	2.0L L4 F/I - F20Z Eng.	33-2613 ♦		Civic IV	1.5L L4 F/I	33-2047 ♦	
Accord V	2.2L L4 F/I	33-2071	HP-1004 ¹	Civic IV	1.6L L4 F/I	33-2047 ♦	
Accord V	2.3L L4 F/I	33-2613		Civic LX	1.5L L4 F/I	33-2047 ♦	HP-1004 ¹
CB750 Nighthawk	750		KN-303	Civic Si	1.6L L4 F/I	33-2047 ♦	HP-1004 ¹
CB1000 Big One	1006	HA-1013-1		Civic VX	1.5L L4 F/I	33-2047	HP-1004 ¹
CBR600F2	600	HA-6091	KN-303	GL1500A Gold Wing	1520	HA-8088	KN-303
CBR900RR	900	HA-9092-A	KN-303	Aspencade			
Civic CX	1.5L L4 F/I	33-2047 ♦	HP-1004 ¹	GL1500SE Gold Wing SE	1520	HA-8088	
Civic del Sol	1.5L L4 F/I	33-2047 ♦	HP-1004 ¹	Prelude	2.2L L4 F/I	33-2090 ♦	HP-1004 ¹
Civic del Sol	1.6L L4 F/I	33-2047 ♦	HP-1004 ¹	Prelude	2.3L L4 F/I	33-2090	HP-1004 ¹
Civic DX	1.5L L4 F/I	33-2047 ♦	HP-1004 ¹	Prelude IV	2.2L L4 F/I	33-2090 ♦	HP-1004 ¹
Civic DX Hatchback	1.5L L4 F/I	33-2047 ♦	HP-1004 ¹	Prelude IV	2.3L L4 F/I	33-2090 ♦	HP-1004 ¹
Civic EX	1.6L L4 F/I	33-2047 ♦	HP-1004 ¹	ST1100	1100		KN-303
Civic II	1.6L L4 F/I	33-2025		ST1100 A	1100		KN-303
Civic IV	1.5L L4 F/I	33-2047 ♦		ST1100 ABS II	1100		KN-303
Civic IV	1.6L L4 F/I	33-2047 ♦		ST1100 Pan	1100		KN-303
Civic LX	1.5L L4 F/I	33-2047 ♦	HP-1004 ¹	European			
Civic Si	1.6L L4 F/I	33-2047 ♦	HP-1004 ¹	TRX300 Fourtrax	280	HA-3093	KN-113
Civic VX	1.5L L4 F/I	33-2047	HP-1004 ¹	TRX300EX	300	HA-3094	KN-113
				TRX300FW Fourtrax 4x4	300	HA-3093	KN-113
				VFR750F Interceptor	739		KN-303

* 2 filters required

♦ Intake System Available - see page 84 +Cabin Air Filter Available - see page 453 1- Performance Silver Oil Filter Also Available



Vehicle	Engine Type	Air Filter	Oil Filter	Vehicle	Engine Type	Air Filter	Oil Filter
1993 HONDA				1991 HONDA			
VT600C Shadow VLX	600	HA-6088	KN-303	CRX	1.5L L4 F/I	33-2025 ♦	HP-1004 ¹
VT1100C Shadow	1100	HA-1187	KN-303	CRX	1.6L L4 F/I		HP-1004 ¹
XR250R	250	HA-1312	KN-112	CRX	1.6L L4 F/I - US	33-2025 ♦	HP-1004
XR650L	650	HA-6592		CRX II	1.6L L4 F/I		HP-1004 ¹
1992 HONDA				CRX II	1.6L L4 F/I - Exc., VTEC	33-2025 ♦	HP-1004
Accord	2.2L L4 F/I	33-2613	HP-1004 ¹	CRX II	1.6L L4 F/I - VTEC	33-2061 ♦	HP-1004
Accord IV	2.0L L4 F/I - 133BHP	33-2613		GL1500SE Gold Wing SE	1520	HA-8088	
Accord IV	2.0L L4 F/I - Exc., 133BHP	E-9180		Prelude	2.0L L4 F/I	E-2425	HP-1004 ¹
Accord IV	2.2L L4 F/I	33-2613	HP-1004 ¹	Prelude	2.1L L4 F/I		HP-1004 ¹
CB750 Nighthawk	750	HA-7591	KN-303	Prelude III	2.0L L4 F/I - B20A1 Eng., B20A5 Eng.	33-2521	
CBR600F2	600	HA-6091	KN-303	Prelude III	2.0L L4 F/I - B20A9 Eng.	E-2425	
Civic CX	1.5L L4 F/I	33-2047	HP-1004 ¹	TRX300 Fourtrax	280	HA-3093	KN-113
Civic DX	1.5L L4 F/I	33-2047 ♦	HP-1004 ¹	TRX300FW Fourtrax 4x4	300	HA-3093	KN-113
Civic DX Hatchback	1.5L L4 F/I	33-2047 ♦	HP-1004 ¹	VFR750F Interceptor	739	HA-0003	KN-303
Civic EX	1.6L L4 F/I	33-2047 ♦	HP-1004 ¹	XR250L	250	HA-1312	KN-112
Civic II	1.6L L4 F/I	33-2025		1990 HONDA			
Civic IV	1.5L L4 F/I	33-2047 ♦		Accord	2.2L L4 F/I	33-2613	HP-1004 ¹
Civic IV	1.6L L4 F/I	33-2047 ♦		Accord IV	2.0L L4 F/I - 133BHP	33-2613	
Civic LX	1.5L L4 F/I	33-2047 ♦	HP-1004 ¹	Accord IV	2.0L L4 F/I - Exc., 133BHP	E-9180	
Civic Si	1.6L L4 F/I	33-2047 ♦	HP-1004 ¹	Accord IV	2.2L L4 F/I	33-2613	HP-1004 ¹
Civic VX	1.5L L4 F/I	33-2047	HP-1004 ¹	CBR600F	600	HA-6087	KN-303
GL1500A Gold Wing Aspencade	1520	HA-8088		Civic	1.5L L4 F/I	33-2025 ♦	HP-1004 ¹
Prelude	2.2L L4 F/I	33-2090	HP-1004 ¹	Civic	1.6L L4 F/I	33-2025 ♦	HP-1004 ¹
Prelude	2.3L L4 F/I	33-2090	HP-1004 ¹	Civic II	1.5L L4 F/I	33-2025	
Prelude III	2.0L L4 F/I - B20A1 Eng., B20A5 Eng.	33-2521		Civic II	1.6L L4 F/I	33-2025	
Prelude III	2.0L L4 F/I - B20A9 Eng.	E-2425		Civic III	1.4L L4 F/I	E-9071	
Prelude IV	2.0L L4 F/I	33-2090		Civic III	1.5L L4 F/I	33-2025	
Prelude IV	2.2L L4 F/I	33-2090 ♦	HP-1004 ¹	Civic III	1.6L L4 F/I - Exc., VTEC	33-2025 ♦	
Prelude IV	2.3L L4 F/I	33-2090 ♦	HP-1004 ¹	Civic III	1.6L L4 F/I - VTEC	33-2061 ♦	
ST1100	1100	HA-1191	KN-303	CRX	1.5L L4 F/I	33-2025	HP-1004 ¹
ST1100 A	1100		KN-303			33-2025 ♦	HP-1004 ¹
ST1100 ABS II	1100		KN-303	CRX	1.6L L4 F/I	33-2025 ♦	HP-1004 ¹
ST1100 Pan European	1100		KN-303	CRX II	1.6L L4 F/I		HP-1004 ¹
TRX300 Fourtrax	280	HA-3093	KN-113	CRX II	1.6L L4 F/I - Exc., VTEC	33-2025 ♦	HP-1004
TRX300FW Fourtrax 4x4	300	HA-3093	KN-113	CRX II	1.6L L4 F/I - VTEC	33-2061 ♦	HP-1004
VT600C Shadow VLX	600	HA-6088		GL1500 Gold Wing	1520	HA-8088	KN-303
VT1100C Shadow	1100	HA-1187	KN-303	GL1500SE Gold Wing SE	1520	HA-8088	KN-303
1991 HONDA				NT650 Hawk GT	650		KN-303
Accord	2.2L L4 F/I	33-2613	HP-1004 ¹	Prelude	2.0L L4 CARB	E-2425	HP-1004 ¹
Accord IV	2.0L L4 F/I - 133BHP	33-2613		Prelude	2.0L L4 F/I	E-2425	HP-1004 ¹
Accord IV	2.0L L4 F/I - Exc., 133BHP	E-9180		Prelude	2.1L L4 F/I		HP-1004 ¹
Accord IV	2.2L L4 F/I	33-2613	HP-1004 ¹	Prelude III	2.0L L4 CARB		HP-1004 ¹
CB750 Nighthawk	750	HA-7591	KN-303	Prelude III	2.0L L4 F/I		HP-1004 ¹
CBR600F2	600	HA-6091	KN-303	Prelude III	2.0L L4 F/I - B20A1 Eng., B20A5 Eng.	33-2521	HP-1004
Civic	1.5L L4 F/I	33-2025 ♦	HP-1004 ¹	Prelude III	2.0L L4 F/I - B20A9 Eng.	E-2425	HP-1004
Civic	1.6L L4 F/I	33-2025 ♦	HP-1004 ¹	TRX300 Fourtrax	280		KN-113
Civic II	1.4L L4 F/I	E-9071		TRX300FW Fourtrax 4x4	300	HA-3093	KN-113
Civic II	1.5L L4 F/I	33-2025		1989 HONDA			
Civic II	1.6L L4 F/I	33-2025		Accord	2.0L L4 CARB	E-9030	HP-1004 ¹
Civic III	1.5L L4 F/I	33-2025		Accord	2.0L L4 F/I - US	33-2521	HP-1004 ¹
Civic III	1.6L L4 F/I - Exc., VTEC	33-2025 ♦		Accord III	2.0L L4 CARB	E-9030	
Civic III	1.6L L4 F/I - VTEC	33-2061 ♦		Accord III	2.0L L4 F/I	33-2521	
Civic IV	1.3L L4 F/I	E-2980		CBR600F Hurricane	600	HA-6087	KN-303
Civic IV	1.5L L4 F/I	33-2047 ♦					
Civic IV	1.6L L4 F/I	33-2047 ♦					
CRX	1.5L L4 F/I	33-2025	HP-1004 ¹				

* 2 filters required

♦ Intake System Available - see page 84 +Cabin Air Filter Available - see page 453 1- Performance Silver Oil Filter Also Available



AIR & OIL FILTERS

HONDA

Vehicle	Engine Type	Air Filter	Oil Filter	Vehicle	Engine Type	Air Filter	Oil Filter
1989 HONDA				1988 HONDA			
Civic	1.5L L4 F/I	33-2025 ♦	HP-1004 ¹	TRX250X	250	HA-2504	KN-112
Civic	1.6L L4 F/I	33-2025 ♦	HP-1004 ¹	TRX300 Fourtrax	300	HA-3093	KN-113
Civic II	1.5L L4 F/I	33-2025		TRX300FW Fourtrax 4x4	300	HA-3093	KN-113
Civic II	1.6L L4 F/I	33-2025		TRX350D Foreman 4x4	350	HA-4435	KN-113
Civic III	1.5L L4 F/I	33-2025		VF750C Magna	747	HA-7598	KN-202
Civic III	1.6L L4 F/I - Exc., VTEC	33-2025 ♦		VT600C Shadow VLX	600	HA-6088	KN-303
Civic III	1.6L L4 F/I - VTEC	33-2061 ♦		VT800C Shadow	800		KN-202
CRX	1.5L L4 F/I	33-2025	HP-1004 ¹	VT1100C Shadow	1100	HA-1187	KN-202
		33-2025 ♦	HP-1004 ¹	VTR250 Interceptor	250		KN-111
CRX	1.6L L4 F/I	33-2025 ♦	HP-1004 ¹	1987 HONDA			
CRX II	1.6L L4 F/I		HP-1004 ¹	Accord	2.0L L4 CARB	E-9030	HP-1004 ¹
CRX II	1.6L L4 F/I - Exc., VTEC	33-2025 ♦	HP-1004	Accord	2.0L L4 F/I	33-2521	HP-1004 ¹
CRX II	1.6L L4 F/I - VTEC	33-2061 ♦	HP-1004	Accord III	2.0L L4 CARB	E-9030	
FL400R Pilot	400	HA-4400		Accord III	2.0L L4 F/I	33-2521	
GL1500 Gold Wing	1520	HA-8088	KN-303	CBR600F Hurricane	600	HA-6087	KN-303
NT650 Hawk GT	650		KN-303	CMX450C Rebel	450		KN-111
PC800 Pacific Coast	800	HA-8089	KN-303	CRX	1.5L L4 3 BBL.	E-2730	
Prelude	2.0L L4 CARB	E-2425	HP-1004 ¹	CRX	1.5L L4 3 BBL. - EW3 Eng.	E-2734	
Prelude	2.0L L4 F/I	E-2425	HP-1004 ¹	CRX I	1.6L L4 F/I - Exc., VTEC, from 10/87	33-2025 ♦	
Prelude III	2.0L L4 CARB		HP-1004 ¹	CRX I	1.6L L4 F/I - to 9/87	33-2021 ♦	
Prelude III	2.0L L4 F/I		HP-1004 ¹	GL1200A Gold Wing	1200	HA-8084	KN-401
Prelude III	2.0L L4 F/I - B20A1 Eng., B20A5 Eng.	33-2521	HP-1004	Aspencade			
Prelude III	2.0L L4 F/I - B20A9 Eng.	E-2425	HP-1004	Prelude III	2.0L L4 CARB		HP-1004 ¹
TRX250R Fourtrax	250	HA-4250		Prelude III	2.0L L4 F/I		HP-1004 ¹
TRX350D Foreman 4x4	350	HA-4435	KN-113	Prelude III	2.0L L4 F/I - B20A1 Eng., B20A5 Eng.	33-2521	HP-1004
VT1100C Shadow	1100	HA-1187		TRX125	125	HA-0510	KN-566
XL600V Transalp	600	HA-6089	KN-303	TRX250	250		KN-113
XR250R	250	HA-1312		TRX250 Fourtrax	250	HA-2410	KN-112
1988 HONDA				TRX250R Fourtrax	250	HA-4250	
Accord	2.0L L4 CARB	E-9030	HP-1004 ¹	TRX250X	250	HA-2504	KN-112
Accord	2.0L L4 F/I	33-2521	HP-1004 ¹	TRX350 Fourtrax 4x4	350	HA-4435	KN-113
Accord III	2.0L L4 CARB	E-9030		VF700C Magna	747	HA-7598	KN-202
Accord III	2.0L L4 F/I	33-2521		VT1100C Shadow	1100	HA-1187	
CBR600F Hurricane	600	HA-6087	KN-303	XL250R	250		KN-112
CBR1000F	1062	HA-1087	KN-303	1986 HONDA			
Civic	1.5L L4 F/I	33-2025 ♦	HP-1004 ¹	Accord	2.0L L4 F/I	33-2521	
Civic	1.6L L4 F/I		HP-1004 ¹	Accord III	2.0L L4 CARB	E-9030	
Civic II	1.5L L4 F/I	33-2025		Accord III	2.0L L4 F/I	33-2521	
Civic III	1.5L L4 F/I	33-2025		ATC250ES Big Red	250		KN-112
Civic III	1.6L L4 F/I - Exc., VTEC	33-2025 ♦		ATC250R	250	HA-2440	
CRX	1.6L L4 F/I	33-2025 ♦	HP-1004 ¹	ATC350X	350	HA-3350	KN-113
CRX II	1.6L L4 F/I		HP-1004 ¹	CB450SC	450		KN-111
CRX II	1.6L L4 F/I - Exc., VTEC	33-2025 ♦	HP-1004	CB700SC Nighthawk S	700	HA-7084	KN-202
GL1500 Gold Wing	1520	HA-8088	KN-303	Civic	1.5L L4 CARB	E-2730	
NT650 Hawk GT	650		KN-303	Civic	1.5L L4 F/I	33-2021	
NX250	250		KN-112	Civic I	1.5L L4 CARB	E-2730	
NX650 Dominator	650		KN-112	Civic II	1.5L L4 CARB	E-2730	
Prelude	2.0L L4 CARB		HP-1004 ¹	Civic II	1.5L L4 F/I	33-2021 ♦	
Prelude	2.0L L4 F/I	33-2521	HP-1004 ¹	CMX450C Rebel	450		KN-111
Prelude III	2.0L L4 CARB		HP-1004 ¹	CRX I	1.5L L4 F/I	33-2021	
Prelude III	2.0L L4 F/I		HP-1004 ¹	GL1200 Gold Wing	1200	HA-8085	KN-401
Prelude III	2.0L L4 F/I - B20A1 Eng., B20A5 Eng.	33-2521	HP-1004	SE-i			
Prelude III	2.0L L4 F/I - B20A9 Eng.	E-2425	HP-1004	GL1200A Gold Wing	1200	HA-8084	KN-401
TRX125	125	HA-0510		Aspencade			
TRX200SX Fourtrax	200	HA-0510		GL1200i Gold Wing	1200	HA-8084	KN-401
TRX250R Fourtrax	250	HA-4250		Interstate			
				TRX125	125	HA-0510	
				TRX200SX Fourtrax	200	HA-0510	

* 2 filters required ♦ Intake System Available - see page 84 + Cabin Air Filter Available - see page 453 1- Performance Silver Oil Filter Also Available



Vehicle	Engine Type	Air Filter	Oil Filter	Vehicle	Engine Type	Air Filter	Oil Filter
1986 HONDA				1984 HONDA			
TRX250	250	HA-2410	KN-112	VF750F V45	750	HA-1245	KN-202
TRX250R	250	HA-4250		Interceptor			
TRX350 Fourtrax 4x4	350	HA-4435	KN-113	VF1000F Interceptor	1000	HA-1250	
VF500F Interceptor	500	HA-3084	KN-202	VF1100C V65 Magna	1062	HA-6583	KN-202
VF700C Magna	700	HA-1210	KN-202	VF1100S Sabre	1062		KN-202
VF1100C V65 Magna	1100	HA-6583		VT500C Shadow	500	HA-5083	KN-202
VFR750F Interceptor	750	HA-7587	KN-202	VT500FT Ascot	500		KN-202
VT500C Shadow	500	HA-5083	KN-202	VT700C Shadow	700	HA-1326	KN-202
VT700C Shadow	700		KN-202	XL350R	350		KN-112
VT1100C Shadow	1100		KN-202	XL600R	600		KN-112
XL250R	250		KN-112	XR200R	200	HA-2584	
XL600R	600		KN-112	XR500R	500	HA-1303	
XR250R	250	HA-1312		1983 HONDA			
XR600R	600	HA-1315	KN-112	ATC185S	185	HA-0510	
1985 HONDA				ATC200E Big Red	200	HA-0510	
ATC125M	125	HA-0510		ATC200X	200	HA-2420	
ATC200X	200	HA-2420		CB450SC	450	HA-0850	KN-111
ATC250ES Big Red	250		KN-112	CB550SC Nighthawk	550	HA-5583	KN-401
ATC250R	250	HA-2440		CB650 SC	650		KN-401
ATC250SX	250	HA-2410	KN-113	CB650 SCC	650		KN-401
ATC350X	350	HA-3350	KN-113	CB650SC Nighthawk	650	HA-5583	KN-401
CB450SC	450	HA-0850	KN-111	CB750SC Nighthawk	750	HA-1079	KN-401
CB650SC Nighthawk	650	HA-5583	KN-401	CB1000C	1000	HA-1079	KN-401
CB700SC Nighthawk	700	HA-7084	KN-202	CB1100F	1100	HA-1079	KN-401
S				CBX550	550		KN-111
FL350R Odyssey	350	HA-4350		Civic	1.5L L4 CARB	E-2740	
GL1200 Gold Wing	1200		KN-401	CR480R	480	HA-1100	
GL1200A Gold Wing	1200	HA-8084	KN-401	CX650C Custom	650		KN-111
Aspencade				GL650 Silver Wing	650		KN-111
GL1200i Gold Wing	1200	HA-8084	KN-401	GL650i Silver Wing	650	HA-0783	KN-111
Interstate				Interstate			
GL1200L Gold Wing	1200	HA-8085	KN-401	GL1100 A Aspencade	1100		KN-401
Limited Edition				GL1100 Gold Wing	1100	HA-8080	KN-401
TRX250	250	HA-2410	KN-112	VF750C Magna	750	HA-1210	KN-202
VF500C V30 Magna	500	HA-3010	KN-202	VF750F V45	750	HA-1245	KN-202
VF700C Magna	700	HA-1210	KN-202	Interceptor			
VF700S Sabre	700		KN-202	VF750S Sabre	750		KN-202
VF1100C V65 Magna	1062	HA-6583	KN-202	VF1100C V65 Magna	1100	HA-6583	KN-202
VF1100S Sabre	1062		KN-202	VT500C Shadow	500	HA-5083	KN-202
VT500C Shadow	500	HA-5083	KN-202	VT750C Shadow	750	HA-1326	KN-202
VT700C Shadow	700	HA-1326	KN-202	XL600R	600		KN-112
VT1100C Shadow	1100		KN-202	XR500R	500	HA-1303	
XL350R	350		KN-112	1982 HONDA			
XR350R	350	HA-1312	KN-112	ATC200E Big Red	200	HA-0510	
1984 HONDA				CB450SC	450	HA-0850	KN-111
ATC200ES Big Red	200	HA-0510		CB650	650	HA-7580	KN-401
ATC200M	200	HA-0510		CB650 SCC	650		KN-401
ATC200S	200	HA-0510		CB650C	650		KN-401
ATC200X	200	HA-2420		CB650SC Nighthawk	650	HA-7580	KN-401
CB650SC Nighthawk	650	HA-5583	KN-401	CB750 F	750		KN-401
CB700SC Nighthawk	700	HA-7084	KN-202	CB750C Custom	750	HA-1079	KN-401
S				CB750SC Nighthawk	750	HA-1079	KN-401
CB750 F	750		KN-401	CB900C	900	HA-1079	KN-401
CR125R	125	HA-1100		CB900F	900	HA-1079	KN-401
GL1200 Gold Wing	1200	HA-8084	KN-401	CBX1000	1047	HA-0900	
GL1200A Gold Wing	1200	HA-8084	KN-401	CBX1000 ProLink	1000		KN-401
Aspencade				CM250TB Custom	250		KN-111
GL1200i Gold Wing	1200	HA-8084	KN-401	CM450C Custom	450		KN-111
Interstate				CX500	500		KN-111
VF500C V30 Magna	500	HA-3010	KN-202	CX500 EC Eurosport	500		KN-111
VF700C Magna	700	HA-1210	KN-202	CX500C Custom	500	HA-0700	KN-111
VF700S Sabre	700		KN-202	CX500TC Turbo	500		KN-111

* 2 filters required

◆ Intake System Available - see page 84 +Cabin Air Filter Available - see page 453 1- Performance Silver Oil Filter Also Available



AIR & OIL FILTERS

HONDA

Vehicle	Engine Type	Air Filter	Oil Filter	Vehicle	Engine Type	Air Filter	Oil Filter
1982 HONDA				1978 HONDA			
GL500 Silver Wing	500		KN-111	CB750	750		KN-401
GL500i Silver Wing	500	HA-0700	KN-111	CB750A Hondamatic	750	HA-0100	KN-401
Interstate				CB750F Super Sport	750	HA-0100	KN-401
GL1100 A Aspencade	1100		KN-401	CB750K Four	750	HA-0100	KN-401
GL1100 Gold Wing	1100	HA-8080	KN-401	CX500	500	HA-0700	KN-111
VF750C Magna	750	HA-1210	KN-202	GL1000 Gold Wing	1000	HA-0800	KN-401
VF750S Sabre	750		KN-202	XL100	100	HA-0300	
1981 HONDA				1977 HONDA			
CB650	650	HA-7580	KN-401	CB400F	400		KN-401
CB650C	650	HA-7580	KN-401	CB550F Super Sport	550		KN-401
CB650SC Nighthawk	650		KN-401	CB550K	550		KN-401
CB750 F	750		KN-401	CB750	750		KN-401
CB750C Custom	750	HA-1079	KN-401	CB750A Hondamatic	750	HA-0100	KN-401
CB750F Super Sport	750		KN-401	CB750F Super Sport	750	HA-0100	KN-401
CB750K Four	750	HA-1079	KN-401	CB750K Four	750	HA-0100	KN-401
CB900C	900	HA-1079	KN-401	GL1000 Gold Wing	1000	HA-0800	KN-401
CB900F	900	HA-1079	KN-401	XR75 Mini	75	HA-0300	
CBX1000 ProLink	1000		KN-401	1976 HONDA			
CM400A	400		KN-111	CB500 F Four	500		KN-401
CM400C	400	HA-0850	KN-111	CB550	550		KN-401
CM400E	400	HA-0850	KN-111	CB550F Super Sport	550		KN-401
CM400T	400	HA-0850	KN-111	CB550K	550		KN-401
CX500C Custom	500	HA-0700	KN-111	CB750	750		KN-401
CX500D Deluxe	500	HA-0700	KN-111	CB750A Hondamatic	750	HA-0100	KN-401
GL500 Silver Wing	500		KN-111	CB750F Super Sport	750	HA-0100	KN-401
GL500i Silver Wing	500		KN-111	CB750K Four	750	HA-0100	KN-401
Interstate				Civic I	1.2L L4 CARB	E-2660	
GL1100 Gold Wing	1100	HA-8080	KN-401	GL1000 Gold Wing	1000	HA-0800	KN-401
XR200R	200	HA-1050		1975 HONDA			
1980 HONDA				CB125	125	HA-0300	
CB400 Hawk	400		KN-111	CB400F	400		KN-401
CB650	650	HA-0750	KN-401	CB500T	500		KN-111
CB650C	650	HA-7580	KN-401	CB550	550		KN-401
CB650SC Nighthawk	650		KN-401	CB550F Super Sport	550		KN-401
CB750 F	750		KN-401	CB550K	550		KN-401
CB750C Custom	750	HA-1079	KN-401	CB750	750		KN-401
CB750F Super Sport	750	HA-1079	KN-401	CB750F Super Sport	750	HA-0100	KN-401
CB750K Four	750	HA-1079	KN-401	CB750K Four	750	HA-0100	KN-401
CB900C	900	HA-1079	KN-401	GL1000 Gold Wing	1000	HA-0800	KN-401
CBX1000	1047	HA-0900		XR75 Mini	75	HA-0300	
CM400T	400	HA-0850	KN-111	1974 HONDA			
CX500	500		KN-111	CB125	125	HA-0300	
CX500C Custom	500	HA-0700	KN-111	CB350F	350		KN-401
CX500D Deluxe	500	HA-0700	KN-111	CB550K	550		KN-401
GL1100 Gold Wing	1100	HA-8080	KN-401	CB750	750	HA-0100	KN-401
1979 HONDA				1973 HONDA			
CB400 Hawk	400		KN-111	CB350F	350		KN-401
CB650	650	HA-0750	KN-401	CB350G Super Sport	350		KN-401
CB750 Limited	750		KN-401	CB350K Super Sport	350		KN-401
Edition				CB500 F Four	500		KN-401
CB750F Super Sport	750	HA-1079	KN-401	CB500K	500		KN-401
CB750K Four	750	HA-1079	KN-401	CB750	750	HA-0100	KN-401
CBX1000	1047	HA-0900	KN-401	1972 HONDA			
CX500	500	HA-0700	KN-111	CB350F	350		KN-401
CX500C Custom	500	HA-0700	KN-111	CB500 F Four	500		KN-401
CX500D Deluxe	500	HA-0700	KN-111	CB750	750	HA-0100	KN-401
GL1000 Gold Wing	1000	HA-0800	KN-401	1971 HONDA			
1978 HONDA				CB100 Super Sport	100	HA-0300	
CB400 Hawk	400		KN-111				
CB400A Hondamatic	400		KN-111				
CB550K	550		KN-401				

* 2 filters required ♦ Intake System Available - see page 84 +Cabin Air Filter Available - see page 453 1- Performance Silver Oil Filter Also Available



Vehicle	Engine Type	Air Filter	Oil Filter
1971 HONDA			
CB750	750	HA-0100	KN-401
CL100 Scrambler	100	HA-0300	
SL125	125	HA-0300	
1970 HONDA			
CB750	750		KN-401
2010 HUMMER			
H3	3.7L L5 F/I	33-2408	HP-2006 ¹
H3	5.3L V8 F/I	33-2408	HP-1017 ¹
H3T	3.7L L5 F/I	33-2408	HP-2006 ¹
H3T	5.3L V8 F/I	33-2408	HP-1017 ¹
2009 HUMMER			
H2	6.2L V8 F/I		HP-1017 ¹
H3	3.7L L5 F/I	33-2408 ♦	HP-2006 ¹
H3	5.3L V8 F/I	33-2408	HP-1017 ¹
H3T	3.7L L5 F/I	33-2408 ♦	HP-2006 ¹
H3T	5.3L V8 F/I	33-2408	HP-1017 ¹
2008 HUMMER			
H2	6.2L V8 F/I		HP-1017 ¹
H3	3.5L L5 F/I	33-2408	
H3	3.7L L5 F/I	33-2408 ♦	HP-2006 ¹
H3	5.3L V8 F/I	33-2408	HP-1017 ¹
2007 HUMMER			
H2	6.0L V8 F/I		HP-1017 ¹
H3	3.5L L5 F/I	E-0773	
H3	3.7L L5 F/I	E-0773 ♦	HP-2006 ¹
2006 HUMMER			
H1	6.6L V8 DSL		HP-3003 ¹
H2	6.0L V8 F/I		HP-1007 ¹
H3	3.5L L5 F/I	E-0773 ♦	HP-2006 ¹
2005 HUMMER			
H2	6.0L V8 F/I		HP-1007 ¹
H3	3.5L L5 F/I	E-0773	
2004 HUMMER			
H1	6.5L V8 DSL	E-1700	
H2	6.0L V8 F/I		HP-1007 ¹
2003 HUMMER			
H1	6.5L V8 DSL	E-1700	HP-3002 ¹
H2	6.0L V8 F/I		HP-1007 ¹
2002 HUMMER			
H1	6.5L V8 DSL	E-1700	
H2	6.0L V8 F/I		HP-1007 ¹
2001 HUMMER			
H1	6.5L V8 DSL	E-1700	
2000 HUMMER			
H1	6.5L V8 DSL	E-1700	
1999 HUMMER			
H1	6.5L V8 DSL	E-1700	
1998 HUMMER			
H1	6.5L V8 DSL	E-1700	
1996 HUMMER			
H1	6.5L V8 DSL	E-1700	
2014 HUSABERG			
FE350	350		KN-652

Vehicle	Engine Type	Air Filter	Oil Filter
2011 HUSABERG			
FE390	390		KN-655
FE570	570		KN-655
2010 HUSABERG			
FE450	450		KN-655
2009 HUSABERG			
FE450	450		KN-655
2016 HUSQVARNA			
701 Enduro	690 - Short Filter		KN-651
701 Enduro	690 - Tall Filter		KN-155
701 Supermoto	690 - Short Filter		KN-651
701 Supermoto	690 - Tall Filter		KN-155
FC250	250		KN-652
FC350	350		KN-652
FC450	450		KN-655
FE250	250		KN-652
FE350	350	KT-4511XD	KN-652
FE350S	350	KT-4511XD	KN-652
FE450	449	KT-4511XD	KN-655
FE501	510	KT-4511XD	KN-655
FE501S	510	KT-4511XD	KN-655
FS450	450		KN-652
TE300	293	KT-4511XD	
2015 HUSQVARNA			
FC250	250		KN-652
FC350	350		KN-652
FC450	450		KN-655
FE250	250		KN-652
FE350	350		KN-652
FE450	449		KN-655
FE501	510	KT-4511XD	KN-655
2014 HUSQVARNA			
FC250	250		KN-652
FC450	450		KN-655
FE350	350		KN-652
TE300	293	KT-4511XD	
2013 HUSQVARNA			
TE310R	310	HU-1200	KN-116
TXC250R	250		KN-116
2012 HUSQVARNA			
TE310	310	HU-1200	KN-116
TE449	449		KN-611
TE511	511		KN-611
2011 HUSQVARNA			
SMS630	630		KN-563
TE310	310	HU-1200	KN-116
TE449	449		KN-611
TE511	511		KN-611
TE630	630		KN-563
2010 HUSQVARNA			
SM510R	510		KN-563
SMR510	510		KN-611
TE310	310		KN-563
TE450	450		KN-563
2009 HUSQVARNA			
TE510	510		KN-563
2008 HUSQVARNA			
SM610	610		KN-154

* 2 filters required

♦ Intake System Available - see page 84 +Cabin Air Filter Available - see page 453 1- Performance Silver Oil Filter Also Available



AIR & OIL FILTERS

HUSQVARNA

Vehicle	Engine Type	Air Filter	Oil Filter
2008 HUSQVARNA			
SM610S IE	610		KN-154
TC450	450		KN-563
TC510	510		KN-563
TE450	450	HU-1200	KN-563
TE510	510		KN-563
TE610	610		KN-154
TE610 IE	610		KN-154

2006 HUSQVARNA			
TC450	450		KN-154

2000 HUSQVARNA			
TE610E	610		KN-154
TE610E LT	610		KN-154

2017 HYUNDAI			
Elantra	1.4L L4 F/I	33-5050	HP-1004 ¹
Elantra	2.0L L4 F/I	33-5050 ♦	HP-1004 ¹
Elantra GT	2.0L L4 F/I		HP-1004 ¹
Grand i10	1.0L L3 F/I	33-3049	
Grand i10	1.2L L4 F/I	33-3049	
H1	2.5L L4 DSL	33-2980	
H300	2.5L L4 DSL	33-2980	
i10	1.0L L3 F/I - OEM 28113B9000	33-3049	
i10	1.2L L4 F/I	33-3049	
i20 II	1.0L L3 F/I	33-3052+	
i20 II	1.1L L3 DSL	33-3052+	
i20 II	1.2L L4 F/I	33-3052+	
i20 II	1.4L L4 DSL	33-3052+	
i20 II	1.4L L4 F/I	33-3052+	
i40	1.6L L4 F/I	33-2451+	
i40	1.7L L4 DSL	33-2451+	
i40	2.0L L4 F/I	33-2451+	
Iload	2.4L L4 F/I	33-2980	
Iload	2.5L L4 DSL	33-2980	
Imax	2.4L L4 F/I	33-2980	
Imax	2.5L L4 DSL	33-2980	
Santa Fe	2.0L L4 F/I		HP-1004 ¹
Santa Fe	2.4L L4 F/I		HP-1004 ¹
Santa Fe	3.3L V6 F/I		PS-7030
Santa Fe XL	3.3L V6 F/I		PS-7030
Sonata	1.6L L4 F/I		HP-1004 ¹
Sonata	2.0L L4 F/I		HP-1004 ¹
Sonata	2.4L L4 F/I		HP-1004 ¹
Tucson	1.6L L4 F/I		HP-1004 ¹
Tucson	2.0L L4 F/I		HP-1004 ¹
Veloster	1.6L L4 F/I	33-2472	
Xcent	1.0L L3 F/I	33-3049	
Xcent	1.2L L4 F/I	33-3049	

2016 HYUNDAI			
Accent	1.6L L4 F/I	33-2472+	HP-1004 ¹
Azera	3.3L V6 F/I	33-2448+	PS-7030
Elantra	1.8L L4 F/I	33-2451 ♦+	HP-1004 ¹
Elantra	2.0L L4 F/I	33-2451 ♦+	HP-1004 ¹
Elantra GT	2.0L L4 F/I	33-2451+	HP-1004 ¹
Equus	5.0L V8 F/I	33-2426	PS-7029
Genesis	5.0L V8 F/I - Left Side Airbox	33-5021	
Genesis	5.0L V8 F/I - Right Side Airbox	33-5020	
Genesis Coupe	3.8L V6 F/I	33-2481 ♦+	
Genesis Coupe	3.8L V6 F/I - 4 In. High Filter	33-2481	PS-7029

Vehicle	Engine Type	Air Filter	Oil Filter
2016 HYUNDAI			
Genesis Coupe	3.8L V6 F/I - 5.2 In. High Filter	33-2481	PS-7022
Genesis Sedan	3.8L V6 F/I	33-5019	PS-7035
Grand i10	1.1L L3 DSL	33-3048	
H1	2.5L L4 DSL	33-2980	
H-1	2.5L L4 DSL	33-2980	
H300	2.5L L4 DSL	33-2980	
i20 II	1.2L L4 F/I	33-3052+	
i20 II	1.4L L4 DSL	33-3052+	
i20 II	1.4L L4 F/I	33-3052+	
I30	1.6L L4 F/I - Exc. Turbo	33-2451+	
I30	1.6L L4 F/I - Turbo	33-3008+	
Santa Fe	2.0L L4 F/I	33-2493	HP-1004 ¹
Santa Fe	2.4L L4 F/I	33-2493 ♦	HP-1004 ¹
Santa Fe	3.3L V6 F/I	33-2493	PS-7030
Santa Fe XL	3.3L V6 F/I		PS-7030
Sonata	1.6L L4 F/I		HP-1004 ¹
Sonata	2.0L L4 F/I		HP-1004 ¹
Sonata	2.4L L4 F/I	33-5026	HP-1004 ¹
Tucson	1.6L L4 F/I		HP-1004 ¹
Tucson	2.0L L4 F/I		HP-1004 ¹
Veloster	1.6L L4 F/I	33-2472 ♦+	HP-1004 ¹
Veloster Turbo	1.6L L4 F/I	33-2472 ♦+	HP-1004 ¹

2015 HYUNDAI			
Accent	1.6L L4 F/I	33-2472+	HP-1004 ¹
Accent IV	1.4L L4 F/I	33-2472+	
Azera	3.3L V6 F/I	33-2448+	PS-7030
Elantra	1.8L L4 F/I	33-2451 ♦+	HP-1004 ¹
Elantra	2.0L L4 F/I	33-2451 ♦+	HP-1004 ¹
Elantra GT	2.0L L4 F/I	33-2451+	HP-1004 ¹
Equus	5.0L V8 F/I	33-2426	PS-7029
Genesis	5.0L V8 F/I		PS-7035
Genesis	5.0L V8 F/I - Left Side Airbox	33-5021	PS-7035
Genesis	5.0L V8 F/I - Right Side Airbox	33-5020	PS-7035
Genesis Coupe	2.0L L4 F/I		HP-1004 ¹
Genesis Coupe	3.8L V6 F/I	33-2481 ♦+	
Genesis Coupe	3.8L V6 F/I - 4 In. High Filter	33-2481	PS-7029
Genesis Coupe	3.8L V6 F/I - 5.2 In. High Filter	33-2481	PS-7022
Genesis Sedan	3.8L V6 F/I	33-5019	PS-7035
H1	2.5L L4 DSL	33-2980	
H300	2.5L L4 DSL	33-2980	
I30	1.6L L4 DSL	33-3008+	
I30	1.6L L4 F/I - Exc. Turbo	33-2451+	
I30	1.6L L4 F/I - Turbo	33-3008+	
Santa Fe	2.0L L4 F/I	33-2493+	HP-1004 ¹
Santa Fe	2.4L L4 F/I	33-2493 ♦+	HP-1004 ¹
Santa Fe	3.3L V6 F/I	33-2493+	PS-7030
Santa Fe XL	3.3L V6 F/I		PS-7030
Sonata	1.6L L4 F/I		HP-1004 ¹
Sonata	2.0L L4 F/I		HP-1004 ¹
Sonata	2.4L L4 F/I	33-5026	HP-1004 ¹
Sonata Hybrid	2.4L L4 F/I	33-2448	HP-1004 ¹
Tucson	2.0L L4 F/I		HP-1004 ¹
Tucson	2.4L L4 F/I	33-2451+	HP-1004 ¹
Veloster	1.6L L4 F/I	33-2472 ♦+	HP-1004 ¹
Veloster Turbo	1.6L L4 F/I	33-2472 ♦+	HP-1004 ¹

2014 HYUNDAI			
Accent	1.6L L4 F/I	33-2472+	HP-1004 ¹
Accent IV	1.4L L4 F/I	33-2472+	

* 2 filters required

♦ Intake System Available - see page 84 +Cabin Air Filter Available - see page 453 1- Performance Silver Oil Filter Also Available



Vehicle	Engine Type	Air Filter	Oil Filter	Vehicle	Engine Type	Air Filter	Oil Filter
2014 HYUNDAI				2013 HYUNDAI			
Azera	3.3L V6 F/I	33-2448+	PS-7030	i10	1.0L L3 F/I - OEM 2811304000	33-3000	
Elantra	1.8L L4 F/I	33-2451♦♦	HP-1004 ¹	i20	1.4L L4 F/I	33-2960	
Elantra	2.0L L4 F/I	33-2451+	HP-1004 ¹	i30	1.4L L4 F/I	33-2451+	
Elantra Coupe	1.8L L4 F/I	33-2451+	HP-1004 ¹	i30	1.6L L4 DSL	33-3008+	
Elantra Coupe	2.0L L4 F/I	33-2451♦♦	HP-1004 ¹	i30	1.6L L4 F/I	33-2451+	
Elantra GT	2.0L L4 F/I	33-2451♦♦	HP-1004 ¹	ix35	1.7L L4 DSL	33-2451	
Equus	5.0L V8 F/I	33-2426	PS-7029	ix35	2.0L L4 DSL	33-2451	
Genesis	5.0L V8 F/I	33-2426	PS-7029	ix35	2.0L L4 F/I	33-2451	
Genesis Coupe	2.0L L4 F/I	33-2482♦♦	HP-1004 ¹	Santa Fe	2.0L L4 F/I	33-2493+	HP-1004 ¹
Genesis Coupe	3.8L V6 F/I	33-2481♦♦		Santa Fe	2.4L L4 F/I	33-2493♦♦	HP-1004 ¹
Genesis Coupe	3.8L V6 F/I - 4 In. High Filter	33-2481	PS-7029	Santa Fe	3.3L V6 F/I	33-2493+	PS-7030
Genesis Coupe	3.8L V6 F/I - 5.2 In. High Filter	33-2481	PS-7022	Santa Fe XL	3.3L V6 F/I	33-2493+	PS-7030
Genesis Sedan	3.8L V6 F/I	33-2426		Sonata	2.0L L4 F/I	33-2448♦♦	HP-1004 ¹
Genesis Sedan	3.8L V6 F/I - 4 In. High Filter	33-2426	PS-7029	Sonata	2.4L L4 F/I	33-2448♦♦	HP-1004 ¹
Genesis Sedan	3.8L V6 F/I - 5.2 In. High Filter	33-2426	PS-7022	Sonata Hybrid	2.4L L4 F/I	33-2448+	HP-1004 ¹
Grand i10	1.1L L3 DSL	33-3048		Tucson	2.0L L4 F/I	33-2451+	HP-1004 ¹
Grand Santa Fe	3.0L V6 DSL	33-2947		Tucson	2.4L L4 F/I	33-2451+	HP-1004 ¹
H1	2.5L L4 DSL	33-2980		Veloster	1.6L L4 F/I	33-2472♦♦	HP-1004 ¹
H300	2.5L L4 DSL	33-2980		Veloster Turbo	1.6L L4 F/I	33-2472♦♦	HP-1004 ¹
i10	1.0L L3 F/I - OEM 2811304000	33-3000		2012 HYUNDAI			
i20	1.4L L4 F/I	33-2960		Accent	1.6L L4 F/I	33-2472+	HP-1004 ¹
i20 II	1.4L L4 DSL	33-3052		Accent IV	1.4L L4 F/I	33-2472+	
i20 II	1.4L L4 F/I	33-3052		Azera	3.3L V6 F/I	33-2448+	PS-7030
i30	1.4L L4 F/I	33-2451+		Elantra	1.8L L4 F/I	33-2451♦♦	HP-1004 ¹
i40	2.0L L4 F/I	33-2451+		Elantra	2.0L L4 F/I	33-2380	HP-1004 ¹
ix35	2.0L L4 DSL	33-2451		Equus	5.0L V8 F/I	33-2426	PS-7029
ix35	2.0L L4 F/I	33-2451		Genesis	4.6L V8 F/I	33-2426	PS-7029
Santa Fe	2.0L L4 F/I	33-2493+	HP-1004 ¹	Genesis	5.0L V8 F/I	33-2426	PS-7029
Santa Fe	2.4L L4 F/I	33-2493♦♦	HP-1004 ¹	Genesis Coupe	2.0L L4 F/I	33-2958♦♦	HP-1004 ¹
Santa Fe	3.3L V6 F/I	33-2493+	PS-7030	Genesis Coupe	3.8L V6 F/I	33-2958+	PS-7029
Santa Fe XL	3.3L V6 F/I	33-2493+	PS-7030	Genesis Sedan	3.8L V6 F/I	33-2426	PS-7029
Sonata	2.0L L4 F/I	33-2448♦♦	HP-1004 ¹	H1	2.5L L4 DSL	33-2980	
Sonata	2.4L L4 F/I	33-2448♦♦	HP-1004 ¹	H-1	2.5L L4 DSL	33-2980	
Sonata Hybrid	2.4L L4 F/I	33-2448+	HP-1004 ¹	i20	1.4L L4 DSL	33-2960	
Tucson	2.0L L4 F/I	33-2451+	HP-1004 ¹	i20	1.4L L4 F/I	33-2960	
Tucson	2.4L L4 F/I	33-2451+	HP-1004 ¹	i30	1.6L L4 DSL - from 3/12	33-3008+	
Veloster	1.6L L4 F/I	33-2472♦♦	HP-1004 ¹	i30	1.6L L4 F/I - from 3/12	33-2451+	
Veloster Turbo	1.6L L4 F/I	33-2472♦♦	HP-1004 ¹	i30	1.6L L4 F/I - to 2/12	33-2380+	
2013 HYUNDAI				Santa Fe	2.2L L4 DSL	33-2969	
Accent	1.6L L4 F/I	33-2472+	HP-1004 ¹	Santa Fe	2.4L L4 F/I	33-2448+	HP-1004 ¹
Accent IV	1.4L L4 F/I	33-2472+		Santa Fe	3.5L V6 F/I	33-2448+	PS-7030
Azera	3.3L V6 F/I	33-2448+	PS-7030	Sonata	2.0L L4 F/I	33-2448♦♦	HP-1004 ¹
Elantra	1.8L L4 F/I	33-2451♦♦	HP-1004 ¹	Sonata	2.4L L4 F/I	33-2448♦♦	HP-1004 ¹
Elantra Coupe	1.8L L4 F/I	33-2451♦♦	HP-1004 ¹	Sonata Hybrid	2.4L L4 F/I	33-2448+	HP-1004 ¹
Elantra GT	1.8L L4 F/I	33-2451♦♦	HP-1004 ¹	Tucson	2.0L L4 F/I	33-2451+	HP-1004 ¹
Equus	5.0L V8 F/I	33-2426	PS-7029	Tucson	2.4L L4 F/I	33-2451+	HP-1004 ¹
Genesis	5.0L V8 F/I	33-2426	PS-7029	Veloster	1.6L L4 F/I	33-2472♦♦	HP-1004 ¹
Genesis Coupe	2.0L L4 F/I	33-2482♦♦	HP-1004 ¹	Veracruz	3.8L V6 F/I	33-2389	PS-7029
Genesis Coupe	3.8L V6 F/I	33-2481♦♦		2011 HYUNDAI			
Genesis Coupe	3.8L V6 F/I - 4 In. High Filter	33-2481	PS-7029	Accent	1.6L L4 F/I	33-2354+	HP-1004 ¹
Genesis Coupe	3.8L V6 F/I - 5.2 In. High Filter	33-2481	PS-7022	Accent IV	1.4L L4 F/I	33-2472+	
Genesis Sedan	3.8L V6 F/I	33-2426		Azera	3.8L V6 F/I	33-2346+	
Genesis Sedan	3.8L V6 F/I - 4 In. High Filter	33-2426	PS-7029	Elantra	1.8L L4 F/I	33-2451♦♦	HP-1004 ¹
Genesis Sedan	3.8L V6 F/I - 5.2 In. High Filter	33-2426	PS-7022	Elantra	2.0L L4 F/I	33-2380	HP-1004 ¹
H1	2.5L L4 DSL	33-2980		Equus	4.6L V8 F/I	33-2426	PS-7029
H-1	2.5L L4 DSL	33-2980		Genesis	4.6L V8 F/I	33-2426	PS-7029
				Genesis Coupe	2.0L L4 F/I	33-2958♦♦	HP-1004 ¹
				Genesis Coupe	3.8L V6 F/I	33-2958+	PS-7029
				Genesis Sedan	3.8L V6 F/I	33-2427	PS-7029
				H1	2.5L L4 DSL - 170BHP	33-2980	

* 2 filters required

♦ Intake System Available - see page 84 +Cabin Air Filter Available - see page 453 1- Performance Silver Oil Filter Also Available



AIR & OIL FILTERS

HYUNDAI

Vehicle	Engine Type	Air Filter	Oil Filter
2011 HYUNDAI			
Santa Fe	2.2L L4 DSL	33-2969	
Santa Fe	2.4L L4 F/I	33-2448+	HP-1004 ¹
Santa Fe	3.5L V6 F/I	33-2448+	PS-7030
Sonata	2.0L L4 F/I	33-2448 ♦+	HP-1004 ¹
Sonata	2.4L L4 F/I	33-2448 ♦+	HP-1004 ¹
Sonata Hybrid	2.4L L4 F/I	33-2448+	HP-1004 ¹
Tucson	2.0L L4 F/I	33-2451+	HP-1004 ¹
Tucson	2.4L L4 F/I	33-2451+	HP-1004 ¹
Veracruz	1.6L L4 F/I	33-2472 ♦	
Veracruz	3.8L V6 F/I	33-2389	PS-7029

Vehicle	Engine Type	Air Filter	Oil Filter
2010 HYUNDAI			
Accent	1.4L L4 F/I	33-2354	
Accent	1.6L L4 F/I	33-2354+	HP-1004 ¹
Elantra	2.0L L4 F/I	33-2380+	HP-1004 ¹
		33-2380	HP-1004 ¹
Genesis	4.6L V8 F/I	33-2426	PS-7029
Genesis Coupe	2.0L L4 F/I	33-2958 ♦+	HP-1004 ¹
Genesis Coupe	3.8L V6 F/I	33-2958+	PS-7029
Genesis Sedan	3.8L V6 F/I	33-2427	PS-7029
H1	2.5L L4 DSL - 170BHP	33-2980	
I30	2.0L L4 DSL	33-2380	
I30	2.0L L4 F/I	33-2380	
Santa Fe	2.2L L4 DSL - from 8/10	33-2969	
Santa Fe	2.2L L4 DSL - to 7/10	33-2378	
Santa Fe	2.4L L4 F/I	33-2448+	HP-1004 ¹
Santa Fe	3.5L V6 F/I	33-2448+	PS-7030
Sonata	2.4L L4 F/I	33-2887+	HP-1004 ¹
Sonata	3.3L V6 F/I	33-2346+	PS-7029
Tucson	2.0L L4 DSL	33-2201+	
Tucson	2.4L L4 F/I	33-2451+	HP-1004 ¹
Veracruz	3.8L V6 F/I	33-2389	PS-7029

Vehicle	Engine Type	Air Filter	Oil Filter
2009 HYUNDAI			
Accent	1.4L L4 F/I	33-2354	
Accent	1.6L L4 F/I	33-2354+	HP-1004 ¹
Azera	3.8L V6 F/I	33-2346+	PS-7022
Elantra	2.0L L4 F/I	33-2380+	HP-1004 ¹
		33-2380	HP-1004 ¹
Genesis	4.6L V8 F/I	33-2426	PS-7029
Genesis Coupe	2.0L L4 F/I	33-2958	
Genesis Coupe	3.8L V6 F/I	33-2958	
Genesis Sedan	3.8L V6 F/I	33-2427	PS-7029
H1	2.5L L4 DSL - 170BHP	33-2980	
I30	1.6L L4 DSL	33-2380	
I30	1.6L L4 F/I	33-2380 ♦	
Santa Fe	2.2L L4 DSL	33-2378	
Santa Fe	2.7L V6 F/I	33-2378	HP-1008 ¹
Santa Fe	3.3L V6 F/I	33-2378	
Santa Fe	3.3L V6 F/I - w/4 Inch Tall Filter	33-2378	PS-7029
Santa Fe	3.3L V6 F/I - w/5 Inch Tall Filter	33-2378	PS-7022
Sonata	2.4L L4 F/I	33-2887+	HP-1004 ¹
Sonata	3.3L V6 F/I	33-2346+	
Sonata	3.3L V6 F/I - w/4 Inch Tall Filter	33-2346	PS-7029
Sonata	3.3L V6 F/I - w/5 Inch Tall Filter	33-2346	PS-7022
Sonata V	2.0L L4 F/I	33-2887	
Sonata V	3.3L V6 F/I	33-2346	
Tucson	2.0L L4 DSL	33-2201+	
Tucson	2.0L L4 F/I	33-2201+	HP-1004 ¹

Vehicle	Engine Type	Air Filter	Oil Filter
2008 HYUNDAI			
Accent	1.4L L4 F/I	33-2354	
Accent	1.6L L4 F/I	33-2354+	HP-1004 ¹
Azera	3.8L V6 F/I	33-2346+	PS-7022
Coupe	2.0L L4 F/I	33-2201 ♦	
Elantra	2.0L L4 F/I	33-2380+	HP-1004 ¹
Entourage	3.8L V6 F/I	33-2368+	
H1	2.5L L4 DSL - 170BHP	33-2980	
I30	1.6L L4 DSL	33-2380	
I30	1.6L L4 F/I	33-2380 ♦	
Santa Fe	2.2L L4 DSL	33-2378	
Santa Fe	2.7L V6 F/I	33-2378	HP-1008 ¹
Santa Fe	3.3L V6 F/I	33-2378	PS-7022
Sonata	2.4L L4 F/I	33-2887+	HP-1004 ¹
Sonata	3.3L V6 F/I	33-2346+	PS-7022
Sonata V	2.0L L4 F/I	33-2887	
Sonata V	2.4L L4 F/I	33-2887	HP-1004 ¹
Sonata V	3.3L V6 F/I	33-2346	
Tiburon	2.0L L4 F/I	33-2201+	HP-1004 ¹
Tiburon	2.7L V6 F/I	33-2201+	HP-1008 ¹
Tucson	2.0L L4 DSL	33-2201+	
Tucson	2.0L L4 F/I	33-2201+	HP-1004 ¹
Tucson	2.7L V6 F/I	33-2201+	HP-1008 ¹
Veracruz	3.8L V6 F/I	33-2389	
Veracruz	3.8L V6 F/I - w/4 Inch Tall Filter	33-2389	PS-7029
Veracruz	3.8L V6 F/I - w/5 Inch Tall Filter	33-2389	PS-7022

Vehicle	Engine Type	Air Filter	Oil Filter
2007 HYUNDAI			
Accent	1.4L L4 F/I	33-2354	
Accent	1.6L L4 F/I	33-2354	HP-1004 ¹
Azera	3.3L V6 F/I	33-2346+	
Azera	3.8L V6 F/I	33-2346+	PS-7022
Elantra	1.6L L4 F/I	33-2201	
Elantra	2.0L L4 DSL	33-2201	
Elantra	2.0L L4 F/I		HP-1004 ¹
Elantra	2.0L L4 F/I - Non-US	33-2201+	HP-1004
Elantra	2.0L L4 F/I - US	33-2380+	HP-1004
Entourage	3.8L V6 F/I	33-2368+	PS-7022
Santa Fe	2.2L L4 DSL	33-2378	
Santa Fe	2.7L V6 F/I	33-2378	HP-1008 ¹
Santa Fe	3.3L V6 F/I	33-2378	PS-7022
Sonata	2.4L L4 F/I	33-2887+	HP-1004 ¹
Sonata	3.3L V6 F/I	33-2346+	PS-7022
Sonata V	2.0L L4 F/I	33-2887	
Sonata V	2.4L L4 F/I	33-2887	HP-1004 ¹
Sonata V	3.3L V6 F/I	33-2346	
Terracan	2.5L L4 DSL	33-2833	
Tiburon	2.0L L4 F/I	33-2201+	HP-1004 ¹
Tiburon	2.7L V6 F/I	33-2201+	HP-1008 ¹
Tucson	2.0L L4 DSL	33-2201+	
Tucson	2.0L L4 F/I	33-2201+	HP-1004 ¹
Tucson	2.7L V6 F/I	33-2201+	HP-1008 ¹
Veracruz	3.8L V6 F/I	33-2389	PS-7022

Vehicle	Engine Type	Air Filter	Oil Filter
2006 HYUNDAI			
Accent	1.6L L4 F/I	33-2354 ♦	HP-1004 ¹
Azera	3.8L V6 F/I	33-2346+	PS-7022
Elantra	1.6L L4 F/I	33-2201	
Elantra	2.0L L4 DSL	33-2201	
Elantra	2.0L L4 F/I	33-2201+	HP-1004 ¹
Santa Fe	2.2L L4 DSL	33-2378	
Santa Fe	2.7L V6 F/I		HP-1008 ¹
Santa Fe	2.7L V6 F/I - Non-US, from 4/06	33-2378+	HP-1008

* 2 filters required

♦ Intake System Available - see page 84 +Cabin Air Filter Available - see page 453 1- Performance Silver Oil Filter Also Available



Vehicle	Engine Type	Air Filter	Oil Filter
2006 HYUNDAI			
Santa Fe	2.7L V6 F/I - US, Non-US, to 3/06	33-2198+	HP-1008
Santa Fe	3.5L V6 F/I	33-2312+	HP-1004 ¹
Sonata	2.4L L4 F/I	33-2887+	HP-1004 ¹
Sonata	3.3L V6 F/I	33-2346+	PS-7022
Sonata V	2.0L L4 F/I	33-2887	
Sonata V	2.4L L4 F/I	33-2887	HP-1004 ¹
Sonata V	3.3L V6 F/I	33-2346	
Terracan	2.9L L4 DSL	33-2833	
Tiburon	2.0L L4 F/I	33-2201+	HP-1004 ¹
Tiburon	2.7L V6 F/I	33-2201+	HP-1008 ¹
Tucson	2.0L L4 DSL	33-2201+	
Tucson	2.0L L4 F/I	33-2201+	HP-1004 ¹
Tucson	2.7L V6 F/I	33-2201+	HP-1008 ¹

Vehicle	Engine Type	Air Filter	Oil Filter
2005 HYUNDAI			
Accent	1.3L L4 F/I	33-2182 ♦	
Accent	1.4L L4 F/I	33-2354	
Accent	1.5L L4 F/I	33-2182	
Accent	1.6L L4 F/I	33-2182 ♦	HP-1004 ¹
Elantra	1.6L L4 F/I	33-2201	
Elantra	1.8L L4 F/I	33-2201	
Elantra	2.0L L4 DSL	33-2201	
Elantra	2.0L L4 F/I	33-2201+	HP-1004 ¹
Santa Fe	2.4L L4 F/I	33-2198+	
Santa Fe	2.7L V6 F/I	33-2198+	HP-1008 ¹
Santa Fe	3.5L V6 F/I	33-2312+	HP-1004 ¹
Sonata	2.4L L4 F/I	33-2188+	HP-1004 ¹
Sonata	2.7L V6 F/I	33-2188+	HP-1008 ¹
Sonata IV	2.0L L4 F/I	33-2188	
Sonata V	2.4L L4 F/I	33-2887	
Sonata V	3.3L V6 F/I	33-2346	
Tiburon	2.0L L4 F/I	33-2201+	HP-1004 ¹
Tiburon GT	2.7L V6 F/I	33-2201 ♦+	HP-1008 ¹
Tiburon SE	2.7L V6 F/I	33-2201+	HP-1008 ¹
Tucson	2.0L L4 DSL	33-2201+	
Tucson	2.0L L4 F/I	33-2201+	HP-1004 ¹
Tucson	2.7L V6 F/I	33-2201+	HP-1008 ¹
XG350	3.5L V6 F/I	33-2199+	HP-1004 ¹

Vehicle	Engine Type	Air Filter	Oil Filter
2004 HYUNDAI			
Accent	1.6L L4 F/I	33-2182 ♦	HP-1004 ¹
Elantra	1.6L L4 F/I	33-2201	
Elantra	1.8L L4 F/I	33-2201	
Elantra	2.0L L4 DSL	33-2201	
Elantra	2.0L L4 F/I	33-2201+	HP-1004 ¹
Santa Fe	2.4L L4 F/I	33-2198+	HP-1004 ¹
Santa Fe	2.7L V6 F/I	33-2198+	HP-1008 ¹
Santa Fe	3.5L V6 F/I	33-2312+	HP-1004 ¹
Sonata	2.4L L4 F/I	33-2188+	HP-1004 ¹
Sonata	2.7L V6 F/I	33-2188+	HP-1008 ¹
Sonata IV	2.0L L4 F/I	33-2188	
Sonata IV	2.7L V6 F/I	33-2188	HP-1008 ¹
Tiburon	2.0L L4 F/I	33-2201+	HP-1004 ¹
Tiburon GT	2.7L V6 F/I	33-2201 ♦+	HP-1008 ¹
XG350	3.5L V6 F/I	33-2199+	HP-1004 ¹

Vehicle	Engine Type	Air Filter	Oil Filter
2003 HYUNDAI			
Accent	1.3L L4 F/I	33-2182 ♦	
Accent	1.5L L4 F/I	33-2182 ♦	HP-1004 ¹
Accent	1.6L L4 F/I	33-2182 ♦	HP-1004 ¹
Elantra	1.6L L4 F/I	33-2201	
Elantra	1.8L L4 F/I	33-2201	
Elantra	2.0L L4 DSL	33-2201	

Vehicle	Engine Type	Air Filter	Oil Filter
2003 HYUNDAI			
Elantra	2.0L L4 F/I	33-2201+	HP-1004 ¹
Santa Fe	2.4L L4 F/I	33-2198+	HP-1004 ¹
Santa Fe	2.7L V6 F/I	33-2198+	HP-1008 ¹
Santa Fe	3.5L V6 F/I		HP-1004 ¹
Sonata	2.4L L4 F/I	33-2188+	HP-1004 ¹
Sonata	2.7L V6 F/I	33-2188+	HP-1008 ¹
Sonata IV	2.7L V6 F/I	33-2188	HP-1008 ¹
Tiburon	2.0L L4 F/I	33-2201+	HP-1004 ¹
Tiburon GT	2.7L V6 F/I	33-2201 ♦+	HP-1008 ¹

Vehicle	Engine Type	Air Filter	Oil Filter
2002 HYUNDAI			
Accent	1.5L L4 F/I	33-2182 ♦	HP-1004 ¹
Accent	1.6L L4 F/I	33-2182	HP-1004 ¹
Elantra	1.6L L4 F/I	33-2201	
Elantra	1.8L L4 F/I	33-2201	
Elantra	2.0L L4 DSL	33-2201	
Elantra	2.0L L4 F/I	33-2201+	HP-1004 ¹
Santa Fe	2.0L L4 DSL	33-2198	
Santa Fe	2.0L L4 F/I	33-2198	
Santa Fe	2.4L L4 F/I	33-2198+	HP-1004 ¹
Santa Fe	2.7L V6 F/I	33-2198+	HP-1008 ¹
Sonata	2.4L L4 F/I	33-2188+	HP-1004 ¹
Sonata	2.7L V6 F/I	33-2188+	HP-1008 ¹
Sonata IV	2.7L V6 F/I	33-2188	HP-1008 ¹
XG350	3.5L V6 F/I	33-2199+	

Vehicle	Engine Type	Air Filter	Oil Filter
2001 HYUNDAI			
Accent	1.5L L4 F/I	33-2182 ♦	HP-1004 ¹
Accent	1.6L L4 F/I		HP-1004 ¹
Accent	1.6L L4 F/I - Exc. Leaded Fuel	33-2182	HP-1004
Accent	1.6L L4 F/I - leaded fuel	33-2202	HP-1004
Elantra	1.6L L4 F/I	33-2201	
Elantra	1.8L L4 F/I	33-2201	
Elantra	2.0L L4 DSL	33-2201	
Elantra	2.0L L4 F/I	33-2201+	HP-1004 ¹
Excel	1.5L L4 F/I	33-2093	
Santa Fe	2.4L L4 F/I	33-2198+	
Santa Fe	2.7L V6 F/I	33-2198+	HP-1008 ¹
Tiburon	2.0L L4 F/I	33-2753	HP-1004 ¹

Vehicle	Engine Type	Air Filter	Oil Filter
2000 HYUNDAI			
Accent	1.5L L4 F/I	33-2182 ♦	HP-1004 ¹
Elantra	2.0L L4 F/I		HP-1004 ¹
Elantra	2.0L L4 F/I - Non-US	33-2201	HP-1004
Elantra	2.0L L4 F/I - US	33-2753	HP-1004
Sonata	2.5L V6 F/I	33-2188+	
Sonata III	2.5L V6 F/I	33-2188	
Tiburon	2.0L L4 F/I	33-2753	HP-1004 ¹

Vehicle	Engine Type	Air Filter	Oil Filter
1999 HYUNDAI			
Accent	1.5L L4 F/I	33-2161	HP-1004 ¹
Elantra	2.0L L4 F/I	33-2753	HP-1004 ¹

Vehicle	Engine Type	Air Filter	Oil Filter
1994 HYUNDAI			
S Coupe	1.5L L4 F/I	33-2679	

Vehicle	Engine Type	Air Filter	Oil Filter
1993 HYUNDAI			
S Coupe	1.5L L4 F/I	33-2679	

Vehicle	Engine Type	Air Filter	Oil Filter
2017 INDIAN			
Chief Classic	111 CI		PL-1814
Chief Dark Horse	111 CI		PL-1814
Chief Vintage	111 CI		PL-1814
Chieftain	111 CI		PL-1814
Chieftain Dark Horse	111 CI		PL-1814
Roadmaster	111 CI		PL-1814

* 2 filters required ♦ Intake System Available - see page 84 +Cabin Air Filter Available - see page 453 1- Performance Silver Oil Filter Also Available



AIR & OIL FILTERS

INDIAN

Vehicle	Engine Type	Air Filter	Oil Filter
2017 INDIAN			
Springfield	111 CI	PL-1814	
2016 INDIAN			
Chief Classic	111 CI	PL-1814	KN-175
Chief Dark Horse	111 CI	PL-1814	KN-175
Chief Vintage	111 CI	PL-1814	KN-175
Chieftain	111 CI	PL-1814	KN-175
Chieftain Dark Horse	111 CI	PL-1814	KN-175
Roadmaster	111 CI	PL-1814	KN-175
Scout	69 CI	PL-1115	
Scout Sixty	69 CI	PL-1115	
Springfield	111 CI	PL-1814	
2015 INDIAN			
Chief Classic	111 CI	PL-1814	KN-157
Chief Vintage	111 CI	PL-1814	KN-157
Chieftain	111 CI	PL-1814	KN-157
Roadmaster	111 CI	PL-1814	KN-157
Scout	69 CI	PL-1115	
2014 INDIAN			
Chief Classic	111 CI	PL-1814	
Chief Vintage	111 CI	PL-1814	
Chieftain	111 CI	PL-1814	
2013 INDIAN			
Chief Classic	105 CI	E-3290	
Chief Vintage FE	105 CI	E-3290	
Chief Vintage LE	105 CI	E-3290	
2009 INDIAN			
Chief Vintage	105 CI	E-3290	
2003 INDIAN			
Chief	1638	E-3981	
Scout	1436 - w/S&S teardrop backplate & Indian teardrop cvr	E-3971	
Spirit	1436 - w/S&S teardrop backplate & Indian teardrop cvr	E-3971	
2002 INDIAN			
Chief	1638	E-3981	
Scout	1436 - w/S&S teardrop backplate & Indian teardrop cvr	E-3971	
Spirit	1436 - w/S&S teardrop backplate & Indian teardrop cvr	E-3971	
2001 INDIAN			
Scout	1436 - w/S&S teardrop backplate & Indian teardrop cvr	E-3971	
Spirit	1436 - w/S&S teardrop backplate & Indian teardrop cvr	E-3971	
2000 INDIAN			
Chief	1436 - w/S&S teardrop backplate & Indian teardrop cvr	E-3971	
1999 INDIAN			
Chief	1436 - w/S&S teardrop backplate & Indian teardrop cvr	E-3971	
2017 INFINITI			
Q30	1.5L L4 DSL	33-2996	
Q30	1.6L L4 F/I	33-2995	
Q30	2.0L L4 F/I	E-0663	

Vehicle	Engine Type	Air Filter	Oil Filter
2017 INFINITI			
Q30	2.2L L4 DSL	33-2996	
Q50	2.0L L4 F/I	E-0663	
Q50	3.0L V6 F/I	33-2409*	HP-1008 ¹
Q60	2.0L L4 F/I	E-0663	
Q60	3.0L V6 F/I	33-2409*	HP-1008 ¹
Q70	3.5L V6 F/I		HP-1008 ¹
Q70	3.7L V6 F/I	33-2440	HP-1008 ¹
Q70	5.6L V8 F/I	33-2409*	HP-1010 ¹
QX30	2.2L L4 DSL	33-2996	
QX50	3.7L V6 F/I		HP-1008 ¹
QX60	3.5L V6 F/I		HP-1008 ¹
QX70	3.7L V6 F/I		HP-1008 ¹
QX80	5.6L V8 F/I		HP-1010 ¹
2016 INFINITI			
Q50	2.0L L4 F/I	E-0663	HP-1008 ¹
Q50	3.0L V6 F/I	33-2409*	HP-1008 ¹
Q50	3.5L V6 F/I		HP-1008 ¹
Q50	3.7L V6 F/I		HP-1008 ¹
Q60	3.7L V6 F/I		HP-1008 ¹
Q70	3.5L V6 F/I	33-5033*	
Q70	3.7L V6 F/I	33-2440	HP-1008 ¹
Q70	5.6L V8 F/I	33-2409*	
Q70L	3.7L V6 F/I	33-2440	HP-1008 ¹
Q70L	5.6L V8 F/I	33-2409*	HP-1010 ¹
QX50	3.7L V6 F/I	33-2399*	HP-1008 ¹
QX60	3.5L V6 F/I	33-2031-2	HP-1008 ¹
QX70	3.7L V6 F/I	33-2409*	HP-1008 ¹
QX80	5.6L V8 F/I	33-2456	HP-1010 ¹
2015 INFINITI			
G37	3.7L V6 F/I		HP-1008 ¹
Q40	3.7L V6 F/I		HP-1008 ¹
Q50	3.5L V6 F/I	33-5014*	HP-1008 ¹
Q50	3.7L V6 F/I	33-5014* ♦	HP-1008 ¹
Q60	3.7L V6 F/I	33-2399*	HP-1008 ¹
Q70	3.5L V6 F/I	33-5033*	
Q70	3.7L V6 F/I	33-2440	HP-1008 ¹
Q70	5.6L V8 F/I	33-2409*	HP-1010 ¹
Q70L	3.7L V6 F/I	33-2440	HP-1008 ¹
Q70L	5.6L V8 F/I	33-2409*	HP-1010 ¹
QX50	3.7L V6 F/I	33-2399*	HP-1008 ¹
QX60	2.5L L4 F/I	33-5036	
QX60	3.5L V6 F/I	33-2031-2 ♦	HP-1008 ¹
QX70	3.7L V6 F/I	33-2409*	HP-1008 ¹
QX80	5.6L V8 F/I	33-2456	HP-1010 ¹
2014 INFINITI			
G37	3.7L V6 F/I		HP-1008 ¹
Q50	3.5L V6 F/I	33-5014*	HP-1008 ¹
Q50	3.7L V6 F/I	33-5014* ♦	HP-1008 ¹
Q60	3.7L V6 F/I	33-2399*	HP-1008 ¹
Q70	3.5L V6 F/I	33-5033*	
Q70	3.7L V6 F/I	33-2440*	HP-1008 ¹
Q70	5.6L V8 F/I	33-2409*	
QX50	3.7L V6 F/I	33-2399*	HP-1008 ¹
QX60	2.5L L4 F/I	33-5036	HP-1008 ¹
QX60	3.5L V6 F/I	33-2031-2 ♦	HP-1008 ¹
QX70	3.7L V6 F/I	33-2409*	HP-1008 ¹
QX70	5.0L V8 F/I	33-2409*	
QX80	5.6L V8 F/I	33-2456	HP-1010 ¹
2013 INFINITI			
EX37	3.7L V6 F/I	33-2399*	HP-1008 ¹
FX37	3.7L V6 F/I	33-2409*	HP-1008 ¹

* 2 filters required

♦ Intake System Available - see page 84 +Cabin Air Filter Available - see page 453 1- Performance Silver Oil Filter Also Available



Vehicle	Engine Type	Air Filter	Oil Filter
2013 INFINITI			
FX50	5.0L V8 F/I	33-2409*	HP-1010 ¹
G37	3.7L V6 F/I	33-2399* ♦	HP-1008 ¹
JX35	3.5L V6 F/I	33-2031-2 ♦	HP-1008 ¹
M35h	3.5L V6 F/I	33-5033*	
M37	3.7L V6 F/I	33-2440	HP-1008 ¹
M56	5.6L V8 F/I	33-2409*	HP-1010 ¹
QX56	5.6L V8 F/I	33-2456	HP-1010 ¹

Vehicle	Engine Type	Air Filter	Oil Filter
2012 INFINITI			
EX35	3.5L V6 F/I	33-2399*	HP-1008 ¹
FX35	3.5L V6 F/I	33-2409*	HP-1008 ¹
FX50	5.0L V8 F/I	33-2409*	
G25	2.5L V6 F/I	33-2399*	HP-1008 ¹
G37	3.7L V6 F/I	33-2399* ♦	HP-1008 ¹
M35h	3.5L V6 F/I	33-5033*	HP-1008 ¹
M37	3.7L V6 F/I	33-2440	HP-1008 ¹
M56	5.6L V8 F/I	33-2409*	HP-1010 ¹
QX56	5.6L V8 F/I	33-2456	HP-1010 ¹

Vehicle	Engine Type	Air Filter	Oil Filter
2011 INFINITI			
EX35	3.5L V6 F/I	33-2399*	HP-1008 ¹
FX35	3.5L V6 F/I	33-2409*	HP-1008 ¹
FX50	5.0L V8 F/I	33-2409*	HP-1010 ¹
G25	2.5L V6 F/I	33-2399*	HP-1008 ¹
G37	3.7L V6 F/I	33-2399* ♦	HP-1008 ¹
M37	3.7L V6 F/I	33-2440	HP-1008 ¹
M56	5.6L V8 F/I	33-2409*	HP-1010 ¹
QX56	5.6L V8 F/I	33-2456	HP-1010 ¹

Vehicle	Engine Type	Air Filter	Oil Filter
2010 INFINITI			
EX35	3.5L V6 F/I	33-2399*	HP-1008 ¹
FX35	3.5L V6 F/I	33-2409*	HP-1008 ¹
FX50	5.0L V8 F/I	33-2409*	HP-1010 ¹
G37	3.7L V6 F/I	33-2399* ♦	HP-1008 ¹
M35	3.5L V6 F/I	33-2440	HP-1008 ¹
M45	4.5L V8 F/I	33-2398	
QX56	5.6L V8 F/I	33-2286 ♦+	HP-1010 ¹

Vehicle	Engine Type	Air Filter	Oil Filter
2009 INFINITI			
EX35	3.5L V6 F/I	33-2399*	
FX35	3.5L V6 F/I	33-2409*	HP-1008 ¹
FX50	5.0L V8 F/I	33-2409*	HP-1010 ¹
G37	3.7L V6 F/I	33-2399* ♦	HP-1008 ¹
M35	3.5L V6 F/I	33-2440	HP-1008 ¹
M45	4.5L V8 F/I	33-2398	
QX56	5.6L V8 F/I	33-2286 ♦+	HP-1010 ¹

Vehicle	Engine Type	Air Filter	Oil Filter
2008 INFINITI			
EX35	3.5L V6 F/I	33-2399*	HP-1008 ¹
FX35	3.5L V6 F/I	33-2031-2+	HP-1008 ¹
FX45	4.5L V8 F/I	33-2229+	
G35	3.5L V6 F/I	33-2399* ♦+	HP-1008 ¹
G37	3.7L V6 F/I	33-2399* ♦	HP-1008 ¹
M35	3.5L V6 F/I	33-2397	HP-1008 ¹
M45	4.5L V8 F/I	33-2398	HP-1010 ¹
QX56	5.6L V8 F/I	33-2286 ♦+	HP-1010 ¹

Vehicle	Engine Type	Air Filter	Oil Filter
2007 INFINITI			
FX35	3.5L V6 F/I	33-2031-2+	HP-1008 ¹
FX45	4.5L V8 F/I	33-2229+	
G35	3.5L V6 F/I		HP-1008 ¹
G35	3.5L V6 F/I - Coupe	33-2031-2+	HP-1008
G35	3.5L V6 F/I - Sedan	33-2399* ♦+	HP-1008
M35	3.5L V6 F/I	33-2397	HP-1008 ¹
M45	4.5L V8 F/I	33-2398	HP-1010 ¹

Vehicle	Engine Type	Air Filter	Oil Filter
2007 INFINITI			
QX56	5.6L V8 F/I	33-2286 ♦+	HP-1010 ¹

Vehicle	Engine Type	Air Filter	Oil Filter
2006 INFINITI			
FX35	3.5L V6 F/I	33-2031-2+	HP-1008 ¹
FX45	4.5L V8 F/I	33-2229+	HP-1010 ¹
G35	3.5L V6 F/I	33-2031-2 ♦+	HP-1008 ¹
M35	3.5L V6 F/I	33-2397	HP-1008 ¹
M45	4.5L V8 F/I	33-2398	HP-1010 ¹
Q45	4.5L V8 F/I	33-2229	
QX56	5.6L V8 F/I	33-2286 ♦+	HP-1010 ¹

Vehicle	Engine Type	Air Filter	Oil Filter
2005 INFINITI			
FX35	3.5L V6 F/I	33-2031-2+	HP-1008 ¹
FX45	4.5L V8 F/I	33-2229+	HP-1010 ¹
G35	3.5L V6 F/I	33-2031-2 ♦+	HP-1008 ¹
Q45	4.5L V8 F/I	33-2229	HP-1010 ¹
QX56	5.6L V8 F/I	33-2286 ♦+	HP-1010 ¹

Vehicle	Engine Type	Air Filter	Oil Filter
2004 INFINITI			
FX35	3.5L V6 F/I	33-2031-2+	HP-1008 ¹
FX45	4.5L V8 F/I	33-2229+	HP-1010 ¹
G35	3.5L V6 F/I	33-2031-2 ♦+	HP-1008 ¹
I35	3.5L V6 F/I	33-2031-2	HP-1010 ¹
M45	4.5L V8 F/I	33-2229	HP-1010 ¹
Q45	4.5L V8 F/I	33-2229	
QX56	5.6L V8 F/I	33-2286 ♦+	HP-1010 ¹

Vehicle	Engine Type	Air Filter	Oil Filter
2003 INFINITI			
FX35	3.5L V6 F/I	33-2031-2+	HP-1008 ¹
FX45	4.5L V8 F/I	33-2229+	HP-1010 ¹
G35	3.5L V6 F/I	33-2031-2 ♦+	HP-1008 ¹
I35	3.5L V6 F/I	33-2031-2	HP-1010 ¹
M45	4.5L V8 F/I	33-2229	HP-1010 ¹
Q45	4.5L V8 F/I	33-2229	
QX4	3.5L V6 F/I	33-2031-2	HP-1008 ¹

Vehicle	Engine Type	Air Filter	Oil Filter
2002 INFINITI			
G20	2.0L L4 F/I	33-2031-2	HP-1008 ¹
I35	3.5L V6 F/I	33-2031-2	HP-1008 ¹
Q45	4.5L V8 F/I	33-2229	HP-1010 ¹
QX4	3.5L V6 F/I	33-2031-2	HP-1008 ¹

Vehicle	Engine Type	Air Filter	Oil Filter
2001 INFINITI			
G20	2.0L L4 F/I	33-2031-2	HP-1008 ¹
I30	3.0L V6 F/I	33-2031-2	HP-1010 ¹
QX4	3.5L V6 F/I	33-2031-2	HP-1010 ¹

Vehicle	Engine Type	Air Filter	Oil Filter
2000 INFINITI			
G20	2.0L L4 F/I	33-2031-2	HP-1008 ¹
I30	3.0L V6 F/I	33-2031-2	HP-1010 ¹
QX4	3.3L V6 F/I	33-2031-2	HP-1010 ¹

Vehicle	Engine Type	Air Filter	Oil Filter
1999 INFINITI			
G20	2.0L L4 F/I	33-2031-2	HP-1008 ¹
I30	3.0L V6 F/I	33-2031-2	HP-1010 ¹
Q45	4.1L V8 F/I	33-2110	HP-1010 ¹
QX4	3.3L V6 F/I	33-2031-2	HP-1010 ¹

Vehicle	Engine Type	Air Filter	Oil Filter
1998 INFINITI			
I30	3.0L V6 F/I	33-2031-2	
QX4	3.3L V6 F/I	33-2031-2	HP-1010 ¹

Vehicle	Engine Type	Air Filter	Oil Filter
1997 INFINITI			
I30	3.0L V6 F/I	33-2031-2	HP-1010 ¹
Q45	4.1L V8 F/I	33-2110	HP-1010 ¹

Vehicle	Engine Type	Air Filter	Oil Filter
1996 INFINITI			
G20	2.0L L4 F/I	33-2031-2	

* 2 filters required

♦ Intake System Available - see page 84 +Cabin Air Filter Available - see page 453 1- Performance Silver Oil Filter Also Available



AIR & OIL FILTERS

INFINITI

Vehicle	Engine Type	Air Filter	Oil Filter
1996 INFINITI			
I30	3.0L V6 F/I	33-2031-2	HP-1010 ¹
1995 INFINITI			
G20	2.0L L4 F/I	33-2031-2	
J30	3.0L V6 F/I	33-2031-2	HP-2008 ¹
Q45	4.5L V8 F/I	33-2110	
1994 INFINITI			
G20	2.0L L4 F/I	33-2031-2	
Q45	4.5L V8 F/I	33-2110	
1993 INFINITI			
G20	2.0L L4 F/I	33-2031-2	
2012 ISUZU			
D-Max	2.5L L4 DSL	33-3002	
2011 ISUZU			
D-Max	2.5L L4 DSL	33-2013	
D-Max	3.0L L4 DSL	33-2013	
2010 ISUZU			
D-Max	2.5L L4 DSL	33-2013	
D-Max	3.0L L4 DSL	33-2013	
2009 ISUZU			
D-Max	2.5L L4 DSL	33-2013	
D-Max	3.0L L4 DSL	33-2013	
2008 ISUZU			
D-Max	2.5L L4 DSL	33-2013	
D-Max	3.0L L4 DSL	33-2013	
i-290	2.9L L4 F/I		HP-1007 ¹
2007 ISUZU			
D-Max	3.0L L4 DSL	33-2013	
i-290	2.9L L4 F/I	E-0773	
2006 ISUZU			
I350	3.5L L5 F/I	E-0773	
2005 ISUZU			
Rodeo	3.0L L4 DSL	E-2023	
2004 ISUZU			
Ascender	4.2L L6 F/I	E-1009	HP-2006 ¹
Rodeo	3.0L L4 DSL	E-2023	
Rodeo	3.2L V6 F/I	33-2108	
Rodeo	3.5L V6 F/I	33-2108	HP-1004 ¹
Rodeo	3.5L V6 F/I - Australia	33-2918	HP-1004
2003 ISUZU			
Rodeo	3.2L V6 F/I	33-2108	HP-1004 ¹
Rodeo Sport	3.2L V6 F/I		HP-1004 ¹
2002 ISUZU			
Axiom	3.5L V6 F/I	33-2108	HP-1004 ¹
Rodeo	2.2L L4 F/I	33-2108	
Rodeo	3.2L V6 F/I	33-2108	HP-1004 ¹
Rodeo Sport	2.2L L4 F/I		HP-1001 ¹
Rodeo Sport	3.2L V6 F/I		HP-1004 ¹
Trooper	3.5L V6 F/I	33-2064	HP-1004 ¹
2001 ISUZU			
Rodeo	3.2L V6 F/I	33-2108	HP-1004 ¹
Rodeo Sport	3.2L V6 F/I		HP-1004 ¹
Trooper	3.5L V6 F/I	33-2064	
Vehicross	3.5L V6 F/I	33-2064	
2000 ISUZU			
Rodeo	3.2L V6 F/I	33-2108	HP-1004 ¹

Vehicle	Engine Type	Air Filter	Oil Filter
2000 ISUZU			
Trooper	3.5L V6 F/I	33-2064	HP-1004 ¹
1999 ISUZU			
Amigo	3.2L V6 F/I	33-2108	
Rodeo	2.2L L4 F/I	33-2108	
Rodeo	3.2L V6 F/I	33-2108	HP-1004 ¹
Trooper	3.5L V6 F/I	33-2064	HP-1004 ¹
Vehicross	3.5L V6 F/I	33-2064	HP-1004 ¹
1998 ISUZU			
Rodeo	3.2L V6 F/I	33-2108	HP-1004 ¹
Trooper	3.5L V6 F/I	33-2064	HP-1004 ¹
1997 ISUZU			
Rodeo	3.2L V6 F/I	33-2108	
Trooper	3.2L V6 F/I	33-2064	HP-1004 ¹
1996 ISUZU			
Rodeo	3.2L V6 F/I	33-2108	
Trooper	3.2L V6 F/I	33-2064	
1995 ISUZU			
Rodeo	3.2L V6 F/I	33-2064	
Trooper	3.2L V6 F/I	33-2064	HP-1004 ¹
1994 ISUZU			
Rodeo	3.2L V6 F/I	33-2064	
Trooper	3.2L V6 F/I	33-2064	
1993 ISUZU			
Trooper	3.2L V6 F/I	33-2064	
1990 ISUZU			
Trooper	2.8L V6 F/I	E-1065	
2017 JAGUAR			
F-Pace	2.0L L4 DSL		HP-1002 ¹
F-Type	3.0L V6 F/I - Left Side Airbox	33-3021	
F-Type	3.0L V6 F/I - Right Side Airbox	33-3022	
F-Type	5.0L V8 F/I - Left Side Airbox	33-3021	
F-Type	5.0L V8 F/I - Right Side Airbox	33-3022	
XE	2.0L L4 F/I		HP-1002 ¹
XF	2.0L L4 F/I		HP-1002 ¹
XJ	2.0L L4 F/I	33-2273	
XJ	3.0L V6 DSL	33-2273	
XJ	3.0L V6 F/I	33-2273*	
XJR	5.0L V8 F/I	33-2273*	
2016 JAGUAR			
F-Type	3.0L V6 F/I - Left Side Airbox	33-3021	
F-Type	3.0L V6 F/I - Right Side Airbox	33-3022	
F-Type	5.0L V8 F/I - Left Side Airbox	33-3021	
F-Type	5.0L V8 F/I - Right Side Airbox	33-3022	
XJ	3.0L V6 DSL	33-2273	
XJ	3.0L V6 F/I	33-2273*	
XJR	5.0L V8 F/I	33-2273*	
2015 JAGUAR			
F-Type	3.0L V6 F/I - Left Side Airbox	33-3021	
F-Type	3.0L V6 F/I - Right Side Airbox	33-3022	
F-Type	5.0L V8 F/I - Left Side Airbox	33-3021	

* 2 filters required

◆ Intake System Available - see page 84 +Cabin Air Filter Available - see page 453 1- Performance Silver Oil Filter Also Available



Vehicle	Engine Type	Air Filter	Oil Filter
2015 JAGUAR			
F-Type	5.0L V8 F/I - Right Side Airbox	33-3022	
XF	3.0L V6 DSL	33-2273	
XF	3.0L V6 F/I	33-2273*	
XF	5.0L V8 F/I	33-2273*	
XFR	5.0L V8 F/I	33-2273*	
XJ	3.0L V6 DSL	33-2273	
XJ	3.0L V6 F/I	33-2273*	

2014 JAGUAR			
F-Type	3.0L V6 F/I - Left Side Airbox	33-3021	
F-Type	3.0L V6 F/I - Right Side Airbox	33-3022	
F-Type	5.0L V8 F/I - Left Side Airbox	33-3021	
F-Type	5.0L V8 F/I - Right Side Airbox	33-3022	
XF	3.0L V6 DSL	33-2273	
XF	3.0L V6 F/I	33-2273*	
XFR	5.0L V8 F/I	33-2273*	
XJR	5.0L V8 F/I	33-2273*	
XKR	5.0L V8 F/I	33-2445	
XKR-S	5.0L V8 F/I	33-2445	

2013 JAGUAR			
XF	2.0L L4 F/I	33-2273	
XF	3.0L V6 DSL	33-2273	
XF	3.0L V6 F/I	33-2273*	
XF	5.0L V8 F/I	33-2273*	
XFR	5.0L V8 F/I	33-2273*	
XJ	3.0L V6 DSL	33-2273	
XJ	3.0L V6 F/I	33-2273*	
XJ	5.0L V8 F/I	33-2273*	
XKR-S	5.0L V8 F/I	33-2445	

2012 JAGUAR			
XF	5.0L V8 F/I	33-2273*	
XFR	5.0L V8 F/I	33-2273*	
XJ	5.0L V8 F/I	33-2273*	
XKR	5.0L V8 F/I	33-2445	
XKR-S	5.0L V8 F/I	33-2445	

2011 JAGUAR			
XF	3.0L V6 DSL	33-2273	
XF	3.0L V6 F/I	33-2273	
XF	5.0L V8 F/I	33-2273*	
XFR	5.0L V8 F/I	33-2273*	
XJ	3.0L V6 DSL	33-2273	
XJ	5.0L V8 F/I	33-2273*	
XKR	5.0L V8 F/I	33-2445	

2010 JAGUAR			
XF	4.2L V8 F/I	33-2273	HP-1014
XF	5.0L V8 F/I	33-2273*	
XFR	5.0L V8 F/I	33-2273*	
XK	5.0L V8 F/I	33-2445	
XKR	5.0L V8 F/I	33-2445	

2009 JAGUAR			
Super V8	4.2L V8 F/I		HP-1014
XF	4.2L V8 F/I	33-2273*	HP-1014
XF Luxury	4.2L V8 F/I	33-2273	HP-1014
XK	4.2L V8 F/I	33-3010	HP-1014
XKR	4.2L V8 F/I	33-2445	HP-1014

2008 JAGUAR			
S-Type	4.2L V8 F/I	33-2273	

Vehicle	Engine Type	Air Filter	Oil Filter
2008 JAGUAR			
XJ8	4.2L V8 F/I	33-2273	
XK	4.2L V8 F/I	33-3010	
XKR	4.2L V8 F/I	33-2445	HP-1014

2007 JAGUAR			
S-Type	3.0L V6 F/I - US	33-2273	
XJR	4.2L V8 F/I	33-2273	
XK	4.2L V8 F/I	33-3010	HP-1014
XK8	4.2L V8 F/I	33-2190	
XKR	4.2L V8 F/I	33-2445	HP-1014
X-Type	3.0L V6 F/I	33-2264	HP-2009 ¹

2006 JAGUAR			
S-Type	3.0L V6 F/I		HP-2009 ¹
S-Type	3.0L V6 F/I - Non-US	33-2266	HP-2009
S-Type	3.0L V6 F/I - US	33-2273	HP-2009
S-Type	4.2L V8 F/I	33-2273	
Vanden Plas	4.2L V8 F/I	33-2273	
XJ8	4.2L V8 F/I	33-2273	HP-1014
XK8	4.2L V8 F/I	33-2190	
XK8-R	4.2L V8 F/I	33-2190	
XKR	4.2L V8 F/I - Non-US, to 8/06	33-2190	
XKR	4.2L V8 F/I - US	33-2190	
X-Type	3.0L V6 F/I	33-2264	HP-2009 ¹

2005 JAGUAR			
S-Type	3.0L V6 F/I		HP-2009 ¹
S-Type	3.0L V6 F/I - Non-US	33-2266	HP-2009
S-Type	3.0L V6 F/I - US	33-2273	HP-2009
S-Type	4.2L V8 F/I	33-2273	HP-1014
Vanden Plas	4.2L V8 F/I	33-2273	HP-1014
XJ8	4.2L V8 F/I	33-2273	HP-1014
XJR	4.2L V8 F/I	33-2273	HP-1014
XK8	4.2L V8 F/I	33-2190	
XK8-R	4.2L V8 F/I	33-2190	
X-Type	2.0L V6 F/I	33-2264	
X-Type	3.0L V6 F/I	33-2264	HP-2009 ¹

2004 JAGUAR			
S-Type	3.0L V6 F/I		HP-2009 ¹
S-Type	3.0L V6 F/I - Non-US	33-2266	HP-2009
S-Type	3.0L V6 F/I - US	33-2273	HP-2009
S-Type	4.2L V8 F/I	33-2273	HP-1014
XJ8	4.2L V8 F/I	33-2273	HP-1014
XJR	4.2L V8 F/I	33-2273	HP-1014
XK8	4.2L V8 F/I	33-2190	HP-1014
XK8-R	4.2L V8 F/I	33-2190	
XKR	4.2L V8 F/I	33-2190	
X-Type	2.5L V6 F/I	33-2264	HP-2009 ¹
X-Type	3.0L V6 F/I	33-2264	HP-2009 ¹

2003 JAGUAR			
S-Type	3.0L V6 F/I		HP-2009 ¹
S-Type	3.0L V6 F/I - Non-US	33-2266	HP-2009
S-Type	3.0L V6 F/I - US	33-2273	HP-2009
S-Type	4.2L V8 F/I	33-2273	HP-1014
XJR	4.0L V8 F/I - to 5/03	33-2190	
XK8	4.2L V8 F/I	33-2190	HP-1014
XK8-R	4.2L V8 F/I	33-2190	
XKR	4.2L V8 F/I	33-2190	
X-Type	2.5L V6 F/I	33-2264	HP-2009 ¹
X-Type	3.0L V6 F/I	33-2264	HP-2009 ¹

2002 JAGUAR			
XJ8	4.0L V8 F/I	33-2190	

* 2 filters required

◆ Intake System Available - see page 84 + Cabin Air Filter Available - see page 453 1- Performance Silver Oil Filter Also Available



AIR & OIL FILTERS

JAGUAR

Vehicle	Engine Type	Air Filter	Oil Filter
2002 JAGUAR			
XJR	4.0L V8 F/I	33-2190	
XK8	4.0L V8 F/I	33-2190	
XKR	4.0L V8 F/I	33-2190	
X-Type	2.5L V6 F/I	33-2264	HP-2009 ¹
X-Type	3.0L V6 F/I	33-2264	HP-2009 ¹
2001 JAGUAR			
S-Type	3.0L V6 F/I	33-2266+	HP-2009 ¹
S-Type	4.0L V8 F/I	33-2266+	
XJ8	4.0L V8 F/I	33-2190	
XJR	4.0L V8 F/I	33-2190	
XK8	4.0L V8 F/I	33-2190	
XKR	4.0L V8 F/I	33-2190	
2000 JAGUAR			
S-Type	3.0L V6 F/I	33-2266+	HP-2009 ¹
S-Type	4.0L V8 F/I	33-2266+	
XJ8	4.0L V8 F/I	33-2190	
XJR	4.0L V8 F/I	33-2190	
XK8	4.0L V8 F/I	33-2190	
XKR	4.0L V8 F/I	33-2190	
1999 JAGUAR			
XJ8	4.0L V8 F/I	33-2190	
XJR	4.0L V8 F/I	33-2190	
XK8	4.0L V8 F/I	33-2190	
1998 JAGUAR			
XJ8	4.0L V8 F/I	33-2190	
XJR	4.0L V8 F/I	33-2190	
XK8	4.0L V8 F/I	33-2190	
1997 JAGUAR			
XJ6	4.0L L6 F/I	33-2003	
XJR	4.0L L6 F/I	33-2190	
XK8	4.0L V8 F/I	33-2190	
1996 JAGUAR			
XJ6	4.0L L6 F/I	33-2003	
XJS	6.0L V12 F/I	33-2011	
1995 JAGUAR			
XJS	6.0L V12 F/I	33-2011	
1994 JAGUAR			
XJS	6.0L V12 F/I	33-2011	
1992 JAGUAR			
XJS	5.3L V12 F/I	33-2011	
1991 JAGUAR			
XJS	5.3L V12 F/I	33-2011	
1990 JAGUAR			
XJ6	4.0L L6 F/I	33-2003	
XJS	5.3L V12 F/I	33-2011	
1989 JAGUAR			
XJS	5.3L V12 F/I	33-2011	
1988 JAGUAR			
XJ12	5.3L V12 F/I	33-2011	
1987 JAGUAR			
XJS	5.3L V12 F/I - w/Panel Filter	33-2011	
1986 JAGUAR			
XJS	5.3L V12 F/I	33-2011	

Vehicle	Engine Type	Air Filter	Oil Filter
1985 JAGUAR			
XJS	5.3L V12 F/I	33-2011	
1984 JAGUAR			
XJS	5.3L V12 F/I	33-2011	
1970 JAGUAR			
XKE	258 L6 CARB	33-2011	
2017 JEEP			
Cherokee	2.0L L4 DSL	33-5009	
Cherokee	2.2L L4 DSL	33-5009	
Cherokee	2.4L L4 F/I	33-5009 ♦	HP-1017 ¹
Cherokee	3.2L V6 F/I	33-5009 ♦	PS-7026
Compass	2.0L L4 F/I	E-1998 ♦	HP-1017 ¹
Compass	2.4L L4 F/I	E-1998 ♦	HP-1017 ¹
Grand Cherokee	3.0L V6 DSL	33-3029	
Grand Cherokee	3.6L V6 F/I	33-2457 ♦	PS-7026
Grand Cherokee	5.7L V8 F/I	33-2457	HP-1017 ¹
Grand Cherokee	6.4L V8 F/I	33-2457	HP-2010 ¹
Patriot	2.0L L4 F/I	E-1998 ♦	HP-1017 ¹
Patriot	2.4L L4 F/I	E-1998 ♦	HP-1017 ¹
Renegade	1.4L L4 F/I	33-5034	
Renegade	1.6L L4 DSL	33-5034	
Renegade	1.6L L4 F/I	33-5034	
Renegade	2.0L L4 DSL	33-5034	
Renegade	2.4L L4 F/I		HP-1017 ¹
Wrangler	2.8L L4 DSL	33-5023	
Wrangler	3.6L V6 F/I	33-2364 ♦	PS-7026
2016 JEEP			
Cherokee	2.0L L4 DSL	33-5009	
Cherokee	2.4L L4 F/I	33-5009 ♦	HP-1017 ¹
Cherokee	3.2L V6 F/I	33-5009 ♦	PS-7026
Compass	2.0L L4 F/I	E-1998 ♦♦	HP-1017 ¹
Compass	2.4L L4 F/I	E-1998 ♦♦	HP-1017 ¹
Grand Cherokee	3.0L V6 DSL	33-3029 ♦♦	
Grand Cherokee	3.6L V6 F/I	33-2457 ♦♦	PS-7026
Grand Cherokee	5.7L V8 F/I	33-2457 ♦♦	HP-1017 ¹
Grand Cherokee	6.4L V8 F/I	33-2457 ♦♦	HP-2010 ¹
Patriot	2.0L L4 F/I	E-1998 ♦♦	HP-1017 ¹
Patriot	2.4L L4 F/I	E-1998 ♦♦	HP-1017 ¹
Renegade	1.4L L4 F/I	33-5034	
Renegade	1.6L L4 DSL	33-5034	
Renegade	1.6L L4 F/I	33-5034	
Renegade	2.0L L4 DSL	33-5034	
Renegade	2.4L L4 F/I	33-5034 ♦	HP-1017 ¹
Wrangler	2.8L L4 DSL	33-5023+	
Wrangler	3.6L V6 F/I	33-2364 ♦	PS-7026
2015 JEEP			
Cherokee	2.0L L4 DSL	33-5009	
Cherokee	2.4L L4 F/I	33-5009 ♦	HP-1017 ¹
Cherokee	3.2L V6 F/I	33-5009 ♦	PS-7026
Compass	2.0L L4 F/I	E-1998 ♦♦	HP-1017 ¹
Compass	2.4L L4 F/I	E-1998 ♦♦	HP-1017 ¹
Grand Cherokee	3.0L V6 DSL	33-3029 ♦♦	
Grand Cherokee	3.6L V6 F/I	33-2457 ♦♦	PS-7026
Grand Cherokee	5.7L V8 F/I	33-2457 ♦♦	HP-2010 ¹
Grand Cherokee	6.4L V8 F/I	33-2457 ♦♦	HP-2010 ¹
Patriot	2.0L L4 F/I	E-1998 ♦♦	HP-1017 ¹
Patriot	2.4L L4 F/I	E-1998 ♦♦	HP-1017 ¹
Renegade	1.4L L4 F/I	33-5034	
Renegade	1.6L L4 DSL	33-5034	
Renegade	1.6L L4 F/I	33-5034	
Renegade	2.0L L4 DSL	33-5034	

* 2 filters required ♦ Intake System Available - see page 84 +Cabin Air Filter Available - see page 453 1- Performance Silver Oil Filter Also Available



Vehicle	Engine Type	Air Filter	Oil Filter
2015 JEEP			
Renegade	2.4L L4 F/I	33-5034 ♦	
Wrangler	2.8L L4 DSL	33-5023+	
Wrangler	3.6L V6 F/I	33-2364 ♦♦	PS-7026
2014 JEEP			
Cherokee	2.0L L4 DSL	33-5009	
Cherokee	2.4L L4 F/I	33-5009 ♦	HP-1017 ¹
Cherokee	3.2L V6 F/I	33-5009 ♦	PS-7026
Compass	2.0L L4 F/I	E-1998 ♦+	HP-1017 ¹
Compass	2.2L L4 DSL	E-1998	
Compass	2.4L L4 F/I	E-1998 ♦+	HP-1017 ¹
Grand Cherokee	3.0L V6 DSL	33-3029 ♦♦	
Grand Cherokee	3.6L V6 F/I	33-2457 ♦♦	PS-7026
Grand Cherokee	5.7L V8 F/I	33-2457 ♦♦	HP-2010 ¹
Grand Cherokee	6.4L V8 F/I	33-2457 ♦♦	HP-2010 ¹
Patriot	2.0L L4 F/I	E-1998 ♦+	HP-1017 ¹
Patriot	2.4L L4 F/I	E-1998 ♦+	HP-1017 ¹
Wrangler	2.8L L4 DSL	33-5023+	
Wrangler	3.6L V6 F/I	33-2364 ♦♦	PS-7026
2013 JEEP			
Compass	2.0L L4 F/I	E-1998 ♦+	HP-1017 ¹
Compass	2.2L L4 DSL	E-1998	
Compass	2.4L L4 F/I	E-1998 ♦+	HP-1017 ¹
Grand Cherokee	3.0L V6 DSL	33-3029	
Grand Cherokee	3.6L V6 F/I	33-2457 ♦♦	PS-7026
Grand Cherokee	5.7L V8 F/I	33-2457 ♦♦	HP-2010 ¹
Grand Cherokee	6.4L V8 F/I	33-2457 ♦♦	HP-2010 ¹
Patriot	2.0L L4 F/I	E-1998 ♦+	HP-1017 ¹
Patriot	2.4L L4 F/I	E-1998 ♦+	HP-1017 ¹
Wrangler	2.8L L4 DSL	33-5023+	
Wrangler	3.6L V6 F/I	33-2364 ♦♦	PS-7026
2012 JEEP			
Compass	2.0L L4 F/I	E-1998 ♦+	HP-1017 ¹
Compass	2.2L L4 DSL	E-1998	
Compass	2.4L L4 F/I	E-1998 ♦+	HP-1017 ¹
Grand Cherokee	3.0L V6 DSL	33-3029	
Grand Cherokee	3.6L V6 F/I	33-2457 ♦♦	PS-7026
Grand Cherokee	5.7L V8 F/I	33-2457 ♦♦	HP-2010 ¹
Grand Cherokee	6.4L V8 F/I	33-2457 ♦♦	HP-2010 ¹
Liberty	3.7L V6 F/I	33-2363 ♦	HP-2011 ¹
Patriot	2.0L L4 F/I	E-1998 ♦+	HP-1017 ¹
Patriot	2.4L L4 F/I	E-1998 ♦+	HP-1017 ¹
Wrangler	2.8L L4 DSL	33-5023+	
Wrangler	3.6L V6 F/I	33-2364 ♦♦	PS-7026
Wrangler	3.8L V6 F/I	33-2364	
2011 JEEP			
Cherokee	3.7L V6 F/I	33-2363	
Compass	2.0L L4 F/I	E-1998 ♦+	HP-1017 ¹
Compass	2.2L L4 DSL	E-1998	
Compass	2.4L L4 F/I	E-1998 ♦+	HP-1017 ¹
Grand Cherokee	3.0L V6 DSL	33-3029	
Grand Cherokee	3.6L V6 F/I	33-2457 ♦♦	PS-7026
Grand Cherokee	5.7L V8 F/I	33-2457 ♦♦	HP-2010 ¹
Liberty	3.7L V6 F/I	33-2363 ♦	HP-2011 ¹
Patriot	2.0L L4 F/I	E-1998 ♦+	HP-1017 ¹
Patriot	2.1L L4 DSL	E-1998	
Patriot	2.4L L4 F/I	E-1998 ♦+	HP-1017 ¹
Wrangler	2.8L L4 DSL	33-5023+	
Wrangler	3.8L V6 F/I	33-2364 ♦♦	HP-1002 ¹
2010 JEEP			
Cherokee	3.7L V6 F/I	33-2363	HP-2011 ¹

Vehicle	Engine Type	Air Filter	Oil Filter
2010 JEEP			
Commander	3.7L V6 F/I	33-2233 ♦	HP-2011 ¹
Commander	5.7L V8 F/I	33-2233 ♦	HP-2010 ¹
Compass	2.4L L4 F/I	33-2362 ♦+	HP-1017 ¹
Grand Cherokee	3.7L V6 F/I	33-2233 ♦	HP-2011 ¹
Grand Cherokee	5.7L V8 F/I	33-2233 ♦	HP-2010 ¹
Grand Cherokee	6.1L V8 F/I	33-2233 ♦	HP-2010 ¹
Grand Cherokee III	3.0L V6 DSL	33-2420	
Liberty	3.7L V6 F/I	33-2363 ♦	HP-2011 ¹
Patriot	2.0L L4 F/I	33-2362 ♦+	HP-1017 ¹
Patriot	2.1L L4 DSL	E-1998	
Patriot	2.4L L4 F/I	33-2362 ♦+	HP-1017 ¹
Wrangler	2.8L L4 DSL	33-5023	
Wrangler	3.8L V6 F/I	33-2364 ♦	HP-1002 ¹
2009 JEEP			
Cherokee	3.7L V6 F/I	33-2363	
Commander	3.7L V6 F/I	33-2233 ♦	HP-2011 ¹
Commander	5.7L V8 F/I	33-2233 ♦	HP-2010 ¹
Compass	2.4L L4 F/I	33-2362 ♦+	HP-1017 ¹
Grand Cherokee	3.0L V6 DSL	33-2420	
Grand Cherokee	3.7L V6 F/I	33-2233 ♦	HP-2011 ¹
Grand Cherokee	4.7L V8 F/I	33-2233 ♦	HP-2010 ¹
Grand Cherokee	5.7L V8 F/I	33-2233 ♦	HP-2010 ¹
Grand Cherokee	6.1L V8 F/I	33-2233 ♦	HP-2010 ¹
Liberty	3.7L V6 F/I	33-2363 ♦	HP-2011 ¹
Patriot	2.0L L4 DSL	33-2362	
Patriot	2.0L L4 F/I	33-2362 ♦+	HP-1017 ¹
Patriot	2.4L L4 F/I	33-2362 ♦+	HP-1017 ¹
Wrangler	2.8L L4 DSL	33-5023	
Wrangler	3.8L V6 F/I	33-2364 ♦	HP-1002 ¹
2008 JEEP			
Cherokee	3.7L V6 F/I	33-2363	
Commander	3.7L V6 F/I	33-2233 ♦	HP-2009 ¹
Commander	4.7L V8 F/I	33-2233 ♦	HP-2010 ¹
Commander	5.7L V8 F/I	33-2233 ♦	HP-2010 ¹
Compass	2.0L L4 DSL	33-2362	
Compass	2.0L L4 F/I	33-2362 ♦+	HP-1017 ¹
Compass	2.4L L4 F/I	33-2362 ♦+	HP-1017 ¹
Grand Cherokee	3.0L V6 DSL	33-2420	PS-7028
Grand Cherokee	3.7L V6 F/I	33-2233 ♦	HP-2009 ¹
Grand Cherokee	4.7L V8 F/I	33-2233 ♦	HP-2010 ¹
Grand Cherokee	5.7L V8 F/I	33-2233 ♦	HP-2010 ¹
Grand Cherokee	6.1L V8 F/I	33-2233 ♦	
Grand Cherokee	6.1L V8 F/I - 22mm Thread	33-2233	HP-2010 ¹
Grand Cherokee	6.1L V8 F/I - 3/4 thread	33-2233	HP-2004 ¹
Grand Cherokee III	3.7L V6 F/I	33-2233	HP-2009 ¹
Grand Cherokee III	4.7L V8 F/I	33-2233	HP-2010 ¹
Grand Cherokee III	5.7L V8 F/I	33-2233	HP-2010 ¹
Grand Cherokee III	6.1L V8 F/I	33-2233	
Grand Cherokee III	6.1L V8 F/I - 22mm Thread	33-2233	HP-2010 ¹
Grand Cherokee III	6.1L V8 F/I - 3/4 thread	33-2233	HP-2004 ¹
Liberty	3.7L V6 F/I	33-2363 ♦	HP-2009 ¹
Patriot	2.0L L4 DSL	33-2362	
Patriot	2.0L L4 F/I	33-2362 ♦+	HP-1017 ¹
Patriot	2.4L L4 F/I	33-2362 ♦+	HP-1017 ¹
Wrangler	2.8L L4 DSL	33-5023	
Wrangler	3.8L V6 F/I	33-2364 ♦	HP-1002 ¹
Wrangler II	3.8L V6 F/I	33-2364	HP-1002 ¹
2007 JEEP			
Commander	3.7L V6 F/I	33-2233 ♦	HP-2009 ¹
Commander	4.7L V8 F/I	33-2233 ♦	HP-2004 ¹

* 2 filters required

♦ Intake System Available - see page 84 +Cabin Air Filter Available - see page 453 1- Performance Silver Oil Filter Also Available



AIR & OIL FILTERS

JEEP

Vehicle	Engine Type	Air Filter	Oil Filter
2007 JEEP			
Commander	5.7L V8 F/I	33-2233 ♦	HP-2004 ¹
Compass	2.0L L4 DSL	33-2362	
Compass	2.0L L4 F/I	33-2362 ♦+	HP-1017 ¹
Compass	2.4L L4 F/I	33-2362 ♦+	HP-1017 ¹
Grand Cherokee	3.0L V6 DSL	33-2233	PS-7028
Grand Cherokee	3.7L V6 F/I	33-2233 ♦	HP-2009 ¹
Grand Cherokee	4.7L V8 F/I	33-2233 ♦	HP-2004 ¹
Grand Cherokee	5.7L V8 F/I	33-2233 ♦	HP-2004 ¹
Grand Cherokee	6.1L V8 F/I	33-2233 ♦	HP-2004 ¹
Grand Cherokee III	3.0L V6 DSL	33-2233	
Grand Cherokee III	3.7L V6 F/I	33-2233	HP-2009 ¹
Grand Cherokee III	4.7L V8 F/I	33-2233	HP-2004 ¹
Grand Cherokee III	5.7L V8 F/I	33-2233	HP-2004 ¹
Grand Cherokee III	6.1L V8 F/I	33-2233	HP-2004 ¹
Liberty	3.7L V6 F/I	33-2233 ♦	HP-2009 ¹
Patriot	2.0L L4 DSL	33-2362	
Patriot	2.0L L4 F/I	33-2362+	HP-1017 ¹
Patriot	2.4L L4 F/I	33-2362 ♦+	HP-1017 ¹
Wrangler	2.8L L4 DSL	33-5023	
Wrangler	3.8L V6 F/I	33-2364 ♦	HP-1002 ¹
Wrangler II	3.8L V6 F/I	33-2364	HP-1002 ¹

Vehicle	Engine Type	Air Filter	Oil Filter
2006 JEEP			
Commander	3.7L V6 F/I	33-2233 ♦	HP-2009 ¹
Commander	4.7L V8 F/I	33-2233 ♦	HP-2004 ¹
Commander	5.7L V8 F/I	33-2233 ♦	HP-2004 ¹
Grand Cherokee	3.7L V6 F/I	33-2233 ♦	HP-2009 ¹
Grand Cherokee	4.7L V8 F/I	33-2233 ♦	HP-2004 ¹
Grand Cherokee	5.7L V8 F/I	33-2233 ♦	HP-2004 ¹
Grand Cherokee	6.1L V8 F/I	33-2233 ♦	HP-2004 ¹
Grand Cherokee III	3.0L V6 DSL	33-2233	
Grand Cherokee III	3.7L V6 F/I	33-2233	HP-2009 ¹
Grand Cherokee III	4.7L V8 F/I	33-2233	HP-2004 ¹
Grand Cherokee III	5.7L V8 F/I	33-2233	HP-2004 ¹
Grand Cherokee III	6.1L V8 F/I	33-2233	HP-2004 ¹
Liberty	2.8L L4 DSL	33-2233	HP-2009 ¹
Liberty	3.7L V6 F/I	33-2233 ♦	HP-2009 ¹
TJ	2.4L L4 F/I	33-2261	HP-1002 ¹
TJ	4.0L L6 F/I	33-2114 ♦	HP-2004 ¹
Wrangler	2.4L L4 F/I	33-2261	HP-1002 ¹
Wrangler	4.0L L6 F/I	33-2114 ♦	HP-2004 ¹
Wrangler II	2.4L L4 F/I	33-2261	HP-1002 ¹
Wrangler II	4.0L L6 F/I	33-2114	HP-2004 ¹

Vehicle	Engine Type	Air Filter	Oil Filter
2005 JEEP			
Cherokee	2.5L L4 DSL	33-2233	
Grand Cherokee	3.7L V6 F/I	33-2233 ♦	HP-2009 ¹
Grand Cherokee	4.7L V8 F/I	33-2233 ♦	HP-2004 ¹
Grand Cherokee	5.7L V8 F/I	33-2233 ♦	HP-2004 ¹
Grand Cherokee III	3.0L V6 DSL	33-2233	
Grand Cherokee III	3.7L V6 F/I	33-2233	HP-2009 ¹
Grand Cherokee III	4.7L V8 F/I	33-2233	HP-2004 ¹
Grand Cherokee III	5.7L V8 F/I	33-2233	HP-2004 ¹
Liberty	2.4L L4 F/I	33-2261	HP-1002 ¹
Liberty	2.8L L4 DSL	33-2233	HP-2009 ¹
Liberty	3.7L V6 F/I	33-2233 ♦	HP-2009 ¹
TJ	2.4L L4 F/I	33-2261	HP-1002 ¹
TJ	4.0L L6 F/I	33-2114 ♦	HP-2004 ¹
Wrangler	2.4L L4 F/I	33-2261	HP-1002 ¹
Wrangler	4.0L L6 F/I	33-2114 ♦	HP-2004 ¹
Wrangler II	2.4L L4 F/I	33-2261	HP-1002 ¹
Wrangler II	4.0L L6 F/I	33-2114	HP-2004 ¹

Vehicle	Engine Type	Air Filter	Oil Filter
2004 JEEP			
Grand Cherokee	4.0L L6 F/I	33-2139 ♦	HP-2004 ¹
Grand Cherokee	4.7L V8 F/I		HP-2004 ¹
Grand Cherokee	4.7L V8 F/I - w/High Output	33-2246 ♦	HP-2004
Grand Cherokee	4.7L V8 F/I - w/o High Output	33-2139 ♦	HP-2004
Grand Cherokee II	2.7L L5 DSL	33-2139	
Grand Cherokee II	4.0L L6 F/I	33-2139	HP-2004 ¹
Grand Cherokee II	4.7L V8 F/I		HP-2004 ¹
Grand Cherokee II	4.7L V8 F/I - w/High Output	33-2246	HP-2004
Grand Cherokee II	4.7L V8 F/I - w/o High Output	33-2139	HP-2004
Liberty	3.7L V6 F/I	33-2233 ♦	HP-2009 ¹
TJ	2.4L L4 F/I	33-2261	HP-1002 ¹
TJ	4.0L L6 F/I	33-2114 ♦	HP-2004 ¹
Wrangler	2.4L L4 F/I	33-2261	HP-1002 ¹
Wrangler	4.0L L6 F/I	33-2114 ♦	HP-2004 ¹
Wrangler II	2.4L L4 F/I	33-2261	HP-1002 ¹
Wrangler II	4.0L L6 F/I	33-2114	HP-2004 ¹

Vehicle	Engine Type	Air Filter	Oil Filter
2003 JEEP			
Grand Cherokee	4.0L L6 F/I	33-2139 ♦	HP-2004 ¹
Grand Cherokee	4.7L V8 F/I		HP-2004 ¹
Grand Cherokee	4.7L V8 F/I - w/High Output	33-2246 ♦	HP-2004
Grand Cherokee	4.7L V8 F/I - w/o High Output	33-2139 ♦	HP-2004
Grand Cherokee II	4.0L L6 F/I	33-2139	HP-2004 ¹
Grand Cherokee II	4.7L V8 F/I		HP-2004 ¹
Grand Cherokee II	4.7L V8 F/I - w/High Output	33-2246	HP-2004
Grand Cherokee II	4.7L V8 F/I - w/o High Output	33-2139	HP-2004
Liberty	3.7L V6 F/I	33-2233 ♦	HP-2009 ¹
TJ	2.4L L4 F/I	33-2261	HP-1002 ¹
TJ	4.0L L6 F/I	33-2114 ♦	HP-2004 ¹
Wrangler	2.4L L4 F/I	33-2261	HP-1002 ¹
Wrangler	4.0L L6 F/I	33-2114 ♦	HP-2004 ¹
Wrangler II	2.4L L4 F/I	33-2261	HP-1002 ¹
Wrangler II	4.0L L6 F/I	33-2114	HP-2004 ¹

Vehicle	Engine Type	Air Filter	Oil Filter
2002 JEEP			
Grand Cherokee	4.0L L6 F/I	33-2139 ♦	HP-2004 ¹
Grand Cherokee	4.7L V8 F/I		HP-2004 ¹
Grand Cherokee	4.7L V8 F/I - w/High Output	33-2246 ♦	HP-2004
Grand Cherokee	4.7L V8 F/I - w/o High Output	33-2139 ♦	HP-2004
Grand Cherokee II	4.0L L6 F/I	33-2139	HP-2004 ¹
Grand Cherokee II	4.7L V8 F/I		HP-2004 ¹
Grand Cherokee II	4.7L V8 F/I - w/High Output	33-2246	HP-2004
Grand Cherokee II	4.7L V8 F/I - w/o High Output	33-2139	HP-2004
Liberty	2.8L L4 DSL	33-2233	
Liberty	3.7L V6 F/I	33-2233 ♦	HP-2009 ¹
TJ	2.5L L4 F/I	33-2114	HP-2004 ¹
TJ	4.0L L6 F/I	33-2114 ♦	HP-2004 ¹
Wrangler	2.5L L4 F/I	33-2114	HP-2004 ¹
Wrangler	4.0L L6 F/I	33-2114 ♦	HP-2004 ¹
Wrangler II	2.4L L4 F/I	33-2261	HP-1002 ¹
Wrangler II	2.5L L4 F/I	33-2114	HP-2004 ¹
Wrangler II	4.0L L6 F/I	33-2114	HP-2004 ¹

Vehicle	Engine Type	Air Filter	Oil Filter
2001 JEEP			
Cherokee	4.0L L6 F/I	33-2122 ♦	HP-2004 ¹
Grand Cherokee	4.0L L6 F/I	33-2139 ♦	HP-2004 ¹
Grand Cherokee	4.7L V8 F/I	33-2139 ♦	HP-2004 ¹

* 2 filters required ♦ Intake System Available - see page 84 +Cabin Air Filter Available - see page 453 1- Performance Silver Oil Filter Also Available



Vehicle	Engine Type	Air Filter	Oil Filter
2001 JEEP			
Grand Cherokee II	4.0L L6 F/I	33-2139	HP-2004 ¹
Grand Cherokee II	4.7L V8 F/I		HP-2004 ¹
Grand Cherokee II	4.7L V8 F/I - w/High Output	33-2246	HP-2004
Grand Cherokee II	4.7L V8 F/I - w/o High Output	33-2139	HP-2004
TJ	2.5L L4 F/I	33-2114	HP-2004 ¹
TJ	4.0L L6 F/I	33-2114 ♦	HP-2004 ¹
Wrangler	2.5L L4 F/I	33-2114	HP-2004 ¹
Wrangler	4.0L L6 F/I	33-2114 ♦	HP-2004 ¹
Wrangler II	2.5L L4 F/I	33-2114	HP-2004 ¹
Wrangler II	4.0L L6 F/I	33-2114	HP-2004 ¹

Vehicle	Engine Type	Air Filter	Oil Filter
2000 JEEP			
Cherokee	4.0L L6 F/I	33-2122 ♦	HP-2004 ¹
Grand Cherokee	4.0L L6 F/I	33-2139 ♦	HP-2004 ¹
Grand Cherokee	4.7L V8 F/I	33-2139 ♦	HP-2004 ¹
Grand Cherokee II	4.0L L6 F/I	33-2139	HP-2004 ¹
Grand Cherokee II	4.7L V8 F/I		HP-2004 ¹
Grand Cherokee II	4.7L V8 F/I - w/High Output	33-2246	HP-2004
Grand Cherokee II	4.7L V8 F/I - w/o High Output	33-2139	HP-2004
TJ	2.5L L4 F/I	33-2114	HP-2004 ¹
TJ	4.0L L6 F/I	33-2114 ♦	HP-2004 ¹
Wrangler	2.5L L4 F/I	33-2114	HP-2004 ¹
Wrangler	4.0L L6 F/I	33-2114 ♦	HP-2004 ¹
Wrangler II	2.5L L4 F/I	33-2114	HP-2004 ¹
Wrangler II	4.0L L6 F/I	33-2114	HP-2004 ¹

Vehicle	Engine Type	Air Filter	Oil Filter
1999 JEEP			
Cherokee	2.5L L4 F/I - Non-US	33-2018	
Cherokee	2.5L L4 F/I - US	33-2122	
Cherokee	4.0L L6 F/I	33-2122 ♦	HP-2004 ¹
Grand Cherokee	4.0L L6 F/I	33-2139 ♦	HP-2004 ¹
Grand Cherokee	4.7L V8 F/I	33-2139 ♦	HP-2004 ¹
Grand Cherokee I	4.0L L6 F/I		HP-2004 ¹
Grand Cherokee I	4.0L L6 F/I - to 4/99	33-2048	HP-2004
Grand Cherokee I	5.2L V8 F/I	33-2048	
Grand Cherokee I	5.9L V8 F/I	33-2048	
Grand Cherokee II	4.0L L6 F/I		HP-2004 ¹
Grand Cherokee II	4.0L L6 F/I - from 5/99	33-2139	HP-2004
Grand Cherokee II	4.7L V8 F/I		HP-2004 ¹
Grand Cherokee II	4.7L V8 F/I - w/High Output	33-2246	HP-2004
Grand Cherokee II	4.7L V8 F/I - w/o High Output	33-2139	HP-2004
TJ	2.5L L4 F/I	33-2114	HP-2004 ¹
TJ	4.0L L6 F/I	33-2114 ♦	HP-2004 ¹
Wrangler	2.5L L4 F/I	33-2114	HP-2004 ¹
Wrangler	4.0L L6 F/I	33-2114 ♦	HP-2004 ¹
Wrangler II	2.5L L4 F/I	33-2114	HP-2004 ¹
Wrangler II	4.0L L6 F/I	33-2114	HP-2004 ¹

Vehicle	Engine Type	Air Filter	Oil Filter
1998 JEEP			
Cherokee	2.5L L4 F/I		HP-2004 ¹
Cherokee	2.5L L4 F/I - Non-US	33-2018	HP-2004
Cherokee	2.5L L4 F/I - US	33-2122	HP-2004
Cherokee	4.0L L6 F/I	33-2122 ♦	HP-2004 ¹
Grand Cherokee	4.0L L6 F/I	33-2048 ♦	HP-2004 ¹
Grand Cherokee	5.2L V8 F/I	33-2048 ♦	HP-2004 ¹
Grand Cherokee	5.9L V8 F/I	33-2048 ♦	HP-2004 ¹
Grand Cherokee I	2.5L L4 DSL	33-2048	
Grand Cherokee I	4.0L L6 F/I	33-2048	HP-2004 ¹
Grand Cherokee I	5.2L V8 F/I	33-2048	HP-2004 ¹
Grand Cherokee I	5.9L V8 F/I	33-2048	HP-2004 ¹

Vehicle	Engine Type	Air Filter	Oil Filter
1998 JEEP			
TJ	2.5L L4 F/I	33-2114	HP-2004 ¹
TJ	4.0L L6 F/I	33-2114 ♦	HP-2004 ¹
Wrangler	2.5L L4 F/I	33-2114	HP-2004 ¹
Wrangler	4.0L L6 F/I	33-2114 ♦	HP-2004 ¹
Wrangler II	2.5L L4 F/I	33-2114	HP-2004 ¹
Wrangler II	4.0L L6 F/I	33-2114	HP-2004 ¹

Vehicle	Engine Type	Air Filter	Oil Filter
1997 JEEP			
Cherokee	4.0L L6 F/I	33-2122 ♦	HP-2004 ¹
Grand Cherokee	4.0L L6 F/I	33-2048 ♦	HP-2004 ¹
Grand Cherokee	5.2L V8 F/I	33-2048 ♦	HP-2004 ¹
Grand Cherokee I	4.0L L6 F/I	33-2048	HP-2004 ¹
Grand Cherokee I	5.2L V8 F/I	33-2048	HP-2004 ¹
Grand Cherokee I	5.9L V8 F/I	33-2048	
TJ	2.5L L4 F/I		HP-2004 ¹
TJ	2.5L L4 F/I - OEM 4797777	33-2114	HP-2004
TJ	2.5L L4 F/I - OEM 53002184	33-2046	HP-2004
TJ	4.0L L6 F/I		HP-2004 ¹
TJ	4.0L L6 F/I - OEM 4797777	33-2114 ♦	HP-2004
TJ	4.0L L6 F/I - OEM 53002184	33-2046 ♦	HP-2004
Wrangler	2.5L L4 F/I		HP-2004 ¹
Wrangler	2.5L L4 F/I - OEM 4797777	33-2114	HP-2004
Wrangler	2.5L L4 F/I - OEM 53002184	33-2046	HP-2004
Wrangler	4.0L L6 F/I		HP-2004 ¹
Wrangler	4.0L L6 F/I - OEM 4797777	33-2114 ♦	HP-2004
Wrangler	4.0L L6 F/I - OEM 53002184	33-2046 ♦	HP-2004
Wrangler II	2.5L L4 F/I	33-2114	HP-2004 ¹
Wrangler II	4.0L L6 F/I	33-2114	HP-2004 ¹

Vehicle	Engine Type	Air Filter	Oil Filter
1996 JEEP			
Cherokee	2.5L L4 F/I		HP-2004 ¹
Cherokee	2.5L L4 F/I - Non-US	33-2018	HP-2004
Cherokee	2.5L L4 F/I - US	33-2122	HP-2004
Cherokee	4.0L L6 F/I	33-2122 ♦	HP-2004 ¹
Grand Cherokee	4.0L L6 F/I	33-2048 ♦	HP-2004 ¹
Grand Cherokee	5.2L V8 F/I	33-2048 ♦	HP-2004 ¹
Grand Cherokee I	2.5L L4 DSL	33-2048	
Grand Cherokee I	4.0L L6 F/I	33-2048	HP-2004 ¹
Grand Cherokee I	5.2L V8 F/I	33-2048	HP-2004 ¹
Wrangler II	4.0L L6 F/I	33-2114	HP-2004 ¹

Vehicle	Engine Type	Air Filter	Oil Filter
1995 JEEP			
Cherokee	4.0L L6 F/I	33-2018 ♦	HP-2004 ¹
Grand Cherokee	4.0L L6 F/I	33-2048 ♦	HP-2004 ¹
Grand Cherokee	5.2L V8 F/I	33-2048 ♦	HP-2004 ¹
Grand Cherokee I	4.0L L6 F/I	33-2048	HP-2004 ¹
Grand Cherokee I	5.2L V8 F/I	33-2048	HP-2004 ¹
Wrangler	2.5L L4 F/I	33-2046	HP-2004 ¹
Wrangler	4.0L L6 F/I	33-2046	HP-2004 ¹
		33-2046 ♦	HP-2004 ¹
Wrangler I	2.5L L4 F/I	33-2046	HP-2004 ¹
Wrangler I	4.0L L6 F/I	33-2046	HP-2004 ¹

Vehicle	Engine Type	Air Filter	Oil Filter
1994 JEEP			
Cherokee	4.0L L6 F/I	33-2018 ♦	HP-2004 ¹
Grand Cherokee	4.0L L6 F/I	33-2048 ♦	HP-2004 ¹
Grand Cherokee	5.2L V8 F/I	33-2048 ♦	HP-2004 ¹
Grand Cherokee I	4.0L L6 F/I	33-2048	HP-2004 ¹
Grand Cherokee I	5.2L V8 F/I	33-2048	HP-2004 ¹
Wrangler	2.5L L4 F/I	33-2046	HP-2004 ¹

* 2 filters required

♦ Intake System Available - see page 84 +Cabin Air Filter Available - see page 453 1- Performance Silver Oil Filter Also Available



AIR & OIL FILTERS

JEEP

Vehicle	Engine Type	Air Filter	Oil Filter
1994 JEEP			
Wrangler	4.0L L6 F/I	33-2046 33-2046 ♦	HP-2004 ¹ HP-2004 ¹
Wrangler I	2.5L L4 F/I	33-2046	HP-2004 ¹
Wrangler I	4.0L L6 F/I	33-2046	HP-2004 ¹
1993 JEEP			
Cherokee	4.0L L6 F/I	33-2018 ♦	HP-2004 ¹
Grand Cherokee	4.0L L6 F/I	33-2048 ♦	HP-2004 ¹
Grand Cherokee	5.2L V8 F/I	33-2048 ♦	HP-2004 ¹
Grand Cherokee I	4.0L L6 F/I	33-2048	HP-2004 ¹
Grand Cherokee I	5.2L V8 F/I	33-2048	HP-2004 ¹
Wrangler	2.5L L4 F/I	33-2046	
Wrangler	2.5L L4 F/I - 3/4 thread	33-2046	HP-2004 ¹
Wrangler	2.5L L4 F/I - w/20mm Thd.	33-2046	HP-2007 ¹
Wrangler	4.0L L6 F/I	33-2046 33-2046 ♦	HP-2004 ¹ HP-2004 ¹
Wrangler I	2.5L L4 F/I	33-2046	
Wrangler I	2.5L L4 F/I - 3/4 thread	33-2046	HP-2004 ¹
Wrangler I	2.5L L4 F/I - w/20mm Thd.	33-2046	HP-2007 ¹
Wrangler I	4.0L L6 F/I	33-2046	HP-2004 ¹
1992 JEEP			
Cherokee	4.0L L6 F/I	33-2018 ♦	HP-2004 ¹
Comanche	4.0L L6 F/I	33-2018	HP-2004 ¹
Wrangler	2.5L L4 F/I	33-2046	HP-2004 ¹
Wrangler	4.0L L6 F/I	33-2046 ♦	HP-2004 ¹
Wrangler I	2.5L L4 F/I	33-2046	HP-2004 ¹
Wrangler I	4.0L L6 F/I	33-2046	HP-2004 ¹
1991 JEEP			
Cherokee	4.0L L6 F/I	33-2018 ♦	HP-2004 ¹
Comanche	4.0L L6 F/I	33-2018	HP-2004 ¹
Wrangler	2.5L L4 F/I	33-2046	HP-2004 ¹
Wrangler	4.0L L6 F/I	33-2046 ♦	HP-2004 ¹
Wrangler I	2.5L L4 F/I	33-2046	HP-2004 ¹
Wrangler I	4.0L L6 F/I	33-2046	HP-2004 ¹
1990 JEEP			
Cherokee	4.0L L6 F/I	33-2018	HP-2007
Comanche	4.0L L6 F/I	33-2018	HP-2007
Grand Wagoneer	5.9L V8 CARB	E-1100	
Wrangler	2.5L L4 F/I	33-2046	HP-2007
Wrangler	4.2L L6 CARB	E-1080	HP-2007
Wrangler I	2.5L L4 F/I	33-2046	HP-2007
Wrangler I	4.2L L6 CARB	E-1080	HP-2007
Wrangler I	4.2L L6 F/I	33-2046	
1989 JEEP			
Cherokee	4.0L L6 F/I	33-2018	HP-2007
Comanche	4.0L L6 F/I	33-2018	HP-2007
Grand Wagoneer	5.9L V8 CARB	E-1100	HP-2007
Wrangler	2.5L L4 F/I	33-2046	HP-2007
Wrangler	4.2L L6 CARB	E-1080	HP-2007
Wrangler I	2.5L L4 F/I	33-2046	HP-2007
Wrangler I	4.2L L6 CARB	E-1080	HP-2007
Wrangler I	4.2L L6 F/I	33-2046	
1988 JEEP			
Cherokee	4.0L L6 F/I	33-2018	HP-2007
Comanche	4.0L L6 F/I	33-2018	HP-2007
Wrangler	2.5L L4 F/I	33-2046	HP-2007
Wrangler	4.2L L6 CARB	E-1080	HP-2007
Wrangler I	2.5L L4 F/I	33-2046	HP-2007
Wrangler I	4.2L L6 CARB	E-1080	HP-2007

Vehicle	Engine Type	Air Filter	Oil Filter
1988 JEEP			
Wrangler I	4.2L L6 F/I	33-2046	
1987 JEEP			
Cherokee	4.0L L6 F/I	33-2018	HP-2007
Comanche	4.0L L6 F/I	33-2018	HP-2007
Wrangler	2.5L L4 F/I	33-2046	HP-2007
Wrangler	4.2L L6 CARB	E-1080	HP-2007
Wrangler I	2.5L L4 F/I	33-2046	HP-2007
Wrangler I	4.2L L6 CARB	E-1080	HP-2007
Wrangler I	4.2L L6 F/I	33-2046	
1986 JEEP			
CJ7	4.2L L6 CARB	E-1080	HP-1007 ¹
1985 JEEP			
CJ7	2.5L L4 CARB		HP-1001 ¹
CJ7	4.2L L6 CARB	E-1080	HP-1007 ¹
1984 JEEP			
CJ7	4.2L L6 CARB	E-1080	HP-1007 ¹
1983 JEEP			
CJ7	4.2L L6 CARB	E-1080	HP-1007 ¹
1982 JEEP			
CJ5	4.2L L6 CARB	E-1080	HP-2003 ¹
CJ7	4.2L L6 CARB	E-1080	HP-2003 ¹
1981 JEEP			
CJ7	4.2L L6 CARB	E-1080	HP-2003 ¹
CJ7	5.0L V8 CARB	E-1080	HP-2003 ¹
1980 JEEP			
CJ5	4.2L L6 CARB	E-1080	HP-2003 ¹
CJ7	258 L6 CARB	E-1080	HP-2003 ¹
CJ7	5.0L V8 CARB	E-1100	HP-2003 ¹
1979 JEEP			
CJ5	258 L6 CARB	E-1080	HP-2003 ¹
CJ5	304 V8 CARB	E-1100	HP-2003 ¹
CJ7	258 L6 CARB	E-1080	HP-2003 ¹
CJ7	304 V8 CARB	E-1100	HP-2003 ¹
1978 JEEP			
CJ5	304 V8 CARB	E-1100	HP-2003 ¹
CJ7	304 V8 CARB	E-1100	HP-2003 ¹
1977 JEEP			
CJ7	304 V8 CARB	E-1100	HP-2003 ¹
1976 JEEP			
CJ5	304 V8 CARB		HP-2003 ¹
CJ7	304 V8 CARB	E-1100	HP-2003 ¹
1975 JEEP			
CJ5	304 V8 CARB	E-1100	HP-2003 ¹
1974 JEEP			
CJ5	304 V8 CARB	E-1100	HP-2003 ¹
1967 JEEP			
CJ5	225 V6 1 BBL.		HP-2003 ¹
CJ5	225 V6 2 BBL.		HP-2003 ¹
2013 JOHN DEERE			
Gator XUV 825i 4x4	812	E-4552	
Gator XUV 825i 4x4	812	E-4552	
PS			
Gator XUV 825i 4x4	812	E-4552	
S4			

* 2 filters required

♦ Intake System Available - see page 84 +Cabin Air Filter Available - see page 453 1- Performance Silver Oil Filter Also Available



Vehicle	Engine Type	Air Filter	Oil Filter	Vehicle	Engine Type	Air Filter	Oil Filter
2013 JOHN DEERE				2016 KAWASAKI			
Gator XUV 855D 4x4 Diesel S4	854	E-4552		KAF400 Mule 610 4x4 XC	400	KA-4093	KN-128
2012 JOHN DEERE				KAF400 Mule 610 4x4 XC SE	400	KA-4093	KN-128
Gator XUV 550	570	E-4552		KAF800 Mule PRO-FX	812		KN-128
Gator XUV 550 S4	570	E-4552		KAF800 Mule PRO-FX EPS	812		KN-128
Gator XUV 625i 4x4	617	E-4552		KAF800 Mule PRO-FX EPS Camo	812		KN-128
Gator XUV 825i 4x4	812	E-4552		KAF800 Mule PRO-FX EPS LE	812		KN-128
2011 JOHN DEERE				KAF800 Mule PRO-FXT	812		KN-128
Gator XUV 625i 4x4	617	E-4552		KAF800 Mule PRO-FXT EPS	812		KN-128
Gator XUV 825i 4x4	812	E-4552		KAF800 Mule PRO-FXT Ranch Edit.	812		KN-128
2010 JOHN DEERE				KLE650 Versys	650		KN-303
Gator XUV 620i 4x4	617	E-4552		KLR650	650	KA-6589	KN-123
Gator XUV 850D 4x4 Diesel	854	E-4552		KLR650 Camo	650	KA-6589	KN-123
2009 JOHN DEERE				KLX110	110		KN-112
Gator XUV 620i 4x4	617	E-4552		KLX110L	110	KA-1102	KN-112
Gator XUV 850D 4x4 Diesel	854	E-4552		KLZ1000 Versys LT	1000		KN-303
2008 JOHN DEERE				KRF800 Teryx	783	KA-7512	KN-204
Gator XUV 620i 4x4	617	E-4552		KRF800 Teryx Camo	783	KA-7512	KN-204
2005 JOHN DEERE				KRF800 Teryx LE	783	KA-7512	KN-204
Trail Buck 650	650		KN-556	KRT800 Teryx4	783	KA-7512	KN-204
Trail Buck 650 EX	650	BD-6502	KN-556	KRT800 Teryx4 Camo	783	KA-7512	KN-204
Trail Buck 650 EXT	650	BD-6502	KN-556	KRT800 Teryx4 LE	783	KA-7512	KN-204
1990 JOHN DEERE				KVF300 Brute Force	271	KA-2712	KN-204
420 Tractor	771	E-4425		KVF750 Brute Force 4x4i	749	KA-7408	KN-204
1986 JOHN DEERE				KVF750 Brute Force 4x4i EPS	749	KA-7408	KN-204
420 Tractor	771	E-4425		KVF750 Brute Force 4x4i EPS Camo	749		KN-204
2017 KAWASAKI				KX250F	249	KA-2506XD	KN-207
KLX110	110	KA-1102		KX450F	449		KN-207
KLX110L	110	KA-1102		Versys 1000	1043	KA-1111	KN-303
KLX140	144		KN-112	VN900 Vulcan Classic	903	KA-9006	KN-303
KLX140G	144		KN-112	VN900 Vulcan Classic LT	903	KA-9006	KN-303
KLX140L	144		KN-112	VN900 Vulcan Custom	903	KA-9006	KN-303
KVF300 Brute Force	271	KA-2712		VN1700 Vulcan Vaquero	1700		KN-303
KX65	65	KA-8088		VN1700 Vulcan Voyager ABS	1700	KA-1709	KN-303
KX250F	249		KN-207	Z300	296	KA-2508	
KX450F	449		KN-207	Z800	806	KA-1003	KN-303
2016 KAWASAKI				Z1000	1043	KA-1111	KN-303
EN650 Vulcan S	649		KN-303	Z1000 SX	1043	KA-1111	KN-303
EN650 Vulcan S ABS	649		KN-303	ZG1400 Concours ABS	1400		KN-303
EN650 Vulcan S ABS Cafe	649		KN-303	ZX6R Ninja	636	KA-6009	KN-303
EN650 Vulcan S ABS SE	649		KN-303	ZX6R Ninja - Race Specific	636	KA-6009R	KN-303
ER6f	649	KA-6512	KN-303	ZX14R Ninja	1441		KN-303
ER6n	649	KA-6512	KN-303	ZX636 Ninja ZX-6R ABS KRT Edition	636		KN-303
EX300 Ninja	296	KA-2508	KN-303	ZX1000 Ninja 1000 ABS	998	KA-1111	KN-303
EX300 Ninja ABS	296	KA-2508	KN-303	ZX1000 Ninja H2	998	KA-9915	KN-303
EX300 Ninja ABS KRT Edition	296	KA-2508	KN-303				
EX650 Ninja	649	KA-6512	KN-303				
EX650 Ninja ABS	649	KA-6512	KN-303				
JT1500 STX-15F	1498		KN-204				
JT1500 Ultra 310R	1498		KN-204				
JT1500 Ultra LX	1498		KN-204				
KAF400 Mule 610 4x4 SE	400	KA-4093	KN-128				

* 2 filters required

◆ Intake System Available - see page 84 + Cabin Air Filter Available - see page 453 1- Performance Silver Oil Filter Also Available



AIR & OIL FILTERS

KAWASAKI

Vehicle	Engine Type	Air Filter	Oil Filter	Vehicle	Engine Type	Air Filter	Oil Filter
2016 KAWASAKI				2015 KAWASAKI			
ZX1000 Ninja H2R	998		KN-303	ZG1400 Concours	1400		KN-303
ZX1000 Ninja ZX-10R	998	KA-1016	KN-303	ABS			
ZX1000 Ninja ZX-10R	998	KA-1016	KN-303	ZX6R Ninja	636	KA-6009	KN-303
ABS				ZX6R Ninja	636 - Race Specific	KA-6009R	KN-303
ZX1000 Ninja ZX-10R	998	KA-1016	KN-303	ZX636 Ninja ZX-6R	636		KN-303
ABS KRT Edition				ZX636 Ninja ZX-6R	636		KN-303
ZX1000 Ninja ZX-10R	998	KA-1016	KN-303	ABS			
KRT Edition				ZX1000 Ninja 1000	998	KA-1111	KN-303
ZX1400 Ninja ZX-14R	1441		KN-303	ABS			
ABS SE				ZX1000 Ninja H2	998	KA-9915	KN-303
2015 KAWASAKI				ZX1000 Ninja H2R	998		KN-303
EN650 Vulcan S	649		KN-303	ZX1000 Ninja ZX-10R	1000	KA-1011	KN-303
EN650 Vulcan S ABS	649		KN-303	ZX1000 Ninja ZX-10R	1000 - Race Specific	KA-1011R	KN-303
ER6f	650	KA-6512	KN-303	ZX1000 Ninja ZX-10R	1000	KA-1011	KN-303
ER6n	650	KA-6512	KN-303	30th Anniversary			
EX300 Ninja	296	KA-2508	KN-303	ZX1000 Ninja ZX-10R	1000 - Race Specific	KA-1011R	KN-303
EX300 Ninja ABS	296	KA-2508	KN-303	30th Anniversary			
EX300 Ninja SE	296	KA-2508	KN-303	ZX1000 Ninja ZX-10R	1000	KA-1011	KN-303
EX650 Ninja	649	KA-6512	KN-303	ABS			
EX650 Ninja ABS	649	KA-6512	KN-303	ZX1000 Ninja ZX-10R	1000 - Race Specific	KA-1011R	KN-303
JT1500 Ultra 310X	1498		KN-204	ABS			
SE				ZX1000 Ninja ZX-10R	1000	KA-1011	KN-303
KAF400 Mule 600	400	KA-4093	KN-128	ABS 30th Anniversary			
KAF400 Mule 610	400	KA-4093	KN-128	ZX1000 Ninja ZX-10R	1000 - Race Specific	KA-1011R	KN-303
4x4 XC				ABS 30th Anniversary			
KAF400 Mule 610	400	KA-4093	KN-128	ZX1400 Ninja ZX-14R	1441		KN-303
4x4 XC SE				ABS			
KAF620 Mule 4010	617	KA-6201	KN-128	ZX1400 Ninja ZX-14R	1441		KN-303
4x4				ABS 30th Anniversary			
KLE650 Versys	650		KN-303	2014 KAWASAKI			
KLR650	650	KA-6589	KN-123	ER6n	650	KA-6512	KN-303
KLX110	110		KN-112	EX300 Ninja	296	KA-2508	KN-303
KLX110L	110		KN-112	EX300 Ninja ABS	296	KA-2508	KN-303
KLZ1000 Versys LT	1000		KN-303	EX300 Ninja ABS SE	296	KA-2508	KN-303
KRF800 Teryx	783	KA-7512		EX300 Ninja SE	296	KA-2508	KN-303
KRF800 Teryx Camo	783	KA-7512		EX650 Ninja	649	KA-6512	KN-303
KRF800 Teryx LE	783	KA-7512		EX650 Ninja ABS	649	KA-6512	KN-303
KRT800 Teryx4	783	KA-7512		JT1500 Ultra 310X	1498		KN-204
KRT800 Teryx4	783	KA-7512		JT1500 Ultra 310X	1498		KN-204
Camo				SE			
KRT800 Teryx4 LE	783	KA-7512		KAF400 Mule 610	400	KA-4093	KN-128
KVF300 Brute Force	271	KA-2712		4x4			
KVF750 Brute Force	749	KA-7408	KN-204	KAF400 Mule 610	400	KA-4093	KN-128
4x4i				4x4 XC			
KVF750 Brute Force	749	KA-7408	KN-204	KAF400 Mule 610	400	KA-4093	KN-128
4x4i EPS				4x4 XC SE			
KX250F	249	KA-2506XD	KN-207	KFX450R	449	KA-4508	KN-112
KX450F	449	KA-2506XD	KN-112	KLE650 Versys	650		KN-303
Versys 1000	1043	KA-1111	KN-303	KLR650	650	KA-6589	KN-123
VN900 Vulcan	903	KA-9006	KN-303	KLR650 New Edition	650	KA-6589	KN-123
Classic				KLX110L	110		KN-112
VN900 Vulcan	903	KA-9006	KN-303	KLX250S	250		KN-112
Classic LT				KLX450R	450	KA-4408	KN-112
VN900 Vulcan	903	KA-9006	KN-303	KRF750 Teryx FI 4x4	750		KN-204
Custom				LE			
VN1700 Vulcan	1700	KA-1709	KN-303	KRF750 Teryx FI 4x4	750		KN-204
Nomad				LE Camo			
VN1700 Vulcan	1700	KA-1709	KN-303	KRF800 Teryx	783	KA-7512	KN-204
Vaquero				KRF800 Teryx Camo	783	KA-7512	KN-204
VN1700 Vulcan	1700	KA-1709	KN-303	KRF800 Teryx LE	783	KA-7512	KN-204
Voyager				KRT800 Teryx4	783	KA-7512	KN-204
Z300	296	KA-2508		KRT800 Teryx4	783	KA-7512	KN-204
Z800	806	KA-1003		Camo			
Z1000	1000	KA-1111	KN-303	KRT800 Teryx4 LE	783	KA-7512	KN-204

* 2 filters required

◆ Intake System Available - see page 84 +Cabin Air Filter Available - see page 453 1- Performance Silver Oil Filter Also Available



Vehicle	Engine Type	Air Filter	Oil Filter	Vehicle	Engine Type	Air Filter	Oil Filter
2014 KAWASAKI				2013 KAWASAKI			
KVF650 Brute Force 4x4	650		KN-204	KVF650 Brute Force 4x4i	650	KA-7504	KN-204
KVF650 Brute Force 4x4i	650		KN-204	KVF750 Brute Force 4x4i	749	KA-7408	KN-204
KVF750 Brute Force 4x4i	749	KA-7408	KN-204	KX85	85	KA-8088	
KVF750 Brute Force 4x4i EPS	749	KA-7408	KN-204	KX250F	249	KA-2506XD	KN-207
KX250F	249	KA-2506XD	KN-207	KX450F	449	KA-2506XD	KN-112
KX450F	449	KA-2506XD	KN-112	Versys 1000	1043	KA-1111	
Versys 1000	1043	KA-1111		VN900 Vulcan Classic	903	KA-9006	KN-303
VN900 Vulcan Classic	903	KA-9006	KN-303	VN900 Vulcan Classic LT	903	KA-9006	KN-303
VN900 Vulcan Classic LT	903	KA-9006	KN-303	VN900 Vulcan Custom	903	KA-9006	KN-303
VN900 Vulcan Custom	903	KA-9006	KN-303	VN1700 Vulcan Nomad	1700	KA-1709	KN-303
VN1700 Vulcan Nomad	1700	KA-1709	KN-303	VN1700 Vulcan Vaquero	1700	KA-1709	KN-303
VN1700 Vulcan Vaquero	1700	KA-1709	KN-303	VN1700 Vulcan Voyager	1700	KA-1709	KN-303
VN1700 Vulcan Voyager	1700	KA-1709	KN-303	VN1700 Vulcan Voyager ABS	1700	KA-1709	KN-303
Z800	806	KA-1003	KN-303	Z800	806	KA-1003	KN-303
Z1000	1000	KA-1111	KN-303	Z1000	1000	KA-1111	KN-303
ZG1400 Concours	1400		KN-303	ZG1400 Concours	1400		KN-303
ZG1400 Concours	1400 - US	KA-1406	KN-303	ZG1400 Concours	1400 - US	KA-1406	KN-303
ZX6R Ninja	636	KA-6009	KN-303	ZX6R Ninja	636	KA-6009	KN-303
ZX6R Ninja	636 - Race Specific	KA-6009R	KN-303	ZX6R Ninja	636 - Race Specific	KA-6009R	KN-303
ZX14R Ninja	1441		KN-303	ZX14R Ninja	1441		KN-303
ZX1000 Ninja 1000 ABS	1043	KA-1111	KN-303	ZX1000 Ninja 1000 ABS	1043	KA-1111	KN-303
ZX1000 Ninja ZX-10R	1000	KA-1011	KN-303	ZX1000 Ninja ZX-10R	1000	KA-1011	KN-303
ZX1000 Ninja ZX-10R	1000 - Race Specific	KA-1011R	KN-303	ZX1000 Ninja ZX-10R	1000 - Race Specific	KA-1011R	KN-303
ZX1000 Ninja ZX-10R ABS	1000	KA-1011	KN-303	ZX1000 Ninja ZX-10R ABS	1000	KA-1011	KN-303
ZX1000 Ninja ZX-10R ABS	1000 - Race Specific	KA-1011R	KN-303	ZX1000 Ninja ZX-10R ABS	1000 - Race Specific	KA-1011R	KN-303
2013 KAWASAKI				2012 KAWASAKI			
ER6f	650	KA-6512		1400GTR	1400		KN-303
ER6n	650	KA-6512	KN-303	ER6f	650	KA-6512	
EX300 Ninja	296	KA-2508	KN-303	ER6n	650	KA-6512	KN-303
EX300 Ninja ABS	296	KA-2508	KN-303	EX250R Ninja	250	KA-2508	KN-401
EX650 Ninja	649	KA-6512	KN-303	EX650 Ninja	649	KA-6512	KN-303
EX650 Ninja ABS	649	KA-6512	KN-303	KAF400 Mule 610 4x4	400	KA-4093	KN-128
KFX450R	449	KA-4508	KN-112	KAF400 Mule 610 4x4 XC	400	KA-4093	KN-128
KLE650 Versys	650		KN-303	KFX450R	449	KA-4508	KN-112
KLR650	650	KA-6589	KN-123	KLE650 Versys	650		KN-303
KLX110	110	KA-1102	KN-112	KLR650	650	KA-6589	KN-123
KLX250S	250		KN-112	KLX250S	250		KN-112
KLZ1000 Versys LT	1000		KN-303	KRF750 Teryx FI 4x4 LE	749		KN-204
KRF750 Teryx FI 4x4 LE	749	KA-7513	KN-204	KRF750 Teryx FI 4x4 LE Camo	750	KA-7513	KN-204
KRF750 Teryx FI 4x4 LE Camo	750	KA-7513	KN-204	KRF750 Teryx FI 4x4 Sport	749	KA-7513	KN-204
KRF750 Teryx FI 4x4 Sport	749	KA-7513	KN-204	KRF750 Teryx4 4x4 EPS	749	KA-7512	KN-204
KRF750 Teryx4 4x4 EPS	749	KA-7512	KN-204	KRF750 Teryx4 4x4 EPS LE	749	KA-7512	KN-204
KRF750 Teryx4 4x4 EPS LE	749	KA-7512	KN-204	KRT750 Teryx4	749		KN-204
KRT750 Teryx4	749		KN-204	KVF300 Brute Force 4x4	271	KA-2712	
KVF300 Brute Force 4x4	271	KA-2712		KVF650 Brute Force 4x4	650	KA-6503	
KVF650 Brute Force 4x4	650	KA-6503		2012 KAWASAKI			
				1400GTR	1400		KN-303
				ER6f	650	KA-6512	
				ER6n	650	KA-6512	KN-303
				EX250R Ninja	250	KA-2508	KN-401
				EX650 Ninja	649	KA-6512	KN-303
				KAF400 Mule 610 4x4	400	KA-4093	KN-128
				KAF400 Mule 610 4x4 XC	400	KA-4093	KN-128
				KFX450R	449	KA-4508	KN-112
				KLE650 Versys	650		KN-303
				KLR650	650	KA-6589	KN-123
				KLX250S	250		KN-112
				KRF750 Teryx FI 4x4 LE	750	KA-7508	KN-204
				KRF750 Teryx FI 4x4 LE Camo	750	KA-7508	KN-204
				KRF750 Teryx FI 4x4 Sport	750	KA-7508	KN-204
				KRT750 Teryx4	749	KA-7512	KN-204
				KVF650 Brute Force 4x4	650	KA-6503	KN-204
				KVF650 Brute Force 4x4i	650	KA-7504	KN-204
				KVF750 Brute Force 4x4i	749	KA-7408	KN-204
				KX250F	249	KA-2506XD	KN-207

* 2 filters required

◆ Intake System Available - see page 84 + Cabin Air Filter Available - see page 453 1- Performance Silver Oil Filter Also Available



AIR & OIL FILTERS

KAWASAKI

Vehicle	Engine Type	Air Filter	Oil Filter	Vehicle	Engine Type	Air Filter	Oil Filter
2012 KAWASAKI				2011 KAWASAKI			
KX450F	449	KA-2506XD	KN-112	VN900 Vulcan Custom	903	KA-9006	KN-303
Ultra 300 X	1498		KN-204	VN1700 Vulcan Classic	1700	KA-1709	KN-303
Versys 1000	1043	KA-1111		VN1700 Vulcan Nomad	1700	KA-1709	KN-303
VN900 Vulcan Classic	903	KA-9006	KN-303	VN1700 Vulcan Vaquero	1700	KA-1709	KN-303
VN900 Vulcan Classic LT	903	KA-9006	KN-303	VN1700 Vulcan Voyager	1700	KA-1709	KN-303
VN900 Vulcan Custom	903	KA-9006	KN-303	Z750	750	KA-1003	
VN1700 Vulcan Classic	1700	KA-1709	KN-303	Z750R	750	KA-1003	KN-303
VN1700 Vulcan Nomad	1700	KA-1709	KN-303	Z1000	1000		KN-303
VN1700 Vulcan Vaquero	1700	KA-1709	KN-303	Z1000	1000 - After VIN ZRT00DE010766	KA-1111	KN-303
VN1700 Vulcan Voyager	1700	KA-1709	KN-303	Z1000	1000 - Before VIN ZRT00DE010765	KA-1010	KN-303
Z750	750	KA-1003		Z1000 SX	1000	KA-1111	KN-303
Z750R	750	KA-1003	KN-303	ZG1400 Concours	1400	KA-1406	KN-303
Z1000	1000	KA-1111	KN-303	ZX6R Ninja	599	KA-6009	KN-303
Z1000 SX	1000	KA-1111	KN-303	ZX6R Ninja	599 - Race Specific	KA-6009R	KN-303
ZG1400 Concours	1400		KN-303	ZX14R Ninja	1400	KA-1406	KN-303
ZG1400 Concours	1400 - US	KA-1406	KN-303	ZX1000 Ninja 1000	1043	KA-1111	KN-303
ZX6R Ninja	599	KA-6009	KN-303	ZX1000 Ninja ZX-10R	1000	KA-1011	KN-303
ZX6R Ninja	599 - Race Specific	KA-6009R	KN-303	ZX1000 Ninja ZX-10R	1000 - Race Specific	KA-1011R	KN-303
ZX14R Ninja	1441		KN-303	ZX1000 Ninja ZX-10R ABS	1000	KA-1011	KN-303
ZX1000 Ninja 1000	1043	KA-1111	KN-303	ZX1000 Ninja ZX-10R ABS	1000 - Race Specific	KA-1011R	KN-303
ZX1000 Ninja 1000 ABS	1043	KA-1111	KN-303	ZZR1400	1400	KA-1406	KN-303
ZX1000 Ninja ZX-10R	1000	KA-1011	KN-303	2010 KAWASAKI			
ZX1000 Ninja ZX-10R	1000 - Race Specific	KA-1011R	KN-303	1400GTR	1400	KA-1406	KN-303
ZX1000 Ninja ZX-10R ABS	1000	KA-1011	KN-303	ER6n	650		KN-303
ZX1000 Ninja ZX-10R ABS	1000 - Race Specific	KA-1011R	KN-303	EX250R Ninja	250	KA-2508	KN-401
ZZR1400	1400		KN-303	EX650R Ninja	649		KN-303
2011 KAWASAKI				KAF400 Mule 610 4x4 XC	400	KA-4093	KN-128
1400GTR	1400	KA-1406	KN-303	KFX450R	449	KA-4508	KN-112
ER6n	650		KN-303	KLE650 Versys	650		KN-303
EX250R Ninja	250	KA-2508	KN-401	KLR650	650	KA-6589	KN-123
EX650R Ninja	649		KN-303	KLX110	110	KA-1102	KN-112
KAF400 Mule 610 4x4 XC	400	KA-4093	KN-128	KLX250S	250		KN-112
KFX450R	449	KA-4508	KN-112	KLX250SF	250		KN-112
KLE650 Versys	650		KN-303	KRF750 Teryx FI 4x4 LE	750	KA-7508	KN-204
KLR650	650	KA-6589	KN-123	KRF750 Teryx FI 4x4 Sport	750	KA-7508	KN-204
KLX450R	450	KA-4408	KN-112	KRF750 Teryx FI 4x4 Sport	750	KA-7508	KN-204
KRF750 Teryx FI 4x4 LE	750	KA-7508	KN-204	KVF750 Brute Force 4x4	749	KA-7408	KN-204
KRF750 Teryx FI 4x4 Sport	750	KA-7508	KN-204	KX250F	250	KA-2506XD	KN-207
KVF650 Brute Force 4x4	650	KA-6503		KX450F	450	KA-2506XD	KN-112
KVF650 Brute Force 4x4i	650	KA-7504	KN-204	VN900 Vulcan Classic	903	KA-9006	KN-303
KVF750 Brute Force 4x4i	749	KA-7408	KN-204	VN900 Vulcan Classic LT	903	KA-9006	KN-303
KX250F	250	KA-2506XD	KN-207	VN900 Vulcan Custom	903	KA-9006	KN-303
KX450F	450	KA-2506XD	KN-112	VN1700 Vulcan Classic	1700	KA-1709	KN-303
Ultra 300 X	1498		KN-204	VN1700 Vulcan Classic LT	1700	KA-1709	KN-303
VN900 Vulcan Classic	903	KA-9006	KN-303	VN1700 Vulcan Nomad	1700	KA-1709	KN-303
VN900 Vulcan Classic LT	903	KA-9006	KN-303	VN1700 Vulcan Voyager	1700	KA-1709	KN-303

* 2 filters required

◆ Intake System Available - see page 84 +Cabin Air Filter Available - see page 453 1- Performance Silver Oil Filter Also Available



Vehicle	Engine Type	Air Filter	Oil Filter	Vehicle	Engine Type	Air Filter	Oil Filter
2010 KAWASAKI				2009 KAWASAKI			
Z750	750	KA-1003		VN2000 Vulcan	2000	KA-2008	KN-303
Z1000	1000	KA-1010	KN-303	Classic LT			
ZG1400 Concours	1400	KA-1406	KN-303	Z750	750	KA-1003	
ZX6R Ninja	599	KA-6009	KN-303	Z1000	1000	KA-1003	
ZX6R Ninja	599 - Race Specific	KA-6009R	KN-303	ZG1400 Concours	1400	KA-1406	KN-303
ZX14R Ninja	1400	KA-1406	KN-303	ZX6R Ninja	600	KA-6009	KN-303
ZX1000 Ninja ZX-10R	1000	KA-1008	KN-303	ZX6R Ninja	600 - Race Specific	KA-6009R	KN-303
ZX1000 Ninja ZX-10R	1000 - Race Specific	KA-1008R	KN-303	ZX14R Ninja	1400	KA-1406	KN-303
ZZR1400	1400	KA-1406	KN-303	ZX1000 Ninja ZX-10R	1000	KA-1008	KN-303
2009 KAWASAKI				2008 KAWASAKI			
1400GTR	1400	KA-1406	KN-303	1400GTR	1400	KA-1406	KN-303
BN125 Eliminator	125		KN-112	EN500 Vulcan LTD	500	KA-5096	KN-303
EN500 Vulcan LTD	500	KA-5096	KN-303	ER6f	650		KN-303
ER6f	650		KN-303	ER6n	650		KN-303
ER6n	650		KN-303	EX250R Ninja	250	KA-2508	KN-401
EX250R Ninja	250	KA-2508	KN-401	EX500R Ninja	500	KA-5087	KN-303
EX500R Ninja	500	KA-5087	KN-303	EX650R Ninja	649		KN-303
EX650R Ninja	649		KN-303	JT1500 Ultra 250X	1500		KN-204
KAF400 Mule 610 4x4	400	KA-4093	KN-128	KFX450R	449	KA-4508	KN-112
KAF400 Mule 610 4x4 Hardwoods Green HD	400	KA-4093	KN-128	KFX700	700	KA-6503	KN-204
KAF620 Mule 4010 4x4	617		KN-128	KLE650 Versys	650		KN-303
KFX450R	449	KA-4508	KN-112	KLF250 Bayou	228	KA-2288	KN-123
KLE650 Versys	650		KN-303	KLR650	650	KA-6589	KN-123
KLR650	650	KA-6589	KN-123	KLX110	110		KN-112
KLX250S	250		KN-112	KLX450R	450	KA-4408	KN-112
KLX250SF	250		KN-112	KRF750 Teryx 4x4	750	KA-7508	KN-204
KLX450R	450	KA-4408	KN-112	KRF750 Teryx 4x4 LE	750	KA-7508	KN-204
KRF750 Teryx 4x4 LE	750		KN-204	KRF750 Teryx 4x4	750	KA-7508	KN-204
KRF750 Teryx FI 4x4	750		KN-204	NRA Outdoors			
KRF750 Teryx FI 4x4 LE	750	KA-7508	KN-204	KVF360 Prairie 4x4	360	KA-3603	KN-204
KRF750 Teryx FI 4x4 LE Camo	750	KA-7508	KN-204	KVF360 Prairie 4x4 Hardwoods Green HD	360	KA-3603	KN-204
KRF750 Teryx FI 4x4	750	KA-7508	KN-204	KVF650 Brute Force 4x4	650	KA-6503	KN-204
NRA Outdoors				KVF650 Brute Force 4x4i	650	KA-7504	KN-204
KVF650 Brute Force 4x4	650	KA-6503	KN-204	KVF750 Brute Force 4x4i	749	KA-7408	KN-204
KVF650 Brute Force 4x4i	650	KA-7504	KN-204	KX250	250		KN-207
KVF750 Brute Force 4x4i	749	KA-7408	KN-204	KX250	250 - Non-US	KA-1297	KN-207
KX250F	250	KA-2506XD	KN-207	KX250F	250	KA-2506XD	KN-207
KX450F	450	KA-2506XD	KN-112	KX450F	450	KA-2506XD	KN-112
VN900 Vulcan Classic	903	KA-9006	KN-303	VN900 Vulcan Classic	903	KA-9006	KN-303
VN900 Vulcan Classic LT	903	KA-9006	KN-303	VN900 Vulcan Classic LT	903	KA-9006	KN-303
VN900 Vulcan Custom	903	KA-9006	KN-303	VN900 Vulcan Custom	903	KA-9006	KN-303
VN1700 Vulcan Classic	1700	KA-1709	KN-303	VN1500 Vulcan Classic	1500	KA-1596	KN-303
VN1700 Vulcan Classic LT	1700	KA-1709	KN-303	VN1600 Vulcan Classic	1600	KA-1603	KN-303
VN1700 Vulcan Nomad	1700	KA-1709	KN-303	VN1600 Vulcan Mean Streak	1600	KA-1596	KN-303
VN1700 Vulcan Voyager	1700	KA-1709	KN-303	VN1600 Vulcan Nomad	1600	KA-1603	KN-303
VN2000 Vulcan Classic	2000	KA-2008	KN-303	VN2000 Vulcan Classic	2000	KA-2008	KN-303
				VN2000 Vulcan Classic LT	2000	KA-2008	KN-303
				Z750	750	KA-1003	KN-303
				Z1000	1000	KA-1003	KN-303
				ZG1400 Concours	1400	KA-1406	KN-303
				ZX6R Ninja	600	KA-6007	KN-303
				ZX6R Ninja	600 - Race Specific	KA-6007R	KN-303

* 2 filters required

◆ Intake System Available - see page 84 +Cabin Air Filter Available - see page 453 1- Performance Silver Oil Filter Also Available



AIR & OIL FILTERS

KAWASAKI

Vehicle	Engine Type	Air Filter	Oil Filter	Vehicle	Engine Type	Air Filter	Oil Filter
2008 KAWASAKI				2007 KAWASAKI			
ZX14R Ninja	1400	KA-1406	KN-303	ZX14R Ninja	1400	KA-1406	KN-303
ZX1000 Ninja ZX-10R	1000	KA-1008	KN-303	ZX1000 Ninja ZX-10R	1000	KA-1004	KN-303
ZX1000 Ninja ZX-10R	1000 - Race Specific	KA-1008R	KN-303	ZZR600	600 - US	KA-6098	KN-303
ZZR600	600 - US	KA-6098	KN-303	ZZR1400	1400	KA-1406	KN-303
ZZR1400	1400	KA-1406	KN-303	2006 KAWASAKI			
2007 KAWASAKI				2006 KAWASAKI			
EN500 Vulcan LTD	500	KA-5096	KN-303	EN500 Vulcan LTD	500	KA-5096	KN-204
ER6n	650		KN-303	ER6f	650		KN-204
EX250R Ninja	250	KA-2586	KN-401	EX250R Ninja	250	KA-2586	KN-401
EX500R Ninja	500	KA-5087	KN-303	EX500R Ninja	500	KA-5087	KN-204
EX650R Ninja	649		KN-303	EX650R Ninja	649		KN-204
JT1500 Ultra 250X	1500		KN-204	JT1500 STX-15F	1493		KN-204
KAF400 Mule 610 4x4	400	KA-4093	KN-128	KAF400 Mule 610 4x4 Hardwoods Green HD	400	KA-4093	KN-128
KAF400 Mule 610 4x4 Hardwoods Green HD	400	KA-4093	KN-128	KFX400	400	SU-4002	KN-139
KAF620 Mule 3010 4x4	620	KA-6201	KN-128	KFX700	697	KA-6503	KN-204
KAF620 Mule 3010 4x4 Hardwoods Green HD	620	KA-6201	KN-128	KLF250 Bayou	228		KN-123
KFX700	700	KA-6503	KN-204	KLR650	650	KA-6589	KN-123
KLE650 Versys	650		KN-303	KLX110	110	KA-1102	KN-112
KLF250 Bayou	228	KA-2288	KN-123	KLX125	125	KA-1203	KN-132
KLR650	650	KA-6589	KN-123	KLX125L	125	KA-1203	KN-132
KLX110	110	KA-1102	KN-112	KLX250S	250	KA-1287	KN-112
KLX250 D-Tracker	250	KA-1287		KVF360 Prairie 4x4	360	KA-3603	KN-204
KLX250S	250	KA-1287	KN-112	KVF360 Prairie 4x4 Hardwoods Green HD	360	KA-3603	KN-204
KLX300R	300	KA-1287		KVF650 Brute Force 4x4	650	KA-6503	KN-204
KVF360 Prairie 4x4	360	KA-3603	KN-204	KVF650 Brute Force 4x4i	650	KA-7504	KN-204
KVF360 Prairie 4x4 Hardwoods Green HD	360	KA-3603	KN-204	KVF750 Brute Force 4x4i	750	KA-7504	KN-204
KVF650 Brute Force 4x4	650	KA-6503	KN-204	KX250	250	KA-1297	KN-207
KVF650 Brute Force 4x4i	650	KA-7504	KN-204	KX250F	250	KA-2506XD	KN-207
KVF750 Brute Force 4x4i	750	KA-7504	KN-204	KX450F	450	KA-2506XD	KN-112
KX250	250	KA-1297	KN-207	VN750 Vulcan	749	KA-7586	KN-204
KX250F	250	KA-2506XD	KN-207	VN800 Vulcan Drifter	800	KA-8095	KN-204
KX450F	450	KA-2506XD	KN-112	VN900 Vulcan Classic	903	KA-9006	KN-303
VN900 Vulcan Classic	903	KA-9006	KN-303	VN900 Vulcan Classic LT	903	KA-9006	KN-303
VN900 Vulcan Classic LT	903	KA-9006	KN-303	VN1500 Vulcan Classic	1500	KA-1596	KN-204
VN900 Vulcan Custom	903	KA-9006	KN-303	VN1600 Vulcan Classic	1600	KA-1603	KN-204
VN1500 Vulcan Classic	1500	KA-1596	KN-303	VN1600 Vulcan Mean Streak	1600	KA-1596	KN-204
VN1600 Vulcan Classic	1600	KA-1603	KN-303	VN1600 Vulcan Nomad	1600	KA-1603	KN-204
VN1600 Vulcan Mean Streak	1600	KA-1596	KN-303	VN2000 Vulcan Classic	2000	KA-2008	KN-204
VN1600 Vulcan Nomad	1600	KA-1603	KN-303	VN2000 Vulcan Classic LT	2000	KA-2008	KN-204
VN2000 Vulcan Classic	2000	KA-2008	KN-303	VN2000 Vulcan Limited	2000	KA-2008	KN-204
VN2000 Vulcan Classic LT	2000	KA-2008	KN-303	Z750	750	KA-1003	
Z750	750	KA-1003	KN-303	Z750S	750	KA-1003	KN-204
Z750S	750	KA-1003	KN-303	Z1000	1000	KA-1003	KN-204
Z1000	1000	KA-1003	KN-303	ZG1000 Concours	998	KA-9084	KN-401
ZX6R Ninja	600	KA-6007	KN-303	ZX6R Ninja	636	KA-6005	KN-204
ZX6R Ninja	600 - Race Specific	KA-6007R	KN-303	ZX6RR Ninja	600	KA-6005	KN-204
				ZX12R Ninja	1200	KA-1299-1	

* 2 filters required

◆ Intake System Available - see page 84 + Cabin Air Filter Available - see page 453 1- Performance Silver Oil Filter Also Available



Vehicle	Engine Type	Air Filter	Oil Filter	Vehicle	Engine Type	Air Filter	Oil Filter
2006 KAWASAKI				2004 KAWASAKI			
ZX14R Ninja	1400	KA-1406	KN-303	EX500R Ninja	500	KA-5087	KN-204
ZX1000 Ninja ZX-10R	1000	KA-1004	KN-204	KFX400	400	SU-4002	KN-139
ZZR600	600		KN-204	KFX700 V Force	697	KA-6503	KN-204
ZZR600	600 - Non-US	KA-6093	KN-204	KLF250 Bayou	228		KN-123
ZZR600	600 - US	KA-6098	KN-204	KLR250	250		KN-123
ZZR1400	1400	KA-1406	KN-303	KLR650	650	KA-6589	KN-123
2005 KAWASAKI				2003 KAWASAKI			
EN500 Vulcan LTD	500	KA-5096	KN-204	BJ250 TR	250		KN-123
EX250R Ninja	250	KA-2586	KN-401	EN500 Vulcan LTD	500	KA-5096	KN-204
EX500R Ninja	500	KA-5087	KN-204	EX250R Ninja	250	KA-2586	KN-401
KAF620 Mule 3010	620		KN-128	EX500R Ninja	500	KA-5087	KN-204
Trans4x4 Hardwoods				KFX400	400	SU-4002	KN-139
Green HD				KLF250 Bayou	228	KA-2288	KN-123
KFX400	400	SU-4002	KN-139	KLR650	650	KA-6589	KN-123
KFX700	697	KA-6503	KN-204	KLX110	110	KA-1102	KN-112
KLF250 Bayou	228	KA-2288	KN-123	KLX125	125	KA-1203	KN-132
KLR650	650	KA-6589	KN-123	KLX125L	125	KA-1203	KN-132
KLX110	110	KA-1102	KN-112	KVF360 Prairie 4x4	360	KA-3603	KN-204
KLX125	125	KA-1203	KN-132	KVF360 Prairie 4x4	360	KA-3603	KN-204
KLX125L	125	KA-1203	KN-132	Hardwoods Green HD			
KVF360 Prairie 4x4	360	KA-3603	KN-204	KVF700 Prairie 4x4	700	KA-6503	KN-204
KVF360 Prairie 4x4	360	KA-3603	KN-204	KVF700 Prairie 4x4	700	KA-6503	KN-204
Hardwoods Green HD				Hardwoods Green HD			
KVF650 Brute Force	650	KA-6503	KN-204	KX250F	250	KA-2504	KN-207
4x4				VN750 Vulcan	749	KA-7586	KN-204
KVF700 Prairie 4x4	700	KA-6503	KN-204	VN800 Vulcan	800	KA-8095	KN-204
KVF700 Prairie 4x4	700	KA-6503	KN-204	VN800 Vulcan	800	KA-8095	KN-204
Hardwoods Green HD				Classic			
KVF700 Prairie 4x4	700	KA-6503	KN-204	VN800 Vulcan Drifter	800	KA-8095	KN-204
Team Green				VN1500 Vulcan	1500	KA-1596	KN-204
KVF750 Brute Force	750	KA-7504	KN-204	Classic			
4x4i				VN1500 Vulcan	1500	KA-1596	KN-204
KX250F	250	KA-2504	KN-207	Nomad F/I			
VN750 Vulcan	749	KA-7586	KN-204	VN1600 Vulcan	1600	KA-1603	KN-204
VN800 Vulcan	800	KA-8095	KN-204	Classic			
VN800 Vulcan	800	KA-8095	KN-204	VN1600 Vulcan Mean	1600	KA-1596	KN-204
Classic				Streak			
VN800 Vulcan Drifter	800	KA-8095	KN-204	VN2000 Vulcan	2000	KA-2008	KN-204
VN1500 Vulcan	1500	KA-1596	KN-204	VN2000 Vulcan	2000	KA-2008	KN-204
Classic				Classic LT			
VN1600 Vulcan	1600	KA-1603	KN-204	Z750	750	KA-1003	KN-204
Classic				Z750S	750	KA-1003	KN-204
VN1600 Vulcan Mean	1600	KA-1596	KN-204	Z1000	1000	KA-1003	KN-204
Streak				ZG1000 Concours	998	KA-9084	KN-401
VN1600 Vulcan	1600	KA-1603	KN-204	ZRX1200	1200	KA-1199	KN-401
Nomad				ZX6R Ninja	636	KA-6005	KN-303
VN2000 Vulcan	2000	KA-2008	KN-204	ZX6RR Ninja	600	KA-6005	KN-204
VN2000 Vulcan	2000	KA-2008	KN-204	ZX12R Ninja	1200	KA-1299-1	KN-204
Classic LT				ZX1000 Ninja ZX-10R	1000	KA-1004	KN-204
Z750	750	KA-1003		ZZR600	600		KN-204
Z750S	750	KA-1003	KN-204	ZZR600	600 - Exc. OE Filter	KA-6093	KN-204
Z1000	1000	KA-1003	KN-204	w/whole			
ZG1000 Concours	998	KA-9084	KN-401	ZZR1200	1200	KA-1093	
ZRX1200	1200	KA-1199	KN-401	2002 KAWASAKI			
ZX6R Ninja	636	KA-6005	KN-303	EN500 Vulcan LTD	500	KA-5096	KN-204
ZX6RR Ninja	600	KA-6005	KN-204	EX250R Ninja	250	KA-2586	KN-401
ZX12R Ninja	1200	KA-1299-1	KN-204	EX500R Ninja	500	KA-5087	KN-204
ZX1000 Ninja ZX-10R	1000	KA-1004	KN-204	KFX400	400	SU-4002	KN-139
ZZR600	600		KN-204	KLF250 Bayou	249	KA-2288	KN-123
ZZR600	600 - Non-US	KA-6093	KN-204	KLR650	650	KA-6589	KN-123
ZZR600	600 - US	KA-6098	KN-204	KLX110	110	KA-1102	KN-112
ZZR1200	1200	KA-1093	KN-401	KLX125	125		KN-132
2004 KAWASAKI				KLX125L	125	KA-1203	KN-132
EX250R Ninja	250	KA-2586	KN-401	KLX300R	300	KA-1287	KN-112
				KVF360 Prairie 4x4	360	KA-3603	KN-204
				KVF650 Prairie 4x4	635	KA-6503	KN-204
				VN750 Vulcan	749	KA-7586	KN-303
				VN800 Vulcan	800	KA-8095	KN-204
				VN800 Vulcan	803	KA-8095	KN-204
				Classic			
				VN800 Vulcan Drifter	800	KA-8095	KN-204

* 2 filters required

◆ Intake System Available - see page 84 + Cabin Air Filter Available - see page 453 1- Performance Silver Oil Filter Also Available



AIR & OIL FILTERS

KAWASAKI

Vehicle	Engine Type	Air Filter	Oil Filter	Vehicle	Engine Type	Air Filter	Oil Filter
2003 KAWASAKI				2001 KAWASAKI			
VN1500 Vulcan Classic	1500	KA-1596	KN-204	KL250 Super Sherpa	250		KN-112
VN1500 Vulcan Classic Tourer F/I	1500	KA-1596	KN-204	KLR650	650	KA-6589	KN-123
VN1500 Vulcan Drifter	1500	KA-1596	KN-204	KLX300R	300	KA-1287	
VN1500 Vulcan Mean Streak	1500	KA-1596	KN-204	KLX650R	650		KN-123
VN1500 Vulcan Nomad F/I	1500	KA-1596	KN-204	KSF250 Mojave	249		KN-123
VN1600 Vulcan Classic	1553	KA-1603	KN-204	KVF300 Prairie 4x4	300	KA-4093	KN-303
Z1000	1000	KA-1003	KN-204	KVF400 Prairie 4x4	400	KA-4093	KN-303
ZG1000 Concours	998	KA-9084	KN-401	KX125	125	KA-1297	
ZG1200 Voyager XII	1185		KN-401	KX250	250	KA-1297	
ZR7S	750	KA-0850	KN-401	VN750 Vulcan	749	KA-7586	KN-303
ZRX1200	1200	KA-1199	KN-401	VN800 Vulcan	800	KA-8095	KN-303
ZX6R Ninja	636	KA-6003	KN-303	VN800 Vulcan Classic	803	KA-8095	KN-303
ZX6RR Ninja	600	KA-6003	KN-204	VN800 Vulcan Drifter	800	KA-8095	KN-303
ZX7R Ninja	750	KA-7596	KN-303	VN1500 Vulcan Classic	1500	KA-1596	KN-204
ZX9R Ninja	900	KA-9098	KN-204	VN1500 Vulcan Classic F/I	1500		KN-204
ZX12R Ninja	1200	KA-1299-1	KN-204	VN1500 Vulcan Classic Tourer F/I	1500		KN-204
ZZR600	600		KN-204	VN1500 Vulcan Drifter	1500	KA-1596	KN-204
ZZR1200	1200	KA-1093	KN-401	VN1500 Vulcan Nomad	1500		KN-204
2002 KAWASAKI				2000 KAWASAKI			
EN500 Vulcan LTD	500	KA-5096	KN-303	VN1500 Vulcan Nomad F/I	1500	KA-1596	KN-204
EX250R Ninja	250	KA-2586	KN-401	W650	650		KN-204
EX500R Ninja	500	KA-5087	KN-303	ZG1000 Concours	1000	KA-9084	KN-401
KLF220 Bayou	220		KN-123	ZR7S	750	KA-0850	KN-401
KLR650	650	KA-6589	KN-123	ZRX1200	1200	KA-1199	KN-401
KVF300 Prairie 4x4	300	KA-4093	KN-303	ZX6 Ninja	600		KN-303
KVF650 Prairie 4x4	635	KA-6502	KN-204	ZX6 Ninja	600 - Exc. OE Filter w/whole	KA-6093	KN-303
VN750 Vulcan	749	KA-7586	KN-303	ZX6R Ninja	588	KA-6098	KN-303
VN800 Vulcan	800	KA-8095	KN-303	ZX7R Ninja	750	KA-7596	KN-303
VN800 Vulcan Classic	803	KA-8095	KN-204	ZX9R Ninja	900	KA-9098	KN-303
VN800 Vulcan Drifter	800	KA-8095	KN-303	ZX12R Ninja	1200	KA-1299-1	KN-204
VN1500 Vulcan Classic	1500	KA-1596	KN-204	2000 KAWASAKI			
VN1500 Vulcan Classic F/I	1500	KA-1596	KN-204	EX250R Ninja	250	KA-2586	KN-401
VN1500 Vulcan Classic Tourer F/I	1500	KA-1596	KN-204	EX500R Ninja	500	KA-5087	KN-303
VN1500 Vulcan Mean Streak	1500	KA-1596	KN-204	KLF220 Bayou	215	KA-2288	KN-123
VN1500 Vulcan Nomad F/I	1500	KA-1596	KN-204	KLF300 Bayou 2x4	290	KA-4093	KN-123
W650	650		KN-204	KLR650	650	KA-6589	KN-123
ZG1000 Concours	998	KA-9084	KN-401	KLX300R	300	KA-1287	
ZR7S	750	KA-0850	KN-401	KVF300 Prairie 4x4	300	KA-4093	KN-303
ZRX1200	1200	KA-1199	KN-401	KVF400 Prairie 4x4	400	KA-4093	KN-303
ZX6R Ninja	588	KA-6098	KN-204	VN750 Vulcan	749	KA-7586	KN-303
ZX7R Ninja	750	KA-7596	KN-303	VN800 Vulcan	800	KA-8095	KN-303
ZX9R Ninja	900	KA-9098	KN-204	VN800 Vulcan Classic	800	KA-8095	KN-303
ZX12R Ninja	1200	KA-1299-1	KN-204	VN800 Vulcan Drifter	800	KA-8095	KN-303
ZZR600	600		KN-204	VN1500 Vulcan Classic	1500	KA-1596	KN-204
ZZR1200	1200	KA-1093	KN-401	VN1500 Vulcan Classic F/I	1500		KN-204
2001 KAWASAKI				2000 KAWASAKI			
BN125 Eliminator	125		KN-112	VN1500 Vulcan Classic Tourer F/I	1500		KN-303
EN500 Vulcan LTD	500	KA-5096	KN-303	VN1500 Vulcan Nomad	1500	KA-1596	KN-204
EX250R Ninja	250	KA-2586	KN-401	VN1500 Vulcan Nomad F/I	1500	KA-1596	KN-303
EX500R Ninja	500	KA-5087	KN-303	W650	650		KN-204
KAF300 Mule 550	300	KA-4093	KN-128	ZG1000 Concours	1000	KA-9084	KN-401
KEF300 Lakota Sport	290		KN-123	ZR7	750	KA-0850	KN-401
				ZRX1100	1100	KA-1199	KN-401

* 2 filters required ♦ Intake System Available - see page 84 + Cabin Air Filter Available - see page 453 1- Performance Silver Oil Filter Also Available



Vehicle	Engine Type	Air Filter	Oil Filter	Vehicle	Engine Type	Air Filter	Oil Filter
2000 KAWASAKI				1997 KAWASAKI			
ZX6 Ninja	600		KN-303	KLF220 Bayou	215		KN-123
ZX6 Ninja	600 - Exc. OE Filter w/hole	KA-6093	KN-303	KVF400 Prairie 4x4	392	KA-4093	KN-303
ZX6R Ninja	600	KA-6098	KN-303	VN800 Vulcan	800	KA-8095	KN-303
ZX7R Ninja	750	KA-7596	KN-303	VN800 Vulcan Classic	800	KA-8095	KN-303
ZX9R Ninja	900	KA-9098	KN-303	VN1500 Vulcan	1500	KA-1594	KN-303
ZX12R Ninja	1200	KA-1299-1	KN-204	VN1500 Vulcan 88	1500		KN-303
1999 KAWASAKI				1996 KAWASAKI			
EX250R Ninja	250	KA-2586	KN-401	EN500 Vulcan LTD	500	KA-5096	
EX500R Ninja	500	KA-5087	KN-303	GPZ1100	1100		KN-401
KLF220 Bayou	215		KN-123	KLF400 Bayou 4x4	392	KA-4093	KN-303
KLR250	250		KN-123	VN750 Vulcan	749	KA-7586	
KLR650	650	KA-6589	KN-123	VN800 Vulcan	800	KA-8095	KN-303
KVF300 Prairie 2x4	290		KN-303	VN800 Vulcan Classic	800	KA-8095	KN-303
KVF300 Prairie 4x4	300	KA-4093	KN-303	VN1500 Vulcan Drifter	800	KA-8095	KN-303
KVF400 Prairie 4x4	400	KA-4093	KN-303	VN1500 Vulcan	1500	KA-1594	KN-303
KX250	250	KA-1297		VN1500 Vulcan	1500	KA-1596	KN-204
VN750 Vulcan	749	KA-7586		VN1500 Vulcan Classic	1500	KA-1596	KN-303
VN800 Vulcan	800	KA-8095	KN-303	VN1500 Vulcan Classic Tourer F/I	1500	KA-1596	KN-303
VN800 Vulcan Classic	800	KA-8095	KN-303	VN1500 Vulcan Drifter	1500	KA-1596	KN-204
VN800 Vulcan Drifter	800	KA-8095	KN-303	VN1500 Vulcan Nomad	1500	KA-1596	KN-204
VN1500 Vulcan	1500	KA-1594	KN-303	ZG1000 Concours	1000	KA-9084	
VN1500 Vulcan Classic	1500	KA-1596	KN-204	ZRX1100	1100	KA-1199	KN-401
VN1500 Vulcan Classic Tourer F/I	1500	KA-1596	KN-204	ZX6 Ninja	600		KN-303
VN1500 Vulcan Drifter	1500	KA-1596	KN-204	ZX6 Ninja	600 - Exc. OE Filter w/hole	KA-6093	KN-303
VN1500 Vulcan Nomad	1500	KA-1596	KN-204	ZX6R Ninja	600	KA-6098	KN-303
ZG1000 Concours	1000	KA-9084		ZX7R Ninja	750	KA-7596	KN-303
ZRX1100	1100	KA-1199	KN-401	ZX7RR Ninja	750	KA-7596	
ZX6 Ninja	600		KN-303	ZX9R Ninja	900	KA-9094	KN-303
ZX6 Ninja	600 - Exc. OE Filter w/hole	KA-6093	KN-303	ZX11 Ninja	1100	KA-1093	
ZX6R Ninja	600	KA-6098	KN-303	ZX600R Ninja	600		KN-401
ZX7R Ninja	750	KA-7596	KN-303	ZZR1100	1100	KA-1093	
ZX9R Ninja	900	KA-9098	KN-303	1995 KAWASAKI			
ZZR1100	1100	KA-1093		EN500 Vulcan	500	KA-5090	KN-303
1998 KAWASAKI				1994 KAWASAKI			
KLF220 Bayou	215		KN-123	EN500 Vulcan	500	KA-5090	KN-303
KLR650	650	KA-6589	KN-123	KLF400 Bayou 4x4	392	KA-4093	KN-303
VN800 Vulcan	800	KA-8095	KN-303	VN750 Vulcan	749	KA-7586	KN-202
VN800 Vulcan Classic	800	KA-8095	KN-303	VN800 Vulcan	800	KA-8095	KN-303
VN1500 Vulcan	1500	KA-1594	KN-303	VN1500 Vulcan 88	1500		KN-303
VN1500 Vulcan Classic	1500	KA-1596	KN-303	VN1500 Vulcan VV	1500		KN-303
VN1500 Vulcan Nomad	1500	KA-1596	KN-303	ZX6 Ninja	600		KN-303
ZG1000 Concours	1000	KA-9084		ZX6 Ninja	600 - Exc. OE Filter w/hole	KA-6093	KN-303
ZX6 Ninja	600		KN-303	ZX6R Ninja	600	KA-6095	KN-303
ZX6 Ninja	600 - Exc. OE Filter w/hole	KA-6093	KN-303	1994 KAWASAKI			
ZX6R Ninja	600	KA-6098	KN-303	EN500 Vulcan	500	KA-5090	KN-303
ZX7R Ninja	750	KA-7596		KLF400 Bayou 4x4	392	KA-4093	KN-303
ZX9R Ninja	900	KA-9098	KN-303	VN750 Vulcan	749	KA-7586	KN-202
ZX11 Ninja	1100	KA-1093		VN1500 Vulcan	1500	KA-1594	KN-303
ZZR1100	1100	KA-1093		VN1500 Vulcan VV	1500		KN-303
1997 KAWASAKI				1994 KAWASAKI			
EN500 Vulcan LTD	500	KA-5096		ZR1100 Zephyr	1100	KA-1192	
EX250R Ninja	250	KA-2586	KN-401	ZX6 Ninja	600		KN-303
EX500R Ninja	500	KA-5087	KN-303	ZX6 Ninja	600 - Exc. OE Filter w/hole	KA-6093	KN-303
				ZX7R Ninja	750		KN-303
				ZX9R Ninja	900	KA-9094	KN-303
				ZX11 Ninja	1100	KA-1093	KN-401

* 2 filters required

◆ Intake System Available - see page 84 + Cabin Air Filter Available - see page 453 1- Performance Silver Oil Filter Also Available



AIR & OIL FILTERS

KAWASAKI

Vehicle	Engine Type	Air Filter	Oil Filter
1993 KAWASAKI			
EN500 Vulcan	500		KN-303
KLR600	560	KA-0009	
VN1500 Vulcan 88	1500		KN-303
ZR1100 Zephyr	1100	KA-1192	KN-401
ZX6 Ninja	600		KN-303
ZX6 Ninja	600 - Exc. OE Filter w/whole	KA-6093	KN-303
ZX7 Ninja	750		KN-303
ZX11 Ninja	1100	KA-1093	
ZX750	750		KN-303

1992 KAWASAKI			
KLR600	560	KA-0009	
VN750 Vulcan	749	KA-7586	KN-202
VN1500 Vulcan 88	1500		KN-303
ZX11C Ninja	1198	KA-0004	KN-401
ZZR1100	1100	KA-0004	

1991 KAWASAKI			
KDX250	246	KA-1287	
KLF300 Bayou 4x4	300		KN-123
ZX6 Ninja	600		KN-303
ZX7 Ninja	750		KN-303
ZZR1100	1100	KA-0004	

1990 KAWASAKI			
KLR600	560	KA-0009	
ZX11C Ninja	1198	KA-0004	
ZX600R Ninja	599	KA-7587	KN-401
ZX1000 Ninja ZX-10	1000	KA-1088	

1989 KAWASAKI			
KLR600	600	KA-0009	
KSF250 Mojave	249		KN-123
VN1500 Vulcan 88 SE	1500		KN-303
ZX1000 Ninja ZX-10	1000	KA-1088	KN-401

1988 KAWASAKI			
EX500	500	KA-5087	
KAF450 Mule 1000	450		KN-303
KLR600	600	KA-0009	
KLR650	650	KA-6589	KN-123
VN1500 Vulcan 88 SE	1500		KN-303

1987 KAWASAKI			
EX500	500	KA-5087	
KLF300 Bayou 2x4	290		KN-123
ZL1000 Eliminator	1000	KA-9084	

1986 KAWASAKI			
EN450	450		KN-202
GPZ600R	600		KN-401
GPZ1000RX	1000	KA-0002	KN-401
KLF300 Bayou 2x4	290		KN-123
KXT250 Tecate	250	KA-1780	
VN750 Vulcan	749	KA-7586	KN-202
ZG1000 Concours	1000	KA-9084	
ZG1200 Voyager XII	1198		KN-401
ZL900 Eliminator	900	KA-9084	KN-401
ZX600 Ninja	652	KA-0850	KN-401
ZX900 Ninja	900	KA-9084	
ZX1000R Ninja	1000	KA-0002	KN-401

1985 KAWASAKI			
EN450	450		KN-202

Vehicle	Engine Type	Air Filter	Oil Filter
1985 KAWASAKI			
GPZ900R	900		KN-401
ZL900 Eliminator	900	KA-9084	KN-401
ZX900 Ninja	900	KA-9084	

1984 KAWASAKI			
GPZ750	750	KA-7583	KN-401
GPZ900R	900		KN-401
KL600	600		KN-123
KZ700	700	KA-7580	KN-401
ZN1100B LTD	1100		KN-401
ZX550 GPZ	550	KA-0850	KN-401

1983 KAWASAKI			
KZ750F LTD	750	KA-7583	KN-401
KZ750K LTD Twin	750	KA-7500	KN-126
KZ750L	750	KA-7583	KN-401

1982 KAWASAKI			
KZ440A	440		KN-401
KZ440D	440		KN-401
KZ550C LTD	550	KA-0850	KN-401
KZ550H GP	550	KA-1700	KN-401
KZ750M CSR Twin	750	KA-7500	KN-126
KZ1000J	1000		KN-401
KZ1100D Spectre	1100		KN-401

1981 KAWASAKI			
KZ440A	440		KN-401
KZ440D	440		KN-401
KZ550A	550	KA-0850	KN-401
KZ650H CSR	650	KA-7580	KN-401
KZ750E	750	KA-7580	KN-401
KZ750H LTD	750	KA-7580	KN-401
KZ1000 LTD	1000		KN-401
KZ1000M CSR	1000		KN-401

1980 KAWASAKI			
KZ440A	440		KN-401
KZ440B	440		KN-401
KZ750E	750	KA-7580	KN-401
KZ750G LTD Twin	750	KA-7500	
KZ750H LTD	750	KA-7580	KN-401
KZ1000 LTD	1000	KA-8077	KN-126
KZ1000A	1000	KA-8077	KN-126
KZ1000D Z1-R	1000		KN-126

1979 KAWASAKI			
KZ400B	400		KN-401
KZ400H	400		KN-401
KZ650B	650	KA-1200	KN-401
KZ650D SR	650	KA-1200	KN-401
KZ1000 LTD	1000	KA-8077	KN-126
KZ1000E	1000	KA-1150	KN-126

1978 KAWASAKI			
KL250	250		KN-123
KZ650B	650	KA-1200	KN-401
KZ650C Custom	650		KN-401
KZ650D SR	650		KN-401
KZ1000 LTD	1000	KA-8077	KN-126
KZ1000A	1000	KA-8077	KN-126

1977 KAWASAKI			
KZ650B	650	KA-1200	KN-401
KZ650C Custom	650		KN-401
KZ1000 LTD	1000	KA-8077	KN-126

* 2 filters required

◆ Intake System Available - see page 84 +Cabin Air Filter Available - see page 453 1- Performance Silver Oil Filter Also Available

KAWASAKI

AIR & OIL FILTERS



Vehicle	Engine Type	Air Filter	Oil Filter
1977 KAWASAKI			
KZ1000A	1000	KA-8077	KN-126

1976 KAWASAKI			
KZ400D	400	KA-1200	KN-401
KZ400S	400	KA-1200	KN-401
KZ750 Twin	750	KA-0750	KN-126
KZ900A	900	KA-8076	KN-126
KZ900B LTD	900		KN-126

1975 KAWASAKI			
H1 Mach III	500	KA-1000	
Z1	900	KA-0800	KN-126

1974 KAWASAKI			
Z1	900	KA-0800	

1973 KAWASAKI			
H1 Mach III	500	KA-1000	
H2 Mach IV	750	KA-1100	

2017 KIA			
Carens	1.6L L4 F/I	33-2451+	
Carens	1.7L L4 DSL	33-2451	
Carens	2.0L L4 F/I	33-2451+	
cee d	1.0L L3 F/I	33-3008+	
cee d	1.4L L4 F/I	33-2451+	
cee d	1.6L L4 DSL	33-3008+	
cee d	1.6L L4 F/I - Exc. Turbo	33-2451+	
cee d	1.6L L4 F/I - Turbo	33-3008+	
Forte	2.0L L4 F/I		HP-1004 ¹
Forte5	2.0L L4 F/I		HP-1004 ¹
Optima	1.6L L4 F/I		HP-1004 ¹
Optima	1.7L L4 DSL	33-2448	
Optima	2.0L L4 F/I		HP-1004 ¹
Optima	2.0L L4 F/I - Non-US	33-2448	HP-1004
Optima	2.4L L4 F/I		HP-1004 ¹
Picanto	1.0L L3 F/I - Euro 5	33-3000	
Picanto	1.2L L4 F/I - Euro 5	33-3000	
Rio	1.6L L4 F/I		HP-1004 ¹
Rio III	1.1L L4 DSL	33-2472+	
Rio III	1.2L L4 F/I	33-3009+	
Rio III	1.4L L4 DSL	33-2472+	
Rio III	1.4L L4 F/I	33-2472+	
Sedona	3.3L V6 F/I		PS-7030
Sorento	2.0L L4 F/I		HP-1004 ¹
Sorento	2.4L L4 F/I		HP-1004 ¹
Sorento	3.3L V6 F/I		PS-7030
Soul	1.6L L4 DSL	33-2472	
Soul	1.6L L4 F/I	33-2472	
Sportage	2.0L L4 F/I		HP-1004 ¹
Sportage	2.4L L4 F/I		HP-1004 ¹
Venga	1.4L L4 F/I	33-2960	
Venga	1.6L L4 DSL	33-2960	
Venga	1.6L L4 F/I	33-2960	

2016 KIA			
Cadenza	3.3L V6 F/I	33-2448+	PS-7030
cee d	1.0L L3 F/I	33-3008+	
cee d	1.6L L4 DSL	33-3008+	
cee d	1.6L L4 F/I - Exc. Turbo	33-2451+	
cee d	1.6L L4 F/I - Turbo	33-3008+	
Forte	1.6L L4 F/I		HP-1004 ¹
Forte	1.8L L4 F/I	33-2451+	HP-1004 ¹
Forte	2.0L L4 F/I	33-2451+	HP-1004 ¹
Forte Koup	1.6L L4 F/I		HP-1004 ¹
Forte Koup	2.0L L4 F/I	33-2451+	HP-1004 ¹

Vehicle	Engine Type	Air Filter	Oil Filter
2016 KIA			
Forte5	1.6L L4 F/I		HP-1004 ¹
Forte5	2.0L L4 F/I	33-2451+	HP-1004 ¹
K900	5.0L V8 F/I		PS-7029
Optima	1.6L L4 F/I		HP-1004 ¹
Optima	2.0L L4 F/I		HP-1004 ¹
Optima	2.0L L4 F/I - Non-US	33-2448	HP-1004
Optima	2.4L L4 F/I	33-5026	HP-1004 ¹
Picanto	1.0L L3 F/I - Euro 5	33-3000	
Picanto	1.2L L4 F/I - Euro 5	33-3000	
Rio	1.6L L4 F/I		HP-1004 ¹
Rio III	1.1L L4 DSL	33-2472+	
Rio III	1.2L L4 F/I	33-3009+	
Rio III	1.4L L4 DSL	33-2472+	
Rio III	1.4L L4 F/I	33-2472+	
Sedona	3.3L V6 F/I		PS-7030
Sorento	2.0L L4 F/I		HP-1004 ¹
Sorento	2.4L L4 F/I		HP-1004 ¹
Sorento	3.3L V6 F/I		PS-7030
Soul	1.6L L4 DSL	33-2472	
Soul	1.6L L4 F/I	33-2472	HP-1004 ¹
Soul	2.0L L4 F/I	33-2472	HP-1004 ¹
Sportage	2.0L L4 F/I		HP-1004 ¹
Sportage	2.4L L4 F/I	33-2451+	HP-1004 ¹

2015 KIA			
Cadenza	3.3L V6 F/I	33-2448+	PS-7030
Carens	2.0L L4 F/I	33-2451+	
cee d	1.6L L4 F/I - Exc. Turbo	33-2451+	
Forte	1.6L L4 F/I		HP-1004 ¹
Forte	1.8L L4 F/I	33-2451+	HP-1004 ¹
Forte	2.0L L4 F/I	33-2451+	HP-1004 ¹
Forte Koup	1.6L L4 F/I	33-3008	HP-1004 ¹
Forte Koup	2.0L L4 F/I	33-2451+	HP-1004 ¹
Forte5	1.6L L4 F/I	33-3008	HP-1004 ¹
Forte5	2.0L L4 F/I	33-2451+	HP-1004 ¹
K900	5.0L V8 F/I		PS-7029
Optima	1.7L L4 DSL	33-2448	
Optima	2.0L L4 F/I	33-2448	HP-1004 ¹
Optima	2.4L L4 F/I	33-2448	HP-1004 ¹
Picanto	1.0L L3 F/I	33-3000	
Picanto	1.2L L4 F/I	33-3000	
Picanto	1.6L L4 F/I	33-2472+	HP-1004 ¹
Rio	1.4L L4 DSL	33-2472+	
Rio III	1.4L L4 F/I	33-2472+	
Rio III	1.6L L4 F/I	33-2472	HP-1004 ¹
Rio5	1.6L L4 F/I	33-2472	HP-1004 ¹
Rondo	2.0L L4 F/I		HP-1004 ¹
Sedona	3.3L V6 F/I		PS-7030
Sedona	3.5L V6 F/I		PS-7030
Sorento	2.4L L4 F/I	33-2493	HP-1004 ¹
Sorento	3.3L V6 F/I	33-2493	PS-7030
Soul	1.6L L4 DSL	33-2472	
Soul	1.6L L4 F/I	33-2472	HP-1004 ¹
Soul	2.0L L4 F/I	33-2472	HP-1004 ¹
Sportage	1.6L L4 F/I	33-2451	
Sportage	1.7L L4 DSL	33-2451	
Sportage	2.0L L4 DSL	33-2451	
Sportage	2.0L L4 F/I		HP-1004 ¹
Sportage	2.0L L4 F/I - Non-US	33-2451+	HP-1004
Sportage	2.0L L4 F/I - US	33-2469+	HP-1004
Sportage	2.4L L4 F/I	33-2451+	HP-1004 ¹

2014 KIA			
Cadenza	3.3L V6 F/I	33-2448+	PS-7030

* 2 filters required

◆Intake System Available - see page 84 +Cabin Air Filter Available - see page 453 1- Performance Silver Oil Filter Also Available



AIR & OIL FILTERS

KIA

Vehicle	Engine Type	Air Filter	Oil Filter
2014 KIA			
Carens	2.0L L4 F/I	33-2451+	
cee d	1.6L L4 DSL	33-3008+	
cee d	1.6L L4 F/I - Exc. Turbo	33-2451+	
cee d	1.6L L4 F/I - Turbo	33-3008+	
Forte	1.6L L4 F/I		HP-1004 ¹
Forte	1.8L L4 F/I	33-2451	HP-1004 ¹
Forte	2.0L L4 F/I	33-2451 ♦	HP-1004 ¹
Forte Koup	1.6L L4 F/I	33-3008 ♦	HP-1004 ¹
Forte Koup	2.0L L4 F/I	33-2451 ♦	HP-1004 ¹
Forte5	1.6L L4 F/I	33-3008 ♦	HP-1004 ¹
Forte5	2.0L L4 F/I	33-2451	HP-1004 ¹
Optima	1.7L L4 DSL	33-2448	
Optima	2.0L L4 F/I	33-2448 ♦+	HP-1004 ¹
Optima	2.4L L4 F/I	33-2448 ♦+	HP-1004 ¹
Picanto	1.2L L4 F/I	33-3000	
Rio	1.6L L4 F/I	33-2472+	HP-1004 ¹
Rio III	1.4L L4 DSL	33-2472+	
Rio III	1.4L L4 F/I	33-2472+	
Rio III	1.6L L4 F/I	33-2472+	HP-1004 ¹
Rio5	1.6L L4 F/I	33-2472	HP-1004 ¹
Rondo	2.0L L4 F/I		HP-1004 ¹
Sedona	3.5L V6 F/I	33-2368+	PS-7030
Sorento	2.4L L4 F/I	33-2493+	HP-1004 ¹
Sorento	3.3L V6 F/I	33-2493+	PS-7030
Soul	1.6L L4 DSL	33-2472	
Soul	1.6L L4 F/I	33-2472	HP-1004 ¹
Soul	2.0L L4 F/I	33-2472 ♦	HP-1004 ¹
Sportage	1.6L L4 F/I	33-2451	
Sportage	1.7L L4 DSL	33-2451	
Sportage	2.0L L4 DSL	33-2451	
Sportage	2.0L L4 F/I		HP-1004 ¹
Sportage	2.0L L4 F/I - Non-US	33-2451+	HP-1004
Sportage	2.0L L4 F/I - US	33-2469+	HP-1004
Sportage	2.4L L4 F/I	33-2451+	HP-1004 ¹

2013 KIA			
cee d	1.6L L4 DSL	33-3008+	
cee d	1.6L L4 F/I - Exc. Turbo	33-2451	
cee d	1.6L L4 F/I - Turbo	33-3008	
Forte	2.0L L4 F/I	33-2380 ♦+	HP-1004 ¹
Forte	2.4L L4 F/I	33-2380+	HP-1004 ¹
Forte Koup	2.0L L4 F/I	33-2380+	HP-1004 ¹
Forte Koup	2.4L L4 F/I	33-2380 ♦+	HP-1004 ¹
Forte5	2.0L L4 F/I	33-2380 ♦+	HP-1004 ¹
Forte5	2.4L L4 F/I	33-2380+	HP-1004 ¹
Optima	1.7L L4 DSL	33-2448	
Optima	2.0L L4 F/I	33-2448 ♦+	HP-1004 ¹
Optima	2.4L L4 F/I	33-2448 ♦+	HP-1004 ¹
Picanto	1.2L L4 F/I	33-3000	
Rio	1.6L L4 F/I	33-2472+	HP-1004 ¹
Rio III	1.1L L4 DSL	33-2472+	
Rio III	1.4L L4 DSL	33-2472+	
Rio III	1.4L L4 F/I	33-2472+	
Rio III	1.6L L4 F/I	33-2472+	HP-1004 ¹
Rio5	1.6L L4 F/I	33-2472	HP-1004 ¹
Sorento	2.4L L4 F/I	33-2448+	HP-1004 ¹
Sorento	3.5L V6 F/I	33-2448+	PS-7030
Soul	1.6L L4 DSL	33-2960	
Soul	1.6L L4 F/I	33-2472	HP-1004 ¹
Soul	2.0L L4 F/I	33-2472 ♦	HP-1004 ¹
Sportage	1.6L L4 F/I	33-2451	
Sportage	1.7L L4 DSL	33-2451	
Sportage	2.0L L4 DSL	33-2451	

Vehicle	Engine Type	Air Filter	Oil Filter
2013 KIA			
Sportage	2.0L L4 F/I		HP-1004 ¹
Sportage	2.0L L4 F/I - Non-US	33-2451+	HP-1004
Sportage	2.0L L4 F/I - US	33-2469+	HP-1004
Sportage	2.4L L4 F/I	33-2451+	HP-1004 ¹
2012 KIA			
Forte	2.0L L4 F/I	33-2380 ♦+	HP-1004 ¹
Forte	2.4L L4 F/I	33-2380+	HP-1004 ¹
Forte Koup	2.0L L4 F/I	33-2380+	HP-1004 ¹
Forte Koup	2.4L L4 F/I	33-2380 ♦+	HP-1004 ¹
Forte5	2.0L L4 F/I	33-2380+	HP-1004 ¹
Forte5	2.4L L4 F/I	33-2380+	HP-1004 ¹
Optima	1.7L L4 DSL	33-2448	
Optima	2.0L L4 F/I	33-2448 ♦+	HP-1004 ¹
Optima	2.4L L4 F/I	33-2448+	HP-1004 ¹
Picanto	1.2L L4 F/I	33-3000	
Rio	1.6L L4 F/I	33-2472+	HP-1004 ¹
Rio III	1.4L L4 DSL	33-2472+	
Rio III	1.4L L4 F/I	33-2472+	
Rio III	1.6L L4 F/I	33-2472+	HP-1004 ¹
Rio5	1.6L L4 F/I	33-2472+	HP-1004 ¹
Sedona	3.5L V6 F/I	33-2368+	PS-7030
Sorento	2.2L L4 DSL	33-2969	
Sorento	2.4L L4 F/I	33-2448+	HP-1004 ¹
Sorento	3.5L V6 F/I	33-2448+	PS-7030
Soul	1.6L L4 DSL	33-2960	
Soul	1.6L L4 F/I	33-2472	HP-1004 ¹
Soul	2.0L L4 F/I	33-2472 ♦	HP-1004 ¹
Sportage	1.6L L4 F/I	33-2451	
Sportage	1.7L L4 DSL	33-2451	
Sportage	2.0L L4 DSL	33-2451	
Sportage	2.0L L4 F/I		HP-1004 ¹
Sportage	2.0L L4 F/I - Non-US	33-2451+	HP-1004
Sportage	2.0L L4 F/I - US	33-2469+	HP-1004
Sportage	2.4L L4 F/I	33-2451+	HP-1004 ¹

2011 KIA			
Forte	2.0L L4 F/I	33-2380 ♦+	HP-1004 ¹
Forte	2.4L L4 F/I	33-2380+	HP-1004 ¹
Forte Koup	2.0L L4 F/I	33-2380+	HP-1004 ¹
Forte Koup	2.4L L4 F/I	33-2380 ♦+	HP-1004 ¹
Optima	2.0L L4 F/I	33-2448 ♦+	HP-1004 ¹
Optima	2.4L L4 F/I	33-2448+	HP-1004 ¹
Rio	1.6L L4 F/I		HP-1004 ¹
Rio	1.6L L4 F/I - US	33-2354+	HP-1004
Rio II	1.4L L4 F/I - from 8/11	33-2472+	
Rio II	1.4L L4 F/I - to 7/11	33-2354+	
Rio II	1.6L L4 F/I		HP-1004 ¹
Rio II	1.6L L4 F/I - Non-US, from 8/11	33-2472+	HP-1004
Rio II	1.6L L4 F/I - Non-US, to 7/11	33-2354+	HP-1004
Rio III	1.4L L4 DSL	33-2472+	
Rio III	1.4L L4 F/I - from 8/11	33-2472+	
Rio III	1.4L L4 F/I - to 7/11	33-2354+	
Rio III	1.6L L4 F/I		HP-1004 ¹
Rio III	1.6L L4 F/I - Non-US, from 8/11	33-2472+	HP-1004
Rio III	1.6L L4 F/I - Non-US, to 7/11	33-2354+	HP-1004
Rio5	1.6L L4 F/I	33-2354+	HP-1004 ¹
Sedona	3.5L V6 F/I	33-2368+	PS-7030
Sedona	3.8L V6 F/I	33-2368	
Sorento	2.2L L4 DSL	33-2969	
Sorento	2.4L L4 F/I	33-2448+	HP-1004 ¹

* 2 filters required

♦ Intake System Available - see page 84 + Cabin Air Filter Available - see page 453 1- Performance Silver Oil Filter Also Available



Vehicle	Engine Type	Air Filter	Oil Filter
2011 KIA			
Sorento	3.5L V6 F/I	33-2448+	PS-7030
Soul	1.6L L4 DSL	33-2960	
Soul	1.6L L4 F/I	33-2960	HP-1004 ¹
Soul	2.0L L4 F/I	33-2960 ♦	HP-1004 ¹
Sportage	1.6L L4 F/I	33-2451	
Sportage	1.7L L4 DSL	33-2451	
Sportage	2.0L L4 F/I		HP-1004 ¹
Sportage	2.0L L4 F/I - Non-US	33-2451+	HP-1004
Sportage	2.0L L4 F/I - US	33-2469+	HP-1004
Sportage	2.4L L4 F/I	33-2451+	HP-1004 ¹

Vehicle	Engine Type	Air Filter	Oil Filter
2010 KIA			
cee d	1.6L L4 DSL	33-2380	
cee d	1.6L L4 F/I	33-2380 ♦	
Forte	2.0L L4 F/I	33-2380 ♦+	HP-1004 ¹
Forte	2.4L L4 F/I	33-2380+	HP-1004 ¹
Forte Koup	2.0L L4 F/I	33-2380+	HP-1004 ¹
Forte Koup	2.4L L4 F/I	33-2380 ♦+	HP-1004 ¹
Optima	2.4L L4 F/I	33-2934+	HP-1004 ¹
Optima	2.7L V6 F/I	33-2934+	
Rio	1.6L L4 F/I	33-2354+	HP-1004 ¹
Rio II	1.4L L4 F/I	33-2354+	
Rio II	1.6L L4 F/I	33-2354+	HP-1004 ¹
Rio5	1.6L L4 F/I	33-2354+	HP-1004 ¹
Rondo	2.4L L4 F/I	33-2934+	
Sedona	3.8L V6 F/I	33-2368+	PS-7029
Sorento	2.4L L4 F/I	33-2448	
Soul	1.6L L4 DSL	33-2960	
Soul	1.6L L4 F/I	33-2960	HP-1004 ¹
Soul	2.0L L4 F/I	33-2960 ♦	HP-1004 ¹
Sportage	2.0L L4 F/I - Non-US, from 5/10	33-2451+	

Vehicle	Engine Type	Air Filter	Oil Filter
2009 KIA			
Borrego	3.8L V6 F/I	33-2447+	PS-7029
Borrego	4.6L V8 F/I	33-2447+	PS-7029
Optima	2.4L L4 F/I	33-2934+	HP-1004 ¹
Optima	2.7L V6 F/I	33-2934+	
Rio	1.6L L4 F/I	33-2354+	HP-1004 ¹
Rio II	1.4L L4 F/I	33-2354+	
Rio II	1.6L L4 F/I	33-2354+	HP-1004 ¹
Rio5	1.6L L4 F/I	33-2354+	HP-1004 ¹
Rondo	2.4L L4 F/I	33-2934+	HP-1004 ¹
Rondo	2.7L V6 F/I	33-2934+	
Sedona	3.8L V6 F/I	33-2368+	PS-7029
Sorento	3.3L V6 F/I	33-2271	PS-7029
Sorento	3.8L V6 F/I	33-2271	
Spectra	2.0L L4 F/I	33-2201+	HP-1004 ¹
Spectra5	2.0L L4 F/I	33-2201+	HP-1004 ¹
Sportage	2.0L L4 DSL	33-2201+	
Sportage	2.0L L4 F/I	33-2201+	HP-1004 ¹
Sportage	2.7L V6 F/I	33-2201+	HP-1008 ¹

Vehicle	Engine Type	Air Filter	Oil Filter
2008 KIA			
Amanti	3.8L V6 F/I	33-2390	PS-7022
cee d	1.6L L4 DSL	33-2380	
cee d	1.6L L4 F/I	33-2380 ♦	
Optima	2.4L L4 F/I	33-2934+	HP-1004 ¹
Optima	2.7L V6 F/I	33-2934+	
Picanto	1.0L L4 F/I	33-2930	
Rio	1.6L L4 F/I		HP-1004 ¹
Rio	1.6L L4 F/I - US	33-2354+	HP-1004
Rio II	1.4L L4 F/I	33-2354+	
Rio II	1.6L L4 F/I		HP-1004 ¹

Vehicle	Engine Type	Air Filter	Oil Filter
2008 KIA			
Rio II	1.6L L4 F/I - Non-US	33-2196+	HP-1004
Rio5	1.6L L4 F/I	33-2354+	HP-1004 ¹
Rondo	2.4L L4 F/I	33-2934+	HP-1004 ¹
Rondo	2.7L V6 F/I	33-2934+	HP-1008 ¹
Sedona	3.8L V6 F/I	33-2368+	
Sedona	3.8L V6 F/I - w/5 Inch Tall Filter	33-2368	PS-7022
Sorento	2.5L L4 DSL	33-2271	
Sorento	3.3L V6 F/I	33-2271	
Sorento	3.3L V6 F/I - w/4 Inch Tall Filter	33-2271	PS-7029
Sorento	3.3L V6 F/I - w/5 Inch Tall Filter	33-2271	PS-7022
Sorento	3.8L V6 F/I	33-2271	
Sorento	3.8L V6 F/I - w/4 Inch Tall Filter	33-2271	PS-7029
Sorento	3.8L V6 F/I - w/5 Inch Tall Filter	33-2271	PS-7022
Spectra	2.0L L4 F/I	33-2201 ♦+	HP-1004 ¹
Spectra5	2.0L L4 F/I	33-2201+	HP-1004 ¹
Sportage	2.0L L4 DSL	33-2201+	
Sportage	2.0L L4 F/I	33-2201+	HP-1004 ¹
Sportage	2.7L V6 F/I	33-2201+	HP-1008 ¹

Vehicle	Engine Type	Air Filter	Oil Filter
2007 KIA			
cee d	2.0L L4 DSL	33-2380	
cee d	2.0L L4 F/I	33-2380 ♦	
Optima	2.4L L4 F/I	33-2934+	HP-1004 ¹
Optima	2.7L V6 F/I	33-2934+	HP-1008 ¹
Picanto	1.1L L4 DSL - OEM 2811307100	33-2930	
Picanto	1.1L L4 F/I	33-2930	
Rio	1.6L L4 F/I		HP-1004 ¹
Rio	1.6L L4 F/I - US	33-2354+	HP-1004
Rio II	1.6L L4 F/I		HP-1004 ¹
Rio II	1.6L L4 F/I - Non-US	33-2196+	HP-1004
Rio5	1.6L L4 F/I	33-2354+	HP-1004 ¹
Rondo	2.4L L4 F/I	33-2934+	HP-1004 ¹
Rondo	2.7L V6 F/I	33-2934+	HP-1008 ¹
Sedona	3.8L V6 F/I	33-2368+	PS-7022
Sorento	2.5L L4 DSL	33-2271	
Sorento	3.3L V6 F/I	33-2271	
Sorento	3.8L V6 F/I	33-2271	
Sorento	3.8L V6 F/I - w/5 Inch Tall Filter	33-2271	PS-7022
Spectra	2.0L L4 F/I	33-2201 ♦+	HP-1004 ¹
Spectra5	2.0L L4 F/I	33-2201+	HP-1004 ¹
Sportage	2.0L L4 DSL	33-2201+	
Sportage	2.0L L4 F/I	33-2201+	HP-1004 ¹
Sportage	2.7L V6 F/I	33-2201+	HP-1008 ¹

Vehicle	Engine Type	Air Filter	Oil Filter
2006 KIA			
Amanti	3.5L V6 F/I	33-2199	
Optima	2.4L L4 F/I		HP-1004 ¹
Optima	2.4L L4 F/I - VIN 3	33-2934+	HP-1004
Optima	2.4L L4 F/I - VIN 6	33-2188+	HP-1004
Optima	2.7L V6 F/I		HP-1008 ¹
Optima	2.7L V6 F/I - After 9/30/05	33-2934+	HP-1008
Optima	2.7L V6 F/I - Before 9/30/05	33-2188+	HP-1008
Rio	1.6L L4 F/I	33-2354+	HP-1004 ¹
Rio	1.6L L4 F/I - Non-US	33-2196+	HP-1004
Rio II	1.6L L4 F/I	33-2354+	HP-1004 ¹
Rio II	1.6L L4 F/I - Non-US	33-2196+	HP-1004
Rio5	1.6L L4 F/I	33-2354+	HP-1004 ¹
Sedona	3.8L V6 F/I	33-2368+	PS-7022

* 2 filters required

♦ Intake System Available - see page 84 +Cabin Air Filter Available - see page 453 1- Performance Silver Oil Filter Also Available



AIR & OIL FILTERS

KIA

Vehicle	Engine Type	Air Filter	Oil Filter	Vehicle	Engine Type	Air Filter	Oil Filter
2006 KIA				2016 KTM			
Sorento	2.4L L4 F/I	33-2271		300 XC-W	293	KT-4511XD	
Sorento	2.5L L4 DSL	33-2271		350 EXC-F	350		KN-652
Sorento	3.3L V6 F/I	33-2271		350 SX-F	349		KN-652
Sorento	3.5L V6 F/I	33-2271	HP-1004 ¹	350 XC-F	350		KN-652
Spectra	2.0L L4 F/I	33-2201 ♦♦	HP-1004 ¹	350 XCF-W	350		KN-652
Spectra5	2.0L L4 F/I	33-2201 ♦♦	HP-1004 ¹	390 Duke	390	KT-1211	KN-155
Sportage	2.0L L4 DSL	33-2201+		450 EXC	449	KT-4511XD	KN-655
Sportage	2.0L L4 F/I	33-2201+	HP-1004 ¹	450 EXC Six Days	449	KT-4511XD	KN-655
Sportage	2.7L V6 F/I	33-2201+	HP-1008 ¹	450 SX-F	449		KN-652
2005 KIA				2015 KTM			
Amanti	3.5L V6 F/I	33-2199	HP-1004 ¹	450 SX-F Factory Edition	449		KN-652
Optima	2.4L L4 F/I	33-2188+	HP-1004 ¹	450 XC-F	450		KN-652
Rio	1.6L L4 F/I	33-2196	HP-1008 ¹	450 XC-W	449	KT-4511XD	KN-655
Rio II	1.6L L4 F/I	33-2196+	HP-1008 ¹	500 EXC	510	KT-4511XD	KN-655
Sedona	3.5L V6 F/I	33-2268	HP-1004 ¹	500 EXC Six Days	510		KN-655
Sorento	2.4L L4 F/I	33-2271		500 XC-W	510	KT-4511XD	KN-655
Sorento	2.5L L4 DSL	33-2271		690 Duke	690	KT-6912	
Sorento	3.5L V6 F/I	33-2271	HP-1004 ¹	690 Duke	690 - Short Filter	KT-6912	KN-651
Spectra	2.0L L4 F/I	33-2201 ♦♦	HP-1004 ¹	690 Duke	690 - Tall Filter	KT-6912	KN-155
Spectra5	2.0L L4 F/I	33-2201 ♦♦	HP-1004 ¹	690 Enduro R	690	KT-6908	
Sportage	2.0L L4 DSL	33-2201+		690 Enduro R	690 - Short Filter	KT-6908	KN-651
Sportage	2.0L L4 F/I	33-2201+		690 Enduro R	690 - Tall Filter	KT-6908	KN-155
Sportage	2.7L V6 F/I	33-2201+	HP-1008 ¹	690 SMC	690	KT-6908	
2004 KIA				2014 KTM			
Amanti	3.5L V6 F/I	33-2199		1190 Adventure	1190	KT-1113	
Optima	2.4L L4 F/I	33-2188	HP-1004 ¹	1190 Adventure R	1195	KT-1113	
Optima	2.7L V6 F/I	33-2188	HP-1008 ¹	1290 Super	1301		KN-158
Rio	1.6L L4 F/I	33-2196	HP-1008 ¹	Adventure			
Sedona	3.5L V6 F/I	33-2268	HP-1004 ¹	1290 Super Duke R	1290	KT-1113	KN-158
Sorento	2.4L L4 F/I	33-2271		1290 Super Duke R Special Ed.	1301	KT-1113	KN-158
Sorento	2.5L L4 DSL	33-2271		RC200	200	KT-1211	
Sorento	3.5L V6 F/I	33-2271	HP-1004 ¹	RC390	373	KT-1211	
Spectra	1.8L L4 F/I	33-2169	HP-1008 ¹	2013 KTM			
Spectra	2.0L L4 F/I		HP-1004 ¹	200 Duke	200	KT-1211	KN-155
2003 KIA				250 SX-F	249		KN-652
Rio	1.6L L4 F/I	33-2196	HP-1008 ¹	250 XC-F	249		KN-652
Sedona	3.5L V6 F/I	33-2268	HP-1004 ¹	250 XCF-W	249		KN-652
Sorento	3.5L V6 F/I	33-2271	HP-1004 ¹	300 XC-W	293	KT-4511XD	
Spectra	1.8L L4 F/I	33-2169	HP-1008 ¹	350 EXC-F	350		KN-652
2002 KIA				350 SX-F	349		KN-652
Rio	1.5L L4 F/I	33-2196	HP-1008 ¹	350 XC-F	350		KN-652
Sedona	3.5L V6 F/I	33-2268		350 XCF-W	350		KN-652
Spectra	1.8L L4 F/I	33-2169	HP-1008 ¹	390 Duke	390	KT-1211	KN-155
Sportage	2.0L L4 F/I	33-2168	HP-1006	450 EXC Six Days	449	KT-4511XD	
2001 KIA				450 SX-F	449		KN-655
Optima	2.4L L4 F/I	33-2188		450 SX-F Factory Edition	449		KN-652
Rio	1.5L L4 F/I	33-2196	HP-1008 ¹	450 XC-F	450		KN-655
Sportage	2.0L L4 F/I	33-2168	HP-1006	450 XC-W	449		KN-655
2000 KIA				500 EXC	510	KT-4511XD	KN-655
Sephia	1.8L L4 F/I	33-2169	HP-1008 ¹	500 XC-W	510	KT-4511XD	KN-655
Sportage	2.0L L4 F/I	33-2168	HP-1006	690 Duke	690	KT-6912	
2016 KTM				690 Duke	690 - Short Filter	KT-6912	KN-651
125 Duke	125	KT-1211		690 Duke	690 - Tall Filter	KT-6912	KN-155
200 Duke	200	KT-1211	KN-155	690 Enduro R	690	KT-6908	
200 XC-W	193	KT-4511XD		690 Enduro R	690 - Short Filter	KT-6908	KN-651
250 SX-F	249		KN-652	690 Enduro R	690 - Tall Filter	KT-6908	KN-155
250 XC-F	249		KN-652	690 SMC	690	KT-6908	
250 XCF-W	249		KN-652	1190 Adventure	1190	KT-1113	KN-158
250 XC-W	249	KT-4511XD		1190 Adventure R	1195	KT-1113	KN-158
				1190 RC8R	1190		KN-158
				1290 Super	1301		KN-158
				Adventure			

* 2 filters required ♦ Intake System Available - see page 84 + Cabin Air Filter Available - see page 453 1- Performance Silver Oil Filter Also Available



Vehicle	Engine Type	Air Filter	Oil Filter	Vehicle	Engine Type	Air Filter	Oil Filter
2015 KTM				2013 KTM			
1290 Super Duke R	1290	KT-1113	KN-158	1190 Adventure	1195	KT-1113	KN-158
RC200	200	KT-1211		1190 Adventure R	1195	KT-1113	KN-158
RC390	373	KT-1211	KN-155	1190 RC8R	1190	KT-1108	
2014 KTM				2012 KTM			
125 Duke	125	KT-1211		125 Duke	125	KT-1211	KN-155
200 Duke	200	KT-1211	KN-155	200 Duke	200	KT-1211	KN-155
250 SX-F	249	KT-4511XD	KN-652	250 SX-F	249	KT-4511XD	KN-655
250 XC-F	249		KN-652	250 XC-F	249	KT-4511XD	KN-655
250 XCF-W	249		KN-652	250 XCF-W	249		KN-655
250 XC-W	249	KT-4511XD		350 EXC-F	350		KN-652
350 EXC-F	350		KN-652	350 SX-F	349		KN-652
350 SX-F	349		KN-652	350 XC-F	350		KN-652
350 XC-F	350		KN-652	350 XCF-W	350		KN-652
350 XCF-W	350		KN-652	450 EXC	449	KT-4511XD	KN-655
390 Duke	390	KT-1211		450 EXC Six Days	449	KT-4511XD	KN-655
450 SX-F	449		KN-655	450 SX-F	449	KT-4511XD	KN-652
450 SX-F Factory Edition	449		KN-655	450 SX-F Factory Edition	449	KT-4511XD	KN-652
450 XC-F	450		KN-655	450 XC-W	449		KN-655
450 XC-W	449		KN-655	500 EXC	510	KT-4511XD	KN-655
500 EXC	510	KT-4511XD	KN-655	500 EXC Six Days	510	KT-4511XD	KN-655
500 XC-W	510		KN-655	500 XC-W	510		KN-655
690 Duke	690	KT-6912		690 Duke	690 - Short Filter		KN-155
690 Duke	690 - Short Filter	KT-6912	KN-651	690 Enduro R	690	KT-6908	
690 Duke	690 - Tall Filter	KT-6912	KN-155	690 Enduro R	690 - Short Filter	KT-6908	KN-651
690 Enduro R	690	KT-6908		690 Enduro R	690 - Tall Filter	KT-6908	KN-155
690 Enduro R	690 - Short Filter	KT-6908	KN-651	990 Adventure	999	KT-9907	KN-158
690 Enduro R	690 - Tall Filter	KT-6908	KN-155	990 Adventure R	999	KT-9907	KN-158
1190 Adventure	1195	KT-1113	KN-158	990 SMT	999	KT-9907	
1190 Adventure R	1195	KT-1113	KN-158	1190 RC8R	1190	KT-1108	KN-158
1190 RC8R	1190	KT-1108	KN-158	2011 KTM			
1290 Super Duke R	1301	KT-1113	KN-158	125 Duke	125	KT-1211	KN-155
RC200	199	KT-1211		250 SX-F	249	KT-4511XD	KN-655
RC390	373	KT-1211		250 XCF-W	249		KN-655
2013 KTM				350 SX-F	349		KN-652
125 Duke	125	KT-1211	KN-155	350 XC-F	350		KN-652
200 Duke	200	KT-1211	KN-155	450 EXC-R	450		KN-652
250 SX-F	249		KN-652	450 SX-F	449		KN-652
250 XC-F	249		KN-652	530 EXC-R	530		KN-652
250 XCF-W	249		KN-655	690 Duke	690	KT-6907	
350 EXC-F	350		KN-652	690 Duke	690 - Short Filter	KT-6907	KN-157
350 SX-F	349		KN-652	690 Duke	690 - Tall Filter	KT-6907	KN-155
350 XC-F	350		KN-652	690 Enduro R	690	KT-6908	
350 XCF-W	350		KN-652	690 Enduro R	690 - Short Filter	KT-6908	KN-157
390 Duke	390	KT-1211		690 Enduro R	690 - Tall Filter	KT-6908	KN-155
450 EXC Six Days	449		KN-655	990 Adventure Dakar Edition	999	KT-9907	KN-158
450 SX-F	449		KN-655	990 Adventure R	999	KT-9907	KN-158
450 SX-F Factory Edition	449		KN-655	990 Supermoto T	999	KT-9907	
450 XC-F	450		KN-655	1190 RC8R	1190	KT-1108	KN-158
450 XC-W	449	KT-4511XD	KN-655	2010 KTM			
500 EXC	510	KT-4511XD	KN-655	250 SX-F	249		KN-655
500 XC-W	510		KN-655	400 XC-W	400		KN-652
690 Duke	690	KT-6912		450 EXC Six Days	450		KN-652
690 Duke	690 - Short Filter	KT-6912	KN-651	450 EXC-R	449	KT-4511XD	KN-652
690 Duke	690 - Tall Filter	KT-6912	KN-155	450 SX-F	449		KN-652
690 Enduro R	690	KT-6908		450 XC-W	449		KN-652
690 Enduro R	690 - Short Filter	KT-6908	KN-651	530 EXC-R	530	KT-4511XD	KN-652
690 Enduro R	690 - Tall Filter	KT-6908	KN-155	690 Duke	690	KT-6907	
990 Adventure	999	KT-9907	KN-158	690 Duke	690 - Short Filter	KT-6907	KN-157
990 SMT	999	KT-9907	KN-158	690 Duke	690 - Tall Filter	KT-6907	KN-155
990 Supermoto T	999	KT-9907					

* 2 filters required

◆ Intake System Available - see page 84 +Cabin Air Filter Available - see page 453 1- Performance Silver Oil Filter Also Available



AIR & OIL FILTERS

KTM

Vehicle	Engine Type	Air Filter	Oil Filter	Vehicle	Engine Type	Air Filter	Oil Filter
2010 KTM				2008 KTM			
690 Enduro R	690	KT-6908		990 Adventure	999	KT-9907	KN-158
690 Enduro R	690 - Short Filter	KT-6908	KN-157	990 Adventure S	999	KT-9907	
690 Enduro R	690 - Tall Filter	KT-6908	KN-155	990 Super Duke	999	KT-9907	KN-158
990 Adventure	999	KT-9907	KN-158	990 Super Duke R	999		KN-158
990 Adventure R	999	KT-9907	KN-158	1190 RC8	1150	KT-1108	
990 SMT	999	KT-9907	KN-158	2007 KTM			
990 Supermoto T	999	KT-9907		250 SX-F	249	KT-4511XD	KN-655
2009 KTM				250 XC-F	249		KN-655
250 SX-F	249	KT-4511XD	KN-655	250 XCF-W	249		KN-655
250 XC-F	249	KT-4511XD	KN-655	450 EXC	450	KT-5201	
250 XCF-W	249		KN-655	450 EXC	450 - Short Filter	KT-5201	KN-157
400 EXC	400		KN-652	450 EXC	450 - Tall Filter	KT-5201	KN-155
400 XC-W	400		KN-652	450 EXC Racing	450	KT-5201	
450 EXC-R	449	KT-4511XD	KN-652	450 EXC Racing	450 - Short Filter	KT-5201	KN-157
450 SMR	449		KN-652	450 EXC Racing	450 - Tall Filter	KT-5201	KN-155
450 SX-F	449	KT-4511XD	KN-652	450 SX-F	449	KT-4511XD	KN-652
450 XC	450 - Short Filter		KN-157	450 XC-W	449 - Tall Filter		KN-155
450 XC	450 - Tall Filter		KN-155	525 EXC Racing	525	KT-5201	
450 XC-F	449	KT-4511XD	KN-652	525 EXC Racing	525 - Short Filter	KT-5201	KN-157
450 XC-W	449	KT-4511XD	KN-652	525 EXC Racing	525 - Tall Filter	KT-5201	KN-155
505 SXF	505		KN-652	525 XC Desert	525 - Short Filter		KN-157
505 XCF	478		KN-652	Racing			
525 XC	525 - Short Filter		KN-157	525 XC Desert	525 - Tall Filter		KN-155
525 XC	525 - Tall Filter		KN-155	Racing			
530 EXC-R	530	KT-4511XD	KN-652	525 XC-G Racing	525 - Tall Filter		KN-155
530 XC-W	530		KN-652	525 XC-W	525	KT-5201	
690 Duke	690	KT-6907		525 XC-W	525 - Short Filter	KT-5201	KN-157
690 Duke	690 - Short Filter	KT-6907	KN-157	525 XC-W	525 - Tall Filter	KT-5201	KN-155
690 Duke	690 - Tall Filter	KT-6907	KN-155	690 Supermoto	690	KT-6907	
690 Enduro R	690	KT-6908		690 Supermoto	690 - Short Filter	KT-6907	KN-157
690 Enduro R	690 - Short Filter	KT-6908	KN-157	690 Supermoto	690 - Tall Filter	KT-6907	KN-655
690 Enduro R	690 - Tall Filter	KT-6908	KN-155	950 Supermoto	942	KT-9504	KN-158
950 Super Enduro R	942	KT-9504		950 Supermoto R	942	KT-9504	KN-158
990 Adventure	999	KT-9907		990 Adventure	999	KT-9907	KN-158
990 Adventure R	999	KT-9907		990 Adventure S	999	KT-9907	
2008 KTM				990 Super Duke	999	KT-9907	KN-158
250 EXC-F	250		KN-655	2006 KTM			
250 SX-F	249	KT-4511XD	KN-655	250 SX-F	249	KT-5201	KN-655
250 XC-F	249	KT-4511XD	KN-655	250 XCF-W	249		KN-655
250 XCF-W	249	KT-4511XD	KN-655	450 EXC Racing	450 - Short Filter		KN-157
400 XC-W	400		KN-652	450 EXC Racing	450 - Tall Filter		KN-155
450 EXC-R	449	KT-4511XD	KN-652	450 XC-G Racing	450 - Short Filter		KN-157
450 SX-F	449	KT-4511XD	KN-652	450 XC-G Racing	450 - Tall Filter		KN-155
450 XC	449	KT-4511XD	KN-652	525 EXC Racing	525 - Short Filter		KN-157
450 XC	449 - Short Filter	KT-4511XD	KN-157	525 EXC Racing	525 - Tall Filter		KN-155
450 XC	449 - Tall Filter	KT-4511XD	KN-155	625 SMC	625 - Short Filter		KN-155
450 XC-F	449	KT-4511XD	KN-652	625 SMC	625 - Tall Filter		KN-156
450 XC-W	449		KN-652	640 Adventure	640 - Short Filter		KN-155
505 XCF	478		KN-652	640 Adventure	640 - Tall Filter		KN-156
525 XC	525 - Short Filter		KN-157	950 Adventure	942	KT-9504	KN-158
525 XC	525 - Tall Filter		KN-155	950 Adventure S	942	KT-9504	KN-158
530 EXC-R	530	KT-4511XD	KN-652	950 Supermoto	942	KT-9504	
530 XC-W	530		KN-652	990 Super Duke	999		KN-158
690 Duke	690	KT-6907		2005 KTM			
690 Duke	690 - Short Filter	KT-6907	KN-157	250 SX-F	249		KN-655
690 Duke	690 - Tall Filter	KT-6907	KN-155	450 EXC	450	KT-5201	
690 Enduro	690	KT-6908		450 EXC	450 - Short Filter	KT-5201	KN-157
690 Enduro	690 - Tall Filter	KT-6908	KN-155	450 EXC	450 - Tall Filter	KT-5201	KN-155
690 SMC	690	KT-6908		525 EXC	525	KT-5201	
690 SMC	690 - Short Filter	KT-6908	KN-157	525 EXC	525 - Short Filter	KT-5201	KN-157
690 SMC	690 - Tall Filter	KT-6908	KN-155	525 EXC	525 - Tall Filter	KT-5201	KN-155
690 Supermoto	690	KT-6907					

* 2 filters required

◆ Intake System Available - see page 84 +Cabin Air Filter Available - see page 453 1- Performance Silver Oil Filter Also Available



Vehicle	Engine Type	Air Filter	Oil Filter
2005 KTM			
625 SMC	625 - Short Filter		KN-155
625 SMC	625 - Tall Filter		KN-156
950 Adventure	942	KT-9504	KN-158
950 Adventure S	942	KT-9504	KN-158

2004 KTM			
450 EXC	450	KT-5201	
450 EXC	450 - Short Filter	KT-5201	KN-157
450 EXC	450 - Tall Filter	KT-5201	KN-155
525 EXC Racing	525	KT-5201	
525 EXC Racing	525 - Short Filter	KT-5201	KN-157
525 EXC Racing	525 - Tall Filter	KT-5201	KN-155
625 SXC	625 - Short Filter		KN-157
625 SXC	625 - Tall Filter		KN-155
950 Adventure	942	KT-9504	KN-158
950 Adventure S	942	KT-9504	KN-158

2003 KTM			
450 EXC	450	KT-5201	
450 EXC	450 - Short Filter	KT-5201	KN-157
450 EXC	450 - Tall Filter	KT-5201	KN-155
525 EXC Racing	525	KT-5201	
525 EXC Racing	525 - Short Filter	KT-5201	KN-157
525 EXC Racing	525 - Tall Filter	KT-5201	KN-155
525 SX Racing	525 - Tall Filter		KN-155
625 SXC	625 - Short Filter		KN-157
625 SXC	625 - Tall Filter		KN-155
950 Adventure S	942	KT-9504	

2002 KTM			
400 EXC	400	KT-5201	
400 EXC	400 - Short Filter	KT-5201	KN-157
400 EXC	400 - Tall Filter	KT-5201	KN-155
520 EXC Racing	510	KT-5201	
520 EXC Racing	510 - Short Filter	KT-5201	KN-157
520 EXC Racing	510 - Tall Filter	KT-5201	KN-155
640 Duke II	625 - Short Filter		KN-155
640 Duke II	625 - Tall Filter		KN-156

2001 KTM			
520 EXC Racing	510 - Short Filter		KN-157
520 EXC Racing	510 - Tall Filter		KN-155

1999 KTM			
640 LC4	625 - Short Filter		KN-155
640 LC4	625 - Tall Filter		KN-156

2011 KUBOTA			
RTV500 4x4	454	E-4552	
RTV900	900	E-4552	
RTV1100	898 - D1105-E2	E-4961	

2010 KUBOTA			
RTV1100	898 - D1105-E2	E-4961	

2007 KUBOTA			
RTV1100	898 - D1105-E2	E-4961	

2003 KUBOTA			
BX2200	892	E-4552	

2002 KUBOTA			
BX2200	892	E-4552	

2005 LADA			
Niva	1.7L L4 F/I	33-2003	

Vehicle	Engine Type	Air Filter	Oil Filter
2015 LAMBORGHINI			
Huracan	5.2L V10 F/I	E-0658	

2014 LAMBORGHINI			
Gallardo	5.2L V10 F/I	E-0669	

2013 LAMBORGHINI			
Gallardo	5.2L V10 F/I	E-0669	

2012 LAMBORGHINI			
Gallardo	5.2L V10 F/I	E-0669	

2011 LAMBORGHINI			
Gallardo	5.2L V10 F/I	E-0669	

2010 LAMBORGHINI			
Gallardo	5.2L V10 F/I	E-0669	

2009 LAMBORGHINI			
Gallardo	5.2L V10 F/I	E-0669	

2008 LAMBORGHINI			
Gallardo	5.0L V10 F/I	33-2490*	

2007 LAMBORGHINI			
Gallardo	5.0L V10 F/I	33-2490*	

2006 LAMBORGHINI			
Gallardo	5.0L V10 F/I	33-2490*	

2005 LAMBORGHINI			
Gallardo	5.0L V10 F/I	33-2490*	

2004 LAMBORGHINI			
Gallardo	5.0L V10 F/I	33-2490*	

2017 LANCIA			
Ypsilon	0.9L L2 F/I	33-2981	
Ypsilon	1.2L L4 F/I	33-2931	

2017 LEXUS			
CT200h	1.8L L4 F/I	33-2435	PS-7021
ES300h	2.5L L4 F/I		PS-7020
ES350	3.5L V6 F/I		PS-7020
GS F	5.0L V8 F/I		PS-7018
GS200t	2.0L L4 F/I		PS-7020
GS350	3.5L V6 F/I		PS-7020
GS450h	3.5L V6 F/I		PS-7023
GX460	4.6L V8 F/I		PS-7023
IS200t	2.0L L4 F/I	33-2452	PS-7020
IS300	3.5L V6 F/I		PS-7023
IS300h	2.5L L4 F/I	33-2452	
LS460	4.6L V8 F/I		PS-7023
LS600h	5.0L V8 F/I	33-2381*	PS-7023
LX570	5.7L V8 F/I		PS-7018
NX200t	2.0L L4 F/I	33-2443	PS-7020
NX300h	2.5L L4 F/I	33-2435	PS-7020
RC F	5.0L V8 F/I	33-2453 ♦	PS-7018
RC200t	2.0L L4 F/I		PS-7020
RC300	3.5L V6 F/I		PS-7023
RC350	3.5L V6 F/I	33-2452	PS-7023
RX350	3.5L V6 F/I	33-2443	PS-7020
RX450h	3.5L V6 F/I		PS-7020
RX450h	3.5L V6 F/I - Non-US	33-2455	PS-7020

2016 LEXUS			
CT200h	1.8L L4 F/I	33-2435+	PS-7021
ES300h	2.5L L4 F/I	33-2381+	PS-7020
ES350	3.5L V6 F/I	33-2443+	PS-7020
GS F	5.0L V8 F/I		PS-7018
GS200t	2.0L L4 F/I		PS-7020

* 2 filters required

♦ Intake System Available - see page 84 +Cabin Air Filter Available - see page 453 1- Performance Silver Oil Filter Also Available



AIR & OIL FILTERS

LEXUS

Vehicle	Engine Type	Air Filter	Oil Filter
2016 LEXUS			
GS350	3.5L V6 F/I	33-2452	PS-7020
GX460	4.6L V8 F/I	33-2438+	PS-7023
IS200t	2.0L L4 F/I	33-2452	PS-7020
IS300	3.5L V6 F/I	33-2452	PS-7023
IS350	3.5L V6 F/I	33-2452	PS-7023
LS460	4.6L V8 F/I		PS-7023
LX570	5.7L V8 F/I	33-2387+	PS-7018
NX200t	2.0L L4 F/I	33-2443+	PS-7020
NX300h	2.5L L4 F/I	33-2435+	
RC F	5.0L V8 F/I	33-2453 ♦	PS-7018
RC200t	2.0L L4 F/I		PS-7020
RC300	3.5L V6 F/I	33-2452	PS-7023
RC350	3.5L V6 F/I	33-2452	PS-7023
RX350	3.5L V6 F/I	33-2443	PS-7020
RX450h	3.5L V6 F/I		PS-7020
RX450h	3.5L V6 F/I - Non-US	33-2455	PS-7020

Vehicle	Engine Type	Air Filter	Oil Filter
2015 LEXUS			
CT200h	1.8L L4 F/I	33-2435+	PS-7021
ES300h	2.5L L4 F/I	33-2381+	PS-7020
ES350	3.5L V6 F/I	33-2443+	PS-7020
GS350	3.5L V6 F/I	33-2452	PS-7023
GX460	4.6L V8 F/I	33-2438+	PS-7023
IS F	5.0L V8 F/I		PS-7018
IS250	2.5L V6 F/I	33-2452 ♦	PS-7023
IS300	2.5L L4 F/I	33-2452	
IS300h	2.5L L4 F/I	33-2452	
IS350	3.5L V6 F/I	33-2452 ♦	PS-7023
LS460	4.6L V8 F/I	33-2381*+	PS-7023
LX570	5.7L V8 F/I	33-2387+	PS-7018
NX200t	2.0L L4 F/I	33-2443+	PS-7020
RC F	5.0L V8 F/I	33-2453 ♦	PS-7018
RC350	3.5L V6 F/I	33-2452 ♦	PS-7023
RX350	3.5L V6 F/I	33-2443+	PS-7020
RX450h	3.5L V6 F/I	33-2455+	PS-7020

Vehicle	Engine Type	Air Filter	Oil Filter
2014 LEXUS			
CT200h	1.8L L4 F/I	33-2435+	PS-7021
ES300h	2.5L L4 F/I	33-2381+	PS-7020
ES350	3.5L V6 F/I	33-2443+	PS-7020
GS350	3.5L V6 F/I	33-2452 ♦	PS-7023
GX460	4.6L V8 F/I	33-2438+	PS-7023
IS F	5.0L V8 F/I	33-2453	PS-7018
IS250	2.5L V6 F/I	33-2452	PS-7023
IS350	3.5L V6 F/I	33-2452 ♦	PS-7023
LS460	4.6L V8 F/I	33-2381*+	PS-7023
LX570	5.7L V8 F/I	33-2387+	
RX350	3.5L V6 F/I	33-2443+	PS-7020

Vehicle	Engine Type	Air Filter	Oil Filter
2013 LEXUS			
CT200h	1.8L L4 F/I	33-2435+	PS-7021
ES300h	2.5L L4 F/I	33-2381+	PS-7020
ES350	3.5L V6 F/I	33-2443+	PS-7020
GS350	3.5L V6 F/I	33-2452 ♦	PS-7023
GS450h	3.5L V6 F/I	33-2452	PS-7023
GX460	4.6L V8 F/I	33-2438+	PS-7023
IS F	5.0L V8 F/I	33-2453+	PS-7018
IS250	2.5L V6 F/I		PS-7023
IS250	2.5L V6 F/I - Non-US, From 3/13	33-2452 ♦	PS-7023
IS250	2.5L V6 F/I - Non-US, To 2/13	33-2345 ♦	PS-7023
IS250	2.5L V6 F/I - US	33-2345 ♦♦	PS-7023
IS350	3.5L V6 F/I	33-2345 ♦♦	PS-7023
LS460	4.6L V8 F/I	33-2381*+	PS-7023

Vehicle	Engine Type	Air Filter	Oil Filter
2013 LEXUS			
LX570	5.7L V8 F/I	33-2387+	PS-7018
RX350	3.5L V6 F/I	33-2443+	PS-7020
RX450h	3.5L V6 F/I	33-2455+	PS-7020
2012 LEXUS			
CT200h	1.8L L4 F/I	33-2435+	PS-7021
ES350	3.5L V6 F/I	33-2326+	PS-7020
GX460	4.6L V8 F/I	33-2438+	PS-7023
IS F	5.0L V8 F/I	33-2453 ♦♦	PS-7018
IS250	2.5L V6 F/I	33-2345 ♦♦	PS-7023
IS350	3.5L V6 F/I	33-2345+	PS-7023
LS460	4.6L V8 F/I	33-2381*+	PS-7023
LX570	5.7L V8 F/I	33-2387	
RX350	3.5L V6 F/I	33-2443+	PS-7020
RX450h	3.5L V6 F/I	33-2455+	PS-7020
2011 LEXUS			
CT200h	1.8L L4 F/I	33-2435+	PS-7021
ES350	3.5L V6 F/I	33-2326+	PS-7020
GS350	3.5L V6 F/I	33-2345 ♦♦	PS-7023
GX460	4.6L V8 F/I	33-2438+	PS-7023
IS F	5.0L V8 F/I	33-2453 ♦♦	PS-7018
IS250	2.5L V6 F/I	33-2345 ♦♦	PS-7023
IS350	3.5L V6 F/I	33-2345 ♦♦	PS-7023
LS460	4.6L V8 F/I	33-2381*+	PS-7023
LX570	5.7L V8 F/I	33-2387+	
RX350	3.5L V6 F/I	33-2443+	PS-7020
RX450h	3.5L V6 F/I	33-2455+	PS-7020

Vehicle	Engine Type	Air Filter	Oil Filter
2010 LEXUS			
ES350	3.5L V6 F/I	33-2326+	PS-7020
GS350	3.5L V6 F/I	33-2345 ♦♦	PS-7023
GS460	4.6L V8 F/I	33-2452+	
GX460	4.6L V8 F/I	33-2438+	PS-7023
HS250h	2.4L L4 F/I	33-2381+	HP-1003 ¹
IS F	5.0L V8 F/I	33-2453 ♦♦	PS-7018
IS220	2.2L L4 DSL	33-2345	
IS250	2.5L V6 F/I	33-2345 ♦♦	PS-7023
IS350	3.5L V6 F/I	33-2345 ♦♦	PS-7023
LS460	4.6L V8 F/I	33-2381*+	PS-7023
LX570	5.7L V8 F/I	33-2387+	PS-7018
RX350	3.5L V6 F/I	33-2443+	PS-7020
RX450h	3.5L V6 F/I	33-2455+	PS-7020
2009 LEXUS			
ES350	3.5L V6 F/I	33-2326+	PS-7020
GS350	3.5L V6 F/I	33-2345 ♦♦	PS-7023
GS450h	3.5L V6 F/I	33-2220+	
GX470	4.7L V8 F/I	33-2144+	HP-1002 ¹
IS F	5.0L V8 F/I	33-2453 ♦♦	PS-7018
IS220	2.2L L4 DSL	33-2345	
IS250	2.5L V6 F/I	33-2345 ♦♦	PS-7023
IS350	3.5L V6 F/I	33-2345 ♦♦	PS-7023
LS460	4.6L V8 F/I	33-2381*+	PS-7023
LX570	5.7L V8 F/I	33-2387+	
RX350	3.5L V6 F/I	33-2260+	PS-7020
SC430	4.3L V8 F/I	33-2220+	

Vehicle	Engine Type	Air Filter	Oil Filter
2008 LEXUS			
ES350	3.5L V6 F/I	33-2326+	PS-7020
GS350	3.5L V6 F/I	33-2345 ♦♦	PS-7023
GS450h	3.5L V6 F/I	33-2220+	
GS460	4.6L V8 F/I	33-2452+	PS-7023
GX470	4.7L V8 F/I	33-2144+	HP-1002 ¹
IS F	5.0L V8 F/I	33-2453 ♦♦	PS-7018

* 2 filters required

♦ Intake System Available - see page 84 ♦ Cabin Air Filter Available - see page 453 1- Performance Silver Oil Filter Also Available



Vehicle	Engine Type	Air Filter	Oil Filter
2008 LEXUS			
IS250	2.5L V6 F/I	33-2345 ♦+	PS-7023
IS350	3.5L V6 F/I	33-2345 ♦+	PS-7023
LS460	4.6L V8 F/I	33-2381*+	PS-7023
LS600h	5.0L V8 F/I	33-2381*	PS-7023
LX470	4.7L V8 F/I	33-2146	
LX570	5.7L V8 F/I	33-2387+	
RX350	3.5L V6 F/I	33-2260+	PS-7020
RX400h	3.3L V6 F/I	33-2344+	HP-1002 ¹
SC430	4.3L V8 F/I	33-2220+	

Vehicle	Engine Type	Air Filter	Oil Filter
2007 LEXUS			
ES350	3.5L V6 F/I	33-2326+	PS-7020
GS350	3.5L V6 F/I	33-2345 ♦+	PS-7023
GS430	4.3L V8 F/I	33-2345+	HP-1002 ¹
GS450h	3.5L V6 F/I	33-2220+	PS-7023
GX470	4.7L V8 F/I	33-2144+	HP-1002 ¹
IS250	2.5L V6 F/I	33-2345 ♦+	PS-7023
IS350	3.5L V6 F/I	33-2345 ♦+	PS-7023
LS460	4.6L V8 F/I	33-2381*+	PS-7023
LX470	4.7L V8 F/I	33-2146	HP-1002 ¹
RX350	3.5L V6 F/I	33-2260+	PS-7020
RX400h	3.3L V6 F/I	33-2344+	HP-1002 ¹
SC430	4.3L V8 F/I	33-2220+	HP-1002 ¹

Vehicle	Engine Type	Air Filter	Oil Filter
2006 LEXUS			
ES330	3.3L V6 F/I	33-2260+	HP-1002 ¹
GS300	3.0L V6 F/I	33-2220+	PS-7023
GS430	4.3L V8 F/I	33-2345+	HP-1002 ¹
GX470	4.7L V8 F/I	33-2144+	HP-1002 ¹
IS250	2.5L V6 F/I	33-2345 ♦+	PS-7023
IS350	3.5L V6 F/I	33-2345 ♦+	PS-7023
LS430	4.3L V8 F/I	33-2137+	HP-1002 ¹
LX470	4.7L V8 F/I	33-2146	HP-1002 ¹
RX330	3.3L V6 F/I	33-2260+	HP-1002 ¹
RX400h	3.3L V6 F/I	33-2344+	HP-1002 ¹
SC430	4.3L V8 F/I	33-2220+	HP-1002 ¹

Vehicle	Engine Type	Air Filter	Oil Filter
2005 LEXUS			
ES330	3.3L V6 F/I	33-2260+	HP-1002 ¹
GS300	3.0L L6 F/I	33-2170+	HP-1002 ¹
GS430	4.3L V8 F/I	33-2220+	HP-1002 ¹
GX470	4.7L V8 F/I	33-2144+	HP-1002 ¹
IS200	2.0L L6 F/I - 153BHP	33-2845	
IS250	2.5L V6 F/I	33-2345 ♦	
IS300	3.0L L6 F/I	33-2170 ♦+	HP-1002 ¹
LS430	4.3L V8 F/I	33-2137+	HP-1002 ¹
LX470	4.7L V8 F/I	33-2146	HP-1002 ¹
RX330	3.3L V6 F/I	33-2260+	HP-1002 ¹
SC430	4.3L V8 F/I	33-2220+	HP-1002 ¹

Vehicle	Engine Type	Air Filter	Oil Filter
2004 LEXUS			
ES330	3.3L V6 F/I	33-2260+	HP-1002 ¹
GS300	3.0L L6 F/I	33-2170+	HP-1002 ¹
GS430	4.3L V8 F/I	33-2220+	HP-1002 ¹
GX470	4.7L V8 F/I	33-2144+	HP-1002 ¹
IS200	2.0L L6 F/I - 153BHP	33-2845	
IS300	3.0L L6 F/I	33-2170 ♦+	HP-1002 ¹
LS430	4.3L V8 F/I	33-2137+	HP-1002 ¹
LX470	4.7L V8 F/I	33-2146	HP-1002 ¹
RX330	3.3L V6 F/I	33-2260+	HP-1002 ¹
SC430	4.3L V8 F/I	33-2220+	HP-1002 ¹

Vehicle	Engine Type	Air Filter	Oil Filter
2003 LEXUS			
ES300	3.0L V6 F/I	33-2260+	HP-1002 ¹
GS300	3.0L L6 F/I	33-2170+	HP-1002 ¹

Vehicle	Engine Type	Air Filter	Oil Filter
2003 LEXUS			
GS430	4.3L V8 F/I	33-2220+	HP-1002 ¹
GX470	4.7L V8 F/I	33-2144+	HP-1002 ¹
IS200	2.0L L6 F/I - 153BHP	33-2845	
IS300	3.0L L6 F/I	33-2170 ♦+	HP-1002 ¹
LS430	4.3L V8 F/I	33-2137+	HP-1002 ¹
LX470	4.7L V8 F/I	33-2146	HP-1002 ¹
RX300	3.0L V6 F/I	33-2145-1+	HP-1002 ¹
RX330	3.3L V6 F/I	33-2260	
SC430	4.3L V8 F/I	33-2220+	HP-1002 ¹

Vehicle	Engine Type	Air Filter	Oil Filter
2002 LEXUS			
ES300	3.0L V6 F/I	33-2260+	HP-1002 ¹
GS300	3.0L L6 F/I	33-2170+	HP-1002 ¹
GS430	4.3L V8 F/I	33-2220+	HP-1002 ¹
IS200	2.0L L6 F/I - 153BHP	33-2845	
IS300	3.0L L6 F/I	33-2170 ♦+	HP-1002 ¹
LS430	4.3L V8 F/I	33-2137+	HP-1002 ¹
LX470	4.7L V8 F/I	33-2146	HP-1002 ¹
RX300	3.0L V6 F/I	33-2145-1+	HP-1002 ¹
SC430	4.3L V8 F/I	33-2220+	HP-1002 ¹

Vehicle	Engine Type	Air Filter	Oil Filter
2001 LEXUS			
ES300	3.0L V6 F/I	33-2145-1	HP-1002 ¹
GS300	3.0L L6 F/I	33-2170+	HP-1002 ¹
GS430	4.3L V8 F/I	33-2220+	HP-1002 ¹
IS200	2.0L L6 F/I - 153BHP	33-2845	
IS300	3.0L L6 F/I	33-2170 ♦+	HP-1002 ¹
LS430	4.3L V8 F/I	33-2137+	HP-1002 ¹
LX470	4.7L V8 F/I	33-2146	HP-1002 ¹
RX300	3.0L V6 F/I	33-2145-1+	HP-1002 ¹

Vehicle	Engine Type	Air Filter	Oil Filter
2000 LEXUS			
ES300	3.0L V6 F/I	33-2145-1	HP-1002 ¹
GS300	3.0L L6 F/I	33-2170	HP-1002 ¹
GS400	4.0L V8 F/I	33-2137 ♦	HP-1002 ¹
IS200	2.0L L6 F/I - 153BHP	33-2845	
IS300	3.0L L6 F/I	33-2170	
LS400	4.0L V8 F/I	E-2606	HP-1002 ¹
LX470	4.7L V8 F/I	33-2146	HP-1002 ¹
RX300	3.0L V6 F/I	33-2145-1+	HP-1002 ¹
SC300	3.0L L6 F/I	33-2054	HP-1002 ¹

Vehicle	Engine Type	Air Filter	Oil Filter
1999 LEXUS			
ES300	3.0L V6 F/I	33-2145-1	HP-1002 ¹
GS300	3.0L L6 F/I	33-2170	HP-1002 ¹
GS400	4.0L V8 F/I	33-2137 ♦	HP-1002 ¹
IS200	2.0L L6 F/I - 153BHP	33-2845	
LS400	4.0L V8 F/I	E-2606	HP-1002 ¹
LX470	4.7L V8 F/I	33-2146	HP-1002 ¹
RX300	3.0L V6 F/I	33-2145-1+	HP-1002 ¹
SC300	3.0L L6 F/I	33-2054	HP-1002 ¹
SC400	4.0L V8 F/I		HP-1002 ¹

Vehicle	Engine Type	Air Filter	Oil Filter
1998 LEXUS			
ES300	3.0L V6 F/I	33-2145-1	HP-1002 ¹
GS300	3.0L L6 F/I	33-2170	HP-1002 ¹
GS400	4.0L V8 F/I	33-2137 ♦	HP-1002 ¹
LS400	4.0L V8 F/I	E-2606	HP-1002 ¹
LX470	4.7L V8 F/I	33-2146	
SC300	3.0L L6 F/I		HP-1002 ¹
SC400	4.0L V8 F/I		HP-1002 ¹

Vehicle	Engine Type	Air Filter	Oil Filter
1997 LEXUS			
ES300	3.0L V6 F/I	33-2145-1	HP-1002 ¹
GS300	3.0L L6 F/I	33-2053	
LS400	4.0L V8 F/I	E-2606	HP-1002 ¹

* 2 filters required

♦ Intake System Available - see page 84 +Cabin Air Filter Available - see page 453 1- Performance Silver Oil Filter Also Available



AIR & OIL FILTERS

LEXUS

Vehicle	Engine Type	Air Filter	Oil Filter
1997 LEXUS			
LX450	4.5L L6 F/I	E-2443	HP-1002 ¹
SC300	3.0L L6 F/I	33-2054	HP-1002 ¹
SC400	4.0L V8 F/I	33-2054	HP-1002 ¹
1996 LEXUS			
ES300	3.0L V6 F/I	33-2052	HP-1002 ¹
GS300	3.0L L6 F/I	33-2053	
LS400	4.0L V8 F/I	E-2606	HP-1002 ¹
LX450	4.5L L6 F/I	E-2443	HP-1002 ¹
SC300	3.0L L6 F/I	33-2054	HP-1002 ¹
SC400	4.0L V8 F/I	33-2054	HP-1002 ¹
1995 LEXUS			
ES300	3.0L V6 F/I	33-2052	HP-1002 ¹
GS300	3.0L L6 F/I	33-2053	
LS400	4.0L V8 F/I	E-2606	HP-1002 ¹
SC300	3.0L L6 F/I	33-2054	HP-1002 ¹
SC400	4.0L V8 F/I	33-2054	HP-1002 ¹
1994 LEXUS			
ES300	3.0L V6 F/I	33-2052	HP-1002 ¹
GS300	3.0L L6 F/I	33-2053	HP-1002 ¹
LS400	4.0L V8 F/I	E-2606	HP-1002 ¹
SC300	3.0L L6 F/I	33-2054	HP-1002 ¹
SC400	4.0L V8 F/I	33-2054	HP-1002 ¹
1993 LEXUS			
ES300	3.0L V6 F/I	33-2052	
GS300	3.0L L6 F/I	33-2053	HP-1002 ¹
LS400	4.0L V8 F/I	E-2606	HP-1002 ¹
SC300	3.0L L6 F/I	33-2054	HP-1002 ¹
SC400	4.0L V8 F/I	33-2054	HP-1002 ¹
1992 LEXUS			
ES300	3.0L V6 F/I		HP-1002 ¹
LS400	4.0L V8 F/I	E-2606	HP-1002 ¹
SC300	3.0L L6 F/I	33-2054	HP-1002 ¹
SC400	4.0L V8 F/I	33-2054	HP-1002 ¹
1991 LEXUS			
LS400	4.0L V8 F/I	E-2606	HP-1002 ¹
1990 LEXUS			
LS400	4.0L V8 F/I	E-2606	HP-1002 ¹
2017 LINCOLN			
Continental	3.7L V6 F/I		HP-2011 ¹
MKC	2.0L L4 F/I		HP-1002 ¹
MKC	2.3L L4 F/I		HP-1002 ¹
MKT	2.0L L4 F/I		HP-1002 ¹
MKT	3.5L V6 F/I		HP-2011 ¹
MKT	3.7L V6 F/I		HP-2011 ¹
MKX	3.7L V6 F/I		HP-2011 ¹
MKZ	2.0L L4 F/I		HP-1002 ¹
MKZ	3.7L V6 F/I		HP-2011 ¹
Navigator	3.5L V6 F/I		HP-2011 ¹
2016 LINCOLN			
MKC	2.0L L4 F/I	E-2993	HP-1002 ¹
MKC	2.3L L4 F/I	E-2993	HP-1002 ¹
MKS	3.5L V6 F/I	33-2395	
MKX	2.7L V6 F/I		PS-7037
MKX	3.7L V6 F/I		HP-2011 ¹
MKZ	2.0L L4 F/I	33-5000+	HP-1002 ¹
MKZ	3.7L V6 F/I	33-5000+	HP-2011 ¹
MKZ Hybrid	2.0L L4 F/I	33-5001+	HP-1002 ¹
Navigator	3.5L V6 F/I	33-2385 ♦	HP-2011 ¹

Vehicle	Engine Type	Air Filter	Oil Filter
2015 LINCOLN			
MKC	2.0L L4 F/I	E-2993	HP-1002 ¹
MKC	2.3L L4 F/I	E-2993	HP-1002 ¹
MKS	3.5L V6 F/I	33-2395+	HP-2011 ¹
MKS	3.7L V6 F/I	33-2395	
MKT	3.5L V6 F/I	33-2395	HP-2011 ¹
MKT	3.7L V6 F/I	33-2395	
MKX	3.7L V6 F/I	33-2395+	HP-2011 ¹
MKZ	2.0L L4 F/I	33-5000+	HP-1002 ¹
MKZ	3.7L V6 F/I	33-5000+	HP-2011 ¹
MKZ Hybrid	2.0L L4 F/I	33-5001+	HP-1002 ¹
Navigator	3.5L V6 F/I	33-2385 ♦	HP-2011 ¹
Navigator	5.4L V8 F/I		HP-2010 ¹
2014 LINCOLN			
MKS	3.5L V6 F/I	33-2395+	HP-2011 ¹
MKS	3.7L V6 F/I	33-2395+	HP-2011 ¹
MKT	3.5L V6 F/I	33-2395+	HP-2011 ¹
MKT	3.7L V6 F/I	33-2395+	
MKX	3.7L V6 F/I	33-2395+	HP-2011 ¹
MKZ	2.0L L4 F/I	33-5000+	HP-1002 ¹
MKZ	3.7L V6 F/I	33-5000+	HP-2011 ¹
MKZ Hybrid	2.0L L4 F/I	33-5001+	HP-1002 ¹
Navigator	5.4L V8 F/I	33-2385 ♦	HP-2010 ¹
2013 LINCOLN			
MKS	3.5L V6 F/I	33-2395+	HP-2011 ¹
MKS	3.7L V6 F/I	33-2395+	HP-2011 ¹
MKT	3.5L V6 F/I	33-2395+	HP-2011 ¹
MKX	3.7L V6 F/I	33-2395+	HP-2011 ¹
MKZ	2.0L L4 F/I	33-5000+	HP-1002 ¹
MKZ	3.7L V6 F/I	33-5000+	HP-2011 ¹
MKZ Hybrid	2.0L L4 F/I	33-5001+	HP-1002 ¹
Navigator	5.4L V8 F/I	33-2385 ♦	HP-2010 ¹
2012 LINCOLN			
MKS	3.5L V6 F/I	33-2395+	HP-2011 ¹
MKS	3.7L V6 F/I	33-2395+	HP-2011 ¹
MKT	3.5L V6 F/I	33-2395+	HP-2011 ¹
MKX	3.7L V6 F/I	33-2395+	HP-2011 ¹
MKZ	2.5L L4 F/I		HP-1002 ¹
MKZ	3.5L V6 F/I	33-2395+	HP-2011 ¹
Navigator	5.4L V8 F/I	33-2385 ♦	HP-2010 ¹
2011 LINCOLN			
MKS	3.5L V6 F/I	33-2395+	HP-2011 ¹
MKS	3.7L V6 F/I	33-2395+	HP-2011 ¹
MKT	3.5L V6 F/I	33-2395+	HP-2011 ¹
MKT	3.7L V6 F/I	33-2395+	
MKX	3.7L V6 F/I	33-2395+	HP-2011 ¹
MKZ	3.5L V6 F/I	33-2395+	HP-2011 ¹
Navigator	5.4L V8 F/I	33-2385 ♦	HP-2010 ¹
Town Car	4.6L V8 F/I	33-2272	HP-2010 ¹
2010 LINCOLN			
MKS	3.5L V6 F/I	33-2395+	HP-2011 ¹
MKS	3.7L V6 F/I	33-2395+	HP-2011 ¹
MKT	3.5L V6 F/I	33-2395+	HP-2011 ¹
MKT	3.7L V6 F/I	33-2395+	HP-2011 ¹
MKX	3.5L V6 F/I	33-2395+	HP-2011 ¹
MKZ	3.5L V6 F/I	33-2395+	HP-2011 ¹
Navigator	5.4L V8 F/I	33-2385 ♦	HP-2010 ¹
Town Car	4.6L V8 F/I	33-2272	
2009 LINCOLN			
MKS	3.7L V6 F/I	33-2395	HP-2009 ¹
MKX	3.5L V6 F/I	33-2395+	

* 2 filters required

♦ Intake System Available - see page 84 +Cabin Air Filter Available - see page 453 1- Performance Silver Oil Filter Also Available



Vehicle	Engine Type	Air Filter	Oil Filter
2009 LINCOLN			
MKX	3.5L V6 F/I - Built After 1/15/09	33-2395	HP-2011 ¹
MKX	3.5L V6 F/I - Built Before 1/15/09	33-2395	HP-2009 ¹
MKZ	3.5L V6 F/I	33-2395	HP-2009 ¹
Navigator	5.4L V8 F/I	33-2385 ♦	HP-2010 ¹
Town Car	4.6L V8 F/I	33-2272	HP-2010 ¹
2008 LINCOLN			
Mark LT	5.4L V8 F/I	33-2287 ♦	HP-2010 ¹
MKX	3.5L V6 F/I	33-2395+	HP-2009 ¹
MKZ	3.5L V6 F/I	33-2395	HP-2009 ¹
Navigator	5.4L V8 F/I	33-2385 ♦	HP-2010 ¹
Town Car	4.6L V8 F/I	33-2272	HP-2010 ¹
2007 LINCOLN			
Mark LT	5.4L V8 F/I	33-2287 ♦	HP-2010 ¹
MKX	3.5L V6 F/I	33-2395+	HP-2009 ¹
MKZ	3.5L V6 F/I	33-2395	HP-2009 ¹
Navigator	5.4L V8 F/I	33-2385 ♦	HP-2010 ¹
Town Car	4.6L V8 F/I	33-2272	HP-2010 ¹
2006 LINCOLN			
LS	3.9L V8 F/I	33-2266 ♦	HP-1014
Mark LT	5.4L V8 F/I	33-2287 ♦	HP-2010 ¹
Navigator	5.4L V8 F/I	33-2287	HP-2010 ¹
Town Car	4.6L V8 F/I	33-2272	HP-2010 ¹
Zephyr	3.0L V6 F/I	33-2340	HP-2010 ¹
2005 LINCOLN			
Aviator	4.6L V8 F/I	33-2207	HP-2010 ¹
LS	3.0L V6 F/I	33-2266	HP-2009 ¹
LS	3.9L V8 F/I	33-2266 ♦	HP-1014
Navigator	5.4L V8 F/I	33-2287	HP-2010 ¹
Town Car	4.6L V8 F/I	33-2272	HP-2010 ¹
2004 LINCOLN			
Aviator	4.6L V8 F/I	33-2207	HP-2010 ¹
LS	3.0L V6 F/I	33-2266	HP-2009 ¹
LS	3.9L V8 F/I	33-2266 ♦	HP-1014
Navigator	5.4L V8 F/I	E-0945 ♦	HP-2010 ¹
Town Car	4.6L V8 F/I	33-2272	HP-2010 ¹
2003 LINCOLN			
Aviator	4.6L V8 F/I	33-2207	HP-2010 ¹
LS	3.0L V6 F/I	33-2266	HP-2009 ¹
LS	3.9L V8 F/I	33-2266 ♦	HP-1014
Navigator	5.4L V8 F/I	E-0945 ♦	HP-2010 ¹
Town Car	4.6L V8 F/I	33-2272	HP-2010 ¹
2002 LINCOLN			
Blackwood	5.4L V8 F/I	E-0945	HP-2010 ¹
Continental	4.6L V8 F/I	E-0945	HP-2010 ¹
LS	3.0L V6 F/I	33-2266+	HP-2009 ¹
LS	3.9L V8 F/I	33-2266+	HP-2009 ¹
Navigator	5.4L V8 F/I	E-0945 ♦	HP-2010 ¹
Town Car	4.6L V8 F/I	33-2272	HP-2010 ¹
2001 LINCOLN			
Continental	4.6L V8 F/I	E-0945	HP-2010 ¹
LS	3.0L V6 F/I	33-2266+	HP-2009 ¹
LS	3.9L V8 F/I	33-2266+	HP-2009 ¹
Navigator	5.4L V8 F/I	E-0945 ♦	HP-2010 ¹
Town Car	4.6L V8 F/I	33-2272	HP-2010 ¹
2000 LINCOLN			
Continental	4.6L V8 F/I	E-0945	HP-2010 ¹
LS	3.0L V6 F/I	33-2266+	HP-2009 ¹

Vehicle	Engine Type	Air Filter	Oil Filter
2000 LINCOLN			
LS	3.9L V8 F/I	33-2266+	
Navigator	5.4L V8 F/I	E-0945 ♦	HP-2010 ¹
Town Car	4.6L V8 F/I	33-2272	HP-2010 ¹
1999 LINCOLN			
Continental	4.6L V8 F/I	E-0945	HP-2010 ¹
Navigator	5.4L V8 F/I	E-0945	HP-2010 ¹
		E-0945 ♦	HP-2010 ¹
Town Car	4.6L V8 F/I	33-2272	HP-2010 ¹
1998 LINCOLN			
Continental	4.6L V8 F/I	E-0945	HP-2010 ¹
Mark VIII	4.6L V8 F/I	33-2073	HP-2010 ¹
Navigator	5.4L V8 F/I	E-0945 ♦	HP-2010 ¹
Town Car	4.6L V8 F/I	33-2272	HP-2010 ¹
1997 LINCOLN			
Continental	4.6L V8 F/I	E-0945	HP-2010 ¹
Mark VIII	4.6L V8 F/I	33-2073	HP-2010 ¹
Town Car	4.6L V8 F/I	33-2272	HP-2010 ¹
1996 LINCOLN			
Continental	4.6L V8 F/I	E-0945	HP-2010 ¹
Mark VIII	4.6L V8 F/I	33-2073	HP-2010 ¹
Town Car	4.6L V8 F/I	33-2272	HP-2010 ¹
1995 LINCOLN			
Mark VIII	4.6L V8 F/I	33-2073	HP-2010 ¹
Town Car	4.6L V8 F/I	33-2272	HP-2010 ¹
1994 LINCOLN			
Mark VIII	4.6L V8 F/I	33-2073	HP-2010 ¹
Town Car	4.6L V8 F/I	33-2272	HP-2010 ¹
1993 LINCOLN			
Mark VIII	4.6L V8 F/I	33-2073	HP-2010 ¹
Town Car	4.6L V8 F/I	33-2272	HP-2010 ¹
1992 LINCOLN			
Mark VII	5.0L V8 F/I	33-2015	HP-3001 ¹
Town Car	4.6L V8 F/I	33-2272	HP-2010 ¹
1991 LINCOLN			
Mark VII	5.0L V8 F/I	33-2015	
Town Car	4.6L V8 F/I		HP-2010 ¹
1990 LINCOLN			
Mark VII	5.0L V8 F/I	33-2015	HP-3001 ¹
Town Car	5.0L V8 F/I	33-2012	HP-3001 ¹
1989 LINCOLN			
Mark VII	5.0L V8 F/I	33-2015	
Town Car	5.0L V8 F/I	33-2012	HP-3001 ¹
1988 LINCOLN			
Mark VII	5.0L V8 F/I	33-2015	
Town Car	5.0L V8 F/I	33-2012	HP-3001 ¹
1986 LINCOLN			
Town Car	5.0L V8 F/I	33-2012	HP-3001 ¹
1985 LINCOLN			
Town Car	5.0L V8 F/I		HP-3001 ¹
1967 LINCOLN			
Continental	462 V8 CARB		HP-3001 ¹
2017 LOTUS			
Elise	1.6L L4 F/I	33-2252	
Elise	1.8L L4 F/I	33-2252	
Evora	3.5L V6 F/I	33-2355	

* 2 filters required

♦ Intake System Available - see page 84 +Cabin Air Filter Available - see page 453 1- Performance Silver Oil Filter Also Available



AIR & OIL FILTERS

LOTUS

Vehicle	Engine Type	Air Filter	Oil Filter	Vehicle	Engine Type	Air Filter	Oil Filter
2017 LOTUS				2016 MAZDA			
Exige	3.5L V6 F/I	33-2355		6	2.5L L4 F/I	33-2480 ♦	HP-1008 ¹
2016 LOTUS				BT50	2.2L L4 DSL	E-0662	
Evora	3.5L V6 F/I	33-2355		BT50	3.2L L5 DSL	E-0662	
2014 LOTUS				CX-3	1.5L L4 DSL	33-5038	
Evora	3.5L V6 F/I	33-2355		CX-3	2.0L L4 F/I	33-5042	HP-1008 ¹
2013 LOTUS				CX-5	2.0L L4 F/I	33-2480	HP-1008 ¹
Evora	3.5L V6 F/I	33-2355		CX-5	2.2L L4 DSL	33-3024	
2011 LOTUS				CX-5	2.5L L4 F/I	33-2480	HP-1008 ¹
Evora	3.5L V6 F/I	33-2355	PS-7020	CX-9	2.5L L4 F/I	33-3024	
2010 LOTUS				MX-5	2.0L L4 F/I		HP-1008 ¹
Evora	3.5L V6 F/I	33-2355	PS-7020	MX-5 IV	1.5L L4 F/I	33-5040	
2007 LOTUS				MX-5 IV	2.0L L4 F/I	33-5040	
Elise	1.8L L4 F/I - w/Toyota Eng.	33-2252 ♦		MX-5 Miata	2.0L L4 F/I	33-5040	HP-1008 ¹
Exige	1.8L L4 F/I	33-2647 ♦		Roadster	1.5L L4 F/I	33-5040	
2006 LOTUS				2015 MAZDA			
Elise	1.8L L4 F/I - w/Toyota Eng.	33-2252 ♦		2	1.5L L4 DSL	33-5038	
2005 LOTUS				2	1.5L L4 F/I	33-5038	HP-1008 ¹
Elise	1.8L L4 F/I - Exc. Toyota Eng.	33-2647 ♦		3	1.5L L4 DSL	33-5038	
Elise	1.8L L4 F/I - w/Toyota Eng.	33-2252 ♦		3	1.5L L4 F/I	33-5038	
1991 LOTUS				3	2.0L L4 F/I	33-2480 ♦	HP-1008 ¹
Excel	2.2L L4 CARB	33-2784		3	2.2L L4 DSL	33-3024	
1990 LOTUS				3	2.5L L4 F/I	33-2480 ♦	HP-1008 ¹
Excel	2.2L L4 CARB	33-2784		6	2.0L L4 F/I	33-2480	
2017 MAZDA				6	2.2L L4 DSL	33-3024	
2	1.5L L4 DSL	33-5038		6	2.5L L4 F/I	33-2480 ♦	HP-1008 ¹
2	1.5L L4 F/I	33-5038		CX-3	1.5L L4 DSL	33-5038	
3	1.5L L4 DSL	33-5038		CX-3	2.0L L4 F/I	33-5042	HP-1008 ¹
3	1.5L L4 F/I	33-5038		CX-5	2.0L L4 F/I	33-2480	
3	2.0L L4 F/I	33-2480 ♦	HP-1008 ¹	CX-5	2.2L L4 DSL	33-3024	
3	2.2L L4 DSL	33-3024		CX-5	2.5L L4 F/I	33-2480	
3	2.5L L4 F/I	33-2480 ♦	HP-1008 ¹	CX-9	2.5L L4 F/I		HP-1008 ¹
6	2.0L L4 F/I	33-2480		MX-5	2.0L L4 F/I		HP-1008 ¹
6	2.2L L4 DSL	33-3024		MX-5 III	1.8L L4 F/I	33-2335	
6	2.5L L4 F/I	33-2480 ♦	HP-1008 ¹	MX-5 III	2.0L L4 F/I	33-2335	HP-1002 ¹
CX-3	1.5L L4 DSL	33-5038		MX-5 IV	2.0L L4 F/I	33-5040	
CX-3	2.0L L4 F/I	33-5042	HP-1008 ¹	MX-5 Miata	2.0L L4 F/I	33-2335	HP-1002 ¹
CX-5	2.0L L4 F/I	33-2480		2014 MAZDA			
CX-5	2.2L L4 DSL	33-3024		2	1.3L L4 F/I	33-2924	
CX-5	2.5L L4 F/I	33-2480		2	1.5L L4 F/I	33-2924	HP-1008 ¹
CX-9	2.5L L4 F/I		HP-1008 ¹	3	1.5L L4 F/I	33-5038	
MX-5	2.0L L4 F/I		HP-1008 ¹	3	2.0L L4 F/I	33-2480 ♦	HP-1008 ¹
MX-5 IV	1.5L L4 F/I	33-5040		3	2.2L L4 DSL	33-3024	
MX-5 IV	2.0L L4 F/I	33-5040		3	2.5L L4 F/I	33-2480 ♦	HP-1008 ¹
MX-5 Miata	2.0L L4 F/I		HP-1008 ¹	3 Sport	2.0L L4 F/I		HP-1008 ¹
2016 MAZDA				5	2.5L L4 F/I	33-2293	HP-1002 ¹
2	1.5L L4 DSL	33-5038		6	2.0L L4 F/I	33-2480	
2	1.5L L4 F/I	33-5038		6	2.2L L4 DSL	33-3024	
3	1.5L L4 DSL	33-5038		6	2.5L L4 F/I	33-2480 ♦	HP-1008 ¹
3	1.5L L4 F/I	33-5038		BT50	2.2L L4 DSL	E-0662	
3	2.0L L4 F/I	33-2480 ♦	HP-1008 ¹	BT50	3.2L L5 DSL	E-0662	
3	2.2L L4 DSL	33-3024		CX-5	2.0L L4 F/I	33-2480	HP-1008 ¹
3	2.5L L4 F/I	33-2480 ♦	HP-1008 ¹	CX-5	2.2L L4 DSL	33-3024	
6	2.0L L4 F/I	33-2480		CX-5	2.5L L4 F/I	33-2480	HP-1008 ¹
6	2.2L L4 DSL	33-3024		CX-9	3.7L V6 F/I	33-2395+	HP-2009 ¹
6	2.5L L4 F/I	33-2480 ♦	HP-1008 ¹	MX-5	2.0L L4 F/I	33-2335	HP-1002 ¹
				MX-5 III	2.0L L4 F/I	33-2335	HP-1002 ¹

* 2 filters required ♦ Intake System Available - see page 84 + Cabin Air Filter Available - see page 453 1- Performance Silver Oil Filter Also Available



Vehicle	Engine Type	Air Filter	Oil Filter	Vehicle	Engine Type	Air Filter	Oil Filter
2014 MAZDA				2012 MAZDA			
MX-5 Miata	2.0L L4 F/I	33-2335	HP-1002 ¹	6	3.7L V6 F/I	33-2395	HP-2009 ¹
2013 MAZDA				BT50	3.2L L5 DSL	E-0662	
2	1.3L L4 F/I	33-2924		CX-5	2.2L L4 DSL	33-3024	
2	1.5L L4 F/I	33-2924	HP-1008 ¹	CX-7	2.3L L4 F/I	33-2279	HP-1002 ¹
2	1.6L L4 DSL	33-2955		CX-7	2.5L L4 F/I	33-2279	HP-1002 ¹
3	1.5L L4 F/I	33-5038		CX-9	3.7L V6 F/I	33-2395 ⁺	HP-2009 ¹
3	1.6L L4 DSL	E-2993 ♦		Mazdaspeed3	2.3L L4 F/I	33-2293 ♦	HP-1002 ¹
3	1.6L L4 F/I	33-2924		MX-5	2.0L L4 F/I	33-2335	HP-1002 ¹
3	2.0L L4 F/I		HP-1002 ¹	MX-5 III	2.0L L4 F/I	33-2335	HP-1002 ¹
3	2.0L L4 F/I - Eng. Skyactiv	33-2480 ♦	HP-1008 ¹	MX-5 Miata	2.0L L4 F/I	33-2335	HP-1002 ¹
		33-2480 ♦	HP-1008 ¹	2011 MAZDA			
		33-2480 ♦	HP-1008 ¹	2	1.3L L4 F/I	33-2924	
		33-2480 ♦	HP-1008 ¹	2	1.5L L4 F/I	33-2924	HP-1008 ¹
3	2.0L L4 F/I - Exc. Eng. Skyactiv	33-2293 ♦	HP-1002 ¹	2	1.6L L4 DSL	33-2955	
3	2.0L L4 F/I - Non-US, w/DISI Eng.	33-2999	HP-1002	3	1.6L L4 DSL	E-2993 ♦	
3	2.2L L4 DSL - From 9/13	33-3024		3	1.6L L4 F/I	33-2924	
3	2.3L L4 F/I		HP-1002 ¹	3	2.0L L4 F/I		HP-1002 ¹
3	2.5L L4 F/I	33-2293	HP-1002 ¹	3	2.0L L4 F/I - Non-US, Exc. DISI Eng.	33-2293	HP-1002
3 Sport	2.0L L4 F/I		HP-1002 ¹	3	2.0L L4 F/I - Non-US, w/DISI Eng.	33-2999	HP-1002
3 Sport	2.5L L4 F/I		HP-1002 ¹	3	2.0L L4 F/I - US	33-2293 ♦	HP-1002
5	2.5L L4 F/I	33-2293	HP-1002 ¹	3	2.2L L4 DSL	33-2293	
6	2.0L L4 F/I	33-2480		3	2.3L L4 F/I		HP-1002 ¹
6	2.2L L4 DSL	33-3024		3	2.5L L4 F/I	33-2293 ♦	HP-1002 ¹
6	2.5L L4 F/I	33-2424 ♦	HP-1002 ¹	6	1.8L L4 F/I	33-2278	
6	3.7L V6 F/I	33-2395	HP-2009 ¹	6	2.0L L4 F/I	33-2278	
CX-5	2.0L L4 F/I	33-2480	HP-1008 ¹	6	2.5L L4 F/I		HP-1002 ¹
CX-5	2.2L L4 DSL	33-3024		6	2.5L L4 F/I - US	33-2424 ♦	HP-1002
CX-9	3.7L V6 F/I	33-2395 ⁺	HP-2009 ¹	6	3.7L V6 F/I	33-2395	HP-2009 ¹
Mazdaspeed3	2.3L L4 F/I	33-2293 ♦	HP-1002 ¹	CX-7	2.3L L4 F/I	33-2279	HP-1002 ¹
MX-5	2.0L L4 F/I	33-2335	HP-1002 ¹	CX-7	2.5L L4 F/I	33-2279	HP-1002 ¹
MX-5 III	2.0L L4 F/I	33-2335	HP-1002 ¹	CX-9	3.7L V6 F/I	33-2395 ⁺	HP-2009 ¹
MX-5 Miata	2.0L L4 F/I	33-2335	HP-1002 ¹	Mazdaspeed3	2.3L L4 F/I	33-2293 ♦	HP-1002 ¹
2012 MAZDA				MX-5	2.0L L4 F/I	33-2335	HP-1002 ¹
2	1.3L L4 F/I	33-2924		MX-5 III	2.0L L4 F/I	33-2335	HP-1002 ¹
2	1.5L L4 F/I	33-2924	HP-1008 ¹	MX-5 Miata	2.0L L4 F/I	33-2335	HP-1002 ¹
2	1.6L L4 DSL	33-2955		RX-8	1.3L R2 F/I	33-2284 ♦	HP-1010 ¹
3	1.6L L4 DSL	E-2993 ♦		2010 MAZDA			
3	1.6L L4 F/I	33-2924		2	1.5L L4 F/I	33-2924	
3	2.0L L4 F/I - Eng. Skyactiv	33-2480	HP-1008 ¹	3	1.6L L4 DSL	E-2993 ♦	
3	2.0L L4 F/I - Exc. Eng. Skyactiv		HP-1002 ¹	3	1.6L L4 F/I	33-2924	
3	2.0L L4 F/I - Non-US, w/DISI Eng.	33-2999		3	2.0L L4 F/I		HP-1002 ¹
3	2.0L L4 F/I - US, Exc. Eng. Skyactiv	33-2293 ♦		3	2.0L L4 F/I - Non-US, Exc. DISI Eng.	33-2293	HP-1002
3	2.2L L4 DSL	33-2293		3	2.0L L4 F/I - Non-US, w/DISI Eng.	33-2999	HP-1002
3	2.3L L4 F/I		HP-1002 ¹	3	2.0L L4 F/I - US	33-2293	HP-1002
3	2.5L L4 F/I	33-2293 ♦	HP-1002 ¹	3	2.2L L4 DSL	33-2293	
3 Sport	2.0L L4 F/I - Eng. Skyactiv		HP-1008 ¹	3	2.3L L4 F/I	33-2293	HP-1002 ¹
3 Sport	2.0L L4 F/I - Exc. Eng. Skyactiv		HP-1002 ¹	3	2.5L L4 F/I	33-2293 ♦	HP-1002 ¹
5	1.8L L4 F/I	33-2293		3 Sport	2.0L L4 F/I		HP-1002 ¹
5	2.0L L4 F/I	33-2999		3 Sport	2.0L L4 F/I - Canada	33-2293	HP-1002
5	2.5L L4 F/I	33-2293	HP-1002 ¹	5 Van	2.0L L4 DSL	33-2293	
6	1.8L L4 F/I	33-2278		5 Van	2.3L L4 F/I	33-2293	HP-1002 ¹
6	2.0L L4 F/I	33-2278		6	2.0L L4 F/I	33-2278	
6	2.5L L4 F/I	33-2424 ♦	HP-1002 ¹	6	2.2L L4 DSL	33-2278	
				6	2.5L L4 F/I		HP-1002 ¹
				6	2.5L L4 F/I - Non-US	33-2278 ♦	HP-1002
				6	2.5L L4 F/I - US	33-2424 ♦	HP-1002
				6	3.7L V6 F/I	33-2395	HP-2009 ¹
				B2300	2.3L L4 F/I		HP-1002 ¹
				B4000	4.0L V6 F/I		HP-2010 ¹

* 2 filters required

♦ Intake System Available - see page 84 +Cabin Air Filter Available - see page 453 1- Performance Silver Oil Filter Also Available



AIR & OIL FILTERS

MAZDA

Vehicle	Engine Type	Air Filter	Oil Filter	Vehicle	Engine Type	Air Filter	Oil Filter
2010 MAZDA				2008 MAZDA			
CX-7	2.2L L4 DSL	33-2999		6	2.5L L4 F/I	33-2278 ♦	
CX-7	2.3L L4 F/I	33-2279	HP-1002 ¹	6	3.0L V6 F/I	33-2279+	HP-2010 ¹
CX-7	2.5L L4 F/I	33-2279	HP-1002 ¹	B2300	2.3L L4 F/I	33-2106-1	
CX-9	3.7L V6 F/I	33-2395+	HP-2009 ¹	B3000	3.0L V6 F/I	33-2106-1 ♦	
Mazdaspeed3	2.3L L4 F/I	33-2293 ♦	HP-1002 ¹	B4000	4.0L V6 F/I	33-2106-1 ♦	
MX-5	2.0L L4 F/I	33-2335	HP-1002 ¹	CX-7	2.3L L4 F/I	33-2279	PS-7013
MX-5 III	2.0L L4 F/I	33-2335	HP-1002 ¹	CX-9	3.7L V6 F/I	33-2395+	HP-2009 ¹
MX-5 Miata	2.0L L4 F/I	33-2335	HP-1002 ¹	Mazdaspeed3	2.3L L4 F/I	33-2293 ♦	PS-7013
RX-8	1.3L R2 F/I	33-2284 ♦	HP-1010 ¹	MX-5	2.0L L4 F/I	33-2335	HP-1002 ¹
Tribute	2.5L L4 F/I	33-2187	HP-1002 ¹	MX-5 III	1.8L L4 F/I	33-2335 ♦	
Tribute Hybrid	2.5L L4 F/I	33-2347	HP-1002 ¹	MX-5 III	2.0L L4 F/I	33-2335 ♦	HP-1002 ¹
2009 MAZDA				MX-5 Miata	2.0L L4 F/I	33-2335	HP-1002 ¹
2	1.3L L4 F/I	33-2924		RX-8	1.3L R2 F/I	33-2284 ♦	HP-1008 ¹
2	1.5L L4 F/I	33-2924		Tribute	2.3L L4 F/I	33-2187	HP-1002 ¹
3	1.6L L4 DSL - From 6/09	E-2993 ♦		Tribute	3.0L V6 F/I	33-2187	HP-2010 ¹
3	1.6L L4 DSL - To 5/09	33-2874 ♦		Tribute Hybrid	2.3L L4 F/I		PS-7013
3	1.6L L4 F/I	33-2924		2007 MAZDA			
3	2.0L L4 F/I		HP-1002 ¹	3	1.4L L4 F/I	33-2924	
3	2.0L L4 F/I - Non-US, Exc. DISI Eng.	33-2293 ♦	HP-1002	3	1.6L L4 DSL	33-2874	
3	2.0L L4 F/I - Non-US, w/DISI Eng.	33-2999 ♦	HP-1002	3	1.6L L4 F/I	33-2924	
3	2.0L L4 F/I - US	33-2293 ♦	HP-1002	3	2.0L L4 DSL	33-2293	
3	2.2L L4 DSL	33-2293		3	2.0L L4 F/I	33-2293 ♦	
3	2.3L L4 F/I	33-2293 ♦	PS-7013	3	2.0L L4 F/I - VIN F	33-2293	HP-1002 ¹
3 Sport	2.0L L4 F/I		HP-1002 ¹	3	2.0L L4 F/I - VIN G	33-2293	PS-7013
3 Sport	2.0L L4 F/I - Canada	33-2293	HP-1002	3	2.3L L4 F/I	33-2293 ♦	PS-7013
5	2.0L L4 F/I	33-2293		5 Van	2.0L L4 DSL	33-2293	
5 Van	2.0L L4 DSL	33-2293		5 Van	2.3L L4 F/I	33-2293 ♦	PS-7013
5 Van	2.3L L4 F/I	33-2293	PS-7013	6	1.8L L4 F/I	33-2278 ♦	
6	1.8L L4 F/I	33-2278 ♦		6	2.0L L4 DSL	33-2278	
6	2.0L L4 DSL	33-2278		6	2.0L L4 F/I	33-2278 ♦	
6	2.0L L4 F/I	33-2278 ♦		6	2.3L L4 F/I		PS-7013
6	2.5L L4 F/I - Cartridge		PS-7013	6	2.3L L4 F/I - Non-US	33-2279 ♦+	PS-7013
6	2.5L L4 F/I - Non-US	33-2278 ♦		6	2.3L L4 F/I - US	33-2278 ♦+	PS-7013
6	2.5L L4 F/I - Spin On		HP-1002 ¹	6	2.5L L4 F/I	33-2278	
6	2.5L L4 F/I - US	33-2424 ♦		6	3.0L V6 F/I	33-2279 ♦+	HP-2010 ¹
6	3.7L V6 F/I	33-2395	HP-2009 ¹	6	3.0L V6 F/I	33-2279 ♦+	HP-2010 ¹
B2300	2.3L L4 F/I	33-2106-1		B2300	2.3L L4 F/I	33-2106-1	
B4000	4.0L V6 F/I	33-2106-1 ♦	HP-2010 ¹	B3000	3.0L V6 F/I	33-2106-1 ♦	
CX-7	2.3L L4 F/I	33-2279	PS-7013	B4000	4.0L V6 F/I	33-2106-1 ♦	
CX-9	3.7L V6 F/I	33-2395+	HP-2009 ¹	CX-7	2.3L L4 F/I	33-2279	PS-7013
Mazdaspeed3	2.3L L4 F/I	33-2293 ♦	PS-7013	CX-9	3.5L V6 F/I	33-2395+	HP-2009 ¹
MX-5 Miata	2.0L L4 F/I	33-2335	HP-1002 ¹	Mazdaspeed3	2.3L L4 F/I	33-2293 ♦	PS-7013
RX-8	1.3L R2 F/I	33-2284 ♦	HP-1010 ¹	Mazdaspeed6	2.3L L4 F/I	33-2279	PS-7013
Tribute	2.5L L4 F/I	33-2187		MX-5	2.0L L4 F/I	33-2335	HP-1002 ¹
Tribute	3.0L V6 F/I	E-1990		MX-5 III	1.8L L4 F/I	33-2335 ♦	
2008 MAZDA				MX-5 III	2.0L L4 F/I	33-2335 ♦	HP-1002 ¹
3	1.4L L4 F/I	33-2924		MX-5 Miata	2.0L L4 F/I	33-2335	HP-1002 ¹
3	1.6L L4 DSL	33-2874		RX-8	1.3L R2 F/I	33-2284 ♦	HP-1008 ¹
3	1.6L L4 F/I	33-2924		2006 MAZDA			
3	2.0L L4 DSL	33-2293		3	1.4L L4 F/I	33-2924	
3	2.0L L4 F/I	33-2293 ♦	HP-1002 ¹	3	1.6L L4 DSL	33-2874	
3	2.3L L4 F/I	33-2293 ♦	PS-7013	3	1.6L L4 F/I	33-2924	
5 Van	2.0L L4 DSL	33-2293		3	2.0L L4 F/I	33-2293 ♦	
5 Van	2.3L L4 F/I	33-2293 ♦	PS-7013	3	2.0L L4 F/I - VIN F	33-2293	HP-1002 ¹
6	1.8L L4 F/I	33-2278 ♦		3	2.0L L4 F/I - VIN G	33-2293	PS-7013
6	2.0L L4 DSL	33-2278		3	2.3L L4 F/I	33-2293 ♦	PS-7013
6	2.0L L4 F/I	33-2278 ♦		5	2.3L L4 F/I		PS-7013
6	2.3L L4 F/I		PS-7013	5 Van	2.0L L4 DSL	33-2293	
6	2.3L L4 F/I - Non-US	33-2279 ♦+	PS-7013	6	2.0L L4 DSL	33-2278	
6	2.3L L4 F/I - US	33-2278 ♦+	PS-7013	6	2.0L L4 F/I	33-2278 ♦	
				6	2.3L L4 F/I	33-2278 ♦+	PS-7013
				6	3.0L V6 F/I	33-2279 ♦+	HP-2010 ¹
				B2300	2.3L L4 F/I	33-2106-1	

* 2 filters required

♦ Intake System Available - see page 84 +Cabin Air Filter Available - see page 453 1- Performance Silver Oil Filter Also Available



Vehicle	Engine Type	Air Filter	Oil Filter	Vehicle	Engine Type	Air Filter	Oil Filter
2006 MAZDA				2003 MAZDA			
B3000	3.0L V6 F/I	33-2106-1 ♦		6	2.3L L4 F/I	33-2278 ♦+	PS-7013
Mazdaspeed6	2.3L L4 F/I - US	33-2279	PS-7013	6	3.0L V6 F/I	33-2279 ♦+	HP-2010 ¹
MPV	3.0L V6 F/I	33-2278	HP-2010 ¹	323 VI	1.6L L4 F/I	33-2134	
MPV II	3.0L V6 F/I	33-2177-1	HP-2010 ¹	323 VI	2.0L L4 DSL	33-2223	
MX-5	2.0L L4 F/I	33-2335	HP-1002 ¹	323 VI	2.0L V6 F/I	33-2134	
MX-5 III	1.8L L4 F/I	33-2335 ♦		B2300	2.3L L4 F/I	33-2106-1 ♦	HP-2009 ¹
MX-5 III	2.0L L4 F/I	33-2335 ♦	HP-1002 ¹	B3000	3.0L V6 F/I	33-2106-1 ♦	HP-2009 ¹
MX-5 Miata	2.0L L4 F/I	33-2335	HP-1002 ¹	B4000	4.0L V6 F/I	33-2106-1 ♦	HP-2010 ¹
RX-8	1.3L R2 F/I	33-2284 ♦	HP-1008 ¹	Demio	1.3L L4 F/I	33-2222	
Tribute	2.3L L4 F/I	33-2187	HP-1002 ¹	Miata	1.8L L4 F/I	33-2676 ♦	HP-1008 ¹
Tribute	3.0L V6 F/I	33-2187	HP-2010 ¹	MPV	3.0L V6 F/I	33-2177-1+	HP-2010 ¹
2005 MAZDA				MPV II	3.0L V6 F/I	33-2177-1	HP-2010 ¹
3	1.4L L4 F/I	33-2924		MX-5 II	1.8L L4 F/I	33-2676 ♦	HP-1008 ¹
3	1.6L L4 DSL	33-2874		Protege	1.6L L4 F/I	33-2134	HP-1008 ¹
3	1.6L L4 F/I	33-2924		Protege	2.0L L4 F/I	33-2134 ♦	HP-1008 ¹
3	2.0L L4 F/I	33-2293 ♦	HP-1002 ¹	Protege Mazdaspeed	2.0L L4 F/I	33-2134	HP-1008 ¹
3	2.3L L4 F/I	33-2293 ♦	PS-7013	Protege5	2.0L L4 F/I	33-2134 ♦	HP-1008 ¹
6	2.0L L4 DSL	33-2278		RX-8	1.3L R2 F/I	33-2284 ♦	
6	2.0L L4 F/I	33-2278 ♦		Tribute	3.0L V6 F/I	33-2187	HP-2010 ¹
6	2.3L L4 F/I	33-2278 ♦+	PS-7013	2002 MAZDA			
6	3.0L V6 F/I	33-2279 ♦+	HP-2010 ¹	626	2.0L L4 F/I	33-2157	HP-1008 ¹
B2300	2.3L L4 F/I	33-2106-1		626	2.5L V6 F/I	33-2157	
B3000	3.0L V6 F/I	33-2106-1 ♦	HP-2009 ¹	626 V	2.0L L4 DSL	33-2177-1	
B4000	4.0L V6 F/I	33-2106-1 ♦		626 V	2.0L L4 F/I	33-2676	HP-1008 ¹
Miata	1.8L L4 F/I	33-2676 ♦	HP-1008 ¹	B2300	2.3L L4 F/I	33-2106-1 ♦	
Miata Mazdaspeed	1.8L L4 F/I	33-2676	HP-1008 ¹	B3000	3.0L V6 F/I	33-2106-1 ♦	HP-2009 ¹
MPV	3.0L V6 F/I	33-2278	HP-2010 ¹	B4000	4.0L V6 F/I	33-2106-1 ♦	
MPV II	3.0L V6 F/I	33-2177-1	HP-2010 ¹	Miata	1.8L L4 F/I	33-2676 ♦	HP-1008 ¹
MX-5 II	1.8L L4 F/I	33-2676 ♦		Millenia	2.3L V6 F/I	33-2672	
MX-5 III	1.8L L4 F/I	33-2335 ♦		Millenia	2.5L V6 F/I	33-2072	HP-1010 ¹
RX-8	1.3L R2 F/I	33-2284 ♦	HP-1008 ¹	MPV	3.0L V6 F/I	33-2177-1+	HP-2010 ¹
Tribute	2.3L L4 F/I	33-2187	HP-1002 ¹	MPV II	3.0L V6 F/I	33-2177-1	HP-2010 ¹
Tribute	3.0L V6 F/I	33-2187	HP-2010 ¹	MX-5 II	1.8L L4 F/I	33-2676 ♦	HP-1008 ¹
2004 MAZDA				Protege	1.6L L4 F/I	33-2134 ♦	HP-1008 ¹
3	1.4L L4 F/I	33-2924		Protege	2.0L L4 F/I	33-2134 ♦	HP-1008 ¹
3	1.6L L4 F/I	33-2924		Protege5	2.0L L4 F/I	33-2134 ♦	HP-1008 ¹
3	2.0L L4 F/I	33-2293 ♦	HP-1002 ¹	Tribute	3.0L V6 F/I	33-2187	HP-2010 ¹
3	2.3L L4 F/I	33-2293 ♦	PS-7013	2001 MAZDA			
6	2.0L L4 DSL	33-2278		626	2.0L L4 F/I	33-2157	HP-1008 ¹
6	2.0L L4 F/I	33-2278 ♦		626 V	2.0L L4 DSL	33-2177-1	
6	2.3L L4 F/I	33-2278 ♦+	PS-7013	626 V	2.0L L4 F/I	33-2676	HP-1008 ¹
6	3.0L V6 F/I	33-2279 ♦+	HP-2010 ¹	B2300	2.3L L4 F/I	33-2106-1 ♦	
323 VI	2.0L L4 DSL	33-2223		B2500	2.5L L4 F/I	33-2106-1 ♦	
323 VI	2.0L V6 F/I	33-2134		B3000	3.0L V6 F/I	33-2106-1 ♦	HP-2009 ¹
B2300	2.3L L4 F/I	33-2106-1		B4000	4.0L V6 F/I	33-2106-1 ♦	
B3000	3.0L V6 F/I	33-2106-1 ♦		Demio	1.3L L4 F/I	33-2222	
B4000	4.0L V6 F/I	33-2106-1 ♦		Miata	1.8L L4 F/I	33-2676 ♦	HP-1008 ¹
Miata	1.8L L4 F/I	33-2676 ♦	HP-1008 ¹	MPV	2.5L V6 F/I	33-2177-1+	
Miata Mazdaspeed	1.8L L4 F/I	33-2676	HP-1008 ¹	MPV II	2.5L V6 F/I	33-2177-1	
MPV	3.0L V6 F/I	33-2278	HP-2010 ¹	MX-5 II	1.6L L4 F/I	33-2676 ♦	
MPV II	3.0L V6 F/I	33-2177-1	HP-2010 ¹	MX-5 II	1.8L L4 F/I	33-2676 ♦	HP-1008 ¹
MX-5 II	1.6L L4 F/I	33-2676 ♦		Protege	1.6L L4 F/I	33-2134	HP-1008 ¹
MX-5 II	1.8L L4 F/I	33-2676 ♦	HP-1008 ¹	Protege	1.8L L4 F/I	33-2134	
RX-8	1.3L R2 F/I	33-2284 ♦	HP-1008 ¹	Protege	2.0L L4 F/I	33-2134	HP-1008 ¹
Tribute	3.0L V6 F/I	33-2187	HP-2010 ¹	Tribute	2.0L L4 F/I	33-2187	
2003 MAZDA				Tribute	3.0L V6 F/I	33-2187	HP-2010 ¹
3	1.6L L4 F/I	33-2924		2000 MAZDA			
3	2.0L L4 F/I	33-2293 ♦		626	2.0L L4 F/I	33-2157	HP-1008 ¹
6	1.8L L4 F/I	33-2278 ♦		626	2.5L V6 F/I	33-2157	
6	2.0L L4 DSL	33-2278		626 V	2.0L L4 DSL	33-2177-1	
6	2.0L L4 F/I	33-2278 ♦		626 V	2.0L L4 F/I	33-2676	HP-1008 ¹

* 2 filters required

♦ Intake System Available - see page 84 +Cabin Air Filter Available - see page 453 1- Performance Silver Oil Filter Also Available



AIR & OIL FILTERS

MAZDA

Vehicle	Engine Type	Air Filter	Oil Filter
2000 MAZDA			
B2500	2.5L L4 F/I	33-2106-1 ♦	HP-2009 ¹
B3000	3.0L V6 F/I	33-2106-1 ♦	HP-2009 ¹
B4000	4.0L V6 F/I	33-2106-1 ♦	HP-3001 ¹
Miata	1.8L L4 F/I	33-2676 ♦	HP-1008 ¹
MPV	2.5L V6 F/I	33-2177-1 ⁺	HP-2010 ¹
MPV II	2.5L V6 F/I	33-2177-1	HP-2010 ¹
MX-5 II	1.8L L4 F/I	33-2676 ♦	HP-1008 ¹
Protege	1.6L L4 F/I	33-2134	HP-1008 ¹
Protege	1.8L L4 F/I	33-2134	HP-1008 ¹

1999 MAZDA			
626	2.0L L4 F/I	33-2157	HP-1008 ¹
626 V	2.0L L4 DSL	33-2177-1	
626 V	2.0L L4 F/I	33-2676	HP-1008 ¹
B2500	2.5L L4 F/I	33-2106-1 ♦	HP-2009 ¹
B3000	3.0L V6 F/I	33-2106-1 ♦	HP-2009 ¹
B4000	4.0L V6 F/I	33-2106-1 ♦	HP-3001 ¹
Bongo	2.5L L4 DSL - SGL3, SGL5, Up to VIN 40000	E-9280	
Miata	1.8L L4 F/I	33-2676 ♦	HP-1008 ¹
MX-5 II	1.6L L4 F/I	33-2676 ♦	
MX-5 II	1.8L L4 F/I	33-2676 ♦	HP-1008 ¹
Protege	1.6L L4 F/I	33-2134	HP-1008 ¹
Protege	1.8L L4 F/I	33-2134	HP-1008 ¹

1998 MAZDA			
626	2.0L L4 F/I	33-2157	
626 V	2.0L L4 DSL	33-2177-1	
626 V	2.0L L4 F/I	33-2676	
B2500	2.5L L4 F/I	33-2106-1 ♦	HP-2009 ¹
B3000	3.0L V6 F/I	33-2106-1 ♦	HP-2009 ¹
B4000	4.0L V6 F/I	33-2106-1 ♦	HP-3001 ¹
Miata	1.8L L4 F/I	33-2676 ♦	HP-1008 ¹
MX-5 II	1.8L L4 F/I	33-2676 ♦	HP-1008 ¹
Protege	1.5L L4 F/I	33-2134	HP-1008 ¹

1997 MAZDA			
323 V	1.5L L4 F/I	33-2134 ♦	
626 V	2.0L L4 F/I	33-2676	
B2300	2.3L L4 F/I	E-0995	HP-3001 ¹
		E-0995 ♦	HP-3001 ¹
B4000	4.0L V6 F/I	E-0995 ♦	HP-3001 ¹
Miata	1.8L L4 F/I	33-2034 ♦	HP-1008 ¹
MX-5 I	1.8L L4 F/I	33-2676 ♦	
Protege	1.5L L4 F/I	33-2134	HP-1008 ¹

1996 MAZDA			
B2300	2.3L L4 F/I	E-0995	HP-3001 ¹
		E-0995 ♦	HP-3001 ¹
B3000	3.0L V6 F/I	E-0995	HP-2009 ¹
B4000	4.0L V6 F/I	E-0995	HP-3001 ¹
Miata	1.8L L4 F/I	33-2034 ♦	HP-1008 ¹
MX-5 I	1.8L L4 F/I	33-2676 ♦	
Protege	1.5L L4 F/I	33-2134	HP-1008 ¹

1995 MAZDA			
B2300	2.3L L4 F/I	E-0995	HP-3001 ¹
		E-0995 ♦	HP-3001 ¹
Bongo	2.5L L4 DSL - SGL3, SGL5, Up to VIN 40000	E-9280	
Miata	1.8L L4 F/I	33-2034 ♦	HP-1008 ¹
MX-3	1.6L L4 F/I	33-2083	HP-1008 ¹
MX-5 I	1.6L L4 F/I	33-2034 ♦	
MX-5 I	1.8L L4 F/I	33-2676 ♦	
RX-7	1.3L R2 F/I	33-2017	HP-1008 ¹
RX-7 III	1.3L R2 F/I	33-2017	HP-1008 ¹

Vehicle	Engine Type	Air Filter	Oil Filter
1994 MAZDA			
626 IV	2.0L L4 F/I	33-2676	
B2300	2.3L L4 F/I	33-2024	HP-3001 ¹
B3000	3.0L V6 F/I	33-2024	HP-2009 ¹
B4000	4.0L V6 F/I	33-2024	HP-3001 ¹
Miata	1.8L L4 F/I	33-2034 ♦	HP-1008 ¹
MX-5 I	1.6L L4 F/I	33-2034 ♦	
MX-5 I	1.8L L4 F/I	33-2676 ♦	
MX-6	2.5L V6 F/I	33-2049 ♦	HP-1010 ¹
Protege	1.8L L4 F/I	33-2034	HP-1008 ¹
RX-7	1.3L R2 F/I	33-2017	HP-1008 ¹
RX-7 III	1.3L R2 F/I	33-2017	HP-1008 ¹

1993 MAZDA			
B2200	2.2L L4 CARB	E-2790	
B2200	2.2L L4 F/I	33-2117	
B2600	2.6L L4 F/I	33-2117	
Miata	1.6L L4 F/I	33-2034 ♦	HP-1008 ¹
MX-3	1.8L V6 F/I	33-2083	HP-1010 ¹
MX-5 I	1.6L L4 F/I	33-2034	
MX-6	2.5L V6 F/I	33-2049 ♦	HP-1010 ¹
Protege	1.8L L4 F/I	33-2034	
RX-7	1.3L R2 F/I	33-2017	HP-1008 ¹
RX-7 III	1.3L R2 F/I	33-2017	HP-1008 ¹

1992 MAZDA			
B2200	2.2L L4 CARB	E-2790	
B2200	2.2L L4 F/I	33-2117	
B2600	2.6L L4 F/I	33-2117	HP-1010 ¹
Miata	1.6L L4 F/I	33-2034 ♦	HP-1008 ¹
MX-5 I	1.6L L4 F/I	33-2034	

1991 MAZDA			
B2200	2.2L L4 CARB	E-2790	HP-1006
B2200	2.2L L4 F/I	33-2117	HP-1006
B2600	2.6L L4 F/I	33-2117	HP-1010 ¹
Miata	1.6L L4 F/I	33-2034 ♦	HP-1008 ¹
MX-5 I	1.6L L4 F/I	33-2034	
RX-7	1.3L R2 F/I	33-2017	HP-1004 ¹
RX-7 II	1.3L R2 F/I	33-2017	HP-1004 ¹

1990 MAZDA			
B2200	2.2L L4 CARB	E-2790	
B2200	2.2L L4 F/I	33-2117	
B2600	2.6L L4 F/I	33-2117	
Miata	1.6L L4 F/I	33-2034 ♦	HP-1008 ¹
MX-5 I	1.6L L4 F/I	33-2034	
RX-7	1.3L R2 F/I	33-2017	HP-1004 ¹
RX-7 II	1.3L R2 F/I	33-2017	HP-1004 ¹

1989 MAZDA			
B2200	2.2L L4 CARB	E-2790	HP-1010 ¹
B2600	2.6L L4 F/I	33-2117	
RX-7	1.3L R2 F/I	33-2017	HP-1004 ¹
RX-7 II	1.3L R2 F/I	33-2017	HP-1004 ¹

1988 MAZDA			
323	1.6L L4 F/I	33-2027	
323 III	1.6L L4 F/I	33-2027	
RX-7	1.3L R2 F/I	33-2017	HP-1004 ¹
		33-2017 ♦	HP-1004 ¹
RX-7 II	1.3L R2 F/I	33-2017	HP-1004 ¹

1987 MAZDA			
B2000	2.0L L4 CARB	E-2790	
RX-7	1.3L R2 F/I	33-2017	HP-1004 ¹
		33-2017 ♦	HP-1004 ¹

* 2 filters required

♦ Intake System Available - see page 84 +Cabin Air Filter Available - see page 453 1- Performance Silver Oil Filter Also Available



Vehicle	Engine Type	Air Filter	Oil Filter
1987 MAZDA			
RX-7 II	1.3L R2 F/I	33-2017	HP-1004 ¹
1986 MAZDA			
B2000	2.0L L4 CARB	E-2790	
RX-7	1.3L R2 F/I	33-2017	HP-1004 ¹
		33-2017 ♦	HP-1004 ¹
RX-7 II	1.3L R2 F/I	33-2017	HP-1004 ¹
1985 MAZDA			
RX-7	1.1L R2 CARB	E-2700	HP-1004 ¹
RX-7	1.3L R2 F/I	33-2016	HP-1004 ¹
RX-7 I	1.1L R2 CARB	E-2700	HP-1004 ¹
RX-7 II	1.3L R2 F/I	33-2017	HP-1004 ¹
1984 MAZDA			
RX-7	1.1L R2 CARB	E-2700	HP-1004 ¹
RX-7	1.3L R2 F/I	33-2016	HP-1004 ¹
RX-7 I	1.1L R2 CARB	E-2700	
1983 MAZDA			
RX-7	1.1L R2 CARB	E-2700	HP-1004 ¹
RX-7 I	1.1L R2 CARB	E-2700	
1980 MAZDA			
RX-7	1.1L R2 CARB	E-2700	
RX-7 I	1.1L R2 CARB	E-2700	
1979 MAZDA			
RX-7 I	1.1L R2 CARB	E-2700	
2016 MCLAREN			
570S	3.8L V8 F/I	E-0667	
650S	3.8L V8 F/I	E-0667	
675LT	3.8L V8 F/I	E-0667	
2015 MCLAREN			
650S	3.8L V8 F/I	E-0667	
2013 MCLAREN			
MP4-12C	3.8L V8 F/I	E-0667	
2017 MERCEDES BENZ			
A45	2.0L L4 F/I	E-0661	
A45 AMG	2.0L L4 F/I	E-0661	
A160	1.5L L4 DSL	33-2996	
A160	1.6L L4 F/I	33-2995	
A180	1.5L L4 DSL	33-2996	
A180	1.6L L4 F/I	33-2995	
A200	1.6L L4 F/I	33-2995	
A200	2.1L L4 DSL	33-2996	
A220	2.0L L4 F/I	33-2995	
A220	2.1L L4 DSL	33-2996	
A250	2.0L L4 F/I	33-2995	
AMG GT	4.0L V8 F/I	33-5039*	
AMG GT S	4.0L V8 F/I	33-5039*	
B160	1.5L L4 DSL	33-2996	
B160	1.6L L4 F/I	33-2995	
B180	1.5L L4 DSL	33-2996	
B180	1.6L L4 F/I	33-2995	
B200	1.6L L4 F/I	33-2995	
B200	2.0L L4 F/I	33-2995	
B200	2.1L L4 DSL	33-2996	
B220	2.0L L4 F/I	33-2995	
B220	2.1L L4 DSL	33-2996	
B250	2.0L L4 F/I	33-2995	
C43 AMG	3.0L V6 F/I	33-5032*	
C160	1.6L L4 F/I	33-3034	
C180	1.6L L4 DSL	33-3047	

Vehicle	Engine Type	Air Filter	Oil Filter
2017 MERCEDES BENZ			
C180	1.6L L4 F/I	33-3034	
C200	1.6L L4 DSL	33-3047	
C200	2.0L L4 F/I	33-3034	
C250	2.0L L4 F/I	33-3034	
C300	2.0L L4 F/I	33-3034	
C350 Hybrid	2.0L L4 F/I	33-3034	
C400	3.0L V6 F/I	33-5032*	
Citan	1.2L L4 F/I	33-2849	
Citan	1.5L L4 DSL	33-2849	
CLA45 AMG	2.0L L4 F/I	E-0661	
CLA180	1.5L L4 DSL	33-2996	
CLA180	1.6L L4 F/I	33-2995	
CLA200	1.6L L4 F/I	33-2995	
CLA200	2.1L L4 DSL	33-2996	
CLA220	2.1L L4 DSL	33-2996	
CLA250	2.0L L4 F/I	33-2995	
CLS63 AMG	5.5L V8 F/I	33-2474	
CLS220	2.1L L4 DSL	E-0654	
CLS250	2.1L L4 DSL	E-0654	
CLS400	3.0L V6 F/I	33-5032*	
CLS400	3.5L V6 F/I	33-5032*	
CLS500	4.7L V8 F/I	33-2474	
CLS63 AMG S	5.5L V8 F/I	33-2474	
E43 AMG	3.0L V6 F/I	33-5032*	
E200	2.0L L4 F/I	33-3034	
E250	2.0L L4 F/I	33-3034	
E300	2.0L L4 F/I	33-3034	
E350e	2.0L L4 F/I	33-3034	
E400	3.5L V6 F/I	33-5032*	
G63 AMG	5.5L V8 F/I	33-2474	
G65 AMG	6.0L V12 F/I	33-2412	PS-7033
GLA45 AMG	2.0L L4 F/I	E-0661	
GLA180	1.5L L4 DSL	33-2996	
GLA180	1.6L L4 F/I	33-2995	
GLA200	1.6L L4 F/I	33-2995	
GLA200	2.1L L4 DSL	33-2996	
GLA220	2.1L L4 DSL	33-2996	
GLA250	2.0L L4 F/I	33-2995	
GLC43 AMG	3.0L V6 F/I	33-5032*	
GLC250	2.0L L4 F/I	33-3034	
GLC300	2.0L L4 F/I	33-3034	
GLC350e	2.0L L4 F/I	33-3034	
GLC450 AMG	3.0L V6 F/I	33-5032*	
GLE43 AMG	3.0L V6 F/I	33-5032*	
GLE63 AMG	5.5L V8 F/I	33-2474	
GLE250	2.1L L4 DSL	E-0654	
GLE400	3.0L V6 F/I	33-5032*	
GLE450 AMG	3.0L V6 F/I	33-5032*	
GLE500	3.0L V6 F/I	33-2474	
GLE500	4.7L V8 F/I	33-2474	
GLE500e	3.0L V6 F/I	33-5032*	
GLS63 AMG	5.5L V8 F/I	33-2474	
GLS350d	3.0L V6 DSL		PS-7028
GLS400	3.0L V6 F/I	33-5032*	
GLS500	4.7L V8 F/I	33-2474	
Maybach S600	6.0L V12 F/I		PS-7033
S63 AMG	5.5L V8 F/I	33-2474	
S65 AMG	6.0L V12 F/I	33-2412	PS-7033
S300 Hybrid	2.1L L4 DSL	E-0654	
S400	3.0L V6 F/I	33-5032*	
S400 Hybrid	3.5L V6 F/I	33-2985	
S400 Maybach	3.0L V6 F/I	33-5032*	
S500	4.7L V8 F/I	33-2474	

* 2 filters required

♦ Intake System Available - see page 84 +Cabin Air Filter Available - see page 453 1- Performance Silver Oil Filter Also Available



AIR & OIL FILTERS

MERCEDES BENZ

Vehicle	Engine Type	Air Filter	Oil Filter	Vehicle	Engine Type	Air Filter	Oil Filter
2017 MERCEDES BENZ				2016 MERCEDES BENZ			
S500 Hybrid	3.0L V6 F/I	33-5032*		GLE350	3.5L V6 F/I		PS-7028
S500 Maybach	4.7L V8 F/I	33-2474		GLE350d	3.0L V6 DSL		PS-7028
S500L	4.7L V8 F/I	33-2474		GLE400	3.0L V6 F/I	33-5032*	
S600	6.0L V12 F/I	33-2412	PS-7033	GLE450 AMG	3.0L V6 F/I	33-5032*	
S600 Maybach	6.0L V12 F/I	33-2412	PS-7033	S63 AMG	5.5L V8 F/I	33-2474	
SL63 AMG	5.5L V8 F/I	33-2474		S550	4.6L V8 F/I	33-2474	
SL65 AMG	6.0L V12 F/I	33-2412	PS-7033	S600 Maybach	6.0L V12 F/I	33-2412	
SL400	3.0L V6 F/I	33-5032*		SL400	3.0L V6 F/I	33-5032*	
SL500	4.7L V8 F/I	33-2474		SLK300	2.0L L4 F/I	33-3034	
SLC43 AMG	3.0L V6 F/I	33-5032*		Sprinter 2500	2.1L L4 DSL	33-2391	PS-7028
SLC180	1.6L L4 F/I	33-3034		Sprinter 2500	3.0L V6 DSL	33-2391	PS-7028
SLC200	2.0L L4 F/I	33-3034		Sprinter 3500	2.1L L4 DSL	33-2391	
SLC250d	2.1L L4 DSL	E-0654		Sprinter 3500	3.0L V6 DSL	33-2391	PS-7028
SLC300	2.0L L4 F/I	33-3034		V220d	2.1L L4 DSL	33-3033	
Sprinter	1.8L L4 F/I	33-2391		V250d	2.1L L4 DSL	33-3033	
Sprinter	2.1L L4 DSL	33-2391		Vito	1.6L L4 DSL	33-3033	
Sprinter	3.0L V6 DSL	33-2391	PS-7028	Vito	2.1L L4 DSL	33-3033	
Sprinter 2500	2.1L L4 DSL	33-2391		2015 MERCEDES BENZ			
Sprinter 2500	3.0L V6 DSL	33-2391	PS-7028	A45 AMG	2.0L L4 F/I	E-0661	
Sprinter 3500	2.1L L4 DSL	33-2391		A180	1.6L L4 F/I	33-2995	
Sprinter 3500	3.0L V6 DSL	33-2391	PS-7028	A200	1.6L L4 F/I	33-2995	
V200d	2.1L L4 DSL	33-3033		A250	2.0L L4 F/I	33-2995	
V220d	2.1L L4 DSL	33-3033		AMG GT	4.0L V8 F/I	33-5039*	
V250d	2.1L L4 DSL	33-3033		AMG GT S	4.0L V8 F/I	33-5039*	
Vito	1.6L L4 DSL	33-3033		C63 AMG	6.3L V8 F/I	33-2405*	
Vito	2.1L L4 DSL	33-3033		C180	1.6L L4 F/I	33-3034	
2016 MERCEDES BENZ				C200	2.0L L4 F/I	33-3034	
A45 AMG	2.0L L4 F/I	E-0661		C250	2.0L L4 F/I	33-3034	
A180	1.6L L4 F/I	33-2995		C300	2.0L L4 F/I	33-3034	
A200	1.6L L4 F/I	33-2995		C350	3.5L V6 F/I	33-2985	
A250	2.0L L4 F/I	33-2995		C350 Hybrid	2.0L L4 F/I	33-3034	
AMG GT S	4.0L V8 F/I	33-5039*		C400	3.0L V6 F/I	33-5032*	
B250	2.0L L4 F/I	33-2995		CLA45 AMG	2.0L L4 F/I	E-0661	
C160	1.6L L4 F/I	33-3034		CLA200	1.6L L4 F/I	33-2995	
C200	2.0L L4 F/I	33-3034		CLA250	2.0L L4 F/I	33-2995	
C250	2.0L L4 F/I	33-3034		CLS63 AMG S	5.5L V8 F/I	33-2474	
C300	2.0L L4 F/I	33-3034		E63 AMG	5.5L V8 F/I	33-2474	
C400	3.0L V6 F/I	33-5032*		E63 AMG S	5.5L V8 F/I	33-2474	
C450 AMG	3.0L V6 F/I	33-5032*		E200	2.0L L4 F/I - Non-US, Cabrio & Coupe	E-0663	
CLA45 AMG	2.0L L4 F/I	E-0661		E250	2.0L L4 F/I - Non-US, Cabrio & Coupe	E-0663	
CLA200	1.6L L4 F/I	33-2995		E250	2.0L L4 F/I - Non-US, Combi & Sedan	33-3034	
CLA250	2.0L L4 F/I	33-2995		E250	2.1L L4 DSL - Non-US, OEM A6510940004	E-2998	
CLS550	4.6L V8 F/I	33-2474		E350	3.5L V6 F/I	33-2985	
CLS63 AMG S	5.5L V8 F/I	33-2474		E400	3.0L V6 F/I	33-5032*	
E63 AMG	5.5L V8 F/I	33-2474		G63 AMG	5.5L V8 F/I	33-2474	
E63 AMG S	5.5L V8 F/I	33-2474		G550	5.5L V8 F/I	33-2181	
E200	2.0L L4 F/I - Non-US, Cabrio & Coupe	E-0663		GL63 AMG	5.5L V8 F/I	33-2474	
E200	2.0L L4 F/I - Non-US, Combi & Sedan	33-3034		GL350	3.0L V6 DSL		PS-7028
E250	2.0L L4 F/I - Non-US, Cabrio & Coupe	E-0663		GL450	3.0L V6 F/I	33-5032*	
E250	2.0L L4 F/I - Non-US, Combi & Sedan	33-3034		GL550	4.6L V8 F/I	33-2474	
E350	3.5L V6 F/I	33-2985		GLA45 AMG	2.0L L4 F/I	E-0661	
E400	3.0L V6 F/I	33-5032*		GLA250	2.0L L4 F/I	33-2995	
G63 AMG	5.5L V8 F/I	33-2474		GLE63 AMG S	5.5L V8 F/I	33-2474	
G65 AMG	6.0L V12 F/I	33-2412		GLK250	2.0L L4 F/I	E-0663	
GL63 AMG	5.5L V8 F/I	33-2474		GLK250	2.1L L4 DSL - Non-US, OEM A6510940004	E-2998	
GL450	3.0L V6 F/I	33-5032*		GLK250	2.1L L4 DSL - Non-US, OEM A6510940104	E-0654	
GLA45 AMG	2.0L L4 F/I	E-0661		GLK250	2.1L L4 DSL - US	E-0654	
GLA250	2.0L L4 F/I	33-2995		GLK350	3.5L V6 F/I	33-2985	
GLC300	2.0L L4 F/I	33-3034					
GLE63 AMG	5.5L V8 F/I	33-2474					

* 2 filters required

◆ Intake System Available - see page 84 + Cabin Air Filter Available - see page 453 1- Performance Silver Oil Filter Also Available



Vehicle	Engine Type	Air Filter	Oil Filter	Vehicle	Engine Type	Air Filter	Oil Filter
2015 MERCEDES BENZ				2014 MERCEDES BENZ			
ML63 AMG	5.5L V8 F/I	33-2474		SL550	4.6L V8 F/I	33-2474*	
ML350	3.5L V6 F/I	33-2985	PS-7028	SLK250	1.8L L4 F/I	33-2965	
ML400	3.0L V6 F/I	33-5032*		Sprinter 2500	2.1L L4 DSL	33-2391	
S63 AMG	5.5L V8 F/I	33-2474		Sprinter 2500	3.0L V6 DSL	33-2391	PS-7028
S550	4.6L V8 F/I	33-2474		Sprinter 3500	3.0L V6 DSL	33-2391	PS-7028
SLK250	1.8L L4 F/I	33-2965		2013 MERCEDES BENZ			
Sprinter 2500	2.1L L4 DSL	33-2391		A180	1.6L L4 F/I	33-2995	
Sprinter 2500	3.0L V6 DSL	33-2391	PS-7028	A200	1.6L L4 F/I	33-2995	
Sprinter 3500	2.1L L4 DSL	33-2391		A250	2.0L L4 F/I	33-2995	
Sprinter 3500	3.0L V6 DSL	33-2391	PS-7028	B200	1.6L L4 F/I	33-2995	
V250d	2.1L L4 DSL	33-3033		B250	2.0L L4 F/I	33-2995	
Vito	2.1L L4 DSL	33-3033		C63 AMG	6.2L V8 F/I	33-2405*	
2014 MERCEDES BENZ				C63 AMG	6.3L V8 F/I	33-2405*	
A45 AMG	2.0L L4 F/I	E-0661		C180	1.6L L4 F/I	E-0663	
A200	1.6L L4 F/I	33-2995		C200	1.8L L4 F/I	33-2965	
A250	2.0L L4 F/I	33-2995		C250	1.8L L4 F/I	33-2965	
B250	2.0L L4 F/I	33-2995		C250	2.1L L4 DSL - 4-matic	E-0654	
C63 AMG	6.2L V8 F/I	33-2405*		C250	2.1L L4 DSL - Exc. 4-matic	E-2998	
C63 AMG	6.3L V8 F/I	33-2405*		C300	3.5L V6 F/I	33-2985	
C180	1.6L L4 DSL	33-3047		C350	3.5L V6 F/I	33-2985	
C180	1.6L L4 F/I - W204	E-0663		CLA250	2.0L L4 F/I	33-2995	
C180	1.6L L4 F/I - W205	33-3034		CLS63 AMG	5.5L V8 F/I	33-2474	
C250	1.8L L4 F/I	33-2965		CLS550	4.6L V8 F/I	33-2474	
C250	2.0L L4 F/I	33-3034		E63 AMG	5.5L V8 F/I	33-2474	
C250	2.1L L4 DSL - 4-matic	E-0654		E250	2.0L L4 F/I - Cabrio & Coupe	E-0663	
C250	2.1L L4 DSL - Exc. 4-matic, With W/S204 models	E-2998		E350	3.0L V6 DSL		PS-7028
C300	3.5L V6 F/I	33-2985		E350	3.0L V6 DSL - US	33-2940	PS-7028
C350	3.5L V6 F/I	33-2985		E350	3.5L V6 F/I	33-2985	
CLA45 AMG	2.0L L4 F/I	E-0661		E550	4.6L V8 F/I	33-2474	
CLA200	1.6L L4 F/I	33-2995		G63 AMG	5.5L V8 F/I	33-2474	
CLA250	2.0L L4 F/I	33-2995		G500	5.5L V8 F/I	33-2181*	
CLS63 AMG	5.5L V8 F/I	33-2474		G550	5.5L V8 F/I	33-2181	
CLS550	4.6L V8 F/I	33-2474		GL350	3.0L V6 DSL		PS-7028
CLS63 AMG S	5.5L V8 F/I	33-2474		GL450	4.6L V8 F/I	33-2474	
E63 AMG	5.5L V8 F/I	33-2474		GL550	4.6L V8 F/I	33-2474	
E63 AMG S	5.5L V8 F/I	33-2474		GLK250	2.0L L4 F/I	E-0663	
E250	2.0L L4 F/I - Non-US, Cabrio & Coupe	E-0663		GLK250	2.1L L4 DSL - Non-US, OEM A6510940004	E-2998	
E250	2.0L L4 F/I - Non-US, Combi & Sedan	33-3034		GLK250	2.1L L4 DSL - Non-US, OEM A6510940104	E-0654	
E250	2.1L L4 DSL - Non-US, OEM A6510940004	E-2998		GLK250	2.1L L4 DSL - US	E-0654	
E250	2.1L L4 DSL - Non-US, OEM A6510940104	E-0654		GLK350	3.5L V6 F/I	33-2985	
E250	2.1L L4 DSL - US	E-0654		ML63 AMG	5.5L V8 F/I	33-2474	
E350	3.5L V6 F/I	33-2985		ML350	3.0L V6 DSL		PS-7028
E550	4.6L V8 F/I	33-2474		ML350	3.5L V6 F/I	33-2985	
G63 AMG	5.5L V8 F/I	33-2474		ML550	4.6L V8 F/I	33-2474	
G550	5.5L V8 F/I	33-2181		S63 AMG	5.5L V8 F/I	33-2474	
GL350	3.0L V6 DSL		PS-7028	S550	4.6L V8 F/I	33-2474	
GL450	4.6L V8 F/I	33-2474		SL63 AMG	5.5L V8 F/I	33-2474	
GL500	5.5L V8 F/I	33-2474		SL550	4.6L V8 F/I	33-2474	
GL550	4.6L V8 F/I	33-2474		SLK250	1.8L L4 F/I	33-2965	
GLK250	2.0L L4 F/I	E-0663		Sprinter 2500	3.0L V6 DSL	33-2391	PS-7028
GLK250	2.1L L4 DSL - Non-US, OEM A6510940004	E-2998		Sprinter 3500	3.0L V6 DSL	33-2391	PS-7028
GLK250	2.1L L4 DSL - Non-US, OEM A6510940104	E-0654		Viano	3.5L V6 F/I	33-2912	
GLK250	2.1L L4 DSL - US	E-0654		2012 MERCEDES BENZ			
GLK350	3.5L V6 F/I	33-2985		C63 AMG	6.3L V8 F/I	33-2405*	
ML350	3.0L V6 DSL		PS-7028	C180	1.6L L4 F/I - From 8/12	E-0663	
ML350	3.5L V6 F/I	33-2985		C180	1.8L L4 F/I	33-2965	
S550	4.6L V8 F/I	33-2474		C250	1.8L L4 F/I	33-2965	
				C250	2.1L L4 DSL - 4-matic	E-0654	

* 2 filters required

◆ Intake System Available - see page 84 +Cabin Air Filter Available - see page 453 1- Performance Silver Oil Filter Also Available



AIR & OIL FILTERS

MERCEDES BENZ

Vehicle	Engine Type	Air Filter	Oil Filter	Vehicle	Engine Type	Air Filter	Oil Filter
2012 MERCEDES BENZ				2011 MERCEDES BENZ			
C250	2.1L L4 DSL - Exc. 4-matic	E-2998		GL450	4.6L V8 F/I	33-2181*	PS-7004
C250	2.5L V6 F/I		PS-7004	GL550	5.5L V8 F/I	33-2181*	PS-7004
C250 CGI	1.8L L4 F/I	33-2965		GLK350	3.5L V6 F/I		PS-7004
C300	3.0L V6 F/I	33-2181*	PS-7004	GLK350	3.5L V6 F/I - 272BHP	33-2181*	PS-7004
C350	3.5L V6 F/I	33-2985		GLK350	3.5L V6 F/I - 306BHP	33-2985	PS-7004
CL63 AMG	5.5L V8 F/I	33-2474		GLK350	3.5L V6 F/I - US	33-2181*	PS-7004
CL550	4.6L V8 F/I	33-2474		ML63 AMG	6.3L V8 F/I	33-2405*	
CLS63 AMG	5.5L V8 F/I	33-2474		ML350	3.0L V6 DSL		PS-7028
CLS550	4.6L V8 F/I	33-2474		ML350	3.0L V6 DSL - US	33-2940	PS-7028
E63 AMG	5.5L V8 F/I	33-2474		ML350	3.5L V6 F/I		PS-7004
E350	3.0L V6 DSL		PS-7028	ML350	3.5L V6 F/I - 272BHP	33-2181*	PS-7004
E350	3.0L V6 DSL - US	33-2940	PS-7028	ML350	3.5L V6 F/I - 306BHP	33-2985	PS-7004
E350	3.5L V6 F/I	33-2985		ML350	3.5L V6 F/I - US	33-2181*	PS-7004
E550	4.6L V8 F/I	33-2474		ML550	5.5L V8 F/I	33-2181*	
GL350	3.0L V6 DSL		PS-7028	R350	3.0L V6 DSL - US	33-2940	
GL350	3.0L V6 DSL - US	33-2940	PS-7028	R350	3.5L V6 F/I	33-2181*	
GL450	4.6L V8 F/I	33-2181*	PS-7004	S550	5.5L V8 F/I		PS-7004
GL550	5.5L V8 F/I	33-2181*		SL63 AMG	6.3L V8 F/I	33-2405*	
GLK350	3.5L V6 F/I		PS-7004	SL550	5.5L V8 F/I	33-2181*	PS-7004
GLK350	3.5L V6 F/I - Non-US	33-2985	PS-7004	SLK200 Kompressor	1.8L L4 F/I - 171 Model	E-2011	
GLK350	3.5L V6 F/I - US	33-2181*	PS-7004	SLK300	3.0L V6 F/I	33-2181*	
ML350	3.0L V6 DSL		PS-7028	SLK350	3.5L V6 F/I - 272BHP	33-2181*	
ML350	3.5L V6 F/I	33-2985		SLK350	3.5L V6 F/I - US	33-2181*	
ML350	3.5L V6 F/I	33-2985		Sprinter 2500	3.0L V6 DSL	33-2391	PS-7028
ML550	4.6L V8 F/I	33-2474		Sprinter 3500	3.0L V6 DSL	33-2391	PS-7028
R350	3.0L V6 DSL - US	33-2940		2010 MERCEDES BENZ			
R350	3.5L V6 F/I	33-2985		C63 AMG	6.3L V8 F/I	33-2405*	
S550	4.6L V8 F/I	33-2474		C180 Kompressor	1.6L L4 F/I	E-2011	
SL550	5.5L V8 F/I	33-2181*		C220	2.1L L4 DSL - Exc. 4-matic	E-2998	
SLK200	1.8L L4 F/I	33-2965		C250	2.1L L4 DSL - Exc. 4-matic	E-2998	
SLK250	1.8L L4 F/I	33-2965		C250	2.5L V6 F/I		PS-7004
SLK350	3.5L V6 F/I	33-2985		C250 CGI	1.8L L4 F/I	33-2965	
Sprinter 2500	3.0L V6 DSL	33-2391	PS-7028	C300	3.0L V6 F/I	33-2181*	PS-7004
Sprinter 3500	3.0L V6 DSL	33-2391		C350	3.5L V6 F/I	33-2181*	PS-7004
Vito	2.1L L4 DSL	33-2912		CL63 AMG	6.3L V8 F/I	33-2405*	
2011 MERCEDES BENZ				CLS550	5.5L V8 F/I	33-2181*	
B200	2.0L L4 F/I	33-2914		E63 AMG	6.3L V8 F/I	33-2405*	
C63 AMG	6.3L V8 F/I	33-2405*		E350	3.5L V6 F/I	33-2181*	PS-7004
C180 Kompressor	1.6L L4 F/I	E-2011		E550	5.5L V8 F/I	33-2181*	PS-7004
C200	1.8L L4 F/I	33-2965		GL350	3.0L V6 DSL - US	33-2940	
C200 Kompressor	1.8L L4 F/I	E-2011		GL450	4.6L V8 F/I	33-2181*	PS-7004
C220	2.1L L4 DSL - Exc. 4-matic	E-2998		GL550	5.5L V8 F/I	33-2181*	PS-7004
C250	2.1L L4 DSL - Exc. 4-matic	E-2998		GLK300	3.0L V6 F/I	33-2181*	
C250	2.5L V6 F/I		PS-7004	GLK350	3.5L V6 F/I	33-2181*	PS-7004
C250 CGI	1.8L L4 F/I	33-2965		ML63 AMG	6.3L V8 F/I	33-2405*	
C300	3.0L V6 F/I	33-2181*	PS-7004	ML350	3.0L V6 DSL		PS-7028
C350	3.5L V6 F/I		PS-7004	ML350	3.0L V6 DSL - US	33-2940	PS-7028
C350	3.5L V6 F/I - 272BHP	33-2181*	PS-7004	ML350	3.5L V6 F/I	33-2181*	PS-7004
C350	3.5L V6 F/I - 306BHP	33-2985	PS-7004	ML550	5.5L V8 F/I	33-2181*	
C350	3.5L V6 F/I - US	33-2181*	PS-7004	S63 AMG	6.2L V8 F/I	33-2405*	
CLS550	5.5L V8 F/I	33-2181*	PS-7004	S400 Hybrid	3.5L V6 F/I		PS-7004
E63 AMG	6.3L V8 F/I	33-2405*		S400 Hybrid	3.5L V6 F/I - Non-US, 279BHP	33-2181*	PS-7004
E250	1.8L L4 F/I	33-2965		S400 Hybrid	3.5L V6 F/I - US	33-2181*	PS-7004
E350	3.0L V6 DSL		PS-7028	S550	5.5L V8 F/I	33-2181*	PS-7004
E350	3.5L V6 F/I		PS-7004	SLK300	3.0L V6 F/I	33-2181*	
E350	3.5L V6 F/I - 272BHP	33-2181*	PS-7004	Sprinter 2500	3.0L V6 DSL	33-2391	PS-7028
E350	3.5L V6 F/I - 306BHP	33-2985	PS-7004	Sprinter 3500	3.0L V6 DSL	33-2391	
E350	3.5L V6 F/I - US	33-2181*	PS-7004	2009 MERCEDES BENZ			
E550	5.5L V8 F/I	33-2181*	PS-7004	C63 AMG	6.3L V8 F/I	33-2405*	
G550	5.5L V8 F/I	33-2181*		C180 Kompressor	1.6L L4 F/I	E-2011	
GL350	3.0L V6 DSL - US	33-2940					

* 2 filters required

◆ Intake System Available - see page 84 +Cabin Air Filter Available - see page 453 1- Performance Silver Oil Filter Also Available



Vehicle	Engine Type	Air Filter	Oil Filter	Vehicle	Engine Type	Air Filter	Oil Filter
2009 MERCEDES BENZ				2008 MERCEDES BENZ			
C200 Kompressor	1.8L L4 F/I	E-2011		GL450	4.6L V8 F/I	33-2181*	PS-7004
C220	2.1L L4 DSL - Exc. 4-matic	E-2998		GL550	5.5L V8 F/I	33-2181*	
C230	2.5L V6 F/I		PS-7004	ML63 AMG	6.3L V8 F/I	33-2405*	
C300	3.0L V6 F/I	33-2181*	PS-7004	ML320	3.0L V6 DSL	33-2940	PS-7028
C320	3.0L V6 DSL	33-2940		ML350	3.5L V6 F/I	33-2181*	PS-7004
C350	3.0L V6 DSL	33-2940		ML550	5.5L V8 F/I	33-2181*	
C350	3.5L V6 F/I	33-2181*	PS-7004	R320	3.0L V6 DSL	33-2940	
CL63 AMG	6.3L V8 F/I	33-2405*		R350	3.5L V6 F/I	33-2181*	PS-7004
CL550	5.5L V8 F/I	33-2181*		S63 AMG	6.2L V8 F/I	33-2405*	
CLK350	3.5L V6 F/I	33-2181*	PS-7004	S63 AMG	6.3L V8 F/I	33-2405*	
CLK550	5.5L V8 F/I	33-2181*		S550	5.5L V8 F/I	33-2181*	PS-7004
CLS63 AMG	6.3L V8 F/I	33-2405*		SL55 AMG	5.5L V12 F/I	33-2181*	
CLS550	5.5L V8 F/I	33-2181*	PS-7004	SL55 AMG	5.5L V8 F/I	33-2181*	
E63 AMG	6.3L V8 F/I	33-2405*		SL63 AMG	6.3L V8 F/I	33-2405*	
E300	3.0L L6 DSL	33-2940		SL500	5.0L V8 F/I	33-2181*	
E320	3.0L V6 DSL	33-2940		SL550	5.5L V8 F/I	33-2181*	PS-7004
E350	3.5L V6 F/I	33-2181*	PS-7004	SLK55 AMG	5.5L V8 F/I	33-2181*	
E550	5.5L V8 F/I	33-2181*		SLK280	3.0L V6 F/I	33-2181*	
GL320	3.0L V6 DSL	33-2940		SLK350	3.5L V6 F/I	33-2181*	
GL450	4.6L V8 F/I	33-2181*		Sprinter	3.0L V6 DSL	33-2391	
GL550	5.5L V8 F/I	33-2181*		2007 MERCEDES BENZ			
ML63 AMG	6.3L V8 F/I	33-2405*		B200	2.0L L4 DSL	33-2915	
ML320	3.0L V6 DSL	33-2940	PS-7028	B200	2.0L L4 F/I	33-2914	
ML350	3.0L V6 DSL	33-2940		C200 Kompressor	1.8L L4 F/I	E-2011	
ML350	3.5L V6 F/I	33-2181*	PS-7004	C230	2.5L V6 F/I	33-2181*	PS-7004
ML550	5.5L V8 F/I	33-2181*		C280	3.0L V6 DSL	33-2940	
S63 AMG	6.2L V12 F/I	33-2405*		C280	3.0L V6 F/I	33-2181*	PS-7004
S550	5.5L V8 F/I	33-2181*		C350	3.5L V6 F/I	33-2181*	PS-7004
SL63 AMG	6.3L V8 F/I	33-2405*		CL550	5.5L V8 F/I	33-2181*	PS-7004
SL550	5.5L V8 F/I	33-2181*	PS-7004	CLK63 AMG	6.3L V8 F/I	33-2405*	
SLK55 AMG	5.5L V8 F/I	33-2181*		CLK280	3.0L V6 F/I	33-2181*	
SLK300	3.0L V6 F/I	33-2181*	PS-7004	CLK350	3.5L V6 F/I	33-2181*	PS-7004
SLK350	3.5L V6 F/I	33-2181*		CLK550	5.5L V8 F/I	33-2181*	PS-7004
2008 MERCEDES BENZ				CLS63 AMG	6.3L V8 F/I	33-2405*	
B200	2.0L L4 DSL	33-2915		CLS550	5.5L V8 F/I	33-2181*	PS-7004
B200	2.0L L4 F/I	33-2914		E63 AMG	6.3L V8 F/I	33-2405*	
C63 AMG	6.3L V8 F/I	33-2405*		E280	3.0L V6 DSL	33-2940	
C180 Kompressor	1.8L L4 F/I	E-2011		E320	3.0L V6 DSL	33-2940	PS-7028
C200 Kompressor	1.8L L4 F/I	E-2011		E350	3.5L V6 F/I	33-2181*	PS-7004
C230	2.5L V6 F/I	33-2181*		E550	5.5L V8 F/I	33-2181*	PS-7004
C280	3.0L V6 DSL	33-2940		GL450	4.6L V8 F/I	33-2181*	PS-7004
C280	3.0L V6 F/I	33-2181*		ML63 AMG	6.3L V8 F/I	33-2405*	
C300	3.0L V6 F/I	33-2181*	PS-7004	ML320	3.0L V6 DSL	33-2940	PS-7028
C320	3.0L V6 DSL	33-2940		ML350	3.5L V6 F/I	33-2181*	PS-7004
C350	3.5L V6 F/I	33-2181*	PS-7004	ML500	5.0L V8 F/I	33-2181*	
CL63 AMG	6.3L V8 F/I	33-2405*		R350	3.5L V6 F/I	33-2181*	PS-7004
CL550	5.5L V8 F/I	33-2181*		S65 AMG	6.0L V12 F/I	33-2412	
CLK63 AMG	6.3L V8 F/I	33-2405*		S550	5.5L V8 F/I	33-2181*	PS-7004
CLK350	3.5L V6 F/I	33-2181*	PS-7004	S600	5.5L V12 F/I	33-2412	
CLK550	5.5L V8 F/I	33-2181*	PS-7004	SL55 AMG	5.5L V8 F/I	33-2181*	PS-7004
CLS55 AMG	5.5L V8 F/I	33-2181*		SL550	5.5L V8 F/I	33-2181*	PS-7004
CLS63 AMG	6.3L V8 F/I	33-2405*		SL600	5.5L V12 F/I	33-2412	
CLS550	5.5L V8 F/I	33-2181*	PS-7004	SLK55 AMG	5.5L V8 F/I	33-2181*	
E63 AMG	6.3L V8 F/I	33-2405*		SLK280	3.0L V6 F/I	33-2181*	PS-7004
E280	3.0L V6 DSL	33-2940		SLK350	3.5L V6 F/I	33-2181*	PS-7004
E280	3.0L V6 F/I	33-2181*	PS-7004	2006 MERCEDES BENZ			
E320	3.0L V6 DSL	33-2940	PS-7028	B200	2.0L L4 DSL	33-2915	
E350	3.5L V6 F/I	33-2181*	PS-7004	B200	2.0L L4 F/I	33-2914	
E550	5.5L V8 F/I	33-2181*	PS-7004	C55 AMG	5.5L V8 F/I	33-2181*	PS-7004
G55 AMG	5.5L V8 F/I	33-2181*		C180 Kompressor	1.8L L4 F/I	E-2011	
GL320	3.0L V6 DSL	33-2940	PS-7028	C200 Kompressor	1.8L L4 F/I	E-2011	
				C230	2.5L V6 F/I	33-2181*	PS-7004

* 2 filters required

◆ Intake System Available - see page 84 + Cabin Air Filter Available - see page 453 1- Performance Silver Oil Filter Also Available



AIR & OIL FILTERS

MERCEDES BENZ

Vehicle	Engine Type	Air Filter	Oil Filter	Vehicle	Engine Type	Air Filter	Oil Filter
2006 MERCEDES BENZ				2005 MERCEDES BENZ			
C280	3.0L V6 DSL	33-2940		G500	5.0L V8 F/I	33-2181*	
C280	3.0L V6 F/I	33-2181*	PS-7004	ML350	3.5L V6 F/I	33-2181*	
C320	3.0L V6 DSL	33-2940		ML350	3.7L V6 F/I	33-2703	PS-7004
C350	3.5L V6 F/I	33-2181*	PS-7004	ML500	5.0L V8 F/I		PS-7004
CL55 AMG	5.5L V8 F/I	33-2181*		ML500	5.0L V8 F/I - Non-US, from 7/05	33-2181*	PS-7004
CL55 AMG Kompressor	5.5L V8 F/I	33-2181*	PS-7004	ML500	5.0L V8 F/I - Non-US, to 6/05	33-2703	PS-7004
CL500	5.0L V8 F/I	33-2181*		ML500	5.0L V8 F/I - US	33-2703	PS-7004
CLK55 AMG	5.5L V8 F/I	33-2181*		S55 AMG Kompressor	5.4L V8 F/I	33-2181*	
CLK280	3.0L V6 F/I	33-2181*		S500	5.0L V8 F/I	33-2181*	
CLK350	3.5L V6 F/I	33-2181*	PS-7004	SL55 AMG	5.5L V8 F/I	33-2181*	
CLK500	5.0L V8 F/I	33-2181*	PS-7004	SL65 AMG	6.0L V12 F/I	33-2412	
CLS55 AMG	5.5L V8 F/I	33-2181*	PS-7004	SL500	5.0L V8 F/I	33-2181*	PS-7004
CLS500	5.0L V8 F/I	33-2181*	PS-7004	SL600	5.5L V12 F/I	33-2412	
CLS500	5.5L V8 F/I	33-2181*		SLK55 AMG	5.5L V8 F/I	33-2181*	
E55 AMG	5.5L V8 F/I	33-2181*	PS-7004	SLK200 Kompressor	1.8L L4 F/I	E-2011	
E320	3.0L V6 DSL	33-2940		SLK350	3.5L V6 F/I	33-2181*	PS-7004
E320	3.2L L6 DSL	E-2992	HP-7017 ¹	2004 MERCEDES BENZ			
E320	3.2L V6 F/I	33-2181*		A160	1.6L L4 F/I	E-9242 ♦	
E350	3.5L V6 F/I	33-2181*	PS-7004	C200 Kompressor	1.8L L4 F/I	E-2011	
E500	5.0L V8 F/I	33-2181*	PS-7004	C230	1.8L L4 F/I	E-2011	
ML350	3.5L V6 F/I	33-2181*	PS-7004	C230 Kompressor	1.8L L4 F/I	E-2011	
ML500	5.0L V8 F/I	33-2181*	PS-7004	C240	2.6L V6 F/I	33-2181*	PS-7004
R350	3.5L V6 F/I	33-2181*	PS-7004	C320	3.2L V6 F/I	33-2181*	PS-7004
R500	5.0L V8 F/I	33-2181*	PS-7004	CL55 AMG Kompressor	5.5L V8 F/I	33-2181*	
S65 AMG	6.0L V12 F/I	33-2412	PS-7033	CL500	5.0L V8 F/I	33-2181*	
S430	4.3L V8 F/I	33-2181*	PS-7004	CLK55 AMG	5.5L V8 F/I	33-2181*	PS-7004
S500	5.0L V8 F/I	33-2181*	PS-7004	CLK320	3.2L V6 F/I	33-2181*	PS-7004
SL55 AMG	5.5L V8 F/I	33-2181*		CLK500	5.0L V8 F/I	33-2181*	PS-7004
SL500	5.0L V8 F/I	33-2181*	PS-7004	E55 AMG	5.5L V8 F/I	33-2181*	PS-7004
SLK55 AMG	5.5L V8 F/I	33-2181*	PS-7004	E320	3.2L L6 DSL	E-2992	HP-7017 ¹
SLK280	3.0L V6 F/I	33-2181*	PS-7004	E320	3.2L V6 F/I	33-2181*	PS-7004
SLK350	3.5L V6 F/I	33-2181*	PS-7004	E500	5.0L V8 F/I	33-2181*	PS-7004
Sprinter	2.7L L5 DSL	33-2764		ML350	3.7L V6 F/I	33-2703	PS-7004
Vito	2.2L L4 DSL	33-2912		ML500	5.0L V8 F/I	33-2703	PS-7004
2005 MERCEDES BENZ				2004 MERCEDES BENZ			
C55 AMG	5.5L V8 F/I	33-2181*	PS-7004	S55 AMG Kompressor	5.4L V8 F/I	33-2181*	
C180 Kompressor	1.8L L4 F/I	E-2011		S320	3.2L L6 F/I	33-2181*	
C200 Kompressor	1.8L L4 F/I	E-2011		S430	4.3L V8 F/I	33-2181*	PS-7004
C230	1.8L L4 F/I	E-2011		S500	5.0L V8 F/I	33-2181*	PS-7004
C230	2.5L V6 F/I	33-2181*		S600	5.5L V12 F/I	33-2412	
C230 Kompressor	1.8L L4 F/I	E-2011		SL55 AMG	5.5L V8 F/I	33-2181*	PS-7004
C240	2.6L V6 F/I	33-2181*	PS-7004	SL350	3.7L L6 F/I	33-2181*	
C320	3.0L V6 DSL	33-2940		SL500	5.0L V8 F/I	33-2181*	PS-7004
C320	3.2L V6 F/I	33-2181*	PS-7004	SL600	5.5L V12 F/I	33-2412	
CL55 AMG	5.5L V8 F/I	33-2181*		SLK200 Kompressor	1.8L L4 F/I	E-2011	
CL55 AMG Kompressor	5.5L V8 F/I	33-2181*	PS-7004	SLK230	2.3L L4 F/I	33-2767	
CL65 AMG	6.0L V12 F/I	33-2412	PS-7033	SLK320	3.2L V6 F/I	33-2185*	PS-7004
CL500	5.0L V8 F/I	33-2181*		2003 MERCEDES BENZ			
CLK55 AMG	5.5L V8 F/I	33-2181*		C32 AMG	3.2L V6 F/I	33-2256*	PS-7004
CLK200 Kompressor	1.8L L4 F/I	E-2011		C200 Kompressor	1.8L L4 F/I	E-2011	
CLK320	3.2L V6 F/I	33-2181*	PS-7004	C230	1.8L L4 F/I	E-2011	
CLK500	5.0L V8 F/I	33-2181*	PS-7004	C230 Kompressor	1.8L L4 F/I	E-2011	
CLS350	3.5L V6 F/I	33-2181*		C240	2.6L V6 F/I	33-2181*	PS-7004
E55 AMG	5.5L V8 F/I	33-2181*	PS-7004	C320	3.2L V6 F/I	33-2181*	PS-7004
E320	3.0L V6 DSL - from 5/05	33-2940		CL55 AMG	5.4L V8 F/I - Non-US	33-2181*	
E320	3.2L L6 DSL	E-2992	HP-7017 ¹	CL55 AMG	5.5L V8 F/I - Non-US	33-2181*	
E320	3.2L V6 F/I	33-2181*	PS-7004	CL55 AMG Kompressor	5.5L V8 F/I	33-2181*	PS-7004
E350	3.5L V6 F/I	33-2181*		CL600	5.5L V12 F/I	33-2412	
E500	5.0L V8 F/I	33-2181*	PS-7004				
G320	3.2L V6 F/I	33-2181*					

* 2 filters required

♦ Intake System Available - see page 84 +Cabin Air Filter Available - see page 453 1- Performance Silver Oil Filter Also Available



Vehicle	Engine Type	Air Filter	Oil Filter	Vehicle	Engine Type	Air Filter	Oil Filter
2003 MERCEDES BENZ				2002 MERCEDES BENZ			
CLK55 AMG	5.5L V8 F/I	33-2181*	PS-7004	E55 AMG	5.5L V8 F/I - Non-US, 354BHP	33-2747*	PS-7004
CLK240	2.6L V6 F/I	33-2181*		E55 AMG	5.5L V8 F/I - Non-US, 476BHP	33-2181*	PS-7004
CLK320	3.2L V6 F/I		PS-7004	E55 AMG	5.5L V8 F/I - US	33-2183*	PS-7004
CLK320	3.2L V6 F/I - Convertible	33-2703	PS-7004	E320	3.2L L6 DSL - 197BHP	33-2158	
CLK320	3.2L V6 F/I - Coupe	33-2181*	PS-7004	E320	3.2L L6 DSL - 204BHP	E-2992	
CLK320	3.2L V6 F/I - Non-US	33-2181*	PS-7004	E320	3.2L V6 F/I		PS-7004
CLK430	4.3L V8 F/I		PS-7004	E320	3.2L V6 F/I - Non-US, W/S210	33-2184	PS-7004
CLK500	5.0L V8 F/I	33-2181*	PS-7004	E320	3.2L V6 F/I - Non-US, W/S211	33-2181*	PS-7004
E55 AMG	5.5L V8 F/I		PS-7004	E320	3.2L V6 F/I - US	33-2184	PS-7004
E55 AMG	5.5L V8 F/I - Non-US	33-2181*	PS-7004	E430	4.3L V8 F/I	33-2184	PS-7004
E320	3.2L L6 DSL	E-2992		E500	5.0L V8 F/I	33-2181*	
E320	3.2L V6 F/I		PS-7004	G500	5.0L V8 F/I		PS-7004
E320	3.2L V6 F/I - Sedan	33-2181*	PS-7004	G500	5.0L V8 F/I - Non-US	33-2181*	PS-7004
E320	3.2L V6 F/I - Wagon	33-2184	PS-7004	ML320	3.2L V6 F/I	33-2703	PS-7004
E500	5.0L V8 F/I	33-2181*	PS-7004	ML500	5.0L V8 F/I	33-2703	PS-7004
G55 AMG	5.5L V8 F/I - Non-US	33-2181*		S55 AMG	5.4L V8 F/I	33-2181*	
G320	3.2L V6 F/I	33-2181*		S55 AMG	5.5L V8 F/I	33-2181*	
G500	5.0L V8 F/I	33-2181*		S55 AMG	5.4L V8 F/I	33-2181*	
ML320	3.2L V6 F/I	33-2703	PS-7004	Kompressor			
ML350	3.7L V6 F/I	33-2703	PS-7004	S320	3.2L L6 F/I	33-2181*	
ML500	5.0L V8 F/I	33-2703	PS-7004	S430	4.3L V8 F/I	33-2181*	PS-7004
S55 AMG	5.4L V8 F/I	33-2181*		S500	5.0L V8 F/I	33-2181*	PS-7004
S55 AMG	5.5L V8 F/I	33-2181*		S600	5.8L V12 F/I	33-2217*	
S55 AMG	5.4L V8 F/I	33-2181*		SL500	5.0L V8 F/I	33-2181*	
Kompressor				SLK32 AMG	3.2L V6 F/I	33-2256*	PS-7004
S430	4.3L V8 F/I	33-2181*	PS-7004	SLK230	2.3L L4 F/I	33-2767	PS-7008
S500	5.0L V8 F/I	33-2181*	PS-7004	SLK320	3.2L V6 F/I	33-2185*	PS-7004
S600	5.5L V12 F/I	33-2412		2001 MERCEDES BENZ			
SL55 AMG	5.5L V8 F/I	33-2181*	PS-7004	C180	2.0L L4 F/I	33-2244	
SL500	5.0L V8 F/I	33-2181*	PS-7004	C200 Kompressor	2.0L L4 F/I	33-2193	
SLK32 AMG	3.2L V6 F/I	33-2256*	PS-7004	C240	2.6L V6 F/I	33-2181*	PS-7004
SLK230	2.3L L4 F/I	33-2767	PS-7008	C320	3.2L V6 F/I	33-2181*	PS-7004
SLK320	3.2L V6 F/I	33-2185*	PS-7004	CL55 AMG	5.5L V8 F/I - Non-US	33-2181*	
2002 MERCEDES BENZ				CL500	5.0L V8 F/I	33-2181*	PS-7004
C32 AMG	3.2L V6 F/I	33-2256*	PS-7004	CL600	5.8L V12 F/I	33-2217*	
C180	2.0L L4 F/I	33-2244		CLK55 AMG	5.5L V8 F/I		PS-7004
C200 Kompressor	1.8L L4 F/I	E-2011		CLK55 AMG	5.5L V8 F/I - Non-US	33-2747*	PS-7004
C200 Kompressor	2.0L L4 F/I	33-2193		CLK55 AMG	5.5L V8 F/I - US	33-2183*	PS-7004
C230	2.3L L4 F/I	33-2193		CLK230 Kompressor	2.3L L4 F/I	33-2703	
C230 Kompressor	1.8L L4 F/I - from 6/02	E-2011		CLK320	3.2L V6 F/I	33-2703	PS-7004
C230 Kompressor	1.8L L4 F/I - to 5/02	33-2193		CLK430	4.3L V8 F/I		PS-7004
C240	2.6L V6 F/I	33-2181*	PS-7004	CLK430	4.3L V8 F/I - Non-US	33-2747*	PS-7004
C320	3.2L V6 F/I	33-2181*	PS-7004	CLK430	4.3L V8 F/I - US	33-2183*	PS-7004
CL55 AMG	5.5L V8 F/I		PS-7004	E55 AMG	5.5L V8 F/I		PS-7004
CL55 AMG	5.5L V8 F/I - Non-US	33-2181*	PS-7004	E55 AMG	5.5L V8 F/I - Non-US	33-2747*	PS-7004
CL55 AMG	5.5L V8 F/I	33-2181*	PS-7004	E55 AMG	5.5L V8 F/I - US	33-2183*	PS-7004
Kompressor				E320	3.2L L6 DSL	33-2158	
CL500	5.0L V8 F/I	33-2181*	PS-7004	E320	3.2L V6 F/I	33-2184	PS-7004
CLK55 AMG	5.5L V8 F/I		PS-7004	E430	4.3L V8 F/I	33-2184	PS-7004
CLK55 AMG	5.5L V8 F/I - Non-US, 347BHP	33-2747*	PS-7004	ML55 AMG	5.5L V8 F/I	33-2703	PS-7004
CLK55 AMG	5.5L V8 F/I - Non-US, 367BHP	33-2181*	PS-7004	ML320	3.2L V6 F/I	33-2703	PS-7004
CLK55 AMG	5.5L V8 F/I - US	33-2183*	PS-7004	ML430	4.3L V8 F/I	33-2703	PS-7004
CLK320	3.2L V6 F/I	33-2703	PS-7004	S430	4.3L V8 F/I	33-2181*	PS-7004
CLK320	3.2L V6 F/I - Non-US, from 6/02	33-2181*	PS-7004	S500	5.0L V8 F/I	33-2181*	PS-7004
CLK320	3.2L V6 F/I - Non-US, to 5/02	33-2703	PS-7004	SL320	3.2L L6 F/I - 224BHP	33-2181*	
CLK430	4.3L V8 F/I		PS-7004	SL500	5.0L V8 F/I	33-2181*	PS-7004
CLK430	4.3L V8 F/I - Non-US	33-2747*	PS-7004	SL500	5.0L V8 F/I - Non-US, 306BHP	33-2181*	PS-7004
CLK430	4.3L V8 F/I - US	33-2183*	PS-7004	SL500	5.0L V8 F/I - Non-US, 320BHP	33-2678*	PS-7004
E55 AMG	5.5L V8 F/I		PS-7004	SLK230	2.3L L4 F/I	33-2767	PS-7008

* 2 filters required

◆Intake System Available - see page 84 +Cabin Air Filter Available - see page 453 1- Performance Silver Oil Filter Also Available



AIR & OIL FILTERS

MERCEDES BENZ

Vehicle	Engine Type	Air Filter	Oil Filter
2001 MERCEDES BENZ			
SLK320	3.2L V6 F/I	33-2185*	PS-7004
2000 MERCEDES BENZ			
C180	2.0L L4 F/I	33-2244	
C200 Kompressor	2.0L L4 F/I - 163BHP	33-2193	
C230 Kompressor	2.3L L4 F/I	33-2703	PS-7008
C280	2.8L V6 F/I	33-2703	PS-7004
CLK320	3.2L V6 F/I	33-2703	PS-7004
CLK430	4.3L V8 F/I		PS-7004
CLK430	4.3L V8 F/I - Non-US	33-2747*	PS-7004
CLK430	4.3L V8 F/I - US	33-2183*	PS-7004
E55 AMG	5.5L V8 F/I - US	33-2183*	
E320	3.2L L6 DSL	33-2158	
E320	3.2L V6 F/I	33-2184	PS-7004
E430	4.3L V8 F/I	33-2184	PS-7004
ML320	3.2L V6 F/I	33-2703	PS-7004
ML430	4.3L V8 F/I	33-2703	PS-7004
S430	4.3L V8 F/I	33-2181*	PS-7004
S500	5.0L V8 F/I	33-2181*	PS-7004
SL500	5.0L V8 F/I	33-2181*	PS-7004
SL500	5.0L V8 F/I - Non-US, 306BHP	33-2181*	PS-7004
SL500	5.0L V8 F/I - Non-US, 320BHP	33-2678*	PS-7004
SLK200 Kompressor	2.0L L4 F/I	33-2767	
SLK230	2.3L L4 F/I	33-2767	PS-7008
SLK320	3.2L V6 F/I	33-2185*	

Vehicle	Engine Type	Air Filter	Oil Filter
1999 MERCEDES BENZ			
C43 AMG	4.3L V8 F/I	33-2183*	
C230 Kompressor	2.3L L4 F/I	33-2703	PS-7008
C280	2.8L V6 F/I	33-2703	PS-7004
CL500	5.0L V8 F/I	33-2181*	
CL500	5.0L V8 F/I - Non-US, 306BHP	33-2181*	
CLK230 Kompressor	2.3L L4 F/I	33-2703	
CLK320	3.2L V6 F/I	33-2703	PS-7004
CLK430	4.3L V8 F/I		PS-7004
CLK430	4.3L V8 F/I - Non-US	33-2747*	PS-7004
CLK430	4.3L V8 F/I - US	33-2183*	PS-7004
E55 AMG	5.5L V8 F/I - Non-US	33-2747*	
E55 AMG	5.5L V8 F/I - US	33-2183*	
E300	3.0L L6 DSL - Non-US	33-2747	
E320	3.2L L6 DSL	33-2158	
E320	3.2L V6 F/I		PS-7004
E320	3.2L V6 F/I - Non-US, from 8/99	33-2184	PS-7004
E320	3.2L V6 F/I - Non-US, to 7/99	33-2747	PS-7004
E320	3.2L V6 F/I - US	33-2747	PS-7004
E430	4.3L V8 F/I		PS-7004
E430	4.3L V8 F/I - Non-US, from 8/99	33-2184	PS-7004
E430	4.3L V8 F/I - Non-US, to 7/99	33-2747	PS-7004
E430	4.3L V8 F/I - US	33-2747	PS-7004
ML320	3.2L V6 F/I	33-2703	PS-7004
ML430	4.3L V8 F/I	33-2703	PS-7004
S55 AMG	5.4L V8 F/I	33-2181*	
S320	3.2L L6 F/I - Non-US, from 10/98	33-2181*	
S320	3.2L L6 F/I - Non-US, to 9/98	33-2130	
S320	3.2L L6 F/I - US	33-2130	
S500	5.0L V8 F/I	33-2678*	
SL500	5.0L V8 F/I		PS-7004

Vehicle	Engine Type	Air Filter	Oil Filter
1999 MERCEDES BENZ			
SL500	5.0L V8 F/I - Non-US, 306BHP	33-2181*	PS-7004
SL500	5.0L V8 F/I - Non-US, 320BHP	33-2678*	PS-7004
SL500	5.0L V8 F/I - US	33-2181*	PS-7004
SLK230	2.3L L4 F/I	33-2767	PS-7008
1998 MERCEDES BENZ			
C43 AMG	4.3L V8 F/I	33-2183*	
C230	2.3L L4 F/I	33-2703 ♦	PS-7008
C230 Kompressor	2.3L L4 F/I	33-2703	PS-7008
C280	2.8L L6 F/I	33-2703	PS-7004
C280	2.8L V6 F/I	33-2703	PS-7004
CLK230 Kompressor	2.3L L4 F/I	33-2703	
CLK320	3.2L V6 F/I	33-2703	PS-7004
E300	3.0L L6 DSL - Non-US	33-2747	
E320	3.2L L6 F/I - Non-US, W/S124	33-2705	
E320	3.2L L6 F/I - Non-US, W/S210	33-2747	
E320	3.2L V6 F/I		PS-7004
E320	3.2L V6 F/I - US	33-2747	PS-7004
E430	4.3L V8 F/I	33-2747	PS-7004
ML320	3.2L V6 F/I	33-2703	PS-7004
S320	3.2L L6 F/I	33-2130	
S500	5.0L V8 F/I - Non-US, 306BHP	33-2181*	
SL500	5.0L V8 F/I - Non-US, 306BHP	33-2181*	
SL500	5.0L V8 F/I - Non-US, 320BHP	33-2678*	
SLK230	2.3L L4 F/I	33-2767	PS-7008

Vehicle	Engine Type	Air Filter	Oil Filter
1997 MERCEDES BENZ			
C230	2.3L L4 F/I	33-2703 ♦	PS-7008
C230 Kompressor	2.3L L4 F/I	33-2703	PS-7008
C280	2.8L L6 F/I	33-2703	PS-7008
E320	3.2L L6 F/I		PS-7008
E320	3.2L L6 F/I - US	33-2747	PS-7008
E320	3.2L V6 F/I		PS-7008
E320	3.2L V6 F/I - Non-US, W/S124	33-2705	PS-7008
E320	3.2L V6 F/I - Non-US, W/S210	33-2747	PS-7008
E420	4.2L V8 F/I	33-2747	
S320	3.2L L6 F/I	33-2130	
S420	4.2L V8 F/I	33-2678*	
S500	5.0L V8 F/I	33-2678*	
S600	6.0L V12 F/I	33-2677*	
SL500	5.0L V8 F/I	33-2678*	

Vehicle	Engine Type	Air Filter	Oil Filter
1996 MERCEDES BENZ			
C280	2.8L L6 F/I	33-2703	PS-7008
E300	3.0L L6 DSL - Non-US	33-2747	
E320	3.2L L6 F/I		PS-7008
E320	3.2L L6 F/I - Non-US, W/S124	33-2705	PS-7008
E320	3.2L L6 F/I - Non-US, W/S210	33-2747	PS-7008
E320	3.2L L6 F/I - US	33-2747	PS-7008
S320	3.2L L6 F/I	33-2130	PS-7008
S500	5.0L V8 F/I	33-2678*	
SL320	3.2L L6 F/I		PS-7008

Vehicle	Engine Type	Air Filter	Oil Filter
1995 MERCEDES BENZ			
C280	2.8L L6 F/I	33-2703	
E300	3.0L L6 DSL - Non-US	33-2747	
E320	3.2L L6 F/I		PS-7008

* 2 filters required

♦ Intake System Available - see page 84 +Cabin Air Filter Available - see page 453 1- Performance Silver Oil Filter Also Available



Vehicle	Engine Type	Air Filter	Oil Filter
1995 MERCEDES BENZ			
E320	3.2L L6 F/I - Non-US, W/S124	33-2705	PS-7008
E320	3.2L L6 F/I - Non-US, W/S210	33-2747	PS-7008
E320	3.2L L6 F/I - US	33-2705	PS-7008
S420	4.2L V8 F/I	33-2678*	
S500	5.0L V8 F/I	33-2678*	
S600	6.0L V12 F/I	33-2677*	
SL500	5.0L V8 F/I	33-2678*	

Vehicle	Engine Type	Air Filter	Oil Filter
1994 MERCEDES BENZ			
C280	2.8L L6 F/I	33-2703	
E320	3.2L L6 F/I	33-2705	PS-7008
E420	4.2L V8 F/I	33-2678*	
E500	5.0L V8 F/I	33-2678*	
S320	3.2L L6 F/I	33-2130	
S420	4.2L V8 F/I	33-2678*	
S500	5.0L V8 F/I	33-2678*	
SL500	5.0L V8 F/I	33-2678*	

Vehicle	Engine Type	Air Filter	Oil Filter
1993 MERCEDES BENZ			
190E	2.3L L4 F/I	E-9178	HP-2005 ¹
190E	2.6L L6 F/I	E-2866	HP-2005 ¹
400E	4.2L V8 F/I	33-2678*	
600SEL	6.0L V12 F/I	33-2677*	

Vehicle	Engine Type	Air Filter	Oil Filter
1992 MERCEDES BENZ			
190E	2.3L L4 F/I	E-9178	
190E	2.6L L6 F/I	E-2866	HP-2005 ¹
300SL	3.0L L6 F/I		PS-7008
300SL	3.0L L6 F/I - Non-US, 190BHP	E-2867	PS-7008
500SL	5.0L V8 F/I - Non-US, KE Jetronic	33-2683*	
500SL	5.0L V8 F/I - Non-US, LH Jetronic	33-2678*	
500SL	5.0L V8 F/I - US	33-2683*	

Vehicle	Engine Type	Air Filter	Oil Filter
1991 MERCEDES BENZ			
190E	2.6L L6 F/I	E-2866	
300CE	3.0L L6 F/I - Non-US, Exc., 220BHP	E-2867	
300E	3.0L L6 F/I - Non-US, Exc., 220BHP	E-2867	
300E	3.0L L6 F/I - US	E-2867	
300SL	3.0L L6 F/I - Non-US, 190BHP	E-2867	
350SD	3.5L L6 DSL - Turbo	E-9165	
350SDL	3.5L L6 DSL - Turbo	E-9165	
500SL	5.0L V8 F/I	33-2683*	
500SL	5.0L V8 F/I - KE Jetronic	33-2683*	
500SL	5.0L V8 F/I - LH Jetronic	33-2678*	
560SEC	5.6L V8 F/I	E-2872	

Vehicle	Engine Type	Air Filter	Oil Filter
1990 MERCEDES BENZ			
300SE	3.0L L6 F/I	E-2867	
300SEL	3.0L L6 F/I	E-2867	HP-2005 ¹
420SEL	4.2L V8 F/I	E-2872	
500SL	5.0L V8 F/I - LH Jetronic	33-2678*	

Vehicle	Engine Type	Air Filter	Oil Filter
1989 MERCEDES BENZ			
190E	2.6L L6 F/I	E-2866	HP-2005 ¹
300SE	3.0L L6 F/I	E-2867	HP-2005 ¹
300SEL	3.0L L6 F/I	E-2867	HP-2005 ¹
560SL	5.6L V8 F/I	E-2872	

Vehicle	Engine Type	Air Filter	Oil Filter
1988 MERCEDES BENZ			
190E	2.3L L4 F/I - Non-US, SOHC, To 9/88	E-2865	
560SL	5.6L V8 F/I	E-2872	
1987 MERCEDES BENZ			
190E	2.3L L4 F/I - SOHC	E-2865	
300D	3.0L L6 DSL - US	E-9165	
300SDL	3.0L L6 DSL	E-9165	
300TD	3.0L L6 DSL	E-9165	
560SL	5.6L V8 F/I	E-2872	

Vehicle	Engine Type	Air Filter	Oil Filter
1986 MERCEDES BENZ			
190E	2.0L L4 F/I	E-2865	
190E	2.3L L4 F/I - DOHC	33-2513	
190E	2.3L L4 F/I - SOHC	E-2865	HP-2005 ¹
300SDL	3.0L L6 DSL	E-9165	
560SL	5.6L V8 F/I	E-2872	

Vehicle	Engine Type	Air Filter	Oil Filter
1985 MERCEDES BENZ			
190E	2.0L L4 F/I	E-2865	
300D	3.0L L5 DSL - Exc. Calif	E-2870	
300D	3.0L L6 DSL - Exc. Turbo	33-2549	
300SD	3.0L L5 DSL	E-2870	
300TD	3.0L L5 DSL	E-2870	
380SL	3.8L V8 F/I	E-2872	
500SEL	5.0L V8 F/I	E-2872	

Vehicle	Engine Type	Air Filter	Oil Filter
1984 MERCEDES BENZ			
190E	2.3L L4 F/I	E-2865	
230E	2.3L L4 F/I	E-2865	
300D	3.0L L5 DSL	E-2870	
300D	3.0L L6 DSL - Exc. Turbo	33-2549	
300SD	3.0L L5 DSL	E-2870	
300TD	3.0L L5 DSL	E-2870	

Vehicle	Engine Type	Air Filter	Oil Filter
1983 MERCEDES BENZ			
300D	3.0L L5 DSL	E-2870	
300SD	3.0L L5 DSL	E-2870	
380SL	3.8L V8 F/I	E-2872	

Vehicle	Engine Type	Air Filter	Oil Filter
1981 MERCEDES BENZ			
300D	3.0L L5 DSL - US	E-2800	

Vehicle	Engine Type	Air Filter	Oil Filter
1980 MERCEDES BENZ			
230E	2.3L L4 CARB	E-2865	

Vehicle	Engine Type	Air Filter	Oil Filter
1979 MERCEDES BENZ			
450SL	4.5L V8 F/I	E-2872	
450SLC	4.5L V8 F/I	E-2872	

Vehicle	Engine Type	Air Filter	Oil Filter
1971 MERCEDES BENZ			
280SL	2.8L L6 F/I	E-2380	

Vehicle	Engine Type	Air Filter	Oil Filter
2011 MERCURY			
Grand Marquis	4.6L V8 F/I	33-2272 ♦	HP-2010 ¹
Mariner	3.0L V6 F/I	E-1990	

Vehicle	Engine Type	Air Filter	Oil Filter
2010 MERCURY			
Grand Marquis	4.6L V8 F/I	33-2272 ♦	HP-2010 ¹
Mariner	2.5L L4 F/I	33-2187	HP-1002 ¹
Mariner	3.0L V6 F/I	E-1990	HP-2011 ¹
Mariner Hybrid	2.5L L4 F/I	33-2347	HP-1002 ¹
Milan	2.5L L4 F/I	33-2357+	HP-1002 ¹
Milan	3.0L V6 F/I	33-2340+	HP-2011 ¹
Milan Hybrid	2.5L L4 F/I		HP-1002 ¹
Mountaineer	4.0L V6 F/I	33-2366	HP-2010 ¹

* 2 filters required ♦ Intake System Available - see page 84 +Cabin Air Filter Available - see page 453 1- Performance Silver Oil Filter Also Available



AIR & OIL FILTERS

MERCURY

Vehicle	Engine Type	Air Filter	Oil Filter
2010 MERCURY			
Mountaineer	4.6L V8 F/I	33-2353	HP-2010 ¹
2009 MERCURY			
Grand Marquis	4.6L V8 F/I	33-2272 ♦	HP-2010 ¹
Mariner	2.5L L4 F/I	33-2187	
Mariner	2.5L L4 F/I - Cartridge	33-2187	PS-7013
Mariner	2.5L L4 F/I - Spin On	33-2187	HP-1002 ¹
Mariner	3.0L V6 F/I	E-1990	HP-2011 ¹
Mariner Hybrid	2.5L L4 F/I	33-2347	
Mariner Hybrid	2.5L L4 F/I - Cartridge	33-2347	PS-7013
Mariner Hybrid	2.5L L4 F/I - Spin On	33-2347	HP-1002 ¹
Milan	2.3L L4 F/I	33-2357	
Milan	3.0L V6 F/I	33-2340	HP-2010 ¹
2008 MERCURY			
Grand Marquis	4.6L V8 F/I	33-2272 ♦	HP-2010 ¹
Mariner	2.3L L4 F/I	33-2187	
Mariner	3.0L V6 F/I	33-2187	HP-2010 ¹
Mariner Hybrid	2.3L L4 F/I	33-2347	
Mariner Hybrid	2.3L L4 F/I - Cartridge	33-2347	PS-7013
Mariner Hybrid	2.3L L4 F/I - Spin On	33-2347	HP-1002 ¹
Milan	2.3L L4 F/I	33-2357	
Milan	2.3L L4 F/I - Cartridge	33-2357	PS-7013
Milan	2.3L L4 F/I - Spin On	33-2357	HP-1002 ¹
Milan	3.0L V6 F/I	33-2340	HP-2010 ¹
Mountaineer	4.0L V6 F/I	33-2366	HP-2010 ¹
Mountaineer	4.6L V8 F/I	33-2353	HP-2010 ¹
Sable	3.5L V6 F/I	33-2395	HP-2009 ¹
2007 MERCURY			
Grand Marquis	4.6L V8 F/I	33-2272 ♦	HP-2010 ¹
Mariner	3.0L V6 F/I	33-2187	HP-2010 ¹
Milan	2.3L L4 F/I	33-2357	
Milan	2.3L L4 F/I - Cartridge	33-2357	PS-7013
Milan	2.3L L4 F/I - Spin On	33-2357	HP-1002 ¹
Milan	3.0L V6 F/I	33-2340	HP-2010 ¹
Montego	3.0L V6 F/I	33-2308	HP-2010 ¹
Mountaineer	4.0L V6 F/I	33-2366	HP-2010 ¹
Mountaineer	4.6L V8 F/I	33-2353	HP-2010 ¹
2006 MERCURY			
Grand Marquis	4.6L V8 F/I	33-2272 ♦	HP-2010 ¹
Mariner	3.0L V6 F/I	33-2187	HP-2010 ¹
Milan	2.3L L4 F/I	33-2357	
Milan	2.3L L4 F/I - Cartridge	33-2357	PS-7013
Milan	2.3L L4 F/I - Spin On	33-2357	HP-1002 ¹
Milan	3.0L V6 F/I	33-2340	HP-2010 ¹
Montego	3.0L V6 F/I	33-2308	HP-2010 ¹
Mountaineer	4.0L V6 F/I	33-2366	HP-2010 ¹
Mountaineer	4.6L V8 F/I	33-2353	HP-2010 ¹
2005 MERCURY			
Grand Marquis	4.6L V8 F/I	33-2272 ♦	HP-2010 ¹
Mariner	3.0L V6 F/I	33-2187	HP-2010 ¹
Montego	3.0L V6 F/I	33-2308	HP-2010 ¹
Mountaineer	4.0L V6 F/I	33-2207	HP-2010 ¹
Mountaineer	4.6L V8 F/I	33-2207 ♦	HP-2010 ¹
Sable	3.0L V6 F/I	33-2150	
Sable	3.0L V6 F/I - DOHC	33-2150	HP-2010 ¹
Sable	3.0L V6 F/I - OHV	33-2150	HP-2009 ¹
2004 MERCURY			
Grand Marquis	4.6L V8 F/I	33-2272 ♦	HP-2010 ¹
Marauder	4.6L V8 F/I	33-2272 ♦	HP-2010 ¹
Mountaineer	4.0L V6 F/I	33-2207	HP-2010 ¹
Mountaineer	4.6L V8 F/I	33-2207 ♦	HP-2010 ¹

Vehicle	Engine Type	Air Filter	Oil Filter
2004 MERCURY			
Sable	3.0L V6 F/I	33-2150	
Sable	3.0L V6 F/I - DOHC	33-2150	HP-2010 ¹
Sable	3.0L V6 F/I - OHV	33-2150	HP-2009 ¹
2003 MERCURY			
Grand Marquis	4.6L V8 F/I	33-2272	HP-2010 ¹
Marauder	4.6L V8 F/I	33-2272 ♦	HP-2010 ¹
Mountaineer	4.0L V6 F/I	33-2207 ♦	HP-2010 ¹
Mountaineer	4.6L V8 F/I	33-2207 ♦	HP-2010 ¹
Sable	3.0L V6 F/I	33-2150	
Sable	3.0L V6 F/I - DOHC	33-2150	HP-2010 ¹
Sable	3.0L V6 F/I - OHV	33-2150	HP-2009 ¹
2002 MERCURY			
Cougar	2.5L V6 F/I	33-2115-1	HP-2010 ¹
Grand Marquis	4.6L V8 F/I	33-2272	HP-2010 ¹
Mountaineer	4.0L V6 F/I	33-2207 ♦	HP-2010 ¹
Mountaineer	4.6L V8 F/I	33-2207 ♦	HP-2010 ¹
Sable	3.0L V6 F/I	33-2150	
Sable	3.0L V6 F/I - DOHC	33-2150	HP-2010 ¹
Sable	3.0L V6 F/I - OHV	33-2150	HP-2009 ¹
2001 MERCURY			
Cougar	2.5L V6 F/I	33-2115-1 ♦	HP-2010 ¹
Grand Marquis	4.6L V8 F/I	33-2272	HP-2010 ¹
Mountaineer	5.0L V8 F/I	33-2106-1	HP-2010 ¹
Sable	3.0L V6 F/I	33-2150	
Sable	3.0L V6 F/I - DOHC	33-2150	HP-2010 ¹
Sable	3.0L V6 F/I - OHV	33-2150	HP-2009 ¹
Villager	3.3L V6 F/I	33-2091-1	
2000 MERCURY			
Cougar	2.5L V6 F/I	33-2115-1 ♦	HP-2010 ¹
Grand Marquis	4.6L V8 F/I	33-2272	HP-2010 ¹
Mountaineer	4.0L V6 F/I	33-2106-1	HP-3001 ¹
Mountaineer	5.0L V8 F/I	33-2106-1	HP-2010 ¹
Sable	3.0L V6 F/I	33-2150	
Sable	3.0L V6 F/I - DOHC	33-2150	HP-2010 ¹
Sable	3.0L V6 F/I - OHV	33-2150	HP-2009 ¹
Villager	3.3L V6 F/I	33-2091-1	
1999 MERCURY			
Cougar	2.0L L4 F/I	33-2132	
Cougar	2.5L V6 F/I	33-2115-1	HP-2010 ¹
Grand Marquis	4.6L V8 F/I	33-2272	HP-2010 ¹
Mountaineer	5.0L V8 F/I	33-2106-1	HP-2010 ¹
Sable	3.0L V6 F/I	33-2107	
Sable	3.0L V6 F/I - DOHC	33-2107	HP-2010 ¹
Sable	3.0L V6 F/I - OHV	33-2107	HP-2009 ¹
Villager	3.3L V6 F/I	33-2091-1	
1998 MERCURY			
Grand Marquis	4.6L V8 F/I	33-2272	HP-2010 ¹
Mountaineer	5.0L V8 F/I		HP-2010 ¹
Mountaineer	5.0L V8 F/I - w/Panel Filter	33-2106-1	HP-2010
Mountaineer	5.0L V8 F/I - w/Round Filter	E-0996	HP-2010
Sable	3.0L V6 F/I	33-2107	
Sable	3.0L V6 F/I - OHV	33-2107	HP-2009 ¹
Villager	3.0L V6 F/I	33-2091-1	
1997 MERCURY			
Cougar	4.6L V8 F/I	33-2033 ♦	HP-2010 ¹
Grand Marquis	4.6L V8 F/I	33-2272	HP-2010 ¹
Mountaineer	5.0L V8 F/I		HP-2010 ¹

* 2 filters required

♦ Intake System Available - see page 84 +Cabin Air Filter Available - see page 453 1- Performance Silver Oil Filter Also Available



Vehicle	Engine Type	Air Filter	Oil Filter
1997 MERCURY			
Mountaineer	5.0L V8 F/I - w/Panel Filter	33-2106-1 ♦	HP-2010
Mountaineer	5.0L V8 F/I - w/Round Filter	E-0996 ♦	HP-2010
Villager	3.0L V6 F/I	33-2091-1	
1996 MERCURY			
Cougar	4.6L V8 F/I	33-2033 ♦	HP-2010 ¹
Grand Marquis	4.6L V8 F/I	33-2272	HP-2010 ¹
1995 MERCURY			
Cougar	4.6L V8 F/I	33-2033 ♦	HP-2010 ¹
Grand Marquis	4.6L V8 F/I	33-2272	HP-2010 ¹
1994 MERCURY			
Grand Marquis	4.6L V8 F/I	33-2272	HP-2010 ¹
1993 MERCURY			
Grand Marquis	4.6L V8 F/I	33-2272	HP-2010 ¹
1992 MERCURY			
Grand Marquis	4.6L V8 F/I	33-2272	HP-2010 ¹
1991 MERCURY			
Grand Marquis	5.0L V8 F/I	33-2195	HP-3001 ¹
1989 MERCURY			
Grand Marquis	5.0L V8 F/I	33-2195	HP-3001 ¹
1988 MERCURY			
Cougar	5.0L V8 F/I	33-2015	
1987 MERCURY			
Cougar	5.0L V8 F/I	33-2015	
1970 MERCURY			
Cougar	351 V8 CARB	E-1570	HP-3001 ¹
1969 MERCURY			
Cougar	351 V8 CARB	E-1570	HP-3001 ¹
1968 MERCURY			
Cougar	302 V8 CARB	E-1570	HP-3001 ¹
1967 MERCURY			
Cougar	289 V8 CARB		HP-3001 ¹
1989 MERKUR			
Scorpio	2.9L V6 F/I	33-2013	
1980 MG			
MGB	110 L4 CARB	E-2401	HP-1002 ¹
1979 MG			
MGB	110 L4 CARB	E-2401	HP-1002 ¹
1978 MG			
MGB	110 L4 CARB	E-2401	HP-1002 ¹
1977 MG			
MGB	110 L4 CARB	E-2401	HP-1002 ¹
1976 MG			
MGB	110 L4 CARB	E-2401	HP-1002 ¹
1975 MG			
MGB	110 L4 CARB	E-2401	HP-1002 ¹
MGB	3.5L V8 F/I		HP-2004 ¹
1974 MG			
MGB	110 L4 CARB	E-2400*	HP-2004 ¹
Midget	78 L4 CARB	E-2230	HP-1002 ¹

Vehicle	Engine Type	Air Filter	Oil Filter
1973 MG			
MGB	110 L4 CARB	E-2400*	HP-2004 ¹
Midget	78 L4 CARB	E-2230	HP-1002 ¹
1972 MG			
MGB	110 L4 CARB	E-2400*	HP-2004 ¹
Midget	78 L4 CARB	E-2230	HP-1002 ¹
1971 MG			
MGB	110 L4 CARB	E-2400*	HP-2004 ¹
Midget	78 L4 CARB	E-2230	HP-1002 ¹
1970 MG			
MGB	110 L4 CARB	E-2400*	
Midget	78 L4 CARB	E-2230	
2017 MINI			
Cooper	1.5L L3 F/I	33-3025	
Cooper Clubman	1.5L L3 F/I	33-3025	
Cooper Clubman	2.0L L4 F/I	33-3025	
Cooper Countryman	1.5L L3 F/I	33-3025	
Cooper D	1.5L L3 DSL	33-3025	
Cooper D Cabriolet	1.5L L3 DSL	33-3025	
Cooper D Clubman	2.0L L4 DSL	33-3025	
Cooper D	2.0L L4 DSL	33-3025	
Countryman			
Cooper John Cooper Works	2.0L L4 F/I	33-3025	
Cooper John Cooper Works Cabriolet	2.0L L4 F/I	33-3025	
Cooper John Cooper Works Clubman	2.0L L4 F/I	33-3025	
Cooper John Cooper Works Countryman	2.0L L4 F/I	33-3025	
Cooper S	2.0L L4 F/I	33-3025	
Cooper S Cabriolet	2.0L L4 F/I	33-3025	
Cooper S Clubman	2.0L L4 F/I	33-3025	
Cooper S	2.0L L4 F/I	33-3025	
Countryman			
Cooper SD	2.0L L4 DSL	33-3025	
Cooper SD Cabriolet	2.0L L4 DSL	33-3025	
Cooper SD Clubman	2.0L L4 DSL	33-3025	
Cooper SD	2.0L L4 DSL	33-3025	
Countryman			
One	1.2L L3 F/I	33-3025	
One Cabriolet	1.2L L3 F/I	33-3025	
One Clubman	1.5L L3 F/I	33-3025	
One D	1.5L L3 DSL	33-3025	
One D Clubman	1.5L L3 DSL	33-3025	
2016 MINI			
Cooper	1.5L L3 F/I	33-3025 ♦	
Cooper	1.6L L4 F/I		PS-7024
Cooper Clubman	1.5L L3 F/I	33-3025 ♦	
Cooper Clubman	2.0L L4 F/I	33-3025	
Cooper Countryman	1.6L L4 F/I		PS-7024
Cooper Countryman	1.6L L4 F/I - Exc. Turbo	33-2386+	PS-7024
Cooper Countryman	1.6L L4 F/I - Turbo	33-2936+	PS-7024
Cooper D	1.5L L3 DSL	33-3025	
Cooper D Cabriolet	1.5L L3 DSL	33-3025	
Cooper D Clubman	2.0L L4 DSL	33-3025	
Cooper John Cooper Works	2.0L L4 F/I	33-3025 ♦	
Cooper John Cooper Works Cabriolet	2.0L L4 F/I	33-3025	
Cooper John Cooper Works Clubman	2.0L L4 F/I	33-3025	
Cooper Paceman	1.6L L4 F/I		PS-7024

* 2 filters required ♦ Intake System Available - see page 84 +Cabin Air Filter Available - see page 453 1- Performance Silver Oil Filter Also Available



AIR & OIL FILTERS

MINI

Vehicle	Engine Type	Air Filter	Oil Filter
2016 MINI			
Cooper Paceman	1.6L L4 F/I - Exc. Turbo	33-2386+	PS-7024
Cooper Paceman	1.6L L4 F/I - Turbo	33-2936+	PS-7024
Cooper S	2.0L L4 F/I	33-3025 ♦	
Cooper S Cabriolet	2.0L L4 F/I	33-3025	
Cooper S Clubman	2.0L L4 F/I	33-3025	
Cooper SD	2.0L L4 DSL	33-3025	
Cooper SD Cabriolet	2.0L L4 DSL	33-3025	
Cooper SD Clubman	2.0L L4 DSL	33-3025	

Vehicle	Engine Type	Air Filter	Oil Filter
2015 MINI			
Cooper	1.5L L3 F/I	33-3025 ♦	
Cooper	1.6L L4 F/I		PS-7024
Cooper	1.6L L4 F/I - Exc. Turbo	33-2386	PS-7024
Cooper	1.6L L4 F/I - Turbo	33-2936	PS-7024
Cooper	1.6L L4 F/I - US, Exc. Turbo	33-2386	PS-7024
Cooper Countryman	1.6L L4 F/I		PS-7024
Cooper Countryman	1.6L L4 F/I - US, Exc. Turbo	33-2386+	PS-7024
Cooper Countryman	1.6L L4 F/I - US, Turbo	33-2936+	PS-7024
Cooper D	1.5L L3 DSL	33-3025	
Cooper John Cooper Works	2.0L L4 F/I	33-3025	
Cooper Paceman	1.6L L4 F/I		PS-7024
Cooper Paceman	1.6L L4 F/I - US, Exc. Turbo	33-2386+	PS-7024
Cooper Paceman	1.6L L4 F/I - US, Turbo	33-2936+	PS-7024
Cooper S	1.6L L4 F/I		PS-7024
Cooper S	1.6L L4 F/I - Turbo	33-2936 ♦	PS-7024
Cooper S	2.0L L4 F/I	33-3025 ♦	
Cooper SD	2.0L L4 DSL	33-3025	

Vehicle	Engine Type	Air Filter	Oil Filter
2014 MINI			
Cooper	1.5L L3 F/I	33-3025 ♦	
Cooper	1.6L L4 F/I		PS-7024
Cooper	1.6L L4 F/I - US	33-2386 ♦+	PS-7024
Cooper Countryman	1.6L L4 F/I	33-2386+	PS-7024
Cooper Countryman John Cooper Works	1.6L L4 F/I	33-2936+	PS-7024
Cooper D	1.5L L3 DSL	33-3025	
Cooper John Cooper Works	1.6L L4 F/I	33-2936 ♦+	PS-7024
Cooper Paceman	1.6L L4 F/I		PS-7024
Cooper Paceman	1.6L L4 F/I - US	33-2386+	PS-7024
Cooper Paceman John Cooper Works	1.6L L4 F/I	33-2936+	PS-7024
Cooper S	1.6L L4 F/I	33-2936 ♦+	PS-7024
Cooper S	2.0L L4 F/I	33-3025 ♦	
Cooper S Countryman	1.6L L4 F/I		PS-7024
Cooper S Countryman	1.6L L4 F/I - US	33-2936+	PS-7024
Cooper S Paceman	1.6L L4 F/I	33-2936+	PS-7024
Cooper SD	2.0L L4 DSL	33-3025	

Vehicle	Engine Type	Air Filter	Oil Filter
2013 MINI			
Cooper	1.6L L4 F/I		PS-7024
Cooper	1.6L L4 F/I - Non-US	33-2941 ♦+	PS-7024
Cooper	1.6L L4 F/I - US	33-2386 ♦+	PS-7024
Cooper Countryman	1.6L L4 F/I		PS-7024
Cooper Countryman	1.6L L4 F/I - US	33-2386+	PS-7024
Cooper D	1.6L L4 DSL	E-2985	
Cooper D	2.0L L4 DSL	E-2985	
Cooper John Cooper Works	1.6L L4 F/I	33-2936+	PS-7024
Cooper John Cooper Works GP	1.6L L4 F/I	33-2936 ♦+	PS-7024

Vehicle	Engine Type	Air Filter	Oil Filter
2013 MINI			
Cooper Paceman	1.6L L4 F/I		PS-7024
Cooper Paceman	1.6L L4 F/I - Non-US	33-2941+	PS-7024
Cooper Paceman	1.6L L4 F/I - US	33-2386+	PS-7024
Cooper S	1.6L L4 F/I	33-2936 ♦+	PS-7024
Cooper S	1.6L L4 F/I		PS-7024
Countryman			
Cooper S	1.6L L4 F/I - US	33-2936+	PS-7024
Countryman			
Cooper S Paceman	1.6L L4 F/I		PS-7024
Cooper S Paceman	1.6L L4 F/I - US	33-2936+	PS-7024

Vehicle	Engine Type	Air Filter	Oil Filter
2012 MINI			
Cooper	1.6L L4 F/I		PS-7024
Cooper	1.6L L4 F/I - Non-US	33-2941 ♦+	PS-7024
Cooper	1.6L L4 F/I - US	33-2386 ♦+	PS-7024
Cooper Countryman	1.6L L4 F/I		PS-7024
Cooper Countryman	1.6L L4 F/I - US	33-2386+	PS-7024
Cooper D	1.6L L4 DSL	E-2985	
Cooper D	2.0L L4 DSL	E-2985	
Cooper John Cooper Works	1.6L L4 F/I	33-2936 ♦+	PS-7024
Cooper S	1.6L L4 F/I	33-2936 ♦+	PS-7024
Cooper S	1.6L L4 F/I - US	33-2936 ♦+	PS-7024
Cooper S Clubman	1.6L L4 F/I	33-2936 ♦+	PS-7024

Vehicle	Engine Type	Air Filter	Oil Filter
2011 MINI			
Cooper	1.6L L4 F/I		PS-7024
Cooper	1.6L L4 F/I - Non-US	33-2941 ♦+	PS-7024
Cooper	1.6L L4 F/I - US	33-2386 ♦+	PS-7024
Cooper Clubman	1.6L L4 F/I		PS-7024
Cooper Clubman	1.6L L4 F/I - US	33-2386 ♦+	PS-7024
Cooper Countryman	1.6L L4 F/I		PS-7024
Cooper Countryman	1.6L L4 F/I - Non-US, w/Manual Trans.	33-2941+	PS-7024
Cooper Countryman	1.6L L4 F/I - US	33-2386+	PS-7024
Cooper D	1.6L L4 DSL	E-2985	
Cooper D	2.0L L4 DSL	E-2985	
Cooper John Cooper Works	1.6L L4 F/I	33-2936 ♦+	PS-7024
Cooper John Cooper Works Clubman	1.6L L4 F/I	33-2936 ♦+	PS-7024
Cooper S	1.6L L4 F/I	33-2936 ♦+	PS-7024
Cooper S Clubman	1.6L L4 F/I		PS-7024
Cooper S Clubman	1.6L L4 F/I - US	33-2936 ♦+	PS-7024
Cooper S	1.6L L4 F/I		PS-7024
Countryman			
Cooper S	1.6L L4 F/I - Non-US, w/Manual Trans.	33-2936+	PS-7024
Countryman			
Cooper S	1.6L L4 F/I - US	33-2936+	PS-7024
Countryman			

Vehicle	Engine Type	Air Filter	Oil Filter
2010 MINI			
Cooper	1.6L L4 F/I		PS-7024
Cooper	1.6L L4 F/I - Non-US, w/Manual Trans.	33-2941 ♦+	PS-7024
Cooper	1.6L L4 F/I - US	33-2386 ♦+	PS-7024
Cooper Clubman	1.6L L4 F/I		PS-7024
Cooper Clubman	1.6L L4 F/I - US	33-2386 ♦+	PS-7024
Cooper D	1.6L L4 DSL - from 9/10	E-2985	
Cooper D	1.6L L4 DSL - To 8/10	33-2929	
Cooper D	1.6L L4 DSL	E-2985	
Countryman			
Cooper John Cooper Works	1.6L L4 F/I	33-2936+	PS-7024
Cooper John Cooper Works Clubman	1.6L L4 F/I	33-2936+	PS-7024

* 2 filters required ♦ Intake System Available - see page 84 + Cabin Air Filter Available - see page 453 1- Performance Silver Oil Filter Also Available



Vehicle	Engine Type	Air Filter	Oil Filter
2010 MINI			
Cooper S	1.6L L4 F/I		PS-7024
Cooper S	1.6L L4 F/I - US	33-2936 ♦♦	PS-7024
Cooper S Clubman	1.6L L4 F/I		PS-7024
Cooper S Clubman	1.6L L4 F/I - US	33-2936 ♦♦	PS-7024
Cooper S Countryman	1.6L L4 F/I		PS-7024
Cooper S Countryman	1.6L L4 F/I - w/Manual Trans.	33-2936+	PS-7024

2009 MINI			
Cooper	1.6L L4 F/I		PS-7024
Cooper	1.6L L4 F/I - US	33-2386 ♦♦	PS-7024
Cooper Clubman	1.6L L4 F/I		PS-7024
Cooper Clubman	1.6L L4 F/I - US	33-2386 ♦♦	PS-7024
Cooper D	1.6L L4 DSL	33-2929 ♦	
Cooper John Cooper Works	1.6L L4 F/I	33-2936+	PS-7024
Cooper S	1.6L L4 F/I		PS-7024
Cooper S	1.6L L4 F/I - US	33-2936 ♦♦	PS-7024
Cooper S Clubman	1.6L L4 F/I		PS-7024
Cooper S Clubman	1.6L L4 F/I - US	33-2936 ♦♦	PS-7024

2008 MINI			
Cooper	1.6L L4 F/I - Convertible, w/Manual Trans.	33-2885 ♦♦	
Cooper	1.6L L4 F/I - Coupe		PS-7024
Cooper	1.6L L4 F/I - Non-US, Convertible	33-2885+	
		33-2885 ♦♦	
Cooper	1.6L L4 F/I - Non-US, Coupe	33-2941 ♦♦	
		33-2941 ♦♦	
Cooper	1.6L L4 F/I - US, Convertible, w/Auto Trans.	33-2239 ♦♦	
Cooper	1.6L L4 F/I - US, Coupe	33-2386 ♦♦	
Cooper Clubman	1.6L L4 F/I		PS-7024
Cooper Clubman	1.6L L4 F/I - Non-US, w/Manual Trans.	33-2941 ♦♦	PS-7024
Cooper Clubman	1.6L L4 F/I - US	33-2386 ♦♦	PS-7024
Cooper D	1.6L L4 DSL	33-2929 ♦	
Cooper S	1.6L L4 F/I - Coupe		PS-7024
Cooper S	1.6L L4 F/I - Non-US	33-2936 ♦♦	
Cooper S	1.6L L4 F/I - US, Convertible	33-2270 ♦♦	
Cooper S	1.6L L4 F/I - US, Coupe	33-2936 ♦♦	
Cooper S Clubman	1.6L L4 F/I		PS-7024
Cooper S Clubman	1.6L L4 F/I - Non-US, w/Auto Trans.	33-2936 ♦♦	PS-7024
Cooper S Clubman Works	1.6L L4 F/I - US	33-2936+	PS-7024
Works	1.6L L4 F/I	33-2936	

2007 MINI			
Cooper	1.6L L4 F/I - Convertible, w/Manual Trans.	33-2885 ♦♦	
Cooper	1.6L L4 F/I - Coupe		PS-7024
Cooper	1.6L L4 F/I - Non-US, Convertible, w/Auto Trans.	33-2885+	
		33-2885 ♦♦	
Cooper	1.6L L4 F/I - Non-US, Coupe	33-2941 ♦♦	
		33-2941 ♦♦	

Vehicle	Engine Type	Air Filter	Oil Filter
2007 MINI			
Cooper	1.6L L4 F/I - Non-US, Coupe	33-2941 ♦♦	
Cooper	1.6L L4 F/I - US, Convertible, w/Auto Trans.	33-2239 ♦♦	
Cooper	1.6L L4 F/I - US, Coupe	33-2386 ♦♦	
		33-2386 ♦♦	
Cooper D	1.6L L4 DSL	33-2929 ♦	
Cooper S	1.6L L4 F/I - Convertible	33-2270 ♦♦	
Cooper S One	1.6L L4 F/I - Coupe	33-2936 ♦♦	PS-7024
	1.4L L4 F/I	33-2941 ♦	

2006 MINI			
Cooper	1.4L L4 F/I	33-2239	
Cooper	1.6L L4 F/I - Non-US, from 11/06, Coupe	33-2941 ♦	
Cooper	1.6L L4 F/I - US, w/Manual Trans.	33-2885 ♦	
Cooper	1.6L L4 F/I - w/Auto Trans.	33-2239 ♦	
Cooper S	1.6L L4 F/I	33-2270 ♦	
		33-2270 ♦	

2005 MINI			
Cooper	1.4L L4 F/I	33-2239	
Cooper	1.6L L4 F/I - Non-US	33-2885 ♦	
Cooper	1.6L L4 F/I - US, w/Auto Trans.	33-2239 ♦	
Cooper	1.6L L4 F/I - US, w/Manual Trans.	33-2885 ♦	
Cooper S	1.6L L4 F/I	33-2270 ♦	

2004 MINI			
Cooper	1.4L L4 F/I	33-2239	
Cooper	1.6L L4 F/I - from 8/04, w/Manual Trans.	33-2885 ♦	
Cooper	1.6L L4 F/I - Non-US, from 8/04	33-2885 ♦	
Cooper	1.6L L4 F/I - to 7/04	33-2239 ♦	
Cooper	1.6L L4 F/I - to 7/04, US, from 8/04, w/Auto Trans.	33-2239 ♦	
Cooper S	1.6L L4 F/I	33-2270 ♦	

2003 MINI			
Cooper	1.4L L4 F/I	33-2239	
Cooper	1.6L L4 F/I	33-2239 ♦	
Cooper S	1.6L L4 F/I	33-2270 ♦	

2002 MINI			
Cooper	1.6L L4 F/I	33-2239 ♦	
Cooper S	1.6L L4 F/I	33-2270 ♦	

2017 MITSUBISHI			
ASX	1.6L L4 DSL	33-2975	
ASX	1.6L L4 F/I	33-3015	
ASX	2.2L L4 DSL	33-2050-1	
Attrage	1.2L L3 F/I	33-3016	
L200	2.4L L4 DSL	33-2443	
Lancer	2.0L L4 F/I		HP-1010 ¹
Lancer	2.4L L4 F/I		HP-1010 ¹
Lancer VIII	1.6L L4 F/I	33-3015	
Lancer VIII	1.8L L4 DSL	33-2050-1	
Lancer VIII	1.8L L4 F/I	33-2392	
Mirage	1.2L L3 F/I	33-3016	HP-1010 ¹
Mirage G4	1.2L L3 F/I	33-3016	HP-1010 ¹
Outlander	2.2L L4 DSL	33-2050-1	
Outlander	2.4L L4 F/I		HP-1010 ¹
Outlander	3.0L V6 F/I		HP-1010 ¹

* 2 filters required

♦ Intake System Available - see page 84 +Cabin Air Filter Available - see page 453 1- Performance Silver Oil Filter Also Available



AIR & OIL FILTERS

MITSUBISHI

Vehicle	Engine Type	Air Filter	Oil Filter
2017 MITSUBISHI			
Outlander Sport	2.0L L4 F/I		HP-1010 ¹
Outlander Sport	2.4L L4 F/I		HP-1010 ¹
Pajero IV	3.2L V6 DSL	33-2164	
Pajero Sport	2.4L L4 DSL	33-2443	
Shogun	3.2L V6 DSL	33-2164	
Space Star	1.0L L3 F/I	33-3016	
Space Star	1.2L L3 F/I	33-3016	
Triton	2.4L L4 DSL	33-2443	

Vehicle	Engine Type	Air Filter	Oil Filter
2016 MITSUBISHI			
Attrage	1.2L L3 F/I	33-3016	
L200	2.4L L4 DSL	33-2443	
Lancer	2.0L L4 F/I	33-3015	HP-1010 ¹
		33-3015 ♦	HP-1010 ¹
Lancer	2.4L L4 F/I	33-3015	HP-1004 ¹
		33-3015 ♦	HP-1004 ¹
Lancer Evolution	2.0L L4 F/I	33-3015	HP-1010 ¹
Lancer VIII	1.6L L4 F/I	33-3015	
Lancer VIII	1.8L L4 DSL	33-2050-1	
Lancer VIII	1.8L L4 F/I	33-2392	
Mirage	1.2L L3 F/I	33-3016	HP-1010 ¹
Montero	3.2L V6 DSL	33-2164	
Outlander	2.4L L4 F/I	33-3015+	HP-1010 ¹
Outlander	3.0L V6 F/I	33-3015+	HP-1010 ¹
Outlander Sport	2.0L L4 F/I	33-3015+	HP-1010 ¹
Outlander Sport	2.4L L4 F/I	33-3015+	HP-1010 ¹
Pajero IV	3.2L V6 DSL	33-2164	
Shogun	3.2L V6 DSL	33-2164	

Vehicle	Engine Type	Air Filter	Oil Filter
2015 MITSUBISHI			
L200	2.4L L4 DSL	33-2443	
L200	2.5L L4 DSL	33-2951	
Lancer	2.0L L4 F/I	33-3015+	HP-1004 ¹
		33-3015 ♦+	HP-1004 ¹
Lancer	2.4L L4 F/I		HP-1004 ¹
Lancer	2.4L L4 F/I - w/Auto Trans.	33-2392+	HP-1004
Lancer	2.4L L4 F/I - w/Manual Trans.	33-3015 ♦+	HP-1004
Lancer Evolution	2.0L L4 F/I	33-2392+	HP-1004 ¹
Lancer Evolution GSR	2.0L L4 F/I	33-2392 ♦+	HP-1004 ¹
Lancer Ralliart	2.0L L4 F/I	33-2392+	HP-1004 ¹
Lancer VIII	1.6L L4 F/I	33-3015	
Lancer VIII	1.8L L4 DSL	33-2050-1	
Lancer VIII	1.8L L4 F/I	33-2392	
Mirage	1.2L L3 F/I	33-3016	HP-1010 ¹
Outlander	2.0L L4 F/I	33-3015	
Outlander	2.2L L4 DSL	33-2050-1	
Outlander	2.4L L4 F/I	33-3015+	HP-1010 ¹
Outlander	3.0L V6 F/I	33-3015+	HP-1004 ¹
Outlander Sport	2.0L L4 F/I	33-3015+	HP-1010 ¹
Outlander Sport	2.4L L4 F/I	33-3015+	HP-1010 ¹
Pajero IV	3.2L V6 DSL	33-2164	
RVR	2.0L L4 F/I		HP-1010 ¹
Shogun	3.2L V6 DSL	33-2164	

Vehicle	Engine Type	Air Filter	Oil Filter
2014 MITSUBISHI			
L200	2.5L L4 DSL	33-2951	
Lancer	2.0L L4 F/I	33-3015 ♦+	HP-1004 ¹
Lancer	2.4L L4 F/I	33-2392 ♦+	HP-1010 ¹
Lancer Evolution	2.0L L4 F/I	33-2392+	HP-1004 ¹
Lancer Evolution GSR	2.0L L4 F/I	33-2392 ♦+	HP-1004 ¹
Lancer Evolution MR	2.0L L4 F/I	33-2392+	HP-1004 ¹

Vehicle	Engine Type	Air Filter	Oil Filter
2014 MITSUBISHI			
Lancer Ralliart	2.0L L4 F/I	33-2392+	HP-1004 ¹
Lancer VIII	1.6L L4 F/I	33-3015	
Lancer VIII	1.8L L4 DSL	33-2050-1	
Lancer VIII	1.8L L4 F/I	33-2392	
Mirage	1.2L L3 F/I	33-3016	HP-1010 ¹
Outlander	2.0L L4 F/I	33-3015	
Outlander	2.2L L4 DSL	33-2050-1	
Outlander	2.4L L4 F/I	33-3015+	HP-1004 ¹
Outlander	3.0L V6 F/I	33-3015+	HP-1010 ¹
Outlander Sport	2.0L L4 F/I	33-3015+	HP-1004 ¹
Pajero IV	3.2L V6 DSL	33-2164	
RVR	2.0L L4 F/I		HP-1010 ¹

Vehicle	Engine Type	Air Filter	Oil Filter
2013 MITSUBISHI			
L200	2.5L L4 DSL	33-2951	
Lancer	2.0L L4 F/I	33-3015 ♦+	HP-1004 ¹
Lancer	2.4L L4 F/I	33-2392 ♦+	HP-1010 ¹
Lancer Evolution GSR	2.0L L4 F/I	33-2392 ♦+	HP-1004 ¹
Lancer Evolution MR	2.0L L4 F/I	33-2392+	HP-1004 ¹
Lancer Ralliart	2.0L L4 F/I	33-2392+	HP-1004 ¹
Lancer VI	2.0L L4 F/I	33-2392	
Lancer VI	2.0L L4 F/I - Exc. Turbo	33-2392	HP-1010 ¹
Lancer VI	2.0L L4 F/I - Turbo	33-2392	HP-1004 ¹
Lancer VIII	1.6L L4 F/I	33-3015	
Lancer VIII	1.8L L4 DSL	33-2050-1	
Lancer VIII	1.8L L4 F/I	33-2392	
Outlander	2.4L L4 F/I	33-2392+	HP-1004 ¹
Outlander Sport	2.0L L4 F/I	33-3015+	HP-1004 ¹
Pajero IV	3.2L V6 DSL	33-2164	
RVR	2.0L L4 F/I		HP-1010 ¹
Space Star	1.2L L3 F/I	33-3016	

Vehicle	Engine Type	Air Filter	Oil Filter
2012 MITSUBISHI			
Eclipse	2.4L L4 F/I	33-2285	HP-1004 ¹
Eclipse	3.8L V6 F/I	33-2285	HP-1010 ¹
Galant	2.4L L4 F/I	33-2285+	HP-1004 ¹
L200	2.5L L4 DSL	33-2951	
Lancer	2.0L L4 F/I	33-2392 ♦+	HP-1010 ¹
Lancer	2.4L L4 F/I	33-2392 ♦+	HP-1010 ¹
Lancer Evolution GSR	2.0L L4 F/I	33-2392 ♦+	HP-1004 ¹
Lancer Evolution MR	2.0L L4 F/I	33-2392+	HP-1004 ¹
Lancer Ralliart	2.0L L4 F/I	33-2392+	HP-1004 ¹
Lancer Sportback	2.0L L4 F/I	33-2392+	HP-1004 ¹
Lancer VI	2.0L L4 F/I	33-2392	
Lancer VI	2.0L L4 F/I - Exc. Turbo	33-2392	HP-1010 ¹
Lancer VI	2.0L L4 F/I - Turbo	33-2392	HP-1004 ¹
Lancer VIII	1.6L L4 F/I	33-3015	
Lancer VIII	1.8L L4 DSL	33-2050-1	
Lancer VIII	1.8L L4 F/I	33-2392	
Outlander	2.0L L4 F/I - From 7/12	33-3015	
Outlander	2.0L L4 F/I - to 6/12	33-2392	
Outlander	2.4L L4 F/I	33-2392+	HP-1004 ¹
Outlander	3.0L V6 F/I	33-2392+	HP-1010 ¹
Outlander Sport	2.0L L4 F/I	33-2392+	HP-1004 ¹
Pajero IV	3.2L V6 DSL	33-2164	
RVR	2.0L L4 F/I		HP-1010 ¹

Vehicle	Engine Type	Air Filter	Oil Filter
2011 MITSUBISHI			
Eclipse	2.4L L4 F/I	33-2285	HP-1004 ¹
Eclipse	3.8L V6 F/I	33-2285 ♦	HP-1010 ¹
Endeavor	3.8L V6 F/I	33-2285+	HP-1010 ¹
Galant	2.4L L4 F/I	33-2285+	HP-1004 ¹

* 2 filters required ♦ Intake System Available - see page 84 + Cabin Air Filter Available - see page 453 1- Performance Silver Oil Filter Also Available



Vehicle	Engine Type	Air Filter	Oil Filter
2011 MITSUBISHI			
L200	2.5L L4 DSL	33-2951	
Lancer	2.0L L4 F/I	33-2392 ♦♦	HP-1010 ¹
Lancer	2.4L L4 F/I	33-2392 ♦♦	HP-1010 ¹
Lancer Evolution GSR	2.0L L4 F/I	33-2392 ♦♦	HP-1004 ¹
Lancer Evolution MR	2.0L L4 F/I	33-2392+	HP-1004 ¹
Lancer Ralliart	2.0L L4 F/I	33-2392+	HP-1004 ¹
Lancer VI	2.0L L4 F/I	33-2392	
Lancer VI	2.0L L4 F/I - Exc. Turbo	33-2392	HP-1010 ¹
Lancer VI	2.0L L4 F/I - Turbo	33-2392	HP-1004 ¹
Lancer VIII	1.6L L4 F/I	33-2392	
Lancer VIII	1.8L L4 DSL	33-2050-1	
Lancer VIII	1.8L L4 F/I	33-2392	
Outlander	2.2L L4 DSL - 156BHP	33-2392	
Outlander	2.2L L4 DSL - 177BHP	33-2050-1	
Outlander	2.4L L4 F/I	33-2392+	HP-1004 ¹
Outlander	3.0L V6 F/I	33-2392+	HP-1010 ¹
Outlander Sport	2.0L L4 F/I	33-2392+	HP-1004 ¹
Pajero IV	3.2L V6 DSL	33-2164	
Pajero IV	3.8L V6 F/I	33-2164	
RVR	2.0L L4 F/I		HP-1010 ¹

Vehicle	Engine Type	Air Filter	Oil Filter
2010 MITSUBISHI			
Eclipse	3.8L V6 F/I	33-2285 ♦	HP-1010 ¹
Endeavor	3.8L V6 F/I	33-2285+	HP-1010 ¹
Galant	2.4L L4 F/I	33-2285+	HP-1004 ¹
L200	2.5L L4 DSL	33-2951	
Lancer	1.8L L4 F/I	33-2392	
Lancer	2.0L L4 DSL	33-2392	
Lancer	2.0L L4 F/I	33-2392 ♦♦	HP-1010 ¹
Lancer	2.4L L4 F/I	33-2392 ♦♦	HP-1010 ¹
Lancer Evolution GSR	2.0L L4 F/I	33-2392 ♦♦	HP-1004 ¹
Lancer Evolution MR	2.0L L4 F/I	33-2392+	HP-1004 ¹
Lancer Ralliart	2.0L L4 F/I	33-2392+	HP-1004 ¹
Lancer VIII	1.6L L4 F/I	33-2392	
Montero Sport	3.5L V6 F/I		HP-1004 ¹
Outlander	2.4L L4 F/I	33-2392+	HP-1004 ¹
Outlander	3.0L V6 F/I	33-2392+	HP-1010 ¹
Pajero IV	3.8L V6 F/I	33-2164	

Vehicle	Engine Type	Air Filter	Oil Filter
2009 MITSUBISHI			
Colt VI	1.5L L4 F/I	33-2881	
Eclipse	2.4L L4 F/I	33-2285	HP-1004 ¹
Eclipse	3.8L V6 F/I	33-2285 ♦	HP-1010 ¹
Galant	2.4L L4 F/I	33-2285+	HP-1004 ¹
Galant	3.8L V6 F/I	33-2285+	HP-1010 ¹
L200	2.5L L4 DSL	33-2951	
Lancer	1.5L L4 F/I	33-2392	
Lancer	1.8L L4 F/I	33-2392	
Lancer	2.0L L4 DSL	33-2392	
Lancer	2.0L L4 F/I	33-2392 ♦♦	HP-1010 ¹
Lancer	2.4L L4 F/I	33-2392 ♦♦	HP-1010 ¹
Lancer Evolution GSR	2.0L L4 F/I	33-2392 ♦♦	HP-1004 ¹
Lancer Evolution MR	2.0L L4 F/I	33-2392+	HP-1004 ¹
Lancer Evolution RS	2.0L L4 F/I	33-2392+	HP-1010 ¹
Lancer Ralliart	2.0L L4 F/I	33-2392+	HP-1004 ¹
Outlander	2.4L L4 F/I	33-2392+	HP-1004 ¹
Outlander	3.0L V6 F/I	33-2392+	HP-1010 ¹
Pajero IV	3.2L V6 DSL	33-2164	
Pajero IV	3.8L V6 F/I	33-2164	
Raider	3.7L V6 F/I	33-2175	

Vehicle	Engine Type	Air Filter	Oil Filter
2008 MITSUBISHI			
Colt CZC Cabriolet	1.5L L4 F/I	33-2881 ♦	
Eclipse	2.4L L4 F/I	33-2285	HP-1008 ¹
Eclipse	3.8L V6 F/I	33-2285 ♦	HP-1010 ¹
Endeavor	3.8L V6 F/I	33-2285+	HP-1010 ¹
Galant	2.4L L4 F/I	33-2285+	HP-1004 ¹
L200	2.5L L4 DSL	33-2951	
Lancer	1.3L L4 F/I	33-2105	
Lancer	1.5L L4 F/I	33-2392	
Lancer	1.6L L4 F/I	33-2105	
Lancer	1.8L L4 F/I	33-2392	
Lancer	2.0L L4 DSL	33-2392	
Lancer	2.0L L4 F/I	33-2392 ♦♦	HP-1010 ¹
Lancer Evolution GSR	2.0L L4 F/I	33-2392 ♦♦	HP-1010 ¹
Lancer Evolution MR	2.0L L4 F/I	33-2392+	HP-1010 ¹
Montero	3.2L V6 DSL	33-2164	
Outlander	2.4L L4 F/I	33-2392+	HP-1004 ¹
Outlander	3.0L V6 F/I	33-2392+	HP-1010 ¹
Pajero IV	3.2L V6 DSL	33-2164	
Pajero IV	3.8L V6 F/I	33-2164	
Raider	3.7L V6 F/I	33-2175 ♦	HP-2009 ¹
Triton	2.5L L4 DSL	33-2951	

Vehicle	Engine Type	Air Filter	Oil Filter
2007 MITSUBISHI			
Eclipse	2.4L L4 F/I	33-2285	HP-1008 ¹
Eclipse	3.8L V6 F/I	33-2285 ♦	HP-1010 ¹
Endeavor	3.8L V6 F/I	33-2285+	HP-1010 ¹
Galant	2.4L L4 F/I	33-2285+	HP-1010 ¹
Galant	3.8L V6 F/I	33-2285+	HP-1010 ¹
L200	2.5L L4 DSL	33-2951	
Lancer	1.6L L4 F/I	33-2105	
Lancer	2.0L L4 F/I	33-2105	
Lancer	2.0L L4 F/I - Exc. Turbo, Non-US	33-2105	HP-1008 ¹
Lancer	2.4L L4 F/I	33-2105	HP-1004 ¹
Lancer Evolution	2.0L L4 F/I	33-2105	
Lancer Evolution	2.0L L4 F/I - Turbo	33-2105	HP-1010 ¹
Montero Sport	3.5L V6 F/I		HP-1010 ¹
Outlander	2.4L L4 F/I - from 3/07	33-2392	
Outlander	2.4L L4 F/I - to 2/07	33-2105	
Outlander	3.0L V6 F/I	33-2392+	HP-1008 ¹
Pajero III	3.2L L4 DSL	33-2164	
Pajero IV	3.8L V6 F/I	33-2164	
Raider	3.7L V6 F/I	33-2175 ♦	HP-2009 ¹

Vehicle	Engine Type	Air Filter	Oil Filter
2006 MITSUBISHI			
Eclipse	2.4L L4 F/I	33-2285	HP-1008 ¹
Eclipse	3.8L V6 F/I	33-2285 ♦	HP-1010 ¹
Endeavor	3.8L V6 F/I	33-2285+	HP-1010 ¹
Galant	2.4L L4 F/I	33-2285+	HP-1008 ¹
Galant	3.8L V6 F/I	33-2285+	HP-1010 ¹
L200	2.5L L4 DSL - From 5/06	33-2951 ♦	
Lancer	1.6L L4 F/I	33-2105	
Lancer	2.0L L4 F/I	33-2105 ♦	HP-1008 ¹
Lancer	2.4L L4 F/I	33-2105	HP-1008 ¹
Lancer Evolution	2.0L L4 F/I	33-2105 ♦	HP-1010 ¹
Montero	3.8L V6 F/I	33-2164	HP-1004 ¹
Outlander	2.0L L4 F/I	33-2105	
Outlander	2.4L L4 F/I	33-2105	HP-1008 ¹
Pajero III	3.2L L4 DSL	33-2164	
Raider	3.7L V6 F/I	33-2175 ♦	HP-2009 ¹
Raider	4.7L V8 F/I	33-2175 ♦	HP-2004 ¹

* 2 filters required ♦ Intake System Available - see page 84 + Cabin Air Filter Available - see page 453 1- Performance Silver Oil Filter Also Available



AIR & OIL FILTERS

MITSUBISHI

Vehicle	Engine Type	Air Filter	Oil Filter
2005 MITSUBISHI			
Eclipse	2.4L L4 F/I	33-2072	HP-1010 ¹
		33-2072 ♦	HP-1010 ¹
Eclipse GT	3.0L V6 F/I	33-2072 ♦	HP-1004 ¹
Endeavor	3.8L V6 F/I	33-2285+	HP-1010 ¹
Galant	2.4L L4 F/I	33-2285+	HP-1010 ¹
Galant	3.8L V6 F/I	33-2285+	
Lancer	1.6L L4 F/I	33-2105	
Lancer	2.0L L4 F/I	33-2105 ♦	HP-1008 ¹
Lancer Evolution	2.0L L4 F/I	33-2105 ♦	HP-1010 ¹
Lancer Ralliart	2.4L L4 F/I	33-2105	HP-1008 ¹
Montero	3.8L V6 F/I	33-2164	
Outlander	2.0L L4 F/I	33-2105	
Outlander	2.4L L4 F/I	33-2105	HP-1008 ¹
Pajero Classic	3.2L L4 DSL	33-2164	
Pajero III	3.2L L4 DSL	33-2164	

Vehicle	Engine Type	Air Filter	Oil Filter
2004 MITSUBISHI			
Diamante	3.5L V6 F/I	33-2151	
Eclipse	2.4L L4 F/I	33-2072	HP-1010 ¹
		33-2072 ♦	HP-1010 ¹
Eclipse	3.0L V6 F/I	33-2072 ♦	HP-1004 ¹
Eclipse GT	3.0L V6 F/I	33-2072 ♦	HP-1004 ¹
Endeavor	3.8L V6 F/I	33-2285+	HP-1010 ¹
Galant	2.4L L4 F/I	33-2285+	HP-1010 ¹
Galant	3.8L V6 F/I	33-2285+	HP-1010 ¹
Galant IV	2.4L L4 F/I	33-2794	HP-1010 ¹
Lancer	1.6L L4 F/I	33-2105	
Lancer	2.0L L4 F/I	33-2105 ♦	HP-1008 ¹
Lancer Evolution	2.0L L4 F/I	33-2105 ♦	HP-1010 ¹
Lancer Ralliart	2.4L L4 F/I	33-2105	HP-1008 ¹
Lancer Sportback	2.4L L4 F/I	33-2105	HP-1008 ¹
Montero	3.8L V6 F/I	33-2164	HP-1004 ¹
Montero Sport	3.5L V6 F/I	33-2112	HP-1004 ¹
Outlander	2.4L L4 F/I	33-2105	HP-1008 ¹
Pajero III	3.2L L4 DSL	33-2164	

Vehicle	Engine Type	Air Filter	Oil Filter
2003 MITSUBISHI			
Diamante	3.5L V6 F/I	33-2151	HP-1010 ¹
Eclipse	2.4L L4 F/I	33-2072 ♦	HP-1010 ¹
Eclipse	3.0L V6 F/I	33-2072 ♦	HP-1004 ¹
Eclipse GT	3.0L V6 F/I	33-2072 ♦	HP-1004 ¹
Galant	2.4L L4 F/I	33-2072	HP-1010 ¹
Galant	3.0L V6 F/I	33-2072	HP-1004 ¹
Galant IV	2.4L L4 F/I	33-2794	HP-1010 ¹
Lancer	1.3L L4 F/I - From 10/03	33-2105	
Lancer	1.3L L4 F/I - To 9/03	33-2074	
Lancer	1.6L L4 F/I - From 10/03	33-2105	
Lancer	1.6L L4 F/I - To 9/03	33-2074	
Lancer	2.0L L4 F/I	33-2105 ♦	HP-1010 ¹
Lancer Evolution	2.0L L4 F/I	33-2105 ♦	HP-1008 ¹
Lancer V	1.6L L4 F/I - From 10/03	33-2105	
Lancer V	1.6L L4 F/I - To 9/03	33-2074	
Lancer VI	1.3L L4 F/I - From 10/03	33-2105	
Lancer VI	1.3L L4 F/I - To 9/03	33-2074	
Lancer VI	1.6L L4 F/I - From 10/03	33-2105	
Lancer VI	1.6L L4 F/I - To 9/03	33-2074	
Lancer VI	2.0L L4 F/I	33-2105	HP-1010 ¹
Montero	3.8L V6 F/I	33-2164	HP-1004 ¹
Montero Sport	3.0L V6 F/I	33-2045	HP-1004 ¹
Montero Sport	3.5L V6 F/I	33-2112	HP-1004 ¹

Vehicle	Engine Type	Air Filter	Oil Filter
2003 MITSUBISHI			
Outlander	2.0L L4 F/I	33-2105	
Outlander	2.4L L4 F/I	33-2105	HP-1008 ¹
Pajero III	3.2L L4 DSL	33-2164	
Pajero III	3.5L V6 DSL	33-2164	

Vehicle	Engine Type	Air Filter	Oil Filter
2002 MITSUBISHI			
Diamante	3.5L V6 F/I	33-2151	HP-1010 ¹
Eclipse	2.4L L4 F/I	33-2072 ♦	HP-1010 ¹
Eclipse	3.0L V6 F/I	33-2072 ♦	HP-1004 ¹
Galant	2.4L L4 F/I	33-2072	HP-1010 ¹
Galant	3.0L V6 F/I	33-2072	HP-1004 ¹
Galant IV	2.4L L4 F/I	33-2794	HP-1010 ¹
Lancer	2.0L L4 F/I	33-2105 ♦	HP-1010 ¹
Lancer V	1.6L L4 F/I	33-2074	
Lancer VI	1.3L L4 F/I	33-2074	
Lancer VI	1.6L L4 F/I	33-2074	
Lancer VI	2.0L L4 F/I	33-2105	HP-1010 ¹
Montero	3.5L V6 F/I	33-2164	HP-1004 ¹
Montero Sport	3.0L V6 F/I	33-2045	HP-1004 ¹
Montero Sport	3.5L V6 F/I	33-2112	HP-1004 ¹
Pajero III	3.2L L4 DSL	33-2164	
Pajero III	3.5L V6 DSL	33-2164	

Vehicle	Engine Type	Air Filter	Oil Filter
2001 MITSUBISHI			
Diamante	3.5L V6 F/I	33-2151	HP-1010 ¹
Eclipse	2.4L L4 F/I	33-2072 ♦	HP-1010 ¹
Eclipse	3.0L V6 F/I	33-2072 ♦	HP-1004 ¹
Galant	2.4L L4 F/I	33-2072	HP-1010 ¹
Galant	3.0L V6 F/I	33-2072	HP-1004 ¹
Galant IV	2.4L L4 F/I	33-2794	HP-1010 ¹
Magna	3.5L V6 F/I - Exc. LPG	33-2151	
Mirage	1.8L L4 F/I	33-2105	HP-1010 ¹
Montero	3.5L V6 F/I	33-2164	HP-1004 ¹
Montero Sport	3.0L V6 F/I	33-2045	HP-1004 ¹
Montero Sport	3.5L V6 F/I	33-2112	HP-1004 ¹
Pajero III	3.2L L4 DSL	33-2164	
Pajero III	3.5L V6 DSL	33-2164	

Vehicle	Engine Type	Air Filter	Oil Filter
2000 MITSUBISHI			
Diamante	3.5L V6 F/I	33-2151	
Eclipse	2.4L L4 F/I	33-2072 ♦	HP-1010 ¹
Eclipse	3.0L V6 F/I	33-2072 ♦	HP-1004 ¹
Galant	2.4L L4 F/I	33-2072	HP-1010 ¹
Galant	3.0L V6 F/I	33-2072	HP-1004 ¹
Galant IV	2.4L L4 F/I	33-2794	HP-1010 ¹
Lancer VI	2.0L L4 F/I	33-2105	
Mirage	1.5L L4 F/I	33-2105	HP-1010 ¹
Mirage	1.8L L4 F/I	33-2105	HP-1010 ¹
Montero	3.5L V6 F/I	33-2112	
Montero Sport	3.0L V6 F/I	33-2045	HP-1004 ¹
Montero Sport	3.5L V6 F/I	33-2112	HP-1004 ¹
Pajero Sport	3.0L V6 F/I	33-2045	

Vehicle	Engine Type	Air Filter	Oil Filter
1999 MITSUBISHI			
3000GT	3.0L V6 F/I	33-2045 ♦	HP-1004 ¹
Diamante	3.5L V6 F/I	33-2151	
Eclipse	2.0L L4 F/I	33-2072	
		33-2072 ♦	
Eclipse	2.0L L4 F/I - Exc. Turbo	33-2072	HP-2004 ¹
Eclipse	2.0L L4 F/I - Turbo	33-2072	HP-1010 ¹
Eclipse	2.4L L4 F/I	33-2072	HP-1010 ¹
Eclipse II	2.0L L4 F/I	33-2072	
Eclipse II	2.0L L4 F/I - Exc. Turbo	33-2072	HP-2004 ¹
Eclipse II	2.0L L4 F/I - Turbo	33-2072	HP-1010 ¹
Eclipse II	2.4L L4 F/I	33-2072	HP-1010 ¹

* 2 filters required

♦ Intake System Available - see page 84 +Cabin Air Filter Available - see page 453 1- Performance Silver Oil Filter Also Available



Vehicle	Engine Type	Air Filter	Oil Filter
1999 MITSUBISHI			
Galant	2.4L L4 F/I		HP-1010 ¹
Galant IV	2.4L L4 F/I	33-2794	HP-1010 ¹
Mirage	1.5L L4 F/I	33-2105	HP-1010 ¹
Mirage	1.8L L4 F/I	33-2105	HP-1010 ¹
Montero	3.5L V6 F/I	33-2112	HP-1004 ¹
Montero Sport	3.0L V6 F/I	33-2045	HP-1004 ¹
Montero Sport	3.5L V6 F/I	33-2112	HP-1004 ¹
Pajero II	2.8L L4 DSL - w/Oval Filter	E-2871	
Pajero II	3.5L V6 F/I	33-2112	

1998 MITSUBISHI			
3000GT	3.0L V6 F/I	33-2045 ♦	HP-1004 ¹
Eclipse	2.0L L4 F/I	33-2072	
		33-2072 ♦	
Eclipse	2.0L L4 F/I - Exc. Turbo	33-2072	HP-2004 ¹
Eclipse	2.0L L4 F/I - Turbo	33-2072	HP-1010 ¹
Eclipse	2.4L L4 F/I	33-2072	HP-1010 ¹
Eclipse II	2.0L L4 F/I	33-2072	
Eclipse II	2.0L L4 F/I - Exc. Turbo	33-2072	HP-2004 ¹
Eclipse II	2.0L L4 F/I - Turbo	33-2072	HP-1010 ¹
Eclipse II	2.4L L4 F/I	33-2072	HP-1010 ¹
Galant	2.0L L4 F/I	33-2147	
Mirage	1.5L L4 F/I	33-2105	HP-1010 ¹
Montero Sport	3.0L V6 F/I	33-2045	HP-1004 ¹
Pajero II	2.8L L4 DSL - w/Oval Filter	E-2871	

1997 MITSUBISHI			
3000GT	3.0L V6 F/I	33-2045 ♦	HP-1004 ¹
Eclipse	2.0L L4 F/I	33-2072	
		33-2072 ♦	
Eclipse	2.0L L4 F/I - Exc. Turbo	33-2072	HP-2004 ¹
Eclipse	2.0L L4 F/I - Turbo	33-2072	HP-1010 ¹
Eclipse	2.4L L4 F/I	33-2072	HP-1010 ¹
Eclipse II	2.0L L4 F/I	33-2072	
Eclipse II	2.0L L4 F/I - Exc. Turbo	33-2072	HP-2004 ¹
Eclipse II	2.0L L4 F/I - Turbo	33-2072	HP-1010 ¹
Galant VI	2.5L V6 F/I	33-2794	HP-1004 ¹
Mirage	1.5L L4 F/I	33-2105	HP-1010 ¹
Montero	3.5L V6 F/I	33-2112	
Montero Sport	3.0L V6 F/I	33-2045	HP-1004 ¹
Pajero II	2.8L L4 DSL - w/Oval Filter	E-2871	

1996 MITSUBISHI			
3000GT	3.0L V6 F/I	33-2045 ♦	HP-1004 ¹
Eclipse	2.0L L4 F/I	33-2072	
		33-2072 ♦	
Eclipse	2.0L L4 F/I - Exc. Turbo	33-2072	HP-2004 ¹
Eclipse	2.0L L4 F/I - Turbo	33-2072	HP-1010 ¹
Eclipse II	2.0L L4 F/I	33-2072	
Eclipse II	2.0L L4 F/I - Exc. Turbo	33-2072	HP-2004 ¹
Eclipse II	2.0L L4 F/I - Turbo	33-2072	HP-1010 ¹
Pajero II	2.8L L4 DSL - w/Oval Filter	E-2871	

1995 MITSUBISHI			
3000GT	3.0L V6 F/I	33-2045 ♦	HP-1004 ¹
Eclipse	2.0L L4 F/I	33-2072	
		33-2072 ♦	
Eclipse	2.0L L4 F/I - Exc. Turbo	33-2072	HP-2004 ¹
Eclipse	2.0L L4 F/I - Turbo	33-2072	HP-1010 ¹
Eclipse I	2.0L L4 F/I	E-2875	
Eclipse II	2.0L L4 F/I	33-2072	
Eclipse II	2.0L L4 F/I - Exc. Turbo	33-2072	HP-2004 ¹

Vehicle	Engine Type	Air Filter	Oil Filter
1995 MITSUBISHI			
Eclipse II	2.0L L4 F/I - Turbo	33-2072	HP-1010 ¹
Montero	3.5L V6 F/I	33-2112	
Pajero II	2.8L L4 DSL - w/Oval Filter	E-2871	

1994 MITSUBISHI			
3000GT	3.0L V6 F/I	33-2045 ♦	HP-1004 ¹
Eclipse	2.0L L4 F/I	E-2875	HP-1010 ¹
Eclipse I	2.0L L4 F/I	E-2875	HP-1010 ¹
Mighty Max	2.4L L4 F/I	33-2045	
Pajero II	2.8L L4 DSL - w/Oval Filter	E-2871	
Pajero II	3.0L V6 F/I - Exc., 150BHP	33-2112	

1993 MITSUBISHI			
3000GT	3.0L V6 F/I	33-2045 ♦	HP-1004 ¹
Eclipse	2.0L L4 F/I	E-2875	HP-1010 ¹
		E-2875 ♦	HP-1010 ¹
Eclipse I	2.0L L4 F/I	E-2875	HP-1010 ¹

1992 MITSUBISHI			
3000GT	3.0L V6 F/I	33-2045 ♦	HP-1004 ¹
Eclipse	2.0L L4 F/I	E-2875	HP-1005
		E-2875 ♦	HP-1005
Eclipse I	2.0L L4 F/I	E-2875	HP-1005
Galant IV	1.8L L4 DSL	E-2873	
Pajero II	2.5L L4 DSL - w/Oval Filter	E-2871	

1991 MITSUBISHI			
3000GT	3.0L V6 F/I	33-2045 ♦	HP-1004 ¹
Eclipse	2.0L L4 F/I	E-2875	HP-1005
		E-2875 ♦	HP-1005
Eclipse I	2.0L L4 F/I	E-2875	HP-1005
Pajero II	2.5L L4 DSL - w/Oval Filter	E-2871	

1990 MITSUBISHI			
Eclipse	2.0L L4 F/I	E-2875	HP-1005
		E-2875 ♦	HP-1005

1988 MITSUBISHI			
L300	2.5L L4 DSL	E-4810	
Montero	2.6L L4 CARB	E-2723	

1987 MITSUBISHI			
Montero	2.6L L4 CARB	E-2723	

1982 MITSUBISHI			
Lancer I	2.0L L4 F/I	E-2873	

2017 MOBILITY VENTUR			
MV-1	3.7L V6 F/I		HP-2011 ¹

2008 MOTO GUZZI			
Breva 1200 Sport	1100		AL-1001
Norge 1200	1200		AL-1001

2007 MOTO GUZZI			
Breva 1100	1100		AL-1001
Norge 1200	1200		AL-1001

1981 MOTO GUZZI			
V1000 G5	1000		MG-2640

1976 MOTO GUZZI			
850	850		MG-0200

2017 NISSAN			
370Z	3.7L V6 F/I	33-2399* ♦	HP-1008 ¹
Altima	2.5L L4 F/I	33-2478 ♦	HP-1008 ¹

* 2 filters required

♦ Intake System Available - see page 84 +Cabin Air Filter Available - see page 453 1- Performance Silver Oil Filter Also Available



AIR & OIL FILTERS

NISSAN

Vehicle	Engine Type	Air Filter	Oil Filter	Vehicle	Engine Type	Air Filter	Oil Filter
2017 NISSAN				2016 NISSAN			
Altima	3.5L V6 F/I	33-2031-2	HP-1008 ¹	Murano	3.5L V6 F/I	33-2031-2	HP-1008 ¹
Armada	5.6L V8 F/I	33-2456	HP-1010 ¹	Navara	2.3L L4 DSL	33-3059+	
Evalia	1.5L L4 DSL	33-2927		NP300	2.3L L4 DSL	33-3059+	
Evalia	1.6L L4 F/I	33-2375		NP300 Navara	2.3L L4 DSL	33-3059+	
Frontier	2.5L L4 F/I	33-2324	HP-1008 ¹	NV200	2.0L L4 F/I	33-2375	
Frontier	4.0L V6 F/I	33-2286 ♦	HP-1010 ¹	NV1500	4.0L V6 F/I	33-2286	
GT-R	3.8L V6 F/I	33-2413	HP-1010 ¹	NV2500	5.6L V8 F/I	33-2286	
Juke	1.2L L4 F/I	33-2409		NV3500	5.6L V8 F/I	33-2286	HP-1010 ¹
Juke	1.5L L4 DSL	33-2409		Pathfinder	3.5L V6 F/I	33-2031-2 ♦	HP-1008 ¹
Juke	1.6L L4 F/I	33-2409	HP-1008 ¹	Qashqai	1.6L L4 DSL	33-5016	
Maxima	3.5L V6 F/I	33-2031-2 ♦	HP-1008 ¹	Qashqai	1.6L L4 F/I	33-5016	
Micra	1.2L L3 F/I - Exc. Turbo	33-2409		Quest	3.5L V6 F/I	33-2031-2	
Micra	1.2L L3 F/I - Turbo	33-3027		Rogue	2.5L L4 F/I	33-5016	HP-1008 ¹
Murano	3.5L V6 F/I	33-2031-2	HP-1008 ¹	Sentra	1.8L L4 F/I	33-2409	HP-1008 ¹
Navara	2.3L L4 DSL	33-3059+		Titan XD	5.0L V8 DSL	33-5048 ♦	HP-3005
Note	1.2L L3 F/I - Exc. Turbo	33-2409		Titan XD	5.6L V8 F/I	33-5058	HP-1010 ¹
Note	1.2L L3 F/I - Turbo	33-3027		Versa	1.6L L4 F/I	33-2479	HP-1008 ¹
NP300	2.3L L4 DSL	33-3059+		Versa Note	1.6L L4 F/I		HP-1008 ¹
NP300 Navara	2.3L L4 DSL	33-3059+		Xterra	4.0L V6 F/I		HP-1010 ¹
NV200	1.5L L4 DSL	33-2927		X-Trail	1.6L L4 DSL	33-5016	
NV200	1.6L L4 F/I	33-2375		X-Trail	1.6L L4 F/I	33-5016	
NV200	2.0L L4 F/I	33-2375	HP-1008 ¹	X-Trail	2.5L L4 F/I	33-5016	
NV300	1.6L L4 DSL	33-3054		2015 NISSAN			
NV1500	4.0L V6 F/I	33-2286		370Z	3.7L V6 F/I	33-2399* ♦	HP-1008 ¹
NV2500	4.0L V6 F/I	33-2286		Altima	2.5L L4 F/I	33-2478 ♦	HP-1008 ¹
Pathfinder	3.5L V6 F/I		HP-1008 ¹	Altima	3.5L V6 F/I	33-2031-2 ♦	HP-1008 ¹
Pulsar	1.2L L4 F/I	33-2409		Armada	5.6L V8 F/I	33-2286 ♦+	HP-1010 ¹
Pulsar	1.5L L4 DSL	33-2409		Frontier	2.5L L4 F/I	33-2324+	HP-1008 ¹
Pulsar	1.6L L4 F/I	33-2409		Frontier	4.0L V6 F/I	33-2286 ♦+	HP-1010 ¹
Qashqai	1.2L L4 F/I	33-5016		GT-R	3.8L V6 F/I	33-2413	HP-1010 ¹
Qashqai	1.5L L4 DSL	33-5016		Juke	1.2L L4 F/I	33-2409	
Qashqai	1.6L L4 DSL	33-5016		Juke	1.5L L4 DSL - OEM 1654630P00	33-2409	
Qashqai	1.6L L4 F/I	33-5016		Juke	1.5L L4 DSL - OEM 16546BC40A	33-2927	
Quest	3.5L V6 F/I	33-2031-2	HP-1008 ¹	Juke	1.6L L4 F/I	33-2409 ♦	HP-1008 ¹
Rogue	2.0L L4 F/I		HP-1008 ¹	Maxima	3.5L V6 F/I		HP-1008 ¹
Rogue	2.5L L4 F/I	33-5016	HP-1008 ¹	Micra	1.2L L3 F/I - Exc. Turbo	33-2409	
Rogue	2.5L L4 F/I	33-5016	HP-1008 ¹	Micra	1.2L L3 F/I - Turbo	33-3027	
Sentra	1.8L L4 F/I	33-2409	HP-1008 ¹	Micra	1.6L L4 F/I		HP-1008 ¹
Titan	5.6L V8 F/I		HP-1010 ¹	Murano	3.5L V6 F/I	33-2031-2	HP-1008 ¹
Titan XD	5.0L V8 DSL	33-5048		Note	1.2L L3 F/I - Exc. Turbo	33-2409	
Titan XD	5.6L V8 F/I	33-5058	HP-1010 ¹	NP300	2.3L L4 DSL	33-3059+	
Versa	1.6L L4 F/I	33-2479	HP-1008 ¹	NP300 Navara	2.3L L4 DSL	33-3059+	
Versa Note	1.6L L4 F/I		HP-1008 ¹	NV200	2.0L L4 F/I	33-2375	HP-1008 ¹
X-Trail	1.6L L4 DSL	33-5016		NV2500	4.0L V6 F/I	33-2286	
X-Trail	1.6L L4 F/I	33-5016		NV2500	5.6L V8 F/I	33-2286	
X-Trail	2.0L L4 F/I	33-5016		NV3500	5.6L V8 F/I	33-2286	HP-1010 ¹
X-Trail	2.5L L4 F/I	33-5016		Pathfinder	2.5L L4 F/I	33-5036	HP-1008 ¹
2016 NISSAN				Pathfinder	3.5L V6 F/I	33-2031-2 ♦	HP-1008 ¹
370Z	3.7L V6 F/I	33-2399* ♦	HP-1008 ¹	Pulsar	1.2L L4 F/I	33-2409	
Altima	2.5L L4 F/I	33-2478 ♦	HP-1008 ¹	Pulsar	1.6L L4 F/I	33-2409	
Altima	3.5L V6 F/I	33-2031-2 ♦	HP-1008 ¹	Qashqai	1.6L L4 DSL	33-5016	
Frontier	2.5L L4 F/I	33-2324+	HP-1008 ¹	Qashqai	1.6L L4 F/I	33-5016	
Frontier	4.0L V6 F/I	33-2286 ♦+	HP-1010 ¹	Quest	3.5L V6 F/I	33-2031-2	
GT-R	3.8L V6 F/I	33-2413	HP-1010 ¹	Rogue	2.5L L4 F/I	33-5016	HP-1008 ¹
Juke	1.2L L4 F/I	33-2409		Rogue Select	2.5L L4 F/I	33-2409	HP-1008 ¹
Juke	1.5L L4 DSL - OEM 1654630P00	33-2409		Sentra	1.8L L4 F/I	33-2409 ♦	HP-1008 ¹
Juke	1.5L L4 DSL - OEM 16546BC40A	33-2927		Titan	5.6L V8 F/I	33-2286 ♦+	HP-1010 ¹
Juke	1.6L L4 F/I	33-2409	HP-1008 ¹	Versa	1.6L L4 F/I	33-2479	HP-1008 ¹
Maxima	3.5L V6 F/I	33-2031-2 ♦	HP-1008 ¹	Versa Note	1.6L L4 F/I	33-2479	HP-1008 ¹
Micra	1.2L L3 F/I - Exc. Turbo	33-2409		Xterra	4.0L V6 F/I	33-2286 ♦	HP-1010 ¹
Micra	1.2L L3 F/I - Turbo	33-3027					
Micra	1.6L L4 F/I		HP-1008 ¹				

* 2 filters required ♦ Intake System Available - see page 84 + Cabin Air Filter Available - see page 453 1- Performance Silver Oil Filter Also Available



Vehicle	Engine Type	Air Filter	Oil Filter
2015 NISSAN			
X-Trail	2.5L L4 F/I	33-5016	
2014 NISSAN			
370Z	3.7L V6 F/I	33-2399* ♦	HP-1008 ¹
Altima	2.5L L4 F/I	33-2478 ♦	HP-1008 ¹
Altima	3.5L V6 F/I	33-2031-2 ♦	HP-1008 ¹
Armada	5.6L V8 F/I	33-2286 ♦+	HP-1010 ¹
Cube	1.8L L4 F/I	33-2375	
Frontier	2.5L L4 F/I	33-2324+	HP-1008 ¹
Frontier	4.0L V6 F/I	33-2286 ♦+	HP-1010 ¹
GT-R	3.8L V6 F/I	33-2413	HP-1010 ¹
Juke	1.2L L4 F/I	33-2409	
Juke	1.5L L4 DSL	33-2927	
Juke	1.6L L4 F/I	33-2409 ♦	HP-1008 ¹
March	1.6L L4 F/I		HP-1008 ¹
Maxima	3.5L V6 F/I	33-2031-2 ♦	HP-1008 ¹
Micra	1.2L L3 F/I - Exc. Turbo	33-2409	
Micra	1.2L L3 F/I - Turbo	33-3027	
Murano	3.5L V6 F/I	33-2031-2	HP-1008 ¹
Navara	2.5L L4 DSL - OEM 16546EB300	33-2080+	
NV200	2.0L L4 F/I	33-2375	
NV3500	5.6L V8 F/I	33-2286	HP-1010 ¹
Pathfinder	2.5L L4 DSL - OEM 16546EB300	33-2080+	
Pathfinder	2.5L L4 F/I	33-5036	HP-1008 ¹
Pathfinder	3.0L V6 DSL - OEM 16546EB300	33-2080+	
Pathfinder	3.5L V6 F/I	33-2031-2 ♦	HP-1008 ¹
Pixo	1.0L L3 F/I	33-2968	
Qashqai	1.6L L4 DSL	33-5016	
Qashqai	1.6L L4 F/I	33-5016	
Quest	3.5L V6 F/I	33-2031-2	HP-1008 ¹
Rogue	2.5L L4 F/I	33-5016	HP-1008 ¹
Rogue Select	2.5L L4 F/I	33-2409	HP-1008 ¹
Sentra	1.8L L4 F/I	33-2409 ♦	HP-1008 ¹
Titan	5.6L V8 F/I	33-2286 ♦+	HP-1008 ¹
Versa	1.6L L4 F/I	33-2479	HP-1008 ¹
Versa Note	1.6L L4 F/I	33-2479	HP-1008 ¹
Xterra	4.0L V6 F/I	33-2286 ♦+	HP-1010 ¹
X-Trail	2.0L L4 DSL	33-2944	

2013 NISSAN			
370Z	3.7L V6 F/I	33-2399* ♦	HP-1008 ¹
Altima	2.5L L4 F/I	33-2478 ♦	HP-1008 ¹
Altima	3.5L V6 F/I	33-2031-2 ♦	HP-1008 ¹
Altima Coupe	2.5L L4 F/I	33-2374 ♦	HP-1008 ¹
Armada	5.6L V8 F/I	33-2286 ♦+	HP-1010 ¹
Cube	1.8L L4 F/I	33-2375	HP-1008 ¹
Frontier	2.5L L4 F/I	33-2324+	HP-1008 ¹
Frontier	4.0L V6 F/I	33-2286 ♦+	HP-1010 ¹
GT-R	3.8L V6 F/I	33-2413	HP-1010 ¹
Juke	1.5L L4 DSL	33-2927	
Juke	1.6L L4 F/I	33-2409 ♦	HP-1008 ¹
March	1.6L L4 F/I		HP-1008 ¹
Maxima	3.5L V6 F/I	33-2031-2 ♦	HP-1008 ¹
Micra	1.2L L3 F/I - Exc. Turbo	33-2409	
Murano	3.5L V6 F/I	33-2031-2	HP-1008 ¹
Navara	2.5L L4 DSL - OEM 16500EB30B	33-2080+	
Note	1.6L L4 F/I	33-2375	
NV200	2.0L L4 F/I	33-2375	HP-1008 ¹
NV1500	4.0L V6 F/I	33-2286	
NV3500	5.6L V8 F/I	33-2286	

Vehicle	Engine Type	Air Filter	Oil Filter
2013 NISSAN			
Pathfinder	2.5L L4 DSL - OEM 16546EB300	33-2080+	
Pathfinder	3.0L V6 DSL - OEM 16546EB300	33-2080+	
Pathfinder	3.5L V6 F/I	33-2031-2 ♦	HP-1008 ¹
Pixo	1.0L L3 F/I	33-2968	
Quest	3.5L V6 F/I	33-2031-2	HP-1008 ¹
Rogue	2.5L L4 F/I	33-2409	HP-1008 ¹
Sentra	1.8L L4 F/I	33-2409 ♦	HP-1008 ¹
Titan	5.6L V8 F/I	33-2286 ♦+	HP-1008 ¹
Versa	1.6L L4 F/I	33-2479	HP-1008 ¹
Xterra	4.0L V6 F/I	33-2286 ♦+	HP-1010 ¹

2012 NISSAN			
370Z	3.7L V6 F/I	33-2399* ♦	HP-1008 ¹
Altima	2.5L L4 F/I	33-2374 ♦	HP-1008 ¹
Altima	3.5L V6 F/I	33-2031-2 ♦	HP-1008 ¹
Armada	5.6L V8 F/I	33-2286 ♦+	HP-1010 ¹
Cube	1.6L L4 F/I	33-2375	
Cube	1.8L L4 F/I	33-2375	HP-1008 ¹
Frontier	2.5L L4 F/I	33-2324+	HP-1008 ¹
Frontier	4.0L V6 F/I	33-2286 ♦+	HP-1010 ¹
GT-R	3.8L V6 F/I	33-2413	HP-1008 ¹
Juke	1.5L L4 DSL	33-2927	
Juke	1.6L L4 F/I	33-2409 ♦	HP-1008 ¹
March	1.6L L4 F/I		HP-1008 ¹
Maxima	3.5L V6 F/I	33-2031-2 ♦	HP-1008 ¹
Micra	1.2L L3 F/I - Exc. Turbo	33-2409	
Murano	3.5L V6 F/I	33-2031-2	HP-1008 ¹
Navara	2.5L L4 DSL - OEM 16546EB300	33-2080+	
Navara	3.0L V6 DSL - OEM 16546EB300	33-2080+	
Note	1.4L L4 F/I	33-2060	
NV1500	4.0L V6 F/I	33-2286	
NV2500	4.0L V6 F/I	33-2286	HP-1010 ¹
NV2500	5.6L V8 F/I	33-2286	HP-1010 ¹
NV3500	5.6L V8 F/I	33-2286	
Pathfinder	2.5L L4 DSL - OEM 16546EB300	33-2080+	
Pathfinder	3.0L V6 DSL	33-2080+	
Pathfinder	4.0L V6 F/I	33-2286 ♦+	HP-1010 ¹
Pathfinder	5.6L V8 F/I	33-2286 ♦+	HP-1010 ¹
Pixo	1.0L L3 F/I	33-2968	
Qashqai	1.6L L4 DSL	33-2944	
Qashqai	1.6L L4 F/I	33-2944	
Quest	3.5L V6 F/I	33-2031-2	HP-1008 ¹
Rogue	2.5L L4 F/I	33-2409	HP-1008 ¹
Sentra	1.8L L4 F/I		HP-1008 ¹
Sentra	2.0L L4 F/I	33-2376	HP-1008 ¹
Sentra	2.5L L4 F/I	33-2409 ♦	HP-1008 ¹
Titan	5.6L V8 F/I	33-2286 ♦+	HP-1008 ¹
Versa	1.6L L4 F/I	33-2479	HP-1008 ¹
Versa	1.8L L4 F/I	33-2375	HP-1008 ¹
Xterra	4.0L V6 F/I	33-2286 ♦+	HP-1010 ¹
X-Trail	2.0L L4 DSL	33-2944	
X-Trail	2.5L L4 F/I		HP-1010 ¹

2011 NISSAN			
370Z	3.7L V6 F/I	33-2399* ♦	HP-1008 ¹
Altima	2.5L L4 F/I	33-2374 ♦	HP-1008 ¹
Altima	3.5L V6 F/I	33-2031-2 ♦	HP-1008 ¹
Armada	5.6L V8 F/I	33-2286 ♦+	HP-1010 ¹
Cube	1.6L L4 F/I	33-2375	
Cube	1.8L L4 F/I	33-2375	HP-1008 ¹

* 2 filters required

♦ Intake System Available - see page 84 +Cabin Air Filter Available - see page 453 1- Performance Silver Oil Filter Also Available



AIR & OIL FILTERS

NISSAN

Vehicle	Engine Type	Air Filter	Oil Filter
2011 NISSAN			
Frontier	2.5L L4 F/I	33-2324+	HP-1008 ¹
Frontier	4.0L V6 F/I	33-2286 ♦♦	HP-1010 ¹
GT-R	3.8L V6 F/I	33-2413	HP-1008 ¹
Juke	1.5L L4 DSL	33-2927	
Juke	1.6L L4 F/I	33-2409	HP-1008 ¹
Maxima	3.5L V6 F/I	33-2031-2 ♦	HP-1008 ¹
Micra	1.2L L3 F/I - Exc. Turbo	33-2409	
Micra	1.2L L3 F/I - Turbo	33-3027	
Murano	3.5L V6 F/I	33-2031-2	HP-1008 ¹
Navara	2.5L L4 DSL - OEM 16546EB300	33-2080+	
Navara	2.5L L4 DSL - OEM 16546EB70A	33-2980+	
Note	1.4L L4 F/I	33-2060	
Pathfinder	2.5L L4 DSL - OEM 16546EB300	33-2080+	
Pathfinder	3.0L V6 DSL	33-2080+	
Pathfinder	4.0L V6 F/I	33-2286 ♦♦	HP-1010 ¹
Pathfinder	5.6L V8 F/I	33-2286 ♦♦	
Quest	3.5L V6 F/I	33-2031-2	HP-1008 ¹
Rogue	2.5L L4 F/I	33-2409	HP-1008 ¹
Sentra	1.8L L4 F/I		HP-1008 ¹
Sentra	2.0L L4 F/I	33-2376	HP-1008 ¹
Sentra	2.5L L4 F/I	33-2409 ♦	HP-1008 ¹
Tiida	1.6L L4 F/I	33-2375	
Tiida	1.8L L4 F/I	33-2375	
Titan	5.6L V8 F/I	33-2286 ♦♦	HP-1010 ¹
Versa	1.6L L4 F/I	33-2375	HP-1008 ¹
Versa	1.8L L4 F/I	33-2375	HP-1008 ¹
Xterra	4.0L V6 F/I	33-2286 ♦♦	HP-1010 ¹
X-Trail	2.5L L4 F/I	33-2409	HP-1010 ¹

Vehicle	Engine Type	Air Filter	Oil Filter
2010 NISSAN			
370Z	3.7L V6 F/I	33-2399* ♦	HP-1008 ¹
Altima	2.5L L4 F/I	33-2374 ♦	HP-1008 ¹
Altima	3.5L V6 F/I	33-2031-2 ♦	HP-1008 ¹
Altima Hybrid	2.5L L4 F/I	33-2374	HP-1010 ¹
Armada	5.6L V8 F/I	33-2286 ♦♦	HP-1010 ¹
Cube	1.6L L4 F/I	33-2375	
Cube	1.8L L4 F/I	33-2375 ♦	HP-1008 ¹
Frontier	2.5L L4 F/I	33-2324+	HP-1008 ¹
Frontier	4.0L V6 F/I	33-2286 ♦♦	HP-1010 ¹
GT-R	3.8L V6 F/I	33-2413	HP-1010 ¹
Juke	1.6L L4 F/I	33-2409	
Livina	1.5L L4 F/I	33-2375	
Maxima	3.5L V6 F/I	33-2031-2 ♦	HP-1008 ¹
Micra	1.2L L4 F/I	33-2060 ♦	
Murano	3.5L V6 F/I	33-2031-2	HP-1008 ¹
Navara	2.5L L4 DSL - OEM 16546EB300	33-2080+	
Navara	2.5L L4 DSL - OEM 16546EB70A	33-2980+	
Pathfinder	2.5L L4 DSL	33-2080+	
Pathfinder	3.0L V6 DSL	33-2080+	
Pathfinder	4.0L V6 F/I	33-2286 ♦♦	HP-1010 ¹
Pathfinder	5.6L V8 F/I	33-2286 ♦♦	
Patrol II	3.0L L6 DSL	E-9267	
Qashqai	2.0L L4 DSL	33-2944	
Qashqai	2.0L L4 F/I	33-2944	
Rogue	2.5L L4 F/I	33-2409	HP-1008 ¹
Sentra	1.8L L4 F/I		HP-1008 ¹
Sentra	2.0L L4 F/I	33-2376	HP-1008 ¹
Sentra	2.5L L4 F/I	33-2409 ♦	HP-1008 ¹
Tiida	1.6L L4 F/I	33-2375	
Titan	5.6L V8 F/I	33-2286 ♦♦	HP-1010 ¹

Vehicle	Engine Type	Air Filter	Oil Filter
2010 NISSAN			
Versa	1.6L L4 F/I	33-2375	HP-1008 ¹
Versa	1.8L L4 F/I	33-2375	HP-1008 ¹
Xterra	4.0L V6 F/I	33-2286 ♦♦	HP-1010 ¹
X-Trail	2.0L L4 DSL	33-2944	
X-Trail	2.0L L4 F/I	33-2944	

Vehicle	Engine Type	Air Filter	Oil Filter
2009 NISSAN			
350Z	3.5L V6 F/I	33-2399*	HP-1008 ¹
370Z	3.7L V6 F/I	33-2399* ♦	HP-1008 ¹
Altima	2.5L L4 F/I	33-2374 ♦	HP-1008 ¹
Altima	3.5L V6 F/I	33-2031-2 ♦	HP-1008 ¹
Altima Hybrid	2.5L L4 F/I	33-2374	HP-1010 ¹
Armada	5.6L V8 F/I	33-2286 ♦♦	HP-1010 ¹
Cube	1.8L L4 F/I	33-2375 ♦	HP-1008 ¹
Frontier	2.5L L4 F/I	33-2324+	HP-1008 ¹
Frontier	4.0L V6 F/I	33-2286 ♦♦	HP-1010 ¹
GT-R	3.8L V6 F/I	33-2413	HP-1010 ¹
Maxima	3.5L V6 F/I	33-2031-2 ♦	HP-1008 ¹
Micra	1.2L L4 F/I	33-2060 ♦	
Micra	1.4L L4 F/I	33-2060 ♦	
Murano	3.5L V6 F/I	33-2031-2	HP-1008 ¹
Navara	2.5L L4 DSL - OEM 16546EB300	33-2080 ♦♦	
Navara	2.5L L4 DSL - OEM 16546EB70A	33-2980 ♦♦	
Note	1.4L L4 F/I	33-2060	
Pathfinder	4.0L V6 F/I	33-2286 ♦♦	HP-1010 ¹
Patrol II	3.0L L6 DSL	E-9267	
Quest	3.5L V6 F/I	33-2031-2	
Rogue	2.5L L4 F/I	33-2409	HP-1008 ¹
Sentra	1.8L L4 F/I		HP-1008 ¹
Sentra	2.0L L4 F/I	33-2376	HP-1008 ¹
Sentra	2.5L L4 F/I	33-2409 ♦	HP-1008 ¹
Tiida	1.6L L4 F/I	33-2375	
Tiida	1.8L L4 F/I	33-2375	
Titan	5.6L V8 F/I	33-2286 ♦♦	HP-1010 ¹
Versa	1.6L L4 F/I	33-2375	HP-1008 ¹
Versa	1.8L L4 F/I	33-2375	HP-1008 ¹
Xterra	4.0L V6 F/I	33-2286 ♦♦	HP-1010 ¹

Vehicle	Engine Type	Air Filter	Oil Filter
2008 NISSAN			
350Z	3.5L V6 F/I	33-2399* ♦	HP-1008 ¹
Altima	2.5L L4 F/I	33-2374 ♦	HP-1008 ¹
Altima	3.5L V6 F/I	33-2031-2 ♦	HP-1008 ¹
Altima Hybrid	2.5L L4 F/I	33-2374	HP-1010 ¹
Armada	5.6L V8 F/I	33-2286 ♦♦	HP-1010 ¹
Frontier	2.5L L4 F/I	33-2324+	HP-1008 ¹
Frontier	4.0L V6 F/I	33-2286 ♦♦	HP-1010 ¹
Maxima	3.5L V6 F/I	33-2031-2 ♦♦	HP-1008 ¹
Micra	1.2L L4 F/I	33-2060 ♦	
Micra	1.4L L4 F/I	33-2060 ♦	
Murano	3.5L V6 F/I	33-2031-2	
Navara	2.5L L4 DSL - OEM 16546EB300	33-2080 ♦♦	
Navara	2.5L L4 DSL - OEM 16546EB70A	33-2980 ♦♦	
Note	1.4L L4 F/I	33-2060	
Pathfinder	2.5L L4 DSL	33-2080+	
Pathfinder	4.0L V6 F/I	33-2286 ♦♦	HP-1010 ¹
Pathfinder	5.6L V8 F/I	33-2286 ♦♦	HP-1010 ¹
Patrol II	3.0L L6 DSL	E-9267	
Qashqai	2.0L L4 DSL	33-2944	
Qashqai	2.0L L4 F/I	33-2944	
Quest	3.5L V6 F/I	33-2031-2	HP-1008 ¹
Rogue	2.5L L4 F/I	33-2409	HP-1008 ¹

* 2 filters required ♦ Intake System Available - see page 84 + Cabin Air Filter Available - see page 453 1- Performance Silver Oil Filter Also Available



Vehicle	Engine Type	Air Filter	Oil Filter
2008 NISSAN			
Sentra	1.8L L4 F/I		HP-1008 ¹
Sentra	2.0L L4 F/I	33-2376	HP-1008 ¹
Sentra	2.5L L4 F/I	33-2409 ♦	HP-1008 ¹
Titan	5.6L V8 F/I	33-2286 ♦♦	HP-1010 ¹
Versa	1.8L L4 F/I	33-2375	HP-1008 ¹
Xterra	4.0L V6 F/I	33-2286 ♦♦	HP-1010 ¹
X-Trail	2.0L L4 DSL	33-2944	
X-Trail	2.0L L4 F/I	33-2944	

Vehicle	Engine Type	Air Filter	Oil Filter
2007 NISSAN			
350Z	3.5L V6 F/I	33-2399* ♦	HP-1008 ¹
Altima	2.5L L4 F/I	33-2374 ♦	HP-1010 ¹
Altima	3.5L V6 F/I	33-2031-2 ♦	HP-1008 ¹
Altima Hybrid	2.5L L4 F/I	33-2374	HP-1010 ¹
Armada	5.6L V8 F/I	33-2286 ♦♦	HP-1010 ¹
Frontier	2.5L L4 F/I	33-2324+	HP-1008 ¹
Frontier	4.0L V6 F/I	33-2286 ♦♦	HP-1010 ¹
Maxima	3.5L V6 F/I	33-2031-2 ♦♦	HP-1008 ¹
Micra	1.2L L4 F/I	33-2060 ♦	
Micra	1.4L L4 F/I	33-2060 ♦	
Murano	3.5L V6 F/I	33-2031-2+	HP-1008 ¹
Navara	2.5L L4 DSL - OEM 16546EB300	33-2080 ♦♦	
Navara	2.5L L4 DSL - OEM 16546EB70A	33-2980 ♦♦	
Note	1.4L L4 F/I	33-2060	
Pathfinder	2.5L L4 DSL	33-2080+	
Pathfinder	4.0L V6 F/I	33-2286 ♦♦	HP-1010 ¹
Patrol II	3.0L L6 DSL	E-9267	
Pickup	2.4L L4 F/I		HP-1010 ¹
Quest	3.5L V6 F/I	33-2031-2	HP-1008 ¹
Sentra	1.8L L4 F/I		HP-1008 ¹
Sentra	2.0L L4 F/I	33-2376	HP-1008 ¹
Sentra	2.5L L4 F/I	33-2409 ♦	HP-1008 ¹
Titan	5.6L V8 F/I	33-2286 ♦♦	HP-1010 ¹
Versa	1.8L L4 F/I	33-2375	HP-1008 ¹
Xterra	4.0L V6 F/I	33-2286 ♦♦	HP-1010 ¹
X-Trail	2.0L L4 DSL	33-2944	
X-Trail	2.0L L4 F/I	33-2944	
X-Trail	2.5L L4 F/I	33-2409	

Vehicle	Engine Type	Air Filter	Oil Filter
2006 NISSAN			
350Z	3.5L V6 F/I	33-2031-2 ♦	HP-1008 ¹
Almera II	1.5L L4 F/I	33-2031-2 ♦	
Altima	2.5L L4 F/I	33-2031-2 ♦♦	HP-1010 ¹
Altima	3.5L V6 F/I	33-2031-2 ♦♦	HP-1008 ¹
Armada	5.6L V8 F/I	33-2286 ♦♦	HP-1010 ¹
Frontier	2.5L L4 F/I	33-2324+	HP-1008 ¹
Frontier	4.0L V6 F/I	33-2286 ♦♦	HP-1010 ¹
Maxima	3.5L V6 F/I	33-2031-2 ♦♦	HP-1008 ¹
Micra	1.2L L4 F/I	33-2060 ♦	
Micra	1.4L L4 F/I	33-2060 ♦	
Murano	3.5L V6 F/I	33-2031-2+	HP-1008 ¹
Navara	2.5L L4 DSL - OEM 16546EB300	33-2080 ♦♦	
Navara	2.5L L4 DSL - OEM 16546EB70A	33-2980 ♦♦	
Pathfinder	2.5L L4 DSL	33-2080+	
Pathfinder	4.0L V6 F/I	33-2286 ♦♦	HP-1010 ¹
Patrol II	3.0L L6 DSL	E-9267	
Quest	3.5L V6 F/I	33-2031-2	HP-1008 ¹
Sentra	1.8L L4 F/I	33-2031-2+	HP-1010 ¹
Sentra	2.5L L4 F/I	33-2031-2 ♦♦	HP-1010 ¹
Titan	5.6L V8 F/I	33-2286 ♦♦	HP-1010 ¹
Xterra	4.0L V6 F/I	33-2286 ♦♦	HP-1010 ¹

Vehicle	Engine Type	Air Filter	Oil Filter
2006 NISSAN			
X-Trail	2.5L L4 F/I	33-2031-2	HP-1008 ¹
2005 NISSAN			
350Z	3.5L V6 F/I	33-2031-2 ♦	HP-1008 ¹
Altima	2.5L L4 F/I	33-2031-2 ♦♦	HP-1010 ¹
Altima	3.5L V6 F/I	33-2031-2 ♦♦	HP-1008 ¹
Armada	5.6L V8 F/I	33-2286 ♦♦	HP-1010 ¹
Frontier	2.5L L4 DSL	E-2020	
Frontier	2.5L L4 F/I	33-2324+	HP-1008 ¹
Frontier	4.0L V6 F/I	33-2286 ♦♦	HP-1010 ¹
Maxima	3.0L V6 F/I	33-2031-2	
Maxima	3.5L V6 F/I	33-2031-2 ♦♦	HP-1008 ¹
Micra	1.2L L4 F/I	33-2060 ♦	
Micra	1.4L L4 F/I	33-2060 ♦	
Murano	3.5L V6 F/I	33-2031-2+	HP-1008 ¹
Navara	2.5L L4 DSL - OEM 16546EB70A	33-2980 ♦♦	
Pathfinder	2.5L L4 DSL	33-2080+	
Pathfinder	4.0L V6 F/I	33-2286 ♦♦	HP-1010 ¹
Patrol	3.0L L6 DSL	E-9267	
Quest	3.5L V6 F/I	33-2031-2	HP-1008 ¹
Sentra	1.8L L4 F/I	33-2031-2+	HP-1010 ¹
Sentra	2.5L L4 F/I	33-2031-2 ♦♦	HP-1010 ¹
Titan	5.6L V8 F/I	33-2286 ♦♦	HP-1010 ¹
Xterra	4.0L V6 F/I	33-2286 ♦♦	HP-1010 ¹
X-Trail	2.5L L4 F/I	33-2031-2	HP-1008 ¹

Vehicle	Engine Type	Air Filter	Oil Filter
2004 NISSAN			
350Z	3.5L V6 F/I	33-2031-2 ♦	HP-1008 ¹
Almera II	1.5L L4 F/I	33-2031-2 ♦	
Altima	2.5L L4 F/I	33-2031-2 ♦♦	HP-1010 ¹
Altima	3.5L V6 F/I	33-2031-2 ♦♦	HP-1008 ¹
Frontier	2.4L L4 F/I	E-9233	HP-1010 ¹
Frontier	2.5L L4 DSL	E-2020	
Frontier	3.3L V6 F/I	33-2031-2 ♦	HP-1010 ¹
Maxima	3.0L V6 F/I	33-2031-2	
Maxima	3.5L V6 F/I	33-2031-2 ♦♦	HP-1008 ¹
Micra	1.2L L4 F/I	33-2060 ♦	
Micra	1.4L L4 F/I	33-2060 ♦	
Murano	3.5L V6 F/I	33-2031-2+	HP-1008 ¹
Pathfinder	3.3L V6 F/I	33-2031-2	
Pathfinder	3.5L V6 F/I	33-2031-2 ♦	HP-1008 ¹
Pathfinder	5.6L V8 F/I	33-2286 ♦♦	
Pathfinder Armada	5.6L V8 F/I	33-2286 ♦♦	HP-1010 ¹
Patrol	3.0L L6 DSL	E-9267	
Patrol II	4.2L L6 DSL	E-9267	
Pickup	2.4L L4 F/I		HP-1010 ¹
Quest	3.5L V6 F/I	33-2031-2	HP-1008 ¹
Sentra	1.8L L4 F/I	33-2031-2+	HP-1010 ¹
Sentra	2.5L L4 F/I	33-2031-2 ♦♦	HP-1010 ¹
Titan	5.6L V8 F/I	33-2286 ♦♦	HP-1010 ¹
Xterra	2.4L L4 F/I	E-9233	HP-1010 ¹
Xterra	3.3L V6 F/I	33-2031-2 ♦	HP-1010 ¹

Vehicle	Engine Type	Air Filter	Oil Filter
2003 NISSAN			
350Z	3.5L V6 F/I	33-2031-2 ♦	HP-1008 ¹
Altima	2.5L L4 F/I	33-2031-2 ♦♦	HP-1010 ¹
Altima	3.5L V6 F/I	33-2031-2+	HP-1008 ¹
		33-2031-2	HP-1008 ¹
Frontier	2.4L L4 F/I	E-9233	HP-1010 ¹
Frontier	3.3L V6 F/I	33-2031-2 ♦	HP-1010 ¹
Maxima	2.0L V6 F/I	33-2031-2	
Maxima	3.0L V6 F/I	33-2031-2	
Maxima	3.5L V6 F/I	33-2031-2	HP-1008 ¹

* 2 filters required

♦ Intake System Available - see page 84 +Cabin Air Filter Available - see page 453 1- Performance Silver Oil Filter Also Available



AIR & OIL FILTERS

NISSAN

Vehicle	Engine Type	Air Filter	Oil Filter
2003 NISSAN			
Micra	1.2L L4 F/I	33-2060 ♦	
Murano	3.5L V6 F/I	33-2031-2+	HP-1008 ¹
Pathfinder	2.7L L6 DSL	33-2031-2	
Pathfinder	3.3L V6 F/I	33-2031-2	
Pathfinder	3.5L V6 F/I	33-2031-2 ♦	HP-1008 ¹
Patrol	3.0L L6 DSL	E-9267	
Sentra	1.8L L4 F/I	33-2031-2+	HP-1008 ¹
Sentra	2.5L L4 F/I	33-2031-2 ♦+	HP-1010 ¹
Xterra	2.4L L4 F/I	E-9233	
Xterra	3.3L V6 F/I	33-2031-2 ♦	HP-1010 ¹

2002 NISSAN			
Almera II	1.5L L4 DSL	33-2864	
Almera II	1.5L L4 F/I	33-2031-2 ♦	
Altima	2.5L L4 F/I	33-2031-2 ♦+	HP-1010 ¹
Altima	3.5L V6 F/I	33-2031-2+	HP-1008 ¹
Frontier	2.4L L4 F/I	E-9233	HP-1010 ¹
Frontier	3.3L V6 F/I	33-2031-2 ♦	HP-1010 ¹
Maxima	2.0L V6 F/I	33-2031-2	
Maxima	3.0L V6 F/I	33-2031-2	
Maxima	3.5L V6 F/I	33-2031-2	HP-1008 ¹
Micra	1.0L L4 F/I	33-2060 ♦	
Micra	1.4L L4 F/I	33-2060 ♦	
Pathfinder	3.3L V6 F/I	33-2031-2	
Pathfinder	3.5L V6 F/I	33-2031-2 ♦	HP-1008 ¹
Patrol	3.0L L6 DSL	E-9267	
Patrol	4.5L L6 F/I	E-9266	
Quest	3.3L V6 F/I	33-2091-1	HP-1010 ¹
Sentra	1.8L L4 F/I	33-2031-2+	HP-1008 ¹
Sentra	2.5L L4 F/I	33-2031-2 ♦+	HP-1010 ¹
Xterra	2.4L L4 F/I	E-9233	HP-1010 ¹
Xterra	3.3L V6 F/I	33-2031-2 ♦	HP-1010 ¹

2001 NISSAN			
Almera II	1.8L L4 F/I	33-2031-2 ♦	
Altima	2.4L L4 F/I	33-2031-2	HP-1010 ¹
Frontier	2.4L L4 F/I	E-9233	HP-1010 ¹
Frontier	3.3L V6 F/I	33-2031-2 ♦	HP-1010 ¹
Maxima	2.0L V6 F/I	33-2031-2	
Maxima	3.0L V6 F/I	33-2031-2	HP-1010 ¹
Micra	1.0L L4 F/I	33-2060 ♦	
Micra	1.4L L4 F/I	33-2060 ♦	
Pathfinder	2.7L L6 DSL	33-2031-2	
Pathfinder	3.3L V6 F/I	33-2031-2	
Pathfinder	3.5L V6 F/I	33-2031-2 ♦	HP-1010 ¹
Patrol	3.0L L6 DSL	E-9267	
Primera	2.0L L4 DSL	33-2031-2	
Primera	2.0L L4 F/I	33-2031-2	
Quest	3.3L V6 F/I	33-2091-1	HP-1010 ¹
Sentra	1.8L L4 F/I	33-2031-2+	HP-1008 ¹
Sentra	2.0L L4 F/I	33-2031-2+	HP-1008 ¹
Xterra	2.4L L4 F/I	E-9233	HP-1010 ¹
Xterra	3.3L V6 F/I	33-2031-2 ♦	HP-1010 ¹

2000 NISSAN			
Altima	2.4L L4 F/I	33-2031-2	HP-1010 ¹
Frontier	2.4L L4 F/I	E-9233	HP-1010 ¹
Frontier	3.3L V6 F/I	33-2031-2 ♦	HP-1010 ¹
Maxima	2.0L V6 F/I	33-2031-2	
Maxima	3.0L V6 F/I	33-2031-2	HP-1010 ¹
Micra	1.0L L4 F/I	33-2060 ♦	
Micra	1.4L L4 F/I	33-2060 ♦	
Pathfinder	3.3L V6 F/I	33-2031-2	HP-1010 ¹
Pathfinder	3.5L V6 F/I	33-2031-2	

Vehicle	Engine Type	Air Filter	Oil Filter
2000 NISSAN			
Patrol	3.0L L6 DSL	E-9267	
Patrol II	2.8L V6 DSL	E-9267	
Quest	3.3L V6 F/I	33-2091-1	
Sentra	1.6L L4 F/I		HP-2008 ¹
Sentra	1.8L L4 F/I	33-2031-2+	HP-1008 ¹
Sentra	2.0L L4 F/I	33-2031-2+	HP-1008 ¹
Xterra	2.4L L4 F/I	E-9233	HP-1010 ¹
Xterra	3.3L V6 F/I	33-2031-2 ♦	HP-1010 ¹

1999 NISSAN			
200SX	2.0L L4 F/I	33-2031-2 ♦	
Altima	2.4L L4 F/I	33-2031-2	HP-1010 ¹
Frontier	2.4L L4 F/I	E-9233	HP-1010 ¹
Frontier	3.3L V6 F/I	33-2031-2 ♦	HP-1010 ¹
Maxima	2.0L V6 F/I	33-2031-2	
Maxima	3.0L V6 F/I	33-2031-2	HP-1010 ¹
Micra	1.0L L4 F/I	33-2060 ♦	
Micra	1.3L L4 F/I	33-2060 ♦	
Pathfinder	3.3L V6 F/I	33-2031-2	HP-1010 ¹
Patrol	4.5L L6 F/I	E-9266	
Patrol II	2.8L V6 DSL	E-9267	
Primera	2.0L L4 DSL	33-2031-2	
Primera	2.0L L4 F/I	33-2031-2 ♦	
Quest	3.3L V6 F/I	33-2091-1	
Sentra	1.6L L4 F/I	33-2031-2	HP-2008 ¹
Sentra	2.0L L4 F/I	33-2031-2	HP-1008 ¹

1998 NISSAN			
200SX	1.6L L4 F/I	33-2031-2	HP-2008 ¹
200SX	2.0L L4 F/I	33-2031-2 ♦	HP-1008 ¹
240SX	2.4L L4 F/I	33-2031-2 ♦	HP-2008 ¹
Altima	2.4L L4 F/I	33-2031-2	HP-1010 ¹
Frontier	2.4L L4 F/I	E-9233	HP-1010 ¹
Maxima	2.0L V6 F/I	33-2031-2	
Maxima	3.0L V6 F/I	33-2031-2	HP-1010 ¹
Micra	1.0L L4 F/I	33-2060 ♦	
Pathfinder	2.7L L6 DSL	33-2031-2	
Pathfinder	3.3L V6 F/I	33-2031-2	HP-1010 ¹
Patrol II	2.8L V6 DSL	E-9267	
Pickup	2.4L L4 F/I	E-9233	
Sentra	1.6L L4 F/I	33-2031-2	HP-2008 ¹
Sentra	2.0L L4 F/I	33-2031-2	HP-1008 ¹

1997 NISSAN			
200SX	1.6L L4 F/I	33-2031-2	HP-2008 ¹
200SX	2.0L L4 F/I	33-2031-2 ♦	HP-1008 ¹
240SX	2.4L L4 F/I	33-2031-2 ♦	HP-2008 ¹
Altima	2.4L L4 F/I	33-2031-2	HP-2008 ¹
D21 Pickup	2.4L L4 F/I	E-9233	
Maxima	2.0L V6 F/I	33-2031-2	
Maxima	3.0L V6 F/I	33-2031-2	HP-1010 ¹
Micra	1.0L L4 F/I	33-2060 ♦	
Micra	1.3L L4 F/I	33-2060 ♦	
Pathfinder	3.3L V6 F/I	33-2031-2	HP-1010 ¹
Patrol II	2.8L V6 DSL	E-9267	
Pickup	2.4L L4 F/I	E-9233	HP-2008 ¹
Sentra	1.6L L4 F/I	33-2031-2	HP-2008 ¹
Skyline	2.6L - GTR, 24v, Twin Turbo	33-2031-2	
Terrano II	2.7L L4 DSL	E-9251 ♦	

1996 NISSAN			
200SX	1.6L L4 F/I	33-2031-2	HP-2008 ¹
200SX	2.0L L4 F/I	33-2031-2 ♦	HP-1008 ¹
240SX	2.4L L4 F/I	33-2031-2 ♦	HP-2008 ¹

* 2 filters required

♦ Intake System Available - see page 84 +Cabin Air Filter Available - see page 453 1- Performance Silver Oil Filter Also Available



Vehicle	Engine Type	Air Filter	Oil Filter
1996 NISSAN			
300ZX	3.0L V6 F/I	33-2036*	HP-2008 ¹
Altima	2.4L L4 F/I	33-2031-2	HP-2008 ¹
D21 Pickup	2.4L L4 F/I - 101BHP	E-2813	
D21 Pickup	2.4L L4 F/I - 124BHP	E-9233	
Maxima	2.0L V6 F/I	33-2031-2	
Maxima	3.0L V6 F/I	33-2031-2	HP-1010 ¹
Micra	1.0L L4 F/I	33-2060♦	
Micra	1.3L L4 F/I	33-2060♦	
Pathfinder	3.3L V6 F/I	33-2031-2	HP-1010 ¹
Pickup	2.4L L4 F/I	E-9233	HP-2008 ¹
Quest	3.0L V6 F/I	33-2091-1	
Safari/Patrol	4.2L L6 DSL - To 7/96	E-9201	
Sentra	1.6L L4 F/I	33-2031-2	HP-2008 ¹

Vehicle	Engine Type	Air Filter	Oil Filter
1995 NISSAN			
200SX	1.6L L4 F/I	33-2031-2	HP-2008 ¹
200SX	2.0L L4 F/I	33-2031-2	HP-1008 ¹
240SX	2.4L L4 F/I	33-2031-2♦	HP-2008 ¹
300ZX	3.0L V6 F/I	33-2036*	HP-2008 ¹
Altima	2.4L L4 F/I	33-2031-2	HP-2008 ¹
D21 Pickup	2.4L L4 F/I - 101BHP	E-2813	
D21 Pickup	2.4L L4 F/I - 124BHP	E-9233	
Maxima	2.0L V6 F/I	33-2031-2	
Maxima	3.0L V6 F/I	33-2031-2	HP-1010 ¹
Micra	1.3L L4 F/I	33-2060♦	
Pathfinder	3.0L V6 F/I	33-2031-2	HP-2008 ¹
Pickup	2.4L L4 F/I	E-9233	HP-2008 ¹
Pickup	3.0L V6 F/I	33-2031-2	HP-2008 ¹
Safari/Patrol	4.2L L6 DSL	E-9201	
Sentra	1.6L L4 F/I	33-2031-2	HP-2008 ¹

Vehicle	Engine Type	Air Filter	Oil Filter
1994 NISSAN			
200SX	1.8L L4 F/I	33-2031-2♦	
240SX	2.4L L4 F/I	33-2031-2♦	HP-2008 ¹
300ZX	3.0L V6 F/I	33-2036*	HP-2008 ¹
Altima	2.4L L4 F/I	33-2031-2	HP-2008 ¹
D21 Pickup	2.4L L4 F/I		HP-2008 ¹
D21 Pickup	2.4L L4 F/I - Non-US, 101BHP	E-2813	HP-2008
D21 Pickup	2.4L L4 F/I - Non-US, 124BHP	E-9233	HP-2008
D21 Pickup	2.4L L4 F/I - US	E-9233	HP-2008
D21 Pickup	3.0L V6 F/I	33-2031-2	HP-2008 ¹
Maxima	3.0L V6 F/I	33-2031-2	HP-2008 ¹
Pathfinder	3.0L V6 F/I	33-2031-2	HP-2008 ¹
Safari/Patrol	4.2L L6 DSL	E-9201	
Sentra	1.6L L4 F/I	33-2031-2	HP-2008 ¹
Sentra	2.0L L4 F/I	33-2031-2♦	HP-1003 ¹

Vehicle	Engine Type	Air Filter	Oil Filter
1993 NISSAN			
240SX	2.4L L4 F/I	33-2031-2♦	HP-2008 ¹
300ZX	3.0L V6 F/I	33-2036*♦	HP-2008 ¹
Altima	2.4L L4 F/I	33-2031-2	HP-2008 ¹
D21 Pickup	2.4L L4 F/I		HP-2008 ¹
D21 Pickup	2.4L L4 F/I - Non-US, 101BHP	E-2813	HP-2008
D21 Pickup	2.4L L4 F/I - Non-US, 124BHP	E-9233	HP-2008
D21 Pickup	2.4L L4 F/I - US	E-9233	HP-2008
D21 Pickup	3.0L V6 F/I	33-2031-2	HP-2008 ¹
Maxima	3.0L V6 F/I	33-2031-2	HP-2008 ¹
Micra	1.0L L4 F/I	33-2060♦	
Pathfinder	3.0L V6 F/I	33-2031-2	HP-2008 ¹
Pickup	2.4L L4 F/I		HP-2008 ¹
Safari/Patrol	4.2L L6 DSL	E-9201	
Sentra	1.6L L4 F/I	33-2031-2	HP-2008 ¹

Vehicle	Engine Type	Air Filter	Oil Filter
1993 NISSAN			
Sentra	2.0L L4 F/I	33-2031-2♦	HP-1003 ¹
Silvia	2.0L L4 F/I	33-2031-2	
Skyline	2.5L V6 - 24v, Turbo	33-2031-2	
1992 NISSAN			
240SX	2.4L L4 F/I	33-2031-2♦	HP-2008 ¹
300ZX	3.0L V6 F/I	33-2036*♦	HP-2008 ¹
D21 Pickup	2.4L L4 F/I		HP-2008 ¹
D21 Pickup	2.4L L4 F/I - Non-US, 101BHP	E-2813	HP-2008
D21 Pickup	2.4L L4 F/I - Non-US, 124BHP	E-9233	HP-2008
D21 Pickup	2.4L L4 F/I - US	E-9233	HP-2008
D21 Pickup	3.0L V6 F/I	33-2031-2	HP-2008 ¹
Maxima	3.0L V6 F/I	33-2031-2	HP-2008 ¹
Micra	1.0L L4 F/I	33-2060	
Pathfinder	3.0L V6 F/I	33-2031-2	HP-2008 ¹
Patrol	4.2L L6 F/I	33-2031-2	
Safari/Patrol	4.2L L6 DSL	E-9201	
Sentra	1.6L L4 F/I	33-2031-2	HP-2008 ¹
Sentra	2.0L L4 F/I	33-2031-2♦	HP-1003 ¹
Stanza	2.4L L4 F/I	33-2031-2	HP-2008 ¹

Vehicle	Engine Type	Air Filter	Oil Filter
1991 NISSAN			
200SX	1.8L L4 F/I	33-2031-2♦	
240SX	2.4L L4 F/I	33-2031-2♦	HP-2008 ¹
300ZX	3.0L V6 F/I	33-2036*♦	HP-2008 ¹
Bluebird	1.6L L4 F/I	E-2983	
D21 Pickup	2.4L L4 F/I		HP-2008 ¹
D21 Pickup	2.4L L4 F/I - Non-US	E-2813	HP-2008
D21 Pickup	2.4L L4 F/I - US	E-9233	HP-2008
D21 Pickup	3.0L V6 F/I	33-2031-2	HP-2008 ¹
D21 Pickup	3.0L V6 F/I	33-2031-2	HP-2008 ¹
D21 Pickup	3.0L V6 F/I	33-2031-2	HP-2008 ¹
Pathfinder	3.0L V6 F/I	33-2031-2	HP-2008 ¹
Patrol	4.2L L6 F/I	33-2031-2	
Pickup	2.4L L4 CARB		HP-2008 ¹
Safari/Patrol	4.2L L6 DSL	E-9201	
Sentra	1.6L L4 F/I	33-2031-2	HP-2008 ¹
Sentra	2.0L L4 F/I	33-2031-2♦	HP-1003 ¹

Vehicle	Engine Type	Air Filter	Oil Filter
1990 NISSAN			
200SX	1.8L L4 F/I	33-2031-2♦	
240SX	2.4L L4 F/I	33-2031-2♦	HP-2008 ¹
300ZX	3.0L V6 F/I - Non-US, VG30 Eng.	33-2031-2	
300ZX	3.0L V6 F/I - US	33-2036*♦	HP-2008 ¹
D21 Pickup	2.4L L4 F/I		HP-2008 ¹
D21 Pickup	2.4L L4 F/I - Non-US	E-2813	HP-2008
D21 Pickup	2.4L L4 F/I - US	E-9233	HP-2008
D21 Pickup	3.0L V6 F/I - w/Panel Filter	33-2031-2	
Maxima	3.0L V6 F/I	33-2031-2	
Pathfinder	3.0L V6 F/I		HP-2008 ¹
Pathfinder	3.0L V6 F/I - w/Panel Filter	33-2031-2	HP-2008
Pathfinder	3.0L V6 F/I - w/Round Filter	E-2830	HP-2008
Pickup	1.8L L4 CARB		HP-2009 ¹
Safari/Patrol	4.2L L6 DSL	E-9201	
Sentra	1.6L L4 F/I		HP-2008 ¹

Vehicle	Engine Type	Air Filter	Oil Filter
1989 NISSAN			
200SX	1.8L L4 F/I	33-2031-2♦	
240SX	2.4L L4 F/I	33-2031-2♦	HP-2008 ¹
300ZX	3.0L V6 F/I	33-2031-2♦	HP-2008 ¹
D21 Pickup	2.4L L4 F/I	E-2813	HP-3001 ¹
D21 Pickup	3.0L V6 F/I	E-2830	HP-2008 ¹

* 2 filters required

♦ Intake System Available - see page 84 +Cabin Air Filter Available - see page 453 1- Performance Silver Oil Filter Also Available



AIR & OIL FILTERS

NISSAN

Vehicle	Engine Type	Air Filter	Oil Filter
1989 NISSAN			
Maxima	3.0L V6 F/I	33-2031-2	
Pathfinder	3.0L V6 F/I	E-2830	HP-2008 ¹
Safari/Patrol	4.2L L6 DSL	E-9201	
Sentra	1.6L L4 F/I		HP-2008 ¹
1988 NISSAN			
300ZX	3.0L V6 F/I	33-2031-2 ♦	HP-2008 ¹
D21 Pickup	2.4L L4 F/I	E-2813	HP-3001 ¹
Maxima	3.0L V6 F/I - 170BHP	33-2031-2	
Safari/Patrol	4.2L L6 DSL	E-9201	
1987 NISSAN			
300ZX	3.0L V6 F/I		HP-2008 ¹
300ZX	3.0L V6 F/I - Exc. Turbo	33-2031-2 ♦	HP-2008
300ZX	3.0L V6 F/I - Turbo	33-2010 ♦	HP-2008
D21 Pickup	2.4L L4 F/I	E-2813	HP-3001 ¹
1986 NISSAN			
300ZX	3.0L V6 F/I	33-2010 ♦	HP-2008 ¹
720	2.4L L4 F/I	E-2813	HP-3001 ¹
D21 Pickup	2.4L L4 F/I	E-2813	HP-3001 ¹
1985 NISSAN			
300ZX	3.0L V6 F/I	33-2010 ♦	HP-2008 ¹
720	2.4L L4 CARB	E-2760	HP-3001 ¹
1984 NISSAN			
300ZX	3.0L V6 F/I	33-2010 ♦	HP-2008 ¹
720	2.4L L4 CARB	E-2760	HP-3001 ¹
1983 NISSAN			
280ZX	2.8L L6 F/I	E-2990	HP-2004 ¹
720	2.4L L4 CARB	E-2760	HP-3001 ¹
1982 NISSAN			
280ZX	2.8L L6 F/I	E-2990	HP-2004 ¹
720	2.2L L4 DSL	E-2210	
1981 NISSAN			
280ZX	2.8L L6 F/I	E-2990	HP-2004 ¹
1980 NISSAN			
280ZX	2.8L L6 F/I	E-2880	HP-2004 ¹
1979 NISSAN			
280ZX	2.8L L6 F/I	E-2880	HP-3001 ¹
1978 NISSAN			
280Z	2.8L L6 F/I	33-2010	HP-3001 ¹
280ZX	2.8L L6 F/I	E-2880	HP-3001 ¹
1977 NISSAN			
280Z	2.8L L6 F/I	33-2010	HP-3001 ¹
1976 NISSAN			
280Z	2.8L L6 F/I	33-2010	HP-3001 ¹
1975 NISSAN			
280Z	2.8L L6 F/I	33-2010	HP-3001 ¹
1974 NISSAN			
240Z	146 L6 CARB	E-2910	
260Z	156 L6 CARB	E-2900	HP-3001 ¹
260Z	157 L6 CARB	E-2900	HP-3001 ¹
620 Pickup	108 L4 CARB	E-2760	HP-3001 ¹
Sunny	1.2L CARB - B310 Eng., A12	E-1050	
1973 NISSAN			
240Z	146 L6 CARB	E-2900	HP-3001 ¹

Vehicle	Engine Type	Air Filter	Oil Filter
1972 NISSAN			
240Z	146 L6 CARB	E-2910	HP-3001 ¹
510	97 L4 CARB	E-2760	HP-3001 ¹
1971 NISSAN			
240Z	146 L6 CARB	E-2910	HP-3001 ¹
1970 NISSAN			
240Z	146 L6 CARB	E-2910	HP-3001 ¹
1600	1.6L L4 CARB	E-2760	HP-2005 ¹
1969 NISSAN			
2000	121 L4 CARB		HP-2005 ¹
2004 OLDSMOBILE			
Alero	2.2L L4 F/I	33-2121-1	PS-7000
Alero	3.4L V6 F/I	33-2121-1	HP-1001 ¹
2003 OLDSMOBILE			
Alero	2.2L L4 F/I		PS-7000
Alero	3.4L V6 F/I	33-2121-1	HP-1001 ¹
Aurora	4.0L V8 F/I	33-2063-1+	HP-2006 ¹
Bravada	4.2L L6 F/I	E-1009 ♦	HP-2006 ¹
2002 OLDSMOBILE			
Alero	2.2L L4 F/I		PS-7000
Alero	3.4L V6 F/I	33-2121-1	HP-1001 ¹
Aurora	4.0L V8 F/I		HP-2006 ¹
Bravada	4.2L L6 F/I	E-1009 ♦	HP-2006 ¹
Intrigue	3.5L V6 F/I		PS-7003
2001 OLDSMOBILE			
Alero	2.4L L4 F/I	33-2121-1	HP-1007 ¹
Alero	3.4L V6 F/I	33-2121-1	HP-1001 ¹
Aurora	3.5L V6 F/I	33-2063-1+	PS-7003
Aurora	4.0L V8 F/I	33-2063-1+	HP-2006 ¹
Intrigue	3.5L V6 F/I		PS-7003
2000 OLDSMOBILE			
Alero	2.4L L4 F/I	33-2121-1	HP-1007 ¹
Alero	3.4L V6 F/I	33-2121-1	HP-1001 ¹
Bravada	4.3L V6 F/I	33-2042	HP-2001 ¹
Intrigue	3.5L V6 F/I		PS-7003
1999 OLDSMOBILE			
88	3.8L V6 F/I	33-2086	HP-1001 ¹
Alero	3.4L V6 F/I	33-2121-1	HP-1001 ¹
Aurora	4.0L V8 F/I	33-2086	HP-2006 ¹
Bravada	4.3L V6 F/I	33-2042	HP-2001 ¹
Intrigue	3.5L V6 F/I		PS-7003
1998 OLDSMOBILE			
88	3.8L V6 F/I	33-2086	HP-1001 ¹
Aurora	4.0L V8 F/I	33-2086	HP-2006 ¹
Bravada	4.3L V6 F/I	33-2042	HP-2001 ¹
Intrigue	3.8L V6 F/I	33-2063-1+	HP-1001 ¹
1997 OLDSMOBILE			
Cutlass Supreme	3.1L V6 F/I	33-2063-1	HP-1001 ¹
1996 OLDSMOBILE			
Cutlass Ciera	3.1L V6 F/I	E-0890	HP-1001 ¹
1995 OLDSMOBILE			
Cutlass Ciera	3.1L V6 F/I	E-0890	HP-1001 ¹
Cutlass Supreme	3.1L V6 F/I	33-2063-1	HP-1001 ¹
1994 OLDSMOBILE			
Cutlass Ciera	3.1L V6 F/I	E-0890	HP-1001 ¹
Cutlass Supreme	3.1L V6 F/I	33-2063-1	HP-1001 ¹

* 2 filters required

♦ Intake System Available - see page 84 +Cabin Air Filter Available - see page 453 1- Performance Silver Oil Filter Also Available

OLDSMOBILE

AIR & OIL FILTERS



Vehicle	Engine Type	Air Filter	Oil Filter
1994 OLDSMOBILE			
Cutlass Supreme	3.4L V6 F/I	33-2063-1	HP-2001 ¹
1993 OLDSMOBILE			
Cutlass Ciera	3.3L V6 F/I	33-2022	
1992 OLDSMOBILE			
Cutlass Ciera	3.3L V6 F/I	33-2022	
1991 OLDSMOBILE			
Cutlass Ciera	3.3L V6 F/I	33-2022	
1989 OLDSMOBILE			
Delta 88	3.8L V6 F/I	33-2022	
1988 OLDSMOBILE			
Cutlass Supreme	5.0L V8 CARB	E-1500	HP-2006 ¹
1987 OLDSMOBILE			
Cutlass Supreme	3.8L V6 CARB	E-1150	HP-1001 ¹
1986 OLDSMOBILE			
Cutlass Supreme	5.0L V8 CARB	E-1500	HP-2006 ¹
1985 OLDSMOBILE			
Cutlass Supreme	5.0L V8 CARB	E-1500	HP-2006 ¹
1981 OLDSMOBILE			
Cutlass Supreme	5.7L V8 DSL	E-1650	
1977 OLDSMOBILE			
Cutlass Supreme	403 V8 CARB	E-1650	
1976 OLDSMOBILE			
Toronado	455 V8 CARB	E-1650	
1973 OLDSMOBILE			
Cutlass Supreme	350 V8 4 BBL. - w/o hood scoop	E-1650	
Cutlass Supreme	455 V8 CARB - w/o hood scoop	E-1650	
Delta 88	350 V8 4 BBL. - w/o hood scoop	E-1650	
Delta 88	455 V8 CARB	E-1650	
1972 OLDSMOBILE			
Cutlass	350 V8 2 BBL.	E-1220	HP-2003 ¹
Cutlass	350 V8 4 BBL.		HP-2003 ¹
Cutlass	350 V8 4 BBL. - w/hood scoop	E-1590	HP-2003
Cutlass	350 V8 4 BBL. - w/o hood scoop	E-1650	HP-2003
Cutlass	455 V8 CARB		HP-2003 ¹
Cutlass	455 V8 CARB - w/hood scoop	E-1590	HP-2003
Cutlass	455 V8 CARB - w/o hood scoop	E-1650	HP-2003
Cutlass Supreme	350 V8 2 BBL.	E-1220	HP-2003 ¹
Cutlass Supreme	350 V8 4 BBL.		HP-2003 ¹
Cutlass Supreme	350 V8 4 BBL. - w/hood scoop	E-1590	HP-2003
Cutlass Supreme	350 V8 4 BBL. - w/o hood scoop	E-1650	HP-2003
Cutlass Supreme	455 V8 CARB		HP-2003 ¹
Cutlass Supreme	455 V8 CARB - w/hood scoop	E-1590	HP-2003
Cutlass Supreme	455 V8 CARB - w/o hood scoop	E-1650	HP-2003
1971 OLDSMOBILE			
442	455 V8 2 BBL.	E-1220	HP-2003 ¹
442	455 V8 4 BBL.		HP-2003 ¹
442	455 V8 4 BBL. - w/o Ram Air	E-1650	HP-2003

Vehicle	Engine Type	Air Filter	Oil Filter
1971 OLDSMOBILE			
442	455 V8 4 BBL. - w/Ram Air	E-1590	HP-2003
Cutlass	350 V8 2 BBL.	E-1220	HP-2003 ¹
Cutlass	350 V8 4 BBL.		HP-2003 ¹
Cutlass	350 V8 4 BBL. - w/o Ram Air	E-1650	HP-2003
Cutlass	350 V8 4 BBL. - w/Ram Air	E-1590	HP-2003
Cutlass	455 V8 4 BBL. - w/o Ram Air	E-1650	
Cutlass Supreme	350 V8 2 BBL.	E-1220	
Cutlass Supreme	350 V8 4 BBL.	E-1220	
Cutlass Supreme	455 V8 2 BBL.	E-1220	HP-2003 ¹
Cutlass Supreme	455 V8 4 BBL.		HP-2003 ¹
Cutlass Supreme	455 V8 4 BBL. - w/o Ram Air	E-1650	HP-2003
Cutlass Supreme	455 V8 4 BBL. - w/Ram Air	E-1590	HP-2003
1970 OLDSMOBILE			
442	350 V8 4 BBL. - w/o hood scoop	E-1650	
442	455 V8 2 BBL.	E-1220	HP-2003 ¹
442	455 V8 4 BBL.		HP-2003 ¹
442	455 V8 4 BBL. - w/hood scoop	E-1590	HP-2003
442	455 V8 4 BBL. - w/o hood scoop	E-1650	HP-2003
Cutlass	350 V8 2 BBL.	E-1220	HP-2003 ¹
Cutlass	350 V8 4 BBL.		HP-2003 ¹
Cutlass	350 V8 4 BBL. - w/o Ram Air	E-1650	HP-2003
Cutlass	350 V8 4 BBL. - w/Ram Air	E-1590	HP-2003
Cutlass	455 V8 4 BBL. - w/o Ram Air	E-1650	
Cutlass Supreme	350 V8 2 BBL.	E-1220	
Cutlass Supreme	350 V8 4 BBL.	E-1650	
1969 OLDSMOBILE			
442	400 V8 CARB	E-1650	
442	455 V8 2 BBL.	E-1220	HP-2003 ¹
442	455 V8 4 BBL.		HP-2003 ¹
442	455 V8 4 BBL. - w/o Ram Air	E-1650	HP-2003
442	455 V8 4 BBL. - w/Ram Air	E-1590	HP-2003
Cutlass	350 V8 2 BBL.		HP-2003 ¹
Cutlass	350 V8 4 BBL.	E-1650	HP-2003 ¹
Cutlass Supreme	350 V8 4 BBL.	E-1650	
Cutlass Supreme	350 V8 CARB - 2 BBL	E-1220	
Cutlass Supreme	350 V8 CARB - 4 BBL	E-1650	
1968 OLDSMOBILE			
442	400 V8 CARB	E-1650	
442	455 V8 4 BBL. - w/o Ram Air	E-1650	
Cutlass	350 V8 4 BBL.	E-1650	
Cutlass Supreme	350 V8 2 BBL.	E-1220	
Cutlass Supreme	350 V8 4 BBL.	E-1650	
Toronado	455 V8 CARB	E-1650	
1967 OLDSMOBILE			
442	400 V8 CARB	E-1650	
Cutlass	330 V8 CARB - w/Manual Trans.	E-1650	
Cutlass Supreme	330 V8 CARB - w/Auto Trans.	E-1220	
Cutlass Supreme	330 V8 CARB - w/Manual Trans.	E-1650	
Toronado	425 V8 CARB	E-1650	

* 2 filters required

◆ Intake System Available - see page 84 +Cabin Air Filter Available - see page 453 1- Performance Silver Oil Filter Also Available



AIR & OIL FILTERS

OLDSMOBILE

Vehicle	Engine Type	Air Filter	Oil Filter
1966 OLDSMOBILE			
442	400 V8 CARB	E-1650	
Cutlass	400 V8 CARB	E-1650	
2017 OPEL			
Adam	1.0L L3 F/I	33-3011	
Adam	1.2L L4 F/I	33-3011	
Adam	1.4L L4 F/I	33-3011	
Ampera	1.4L L4 F/I	33-2464	
Astra J	1.6L L4 DSL	33-2966	
Astra J	1.6L L4 F/I - Exc. Turbo	33-2964	
Astra J	1.6L L4 F/I - Turbo	33-2966	
Astra J	2.0L L4 F/I	33-2964	
Astra K	1.0L L3 F/I	E-0650	
Astra K	1.4L L4 F/I	E-0650	
Astra K	1.6L L4 DSL	E-0650	
Astra K	1.6L L4 F/I	E-0650	
Cascada	1.4L L4 F/I	33-2966	
Cascada	1.6L L4 F/I	33-2966	
Cascada	2.0L L4 DSL	33-2966	
Combo	1.3L L4 DSL	33-2984	
Combo	1.4L L4 F/I - Exc. Turbo	33-2842	
Combo	1.4L L4 F/I - Turbo	33-3014	
Combo	1.6L L4 DSL	33-2935	
Combo	2.0L L4 DSL	33-2935	
Corsa E	1.0L L3 F/I	33-3040	
Corsa E	1.2L L4 F/I	33-3040	
Corsa E	1.3L L4 DSL	33-3040	
Corsa E	1.4L L4 F/I	33-3040	
Corsa E	1.6L L4 F/I	33-3040	
Karl	1.0L L3 F/I	33-5043	
Meriva B	1.4L L4 F/I	33-2971	
Meriva B	1.6L L4 DSL	33-2971	
Mokka	1.4L L4 F/I	33-5007	
Mokka	1.6L L4 DSL	33-5007	
Mokka	1.6L L4 F/I	33-5007	
Tour	1.3L L4 DSL	33-2984	
Tour	1.4L L4 F/I - Exc. Turbo	33-2842	
Tour	1.4L L4 F/I - Turbo	33-3014	
Tour	1.6L L4 DSL	33-2935	
Tour	2.0L L4 DSL	33-2935	
Vivaro B	1.6L L4 DSL	33-3054	
Zafira Tourer	1.4L L4 F/I	33-2966	
Zafira Tourer	1.6L L4 DSL	33-2966	
Zafira Tourer	1.6L L4 F/I	33-2966	
Zafira Tourer	2.0L L4 DSL	33-2966	
2016 OPEL			
Adam	1.4L L4 F/I	33-3011	
Astra J	1.4L L4 F/I - Exc. Turbo	33-2964 ♦	
Astra J	1.4L L4 F/I - Turbo	33-2966 ♦	
Corsa E	1.4L L4 F/I	33-3040	
Corsa E	1.6L L4 F/I	33-3040	
Insignia	1.6L L4 DSL	33-2962	
Insignia	1.6L L4 F/I	33-2962	
2015 OPEL			
Adam	1.0L L3 F/I	33-3011	
Adam	1.4L L4 F/I	33-3011	
Corsa E	1.4L L4 F/I	33-3040	
Insignia	1.6L L4 F/I	33-2962	
Insignia	2.0L L4 DSL	33-2962	
Insignia	2.0L L4 F/I	33-2962	
2014 OPEL			
Astra J	1.4L L4 F/I - Exc. Turbo	33-2964 ♦	

Vehicle	Engine Type	Air Filter	Oil Filter
2014 OPEL			
Mokka	1.4L L4 F/I	33-5007	
Mokka	1.6L L4 F/I	33-5007	
Mokka	1.7L L4 DSL	33-5007	
2013 OPEL			
Adam	1.4L L4 F/I	33-3011	
Astra J	1.4L L4 F/I - Exc. Turbo	33-2964 ♦	
Astra J	1.4L L4 F/I - Turbo	33-2966 ♦	
Astra J	1.6L L4 F/I - Exc. Turbo	33-2964	
Astra J	1.6L L4 F/I - Turbo	33-2966	
Astra J	2.0L L4 DSL	33-2966	
Astra J	2.0L L4 F/I	33-2964	
Corsa D	1.4L L4 F/I	33-2935 ♦	
Insignia	2.0L L4 DSL	33-2962	
Insignia	2.0L L4 F/I	33-2962	
2012 OPEL			
Astra J	1.4L L4 F/I - Exc. Turbo	33-2964 ♦	
Astra J	1.4L L4 F/I - Turbo	33-2966 ♦	
Astra J	1.6L L4 F/I - Exc. Turbo	33-2964	
Astra J	1.6L L4 F/I - Turbo	33-2966	
Astra J	2.0L L4 DSL	33-2966	
Astra J	2.0L L4 F/I	33-2964	
Insignia	2.0L L4 DSL	33-2962	
Insignia	2.0L L4 F/I	33-2962	
Insignia	2.8L V6 F/I	33-2962	
2011 OPEL			
Astra J	1.4L L4 F/I - Exc. Turbo	33-2964 ♦	
Astra J	1.4L L4 F/I - Turbo	33-2966 ♦	
Astra J	1.6L L4 F/I - Exc. Turbo	33-2964	
Insignia	2.0L L4 DSL	33-2962	
Insignia	2.0L L4 F/I	33-2962	
Insignia	2.8L V6 F/I	33-2962	
2010 OPEL			
Astra J	1.6L L4 F/I - Exc. Turbo	33-2964	
Astra J	1.6L L4 F/I - Turbo	33-2966	
2009 OPEL			
Insignia	2.0L L4 DSL	33-2962	
Insignia	2.0L L4 F/I	33-2962	
2008 OPEL			
Antara	3.2L V6 F/I	33-2956	
Astra H	1.6L L4 F/I - Exc. Turbo	33-2787 ♦	
Astra H	1.6L L4 F/I - Turbo	33-2213 ♦	
Astra H	1.8L L4 F/I	33-2787 ♦	
GT	2.0L L4 F/I	33-2369 ♦	
2007 OPEL			
Astra H	1.6L L4 F/I - Exc. Turbo	33-2787 ♦	
Astra H	1.6L L4 F/I - Turbo	33-2213 ♦	
Corsa D	1.6L L4 F/I	33-2935 ♦	
2006 OPEL			
Astra H	1.6L L4 F/I	33-2787 ♦	
1999 OPEL			
Corsa B	1.6L L4 F/I	33-2098 ♦	
1998 OPEL			
Frontera A	2.5L L4 DSL	33-2013	
1995 OPEL			
Calibra	2.0L L4 F/I	33-2080 ♦	
1994 OPEL			
Calibra	2.0L L4 F/I	33-2080 ♦	

* 2 filters required

♦ Intake System Available - see page 84 +Cabin Air Filter Available - see page 453 1- Performance Silver Oil Filter Also Available



Vehicle	Engine Type	Air Filter	Oil Filter
1994 OPEL			
Vectra A	2.0L L4 F/I - inc. 16v, 4WD, Turbo	33-2080 ♦	

1993 OPEL			
Calibra	2.0L L4 F/I	33-2080 ♦	

1992 OPEL			
Senator B	3.0L V6 F/I - 204BHP	33-2013	
Vectra A	2.0L L4 F/I - inc. 16v, 4WD, Turbo	33-2080 ♦	

1991 OPEL			
Calibra	2.0L L4 F/I	33-2080 ♦	
Corsa A	1.4L L4 F/I - 82BHP	33-2547 ♦	

1990 OPEL			
Calibra	2.0L L4 F/I	33-2080 ♦	

2017 PEUGEOT			
108	1.0L L3 F/I	33-2485	
108	1.2L L3 F/I	33-3006	
208	1.2L L3 F/I - Exc. Turbo	33-3006+	
208	1.2L L3 F/I - Turbo	33-3039+	
208	1.6L L4 DSL	33-2119+	
208	1.6L L4 F/I	33-2936+	
308	1.2L L3 F/I - Exc. Turbo	33-3006	
308	1.2L L3 F/I - Turbo	33-3039	
308	1.6L L4 DSL	33-2119	
308	1.6L L4 F/I	33-2936	
508	1.6L L4 DSL	33-2119	
508	1.6L L4 F/I	33-2936	
2008	1.2L L3 F/I - Exc. Turbo	33-3006+	
2008	1.2L L3 F/I - Turbo	33-3039+	
2008	1.6L L4 DSL	33-2119+	
3008	1.2L L3 F/I	33-3039	
3008	1.6L L4 DSL	33-2119	
3008	1.6L L4 F/I	33-2936	
4008	1.6L L4 DSL	33-2975	
5008	1.2L L3 F/I	33-3039	
5008	1.6L L4 F/I	33-2936	
Bipper	1.3L L4 DSL	33-2984	
Boxer	2.0L L4 DSL	E-9283	
Expert	1.6L L4 DSL	33-2119	
Partner	1.2L L3 F/I	33-3039	
Partner	1.6L L4 DSL	33-2119	
Partner	1.6L L4 F/I	33-2941	
Traveller	1.6L L4 DSL	33-2119	

2016 PEUGEOT			
208	1.2L L3 F/I - Turbo	33-3039+	
208	1.6L L4 DSL - BlueHDI	33-2119+	
208	1.6L L4 F/I	33-2936+	
308	1.2L L3 F/I - Exc. Turbo	33-3006	
308	1.2L L3 F/I - Turbo	33-3039	
308	1.6L L4 DSL	33-2119	
308	1.6L L4 F/I	33-2936	

2015 PEUGEOT			
208	1.2L L3 F/I - Turbo	33-3039+	
208	1.6L L4 DSL - 92/115BHP	33-2975+	
208	1.6L L4 DSL - BlueHDI	33-2119+	
208	1.6L L4 F/I - Exc. Turbo	33-2941+	
208	1.6L L4 F/I - Turbo	33-2936+	
308	1.2L L3 F/I - Exc. Turbo	33-3006	
308	1.2L L3 F/I - Turbo	33-3039	
308	1.6L L4 DSL - 92/115BHP	33-2975	

Vehicle	Engine Type	Air Filter	Oil Filter
2015 PEUGEOT			
308	1.6L L4 DSL - BlueHDI	33-2119	
308	1.6L L4 F/I - Turbo	33-2936	
508	1.6L L4 DSL - BlueHDI	33-2119	
2008	1.6L L4 DSL - BlueHDI	33-2119+	

2014 PEUGEOT			
208	1.2L L3 F/I - Turbo	33-3039+	
208	1.6L L4 DSL	33-2975+	
208	1.6L L4 F/I	33-2941+	
208 GT	1.6L L4 F/I	33-2936+	
308	1.6L L4 DSL - BlueHDI	33-2119+	
308	1.6L L4 DSL - Exc. BlueHDI	33-2975+	
308	1.6L L4 F/I - Turbo	33-2936+	

2013 PEUGEOT			
208	1.6L L4 DSL	33-2975+	
208	1.6L L4 F/I - Exc. Turbo	33-2941+	
208	1.6L L4 F/I - Turbo	33-2936+	

2012 PEUGEOT			
207	1.6L L4 DSL	33-2975+	
207	1.6L L4 F/I - 120BHP, Exc. Turbo	33-2941+	
207	1.6L L4 F/I - Turbo	33-2936+	
308	1.6L L4 DSL	33-2975+	
308	1.6L L4 F/I - Exc. Turbo	33-2941+	
308	1.6L L4 F/I - Turbo	33-2936+	

2011 PEUGEOT			
107	1.0L L3 F/I	33-2131 ♦	
207	1.6L L4 DSL	33-2975+	
207	1.6L L4 F/I - 109BHP, Exc. Turbo	33-2844 ♦+	
207	1.6L L4 F/I - Turbo	33-2936 ♦+	
508	1.6L L4 DSL	33-2975	
508	1.6L L4 F/I - Exc. Turbo	33-2941	
508	1.6L L4 F/I - Turbo	33-2936	

2010 PEUGEOT			
207	1.6L L4 F/I - 109BHP, Exc. Turbo	33-2844 ♦+	
Partner	1.6L L4 F/I - 110BHP	33-2937	

2009 PEUGEOT			
207	1.6L L4 DSL - 90/109BHP	33-2847 ♦+	
207	1.6L L4 DSL - 92/112BHP	33-2975 ♦+	
207	1.6L L4 F/I - 109BHP, Exc. Turbo	33-2844 ♦+	
207	1.6L L4 F/I - 120BHP, Exc. Turbo	33-2941 ♦+	
207	1.6L L4 F/I - Turbo	33-2936 ♦+	
307	1.6L L4 F/I - 110BHP	33-2937 ♦	

2008 PEUGEOT			
206	1.6L L4 F/I	33-2937	
207	1.6L L4 DSL	33-2847 ♦+	PS-7024
207	1.6L L4 F/I		PS-7024
207	1.6L L4 F/I - 109BHP	33-2844 ♦+	PS-7024
207	1.6L L4 F/I - 120BHP	33-2941 ♦+	PS-7024
207	1.6L L4 F/I - Turbo	33-2936 ♦+	PS-7024
307	1.6L L4 F/I	33-2937 ♦	
308	1.6L L4 DSL	33-2847 ♦+	
308	1.6L L4 F/I - Exc. Turbo	33-2941 ♦+	
308	1.6L L4 F/I - Turbo	33-2936 ♦+	

2007 PEUGEOT			
207	1.6L L4 DSL	33-2847 ♦+	

* 2 filters required

♦ Intake System Available - see page 84 +Cabin Air Filter Available - see page 453 1- Performance Silver Oil Filter Also Available



AIR & OIL FILTERS

PEUGEOT

Vehicle	Engine Type	Air Filter	Oil Filter
2007 PEUGEOT			
207	1.6L L4 F/I - 109BHP	33-2844 ♦♦	
207	1.6L L4 F/I - 120BHP	33-2941 ♦♦	
207	1.6L L4 F/I - Turbo	33-2936 ♦♦	
307	2.0L L4 DSL - Auto Gearbox	33-2998	
307	2.0L L4 DSL - Manual Gearbox	33-2245	
307	2.0L L4 F/I	33-2957 ♦	PS-7024
407	2.0L L4 F/I	33-2911	
2006 PEUGEOT			
206	1.4L L4 DSL	33-2840	
206	1.4L L4 F/I - 16v	33-2916 ♦	
206	1.4L L4 F/I - 8v	33-2813 ♦	
206	1.6L L4 DSL	33-2847 ♦	
206	1.6L L4 F/I	33-2937 ♦	
307	1.6L L4 F/I	33-2937 ♦	
307	2.0L L4 F/I	33-2957 ♦	
407	2.0L L4 F/I	33-2911	
2005 PEUGEOT			
206	1.4L L4 DSL	33-2840	
206	1.4L L4 F/I - 16v	33-2916 ♦	
206	1.4L L4 F/I - 8v	33-2813 ♦	
206	1.6L L4 DSL	33-2847 ♦	
206	1.6L L4 F/I	33-2937 ♦	
206 RC	2.0L L4 F/I	33-2510 ♦	
307	1.6L L4 F/I - From 10/05	33-2937 ♦	
2004 PEUGEOT			
206	1.6L L4 F/I	33-2813 ♦	
206 RC	2.0L L4 F/I	33-2510 ♦	
2003 PEUGEOT			
206	1.4L L4 DSL	33-2840	
206	1.4L L4 F/I - 16v	33-2916 ♦	
206	1.4L L4 F/I - 8v	33-2813 ♦	
206 RC	2.0L L4 F/I	33-2510 ♦	
307	2.0L L4 DSL - Auto Gearbox	33-2998 ♦	
307	2.0L L4 DSL - Manual Gearbox	33-2245 ♦	
307	2.0L L4 F/I	33-2245 ♦	PS-7024
2002 PEUGEOT			
206	1.6L L4 F/I	33-2813 ♦	
206	2.0L L4 DSL	33-2813 ♦	
206	2.0L L4 F/I	33-2813 ♦	
2001 PEUGEOT			
206	2.0L L4 DSL	33-2813 ♦	
206	2.0L L4 F/I	33-2813 ♦	
1994 PEUGEOT			
306	2.0L L4 F/I - Exc., S16	33-2673 ♦	
1980 PEUGEOT			
604	2.8L V6 CARB	E-3740	
1979 PEUGEOT			
604	2.8L V6 CARB	E-3740	
2009 PIAGGIO			
Fly 150	150		KN-183
MP3 400	400		KN-184
2007 PIAGGIO			
Beverly Cruiser	250		KN-183
Beverly Tourer	250		KN-183

Vehicle	Engine Type	Air Filter	Oil Filter
2007 PIAGGIO			
X9 Evolution	500		KN-184
2001 PLYMOUTH			
Neon	2.0L L4 F/I	E-1006	HP-1002 ¹
2000 PLYMOUTH			
Neon	2.0L L4 F/I	E-1006	HP-1002 ¹
1999 PLYMOUTH			
Prowler	3.5L V6 F/I	33-2087	HP-2004 ¹
1998 PLYMOUTH			
Neon	2.0L L4 F/I	33-2087	HP-1002 ¹
		33-2087 ♦	HP-1002 ¹
1997 PLYMOUTH			
Neon	2.0L L4 F/I	33-2087	HP-1002 ¹
		33-2087 ♦	HP-1002 ¹
1974 PLYMOUTH			
Duster	318 V8 CARB		HP-2004 ¹
1971 PLYMOUTH			
Cuda	440 V8 CARB - Exc. Hi Perf.	E-1980	
Duster	340 V8 3x2BBL.	E-1980	HP-3001 ¹
Duster	340 V8 4 BBL.	E-1530	HP-3001 ¹
1970 PLYMOUTH			
Cuda	340 V8 3x2BBL.	E-1980	
Cuda	340 V8 4 BBL.	E-1530	
Cuda	440 V8 3x2BBL.	E-1980	
Cuda	440 V8 4 BBL.	E-1530	
GTX	440 V8 3x2BBL.		HP-3001 ¹
GTX	440 V8 3x2BBL. - Exc. Hi Perf.	E-1980	HP-3001
GTX	440 V8 4 BBL.		HP-3001 ¹
GTX	440 V8 4 BBL. - Hi Perf.	E-1530	HP-3001
Roadrunner	383 V8 CARB	E-1530	HP-3001 ¹
Roadrunner	426 V8 CARB	E-1980	
Roadrunner	440 V8 3x2BBL.	E-1980	HP-3001 ¹
Roadrunner	440 V8 4 BBL.	E-1530	HP-3001 ¹
1969 PLYMOUTH			
Barracuda	340 V8 CARB	E-1530	HP-3001 ¹
GTX	440 V8 3x2BBL.	E-1980	HP-3001 ¹
GTX	440 V8 4 BBL.	E-1530	HP-3001 ¹
Roadrunner	383 V8 CARB		HP-3001 ¹
Roadrunner	383 V8 CARB - w/o snorkel	E-1530	HP-3001
Roadrunner	383 V8 CARB - w/snorkel	E-1540	HP-3001
Roadrunner	426 V8 CARB	E-1980	HP-3001 ¹
Roadrunner	440 V8 CARB		HP-3001 ¹
Roadrunner	440 V8 CARB - w/air control	E-1980	HP-3001
Roadrunner	440 V8 CARB - w/o snorkel	E-1530	HP-3001
Roadrunner	440 V8 CARB - w/snorkel	E-1540	HP-3001
1968 PLYMOUTH			
GTX	440 V8 CARB		HP-3001 ¹
GTX	440 V8 CARB - w/o snorkel	E-1530	HP-3001
GTX	440 V8 CARB - w/snorkel	E-1540	HP-3001
Roadrunner	426 V8 CARB	E-1980	HP-3001 ¹
1967 PLYMOUTH			
GTX	440 V8 CARB		HP-3001 ¹

* 2 filters required ♦ Intake System Available - see page 84 +Cabin Air Filter Available - see page 453 1- Performance Silver Oil Filter Also Available



Vehicle	Engine Type	Air Filter	Oil Filter
1966 PLYMOUTH			
Satellite	426 V8 CARB		HP-3001 ¹
1958 PLYMOUTH			
Fury	350 V8 CARB	E-1959	
2017 POLARIS			
Phoenix 200	196	PL-1004	
2016 POLARIS			
Ace 570 SP	567		KN-198
Ace 900 SP	875		KN-198
General 1000 EPS	999	PL-8715	KN-198
General 1000 EPS Deluxe	999	PL-8715	KN-198
Ranger 570	567		KN-198
Ranger 570 EPS	567		KN-198
Ranger 570 EPS Full Size	567		KN-198
Ranger 570 EPS Hunter Edition	567		KN-198
Ranger 570 Full Size	567		KN-198
Ranger 570 XP	567		KN-198
Ranger 570 XP EPS	567		KN-198
Ranger 570-4 Crew	567		KN-198
Ranger 570-4 Crew EPS	567		KN-198
Ranger 570-6 Crew	567		KN-198
Ranger 570-6 Crew EPS	567		KN-198
Ranger 900 Crew	875	PL-5712	KN-198
Ranger 900 XP	875	PL-5712	KN-198
Ranger 900 XP EPS	875	PL-5712	KN-198
Ranger 900 XP EPS High Lifter Edition	875	PL-5712	KN-198
Ranger 900 XP EPS Hunter Deluxe Edition	875	PL-5712	KN-198
Ranger 900 XP EPS Hunter Edition	875	PL-5712	KN-198
Ranger 900 XP EPS Northstar Edition	875	PL-5712	KN-198
Ranger 900 XP EPS Trail Edition	875	PL-5712	KN-198
Ranger 900-5 Crew EPS	875		KN-198
Ranger 900-6 Crew	875		KN-198
Ranger 900-6 Crew EPS	875		KN-198
RZR 4 900 EPS	875	PL-8715	KN-198
RZR 170 EFI	169	PL-1710	
RZR 570	567		KN-198
RZR 570 EPS Trail	567		KN-198
RZR 900	875	PL-8715	KN-198
RZR 900 EPS Trail	875	PL-8715	KN-198
RZR 900 EPS Trail Fox Edition LE	875	PL-8715	KN-198
RZR 900 XC Edition	875	PL-8715	KN-198
RZR S 900	875	PL-8715	KN-198
RZR S 900 EPS	875	PL-8715	KN-198
RZR S 1000 EPS	999	PL-8715	KN-198
RZR XP 4 1000 EPS	999	PL-1014	KN-198
RZR XP 1000 EPS	999	PL-1014	KN-198
RZR XP 1000 EPS High Lifter Edition	999	PL-1014	KN-198
RZR XP Turbo	925	PL-1014	KN-198
Scrambler 850	850	PL-1003	
Slingshot	2384	PL-2415	PS-7000

Vehicle	Engine Type	Air Filter	Oil Filter
2016 POLARIS			
Slingshot SL	2384	PL-2415	PS-7000
Slingshot SL LE	2384	PL-2415	PS-7000
Sportsman 450 HO	500	PL-1003	
Sportsman 570	567	PL-1003	
Sportsman 570 EPS	567	PL-1003	
Sportsman 570 SP	567	PL-1003	
Sportsman 570 SP Hunters Edition	567	PL-1003	
Sportsman 570 Touring	567	PL-1003	
Sportsman 570 Touring EPS	567	PL-1003	
Sportsman 570 X2	567	PL-1003	
Sportsman 570 X2 EPS	567	PL-1003	
Sportsman 850	850	PL-1003	
Sportsman 850 High Lifter Edition	850	PL-1003	
Sportsman 850 SP	850	PL-1003	
Sportsman 850 Touring SP	850	PL-1003	
Sportsman Ace 570	567	PL-3214	
Sportsman Ace 900 SP	875	PL-8715	KN-198
2015 POLARIS			
Phoenix 200	196	PL-1004	
Ranger 6x6 800	760	PL-8007	
Ranger 570	567		KN-198
Ranger 570 Crew	567		KN-198
Ranger 570 Crew EPS	567		KN-198
Ranger 570 Crew EPS Full Size	567		KN-198
Ranger 570 Crew Full Size	567		KN-198
Ranger 570 EPS	567		KN-198
Ranger 570 EPS Full Size	567		KN-198
Ranger 570 Full Size	567		KN-198
Ranger 900 Crew	875	PL-5712	
Ranger 900 Crew EPS	875	PL-5712	
Ranger 900 XP	875	PL-5712	
Ranger 900 XP EPS	875	PL-5712	
Ranger 900 XP EPS Deluxe	875	PL-5712	
Ranger 900 XP EPS Hunter Deluxe Edition	875	PL-5712	
Ranger 900 XP EPS Hunter Edition	875	PL-5712	
Ranger 900 XP EPS LE	875	PL-5712	
Ranger 900 XP EPS Northstar Edition	875	PL-5712	
Ranger 900-6 Crew	875	PL-5712	
Ranger 900-6 Crew EPS	875	PL-5712	
Ranger Crew 900	875	PL-5712	KN-198
RZR 4 900 EPS	875	PL-8715	KN-198
RZR 170 EFI	169	PL-1710	
RZR 570	567	PL-5712	KN-198
RZR 570 EPS Trail	567	PL-5712	KN-198
RZR 900	875	PL-8715	KN-198
RZR 900 EPS Trail	875	PL-8715	KN-198

* 2 filters required

◆ Intake System Available - see page 84 + Cabin Air Filter Available - see page 453 1- Performance Silver Oil Filter Also Available



AIR & OIL FILTERS

POLARIS

Vehicle	Engine Type	Air Filter	Oil Filter	Vehicle	Engine Type	Air Filter	Oil Filter
2015 POLARIS				2014 POLARIS			
RZR 900 XC Edition	875	PL-8715	KN-198	Ranger RZR 570	567	PL-5712	KN-198
RZR S 900	875	PL-8715	KN-198	Ranger RZR 570	567	PL-5712	KN-198
RZR S 900 EPS	875	PL-8715	KN-198	EPS Trail LE			
RZR XP 4 1000 EPS	999	PL-1014	KN-198	Ranger RZR 800	760	PL-8007	KN-198
RZR XP 1000 EPS	999	PL-1014	KN-198	Ranger RZR 800	760	PL-8007	KN-198
RZR XP 1000 EPS	999	PL-1014	KN-198	EPS LE			
Desert Edition				Ranger RZR 800 S	760	PL-8007	KN-198
RZR XP 1000 EPS	999	PL-1014	KN-198	Ranger RZR S 800	760	PL-8007	
Fox Edition				EPS LE			
RZR XP 1000 EPS	999	PL-1014	KN-198	RZR 4 900 EPS LE	875	PL-9011	KN-198
High Lifter Edition				RZR 170	169	PL-1710	
Scrambler 850	850	PL-1003		RZR 570	567	PL-5712	KN-198
Slingshot	2384	PL-2415		RZR 570 EPS LE	567	PL-5712	KN-198
Slingshot SL	2384	PL-2415		RZR 570 EPS Trail	567	PL-5712	KN-198
Slingshot SL LE	2384	PL-2415		LE			
Sportsman 570	567	PL-1003		RZR 800	760	PL-8007	KN-198
Sportsman 570 EPS	567	PL-1003		RZR 800 EPS LE	760	PL-8007	KN-198
Sportsman 570 SP	567	PL-1003		RZR 800 XC Edition	760	PL-8007	KN-198
Sportsman 570 SP	567	PL-1003		RZR 900	875	PL-9011	KN-198
Hunters Edition				RZR 900 EPS LE	875	PL-9011	KN-198
Sportsman 570	567	PL-1003		RZR S 800	760	PL-8007	KN-198
Touring				RZR S 800 EPS LE	760	PL-8007	KN-198
Sportsman 570	567	PL-1003		RZR XP 4 1000 EPS	999	PL-1014	KN-198
Touring EPS				RZR XP 1000 EPS	999	PL-1014	KN-198
Sportsman 570	567	PL-1003		Scrambler 850 XP	850	PL-1003	
Touring SP				HO			
Sportsman 570 X2	567	PL-1003		Scrambler 850 XP	850	PL-1003	
EPS				HO EPS LE			
Sportsman 850	850	PL-1003		Sportsman 400 H.O.	455	PL-1003	KN-303
Sportsman 850 SP	850	PL-1003		Sportsman 550 EPs	550	PL-1003	
Sportsman 850	850	PL-1003		Sportsman 550 EPs	550	PL-1003	
Touring SP				Touring			
Sportsman Ace	325	PL-3214	KN-116	Sportsman 550 X2	550	PL-1003	
Sportsman Ace 570	567	PL-3214		Sportsman 570	567	PL-1003	
Sportsman ETX	325		KN-116	Sportsman 570 EPS	567	PL-1003	
2014 POLARIS				2013 POLARIS			
Phoenix 200	196	PL-1004		Ranger 4x4 400	455	PL-5008	KN-303
Ranger 4x4 400	455	PL-5008	KN-303	Ranger 4x4 EFI	499	PL-5008	KN-303
Ranger 6x6 800	760	PL-8007		Ranger 500 Crew	498	PL-5008	KN-303
Ranger 570 Crew	567		KN-198	Ranger 500 Crew LE	498	PL-5008	KN-303
Ranger 570 Crew	567		KN-198	Ranger 800 EFI	760	PL-8007	KN-198
EPS LE				Ranger 800 EFI EPS	760	PL-8007	KN-198
Ranger 570 EFI	567		KN-198	Ranger 800 EFI EPS	760	PL-8007	KN-198
Ranger 570 EPS LE	567		KN-198	LE			
Ranger 800 EFI	760	PL-8007	KN-198	Ranger 800 EFI LE	760	PL-8007	KN-198
Ranger 800 EFI EPS	760	PL-8007	KN-198	Ranger 800 EFI	760	PL-8007	KN-198
Ranger 800 EFI	760	PL-8007	KN-198	Mid-Size			
Mid-Size				Ranger 900 XP	875	PL-5712	KN-198
Ranger 800 EFI	760	PL-8007	KN-198	Ranger Crew 800	760	PL-8007	KN-198
Mid-Size LE				Ranger Crew 800	760	PL-8007	KN-198
Ranger 900 Crew	875	PL-5712	KN-198	EPS			
Ranger 900 Crew	875	PL-5712	KN-198	Ranger Crew DSL	904	PL-8007	
EPS				Ranger DSL	904	PL-8007	
Ranger 900 Crew	875	PL-5712	KN-198				
EPS LE							
Ranger 900 XP	875	PL-5712	KN-198				
Ranger 900 XP	875	PL-5712	KN-198				
Deluxe							
Ranger 900 XP EPS	875	PL-5712	KN-198				
Ranger 900 XP EPS	875	PL-5712	KN-198				
Browning LE							
Ranger 900 XP EPS	875	PL-5712	KN-198				
LE							
Ranger Crew 800	760	PL-8007					

* 2 filters required

◆ Intake System Available - see page 84 + Cabin Air Filter Available - see page 453 1- Performance Silver Oil Filter Also Available



Vehicle	Engine Type	Air Filter	Oil Filter	Vehicle	Engine Type	Air Filter	Oil Filter
2013 POLARIS				2012 POLARIS			
Ranger RZR 4 800	760	PL-8007	KN-198	Ranger 800 XP EPS LE	760	PL-8007	KN-198
Ranger RZR 4 800 EPS LE	760	PL-8007	KN-198	Ranger 800 XP LE	760	PL-8007	KN-198
Ranger RZR 570	567	PL-5712	KN-198	Ranger Crew 800	760	PL-8007	KN-198
Ranger RZR 570 EPS Trail LE	567	PL-5712	KN-198	Ranger Crew 800 EPS	760	PL-8007	KN-198
Ranger RZR 800	760	PL-8007	KN-198	Ranger RZR 4 800 EPs Robby Gordon Edition	760	PL-8007	KN-198
Ranger RZR 800 EPS LE	760	PL-8007	KN-198	Ranger RZR 4 800 Gordon Edition	760	PL-8007	
Ranger RZR 800 LE	760	PL-8007	KN-198	Ranger RZR 570	567	PL-5712	KN-198
Ranger RZR 800 S	760	PL-8007	KN-198	Ranger RZR 800	760	PL-8007	KN-198
Ranger RZR 800 S LE	760	PL-8007	KN-198	Ranger RZR 800 EPS LE	760	PL-8007	KN-198
Ranger RZR 170	169	PL-1710		Ranger RZR 800 LE	760	PL-8007	KN-198
Ranger RZR S 800 EPS LE	760	PL-8007	KN-198	Ranger RZR 800 S	760	PL-8007	KN-198
Ranger RZR XP 4 900	875	PL-9011	KN-198	Ranger RZR 800 S LE	760	PL-8007	KN-198
Ranger RZR XP 4 900 EPS LE	875	PL-9011	KN-198	Ranger RZR 170	169	PL-1710	
Ranger RZR XP 900	875	PL-9011	KN-198	Ranger RZR XP 4 900	875	PL-9011	KN-198
Ranger RZR XP 900 EPS LE	875	PL-9011	KN-198	Ranger RZR XP 4 900 EPS LE	875	PL-9011	KN-198
Ranger RZR XP 900 EPS Walker Evans LE	875	PL-9011	KN-198	Ranger RZR XP 900	875	PL-9011	KN-198
Ranger RZR XP 900 HO Jagged X Edition	875	PL-9011	KN-198	Ranger RZR XP 900 LE	875	PL-9011	KN-198
Ranger RZR XP 900 LE	875	PL-9011	KN-198	Sportsman 400 H.O.	455	PL-1003	KN-303
Scrambler 850 XP HO	850	PL-1003		Sportsman 500 EFI	498	PL-1003	KN-303
Scrambler 850 XP HO EPS LE	850	PL-1003		Sportsman 500 HO	498	PL-1003	KN-303
Sportsman 400 H.O.	455	PL-1003	KN-303	Sportsman 500 HO	498	PL-1003	KN-303
Sportsman 500 HO	498	PL-1003	KN-303	Polaris Pursuite LE			
Sportsman 500 HO Touring	498	PL-1003	KN-303	Sportsman 500 HO Touring	500	PL-1003	KN-303
Sportsman 550	549	PL-1003		Sportsman 550	550	PL-1003	
Sportsman 550 EPs	550	PL-1003		Sportsman 550 EPs	550	PL-1003	
Sportsman 550 EPs Touring	550	PL-1003		Sportsman 550 EPs Browning	550	PL-1003	
Sportsman 550 X2	550	PL-1003		Sportsman 550 EPS	550	PL-1003	
Sportsman 800 EFI	800	PL-1003	KN-198	Sportsman 550 Orange Madness LE	550	PL-1003	
Sportsman 850 HO	850	PL-1003		Sportsman 550 EPs Touring	550	PL-1003	
Sportsman 850 HO Touring EPS Sunset Red LE	850	PL-5509		Sportsman 550 X2	550	PL-1003	
Sportsman 850 HO XP EPS Stealth Black LE	850	PL-5509		Sportsman 550 XP	550	PL-5509	
Sportsman 850	850	PL-1003		Sportsman 800 EFI	800	PL-1003	KN-198
Sportsman 850 HO Touring H.O. EPs	850	PL-5509		Sportsman 800 EFI 6x6 Big Boss	800	PL-1003	KN-198
Sportsman 850 XP H.O.	850	PL-5509		Sportsman 850 HO	850	PL-5509	
Sportsman 850 XP H.O. EPs	850	PL-5509		Sportsman 850 HO XP EPS	850	PL-5509	
2012 POLARIS				2011 POLARIS			
Ranger 4x4 400	455	PL-5008	KN-303	Ranger 4x4 400	455	PL-5008	
Ranger 4x4 EFI	499	PL-5008	KN-303	Ranger 4x4 EFI	499	PL-5008	KN-303
Ranger 500 Crew	498	PL-5008	KN-303	Ranger 500 Crew	498	PL-5008	KN-198
Ranger 500 Crew Turbo Silver LE	498	PL-5008	KN-303	Ranger 800 HD EPS	760	PL-5008	
Ranger 800 HD EPS	760	PL-5008		Ranger 800 XP	760	PL-8007	KN-198
Ranger 800 XP	760	PL-8007	KN-198	Ranger 800 XP EPS	760	PL-8007	KN-198
Ranger 800 XP EPS	760	PL-8007	KN-198				

* 2 filters required

◆ Intake System Available - see page 84 + Cabin Air Filter Available - see page 453 1- Performance Silver Oil Filter Also Available



AIR & OIL FILTERS

POLARIS

Vehicle	Engine Type	Air Filter	Oil Filter	Vehicle	Engine Type	Air Filter	Oil Filter
2011 POLARIS				2010 POLARIS			
Ranger Crew 800	760	PL-8007	KN-198	Sportsman 550 EPs	550	PL-1003	
Ranger Crew 800 EPS	760	PL-8007	KN-198	Browning			
Ranger DSL	904	PL-8007		Sportsman 550 EPs Touring	550	PL-1003	
Ranger RZR 4 800	760	PL-8007	KN-198	Sportsman 550 X2	550	PL-1003	
Ranger RZR 4 800 EPs Robby Gordon Edition	760	PL-8007	KN-198	Sportsman 550 XP	550	PL-5509	
Ranger RZR 4 800 Gordon Edition	760	PL-8007	KN-198	Sportsman 550 XP EFI w/EPs	550	PL-5509	
Ranger RZR 4 Robby Gordon Edition	760	PL-8007		Sportsman 800 EFI	800	PL-1003	KN-198
Ranger RZR 800	760	PL-8007	KN-198	Sportsman 800 EFI 6x6	800	PL-1003	KN-198
Ranger RZR 800 SW Military	760	PL-8007	KN-198	Sportsman 850 XP	850	PL-5509	
Ranger RZR 170	169	PL-1710		Sportsman 850 XP EFI	850	PL-5509	
Ranger RZR S	760	PL-8007	KN-198	Sportsman 850 XP EPs Browning	850	PL-5509	
Ranger RZR XP 900	875	PL-9011	KN-198	Sportsman 850 XP LE-Browning	850	PL-5509	
Ranger RZR XP 900 LE	875	PL-9011	KN-198	Sportsman 850 XP LE-Nuclear Sunset	850	PL-5509	
Sportsman 400 H.O.	455	PL-1003	KN-303	2009 POLARIS			
Sportsman 500 HO	498	PL-1003	KN-303	Ranger 4x4 500 EFI	499	PL-5008	KN-303
Sportsman 500 HO Touring	500	PL-1003	KN-303	Ranger 6x6 700 EFI	700	PL-5008	
Sportsman 550	550	PL-1003		Ranger Crew 700	700	PL-5008	KN-198
Sportsman 550 EPs	550	PL-1003		Ranger HD	700	PL-5008	
Sportsman 550 EPs Touring	550	PL-1003		Ranger RZR 800	760	PL-8007	KN-198
Sportsman 550 X2	550	PL-1003		Ranger RZR S	760	PL-8007	KN-198
Sportsman 550 XP EFI	550	PL-5509		Ranger XP	700	PL-5008	KN-198
Sportsman 800 EFI	800	PL-1003		Sportsman 500 Efi X2	500	PL-1003	KN-303
Sportsman 800 EFI 6x6	800	PL-1003	KN-198	Sportsman 500 HO	500	PL-1003	KN-303
Sportsman 850	850	PL-1003		Sportsman 550 XP EFI	550	PL-5509	
Sportsman 850 Touring EPs	850	PL-1003		Sportsman 550 XP EFI w/EPs	550	PL-5509	
Sportsman 850 XP EFI	850	PL-5509		Sportsman 800 EFI 6x6 Big Boss	800	PL-1003	
Sportsman 850 XP EPs	850	PL-5509		Sportsman 850 XP EFI	850	PL-5509	
2010 POLARIS				2008 POLARIS			
Outlaw 525 S	510 - Short Filter		KN-157	Outlaw 450 MXR	450 - Short Filter		KN-157
Outlaw 525 S	510 - Tall Filter		KN-155	Outlaw 450 MXR	450 - Tall Filter		KN-155
Phoenix 200	196	PL-1004		Outlaw 525	525 - Short Filter		KN-157
Ranger 4x4 400	455	PL-5008	KN-303	Outlaw 525	525 - Tall Filter		KN-155
Ranger 4x4 EFI	499	PL-5008	KN-303	Outlaw 525 IRS	525	PL-5207	
Ranger 800 HD	760	PL-5008	KN-198	Outlaw 525 IRS	525 - Short Filter	PL-5207	KN-157
Ranger 800 XP	760	PL-5008		Outlaw 525 IRS	525 - Tall Filter	PL-5207	KN-155
Ranger Crew 800	760	PL-5008	KN-198	Outlaw 525 S	510 - Short Filter		KN-157
Ranger Crew 800 EPS	760	PL-5008	KN-198	Outlaw 525 S	510 - Tall Filter		KN-155
Ranger RZR 4 800	760	PL-8007	KN-198	Phoenix 200	200	PL-1004	
Ranger RZR 4 800 Gordon Edition	760	PL-8007	KN-198	Ranger 6x6 700 EFI	700	PL-5008	
Ranger RZR 800	760	PL-8007	KN-198	Ranger Crew 700	700	PL-5008	KN-198
Ranger RZR 170	169	PL-1710		Ranger MVRS 700 4x4	683	PL-5008	
Ranger RZR S	760	PL-8007	KN-198	Ranger RZR 800	760	PL-8007	KN-198
Sportsman 500 EFI	500	PL-1003	KN-303	Ranger XP	700	PL-5008	KN-198
Sportsman 500 EFI Touring	500	PL-1003	KN-303	Scrambler 500 4x4	500	PL-1003	KN-303
Sportsman 500 HO	498	PL-1003	KN-303	Sportsman 300	329	PL-1004	KN-303
Sportsman 500 HO Touring	500	PL-1003	KN-303	Sportsman 300 LE	329	PL-1004	KN-303
Sportsman 550 EPs	550	PL-1003		Sportsman 400 H.O.	455	PL-1003	KN-303
				Sportsman 500 EFI	496		KN-303
				Sportsman 500 Efi LE	496	PL-1003	KN-303

* 2 filters required

◆ Intake System Available - see page 84 + Cabin Air Filter Available - see page 453 1- Performance Silver Oil Filter Also Available



Vehicle	Engine Type	Air Filter	Oil Filter
2008 POLARIS			
Sportsman 500 EFI Touring	496	PL-1003	KN-303
Sportsman 500 Efi Touring Le	496	PL-1003	KN-303
Sportsman 500 Efi X2	500	PL-1003	KN-303
Sportsman 500 HO	500	PL-1003	KN-303
Sportsman 700 EFI X2	700	PL-1003	KN-198
Sportsman 800 EFI	769	PL-1003	KN-198
Sportsman 800 EFI HO	769	PL-1003	KN-198
Sportsman 800 EFI Le	769	PL-1003	KN-198
Sportsman 800 EFI Touring	769	PL-1003	KN-198
Sportsman 800 EFI X2	769	PL-1003	KN-198
Sportsman 800 EFI X2 LE	769	PL-1003	KN-198

2007 POLARIS			
Hawkeye 4x4	300	PL-1004	KN-303
Outlaw 500	500	PL-5006	KN-112
Outlaw 525 IRS	525	PL-5207	
Outlaw 525 IRS	525 - Short Filter	PL-5207	KN-157
Outlaw 525 IRS	525 - Tall Filter	PL-5207	KN-155
Phoenix 200	200	PL-1004	
Predator 500	496	PL-5003	KN-112
Ranger 4x4 500 EFI	499	PL-5008	KN-303
Ranger 6x6 700 EFI	700	PL-5008	
Ranger XP	700	PL-5008	KN-198
Scrambler 500 4x4	500	PL-1003	KN-303
Sportsman 500 EFI	499	PL-1003	KN-303
Sportsman 500 EFI Deluxe	499	PL-1003	KN-303
Sportsman 500 Efi X2	499	PL-1003	KN-303
Sportsman 500 EFI X2 Deluxe	499	PL-1003	KN-303
Sportsman 500 HO	500		KN-303
Sportsman 700 EFI	700	PL-1003	KN-198
Sportsman 800 EFI	800	PL-1003	KN-198
Sportsman 800 EFI HO	769		KN-198
Sportsman 800 EFI X2	769	PL-1003	KN-198

2006 POLARIS			
Hawkeye 4x4	329	PL-1004	KN-303
Outlaw 500	500	PL-5006	KN-112
Phoenix 200	200	PL-1004	
Predator 500	496	PL-5003	KN-112
Predator 500 TLD	496	PL-5003	KN-112
Ranger 4x4 500 EFI	499	PL-5008	KN-303
Ranger 6x6 700 EFI	700	PL-5008	
Ranger XP	700	PL-5008	KN-198
Sawtooth	200	PL-1004	
Sportsman 450	455	PL-1003	KN-303
Sportsman 500 EFI	496	PL-1003	KN-303
Sportsman 500 Efi X2	496	PL-1003	KN-303
Sportsman 500 HO	500	PL-1003	KN-303
Sportsman 700 EFI	700	PL-1003	KN-198
Sportsman 800 EFI	800	PL-1003	KN-198
Trail Blazer 250	244	PL-1004	
Trail Boss 330	325	PL-1005	KN-303

Vehicle	Engine Type	Air Filter	Oil Filter
2005 POLARIS			
Magnum 330 4x4	325		KN-303
Phoenix 200	200	PL-1004	
Predator 500	496	PL-5003	KN-112
Predator 500 TLD	500	PL-5003	KN-112
Ranger 2x4 500	500	PL-5008	KN-303
Ranger 4x4 500	500	PL-5008	KN-303
Ranger XP	700	PL-5008	KN-198
Scrambler 500 4x4	500	PL-1003	KN-303
Sportsman 400 4x4	427	PL-1003	KN-303
Sportsman 500 HO	500	PL-1003	KN-303
Sportsman 700	700	PL-1003	KN-198
Sportsman 700 EFI	700	PL-1003	KN-198
Sportsman 800 Twin EFI	794	PL-1003	KN-198
Trail Boss 330	325		KN-303

2004 POLARIS			
Magnum 330 4x4	330	PL-1005	KN-303
Mossy Oak			
Predator 500	496	PL-5003	KN-112
Ranger 4x4 500	500	PL-5008	KN-303
Ranger 6x6 500	500	PL-5008	
Scrambler 500 4x4	500	PL-1003	KN-303
Sportsman 400 4x4	427	PL-1003	KN-303
Sportsman 500 HO	500	PL-1003	KN-303
Sportsman 500 HO Mossy Oak	500	PL-1003	KN-303
Sportsman 600	597	PL-1003	
Sportsman 600	597 - Built After 10/2/03	PL-1003	KN-198
Sportsman 600	597 - Built Before 10/2/03	PL-1003	KN-196
Sportsman 700	700	PL-1003	
Sportsman 700	700 - Built After 10/8/04	PL-1003	KN-198
Sportsman 700	700 - Built Before 10/8/04	PL-1003	KN-196
Sportsman 700 EFI	700	PL-1003	KN-196
Sportsman 700 Twin	700	PL-1003	KN-196
Mossy Oak			
Trail Boss 330	325	PL-1005	KN-303

2003 POLARIS			
Magnum 330 4x4	325	PL-1005	KN-303
Predator 500	496	PL-5003	KN-112
Ranger 4x4 500	500	PL-5008	KN-303
Scrambler 500 4x4	500	PL-1003	KN-303
Sportsman 400 4x4	427	PL-1003	KN-303
Sportsman 500 HO 4x4	500	PL-1003	KN-303
Sportsman 600	597	PL-1003	KN-196
Sportsman 700	700	PL-1003	KN-196
Trail Blazer 250	281	PL-1004	
Trail Boss 330	334	PL-1005	KN-303

2002 POLARIS			
Magnum 325 4x4	325	PL-1005	KN-303
Scrambler 500 4x4	500	PL-1003	KN-303
Sportsman 400 4x4	427	PL-1003	KN-303
Sportsman 500	500	PL-1003	KN-303
Sportsman 500 HO 4x4	500	PL-1003	KN-303
Sportsman 700	700	PL-1003	KN-196
Trail Blazer 250	244	PL-1004	
Trail Boss 325 2x4	325	PL-1005	KN-303

2001 POLARIS			
Magnum 325 2x4	325		KN-303
Magnum 325 2x4	325 - Built After 1/8/01	PL-1005	KN-303

* 2 filters required

◆ Intake System Available - see page 84 +Cabin Air Filter Available - see page 453 1- Performance Silver Oil Filter Also Available



AIR & OIL FILTERS

POLARIS

Vehicle	Engine Type	Air Filter	Oil Filter
2001 POLARIS			
Magnum 325 2x4	325 - Built Before 1/8/01	PL-1003	KN-303
Magnum 325 4x4	325		KN-303
Magnum 325 4x4	325 - Built After 1/8/01	PL-1005	KN-303
Magnum 325 4x4	325 - Built Before 1/8/01	PL-1003	KN-303
Scrambler 500 4x4	500		KN-303
Sportsman 400 4x4	427	PL-1003	KN-303
Sportsman 500 HO	500	PL-1003	KN-303
Sportsman 500 HO DUSE	500	PL-1003	KN-303
Sportsman 500 HO RSE	500	PL-1003	KN-303
Trail Blazer 250	244	PL-1004	
Trail Boss 325 2x4	325		KN-303
Trail Boss 325 2x4	325 - Built After 12/11/00	PL-1005	KN-303
Trail Boss 325 2x4	325 - Built Before 12/11/00	PL-1003	KN-303

2000 POLARIS			
Magnum 325 2x4	325	PL-1003	KN-303
Magnum 325 4x4	325	PL-1003	KN-303
Sportsman 500 4x4	500	PL-1003	KN-303
Sportsman 500 HO	500		KN-303
Trail Blazer 250	244	PL-1001	
Trail Boss 325 2x4	325	PL-1003	KN-303

1999 POLARIS			
Magnum 500 4x4	496	PL-1003	KN-303
Ranger 6x6 500	500		KN-303
Sportsman 335	334	PL-1003	KN-303
Sportsman 500 4x4	500	PL-1003	KN-303

1998 POLARIS			
Sportsman 500 4x4	500	PL-1003	KN-303

1997 POLARIS			
Sportsman 500 4x4	500	PL-1003	KN-303
Xplorer 400L	377	PL-1001	KN-303

1996 POLARIS			
Magnum 425 4x4	427	PL-1002	KN-303
Sportsman 500 4x4	500	PL-1003	KN-303

1995 POLARIS			
Magnum 425 4x4	427	PL-1002	KN-303
Sportsman 400 4x4	377	PL-1001	

2010 PONTIAC			
G5	2.2L L4 F/I	33-2311 +	
G6	2.4L L4 F/I		PS-7000
G6	2.4L L4 F/I - OEM 10366901	33-2315	PS-7000
G6	2.4L L4 F/I - OEM 22676970	33-2296	PS-7000
G6	3.5L V6 F/I		HP-2006 ¹
G6	3.5L V6 F/I - OEM 10366901	33-2315 ♦	HP-2006
G6	3.5L V6 F/I - OEM 22676970	33-2296 ♦	HP-2006
G6	3.6L V6 F/I	33-2296	
Vibe	1.8L L4 F/I	33-2360 +	PS-7021
Vibe	2.4L L4 F/I		HP-1003 ¹

2009 PONTIAC			
G3	1.6L L4 F/I	33-2320	PS-7027
G3 Wave	1.6L L4 F/I		PS-7027
G5	2.2L L4 F/I	33-2311 +	
G6	2.4L L4 F/I		PS-7000

Vehicle	Engine Type	Air Filter	Oil Filter
2009 PONTIAC			
G6	2.4L L4 F/I - OEM 10366901	33-2315	PS-7000
G6	2.4L L4 F/I - OEM 22676970	33-2296	PS-7000
G6	3.5L V6 F/I		HP-2006 ¹
G6	3.5L V6 F/I - OEM 10366901	33-2315 ♦	HP-2006
G6	3.5L V6 F/I - OEM 22676970	33-2296 ♦	HP-2006
G6	3.6L V6 F/I	33-2296	HP-1017 ¹
G6	3.9L V6 F/I	33-2315	HP-2006 ¹
G8	3.6L V6 F/I	33-2919 ♦	PS-7003
G8	6.0L V8 F/I	33-2919 ♦	HP-1017 ¹
G8	6.2L V8 F/I	33-2919	HP-1017 ¹
Solstice	2.0L L4 F/I	33-2369	PS-7000
Solstice	2.4L L4 F/I	33-2349 ♦	PS-7000
Torrent	3.4L V6 F/I	33-2296	
Torrent	3.6L V6 F/I		HP-1017 ¹
Vibe	1.8L L4 F/I	33-2360 +	PS-7021
Vibe	2.4L L4 F/I	33-2326 +	HP-1003 ¹

2008 PONTIAC			
G5	2.2L L4 F/I	33-2311 +	PS-7000
G5	2.4L L4 F/I	33-2311 +	PS-7000
G6	2.4L L4 F/I		PS-7000
G6	2.4L L4 F/I - OEM 10366901	33-2315	PS-7000
G6	2.4L L4 F/I - OEM 22676970	33-2296	PS-7000
G6	3.5L V6 F/I		HP-2006 ¹
G6	3.5L V6 F/I - OEM 10366901	33-2315 ♦	HP-2006
G6	3.5L V6 F/I - OEM 22676970	33-2296 ♦	HP-2006
G6	3.6L V6 F/I	33-2296	HP-1017 ¹
G6	3.9L V6 F/I	33-2315	HP-2006 ¹
G8	3.6L V6 F/I	33-2919 ♦	PS-7003
G8	6.0L V8 F/I	33-2919 ♦	HP-1017 ¹
Grand Prix	3.8L V6 F/I	33-2141-1 +	HP-1001 ¹
Grand Prix	5.3L V8 F/I	33-2334 ♦ +	HP-1017 ¹
Montana	3.9L V6 F/I		HP-2006 ¹
Solstice	2.0L L4 F/I	33-2369 ♦	PS-7000
Solstice	2.4L L4 F/I	33-2349 ♦	PS-7000
Torrent	3.4L V6 F/I	33-2296	HP-1001 ¹
Torrent	3.6L V6 F/I	33-2296	HP-1017 ¹
Vibe	1.8L L4 F/I	33-2252 +	HP-1003 ¹

2007 PONTIAC			
G5	2.2L L4 F/I	33-2311 +	PS-7000
G5	2.4L L4 F/I	33-2311 +	PS-7000
G6	2.4L L4 F/I	33-2315	PS-7000
G6	3.5L V6 F/I	33-2315 ♦	HP-2006 ¹
G6	3.6L V6 F/I	33-2296	HP-1017 ¹
G6	3.9L V6 F/I	33-2315	HP-2006 ¹
Grand Prix	3.8L V6 F/I	33-2141-1 +	HP-1001 ¹
Grand Prix	5.3L V8 F/I	33-2334 ♦ +	HP-1017 ¹
Montana	3.9L V6 F/I	33-2156 +	HP-2006 ¹
Solstice	2.0L L4 F/I	33-2369	PS-7000
Solstice	2.4L L4 F/I	33-2349 ♦	PS-7000
Torrent	3.4L V6 F/I	33-2296	HP-1001 ¹
Vibe	1.8L L4 F/I	33-2252 +	HP-1003 ¹

2006 PONTIAC			
G6	2.4L L4 F/I	33-2315	PS-7000
G6	3.5L V6 F/I	33-2315 ♦	HP-1001 ¹
G6	3.9L V6 F/I	33-2315	HP-2006 ¹
Grand Prix	3.8L V6 F/I	33-2141-1 +	HP-1001 ¹

* 2 filters required

♦ Intake System Available - see page 84 + Cabin Air Filter Available - see page 453 1- Performance Silver Oil Filter Also Available

PONTIAC

AIR & OIL FILTERS



Vehicle	Engine Type	Air Filter	Oil Filter	Vehicle	Engine Type	Air Filter	Oil Filter
2006 PONTIAC				2001 PONTIAC			
Grand Prix	5.3L V8 F/I	33-2334 ♦+	HP-1007 ¹	Firebird	3.8L V6 F/I	33-2118 ♦	HP-1001 ¹
GTO	6.0L V8 F/I	33-2314 ♦	HP-1007 ¹	Firebird	5.7L V8 F/I	33-2118 ♦	HP-1007 ¹
Montana	3.5L V6 F/I	33-2156+	HP-1001 ¹	Grand Am	2.4L L4 F/I	33-2121-1	HP-1007 ¹
Pursuit	2.2L L4 F/I		PS-7000	Grand Am	3.4L V6 F/I	33-2121-1	HP-1001 ¹
Pursuit	2.4L L4 F/I		PS-7000	Grand Prix	3.1L V6 F/I	33-2141-1	HP-1001 ¹
Solstice	2.4L L4 F/I	33-2349 ♦	PS-7000	Grand Prix	3.8L V6 F/I	33-2141-1 ♦	HP-1001 ¹
Torrent	3.4L V6 F/I	33-2296	HP-1001 ¹	Montana	3.4L V6 F/I	33-2156+	
Vibe	1.8L L4 F/I	33-2252+	HP-1003 ¹	Sunfire	2.2L L4 F/I	33-2143	HP-1001 ¹
Vibe GT	1.8L L4 F/I	33-2252 ♦+	HP-1003 ¹	Sunfire	2.4L L4 F/I	33-2143	HP-1007 ¹
2005 PONTIAC				2000 PONTIAC			
Bonneville	3.8L V6 F/I	33-2141-1+	HP-1001 ¹	Bonneville	3.8L V6 F/I	33-2141-1+	HP-1001 ¹
Bonneville	4.6L V8 F/I	33-2063-1+	HP-2006 ¹	Firebird	3.8L V6 F/I	33-2118 ♦	HP-1001 ¹
G6	3.5L V6 F/I	33-2315 ♦	HP-1001 ¹	Firebird	5.7L V8 F/I	33-2118 ♦	HP-1007 ¹
Grand Am	3.4L V6 F/I	33-2121-1	HP-1001 ¹	Grand Am	2.4L L4 F/I	33-2121-1	HP-1007 ¹
Grand Prix	3.8L V6 F/I	33-2141-1 ♦+	HP-1001 ¹	Grand Am	3.4L V6 F/I	33-2121-1	HP-1001 ¹
Grand Prix	5.3L V8 F/I	33-2334+	HP-1007 ¹	Grand Prix	3.1L V6 F/I	33-2141-1	HP-1001 ¹
GTO	6.0L V8 F/I	33-2314 ♦	HP-1007 ¹	Grand Prix	3.8L V6 F/I	33-2141-1 ♦	HP-1001 ¹
Montana	3.5L V6 F/I	33-2156+	HP-1001 ¹	Sunfire	2.2L L4 F/I	33-2143	HP-1001 ¹
Pursuit	2.2L L4 F/I		PS-7000	Sunfire	2.4L L4 F/I		HP-1007 ¹
Sunfire	2.2L L4 F/I	33-2143	PS-7000	1999 PONTIAC			
Vibe	1.8L L4 F/I	33-2252+	HP-1003 ¹	Bonneville	3.8L V6 F/I	33-2086	HP-1001 ¹
Vibe GT	1.8L L4 F/I	33-2252 ♦+	HP-1003 ¹	Firebird	3.8L V6 F/I	33-2118 ♦	HP-1001 ¹
2004 PONTIAC				Firebird	5.7L V8 F/I	33-2118 ♦	HP-1007 ¹
Aztek	3.4L V6 F/I	33-2156+	HP-1001 ¹	Grand Am	2.4L L4 F/I	33-2121-1	HP-1007 ¹
Bonneville	3.8L V6 F/I	33-2141-1+	HP-1001 ¹	Grand Am	3.4L V6 F/I	33-2121-1	HP-1001 ¹
Bonneville	4.6L V8 F/I	33-2063-1+	HP-2006 ¹	Grand Prix	3.1L V6 F/I	33-2141-1	HP-1001 ¹
Grand Am	2.2L L4 F/I	33-2121-1	PS-7000	Grand Prix	3.8L V6 F/I	33-2141-1 ♦	HP-1001 ¹
Grand Am	3.4L V6 F/I	33-2121-1	HP-1001 ¹	Sunfire	2.2L L4 F/I	33-2143	HP-1001 ¹
Grand Prix	3.8L V6 F/I	33-2141-1 ♦+	HP-1001 ¹	Sunfire	2.4L L4 F/I	33-2143	HP-1007 ¹
GTO	5.7L V8 F/I	33-2289 ♦	HP-1007 ¹	1998 PONTIAC			
Montana	3.4L V6 F/I	33-2156+	HP-1001 ¹	Bonneville	3.8L V6 F/I	33-2086	HP-1001 ¹
Sunfire	2.2L L4 F/I	33-2143 ♦	PS-7000	Firebird	3.8L V6 F/I	33-2118	HP-1001 ¹
Vibe	1.8L L4 F/I	33-2252 ♦+	HP-1003 ¹	Firebird	5.7L V8 F/I	33-2118 ♦	HP-1007 ¹
Vibe GT	1.8L L4 F/I	33-2252 ♦+	HP-1003 ¹	Grand Am	3.1L V6 F/I	33-2068	HP-1001 ¹
2003 PONTIAC				Grand Prix	3.8L V6 F/I	33-2063-1	HP-1001 ¹
Aztek	3.4L V6 F/I	33-2156+		Sunfire	2.2L L4 F/I	33-2143	HP-1001 ¹
Bonneville	3.8L V6 F/I	33-2141-1+	HP-1001 ¹	Sunfire	2.4L L4 F/I	33-2143	HP-1007 ¹
Grand Am	2.2L L4 F/I	33-2121-1	PS-7000	1997 PONTIAC			
Grand Am	3.4L V6 F/I	33-2121-1	HP-1001 ¹	Bonneville	3.8L V6 F/I	33-2086	HP-1001 ¹
Grand Prix	3.1L V6 F/I	33-2141-1	HP-1001 ¹	Firebird	3.8L V6 F/I	33-2042	HP-1001 ¹
Grand Prix	3.8L V6 F/I	33-2141-1 ♦	HP-1001 ¹	Firebird	5.7L V8 F/I		HP-2002 ¹
Montana	3.4L V6 F/I	33-2156+	HP-1001 ¹	Firebird	5.7L V8 F/I - w/o Ram Air	33-2042 ♦	HP-2002
Sunfire	2.2L L4 F/I	33-2143 ♦	PS-7000	Firebird	5.7L V8 F/I - w/Ram Air	33-2035 ♦	HP-2002
Vibe	1.8L L4 F/I	33-2252 ♦+	HP-1003 ¹	Grand Am	2.4L L4 F/I	33-2068	HP-1007 ¹
Vibe GT	1.8L L4 F/I	33-2252 ♦+	HP-1003 ¹	Grand Am	3.1L V6 F/I	33-2068	HP-1001 ¹
2002 PONTIAC				Grand Prix	3.8L V6 F/I	33-2063-1	HP-1001 ¹
Bonneville	3.8L V6 F/I	33-2141-1+	HP-1001 ¹	Sunfire	2.2L L4 F/I	33-2143	HP-1001 ¹
Firebird	3.8L V6 F/I	33-2118 ♦	HP-1001 ¹	Sunfire	2.4L L4 F/I		HP-1007 ¹
Firebird	5.7L V8 F/I	33-2118 ♦	HP-1007 ¹	1996 PONTIAC			
Grand Am	2.2L L4 F/I	33-2121-1	PS-7000	Bonneville	3.8L V6 F/I	33-2086	HP-1001 ¹
Grand Am	3.4L V6 F/I	33-2121-1	HP-1001 ¹	Firebird	3.8L V6 F/I	33-2042	HP-1001 ¹
Grand Prix	3.1L V6 F/I	33-2141-1	HP-1001 ¹	Firebird	5.7L V8 F/I		HP-2002 ¹
Grand Prix	3.8L V6 F/I	33-2141-1 ♦	HP-1001 ¹	Firebird	5.7L V8 F/I - w/o Ram Air	33-2042 ♦	HP-2002
Montana	3.4L V6 F/I	33-2156+		Firebird	5.7L V8 F/I - w/Ram Air	33-2035 ♦	HP-2002
Sunfire	2.2L L4 F/I	33-2143	HP-1001 ¹	Grand Am	2.4L L4 F/I	33-2068	HP-1007 ¹
Sunfire		33-2143 ♦	HP-1001 ¹	1995 PONTIAC			
Sunfire	2.4L L4 F/I		HP-1007 ¹	Bonneville	3.8L V6 F/I	33-2086	
2001 PONTIAC				Firebird	3.4L V6 F/I	33-2042 ♦	HP-1001 ¹
Aztek	3.4L V6 F/I	33-2156+	HP-1001 ¹				
Bonneville	3.8L V6 F/I	33-2141-1+	HP-1001 ¹				

* 2 filters required

♦ Intake System Available - see page 84 + Cabin Air Filter Available - see page 453 1- Performance Silver Oil Filter Also Available



AIR & OIL FILTERS

PONTIAC

Vehicle	Engine Type	Air Filter	Oil Filter
1995 PONTIAC			
Firebird	3.8L V6 F/I	33-2042	HP-1001 ¹
Firebird	5.7L V8 F/I		HP-2002 ¹
Firebird	5.7L V8 F/I - w/o Ram Air	33-2042 ♦	HP-2002
Grand Prix	3.1L V6 F/I	33-2063-1	HP-1001 ¹
Sunfire	2.2L L4 F/I	33-2143	HP-1001 ¹
1994 PONTIAC			
Firebird	3.4L V6 F/I	33-2042 ♦	HP-1001 ¹
Firebird	5.7L V8 F/I		HP-2002 ¹
Firebird	5.7L V8 F/I - w/o Ram Air	33-2042 ♦	HP-2002
1993 PONTIAC			
Firebird	5.7L V8 F/I		HP-2002 ¹
Firebird	5.7L V8 F/I - w/o Ram Air	33-2042 ♦	HP-2002
Grand Am	3.3L V6 F/I	33-2022	
1992 PONTIAC			
Firebird	3.1L V6 F/I	E-0890	HP-2001 ¹
Firebird	5.0L V8 TBI	E-1450	HP-2002 ¹
Firebird	5.0L V8 TPI	E-0890	HP-2002 ¹
Firebird	5.7L V8 F/I	E-0890	HP-2002 ¹
1991 PONTIAC			
Firebird	3.1L V6 F/I	E-0890	HP-2001 ¹
Firebird	5.0L V8 TBI	E-1450	HP-2002 ¹
Firebird	5.0L V8 TPI	E-0890	HP-2002 ¹
Firebird	5.7L V8 F/I	E-0890	HP-2002 ¹
1990 PONTIAC			
Bonneville	3.8L V6 F/I	33-2022	
Firebird	5.0L V8 MFI	E-1450	HP-2002 ¹
Firebird	5.0L V8 TBI	E-0890	HP-2002 ¹
Firebird	5.7L V8 F/I	E-0890	HP-2002 ¹
1989 PONTIAC			
Firebird	3.8L V6 F/I	E-0870	HP-3002 ¹
Firebird	5.0L V8 MFI	E-0890	HP-2002 ¹
Firebird	5.0L V8 TBI	E-1450	HP-2002 ¹
Firebird	5.7L V8 F/I	E-0890	HP-2002 ¹
1988 PONTIAC			
Fiero	2.8L V6 F/I	E-0890	HP-2001 ¹
Firebird	5.0L V8 MFI	E-0890	HP-2002 ¹
Firebird	5.0L V8 TBI	E-1450	HP-2002 ¹
Firebird	5.7L V8 F/I	E-0890	HP-2002 ¹
1987 PONTIAC			
Fiero	2.5L L4 F/I	E-1025	
Fiero	2.8L V6 F/I	E-0890	HP-2001 ¹
Firebird	2.8L V6 F/I	E-0890	HP-1001 ¹
Firebird	5.0L V8 CARB	E-1450	HP-2002 ¹
Firebird	5.0L V8 F/I	E-0890	HP-2002 ¹
Firebird	5.7L V8 F/I	E-0890	HP-2002 ¹
1986 PONTIAC			
Fiero	2.5L L4 F/I	E-1025	HP-2001 ¹
Fiero	2.8L V6 F/I	E-0890	HP-2001 ¹
Firebird	5.0L V8 CARB	E-1450	HP-2002 ¹
Firebird	5.0L V8 F/I	E-0890	HP-2002 ¹
1985 PONTIAC			
Fiero	2.5L L4 F/I	E-1025	
Fiero	2.8L V6 F/I	E-0890	HP-2001 ¹
Firebird	5.0L V8 CARB	E-1450	HP-2002 ¹
Firebird	5.0L V8 F/I	E-0890	HP-2002 ¹

Vehicle	Engine Type	Air Filter	Oil Filter
1984 PONTIAC			
Fiero	2.5L L4 F/I	E-1025	HP-2001 ¹
Firebird	5.0L V8 CARB	E-1450	HP-2002 ¹
1983 PONTIAC			
Firebird	5.0L V8 CARB	E-1450	HP-2002 ¹
Firebird	5.0L V8 F/I	E-1117*	HP-2002 ¹
1982 PONTIAC			
Firebird	5.0L V8 CARB	E-1450	HP-2002 ¹
Firebird	5.0L V8 F/I	E-1117*	HP-2002 ¹
1981 PONTIAC			
Firebird	4.9L V8 CARB		HP-1001 ¹
Firebird	4.9L V8 CARB - Exc. Turbo	E-1410	HP-1001
Firebird	4.9L V8 CARB - Turbo	E-1430	HP-1001
Firebird	5.0L V8 CARB	E-1500	HP-2002 ¹
1980 PONTIAC			
Firebird	301 V8 CARB		HP-1001 ¹
Firebird	301 V8 CARB - w/Ram Air	E-1500	HP-1001
Firebird Trans Am	305 V8 CARB	E-1410	HP-2002 ¹
1979 PONTIAC			
Firebird	350 V8 CARB	E-1500	HP-2002 ¹
Firebird	400 V8 CARB		HP-2003 ¹
Firebird	400 V8 CARB - w/o Ram Air	E-1650	HP-2003
Firebird	400 V8 CARB - w/Ram Air	E-1590	HP-2003
Firebird	403 V8 CARB		HP-2006 ¹
Firebird	403 V8 CARB - w/o Ram Air	E-1650	HP-2006
Firebird	403 V8 CARB - w/Ram Air	E-1590	HP-2006
1978 PONTIAC			
Firebird	350 V8 CARB	E-1500	HP-2002 ¹
Firebird	400 V8 CARB		HP-2003 ¹
Firebird	400 V8 CARB - w/o Ram Air	E-1650	HP-2003
Firebird	400 V8 CARB - w/Ram Air	E-1590	HP-2003
Firebird	403 V8 CARB		HP-2006 ¹
Firebird	403 V8 CARB - w/o Ram Air	E-1650	HP-2006
Firebird	403 V8 CARB - w/Ram Air	E-1590	HP-2006
1977 PONTIAC			
Firebird	350 V8 CARB	E-1650	
Firebird	400 V8 CARB		HP-2003 ¹
Firebird	400 V8 CARB - w/o Ram Air	E-1650	HP-2003
Firebird	400 V8 CARB - w/Ram Air	E-1590	HP-2003
Firebird	403 V8 CARB - w/o Ram Air	E-1650	
Grand Prix	400 V8 CARB	E-1650	
1976 PONTIAC			
Firebird	400 V8 CARB		HP-2003 ¹
Firebird	400 V8 CARB - w/o Ram Air	E-1650	HP-2003
Firebird	400 V8 CARB - w/Ram Air	E-1590	HP-2003
Firebird	455 V8 CARB		HP-2003 ¹
Firebird	455 V8 CARB - w/o Ram Air	E-1650	HP-2003
Firebird	455 V8 CARB - w/Ram Air	E-1590	HP-2003

* 2 filters required

♦ Intake System Available - see page 84 +Cabin Air Filter Available - see page 453 1- Performance Silver Oil Filter Also Available

PONTIAC

AIR & OIL FILTERS



Vehicle	Engine Type	Air Filter	Oil Filter
1975 PONTIAC			
Firebird	350 V8 CARB	E-1650	
Firebird	400 V8 CARB		HP-2003 ¹
Firebird	400 V8 CARB - w/o Ram Air	E-1650	HP-2003
Firebird	400 V8 CARB - w/Ram Air	E-1590	HP-2003

1974 PONTIAC			
Firebird	400 V8 CARB		HP-2003 ¹
Firebird	400 V8 CARB - w/o Ram Air	E-1650	HP-2003
Firebird	400 V8 CARB - w/Ram Air	E-1590	HP-2003
Firebird	455 V8 CARB		HP-2003 ¹
Firebird	455 V8 CARB - w/o Ram Air	E-1650	HP-2003
Firebird	455 V8 CARB - w/Ram Air	E-1590	HP-2003
Ventura	350 V8 CARB - w/o Ram Air	E-1650	

1973 PONTIAC			
Firebird	400 V8 CARB - w/o Ram Air	E-1650	
Firebird	455 V8 CARB		HP-2003 ¹
Firebird	455 V8 CARB - w/o Ram Air	E-1650	HP-2003
Firebird	455 V8 CARB - w/Ram Air	E-1590	HP-2003
GTO	455 V8 CARB	E-1650	

1972 PONTIAC			
Firebird	400 V8 CARB - w/o Ram Air	E-1650	
GTO	400 V8 CARB		HP-2003 ¹
GTO	400 V8 CARB - w/o Ram Air	E-1650	HP-2003
GTO	400 V8 CARB - w/Ram Air	E-1500	HP-2003
GTO	455 V8 CARB - w/o Ram Air	E-1650	
LeMans	350 V8 CARB		HP-2003 ¹

1971 PONTIAC			
Firebird	350 V8 CARB	E-1650	
Firebird	400 V8 CARB - w/o Ram Air	E-1650	
Firebird	455 V8 CARB	E-1650	HP-2003 ¹
GTO	400 V8 CARB	E-1650	
GTO	455 V8 CARB - w/o Ram Air	E-1650	

1970 PONTIAC			
Firebird	400 V8 CARB		HP-2003 ¹
Firebird	400 V8 CARB - w/o Ram Air	E-1650	HP-2003
Firebird	400 V8 CARB - w/Ram Air	E-1590	HP-2003
GTO	400 V8 2 BBL.	E-1220	HP-2003 ¹
GTO	400 V8 4 BBL.		HP-2003 ¹
GTO	400 V8 4 BBL. - w/o Ram Air	E-1650	HP-2003
GTO	400 V8 4 BBL. - w/Ram Air	E-1590	HP-2003
GTO	455 V8 CARB		HP-2003 ¹
GTO	455 V8 CARB - w/o Ram Air	E-1650	HP-2003
GTO	455 V8 CARB - w/Ram Air	E-1590	HP-2003
LeMans	400 V8 4 BBL.	E-1650	

1969 PONTIAC			
Firebird	350 V8 CARB		HP-2003 ¹

Vehicle	Engine Type	Air Filter	Oil Filter
1969 PONTIAC			
Firebird	350 V8 CARB - w/o Ram Air	E-1650	HP-2003
Firebird	350 V8 CARB - w/Ram Air	E-1220	HP-2003
Firebird	400 V8 CARB		HP-2003 ¹
Firebird	400 V8 CARB - w/o Ram Air	E-1650	HP-2003
Firebird	400 V8 CARB - w/Ram Air	E-1220	HP-2003
GTO	400 V8 2 BBL.	E-1220	HP-2003 ¹
GTO	400 V8 4 BBL.		HP-2003 ¹
GTO	400 V8 4 BBL. - w/o Ram Air	E-1650	HP-2003
GTO	400 V8 4 BBL. - w/Ram Air	E-1590	HP-2003
LeMans	350 V8 CARB - w/o Ram Air	E-1650	

1968 PONTIAC			
Firebird	350 V8 2 BBL.	E-1220	HP-2003 ¹
Firebird	350 V8 4 BBL.	E-1650	HP-2003 ¹
Firebird	400 V8 2 BBL.	E-1220	HP-2003 ¹
Firebird	400 V8 4 BBL.	E-1650	HP-2003 ¹
GTO	400 V8 CARB	E-1650	HP-2003 ¹
LeMans	350 V8 2 BBL.	E-1220	HP-2003 ¹
LeMans	350 V8 4 BBL.	E-1650	HP-2003 ¹

1967 PONTIAC			
Firebird	326 V8 CARB		HP-2003 ¹
Firebird	400 V8 CARB	E-1650	HP-2003 ¹
GTO	400 V8 CARB	E-1650	HP-2003 ¹

1966 PONTIAC			
GTO	389 V8 CARB	E-3223	HP-2003 ¹

1965 PONTIAC			
GTO	389 V8 2 BBL.	E-3223	HP-2003 ¹
GTO	389 V8 3x2BBL.	E-1230	HP-2003 ¹
GTO	389 V8 4 BBL.	E-1520	HP-2003 ¹

1964 PONTIAC			
GTO	389 V8 CARB	E-1520	

2017 PORSCHE			
911	3.0L H6 F/I		PS-7032
Cayenne	3.0L V6 DSL	33-2857	PS-7015
Cayenne	3.0L V6 F/I	33-2857	PS-7015
Cayenne	3.6L V6 F/I	33-2857	
Cayenne	4.8L V8 F/I	33-2857*	
Macan	2.0L L4 F/I	E-0660*	
Macan	3.0L V6 DSL	E-0660*	
Macan	3.0L V6 F/I	E-0660*	PS-7032
Macan	3.6L V6 F/I	E-0660*	

2016 PORSCHE			
911	3.4L H6 F/I		PS-7032
911	3.8L H6 F/I		PS-7032
Boxster	2.7L H6 F/I	E-0666*	PS-7036
Boxster	3.4L H6 F/I	E-0666*	
Boxster	3.8L H6 F/I	E-0666*	PS-7036
Cayenne	3.0L V6 DSL	33-2857	PS-7015
Cayenne	3.0L V6 F/I	33-2857	PS-7015
Cayenne	3.6L V6 F/I	33-2857	PS-7032
Cayenne	4.8L V8 F/I	33-2857*	PS-7032
Cayman	2.7L H6 F/I	E-0666*	PS-7036
Cayman	3.4L H6 F/I	E-0666*	PS-7036
Cayman	3.8L H6 F/I	E-0666*	PS-7036
Macan	2.0L L4 F/I	E-0660*	
Macan	3.0L V6 DSL	E-0660*	

* 2 filters required

◆ Intake System Available - see page 84 +Cabin Air Filter Available - see page 453 1- Performance Silver Oil Filter Also Available



AIR & OIL FILTERS

PORSCHE

Vehicle	Engine Type	Air Filter	Oil Filter
2016 PORSCHE			
Macan	3.0L V6 F/I	E-0660*	PS-7032
Macan	3.6L V6 F/I	E-0660*	PS-7032
Panamera	4.8L V8 F/I		PS-7032
2015 PORSCHE			
911	3.4L H6 F/I		PS-7032
911	3.8L H6 F/I		PS-7032
Boxster	2.7L H6 F/I	E-0666*	
Boxster	3.4L H6 F/I	E-0666*	PS-7036
Boxster	3.8L H6 F/I	E-0666*	
Cayenne	3.0L V6 DSL	33-2857	
Cayenne	3.0L V6 F/I		PS-7015
Cayenne	3.6L V6 F/I		PS-7032
Cayenne	4.8L V8 F/I	33-2857*	PS-7032
Cayman	2.7L H6 F/I	E-0666*	PS-7036
Cayman	3.4L H6 F/I	E-0666*	PS-7036
Cayman	3.8L H6 F/I	E-0666*	
Macan	2.0L L4 F/I	E-0660*	
Macan	3.0L V6 F/I	E-0660*	PS-7032
Macan	3.6L V6 F/I	E-0660*	PS-7032
2014 PORSCHE			
911	3.4L H6 F/I	33-2484	PS-7032
911	3.6L H6 F/I	33-2484	
911	3.8L H6 F/I	33-2484	PS-7032
911 Carrera	3.8L H6 F/I	33-2484	PS-7032
911 GT3	3.8L H6 F/I	33-2484	PS-7032
911 Turbo	3.8L H6 F/I		PS-7032
Boxster	2.7L H6 F/I	E-0666*	PS-7036
Boxster	3.4L H6 F/I	E-0666*	PS-7036
Cayenne	3.0L V6 DSL	33-2857	
Cayenne	3.0L V6 F/I	33-2857	PS-7015
Cayenne	3.6L V6 F/I	33-2857	
Cayenne	4.8L V8 F/I	33-2857*	PS-7032
Cayman	2.7L H6 F/I	E-0666*	PS-7036
Cayman	3.4L H6 F/I	E-0666*	PS-7036
2013 PORSCHE			
911	3.4L H6 F/I	33-2484	PS-7032
911 Carrera	3.8L H6 F/I	33-2484	PS-7032
911 GT3	3.8L H6 F/I	33-2484	PS-7032
911 Turbo	3.8L H6 F/I		PS-7032
Boxster	2.7L H6 F/I	E-0666*	PS-7036
Boxster	3.4L H6 F/I	E-0666*	PS-7036
Cayenne	3.0L V6 DSL	33-2857	
Cayenne	3.0L V6 F/I	33-2857	PS-7015
Cayenne	3.6L V6 F/I	33-2857	
Cayenne	4.2L V8 DSL	33-2857*	
Cayenne	4.8L V8 F/I	33-2857*	PS-7032
2012 PORSCHE			
911	3.4L H6 F/I	33-2484	
911	3.6L H6 F/I	E-1999	PS-7032
911	3.8L H6 F/I		PS-7032
911	3.8L H6 F/I - w/Panel Filter	33-2484	PS-7032
911	3.8L H6 F/I - w/Round Filter	E-1999	PS-7032
Cayenne	3.0L V6 DSL	33-2857	
Cayenne	3.0L V6 F/I	33-2857	
Cayenne	3.6L V6 F/I	33-2857	
Cayenne	4.2L V8 DSL	33-2857*	
Cayenne	4.8L V8 F/I	33-2857*	PS-7032
Cayman	3.4L H6 F/I	E-2295	PS-7036
Panamera	3.6L V6 F/I		PS-7032

Vehicle	Engine Type	Air Filter	Oil Filter
2012 PORSCHE			
Panamera	4.8L V8 F/I		PS-7032
2011 PORSCHE			
911	3.6L H6 F/I		PS-7032
911	3.6L H6 F/I - Exc. Turbo	E-1999	PS-7032
911	3.8L H6 F/I	E-1999	PS-7032
911 GT3	3.8L H6 F/I		PS-7032
911 Turbo	3.8L H6 F/I		PS-7032
Boxster	2.9L H6 F/I	E-2295	PS-7036
Boxster	3.4L H6 F/I	E-2295	PS-7036
Cayenne	3.0L V6 DSL	33-2857	
Cayenne	3.0L V6 F/I	33-2857	
Cayenne	3.6L V6 F/I	33-2857	
Cayenne	4.8L V8 F/I	33-2857*	PS-7032
Cayman	2.9L H6 F/I	E-2295	
Cayman	3.4L H6 F/I	E-2295	PS-7036
Panamera	3.6L V6 F/I		PS-7032
Panamera	4.8L V8 F/I		PS-7032
2010 PORSCHE			
911	3.6L H6 F/I	E-1999	PS-7032
911	3.8L H6 F/I	E-1999	PS-7032
911 GT3	3.8L H6 F/I		PS-7032
911 Turbo	3.8L H6 F/I		PS-7032
Boxster	2.9L H6 F/I	E-2295	
Boxster	3.4L H6 F/I	E-2295	
Cayenne	3.6L V6 F/I	33-2857	
Cayenne	4.8L V8 F/I	33-2857*	PS-7032
Cayman	3.4L H6 F/I	E-2295	PS-7036
Panamera	4.8L V8 F/I		PS-7032
2009 PORSCHE			
911	3.6L H6 F/I		PS-7032
911	3.6L H6 F/I - Exc. Turbo	E-1999	PS-7032
911	3.8L H6 F/I	E-1999	PS-7032
Boxster	2.9L H6 F/I	E-2295	
Boxster	3.4L H6 F/I	E-2295	
Cayenne	3.6L V6 F/I	33-2857	PS-7005
Cayenne	4.8L V8 F/I	33-2857*	PS-7032
Cayman	2.9L H6 F/I	E-2295	
Cayman	3.4L H6 F/I	E-2295	PS-7036
2008 PORSCHE			
911	3.6L H6 F/I	33-2786	PS-7011
911	3.8L H6 F/I	33-2786	PS-7011
911 GT2	3.6L H6 F/I		PS-7011
911 GT3	3.6L H6 F/I		PS-7011
911 GT3 RSR	4.0L H6 F/I	33-5008	
911 Turbo	3.6L H6 F/I		PS-7011
Boxster	2.7L H6 F/I	E-2295	PS-7011
Boxster	3.2L H6 F/I	E-2295	
Boxster	3.4L H6 F/I	E-2295	PS-7011
Cayenne	3.6L V6 F/I	33-2857	PS-7005
Cayenne	4.8L V8 F/I	33-2857*	PS-7032
Cayman	2.7L H6 F/I	E-2295	PS-7011
Cayman	3.4L H6 F/I	E-2295	PS-7011
2007 PORSCHE			
911	3.6L H6 F/I		PS-7011
911	3.6L H6 F/I - Exc. Turbo	33-2786	PS-7011
911	3.8L H6 F/I	33-2786	PS-7011
911 GT3	3.6L H6 F/I		PS-7011
911 GT3 RSR	4.0L H6 F/I	33-5008	
Boxster	2.7L H6 F/I	E-2295	PS-7011
Boxster	3.4L H6 F/I	E-2295	PS-7011

* 2 filters required ♦ Intake System Available - see page 84 + Cabin Air Filter Available - see page 453 1- Performance Silver Oil Filter Also Available



Vehicle	Engine Type	Air Filter	Oil Filter
2007 PORSCHE			
Cayman	2.7L H6 F/I	E-2295	PS-7011
Cayman	3.4L H6 F/I	E-2295	PS-7011
2006 PORSCHE			
911	3.6L H6 F/I	33-2786	PS-7011
911	3.8L H6 F/I	33-2786	PS-7011
911 GT3 RSR	4.0L H6 F/I	33-5008	
Boxster	2.7L H6 F/I	E-2295	PS-7011
Boxster	3.2L H6 F/I	E-2295	PS-7011
Boxster	3.4L H6 F/I	E-2295	
Cayenne	3.2L V6 F/I	33-2857	PS-7005
Cayenne	4.5L V8 F/I	33-2857*	PS-7011
Cayman	3.4L H6 F/I	E-2295	PS-7011
2005 PORSCHE			
911	3.4L H6 F/I	33-2786	
911	3.6L H6 F/I		PS-7011
911	3.6L H6 F/I - Exc. Turbo	33-2786 ♦	PS-7011
911	3.6L H6 F/I - Turbo	33-2189	PS-7011
911	3.8L H6 F/I	33-2786	PS-7011
911 GT3	3.6L H6 F/I	33-2786	PS-7011
Boxster	2.7L H6 F/I	E-2295	PS-7011
Boxster	3.2L H6 F/I	E-2295	PS-7011
Cayenne	3.2L V6 F/I	33-2857	PS-7005
Cayenne	4.5L V8 F/I	33-2857*	PS-7011
2004 PORSCHE			
911	3.4L H6 F/I	33-2786	
911	3.6L H6 F/I		PS-7011
911	3.6L H6 F/I - Exc. Turbo	33-2786 ♦	PS-7011
911	3.6L H6 F/I - Turbo	33-2189	PS-7011
911	3.8L H6 F/I	33-2786	
Boxster	2.7L H6 F/I	33-2773	
Boxster	3.2L H6 F/I		PS-7011
Boxster	3.2L H6 F/I - w/Panel Filter	33-2773	PS-7011
Boxster	3.2L H6 F/I - w/Round Filter	E-2295	PS-7011
Carrera 996	3.6L H6 F/I		PS-7011
Carrera 996	3.6L H6 F/I - Exc. Turbo	33-2786	PS-7011
Cayenne	3.2L V6 F/I	33-2857	
Cayenne	4.5L V8 F/I	33-2857*	PS-7011
2003 PORSCHE			
911	3.4L H6 F/I	33-2786	
911 Carrera	3.6L H6 F/I	33-2786 ♦	PS-7011
911 GT2	3.6L H6 F/I	33-2189	PS-7011
911 GT3	3.6L H6 F/I	33-2189	PS-7011
911 Turbo	3.6L H6 F/I	33-2189	PS-7011
Boxster	2.7L H6 F/I	33-2773	PS-7011
Boxster	3.2L H6 F/I	33-2773	PS-7011
Carrera 996	3.6L H6 F/I		PS-7011
Carrera 996	3.6L H6 F/I - Exc. Turbo	33-2786	PS-7011
Cayenne	4.5L V8 F/I	33-2857*	PS-7011
2002 PORSCHE			
911	3.4L H6 F/I	33-2786	
911	3.6L H6 F/I	33-2786 ♦	PS-7011
911 Carrera	3.6L H6 F/I	33-2786 ♦	PS-7011
911 GT2	3.6L H6 F/I	33-2189	PS-7011
911 GT3	3.6L H6 F/I	33-2189	PS-7011
911 Turbo	3.6L H6 F/I	33-2189	PS-7011
Boxster	2.7L H6 F/I	33-2773	PS-7011
Boxster	3.2L H6 F/I	33-2773	PS-7011
Carrera 996	3.6L H6 F/I		PS-7011
Carrera 996	3.6L H6 F/I - Exc. Turbo	33-2786	PS-7011

Vehicle	Engine Type	Air Filter	Oil Filter
2001 PORSCHE			
911	3.4L H6 F/I	33-2786 ♦	PS-7011
911	3.6L H6 F/I - US	33-2189 ♦	
911 Carrera	3.6L H6 F/I	33-2786	PS-7011
911 GT2	3.6L H6 F/I	33-2189	PS-7011
911 GT3	3.6L H6 F/I	33-2189	PS-7011
911 Turbo	3.6L H6 F/I	33-2189	PS-7011
Boxster	2.7L H6 F/I	33-2773	PS-7011
Boxster	3.2L H6 F/I	33-2773	PS-7011
Carrera 996	3.4L H6 F/I	33-2786	PS-7011
2000 PORSCHE			
911	3.4L H6 F/I	33-2786 ♦	PS-7011
911	3.6L H6 F/I	33-2189	PS-7011
Boxster	2.7L H6 F/I	33-2773	PS-7011
Boxster	3.2L H6 F/I	33-2773	PS-7011
Carrera 996	3.4L H6 F/I	33-2786	PS-7011
1999 PORSCHE			
911	3.4L H6 F/I	33-2786 ♦	PS-7011
911	3.6L H6 F/I	33-2189	
Boxster	2.5L H6 F/I	33-2773	PS-7011
Boxster	2.7L H6 F/I	33-2773	PS-7011
Boxster	3.2L H6 F/I	33-2773	
Carrera 996	3.4L H6 F/I	33-2786	PS-7011
1998 PORSCHE			
911	3.4L H6 F/I	33-2786	
911	3.6L H6 F/I	33-2731	
Boxster	2.5L H6 F/I	33-2773	PS-7011
1997 PORSCHE			
911	3.6L H6 F/I	33-2731	
Boxster	2.5L H6 F/I	33-2773	PS-7011
1996 PORSCHE			
911	3.6L H6 F/I	33-2731	
1995 PORSCHE			
911	3.6L H6 F/I	33-2731	
928	5.4L V8 F/I	33-2591	
968	3.0L L4 F/I	33-2722	HP-4001
1994 PORSCHE			
911	3.6L H6 F/I - Exc. Turbo	33-2077	
911	3.6L H6 F/I - Turbo	33-2077	
968	3.0L L4 F/I	33-2722	
1993 PORSCHE			
911	3.6L H6 F/I		HP-4004
911	3.6L H6 F/I - Exc. Turbo	33-2077	HP-4004
911	3.6L H6 F/I - Turbo	33-2530	HP-4004
928	5.4L V8 F/I	33-2591	
968	3.0L L4 F/I	33-2722	
1992 PORSCHE			
911	3.6L H6 F/I	33-2077	HP-4004
968	3.0L L4 F/I	33-2722	
1991 PORSCHE			
911	3.6L H6 F/I	33-2077	HP-4004
928	5.0L V8 F/I	33-2591	
944	3.0L L4 F/I	33-2807	
1990 PORSCHE			
911	3.6L H6 F/I	33-2077	HP-4004
928	5.0L V8 F/I	33-2591	
944	3.0L L4 F/I	33-2807	HP-4001

* 2 filters required

♦ Intake System Available - see page 84 +Cabin Air Filter Available - see page 453 1- Performance Silver Oil Filter Also Available



AIR & OIL FILTERS

PORSCHE

Vehicle	Engine Type	Air Filter	Oil Filter
1989 PORSCHE			
928	5.0L V8 F/I	33-2591	
944	2.5L L4 F/I - Non-US, Exc. Turbo	33-2079	
944	2.7L L4 F/I	33-2079	
1988 PORSCHE			
911	3.2L H6 F/I	33-2076	HP-4004
928	5.0L V8 F/I	33-2591	
944	2.5L L4 F/I		HP-4001
944	2.5L L4 F/I - Exc. Turbo	33-2079	HP-4001
944	2.5L L4 F/I - Turbo	33-2081	HP-4001
944 S	2.5L L4 F/I	33-2640	HP-4001
1987 PORSCHE			
911	3.2L H6 F/I	33-2076	HP-4004
924	2.5L L4 F/I	33-2079	HP-4001
928	5.0L V8 F/I	33-2591	
944	2.5L L4 F/I		HP-4001
944	2.5L L4 F/I - Exc. Turbo	33-2079	HP-4001
944	2.5L L4 F/I - Turbo	33-2081	HP-4001
944 S	2.5L L4 F/I	33-2640	
1986 PORSCHE			
911	3.2L H6 F/I	33-2076	HP-4004
928	5.0L V8 F/I	33-2591	
944	2.5L L4 F/I		HP-4001
944	2.5L L4 F/I - Exc. Turbo	33-2079	HP-4001
944	2.5L L4 F/I - Turbo	33-2081	HP-4001
944 S	2.5L L4 F/I	33-2640	
1985 PORSCHE			
911	3.2L H6 F/I	33-2076	HP-4004
911	3.2L H6 F/I - Turbo	33-2530	HP-4004
928	5.0L V8 F/I	33-2591	
944	2.5L L4 F/I		HP-4001
944	2.5L L4 F/I - Non-US, Exc. Turbo	33-2079	HP-4001
944	2.5L L4 F/I - Non-US, Turbo	33-2081	HP-4001
944	2.5L L4 F/I - US	33-2079	HP-4001
1984 PORSCHE			
911	3.2L H6 F/I		HP-4004
911	3.2L H6 F/I - Exc. Turbo	33-2076	HP-4004
911	3.2L H6 F/I - Turbo	33-2530	HP-4004
928	4.7L V8 F/I	33-2591	
944	2.5L L4 F/I	33-2079	HP-4001
1983 PORSCHE			
911	3.0L H6 F/I	33-2004	
928	4.7L V8 F/I	33-2591	
944	2.5L L4 F/I	33-2079	HP-4001
1982 PORSCHE			
911	3.0L H6 F/I	33-2004	
928	4.5L V8 F/I	33-2591	
1981 PORSCHE			
911	3.0L H6 F/I	33-2004	
928	4.5L V8 F/I	33-2591	
928	4.6L V8 F/I	33-2591	
1980 PORSCHE			
911	3.0L H6 F/I	33-2004	HP-4004
911	3.0L H6 F/I - Non-US, 180BHP	33-2530	HP-4004
911	3.0L H6 F/I - Non-US, Exc., 180BHP	33-2004	HP-4004
928	4.6L V8 F/I	33-2591	

Vehicle	Engine Type	Air Filter	Oil Filter
1979 PORSCHE			
911	3.0L H6 F/I - Non-US, Exc., 180BHP	33-2004	
911	3.0L H6 F/I - US	33-2004	
928	4.5L V8 F/I	33-2591	
1978 PORSCHE			
911	3.0L H6 F/I - Non-US, Exc., 180BHP	33-2004	
911	3.0L H6 F/I - US	33-2004	
928	4.5L V8 F/I	33-2591	
1977 PORSCHE			
924	2.0L L4 F/I	33-2003	
1976 PORSCHE			
911	2.7L H6 F/I	33-2004	
1975 PORSCHE			
911	2.7L H6 F/I	33-2004	
1974 PORSCHE			
911	2.7L H6 F/I	33-2004	
911	3.0L H6 F/I	33-2004	
914	1.8L H4 F/I	33-2003	
914	2.0L H4 F/I	33-2003	HP-2004 ¹
1972 PORSCHE			
911	2.4L H6 F/I	E-2380	HP-4004
1970 PORSCHE			
911	2.2L H6 CARB	E-2380	HP-3001 ¹
911	2.2L H6 F/I	E-2380	HP-3001 ¹
1969 PORSCHE			
911	2.0L H6 F/I	E-2380	HP-3001 ¹
912	1.6L H4 F/I	E-4490	
1967 PORSCHE			
912	97 H4 CARB	E-4490	
2017 RAM			
1500	3.0L V6 DSL	33-2247	
1500	3.6L V6 F/I	33-2247 ♦	PS-7026
1500	5.7L V8 F/I	33-2247 ♦	HP-1017 ¹
2500	5.7L V8 F/I	33-2247 ♦	HP-1017 ¹
2500	6.4L V8 F/I	33-2247 ♦	HP-1017 ¹
2500	6.7L L6 DSL	33-5005 ♦	HP-4003 ¹
3500	5.7L V8 F/I	33-2247 ♦	HP-1017 ¹
3500	6.4L V8 F/I	33-2247 ♦	HP-1017 ¹
3500	6.7L L6 DSL	33-5005 ♦	HP-4003 ¹
4500	6.4L V8 F/I		HP-1017 ¹
4500	6.7L L6 DSL		HP-4003 ¹
5500	6.4L V8 F/I		HP-1017 ¹
5500	6.7L L6 DSL		HP-4003 ¹
ProMaster 1500	3.0L L4 DSL	E-9283	
ProMaster 1500	3.6L V6 F/I	E-0656	PS-7026
ProMaster 2500	3.0L L4 DSL	E-9283	
ProMaster 2500	3.6L V6 F/I	E-0656	PS-7026
ProMaster 3500	3.0L L4 DSL	E-9283	
ProMaster 3500	3.6L V6 F/I	E-0656	PS-7026
ProMaster City	2.4L L4 F/I	33-5034	HP-1017 ¹
2016 RAM			
1500	3.0L V6 DSL	33-2247 ♦	
1500	3.6L V6 F/I	33-2247 ♦	PS-7026
		33-2247 ♦	PS-7026
1500	5.7L V8 F/I	33-2247 ♦	HP-1017 ¹
2500	5.7L V8 F/I	33-2247 ♦	HP-1017 ¹
2500	6.4L V8 F/I	33-2247 ♦	HP-1017 ¹

* 2 filters required

♦ Intake System Available - see page 84 +Cabin Air Filter Available - see page 453 1- Performance Silver Oil Filter Also Available

RAM

AIR & OIL FILTERS



Vehicle	Engine Type	Air Filter	Oil Filter
2016 RAM			
2500	6.7L L6 DSL	33-5005 ♦	HP-4003 ¹
3500	5.7L V8 F/I	33-2247	HP-1017 ¹
3500	6.4L V8 F/I	33-2247 ♦	HP-1017 ¹
3500	6.7L L6 DSL	33-5005 ♦	HP-4003 ¹
4500	6.7L L6 DSL	33-5005	
5500	6.4L V8 F/I	33-2247	
5500	6.7L L6 DSL	33-5005	HP-4003 ¹
Promaster	3.6L V6 F/I		PS-7026
ProMaster 1500	3.0L L4 DSL	E-9283	
ProMaster 1500	3.6L V6 F/I	E-0656	PS-7026
ProMaster 2500	3.0L L4 DSL	E-9283	
ProMaster 2500	3.6L V6 F/I	E-0656	PS-7026
ProMaster 3500	3.0L L4 DSL	E-9283	
ProMaster 3500	3.6L V6 F/I	E-0656	PS-7026
ProMaster City	2.4L L4 F/I	33-5034	HP-1017 ¹
Ram	5.7L V8 F/I		HP-1017 ¹
Ram Pickup	5.7L V8 F/I		HP-1017 ¹

Vehicle	Engine Type	Air Filter	Oil Filter
2015 RAM			
1500	3.0L V6 DSL	33-2247 ♦	
1500	3.6L V6 F/I	33-2247 ♦	PS-7026
1500	5.7L V8 F/I	33-2247 ♦	HP-1017 ¹
2500	5.7L V8 F/I	33-2247 ♦	HP-1017 ¹
2500	6.4L V8 F/I	33-2247 ♦	HP-1017 ¹
2500	6.7L L6 DSL	33-5005 ♦	HP-4003 ¹
3500	5.7L V8 F/I	33-2247	HP-1017 ¹
3500	6.4L V8 F/I	33-2247 ♦	HP-1017 ¹
3500	6.7L L6 DSL	33-5005 ♦	HP-4003 ¹
4500	6.7L L6 DSL	33-5005	HP-4003 ¹
5500	6.4L V8 F/I	33-2247	
5500	6.7L L6 DSL	33-5005	HP-4003 ¹
ProMaster 1500	3.0L L4 DSL	E-9283	
ProMaster 1500	3.6L V6 F/I	E-0656	PS-7026
ProMaster 2500	3.0L L4 DSL	E-9283	
ProMaster 2500	3.6L V6 F/I	E-0656	PS-7026
ProMaster 3500	3.0L L4 DSL	E-9283	
ProMaster 3500	3.6L V6 F/I	E-0656	PS-7026
ProMaster City	2.4L L4 F/I	33-5034	HP-1017 ¹
Ram	5.7L V8 F/I		HP-1017 ¹
Ram Pickup	5.7L V8 F/I		HP-1017 ¹

Vehicle	Engine Type	Air Filter	Oil Filter
2014 RAM			
1500	3.0L V6 DSL	33-2247 ♦	
1500	3.6L V6 F/I	33-2247 ♦	PS-7026
1500	5.7L V8 F/I	33-2247 ♦	HP-1017 ¹
2500	5.7L V8 F/I	33-2247 ♦	HP-1017 ¹
2500	6.4L V8 F/I	33-2247 ♦	HP-1017 ¹
2500	6.7L L6 DSL	33-5005 ♦	HP-4003 ¹
3500	5.7L V8 F/I	33-2247	HP-1017 ¹
3500	6.4L V8 F/I	33-2247 ♦	HP-1017 ¹
3500	6.7L L6 DSL	33-5005 ♦	HP-4003 ¹
4500	6.7L L6 DSL	33-5005	
5500	6.7L L6 DSL	33-5005	HP-4003 ¹
Cargo Van	3.6L V6 F/I	33-2462+	PS-7026
ProMaster 1500	3.6L V6 F/I	E-0656	PS-7026
ProMaster 2500	3.0L L4 DSL	E-9283	
ProMaster 2500	3.6L V6 F/I	E-0656	PS-7026
ProMaster 3500	3.0L L4 DSL	E-9283	
ProMaster 3500	3.6L V6 F/I	E-0656	PS-7026
Ram	5.7L V8 F/I	33-2247	HP-1017 ¹
Ram Pickup	3.6L V6 F/I	33-2247	
Ram Pickup	5.7L V8 F/I	33-2247	HP-1017 ¹

Vehicle	Engine Type	Air Filter	Oil Filter
2013 RAM			
1500	3.6L V6 F/I	33-2247 ♦	PS-7025
1500	4.7L V8 F/I	33-2247 ♦	HP-2010 ¹
1500	5.7L V8 F/I	33-2247 ♦	HP-1017 ¹
2500	5.7L V8 F/I	33-2247 ♦	HP-1017 ¹
2500	6.7L L6 DSL	33-5005 ♦	HP-4003 ¹
3500	5.7L V8 F/I	33-2247	HP-1017 ¹
3500	6.7L L6 DSL	33-5005 ♦	HP-4003 ¹
4500	6.7L L6 DSL	33-5005	
5500	6.7L L6 DSL	33-5005	HP-4003 ¹
Cargo Van	3.6L V6 F/I	33-2462+	PS-7025
Ram	5.7L V8 F/I	33-2247	HP-1017 ¹
Ram	6.7L L6 DSL	33-5005	HP-4003 ¹
Ram Pickup	4.7L V8 F/I	33-2247	HP-2010 ¹
Ram Pickup	5.7L V8 F/I	33-2247	HP-1017 ¹

Vehicle	Engine Type	Air Filter	Oil Filter
2012 RAM			
1500	3.7L V6 F/I	33-2247	HP-2011 ¹
1500	4.7L V8 F/I	33-2247 ♦	HP-2010 ¹
1500	5.7L V8 F/I	33-2247 ♦	HP-2010 ¹
2500	5.7L V8 F/I	33-2247	HP-2010 ¹
2500	6.7L L6 DSL	E-0787 ♦	HP-4003 ¹
3500	5.7L V8 F/I	33-2247	HP-2010 ¹
3500	6.7L L6 DSL	E-0787 ♦	HP-4003 ¹
4500	6.7L L6 DSL	E-0787	HP-4003 ¹
5500	6.7L L6 DSL	E-0787	HP-4003 ¹
Cargo Van	3.6L V6 F/I	33-2462+	PS-7025
Ram	5.7L V8 F/I	33-2247	HP-2010 ¹
Ram	6.7L L6 DSL	E-0787	HP-4003 ¹
Ram Pickup	4.7L V8 F/I	33-2247 ♦	HP-2010 ¹
Ram Pickup	5.7L V8 F/I	33-2247	HP-2010 ¹
Ram Pickup	6.7L L6 DSL	E-0787	HP-4003 ¹

Vehicle	Engine Type	Air Filter	Oil Filter
2011 RAM			
1500	3.7L V6 F/I	33-2247 ♦	HP-2011 ¹
1500	4.7L V8 F/I	33-2247 ♦	HP-2010 ¹
1500	5.7L V8 F/I	33-2247 ♦	HP-2010 ¹
2500	5.7L V8 F/I	33-2247	HP-2010 ¹
2500	6.7L L6 DSL	E-0787 ♦	HP-4003 ¹
3500	5.7L V8 F/I	33-2247	
3500	6.7L L6 DSL	E-0787 ♦	HP-4003 ¹
5500	6.7L L6 DSL	E-0787	HP-4003 ¹
Dakota	3.7L V6 F/I	33-2175	HP-2011 ¹
Dakota	4.7L V8 F/I	33-2175	HP-2010 ¹
Ram Pickup	5.7L V8 F/I	33-2247 ♦	HP-2010 ¹
Ram Pickup	6.7L L6 DSL	E-0787 ♦	HP-4003 ¹

Vehicle	Engine Type	Air Filter	Oil Filter
2010 RAM			
1500	3.7L V6 F/I	33-2247 ♦	HP-2011 ¹
2500	5.7L V8 F/I	33-2247	HP-2010 ¹
2500	6.7L L6 DSL	E-0787 ♦	HP-4003 ¹
Dakota	3.7L V6 F/I	33-2175	
Ram Pickup	5.7L V8 F/I	33-2247 ♦	HP-2010 ¹
Ram Pickup	6.7L L6 DSL	E-0787 ♦	HP-4003 ¹

Vehicle	Engine Type	Air Filter	Oil Filter
2017 RENAULT			
Alaskan	2.3L L4 DSL	33-3059	
Captur	0.9L L3 F/I	33-3007	
Captur	1.2L L4 F/I	33-3007	
Captur	1.5L L4 DSL	33-3007	
Clio IV	0.9L L3 F/I	33-3007	
Clio IV	1.2L L4 F/I - Exc. Turbo	33-2925	
Clio IV	1.2L L4 F/I - Turbo	33-3007	
Clio IV	1.5L L4 DSL	33-3007	
Clio IV	1.6L L4 F/I	33-3007	
Espace V	1.6L L4 DSL	33-3057	

* 2 filters required ♦ Intake System Available - see page 84 +Cabin Air Filter Available - see page 453 1- Performance Silver Oil Filter Also Available



AIR & OIL FILTERS

RENAULT

Vehicle	Engine Type	Air Filter	Oil Filter
2017 RENAULT			
Espace V	1.6L L4 F/I	33-3057	
Kadjar	1.2L L4 F/I	33-5016	
Kadjar	1.5L L4 DSL	33-5016	
Kadjar	1.6L L4 DSL	33-5016	
Kangoo	1.2L L4 F/I	33-2849	
Kangoo	1.5L L4 DSL	33-2849	
Kangoo Express	1.2L L4 F/I	33-2849	
Kangoo Express	1.5L L4 DSL	33-2849	
Megane IV	1.2L L4 F/I	33-3057	
Megane IV	1.5L L4 DSL	33-3057	
Megane IV	1.6L L4 DSL	33-3057	
Megane IV	1.6L L4 F/I	33-3057	
Talisman	1.5L L4 DSL	33-3057	
Talisman	1.6L L4 DSL	33-3057	
Talisman	1.6L L4 F/I	33-3057	
Trafic III	1.6L L4 DSL	33-3054	
Twingo	0.9L L3 F/I	33-3043	
Twingo	1.0L L3 F/I	33-3043	

2016 RENAULT			
Alaskan	2.3L L4 DSL	33-3059	
Captur	1.5L L4 DSL	33-3007	
Clio IV	0.9L L3 F/I	33-3007	
Clio IV	1.5L L4 DSL	33-3007	
Clio IV	1.6L L4 F/I	33-3007	
Megane III	2.0L L4 F/I	33-2849	

2015 RENAULT			
Captur	1.5L L4 DSL	33-3007	
Clio IV	0.9L L3 F/I	33-3007	
Clio IV	1.2L L4 F/I - Exc. Turbo	33-2925	
Clio IV	1.2L L4 F/I - Turbo	33-3007	
Clio IV	1.5L L4 DSL	33-3007	
Clio IV	1.6L L4 F/I	33-3007	
Kadjar	1.5L L4 DSL	33-5016	
Megane III	2.0L L4 F/I - Exc. Auto. Trans.	33-2849	

2014 RENAULT			
Clio IV	0.9L L3 F/I	33-3007	
Clio IV	1.2L L4 F/I - Turbo	33-3007	
Clio IV	1.5L L4 DSL	33-3007	

2013 RENAULT			
Clio IV	0.9L L3 F/I	33-3007	
Clio IV	1.2L L4 F/I - Turbo	33-3007	
Clio IV	1.5L L4 DSL	33-3007	
Clio IV	1.6L L4 F/I	33-3007	
Megane III	1.2L L4 F/I	33-2849	
Megane III	2.0L L4 DSL	33-2849	
Megane III	2.0L L4 F/I - Exc. Auto. Trans.	33-2849	
Twingo	1.2L L4 F/I - Turbo	33-2993	

2012 RENAULT			
Fluence	1.6L L4 F/I	33-2849	
Laguna III	2.0L L4 DSL	33-2793	
Laguna III	2.0L L4 F/I	33-2793	
Megane III	2.0L L4 DSL	33-2849	
Megane III	2.0L L4 F/I - Exc. Auto. Trans.	33-2849	
Twingo	1.2L L4 F/I - Turbo	33-2993	

2011 RENAULT			
Megane III	2.0L L4 DSL	33-2849	
Megane III	2.0L L4 F/I - Exc. Auto. Trans.	33-2849	

Vehicle	Engine Type	Air Filter	Oil Filter
2010 RENAULT			
Clio III	1.2L L4 F/I - Exc. Turbo	33-2925 ♦	
Megane III	2.0L L4 DSL	33-2849	
Megane III	2.0L L4 F/I - Exc. Auto. Trans.	33-2849	

2009 RENAULT			
Megane III	2.0L L4 DSL	33-2849	
Megane III	2.0L L4 F/I - Exc. Auto. Trans.	33-2849	

2008 RENAULT			
Clio	1.6L L4 F/I	33-2927	
Clio III	1.2L L4 F/I - 101BHP	33-2927 ♦	
Clio III	1.2L L4 F/I - Exc. 101BHP	33-2925 ♦	
Clio III	1.4L L4 F/I	33-2927 ♦	
Clio III	1.6L L4 F/I	33-2927 ♦	
Megane II	2.0L L4 DSL	33-2849	
Megane II	2.0L L4 F/I	33-2849 ♦	
Megane III	2.0L L4 F/I - Exc., 180BHP	33-2849	

2007 RENAULT			
Clio III	1.2L L4 F/I - 101BHP	33-2927 ♦	
Clio III	1.2L L4 F/I - Exc. 101BHP	33-2925 ♦	
Clio III	2.0L L4 F/I	33-2927 ♦	
Megane II	2.0L L4 DSL	33-2849	
Megane II	2.0L L4 F/I	33-2849 ♦	

2006 RENAULT			
Clio III	1.2L L4 F/I	33-2925 ♦	
Megane II	2.0L L4 DSL	33-2849	
Megane II	2.0L L4 F/I	33-2849 ♦	
Twingo	1.2L L4 F/I - 60BHP	33-2925 ♦	

2005 RENAULT			
Clio II	1.2L L4 F/I	33-2860 ♦	
Clio II	1.6L L4 F/I - 16v	33-2194 ♦	
Clio II	1.6L L4 F/I - 8v	33-2673 ♦	
Clio III	1.2L L4 F/I	33-2925 ♦	
Clio III	1.6L L4 F/I	33-2927 ♦	
Clio III	2.0L L4 F/I	33-2927 ♦	
Megane II	2.0L L4 DSL	33-2849	
Megane II	2.0L L4 F/I	33-2849 ♦	
Twingo	1.2L L4 F/I - 75BHP	33-2860 ♦	

2004 RENAULT			
Clio II	1.2L L4 F/I - 16v	33-2860 ♦	
Clio II	1.6L L4 F/I - 16v	33-2194 ♦	
Clio II	2.0L L4 F/I	33-2863 ♦	
Megane II	1.5L L4 DSL	33-2849	
Scenic II	1.4L L4 F/I	33-2194	

2003 RENAULT			
Clio	1.6L L4 F/I - 16v	33-2194	
Clio	2.0L L4 F/I	33-2863	
Clio II	1.2L L4 F/I - 16v	33-2860 ♦	
Clio II	1.2L L4 F/I - 8v	E-9238 ♦	
Clio II	1.4L L4 F/I - 16v	33-2194 ♦	
Clio II	1.4L L4 F/I - 8v	33-2673 ♦	
Clio II	1.6L L4 F/I - 16v	33-2194 ♦	
Clio II	1.6L L4 F/I - 8v	33-2673 ♦	
Clio II	2.0L L4 F/I	33-2863 ♦	

2002 RENAULT			
Clio II	1.2L L4 F/I - 16v	33-2860 ♦	
Clio II	1.6L L4 F/I - 16v	33-2194 ♦	

* 2 filters required ♦ Intake System Available - see page 84 +Cabin Air Filter Available - see page 453 1- Performance Silver Oil Filter Also Available

RENAULT

AIR & OIL FILTERS



Vehicle	Engine Type	Air Filter	Oil Filter
2002 RENAULT			
Clio II	1.6L L4 F/I - 8v	33-2673 ♦	
Megane I	1.6L L4 F/I - 107BHP	33-2194	
2001 RENAULT			
Twingo	1.2L L4 F/I - 75BHP	33-2860 ♦	
1999 RENAULT			
Megane I	1.6L L4 F/I - 107BHP	33-2194 ♦	
1997 RENAULT			
Megane I	1.9L L4 DSL - 90/98BHP	E-9235	
2011 SAAB			
9-3	2.0L L4 F/I	33-2337	PS-7000
9-3X	2.0L L4 F/I		PS-7000
9-5	2.0L L4 DSL	33-2962	
9-5	2.0L L4 F/I	33-2962+	PS-7000
9-5	2.8L V6 F/I	33-2962+	PS-7003
2010 SAAB			
9-3	2.0L L4 F/I	33-2337	PS-7000
9-3X	2.0L L4 F/I	33-2337	PS-7000
9-5	2.8L V6 F/I	33-2962+	
2009 SAAB			
9-3	2.0L L4 F/I	33-2337	PS-7000
9-3	2.8L V6 F/I	33-2337	PS-7003
9-5	2.3L L4 F/I	E-2455	
2008 SAAB			
9-3	2.0L L4 F/I	33-2337	PS-7000
9-3	2.8L V6 F/I	33-2337	PS-7003
9-5	2.3L L4 F/I	E-2455	HP-1002 ¹
9-7x	4.2L L6 F/I	E-1009	HP-2006 ¹
9-7x	5.3L V8 F/I	E-1009	HP-1017 ¹
9-7x	6.0L V8 F/I	E-1009	HP-1017 ¹
2007 SAAB			
9-3	2.0L L4 F/I	33-2337	PS-7000
9-3	2.8L V6 F/I	33-2337	PS-7003
9-5	2.3L L4 F/I	E-2455	HP-1002 ¹
9-7x	4.2L L6 F/I	E-1009	HP-2006 ¹
9-7x	5.3L V8 F/I	E-1009	
2006 SAAB			
9-2X	2.5L H4 F/I	33-2336	HP-1008 ¹
9-3	2.0L L4 F/I	33-2337	PS-7000
9-3	2.8L V6 F/I	33-2337	PS-7003
9-5	2.3L L4 F/I	E-2455	HP-1002 ¹
9-7x	4.2L L6 F/I	E-1009	HP-2006 ¹
9-7x	5.3L V8 F/I	E-1009	HP-1007 ¹
2005 SAAB			
9-2X	2.0L H4 F/I	33-2336	HP-1008 ¹
9-2X	2.5L H4 F/I	33-2336	HP-1008 ¹
9-3	2.0L L4 F/I	33-2337	PS-7000
9-3	2.8L V6 F/I	33-2337	
9-5	2.3L L4 F/I	E-2455	HP-1002 ¹
9-7x	4.2L L6 F/I	E-1009	
2004 SAAB			
9-3	2.0L L4 F/I	33-2337	PS-7000
9-3	2.2L L4 DSL	33-2337	
9-5	2.0L L4 F/I	E-2455 ♦	
9-5	2.3L L4 F/I	E-2455	HP-1002 ¹
2003 SAAB			
9-3	1.8L L4 F/I	33-2337	

Vehicle	Engine Type	Air Filter	Oil Filter
2003 SAAB			
9-3	1.8L L4 F/I - Turbo	33-2337	PS-7000
9-3	2.0L L4 F/I - Non-US	33-2337	
9-3	2.0L L4 F/I - Non-US, Convertible		HP-1002 ¹
9-3	2.0L L4 F/I - Non-US, Sedan		PS-7000
9-3	2.0L L4 F/I - US, Convertible	33-2165	HP-1002 ¹
9-3	2.0L L4 F/I - US, Sedan	33-2337	PS-7000
9-3	2.2L L4 DSL	33-2337	
9-5	2.3L L4 F/I	E-2455	HP-1002 ¹
9-5	3.0L V6 F/I	E-2455	
2002 SAAB			
9-3	2.0L L4 F/I - Non-US		PS-7000
9-3	2.0L L4 F/I - Non-US, from 8/02	33-2337 ♦	
9-3	2.0L L4 F/I - Non-US, OEM 4236030, to 7/02	33-2166 ♦	
9-3	2.0L L4 F/I - Non-US, OEM 4876074, to 7/02	33-2165 ♦	
9-3	2.0L L4 F/I - US	33-2165	HP-1002 ¹
9-3	2.3L L4 F/I	33-2165	
9-5	2.3L L4 F/I	E-2455	HP-1002 ¹
9-5	3.0L V6 F/I	E-2455	HP-1002 ¹
2001 SAAB			
9-3	2.0L L4 F/I		HP-1002 ¹
9-3	2.0L L4 F/I - OEM 4236030	33-2166 ♦	HP-1002
9-3	2.0L L4 F/I - OEM 4876074	33-2165 ♦	HP-1002
9-3	2.0L L4 F/I - US	33-2165	HP-1002
9-3	2.3L L4 F/I	33-2165	
9-5	2.3L L4 F/I	E-2455	HP-1002 ¹
9-5	3.0L V6 F/I	E-2455	HP-1002 ¹
2000 SAAB			
9-3	2.0L L4 F/I		HP-1002 ¹
9-3	2.0L L4 F/I - OEM 4236030	33-2166 ♦	HP-1002
9-3	2.0L L4 F/I - OEM 4876074	33-2165 ♦	HP-1002
9-3	2.3L L4 F/I	33-2165	HP-1002 ¹
9-5	2.3L L4 F/I	E-2455	HP-1002 ¹
9-5	3.0L V6 F/I	E-2455	
1999 SAAB			
9-3	2.0L L4 F/I		HP-1002 ¹
9-3	2.0L L4 F/I - OEM 4236030	33-2166 ♦	HP-1002
9-3	2.0L L4 F/I - OEM 4876074	33-2165 ♦	HP-1002
9-5	2.3L L4 F/I	E-2455	HP-1002 ¹
1997 SAAB			
900	2.0L L4 F/I	33-2166	HP-1002 ¹
900	2.3L L4 F/I		HP-1002 ¹
900 II	2.0L L4 F/I	33-2663	HP-1002 ¹
900 II	2.3L L4 F/I	33-2663	HP-1002 ¹
9000	2.0L L4 F/I - w/Panel Filter	33-2020	
9000	2.0L L4 F/I - w/Round Filter	E-9060	
9000	2.3L L4 F/I	E-9060	HP-1002 ¹
1996 SAAB			
900 II	2.0L L4 F/I	33-2663	HP-1002 ¹
9000	2.3L L4 F/I	E-9060	HP-1002 ¹

* 2 filters required

♦ Intake System Available - see page 84 +Cabin Air Filter Available - see page 453 1- Performance Silver Oil Filter Also Available



AIR & OIL FILTERS

SAAB

Vehicle	Engine Type	Air Filter	Oil Filter
1995 SAAB			
900	2.5L V6 F/I	33-2080	
900 II	2.0L L4 F/I	33-2663	HP-1002 ¹
900 II	2.5L V6 F/I	33-2080	
1993 SAAB			
900 II	2.5L V6 F/I	33-2080	
1992 SAAB			
900	2.0L L4 F/I	E-2457	
900 I	2.0L L4 F/I - 16v	E-2457 ♦	
9000	2.0L L4 F/I - w/Round Filter	E-9060	
2010 SATURN			
Outlook	3.6L V6 F/I	33-2394 ⁺	
2009 SATURN			
Astra	1.8L L4 F/I		PS-7027
Aura	2.4L L4 F/I	33-2249	PS-7000
Aura	3.6L V6 F/I	33-2249	HP-1017 ¹
Outlook	3.6L V6 F/I	33-2394 ⁺	HP-1017 ¹
Sky	2.0L L4 F/I	33-2369	PS-7000
Sky	2.4L L4 F/I	33-2349 ♦	PS-7000
Vue	2.4L L4 F/I	33-2404 ⁺	PS-7000
Vue	3.5L V6 F/I	33-2404	
Vue	3.6L V6 F/I	33-2404	HP-1017 ¹
2008 SATURN			
Astra	1.8L L4 F/I	33-2787 ♦	PS-7027
Aura	2.4L L4 F/I	33-2249	PS-7000
Aura	3.5L V6 F/I	33-2249	HP-2006 ¹
Aura	3.6L V6 F/I	33-2249	HP-1017 ¹
Outlook	3.6L V6 F/I	33-2394 ⁺	HP-1017 ¹
Sky	2.0L L4 F/I	33-2369 ♦	PS-7000
Sky	2.4L L4 F/I	33-2349 ♦	PS-7000
Vue	2.4L L4 F/I	33-2404 ⁺	PS-7000
Vue	3.5L V6 F/I	33-2404	HP-2006 ¹
Vue	3.6L V6 F/I	33-2404	HP-1017 ¹
2007 SATURN			
Aura	3.5L V6 F/I	33-2249	HP-2006 ¹
Aura	3.6L V6 F/I	33-2249	HP-1017 ¹
Ion	2.0L L4 F/I	E-0774 ⁺	PS-7000
Ion	2.2L L4 F/I	33-2358	PS-7000
Ion	2.4L L4 F/I	33-2358	PS-7000
Outlook	3.6L V6 F/I	33-2394 ⁺	HP-1017 ¹
Sky	2.0L L4 F/I	33-2369	PS-7000
Sky	2.4L L4 F/I	33-2349 ♦	PS-7000
Vue	2.2L L4 F/I	33-2249	PS-7000
Vue	2.4L L4 F/I	33-2249	PS-7000
Vue	3.5L V6 F/I	33-2249 ♦	HP-1010 ¹
2006 SATURN			
Ion	2.0L L4 F/I	E-0774 ♦ ⁺	PS-7000
Ion	2.2L L4 F/I	33-2358	PS-7000
Ion	2.4L L4 F/I	33-2358	PS-7000
Vue	2.2L L4 F/I	33-2249	PS-7000
Vue	3.5L V6 F/I	33-2249 ♦	HP-1010 ¹
2005 SATURN			
Ion	2.0L L4 F/I	E-0774 ♦ ⁺	PS-7000
Ion	2.2L L4 F/I	33-2275	PS-7000
L300	3.0L V6 F/I	33-2160	PS-7001
Relay	3.5L V6 F/I	33-2318	
Vue	2.2L L4 F/I	33-2249	PS-7000
Vue	3.5L V6 F/I	33-2249 ♦	HP-1010 ¹

Vehicle	Engine Type	Air Filter	Oil Filter
2004 SATURN			
Ion	2.0L L4 F/I	E-0774 ♦ ⁺	PS-7000
Ion	2.2L L4 F/I	33-2275	PS-7000
L300	2.2L L4 F/I	33-2160	PS-7000
Vue	2.2L L4 F/I	33-2249	PS-7000
Vue	3.5L V6 F/I	33-2249 ♦	HP-1010 ¹
2003 SATURN			
Ion	2.2L L4 F/I	33-2275	PS-7000
L200	2.2L L4 F/I	33-2160	PS-7000
L300	3.0L V6 F/I	33-2160	PS-7001
Vue	2.2L L4 F/I	33-2249	PS-7000
Vue	3.0L V6 F/I	33-2249	PS-7001
2002 SATURN			
L100	2.2L L4 F/I	33-2160	
L200	2.2L L4 F/I	33-2160	PS-7000
L300	3.0L V6 F/I	33-2160	PS-7001
SC1	1.9L L4 F/I	33-2055	HP-1002 ¹
SC2	1.9L L4 F/I	33-2055	HP-1002 ¹
SL	1.9L L4 F/I	33-2055	HP-1002 ¹
SL1	1.9L L4 F/I	33-2055	HP-1002 ¹
SL2	1.9L L4 F/I	33-2055	HP-1002 ¹
Vue	2.2L L4 F/I	33-2249	PS-7000
Vue	3.0L V6 F/I	33-2249	PS-7001
2001 SATURN			
L200	2.2L L4 F/I	33-2160	PS-7000
L300	3.0L V6 F/I	33-2160	PS-7001
SC1	1.9L L4 F/I	33-2055	HP-1002 ¹
SC2	1.9L L4 F/I	33-2055	HP-1002 ¹
SL1	1.9L L4 F/I	33-2055	HP-1002 ¹
SL2	1.9L L4 F/I	33-2055	HP-1002 ¹
2000 SATURN			
LS1	2.2L L4 F/I	33-2160	PS-7000
LS2	3.0L V6 F/I	33-2160	PS-7001
SL1	1.9L L4 F/I	33-2055	HP-1002 ¹
SL2	1.9L L4 F/I	33-2055	HP-1002 ¹
1999 SATURN			
SC2	1.9L L4 F/I	33-2055	HP-1002 ¹
SL1	1.9L L4 F/I	33-2055	HP-1002 ¹
SL2	1.9L L4 F/I	33-2055	HP-1002 ¹
1998 SATURN			
SL1	1.9L L4 F/I	33-2055	HP-1002 ¹
SL2	1.9L L4 F/I	33-2055	HP-1002 ¹
1997 SATURN			
SC2	1.9L L4 F/I	33-2055	HP-1002 ¹
SL1	1.9L L4 F/I	33-2055	HP-1002 ¹
SL2	1.9L L4 F/I	33-2055	HP-1002 ¹
1996 SATURN			
SL1	1.9L L4 F/I	33-2055	HP-1002 ¹
SL2	1.9L L4 F/I	33-2055 ♦	HP-1002 ¹
1995 SATURN			
SL1	1.9L L4 F/I	33-2055	HP-1002 ¹
SL2	1.9L L4 F/I	33-2055 ♦	HP-1002 ¹
1994 SATURN			
SL1	1.9L L4 F/I	33-2113	
SL2	1.9L L4 F/I	33-2055 ♦	HP-1002 ¹
1993 SATURN			
SL1	1.9L L4 F/I	33-2113	

* 2 filters required ♦ Intake System Available - see page 84 +Cabin Air Filter Available - see page 453 1- Performance Silver Oil Filter Also Available



Vehicle	Engine Type	Air Filter	Oil Filter
1991 SATURN			
SL1	1.9L L4 F/I	33-2113	
2016 SCION			
FR-S	2.0L H4 F/I	33-2300 ♦♦	HP-1004 ¹
iA	1.5L L4 F/I	33-5038	HP-1008 ¹
iM	1.8L L4 F/I	33-2360+	PS-7021
tC	2.5L L4 F/I	33-2326 ♦♦	PS-7020
2015 SCION			
FR-S	2.0L H4 F/I	33-2300 ♦♦	HP-1004 ¹
IQ	1.3L L4 F/I	33-2486	
tC	2.5L L4 F/I	33-2326 ♦♦	PS-7020
xB	2.4L L4 F/I	33-2326 ♦♦	HP-1003 ¹
2014 SCION			
FR-S	2.0L H4 F/I	33-2300 ♦♦	HP-1004 ¹
IQ	1.3L L4 F/I	33-2486	
tC	2.5L L4 F/I	33-2326 ♦♦	PS-7020
xB	2.4L L4 F/I	33-2326 ♦♦	HP-1003 ¹
xD	1.8L L4 F/I	33-2360+	PS-7021
2013 SCION			
FR-S	2.0L H4 F/I	33-2300 ♦♦	HP-1004 ¹
IQ	1.3L L4 F/I	33-2486	
tC	2.5L L4 F/I	33-2326 ♦♦	PS-7020
xB	2.4L L4 F/I	33-2326 ♦♦	HP-1003 ¹
xD	1.8L L4 F/I	33-2360+	PS-7021
2012 SCION			
IQ	1.3L L4 F/I	33-2486	
tC	2.5L L4 F/I	33-2326 ♦♦	PS-7020
xB	2.4L L4 F/I	33-2326 ♦♦	HP-1003 ¹
xD	1.8L L4 F/I	33-2360 ♦♦	PS-7021
2011 SCION			
tC	2.5L L4 F/I	33-2326 ♦♦	PS-7020
xB	2.4L L4 F/I	33-2326 ♦♦	HP-1003 ¹
xD	1.8L L4 F/I	33-2360 ♦♦	PS-7021
2010 SCION			
tC	2.4L L4 F/I	33-2252 ♦♦	HP-1003 ¹
xB	2.4L L4 F/I	33-2326 ♦♦	HP-1003 ¹
xD	1.8L L4 F/I	33-2360 ♦♦	PS-7021
2009 SCION			
tC	2.4L L4 F/I	33-2252 ♦♦	HP-1003 ¹
xB	2.4L L4 F/I	33-2326 ♦♦	HP-1003 ¹
xD	1.8L L4 F/I	33-2360 ♦♦	PS-7021
2008 SCION			
tC	2.4L L4 F/I	33-2252 ♦♦	HP-1003 ¹
xB	2.4L L4 F/I	33-2326 ♦♦	HP-1003 ¹
xD	1.8L L4 F/I	33-2360 ♦♦	PS-7021
2007 SCION			
tC	2.4L L4 F/I	33-2252 ♦	HP-1003 ¹
xB	1.5L L4 F/I	33-2211 ♦	HP-1003 ¹
2006 SCION			
tC	2.4L L4 F/I	33-2300 ♦	HP-1003 ¹
xA	1.5L L4 F/I	33-2211 ♦♦	HP-1003 ¹
xB	1.5L L4 F/I	33-2211 ♦♦	HP-1003 ¹
2005 SCION			
tC	2.4L L4 F/I	33-2300 ♦	HP-1003 ¹
xA	1.5L L4 F/I	33-2211 ♦♦	HP-1003 ¹
xB	1.5L L4 F/I	33-2211 ♦♦	HP-1003 ¹

Vehicle	Engine Type	Air Filter	Oil Filter
2004 SCION			
xA	1.5L L4 F/I	33-2211 ♦♦	HP-1003 ¹
xB	1.5L L4 F/I	33-2211 ♦♦	HP-1003 ¹
2003 SCION			
xB	1.5L L4 F/I	33-2211 ♦	
2016 SEA DOO			
GTI Limited 155	1503		KN-556
GTI SE 130	1503		KN-556
GTI SE 155	1503		KN-556
GTR 215	1503		KN-556
GTX 155	1503		KN-556
GTX Limited 215	1503		KN-556
GTX Limited iS 260	1503		KN-556
RXT 260	1503		KN-556
Wake 155	1503		KN-556
Wake Pro 215	1503		KN-556
2015 SEA DOO			
GTI 130	1503		KN-556
GTI SE 130	1503		KN-556
GTR 215	1503		KN-556
RXP X 260	1503		KN-556
RXT X 260	1503		KN-556
Wake 155	1503		KN-556
Wake Pro 215	1503		KN-556
2014 SEA DOO			
GTI SE 130	1494		KN-556
GTX 155	1503		KN-556
GTX Limited iS 260	1503		KN-556
RXP X 260	1503		KN-556
Wake Pro 215	1503		KN-556
2013 SEA DOO			
GTI SE 130	1494		KN-556
GTI SE 155	1494		KN-556
RXP X 260	1494		KN-556
RXT X 260	1494		KN-556
Wake 155	1494		KN-556
Wake Pro 215	1494		KN-556
2012 SEA DOO			
GTI SE 130	1494		KN-556
RXP X 260	1494		KN-556
2011 SEA DOO			
GTI 130	1494		KN-556
GTI SE 155	1494		KN-556
RXT X 260	1494		KN-556
2010 SEA DOO			
GTX 155	1494		KN-556
RXP X 255	1494		KN-556
RXT X 260	1494		KN-556
Wake Pro 215	1494		KN-556
2009 SEA DOO			
150 Speedster	1494		KN-556
155HP			
180 Challenger	1494		KN-556
215HP			
180 Challenger SE	1494		KN-556
255HP			
RXP X 255	1494		KN-556
2008 SEA DOO			
150 Speedster	1494		KN-556

* 2 filters required ♦ Intake System Available - see page 84 +Cabin Air Filter Available - see page 453 1- Performance Silver Oil Filter Also Available



AIR & OIL FILTERS

SEA DOO

Vehicle	Engine Type	Air Filter	Oil Filter
2008 SEA DOO			
180 Challenger SE	1494		KN-556
200 Speedster	1494		KN-556
GTI SE 130	1494		KN-556
GTI SE 155	1494		KN-556
GTX 155	1494		KN-556
Islandia Se Eng. 2	1494		KN-556
RXP 215	1494		KN-556
RXP X 255	1494		KN-556
RXT 215	1494		KN-556
RXT X 255	1494		KN-556

Vehicle	Engine Type	Air Filter	Oil Filter
2007 SEA DOO			
150 Speedster	1494		KN-556
GTI SE	1494		KN-556
GTI STD	1494		KN-556
GTX STD	1494		KN-556
GTX Wake	1494		KN-556
GTX Wake BVIC	1494		KN-556
RXP NA	1494		KN-556
RXT BVIC	1494		KN-556

Vehicle	Engine Type	Air Filter	Oil Filter
2006 SEA DOO			
180 Challenger CS	1494		KN-556
GTI SE	1494		KN-556
GTI STD	1494		KN-556
GTX	1494		KN-556
GTX 4-TEC STD	1494		KN-556
GTX 4-Tec Wake	1494		KN-556
GTX Limited	1494		KN-556
GTX SC	1494		KN-556
RXP	1494		KN-556
RXT	1494		KN-556

Vehicle	Engine Type	Air Filter	Oil Filter
2005 SEA DOO			
180 Challenger	1498		KN-556
GTX 4-TEC STD	1494		KN-556
GTX 4-Tec Wake	1494		KN-556
GTX Limited	1494		KN-556
GTX SC	1494		KN-556
RXP	1494		KN-556
RXT	1494		KN-556
Sportster 4-Tec 155HP	1498		KN-556

Vehicle	Engine Type	Air Filter	Oil Filter
2004 SEA DOO			
GTX 4-Tec	1494		KN-556
GTX 4-Tec Ltd. Supercharged	1494		KN-556
GTX 4-Tec Supercharged	1484		KN-556
GTX 4-Tec Wakeboard Edition	1484		KN-556
RXP Supercharged	1494		KN-556
Sportster 4-Tec	1484		KN-556

Vehicle	Engine Type	Air Filter	Oil Filter
2003 SEA DOO			
GTX 4-Tec	1484		KN-556
GTX 4-Tec Ltd. Supercharged	1494		KN-556
GTX 4-Tec Supercharged	1484		KN-556
GTX 4-Tec Wake	1484		KN-556

Vehicle	Engine Type	Air Filter	Oil Filter
2002 SEA DOO			
GTX 4-Tec	1484		KN-556

Vehicle	Engine Type	Air Filter	Oil Filter
2017 SEAT			
Alhambra II	1.4L L4 F/I - CAVA/CNWB/CTHA Eng.	33-2865+	
Alhambra II	1.4L L4 F/I - CZDA Eng.	33-3004+	
Alhambra II	2.0L L4 DSL	33-2865+	
Alhambra II	2.0L L4 F/I	33-2865+	
Ateca	1.0L L3 F/I	33-3037+	
Ateca	1.4L L4 F/I	33-3004+	
Ateca	1.6L L4 DSL	33-3005+	
Ateca	2.0L L4 DSL	33-3005+	
Ibiza V	1.0L L3 F/I - Exc. Turbo	33-2994	
Ibiza V	1.0L L3 F/I - Turbo	33-3037	
Ibiza V	1.2L L4 F/I	33-3004	
Ibiza V	1.4L L4 DSL	33-3044	
Ibiza V	1.4L L4 F/I	33-3004	
Ibiza V	1.8L L4 F/I	33-3035	
Leon	1.0L L3 F/I	33-3037+	
Leon	1.2L L4 F/I	33-3004+	
Leon	1.4L L4 F/I	33-3004+	
Leon	1.6L L4 DSL	33-3005+	
Leon	1.8L L4 F/I	33-3005+	
Leon	2.0L L4 DSL	33-3005+	
Leon	2.0L L4 F/I	33-3005+	
Mii	1.0L L3 F/I - Exc. Turbo	33-2994	
Mii	1.0L L3 F/I - Turbo	33-3037	
Toledo IV	1.2L L4 F/I	33-3004	
Toledo IV	1.4L L4 DSL	33-3044	
Toledo IV	1.4L L4 F/I	33-3004	
Toledo IV	1.6L L4 DSL	33-3035	

Vehicle	Engine Type	Air Filter	Oil Filter
2016 SEAT			
Ibiza V	1.0L L3 F/I - Exc. Turbo	33-2994	
Ibiza V	1.0L L3 F/I - Turbo	33-3037	
Ibiza V	1.2L L4 F/I	33-3004	
Ibiza V	1.4L L4 F/I	33-3004	
Ibiza V	1.8L L4 F/I	33-3035	
Leon	1.2L L4 F/I	33-3004+	
Leon	1.4L L4 F/I	33-3004+	
Leon	1.8L L4 F/I	33-3005+	
Leon	2.0L L4 DSL	33-3005+	
Leon	2.0L L4 F/I	33-3005+	

Vehicle	Engine Type	Air Filter	Oil Filter
2015 SEAT			
Ibiza V	1.2L L3 DSL	E-2997	
Ibiza V	1.2L L4 F/I - Exc. TSi	33-2830 ♦	
Ibiza V	1.2L L4 F/I - TSi, From 5/15	33-3004 ♦	
Ibiza V	1.2L L4 F/I - TSi, To 4/15	E-2997 ♦	
Ibiza V	1.4L L4 DSL	33-3044	
Ibiza V	1.4L L4 F/I - Exc. TSi	33-2920	
Ibiza V	1.4L L4 F/I - TSi, 140BHP, From 5/15	33-3004	
Ibiza V	1.4L L4 F/I - TSi, 150/180BHP, To 4/15	E-2997	
Ibiza V	1.8L L4 F/I	33-3035	
Leon	1.4L L4 F/I	33-3004+	
Leon	2.0L L4 DSL	33-3005+	
Leon	2.0L L4 F/I	33-3005+	
Toledo IV	1.2L L4 F/I - Exc. TSi	33-2830	
Toledo IV	1.2L L4 F/I - TSi, From 5/15	33-3004	
Toledo IV	1.2L L4 F/I - TSi, To 4/15	E-2997	

* 2 filters required ♦ Intake System Available - see page 84 +Cabin Air Filter Available - see page 453 1- Performance Silver Oil Filter Also Available



Vehicle	Engine Type	Air Filter	Oil Filter
2014 SEAT			
Ibiza V	1.2L L3 DSL	E-2997	
Ibiza V	1.2L L4 F/I - Exc. TSi	33-2830 ♦	
Ibiza V	1.2L L4 F/I - TSi	E-2997 ♦	
Ibiza V	1.6L L4 DSL	E-2997	
Ibiza V	1.6L L4 F/I	33-2920	
Leon	1.4L L4 F/I	33-3004+	
Leon	1.8L L4 F/I	33-3005+	
Leon	2.0L L4 DSL	33-3005+	
Leon	2.0L L4 F/I	33-3005+	

Vehicle	Engine Type	Air Filter	Oil Filter
2013 SEAT			
Ibiza V	1.2L L3 DSL	E-2997 ♦	
Ibiza V	1.2L L4 F/I - Exc. TSi	33-2830 ♦	
Ibiza V	1.2L L4 F/I - TSi	E-2997 ♦	
Ibiza V	1.4L L4 F/I - Exc. TSi	33-2920 ♦	
Ibiza V	1.4L L4 F/I - TSi, 140BHP	33-3004 ♦	
Ibiza V	1.4L L4 F/I - TSi, 150/180BHP	E-2997 ♦	
Ibiza V	1.6L L4 DSL	E-2997 ♦	
Ibiza V	1.6L L4 F/I	33-2920	
Ibiza V	2.0L L4 DSL	33-3013	
Leon	1.2L L4 F/I	33-3004+	
Leon	1.4L L4 F/I	33-3004+	
Leon	1.8L L4 F/I	33-3005 ♦+	

Vehicle	Engine Type	Air Filter	Oil Filter
2012 SEAT			
Ibiza V	1.2L L3 DSL	E-2997 ♦	
Ibiza V	1.2L L4 F/I - Exc. TSi	33-2830 ♦	
Ibiza V	1.2L L4 F/I - TSi	E-2997 ♦	
Ibiza V	1.6L L4 F/I	33-2920	
Ibiza V	2.0L L4 DSL	33-3013	
Ibiza V	2.0L L4 F/I		HP-2005 ¹
Leon Cupra R	2.0L L4 F/I	33-2888 ♦+	

Vehicle	Engine Type	Air Filter	Oil Filter
2011 SEAT			
Ibiza V	1.2L L3 DSL	E-2997 ♦	
Ibiza V	1.2L L4 F/I - Exc. TSi	33-2830 ♦	
Ibiza V	1.2L L4 F/I - TSi	E-2997 ♦	
Ibiza V	1.4L L4 F/I - Exc. TSi	33-2920 ♦	
Ibiza V	1.4L L4 F/I - TSi	E-2997 ♦	
Ibiza V	2.0L L4 F/I		HP-2005 ¹
Leon	2.0L L4 DSL	33-2865 ♦+	
Leon	2.0L L4 F/I	33-2865 ♦+	
Leon Cupra R	2.0L L4 F/I	33-2888 ♦+	

Vehicle	Engine Type	Air Filter	Oil Filter
2010 SEAT			
Ibiza V	1.2L L3 DSL	E-2997 ♦	
Ibiza V	1.2L L4 F/I - Exc. TSi	33-2830 ♦	
Ibiza V	1.2L L4 F/I - TSi	E-2997 ♦	
Ibiza V	1.6L L4 DSL	E-2997 ♦	
Ibiza V	1.6L L4 F/I	33-2920 ♦	
Ibiza V	2.0L L4 F/I		HP-2005 ¹
Leon	1.4L L4 F/I - 86BHP	33-2920 ♦+	

Vehicle	Engine Type	Air Filter	Oil Filter
2009 SEAT			
Ibiza V	1.4L L3 DSL	33-2830	
Ibiza V	1.4L L4 F/I - Exc. TSi	33-2920 ♦	
Ibiza V	1.4L L4 F/I - TSi	E-2997 ♦	
Leon	2.0L L4 DSL	33-2865 ♦+	
Leon	2.0L L4 F/I		PS-7010
Leon	2.0L L4 F/I - From 7/09, Exc. Cupra R	33-2865 ♦+	PS-7010

Vehicle	Engine Type	Air Filter	Oil Filter
2008 SEAT			
Leon	2.0L L4 DSL	33-2865 ♦+	
Leon	2.0L L4 F/I		PS-7010

Vehicle	Engine Type	Air Filter	Oil Filter
2008 SEAT			
Leon	2.0L L4 F/I - Exc. 150BHP	33-2888 ♦+	PS-7010
2007 SEAT			
Ibiza IV	1.9L L4 DSL	33-2830 ♦	
Ibiza IV	2.0L L4 F/I	33-2830	
Leon	2.0L L4 DSL	33-2865 ♦+	
Leon	2.0L L4 F/I		PS-7010
Leon	2.0L L4 F/I - 150BHP	E-2014 ♦+	PS-7010
Leon	2.0L L4 F/I - Exc. 150BHP	33-2888 ♦+	PS-7010

Vehicle	Engine Type	Air Filter	Oil Filter
2006 SEAT			
Cordoba	1.6L L4 F/I - 105BHP	33-2920	
Ibiza IV	1.8L L4 F/I	33-2830 ♦	HP-2005 ¹
Leon	1.9L L4 DSL	33-2865 ♦+	
Leon	2.0L L4 DSL	33-2865 ♦+	
Leon	2.0L L4 F/I		PS-7010
Leon	2.0L L4 F/I - 150BHP	E-2014 ♦+	PS-7010
Leon	2.0L L4 F/I - Exc. 150BHP	33-2888 ♦+	PS-7010

Vehicle	Engine Type	Air Filter	Oil Filter
2005 SEAT			
Leon	1.8L L4 F/I	33-2128 ♦+	HP-2005 ¹

Vehicle	Engine Type	Air Filter	Oil Filter
2004 SEAT			
Leon	1.8L L4 F/I	33-2128 ♦+	HP-2005 ¹

Vehicle	Engine Type	Air Filter	Oil Filter
2003 SEAT			
Leon	1.8L L4 F/I	33-2128 ♦+	HP-2005 ¹
Leon	1.9L L4 DSL	33-2128 ♦	

Vehicle	Engine Type	Air Filter	Oil Filter
2010 SHERCO			
SM 5.1i F	500		KN-611

Vehicle	Engine Type	Air Filter	Oil Filter
2005 SKI DOO			
Expedition TUV V-1000	1000		KN-556

Vehicle	Engine Type	Air Filter	Oil Filter
2004 SKI DOO			
Legend V-1000 Sport	1000		KN-556

Vehicle	Engine Type	Air Filter	Oil Filter
2016 SMART			
Forfour	1.0L L3 F/I	33-3043	
Fortwo	0.9L L3 F/I	33-3043	
Fortwo	1.0L L3 F/I	33-3043	

Vehicle	Engine Type	Air Filter	Oil Filter
2015 SMART			
Forfour	0.9L L3 F/I	33-3043	
Fortwo	0.9L L3 F/I	33-3043	
Fortwo	1.0L L3 F/I	33-2417	HP-1008 ¹
Fortwo	1.0L L3 F/I - Non-US, Cabrio	33-2417	HP-1008
Fortwo	1.0L L3 F/I - Non-US, Coupe	33-3043	HP-1008

Vehicle	Engine Type	Air Filter	Oil Filter
2014 SMART			
Fortwo	0.9L L3 F/I	33-3043	
Fortwo	1.0L L3 F/I	33-2417	HP-1008 ¹

Vehicle	Engine Type	Air Filter	Oil Filter
2013 SMART			
Fortwo	0.8L L3 DSL	33-2417	
Fortwo	1.0L L3 F/I	33-2417	HP-1008 ¹

Vehicle	Engine Type	Air Filter	Oil Filter
2012 SMART			
Fortwo	0.8L L3 DSL	33-2417	
Fortwo	1.0L L3 F/I	33-2417	HP-1008 ¹

Vehicle	Engine Type	Air Filter	Oil Filter
2011 SMART			
Fortwo	1.0L L3 F/I	33-2417	HP-1008 ¹

* 2 filters required

♦ Intake System Available - see page 84 +Cabin Air Filter Available - see page 453 1- Performance Silver Oil Filter Also Available



AIR & OIL FILTERS

SMART

Vehicle	Engine Type	Air Filter	Oil Filter
2010 SMART			
Fortwo	1.0L L3 F/I		HP-1008 ¹
Fortwo	1.0L L3 F/I - US	33-2417	HP-1008
2009 SMART			
Fortwo	0.8L L3 DSL	33-2417	
Fortwo	1.0L L3 F/I	33-2417	HP-1008 ¹
2008 SMART			
Fortwo	0.8L L3 DSL	33-2417	
Fortwo	1.0L L3 F/I	33-2417	HP-1008 ¹
2006 SMART			
Fortwo	0.7L L3 F/I	E-9257	
Fortwo	0.8L L3 DSL	E-9257	
2005 SMART			
Fortwo	0.7L L3 F/I	E-9257	
Fortwo	0.8L L3 DSL	E-9257	
2004 SMART			
Fortwo	0.7L L3 F/I	E-9257	
2015 SRT			
Viper	8.4L V10 F/I	33-2432 ♦	HP-1017 ¹
2014 SRT			
Viper	8.4L V10 F/I	33-2432 ♦	
2017 SUBARU			
BRZ	2.0L H4 F/I		HP-1004 ¹
BRZ	2.0L H4 F/I - w/Auto Trans.	33-2300 ♦+	HP-1004
Crosstrek	2.0L H4 F/I		HP-1010 ¹
Forester	2.0L H4 F/I	33-2304	HP-1010 ¹
Forester	2.5L H4 F/I	33-2304	HP-1010 ¹
Impreza	2.0L H4 F/I		HP-1010 ¹
Legacy	2.5L H4 F/I	33-2304	HP-1010 ¹
Legacy	3.6L H6 F/I	33-2304	HP-1004 ¹
Outback	2.5L H4 F/I	33-2304	HP-1010 ¹
Outback	3.6L H6 F/I	33-2304	HP-1004 ¹
WRX	2.0L H4 F/I	33-2304 ♦	HP-1004 ¹
WRX STI	2.5L H4 F/I	33-2304 ♦	HP-1008 ¹
2016 SUBARU			
BRZ	2.0L H4 F/I	33-2300 ♦+	HP-1004 ¹
Forester	2.0L H4 DSL	33-2304	
Forester	2.0L H4 F/I	33-2304	HP-1010 ¹
Forester	2.5L H4 F/I	33-2304	HP-1010 ¹
Impreza	1.6L H4 F/I	33-2304	
Impreza	2.0L H4 F/I	33-2304	HP-1010 ¹
Impreza WRX STI	2.5L H4 F/I	33-2304 ♦	HP-1008 ¹
Legacy	2.5L H4 F/I	33-2304+	HP-1010 ¹
Legacy	3.6L H6 F/I	33-2304+	HP-1004 ¹
Levorg	1.6L H4 F/I	33-2304	
Outback	2.0L H4 DSL	33-2304	
Outback	2.5L H4 F/I	33-2304+	HP-1010 ¹
Outback	3.6L H6 F/I	33-2304+	HP-1004 ¹
WRX	2.0L H4 F/I	33-2304 ♦	HP-1004 ¹
WRX STI	2.5L H4 F/I	33-2304 ♦	HP-1008 ¹
XV	1.6L H4 F/I	33-2304	
XV	2.0L H4 DSL	33-2304	
XV	2.0L H4 F/I		HP-1010 ¹
XV	2.0L H4 F/I - Non-US	33-2304	HP-1010
XV Crosstrek	2.0L H4 F/I		HP-1010 ¹
XV Crosstrek	2.0L H4 F/I - Exc. Hybrid	33-2304	HP-1010
XV Crosstrek	2.0L H4 F/I - w/Hybrid	33-5022	HP-1010

Vehicle	Engine Type	Air Filter	Oil Filter
2015 SUBARU			
BRZ	2.0L H4 F/I	33-2300 ♦+	HP-1004 ¹
Forester	2.0L H4 DSL	33-2304	
Forester	2.0L H4 F/I	33-2304	HP-1010 ¹
Forester	2.5L H4 F/I	33-2304	HP-1010 ¹
Impreza	1.6L H4 F/I	33-2304	
Impreza	2.0L H4 F/I	33-2304 ♦	HP-1010 ¹
Impreza WRX	2.5L H4 F/I	33-2304 ♦	HP-1008 ¹
Impreza WRX STI	2.5L H4 F/I	33-2304 ♦	HP-1008 ¹
Legacy	2.5L H4 F/I	33-2304+	HP-1010 ¹
Legacy	3.6L H6 F/I	33-2304+	HP-1004 ¹
Legacy IV	2.0L H4 DSL	33-2304	
Legacy IV	2.0L H4 F/I	33-2304	
Legacy IV	2.5L H4 F/I	33-2304	
Outback	2.0L H4 DSL	33-2304	
Outback	2.5L H4 F/I	33-2304+	HP-1010 ¹
Outback	3.6L H6 F/I	33-2304+	HP-1004 ¹
WRX	2.5L H4 F/I	33-2304	HP-1008 ¹
WRX STI	2.5L H4 F/I	33-2304 ♦	HP-1008 ¹
XV	2.0L H4 DSL	33-2304	
XV	2.0L H4 F/I		HP-1010 ¹
XV	2.0L H4 F/I - Non-US	33-2304	HP-1010
XV Crosstrek	2.0L H4 F/I		HP-1008 ¹
XV Crosstrek	2.0L H4 F/I - Exc. Hybrid	33-2304	HP-1008
XV Crosstrek	2.0L H4 F/I - w/Hybrid	33-5022	HP-1008
2014 SUBARU			
BRZ	2.0L H4 F/I	33-2300 ♦+	HP-1004 ¹
Forester	2.0L H4 DSL	33-2304	
Forester	2.0L H4 F/I	33-2304	HP-1010 ¹
Forester	2.5L H4 F/I	33-2304	HP-1010 ¹
Impreza	1.6L H4 F/I	33-2304	
Impreza	2.0L H4 F/I	33-2304 ♦	HP-1010 ¹
Impreza WRX	2.5L H4 F/I	33-2304 ♦	HP-1008 ¹
Impreza WRX STI	2.5L H4 F/I	33-2304 ♦	HP-1008 ¹
Legacy	2.5L H4 F/I	33-2304+	HP-1010 ¹
Legacy	3.6L H6 F/I	33-2304+	HP-1004 ¹
Legacy IV	2.0L H4 DSL	33-2304	
Legacy IV	2.0L H4 F/I	33-2304	
Legacy IV	2.5L H4 F/I	33-2304	
Outback	2.0L H4 DSL	33-2304	
Outback	2.5L H4 F/I	33-2304+	HP-1010 ¹
Outback	3.6L H6 F/I	33-2304+	HP-1004 ¹
WRX	2.5L H4 F/I	33-2304	HP-1008 ¹
WRX STI	2.5L H4 F/I	33-2304 ♦	HP-1008 ¹
XV	2.0L H4 DSL	33-2304	
XV	2.0L H4 F/I		HP-1010 ¹
XV	2.0L H4 F/I - Non-US	33-2304	HP-1010
XV Crosstrek	2.0L H4 F/I		HP-1008 ¹
XV Crosstrek	2.0L H4 F/I - Exc. Hybrid	33-2304	HP-1008
XV Crosstrek	2.0L H4 F/I - w/Hybrid	33-5022	HP-1008
2013 SUBARU			
BRZ	2.0L H4 F/I	33-2300 ♦+	HP-1004 ¹
Forester	2.0L H4 DSL	33-2304	
Forester	2.0L H4 F/I	33-2304	
Forester	2.5L H4 F/I	33-2304	
Forester	2.5L H4 F/I - Exc. Turbo	33-2304	HP-1010 ¹
Forester	2.5L H4 F/I - Turbo	33-2304	HP-1008 ¹
Impreza	1.6L H4 F/I	33-2304	
Impreza	2.0L H4 F/I	33-2304	HP-1010 ¹
Impreza WRX	2.5L H4 F/I	33-2304 ♦	HP-1008 ¹
Impreza WRX STI	2.5L H4 F/I	33-2304 ♦	HP-1008 ¹
Legacy	2.5L H4 F/I	33-2304+	HP-1010 ¹
Legacy	3.6L H6 F/I	33-2304+	HP-1004 ¹
Legacy IV	2.0L H4 DSL	33-2304	

* 2 filters required ♦ Intake System Available - see page 84 + Cabin Air Filter Available - see page 453 1- Performance Silver Oil Filter Also Available



Vehicle	Engine Type	Air Filter	Oil Filter
2013 SUBARU			
Legacy IV	2.0L H4 F/I	33-2304	
Legacy IV	2.5L H4 F/I	33-2304	
Outback	2.0L H4 DSL	33-2304	
Outback	2.5L H4 F/I	33-2304+	HP-1010 ¹
Outback	3.6L H6 F/I	33-2304+	HP-1004 ¹
Tribeca	3.6L H6 F/I	33-2304+	HP-1004 ¹
WRX	2.5L H4 F/I	33-2304	HP-1008 ¹
WRX STI	2.5L H4 F/I	33-2304	HP-1008 ¹
XV	2.0L H4 DSL	33-2304	
XV	2.0L H4 F/I	33-2304	HP-1010 ¹
XV Crosstrek	2.0L H4 F/I	33-2304	HP-1008 ¹

Vehicle	Engine Type	Air Filter	Oil Filter
2012 SUBARU			
BRZ	2.0L H4 F/I	33-2300	
Forester	2.0L H4 DSL	33-2304	
Forester	2.0L H4 F/I	33-2304	
Forester	2.5L H4 F/I	33-2304	HP-1004 ¹
Forester Turbo	2.5L H4 F/I	33-2304	HP-1008 ¹
Impreza	1.5L H4 F/I	33-2304	
Impreza	2.0L H4 DSL	33-2304	
Impreza	2.0L H4 F/I	33-2304	HP-1010 ¹
Impreza WRX	2.5L H4 F/I	33-2304 ♦	HP-1008 ¹
Impreza WRX STi	2.5L H4 F/I	33-2304 ♦	HP-1008 ¹
Legacy	2.5L H4 F/I	33-2304+	HP-1008 ¹
Legacy	3.6L H6 F/I	33-2304+	HP-1004 ¹
Legacy IV	2.0L H4 DSL	33-2304	
Legacy IV	2.0L H4 F/I	33-2304	
Legacy IV	2.5L H4 F/I	33-2304	
Outback	2.0L H4 DSL	33-2304	
Outback	2.5L H4 F/I	33-2304+	HP-1008 ¹
Outback	3.6L H6 F/I	33-2304+	HP-1004 ¹
Tribeca	3.6L H6 F/I	33-2304+	HP-1004 ¹
WRX	2.5L H4 F/I	33-2304	HP-1008 ¹
WRX STI	2.5L H4 F/I	33-2304	HP-1008 ¹

Vehicle	Engine Type	Air Filter	Oil Filter
2011 SUBARU			
Forester	2.0L H4 DSL	33-2304	
Forester	2.0L H4 F/I	33-2304	
Forester	2.5L H4 F/I	33-2304	HP-1004 ¹
Forester Turbo	2.5L H4 F/I	33-2304	HP-1008 ¹
Impreza	1.5L H4 F/I	33-2304	
Impreza	2.0L H4 DSL	33-2304	
Impreza	2.0L H4 F/I	33-2304	
Impreza	2.5L H4 F/I	33-2304	HP-1008 ¹
Impreza WRX	2.5L H4 F/I	33-2304 ♦	HP-1008 ¹
Impreza WRX STi	2.5L H4 F/I	33-2304 ♦	HP-1008 ¹
Legacy	2.5L H4 F/I	33-2304+	HP-1008 ¹
Legacy	3.6L H6 F/I	33-2304+	HP-1004 ¹
Legacy IV	2.0L H4 DSL	33-2304	
Legacy IV	2.0L H4 F/I	33-2304	
Legacy IV	2.5L H4 F/I	33-2304	
Outback	2.0L H4 DSL	33-2304	
Outback	2.5L H4 F/I	33-2304+	HP-1008 ¹
Outback	3.6L H6 F/I	33-2304+	HP-1004 ¹
Tribeca	3.6L H6 F/I	33-2304+	

Vehicle	Engine Type	Air Filter	Oil Filter
2010 SUBARU			
Forester	2.0L H4 DSL	33-2304	
Forester	2.0L H4 F/I	33-2304	
Forester	2.5L H4 F/I	33-2304	HP-1008 ¹
Impreza	1.5L H4 F/I	33-2304	
Impreza	2.0L H4 DSL	33-2304	
Impreza	2.0L H4 F/I	33-2304	
Impreza	2.5L H4 F/I	33-2304	HP-1008 ¹

Vehicle	Engine Type	Air Filter	Oil Filter
2010 SUBARU			
Impreza WRX	2.5L H4 F/I	33-2304 ♦	HP-1008 ¹
Impreza WRX STi	2.5L H4 F/I	33-2304 ♦	HP-1008 ¹
Legacy	2.5L H4 F/I	33-2304+	HP-1008 ¹
Legacy	3.6L H6 F/I	33-2304+	HP-1004 ¹
Legacy IV	2.0L H4 DSL	33-2304	
Legacy IV	2.0L H4 F/I	33-2304	
Legacy IV	2.5L H4 F/I	33-2304	
Outback	2.0L H4 DSL	33-2304	
Outback	2.5L H4 F/I	33-2304+	HP-1008 ¹
Outback	3.6L H6 F/I	33-2304+	HP-1004 ¹

Vehicle	Engine Type	Air Filter	Oil Filter
2009 SUBARU			
Forester	2.0L H4 DSL	33-2304	
Forester	2.0L H4 F/I	33-2304	
Forester	2.5L H4 F/I	33-2304	HP-1008 ¹
Impreza	1.5L H4 F/I	33-2304	
Impreza	2.0L H4 DSL	33-2304	
Impreza	2.0L H4 F/I	33-2304	
Impreza	2.5L H4 F/I	33-2304 ♦	HP-1008 ¹
Impreza WRX	2.0L H4 F/I	33-2304	
Impreza WRX	2.5L H4 F/I	33-2304 ♦	HP-1008 ¹
Impreza WRX STi	2.0L H4 F/I	33-2304	
Impreza WRX STi	2.5L H4 F/I	33-2304 ♦	HP-1008 ¹
Legacy	2.5L H4 F/I	33-2304+	HP-1008 ¹
Legacy	3.0L H6 F/I	33-2304+	HP-1004 ¹
Legacy GT	2.5L H4 F/I	33-2304 ♦+	HP-1008 ¹
Legacy IV	2.0L H4 DSL	33-2304	
Legacy IV	2.0L H4 F/I	33-2304	
Legacy IV	2.5L H4 F/I		HP-1008 ¹
Legacy IV	2.5L H4 F/I - 165BHP	33-2304	HP-1008
Legacy IV	3.0L H6 F/I	33-2304	HP-1004 ¹
Outback	2.0L H4 DSL	33-2304	
Outback	2.5L H4 F/I	33-2304+	HP-1008 ¹
Outback	3.0L H6 F/I	33-2304+	HP-1004 ¹
Outback	3.0L H6 F/I	33-2304	
Tribeca	3.0L H6 F/I	33-2304	
Tribeca	3.6L H6 F/I	33-2304+	HP-1004 ¹

Vehicle	Engine Type	Air Filter	Oil Filter
2008 SUBARU			
Forester	2.0L H4 DSL	33-2304	
Forester	2.0L H4 F/I - From 4/08	33-2304	
Forester	2.5L H4 F/I	33-2075	HP-1008 ¹
Impreza	1.5L H4 F/I	33-2304	
Impreza	2.0L H4 DSL	33-2304	
Impreza	2.0L H4 F/I	33-2304	
Impreza	2.5L H4 F/I	33-2304 ♦	HP-1008 ¹
Impreza WRX	2.0L H4 F/I	33-2304	
Impreza WRX	2.5L H4 F/I	33-2304 ♦	HP-1008 ¹
Impreza WRX STi	2.0L H4 F/I	33-2304	
Impreza WRX STi	2.5L H4 F/I	33-2304 ♦	HP-1008 ¹
Legacy	2.5L H4 F/I	33-2304+	HP-1008 ¹
Legacy	3.0L H6 F/I	33-2304+	HP-1004 ¹
Legacy GT	2.5L H4 F/I	33-2304 ♦+	HP-1008 ¹
Legacy IV	2.0L H4 DSL	33-2304	
Legacy IV	2.0L H4 F/I	33-2304	
Legacy IV	2.5L H4 F/I		HP-1008 ¹
Legacy IV	2.5L H4 F/I - 165BHP	33-2304	HP-1008
Legacy IV	3.0L H6 F/I	33-2304	HP-1004 ¹
Outback	2.0L H4 DSL	33-2304	
Outback	2.5L H4 F/I	33-2304+	HP-1008 ¹
Outback	3.0L H6 F/I	33-2304+	HP-1004 ¹
Tribeca	3.0L H6 F/I	33-2304	
Tribeca	3.6L H6 F/I	33-2304+	HP-1004 ¹

* 2 filters required

♦ Intake System Available - see page 84 +Cabin Air Filter Available - see page 453 1- Performance Silver Oil Filter Also Available



AIR & OIL FILTERS

SUBARU

Vehicle	Engine Type	Air Filter	Oil Filter
2007 SUBARU			
B9 Tribeca	3.0L H6 F/I	33-2304+	HP-1004 ¹
Forester	2.0L H4 F/I - Non-US, Exc. Turbo, To 3/08	33-2154	
Forester	2.5L H4 F/I	33-2075	HP-1008 ¹
Impreza	1.5L H4 F/I	33-2304	
Impreza	2.0L H4 F/I	33-2304	
Impreza	2.5L H4 F/I	33-2232 ♦	HP-1008 ¹
Impreza WRX	2.0L H4 F/I	33-2304 ♦	
Impreza WRX	2.5L H4 F/I	33-2232 ♦	HP-1008 ¹
Impreza WRX STi	2.0L H4 F/I	33-2304 ♦	
Impreza WRX STi	2.5L H4 F/I	33-2232 ♦	HP-1008 ¹
Legacy	2.5L H4 F/I	33-2304+	HP-1008 ¹
Legacy GT	2.5L H4 F/I	33-2304 ♦+	HP-1008 ¹
Legacy IV	2.0L H4 F/I	33-2304	
Legacy IV	2.5L H4 F/I		HP-1008 ¹
Legacy IV	2.5L H4 F/I - 165BHP	33-2304	HP-1008
Legacy IV	3.0L H6 F/I	33-2304	
Outback	2.5L H4 F/I	33-2304+	HP-1008 ¹
Outback	3.0L H6 F/I	33-2304+	HP-1004 ¹

Vehicle	Engine Type	Air Filter	Oil Filter
2006 SUBARU			
B9 Tribeca	3.0L H6 F/I	33-2304+	HP-1004 ¹
Baja	2.5L H4 F/I	33-2075	HP-1008 ¹
Baja Sport	2.5L H4 F/I	33-2154	HP-1008 ¹
Forester	2.0L H4 F/I - Exc. Turbo	33-2154	
Forester	2.5L H4 F/I	33-2075	HP-1008 ¹
Forester	2.5L H4 F/I - Non-US, Turbo	33-2075	HP-1008
Forester Turbo	2.5L H4 F/I	33-2075 ♦	HP-1008 ¹
Impreza	2.5L H4 F/I	33-2232	HP-1008 ¹
Impreza WRX	2.5L H4 F/I	33-2232 ♦	HP-1008 ¹
Impreza WRX STi	2.5L H4 F/I	33-2232 ♦	HP-1008 ¹
Legacy	2.5L H4 F/I	33-2304+	HP-1008 ¹
Legacy GT	2.5L H4 F/I	33-2304 ♦+	HP-1008 ¹
Legacy IV	2.0L H4 F/I	33-2304	
Legacy IV	2.5L H4 F/I		HP-1008 ¹
Legacy IV	2.5L H4 F/I - 165BHP	33-2304	HP-1008
Legacy IV	3.0L H6 F/I	33-2304	
Outback	2.5L H4 F/I	33-2304+	HP-1008 ¹
Outback	3.0L H6 F/I	33-2304+	HP-1004 ¹
Outback XT	2.5L H4 F/I	33-2304+	HP-1008 ¹
Tribeca	3.0L H6 F/I	33-2304	

Vehicle	Engine Type	Air Filter	Oil Filter
2005 SUBARU			
Baja	2.5L H4 F/I	33-2075	HP-1008 ¹
Baja Sport	2.5L H4 F/I	33-2154	HP-1008 ¹
Forester	2.0L H4 F/I - Exc. Turbo	33-2154	
Forester	2.0L H4 F/I - Turbo	33-2232	
Forester	2.5L H4 F/I	33-2075	HP-1008 ¹
Forester	2.5L H4 F/I - Non-US, Exc. Turbo	33-2154	HP-1008
Forester	2.5L H4 F/I - Non-US, Turbo	33-2075	HP-1008
Forester Turbo	2.5L H4 F/I	33-2075 ♦	HP-1008 ¹
Impreza	2.0L H4 F/I		HP-1008 ¹
Impreza	2.0L H4 F/I - Exc. Turbo	33-2154 ♦	HP-1008
Impreza	2.0L H4 F/I - Turbo	33-2232 ♦	HP-1008
Impreza	2.5L H4 F/I	33-2232	HP-1008 ¹
Impreza WRX	2.0L H4 F/I		HP-1008 ¹
Impreza WRX	2.0L H4 F/I - Non-US, Exc. Turbo	33-2154 ♦	HP-1008
Impreza WRX	2.0L H4 F/I - Non-US, Turbo	33-2232 ♦	HP-1008
Impreza WRX	2.0L H4 F/I - US	33-2075 ♦	HP-1008
Impreza WRX STi	2.0L H4 F/I	33-2154 ♦	HP-1008 ¹
Impreza WRX STi	2.5L H4 F/I	33-2232 ♦	HP-1008 ¹

Vehicle	Engine Type	Air Filter	Oil Filter
2005 SUBARU			
Legacy	2.5L H4 F/I	33-2304+	HP-1008 ¹
Legacy GT	2.5L H4 F/I	33-2304 ♦+	HP-1008 ¹
Legacy IV	2.0L H4 F/I - 138/165BHP	33-2304	
Legacy IV	2.5L H4 F/I		HP-1008 ¹
Legacy IV	2.5L H4 F/I - 165BHP	33-2304	HP-1008
Legacy IV	3.0L H6 F/I	33-2304	
Outback	2.5L H4 F/I	33-2304+	HP-1008 ¹
Outback	3.0L H6 F/I	33-2304+	HP-1004 ¹
Outback XT	2.5L H4 F/I	33-2304+	HP-1008 ¹

Vehicle	Engine Type	Air Filter	Oil Filter
2004 SUBARU			
Baja	2.5L H4 F/I	33-2075	HP-1008 ¹
Baja Sport	2.5L H4 F/I	33-2154	HP-1008 ¹
Forester	2.0L H4 F/I - Exc. Turbo	33-2154	
Forester	2.0L H4 F/I - Turbo	33-2232	
Forester	2.5L H4 F/I		HP-1008 ¹
Forester	2.5L H4 F/I - Exc. Turbo	33-2154	HP-1008
Forester Turbo	2.5L H4 F/I		HP-1008 ¹
Forester Turbo	2.5L H4 F/I - Turbo	33-2075 ♦	HP-1008
Impreza	2.0L H4 F/I		HP-1008 ¹
Impreza	2.0L H4 F/I - Exc. Turbo	33-2154 ♦	HP-1008
Impreza	2.0L H4 F/I - Turbo	33-2232 ♦	HP-1008
Impreza	2.5L H4 F/I	33-2154	HP-1008 ¹
Impreza WRX	2.0L H4 F/I		HP-1008 ¹
Impreza WRX	2.0L H4 F/I - Non-US, Exc. Turbo	33-2154 ♦	HP-1008
Impreza WRX	2.0L H4 F/I - Non-US, Turbo	33-2232 ♦	HP-1008
Impreza WRX	2.0L H4 F/I - US	33-2075 ♦	HP-1008
Impreza WRX STi	2.0L H4 F/I	33-2154 ♦	HP-1008 ¹
Impreza WRX STi	2.5L H4 F/I	33-2075 ♦	HP-1008 ¹
Legacy	2.5L H4 F/I		HP-1008 ¹
Legacy	2.5L H4 F/I - OEM 16546AA020	33-2232	HP-1008
Legacy	2.5L H4 F/I - OEM 16546AA070	33-2154	HP-1008
Legacy IV	2.0L H4 F/I - 138BHP	33-2304	
Legacy IV	2.5L H4 F/I - 165BHP	33-2304	
Legacy IV	3.0L H6 F/I	33-2304	
Outback	2.5L H4 F/I		HP-1008 ¹
Outback	2.5L H4 F/I - Exc. Turbo	33-2154	HP-1008
Outback	2.5L H4 F/I - Non-US	33-2304	HP-1008
Outback	2.5L H4 F/I - Turbo	33-2075	HP-1008
Outback	3.0L H6 F/I		HP-1004 ¹
Outback	3.0L H6 F/I - Non-US, 245BHP	33-2304	HP-1004
Outback	3.0L H6 F/I - VDC	33-2075	HP-1004 ¹

Vehicle	Engine Type	Air Filter	Oil Filter
2003 SUBARU			
Baja	2.5L H4 F/I	33-2154	HP-1008 ¹
Forester	2.0L H4 F/I - Exc. Turbo	33-2154	
Forester	2.0L H4 F/I - Turbo	33-2232	
Forester	2.5L H4 F/I	33-2154	HP-1008 ¹
Forester	2.5L H4 F/I - Non-US, Exc. Turbo	33-2154	HP-1008
Forester	2.5L H4 F/I - Non-US, Turbo	33-2075	HP-1008
Impreza	2.0L H4 F/I		HP-1008 ¹
Impreza	2.0L H4 F/I - Exc. Turbo	33-2154 ♦	HP-1008
Impreza	2.0L H4 F/I - Turbo	33-2232 ♦	HP-1008
Impreza	2.5L H4 F/I	33-2154	HP-1008 ¹
Impreza WRX	2.0L H4 F/I	33-2232 ♦	HP-1008 ¹
Impreza WRX STi	2.0L H4 F/I	33-2154 ♦	HP-1008 ¹
Legacy	2.5L H4 F/I		HP-1008 ¹
Legacy	2.5L H4 F/I - OEM 16546AA020	33-2232	HP-1008

* 2 filters required

♦ Intake System Available - see page 84 +Cabin Air Filter Available - see page 453 1- Performance Silver Oil Filter Also Available



Vehicle	Engine Type	Air Filter	Oil Filter
2003 SUBARU			
Legacy	2.5L H4 F/I - OEM 16546AA070	33-2154	HP-1008
Legacy III	2.0L H4 F/I	33-2154	
Legacy III	2.5L H4 F/I	33-2154	HP-1008 ¹
Legacy IV	2.0L H4 F/I - 138BHP	33-2304	
Legacy IV	2.5L H4 F/I - 165BHP	33-2304	
Legacy IV	3.0L H6 F/I	33-2304	
Outback	2.5L H4 F/I	33-2154	HP-1008 ¹
Outback	2.5L H4 F/I - Non-US, 156BHP	33-2154	HP-1008
Outback	2.5L H4 F/I - Non-US, 165BHP	33-2304	HP-1008
Outback	3.0L H6 F/I	33-2232	HP-1004 ¹
Outback	3.0L H6 F/I - Non-US, 209BHP	33-2232	HP-1004
Outback	3.0L H6 F/I - Non-US, 245BHP	33-2304	HP-1004

Vehicle	Engine Type	Air Filter	Oil Filter
2002 SUBARU			
Forester	2.0L H4 F/I - Exc. Turbo	33-2154	
Forester	2.0L H4 F/I - Turbo	33-2232	
Forester	2.5L H4 F/I	33-2154	HP-1008 ¹
Forester	2.5L H4 F/I - Non-US, Exc. Turbo	33-2154	HP-1008
Forester	2.5L H4 F/I - Non-US, Turbo	33-2075	HP-1008
Impreza	2.0L H4 F/I		HP-1008 ¹
Impreza	2.0L H4 F/I - Exc. Turbo	33-2154 ♦	HP-1008
Impreza	2.0L H4 F/I - Turbo	33-2232 ♦	HP-1008
Impreza	2.5L H4 F/I	33-2154	HP-1008 ¹
Impreza RS	2.5L H4 F/I	33-2154	HP-1008 ¹
Impreza WRX	2.0L H4 F/I	33-2232 ♦	HP-1008 ¹
Impreza WRX STi	2.0L H4 F/I	33-2232 ♦	HP-1008 ¹
Legacy	2.5L H4 F/I		HP-1008 ¹
Legacy	2.5L H4 F/I - OEM 16546AA020	33-2232	HP-1008
Legacy	2.5L H4 F/I - OEM 16546AA070	33-2154	HP-1008
Legacy III	2.0L H4 F/I	33-2154	
Legacy III	2.5L H4 F/I	33-2154	HP-1008 ¹
Outback	2.5L H4 F/I	33-2154	HP-1008 ¹
Outback	3.0L H6 F/I	33-2232	HP-1004 ¹

Vehicle	Engine Type	Air Filter	Oil Filter
2001 SUBARU			
Forester	2.0L H4 F/I - Exc. Turbo	33-2154	
Forester	2.0L H4 F/I - Turbo	33-2232	
Forester	2.5L H4 F/I	33-2154	HP-1008 ¹
Impreza	2.0L H4 F/I - Exc. Turbo	33-2154 ♦	
Impreza	2.0L H4 F/I - Turbo	33-2232 ♦	
Impreza	2.2L H4 F/I	33-2154	HP-1008 ¹
Impreza	2.5L H4 F/I	33-2154	HP-1008 ¹
Impreza WRX	2.0L H4 F/I	33-2232 ♦	
Impreza WRX	2.2L H4 F/I	33-2154	
Legacy	2.5L H4 F/I		HP-1008 ¹
Legacy	2.5L H4 F/I - OEM 16546AA020	33-2232	HP-1008
Legacy	2.5L H4 F/I - OEM 16546AA070	33-2154	HP-1008
Legacy III	2.0L H4 F/I	33-2154	
Legacy III	2.5L H4 F/I	33-2154	HP-1008 ¹
Outback	2.5L H4 F/I	33-2154	HP-1008 ¹
Outback	3.0L H6 F/I	33-2232	HP-1004 ¹

Vehicle	Engine Type	Air Filter	Oil Filter
2000 SUBARU			
Forester	2.0L H4 F/I - Exc. Turbo	33-2154	
Forester	2.0L H4 F/I - Turbo	33-2232	
Forester	2.5L H4 F/I	33-2154	HP-1008 ¹
Impreza	2.0L H4 F/I	33-2232 ♦	

Vehicle	Engine Type	Air Filter	Oil Filter
2000 SUBARU			
Impreza	2.2L H4 F/I	33-2154	HP-1008 ¹
Impreza	2.5L H4 F/I	33-2154	HP-1008 ¹
Impreza WRX	2.0L H4 F/I	33-2232 ♦	
Legacy	2.5L H4 F/I		HP-1008 ¹
Legacy	2.5L H4 F/I - OEM 16546AA020	33-2232	HP-1008
Legacy	2.5L H4 F/I - OEM 16546AA070	33-2154	HP-1008
Legacy III	2.0L H4 F/I	33-2154	
Legacy III	2.5L H4 F/I	33-2154	HP-1008 ¹
Outback	2.5L H4 F/I	33-2154	HP-1008 ¹
Outback	3.0L H6 F/I	33-2232	

Vehicle	Engine Type	Air Filter	Oil Filter
1999 SUBARU			
Forester	2.0L H4 F/I - Exc. Turbo	33-2154	
Forester	2.0L H4 F/I - Turbo	33-2232	
Forester	2.5L H4 F/I		HP-1008 ¹
Forester	2.5L H4 F/I - OEM 16546AA020	33-2232	HP-1008
Forester	2.5L H4 F/I - OEM 16546AA070	33-2154	HP-1008
Impreza	2.0L H4 F/I	33-2232 ♦	
Impreza	2.2L H4 F/I		HP-1008 ¹
Impreza	2.2L H4 F/I - OEM 16546AA020	33-2232	HP-1008
Impreza	2.2L H4 F/I - OEM 16546AA070	33-2154	HP-1008
Impreza	2.5L H4 F/I		HP-1008 ¹
Impreza	2.5L H4 F/I - OEM 16546AA020	33-2075	HP-1008
Impreza	2.5L H4 F/I - OEM 16546AA070	33-2154	HP-1008
Legacy	2.2L H4 F/I		HP-1008 ¹
Legacy	2.2L H4 F/I - OEM 16546AA020	33-2232	HP-1008
Legacy	2.2L H4 F/I - OEM 16546AA070	33-2154	HP-1008
Legacy	2.5L H4 F/I		HP-1008 ¹
Legacy	2.5L H4 F/I - OEM 16546AA020	33-2232	HP-1008
Legacy	2.5L H4 F/I - OEM 16546AA070	33-2154	HP-1008
Legacy II	2.0L H4 F/I	33-2232	
Legacy II	2.2L H4 F/I	33-2232	HP-1008 ¹
Legacy II	2.5L H4 F/I	33-2232	HP-1008 ¹
Legacy III	2.0L H4 F/I	33-2154	
Legacy III	2.5L H4 F/I	33-2154	HP-1008 ¹

Vehicle	Engine Type	Air Filter	Oil Filter
1998 SUBARU			
Forester	2.0L H4 F/I - Exc. Turbo	33-2154	
Forester	2.0L H4 F/I - Turbo	33-2232	
Forester	2.5L H4 F/I	33-2232	HP-1008 ¹
Impreza	2.0L H4 F/I	33-2232 ♦	
Impreza	2.2L H4 F/I		HP-1008 ¹
Impreza	2.5L H4 F/I		HP-1008 ¹
Legacy	2.2L H4 F/I	33-2232	HP-1008 ¹
Legacy	2.5L H4 F/I		HP-1008 ¹
Legacy	2.5L H4 F/I - OEM 16546AA020	33-2232	HP-1008
Legacy	2.5L H4 F/I - OEM 16546AA070	33-2154	HP-1008
Legacy II	2.0L H4 F/I	33-2232	
Legacy II	2.2L H4 F/I	33-2232	HP-1008 ¹
Legacy II	2.5L H4 F/I	33-2232	HP-1008 ¹
Legacy III	2.0L H4 F/I	33-2154	
Legacy III	2.5L H4 F/I	33-2154	HP-1008 ¹
Legacy Outback	2.5L H4 F/I	33-2232	HP-1008 ¹

* 2 filters required

♦ Intake System Available - see page 84 +Cabin Air Filter Available - see page 453 1- Performance Silver Oil Filter Also Available



AIR & OIL FILTERS

SUBARU

Vehicle	Engine Type	Air Filter	Oil Filter
1997 SUBARU			
Impreza	2.0L H4 F/I	33-2232 ♦	
Impreza	2.2L H4 F/I		HP-1008 ¹
Legacy	2.2L H4 F/I	33-2232	HP-1008 ¹
Legacy	2.5L H4 F/I		HP-1008 ¹
Legacy	2.5L H4 F/I - OEM 16546AA020	33-2232	HP-1008
Legacy	2.5L H4 F/I - OEM 16546AA070	33-2154	HP-1008
Legacy II	2.2L H4 F/I	33-2232	HP-1008 ¹
Legacy II	2.5L H4 F/I	33-2232	HP-1008 ¹
Legacy Outback	2.5L H4 F/I	33-2232	HP-1008 ¹

1996 SUBARU			
Impreza	2.2L H4 F/I		HP-1008 ¹
Legacy	2.2L H4 F/I	33-2232	HP-1008 ¹
Legacy II	2.2L H4 F/I	33-2232	HP-1008 ¹
Legacy Outback	2.5L H4 F/I	33-2232	HP-1008 ¹

1995 SUBARU			
Impreza	1.8L H4 F/I	33-2232	HP-1008 ¹
Impreza	2.2L H4 F/I		HP-1008 ¹
Legacy	2.2L H4 F/I	33-2232	HP-1008 ¹
Legacy II	2.2L H4 F/I	33-2232	HP-1008 ¹

1994 SUBARU			
Impreza	1.8L H4 F/I	33-2232	HP-1008 ¹
Impreza	2.0L H4 F/I	33-2232 ♦	
Legacy	2.2L H4 F/I - Exc. Turbo		HP-1008 ¹
Legacy	2.2L H4 F/I - Turbo	33-2232	HP-1008 ¹
Legacy I	2.2L H4 F/I	33-2232	HP-1008 ¹
Legacy II	2.2L H4 F/I	33-2232	HP-1008 ¹

1993 SUBARU			
Impreza	1.8L H4 F/I	33-2232	HP-1008 ¹
Legacy	2.2L H4 F/I - Exc. Turbo		HP-1008 ¹
Legacy	2.2L H4 F/I - Turbo	33-2232	HP-1008 ¹
Legacy I	2.0L H4 F/I	33-2232	
Legacy I	2.2L H4 F/I	33-2232	HP-1008 ¹

1991 SUBARU			
Legacy	2.2L H4 F/I	33-2232	HP-1008 ¹
Legacy I	2.2L H4 F/I	33-2232	HP-1008 ¹

1990 SUBARU			
Legacy I	2.2L H4 F/I	33-2232	HP-1008 ¹

2017 SUZUKI			
GSXR1000	999	SU-1017	
GSXR1000R	999	SU-1017	
Wagon R	1.2L L4 F/I	33-2974	

2016 SUZUKI			
AN400 Burgman ABS	400	SU-4007	
AN650A Burgman Executive	638	SU-6303	
Boulevard M109R BOSS	1783	SU-1806	
Celerio	1.0L L3 F/I	33-2968	
DL650A V-Strom ABS	645	SU-1002	KN-138
DL650A V-Strom XT ABS	645	SU-1002	KN-138
DL1000 V-Strom ABS	1037	SU-1014	KN-138
DL1000 V-Strom ABS Adventure	1037	SU-1014	KN-138
DR200S	199		KN-132
DR650S	644	SU-6596	KN-137
DRZ125L	124	KA-1203	KN-132

Vehicle	Engine Type	Air Filter	Oil Filter
2016 SUZUKI			
DRZ400S	398	SU-4000	KN-139
DRZ400SM	398	SU-4000	KN-139
GSF1250 Bandit	1255	SU-6505	KN-138
GSR750	750	SU-6006	KN-138
GSX1250FA	1250	SU-6505	KN-138
GSX1300R Hayabusa	1340	SU-1308	KN-138
GSX1300R Hayabusa	1340 - Race Specific	SU-1308R	KN-138
GSXR600	600	SU-7511	KN-138
GSXR600	600 - Race Specific	SU-7511R	KN-138
GSXR750	750	SU-7511	KN-138
GSXR750	750 - Race Specific	SU-7511R	KN-138
GSXR1000	999	SU-1009	KN-138
GSXR1000	999 - Race Specific	SU-1009R	KN-138
GSXR1000 Commemorative Edition	999	SU-1009	KN-138
GSXR1000 Commemorative Edition	999 - Race Specific	SU-1009R	KN-138
GSXS750	749	SU-6006	KN-138
GSXS1000	999	SU-9915	KN-138
GSXS1000 ABS	999	SU-9915	KN-138
GSXS1000F ABS	999	SU-9915	KN-138
Jimny	1.3L L4 F/I	33-2162	
LTA400F KingQuad ASi	376		KN-138
LTA400F KingQuad ASi LE	376		KN-138
LTA500 KingQuad AXi	500		KN-138
LTA500 KingQuad AXi PS	500		KN-138
LTA500 KingQuad AXi PS SE	500		KN-138
LTA750 KingQuad AXi PS	750	SU-7005	KN-138
LTA750 KingQuad AXi PS SE	750	SU-7005	KN-138
LTA750X KingQuad AXi 4x4	750	SU-7005	KN-138
LTF400F KingQuad FSi	376		KN-138
RMZ250	249	YA-2506XD	KN-207
RMZ450	449	YA-2506XD	KN-207
SV650	645	SU-6509	KN-207
Swift IV	1.2L L4 F/I	33-2974	
Swift IV	1.6L L4 F/I	33-2075	
SX4 S-Cross	1.6L L4 F/I	33-2075	
TU250X	249	SU-2497	KN-207
Vitara	1.6L L4 F/I	33-2075	

2015 SUZUKI			
AN400 Burgman ABS	400	SU-4007	KN-131
AN650A Burgman ABS	638	SU-6303	
AN650A Burgman Executive	638	SU-6303	
Boulevard C50	805	SU-8009	KN-138
Boulevard C50T	805	SU-8009	KN-138
Boulevard C90 BOSS	1462		KN-138
Boulevard C90T	1462		KN-138
Boulevard M50	805		KN-138
Boulevard M90	1462		KN-138
Boulevard M109R BOSS	1783	SU-1806	KN-138
Boulevard S40	652	SU-6595	KN-137

* 2 filters required ♦ Intake System Available - see page 84 +Cabin Air Filter Available - see page 453 1- Performance Silver Oil Filter Also Available



Vehicle	Engine Type	Air Filter	Oil Filter
2015 SUZUKI			
Celerio	1.0L L3 F/I	33-2968	
DL650A V-Strom ABS	645	SU-1002	KN-138
DL650A V-Strom ABS Adventure	645	SU-1002	KN-138
DL650A V-Strom XT ABS	645	SU-1002	KN-138
DL1000 V-Strom ABS	1037	SU-1014	KN-138
DL1000 V-Strom ABS Adventure	1037	SU-1014	KN-138
DR200S	199		KN-132
DR650S	644	SU-6596	KN-137
DRZ400S	398	SU-4000	KN-139
DRZ400SM	398	SU-4000	KN-139
GSF1250 Bandit	1250	SU-6505	KN-138
GSR750	750	SU-6006	KN-138
GSX1250FA	1250	SU-6505	KN-138
GSX1300R Hayabusa	1340	SU-1308	KN-138
GSX1300R Hayabusa	1340 - Race Specific	SU-1308R	KN-138
GSXR600	600	SU-7511	KN-138
GSXR600	600 - Race Specific	SU-7511R	KN-138
GSXR750	750	SU-7511	KN-138
GSXR750	750 - Race Specific	SU-7511R	KN-138
GSXR1000	999	SU-1009	KN-138
GSXR1000	999 - Race Specific	SU-1009R	KN-138
GSXS750	749	SU-6006	KN-138
GSXS750Z	749	SU-6006	KN-138
GW250	248	SU-2513	KN-138
GW250F	248	SU-2513	KN-138
Jimny	1.3L L4 F/I	33-2162	
LTA400F KingQuad ASi	376	SU-5002	KN-138
LTA500 KingQuad AXi	500		KN-138
LTA500XP KingQuad AXi PS	500		KN-138
LTA750 KingQuad AXi PS	750	SU-7005	KN-138
LTA750 KingQuad AXi PS LE	750	SU-7005	KN-138
LTA750X KingQuad AXi 4x4	750	SU-7005	KN-138
LTF400F KingQuad FSi	376	SU-5002	KN-138
RMZ250	249	YA-2506XD	KN-207
RMZ450	449	YA-2506XD	KN-207
SFV650	645	SU-6509	KN-138
SV650	645	SU-6509	KN-138
Swift IV	1.2L L4 F/I	33-2974	
Swift IV	1.6L L4 F/I	33-2075	
SX4 S-Cross	1.6L L4 F/I	33-2075	
TU250X	249	SU-2497	KN-136
Vitara	1.6L L4 F/I	33-2075	

Vehicle	Engine Type	Air Filter	Oil Filter
2014 SUZUKI			
Alto V	1.0L L3 F/I	33-2968	
AN400 Burgman ABS	400	SU-4007	KN-131
AN650A Burgman ABS	638	SU-6303	KN-138
Boulevard C50 BOSS	805	SU-8009	KN-138
Boulevard C50T	805	SU-8009	KN-138
Boulevard M109R	1783	SU-1806	KN-138
Boulevard M109R BOSS	1783	SU-1806	KN-138

Vehicle	Engine Type	Air Filter	Oil Filter
2014 SUZUKI			
Boulevard M109RZ Limited	1783	SU-1806	KN-138
Boulevard S40	652	SU-6595	
Celerio	1.0L L3 F/I	33-2968	
DL650A V-Strom ABS	645	SU-1002	
DL650A V-Strom ABS Adventure	645	SU-1002	
DL1000 V-Strom ABS	1037	SU-1014	KN-138
DL1000 V-Strom ABS Adventure	1037	SU-1014	KN-138
DR650SE	644	SU-6596	KN-137
DRZ400S	398	SU-4000	
DRZ400SM	398	SU-4000	
Grand Vitara	2.4L L4 F/I	33-2429	HP-1003 ¹
GSR750	750	SU-6006	KN-138
GSX1250FA	1250	SU-6505	
GSX1300R Hayabusa	1340	SU-1308	KN-138
GSX1300R Hayabusa	1340 - Race Specific	SU-1308R	KN-138
GSX1300R Hayabusa 50th Ann. Edition	1340	SU-1308	KN-138
GSX1300R Hayabusa 50th Ann. Edition	1340 - Race Specific	SU-1308R	KN-138
GSXR600	600	SU-7511	KN-138
GSXR600	600 - Race Specific	SU-7511R	KN-138
GSXR750	750	SU-7511	KN-138
GSXR750	750 - Race Specific	SU-7511R	KN-138
GSXR750 50th Ann. Edition	750	SU-7511	KN-138
GSXR750 50th Ann. Edition	750 - Race Specific	SU-7511R	KN-138
GSXR1000	999	SU-1009	KN-138
GSXR1000	999 - Race Specific	SU-1009R	KN-138
GSXR1000 SE	999	SU-1009	KN-138
GSXR1000 SE	999 - Race Specific	SU-1009R	KN-138
GW250	248	SU-2513	
Jimny	1.3L L4 F/I	33-2162	
LTA400F KingQuad ASi	376	SU-5002	KN-138
LTA400F KingQuad ASi LE	376	SU-5002	KN-138
LTA500XP KingQuad AXi PS	500	SU-7005	KN-138
LTA750 KingQuad AXi PS	750	SU-7005	KN-138
LTA750 KingQuad AXi PS LE	750	SU-7005	KN-138
LTA750X KingQuad AXi 4x4 LE	750	SU-7005	KN-138
RMZ250	249	YA-2506XD	KN-207
RMZ450	449	YA-2506XD	KN-207
SFV650	645	SU-6509	
Swift IV	1.2L L4 F/I	33-2974	
Swift IV	1.3L L4 DSL	33-2952	
Swift IV	1.6L L4 F/I	33-2075	HP-1003 ¹
TU250X	249	SU-2497	

Vehicle	Engine Type	Air Filter	Oil Filter
2013 SUZUKI			
Alto V	1.0L L3 F/I	33-2968	
AN400 Burgman	400	SU-4007	KN-131
AN650A Burgman ABS	638	SU-6303	KN-138
Boulevard C50	805	SU-8009	KN-138

* 2 filters required

◆Intake System Available - see page 84 +Cabin Air Filter Available - see page 453 1- Performance Silver Oil Filter Also Available



AIR & OIL FILTERS

SUZUKI

Vehicle	Engine Type	Air Filter	Oil Filter	Vehicle	Engine Type	Air Filter	Oil Filter
2013 SUZUKI				2012 SUZUKI			
Boulevard C50 Special Edition	805	SU-8009	KN-138	Boulevard M109R Ltd. Ed.	1783	SU-1806	KN-138
Boulevard M50	805	SU-8009		Boulevard S40	652	SU-6595	
Boulevard M109R	1783	SU-1806	KN-138	DL650 V-Strom	645	SU-1002	KN-138
Boulevard M109R Ltd. Ed.	1773	SU-1806	KN-138	DL650A V-Strom ABS	645	SU-1002	KN-138
Boulevard S40	652	SU-6595		DL650A V-Strom ABS Adventure	645	SU-1002	KN-138
DL650A V-Strom ABS	645	SU-1002	KN-138	DL1000 V-Strom	996	SU-1002	KN-138
DL650A V-Strom ABS Adventure	645	SU-1002	KN-138	DL1000 V-Strom Adventure	996	SU-1002	KN-138
DL1000 V-Strom	996	SU-1002	KN-138	DR650SE	644	SU-6596	KN-137
DR650SE	644	SU-6596	KN-137	DRZ400S	398	SU-4000	KN-139
DRZ400S	398	SU-4000	KN-139	Equator	4.0L V6 F/I	33-2286+	HP-1010 ¹
DRZ400SM	398	SU-4000	KN-139	Grand Vitara	2.4L L4 F/I	33-2429	HP-1003 ¹
Grand Vitara	2.4L L4 F/I	33-2429	HP-1003 ¹	GSF1250 Bandit S	1250	SU-6505	KN-138
GSR750	750	SU-6006	KN-138	GSX650F	656	SU-6505	
GSX650F	656	SU-6505	KN-138	GSX1250FA	1250	SU-6505	
GSX1250FA	1250	SU-6505		GSX1300BK B-King	1340	SU-1348	
GSX1300R Hayabusa	1340	SU-1308	KN-138	GSX1300R Hayabusa	1340	SU-1308	KN-138
GSX1300R Hayabusa 1340 - Race Specific	SU-1308R	KN-138		GSX1300R Hayabusa 1340 - Race Specific	SU-1308R	KN-138	
GSX1300R Hayabusa Limited Edition	1340	SU-1308	KN-138	GSXR600	600	SU-7511	KN-138
GSX1300R Hayabusa Limited Edition	1340 - Race Specific	SU-1308R	KN-138	GSXR600 600 - Race Specific	SU-7511R	KN-138	
GSXR600	600	SU-7511	KN-138	GSXR750	750	SU-7511	KN-138
GSXR600 600 - Race Specific	SU-7511R	KN-138		GSXR750 750 - Race Specific	SU-7511R	KN-138	
GSXR750	750	SU-7511	KN-138	GSXR1000	999	SU-1009	KN-138
GSXR750 750 - Race Specific	SU-7511R	KN-138		GSXR1000 999 - Race Specific	SU-1009R	KN-138	
GSXR1000	999	SU-1009	KN-138	Jimny	1.3L L4 F/I	33-2162	
GSXR1000 999 - Race Specific	SU-1009R	KN-138		Kizashi	2.4L L4 F/I	33-2441	HP-1003 ¹
GSXR1000 1 Million C.E.	999	SU-1009	KN-138	LS650 Savage	650	SU-6595	
GSXR1000 1 Million C.E.	999 - Race Specific	SU-1009R	KN-138	LTA400F KingQuad ASi	376		KN-138
GW250	248	SU-2513	KN-138	LTA500XP KingQuad AXI PS	500	SU-7005	KN-138
Jimny	1.3L L4 F/I	33-2162		LTA750X KingQuad AXi 4x4	750	SU-7005	KN-138
Kizashi	2.4L L4 F/I	33-2441	HP-1003 ¹	LTZ400 QuadSport Z	398	SU-4002	KN-139
LTA400F KingQuad ASi	376		KN-138	LTZ400 QuadSport Z LE	398	SU-4002	KN-139
LTA500XP KingQuad AXI PS	500	SU-7005	KN-138	RMZ250	249	YA-2506XD	KN-207
LTA750X KingQuad AXi 4x4	750	SU-7005	KN-138	RMZ450	449	YA-2506XD	KN-207
LTZ400 QuadSport Z	398	SU-4002	KN-139	SFV650	645	SU-6509	KN-138
RMZ250	249	YA-2506XD	KN-207	Swift IV	1.2L L4 F/I	33-2974	
RMZ450	449	YA-2506XD	KN-207	Swift IV	1.3L L4 DSL	33-2952	
SFV650	645	SU-6509		Swift IV	1.6L L4 F/I	33-2075	HP-1003 ¹
Swift IV	1.2L L4 F/I	33-2974		SX4	1.6L L4 F/I	33-2075	
Swift IV	1.3L L4 DSL	33-2952		SX4	2.0L L4 F/I	33-2463	HP-1003 ¹
Swift IV	1.6L L4 F/I	33-2075	HP-1003 ¹	SX4 S-Cross	1.6L L4 F/I	33-2075	
SX4	1.6L L4 F/I	33-2075		TU250X	249	SU-2497	
SX4	2.0L L4 F/I	33-2463	HP-1003 ¹				
SX4 S-Cross	1.6L L4 F/I	33-2075					
TU250X	249	SU-2497					
2012 SUZUKI				2011 SUZUKI			
Alto V	1.0L L3 F/I	33-2968		Alto V	1.0L L3 F/I	33-2968	
AN400 Burgman	400	SU-4007	KN-131	AN400 Burgman	400	SU-4007	KN-131
AN400 Z Burgman	400		KN-131	AN650A Burgman Executive	638	SU-6303	KN-138
AN650A Burgman Executive	638	SU-6303	KN-138	Boulevard C50	805	SU-8009	KN-138
Boulevard C50	805	SU-8009	KN-138	Boulevard M50	805		KN-138
Boulevard M50	805	SU-8009	KN-138	Boulevard M109R	1773	SU-1806	KN-138
Boulevard M109R	1783	SU-1806	KN-138	Boulevard M109R Ltd. Ed.	1773	SU-1806	KN-138
				Boulevard M109RZ Limited	1783	SU-1806	KN-138
				Boulevard S40	652	SU-6595	
				DL650 V-Strom	645	SU-1002	KN-138
				DL650A V-Strom ABS	645	SU-1002	KN-138
				DR650SE	644	SU-6596	KN-137

* 2 filters required

◆Intake System Available - see page 84 +Cabin Air Filter Available - see page 453 1- Performance Silver Oil Filter Also Available



Vehicle	Engine Type	Air Filter	Oil Filter	Vehicle	Engine Type	Air Filter	Oil Filter
2011 SUZUKI				2010 SUZUKI			
Equator	4.0L V6 F/I	33-2286+	HP-1010 ¹	SV650S	650		KN-138
Grand Vitara	1.9L L4 DSL - OEM 1378017K00	33-2429		Swift III	1.3L L4 F/I - VIN JSA	33-2826 ♦	
Grand Vitara	2.4L L4 F/I	33-2429	HP-1003 ¹	Swift III	1.5L L4 F/I	33-2824 ♦	HP-1001 ¹
GSF650 Bandit	650		KN-138	Swift IV	1.2L L4 F/I	33-2974	
GSF1250 Bandit S	1250	SU-6505	KN-138	SX4	1.5L L4 F/I	33-2954	HP-1003 ¹
GSR600	600	SU-6006		SX4	1.6L L4 F/I - 109BHP	33-2954	
GSR750	750	SU-6006	KN-138	SX4	1.6L L4 F/I - 120BHP	33-2075	
GSX650F	656	SU-6505	KN-138	SX4	2.0L L4 F/I	33-2463	HP-1003 ¹
GSX1250FA	1250	SU-6505	KN-138	VLR1800 C109	1800		KN-138
GSX1300R Hayabusa	1340	SU-1308	KN-138	Boulevard			
GSX1300R Hayabusa	1340 - Race Specific	SU-1308R	KN-138	VZ1500 Intruder	1500		KN-138
GSXR600	600	SU-7511	KN-138	M1500			
GSXR600	600 - Race Specific	SU-7511R	KN-138	2009 SUZUKI			
GSXR750	750	SU-7511	KN-138	Alto V	1.0L L3 F/I	33-2968	
GSXR750	750 - Race Specific	SU-7511R	KN-138	AN400 Burgman	400	SU-4007	KN-131
GSXR1000	999	SU-1009	KN-138	AN400 Burgman ABS	400	SU-4007	KN-131
GSXR1000	999 - Race Specific	SU-1009R	KN-138	AN650 Burgman	638	SU-6303	KN-138
Jimny	1.3L L4 F/I	33-2162		AN650A Burgman	638	SU-6303	KN-138
Kizashi	2.4L L4 F/I	33-2441	HP-1003 ¹	Executive			
LTA400F KingQuad	400		KN-138	Boulevard C50	805	SU-8009	KN-138
Auto 4x4				Boulevard C50	805	SU-8009	KN-138
LTA500XP KingQuad	500	SU-7005	KN-138	Special Edition			
AXI PS				Boulevard C50T	805	SU-8009	KN-138
LTA750X KingQuad	750	SU-7005	KN-138	Boulevard C90	1500	SU-1598	KN-138
AXi 4x4				Boulevard C90T	1500	SU-1598	KN-138
RMZ250	249	YA-2506XD	KN-207	Boulevard C109R	1800		KN-138
RMZ450	449	YA-2506XD	KN-207	Boulevard C109RT	1800		KN-138
Swift IV	1.2L L4 F/I	33-2974		Boulevard M50	805	SU-8009	KN-138
SX4	1.6L L4 F/I	33-2075		Boulevard M50	805		KN-138
SX4	2.0L L4 F/I	33-2463	HP-1003 ¹	Special Edition			
TU250X	249	SU-2497		Boulevard M90	1500		KN-138
2010 SUZUKI				Boulevard M109R	1773	SU-1806	KN-138
Alto V	1.0L L3 F/I	33-2968		Boulevard M109R	1773	SU-1806	KN-138
Boulevard C50	805	SU-8009	KN-138	Ltd. Ed.			
Boulevard M50	805	SU-8009	KN-138	Boulevard M109R2	1773	SU-1806	KN-138
DL650 V-Strom	645	SU-1002	KN-138	Boulevard S40	650	SU-6595	KN-137
DR650SE	644	SU-6596		DL650 V-Strom	645	SU-1002	KN-138
DRZ400SM	398	SU-4000		DL650A V-Strom	645	SU-1002	KN-138
Equator	4.0L V6 F/I	33-2286+		ABS			
Grand Vitara	2.0L L4 F/I	33-2361		DL1000 V-Strom	996	SU-1002	KN-138
Grand Vitara	2.4L L4 F/I	33-2429	HP-1003 ¹	DR650SE	650	SU-6596	KN-137
Grand Vitara	3.2L V6 F/I	33-2429		DRZ400SM	398	SU-4000	KN-139
GSF650 Bandit	650	SU-6505	KN-138	Grand Vitara	2.0L L4 F/I	33-2361	
GSF1250 Bandit	1250	SU-6505	KN-138	Grand Vitara	2.4L L4 F/I	33-2429	HP-1003 ¹
GSF1250 Bandit S	1250	SU-6505	KN-138	GS500F	500	SU-5589	KN-133
GSR600	600	SU-6006	KN-138	GSF1250 Bandit	1250	SU-6505	KN-138
GSX650F	656	SU-6505		GSF1250 Bandit S	1250	SU-6505	KN-138
GSX1300R Hayabusa	1340	SU-1308	KN-138	GSR600	600	SU-6006	KN-138
GSX1300R Hayabusa	1340 - Race Specific	SU-1308R	KN-138	GSX650F	650	SU-6505	KN-138
GSXR600	600	SU-7506	KN-138	GSX1300BK B-King	1340	SU-1348	
GSXR600	600 - Race Specific	SU-7506R	KN-138	GSX1300R Hayabusa	1340	SU-1308	KN-138
GSXR750	750	SU-7506	KN-138	GSX1300R Hayabusa	1340 - Race Specific	SU-1308R	KN-138
GSXR750	750 - Race Specific	SU-7506R	KN-138	GSXR600	600	SU-7506	KN-138
GSXR1000	999	SU-1009	KN-138	GSXR600	600 - Race Specific	SU-7506R	KN-138
GSXR1000	999 - Race Specific	SU-1009R	KN-138	GSXR750	750	SU-7506	KN-138
GZ250 Marauder	250		KN-136	GSXR750	750 - Race Specific	SU-7506R	KN-138
Jimny	1.3L L4 F/I	33-2162		GSXR1000	999	SU-1009	KN-138
Kizashi	2.4L L4 F/I	33-2441	HP-1003 ¹	GSXR1000	999 - Race Specific	SU-1009R	KN-138
RMX450Z	450		KN-207	GZ250 Marauder	250		KN-136
RMZ250	249	YA-2506XD	KN-207	Jimny	1.3L L4 F/I	33-2162	
RMZ450	449		KN-207	LTA400F KingQuad	400		KN-138
SFV650	652	SU-6509	KN-138	Auto 4x4 Camo			
				LTA450X KingQuad	450	SU-7005	KN-138
				AXi 4x4			

* 2 filters required

♦ Intake System Available - see page 84 +Cabin Air Filter Available - see page 453 1- Performance Silver Oil Filter Also Available



AIR & OIL FILTERS

SUZUKI

Vehicle	Engine Type	Air Filter	Oil Filter	Vehicle	Engine Type	Air Filter	Oil Filter
2009 SUZUKI				2008 SUZUKI			
LTA450X KingQuad AXi 4x4 Camo	450	SU-7005	KN-138	Grand Vitara	2.0L L4 F/I	33-2361	
LTA500XP KingQuad AXI PS	500	SU-7005	KN-138	Grand Vitara	2.7L V6 F/I	33-2361	HP-1002 ¹
LTA750X KingQuad AXi 4x4	750	SU-7005	KN-138	GS500F	500	SU-5589	KN-133
LTR450 QuadRacer	450	SU-4506	KN-139	GSF650 Bandit	650	SU-6505	KN-138
LTZ400 QuadSport Z	398	SU-4002	KN-139	GSF650 Bandit S	650	SU-6505	KN-138
RMZ250	250	YA-2506XD	KN-207	GSF1250 Bandit S	1250	SU-6505	KN-138
RMZ450	450	YA-2506XD	KN-207	GSR600	600	SU-6006	KN-138
SFV650	652	SU-6509	KN-138	GSX650F	650	SU-6505	KN-138
Splash	1.2L L4 F/I	33-2949		GSX1300BK B-King	1340	SU-1348	KN-138
SV650	650	SU-6503	KN-138	GSX1300R Hayabusa	1340	SU-1308	KN-138
SV650S	650	SU-6503	KN-138	GSX1300R Hayabusa	1340 - Race Specific	SU-1308R	KN-138
SV650SF	650	SU-6503	KN-138	GSXR600	600	SU-7506	KN-138
Swift	1.5L L4 F/I	33-2824	HP-1001 ¹	GSXR600	600 - Race Specific	SU-7506R	KN-138
Swift III	1.3L L4 DSL	33-2952		GSXR750	750	SU-7506	KN-138
Swift III	1.3L L4 F/I - VIN JSA	33-2826 ♦		GSXR750	750 - Race Specific	SU-7506R	KN-138
Swift III	1.3L L4 F/I - Vin JSM	33-2824 ♦		GSXR1000	999	SU-1005	KN-138
Swift III	1.5L L4 F/I	33-2824 ♦		GSXR1000	999 - Race Specific	SU-1005R	KN-138
SX4	1.5L L4 F/I	33-2954		GZ250 Marauder	250		KN-136
SX4	1.6L L4 F/I - 109BHP	33-2954		Jimny	1.3L L4 F/I	33-2162	
SX4	1.6L L4 F/I - 120BHP	33-2075		LTA400F KingQuad Auto 4x4	400	SU-5002	KN-138
SX4	1.9L L4 DSL	33-2399		LTA400F KingQuad Auto 4x4 Camo	400	SU-5002	KN-138
SX4	2.0L L4 F/I	33-2371	HP-1003 ¹	LTA450X KingQuad AXi 4x4	450	SU-7005	KN-138
TU250X	249	SU-2497		LTA450X KingQuad AXi 4x4 Camo	450	SU-7005	KN-138
VZ1500 Boulevard	1500		KN-138	LTA750X KingQuad AXi 4x4	750	SU-7005	KN-138
2008 SUZUKI				2007 SUZUKI			
AN400 Burgman	400	SU-4007	KN-131	LTA400F KingQuad 4x4 Camo	400		KN-138
AN650 Burgman	638	SU-6303	KN-138	LTR450 QuadRacer	450	SU-4506	KN-139
AN650A Burgman Executive	638	SU-6303	KN-138	LTR450 QuadRacer Limited Edition	450	SU-4506	KN-139
Boulevard C50	805	SU-8001	KN-138	LTZ250 QuadSport Z	246	SU-2504	KN-132
Boulevard C50	805		KN-138	LTZ400 QuadSport Z	398	SU-4002	KN-139
Custom Volusia				LTZ400 QuadSport Z LE	398	SU-4002	KN-139
Boulevard C50 Limited Edition	805	SU-8001	KN-138	Reno	2.0L L4 F/I	33-2330	HP-1001 ¹
Boulevard C50 Volusia	805		KN-138	RMZ250	250	YA-2506XD	KN-207
Boulevard C50T	805	SU-8001	KN-138	RMZ450	450	YA-2506XD	KN-207
Boulevard C90	1500	SU-1598	KN-138	Splash	1.2L L4 F/I	33-2949	
Boulevard C90 Black	1500	SU-1598	KN-138	SV650	650	SU-6503	KN-138
Boulevard C90T	1500	SU-1598	KN-138	SV650S	650	SU-6503	KN-138
Boulevard C109R	1800		KN-138	Swift	1.5L L4 F/I	33-2824	
Boulevard C109RT	1800		KN-138	Swift III	1.3L L4 F/I - VIN JSA	33-2826 ♦	
Boulevard C109T	1800		KN-138	Swift III	1.5L L4 F/I	33-2824 ♦	
Boulevard M50	805	SU-8005	KN-138	Swift III	1.6L L4 F/I	33-2824 ♦	HP-1001 ¹
Boulevard M109R	1773	SU-1806	KN-138	SX4	1.5L L4 F/I	33-2954	
Boulevard M109R Ltd. Ed.	1773	SU-1806	KN-138	SX4	1.6L L4 F/I	33-2954	
Boulevard M109R2	1773	SU-1806	KN-138	SX4	1.9L L4 DSL	33-2399	
Boulevard S40	650	SU-6595	KN-137	SX4	2.0L L4 F/I	33-2371	HP-1003 ¹
Boulevard S50	800	SU-7086	KN-138	VL800 Intruder C800	805		KN-138
DL650 V-Strom	645	SU-1002	KN-138	VLR1800 C109 Boulevard	1800		KN-138
DL650A V-Strom ABS	645	SU-1002	KN-138	XL-7	3.6L V6 F/I	33-2249	HP-1017 ¹
DL1000 V-Strom	996	SU-1002	KN-138	2007 SUZUKI			
DR650SE	650	SU-6596	KN-137	AN400 Burgman	400	SU-4007	KN-131
DRZ125	125		KN-132	AN650 Burgman	638	SU-6303	KN-138
DRZ125L	125	KA-1203	KN-132	AN650A Burgman Executive	638	SU-6303	KN-138
DRZ400S	398	SU-4000		Boulevard C50	805	SU-8001	KN-138
DRZ400SM	398	SU-4000	KN-139	Boulevard C50 Black	805	SU-8001	KN-138
Forenza	2.0L L4 F/I	33-2330	HP-1001 ¹				
FU150 Raider R	147	SU-1506					

* 2 filters required

♦ Intake System Available - see page 84 +Cabin Air Filter Available - see page 453 1- Performance Silver Oil Filter Also Available



Vehicle	Engine Type	Air Filter	Oil Filter	Vehicle	Engine Type	Air Filter	Oil Filter
2007 SUZUKI				2007 SUZUKI			
Boulevard C50 Limited Edition	805	SU-8001	KN-138	LTF500F Vinson 4x4	500		KN-138
Boulevard C50 Volusia	805		KN-138	LTF500F Vinson 4x4 Camo	500		KN-138
Boulevard C50T	805	SU-8001	KN-138	LTR450 QuadRacer	450	SU-4506	KN-139
Boulevard C90	1500	SU-1598	KN-138	LTZ90 QuadSport	90		KN-131
Boulevard C90 Black	1500	SU-1598	KN-138	LTZ250 QuadSport Z	246	SU-2504	KN-132
Boulevard C90T	1500	SU-1598	KN-138	LTZ400 QuadSport Z	398	SU-4002	KN-139
Boulevard M50	805	SU-8005	KN-138	RMZ250	250	YA-2506XD	KN-207
Boulevard M50 Limited	805	SU-8005	KN-138	RMZ450	450	YA-2506XD	KN-207
Boulevard M109R	1773	SU-1806	KN-138	SV650	650	SU-6503	KN-138
Boulevard M109R Ltd. Ed.	1773	SU-1806	KN-138	SV650A ABS	650	SU-6503	
Boulevard S40	650	SU-6595	KN-137	SV650S	650	SU-6503	KN-138
Boulevard S50	800	SU-7086	KN-138	SV1000S	1000	SU-6503	KN-138
DL650 V-Strom	645	SU-1002	KN-138	Swift III	1.3L L4 DSL	33-2952	
DL650A V-Strom ABS	645	SU-1002	KN-138	Swift III	1.3L L4 F/I - VIN JSA	33-2826 ♦	
DL1000 V-Strom	996	SU-1002	KN-138	Swift III	1.3L L4 F/I - Vin JSM	33-2824 ♦	
DL1000 V-Strom Touring	996	SU-1002	KN-138	SX4	1.6L L4 F/I	33-2954	
DR200SE	200		KN-132	SX4	2.0L L4 F/I	33-2371	HP-1003 ¹
DR650SE	650	SU-6596	KN-137	VL1500LC Intruder	1500		KN-138
DRZ125	125		KN-132	VZR1800 Intruder	1800	SU-1806	KN-138
DRZ125L	125	KA-1203	KN-132	XL-7	3.6L V6 F/I	33-2249	HP-1017 ¹
DRZ400E	398	SU-4000		2006 SUZUKI			
DRZ400S	398	SU-4000		Aerio	2.3L L4 F/I	33-2282	HP-1003 ¹
DRZ400SM	398	SU-4000	KN-139	Alto IV	1.1L L4 F/I	33-2826	
Forenza	2.0L L4 F/I	33-2330	HP-1001 ¹	AN400 Burgman	400	SU-2599	KN-132
Grand Vitara	2.0L L4 F/I	33-2361		AN400 Burgman Type S	400	SU-2599	KN-132
Grand Vitara	2.7L V6 F/I	33-2361	HP-1002 ¹	AN650 Burgman	638	SU-6303	KN-138
GS500	500	SU-5589	KN-133	Boulevard C50	805	SU-8001	KN-138
GS500F	500	SU-5589	KN-133	Boulevard C50 Black	805	SU-8001	KN-138
GS500H	500		KN-133	Boulevard C50T	805	SU-8001	KN-138
GSF650 Bandit S	650	SU-6505	KN-138	Boulevard C90	1500	SU-1598	KN-138
GSF1250 Bandit S	1250	SU-6505	KN-138	Boulevard C90 Black	1500	SU-1598	KN-138
GSR600	600	SU-6006	KN-138	Boulevard C90T	1500	SU-1598	KN-138
GSX1300R Hayabusa	1300	SU-1399	KN-138	Boulevard M50	805	SU-8005	KN-138
GSXR600	600	SU-7506	KN-138	Boulevard M50 Black	805	SU-8005	KN-138
GSXR600	600 - Race Specific	SU-7506R	KN-138	Boulevard M109R	1773	SU-1806	KN-138
GSXR750	750	SU-7506	KN-138	Boulevard S40	650	SU-6595	KN-137
GSXR750	750 - Race Specific	SU-7506R	KN-138	Boulevard S50	800	SU-7086	KN-138
GSXR1000	999	SU-1005	KN-138	Boulevard S83	1400	SU-1487	KN-138
GSXR1000	999 - Race Specific	SU-1005R	KN-138	DL650 V-Strom	645	SU-1002	KN-138
GZ250 Marauder	250		KN-136	DL1000 V-Strom	996	SU-1002	KN-138
Jimny	1.3L L4 F/I	33-2162		DR200SE	200		KN-132
LTA400F Eiger Auto 4x4	400	SU-5002	KN-138	DR650SE	650	SU-6596	KN-137
LTA400F Eiger Auto 4x4 Camo	400	SU-5002	KN-138	DRZ125	125		KN-132
LTA400F Eiger Auto 4x4 Hunter X Hunter	400	SU-5002	KN-138	DRZ125L	125	KA-1203	KN-132
LTA450X KingQuad 4x4	450	SU-7005	KN-138	DRZ400S	398	SU-4000	KN-139
LTA450X KingQuad 4x4 Camo	450	SU-7005	KN-138	DRZ400SM	398	SU-4000	KN-139
LTA700X KingQuad 4x4	700	SU-7005	KN-138	Forenza	2.0L L4 F/I	33-2330	HP-1001 ¹
LTA700X KingQuad 4x4 Camo	700	SU-7005	KN-138	Grand Vitara	1.6L L4 F/I	33-2361	
LTF250 Ozark	250	SU-2504	KN-132	Grand Vitara	2.0L L4 F/I	33-2361	
LTF400F Eiger 4x4	400		KN-138	Grand Vitara	2.7L V6 F/I	33-2361	HP-1002 ¹
LTF400F Eiger 4x4 Camo	400		KN-138	GS500	500	SU-5589	
				GS500F	500	SU-5589	KN-133
				GSF650 Bandit S	650	SU-6505	KN-138
				GSF1200 Bandit	1200	SU-6505	KN-138
				GSF1200 Bandit S	1200	SU-6505	KN-138
				GSR600	600	SU-6006	KN-138
				GSX600F Katana	600	SU-7592	KN-138
				GSX750F Katana	750	SU-7592	KN-138
				GSX1300R Hayabusa	1300	SU-1399	KN-138
				GSX1300R Hayabusa Limited Edition	1300	SU-1399	KN-138

* 2 filters required

♦ Intake System Available - see page 84 +Cabin Air Filter Available - see page 453 1- Performance Silver Oil Filter Also Available



AIR & OIL FILTERS

SUZUKI

Vehicle	Engine Type	Air Filter	Oil Filter	Vehicle	Engine Type	Air Filter	Oil Filter
2006 SUZUKI				2005 SUZUKI			
GSXR600	600	SU-7506	KN-138	Boulevard S50	800	SU-7086	KN-138
GSXR600	600 - Race Specific	SU-7506R	KN-138	Boulevard S83	1400	SU-1487	KN-138
GSXR750	750	SU-7506	KN-138	DL650 V-Strom	645	SU-1002	KN-138
GSXR750	750 - Race Specific	SU-7506R	KN-138	DL1000 V-Strom	996	SU-1002	KN-138
GSXR1000	999	SU-1005	KN-138	DR200SE	200		KN-132
GSXR1000	999 - Race Specific	SU-1005R	KN-138	DR650SE	650	SU-6596	KN-137
GZ250 Marauder	250		KN-136	DRZ110	110		KN-112
LS650 Savage	650		KN-137	DRZ125L	125	KA-1203	KN-132
LT80 QuadSport	80	SU-8087		DRZ400S	398	SU-4000	
LTA400F Eiger Auto 4x4	400	SU-5002	KN-138	DRZ400SM	398	SU-4000	KN-139
LTA400F Eiger Auto 4x4 Camo	400	SU-5002	KN-138	Forenza	2.0L L4 F/I	33-2330	HP-1001 ¹
LTA500F Vinson Auto 4x4	500		KN-138	Grand Vitara	2.5L V6 F/I	33-2155	
LTA700X KingQuad 4x4	700	SU-7005	KN-138	GS500	500	SU-5589	KN-133
LTA700X KingQuad 4x4 Camo	700	SU-7005	KN-138	GS500F	500	SU-5589	KN-133
LTF250 Ozark	250	SU-2504		GSF650 Bandit	650	SU-6505	
LTF400F Eiger 4x4	400	SU-5002	KN-138	GSF650 Bandit S	650	SU-6505	KN-138
LTF400F Eiger 4x4 Camo	400	SU-5002	KN-138	GSF1200 Bandit	1200		KN-138
LTF500F Vinson 4x4	500	SU-5002	KN-138	GSF1200 Bandit S	1200	SU-6000	KN-138
LTF500F Vinson 4x4 Camo	500	SU-5002	KN-138	GSX600F Katana	600	SU-7592	KN-138
LTR450 QuadRacer	450	SU-4506	KN-139	GSX750F Katana	750	SU-7592	KN-138
LTZ250 QuadSport Z	246	SU-2504	KN-132	GSX1300R Hayabusa	1300	SU-1399	KN-138
LTZ400 QuadSport Z	398	SU-4002	KN-139	GSXR600	600	SU-7504	KN-138
Reno	2.0L L4 F/I	33-2330	HP-1001 ¹	GSXR750	750	SU-7504	KN-138
RMZ250	250	KA-2504	KN-207	GSXR1000	999	SU-1005	KN-138
RMZ450	450	YA-2506XD	KN-207	GSXR1000	999 - Race Specific	SU-1005R	KN-138
SV650	650	SU-6503	KN-138	GZ250 Marauder	250		KN-136
SV650S	650	SU-6503	KN-138	Jimny	1.5L L4 DSL - Exc., 85BHP	33-2162	
SV1000	1000		KN-138	LS650 Boulevard	650		KN-137
SV1000S	1000	SU-6503	KN-138	LTA400F Eiger Auto 4x4	400	SU-5002	KN-138
Swift III	1.3L L4 DSL	33-2952		LTA400F Eiger Auto 4x4 Camo	400	SU-5002	KN-138
Swift III	1.3L L4 F/I - VIN JSA	33-2826 ♦		LTA500F Vinson Auto 4x4	500		KN-138
Swift III	1.3L L4 F/I - Vin JSM	33-2824 ♦		LTA700X KingQuad 4x4	700	SU-7005	KN-138
Swift Plus	1.6L L4 F/I		HP-1001 ¹	LTF400F Eiger 4x4	400	SU-5002	KN-138
Verona	2.5L L6 F/I	33-2325		LTF400F Eiger 4x4 Camo	400	SU-5002	KN-138
VL800 Intruder C800	805		KN-138	LTF500F Vinson 4x4	500	SU-5002	KN-138
VL1500LC Intruder	1500		KN-138	LTF500F Vinson 4x4 Camo	500	SU-5002	KN-138
VS800 Intruder	800		KN-138	LTZ250 QuadSport Z	246	SU-2504	KN-132
VZR1800 Intruder	1800	SU-1806	KN-138	LTZ400 QuadSport Z	398	SU-4002	KN-139
Wagon R Plus	1.0L L4 F/I	33-2826		Reno	2.0L L4 F/I	33-2330	
XL-7	2.7L V6 F/I	33-2327	HP-1002 ¹	RMZ250	250	KA-2504	KN-207
2005 SUZUKI				RMZ450	450	YA-2506XD	KN-207
Aerio	2.3L L4 F/I	33-2282	HP-1003 ¹	SV650	650	SU-6503	KN-138
Alto IV	1.1L L4 F/I	33-2826		SV650S	650	SU-6503	KN-138
AN400 Burgman	400	SU-2599	KN-132	SV1000	1000		KN-138
AN400 Burgman Type S	400	SU-2599	KN-132	SV1000S	1000	SU-6503	KN-138
AN650 Burgman	638	SU-6303	KN-138	Swift III	1.3L L4 DSL	33-2952	
Boulevard C50	805	SU-8001	KN-138	Swift III	1.3L L4 F/I - VIN JSA	33-2826 ♦	
Boulevard C50 Black	805	SU-8001	KN-138	Swift III	1.5L L4 F/I	33-2824 ♦	
Boulevard C50T	805	SU-8001	KN-138	Verona	2.5L L6 F/I	33-2325	
Boulevard C90	1500	SU-1598	KN-138	VL1500LC Intruder	1500	SU-1598	KN-138
Boulevard C90 Black	1500	SU-1598	KN-138	VS800 Intruder	800		KN-138
Boulevard C90T	1500	SU-1598	KN-138	VS1400GLP Intruder	1400		KN-138
Boulevard M50	805	SU-8005	KN-138	XL-7	2.7L V6 F/I	33-2327	HP-1002 ¹
Boulevard M50 Black	805	SU-8005	KN-138	2004 SUZUKI			
Boulevard S40	650	SU-6595	KN-137	Aerio	2.3L L4 F/I	33-2282	HP-1003 ¹
				AN400 Burgman	400	SU-2599	KN-132

* 2 filters required

♦ Intake System Available - see page 84 +Cabin Air Filter Available - see page 453 1- Performance Silver Oil Filter Also Available



Vehicle	Engine Type	Air Filter	Oil Filter	Vehicle	Engine Type	Air Filter	Oil Filter
2004 SUZUKI				2003 SUZUKI			
AN400 Burgman Type S	400	SU-2599	KN-132	DR650SE	650	SU-6596	KN-137
AN650 Burgman	638	SU-6303	KN-138	DRZ125	125		KN-132
DL650 V-Strom	645	SU-1002	KN-138	DRZ125L	125	KA-1203	KN-132
DL1000 V-Strom	996	SU-1002	KN-138	DRZ400	398	SU-4000	
DL1000 V-Strom GT	996	SU-1002	KN-138	DRZ400E	398	SU-4000	
DR650SE	650	SU-6596	KN-137	DRZ400S	398	SU-4000	KN-139
DRZ125L	125		KN-132	Grand Vitara	2.5L V6 F/I	33-2155	
DRZ400	398	SU-4000	KN-139	GS500	500	SU-5589	
DRZ400E	398	SU-4000	KN-139	GSF600 Bandit S	600	SU-6000	KN-138
DRZ400S	398	SU-4000	KN-139	GSF1200 Bandit	1200		KN-138
Foreza	2.0L L4 F/I		HP-1001 ¹	GSF1200 Bandit S	1200	SU-6000	KN-138
Grand Vitara	1.6L L4 F/I	33-2155		GSX600F Katana	600	SU-7592	KN-138
Grand Vitara	2.5L V6 F/I	33-2155	HP-1002 ¹	GSX750F Katana	750		KN-138
GS500	500	SU-5589	KN-133	GSX1300R Hayabusa	1300	SU-1399	KN-138
GS500F	500	SU-5589	KN-133	GSX1400	1400	SU-1402	
GSF600 Bandit S	600	SU-6000	KN-138	GSXR600	600	SU-7500	KN-138
GSF1200 Bandit	1200		KN-138	GSXR750	750	SU-7500	KN-138
GSF1200 Bandit S	1200	SU-6000	KN-138	GSXR1000	999	SU-7500	KN-138
GSX600F Katana	600	SU-7592	KN-138	GZ250 Marauder	250		KN-136
GSX750F Katana	750	SU-7592	KN-138	LS650 Savage	650	SU-6595	KN-137
GSX1300R Hayabusa	1300	SU-1399	KN-138	LTA400F Eiger Auto 4x4	400	SU-5002	KN-138
GSXR600	600	SU-7504	KN-138	LTA500F Vinson Auto 4x4	500		KN-138
GSXR750	750	SU-7504	KN-138	LTF250 Ozark	250	SU-2504	KN-132
GSXR1000	999	SU-7500	KN-138	LTF400F Eiger 4x4	400		KN-138
GZ250 Marauder	250		KN-136	LTF500F Vinson 4x4	500	SU-5002	KN-138
LS650 Savage	650	SU-6595	KN-137	LTZ400 QuadSport Z 4x4	398	SU-4002	KN-139
LTA400F Eiger Auto 4x4	400	SU-5002	KN-138	RM100	100	KA-8088	
LTA400F Eiger Auto 4x4 Camo	400	SU-5002	KN-138	SV650	650	SU-6503	KN-138
LTA500F Vinson Auto 4x4	500		KN-138	SV650S	650	SU-6503	KN-138
LTF250 Ozark	250	SU-2504	KN-132	SV1000	1000	SU-6503	KN-138
LTF400F Eiger 4x4	400	SU-5002	KN-138	SV1000S	1000	SU-6503	KN-138
LTF500F Vinson 4x4	500		KN-138	TL1000R	1000	SU-0015	KN-138
LTV700 Twin Peaks 4x4	700	KA-6503	KN-204	VL800LC Intruder Volusia	800	SU-8001	KN-138
LTZ250 QuadSport Z	246	SU-2504	KN-132	VL1500LC Intruder	1500	SU-1598	KN-138
LTZ400 QuadSport Z	398	SU-4002	KN-139	VS800 Intruder	800	SU-7086	KN-138
RM250	250	SU-2596		VS1400GLP Intruder	1400	SU-1487	KN-138
RMZ250	250	KA-2504	KN-207	VZ800 Marauder	800		KN-138
SV650	650	SU-6503	KN-138	VZ800 Marauder	800 - Jet kit required, purchase separately	SU-5589*	KN-138
SV650S	650	SU-6503	KN-138	XL-7	2.7L V6 F/I	33-2155	HP-1002 ¹
SV1000S	1000	SU-6503	KN-138	2002 SUZUKI			
Verona	2.5L L6 F/I	33-2325		Aerio	2.0L L4 F/I	33-2258 ♦	HP-1003 ¹
VL800LC Intruder	800	SU-8001	KN-138	DL1000 V-Strom	996	SU-1002	KN-138
Volusia				DR650SE	650	SU-6596	KN-137
VL1500LC Intruder	1500	SU-1598	KN-138	DRZ250	250	SU-2501	KN-136
VS800 Intruder	800	SU-7086	KN-138	Grand Vitara	2.5L V6 F/I	33-2155	HP-1002 ¹
VS1400GLP Intruder	1400	SU-1487	KN-138	GS500	500	SU-5589	KN-133
VZ800 Marauder	800		KN-138	GSF600 Bandit	600	SU-6000	KN-138
VZ800 Marauder	800 - Jet kit required, purchase separately	SU-5589*	KN-138	GSF600 Bandit S	600	SU-6000	KN-138
VZ1600 Marauder	1600	KA-1596	KN-204	GSF1200 Bandit	1200	SU-6000	KN-138
XL-7	2.7L V6 F/I	33-2327	HP-1002 ¹	GSF1200 Bandit S	1200	SU-6000	KN-138
2003 SUZUKI				GSX600F Katana	600	SU-7592	KN-138
Aerio	2.0L L4 F/I		HP-1003 ¹	GSX750	750		KN-137
Alto IV	1.1L L4 F/I	33-2826		GSX750 Retro	750		KN-138
AN400 Burgman	400	SU-2599	KN-132	GSX750F Katana	750	SU-7592	KN-138
AN400 Burgman Type S	400	SU-2599	KN-132	GSX1300R Hayabusa	1300	SU-1399	KN-138
AN650 Burgman	638	SU-6303	KN-138	GSXR600	600	SU-7500	KN-138
DL1000 V-Strom	996	SU-1002	KN-138	GSXR750	750	SU-7500	KN-138
				GSXR1000	999	SU-7500	KN-138
				GZ250 Marauder	250		KN-136

* 2 filters required

♦ Intake System Available - see page 84 + Cabin Air Filter Available - see page 453 1- Performance Silver Oil Filter Also Available



AIR & OIL FILTERS

SUZUKI

Vehicle	Engine Type	Air Filter	Oil Filter	Vehicle	Engine Type	Air Filter	Oil Filter
2002 SUZUKI				2000 SUZUKI			
LS650 Savage	650	SU-6595	KN-137	DR650SE	650	SU-6596	
LT80 QuadSport	80	SU-8087		Esteem	1.6L L4 F/I	33-2162	
LTA500F Vinson Auto 4x4	500		KN-138	Esteem	1.8L L4 F/I	33-2162	
LTF250 Ozark	250	SU-2504	KN-132	Grand Vitara	2.0L L4 DSL	33-2155	
LTF400F Eiger 4x4	400		KN-138	Grand Vitara	2.0L L4 F/I	33-2155	
LTF500F Vinson 4x4	500		KN-138	Grand Vitara	2.5L V6 F/I	33-2155	HP-1002 ¹
SV650	650	SU-6599	KN-138	GS500E	500	SU-5589	
SV650S	650	SU-6599	KN-138	GSF600 Bandit	600	SU-6000	KN-138
TL1000R	1000	SU-0015	KN-138	GSF600 Bandit S	600	SU-6000	KN-138
VL800LC Intruder Volusia	800	SU-8001	KN-138	GSF1200 Bandit	1200		KN-138
VL1500LC Intruder	1500	SU-1598	KN-138	GSF1200 Bandit S	1200	SU-7593	KN-138
VS800 Intruder	800	SU-7086	KN-138	GSX600F Katana	600	SU-7592	KN-138
VS1400GLP Intruder	1400	SU-1487	KN-138	GSX750F Katana	750	SU-7592	KN-138
VZ800 Marauder	800		KN-138	GSX1300R Hayabusa	1300	SU-1399	KN-138
VZ800 Marauder	800 - Jet kit required, purchase separately	SU-5589*	KN-138	GSXR600	600	SU-7596	KN-138
XL-7	2.7L V6 F/I	33-2155	HP-1002 ¹	GSXR750	750	SU-7500	KN-138
2001 SUZUKI				1999 SUZUKI			
DR200SE	200		KN-132	AN250 Burgman	250	SU-2599	KN-132
DR650SE	650	SU-6596	KN-137	Baleno	1.6L L4 F/I	33-2790	
DRZ250	250	SU-2501	KN-136	DR350SE	350	SU-3590	KN-136
DRZ400	398	SU-4000	KN-139	DR650SE	650	SU-6596	KN-137
DRZ400E	398	SU-4000	KN-139	Esteem	1.6L L4 F/I	33-2162	
DRZ400S	398	SU-4000	KN-139	Esteem	1.8L L4 F/I	33-2162	
Esteem	1.8L L4 F/I	33-2162		Grand Vitara	2.5L V6 F/I	33-2155	HP-1002 ¹
Grand Vitara	2.5L V6 F/I	33-2155		GS500E	500	SU-5589	
Grand Vitara	2.7L V6 F/I	33-2155		GSF1200 Bandit S	1200	SU-7593	KN-138
GS500	500	SU-5589	KN-133	GSX600F Katana	600		KN-138
GSF600 Bandit S	600	SU-6000	KN-138	GSX750F Katana	750	SU-7592	KN-138
GSF1200 Bandit	1200	SU-6000	KN-138	GSX1300R Hayabusa	1300	SU-1399	KN-138
GSF1200 Bandit S	1200	SU-6000	KN-138	GSXR600	600	SU-7500	KN-138
GSX600F Katana	600	SU-7592	KN-138	GSXR750	750	SU-7500	KN-138
GSX750	750		KN-137	GSXR1000	999	SU-7500	KN-138
GSX750 Retro	750		KN-138	GZ250 Marauder	250		KN-136
GSX750F Katana	750	SU-7592	KN-138	Jimny	1.3L L4 F/I	33-2162	
GSX1300R Hayabusa	1300	SU-1399	KN-138	LS650 Savage	650	SU-6595	KN-137
GSXR600	600	SU-7500	KN-138	LTF300 King Quad	300	SU-2588	KN-132
GSXR750	750	SU-7500	KN-138	LTF500F Quadrunner	500		KN-138
GSXR1000	999	SU-7500	KN-138	RM250	250	SU-2596	
GZ250 Marauder	250		KN-136	SV650	650	SU-6599	KN-138
Jimny	1.3L L4 F/I	33-2162		SV650S	650	SU-6599	KN-138
LS650 Savage	650	SU-6595	KN-137	Swift	1.3L L4 F/I		HP-1003 ¹
LTF300 King Quad	300	SU-2588	KN-132	Swift II	1.3L L4 F/I		HP-1003 ¹
LTF500F Quadrunner	500		KN-138	Swift II	1.3L L4 F/I - 101BHP	E-9132	HP-1003
RM250	250	SU-2596		TL1000R	1000	SU-0015	KN-138
SV650	650	SU-6599	KN-138	Vitara	2.0L L4 F/I	33-2155	HP-1003 ¹
SV650S	650	SU-6599	KN-138	VL800LC Intruder Volusia	800	SU-8001	KN-138
Swift	1.3L L4 F/I		HP-1003 ¹	VL1500LC Intruder	1500	SU-1598	KN-138
Swift II	1.3L L4 F/I		HP-1003 ¹	VS800 Intruder	800	SU-7086	KN-138
Swift II	1.3L L4 F/I - 101BHP	E-9132	HP-1003	VS1400GLP Intruder	1400	SU-1487	KN-138
TL1000R	1000	SU-0015	KN-138	VZ800 Marauder	800		KN-138
Vitara	2.0L L4 F/I	33-2155	HP-1003 ¹	VZ800 Marauder	800 - Jet kit required, purchase separately	SU-5589*	KN-138
VL800LC Intruder Volusia	800	SU-8001	KN-138	1998 SUZUKI			
VL1500LC Intruder	1500	SU-1598	KN-138	Esteem	1.6L L4 F/I	33-2162	
VS800 Intruder	800	SU-7086	KN-138	GS500E	500	SU-5589	
VS1400GLP Intruder	1400	SU-1487	KN-138	GSF600 Bandit S	600		KN-138
VZ800 Marauder	800		KN-138				
VZ800 Marauder	800 - Jet kit required, purchase separately	SU-5589*	KN-138				

* 2 filters required

◆Intake System Available - see page 84 +Cabin Air Filter Available - see page 453 1- Performance Silver Oil Filter Also Available



Vehicle	Engine Type	Air Filter	Oil Filter	Vehicle	Engine Type	Air Filter	Oil Filter
1998 SUZUKI				1995 SUZUKI			
GSF1200 Bandit S	1200	SU-7593	KN-138	GSX600F Katana	600	SU-7592	KN-138
GSX600F Katana	600	SU-7592	KN-138	GSX750F Katana	750		KN-138
GSX750F Katana	750		KN-138	GSXR750W	750	SU-7593	KN-138
GSXR600	600	SU-7596	KN-138	GSXR1100	1052	SU-7593	KN-138
GSXR750	750	SU-7596	KN-138	LS650 Savage	650	SU-6595	KN-137
Jimny	1.3L L4 F/I	33-2162		LTF300 King Quad	300	SU-2588	KN-132
LS650 Savage	650		KN-137	Samurai	1.3L L4 F/I	E-2553	
LTF300 King Quad	300	SU-2588	KN-132	Sidekick	1.6L L4 MFI	33-2065	HP-1002 ¹
Sidekick	1.6L L4 F/I		HP-1002 ¹	Sidekick	1.6L L4 TBI	33-2700	HP-1002 ¹
Sidekick	1.8L L4 F/I		HP-1003 ¹	VS800 Intruder	800	SU-7086	KN-138
Super Carry	1.0L L4 F/I	E-9104		VS1400 Intruder	1400	SU-1487	KN-138
TL1000R	1000	SU-0015	KN-138	1994 SUZUKI			
VL1500LC Intruder	1500	SU-1598	KN-138	DR350	350		KN-136
VS800 Intruder	800	SU-7086	KN-138	DR350S	350	SU-3590	KN-136
VS1400GLP Intruder	1400	SU-1487	KN-138	DR650S	650	SU-6590	KN-137
VZ800 Marauder	800		KN-138	GSX600F Katana	600	SU-7592	KN-138
VZ800 Marauder	800 - Jet kit required, purchase separately	SU-5589*	KN-138	GSXR750W	750		KN-138
Wagon R Plus	1.2L L4 F/I	33-2826		GSXR1100	1052	SU-7593	KN-138
1997 SUZUKI				RF600R	580	SU-9094	KN-138
DR350SE	350	SU-3590	KN-136	RF900R	938		KN-138
DR650SE	650	SU-6596		Samurai	1.3L L4 F/I	E-2553	
GSF600 Bandit	600		KN-138	Sidekick	1.6L L4 MFI	33-2065	HP-1002 ¹
GSF600 Bandit S	600	SU-7593	KN-138	Sidekick	1.6L L4 TBI	33-2700	HP-1002 ¹
GSF1200 Bandit S	1200	SU-7593	KN-138	Swift	1.3L L4 F/I		HP-1002 ¹
GSXR600	600	SU-7596	KN-138	Swift II	1.3L L4 F/I		HP-1002 ¹
GSXR750	750	SU-7596	KN-138	Swift II	1.3L L4 F/I - 101BHP	E-9132	HP-1002
LS650 Savage	650	SU-6595	KN-137	VS800 Intruder	800	SU-7086	KN-138
LTF300 King Quad	300	SU-2588	KN-132	VS1400 Intruder	1400	SU-1487	KN-138
Sidekick	1.6L L4 F/I		HP-1002 ¹	1993 SUZUKI			
TL1000S	1000	SU-0007-A	KN-138	DR350 Off Road	350		KN-136
VS800 Intruder	800	SU-7086	KN-138	DR350S	350	SU-3590	KN-136
VS1400GLP Intruder	1400	SU-1487	KN-138	GSX600F Katana	600		KN-138
VZ800 Marauder	800		KN-138	GSX750F Katana	750	SU-7592	KN-138
VZ800 Marauder	800 - Jet kit required, purchase separately	SU-5589*	KN-138	GSX1100F Katana	1100		KN-138
XF650 Freewind	650		KN-137	GSXR750W	750	SU-7593	KN-138
1996 SUZUKI				GSXR1100	1074	SU-7593	KN-138
DR350	350		KN-136	Sidekick	1.6L L4 MFI	33-2065	
DR350S	350	SU-3590	KN-136	VS800 Intruder	800	SU-7086	KN-138
DR650SE	650	SU-6596	KN-137	VS1400 Intruder	1400	SU-1487	
Esteem	1.6L L4 F/I	33-2162		1992 SUZUKI			
GS500E	500	SU-5589	KN-133	DR350 Off Road	350		KN-136
GSF600 Bandit	600	SU-7593	KN-138	DR350S	350		KN-136
GSF600 Bandit S	600	SU-7593	KN-138	GS500E	500	SU-5589	KN-133
GSX600F Katana	600	SU-7592	KN-138	GSX600F Katana	600		KN-138
GSX750F Katana	750		KN-138	GSX750F Katana	750	SU-7592	KN-138
GSXR750	750	SU-7596	KN-138	GSX1100F Katana	1100	SU-7592	KN-138
LS650 Savage	650	SU-6595	KN-137	GSX1100G	1118		KN-138
LTF250 Quadrunner 4x4	250	SU-2588	KN-132	GSXR750	750	SU-7588	KN-138
LTF300 King Quad	300	SU-2588	KN-132	GSXR1100	1052		KN-138
Sidekick	1.6L L4 F/I	33-2065		LTF300 King Quad	300	SU-2588	KN-132
VS600GL Intruder	599		KN-138	Samurai	1.3L L4 F/I	E-2553	
VS800 Intruder	800	SU-7086	KN-138	VS1400 Intruder	1400	SU-1487	KN-138
VS1400GLP Intruder	1400	SU-1487	KN-138	1991 SUZUKI			
1995 SUZUKI				DR350 Off Road	350		KN-136
DR350	350	SU-3590	KN-136	DR350S	350	SU-3590	KN-136
DR350S	350	SU-3590	KN-136	GSXR750	750	SU-7588	KN-138
DR650S	650	SU-6590	KN-137	GSXR750 Sling Shot	750		KN-138
DR800	778	SU-0006		GSXR1100	1052	SU-7588	KN-138
GS500E	500	SU-5589		Samurai	1.3L L4 F/I	E-2553	

* 2 filters required

◆Intake System Available - see page 84 +Cabin Air Filter Available - see page 453 1- Performance Silver Oil Filter Also Available



AIR & OIL FILTERS

SUZUKI

Vehicle	Engine Type	Air Filter	Oil Filter	Vehicle	Engine Type	Air Filter	Oil Filter
1990 SUZUKI				1985 SUZUKI			
GS500E	500	SU-5589		GSXR750XH	750		KN-134
GSXR750	750		KN-138	GV700 Madura	700	SU-5589	
GSXR750 Sling Shot	750		KN-138	GV1200 Madura	1200	SU-5589	
GSXR1100	1052	SU-7588	KN-138	LT230S QuadSport	230	SU-4230	KN-132
Samurai	1.3L L4 CARB	E-2553	HP-1002 ¹	LT250E	250		KN-132
Samurai	1.3L L4 F/I	E-2553	HP-1002 ¹	1983 SUZUKI			
Vitara	1.6L L4 F/I - 257x206mm	33-2700		GR650 Tempter	650		KN-133
Vitara	1.6L L4 F/I - 297x135mm	33-2065		GS650GL	650		KN-133
VX800	801		KN-138	GS750E	750	SU-7503	KN-133
1989 SUZUKI				GS750ES	750	SU-7503	KN-133
GSX750F Katana	750	SU-7592	KN-138	GS1100E	1100	SU-1250	KN-133
GSX1100F Katana	1100		KN-138	1982 SUZUKI			
GSXR750 Sling Shot	750		KN-138	GS550L	550	SU-5500	KN-133
GSXR1100	1052	SU-7588	KN-138	GS650E	650	SU-5500	KN-133
LT250R QuadRacer	250	SU-4250		GS650G	650		KN-133
Sidekick	1.6L L4 F/I	33-2700		GS650GL	650		KN-133
1988 SUZUKI				GS750	750	SU-1250	KN-133
GSX1100F Katana	1100		KN-138	GS850GL	850	SU-1200	KN-133
GSXR750	750		KN-138	GS1100E	1100	SU-1250	KN-133
GSXR750 Sling Shot	750		KN-138	GS1100GK	1100	SU-1200	KN-133
GSXR1100	1052		KN-138	GS1100GL	1100	SU-1200	KN-133
LT230E Quadrunner	230	SU-2391		1981 SUZUKI			
LT250 Quadrunner 2x4	250	SU-2588	KN-132	GN400	400		KN-136
LT250R QuadRacer	250	SU-4250		GS550E	550		KN-133
Samurai	1.0L L4 CARB	E-9104		GS550L	550	SU-5500	KN-133
Samurai	1.3L L4 CARB	E-2553	HP-1002 ¹	GS550T	550	SU-5500	
1987 SUZUKI				GS650G	650		KN-133
GSXR750H	750		KN-134	GS650GL	650		KN-133
GSXR750HG	750		KN-134	GS750	750	SU-1250	KN-133
GSXR1100	1052		KN-138	GS850G	850	SU-1200	KN-133
LT230E Quadrunner	230	SU-2391		GS850GL	850	SU-1200	KN-133
LT230S QuadSport	230	SU-4230	KN-132	GS1000GL	1000	SU-1200	KN-133
LT250R QuadRacer	250	SU-4250		GS1100E	1100	SU-1250	KN-133
Samurai	1.3L L4 CARB	E-2553	HP-1002 ¹	1980 SUZUKI			
VS700 Intruder	700	SU-7086	KN-138	GN400	400		KN-136
VS1400 Intruder	1400	SU-1487	KN-138	GS550E	550	SU-5500	KN-133
1986 SUZUKI				GS550L	550	SU-5500	KN-133
GN250	250		KN-136	GS750	750	SU-1250	KN-133
GSXR750	750		KN-134	GS850G	850	SU-1200	KN-133
GSXR750F	750		KN-134	GS850GL	850	SU-1200	KN-133
GSXR750G	750		KN-134	GS1000	1000		KN-133
GSXR750H	750		KN-134	GS1000E	1000	SU-1250	KN-133
GSXR750HG	750		KN-134	GS1000G	1000	SU-1200	KN-133
GSXR750R	750		KN-134	GS1000GL	1000	SU-1200	KN-133
GSXR750XH	750		KN-134	GS1000S	1000	SU-1250	KN-133
GSXR1100	1052		KN-138	GS1100E	1100		KN-133
GV1400 Cavalcade	1400		KN-134	GS1100L	1100		KN-133
LS650 Savage	650	SU-6595	KN-137	SJ410	1.0L L3 CARB	E-9104	
LT230E Quadrunner	230		KN-132	1979 SUZUKI			
LT230S QuadSport	230	SU-4230	KN-132	GS550	550	SU-5500	KN-133
LT250R QuadRacer	250	SU-4250		GS550D	550		KN-133
Samurai	1.3L L4 CARB	E-2553	HP-1002 ¹	GS550E	550	SU-5500	KN-133
VS700 Intruder	700	SU-7086	KN-134	GS550L	550	SU-5500	KN-133
1985 SUZUKI				GS750	750	SU-1200	KN-133
GSXR750F	750		KN-134	GS850G	850	SU-1200	KN-133
GSXR750G	750		KN-134	GS850GL	850		KN-133
GSXR750H	750		KN-134	GS1000E	1000	SU-1250	KN-133
GSXR750HG	750		KN-134	GS1000L	1000	SU-1250	KN-133
				GS1000S	1000		KN-133

* 2 filters required

◆ Intake System Available - see page 84 +Cabin Air Filter Available - see page 453 1- Performance Silver Oil Filter Also Available



Vehicle	Engine Type	Air Filter	Oil Filter	Vehicle	Engine Type	Air Filter	Oil Filter
1978 SUZUKI				2016 TOYOTA			
GS550	550	SU-5500	KN-133	Hilux Revo	2.4L L4 DSL	33-3045	
GS550D	550		KN-133	Hilux Revo	2.8L L4 DSL	33-3045	
GS550E	550	SU-5500	KN-133	Land Cruiser	4.0L V6 F/I	33-2438	
GS750	750	SU-1200	KN-133	Land Cruiser	5.7L V8 F/I	33-2387 ♦+	PS-7018
GS1000	1000		KN-133	Prius	1.8L L4 F/I	33-2485	PS-7021
GS1000E	1000	SU-1250	KN-133	Prius C	1.5L L4 F/I	33-2485	HP-1003 ¹
1977 SUZUKI				2016 TOYOTA			
GS750	750	SU-1200	KN-133	Prius V	1.8L L4 F/I	33-2435+	PS-7021
2017 TOYOTA				2016 TOYOTA			
86	2.0L H4 F/I		HP-1004 ¹	RAV4	2.5L L4 F/I	33-2381	PS-7020
86	2.0L H4 F/I - w/Auto Trans.	33-2300 ♦	HP-1004	RAV4	2.5L L4 F/I - Exc. Hybrid	33-2381	PS-7020
Avalon	2.5L L4 F/I	33-2443	PS-7020	RAV4 IV	2.0L L4 DSL	33-3053	
Avalon	3.5L V6 F/I	33-2443	PS-7020	RAV4 IV	2.0L L4 F/I	33-2360	
Camry	2.5L L4 F/I	33-2370 ♦	PS-7020	RAV4 IV	2.5L L4 F/I		PS-7020
Camry	3.5L V6 F/I	33-2443 ♦	PS-7020	RAV4 IV	2.5L L4 F/I - Exc. Hybrid	33-2381+	PS-7020
CH-R	1.8L L4 F/I	33-2485		RAV4 IV	2.5L L4 F/I - w/Hybrid	33-2435+	PS-7020
Corolla	1.8L L4 F/I	33-2360		Sequoia	5.7L V8 F/I	33-5017+	PS-7018
Corolla	1.8L L4 F/I - Cartridge	33-2360	PS-7021	Sienna	3.5L V6 F/I	33-2443	PS-7020
Corolla	1.8L L4 F/I - Spin On	33-2360	HP-1003 ¹	Tacoma	2.7L L4 F/I	33-2306 ♦+	HP-1002 ¹
Corolla iM	1.8L L4 F/I	33-2360	HP-1003 ¹	Tacoma	3.5L V6 F/I	33-5017 ♦+	PS-7020
Highlander	2.7L L4 F/I	33-2443	PS-7020	Tundra	4.6L V8 F/I	33-5017 ♦+	PS-7018
Land Cruiser	2.8L L4 DSL	33-3062		Tundra	5.7L V8 F/I	33-5017 ♦+	PS-7018
Land Cruiser	5.7L V8 F/I	33-2387	PS-7018	Venza	3.5L V6 F/I		PS-7020
Land Cruiser Prado	2.8L L4 DSL	33-3062		Yaris	1.3L L4 F/I	33-2211	
Prius	1.8L L4 F/I	33-2485	PS-7021	Yaris	1.5L L4 F/I	33-2360 ♦+	HP-1003 ¹
Prius Prime	1.8L L4 F/I		PS-7021	Yaris Hybrid	1.5L L4 F/I	33-2485+	
Prius V	1.8L L4 F/I	33-2435	PS-7021	2015 TOYOTA			
RAV4	2.5L L4 F/I	33-2381	PS-7020	4 Runner	4.0L V6 F/I	33-2438 ♦+	PS-7023
Sequoia	5.7L V8 F/I	33-5017	PS-7018	86	2.0L H4 F/I	33-2300 ♦	
Sienna	3.5L V6 F/I		PS-7020	Avalon	2.5L L4 F/I	33-2381+	PS-7020
Tacoma	2.7L L4 F/I	33-2306 ♦	HP-1002 ¹	Avalon	3.5L V6 F/I	33-2443 ♦+	PS-7020
Tacoma	3.5L V6 F/I	33-5017 ♦	PS-7020	Camry	2.5L L4 F/I	33-2370 ♦+	PS-7020
Tacoma	3.5L V6 F/I	33-5017 ♦	PS-7020	Camry	3.5L V6 F/I	33-2443 ♦+	PS-7020
Tundra	4.6L V8 F/I	33-5017 ♦	PS-7018	Camry Hybrid	2.5L L4 F/I	33-2381+	PS-7020
Tundra	5.7L V8 F/I	33-5017 ♦	PS-7018	Corolla	1.3L L4 F/I	33-2360	
Yaris	1.5L L4 F/I	33-2360 ♦	HP-1008 ¹	Corolla	1.4L L4 DSL	33-2953	
Yaris iA	1.5L L4 F/I	33-5038	HP-1003 ¹	Corolla	1.6L L4 F/I	33-2360	
2016 TOYOTA				2015 TOYOTA			
4 Runner	4.0L V6 F/I	33-2438 ♦+	PS-7023	Corolla	1.8L L4 F/I	33-2360+	PS-7021
86	2.0L H4 F/I	33-2300 ♦		Corolla		33-2360 ♦+	PS-7021
Auris Hybrid	1.8L L4 F/I	33-2435		FJ Cruiser	4.0L V6 F/I		PS-7023
Avalon	2.5L L4 F/I	33-2381+	PS-7020	GT 86	2.0L H4 F/I	33-2300 ♦	
Avalon	3.5L V6 F/I	33-2443 ♦+	PS-7020	Highlander	2.7L L4 F/I	33-2443+	PS-7020
Camry	2.5L L4 F/I	33-2370 ♦+	PS-7020	Highlander	3.5L V6 F/I	33-2443+	PS-7020
Camry	3.5L V6 F/I	33-2443 ♦+	PS-7020	Highlander Hybrid	3.5L V6 F/I	33-2455+	PS-7020
Camry Hybrid	2.5L L4 F/I	33-2381+	PS-7020	Hilux	2.4L L4 DSL	33-3045	
Corolla	1.3L L4 F/I	33-2360		Hilux	2.5L L4 DSL	E-2296	
Corolla	1.4L L4 DSL	33-2953		Hilux	2.8L L4 DSL	33-3045	
Corolla	1.6L L4 F/I	33-2360		Hilux	3.0L L5 DSL	E-2296	
Corolla	1.8L L4 F/I	33-2360+	PS-7021	Land Cruiser	4.0L V6 F/I	33-2438	
		33-2360 ♦+	PS-7021	Land Cruiser	5.7L V8 F/I	33-2387+	PS-7018
Fortuner	2.4L L4 DSL	33-3045		Prius	1.8L L4 F/I	33-2435+	PS-7021
Fortuner	2.8L L4 DSL	33-3045		Prius C	1.5L L4 F/I	33-2485+	HP-1003 ¹
GT 86	2.0L H4 F/I	33-2300 ♦		Prius V	1.8L L4 F/I	33-2435+	PS-7021
Highlander	2.7L L4 F/I	33-2443+	PS-7020	RAV4	2.5L L4 F/I	33-2381+	PS-7020
Highlander	3.5L V6 F/I	33-2443+	PS-7020	RAV4 IV	2.0L L4 DSL - From 10/15	33-3053	
Highlander Hybrid	3.5L V6 F/I	33-2455+	PS-7020	RAV4 IV	2.0L L4 DSL - To 9/15	33-2345	
Hilux	2.4L L4 DSL	33-3045		RAV4 IV	2.0L L4 F/I	33-2360	
Hilux	2.5L L4 DSL	E-2296		RAV4 IV	2.2L L4 DSL	33-2452	
Hilux	2.8L L4 DSL	33-3045		RAV4 IV	2.5L L4 F/I		PS-7020
Hilux	3.0L L5 DSL	E-2296		RAV4 IV	2.5L L4 F/I - Exc. Hybrid	33-2381+	PS-7020
				RAV4 IV	2.5L L4 F/I - w/Hybrid	33-2435+	PS-7020
				Sequoia	5.7L V8 F/I	33-5017+	PS-7018

* 2 filters required

♦ Intake System Available - see page 84 + Cabin Air Filter Available - see page 453 1- Performance Silver Oil Filter Also Available



AIR & OIL FILTERS

TOYOTA

Vehicle	Engine Type	Air Filter	Oil Filter
2015 TOYOTA			
Sienna	3.5L V6 F/I	33-2443+	PS-7020
Tacoma	2.7L L4 F/I	33-2306 ♦♦	HP-1002 ¹
Tacoma	4.0L V6 F/I	33-2281 ♦♦	HP-1002 ¹
Tundra	4.0L V8 F/I		PS-7018
Tundra	4.6L V8 F/I	33-5017 ♦♦	PS-7018
Tundra	5.7L V8 F/I	33-5017 ♦♦	PS-7018
Venza	2.7L L4 F/I	33-2370 ♦♦	PS-7020
Venza	3.5L V6 F/I	33-2326 ♦♦	PS-7020
Yaris	1.3L L4 F/I	33-2211	
Yaris	1.5L L4 F/I	33-2360 ♦♦	HP-1003 ¹
Yaris Hybrid	1.5L L4 F/I	33-2485+	HP-1003 ¹

Vehicle	Engine Type	Air Filter	Oil Filter
2014 TOYOTA			
4 Runner	4.0L V6 F/I	33-2438 ♦♦	PS-7023
86	2.0L H4 F/I	33-2300 ♦	
Avalon	2.5L L4 F/I	33-2381+	PS-7020
Avalon	3.5L V6 F/I	33-2443 ♦♦	PS-7020
Camry	2.5L L4 F/I	33-2370 ♦♦	PS-7020
Camry	3.5L V6 F/I	33-2443 ♦♦	PS-7020
Camry Hybrid	2.5L L4 F/I	33-2381+	PS-7020
Corolla	1.3L L4 F/I	33-2360	
Corolla	1.4L L4 DSL	33-2953	
Corolla	1.6L L4 F/I	33-2360	
Corolla	1.8L L4 F/I	33-2360+	PS-7021
		33-2360 ♦♦	PS-7021
FJ Cruiser	4.0L V6 F/I	33-2438 ♦♦	PS-7023
Highlander	2.7L L4 F/I	33-2443+	PS-7020
Highlander	3.5L V6 F/I	33-2443	PS-7020
Highlander Hybrid	3.5L V6 F/I	33-2455	PS-7020
Hilux	2.5L L4 DSL	E-2296	
Hilux	3.0L L5 DSL	E-2296	
Land Cruiser	3.0L L4 DSL	33-2146	
Land Cruiser	4.0L V6 F/I	33-2438	
Land Cruiser	4.5L V8 DSL - Exc. 70 & 200 Series	33-2387	
Land Cruiser	5.7L V8 F/I	33-2387+	PS-7018
Matrix	1.8L L4 F/I		PS-7021
Prius	1.8L L4 F/I	33-2435+	PS-7021
Prius C	1.5L L4 F/I	33-2485+	HP-1003 ¹
Prius V	1.8L L4 F/I	33-2435+	PS-7021
RAV4	2.5L L4 F/I	33-2381+	PS-7020
RAV4 IV	2.0L L4 DSL	33-2345	
RAV4 IV	2.0L L4 F/I	33-2360	
RAV4 IV	2.2L L4 DSL	33-2452	
Sequoia	5.7L V8 F/I	33-5017+	PS-7018
Sienna	3.5L V6 F/I	33-2443+	PS-7020
Tacoma	2.7L L4 F/I	33-2306 ♦♦	HP-1002 ¹
Tacoma	4.0L V6 F/I	33-2281 ♦♦	HP-1002 ¹
Tundra	4.0L V6 F/I	33-2387+	PS-7023
Tundra	4.6L V8 F/I	33-5017 ♦♦	PS-7018
Tundra	5.7L V8 F/I	33-5017 ♦♦	PS-7018
Venza	2.7L L4 F/I	33-2370 ♦♦	PS-7020
Venza	3.5L V6 F/I	33-2326 ♦♦	PS-7020
Yaris	1.0L L3 F/I - From 7/14	33-2485	
Yaris	1.0L L3 F/I - To 7/14	33-2131	
Yaris	1.3L L4 F/I	33-2211	
Yaris	1.5L L4 F/I	33-2360 ♦♦	HP-1003 ¹
Yaris Hybrid	1.5L L4 F/I	33-2485	HP-1003 ¹

Vehicle	Engine Type	Air Filter	Oil Filter
2013 TOYOTA			
4 Runner	4.0L V6 F/I	33-2438 ♦♦	PS-7023
86	2.0L H4 F/I	33-2300 ♦	
Auris Hybrid	1.8L L4 F/I	33-2435	
Avalon	2.5L L4 F/I	33-2381+	PS-7020

Vehicle	Engine Type	Air Filter	Oil Filter
2013 TOYOTA			
Avalon	3.5L V6 F/I	33-2443 ♦♦	PS-7020
Avanza	1.5L L4 F/I		HP-1003 ¹
Camry	2.5L L4 F/I	33-2370 ♦♦	PS-7020
Camry	3.5L V6 F/I	33-2443 ♦♦	PS-7020
Camry Hybrid	2.5L L4 F/I	33-2381+	PS-7020
Corolla	1.3L L4 F/I	33-2360	
Corolla	1.4L L4 DSL	33-2953	
Corolla	1.6L L4 F/I	33-2360	
Corolla	1.8L L4 F/I	33-2360 ♦♦	PS-7021
Corolla	2.4L L4 F/I	33-2326+	
Etios	1.4L L4 DSL	33-3018	
FJ Cruiser	4.0L V6 F/I	33-2438 ♦♦	PS-7023
GT 86	2.0L H4 F/I	33-2300 ♦	
Highlander	2.7L L4 F/I	33-2260+	PS-7020
Highlander	3.5L V6 F/I	33-2260+	PS-7020
Highlander Hybrid	3.5L V6 F/I	33-2455+	PS-7020
Hilux	2.5L L4 DSL	E-2296	
Hilux	3.0L L5 DSL	E-2296	
Land Cruiser	3.0L L4 DSL	33-2146	
Land Cruiser	4.0L V6 F/I	33-2438	
Land Cruiser	4.5L V8 DSL - Exc. 70 & 200 Series	33-2387	
Land Cruiser	5.7L V8 F/I	33-2387+	PS-7018
Matrix	1.8L L4 F/I	33-2360+	PS-7021
Matrix	2.4L L4 F/I	33-2326 ♦♦	HP-1003 ¹
Prius	1.8L L4 F/I	33-2435+	PS-7021
Prius C	1.5L L4 F/I	33-2485+	HP-1003 ¹
Prius V	1.8L L4 F/I	33-2435+	PS-7021
RAV4	2.5L L4 F/I	33-2381+	PS-7020
RAV4 III	2.0L L4 F/I	33-2360	
RAV4 III	2.2L L4 DSL	33-2345	
RAV4 IV	2.0L L4 DSL	33-2345	
RAV4 IV	2.0L L4 F/I	33-2360	
RAV4 IV	2.2L L4 DSL	33-2452	
Sequoia	5.7L V8 F/I	33-2387 ♦♦	PS-7018
Sienna	2.7L L4 F/I		PS-7020
Sienna	3.5L V6 F/I	33-2443+	PS-7020
Tacoma	2.7L L4 F/I	33-2306 ♦♦	HP-1002 ¹
Tacoma	4.0L V6 F/I	33-2281 ♦♦	HP-1002 ¹
Tundra	4.0L V6 F/I	33-2387+	PS-7023
Tundra	4.6L V8 F/I	33-2387 ♦♦	PS-7018
Tundra	5.7L V8 F/I	33-2387 ♦♦	PS-7018
Venza	2.7L L4 F/I	33-2370 ♦♦	PS-7020
Venza	3.5L V6 F/I	33-2326 ♦♦	PS-7020
Yaris	1.3L L4 F/I	33-2211	
Yaris	1.4L L4 DSL	33-2988	
Yaris	1.5L L4 F/I	33-2360 ♦♦	HP-1003 ¹
Yaris Hybrid	1.5L L4 F/I	33-2485	HP-1003 ¹

Vehicle	Engine Type	Air Filter	Oil Filter
2012 TOYOTA			
4 Runner	4.0L V6 F/I	33-2438 ♦♦	PS-7023
86	2.0L H4 F/I	33-2300 ♦	
Avalon	3.5L V6 F/I	33-2326+	PS-7020
Avanza	1.5L L4 F/I	33-2989	
Camry	2.5L L4 F/I	33-2370 ♦♦	PS-7020
Camry	3.5L V6 F/I	33-2443 ♦♦	PS-7020
Camry Hybrid	2.5L L4 F/I	33-2381+	PS-7020
Corolla	1.8L L4 F/I	33-2360 ♦♦	PS-7021
Corolla	2.4L L4 F/I	33-2326+	
Etios	1.4L L4 DSL	33-3018	
FJ Cruiser	4.0L V6 F/I	33-2438 ♦♦	PS-7023
GT 86	2.0L H4 F/I	33-2300 ♦	
Highlander	2.7L L4 F/I	33-2260+	PS-7020

* 2 filters required ♦ Intake System Available - see page 84 +Cabin Air Filter Available - see page 453 1- Performance Silver Oil Filter Also Available



Vehicle	Engine Type	Air Filter	Oil Filter
2012 TOYOTA			
Highlander	3.5L V6 F/I	33-2260+	PS-7020
Highlander Hybrid	3.5L V6 F/I	33-2455+	PS-7020
Hilux	2.5L L4 DSL	E-2296	
Hilux	2.7L L4 F/I	E-2296	HP-1002 ¹
Hilux	3.0L L5 DSL	E-2296	
Land Cruiser	3.0L L4 DSL	33-2146	
Land Cruiser	4.0L V6 F/I	33-2438	
Land Cruiser	4.5L V8 DSL - Exc. 70 & 200 Series	33-2387	
Matrix	1.8L L4 F/I	33-2360+	PS-7021
Matrix	2.4L L4 F/I	33-2326 ♦♦	HP-1003 ¹
Prius	1.8L L4 F/I	33-2435+	PS-7021
Prius C	1.5L L4 F/I	33-2485+	HP-1003 ¹
Prius V	1.8L L4 F/I	33-2435+	PS-7021
RAV4	2.5L L4 F/I	33-2355+	PS-7020
RAV4	3.5L V6 F/I	33-2355+	PS-7020
RAV4 III	2.0L L4 F/I	33-2360	
RAV4 III	2.2L L4 DSL	33-2345	
Sequoia	4.6L V8 F/I	33-2387+	PS-7018
Sequoia	5.7L V8 F/I	33-2387 ♦♦	PS-7018
Sienna	2.7L L4 F/I	33-2443+	PS-7020
Sienna	3.5L V6 F/I	33-2443+	PS-7020
Tacoma	2.7L L4 F/I	33-2306 ♦♦	HP-1002 ¹
Tacoma	4.0L V6 F/I	33-2281 ♦♦	HP-1002 ¹
Tundra	4.0L V6 F/I	33-2387+	PS-7023
Tundra	4.6L V8 F/I	33-2387 ♦♦	PS-7018
Tundra	5.7L V8 F/I	33-2387 ♦♦	PS-7018
Venza	2.7L L4 F/I	33-2370+	PS-7020
Venza	3.5L V6 F/I	33-2326 ♦♦	PS-7020
Yaris	1.3L L4 F/I	33-2211	
Yaris	1.5L L4 F/I	33-2360 ♦♦	HP-1003 ¹
Yaris Hybrid	1.5L L4 F/I	33-2485	HP-1003 ¹

2011 TOYOTA			
4 Runner	4.0L V6 F/I	33-2438 ♦♦	PS-7023
Avalon	3.5L V6 F/I	33-2326+	PS-7020
Avensis	2.0L L4 F/I	33-2360	
Camry	2.5L L4 F/I	33-2370 ♦♦	PS-7020
Camry	3.5L V6 F/I	33-2326 ♦♦	PS-7020
Camry Hybrid	2.4L L4 F/I	33-2260+	HP-1003 ¹
Corolla	1.8L L4 F/I	33-2360 ♦♦	PS-7021
Corolla	2.4L L4 F/I	33-2326+	HP-1003 ¹
Etios	1.4L L4 DSL	33-3018	
FJ Cruiser	4.0L V6 F/I	33-2438 ♦♦	PS-7023
HiAce	3.0L L4 DSL	33-2987	
Highlander	2.7L L4 F/I	33-2260+	PS-7020
Highlander	3.5L V6 F/I	33-2260+	PS-7020
Highlander Hybrid	3.5L V6 F/I	33-2455+	PS-7020
Hilux	2.5L L4 DSL	E-2296	
Hilux	2.7L L4 F/I	E-2296	
Hilux	3.0L L5 DSL	E-2296	
Land Cruiser	3.0L L4 DSL	33-2146	
Land Cruiser	4.0L V6 F/I	33-2438	
Land Cruiser	4.5L V8 DSL - Exc. 70 & 200 Series	33-2387	
Land Cruiser	5.7L V8 F/I	33-2387+	
Matrix	1.8L L4 F/I	33-2360+	PS-7021
Matrix	2.4L L4 F/I	33-2326 ♦♦	HP-1003 ¹
Prius	1.8L L4 F/I	33-2435+	PS-7021
RAV4	2.5L L4 F/I	33-2355+	PS-7020
RAV4	3.5L V6 F/I	33-2355+	PS-7020
RAV4 III	2.0L L4 F/I	33-2360	
RAV4 III	2.2L L4 DSL	33-2345	
Sequoia	4.6L V8 F/I	33-2387 ♦♦	
Sequoia	5.7L V8 F/I	33-2387 ♦♦	PS-7018
Sienna	3.5L V6 F/I	33-2260+	PS-7020
Tacoma	2.7L L4 F/I	33-2306 ♦♦	HP-1002 ¹
Tacoma	4.0L V6 F/I	33-2281 ♦♦	HP-1002 ¹
Tundra	4.0L V6 F/I	33-2281 ♦♦	HP-1002 ¹
Tundra	4.6L V8 F/I	33-2387 ♦♦	PS-7018
Tundra	5.7L V8 F/I	33-2387 ♦♦	PS-7018
Venza	2.7L L4 F/I	33-2370+	PS-7020
Venza	3.5L V6 F/I	33-2326 ♦♦	PS-7020
Yaris	1.0L L3 F/I	33-2131 ♦	
Yaris	1.3L L4 F/I	33-2211	
Yaris	1.4L L4 DSL	33-2988	
Yaris	1.5L L4 F/I	33-2360 ♦♦	HP-1003 ¹
Yaris	1.8L L4 F/I	33-2360 ♦	

Vehicle	Engine Type	Air Filter	Oil Filter
2011 TOYOTA			
Sienna	2.7L L4 F/I	33-2443+	PS-7020
Sienna	3.5L V6 F/I	33-2443+	PS-7020
Tacoma	2.7L L4 F/I	33-2306 ♦♦	HP-1002 ¹
Tacoma	4.0L V6 F/I	33-2281 ♦♦	HP-1002 ¹
Tundra	4.0L V6 F/I	33-2387+	
Tundra	4.0L V6 F/I - Cartridge	33-2387	PS-7023
Tundra	4.0L V6 F/I - Spin On	33-2387	HP-1002 ¹
Tundra	4.6L V8 F/I	33-2387 ♦♦	PS-7018
Tundra	5.7L V8 F/I	33-2387 ♦♦	PS-7018
Venza	2.7L L4 F/I	33-2370+	PS-7020
Venza	3.5L V6 F/I	33-2326 ♦♦	PS-7020
Yaris	1.3L L4 F/I	33-2211	
Yaris	1.5L L4 F/I	33-2360 ♦♦	HP-1003 ¹
Yaris	1.8L L4 F/I	33-2360 ♦	

2010 TOYOTA			
4 Runner	2.7L L4 F/I		HP-1002 ¹
4 Runner	4.0L V6 F/I	33-2438 ♦♦	PS-7023
Avalon	3.5L V6 F/I	33-2326+	PS-7020
Camry	2.5L L4 F/I	33-2370 ♦♦	PS-7020
Camry	3.5L V6 F/I	33-2326 ♦♦	PS-7020
Camry Hybrid	2.4L L4 F/I	33-2260+	HP-1003 ¹
Corolla	1.3L L4 F/I	33-2360	
Corolla	1.8L L4 F/I	33-2360 ♦♦	PS-7021
Corolla	2.4L L4 F/I	33-2326+	HP-1003 ¹
FJ Cruiser	4.0L V6 F/I	33-2438 ♦♦	PS-7023
HiAce	3.0L L4 DSL	33-2987	
Highlander	2.7L L4 F/I	33-2260+	PS-7020
Highlander	3.5L V6 F/I	33-2260+	PS-7020
Highlander Hybrid	3.3L V6 F/I	33-2344+	HP-1002 ¹
Hilux	2.5L L4 DSL	E-2296	
Hilux	2.7L L4 F/I	E-2296	
Hilux	3.0L L5 DSL	E-2296	
Land Cruiser	3.0L L4 DSL	33-2146	
Land Cruiser	4.0L V6 F/I	33-2438	
Land Cruiser	4.5L V8 DSL - Exc. 70 & 200 Series	33-2387	
Land Cruiser	5.7L V8 F/I	33-2387+	
Matrix	1.8L L4 F/I	33-2360+	PS-7021
Matrix	2.4L L4 F/I	33-2326 ♦♦	HP-1003 ¹
Prius	1.8L L4 F/I	33-2435+	PS-7021
RAV4	2.5L L4 F/I	33-2355+	PS-7020
RAV4	3.5L V6 F/I	33-2355+	PS-7020
RAV4 III	2.0L L4 F/I	33-2360	
RAV4 III	2.2L L4 DSL	33-2345	
Sequoia	4.6L V8 F/I	33-2387 ♦♦	
Sequoia	5.7L V8 F/I	33-2387 ♦♦	PS-7018
Sienna	3.5L V6 F/I	33-2260+	PS-7020
Tacoma	2.7L L4 F/I	33-2306 ♦♦	HP-1002 ¹
Tacoma	4.0L V6 F/I	33-2281 ♦♦	HP-1002 ¹
Tundra	4.0L V6 F/I	33-2281 ♦♦	HP-1002 ¹
Tundra	4.6L V8 F/I	33-2387 ♦♦	PS-7018
Tundra	5.7L V8 F/I	33-2387 ♦♦	PS-7018
Venza	2.7L L4 F/I	33-2370+	PS-7020
Venza	3.5L V6 F/I	33-2326 ♦♦	PS-7020
Yaris	1.0L L3 F/I	33-2131 ♦	
Yaris	1.3L L4 F/I	33-2211	
Yaris	1.4L L4 DSL	33-2988	
Yaris	1.5L L4 F/I	33-2360 ♦♦	HP-1003 ¹
Yaris	1.8L L4 F/I	33-2360 ♦	

2009 TOYOTA			
4 Runner	4.0L V6 F/I	33-2281+	HP-1002 ¹
4 Runner	4.7L V8 F/I		HP-1002 ¹

* 2 filters required

♦ Intake System Available - see page 84 + Cabin Air Filter Available - see page 453 1- Performance Silver Oil Filter Also Available



AIR & OIL FILTERS

TOYOTA

Vehicle	Engine Type	Air Filter	Oil Filter
2009 TOYOTA			
Avalon	3.5L V6 F/I	33-2326+	PS-7020
Camry	2.4L L4 F/I	33-2370 ♦♦	HP-1003 ¹
Camry	3.5L V6 F/I	33-2326 ♦♦	PS-7020
Camry Hybrid	2.4L L4 F/I	33-2260+	HP-1003 ¹
Corolla	1.3L L4 F/I	33-2360	
Corolla	1.4L L4 DSL	33-2953	
Corolla	1.4L L4 F/I	33-2360	
Corolla	1.6L L4 F/I	33-2360	
Corolla	1.8L L4 F/I	33-2360 ♦♦	PS-7021
Corolla	2.0L L4 DSL	33-2953	
Corolla	2.4L L4 F/I	33-2326+	HP-1003 ¹
FJ Cruiser	4.0L V6 F/I	33-2281 ♦♦	HP-1002 ¹
HiAce	3.0L L4 DSL	33-2987	
Highlander	2.7L L4 F/I	33-2260+	PS-7020
Highlander	3.5L V6 F/I	33-2260+	PS-7020
Highlander Hybrid	3.3L V6 F/I	33-2344+	HP-1002 ¹
Hilux	2.5L L4 DSL	E-2296	
Hilux	2.7L L4 F/I	E-2296	
Hilux	3.0L L5 DSL	E-2296	
Land Cruiser	3.0L L4 DSL	33-2146	
Land Cruiser	4.5L V8 DSL - Exc. 70 & 200 Series	33-2387	
Land Cruiser	5.7L V8 F/I	33-2387+	PS-7018
Matrix	1.8L L4 F/I	33-2360+	PS-7021
Matrix	2.4L L4 F/I	33-2326 ♦♦	HP-1003 ¹
Prius	1.5L L4 F/I	33-2329+	HP-1003 ¹
RAV4	2.5L L4 F/I	33-2355+	PS-7020
RAV4	3.5L V6 F/I	33-2355+	PS-7020
RAV4 III	2.0L L4 F/I - 152BHP	33-2355	
RAV4 III	2.0L L4 F/I - 158BHP	33-2360	
RAV4 III	2.2L L4 DSL	33-2345	
RAV4 III	3.5L V6 F/I	33-2355	
Sequoia	4.7L V8 F/I	33-2387 ♦♦	
Sequoia	5.7L V8 F/I	33-2387 ♦♦	
Sienna	3.5L V6 F/I	33-2260+	PS-7020
Solara	2.4L L4 F/I	33-2260	
Tacoma	2.7L L4 F/I	33-2306 ♦♦	HP-1002 ¹
Tacoma	4.0L V6 F/I	33-2281 ♦♦	HP-1002 ¹
Tundra	4.0L V6 F/I	33-2281 ♦♦	HP-1002 ¹
Tundra	4.7L V8 F/I	33-2387 ♦♦	HP-1002 ¹
Tundra	5.7L V8 F/I	33-2387 ♦♦	PS-7018
Venza	2.7L L4 F/I	33-2370+	PS-7020
Venza	3.5L V6 F/I	33-2326 ♦♦	PS-7020
Yaris	1.0L L3 F/I	33-2131 ♦	
Yaris	1.3L L4 F/I - 101BHP	33-2211	
Yaris	1.3L L4 F/I - 87BHP	33-2131	
Yaris	1.4L L4 DSL	33-2988	
Yaris	1.5L L4 F/I	33-2360 ♦♦	HP-1003 ¹
Yaris	1.8L L4 F/I	33-2360 ♦	

Vehicle	Engine Type	Air Filter	Oil Filter
2008 TOYOTA			
4 Runner	4.0L V6 F/I	33-2281 ♦♦	HP-1002 ¹
4 Runner	4.7L V8 F/I	33-2144 ♦♦	HP-1002 ¹
Avalon	3.5L V6 F/I	33-2326+	PS-7020
Camry	2.4L L4 F/I	33-2370 ♦♦	HP-1003 ¹
Camry	3.5L V6 F/I	33-2326 ♦♦	PS-7020
Camry Hybrid	2.4L L4 F/I	33-2260+	HP-1003 ¹
Corolla	1.4L L4 DSL	33-2953	
Corolla	1.4L L4 F/I	33-2360	
Corolla	1.6L L4 F/I	33-2360	
Corolla	1.8L L4 F/I	33-2252 ♦♦	HP-1003 ¹
Corolla	2.0L L4 DSL	33-2953	
FJ Cruiser	4.0L V6 F/I	33-2281 ♦♦	HP-1002 ¹

Vehicle	Engine Type	Air Filter	Oil Filter
2008 TOYOTA			
HiAce	3.0L L4 DSL	33-2987	
Highlander	3.5L V6 F/I	33-2260+	PS-7020
Highlander Hybrid	3.3L V6 F/I	33-2344+	HP-1002 ¹
Hilux	2.7L L4 F/I	E-2296	
Hilux	3.0L L5 DSL	E-2296	
Land Cruiser	4.5L V8 DSL - Exc. 70 & 200 Series	33-2387	
Land Cruiser	5.7L V8 F/I	33-2387+	PS-7018
Matrix	1.8L L4 F/I	33-2252+	HP-1003 ¹
Prius	1.5L L4 F/I	33-2329+	HP-1003 ¹
RAV4	2.4L L4 F/I	33-2355+	HP-1003 ¹
RAV4	3.5L V6 F/I	33-2355+	PS-7020
RAV4 III	2.0L L4 F/I	33-2355	
RAV4 III	2.2L L4 DSL	33-2345	
RAV4 III	2.4L L4 F/I	33-2355	
RAV4 III	3.5L V6 F/I	33-2355	
Sequoia	4.7L V8 F/I	33-2387 ♦♦	
Sequoia	5.7L V8 F/I	33-2387 ♦♦	PS-7018
Sienna	3.5L V6 F/I	33-2260+	PS-7020
Solara	2.4L L4 F/I	33-2260+	HP-1003 ¹
Solara	3.3L V6 F/I	33-2260+	HP-1002 ¹
Tacoma	2.7L L4 F/I	33-2306 ♦♦	HP-1002 ¹
Tacoma	4.0L V6 F/I	33-2281 ♦♦	HP-1002 ¹
Tundra	4.0L V6 F/I	33-2281 ♦♦	HP-1002 ¹
Tundra	4.7L V8 F/I	33-2387 ♦♦	HP-1002 ¹
Tundra	5.7L V8 F/I	33-2387 ♦♦	PS-7018
Yaris	1.0L L3 F/I	33-2131 ♦	
Yaris	1.3L L4 F/I	33-2131	
Yaris	1.5L L4 F/I	33-2360 ♦♦	HP-1003 ¹
Yaris	1.8L L4 F/I	33-2360 ♦	

Vehicle	Engine Type	Air Filter	Oil Filter
2007 TOYOTA			
4 Runner	4.0L V6 F/I	33-2281 ♦♦	HP-1002 ¹
4 Runner	4.7L V8 F/I	33-2144 ♦♦	HP-1002 ¹
Avalon	3.5L V6 F/I	33-2326+	PS-7020
Avensis Verso	2.0L L4 F/I - 1AZ-FE Eng.	33-2252	
Camry	2.4L L4 F/I	33-2370 ♦♦	HP-1003 ¹
Camry	3.5L V6 F/I	33-2326 ♦♦	PS-7020
Camry Hybrid	2.4L L4 F/I	33-2260+	HP-1003 ¹
Corolla	1.4L L4 DSL - from 4/07	33-2953	
Corolla	1.4L L4 DSL - to 3/07	33-2835	
Corolla	1.4L L4 F/I	33-2360 ♦	
Corolla	1.6L L4 F/I - from 4/07	33-2360 ♦	
Corolla	1.6L L4 F/I - to 3/07	33-2252 ♦	
Corolla	1.8L L4 F/I	33-2252 ♦♦	HP-1003 ¹
Corolla	2.0L L4 DSL	33-2953	
Corolla	2.2L L4 DSL	33-2926	
FJ Cruiser	4.0L V6 F/I	33-2281 ♦♦	HP-1002 ¹
HiAce	3.0L L4 DSL	33-2987	
Highlander	2.4L L4 F/I	33-2260+	HP-1003 ¹
Highlander	3.3L V6 F/I	33-2260+	HP-1002 ¹
Highlander Hybrid	3.3L V6 F/I	33-2344+	HP-1002 ¹
Hilux	2.7L L4 F/I	E-2296	
Hilux	3.0L L5 DSL	E-2296	
Land Cruiser	4.7L V8 F/I	33-2146	HP-1002 ¹
Matrix	1.8L L4 F/I	33-2252+	HP-1003 ¹
Prius	1.5L L4 F/I	33-2329+	HP-1003 ¹
RAV4	2.4L L4 F/I	33-2355+	HP-1003 ¹
RAV4	3.5L V6 F/I	33-2355+	PS-7020
RAV4 III	2.0L L4 F/I	33-2355	
RAV4 III	2.2L L4 DSL	33-2345	
RAV4 III	2.4L L4 F/I	33-2355	

* 2 filters required

♦ Intake System Available - see page 84 +Cabin Air Filter Available - see page 453 1- Performance Silver Oil Filter Also Available



Vehicle	Engine Type	Air Filter	Oil Filter
2007 TOYOTA			
RAV4 III	3.5L V6 F/I	33-2355	
Sequoia	4.7L V8 F/I	33-2144 ♦	HP-1002 ¹
Sienna	3.3L V6 F/I		HP-1002 ¹
Sienna	3.5L V6 F/I	33-2260+	PS-7020
Solara	2.4L L4 F/I	33-2260+	HP-1003 ¹
Solara	3.3L V6 F/I	33-2260+	HP-1002 ¹
Tacoma	2.7L L4 F/I	33-2306 ♦+	HP-1002 ¹
Tacoma	4.0L V6 F/I	33-2281 ♦+	HP-1002 ¹
Tundra	4.0L V6 F/I	33-2281 ♦+	HP-1002 ¹
Tundra	4.7L V8 F/I	33-2387 ♦+	HP-1002 ¹
Tundra	5.7L V8 F/I	33-2387 ♦+	PS-7018
Yaris	1.0L L3 F/I	33-2131 ♦	
Yaris	1.3L L4 F/I	33-2131	
Yaris	1.5L L4 F/I	33-2360 ♦+	HP-1003 ¹
Yaris	1.8L L4 F/I	33-2360 ♦	

Vehicle	Engine Type	Air Filter	Oil Filter
2006 TOYOTA			
4 Runner	4.0L V6 F/I	33-2281 ♦+	HP-1002 ¹
4 Runner	4.7L V8 F/I	33-2144 ♦+	HP-1002 ¹
Avalon	3.5L V6 F/I	33-2326+	PS-7020
Camry	2.4L L4 F/I	33-2260 ♦+	HP-1003 ¹
Camry	3.0L V6 F/I	33-2260+	HP-1002 ¹
Camry	3.3L V6 F/I	33-2260+	HP-1002 ¹
Celica	1.8L L4 F/I	33-2041-1 ♦	
Corolla	1.4L L4 DSL	33-2835	
Corolla	1.4L L4 F/I	33-2252 ♦	
Corolla	1.6L L4 F/I	33-2252 ♦	
Corolla	1.8L L4 F/I	33-2252 ♦+	HP-1003 ¹
Corolla	2.0L L4 DSL	33-2835	
Corolla	2.2L L4 DSL	33-2926	
Highlander	2.4L L4 F/I	33-2260+	HP-1003 ¹
Highlander	3.3L V6 F/I	33-2260+	HP-1002 ¹
Highlander Hybrid	3.3L V6 F/I	33-2344+	HP-1002 ¹
Hilux	2.7L L4 F/I	E-2296	
Land Cruiser	3.0L L4 DSL - w/Round Filter	E-2444	
Land Cruiser	4.2L L6 DSL - w/Round Filter	E-2444	
Land Cruiser	4.7L V8 F/I	33-2146	HP-1002 ¹
Matrix	1.8L L4 F/I	33-2252+	HP-1003 ¹
Matrix XR	1.8L L4 F/I	33-2252+	HP-1003 ¹
Matrix XRS	1.8L L4 F/I	33-2252 ♦+	HP-1003 ¹
Prius	1.5L L4 F/I	33-2329+	HP-1003 ¹
RAV4	2.4L L4 F/I	33-2355+	HP-1003 ¹
RAV4	3.5L V6 F/I	33-2355+	PS-7020
RAV4 II	2.0L L4 F/I	33-2216	
RAV4 III	2.0L L4 F/I	33-2355	
RAV4 III	2.2L L4 DSL	33-2345	
RAV4 III	2.4L L4 F/I	33-2355	
RAV4 III	3.5L V6 F/I	33-2355	
Sequoia	4.7L V8 F/I	33-2144 ♦	HP-1002 ¹
Sienna	3.3L V6 F/I	33-2260+	HP-1002 ¹
Solara	2.4L L4 F/I	33-2260 ♦+	HP-1003 ¹
Solara	3.3L V6 F/I	33-2260+	HP-1002 ¹
Tacoma	2.7L L4 F/I	33-2306 ♦+	HP-1002 ¹
Tacoma	4.0L V6 F/I	33-2281 ♦+	HP-1002 ¹
Tacoma	4.0L V6 F/I	33-2281 ♦	HP-1002 ¹
Tundra	4.0L V6 F/I	33-2281 ♦	HP-1002 ¹
Tundra	4.7L V8 F/I	33-2144 ♦	HP-1002 ¹
Vigo	2.5L L4 DSL	E-2296	
Yaris	1.0L L3 F/I	33-2131 ♦	
Yaris	1.3L L4 F/I	33-2131	HP-1003 ¹
Yaris	1.5L L4 F/I	33-2360 ♦+	HP-1003 ¹

Vehicle	Engine Type	Air Filter	Oil Filter
2005 TOYOTA			
4 Runner	4.0L V6 F/I	33-2281 ♦+	HP-1002 ¹
4 Runner	4.7L V8 F/I	33-2144 ♦+	HP-1002 ¹
Avalon	3.5L V6 F/I	33-2326+	PS-7020
Camry	2.4L L4 F/I	33-2260 ♦+	HP-1003 ¹
Camry	3.0L V6 F/I	33-2260+	HP-1002 ¹
Camry	3.3L V6 F/I	33-2260+	HP-1002 ¹
Celica	1.8L L4 F/I	33-2041-1 ♦	HP-1003 ¹
Celica GT	1.8L L4 F/I	33-2041-1+	HP-1003 ¹
Celica GTS	1.8L L4 F/I	33-2041-1+	HP-1003 ¹
Corolla	1.4L L4 DSL	33-2835	
Corolla	1.4L L4 F/I	33-2252 ♦	
Corolla	1.6L L4 F/I	33-2252 ♦	
Corolla	1.8L L4 F/I	33-2252 ♦+	HP-1003 ¹
Corolla	2.0L L4 DSL	33-2835	
Corolla	2.2L L4 DSL	33-2926	
Echo	1.5L L4 F/I	33-2211+	HP-1003 ¹
Highlander	2.4L L4 F/I	33-2260+	HP-1003 ¹
Highlander	3.3L V6 F/I	33-2260+	HP-1002 ¹
Hilux	2.7L L4 F/I - to 6/05	E-2233	
Hilux	2.7L L4 F/I - To 7/05	E-2296	
Hilux	3.0L L5 DSL	E-2015	
Hilux	3.0L L5 F/I	E-2015	
Land Cruiser	3.0L L4 DSL - w/Round Filter	E-2444	
Land Cruiser	4.2L L6 DSL - w/Round Filter	E-2444	
Land Cruiser	4.7L V8 F/I	33-2146 ♦	HP-1002 ¹
Matrix	1.8L L4 F/I	33-2252+	HP-1003 ¹
Matrix XR	1.8L L4 F/I	33-2252+	HP-1003 ¹
Matrix XRS	1.8L L4 F/I	33-2252 ♦+	HP-1003 ¹
MR2 Spyder	1.8L L4 F/I	33-2041-1 ♦	HP-1003 ¹
Prius	1.5L L4 F/I	33-2329+	HP-1003 ¹
RAV4	2.4L L4 F/I	33-2216+	HP-1003 ¹
RAV4 II	1.8L L4 F/I	33-2855	
RAV4 II	2.0L L4 F/I	33-2216 ♦	
RAV4 III	2.0L L4 DSL	33-2843	
RAV4 III	2.4L L4 F/I	33-2216	
Sequoia	4.7L V8 F/I	33-2144 ♦	HP-1002 ¹
Sienna	3.3L V6 F/I	33-2260+	HP-1002 ¹
Solara	2.4L L4 F/I	33-2260 ♦+	HP-1003 ¹
Solara	3.3L V6 F/I	33-2260+	HP-1002 ¹
Tacoma	2.7L L4 F/I	33-2306 ♦+	HP-1002 ¹
Tacoma	4.0L V6 F/I	33-2281 ♦+	HP-1002 ¹
Tacoma	4.0L V6 F/I	33-2281 ♦	HP-1002 ¹
Tundra	4.0L V6 F/I	33-2281 ♦	HP-1002 ¹
Tundra	4.7L V8 F/I	33-2144 ♦	HP-1002 ¹
Vigo	2.5L L4 DSL	E-2296	

Vehicle	Engine Type	Air Filter	Oil Filter
2004 TOYOTA			
4 Runner	4.0L V6 F/I	33-2281 ♦+	HP-1002 ¹
4 Runner	4.7L V8 F/I	33-2144 ♦+	HP-1002 ¹
Avalon	3.0L V6 F/I	33-2145-1+	HP-1002 ¹
Avensis Verso	2.0L L4 DSL	33-2030	
Avensis Verso	2.0L L4 F/I - 1AZ-FE Eng.	33-2252	
Avensis Verso	2.0L L4 F/I - 1AZ-FSE Eng.	33-2739	
Camry	2.4L L4 F/I	33-2260 ♦+	HP-1003 ¹
Camry	3.0L V6 F/I	33-2260+	HP-1002 ¹
Camry	3.3L V6 F/I	33-2260+	HP-1002 ¹
Celica	1.8L L4 F/I	33-2041-1 ♦	HP-1003 ¹
Celica GT	1.8L L4 F/I	33-2041-1 ♦+	HP-1003 ¹
Celica GTS	1.8L L4 F/I	33-2041-1 ♦+	HP-1003 ¹
Corolla	1.4L L4 DSL	33-2835	
Corolla	1.4L L4 F/I	33-2252 ♦	
Corolla	1.6L L4 F/I	33-2252 ♦	

* 2 filters required ♦ Intake System Available - see page 84 + Cabin Air Filter Available - see page 453 1- Performance Silver Oil Filter Also Available



AIR & OIL FILTERS

TOYOTA

Vehicle	Engine Type	Air Filter	Oil Filter
2004 TOYOTA			
Corolla	1.8L L4 F/I	33-2252 ♦♦	HP-1003 ¹
Corolla	2.0L L4 DSL	33-2835	
Echo	1.5L L4 F/I	33-2211 +	HP-1003 ¹
Highlander	2.4L L4 F/I	33-2260+	HP-1003 ¹
Highlander	3.3L V6 F/I	33-2260+	HP-1002 ¹
Hilux	2.7L L4 F/I	E-2233	
Hilux	3.0L L5 DSL	E-2015	
Hilux	3.0L L5 F/I	E-2015	
Land Cruiser	3.0L L4 DSL - w/Round Filter	E-2444	
Land Cruiser	4.2L L6 DSL - w/Round Filter	E-2444	
Land Cruiser	4.7L V8 F/I	33-2146 ♦	HP-1002 ¹
Land Cruiser Prado	4.0L V6 F/I	33-2281	
Matrix	1.8L L4 F/I	33-2252+	HP-1003 ¹
Matrix XR	1.8L L4 F/I	33-2252 ♦♦	HP-1003 ¹
Matrix XRS	1.8L L4 F/I	33-2252 ♦♦	HP-1003 ¹
MR2 Spyder	1.8L L4 F/I	HP-1003 ¹	
Prius	1.5L L4 F/I	33-2329+	HP-1003 ¹
RAV4	2.4L L4 F/I	33-2216+	HP-1003 ¹
RAV4 II	1.8L L4 F/I	33-2855	
RAV4 II	2.0L L4 DSL	33-2843	
RAV4 II	2.0L L4 F/I	33-2216 ♦	
Sequoia	4.7L V8 F/I	33-2144 ♦	HP-1002 ¹
Sienna	3.3L V6 F/I	33-2260+	HP-1002 ¹
Solara	2.4L L4 F/I	33-2260 ♦♦	HP-1003 ¹
Solara	3.3L V6 F/I	33-2260+	HP-1002 ¹
Tacoma	2.4L L4 F/I	33-2050-1 ♦	HP-1002 ¹
Tacoma	2.7L L4 F/I	33-2050-1 ♦	HP-1002 ¹
Tacoma	3.4L V6 F/I	33-2054 ♦	HP-1002 ¹
Tundra	3.4L V6 F/I	33-2144 ♦	HP-1002 ¹
Tundra	4.7L V8 F/I	33-2144 ♦	HP-1002 ¹
Yaris	1.5L L4 F/I	33-2211 ♦	

Vehicle	Engine Type	Air Filter	Oil Filter
2003 TOYOTA			
4 Runner	4.0L V6 F/I	33-2281 ♦♦	HP-1002 ¹
4 Runner	4.7L V8 F/I	33-2144 ♦♦	HP-1002 ¹
Avalon	3.0L V6 F/I	33-2145-1+	HP-1002 ¹
Camry	2.4L L4 F/I	33-2260 ♦♦	HP-1003 ¹
Camry	3.0L V6 F/I	33-2260+	HP-1002 ¹
Celica	1.8L L4 F/I	33-2041-1 ♦	
Celica GT	1.8L L4 F/I	33-2041-1 ♦♦	HP-1003 ¹
Celica GTS	1.8L L4 F/I	33-2041-1 ♦♦	HP-1003 ¹
Corolla	1.4L L4 F/I	33-2252 ♦	
Corolla	1.6L L4 F/I	33-2252 ♦	
Corolla	1.8L L4 F/I	33-2252 ♦♦	HP-1003 ¹
Corolla	2.0L L4 DSL	33-2835	
Echo	1.5L L4 F/I	33-2211 +	HP-1003 ¹
Highlander	2.4L L4 F/I	33-2260+	HP-1003 ¹
Highlander	3.0L V6 F/I	33-2260+	HP-1002 ¹
Hilux	3.0L L5 DSL	E-2015	
Hilux	3.0L L5 F/I	E-2015	
Land Cruiser	3.0L L4 DSL	E-2444	
Land Cruiser	4.2L L6 DSL	E-2444	
Land Cruiser	4.7L V8 F/I	33-2146 ♦	HP-1002 ¹
Matrix	1.8L L4 F/I	33-2252+	HP-1003 ¹
Matrix XR	1.8L L4 F/I	33-2252 ♦♦	HP-1003 ¹
Matrix XRS	1.8L L4 F/I	33-2252 ♦♦	HP-1003 ¹
MR2 Spyder	1.8L L4 F/I	33-2041-1 ♦	HP-1003 ¹
Prius	1.5L L4 F/I	33-2186+	HP-1003 ¹
RAV4	2.0L L4 F/I	33-2216+	HP-1003 ¹
RAV4 II	1.8L L4 F/I	33-2855	
RAV4 II	2.0L L4 DSL	33-2843	
RAV4 II	2.0L L4 F/I	33-2216 ♦	

Vehicle	Engine Type	Air Filter	Oil Filter
2003 TOYOTA			
Sequoia	4.7L V8 F/I	33-2144 ♦	HP-1002 ¹
Sienna	3.0L V6 F/I	33-2145-1	HP-1002 ¹
Solara	2.4L L4 F/I	33-2145-1 ♦	
Solara	3.0L V6 F/I	33-2145-1	HP-1002 ¹
Tacoma	2.4L L4 F/I	33-2050-1 ♦	HP-1002 ¹
Tacoma	2.7L L4 F/I	33-2050-1 ♦	HP-1002 ¹
Tacoma	3.4L V6 F/I	33-2054 ♦	HP-1002 ¹
Tundra	3.4L V6 F/I	33-2144 ♦	HP-1002 ¹
Tundra	4.7L V8 F/I	33-2144 ♦	HP-1002 ¹

Vehicle	Engine Type	Air Filter	Oil Filter
2002 TOYOTA			
4 Runner	3.4L V6 F/I	33-2054 ♦	HP-1002 ¹
4 Runner	4.0L V6 F/I	33-2281	HP-1002 ¹
4 Runner	4.7L V8 F/I	33-2144	HP-1002 ¹
Avalon	3.0L V6 F/I	33-2145-1+	HP-1002 ¹
Camry	2.4L L4 F/I	33-2260 ♦♦	HP-1003 ¹
Camry	3.0L V6 F/I	33-2260+	HP-1002 ¹
Celica	1.8L L4 F/I	33-2041-1 ♦	
Celica GT	1.8L L4 F/I	33-2041-1 ♦♦	HP-1003 ¹
Celica GTS	1.8L L4 F/I	33-2041-1 ♦♦	HP-1003 ¹
Corolla	1.4L L4 F/I	33-2252 ♦	
Corolla	1.6L L4 F/I	33-2252 ♦	
Corolla	1.8L L4 F/I - Non-US	33-2252 ♦	
Corolla	1.8L L4 F/I - US	33-2672 ♦♦	HP-1003 ¹
Corolla	2.0L L4 DSL	33-2835	
Echo	1.5L L4 F/I	33-2211 +	HP-1003 ¹
Highlander	2.4L L4 F/I	33-2260+	HP-1003 ¹
Highlander	3.0L V6 F/I	33-2260+	HP-1002 ¹
Hilux	3.0L L5 DSL	E-2015	
Hilux	3.0L L5 F/I	E-2015	
Land Cruiser	3.0L L4 DSL	E-2444	
Land Cruiser	3.4L L4 F/I	33-2054	
Land Cruiser	4.2L L6 DSL	E-2444	
Land Cruiser	4.7L V8 F/I	33-2146 ♦	HP-1002 ¹
MR2 Spyder	1.8L L4 F/I	33-2041-1 ♦	HP-1003 ¹
Prius	1.5L L4 F/I	33-2186+	HP-1003 ¹
RAV4	2.0L L4 F/I	33-2216+	HP-1003 ¹
RAV4 II	1.8L L4 F/I	33-2855	
RAV4 II	2.0L L4 DSL	33-2843	
RAV4 II	2.0L L4 F/I	33-2216 ♦	
Sequoia	4.7L V8 F/I	33-2144 ♦	HP-1002 ¹
Sienna	3.0L V6 F/I	33-2145-1	HP-1002 ¹
Solara	2.4L L4 F/I	33-2145-1 ♦	HP-1003 ¹
Solara	3.0L V6 F/I	33-2145-1	HP-1002 ¹
Tacoma	2.4L L4 F/I	33-2050-1 ♦	HP-1002 ¹
Tacoma	2.7L L4 F/I	33-2050-1 ♦	HP-1002 ¹
Tacoma	3.4L V6 F/I	33-2054 ♦	HP-1002 ¹
Tundra	3.4L V6 F/I	33-2144 ♦	HP-1002 ¹
Tundra	4.7L V8 F/I	33-2144 ♦	HP-1002 ¹
Yaris	1.5L L4 F/I	33-2211 ♦	

Vehicle	Engine Type	Air Filter	Oil Filter
2001 TOYOTA			
4 Runner	3.4L V6 F/I	33-2054 ♦	HP-1002 ¹
Avalon	3.0L V6 F/I	33-2145-1+	HP-1002 ¹
Camry	2.2L L4 F/I	33-2145-1	HP-1003 ¹
Camry	2.4L L4 F/I	33-2260	
Camry	3.0L V6 F/I	33-2145-1	HP-1002 ¹
Celica	1.8L L4 F/I	33-2041-1 ♦	HP-1003 ¹
Celica GT	1.8L L4 F/I	33-2041-1 ♦♦	HP-1003 ¹
Celica GTS	1.8L L4 F/I	33-2041-1 ♦♦	HP-1003 ¹
Corolla	1.4L L4 F/I	33-2252 ♦	
Corolla	1.6L L4 F/I	33-2252 ♦	
Corolla	1.8L L4 F/I		HP-1003 ¹
Corolla	1.8L L4 F/I - Non-US	33-2252 ♦	HP-1003

* 2 filters required

♦ Intake System Available - see page 84 +Cabin Air Filter Available - see page 453 1- Performance Silver Oil Filter Also Available



Vehicle	Engine Type	Air Filter	Oil Filter
2001 TOYOTA			
Corolla	1.8L L4 F/I - US	33-2672	HP-1003
Corolla	2.0L L4 F/I	33-2252	
Echo	1.5L L4 F/I	33-2211 +	HP-1003 ¹
Highlander	2.4L L4 F/I	33-2260+	HP-1003 ¹
Highlander	3.0L V6 F/I	33-2260+	HP-1002 ¹
Hilux	3.0L L5 DSL	E-2015	
Hilux	3.0L L5 F/I	E-2015	
Land Cruiser	3.0L L4 DSL	E-2444	
Land Cruiser	4.2L L6 DSL	E-2444	
Land Cruiser	4.5L L6 F/I	E-2444	
Land Cruiser	4.7L V8 F/I	33-2146 ♦	HP-1002 ¹
Land Cruiser Prado	3.0L V6 F/I	E-2444	
MR2 Spyder	1.8L L4 F/I	33-2041-1 ♦	HP-1003 ¹
Prius	1.5L L4 F/I	33-2186+	HP-1003 ¹
RAV4	2.0L L4 F/I	33-2216+	HP-1003 ¹
RAV4 II	1.8L L4 F/I	33-2855	
RAV4 II	2.0L L4 DSL	33-2843	
RAV4 II	2.0L L4 F/I	33-2216 ♦	
Sequoia	4.7L V8 F/I	33-2144 ♦	HP-1002 ¹
Sienna	3.0L V6 F/I	33-2145-1	HP-1002 ¹
Solara	2.2L L4 F/I	33-2145-1	HP-1003 ¹
Solara	3.0L V6 F/I	33-2145-1	HP-1002 ¹
Tacoma	2.4L L4 F/I	33-2050-1 ♦	HP-1002 ¹
Tacoma	2.7L L4 F/I	33-2050-1 ♦	HP-1002 ¹
Tacoma	3.4L V6 F/I	33-2054 ♦	HP-1002 ¹
Tundra	3.4L V6 F/I	33-2144 ♦	HP-1002 ¹
Tundra	4.7L V8 F/I	33-2144 ♦	HP-1002 ¹

Vehicle	Engine Type	Air Filter	Oil Filter
2000 TOYOTA			
4 Runner	2.7L L4 F/I	33-2050-1 ♦	HP-1002 ¹
4 Runner	3.4L V6 F/I	33-2054 ♦	HP-1002 ¹
Avalon	3.0L V6 F/I	33-2145-1+	HP-1002 ¹
Camry	2.2L L4 F/I	33-2145-1	HP-1003 ¹
Camry	3.0L V6 F/I	33-2145-1	HP-1002 ¹
Celica	1.8L L4 F/I	33-2041-1 ♦	HP-1003 ¹
Celica GT	1.8L L4 F/I	33-2041-1 ♦+	HP-1003 ¹
Celica GTS	1.8L L4 F/I	33-2041-1 ♦+	HP-1003 ¹
Corolla	1.4L L4 F/I - 86BHP, Left Hand Drive	33-2671	
Corolla	1.4L L4 F/I - 97BHP	33-2252	
Corolla	1.8L L4 F/I		HP-1003 ¹
Corolla	1.8L L4 F/I - Non-US	E-2690	HP-1003
Corolla	1.8L L4 F/I - US	33-2672	HP-1003
Corolla	2.0L L4 DSL	33-2835	
Echo	1.5L L4 F/I	33-2211 +	HP-1003 ¹
Hilux	3.0L L5 DSL	E-2015	
Hilux	3.0L L5 F/I	E-2015	
Land Cruiser	3.0L L4 DSL - D-4D	E-2444	
Land Cruiser	3.0L L4 DSL - Exc., D-4D	E-2233	
Land Cruiser	4.2L L6 DSL	E-2444	
Land Cruiser	4.5L L6 F/I	E-2444	
Land Cruiser	4.7L V8 F/I	33-2146 ♦	HP-1002 ¹
MR2 Spyder	1.8L L4 F/I	33-2041-1 ♦	HP-1003 ¹
RAV4	2.0L L4 F/I	33-2163	HP-1003 ¹
RAV4 I	2.0L L4 F/I - 129BHP	33-2030 ♦	
RAV4 II	1.8L L4 F/I	33-2855	
RAV4 II	2.0L L4 DSL	33-2843	
RAV4 II	2.0L L4 F/I	33-2216 ♦	
Sienna	3.0L V6 F/I	33-2145-1	HP-1002 ¹
Solara	2.2L L4 F/I	33-2145-1	HP-1003 ¹
Solara	3.0L V6 F/I	33-2145-1	HP-1002 ¹
Tacoma	2.4L L4 F/I	33-2050-1 ♦	HP-1002 ¹
Tacoma	2.7L L4 F/I	33-2050-1 ♦	HP-1002 ¹

Vehicle	Engine Type	Air Filter	Oil Filter
2000 TOYOTA			
Tacoma	3.4L V6 F/I	33-2054 ♦	HP-1002 ¹
Tundra	3.4L V6 F/I	33-2144 ♦	HP-1002 ¹
Tundra	4.7L V8 F/I	33-2144 ♦	HP-1002 ¹
Yaris	1.3L L4 F/I	33-2211 ♦	
1999 TOYOTA			
4 Runner	2.7L L4 F/I	33-2050-1 ♦	HP-1002 ¹
4 Runner	3.4L V6 F/I	33-2054 ♦	HP-1002 ¹
Avalon	3.0L V6 F/I	33-2145-1	HP-1002 ¹
Camry	2.2L L4 F/I	33-2145-1	HP-1003 ¹
Camry	3.0L V6 F/I	33-2145-1	HP-1002 ¹
Celica	1.8L L4 F/I - from 11/99	33-2041-1 ♦	
Celica	1.8L L4 F/I - to 10/99	33-2052 ♦	
Celica	2.2L L4 F/I	33-2052	HP-1003 ¹
Corolla	1.3L L4 F/I	33-2671	
Corolla	1.4L L4 F/I - Left Hand Drive	33-2671	
Corolla	1.6L L4 F/I	33-2672 ♦	
Corolla	1.8L L4 F/I		HP-1003 ¹
Corolla	1.8L L4 F/I - Non-US	E-2690	HP-1003
Corolla	1.8L L4 F/I - US	33-2672	HP-1003
Corolla	2.0L L4 DSL	33-2030	
Hilux	2.7L L4 F/I	E-2233	
Hilux	3.0L L5 DSL	E-2015	
Hilux	3.0L L5 F/I	E-2015	
Land Cruiser	4.2L L6 DSL	E-2444	
Land Cruiser	4.5L L6 F/I	E-2444	
Land Cruiser	4.7L V8 F/I	33-2146 ♦	HP-1002 ¹
RAV4	2.0L L4 F/I	33-2163	HP-1003 ¹
RAV4 I	2.0L L4 F/I - 129BHP	33-2030 ♦	
Sienna	3.0L V6 F/I	33-2145-1	HP-1002 ¹
Solara	2.2L L4 F/I	33-2145-1	HP-1003 ¹
Solara	3.0L V6 F/I	33-2145-1	HP-1002 ¹
Tacoma	2.4L L4 F/I	33-2050-1 ♦	HP-1002 ¹
Tacoma	2.7L L4 F/I	33-2050-1 ♦	HP-1002 ¹
Tacoma	3.4L V6 F/I	33-2054 ♦	HP-1002 ¹
Tercel	1.5L L4 F/I	33-2094	HP-1003 ¹

Vehicle	Engine Type	Air Filter	Oil Filter
1998 TOYOTA			
4 Runner	2.7L L4 F/I	33-2050-1 ♦	HP-1002 ¹
4 Runner	3.4L V6 F/I	33-2054 ♦	HP-1002 ¹
Avalon	3.0L V6 F/I	33-2145-1	HP-1002 ¹
Camry	2.2L L4 F/I	33-2145-1	HP-1003 ¹
Camry	3.0L V6 F/I	33-2145-1	HP-1002 ¹
Celica	2.2L L4 F/I	33-2052	HP-1003 ¹
Corolla	1.3L L4 F/I	33-2671	
Corolla	1.4L L4 F/I - Left Hand Drive	33-2671	
Corolla	1.6L L4 F/I	33-2672 ♦	
Corolla	1.8L L4 F/I		HP-1003 ¹
Corolla	1.8L L4 F/I - Non-US	E-2690	HP-1003
Corolla	1.8L L4 F/I - US	33-2672	HP-1003
Hilux	3.0L L5 DSL	E-2015	
Land Cruiser	3.0L L4 DSL	E-2233	
Land Cruiser	4.2L L6 DSL	E-2444	
Land Cruiser	4.5L L6 F/I	E-2444	
Land Cruiser	4.7L V8 F/I	33-2146	HP-1002 ¹
RAV4	2.0L L4 F/I	33-2163	HP-1003 ¹
RAV4 I	2.0L L4 F/I - 129BHP	33-2030 ♦	
Sienna	3.0L V6 F/I	33-2145-1	HP-1002 ¹
Supra	3.0L L6 F/I	33-2054	HP-1002 ¹
T100	3.4L V6 F/I	33-2064 ♦	HP-1002 ¹
Tacoma	2.4L L4 F/I	33-2050-1 ♦	HP-1002 ¹
Tacoma	2.7L L4 F/I	33-2050-1 ♦	HP-1002 ¹

* 2 filters required

♦ Intake System Available - see page 84 +Cabin Air Filter Available - see page 453 1- Performance Silver Oil Filter Also Available



AIR & OIL FILTERS

TOYOTA

Vehicle	Engine Type	Air Filter	Oil Filter	Vehicle	Engine Type	Air Filter	Oil Filter
1998 TOYOTA				1995 TOYOTA			
Tacoma	3.4L V6 F/I	33-2054 ♦	HP-1002 ¹	4 Runner	2.4L L4 F/I	33-2050-1 ♦	HP-1002 ¹
Tercel	1.5L L4 F/I	33-2094	HP-1003 ¹	4 Runner	3.0L V6 DSL	E-9270	
1997 TOYOTA				4 Runner	3.0L V6 F/I	E-2605-1 ♦	HP-1002 ¹
4 Runner	2.7L L4 F/I	33-2050-1 ♦	HP-1002 ¹	4 Runner	3.4L V6 F/I	33-2054	HP-1002 ¹
4 Runner	3.0L V6 DSL	E-9270		Avalon	3.0L V6 F/I	33-2052	HP-1002 ¹
4 Runner	3.4L V6 F/I	33-2054 ♦	HP-1002 ¹	Camry	2.2L L4 F/I	33-2052	HP-1003 ¹
Avalon	3.0L V6 F/I	33-2145-1	HP-1002 ¹	Camry	3.0L V6 F/I	33-2052	HP-1002 ¹
Camry	2.2L L4 F/I	33-2145-1	HP-1003 ¹	Celica	1.8L L4 F/I		HP-1003 ¹
Camry	3.0L V6 F/I	33-2145-1	HP-1002 ¹	Celica	1.8L L4 F/I - US	33-2052 ♦	HP-1003
Celica	1.8L L4 F/I		HP-1003 ¹	Celica	2.0L L4 F/I	33-2052 ♦	
Celica	1.8L L4 F/I - US	33-2052 ♦	HP-1003	Celica	2.2L L4 F/I	33-2052	HP-1003 ¹
Celica	2.0L L4 F/I	33-2052 ♦		Corolla	1.6L L4 F/I	33-2672 ♦	HP-1003 ¹
Celica	2.2L L4 F/I	33-2052	HP-1003 ¹	Corolla	1.8L L4 F/I	33-2672	HP-1003 ¹
Corolla	1.6L L4 F/I	33-2672 ♦	HP-1003 ¹	Hilux	2.4L L4 DSL	E-2487	
Corolla	1.8L L4 F/I		HP-1003 ¹	Hilux	2.4L L4 F/I	33-2050-1	
Corolla	1.8L L4 F/I - Non-US, from 5/97	E-2690	HP-1003	Hilux	3.0L L5 DSL	E-2444	
Corolla	1.8L L4 F/I - Non-US, to 4/97	33-2672	HP-1003	Land Cruiser	4.2L L6 DSL	E-2443	
Corolla	1.8L L4 F/I - US	33-2672	HP-1003	Land Cruiser	4.5L L6 F/I	E-2443	HP-3001 ¹
Hilux	2.7L L4 F/I	E-2233		MR2	2.0L L4 F/I	33-2030 ♦	HP-1003 ¹
Hilux	3.0L L5 DSL	E-2015		Paseo	1.5L L4 F/I	33-2094	
Land Cruiser	3.0L L4 DSL	E-2233		Pickup	2.4L L4 F/I	33-2050-1 ♦	HP-1002 ¹
Land Cruiser	3.4L L4 F/I	33-2054		Pickup	3.0L V6 F/I	E-2605-1 ♦	HP-1002 ¹
Land Cruiser	4.2L L6 DSL	E-2443		Previa	2.4L L4 F/I	33-2050-1	HP-1002 ¹
Land Cruiser	4.5L L6 F/I	E-2443	HP-1002 ¹	Supra	3.0L L6 F/I	33-2054	HP-1002 ¹
RAV4	2.0L L4 F/I	33-2163	HP-1003 ¹			33-2054 ♦	HP-1002 ¹
RAV4 I	2.0L L4 F/I - 129BHP	33-2030 ♦		T100	3.4L V6 F/I	33-2064 ♦	HP-1002 ¹
Starlet	1.3L L4 F/I	33-2094		Tacoma	2.4L L4 F/I	33-2050-1 ♦	HP-1002 ¹
Supra	3.0L L6 F/I	33-2054	HP-1002 ¹	Tacoma	2.7L L4 F/I	33-2050-1 ♦	HP-1002 ¹
T100	3.4L V6 F/I	33-2064 ♦	HP-1002 ¹	Tacoma	3.4L V6 F/I	33-2054 ♦	HP-1002 ¹
Tacoma	2.4L L4 F/I	33-2050-1 ♦	HP-1002 ¹	Tercel	1.5L L4 F/I	33-2094	HP-1003 ¹
Tacoma	2.7L L4 F/I	33-2050-1 ♦	HP-1002 ¹	1994 TOYOTA			
Tacoma	3.4L V6 F/I	33-2054 ♦	HP-1002 ¹	4 Runner	2.4L L4 F/I	33-2050-1 ♦	HP-1002 ¹
Tercel	1.5L L4 F/I	33-2094	HP-1003 ¹	4 Runner	3.0L V6 DSL	E-9270	
1996 TOYOTA				4 Runner	3.0L V6 F/I	E-2605-1 ♦	HP-1002 ¹
4 Runner	2.7L L4 F/I	33-2050-1 ♦	HP-1002 ¹	Camry	2.2L L4 F/I	33-2052	HP-1003 ¹
4 Runner	3.0L V6 DSL	E-9270		Camry	3.0L V6 F/I	33-2052	HP-1002 ¹
4 Runner	3.4L V6 F/I	33-2054 ♦	HP-1002 ¹	Celica	1.8L L4 F/I		HP-1003 ¹
Avalon	3.0L V6 F/I	33-2052	HP-1002 ¹	Celica	1.8L L4 F/I - US	33-2052 ♦	HP-1003
Camry	2.2L L4 F/I	33-2052	HP-1003 ¹	Celica	2.0L L4 F/I - from 3/94	33-2052 ♦	
Camry	3.0L V6 F/I	33-2052	HP-1002 ¹	Celica	2.0L L4 F/I - to 2/94	33-2030 ♦	
Celica	1.8L L4 F/I		HP-1003 ¹	Celica	2.2L L4 F/I	33-2052	HP-1003 ¹
Celica	1.8L L4 F/I - US	33-2052 ♦	HP-1003	Corolla	1.6L L4 F/I	33-2672 ♦	HP-1003 ¹
Celica	2.0L L4 F/I	33-2052 ♦		Corolla	1.8L L4 F/I	33-2672	HP-1003 ¹
Celica	2.2L L4 F/I	33-2052	HP-1003 ¹	Hilux	2.4L L4 DSL	E-2487	
Corolla	1.6L L4 F/I	33-2672 ♦	HP-1003 ¹	Hilux	2.4L L4 F/I	33-2050-1	
Corolla	1.8L L4 F/I	33-2672	HP-1003 ¹	Hilux	3.0L L5 DSL	E-2444	
Hilux	3.0L L5 DSL	E-2444		Land Cruiser	3.0L L4 DSL	E-2440	
Land Cruiser	4.2L L6 DSL	E-2443		Land Cruiser	4.2L L6 DSL	E-2443	
Land Cruiser	4.5L L6 F/I	E-2443	HP-3001 ¹	Land Cruiser	4.5L L6 F/I	E-2443	HP-3001 ¹
RAV4	2.0L L4 F/I	33-2163	HP-1003 ¹	MR2	2.0L L4 F/I		HP-1003 ¹
RAV4 I	2.0L L4 F/I - 129BHP	33-2030 ♦		Pickup	2.4L L4 F/I	33-2050-1 ♦	HP-1002 ¹
Starlet	1.3L L4 F/I - From 4/96	33-2094		Pickup	3.0L V6 F/I	E-2605-1 ♦	HP-1002 ¹
Supra	3.0L L6 F/I	33-2054	HP-1002 ¹	Supra	3.0L L6 F/I	33-2054	HP-1002 ¹
T100	2.7L L4 F/I	33-2064				33-2054 ♦	HP-1002 ¹
T100	3.4L V6 F/I	33-2064 ♦	HP-1002 ¹	T100	3.0L V6 F/I	33-2064	HP-1002 ¹
Tacoma	2.4L L4 F/I	33-2050-1 ♦	HP-1002 ¹	Tercel	1.5L L4 F/I	33-2094	HP-1003 ¹
Tacoma	2.7L L4 F/I	33-2050-1 ♦	HP-1002 ¹	1993 TOYOTA			
Tacoma	3.4L V6 F/I	33-2054 ♦	HP-1002 ¹	4 Runner	2.4L L4 F/I	33-2050-1 ♦	HP-1002 ¹
Tercel	1.5L L4 F/I	33-2094	HP-1003 ¹	4 Runner	3.0L V6 DSL	E-9270	
				4 Runner	3.0L V6 F/I	E-2605-1 ♦	HP-1002 ¹
				Camry	2.2L L4 F/I	33-2052	HP-1003 ¹
				Camry	3.0L V6 F/I	33-2052	HP-1002 ¹

* 2 filters required

♦ Intake System Available - see page 84 +Cabin Air Filter Available - see page 453 1- Performance Silver Oil Filter Also Available



Vehicle	Engine Type	Air Filter	Oil Filter
1993 TOYOTA			
Celica	1.6L L4 F/I	33-2041-1	HP-1003 ¹
Celica	2.0L L4 F/I		HP-1003 ¹
Celica	2.2L L4 F/I	33-2030	HP-1003 ¹
Corolla	1.6L L4 F/I	33-2672	HP-1003 ¹
Corolla	1.6L L4 F/I - 105BHP, AE92, 125BHP	33-2030 ♦	HP-1003
Corolla	1.6L L4 F/I - 105BHP, AE95, 116BHP	33-2041-1 ♦	HP-1003
Corolla	1.6L L4 F/I - 114/115BHP	33-2672 ♦	HP-1003
Corolla	1.8L L4 DSL	33-2030	
Corolla	1.8L L4 F/I	33-2672	HP-1003 ¹
Hilux	2.4L L4 F/I	33-2050-1	
Hilux	3.0L L5 DSL	E-2444	
Land Cruiser	4.2L L6 DSL	E-2443	
Land Cruiser	4.5L L6 F/I	E-2443	HP-3001 ¹
MR2	2.0L L4 F/I	33-2030 ♦	HP-1003 ¹
MR2	2.2L L4 F/I	33-2030	HP-1003 ¹
Paseo	1.5L L4 F/I	33-2094	
Pickup	2.4L L4 F/I	33-2050-1 ♦	HP-1002 ¹
Pickup	3.0L V6 F/I	E-2605-1 ♦	HP-1002 ¹
Previa	2.4L L4 F/I	33-2050-1	HP-1002 ¹
Supra	3.0L L6 F/I	33-2054 ♦	HP-1002 ¹
Supra	3.0L L6 F/I - From 5/93	33-2054	HP-1002
Supra	3.0L L6 F/I - to 4/93	E-2605-1	HP-1002
T100	3.0L V6 F/I	33-2064	HP-1002 ¹
Tercel	1.5L L4 F/I	33-2094	HP-1003 ¹

Vehicle	Engine Type	Air Filter	Oil Filter
1992 TOYOTA			
4 Runner	2.4L L4 F/I	33-2050-1 ♦	HP-1002 ¹
4 Runner	3.0L V6 F/I	E-2605-1 ♦	HP-1002 ¹
Camry	2.2L L4 F/I	33-2052	HP-1003 ¹
Camry	3.0L V6 F/I	33-2052	
Celica	1.6L L4 F/I	33-2041-1	HP-1003 ¹
Celica	2.0L L4 F/I	33-2030 ♦	HP-1003 ¹
Celica	2.2L L4 F/I	33-2030	HP-1003 ¹
Corolla	1.6L L4 CARB		HP-1003 ¹
Corolla	1.6L L4 F/I	33-2030	HP-1003 ¹
Corolla	1.6L L4 F/I - 105BHP, AE92, 125BHP	33-2030 ♦	HP-1003
Corolla	1.6L L4 F/I - 105BHP, AE95, 116BHP	33-2041-1 ♦	HP-1003
Corolla	1.6L L4 F/I - 114/115BHP	33-2672 ♦	HP-1003
Cressida	3.0L L6 F/I	E-2605-1	
Hilux	2.4L L4 DSL	E-2487	
Hilux	2.4L L4 F/I	33-2050-1	
Hilux	3.0L L5 DSL	E-2444	
Land Cruiser	2.4L L4 DSL	E-2417	
Land Cruiser	4.0L L6 F/I	E-2440	HP-3001 ¹
Land Cruiser	4.2L L6 DSL	E-2443	
Land Cruiser	4.5L L6 F/I	E-2443	
MR2	2.0L L4 F/I	33-2030 ♦	HP-1003 ¹
MR2	2.2L L4 F/I	33-2030	HP-1003 ¹
Paseo	1.5L L4 F/I	33-2094	HP-1003 ¹
Pickup	2.4L L4 F/I	33-2050-1 ♦	HP-1002 ¹
Pickup	3.0L V6 F/I	E-2605-1 ♦	HP-1002 ¹
Supra	3.0L L6 F/I	E-2605-1 ♦	HP-1002 ¹
Tercel	1.5L L4 F/I	33-2094	HP-1003 ¹

Vehicle	Engine Type	Air Filter	Oil Filter
1991 TOYOTA			
4 Runner	2.4L L4 F/I	33-2050-1 ♦	HP-1002 ¹
4 Runner	3.0L V6 F/I	E-2605-1 ♦	HP-1002 ¹
Camry	2.0L L4 DSL	33-2030	
Camry	2.0L L4 F/I	33-2533	HP-1003 ¹
Celica	1.6L L4 F/I	33-2041-1	HP-1003 ¹

Vehicle	Engine Type	Air Filter	Oil Filter
1991 TOYOTA			
Celica	2.0L L4 F/I	33-2030 ♦	HP-1003 ¹
Celica	2.2L L4 F/I	33-2041-1	HP-1003 ¹
Corolla	1.6L L4 CARB		HP-1003 ¹
Corolla	1.6L L4 F/I	33-2030	HP-1003 ¹
Corolla	1.6L L4 F/I - 105BHP, AE92, 125BHP	33-2030 ♦	HP-1003
Corolla	1.6L L4 F/I - 105BHP, AE95, 116BHP	33-2041-1 ♦	HP-1003
Corolla GTS	1.6L L4 F/I	33-2041-1	HP-1003 ¹
Cressida	3.0L L6 F/I	E-2605-1	
Hilux	2.4L L4 DSL	E-2487	
Hilux	2.4L L4 F/I	33-2050-1	
Land Cruiser	2.4L L4 DSL	E-2417	
Land Cruiser	4.0L L6 F/I	E-2440	HP-3001 ¹
Land Cruiser	4.2L L6 DSL	E-2443	
MR2	2.0L L4 F/I	33-2030 ♦	HP-1003 ¹
MR2	2.2L L4 F/I	33-2030	HP-1003 ¹
Pickup	2.4L L4 F/I	33-2050-1 ♦	HP-1002 ¹
Pickup	3.0L V6 F/I	E-2605-1 ♦	HP-1002 ¹
Previa	2.4L L4 F/I	33-2050-1	
Supra	3.0L L6 F/I	E-2605-1 ♦	HP-1002 ¹
Tercel	1.5L L4 F/I	33-2094	

Vehicle	Engine Type	Air Filter	Oil Filter
1990 TOYOTA			
4 Runner	2.4L L4 F/I	33-2050-1 ♦	HP-1002 ¹
4 Runner	3.0L V6 F/I	E-2605-1 ♦	HP-1002 ¹
Camry	2.0L L4 DSL	33-2030	
Camry	2.0L L4 F/I	33-2533	HP-1003 ¹
Celica	1.6L L4 F/I	33-2041-1	HP-1003 ¹
Celica	2.0L L4 F/I	33-2030 ♦	HP-1003 ¹
Celica	2.2L L4 F/I	33-2041-1	HP-1003 ¹
Corolla	1.6L L4 CARB		HP-1003 ¹
Corolla	1.6L L4 F/I	33-2030	HP-1003 ¹
Corolla	1.6L L4 F/I - 105BHP, AE92, 125BHP	33-2030 ♦	HP-1003
Corolla	1.6L L4 F/I - 105BHP, AE95, 116BHP	33-2041-1 ♦	HP-1003
Corolla GTS	1.6L L4 F/I	33-2041-1	HP-1003 ¹
Cressida	3.0L L6 F/I	E-2605-1	
Hilux	2.4L L4 F/I	33-2050-1	
Land Cruiser	2.4L L4 DSL	E-2417	
Land Cruiser	4.0L L6 F/I	E-2440	
Land Cruiser	4.2L L6 DSL	E-2443	
Pickup	2.4L L4 CARB	E-2820	HP-1002 ¹
Pickup	2.4L L4 F/I	33-2050-1 ♦	HP-1002 ¹
Pickup	3.0L V6 F/I	E-2605-1 ♦	HP-1002 ¹
Supra	3.0L L6 F/I	E-2605-1 ♦	HP-1002 ¹

Vehicle	Engine Type	Air Filter	Oil Filter
1989 TOYOTA			
4 Runner	2.4L L4 F/I	33-2009 ♦	HP-1002 ¹
4 Runner	3.0L V6 F/I	E-2605-1 ♦	HP-1002 ¹
Camry	2.0L L4 DSL	33-2030	
Camry	2.0L L4 F/I	33-2533	HP-1003 ¹
Celica	2.0L L4 F/I	33-2030 ♦	HP-1003 ¹
Celica All Trac	2.0L L4 F/I	33-2030 ♦	HP-1002 ¹
Celica GTS	2.0L L4 F/I	33-2030 ♦	HP-1003 ¹
Corolla	1.6L L4 CARB		HP-1003 ¹
Corolla	1.6L L4 F/I	33-2041-1	HP-1003 ¹
Corolla	1.6L L4 F/I - 105BHP, AE95, 116/125BHP, To 7/89	33-2041-1 ♦	HP-1003
Corolla	1.6L L4 F/I - From 8/89, 125BHP, AE92, 105BHP	33-2030 ♦	HP-1003
Cressida	3.0L L6 F/I	E-2605-1	
Land Cruiser	2.4L L4 DSL	E-2417	

* 2 filters required

♦ Intake System Available - see page 84 +Cabin Air Filter Available - see page 453 1- Performance Silver Oil Filter Also Available



AIR & OIL FILTERS

TOYOTA

Vehicle	Engine Type	Air Filter	Oil Filter
1989 TOYOTA			
Land Cruiser	4.0L L6 DSL	E-2440	
Land Cruiser	4.0L L6 F/I	E-2440	HP-3001 ¹
MR2	1.6L L4 F/I	E-2605-1 ♦	HP-1003 ¹
Pickup	2.4L L4 CARB	E-2820	HP-1002 ¹
Pickup	2.4L L4 F/I	33-2050-1 ♦	HP-1002 ¹
Pickup	3.0L V6 F/I	E-2605-1 ♦	HP-1002 ¹
Supra	3.0L L6 F/I	E-2605-1 ♦	HP-1002 ¹

Vehicle	Engine Type	Air Filter	Oil Filter
1988 TOYOTA			
4 Runner	2.4L L4 F/I	33-2009 ♦	HP-1002 ¹
4 Runner	3.0L V6 F/I	E-2605-1 ♦	HP-1002 ¹
Camry	2.0L L4 F/I	33-2533	
Celica All Trac	2.0L L4 F/I	33-2030	HP-1002 ¹
Celica GTS	2.0L L4 F/I	33-2030	HP-1003 ¹
Corolla	1.6L L4 F/I	33-2041-1	HP-1003 ¹
Corolla	1.6L L4 F/I - Exc., 90BHP	33-2041-1 ♦	HP-1003
Corolla DLX	1.6L L4 CARB		HP-1003 ¹
Corolla FX	1.6L L4 CARB	E-2690	HP-1003 ¹
Corolla LE	1.6L L4 CARB		HP-1003 ¹
Corolla SR5	1.6L L4 CARB		HP-1003 ¹
Land Cruiser	4.0L L6 DSL	E-2440	
Land Cruiser	4.0L L6 F/I	E-2440	HP-3001 ¹
Land Cruiser	4.2L L6 CARB	E-2940	HP-3001 ¹
MR2	1.6L L4 F/I	E-2605-1 ♦	HP-1003 ¹
Pickup	2.4L L4 CARB	E-2820	HP-1002 ¹
Pickup	2.4L L4 F/I	33-2009 ♦	HP-1002 ¹
Pickup	3.0L V6 F/I	E-2605-1 ♦	HP-1002 ¹
Supra	3.0L L6 F/I	E-2605-1 ♦	HP-1002 ¹

Vehicle	Engine Type	Air Filter	Oil Filter
1987 TOYOTA			
4 Runner	2.4L L4 F/I	33-2009	HP-1002 ¹
Camry	2.0L L4 F/I	33-2533	
Celica GTS	2.0L L4 F/I	33-2030	HP-1003 ¹
Corolla	1.6L L4 CARB	E-2690	HP-1003 ¹
Corolla	1.6L L4 F/I	33-2533 ♦	HP-1003 ¹
Corolla	1.6L L4 F/I - Exc., 90BHP	33-2041-1 ♦	HP-1003
Corolla Sport GTS	1.6L L4 F/I		HP-1003 ¹
Cressida	2.8L L6 F/I	E-2605-1	
Land Cruiser	2.4L L4 DSL	E-2417	
Land Cruiser	4.0L L6 DSL	E-2440	
Land Cruiser	4.2L L6 CARB	E-2940	HP-3001 ¹
MR2	1.6L L4 F/I	E-2605-1 ♦	HP-1003 ¹
Pickup	2.4L L4 CARB	E-2820	HP-1002 ¹
Pickup	2.4L L4 F/I	33-2009	HP-1002 ¹
Supra	3.0L L6 F/I	E-2605-1 ♦	
Supra	3.0L L6 F/I - Exc. Turbo	E-2605-1	HP-2004 ¹
Supra	3.0L L6 F/I - Turbo	E-2605-1	HP-1002 ¹

Vehicle	Engine Type	Air Filter	Oil Filter
1986 TOYOTA			
4 Runner	2.4L L4 F/I		HP-2004 ¹
4 Runner	2.4L L4 F/I - Exc. Turbo	E-2820	HP-2004
4 Runner	2.4L L4 F/I - Turbo	33-2009	HP-2004
Camry	2.0L L4 F/I	33-2533	
Celica GT	2.0L L4 F/I	33-2030	HP-1003 ¹
Celica GTS	2.0L L4 F/I	33-2030	HP-1003 ¹
Corolla	1.6L L4 CARB	E-2690	HP-1003 ¹
Corolla	1.6L L4 F/I		HP-1003 ¹
Land Cruiser	2.4L L4 DSL	E-2417	
Land Cruiser	4.0L L6 DSL	E-2440	
Land Cruiser	4.2L L6 CARB	E-2940	HP-3001 ¹
MR2	1.6L L4 F/I	E-2485	HP-1003 ¹
MR2	1.6L L4 F/I - Non-US, from 4/86	E-2605-1 ♦	HP-1003

Vehicle	Engine Type	Air Filter	Oil Filter
1986 TOYOTA			
MR2	1.6L L4 F/I - Non-US, to 3/86	E-2485 ♦	HP-1003
Pickup	2.4L L4 CARB	E-2820	HP-2004 ¹
Pickup	2.4L L4 DSL		HP-3001 ¹
Pickup	2.4L L4 F/I	33-2009	HP-2004 ¹
Supra	3.0L L6 F/I	E-2605-1 ♦	HP-1002 ¹

Vehicle	Engine Type	Air Filter	Oil Filter
1985 TOYOTA			
4 Runner	2.4L L4 F/I		HP-2004 ¹
4 Runner	2.4L L4 F/I - Exc. Turbo	E-2820	HP-2004
4 Runner	2.4L L4 F/I - Turbo	33-2009	HP-2004
Celica	2.4L L4 F/I	E-2487	HP-2004 ¹
Corolla	1.6L L4 CARB	E-2690	HP-1003 ¹
Corolla	1.6L L4 F/I		HP-1003 ¹
Land Cruiser	4.0L L6 DSL	E-2440	
Land Cruiser	4.2L L6 CARB	E-2940	HP-3001 ¹
MR2	1.6L L4 F/I	E-2485 ♦	HP-1003 ¹
Pickup	2.4L L4 CARB	E-2820	HP-2004 ¹
Pickup	2.4L L4 DSL		HP-3001 ¹
Pickup	2.4L L4 DSL - Exc. Turbo	E-2220	HP-3001
Pickup	2.4L L4 DSL - Turbo	E-2487	HP-3001
Pickup	2.4L L4 F/I	33-2009	HP-2004 ¹
Supra	2.8L L6 F/I	E-2487	

Vehicle	Engine Type	Air Filter	Oil Filter
1984 TOYOTA			
Celica	2.4L L4 F/I	E-2487	HP-2004 ¹
Land Cruiser	2.4L L4 DSL	E-2417	
Land Cruiser	3.4L L4 DSL	E-2440	
Land Cruiser	4.2L L6 CARB	E-2940	HP-3001 ¹
Pickup	2.4L L4 CARB	E-2820	HP-2004 ¹
Pickup	2.4L L4 DSL	E-2220	HP-3001 ¹
Pickup	2.4L L4 F/I	33-2009	HP-2004 ¹
Supra	2.8L L6 F/I	E-2487	

Vehicle	Engine Type	Air Filter	Oil Filter
1983 TOYOTA			
Celica	2.4L L4 F/I	E-2487	
Land Cruiser	3.4L L4 DSL	E-2440	
Land Cruiser	4.2L L6 CARB	E-2940	HP-3001 ¹
Pickup	2.4L L4 CARB	E-2820	HP-2004 ¹
Supra	2.8L L6 F/I	E-2487	

Vehicle	Engine Type	Air Filter	Oil Filter
1982 TOYOTA			
Land Cruiser	4.2L L6 CARB	E-2940	
Pickup	2.2L L4 DSL		HP-3001 ¹
Pickup	2.4L L4 CARB	E-2820	HP-2004 ¹

Vehicle	Engine Type	Air Filter	Oil Filter
1981 TOYOTA			
Corolla	1.8L L4 CARB	E-2760	
Pickup	2.4L L4 CARB	E-2820	HP-2004 ¹

Vehicle	Engine Type	Air Filter	Oil Filter
1980 TOYOTA			
Pickup	2.2L L4 CARB	E-2820	HP-2004 ¹

Vehicle	Engine Type	Air Filter	Oil Filter
1979 TOYOTA			
Land Cruiser	4.2L L6 CARB	E-2940	
Pickup	135 L4 CARB	E-2820	HP-2004 ¹

Vehicle	Engine Type	Air Filter	Oil Filter
1978 TOYOTA			
Land Cruiser	3.0L L4 DSL	E-2440	
Land Cruiser	3.6L L6 DSL	E-2440	
Land Cruiser	4.2L L6 CARB	E-2940	HP-3001 ¹

Vehicle	Engine Type	Air Filter	Oil Filter
1977 TOYOTA			
Celica	2.0L L4 CARB - 57mm High	E-2610	
Land Cruiser	4.2L L6 CARB	E-2940	HP-3001 ¹

* 2 filters required

♦ Intake System Available - see page 84 +Cabin Air Filter Available - see page 453 1- Performance Silver Oil Filter Also Available

TOYOTA

AIR & OIL FILTERS



Vehicle	Engine Type	Air Filter	Oil Filter
---------	-------------	------------	------------

1976 TOYOTA

Land Cruiser	4.2L L6 CARB	E-2940	HP-3001 ¹
--------------	--------------	--------	----------------------

1975 TOYOTA

Land Cruiser	4.2L L6 CARB	E-2940	
--------------	--------------	--------	--

1972 TOYOTA

Land Cruiser	238 L6 CARB	E-2440	HP-3001 ¹
--------------	-------------	--------	----------------------

1971 TOYOTA

Land Cruiser	238 L6 CARB	E-2440	
--------------	-------------	--------	--

1970 TOYOTA

Land Cruiser	238 L6 CARB	E-2440	
--------------	-------------	--------	--

1969 TOYOTA

Land Cruiser	238 L6 CARB	E-2440	HP-3001 ¹
--------------	-------------	--------	----------------------

1968 TOYOTA

Land Cruiser	238 L6 CARB		HP-3001 ¹
--------------	-------------	--	----------------------

2016 TRIUMPH

America	865	TB-8002	KN-204
America LT	865	TB-8002	KN-204
Bonneville T100	865		KN-204
Bonneville T100 Black	865		KN-204
Daytona 675	675	TB-6713	KN-204
Daytona 675R	675	TB-6713	KN-204
Rocket III Roadster	2294	TB-2204	KN-204
Scrambler	865	TB-9004	KN-204
Speed Triple R	1050		KN-204
Speed Triple S	1050		KN-204
Speedmaster	865	TB-8002	KN-204
Street Triple ABS	675	TB-6713	KN-204
Street Triple R ABS	675	TB-6713	KN-204
Street Triple Rx ABS	675	TB-6713	KN-204
Thrupton	865		KN-204
Thrupton R	1200		KN-204
Thunderbird LT	1699		KN-204
Thunderbird Storm	1699	TB-1610	
Tiger 800 XC	799	TB-8011	KN-204
Tiger 800 XC ABS	799	TB-8011	KN-204
Tiger 800 XCa	799	TB-8011	KN-204
Tiger 800 XCx	799	TB-8011	KN-204
Tiger 800 XCx Low	799	TB-8011	KN-204
Tiger 800 XR	799	TB-8011	KN-204
Tiger 800 XRt	799	TB-8011	KN-204
Tiger 800 XRx	799	TB-8011	KN-204
Tiger 800 XRx Low	799	TB-8011	KN-204
Tiger Explorer XRt	1215	TB-1212	KN-204
Trophy SE	1215	TB-1213	KN-204

2015 TRIUMPH

America	865	TB-8002	KN-204
America LT	865	TB-8002	KN-204
Bonneville	865	TB-9004	KN-204
Bonneville T100	865	TB-9004	KN-204
Bonneville T100 Black	865	TB-9004	KN-204
Bonneville T214 SE	865		KN-204
Daytona 675 ABS	675	TB-6713	KN-204
Daytona 675R ABS	675	TB-6713	KN-204
Rocket III Roadster ABS	2294	TB-2204	KN-204
Rocket III Touring ABS	2294	TB-2204	KN-204
Scrambler	865	TB-9004	KN-204

Vehicle	Engine Type	Air Filter	Oil Filter
---------	-------------	------------	------------

2015 TRIUMPH

Speed Triple ABS	1050	TB-1011	KN-204
Speed Triple R ABS	1050	TB-1011	KN-204
Speedmaster	865	TB-8002	KN-204
Street Triple ABS	675	TB-6713	
Street Triple R ABS	675	TB-6713	
Thrupton	865	TB-9004	KN-204
Thrupton Ace SE	865	TB-9004	KN-204
Thunderbird	1699		KN-204
Comander ABS			
Thunderbird LT	1699		KN-204
Thunderbird Storm ABS	1699	TB-1610	KN-204
Tiger 800 XC	799	TB-8011	KN-204
Tiger 800 XC ABS	799	TB-8011	KN-204
Tiger 800 XCx	799	TB-8011	KN-204
Tiger 800 XRx	799	TB-8011	KN-204
Tiger Explorer ABS	1215	TB-1212	KN-204
Tiger Explorer XC	1215	TB-1212	
ABS			
Trophy SE	1215	TB-1213	KN-204

2014 TRIUMPH

America	865	TB-8002	KN-204
America LT	865	TB-8002	KN-204
Bonneville	865	TB-9004	KN-204
Bonneville	865	TB-9004	KN-204
Newchurch SE			
Bonneville T100	865	TB-9004	KN-204
Bonneville T100 Black	865	TB-9004	KN-204
Daytona 675	675	TB-6713	KN-204
Daytona 675R	675	TB-6713	KN-204
Rocket III Roadster	2294	TB-2204	KN-204
Rocket III Touring	2294	TB-2204	KN-204
Scrambler	865	TB-9004	KN-204
Speed Triple ABS	1050	TB-1011	KN-204
Speed Triple R ABS	1050	TB-1011	KN-204
Speedmaster	865	TB-8002	KN-204
Street Triple ABS	675	TB-6713	KN-204
Street Triple R ABS	675	TB-6713	KN-204
Thrupton	865	TB-9004	KN-204
Thunderbird	1597	TB-1610	KN-204
Thunderbird	1699		KN-204
Comander			
Thunderbird LT	1699		KN-204
Thunderbird Storm	1699	TB-1610	KN-204
Tiger 800 ABS	799	TB-8011	KN-204
Tiger 800 XC	799	TB-8011	KN-204
Tiger Explorer	1215	TB-1212	KN-204
Tiger Explorer XC	1215	TB-1212	KN-204
Trophy SE	1215	TB-1213	KN-204

2013 TRIUMPH

America	865	TB-8002	KN-204
Bonneville	865	TB-9004	KN-204
Bonneville SE	865	TB-9004	KN-204
Bonneville T100	865	TB-9004	KN-204
Daytona 675	675	TB-6713	KN-204
Daytona 675R	675	TB-6713	KN-204
Rocket III Roadster	2294	TB-2204	KN-204
Rocket III Touring	2294	TB-2204	KN-204
Scrambler	865	TB-9004	KN-204
Speed Triple ABS	1050	TB-1011	KN-204
Speed Triple R ABS	1050	TB-1011	KN-204
Speedmaster	865	TB-8002	KN-204

* 2 filters required

◆ Intake System Available - see page 84 + Cabin Air Filter Available - see page 453 1- Performance Silver Oil Filter Also Available



AIR & OIL FILTERS

TRIUMPH

Vehicle	Engine Type	Air Filter	Oil Filter
2013 TRIUMPH			
Street Triple	675	TB-6713	KN-204
Street Triple R	675	TB-6713	KN-204
Thrupton	865	TB-9004	KN-204
Thunderbird	1597	TB-1610	KN-204
Thunderbird ABS	1597	TB-1610	KN-204
Thunderbird Storm	1699	TB-1610	KN-204
Thunderbird Storm ABS	1699	TB-1610	KN-204
Tiger 800 ABS	799	TB-8011	KN-204
Tiger 800 XC ABS	799	TB-8011	KN-204
Tiger 1050	1050	TB-1005	
Tiger 1050 SE	1050	TB-1005	KN-204
Tiger Explorer	1215	TB-1212	KN-204
Tiger Explorer XC	1215	TB-1212	KN-204
Trophy SE	1215	TB-1213	KN-204

Vehicle	Engine Type	Air Filter	Oil Filter
2012 TRIUMPH			
America	865	TB-8002	KN-204
Bonneville	865	TB-9004	KN-204
Bonneville SE	865	TB-9004	KN-204
Bonneville Steve	865	TB-9004	KN-204
McQueen SE			
Bonneville T100	865	TB-9004	KN-204
Bonneville T100	865	TB-9004	KN-204
110th Anniversary LE			
Daytona 675	671	TB-6706	KN-204
Daytona 675R	671	TB-6706	KN-204
Rocket III Roadster	2294	TB-2204	KN-204
Scrambler	865	TB-9004	KN-204
Speed Triple	1050	TB-1011	KN-204
Speed Triple ABS	1050	TB-1011	KN-204
Speed Triple R ABS	1050	TB-1011	KN-204
Speedmaster	865		KN-204
Street Triple	675	TB-6706	KN-204
Street Triple R	675	TB-6706	KN-204
Thrupton	865	TB-9004	KN-204
Thunderbird	1597	TB-1610	
Thunderbird ABS	1597	TB-1610	KN-204
Thunderbird Storm	1699	TB-1610	KN-204
Thunderbird Storm ABS	1699	TB-1610	KN-204
Tiger 800 ABS	799	TB-8011	KN-204
Tiger 800 XC ABS	799	TB-8011	KN-204
Tiger Explorer	1215	TB-1212	KN-204

Vehicle	Engine Type	Air Filter	Oil Filter
2011 TRIUMPH			
America	865	TB-8002	KN-204
America Classic	865	TB-8002	KN-204
Bonneville	865		KN-204
Bonneville SE	865	TB-9004	KN-204
Bonneville T100	865	TB-9004	KN-204
Bonneville T100 Jet Black	865	TB-9004	KN-204
Daytona 675	671	TB-6706	KN-204
Daytona 675R	671	TB-6706	KN-204
Rocket III Classic	2294	TB-2204	KN-204
Tourer			
Rocket III Roadster	2294	TB-2204	KN-204
Speed Triple	1050	TB-1011	KN-204
Speed Triple ABS	1050	TB-1011	KN-204
Speedmaster	865	TB-8002	KN-204
Sprint GT	1050	TB-1005	KN-204
Street Triple R	675	TB-6706	KN-204
Thrupton	865	TB-9004	KN-204
Thrupton SE	865	TB-9004	KN-204

Vehicle	Engine Type	Air Filter	Oil Filter
2011 TRIUMPH			
Thunderbird	1597	TB-1610	
Thunderbird 1700	1700	TB-1610	KN-204
Thunderbird ABS	1597	TB-1610	KN-204
Thunderbird SE	1597	TB-1610	
Thunderbird Storm	1597	TB-1610	KN-204
Tiger 800	799	TB-8011	KN-204
Tiger 800 ABS	799	TB-8011	KN-204
Tiger 800 XC	799	TB-8011	KN-204
Tiger 800 XC ABS	799	TB-8011	KN-204
Tiger 1050 ABS	1050	TB-1005	KN-204
Tiger 1050 SE	1050	TB-1005	KN-204

Vehicle	Engine Type	Air Filter	Oil Filter
2010 TRIUMPH			
America	865	TB-8002	KN-204
Bonneville	865	TB-9004	KN-204
Bonneville SE	865	TB-9004	KN-204
Bonneville T100	865	TB-9004	KN-204
Daytona 675	671	TB-6706	KN-204
Rocket III Classic	2294	TB-2204	KN-204
Tourer			
Rocket III Roadster	2294	TB-2204	KN-204
Scrambler	865	TB-9004	KN-204
Speed Triple	1050	TB-1005	KN-204
Speedmaster	865	TB-8002	KN-204
Street Triple	671	TB-6706	KN-204
Street Triple R	671	TB-6706	KN-204
Thrupton	865	TB-9004	KN-204
Thunderbird	1597	TB-1610	KN-204
Thunderbird ABS	1597	TB-1610	KN-204
Tiger	1050	TB-1005	
Tiger 1050 ABS	1050	TB-1005	KN-204
Tiger 1050 SE	1050	TB-1005	KN-204

Vehicle	Engine Type	Air Filter	Oil Filter
2009 TRIUMPH			
America	865	TB-8002	KN-204
Bonneville	865	TB-9004	KN-204
Bonneville SE	865	TB-9004	KN-204
Bonneville T100	865	TB-9004	KN-204
Daytona 675	671	TB-6706	KN-204
Daytona 675 SE	671	TB-6706	KN-204
Rocket III Classic	2294	TB-2204	KN-204
Rocket III Classic	2294	TB-2204	KN-204
Tourer			
Scrambler	865	TB-9004	KN-204
Speed Triple	1050	TB-1005	KN-204
Speedmaster	865	TB-8002	KN-204
Sprint ST	1050	TB-1005	KN-204
Street Triple	671	TB-6706	KN-204
Street Triple R	671	TB-6706	KN-204
Thrupton	865	TB-9004	KN-204
Tiger	1050	TB-1005	KN-204

Vehicle	Engine Type	Air Filter	Oil Filter
2008 TRIUMPH			
America	865	TB-8002	KN-204
Bonneville	865	TB-9004	KN-204
Bonneville T100	865	TB-9004	KN-204
Daytona 675	671	TB-6706	KN-204
Daytona 675 SE	671	TB-6706	KN-204
Rocket III	2294	TB-2204	KN-204
Rocket III Classic	2294	TB-2204	KN-204
Rocket III Classic	2294	TB-2204	KN-204
Tourer			
Speed Triple	1050	TB-1005	KN-204
Speedmaster	865		KN-204
Sprint ST	1050	TB-1005	KN-204

* 2 filters required

◆ Intake System Available - see page 84 +Cabin Air Filter Available - see page 453 1- Performance Silver Oil Filter Also Available



Vehicle	Engine Type	Air Filter	Oil Filter
2008 TRIUMPH			
Street Triple	671	TB-6706	KN-204
Thrupton	865	TB-9004	KN-204
Tiger	1050	TB-1005	KN-204
2007 TRIUMPH			
America	865	TB-8002	KN-204
Bonneville	865	TB-9004	KN-204
Bonneville T100	865	TB-9004	KN-204
Daytona 675	671	TB-6706	KN-204
Rocket III Classic	2294	TB-2204	KN-204
Rocket III Classic	2294	TB-2204	KN-204
Tourer			
Scrambler	865	TB-9004	KN-204
Speed Triple	1050	TB-1005	KN-204
Speedmaster	865	TB-8002	KN-204
Sprint ST	1050	TB-1005	KN-204
Thrupton	865	TB-9004	KN-204
Tiger	1050	TB-1005	KN-204
2006 TRIUMPH			
America	865	TB-8002	KN-204
Bonneville	865	TB-9004	KN-204
Bonneville T100	865	TB-9004	KN-204
Daytona 675	671	TB-6706	KN-204
Rocket III	2294	TB-2204	KN-204
Rocket III Classic	2294	TB-2204	KN-204
Scrambler	865	TB-9004	KN-204
Speed Triple	1050	TB-1005	KN-204
Speedmaster	865	TB-8002	KN-204
Sprint ST	1050	TB-1005	KN-204
Thrupton	865	TB-9004	KN-204
Tiger	956	TB-9097	KN-204
2005 TRIUMPH			
America	865	TB-8002	KN-204
Bonneville	800	TB-9004	KN-204
Bonneville T100	865	TB-9004	KN-204
Rocket III	2294	TB-2204	KN-204
Speed Triple	1050	TB-1005	KN-204
Speedmaster	865	TB-8002	KN-204
Sprint ST	1050	TB-1005	KN-204
Thrupton	865	TB-9004	KN-204
Tiger	956	TB-9097	KN-204
2004 TRIUMPH			
America	865	TB-8002	KN-204
Bonneville	800	TB-9004	KN-191
Bonneville T100	800	TB-9004	KN-191
Daytona 600	600	TB-6000	KN-204
Daytona 955i	956		KN-204
Speed Triple	956	TB-9002	KN-204
Speedmaster	865	TB-8002	KN-204
Sprint RS	956	TB-9002	KN-204
Thrupton	865	TB-9004	KN-204
Tiger	956		KN-204
2003 TRIUMPH			
America	865	TB-8002	KN-191
Bonneville	800	TB-9004	KN-191
Bonneville T100	800	TB-9004	KN-191
Speed Four	600		KN-191
Speed Triple	956	TB-9002	KN-204
Speedmaster	865	TB-8002	KN-204
Sprint RS	956	TB-9002	KN-204
Sprint ST	955		KN-204

Vehicle	Engine Type	Air Filter	Oil Filter
2002 TRIUMPH			
America	865		KN-191
Bonneville	800	TB-9004	KN-191
Bonneville T100	800	TB-9004	KN-191
Daytona 955i	956	TB-9002	KN-204
Daytona 955i CE	956	TB-9002	KN-204
Sprint ST	955	TB-9002	KN-204
Thunderbird Sport	900	TB-9095	KN-192
Tiger	956		KN-204
TT600	596	TB-6000	KN-191
2001 TRIUMPH			
Bonneville	800	TB-9004	KN-191
Daytona 955i	956	TB-9097	KN-204
Speed Triple T509	955	TB-9097	
Sprint RS	956	TB-9097	KN-204
Sprint ST	955	TB-9097	KN-204
Tiger	956		KN-204
TT600	596	TB-6000	KN-191
2000 TRIUMPH			
Daytona 955i	956		KN-191
Speed Triple T509	955	TB-9097	
Sprint RS	956	TB-9097	
Sprint ST	955	TB-9097	
Thunderbird	885	TB-9095	KN-204
Thunderbird Sport	885	TB-9095	KN-192
Tiger	885		KN-204
1999 TRIUMPH			
Adventurer 900	885	TB-9095	KN-204
Legend TT	885	TB-9095	KN-204
Speed Triple T509	955	TB-9097	
Sprint ST	955	TB-9097	
Thunderbird	885	TB-9095	KN-204
Thunderbird Sport	885	TB-9095	KN-204
Trophy 900	885	TB-9091	KN-204
1998 TRIUMPH			
Daytona T595	955		KN-191
Thunderbird Sport	885	TB-9095	KN-192
1997 TRIUMPH			
Speed Triple T509	885	TB-9097	KN-191
1996 TRIUMPH			
Adventurer 900	885	TB-9095	KN-192
Thunderbird Sport	900	TB-9095	KN-192
1995 TRIUMPH			
Thunderbird Sport	900	TB-9095	
1980 TRIUMPH			
TR7	2.0L L4 CARB	33-2011	
TR8	3.5L V8 CARB		HP-2004 ¹
1979 TRIUMPH			
Spitfire	1.5L L4 CARB - Engines Fitted w/ 3/4 in Filter Adaptor Stud		HP-2004 ¹
TR7	122 L4 CARB - Exc. Calif	33-2011	
1978 TRIUMPH			
Spitfire	1.5L L4 CARB - Engines Fitted w/ 3/4 in Filter Adaptor Stud		HP-2004 ¹
1977 TRIUMPH			
TR7	122 L4 CARB - Exc. Calif	33-2011	

* 2 filters required

♦ Intake System Available - see page 84 +Cabin Air Filter Available - see page 453 1- Performance Silver Oil Filter Also Available



AIR & OIL FILTERS

TRIUMPH

Vehicle	Engine Type	Air Filter	Oil Filter
---------	-------------	------------	------------

1976 TRIUMPH

Spitfire	91 L4 CARB - Engines Fitted w/ 3/4 in Filter Adaptor Stud		HP-2004 ¹
TR6	122 L6 CARB	E-2540	
TR6	152 L6 F/I	E-9108	

1975 TRIUMPH

Stag	183 V8 CARB	33-2011	
TR6	152 L6 F/I	E-9108	

1974 TRIUMPH

TR6	152 L6 F/I	E-9108	
-----	------------	--------	--

1973 TRIUMPH

TR6	152 L6 F/I	E-9108	
-----	------------	--------	--

1972 TRIUMPH

TR6	152 L6 F/I	E-9108	
-----	------------	--------	--

1971 TRIUMPH

TR6	152 L6 F/I	E-9108	
-----	------------	--------	--

1969 TRIUMPH

TR6	152 L6 CARB	E-2540	
-----	-------------	--------	--

1965 TRIUMPH

Herald	70 L4 CARB	E-3180	
--------	------------	--------	--

2017 VAUXHALL

Astra Mk7	1.0L L3 F/I	E-0650	
Astra Mk7	1.4L L4 F/I	E-0650	
Astra Mk7	1.6L L4 DSL	E-0650	
Astra Mk7	1.6L L4 F/I	E-0650	
Vivaro B	1.6L L4 DSL	33-3054	

2015 VAUXHALL

Insignia	2.0L L4 DSL	33-2962	
Insignia	2.0L L4 F/I	33-2962	

2013 VAUXHALL

Astra MK6	2.0L L4 DSL	33-2966	
Astra MK6	2.0L L4 F/I	33-2964	

2012 VAUXHALL

Astra MK6	2.0L L4 F/I	33-2964	
-----------	-------------	---------	--

2009 VAUXHALL

Insignia	2.0L L4 DSL	33-2962	
Insignia	2.0L L4 F/I	33-2962	

2016 VICTORY

Cross Country	1731		KN-198
Cross Country 8-Ball	1731		KN-198
Cross Country Tour	1731		KN-198
Gunner	1731	PL-1608	KN-198
Hammer S	1731	PL-1608	KN-198
High-Ball	1731	PL-1608	KN-198
Magnum	1731		KN-198
Magnum X-1 Stealth Edition	1731		KN-198
Vegas	1731	PL-1608	KN-198
Vegas 8-Ball	1731	PL-1608	KN-198
Vision	1731		KN-198

2015 VICTORY

Cross Country	1731		KN-198
Cross Country 8-Ball	1731		KN-198
Cross Country Tour	1731		KN-198
Gunner	1731	PL-1608	KN-198
Hammer 8-Ball	1731	PL-1608	KN-198

Vehicle	Engine Type	Air Filter	Oil Filter
---------	-------------	------------	------------

2015 VICTORY

High-Ball	1731	PL-1608	KN-198
Magnum	1731		KN-198
Magnum X-1	1731		KN-198
Vegas 8-Ball	1731	PL-1608	KN-198
Vision Tour	1731		KN-198

2014 VICTORY

Boardwalk	1731	PL-1608	
Cross Country	1731		KN-198
Cross Country 8-Ball	1731		KN-198
Cross Country Tour	1731		KN-198
Cross Country Tour 15th Anniversary LE	1731		KN-198
Cross Roads 8-Ball	1731		KN-198
Hammer 8-Ball	1731	PL-1608	KN-198
High-Ball	1731	PL-1608	KN-198
Jackpot	1731	PL-1608	
Judge	1731	PL-1608	
Vegas 8-Ball	1731	PL-1608	KN-198
Vision Tour	1731		KN-198

2013 VICTORY

Boardwalk	1731	PL-1608	KN-198
Cross Country	1731		KN-198
Cross Country Cory Ness	1731		KN-198
Cross Country Tour	1731		KN-198
Cross Country Zach Ness	1731		KN-198
Cross Roads Classic	1731		KN-198
Hammer 8-Ball	1731	PL-1608	
Hard-Ball	1731		KN-198
High-Ball	1731	PL-1608	KN-198
Judge	1731	PL-1608	KN-198
Vegas 8-Ball	1731	PL-1608	KN-198
Vegas Jackpot	1731	PL-1608	KN-198
Vision Tour	1731		KN-198

2012 VICTORY

Cross Country	1731		KN-198
Cross Country Cory Ness	1731		KN-198
Cross Country Tour	1731		KN-198
Cross Roads	1731		KN-198
Hammer S	1731	PL-1608	
Hard-Ball	1731		KN-198
High-Ball	1731	PL-1608	KN-198
Vegas	1731	PL-1608	
Vegas 8-Ball	1731	PL-1608	KN-198
Vegas Jackpot	1731	PL-1608	KN-198
Vegas Zach Ness	1731	PL-1608	KN-198
Vision Tour	1731		KN-198

2011 VICTORY

Cross Country	1731		KN-198
Cross Country Cory Ness	1731		KN-198
Cross Roads	1731		KN-198
Vegas	1731	PL-1608	
Vegas 8-Ball	1731	PL-1608	KN-198
Vegas Jackpot	1731	PL-1608	
Vegas Zach Ness	1731	PL-1608	
Vision Tour	1731		KN-198

2010 VICTORY

Cross Country	1731		KN-198
---------------	------	--	--------

* 2 filters required

◆Intake System Available - see page 84 +Cabin Air Filter Available - see page 453 1- Performance Silver Oil Filter Also Available



Vehicle	Engine Type	Air Filter	Oil Filter
2010 VICTORY			
Hammer 8-Ball	1731	PL-1608	KN-198
Vegas 8-Ball	1634	PL-1608	
Vegas Jackpot	1731	PL-1608	
Vision Tour	1731		KN-198
2009 VICTORY			
Kingpin 8-Ball	1634	PL-1608	KN-198
Kingpin Low	1634	PL-1608	
Kingpin Tour	1634	PL-1608	
Vegas 8-Ball	1634	PL-1608	
Vegas Jackpot	1731	PL-1608	
Vegas Low	1634	PL-1608	
Vision Street Premium	1731		KN-198
Vision Tour	1731		KN-198
Vision Tour 10th Anniversary	1731		KN-198
2008 VICTORY			
Hammer	1634	PL-1608	KN-198
Hammer S	1634	PL-1608	KN-198
Kingpin	1634	PL-1608	KN-198
Kingpin 8-Ball	1634	PL-1608	
Kingpin Tour	1634	PL-1608	
Vegas	1634	PL-1608	KN-198
Vegas 8-Ball	1634	PL-1608	KN-198
Vegas Jackpot	1634	PL-1608	KN-198
Vegas Low	1634	PL-1608	
Vision Tour	1731		KN-198
2007 VICTORY			
Hammer	1634	PL-1500	KN-198
Hammer S	1634	PL-1500	KN-198
Kingpin	1634	PL-1500	KN-198
Kingpin Tour	1634	PL-1500	
Vegas	1634	PL-1500	KN-198
Vegas 8-Ball	1634	PL-1500	KN-198
Vegas Jackpot	1634	PL-1500	KN-198
2006 VICTORY			
Hammer	1634	PL-1500	KN-198
Kingpin	1634	PL-1500	KN-198
Vegas	1634	PL-1500	KN-198
Vegas 8-Ball	1634	PL-1500	KN-198
Vegas Jackpot	1634	PL-1500	KN-198
2005 VICTORY			
Hammer	1634	PL-1500	KN-198
Kingpin	1507	PL-1500	KN-198
Kingpin Ness Signature Series	1507	PL-1500	KN-198
Touring Cruiser	1508	PL-1500	
Vegas	1507	PL-1500	KN-198
Vegas 8-Ball	1507	PL-1500	KN-198
Vegas Ness Signature Series	1507	PL-1500	KN-198
2004 VICTORY			
Kingpin	1507	PL-1500	KN-198
Touring Cruiser	1508	PL-1500	
Vegas	1507	PL-1500	KN-198
2003 VICTORY			
Vegas	1507	PL-1500	KN-198
2001 VICTORY			
V92C	1508		KN-303

Vehicle	Engine Type	Air Filter	Oil Filter
2001 VICTORY			
V92C Deluxe	1507	PL-1500	KN-303
2000 VICTORY			
V92C	1508	PL-1500	KN-303
V92C Special Edition	1508	PL-1500	KN-303
V92SC	1507	PL-1500	KN-303
1999 VICTORY			
V92C	1508	PL-1598	KN-303
2017 VOLKSWAGEN			
Amarok	3.0L V6 DSL	33-2983	
CC	2.0L L4 F/I	33-2865	PS-3004
GLi	1.4L L4 F/I		HP-1002 ¹
Golf	1.8L L4 F/I	33-3005	
Golf Alltrack	1.8L L4 F/I	33-3005	
Golf R	2.0L L4 F/I	33-3005	
Golf Sportwagen	1.8L L4 F/I	33-3005	
Golf VII	1.6L L4 F/I	33-3060 ⁺	
Gran Lavida	1.6L L4 F/I	33-3060	
GTI	2.0L L4 F/I	33-3005	
Jetta	1.4L L4 F/I	33-3004	HP-1002 ¹
Jetta	1.6L L4 F/I	33-3060	
Jetta	1.8L L4 F/I	33-2865	
Jetta	2.0L L4 F/I	33-2865	
Jetta GLi	2.0L L4 F/I	33-2865	
Lavida	1.6L L4 F/I	33-3060	
Passat	1.8L L4 F/I	33-2865 ⁺	
Polo	1.6L L4 F/I	33-3060	
Sagitar	1.6L L4 F/I	33-3060	
Santana	1.6L L4 F/I	33-3060	
Sportvan	1.6L L4 F/I	33-3060	
Tiguan	2.0L L4 F/I	33-2865	PS-3004
Touareg	3.6L V6 F/I	33-2857	
2016 VOLKSWAGEN			
Amarok	2.0L L4 DSL	33-2983	
Amarok	3.0L V6 DSL	33-2983	
Beetle	1.2L L4 F/I	33-3004 ⁺	
Beetle	1.4L L4 F/I	33-3004 ⁺	
Beetle	2.0L L4 DSL	33-3005 ⁺	
Beetle	2.0L L4 F/I	33-3005 ⁺	
CC	2.0L L4 DSL	33-2865	
CC	2.0L L4 F/I	33-2865	
		33-2865 ♦	
Golf	1.8L L4 F/I	33-3005	
Golf R	2.0L L4 F/I	33-3005	
Golf Sportsvan	1.2L L4 F/I	33-3004	
Golf Sportsvan	1.4L L4 F/I	33-3004	
Golf Sportsvan	1.6L L4 DSL	33-3005	
Golf Sportsvan	2.0L L4 DSL	33-3005	
Golf Sportwagen	1.8L L4 F/I	33-3005	
Golf VII	1.2L L4 F/I	33-3004 ⁺	
Golf VII	1.4L L4 F/I	33-3004 ⁺	
Golf VII	1.6L L4 DSL	33-3005 ⁺	
Golf VII	1.6L L4 F/I	33-3060 ⁺	
Golf VII	2.0L L4 DSL	33-3005 ⁺	
Golf VII	2.0L L4 F/I	33-3005 ⁺	
GTI	2.0L L4 F/I	33-3005	
Jetta	1.4L L4 F/I	33-3004	HP-1002 ¹
Jetta	1.8L L4 F/I	33-2865 ♦	
Jetta GLi	2.0L L4 F/I	33-2865 ♦	
Jetta Hybrid	1.4L L4 F/I	33-3004	HP-1002 ¹
Jetta IV	1.2L L4 F/I	33-3004 ⁺	
Jetta V	1.2L L4 F/I	33-3004 ⁺	

* 2 filters required

♦ Intake System Available - see page 84 +Cabin Air Filter Available - see page 453 1- Performance Silver Oil Filter Also Available



AIR & OIL FILTERS

VOLKSWAGEN

Vehicle	Engine Type	Air Filter	Oil Filter	Vehicle	Engine Type	Air Filter	Oil Filter
2016 VOLKSWAGEN				2015 VOLKSWAGEN			
Jetta V	1.4L L4 F/I	33-3004		Passat	1.4L L4 F/I	33-3004+	
Jetta V	2.0L L4 DSL	33-2865		Passat	1.6L L4 DSL	33-3005+	
Passat	1.4L L4 F/I	33-3004+		Passat	1.8L L4 F/I - Non-US	33-3005 ♦	
Passat	1.8L L4 F/I - Non-US	33-3005 ♦+		Passat	1.8L L4 F/I - US	33-2865 ♦	
Passat	1.8L L4 F/I - US	33-2865 ♦+		Passat	2.0L L4 DSL - Non-US, 150/184/190BHP	33-3005+	
Passat	2.0L L4 DSL - Non-US, 150/184/190BHP	33-3005+		Passat	2.0L L4 DSL - Non-US, 240BHP	33-3036+	
Passat	2.0L L4 DSL - Non-US, 240BHP	33-3036+		Passat	2.0L L4 DSL - US	33-2865+	
Passat	2.0L L4 F/I	33-3005+		Passat	2.0L L4 F/I - Non-US	33-3005	
Passat	3.6L V6 F/I	33-2384		Passat	2.5L L5 F/I		PS-7010
Polo	1.2L L4 F/I	33-3004		Passat	3.6L V6 F/I	33-2384	
Polo	1.4L L4 DSL	33-3044		Polo	1.0L L3 F/I - Exc. Turbo	33-2994	
Polo	1.4L L4 F/I	33-3004		Polo	1.2L L4 F/I	33-3004	
Polo	1.6L L4 F/I	33-3060		Polo	1.4L L4 DSL	33-3044	
Polo	1.8L L4 F/I	33-3035		Polo	1.4L L4 F/I	33-3004	
Tiguan	2.0L L4 F/I		PS-3004	Polo	1.6L L4 F/I	33-3060	
Tiguan	2.0L L4 F/I - US	33-2865 ♦	PS-3004	Polo	1.8L L4 F/I	33-3035	
Tiguan II	1.4L L4 F/I	33-3004		Tiguan	1.4L L4 F/I - 125/150BHP	33-3004 ♦	
Tiguan II	2.0L L4 DSL - 240BHP	33-3036		Tiguan	2.0L L4 DSL	33-2865 ♦	
Tiguan II	2.0L L4 DSL - Exc. 240BHP	33-3005		Tiguan	2.0L L4 F/I	33-2865	PS-3004
Tiguan II	2.0L L4 F/I	33-3005		Tiguan		33-2865 ♦	PS-3004
Touareg	3.0L V6 DSL	33-2857		Touareg	3.0L V6 DSL	33-2857	
Touareg	3.6L V6 F/I	33-2857		Touareg	3.0L V6 F/I	33-2857	PS-7015
Up	1.0L L3 F/I	33-2994		Touareg	3.6L V6 F/I	33-2857	
2015 VOLKSWAGEN				2014 VOLKSWAGEN			
Amarok	2.0L L4 DSL	33-2983		Amarok	2.0L L4 DSL	33-2983	
Beetle	1.2L L4 F/I	33-3004+		Beetle	2.0L L4 DSL	33-2865+	PS-7031
Beetle	2.0L L4 DSL - Non-US	33-3005+		Beetle	2.0L L4 F/I	33-2865+	
Beetle	2.0L L4 DSL - US	33-2865+		Beetle	2.5L L5 F/I	33-2331+	PS-7010
Beetle	2.0L L4 F/I - Non-US	33-3005		CC	2.0L L4 DSL	33-2865 ♦+	
Beetle	2.0L L4 F/I - US	33-2865		CC	2.0L L4 F/I	33-2865 ♦+	PS-3004
Beetle	2.5L L5 F/I	33-2331	PS-7010	CC	2.0L L4 F/I	33-2865 ♦+	PS-3004
CC	2.0L L4 DSL	33-2865 ♦+		CC	2.0L L4 F/I	33-2865 ♦+	PS-3004
CC	2.0L L4 F/I	33-2865+	PS-3004	CC	2.0L L4 F/I	33-2865 ♦+	PS-3004
Eos	2.0L L4 DSL	33-2865		CC	3.6L V6 F/I	33-2384+	
Eos	2.0L L4 F/I	33-2865		Golf	2.0L L4 DSL		PS-7031
Golf	1.8L L4 F/I	33-3005 ♦+		Golf	2.0L L4 DSL - US	33-2865+	PS-7031
Golf	2.0L L4 DSL	33-3005+		Golf	2.5L L5 F/I	33-2331+	PS-7010
Golf	2.5L L5 F/I		PS-7010	Golf Plus	1.4L L4 F/I - 80BHP	33-2920 ♦	
Golf R	2.0L L4 F/I	33-3005	PS-7010	Golf Plus	2.0L L4 DSL	33-2865 ♦+	
Golf Sportsvan	1.4L L4 F/I	33-3004+		Golf Plus	2.0L L4 F/I	33-3004+	
Golf Sportsvan	1.6L L4 DSL	33-3005+		Golf Sportsvan	1.4L L4 F/I	33-3004+	
Golf Sportsvan	2.0L L4 DSL	33-3005+		Golf Sportsvan	2.0L L4 DSL	33-3005+	
Golf Sportwagen	1.8L L4 F/I	33-3005		Golf VII	1.4L L4 F/I	33-3004+	
Golf VII	1.2L L4 F/I	33-3004+		Golf VII	1.6L L4 DSL	33-3005+	
Golf VII	1.4L L4 F/I	33-3004+		Golf VII	2.0L L4 DSL	33-3005+	
Golf VII	1.6L L4 DSL	33-3005+		Golf VII	2.0L L4 F/I	33-3005+	
Golf VII	1.6L L4 F/I	33-3060		Golf VII	2.0L L4 F/I	33-3005+	
Golf VII	2.0L L4 DSL	33-3005+		GTI	2.0L L4 F/I	33-2865	PS-3004
Golf VII	2.0L L4 F/I	33-3005+		Jetta	1.6L L4 F/I	33-3060	
GTI	2.0L L4 F/I	33-3005 ♦+		Jetta	1.8L L4 F/I	33-2865 ♦+	
Jetta	1.8L L4 F/I	33-2865 ♦		Jetta	2.0L L4 DSL	33-2865 ♦+	PS-7031
Jetta	2.0L L4 DSL	33-2865		Jetta	2.0L L4 F/I	E-2014+	HP-2005 ¹
Jetta	2.0L L4 F/I	E-2014	HP-2005 ¹	Jetta	2.5L L5 F/I	33-2331+	PS-7010
Jetta	2.5L L5 F/I		PS-7010	Jetta	2.0L L4 F/I	33-2865 ♦+	
Jetta GLI	2.0L L4 F/I	33-2865 ♦	HP-2005 ¹	Jetta GLi	2.0L L4 F/I	33-2865 ♦+	
Jetta Hybrid	1.4L L4 F/I	33-3004	PS-7010	Jetta Hybrid	1.4L L4 F/I	33-3004+	HP-1002 ¹
Jetta V	1.2L L4 F/I	33-3004		Jetta V	1.2L L4 F/I	E-2014 ♦+	
Jetta V	1.4L L4 F/I	33-3004		Jetta V	1.4L L4 F/I - 122BHP	E-2014 ♦+	
Jetta V	2.0L L4 DSL	33-2865		Jetta V	1.4L L4 F/I - 160BHP	33-2865 ♦+	
Jetta V	2.0L L4 F/I	E-2014	HP-2005 ¹	Jetta V	1.6L L4 DSL	33-2865 ♦+	
Jetta V	2.5L L5 F/I		PS-7010	Jetta V	2.0L L4 DSL	33-2865 ♦+	
Jetta V	2.0L L4 F/I	33-2865 ♦	HP-2005 ¹	Jetta V	2.0L L4 F/I	33-2865 ♦+	
Jetta V	1.4L L4 F/I	33-3004	PS-7010	Passat	1.4L L4 F/I - 122BHP	E-2014 ♦+	
Jetta V	1.2L L4 F/I	33-3004		Passat	1.4L L4 F/I - 150/160BHP	33-2865 ♦+	
Jetta V	1.4L L4 F/I	33-3004		Passat	1.8L L4 F/I	33-2865 ♦+	
Jetta V	2.0L L4 DSL	33-2865		Passat	2.0L L4 DSL	33-2865 ♦+	

* 2 filters required

♦ Intake System Available - see page 84 + Cabin Air Filter Available - see page 453 1- Performance Silver Oil Filter Also Available



Vehicle	Engine Type	Air Filter	Oil Filter	Vehicle	Engine Type	Air Filter	Oil Filter
2014 VOLKSWAGEN				2013 VOLKSWAGEN			
Passat	2.0L L4 F/I	33-2865 ♦♦		GTI	2.0L L4 F/I	33-2865	PS-3004
Passat	2.5L L5 F/I	33-2331+	PS-7010			33-2865 ♦	PS-3004
Passat	3.6L V6 F/I	33-2384+		Jetta	1.6L L4 F/I	33-3060	
Polo	1.2L L3 DSL	E-2997		Jetta	2.0L L4 DSL	33-2865 ♦♦	PS-7031
Polo	1.2L L4 F/I - Exc. TSi	33-2830		Jetta	2.0L L4 F/I	E-2014+	HP-2005 ¹
Polo	1.2L L4 F/I - TSi, 110BHP	33-3004		Jetta	2.5L L5 F/I	33-2331+	PS-7010
Polo	1.2L L4 F/I - TSi, 90/105BHP	E-2997		Jetta GLi	2.0L L4 F/I	33-2865 ♦♦	PS-3004
Polo	1.4L L4 DSL	33-3044		Jetta Hybrid	1.4L L4 F/I	33-3004+	HP-1002 ¹
Polo	1.4L L4 F/I - Exc. TSi	33-2920		Jetta V	1.2L L4 F/I	E-2014 ♦♦	
Polo	1.4L L4 F/I - TSi	E-2997		Jetta V	1.4L L4 F/I - 122BHP	E-2014 ♦♦	
Polo	1.6L L4 DSL	E-2997		Jetta V	1.4L L4 F/I - 160BHP	33-2865 ♦♦	
Polo	1.6L L4 F/I - From 7/14	33-3060		Jetta V	1.6L L4 DSL	33-2865 ♦♦	
Polo	1.6L L4 F/I - To 6/14	33-2920		Jetta V	2.0L L4 DSL	33-2865 ♦♦	
Polo GT	1.4L L4 F/I	33-3004		Jetta V	2.0L L4 F/I	33-2865 ♦♦	
Scirocco	2.0L L4 DSL	33-2865 ♦♦		Passat	1.4L L4 F/I - 150/160BHP	33-2865 ♦♦	
Scirocco	2.0L L4 F/I - 211BHP	33-2865 ♦♦		Passat	1.8L L4 F/I	33-2865 ♦	
Tiguan	1.4L L4 F/I - 122BHP	E-2014 ♦♦		Passat	2.0L L4 DSL	33-2865 ♦♦	
Tiguan	1.4L L4 F/I - 160BHP	33-2865 ♦♦		Passat	2.0L L4 F/I	33-2865 ♦♦	
Tiguan	2.0L L4 DSL	33-2865 ♦♦		Passat	2.5L L5 F/I	33-2331+	PS-7010
Tiguan	2.0L L4 F/I	33-2865 ♦♦	PS-3004	Passat	3.6L V6 F/I	33-2384+	
		33-2865 ♦	PS-3004	Polo	1.2L L3 DSL	E-2997 ♦	
Touareg	3.0L V6 DSL	33-2857		Polo	1.2L L4 F/I - Exc. TSi	33-2830 ♦	
Touareg	3.0L V6 F/I	33-2857	PS-7015	Polo	1.2L L4 F/I - TSi	E-2997 ♦	
Touareg	3.6L V6 F/I	33-2857	PS-7015	Polo	1.4L L4 F/I - Exc. TSi	33-2920 ♦	
				Polo	1.4L L4 F/I - TSi	E-2997 ♦	
				Polo	1.6L L4 DSL	E-2997 ♦	
				Polo	1.6L L4 F/I	33-2920	
				Polo GT	1.4L L4 F/I	33-3004	
				Scirocco	2.0L L4 DSL	33-2865 ♦♦	
				Scirocco	2.0L L4 F/I - 211BHP	33-2865 ♦♦	
				Scirocco	2.0L L4 F/I - 265BHP	33-2888 ♦♦	
				Tiguan	2.0L L4 DSL	33-2865 ♦♦	
				Tiguan	2.0L L4 F/I	33-2865 ♦	PS-3004
						33-2865 ♦♦	PS-3004
				Touareg	3.0L V6 DSL	33-2857	
				Touareg	3.0L V6 F/I	33-2857	PS-7015
				Touareg	3.6L V6 F/I	33-2857	
				Touareg	4.2L V8 DSL	33-2857*	
2013 VOLKSWAGEN				2012 VOLKSWAGEN			
Amarok	2.0L L4 DSL	33-2983		Amarok	2.0L L4 DSL	33-2983	
Amarok	2.0L L4 F/I	33-2983		Amarok	2.0L L4 F/I	33-2983	
Beetle	2.0L L4 DSL	33-2865 ♦	PS-7031	Beetle	2.0L L4 F/I	33-2865+	PS-3004
Beetle	2.0L L4 F/I	33-2865+	PS-3004			33-2865 ♦♦	PS-3004
Beetle	2.0L L4 F/I - Non-US	33-2865 ♦♦	PS-3004	Beetle	2.5L L5 F/I	33-2331+	PS-7010
Beetle	2.5L L5 F/I	33-2331+	PS-7010	CC	1.8L L4 F/I	33-2865 ♦♦	
CC	1.8L L4 F/I	33-2865 ♦♦		CC	2.0L L4 DSL	33-2865 ♦♦	
CC	2.0L L4 DSL	33-2865 ♦♦		CC	2.0L L4 F/I	33-2865 ♦♦	PS-3004
CC	2.0L L4 F/I	33-2865 ♦♦	PS-3004	CC	2.0L L4 F/I	33-2865 ♦♦	PS-3004
CC	3.6L V6 F/I	33-2384+		CC	2.0L L4 F/I	33-2865 ♦♦	PS-3004
Golf	2.0L L4 DSL		PS-7031	Eos	2.0L L4 DSL	33-2865 ♦♦	
Golf	2.0L L4 DSL - US	33-2865+	PS-7031	Eos	2.0L L4 F/I	33-2865 ♦♦	PS-3004
Golf	2.0L L4 F/I	33-2888+	PS-7010	Golf	2.0L L4 DSL		PS-7031
Golf	2.5L L5 F/I	33-2331+	PS-7010	Golf	2.0L L4 DSL - US	33-2865+	PS-7031
Golf Plus	1.4L L4 F/I - 122BHP	E-2014 ♦		Golf	2.0L L4 F/I	33-2888+	
Golf Plus	1.4L L4 F/I - 160BHP	33-2865 ♦		Golf	2.5L L5 F/I	33-2331+	PS-7010
Golf Plus	1.4L L4 F/I - 80BHP	33-2920 ♦		Golf Plus	1.4L L4 F/I - 80BHP	33-2920 ♦	
Golf Plus	1.6L L4 DSL	33-2865 ♦♦		Golf Plus	1.6L L4 DSL	33-2865 ♦♦	
Golf Plus	1.6L L4 F/I	33-2920+		Golf Plus	1.6L L4 F/I	33-2920+	
Golf Plus	2.0L L4 DSL	33-2865 ♦♦		Golf Plus	2.0L L4 DSL	33-2865 ♦♦	
Golf Sportwagen	2.5L L5 F/I	33-2331	PS-7010	Golf Plus	2.0L L4 F/I - 211BHP	33-2865 ♦♦	
Golf VI	1.4L L4 F/I - 122BHP	E-2014 ♦♦		Golf VI	2.0L L4 F/I - 235/270BHP	33-2888 ♦♦	
Golf VI	1.4L L4 F/I - 160BHP	33-2865 ♦♦		Golf VII	1.2L L4 F/I	33-3004+	
Golf VI	1.4L L4 F/I - 80BHP	33-2920 ♦♦		Golf VII	1.4L L4 F/I	33-3004+	
Golf VI	1.6L L4 DSL	33-2865 ♦♦		Golf VII	1.6L L4 DSL	33-3005 ♦♦	
Golf VI	1.8L L4 F/I	33-2865 ♦♦		Golf VII	2.0L L4 DSL	33-3005 ♦♦	
Golf VI	2.0L L4 DSL	33-2865 ♦♦		Golf VII	2.0L L4 F/I	33-3005 ♦♦	
Golf VI	2.0L L4 F/I - 211BHP	33-2865 ♦♦					
Golf VI	2.0L L4 F/I - 235/270BHP	33-2888 ♦♦					
Golf VII	1.2L L4 F/I	33-3004+					
Golf VII	1.4L L4 F/I	33-3004+					
Golf VII	1.6L L4 DSL	33-3005 ♦♦					
Golf VII	2.0L L4 DSL	33-3005 ♦♦					
Golf VII	2.0L L4 F/I	33-3005 ♦♦					

* 2 filters required

♦ Intake System Available - see page 84 + Cabin Air Filter Available - see page 453 1- Performance Silver Oil Filter Also Available



AIR & OIL FILTERS

VOLKSWAGEN

Vehicle	Engine Type	Air Filter	Oil Filter	Vehicle	Engine Type	Air Filter	Oil Filter
2012 VOLKSWAGEN				2011 VOLKSWAGEN			
Golf VI	1.8L L4 F/I	33-2865 ♦♦		Golf Plus	1.4L L4 F/I - 122BHP	E-2014 ♦	
Golf VI	2.0L L4 DSL	33-2865 ♦♦		Golf Plus	1.4L L4 F/I - 160BHP	33-2865 ♦	
Golf VI	2.0L L4 F/I - 211BHP	33-2865 ♦♦		Golf Plus	1.4L L4 F/I - 80BHP	33-2920 ♦	
Golf VI	2.0L L4 F/I - 235/270BHP	33-2888 ♦♦		Golf Plus	1.6L L4 DSL	33-2865 ♦♦	
Golf VII	1.2L L4 F/I	33-3004+		Golf Plus	1.6L L4 F/I	33-2920+	
Golf VII	1.4L L4 F/I	33-3004+		Golf Plus	2.0L L4 DSL	33-2865 ♦♦	
Golf VII	1.6L L4 DSL	33-3005 ♦♦		Golf VI	1.2L L4 F/I	E-2014 ♦♦	
Golf VII	2.0L L4 DSL	33-3005 ♦♦		Golf VI	1.4L L4 F/I - 122BHP	E-2014 ♦♦	
GTI	2.0L L4 F/I	33-2865	PS-3004	Golf VI	1.4L L4 F/I - 160BHP	33-2865 ♦♦	
		33-2865 ♦	PS-3004	Golf VI	1.4L L4 F/I - 80BHP	33-2920 ♦♦	
Jetta	2.0L L4 DSL	33-2865 ♦	PS-7031	Golf VI	1.6L L4 DSL	33-2865 ♦♦	
Jetta	2.0L L4 F/I	E-2014+	HP-2005 ¹	Golf VI	2.0L L4 DSL	33-2865 ♦♦	
Jetta	2.5L L5 F/I	33-2331+	PS-7010	Golf VI	2.0L L4 F/I - 211BHP	33-2865 ♦♦	
Jetta GLI	2.0L L4 F/I	33-2865 ♦♦	PS-3004	Golf VI	2.0L L4 F/I - 235/270BHP	33-2888 ♦♦	
Jetta V	1.2L L4 F/I	E-2014 ♦♦		Golf VI	2.5L L5 F/I	33-2331+	
Jetta V	1.4L L4 F/I - 122BHP	E-2014 ♦♦		GTI	2.0L L4 F/I	33-2865	PS-3004
Jetta V	1.4L L4 F/I - 160BHP	33-2865 ♦♦				33-2865 ♦	PS-3004
Jetta V	1.6L L4 DSL	33-2865 ♦♦		Jetta	2.0L L4 DSL	33-2865+	PS-7031
Jetta V	2.0L L4 DSL	33-2865 ♦♦		Jetta	2.0L L4 F/I		PS-3004
Jetta V	2.0L L4 F/I	33-2865 ♦♦	HP-2005 ¹	Jetta	2.0L L4 F/I - US	E-2014+	PS-3004
Passat	1.8L L4 F/I	33-2865 ♦		Jetta	2.5L L5 F/I	33-2331+	PS-7010
Passat	2.0L L4 DSL	33-2865 ♦♦		Jetta V	1.4L L4 F/I - 122BHP	E-2014 ♦♦	
Passat	2.0L L4 F/I	33-2865 ♦♦		Jetta V	1.4L L4 F/I - 160BHP	33-2865 ♦♦	
Passat	2.5L L5 F/I	33-2331+	PS-7010	Jetta V	1.6L L4 DSL	33-2865 ♦♦	
Passat	3.6L V6 F/I	33-2384+		Jetta V	1.6L L4 F/I	E-2014 ♦♦	
Passat CC	1.8L L4 F/I	33-2865 ♦		Jetta V	2.0L L4 DSL	33-2865 ♦♦	
Passat CC	2.0L L4 DSL	33-2865 ♦♦		Jetta V	2.0L L4 F/I		PS-3004
Passat CC	3.6L V6 F/I	33-2384+		Jetta V	2.0L L4 F/I - TFSi	33-2888 ♦♦	PS-3004
Polo	1.2L L3 DSL	E-2997 ♦		Jetta V	2.0L L4 F/I - TSi	33-2865 ♦♦	PS-3004
Polo	1.2L L4 F/I - Exc., TSi	33-2830 ♦		Passat	2.0L L4 DSL	33-2865 ♦	
Polo	1.2L L4 F/I - TSi	E-2997 ♦		Passat	2.0L L4 F/I	33-2865 ♦	PS-3004
Polo	1.4L L4 F/I - Exc. TSi	33-2920 ♦		Passat CC	2.0L L4 DSL	33-2865 ♦	
Polo	1.4L L4 F/I - TSi, Exc.	E-2997 ♦		Polo	1.2L L3 DSL	E-2997 ♦	
Polo	1.6L L4 DSL	E-2997 ♦		Polo	1.2L L4 F/I - Exc., TSi	33-2830 ♦	
Polo	1.6L L4 F/I	33-2920		Polo	1.2L L4 F/I - TSi	E-2997 ♦	
Polo GT	1.4L L4 F/I	33-3004		Polo	1.4L L4 F/I - Exc. TSi	33-2920 ♦	
Routan	3.6L V6 F/I	33-2462	PS-7025	Polo	1.4L L4 F/I - TSi	E-2997 ♦	
Scirocco	1.4L L4 F/I - 122BHP	E-2014 ♦♦		Polo	1.6L L4 DSL	E-2997 ♦	
Scirocco	1.4L L4 F/I - 160BHP	33-2865 ♦♦		Polo	1.6L L4 F/I	33-2920	
Scirocco	2.0L L4 DSL	33-2865 ♦♦		Routan	3.6L V6 F/I	33-2462	PS-7025
Scirocco	2.0L L4 F/I - 211BHP	33-2865 ♦♦		Scirocco	2.0L L4 DSL	33-2865 ♦♦	
Scirocco	2.0L L4 F/I - 265BHP	33-2888 ♦♦		Scirocco	2.0L L4 F/I	33-2865 ♦♦	
Tiguan	2.0L L4 DSL	33-2865 ♦♦		Tiguan	2.0L L4 DSL	33-2865 ♦♦	
Tiguan	2.0L L4 F/I	33-2865 ♦♦	PS-3004	Tiguan	2.0L L4 F/I	33-2865 ♦♦	PS-3004
		33-2865 ♦	PS-3004			33-2865 ♦	PS-3004
Touareg	3.0L V6 DSL	33-2857		Touareg	3.0L V6 DSL	33-2857	
Touareg	3.0L V6 F/I	33-2857	PS-7015	Touareg	3.0L V6 F/I	33-2857	PS-7015
Touareg	3.6L V6 F/I	33-2857		Touareg	3.6L V6 F/I	33-2857	
Touareg	4.2L V8 DSL	33-2857*					
2011 VOLKSWAGEN				2010 VOLKSWAGEN			
Amarok	2.0L L4 DSL	33-2983		Amarok	2.0L L4 DSL	33-2983	
Amarok	2.0L L4 F/I	33-2983		Amarok	2.0L L4 F/I	33-2983	
CC	2.0L L4 F/I	33-2865 ♦♦	PS-3004	Beetle	2.5L L5 F/I	33-2128+	PS-7010
CC	3.6L V6 F/I	33-2384+		Beetle Cabrio	2.5L L5 F/I	33-2128+	PS-7010
Eos	2.0L L4 DSL	33-2865 ♦♦		Bora	2.5L L5 F/I		PS-7010
Eos	2.0L L4 F/I	33-2865 ♦♦		CC	2.0L L4 F/I	33-2865 ♦♦	PS-3004
Gol	1.6L L4 F/I		HP-1002 ¹	CC	3.6L V6 F/I	33-2384+	PS-7031
Gol Sedan	1.6L L4 F/I		HP-1002 ¹	Eos	2.0L L4 DSL	33-2865 ♦♦	
Golf	2.0L L4 DSL		PS-7031	Eos	2.0L L4 F/I	33-2865 ♦♦	
Golf	2.0L L4 DSL - US	33-2865+	PS-7031	GLI	2.0L L4 F/I	33-2865	
Golf	2.5L L5 F/I	33-2331+	PS-7010	Gol	1.6L L4 F/I - OEM	33-2830	
				Gol Sedan	1.6L L4 F/I		HP-1002 ¹

* 2 filters required ♦ Intake System Available - see page 84 + Cabin Air Filter Available - see page 453 1- Performance Silver Oil Filter Also Available



Vehicle	Engine Type	Air Filter	Oil Filter	Vehicle	Engine Type	Air Filter	Oil Filter
2010 VOLKSWAGEN				2009 VOLKSWAGEN			
Gol Sedan	1.6L L4 F/I - OEM 5Z0129620	33-2830	HP-1002	Golf VI	1.4L L4 F/I - 122BHP	E-2014 ♦♦	
Golf	2.0L L4 DSL		PS-7031	Golf VI	1.4L L4 F/I - 160BHP	33-2865 ♦♦	
Golf	2.0L L4 DSL - US	33-2865+	PS-7031	Golf VI	1.4L L4 F/I - 80BHP	33-2920 ♦♦	
Golf	2.5L L5 F/I	33-2331+	PS-7010	Golf VI	2.0L L4 DSL	33-2865 ♦♦	
Golf Plus	1.4L L4 F/I - 80BHP	33-2920 ♦		Golf VI	2.0L L4 F/I - 211BHP	33-2865 ♦♦	
Golf Plus	1.6L L4 DSL	33-2865 ♦♦		Golf VI	2.0L L4 F/I - 270BHP	33-2888 ♦♦	
Golf Plus	1.6L L4 F/I	E-2014+		Golf VI	2.5L L5 F/I	33-2331+	
Golf Plus	2.0L L4 DSL	33-2865 ♦♦		GTI	2.0L L4 F/I	33-2865+	PS-3004
Golf VI	1.4L L4 F/I - 122BHP	E-2014 ♦♦				33-2865 ♦♦	PS-3004
Golf VI	1.4L L4 F/I - 160BHP	33-2865 ♦♦		Jetta	2.0L L4 DSL	33-2865+	PS-7031
Golf VI	1.4L L4 F/I - 80BHP	33-2920 ♦♦		Jetta	2.0L L4 F/I	33-2865+	PS-3004
Golf VI	1.6L L4 DSL	33-2865 ♦♦		Jetta	2.5L L5 F/I	33-2331+	PS-7010
Golf VI	1.6L L4 F/I	E-2014 ♦♦		Jetta City	2.0L L4 F/I	33-2128+	
Golf VI	2.0L L4 DSL	33-2865 ♦♦		Jetta GLi	2.0L L4 F/I	33-2865 ♦♦	PS-3004
Golf VI	2.0L L4 F/I - 270BHP	33-2888 ♦♦		Jetta V	1.4L L4 F/I	33-2865 ♦♦	
Golf VI	2.0L L4 F/I - Exc. 270BHP	33-2865 ♦♦		Jetta V	1.9L L4 DSL	33-2865 ♦♦	
Golf VI	2.5L L5 F/I	33-2331+		Jetta V	2.0L L4 DSL	33-2865 ♦♦	
GTI	2.0L L4 F/I	33-2865	PS-3004	Jetta V	2.0L L4 F/I - 200BHP	33-2888 ♦♦	
		33-2865 ♦	PS-3004	Jetta V	2.0L L4 F/I - Exc., 200BHP	E-2014 ♦♦	
Jetta	2.0L L4 DSL	33-2865+	PS-7031	Jetta V	2.5L L5 F/I	33-2331+	PS-7010
Jetta	2.0L L4 F/I	33-2865+	PS-3004	Passat	2.0L L4 DSL	33-2865 ♦♦	
Jetta	2.5L L5 F/I	33-2331+	PS-7010	Passat	2.0L L4 F/I	33-2865 ♦♦	
Jetta GLi	2.0L L4 F/I	33-2865 ♦♦	PS-3004	Passat	2.0L L4 F/I - 150BHP	E-2014 ♦♦	
Jetta V	1.4L L4 F/I - 140/160/170BHP	33-2865 ♦♦		Passat	2.0L L4 F/I - 200BHP	33-2888 ♦♦	
Jetta V	2.0L L4 DSL	33-2865 ♦♦		Passat	2.0L L4 F/I - CCTA Eng.	33-2865	PS-3004
Jetta V	2.0L L4 F/I - TFSi	33-2888 ♦♦		Passat CC	1.8L L4 F/I	33-2865 ♦♦	
Jetta V	2.0L L4 F/I - TSi	33-2865 ♦♦		Passat CC	2.0L L4 DSL	33-2865 ♦♦	
Jetta V	2.5L L5 F/I	33-2331+		Passat CC	2.0L L4 F/I	33-2865 ♦♦	PS-7010
Passat	2.0L L4 DSL	33-2865 ♦♦		Passat CC	3.6L V6 F/I	33-2384+	
Passat	2.0L L4 F/I	33-2865 ♦♦	PS-3004	Rabbit	2.5L L5 F/I	33-2331+	PS-7010
Passat CC	1.8L L4 F/I	33-2865 ♦♦		Routan	3.8L V6 F/I	33-2419	HP-1002 ¹
Passat CC	2.0L L4 DSL	33-2865 ♦♦		Routan	4.0L V6 F/I	33-2419	HP-1017 ¹
Passat CC	2.0L L4 F/I	33-2865+		Scirocco	1.4L L4 F/I - 122BHP	E-2014 ♦♦	
Polo	1.2L L3 DSL	E-2997 ♦		Scirocco	1.4L L4 F/I - 160BHP	33-2865 ♦♦	
Polo	1.2L L4 F/I - Exc., TSi	33-2830		Scirocco	2.0L L4 DSL	33-2865 ♦♦	
Polo	1.2L L4 F/I - TSi	E-2997 ♦		Scirocco	2.0L L4 F/I - 211BHP	33-2865 ♦♦	
Polo	1.4L L4 F/I - Exc. TSi	33-2920 ♦		Scirocco	2.0L L4 F/I - 270BHP	33-2888 ♦♦	
Polo	1.4L L4 F/I - TSi	E-2997 ♦		Tiguan	2.0L L4 DSL	33-2865 ♦♦	
Routan	3.8L V6 F/I	33-2419	HP-1002 ¹	Tiguan	2.0L L4 F/I		PS-3004
Routan	4.0L V6 F/I	33-2419		Tiguan	2.0L L4 F/I - Turbo	33-2865 ♦♦	PS-3004
Scirocco	1.4L L4 F/I - 122BHP	E-2014 ♦♦		Touareg	3.0L V6 DSL	33-2857	
Scirocco	1.4L L4 F/I - 160BHP	33-2865 ♦♦		Touareg	3.6L V6 F/I	33-2857	
Tiguan	2.0L L4 DSL	33-2865 ♦♦		Touareg	3.6L V6 F/I - BHK Eng.	33-2857	PS-7005
Tiguan	2.0L L4 F/I	33-2865 ♦♦	PS-3004				
		33-2865 ♦	PS-3004	2008 VOLKSWAGEN			
Touareg	3.0L V6 DSL	33-2857		Beetle	2.5L L5 F/I	33-2128+	PS-7010
				Bora	2.5L L5 F/I		PS-7010
				Eos	2.0L L4 DSL	33-2865 ♦♦	
				Eos	2.0L L4 F/I	33-2888+	PS-7010
				Eos	2.0L L4 F/I - 150BHP	E-2014 ♦♦	PS-7010
				Eos	2.0L L4 F/I - 200BHP	33-2888 ♦♦	PS-7010
				Golf City	2.0L L4 F/I	33-2128+	HP-2005 ¹
				Golf V	1.4L L4 F/I - 80BHP	33-2920 ♦♦	
				Golf V	1.6L L4 F/I - 101BHP	33-2920 ♦♦	
				Golf V	1.9L L4 DSL	33-2865 ♦♦	
				Golf V	2.0L L4 DSL	33-2865 ♦♦	
				Golf V	2.0L L4 F/I		PS-7010
				Golf V	2.0L L4 F/I - 150BHP	E-2014 ♦♦	PS-7010
				Golf V	2.0L L4 F/I - 200BHP	33-2888 ♦♦	PS-7010
				Golf V	3.2L V6 F/I	33-2384 ♦♦	
				Golf V GTI	2.0L L4 F/I	33-2888 ♦	PS-7010
				Golf VI	1.4L L4 F/I - 122BHP	E-2014 ♦♦	

* 2 filters required

♦ Intake System Available - see page 84 +Cabin Air Filter Available - see page 453 1- Performance Silver Oil Filter Also Available



AIR & OIL FILTERS

VOLKSWAGEN

Vehicle	Engine Type	Air Filter	Oil Filter
2008 VOLKSWAGEN			
Golf VI	1.4L L4 F/I - 160BHP	33-2865 ♦♦	
Golf VI	1.4L L4 F/I - 80BHP	33-2920 ♦♦	
Golf VI	1.6L L4 F/I	E-2014 ♦♦	
Golf VI	2.0L L4 DSL	33-2865 ♦♦	
Golf VI	2.0L L4 F/I - 211BHP	33-2865 ♦	
GTI	2.0L L4 F/I	33-2888 ♦♦	PS-3004
Jetta	2.0L L4 F/I	33-2865+	PS-3004
Jetta	2.5L L5 F/I	33-2331+	PS-7010
Jetta City	2.0L L4 F/I	33-2128+	HP-2005 ¹
Jetta GLi	2.0L L4 F/I	33-2888+	PS-3004
Jetta V	2.0L L4 DSL	33-2865 ♦♦	PS-7031
Jetta V	2.0L L4 F/I		PS-7010
Jetta V	2.0L L4 F/I - 200BHP	33-2888 ♦♦	PS-7010
Jetta V	2.0L L4 F/I - Exc., 200BHP	E-2014 ♦♦	PS-7010
Jetta V	2.5L L5 F/I	33-2331+	PS-7010
Passat	2.0L L4 DSL	33-2865 ♦♦	
Passat	2.0L L4 F/I - 150BHP	E-2014 ♦♦	
Passat	2.0L L4 F/I - 200BHP	33-2888 ♦♦	
Passat	2.0L L4 F/I - BPY Eng.	33-2888+	PS-7010
		33-2888+	PS-7010
Passat	2.0L L4 F/I - CCTA Eng.	33-2865+	PS-3004
		33-2865+	PS-3004
Passat	3.6L V6 F/I		PS-7031
Passat	3.6L V6 F/I - Non-US	33-2384+	PS-7031
Passat	3.6L V6 F/I - US	33-2384+	PS-7031
Passat CC	2.0L L4 DSL	33-2865 ♦♦	
Passat CC	2.0L L4 F/I	33-2865 ♦♦	
Passat CC	3.6L V6 F/I	33-2384	
Polo	1.6L L4 F/I - 105BHP	33-2920 ♦	
R32	3.2L V6 F/I	33-2384+	PS-7031
Rabbit	2.5L L5 F/I	33-2331+	PS-7010
Tiguan	2.0L L4 DSL	33-2865 ♦♦	
Tiguan	2.0L L4 F/I	33-2865 ♦♦	
Touareg	3.0L V6 DSL	33-2857	
Touareg	3.6L V6 F/I	33-2857	
Touareg	3.6L V6 F/I - BHK Eng.	33-2857	PS-7005
Touareg	4.2L V8 F/I	33-2857*	
2007 VOLKSWAGEN			
Beetle	2.5L L5 F/I	33-2128+	PS-7010
Bora	2.5L L5 F/I		PS-7010
Eos	2.0L L4 DSL	33-2865 ♦♦	
Eos	2.0L L4 F/I	33-2888+	PS-7010
Eos	2.0L L4 F/I - 150BHP	E-2014 ♦♦	PS-7010
Eos	2.0L L4 F/I - 200BHP	33-2888 ♦♦	PS-7010
GLi	2.0L L4 F/I		PS-7010
Golf	2.0L L4 F/I		HP-2005 ¹
Golf City	2.0L L4 F/I	33-2128+	HP-2005 ¹
Golf Plus	1.6L L4 F/I - 102BHP	E-2014 ♦♦	
Golf Plus	2.0L L4 DSL	33-2865 ♦♦	
Golf Plus	2.0L L4 F/I	E-2014 ♦♦	PS-7010
Golf V	1.4L L4 F/I - 140/170BHP	33-2865 ♦♦	
Golf V	1.4L L4 F/I - 80BHP	33-2920 ♦♦	
Golf V	1.6L L4 F/I - 101BHP	33-2920 ♦♦	
Golf V	1.6L L4 F/I - 102BHP	E-2014 ♦♦	
Golf V	1.6L L4 F/I - 115BHP	33-2869 ♦♦	
Golf V	1.9L L4 DSL	33-2865 ♦♦	
Golf V	2.0L L4 DSL - 75BHP	E-2014 ♦♦	
Golf V	2.0L L4 DSL - Exc., 75BHP	33-2865 ♦♦	
Golf V	2.0L L4 F/I		PS-7010

Vehicle	Engine Type	Air Filter	Oil Filter
2007 VOLKSWAGEN			
Golf V	2.0L L4 F/I - 150BHP	E-2014 ♦♦	PS-7010
Golf V	2.0L L4 F/I - 200BHP	33-2888 ♦♦	PS-7010
Golf V	3.2L V6 F/I	33-2384 ♦♦	
Golf V GTI	2.0L L4 F/I	33-2888 ♦	PS-7010
GTI	2.0L L4 F/I	33-2888 ♦♦	PS-7010
Jetta	2.0L L4 F/I	33-2888+	PS-7010
Jetta	2.5L L5 F/I	33-2331+	PS-7010
Jetta City	2.0L L4 F/I	33-2128+	HP-2005 ¹
Jetta GLi	2.0L L4 F/I	33-2888 ♦♦	PS-7010
Jetta V	1.9L L4 DSL	33-2865 ♦♦	
Jetta V	2.0L L4 DSL	33-2865 ♦♦	
Jetta V	2.0L L4 F/I		PS-7010
Jetta V	2.0L L4 F/I - 200BHP	33-2888 ♦♦	PS-7010
Jetta V	2.0L L4 F/I - Exc., 200BHP	E-2014 ♦♦	PS-7010
Jetta V	2.5L L5 F/I	33-2331+	PS-7010
Passat	2.0L L4 DSL	33-2865 ♦♦	
Passat	2.0L L4 F/I	33-2888+	PS-7010
Passat	2.0L L4 F/I - 150BHP	E-2014 ♦♦	PS-7010
Passat	2.0L L4 F/I - 200BHP	33-2888 ♦♦	PS-7010
Passat	3.6L V6 F/I		PS-7031
Passat	3.6L V6 F/I - Non-US	33-2384+	PS-7031
Passat	3.6L V6 F/I - US	33-2384+	PS-7031
Rabbit	2.5L L5 F/I	33-2331+	PS-7010
Touareg	3.6L V6 F/I	33-2857	PS-7005
Touareg	4.2L V8 F/I	33-2857*	
Touareg	5.0L V10 DSL	33-2857*	
Transporter T5	1.9L L4 DSL	33-2867	
2006 VOLKSWAGEN			
Beetle	1.9L L4 DSL	33-2128+	
Beetle	2.5L L5 F/I	33-2128+	PS-7010
Bora	2.5L L5 F/I		PS-7010
Golf	1.9L L4 DSL - US	33-2128+	
Golf	2.0L L4 F/I	33-2128+	HP-2005 ¹
Golf GTI	1.8L L4 F/I	33-2128+	HP-2005 ¹
Golf Plus	1.9L L4 DSL	33-2865 ♦♦	
Golf Plus	2.0L L4 DSL	33-2865 ♦♦	
Golf Plus	2.0L L4 F/I	E-2014 ♦♦	PS-7010
Golf V	1.4L L4 F/I - 140/170BHP	33-2865 ♦♦	
Golf V	1.4L L4 F/I - 75BHP	33-2221 ♦♦	
Golf V	1.4L L4 F/I - 80BHP	33-2920 ♦♦	
Golf V	1.6L L4 F/I - 101BHP	33-2920 ♦♦	
Golf V	1.9L L4 DSL	33-2865 ♦♦	
Golf V	2.0L L4 DSL - 75BHP	E-2014 ♦♦	
Golf V	2.0L L4 DSL - Exc., 75BHP	33-2865 ♦♦	
Golf V	2.0L L4 F/I		PS-7010
Golf V	2.0L L4 F/I - 150BHP	E-2014 ♦♦	PS-7010
Golf V	2.0L L4 F/I - 200BHP	33-2888 ♦♦	PS-7010
Golf V GTI	2.0L L4 F/I		PS-7010
Golf V GTI	2.0L L4 F/I - Turbo	33-2888 ♦	PS-7010
GTI	2.0L L4 F/I	33-2888 ♦♦	PS-7010
Jetta	1.9L L4 DSL	33-2865+	PS-7031
Jetta	2.0L L4 F/I	33-2888+	PS-7010
Jetta	2.5L L5 F/I	33-2331+	PS-7010
Jetta City	2.0L L4 F/I		HP-2005 ¹
Jetta GLi	2.0L L4 F/I	33-2888 ♦♦	PS-7010
Jetta V	1.4L L4 F/I	33-2865 ♦♦	
Jetta V	1.6L L4 F/I - 102BHP	E-2014 ♦♦	
Jetta V	1.6L L4 F/I - 115BHP	33-2869 ♦♦	
Jetta V	1.6L L4 F/I - China, Engine Code ACR, ANL	33-2851 ♦♦	
Jetta V	1.9L L4 DSL	33-2865 ♦♦	

* 2 filters required

♦ Intake System Available - see page 84 +Cabin Air Filter Available - see page 453 1- Performance Silver Oil Filter Also Available



Vehicle	Engine Type	Air Filter	Oil Filter
2006 VOLKSWAGEN			
Jetta V	2.0L L4 DSL	33-2865 ♦♦	
Jetta V	2.0L L4 F/I		PS-7010
Jetta V	2.0L L4 F/I - 200BHP	33-2888 ♦♦	PS-7010
Jetta V	2.0L L4 F/I - Exc., 200BHP	E-2014 ♦♦	PS-7010
Jetta V	2.5L L5 F/I	33-2331+	PS-7010
Passat	2.0L L4 DSL	33-2865 ♦♦	
Passat	2.0L L4 F/I	33-2888+	PS-7010
Passat	2.0L L4 F/I - 150BHP	E-2014 ♦♦	PS-7010
Passat	2.0L L4 F/I - 200BHP	33-2888 ♦♦	PS-7010
Passat	3.6L V6 F/I		PS-7031
Passat	3.6L V6 F/I - Non-US	33-2384+	PS-7031
Polo	1.4L L3 DSL	33-2830 ♦	
Polo	1.4L L4 F/I - 75/101BHP	33-2221 ♦	
Polo	1.4L L4 F/I - 80BHP	33-2920 ♦	
Polo	1.4L L4 F/I - FSi	33-2850 ♦	
Rabbit	2.5L L5 F/I		PS-7010
Touareg	3.2L V6 F/I	33-2857	
Touareg	3.2L V6 F/I - BMX Eng.	33-2857	PS-7005
Touareg	4.2L V8 F/I	33-2857*	
Touareg	4.2L V8 F/I - AXQ Eng.	33-2857*	PS-7005
Touareg	5.0L V10 DSL	33-2857*	
2005 VOLKSWAGEN			
Beetle	1.8L L4 F/I	33-2128 ♦♦	HP-2005 ¹
Beetle	2.0L L4 F/I	33-2128 ♦♦	HP-2005 ¹
Golf	1.9L L4 DSL - US	33-2128+	
Golf	2.0L L4 F/I	33-2128 ♦♦	HP-2005 ¹
Golf GTI	1.8L L4 F/I	33-2128 ♦♦	HP-2005 ¹
Golf IV	1.8L L4 F/I	33-2128	
Golf IV GTI	1.8L L4 F/I	33-2128	
Golf Plus	1.9L L4 DSL	33-2865 ♦♦	
Golf Plus	2.0L L4 DSL	33-2865 ♦♦	
Golf Plus	2.0L L4 F/I	E-2014 ♦♦	PS-7010
Golf V	1.6L L4 F/I - 102BHP	E-2014 ♦♦	
Golf V	1.6L L4 F/I - 115BHP	33-2869 ♦♦	
Golf V	1.9L L4 DSL	33-2865 ♦♦	
Golf V	2.0L L4 DSL - 75BHP	E-2014 ♦♦	
Golf V	2.0L L4 DSL - Exc., 75BHP	33-2865 ♦♦	
Golf V	2.0L L4 F/I		PS-7010
Golf V	2.0L L4 F/I - 150BHP	E-2014 ♦♦	PS-7010
Golf V	2.0L L4 F/I - 200BHP	33-2888 ♦♦	PS-7010
Golf V GTI	2.0L L4 F/I	33-2888 ♦	PS-7010
Jetta	1.8L L4 F/I	33-2128+	HP-2005 ¹
Jetta	1.9L L4 DSL		PS-7031
Jetta	1.9L L4 DSL - BEW Eng.	33-2128+	PS-7031
Jetta	1.9L L4 DSL - BRM Eng.	33-2865+	PS-7031
Jetta	2.0L L4 F/I	33-2128+	HP-2005 ¹
Jetta	2.5L L5 F/I		PS-7010
Jetta	2.5L L5 F/I - Body Code K	33-2331+	PS-7010
Jetta	2.8L V6 F/I	33-2128	
Jetta V	1.9L L4 DSL	33-2865 ♦♦	
Jetta V	2.0L L4 DSL	33-2865 ♦♦	
Jetta V	2.0L L4 F/I		PS-7010
Jetta V	2.0L L4 F/I - 200BHP	33-2888 ♦♦	PS-7010
Jetta V	2.0L L4 F/I - Exc., 200BHP	E-2014 ♦♦	PS-7010
Passat	1.8L L4 F/I	33-2125+	HP-3001 ¹
Passat	1.9L L4 DSL - 3B Model	33-2125 ♦♦	
Passat	1.9L L4 DSL - 3C Model	33-2865 ♦♦	

Vehicle	Engine Type	Air Filter	Oil Filter
2005 VOLKSWAGEN			
Passat	2.0L L4 DSL - 3B Model	33-2125 ♦♦	
Passat	2.0L L4 DSL - 3C Model	33-2865 ♦♦	
Passat	2.0L L4 F/I - 150BHP, 3C Model	E-2014 ♦	
Passat	2.0L L4 F/I - 200BHP, 3C Model	33-2888 ♦	
Passat	2.0L L4 F/I - 3B Model	33-2125 ♦	
Passat	2.0L L4 F/I - 3C Model		PS-7010
Passat	2.8L V6 F/I	33-2125+	HP-2004 ¹
Touareg	3.2L V6 F/I	33-2857	PS-7005
Touareg	3.6L V6 F/I	33-2857	
Touareg	4.2L V8 F/I	33-2857*	
Touareg	4.2L V8 F/I - AXQ Eng.	33-2857*	PS-7005
2004 VOLKSWAGEN			
Beetle	1.8L L4 F/I	33-2128 ♦♦	HP-2005 ¹
Beetle	1.9L L4 DSL	33-2128+	
Beetle	2.0L L4 F/I	33-2128 ♦♦	HP-2005 ¹
Golf	1.9L L4 DSL	33-2128+	
Golf	2.0L L4 F/I	33-2128 ♦♦	HP-2005 ¹
Golf GTI	1.8L L4 F/I - US	33-2128 ♦♦	HP-2005 ¹
Golf GTI	2.8L V6 F/I	33-2128 ♦♦	PS-7031
Golf IV	1.6L L4 F/I - 16v	33-2221 ♦	
Golf IV	1.8L L4 F/I	33-2128 ♦	
Golf IV	1.9L L4 DSL	33-2128 ♦	
Golf IV	2.0L L4 F/I	33-2128 ♦	
Golf IV GTI	1.8L L4 F/I	33-2128 ♦	
Golf IV GTI	1.9L L4 DSL	33-2128 ♦	
Golf Plus	2.0L L4 DSL	33-2865 ♦♦	
Golf R32	3.2L V6 F/I	33-2128 ♦♦	
Golf V	1.6L L4 F/I - 102BHP	E-2014 ♦♦	
Golf V	1.6L L4 F/I - 115BHP	33-2869 ♦♦	
Golf V	1.9L L4 DSL	33-2865 ♦♦	
Golf V	2.0L L4 DSL - 75BHP	E-2014 ♦♦	
Golf V	2.0L L4 DSL - Exc., 75BHP	33-2865 ♦♦	
Golf V	2.0L L4 F/I		PS-7010
Golf V	2.0L L4 F/I - 150BHP	E-2014 ♦♦	PS-7010
Golf V	2.0L L4 F/I - 200BHP	33-2888 ♦♦	PS-7010
Golf V GTI	2.0L L4 F/I	33-2888 ♦	PS-7010
Jetta	1.8L L4 F/I	33-2128 ♦♦	HP-2005 ¹
Jetta	1.9L L4 DSL	33-2128+	
Jetta	2.0L L4 F/I	33-2128 ♦♦	HP-2005 ¹
Jetta	2.8L V6 F/I	33-2128+	PS-7031
Passat	1.8L L4 F/I	33-2125+	HP-3001 ¹
Passat	2.0L L4 DSL - Non-US	33-2125+	
Passat	2.0L L4 F/I	33-2125	
Passat	2.8L V6 F/I	33-2125+	
Passat	4.0L W8 F/I	33-2125+	PS-7005
Pointer Truck	1.8L L4 F/I		HP-2005 ¹
Polo	1.2L L3 F/I - 54BHP	33-2830 ♦	
R32	3.2L V6 F/I		PS-7031
Touareg	3.2L V6 F/I	33-2857	
Touareg	3.2L V6 F/I - BAA Eng.	33-2857	PS-7005
Touareg	4.2L V8 F/I	33-2857*	
Touareg	4.2L V8 F/I - AXQ Eng.	33-2857*	PS-7005
Touareg	5.0L V10 DSL	33-2857*	
2003 VOLKSWAGEN			
Beetle	1.8L L4 F/I	33-2128 ♦♦	HP-2005 ¹
Beetle	1.9L L4 DSL	33-2128+	
Beetle	2.0L L4 F/I	33-2128 ♦♦	HP-2005 ¹
Eurovan	2.8L V6 F/I		PS-7031
Golf	1.9L L4 DSL	33-2128+	

* 2 filters required

♦ Intake System Available - see page 84 + Cabin Air Filter Available - see page 453 1- Performance Silver Oil Filter Also Available



AIR & OIL FILTERS

VOLKSWAGEN

Vehicle	Engine Type	Air Filter	Oil Filter
2003 VOLKSWAGEN			
Golf	2.0L L4 F/I - US	33-2128 ♦♦	HP-2005 ¹
Golf GTI	1.8L L4 F/I	33-2128 ♦♦	
Golf GTI	1.8L L4 F/I - US	33-2128	HP-2005 ¹
Golf GTI	2.0L L4 F/I		HP-2005 ¹
Golf GTI	2.8L V6 F/I	33-2128 ⁺	PS-7031
Golf IV	1.6L L4 F/I - 16v	33-2221 ♦	
Golf IV	1.6L L4 F/I - 8v	33-2128 ♦	
Golf IV	1.8L L4 F/I	33-2128 ♦	
Golf IV	1.9L L4 DSL	33-2128 ♦	
Golf IV	2.0L L4 F/I	33-2128 ♦	
Golf IV	2.8L V6 F/I	33-2128 ♦	
Golf IV GTI	1.8L L4 F/I	33-2128 ♦	
Golf IV GTI	1.9L L4 DSL	33-2128 ♦♦	
Golf V	1.9L L4 DSL	33-2865 ♦♦	
Golf V	2.0L L4 DSL - 75BHP	E-2014 ♦♦	
Golf V	2.0L L4 DSL - Exc., 75BHP	33-2865 ♦♦	
Jetta	1.8L L4 F/I	33-2128 ♦♦	HP-2005 ¹
Jetta	1.9L L4 DSL	33-2128 ⁺	
Jetta	2.0L L4 F/I	33-2128 ♦♦	HP-2005 ¹
Jetta	2.8L V6 F/I	33-2128 ⁺	PS-7031
Passat	1.8L L4 F/I	33-2125 ⁺	HP-3001 ¹
Passat	1.9L L4 DSL	33-2125	
Passat	2.0L L4 DSL	33-2125	
Passat	2.0L L4 F/I	33-2125	
Passat	2.5L V6 DSL	33-2125	
Passat	2.8L V6 F/I	33-2125 ⁺	
Passat	4.0L W8 F/I	33-2125 ⁺	PS-7005

2002 VOLKSWAGEN			
Beetle	1.8L L4 F/I	33-2128 ♦♦	HP-2005 ¹
Beetle	1.9L L4 DSL	33-2128 ⁺	
Beetle	2.0L L4 F/I	33-2128 ♦♦	HP-2005 ¹
Cabrio	2.0L L4 F/I	33-2069 ⁺	HP-2005 ¹
Eurovan	2.8L V6 F/I		PS-7031
Golf	1.9L L4 DSL	33-2128 ⁺	
Golf	2.0L L4 F/I - US	33-2128 ♦♦	HP-2005 ¹
Golf GTI	1.8L L4 F/I - US	33-2128 ♦♦	HP-2005 ¹
Golf GTI	2.0L L4 F/I	33-2128 ⁺	HP-2005 ¹
Golf GTI	2.8L V6 F/I	33-2128 ⁺	
Golf GTI	2.8L V6 F/I - AFP Eng.	33-2128	PS-7005
Golf GTI	2.8L V6 F/I - BDF Eng.	33-2128	PS-7031
Golf IV	1.6L L4 F/I - 16v	33-2221 ♦	
Golf IV	1.6L L4 F/I - 8v	33-2128 ♦	
Golf IV	1.8L L4 F/I	33-2128 ♦	
Golf IV	1.9L L4 DSL	33-2128 ♦	
Golf IV	2.0L L4 F/I	33-2128 ♦	
Golf IV	2.8L V6 F/I	33-2128 ♦	
Golf IV Cabriolet	1.8L L4 F/I	33-2069	HP-2005 ¹
Golf IV GTI	1.8L L4 F/I	33-2128 ♦	
Golf IV GTI	1.9L L4 DSL	33-2128 ♦	
Jetta	1.8L L4 F/I	33-2128 ♦♦	HP-2005 ¹
Jetta	1.9L L4 DSL	33-2128 ⁺	
Jetta	2.0L L4 F/I	33-2128 ♦♦	HP-2005 ¹
Jetta	2.8L V6 F/I	33-2128 ⁺	
Jetta	2.8L V6 F/I - AFP Eng.	33-2128	PS-7005
		33-2128	PS-7005
Jetta	2.8L V6 F/I - BDF Eng.	33-2128	PS-7031
		33-2128	PS-7031
Passat	1.8L L4 F/I	33-2125 ⁺	HP-2005 ¹
Passat	2.8L V6 F/I	33-2125 ⁺	
Passat	4.0L W8 F/I	33-2125 ⁺	PS-7005

Vehicle	Engine Type	Air Filter	Oil Filter
2001 VOLKSWAGEN			
Beetle	1.8L L4 F/I	33-2128 ♦♦	HP-2005 ¹
Beetle	1.9L L4 DSL	33-2128 ⁺	
Beetle	2.0L L4 F/I	33-2128 ♦♦	HP-2005 ¹
Cabrio	2.0L L4 F/I	33-2069 ⁺	HP-2005 ¹
Eurovan	2.8L V6 F/I		PS-7031
Golf	1.8L L4 F/I - US	33-2128 ♦♦	HP-2005 ¹
Golf	1.9L L4 DSL	33-2128 ⁺	
Golf	2.0L L4 F/I	33-2128 ♦♦	HP-2005 ¹
Golf GTI	1.8L L4 F/I - US	33-2128 ♦♦	HP-2005 ¹
Golf GTI	2.0L L4 F/I	33-2128 ⁺	HP-2005 ¹
Golf GTI	2.8L V6 F/I	33-2128 ⁺	PS-7005
Golf IV	1.8L L4 F/I	33-2128 ♦	
Golf IV	1.9L L4 DSL	33-2128 ♦	
Golf IV	2.0L L4 F/I	33-2128 ♦	
Golf IV	2.8L V6 F/I	33-2128 ♦	PS-7005
Golf IV Cabriolet	1.8L L4 F/I	33-2069	HP-2005 ¹
Golf IV GTI	1.8L L4 F/I	33-2128 ♦	
Golf IV GTI	1.9L L4 DSL	33-2128 ♦	
Jetta	1.8L L4 F/I	33-2128 ♦♦	HP-2005 ¹
Jetta	1.9L L4 DSL	33-2128 ⁺	
Jetta	2.0L L4 F/I	33-2128 ♦♦	HP-2005 ¹
Jetta	2.8L V6 F/I	33-2128 ⁺	PS-7005
Passat	1.8L L4 F/I	33-2125	HP-3001 ¹
Passat	2.8L V6 F/I	33-2125	
Polo	1.4L L3 DSL - From 10/01	33-2830 ♦	
Polo	1.4L L4 F/I - Type 6K 60BHP	E-1210 ♦	
Polo	1.4L L4 F/I - Type 6K, 75BHP, Type 6N2, 75/101BHP	33-2774 ♦	
Polo	1.4L L4 F/I - Type 6N2 60BHP	33-2159* ♦	
Polo	1.4L L4 F/I - Type 9N, 75/101BHP, Exc. FSI, 86BHP	33-2221 ♦	

2000 VOLKSWAGEN			
Beetle	1.8L L4 F/I	33-2128 ⁺	HP-2005 ¹
		33-2128	HP-2005 ¹
Beetle	1.9L L4 DSL	33-2128 ⁺	
Beetle	2.0L L4 F/I	33-2128 ♦♦	HP-2005 ¹
Cabrio	2.0L L4 F/I	33-2069 ⁺	HP-2005 ¹
Eurovan	2.8L V6 F/I	33-2759	PS-7005
Golf	1.8L L4 F/I	33-2128 ⁺	HP-2005 ¹
Golf	1.9L L4 DSL	33-2128 ⁺	
Golf	2.0L L4 F/I	33-2128 ♦♦	HP-2005 ¹
Golf GTI	1.8L L4 F/I	33-2128 ⁺	HP-2005 ¹
Golf GTI	2.0L L4 F/I	33-2128 ⁺	HP-2005 ¹
Golf GTI	2.8L V6 F/I	33-2128 ⁺	PS-7005
Golf IV	1.6L L4 F/I - 16v, From 10/00	33-2221 ♦	
Golf IV	1.6L L4 F/I - 16v, to 9/00	33-2774 ♦	
Golf IV	1.6L L4 F/I - 8v	33-2128 ♦	
Golf IV	1.8L L4 F/I	33-2128 ♦	
Golf IV	1.9L L4 DSL	33-2128 ♦	
Golf IV	2.0L L4 F/I	33-2128 ♦	
Golf IV	2.8L V6 F/I	33-2128 ♦	PS-7005
Golf IV Cabriolet	1.8L L4 F/I	33-2069	HP-2005 ¹
Golf IV GTI	1.8L L4 F/I	33-2128 ♦	
Jetta	1.8L L4 F/I	33-2128 ♦♦	HP-2005 ¹
Jetta	1.9L L4 DSL	33-2128 ⁺	
Jetta	2.0L L4 F/I	33-2128 ♦♦	HP-2005 ¹
Jetta	2.8L V6 F/I	33-2128 ⁺	PS-7005
Passat	1.8L L4 F/I	33-2125 ♦	HP-3001 ¹

* 2 filters required

♦ Intake System Available - see page 84 +Cabin Air Filter Available - see page 453 1- Performance Silver Oil Filter Also Available



Vehicle	Engine Type	Air Filter	Oil Filter
2000 VOLKSWAGEN			
Passat	1.9L L4 DSL	33-2125 ♦	
Passat	2.8L V6 F/I	33-2125 ♦	
Polo	1.4L L4 F/I - Type 6K, 75BHP, Type 6N2, 75/101BHP	33-2774 ♦	

1999 VOLKSWAGEN			
Beetle	1.9L L4 DSL	33-2128+	
Beetle	2.0L L4 F/I	33-2128 ♦+	HP-2005 ¹
Cabrio	2.0L L4 F/I	33-2069	HP-2005 ¹
Golf	1.9L L4 DSL	33-2128+	
Golf	2.0L L4 F/I	33-2128+	HP-2005 ¹
Golf GTI	2.0L L4 F/I	33-2128+	HP-2005 ¹
Golf GTI	2.8L V6 F/I	33-2128+	
Golf III	2.0L L4 F/I	33-2069	HP-2005 ¹
Golf IV	1.9L L4 DSL	33-2128 ♦	
Golf IV	2.0L L4 F/I	33-2128 ♦	HP-2005 ¹
Golf IV Cabriolet	1.8L L4 F/I	33-2069	HP-2005 ¹
Golf IV GTI	1.8L L4 F/I	33-2128 ♦	HP-2005 ¹
Jetta	1.8L L4 F/I		HP-2005 ¹
Jetta	1.9L L4 DSL	33-2128+	
Jetta	2.0L L4 F/I		HP-2005 ¹
Jetta	2.0L L4 F/I - ABA Eng.	33-2069+	HP-2005
Jetta	2.0L L4 F/I - AEG Eng.	33-2128+	HP-2005
Jetta	2.8L V6 F/I		PS-7005
Jetta	2.8L V6 F/I - AFP Eng.	33-2128+	PS-7005
Jetta IV	1.8L L4 F/I		HP-2005 ¹
Passat	1.8L L4 F/I	33-2125 ♦	HP-3001 ¹
Passat	2.8L V6 F/I	33-2125 ♦	

1998 VOLKSWAGEN			
Beetle	1.9L L4 DSL	33-2128+	
Beetle	2.0L L4 F/I	33-2128 ♦+	HP-2005 ¹
Cabrio	2.0L L4 F/I		HP-2005 ¹
Golf	2.0L L4 F/I	33-2069+	HP-2005 ¹
Golf GTI	2.8L V6 F/I	33-2069+	PS-7005
Golf III	2.0L L4 F/I	33-2069	HP-2005 ¹
Golf IV	2.0L L4 F/I	33-2128 ♦	HP-2005 ¹
Golf IV GTI	1.8L L4 F/I	33-2128	HP-2005 ¹
Jetta	1.8L L4 F/I		HP-2005 ¹
Jetta	1.9L L4 DSL	33-2069+	HP-3001 ¹
Jetta	2.0L L4 F/I	33-2069+	HP-2005 ¹
Jetta	2.8L V6 F/I	33-2069+	PS-7005
Jetta III	1.8L L4 F/I		HP-2005 ¹
Jetta IV	1.8L L4 F/I		HP-2005 ¹
Passat	1.8L L4 F/I	33-2125 ♦	HP-3001 ¹
Passat	1.9L L4 DSL	33-2125 ♦	

1997 VOLKSWAGEN			
Golf	2.0L L4 F/I	33-2069+	HP-2005 ¹
Golf GTI	2.8L V6 F/I	33-2069+	PS-7005
Golf III	1.8L L4 F/I	33-2069	HP-2005 ¹
Golf III	2.0L L4 F/I	33-2069 ♦	HP-2005 ¹
Golf III GTI	2.0L L4 F/I	33-2069 ♦	HP-2005 ¹
Golf IV GTI	1.8L L4 F/I	33-2128	HP-2005 ¹
Jetta	2.0L L4 F/I	33-2069+	HP-2005 ¹
Jetta	2.8L V6 F/I	33-2069+	PS-7005

1996 VOLKSWAGEN			
Golf	2.0L L4 F/I	33-2069+	HP-2005 ¹
Golf GTI	2.8L V6 F/I	33-2069+	PS-7005
Golf III	2.0L L4 F/I	33-2069 ♦	HP-2005 ¹
Golf III GTI	2.0L L4 F/I	33-2069 ♦	HP-2005 ¹
Jetta	2.0L L4 F/I	33-2069+	HP-2005 ¹
Passat	1.9L L4 DSL	33-2029	HP-3001 ¹

Vehicle	Engine Type	Air Filter	Oil Filter
1996 VOLKSWAGEN			
Passat	1.9L L4 DSL - 35i model	33-2029 ♦	HP-3001 ¹
Passat	1.9L L4 DSL - 3B Model	33-2125 ♦	HP-3001

1995 VOLKSWAGEN			
Golf	2.0L L4 F/I	33-2069+	HP-2005 ¹
Golf III	2.0L L4 F/I	33-2069 ♦	HP-2005 ¹
Golf III	2.8L V6 F/I	33-2069 ♦	PS-7005
Golf III GTI	2.0L L4 F/I	33-2069 ♦	HP-2005 ¹
Jetta	2.0L L4 F/I	33-2069+	HP-2005 ¹

1994 VOLKSWAGEN			
Golf III GTI	2.0L L4 F/I	33-2069 ♦	HP-2005 ¹
Jetta	2.0L L4 F/I	33-2069+	HP-2005 ¹

1993 VOLKSWAGEN			
Corrado	2.8L V6 F/I	33-2029	
Golf III	1.8L L4 F/I		HP-2005 ¹

1992 VOLKSWAGEN			
Cabriolet	1.8L L4 F/I	33-2002	HP-2005 ¹
Golf III	1.8L L4 F/I	33-2069	HP-2005 ¹
Golf III GTI	2.0L L4 F/I	33-2069	HP-2005 ¹

1991 VOLKSWAGEN			
Golf II	1.8L L4 CARB	33-2092	HP-2005 ¹
Golf II	1.8L L4 F/I		HP-2005 ¹
Golf II	1.8L L4 F/I - 1P/RP Eng. 90/98BHP	33-2001	HP-2005
Golf II	1.8L L4 F/I - GU/RH Eng. 84/90BHP	33-2092	HP-2005
Golf II GTI	1.8L L4 F/I		HP-2005 ¹
Golf II GTI	1.8L L4 F/I - Exc., 105BHP	33-2029 ♦	HP-2005
Golf III	1.8L L4 F/I	33-2069	HP-2005 ¹
Jetta II	1.8L L4 F/I - 107/112BHP	33-2029	
Jetta II	1.8L L4 F/I - 129/140BHP	33-2023	
Jetta II	1.8L L4 F/I - 90/98BHP	33-2001	
Vanagon	2.1L H4 F/I	E-2475	

1990 VOLKSWAGEN			
Corrado	1.8L L4 F/I	33-2032	HP-2005 ¹
Corrado	1.8L L4 F/I - 136BHP	33-2032	HP-2005
Corrado	1.8L L4 F/I - 160BHP	33-2029	HP-2005
Golf II	1.8L L4 CARB	33-2092	HP-2005 ¹
Golf II	1.8L L4 F/I		HP-2005 ¹
Golf II	1.8L L4 F/I - 1P/RP Eng. 90/98BHP	33-2001	HP-2005
Golf II	1.8L L4 F/I - GU/RH Eng. 84/90BHP	33-2092	HP-2005
Golf II GTI	1.8L L4 F/I		HP-2005 ¹
Golf II GTI	1.8L L4 F/I - Exc., 105BHP	33-2029 ♦	HP-2005
Jetta II	1.8L L4 F/I - 107/112BHP	33-2029	
Jetta II	1.8L L4 F/I - 129/140BHP	33-2023	
Jetta II	1.8L L4 F/I - 90/98BHP	33-2001	
Vanagon	2.1L H4 F/I	E-2475	

1989 VOLKSWAGEN			
Golf II GTI	1.8L L4 F/I - 129/139BHP, to 8/89	33-2001 ♦	
Golf II GTI	1.8L L4 F/I - From 9/89 129/139BHP, Exc., 105BHP	33-2029 ♦	
Jetta II	1.8L L4 F/I - 107/112BHP	33-2029	
Jetta II	1.8L L4 F/I - from 9/89, 129/140BHP	33-2023	

* 2 filters required

♦ Intake System Available - see page 84 +Cabin Air Filter Available - see page 453 1- Performance Silver Oil Filter Also Available



AIR & OIL FILTERS

VOLKSWAGEN

Vehicle	Engine Type	Air Filter	Oil Filter
1989 VOLKSWAGEN			
Jetta II	1.8L L4 F/I - to 8/89 129/140/90/98BHP	33-2001	
Vanagon	2.1L H4 F/I	E-2475	
1988 VOLKSWAGEN			
Golf II	1.8L L4 CARB		HP-2005 ¹
Golf II	1.8L L4 F/I		HP-2005 ¹
Golf II	1.8L L4 F/I - 1P/RP Eng. 90/98BHP	33-2001	HP-2005
Golf II GTI	1.8L L4 F/I		HP-2005 ¹
Golf II GTI	1.8L L4 F/I - 107/112/160BHP	33-2029 ♦	HP-2005
Golf II GTI	1.8L L4 F/I - 129/139BHP	33-2001 ♦	HP-2005
Vanagon	2.1L H4 F/I	E-2475	
1987 VOLKSWAGEN			
Vanagon	2.1L H4 F/I	E-2475	
1986 VOLKSWAGEN			
Golf II GTI	1.8L L4 F/I	33-2001	HP-2005 ¹
Vanagon	2.1L H4 F/I	E-2475	
1985 VOLKSWAGEN			
Golf	1.8L L4 F/I		HP-2005 ¹
Golf I	1.8L L4 F/I	33-2002	
Golf II	1.8L L4 CARB	33-2092	HP-2005 ¹
Golf II	1.8L L4 F/I	33-2092	HP-2005 ¹
Golf II GTI	1.8L L4 F/I	33-2001	HP-2005 ¹
Vanagon	1.9L H4 F/I	33-2003	HP-2005 ¹
1984 VOLKSWAGEN			
Rabbit	1.6L L4 DSL		HP-3001 ¹
Vanagon	1.9L H4 F/I	33-2003	HP-2005 ¹
1983 VOLKSWAGEN			
Golf I GTI	1.8L L4 F/I	33-2002	
1982 VOLKSWAGEN			
Rabbit	1.6L L4 DSL	33-2001	HP-3001 ¹
Rabbit Pickup	1.6L L4 DSL	33-2001	HP-3001 ¹
1981 VOLKSWAGEN			
Rabbit	1.6L L4 DSL		HP-3001 ¹
Rabbit Pickup	1.6L L4 DSL	33-2001	HP-3001 ¹
1978 VOLKSWAGEN			
Transporter T2	2.0L H4 CARB	33-2003	
1977 VOLKSWAGEN			
Transporter T2	2.0L H4 CARB	33-2003	
1976 VOLKSWAGEN			
Beetle	1.6L H4 F/I	33-2001	
Transporter T2	2.0L H4 CARB	33-2003	
1974 VOLKSWAGEN			
Beetle	92 L4 CARB		HP-2008 ¹
Beetle	97 H4 CARB	33-2001	
Transporter T2	1.8L H4 F/I	33-2003	
1973 VOLKSWAGEN			
Beetle	92 L4 CARB		HP-2008 ¹
1972 VOLKSWAGEN			
Beetle	92 L4 CARB		HP-2008 ¹
1971 VOLKSWAGEN			
Beetle	92 L4 CARB		HP-2008 ¹
Transporter T2	1.6L H4 CARB	33-2003	

Vehicle	Engine Type	Air Filter	Oil Filter
1970 VOLKSWAGEN			
Beetle	92 L4 CARB		HP-2008 ¹
1966 VOLKSWAGEN			
Beetle	73 H4 CARB		HP-2008 ¹
2016 VOLVO			
S60	2.0L L4 F/I	33-2388	
S60	2.5L L5 F/I		PS-7010
S60	3.0L L6 F/I	33-2418	PS-7016
S60 Cross Country	2.5L L5 F/I		PS-7010
V60	2.0L L4 F/I	33-2388	
V60	3.0L L6 F/I	33-2418	PS-7016
V60 Cross Country	2.5L L5 F/I		PS-7010
XC60	2.0L L4 F/I	33-2388	
XC60	2.5L L5 F/I		PS-7010
XC60	3.0L L6 F/I	33-2418	PS-7016
XC70	2.5L L5 F/I		PS-7010
2015 VOLVO			
S60	2.0L L4 F/I	33-2388	
S60	2.5L L5 F/I	33-2873	PS-7010
S60	3.0L L6 F/I	33-2418	PS-7016
V60	2.0L L4 F/I	33-2388	
V60	2.5L L5 F/I		PS-7010
V60	3.0L L6 F/I	33-2418	PS-7016
V60 Cross Country	2.5L L5 F/I		PS-7010
XC60	2.0L L4 F/I	33-2388	
XC60	2.4L L5 DSL	33-2388	
XC60	2.5L L5 F/I		PS-7010
XC60	3.0L L6 F/I	33-2418	PS-7016
XC60	3.2L L6 F/I	33-2418	
XC70	3.0L L6 F/I	33-2418	PS-7016
XC70	3.2L L6 F/I	33-2418	
XC90	3.2L L6 F/I		PS-7016
2014 VOLVO			
S60	2.5L L5 F/I	33-2873	PS-7010
S60	3.0L L6 F/I	33-2418	PS-7016
S60 II	1.6L L4 DSL	33-2388	
S60 II	1.6L L4 F/I	33-2388	
S60 II	2.4L L5 DSL	33-2388	
S60 II	3.0L L6 F/I	33-2418	
XC60	3.0L L6 F/I	33-2418	
XC90	3.2L L6 F/I	33-2400	PS-7016
2013 VOLVO			
C30	2.5L L5 F/I	33-2873	PS-7010
S60	2.5L L5 F/I	33-2873	PS-7010
S60	3.0L L6 F/I	33-2418	PS-7016
S60 II	2.0L L4 F/I	33-2388	
S60 II	2.0L L5 DSL	33-2388	
S60 II	2.4L L5 DSL	33-2388	
S60 II	3.0L L6 F/I	33-2418	
V40 Cross Country	1.6L L4 DSL	E-2993 ♦	
V40 Cross Country	1.6L L4 F/I	E-2993 ♦	
XC60	3.0L L6 F/I	33-2418	PS-7016
XC60	3.2L L6 F/I	33-2418	PS-7016
XC90	3.2L L6 F/I	33-2400	PS-7016
2012 VOLVO			
C30	2.0L L4 F/I	E-2993 ♦	
C30	2.5L L5 F/I	33-2873 ♦	PS-7010
S60	2.5L L5 F/I	33-2873	PS-7010
S60	3.0L L6 F/I	33-2418	PS-7016
S60 II	2.0L L4 F/I	33-2388	
S60 II	2.0L L5 DSL	33-2388	

* 2 filters required ♦ Intake System Available - see page 84 +Cabin Air Filter Available - see page 453 1- Performance Silver Oil Filter Also Available



Vehicle	Engine Type	Air Filter	Oil Filter	Vehicle	Engine Type	Air Filter	Oil Filter
2012 VOLVO				2008 VOLVO			
S60 II	2.4L L5 DSL	33-2388		S40 II	2.4L L5 F/I	33-2873	
S60 II	3.0L L6 F/I	33-2418		S40 II	2.5L L5 F/I	33-2873 ♦	PS-7010
XC60	2.4L L5 DSL	33-2388		S60	2.5L L5 F/I	33-2176	PS-7002
XC60	3.0L L6 F/I	33-2418	PS-7016	S80	3.0L L6 F/I	33-2418	PS-7016
XC60	3.2L L6 F/I	33-2418		S80	3.2L L6 F/I	33-2418	PS-7016
XC70	3.2L L6 F/I	33-2418		S80	4.4L V8 F/I	33-2388	PS-7002
XC90	3.2L L6 F/I	33-2400		S80 II	3.0L L6 F/I	33-2418	PS-7016
2011 VOLVO				S80 II	3.2L L6 F/I	33-2418	PS-7016
C30	2.5L L5 F/I	33-2873 ♦	PS-7010	S80 II	4.4L V8 F/I	33-2388	PS-7002
C70	2.5L L5 F/I	33-2873	PS-7010	V70	3.2L L6 F/I	33-2418	
C70 II	2.5L L5 F/I	33-2873	PS-7010	V70 III	3.2L L6 F/I	33-2418	PS-7016
S40	2.5L L5 F/I	33-2873	PS-7010	XC70	3.2L L6 F/I	33-2418	PS-7016
S40 II	2.0L L4 F/I	E-2993 ♦		XC70 Cross Country	3.2L L6 F/I	33-2418	PS-7016
S40 II	2.5L L5 F/I	33-2873 ♦	PS-7010	XC70 II	3.2L L6 F/I	33-2418	PS-7016
S60	3.0L L6 F/I	33-2418	PS-7016	XC90	2.4L L5 DSL - 185BHP	33-2972	
S60 II	3.0L L6 F/I	33-2418		XC90	3.2L L6 F/I	33-2400	PS-7016
XC60	3.0L L6 F/I	33-2418	PS-7016	XC90	4.4L V8 F/I	33-2328	PS-7002
XC60	3.2L L6 F/I	33-2418	PS-7016	2007 VOLVO			
XC90	3.2L L6 F/I	33-2400	PS-7016	C70	2.5L L5 F/I	33-2873	PS-7010
XC90	4.4L V8 F/I	33-2328		C70 II	2.5L L5 F/I	33-2873	PS-7010
2010 VOLVO				S40	2.4L L5 F/I	33-2873	
C30	2.4L L5 F/I	33-2873		S40	2.5L L5 F/I	33-2873	PS-7010
C30	2.5L L5 F/I	33-2873 ♦	PS-7010	S40 II	2.4L L5 DSL	33-2976	
S40	2.4L L5 F/I	33-2873	PS-7010	S40 II	2.4L L5 F/I	33-2873	
S40	2.5L L5 F/I	33-2873		S40 II	2.5L L5 F/I	33-2873 ♦	PS-7010
S40 II	2.4L L5 DSL	33-2976		S60	2.4L L5 DSL - Exc., 185BHP	33-2176	
S40 II	2.5L L5 F/I	33-2873 ♦	PS-7010	S60	2.4L L5 F/I	33-2176	
S80	3.2L L6 F/I	33-2418		S60	2.5L L5 F/I	33-2176	PS-7002
S80 II	3.2L L6 F/I	33-2418		S60R	2.5L L5 F/I	E-2019	PS-7002
V50	2.4L L5 F/I	33-2873	PS-7010	S80	3.2L L6 F/I	33-2418	PS-7016
V70	3.2L L6 F/I	33-2418		S80	4.4L V8 F/I	33-2388	PS-7002
V70 III	3.2L L6 F/I	33-2418		S80 II	3.2L L6 F/I	33-2418	PS-7016
XC60	3.0L L6 F/I	33-2418	PS-7016	S80 II	4.4L V8 F/I	33-2388	
XC60	3.2L L6 F/I	33-2418	PS-7016	V50	2.4L L5 F/I	33-2873	PS-7010
XC90	3.2L L6 F/I	33-2400	PS-7016	V70 II	2.5L L5 F/I - 300BHP	E-2019	
XC90	4.4L V8 F/I	33-2328		V70 II	2.5L L5 F/I - Exc., 300BHP	33-2176	
2009 VOLVO				V70 III	2.5L L5 F/I	33-2873	
C30	2.5L L5 F/I	33-2873 ♦	PS-7010	V70R	2.5L L5 F/I	E-2019	PS-7002
C70	2.5L L5 F/I	33-2873	PS-7010	XC70 Cross Country	2.4L L5 DSL - Exc., 185BHP	33-2388	
C70 II	2.5L L5 F/I	33-2873	PS-7010	XC70 Cross Country	2.5L L5 F/I	33-2176	PS-7002
S40	2.5L L5 F/I	33-2873	PS-7010	XC90	3.2L L6 F/I	33-2400	PS-7016
S40 II	2.4L L5 DSL	33-2976		XC90	4.4L V8 F/I	33-2328	PS-7002
S40 II	2.5L L5 F/I	33-2873 ♦	PS-7010	2006 VOLVO			
S60	2.5L L5 F/I		PS-7002	S40	2.4L L5 F/I	33-2873	
S80	3.0L L6 F/I	33-2418		S40	2.5L L5 F/I	33-2873 ♦	PS-7010
S80	3.2L L6 F/I	33-2418		S40 II	2.4L L5 DSL	33-2976	
S80 II	3.0L L6 F/I	33-2418		S40 II	2.4L L5 F/I	33-2873	
S80 II	3.2L L6 F/I	33-2418		S40 II	2.5L L5 F/I	33-2873 ♦	PS-7010
XC70	3.2L L6 F/I	33-2418		S60	2.4L L5 DSL - 185BHP	33-2972	
XC70 Cross Country	3.2L L6 F/I	33-2418	PS-7016	S60	2.4L L5 DSL - Exc., 185BHP	33-2176	
XC70 II	3.2L L6 F/I	33-2418		S60	2.4L L5 F/I	33-2176	PS-7002
XC90	3.2L L6 F/I	33-2400	PS-7007	S60	2.5L L5 F/I	33-2176	PS-7002
XC90	4.4L V8 F/I		PS-7002	S60R	2.5L L5 F/I	E-2019	PS-7002
2008 VOLVO				V50	2.5L L5 F/I	33-2873 ♦	PS-7010
C30	2.4L L5 F/I	33-2873		V70	2.5L L5 F/I	33-2176	PS-7002
C30	2.5L L5 F/I	33-2873 ♦	PS-7010	V70 II	2.4L L5 DSL - 185BHP	33-2388	
C70	2.5L L5 F/I	33-2873	PS-7010	V70 II	2.4L L5 DSL - Exc., 185BHP	33-2176	
C70 II	2.5L L5 F/I	33-2873	PS-7010	V70 II	2.4L L5 F/I		PS-7002
S40	2.4L L5 F/I	33-2873					
S40	2.5L L5 F/I	33-2873	PS-7010				
S40 II	2.4L L5 DSL	33-2976					

* 2 filters required

♦ Intake System Available - see page 84 +Cabin Air Filter Available - see page 453 1- Performance Silver Oil Filter Also Available



AIR & OIL FILTERS

VOLVO

Vehicle	Engine Type	Air Filter	Oil Filter	Vehicle	Engine Type	Air Filter	Oil Filter
2006 VOLVO				2004 VOLVO			
V70 II	2.4L L5 F/I - 260BHP	E-2019	PS-7002	S80	2.5L L5 F/I		PS-7002
V70 II	2.4L L5 F/I - Exc. 260BHP	33-2176	PS-7002	S80	2.5L L5 F/I - Non-US	33-2152	PS-7002
V70 II	2.5L L5 F/I		PS-7002	S80	2.5L L5 F/I - US	33-2176	PS-7002
V70 II	2.5L L5 F/I - 300BHP	E-2019	PS-7002	S80	2.9L L6 F/I	33-2152	PS-7002
V70 II	2.5L L5 F/I - Exc., 300BHP	33-2176	PS-7002	V40	1.9L L4 DSL	33-2763	
V70R	2.5L L5 F/I	E-2019	PS-7002	V40	1.9L L4 F/I		PS-7002
XC70	2.5L L5 F/I	33-2176		V70	2.4L L5 F/I		PS-7002
XC70 Cross Country	2.4L L5 DSL - Exc., 185BHP	33-2388		V70	2.4L L5 F/I - US	33-2176	PS-7002
XC70 Cross Country	2.5L L5 F/I	33-2176	PS-7002	V70	2.5L L5 F/I	33-2176	PS-7002
XC90	2.4L L5 DSL - 163BHP	33-2280 ♦		V70 II	2.4L L5 DSL	33-2176	
XC90	2.5L L5 F/I	33-2280	PS-7002	V70 II	2.4L L5 F/I		PS-7002
XC90	3.2L L6 F/I	33-2400		V70 II	2.4L L5 F/I - 260BHP	E-2019	PS-7002
XC90	4.4L V8 F/I	33-2328	PS-7002	V70 II	2.4L L5 F/I - Exc. 260BHP	33-2176	PS-7002
2005 VOLVO				2003 VOLVO			
S40	2.4L L5 F/I	33-2873	PS-7002	S40	1.9L L4 F/I	33-2763	PS-7002
S40	2.5L L5 F/I	33-2873 ♦	PS-7010	S40 I	1.9L L4 DSL	33-2763	
S40 II	2.4L L5 F/I	33-2873		S40 I	2.0L L4 F/I	33-2763 ♦	
S40 II	2.5L L5 F/I	33-2873 ♦	PS-7010	S60	2.4L L5 DSL	33-2176	
S60	2.4L L5 DSL - 185BHP	33-2972		S60	2.4L L5 F/I	33-2176	PS-7002
S60	2.4L L5 DSL - Exc., 185BHP	33-2176		S60	2.5L L5 F/I	33-2176	PS-7002
S60	2.4L L5 F/I	33-2176	PS-7002	S80	2.5L L5 F/I	33-2152	
S60	2.5L L5 F/I	33-2176	PS-7002	S80	2.9L L6 F/I	33-2152	
S60R	2.5L L5 F/I	E-2019	PS-7002	V40	1.9L L4 DSL	33-2763	
S80	2.5L L5 F/I		PS-7002	V40	1.9L L4 F/I	33-2763	
S80	2.5L L5 F/I - Non-US	33-2152	PS-7002	V70 II	2.4L L5 DSL	33-2176	
S80	2.5L L5 F/I - US	33-2176	PS-7002	V70 II	2.4L L5 F/I	33-2176	
V50	2.4L L5 F/I	33-2873	PS-7010	V70 II	2.5L L5 F/I		PS-7002
V50	2.5L L5 F/I	33-2873 ♦	PS-7010	V70 II	2.5L L5 F/I - 300BHP	E-2019	PS-7002
V70	2.5L L5 F/I	33-2176	PS-7002	V70 II	2.5L L5 F/I - Exc., 300BHP	33-2176	PS-7002
V70 II	2.4L L5 DSL - 185BHP	33-2388		XC70	2.5L L5 F/I	33-2176	
V70 II	2.4L L5 DSL - Exc., 185BHP	33-2176		XC70 Cross Country	2.5L L5 F/I	33-2176	PS-7002
V70 II	2.4L L5 F/I		PS-7002	XC90	2.9L L6 F/I	33-2280	
V70 II	2.4L L5 F/I - 260BHP	E-2019	PS-7002	2002 VOLVO			
V70 II	2.4L L5 F/I - Exc. 260BHP	33-2176	PS-7002	C70	2.3L L5 F/I	33-2670	PS-7002
V70 II	2.5L L5 F/I		PS-7002	C70 I	2.3L L5 F/I	33-2670	PS-7002
V70 II	2.5L L5 F/I - 300BHP	E-2019	PS-7002	S40	1.9L L4 F/I	33-2763	PS-7002
V70 II	2.5L L5 F/I - Exc., 300BHP	33-2176	PS-7002	S40 I	1.9L L4 DSL	33-2763	
V70R	2.5L L5 F/I	E-2019	PS-7002	S60	2.3L L5 F/I	33-2176	PS-7002
XC70	2.5L L5 F/I	33-2176	PS-7002	S60	2.4L L5 DSL	33-2176	
XC70 Cross Country	2.4L L5 DSL - from 9/05, Exc., 185BHP	33-2388		S60	2.4L L5 F/I	33-2176	PS-7002
XC70 Cross Country	2.5L L5 F/I	33-2176	PS-7002	S80	2.9L L6 F/I - Exc. Turbo	33-2152	PS-7002
XC90	2.4L L5 DSL - 163BHP	33-2280 ♦		S80	2.9L L6 F/I - Turbo	33-2269	PS-7002
XC90	2.5L L5 F/I	33-2280	PS-7002	V70	2.4L L5 F/I	33-2176	PS-7002
XC90	2.9L L6 F/I	33-2280	PS-7002	V70 II	2.4L L5 DSL	33-2176	
XC90	4.4L V8 F/I	33-2328	PS-7002	V70 II	2.4L L5 F/I	33-2176	PS-7002
2004 VOLVO				2001 VOLVO			
C70	2.3L L5 F/I		PS-7002	C70	2.3L L5 F/I	33-2670	
C70 I	2.3L L5 F/I	33-2670	PS-7002				
C70 I	2.4L L5 F/I	33-2670					
S40	1.9L L4 F/I	33-2763					
S40	2.5L L5 F/I		PS-7010				
S40 II	2.4L L5 F/I	33-2873					
S40 II	2.5L L5 F/I	33-2873 ♦	PS-7010				
S60	2.4L L5 DSL	33-2176					
S60	2.4L L5 F/I	33-2176	PS-7002				
S60	2.5L L5 F/I	33-2176	PS-7002				
S60R	2.5L L5 F/I	E-2019	PS-7002				

* 2 filters required

♦ Intake System Available - see page 84 +Cabin Air Filter Available - see page 453 1- Performance Silver Oil Filter Also Available



Vehicle	Engine Type	Air Filter	Oil Filter	Vehicle	Engine Type	Air Filter	Oil Filter
2001 VOLVO				1997 VOLVO			
C70	2.4L L5 F/I	33-2670		850	2.3L L5 F/I	33-2670	HP-2004 ¹
C70 I	2.3L L5 F/I	33-2670		850	2.4L L5 F/I	33-2670	HP-2004 ¹
C70 I	2.4L L5 F/I	33-2670 ♦		960	2.9L L6 F/I		HP-2004 ¹
S40	1.9L L4 F/I	33-2763	PS-7002	1996 VOLVO			
S40 I	1.9L L4 DSL	33-2763		850	2.3L L5 F/I	33-2670 ♦	HP-2004 ¹
S40 I	2.0L L4 F/I	33-2763 ♦		850	2.4L L5 F/I	33-2670	HP-2004 ¹
S60	2.3L L5 F/I	33-2176	PS-7002	850	2.5L L5 DSL	33-2670	
S60	2.4L L5 DSL	33-2176		1995 VOLVO			
S60	2.4L L5 F/I	33-2176	PS-7002	850	2.0L L5 F/I	33-2670	
S80	2.9L L6 F/I	33-2152		850	2.3L L5 F/I	33-2670 ♦	HP-2004 ¹
V70	2.3L L5 F/I	33-2176	PS-7002	850	2.4L L5 F/I	33-2670	HP-2004 ¹
V70	2.4L L5 DSL	33-2176		850	2.5L L5 DSL	33-2670	
V70	2.4L L5 F/I	33-2176	PS-7002	940	2.3L L4 F/I		HP-1002 ¹
V70 II	2.3L L5 F/I	33-2176	PS-7002	940	2.3L L4 F/I - Exc. Turbo	33-2526	HP-1002
V70 II	2.4L L5 DSL	33-2176		940	2.3L L4 F/I - Turbo	33-2043	HP-1002
V70 II	2.4L L5 F/I	33-2176	PS-7002	1994 VOLVO			
V70 II	2.5L L5 DSL	33-2176		850	2.3L L5 F/I	33-2670 ♦	HP-2004 ¹
XC70 Cross Country	2.4L L5 F/I	33-2176	PS-7002	850	2.4L L5 F/I	33-2670	HP-2004 ¹
2000 VOLVO				940	2.3L L4 F/I		HP-1002 ¹
C70 I	2.3L L5 F/I	33-2670		940	2.3L L4 F/I - Exc. Turbo	33-2526	HP-1002
S40	1.9L L4 F/I	33-2763		940	2.3L L4 F/I - Turbo	33-2043	HP-1002
S40 I	1.9L L4 DSL	33-2763		1993 VOLVO			
S40 I	1.9L L4 F/I	33-2763 ♦		240	2.3L L4 F/I	33-2538	HP-2004 ¹
S70	2.3L L5 F/I	33-2670		940	2.3L L4 F/I		HP-1002 ¹
S70	2.4L L5 F/I	33-2670	PS-7002	940	2.3L L4 F/I - Exc. Turbo	33-2526	HP-1002
S80	2.8L L6 F/I	33-2152	PS-7002	940	2.3L L4 F/I - Turbo	33-2043	HP-1002
S80	2.9L L6 F/I	33-2152	PS-7002	1992 VOLVO			
V40	1.9L L4 DSL	33-2763		240	2.3L L4 F/I	33-2538	
V40	1.9L L4 F/I	33-2763 ♦	PS-7002	740	2.3L L4 F/I - Exc. Turbo	33-2526	
V70	2.3L L5 F/I	33-2670		1991 VOLVO			
V70	2.4L L5 F/I	33-2670	PS-7002	240	2.3L L4 F/I	33-2538	HP-2004 ¹
V70 I	2.3L L5 F/I	33-2670	PS-7002	740	2.3L L4 F/I - Exc. Turbo	33-2526	
V70 I	2.4L L5 F/I	33-2670	PS-7002	740	2.3L L4 F/I - Turbo	33-2043	
V70 II	2.4L L5 F/I	33-2176	PS-7002	940	2.3L L4 F/I - Exc. Turbo	33-2526	
XC70 Cross Country	2.4L L5 F/I	33-2176		940	2.3L L4 F/I - Turbo	33-2043	
1999 VOLVO				1990 VOLVO			
S70	2.3L L5 F/I	33-2670 ♦	PS-7002	240	2.3L L4 F/I	33-2538	HP-2004 ¹
S70	2.4L L5 F/I	33-2670	HP-2004 ¹	1989 VOLVO			
S70	2.5L L5 DSL	33-2670		244	2.3L L4 F/I		HP-2004 ¹
S70	2.5L L5 F/I	33-2670		244	2.3L L4 F/I - 133BHP	33-2538	HP-2004
S80	2.8L L6 F/I	33-2152		740	2.3L L4 F/I		HP-2004 ¹
V70	2.3L L5 F/I	33-2670	PS-7002	740	2.3L L4 F/I - Exc. Turbo	33-2526	HP-2004
V70	2.4L L5 F/I	33-2670	HP-2004 ¹	740	2.3L L4 F/I - Turbo	33-2043	HP-2004
V70 I	2.3L L5 F/I	33-2670 ♦	HP-2004 ¹	1979 VOLVO			
V70 I	2.4L L5 F/I	33-2670	PS-7002	242	2.1L L4 F/I	33-2538	
V70 I	2.5L L5 DSL	33-2670		1967 VOLVO			
V70 I	2.5L L5 F/I	33-2670		122	112 L4 CARB		HP-2004 ¹
1998 VOLVO				2017 YAMAHA			
C70	2.3L L5 F/I	33-2670		FJR1300ES	1300	YA-1301	
C70 I	2.3L L5 F/I	33-2670	PS-7002	FZ6R	600	YA-6009	
S70	2.3L L5 F/I	33-2670 ♦	HP-2004 ¹	FZ-10	998		KN-204
S70	2.4L L5 F/I	33-2670	HP-2004 ¹	SCR950	942	YA-9514	
S70	2.5L L5 DSL	33-2670		SR400	400	YA-5008	
S70	2.5L L5 F/I	33-2670		TTR125LE	124	YA-1201	
S90	2.9L L6 F/I	33-2755		TTR230	223	YA-2305	
V70	2.3L L5 F/I	33-2670	HP-2004 ¹	TW200	200	YA-2002	KN-143
V70	2.4L L5 F/I	33-2670	HP-2004 ¹	VMX1700 V-Max	1700	YA-1709	KN-303
V70 I	2.3L L5 F/I	33-2670 ♦	HP-2004 ¹				
V70 I	2.4L L5 F/I	33-2670					
V70 I	2.5L L5 DSL	33-2670					
V70 I	2.5L L5 F/I	33-2670					

* 2 filters required

♦ Intake System Available - see page 84 +Cabin Air Filter Available - see page 453 1- Performance Silver Oil Filter Also Available



AIR & OIL FILTERS

YAMAHA

Vehicle	Engine Type	Air Filter	Oil Filter	Vehicle	Engine Type	Air Filter	Oil Filter
2017 YAMAHA				2017 YAMAHA			
WR250F	250	YA-4514XD		YZ450F	450	YA-4514XD	KN-140
WR250R	250	YA-3586		YZ450FX	450	YA-4514XD	KN-140
XSR900	850	YA-8514		2016 YAMAHA			
XT250	250	YA-2509	KN-140	FJ-09	847	YA-8514	KN-204
XTZ1200 Super Tenere	1199	YA-1210		FJR1300A	1300	YA-1301	KN-204
XTZ1200 Super Tenere ES	1199	YA-1210		FJR1300AE	1300	YA-1301	KN-204
XV19C Raider	1854	YA-1906		FJR1300AS	1300	YA-1301	KN-204
XV250 V-Star	250	YA-2588		FJR1300ES	1300	YA-1301	KN-204
XVS13CA Stryker	1300	YA-1307		FX1800 WaveRunner	1812		KN-740
XVS950 Bolt	942	YA-9514		FX Cruiser SHO			
XVS950 Bolt R-Spec	942	YA-9514		FY1800 WaveRunner	1812		KN-740
XVS950 V-Star	942	YA-1307		FX HO			
XVS1300 V-Star	1300	YA-1307	KN-204	FZ6R	600	YA-6009	KN-204
XVS1300 V-Star Tourer	1300	YA-1307		FZ-07	689	YA-6814	KN-204
YFM700 Grizzly EPS LE	708	YA-7016	KN-147	FZ-09	847	YA-8514	KN-204
YFM700 Raptor	700	YA-7006	KN-145	Kodiak 700	708		KN-147
YFM700F Grizzly FI Auto 4x4 EPS	708	YA-7016	KN-147	MT03	321	YA-3215	KN-204
YFM700F Grizzly FI Auto 4x4 EPS SE	708	YA-7016	KN-147	MT-07	689	YA-6814	KN-204
YFM700K Kodiak	708	YA-7016	KN-147	MT09	847	YA-8514	KN-204
YFM700K Kodiak EPS	708	YA-7016	KN-147	MT10	998	YA-1015	
YFM700K Kodiak EPS SE	708	YA-7016	KN-147	MT10	998 - Race Specific	YA-1015R	
YFM700R Raptor	700	YA-7006	KN-145	RX10PX Apex XTX	998		KN-204
YFM700R Raptor SE	700	YA-7006	KN-145	SR400	400	YA-5008	KN-145
YFZ450R	449	YA-4504		TTR230	223	YA-2305	KN-143
YFZ450R SE	449	YA-4504		TW200	200	YA-2002	KN-143
YXE70 Wolverine	708		KN-204	VMX1700 V-Max	1700	YA-1709	KN-303
YXE70 Wolverine EPS	708		KN-204	VX1800AK	1812		KN-740
YXE70 Wolverine R-Spec	708		KN-204	WaveRunner VXR			
YXE70 Wolverine R-Spec EPS	708		KN-204	VX1800K	1812		KN-740
YXE70 Wolverine R-Spec EPS SE	708		KN-204	WaveRunner VXS			
YXM700 Viking FI 4x4 EPS SE	686		KN-204	WR250F	250	YA-4514XD	KN-140
YXM700 Viking FI 4x4 EPS w/Suntop	686		KN-204	WR250R	250	YA-3586	KN-140
YXM700 Viking FI 4x4 w/Suntop	686		KN-204	WR450F	450		KN-140
YXM700 Viking VI EPS	686		KN-204	XSR900	850	YA-8514	
YXM700 Viking VI EPS Ranch Edition	686		KN-204	XT250	250	YA-2509	KN-140
YXM700 Viking VI EPS SE	686		KN-204	XTZ1200 Super Tenere	1199	YA-1210	KN-204
YXZ1000R	998	YA-0116		XTZ1200 Super Tenere ES	1199	YA-1210	KN-204
YXZ1000R SE	998	YA-0116		XV250 V-Star	250	YA-2588	KN-145
YXZ1000R SS	998	YA-0116		XVS13CA Stryker	1300	YA-1307	KN-204
YXZ1000R SS SE	998	YA-0116		XVS950 Bolt	942	YA-9514	KN-204
YZ85	85	YA-8502		XVS950 Bolt C-Spec	942	YA-9514	KN-204
YZ125	125	YA-2506XD		XVS950 Bolt R-Spec	942	YA-9514	KN-204
YZ250	250	YA-2506XD	KN-140	XVS950 V-Star	942	YA-1307	KN-204
YZ250F	250	YA-2506XD	KN-140	XVS1300 V-Star	1300	YA-1307	KN-204
YZ250FX	250	YA-4514XD	KN-140	Tourer			
YZ250X	250	YA-2506XD	KN-140	YFM700 Raptor	700	YA-7006	KN-145
				YFM700F Grizzly FI Auto 4x4	708	YA-7016	KN-147
				YFM700K Kodiak	708	YA-7016	KN-147
				YFM700K Kodiak EPS	708	YA-7016	KN-147
				YFM700K Kodiak EPS SE	708	YA-7016	KN-147
				YFM700R Raptor	700	YA-7006	KN-145
				YFM700R Raptor SE	700	YA-7006	KN-145
				YFZ450R	449	YA-4504	KN-140
				YFZ450R SE	449	YA-4504	KN-140
				YXE70 Wolverine	708		KN-204
				YXE70 Wolverine R-Spec	708		KN-204
				YXE70 Wolverine R-Spec EPS	708		KN-204

* 2 filters required

◆ Intake System Available - see page 84 + Cabin Air Filter Available - see page 453 1- Performance Silver Oil Filter Also Available



Vehicle	Engine Type	Air Filter	Oil Filter	Vehicle	Engine Type	Air Filter	Oil Filter
2016 YAMAHA				2015 YAMAHA			
YXE70 Wolverine R-Spec EPS SE	708		KN-204	VX1800AK WaveRunner VXR	1812		KN-740
YXM700 Viking FI 4x4 EPS SE	686		KN-204	WR125R	125	YA-1208	
YXM700 Viking FI 4x4 EPS w/Suntop	686		KN-204	WR125X	125	YA-1208	
YXM700 Viking VI	686		KN-204	WR250F	250	YA-4514XD	KN-140
YXM700 Viking VI EPS	686		KN-204	WR250R	250	YA-3586	KN-140
YXM700 Viking VI EPS Ranch Edition	686		KN-204	WR250X	250	YA-3586	KN-140
YXM700 Viking VI EPS SE	686		KN-204	WR450F	450	YA-4503	KN-140
YXZ1000R	998	YA-0116	KN-204	XJ6	600	YA-6009	KN-204
YXZ1000R SE	998	YA-0116	KN-204	XJ6 Diversion	600	YA-6009	KN-204
YZ125	125	YA-2506XD	KN-140	XT250	250	YA-2509	KN-140
YZ250	250	YA-2506XD	KN-140	XT660R	660	YA-6604	
YZ250F	250	YA-4514XD	KN-140	XT660X	660	YA-6604	
YZ250FX	250	YA-4514XD	KN-140	XTZ1200 Super Tenere	1199	YA-1210	KN-204
YZ250X	250	YA-2506XD	KN-140	XTZ1200 Super Tenere ES	1199	YA-1210	KN-204
YZ450F	450	YA-4514XD	KN-140	XV19C Raider Bullet Cowl	1854	YA-1906	KN-204
YZ450FX	450	YA-4514XD	KN-140	XV250 V-Star	250	YA-2588	KN-145
YZF R1	998	YA-1015	KN-204	XV950	942	YA-9514	KN-204
YZF R1	998 - Race Specific	YA-1015R	KN-204	XV950R	942	YA-9514	KN-204
YZF R1M	998	YA-1015	KN-204	XV1900 Raider	1854	YA-1906	KN-204
YZF R1M	998 - Race Specific	YA-1015R	KN-204	XV1900 Raider S	1854	YA-1906	KN-204
YZF R1S	998	YA-1015	KN-204	XVS13 Stryker Bullet Cowl	1300	YA-1307	KN-204
YZF R1S	998 - Race Specific	YA-1015R	KN-204	XVS13CA Stryker	1300	YA-1307	KN-204
YZF R3	321	YA-3215		XVS650 V-Star	650	YA-6598	KN-145
YZF R6	599	YA-6008	KN-204	XVS950 Bolt	942	YA-9514	KN-204
YZF R6	599 - Race Specific	YA-6008R	KN-204	XVS950 Bolt C-Spec	942	YA-9514	KN-204
2015 YAMAHA				2015 YAMAHA			
FJ-09	847	YA-8514	KN-204	XVS950 Bolt R-Spec	942	YA-9514	KN-204
FJR1300A	1300	YA-1301	KN-204	XVS950 V-Star	942	YA-1307	KN-204
FJR1300AE	1300	YA-1301	KN-204	XVS950 V-Star Tourer	942	YA-1307	KN-204
FJR1300AS	1300	YA-1301	KN-204	XVS1300 V-Star	1300	YA-1307	KN-204
FJR1300ES	1300	YA-1301	KN-204	XVS1300 V-Star Deluxe	1300	YA-1307	KN-204
FX1800 WaveRunner FX Cruiser SHO	1812		KN-740	XVS1300 V-Star Tourer	1300	YA-1307	KN-204
FY1800 WaveRunner FX HO	1812		KN-740	YBR125	124	YA-1213	
FZ1	1000	YA-1006	KN-204	YBR125 Custom	124	YA-1213	
FZ1 Fazer	998	YA-1006		YFM700 Raptor	700	YA-7006	KN-145
FZ6R	600	YA-6009	KN-204	YFM700F Grizzly FI Auto 4x4	686	YA-7007	KN-204
FZ-07	689	YA-6814	KN-204	YFM700F Grizzly FI Auto 4x4 EPS	686	YA-7007	KN-204
FZ8	800	YA-1006	KN-204	YFM700F Grizzly FI Auto 4x4 EPS SE	686	YA-7007	KN-204
FZ-09	847	YA-8514	KN-204	YFM700R Raptor	700	YA-7006	KN-145
MT-07	689	YA-6814		YFM700R Raptor SE	700	YA-7006	KN-145
MT09	847	YA-8514		YFZ450R	449	YA-4504	KN-140
MT125	125	YA-1208		YFZ450R SE	449	YA-4504	KN-140
SR400	400	YA-5008	KN-145	YW125 Zuma	125	YA-1209	
T-Max	530		KN-147	YXM700 Viking FI 4x4	686		KN-204
TTR125LE	124	YA-1201		YXM700 Viking FI 4x4 EPS	686		KN-204
TTR230	223	YA-2305	KN-143	YXM700 Viking FI 4x4 EPS SE	686		KN-204
TW200	200	YA-2002	KN-143	YXM700 Viking FI 4x4 EPS w/Suntop	686		KN-204
VMX1700 V-Max	1700	YA-1709	KN-303	YXM700 Viking FI 4x4 w/Suntop	686		KN-204
VX1100 WaveRunner Cruiser	1100		KN-204	YXM700 Viking VI	686		KN-204
VX1100 WaveRunner Deluxe	1100		KN-204				
VX1100 WaveRunner Sport	1100		KN-204				
VX1100 WaveRunner VX	1052		KN-204				

* 2 filters required

◆ Intake System Available - see page 84 + Cabin Air Filter Available - see page 453 1- Performance Silver Oil Filter Also Available



AIR & OIL FILTERS

YAMAHA

Vehicle	Engine Type	Air Filter	Oil Filter	Vehicle	Engine Type	Air Filter	Oil Filter
2015 YAMAHA				2014 YAMAHA			
YXM700 Viking VI EPS	686		KN-204	XV1700 Road Star Silverado S	1700	YA-1704	KN-303
YXM700 Viking VI EPS SE	686		KN-204	XV1900 Raider	1854	YA-1906	KN-204
YZ125	125	YA-2506XD		XV1900 Raider S	1854	YA-1906	KN-204
YZ250	250	YA-2506XD	KN-140	XV1900 Stratoliner Deluxe	1854	YA-1906	KN-204
YZ250F	250	YA-4514XD	KN-140	XV1900 Stratoliner S	1854	YA-1906	KN-204
YZ250FX	250	YA-4514XD	KN-140	XVS13CA Stryker	1300	YA-1307	KN-204
YZ450F	450	YA-4514XD	KN-140	XVS650 V-Star	650	YA-6598	KN-145
YZF 450R SE	449		KN-140	XVS950 Bolt	942	YA-9514	KN-204
YZF R1	998	YA-1015	KN-204	XVS950 Bolt R-Spec	942	YA-9514	KN-204
YZF R1	998 - Race Specific	YA-1015R	KN-204	XVS950 V-Star	942	YA-1307	KN-204
YZF R1M	998	YA-1015	KN-204	XVS950 V-Star Tourer	942	YA-1307	KN-204
YZF R1M	998 - Race Specific	YA-1015R	KN-204	XVS1300 V-Star Deluxe	1300	YA-1307	KN-204
YZF R3	321	YA-3215	KN-204	XVS1300 V-Star Deluxe	1300	YA-1307	KN-204
YZF R6	599	YA-6008	KN-204	XVS1300 V-Star Tourer	1300	YA-1307	KN-204
YZF R6	599 - Race Specific	YA-6008R	KN-204	YBR125	124	YA-1213	
YZF R125	125	YA-1208	KN-141	YBR125 Custom	124	YA-1213	
2014 YAMAHA				YFM350 Grizzly Auto 4x4	350	YA-3504	KN-204
FJR1300A	1300	YA-1301	KN-204	YFM350 Grizzly Auto 4x4	350	YA-3504	KN-204
FJR1300AE	1300	YA-1301	KN-204	YFM450 Grizzly Auto	450	YA-3504	KN-204
FJR1300AS	1300	YA-1301	KN-204	YFM450 Grizzly EPS	450	YA-3504	KN-204
FJR1300ES	1300	YA-1301	KN-204	YFM450 Grizzly EPS Hunter	450	YA-3504	KN-204
FX1800 WaveRunner FX Cruiser SHO	1812		KN-740	YFM550F Grizzly FI Auto 4x4	558	YA-7007	KN-204
FZ1	1000	YA-1006	KN-204	YFM550F Grizzly FI Auto 4x4 EPS	558	YA-7007	KN-204
FZ1 Fazer	998	YA-1006		YFM700 Raptor	700	YA-7006	KN-145
FZ6R	600	YA-6009	KN-204	YFM700F Grizzly FI Auto 4x4	686	YA-7007	KN-204
FZ8	800	YA-1006	KN-204	YFM700F Grizzly FI Auto 4x4 EPS	686	YA-7007	KN-204
FZ-09	847	YA-8514	KN-204	YFM700R Raptor SE	700	YA-7006	KN-145
MT-07	689	YA-6814	KN-204	YFZ450R	449	YA-4504	KN-140
MT09	847	YA-8514		YFZ450R SE	449	YA-4504	KN-140
SR Viper LTX SE	1049		KN-147	YP250 X-Max	250	YA-2406	
SR Viper XTX SE	1049		KN-147	YP400 Majesty	400		KN-132
SR400	400	YA-5008		YW125 Zuma	125	YA-1209	
TTR230	223	YA-2305	KN-143	YXM700 Viking FI 4x4	686		KN-204
TW200	200	YA-2002	KN-143	YXM700 Viking FI 4x4 EPS	686		KN-204
VMX1700 V-Max	1700	YA-1709	KN-303	YXM700 Viking FI 4x4 EPS SE	686		KN-204
VX1100 WaveRunner Cruiser	1100		KN-204	YXM700 Viking FI 4x4 EPS w/Suntop	686		KN-204
VX1100 WaveRunner Deluxe	1100		KN-204	YXM700 Viking FI 4x4 w/Suntop	686		KN-204
VX1100 WaveRunner Sport	1100		KN-204	YZ125	125	YA-2506XD	
VX1800AK WaveRunner VXR	1812		KN-740	YZ250F	250	YA-4514XD	KN-140
WR125R	125	YA-1208		YZ450F	450	YA-4514XD	KN-140
WR125X	125	YA-1208		YZF R1	998	YA-1009	KN-204
WR250R	250	YA-3586	KN-140	YZF R1	998 - Race Specific	YA-1009R	KN-204
WR450F	450	YA-4503	KN-140	YZF R6	599	YA-6008	KN-204
XJ6	600	YA-6009	KN-204	YZF R6	599 - Race Specific	YA-6008R	KN-204
XJ6 Diversion	600	YA-6009	KN-204	YZF R125	125	YA-1208	KN-141
XT250	250	YA-2509	KN-140				
XT660R	660	YA-6604					
XT660Z Tenere	660	YA-6608					
XTZ1200 Super Tenere	1199	YA-1210	KN-204				
XTZ1200 Super Tenere ES	1199	YA-1210	KN-204				
XV19C Raider SCL	1854	YA-1906	KN-204				
XV250 V-Star	250	YA-2588	KN-145				
XV950	942	YA-9514					
XV950R	942	YA-9514					
XV1700 Road Star S	1700		KN-303				

* 2 filters required ♦ Intake System Available - see page 84 + Cabin Air Filter Available - see page 453 1- Performance Silver Oil Filter Also Available



Vehicle	Engine Type	Air Filter	Oil Filter	Vehicle	Engine Type	Air Filter	Oil Filter
2013 YAMAHA				2013 YAMAHA			
FJR1300	1300	YA-1301	KN-204	YFM700F Grizzly FI Auto 4x4	686	YA-7007	KN-204
FJR1300A	1300	YA-1301	KN-204	YFM700F Grizzly FI Auto 4x4 EPS	686	YA-7007	KN-204
FZ1	1000	YA-1006	KN-204	YFM700F Grizzly FI Auto 4x4 EPS SE	686	YA-7007	KN-204
FZ1 Fazer	998	YA-1006	KN-204	YFM700R Raptor	700	YA-7006	KN-145
FZ6R	600	YA-6009	KN-204	YFM700R Raptor SE	700	YA-7006	KN-145
FZ8	800	YA-1006	KN-204	YFM250 Raptor	249	YA-2088	KN-140
TTR230	223	YA-2305	KN-143	YFZ450	449	YA-4504	KN-140
TW200	200	YA-2002	KN-143	YFZ450R	449	YA-4504	KN-140
VMX1700 V-Max	1700	YA-1709		YFZ450R SE	449	YA-4504	KN-140
VX1100 WaveRunner Cruiser	1100		KN-204	YP400 Majesty	400		KN-132
VX1100 WaveRunner Deluxe	1100		KN-204	YW125 Zuma	125	YA-1209	
WR125X	125	YA-1208	KN-141	YXR700 Rhino FI	700	YA-7008	KN-204
WR250F	250	YA-4503	KN-140	YXR700 Rhino FI Auto 4x4 Special Ed.	700	YA-7008	KN-204
WR250R	250	YA-3586	KN-140	YXR700 Rhino FI Auto 4x4 Sport Ed.	700	YA-7008	KN-204
WR250X	250	YA-3586		YZ250F	250	YA-2506XD	KN-140
WR450F	450	YA-4503	KN-140	YZ450F	450	YA-4510	KN-140
XJ6	600	YA-6009	KN-204	YZF R1	998	YA-1009	KN-204
XJ6 Diversion	600	YA-6009	KN-204	YZF R1 - Race Specific	998	YA-1009R	KN-204
XJR1300	1251	YA-1308		YZF R6	599	YA-6008	KN-204
XP500 T-Max	500	YA-5008		YZF R6 - Race Specific	599	YA-6008R	KN-204
XP530 T-Max	530	YA-5008		YZF R125	125	YA-1208	KN-141
XT250	250	YA-2509	KN-140	2012 YAMAHA			
XT660R	660	YA-6604		FJR1300A	1300	YA-1301	KN-204
XT660Z Tenere	660	YA-6608		FX1800 WaveRunner	1812		KN-740
XTZ1200 Super Tenere	1199	YA-1210	KN-204	FX Cruiser SHO			
XV19C Raider SCL	1854		KN-204	FX1800 WaveRunner FX SHO	1812		KN-740
XV250 V-Star	250	YA-2588	KN-145	FZ1	1000	YA-1006	KN-204
XV1700 Road Star Silverado S	1700	YA-1704	KN-303	FZ1 Fazer	998	YA-1006	KN-204
XV1900 Raider	1854	YA-1906	KN-204	FZ6R	600	YA-6009	KN-204
XV1900 Raider S	1854	YA-1906	KN-204	FZ8	800	YA-1006	KN-204
XV1900 Roadliner	1854	YA-1906	KN-204	TTR125LE	124	YA-1201	
XVS13CA Stryker	1300	YA-1307	KN-204	TTR230	223	YA-2305	KN-143
XVS650 V-Star	650	YA-6598	KN-145	TW200	200	YA-2002	KN-143
XVS950 V-Star	942	YA-1307	KN-204	VMX1700 V-Max	1700	YA-1709	KN-303
XVS950 V-Star Tourer	942	YA-1307	KN-204	VX1100 WaveRunner Cruiser	1100		KN-204
XVS1300 V-Star	1300	YA-1307	KN-204	VX1100 WaveRunner Deluxe	1100		KN-204
XVS1300 V-Star Deluxe	1300	YA-1307	KN-204	VX1800AK	1812		KN-740
XVS1300 V-Star Tourer	1300	YA-1307	KN-204	WaveRunner VXR			
XVZ1300 Royal Star Venture S	1300	YA-1399	KN-303	WR125X	125	YA-1208	
YBR125	124	YA-1213		WR250R	250	YA-3586	KN-140
YBR125 Custom	124	YA-1213		WR450F	450	YA-4503	KN-140
YFM350 Grizzly Auto 4x4	350	YA-3504	KN-204	XJ6	600	YA-6009	KN-204
YFM350R Raptor	350	YA-6602	KN-142	XJ6 Diversion	600	YA-6009	KN-204
YFM450 Grizzly	450		KN-204	XP500 T-Max	500	YA-5008	
YFM450 Grizzly Auto	450	YA-3504	KN-204	XP530 T-Max	530	YA-5008	
YFM450 Grizzly EPS	450	YA-3504	KN-204	XT250	250	YA-2509	KN-140
YFM450 Grizzly EPS Hunter	450	YA-3504	KN-204	XT660R	660	YA-6604	
YFM450 Grizzly Hunter	450	YA-3504	KN-204	XT660Z Tenere	660	YA-6608	
YFM550F Grizzly FI Auto 4x4	558	YA-7007	KN-204	XTZ1200 Super Tenere	1199	YA-1210	KN-204
YFM550F Grizzly FI Auto 4x4 EPS	558	YA-7007	KN-204	XV19C Raider SCL	1854		KN-204
YFM700 Raptor	700	YA-7006	KN-145	XV250 V-Star	250	YA-2588	KN-145
				XV1700 Road Star S	1700	YA-1704	KN-303
				XV1700 Road Star Silverado S	1700	YA-1704	KN-303
				XV1900 Raider	1854	YA-1906	KN-204

* 2 filters required

◆ Intake System Available - see page 84 +Cabin Air Filter Available - see page 453 1- Performance Silver Oil Filter Also Available



AIR & OIL FILTERS

YAMAHA

Vehicle	Engine Type	Air Filter	Oil Filter	Vehicle	Engine Type	Air Filter	Oil Filter
2012 YAMAHA				2011 YAMAHA			
XV1900 Raider S	1854	YA-1906	KN-204	XT660Z Tenere	660	YA-6608	
XVS13CA Stryker	1300	YA-1307	KN-204	XTZ1200 Super Tenere	1199	YA-1210	
XVS950 V-Star	942	YA-1307	KN-204	XV250 V-Star	250	YA-2588	KN-145
XVS950 V-Star Tourer	942	YA-1307	KN-204	XV1900 Raider	1854	YA-1906	KN-204
XVS1300 V-Star	1300	YA-1307	KN-204	XV1900 Raider S	1854	YA-1906	KN-204
XVS1300 V-Star Tourer	1300	YA-1307	KN-204	XVS13CA Stryker	1300	YA-1307	KN-204
XVZ1300 Royal Star Venture S	1300	YA-1399	KN-303	XVS650 V-Star Custom	650	YA-6598	KN-145
YFM350 Grizzly Auto 4x4	350	YA-3504	KN-204	XVS950 V-Star	942	YA-1307	KN-204
YFM350 Grizzly Auto 4x4 IRS	350	YA-3504	KN-204	XVS950 V-Star Tourer	942	YA-1307	KN-204
YFM350R Raptor	350	YA-6602	KN-142	XVS1300 V-Star	1300	YA-1307	KN-204
YFM400 Big Bear IRS 4x4	400	YA-4001	KN-142	XVS1300 V-Star Tourer	1300	YA-1307	KN-204
YFM450 Grizzly Auto	450	YA-3504	KN-204	XVZ1300 Royal Star Venture S	1300	YA-1399	
YFM450 Grizzly Auto EPS	450	YA-3504	KN-204	YFM125 Raptor	124	YA-2088	
YFM550F Grizzly FI Auto 4x4 EPS	550	YA-7007	KN-204	YFM250R Raptor	249	YA-2088	KN-140
YFM700F Grizzly FI Auto 4x4	686	YA-7007	KN-204	YFM350 Grizzly Auto 4x4	350		KN-204
YFM700F Grizzly FI Auto 4x4 EPS	686	YA-7007	KN-204	YFM350 Grizzly Auto 4x4 IRS	350	YA-3504	KN-204
YFM700F Grizzly FI Auto 4x4 EPS SE	686	YA-7007	KN-204	YFM350R Raptor	350	YA-6602	KN-142
YFM700R Raptor	700	YA-7006	KN-145	YFM450 Grizzly Auto 4x4	450	YA-3504	KN-204
YFM700R Raptor SE	700	YA-7006	KN-145	YFM450 Grizzly Auto EPS	450	YA-3504	KN-204
YFM250 Raptor	249	YA-2088		YFM550F Grizzly FI Auto 4x4	558	YA-7007	KN-204
YFZ450	449	YA-4504	KN-140	YFM550F Grizzly FI Auto 4x4 EPS	558	YA-7007	KN-204
YFZ450R	449	YA-4504	KN-140	YFM700F Grizzly FI Auto 4x4	686	YA-7007	KN-204
YFZ450R SE	449	YA-4504	KN-140	YFM700F Grizzly FI Auto 4x4 EPS	686	YA-7007	KN-204
YW125 Zuma	125	YA-1209		YFM700F Grizzly FI Auto 4x4 EPS SE	686	YA-7007	KN-204
YXR700 Rhino FI	700	YA-7008	KN-204	YFM700R Raptor	700	YA-7006	KN-145
YZ250F	250	YA-2506XD	KN-140	YFM700R Raptor SE	700	YA-7006	KN-145
YZ450F	450	YA-4510	KN-140	YFM250 Raptor	249	YA-2088	KN-140
YZF R1	998	YA-1009	KN-204	YFZ450R	449	YA-4504	KN-140
YZF R1	998 - Race Specific	YA-1009R	KN-204	YFZ450R SE	449	YA-4504	KN-140
YZF R6	599	YA-6008	KN-204	YP400 Majesty	400		KN-132
YZF R6	599 - Race Specific	YA-6008R	KN-204	YW125 Zuma	125	YA-1209	
YZF R125	125	YA-1208	KN-141	YXR700 Rhino FI	686	YA-7008	KN-204
2011 YAMAHA				2010 YAMAHA			
FJR1300A	1300		KN-204	FJR1300A	1300	YA-1301	KN-204
FJR1300AS	1300	YA-1301	KN-204	FJR1300AS	1300	YA-1301	KN-204
FX10XT Nytro GTX	1049		KN-147	FZ1	1000	YA-1006	KN-204
FZ1	1000	YA-1006	KN-204	FZ6R	600	YA-6009	KN-204
FZ1 Fazer	998	YA-1006	KN-204	FZ8	800	YA-1006	KN-204
FZ6R	600	YA-6009	KN-204	FZ16	153	YA-1611	
FZ8	800	YA-1006	KN-204	FZ150 Fazer	153	YA-1611	
FZ16	153	YA-1611		TTR230	223	YA-2305	KN-143
FZ150 Fazer	153	YA-1611		VX1100 WaveRunner Cruiser	1100		KN-204
TTR230	223	YA-2305	KN-143	VX1100 WaveRunner Deluxe	1100		KN-204
VX1100 WaveRunner Cruiser	1100		KN-204	WR250R	250	YA-3586	KN-140
VX1100 WaveRunner Deluxe	1100		KN-204	WR450F	450	YA-4503	KN-140
WR250R	250	YA-3586	KN-140	XJ6	600	YA-6009	
WR450F	450	YA-4503	KN-140	XJ6 Diversion	600	YA-6009	KN-204
XJ6	600	YA-6009		XP500 T-Max	500	YA-5008	
XJ6 Diversion	600	YA-6009	KN-204	XT250	250	YA-2509	KN-140
XP500 T-Max	500	YA-5008					
XT250	250	YA-2509	KN-140				

* 2 filters required

◆ Intake System Available - see page 84 + Cabin Air Filter Available - see page 453 1- Performance Silver Oil Filter Also Available



Vehicle	Engine Type	Air Filter	Oil Filter	Vehicle	Engine Type	Air Filter	Oil Filter
2010 YAMAHA				2010 YAMAHA			
VX1100 WaveRunner Cruiser	1100		KN-204	YZF R6S	599	YA-6008	KN-303
VX1100 WaveRunner Deluxe	1100		KN-204	YZF R6S	599 - Race Specific	YA-6008R	KN-303
VX1100 WaveRunner VX	1100		KN-204	YZF R15	150	YA-1208	
WR250R	250	YA-3586	KN-140	YZF R125	125	YA-1208	
WR250X	250	YA-3586	KN-140	2009 YAMAHA			
XJ6	600	YA-6009		FJR1300A	1300	YA-1301	KN-148
XJ6 Diversion	600	YA-6009	KN-204	FJR1300AE	1300	YA-1301	KN-148
XJR1300	1251	YA-1308		FJR1300AS	1300	YA-1301	KN-148
XP500 T-Max	500	YA-5008		FX10 Nytro	998		KN-147
XT250	250	YA-2509	KN-140	FX10XT Nytro XTX	1049		KN-147
XT660R	660	YA-6604		FX1800 WaveRunner	1812		KN-740
XT660Z Tenere	660	YA-6608		FX Cruiser SHO			
XTZ1200 Super Tenere	1199	YA-1210		FX1800 WaveRunner	1812		KN-740
XV250 V-Star	250	YA-2588	KN-145	FX SHO			
XV1700 Road Star Silverado	1700		KN-303	FZ1	1000	YA-1006	KN-204
XV1700 Road Star Silverado S	1700	YA-1704	KN-303	FZ1 Fazer	998	YA-1006	KN-204
XV1900 Raider	1854	YA-1906	KN-303	FZ6	600	YA-6004	KN-204
XV1900 Raider S	1854	YA-1906	KN-303	FZ6 Fazer S2	600	YA-6004	KN-204
XV1900 Stratoliner Deluxe	1900	YA-1906	KN-303	FZ6 S2	600	YA-6004	KN-204
XV1900 Stratoliner S	1900	YA-1906	KN-303	FZ6R	600	YA-6009	KN-204
XVS650 V-Star Classic	650	YA-6598	KN-145	FZ16	153	YA-1611	
XVS950 V-Star	942	YA-1307	KN-204	FZ150 Fazer	153	YA-1611	
XVS950 V-Star Tourer	942	YA-1307	KN-204	T135	135	YA-1306	
XVS1300 V-Star Tourer	1300	YA-1307	KN-204	TTR230	223	YA-2305	KN-143
XVZ1300 Royal Star Venture S	1300	YA-1399	KN-303	TW200	200	YA-2002	KN-143
YFM350 Grizzly Auto 4x4 IRS	350	YA-3504	KN-204	VMX1700 V-Max	1700	YA-1709	KN-303
YFM350R Raptor	350	YA-6602	KN-142	VX1100 WaveRunner Cruiser	1100		KN-204
YFM550F Grizzly FI Auto 4x4 EPS	558	YA-7007	KN-204	VX1100 WaveRunner Deluxe	1100		KN-204
YFM700F Grizzly FI Auto 4x4	686	YA-7007	KN-204	WR125X	125	YA-1208	
YFM700F Grizzly FI Auto 4x4 EPS	686	YA-7007	KN-204	WR250F	250	YA-4503	KN-140
YFM700F Grizzly FI Auto 4x4 EPS SE	686	YA-7007	KN-204	WR250R	250	YA-3586	KN-140
YFM700R Raptor SE	700	YA-7006	KN-145	WR250X	250	YA-3586	KN-140
YFM250 Raptor	249	YA-2088	KN-140	WR450F	450	YA-4503	KN-140
YFZ450R	449	YA-4504	KN-140	XJ6	600	YA-6009	
YFZ450R SE	449	YA-4504	KN-140	XJ6 Diversion	600	YA-6009	KN-204
YFZ450X	449	YA-4504	KN-140	XP500 T-Max	500	YA-5008	KN-147
YFZ450X Bill Ballance	449	YA-4504	KN-140	XT250	250	YA-2509	KN-140
YW125 Zuma	125	YA-1209		XT660Z Tenere	660	YA-6608	
YXR700 Rhino FI	686		KN-204	XV250 V-Star	250	YA-2588	KN-145
YZ250	250	YA-2506XD		XV1700 Road Star	1700		KN-303
YZ250F	250	YA-2506XD	KN-140	XV1700 Road Star Midnight Warrior	1700	YA-1602	KN-303
YZ450F	450	YA-4510	KN-140	XV1700 Road Star S	1700	YA-1704	KN-303
YZF R1	998	YA-1009	KN-204	XV1700 Road Star Silverado	1700	YA-1704	KN-303
YZF R1	998 - Race Specific	YA-1009R	KN-204	XV1700 Road Star Silverado S	1700	YA-1704	KN-303
YZF R1 LE	998	YA-1009	KN-204	XV1700 Road Star Warrior	1670	YA-1602	KN-303
YZF R1 LE	998 - Race Specific	YA-1009R	KN-204	XV1900 Raider	1900	YA-1906	KN-303
YZF R6	599	YA-6008	KN-204	XV1900 Raider S	1900	YA-1906	KN-303
YZF R6	599 - Race Specific	YA-6008R	KN-204	XV1900 Roadliner S	1900	YA-1906	KN-303
				XV1900 Stratoliner	1900	YA-1906	KN-303
				XV1900 Stratoliner S	1900	YA-1906	KN-303
				XVS650 V-Star Classic	650	YA-6598	KN-145
				XVS650 V-Star Custom	650	YA-6598	KN-145
				XVS650 V-Star Midnight Custom	650	YA-6598	
				XVS950 V-Star	942	YA-1307	KN-204

* 2 filters required

◆ Intake System Available - see page 84 + Cabin Air Filter Available - see page 453 1- Performance Silver Oil Filter Also Available



AIR & OIL FILTERS

YAMAHA

Vehicle	Engine Type	Air Filter	Oil Filter	Vehicle	Engine Type	Air Filter	Oil Filter
2009 YAMAHA				2008 YAMAHA			
XVS950 V-Star Tourer	942	YA-1307	KN-204	FJR1300AS	1300	YA-1301	KN-148
XVS1100 V-Star Classic	1100	YA-1199	KN-145	FX10 Nytro	998		KN-147
XVS1100 V-Star Custom	1100	YA-1199	KN-145	FX10RT Nytro RTX	1049		KN-147
XVS1100 V-Star Silverado	1100	YA-1199	KN-145	FX1100 WaveRunner H.O.	998		KN-204
XVS1300 V-Star	1300	YA-1307	KN-147	FX1800 WaveRunner	1812		KN-740
XVS1300 V-Star Tourer	1300	YA-1307	KN-147	FX Cruiser SHO			
XVZ1300 Royal Star Tour Deluxe	1300	YA-1399	KN-303	FZ1	1000	YA-1006	KN-204
XVZ1300 Royal Star Tour Deluxe S	1300	YA-1399	KN-303	FZ1 Fazer	998	YA-1006	KN-204
XVZ1300 Royal Star Venture	1300	YA-1399	KN-303	FZ1N	1000	YA-1006	KN-204
XVZ1300 Royal Star Venture S	1300	YA-1399	KN-303	FZ1S	1000	YA-1006	KN-204
YFM350 Grizzly Auto 4x4 IRS	346	YA-3504	KN-204	FZ6	600	YA-6004	KN-204
YFM350R Raptor	350	YA-6602	KN-142	FZ6 Fazer S2	600	YA-6004	KN-204
YFM400 Big Bear IRS 4x4	400	YA-4001	KN-142	FZ6 S2	600	YA-6004	KN-204
YFM450 Grizzly Auto 4x4	450	YA-3504	KN-204	FZ6N	600	YA-6004	KN-204
YFM450 Grizzly Auto 4x4 Hunter	450	YA-3504	KN-204	FZ6S	600	YA-6004	KN-204
YFM450 Grizzly Auto 4x4 IRS	450	YA-3504	KN-204	FZ16	153	YA-1611	
YFM550F Grizzly FI Auto 4x4	558	YA-7007	KN-204	MT03	660	YA-6604	
YFM550F Grizzly FI Auto 4x4 EPS	558	YA-7007	KN-204	SXT1100 SX230 H.O. Eng 2	998		KN-204
YFM700F Grizzly FI Auto 4x4	686	YA-7007	KN-204	TTR230	223	YA-2305	KN-143
YFM700F Grizzly FI Auto 4x4 EPS	686	YA-7007	KN-204	TW200	200	YA-2002	KN-143
YFM700F Grizzly FI Auto 4x4 EPS SE	686	YA-7007	KN-204	VX1100 WaveRunner Cruiser	998		KN-204
YFM700R Raptor	700	YA-7006	KN-145	VX1100 WaveRunner Deluxe	998		KN-204
YFM700R Raptor SE	700	YA-7006	KN-145	VX1100 WaveRunner Sport	998		KN-204
YFM250 Raptor	249	YA-2088	KN-140	VX1100 WaveRunner VX	998		KN-204
YFZ450	449	YA-4504	KN-140	WR250F	250	YA-4503	KN-141
YFZ450R	449	YA-4504	KN-140	WR250R	250	YA-3586	KN-141
YFZ450R SE	449	YA-4504	KN-140	WR250X	250	YA-3586	KN-141
YFZ450X Bill Ballance	449	YA-4504	KN-140	WR450F	450	YA-4503	KN-141
YW125 Zuma	125	YA-1209		XP500 T-Max	500	YA-5008	
YXR450 Rhino Auto 4x4	450	YA-6504	KN-204	XT250	250	YA-2509	KN-141
YXR700 Rhino FI	686	YA-7008	KN-204	XT250X	250	YA-2509	KN-141
YZ250	250	YA-2506XD		XT660R	660	YA-6604	
YZ250F	250	YA-2506XD	KN-140	XT660X Super Motard	660	YA-6604	
YZ450F	450	YA-2506XD	KN-140	XT660Z Tenere	660	YA-6608	
YZF R1	998	YA-1009	KN-204	XV250 V-Star	250	YA-2588	KN-145
YZF R1	998 - Race Specific	YA-1009R	KN-204	XV1700 Road Star	1700	YA-1704	KN-303
YZF R6	599	YA-6008	KN-204	XV1700 Road Star Midnight Warrior	1700	YA-1602	KN-303
YZF R6	599 - Race Specific	YA-6008R	KN-204	XV1700 Road Star S	1700	YA-1704	KN-303
YZF R6S	599	YA-6001	KN-303	XV1700 Road Star Silverado	1700	YA-1704	KN-303
YZF R15	150	YA-1208		XV1700 Road Star Silverado S	1700	YA-1602	KN-303
YZF R125	125	YA-1208	KN-141	XV1700 Road Star Warrior	1670	YA-1602	KN-303
2008 YAMAHA				2008 YAMAHA			
FJR1300A	1300	YA-1301	KN-148	XV1900 Raider	1900	YA-1906	KN-303
FJR1300AE	1300	YA-1301	KN-148	XV1900 Raider S	1900	YA-1906	KN-303
				XV1900 Roadliner S	1900	YA-1906	KN-303
				XV1900 Stratoliner	1900	YA-1906	
				Midnight			
				XV1900 Stratoliner S	1900	YA-1906	KN-303
				XVS650 V-Star Classic	650	YA-6598	KN-145
				XVS650 V-Star Custom	650	YA-6598	KN-145
				XVS1100 V-Star Classic	1100	YA-1199	KN-145

* 2 filters required

◆ Intake System Available - see page 84 +Cabin Air Filter Available - see page 453 1- Performance Silver Oil Filter Also Available



Vehicle	Engine Type	Air Filter	Oil Filter	Vehicle	Engine Type	Air Filter	Oil Filter
2008 YAMAHA				2007 YAMAHA			
XVS1100 V-Star Custom	1100	YA-1199	KN-145	FJR1300AS	1300	YA-1301	KN-148
XVS1100 V-Star Silverado	1100	YA-1199	KN-145	FX1000 WaveRunner FX	998		KN-303
XVS1300 V-Star	1300	YA-1307	KN-147	FX1100 WaveRunner	998		KN-303
XVS1300 V-Star Tourer	1300	YA-1307	KN-147	FX Cruiser H.O.			
XVZ1300 Royal Star Tour Deluxe	1300	YA-1399	KN-303	FZ1	1000	YA-1006	KN-204
XVZ1300 Royal Star Tour Deluxe S	1300	YA-1399	KN-303	FZ1 Fazer	998	YA-1006	KN-204
XVZ1300 Royal Star Venture	1300	YA-1399	KN-303	FZ6	600	YA-6004	KN-204
XVZ1300 Royal Star Venture S	1300	YA-1399	KN-303	FZ6 Fazer	600	YA-6004	KN-204
YFM80 Grizzly	80	YA-8002		FZ6 Fazer S2	600	YA-6004	KN-204
YFM250 Raptor SE	249	YA-2088	KN-140	FZ6 S2	600	YA-6004	KN-204
YFM250 Raptor SE Custom	249	YA-2088	KN-140	MT03	660	YA-6604	
YFM350 Grizzly Auto 4x4	346	YA-3504	KN-204	TTR125E	125	YA-1201	
YFM350 Grizzly Auto 4x4 IRS	346	YA-3504	KN-204	TTR125L	125	YA-1201	
YFM350R Raptor	348	YA-6602	KN-142	TTR125LE	125	YA-1201	
YFM400 Big Bear IRS 4x4	400	YA-4001	KN-142	TTR125LW	125	YA-1201	
YFM400 Grizzly Auto 4x4	400	YA-3504	KN-204	TTR230	223	YA-2305	KN-143
YFM450 Grizzly Auto 4x4	450	YA-3504	KN-204	TW200	200	YA-2002	KN-143
YFM450FX Wolverine 4x4	450	YA-3504	KN-204	VMX1200 V-Max	1200	YA-1285	KN-303
YFM660 Grizzly Auto 4x4	660	YA-6602	KN-204	VX1100 WaveRunner Cruiser	998		KN-303
YFM700F Grizzly FI Auto 4x4	686	YA-7007	KN-204	VX1100 WaveRunner Deluxe	998		KN-303
YFM700F Grizzly FI Auto 4x4 EPS	686	YA-7007	KN-204	WR250F	250	YA-4503	KN-141
YFM700R Raptor	700	YA-7006	KN-145	WR450F	450	YA-4503	KN-141
YFM700R Raptor SE	700	YA-7006	KN-145	XT225	225	YA-2292	KN-143
YFM250 Raptor	249	YA-2088	KN-140	XT660R	660	YA-6604	
YFZ450	449	YA-4504	KN-140	XV250 Virago	250	YA-2588	KN-145
YFZ450 SE	449	YA-4504	KN-140	XV1700 Road Star	1700	YA-1704	KN-303
YFZ450R SE	449	YA-4504	KN-140	XV1700 Road Star Midnight	1700	YA-1704	KN-303
YXR450 Rhino Auto 4x4	450	YA-6504	KN-204	XV1700 Road Star Midnight Silverado	1700	YA-1602	KN-303
YXR450 Rhino Auto 4x4 Special Ed.	450	YA-6504	KN-204	XV1700 Road Star Midnight Warrior	1700	YA-1704	KN-303
YXR700 Rhino FI	686	YA-7008	KN-204	XV1700 Road Star Silverado	1700	YA-1704	KN-303
YXR700 Rhino FI Auto 4x4 Special Ed.	686	YA-7008	KN-204	XV1700 Road Star Warrior	1670	YA-1602	KN-303
YXR700 Rhino FI Auto 4x4 Sport Ed.	686	YA-7008	KN-204	XV1900 Roadliner	1900	YA-1906	KN-303
YZ250	250		KN-141	XV1900 Roadliner Midnight	1900	YA-1906	KN-303
YZ250F	250	YA-2506XD	KN-141	XV1900 Roadliner S	1900	YA-1906	KN-303
YZ450F	450	YA-2506XD	KN-141	XV1900 Stratoliner	1900	YA-1906	KN-303
YZF R1	998	YA-1007	KN-204	XV1900 Stratoliner Midnight	1900	YA-1906	KN-303
YZF R6	599	YA-6008	KN-204	XV1900 Stratoliner S	1900	YA-1906	KN-303
YZF R6	599 - Race Specific	YA-6008R	KN-204	XVS650 V-Star Classic	650	YA-6598	KN-145
YZF R6S	599	YA-6001	KN-303	XVS650 V-Star Custom	650	YA-6598	KN-145
YZF R15	150	YA-1208		XVS650 V-Star Midnight Custom	650	YA-6598	KN-145
YZF R125	125	YA-1208	KN-141	XVS650 V-Star Silverado	650	YA-6598	KN-145
2007 YAMAHA				2007 YAMAHA			
FJR1300A	1300	YA-1301	KN-148	XVS1100 V-Star Classic	1100	YA-1199	KN-145
FJR1300AE	1300		KN-148	XVS1100 V-Star Custom	1100	YA-1199	KN-145
				XVS1100 V-Star Silverado	1100	YA-1199	KN-145
				XVS1300 V-Star	1300	YA-1307	KN-147
				XVS1300 V-Star Tourer	1300	YA-1307	KN-147
				XVZ1300 Royal Star	1300	YA-1399	KN-303
				Midnight Venture			

* 2 filters required ♦ Intake System Available - see page 84 + Cabin Air Filter Available - see page 453 1- Performance Silver Oil Filter Also Available



AIR & OIL FILTERS

YAMAHA

Vehicle	Engine Type	Air Filter	Oil Filter	Vehicle	Engine Type	Air Filter	Oil Filter
2007 YAMAHA				2006 YAMAHA			
XVZ1300 Royal Star Tour Deluxe	1300	YA-1399	KN-303	TTR230	223	YA-2305	KN-143
XVZ1300 Royal Star Venture	1300	YA-1399	KN-303	TTR250	250	YA-3586	KN-142
YFM350 Grizzly Auto 4x4	346	YA-3504	KN-204	TW200	200	YA-2002	KN-143
YFM350 Grizzly Auto 4x4 IRS	346	YA-3504	KN-204	VMX1200 V-Max	1200	YA-1285	KN-303
YFM350R Raptor	350	YA-6602	KN-142	VX1100 WaveRunner Deluxe	998		KN-303
YFM400 Big Bear IRS 4x4	400	YA-4001	KN-142	VX1100 WaveRunner Sport	998		KN-303
YFM400 Grizzly Auto 4x4	400	YA-3504	KN-204	WR250F	250	YA-4503	KN-141
YFM450 Grizzly Auto 4x4	450	YA-3504	KN-204	WR450F	450	YA-4503	KN-141
YFM450FX Wolverine 4x4	450	YA-3504	KN-204	XT225	225	YA-2292	KN-143
YFM660 Grizzly Auto 4x4	660	YA-6602	KN-204	XT250	250		KN-141
YFM700F Grizzly FI Auto 4x4	686	YA-7007	KN-204	XT250X	250		KN-141
YFM700F Grizzly FI Auto 4x4 EPS	686	YA-7007	KN-204	XT660X Super Motard	660	YA-6604	
YFM700R Raptor	700	YA-7006	KN-145	XV250 Virago	250	YA-2588	KN-145
YFM700R Raptor GYTR Edition	700	YA-7006	KN-145	XV1700 Road Star	1700	YA-1704	KN-303
YFM700R Raptor SE	700	YA-7006	KN-145	XV1700 Road Star Cast Wheels	1700	YA-1704	KN-303
YFZ450	449	YA-4504	KN-140	XV1700 Road Star Midnight	1700	YA-1704	KN-303
YFZ450 Bill Ballance Edition	450		KN-140	XV1700 Road Star Midnight Silverado	1700	YA-1704	KN-303
YFZ450 SE	449	YA-4504	KN-140	XV1700 Road Star Silverado	1700	YA-1704	KN-303
YJ125 Vino	125		KN-143	XV1700 Road Star Warrior	1670	YA-1602	KN-303
YP400 Majesty	400		KN-132	XV1700PCM Road Star Midnight Warrior	1700		KN-303
YXR450 Rhino Auto 4x4	450	YA-6504	KN-204	XV1900 Roadliner	1900	YA-1906	KN-303
YXR450 Rhino Auto 4x4 Special Ed.	450	YA-6504	KN-204	XV1900 Roadliner Midnight	1900	YA-1906	KN-303
YXR660 Rhino	660	YA-6504	KN-204	XV1900 Roadliner S	1900	YA-1906	KN-303
YZ250	250		KN-141	XV1900 Stratoliner	1900	YA-1906	KN-303
YZ250F	250	YA-2506XD	KN-141	XV1900 Stratoliner Midnight	1900	YA-1906	KN-303
YZ450F	450	YA-2506XD	KN-141	XV1900 Stratoliner S	1900	YA-1906	KN-303
YZF R1	998	YA-1007	KN-204	XVS650 V-Star Classic	650	YA-6598	KN-145
YZF R6	599	YA-6006	KN-204	XVS650 V-Star Custom	650	YA-6598	KN-145
YZF R6S	599	YA-6001	KN-303	XVS1100 V-Star	1100	YA-1199	KN-145
YZF600R	600	YA-6096	KN-303	XVS1100 V-Star Classic	1100	YA-1199	KN-145
2006 YAMAHA				XVS1100 V-Star Custom	1100	YA-1199	KN-145
FJR1300	1300	YA-1301	KN-148	XVS1100 V-Star Silverado	1100	YA-1199	KN-145
FJR1300A	1300	YA-1301	KN-148	XVZ1300 Royal Star Midnight Tour Deluxe	1300	YA-1399	KN-303
FJR1300AE	1300	YA-1301	KN-148	XVZ1300 Royal Star Midnight Venture	1300	YA-1399	KN-303
FJR1300AS	1300	YA-1301	KN-148	XVZ1300 Royal Star Tour Deluxe	1300	YA-1399	KN-303
FX1100 WaveRunner Cruiser H.O.	998		KN-303	XVZ1300 Royal Star Venture	1300	YA-1399	KN-303
FX1100 WaveRunner H.O.	998		KN-303	YFM80 Raptor	80	YA-8002	
FZ1	1000	YA-1006	KN-204	YFM350 Bruin Auto 4x4	350	YA-3504	KN-303
FZ1 Fazer	998	YA-1006	KN-204	YFM350R Raptor	350	YA-6602	KN-142
FZ1N	1000	YA-1006	KN-204	YFM350X Wolverine 2x4	350	YA-3504	KN-204
FZ1S	1000	YA-1006	KN-204	YFM400 Big Bear 4x4	384	YA-4001	KN-142
FZ6	600	YA-6004	KN-303	YFM400 Kodiak Auto 4x4	384	YA-3504	KN-303
FZ6 Fazer	600	YA-6004	KN-303	YFM450 Kodiak Auto 4x4	416	YA-3504	KN-303
MT01	1700	YA-1605					
RX10GT Apex GT	977		KN-204				
SR400	400	YA-4092					
TTR125E	125	YA-1201					
TTR125LE	125	YA-1201					

* 2 filters required ♦ Intake System Available - see page 84 + Cabin Air Filter Available - see page 453 1- Performance Silver Oil Filter Also Available



Vehicle	Engine Type	Air Filter	Oil Filter	Vehicle	Engine Type	Air Filter	Oil Filter
2006 YAMAHA				2005 YAMAHA			
YFM450FX Wolverine 4x4	450	YA-3504	KN-303	XV1700PCM Road Star Midnight Warrior	1700		KN-303
YFM660 Grizzly Auto 4x4	660	YA-6602	KN-303	XVS650 V-Star Classic	650	YA-6598	KN-145
YFM700R Raptor	700	YA-7006	KN-145	XVS650 V-Star Custom	650	YA-6598	KN-145
YFS200 Blaster	200	YA-2088		XVS650 V-Star Silverado	650	YA-6598	
YFZ350 Banshee	350	YA-3502		XVS1100 V-Star Classic	1100	YA-1199	KN-145
YFZ450	449	YA-4504	KN-141	XVS1100 V-Star Custom	1100	YA-1199	KN-145
YFZ450 Bill Ballance Edition	449	YA-4504	KN-141	XVS1100 V-Star Silverado	1100	YA-1199	KN-145
YJ125 Vino	125		KN-143	XVZ1300 Royal Star Midnight Venture	1300	YA-1399	
YP180 Majesty	180	YA-2598		XVZ1300 Royal Star Tour Deluxe	1300	YA-1399	KN-303
YP400 Majesty	400		KN-132	XVZ1300 Royal Star Venture	1300	YA-1399	KN-303
YXR450 Rhino Auto 4x4	450	YA-6504	KN-303	YFM50 Raptor	50	YA-8002	
YXR660 Rhino	660	YA-6504	KN-303	YFM80 Raptor	80	YA-8002	
YZ250	250	YA-2506XD	KN-141	YFM125 Grizzly	124	YA-2088	
YZ250F	250	YA-2506XD	KN-141	YFM250 Bruin	230	YA-4001	KN-143
YZ450F	450	YA-2506XD	KN-141	YFM350 Bruin Auto 4x4	350	YA-3504	KN-303
YZF R1	998	YA-1004	KN-303	YFM350 Bruin Auto 4x4 Hunter	350	YA-3504	KN-303
YZF R1 LE	998	YA-1004	KN-303	YFM350FX Wolverine	350	YA-4350	KN-142
YZF R1 SP	998	YA-1004	KN-303	YFM350R Raptor	350	YA-6602	KN-142
YZF R6	599	YA-6006	KN-204	YFM400 Big Bear 4x4	384	YA-4001	KN-142
YZF R6S	599	YA-6001	KN-303	YFM400 Kodiak Auto 4x4	384	YA-3504	KN-303
YZF600R	600	YA-6096	KN-303	YFM450 Kodiak Auto 4x4	416	YA-3504	KN-303
2005 YAMAHA				2004 YAMAHA			
FJR1300	1300	YA-1301	KN-148	FJR1300	1300	YA-1301	KN-148
FJR1300A	1300	YA-1301	KN-148	FJR1300A	1300	YA-1301	KN-148
FJR1300AE	1300	YA-1301	KN-148	FX1100 WaveRunner Cruiser	998		KN-303
FX1000 WaveRunner Cruiser	998		KN-303	FX1100 WaveRunner Cruiser H.O.	998		KN-303
FX1100 WaveRunner Cruiser H.O.	998		KN-303	FX1100 WaveRunner H.O.	998		KN-303
FZ1	1000	YA-1001	KN-303	FZ1	1000	YA-1001	KN-303
FZ6	600	YA-6004	KN-303	FZ6	600	YA-6004	KN-303
FZ6 Fazer	600	YA-6004	KN-303	FZ6 Fazer	600	YA-6004	KN-303
RX10 RX-1	1000		KN-303	RX10 RX-1	1000		KN-303
TTR125LE	125	YA-1201		RXW10 RX Warrior	1000		KN-303
TTR230	223	YA-2305	KN-143	TTR125E	125	YA-1201	
TTR250	250	YA-3586	KN-142	TTR125L	125	YA-1201	
TW200	200	YA-2002	KN-143	TTR125LE	125	YA-1201	
VMX1200 V-Max	1200	YA-1285	KN-303	TTR225	225		KN-143
VX1100 WaveRunner Deluxe	998		KN-303				
VX1100 WaveRunner Sport	998		KN-303				
WR250F	250	YA-4503	KN-141				
WR450F	450	YA-4503	KN-141				
XT225	225	YA-2292	KN-143				
XT660R	660	YA-6604					
XT660X Super Motard	660	YA-6604					
XV250 Virago	250	YA-2588	KN-145				
XV1700 Road Star	1700	YA-1704	KN-303				
XV1700 Road Star Cast Wheels	1700	YA-1704	KN-303				
XV1700 Road Star Midnight	1700	YA-1704	KN-303				
XV1700 Road Star Silverado	1700	YA-1704	KN-303				
XV1700 Road Star Warrior	1670	YA-1602	KN-303				

* 2 filters required

◆ Intake System Available - see page 84 +Cabin Air Filter Available - see page 453 1- Performance Silver Oil Filter Also Available



AIR & OIL FILTERS

YAMAHA

Vehicle	Engine Type	Air Filter	Oil Filter	Vehicle	Engine Type	Air Filter	Oil Filter
2004 YAMAHA				2003 YAMAHA			
VMX1200 V-Max	1200	YA-1285	KN-303	TTR250	250	YA-3586	KN-142
WR250F	250	YA-4503	KN-141	VMX1200 V-Max	1200	YA-1285	KN-303
WR450F	450	YA-4503	KN-141	WR250F	250	YA-4503	KN-141
XT225	225	YA-2292	KN-143	WR450F	450	YA-4503	KN-141
XT660R	660	YA-6604	KN-145	XT225	225	YA-2292	KN-143
XV1700 Road Star	1700	YA-1704	KN-303	XV1600 Road Star	1600	YA-1699	KN-303
XV1700 Road Star Midnight	1700	YA-1704	KN-303	XV1600 Road Star Ltd. Edition	1600	YA-1699	KN-303
XV1700 Road Star Midnight Silverado	1700	YA-1704	KN-303	XV1600 Road Star Midnight	1600	YA-1699	KN-303
XV1700 Road Star Silverado	1700	YA-1704	KN-303	XV1600 Road Star Silverado	1600	YA-1699	KN-303
XV1700 Road Star Warrior	1670	YA-1602	KN-303	XV1600 Road Star Silverado Ltd. Edition	1600	YA-1699	KN-303
XVS650 V-Star Classic	650	YA-6598	KN-145	XV1700 Road Star Warrior	1670	YA-1602	KN-303
XVS650 V-Star Custom	650	YA-6598	KN-145	XVS650 V-Star Classic	650	YA-6598	KN-145
XVS1100 V-Star Classic	1100	YA-1199	KN-145	XVS650 V-Star Custom	650	YA-6598	KN-145
XVS1100 V-Star Custom	1100	YA-1199	KN-145	XVS650 V-Star Silverado	650	YA-6598	KN-145
XVS1100 V-Star Silverado	1100	YA-1199	KN-145	XVS1100 V-Star Classic	1100	YA-1199	KN-145
XVZ1300 Royal Star Venture	1300	YA-1399	KN-303	XVS1100 V-Star Custom	1100	YA-1199	KN-145
YFM80 Raptor	80	YA-8002		XVS1100 V-Star Silverado	1100	YA-1199	KN-145
YFM125 Grizzly	124	YA-2088		YFM80 Raptor	80	YA-8002	
YFM250 Bear Tracker	250		KN-143	YFM350FX Wolverine	350	YA-4350	
YFM350 Bruin Auto 2x4	350	YA-3504	KN-303	YFM350X Warrior	350	YA-4350	KN-142
YFM350 Bruin Auto 4x4	350	YA-3504	KN-303	YFM400 Big Bear	400		KN-142
YFM350FX Wolverine	350	YA-4350	KN-142	YFM400 Big Bear 4x4	400	YA-4001	KN-142
YFM350R Raptor	350	YA-6602	KN-142	YFM400 Kodiak Auto 4x4	393	YA-4003	KN-303
YFM350X Warrior	350	YA-4350	KN-142	YFM450 Kodiak Auto 4x4	489	YA-4003	KN-303
YFM400 Big Bear 4x4	384	YA-4001	KN-142	YFM660 Grizzly	660	YA-6602	KN-303
YFM400 Kodiak Auto 4x4	384	YA-3504	KN-303	YFM660R Raptor	660	YA-6601	KN-147
YFM450 Kodiak Auto 4x4	416	YA-4003	KN-303	YFS200 Blaster	200	YA-2088	
YFM660 Grizzly Auto 4x4	660	YA-6602	KN-303	YFZ350 Banshee	350	YA-3502	
YFM660R Raptor	660	YA-6601	KN-147	YZ250	250	YA-2506XD	KN-141
YFS200 Blaster	200	YA-2088		YZ250F	250	YA-2506XD	KN-141
YFZ350 Banshee	350	YA-3502		YZ450F	450	YA-2506XD	KN-141
YFZ450	449	YA-4504	KN-141	YZF R1	998	YA-1002	KN-303
YXR660 Rhino	660	YA-6504	KN-303	YZF R6	599	YA-6001	KN-303
YZ250	250		KN-141	YZF600R	600	YA-6096	KN-303
YZ250F	250	YA-2506XD	KN-141	2002 YAMAHA			
YZ450F	450	YA-2506XD	KN-141	FZ1	1000	YA-1001	KN-303
YZF R1	998	YA-1004	KN-303	FZS1000 Fazer	1000	YA-1001	KN-303
YZF R6	599	YA-6001	KN-303	TDM900	897	YA-9002	
YZF600R	600	YA-6096	KN-303	TTR125	125	YA-1201	
2003 YAMAHA				TTR125L	125	YA-1201	
FJR1300	1300	YA-1301	KN-148	TTR225	225	YA-2292	KN-143
FJR1300A	1300	YA-1301	KN-148	TW200	200	YA-2002	KN-143
FZ1	1000	YA-1001	KN-303	VMX1200 V-Max	1200	YA-1285	KN-303
RX10 RX-1	1000		KN-303	WR250F	250	YA-2506XD	KN-142
TTR125	125	YA-1201		WR426F	426	YA-2506XD	KN-142
TTR125E	125	YA-1201		XV1600 Road Star	1600	YA-1699	KN-303
TTR125L	125	YA-1201		XV1600 Road Star Midnight	1600	YA-1699	KN-303
TTR125LE	125	YA-1201		XV1600 Road Star Silverado	1600	YA-1699	KN-303
TTR225	225	YA-2292	KN-143	XV1700 Road Star Warrior	1670	YA-1602	KN-303

* 2 filters required

◆ Intake System Available - see page 84 + Cabin Air Filter Available - see page 453 1- Performance Silver Oil Filter Also Available



Vehicle	Engine Type	Air Filter	Oil Filter
2002 YAMAHA			
XVS650 V-Star Classic	650	YA-6598	KN-145
XVS650 V-Star Custom	650	YA-6598	KN-145
XVS1100 V-Star Classic	1100	YA-1199	KN-145
XVS1100 V-Star Custom	1100	YA-1199	KN-145
XVS1100 V-Star Silverado	1100	YA-1199	KN-145
YFM350FX Wolverine	350	YA-4350	KN-142
YFM350X Warrior	350	YA-4350	KN-142
YFM400 Big Bear 4x4	400	YA-4001	KN-142
YFM400A Kodiak	393	YA-4000	KN-303
YFM400F Kodiak	393	YA-4000	KN-303
YFM660 Grizzly	660	YA-6602	KN-303
YFM660R Raptor	660	YA-6601	KN-147
YFS200 Blaster	200	YA-2088	
YFZ350 Banshee	350	YA-3502	
YZ250	250	YA-2506XD	
YZ250F	250	YA-2506XD	KN-142
YZ426F	426	YA-2506XD	KN-142
YZF R1	998	YA-1002	KN-303
YZF R6	599	YA-6001	KN-303
YZF600R	600	YA-6096	KN-303

Vehicle	Engine Type	Air Filter	Oil Filter
2001 YAMAHA			
FZ1	1000	YA-1001	KN-303
TTR125L	125	YA-1201	
TW200	200	YA-2002	KN-143
VMX1200 V-Max	1200	YA-1285	KN-303
WR250F	250	YA-2506XD	KN-142
WR426F	426	YA-2506XD	KN-142
XT225	225		KN-143
XV1600 Road Star	1600	YA-1699	KN-303
XV1600 Road Star Midnight	1600	YA-1699	KN-303
XV1600 Road Star Silverado	1600	YA-1699	KN-303
XVS650 V-Star Classic	650	YA-6598	KN-145
XVS650 V-Star Custom	650	YA-6598	KN-145
XVS1100 V-Star Classic	1100	YA-1199	KN-145
XVS1100 V-Star Custom	1100	YA-1199	KN-145
XVZ1300 Royal Star	1300	YA-1399	KN-303
Venture			
YFM250 Bear	230	YA-4001	KN-143
Tracker			
YFM350FX Wolverine	350	YA-4350	KN-142
YFM350X Warrior	350	YA-4350	KN-142
YFM400 Big Bear	400		KN-142
YFM400 Big Bear 4x4	400	YA-4001	KN-142
YFM400 Kodiak Auto 2x4	393	YA-4000	KN-303
YFM400 Kodiak Auto 4x4	393	YA-4000	KN-303
YFM600 Grizzly	600	YA-4350	KN-145
YFM660R Raptor	660	YA-6601	KN-147
YFS200 Blaster	200	YA-2088	
YFZ350 Banshee	350	YA-3502	
YZ250	250	YA-2506XD	
YZ250F	250	YA-2506XD	KN-142
YZ426F	426	YA-2506XD	KN-142

Vehicle	Engine Type	Air Filter	Oil Filter
2001 YAMAHA			
YZF R1	998	YA-1098	KN-303
YZF R6	599	YA-6001	KN-303
YZF600R	600	YA-6096	KN-303
2000 YAMAHA			
SR400	400	YA-4092	
VMX1200 V-Max	1200	YA-1285	KN-303
WR400F	400	YA-2506XD	KN-142
XJR1300	1235	YA-1295	
XT225 Serow	225		KN-143
XV1600 Road Star	1600	YA-1699	KN-303
XV1600 Road Star Midnight	1600	YA-1699	KN-303
XV1600 Road Star Silverado	1600	YA-1699	KN-303
XVS650 V-Star Classic	650	YA-6598	KN-145
XVS650 V-Star Custom	650	YA-6598	KN-145
XVS1100 V-Star Classic	1100	YA-1199	KN-145
XVS1100 V-Star Custom	1100	YA-1199	KN-145
XVZ1300 Royal Star	1300	YA-1399	
MM Ltd.			
XVZ1300 Royal Star	1300	YA-1399	KN-303
Venture			
YFB250FW	230	YA-2597	
Timberwolf 4x4			
YFM250 Bear	230	YA-4001	KN-143
Tracker			
YFM350FX Wolverine	350	YA-4350	KN-142
YFM350X Warrior	350	YA-4350	KN-142
YFM400 Big Bear	384	YA-4001	KN-142
YFM400 Big Bear 4x4	384	YA-4001	KN-142
YFM400 Kodiak Auto 2x4	393	YA-4000	
YFM400 Kodiak Auto 4x4	393	YA-4000	KN-303
YFM600 Grizzly	600	YA-4350	KN-145
YFS200 Blaster	200	YA-2088	
YFZ350 Banshee	350	YA-3502	
YZ250	250	YA-2506XD	
YZ426F	426	YA-2506XD	KN-142
YZF R1	998	YA-1098	KN-303
YZF R6	599	YA-6001	KN-303
YZF600R	600	YA-6096	KN-303

Vehicle	Engine Type	Air Filter	Oil Filter
1999 YAMAHA			
VMX1200 V-Max	1200	YA-1285	KN-303
WR400F	400	YA-2506XD	KN-142
XV1100 Virago	1100	YA-1186	KN-145
XV1600 Road Star	1600	YA-1699	KN-303
XV1600 Road Star Silverado	1600	YA-1699	KN-303
XV1600 Wild Star	1600		KN-303
XVS650 V-Star Classic	650	YA-6598	KN-145
XVS650 V-Star Custom	650	YA-6598	KN-145
XVS1100 DragStar	1100	YA-1199	KN-145
XVS1100 V-Star	1100	YA-1199	KN-145
XVS1100 V-Star Classic	1100		KN-145
XVZ1300 Royal Star	1300		KN-303
Boulevard			

* 2 filters required

◆ Intake System Available - see page 84 + Cabin Air Filter Available - see page 453 1- Performance Silver Oil Filter Also Available



AIR & OIL FILTERS

YAMAHA

Vehicle	Engine Type	Air Filter	Oil Filter	Vehicle	Engine Type	Air Filter	Oil Filter
1999 YAMAHA				1996 YAMAHA			
XVZ1300 Royal Star Venture	1300	YA-1399	KN-303	FZR600R	600		KN-303
YFB250FW	230	YA-2597		TRX850	850	YA-8596	
Timberwolf 4x4				VMX1200 V-Max	1200	YA-1285	
YFM250 Bear Tracker	230	YA-4001	KN-143	XT225 Serow	225	YA-2292	KN-143
YFM350FW Big Bear	384	YA-2597	KN-142	XT350	350		KN-143
YFM350FX Wolverine	350	YA-4350	KN-142	XV535 Virago	535		KN-145
YFM350X Warrior	350	YA-4350	KN-142	XV750 Virago	747	YA-1186	KN-145
YFM400F Kodiak	401	YA-2597	KN-142	XV1100 Virago	1100	YA-1186	KN-145
YFM600 Grizzly	600	YA-4350	KN-145	XVZ1300 Royal Star	1300	YA-1595	KN-303
YFZ350 Banshee	350	YA-3502		YFB250 Timberwolf	230	YA-2597	KN-143
YZ250	250	YA-2506XD		YFB250FW	230	YA-2597	
YZ400F	400	YA-2506XD	KN-142	Timberwolf 4x4			
YZF R1	998	YA-1098	KN-303	YFM350FW Big Bear	346	YA-2597	KN-142
YZF R6	599	YA-6001	KN-303	YFM350FX Wolverine	350	YA-4350	KN-142
YZF600R	600	YA-6096	KN-303	YFM350X Warrior	350	YA-4350	KN-142
1998 YAMAHA				1995 YAMAHA			
TW200	200	YA-2002	KN-143	VMX1200 V-Max	1200	YA-1285	KN-146
VMX1200 V-Max	1200	YA-1285	KN-303	XV750 Virago	747	YA-1186	KN-145
XV1100 Virago	1100	YA-1186	KN-145	XV1100 Virago	1100	YA-1186	KN-145
XVS650 V-Star Classic	650	YA-6598	KN-145	YFB250 Timberwolf	230	YA-2597	KN-143
XVS650 V-Star Custom	650	YA-6598	KN-145	YFB250FW	230	YA-2597	KN-143
XVZ1300 Royal Star Tour Classic	1300		KN-303	Timberwolf 4x4			
XVZ1300 Royal Star Tour Deluxe	1300		KN-303	YFM350 Moto-4	346	YA-2597	KN-142
YFB250 Timberwolf	230	YA-2597	KN-143	YFM350FW Big Bear	346	YA-2597	KN-142
YFM350FW Big Bear	346	YA-2597	KN-142	YFM350FX Wolverine	350	YA-4350	KN-142
YFM350FX Wolverine	350	YA-4350	KN-142	YFM350X Warrior	350	YA-4350	KN-142
YFM350X Warrior	350	YA-4350	KN-142	YFM400F Kodiak	401	YA-2597	KN-142
YFM400F Kodiak	401	YA-2597	KN-142	YFZ350 Banshee	350	YA-3502	
YFM600 Grizzly	600	YA-4350	KN-145	1994 YAMAHA			
YFS200 Blaster	200	YA-2088		FZR600R	600		KN-303
YFZ350 Banshee	350	YA-3502		FZR600R	600 - US	YA-6089	KN-303
YZ250	250	YA-2506XD		VMX1200 V-Max	1200	YA-1285	
YZ400F	399		KN-142	XV750 Virago	747		KN-145
YZF R1	998	YA-1098	KN-303	YFB250 Timberwolf	230	YA-2597	KN-143
YZF600R	600	YA-6096	KN-303	YFB250FW	230	YA-2597	
YZF1000R	1000		KN-303	Timberwolf 4x4			
Thunderace				YFM350FW Big Bear	346	YA-2597	KN-142
1997 YAMAHA				1993 YAMAHA			
TRX850	850	YA-8596		FZR600	600		KN-303
VMX1200 V-Max	1200	YA-1285	KN-303	FZR600R	600	YA-6089	KN-303
XV535 Virago	535		KN-145	VMX1200 V-Max	1200	YA-1285	
XV750 Virago	747	YA-1186	KN-145	XJ600 Seca II	600		KN-303
XV1100 Virago	1100	YA-1186	KN-145	XV535 Virago	535		KN-145
XVZ1300 Royal Star	1300		KN-303	XV750 Virago	747		KN-145
XVZ1300 Royal Star Tour Classic	1300		KN-303	XV1100 Virago	1100	YA-1186	KN-145
XVZ1300 Royal Star Tour Deluxe	1300	YA-1595	KN-303	YFB250 Timberwolf	230	YA-2597	
YFB250 Timberwolf	230	YA-2597	KN-143	YFM350FW Big Bear	346	YA-2597	KN-142
YFM350FW Big Bear	346	YA-2597	KN-142	YFM350X Warrior	350	YA-4350	
YFM350FX Wolverine	350	YA-4350		YFM400F Kodiak	401	YA-2597	KN-142
YFM350X Warrior	350	YA-4350	KN-142	YFZ350 Banshee	350	YA-3502	
YFM400F Kodiak	401	YA-2597	KN-142	1992 YAMAHA			
YFZ350 Banshee	350	YA-3502		FZR600	600		KN-303
YZF600R	600	YA-6096	KN-303	FZR600R	600	YA-6089	KN-303
YZF1000R	1000	YA-1089	KN-303	TDM850	850		KN-145
				VMX1200 V-Max	1200	YA-1285	KN-146

* 2 filters required

◆ Intake System Available - see page 84 +Cabin Air Filter Available - see page 453 1- Performance Silver Oil Filter Also Available



Vehicle	Engine Type	Air Filter	Oil Filter	Vehicle	Engine Type	Air Filter	Oil Filter
1992 YAMAHA				1985 YAMAHA			
XJ600 Seca II	600	YA-6092	KN-303	XJ700 Maxim	700	YA-7080	KN-144
YFB250 Timberwolf	230	YA-2597	KN-143	XJ700X Maxim X	700	YA-7080	KN-144
YFM350FW Big Bear	346	YA-2597		XJ750X Maxim X	750	YA-7080	
YFZ350 Banshee	350	YA-3502		XT350	350		KN-143
1991 YAMAHA				1984 YAMAHA			
FZR600R	600		KN-303	XV700 Virago	700	YA-1186	KN-145
YFM250 Moto-4	250	YA-2597		XV1000 Virago	1000	YA-1186	KN-145
YFM350FW Big Bear	346	YA-2597	KN-142	YTM200 Tri-Moto	200		KN-143
1990 YAMAHA				1983 YAMAHA			
FZR600R	600	YA-6089	KN-144	XJ750 Maxim	750	YA-1650	KN-144
YFM250 Moto-4	195	YA-2597		XJ750M Midnight Maxim	750	YA-1650	KN-144
YFM350FW Big Bear	346	YA-2597	KN-142	XJ750R Seca	750	YA-1650	KN-144
YFM350X Warrior	350	YA-4350		XT550	550	YA-1874	KN-145
YFZ350 Banshee	350	YA-3502		XV500 Virago	500		KN-145
1989 YAMAHA				1982 YAMAHA			
FJ1200 - Legend Car	1200		KN-401	XJ550 Maxim	550	YA-1600	KN-144
FZR1000	1000	YA-1089	KN-401	XJ550 Seca	550	YA-1600	KN-144
VMX1200 V-Max	1200	YA-1285		XJ650 Maxim	650	YA-1650	KN-144
YFM250 Moto-4	250	YA-2597	KN-143	XJ650 Seca	650	YA-1650	KN-144
YFM350 Moto-4	350	YA-2597		XJ650 Seca Turbo	650	YA-1650	KN-144
YFM350FW Big Bear	350	YA-2597	KN-142	XJ750 Maxim	750	YA-1650	KN-144
YFM350X Warrior	350	YA-4350	KN-142	XJ750R Seca	750	YA-1650	KN-144
YFZ350 Banshee	350	YA-3502		XJ1100 Maxim	1100		KN-146
1988 YAMAHA				1981 YAMAHA			
YFM350 Moto-4	350	YA-2597		SR250	250		KN-145
YFM350X Warrior	350	YA-4350	KN-142	SR250T	250		KN-145
YFP350 TerraPro	350	YA-2597	KN-142	SR500	500	YA-1050	
YFS200 Blaster	200	YA-2088		XJ550 Maxim	550	YA-1600	KN-144
YFZ350 Banshee	350	YA-3502		XJ550 Seca	550		KN-144
1987 YAMAHA				1980 YAMAHA			
BW200	196		KN-143	XJ650 Maxim	650	YA-1650	KN-144
XV535 Virago	535		KN-145	XJ650 Seca	650	YA-1650	KN-144
XV1100 Virago	1100	YA-1186	KN-145	XJ650 Seca Turbo	650	YA-1650	KN-144
YFM200 Moto-4	200		KN-143	XJ750 Maxim	750	YA-1650	KN-144
YFM225 Moto-4	225		KN-143	XJ750R Seca	750	YA-1650	KN-144
YFM350 Moto-4	350	YA-2597	KN-142	XS400	400		KN-144
YFM350FW Big Bear	350	YA-2597	KN-142	XT200	200		KN-143
YFM350X Warrior	350	YA-4350	KN-142	XT250	250		KN-145
YFZ350 Banshee	350	YA-3502		XV750 Virago	750	YA-1550	KN-145
1986 YAMAHA				1979 YAMAHA			
BW200	196		KN-143	XV920 Virago	920	YA-1550	KN-145
FJ1200	1200	YA-1184	KN-401	YZ80	80	R-1390	
FJ1200 - Legend Car	1200		KN-401	1981 YAMAHA			
FZX700 Fazer	700	YA-7086	KN-401	SR250	250		KN-145
SRX600	600	YA-6050	KN-145	SR250T	250		KN-145
TT350	350	YA-3586		SR500	500	YA-1050	
VMX1200 V-Max	1200	YA-1285		XJ550 Maxim	550	YA-1600	KN-144
XJ750X Maxim X	750	YA-7080	KN-144	XJ550 Seca	550		KN-144
XT600 Tenere	600		KN-145	XJ650 Maxim	650	YA-1650	KN-144
XV700 Virago	700	YA-1186	KN-145	XJ750R Seca	750	YA-1650	KN-144
XV1100 Virago	1100	YA-1186	KN-145	XS400S	400		KN-144
XVZ1300 Venture Royale	1300	YA-1283	KN-146	XS650	650	YA-1892	
YFM200 Moto-4	200		KN-143	XS650S	650	YA-1892	
YFM225 Moto-4	225		KN-143	XS850S	850	YA-1300	KN-146
YX600 Radian	600	YA-1600	KN-144	XS1100	1100	YA-1400	KN-146
1985 YAMAHA				1978 YAMAHA			
BW200	196		KN-143	XS1100L	1100	YA-1400	KN-146
VMX1200 V-Max	1200	YA-1285	KN-146	XS1100S	1100	YA-1400	KN-146
				1977 YAMAHA			
				XV750 Virago			
				750			
				YA-1550			
				KN-145			

* 2 filters required

◆ Intake System Available - see page 84 +Cabin Air Filter Available - see page 453 1- Performance Silver Oil Filter Also Available



CABIN AIR FILTERS

ACURA	Year(s)	Part#	AUDI	Year(s)	Part#	AUDI	Year(s)	Part#
CL			A3			RS3		
3.2L F/I V6	01-03	VF3006	1.8L F/I L4	13-17	VF2047	2.5L F/I L5	16-17	VF2047
CL Type-S			1.9L DSL L4	03-10	VF3013	RS5		
3.2L F/I V6	01-03	VF3006	2.0L DSL L4	03-12	VF3013	4.2L F/I V8	13-14	VF3009
CSX				14-17	VF2047	S3		
2.0L F/I L4	06-11	VF2001	2.0L DSL L4 - Non-US	2013	VF2047	2.0L F/I L4	07-13	VF3013
EL			2.0L F/I L4	03-12	VF3013		16-17	VF2047
1.6L F/I L4	97-00	VF2022		15-17	VF2047	2.0L F/I V4	2014	VF2047
1.7L F/I L4	02-05	VF2022	2.0L F/I L4 - Non-US	2013	VF2047	S4		
ILX			2.0L F/I L4 - US	2013	VF3013	3.0L F/I V6	10-14	VF3009
1.5L F/I L4	13-14	VF2001	3.2L F/I V6	03-05	VF3013	S5		
2.0L F/I L4	13-15	VF2001	A3 Quattro			3.0L F/I V6	10-14	VF3009
2.4L F/I L4	13-16	VF2001	2.0L F/I L4	04-05	VF3013	4.2L F/I V8	08-12	VF3009
MDX				09-13	VF3013	SQ5		
3.5L F/I V6	01-06	VF3004		15-17	VF2047	3.0L F/I V6	2014	VF3009
	14-16	VF2001	3.2L F/I V6	04-09	VF3013	TT		
3.7L F/I V6	07-13	VF2001	A3 Sportback e-tron			1.8L F/I L4	00-06	VF2012
RDX			1.4L F/I L4	16-17	VF2047	2.0L DSL L4	15-17	VF2047
2.3L F/I L4	07-12	VF2001	A4			2.0L F/I L4	08-09	VF3013
3.5L F/I V6	13-16	VF2001	2.0L F/I L4	09-14	VF3009		15-17	VF2047
RL			A4 allroad			TT Quattro		
3.5L F/I V6	05-08	VF2001	2.0L F/I L4	13-14	VF3009	1.8L F/I L4	00-06	VF2012
3.7L F/I V6	09-12	VF2001	A4 Cabriolet			2.0L F/I L4	09-14	VF3013
RLX			2.0L F/I L4	2010	VF3009		16-17	VF2047
3.5L F/I V6	14-16	VF2001	A4 Quattro			2.0L F/I L4 - Non-US	2015	VF2047
RSX			2.0L F/I L4	09-14	VF3009	2.0L F/I L4 - US	2015	VF3013
2.0L F/I L4	02-06	VF2022	3.2L F/I V6	2009	VF3009	2.5L F/I L5	12-13	VF3013
RSX Type-S			A4 Quattro Cabriolet			3.2L F/I V6	04-06	VF2012
2.0L F/I L4	02-06	VF2022	2.0L F/I L4	2010	VF3009		2009	VF3013
TL			3.2L F/I V6	2009	VF3009	TT RS		
3.2L F/I V6	99-03	VF3006	A5			2.5L F/I L5	16-17	VF2047
	04-08	VF2001	2.0L F/I L4	10-14	VF3009	TTS		
3.5L F/I V6	07-14	VF2001	A5 Quattro			2.0L F/I L4	16-17	VF2047
3.7L F/I V6	09-14	VF2001	2.0L F/I L4	10-14	VF3009	BMW	Year(s)	Part#
TL Type-S			3.2L F/I V6	08-10	VF3009	520d		
3.2L F/I V6	02-03	VF3006	allroad			2.0L DSL L4	05-09	VF4000
TLX			2.0L F/I L4	13-14	VF3009	2.0L DSL L4 - E60, E61	2010	VF4000
2.4L F/I L4	15-16	VF2001	Q2			520i		
3.5L F/I V6	15-16	VF2001	1.0L F/I L3	16-17	VF2047	2.0L F/I L4 - E60, E61	2010	VF4000
TSX			1.4L F/I L4	16-17	VF2047	2.0L F/I L6	04-09	VF4000
2.4L F/I L4	04-14	VF2001	1.6L DSL L4	16-17	VF2047	2.0L F/I L6 - E60, E61	2003	VF4000
3.5L F/I V6	10-14	VF2001	2.0L DSL L4	16-17	VF2047		2010	VF4000
ZDX			Q3			523i		
3.7L F/I V6	10-13	VF2001	1.4L F/I L4	13-17	VF3013	2.5L F/I L6	05-09	VF4000
AUDI	Year(s)	Part#	2.0L DSL L4	11-17	VF3013	2.5L F/I L6 - E60, E61	2010	VF4000
A3			2.0L F/I L4	11-17	VF3013	525d		
1.0L F/I L3	16-17	VF2047	2.5L F/I L5	13-17	VF3013	2.5L DSL L6	04-08	VF4000
1.2L F/I L4	09-12	VF3013	Q3 Quattro			3.0L DSL L6	2009	VF4000
	13-16	VF2047	2.0L DSL L4	2017	VF3013	3.0L DSL L6 - E60, E61	2010	VF4000
1.4L F/I L4	07-12	VF3013	2.0L F/I L4	15-17	VF3013	525i		
	13-17	VF2047	Q5			2.5L F/I L6	04-09	VF4000
1.6L DSL L4	09-12	VF3013	2.0L F/I L4	11-14	VF3009	2.5L F/I L6 - E60, E61	2003	VF4000
	13-17	VF2047	3.0L F/I V6	13-14	VF3009		2010	VF4000
1.6L F/I L4	03-10	VF3013	3.2L F/I V6	09-12	VF3009	3.0L F/I L6	06-09	VF4000
1.8L F/I L4	98-04	VF2012	RS3			3.0L F/I L6 - E60, E61	2010	VF4000
	06-12	VF3013	2.5L F/I L5	11-12	VF3013			

CABIN AIR FILTERS



BMW	Year(s)	Part#	BUICK	Year(s)	Part#	CADILLAC	Year(s)	Part#
530d			Enclave			Escalade ESV		
3.0L DSL L6	04-09	VF4000	3.6L F/I V6	08-16	VF1012	6.2L F/I V8	15-16	VF2044
3.0L DSL L6 - E60, E61	2003	VF4000	Encore			SRX		
	2010	VF4000	1.4L F/I L4	13-16	VF2040	2.8L F/I V6	10-11	VF2040
			LaCrosse			3.0L F/I V6	10-11	VF2040
530i			2.4L F/I L4	10-15	VF2040	3.6L F/I V6	04-09	VF2043
3.0L F/I L6	05-09	VF4000	3.0L F/I V6	2010	VF2040		12-16	VF2040
3.0L F/I L6 - E60	2003	VF4000	3.6L F/I V6	05-08	VF3000	4.6L F/I V8	04-09	VF2043
3.0L F/I L6 - E60, E61	2004	VF4000		10-15	VF2040	STS		
	2010	VF4000	3.8L F/I V6	05-09	VF3000	3.6L F/I V6	05-11	VF2043
			5.3L F/I V8	08-09	VF3000	4.6L F/I V8	05-10	VF2043
535d			LeSabre			STS-V		
3.0L DSL L6	05-09	VF4000	3.8L F/I V6	00-05	VF3001	4.4L F/I V8	06-09	VF2043
3.0L DSL L6 - E60, E61	2010	VF4000	Lucerne					
535i			3.8L F/I V6	06-08	VF3001	CHEVROLET	Year(s)	Part#
3.0L F/I L6	07-09	VF4000	3.9L F/I V6	09-11	VF3001	Avalanche 1500		
3.0L F/I L6 - E60, E61	2010	VF4000	4.6L F/I V8	06-11	VF3001	5.3L F/I V8	2002	VF1000
535i GT			Regal			Avalanche 2500		
3.0L F/I L6	2009	VF4000	2.0L F/I L4	11-15	VF2040	8.1L F/I V8	2002	VF1000
3.0L F/I L6 - E60, E61	2010	VF4000	2.4L F/I L4	11-15	VF2040	Camaro		
535i xDrive			3.8L F/I V6	97-04	VF3000	3.6L F/I V6	10-15	VF3017
3.0L F/I L6 - E60, E61	2010	VF4000	Rendezvous			7.0L F/I V8	14-15	VF3017
540i			3.4L F/I V6	02-05	VF2046	Camaro SS		
4.0L F/I V8	05-10	VF4000	3.5L F/I V6	06-07	VF2046	6.2L F/I V8	10-15	VF3017
545i			3.6L F/I V6	04-06	VF2046	Camaro ZL1		
4.4L F/I V8	03-05	VF4000	Terraza			6.2L F/I V8	12-15	VF3017
550i			3.5L F/I V6	05-06	VF2046	Captiva Sport		
4.8L F/I V8	05-09	VF4000	3.9L F/I V6	06-07	VF2046	2.4L F/I L4	2008	VF2016
4.8L F/I V8 - E60, E61	2010	VF4000	Verano				10-15	VF2016
630i			2.0L F/I L4	13-15	VF2040	3.0L F/I V6	11-13	VF2016
3.0L F/I L6	04-11	VF4000	2.4L F/I L4	12-15	VF2040	3.6L F/I V6	09-10	VF2016
635d			CADILLAC	Year(s)	Part#	Cobalt		
3.0L DSL L6	05-11	VF4000	CTS			2.0L F/I L4	05-10	VF2006
645Ci			2.0L F/I L4	2015	VF2043	2.2L F/I L4	05-10	VF2006
4.4L F/I V8	04-05	VF4000	2.8L F/I V6	05-07	VF2043	2.4L F/I L4	06-08	VF2006
650i			3.0L F/I V6	10-14	VF2043	Colorado		
4.8L F/I V8	05-11	VF4000	3.2L F/I V6	03-04	VF2043	2.5L F/I L4	15-16	VF2040
Alpha B5			3.6L F/I V6	04-15	VF2043	2.8L DSL L4	2016	VF2040
4.4L F/I V8	05-10	VF4000	6.2L F/I V8	2014	VF2043	3.6L F/I V6	15-16	VF2040
Alpha B6			CTS V-Sport			Cruze		
4.4L F/I V8	06-10	VF4000	3.6L F/I V6	14-15	VF2043	1.4L F/I L4	11-15	VF2040
M5			CTS-V			1.8L F/I L4	11-15	VF2040
5.0L F/I V10	05-10	VF4000	5.7L F/I V8	04-05	VF2043	2.0L DSL L4	14-15	VF2040
M6			6.0L F/I V8	06-07	VF2043	Equinox		
5.0L F/I V10	05-11	VF4000	6.2L F/I V8	2009	VF2043	2.4L F/I L4	10-16	VF2016
				11-15	VF2043	3.0L F/I V6	10-12	VF2016
						3.6L F/I V6	13-16	VF2016
BUICK	Year(s)	Part#	DeVille			HHR		
Allure			4.6L F/I V8	00-05	VF3001	2.0L F/I L4	08-10	VF2006
2.4L F/I L4	2010	VF2040	DTS			2.2L F/I L4	06-11	VF2006
3.0L F/I V6	2010	VF2040	4.6L F/I V8	06-11	VF3001	2.4L F/I L4	06-11	VF2006
3.6L F/I V6	05-08	VF3000	ELR			Impala		
	2010	VF2040	1.4L F/I L4	14-15	VF2040	3.4L F/I V6	00-05	VF3000
3.8L F/I V6	05-09	VF3000	Escalade			3.5L F/I V6	06-11	VF3000
5.3L F/I V8	08-09	VF3000	5.3L F/I V8	2002	VF1000	3.6L F/I V6	12-13	VF3000
Century			6.0L F/I V8	2002	VF1000	3.8L F/I V6	00-05	VF3000
3.1L F/I V6	97-05	VF3000	6.2L F/I V8	15-16	VF2044	3.9L F/I V6	06-11	VF3000



CABIN AIR FILTERS

CHEVROLET	Year(s)	Part#	CHEVROLET	Year(s)	Part#	CHRYSLER	Year(s)	Part#
Impala			Tahoe			Town & Country Van		
5.3L F/I V8	06-09	VF3000	4.8L F/I V8	00-02	VF1000	4.0L F/I V6	08-09	VF2038
Malibu			5.3L F/I V8	00-02	VF1000	Voyager Van		
2.0L F/I L4	13-15	VF2040		15-16	VF2044	2.4L F/I L4	01-03	VF3005
2.4L F/I L4	13-14	VF2040	Traverse			3.3L F/I V6	01-03	VF3005
2.5L F/I L4	13-15	VF2040	3.6L F/I V6	09-16	VF1012	CITROEN		
Monte Carlo			Trax			C2		
3.1L F/I V6	97-99	VF3000	1.4L F/I L4	2015	VF2040	1.1L F/I L4	03-10	VF3000
3.4L F/I V6	1997	VF3000	Uplander			1.4L DSL L4	03-08	VF3000
	00-05	VF3000	3.5L F/I V6	05-06	VF2046	1.4L F/I L4	03-10	VF3000
3.5L F/I V6	06-07	VF3000	3.9L F/I V6	06-09	VF2046	1.6L DSL L4	05-10	VF3000
3.8L F/I V6	98-05	VF3000	Venture			1.6L F/I L4	03-10	VF3000
3.9L F/I V6	2006	VF3000	3.4L F/I V6	01-05	VF2046	C3		
5.3L F/I V8	06-07	VF3000	Volt			1.1L F/I L4	01-09	VF3000
Orlando			1.4L F/I L4	11-15	VF2040	1.4L DSL L4	01-09	VF3000
2.4L F/I L4	12-13	VF2040	CHRYSLER			1.4L F/I L4	01-09	VF3000
Silverado 1500			200			1.6L DSL L4	05-09	VF3000
4.3L F/I V6	99-02	VF1000	2.4L F/I L4	11-14	VF2013	1.6L F/I L4	01-09	VF3000
	14-16	VF2044	3.6L F/I V6	11-14	VF2013	C3 II		
4.8L F/I V8	99-02	VF1000	300			1.0L F/I L3	13-16	VF3016
5.3L F/I V8	99-02	VF1000	2.7L F/I V6	05-10	VF3007	1.1L F/I L4	10-12	VF3016
	14-16	VF2044	3.5L F/I V6	05-10	VF3007	1.2L F/I L3	12-16	VF3016
6.2L F/I V8	14-16	VF2044	3.6L F/I V6	11-16	VF2027	1.4L DSL L4	09-14	VF3016
Silverado 1500 HD			6.4L F/I V8	12-14	VF2027	1.4L F/I L4	09-12	VF3016
6.0L F/I V8	01-02	VF1000	300C			1.6L DSL L4	09-16	VF3016
Silverado 2500			3.5L F/I V6	2005	VF3007	1.6L F/I L4	09-15	VF3016
5.3L F/I V8	99-00	VF1000	3.6L F/I V6	14-15	VF2027	C3 III		
	2002	VF1000	5.7L F/I V8	05-10	VF3007	1.2L F/I L3	16-17	VF3016
6.0L F/I V8	99-02	VF1000		11-16	VF2027	1.6L DSL L4	16-17	VF3016
Silverado 2500 HD			6.1L F/I V8	05-10	VF3007	C3 Picasso		
6.0L F/I V8	01-02	VF1000	300S			1.2L F/I L3	15-17	VF3000
	15-16	VF2044	5.7L F/I V8	12-16	VF2027	1.4L F/I L4	09-15	VF3000
6.6L DSL V8	01-02	VF1000	Cirrus			2017	VF3000	
	15-16	VF2044	2.4L F/I L4	08-10	VF2013	1.6L DSL L4	09-17	VF3000
8.1L F/I V8	01-02	VF1000	3.5L F/I V6	2008	VF2013	1.6L F/I L4	09-16	VF3000
Silverado 3500			Grand Voyager			C4 Cactus		
5.3L F/I V8	2002	VF1000	3.0L F/I V6	2000	VF3005	1.2L F/I L3	14-17	VF3016
6.0L F/I V8	01-02	VF1000	3.3L F/I V6	2000	VF3005	1.6L DSL L4	14-17	VF3016
6.6L DSL V8	01-02	VF1000	Pacifica			C4 II		
8.1L F/I V8	01-02	VF1000	3.5L F/I V6	04-06	VF3005	1.2L F/I L3	16-17	VF3000
Silverado 3500 HD			3.8L F/I V6	05-08	VF3005	1.4L DSL L4	10-15	VF3000
6.0L F/I V8	15-16	VF2044	4.0L F/I V6	07-08	VF3005	1.4L F/I L4	10-15	VF3000
6.6L DSL V8	15-16	VF2044	Sebring			1.6L DSL L4	10-17	VF3000
Sonic			2.4L F/I L4	07-10	VF2013	1.6L F/I L4	10-15	VF3000
1.4L F/I L4	12-16	VF2040	2.7L F/I V6	07-10	VF2013	DS3		
1.8L F/I L4	12-16	VF2040	3.5L F/I V6	07-10	VF2013	1.2L F/I L3	12-17	VF3016
Spark			Town & Country			1.4L DSL L4	10-15	VF3016
1.2L F/I L4	13-15	VF2040	3.3L F/I V6	2010	VF2038	1.4L F/I L4	10-12	VF3016
1.4L F/I L4	2016	VF2040	3.6L F/I V6	11-15	VF2038	1.6L DSL L4	10-17	VF3016
Suburban			3.8L F/I V6	2010	VF2038	1.6L F/I L4	10-17	VF3016
5.3L F/I V8	15-16	VF2044	4.0L F/I V6	2010	VF2038	DODGE		
Suburban 1500			Town & Country Van			Avenger		
5.3L F/I V8	00-02	VF1000	3.3L F/I V6	01-07	VF3005	2.4L F/I L4	08-14	VF2013
Suburban 2500				08-09	VF2038	2.7L F/I V6	08-10	VF2013
6.0L F/I V8	00-02	VF1000	3.8L F/I V6	01-07	VF3005	3.5L F/I V6	08-10	VF2013
8.1L F/I V8	01-02	VF1000		08-09	VF2038	3.6L F/I V6	11-14	VF2013

CABIN AIR FILTERS



DODGE	Year(s)	Part#	FORD	Year(s)	Part#	FORD	Year(s)	Part#
Caliber			Explorer			Taurus		
1.8L F/I L4	07-09	VF2013	2.0L F/I L4	12-15	VF1011	2.0L F/I L4	13-15	VF1011
2.0L F/I L4	07-12	VF2013	3.5L F/I V6	11-15	VF1011	3.5L F/I V6	10-15	VF1011
2.4L F/I L4	07-11	VF2013	Explorer Sport			Taurus SHO		
Caliber SRT-4			3.5L F/I V6	13-15	VF1011	3.5L F/I V6	10-15	VF1011
2.4L F/I L4	08-09	VF2013	F150			Thunderbird		
Caravan			2.7L F/I V6	15-16	VF2049	3.9L F/I V8	02-05	VF3008
2.4L F/I L4	01-07	VF3005	3.5L F/I V6	15-16	VF2049	Windstar		
3.3L F/I V6	01-07	VF3005	5.0L F/I V8	15-16	VF2049	3.0L F/I V6	99-00	VF3002
Cargo Van			Flex			3.8L F/I V6	99-03	VF3002
3.6L F/I V6	2012	VF2038	3.5L F/I V6	10-15	VF1011			
Challenger			Freestar			GMC	Year(s)	Part#
3.5L F/I V6	09-10	VF3007	3.9L F/I V6	04-07	VF3002	Acadia		
3.6L F/I V6	11-16	VF2027	4.2L F/I V6	04-07	VF3002	3.6L F/I V6	07-15	VF1012
5.7L F/I V8	09-10	VF3007	Fusion			Canyon		
	11-16	VF2027	1.5L F/I L4	14-16	VF2050	2.5L F/I L4	15-16	VF2040
6.1L F/I V8	08-10	VF3007	1.6L F/I L4	13-14	VF2050	2.8L DSL L4	2016	VF2040
6.2L F/I V8	15-16	VF2027	2.0L F/I L4	13-16	VF2050	3.6L F/I V6	15-16	VF2040
6.4L F/I V8	11-16	VF2027	2.5L F/I L4	10-12	VF2041	Sierra		
Charger				13-16	VF2050	5.3L F/I V8	2015	VF2044
2.7L F/I V6	06-10	VF3007	3.0L F/I V6	10-12	VF2041	Sierra 1500		
3.5L F/I V6	06-10	VF3007	3.5L F/I V6	10-12	VF2041	4.3L F/I V6	99-02	VF1000
3.6L F/I V6	11-16	VF2027	Fusion Hybrid				14-16	VF2044
5.7L F/I V8	06-10	VF3007	2.5L F/I L4	2010	VF2041	4.8L F/I V8	99-02	VF1000
	11-16	VF2027	Galaxy III			5.3L F/I V8	99-02	VF1000
6.1L F/I V8	06-10	VF3007	1.5L F/I L4	15-17	VF2050		14-16	VF2044
6.2L F/I V8	15-16	VF2027	2.0L DSL L4	15-17	VF2050	6.0L F/I V8	2001	VF1000
6.4L F/I V8	12-16	VF2027	2.0L F/I L4	15-17	VF2050	6.2L F/I V8	14-16	VF2044
Durango			Mondeo V			Sierra 1500 HD		
3.6L F/I V6	11-16	VF3012	1.0L F/I L3	15-17	VF2050	6.0L F/I V8	01-02	VF1000
5.7L F/I V8	11-16	VF3012	1.5L DSL L4	15-17	VF2050	Sierra 2500		
Grand Caravan			1.5L F/I L4	15-17	VF2050	5.3L F/I V8	99-00	VF1000
3.3L F/I V6	01-07	VF3005	1.6L DSL L4	14-15	VF2050	6.0L F/I V8	99-02	VF1000
	08-10	VF2038	2.0L DSL L4	14-17	VF2050	Sierra 2500 HD		
3.6L F/I V6	11-15	VF2038	2.0L F/I L4	14-17	VF2050	6.0L F/I V8	01-02	VF1000
3.8L F/I V6	01-07	VF3005	2.5L F/I L5	15-16	VF2050		15-16	VF2044
	08-10	VF2038	Mustang			6.6L DSL V8	01-02	VF1000
4.0L F/I V6	08-10	VF2038	3.7L F/I V6	11-14	VF2020		15-16	VF2044
Journey			4.0L F/I V6	05-10	VF2020	8.1L F/I V8	01-02	VF1000
2.4L F/I L4	09-16	VF2013	4.6L F/I V8	07-10	VF2020	Sierra 3500		
3.5L F/I V6	09-10	VF2013	Mustang Boss 302			6.0L F/I V8	01-02	VF1000
3.6L F/I V6	11-16	VF2013	5.0L F/I V8	12-13	VF2020	6.6L DSL V8	01-02	VF1000
Magnum			Mustang Bullitt			8.1L F/I V8	01-02	VF1000
2.7L F/I V6	05-08	VF3007	4.6L F/I V8	08-09	VF2020	Sierra 3500 HD		
3.5L F/I V6	05-08	VF3007	Mustang GT			6.0L F/I V8	15-16	VF2044
5.7L F/I V8	05-08	VF3007	4.6L F/I V8	05-10	VF2020	6.6L DSL V8	15-16	VF2044
6.1L F/I V8	06-08	VF3007	5.0L F/I V8	11-14	VF2020	Sierra C3		
FORD	Year(s)	Part#	Mustang Shelby			6.0L F/I V8	2001	VF1000
Edge			5.4L F/I V8	07-09	VF2020	Terrain		
2.0L DSL L4	15-16	VF2050	Mustang Shelby GT500			2.4L F/I L4	10-16	VF2016
2.0L F/I L4	12-14	VF2019	5.4L F/I V8	10-12	VF2020	3.0L F/I V6	10-12	VF2016
	15-16	VF2050	5.8L F/I V8	13-14	VF2020	3.6L F/I V6	13-16	VF2016
2.7L F/I V6	15-16	VF2050	S-Max II			Yukon		
3.5L F/I V6	07-14	VF2019	1.5L F/I L4	15-17	VF2050	4.8L F/I V8	00-02	VF1000
	15-16	VF2050	2.0L DSL L4	15-17	VF2050	5.3L F/I V8	00-02	VF1000
3.7L F/I V6	11-14	VF2019	2.0L F/I L4	15-17	VF2050		15-16	VF2044



CABIN AIR FILTERS

GMC	Year(s)	Part#	HONDA	Year(s)	Part#	HYUNDAI	Year(s)	Part#
Yukon Denali			Crosstour			i20 II		
6.0L F/I V8	01-02	VF1000	2.4L F/I L4	12-14	VF2001	1.2L F/I L4	15-17	VF2037
6.2L F/I V8	15-16	VF2044	3.5L F/I V6	12-14	VF2001	1.4L DSL L4	15-17	VF2037
Yukon Denali XL			Element			1.4L F/I L4	15-17	VF2037
6.0L F/I V8	01-02	VF1000	2.4L F/I L4	03-11	VF2022	I30		
6.2L F/I V8	15-16	VF2044	Fit			1.4L DSL L4	13-16	VF2037
Yukon XL			Electric	2014	VF2033	1.4L DSL L4 - from	2012	VF2037
5.3L F/I V8	15-16	VF2044	1.5L F/I L4	07-08	VF1013	3/12		
Yukon XL 1500				09-13	VF2033	1.4L F/I L4	13-16	VF2037
5.3L F/I V8	00-02	VF1000		15-16	VF2033	1.4L F/I L4 - from 3/12	2012	VF2037
Yukon XL 2500			HR-V			1.6L DSL L4	13-16	VF2037
6.0L F/I V8	00-02	VF1000	1.5L F/I L4	15-17	VF2033	1.6L DSL L4 - from	2012	VF2037
8.1L F/I V8	01-02	VF1000	1.6L DSL L4	15-17	VF2033	3/12		
			1.8L F/I L4	16-17	VF2033	1.6L F/I L4	13-16	VF2037
HONDA	Year(s)	Part#	HONDA	Year(s)	Part#	HYUNDAI	Year(s)	Part#
Accord			Insight			i40		
2.3L F/I L4	98-02	VF3006	1.3L F/I L4	10-14	VF2033	1.6L F/I L4	01-17	VF2007
2.4L F/I L4	03-16	VF2001	Odyssey			1.7L DSL L4	11-17	VF2007
3.0L F/I V6	98-02	VF3006	3.5L F/I V6	99-04	VF3004	2.0L F/I L4	11-17	VF2007
	03-07	VF2001		05-16	VF2001	Santa Fe		
	08-16	VF2001	Pilot			2.0L F/I L4	13-15	VF2016
Accord Crosstour			3.5L F/I V6	03-08	VF3004	2.4L F/I L4	01-06	VF1003
3.5L F/I V6	10-11	VF2001		09-16	VF2001		2010	VF2026
Accord Hybrid			Ridgeline				2012	VF2010
2.0L F/I L4	14-15	VF2001	3.5L F/I V6	06-14	VF2001		13-15	VF2016
3.0L F/I V6	05-07	VF2001	HYUNDAI	Year(s)	Part#	2.4L F/I L4 - From	2011	VF2010
Civic			Accent			12/8/10		
1.3L F/I L4	03-05	VF2022	1.6L F/I L4	08-11	VF2037	2.4L F/I L4 - To	2011	VF2026
	06-11	VF2001		12-16	VF2007	12/8/10		
1.5L F/I L4	12-15	VF2001	Accent IV			2.7L F/I V6	01-06	VF1003
1.8L F/I L4	06-15	VF2001	1.4L F/I L4	11-15	VF2007	3.3L F/I V6	13-15	VF2016
Civic DX			Azera			3.5L F/I V6	03-06	VF1003
1.7L F/I L4	01-05	VF2022	3.3L F/I V6	12-16	VF2016		2010	VF2026
Civic EX			3.3L F/I V6 - Exc. Auto	07-11	VF2010		2012	VF2010
1.7L F/I L4	01-05	VF2022	Temp Control			3.5L F/I V6 - From	2011	VF2010
Civic GX			3.8L F/I V6 - Exc. Auto	06-11	VF2010	12/8/10		
1.7L F/I L4	01-05	VF2022	Temp Control			3.5L F/I V6 - To	2011	VF2026
1.8L F/I L4	06-11	VF2001	Elantra			12/8/10		
Civic HX			1.8L F/I L4	11-16	VF2037	Santa Fe XL		
1.7L F/I L4	01-05	VF2022	2.0L F/I L4	01-06	VF2014	3.3L F/I V6	13-15	VF2016
Civic LX				07-08	VF2037	Sonata		
1.7L F/I L4	01-05	VF2022	2.0L F/I L4 - Exc.	14-16	VF2037	2.0L F/I L4	11-14	VF2016
Civic Reverb			Touring	09-10	VF2037	2.4L F/I L4	99-05	VF1003
1.7L F/I L4	2005	VF2022	Elantra Coupe				11-14	VF2016
Civic Si			1.8L F/I L4	13-14	VF2037	2.4L F/I L4 - Exc. Auto	06-10	VF2010
1.7L F/I L4	02-05	VF2022	2.0L F/I L4	2014	VF2037	Temp Control		
2.0L F/I L4	02-05	VF2022	Elantra GT			2.5L F/I V6	99-01	VF1003
	06-11	VF2001	1.8L F/I L4	2013	VF2037	2.7L F/I V6	02-05	VF1003
2.4L F/I L4	12-15	VF2001	2.0L F/I L4	14-16	VF2037	3.3L F/I V6 - Exc. Auto	06-10	VF2010
Civic Value Package			Entourage			Temp Control		
1.7L F/I L4	04-05	VF2022	3.8L F/I V6	07-10	VF2014	Sonata Hybrid		
CR-V			Genesis Coupe			2.4L F/I L4	11-14	VF2016
2.4L F/I L4	02-06	VF2022	2.0L F/I L4	10-14	VF2007	Tiburon		
	07-16	VF2001	3.8L F/I V6	10-16	VF2007	2.0L F/I L4	03-08	VF2014
CR-Z			i20 II			2.7L F/I V6	06-08	VF2014
1.5L F/I L4	11-15	VF2033	1.0L F/I L3	16-17	VF2037	Tiburon GT		
			1.1L DSL L3	15-17	VF2037	2.7L F/I V6	03-05	VF2014
						Tiburon SE		
						2.7L F/I V6	2005	VF2014

CABIN AIR FILTERS



HYUNDAI	Year(s)	Part#	KIA	Year(s)	Part#	KIA	Year(s)	Part#
Tucson			Carens			Rio III		
1.6L F/I L4	2016	VF2007	1.7L DSL L4	13-16	VF2037	1.2L F/I L4 - Exc. Production Facility Russia	11-15	VF2007
2.0L DSL L4 - Exc. HCC HVAC System	04-10	VF2007	2.0L F/I L4	13-17	VF2037	1.2L F/I L4 - Exc. Production Facility Turkey	16-17	VF2007
2.0L F/I L4	11-14	VF2007	cee d			1.4L DSL L4 - Exc. Production Facility Russia	11-15	VF2007
	2016	VF2007	1.0L F/I L3	15-17	VF2037	1.4L DSL L4 - Exc. Production Facility Turkey	11-15	VF2007
2.0L F/I L4 - Exc. HCC HVAC System	04-09	VF2007	1.4L F/I L4	13-17	VF2037	1.4L DSL L4 - Exc. Production Facility Russia	16-17	VF2007
2.4L F/I L4	11-15	VF2007	1.4L F/I L4 - from 5/12	2012	VF2037	1.4L DSL L4 - Exc. Production Facility Turkey	11-15	VF2007
2.4L F/I L4 - Exc. HCC HVAC System	2010	VF2007	1.6L DSL L4	13-17	VF2037	1.4L DSL L4 - Exc. Production Facility Turkey	11-15	VF2007
2.7L F/I V6 - Exc. HCC HVAC System	04-09	VF2007	1.6L DSL L4 - from 5/12	2012	VF2037	1.4L F/I L4 - Exc. Production Facility Russia	16-17	VF2007
Veloster			Cerato			1.4L F/I L4 - Exc. Production Facility Turkey	11-14	VF2007
1.6L F/I L4	12-16	VF2007	1.6L F/I L4	08-12	VF2007	1.6L F/I L4 - Exc. Production Facility Russia	16-17	VF2007
Veloster Turbo				13-16	VF2037	1.6L F/I L4 - Exc. Production Facility Russia	11-14	VF2007
1.6L F/I L4	13-16	VF2007	2.0L F/I L4	08-12	VF2007	Rio5		
XC300				13-16	VF2037	1.6L F/I L4	06-12	VF2007
3.0L F/I V6	2001	VF1003	Forte			Rondo		
XC350			1.6L F/I L4	15-16	VF2037	2.4L F/I L4	07-12	VF2007
3.5L F/I V6	02-05	VF1003	1.8L F/I L4	15-16	VF2037	2.7L F/I V6	07-12	VF2007
INFINITI	Year(s)	Part#	2.0L F/I L4	10-13	VF2007	Sedona		
FX35				15-16	VF2037	3.5L F/I V6	11-12	VF2016
3.5L F/I V6	03-08	VF2004	2.4L F/I L4	10-13	VF2007		2014	VF2016
FX45			Forte Koup			3.8L F/I V6	06-10	VF2014
4.5L F/I V8	03-08	VF2004	1.6L F/I L4	15-16	VF2037	Sorento		
G35			2.0L F/I L4	10-13	VF2007	2.4L F/I L4	11-14	VF2026
3.5L F/I V6	03-08	VF2004		15-16	VF2037	3.3L F/I V6	2014	VF2026
QX56			2.4L F/I L4	10-13	VF2007	3.5L F/I V6	11-13	VF2026
5.6L F/I V8	04-10	VF1002	Forte5			Spectra		
JAGUAR	Year(s)	Part#	1.6L F/I L4	2016	VF2037	2.0L F/I L4	05-09	VF2042
S-Type			2.0L F/I L4	12-13	VF2007	Spectra5		
3.0L F/I V6	00-02	VF3008		15-16	VF2037	2.0L F/I L4	05-09	VF2042
4.0L F/I V8	00-02	VF3008	2.4L F/I L4	12-13	VF2007	Sportage		
JEEP	Year(s)	Part#	Magentis			2.0L DSL L4 - from 7/05, Left Hand Drive	2005	VF2007
Compass			2.4L F/I L4	07-10	VF2010	2.0L DSL L4 - Left Hand Drive	06-10	VF2007
2.0L F/I L4	07-16	VF2013	2.7L F/I V6	07-10	VF2010	2.0L F/I L4	05-16	VF2007
2.4L F/I L4	07-16	VF2013	Optima			2.4L F/I L4	11-16	VF2007
Grand Cherokee			2.0L F/I L4	11-14	VF2016	2.7L F/I V6	05-10	VF2007
3.0L DSL V6	14-16	VF3012	2.4L F/I L4	2005	VF1003	LEXUS	Year(s)	Part#
3.6L F/I V6	11-16	VF3012		06-10	VF2010	CT200h		
5.7L F/I V8	11-16	VF3012		11-14	VF2016	1.8L F/I L4	11-16	VF2000
6.4L F/I V8	12-16	VF3012	2.7L F/I V6	2005	VF1003	ES300		
Patriot				06-10	VF2010	3.0L F/I V6	02-03	VF2002
2.0L F/I L4	07-16	VF2013	Rio			ES300h		
2.4L F/I L4	07-16	VF2013	1.6L F/I L4	06-16	VF2007	2.5L F/I L4	13-16	VF2000
Wrangler			Rio II			ES330		
2.8L DSL L4	11-16	VF1010	1.2L F/I L4	05-11	VF2007	3.3L F/I V6	04-06	VF2002
3.6L F/I V6	12-15	VF1010	1.4L F/I L4	05-11	VF2007	ES350		
3.8L F/I V6	2011	VF1010	1.5L DSL L4	05-11	VF2007	3.5L F/I V6	07-16	VF2000
KIA	Year(s)	Part#	1.6L F/I L4	05-11	VF2007	GS300		
Borrego			Rio III			3.0L F/I L6	01-05	VF2045
3.8L F/I V6	09-11	VF2042	1.1L DSL L4 - Exc. Production Facility Russia	11-15	VF2007	3.0L F/I V6	2006	VF2000
4.6L F/I V8	09-11	VF2042	1.1L DSL L4 - Exc. Production Facility Turkey	16-17	VF2007			
Cadenza								
3.3L F/I V6	14-16	VF2016						
Carens								
1.6L F/I L4	13-17	VF2037						



CABIN AIR FILTERS

LEXUS	Year(s)	Part#	LINCOLN	Year(s)	Part#	MINI	Year(s)	Part#
GS350			MKT			Cooper S Clubman		
3.5L F/I V6	07-11	VF2000	2.0L F/I L4	2014	VF1011	1.6L F/I L4	08-12	VF5000
GS430			3.5L F/I V6	10-14	VF1011	Cooper S Countryman		
4.3L F/I V8	01-05	VF2045	3.7L F/I V6	10-14	VF1011	1.6L F/I L4	10-11	VF5000
	06-07	VF2000	MKX				13-14	VF5000
GS450h			2.7L F/I V6	2016	VF2050	Cooper S Paceman		
3.5L F/I V6	07-11	VF2000	3.5L F/I V6	07-10	VF2019	1.6L F/I L4	13-14	VF5000
GS460			3.7L F/I V6	11-15	VF2019	MITSUBISHI	Year(s)	Part#
4.6L F/I V8	08-11	VF2000		2016	VF2050	Endeavor		
GX460			MKZ			3.8L F/I V6	04-08	VF2002
4.6L F/I V8	10-16	VF2000	2.0L F/I L4	13-16	VF2050		10-11	VF2002
GX470			2.5L F/I L4	11-12	VF2041	Galant		
4.7L F/I V8	03-09	VF2002	3.5L F/I V6	10-12	VF2041	2.4L F/I L4	04-12	VF2002
HS250h			3.7L F/I V6	13-16	VF2050	3.8L F/I V6	04-09	VF2002
2.4L F/I L4	10-12	VF2000	MKZ Hybrid			Lancer		
IS F			2.0L F/I L4	13-16	VF2050	2.0L F/I L4	08-15	VF2004
5.0L F/I V8	08-13	VF2000	MAZDA	Year(s)	Part#	2.4L F/I L4	09-15	VF2004
IS250			6			Lancer Evolution		
2.5L F/I V6	06-13	VF2000	2.3L F/I L4	03-08	VF2018	2.0L F/I L4	14-15	VF2004
IS300			3.0L F/I V6	03-08	VF2018	Lancer Evolution GSR		
3.0L F/I L6	01-05	VF2008	CX-9			2.0L F/I L4	08-15	VF2004
IS350			3.5L F/I V6	2007	VF2019	Lancer Evolution MR		
3.5L F/I V6	06-13	VF2000	3.7L F/I V6	08-15	VF2019	2.0L F/I L4	08-14	VF2004
LFA			MPV			Lancer Evolution RS		
4.8L F/I V10	2012	VF2000	2.5L F/I V6	00-01	VF2002	2.0L F/I L4	2009	VF2004
LS430			3.0L F/I V6	02-03	VF2002	Lancer Ralliart		
4.3L F/I V8	01-06	VF2045	MERCURY	Year(s)	Part#	2.0L F/I L4	09-15	VF2004
LS460			Milan			Lancer Sportback		
4.6L F/I V8	07-16	VF2000	2.5L F/I L4	10-11	VF2041	2.0L F/I L4	2012	VF2004
LX570			3.0L F/I V6	10-11	VF2041	Outlander		
5.7L F/I V8	08-11	VF2000	Milan Hybrid			2.4L F/I L4	08-16	VF2004
	13-16	VF2000	2.5L F/I L4	2010	VF2041	3.0L F/I V6	07-16	VF2004
NX200t			Monterey Van			Outlander Sport		
2.0L F/I L4	15-16	VF2000	4.2L F/I V6	04-07	VF3002	2.0L F/I L4	11-16	VF2004
NX300h			MINI	Year(s)	Part#	2.4L F/I L4	15-16	VF2004
2.5L F/I L4	15-16	VF2000	Cooper			RVR		
RX300			1.6L F/I L4	07-14	VF5000	2.0L F/I L4	11-13	VF2004
3.0L F/I V6	99-03	VF2008	Cooper Clubman			NISSAN	Year(s)	Part#
RX330			1.6L F/I L4	08-11	VF5000	Altima		
3.3L F/I V6	04-06	VF2002	Cooper Countryman			2.5L F/I L4	02-06	VF2004
RX350			1.6L F/I L4	11-16	VF5000	3.5L F/I V6	02-06	VF2004
3.5L F/I V6	07-09	VF2002	Cooper Countryman John Cooper Works			Armada		
	10-15	VF2000	1.6L F/I L4	2014	VF5000	5.6L F/I V8	05-15	VF1002
RX400h			Cooper John Cooper Works			Frontier		
3.3L F/I V6	06-08	VF2002	1.6L F/I L4	09-14	VF5000	2.5L F/I L4	05-16	VF1001
RX450h			Cooper John Cooper Works Clubman			4.0L F/I V6	05-16	VF1001
3.5L F/I V6	10-15	VF2000	1.6L F/I L4	10-11	VF5000	Maxima		
SC430			Cooper John Cooper Works GP			3.5L F/I V6	04-08	VF2004
4.3L F/I V8	02-10	VF2045	1.6L F/I L4	2013	VF5000	Murano		
LINCOLN	Year(s)	Part#	Cooper Paceman			3.5L F/I V6	03-07	VF2004
LS			1.6L F/I L4	13-16	VF5000	Navara		
3.0L F/I V6	00-02	VF3008	Cooper Paceman John Cooper Works			2.3L DSL L4	15-17	VF2004
3.9L F/I V8	00-02	VF3008	1.6L F/I L4	2014	VF5000	2.5L DSL L4	05-15	VF1001
MKS			Cooper S			3.0L DSL V6	10-15	VF1001
3.5L F/I V6	10-15	VF1011	1.6L F/I L4	07-14	VF5000	NP300		
3.7L F/I V6	10-14	VF1011				2.3L DSL L4	15-17	VF2004

CABIN AIR FILTERS



NISSAN	Year(s)	Part#	PEUGEOT	Year(s)	Part#	SCION	Year(s)	Part#
NP300			RCZ			xA		
2.5L DSL L4	08-15	VF1001	1.6L F/I L4	10-16	VF3000	1.5L F/I L4	04-06	VF2009
NP300 Navara			2.0L DSL L4	10-16	VF3000	xB		
2.3L DSL L4	15-17	VF2004	PONTIAC	Year(s)	Part#	1.5L F/I L4	04-06	VF2009
Pathfinder			Aztek			2.4L F/I L4	08-15	VF2000
2.5L DSL L4	05-15	VF1001	3.4L F/I V6	01-05	VF2046	xD		
3.0L DSL V6	10-15	VF1001	Bonneville			1.8L F/I L4	08-14	VF2000
4.0L F/I V6	05-12	VF1001	3.8L F/I V6	00-05	VF3001	SEAT	Year(s)	Part#
5.6L F/I V8	2004	VF1002	4.6L F/I V8	04-05	VF3001	Alhambra		
	08-12	VF1001	G5			1.8L F/I L4	12-15	VF3013
Pathfinder Armada			2.2L F/I L4	07-10	VF2006	2.0L DSL L4	2010	VF3013
5.6L F/I V8	2004	VF1002	2.4L F/I L4	07-08	VF2006	Alhambra II		
Sentra			Grand Prix			1.4L F/I L4	10-17	VF3013
1.8L F/I L4	00-06	VF2004	3.8L F/I V6	04-08	VF3000	2.0L DSL L4	10-17	VF3013
2.0L F/I L4	00-01	VF2004	5.3L F/I V8	05-08	VF3000	2.0L F/I L4	10-17	VF3013
2.5L F/I L4	02-06	VF2004	Montana			Altea		
Titan			3.4L F/I V6	01-05	VF2046	1.2L F/I L4	10-15	VF3013
5.6L F/I V8	04-15	VF1002	3.5L F/I V6	05-06	VF2046	1.4L F/I L4	06-15	VF3013
Xterra			3.9L F/I V6	06-09	VF2046	1.6L DSL L4	09-15	VF3013
4.0L F/I V6	05-14	VF1001	Pursuit			1.6L F/I L4	04-10	VF3013
OLDSMOBILE	Year(s)	Part#	2.2L F/I L4	05-06	VF2006	1.8L F/I L4	07-14	VF3013
Aurora			2.4L F/I L4	2006	VF2006	1.9L DSL L4	04-09	VF3013
3.5L F/I V6	01-02	VF3001	Vibe			2.0L DSL L4	04-15	VF3013
4.0L F/I V8	01-03	VF3001	1.8L F/I L4	03-08	VF2005	2.0L F/I L4	04-13	VF3013
Intrigue				09-10	VF2000	Altea XL		
3.5L F/I V6	99-02	VF3000	2.4L F/I L4	09-10	VF2000	1.2L F/I L4	10-15	VF3013
3.8L F/I V6	98-99	VF3000	Vibe GT			1.4L F/I L4	06-15	VF3013
Silhouette			1.8L F/I L4	03-06	VF2005	1.6L DSL L4	09-15	VF3013
3.4L F/I V6	01-04	VF2046	RAM	Year(s)	Part#	1.6L F/I L4	06-10	VF3013
PEUGEOT	Year(s)	Part#	Cargo Van			1.8L F/I L4	07-14	VF3013
2008			3.6L F/I V6	12-15	VF2038	1.9L DSL L4	04-09	VF3013
1.2L F/I L3	13-17	VF3016	SAAB	Year(s)	Part#	2.0L DSL L4	04-15	VF3013
1.4L DSL L4	13-14	VF3016	9-4X			2.0L F/I L4	04-13	VF3013
1.6L DSL L4	13-17	VF3016	2.8L F/I V6	2011	VF2040	Ateca		
1.6L F/I L4	13-15	VF3016	3.0L F/I V6	2011	VF2040	1.0L F/I L3	16-17	VF2047
207			9-5			1.4L F/I L4	16-17	VF2047
1.4L DSL L4	06-13	VF3016	2.0L F/I L4	2011	VF2040	1.6L DSL L4	16-17	VF2047
1.4L F/I L4	06-14	VF3016	2.8L F/I V6	10-11	VF2040	2.0L DSL L4	16-17	VF2047
1.6L DSL L4	06-15	VF3016	SATURN	Year(s)	Part#	Leon		
1.6L F/I L4	06-15	VF3016	Ion			1.0L F/I L3	16-17	VF2047
207 RC			2.0L F/I L4	04-07	VF2006	1.2L F/I L4	10-12	VF3013
1.6L F/I L4	07-09	VF3016	Outlook				13-17	VF2047
208			3.6L F/I V6	07-10	VF1012	1.4L F/I L4	06-12	VF3013
1.0L F/I L3	12-16	VF3016	Relay				13-17	VF2047
1.2L F/I L3	12-17	VF3016	3.5L F/I V6	2006	VF2046	1.6L DSL L4	09-12	VF3013
1.4L DSL L4	12-15	VF3016	3.9L F/I V6	06-07	VF2046		13-17	VF2047
1.4L F/I L4	12-14	VF3016	Vue			1.6L F/I L4	05-10	VF3013
1.6L DSL L4	12-17	VF3016	2.4L F/I L4	08-10	VF2016	1.8L F/I L4	03-05	VF2012
1.6L F/I L4	12-17	VF3016	SCION	Year(s)	Part#		07-12	VF3013
208 GT			FR-S				13-17	VF2047
1.6L F/I L4	14-15	VF3016	2.0L F/I H4	13-16	VF1013	1.9L DSL L4	05-10	VF3013
308			iM			2.0L DSL L4	05-12	VF3013
1.4L F/I L4	07-14	VF3000	1.8L F/I L4	2016	VF2000		13-17	VF2047
1.6L DSL L4	07-14	VF3000	tC				05-12	VF3013
1.6L F/I L4	07-14	VF3000	2.4L F/I L4	08-10	VF2009	2.0L F/I L4	14-17	VF2047
2.0L DSL L4	07-13	VF3000	2.5L F/I L4	11-16	VF2000			



CABIN AIR FILTERS

SEAT	Year(s)	Part#	SKODA	Year(s)	Part#	TOYOTA	Year(s)	Part#
Leon Cupra R			Superb			Camry Hybrid		
2.0L F/I L4	10-12	VF3013	2.0L F/I L4 - To 6/15	2015	VF3013	2.4L F/I L4	07-11	VF2000
Toledo			3.6L F/I V6	08-14	VF3013	2.5L F/I L4	12-16	VF2000
1.8L F/I L4	02-04	VF2012	3.6L F/I V6 - To 6/15	2015	VF3013	Celica GT		
Toledo II			Yeti			1.8L F/I L4	00-05	VF2002
1.4L F/I L4	2006	VF3013	1.2L F/I L4	09-14	VF3013	Celica GTS		
1.8L F/I L4	2005	VF2012		16-17	VF3013	1.8L F/I L4	00-05	VF2002
Toledo III			1.4L F/I L4	09-14	VF3013	Corolla		
1.4L F/I L4	07-09	VF3013		16-17	VF3013	1.8L F/I L4	02-08	VF2003
1.6L F/I L4	04-09	VF3013	1.6L DSL L4	10-14	VF3013		09-16	VF2000
1.8L F/I L4	07-09	VF3013	1.8L F/I L4	09-14	VF3013	2.4L F/I L4	09-13	VF2000
1.9L DSL L4	04-09	VF3013	2.0L DSL L4	09-14	VF3013	Echo		
2.0L DSL L4	04-09	VF3013		16-17	VF3013	1.5L F/I L4	00-05	VF2009
2.0L F/I L4	05-09	VF3013				FJ Cruiser		
			SUBARU	Year(s)	Part#	4.0L F/I V6	07-14	VF2002
SKODA	Year(s)	Part#	B9 Tribeca			Highlander		
Octavia			3.0L F/I H6	06-07	VF2002	2.4L F/I L4	01-07	VF2008
1.2L F/I L4	10-12	VF3013	BRZ			2.7L F/I L4	09-16	VF2000
	14-17	VF2047	2.0L F/I H4	13-17	VF1013	3.0L F/I V6	01-03	VF2008
1.2L F/I L4 - from 4/13	2013	VF2047	Legacy			3.3L F/I V6	04-07	VF2008
1.2L F/I L4 - to 3/13	2013	VF3013	2.5L F/I H4	05-09	VF2002	3.5L F/I V6	08-13	VF2000
1.4L F/I L4	04-12	VF3013		10-16	VF2000		15-16	VF2000
	14-17	VF2047	3.0L F/I H6	08-09	VF2002	Highlander Hybrid		
1.4L F/I L4 - from 4/13	2013	VF2047	3.6L F/I H6	10-16	VF2000	3.3L F/I V6	06-07	VF2008
1.4L F/I L4 - to 3/13	2013	VF3013	Legacy GT				08-10	VF2000
1.6L DSL L4	09-12	VF3013	2.5L F/I H4	05-09	VF2002	3.5L F/I V6	11-13	VF2000
	14-17	VF2047	Outback				15-16	VF2000
1.6L DSL L4 - from 4/13	2013	VF2047	2.5L F/I H4	05-09	VF2002	Kluger		
1.6L DSL L4 - to 3/13	2013	VF3013		10-16	VF2000	2.4L F/I L4	00-07	VF2008
1.6L F/I L4	04-10	VF3013	3.0L F/I H6	05-09	VF2002	3.0L F/I V6	00-07	VF2008
	16-17	VF2047	3.6L F/I H6	10-16	VF2000	3.3L F/I V6	03-07	VF2008
1.8L F/I L4	07-12	VF3013	Outback XT			3.5L F/I V6	08-17	VF2000
	14-17	VF2047	2.5L F/I H4	05-06	VF2002	Land Cruiser		
1.8L F/I L4 - from 4/13	2013	VF2047	Tribeca			5.7L F/I V8	08-11	VF2000
1.8L F/I L4 - to 3/13	2013	VF3013	3.6L F/I H6	08-14	VF2002		13-16	VF2000
1.9L DSL L4	04-10	VF3013	SUZUKI	Year(s)	Part#	Matrix		
2.0L DSL L4	04-12	VF3013	Equator			1.8L F/I L4	03-08	VF2003
	14-15	VF2047	2.5L F/I L4	09-12	VF1001		09-13	VF2000
2.0L DSL L4 - from 4/13	2013	VF2047	4.0L F/I V6	09-12	VF1001	2.4L F/I L4	09-13	VF2000
2.0L DSL L4 - to 3/13	2013	VF3013	TOYOTA	Year(s)	Part#	Matrix XR		
2.0L F/I L4	04-13	VF3013	4 Runner			1.8L F/I L4	03-06	VF2003
	14-17	VF2047	2.7L F/I L4	2010	VF2000	Matrix XRS		
Superb			4.0L F/I V6	03-09	VF2002	1.8L F/I L4	03-06	VF2003
1.4L F/I L4	07-14	VF3013		10-16	VF2000	Prius		
	16-17	VF2047	4.7L F/I V8	03-09	VF2002	1.5L F/I L4	01-09	VF2002
1.4L F/I L4 - To 6/15	2015	VF3013	Avalon			1.8L F/I L4	10-15	VF2000
1.6L DSL L4	10-14	VF3013	2.5L F/I L4	13-16	VF2000	Prius C		
	16-17	VF2047	3.0L F/I V6	00-04	VF2002	1.5L F/I L4	12-15	VF2000
1.6L DSL L4 - To 6/15	2015	VF3013	3.5L F/I V6	05-16	VF2000	Prius V		
1.8L F/I L4	08-14	VF3013	Camry			1.8L F/I L4	12-16	VF2000
	16-17	VF2047	2.4L F/I L4	02-06	VF2002	RAV4		
1.8L F/I L4 - To 6/15	2015	VF3013		07-09	VF2000	2.0L F/I L4	01-03	VF2009
1.9L DSL L4	08-10	VF3013	2.5L F/I L4	10-16	VF2000	2.4L F/I L4	04-05	VF2009
2.0L DSL L4	16-17	VF2047	3.0L F/I V6	02-06	VF2002		06-08	VF2000
2.0L F/I L4	10-14	VF3013	3.3L F/I V6	04-06	VF2002	2.5L F/I L4	09-15	VF2000
	16-17	VF2047	3.5L F/I V6	07-16	VF2000	3.5L F/I V6	06-12	VF2000

CABIN AIR FILTERS



TOYOTA	Year(s)	Part#	VOLKSWAGEN	Year(s)	Part#	VOLKSWAGEN	Year(s)	Part#
RAV4 IV			Caddy IV			Golf Sportsvan		
2.5L F/I L4	15-16	VF2000	1.0L F/I L3	16-17	VF3013	2.0L DSL L4	14-15	VF2047
Sequoia			1.2L F/I L4	10-17	VF3013	Golf V		
4.6L F/I V8	10-12	VF2000	1.4L F/I L4	16-17	VF3013	1.4L F/I L4	03-09	VF3013
4.7L F/I V8	08-09	VF2000	1.6L DSL L4	10-17	VF3013	1.6L F/I L4	03-09	VF3013
5.7L F/I V8	08-16	VF2000	1.6L F/I L4	10-15	VF3013	1.9L DSL L4	03-09	VF3013
Sienna			2.0L DSL L4	10-17	VF3013	2.0L DSL L4	03-09	VF3013
2.7L F/I L4	11-12	VF2000	2.0L F/I L4	10-15	VF3013	2.0L F/I L4	03-09	VF3013
3.3L F/I V6	04-06	VF2002	CC			3.2L F/I V6	05-09	VF3013
3.5L F/I V6	07-10	VF2002	1.4L F/I L4	11-14	VF3013	Golf VI		
	11-15	VF2000	1.4L F/I L4 - To 4/15	2015	VF3013	1.2L F/I L4	09-14	VF3013
Solara			1.8L F/I L4	11-15	VF3013	1.4L F/I L4	08-14	VF3013
2.4L F/I L4	04-08	VF2002	2.0L DSL L4	12-15	VF3013	1.6L DSL L4	09-14	VF3013
3.3L F/I V6	04-08	VF2002	2.0L F/I L4	09-15	VF3013	1.6L F/I L4	08-14	VF3013
Tacoma			3.6L F/I V6	09-15	VF3013	1.8L F/I L4	09-14	VF3013
2.7L F/I L4	05-16	VF2005	Derby			2.0L DSL L4	08-14	VF3013
3.5L F/I V6	2016	VF2005	1.8L F/I L4	99-05	VF2012	2.0L F/I L4	09-14	VF3013
4.0L F/I V6	05-15	VF2005	2.0L F/I L4	2003	VF2012	2.5L F/I L5	09-14	VF3013
Tundra			Eos			Golf VII		
4.0L F/I V6	07-14	VF2000	1.4L F/I L4	07-14	VF3013	1.0L F/I L3	16-17	VF2047
4.6L F/I V8	10-16	VF2000	1.6L F/I L4	06-08	VF3013	1.2L F/I L4	12-17	VF2047
4.7L F/I V8	07-09	VF2000	2.0L DSL L4	06-14	VF3013	1.4L F/I L4	12-17	VF2047
5.7L F/I V8	07-16	VF2000	2.0L F/I L4	06-14	VF3013	1.6L DSL L4	12-17	VF2047
Venza			3.2L F/I V6	06-09	VF3013	1.6L F/I L4	16-17	VF2047
2.7L F/I L4	09-15	VF2000	3.6L F/I V6	09-10	VF3013	2.0L DSL L4	12-17	VF2047
3.5L F/I V6	09-15	VF2000	Golf			2.0L F/I L4	13-17	VF2047
Yaris			1.8L F/I L4	1993	VF2012	Golf VII e-Golf		
1.5L F/I L4	06-16	VF2000		95-01	VF2012	Electric	16-17	VF2047
Yaris Hybrid				2015	VF2047	GTI		
1.5L F/I L4	15-16	VF2000	1.9L DSL L4	93-06	VF2012	2.0L F/I L4	06-08	VF2012
VOLKSWAGEN	Year(s)	Part#	2.0L DSL L4	10-14	VF3013		2009	VF3013
Beetle				2015	VF2047		2015	VF2047
1.2L F/I L4	11-17	VF3013	2.0L F/I L4	93-06	VF2012	Jetta		
1.4L F/I L4	11-17	VF3013		12-13	VF3013	1.8L F/I L4	93-95	VF2012
1.6L DSL L4	11-15	VF3013	2.5L F/I L5	10-14	VF3013		00-05	VF2012
1.8L F/I L4	99-05	VF2012	2.8L F/I V6	1995	VF2012		2014	VF3013
	13-14	VF3013	Golf City			1.9L DSL L4	93-04	VF2012
1.9L DSL L4	98-06	VF2012	2.0L F/I L4	07-10	VF2012		2006	VF3013
2.0L DSL L4	14-17	VF3013	Golf GTI			1.9L DSL L4 - BEW	2005	VF2012
2.0L F/I L4	98-05	VF2012	1.8L F/I L4	00-06	VF2012	Eng.		
	12-14	VF3013	2.0L F/I L4	99-03	VF2012	1.9L DSL L4 - BRM	2005	VF3013
	16-17	VF3013	2.8L F/I V6	96-05	VF2012	Eng.		
2.0L F/I L4 - Non-US	2013	VF3013	Golf Plus			2.0L DSL L4	09-14	VF3013
2.5L F/I L5	06-10	VF2012	1.2L F/I L4	09-14	VF3013	2.0L F/I L4	93-05	VF2012
	12-14	VF3013	1.4L F/I L4	03-09	VF3013		06-14	VF3013
Beetle Cabrio			1.6L DSL L4	09-14	VF3013	2.5L F/I L5	05-14	VF3013
2.5L F/I L5	2010	VF2012	1.6L F/I L4	03-14	VF3013	2.8L F/I V6	94-04	VF2012
Cabrio			1.9L DSL L4	03-09	VF3013	Jetta City		
2.0L F/I L4	00-02	VF2012	2.0L DSL L4	03-14	VF3013	2.0L F/I L4	07-09	VF2012
Caddy III			2.0L F/I L4	03-14	VF3013	Jetta GLi		
1.4L F/I L4	04-10	VF3013	Golf R32			2.0L F/I L4	06-10	VF3013
1.6L F/I L4	04-10	VF3013	3.2L F/I V6	2004	VF2012		12-14	VF3013
1.9L DSL L4	04-10	VF3013	Golf Sportsvan			Jetta Hybrid		
2.0L DSL L4	04-10	VF3013	1.2L F/I L4	14-15	VF2047	1.4L F/I L4	13-14	VF3013
2.0L F/I L4	06-10	VF3013	1.4L F/I L4	14-15	VF2047	Jetta IV		
			1.6L DSL L4	14-15	VF2047	1.2L F/I L4	16-17	VF3013



CABIN AIR FILTERS

VOLKSWAGEN	Year(s)	Part#	VOLKSWAGEN	Year(s)	Part#
Jetta IV			Sharan II		
1.4L F/I L4	16-17	VF3013	1.4L F/I L4	10-17	VF3013
Jetta V			1.8L F/I L4	12-15	VF3013
1.2L F/I L4	11-14	VF3013	2.0L DSL L4	10-17	VF3013
	2016	VF3013	2.0L F/I L4	10-17	VF3013
1.4L F/I L4	06-14	VF3013	Sportsvan		
1.6L DSL L4	09-14	VF3013	1.0L F/I L3	16-17	VF2047
1.6L F/I L4	05-14	VF3013	1.2L F/I L4	16-17	VF2047
1.8L F/I L4	13-14	VF3013	1.4L F/I L4	16-17	VF2047
1.9L DSL L4	05-10	VF3013	1.6L DSL L4	16-17	VF2047
2.0L DSL L4	05-14	VF3013	1.6L F/I L4	16-17	VF2047
2.0L F/I L4	05-14	VF3013	2.0L DSL L4	16-17	VF2047
2.5L F/I L5	05-13	VF3013	2.0L F/I L4	16-17	VF2047
Passat			Tiguan		
1.2L F/I L4	16-17	VF2047	1.4L F/I L4	07-14	VF3013
1.4L F/I L4	07-14	VF3013	2.0L DSL L4	07-14	VF3013
	15-17	VF2047	2.0L F/I L4	07-14	VF3013
1.6L DSL L4	09-14	VF3013	Touran		
	15-17	VF2047	1.2L F/I L4	10-15	VF3013
1.6L F/I L4	05-10	VF3013	1.4L F/I L4	06-15	VF3013
1.8L F/I L4	02-05	VF2012	1.6L DSL L4	10-15	VF3013
	07-11	VF3013	1.6L F/I L4	03-10	VF3013
	2014	VF3013	1.9L DSL L4	03-10	VF3013
	16-17	VF2047	2.0L DSL L4	03-15	VF3013
1.9L DSL L4	05-08	VF3013	2.0L F/I L4	03-09	VF3013
2.0L DSL L4	2004	VF2012	Touran II		
	06-10	VF3013	1.2L F/I L4	16-17	VF2047
	12-14	VF3013	1.4L F/I L4	16-17	VF2047
	16-17	VF2047	1.6L DSL L4	16-17	VF2047
2.0L DSL L4 - Non-US	2005	VF3013	2.0L DSL L4	16-17	VF2047
2.0L DSL L4 - Non-US, 150/190BHP	2015	VF2047	Van		
2.0L DSL L4 - US	2005	VF2012	1.8L F/I L4	03-09	VF2012
2.0L F/I L4	06-10	VF3013			
	12-14	VF3013			
	16-17	VF2047			
2.5L F/I L5	12-14	VF3013			
2.8L F/I V6	02-05	VF2012			
3.6L F/I V6	06-10	VF3013			
	12-14	VF3013			
4.0L F/I W8	02-04	VF2012			
Passat CC					
1.8L F/I L4	08-11	VF3013			
2.0L DSL L4	08-10	VF3013			
	2012	VF3013			
2.0L F/I L4	08-10	VF3013			
3.6L F/I V6	09-10	VF3013			
	2012	VF3013			
R32					
3.2L F/I V6	2008	VF3013			
Rabbit					
2.5L F/I L5	06-09	VF3013			
Scirocco					
1.4L F/I L4	08-17	VF3013			
2.0L DSL L4	08-17	VF3013			
2.0L F/I L4	08-17	VF3013			

PERFORMANCE FUEL FILTERS



ACURA	Year(s)	Part#	BUICK	Year(s)	Part#	CADILLAC	Year(s)	Part#
CL			Roadmaster			Escalade EXT		
2.2L F/I L4	1997	PF-1200	5.7L F/I V8	92-96	PF-2400	6.0L F/I V8	2003	PF-1000
2.3L F/I L4	98-99	PF-1200	Skyhawk			6.0L F/I V8 - Mexico	04-06	PF-2100
3.0L F/I V6	97-99	PF-1200	1.8L F/I L4	82-86	PF-1000	Fleetwood		
EL			2.0L F/I L4	83-89	PF-1000	4.1L F/I V8	86-87	PF-1000
1.6L F/I L4	97-00	PF-1200	Skylark			4.5L F/I V8	88-90	PF-1000
Integra			2.3L F/I L4	88-91	PF-1000	4.9L F/I V8	91-92	PF-2400
1.8L F/I L4	88-01	PF-1200		92-95	PF-2100	Seville		
Integra GS-R			2.4L F/I L4	96-98	PF-2100	4.1L F/I V8	86-87	PF-1000
1.8L F/I L4	94-01	PF-1200	2.5L F/I L4	85-91	PF-1000	4.5L F/I V8	88-89	PF-1000
Integra Type R			2.8L F/I V6	1985	PF-1000	4.6L F/I V8	93-96	PF-2400
1.8L F/I L4	97-01	PF-1200	3.0L F/I V6	86-88	PF-1000		98-05	PF-2100
RL			3.1L F/I V6	94-98	PF-2100	4.9L F/I V8	1993	PF-2400
3.5L F/I V6	96-98	PF-1200	3.3L F/I V6	89-91	PF-1000	XLR		
	06-08	PF-1200		92-93	PF-2100	4.6L F/I V8	04-05	PF-2100
TL			Somerset Regal			CHEVROLET	Year(s)	Part#
2.5L F/I L5	95-98	PF-1200	2.5L F/I L4	1985	PF-1000	2500		
3.2L F/I V6	96-98	PF-1200	3.0L F/I V6	1985	PF-1000	4.8L F/I V8	01-02	PF-1000
BUICK	Year(s)	Part#	CADILLAC	Year(s)	Part#	Astro		
Allure			60 Special			2.5L F/I L4	85-91	PF-1000
3.6L F/I V6	2005	PF-2100	4.9L F/I V8	1993	PF-2400	4.3L CPI V6	92-94	PF-1000
3.8L F/I V6	2005	PF-2100	Allante			4.3L F/I V6	86-91	PF-1000
Century			4.1L F/I V8	87-88	PF-1000		95-05	PF-1000
2.2L F/I L4	93-94	PF-2400	4.5L F/I V8	89-92	PF-1000	4.3L TBI V6	92-94	PF-1000
2.5L F/I L4	84-88	PF-1000	4.6L F/I V8	1993	PF-2400	Avalanche 1500		
	1992	PF-2400	Brougham			5.3L F/I V8	2004	PF-2500
2.8L CARB V6	1985	PF-1000	5.0L F/I V8	1992	PF-2400	5.3L F/I V8 - Mexico	2003	PF-2500
2.8L F/I V6	87-88	PF-1000	5.7L F/I V8	1992	PF-2400		2005	PF-1000
3.1L F/I V6	1994	PF-2400	Catera			5.3L F/I V8 - US	02-03	PF-1000
	97-05	PF-2100	3.0L F/I V6	97-01	PF-2100	8.1L F/I V8	02-03	PF-1000
3.3L F/I V6	92-93	PF-2400	Cimarron			Avalanche 2500		
3.8L F/I V6	86-88	PF-1000	2.0L F/I L4	83-86	PF-1000	5.3L F/I V8	2005	PF-1000
Electra			2.8L F/I V6	85-88	PF-1000	5.3L F/I V8 - w/4-9/32 Length	02-04	PF-1000
3.8L F/I V6	86-90	PF-1000	Concours			5.3L F/I V8 - w/5-7/16 Length	02-04	PF-2500
LaCrosse			4.9L F/I V8	93-95	PF-2400	8.1L F/I V8	02-03	PF-1000
3.6L F/I V6	2005	PF-2100	CTS			Beretta		
3.8L F/I V6	2005	PF-2100	3.2L F/I V6	03-04	PF-2100	2.0L F/I L4	87-89	PF-1000
LeSabre			DeVille			2.2L F/I L4	1992	PF-2400
3.0L F/I V6	1986	PF-1000	4.1L F/I V8	86-87	PF-1000		93-96	PF-2100
3.8L F/I V6	86-91	PF-1000	4.5L F/I V8	88-90	PF-1000	2.3L F/I L4	1992	PF-2400
	92-93	PF-2400	4.6L F/I V8	1996	PF-2400		93-94	PF-2100
	94-05	PF-2100		00-05	PF-2100	2.8L F/I V6	87-89	PF-1000
Park Avenue			4.9L F/I V8	91-95	PF-2400	3.1L F/I V6	1992	PF-2400
3.8L F/I V6	91-93	PF-2400	Eldorado				93-96	PF-2100
	94-05	PF-2100	4.1L F/I V8	86-87	PF-1000	Blazer		
Reatta			4.5L F/I V8	88-89	PF-1000	4.2L F/I V6	02-04	PF-2500
3.8L F/I V6	88-89	PF-1000	4.6L F/I V8	93-96	PF-2400	4.3L F/I V6	91-94	PF-2500
Regal			4.9L F/I V8	1993	PF-2400		95-96	PF-1000
2.8L F/I V6	88-89	PF-1000	Escalade				99-05	PF-2500
3.1L F/I V6	89-91	PF-1000	5.3L F/I V8	01-05	PF-1000	4.3L F/I V6 - Mexico	97-98	PF-2500
3.8L F/I V6	84-87	PF-1000	5.7L F/I V8	99-00	PF-1000	4.3L F/I V6 - US	97-98	PF-1000
	90-91	PF-1000	6.0L F/I V8	02-03	PF-1000	5.0L F/I V8	1987	PF-1000
	92-04	PF-2100	6.0L F/I V8 - Mexico	2002	PF-2100	5.7L F/I V8	87-94	PF-1000
Riviera				04-06	PF-2100	Bonneville		
3.8L F/I V6	84-89	PF-1000	Escalade ESV			3.8L F/I V6 - Mexico	92-00	PF-2100
	1993	PF-2400	6.0L F/I V8	2003	PF-1000			
	95-99	PF-2100	6.0L F/I V8 - Mexico	04-06	PF-2100			



PERFORMANCE FUEL FILTERS

CHEVROLET	Year(s)	Part#	CHEVROLET	Year(s)	Part#	CHEVROLET	Year(s)	Part#
C1500			Camaro			CK5500 Kodiak		
4.1L F/I V6	95-98	PF-1000	5.7L F/I V8	93-02	PF-2100	8.1L DSL V8 - Mexico	02-06	PF-1000
4.3L F/I V6	1988	PF-1000	5.7L TPI V8	91-92	PF-1000	Colorado		
	90-98	PF-1000	Caprice			2.8L F/I L4	04-05	PF-2400
	00-01	PF-1000	4.3L F/I V6	85-89	PF-1000	3.5L F/I L5	04-05	PF-2400
	2002	PF-2400		92-93	PF-2400	Corsica		
5.0L F/I V8	88-99	PF-1000	4.3L F/I V8	95-96	PF-2400	2.0L F/I L4	87-89	PF-1000
5.7L F/I V8	88-00	PF-1000	4.3L F/I V8 - Existing	1994	PF-2400	2.2L F/I L4	1992	PF-2400
7.4L F/I V8	90-93	PF-1000	Bracket May Be Required				93-96	PF-2100
C1500 Suburban			5.0L F/I V8	1989	PF-1000	2.8L F/I V6	87-89	PF-1000
5.7L F/I V8	92-99	PF-1000		91-93	PF-2400	3.1L F/I V6	1992	PF-2400
C2500			5.7L F/I V8	1989	PF-1000		93-96	PF-2100
4.3L F/I V6	1988	PF-1000		92-96	PF-2400	5.7L F/I V8	85-96	PF-1000
	90-95	PF-1000	Cavalier			5.7L F/I V8 - Mexico	99-05	PF-2100
5.0L F/I V8	88-99	PF-1000	2.0L F/I L4	83-89	PF-1000	Corvette ZR1		
5.7L F/I V8	88-01	PF-1000	2.2L F/I L4	90-91	PF-1000	5.7L F/I V8	90-95	PF-1000
7.4L F/I V8	91-00	PF-1000		92-05	PF-2100	Cutlass		
C2500 Suburban			2.3L F/I L4	1995	PF-2100	3.1L F/I V6	88-91	PF-2100
5.7L F/I V8	92-99	PF-1000	2.4L F/I L4	96-02	PF-2100	El Camino		
7.4L F/I V8	92-99	PF-1000	2.8L F/I V6	85-94	PF-1000	4.3L F/I V6	85-87	PF-1000
C35			3.0L F/I V6	90-94	PF-1000	Express 1500		
5.7L F/I V8	95-00	PF-1000	3.1L F/I V6	90-91	PF-1000	4.3L F/I V6	96-02	PF-2400
C3500				92-94	PF-2100	4.3L F/I V6 - Mexico	04-10	PF-1000
5.7L F/I V8	88-96	PF-1000	Cavalier Z24			4.3L F/I V6 - Threaded	2003	PF-1000
	2001	PF-2400	2.8L F/I V6	87-89	PF-1000	Both Ends		
5.7L F/I V8 - Mexico	97-00	PF-2400	3.1L F/I V6	90-91	PF-1000	4.3L F/I V6 - Threaded	2003	PF-2100
5.7L F/I V8 - US, Canada	97-00	PF-1000		92-94	PF-2100	One End		
6.5L DSL V8 - Mexico	97-00	PF-2100	Celebrity			5.0L F/I V8	96-02	PF-2400
7.4L F/I V8	88-00	PF-1000	2.5L F/I L4	84-88	PF-1000	5.3L F/I V8 - Threaded	2003	PF-1000
C3500HD			2.8L CARB V6	1986	PF-1300	Both Ends		
5.7L F/I V8	91-95	PF-1000	2.8L CARB V6 - Mexico	82-85	PF-1300	5.3L F/I V8 - Threaded	2003	PF-2100
7.4L F/I V8	91-00	PF-1000	2.8L CARB V6 - US	82-85	PF-2100	One End		
8.1L F/I V8	01-02	PF-1000	2.8L F/I V6	86-88	PF-1000	5.7L F/I V8	1999	PF-2400
C60 Kodiak			2.8L F/I V6 - Mexico	1985	PF-1300		03-04	PF-2400
6.0L F/I V8 - Mexico	95-96	PF-1000		1989	PF-1000	5.7L F/I V8 - In-line	96-98	PF-2400
7.0L F/I V8 - Mexico	95-96	PF-1000	2.8L F/I V6 - US	1985	PF-2100	Filter	00-02	PF-2400
C6500 Kodiak			Century			Express 2500		
6.0L F/I V8 - Mexico	97-98	PF-1000	2.3L F/I V6	90-96	PF-1000	4.3L F/I V6	96-02	PF-2400
7.0L F/I V8 - Mexico	97-98	PF-1000	2.8L CARB V6	82-85	PF-1000	4.3L F/I V6 - Threaded	2003	PF-1000
C70 Kodiak			2.8L F/I V6	86-89	PF-1000	Both Ends		
6.0L F/I V8 - Mexico	95-96	PF-1000	Chevy			4.3L F/I V6 - Threaded	2003	PF-2100
7.0L F/I V8 - Mexico	95-96	PF-1000	4.1L F/I L6	95-96	PF-1000	One End		
C7500 Kodiak			Cheyenne			4.8L F/I V8 - Threaded	2003	PF-1000
6.0L F/I V8 - Mexico	97-98	PF-1000	5.3L F/I V8	03-07	PF-1000	Both Ends		
7.0L F/I V8 - Mexico	97-98	PF-1000		2010	PF-1000	4.8L F/I V8 - Threaded	2003	PF-2100
Camaro			Cheyenne 400 SS			One End		
2.5L F/I L4	84-86	PF-1000	5.7L F/I V8	99-01	PF-1000	5.0L F/I V8	96-02	PF-2400
2.8L F/I V6	85-89	PF-1000				5.3L F/I V8 - Threaded	2003	PF-1000
3.1L F/I V6	90-92	PF-1000	Citation			5.3L F/I V8 - Threaded	2003	PF-2100
3.4L F/I V6	93-95	PF-2100	2.8L CARB V6	83-85	PF-1300	One End		
3.8L F/I V6	95-02	PF-2100	Citation II			5.7L F/I V8	1996	PF-2400
5.0L F/I V8	85-87	PF-1000	2.5L F/I L4	84-85	PF-1000		03-04	PF-2400
5.0L MFI V8	88-89	PF-1000	2.8L CARB V6	84-85	PF-1300	5.7L F/I V8 - In-line	97-02	PF-2400
5.0L TBI V8	88-92	PF-1000	2.8L F/I V6	1985	PF-1300	Filter		
5.0L TPI V8	90-92	PF-1000	CK4500 Kodiak			6.0L F/I V8 - Mexico	05-12	PF-2100
5.7L F/I V8	87-90	PF-1000	8.1L DSL V8 - Mexico	02-06	PF-1000	6.0L F/I V8 - Threaded	2003	PF-1000
						Both Ends		
						6.0L F/I V8 - Threaded	2003	PF-2100
						One End		

PERFORMANCE FUEL FILTERS



CHEVROLET	Year(s)	Part#	CHEVROLET	Year(s)	Part#	CHEVROLET	Year(s)	Part#
Express 3500			K1500 Suburban			Oldsmobile 88th		
5.3L F/I V8 - Threaded Both Ends	2003	PF-1000	5.7L F/I V8	92-99	PF-1000	3.8L F/I V6	92-96	PF-2400
5.3L F/I V8 - Threaded One End	2003	PF-2100	K2500			P20		
5.7L F/I V8	1998	PF-2400	4.3L F/I V6	1988	PF-1000	5.7L F/I V8	87-89	PF-1000
5.7L F/I V8 - In-line Filter	03-04	PF-2400	5.0L F/I V8	90-95	PF-1000	P30		
	96-97	PF-2400	5.7L F/I V8	88-95	PF-1000	4.3L F/I V6	90-99	PF-1000
6.0L F/I V8 - Mexico	97-99	PF-2400	7.4L F/I V8	97-99	PF-1000	5.7L F/I V8	87-99	PF-1000
	99-02	PF-2400	5.7L F/I V8	88-00	PF-1000	7.4L F/I V8	90-99	PF-1000
6.0L F/I V8 - Threaded Both Ends	2003	PF-1000	7.4L F/I V8	91-00	PF-1000	R10 Suburban		
6.0L F/I V8 - Threaded One End	2003	PF-2100	K2500 Suburban			5.0L F/I V8	1987	PF-1000
7.4L F/I V8 - In-line Filter	97-00	PF-2400	5.7L F/I V8	92-99	PF-1000	5.7L F/I V8	87-88	PF-1000
7.4L MFI V8 - In-line Filter	1996	PF-2400	7.4L F/I V8	92-99	PF-1000	R10 Truck		
8.1L F/I V8	2002	PF-2400	K3500			4.3L F/I V6	1987	PF-1000
8.1L F/I V8 - In-line Filter	2001	PF-2400	5.7L F/I V8	88-00	PF-1000	5.0L F/I V8	1987	PF-1000
Express Cargo			6.5L DSL V8 - Mexico	97-00	PF-2100	5.7L F/I V8	1987	PF-1000
4.3L F/I V6	2009	PF-1000	7.4L F/I V8	88-00	PF-1000	R1500 Suburban		
Express Pasajeros			Kodiak			5.7L F/I V8	89-91	PF-1000
6.0L F/I V8	2009	PF-2100	6.0L F/I V8	99-01	PF-1000	R20		
G10			7.0L F/I V8	99-01	PF-1000	4.3L F/I V6	87-88	PF-1000
4.3L F/I V6	87-95	PF-1000	Limited			5.0L F/I V8	87-88	PF-1000
5.0L F/I V8	87-95	PF-1000	3.8L F/I V6 - Mexico	2001	PF-2100	5.7L F/I V8	87-88	PF-1000
5.7L F/I V8	87-93	PF-1000	LLV			7.4L F/I V8	87-88	PF-1000
G20			2.2L F/I L4	94-95	PF-1000	R20 Suburban		
4.3L F/I V6	87-95	PF-1000	2.5L F/I L4	87-93	PF-1000	5.7L F/I V8	87-88	PF-1000
5.0L F/I V8	87-95	PF-1000	Lumina			7.4L F/I V8	87-88	PF-1000
5.7L F/I V8	87-95	PF-1000	2.2L F/I L4	1993	PF-2100	R2500		
G30			2.5L F/I L4	1992	PF-2100	5.7L F/I V8	1989	PF-1000
4.3L F/I V6	87-95	PF-1000	2.5L F/I L4 - Mexico	90-91	PF-2100	7.4L F/I V8	1989	PF-1000
5.0L F/I V8	87-95	PF-1000	2.5L F/I L4 - US, Canada	90-91	PF-1000	R2500 Suburban		
5.7L F/I V8	87-95	PF-1000	3.1L F/I V6	90-91	PF-1000	5.7L F/I V8	89-91	PF-1000
G30			3.4L F/I V6	1991	PF-1000	7.4L F/I V8	89-91	PF-1000
4.3L F/I V6	87-96	PF-1000	3.4L F/I V6 - Mexico	94-97	PF-1000	R30		
5.7L F/I V8	00-01	PF-2400	3.4L F/I V6 - US	94-97	PF-2100	5.7L F/I V8	1987	PF-1000
	87-96	PF-1000	3.8L F/I V6	98-99	PF-2100	7.4L F/I V8	87-88	PF-1000
7.4L F/I V8	99-00	PF-2400	Lumina APV			R3500		
	88-91	PF-1000	3.1L F/I V6	90-91	PF-1000	5.7L F/I V8	89-91	PF-1000
7.4L F/I V8 - In-line Filter	1996	PF-1000	3.4L F/I V6 - Mexico	92-95	PF-2100	7.4L F/I V8	89-91	PF-1000
	92-95	PF-1000	3.4L F/I V6 - US	1996	PF-1000	Royale		
G3500			3.4L F/I V6 - US	1996	PF-2400	3.8L F/I V6 - Mexico	94-00	PF-2100
5.7L F/I V8	2001	PF-2400	3.8L F/I V6	92-95	PF-2400	S10 Blazer		
Impala			Luv			2.5L F/I L4	85-89	PF-1000
3.4L F/I V6	00-05	PF-2100	1.8L CARB L4	81-82	PF-1300	2.8L F/I V6 - Mexico	86-93	PF-1000
3.5L F/I V6 - Mexico	06-11	PF-2100	111 CARB L4	75-80	PF-1300	4.3L CPI V6	92-94	PF-1000
3.8L F/I V6	00-05	PF-2100	Malibu			4.3L F/I V6	88-91	PF-1000
Impala SS			2.2L F/I L4	04-05	PF-2100	4.3L F/I V6 - Mexico	97-98	PF-1000
5.7L F/I V8	94-96	PF-2400	2.4L F/I L4	97-99	PF-2100	4.3L TBI V6	93-94	PF-1000
Jimmy			3.1L F/I V6	97-03	PF-2100	S10 Pickup		
2.2L F/I L4	94-96	PF-1000	Monte Carlo			2.2L F/I L4	99-01	PF-2500
4.3L F/I V6	93-00	PF-1000	3.1L F/I V6	95-99	PF-2100	2.2L F/I L4 - Mexico	94-96	PF-2500
K1500			3.4L F/I V6	95-97	PF-2100	2.2L F/I L4 - Mexico, w/4-9/32 Length	97-98	PF-1000
4.3L F/I V6	1988	PF-1000	3.8L F/I V6	98-05	PF-2100	2.2L F/I L4 - Mexico, w/5-7/16 Length	97-98	PF-2500
5.0L F/I V8	90-98	PF-1000	4.3L F/I V6	85-88	PF-1000	2.2L F/I L4 - US	94-96	PF-1000
	88-99	PF-1000					97-98	PF-2500
5.7L F/I V8	88-99	PF-1000				2.5L F/I L4	85-93	PF-1000
						2.8L F/I V6	92-93	PF-1000



PERFORMANCE FUEL FILTERS

CHEVROLET	Year(s)	Part#	CHEVROLET	Year(s)	Part#	CHEVROLET	Year(s)	Part#
S10 Pickup			Silverado 3500			V20 Suburban		
4.3L CPI V6	93-95	PF-1000	5.3L F/I V8 - w/4-9/32 Length	03-04	PF-1000	5.7L F/I V8	87-88	PF-1000
4.3L F/I V6	88-91	PF-1000	5.3L F/I V8 - w/5-7/16 Length	03-04	PF-2500	7.4L F/I V8	87-88	PF-1000
	1996	PF-1000	5.7L F/I V8	04-05	PF-2400	V2500 Suburban		
	97-04	PF-2500	6.0L F/I V8	01-02	PF-1000	5.7L F/I V8	89-91	PF-1000
4.3L TBI V6	92-95	PF-1000		2004	PF-1000	7.4L F/I V8	1990	PF-1000
Silverado			6.0L F/I V8 - Mexico	2003	PF-1000	V30		
5.7L F/I V8	95-00	PF-1000	6.6L DSL V8	01-06	PF-3000	5.7L F/I V8	87-88	PF-1000
Silverado 1500			8.1L F/I V8	01-04	PF-1000	7.4L F/I V8	87-88	PF-1000
4.3L F/I V6	99-02	PF-1000	8.1L F/I V8 - Mexico	05-06	PF-1000	V3500		
	2004	PF-1000	Silverado 3500 Classic			5.7L F/I V8	89-91	PF-1000
4.3L F/I V6 - Mexico	2003	PF-1000	6.6L DSL V8	2007	PF-3000	7.4L F/I V8	89-91	PF-1000
	05-13	PF-1000	Silverado 3500 HD			CHRYSLER		
4.8L F/I V8	99-02	PF-1000	5.7L F/I V8	2003	PF-2400	Year(s) Part#		
	2004	PF-1000	6.6L DSL V8	07-15	PF-3000	Cordoba		
5.3L F/I V8	99-01	PF-1000	Silverado SS			318 2 BBL. V8 - Exc. Calif	1978	PF-1300
5.3L F/I V8 - Mexico	2002	PF-2500	6.0L F/I V8	2004	PF-1000	318 4 BBL. V8 - Exc. Calif	1978	PF-1300
	2004	PF-2500	Sonora			360 2 BBL. V8 - Exc. Calif	1978	PF-1300
	2006	PF-1000	5.3L F/I V8	03-06	PF-1000	360 4 BBL. V8 - Exc. Calif	1978	PF-1300
5.3L F/I V8 - Mexico, w/4-9/32 Length	2003	PF-1000	5.7L F/I V8	2001	PF-1000	400 CARB V8 - Exc. Calif	75-78	PF-1300
	2005	PF-1000	Suburban			Dart		
5.3L F/I V8 - Mexico, w/5-7/16 Length	2003	PF-2500	5.7L CARB V8	1987	PF-1300	2.8L DSL V6		
	2005	PF-2500	5.7L F/I V8	88-89	PF-1300	78-82 PF-1300		
5.3L F/I V8 - US	2002	PF-1000	Suburban 1500			LeBaron		
	2004	PF-1000	5.3L F/I V8	00-01	PF-1000	225 1 BBL. L6		
Silverado 1500 Classic			5.3L F/I V8 - Mexico, w/4-9/32 Length	02-03	PF-2500	225 1 BBL. L6 - Exc. Calif		
4.3L F/I V6	2008	PF-1000	5.3L F/I V8 - Mexico, w/5-7/16 Length	05-08	PF-1000	225 2 BBL. L6 - Exc. Calif		
Silverado 1500 HD			5.3L F/I V8 - US	2004	PF-1000	318 2 BBL. V8 - Exc. Calif		
6.0L F/I V8	01-02	PF-1000	5.7L F/I V8	95-02	PF-1000	318 4 BBL. V8 - Exc. Calif		
Silverado 2500			Suburban 2500			360 2 BBL. V8 - Exc. Calif		
4.8L F/I V8	03-05	PF-1000	5.3L F/I V8	2000	PF-1000	360 4 BBL. V8 - Exc. Calif		
5.3L F/I V8	99-01	PF-1000	6.0L F/I V8	00-03	PF-1000	New Yorker		
	2002	PF-2500	8.1L F/I V8	01-03	PF-1000	360 CARB V8 - Exc. Calif		
5.3L F/I V8 - w/4-9/32 Length	03-04	PF-1000	Tahoe			400 CARB V8 - Exc. Calif		
5.3L F/I V8 - w/5-7/16 Length	03-04	PF-2500	4.8L F/I V8	00-03	PF-1000	440 CARB V8 - Exc. Calif		
6.0L F/I V8	99-01	PF-1000	5.3L F/I V8	00-01	PF-1000	440 CARB V8 - Exc. Calif		
	2004	PF-1000	5.3L F/I V8 - Mexico	02-03	PF-2500	Newport		
6.0L F/I V8 - Exc. CNG	2002	PF-1000	5.3L F/I V8 - US	02-03	PF-1000	225 CARB L6 - Exc. Calif		
6.0L F/I V8 - Mexico	02-03	PF-1000	5.7L F/I V8	95-00	PF-1000	360 CARB V8 - Exc. Calif		
Silverado 2500 HD			Tracker			400 CARB V8 - Exc. Calif		
6.0L F/I V8	2001	PF-1000	2.0L F/I L4	2007	PF-1000	440 CARB V8 - Exc. Calif		
	2004	PF-1000	V10			225 CARB L6 - Exc. Calif		
6.0L F/I V8 - Exc. CNG	2002	PF-1000	4.3L F/I V6	1987	PF-1000	360 CARB V8 - Exc. Calif		
6.6L DSL V8	01-15	PF-3000	5.0L F/I V8	1987	PF-1000	400 CARB V8 - Exc. Calif		
8.1L F/I V8	01-04	PF-1000	5.7L F/I V8	1987	PF-1000	1500		
8.1L F/I V8 - Mexico	05-06	PF-1000	V10 Suburban			3.0L DSL V6		
Silverado 2500 HD Classic			5.7L F/I V8	87-88	PF-1000	15-17 PF-4500		
6.6L DSL V8	2007	PF-3000	V1500 Suburban			Aspen		
Silverado 3500			5.7L F/I V8	89-91	PF-1000	225 1 BBL. L6		
5.3L F/I V8 - Mexico	2002	PF-2500	V20			225 2 BBL. L6		
5.3L F/I V8 - US	2002	PF-1000	5.7L F/I V8	1987	PF-1000	225 CARB L6 - Exc. Calif		

PERFORMANCE FUEL FILTERS



DODGE	Year(s)	Part#	DODGE	Year(s)	Part#	DODGE	Year(s)	Part#
Aspen			B350 Van			D200		
318 2 BBL. V8	1978	PF-1300	5.9L CARB V8 - Exc. Calif	1981	PF-1300	360 4 BBL. V8 - Exc. Calif	1980	PF-1300
318 4 BBL. V8	1978	PF-1300	318 2 BBL. V8 - Exc. Calif	1978	PF-1300	360 CARB V8	1978	PF-1300
360 CARB V8	1978	PF-1300	318 4 BBL. V8 - Exc. Calif	1978	PF-1300	400 CARB V8	1978	PF-1300
B100 Van			360 CARB V8 - Exc. Calif	75-78	PF-1300	440 CARB V8	1978	PF-1300
225 CARB L6	78-79	PF-1300	400 CARB V8 - Exc. Calif	1978	PF-1300	D250		
225 CARB L6 - Exc. Calif	1980	PF-1300	D100			3.7L CARB L6 - Exc. Calif	1981	PF-1300
318 2 BBL. V8	1979	PF-1300	225 CARB L6	78-79	PF-1300	5.2L CARB V8	82-87	PF-1300
318 4 BBL. V8	1979	PF-1300	318 2 BBL. V8	1979	PF-1300	5.2L CARB V8 - Exc. Calif	1981	PF-1300
318 CARB V8	1978	PF-1300	318 4 BBL. V8	1979	PF-1300	5.2L F/I V8	88-91	PF-1300
318 CARB V8 - Exc. Calif	1980	PF-1300	318 CARB V8	1978	PF-1300	5.9L CARB V8	82-88	PF-1300
360 CARB V8	1978	PF-1300	360 CARB V8	78-79	PF-1300	1990	PF-1300	
B150 Van			400 CARB V8	1978	PF-1300	5.9L CARB V8 - Exc. Calif	1981	PF-1300
3.7L CARB L6 - Exc. Calif	1981	PF-1300	440 CARB V8	1978	PF-1300	5.9L F/I V8	89-91	PF-1300
5.2L CARB V8 - Exc. Calif	1981	PF-1300	5.2L CARB V8	84-87	PF-1300	225 CARB L6	78-79	PF-1300
B200 Van			5.2L F/I V8	88-89	PF-1300	318 2 BBL. V8 - Exc. Calif	1980	PF-1300
225 CARB L6	78-79	PF-1300	5.9L CARB V8	84-88	PF-1300	318 4 BBL. V8 - Exc. Calif	1980	PF-1300
225 CARB L6 - Exc. Calif	1980	PF-1300	D150			318 CARB V8	78-79	PF-1300
318 2 BBL. V8	1979	PF-1300	225 CARB L6	78-79	PF-1300	360 2 BBL. V8	1979	PF-1300
318 4 BBL. V8	1979	PF-1300	225 CARB L6 - Exc. Calif	1980	PF-1300	360 2 BBL. V8 - Exc. Calif	1980	PF-1300
318 CARB V8	1978	PF-1300	3.7L CARB L6 - Exc. Calif	1981	PF-1300	360 4 BBL. V8	1979	PF-1300
318 CARB V8 - Exc. Calif	1980	PF-1300	318 2 BBL. V8	1979	PF-1300	360 4 BBL. V8 - Exc. Calif	1980	PF-1300
360 2 BBL. V8	1979	PF-1300	318 4 BBL. V8	1979	PF-1300	360 CARB V8	1978	PF-1300
360 4 BBL. V8	1979	PF-1300	318 CARB V8	1978	PF-1300	400 CARB V8	1978	PF-1300
360 CARB V8	1978	PF-1300	318 CARB V8 - Exc. Calif	1980	PF-1300	440 CARB V8	1978	PF-1300
360 CARB V8 - Exc. Calif	1980	PF-1300	360 2 BBL. V8	79-80	PF-1300	D350		
400 CARB V8	1978	PF-1300	360 4 BBL. V8	1979	PF-1300	225 CARB L6	1979	PF-1300
440 CARB V8	1978	PF-1300	360 4 BBL. V8 - Exc. Calif	1980	PF-1300	318 CARB V8	75-80	PF-1300
B250 Van			360 CARB V8	1978	PF-1300	360 CARB V8	73-80	PF-1300
3.7L CARB L6 - Exc. Calif	1981	PF-1300	400 CARB V8	1978	PF-1300	5.2L CARB V8	82-91	PF-1300
5.2L CARB V8 - Exc. Calif	1981	PF-1300	440 CARB V8	1978	PF-1300	5.2L CARB V8 - Exc. Calif	1981	PF-1300
5.9L CARB V8 - Exc. Calif	1981	PF-1300	5.2L CARB V8	82-87	PF-1300	5.9L CARB V8	82-88	PF-1300
B300			5.2L CARB V8 - Exc. Calif	1981	PF-1300	5.9L CARB V8 - Exc. Calif	1981	PF-1300
225 CARB L6	78-79	PF-1300	5.2L F/I V8	88-91	PF-1300	5.9L F/I V8	89-91	PF-1300
225 CARB L6 - Exc. Calif	1980	PF-1300	5.9L CARB V8	82-89	PF-1300	D400		
318 2 BBL. V8	1979	PF-1300	5.9L CARB V8 - Exc. Calif	1981	PF-1300	360 CARB V8	78-79	PF-1300
318 4 BBL. V8	1979	PF-1300	5.9L F/I V8	89-91	PF-1300	360 CARB V8 - Exc. Calif	1980	PF-1300
318 CARB V8	1978	PF-1300	D200			440 CARB V8	1978	PF-1300
318 CARB V8 - Exc. Calif	1980	PF-1300	225 CARB L6	78-79	PF-1300	5.9L CARB V8 - Exc. Calif	1981	PF-1300
360 2 BBL. V8	1979	PF-1300	225 CARB L6 - Exc. Calif	1980	PF-1300	D450		
360 4 BBL. V8	1979	PF-1300	318 2 BBL. V8	1979	PF-1300	360 CARB V8	78-79	PF-1300
360 CARB V8	1978	PF-1300	318 4 BBL. V8	1979	PF-1300	360 CARB V8 - Exc. Calif	1980	PF-1300
360 CARB V8 - Exc. Calif	1980	PF-1300	318 CARB V8	1978	PF-1300	440 CARB V8	1978	PF-1300
400 CARB V8	1978	PF-1300	318 CARB V8 - Exc. Calif	1980	PF-1300	5.9L CARB V8 - Exc. Calif	1981	PF-1300
440 CARB V8	1978	PF-1300	360 2 BBL. V8	1979	PF-1300	Diplomat		
B350 Van			360 2 BBL. V8 - Exc. Calif	1980	PF-1300	225 1 BBL. L6	1978	PF-1300
5.2L CARB V8 - Exc. Calif	1981	PF-1300	360 4 BBL. V8	1979	PF-1300	225 1 BBL. L6 - Exc. Calif	1979	PF-1300



PERFORMANCE FUEL FILTERS

DODGE	Year(s)	Part#	DODGE	Year(s)	Part#	FORD	Year(s)	Part#
Diplomat			W100			Aerostar		
225 2 BBL. L6	1978	PF-1300	5.9L CARB V8	84-85	PF-1300	4.0L F/I V6	93-97	PF-2200
225 2 BBL. L6 - Exc. Calif	1979	PF-1300	W150			4.0L F/I V6 - Mexico	90-92	PF-2300
318 2 BBL. V8	1978	PF-1300	225 CARB L6	78-79	PF-1300	4.0L F/I V6 - US	90-92	PF-2200
318 4 BBL. V8	1978	PF-1300	225 CARB L6 - Exc. Calif	1980	PF-1300	Bronco		
360 2 BBL. V8	1978	PF-1300	3.7L CARB L6 - Exc. Calif	1981	PF-1300	4.9L F/I L6	87-89	PF-2200
360 4 BBL. V8	1978	PF-1300	318 2 BBL. V8	1979	PF-1300	4.9L F/I L6 - Mexico	90-91	PF-2300
Magnum			318 4 BBL. V8	1979	PF-1300	4.9L F/I L6 - US	90-91	PF-2200
318 2 BBL. V8 - Exc. Calif	1978	PF-1300	318 CARB V8	1978	PF-1300	4.9L F/I V8	1993	PF-2300
318 4 BBL. V8 - Exc. Calif	1978	PF-1300	318 CARB V8 - Exc. Calif	1980	PF-1300	5.0L F/I V8	87-89	PF-2200
360 CARB V8 - Exc. Calif	1978	PF-1300	360 2 BBL. V8	1979	PF-1300	5.0L F/I V8 - In-line Filter	1986	PF-2200
400 CARB V8	1978	PF-1300	360 4 BBL. V8	1979	PF-1300	5.0L F/I V8 - Mexico	90-91	PF-2300
Monaco			360 CARB V8	1978	PF-1300	5.0L F/I V8 - US	90-91	PF-2200
225 1 BBL. L6 - Exc. Calif	77-78	PF-1300	360 CARB V8 - Exc. Calif	1980	PF-1300	5.8L F/I V8	88-89	PF-2200
225 2 BBL. L6 - Exc. Calif	77-78	PF-1300	400 CARB V8	1978	PF-1300		92-96	PF-2300
318 2 BBL. V8 - Exc. Calif	1978	PF-1300	440 CARB V8	1978	PF-1300	5.8L F/I V8 - Mexico	90-91	PF-2300
318 4 BBL. V8 - Exc. Calif	1978	PF-1300	5.2L CARB V8 - Exc. Calif	1981	PF-1300	5.8L F/I V8 - US	90-91	PF-2200
360 CARB V8 - Exc. Calif	75-78	PF-1300	5.9L CARB V8 - Exc. Calif	1981	PF-1300	Bronco II		
400 CARB V8 - Exc. Calif	75-78	PF-1300	W200			2.9L F/I V6	88-90	PF-2200
440 CARB V8 - Exc. Calif	75-78	PF-1300	225 CARB L6	78-79	PF-1300	2.9L F/I V6 - In-line Filter	86-87	PF-2200
Omni			225 CARB L6 - Exc. Calif	1980	PF-1300	4.0L F/I V6	1990	PF-2200
105 CARB L4	78-79	PF-1300	318 2 BBL. V8	1979	PF-1300	Contour		
Ram 1500 Pickup			318 4 BBL. V8	1979	PF-1300	2.0L F/I L4	95-00	PF-2200
3.0L DSL V6	2014	PF-4500	318 CARB V8	1978	PF-1300	2.5L F/I V6	95-00	PF-2200
Ram 2500 Pickup			318 CARB V8 - Exc. Calif	1980	PF-1300	Contour SVT		
5.9L DSL L6	03-09	PF-4200	360 2 BBL. V8	1979	PF-1300	2.5L F/I V6	98-00	PF-2200
Ram 3500 Pickup			360 4 BBL. V8	1979	PF-1300	5.0L F/I V8	87-90	PF-2200
5.9L DSL L6	03-09	PF-4200	360 CARB V8	1978	PF-1300	5.0L F/I V8 - Mexico	1991	PF-2200
Ramcharger			360 CARB V8 - Exc. Calif	1980	PF-1300	Courier		
225 CARB L6	78-79	PF-1300	400 CARB V8	1978	PF-1300	1.6L F/I L4	01-07	PF-2300
225 CARB L6 - Exc. Calif	1980	PF-1300	440 CARB V8	1978	PF-1300	110 CARB L4	72-79	PF-1300
318 2 BBL. V8	1979	PF-1300	W250			122 CARB L4	1980	PF-1300
318 4 BBL. V8	1979	PF-1300	5.2L CARB V8 - Exc. Calif	1981	PF-1300	140 CARB L4	77-80	PF-1300
318 CARB V8	1978	PF-1300	5.9L CARB V8 - Exc. Calif	1981	PF-1300	2.0L CARB L4	1981	PF-1300
318 CARB V8 - Exc. Calif	1980	PF-1300	W300			2.3L CARB L4	1981	PF-1300
360 2 BBL. V8	1979	PF-1300	225 CARB L6	1978	PF-1300	Crown Victoria		
360 4 BBL. V8	1979	PF-1300	318 CARB V8	1978	PF-1300	4.6L F/I V8	92-96	PF-2200
360 CARB V8	1978	PF-1300	318 CARB V8 - Exc. Calif	1980	PF-1300		98-11	PF-2000
360 CARB V8 - Exc. Calif	1980	PF-1300	360 CARB V8	78-79	PF-1300	4.6L F/I V8 - Mexico	1997	PF-2000
400 CARB V8	1978	PF-1300	360 CARB V8 - Exc. Calif	1980	PF-1300	4.6L F/I V8 - US	1997	PF-2200
440 CARB V8	1978	PF-1300	400 CARB V8	1978	PF-1300	Crown Victoria Police Interceptor		
5.2L CARB V8 - Exc. Calif	1981	PF-1300	440 CARB V8	1978	PF-1300	4.6L F/I V8	04-08	PF-2000
5.9L CARB V8 - Exc. Calif	1981	PF-1300	W350			E150		
St. Regis			5.9L CARB V8 - Exc. Calif	1981	PF-1300	4.2L F/I V6	03-05	PF-2000
225 CARB L6 - Exc. Calif	1979	PF-1300	FORD	Year(s)	Part#	4.2L F/I V6 - w/2 inch OD	2002	PF-2000
5.2L CARB V8	84-85	PF-1300	Aerostar			4.2L F/I V6 - w/3 inch OD	2002	PF-2300
			2.3L F/I L4	86-87	PF-2200	4.6L F/I V8	03-12	PF-2000
			3.0L F/I V6	86-97	PF-2200	5.4L F/I V8	03-12	PF-2000
						5.4L F/I V8 - Mexico	2002	PF-2000
						6.8L F/I V10	03-12	PF-2000
						E150 Club Wagon		
						4.2L F/I V6	2003	PF-2000

PERFORMANCE FUEL FILTERS



FORD	Year(s)	Part#	FORD	Year(s)	Part#	FORD	Year(s)	Part#
E150 Club Wagon			E150 Econoline Club Wagon			E350 Econoline		
4.6L F/I V8	03-05	PF-2000	5.4L F/I V8 - w/3 inch OD	2001	PF-2300	4.2L F/I V6	97-02	PF-2300
5.4L F/I V8	03-05	PF-2000	5.8L F/I V8	88-91 92-96	PF-2200 PF-2300	4.6L F/I V8	97-02	PF-2300
E150 Econoline			E250			4.9L F/I L6	87-91 92-96	PF-2200 PF-2300
4.2L F/I V6	97-00	PF-2300	4.2L F/I V6	03-05	PF-2000	5.0L F/I V8	87-91	PF-2200
4.2L F/I V6 - w/2 inch OD	01-02	PF-2000	4.6L F/I V8	03-12	PF-2000	5.4L F/I V8	1997 2000	PF-2300 PF-2300
4.2L F/I V6 - w/3 inch OD	01-02	PF-2300	5.4L F/I V8	03-12	PF-2000		07-08	PF-2000
4.6L F/I V8	97-00	PF-2300	6.8L F/I V10	04-11	PF-2000	5.4L F/I V8 - Mexico	1998	PF-2000
4.6L F/I V8 - w/2 inch OD	01-02	PF-2000	6.8L F/I V10 - Mexico	1997 2003	PF-2000 PF-2000	5.4L F/I V8 - US	98-99	PF-2300
4.6L F/I V8 - w/3 inch OD	01-02	PF-2300	6.8L F/I V10 - w/2 inch OD	98-02	PF-2000	5.8L F/I V8	88-91 92-96	PF-2200 PF-2300
4.9L F/I L6	87-91 92-96	PF-2200 PF-2300	6.8L F/I V10 - w/3 inch OD	98-02	PF-2300	6.8L F/I V10 - Mexico	97-98	PF-2000
5.0L F/I V8	87-91 92-96	PF-2200 PF-2300	E250 Club Wagon			6.8L F/I V10 - US	97-98	PF-2300
5.0L F/I V8 - In-line Filter	1986	PF-2200	5.4L F/I V8	2005	PF-2000	7.5L F/I V8	87-91 92-97	PF-2200 PF-2300
5.4L F/I V8	2000 07-08	PF-2300 PF-2000	E250 Econoline			E350 Econoline Club Wagon		
5.4L F/I V8 - Mexico	97-99	PF-2000	4.2L F/I V6	97-00	PF-2300	4.9L F/I L6	87-91	PF-2200
5.4L F/I V8 - US	97-99	PF-2300	4.2L F/I V6 - w/2 inch OD	01-02	PF-2000		92-96	PF-2300
	2002	PF-2300	4.2L F/I V6 - w/3 inch OD	01-02	PF-2300	5.4L F/I V8	1997 2000	PF-2300 PF-2300
5.4L F/I V8 - w/2 inch OD	2001	PF-2000	4.6L F/I V8	97-02	PF-2300	5.4L F/I V8 - Mexico	98-99	PF-2000
5.4L F/I V8 - w/3 inch OD	2001	PF-2300	4.9L F/I L6	87-91 92-96	PF-2200 PF-2300	5.4L F/I V8 - US	98-99 2002	PF-2300 PF-2300
5.8L F/I V8	88-91 92-96	PF-2200 PF-2300	5.0L F/I V8	87-91 92-96	PF-2200 PF-2300	5.4L F/I V8 - w/2 inch OD	2001	PF-2000
6.8L F/I V10 - Mexico	1997	PF-2000	5.0L F/I V8 - In-line Filter	1986	PF-2200	5.4L F/I V8 - w/3 inch OD	2001	PF-2300
6.8L F/I V10 - w/2 inch OD	98-02	PF-2000	5.4L F/I V8	2000	PF-2300	5.8L F/I V8	88-91 92-96	PF-2200 PF-2300
6.8L F/I V10 - w/3 inch OD	98-02	PF-2300	5.4L F/I V8 - Mexico	97-99 2002	PF-2000 PF-2000	6.8L F/I V10 - Mexico	97-01	PF-2000
7.5L F/I V8	88-91 92-97	PF-2200 PF-2300	5.4L F/I V8 - US	97-99 2002	PF-2300 PF-2300	6.8L F/I V10 - US	97-01	PF-2300
E150 Econoline Club Wagon			5.4L F/I V8 - w/2 inch OD	2001	PF-2000	6.8L F/I V10 - w/2 inch OD	2002	PF-2000
4.2L F/I V6	97-00	PF-2300	5.4L F/I V8 - w/3 inch OD	2001	PF-2300	6.8L F/I V10 - w/3 inch OD	2002	PF-2300
4.2L F/I V6 - w/2 inch OD	01-02	PF-2000	5.8L F/I V8	88-91 92-96	PF-2200 PF-2300	7.3L DSL V8 - w/Attached Cap	99-02	PF-4000
4.2L F/I V6 - w/3 inch OD	01-02	PF-2300		92-96	PF-2300	7.5L F/I V8	88-91 92-96	PF-2200 PF-2300
4.6L F/I V8	97-00	PF-2300	7.5L F/I V8	92-97	PF-2300	E350 Super Duty		
4.6L F/I V8 - w/2 inch OD	01-02	PF-2000	E250 Econoline Club Wagon			5.4L F/I V8	2000 03-12	PF-2300 PF-2000
4.6L F/I V8 - w/3 inch OD	01-02	PF-2300	4.9L F/I L6	87-91	PF-2200		2016	PF-2100
4.9L F/I L6	87-91 92-96	PF-2200 PF-2300	5.8L F/I V8	88-91	PF-2200	5.4L F/I V8 - Mexico	1999	PF-2000
5.0L F/I V8	87-91 92-96	PF-2200 PF-2300	7.5L F/I V8	88-91	PF-2200		2002	PF-2000
5.0L F/I V8 - In-line Filter	1986	PF-2200	E250 Super Duty			5.4L F/I V8 - US	1999	PF-2300
5.4L F/I V8	2000	PF-2300	6.8L F/I V10	2012	PF-2000	5.4L F/I V8 - US	2002	PF-2300
5.4L F/I V8 - Mexico	97-99 2002	PF-2000 PF-2000	E350			5.4L F/I V8 - w/2 inch OD	2001	PF-2000
5.4L F/I V8 - US	97-99 2002	PF-2300 PF-2300	4.2L F/I V6	03-05	PF-2000	5.4L F/I V8 - w/3 inch OD	2001	PF-2300
5.4L F/I V8 - w/2 inch OD	2001	PF-2000	4.6L F/I V8	03-12	PF-2000	6.8L F/I V10	03-12 2016	PF-2000 PF-2100
E150 Econoline Club Wagon			5.0L F/I V8	92-96	PF-2300	6.8L F/I V10 - Mexico	99-01	PF-2000
4.2L F/I V6	97-00	PF-2300	E350 Club Wagon			6.8L F/I V10 - US	99-01	PF-2300
4.2L F/I V6 - w/2 inch OD	01-02	PF-2000	5.4L F/I V8	03-05	PF-2000	6.8L F/I V10 - w/2 inch OD	2002	PF-2000
4.2L F/I V6 - w/3 inch OD	01-02	PF-2300	5.4L F/I V8 - Mexico	2002	PF-2000			
4.6L F/I V8	97-00	PF-2300	6.8L F/I V10	2003 2005	PF-2000 PF-2000			
4.6L F/I V8 - w/2 inch OD	01-02	PF-2000	7.3L DSL V8 - w/Attached Cap	2003	PF-4000			



PERFORMANCE FUEL FILTERS

FORD	Year(s)	Part#	FORD	Year(s)	Part#	FORD	Year(s)	Part#
E350 Super Duty			Econoline Super Duty			Explorer Sport		
6.8L F/I V10 - w/3 inch OD	2002	PF-2300	7.3L DSL V8	1998	PF-4000	4.0L F/I V6	02-04	PF-2000
7.3L DSL V8 - w/Attached Cap	99-03	PF-4000	7.3L DSL V8 - w/Attached Cap	1999	PF-4000	4.0L F/I V6 - Exc. Flex Fuel	2001	PF-2000
E450 Econoline Super Duty			7.5L F/I V8	1996	PF-2300	4.0L F/I V6 - Mexico	2000	PF-2300
5.4L F/I V8	2000	PF-2300	EcoSport			4.0L F/I V6 - US, Exc. Postal	2000	PF-2000
5.4L F/I V8 - w/2 inch OD	01-02	PF-2000	2.0L F/I L4	03-11	PF-2000	Explorer Sport Trac		
5.4L F/I V8 - w/3 inch OD	01-02	PF-2300	Escape			4.0L F/I V6	01-05	PF-2000
6.8L F/I V10	97-00	PF-2300	2.0L F/I L4	01-05	PF-2200	F Super Duty		
6.8L F/I V10 - w/2 inch OD	01-02	PF-2000	2.3L F/I L4	05-07	PF-2200	7.5L F/I V8	88-89	PF-2200
6.8L F/I V10 - w/3 inch OD	01-02	PF-2300		2008	PF-2300	F150		
7.3L DSL V8 - w/Attached Cap	00-02	PF-4000	2.5L F/I L4	09-13	PF-2300	4.2L F/I V6	97-98	PF-2300
E450 Econoline Super Duty Stripped			3.0L F/I V6	01-07	PF-2200		99-05	PF-2000
5.4L F/I V8	2000	PF-2300	Escape Hybrid			4.2L F/I V6 - Before 12/5/05	2006	PF-2000
5.4L F/I V8 - w/2 inch OD	01-02	PF-2000	2.3L F/I L4	05-07	PF-2200	4.6L F/I V8	97-98	PF-2300
5.4L F/I V8 - w/3 inch OD	01-02	PF-2300		2008	PF-2300		99-05	PF-2000
6.8L F/I V10	2000	PF-2300	2.5L F/I L4	09-12	PF-2300	4.6L F/I V8 - Before 12/5/05	2006	PF-2000
6.8L F/I V10 - w/2 inch OD	01-02	PF-2000	Escort			4.9L F/I L6	87-91	PF-2200
6.8L F/I V10 - w/3 inch OD	01-02	PF-2300	1.6L F/I L4	83-85	PF-2200		92-96	PF-2300
7.3L DSL V8 - w/Attached Cap	00-02	PF-4000	1.8L F/I L4	92-93	PF-2200	5.0L CARB V8	87-90	PF-2200
E450 Super Duty			1.9L F/I L4	86-96	PF-2200	5.0L F/I V8	87-91	PF-2200
5.4L F/I V8	03-04	PF-2000	Escort GT				92-96	PF-2300
	06-09	PF-2000	1.8L F/I L4	91-95	PF-2200	5.0L F/I V8 - In-line Filter	1986	PF-2200
	2011	PF-2000	1.9L F/I L4	1989	PF-2200	5.4L F/I V8	99-05	PF-2000
	2016	PF-2100	Excursion				07-08	PF-2000
6.8L F/I V10	03-12	PF-2000	5.4L F/I V8	1999	PF-2000	5.4L F/I V8 - Before 12/5/05	2006	PF-2000
	2016	PF-2100		01-05	PF-2300	5.4L F/I V8 - Mexico	97-98	PF-2000
7.3L DSL V8 - w/Attached Cap	2003	PF-4000	5.4L F/I V8 - Mexico	2000	PF-2000	5.4L F/I V8 - US	97-98	PF-2300
E450 Super Duty Stripped Chassis			6.0L DSL V8	03-05	PF-4100	5.8L F/I V8	88-91	PF-2200
7.3L DSL V8 - w/Attached Cap	2003	PF-4000	6.8L F/I V10	00-05	PF-2300		92-97	PF-2300
E550 Econoline Super Duty			7.3L DSL V8 - w/Attached Cap	00-03	PF-4000	6.8L F/I V10	98-01	PF-2300
6.8L F/I V10	97-99	PF-2300	EXP				05-07	PF-2000
6.8L F/I V10 - w/2 inch OD	2002	PF-2000	1.6L F/I L4	83-85	PF-2200	6.8L F/I V10 - w/2 inch OD	02-04	PF-2000
6.8L F/I V10 - w/3 inch OD	2002	PF-2300	1.9L F/I L4	86-88	PF-2200	6.8L F/I V10 - w/3 inch OD	02-04	PF-2300
7.3L DSL V8 - w/Attached Cap	2002	PF-4000	Expedition			7.5L F/I V8	88-91	PF-2200
E550 Super Duty			4.6L F/I V8	97-98	PF-2300		92-97	PF-2300
6.8L F/I V10	2003	PF-2000		00-02	PF-2000	F150 Harley Davidson		
7.3L DSL V8 - w/Attached Cap	2003	PF-4000	5.4L F/I V8	2004	PF-2000	5.4L F/I V8	00-03	PF-2000
Econoline				97-98	PF-2300	F150 Heritage		
4.2L F/I V6	2003	PF-2000		00-02	PF-2000	4.2L F/I V6	2004	PF-2000
4.6L F/I V8	04-06	PF-2000		2004	PF-2000	4.6L F/I V8	2004	PF-2000
	10-12	PF-2000		00-02	PF-2000	5.4L F/I V8	2004	PF-2000
5.4L F/I V8	03-06	PF-2000		05-06	PF-2000	F150 Lightning		
Econoline Super Duty			Explorer			5.4L F/I V8	99-04	PF-2000
5.4L F/I V8	97-99	PF-2300	4.0L F/I V6	91-98	PF-2300	5.8L F/I V8	93-95	PF-2300
5.8L F/I V8	1996	PF-2300	4.0L F/I V6 - Exc. Postal	02-05	PF-2000	F250		
6.8L F/I V10	1998	PF-2300	4.0L F/I V6 - Mexico	2001	PF-2000	4.2L F/I V6	97-98	PF-2300
			4.0L F/I V6 - US	99-00	PF-2300	4.2L F/I V8	99-06	PF-2000
			4.0L F/I V6 - US, Exc. Postal	1999	PF-2000	4.6L F/I V8	97-98	PF-2300
			4.6L F/I V8	2000	PF-2000		99-06	PF-2000
			5.0L F/I V8	2001	PF-2000	4.9L F/I L6	87-91	PF-2200
				96-98	PF-2300		92-96	PF-2300
				99-01	PF-2000	4.9L F/I V8	1995	PF-2300

PERFORMANCE FUEL FILTERS



FORD	Year(s)	Part#	FORD	Year(s)	Part#	FORD	Year(s)	Part#
F250			F350			F53		
5.0L F/I V8	87-91	PF-2200	5.4L F/I V8 - w/2 inch OD	2002	PF-2000	7.5L F/I V8	88-91	PF-2200
	92-96	PF-2300	5.4L F/I V8 - w/3 inch OD	2002	PF-2300		92-97	PF-2300
5.0L F/I V8 - In-line Filter	1986	PF-2200	5.8L CARB V8	88-90	PF-2200	F550		
5.4L F/I V8 - Mexico	97-99	PF-2000	5.8L F/I V8	88-91	PF-2200	5.4L F/I V8	2001	PF-2000
5.4L F/I V8 - US	97-99	PF-2300		92-97	PF-2300	5.4L F/I V8 - w/2 inch OD	2002	PF-2000
5.8L F/I V8	88-91	PF-2200	6.8L F/I V10	1998	PF-2300	5.4L F/I V8 - w/3 inch OD	2002	PF-2300
	92-97	PF-2300	7.5L F/I V8	88-91	PF-2200	F550 Super Duty		
6.8L F/I V10	1998	PF-2300		92-97	PF-2300	6.0L DSL V8	03-07	PF-4100
7.5L F/I V8	88-91	PF-2200	F350 Harley Davidson Super Duty			6.8L F/I V10	00-04	PF-2300
	92-97	PF-2300	6.0L DSL V8	04-07	PF-4100	6.8L F/I V10 - Mexico	1999	PF-2000
F250 Harley Davidson Super Duty			6.8L F/I V10	2005	PF-2000	6.8L F/I V10 - US	1999	PF-2300
6.0L DSL V8	04-07	PF-4100	6.8L F/I V10 - Mexico	2004	PF-2000	7.3L DSL V8 - w/Attached Cap	99-03	PF-4000
6.8L F/I V10	2005	PF-2000	6.8L F/I V10 - US	2004	PF-2300	Fiesta		
6.8L F/I V10 - Mexico	2004	PF-2000	F350 Super Duty			1.6L F/I L4	04-07	PF-2000
6.8L F/I V10 - US	2004	PF-2300	5.4L F/I V8	00-01	PF-2300	1.6L F/I L4 - Sedan	2008	PF-2000
F250 Super Duty				2005	PF-2000	1.6L F/I L4 - w/Hatchback	2003	PF-2000
5.4L F/I V8	00-01	PF-2300		07-08	PF-2000	Five Hundred		
	2005	PF-2000	5.4L F/I V8 - Before 12/5/05	2006	PF-2000	2.0L F/I L4	2007	PF-2000
	07-08	PF-2000	5.4L F/I V8 - Mexico	1999	PF-2000	3.0L F/I V6	05-07	PF-2000
5.4L F/I V8 - Before 12/5/05	2006	PF-2000		03-04	PF-2000	3.5L F/I V6	2008	PF-2000
5.4L F/I V8 - Mexico	1999	PF-2000	5.4L F/I V8 - US	1999	PF-2300	Focus		
	2002	PF-2000		03-04	PF-2300	2.0L F/I L4	00-08	PF-2000
	2004	PF-2000	5.4L F/I V8 - w/2 inch OD	2002	PF-2000	2.3L F/I L4	03-07	PF-2000
5.4L F/I V8 - US	1999	PF-2300	5.4L F/I V8 - w/3 inch OD	2002	PF-2300	Focus II		
	2002	PF-2300	6.0L DSL V8	03-07	PF-4100	2.5L F/I L5	2008	PF-2000
	2004	PF-2300	6.8L F/I V10	99-01	PF-2300	Focus SVT		
5.4L F/I V8 - w/2 inch OD	2003	PF-2000		05-07	PF-2000	2.0L F/I L4	03-04	PF-2000
5.4L F/I V8 - w/3 inch OD	2003	PF-2300	6.8L F/I V10 - Mexico	03-04	PF-2000	Freestar		
6.0L DSL V8	03-07	PF-4100	6.8L F/I V10 - US	03-04	PF-2300	3.8L F/I V6	2007	PF-2000
6.8L F/I V10	99-01	PF-2300	6.8L F/I V10 - w/2 inch OD	2002	PF-2000	3.9L F/I V6	04-05	PF-2000
	05-08	PF-2000	6.8L F/I V10 - w/3 inch OD	2002	PF-2300	4.2L F/I V6	04-05	PF-2000
6.8L F/I V10 - Mexico	02-04	PF-2000	7.3L DSL V8 - w/Attached Cap	99-03	PF-4000	Freestyle		
6.8L F/I V10 - US	02-04	PF-2300	F450			3.0L F/I V6	05-07	PF-2000
7.3L DSL V8 - w/Attached Cap	99-03	PF-4000	5.4L F/I V8	2001	PF-2000	Ghia		
F350				2003	PF-2000	2.3L F/I L4	90-92	PF-2200
4.2L F/I V6	97-98	PF-2300	5.4L F/I V8 - w/2 inch OD	2002	PF-2000	3.0L F/I V6	93-94	PF-2200
4.2L F/I V8	99-06	PF-2000	5.4L F/I V8 - w/3 inch OD	2002	PF-2300	Grand Marquis		
4.6L F/I V8	97-98	PF-2300	6.8L F/I V10	1998	PF-2300	4.6L F/I V8	92-98	PF-2200
	99-06	PF-2000		01-04	PF-2300		04-09	PF-2000
4.9L F/I L6	87-91	PF-2200	6.8L F/I V10 - Mexico	1999	PF-2000	Ka		
	92-96	PF-2300	7.5L F/I V8	90-91	PF-2200	1.6L F/I L4	01-07	PF-2000
5.0L CARB V8	87-90	PF-2200		92-97	PF-2300	Lobo		
5.0L F/I V8	1991	PF-2200	F450 Super Duty			4.6L F/I V8	97-98	PF-2300
	1992	PF-2300	6.0L DSL V8	03-07	PF-4100		99-07	PF-2000
	1996	PF-2300	6.8L F/I V10	00-04	PF-2300	5.4L F/I V8	00-04	PF-2000
5.4L F/I V8	1997	PF-2000	6.8L F/I V10 - Mexico	1999	PF-2000	Lobo XLT		
	1998	PF-2300	6.8L F/I V10 - US	1999	PF-2300	4.6L F/I V8	97-98	PF-2000
	2001	PF-2000	7.3L DSL V8 - w/Attached Cap	99-03	PF-4000	LTD		
	2005	PF-2000	7.5L F/I V8	88-89	PF-2200	3.8L F/I V6	84-86	PF-2200
	07-08	PF-2000	F550 Super Duty			5.0L CARB V8	1985	PF-2200
5.4L F/I V8 - Before 12/5/05	2006	PF-2000	6.0L DSL V8	03-07	PF-4100	5.0L F/I V8	83-86	PF-2200
5.4L F/I V8 - Mexico	03-04	PF-2000	6.8L F/I V10	00-04	PF-2300			



PERFORMANCE FUEL FILTERS

FORD	Year(s)	Part#	FORD	Year(s)	Part#	GMC	Year(s)	Part#
LTD Crown Victoria			Ranger			C3500HD		
5.0L F/I V8	87-91	PF-2200	4.0L F/I V6	95-97	PF-2300	8.1L F/I V8	01-02	PF-1000
Mountaineer			4.0L F/I V6 - Mexico			Caballero		
4.0L F/I V6	98-01	PF-2000	4.0L F/I V6 - US	98-99	PF-2000	4.3L F/I V6	85-87	PF-1000
5.0L F/I V8	97-01	PF-2000	Sable			Canyon		
Mustang			3.0L F/I V6	90-00	PF-2200	2.8L F/I L4	04-05	PF-2400
2.3L F/I L4	83-93	PF-2200	3.5L F/I V6	08-09	PF-2000	3.5L F/I L5	04-05	PF-2400
3.8L F/I V6	84-86	PF-2200	3.8L F/I V6	90-95	PF-2200	3.5L F/I L5 - Mexico	2006	PF-2400
	94-97	PF-2200	Taurus			Colorado		
	98-04	PF-2000	2.5L F/I L4	86-91	PF-2200	3.5L F/I L5	04-05	PF-2400
3.9L F/I V6	2004	PF-2000	3.0L F/I V6	86-00	PF-2200	G1500		
4.6L F/I V8	96-97	PF-2200	3.4L F/I V8	96-99	PF-2200	4.3L F/I V6	87-95	PF-1000
	98-03	PF-2000	3.8L F/I V6	88-95	PF-2200	5.0L F/I V8	87-95	PF-1000
5.0L F/I V8	84-95	PF-2200	Taurus LX			5.7L F/I V8	87-93	PF-1000
Mustang GT			3.0L F/I V6	96-97	PF-2200	G2500		
4.6L F/I V8	96-97	PF-2200	Taurus SHO			4.3L F/I V6	87-95	PF-1000
	98-04	PF-2000	3.0L F/I V6	89-95	PF-2200	5.0L F/I V8	87-95	PF-1000
Mustang GT Bullitt			3.2L F/I V6	93-95	PF-2200	5.7L F/I V8	87-89	PF-1000
4.6L F/I V8	2001	PF-2000	Tempo				91-95	PF-1000
Mustang Mach 1			2.3L F/I L4	85-94	PF-2200	G3500		
4.6L F/I V8	03-04	PF-2000	3.0L F/I V6	92-94	PF-2200	4.3L F/I V6	87-95	PF-1000
Mustang SVT Cobra			Thunderbird			5.7L F/I V8	87-96	PF-1000
4.6L F/I V8	96-97	PF-2200	2.3L F/I L4	83-88	PF-2200	7.4L F/I V8	88-91	PF-1000
	98-01	PF-2000	3.8L F/I V6	84-88	PF-2200	7.4L F/I V8 - In-line	92-96	PF-1000
	03-04	PF-2000	3.9L F/I V8	2002	PF-2000	Filter		
5.0L F/I V8	94-95	PF-2200	5.0L F/I V8	83-88	PF-2200	Jimmy		
Mustang SVT Cobra R			Topaz			4.3L CPI V6	92-94	PF-1000
5.4L F/I V8	2000	PF-2000	2.3L F/I L4	90-94	PF-2200	4.3L F/I V6	95-96	PF-1000
Mystique			Windstar				97-05	PF-2500
2.0L F/I L4	95-00	PF-2200	3.0L F/I V6	95-98	PF-2300	4.3L TBI V6	1992	PF-1000
2.5L F/I V6	95-00	PF-2200		99-03	PF-2000		1994	PF-1000
Probe			3.8L F/I V6	95-98	PF-2300	5.0L F/I V8	1987	PF-1000
3.0L F/I V6	90-92	PF-2200		99-03	PF-2000	5.7L F/I V8	87-91	PF-1000
Ranger			GMC			K1500		
2.3L F/I L4	1987	PF-2200	C1500			4.3L F/I V6	89-98	PF-1000
	90-94	PF-2200	4.3L F/I V6	89-98	PF-1000	5.0L F/I V8	88-99	PF-1000
	95-98	PF-2300	5.0L F/I V8	88-99	PF-1000	5.7L F/I V8	88-99	PF-1000
2.3L F/I L4 - In-line	85-86	PF-2200	5.7L F/I V8	88-99	PF-1000	K1500 Suburban		
Filter	88-89	PF-2200	C1500 Suburban			5.7L F/I V8	92-99	PF-1000
			5.7L F/I V8	92-99	PF-1000	K2500		
2.5L F/I L4 - Mexico	98-99	PF-2300	C2500			4.3L F/I V6	89-95	PF-1000
2.5L F/I L4 - US	98-99	PF-2000	4.3L F/I V6	89-95	PF-1000	5.0L F/I V8	88-99	PF-1000
2.9L F/I V6	91-92	PF-2300	5.0L F/I V8	88-99	PF-1000	5.7L F/I V8	88-00	PF-1000
2.9L F/I V6 - In-line	86-87	PF-2200	5.7L F/I V8	88-96	PF-1000	7.4L F/I V8	91-93	PF-1000
Filter				98-00	PF-1000		95-00	PF-1000
2.9L F/I V6 - Mexico	88-90	PF-2300	7.4L F/I V8	91-93	PF-1000	K2500 Suburban		
2.9L F/I V6 - US	1988	PF-2200		95-00	PF-1000	5.7L F/I V8	92-99	PF-1000
	1990	PF-2200	C2500 Suburban			7.4L F/I V8	92-93	PF-1000
2.9L F/I V6 - US,	1989	PF-2200	5.7L F/I V8	92-96	PF-1000		95-99	PF-1000
In-line Filter				98-99	PF-1000	K3500		
3.0L F/I V6	91-94	PF-2200	7.4L F/I V8	92-93	PF-1000	5.7L F/I V8	88-00	PF-1000
	95-97	PF-2300		95-99	PF-1000	7.4L F/I V8	88-93	PF-1000
3.0L F/I V6 - Mexico	98-99	PF-2300	C3500				95-00	PF-1000
3.0L F/I V6 - US	98-99	PF-2000	5.7L F/I V8	88-00	PF-1000	P2500		
4.0L F/I V6	1990	PF-2200	7.4L F/I V8	88-93	PF-1000	5.7L F/I V8	88-89	PF-1000
	91-92	PF-2300		95-00	PF-1000	P3500		
	93-94	PF-2200				4.3L F/I V6	90-99	PF-1000

PERFORMANCE FUEL FILTERS



GMC	Year(s)	Part#	GMC	Year(s)	Part#	GMC	Year(s)	Part#
P3500			Savana 2500			Sierra C3		
5.7L F/I V8	87-95	PF-1000	4.3L F/I V6 - Threaded Both Ends	03-04	PF-1000	6.0L F/I V8	2001	PF-1000
	97-99	PF-1000	4.3L F/I V6 - Threaded One End	03-04	PF-2100	Sierra Denali		
5.7L F/I V8 - VIN K	1996	PF-1000	4.8L F/I V8 - Threaded Both Ends	2003	PF-1000	6.0L F/I V8	02-03	PF-1000
5.7L F/I V8 - VIN R	1996	PF-2400	4.8L F/I V8 - Threaded One End	2003	PF-2100	Sonoma		
7.4L F/I V8	90-95	PF-1000	5.0L F/I V8	96-02	PF-2400	2.2L F/I L4	94-96	PF-1000
	97-99	PF-1000	5.3L F/I V8 - Threaded Both Ends	2003	PF-1000		97-00	PF-2500
7.4L F/I V8 - In-line Filter, VIN J	1996	PF-2400	5.3L F/I V8 - Threaded One End	2003	PF-2100	2.5L F/I L4	91-93	PF-1000
7.4L F/I V8 - In-line Filter, VIN N	1996	PF-1000	5.7L F/I V8 - In-line Filter	1996	PF-2400	2.8L F/I V6	92-93	PF-1000
R1500			6.0L F/I V8 - Threaded Both Ends	2003	PF-1000	4.3L CPI V6	92-95	PF-1000
4.3L F/I V6	1987	PF-1000	Savana 3500			4.3L F/I V6	1991	PF-1000
5.0L F/I V8	1987	PF-1000	4.8L F/I V8 - Threaded Both Ends	2003	PF-1000		1996	PF-1000
5.7L F/I V8	1987	PF-1000	4.8L F/I V8 - Threaded One End	2003	PF-2100		97-04	PF-2500
R1500 Suburban			5.7L F/I V8 - In-line Filter	1996	PF-2400	4.3L TBI V6	92-95	PF-1000
5.0L F/I V8	1987	PF-1000	6.0L F/I V8 - Threaded One End	2003	PF-2100	Syclone		
5.7L F/I V8	87-91	PF-1000	Savana 3500			4.3L F/I V6	1991	PF-1000
R2500			4.8L F/I V8 - Threaded Both Ends	2003	PF-1000	Typhoon		
4.3L F/I V6	1987	PF-1000	4.8L F/I V8 - Threaded One End	2003	PF-2100	4.3L F/I V6	92-93	PF-1000
5.0L F/I V8	1987	PF-1000	5.7L F/I V8 - In-line Filter	1996	PF-2400	V1500		
5.7L F/I V8	87-89	PF-1000	6.0L F/I V8 - Threaded Both Ends	2003	PF-1000	4.3L F/I V6	1987	PF-1000
7.4L F/I V8	87-89	PF-1000	6.0L F/I V8 - Threaded One End	2003	PF-2100	5.0L F/I V8	1987	PF-1000
R2500 Suburban			7.4L F/I V8 - In-line Filter	96-97	PF-2400	5.7L F/I V8	1987	PF-1000
5.7L F/I V8	87-91	PF-1000	Sierra 1500			V1500 Suburban		
7.4L F/I V8	87-91	PF-1000	4.3L F/I V6	99-04	PF-1000	5.7L F/I V8	87-91	PF-1000
R3500			4.8L F/I V8	99-03	PF-1000	V2500		
5.7L F/I V8	87-91	PF-1000	5.3L F/I V8	99-03	PF-1000	5.7L F/I V8	1987	PF-1000
7.4L F/I V8	87-91	PF-1000	6.0L F/I V8	2001	PF-1000	V2500 Suburban		
S15 Jimmy			Sierra 1500 HD			5.7L F/I V8	87-91	PF-1000
2.5L F/I L4	85-88	PF-1000	6.0L F/I V8	01-03	PF-1000	V3500		
4.3L F/I V6	1988	PF-1000	Sierra 2500			5.7L F/I V8	87-91	PF-1000
	1991	PF-1000	5.3L F/I V8	99-00	PF-1000	7.4L F/I V8	87-91	PF-1000
4.3L TBI V6	89-90	PF-1000	6.0L F/I V8	99-01	PF-1000	Yukon		
S15 Pickup			6.0L F/I V8 - Exc. CNG	2002	PF-1000	4.8L F/I V8	00-03	PF-1000
2.5L F/I L4	85-90	PF-1000	Sierra 2500 HD			5.3L F/I V8	00-03	PF-1000
4.3L F/I V6	1988	PF-1000	6.0L F/I V8	2001	PF-1000	5.7L F/I V8	92-99	PF-1000
4.3L TBI V6	89-90	PF-1000	6.0L F/I V8 - Exc. CNG	2002	PF-1000	Yukon Denali		
Safari			6.6L DSL V8	01-15	PF-3000	5.7L F/I V8	99-00	PF-1000
2.5L F/I L4	85-89	PF-1000	8.1L F/I V8	01-03	PF-1000	6.0L F/I V8	01-03	PF-1000
4.3L CPI V6	92-94	PF-1000	Sierra 2500 HD Classic			Yukon Denali XL		
4.3L F/I V6	86-91	PF-1000	6.6L DSL V8	2007	PF-3000	6.0L F/I V8	01-03	PF-1000
	95-00	PF-1000	Sierra 3500			Yukon XL 1500		
4.3L TBI V6	92-94	PF-1000	6.0L F/I V8	01-03	PF-1000	5.3L F/I V8	00-03	PF-1000
Savana 1500			6.6L DSL V8	01-06	PF-3000	Yukon XL 2500		
4.3L F/I V6	96-02	PF-2400	8.1L F/I V8	01-03	PF-1000	6.0L F/I V8	00-03	PF-1000
4.3L F/I V6 - Threaded Both Ends	03-04	PF-1000	Sierra 3500 Classic			8.1L F/I V8	01-03	PF-1000
4.3L F/I V6 - Threaded One End	03-04	PF-2100	6.6L DSL V8	2007	PF-3000	HONDA	Year(s)	Part#
5.0L F/I V8	96-02	PF-2400	Sierra 3500 HD			Accord		
5.3L F/I V8 - Threaded Both Ends	2003	PF-1000	6.0L F/I V8	01-03	PF-1000	1.8L CARB L4	80-81	PF-1300
5.3L F/I V8 - Threaded One End	2003	PF-2100	6.6L DSL V8	01-06	PF-3000	2.2L F/I L4	94-97	PF-1200
5.7L F/I V8 - In-line Filter	1996	PF-2400	8.1L F/I V8	01-03	PF-1000	2.3L F/I L4 - Mexico	99-02	PF-1200
Savana 2500			Sierra 3500 HD Classic			2.7L F/I V6	95-97	PF-1200
4.3L F/I V6	96-02	PF-2400	6.6L DSL V8	2007	PF-3000	Accord EX		
			Sierra 3500 HD			2.2L F/I L4	1994	PF-1200
			6.6L DSL V8	07-15	PF-3000	Accord V		
						2.2L F/I L4 - EX-R	1998	PF-1200
						Accord VI		
						2.2L F/I L4 - EX-R	1998	PF-1200



PERFORMANCE FUEL FILTERS

HONDA	Year(s)	Part#	JAGUAR	Year(s)	Part#	LINCOLN	Year(s)	Part#
Accord VII			Vanden Plas			Navigator		
2.2L F/I L4 - EX-R	98-01	PF-1200	4.0L F/I L6	92-97	PF-1000	5.4L F/I V8	1998	PF-2300
Civic CX			4.0L F/I V8	98-03	PF-1000		01-02	PF-2000
1.5L F/I L4	1995	PF-1200	4.2L F/I V8	04-09	PF-1000		05-06	PF-2000
1.6L F/I L4	96-00	PF-1200	XF			5.4L F/I V8 - DOHC	99-00	PF-2000
Civic del Sol			4.2L F/I V8	09-10	PF-2000	5.4L F/I V8 - Mexico	1999	PF-2300
1.5L F/I L4	1995	PF-1200	5.0L F/I V8	2010	PF-2000	5.4L F/I V8 - SOHC	2000	PF-2300
1.6L F/I L4	95-97	PF-1200	XF Luxury			5.4L F/I V8 - US	1999	PF-2000
Civic DX			4.2L F/I V8	2009	PF-2000	Town Car		
1.5L F/I L4	1995	PF-1200	XFR			4.6L F/I V8	91-97	PF-2200
1.6L F/I L4	96-00	PF-1200	5.0L F/I V8	2010	PF-2000		98-05	PF-2000
Civic DX Hatchback			XJ			5.0L F/I V8	83-90	PF-2200
1.5L F/I L4	1995	PF-1200	3.0L F/I V6	2016	PF-2100	626		
Civic EX			XJ12			2.0L CARB L4	79-81	PF-1300
1.6L F/I L4	95-00	PF-1200	6.0L F/I V12	94-96	PF-1000	B1800		
Civic HX			XJ6			110 CARB L4	77-78	PF-1300
1.6L F/I L4	96-00	PF-1200	4.0L F/I L6	91-97	PF-1000	B2000		
Civic LX			XJ8			2.0L CARB L4	79-81	PF-1300
1.5L F/I L4	1995	PF-1200	4.0L F/I V8	98-03	PF-1000	B2300		
1.6L F/I L4	96-00	PF-1200	4.2L F/I V8	04-09	PF-1000	2.3L F/I L4	1994	PF-2200
Civic Si			XJR			2.3L F/I L4 - Mexico	95-97	PF-2200
1.6L F/I L4	95-97	PF-1200	4.0L F/I L6	95-97	PF-1000	2.3L F/I L4 - US	95-97	PF-2300
	99-00	PF-1200	4.0L F/I V8	98-03	PF-1000	B2500		
Civic VX			4.2L F/I V8	04-09	PF-1000	2.5L F/I L4	98-99	PF-2000
1.5L F/I L4	1995	PF-1200	5.0L F/I V8	2016	PF-2100	B3000		
CR-V			XJRS			3.0L F/I V6	1994	PF-2200
2.0L F/I L4	97-01	PF-1200	6.0L F/I V12	1993	PF-1000		98-99	PF-2000
Odyssey			XJS			3.0L F/I V6 - Canada	96-97	PF-2300
2.2L F/I L4	95-97	PF-1200	4.0L F/I L6	93-96	PF-1000	3.0L F/I V6 - Mexico	95-97	PF-2200
2.3L F/I L4	1998	PF-1200	6.0L F/I V12	94-95	PF-1000	3.0L F/I V6 - US	1995	PF-2300
Prelude			XK8			B4000		
2.2L F/I L4	98-01	PF-1200	4.0L F/I V8	97-02	PF-1000	4.0L F/I V6	1994	PF-2200
			4.2L F/I V8	03-04	PF-1000		98-99	PF-2000
				2006	PF-1000	4.0L F/I V6 - Mexico	95-97	PF-2200
INFINITI	Year(s)	Part#				4.0L F/I V6 - US	95-97	PF-2300
G20			XKR			Cosmo		
2.0L F/I L4	91-96	PF-1100	4.0L F/I V8	00-02	PF-1000	1.3L CARB R2	76-78	PF-1300
I30			4.2L F/I V8	03-04	PF-1000	GLC		
3.0L F/I V6	1999	PF-1100		2006	PF-1000	1.3L CARB L4	77-78	PF-1300
3.0L F/I V6 - Mexico	96-98	PF-1100	Grand Cherokee			1.4L CARB L4	1980	PF-1300
	2000	PF-1100	3.0L DSL V6	14-15	PF-4600	1.5L CARB L4	1981	PF-1300
M30			LINCOLN	Year(s)	Part#	86 CARB L4	1979	PF-1300
3.0L F/I V6	90-92	PF-1100	Blackwood			Navajo		
M45			5.4L F/I V8	2002	PF-2000	4.0L F/I V6	91-94	PF-2300
4.5L F/I V8 - Mexico	03-04	PF-1100	Continental			RX-3		
Q45			3.8L F/I V6	88-94	PF-2200	1.1L CARB R2	72-78	PF-1300
4.1L F/I V8	97-99	PF-1100	4.6L F/I V8	95-02	PF-2200	RX-4		
4.1L F/I V8 - Mexico	00-01	PF-1100	5.0L F/I V8	83-87	PF-2200	1.3L CARB R2	74-78	PF-1300
4.5L F/I V8	90-96	PF-1100	LS			RX-7		
QX4			3.0L F/I V6	00-02	PF-2000	1.1L CARB R2	79-81	PF-1300
3.3L F/I V6	97-00	PF-1100	3.9L F/I V8	00-02	PF-2000	Tribute		
3.5L F/I V6	01-03	PF-1100	Mark LT			2.0L F/I L4	01-04	PF-2200
			5.4L F/I V8	05-06	PF-2000	2.3L F/I L4	05-07	PF-2200
JAGUAR	Year(s)	Part#	Mark VI				2009	PF-2200
S-Type			5.0L F/I V8	1983	PF-2200	2.3L F/I L4 - Mexico	2008	PF-2200
3.0L F/I V6	00-08	PF-2000	Mark VII			2.3L F/I L4 - US	2008	PF-2300
4.0L F/I V8	00-02	PF-2000	5.0L F/I V8	84-92	PF-2200	2.5L F/I L4	09-11	PF-2300
4.2L F/I V8	03-08	PF-2000						
Super V8								
4.2L F/I V8	06-09	PF-1000						

PERFORMANCE FUEL FILTERS



MAZDA	Year(s)	Part#	MERCURY	Year(s)	Part#	NISSAN	Year(s)	Part#
Tribute			Milan			NX		
3.0L F/I V6	01-07	PF-2200	2.3L F/I L4 - Mexico	06-09	PF-2200	1.6L F/I L4	91-93	PF-1100
	09-11	PF-2300	3.0L F/I V6	06-09	PF-2000	2.0L F/I L4	91-93	PF-1100
3.0L F/I V6 - Mexico	2008	PF-2200	Montego			Pathfinder		
3.0L F/I V6 - US	2008	PF-2300	3.0L F/I V6	05-07	PF-2000	3.3L F/I V6	96-00	PF-1100
Tribute Hybrid			Monterey Van			3.5L F/I V6	01-04	PF-1100
2.3L F/I L4 - Mexico	2008	PF-2200	4.2L F/I V6	04-05	PF-2000	Pulsar NX		
2.3L F/I L4 - US	2008	PF-2300	Mountaineer			1.5L F/I L4	83-84	PF-1100
2.5L F/I L4	09-10	PF-2300	4.0L F/I V6	1998	PF-2300	1.6L F/I L4	87-90	PF-1100
				99-01	PF-2000	1.8L F/I L4	88-89	PF-1100
MERCURY	Year(s)	Part#	5.0L F/I V8	97-98	PF-2300	Quest		
Capri				99-01	PF-2000	3.3L F/I V6	99-03	PF-1100
2.3L F/I L4	83-84	PF-2200	Mystique			Sentra		
3.8L F/I V6	84-86	PF-2200	2.0L F/I L4	95-00	PF-2200	1.6L F/I L4	87-99	PF-1100
5.0L F/I V8	84-86	PF-2200	2.5L F/I V6	95-00	PF-2200	2.0L F/I L4	91-94	PF-1100
	87-91	PF-2200					98-99	PF-1100
Cougar			Sable			Stanza		
2.0L F/I L4	99-02	PF-2200	2.5L F/I L4	1986	PF-2200	2.0L F/I L4	84-89	PF-1100
2.3L F/I L4	84-86	PF-2200	3.0L F/I V6	86-00	PF-2200	Tsubame		
2.5L F/I V6	99-02	PF-2200	3.8L F/I V6	88-95	PF-2200	1.6L F/I L4	93-04	PF-1100
3.8L F/I V6	84-86	PF-2200	Topaz			Tsuru		
	1988	PF-2200	2.3L F/I L4	85-94	PF-2200	1.6L F/I L4	93-94	PF-1100
3.8L MFI V6	1987	PF-2200	3.0L F/I V6	92-94	PF-2200	2.0L F/I L4	93-98	PF-1100
3.8L TBI V6	1987	PF-2200	Tracer			Urvan		
5.0L F/I V8	83-90	PF-2200	1.8L F/I L4	91-96	PF-2200	2.4L F/I L4	00-01	PF-1100
5.0L F/I V8 - Mexico	91-93	PF-2200	1.9L F/I L4	91-96	PF-2200	Xterra		
Grand Marquis			Villager			2.4L F/I L4	00-04	PF-1100
3.0L F/I V6	05-08	PF-2200	3.3L F/I V6	99-02	PF-1100	3.3L F/I V6	00-04	PF-1100
4.6L F/I V8	92-97	PF-2200				Fury		
	99-11	PF-2000	MERKUR	Year(s)	Part#	225 1 BBL. L6 - Exc.	77-78	PF-1300
4.6L F/I V8 - Mexico	1998	PF-2200	XR4Ti			Calif		
4.6L F/I V8 - US	1998	PF-2000	2.3L F/I L4	85-89	PF-2200	225 2 BBL. L6 - Exc.	77-78	PF-1300
5.0L F/I V8	83-91	PF-2200	NISSAN	Year(s)	Part#	Calif		
5.8L CARB V8	82-85	PF-1300	200SX			318 2 BBL. V8 - Exc.	1978	PF-1300
LN7			1.6L F/I L4	95-98	PF-1100	Calif		
1.6L F/I L4	1983	PF-2200	2.0L F/I L4	95-98	PF-1100	318 4 BBL. V8 - Exc.	1978	PF-1300
Lynx			240SX			Calif		
1.6L F/I L4	1983	PF-2200	2.4L F/I L4	89-98	PF-1100	360 2 BBL. V8 - Exc.	77-78	PF-1300
1.6L F/I L4 - Exc.	1984	PF-2200	300ZX			Calif		
Turbo			3.0L F/I V6	84-89	PF-1100	360 4 BBL. V8 - Exc.	77-78	PF-1300
1.9L F/I L4	86-87	PF-2200	720			Calif		
Marauder			2.0L CARB L4	85-86	PF-1100	400 CARB V8 - Exc.	75-78	PF-1300
4.6L F/I V8	03-04	PF-2000	2.4L CARB L4	1985	PF-1100	Calif		
Mariner			2.4L F/I L4	1986	PF-1100	440 CARB V8 - Exc.	77-78	PF-1300
2.3L F/I L4	05-07	PF-2200	Axxess			Calif		
2.3L F/I L4 - Mexico	2008	PF-2200	2.4L F/I L4	90-95	PF-1100	PB100		
2.3L F/I L4 - US	2008	PF-2300	Frontier			225 CARB L6	1978	PF-1300
2.5L F/I L4	09-11	PF-2300	2.4L F/I L4	98-04	PF-1100	225 CARB L6 - In-line	79-80	PF-1300
3.0L F/I V6	05-07	PF-2200	3.3L F/I V6	99-04	PF-1100	Filter		
	08-11	PF-2300	Hikari			318 2 BBL. V8	1979	PF-1300
Mariner Hybrid			1.6L F/I L4	90-92	PF-1100	318 4 BBL. V8	1979	PF-1300
2.3L F/I L4	06-07	PF-2200	Lucino			318 CARB V8	1978	PF-1300
2.3L F/I L4 - Mexico	2008	PF-2200	1.6L F/I L4	96-99	PF-1100	360 CARB V8	1978	PF-1300
2.3L F/I L4 - US	2008	PF-2300	2.0L F/I L4	96-99	PF-1100	PB150 Van		
2.5L F/I L4	09-11	PF-2300	Maxima			3.7L CARB L6 - In-line	1981	PF-1300
			3.0L F/I V6	85-99	PF-1100	Filter		
Marquis			Multi			5.2L CARB V8	1981	PF-1300
3.8L F/I V6	84-86	PF-2200	2.0L F/I L4	86-88	PF-1100	PB200		
5.0L F/I V8	1985	PF-2200				225 CARB L6	1978	PF-1300



PERFORMANCE FUEL FILTERS

PLYMOUTH	Year(s)	Part#
-----------------	----------------	--------------

PB200

225 CARB L6 - In-line Filter	1980	PF-1300
318 2 BBL. V8	79-80	PF-1300
318 4 BBL. V8	79-80	PF-1300
318 CARB V8	1978	PF-1300
360 CARB V8	78-80	PF-1300
400 CARB V8	1978	PF-1300
440 CARB V8	1978	PF-1300

PB250 Van

3.7L CARB L6 - In-line Filter	1981	PF-1300
5.2L CARB V8	1981	PF-1300
5.9L CARB V8	1981	PF-1300

PB300

318 CARB V8	78-80	PF-1300
360 CARB V8	78-80	PF-1300
400 CARB V8	1978	PF-1300
440 CARB V8	1978	PF-1300

PB350 Van

5.2L CARB V8	1981	PF-1300
5.9L CARB V8	1981	PF-1300

Trailduster

225 CARB L6	1978	PF-1300
225 CARB L6 - In-line Filter	79-80	PF-1300
318 2 BBL. V8	1979	PF-1300
318 4 BBL. V8	1979	PF-1300
318 CARB V8	1978	PF-1300
	1980	PF-1300
360 2 BBL. V8	1979	PF-1300
360 4 BBL. V8	1979	PF-1300
360 CARB V8	1978	PF-1300
	1980	PF-1300
400 CARB V8	1978	PF-1300
440 CARB V8	1978	PF-1300
5.2L CARB V8	1981	PF-1300
5.9L CARB V8	1981	PF-1300

Volare

225 1 BBL. L6 - Exc. Calif	77-78	PF-1300
225 2 BBL. L6 - Exc. Calif	77-78	PF-1300
225 CARB L6 - Exc. Calif	1979	PF-1300
318 2 BBL. V8 - Exc. Calif	1978	PF-1300
318 4 BBL. V8 - Exc. Calif	1978	PF-1300
360 2 BBL. V8 - Exc. Calif	77-78	PF-1300
360 4 BBL. V8 - Exc. Calif	77-78	PF-1300

RAM	Year(s)	Part#
------------	----------------	--------------

1500

3.0L DSL V6	14-17	PF-4500
-------------	-------	---------

ProMaster 1500

3.0L DSL L4	14-15	PF-4400
-------------	-------	---------

Testing Facilities and Methods

K&N® maintains testing facilities in the USA, the UK and the Netherlands. These facilities incorporate both airflow and horsepower/torque testing capabilities. Our horsepower/torque testing is performed on wheel-based dynamometers, which measure SAE corrected brake horsepower and torque at the wheel(s) receiving power from the drive train. This is different and we believe more realistic than horsepower/torque testing done at the flywheel of an engine because the power lost between the engine and the wheels does not contribute to the power needed to put a vehicle in motion. Our standard SAE corrected horsepower/torque testing is designed to measure relative power differences on a vehicle with and without K&N products installed. We attempt to hold all other variables constant to generate a reliable measurement of changes in SAE corrected horsepower and torque on a vehicle before and after a K&N product is installed.

To test the dust filtration efficiency for a particular air filter, we use both an independent lab and our own dirt retention laboratory to conduct such tests in accordance with the ISO 5011 testing procedure.

K&N® Estimated Horsepower Gains

K&N® provides estimated SAE corrected horsepower gains that are based on actual dynamometer testing for a specific or similar vehicle. The actual horsepower increase a consumer will receive will vary depending on such things as vehicle condition, fuel, weather and other circumstances. It would be impractical to test every possible vehicle configuration or year in which a particular engine may be used; therefore, many of our estimates are based upon similar engine/vehicle/year dynamometer testing that we believe to be representational for the vehicle listed.

K&N® Dynamometer Test Results

K&N® utilizes an inertial dynamometer (dyno) to determine the estimated SAE corrected horsepower of our intake kits and OE replacement air filters. This type of dyno does not actually measure horsepower, but rather measures acceleration. This measured acceleration is then multiplied by the mass of the drum (a constant mass) to obtain the force being applied to the drum, or in other words, the interface between the vehicle's tires and the dyno drum. Now that the force at this point is known, determining the torque is straightforward. The torque is calculated by multiplying the calculated force by the radius (again a constant) of the dyno's drum.

Now, torque is very simply and mathematically related to horsepower by the following equation:

$$\text{Horsepower} = \text{Torque} \times \text{RPM} / 5,252$$

From this equation, the SAE corrected horsepower can be determined.

According to the above explanation, the only variable being measured by the dyno is the acceleration of the drum. There are no adjustments (calibration) to be made by K&N on either the two-wheel or four-wheel drive dyno. The mass of the drum(s) is determined at the factory before shipping the dynamometers to K&N and the mass of the drum(s) are imbedded into the software. K&N does not have the ability to modify or adjust these values.

Furthermore, there are several factors that can affect the SAE corrected horsepower values as measured by K&N or at any other dyno facility. Some of these factors are:

- Consistency of test parameters
- Tire pressure
- Fuel octane rating
- Vehicle condition
- The atmospheric conditions (dyno correction factors can vary from engine electronic correction factors)

K&N has noticed that SAE corrected horsepower values will vary from day-to-day, while testing the same vehicle, due to the manner in which the vehicle's on-board computer adjusts for varying climate conditions. In other words, if a vehicle is tested at sea level on a sunny and warm day, the dyno will apply a SAE correction factor to adjust the conditions to a standard temperature and pressure (STP) and the vehicle's on-board computer will also apply certain set of operating parameters. If that same vehicle is tested at a high altitude, on a rainy and cold day, the dyno will again adjust to STP while the vehicle may adjust to a different correction factor than it did on the sea level test. Furthermore, some vehicles have required almost a 100 miles be logged on the vehicle in order to allow the on-board computer to reset itself to obtain accurate power readings.

While K&N pays close attention to these many factors, and is patient while performing dyno tests, we are not in the position to scrutinize the many facilities that perform dynamometer testing for the general public. Furthermore, we certainly do not have enough information to make a judgment on the validity of these tests.



CABIN AIR FILTER CLEANING INSTRUCTIONS

K&N® Washable Cabin Air Filter Cleaning Instructions

K&N® recommends servicing your washable cabin air filter every 12 months or 12,000 miles. This is similar to the typical recommended replacement interval for a disposable cabin air filter. Cleaning your K&N® Washable Cabin Air Filter requires the use of a K&N Refresher™ Kit by following these simple steps:

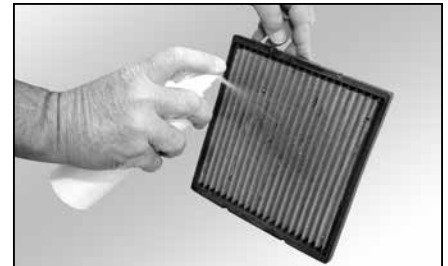
Step 1: Remove Filter

Remove the K&N® cabin air filter from the cabin air filter housing and or cabin air filter tray. Handling with care, remove loose dirt and debris from the filter by tapping it with your hand or against a hard surface.



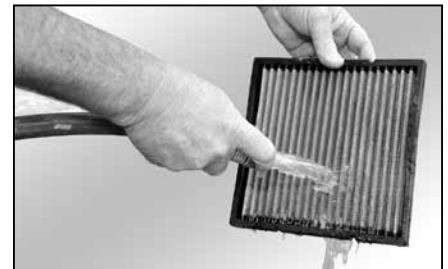
Step 2: Apply Cleaner

Spray a generous amount of K&N's specially formulated cabin air filter cleaner part# 99-0650 onto both sides of the filter, with a majority of it applied to the dirty side. Allow the cleaner to soak in for 10 minutes. Do not allow the cleaner to dry on the cabin air filter.



Step 3: Rinse Filter

Rinse off the filter element with cool or warm (not hot) water from the clean side out in order to flush the dirt out of the filter. It may be necessary to use your fingers on the hose, to apply light water pressure. Repeat steps 2 and 3, until the water flowing through the media is completely clear of any dirt and debris.



Step 4: Dry

After rinsing, gently shake off excess water. Allow filter to dry naturally for 20-30 minutes. The filter does not need to be completely dry and can be slightly damp before moving to the next step.

Step 5: Refreshing

Apply K&N® cabin air filter Refresher™ part# 99-0660 onto the cabin air filter element. Apply liberally, so that the entire area of the cabin air filter media is treated.



Step 6: Re-Install

Re-install the cabin air filter into the filter housing or tray. Follow original installation instructions that were provided with your K&N® cabin air filter.

Use only K&N® cabin air filter Refresher™ kit, and not K&N® engine air filter Recharger® kit. The above process is the only approved procedure for servicing your K&N® cabin air filter.

ENGINE AIR FILTER CLEANING INSTRUCTIONS

K&N® Engine Air Filter Cleaning Instructions

Most K&N® air filters will normally require cleaning every 50,000 miles. Servicing your K&N® oiled cotton air filter is simple; just follow the four easy steps below.

Step 1: Apply Cleaner

Liberal spray K&N® air filter cleaner or K&N® Power Kleen® onto both sides of filter and allow to soak for 10 minutes to loosen the dirt. Do not allow cleaner to dry on air filter.



Step 2: Rinse Filter

Rinse off air filter with cool low-pressure water from the clean side out in order to flush the dirt out of the filter. Continue to rinse the filter until all traces of cleaner are gone. It may be necessary to repeat steps 1 and 2.



Step 3: Dry Filter

After rinsing, gently shake off excess water and **allow filter to dry naturally**. Do not oil until the filter is dry.

Step 4: Oil Filter

Squeeze Oil (99-5050): Apply K&N® air filter oil evenly along the crown of each filter pleat. Allow oil to wick for approximately 20 minutes. Touch up any light areas on either side of the filter until there is a uniform red color on all areas.



Aerosol Oil (99-5000): Spray K&N® air filter oil evenly along the crown of each filter pleat holding nozzle about 3" away. Allow oil to wick for approximately 20 minutes. Touch up any light areas on either side of the filter until there is a uniform red color on all areas.



Recharger® Air Filter Cleaning Kit

Aerosol

Designed to clean cotton K&N® engine air filters. It restores airflow efficiency so your air filter performs virtually like new! Includes 6 1/2 oz. spray oil and 12 oz. filter cleaner. **Part# 99-5000**

Squeeze Oil

Same as 99-5000 except has squeeze oil bottle instead of spray can. Includes 8 oz. squeeze oil and 12 oz. filter cleaner. **Part# 99-5050**



99-5000

99-5050

Power Kleen™

K&N Power Kleen™ is a high-performance cleaner and degreaser used to remove road grime, engine exhaust and grease from cotton air filters. It is the only brand of cleaner recommended to clean K&N® engine air filter elements, and is now formulated to clean those troublesome and demanding cleaning jobs. It can remove oil, lubricants, grease, grime, and other deposits from most surfaces including cotton K&N® engine air filters, painted surfaces, chrome, plastic and more!



99-0621

99-0606

DESCRIPTION

DESCRIPTION	PART#
12 fl. oz. Spray Bottle	99-0606
32 fl. oz. Spray Bottle	99-0621
1 gal. Bottle	99-0635
5 gal. Pail	99-0640

Note: Do not use on polished or anodized aluminum.



Synthetic Air Filter Cleaner

K&N® synthetic air filter cleaner is perfect for K&N® Dryflow® air filters. This cleaner loosens and dissolves dirt and grime buildup on K&N® synthetic air filters. It comes in a 32 oz. spray bottle. **Part# 99-0624**

Heavy Duty Air Filter Cleaner

K&N® heavy duty air filter cleaner is used on K&N® heavy duty commercial grade air filters. It helps break down dirt and grime caught by the hybrid filter material so it can be rinsed out with a hose or pressure washer. It comes in a one-gallon bottle with a 38-inch hose and spray nozzle. **Part# 99-0638**



K&N® Air Filter Oil

K&N® air filter oil is the only oil specially formulated to work in combination with the cotton fabric in K&N® air filter elements, providing outstanding air filtration. It quickly penetrates the filter pleats, where it remains suspended in the cotton fabric until the element is cleaned with K&N® engine air filter cleaner.



99-11312

99-0504

99-0533

DESCRIPTION

DESCRIPTION	PART#
6 1/2 oz. Aerosol Can	99-0504
12 oz. Aerosol Can	99-0516
8 oz. Squeeze Bottle	99-0533
1/2 oz. Pillow Pack	99-11312
1 gal. Refill Bottle	99-0551
5 gal. Pail	99-0555

NEW!

K&N Refresher™ Cabin Air Filter Cleaning Kit

K&N's Refresher™ cabin air filter cleaning kit comes with a cleaner and a bottle of Refresher™. The cleaner loosens dirt from K&N® cabin air filters and helps remove trapped mold, fungus, allergens, and other debris from them. K&N's Refresher™ helps these filters trap contaminants and also helps eliminate the source of most odors.



Includes 12 oz. cabin air filter cleaner and 8 oz. cabin air filter

K&N® Sealing Grease

K&N® air filter sealing grease provides an air tight fit around sealing surfaces on all types of air filter elements. It resists heat and will not melt or run off.



99-0703-1

DESCRIPTION

DESCRIPTION	PART#
1 oz. Squeeze Tube	99-0703-1
6 oz. Squeeze Tube	99-0704

Note: K&N® air filter sealing grease is not to be used on clamp-on filter elements.



**PEDAL DOWN.
PULSE UP.**



**SUPERIOR AIRFLOW.
SUPERIOR PERFORMANCE.®**

Discover other performance air intake systems on our website.